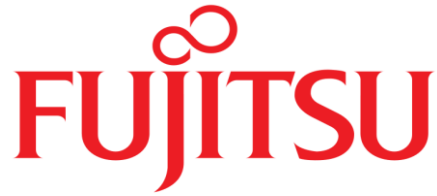


PRIMERGY RX2530 M5  
1U Rack Server  
Configurator for all base units



4x 3.5"



4x 2.5" /  
8x2,5"



Chapter	Folder	Content
	Cover	List of content, Instructions for usage of this configurator, abbreviations
	Description	System Description for easier understanding
1	Base	describes base unit of RX2530 M4
2		describes rack mount kits and services
3	CPU	Order code and Infos of E5-26xxv5 series processors
4	RAM	DDR4 System memory (RAM) and memory modes
5	GFX	Graphics-, Grid-cards, GPU and Xeon Co processors and other graphics options
6	HD_cage	n.a. - not required for PRIMERGY RX2530
7	RAID	SAS / RAID Controller and components
8	ODD	optical disk drives (DVD, DVD-rw, Blu ray)
9	Backup	LTO drives & RDX drive
10	HD SSD	Storage drives - PCIe SSD - SAS/SATA SSD & HDD
11		LAN Components
12	LAN_FC_IB	Fibre Channel Controller
13		Infiniband Controller
14	PSU	Power supply units, power cables, country specific opt.
15	USB devices	Keyboards, Mice, USB devices
16	others	System Management, ATD, RS232 port, TPM module
	LLC	Long life cycle components

# Instructions

This document contains basic product and configuration information supporting you in more complicated configurations.

In any case we recommend to use the PC-/SystemArchitect to make sure, that you configure a valid system.

This System configurator is divided into several chapters. They are identical to the current price list and PC-/SystemArchitect.

Please follow this document step by step from the top to the bottom.

## Chapter xx - description of chapter

Text fields with grey color offer extra information for related topics (e.g prerequisites, technical back ground, configuration rules, limitations, ...)

<b>S26361-F4610-E2</b>
<b>S26361-F4610-L3</b>
PLAN 2x1Gb Ethern. Controller
i350-T2 chip (based on Intel Powerville) offers 2x1Gb RJ45 connectors
PCIe Gen2 x4 full height card
max. 6x per system

<-- order code E-part (bold) --

<-- order code L-part (bold)

<-- "name" of this part

<--description of this part, in same cases as well description of content

<--requires a free PCIe slot --> means total amount of PCIe slots reduced

<--indicates how often this part can be configured in the related Server

### For further information see:

Link to datasheet:

[http:// xxx](http://xxx)

[http://ts.fujitsu.com/products/standard\\_servers/index.html](http://ts.fujitsu.com/products/standard_servers/index.html)

(internet)

[tps://partners.ts.fujitsu.com/com/order-supply/configurators/primergy\\_config/Pages/default.aspx](tps://partners.ts.fujitsu.com/com/order-supply/configurators/primergy_config/Pages/default.aspx)

(extranet)

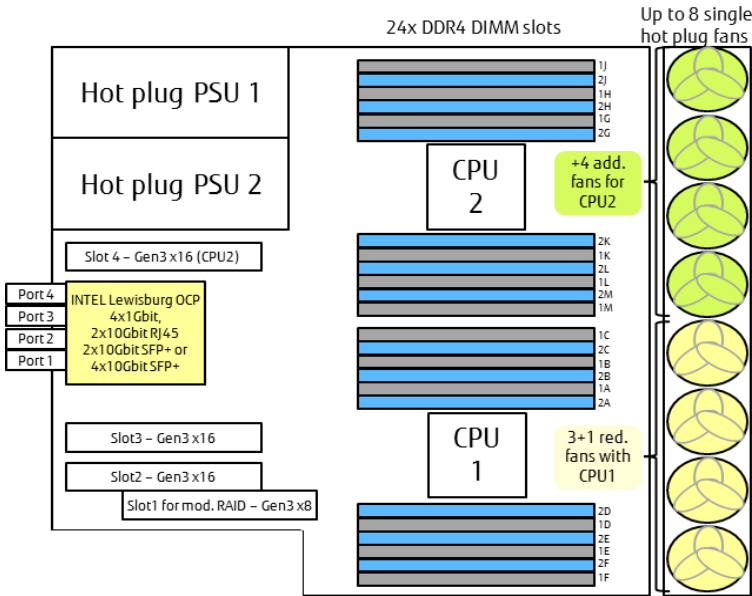
Fujitsu is providing the content of this document with very high accuracy. In case you identify a mistake, we would kindly encourage you to inform us. We kindly ask for understanding, that errors still may occur and that Fujitsu may change this document without notice

# Abbreviations

SAS	Drives, RAID	Serial attached SCSI Device (HDD, SSD, LTO drives); SAS2.0 = 6Gbit/s; SAS3.0 = 12Gbit/s
SATA	Drives, RAID	Serial ATA (HDD, SSD) current SATA speed = 6Gbit/s
HDD	Drives	Hard disk drive (Non volatile storage device), 2.5" (SFF) or 3.5" (LFF)
SSD	Drives	Solid state disk (Non volatile storage device), 2.5" (SFF)
SFF	Drives	small form factor (=2.5")
LFF	Drives	large form factor (=3.5")
CPU	Processor	central processing unit ("processor")
RAID	Drives, RAID	RAID 0 = max speed, RAID 1 = mirroring, RAID 5 = 1 out of x drives is spare
Spaces	OS	Microsoft spaces, optimized in Win2012 R2 offers software RAID and storage tiering
vSAN	OS	
storage tiering	RAID	offers optimized storage allocation (fast area for "hot data"; slower area for "cold data")
hot data	Drives	Data which are currently being processed
cold data	Drives	Data which are currently not processed (only stored)
ODD	Drives	optical disk drive (i.e. DVD-player, DVD-burner, Blu ray player, blu ray burner)
OS	operating system	OS=operating system - required for running, organize and administrating the server
E-Part	"Einbau-Part"	"e.g. S26361-F1234- <u>E</u> 240" ordercode with "E" means it is either integrated into to Server (CPU, Mem, ..) or integrated in the shipping box (Keyboard, Mouse, ..)
L-Part	"Lose Lieferung-Part"	"e.g. S26361-F1234- <u>L</u> 240" ordercode with "L" means, the part will be shipped with extra package, may be as well with extra shipment

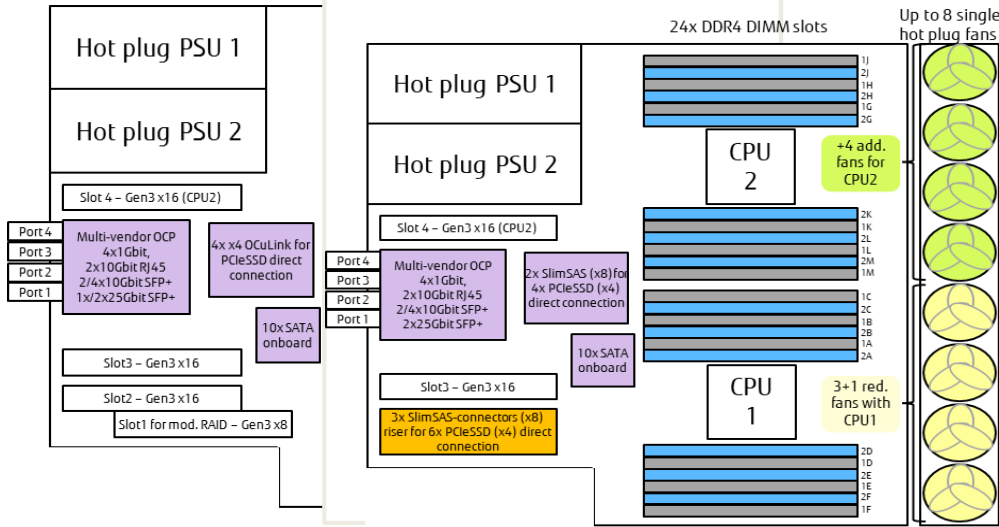
**PRIMERGY RX2530 M5: Schematics of the System board and fans**

**V101 / V301 / V401 // D3383-B**



**V501 // D3483-B**

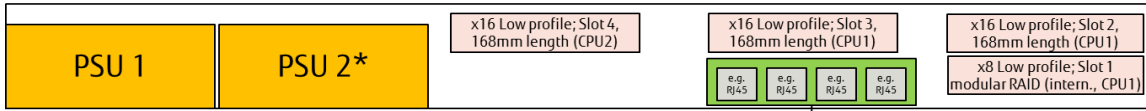
**V601 // D3483-B**



**PRIMERGY RX2530 M5 rear view with PSU, PCIe slots and dynamic LoM**

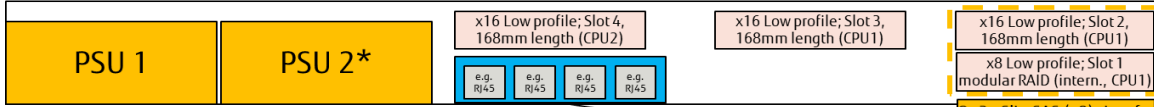
**RX2530 M5 V101 / V301 / V401 - Rear view**

\* - option



**RX2530 M5 V5xx / V601 - Rear view**

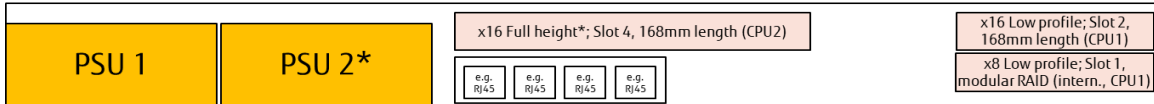
INTEL Lewisburg OCP



**Option all bases: Full height riser**

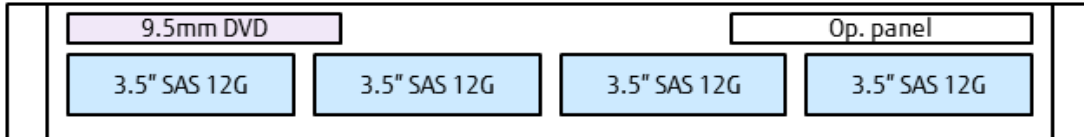
Multi vendor OCP: 25Gb requires 2<sup>nd</sup> CPU

Or 3x SlimSAS (x8) riser for 6x PCIeSSD (x4) direct connection

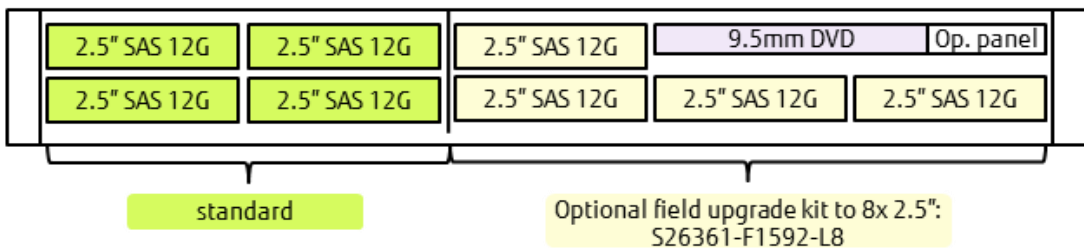


**PRIMERGY RX2530 M5 front view with drives and operation panel**

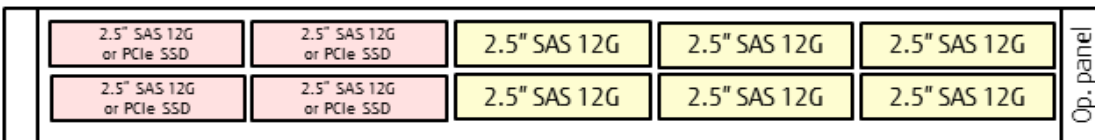
**RX2530 M5 V101: 4x3.5" - Front view**



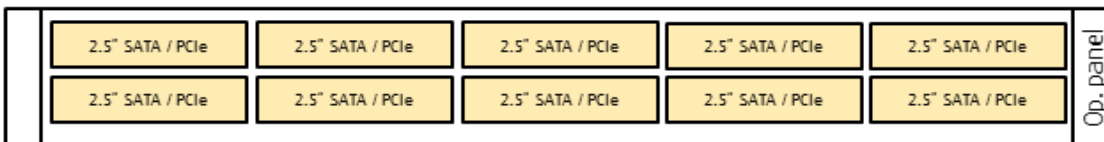
**RX2530 M5 V301: 4x2.5" - Front view**



**RX2530 M5 V501: 10x2.5" Combo- Front view**



**RX2530 M5 V601: 10x SATA / PCIe - Front view**



recommended components for RX2530 M5	#
Independant Mode installation	1x
PLAN EM 4x1Gb T interface card	1x
Region kit APAC/EMEA/India	1x
iRMC S5 advanced pack	1x
Modular PSU 450W platinum hot plug	2x

Start

**Power supply units & cooling**

The PRIMERGY RX2530 M5 offers bays for 1x or 2x direct attached hot plug (opt. redundant) power supply units of 450W, 800W and 1200W with up to 96% efficiency. The PRIMERGY RX2530 M5 comes equipped with ultimate performance processor heat pipes and 3+1 (1CPU) or 7+1 (2 CPU) high performance single hot plug fans (3+1 or 7+1 redundant).

**Server Management**

iRMC S5 (integrated Remote Management Controller) on-board with dedicated (or shared) 10/100/1000 Service LAN-port and integrated graphics controller. With the integrated onboard indicators and controls you can easily highlight failed components via LEDs. The LEDs can be displayed during service even without mains connection by simply pressing the "indicate CSS" button.

**Platform**

Fujitsu Systemboard D3383-B "made in Germany" based on Chipset Intel® C624 (Lewisburg) for V101, V301, V401.  
 Fujitsu Systemboard D3483-B "made in Germany" based on Chipset Intel® C624 (Lewisburg) for V501, V528, V546, V601.

- > 2 serial QPI links (Quick Path Interconnect)
- > Up to two Intel® Xeon® Processor Scalable Family CPUs (Cascade Lake, DCPMM)

**Slots:** per default, 4 PCIe slots are on Board - please see schematics in "description"

> 3 PCIe slots low profile, 167mm length @ first CPU:

Slot 1 **PCIe-Gen3 x8 (internal) - only for modular RAID/SAS controller**

Slot 2 **PCIe-Gen3 x16**

Slot 3 **PCIe-Gen3 x16**

> 1 PCIe slot low profile, 167mm length @ second CPU:

Slot 4 **PCIe-Gen3 x16**

PCIe controller population has to be according to internal or external connectivity requirements.

The system offers 1x internal x8 PCIe slot for SAS / RAID controllers and 3x freely configurable PCIe slots x16 for other PCIe controllers.

The required riser cards for the above configuration are part of the standard delivery.

Slot 4 can also be upgraded to PCIe Gen3 x16 full height, 167mm length (!Slot 3 and it's riser is not available in this case!)

**Onboard RAID 0/1 6Gbit/s**

available for up to 10x 2.5" SATA drives

**System RAM up to DDR4-2666 MHz or 2999MHz**

**3.072 GB memory with 24x DDR4 LRDIMMs (12 per CPU) or alternatively a mixture of 12 DIMMs and 12x DCPMM modules.**

Memory speed depends on CPU and configuration, please see folder "CPU" and "RAM" for further details.

**LAN**

**LAN on Motherboard with 2x1Gbit/s (RJ45) plus the high performance Chip Intel LBG4 with flexible LAN connections - options for 4x1Gbit/s (RJ45), 2x10Gbit/s (RJ45), 2x10Gbit/s (SFP+) and 4x10Gbit/s (SFP+) available.**

In addition, 2x25Gbit/s is offered on V501, V528, V546 and V601 base units.

**Software**

\* **ServerView Suite Software incl. ServerStart, ServerBooks, Management Software and Updates**

**Connectivity**

Interfaces at rear side

- 1 service LAN RJ45 (1 Gbit)
- 2x RJ45 with integrated LEDs for fixed onboard 1Gb LAN
- 1x VGA (15 pins)
- 2x USB 3.0 UHCI
- 1x serial 16550 interface
- Slot for interface cards from INTEL (or other vendors in V501/V528/V546) in OCP FF /w up to 4 LAN ports driven by Lewisburg chip

Interfaces at front

for base units with up to 8 HDD: 2x USB 3.0 and front VGA option  
 for base units with 10HDD: 1x USB2.0 (on "ear"), no front VGA option

Interfaces internal

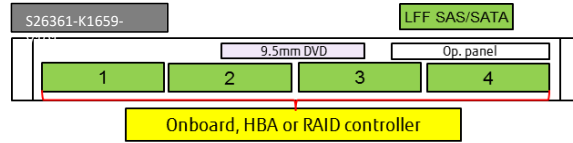
- 1x USB 3.0,
- 2x M.2
- 2x 4" SATA 6G

**Rack version for 19" racks with 1 height unit**  
 No PSU included in base unit  
 Basic unit is without CPU and Memory  
 For an orderable basic unit first CPU and one memory = first memory has to be selected

**Basic unit LFF with**

4x 3.5" HDD bays **S26361-K1659-V101**  
 4x 3.5" HDD bays (bulk) S26361-K1659-V111

No upgrade option LFF available  
**No CPU TDP limitation with ATD40 option, except for 6248R/6258R**  
**ATD45 max 150W, except for 6226R/6230R**

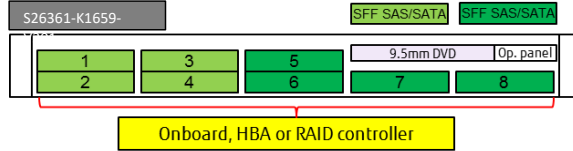


**Basic unit SFF with**

4x 2.5" HDD bays **S26361-K1659-V301**  
 4x 2.5" HDD bays (bulk) S26361-K1659-V311

Optional upgrade kit to 8x 2.5": S26361-F1592-L8

**No CPU TDP limitation with ATD40 option, except for 6248R/6258R**  
**ATD45 max 150W, except for 6226R/6230R**

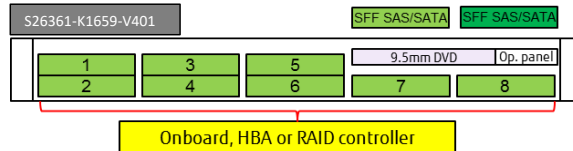


**Basic unit SFF with**

8x 2.5" HDD bays **S26361-K1659-V401**  
 8x 2.5" HDD bays (bulk) S26361-K1659-V411

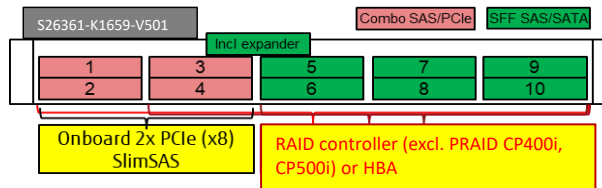
upgrade kit to 8x 2.5" preconfigured

**No CPU TDP limitation with ATD40 option, except for 6248R/6258R**  
**ATD45 max 150W, except for 6226R/6230R**



**10x 2.5" HDD bays S26361-K1659-V501**

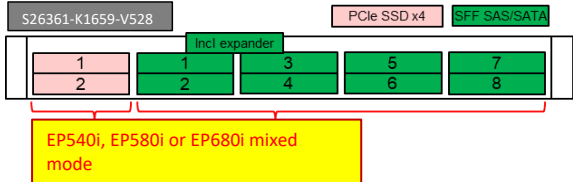
Contains MoBo D3483-B with Multi-vendor OCP and 4x x4 SlimSAS for PCIeSSD direct connection  
 Up to 10x SAS SFF devices possible  
**PCIe-SSD requires 2 CPUs.**  
**No CPU TDP limitation with ATD40 option, except for 6248R/6258R**  
**ATD45 max 150W, except for 6226R/6230R**



**Configuration derivative of V501**

8x 2.5" + 2x PCIe SSD **S26361-K1659-V528**

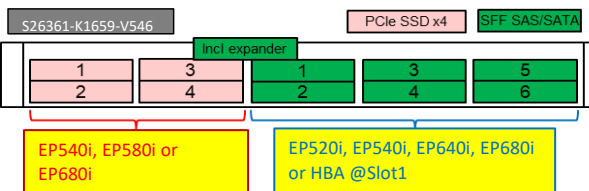
Contains MoBo D3483-B with Multi-vendor OCP and needs 1x PRAID EP540i, EP580i or EP680i for hybrid flash config.  
 Up to 8x SAS SFF devices possible  
**No CPU TDP limitation with ATD40 option, except for 6248R/6258R**  
**ATD45 max 150W, except for 6226R/6230R**



**Configuration derivative of V501**

6x 2.5" + 4x PCIe SSD RAID **S26361-K1659-V546**

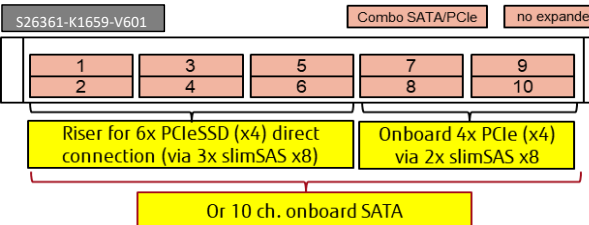
Contains MoBo D3483-B with Multi-vendor OCP and needs 2x PRAID EP5x0i for hybrid flash RAID config. Slot1: EP520i, EP540i, EP640i, EP680i or HBA  
 Up to 6x SAS SFF devices possible  
**No CPU TDP limitation with ATD40 option, except for 6248R/6258R**  
**ATD45 max 150W, except for 6226R/6230R**



28 / V546 may also be equipped with up to 10x SAS / SA

**10x 2.5" PCIe SSD AF / SATA S26361-K1659-V601**

Contains MoBo D3483-B with Multi-vendor OCP, 4x x4 SlimSAS, 10 ch. onboard SATA and additional 6x x4 SlimSAS riser for PCIeSSD direct connection  
**Only two lp PCIe slots available!**  
**No SAS HBA or RAID controller possible**  
**2 CPUs are mandatory**  
**No ATD in this base unit**



No SAS HBA, RAID and devices!

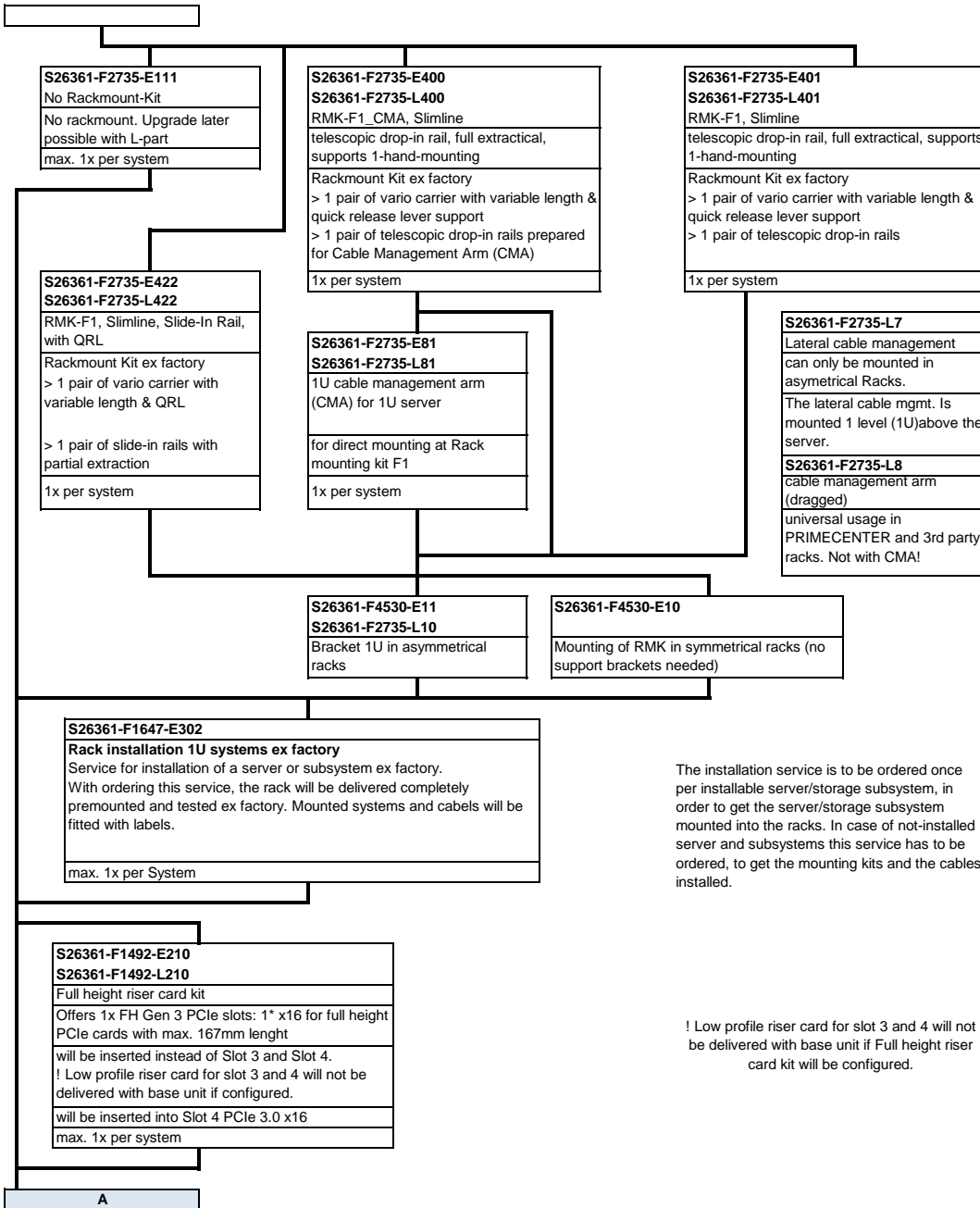
**Basic units Liquid Cooled for Performance Storage applications**

10x 2.5" LC performance storage S26361-K1659-V7xx  
 Configuration includes LC CPU and memory, ...  
**No Limitation: CPU 205W with ambient temperature max 45°C!**  
 Planned for special release only!

PRIMECENTER Rack



## Chapter 2 - Rack architecture



The installation service is to be ordered once per installable server/storage subsystem, in order to get the server/storage subsystem mounted into the racks. In case of not-installed server and subsystems this service has to be ordered, to get the mounting kits and the cables installed.

! Low profile riser card for slot 3 and 4 will not be delivered with base unit if Full height riser card kit will be configured.

## Chapter 3 - CPU

B

There are 2 processor sockets available. Please configure 1 or 2 Processors.

>> All processors have to be the same type.

>> With **one** processor OCP LOM, iRMC, 3x PCIe card slots (1x internal and 2x lp x16) and 12x DIMM slots are available

>> With **two** processors all 24x DIMM slots, 4x PCIe card slots (1x internal and 3x lp x16) are available.

>> To configure 2nd CPU an additional cooler kit is required.

>> Empty CPU slot have to be filled up with a CPU Dummy!

\* HT = Hyper Threading

Xeon Bronze 3200 - Basic (Shelf 1)		
64-bit Intel Xeon processor supporting DDR4 @ 2133MHz & UPI Bus @ 9.6 GT/s		
Xeon Bronze 3204 6C nHT 1.9 GHz 85W	S26361-F4082-E104	S26361-F4082-L104
Xeon Bronze 3206R 8C nHT 1.9GHz 85W	S26361-F4082-E806	S26361-F4082-L806
Xeon Silver 4200 - Standard (Shelf 2)		
64-bit Intel Xeon processor supporting HT*, DDR4 @ 2400 MHz & UPI Bus 9.6 GT/s		
Xeon Silver 4208 8C 2.1GHz 85W	S26361-F4082-E108	S26361-F4082-L108
Xeon Silver 4210 10C 2.2GHz 85W	S26361-F4082-E110	S26361-F4082-L110
Xeon Silver 4210R 10C 2.4GHz 100W	S26361-F4082-E811	S26361-F4082-L811
Xeon Silver 4214 12C 2.2GHz 85W	S26361-F4082-E114	S26361-F4082-L114
Xeon Silver 4214R 12C 2.4GHz 100W	S26361-F4082-E814	S26361-F4082-L814
Xeon Silver 4216 16C 2.1GHz 100W	S26361-F4082-E116	S26361-F4082-L116
Xeon Silver 4200 - Frequency Optimized (Shelf 2)		
64-bit Intel Xeon processor supporting HT*, DDR4 @ 2400 MHz & UPI Bus @ 9.6 GT/s		
Xeon Silver 4215 8C 2.5GHz 85W	S26361-F4082-E115	S26361-F4082-L115
Xeon Silver 4215R 8C 3.2GHz 130W	S26361-F4082-E815	S26361-F4082-L815
Xeon Gold 5200 - Advanced AEP enabled(Shelf 3)		
64-bit Intel Xeon processor supporting HT*, DDR4 @ 2666 MHz & UPI Bus @ 10.4 GT/s		
Xeon Gold 5215 10C 2.5GHz 85W	S26361-F4082-E215	S26361-F4082-L215
Xeon Gold 5217 8C 3.0GHz 85W	S26361-F4082-E217	S26361-F4082-L217
Xeon Gold 5218 16C 2.3GHz 125W	S26361-F4082-E218	S26361-F4082-L218
Xeon Gold 5218B 16C 2.3GHz 125W	S26361-F4082-E219	S26361-F4082-L219
Xeon Gold 5218R 20C 2.1GHz 125W	S26361-F4082-E818	S26361-F4082-L818
Xeon Gold 5220 18C 2.2GHz 125W	S26361-F4082-E220	S26361-F4082-L220
Xeon Gold 5220R 24C 2.2GHz 150W	S26361-F4082-E820	S26361-F4082-L820
Xeon Gold 5200 - Advanced AEP enabled (Shelf 3)		
64-bit Intel Xeon processor supporting HT*, DDR4 @ 2933 MHz & UPI Bus @ 10.4 GT/s		
Xeon Gold 5222 4C 3.8GHz 105W	S26361-F4082-E222	S26361-F4082-L222
Xeon Gold 5200S - Search Optimized (Shelf 3)		
64-bit Intel Xeon processor supporting HT*, DDR4 @ 2666 MHz & UPI Bus @ 10.4 GT/s		
Xeon Gold 5220S 18C 2.6GHz 125W	S26361-F4082-E221	S26361-F4082-L221
Xeon Gold 6200 - Advanced AEP enabled (Shelf 4)		
64-bit Intel Xeon processor supporting HT*, DDR4 @ 2933 MHz & UPI Bus @ 10.4 GT/s		
Xeon Gold 6226 12C 2.8GHz 125W	S26361-F4082-E326	S26361-F4082-L326
Xeon Gold 6226R 16C 2.9GHz 150W	S26361-F4082-E826	S26361-F4082-L826
Xeon Gold 6230 20C 2.1GHz 125W	S26361-F4082-E330	S26361-F4082-L330
Xeon Gold 6230R 26C 2.1GHz 150W	S26361-F4082-E830	S26361-F4082-L830
Xeon Gold 6234 8C 3.4GHz 130W	S26361-F4082-E334	S26361-F4082-L334
Xeon Gold 6238 22C 2.1GHz 140W	S26361-F4082-E338	S26361-F4082-L338
Xeon Gold 6238R 28C 2.2GHz 165W	S26361-F4082-E838	S26361-F4082-L838
Xeon Gold 6240 18C 2.6GHz 150W	S26361-F4082-E340	S26361-F4082-L340
Xeon Gold 6240R 24C 2.4GHz 165W	S26361-F4082-E840	S26361-F4082-L840
Xeon Gold 6242 16C 2.8GHz 150W	S26361-F4082-E342	S26361-F4082-L342
Xeon Gold 6242R 20C 3.1GHz 205W	S26361-F4082-E842	S26361-F4082-L842
Xeon Gold 6244 8C 3.6GHz 150W	S26361-F4082-E344	S26361-F4082-L344
Xeon Gold 6246 12C 3.3GHz 165W	S26361-F4082-E346	S26361-F4082-L346
Xeon Gold 6246R 16C 3.4GHz 205W	S26361-F4082-E846	S26361-F4082-L846
Xeon Gold 6248 20C 2.5GHz 150W	S26361-F4082-E348	S26361-F4082-L348
Xeon Gold 6248R 24C 3.0GHz 205W	S26361-F4082-E848	S26361-F4082-L848
Xeon Gold 6250 8C 3.9GHz 185W	S26361-F4082-E850	S26361-F4082-L850
Xeon Gold 6252 24C 2.1GHz 150W	S26361-F4082-E352	S26361-F4082-L352
Xeon Gold 6254 18C 3.1GHz 200W	S26361-F4082-E354	S26361-F4082-L354
Xeon Gold 6256 12C 3.6GHz 205W	S26361-F4082-E856	S26361-F4082-L856
Xeon Gold 6258R 28C 2.7GHz 205W	S26361-F4082-E858	S26361-F4082-L858
Xeon Gold 6200V - VM Density Optimized AEP enabled (Shelf 4)		
64-bit Intel Xeon processor supporting HT*, DDR4 @ 2933 MHz & UPI Bus @ 10.4 GT/s		
Xeon Gold 6222V 20C 1.8GHz 115W	S26361-F4082-E322	S26361-F4082-L322
Xeon Gold 6262V 24C 1.9GHz 135W	S26361-F4082-E362	S26361-F4082-L362

B1

\* not allowed for Energy Star 3.0

B1

<b>Xeon Platinum 8200 Advanced AEP enabled (Shelf 5)</b>		
64-bit Intel Xeon processor supporting HT*, DDR4 @ 2933 MHz & UPI Bus @ 10.4 GT/s		
Xeon Platinum 8260 24C 2.4GHz 165W	S26361-F4082-E360	S26361-F4082-L360
Xeon Platinum 8268 24C 2.9GHz 205W	S26361-F4082-E368	S26361-F4082-L368
Xeon Platinum 8270 26C 2.7GHz 205W	S26361-F4082-E370	S26361-F4082-L370
Xeon Platinum 8276 28C 2.3GHz 165W	S26361-F4082-E376	S26361-F4082-L376
Xeon Platinum 8280 28C 2.7GHz 205W	S26361-F4082-E380	S26361-F4082-L380
<b>Xeon Gold 5200M - Advanced (Shelf 3; 2.0TB p. Socket)</b>		
64-bit Intel Xeon processor supporting HT*, DDR4 @ 2666 MHz & UPI Bus @ 10.4 GT/s		
Xeon Platinum 5215M 10C 2.5GHz 85W	S26361-F4082-E415	S26361-F4082-L415
<b>Xeon Gold 6200M - Advanced (Shelf 4; 2.0TB p. Socket)</b>		
64-bit Intel Xeon processor supporting HT*, DDR4 @ 2933 MHz & UPI Bus @ 10.4 GT/s		
Xeon Gold 6238M 22C 2.1GHz 140W	S26361-F4082-E438	S26361-F4082-L438
Xeon Gold 6240M 18C 2.6GHz 150W	S26361-F4082-E440	S26361-F4082-L440
<b>Xeon Platinum 8200M - Advanced (2.0 TB p. Socket)</b>		
64-bit Intel Xeon processor supporting HT*, DDR4 @ 2933 MHz & UPI Bus @ 10.4 GT/s		
Xeon Platinum 8260M 24C 2.4GHz 165W	S26361-F4082-E460	S26361-F4082-L460
Xeon Platinum 8276M 28C 2.3GHz 165W	S26361-F4082-E476	S26361-F4082-L476
Xeon Platinum 8280M 28C 2.7GHz 205W	S26361-F4082-E480	S26361-F4082-L480
<b>Xeon Gold 5200L - Advanced (Shelf 3; 4.5TB p. Socket)</b>		
64-bit Intel Xeon processor supporting HT*, DDR4 @ 2666 MHz & UPI Bus @ 10.4 GT/s		
Xeon Platinum 5215L 10C 2.5GHz 85W	S26361-F4082-E515	S26361-F4082-L515
<b>Xeon Gold 6200L - Advanced (Shelf 4; 4.5TB p. Socket)</b>		
64-bit Intel Xeon processor supporting HT*, DDR4 @ 2933 MHz & UPI Bus @ 10.4 GT/s		
Xeon Gold 6238L 22C 2.1GHz 140W	S26361-F4082-E538	S26361-F4082-L538
Xeon Gold 6240L 18C 2.6GHz 150W	S26361-F4082-E540	S26361-F4082-L540
<b>Xeon Platinum 8200L - Advanced (Shelf 5; 4.5TB p. Socket)</b>		
64-bit Intel Xeon processor supporting HT*, DDR4 @ 2933 MHz & UPI Bus @ 10.4 GT/s		
Xeon Platinum 8260L 24C 2.4GHz 165W	S26361-F4082-E560	S26361-F4082-L560
Xeon Platinum 8276L 28C 2.3GHz 165W	S26361-F4082-E576	S26361-F4082-L576
Xeon Platinum 8280L 28C 2.7GHz 205W	S26361-F4082-E580	S26361-F4082-L580
<b>Xeon Silver 4200Y - Speed Select (Shelf 2)</b>		
64-bit Intel Xeon processor supporting HT*, DDR4 @ 2400 MHz & UPI Bus @ 9.6 GT/s		
Xeon Silver 4214Y 8/10/12C 2.2GHz 85W	S26361-F4082-E614	S26361-F4082-L614
<b>Xeon Gold 6200Y - Speed Select (Shelf 4)</b>		
64-bit Intel Xeon processor supporting HT*, DDR4 @ 2933 MHz & UPI Bus @ 10.4 GT/s		
Xeon Gold 6240Y 8/14/18C 2.6GHz 150W	S26361-F4082-E640	S26361-F4082-L640
<b>Xeon Platinum 8200Y - Speed Select (Shelf 5)</b>		
64-bit Intel Xeon processor supporting HT*, DDR4 @ 2933 MHz & UPI Bus @ 10.4 GT/s		
Xeon Platinum 8260Y 16/20/24C 2.4GHz 165W	S26361-F4082-E660	S26361-F4082-L660
<b>Xeon Gold 6200U - Single Socket (Shelf 4)</b>		
64-bit Intel Xeon processor supporting HT*, DDR4 @ 2933 MHz & UPI Bus @ 10.4 GT/s		
Xeon Gold 6208U 16C 2.9GHz 150W	S26361-F4082-E808	
Xeon Gold 6209U 20C 2.1GHz 125W	S26361-F4082-E809	
Xeon Gold 6210U 20C 2.5GHz 150W	S26361-F4082-E810	
Xeon Gold 6212U 24C 2.4GHz 150W	S26361-F4082-E812	
<b>Xeon Gold 6200T - Embedded SKUs</b>		
64-bit Intel Xeon processor supporting HT*, DDR4 @ 2933 MHz & UPI Bus @ 10.4 GT/s		
Xeon Gold 6230T 20C 2.1GHz 125W	S26361-F4082-E930	S26361-F4082-L930
Xeon Gold 6238T 22C 1.9GHz 125W	S26361-F4082-E938	S26361-F4082-L938
<b>Cooler Kit (see comment above; for upgrade please use according kit to the selected CPU)</b>		
Cooling Kit 2nd CPU	S26361-F3849-E100	
Cooling kit up to 130W TDP; no ATD, 4x Single Rotor Fan		S26361-F4051-L830
Cooling kit up to 160W TDP; no ATD, 4x Dual Rotor Fan		S26361-F4051-L831
Cooling kit up to 205W TDP; ATD supported, 4x Dual Rotor Fan		S26361-F4051-L832

C

For configuring a 2nd CPU please order the required

## Chapter 4 - DDR4 System memory

### C

Each CPU offers 12 Slots for DDR4 Memory Modules organised in 2 Banks and 6 Channels with 2 Memory Controllers (3 Channels each).  
If you need more than 12 Slots you have to configure the 2nd CPU.  
Depending on the amount of memory configured you can decide between 3 basic modes of operation (see explanation below).

There are different kinds of DDR4 Memory Modules available: RDIMM x4, RDIMM x8, LRDIMM.  
Mix of these different kind of memories is not allowed.  
In addition DCPMM (Data Center Persistent Memory) is available and can be mixed with all kind of memory modules.

Supported memory capacities per CPU:  
768 GB DDR4 RDIMM (12x 64GB 2Rx4)  
1.536 GB DDR4 LRDIMM (12x 128GB 4Rx4/8Rx4) **(CPU type with "M" at the end is required)**  
960 GB with 6x DDR4 32 GB & 6x DCPMM 128 GB **(Standard CPU with type Gold or type Platinum is required; exception is the Xeon Silver 4215 & 4215R SKU)**

**If DCPMM 128 GB is combined with 64 GB or 128 GB Memory module CPU type with "M" at the end is required!**

1.920 GB with 6x DDR4 64 GB & 6x DCPMM 256 GB (CPU type with "M" at the end is required)

**If DCPMM 256 GB is combined with 128 GB Memory module CPU type with "L" at the end is required!**

3.840 GB with 6x DDR4 128 GB & 6x DCPMM 512 GB (CPU type with "L" at the end is required)

Supported memory capacities per System:  
1.536GB using RDIMM  
3.072GB using LRDIMM technology with 128GB per module  
7.680 GB using LRDIMM technology with 128GB per module and 512 GB DCPMM

The memory speed is independent from the configuration (1DPC or 2DPC) but restricted by the CPU SKU (max. 2.933 MT/s).  
DDR4 memory is operated at 1.2V

<b>S26361-F3694-E10</b>	Independent Mode Installation
Independent Channel Mode allows all channels to be populated in any order. No specific Memory RAS features are defined. 2 different DIMMs are allowed.	
Requires minimum 1 memory Module per CPU	
<b>S26361-F3694-E1</b>	Rank Sparing Mode Installation
BIOS Setup factory preinstalled to this mode. One Rank is spare of other ranks on the same channel. Spare Rank is not shown in System Memory. For effective capacity within a channel, please have a look below. Only one DIMM type is allowed. <b>Not supported with DCPMM modules!</b>	
Requires minimum 2x 1R/2R or 1x 4R/8R modules per CPU	
<b>S26361-F3694-E3</b>	Mirrored Channel Mode Installation
BIOS preconfiguration for Mirror mode. Two or three identical memory modules are always equipped at one memory controller to use the mirrored channel mode. Half of the modules contain active data, the remaining modules contain mirrored data. See details below. Only one DIMM type is allowed. <b>Not supported with DCPMM modules!</b>	
Multiple of 6 identical modules to be configured per CPU	



Resulting memory capacity / Rank Sparing Mode, 1 Channel populated																								
	RDIMM x8				RDIMM x4				LRDIMM															
	8GB	1R	16GB	2R	16GB	1R	32GB	2R	64GB	2R	64GB	4R	128GB	4R										
1DPC	8GB				16GB				32GB				48GB				96GB							
2DPC	8GB				16GB				48GB				96GB				112GB				224GB			



Apparently 3DS-DIMMs don't behave like 4Rx4 modules but as 2Rx4; same situation for 8Rx4 organized modules (=> 2Rx4).  
Result is, that in rank-sparing mode the memory loss is half of one module capacity. This is shown in table above.

DDR4 rg 2933 xRx8			
8GB (1x8GB) 1Rx8 DDR4-2933 R ECC	<b>S26361-F4083-E108</b>	<b>S26361-F4083-L108</b>	
16GB (1x16GB) 2Rx8 DDR4-2933 R ECC	<b>S26361-F4083-E116</b>	<b>S26361-F4083-L116</b>	

DDR4 rg 2933 xRx4			
16GB (1x16GB) 1Rx4 DDR4-2933 R ECC	<b>S26361-F4083-E316</b>	<b>S26361-F4083-L316</b>	
32GB (1x32GB) 2Rx4 DDR4-2933 R ECC	<b>S26361-F4083-E332</b>	<b>S26361-F4083-L332</b>	
64GB (1x64GB) 2Rx4 DDR4-2933 R ECC	<b>S26361-F4083-E364</b>	<b>S26361-F4083-L364</b>	

DDR4 lr 2933			
64GB (1x64GB) 4Rx4 DDR4-2933 LR ECC	<b>S26361-F4083-E464</b>	<b>S26361-F4083-L464</b>	
128GB (1x128GB) 4Rx4 DDR4-2933 LR ECC	<b>S26361-F4083-E428</b>	<b>S26361-F4083-L428</b>	

### C1

## DCPMM configuration section (128 GB Modules)

C1



**Only one type of DCPMM is allowed per system!**  
**Only one DCPMM package and one Memory package is allowed per CPU!**  
**Every CPU has to have the same DCPMM & Memory configuration!**  
**Liquid cooling base unit does not support DCPMM**

DCPMM 128GB 2666 (Apache Pass)		
128GB (1x128GB) DCPMM-2666	S26361-F4083-E501	S26361-F4083-L501

Available Memory Packages		
192GB (6x32GB) 2Rx4 DDR4-2933 R ECC	S26361-F4083-E333	
384GB (6x64GB) 4Rx4 DDR4-2933 LR ECC	S26361-F4083-E465	

DCPMM 128GB 2666 (Apache Pass)		
256GB (2x128GB) DCPMM-2666	S26361-F4083-E521	
512GB (4x128GB) DCPMM-2666	S26361-F4083-E541	
768GB (6x128GB) DCPMM-2666	S26361-F4083-E561	

Available Memory Packages		
96GB (6x16GB) 1Rx4 DDR4-2933 R ECC	S26361-F4083-E317	
192GB (6x32GB) 2Rx4 DDR4-2933 R ECC	S26361-F4083-E333	
384GB (6x64GB) 4Rx4 DDR4-2933 LR ECC	S26361-F4083-E465	

DCPMM 128GB 2666 (Apache Pass)		
768GB (6x128GB) DCPMM-2666	S26361-F4083-E561	

Available Memory Packages		
768GB (6x128GB) 4Rx4 DDR4-2933 LR ECC	S26361-F4083-E430	

DCPMM 128GB 2666 (Apache Pass)		
256GB (2x128GB) DCPMM-2666	S26361-F4083-E521	

Available Memory Packages		
64GB (4x16GB) 1Rx4 DDR4-2933 R ECC	S26361-F4083-E318	
128GB (4x32GB) 2Rx4 DDR4-2933 R ECC	S26361-F4083-E334	
256GB (4x64GB) 4Rx4 DDR4-2933 LR ECC	S26361-F4083-E466	
128GB (8x16GB) 1Rx4 DDR4-2933 R ECC	S26361-F4083-E319	
256GB (8x32GB) 2Rx4 DDR4-2933 R ECC	S26361-F4083-E335	
512GB (8x64GB) 4Rx4 DDR4-2933 LR ECC	S26361-F4083-E467	

C2

**DCPMM configuration section (256 & 512 GB Modules)**

C2

DCPMM 256GB 2666 (Apache Pass)		
256GB (1x256GB) DCPMM-2666		S26361-F4083-L502
512GB (2x256GB) DCPMM-2666	S26361-F4083-E522	
1024GB (4x256GB) DCPMM-2666	S26361-F4083-E542	
1536GB (6x256GB) DCPMM-2666	S26361-F4083-E562	

Available Memory Packages		
96GB (6x16GB) 1Rx4 DDR4-2933 R ECC	S26361-F4083-E317	
192GB (6x32GB) 2Rx4 DDR4-2933 R ECC	S26361-F4083-E333	
384GB (6x64GB) 4Rx4 DDR4-2933 LR ECC	S26361-F4083-E465	

DCPMM 256GB 2666 (Apache Pass)		
1536GB (6x256GB) DCPMM-2666	S26361-F4083-E562	

Available Memory Packages		
768GB (6x128GB) 4Rx4 DDR4-2933 LR ECC	S26361-F4083-E430	

DCPMM 256GB 2666 (Apache Pass)		
512GB (2x256GB) DCPMM-2666	S26361-F4083-E522	

Available Memory Packages		
64GB (4x16GB) 1Rx4 DDR4-2933 R ECC	S26361-F4083-E318	
128GB (4x32GB) 2Rx4 DDR4-2933 R ECC	S26361-F4083-E334	
256GB (4x64GB) 4Rx4 DDR4-2933 LR ECC	S26361-F4083-E466	
128GB (8x16GB) 1Rx4 DDR4-2933 R ECC	S26361-F4083-E319	
256GB (8x32GB) 2Rx4 DDR4-2933 R ECC	S26361-F4083-E335	
512GB (8x64GB) 4Rx4 DDR4-2933 LR ECC	S26361-F4083-E467	

DCPMM 512GB 2666 (Apache Pass)		
512GB (1x512GB) DCPMM-2666		S26361-F4083-L503
2048GB (4x512GB) DCPMM-2666	S26361-F4083-E543	
3072GB (6x512GB) DCPMM-2666	S26361-F4083-E563	

Available Memory Packages		
384GB (6x64GB) 4Rx4 DDR4-2933 LR ECC	S26361-F4083-E465	

DCPMM 512GB 2666 (Apache Pass)		
3072GB (6x512GB) DCPMM-2666	S26361-F4083-E563	

Available Memory Packages		
768GB (6x128GB) 4Rx4 DDR4-2933 LR ECC	S26361-F4083-E430	

D



## Detailed information

Mode	Configuration	RDIMM		Use case, advantage
		x8	RDIMM LRDIMM x4	
SDDC (chipkill) support	any	no	yes	supports detecting multi-bit errors
Independant channel mode	1 or 2 Modules per Bank	yes	yes	offers max. flexibility, upgradeability, capacity
Mirrored channel mode *)	6 identical Modules / Bank	no	yes	offers maximum security
Rank sparing mode *)	min. 2 Ranks / Channel	no	yes	balances performance and capacity

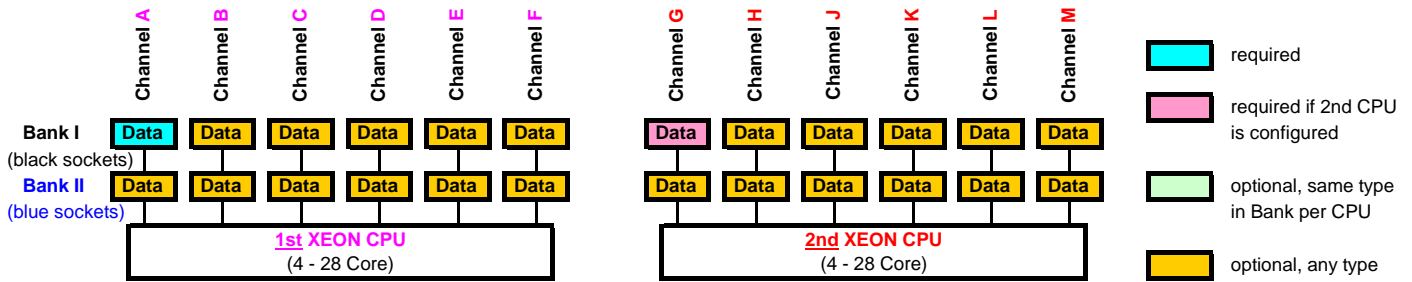
\*) For the delivery ex factory the system will be prepared with dedicated BIOS setting.

Capacity	Configuration	RDIMM	LRDIMM	Notes
Min. Memory per CPU	1 Module / CPU	1x8GB	1x64GB	with one CPU
Max. Memory per CPU	12 Modules / CPU	12x64GB	12x128GB	with one CPU
Max. Memory per System	24 Modules / System	1536GB	3,072GB	if second CPU is configured

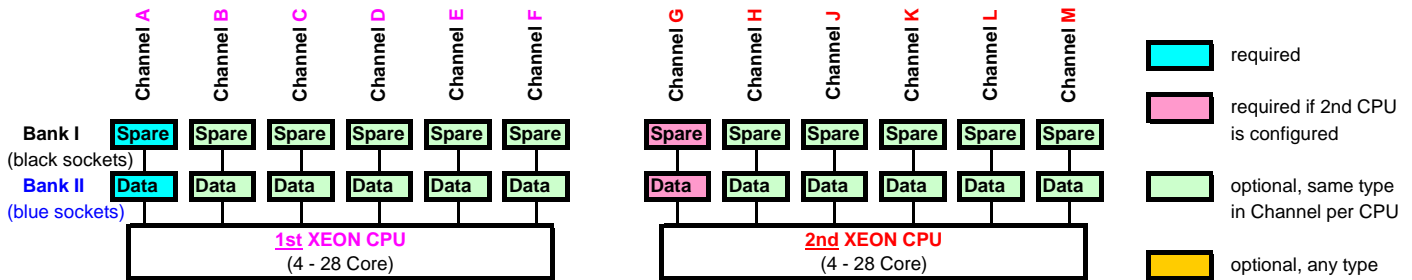
The memory sockets on the Systemboards are color coded

<b>Bank I</b>	black sockets	<b>Bank II</b>	blue sockets
---------------	---------------	----------------	--------------

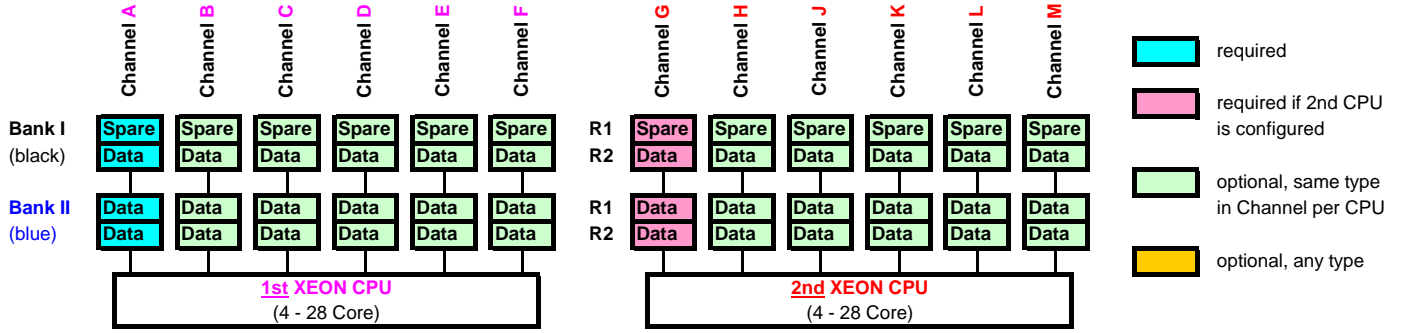
### Independant channel mode



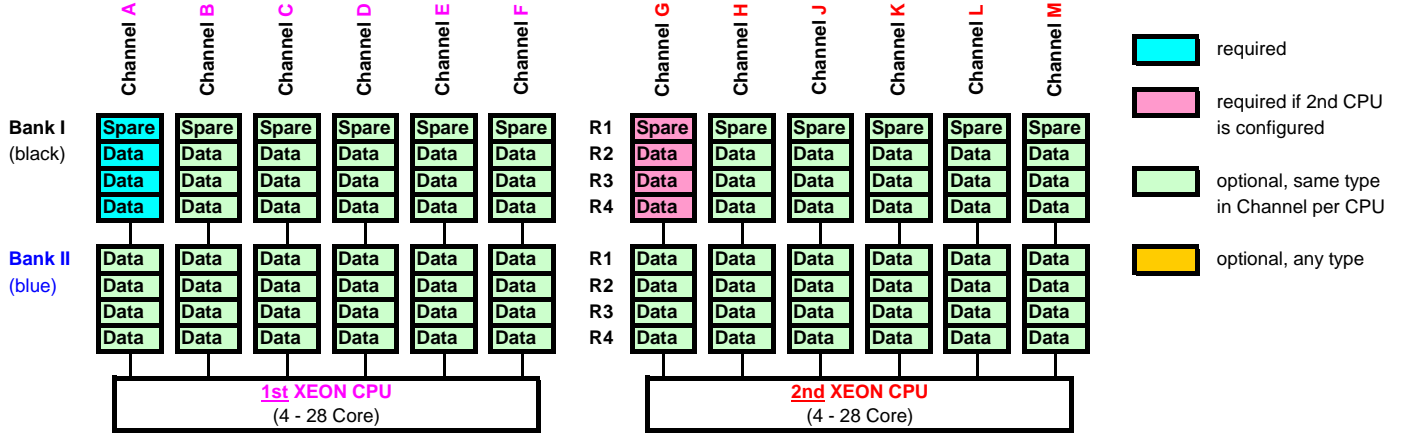
### Rank sparing mode --- 1-Rank Memory modules (RDIMM)



Rank sparing mode --- 2-Rank Memory modules (RDIMM)



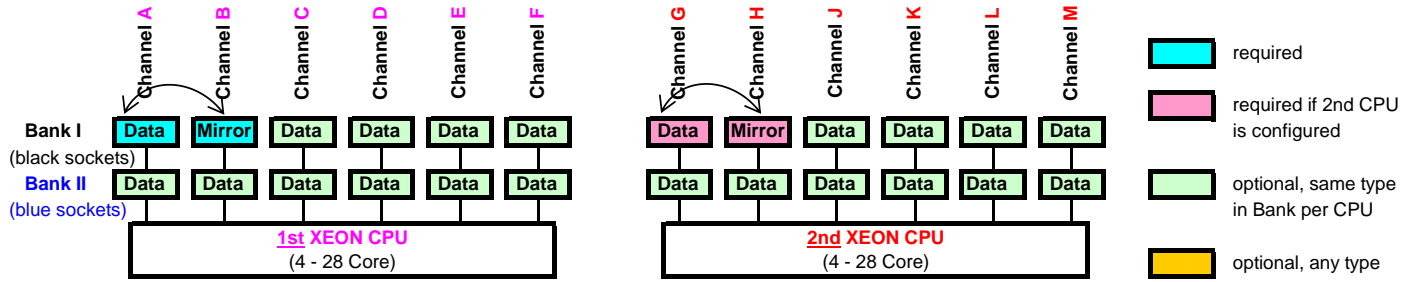
Rank sparing mode --- 4-Rank Memory modules (RDIMM 3DS)



Rank Sparing Mode requires identical modules (same capacity and technology) within the same channel. The available memory for applications will vary depending on configuration. Please refer to the spreadsheet above "Effective Memory capacity with active Rank Sparing Mode". Population rule for Rank sparing mode is to achieve max. available memory, e.g. 4 DIMMs will be spread across two channels, each with 2DPC

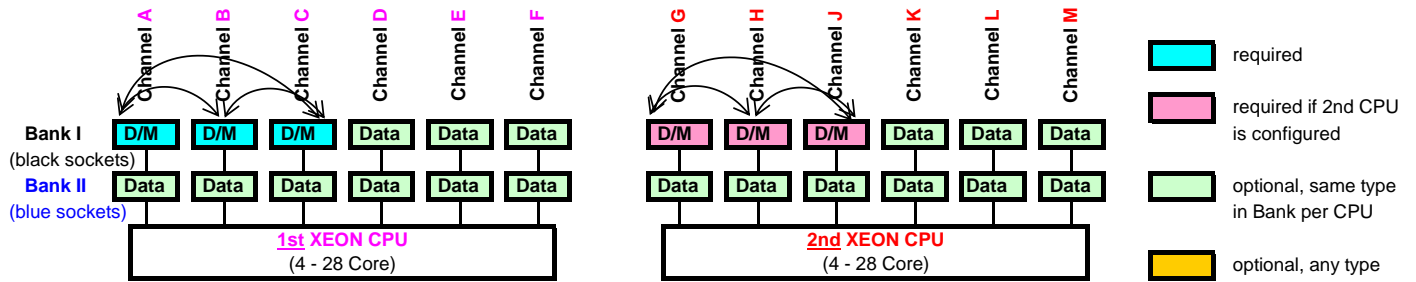


**Mirror Channel Mode (2 DIMMS per CPU)**



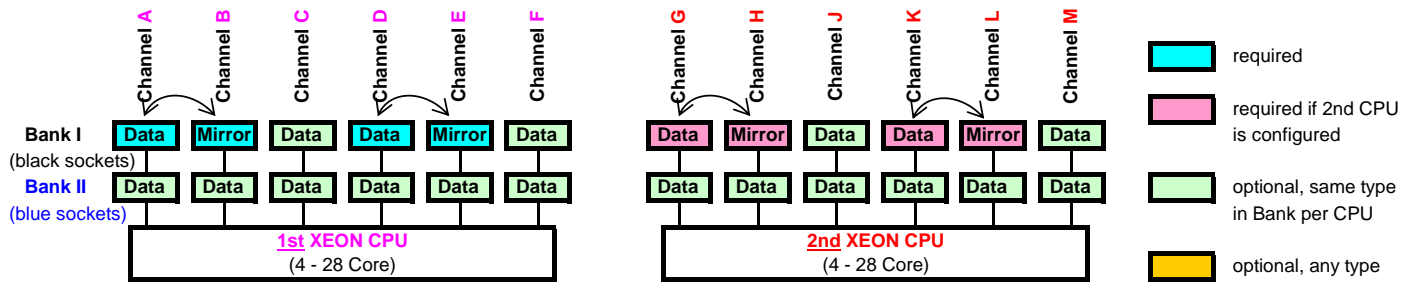
Mirrored Channel Mode (2 DIMMs per CPU) requires identical modules on channel A & B (1st CPU) or channel G & H (2nd CPU) 50% of the capacity is used for the mirror => the available memory for applications is only half of the installed memory. If this mode is used, a multiple of 2 identical modules has to be ordered.

**Mirror Channel Mode (3 DIMMS per CPU)**



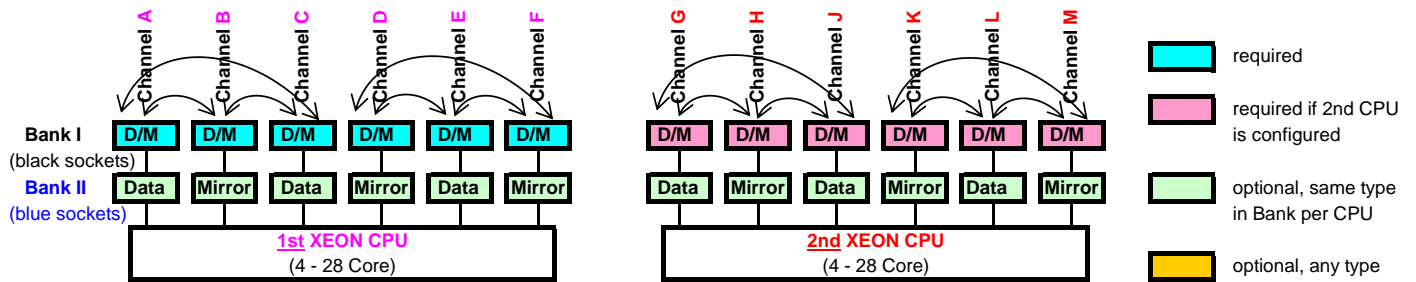
Mirrored Channel Mode (3 DIMMs per CPU) requires identical modules on channel A, B & C (1st CPU) or channel G, H & J (2nd CPU) 50% of the capacity is used for the mirror => the available memory for applications is only half of the installed memory. If this mode is used, a multiple of 3 identical modules has to be ordered.

**Mirror Channel Mode (4 DIMMS per CPU)**



Mirrored Channel Mode (4 DIMMs per CPU) requires identical modules on channel A, B, D & E (1st CPU) or channel G, H, K & L (2nd CPU) 50% of the capacity is used for the mirror => the available memory for applications is only half of the installed memory. If this mode is used, a multiple of 4 identical modules has to be ordered.

**Mirror Channel Mode (6 DIMMS per CPU)**



Mirrored Channel Mode requires identical modules on channel A, B, C, D, E, F (1st CPU) or channel G, H, J, K, L and M (2nd CPU) 50% of the capacity is used for the mirror => the available memory for applications is only half of the installed memory. If this mode is used, a multiple of 6 identical modules has to be ordered.

Released configurations with DCPMM modules per CPU

Modes	iMC0						iMC1						Config
	Channel 0		Channel 1		Channel 2		Channel 0		Channel 1		Channel 2		
	Bank II	Bank I	Bank II	Bank I	Bank II	Bank I	Bank II	Bank I	Bank II	Bank I	Bank II	Bank I	
AD + MM	128	16	128	16	128	16	128	16	128	16	128	16	2-2-2
AD + MM	128	32	128	32	128	32	128	32	128	32	128	32	2-2-2
AD	128	64	128	64	128	64	128	64	128	64	128	64	2-2-2
AD	128	128	128	128	128	128	128	128	128	128	128	128	2-2-2
AD + MM	256	16	256	16	256	16	256	16	256	16	256	16	2-2-2
AD + MM	256	32	256	32	256	32	256	32	256	32	256	32	2-2-2
AD + MM	256	64	256	64	256	64	256	64	256	64	256	64	2-2-2
AD	256	128	256	128	256	128	256	128	256	128	256	128	2-2-2
AD + MM	512	64	512	64	512	64	512	64	512	64	512	64	2-2-2
AD + MM	512	128	512	128	512	128	512	128	512	128	512	128	2-2-2
AD + MM	128	16	128	16		16	128	16	128	16		16	2-2-1
AD	128	32	128	32		32	128	32	128	32		32	2-2-1
AD	128	64	128	64		64	128	64	128	64		64	2-2-1
AD + MM	256	16	256	16		16	256	16	256	16		16	2-2-1
AD + MM	256	32	256	32		32	256	32	256	32		32	2-2-1
AD	256	64	256	64		64	256	64	256	64		64	2-2-1
AD + MM	512	64	512	64		64	512	64	512	64		64	2-2-1
AD	128	16		16		16	128	16		16		16	2-1-1
AD	128	32		32		32	128	32		32		32	2-1-1
AD	128	64		64		64	128	64		64		64	2-1-1
AD + MM	256	16		16		16	256	16		16		16	2-1-1
AD	256	32		32		32	256	32		32		32	2-1-1
AD	256	64		64		64	256	64		64		64	2-1-1
AD + MM		16		16		128		16		16		128	1-1-1
AD		32		32		128		32		32		128	1-1-1
AD		64		64		128		64		64		128	1-1-1
AD + MM		16		16		256		16		16		256	1-1-1
AD + MM		32		32		256		32		32		256	1-1-1
AD		64		64		256		64		64		256	1-1-1
AD	16	16	16	16		128	16	16	16	16		128	2-2-1
AD	32	32	32	32		128	32	32	32	32		128	2-2-1
AD	64	64	64	64		128	64	64	64	64		128	2-2-1
AD	16	16	16	16		256	16	16	16	16		256	2-2-1
AD	32	32	32	32		256	32	32	32	32		256	2-2-1
AD	64	64	64	64		256	64	64	64	64		256	2-2-1
AD	128	32		32		32		32		32		32	2/1-1-1
AD	128	64		64		64		64		64		64	2/1-1-1

Chapter 5 - Graphics options

<b>S26361-F1420-E131</b> <b>S26361-F1420-L131</b> Front VGA connector (15-pin) Front VGA connector (15-pin) including cable and front connector not for 10x 2.5" base unit (S26361-K1592-V5xx)-max. 1x per system	<b>S26361-F4066-E401</b> <b>S26361-F4066-L401</b> PGRA CP NVIDIA Quadro P400 NVIDIA Quadro 2GB PCIe 3.0 x16 Connectors: 3x Mini-DP no cable kits included cable must be ordered separately Triplet head + professional 2-D + 3-D supported for Windows OS native driver support for Linux OS Low profile bracket max. 1x per system
<b>S26361-F4066-E11</b> <b>S26361-F4066-L11</b> MiniDP-DP ADAPTER max. 3x per card	
<b>S26361-F4066-E12</b> <b>S26361-F4066-L12</b> DP-VGA ADAPTER max. 3x per card	<b>S26361-F4066-E13</b> <b>S26361-F4066-L13</b> DP-DVI ADAPTER max. 3x per card

**i** Optional Front VGA only possible for onboard graphics

**NVIDIA TESLA T4 GPU pass through / vGPU**

**Tesla T4 is not necessary GFX/GPU card external power cable and also not necessary GFX/GPU mounting kit.**

**S26361-F3840-L48** **GFX/GPU upgrade kit**  
Cable Kit to install one GFX/GPU card ex works includes different power cables for released cards

**S26361-F4025-E400**  
**S26361-F4025-L400**  
PT NVIDIA Tesla T4  
NVIDIA Tesla T4 Card with 2560 graphic cores & 16GB GDDR6 RAM, PCIe Gen3 x16, Low profile, power cables from PSU need to be ordered separately, 800W PSU is recommended  
PCIe \*16 (Gen3) - single width, low profile bracket, no external power cable, 70W  
Limitation: CPU max 150W with ambient temperature max 30°C!  
max. 2x per system

For GRID 3.0 or later to use the virtual graphic (GRID) functionality, a SW activation key and support license has to be purchased additionally. Please refer to additional license offerings for Virtual Applications / Virtual PC / Virtual Workstation plus SUMS (Support, Updates & Maintenance subscriptions).  
Not released as CPGPU card.  
Cards personality is set to graphic card ex factory!

**Perpetual Software license**

<b>S26361-F4024-S101</b> <b>S26361-F4024-L101</b> GRID Virtual Applications (vApps) Perpetual License, 1 CCU 24x per P40 card 32x per M60 card 64x per M10 card	<b>S26361-F4024-S201</b> <b>S26361-F4024-L201</b> NVIDIA GRID Virtual PC (vPC) Perpetual License, 1 CCU 24x per P40 card 32x per M60 card 64x per M10 card	<b>S26361-F4024-S301</b> <b>S26361-F4024-L301</b> NVIDIA Quadro Virtual Datacenter Work Station (vDWS) Perpetual License, 1 CCU 24x per P40 card 32x per M60 card 64x per M10 card
<b>S26361-F4024-S803</b> <b>S26361-F4024-L803</b> NVIDIA GRID vApps Prod SUMS 3 year, 1 CCU same volume with perpetual license	<b>S26361-F4024-S804</b> <b>S26361-F4024-L804</b> NVIDIA GRID vApps Prod SUMS 4 year, 1 CCU same volume with perpetual license	<b>S26361-F4024-S805</b> <b>S26361-F4024-L805</b> NVIDIA GRID vApps Prod SUMS 5 year, 1 CCU same volume with perpetual license
<b>S26361-F4024-S813</b> <b>S26361-F4024-L813</b> NVIDIA GRID vPC Prod SUMS 3 year, 1 CCU same volume with perpetual license	<b>S26361-F4024-S814</b> <b>S26361-F4024-L814</b> NVIDIA GRID vPC Prod SUMS 4 year, 1 CCU same volume with perpetual license	<b>S26361-F4024-S815</b> <b>S26361-F4024-L815</b> NVIDIA GRID vPC Prod SUMS 5 year, 1 CCU same volume with perpetual license
<b>S26361-F4024-S823</b> <b>S26361-F4024-L823</b> NVIDIA Quadro vDWS Prod SUMS 3 year, 1 CCU same volume with perpetual license	<b>S26361-F4024-S824</b> <b>S26361-F4024-L824</b> NVIDIA Quadro vDWS Prod SUMS 4 year, 1 CCU same volume with perpetual license	<b>S26361-F4024-S825</b> <b>S26361-F4024-L825</b> NVIDIA Quadro vDWS Prod SUMS 5 year, 1 CCU same volume with perpetual license

**i** SUMS must be ordered in equal numbers with each SW perpetual licenses. Please refer data sheet.

**i** **NVIDIA SUMS License (6 months) for renewal - Loose Delivery -**

<b>S26361-F4024-L963</b> NVIDIA GRID vApps Prod SUMS 6 months Renew, 1 CCU NVIDIA SUMS License (6 months) for renewal. It needs if you need to continue SUMS.	<b>S26361-F4024-L966</b> NVIDIA GRID vPC Prod SUMS 6 months Renew, 1 CCU NVIDIA SUMS License (6 months) for renewal. It needs if you need to continue SUMS.	<b>S26361-F4024-L976</b> NVIDIA GRID vWS Prod SUMS 6 months Renew, 1 CCU NVIDIA SUMS License (6 months) for renewal. It needs if you need to continue SUMS.
---	---	---

**NVIDIA SUMS License (1 year) for renewal - Loose Delivery -**

<b>S26361-F4024-L981</b> NVIDIA GRID vApps Prod SUMS 1yr Renew, 1 CCU NVIDIA SUMS License (1 year) for renewal. It needs if you need to continue SUMS.	<b>S26361-F4024-L911</b> NVIDIA GRID vPC Prod SUMS 1yr Renew, 1 CCU NVIDIA SUMS License (1 year) for renewal. It needs if you need to continue SUMS.	<b>S26361-F4024-L921</b> NVIDIA GRID vWS Prod SUMS 1yr Renew, 1 CCU NVIDIA SUMS License (1 year) for renewal. It needs if you need to continue SUMS.
--	--	--

**NVIDIA SUMS License (2 years) for renewal - Loose Delivery -**

<b>S26361-F4024-L982</b> NVIDIA GRID vApps Prod SUMS 2yrs Renew, 1 CCU NVIDIA SUMS License (2 years) for renewal. It needs if you need to continue SUMS.	<b>S26361-F4024-L962</b> NVIDIA GRID vPC Prod SUMS 2yrs Renew, 1 CCU NVIDIA SUMS License (2 years) for renewal. It needs if you need to continue SUMS.	<b>S26361-F4024-L972</b> NVIDIA GRID vWS Prod SUMS 2yrs Renew, 1 CCU NVIDIA SUMS License (2 years) for renewal. It needs if you need to continue SUMS.
--	--	--

**NVIDIA SUMS License (3 years) for renewal - Loose Delivery -**

<b>S26361-F4024-L983</b> NVIDIA GRID vApps Prod SUMS 3yrs Renew, 1 CCU NVIDIA SUMS License (3 years) for renewal. It needs if you need to continue SUMS.	<b>S26361-F4024-L963</b> NVIDIA GRID vPC Prod SUMS 3yrs Renew, 1 CCU NVIDIA SUMS License (3 years) for renewal. It needs if you need to continue SUMS.	<b>S26361-F4024-L973</b> NVIDIA GRID vWS Prod SUMS 3yrs Renew, 1 CCU NVIDIA SUMS License (3 years) for renewal. It needs if you need to continue SUMS.
--	--	--

**NVIDIA SUMS License (4 years) for renewal - Loose Delivery -**

<b>S26361-F4024-L984</b> NVIDIA GRID vApps Prod SUMS 4yrs Renew, 1 CCU NVIDIA SUMS License (4 years) for renewal. It needs if you need to continue SUMS.	<b>S26361-F4024-L964</b> NVIDIA GRID vPC Prod SUMS 4yrs Renew, 1 CCU NVIDIA SUMS License (4 years) for renewal. It needs if you need to continue SUMS.	<b>S26361-F4024-L974</b> NVIDIA GRID vWS Prod SUMS 4yrs Renew, 1 CCU NVIDIA SUMS License (4 years) for renewal. It needs if you need to continue SUMS.
--	--	--

**NVIDIA SUMS License (5 years) for renewal - Loose Delivery -**

<b>S26361-F4024-L985</b> NVIDIA GRID vApps Prod SUMS 5yrs Renew, 1 CCU NVIDIA SUMS License (5 years) for renewal. It needs if you need to continue SUMS.	<b>S26361-F4024-L965</b> NVIDIA GRID vPC Prod SUMS 5yrs Renew, 1 CCU NVIDIA SUMS License (5 years) for renewal. It needs if you need to continue SUMS.	<b>S26361-F4024-L975</b> NVIDIA GRID vWS Prod SUMS 5yrs Renew, 1 CCU NVIDIA SUMS License (5 years) for renewal. It needs if you need to continue SUMS.
--	--	--

**Subscription Software license**

**i** This license model is NOT requirement for SUMS(Support license). It is including it.

<b>S26361-F4024-S111</b> <b>S26361-F4024-L111</b> GRID Virtual Applications (vApps) Subscription License, 1 year, 1 CCU 24x per P40 card 32x per M60 card 64x per M10 card	<b>S26361-F4024-S113</b> <b>S26361-F4024-L113</b> GRID Virtual Applications (vApps) Subscription License, 3 years, 1 CCU 24x per P40 card 32x per M60 card 64x per M10 card	<b>S26361-F4024-S115</b> <b>S26361-F4024-L115</b> GRID Virtual Applications (vApps) Subscription License, 5 years, 1 CCU 24x per P40 card 32x per M60 card 64x per M10 card	<b>S26361-F4024-S211</b> <b>S26361-F4024-L211</b> NVIDIA GRID Virtual PC (vPC) Subscription License, 1 year, 1 CCU 24x per P40 card 32x per M60 card 64x per M10 card	<b>S26361-F4024-S213</b> <b>S26361-F4024-L213</b> NVIDIA GRID Virtual PC (vPC) Subscription License, 3 years, 1 CCU 24x per P40 card 32x per M60 card 64x per M10 card	<b>S26361-F4024-S215</b> <b>S26361-F4024-L215</b> NVIDIA GRID Virtual PC (vPC) Subscription License, 5 years, 1 CCU 24x per P40 card 32x per M60 card 64x per M10 card	<b>S26361-F4024-S311</b> <b>S26361-F4024-L311</b> NVIDIA Quadro Virtual Datacenter Work Station (vDWS) Subscription License, 1 year, 1 CCU 24x per P40 card 32x per M60 card 64x per M10 card	<b>S26361-F4024-S313</b> <b>S26361-F4024-L313</b> NVIDIA Quadro Virtual Datacenter Work Station (vDWS) Subscription License, 3 years, 1 CCU 24x per P40 card 32x per M60 card 64x per M10 card	<b>S26361-F4024-S315</b> <b>S26361-F4024-L315</b> NVIDIA Quadro Virtual Datacenter Work Station (vDWS) Subscription License, 5 years, 1 CCU 24x per P40 card 32x per M60 card 64x per M10 card
---	--	--	--	---	---	--	---	---

**NVIDIA Subscription License (6 months) for renewal - Loose Delivery -**

<b>S26361-F4024-L986</b> NVIDIA GRID vApps Subscription License 6 months Renew, 1CCU NVIDIA Subscription License (6 months) for renewal. It needs if you need to continue Subscription.	<b>S26361-F4024-L916</b> NVIDIA GRID vPC Subscription License 6 months Renew, 1 CCU NVIDIA Subscription License (6 months) for renewal. It needs if you need to continue Subscription.	<b>S26361-F4024-L926</b> NVIDIA GRID Quadro vDWS Subscription License 6 months Renew, 1 CCU NVIDIA Subscription License (6 months) for renewal. It needs if you need to continue Subscription.
---	--	--

**NVIDIA Subscription License (1year) for renewal - Loose Delivery -**

<b>S26361-F4024-L902</b> NVIDIA GRID vApps Subscription License 1yr Renew, 1CCU NVIDIA Subscription License (1 year) for renewal. It needs if you need to continue Subscription.	<b>S26361-F4024-L912</b> NVIDIA GRID vPC Subscription License 1yr Renew, 1 CCU NVIDIA Subscription License (1 year) for renewal. It needs if you need to continue Subscription.	<b>S26361-F4024-L922</b> NVIDIA GRID Quadro vDWS Subscription License 1yr Renew, 1 CCU NVIDIA Subscription License (1 year) for renewal. It needs if you need to continue Subscription.
--	---	---

**NVIDIA Subscription License (2years) for renewal - Loose Delivery -**

<b>S26361-F4024-L900</b> NVIDIA GRID vApps Subscription License 2yrs Renew, 1CCU NVIDIA Subscription License (2 years) for renewal. It needs if you need to continue Subscription.	<b>S26361-F4024-L910</b> NVIDIA GRID vPC Subscription License 2yrs Renew, 1 CCU NVIDIA Subscription License (2 years) for renewal. It needs if you need to continue Subscription.	<b>S26361-F4024-L920</b> NVIDIA GRID Quadro vDWS Subscription License 2yrs Renew, 1 CCU NVIDIA Subscription License (2 years) for renewal. It needs if you need to continue Subscription.
--	---	---

**NVIDIA Subscription License (3years) for renewal - Loose Delivery -**

<b>S26361-F4024-L903</b> NVIDIA GRID vApps Subscription License 3yrs Renew, 1CCU NVIDIA Subscription License (3 years) for renewal. It needs if you need to continue Subscription.	<b>S26361-F4024-L913</b> NVIDIA GRID vPC Subscription License 3yrs Renew, 1 CCU NVIDIA Subscription License (3 years) for renewal. It needs if you need to continue Subscription.	<b>S26361-F4024-L923</b> NVIDIA GRID Quadro vDWS Subscription License 3yrs Renew, 1 CCU NVIDIA Subscription License (3 years) for renewal. It needs if you need to continue Subscription.
--	---	---

**NVIDIA Subscription License (5years) for renewal - Loose Delivery -**

<b>S26361-F4024-L905</b> NVIDIA GRID vApps Subscription License 5yrs Renew, 1CCU NVIDIA Subscription License (5 years) for renewal. It needs if you need to continue Subscription.	<b>S26361-F4024-L915</b> NVIDIA GRID vPC Subscription License 5yrs Renew, 1 CCU NVIDIA Subscription License (5 years) for renewal. It needs if you need to continue Subscription.	<b>S26361-F4024-L925</b> NVIDIA GRID Quadro vDWS Subscription License 5yrs Renew, 1 CCU NVIDIA Subscription License (5 years) for renewal. It needs if you need to continue Subscription.
--	---	---

**Education Software license****Perpetual license**

<b>S26361-F4024-S401</b> <b>S26361-F4024-L401</b> NVIDIA GRID EDU Perpetual License, 1 CCU  24x per P40 card 32x per M60 card 64x per M10 card
--

**EDU SUMS must be ordered in equal numbers with each SW perpetual licenses. Please refer data sheet.**

<b>S26361-F4024-S831</b> <b>S26361-F4024-L831</b> NVIDIA GRID EDU SUMS 3 year, 1 CCU same volume with EDU perpetual	<b>S26361-F4024-S834</b> <b>S26361-F4024-L834</b> NVIDIA GRID EDU SUMS 4 year, 1 CCU same volume with EDU perpetual license	<b>S26361-F4024-S839</b> <b>S26361-F4024-L839</b> NVIDIA GRID EDU SUMS 5 year, 1 CCU same volume with EDU perpetual
--	--	--

**Subscription license**

<b>S26361-F4024-S111</b> <b>S26361-F4024-L111</b> NVIDIA GRID EDU Subscription License, 1 year, 1 CCU  24x per P40 card 32x per M60 card 64x per M10 card	<b>S26361-F4024-S419</b> <b>S26361-F4024-L419</b> NVIDIA GRID EDU Subscription License, 3 year, 1 CCU  24x per P40 card 32x per M60 card 64x per M10 card
---	---

**NVIDIA EDU SUMS License (6 months) for renewal - Loose Delivery -**

<b>S26361-F4024-L936</b> NVIDIA GRID EDU SUMS 6 months Renew, 1CCU NVIDIA EDU SUMS License (6 months) for renewal. It needs if you need to continue EDU SUMS.
---

**NVIDIA EDU SUMS License (1year) for renewal - Loose Delivery -**

<b>S26361-F4024-L931</b> NVIDIA GRID EDU SUMS 1yr Renew, 1CCU NVIDIA EDU SUMS License (1 year) for renewal. It needs if you need to continue EDU SUMS.
--

**NVIDIA EDU SUMS License (2 years) for renewal - Loose Delivery -**

<b>S26361-F4024-L932</b> NVIDIA GRID EDU SUMS 2yrs Renew, 1CCU NVIDIA EDU SUMS License (2 years) for renewal. It needs if you need to continue EDU SUMS.
--

**NVIDIA EDU SUMS License (3 years) for renewal - Loose Delivery -**

<b>S26361-F4024-L933</b> NVIDIA GRID EDU SUMS 3yrs Renew, 1CCU NVIDIA EDU SUMS License (3 years) for renewal. It needs if you need to continue EDU SUMS.
--

**NVIDIA EDU SUMS License (4 years) for renewal - Loose Delivery -**

<b>S26361-F4024-L934</b> NVIDIA GRID EDU SUMS 4yrs Renew, 1CCU NVIDIA EDU SUMS License (4 years) for renewal. It needs if you need to continue EDU SUMS.
--

**NVIDIA EDU SUMS License (5 years) for renewal - Loose Delivery -**

<b>S26361-F4024-L935</b> NVIDIA GRID EDU SUMS 5yrs Renew, 1CCU NVIDIA EDU SUMS License (5 years) for renewal. It needs if you need to continue EDU SUMS.
--

**NVIDIA Subscription License (6 months) for renewal - Loose Delivery -**

<b>S26361-F4024-L946</b> NVIDIA GRID EDU Subscription License 6 months Renew, 1CCU NVIDIA Subscription License (6 months) for renewal. It needs if you need to continue Subscription.
---

**NVIDIA Subscription License (1year) for renewal - Loose Delivery -**

<b>S26361-F4024-L941</b> NVIDIA GRID EDU Subscription License 1yr Renew, 1CCU NVIDIA Subscription License (1 year) for renewal. It needs if you need to continue Subscription.
--

**NVIDIA Subscription License (2years) for renewal - Loose Delivery -**

<b>S26361-F4024-L942</b> NVIDIA GRID EDU Subscription License 2yrs Renew, 1CCU NVIDIA Subscription License (2 years) for renewal. It needs if you need to continue Subscription.
--

**NVIDIA Subscription License (3years) for renewal - Loose Delivery -**

<b>S26361-F4024-L943</b> NVIDIA GRID EDU Subscription License 3yrs Renew, 1CCU NVIDIA Subscription License (3 years) for renewal. It needs if you need to continue Subscription.
--

E

## Chapter 7 - SAS / RAID Controller

F

for combination and max number of controllers please see folder base / chassis

onboard SATA controller with SW-RAID

onboard controller for SATA HDD or SSD drives

4 ports 3, 6Gb/s SATA HDD/S	based on Intel chipset	No Cache	SW-RAID 0, 1	1x	onboard, included
-----------------------------	------------------------	----------	--------------	----	-------------------

internal HBA and RAID controller, no 2nd Level cache

internal drive RAID / HBA controllers for SAS, SATA HDD or SSD drives

<b>PRAID CP400i RAID Contr.</b>	No Cache	RAID 0, 1, 1E, 10, 5, 50	1x	S26361-F3842-E1	S26361-F3842-L501
---------------------------------	----------	--------------------------	----	-----------------	-------------------

<b>PSAS CP400i HBA SAS Contr.</b>	No Cache	HBA + RAID 0, 1	1x	S26361-F3842-E2	S26361-F3842-L502
-----------------------------------	----------	-----------------	----	-----------------	-------------------

8 ports 3, 6 & 12Gb/s SAS/SATA HDD/ SSD, supports up to 8 devices without expander  
requires 1x LP PCIe 3.0 x8 (int.) slot, based on LSI SAS3008

internal drive RAID / HBA controllers for SAS, SATA HDD or SSD drives

<b>PRAID CP500i RAID Contr.</b>	No Cache	RAID 0, 1, 10, 5, 50	1x	S26361-F5791-E251	S26361-F5791-L551
---------------------------------	----------	----------------------	----	-------------------	-------------------

8 ports 3, 6 & 12Gb/s SAS/SATA HDD/ SSD, supports up to 8 devices without expander  
requires 1x LP PCIe 3.0 x8 (int.) slot, based on LSI SAS3408

<b>PSAS CP503i HBA SAS Contr.</b>	No Cache	HBA, no RAID	1x	S26361-F5792-E253	S26361-F5792-L553
-----------------------------------	----------	--------------	----	-------------------	-------------------

8 ports 3, 6 & 12Gb/s SAS/SATA HDD/ SSD, supports up to 8 devices without expander  
requires 1x LP PCIe 3.0 x8 (int.) slot, based on LSI SAS3408; IT FW stack without RAID functionality

<b>PSAS CP503i HBA SAS Contr. for vSAN</b>	No Cache	HBA, no RAID	1x	S26361-F5792-E254	S26361-F5792-L554
--	----------	--------------	----	-------------------	-------------------

8 ports 3, 6 & 12Gb/s SAS/SATA HDD/ SSD, supports up to 8 devices without expander  
requires 1x LP PCIe 3.0 x8 (int.) slot, based on LSI SAS3408; IT FW stack without RAID functionality; released for VMWare vSAN / vSphere in V301 /

**Attention: not applicable in -V528; PRAID CP400i / CP500i not applicable in -V501**

**Attention: not applicable in -V601**

internal drive RAID / HBA controllers for SAS, SATA HDD or SSD drives

<b>PSAS CP 2100-8i LP for MS HCI</b>	No Cache	HBA + RAID 1	1x	S26361-F5888-E201	-
--------------------------------------	----------	--------------	----	-------------------	---

8 ports 3, 6 & 12Gb/s SAS/SATA HDD/ SSD, supports up to 8 devices without expander  
requires 1x LP PCIe 3.0 x8 (int.) slot; released for Azure Stack HCI / Storage Spaces Direct(Windows) in V501 / V951  
in case of V501, TPM (S26361-F3552-E100) must be ordered together

**Attention: only applicable in -V501 / V951**

<b>PSAS CP 2100-8i LP</b>	No Cache	HBA + RAID 0, 1, 10, 5	1x	S26361-F5888-E202	S26361-F5888-L502
---------------------------	----------	------------------------	----	-------------------	-------------------

8 ports 3, 6 & 12Gb/s SAS/SATA HDD/ SSD, supports up to 8 drives without expander  
requires 1x LP PCIe 3.0 x8 (int.) slot

**PSAS CP500e and PSAS CP400i cannot be mixed**

**PRAID CP400i / EP400i / EP420i / EP420i for SafeStore and PRAID EP680e cannot be mixed**

**PSAS CP 2100-8i and PSAS CP500e / PRAID EP540e / EP680e cannot be mixed**

internal RAID controller with 2nd Level cache 1GB, 2GB

internal drive RAID / SAS, SATA controllers with Cache and opt. TFM module + Flash Backup Unit and opt. Advanced SW Options

<b>PRAID EP400i RAID Contr.</b>	1GB Cache	RAID 0,1,1E,10,5,50,6,60	1x	S26361-F5243-E11	S26361-F5243-L11
---------------------------------	-----------	--------------------------	----	------------------	------------------

8 ports 3, 6 & 12Gb/s SAS/SATA HDD/ SSD, supports up to 8 devices without expander  
requires 1x LP PCIe 3.0 x8 (int.) slot, based on LSI SAS3108

optional Licence Activation Key, a free of charge test licence is available at PRIMERGY-PM, FastPath is included in Controller FW

RAID Advanced SW Option CacheCade @Broadcom: SSD-cache-based HDD acceleration	1x	S26361-F5243-E670	S26361-F5243-L670
---	----	-------------------	-------------------

optional Transportable Flash module (TFM) and Flash Backup Unit (FBU), both components required

<b>TFM module for 1GB Cache</b>	NV-RAM & FBU control logic	1x	S26361-F5243-E100	S26361-F5243-L100
---------------------------------	----------------------------	----	-------------------	-------------------

<b>FBU Option for PRAID EP4xx for base V1xx:</b>	Supercap securing the power supply of the RAID contr. in case of power failure including cable with 55cm length	1x	S26361-F5243-E155	S26361-F5243-L115
--	---	----	-------------------	-------------------

<b>FBU Option for PRAID EP4xx for base V3xx, V4xx, V5xx:</b>	Supercap securing the power supply of the RAID contr. in case of power failure including cable with 75cm length	1x	S26361-F5243-E175	S26361-F5243-L115
--	---	----	-------------------	-------------------

<b>PRAID EP420i RAID Contr.</b>	2GB Cache	RAID 0,1,1E,10,5,50,6,60	1x	S26361-F5243-E12	S26361-F5243-L12
---------------------------------	-----------	--------------------------	----	------------------	------------------

<b>PRAID EP420i for SafeStore R. Cont</b>	2GB Cache	RAID 0,1,1E,10,5,50,6,60	1x	S26361-F5243-E14*	S26361-F5243-L14*
---	-----------	--------------------------	----	-------------------	-------------------

8 ports 3, 6 & 12Gb/s SAS/SATA HDD/ SSD, supports up to 8 devices without expander  
requires 1x LP PCIe 3.0 x8 (int.) slot, based on LSI SAS3108

optional Licence Activation Key, a free of charge test licence is available at PRIMERGY-PM, FastPath is included in Controller FW

RAID Advanced SW Option CacheCade @Broadcom: SSD-cache-based HDD acceleration	1x	S26361-F5243-E670	S26361-F5243-L670
---	----	-------------------	-------------------

optional TFM module and Flash Backup Unit (FBU), both components required

<b>TFM module for 2GB Cache</b>	NV-RAM & FBU control logic	1x	S26361-F5243-E200	S26361-F5243-L200
---------------------------------	----------------------------	----	-------------------	-------------------

<b>FBU Option for PRAID EP4xx for base V1xx:</b>	Supercap securing the power supply of the RAID contr. in case of power failure including cable with 55cm length	1x	S26361-F5243-E155	S26361-F5243-L115
--	---	----	-------------------	-------------------

<b>FBU Option for PRAID EP4xx for base V3xx, V4xx, V5xx:</b>	Supercap securing the power supply of the RAID contr. in case of power failure including cable with 75cm length.	1x	S26361-F5243-E175	S26361-F5243-L115
--	--	----	-------------------	-------------------

**Attention: not applicable in -V528**

**Attention: not applicable in -V601**

internal NVMe, SAS, SATA RAID controller with 2nd Level cache 2GB, 4GB, 8GB

internal RAID controllers for SAS, SATA HDD or SSD drives					
<b>PRAID EP640i LP</b> available from 202	4GB Cache	RAID 0, 1, 10, 5, 50, 6, 60	1x	S26361-F5795-E204	S26361-F5795-L504
<b>only for APAC market</b> 8 ports 3, 6 & 12Gb/s SAS/SATA HDD/SSD, supports up to 8 drives without expander includes FastPath and SafeStore Advanced SW-Licence requires 1x LP PCIe 3.0 x8 (int.) slot, based on LSI SAS3908					
<b>PRAID EP680i LP</b>	8GB Cache	RAID 0, 1, 10, 5, 50, 6, 60	1x	S26361-F5790-E218	S26361-F5790-L518
16 ports 3, 6 & 12Gb/s SAS/SATA HDD/SSD, without expander, up to 16 SAS/SATA drives or in mixed configuration up to 8 SAS/SATA drives and with the remaining 8 ports 8Gb/s NVMe PCIe, up to 2 x4 NVMe drives are supported. (the configuration for 4 x4 NVMe drives requires a different order number, please see below) includes FastPath and SafeStore Advanced SW-Licence, CacheCade is no longer supported requires 1x LP PCIe 3.0 x8 (int.) slot, based on LSI SAS3916 (FYI: S26361-F5790-E218 and E238 are identical products. The 2nd Order number was only introduced for explicit ordering and cabling)					
optional Flash Backup Unit (FBU), Transportable Flash module (TFM) is already included					
<b>FBU Option for PRAID EP5xx / EP6xx</b> for base V1xx: Supercap securing the power supply of the RAID contr. in case of power failure including cable with 55cm length.	1x	S26361-F4042-E155	S26361-F4042-L110		
<b>FBU Option for PRAID EP5xx / EP6xx</b> for base V3xx, V4xx, V5xx Supercap securing the power supply of the RAID contr. in case of power failure including cable with 83cm length.	1x	S26361-F4042-E183	S26361-F4042-L110		
internal RAID controllers for PCIe SSD drives					
<b>PRAID EP680i NVMe LP</b> available from	8GB Cache	RAID 0, 1, 10, 5, 50, 6, 60	1x	S26361-F5790-E238	-
<b>only for APAC market</b> 16 ports 3, 6 & 12Gb/s SAS/SATA HDD/SSD, for Chassis Variant -V546 up to 4 x4 NVMe drives are supported. (the configuration for SAS/SATA only or mixed with up to 2 x4 NVMe drives require a different order number, please see above) includes FastPath and SafeStore Advanced SW-Licence, CacheCade is no longer supported requires 1x LP PCIe 3.0 x8 (int.) slot, based on LSI SAS3916 (FYI: S26361-F5790-E218 and E238 are identical products. The 2nd Order number was only introduced for explicit ordering and cabling)					
<b>Attention: PRAID EP640i LP not applicable in -V528</b>					
<b>Attention: not applicable in -V601</b>					

internal drive RAID / SAS controllers for E91 and SAS, SATA HDD or SSD drives					
<b>PRAID EP520i RAID LP</b>	2GB Cache	RAID 0,1,1E,10,5,50,6,60	1x	S26361-F4042-E202	S26361-F4042-L502
<b>8 ports 3, 6 &amp; 12Gb/s SAS/SATA HDD/SSD, supports up to 8 devices without expander or (NVME support for EP520i on special release for this controller in this system)</b> includes Fastpath and SafeStore Advanced SW-Licence requires 1x LP PCIe 3.0 x8 (int.) slot, based on LSI SAS3516					
<b>PRAID EP540i RAID LP</b>	4GB Cache	RAID 0,1,1E,10,5,50,6,60	1x	S26361-F4042-E214	S26361-F4042-L514
<b>PRAID EP580i RAID LP</b>	8GB Cache	RAID 0,1,1E,10,5,50,6,60	1x	S26361-F4042-E208	S26361-F4042-L508
16 ports 3, 6 & 12Gb/s SAS/SATA HDD/SSD, based on LSI SAS3516, without expander, up to 16 SAS/SATA devices or in mixed configuration up to 8 SAS/SATA devices and with the remaining 8 ports 8Gb/s NVMe PCIe, up to 2 x4 NVMe devices are supported. (the configuration for 4 x4 NVMe drives require a different order number, please see below) includes FastPath and SafeStore Advanced SW-Licence, CacheCade is no longer supported requires 1x LP PCIe 3.0 x8 (int.) slot, based on LSI SAS3516 (FYI: S26361-F4042-E214 and E224, S26361-F4042-E208 and E228 are identical products. The 2nd Order number was only introduced for explicit ordering and cabling)					
<b>PRAID EP540i RAID NVMe LP</b>	4GB Cache	RAID 0,1,1E,10,5,50,6,60	1x	S26361-F4042-E224	S26361-F4042-L514
<b>PRAID EP580i RAID NVMe LP</b>	8GB Cache	RAID 0,1,1E,10,5,50,6,60	1x	S26361-F4042-E228	S26361-F4042-L508
16 ports 3, 6 & 12Gb/s SAS/SATA HDD/SSD, based on LSI SAS3516, for Chassis Variant -V546 up to 4 x4 NVMe devices are supported. (the configuration for SAS/SATA only or mixed with up to 2 x4 NVMe drives require a different order number, please see above) includes FastPath and SafeStore Advanced SW-Licence, CacheCade is no longer supported requires 1x LP PCIe 3.0 x8 (int.) slot, based on LSI SAS3516 (FYI: S26361-F4042-E214 and E224, S26361-F4042-E208 and E228 are identical products. The 2nd Order number was only introduced for explicit ordering and cabling)					
optional Flash Backup Unit (FBU), Transportable Flash module (TFM) is already included					
<b>FBU Option for PRAID EP5xx / EP6xx</b> for base V1xx: Supercap securing the power supply of the RAID contr. in case of power failure including cable with 55cm length.	1x	S26361-F4042-E155	S26361-F4042-L110		
<b>FBU Option for PRAID EP5xx / EP6xx</b> for base V3xx, V4xx, V5xx Supercap securing the power supply of the RAID contr. in case of power failure including cable with 83cm length.	1x	S26361-F4042-E183	S26361-F4042-L110		
<b>Please be aware that PRAID EP580i series consumes a standard PCI slot instead of the internal slot - other than existing I/O controllers</b>					
<b>Attention: PRAID EP520i RAID Contr. LP not applicable in -V528</b>					
<b>Attention: not applicable in -V601</b>					

base unit -V101 with FBU: PCI Slot 4 is not available

base unit -V546: PRAID EP540/80i and PRAID EP540/80i NVMe, PRAID EP680i and PRAID EP680i NVMe  
 PRAID EP540/80i NVMe for Hardware-RAID for up to 4 NVMe drives, all other base units can use PRAID EP540/80i for SAS,SATA and up to 2 NVMe drives

maximum number of internal RAID & HBA (See also pictures on folder base / HDD cage):

FBU cannot be combined with Advanced Thermal design.  
 up to 1x FBU can be integrated per System  
 for PRAID EP540i / 80i, PRAID EP680i and NVMe drives, no FBU is allowed (performance)  
 for PRAID EP540i / 80i and NVMe drives, RHEL 7.5 is not supported

**Expander configurations:** Use PRAID EPxxx for optimal performance,  
 PRAID CP400i / CP500i is not released for expander configurations

**Advanced SW options:**  
 simultaneous operation of SafeStore or CacheCade + FastPath or is supported,  
 simultaneous operation of SafeStore + CacheCade is not supported

**G**

external SAS controller

**HBA controller for ext. drives SAS, SATA HDD or SSD drives**

<b>PSAS CP500e HBA SAS Contr. LP</b>	No Cache	HBA, no RAID	2x	S26361-F5793-E251	S26361-F5793-L551
8 ports 3, 6 & 12Gb/s SAS/SATA HDD/ SSD, 2x SFF8644 (external Mini-SAS HD) requires 1x LP PCIe 3.0 x8 (int.) slot, based on LSI SAS3408					

external SAS, RAID controller with 2nd Level cache 4GB

**RAID / SAS, SATA controllers for external drives with Cache and opt. Flash Backup Unit**

<b>PRAID EP680e LP</b>	8GB Cache	RAID 0, 1, 10, 5, 50, 6, 60	2x	S26361-F5794-E208	S26361-F5794-L508
------------------------	-----------	-----------------------------	----	-------------------	-------------------

8 ports 3, 6 & 12Gb/s SAS/SATA HDD/SSD, 2x SFF8644 (external Mini-SAS HD)  
includes Fastpath and SafeStore Advanced SW-Licence  
requires 1x LP PCIe 3.0 x8 (int.) slot, based on LSI SAS3916

<b>PRAID EP540e RAID Contr. LP</b>	4GB Cache	RAID 0,1,1E,10,5,50,6,60	2x	S26361-F4063-E204	S26361-F4063-L504
------------------------------------	-----------	--------------------------	----	-------------------	-------------------

8 ports 3, 6 & 12Gb/s SAS/SATA HDD/ SSD, 2x SFF8644 (external Mini-SAS HD)  
includes Fastpath and SafeStore Advanced SW-Licence  
requires 1x LP PCIe 3.0 x8 (int.) slot, based on LSI SAS3516

optional Flash Backup Unit (FBU), Transportable Flash module (TFM) is already included

<b>FBU Option for PRAID EP5xx / EP6xx</b> for base V1xx: Supercap securing the power supply of the RAID contr. in case of power failure including cable with 55cm length.	1x	S26361-F4042-E155	S26361-F4042-L110
---	----	-------------------	-------------------

<b>FBU Option for PRAID EP5xx / EP6xx</b> for base V3xx, V4xx, V5xx Supercap securing the power supply of the RAID contr. in case of power failure including cable with 83cm length.	1x	S26361-F4042-E183	S26361-F4042-L110
--	----	-------------------	-------------------

internal controllers for PCIe SSD SFF (2,5" NVMe PCIe) drives, no HW-RAID

**onboard SlimSAS Connector, from CPU to Backplane for 4x internal 2,5" NVMe SSD PCIe SSD SFF (2,5" NVMe PCIe)**

8Gb/s PCIe x8	Intel CPU	No Cache	2x	onboard
---------------	-----------	----------	----	---------

Attention: not applicable in -101 / V301 / V401

**H**





## Chapter 10 - storage drives

SAS drives and SATA drives can be mixed, but cannot be used in one logical RAID volume.  
 SATA drives can be connected to the onboard Controller (max. 8x),  
 SAS drives require a dedicated SAS / RAID Controller  
 Hard Disk Sector Format Information:  
 512n HDD: 512 byte sectors on the drive media.  
 512e (e=emulation) HDD: 4K physical sectors on the drive media with 512 byte logical configuration.  
 512e HDD Disk Drives: VMware 6.0 or earlier is not supported.  
 When using SSDs with VMware ESXi, select the SSDs that meet the endurance requirement described in KB2145210 below.  
<https://kb.vmware.com/kb/2145210>  
 DWPDP: Drive Writes Per Day over 5 years.  
 SED (=Self Encrypting Drives) require either a RAID controller with \*SafeStore (SED) support or an HBA and in addition a software instance, supporting SED Key Management.  
 It is strongly recommended to order SafeStore (SED) RAID controller with SED HDD or SSD devices for SafeStore (SED) functionality.  
**HDD Classes:**  
 Business-Critical (BC) -SATA=Nearline SATA Enterprise Drives / 7.2Krpm, SATA 6G.  
 Business-Critical (BC) -SAS=Nearline SAS Enterprise Drives / 7.2Krpm, SAS 12G .  
 Mission-Critical (MC)=SAS 10K and SAS 15K Enterprise Drives with max. performance and reliability.  
**Warranty:**  
 SSD and SATA DOM have a built-in Wear-Out indicator. In this case the warranty for such a component, as an exception to the system warranty, is restricted to the time period until the indicator reaches the exhaust level.

### 2.5" (SFF) SAS and SATA SSD

<b>SSD SAS 2.5" Write Intensive (SFF) Enterprise with hot plug/hot replace tray</b>							
based on <b>Seagate Nytro3732</b> drives							
Capacity	Formfactor	Interface	Endurance	DWPDP		order code E-part	order code L-part
400GB	2.5" (SFF)	SAS 12Gb/s	Write Intensive	10		S26361-F5865-E400	S26361-F5865-L400
800GB	2.5" (SFF)	SAS 12Gb/s	Write Intensive	10		S26361-F5865-E800	S26361-F5865-L800
1.6TB	2.5" (SFF)	SAS 12Gb/s	Write Intensive	10		S26361-F5865-E160	S26361-F5865-L160
400GB	2.5" (SFF)	SAS 12Gb/s	Write Intensive	10	SED	S26361-F5866-E400	S26361-F5866-L400
800GB	2.5" (SFF)	SAS 12Gb/s	Write Intensive	10	SED	S26361-F5866-E800	S26361-F5866-L800
1.6TB	2.5" (SFF)	SAS 12Gb/s	Write Intensive	10	SED	S26361-F5866-E160	S26361-F5866-L160

max. 10x - depending on base unit & configuration

as long as stock available

<b>SSD SAS 2.5" Write Intensive (SFF) Enterprise with hot plug/hot replace tray</b>							
based on <b>Toshiba PM5-M</b> drives							
Capacity	Formfactor	Interface	Endurance	DWPDP		order code E-part	order code L-part
400GB	2.5" (SFF)	SAS 12Gb/s	Write Intensive	10		S26361-F5710-E400	S26361-F5710-L400
800GB	2.5" (SFF)	SAS 12Gb/s	Write Intensive	10		S26361-F5710-E800	S26361-F5710-L800
1.6TB	2.5" (SFF)	SAS 12Gb/s	Write Intensive	10		S26361-F5710-E160	S26361-F5710-L160
400GB	2.5" (SFF)	SAS 12Gb/s	Write Intensive	10	SED	S26361-F5711-E400	S26361-F5711-L400
800GB	2.5" (SFF)	SAS 12Gb/s	Write Intensive	10	SED	S26361-F5711-E800	S26361-F5711-L800
1.6TB	2.5" (SFF)	SAS 12Gb/s	Write Intensive	10	SED	S26361-F5711-E160	S26361-F5711-L160

max. 10x - depending on base unit & configuration

as long as stock available

<b>SSD SAS 2.5" Mixed Use (SFF) Enterprise with hot plug/hot replace tray</b>							
based on <b>Seagate Nytro3532</b> drives							
Capacity	Formfactor	Interface	Endurance	DWPDP		order code E-part	order code L-part
800GB	2.5" (SFF)	SAS 12Gb/s	Mixed Use	3		S26361-F5868-E800	S26361-F5868-L800
1.6TB	2.5" (SFF)	SAS 12Gb/s	Mixed Use	3		S26361-F5868-E160	S26361-F5868-L160
3.2TB	2.5" (SFF)	SAS 12Gb/s	Mixed Use	3		S26361-F5868-E320	S26361-F5868-L320
6.4TB	2.5" (SFF)	SAS 12Gb/s	Mixed Use	3		S26361-F5868-E640	S26361-F5868-L640

max. 10x - depending on base unit & configuration

as long as stock available

<b>SSD SAS 2.5" Mixed Use (SFF) Enterprise with hot plug/hot replace tray</b>							
based on <b>Western Digital DC S5200 / S5530</b> drives							
Capacity	Formfactor	Interface	Endurance	DWPDP		order code E-part	order code L-part
400GB	2.5" (SFF)	SAS 12Gb/s	Mixed Use	3		S26361-F5809-E400	S26361-F5809-L400
800GB	2.5" (SFF)	SAS 12Gb/s	Mixed Use	3		S26361-F5809-E800	S26361-F5809-L800
1.6TB	2.5" (SFF)	SAS 12Gb/s	Mixed Use	3		S26361-F5809-E160	S26361-F5809-L160
3.2TB	2.5" (SFF)	SAS 12Gb/s	Mixed Use	3		S26361-F5809-E320	S26361-F5809-L320

max. 10x - depending on base unit & configuration

<b>SSD SAS 2.5" Mixed Use (SFF) Enterprise with hot plug/hot replace tray</b>							
based on <b>Western Digital DC S5530</b> drives							
Capacity	Formfactor	Interface	Endurance	DWPDP		order code E-part	order code L-part
400GB	2.5" (SFF)	SAS 12Gb/s	Mixed Use	3		S26361-F5713-E400	S26361-F5713-L400
800GB	2.5" (SFF)	SAS 12Gb/s	Mixed Use	3		S26361-F5713-E800	S26361-F5713-L800
1.6TB	2.5" (SFF)	SAS 12Gb/s	Mixed Use	3		S26361-F5713-E160	S26361-F5713-L160
3.2TB	2.5" (SFF)	SAS 12Gb/s	Mixed Use	3		S26361-F5713-E320	S26361-F5713-L320
6.4TB	2.5" (SFF)	SAS 12Gb/s	Mixed Use	3		S26361-F5713-E640	S26361-F5713-L640

max. 10x - depending on base unit & configuration

<b>SSD SAS 2.5" Read Intensive (SFF) Enterprise with hot plug/hot replace tray</b>							
based on <b>Seagate Nytro3332</b> drives							
Capacity	Formfactor	Interface	Endurance	DWPD		order code E-part	order code L-part
960GB	2.5" (SFF)	SAS 12Gb/s	Read Intensive	1		S26361-F5870-E960	S26361-F5870-L960
1.92TB	2.5" (SFF)	SAS 12Gb/s	Read Intensive	1		S26361-F5870-E192	S26361-F5870-L192
3.84TB	2.5" (SFF)	SAS 12Gb/s	Read Intensive	1		S26361-F5870-E384	S26361-F5870-L384
7.68TB	2.5" (SFF)	SAS 12Gb/s	Read Intensive	1		S26361-F5870-E768	S26361-F5870-L768
15.36TB	2.5" (SFF)	SAS 12Gb/s	Read Intensive	1		S26361-F5870-E153	S26361-F5870-L153

max. 10x - depending on base unit & configuration

as long as stock available

<b>SSD SAS 2.5" Read Intensive (SFF) Enterprise with hot plug/hot replace tray</b>							
based on <b>Western Digital DC SS200 / SS530</b> drives							
Capacity	Formfactor	Interface	Endurance	DWPD		order code E-part	order code L-part
480GB	2.5" (SFF)	SAS 12Gb/s	Read Intensive	1		S26361-F5811-E480	S26361-F5811-L480
960GB	2.5" (SFF)	SAS 12Gb/s	Read Intensive	1		S26361-F5811-E960	S26361-F5811-L960
1.92TB	2.5" (SFF)	SAS 12Gb/s	Read Intensive	1		S26361-F5811-E192	S26361-F5811-L192
3.84TB	2.5" (SFF)	SAS 12Gb/s	Read Intensive	1		S26361-F5811-E384	S26361-F5811-L384
7.68TB	2.5" (SFF)	SAS 12Gb/s	Read Intensive	1		S26361-F5811-E768	S26361-F5811-L768

max. 10x - depending on base unit & configuration

as long as stock available

<b>SSD SAS 2.5" Read Intensive (SFF) Enterprise with hot plug/hot replace tray</b>							
based on <b>Western Digital DC SS530</b> drives							
Capacity	Formfactor	Interface	Endurance	DWPD		order code E-part	order code L-part
480GB	2.5" (SFF)	SAS 12Gb/s	Read Intensive	1		S26361-F5715-E480	S26361-F5715-L480
960GB	2.5" (SFF)	SAS 12Gb/s	Read Intensive	1		S26361-F5715-E960	S26361-F5715-L960
1.92TB	2.5" (SFF)	SAS 12Gb/s	Read Intensive	1		S26361-F5715-E192	S26361-F5715-L192
3.84TB	2.5" (SFF)	SAS 12Gb/s	Read Intensive	1		S26361-F5715-E384	S26361-F5715-L384
7.68TB	2.5" (SFF)	SAS 12Gb/s	Read Intensive	1		S26361-F5715-E768	S26361-F5715-L768
15.36TB	2.5" (SFF)	SAS 12Gb/s	Read Intensive	1		S26361-F5715-E153	S26361-F5715-L153

max. 10x - depending on base unit & configuration

<b>SSD SATA 2.5" Mixed Use (SFF) Enterprise with hot plug/hot replace tray</b>							
based on <b>Micron 5300 MAX</b> drives							
Capacity	Formfactor	Interface	Endurance	DWPD		order code E-part	order code L-part
240GB	2.5" (SFF)	SATA 6Gb/s	Mixed Use	5,0		S26361-F5776-E240	S26361-F5776-L240
480GB	2.5" (SFF)	SATA 6Gb/s	Mixed Use	5,0		S26361-F5776-E480	S26361-F5776-L480
960GB	2.5" (SFF)	SATA 6Gb/s	Mixed Use	5,0		S26361-F5776-E960	S26361-F5776-L960
1.92TB	2.5" (SFF)	SATA 6Gb/s	Mixed Use	5,0		S26361-F5776-E192	S26361-F5776-L192
3.84TB	2.5" (SFF)	SATA 6Gb/s	Mixed Use	3,5		S26361-F5776-E384	S26361-F5776-L384

max. 10x - depending on base unit & configuration

<b>SSD SATA 2.5" Mixed Use (SFF) Enterprise with hot plug/hot replace tray</b>							
based on <b>Samsung PM897</b> drives							
Capacity	Formfactor	Interface	Endurance	DWPD		order code E-part	order code L-part
480GB	2.5" (SFF)	SATA 6Gb/s	Mixed Use	3		S26361-F5938-E480	S26361-F5938-L480
960GB	2.5" (SFF)	SATA 6Gb/s	Mixed Use	3		S26361-F5938-E960	S26361-F5938-L960
1.92TB	2.5" (SFF)	SATA 6Gb/s	Mixed Use	3		S26361-F5938-E192	S26361-F5938-L192
3.84TB	2.5" (SFF)	SATA 6Gb/s	Mixed Use	3		S26361-F5938-E384	S26361-F5938-L384

max. 10x - depending on base unit & configuration

<b>SSD SATA 2.5" Mixed Use (SFF) Enterprise with hot plug/hot replace tray</b>							
based on <b>Samsung SM883</b> drives							
Capacity	Formfactor	Interface	Endurance	DWPD		order code E-part	order code L-part
240GB	2.5" (SFF)	SATA 6Gb/s	Mixed Use	3,6		S26361-F5733-E240	S26361-F5733-L240
480GB	2.5" (SFF)	SATA 6Gb/s	Mixed Use	3,6		S26361-F5733-E480	S26361-F5733-L480
960GB	2.5" (SFF)	SATA 6Gb/s	Mixed Use	3,6		S26361-F5733-E960	S26361-F5733-L960
1.92TB	2.5" (SFF)	SATA 6Gb/s	Mixed Use	3,6		S26361-F5733-E192	S26361-F5733-L192
3.84TB	2.5" (SFF)	SATA 6Gb/s	Mixed Use	3,6		S26361-F5588-E384	S26361-F5588-L384

max. 10x - depending on base unit & configuration

<b>SSD SATA 2.5" Read Intensive (SFF) Enterprise with hot plug/hot replace tray</b>							
based on <b>Micron 5300 PRO</b> drives							
Capacity	Formfactor	Interface	Endurance	DWPD		order code E-part	order code L-part
240GB	2.5" (SFF)	SATA 6Gb/s	Read Intensive	1,5		S26361-F5783-E240	S26361-F5783-L240
480GB	2.5" (SFF)	SATA 6Gb/s	Read Intensive	1,5		S26361-F5783-E480	S26361-F5783-L480
960GB	2.5" (SFF)	SATA 6Gb/s	Read Intensive	1,5		S26361-F5783-E960	S26361-F5783-L960
1.92TB	2.5" (SFF)	SATA 6Gb/s	Read Intensive	1,5		S26361-F5783-E192	S26361-F5783-L192
3.84TB	2.5" (SFF)	SATA 6Gb/s	Read Intensive	1,2		S26361-F5783-E384	S26361-F5783-L384
7.68TB	2.5" (SFF)	SATA 6Gb/s	Read Intensive	0,6		S26361-F5783-E768	S26361-F5783-L768

max. 10x - depending on base unit & configuration

<b>SSD SATA 2.5" Read Intensive (SFF) Enterprise with hot plug/hot replace tray</b>							
based on <b>Samsung PM893</b> drives							
Capacity	Formfactor	Interface	Endurance	DWPD		order code E-part	order code L-part
240GB	2.5" (SFF)	SATA 6Gb/s	Read Intensive	1,0		S26361-F5946-E240	S26361-F5946-L240
480GB	2.5" (SFF)	SATA 6Gb/s	Read Intensive	1,0		S26361-F5946-E480	S26361-F5946-L480
960GB	2.5" (SFF)	SATA 6Gb/s	Read Intensive	1,0		S26361-F5946-E960	S26361-F5946-L960
1.92TB	2.5" (SFF)	SATA 6Gb/s	Read Intensive	1,0		S26361-F5946-E192	S26361-F5946-L192
3.84TB	2.5" (SFF)	SATA 6Gb/s	Read Intensive	1,0		S26361-F5946-E384	S26361-F5946-L384
7.68TB	2.5" (SFF)	SATA 6Gb/s	Read Intensive	1,0		S26361-F5946-E768	S26361-F5946-L768

max. 10x - depending on base unit & configuration

EMEIA only

<b>SSD SATA 2.5" Read Intensive (SFF) Enterprise with hot plug/hot replace tray</b>							
based on <b>Samsung PM883</b> drives							
Capacity	Formfactor	Interface	Endurance	DWPD		order code E-part	order code L-part
240GB	2.5" (SFF)	SATA 6Gb/s	Read Intensive	0,7		S26361-F5802-E240	S26361-F5802-L240
480GB	2.5" (SFF)	SATA 6Gb/s	Read Intensive	0,7		S26361-F5802-E480	S26361-F5802-L480
960GB	2.5" (SFF)	SATA 6Gb/s	Read Intensive	0,7		S26361-F5802-E960	S26361-F5802-L960
1.92TB	2.5" (SFF)	SATA 6Gb/s	Read Intensive	0,7		S26361-F5802-E192	S26361-F5802-L192
3.84TB	2.5" (SFF)	SATA 6Gb/s	Read Intensive	0,7		S26361-F5802-E384	S26361-F5802-L384
7.68TB	2.5" (SFF)	SATA 6Gb/s	Read Intensive	0,7		S26361-F5802-E768	S26361-F5802-L768

max. 10x - depending on base unit & configuration

as long as stock available

<b>SSD SATA 2.5" Read Intensive (SFF) Enterprise with hot plug/hot replace tray</b>							
based on <b>Micron 5100 PRO</b> or <b>5200 ECO</b> * 240GB is 5100, others are 5200							
Capacity	Formfactor	Interface	Endurance	DWPD		order code E-part	order code L-part
240GB	2.5" (SFF)	SATA 6Gb/s	Read Intensive	1,4		S26361-F5701-E240	S26361-F5701-L240
480GB	2.5" (SFF)	SATA 6Gb/s	Read Intensive	0,9		S26361-F5701-E480	S26361-F5701-L480
960GB	2.5" (SFF)	SATA 6Gb/s	Read Intensive	0,9		S26361-F5701-E960	S26361-F5701-L960
1.92TB	2.5" (SFF)	SATA 6Gb/s	Read Intensive	0,9		S26361-F5701-E192	S26361-F5701-L192
3.84TB	2.5" (SFF)	SATA 6Gb/s	Read Intensive	1,0		S26361-F5701-E384	S26361-F5701-L384
7.68TB	2.5" (SFF)	SATA 6Gb/s	Read Intensive	0,5		S26361-F5701-E768	S26361-F5701-L768

max. 10x - depending on base unit & configuration

J

2.5" (SFF) Hard drives

<b>HDD SAS 2.5" 15K (SFF) Enterprise Mission Critical with hot plug/hot replace tray</b>							
Capacity	RPM	Interface	Sector			order code E-part	order code L-part
300GB	15 000	SAS 12Gb/s	512n			S26361-F5727-E530	S26361-F5727-L530
600GB	15 000	SAS 12Gb/s	512n			S26361-F5727-E560	S26361-F5727-L560
900GB	15 000	SAS 12Gb/s	512n			S26361-F5531-E590	S26361-F5531-L590

max. 10x - depending on base unit & configuration

<b>HDD SAS 2.5" 10K 512n (SFF) Enterprise Mission Critical with hot plug/hot replace tray</b>							
Capacity	RPM	Interface	Sector			order code E-part	order code L-part
300GB	10 000	SAS 12Gb/s	512n			S26361-F5729-E130	S26361-F5729-L130
600GB	10 000	SAS 12Gb/s	512n			S26361-F5729-E160	S26361-F5729-L160
900GB	10 000	SAS 12Gb/s	512n			S26361-F5729-E190	S26361-F5729-L190
1.2TB	10 000	SAS 12Gb/s	512n			S26361-F5729-E112	S26361-F5729-L112
300GB	10 000	SAS 12Gb/s	512n	SED		S26361-F5581-E130	S26361-F5581-L130
600GB	10 000	SAS 12Gb/s	512n	SED		S26361-F5581-E160	S26361-F5581-L160
1.2TB	10 000	SAS 12Gb/s	512n	SED		S26361-F5581-E112	S26361-F5581-L112

max. 10x - depending on base unit & configuration

<b>HDD SAS 2.5" 10K 512e (SFF) Enterprise Mission Critical with hot plug/hot replace tray</b>						
Capacity	RPM	Interface	Sector		order code E-part	order code L-part
600GB	10 000	SAS 12Gb/s	512e		<b>S26361-F5730-E160</b>	<b>S26361-F5730-L160</b>
900GB	10 000	SAS 12Gb/s	512e		<b>S26361-F5730-E190</b>	<b>S26361-F5730-L190</b>
1.2TB	10 000	SAS 12Gb/s	512e		<b>S26361-F5730-E112</b>	<b>S26361-F5730-L112</b>
1.8TB	10 000	SAS 12Gb/s	512e		<b>S26361-F5730-E118</b>	<b>S26361-F5730-L118</b>
2.4TB	10 000	SAS 12Gb/s	512e		<b>S26361-F5543-E124</b>	<b>S26361-F5543-L124</b>
1.8TB	10 000	SAS 12Gb/s	512e	SED	<b>S26361-F5582-E118</b>	<b>S26361-F5582-L118</b>
2.4TB	10 000	SAS 12Gb/s	512e	SED	<b>S26361-F5582-E124</b>	<b>S26361-F5582-L124</b>

max. 10x - depending on base unit & configuration

<b>HDD SAS 2.5" 7.2K 512n (SFF) Enterprise Business Critical with hot plug/hot replace tray</b>						
Capacity	RPM	Interface	Sector		order code E-part	order code L-part
1TB	7 200	SAS 12Gb/s	512n		<b>S26361-F5600-E100</b>	<b>S26361-F5600-L100</b>
2TB	7 200	SAS 12Gb/s	512n		<b>S26361-F5600-E200</b>	<b>S26361-F5600-L200</b>

max. 10x - depending on base unit & configuration

<b>HDD SATA 2.5" 7.2K 512n (SFF) Enterprise Business Critical with hot plug/hot replace tray</b>						
Capacity	RPM	Interface	Sector		order code E-part	order code L-part
1TB	7 200	SATA 6Gb/s	512n		<b>S26361-F3956-E100</b>	<b>S26361-F3956-L100</b>
2TB	7 200	SATA 6Gb/s	512n		<b>S26361-F3956-E200</b>	<b>S26361-F3956-L200</b>

max. 10x - depending on base unit & configuration

The HDDs not released with PRAID EP5x0i (S26361-F4042-E202/E214/E208)

<b>HDD SATA 2.5" 7.2K 512e (SFF) Enterprise Business Critical with hot plug/hot replace tray</b>						
Capacity	RPM	Interface	Sector		order code E-part	order code L-part
1TB	7 200	SATA 6Gb/s	512e		<b>S26361-F3907-E100</b>	<b>S26361-F3907-L100</b>
2TB	7 200	SATA 6Gb/s	512e		<b>S26361-F3907-E200</b>	<b>S26361-F3907-L200</b>

max. 10x - depending on base unit & configuration

K

K

## 3.5" (LFF) SAS and SATA SSD

<b>SSD SAS 3.5" Write Intensive (LFF) 2.5" SSD Enterprise with 3.5" hot plug/hot replace tray</b>							
based on <b>Seagate Nytro3732</b> drives							
Capacity	Formfactor	Interface	Endurance	DWPD		order code E-part	order code L-part
400GB	3.5" (LFF)	SAS 12Gb/s	Write Intensive	10		S26361-F5864-E400	S26361-F5864-L400
800GB	3.5" (LFF)	SAS 12Gb/s	Write Intensive	10		S26361-F5864-E800	S26361-F5864-L800
1.6TB	3.5" (LFF)	SAS 12Gb/s	Write Intensive	10		S26361-F5864-E160	S26361-F5864-L160

max. 4x - depending on base unit &amp; configuration

as long as stock available

<b>SSD SAS 3.5" Write Intensive (LFF) 2.5" SSD Enterprise with 3.5" hot plug/hot replace tray</b>							
based on <b>Toshiba PM5-M</b> drives							
Capacity	Formfactor	Interface	Endurance	DWPD		order code E-part	order code L-part
400GB	3.5" (LFF)	SAS 12Gb/s	Write Intensive	10		S26361-F5709-E400	S26361-F5709-L400
800GB	3.5" (LFF)	SAS 12Gb/s	Write Intensive	10		S26361-F5709-E800	S26361-F5709-L800
1.6TB	3.5" (LFF)	SAS 12Gb/s	Write Intensive	10		S26361-F5709-E160	S26361-F5709-L160

max. 4x - depending on base unit &amp; configuration

<b>SSD SAS 3.5" Mixed Use (LFF) 2.5" SSD Enterprise with 3.5" hot plug/hot replace tray</b>							
based on <b>Seagate Nytro3532</b> drives							
Capacity	Formfactor	Interface	Endurance	DWPD		order code E-part	order code L-part
800GB	3.5" (LFF)	SAS 12Gb/s	Mixed Use	3		S26361-F5867-E800	S26361-F5867-L800
1.6TB	3.5" (LFF)	SAS 12Gb/s	Mixed Use	3		S26361-F5867-E160	S26361-F5867-L160
3.2TB	3.5" (LFF)	SAS 12Gb/s	Mixed Use	3		S26361-F5867-E320	S26361-F5867-L320

max. 4x - depending on base unit &amp; configuration

as long as stock available

<b>SSD SAS 3.5" Mixed Use (LFF) 2.5" SSD Enterprise with 3.5" hot plug/hot replace tray</b>							
based on <b>Western Digital DC SS200 / SS530</b> drives							
Capacity	Formfactor	Interface	Endurance	DWPD		order code E-part	order code L-part
400GB	3.5" (LFF)	SAS 12Gb/s	Mixed Use	3		S26361-F5808-E400	S26361-F5808-L400
800GB	3.5" (LFF)	SAS 12Gb/s	Mixed Use	3		S26361-F5808-E800	S26361-F5808-L800
1.6TB	3.5" (LFF)	SAS 12Gb/s	Mixed Use	3		S26361-F5808-E160	S26361-F5808-L160
3.2TB	3.5" (LFF)	SAS 12Gb/s	Mixed Use	3		S26361-F5808-E320	S26361-F5808-L320

max. 4x - depending on base unit &amp; configuration

as long as stock available

<b>SSD SAS 3.5" Mixed Use (LFF) 2.5" SSD Enterprise with 3.5" hot plug/hot replace tray</b>							
based on <b>Western Digital DC SS530</b> drives							
Capacity	Formfactor	Interface	Endurance	DWPD		order code E-part	order code L-part
400GB	3.5" (LFF)	SAS 12Gb/s	Mixed Use	3		S26361-F5712-E400	S26361-F5712-L400
800GB	3.5" (LFF)	SAS 12Gb/s	Mixed Use	3		S26361-F5712-E800	S26361-F5712-L800
1.6TB	3.5" (LFF)	SAS 12Gb/s	Mixed Use	3		S26361-F5712-E160	S26361-F5712-L160
3.2TB	3.5" (LFF)	SAS 12Gb/s	Mixed Use	3		S26361-F5712-E320	S26361-F5712-L320

max. 4x - depending on base unit &amp; configuration

<b>SSD SAS 3.5" Read Intensive (LFF) 2.5" SSD Enterprise with 3.5" hot plug/hot replace tray</b>							
based on <b>Seagate Nytro3332</b> drives							
Capacity	Formfactor	Interface	Endurance	DWPD		order code E-part	order code L-part
960GB	3.5" (LFF)	SAS 12Gb/s	Read Intensive	1		S26361-F5869-E960	S26361-F5869-L960
1.92TB	3.5" (LFF)	SAS 12Gb/s	Read Intensive	1		S26361-F5869-E192	S26361-F5869-L192
3.84TB	3.5" (LFF)	SAS 12Gb/s	Read Intensive	1		S26361-F5869-E384	S26361-F5869-L384
7.68TB	3.5" (LFF)	SAS 12Gb/s	Read Intensive	1		S26361-F5869-E768	S26361-F5869-L768

max. 4x - depending on base unit &amp; configuration

as long as stock available

<b>SSD SAS 3.5" Read Intensive (LFF) 2.5" SSD Enterprise with 3.5" hot plug/hot replace tray</b>							
based on <b>Western Digital DC SS200 / SS530</b> drives							
Capacity	Formfactor	Interface	Endurance	DWPD		order code E-part	order code L-part
480GB	3.5" (LFF)	SAS 12Gb/s	Read Intensive	1		S26361-F5810-E480	S26361-F5810-L480
960GB	3.5" (LFF)	SAS 12Gb/s	Read Intensive	1		S26361-F5810-E960	S26361-F5810-L960
1.92TB	3.5" (LFF)	SAS 12Gb/s	Read Intensive	1		S26361-F5810-E192	S26361-F5810-L192
3.84TB	3.5" (LFF)	SAS 12Gb/s	Read Intensive	1		S26361-F5810-E384	S26361-F5810-L384
7.68TB	3.5" (LFF)	SAS 12Gb/s	Read Intensive	1		S26361-F5810-E768	S26361-F5810-L768

max. 4x - depending on base unit &amp; configuration

as long as stock available

<b>SSD SAS 3.5" Read Intensive (LFF) 2.5" SSD Enterprise with 3.5" hot plug/hot replace tray</b>							
based on <b>Western Digital DC SS530</b> drives							
Capacity	Formfactor	Interface	Endurance	DWPD		order code E-part	order code L-part
480GB	3.5" (LFF)	SAS 12Gb/s	Read Intensive	1		S26361-F5714-E480	S26361-F5714-L480
960GB	3.5" (LFF)	SAS 12Gb/s	Read Intensive	1		S26361-F5714-E960	S26361-F5714-L960
1.92TB	3.5" (LFF)	SAS 12Gb/s	Read Intensive	1		S26361-F5714-E192	S26361-F5714-L192
3.84TB	3.5" (LFF)	SAS 12Gb/s	Read Intensive	1		S26361-F5714-E384	S26361-F5714-L384
7.68TB	3.5" (LFF)	SAS 12Gb/s	Read Intensive	1		S26361-F5714-E768	S26361-F5714-L768

max. 4x - depending on base unit &amp; configuration

<b>SSD SATA 3.5" Mixed Use (LFF) 2.5" SSD Enterprise with 3.5" hot plug/hot replace tray</b>							
based on <b>Micron 5300 MAX</b> drives							
Capacity	Formfactor	Interface	Endurance	DWPD		order code E-part	order code L-part
240GB	2.5" (SFF)	SATA 6Gb/s	Mixed Use	5,0		S26361-F5775-E240	S26361-F5775-L240
480GB	2.5" (SFF)	SATA 6Gb/s	Mixed Use	5,0		S26361-F5775-E480	S26361-F5775-L480
960GB	2.5" (SFF)	SATA 6Gb/s	Mixed Use	5,0		S26361-F5775-E960	S26361-F5775-L960
1.92TB	2.5" (SFF)	SATA 6Gb/s	Mixed Use	5,0		S26361-F5775-E192	S26361-F5775-L192
3.84TB	2.5" (SFF)	SATA 6Gb/s	Mixed Use	3,5		S26361-F5775-E384	S26361-F5775-L384

max. 4x - depending on base unit & configuration

<b>SSD SATA 3.5" Mixed Use (LFF) 2.5" SSD Enterprise with 3.5" hot plug/hot replace tray</b>							
based on <b>Samsung PM897</b> drives							
Capacity	Formfactor	Interface	Endurance	DWPD		order code E-part	order code L-part
480GB	3.5" (LFF)	SATA 6Gb/s	Mixed Use	3		S26361-F5937-E480	S26361-F5937-L480
960GB	3.5" (LFF)	SATA 6Gb/s	Mixed Use	3		S26361-F5937-E960	S26361-F5937-L960
1.92TB	3.5" (LFF)	SATA 6Gb/s	Mixed Use	3		S26361-F5937-E192	S26361-F5937-L192
3.84TB	3.5" (LFF)	SATA 6Gb/s	Mixed Use	3		S26361-F5937-E384	S26361-F5937-L384

max. 4x - depending on base unit & configuration

<b>SSD SATA 3.5" Mixed Use (LFF) 2.5" SSD Enterprise with 3.5" hot plug/hot replace tray</b>							
based on <b>Samsung SM883</b> drives							
Capacity	Formfactor	Interface	Endurance	DWPD		order code E-part	order code L-part
240GB	3.5" (LFF)	SATA 6Gb/s	Mixed Use	3,6		S26361-F5732-E240	S26361-F5732-L240
480GB	3.5" (LFF)	SATA 6Gb/s	Mixed Use	3,6		S26361-F5732-E480	S26361-F5732-L480
960GB	3.5" (LFF)	SATA 6Gb/s	Mixed Use	3,6		S26361-F5732-E960	S26361-F5732-L960
1.92TB	3.5" (LFF)	SATA 6Gb/s	Mixed Use	3,6		S26361-F5732-E192	S26361-F5732-L192
3.84TB	3.5" (LFF)	SATA 6Gb/s	Mixed Use	3,6		S26361-F5589-E384	S26361-F5589-L384

max. 4x - depending on base unit & configuration

<b>SSD SATA 3.5" Read Intensive (LFF) 2.5" SSD Enterprise with 3.5" hot plug/hot replace tray</b>							
based on <b>Micron 5300 PRO</b> drives							
Capacity	Formfactor	Interface	Endurance	DWPD		order code E-part	order code L-part
240GB	2.5" (SFF)	SATA 6Gb/s	Read Intensive	1,5		S26361-F5782-E240	S26361-F5782-L240
480GB	2.5" (SFF)	SATA 6Gb/s	Read Intensive	1,5		S26361-F5782-E480	S26361-F5782-L480
960GB	2.5" (SFF)	SATA 6Gb/s	Read Intensive	1,5		S26361-F5782-E960	S26361-F5782-L960
1.92TB	2.5" (SFF)	SATA 6Gb/s	Read Intensive	1,5		S26361-F5782-E192	S26361-F5782-L192
3.84TB	2.5" (SFF)	SATA 6Gb/s	Read Intensive	1,2		S26361-F5782-E384	S26361-F5782-L384
7.68TB	2.5" (SFF)	SATA 6Gb/s	Read Intensive	0,6		S26361-F5782-E768	S26361-F5782-L768

max. 4x - depending on base unit & configuration

<b>SSD SATA 3.5" Read Intensive (LFF) 2.5" SSD Enterprise with 3.5" hot plug/hot replace tray</b>							
based on <b>Samsung PM893</b> drives							
Capacity	Formfactor	Interface	Endurance	DWPD		order code E-part	order code L-part
240GB	3.5" (LFF)	SATA 6Gb/s	Read Intensive	1,0		S26361-F5945-E240	S26361-F5945-L240
480GB	3.5" (LFF)	SATA 6Gb/s	Read Intensive	1,0		S26361-F5945-E480	S26361-F5945-L480
960GB	3.5" (LFF)	SATA 6Gb/s	Read Intensive	1,0		S26361-F5945-E960	S26361-F5945-L960
1.92TB	3.5" (LFF)	SATA 6Gb/s	Read Intensive	1,0		S26361-F5945-E192	S26361-F5945-L192
3.84TB	3.5" (LFF)	SATA 6Gb/s	Read Intensive	1,0		S26361-F5945-E384	S26361-F5945-L384
7.68TB	3.5" (LFF)	SATA 6Gb/s	Read Intensive	1,0		S26361-F5945-E768	S26361-F5945-L768

max. 4x - depending on base unit & configuration

EMEIA only

<b>SSD SATA 3.5" Read Intensive (LFF) 2.5" SSD Enterprise with 3.5" hot plug/hot replace tray</b>							
based on <b>Samsung PM883</b> drives							
Capacity	Formfactor	Interface	Endurance	DWPD		order code E-part	order code L-part
240GB	2.5" (SFF)	SATA 6Gb/s	Read Intensive	0,7		S26361-F5801-E240	S26361-F5801-L240
480GB	2.5" (SFF)	SATA 6Gb/s	Read Intensive	0,7		S26361-F5801-E480	S26361-F5801-L480
960GB	2.5" (SFF)	SATA 6Gb/s	Read Intensive	0,7		S26361-F5801-E960	S26361-F5801-L960
1.92TB	2.5" (SFF)	SATA 6Gb/s	Read Intensive	0,7		S26361-F5801-E192	S26361-F5801-L192
3.84TB	2.5" (SFF)	SATA 6Gb/s	Read Intensive	0,7		S26361-F5801-E384	S26361-F5801-L384
7.68TB	2.5" (SFF)	SATA 6Gb/s	Read Intensive	0,7		S26361-F5801-E768	S26361-F5801-L768

max. 4x - depending on base unit & configuration

as long as stock available

<b>SSD SATA 3.5" Read Intensive (LFF) 2.5" SSD Enterprise with 3.5" hot plug/hot replace tray</b>							
based on <b>Micron 5100 PRO</b> or <b>5200 ECO</b> * 240GB is 5100, others are 5200							
Capacity	Formfactor	Interface	Endurance	DWPD		order code E-part	order code L-part
240GB	3.5" (LFF)	SATA 6Gb/s	Read Intensive	1,4		S26361-F5700-E240	S26361-F5700-L240
480GB	3.5" (LFF)	SATA 6Gb/s	Read Intensive	0,9		S26361-F5700-E480	S26361-F5700-L480
960GB	3.5" (LFF)	SATA 6Gb/s	Read Intensive	0,9		S26361-F5700-E960	S26361-F5700-L960
1.92TB	3.5" (LFF)	SATA 6Gb/s	Read Intensive	0,9		S26361-F5700-E192	S26361-F5700-L192
3.84TB	3.5" (LFF)	SATA 6Gb/s	Read Intensive	1,0		S26361-F5700-E384	S26361-F5700-L384
7.68TB	3.5" (LFF)	SATA 6Gb/s	Read Intensive	0,5		S26361-F5700-E768	S26361-F5700-L768

max. 4x - depending on base unit & configuration

K

K

## 3.5" (LFF) Hard drives

HDD SAS 3.5" 15K (LFF) 2.5" HDD Enterprise Mission Critical with 3.5" hot plug/hot replace tray						
Capacity	RPM	Interface	Sector		order code E-part	order code L-part
300GB	15 000	SAS 12Gb/s	512n		S26361-F5726-E530	S26361-F5726-L530
600GB	15 000	SAS 12Gb/s	512n		S26361-F5726-E560	S26361-F5726-L560
900GB	15 000	SAS 12Gb/s	512n		S26361-F5532-E590	S26361-F5532-L590

max. 4x - depending on base unit &amp; configuration

HDD SAS 3.5" 10K 512n (LFF) 2.5" HDD Enterprise Mission Critical with 3.5" hot plug/hot replace tray						
Capacity	RPM	Interface	Sector		order code E-part	order code L-part
300GB	10 000	SAS 12Gb/s	512n		S26361-F5728-E130	S26361-F5728-L130
600GB	10 000	SAS 12Gb/s	512n		S26361-F5728-E160	S26361-F5728-L160
1.2TB	10 000	SAS 12Gb/s	512n		S26361-F5728-E112	S26361-F5728-L112

max. 4x - depending on base unit &amp; configuration

HDD SAS 3.5" 10K 512e (LFF) 2.5" HDD Enterprise Mission Critical with 3.5" hot plug/hot replace tray						
Capacity	RPM	Interface	Sector		order code E-part	order code L-part
1.8TB	10 000	SAS 12Gb/s	512e		S26361-F5731-E118	S26361-F5731-L118
2.4TB	10 000	SAS 12Gb/s	512e		S26361-F5569-E124	S26361-F5569-L124

max. 4x - depending on base unit &amp; configuration

HDD SAS 3.5" 7.2K 512n (LFF) Enterprise Business critical with hot plug/hot replace tray						
Capacity	RPM	Interface	Sector		order code E-part	order code L-part
1TB	7 200	SAS 12Gb/s	512n	as long as stock available	S26361-F5626-E100	S26361-F5626-L100
2TB	7 200	SAS 12Gb/s	512n		S26361-F5626-E200	S26361-F5626-L200
4TB	7 200	SAS 12Gb/s	512n		S26361-F5626-E400	S26361-F5626-L400

max. 4x - depending on base unit &amp; configuration

HDD SAS 3.5" 7.2K 512e (LFF) Enterprise Business Critical with hot plug/hot replace tray						
Capacity	RPM	Interface	Sector		order code E-part	order code L-part
6TB	7 200	SAS 12Gb/s	512e		S26361-F5635-E600	S26361-F5635-L600
8TB	7 200	SAS 12Gb/s	512e		S26361-F5635-E800	S26361-F5635-L800
12TB	7 200	SAS 12Gb/s	512e		S26361-F5571-E120	S26361-F5571-L120
14TB	7 200	SAS 12Gb/s	512e		S26361-F5571-E140	S26361-F5571-L140
16TB	7 200	SAS 12Gb/s	512e		S26361-F5571-E160	S26361-F5571-L160
18TB	7 200	SAS 12Gb/s	512e		S26361-F5571-E180	S26361-F5571-L180
6TB	7 200	SAS 12Gb/s	512e	SED	S26361-F5584-E600	S26361-F5584-L600
8TB	7 200	SAS 12Gb/s	512e	SED	S26361-F5584-E800	S26361-F5584-L800
12TB	7 200	SAS 12Gb/s	512e	SED	S26361-F5624-E120	S26361-F5624-L120
14TB	7 200	SAS 12Gb/s	512e	SED	S26361-F5624-E140	S26361-F5624-L140
16TB	7 200	SAS 12Gb/s	512e	SED	S26361-F5624-E160	S26361-F5624-L160
18TB	7 200	SAS 12Gb/s	512e	SED	S26361-F5624-E180	S26361-F5624-L180

max. 4x - depending on base unit &amp; configuration

HDD SATA 3.5" 7.2K 512n (LFF) Enterprise Business Critical with hot plug/hot replace tray						
Capacity	RPM	Interface	Sector		order code E-part	order code L-part
1TB	7 200	SATA 6Gb/s	512n		S26361-F5636-E100	S26361-F5636-L100
2TB	7 200	SATA 6Gb/s	512n		S26361-F5636-E200	S26361-F5636-L200
4TB	7 200	SATA 6Gb/s	512n		S26361-F5636-E400	S26361-F5636-L400

max. 4x - depending on base unit &amp; configuration

HDD SATA 3.5" 7.2K 512e (LFF) Enterprise Business Critical with hot plug/hot replace tray						
Capacity	RPM	Interface	Sector		order code E-part	order code L-part
6TB	7 200	SATA 6Gb/s	512e		S26361-F5638-E600	S26361-F5638-L600
8TB	7 200	SATA 6Gb/s	512e		S26361-F5638-E800	S26361-F5638-L800
12TB	7 200	SATA 6Gb/s	512e		S26361-F3904-E120	S26361-F3904-L120
14TB	7 200	SATA 6Gb/s	512e		S26361-F3904-E140	S26361-F3904-L140
16TB	7 200	SAS 12Gb/s	512e		S26361-F3904-E160	S26361-F3904-L160
18TB	7 200	SAS 12Gb/s	512e		S26361-F3904-E180	S26361-F3904-L180

max. 4x - depending on base unit &amp; configuration



**M.2 SATA SSD**

**SSD SATA M.2 drive for booting, non hot-plug, for VMware ESXi**

Capacity	Formfactor	Interface	Category	order code E-part	order code L-part
240GB	M.2	SATA 6Gb/s	Boot	S26361-F5816-E240	S26361-F5816-L240
240GB	M.2	SATA 6Gb/s	Boot	as long as stock available	S26361-F5707-E240

M.2 drive is designed for use as a VMware ESXi boot drive.  
 2x M.2 drive for any Hypervisor by the onboard chipset Software RAID is not supported.  
 max. 1x per Server; connector located on Motherboard (please see folder "description"). VMware ESXi is only supported.

M.2 drive for VMware ESXi and for other OSs cannot be mixed

**SSD SATA M.2 drive for booting, non hot-plug**

Capacity	Formfactor	Interface	DWPD	Category	order code E-part	order code L-part
240GB	M.2	SATA 6Gb/s	1,5	Boot	S26361-F5787-E240	S26361-F5787-L240
240GB	M.2	SATA 6Gb/s	1,4	Boot	as long as stock available	S26361-F5706-E240
480GB	M.2	SATA 6Gb/s	1,5	Boot	S26361-F5787-E480	S26361-F5787-L480
480GB	M.2	SATA 6Gb/s	1,4	Boot	as long as stock available	S26361-F5706-E480

M.2 drive is designed for use as a boot drive with the Endurance Spec. above.  
 2x M.2 drive for any Hypervisor by the onboard chipset Software RAID is not supported.  
 max. 2x per Server; connector located on Motherboard (please see folder "description"). VMware is not supported.

**Dual M.2**

Dual microSD, PDUAL CP100, PDUAL CP200 and M.2 drive on Motherboard cannot be mixed

**PDUAL CP200, dual M.2 for booting, non hot-plug**

Capacity	Formfactor	Interface	Category	order code E-part	order code L-part
n/a	AIC	PCIe	Boot LP	S26361-F4065-E201	S26361-F4065-L501

PDUAL CP200 is a carrier 2x M.2 SATA modules and offers RAID1 with 2x M.2 modules.  
 PDUAL CP200 is designed for use as a Hardware-mirrored (RAID1) boot device for Hypervisor, which cannot be supported by M.2 via the onboard chipset Software RAID.  
 Supported RAID level : RAID1 only, 2x M.2 modules need to be ordered separately.  
 Supported M.2 Modules : SSD SATA M.2 240GB/480GB, and 240GB for VMware ESXi.  
 (S26361-F5706-E240/L240/E480/L480 or S26361-F5707-E240/L240 or S26361-F5787-E240/L240/E480/L480 or S26361-F5816-E240/L240)  
 max. 1x per Server, requires 2x SSD SATA M.2 drives.

Dual microSD, PDUAL CP100, PDUAL CP200 and M.2 drive on Motherboard cannot be mixed

**PDUAL CP100, dual M.2 for booting, non hot-plug only for EMEA market**

Capacity	Formfactor	Interface	Category	order code E-part	order code L-part
n/a	AIC	PCIe	Boot LP	S26361-F5966-E201	S26361-F5966-L501

PDUAL CP100 is a carrier 2x M.2 SATA modules and offers RAID1 with 2x M.2 modules.  
 PDUAL CP100 is designed for use as a Hardware-mirrored (RAID1) boot device for Hypervisor, which cannot be supported by M.2 via the onboard chipset Software RAID.  
 Supported RAID level : RAID1 only, 2x M.2 modules need to be ordered separately.  
 Supported M.2 Modules : SSD SATA M.2 240GB/480GB, and 240GB for VMware ESXi.  
 (S26361-F5787-E240/L240/E480/L480 or S26361-F5816-E240/L240)  
**Windows 2022 support:**  
 For S26361-F5966-L501, Firmware Package 2.3.21.2009 or later is required. S26361-F5966-E201 is shipped with the required Firmware Package  
 To manage the CP100 in Windows 2022, iRMC 3.39P or later is required  
 max. 1x per Server, requires 2x SSD SATA M.2 drives.

**Dual microSD**

Dual microSD, PDUAL CP100, PDUAL CP200 and M.2 drive cannot be mixed

**Dual microSD Enterprise for booting, non hot-plug, for VMware ESXi**

Capacity	Formfactor	Interface	Category	order code E-part	order code L-part
64GB	microSD	USB	Boot	S26361-F4045-E64	S26361-F4045-L64

Dual microSD is designed for use as a VMware ESXi boot drive. Only the standardly equipped microSD are supported.  
 Dual microSD offers Hardware-mirrored (RAID1) flash boot device for VMware ESXi, which cannot be supported by M.2.  
 vSAN can be booted in case ESXi host has 512 GB of memory or less. Even in case 512 GB or more, if vSAN is 6.5 or later, it can be booted by resizing the core dump partition on ESXi hosts. For more information, see the VMware knowledge base article at <http://kb.vmware.com/kb/2147881>.  
 max. 1x per Server; connector located on Motherboard (please see folder "description"). VMware ESXi is only supported.

**K**



K

**2.5" (SFF) PCIe-SSD**

2.5" PCIe-SSDs are either connected directly via onboard connector or indirectly via RAID Controller card  
RAID Controller : PRAID EP520i/540i/580i

\*hot plug support : as soon as available

**PCIe-SSD 2.5" P4800X (SFF) Enterprise with hot plug/hot replace tray**

Capacity	Formfactor	Interface	Endurance	DWPD	order code E-part	order code L-part
750GB	2.5" (SFF)	PCIe3.0 x4	-	30	<b>S26361-F5719-E750</b>	<b>S26361-F5719-L750</b>

max. 10x - depending on base unit & configuration

**PCIe-SSD 2.5" Mixed Use (SFF) Enterprise with hot plug/hot replace tray**

based on **Kioxia CM7-V** drives

Capacity	Formfactor	Interface	Endurance	DWPD	order code E-part	order code L-part
1.6TB	2.5" (SFF)	PCIe5.0 x4	Mixed Use	3		<b>PY-BS16PDB</b>
3.2TB	2.5" (SFF)	PCIe5.0 x4	Mixed Use	3		<b>PY-BS32PDB</b>
6.4TB	2.5" (SFF)	PCIe5.0 x4	Mixed Use	3		<b>PY-BS64PDB</b>
12.8TB	2.5" (SFF)	PCIe5.0 x4	Mixed Use	3		<b>PY-BS12PDB</b>

max. 10x - depending on base unit & configuration

this SSD will be worked with PCIe3.0 due to server specification

**PCIe-SSD 2.5" Mixed Use (SFF) Enterprise with hot plug/hot replace tray**

based on **Kioxia CM6-V** drives

Capacity	Formfactor	Interface	Endurance	DWPD	order code E-part	order code L-part
1.6TB	2.5" (SFF)	PCIe4.0 x4	Mixed Use	3	<b>S26361-F5904-E160</b>	<b>S26361-F5904-L160</b>
3.2TB	2.5" (SFF)	PCIe4.0 x4	Mixed Use	3	<b>S26361-F5904-E320</b>	<b>S26361-F5904-L320</b>
6.4TB	2.5" (SFF)	PCIe4.0 x4	Mixed Use	3	<b>S26361-F5904-E640</b>	<b>S26361-F5904-L640</b>
12.8TB	2.5" (SFF)	PCIe4.0 x4	Mixed Use	3	<b>S26361-F5904-E128</b>	<b>S26361-F5904-L128</b>

max. 10x - depending on base unit & configuration

**PCIe-SSD 2.5" Mixed Use (SFF) Enterprise with hot plug/hot replace tray**

based on **Intel DC P4610** drives

Capacity	Formfactor	Interface	Endurance	DWPD	order code E-part	order code L-part
1.6TB	2.5" (SFF)	PCIe3.0 x4	Mixed Use	4,1	<b>S26361-F5737-E160</b>	<b>S26361-F5737-L160</b>
3.2TB	2.5" (SFF)	PCIe3.0 x4	Mixed Use	3,7	<b>S26361-F5737-E320</b>	<b>S26361-F5737-L320</b>
6.4TB	2.5" (SFF)	PCIe3.0 x4	Mixed Use	3,1	<b>S26361-F5737-E640</b>	<b>S26361-F5737-L640</b>

max. 10x - depending on base unit & configuration

EOL

**PCIe-SSD 2.5" Mixed Use (SFF) Enterprise with hot plug/hot replace tray\*\***

based on **Intel DC P4600** drives

Capacity	Formfactor	Interface	Endurance	DWPD	order code E-part	order code L-part
1.6TB	2.5" (SFF)	PCIe3.0 x4	Mixed Use	3,0	<b>S26361-F5648-E160</b>	<b>S26361-F5648-L160</b>
3.2TB	2.5" (SFF)	PCIe3.0 x4	Mixed Use	3,1	<b>S26361-F5648-E320</b>	<b>S26361-F5648-L320</b>
6.4TB	2.5" (SFF)	PCIe3.0 x4	Mixed Use	3,2	<b>S26361-F5648-E640</b>	<b>S26361-F5648-L640</b>

max. 10x - depending on base unit & configuration

**PCIe-SSD 2.5" Read Intensive (SFF) Enterprise with hot plug/hot replace tray**

based on **Kioxia CM7-R** drives

Capacity	Formfactor	Interface	Endurance	DWPD	order code E-part	order code L-part
1.92TB	2.5" (SFF)	PCIe5.0 x4	Read Intensive	1		<b>PY-BS19PEA</b>
3.84TB	2.5" (SFF)	PCIe5.0 x4	Read Intensive	1		<b>PY-BS38PEA</b>
7.68TB	2.5" (SFF)	PCIe5.0 x4	Read Intensive	1		<b>PY-BS76PEA</b>
15.36TB	2.5" (SFF)	PCIe5.0 x4	Read Intensive	1		<b>PY-BS15PEB</b>

max. 10x - depending on base unit & configuration

this SSD will be worked with PCIe3.0 due to server specification

**PCIe-SSD 2.5" Read Intensive (SFF) Enterprise with hot plug/hot replace tray**

based on **Kioxia CM6-R** drives

Capacity	Formfactor	Interface	Endurance	DWPD	order code E-part	order code L-part
960GB	2.5" (SFF)	PCIe4.0 x4	Read Intensive	1	<b>S26361-F5905-E960</b>	<b>S26361-F5905-L960</b>
1.92TB	2.5" (SFF)	PCIe4.0 x4	Read Intensive	1	<b>S26361-F5905-E192</b>	<b>S26361-F5905-L192</b>
3.84TB	2.5" (SFF)	PCIe4.0 x4	Read Intensive	1	<b>S26361-F5905-E384</b>	<b>S26361-F5905-L384</b>
7.68TB	2.5" (SFF)	PCIe4.0 x4	Read Intensive	1	<b>S26361-F5905-E768</b>	<b>S26361-F5905-L768</b>
15.36TB	2.5" (SFF)	PCIe4.0 x4	Read Intensive	1	<b>S26361-F5905-E153</b>	<b>S26361-F5905-L153</b>

max. 10x - depending on base unit & configuration

<b>PCIe-SSD 2.5" Read Intensive (SFF) Enterprise with hot plug/hot replace tray</b>							
based on Intel DC P4510 drives							
Capacity	Formfactor	Interface	Endurance	DWPD		order code E-part	order code L-part
1TB	2.5" (SFF)	PCIe3.0 x4	Read Intensive	1,0		<b>S26361-F5738-E100</b>	<b>S26361-F5738-L100</b>
2TB	2.5" (SFF)	PCIe3.0 x4	Read Intensive	0,7		<b>S26361-F5738-E200</b>	<b>S26361-F5738-L200</b>
4TB	2.5" (SFF)	PCIe3.0 x4	Read Intensive	0,8		<b>S26361-F5738-E400</b>	<b>S26361-F5738-L400</b>

max. 10x - depending on base unit & configuration

EOL

<b>PCIe-SSD Low Power 2.5" Read Intensive (SFF) Enterprise with hot plug/hot replace tray**</b>							
based on Intel DC P4501 drives							
Capacity	Formfactor	Interface	Endurance	DWPD		order code E-part	order code L-part
500GB	2.5" (SFF)	PCIe3.0 x4	Read Intensive	0,7		<b>S26361-F5649-E50</b>	<b>S26361-F5649-L50</b>
1TB	2.5" (SFF)	PCIe3.0 x4	Read Intensive	1,0		<b>S26361-F5649-E100</b>	<b>S26361-F5649-L100</b>
2TB	2.5" (SFF)	PCIe3.0 x4	Read Intensive	0,6		<b>S26361-F5649-E200</b>	<b>S26361-F5649-L200</b>
4TB	2.5" (SFF)	PCIe3.0 x4	Read Intensive	0,6		<b>S26361-F5649-E400</b>	<b>S26361-F5649-L400</b>

max. 10x - depending on base unit & configuration

**AIC PCIe-SSD**

**PCIe-SSD (occupies one PCIe slot)**

<b>S26361-F5697-L375</b> <b>S26361-F5697-E375</b>	<b>S26361-F5697-L750</b> <b>S26361-F5697-E750</b>
PACC EP P4800X AIC 375GB	PACC EP P4800X AIC 750GB
P4800X series, NVMe 30 DWPD	P4800X series, NVMe 30 DWPD
PCIe3.0 x4, Low Profile max. 2x per system	PCIe3.0 x4, Low Profile max.2x per system

L

## Chapter 9 - LAN Components

Default LoM: 2x RJ45 1GbE ports on systemboard

DynamicLoM

### Interface card to provide the external connectors for on-board LAN

Select from 1GBASE-T, 10GBASE-T Fujitsu DynamicLoM options.

PLAN EM 4x 1Gb T OCP interface I357-T4	4x RJ45 plug for 1000BASE-T, Intel Ethernet Network Connection OCP I357-T4	S26361-F3953-E401	S26361-F3953-L401
PLAN EM 2x 10Gb T OCP interface X557-T2	2x RJ45 plug for 10GBASE-T, iWARP RDMA, Intel Ethernet Network Connection OCP X557-T2	S26361-F3953-E210	S26361-F3953-L210
max. 1x per system			

### Interface card to provide the external connectors for on-board LAN

Select from 10G Fujitsu DynamicLoM options.

PLAN EM 2x 10GB SFP+ OCP interface X527-DA2	2x SFP+ cages for SFP+ optical transceivers or twinax cables, iWARP RDMA, Intel Ethernet Network Connection OCP X527-DA2	S26361-F3953-E211	S26361-F3953-L211
PLAN EM 4x 10GB SFP+ OCP interface X527-DA4	4x SFP+ cages for SFP+ optical transceivers or twinax cables, iWARP RDMA, Intel Ethernet Network Connection OCP X527-DA4	S26361-F3953-E411	S26361-F3953-L411
<b>Optional for products with SFP+ cages: SFP+ optical transceiver modules or twinax cables</b>			
SFP+ Optical Transceiver 10G/1G Dual Rate SR	2x .. 4x LC, MMF / SR SFP+ module, up to 400m, Intel	S26361-F3986-E5	S26361-F3986-L5
SFP+ Optical Transceiver 10G/1G Dual Rate LR	2x .. 4x LC, SMF / LR SFP+ module, up to 10km, Intel	S26361-F3986-E6	S26361-F3986-L6
SFP+ Optical Transceiver 10G Single Rate SR	2x .. 4x LC, MMF / SR SFP+ module, up to 400m, Finisar	S26361-F3986-E3	S26361-F3986-L3
SFP+ Optical Transceiver 10G Single Rate LR	2x .. 4x LC, SMF / LR SFP+ module, up to 10km, Finisar	S26361-F3986-E4	S26361-F3986-L4
Twinax Anschlussplatz Primergy	2x .. 4x virtual connector for twinax cables	V:TWX CONNECTOR-PY	
SFP+ active Twinax Cable Fujitsu	2x .. 4x customized cable length	S26361-F3989-E600	see table at the bottom of this page
SFP+ active Twinax Cable Brocade	2x .. 4x (best fitting cable length is defined during rack installation at the factory)	S26361-F3873-E500	
SFP+ passive Twinax Cable Cisco - <b>Sold Out</b>	2x .. 4x	S26361-F4571-E500	
max. 1x per cage			
max. 1x per system			

### Interface card to provide the external connectors for on-board LAN

Select from 25G Fujitsu DynamicLoM options.

Mellanox 10G/25G adapters provide RoCE RDMA capabilities, whereas Intel 10G connections provide iWARP RDMA capabilities. Intel 10G/25G adapters XXV710 provide no RDMA capabilities at all.

PLAN EP XXV710-DA2 2x 25G/10G SFP28 OCP V2 Type 1	2x SFP28 cages for SFP+/SFP28 Twinax or DAC cables, no RDMA capabilities at all. Intel XXV710-DA2. Optical transceivers not supported.	S26361-F4055-E302	S26361-F4055-L302
PLAN EP MCX4-LX 2x 25G/10G SFP28 OCP V2 Type 1	2x SFP28 cages for SFP+/SFP28 optical transceivers, Twinax or DAC cables, RoCE RDMA, Mellanox ConnectX4-LX	S26361-F4054-E302	S26361-F4054-L302
<b>Optional, 25Gb SFP28 optical transceiver module, one per cage</b>			
SFP28 Optical Transceiver 25G SR MMA2P00-AS LC	1x .. 2x MMF / SR SFP28 module, Mellanox. Max reach supported 100m	S26361-F4054-E701	S26361-F4054-L701
SFP28 Optical Transceiver 25G SR E25GSFP28SR	1x .. 2x MMF / SR SFP28 module, Intel. Max reach supported 100m	S26361-F4055-E701	S26361-F4055-L701
"Virtual Connector" for DAC/AOC cables	1x .. 2x Enablement for System Architect	V:DAC/AOC-CONNECTOR-25	
25G DAC - Cisco	1x .. 2x DAC are not in Fujitsu's portfolio yet. Thus, purchase from switch vendors.		
25G DAC - Mellanox	1x .. 2x		
25G AOC - Cisco	1x .. 2x AOC are not in Fujitsu's portfolio yet. Thus, purchase from switch vendors.		
25G AOC - Mellanox	1x .. 2x		
max. 2x SFP28 or DAC/AOC Cable per adapter			
<b>Optional for products with SFP+ cages: SFP+ optical transceiver modules or twinax cables</b>			
SFP+ Optical Transceiver 10G/1G Dual Rate SR	2x .. 4x LC, MMF / SR SFP+ module, up to 400m, Intel	S26361-F3986-E5	S26361-F3986-L5
SFP+ Optical Transceiver 10G/1G Dual Rate LR	2x .. 4x LC, SMF / LR SFP+ module, up to 10km, Intel	S26361-F3986-E6	S26361-F3986-L6
SFP+ Optical Transceiver 10G Single Rate SR	2x .. 4x LC, MMF / SR SFP+ module, up to 400m, Finisar	S26361-F3986-E3	S26361-F3986-L3
SFP+ Optical Transceiver 10G Single Rate LR	2x .. 4x LC, SMF / LR SFP+ module, up to 10km, Finisar	S26361-F3986-E4	S26361-F3986-L4
Twinax Anschlussplatz Primergy	2x .. 4x virtual connector for twinax cables	V:TWX CONNECTOR-PY	
SFP+ active Twinax Cable Fujitsu	2x .. 4x customized cable length	S26361-F3989-E600	see table at the bottom of this page
SFP+ active Twinax Cable Brocade	2x .. 4x (best fitting cable length is defined during rack installation at the factory)	S26361-F3873-E500	
SFP+ passive Twinax Cable Cisco - <b>Sold Out</b>	2x .. 4x	S26361-F4571-E500	
max. 1x per cage			
max. 1x per system			

**Attention: 1x25G / 2x25G and related 25G transceivers not applicable in -101 / V301 / V401**

1Gb Ethernet Network Components

### 1Gb Ethernet network adapter with RJ45 interface (1000BASE-T)

Dual speed support, auto-sense: supports 1Gbps and 100Mbps line rate per-port.

PLAN AP 1x1Gbit Cu Intel I210-T1 (Retail)	3x	1 port, 1Gbit Intel	S26361-F5959-E201	S26361-F5959-L501
PLAN CP 2x1Gbit Cu Intel I350-T2 LP	3x	2 port, Intel	S26361-F4610-E202	S26361-F4610-L502
PLAN CP 4x1Gbit Cu Intel I350-T4 LP	3x	4 port, Intel	S26361-F4610-E204	S26361-F4610-L504
max. 3 adapters per system				

**Attention: max. 2 adapters per system in -V601**

10Gb Ethernet Network Components

10GBASE-T

**10Gb Ethernet network adapters with RJ45 interface (10GBASE-T)**

Dual speed support, auto-sense: supports 10Gbps and 1Gbps line rate per-port.  
 Only Marvell FastLinQ® adapters provide Universal RDMA capabilities, both iWARP and RoCE. Intel adapters don't provide any.  
 For Converged Network Adapter features such as iSCSI, FCoE please select the PLAN EP X550-T2. Other adapters do not support CNA features. If you wish to get support for FCoE please submit a Release Request with the desired PRIMERGY server system configuration SAR/XLSX file attachment.

PLAN EP QL41112 2x10GBASE-T LP	3x	2 port NIC with Universal RDMA, Marvell FastLinQ® QL41112HLRJ *cannot be selected with Intel X710 series.	S26361-F4068-E202	S26361-F4068-L502
PLAN EP QL41134 4x10GBASE-T LP	3x	4 port NIC with Universal RDMA, Marvell FastLinQ® QL41134HLRJ *cannot be selected with Intel X710 series.	S26361-F4068-E204	S26361-F4068-L504
PLAN EP X550-T2 2x10GBASE-T LP	3x	2 port NIC, Intel X550-T2	S26361-F3948-E202	S26361-F3948-L502
PLAN EP X710-T2L 2X 10GBASE-T PCIe (Retail)	3x	2 port 10 Gbit Intel *cannot be selected with Marvell QL411xx series.	S26361-F5960-E202	S26361-F5960-L502
PLAN EP X710-T4 4x10GBASE-T LP	3x	4 port NIC, Intel X710-T4 *cannot be selected with Marvell QL411xx series.	S26361-F3948-E204	S26361-F3948-L504

max. 3x adapters per system

**Attention: max. 2 adapters per system in -V601**

10G SFP+

**10Gb Ethernet network adapters with SFP+ cage. Adapter ships with empty cages.**

Each cage consumes 1x optical SFP+ transceiver per port, or 1x twinax cable per port, or 1x DAC cable per port.  
 Dual rate 10G/1G support requires 10G/1G Dual Rate SFP+ Optical Transceiver Modules.  
 Only Marvell FastLinQ® adapters provide Universal RDMA capabilities, both iWARP and RoCE. Intel adapters don't provide any.  
 For Converged Network Adapter features such as iSCSI, iSCSI Offload, FCoE please select the PCNA EP QL41262. Other adapters do not support CNA features. If you wish to get support for FCoE please submit a Release Request with the desired PRIMERGY server system configuration SAR/XLSX file attachment.

**Ethernet Network Adapters**

PLAN EP QL41132 2x10Gb SFP+ LP	3x	2 port NIC with Universal RDMA, Marvell FastLinQ® QL41132HLCU *cannot be selected with Intel X710 series.	S26361-F4069-E202	S26361-F4069-L502
PLAN EP QL41134 4x10Gb SFP+ LP	1x	4 port NIC with Universal RDMA, Marvell FastLinQ® QL41134HLCU *cannot be selected with Intel X710 series.	S26361-F4069-E204	S26361-F4069-L504
PLAN EP X710-DA2 2x10Gb SFP+ LP	3x	2 port NIC, Intel X710-DA2 *cannot be selected with Marvell QL411xx series.	S26361-F3640-E202	S26361-F3640-L502
PLAN EP X710-DA4 4x10Gb SFP+ LP	1x	4 port NIC, Intel X710-DA4 *cannot be selected with Marvell QL411xx series.	S26361-F3640-E204	S26361-F3640-L504

**Converged Network Adapters**

PCNA EP QL41262 2x10/25Gb SFP+/SFP28 LP	3x	2 port CNA with Universal RDMA, iSCSI Offload, FCoE. Marvell FastLinQ® QL41262HLCU	S26361-F4070-E202	S26361-F4070-L502
---	----	--	-------------------	-------------------

**Optional, 10Gb SFP+ optical transceiver module, one per cage**

SFP+ Optical Transceiver 10G Single Rate SR	1x .. 4x	LC, MMF / SR SFP+ module, up to 400m, Finisar	S26361-F3986-E3	S26361-F3986-L3
SFP+ Optical Transceiver 10G Single Rate LR	1x .. 4x	LC, SMF / LR SFP+ module, up to 10km, Finisar	S26361-F3986-E4	S26361-F3986-L4
SFP+ Optical Transceiver 10G/1G Dual Rate SR	1x .. 4x	LC, MMF / SR SFP+ module, up to 400m, Intel	S26361-F3986-E5	S26361-F3986-L5
SFP+ Optical Transceiver 10G/1G Dual Rate LR	1x .. 4x	LC, SMF / LR SFP+ module, up to 10km, Intel	S26361-F3986-E6	S26361-F3986-L6
"Virtual Connector" for Twinax cables	1x .. 4x	Enablement for System Architect	V:TWX CONNECTOR-PY	
SFP+ active Twinax Cable Fujitsu	1x .. 4x	Customized length. Best fitting length selected at rack factory installation.	S26361-F3989-E600	see table at the
SFP+ active Twinax Cable Brocade	1x .. 4x		S26361-F3873-E500	bottom of this page

Max. 4x SFP+, DAC, or Twinax Cable (DynamicLoM, QL41134, X710-DA4) per adapter, or max. 2x SFP+, DAC, or Twinax Cable (Dynamic LoM, QL41132, QL41262, X710-DA2) per adapter

max. 3x adapters per system

**Attention: max. 2 adapters per system in -V601**

10G/25G Ethernet Network components

**10G/25G Ethernet network adapters with 2x SFP28 cages. Adapter ships with empty cages.**

Each cage consumes 1x optical SFP+ or SFP28 transceiver per port, or 1x twinax cable per port, or 1x DAC cable per port.  
 Multiple speed support, auto-sense: All adapters support 25Gbps, and 10Gbps.  
 Intel adapters support 1Gbps line rate per-port in addition, with the Intel-branded 10G/1G Dual Rate SFP+ Optical Transceiver Modules.  
 Only Marvell FastLinQ® adapters provide Universal RDMA capabilities, both iWARP and RoCE. Mellanox adapters just provide RoCE RDMA. Intel adapters don't provide any kind of RDMA capabilities.  
 For Converged Network Adapter features such as iSCSI, iSCSI Offload, FCoE please select the PCNA EP QL41262. Other adapters do not support CNA features.

**Ethernet Network Adapters**

PLAN EP QL41212 25Gb 2p SFP28 LP	3x	2 port NIC with Universal RDMA, <b>Marvell FastLinQ®</b> QL41212HLCU	S26361-F4056-E202	S26361-F4056-L502
PLAN EP MCX4-LX 25Gb 2p SFP28 LP	3x	2 port NIC with RoCE RDMA, <b>Mellanox ConnectX4-LX</b>	S26361-F4054-E202	S26361-F4054-L502
PLAN EP XXV710-DA2 2x25Gb LP	3x	2 port NIC, <b>Intel XXV710-DA2</b>	S26361-F4055-E202	S26361-F4055-L502

**Converged Network Adapters**

PCNA EP QL41262 2x10/25Gb SFP+/SFP28 LP	3x	2 port <b>CNA</b> with Universal RDMA, iSCSI Offload, FCoE. <b>Marvell FastLinQ®</b> QL41262HLCU	S26361-F4070-E202	S26361-F4070-L502
---	----	--	-------------------	-------------------

**Optional, 25Gb SFP28 optical transceiver module, one per cage**

SFP28 Optical Transceiver 25G SR MMA2P00-AS LC	1x .. 2x	MMF / SR SFP28 module, <b>Mellanox</b> . Max reach supported 100m	S26361-F4054-E701	S26361-F4054-L701
SFP28 Optical Transceiver 25G SR E25GSFP28SR	1x .. 2x	MMF / SR SFP28 module, <b>Intel</b> . Max reach supported 100m	S26361-F4055-E701	S26361-F4055-L701
"Virtual Connector" for DAC/AOC cables	1x .. 2x	Enablement for System Architect	<b>V:DAC/AOC-CONNECTOR-25</b>	
25G DAC - Cisco	1x .. 2x	DAC are not in Fujitsu's portfolio yet. Thus, purchase from switch vendors.		
25G DAC - Mellanox	1x .. 2x	DAC are not in Fujitsu's portfolio yet. Thus, purchase from switch vendors.		
25G AOC - Cisco	1x .. 2x	AOC are not in Fujitsu's portfolio yet. Thus, purchase from switch vendors.		
25G AOC - Mellanox	1x .. 2x	AOC are not in Fujitsu's portfolio yet. Thus, purchase from switch vendors.		

max. 2x SFP28 or DAC/AOC Cable per adapter

**Optional Cisco Ethernet Direct Attach Copper Cables (DACs) - not introduced by Fujitsu; available for purchase at Cisco**

Cisco DAC Splitter Cable 100G to 4X25G, 1m	1x	Cisco 100GBase QSFP to 4xSFP25G Passive, 1m	Cisco P/N: QSFP-4SFP25G-CU1M
Cisco DAC Splitter Cable 100G to 4X25G, 2m	1x	Cisco 100GBase QSFP to 4xSFP25G Passive, 2m	Cisco P/N: QSFP-4SFP25G-CU2M
Cisco DAC Splitter Cable 100G to 4X25G, 3m	1x	Cisco 100GBase QSFP to 4xSFP25G Passive, 3m	Cisco P/N: QSFP-4SFP25G-CU3M

One Cisco DAC Splitter cable connects up to 4 25G ports, i.e. 2x PLAN EP QL41212 cards to a single Cisco 100G Switch Port.

**Optional 10Gb SFP+ Optical Transceivers with LC Connector, or Active or Passive Twinax Cables SFP+**

SFP+ Optical Transceiver 10G Single Rate SR	2x	LC, MMF / SR SFP+ module, up to 400m	S26361-F3986-E3	S26361-F3986-L3
SFP+ Optical Transceiver 10G Single Rate LR	2x	LC, SMF / LR SFP+ module, up to 10km	S26361-F3986-E4	S26361-F3986-L4
SFP+ Optical Transceiver 10G/1G Dual Rate SR	1x .. 4x	LC, MMF / SR SFP+ module, up to 400m, <b>Intel</b>	S26361-F3986-E5	S26361-F3986-L5
SFP+ Optical Transceiver 10G/1G Dual Rate LR	1x .. 4x	LC, SMF / LR SFP+ module, up to 10km, <b>Intel</b>	S26361-F3986-E6	S26361-F3986-L6
"Virtual Connector" for Twinax cables	2x	Enablement for System Architect	<b>V:TWX CONNECTOR-PY</b>	
Amphenol Active Twinax Cable SFP+ for 10G, 2m	2x	Amphenol 10G Active Twinax Cable, 2m		
Amphenol Active Twinax Cable SFP+ for 10G, 5m	2x	Amphenol 10G Active Twinax Cable, 5m	Customized Cable	S26361-F3989-L105
Amphenol Active Twinax Cable SFP+ for 10G, 10m	2x	Amphenol 10G Active Twinax Cable, 10m	Length	S26361-F3989-L110
Brocade Active Twinax Cable SFP+ for 10G, 1m	2x	Brocade 10G Active Twinax Cable, 1m	S26361-F3873-E500	S26361-F3873-L501
Brocade Active Twinax Cable SFP+ for 10G, 3m	2x	Brocade 10G Active Twinax Cable, 3m	Customized Cable	S26361-F3873-L503
Brocade Active Twinax Cable SFP+ for 10G, 5m	2x	Brocade 10G Active Twinax Cable, 5m	Length	S26361-F3873-L505
Cisco Passive Twinax Cable SFP+ for 10G, 1m	2x	Cisco 10G Passive Twinax Cable, 1m	Cisco P/N for: S26361-F4571-L101	
Cisco Passive Twinax Cable SFP+ for 10G, 3m	2x	Cisco 10G Passive Twinax Cable, 3m	Cisco P/N for: S26361-F4571-L103	
Cisco Passive Twinax Cable SFP+ for 10G, 5m	2x	Cisco 10G Passive Twinax Cable, 5m	Cisco P/N for: S26361-F4571-L105	
Cisco Active Twinax Cable SFP+ for 10G, 7m	2x	Cisco 10G Active Twinax Cable, 7m	Cisco P/N for: S26361-F4571-L107	
Cisco Active Twinax Cable SFP+ for 10G, 10m	2x	Cisco 10G Active Twinax Cable, 10m	Cisco P/N for: S26361-F4571-L110	

Max. 2x SFP+ or Twinax Cable per controller. Customized Cable Length means: best fitting cable length is defined during rack installation at the factory.

max. 3x adapters per system

**Attention: max. 2 adapters per system in -V601**

**40G Ethernet Network Components**

40G Ethernet network adapter with QSFP cage (requires DAC, AOC cables or optical transceiver QSFP modules)				
Supports 40Gbps line rate per-port				
PLAN EP MCX4-EN 40Gb 2p QSFP LP	3x	Dual Port NIC, RoCE RDMA, Mellanox ConnectX4-EN	S26361-F4053-E202	S26361-F4053-L502
Optional, 40Gb QSFP Optical Transceiver module with MPO connector for PLAN EP MCX4-EN 40Gb 2p QSFP				
QSFP 40G SR4L MPO 850nm 30m MC2210411-SR4L	2x	MMF / SR4L QSFP module, Mellanox. Max reach supported 30m	S26361-F4053-E701	S26361-F4053-L701
QSFP 40G SR4 MPO 850nm 150m MC2210411-SR4	2x	MMF / SR4 QSFP module, Mellanox. Max reach supported 150m	S26361-F4053-E702	S26361-F4053-L702
QSFP 40G SR4 MPO 850nm 150m MMA1B00-B150D	2x	MMF / SR4 QSFP module, Mellanox. Max reach supported 150m	S26361-F4053-E703	S26361-F4053-L703
"Virtual Connector" for DAC/AOC cables	2x	Enablement for System Architect	<b>V:DAC/AOC-CONNECTOR-40</b>	
40G DAC - Cisco	2x	DAC are not in Fujitsu's portfolio yet. Thus, test only and purchase from switch vendors.		
40G DAC - Mellanox	2x	DAC are not in Fujitsu's portfolio yet. Thus, test only and purchase from switch vendors.		
40G AOC - Cisco	2x	AOC are not in Fujitsu's portfolio yet. Thus, test only and purchase from switch vendors.		
40G AOC - Mellanox	2x	AOC are not in Fujitsu's portfolio yet. Thus, test only and purchase from switch vendors.		
<i>rmax. 2x QSFP or DAC, AOC per PLAN EP MCX4-EN 40Gb 2p QSFP</i>				
max. 3x adapters per system				
<b>Attention: max. 2 adapters per system in -V601</b>				

**100G Ethernet Network Components**

100G Ethernet network adapter with 1x QSFP28 cage (requires twinax cables or optical transceiver QSFP28 modules)				
Supports 100Gbps line rate				
PLAN EP QL45611 100Gb 1p QSFP28 LP	3x	Single Port NIC, RoCE RDMA, Marvell FastLinQ® QL45611HLCU	S26361-F4057-E201	S26361-F4057-L501
PLAN EP MCX4-EN 100Gb 1p QSFP28 LP	3x	Single Port NIC, RoCE RDMA, Mellanox ConnectX4-EN	S26361-F4052-E201	S26361-F4052-L501
Optional, 100Gb QSFP28 Optical Transceiver module with MPO connector for PLAN EP QL45611 100Gb 1p QSFP28				
QSFP28 100G SR4 MPO 850nm 100m MMA1B00-C100D	1x	MMF / SR4 QSFP28 module, Mellanox. Max reach supported 100m	S26361-F4052-E701	S26361-F4052-L701
QSFP28 100G PSM4 1310nm 500m MMS1C10-CM	1x	MMF / SR QSFP28 module, Mellanox. Max reach supported 500m	S26361-F4052-E801	S26361-F4052-L801
"Virtual Connector" for DAC/AOC cables	1x	Enablement for System Architect	<b>V:DAC/AOC-CONNECTOR-100</b>	
100G DAC - Cisco	1x	DAC are not in Fujitsu's portfolio yet. Thus, test only and purchase from switch vendors.		
100G DAC - Mellanox	1x	DAC are not in Fujitsu's portfolio yet. Thus, test only and purchase from switch vendors.		
100G AOC - Cisco	1x	DAC are not in Fujitsu's portfolio yet. Thus, test only and purchase from switch vendors.		
100G AOC - Mellanox	1x	AOC are not in Fujitsu's portfolio yet. Thus, test only and purchase from switch vendors.		
<i>rmax. 1x QSFP28 or DAC/AOC Cable per PLAN EP QL45611 100Gb 1p QSFP28 or PLAN EP MCX4-EN 100Gb 1p QSFP28</i>				
max. 3x adapters per system				
<b>Attention: max. 2 adapters per system in -V601</b>				

Q

**Network cables for later upgrade**

Fujitsu active SFP+ Twinax 10Gb cable	
SFP+ active Twinax Cable Fujitsu 2m	S26361-F3989-L102
SFP+ active Twinax Cable Fujitsu 5m	S26361-F3989-L105
SFP+ active Twinax Cable Fujitsu 10m	S26361-F3989-L110
Brocade active SFP+ Twinax 10Gb cable	
SFP+ active Twinax Cable Brocade 1m	S26361-F3873-L501
SFP+ active Twinax Cable Brocade 3m	S26361-F3873-L503
SFP+ active Twinax Cable Brocade 5m	S26361-F3873-L505

R

## Chapter 11 - Fibre Channel Adapters

K

### 32G Fibre Channel adapters with LC interface for 50µm optical cables (OM4 or OM3)

These adapters ship with optical transceiver modules equipped for all ports.  
Adapters support 32GFC, 16GFC, and 8GFC infrastructures.

PFC EP LPe32000 1x 32Gb LP	3x	1 port, low profile, <b>Broadcom Emulex®</b>	S26361-F4044-E201	S26361-F4044-L501
PFC EP LPe32002 2x 32Gb LP	3x	2 ports, low profile, <b>Broadcom Emulex®</b>	S26361-F4044-E202	S26361-F4044-L502
PFC EP QLE2740 1x 32Gb LP	3x	1 port, low profile, <b>Marvell Qlogic®</b>	S26361-F4043-E201	S26361-F4043-L501
PFC EP QLE2742 2x 32Gb LP	3x	2 ports, low profile, <b>Marvell Qlogic®</b>	S26361-F4043-E202	S26361-F4043-L502

### 16G Fibre Channel adapters with LC interface for 50µm optical cables (OM4 or OM3)

These adapters ship with optical transceiver modules equipped for all ports.  
Adapters support 16GFC, 8GFC, and 4GFC infrastructures.

PFC EP LPe31000 1x 16Gb LP	3x	1 port, low profile, <b>Broadcom Emulex®</b>	S26361-F5596-E201	S26361-F5596-L501
PFC EP LPe31002 2x 16Gb LP	3x	2 ports, low profile, <b>Broadcom Emulex®</b>	S26361-F5596-E202	S26361-F5596-L502
PFC EP QLE2690 1x 16Gb LP	3x	1 port, low profile, <b>Marvell Qlogic®</b>	S26361-F5580-E201	S26361-F5580-L501
PFC EP QLE2692 2x 16Gb LP	3x	2 ports, low profile, <b>Marvell Qlogic®</b>	S26361-F5580-E202	S26361-F5580-L502

max. 3 adapters per system

**Attention: max. 2 adapters per system in -V601**

## Chapter 13 - Infiniband Adapters

Max. 2x Omni Path Card per System  
(configuration of different Controllers NOT supported )

Max. 2x IB Controller per System  
(configuration of different Controllers NOT supported )

<b>S26361-F5717-E102/E202</b>
IB HCA 100Gb 1 / 2channel EDR
100Gbit 1 / 2channel Infiniband Controller EDR technology (8.0GT/s)
1x / 2x Q-SFP+ connector
PCIe Gen3 x16 low profile Card, 170mm
max. 2x per system

<b>S26361-F5724-E102/E202</b>
IB HCA 100Gb 1 / 2channel HDR
100Gbit 1 / 2channel Infiniband Controller HDR technology (8.0GT/s)
1x / 2x Q-SFP+ connector
PCIe Gen3 x16 low profile Card, 170mm
max. 2x per system

<b>S26361-F5562-E10</b>
POP EP 100Gb 1 Channel
100Gbit 1 channel Omni Path HFI Card (8.0GT/s)
1x Q-SFP+ connector
PCIe Gen3 x16 low profile Card, 170mm
max. 2x per system

<b>S26361-F5549-E561-E563</b>	
IB Cu Cable 100Gb	
QSFP, 1 or 3m	
max. 1/ 2x per Controller	

<b>S26361-F5748-E571</b>	
IB Cu Y-Cable 100Gb (To HDR)	
QSFP, 1	
max. 1/ 2x per Controller	

<b>S26361-F5563-E150/-E200/-E300</b>	
Omni Passive Cable 100Gb	
QSFP, 1.5m or 2m or 3m	
max. 1 per Controller	

The following card can not be mixed Infiniband card(S26361-F5717-E102/E202)

S26361-F4054-E302/S26361-F4052-E201/S26361-F4052-E1/S26361-F4053-E2/S26361-F4053-E202

The following card can not be mixed Infiniband card(S26361-F5724-E102/E202)

S26361-F4054-E302/S26361-F4052-E201/S26361-F4052-E1/S26361-F4053-E2/S26361-F4053-E202

The following card can not be mixed with Infiniband card(S26361-F5562-E10)

S26361-F4054-E302/S26361-F4052-E201/S26361-F4052-E1/S26361-F4053-E2/S26361-F4053-E202

## Network Components, Controller and cables for later upgrade

100Gbit/s 1ch Infiniband Controller	S26361-F5717-L102
100Gbit/s 2ch Infiniband Controller	S26361-F5717-L202
QSFP, IB 100Gb, 1m	S26361-F5549-L561
QSFP, IB 100Gb, 3m	S26361-F5549-L563

<b>Omni Path**</b>	
100Gbit/s 1ch Omni Path HFI Card	S26361-F5562-L10
QSFP, Omni 100Gb, 1.5m	S26361-F5563-L150
QSFP, Omni 100Gb, 2m	S26361-F5563-L200
QSFP, Omni 100Gb, 3m	S26361-F5563-L300

\*\*as soon as available

L

## Chapter 14 - Power supply unit, power cable, certifications, region kits

M

### Power supply unit

#### modular redundant Power Supply

2nd PSU for redundancy

occupies hot plug PSU slot, min. 1 / max. 2x per system

input nominal voltage (AC): 100V-240V, max: 90V-264V; input dropout 10ms/100% load, 47Hz-63Hz

<b>450W platinum PSU</b>	94% eff.		<b>S26113-F575-E13</b>	<b>S26113-F575-L13</b>
<b>800W platinum PSU</b>	94% eff.		<b>S26113-F574-E13</b>	<b>S26113-F574-L13</b>
<b>800W titanium PSU</b>	96% eff.	nom. 220-240V, max. 180-264V	<b>S26113-F615-E10</b>	<b>S26113-F615-L10</b>
<b>1200W platinum PSU</b>	94% eff.	100V: 1000W, 90V: 900W	<b>S26113-F616-E10</b>	<b>S26113-F616-L10</b>

#### DC PSU

<b>800W PSU DC</b>	92% eff.	48V DC, powercord see below	<b>S26113-F624-E10</b>	<b>S26113-F624-L10</b>
<b>1300W PSU HVDC</b>	94% eff.	380V DC <b>as soon as available</b> , powercord: PRIMERGY-PM	<b>S26113-F626-E10</b>	<b>S26113-F626-L10</b>

#### Dummy module instead PSU

<b>Dummy module</b> for closing the 2nd PSU hole, in case only 1 PSU is equipped, max. 1x per system			<b>S26113-F574-E99</b>	
--	--	--	------------------------	--

### Power cord option for Rack Server, 1x per PSU

Cable powercord rack, 1.8m, black, IEC 320 C14 -> C13 (10A plug)	<b>T26139-Y1968-E180</b>	<b>T26139-Y1968-L180</b>
Cable powercord rack, 2.5m, black, IEC 320 C14 -> C13 (10A plug)	<b>T26139-Y1968-E250</b>	<b>T26139-Y1968-L250</b>
Cable powercord rack, 4m, black, IEC 320 C14 -> C13 (10A plug)	<b>T26139-Y1968-E100</b>	<b>T26139-Y1968-L10</b>
Cable powercord (USA) 15A, 1.8m, black, NEMA 5-15 connector 498G -> C13 (plug), 15A, , rack or wall	<b>T26139-Y1741-E90</b>	<b>T26139-Y1741-L90</b>
Cable powercord (Taiwan), 1.8m, rack or wall	<b>T26139-Y1757-E10</b>	<b>T26139-Y1757-L10</b>
Cable powercord -48V DC, 3m, black	<b>T26139-Y4024-E10</b>	<b>T26139-Y4024-L10</b>
Cable powercord (D, A, B, F, NL, FIN, N, S, E, P, RUS, TR), 1.8m, grey		<b>T26139-Y1740-L10</b>
Cable powercord (UK, IR), 1.8m, grey		<b>T26139-Y1744-L10</b>
Cable powercord (I), 1.8m, grey		<b>T26139-Y1745-L10</b>
Cable powercord (DK), 1.8m, grey		<b>T26139-Y1746-L10</b>
Cable powercord (ISR), 2.5m, black		<b>T26139-Y1747-L10</b>
no power cord	<b>T26139-Y3850-E10</b>	

### Region Kits, **required to order one of them, 1x per System**

	build-in order code	pose delivery order code	
Region Kit APAC/EMEA/India, Contains warranty sheet and safety instructions for APAC,	<b>S26361-F1452-E100</b>	-	
Region Kit America, Contains warranty sheet, registration hints and safety instructions for	<b>S26361-F1452-E130</b>	-	
Region Kit Europe, Contains warranty sheet and safety instructions in German, English, French, Spanish, Italian, Polish, Russian and Welsh language, <b>need to be included always into the order from EU and EFTA</b>	<b>S26361-F1452-E140</b>	-	(Sales region for EMEIA only)
Region Kit China for <b>CCC systems</b> , Contains warranty sheet and safety instructions for China,	<b>S26361-F1452-E101</b>	-	(Sales region for APAC only)
Region Kit China for <b>CCC option not required systems (N/A CCC systems for more than 1300W PSU or, systems printing CCC mark always)</b> , Contains warranty sheet and safety instructions for China, <b>need to be included always into the order from China country</b>	<b>S26361-F1452-E102</b>	-	(Sales region for APAC only)

### Certifications, optional 1x per system

	build-in order code	pose delivery order code
Certification for China, (CCC), Reduced component selection possible, only with no power cord option	<b>S26361-F3301-E120</b>	-
Certification for India, (BIS), Reduced component selection possible, only with no	<b>S26361-F3301-E123</b>	-

N



O

<b>S26361-F3301-E531</b>
RX2530 M5 E-Star Fam1
Limits configuration in accordance with Energy Star requirements for systems with 1 CPU
max. 1x per system

<b>S26361-F3301-E532</b>
RX2530 M5 E-Star Fam2
Limits configuration in accordance with Energy Star requirements for systems with 2 CPU
max. 1x per system

limitations for E-Star Fam1 / 2 certification:

Please make sure to follow the guidelines below in order to meet ENERGY STAR V3.0 Fam1 requirements:

1 CPU Variant, **exclusions**, not a single violation is allowed by ENERGY STAR 3.0:

2 CPU Variant, as above, in brackets (xx):

not allowed are:

- CPU Xeon Bronze 3204
- CPU Xeon Gold 5222
- CPUs Xeon Platinum 8268 / 8270 / 8276 (L, M too) / 8280 (L, M too)
- CPUs with Multiplier of core and frequency is less than 16.8
- CPUs with Multiplier of core and frequency is more than 57.6
- less than 6 (12) RAM Modules
- 8 GB RAM Modules
- DCPMM (Apache Pass) Memory Modules
- No 3.5" HHD for 1 CPU Variant only, 3.5" HHD allowed for 2 CPU Variant
- more than 6 (8) x 2.5"/3.5" HDD/SSD/PCIe SSD/M.2 Modules (max 6 / 8 is ok)
- more than 2x (3x) PCIe cards (i.e. Raid, LAN, Fiberchannel, Infiniband card, ...)
- Graphics card
- APA card

CPU restriction according to CPU page

ENERGY STAR-configurations with one CPU will be labeled:

PRIMERGY RX2530 M5 E-Star Fam1

ENERGY STAR-configurations with two CPU will be labeled:

PRIMERGY RX2530 M5 E-Star Fam2

non ENERGY STAR-configurations will be labeled:

PRIMERGY RX2530 M5

P

**Chapter 14 - ErP Lot 9 restriction**

O

\*Region kit Europe must be order for shipment to ship in EU and EFTA

Region Kits, 1x per System	
Region Kit APAC/EMEA/India, Contains warranty sheet and safety instructions for APAC, EMEA and India	S26361-F1452-E100
Region Kit America, Contains warranty sheet, registration hints and safety instructions for America	S26361-F1452-E130

Region Kits, 1x per System	
Region Kit Europe*, Contains warranty sheet and safety instructions in German, English, French, Spanish, Italian, Polish, Russian and Welsh language	S26361-F1452-E140

ErP Lot9 Restriction for 1/2 CPU configuration, 1x per System	
ErP Lot 9 configuration for min 1 DIMM	S26361-F3776-E121

ErP Lot9 Restriction for 1/2 CPU configuration, 1x per System	
ErP Lot 9 configuration with min 4 DIMM	S26361-F3776-E122

ErP Lot9 Restriction for 2 CPU configuration, 1x per System	
ErP Lot 9 configuration for 2 CPUs with min 6 DIMM	S26361-F3776-E123

Restriction for ErP Lot 9 directive,  
Not allowed are : (for 1CPU/2CPU variant)

- CPU Xeon Bronze 3204 / 3206R
- CPU Xeon Silver 4215R
- CPU Xeon Gold 5222, 6250, 6256
- 8 GB RAM Modules
- more than 9x 2.5"/3.5" HDD/SSD/PCIe SSD (max 8 is ok)

Restriction for ErP Lot 9 directive,  
Not allowed are : (for 1CPU/2PCU variant)

- CPU Xeon Bronze 3204 / 3206R
- less than 4 RAM Modules (min 4 required)

No HDD/SSD qty restricted

Restriction for ErP Lot 9 directive,  
Not allowed are : (for 2CPUs variant only)

- less than 6 RAM Modules (min 6 required)

No CPU/DIMM type excluded

No HDD/SSD qty restricted

P

## Chapter 15 - Accessories

Q

<http://www.fujitsu.com/fts/products/computing/peripheral/accessories/index-facts.html>

**USB Memory Sticks - Available until August 2020. No successor planned.**

ADATA UC350 USB3.1 Type C OTG Flash Drive 64GB

S26391-F6048-L464

**USB Optical Disc Drive**

External Ultra Slim Portable DVD Writer (Hitachi-LG)

S26341-F103-L142



R

## Chapter 16 - others

O

<b>S26361-F1790-E243</b>
<b>S26361-F1790-L244</b>
iRMC S4 advanced pack / <b>S5 alternatively</b>
integrated remote Management controller activation key for graphical console redirection and remote media redirection
max. 1x per system

Advanced Thermal design cannot be combined with the Flash backup unit of the RAID controllers

<b>S26361-F1790-E311</b>
<b>embedded Lifecycle Management (eLCM)</b>
Server Online Update
OS driver Update
Hardware firmware update
Server Offline Update
Hardware update via Update Manager Express
PrimeCollect
Autonomous creation of Primecollect archives
Creation and use of PrimeCollect archives over AIS connect
Custom Image (Jukebox function)
Automatic and manual download of CD and DVD Images
Automatic and manual start of CD and DVD Images
max. 1x per system

Loose delivery
eLCM Activation Pack (Node Locked License)
<b>BDL:ELCM-PACK</b>
<b>options contains:</b>
- 16GB SD card
- Paper with TAN for Licensekey

will be available in CQ2'24

<b>IRMC MicroSD card option</b>			
Capacity	Interface	E-parts	L-parts
32GB	SDHC	--	PY-MD32R1
max. 1x per system, instead of 16GB MicroSD card			

<b>S26361-F3776-E440</b>
Cool-safe ® Advanced Thermal design 40°C
enables the PRIMERGY Server to cope with temperatures from 5-40° in operating mode due to extended Fan settings
this setting can be activated ex factory only
max. 1x per system

<b>S26361-F3776-E445</b>
Cool-safe ® Advanced Thermal design 45°C
enables the PRIMERGY Server to cope with temperatures from 5-45° in operating mode due to extended Fan settings
this setting can be activated ex factory only
max. 1x per system

<b>S26361-F3552-E100</b> <b>will be EOL at end-Sep 2022</b>
<b>S26361-F3552-L100</b>
TPM 2.0 Module SPI
Microsoft Windows Server 2022 not supported
max. 1x per system

<b>S26361-F3552-E301</b>
<b>S26361-F3552-L301</b>
TPM 2.0 Module SPI
<b>Microsoft Windows Server 2022 only supported</b>
max. 1x per system

OS support matrix:		
	S26361-F3552-E100	S26361-F3552-E301
Operating system for host OS	S26361-F3552-L100	S26361-F3552-L301
Windows Server 2022	-	supported
Windows Server 2019	supported	supported
Windows Server 2016	supported	supported
Red Hat Enterprise Linux 8	supported	supported
Red Hat Enterprise Linux 7	supported	supported
SUSE Linux Enterprise Server 15	-	-
SUSE Linux Enterprise Server 12	-	-
VMware ESXi 7.0	supported	supported
VMware ESXi 6.7	supported	supported
VMware ESXi 6.5	-	-
Support OS may vary by system.		

S26361-F3552-E100/L100 will be EOL at end-Sep 2022.

S26361-F3552-E301/L301 will be an alternative because they have extended the support OS like the table on the left and they are backward compatible with S26361-F3552-E100/L100.

<b>S26361-F3552-E101</b>
TPM 1.2 Module SPI
max. 1x per system

<b>S26361-F3120-E3</b>
<b>S26361-F3120-L3</b>
serial port (RS232)
serial port (RS232) mounted on a low profile PCIe slot
max. 1x per system

Your Server is ready

Date of change [yyyy/mm/dd]	Configurator revision	Folder / order code / description	What has been changed / comment	Name
16.02.2024	1.42	others	added the iRMC MicroSD card option for eLCM	Y. Sugiyama
16.01.2024	1.41	HD_SSD	removed available schedules for PCIe-SSD "Kioxia CM7"	Y. Sugiyama
31.07.2023	1.40	HD_SSD	added the PCIe-SSD "Kioxia CM7 series" updated the release status	Y. Sugiyama
25.11.2022	1.39	RAID	removed S26361-F5790-L518 from PRAID EP680i NVMe	Tatsuya Sudou
02.09.2022	1.38	RAID	corrected FBU for external RAID controller	Tatsuya Sudou
22.08.2022	1.37	others	updated Notes for TPM2.0	Tatsuya Sudou
10.08.2022	1.36	HDD_SSD	updated Note for PDUAL CP100	Tatsuya Sudou
29.07.2022	1.35	RAID	corrected Notes for mixed configurations	Tatsuya Sudou
26.07.2022	1.34	RAID	restored PSAS/PRAID CP4xx (F3842), PRAID EP4xx (F5243), removed BSMI limitation from PSAS CP 2100-8i	Tatsuya Sudou
16.06.2022	1.33	change_history	Introduce this history table with a new style	
30.05.2022		HD_SSD	updated Note for PDUAL CP100	Tatsuya Sudou
25.04.2022		others	updated Notes for TPM2.0	Tatsuya Sudou
14.04.2022		HD_SSD	added the new order codes for SSD SATA "PM893/PM897"	Yuichi Sugiyama
16.03.2022		base	added PRAID EP6x0i	Tatsuya Sudou
04.03.2022		RAID	updated about BSMI for PSAS CP 2100-8i for MS HCI	Tatsuya Sudou
03.03.2022		RAID	updated about BSMI for PSAS CP 2100-8i	Tatsuya Sudou
01.03.2022		RAID	updated Note for PSAS CP 2100-8i	Tatsuya Sudou
09.02.2022		RAID	removed PSAS/PRAID CP4xx(F3842/F3845), PRAID EP4xx(F5243) due to EOL added PRAID EP6xx(F5795/F5790/F5794)	Tatsuya Sudou
23.12.2021		RAID	removed exclusion b/w PRAID CP500i and EP540e	Tatsuya Sudou
14.12.2021		LAN	Released I210-T1(Retail) and X710-T2L(Retail)	Yuya Ikuta
06.12.2021		HD_SSD / S26361-F5966-*	added PDUAL CP100	Tatsuya Sudou
08.11.2021		RAID / S26361-F5888-*	added PSAS CP 2100-8i	Tatsuya Sudou
25.10.2021		HD_SSD	removed the description "as soon as available"	Yuichi Sugiyama
15.10.2021		LAN	Added I210-T1(Retail) and X710-T2L(Retail)	Yuya Ikuta
11.10.2021		others	added Notes for TPM2.0	Tatsuya Sudou
30.09.2021		RAID	added Notes for PRAID CP500i	Tatsuya Sudou
15.09.2021		others / S26361-F3552-E301/L301	added TPM2.0 for WS2022	Tatsuya Sudou
09.09.2021		RAID / S26361-F5791/F5793*	added PRAID CP500i and PSAS CP500e	Tatsuya Sudou
03.09.2021		HD_SSD	Added the HDD BC-SATA/SAS 18TB	Yuichi Sugiyama
29.07.2021		HD_SSD	updated the release status about as soon as available and as long as stock available	Yuichi Sugiyama
15.06.2021		LAN	add restriction for Intel LAN and Marvell LAN	Yuya Ikuta
14.06.2021		base	corrected ATD options description	Yuika Narita
13.05.2021		RAID	added the note for V101 with FBU	Yuika Narita
07.05.2021		HD_SSD	added the restriction for PCIe4.0 SSD	Yuichi Sugiyama
09.04.2021		HD_SSD	added the CM6-V/R as PCIe-SSD	Yuichi Sugiyama
01.04.2021		RAID / S26361-F5792-*	added PSAS CP503i	Tatsuya Sudou
17.03.2021		LAN	Changed the LOM SFP condition.	Yuya Ikuta
09.12.2020		RAID / S26361-F5888-E201	added PSAS CP 2100-8i for MS HCI	Tatsuya Sudou
12.11.2020		HD_SSD	added the SSD SAS Seagate Nytro3x32 series	Yuichi Sugiyama
06.11.2020		base	updated the restriction for V501	Junichi Sugiyama
07.09.2020		HD_SSD	updated the description about supported M.2 Module of PDUAL CP200	Yuichi Sugiyama
07.08.2020		HD_SSD	add the new drives for SSD SAS/SATA and HDD BC-SATA/SAS 16TB	Yuichi Sugiyama
29.05.2020		PSU	removed "Made in Germany sticker"	Yuika Narita
26.03.2020		PSU	include Region kit China	Atsushi Iwata
24.03.2020		others	M4Y removed	Tomokazu Tsuchiya
10.03.2020		ErP restriction	updated ErP Lot9 restriction	Atsushi Iwata
04.03.2020		ErP restriction	added ErP Lot9 restriction in new sheet ErP Lot9	Atsushi Iwata
18.02.2020		IB	Change the cable S26361-F5549-E561/-E563 -> S26361-F5748-E571	Takaoka Masanori
14.02.2020		GFX_FPGA	Modify some wrong FTS Order codes in "GFX" tab.	Takayuki Sasaki
04.02.2020		FC	Changed listing order	Seiji Toda
03.02.2020		CPU	Added Cascade Lake-SP Refresh SKUs	Klaus-Dieter Ruf
28.01.2020		HDD_SSD / Dual M.2	added 480GB as supported M.2 Modules	Tatsuya Sudou
16.01.2020		Base & CPU	2 CPUs are mandatory for base units V501 and V601	Robert Brunnbauer
31.11.2019		CPU and E Star 3 corrected	CPU 5222 not allowed	Robert Brunnbauer
27.11.2019		CPU and E Star 3 / S26361-F3301-E531/32	Added Energy Star 3.0 restrictions	Robert Brunnbauer
08.11.2019		PSU / T26139-Y1748-L10 / removed	Removed Cable powercord (AUS/NZ), 1.8m, grey	Y. Narita

05.11.2019		S26391-F6048-L464	ADATA UC350 USB3.1 Type C OTG Flash Drive 64GB	Ulrich Lösch
04.11.2019		T26139-Y4024-E10 / L10	length of -48V DC PSU cable canged to 3m length	J.Linne
30.10.2019		RAM	DCPMM section updated	Klaus-Dieter Ruf
19.09.2019		CPU	Added Xeon Gold 5218B SKU	Klaus-Dieter Ruf
09.09.2019		CPU	T-SKUs added for DTAG project	Klaus-Dieter Ruf
13.08.2019		RAM	DCPMM configuration possibilities update	Klaus-Dieter Ruf
26.07.2019		HDD_SSD / S26361-F5738-* / updated	removed the description as "as soon as available"	Yuichi Sugiyama
26.07.2019		HDD_SSD / S26361-F5571/F5624/F3904-E140/L140 / updated	removed the description as "as soon as available"	Yuichi Sugiyama
17.07.2019		LAN	S26361-F4053-E703, -L703 Transceiver 40G added	Ulrich Lösch
15.07.2019		ODD	corrected comment on 10x base unit	Sven Pilz
05.07.2019		GFX_FPGA	Modify GFX canrd - Options in "GFX" tab. - add some condition for Tesla T4.	Takayuki Sasaki
02.07.2019		HDD_SSD / S26361-F5738-* / added	added PCIe-SSD 2.5" Read-Intensive	Yuichi Sugiyama
02.07.2019		HDD_SSD / S26361-F5571/F5624/F3904-E140/L140 / added	added HDD SAS/SATA 3.5" 7.2K 512e 14TB	Yuichi Sugiyama
26.06.2019		Base & CPU	Updated some comments on CPU and slot allocation rules	Sven Pilz
26.06.2019		LAN_FC_IB	Add ConnectX6(Infiniband card)	Takaoka Masanori
13.06.2019		RAID	Updated comment on V546 base unit	Sven Pilz
07.05.2019		CPU	Added missing Xeon Gold 6246 SKU	Klaus-Dieter Ruf
30.04.2019		RAM	DCPMM configuration possibilities update	Klaus-Dieter Ruf
24.04.2019		HDD_SSD / S26361-F5732/F5733-*	Removed the description as "or SM863a"	Yuichi Sugiyama
24.04.2019		HDD_SSD / S26361-F5737-*	Removed the description as "as soon as available"	Yuichi Sugiyama
18.04.2019		LAN	Removed: Broadcom/Emulex SFP S26361-F5250-E110, -L110	Ulrich Lösch
03.04.2019		RAM	Rank sparing mode table updated	Klaus-Dieter Ruf
19.03.2019		base	several improvements and corrections, i.e. DCPMM	Sven Pilz
19.03.2019		RAID	comments corrected, CP403i added	Sven Pilz
12.03.2019		RAM	top section (corrected total capa from 2.048 to 1.920)	Sven Pilz
11.03.2019		RAM	Updated modes within released DCPMM configurations	Klaus-Dieter Ruf
07.03.2019		RAID	added PRAID EP540/80i RAID NVMe LP for -V546	Johannes Linne
06.03.2019		RAM	Added Memory Packages for easy AEP configuration	Klaus-Dieter Ruf
01.03.2019		HDD_SSD / S26361-F5737-* / added	added	Yuichi Sugiyama
25.02.2019		RAM	AEP configuration update including stepwise approach	Klaus-Dieter Ruf
22.02.2019		LAN	Cosmetic renamed Cavium/Qlogic to: Marvell FastLinQ®	Ulrich Lösch
22.02.2019		FC	Cosmetic renamed Cavium/Qlogic to: Marvell Qlogic®	Ulrich Lösch
22.02.2019		FC	Cosmetic renamed Broadcom/Emulex to: Broadcom Emulex®	Ulrich Lösch
19.02.2019		CPU	changed TDP on 4214Y	M.Pentney-Schmidt
15.02.2019		LAN_FC_IB	update EDR card parts number	Takaoka Masanori
13.02.2019		HDD_SSD / S26361-F3907-* / corrected the exclusion	corrected the order codes of PRAID from E204 to E214 in exclusion	Yuichi Sugiyama
12.02.2019		HDD/SSD	corrected entry on PCIeSSD connection, section K	Sven Pilz
12.02.2019		HDD_SSD / S26361-F3907-* / added the exclusion	added the exclusion for HDD SATA 2.5" 7.2K 512e and PRAID EP5x0i	Yuichi Sugiyama
08.02.2019		LAN_FC_IB	removed FDR card and change EDR card parts number - add "DP- DVI/D" adapter	Takaoka Masanori
06.02.2019		GFX	Modify Graphic Card - Options in "GFX" tab. - add "DP- DVI/D" adapter	Takayuki Sasaki
04.02.2019		RAID	S26361-F3846-L49	Johannes Linne
04.02.2019		HDD_SSD	removed the description as "as soon as available" because of available when this system is released	Yuichi Sugiyama
04.02.2019		HDD_SSD	added the description about Supplier / ModelName of SSD	Yuichi Sugiyama
23.01.2019		base	OCuLink changed to SlimSAS	M.Pentney-Schmidt
10.01.2019		HDD_SSD / S26361-F5571/F5624/F3904-E140/L140 / removed	removed HDD SAS/SATA 3.5" 7.2K 512e 14TB	Yuichi Sugiyama
08.01.2019		RAM	LRDIMM 3DS removed; minor update on description	M.Pentney-Schmidt
12.12.2018		CPU	Order codes for cooling kits added	M.Pentney-Schmidt
03.12.2018		HDD_SSD / S26361-F5734/F5735-* / removed	removed	Yuichi Sugiyama
28.11.2018		CPU	Futher update of CPU page	M.Pentney-Schmidt
27.11.2018		CPU	Update of CPU page	M.Pentney-Schmidt
19.11.2018		HDD_SSD / S26361-F5735-* / add the order codes	add the order cordes for PCIe-SSD 2.5" Read Intensive	Yuichi Sugiyama
19.11.2018		HDD_SSD / S26361-F5734-* / add the order codes	add the order cordes for PCIe-SSD 2.5" Mixed Use	Yuichi Sugiyama
19.11.2018		HDD_SSD / S26361-F5571/F5624/F3904-E140/L140 / add the order codes	add the order cordes for HDD SAS/SATA 3.5" 14TB	Yuichi Sugiyama
19.11.2018		HDD_SSD / HDD SAS 3.5" 10K 512e / changed order codes	changed from F5569-* to F5731-* w/o 2.4TB for WS2019SDDC-AQ cert	Yuichi Sugiyama
19.11.2018		HDD_SSD / HDD SAS 3.5" 10K 512n / changed order codes	changed from F5568-* to F5728-* for WS2019SDDC-AQ cert	Yuichi Sugiyama
19.11.2018		HDD_SSD / HDD SAS 3.5" 15K / changed order codes	changed from F5532-* to F5726-* w/o 900GB for WS2019SDDC-AQ cert	Yuichi Sugiyama

19.11.2018		HDD_SSD / SSD SATA 3.5" Mixed Use / changed order codes	changed from F5673/F5589-* to F5732-* w/o 3.84TB for WS2019SDDC-AQ cert	Yuichi Sugiyama
19.11.2018		HDD_SSD / HDD SAS 2.5" 10K 512e / changed order codes	changed from F5543-* to F5730-* w/o 2.4TB for WS2019SDDC-AQ cert	Yuichi Sugiyama
19.11.2018		HDD_SSD / HDD SAS 2.5" 10K 512n / changed order codes	changed from F5550-* to F5729-* for WS2019SDDC-AQ cert	Yuichi Sugiyama
19.11.2018		HDD_SSD / HDD SAS 2.5" 15K / changed order codes	changed from F5531-* to F5727-* w/o 900GB for WS2019SDDC-AQ cert	Yuichi Sugiyama
19.11.2018		HDD_SSD / SSD SATA 2.5" Mixed Use / changed order codes	changed from F5675/F5588-* to F5733-* w/o 3.84TB for WS2019SDDC-AQ cert	Yuichi Sugiyama
31.10.2018		HDD_SSD / S26361- F5635/F5638/F5584-E800/L800	added	Yuichi Sugiyama
31.10.2018		HDD_SSD / exclusions for 8/10TB HDDs and PRAID EP540i	removed	Yuichi Sugiyama
17.10.2018		Ethernet Adapters Quad-Port SFP+ Adapters	Max = 3 --> 1.	Ulrich Lösch
26.09.2018		HDD_SSD / S26361-F5650-*, PACC EP PM1725b AIC	removed both PM1725b AIC and P4600 AIC	Yuichi Sugiyama
26.09.2018		HDD_SSD / PACC EP PM1725b AIC	added PCIe SSD AIC MU 1.6/3.2/6.4TB	Yuichi Sugiyama
26.09.2018		HDD_SSD / PCIe-SSD 2.5" Mixed Use	added PCIe SSD 2.5" MU 1.6/3.2/6.4TB	Yuichi Sugiyama
26.09.2018		HDD_SSD / PCIe-SSD Low Power 2.5" Read-Int.	added PCIe SSD 2.5" RI 960GB/1.92TB/3.85TB	Yuichi Sugiyama
26.09.2018		HDD_SSD / S26361- F5694/F5692-*	removed SSD SATA MU S4600	Yuichi Sugiyama
26.09.2018		HDD_SSD / S26361- F5588/F5589-E384/L384	added SSD SATA MU 3.84TB	Yuichi Sugiyama
18.09.2018		GFX	Modify Graphic Card - Options in "GFX" tab. - add "DP- DVI/D" adapter	Takayuki Sasaki
12.09.2018		RAM	further update of Memory page	M. Pentney-Schmidt
31.08.2018		RAM	DCPMM update	Klaus-Dieter Ruf
28.08.2018		S26113-F624-E10 48V DC PSU	change efficiency to 92%	J.Linne
21.08.2018		HD SSD	Upfated	Yuichi Sugiyama
16.08.2018		RAM	Further update of Memory page	Klaus-Dieter Ruf
01.08.2018		RAM	Memory page updated (first draft incl. Apache Pass)	Klaus-Dieter Ruf
01.08.2018		HD SSD	Upfated	Yuichi Sugiyama
11.07.2018		Base units	Corrected Draft - Base units	Sven Pilz
11.07.2018		GFX	Update Graphic card information in GFX tab.	Takayuki Sasaki
04.07.2018		RAID	Added PRAID EP540e, special release, changed comments	Johannes Linne
03.07.2018		LAN FC IB	Reviewed Draft - LAN FC IB	Sven Pilz
03.07.2018		RAID	Reviewed Draft - RAID	Sven Pilz
26.06.2018		LAN FC IB	Reviewed Draft - LAN FC IB	Sven Pilz
26.06.2018		RAID	Reviewed Draft - RAID	Sven Pilz
26.06.2018		Base units	Reviewed Draft - Description	Sven Pilz
26.06.2018		Description	Reviewed Draft - Description	Sven Pilz
25.06.2018		Base units	Reviewed Draft - Base units	Robert Brunnbauer
20.06.2018		Fibre Channel Adapters	Reviewed Draft - Fibre Channel Adapters	Ulrich Lösch
20.06.2018		Ethernet Adapters	Reviewed Draft - Ethernet Adapters	Ulrich Lösch
04.05.2018		Draft	first draft	Sven Pilz