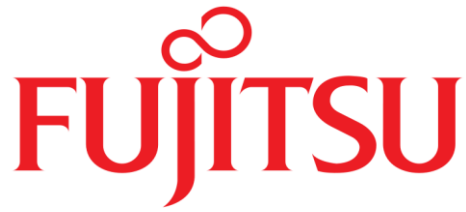


PRIMERGY RX2510 M2  
1U Rack Server



Chapter	Folder	Content
	Cover	List of content, Instructions for usage of this configurator, abbreviations
	Description	System Description for easier understanding
1	Base	describes base unit of RX2510 M2
2		describes rack mount kits and services
3	CPU	Order code and Infos of E5-2600v4 series processor
4	RAM	DDR4 System memory (RAM) and memory modes
5	GFX	n.a. for PRIMERGY RX2510 M2
6	HD_cage	n.a. for PRIMERGY RX2510 M2
7	RAID	SAS / RAID Controller and components
8	ODD	optical disk drives (DVD, DVD-rw, Blu ray)
9	Backup	n.a. for PRIMERGY RX2510 M2
10	HD_SSD	Storage drives - PCIe SSD - SAS/SATA SSD & HDD
11		LAN Components
12	LAN_FC_IB	Fibre Channel Controller
13		Infiniband Controller n.a. for PRIMERGY RX2510 M2
14	PSU	Power supply units and cables, country specific opt
15	USB_devices	Keyboards, Mice, USB devices
16	others	System Management, ATD, RS232 port
	LLC	n.a. for PRIMERGY RX2510 M2

# Instructions

This document contains basic product and configuration information supporting you in more complicated configurations.

In any case we recommend to use the PC-/SystemArchitect to make sure, that you configure a valid system.

This System configurator is divided into several chapters. They are identical to the current price list and PC-/SystemArchitect.

Please follow this document step by step from the top to the bottom

## Chapter xx - description of chapter

Text fields with grey color offer extra information for related topics (e.g prerequisites, technical back ground, configuration rules, limitations, ...)

<b>S26361-F4610-E2</b>
<b>S26361-F4610-L3</b>
PLAN 2x1Gb Ethern. Controller
i350-T2 chip (based on Intel Powerville) offers 2x1Gb RJ45 connectors
PCIe Gen2 x4 full height card
max. 6x per system

<-- order code E-part (bold) --

<-- order code L-part (bold)

<-- "name" of this part

<--description of this part, in same cases as well description of content

<--requires a free PCIe slot --> means total amount of PCIe slots reduced

<--indicates how often this part can be configured in the related Server

### For further information see:

Link to datasheet:

<http://xxx>

[http://ts.fujitsu.com/products/standard\\_servers/index.html](http://ts.fujitsu.com/products/standard_servers/index.html)

(internet)

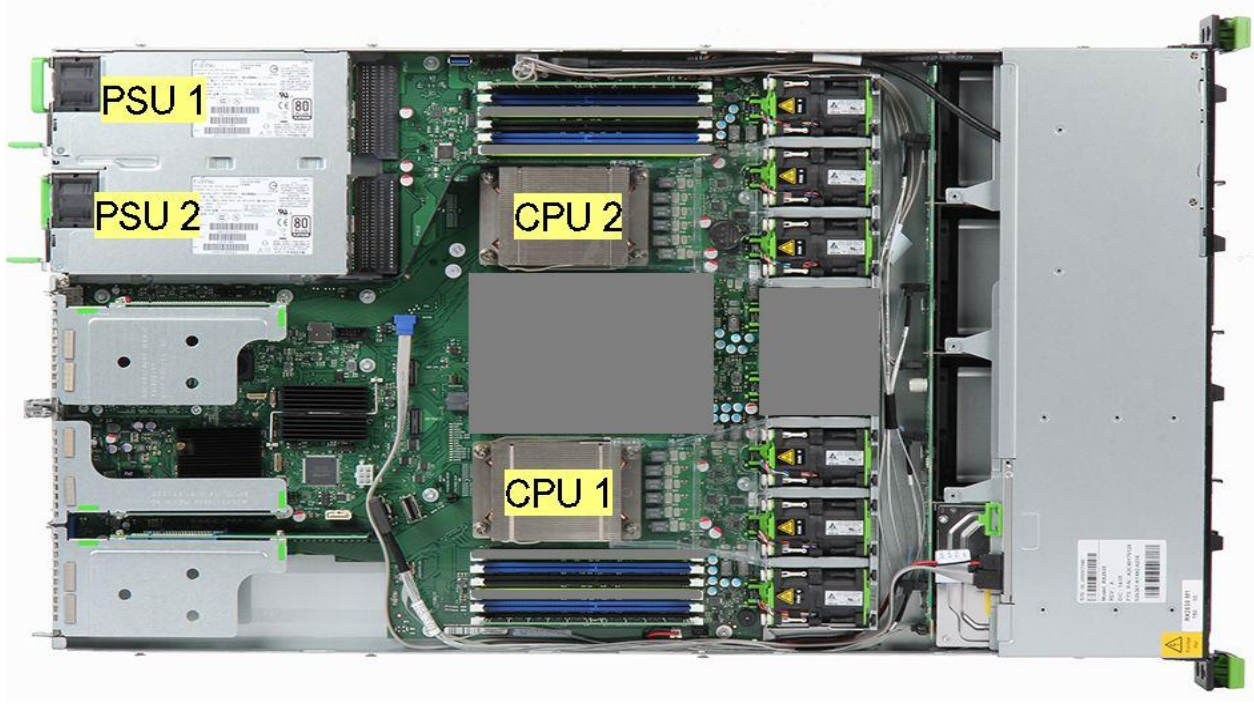
[https://partners.ts.fujitsu.com/com/order-supply/configurators/primergy\\_config/Pages/default.aspx](https://partners.ts.fujitsu.com/com/order-supply/configurators/primergy_config/Pages/default.aspx)

(extranet)

Fujitsu is providing the content of this document with very high accuracy. In case you identify a mistake, we would kindly encourage you to inform us. We kindly ask for understanding, that errors still may occur and that Fujitsu may change this document without notice



**PRIMERGY RX2510 M2 schematics of the System board and fans**



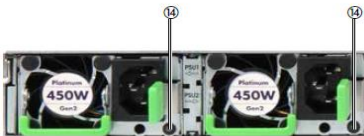
**PRIMERGY RX2510 M2 rear view with PSU and PCIe slots**



- Rear side*
- ⑪ LAN link/transfer indicator (Management LAN)
  - ⑫ LAN speed indicator (Management LAN)
  - ⑬ Global Error / CSS / ID indicator
  - ⑭ Hot-plug power supply unit indicator

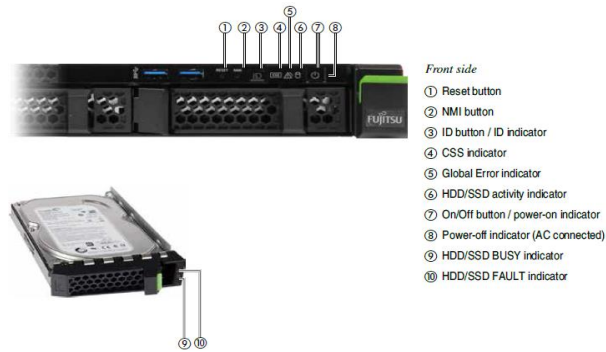


- Rear side*
- ① USB 2.0 connector
  - ② Serial connector (optional)
  - ③ 2 USB 3.0 connectors
  - ④ Management LAN connector
  - ⑤ Video connector (VGA)



- Front side*
- ⑥ 2 USB 2.0 connectors

**PRIMERGY RX2510 M2 front view with drives and operation panel**



**Chapter 1 - base unit**

**Start**

**Power supply units & cooling**

The PRIMERGY RX2510 M2 offer bays for 1x or 2x direct attached hot plug (opt. redundant) power supply units of 450W or 800W with up to 96% efficiency. The PRIMERGY RX2510 M2 is equipped with ultimate performance processor heat pipes and 2+1 (with 1x CPU) or 5+1 (with 2x CPU) high performance single hot plug fans.

**Server Management**

iRMC S4 (integrated Remote Management Controller) on-board with dedicated (or shared) 10/100/1000 Service LAN-port and integrated graphics controller. With the integrated onboard indicators and controls You can highlight easily failed components via LEDs. The LEDs can be displayed during service even without mains connection by simply pressing the "indicate CSS" button.

**Platform**

Fujitsu Systemboard D3279 "made in Germany" based on Chipset Intel® C610 series

> 2 serial QPI links (Quick Path Interconnect)

> Up to two Xeon E5-2600 v4 series CPUs

Slots: as standard 4 PCIe slots are on Board - please see schematics in "description"

> 3 PCIe slots low profile, 167mm length @ first CPU:

Slot 1 PCIe-Gen3 x8 (int.) - only for internal modular RAID controller

Slot 2 PCIe-Gen3 x8

Slot 3 PCIe-Gen3 x16

> 1 PCIe slot low profile, 167mm length @ second CPU:

Slot 4 PCIe-Gen3 x8

PCIe controller population has to be according to internal or external connectivity requirements.

The system offers 1x internal PCIe slot for RAID controller only and 3x free configurable PCIe slots for other PCIe controllers.

The required riser cards for the above configuration are part of the standard delivery.

Onboard RAID 0/1 6Gbit/s

available for up to 4x 3.5" or 4x 2.5" SATA drives

System RAM up to DDR4-2400 MHz

Up to 12 memory slots for max. 384GB DDR4 RAM available (6 slots per CPU). Memory speed depends on CPU and configuration, please see folder "CPU" and "RAM" for further details.

**Software**

\* ServerView Suite Software incl. ServerStart, ServerBooks, Management Software and Updates

**Connectivity**

**Interfaces at rear side**

- 1 RJ45 for management LAN (1 Gbit)
- 1x VGA (15 pins)
- 2x USB 3.0
- 1x USB2.0
- 1x serial 16550 interface (COM1)

**Interfaces at front**

- 2x USB 3.0

**Interfaces internal**

- 1x USB 3.0, 1x UFM
- 1x SATA DOM
- 1x 4\* SATA 6G

**Delivery in single packaging**

**S26361-K1582-V101**  
RX2510 M2 4x3.5"  
Base unit for up to 4x 3.5" drives.  
D3279 systemboard.  
Delivery in single packaging, minimum order quantity 1 unit.

**S26361-K1582-V301**  
RX2510 M2 4x2.5"  
Base unit for up to 4x 2.5" drives (expandable to 8x 2.5").  
D3279 systemboard.  
Delivery in single packaging, minimum order quantity 1 unit.

**S26361-K1582-V401**  
RX2510 M2 8x2.5"  
Base unit for up to 8x 2.5" drives.  
D3279 systemboard.  
Delivery in single packaging, minimum order quantity 1 unit.

**Option for bases -V301 / -V311**  
**S26361-F1582-L8**  
Upgrade kit for 8x 2.5" HDD/SSD  
Increases the amount of drives to 8x 2.5" HDD/SSD; Incl. SAS 3.0 Backplane and SAS 3.0 cables.  
max 1x per system

**Delivery in bulk packaging (not available in Japan and**

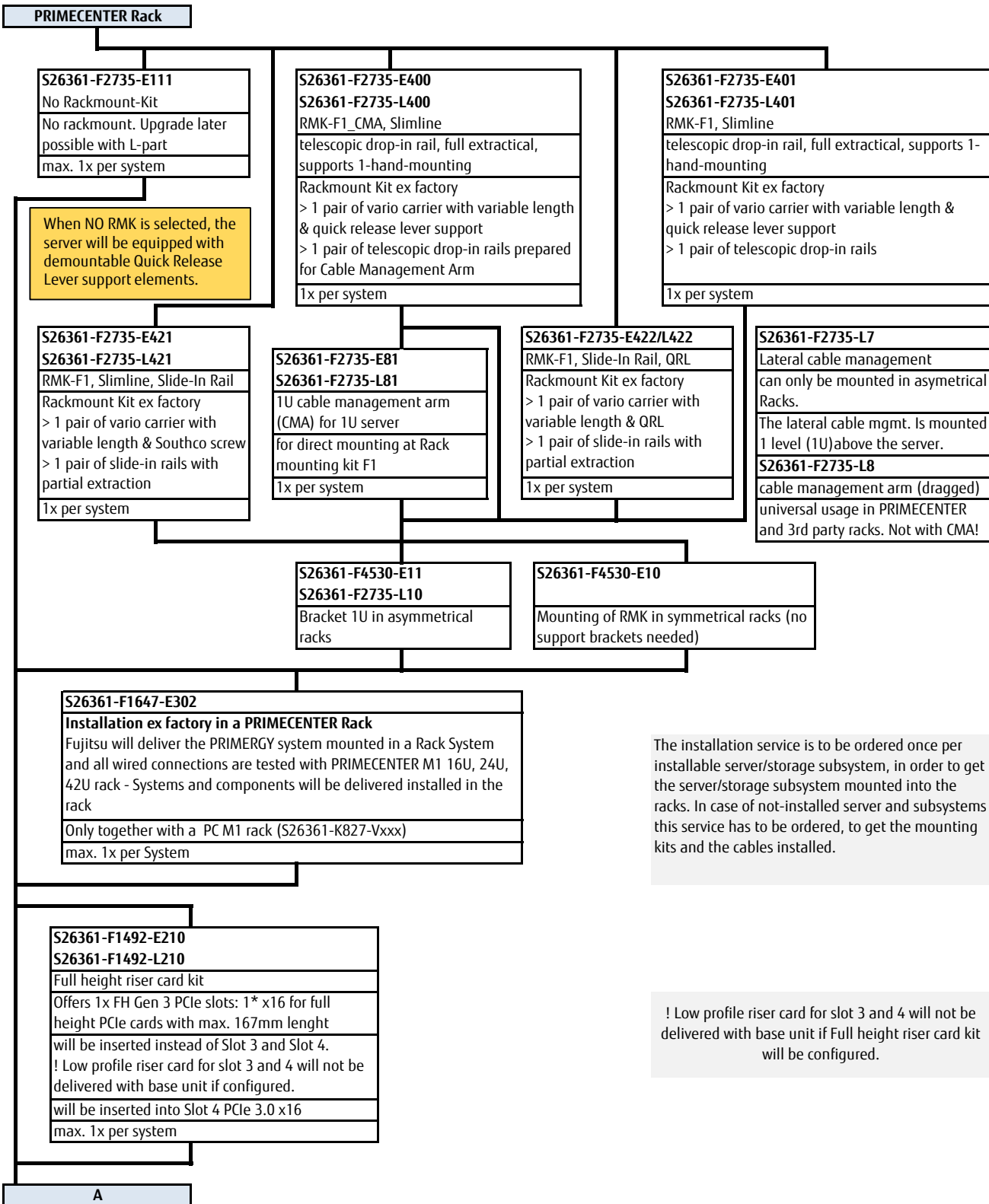
**S26361-K1582-V111**  
RX2510 M2 4x3.5" Bulk  
Base unit for up to 4x 3.5" drives.  
D3279 systemboard.  
Delivery in bulk packaging, minimum order quantity 8

**S26361-K1582-V311**  
RX2510 M2 4x2.5" Bulk  
Base unit for up to 4x 2.5" drives (expandable to 8x2.5").  
D3279 systemboard.  
Delivery in bulk packaging, minimum order quantity 8 units.

**S26361-K1582-V411**  
RX2510 M2 8x2.5" Bulk  
Base unit for up to 8x 2.5" drives.  
D3279 systemboard.  
Delivery in bulk packaging, minimum order quantity 8

**PRIMECENTER Rack**

**Chapter 2 - Rack architecture**



The installation service is to be ordered once per installable server/storage subsystem, in order to get the server/storage subsystem mounted into the racks. In case of not-installed server and subsystems this service has to be ordered, to get the mounting kits and the cables installed.

! Low profile riser card for slot 3 and 4 will not be delivered with base unit if Full height riser card kit will be configured.

**Chapter 3 - CPU**

**A**

There are 2 processor sockets available. Please configure minimum 1 Processor, maximum 2 processors.  
 >> In case of Dual processor operation, processor 2 must be the same as processor 1.  
 >> for the processors on the left side (marked with blue headers) you may choose 1x or 2x CPUs  
 >> for the processors on the right side (marked with orange headers) you must choose 2x CPUs ("Dual processor only")

\* HT = Hyper Threading

<b>Xeon E5-26xx v4 series (R) Basic</b>		
64-bit Intel Xeon processor supporting DDR4 @ 1.866MHz & QPI Bus @ 6.4 GT/s		
Xeon E5-2603v4 6C/6T 1.70GHz 15MB 6.4GT/s 1866MHz 85W	<b>S26361-F3933-E103</b>	<b>S26361-F3933-L303</b>
Xeon E5-2609v4 8C/8T 1.70GHz 20MB 6.4GT/s 1866MHz 85W	<b>S26361-F3933-E109</b>	<b>S26361-F3933-L309</b>
<b>Xeon E5-26xx v4 series (R) Standard</b>		
64-bit Intel Xeon processor supporting HT*, DDR4 @ 2133 MHz & QPI Bus 8.0 GT/s		
Xeon E5-2620v4 8C/16T 2.10GHz 20MB 8.0GT/s 2133MHz 85W	<b>S26361-F3933-E120</b>	<b>S26361-F3933-L320</b>
Xeon E5-2630v4 10C/20T 2.20GHz 25MB 8.0GT/s 2133MHz 85W	<b>S26361-F3933-E130</b>	<b>S26361-F3933-L330</b>
Xeon E5-2640v4 10C/20T 2.40GHz 20MB 8.0GT/s 2133MHz 90W	<b>S26361-F3933-E140</b>	<b>S26361-F3933-L340</b>
<b>Xeon E5-26xx v4 series (R) Advanced</b>		
64-bit Intel Xeon processor supporting HT*, DDR4 @ 2400 MHz & QPI Bus @ 9.6 GT/s		
Xeon E5-2650v4 12C/24T 2.20GHz 30MB 9.6GT/s 2400MHz 105W	<b>S26361-F3933-E150</b>	<b>S26361-F3933-L550</b>
Xeon E5-2660v4 14C/28T 2.00GHz 35MB 9.6GT/s 2400MHz 105W	<b>S26361-F3933-E160</b>	n.a.
<b>Xeon E5-26xx v4 series (R) Frequency optimized</b>		
64-bit Intel Xeon processor supporting HT*, DDR4 @ 2133 MHz & QPI Bus @ 8.0 GT/s		
Xeon E5-2623v4 4C/8T 2.60GHz 10MB 8.0GT/s 2133MHz 85W	<b>S26361-F3933-E123</b>	<b>S26361-F3933-L323</b>
<b>Xeon E5-26xx v4 series (R) Low Power</b>		
64-bit Intel Xeon processor supporting HT*, DDR4 @ 2133/2400 MHz & QPI Bus @ 8.0 GT/s		
Xeon E5-2630Lv4 10C/20T 1.80GHz 25MB 8.0GT/s 2133MHz 55W	<b>S26361-F3933-E131</b>	n.a.
Xeon E5-2650Lv4 14C/28T 1.70GHz 35MB 9.6GT/s 2400MHz 65W	<b>S26361-F3933-E151</b>	n.a.

**S26361-F3849-E100**  
Cooler Kit 2nd CPU

Contains 3x fans and cooling equipment to support the 2nd CPU in RX2510 .

<b>Xeon E5-26xx v4 series (R) Basic</b>		
64-bit Intel Xeon processor supporting DDR4 @ 1.866MHz & QPI Bus @ 6.4 GT/s		
Xeon E5-2603v4 6C/6T 1.70GHz 15MB 6.4GT/s 1866MHz 85W	<b>S26361-F3933-E103</b>	
Xeon E5-2609v4 8C/8T 1.70GHz 20MB 6.4GT/s 1866MHz 85W	<b>S26361-F3933-E109</b>	
<b>Xeon E5-26xx v4 series (R) Standard</b>		
64-bit Intel Xeon processor supporting HT*, DDR4 @ 2133 MHz & QPI Bus 8.0 GT/s		
Xeon E5-2620v4 8C/16T 2.10GHz 20MB 8.0GT/s 2133MHz 85W	<b>S26361-F3933-E120</b>	
Xeon E5-2630v4 10C/20T 2.20GHz 25MB 8.0GT/s 2133MHz 85W	<b>S26361-F3933-E130</b>	
Xeon E5-2640v4 10C/20T 2.40GHz 20MB 8.0GT/s 2133MHz 90W	<b>S26361-F3933-E140</b>	
<b>Xeon E5-26xx v4 series (R) Advanced</b>		
64-bit Intel Xeon processor supporting HT*, DDR4 @ 2400 MHz & QPI Bus @ 9.6 GT/s		
Xeon E5-2650v4 12C/24T 2.20GHz 30MB 9.6GT/s 2400MHz 105W	<b>S26361-F3933-E150</b>	
Xeon E5-2660v4 14C/28T 2.00GHz 35MB 9.6GT/s 2400MHz 105W	<b>S26361-F3933-E160</b>	
<b>Xeon E5-26xx v4 series (R) Frequency optimized</b>		
64-bit Intel Xeon processor supporting HT*, DDR4 @ 2133 MHz & QPI Bus @ 8.0 GT/s		
Xeon E5-2623v4 4C/8T 2.60GHz 10MB 8.0GT/s 2133MHz 85W	<b>S26361-F3933-E123</b>	
<b>Xeon E5-26xx v4 series (R) Low Power</b>		
64-bit Intel Xeon processor supporting HT*, DDR4 @ 1866 MHz & QPI Bus @ 8.0 GT/s		
Xeon E5-2630Lv4 10C/20T 1.80GHz 25MB 8.0GT/s 2133MHz 55W	<b>S26361-F3933-E131</b>	
Xeon E5-2650Lv4 14C/28T 1.70GHz 35MB 9.6GT/s 2400MHz 65W	<b>S26361-F3933-E151</b>	

**B**



**Chapter 4 - DDR4 System memory**

**B**

The Systemboard of RX2510 M2, D3279, offers 12 DDR4 slots with up to 2.400MHz. 384GB DDR4 RDIMM (12x 32GB 2R total)

The memory area is divided into 2 channels per CPU with 3 slots each  
 up to 2.400 MHz with 1DPC R-DIMM (depending on CPU\*)  
 up to 2.133 MHz with 2DPC (depending on CPU\*)  
 up to 1.600 MHz with 3DPC

DDR4 memory is operated at 1.2V

Registered and load reduced DIMM cannot be operated together in one Server.

\* = means: some CPU types support less than 2.400MHz, please check the details in the chapter "CPU"

Registered Memory (RDIMM) with SDDC (chipkill) and ECC support			
8GB (1x8GB) 1Rx4 DDR4-2400 R ECC	single ranked	S26361-F3934-E511	S26361-F3934-L511
16GB (1x16GB) 2Rx4 DDR4-2400 R ECC	dual ranked	S26361-F3934-E512	S26361-F3934-L512
32GB (1x32GB) 2Rx4 DDR4-2400 R ECC	dual ranked	S26361-F3934-E515	S26361-F3934-L515
Registered Memory (RDIMM) with ECC but without SDDC (chipkill) support (within FTS sales region on special release only)			
4GB (1x4GB) 1Rx8 DDR4-2400 R ECC	single ranked	S26361-F3934-E510	S26361-F3934-L510

**C**

**Detailed information**

Mode	Configuration	RDIMM	RDIMM	Use case, advantage
		x8	x4	
SDDC (chipkill) support	any	no	yes	supports detecting multi-bit errors
Independant channel mode	1, or 2 Modules per Bank	yes	yes	offers max. flexibility, upgradeability, capacity
Performance mode	4 identical Modules / Bank	yes	yes	offers maximum performance and capacity

\*) For the delivery ex factory the system will be prepared with dedicated BIOS setting.

Capacity	Configuration	RDIMM	Notes
Min. Memory per CPU	1 Module / CPU	4GB	with one CPU
Max. Memory per CPU	6 Modules / CPU	192GB	with one CPU
Max. Memory per System	12 Modules / System	384GB	if second CPU is configured

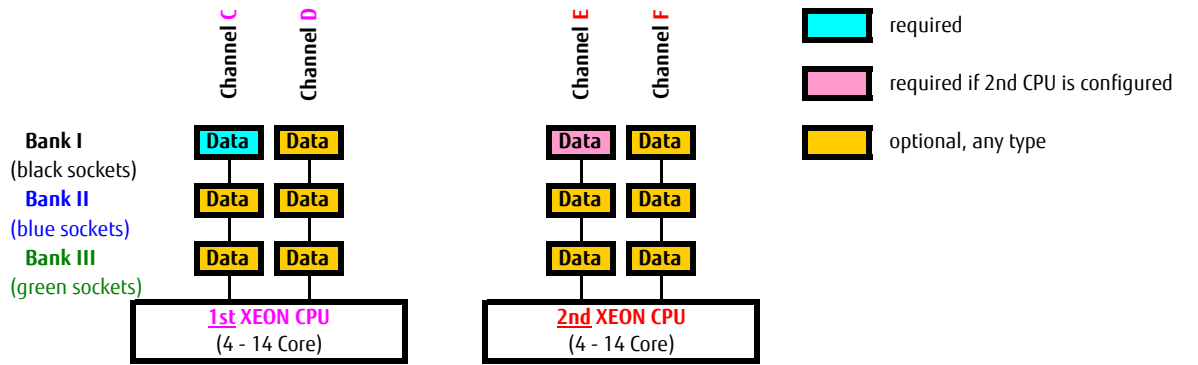
Max. DDR4 memory speed depends on the memory configuration (DIMM per channel) and the type of CPU. The memory channel with the lowest speed defines the speed of all CPU channels in the system

Mem. Speed provided by CPU	Maximum memory-bus speed [MHz]		
Type of Memory	RDIMM 2400MHz		
CPU type \ Dimm per channel	1 DPC	2 DPC	3 DPC
CPU with 2.400MHz DDR4 Bus	2 400	2 400	1 866
CPU with 2.133MHz DDR4 Bus	2 133	2 133	1 866
CPU with 1.866MHz DDR4 Bus	1 866	1 866	1 866

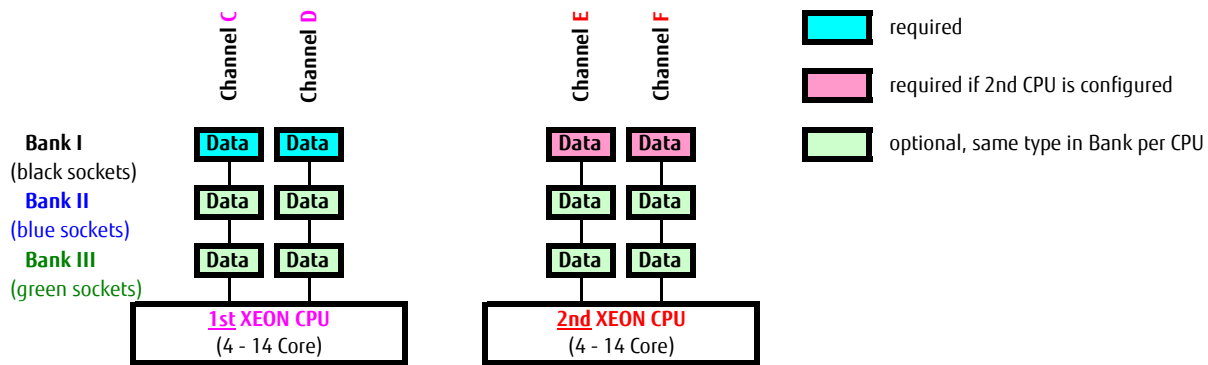
The memory sockets on the Systemboards are color coded

<b>Bank I</b>	black sockets	<b>Bank II</b>	blue sockets	<b>Bank III</b>	green sockets
---------------	---------------	----------------	--------------	-----------------	---------------

**Independant channel mode**



**Performance Channel Mode**



**Chapter 7 - SAS / RAID Controller**

C

PRIMERGY RX2510 M2 provides onboard a SATA 6G Controller (Wellsburg) for up to 8 SATA drives. Therefore the onboard SATA RAID controller can only be used for base units with up to 4x HDD (S26361-K1582-V101, or -V111). If you decide for the onboard RAID controller, you will receive a cable with SAS 2.0 connector at the systemboard side. Please be aware, that in case you update to a SAS3.0 RAID controller later (after purchase) you need to order the cable kit S26361-F1537-L200 (please see below) extra.

**Internal drive RAID / SAS Controllers**

<b>S26361-F3842-E2</b> <b>S26361-F3842-L502</b>
PSAS CP400i SAS Contr.
based on LSI SAS3008
supports up to 8x 3G, 6G & 12G SAS/SATA HDD/ SSD
No Cache
RAID 0, 1
requires 1x LP PCIe 3.0 x8 (int.)
max. 1x per system

<b>S26361-F3842-E1</b> <b>S26361-F3842-L501</b>
PRAID CP400i RAID Contr.
based on LSI SAS3008
supports up to 8x 3G, 6G & 12G SAS/SATA HDD/ SSD
No Cache
RAID 0, 1, 1E, 10, 5, 50
requires 1x LP PCIe 3.0 x8 (int.)
max. 1x per system

<b>S26361-F5243-E1</b> <b>S26361-F5243-L1</b>
PRAID EP400i RAID Contr.
based on LSI SAS3108
supports up to 8x 3G, 6G & 12G SAS/SATA HDD/ SSD
1GB Cache (ECC), opt. FBU
RAID 0, 1, 1E, 5, 50, 6 & 60
requires 1x LP PCIe 3.0 x8 (int.)
max. 1x per system

<b>S26361-F5243-E2*</b> <b>S26361-F5243-L2</b>
PRAID EP420i RAID Contr.
based on LSI SAS3108
supports up to 8x 3G, 6G & 12G SAS/SATA HDD/ SSD
2GB Cache (ECC), opt. FBU
RAID 0, 1, 1E, 5, 50, 6 & 60
requires 1x LP PCIe 3.0 x8 (int.)
max. 1x per system

<b>*S26361-F5243-E4**</b>
PRAID EP420i for SafeStore
supports HDD Encryption

<b>S26361-F5243-E100</b> <b>S26361-F5243-L100</b>
TFM module for 1GB Cache
NV-RAM & FBU control logic
max. 1x per controller

<b>S26361-F5243-E200</b> <b>S26361-F5243-L200</b>
TFM module for 2GB Cache
NV-RAM & FBU control logic
max. 1x per controller

\*\*It is strongly recommended to order SafeStore (SED) RAID controller with SED HDD or SSD devices for SafeStore (SED) functionality

Only 1 FBU can be integrated in a RX2510 M2.

<b>S26361-F5243-E125</b> <b>S26361-F5243-L111</b>
FBU Option for PRAID EP4xx
Supercap securing the power supply of the RAID controller in case of power failure, including cable with 25cm length
max. 1x per controller

RAID Advanced Software free of charge test licence available: PRIMERGY-PM

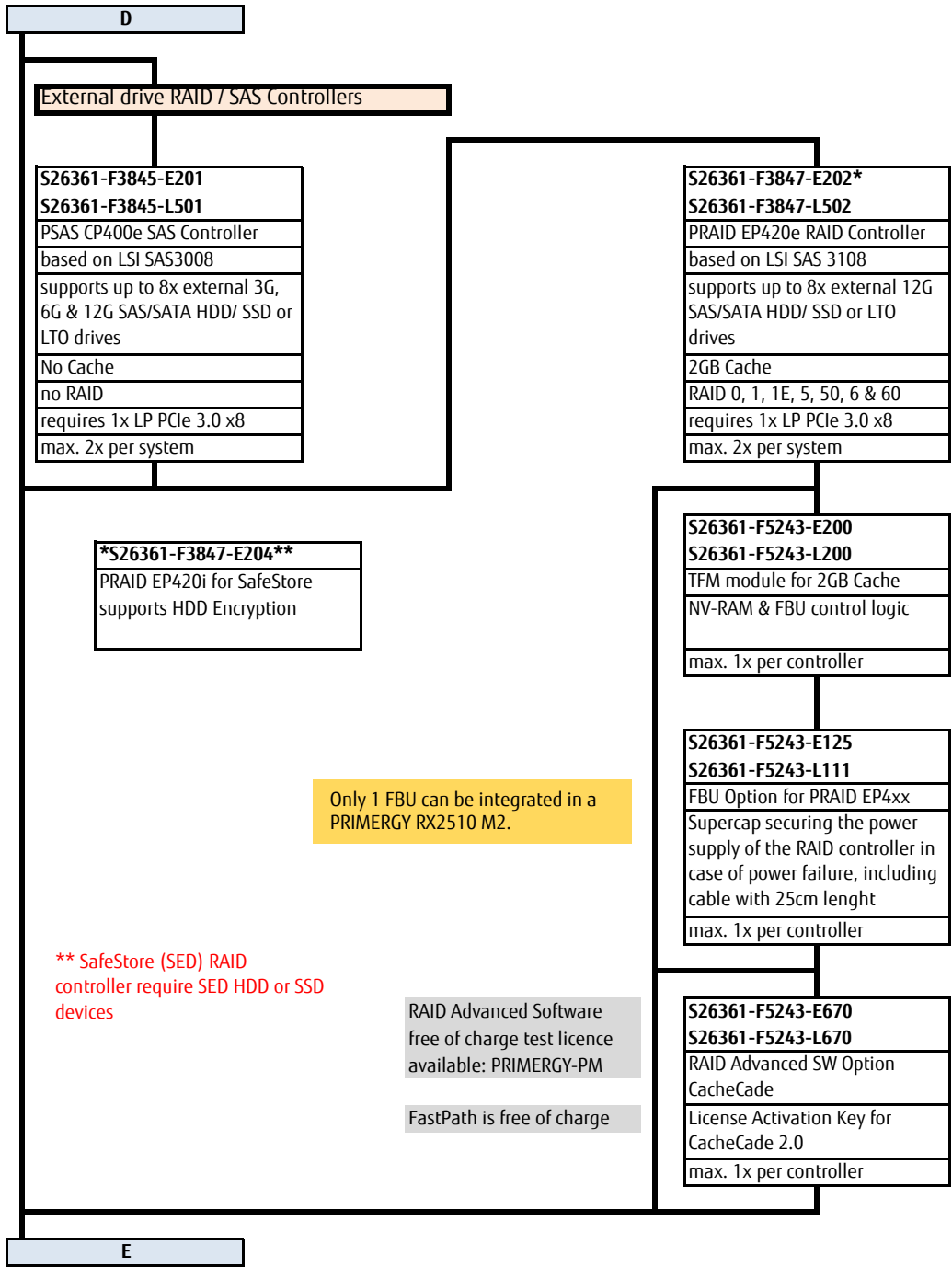
FastPath is free of charge

<b>S26361-F5243-E670</b> <b>S26361-F5243-L670</b>
RAID Advanced SW Option CacheCade
License Activation Key for CacheCade 2.0
max. 1x per controller

<b>S26361-F1537-L200</b>
SAS3.0 cable kit
contains the following cables:
T26139-Y4040-V9, 540mm connects to the left 4x 2.5" rectangular backplane.
T26139-Y4040-V11, 700mm connects to the right 4x 2.5" L-shaped backplane and
T26139-Y4040-V21, connects to the 4x 3.5" BPL
required for later upgrade from onboard SATA 6G controller to a dedicated SAS3.0 RAID controller

! The SAS 3.0 cable kit (S26361-F1537-L200) is only required for later upgrades, and just if the onboard SATA 6G RAID controller (which has a SAS 2.0 connector) was selected.  
! Orders ex factory always come with the fitting cables.

D



**Chapter 8 - ODD optical disk drives**

**E**  
Config with 1x 9.5mm bay



Not yet released for Japan;

<p><b>S26361-F3778-E1</b> DVD-RW supermulti ultra slim all formats, DUAL/DL, DVD-RAM only W2K, W3K and Linux 9.5mm, black bezel max. 1x per system</p>	<p><b>S26361-F3641-E6</b> Blu-ray Triple Writer ultra slim 6x BD-RW, 8x DVD, 24x CD, BD DL and all CD/DVD formats 9.5mm, black bezel max. 1x per system</p>	<p><b>S26361-F3718-E2</b> DVD-ROM 16x DVD; 48x CD-ROM 9.5mm black bezel max. 1x per system</p>
--	---	--

**F**

**Chapter 10 - storage drives**

F

SAS drives require a dedicated SAS / RAID Controller  
 Hard Disk Sector Format Information:  
 512n HDD: 512 byte sectors on the drive media.  
 512e (=emulation) HDD: 4K physical sectors on the drive media with 512 byte logical configuration.  
 512e HDD Disk Drives: VMware 6.0 or earlier is not supported.  
 512n & 512e HDDs can be mixed, but cannot be used in one logical RAID volume.  
 When using SSDs with VMware ESXi, select the SSDs that meet the endurance requirement described in KB2145210 below.  
<https://kb.vmware.com/kb/2145210>  
 dwpd (5y): drive writes per day over 5 years.  
 HDD Classes:  
 Business-Critical (BC) -SATA=Nearline SATA Enterprise Drives / 7.2Krpm, SATA 6G.  
 Business-Critical (BC) -SAS=Nearline SATA Enterprise Drives / 7.2Krpm, SAS 6G or SAS 12G.  
 Mission-Critical (MC)=SAS 10K and SAS 15K: Enterprise Drives with max. performance and reliability.  
 Warranty:  
 SSD and SATA DOM have a built-in Wear-Out indicator. In this case the warranty for such a component, as an exception to the system warranty, is restricted to the time period until the indicator reaches the exhaust level.

**2.5" SSD and SATADOM**

**SSD SATA 2.5" (SFF) Enterprise with hot plug/hot replace tray**

capacity	Formfactor	Interface	Category	dwpd (5y)	order code E-part	order code L-part
240GB	2.5" (SFF)	6Gb/s	read / write	3.6	S26361-F5675-E240	S26361-F5675-L240
480GB	2.5" (SFF)	6Gb/s	read / write	3.6	S26361-F5675-E480	S26361-F5675-L480
960GB	2.5" (SFF)	6Gb/s	read / write	3	S26361-F5588-E960	S26361-F5588-L960
1.92TB	2.5" (SFF)	6Gb/s	read / write	3	S26361-F5588-E192	S26361-F5588-L192
240GB	2.5" (SFF)	6Gb/s	read intensive	1	S26361-F5632-E240	S26361-F5632-L240
480GB	2.5" (SFF)	6Gb/s	read intensive	1	S26361-F5632-E480	S26361-F5632-L480
800GB	2.5" (SFF)	6Gb/s	read intensive	1	S26361-F5632-E800	S26361-F5632-L800
960GB	2.5" (SFF)	6Gb/s	read intensive	1	S26361-F5632-E960	S26361-F5632-L960
1.2TB	2.5" (SFF)	6Gb/s	read intensive	1	S26361-F5632-E120	S26361-F5632-L120
1.6TB	2.5" (SFF)	6Gb/s	read intensive	1	S26361-F5632-E160	S26361-F5632-L160

max. 8x - depending on base unit & configuration

**SSD SATA 2.5" Mixed Use \$4600 (SFF) Enterprise with hot plug/hot replace tray**

Capacity	Formfactor	Interface	Endurance	DWPD	as soon as available	order code E-part	order code L-part
240GB	2.5" (SFF)	SATA 6Gb/s	Mixed Use	3.1	as soon as available	S26361-F5694-E240	S26361-F5694-L240
480GB	2.5" (SFF)	SATA 6Gb/s	Mixed Use	3.3	as soon as available	S26361-F5694-E480	S26361-F5694-L480
960GB	2.5" (SFF)	SATA 6Gb/s	Mixed Use	3.0	as soon as available	S26361-F5694-E960	S26361-F5694-L960
1.92TB	2.5" (SFF)	SATA 6Gb/s	Mixed Use	3.0	as soon as available	S26361-F5694-E192	S26361-F5694-L192

max. 8x - depending on base unit & configuration

**SSD SATA 2.5" Read Intensive (SFF) Enterprise with hot plug/hot replace tray**

Capacity	Formfactor	Interface	Endurance	DWPD	as soon as available	order code E-part	order code L-part
240GB	2.5" (SFF)	SATA 6Gb/s	Read Intensive	1.4	as soon as available	S26361-F5701-E240	S26361-F5701-L240
480GB	2.5" (SFF)	SATA 6Gb/s	Read Intensive	0.9	as soon as available	S26361-F5701-E480	S26361-F5701-L480
960GB	2.5" (SFF)	SATA 6Gb/s	Read Intensive	0.9	as soon as available	S26361-F5701-E960	S26361-F5701-L960
1.92TB	2.5" (SFF)	SATA 6Gb/s	Read Intensive	0.9	as soon as available	S26361-F5701-E192	S26361-F5701-L192
3.84TB	2.5" (SFF)	SATA 6Gb/s	Read Intensive	1.0	as soon as available	S26361-F5701-E384	S26361-F5701-L384
7.68TB	2.5" (SFF)	SATA 6Gb/s	Read Intensive	0.5	as soon as available	S26361-F5701-E768	S26361-F5701-L768

max. 8x - depending on base unit & configuration

**On-Board**

**SATA DOM Non volatile storage drive for booting**

capacity	FF	Interface	Category	dwpd (5y)	order code E-part	order code L-part
64GB	DOM	6Gb/s	boot	0.14	S26361-F5618-E64	S26361-F5618-L64
128GB	DOM	6Gb/s	boot	0.13	S26361-F5618-E128	S26361-F5618-L128

SATADOM is designed for use as a boot drive with the Endurance Spec. above.  
 max. 1x per Server; connector located on Motherboard (please see folder "description"). VMware is not supported.

**2.5" (SFF) Hard drives**



Mixed configuration 2.5" HDD BC SAS/ SATA 7.2K with 2.5" HDD SAS 10K/ 15K not allowed

**HDD SAS 2.5" 7.2K (SFF) Enterprise Business critical with hot plug/hot replace tray**

capacity	RPM	Interface	Cache	sector	order code E-part	order code L-part
1TB	7 200	12Gb/s	128MB	512e	S26361-F5573-E100	S26361-F5573-L100
2TB	7 200	12Gb/s	128MB	512e	S26361-F5573-E200	S26361-F5573-L200

max. 8x - depending on base unit & configuration

**HDD SAS 2.5" (SFF) Enterprise Mission Critical with hot plug/hot replace tray**

Capacity	RPM	Interface	Sector	order code E-part	order code L-part	
300GB	10 000	SAS 12Gb/s	512n	S26361-F5550-E130	S26361-F5550-L130	
600GB	10 000	SAS 12Gb/s	512n	S26361-F5550-E160	S26361-F5550-L160	
900GB	10 000	SAS 12Gb/s	512n	S26361-F5550-E190	S26361-F5550-L190	
1.2TB	10 000	SAS 12Gb/s	512n	S26361-F5550-E112	S26361-F5550-L112	
600GB	10 000	SAS 12Gb/s	512e	S26361-F5543-E160	S26361-F5543-L160	
900GB	10 000	SAS 12Gb/s	512e	S26361-F5543-E190	S26361-F5543-L190	
1.2TB	10 000	SAS 12Gb/s	512e	S26361-F5543-E112	S26361-F5543-L112	
1.8TB	10 000	SAS 12Gb/s	512e	S26361-F5543-E118	S26361-F5543-L118	
2.4TB	10 000	SAS 12Gb/s	512e	as soon as available	S26361-F5543-E124	S26361-F5543-L124
300GB	15 000	SAS 12Gb/s	512n	S26361-F5531-E530	S26361-F5531-L530	
450GB	15 000	SAS 12Gb/s	512n	S26361-F5531-E545	S26361-F5531-L545	
600GB	15 000	SAS 12Gb/s	512n	S26361-F5531-E560	S26361-F5531-L560	

max. 8x - depending on base unit & configuration.



Mixed configuration 2.5" HDD BC SAS/ SATA 7.2K with 2.5" HDD SAS 10K/ 15K not allowed

**HDD SATA 2.5" 7.2K (SFF) Enterprise Business critical with hot plug/hot replace tray**

capacity	RPM	Interface	Cache	sector	order code E-part	order code L-part
1TB	7 200	6Gb/s	128MB	512n	S26361-F3956-E100	S26361-F3956-L100
2TB	7 200	6Gb/s	128MB	512n	S26361-F3956-E200	S26361-F3956-L200
1TB	7 200	6Gb/s	128MB	512e	S26361-F3907-E100	S26361-F3907-L100
2TB	7 200	6Gb/s	128MB	512e	S26361-F3907-E200	S26361-F3907-L200

max. 8x - depending on base unit & configuration

G

G

3.5" SSD

SSD SATA 3.5" (LFF) - 2.5" Enterprise SSD with 3.5" hot plug/hot replace tray							
Capacity	Formfactor	Interface	Category	DWPD (5y)	order code E-part	order code L-part	
240GB	3.5" (LFF)	6Gb/s	read / write	3.6	S26361-F5673-E240	S26361-F5673-L240	
480GB	3.5" (LFF)	6Gb/s	read / write	3.6	S26361-F5673-E480	S26361-F5673-L480	
960GB	3.5" (LFF)	6Gb/s	read / write	3	S26361-F5589-E960	S26361-F5589-L960	
1.92TB	3.5" (LFF)	6Gb/s	read / write	3	S26361-F5589-E192	S26361-F5589-L192	

max. 4x - depending on configuration

SSD SATA 3.5" Mixed Use S4600 (LFF) 2.5" SSD Enterprise with 3.5" hot plug/hot replace tray							
Capacity	Formfactor	Interface	Endurance	DWPD	order code E-part	order code L-part	
240GB	3.5" (LFF)	SATA 6Gb/s	Mixed Use	3.1	as soon as available	S26361-F5692-E240	S26361-F5692-L240
480GB	3.5" (LFF)	SATA 6Gb/s	Mixed Use	3.3	as soon as available	S26361-F5692-E480	S26361-F5692-L480
960GB	3.5" (LFF)	SATA 6Gb/s	Mixed Use	3.0	as soon as available	S26361-F5692-E960	S26361-F5692-L960
1.92TB	3.5" (LFF)	SATA 6Gb/s	Mixed Use	3.0	as soon as available	S26361-F5692-E192	S26361-F5692-L192

max. 4x - depending on configuration

SSD SATA 3.5" Read Intensive (LFF) 2.5" SSD Enterprise with 3.5" hot plug/hot replace tray							
Capacity	Formfactor	Interface	Endurance	DWPD	order code E-part	order code L-part	
240GB	3.5" (LFF)	SATA 6Gb/s	Read Intensive	1.4	as soon as available	S26361-F5700-E240	S26361-F5700-L240
480GB	3.5" (LFF)	SATA 6Gb/s	Read Intensive	0.9	as soon as available	S26361-F5700-E480	S26361-F5700-L480
960GB	3.5" (LFF)	SATA 6Gb/s	Read Intensive	0.9	as soon as available	S26361-F5700-E960	S26361-F5700-L960
1.92TB	3.5" (LFF)	SATA 6Gb/s	Read Intensive	0.9	as soon as available	S26361-F5700-E192	S26361-F5700-L192
3.84TB	3.5" (LFF)	SATA 6Gb/s	Read Intensive	1.0	as soon as available	S26361-F5700-E384	S26361-F5700-L384
7.68TB	3.5" (LFF)	SATA 6Gb/s	Read Intensive	0.5	as soon as available	S26361-F5700-E768	S26361-F5700-L768

max. 4x - depending on configuration

3.5" (LFF) Hard drives

HDD SAS 3.5" (LFF) 2.5" Enterprise HDD with 3.5" hot plug/hot replace tray							
Capacity	RPM	Interface	Sector		order code E-part	order code L-part	
300GB	10 000	SAS 12Gb/s	512n		S26361-F5568-E130	S26361-F5568-L130	
600GB	10 000	SAS 12Gb/s	512n		S26361-F5568-E160	S26361-F5568-L160	
1.2TB	10 000	SAS 12Gb/s	512n		S26361-F5568-E112	S26361-F5568-L112	
1.8TB	10 000	SAS 12Gb/s	512e		S26361-F5569-E118	S26361-F5569-L118	
2.4TB	10 000	SAS 12Gb/s	512e	as soon as available	S26361-F5569-E124	S26361-F5569-L124	
300GB	15 000	SAS 12Gb/s	512n		S26361-F5532-E530	S26361-F5532-L530	
450GB	15 000	SAS 12Gb/s	512n		S26361-F5532-E545	S26361-F5532-L545	
600GB	15 000	SAS 12Gb/s	512n		S26361-F5532-E560	S26361-F5532-L560	
2TB	7 200	SAS 12Gb/s	512e		S26361-F5571-E200	S26361-F5571-L200	
4TB	7 200	SAS 12Gb/s	512e		S26361-F5571-E400	S26361-F5571-L400	
6TB	7 200	SAS 12Gb/s	512e		S26361-F5571-E600	S26361-F5571-L600	
8TB	7 200	SAS 12Gb/s	512e		S26361-F5571-E800	S26361-F5571-L800	
10TB	7 200	SAS 12Gb/s	512e		S26361-F5571-E100	S26361-F5571-L100	
12TB	7 200	SAS 12Gb/s	512e	as soon as available	S26361-F5571-E120	S26361-F5571-L120	

max. 4x - depending on configuration

HDD SATA 3.5" 7.2K (LFF) business critical (Nearline SATA) with hot plug/hot replace tray							
Capacity	RPM	Interface	Sector		order code E-part	order code L-part	
500GB	7 200	SATA 6Gb/s	512n		S26361-F3950-E500	S26361-F3950-L500	
1TB	7 200	SATA 6Gb/s	512n		S26361-F3950-E100	S26361-F3950-L100	
2TB	7 200	SATA 6Gb/s	512n		S26361-F3815-E200	S26361-F3815-L200	
4TB	7 200	SATA 6Gb/s	512n		S26361-F3815-E400	S26361-F3815-L400	
4TB	7 200	SATA 6Gb/s	512e	not released for Japan/APAC	S26361-F3904-E400	S26361-F3904-L400	
6TB	7 200	SATA 6Gb/s	512e		S26361-F3904-E600	S26361-F3904-L600	
8TB	7 200	SATA 6Gb/s	512e		S26361-F3904-E800	S26361-F3904-L800	
10TB	7 200	SATA 6Gb/s	512e		S26361-F3904-E100	S26361-F3904-L100	
12TB	7 200	SATA 6Gb/s	512e	as soon as available	S26361-F3904-E120	S26361-F3904-L120	

max. 4x - depending on configuration

H

## Chapter 11 - LAN Components

H

### Networking Controller

Max. 3x LAN Controller per System (configuration of different Contr. possible)

### 1Gb Ethernet network components

#### 1Gb Ethernet controller with RJ45 interface (1000BASE-T)

PLAN AP 1x1Gbit Cu Intel I210-T1 LP	3x	1 port, Intel	S26361-F3852-E201	S26361-F3852-L501
PLAN CP 2x1Gbit Cu Intel I350-T2 LP	3x	2 port, Intel	S26361-F4610-E202	S26361-F4610-L502
PLAN CP 2x1Gbit Cu Intel I350-T4 LP	3x	4 port, Intel	S26361-F4610-E204	S26361-F4610-L504
max. 3 Controller per system				

### 10Gb Ethernet network components

#### 10Gb Ethernet controller with RJ45 interface (10GBASE-T)

Eth Ctrl 2x10GBase-T PCIe x8 X540-T2 LP	2x	2 port NIC, Intel	S26361-F3752-E202	S26361-F3752-L502
PLAN EP X550-T2 2x10GBASE-T LP	2x	2 port NIC, Intel	S26361-F3948-E202	S26361-F3948-L502
PLAN EP OCE14102 2x 10GBase-T LP	2x	2 port NIC with RDMA, Emulex	S26361-F5557-E201	S26361-F5557-L501

#### 10Gb Ethernet controller with SFP+ interface (for SFP+ modules or twinax cables, Fujitsu / Intel based)

Eth Ctrl 2x10Gbit PCIe x8 D2755 SFP+ LP	2x	2 port NIC, Intel 82599 based	S26361-F3629-E202	S26361-F3629-L502
PLAN EP X710-DA2 2x10Gb SFP+ LP	2x	2 port NIC, Intel	S26361-F3640-E202	S26361-F3640-L502

#### optional 10Gb SFP+ module with LC connector for Fujitsu / Intel based controller

SFP+ Module MMF 10GbE LC	2x	MMF / SR SFP+ module, up to 400m	S26361-F3986-E3	S26361-F3986-L3
SFP+ Module SMF 10GbE LC	2x	SMF / LR SFP+ module, up to 10km	S26361-F3986-E4	S26361-F3986-L4
Twinax Anschlussplatz Primergy	2x	virtual connector for twinax cables	V:TWX CONNECTOR-PY	
SFP+ active Twinax Cable Fujitsu	2x	customized cable length	S26361-F3989-E600	see table at the bottom of this page
SFP+ active Twinax Cable Brocade	2x	(best fitting cable length is defined during rack installation at the factory)	S26361-F3873-E500	
SFP+ passive Twinax Cable Cisco	2x		S26361-F4571-E500	
max. 2x SFP+ or Twinax Cable per controller				

#### 10Gb Ethernet controller with SFP+ interface (for SFP+ modules or twinax cables, Emulex)

PLAN EP OCE14102 2x10Gb LP	2x	2 port NIC with RDMA, Emulex	S26361-F5536-E202	S26361-F5536-L502
PCNA EP OCE14102 2x 10Gb LP	2x	2 port CNA with FCoE & RDMA, Emulex	S26361-F5250-E201	S26361-F5250-L501

#### optional 10Gb SFP+ module with LC connector for Emulex controller

PCNA SFP+ MMF Modul OCE14102	2x	MMF / SR SFP+ module, up to 400m	S26361-F5250-E110	S26361-F5250-E110
Twinax Anschlussplatz Primergy	2x	virtual connector for twinax cables	V:TWX CONNECTOR-PY	
SFP+ active Twinax Cable Fujitsu	2x	customized cable length	S26361-F3989-E600	see table at the bottom of this page
SFP+ active Twinax Cable Brocade	2x	(best fitting cable length is defined during rack installation at the factory)	S26361-F3873-E500	
SFP+ passive Twinax Cable Cisco	2x		S26361-F4571-E500	
max. 2x SFP+ or Twinax Cable per controller				

max. 2 Controller per system

### 25/10Gb Ethernet network components

#### 25/10Gb Ethernet controller with 2x SFP28 cages (requires Splitter DAC, twinax cables, or optical transceiver SFP+ modules)

Dual speed support - supports 25Gbps and 10Gbps line rate per-port

PLAN EP QL45212 2x25Gb LP	2x	Dual Port NIC, RoCE RDMA, WS2016, Caviu	S26361-F5622-E202	S26361-F5622-L502
---------------------------	----	---	-------------------	-------------------

#### Optional Cisco Ethernet Direct Attach Copper Cables (DACs) - not introduced by Fujitsu; available for purchase at Cisco

Cisco DAC Splitter Cable 100G to 4X25G,	1x	Cisco 100GBase QSFP to 4xSFP25G Passive	Cisco P/N: QSFP-4SFP25G-CU1M	
Cisco DAC Splitter Cable 100G to 4X25G,	1x	Cisco 100GBase QSFP to 4xSFP25G Passive	Cisco P/N: QSFP-4SFP25G-CU2M	
Cisco DAC Splitter Cable 100G to 4X25G,	1x	Cisco 100GBase QSFP to 4xSFP25G Passive	Cisco P/N: QSFP-4SFP25G-CU3M	

One Cisco DAC Splitter cable connects up to 4 25G ports, i.e. 2x PLAN EP QL45212 cards to a single Cisco 100G Switch Port.

#### Optional 10Gb SFP+ Optical Transceivers with LC Connector, or Active or Passive Twinax Cables SFP+

SFP+ Transceiver Module MMF 10GbE LC	2x	MMF / SR SFP+ module, up to 400m	S26361-F3986-E3	S26361-F3986-L3
SFP+ Transceiver Module SMF 10GbE LC	2x	SMF / LR SFP+ module, up to 10km	S26361-F3986-E4	S26361-F3986-L4
virtual connector for twinax cables	2x	virtual connector for twinax cables	V:TWX CONNECTOR-PY	
Amphenol Active Twinax Cable SFP+ for	2x	Amphenol 10G Active Twinax Cable, 2m	S26361-F3989-E600	S26361-F3989-L102
Amphenol Active Twinax Cable SFP+ for	2x	Amphenol 10G Active Twinax Cable, 5m	Customized Cable Length	S26361-F3989-L105
Amphenol Active Twinax Cable SFP+ for	2x	Amphenol 10G Active Twinax Cable, 10m		S26361-F3989-L110
Brocade Active Twinax Cable SFP+ for 10	2x	Brocade 10G Active Twinax Cable, 1m	S26361-F3873-E500	S26361-F3873-L501
Brocade Active Twinax Cable SFP+ for 10	2x	Brocade 10G Active Twinax Cable, 3m	Customized Cable	S26361-F3873-L503



			Length	
Brocade Active Twinax Cable SFP+ for 10G	2x	Brocade 10G Active Twinax Cable, 5m		S26361-F3873-L505
Cisco Passive Twinax Cable SFP+ for 10G	2x	Cisco 10G Passive Twinax Cable, 1m	S26361-F4571-E101	S26361-F4571-L101
Cisco Passive Twinax Cable SFP+ for 10G	2x	Cisco 10G Passive Twinax Cable, 3m	S26361-F4571-E103	S26361-F4571-L103
Cisco Passive Twinax Cable SFP+ for 10G	2x	Cisco 10G Passive Twinax Cable, 5m	S26361-F4571-E105	S26361-F4571-L105
Cisco Active Twinax Cable SFP+ for 10G	2x	Cisco 10G Active Twinax Cable, 7m	S26361-F4571-E107	S26361-F4571-L107
Cisco Active Twinax Cable SFP+ for 10G	2x	Cisco 10G Active Twinax Cable, 10m	S26361-F4571-E110	S26361-F4571-L110

Max. 2x SFP+ or Twinax Cable per controller. Customized Cable Length means: best fitting cable length is defined during rack installation at the factory.

Max. 2 Controllers per system

### Network cables for later upgrade

#### Fujitsu active SFP+ Twinax 10Gb cable

SFP+ active Twinax Cable Fujitsu 2m	S26361-F3989-L102
SFP+ active Twinax Cable Fujitsu 5m	S26361-F3989-L105
SFP+ active Twinax Cable Fujitsu 10m	S26361-F3989-L110

#### Brocade active SFP+ Twinax 10Gb cable

SFP+ active Twinax Cable Brocade 1m	S26361-F3873-L501
SFP+ active Twinax Cable Brocade 3m	S26361-F3873-L503
SFP+ active Twinax Cable Brocade 5m	S26361-F3873-L505

#### Cisco passive SFP+ Twinax 10Gb Ethernet

SFP+ passive Twinax Cable Cisco 1m	S26361-F4571-L101
SFP+ passive Twinax Cable Cisco 3m	S26361-F4571-L103
SFP+ passive Twinax Cable Cisco 5m	S26361-F4571-L105
SFP+ active Twinax Cable Cisco 7m	S26361-F4571-L107
SFP+ active Twinax Cable Cisco 10m	S26361-F4571-L110

### Chapter 12 - Fibre Channel Controller

## Chapter 12 - Fibre Channel Controller

### 8Gb Fibre Channel controller generation 4 with LC interface for 50µm optical cables (OM3 or OM4)

FC Ctrl 8Gb/s 1 Kanal LPe1250 MMF LC LP	3x	1 port, low profile, Emulex	S26361-F3961-E201	S26361-F3961-L201
FC Ctrl 8Gb/s 2 Kanal LPe12002 MMF LC LP	3x	2 port, low profile, Emulex	S26361-F3961-E202	S26361-F3961-L202
FC Ctrl 8Gb/s 1 Kanal QLE2560 MMF LC LP	3x	1 port, low profile, Qlogic	S26361-F3631-E201	S26361-F3631-L201
FC Ctrl 8Gb/s 2 Kanal QLE2562 MMF LC LP	3x	2 port, low profile, Qlogic	S26361-F3631-E202	S26361-F3631-L202

### 16Gb Fibre Channel controller generation 5 with LC interface for 50µm optical cables (OM3 or OM4)

PFC EP LPe16000 1x 16Gb LP	3x	1 port, low profile, Emulex	S26361-F4994-E201	S26361-F4994-L501
PFC EP LPe16002 2x 16Gb LP	3x	2 port, low profile, Emulex	S26361-F4994-E202	S26361-F4994-L502
PFC EP QLE2670 1x 16Gb LP	3x	1 port, low profile, Qlogic	S26361-F5313-E201	S26361-F5313-L501
PFC EP QLE2672 2x 16Gb LP	3x	2 port, low profile, Qlogic	S26361-F5313-E202	S26361-F5313-L502

### 16Gb Fibre Channel controller generation 6 with LC interface for 50µm optical cables (OM3 or OM4)

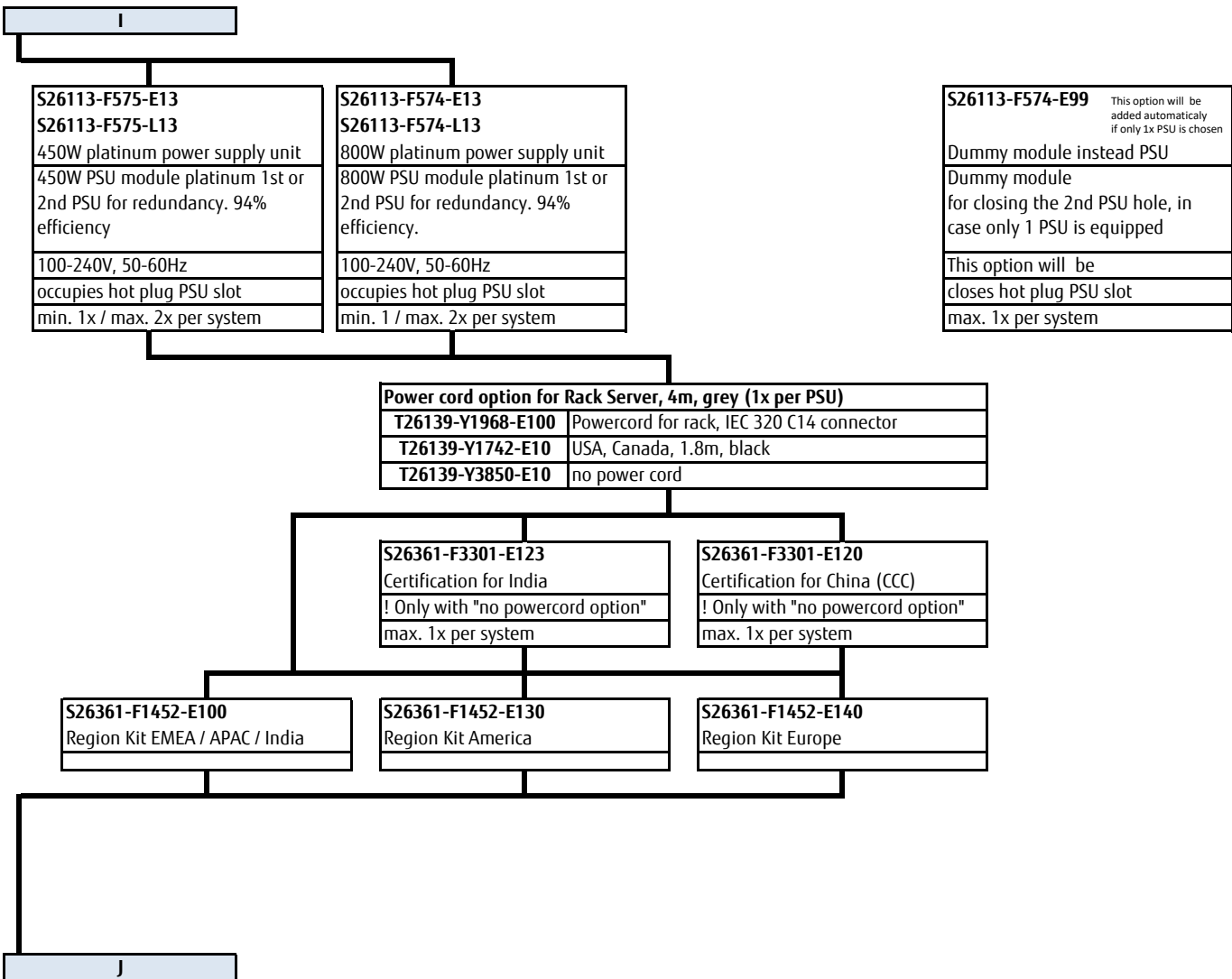
PFC EP LPe31000 1x 16Gb Emulex LP	3x	1 port, low profile, Emulex	S26361-F5596-E201	S26361-F5596-L501
PFC EP LPe31002 2x 16Gb Emulex LP	3x	2 port, low profile, Emulex	S26361-F5596-E202	S26361-F5596-L502
PFC EP QLE2690 1x 16Gb LP	3x	1 port, low profile, Qlogic	S26361-F5580-E201	S26361-F5580-L501
PFC EP QLE2692 2x 16Gb LP	3x	2 port, low profile, Qlogic	S26361-F5580-E202	S26361-F5580-L502

max. 3 Controller per system (mixed configurations are supported)

### 32Gb Fibre Channel controller generation 6 with LC interface for 50µm optical cables (OM3 or OM4)

PFC EP LPe32000 1x 32Gb LP	2x	1 port, low profile, Broadcom/Emulex	S26361-F4044-E201	S26361-F4044-L501
PFC EP LPe32002 2x 32Gb LP	2x	2 port, low profile, Broadcom/Emulex	S26361-F4044-E202	S26361-F4044-L502

**Chapter 14 - Power supply unit, power cable, country specific options**



**Chapter 15 - Accessories**

J

<http://www.fujitsu.com/fts/products/computing/peripheral/accessories/index-facts.html>

**USB sticks (FOR PROJECTS ONLY) - no standard release**

ADATA USB 3.0 Flash Stick UE700 – 32GB		<b>S26391-F6048-L332</b>
ADATA USB 3.0 Flash Stick UE700 – 64GB		<b>S26391-F6048-L364</b>



**USB Optical Disc Drive**

External Ultra Slim Portable DVD Writer (Hitachi-LG)	<b>S26341-F103-L142</b>
--	-------------------------



K

**Chapter 16 - others**

**K**

<b>S26361-F1790-E243</b> <b>S26361-F1790-L244</b>
iRMC S4 advanced pack
integrated remote Management controller activation key for graphical console redirection and remote media redirection
max. 1x per system

<b>S26361-F3776-E240</b>
Cool-safe <sup>®</sup> Advanced Thermal design 40°C
enables the PRIMERGY Server to cope with temperatures from 5-40° in operating mode due to extended Fan settings
this setting can be activated ex factory only
max. 1x per system

<b>S26361-F3776-E245</b>
Cool-safe <sup>®</sup> Advanced Thermal design 45°C
enables the PRIMERGY Server to cope with temperatures from 5-45° in operating mode due to extended Fan settings
this setting can be activated ex factory only
max. 1x per system

<b>S26361-F3552-E31</b>	Not released for APAC and Japan.
TPM 1.2 Module	
max. 1x per system	

<b>S26361-F3552-E32</b> <b>S26361-F3552-L32</b>	Not released for APAC and Japan.
TPM 2.0 Module	
max. 1x per system	

TPM upgrade only available for system serial numbers

<b>S26361-F5011-E10</b> <b>S26361-F5011-L10</b>
serial port (RS232)
max. 1x per system

You would like to add some customer specific solutions?



With our made4you service we fulfill any individual requirement and wish of our customers perfectly - e.g.

- > special hardware configurations,
- > staging services ex factory,
- > extended lifecycle management,
- > customer specific logos, component,
- > BIOS fixes and many more.

For further information please contact us



**Fujitsu Portfolio**

Build on industry standards, Fujitsu offers a full portfolio of IT hardware and software products, services, solutions and cloud offering, ranging from clients to datacenter solutions and includes the broad stack of Business Solutions, as well as the full stack of Cloud offering. This allows customers to leverage from alternative sourcing and delivery models to increase their business agility and to improve their IT operation's reliability.

**Your Server is ready**

Date of change [dd.mm.yyyy]	Folder / order code / description	Name	What has been changed / comment
20.10.2015	PRIMERGY RX2510 M2 Configurator	Maridakis, Michail	FIRST RELEASE
22.10.2015	RAID: PRAID EP400, EP420e, ASO	Linne, Johannes	corrections on lines for ASO and FBU, TFM
15.12.2015	RAID: PRAID EP420e, PSAS CP400e	Linne, Johannes	allow combination of external ctrl.
14.01.2016	Independent/Performance Mem. Mode	Maridakis, Michail	Removed
20.01.2016	TPM	Maridakis, Michail	Removed
23.02.2016	S62361-F5580-E201 / L501 / -E202 / -L502	Freise, Peter	added 16Gb Gen6 FC from Qlogic
23.02.2016	S62361-F5596-E201 / L501 / -E202 / -L502	Freise, Peter	added 16Gb Gen6 FC from Emulex
25.02.2016	PRIMERGX RX2510 M2 base units	Maridakis, Michail	Minimum order quantity defined
01.03.2016	HDD_SSD	Karakas, Özcan	S26361-F5589-* SSD SATA 3DWPD added
15.03.2016	HDD_SSD	Karakas, Özcan	Read-intensive (0.3DWPD) SSDs removed S26361-
18.03.2016	Region kit EMEA/APAC	Maridakis, Michail	Replaced by Region Kit Europe.
30.03.2016	HDD_SSD	Sasaki, Takayuki	S26361-F5593-* SSD SATA 10DWPD added
14.04.2016	ODD	Maridakis, Michail	ODD options added
10.05.2016	S26361-F5580-xxxx	Freise, Peter	QLE269x finally released
19.05.2016	PCIe controller population options	Maridakis, Michail	Improved descriptions to precise internal/external connectivity options.
02.06.2016	S26361-F5243-E4	Seil, Fabian	added
11.08.2016	S26361-F2735-E422/L422	Seil, Fabian	added RMK
	S26113-F624-E10/L10	Maridakis, Michail	Added 48V PSU
27.09.2016		Seil, Fabian	Memory page updated
17.10.2016	RAM	Ruf, Klaus-Dieter	Remark on 4GB (special release)
03.11.2016	S26341-F103-L140	Seil, Fabian	changed to new USB Optical Disc Drive
08.11.2016	S26361-F5243-L110	Maridakis, Michail	Corrected to S26361-F5243-L111
21.11.2016	S26361-F3552-E31/-E32/-L32	Maridakis, Michail	Added TPM module v.1.2 and v2.0
22.11.2016	LAN_FC	Seil, Fabian	new Fibre Channel Controller added
21.12.2016	HD_SSD / S26361-F3904/5571-E800/100	Sudou, Tatsuya	added
17.01.2017	HD_SSD / 8/10TB HDDs	Sudou, Tatsuya	Info-Text added
24.01.2017	RAM	Seil, Fabian	memory speed corrected
07.02.2017	HD_SSD / S26361-F5618-*	Sudou, Tatsuya	added
09.02.2017	S26361-F5243-E4	Seil, Fabian	comment added
08.03.2017	S26113-F624-E10 48V DC PSU	Linne, Johannes	Removed
09.03.2017	base section description	Maridakis, Michail	Added UFM
22.03.2017	HD_SSD / Note / S26361-F5618-*	Sudou, Tatsuya	updated / Endurance updated
23.03.2017	SFF Basue Units	Maridakis, Michail	Added SFF base units and upgrade option
28.03.2017	S26361-F3847-E204	Linne, Johannes	added EP420e for SafeStore
28.03.2017	HD_SSD	Sudou, Tatsuya	SFF drives added
28.03.2017	USB Devices	Maridakis, Michail	New ext. ODD added
16.05.2017	RAM	Seil, Fabian	max. memory capacity corrected
06.06.2017	HD_SSD / Note / F5589-E120 / F5522-	Sudou, Tatsuya	updated / removed
07.06.2017	LAN	Lösch, Ulrich	Yellow color - removed
07.06.2017	LAN	Lösch, Ulrich	PLAN EP QL45212 2x25Gb - Added
13.06.2017	RAID	Seil, Fabian	descriptions of FBU options - changed
24.07.2017	HD_SSD / F5673/F5675-*	Sudou, Tatsuya	added
19.10.2017	HD_SSD / S26361-F5593-*	Sudou, Tatsuya	removed (EOL)
25.10.2017	RAID	Spörl, Anna	note in Z9754 changed
15.01.2018	HD_SSD / F5588/F5589-E240/E480	Sudou, Tatsuya	removed (EOL)
15.01.2018	HD_SSD / F5694/F5692-*/ F5543/F5569-	Sudou, Tatsuya	/ F5571/F3904-E120 added
15.01.2018	HD_SSD / exclusions for 8/10TB HDDs and	Sudou, Tatsuya	removed
02.03.2018	HD_SSD / S26361-F5701/F5700-*	Sudou, Tatsuya	added