



FTS PRIMECENTER Rack 12U/24U/38U/46U

System configurator and order-information guide

June 2012

Contents

[Configurator diagram](#)

[Configuration Examples KVM S2-1](#)

[TXF Config Information](#)

[IB Switch](#)

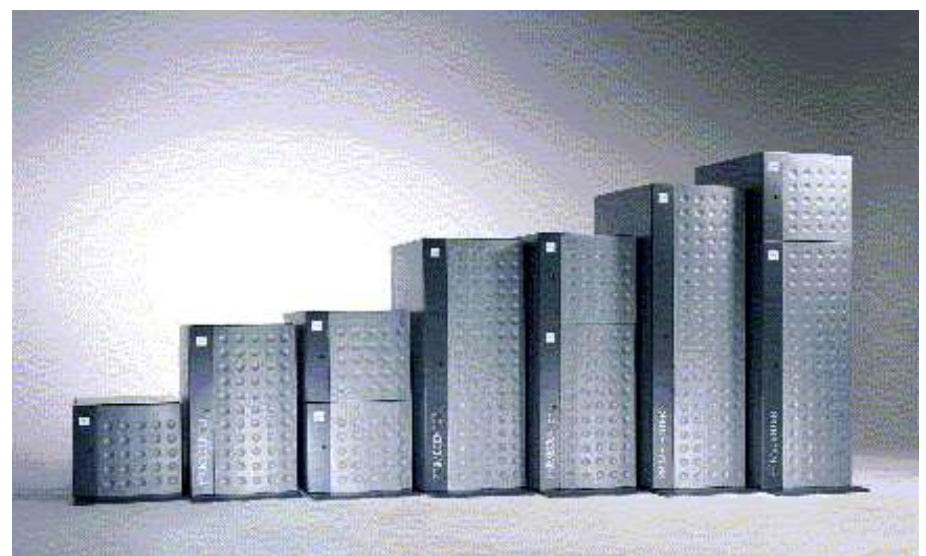
[LAN Cabling](#)

[IB Cabling](#)

[Data Sheet Smart UPS](#)

[General rack accessories](#)

[Change Report](#)



PRIMERGY Server

Configuration and order process informations

This document contains technical background information for the installation of servers and components into the PRIMECENTER Rack.

Please use the latest version of System-Architect for configuration.
The System-Architect, a configuration tool with graphical user interface, enables you to gain an overview over the required configuration even while planning the system.
A simultaneous examination of consistence ensures completeness and functionality of the required system.

For the latest tools please go to:
<http://extranet.fujitsu-siemens.com/fsc/products/configuration/main-e.htm>

Further information in the internet see:
http://ts.fujitsu.com/products/standard_servers/rack_technology/index.html (internet)
https://partners.ts.fujitsu.com/com/order-supply/configurators/primergy_config/current/Pages/default.aspx (extranet)

With your rack order, please absolutely send the Rack-Architect picture and the filled-in cable plan.

Additionally to each rack-order the rack-check list has to be filled in, see:

<http://configurator.ts.fujitsu.com/public/information/Rack-Checkliste.xls>

Please send your desired configuration from the rack architekt and the form sheet for external connections and hard disk configurations with the respective order numbers additionally to your order in SAP.

You can e-mail it to the following address (.xls or .sar):

To: Fujitsu Technology Solutions GmbH
CL OM Zentral Functions
Konfig-Team

Tel no. +49 (0) 821 / 804-3362
e-mail: rack-check@ts.fujitsu.com

Rack assembly at customer site:

stacked versions will be delivered separately; max permitted stacked height is 50 U.
The 12U, 24U and 38U racks will be delivered fully equipped, whilst the 46U racks will be delivered with mounting kits and cabling preinstalled, if the service "rackmounting ex factory" (SNP:SY-F1647E301-P) was ordered for each Server and Subsystem.
The on-site service has to be requested for power installation and in case of the 46U racks for server installation at the customers site. This service is not included in the price of the rack.

Rack-configurations with PRIMERGY systems

<p>S26361-K826-V101 PRIMECENTER Rack 12 U, stackable basic cabinet (670 mm) according to protection type IP00 with side panels, lockable front- and back-door. Including tilting protection Horizontal self-ventilation incl. mounting-kit for stack fixing Mounting frame 1x 2U vertical Circumferential cable management at the back, cable outlet to the top, below, left and right. Addition of several racks without accessory, no personal variation. Basic rack without power connection; refer to part H/I for further informations and order numbers (connection concepts). HxWxD = 670 x 700 x 1000 mm including: - installation preparation - packing - accessory pack including: Server addition (var.installation material) Manual German / English</p>	<p>S26361-K826-V102 PRIMECENTER Rack 24 U, stackable basic cabinet (1220 mm) according to protection type IP00 with side panels, lockable front- and back-door. Including tilting protection Horizontal self-ventilation Mounting frame 2x 2U vertical Circumferential cable management at the back, cable outlet to the top, below, left and right. Addition of several racks without accessory, no personal variation. Basic rack without power connection; refer to part H/I for further informations and order numbers (connection concepts). HxWxD = 1220 x 700 x 1000 mm including: - installation preparation - packing - accessory pack including: Server addition (var.installation material) Manual German / English</p>	<p>S26361-K826-V103 PRIMECENTER Rack 38 U, stackable basic cabinet (1825 mm) according to protection type IP00 with side panels, lockable front- and back-door. Including tilting protection Horizontal self-ventilation Mounting frame 3x 2U vertical Circumferential cable management at the back, cable outlet to the top, below, left and right. Addition of several racks without accessory, no personal variation. Basic rack without power connection; refer to part H/I for further informations and order numbers (connection concepts). HxWxD = 1825 x 700 x 1000 mm including: - installation preparation - packing - accessory pack including: Server addition (var.installation material) Manual German / English</p>	<p>S26361-K826-V104 PRIMECENTER Rack 46 U basic cabinet (2220 mm) according to protection type IP00 with side panels, lockable front- and back-door. Including tilting protection Horizontal self-ventilation Mounting frame 3x 2U vertical Circumferential cable management at the back, cable outlet to the top, below, left and right. Addition of several racks without accessory, no personal variation. Basic rack without power connection; refer to part H/I for further informations and order numbers (connection concepts). HxWxD = 2220 x 700 x 1000 mm including: - installation preparation - packing - Rack demounting server ex factory - accessory pack including: Server addition (var.installation material) Manual German / English</p>
--	---	---	---



S26361-F2735-L212
Remodelling kit, 24U, up to 1100mm depth
 Special configuration Hybrid-rack installation has to be ordered once per rack
 Hybrid rack is a mixed PC-rack with PRIMERGY and PRIMEPOWER



S26361-F2735-L213
Remodelling kit, 38U, up to 1100mm depth
 Special configuration Hybrid-rack installation has to be ordered once per rack
 Hybrid rack is a mixed PC-rack with PRIMERGY and PRIMEPOWER



S26361-F2735-L214
Remodelling kit, 46U, up to 1100mm depth
 Special configuration Hybrid-rack installation has to be ordered once per rack
 Hybrid rack is a mixed PC-rack with PRIMERGY and PRIMEPOWER



Mounting frame 2U vertical 1...3x
 This mounting frame allows vertical installation of 3x (46,38U), 2x (24U) or 1x (12U) 2U 19" components with a depth less than 300 mm incl. cabling.
 For sideward mounting you can use e.g. consolswitches, rack management systems etc.
 Mounting frame is **always included**.
 Free space has to be filled with dummy panels.

To avoid order problems, please send along the picture of the system-architect.

A

Rack-configurations with PRIMERGY systems

S26361-K826-V212
 PRIMECENTER Rack 24 U, stackable basic cabinet (1220 mm) to protection type IP00 with side panels, lockable front- and back-door. Including tilting protection Horizontal self-ventilation

Mounting frame 2x 2U vertical Behind rotation cable duct 210mm depth unmuffle with removable cover cable exhaust to the top, below, left and right.

Addition of several racks without accessory, no personal variation. Basic rack without power connection; refer to part H/I for further informations and order numbers (connection concepts).
 HxWxD = 1220 x 700 x **1100 mm**

including:

- installation preparation
- packing
- reinforced tilting protection
- accessory pack including:

Server addition (var.installation material)
 Manual German / English

S26361-K826-V213
 PRIMECENTER Rack 38 U, stackable basic cabinet (1825 mm) to protection type IP00 with side panels, lockable front- and back-door. Including tilting protection Horizontal self-ventilation

Mounting frame 3x 2U vertical Behind rotation cable duct 210mm depth unmuffle with removable cover cable exhaust to the top, below, left and right.

Addition of several racks without accessory, no personal variation. Basic rack without power connection; refer to part H/I for further informations and order numbers (connection concepts).
 HxWxD = 1825 x 700 x **1100 mm**

including:

- installation preparation
- packing
- reinforced tilting protection
- accessory pack including:

Server addition (var.installation material)
 Manual German / English

S26361-K826-V214
 PRIMECENTER Rack 46 U, stackable basic cabinet (2220 mm) to protection type IP00 with side panels, lockable front- and back-door. Including tilting protection Horizontal self-ventilation

Mounting frame 3x 2U vertical Behind rotation cable duct 210mm depth unmuffle with removable cover cable exhaust to the top, below, left and right.

Addition of several racks without accessory, no personal variation. Basic rack without power connection; refer to part H/I for further informations and order numbers (connection concepts).
 HxWxD = 2220 x 700 x **1100 mm**

including:

- installation preparation
- packing
- reinforced tilting protection
- accessory pack including:

Server addition (var.installation material)
 Manual German / English



Mounting frame 2U vertical 1...3x
 This mounting frame allows vertical installation of 3x (46,38U), 2x (24U) or 1x (12U) 2U 19" components with a depth less than 300 mm incl. cabeling. For sideward mounting you can use e.g. consolswitches, rack management systems etc. Mounting frame is **always included**. Free space has to be filled with dummy panels.

A

Rack configurations with PRIMERGY systems

S26361-K826-V253
PRIMECENTER COM Rack 38 U, stackable
basic cabinet (1825 mm)
to protection type IP00 with side panels,
lockable front- and back-doors.
Including tilting protection
Horizontal self-ventilation
Mounting frame 3x 2U vertical
Additional 100mm cable area on right side
exclusivly reserved for structured net cabling.
via patch panels etc.
Circumferential cable
management at the back,
cable outlet to the top, below,
left and right.
Addition of several racks without
accessory, no personal variation.
Basic rack without
power connection; refer to part H/I
for further informations and order
numbers (connection concepts).
HxWxD = 1825 x 800 x 1100 mm
including:
- installation preparation
- packing
- accessory pack including:
Server addition (var.installation material)
Manual German / English

A



Please contact PRIMERGY PM
for project support.

A

Build in Basic Units

To ensure that a 19" PRIMERGY Server or PRIMERGY Subsystem can be mounted into the rack ex works, you have to order one of the following "mounting kits for 19" PRIMECENTER Racks" out of the relevant configurators once per Server or PRIMERGY Subsystems.

Additionally per PRIMERGY Server or PRIMERGY Subsystem the service "Rack installation ex works" has to be ordered. Ordering this service includes assembly of the systems, complete cabling and labelling of the cables.

The 12/24/38/46 U rack is delivered fully equipped, and all LC-racks are delivered mounting kits and cabling preinstalled. Stacked racks will be delivered separat.

The following listing is provided for information only and gives you an overview of the available mounting kits. For informations about build in PRIMEPOWER and LoB Storage products, please refer to the corresponding configurator.

Included in basic unit Depth-variable from 650 - 790 mm
 RMK D/P/3rd P Racks telescopic rails for PRIMERGY RX200 (1 U)

Included in basic unit Depth-variable from 710 - 815 mm
 RMK D/P/3rd P Racks telescopic rails for PRIMERGY RX300 (2 U)

Included in basic unit Depth-variable from 625 - 762 mm
 RMK D/P/3rd P Racks sliding rails for PRIMERGY RX100 (1 U)

Included in basic unit Depth-variable from 625 - 762 mm
 EBS D/P/3rd P Racks telescopic rails for PRIMERGY RX600 (3 U)

Included in basic unit Depth-variable from 647 - 810 mm
 EBS D/P/3rd P Racks telescopic rails for PRIMERGY RX1600 (4 U)

Included in basic unit Depth-variable from 645 - 785 mm
 EBS D/P/3rd P Racks sliding rails for PRIMERGY BX600 (7 U)

i For PRIMERGY Servers equal or higher than S4 generation, RMK's and cable management can be ordered as options. Please see related system configurators!

i **S26361-F2734-L14**
 Adapterkit to DC- and PC- racks
 adaption of "old" classic- or DC- rack mounting kits to PRIMECENTER rack mounting kits e.x. 670-xx, E200, Bxx0, RC21, UPS
 contains different adapter angles
 Contains **no** adapter angles and **no** cable management.

i If a server or storage subsystem from the 3rd party rack is to be added into the PRIMECENTER Rack, you have to order the following numbers:

S26361-F2201-E20 Cable management for 19" DC- PC- Rack
 Additionally an adapter angle has to be ordered according to size and weight of the 19" component:
S26361-F2735-L10 adapter angle up to 50KG
S26361-F2735-L15 adapter angle up to 150KG,
or
S26361-F2735-L31 adapter angle up to 200KG

If you want to integrate a third party server into the DataCenter Rack, above mentioned positions also have to be ordered.
 In addition to the servers, you have to order the original mounting kits

i This service is to be ordered once per installable server/ storage subsystem, in order to get the server / storage subsystem mounted into the PRIMECENTER rack. In case of all PRIMECENTER LC Racks, this service has to be ordered to get the mounting kits and the cables installed.

SNP:SY-F1647E301-P
 Rack-mounting ex factory for all servers and subsystems

S26361-F1647-E302
 Rack-mounting ex factory only for Primergy SX10 RX100, RX200

S26361-F1647-E100
 Rack demounting server ex factory
 Service fee, once per rack
 All servers will be shipped separatly
for PCRII: 12 - 38U, as an option
for PCRII: 46U, must-component
for LC-Rack 38U: as an option
for LC-Rack 46U: must-component

i Rackconfigurations with a shipping weight above 250kg, if necessary, can be shipped for better transportation without servers installed by ordering this demounting service fee once per rack.

B

B Accessories

S26361-F2735-E1
Rotary knob as door latch replacement
 For replacement of the key cylinder, in order to open or close the doors of a PC-Rack without the use of keys
 - 2 pieces rotary knobs
 - 1 removal tool for key cylinder
 max. 1x per rack

S26361-F2735-L1
Knob as substitute of PC-rack doorlock, as lose delivery to upgrade at the customer.

S26361-F2735-E5
Earthing kit for PRIMECENTER Racks 1100mm + ass.
 for earthing of cabinet, accessories and doors according to VDE 0100 part 540. Cabels to connect all conductive parts to the designated points are included.
 Earthing set is optional and is according to the standard not necessary.
 max. 1x per rack

S26361-F2735-L5
Earthing kit PC-Rack 1100mm
 As lose delivery to upgrade at the customer.
 Earthing connectors are already available in the rack.

S26361-F2735-E130
 Dummy panel plastics, 1 U + assembly

i The dummy panels can also be used for vertical mounting frames

S26361-F2735-E131
 Dummy panel plastics, 2 U + assembly

S26361-F2735-L13*
 for bulk ware orders (plastics)

i For add-on components, which comes additionally in the rack. Please notice necessary high units!

S26361-F1609-E35
 Device base plate, 680mm deep including dummy panel 1U and adapter angle 50 kg+ mounting kit for PC-/DC-/ 3rd party racks

S26361-F2735-E20
 Cable carrying tray DC-/PC-racks additional tray for sidewise routing and filing of cable bulks

i For sidewise filing of cable bulks only for DataCenter and PRIMECENTER racks, no U needed

S26361-F2735-E25
 Cable carrying plate 1U with dust cover installation horizontal and vertically possible

i In order to route cables into a rack from front to rear of the rack also suitable for patch panels

i Only with additional order of BX300 with PCI module and cable at front side in order to lead the cable into the rack

S26361-F2201-L20
 cable management arm for 3rd party racks all-purpose for PRIMERGY server in 3rd party racks and classic racks.

i Orderable as an option Installation instead of the provided cable management into PC Racks

S26361-F2735-E8
1U cable arm, hauled
 Been suitable for the application also with 1U-Servern into PRIMECENTER rack Serves as a substitute of the actual cable management arm for 3rd party racks (S26361-F2201-L20 + D:GPRAC-ZB0623)
 Is mountable in the right plinth as well as in the left plinth of the Racks.
 max. 1x per height unit (U)

S26361-F2735-L8
1U cable arm, hauled
 As lose delivery to upgrade at the customer.

detailed pictures: see register general rack accessories

C

C Rack Console / Keyboards

S26361-K1387-V100
Rack console RC25 (1U)
 17" TFT monitor with slide-in
 incl. keyboard DE/INT with touchpad,
 (Layout in german and US english)
 and RMK D/P/3rd P Racks telescopic rails
 Depth-variable from 708-786mm +/-2mm
 connection KB/Touchpad over PS/2 (2x)
 or USB (1x optional) is supported.
 VGA-/ PS2-and USB-cable, part of
 delivery (3m)

Country specific version of RC25
 German / US Englisch
S26361-K1387-V100 RC25 1U TFT, KB GE/US
 US, Englisch
S26361-K1387-V200 RC25 1U TFT, KB US
 US, Russian (Cyrillic)
S26361-K1387-V250 RC25 1U TFT, KB US RU
 UK, Englisch
S26361-K1387-V300 RC25 1U TFT, KB UK
 French
S26361-K1387-V400 RC25 1U TFT, KB F
 Spanish
S26361-K1387-V500 RC25 1U TFT, KB E
 Italian
S26361-K1387-V600 RC25 1U TFT, KB I
 Portuguese
S26361-K1387-V650 RC25 1U TFT, KB PT
 Danish
S26361-K1387-V700 RC25 1U TFT, KB DK
 Swedish
S26361-K1387-V750 RC25 1U TFT, KB SW
 Belgian
S26361-K1387-V800 RC25 1U TFT, KB B
 Japan
S26361-K1387-V900 RC25 1U TFT, KB B

i **T26139-Y1742- L10**
 Grey power cord 1,8m for RC25
 only for direct deliveries
 to USA / CAN.

i New global analog KVM s3
 switches can be mounted behind
 RC25 in order to save rack space
 refer to KVM section

S26361-F1609-E17
 Monitor installation kit for 15"and 17" TFT
 Monitor including front panel 11U and
 adapter angle 50 kg+ mounting
 kit for PC-/DC-/ 3rd party racks

i A monitor installation will reduce
 air flow and, in consequence,
 cooling capacity.
 Danger of overheating can be
 prevented by limiting the number
 of components in all server
 modules.
 You will also loose 9U or 11U
 in comparison with RC22

SNP:KB-Y2607E180-P
 VGA-extension cable 1,8 m + assembly

T26139-Y2691-C180
 for single order of the
 VGA-extension cable 1,8 m

i Only to be selected for
 Monitor installation set if no
 console switch is required

D

D KVM S2 / S3 switches

Digital KVM s2/s3 over IP Switches

as long as available

S26361-F2293-E411
Console Switch KVM S2-0411
4-port with OSD, multi-platformable
1x local, 1x IP, 1U, cascadable
 for connecting 4 servers to a monitor and a keyboard with an integrated touchpad or a keyboard and mouse.
 Wiring over UTP CAT5,
 Connection at servers with USB, PS/2, SUN IO

- KVM S3-Client SW for remote access over LAN, is included in the scope of supply.
- 16 bit video compression
- 19" fixture (Installation horizontal and vertically possible)
- User manual in Englisch

for the connection of 4 servers in the Non Blocking Mode or cascaded with other switches in Blocking Mode. (Cascading with ES* series is permitted.)
 Please provide LAN connection with 10/100
 KVM data are digitized and will be available over LAN.
 A local console is likewise connectable.
 Simultaneously use of both access options



S26361-F2293-L411
 for single order of the KVM Sx- switch series



T26139-Y1742- L10
 Grey power cord 1,8m for KVM Switch. Only for direct deliveries to USA / CAN.



Cascading of DS1800, ES+, KVM S2 and KVM s3- switch series is generally possible, whereby the KVM Sx and DS1800 switches must always be at the end of the cascade.
 KVM s2-1611 / 0411 / S3-1621 on top of KVM s2-1602 / 0801
 KVM s2-1602 on top of KVM s2-1602 or KVM s2-0801
 KVM s2-0801 on top of KVM s2-0801
 DS1800 on top of KVM s2-1602 or KVM s2-0801

KVM s2-1611 / 0411 / S3-1621 on top of ES+
 KVM s2-1602 / 0801 on top of ES+

Note: if need be two OSD menus for ES+ cascading



Cascading of the KVM Sx switches among themselves will be done only with the help of a UTP CAT 5 cable (ARI-port) (S26361-F2293-E501)



For cascading (with ES+ switches) the KVM s2-adapters and the UTP CAT 5 cables (blue, RJ45) are used. These are to be ordered 1x per switch which will be cascaded.

E

E Global KVM s3 / s4 switches

Analogue KVM S3 Switches

S26361-F4473-E601
Console Switch KVM s3-1601
16-port with OSD, multi-platformable
1x local, 0x IP, 1U, cascadable
 for connecting 16 servers to a monitor and a keyboard with an integrated touchpad or a keyboard and mouse.
 Wiring over UTP CAT5,
 Connection at servers with USB, PS/2

- 19" fixture (Installation horizontal and vertically possible)
- User manual in english

for the connection of 16 servers in the Non Blocking Mode or cascaded with other switches in Blocking Mode. (Cascading with S* series is permitted.)
 There are one local consoles in the rack connectably.
Occupies 1U in the Rack

S26361-F4473-E801
Console Switch KVM s3-0801
8-port with OSD, multi-platformable
1x local, 0x IP, 1U, cascadable
 for connecting 8 servers to a monitor and a keyboard with an integrated touchpad or a keyboard and mouse.
 Wiring over UTP CAT5,
 Connection at servers with USB, PS/2

- 19" fixture (Installation horizontal and vertically possible)
- User manual in english

for the connection of 8 servers in the Non Blocking Mode or cascaded with other switches in Blocking Mode. (Cascading with S* series is permitted.)
 There are one local console in the rack connectably.
Occupies 1U in the Rack

S26361-F4473-L801
S26361-F4473-L601
 for single order of the KVM s3- switch series

T26139-Y1742- L10
 Grey power cord 1,8m for KVM Switch. Only for direct deliveries to USA / CAN.

S26361-F4473-L25
 Integration kit RC25 plus standard -L number of KVM switch for RC25 integration; same switch but 0U

S26361-F4473-E691
Console Switch KVM s3-1601
for integration behind RC25
Occupies 0U in the Rack

S26361-F4473-E891
Console Switch KVM s3-0801
for integration behind RC25
Occupies 0U in the Rack

S26361-F4473-E25
 Integration kit RC25

Digital KVM s4 over IP Switches

as soon as available (04/11)

S26361-K1393-V8
Console Switch KVM s4-0812 VM
8-port with OBWI, multi-platformable
1x local, 2x IP, 1U, cascadable
 for connecting 8 servers to a monitor and a keyboard with an integrated touchpad or a keyboard and mouse.
 Wiring over UTP CAT5,
 Connection at servers with USB or PS/2

- KVM s4-Client SW for remote access over LAN, is included in the scope of supply.
- 16 bit video compression
- Virtual Media support via USB 2.0
 all USB 2.0 media released for PRIMERGY server are allowed, local or remote including USB boot
 KVM s3 USB2.0 adapter must be used
- LDAP support
- 19" fixture (Installation horizontally and vertical possible)
- User manual in EN, DE, JP, SP, IT, FR

for the connection of 8 servers in the Non Blocking Mode or cascaded with other switches in Blocking Mode. (Cascading with Sx series is permitted.)
 Please provide LAN connection with 100/1000 KVM data are digitized and will be available over LAN.
 A local console is likewise connectable.
 Simultaneously use of both access options

as soon as available (04/11)

S26361-K1393-V16
Console Switch KVM s4-1622 VM
16-port with OBWI, multi-platformable
2x local, 2x IP, 1U, cascadable
 for connecting 16 servers to a monitor and a keyboard with an integrated touchpad or a keyboard and mouse.
 Wiring over UTP CAT5,
 Connection at servers with USB or PS/2

- KVM s4-Client SW for remote access over LAN, is included in the scope of supply.
- 16 bit video compression
- Virtual Media support via USB 2.0
 all USB 2.0 media released for PRIMERGY server are allowed, local or remote including USB boot
 KVM s3 USB2.0 adapter must be used
- LDAP support
- 19" fixture (Installation horizontally and vertical possible)
- User manual in EN, DE, JP, SP, IT, FR

for the connection of 16 servers in the Non Blocking Mode or cascaded with other switches in Blocking Mode. (Cascading with Sx series is permitted.)
 Please provide LAN connection with 100/1000 KVM data are digitized and will be available over LAN.
 A local console is likewise connectable.
 Simultaneously use of both access options

as soon as available (04/11)

S26361-K1393-V32
Console Switch KVM s4-3242 VM
32-port with OBWI, multi-platformable
2x local, 4x IP, 1U, cascadable
 for connecting 32 servers to a monitor and a keyboard with an integrated touchpad or a keyboard and mouse.
 Wiring over UTP CAT5,
 Connection at servers with USB or PS/2

- KVM s4-Client SW for remote access over LAN, is included in the scope of supply.
- 16 bit video compression
- Virtual Media support via USB 2.0
 all USB 2.0 media released for PRIMERGY server are allowed, local or remote including USB boot
 KVM s3 USB2.0 adapter must be used
- LDAP support
- 19" fixture (Installation horizontally and vertical possible)
- User manual in EN, DE, JP, SP, IT, FR

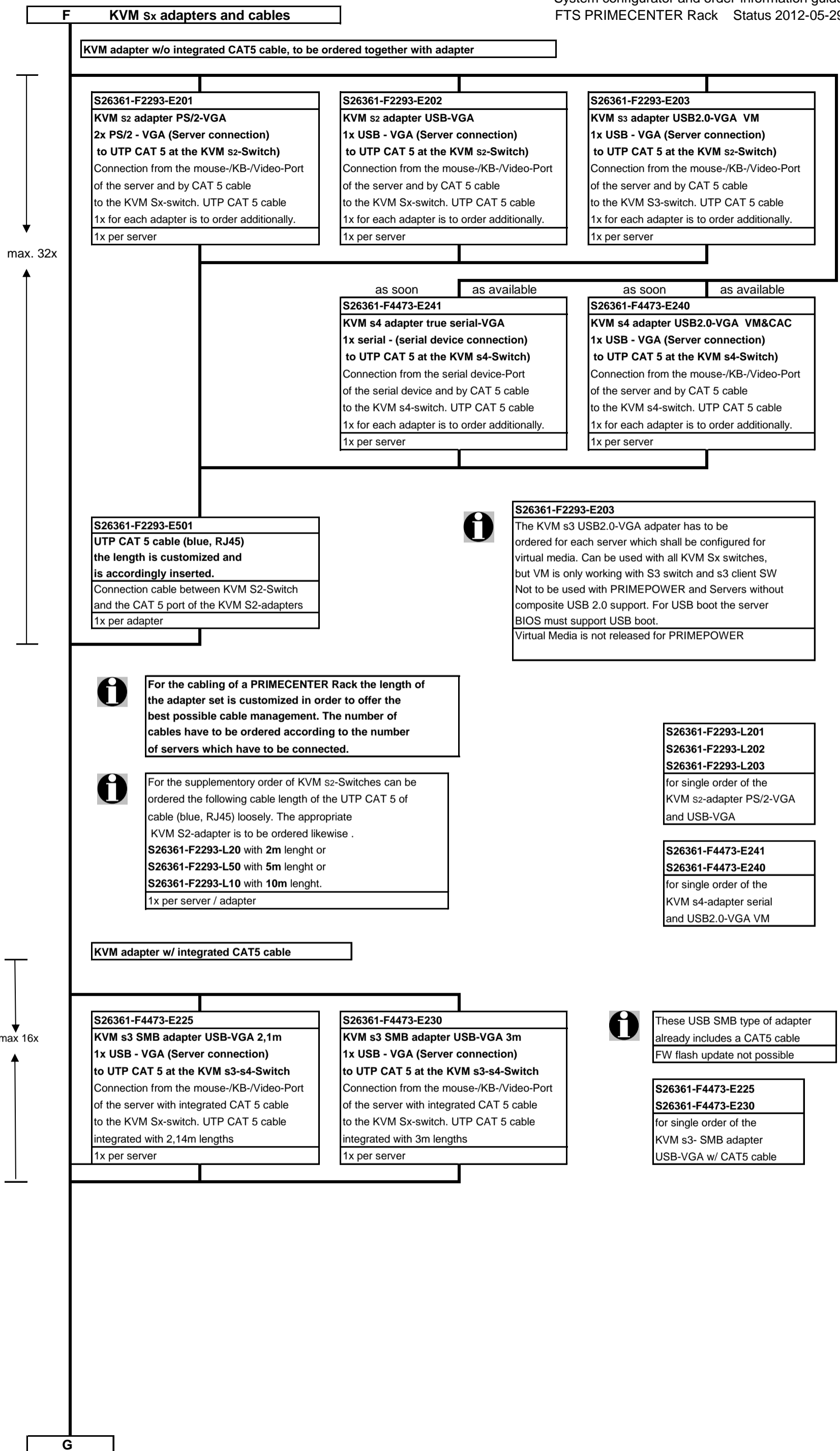
for the connection of 32 servers in the Non Blocking Mode or cascaded with other switches in Blocking Mode. (Cascading with Sx series is permitted.)
 Please provide LAN connection with 100/1000 KVM data are digitized and will be available over LAN.
 A local console is likewise connectable.
 Simultaneously use of both access options

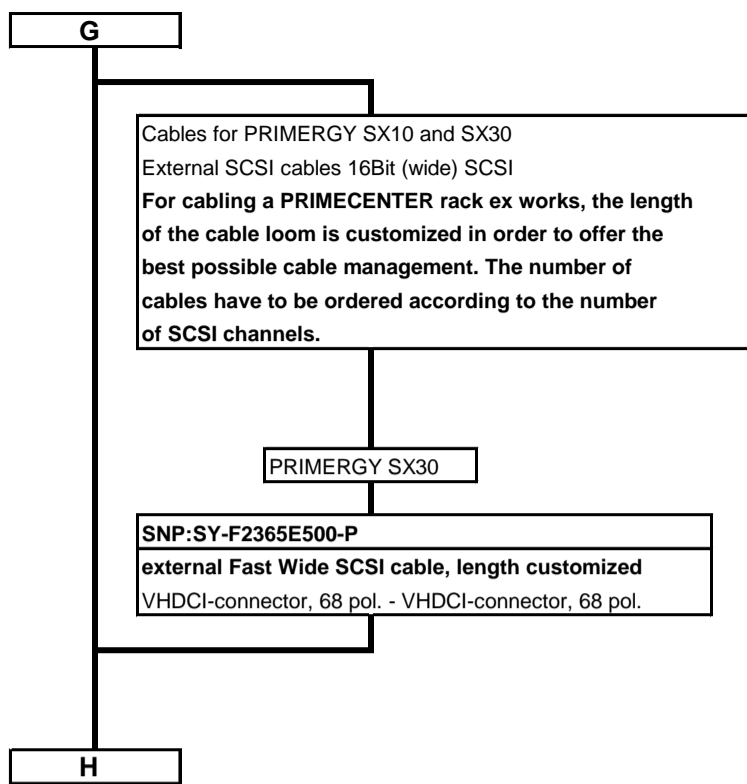
i Cascading of KVM s2 /s3 and KVM s4- switch series is generally possible, whereby the KVM s3 switches must always be at the end of the cascade with s2 switches.
 KVM s4-3242/1622/0812 on top of KVM s3-1601/-0801
 KVM s4-3242/1622/0812 on top of KVM s2-1602/-0801
 KVM s3-1601/0801 on top of KVM s3-1601/-0801
 KVM s3-1601/0801 on top of KVM s2-1602/-0801

i Cascading of the KVM S2 switches among themselves will be done only with the help of a UTP CAT 5 cable (ARI-port) (S26361-F2293-E501)

i For cascading with analogue S3 switches the KVM s2-adapters and the UTP CAT 5 cables (blue, RJ45) are used. These are to be ordered 1x per switch which will be cascaded.

F



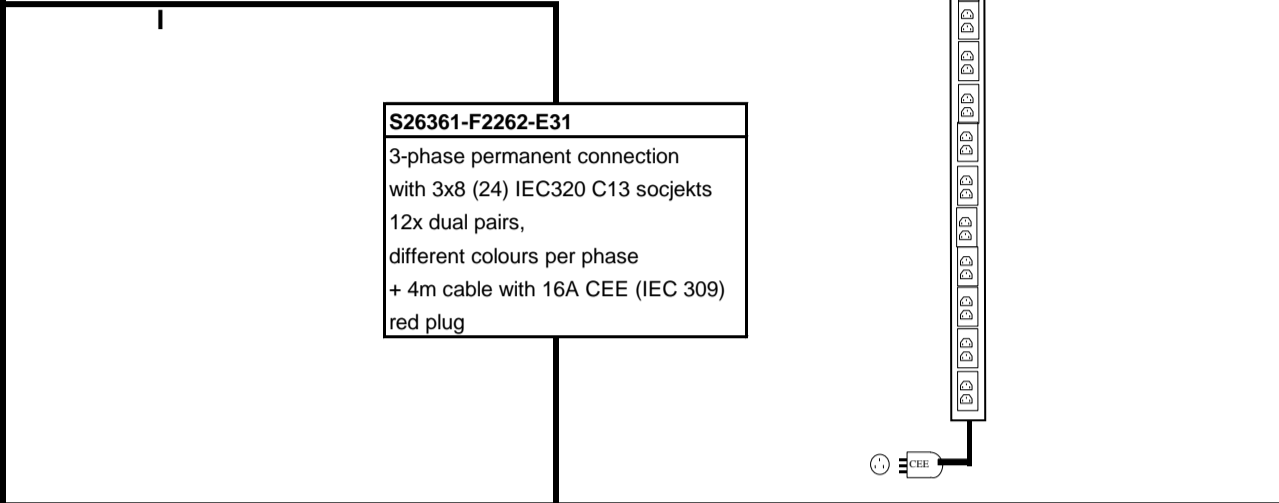


If a PRIMERGY SX10 / SX30 is build in, the following cables must be selected according to the "PRIMERGY SX10 / SX30 cabling "
All cables are fixed permanently in the rack.
The number of items to be ordered with respective length, depends on the number of SCSI channels to be connected.
Attention! Only the cables mentioned here, may be ordered for external storage systems, if the rack is to be cabled ex factory.

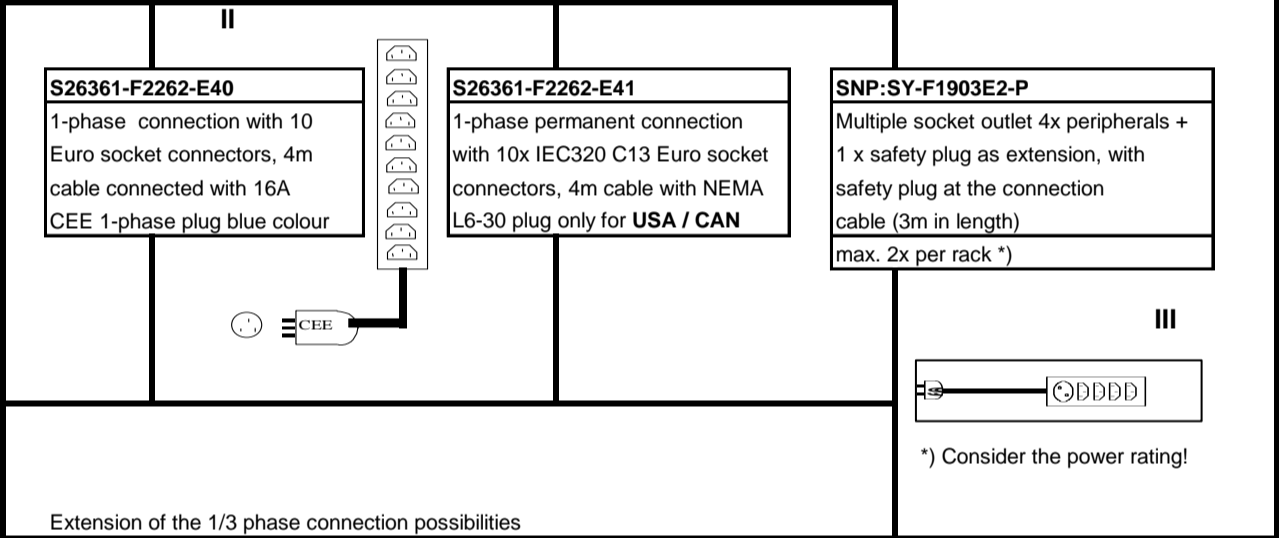
H

Within the basic units of PRIMECENTER racks, are no power outlets integrated.
 It is possible to order such power outlets as follows (1- or 3- phase power outlet), or the connections to the mains can be done via an UPS. In case there is no 16A CEE plug chosen (1-phase solutions is with an 16A CEE plug, while it is choosable with the 3-phase solution), the connection to the mains (line) has to be done as an fix connection from an certified electrician according to the existing regulations.
 The maximum current load for each phase may not exceed 16amp (with fixed connection, CEE and safety socket), for each Euro socket connector may 10A not be exceeded.

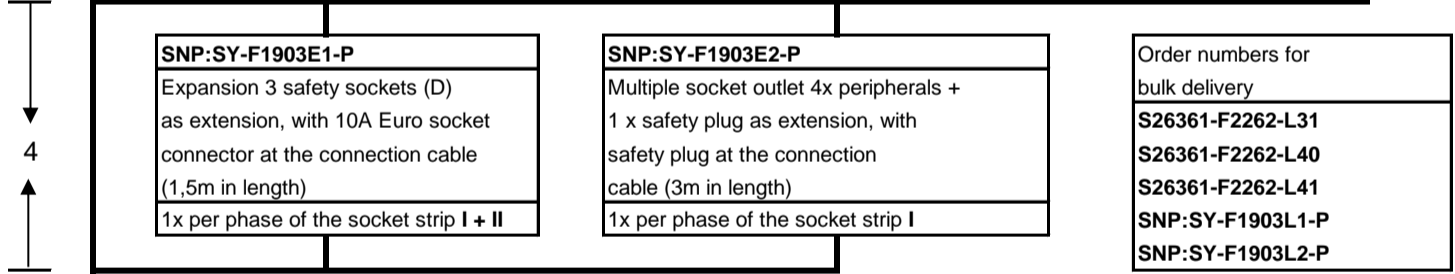
3-phase power socket outlet 3~240 volt / 16 A



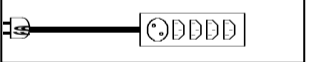
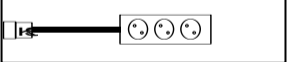
1-phase power socket outlet 1~240 volt / 16A



Extension of the 1/3 phase connection possibilities



4



Max. number of socket strips:

i	S26361-F2262-E31
max. per rack	
4x 46 U rack	
3x 38 U rack	
2x 24 U rack	

i	S26361-F2262-E40
max. per rack	
6x 46 U rack	
5x 38 U rack	
3x 24 U rack	
2x 12 U rack	

i	SNP:SY-F1903E2-P
max. per rack	
the Inrush current must not be more than 3,5mA	
2x 46 U rack	
2x 38 U rack	
2x 24 U rack	
2x 12 U rack	

I

I

Within the basic units of PRIMECENTER racks, are no power outlets integrated.
 It is possible to order such power outlets as follows (1- or 3- phase power outlet), or the connections to the mains can be done via an UPS. The maximum current load for each phase may not exceed 32amp (IEC309, CEE plugs).
 For each Euro socket connector IEC320 C14 may 10A and for IEC320 C20 may 16A not be exceeded.

3-phase power socket outlet 3~240 volt / 32 A

S26361-F2262-E332
 3-phase permanent connection
 with 3x3 (9) IEC320 C19 sockets
 plus 3x2 (6) IEC320 C13 sockets
 different colours per phase
 secured by either 16A or 10A circuit breakers
 + 4m cable with 32A CEE (IEC 309) red plug



S26361-F2262-E301
 mounting kit for horizontal mounting in a Rack
 can carry up to 2 PDU's E332 or as max.
 as a max. configuration 4x PDU's E132
 As a mixed configuration the customer
 is able to configure 2x E132 and 1x E332
 incl. 2x1U cover, support bracket, occupies 2U

1-phase power socket outlet 1~240 volt / 32A

S26361-F2262-E132
 1-phase connection
 with 3 IEC320 C19 sockets and 16A circuit breaker
 plus 2 IEC320 C13 sockets and 10A circuit breaker
 + 4m cable with 32A CEE (IEC 309) blue plug
 incl. support brackets for 19" vertical mounting



i horizontal mounting occupies 2U(S26361-F2262-E301)
 For this the RMK must be ordered
 for rear mounting, a support bracket is needed as well

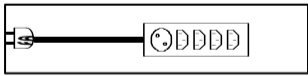
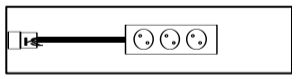
S26361-F2262-E45
 1-phase connection with 8
 Euro socket connectors, 4m
 cable connected with 32A
 CEE 1-phase (big) plug blue colour
 Note: recommended for server > 1200 W

Order numbers for
 bulk delivery
S26361-F2262-L332
S26361-F2262-L132
S26361-F2262-L45
S26361-F2262-L301

Extension of the 1/3 phase connection possibilities

SNP:SY-F1903E1-P
 Expansion 3 safety sockets (D)
 as extension, with 10A Euro socket
 connector at the connection cable
 (1,5m in length)
 1x per phase of the socket strip I + II

SNP:SY-F1903E2-P
 Multiple socket outlet 4x peripherals +
 1 x safety plug as extension, with
 safety plug at the connection
 cable (3m in length)
 1x per phase of the socket strip I

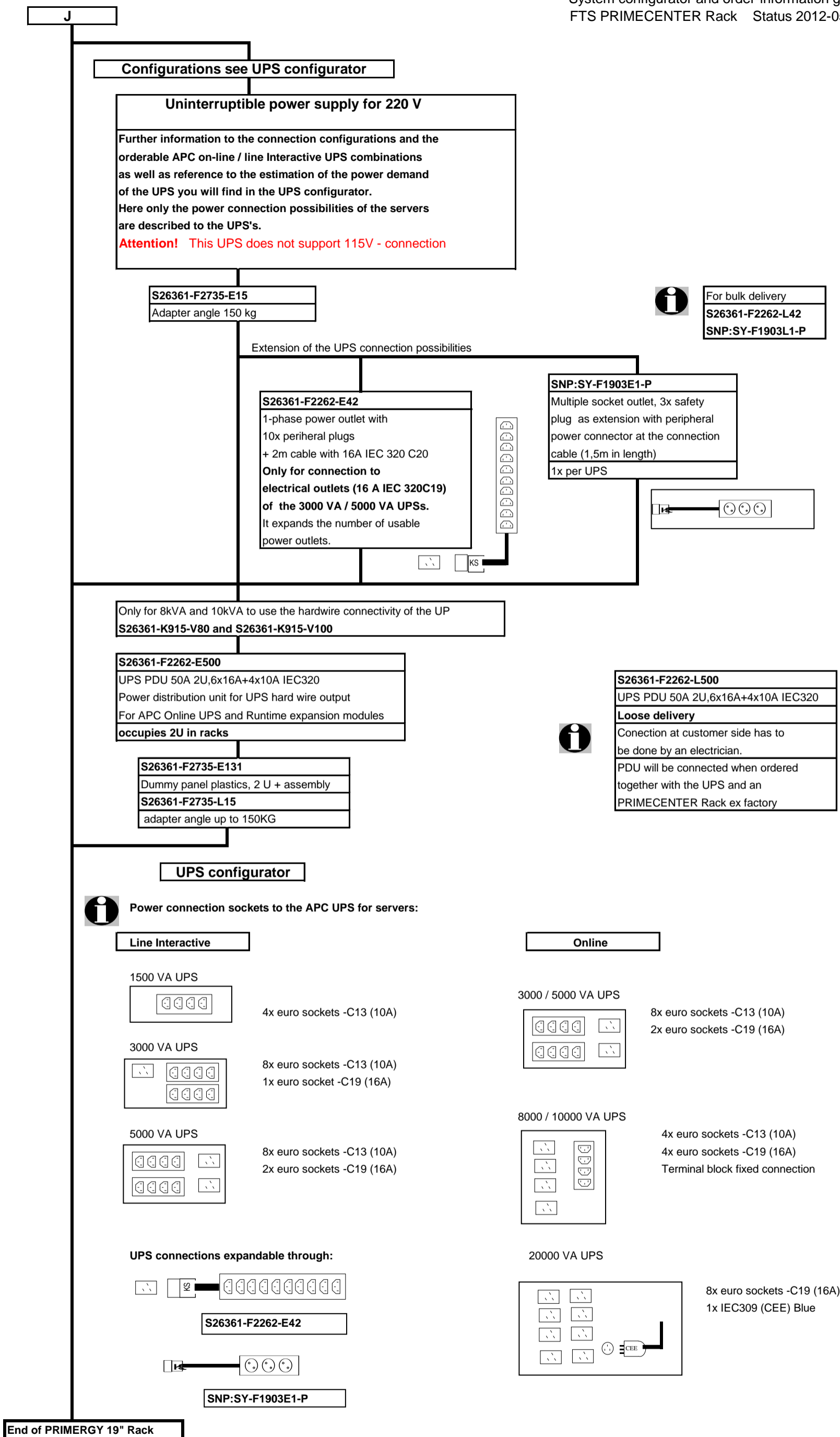


Max. number of socket strips for **vertical** mounting:

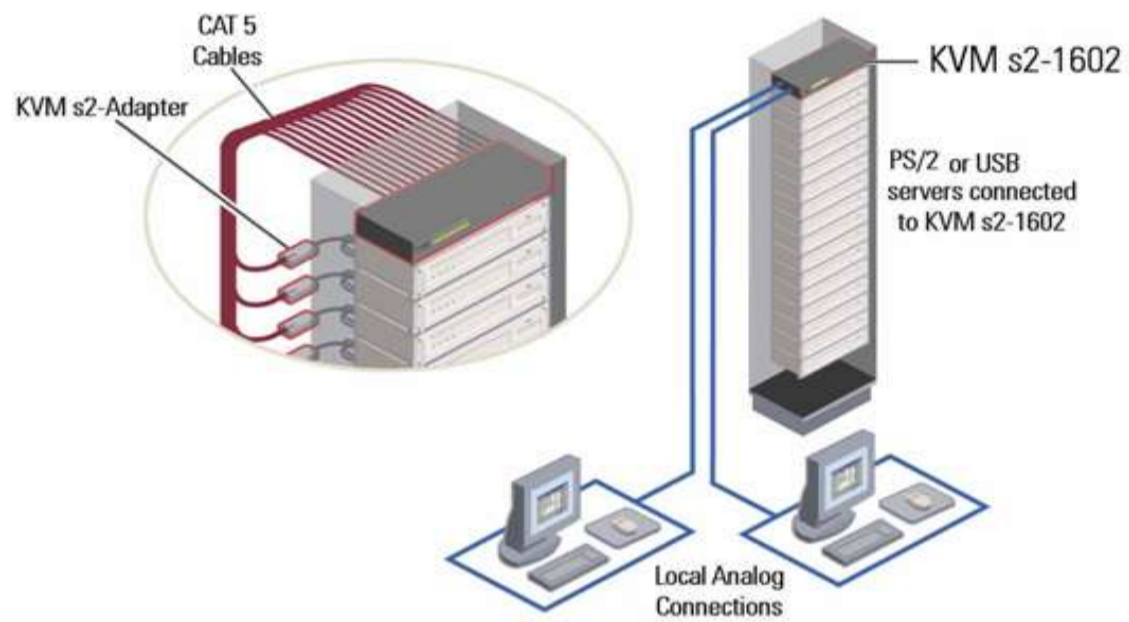
i **S26361-F2262-E132**
 max. per rack
 5x 46 U rack
 4x 38 U rack
 2x 24 U rack
 1x 12 U rack
 horizontal mounting only via
 new designed Rackmount kit
 S26361-F2262-E301 Socket
 strip RMK 2U horizontal

i **S26361-F2262-E332**
 max. per rack
 2x 46 U rack
 2x 38 U rack
 1x 24 U rack
 0x 12 U rack
 horizontal mounting only via
 new designed Rackmount kit
 S26361-F2262-E301 Socket
 strip RMK 2U horizontal

J



Configuration Examples KVM S2-1602 Switch

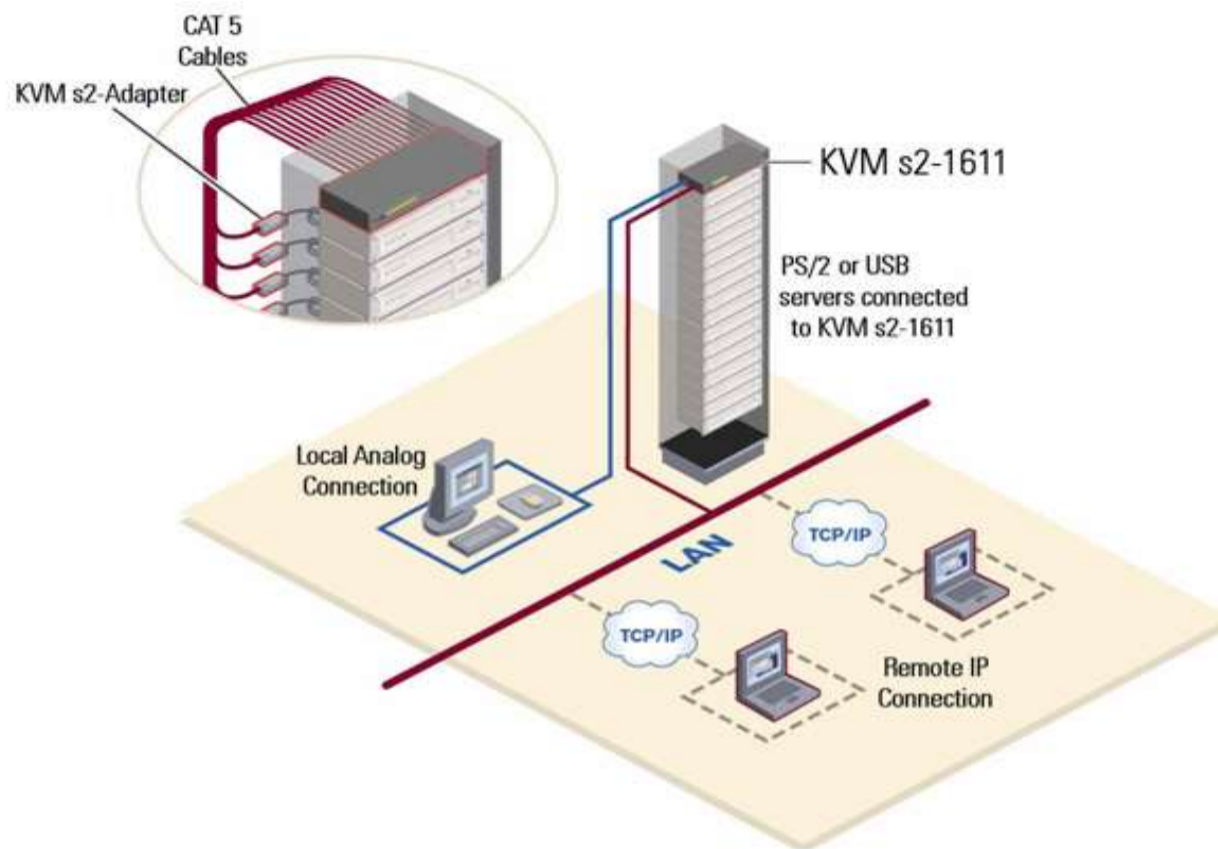


Bestellhinweis:

S26361-F2293-E602: Konsolswitch KVM S2-1602
S26361-F2293-E201: KVM S2-Adapter PS/2-VGA
S26361-F2293-E202: KVM S2-Adapter USB-VGA

S26361-F2293-E501: UTP CAT 5 Kabel (Blau, RJ45)

Configuration Examples KVM S2-1611 Switch

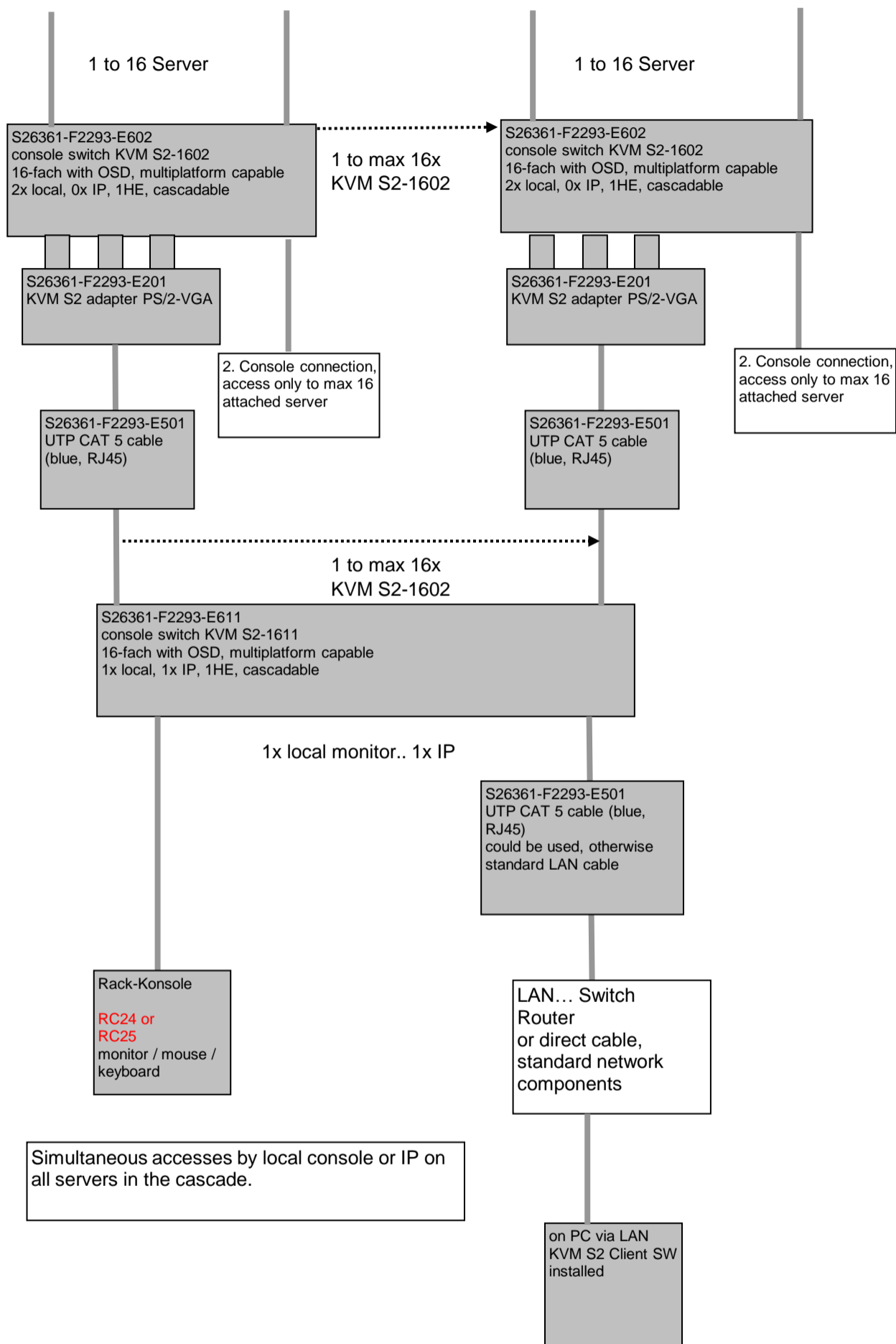


Bestellhinweis:

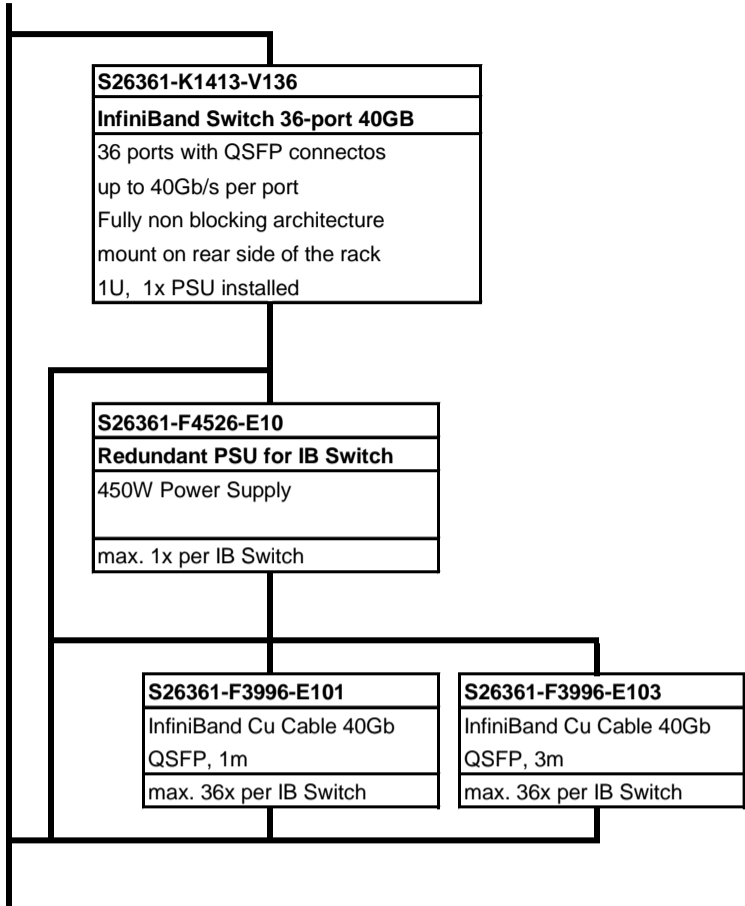
S26361-F2293-E611: Konsolswitch KVM S2-1611
S26361-F2293-E201: KVM S2 adapter PS/2-VGA
S26361-F2293-E202: KVM S2 adapter USB-VGA

S26361-F2293-E501: UTP CAT 5 Kabel (Blau, RJ45)

Configuration examples cascade with KVM S2-1602 and KVM S2-1611 switch



IB Switch Configuration



If additional length of copper cable or optical cable are needed, then they must be ordered from the cable vendor directly
 For IB cabling ex works an customized IB Cable
 S26361-F3996-E500 will be used (for rackserver in rack)

System configurator and order-information guide :

FibreCAT® TXF

Rack Backup Subsystem: 3U

The FibreCAT TXF is an innovative, easy-to-use, flexible and economical rack enclosure for backup devices. With its wide range of supported backup devices with SAS or USB interfaces, it is best suited to consolidate data backups for rack-based servers in PRIMECENTER and third-party racks.

Available backup drives:

4 x 5,25 "with 1.6" height (HH) per I/O Modul (SAS or USB) for accessible drives

- SAS: LTO5 HH, LTO4 HH, LTO3 HH
- USB DDS Gen5, DDS Gen6, RDX

More information: FibreCAT TXF Configurator

<http://docs.ts.fujitsu.com/dl.aspx?id=61776716-c73f-4e57-9d3a-19821396a1f6>

General LAN-Cabling

PRIMERGY Server	Cable- Nr.	Length		LAN-Switch S26361-F3417-E1
		2, 3, 5m	5, 10, 15m	
TX150 S7	● S26361-F3417-E500	X		● X
	S26361-F3417-L3/L505/L510/L515		X	
TX200 S6	● S26361-F3417-E500	X		● X
	S26361-F3417-L3/L505/L510/L515		X	
TX300 S5, S6	● S26361-F3417-E500	X		● X
	S26361-F3417-L3/L505/L510/L515		X	
RX100 S6	● S26361-F3417-E500	X		● X
	S26361-F3417-L3/L505/L510/L515		X	
RX200 S6	● S26361-F3417-E500	X		● X
	S26361-F3417-L3/L505/L510/L515		X	
RX300 S5, S6	● S26361-F3417-E500	X		● X
	S26361-F3417-L3/L505/L510/L515		X	
RX600 S4, S5	● S26361-F3417-E500	X		● X
	S26361-F3417-L3/L505/L510/L515		X	
PRIMEQUEST 5xx	● S26361-F3417-E500	X		● X
	S26361-F3417-L3/L505/L510/L515		X	
APC-USV'en LAN on Board	● S26361-F3417-E500	X		● X
	S26361-F3417-L3/L505/L510/L515		X	
Mastergard USV'en Via LAN-Adapter	● S26361-F3417-E500	X		● X
	S26361-F3417-L3/L505/L510/L515		X	

- LAN RJ45

LAN-Switches means: all Storage-LAN Switches as well as the Ethernet-Switch S26361-F3417-E1

LAN-CAT 5 Enhanced, customized, order number: **S26361-F3417-E500**
 LAN-CAT 5 Enhanced, l=5m, Order-number: **S26361-F3417-E505** (if available)
 LAN-CAT 5 Enhanced, l=15m, Order-number: **S26361-F3417-E515** (if available)
 LAN-CAT 5 Enhanced, l=3m, Order number: S26361-F3417-L3
 LAN-CAT 5 Enhanced, l=5m, Order-number: S26361-F3417-L505 (if available)
 LAN-CAT 5 Enhanced, l=10m, Order number: S26361-F3417-L510
 LAN-CAT 5 Enhanced, l=15m, Order-number: S26361-F3417-L515 (if available)

Additional informations about cabling

Other Informations about LAN cabling / controller releases e.g.) see the respective configurator

Use also above overview only with the 5m-, 10m-, 15m-cable
 to the wiring for the selection of the rack-spreading LAN wiring please.

- LAN RJ45

Cross-Over LAN cable, quality= CAT 5 E, is needed for INTERCONNECT

LAN-CAT 5 E, Cross-Over, length = 5m, Order-number: S26361-F3482-E5 (if available)
 LAN-CAT 5 E, Cross-Over, length = 5m, Order-number: S26361-F3482-L5 (if available)

IB-Cabling

PRIMERGY Server	Cable- Nr.	Length	IB-Switch S26361-K1413-V136
InfiniBand Controller S26361-F4475-E102/E202 in		1 or 3 m customized	max. 36 ports
RX200 S6	● S26361-F3996-E500	X	●
RX/TX300 S6	● S26361-F3996-E500	X	●
RX600 S5/S6 RX900 S2	● S26361-F3996-E500	X	●
IB ConnectionBlade	● S26361-F3996-E500	X	●
CX122 S1	● S26361-F3996-E500	X	●
CX120 S1 (only E202)	● S26361-F3996-E500	X	●

- InfiniBand QSFP (connector in SA, 1x with E102 and 2x with E202) and to other -F4475-E102/E202

InfiniBand Cu cable 40Gb, customized, order number: S26361-F3996-E500 (for cabling in SA)
 InfiniBand Cu cable 40Gb, l=1m, Order-number: S26361-F3996-E101 (for loose delivery of the server ex works)
 InfiniBand Cu cable 40Gb, l=3m, Order-number: S26361-F3996-E103 (for loose delivery of the server ex works)
 InfiniBand Cu cable 40Gb, l=1m, Order-number: S26361-F3996-L101 (for loose delivery of the IB cable)
 InfiniBand Cu cable 40Gb, l=3m, Order-number: S26361-F3996-L103 (for loose delivery of the IB cable)

Additional informations about cabling

Other Informations about IB cabling / controller releases, see the respective configurator

Please use also the above mentioned selection of 1m and 3m IB Cu cable for the rack-spreading IB-cabling.

Information about Smart USV in the internet see:

<https://partners.ts.fujitsu.com/com/products/servers/primergy/rackcomp/components/usv/Pages/default.aspx>

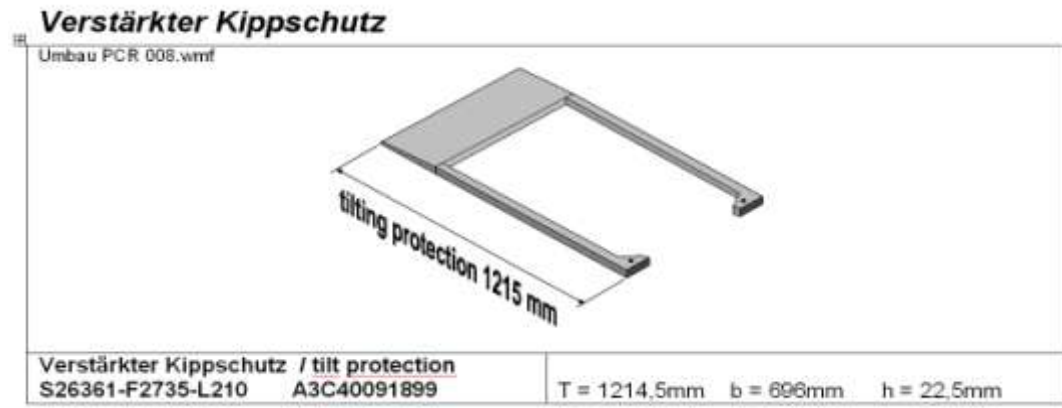
general rack accessories

Please see "Rack Design Guide" also:

http://sp.ts.fujitsu.com/dmsp/docs/pf_rackdesignguide_en.pdf

S26361-F2735-L210

Reinforced tilting protection (PCR2-1100mm)



S26361-F2735-E7

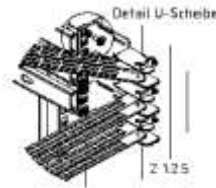
Cable magmt. for 19" DC- PC- Rack

cable management for adding a server or storage subsystem from a 3rd party rack into the PRIMECENTER rack

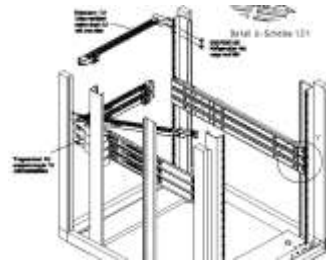
S26361-F2735-L8

1U cable arm

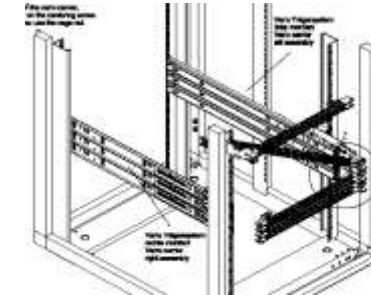
cable arm for 1U PRIMERGY server, dragged for PRIMECENTER- and 3rd-party racks
 Detail: mounted 1U cable arm at the left side of 19" profile
 open with Adobe Acrobat reader



View: front to rear
 open with Adobe Acrobat reader



Rear view rack: 1U cable arms
 open with Adobe Acrobat reader



S26361-F2735-L130

Dummy panel 1U plastics
 for assembly in 19" rack

S26361-F2735-L131

Dummy panel 2U plastics
 for assembly in 19" rack

S26361-F2735-L10

Support bracket, max. load up to 15kg

S26361-F2735-L15

Support bracket, max. load up to 35kg

S26361-F2735-L31

Support bracket, max. load up to 50kg

S26361-F2735-L1

Rotary knob

Rotary knob as door latch replacement
 For replacement of the key cylinder, in order to open or close the doors of a PC-Rack
 without the use of keys
 - 2 pieces rotary knobs
 - 1 removal tool for key zylinder

max. 1x per rack

S26361-F1331-L51

S26361-F1609-L35

Add-on base plate, 680mm deep 1U
 for assembly in 19" rack (1U), with support bracket, anthracite

S26361-F1609-L17

Monitor mounting kit 11U f.17"u.15"-displays
 for assembly in 19" rack, base plate and front panel + support bracket 1U
 max. load up to 50kg, without monitor

S26361-F2735-L500

cage nut set, M5, t=2,5mm

Content: 50 pieces
 orderable to boxes, server and racks

S26361-F2735-L510

SCREW SET IO-BOX Rack Mounting

Content: M5X14-TORX screws, cage nuts, rosettes; each 16 pieces
 orderable to IO-boxes, switches and racks

Changereport

Date	Ordernumber	Changes
2011-01-23	S26361-F4473-E/Lxyz	new global analoge KVM s3 & s4 adapter added
2011-01-21	S26361-F4473-E/Lxyz	new global analoge KVM s3 Switch generation added & RC25 integration kit / switch
2011-01-21	S26361-K1393-Vxyz	new global digital KVM s4 Switch generation added
2010-12-01	S26361-K1387-Vxyz	Rackconsole RC25 - now available
2010-08-19		Config TXF change; LTO5HH new
2010-07-21	S26361-F1331-L200/L300	Kits no longer available
2010-07-21		register deleted: SX30 Lines; SX30 SCSI-Cables; SX10 SCSI-Cables
2010-01-13	S26361-F2735-E510/L510	IO-Box screw set:16x M5X14-TORX, cage nuts, rosettes
2008-09-01	S26361-K1228-V100	register: Information Config TXF added
2008-08-29		register: configuration diagram updated
2008-08-28		register: KVM S2-Switch, LAN-Cabling, rack accessoires updated
2008-08-28	...-F3417-E505/-E515	register: LAN-Cabling
2008-01-18		Minor text changes
2008-08-01	S26361-K1022-Vxx	LC Racks - new with bypass control as a standard and roller base as an option
2007-11-17	S26361-F2262-E500	New PDU 50A added
2007-09-26	S26361-F2735-E130/131	Dummy panel (plastics) 1U, 2U - now available
2007-09-26	SNP:SY-F1609E1-P*	Dummy panel (metal) 1U, 2U, 3U, 5U - no longer available
2007-02-28		register: general rack accessories and Information Config SX40 added
2006-11-28	S26361-F2735-E8	1U cable arm, hauled - now available
2006-10-30	S26361-F2734-E31	RMK 1 D/P/3rd P Racks telescopic rails for PRIMERGY C150/C200/TX150 (5 U) - no longer available
2006-09-12		Server Restriction for Virtual Media not applicable any more
2006-08-21	S26361-K826-V213	PRIMECENTER Rack 38 U 1100 deep - as soon as available
2006-08-14	S26361-F1647-E100	Rack demounting server ex factory, always(stating now) 1x part of the 46U-racks
2006-08-14	D:GPRAC-ZB0623 S26361-F2201-L20	cable guide adapter and cable management arm for 3rd party racks, optionally for PCR2 orderable
2006-07-24	S26361-F2262-E301	Socket strip RMK 2U horizontal - now available
2006-06-26	S26361-F3417-E500/L510	LAN-Cabling - from 2006-07-10 available
2006-05-24	S26361-F2829-E1	SCSI-Switch for Server Shield - no longer available
2006-05-24	S26361-F2293-E611	Console Switch KVM S2-1611 - no longer available
2006-04-24	SNP:SY-F1954E1-P	3-phase power cord 7m - no longer available
2006-04-24	SNP:SY-F1609E10-P	Monitor installation kit - no longer available
2006-03-24	SNP:SY-F2262E30-P	Socket strip 3x 5 plugs + assembly - no longer available
2006-03-24	SNP:SY-F2262E30-P	Socket strip 3x 5 plugs + assembly - no longer available
2006-03-17	S26361-F2293-E203	KVM s3-Adapter-USB20-VGA - as soon as available
2006-03-17	S26361-F2293-E621	Konsolswitch KVM s3-1621 - as soon as available
2006-03-17	S26361-F2293-E411	Konsolswitch KVM s2-0411 - as soon as available