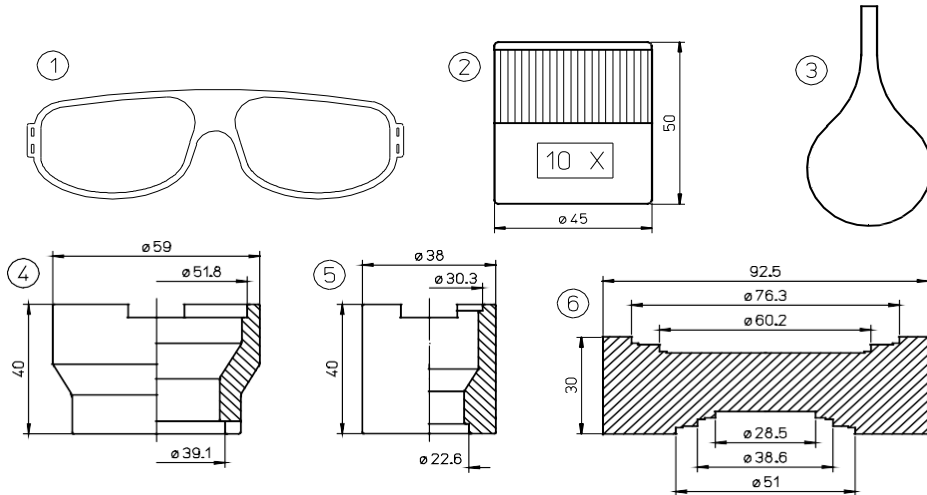

INDEX

Replacement parts suitable for:

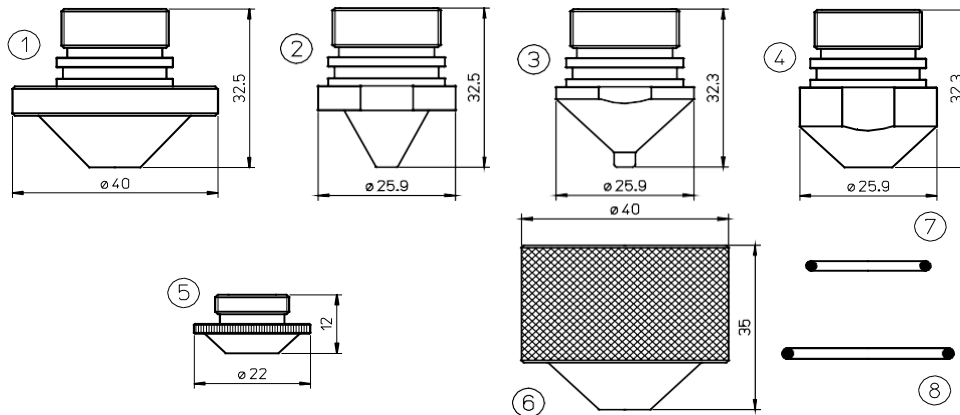
ACCESSORIES
ADIGE®
ADIRA®
AMADA®
BALLIU®
BAYKAL®
BEHRENS®
BEYELER®
BLM GROUP®
BYSTRONIC®
CINCINNATI®
CYLASER®
CKY®
CR ELETTRONIC®
CUTLITE PENTA®
DURMA®
ESAB®
ERMAKSAN®
FANUC®
FINN-POWER®
GASPARINI®
GHT®-SHT®
HAAS®
HACO®
HANKWANG®
HANS LASER®
LASER LAB®
LASERMAK®
KOIKE®
LVD®
MAZAK®
MESSER GRIESHEIM®
MESSER CUTTING SYSTEMS®
MITSUBISHI®
NTC®
NUKON®
PENTA®
PRECITEC®
PRIMA INDUSTRIE®
RAINER®
ROFIN®
SALVAGNINI®
SMART PRIMA®
STRIPPIT®
TANAKA®
THYSSEN®
TECNOLOGY ITALIANA®
TRUMPF®
TUBE TECH MACHINERY®
UNITY PRIMA®

ACCESSORIES



POS	SOSLaser Code	ALTERNATE REFERENCE	ORIGINAL CODE	DESCRIPTION	unit price
1	AL1100			ACC. LASER CO2 GLASSES CE APPROVED	
	AL1003-100		240568-100	ACC. LENS CLEANING POLISH - ml 100	
	AL1003-200		240568-200	ACC. LENS CLEANING POLISH - ml 200	
	AL1010	TR300-1010		ACC. DROPPER FOR LENS CLEANING LIQUID	
	AL1120			ACC. LATEX GLOVES - 10 pieces	
	ALI115	TR300-115		ACC. INDIUM WIRE Ø 1.0mm FOR 1.5" LENSE	
	ALI120			ACC. INDIUM WIRE Ø 1.0mm FOR Ø 2.0mm LENS	
	SC50	AM313-SC50		ACC. LENS CLEANING PAPER - 50sheets	
	SC100	AM313-SC100		ACC. LENS CLEANING PAPER - 50sheets	
	SC20	TR300-SC20		ACC. COTTON SWAB -20 pieces	
	AL1115	TR300-1115		ACC. LENS CLEANING PRE-CUT COTTON - 80 pieces	
2	AL255	TR300-255	091860	ACC. SCALE LUPE	
4	AL271	TR300-271		ACC. BASE FOR LENS MAINTENANCE	
6	AL370			ACC. BASE FOR LENS AND MIRROR CLEANING	
3	AL282	TR301-0282		ACC. INJECTOR	
5	AL276	TR300-276	6910010029/00	ACC. BASE FOR MIRROR MAINTENENCE	
	TX762	TR300-0762		0 LONG-HANDLED SWAB-100 PCS PACK.	
	TX714A	TR300-0714		0 LARGE ALPHA SWAB-conf.100pz.	

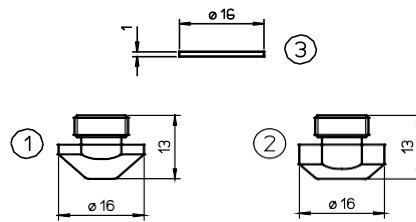
Replacement parts suitable for **AMADA®**



CP = Chrome Plated

POS	SOSLaser Code	ALTERNATE REFERENCE	ORIGINAL CODE	DESCRIPTION	unitprice	10 pack price
1	L896X	AM425-1000	71101000	AMADA® NOZZLE CLEAN CUT Ø 1.5 CP		
	L897X	AM425-2000	71102000	AMADA® NOZZLE CLEAN CUT Ø 1.75 CP		
	L898X	AM425-1999	71101999	AMADA® NOZZLE CLEAN CUT Ø 2.0 CP		
	L899X	AM425-0999	71101999	AMADA® NOZZLE CLEAN CUT Ø 2.5 CP		
2	L81X	AM324-6892-1.3	6506892	AMADA® NOZZLE Ø 1.3 CP		
	L92X	AM324-6815CP	6506892	AMADA® NOZZLE Ø 1.5 CP		
	L93X	AM324-0092CP	6506892	AMADA® NOZZLE Ø 1.8 CP		
	L39X	AM324-6892-2.0	74712001-6506892	AMADA® NOZZLE Ø 2.0 CP		
3	L63X	AM308-1913CP	71101901	AMADA® NOZZLE Ø 1.3 CP		
	L91X	AM308-1902	71101902	AMADA® NOZZLE Ø 1.5 CP		
	L75X	AM308-1918CP	71101901	AMADA® NOZZLE Ø 1.8 CP		
	L29X	AM308-1901-2.0	71101901-845735	AMADA® NOZZLE Ø 2.0 CP		
	L809X	AM308-1925CP		AMADA® NOZZLE Ø 2.5 CP		
	L808X	AM308-1930CP	71101901	AMADA® NOZZLE Ø 3.0 CP		
4	L297X	AM308-2013CP		AMADA® NOZZLE Ø 1.3 CP		
	L298X	AM308-2015CP	62094001-71102001	AMADA® NOZZLE Ø 1.5 CP		
	L299X	AM308-2018CP	62094001-71102001	AMADA® NOZZLE Ø 1.8 CP		
	L300X	AM308-2020CP	62094001-71102001	AMADA® NOZZLE Ø 2.0 CP		
	L301X	AM308-2030CP	62094002-71102005	AMADA® NOZZLE Ø 3.0 CP		
5	L85X	AM308-8810CP		AMADA® NOZZLE Ø 1.0 CP		
	L94X	AM308-8812CP		AMADA® NOZZLE Ø 1.25 CP		
	L95X	AM308-8815CP		AMADA® NOZZLE Ø 1.5 CP		
	L96X	AM308-8817CP		AMADA® NOZZLE Ø 1.75 CP		
	L38X	AM308-8820CP	74718816-8249301	AMADA® NOZZLE Ø 2.0 CP		
6	L30X	AM308-1905	71101905-841143B	AMADA® NOZZLE OUTER CP		
7	AL90	AM308-S-20	S-20	AMADA® O'RING FOR NOZZLE S-20 - 10 PCS		
8	AL96	AM308-AS-34	1AS-34	AMADA® O'RING FOR NOZZLE OUTER		

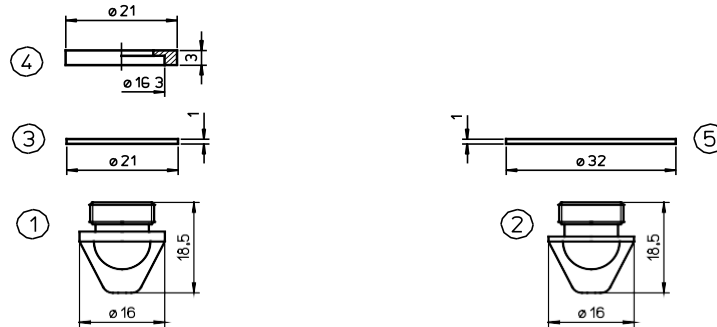
Replacement parts suitable for **AMADA**®



CP = Chrome Plated

POS	SOSLaser Code	ALTERNATE REFERENCE	ORIGINAL CODE	DESCRIPTION	unitprice	10 pack price
1	L171X	AM325-4010CP	62094006	AMADA® NOZZLE Ø 1.0 CP		
	L30171X	AM325-4010CPX	62094006	AMADA® NOZZLE Ø 1.0 CP		
	L172X	AM325-4006-1.3	62094006	AMADA® NOZZLE Ø 1.25 CP		
	L30172X	AM325-4125CPX	62094006	AMADA® NOZZLE Ø 1.25 CP		
	L173X	AM325-4006-1.5	62094006-1507610	AMADA® NOZZLE Ø 1.5 CP		
	L30173X	AM325-4015CPX	62094006-1507610	AMADA® NOZZLE Ø 1.5 CP		
	L174X	AM325-4175CP	62094006	AMADA® NOZZLE Ø 1.75 CP		
	L30174X	AM325-4175CPX	62094006	AMADA® NOZZLE Ø 1.75 CP		
	L27X	AM325-4006-2.0	62094006-1507611	AMADA® NOZZLE Ø 2.0 CP		
	L3027X	AM325-4020CPX	62094006-1507611	AMADA® NOZZLE Ø 2.0 CP		
	L175X	AM325-4025CP	62094006	AMADA® NOZZLE Ø 2.5 CP		
	L30175X	AM325-4025CPX	62094006	AMADA® NOZZLE Ø 2.5 CP		
	L28X	AM325-4006-3.0	62094008-71102007	AMADA® NOZZLE Ø 3.0 CP		
	L3028X	AM325-4030CPX	62094008-71102007	AMADA® NOZZLE Ø 3.0 CP		
2	L750X	AM325-1090CP	62094005	AMADA® NOZZLE Ø 1.0 CP		
	L30750X	AM325-1090CPX	62094005	AMADA® NOZZLE Ø 1.0 CP		
	L751X	AM325-4005CP	62094005	AMADA® NOZZLE Ø 1.25 CP		
	L30751X	AM325-4005CPX	62094005	AMADA® NOZZLE Ø 1.25 CP		
	L752X	AM325-4005-1.5	62094005-71341515	AMADA® NOZZLE Ø 1.5 CP		
	L30752X	AM325-1515CPX	62094005-71341515	AMADA® NOZZLE Ø 1.5 CP		
	L753X	AM325-1517CP	62094005-71341515-1,75	AMADA® NOZZLE Ø 1.75 CP		
	L30753X	AM325-1517CPX	62094005-71341515-1,75	AMADA® NOZZLE Ø 1.75 CP		
	L754X	AM325-4005-2.0	62094005-71102006	AMADA® NOZZLE Ø 2.0 CP		
	L30754X	AM325-1520CPX	62094005-71102006	AMADA® NOZZLE Ø 2.0 CP		
	L755X	AM325-1525CP	62094005	AMADA® NOZZLE Ø 2.5 CP		
	L30755X	AM325-1525CPX	62094005	AMADA® NOZZLE Ø 2.5 CP		
	L756X	AM325-1530CP	62094005-71341515-3,0	AMADA® NOZZLE Ø 3.0 CP		
	L30756X	AM325-1530CPX	62094005-71341515-3,0	AMADA® NOZZLE Ø 3.0 CP		
3	AL107	AM325-4006-R	62094006-ring	AMADA® DISC HEAD PROTECTION Ø 16 PLASTIC		

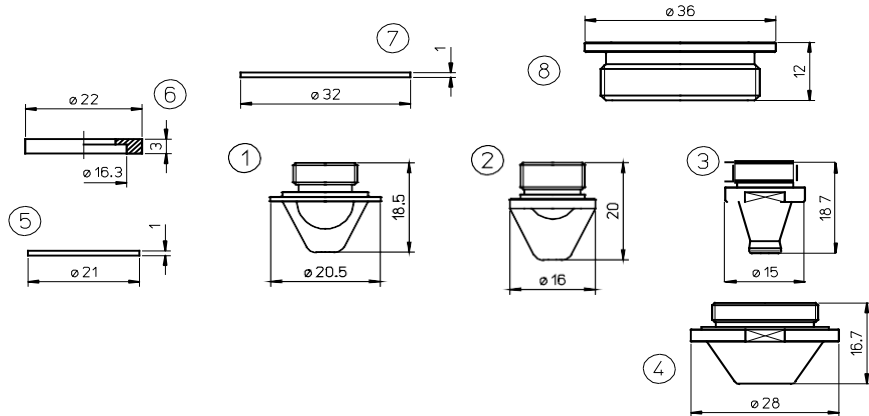
Replacement parts suitable for **AMADA®**



CP = Chrome Plated

POS	SOSLaser Code	ALTERNATE REFERENCE	ORIGINAL CODE	DESCRIPTION	unitprice	10pack price
1	L760X	AM325-0008CP		AMADA® NOZZLE Ø 0.8 CP		
	L30760X	AM325-0008CPX		AMADA® NOZZLE Ø 0.8 CP		
	L134X	AM325-545U-1.0	1664545U	AMADA® NOZZLE Ø 1.0 CP		
	L30134X	AM325-0010CPX	1664545U	AMADA® NOZZLE Ø 1.0 CP		
	L135X	AM325-545U-1.25	1664545U	AMADA® NOZZLE Ø 1.25 CP		
	L30135X	AM325-0125CPX	1664545U	AMADA® NOZZLE Ø 1.25 CP		
	L86X	AM325-545U-1.5	1664545U-M90115	AMADA® NOZZLE Ø 1.5 CP		
	L3086X	AM325-0015CPX	1664545U	AMADA® NOZZLE Ø 1.5 CP		
	L136X	AM325-545U-1.75	1664545U	AMADA® NOZZLE Ø 1.75 CP		
	L30136X	AM325-0175CPX	1664545U	AMADA® NOZZLE Ø 1.75 CP		
	L137X	AM325-545U-2.0	1664644U-71341610-M90114	AMADA® NOZZLE Ø 2.0 CP		
	L30137X	AM325-0020CPX	1664644U-71341610	AMADA® NOZZLE Ø 2.0 CP		
	L203X	AM325-545U-2.5	1664545U	AMADA® NOZZLE Ø 2.5 CP		
	L30203X	AM325-0025CPX	1664545U	AMADA® NOZZLE Ø 2.5 CP		
	L138X	AM325-4544U	1664645U-71360142-M90113	AMADA® NOZZLE Ø 3.0 CP		
	L30138X	AM325-4544UX	1664645U-71360142	AMADA® NOZZLE Ø 3.0 CP		
	L339X	AM325-0400CP		AMADA® NOZZLE Ø 4.0 CP		
	L30339X	AM325-0400CPX		AMADA® NOZZLE Ø 4.0 CP		
	L763X	AM325-0050CP		AMADA® NOZZLE Ø 5.0 CP		
	L30763X	AM325-0050CPX		AMADA® NOZZLE Ø 5.0 CP		
2	L192X	AM325-0001CP	0	AMADA® NOZZLE Ø 1.0 CP		
	L30192X	AM325-0001CPX	0	AMADA® NOZZLE Ø 1.0 CP		
	L193X	AM325-0002CP	0	AMADA® NOZZLE Ø 1.25 CP		
	L30193X	AM325-0002CPX	0	AMADA® NOZZLE Ø 1.25 CP		
	L194X	AM325-0003CP	0	AMADA® NOZZLE Ø 1.5 CP		
	L30194X	AM325-0003CPX	0	AMADA® NOZZLE Ø 1.5 CP		
	L195X	AM325-0004CP	0	AMADA® NOZZLE Ø 1.75 CP		
	L30195X	AM325-0004CPX	0	AMADA® NOZZLE Ø 1.75 CP		
	L196X	AM325-0005CP	0	AMADA® NOZZLE Ø 2.0 CP		
	L30196X	AM325-0005CPX	0	AMADA® NOZZLE Ø 2.0 CP		
	L197X	AM325-0006CP	0	AMADA® NOZZLE Ø 2.5 CP		
	L30197X	AM325-0006CPX	0	AMADA® NOZZLE Ø 2.5 CP		
L198X	AM325-0007CP	0	AMADA® NOZZLE Ø 3.0 CP			
L30198X	AM325-0007CPX	0	AMADA® NOZZLE Ø 3.0 CP			
3	AL1005	AM325-325-1	71341614	AMADA® DISC HEAD PROTECTION Ø 21 PLASTIC		
	AL122	AM325-1614	71341614	AMADA® DISC HEAD PROTECTION Ø 21 VESPEL		
4	AL123	AM325-325-2		AMADA® DISC HEAD PROTECTION Ø 22 CERAMIC		
5	AL42	AM325-9819		AMADA® DISK HEAD PROTECTION Ø 32 PLASTIC		

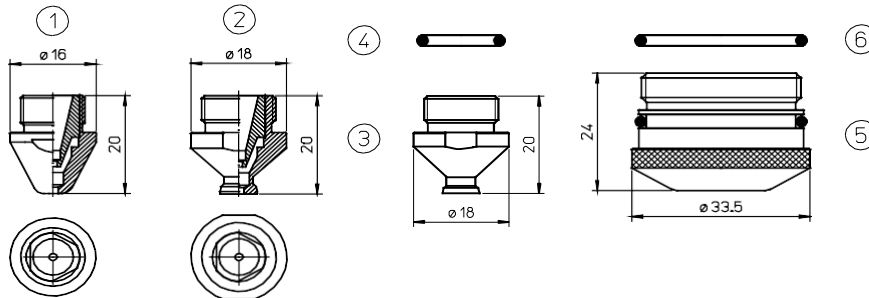
Replacement parts suitable for **AMADA®**



CP = Chrome Plated

POS	SOSLaser Code	ALTERNATE REFERENCE	ORIGINAL CODE	DESCRIPTION	unitprice	10pack price
1	L1067X	AM325-1500CP		AMADA® NOZZLE Ø 1.5 LARGE FLANGE		
	L1066X	AM325-2000CP		AMADA® NOZZLE Ø 2.0 LARGE FLANGE		
	L1068X	AM325-3000CP		AMADA® NOZZLE Ø 3.0 LARGE FLANGE		
2	L1285X	AM325-1770	71341770-1667110	AMADA® NOZZLE Ø 2.0		
	L1287X	AM325-1730		AMADA® NOZZLE Ø 3.0		
3	L926X	AM369-0001		AMADA® NOZZLE HP-X Ø 0.8CP		
	L927X	AM369-0002		AMADA® NOZZLE HP-X Ø 1.0 CP		
	L928X	AM369-0003		AMADA® NOZZLE HP-X Ø 1.2 CP		
	L933X	AM369-0009	71398902 - 1034-00-5-1	AMADA® NOZZLE HP-X Ø 1.4 CP		
	L929X	AM369-0004		AMADA® NOZZLE HP-X Ø 1.5 CP		
	L930X	AM369-0005		AMADA® NOZZLE HP-X Ø 2.0 CP		
	L931X	AM369-0006		AMADA® NOZZLE HP-X Ø 2.5 CP		
L932X	AM369-0007		AMADA® NOZZLE HP-X Ø 3.0 CP			
4	AL220X	AM369-0008		AMADA® NOZZLE OUTER HP-X CP		
5	AL1005	AM325-325-1	71341614	AMADA® DISC HEAD PROTECTION Ø 21 PLASTIC		
	AL122	AM325-1614	71341614	AMADA® DISC HEAD PROTECTION Ø 21 VESPEL		
6	AL123	AM325-325-2		AMADA® DISC HEAD PROTECTION Ø 22 CERAMIC		
7	AL42	AM325-9819		AMADA® DISK HEAD PROTECTION Ø 32 PLASTIC		
8	AL387	AM325-0387		AMADA® CERAMIC SPACER 36x12		

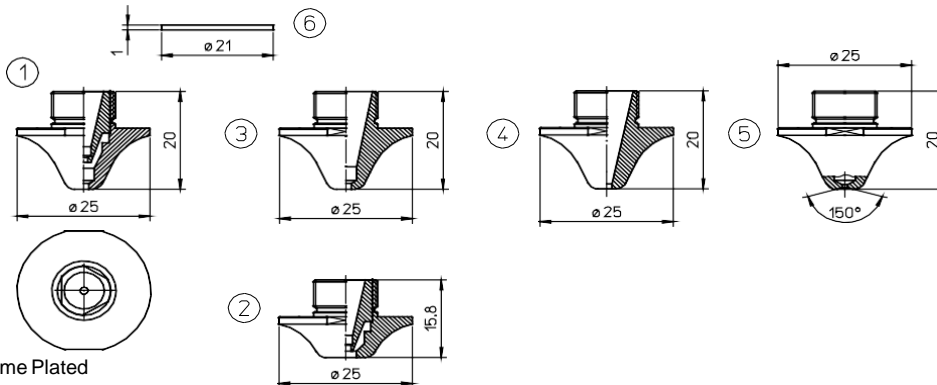
Replacement parts suitable for **AMADA®**



CP = Chrome Plated

POS	SOSLaser Code	ALTERNATE REFERENCE	ORIGINAL CODE	DESCRIPTION	unitprice	10pack price
1	L390X	AM326-9864-1.0	1669864-7134162	AMADA® DOUBLE NOZZLE Ø 1.0 CP		
	L392X	AM326-9864-1.2	1669864-7134162	AMADA® DOUBLE NOZZLE Ø 1.2 CP		
	L393X	AM326-9864-1.4	1669864-7134162	AMADA® DOUBLE NOZZLE Ø 1.4 CP		
	L391X	AM326-9864-1.5	1669864-7134162	AMADA® DOUBLE NOZZLE Ø 1.5 CP		
	L780X	AM326-9864CP	1669864-7134162	AMADA® DOUBLE NOZZLE Ø 1.8 CP		
	L315X	AM326-9864-2.0	1669864-7134162	AMADA® DOUBLE NOZZLE Ø 2.0 CP		
	L316X	AM326-9864-2.5	1669864-7134162-41341680	AMADA® DOUBLE NOZZLE Ø 2.5 CP		
	L317X	AM326-9864-3.0	1669864-7134163	AMADA® DOUBLE NOZZLE Ø 3.0 CP		
	L768X	AM326-4135CP	1669864-7134162	AMADA® DOUBLE NOZZLE Ø 3.5 CP		
	L319X	AM326-4138CP	1669864-7134162	AMADA® DOUBLE NOZZLE Ø 3.8 CP		
L318X	AM326-9864-4.0	1669795-71341681	AMADA® DOUBLE NOZZLE Ø 4.0 CP			
WATER COOLED						
2	L387X	AM326-1210CP	6551218-71341682	AMADA® DOUBLE NOZZLE Ø 1.0 CP		
	L386X	AM326-1212CP	6551218-71341682	AMADA® DOUBLE NOZZLE Ø 1.2 CP		
	L389X	AM326-1214CP	6551218-71341682	AMADA® DOUBLE NOZZLE Ø 1.4 CP		
	L388X	AM326-1218-1.5	6551218-71341682	AMADA® DOUBLE NOZZLE Ø 1.5 CP		
	L764X	AM326-1217CP	6551218-71341682	AMADA® DOUBLE NOZZLE Ø 1.7 CP		
	L320X	AM326-1218-2.0	6551218-71341682	AMADA® DOUBLE NOZZLE Ø 2.0 CP		
	L321X	AM326-1218-2.5	6551218-71341682	AMADA® DOUBLE NOZZLE Ø 2.5 CP		
	L322X	AM326-1218-3.0	6551218-71341682	AMADA® DOUBLE NOZZLE Ø 3.0 CP		
	L323X	AM326-1218-3.8	6551218-71341682	AMADA® DOUBLE NOZZLE Ø 3.8 CP		
	L330X	AM326-4140CP	6551218-71341682	AMADA® DOUBLE NOZZLE Ø 4.0 CP		
L781X	AM326-0050CP	6551218-71341682	AMADA® DOUBLE NOZZLE Ø 5.0 CP			
3	L384X	AM326-6010CP	71366090	AMADA® NOZZLE Ø 1.0 CP		
	L765X	AM326-6012CP	71366090	AMADA® NOZZLE Ø 1.2 CP		
	L766X	AM326-6014CP	71366090	AMADA® NOZZLE Ø 1.4 CP		
	L385X	AM326-6015CP	71366090	AMADA® NOZZLE Ø 1.5 CP		
	L324X	AM326-6020CP	71366090	AMADA® NOZZLE Ø 2.0 CP		
	L325X	AM326-6025CP	71366090	AMADA® NOZZLE Ø 2.5 CP		
	L326X	AM326-6030CP	71366090	AMADA® NOZZLE Ø 3.0 CP		
	L327X	AM326-6038CP	71366090	AMADA® NOZZLE Ø 3.8 CP		
L767X	AM326-6040CP	71366090	AMADA® NOZZLE Ø 4.0 CP			
4	AL93	AM326-S-14	S-14	AMADA® O'RING FOR NOZZLE - 10 PCS		
5	AL115X	AM326-6452	71366452-71341684-6551148A	AMADA® NOZZLE OUTER CP		
6	AL94	AM326-6453	71366453	AMADA® O'RING FOR NOZZLE OUTER		

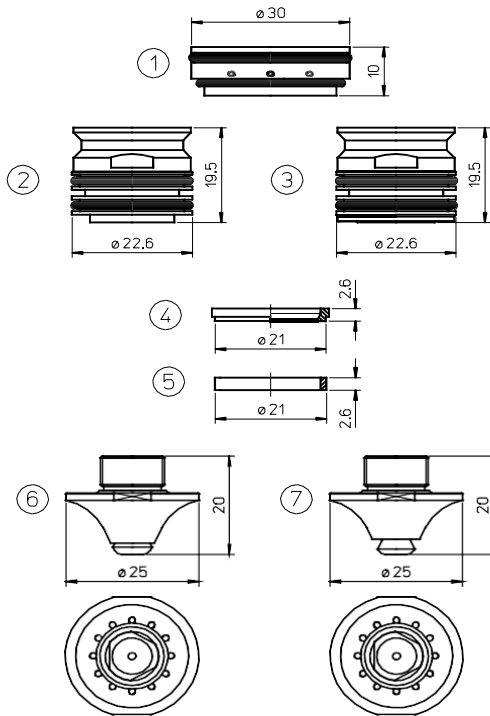
Replacement parts suitable for **AMADA®**



CP = Chrome Plated

POS	SOSLaser Code	ALTERNATE REFERENCE	ORIGINAL CODE	DESCRIPTION	unitprice	10pack price
1	L585X	AM343-2361-1.2	1572361	AMADA® DOUBLE NOZZLE Ø 1.2 CP		
	L586X	AM343-9813	71369813-71518550-71341779	AMADA® DOUBLE NOZZLE Ø 1.4 CP		
	L574X	AM343-2361-1.7	1572361-71518548-1572380	AMADA® DOUBLE NOZZLE Ø 1.7 CP		
	L587X	AM343-2361-2.0	1572361	AMADA® DOUBLE NOZZLE Ø 2.0 CP		
	L584X	AM343-2361-2.5	71515394-71516789-1576398	AMADA® DOUBLE NOZZLE Ø 2.5 CP		
	L588X	AM343-2361-3	1572361	AMADA® DOUBLE NOZZLE Ø 3.0 CP		
	L589X	AM343-9817	71515395-71516790-1576399	AMADA® DOUBLE NOZZLE Ø 4.0 CP		
	L1037X	AM367-1037		AMADA® DOUBLE NOZZLE Ø 4.0 CP INNER Ø 2.0		
	L583X	AM343-2350CP	1572361	AMADA® DOUBLE NOZZLE Ø 5.0 CP		
	L569X	AM343-0569		AMADA® DOUBLE NOZZLE Ø 6.0 CP		
2	L565X	AM343-2340CPS		AMADA® DOUBLE NOZZLE SHORT Ø 4.0 CP		
	L567X	AM343-2350CPS		AMADA® DOUBLE NOZZLE SHORT Ø 5.0 CP		
	L568X	AM343-2360CPS		AMADA® DOUBLE NOZZLE SHORT Ø 6.0 CP		
3	L590X	AM343-2362-0.8	1572362 - 71563584	AMADA® NOZZLE Ø 0.8 CP		
	L591X	AM343-2362-1.0	1572367A - 71563585	AMADA® NOZZLE Ø 1.0 CP		
	L592X	AM343-2362-1.2	71369812	AMADA® NOZZLE Ø 1.2 CP		
	L593X	AM343-2362-1.4	1572362	AMADA® NOZZLE Ø 1.4 CP		
	L597X	AM343-2362-1.5	1572362 - 1572368B	AMADA® NOZZLE Ø 1.5 CP		
	L575X	AM343-2317CP	1572362	AMADA® NOZZLE Ø 1.7 CP		
	L594X	AM343-2362-2.0	71515392	AMADA® NOZZLE Ø 2.0 CP		
	L572X	AM343-0025CP		AMADA® NOZZLE Ø 2.5 CP		
	L595X	AM343-2362-3.0	71515393-1576112	AMADA® NOZZLE Ø 3.0 CP		
	L596X	AM343-2362-4.0	1572362	AMADA® NOZZLE Ø 4.0 CP		
4	L1027X	AM343-0004CP		AMADA® NOZZLE STRAIGHT TAPER Ø 0.8 CP		
	L1028X	AM343-0005CP		AMADA® NOZZLE STRAIGHT TAPER Ø 1.0 CP		
	L1029X	AM343-0006CP		AMADA® NOZZLE STRAIGHT TAPER Ø 1.2 CP		
	L1030X	AM343-0007CP		AMADA® NOZZLE STRAIGHT TAPER Ø 1.4 CP		
	L599X	AM343-0001CP		AMADA® NOZZLE STRAIGHT TAPER Ø 1.5 CP		
	L1032X	AM343-0008CP		AMADA® NOZZLE STRAIGHT TAPER Ø 1.7 CP		
	L598X	AM343-0002CP		AMADA® NOZZLE STRAIGHT TAPER Ø 2.0 CP		
	L1033X	AM343-0009CP		AMADA® NOZZLE STRAIGHT TAPER Ø 2.3 CP		
	L571X	AM343-0003CP		AMADA® NOZZLE STRAIGHT TAPER Ø 3.0 CP		
5	L1031X	AM367-2038		AMADA® DOUBLE NOZZLE Ø 1.4 CP W/CONCAVE		
	L1024X	AM367-2008CP		AMADA® NOZZLE Ø 0.8 CP W/CONCAVE		
	L1025X	AM367-2010CP		AMADA® NOZZLE Ø 1.0 CP W/CONCAVE		
	L1026X	AM367-2037		AMADA® NOZZLE Ø 1.2 CP W/CONCAVE		
6	AL1005	AM325-325-1	71341614	AMADA® DISC HEAD PROTECTION Ø 21 PLASTIC		
	AL122	AM325-1614	71341614	AMADA® DISC HEAD PROTECTION Ø 21 VESPEL		

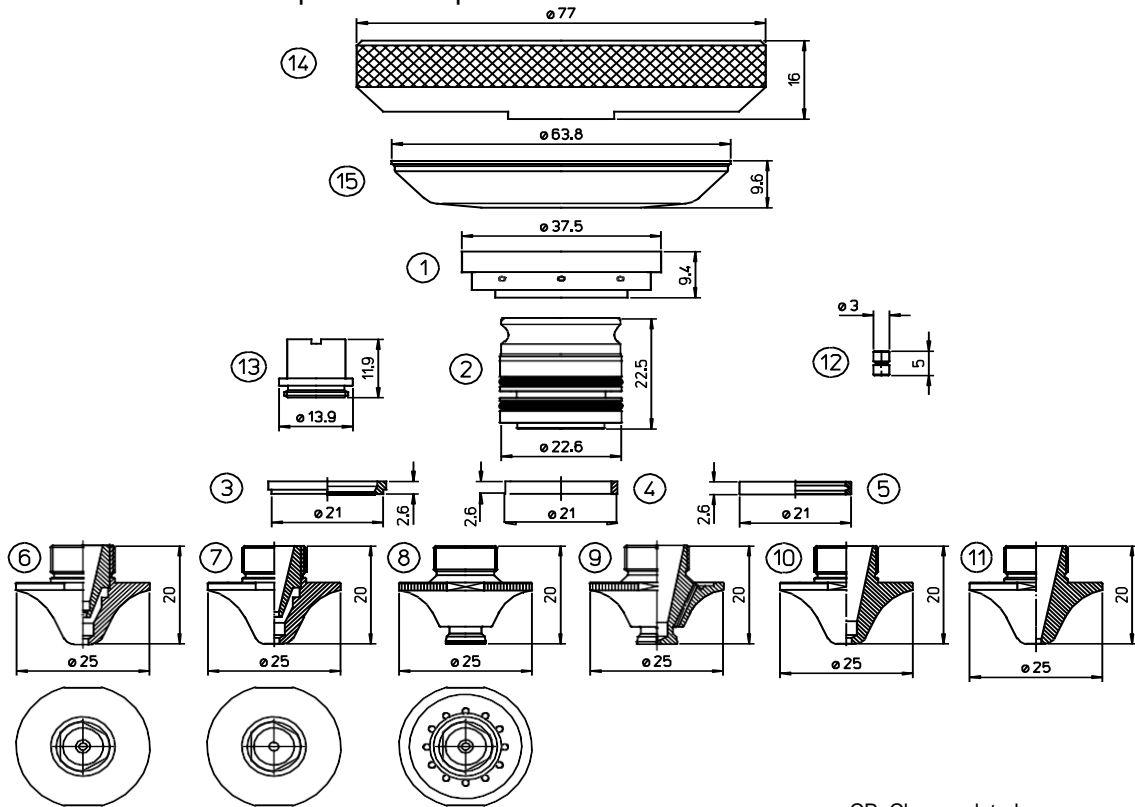
Replacement parts suitable for **AMADA®**



CP = Chrome Plated

POS	SOSLaser Code	ALTERNATE REFERENCE	ORIGINAL CODE	DESCRIPTION	unitprice	10pack price
1	AL340	AM367-2026	71502026	AMADA® PTFE INSULATOR FOR ADAPTOR		
2	AL248	AM367-2036	71502036	AMADA® NOZZLE ADAPTOR WITH 8 HOLES		
3	AL348	AM367-3036	71502036	AMADA® NOZZLE ADAPTOR WITH 12 HOLES		
	AL268	AM367-0001		AMADA® KIT O-RINGS FOR AL248		
4	AL233	AM367-0853		AMADA® PTFE COLLAR RIGID VERSION FOR WACS		
5	AL234	AM367-5853	71515853	AMADA® PTFE COLLAR FOR WACS		
6	L1155X	AM386-2025CP		0 AMADA® DOUBLE NOZZLE Ø 2.5 CP WITH HOLES		
	L1159X	AM386-2041CP		0 AMADA® DOUBLE NOZZLE Ø 4.0 CP WITH HOLES		
7	L1041X	AM367-1014CP		0 AMADA® DOUBLE NOZZLE Ø 1.4 CP WITH HOLES		
	L1043X	AM367-1017CP		0 AMADA® DOUBLE NOZZLE Ø 1.7 CP WITH HOLES		
	L1044X	AM367-1020CP		0 AMADA® DOUBLE NOZZLE Ø 2.0 CP WITH HOLES		
	L1045X	AM367-2039		0 AMADA® DOUBLE NOZZLE Ø 2.5 CP WITH HOLES		
	L1049X	AM367-2040		0 AMADA® DOUBLE NOZZLE Ø 4.0 CP WITH HOLES		
	L1050X	AM367-2050CP		0 AMADA® DOUBLE NOZZLE Ø 5.0 CP WITH HOLES		

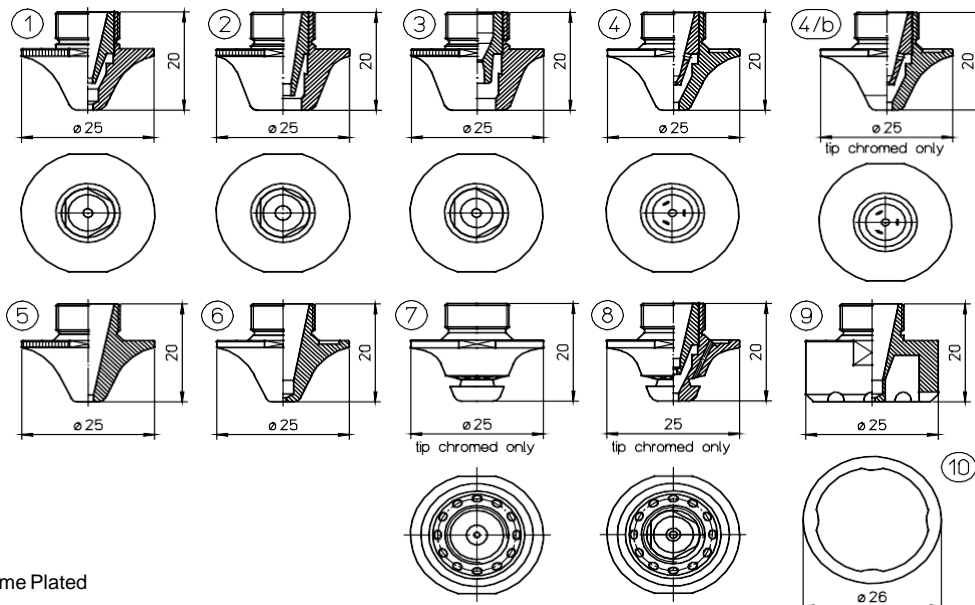
Replacement parts suitable for **AMADA®**



CP=Chrome plated

POS	SOSLaser Code	ALTERNATE REFERENCE	ORIGINAL CODE	DESCRIPTION	unitprice	10pack price
1	AL372	AM367-2349	7973497-71712349	AMADA® PTFE HOLDER		
2	AL360	AM367-0360	71712350 - 7973459	AMADA® NOZZLE ADAPTOR WITH HOLES		
	AL360/AM	AM367-0364	71712350 - 7973459	AMADA® NOZZLE ADAPTOR WITH HOLES and INNER		
	AL397	AM367-0397		AMADA® KIT O-RING FOR ADAPTER		
3	AL233	AM367-0853		AMADA® PTFE COLLAR RIGID VERSION FOR WACS		
4	AL234	AM367-5853	71515853	AMADA® PTFE COLLAR FOR WACS		
5	AL361	AM367-2340	71712340	AMADA® PTFE COLLAR WITH GROOVE		
6	L1401X	AM367-8550	71518550-71461029-71502038	AMADA® DOUBLE NOZZLE Ø D1.4E CP ECO CUT		
	L1403X	AM367-6789	71516789-71501059	AMADA® DOUBLE NOZZLE Ø D2.5 CP ECO CUT		
	L1404X	AM367-6795		AMADA® DOUBLE NOZZLE Ø D3.0 CP ECO CUT		
	L1405X	AM367-6790	71516790-71501060	AMADA® DOUBLE NOZZLE Ø D4.0 CP ECO CUT		
7	L1406X	AM367-6791CP	71501093	AMADA® DOUBLE NOZZLE Ø D4.0 AL CP		
8	L1352X	AM367-1352CP		AMADA® DOUBLE NOZZLE Ø D1.4W CP WACS		
	L1352X/TG	AM367-1160CP		AMADA® DOUBLE NOZZLE Ø D1.4W CP WACS WITH COLLAR		
	L1353X	AM367-1353CP		AMADA® DOUBLE NOZZLE Ø D1.7W CP WACS		
	L1353X/TG	AM367-1162CP		AMADA® DOUBLE NOZZLE Ø D1.7W CP WACS WITH COLLAR		
	L1354X	AM367-1354CP		AMADA® DOUBLE NOZZLE Ø D2.0W CP WACS		
	L1354X/TG	AM367-1164CP		AMADA® DOUBLE NOZZLE Ø D2.0W CP WACS WITH COLLAR		
	L1355X	AM367-1355CP	71712335	AMADA® DOUBLE NOZZLE Ø D2.5W CP WACS		
	L1355X/TG	AM367-1156CP	71712335	AMADA® DOUBLE NOZZLE Ø D2.5W CP WACS WITH COLLAR		
	L1359X	AM367-1158CP	71712336 - 71461158	AMADA® DOUBLE NOZZLE Ø D4.0W CP WACS		
	L1359X/TG	AM367-1157CP		AMADA® DOUBLE NOZZLE Ø D4.0W CP WACS AND COLLAR		
	L1360X	AM367-1159CP		AMADA® DOUBLE NOZZLE Ø D5.0W CP WACS		
	L1360X/TG	AM367-1165CP		AMADA® DOUBLE NOZZLE Ø D5.0W CP WACS WITH COLLAR		
9	L1568X	AM367-2336		AMADA® NOZZLE Ø S1.2W CP WACS		
10	L1407X	AM367-1407CP	71502037-71461028	AMADA® NOZZLE Ø S1.2E CP ECO CUT		
	L1410X	AM367-1410CP		AMADA® NOZZLE Ø S1.4 CP ECO CUT		
11	L1411X	AM367-1411CP	71501056 - 71712720	AMADA® NOZZLE Ø S1.5 CP ECO CUT		
	L1412X	AM367-1412CP	71501057-71555124	AMADA® NOZZLE Ø S2.0 CP ECO CUT		
	L1413X	AM367-1413CP	71516788-71501058	AMADA® NOZZLE Ø S3.0 CP ECO CUT		
12	AL359	AM367-2344	71712344	AMADA® LOCATING PIN		
13	AL392	AM367-6438	71716438 - 71798350	AMADA® INNER FOR ADAPTOR		
14	AL455XH	AM367-2341	71712341	AMADA® NUT KIT		
15	AL456XH	AM367-2342	71712342	AMADA® COVER KIT		

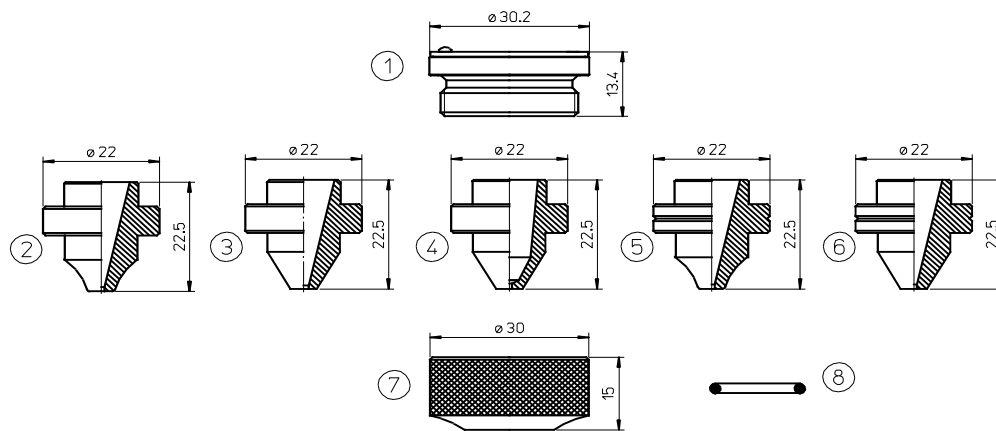
Replacement parts suitable for **AMADA®**



CP = Chrome Plated

POS	SOSLaser Code	ALTERNATE REFERENCE	ORIGINAL CODE	DESCRIPTION	unitprice	10pack price
1	L1415XH	AM367-1727CP		0 AMADA® DOUBLE NOZZLE Ø D2.5CC SPECIAL CP FOR CLEAN CUT		
	L1416XH	AM367-1728	71341728 - 71555121	AMADA® DOUBLE NOZZLE Ø D4.0CC SPECIAL CP FOR CLEAN CUT		
2	L1417XH	AM367-1717CP		AMADA® DOUBLE NOZZLE Ø D5.0CC SPECIAL CP FOR CLEAN CUT		
	L1418XH	AM367-1718CP		AMADA® DOUBLE NOZZLE Ø D6.0CC SPECIAL CP FOR CLEAN CUT		
	L1419XH	AM367-1729CP	71341729 - 71712721	AMADA® DOUBLE NOZZLE Ø D7.0CC SPECIAL CP FOR CLEAN CUT		
	L1425X	AM367-1092CP	71501092	AMADA® DOUBLE NOZZLE Ø 7.0 AL CC CP		
3	L1420X	AM367-1770CP	71712692	AMADA® DOUBLE NOZZLE Ø 7.0SC CP SILKY CUT		
4	L1645X	AM367-0020	71570022	AMADA® DOUBLE NOZZLE Ø D2.0F CP		
	L1646X	AM367-0025		AMADA® DOUBLE NOZZLE Ø D2.5F CP		
	L1649X	AM367-0040		AMADA® DOUBLE NOZZLE Ø D4.0F CP		
4/b	L1644XH	AM367-1161CP		0 AMADA® DOUBLE NOZZLE Ø D1.5F CP		
	L1645XH	AM367-1163CP		0 AMADA® DOUBLE NOZZLE Ø D2.0F CP		
5	L1421XH	AM367-1421CP		0 AMADA® NOZZLE Ø S1.5CC SPECIAL CP FOR CLEAN CUT		
	L1422XH	AM367-1422CP	71502043	AMADA® NOZZLE Ø S2.0CC SPECIAL CP FOR CLEAN CUT		
	L1424XH	AM367-1424CP		0 AMADA® NOZZLE Ø S2.5CC SPECIAL CP FOR CLEAN CUT		
	L1423XH	AM367-1423CP	71502044	AMADA® NOZZLE Ø S3.0CC SPECIAL CP FOR CLEAN CUT		
6	L1560X	AM367-1560	0	AMADA® NOZZLE Ø S0.8 FE CP		
	L1561X	AM367-1561	71570021	AMADA® NOZZLE Ø S1.0 FE CP		
	L1562X	AM367-1562	71570020	AMADA® NOZZLE Ø S1.2 FE CP		
	L1563X	AM367-1563		AMADA® NOZZLE Ø S1.4 FE CP		
7	L1653XH	AM367-0019		AMADA® NOZZLE Ø S0.8 FE FIBER CP		
	L1653XH/TG	AM367-0019C		AMADA® NOZZLE Ø S0.8 FE FIBER CP WITH COLLAR		
	L1654XH	AM367-0030	71570030	AMADA® NOZZLE Ø S1.0 FE FIBER CP		
	L1654XH/TG	AM367-0030C	71570030	AMADA® NOZZLE Ø S1.0 FE FIBER CP WITH COLLAR		
	L1655XH	AM367-0023	71570023	AMADA® NOZZLE Ø S1.2 FE FIBER CP		
	L1655XH/TG	AM367-0023C	71570023	AMADA® NOZZLE Ø S1.2 FE FIBER CP WITH COLLAR		
	L1656XH	AM367-0024		AMADA® NOZZLE Ø S1.4 FE FIBER CP		
	L1656XH/TG	AM367-0024C		AMADA® NOZZLE Ø S1.4 FE FIBER CP WITH COLLAR		
	L1657XH	AM367-0027		AMADA® NOZZLE Ø S1.7 FE FIBER CP		
	L1657XH/TG	AM367-0027C		AMADA® NOZZLE Ø S1.7 FE FIBER CP WITH COLLAR		
	L1658XH	AM367-0026		AMADA® NOZZLE Ø S2.0 FE FIBER CP		
	L1658XH/TG	AM367-0026C	0	AMADA® NOZZLE Ø S2.0 FE FIBER CP WITH COLLAR		
8	L1900XH	AM367-1900CP		AMADA® DOUBLE NOZZLE D1.2 FE FIBER CP		
	L1901XH	AM367-1901CP		AMADA® DOUBLE NOZZLE D1.5 FE FIBER CP		
9	L1333	AM367-1333		AMADA® NOZZLE Ø 2,0		
10	AL403	AM367-3028		AMADA® PTFE COLLAR		

Replacement parts suitable for **AMADA®**

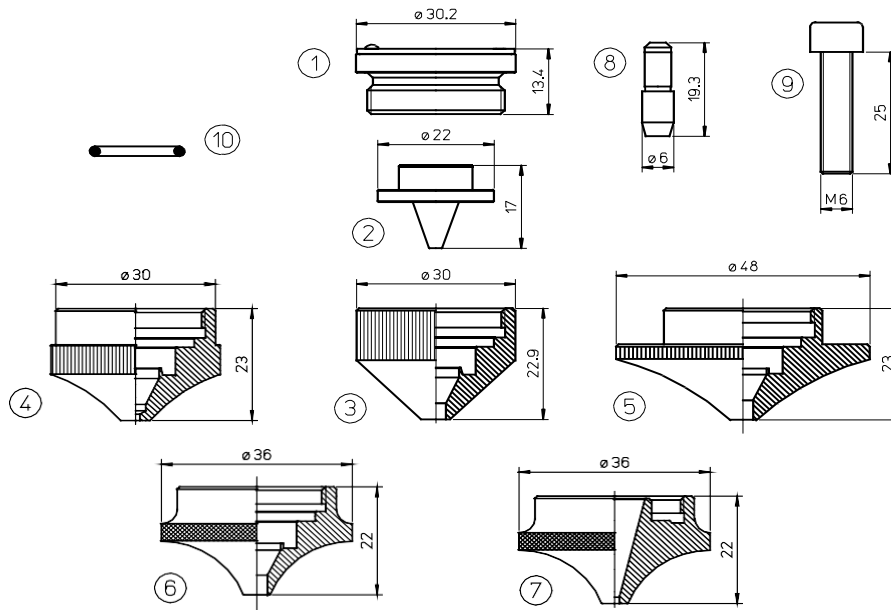


LC 3015 XINT

CP = Chrome Plated

POS	SOSLaser Code	ALTERNATE REFERENCE	ORIGINAL CODE	DESCRIPTION	unitprice	10pack price
1	AL267	MB334-0001	P0594-860-00001 - 71800010	PRECITEC® NOZZLE HOLDER IT HP2" MZP/MEL		
2	L1126	AM387-0001	71800016A0-BQ933D283H01	AMADA® - MITSUBISHI® NOZZLE Ø 1.0 WITH RADIUS NO GROOVE		
3	L1134	AM326-0018	71800018 - BQ943D157H01	AMADA® - MITSUBISHI® NOZZLE Ø 1.5		
	L1131	AM326-0017		AMADA® - MITSUBISHI® NOZZLE Ø 1.7		
	L1135	AM326-0019	71800019 - BQ943D157H02	AMADA® - MITSUBISHI® NOZZLE Ø 2.0		
	L1136	AM326-0020	71800020 - BQ943D157H03	AMADA® - MITSUBISHI® NOZZLE Ø 2.5		
	L1137	AM326-0021	71800021 - BQ943D157H04	AMADA® - MITSUBISHI® NOZZLE Ø 3.0		
	L1138	AM326-0022	71800022 - BQ943D596H01	AMADA® - MITSUBISHI® NOZZLE Ø 3.5		
	L1139	AM326-0023		AMADA® - MITSUBISHI® NOZZLE Ø 4.0		
	L1140X	AM326-0024CP	71800109-BQ943D714H01-W18Q94371401	AMADA® - MITSUBISHI® NOZZLE Ø 4.0 CP FOR FOCUS POINT		
4	L1125	AM387-0016	71800016-BQ943D897H01-W18Q94389701	AMADA® - MITSUBISHI® HV NOZZLE Ø 1.0		
	L1128	AM387-1901	W18Q93309101	AMADA® - MITSUBISHI® HV NOZZLE Ø 2.5		
	L1129	AM387-1902	W18Q93309102	AMADA® - MITSUBISHI® HV NOZZLE Ø 3.0		
5	L1130	AM387-0017	71800017-BQ943D269H01-W18Q93326901	AMADA® - MITSUBISHI® HV NOZZLE Ø 1.2 WITH RADIUS		
6	L1132	AM387-2701	W18Q93302701	AMADA® - MITSUBISHI® HV NOZZLE Ø 1.7		
7	AL269	AM367-0269	71800026 - BQ933D94H01	AMADA® - MITSUBISHI® NOZZLE NUT SHORT		
8	AL388	MB334-W290	W290-71800107	MITSUBISHI® O-RING		

Replacement parts suitable for **AMADA®**

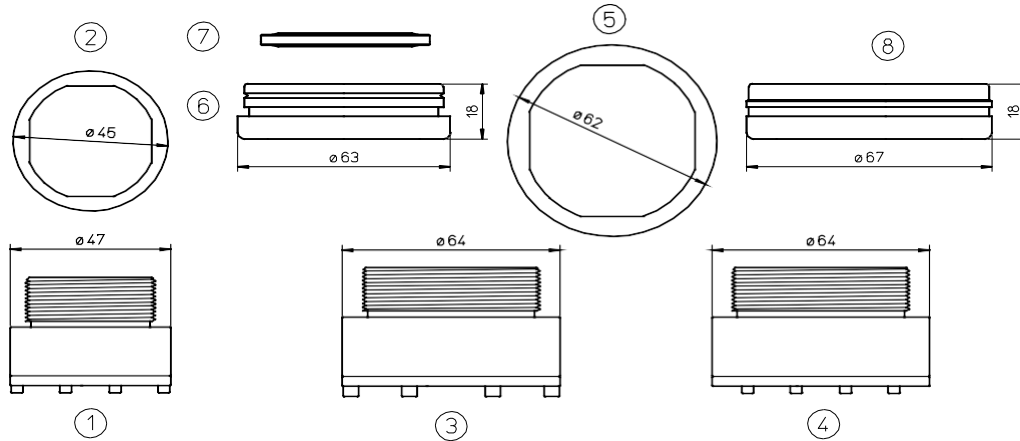


LC 3015 XINT

CP = Chrome Plated

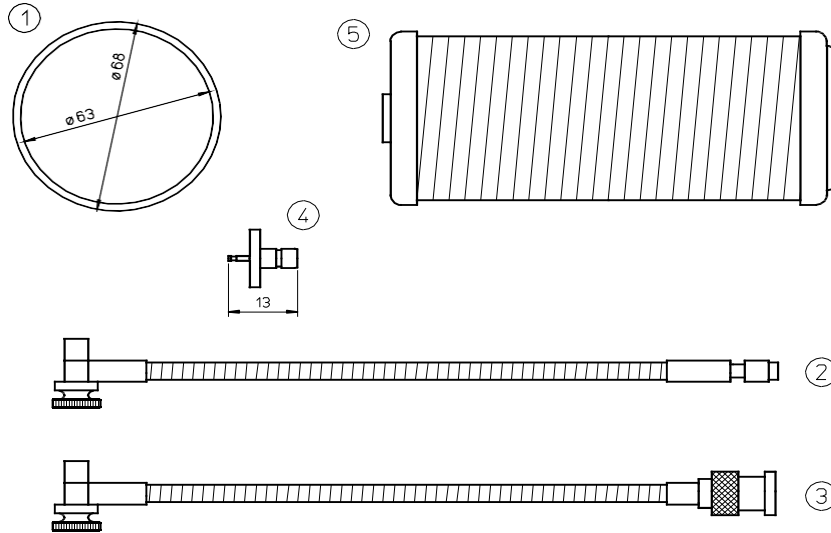
POS	SOSLaser Code	ALTERNATE REFERENCE	ORIGINAL CODE	DESCRIPTION	unitprice	10pack price
1	AL267	MB334-0001	P0594-860-00001 - 71800010	PRECITEC® NOZZLE HOLDER IT HP2" MZP/MEL		
2	L1119	AM387-0023	71800023 - BQ943D156H01/W270-1.5	AMADA® - MITSUBISHI® INNER NOZZLE 1.5 - 8 HOLES		
	L1123	AM387-0024	71800024 - BQ943D156H03	AMADA® - MITSUBISHI® INNER NOZZLE 1.5 - 24 HOLES		
	L1120	AM387-0025		AMADA® - MITSUBISHI® INNER NOZZLE 2.0 - 8 HOLES		
	L1124	AM387-0026		AMADA® - MITSUBISHI® INNER NOZZLE 2.0 - 24 HOLES		
3	AL238	MB316-269S	71800027 - BQ933D221H04-P0593-860-00001	AMADA® - MITSUBISHI® SHIELD CAP SHORT		
	AL238X	MB316-269SCP		AMADA® - MITSUBISHI® SHIELD CAP SHORT CP		
4	AL302	AM416-0002		AMADA® - MITSUBISHI® OUTER NOZZLE Ø 1.7		
	AL303	AM416-0003		AMADA® - MITSUBISHI® OUTER NOZZLE Ø 2.0		
	AL304	AM416-0004		AMADA® - MITSUBISHI® OUTER NOZZLE Ø 2.5		
	AL305	AM416-0005		AMADA® - MITSUBISHI® OUTER NOZZLE Ø 3.0		
	AL306	AM416-0006		AMADA® - MITSUBISHI® OUTER NOZZLE Ø 4.0		
5	AL266	MB316-0440	BQ933D044H01-71800101-W18Q93304401	AMADA® - MITSUBISHI® OUTER NOZZLE HIGH SPEED PIERCE		
6	AL270	AM416-2197	71802197 - BQ933D044H01	AMADA® - MITSUBISHI® OUTER NOZZLE		
7	L1262	AM416-5400	7180015400 - BQ023D020H01	AMADA® NOZZLE HIGH SPEED PIERCE Ø 1.7		
8	AL345	AM416-0009	71800009 - P921K000P25 - JPZA5-6	AMADA® SAFETY PIN		
9	AL346	AM416-A005	71800008 - L249OA005	AMADA® SAFETY SCREW		
10	AL388	MB334-W290	W290-71800107	AMADA® O-RING		

Replacement parts suitable for **AMADA®**



POS	SOSLaser Code	ALTERNATE REFERENCE	ORIGINAL CODE	DESCRIPTION	unitprice	10pack price
1	LT85	AM313-0200	T07135390200	AMADA® LENS Ø1.5 FL5.0 ASSY		
	LT95	AM313-6900	MD7136096900	AMADA® LENS Ø1.5 FL7.5 ASSY		
	A100	AM313-0001		AMADA® MOUNT FOR LENS Ø 1.5		
2	AL52	AM313-0005	71360261	AMADA® GASKET PTFE - LENS HOUSING Ø1.5		
3	LT105	AM313-6182	MD7110965200-71366182	AMADA® LENS Ø2.0 FL5.0 ASSY		
	LT110	AM313-8467	MD7110965300-71368467	AMADA® LENS Ø2.0 FL7.5 ASSY		
	LT115	AM313-5400	MD7110965400	AMADA® LENS Ø2.0 FL 10 ASSY		
	A105	AM313-0002		AMADA® MOUNT FOR LENS Ø 2.0		
4	LT205	AM313-8000	T07110968000	AMADA® LENS Ø1.5 FL5.0 HP ASSY FOR F.O.		
	LT210	AM313-8100	T07110968100	AMADA® LENS Ø1.5 FL7.5 HP ASSY FOR F.O.		
	A107	AM313-0003		AMADA® MOUNT FOR LENS Ø1.5 F.O. ALUMINIUM		
5	AL149	AM313-9513	71361393	AMADA® GASKET PTFE - LENS HOUSING Ø2.0		
6	LT300	AM313-1300		AMADA® Ø 1.5" FL5.0" ET 7.4MM MEN MP5 FONT		
	LT305	AM313-1305	71501072 - 11040081	AMADA® Ø 1.5" FL5.0" ET 7.6MM PO/CX ASSY FONT		
	LT310	AM313-1310	71501070	AMADA® Ø 1.5" FL7.5" ET 7.6MM PO/CX ASSY FONT		
	LT315	AM313-1315	71502030	AMADA® Ø 1.5" FL10.0" ET7.6MM PO/CX ASSY FONT		
	LT320	AM313-1320		AMADA® Ø 1.5" FL 7.5" ET 7.4MM MP5 MEN		
	A109	AM313-50FO		AMADA® MOUNT FOR LENS FL 5.0" FONT		
	A112	AM313-75FO		AMADA® MOUNT FOR LENS FL 7.5" FONT		
7	AL249	AM313-1071	71501071	AMADA® GASKET FOR LENS FONT		
	LH304725P	MB312-505		IIVI LENS Ø 2.0" - FL 5.0" - ET 7,87mm		
	LH892020P	MB312-510		IIVI LENS Ø 2.0" - FL 7.5" - ET 7.87MM PO/CX		
8	LT405	AM313-2050	0	AMADA® Ø 2.0" FL5.0" ET 9.6MM PO/CX ASSY F1		
	LT410	AM313-2075	797341900-71710030000	AMADA® Ø 2.0" FL7.5" ET 9.6MM PO/CX ASSY F1		

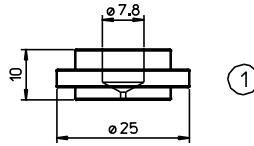
Replacement parts suitable for **AMADA®**



POS	SOSLaser Code	ALTERNATE REFERENCE	ORIGINAL CODE	DESCRIPTION	unitprice	10pack price
1	AL56	AM313-0004		AMADA® GASKET PTFE FOR SENSOR HEAD		
2	AL200	AM313-1901	71341630	AMADA® CONNECTING CABLE HS 5 305 mm		
3	AL260	AM308-8965	71398965	AMADA® CONNECTING CABLE HS-15 FO 315 mm		
4	AL263	AM308-0001		AMADA® SENSOR CABLE CONNECTOR		

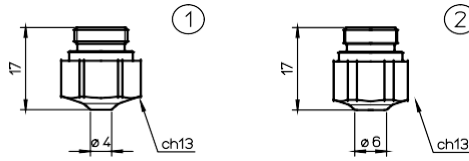
FILTERS						
5	71232023	AM313-2023	71232023	AMADA® MAZAK® FILTER VACUUM PUMP		

Replacement parts suitable for **BEHRENS®**



POS	SOSLaser Code	ALTERNATE REFERENCE	ORIGINAL CODE	DESCRIPTION	Unit price	10 pack price
1	L242	BE371-0001		BEHRENS® NOZZLE Ø 0.8		
	L243	BE371-0002		BEHRENS® NOZZLE Ø 1.0		
	L244	BE371-0003		BEHRENS® NOZZLE Ø 1.2		
	L245	BE371-0004		BEHRENS® NOZZLE Ø 1.5		
	L246	BE371-0005		BEHRENS® NOZZLE Ø 2.0		

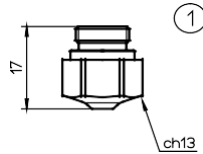
Replacement parts suitable for **BYSTRONIC®**



CP = Chrome Plated

POS	SOSLaser Code	ALTERNATE REFERENCE	ORIGINAL CODE	DESCRIPTION	Unit price	10pack price
1	L674	BY310-4277	3-04277 HK08	BYSTRONIC® NOZZLE Ø 0.8 HD		
	L30674	BY310-4277X	3-04277 HK08	BYSTRONIC® NOZZLE Ø0.8 HD		
	L72	BY310-1910	3-01910 HK10	BYSTRONIC® NOZZLE Ø 1.0 HD		
	L3072	BY310-1910X	3-01910 HK10	BYSTRONIC® NOZZLE Ø1.0 HD		
	L121	BY310-1911	3-01911 HK12	BYSTRONIC® NOZZLE Ø 1.25 HD		
	L30121	BY310-1911X	3-01911 HK12	BYSTRONIC® NOZZLE Ø1.25 HD		
	L73	BY310-1912	3-01912 HK15	BYSTRONIC® NOZZLE Ø 1.5 HD		
	L3073	BY310-1912X	3-01912 HK15	BYSTRONIC® NOZZLE Ø1.5 HD		
	L122	BY310-1913	3-01913 HK17	BYSTRONIC® NOZZLE Ø 1.75 HD		
	L30122	BY310-1913X	3-01913 HK17	BYSTRONIC® NOZZLE Ø1.75 HD		
	L72X	BY310-1910CP	3-01910 HK10	BYSTRONIC® NOZZLE Ø 1.0 HD CP		
	L3072X	BY310-1910CPX	3-01910 HK10	BYSTRONIC® NOZZLE Ø1.0 HD CP		
	L121X	BY310-1911CP	3-01911 HK12	BYSTRONIC® NOZZLE Ø 1.25 HD CP		
	L30121X	BY310-1911CPX	3-01911 HK12	BYSTRONIC® NOZZLE Ø1.25 HD CP		
	L73X	BY310-1912CP	3-01912 HK15	BYSTRONIC® NOZZLE Ø 1.5 HD CP		
	L3073X	BY310-1912CPX	3-01912 HK15	BYSTRONIC® NOZZLE Ø 1.5 HD CP		
L122X	BY310-1913CP	3-01913 HK17	BYSTRONIC® NOZZLE Ø 1.75 HD CP			
L30122X	BY310-1913CPX	3-01913 HK17	BYSTRONIC® NOZZLE Ø1.75 HD CP			
2	L123	BY310-1914	3-01914 HK20	BYSTRONIC® NOZZLE Ø 2.0 HD		
	L30123	BY310-1914X	3-01914 HK20	BYSTRONIC® NOZZLE Ø2.0 HD		
	L140	BY310-1915	3-03854 HK25	BYSTRONIC® NOZZLE Ø 2.5 HD		
	L30140	BY310-1915X	3-03854 HK25	BYSTRONIC® NOZZLE Ø2.5 HD		
	L265	BY310-6112	3-06112 HK30	BYSTRONIC® NOZZLE Ø 3.0 HD		
	L30265	BY310-6112X	3-06112 HK30	BYSTRONIC® NOZZLE Ø3.0 HD		
	L700	BY310-0035	HK35	BYSTRONIC® NOZZLE Ø 3.5 HD		
	L30700	BY310-0035X	HK35	BYSTRONIC® NOZZLE Ø3.5 HD		
	L701	BY310-0040	HK40	BYSTRONIC® NOZZLE Ø 4.0 HD		
	L30701	BY310-0040X	HK40	BYSTRONIC® NOZZLE Ø4.0 HD		
	L123X	BY310-1914CP	3-01914 HK20	BYSTRONIC® NOZZLE Ø 2.0 HD CP		
	L30123X	BY310-1914CPX	3-01914 HK20	BYSTRONIC® NOZZLE Ø2.0 HD CP		
	L140X	BY310-1915CP	3-03854 HK25	BYSTRONIC® NOZZLE Ø 2.5 HD CP		
	L30140X	BY310-1915CPX	3-03854 HK25	BYSTRONIC® NOZZLE Ø2.5 HD CP		
	L265X	BY310-6112CP	3-06112 HK30	BYSTRONIC® NOZZLE Ø 3.0 HD CP		
	L30265X	BY310-6112CPX	3-06112 HK30	BYSTRONIC® NOZZLE Ø3.0 HD CP		
L700X	BY310-0035CP	HK35	BYSTRONIC® NOZZLE Ø 3.5 HD CP			
L30700X	BY310-0035CPX	HK35	BYSTRONIC® NOZZLE Ø 3.5 HD CP			
L701X	BY310-0040CP	HK40	BYSTRONIC® NOZZLE Ø 4.0 HD CP			
L30701X	BY310-0040CPX	HK40	BYSTRONIC® NOZZLE Ø 4.0 HD CP			

Replacement parts suitable for **BYSTRONIC®**

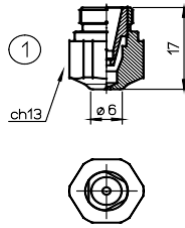


CP = Chrome Plated

POS	SOSLaser Code	ALTERNATE REFERENCE	ORIGINAL CODE	DESCRIPTION	Unit price	10 pack price
	L83	BY310-4273	3-04273 K08	BYSTRONIC® NOZZLE Ø 0.8		
	L3083	BY310-4273X	3-04273 K08	BYSTRONIC® NOZZLE Ø 0.8		
	L116	BY310-1905	3-01905 K10	BYSTRONIC® NOZZLE Ø 1.0		
	L30116	BY310-1905X	3-01905 K10	BYSTRONIC® NOZZLE Ø1.0		
	L117	BY310-1906	3-01906 K12	BYSTRONIC® NOZZLE Ø 1.25		
	L30117	BY310-1906X	3-01906 K12	BYSTRONIC® NOZZLE Ø 1.25		
	L118	BY310-1907	3-01907 K15	BYSTRONIC® NOZZLE Ø 1.5		
	L30118	BY310-1907X	3-01907 K15	BYSTRONIC® NOZZLE Ø1.5		
	L119	BY310-1908	3-01908 K17	BYSTRONIC® NOZZLE Ø 1.75		
	L30119	BY310-1908X	3-01908 K17	BYSTRONIC® NOZZLE Ø1.75		
	L120	BY310-1909	3-01909 K20	BYSTRONIC® NOZZLE Ø 2.0		
	L30120	BY310-1909X	3-01909 K20	BYSTRONIC® NOZZLE Ø2.0		
	L675	BY310-4274	3-04274 K25	BYSTRONIC® NOZZLE Ø 2.5		
	L30675	BY310-4274X	3-04274 K25	BYSTRONIC® NOZZLE Ø2.5		
	L678	BY310-4275	3-04275 K30	BYSTRONIC® NOZZLE Ø 3.0		
	L30678	BY310-4275X	3-04275 K30	BYSTRONIC® NOZZLE Ø3.0		
1	L83X	BY310-4273CP	3-04273 K08	BYSTRONIC® NOZZLE Ø 0.8 CP		
	L3083X	BY310-4273CPX	3-04273 K08	BYSTRONIC® NOZZLE Ø0.8 CP		
	L116X	BY310-1905CP	3-01905 K10	BYSTRONIC® NOZZLE Ø 1.0 CP		
	L30116X	BY310-1905CPX	3-01905 K10	BYSTRONIC® NOZZLE Ø1.0 CP		
	L117X	BY310-1906CP	3-01906 K12	BYSTRONIC® NOZZLE Ø 1.25 CP		
	L30117X	BY310-1906CPX	3-01906 K12	BYSTRONIC® NOZZLE Ø1.25 CP		
	L118X	BY310-1907CP	3-01907 K15	BYSTRONIC® NOZZLE Ø 1.5 CP		
	L30118X	BY310-1907CPx	3-01907 K15	BYSTRONIC® NOZZLE Ø1.5 CP		
	L119X	BY310-1908CP	3-01908 K17	BYSTRONIC® NOZZLE Ø 1.75 CP		
	L30119X	BY310-1908CPX	3-01908 K17	BYSTRONIC® NOZZLE Ø1.75 CP		
	L120X	BY310-1909CP	3-01909 K20	BYSTRONIC® NOZZLE Ø 2.0 CP		
	L30120X	BY310-1909CPX	3-01909 K20	BYSTRONIC® NOZZLE Ø2.0 CP		
	L675X	BY310-4274CP	3-04274 K25	BYSTRONIC® NOZZLE Ø 2.5 CP		
	L30675X	BY310-4274CPX	3-04274 K25	BYSTRONIC® NOZZLE Ø2.5 CP		
	L678X	BY310-2475CP	3-04275 K30	BYSTRONIC® NOZZLE Ø 3.0 CP		
	L30678X	BY310-2475CX	3-04275 K30	BYSTRONIC® NOZZLE Ø3.0 CP		

CP = CHROME PLATED

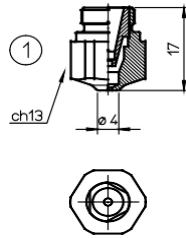
Replacement parts suitable for **BYSTRONIC®**



CP = Chrome Plated

POS	SOSLaser Code	ALTERNATE REFERENCE	ORIGINAL CODE	DESCRIPTION	Unit price	10pack price
	L1363	BY310-6058	3-16058 NK10 - 15	BYSTRONIC® DOUBLE NOZZLE Ø 1.0		
	L301363	BY310-6058X	3-16058 NK10 - 15	BYSTRONIC® DOUBLE NOZZLE Ø 1.0		
	L1364	BY310-6059	3-16059 NK12- 15	BYSTRONIC® DOUBLE NOZZLE Ø 1.25		
	L301364	BY310-6059X	3-16059 NK12- 15	BYSTRONIC® DOUBLE NOZZLE Ø 1.25		
	L1365	BY310-6060	3-16060 NK15- 15	BYSTRONIC® DOUBLE NOZZLE Ø 1.5		
	L301365	BY310-6060X	3-16060 NK15- 15	BYSTRONIC® DOUBLE NOZZLE Ø 1.5		
	L1366	BY310-4317	3-14317 NK17 - 15	BYSTRONIC® DOUBLE NOZZLE Ø 1.75		
	L301366	BY310-4317X	3-14317 NK17 - 15	BYSTRONIC® DOUBLE NOZZLE Ø 1.75		
	L604	BY310-0005	3-14318 NK20 - 15	BYSTRONIC® DOUBLE NOZZLE Ø 2.0		
	L30604	BY310-0005X	3-14318 NK20 - 15	BYSTRONIC® DOUBLE NOZZLE Ø 2.0		
	L605	BY310-0006	3-14319 NK25 - 15	BYSTRONIC® DOUBLE NOZZLE Ø 2.5		
	L30605	BY310-0006X	3-14319 NK25 - 15	BYSTRONIC® DOUBLE NOZZLE Ø 2.5		
	L612	BY310-6256	3-16256 NK25 - 20	BYSTRONIC® DOUBLE NOZZLE Ø 2.5		
	L30612	BY310-6256X	3-16256 NK25 - 20	BYSTRONIC® DOUBLE NOZZLE Ø 2.5		
	L613	BY310-6061	3-16061 NK30 - 17	BYSTRONIC® DOUBLE NOZZLE Ø 3.0		
	L30613	BY310-6061X	3-16061 NK30 - 17	BYSTRONIC® DOUBLE NOZZLE Ø 3.0		
	L606	BY310-0007	3-16257 NK30 - 20	BYSTRONIC® DOUBLE NOZZLE Ø 3.0		
	L30606	BY310-0007X	3-16257 NK30 - 20	BYSTRONIC® DOUBLE NOZZLE Ø 3.0		
	L607	BY310-3530	NK35-30	BYSTRONIC® DOUBLE NOZZLE Ø 3.5		
	L30607	BY310-3530X	NK35-30	BYSTRONIC® DOUBLE NOZZLE Ø 3.5		
1	L1363X	BY310-6058CP	3-16058 NK10 - 15	BYSTRONIC® DOUBLE NOZZLE Ø 1.0 CP		
	L301363X	BY310-6058CPX	3-16058 NK10 - 15	BYSTRONIC® DOUBLE NOZZLE Ø 1.0 CP		
	L1364X	BY310-6059CP	3-16059 NK12- 15	BYSTRONIC® DOUBLE NOZZLE Ø 1.25 CP		
	L301364X	BY310-6059CPX	3-16059 NK12- 15	BYSTRONIC® DOUBLE NOZZLE Ø 1.25 CP		
	L1365X	BY310-6060CP	3-16060 NK15- 15	BYSTRONIC® DOUBLE NOZZLE Ø 1.5 CP		
	L301365X	BY310-6060CPX	3-16060 NK15- 15	BYSTRONIC® DOUBLE NOZZLE Ø 1.5 CP		
	L1366X	BY310-4317CP	3-14317 NK17 - 15	BYSTRONIC® DOUBLE NOZZLE Ø 1.75 CP		
	L301366X	BY310-4317CPX	3-14317 NK17 - 15	BYSTRONIC® DOUBLE NOZZLE Ø 1.75 CP		
	L604X	BY310-0005CP	3-14318 NK20 - 15	BYSTRONIC® DOUBLE NOZZLE Ø 2.0 CP		
	L30604X	BY310-0005CPX	3-14318 NK20 - 15	BYSTRONIC® DOUBLE NOZZLE Ø 2.0 CP		
	L605X	BY310-0006CP	3-14319 NK25 - 15	BYSTRONIC® DOUBLE NOZZLE Ø 2.5 CP		
	L30605X	BY310-0006CPX	3-14319 NK25 - 15	BYSTRONIC® DOUBLE NOZZLE Ø 2.5 CP		
	L612X	BY310-6256CP	3-16256 NK25 - 20	BYSTRONIC® DOUBLE NOZZLE Ø 2.5 CP		
	L30612X	BY310-6256CPX	3-16256 NK25 - 20	BYSTRONIC® DOUBLE NOZZLE Ø 2.5 CP		
	L613X	BY310-6061CP	3-16061 NK30 - 17	BYSTRONIC® DOUBLE NOZZLE Ø 3.0 CP		
	L30613X	BY310-6061CPX	3-16061 NK30 - 17	BYSTRONIC® DOUBLE NOZZLE Ø 3.0 CP		
	L606X	BY310-0007CP	3-16257 NK30 - 20	BYSTRONIC® DOUBLE NOZZLE Ø 3.0 CP		
	L30606X	BY310-0007CPX	3-16257 NK30 - 20	BYSTRONIC® DOUBLE NOZZLE Ø 3.0 CP		
	L607X	BY310-3530CP	NK35-30	BYSTRONIC® DOUBLE NOZZLE Ø 3.5 CP		
	L30607X	BY310-3530CPX	NK35-30	BYSTRONIC® DOUBLE NOZZLE Ø 3.5 CP		

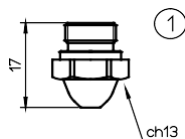
Replacement parts suitable for **BYSTRONIC®**



CP = Chrome Plated

POS	SOSLaser Code	ALTERNATE REFERENCE	ORIGINAL CODE	DESCRIPTION	Unit price	10 pack price
1	L600	BY310-0001	3-16058 NK10 - 15	BYSTRONIC® DOUBLE NOZZLE Ø 1.0		
	L30600	BY310-0001X	3-16058 NK10 - 15	BYSTRONIC® DOUBLE NOZZLE Ø 1.0		
	L601	BY310-0002	3-16059 NK12- 15	BYSTRONIC® DOUBLE NOZZLE Ø 1.25		
	L30601	BY310-0002X	3-16059 NK12 - 15	BYSTRONIC® DOUBLE NOZZLE Ø 1.25		
	L602	BY310-0003	3-16060 NK15- 15	BYSTRONIC® DOUBLE NOZZLE Ø 1.5		
	L30602	BY310-0003X	3-16060 NK15 - 15	BYSTRONIC® DOUBLE NOZZLE Ø 1.5		
	L603	BY310-0004	3-14317 NK17 - 15	BYSTRONIC® DOUBLE NOZZLE Ø 1.75		
	L30603	BY310-0004X	3-14317 NK17 - 15	BYSTRONIC® DOUBLE NOZZLE Ø 1.75		
	L600X	BY310-0001CP	3-16058 NK10- 15	BYSTRONIC® DOUBLE NOZZLE Ø 1.0 CP		
	L30600X	BY310-0001CPX	3-16058 NK10 - 15	BYSTRONIC® DOUBLE NOZZLE Ø 1.0 CP		
	L601X	BY310-0002CP	3-16059 NK12- 15	BYSTRONIC® DOUBLE NOZZLE Ø 1.25 CP		
	L30601X	BY310-0002CPX	3-16059 NK12 - 15	BYSTRONIC® DOUBLE NOZZLE Ø 1.25 CP		
	L602X	BY310-0003CP	3-16060 NK15 - 15	BYSTRONIC® DOUBLE NOZZLE Ø 1.5 CP		
	L30602X	BY310-0003CPX	3-16060 NK15 - 15	BYSTRONIC® DOUBLE NOZZLE Ø 1.5 CP		
	L603X	BY310-0004CP	3-14317 NK17 - 15	BYSTRONIC® DOUBLE NOZZLE Ø 1.75 CP		
	L30603X	BY310-0004CPX	3-14317 NK17 - 15	BYSTRONIC® DOUBLE NOZZLE Ø 1.75 CP		

Replacement parts suitable for **BYSTRONIC®**

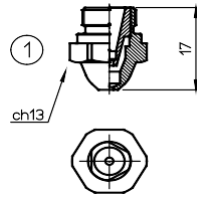


BYSPEED

CP = Chrome Plated

POS	SOSLaser Code	ALTERNATE REFERENCE	ORIGINAL CODE	DESCRIPTION	Unit price	10 pack price
	L82	BY319-4271	3-04271 08	BYSTRONIC® NOZZLE Ø 0.8		
	L3082	BY319-4271X	3-04271 08	BYSTRONIC® NOZZLE Ø 0.8		
	L98	BY319-1894	3-01894 10	BYSTRONIC® NOZZLE Ø 1.0		
	L3098	BY319-1894X	3-01894 10	BYSTRONIC® NOZZLE Ø 1.0		
	L99	BY319-1895	3-01895 12	BYSTRONIC® NOZZLE Ø 1.25		
	L3099	BY319-1895X	3-01895 12	BYSTRONIC® NOZZLE Ø 1.25		
	L100	BY319-1896	3-01896 15	BYSTRONIC® NOZZLE Ø 1.5		
	L30100	BY319-1896X	3-01896 15	BYSTRONIC® NOZZLE Ø 1.5		
	L101	BY319-0897	3-01897 17	BYSTRONIC® NOZZLE Ø 1.75		
	L30101	BY319-1897	3-01897 17	BYSTRONIC® NOZZLE Ø 1.75		
	L102	BY319-1898	3-01898 20	BYSTRONIC® NOZZLE Ø 2.0		
	L30102	BY319-1898X	3-01898 20	BYSTRONIC® NOZZLE Ø 2.0		
	L676	BY319-4272	3-04272 25	BYSTRONIC® NOZZLE Ø 2.5		
	L30676	BY319-4272X	3-04272 25	BYSTRONIC® NOZZLE Ø 2.5		
	L673	BY319-4275	3-04275 H08	BYSTRONIC® NOZZLE Ø 0.8 HD		
	L30673	BY319-4275X	3-04275 H08	BYSTRONIC® NOZZLE Ø 0.8 HD		
	L88	BY319-1899	3-01899 H10	BYSTRONIC® NOZZLE Ø 1.0 HD		
	L3088	BY319-1899X	3-01899 H10	BYSTRONIC® NOZZLE Ø 1.0 HD		
	L103	BY319-1900	3-01900 H12	BYSTRONIC® NOZZLE Ø 1.25 HD		
	L30103	BY319-1900X	3-01900 H12	BYSTRONIC® NOZZLE Ø 1.25 HD		
	L104	BY319-1901	3-01901 H15	BYSTRONIC® NOZZLE Ø 1.5 HD		
	L30104	BY319-1901X	3-01901 H15	BYSTRONIC® NOZZLE Ø 1.5 HD		
1	L105	BY319-1902	3-01902 H17	BYSTRONIC® NOZZLE Ø 1.75 HD		
	L30105	BY319-1902X	3-01902 H17	BYSTRONIC® NOZZLE Ø 1.75 HD		
	L106	BY319-1903	3-01903 H20	BYSTRONIC® NOZZLE Ø 2.0 HD		
	L30106	BY319-1903X	3-01903 H20	BYSTRONIC® NOZZLE Ø 2.0 HD		
	L677	BY319-4276	3-04276 H25	BYSTRONIC® NOZZLE Ø 2.5 HD		
	L30677	BY319-4276X	3-04276 H25	BYSTRONIC® NOZZLE Ø 2.5 HD		
	L679	BY319-0030	H30	BYSTRONIC® NOZZLE Ø 3.0 HD		
	L30679	BY319-0030X	H30	BYSTRONIC® NOZZLE Ø 3.0 HD		
	L88X	BY319-1899CP	3-01899 H10	BYSTRONIC® NOZZLE Ø 1.0 HD CP		
	L3088X	BY319-1899CPX	3-01899 H10	BYSTRONIC® NOZZLE Ø 1.0 HD CP		
	L103X	BY319-0900CP	3-01900 H12	BYSTRONIC® NOZZLE Ø 1.25 HD CP		
	L30103X	BY319-0900CPX	3-01900 H12	BYSTRONIC® NOZZLE Ø 1.25 HD CP		
	L104X	BY319-1901CP	3-01901 H15	BYSTRONIC® NOZZLE Ø 1.5 HD CP		
	L30104X	BY319-1901CPX	3-01901 H15	BYSTRONIC® NOZZLE Ø 1.5 HD CP		
	L105X	BY319-1902CP	3-01902 H17	BYSTRONIC® NOZZLE Ø 1.75 HD CP		
	L30105X	BY319-1902CPX	3-01902 H17	BYSTRONIC® NOZZLE Ø 1.75 HD CP		
	L106X	BY319-1903CP	3-01903 H20	BYSTRONIC® NOZZLE Ø 2.0 HD CP		
	L30106X	BY319-1903CPX	3-01903 H20	BYSTRONIC® NOZZLE Ø 2.0 HD CP		
	L677X	BY319-4276CP	3-04276 H25	BYSTRONIC® NOZZLE Ø 2.5 HD CP		
	L30677X	BY319-4276CPX	3-04276 H25	BYSTRONIC® NOZZLE Ø 2.5 HD CP		
	L679X	BY319-0030CP	H30	BYSTRONIC® NOZZLE Ø 3.0 HD CP		
	L30679X	BY319-0030CPX	H30	BYSTRONIC® NOZZLE Ø 3.0 HD CP		

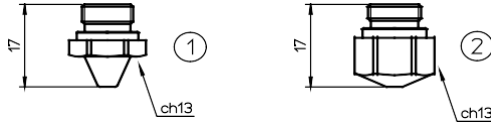
Replacement parts suitable for **BYSTRONIC®**



CP = Chrome Plated

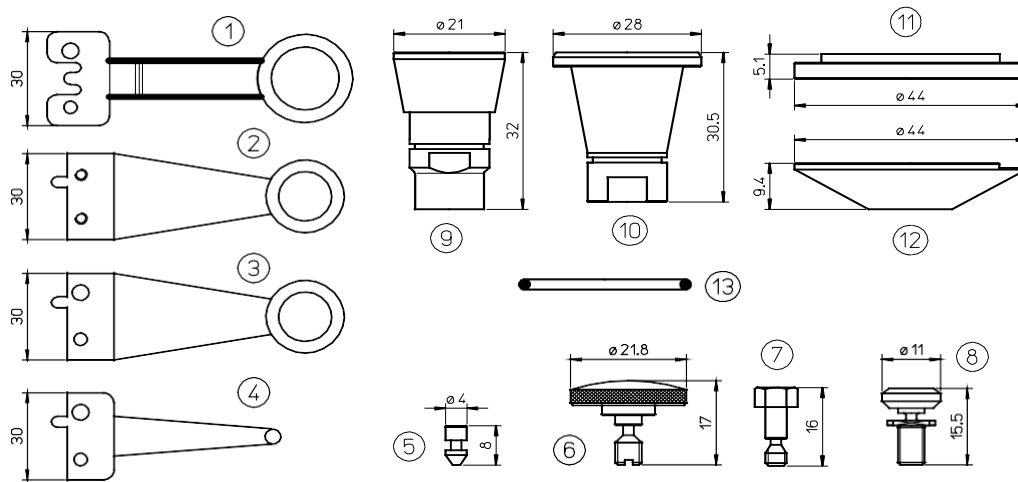
POS	SOSLaser Code	ALTERNATE REFERENCE	ORIGINAL CODE	DESCRIPTION	Unit price	10pack price
	L1250	BY319-1015	N10-15	BYSTRONIC® DOUBLE NOZZLE Ø 1.0		
	L301250	BY319-1015X	N10-15	BYSTRONIC® DOUBLE NOZZLE Ø 1.0		
	L1251	BY319-1215	N12-15	BYSTRONIC® DOUBLE NOZZLE Ø 1.25		
	L301251	BY319-1215X	N12-15	BYSTRONIC® DOUBLE NOZZLE Ø 1.25		
	L1252	BY319-1515	N15-15	BYSTRONIC® DOUBLE NOZZLE Ø 1.5		
	L301252	BY319-1515X	N15-15	BYSTRONIC® DOUBLE NOZZLE Ø 1.5		
	L1253	BY319-1715	N17-15	BYSTRONIC® DOUBLE NOZZLE Ø 1.75		
	L301253	BY319-1715X	N17-15	BYSTRONIC® DOUBLE NOZZLE Ø 1.75		
	L1254	BY319-2015	N20-15	BYSTRONIC® DOUBLE NOZZLE Ø 2.0		
	L301254	BY319-2015X	N20-15	BYSTRONIC® DOUBLE NOZZLE Ø 2.0		
	L1255	BY319-2515	N25-15	BYSTRONIC® DOUBLE NOZZLE Ø 2.5		
	L301255	BY319-2515X	N25-15	BYSTRONIC® DOUBLE NOZZLE Ø 2.5		
	L1256	BY319-2520	N25-20	BYSTRONIC® DOUBLE NOZZLE Ø 2.5		
	L301256	BY319-2520X	N25-20	BYSTRONIC® DOUBLE NOZZLE Ø 2.5		
	L1257	BY319-3017	N30-17	BYSTRONIC® DOUBLE NOZZLE Ø 3.0		
	L301257	BY319-3017X	N30-17	BYSTRONIC® DOUBLE NOZZLE Ø 3.0		
	L1258	BY319-3020	N30-20	BYSTRONIC® DOUBLE NOZZLE Ø 3.0		
	L301258	BY319-3020X	N30-20	BYSTRONIC® DOUBLE NOZZLE Ø 3.0		
1	L1250X	BY319-1015CP	N10-15	BYSTRONIC® DOUBLE NOZZLE Ø 1.0 CP		
	L301250X	BY319-1015CPX	N10-15	BYSTRONIC® DOUBLE NOZZLE Ø 1.0 CP		
	L1251X	BY319-1215CP	N12-15	BYSTRONIC® DOUBLE NOZZLE Ø 1.25 CP		
	L301251X	BY319-1215CPX	N12-15	BYSTRONIC® DOUBLE NOZZLE Ø 1.25 CP		
	L1252X	BY319-1515CP	N15-15	BYSTRONIC® DOUBLE NOZZLE Ø 1.5 CP		
	L301252X	BY319-1515CPX	N15-15	BYSTRONIC® DOUBLE NOZZLE Ø 1.5 CP		
	L1253X	BY319-1715CP	N17-15	BYSTRONIC® DOUBLE NOZZLE Ø 1.75 CP		
	L301253X	BY319-1715CPX	N17-15	BYSTRONIC® DOUBLE NOZZLE Ø 1.75 CP		
	L1254X	BY319-2015CP	N20-15	BYSTRONIC® DOUBLE NOZZLE Ø 2.0 CP		
	L301254X	BY319-2015CPX	N20-15	BYSTRONIC® DOUBLE NOZZLE Ø 2.0 CP		
	L1255X	BY319-2515CP	N25-15	BYSTRONIC® DOUBLE NOZZLE Ø 2.5 CP		
	L301255X	BY319-2515CPX	N25-15	BYSTRONIC® DOUBLE NOZZLE Ø 2.5 CP		
	L1256X	BY319-2520CP	N25-20	BYSTRONIC® DOUBLE NOZZLE Ø 2.5 CP		
	L301256X	BY319-2520CPX	N25-20	BYSTRONIC® DOUBLE NOZZLE Ø 2.5 CP		
	L1257X	BY319-3017CP	N30-17	BYSTRONIC® DOUBLE NOZZLE Ø 3.0 CP		
	L301257X	BY319-3017CPX	N30-17	BYSTRONIC® DOUBLE NOZZLE Ø 3.0 CP		
	L1258X	BY319-3020CP	N30-20	BYSTRONIC® DOUBLE NOZZLE Ø 3.0 CP		
	L301258X	BY319-3020CPX	N30-20	BYSTRONIC® DOUBLE NOZZLE Ø 3.0 CP		

Replacement parts suitable for **BYSTRONIC®**



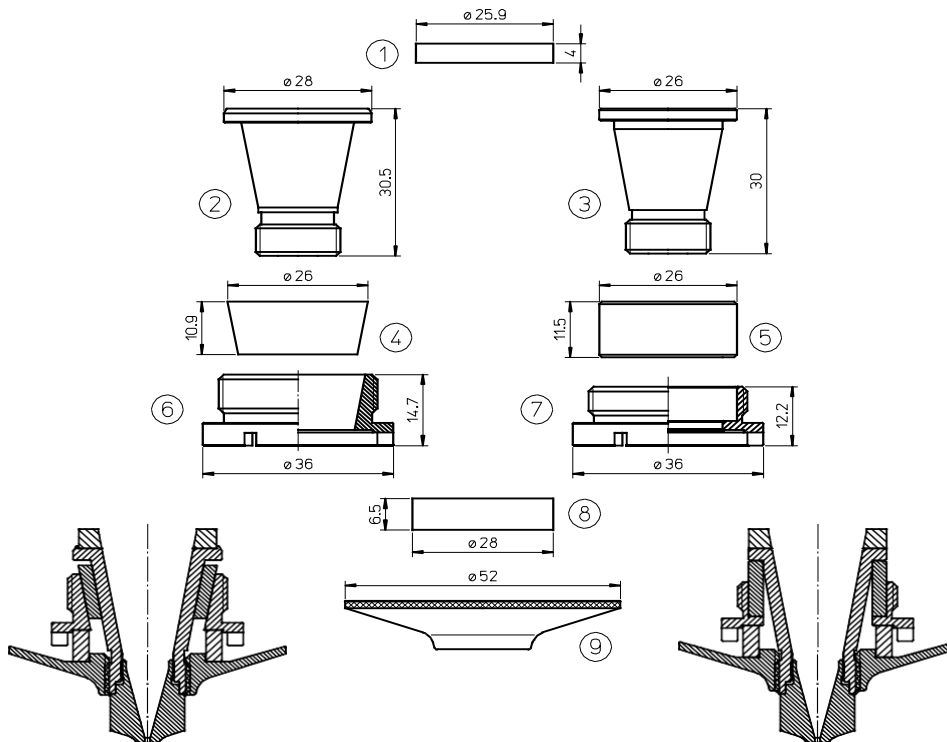
POS	SOSLaser Code	ALTERNATE REFERENCE	ORIGINAL CODE	DESCRIPTION	Unit price	10 pack price
1	L22	BY318-4271	3-04271 08	BYSTRONIC® NOZZLE Ø 0.8		
	L3022	BY318-4271X	3-04271 08	BYSTRONIC® NOZZLE Ø 0.8		
	L14	BY318-1894	3-01894 10	BYSTRONIC® NOZZLE Ø 1.0		
	L3014	BY318-1894X	3-01894 10	BYSTRONIC® NOZZLE Ø 1.0		
	L41	BY318-1895	3-01895 12	BYSTRONIC® NOZZLE Ø 1.25		
	L3041	BY318-1895X	3-01895 12	BYSTRONIC® NOZZLE Ø 1.25		
	L17	BY318-1896	3-01896 15	BYSTRONIC® NOZZLE Ø 1.5		
	L3017	BY318-1896X	3-01896 15	BYSTRONIC® NOZZLE Ø 1.5		
	L42	BY318-1897	3-01897 17	BYSTRONIC® NOZZLE Ø 1.75		
	L3042	BY318-1897X	3-01897 17	BYSTRONIC® NOZZLE Ø 1.75		
	L33	BY318-1898	3-01898 20	BYSTRONIC® NOZZLE Ø 2.0		
	L3033	BY318-1898X	3-01898 20	BYSTRONIC® NOZZLE Ø 2.0		
	L43	BY318-1899	3-01899 H10	BYSTRONIC® NOZZLE Ø 1.0 HD		
	L3043	BY318-1899X	3-01899 H10	BYSTRONIC® NOZZLE Ø 1.0 HD		
	L16	BY318-1900	3-01900 H12	BYSTRONIC® NOZZLE Ø 1.25 HD		
	L3016	BY318-1900X	3-01900 H12	BYSTRONIC® NOZZLE Ø 1.25 HD		
	L44	BY318-1901	3-01901 H15	BYSTRONIC® NOZZLE Ø 1.5 HD		
	L3044	BY318-1901X	3-01901 H15	BYSTRONIC® NOZZLE Ø 1.5 HD		
	L45	BY318-1902	3-01902 H17	BYSTRONIC® NOZZLE Ø 1.75 HD		
	L3045	BY318-1902X	3-01902 H17	BYSTRONIC® NOZZLE Ø 1.75 HD		
	L46	BY318-1903	3-01903 H20	BYSTRONIC® NOZZLE Ø 2.0 HD		
	L3046	BY318-1903X	3-01903 H20	BYSTRONIC® NOZZLE Ø 2.0 HD		
	2	L71	BY320-4273	3-04273 K08	BYSTRONIC® NOZZLE Ø 0.8	
L3071		BY320-4273X	3-04273 K08	BYSTRONIC® NOZZLE Ø 0.8		
L107		BY320-1905	3-01905 K10	BYSTRONIC® NOZZLE Ø 1.0		
L30107		BY320-1905X	3-01905 K10	BYSTRONIC® NOZZLE Ø 1.0		
L108		BY320-1906	3-01906 K12	BYSTRONIC® NOZZLE Ø 1.25		
L30108		BY320-1906X	3-01906 K12	BYSTRONIC® NOZZLE Ø 1.25		
L109		BY320-1907	3-01907 K15	BYSTRONIC® NOZZLE Ø 1.5		
L30109		BY320-1907X	3-01907 K15	BYSTRONIC® NOZZLE Ø 1.5		
L110		BY320-1908	3-01908 K17	BYSTRONIC® NOZZLE Ø 1.75		
L30110		BY320-1908X	3-01908 K17	BYSTRONIC® NOZZLE Ø 1.75		
L111		BY320-1909	3-01909 K20	BYSTRONIC® NOZZLE Ø 2.0		
L30111		BY320-1909X	3-01909 K20	BYSTRONIC® NOZZLE Ø 2.0		
L89		BY320-1910	3-01910 HK10	BYSTRONIC® NOZZLE Ø 1.0 HD		
L3089		BY320-1910X	3-01910 HK10	BYSTRONIC® NOZZLE Ø 1.0 HD		
L112		BY320-1911	3-01911 HK12	BYSTRONIC® NOZZLE Ø 1.25 HD		
L30112		BY320-1911X	3-01911 HK12	BYSTRONIC® NOZZLE Ø 1.25 HD		
L113		BY320-1912	3-01912 HK15	BYSTRONIC® NOZZLE Ø 1.5 HD		
L30113		BY320-1912X	3-01912 HK15	BYSTRONIC® NOZZLE Ø 1.5 HD		
L114		BY320-1913	3-01913 HK17	BYSTRONIC® NOZZLE Ø 1.75 HD		
L30114		BY320-1913X	3-01913 HK17	BYSTRONIC® NOZZLE Ø 1.75 HD		
L115	BY320-1914	3-01914 HK20	BYSTRONIC® NOZZLE Ø 2.0 HD			
L30115	BY320-1914X	3-01914 HK20	BYSTRONIC® NOZZLE Ø 2.0 HD			

Replacement parts suitable for **BYSTRONIC®**



POS	SOSLaser Code	ALTERNATE REFERENCE	ORIGINAL CODE	DESCRIPTION	Unit price	10 pack price
1	AL26	BY328-5530	3-05530	BYSTRONIC® SCANNER		
2	AL5	BY328-2015	2-01262	BYSTRONIC® SCANNER		
3	AL252	BY328-0015	2-02015	BYSTRONIC® SCANNER		
4	AL251	BY328-2016	2-02016	BYSTRONIC® BALL SCANNER		
5	AL24	BY328-3137	4-03137	BYSTRONIC® PIN		
6	AL25	BY328-3136	4-03136	BYSTRONIC® KNURLED SCREW - BRASS		
7	AL1	BY328-0324	4-00324	BYSTRONIC® KNURLED SCREW		
8	AL208	BY328-9001	3-09001	BYSTRONIC® SCREW FOR CROSS-JET		
9	AL188	BY328-2291	3-02291	BYSTRONIC® NOZZLE BODY		
10	AL102	BY328-5497	3-05497	BYSTRONIC® COPPER NOZZLE BODY		
11	AL206	BY328-3663-T	3-03663-T	BYSTRONIC® PTFE DISC		
12	AL205	BY328-3663-C	3-03663-C	BYSTRONIC® SIGNBOARD		
13	AL225	BY328-1300	3141300	BYSTRONIC® O'RING		
	AL226	BY328-1122	3141122	BYSTRONIC® O'RING		
	3140236	BY328-0236	3140236	BYSTRONIC® O'RING		
	AL99	BY328-0820	3140820	BYSTRONIC® O'RING FOR LENS		
	AL246	BY328-0004		BYSTRONIC® SCREW KIT (3 PCS) FOR AL205		

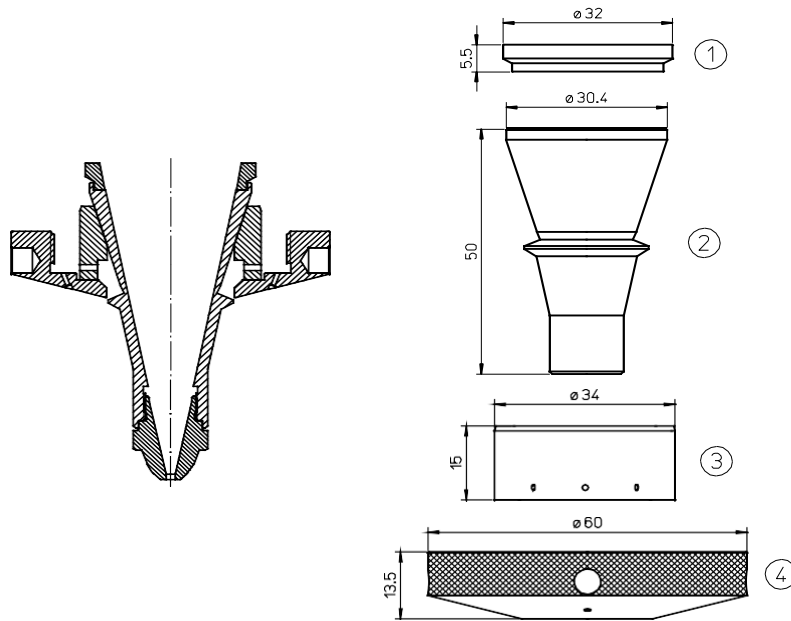
Replacement parts suitable for **BYSTRONIC®**



CP = Chrome Plated

POS	SOSLaser Code	ALTERNATE REFERENCE	ORIGINAL CODE	DESCRIPTION	Unit price	10pack price
1	AL125	BY328-0642	4-01642	BYSTRONIC® CERAMIC INSULATING DISC		
	AL231	BY328-1642	4-01642	BYSTRONIC® CERAMIC INSULATING DISC NEW VERSION		
2	AL172	BY328-8701	2-08701	BYSTRONIC® NOZZLE BODY		
3	AL423	BY359-2930	10032930	BYSTRONIC® NOZZLE BODY		
4	AL124	BY328-0959	4-01959	BYSTRONIC® CERAMIC CONE		
	AL230	BY328-1959	4-01959	BYSTRONIC® CERAMIC CONE - NEW VERSION		
5	AL425	BY359-2838	10032838	BYSTRONIC® CERAMIC INSULATING RING		
6	AL174	BY328-1071	3-11071	BYSTRONIC® FASTENING NUT		
7	AL424	BY359-2839	10032839	BYSTRONIC® FASTENING NUT		
8	AL126	BY328-9010	4-09010	BYSTRONIC® CERAMIC INSULATING RING		
9	AL173	BY328-8700	2-08700	BYSTRONIC® SIGNBOARD		
	AL173X	BY328-0005	2-08700	BYSTRONIC® SIGNBOARD CP		

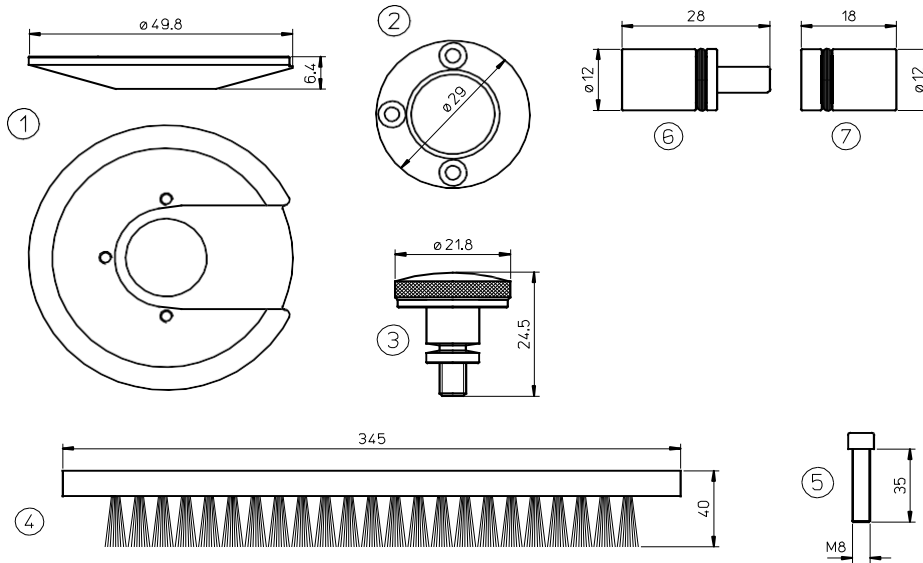
Replacement parts suitable for **BYSTRONIC®**



BYSPED

POS	SOSLaser Code	ALTERNATE REFERENCE	ORIGINAL CODE	DESCRIPTION	Unit price	10 pack price
1	AL215	BY359-3113	3-13113	BYSTRONIC® INSULATING RING		
2	AL214	BY359-0837	2-10837	BYSTRONIC® NOZZLE BODY		
3	AL216	BY359-3422	3-13422	BYSTRONIC® INSULATING RING WITH HOLES		
4	AL258	BY359-3110	3-13110	BYSTRONIC® SHIELD COPPER		

Replacement parts suitable for *BYSTRONIC*®



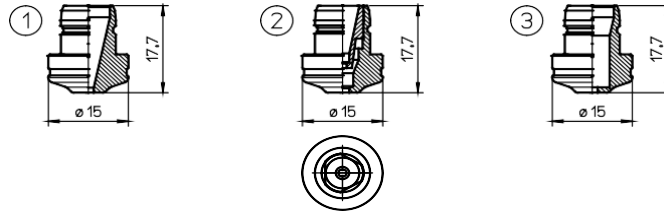
POS	SOSLaser Code	ALTERNATE REFERENCE	ORIGINAL CODE	DESCRIPTION	Unit price	10 pack price
1	AL222	BY359-6035	3-06035	BYSTRONIC® SIGNBOARD COPPER ONLY		
	AL245	BY359-0001	0	BYSTRONIC® SCREW KIT (3 PCS) FOR AL222		
2	AL120	BY328-328-1	3-06035-T	BYSTRONIC® DISC PTFE		
3	AL209	BY328-4976	4-04976	BYSTRONIC® KNURLED SCREW		
4	AL300	BY328-6511	2-06511	BYSTRONIC® BRUSH 345x30x20 WITH SCREWS		
5	333884	BY328-3884	333884	BYSTRONIC®/MAZAK® PLASTIC SCREWS - 2 pcs		
6	AL416	BY328-3207	7023207	BYSTRONIC® MALE WATER CONNECTOR		
7	AL417	BY328-3208	7023208	BYSTRONIC® FEMALE WATER CONNECTOR		
	AL418	BY327-3210	7023207 + 7023208	BYSTRONIC® WATER CONNECTOR MALE + FEMALE		

OILS AND FILTERS

Oils only for domestic market

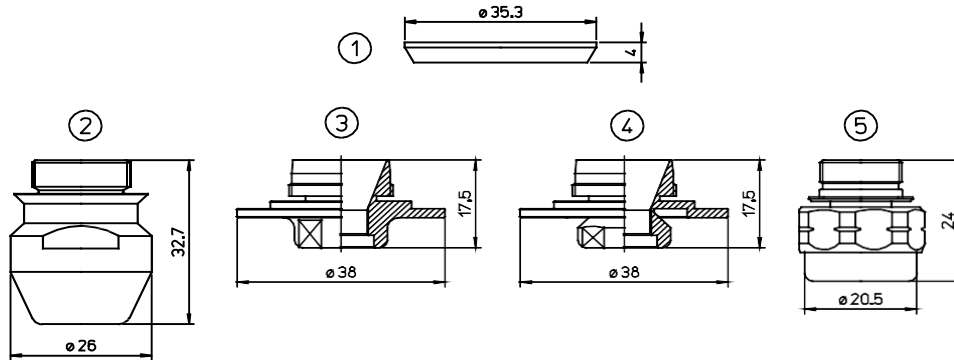
POS	SOSLaser Code	ALTERNATE REFERENCE	ORIGINAL CODE	DESCRIPTION	Unit price	10 pack price
	8861850	0	8861850	BYSTRONIC® CROSS-JET OIL LT5		
	8861850-25	0	8861850-25	BYSTRONIC® CROSS-JET OIL LT25		
	7004621	BY328-0020	D020	BYSTRONIC® AIR FILTER DELTEC		
	7001341	BY328-4753	71064753	BYSTRONIC® VACUUM PUMP FILTER		
	8820145	BY328-0145	8820145	BYSTRONIC® WATER FILTER 60/MC		
	8820154	BY328-0154	8820154	BYSTRONIC® WATER FILTER 140/MC		
	7509417	BY328-9417	A37100MFO	BYSTRONIC® GREEN AIR FILTER 37X106		
	7509412	BY328-9412	7509293	BYSTRONIC® AIR FILTER ACTIVE COAL - SHORT mm.95,00		
	7509412 - long	BY328-9412L	57002	BYSTRONIC® AIR FILTER ACTIVE COAL - LONG mm.190,00		
	502456	BY328-2456	502456	BYSTRONIC® VACUUM PUMP FILTER 4000W		

Replacement parts suitable for **BYSTRONIC®**



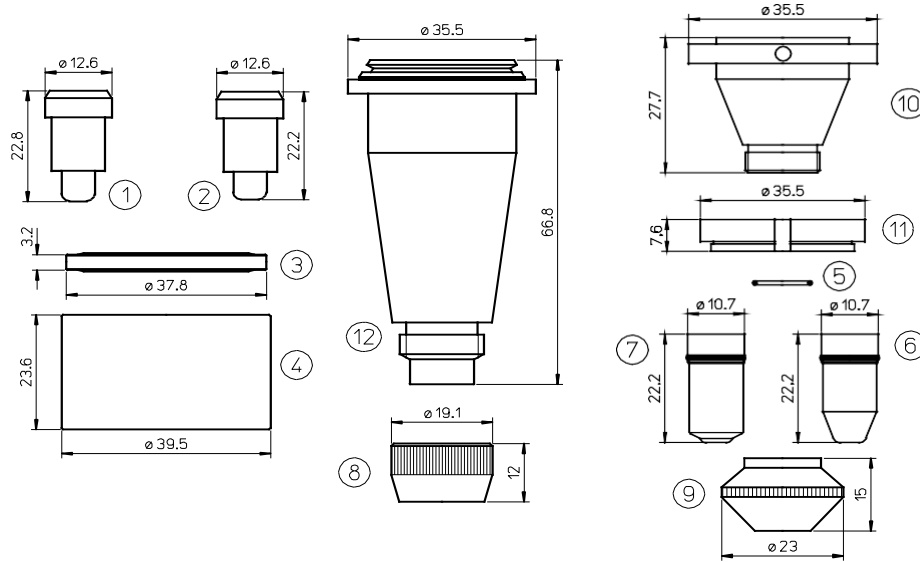
POS	SOSLaser Code	ALTERNATE REFERENCE	ORIGINAL CODE	DESCRIPTION	Unitprice	10pack price
1	L1660	BY310-8529	10048529 - HK8	BYSTRONIC® NOZZLE Ø 0.8		
	L301660	BY310-8529X	10048529 - HK8	BYSTRONIC® NOZZLE Ø 0.8		
	L1661	BY310-5266	10035266 - HK10	BYSTRONIC® NOZZLE Ø 1.0		
	L301661	BY310-5266X	10035266 - HK10	BYSTRONIC® NOZZLE Ø 1.0		
	L1662	BY310-5267	10035267 - HK12	BYSTRONIC® NOZZLE Ø 1.2		
	L301662	BY310-5267X	10035267 - HK12	BYSTRONIC® NOZZLE Ø 1.2		
	L1663	BY310-5268	10035268 - HK15	BYSTRONIC® NOZZLE Ø 1.5		
	L301663	BY310-5268X	10035268 - HK15	BYSTRONIC® NOZZLE Ø 1.5		
	L1664	BY310-5269	10035269 - HK17	BYSTRONIC® NOZZLE Ø 1.7		
	L301664	BY310-5269X	10035269 - HK17	BYSTRONIC® NOZZLE Ø 1.7		
	L1665	BY310-5270	10035270 - HK20	BYSTRONIC® NOZZLE Ø 2.0		
	L301665	BY310-5270X	10035270 - HK20	BYSTRONIC® NOZZLE Ø 2.0		
	L1666	BY310-5271	10035271 - HK25	BYSTRONIC® NOZZLE Ø 2.5		
	L301666	BY310-5271X	10035271 - HK25	BYSTRONIC® NOZZLE Ø 2.5		
	L1667	BY310-5272	10035272 - HK30	BYSTRONIC® NOZZLE Ø 3.0		
	L301667	BY310-5272X	10035272 - HK30	BYSTRONIC® NOZZLE Ø 3.0		
	L1668	BY310-9744	10049744 - HK35	BYSTRONIC® NOZZLE Ø 3.5		
	L301668	BY310-9744X	10049744 - HK35	BYSTRONIC® NOZZLE Ø 3.5		
2	L1670	BY310-9747	10049747 - NK1015	BYSTRONIC® DOUBLE NOZZLE Ø 1.0		
	L301670	BY310-9747X	10049747 - NK1015	BYSTRONIC® DOUBLE NOZZLE Ø 1.0		
	L1671	BY310-5275	10035275 - NK1215	BYSTRONIC® DOUBLE NOZZLE Ø 1.2		
	L301671	BY310-5275X	10035275 - NK1215	BYSTRONIC® DOUBLE NOZZLE Ø 1.2		
	L1672	BY310-5278	10035278 - NK1515	BYSTRONIC® DOUBLE NOZZLE Ø 1.5		
	L301672	BY310-5278X	10035278 - NK1515	BYSTRONIC® DOUBLE NOZZLE Ø 1.5		
	L1673	BY310-5290	10035290 - NK1715	BYSTRONIC® DOUBLE NOZZLE Ø 1.7		
	L301673	BY310-5290X	10035290 - NK1715	BYSTRONIC® DOUBLE NOZZLE Ø 1.7		
	L1674	BY310-5292	10035292 - NK2015	BYSTRONIC® DOUBLE NOZZLE Ø 2.0		
	L301674	BY310-5292X	10035292 - NK2015	BYSTRONIC® DOUBLE NOZZLE Ø 2.0		
	L1675	BY310-5294	10035294 - NK2515	BYSTRONIC® DOUBLE NOZZLE Ø 2.5		
	L301675	BY310-5294X	10035294 - NK2515	BYSTRONIC® DOUBLE NOZZLE Ø 2.5		
	L1676	BY310-5296	10035296 - NK2520	BYSTRONIC® DOUBLE NOZZLE Ø 2,5		
	L301676	BY310-5296X	10035296 - NK2520	BYSTRONIC® DOUBLE NOZZLE Ø 2,5		
	L1677	BY310-5298	10035298 - NK3017	BYSTRONIC® DOUBLE NOZZLE Ø 3.0		
	L301677	BY310-5298X	10035298 - NK3017	BYSTRONIC® DOUBLE NOZZLE Ø 3.0		
	L1678	BY310-5301	10035301 - NK3020	BYSTRONIC® DOUBLE NOZZLE Ø 3.0		
	L301678	BY310-5301X	10035301 - NK3020	BYSTRONIC® DOUBLE NOZZLE Ø 3.0		
L1679	BY310-5302	10035302 - NK3530	BYSTRONIC® DOUBLE NOZZLE Ø 3.5			
L301679	BY310-5302X	10035302 - NK3530	BYSTRONIC® DOUBLE NOZZLE Ø 3.5			
3	L1682	BY310-1682	10039202	BYSTRONIC® NOZZLE CN Ø 2.0		

Replacement parts suitable for **BYSTRONIC®**



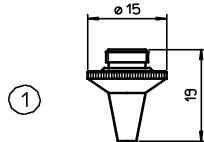
POS	SOSLaser Code	ALTERNATE REFERENCE	ORIGINAL CODE	DESCRIPTION	Unit price	10 pack price
1	AL441	BY328-9016	10046025 08-12-04-9016	BYSTRONIC® ISOLATOR CERAMIC RING		
2	AL450	BY328-4061	10034061	BYSTRONIC® NOZZLE HOLDER		
3	AL451	BY328-6030	10046030	BYSTRONIC® ADAPTER		
4	AL452	BY328-1133	10051133	BYSTRONIC® ADAPTER mSB		
5	AL449	BY328-4099	10064099	BYSTRONIC® NOZZLE BODY		

Replacement parts suitable for **CINCINNATI®**



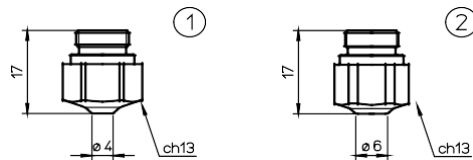
POS	SOSLaser Code	ALTERNATE REFERENCE	ORIGINAL CODE	DESCRIPTION	Unit price	10 pack price
1	L220	CN305-8090	908090	CINCINNATI® ELONGATED NOZZLE Ø 1.5		
	L221	CN305-7469	907469	CINCINNATI® NOZZLE Ø 1.0		
2	L222	CN305-7470	907470	CINCINNATI® NOZZLE Ø 1.5		
	L223	CN305-0006	920006	CINCINNATI® NOZZLE Ø 2.0		
3	AL92	CN305-0000		0 CINCINNATI® GASKET PTFE WITH SPRING		
4	AL71/S	CN305-7677	907677	CINCINNATI® NOZZLE HOLDER		
	AL71	CN305-7472	907472	CINCINNATI® NOZZLE HOLDER WITH GASKET		
5	AL95	CN306-9680	909680	CINCINNATI® O-RING FOR NOZZLE - 10PC		
6	L1528	CN306-0011		CINCINNATI® NOZZLE Ø 0.8 W/O RING		
	L712	CN306-9660-1	924635	CINCINNATI® NOZZLE Ø 1.0 W/O RING		
	L30712	CN306-9660-1X	924635	CINCINNATI® NOZZLE Ø 1.0 W/O RING		
	L961	CN306-0012		CINCINNATI® NOZZLE Ø 1.2 W/O RING		
	L962	CN306-0013		CINCINNATI® NOZZLE Ø 1.3 W/O RING		
	L963	CN306-0014		CINCINNATI® NOZZLE Ø 1.4 W/O RING		
	L224	CN306-9660	909660	CINCINNATI® NOZZLE Ø 1.5 W/O RING		
	L30224	CN306-9660X	909660	CINCINNATI® NOZZLE Ø 1.5 W/O RING		
	L225	CN306-0315	910315	CINCINNATI® NOZZLE Ø 2.0 W/O RING		
	L713	CN306-3789	924638	CINCINNATI® NOZZLE Ø 2.5 W/O RING		
	L714	CN306-4634	924634	CINCINNATI® NOZZLE Ø 3.0 W/O RING		
	L1017	CN306-4635	924635	CINCINNATI® NOZZLE Ø 3.15 W/O RING		
	L433	CN306-3013	923013	CINCINNATI® SHOWER NOZZLE Ø 1.0 W/O RING		
	L30433	CN306-3013X	923013	CINCINNATI® SHOWER NOZZLE Ø 1.0 W/O RING		
	L434	CN306-3014	923014	CINCINNATI® SHOWER NOZZLE Ø 1.5 W/O RING		
	L30434	CN306-3014X	923014	CINCINNATI® SHOWER NOZZLE Ø 1.5 W/O RING		
	L435	CN306-0020		CINCINNATI® SHOWER NOZZLE Ø 2.0 W/O RING		
7	L869	CN306-4636	924636	CINCINNATI® NOZZLE Ø 1.5 W/O RING		
	L870	CN306-4637	924637	CINCINNATI® NOZZLE Ø 2.0 W/O RING		
8	AL48	CN306-9659	909659	CINCINNATI® TIP LOCK NUT		
9	AL135	CN306-3021	923021	CINCINNATI® TIP RETAINER NUT		
10	AL137	CN306-0150	923258	CINCINNATI® TIP RETAINER		
11	AL139	CN306-0001	923259	CINCINNATI® INSULATOR RING		
12	AL183	CN306-9658	909658	CINCINNATI® TIP RETAINER EXTENTION		

Replacement parts suitable for **CKY®**



POS	SOSLaser Code	ALTERNATE REFERENCE	ORIGINAL CODE	DESCRIPTION	Unit price	10pack price
1	L1641	CK408-1641		0 CKY NOZZLE Ø0.8		
	L1643	CK408-1643		0 CKY NOZZLE Ø1.2		

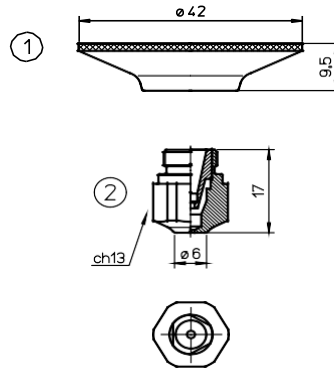
Replacement parts suitable for **CY LASER**®



CP = Chrome Plated

POS	SOSLaser Code	ALTERNATE REFERENCE	ORIGINAL CODE	DESCRIPTION	Unit price	10 pack price
1	L674	BY310-4277	3-04277 HK08	BYSTRONIC® NOZZLE Ø 0.8 HD		
	L30674	BY310-4277X	3-04277 HK08	BYSTRONIC® NOZZLE Ø0.8 HD		
	L72	BY310-1910	3-01910 HK10	BYSTRONIC® NOZZLE Ø 1.0 HD		
	L3072	BY310-1910X	3-01910 HK10	BYSTRONIC® NOZZLE Ø1.0 HD		
	L121	BY310-1911	3-01911 HK12	BYSTRONIC® NOZZLE Ø 1.25 HD		
	L30121	BY310-1911X	3-01911 HK12	BYSTRONIC® NOZZLE Ø1.25 HD		
	L73	BY310-1912	3-01912 HK15	BYSTRONIC® NOZZLE Ø 1.5 HD		
	L3073	BY310-1912X	3-01912 HK15	BYSTRONIC® NOZZLE Ø1.5 HD		
	L122	BY310-1913	3-01913 HK17	BYSTRONIC® NOZZLE Ø 1.75 HD		
	L30122	BY310-1913X	3-01913 HK17	BYSTRONIC® NOZZLE Ø1.75 HD		
	L72X	BY310-1910CP	3-01910 HK10	BYSTRONIC® NOZZLE Ø 1.0 HD CP		
	L3072X	BY310-1910CPX	3-01910 HK10	BYSTRONIC® NOZZLE Ø1.0 HD CP		
	L121X	BY310-1911CP	3-01911 HK12	BYSTRONIC® NOZZLE Ø 1.25 HD CP		
	L30121X	BY310-1911CPX	3-01911 HK12	BYSTRONIC® NOZZLE Ø1.25 HD CP		
	L73X	BY310-1912CP	3-01912 HK15	BYSTRONIC® NOZZLE Ø 1.5 HD CP		
	L3073X	BY310-1912CPX	3-01912 HK15	BYSTRONIC® NOZZLE Ø 1.5 HD CP		
	L122X	BY310-1913CP	3-01913 HK17	BYSTRONIC® NOZZLE Ø 1.75 HD CP		
L30122X	BY310-1913CPX	3-01913 HK17	BYSTRONIC® NOZZLE Ø1.75 HD CP			
2	L123	BY310-1914	3-01914 HK20	BYSTRONIC® NOZZLE Ø 2.0 HD		
	L30123	BY310-1914X	3-01914 HK20	BYSTRONIC® NOZZLE Ø2.0 HD		
	L140	BY310-1915	3-03854 HK25	BYSTRONIC® NOZZLE Ø 2.5 HD		
	L30140	BY310-1915X	3-03854 HK25	BYSTRONIC® NOZZLE Ø2.5 HD		
	L265	BY310-6112	3-06112 HK30	BYSTRONIC® NOZZLE Ø 3.0 HD		
	L30265	BY310-6112X	3-06112 HK30	BYSTRONIC® NOZZLE Ø3.0 HD		
	L700	BY310-0035	HK35	BYSTRONIC® NOZZLE Ø 3.5 HD		
	L30700	BY310-0035X	HK35	BYSTRONIC® NOZZLE Ø3.5 HD		
	L701	BY310-0040	HK40	BYSTRONIC® NOZZLE Ø 4.0 HD		
	L30701	BY310-0040X	HK40	BYSTRONIC® NOZZLE Ø4.0 HD		
	L123X	BY310-1914CP	3-01914 HK20	BYSTRONIC® NOZZLE Ø 2.0 HD CP		
	L30123X	BY310-1914CPX	3-01914 HK20	BYSTRONIC® NOZZLE Ø2.0 HD CP		
	L140X	BY310-1915CP	3-03854 HK25	BYSTRONIC® NOZZLE Ø 2.5 HD CP		
	L30140X	BY310-1915CPX	3-03854 HK25	BYSTRONIC® NOZZLE Ø2.5 HD CP		
	L265X	BY310-6112CP	3-06112 HK30	BYSTRONIC® NOZZLE Ø 3.0 HD CP		
	L30265X	BY310-6112CPX	3-06112 HK30	BYSTRONIC® NOZZLE Ø3.0 HD CP		
	L700X	BY310-0035CP	HK35	BYSTRONIC® NOZZLE Ø 3.5 HD CP		
L30700X	BY310-0035CPX	HK35	BYSTRONIC® NOZZLE Ø 3.5 HD CP			
L701X	BY310-0040CP	HK40	BYSTRONIC® NOZZLE Ø 4.0 HD CP			
L30701X	BY310-0040CPX	HK40	BYSTRONIC® NOZZLE Ø 4.0 HD CP			

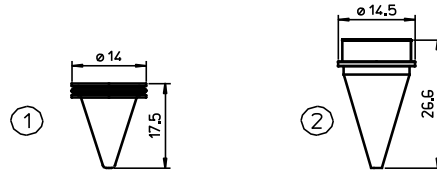
Replacement parts suitable for **CY LASER**®



CP = Chrome Plated

POS	SOSLaser Code	ALTERNATE REFERENCE	ORIGINAL CODE	DESCRIPTION	Unitprice	10pack price
1	AL398	BY310-0398	0	CL SIGNBOARD		
	L1363	BY310-6058	3-16058 NK10 - 15	BYSTRONIC® DOUBLE NOZZLE Ø 1.0		
	L301363	BY310-6058X	3-16058 NK10 - 15	BYSTRONIC® DOUBLE NOZZLE Ø 1.0		
	L1364	BY310-6059	3-16059 NK12- 15	BYSTRONIC® DOUBLE NOZZLE Ø 1.25		
	L301364	BY310-6059X	3-16059 NK12- 15	BYSTRONIC® DOUBLE NOZZLE Ø 1.25		
	L1365	BY310-6060	3-16060 NK15- 15	BYSTRONIC® DOUBLE NOZZLE Ø 1.5		
	L301365	BY310-6060X	3-16060 NK15- 15	BYSTRONIC® DOUBLE NOZZLE Ø 1.5		
	L1366	BY310-4317	3-14317 NK17 - 15	BYSTRONIC® DOUBLE NOZZLE Ø 1.75		
	L301366	BY310-4317X	3-14317 NK17 - 15	BYSTRONIC® DOUBLE NOZZLE Ø 1.75		
	L604	BY310-0005	3-14318 NK20 - 15	BYSTRONIC® DOUBLE NOZZLE Ø 2.0		
	L30604	BY310-0005X	3-14318 NK20 - 15	BYSTRONIC® DOUBLE NOZZLE Ø 2.0		
	L605	BY310-0006	3-14319 NK25 - 15	BYSTRONIC® DOUBLE NOZZLE Ø 2.5		
	L30605	BY310-0006X	3-14319 NK25 - 15	BYSTRONIC® DOUBLE NOZZLE Ø 2.5		
	L612	BY310-6256	3-16256 NK25 - 20	BYSTRONIC® DOUBLE NOZZLE Ø 2.5		
	L30612	BY310-6256X	3-16256 NK25 - 20	BYSTRONIC® DOUBLE NOZZLE Ø 2.5		
	L613	BY310-6061	3-16061 NK30 - 17	BYSTRONIC® DOUBLE NOZZLE Ø 3.0		
	L30613	BY310-6061X	3-16061 NK30 - 17	BYSTRONIC® DOUBLE NOZZLE Ø 3.0		
	L606	BY310-0007	3-16257 NK30 - 20	BYSTRONIC® DOUBLE NOZZLE Ø 3.0		
	L30606	BY310-0007X	3-16257 NK30 - 20	BYSTRONIC® DOUBLE NOZZLE Ø 3.0		
	L607	BY310-3530	NK35-30	BYSTRONIC® DOUBLE NOZZLE Ø 3.5		
	L30607	BY310-3530X	NK35-30	BYSTRONIC® DOUBLE NOZZLE Ø 3.5		
2	L1363X	BY310-6058CP	3-16058 NK10 - 15	BYSTRONIC® DOUBLE NOZZLE Ø 1.0 CP		
	L301363X	BY310-6058CPX	3-16058 NK10 - 15	BYSTRONIC® DOUBLE NOZZLE Ø 1.0 CP		
	L1364X	BY310-6059CP	3-16059 NK12- 15	BYSTRONIC® DOUBLE NOZZLE Ø 1.25 CP		
	L301364X	BY310-6059CPX	3-16059 NK12- 15	BYSTRONIC® DOUBLE NOZZLE Ø 1.25 CP		
	L1365X	BY310-6060CP	3-16060 NK15- 15	BYSTRONIC® DOUBLE NOZZLE Ø 1.5 CP		
	L301365X	BY310-6060CPX	3-16060 NK15- 15	BYSTRONIC® DOUBLE NOZZLE Ø 1.5 CP		
	L1366X	BY310-4317CP	3-14317 NK17 - 15	BYSTRONIC® DOUBLE NOZZLE Ø 1.75 CP		
	L301366X	BY310-4317CPX	3-14317 NK17 - 15	BYSTRONIC® DOUBLE NOZZLE Ø 1.75 CP		
	L604X	BY310-0005CP	3-14318 NK20 - 15	BYSTRONIC® DOUBLE NOZZLE Ø 2.0 CP		
	L30604X	BY310-0005CPX	3-14318 NK20 - 15	BYSTRONIC® DOUBLE NOZZLE Ø 2.0 CP		
	L605X	BY310-0006CP	3-14319 NK25 - 15	BYSTRONIC® DOUBLE NOZZLE Ø 2.5 CP		
	L30605X	BY310-0006CPX	3-14319 NK25 - 15	BYSTRONIC® DOUBLE NOZZLE Ø 2.5 CP		
	L612X	BY310-6256CP	3-16256 NK25 - 20	BYSTRONIC® DOUBLE NOZZLE Ø 2.5 CP		
	L30612X	BY310-6256CPX	3-16256 NK25 - 20	BYSTRONIC® DOUBLE NOZZLE Ø 2.5 CP		
	L613X	BY310-6061CP	3-16061 NK30 - 17	BYSTRONIC® DOUBLE NOZZLE Ø 3.0 CP		
	L30613X	BY310-6061CPX	3-16061 NK30 - 17	BYSTRONIC® DOUBLE NOZZLE Ø 3.0 CP		
	L606X	BY310-0007CP	3-16257 NK30 - 20	BYSTRONIC® DOUBLE NOZZLE Ø 3.0 CP		
	L30606X	BY310-0007CPX	3-16257 NK30 - 20	BYSTRONIC® DOUBLE NOZZLE Ø 3.0 CP		
	L607X	BY310-3530CP	NK35-30	BYSTRONIC® DOUBLE NOZZLE Ø 3.5 CP		
	L30607X	BY310-3530CPX	NK35-30	BYSTRONIC® DOUBLE NOZZLE Ø 3.5 CP		

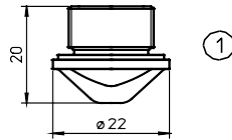
Replacement parts suitable for **HAAS®**



YAG TRUMPF®

POS	SOSLaser Code	ALTERNATE REFERENCE	ORIGINAL CODE	DESCRIPTION	Unit price	10 pack price
1	L507	TR414-0008	12-11-16-00	TRUMPF® HAAS® YAG NOZZLE Ø 0.8 W/O-RING		
	L506	TR414-0010		TRUMPF® HASS® YAG NOZZLE Ø 1.0 W/O-RING		
	L505	TR414-0012	12-11-09-17/00	TRUMPF® HASS® YAG NOZZLE Ø 1.2 W/O-RING		
2	L509	HS392-0004		HAAS® NOZZLE Ø 0.9		

Replacement parts suitable for **HACO® - TECNOLOGY ITALIANA®**



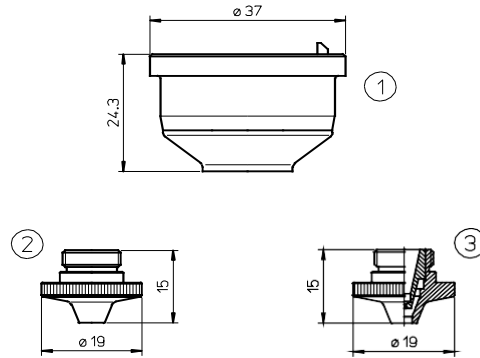
POS	SOSLaser Code	ALTERNATE REFERENCE	ORIGINAL CODE	DESCRIPTION	Unit price	10 pack price
1	L526	HA392-0002		HACO® NOZZLE Ø1.0		
	L533	HA392-0003		HACO® NOZZLE Ø1.2		
	L527	HA392-0004		HACO® NOZZLE Ø1.5		
	L528	HA392-0005		HACO® NOZZLE Ø1.7		
	L529	HA392-0006		HACO® NOZZLE Ø2.0		
	L530	HA392-0007		HACO® NOZZLE Ø2.5		
	L531	HA392-0008		HACO® NOZZLE Ø3.0		

Replacement parts suitable for **HANKWANG®**



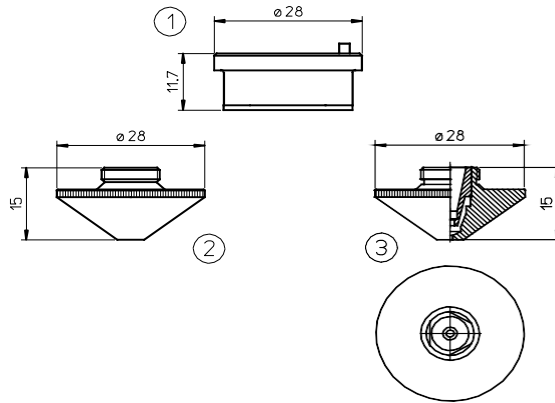
POS	SOSLaser Code	ALTERNATE REFERENCE	ORIGINAL CODE	DESCRIPTION	unit price	10 pack price
1	L1070	HW405-1010	NP10	HANKWANG® NOZZLE Ø 1.0		
	L1071	HW405-1012	NP12	HANKWANG® NOZZLE Ø 1.2		
	L1072	HW405-1015	NP15	HANKWANG® NOZZLE Ø 1.5		
	L1073	HW405-1017	NP17	HANKWANG® NOZZLE Ø 1.7		
	L1074	HW405-1020	NP20	HANKWANG® NOZZLE Ø 2.0		
	L1075	HW405-1025	NP25	HANKWANG® NOZZLE Ø 2.5		
	L1076	HW405-1030	NP30	HANKWANG® NOZZLE Ø 3.0		
2	L1490	HW405-3010	NP10	HANKWANG® NOZZLE NP Ø 1.0		
	L1491	HW405-3012	NP12	HANKWANG® NOZZLE NP Ø 1.2		
	L1492	HW405-3015	NP15	HANKWANG® NOZZLE NP Ø 1.5		
	L1493	HW405-3020	NP20	HANKWANG® NOZZLE NP Ø 2.0		
	L1494	HW405-3025	NP25	HANKWANG® NOZZLE NP Ø 2.5		

Replacement parts suitable for **HANKWANG®**



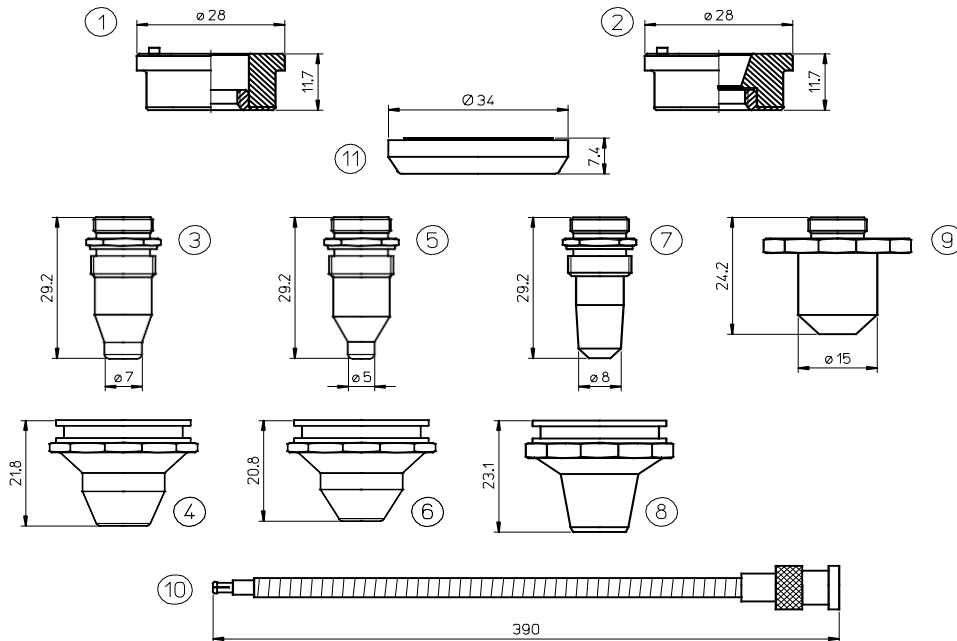
POS	SOSLaser Code	ALTERNATE REFERENCE	ORIGINAL CODE	DESCRIPTION	Unit price	10 pack price
1	AL420	HW405-1201	HCH-S01201	HANKWANG® CERAMIC NOZZLE HOLDER		
2	L1482	HW405-2008		HANKWANG® NOZZLE N Ø0.8		
	L1483	HW405-2010	MX-0989	HANKWANG® NOZZLE N Ø1.0		
	L1484	HW405-2012	MX-0990	HANKWANG® NOZZLE N Ø1.2		
	L1485	HW405-2015	MX-0991	HANKWANG® NOZZLE N Ø1.5		
	L1487	HW405-2018	MX-0992	HANKWANG® NOZZLE N Ø1.8		
	L1486	HW405-2020	MX-0993	HANKWANG® NOZZLE N Ø2.0		
	L1488	HW405-2025	MX-0994	HANKWANG® NOZZLE N Ø2.5		
	L1489	HW405-2030		HANKWANG® NOZZLE N Ø3.0		
3	L1521	HW405-4010		0 HANKWANG® DOUBLE NOZZLE N Ø1.0		
	L1522	HW405-4015		0 HANKWANG® DOUBLE NOZZLE N Ø1.5		
	L1523	HW405-4020		HANKWANG® DOUBLE NOZZLE N Ø2.0		
	L1524	HW405-4025		0 HANKWANG® DOUBLE NOZZLE N Ø2.5		
	L1526	HW405-4030		0 HANKWANG® DOUBLE NOZZLE N Ø3.0		
	L1525	HW405-4040		0 HANKWANG® DOUBLE NOZZLE N Ø4.0		

Replacement parts suitable for **HANKWANG®**



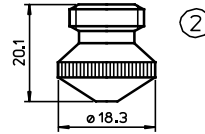
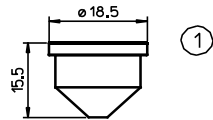
POS	SOSLaser Code	ALTERNATE REFERENCE	ORIGINAL CODE	DESCRIPTION	Unit price	10 pack price
1	AL408	HW405-0811		HANKWANG® CERAMIC NOZZLE HOLDER		
2				<i>Please refer to the Precitec nozzle section</i>		
3				<i>Please refer to the Precitec nozzle section</i>		

Replacement parts suitable for **KOIKE**



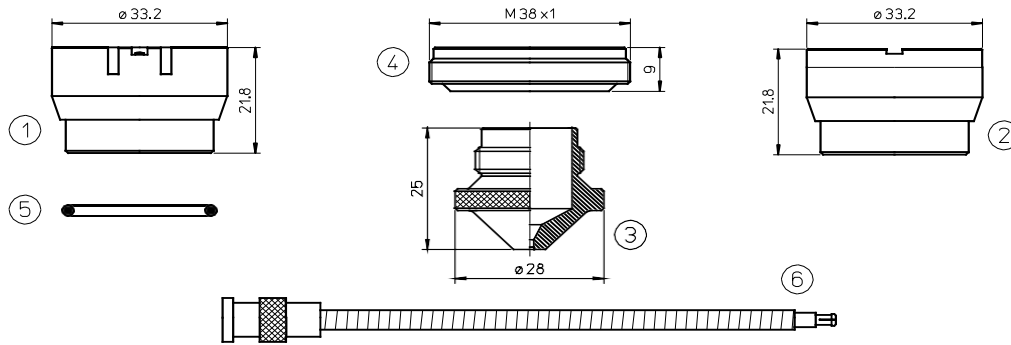
POS	SOSLaser Code	ALTERNATE REFERENCE	ORIGINAL CODE	DESCRIPTION	Unit price	10 pack price
1	AL23	PT348-1330OEM	281330-P0571-260-00001	PRECITEC® ORIGINAL NOZZLE HOLDER KT B2"		
	AL131	PT348-1330	281330 - P0571-260-00001	PRECITEC® NOZZLE HOLDER KT B2"		
	AL421	PT348-0260	281330 - P0571-260-00001	PRECITEC® NOZZLE HOLDER KT B2"		
2	AL355	PT348-1051	P0571-1051-00001	PRECITEC® ORIGINAL NOZZLE HOLDER KT B2" CON		
	AL495	PT348-1052	P0571-1051-00001	PRECITEC® NOZZLE HOLDER KT B2" CON		
	AL380	PT348-1053	P0571-1051-00001	PRECITEC® NOZZLE HOLDER KT B2" CON		
3	L1547	PT348-4175	20054175	KOIKE® NOZZLE Ø1.9		
4	AL415	PT348-4176	20054176	KOIKE® - OUTER NOZZLE Ø8.0		
5	L1595	PT348-5175	0	KOIKE® NOZZLE Ø1.7		
6	AL427	PT348-5176	0	KOIKE® - OUTER NOZZLE Ø6.0		
7	L1545	PT348-1545	20083269	KOIKE® NOZZLE Ø1.9		
8	AL414	PT348-0414	20083268	KOIKE® OUTER NOZZLE Ø7.0		
9	L1598	PT348-1598	20061558	KOIKE® NOZZLE Ø3.0		
10	AL257/S	PT348-0390		0 KOIKE® - SENSOR CABLE 39 CM		
11	AL413	PT348-0413	CZ20B-2	KOIKE® SPACER		

Replacement parts suitable for **LASER LAB®**



POS	SOSLaser Code	ALTERNATE REFERENCE	ORIGINAL CODE	DESCRIPTION	Unit price	10 pack price
1	L510	LL340-210T	03-210T	LASER LAB® NOZZLE Ø 1.0		
	L511	LL340-212T	03-212T	LASER LAB® NOZZLE Ø 1.2		
	L512	LL340-214T	03-214T	LASER LAB® NOZZLE Ø 1.4		
	L513	LL340-217T	03-217T	LASER LAB® NOZZLE Ø 1.7		
	L514	LL340-220T	03-220T	LASER LAB® NOZZLE Ø 2.0		
	L515	LL340-224T	03-224T	LASER LAB® NOZZLE Ø 2.4		
	L516	LL340-230T	03-230T	LASER LAB® NOZZLE Ø 3.0		
2	L518	LL341-2293-0.5	01-2293	LASER LAB® NOZZLE Ø 0.5		
	L519	LL341-2293-1.0	00-2293-1,0	LASER LAB® NOZZLE Ø 1.0		
	L520	LL341-2293-1.2	00-2293	LASER LAB® NOZZLE Ø 1.2		
	L521	LL341-2293-1.5	03-2293	LASER LAB® NOZZLE Ø 1.5		
	L522	LL341-2293-1.8	03-2293-1,8	LASER LAB® NOZZLE Ø 1.8		
	L523	LL341-2293-2.0	02-2293	LASER LAB® NOZZLE Ø 2.0		
	L524	LL341-2293-2.8	02-2293	LASER LAB® NOZZLE Ø 2.8		

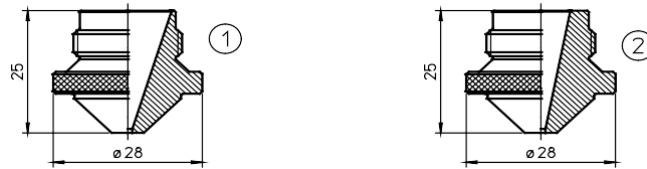
Replacement parts suitable for **LVD®**



CP = Chrome Plated

POS	SOSLaser Code	ALTERNATE REFERENCE	ORIGINAL CODE	DESCRIPTION	Unit price	5 pack price
1	AL130	PT311-1146OEM	281146-P0380-211-00001-29100033	PRECITEC® ORIG. NOZ. HOLDER IT M1.5" DZ - ALUMINUM		
	AL130/S	PT311-1146	281146-P0380-211-00001-29100033	PRECITEC® NOZZLE HOLDER IT M1.5" DZ - ALUMINUM		
2	AL40	PT311-0565	280565-P0497-605-00001-29100106	PRECITEC® ORIG. NOZ. HOLDER KT M1.5"D XN - CERAMIC		
	AL298	PT311-0298	P0497-68871	PRECITEC® ORIG. NOZ. HOLDER KT M1.5"D XN - CERAMIC		
	L757	LV332-1993	D5241993	LVD® NOZZLE Ø 0.8 - CYLINDRICAL		
	L20757	LV332-1993V	D5241993	LVD® NOZZLE Ø 0.8 - CYLINDRICAL		
	L141	LV332-5470	D7945470	LVD® NOZZLE Ø 1.0 - CYLINDRICAL		
	L20141	LV332-5470V	D7945470	LVD® NOZZLE Ø 1.0 - CYLINDRICAL		
	L758	LV332-0001	D5241982	LVD® NOZZLE Ø 1.2 - CYLINDRICAL		
	L20758	LV332-0001V	D5241982	LVD® NOZZLE Ø 1.2 - CYLINDRICAL		
	L142	LV332-5434	D7945434	LVD® NOZZLE Ø 1.5 - CYLINDRICAL		
	L20142	LV332-5434V	D7945434	LVD® NOZZLE Ø 1.5 - CYLINDRICAL		
	L143	LV332-5452	D7945452	LVD® NOZZLE Ø 2.0 - CYLINDRICAL		
	L20143	LV332-5452V	D7945452	LVD® NOZZLE Ø 2.0 - CYLINDRICAL		
	L144	LV332-5517	D7945517	LVD® NOZZLE Ø 2.5 - CYLINDRICAL		
	L20144	LV332-5517V	D7945517	LVD® NOZZLE Ø 2.5 - CYLINDRICAL		
	L145	LV332-0002		0 LVD® NOZZLE Ø 3.0 - CYLINDRICAL		
	L20145	LV332-5518V		0 LVD® NOZZLE Ø 3.0 - CYLINDRICAL		
3	L757X	LV332-1993CP	D5241993	LVD® NOZZLE Ø 0.8 CP - CYLINDRICAL		
	L20757X	LV332-1993CPV	D5241993	LVD® NOZZLE Ø 0.8 CP - CYLINDRICAL		
	L141X	LV332-5470CP	D7945470	LVD® NOZZLE Ø 1.0 CP - CYLINDRICAL		
	L20141X	LV332-5470CPV	D7945470	LVD® NOZZLE Ø 1.0 CP - CYLINDRICAL		
	L758X	LV332-0001CP	D5241982	LVD® NOZZLE Ø 1.2 CP - CYLINDRICAL		
	L20758X	LV332-0001CPV	D5241982	LVD® NOZZLE Ø 1.2 CP - CYLINDRICAL		
	L142X	LV332-5434CP	D7945434	LVD® NOZZLE Ø 1.5 CP - CYLINDRICAL		
	L20142X	LV332-5434CPV	D7945434	LVD® NOZZLE Ø 1.5 CP - CYLINDRICAL		
	L143X	LV332-5452CP	D7945452	LVD® NOZZLE Ø 2.0 CP - CYLINDRICAL		
	L20143X	LV332-5452CPV	D7945452	LVD® NOZZLE Ø 2.0 CP - CYLINDRICAL		
	L144X	LV332-5517CP	D7945517	LVD® NOZZLE Ø 2.5 CP - CYLINDRICAL		
	L20144X	LV332-5517CPV	D7945517	LVD® NOZZLE Ø 2.5 CP - CYLINDRICAL		
	L145X	LV332-0002CP		0 LVD® NOZZLE Ø 3.0 CP - CYLINDRICAL		
	L20145X	LV332-5518CPV		0 LVD® NOZZLE Ø 3.0 CP - CYLINDRICAL		
4	AL198	PT347-4297	P0492-702-00001-29100021	PRECITEC® INSULATING RING - plastic		
	AL201	PT311-0001	PO492-702-00002	PRECITEC® INSULATING RING - plastic		
5	AL94	AM326-6453	71366453	AMADA® O'RING FOR NOZZLE OUTER		
6	AL204	PT347-0101	P0360-100-00500 - 46713300100	PRECITEC® ORIG. SENSOR CABLE KE 500 Z		
	AL202	PT347-0450	P0497-002-00450	PRECITEC® ORIG. CABLE KE 450 gg		

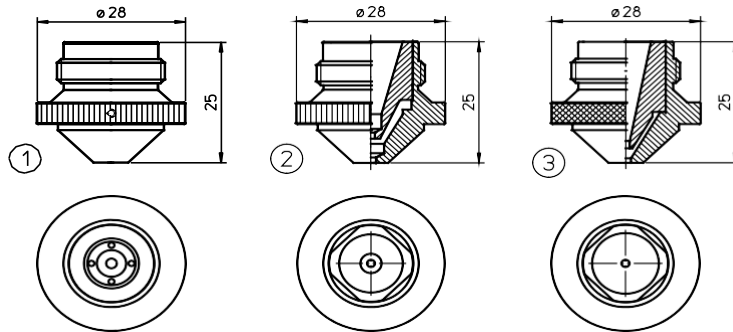
Replacement parts suitable for **LVD®**



CP = Chrome Plated

POS	SOSLaser Code	ALTERNATE REFERENCE	ORIGINAL CODE	DESCRIPTION	Unit price	5 pack price
	L151	LV332-1863	D5241863	LVD® NOZZLE Ø 1.0 HD - CONICAL		
	L20151	LV332-1863V	D5241863	LVD® NOZZLE Ø 1.0 HD - CONICAL		
	L759	LV332-1982		0 LVD® NOZZLE Ø 1.2 HD - CONICAL		
	L20759	LV332-1982V		0 LVD® NOZZLE Ø 1.2 HD - CONICAL		
	L152	LV332-1862	D5241862	LVD® NOZZLE Ø 1.5 HD - CONICAL		
	L20152	LV332-1862V	D5241862	LVD® NOZZLE Ø 1.5 HD - CONICAL		
	L748	LV332-2512	D5242512	LVD® NOZZLE Ø 1.7 HD - CONICAL		
	L20748	LV332-2512V	D5242512	LVD® NOZZLE Ø 1.7 HD - CONICAL		
	L146	LV332-1855	D5241855	LVD® NOZZLE Ø 2.0 HD - CONICAL		
	L20146	LV332-1855V	D5241855	LVD® NOZZLE Ø 2.0 HD - CONICAL		
	L749	LV332-2513	D5242513-Z000000539D	LVD® NOZZLE Ø 2.3 HD - CONICAL		
	L20749	LV332-2513V	D5242513-Z000000539D	LVD® NOZZLE Ø 2.3 HD - CONICAL		
	L147	LV332-1856	D5241856-Z000000563B	LVD® NOZZLE Ø 2.5 HD - CONICAL		
	L20147	LV332-1856V	D5241856-Z000000563B	LVD® NOZZLE Ø 2.5 HD - CONICAL		
	L148	LV332-1857	D5241857-Z000000540	LVD® NOZZLE Ø 3.0 HD - CONICAL		
	L20148	LV332-1857V	D5241857-Z000000540B	LVD® NOZZLE Ø 3.0 HD - CONICAL		
	L149	LV332-1877	D5241877-Z000000564B	LVD® NOZZLE Ø 3.5 HD - CONICAL		
	L20149	LV332-1877V	D5241877-Z000000564B	LVD® NOZZLE Ø 3.5 HD - CONICAL		
	L283	LV332-1878	D5241878-Z000000565B	LVD® NOZZLE Ø 4.0 HD - CONICAL		
	L20283	LV332-1878V	D5241878-Z000000565B	LVD® NOZZLE Ø 4.0 HD - CONICAL		
	L1303	LV332-2531	D5242531-Z000000566B	LVD® NOZZLE Ø 4.5 HD - CONICAL		
	L201303	LV332-2531V	D5242531-Z000000566B	LVD® NOZZLE Ø 4.5 HD - CONICAL		
	L1304	LV332-2535	D5242535-Z000000567B	LVD® NOZZLE Ø 5.0 HD - CONICAL		
	L201304	LV332-2535V	D5242535-Z000000567B	LVD® NOZZLE Ø 5.0 HD - CONICAL		
1	L1305	LV332-2536	D5242536-Z000000568B	LVD® NOZZLE Ø 6.0 HD - CONICAL		
	L201305	LV332-2536V	D5242536-Z000000568B	LVD® NOZZLE Ø 6.0 HD - CONICAL		
	L151X	LV332-1863CP	D5241863	LVD® NOZZLE Ø 1.0 HD CP - CONICAL		
	L20151X	LV332-1863CPV	D5241863	LVD® NOZZLE Ø 1.0 HD CP - CONICAL		
	L759X	LV332-1982CP		0 LVD® NOZZLE Ø 1.2 HD CP - CONICAL		
	L20759X	LV332-1982CPV		0 LVD® NOZZLE Ø 1.2 HD CP - CONICAL		
	L152X	LV332-1862CP	D5241862	LVD® NOZZLE Ø 1.5 HD CP - CONICAL		
	L20152X	LV332-1862CPV	D5241862	LVD® NOZZLE Ø 1.5 HD CP - CONICAL		
	L748X	LV332-2512CP	D5242512	LVD® NOZZLE Ø 1.7 HD CP - CONICAL		
	L20748X	LV332-2512CPV	D5242512	LVD® NOZZLE Ø 1.7 HD CP - CONICAL		
	L146X	LV332-1855CP	D5241855	LVD® NOZZLE Ø 2.0 HD CP - CONICAL		
	L20146X	LV332-1855CPV	D5241855	LVD® NOZZLE Ø 2.0 HD CP - CONICAL		
	L749X	LV332-2513CP	D5242513	LVD® NOZZLE Ø 2.3 HD CP - CONICAL		
	L20749X	LV332-2513CPV	D5242513	LVD® NOZZLE Ø 2.3 HD CP - CONICAL		
	L147X	LV332-1856CP	D5241856	LVD® NOZZLE Ø 2.5 HD CP - CONICAL		
	L20147X	LV332-1856CPV	D5241856	LVD® NOZZLE Ø 2.5 HD CP - CONICAL		
	L148X	LV332-1857CP	D5241857	LVD® NOZZLE Ø 3.0 HD CP - CONICAL		
	L20148X	LV332-1857CPV	D5241857	LVD® NOZZLE Ø 3.0 HD CP - CONICAL		
	L149X	LV332-1877CP	D5241877	LVD® NOZZLE Ø 3.5 HD CP - CONICAL		
	L20149X	LV332-1877CPV	D5241877	LVD® NOZZLE Ø 3.5 HD CP - CONICAL		
	L283X	LV332-1878CP	D5241878	LVD® NOZZLE Ø 4.0 HD CP - CONICAL		
	L20283X	LV332-1878CPV	D5241878	LVD® NOZZLE Ø 4.0 HD CP - CONICAL		
2	L152-S	LV332-2453	D5242453A	LVD® NOZZLE Ø 1.5 HD SPECIAL		
	L146-S	LV332-2454	D5242454A	LVD® NOZZLE Ø 2.0 HD SPECIAL		
	L147-S	LV332-2416	D5242416A	LVD® NOZZLE Ø 2.5 HD SPECIAL		
	L148-S	LV332-2455	D5242455 A	LVD® NOZZLE Ø 3.0 HD SPECIAL		

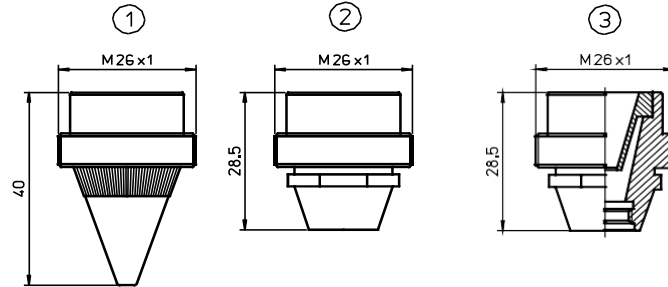
Replacement parts suitable for **LVD®**



CP = Chrome Plated

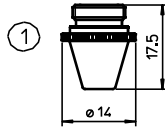
POS	SOSLaser Code	ALTERNATE REFERENCE	ORIGINAL CODE	DESCRIPTION	Unit price	10 pack price
1	L1290	LV332-0013	G8040180	LVD® DOUBLE NOZZLE W/SPRING Ø 2.5 INNER Ø 1.3		
	L1291	LV332-0180	G8040135	LVD® DOUBLE NOZZLE W/SPRING Ø 2.5 INNER Ø 1.5		
	L1292	LV332-0132	G8040132	LVD® DOUBLE NOZZLE W/SPRING Ø 3.0 INNER Ø 2.0		
	L1293	LV332-3013	G8040182	LVD® DOUBLE NOZZLE W/SPRING Ø 3.0 INNER Ø 1.3		
	L1294	LV332-3015		LVD® DOUBLE NOZZLE W/SPRING Ø 3.0 INNER Ø 1.5		
	L1290X	LV332-0013CP	G8040180	LVD® DOUBLE NOZZLE W/SPRING Ø 2.5 INNER Ø 1.3 CP		
	L1291X	LV332-0180CP	G8040135	LVD® DOUBLE NOZZLE W/SPRING Ø 2.5 INNER Ø 1.5 CP		
	L1292X	LV332-0132CP	G8040132	LVD® DOUBLE NOZZLE W/SPRING Ø 3.0 INNER Ø 2.0 CP		
	L1293X	LV332-3013CP	G8040182	LVD® DOUBLE NOZZLE W/SPRING Ø 3.0 INNER Ø 1.3 CP		
	L1294X	LV332-3015CP		LVD® DOUBLE NOZZLE W/SPRING Ø 3.0 INNER Ø 1.5 CP		
2	L783	LV417-0001		0 LVD® DOUBLE NOZZLE Ø 1.0		
	L782	LV417-0002		0 LVD® DOUBLE NOZZLE Ø 1.2		
	L784	LV417-0003	29100304	LVD® DOUBLE NOZZLE Ø 1.5		
	L785	LV417-0004	29100307	LVD® DOUBLE NOZZLE Ø 2.0		
	L786	LV410-0180	29100305	LVD® DOUBLE NOZZLE Ø 2.5		
	L787	LV417-0006	29100306	LVD® DOUBLE NOZZLE Ø 3.0		
	L788	LV417-0007		0 LVD® DOUBLE NOZZLE Ø 3.5		
	L789	LV417-0008		0 LVD® DOUBLE NOZZLE Ø 4.0		
	L783X	LV417-0001CP		0 LVD® DOUBLE NOZZLE Ø 1,0 CP		
	L782X	LV417-0002CP		0 LVD® DOUBLE NOZZLE Ø 1.2 CP		
	L784X	LV417-0003CP		0 LVD® DOUBLE NOZZLE Ø 1,5 CP		
	L785X	LV417-0004CP		0 LVD® DOUBLE NOZZLE Ø 2,0 CP		
	L786X	LV417-0005CP		0 LVD® DOUBLE NOZZLE Ø 2,5 CP		
	L787X	LV417-0006CP		0 LVD® DOUBLE NOZZLE Ø 3,0 CP		
L788X	LV417-0007CP		0 LVD® DOUBLE NOZZLE Ø 3,5 CP			
L789X	LV417-0008CP		0 LVD® DOUBLE NOZZLE Ø 4,0 CP			
3	L791	LV332-0130	Z00000223A	LVD® DOUBLE NOZZLE Ø 3.0 - 1.7		
	L790	LV332-0131	G8040131	LVD® DOUBLE NOZZLE Ø 3.0 - 2.0		
	L885	LV332-1297	Z000001297	LVD® DOUBLE NOZZLE Ø 4.0 - 2.0		
	L886	LV332-1344	Z000001344	LVD® DOUBLE NOZZLE Ø 5.0 - 2.0		

Replacement parts suitable for **MAZAK®**



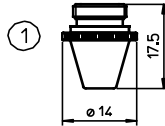
POS	SOSLaser Code	ALTERNATE REFERENCE	ORIGINAL CODE	DESCRIPTION	Unit Price	10pack price
1	L61	MZ323-0060-1.0	46523300060	MAZAK® NOZZLE Ø 1.0		
	L60	MZ323-0062-1.2	46523300062	MAZAK® NOZZLE Ø 1.2		
	L84	MZ323-0061-1.5	46523300061	MAZAK® NOZZLE Ø 1.5		
	L4	MZ323-0061-1.7	46523300061	MAZAK® NOZZLE Ø 1.7		
	L331	MZ323-0018		MAZAK® NOZZLE Ø 1.8		
	L51	MZ323-0063-2.0	46523300063	MAZAK® NOZZLE Ø 2.0		
	L333	MZ323-0063-2.5	46523300063	MAZAK® NOZZLE Ø 2.5		
2	AL11	MZ321-0510	46603350510	MAZAK® NOZZLE ADAPTER BODY		
3	AL44	MZ321-0001		0 MAZAK® NOZZLE ADAPTER WITH INNER		

Replacement parts suitable for **MAZAK®**



POS	SOSLaser Code	ALTERNATE REFERENCE	ORIGINAL CODE	DESCRIPTION	Unit Price	10 pack price
	L78	MZ322-0008	46603350508	MAZAK® NOZZLE Ø 0.8		
	L3078	MZ322-0008X	46603350508	MAZAK® NOZZLE Ø 0.8		
	L69	MZ322-0511-1.0	46603350511	MAZAK® NOZZLE Ø 1.0		
	L3069	MZ322-0511X	46603350511	MAZAK® NOZZLE Ø 1.0		
	L77	MZ322-0512-1.2	46603350512	MAZAK® NOZZLE Ø 1.2		
	L3077	MZ322-0512X	46603350512	MAZAK® NOZZLE Ø 1.2		
	L127	MZ322-0520-1.5	4660335052B	MAZAK® NOZZLE Ø 1.5		
	L30127	PT322-0520X	4660335052B	MAZAK® NOZZLE Ø 1.5		
	L79	MZ322-0517-1.7	46603350517	MAZAK® NOZZLE Ø 1.7		
	L3079	MZ322-1517X	46603350517	MAZAK® NOZZLE Ø 1.7		
	L281	MZ322-0517	46603350517-1,8	MAZAK® NOZZLE Ø 1.8		
	L30281	MZ322-0517X	46603350517-1,8	MAZAK® NOZZLE Ø 1.8		
	L80	MZ322-0522-2.0	4660335052C	MAZAK® NOZZLE Ø 2.0		
	L3080	MZ322-0522X	4660335052C	MAZAK® NOZZLE Ø 2.0		
1	L282	MZ322-0022	46603350522-2,2	MAZAK® NOZZLE Ø 2.2		
	L30282	MZ322-0022X	46603350522-2,2	MAZAK® NOZZLE Ø 2.2		
	L124	MZ322-0525-2.5	46603350525	MAZAK® NOZZLE Ø 2.5		
	L30124	MZ322-0025X	46603350525	MAZAK® NOZZLE Ø 2.5		
	L150	MZ322-0530-3.0	46603350530	MAZAK® NOZZLE Ø 3.0		
	L30150	MZ322-0030X	46603350530	MAZAK® NOZZLE Ø 3.0		
	L708	MZ322-0530-3.5	46603350530-3,Q5660335052F	MAZAK® NOZZLE Ø 3.5		
	L30708	MZ322-1035X	46603350530-3,5	MAZAK® NOZZLE Ø 3.5		
	L709	MZ322-0530-4.0	46603350530-4,0	MAZAK® NOZZLE Ø 4.0		
	L30709	MZ322-1040X	46603350530-4,0	MAZAK® NOZZLE Ø 4.0		
	L710	MZ322-1045	46603350530-4,5	MAZAK® NOZZLE Ø 4.5		
	L30710	MZ322-1045X	46603350530-4,5	MAZAK® NOZZLE Ø 4.5		
	L711	MZ322-1050	46603350530-5,0	MAZAK® NOZZLE Ø 5.0		
	L30711	MZ322-1050X	46603350530-5,0	MAZAK® NOZZLE Ø 5.0		

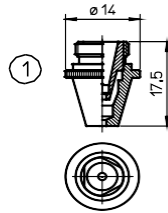
Replacement parts suitable for **MAZAK®**



CP = Chrome Plated

POS	SOSLaser Code	ALTERNATE REFERENCE	ORIGINAL CODE	DESCRIPTION	Unit Price	10pack price
1	L78X	MZ322-0008CP	46603350508	MAZAK® NOZZLE Ø 0.8 CP		
	L3078X	MZ322-0008CPX	46603350508	MAZAK® NOZZLE Ø 0.8 CP		
	L69X	MZ322-0511CP	46603350511	MAZAK® NOZZLE Ø 1.0 CP		
	L3069X	MZ322-0511CPX	46603350511	MAZAK® NOZZLE Ø 1.0 CP		
	L77X	MZ322-0512CP	46603350512	MAZAK® NOZZLE Ø 1.2 CP		
	L3077X	MZ322-0512CPX	46603350512	MAZAK® NOZZLE Ø 1.2 CP		
	L127X	MZ322-0520CP	4660335052B	MAZAK® NOZZLE Ø 1.5 CP		
	L30127X	PT322-0520CPX	4660335052B	MAZAK® NOZZLE Ø 1.5 CP		
	L79X	MZ322-1517CP	46603350517	MAZAK® NOZZLE Ø 1.7 CP		
	L3079X	MZ322-1517CPX	46603350517	MAZAK® NOZZLE Ø 1.7 CP		
	L281X	MZ322-0517CP	46603350517-1,8	MAZAK® NOZZLE Ø 1.8 CP		
	L30281X	MZ322-0517CPX	46603350517-1,8	MAZAK® NOZZLE Ø 1.8 CP		
	L80X	MZ322-0522CP	4660335052C	MAZAK® NOZZLE Ø 2.0 CP		
	L3080X	MZ322-0522CPX	4660335052C	MAZAK® NOZZLE Ø 2.0 CP		
	L282X	MZ322-0022CP	46603350522-2,2	MAZAK® NOZZLE Ø 2.2 CP		
	L30282X	MZ322-0022CPX	46603350522-2,2	MAZAK® NOZZLE Ø 2.2 CP		
	L124X	MZ322-0025CP	46603350525	MAZAK® NOZZLE Ø 2.5 CP		
	L30124X	MZ322-0025CPX	46603350525	MAZAK® NOZZLE Ø 2.5 CP		
	L150X	MZ322-0030CP	46603350530	MAZAK® NOZZLE Ø 3.0 CP		
	L30150X	MZ322-0030CPX	46603350530	MAZAK® NOZZLE Ø 3.0 CP		
	L708X	MZ322-1035CP	46603350530-3,5	MAZAK® NOZZLE Ø 3.5 CP		
	L30708X	MZ322-1035CPX	46603350530-3,5	MAZAK® NOZZLE Ø 3.5 CP		
	L709X	MZ322-1040CP	46603350530-4,0	MAZAK® NOZZLE Ø 4.0 CP		
	L30709X	MZ322-1040CPX	46603350530-4,0	MAZAK® NOZZLE Ø 4.0 CP		
	L710X	MZ322-1045CP	46603350530-4,5	MAZAK® NOZZLE Ø 4.5 CP		
	L30710X	MZ322-1045CPX	46603350530-4,5	MAZAK® NOZZLE Ø 4.5 CP		
	L711X	MZ322-1050CP	46603350530-5,0	MAZAK® NOZZLE Ø 5.0 CP		
	L30711X	MZ322-1050CPX	46603350530-5,0	MAZAK® NOZZLE Ø 5.0 CP		

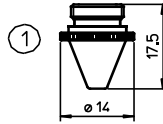
Replacement parts suitable for **MAZAK®**



CP = Chrome Plated

POS	SOSLaser Code	ALTERNATE REFERENCE	ORIGINAL CODE	DESCRIPTION	Unit Price	10 pack price
	L615	MZ346-0001		0 MAZAK® DOUBLE NOZZLE Ø 1.0		
	L30615	MZ346-0001X		0 MAZAK® DOUBLE NOZZLE Ø 1.0		
	L616	MZ346-0002		0 MAZAK® DOUBLE NOZZLE Ø 1.2		
	L30616	MZ346-0002X		0 MAZAK® DOUBLE NOZZLE Ø 1.2		
	L617	MZ346-0003		0 MAZAK® DOUBLE NOZZLE Ø 1.5		
	L30617	MZ346-0003X		0 MAZAK® DOUBLE NOZZLE Ø 1.5		
	L618	MZ346-0004		0 MAZAK® DOUBLE NOZZLE Ø 1.7		
	L30618	MZ346-0004X		0 MAZAK® DOUBLE NOZZLE Ø 1.7		
	L619	MZ346-0005		0 MAZAK® DOUBLE NOZZLE Ø 1.8		
	L30619	MZ346-0005X		0 MAZAK® DOUBLE NOZZLE Ø 1.8		
	L620	MZ346-0006		0 MAZAK® DOUBLE NOZZLE Ø 2.0		
	L30620	MZ346-0006X		0 MAZAK® DOUBLE NOZZLE Ø 2.0		
	L621	MZ346-0007		0 MAZAK® DOUBLE NOZZLE Ø 2.2		
	L30621	MZ346-0007X		0 MAZAK® DOUBLE NOZZLE Ø 2.2		
	L622	MZ346-0008		0 MAZAK® DOUBLE NOZZLE Ø 2.5		
	L30622	MZ346-0008X		0 MAZAK® DOUBLE NOZZLE Ø 2.5		
	L623	MZ346-0009		0 MAZAK® DOUBLE NOZZLE Ø 3.0		
	L30623	MZ346-0009X		0 MAZAK® DOUBLE NOZZLE Ø 3.0		
1	L615X	MZ346-0001CP		0 MAZAK® DOUBLE NOZZLE Ø 1.0CP		
	L30615X	MZ346-0001CPX		0 MAZAK® DOUBLE NOZZLE Ø 1.0CP		
	L616X	MZ346-0002CP		0 MAZAK® DOUBLE NOZZLE Ø 1.2CP		
	L30616X	MZ346-0002CPX		0 MAZAK® DOUBLE NOZZLE Ø 1.2CP		
	L617X	MZ346-0003CP	46683302380	MAZAK® DOUBLE NOZZLE Ø 1.5CP		
	L30617X	MZ346-0003CPX		0 MAZAK® DOUBLE NOZZLE Ø 1.5CP		
	L618X	MZ346-0004CP		0 MAZAK® DOUBLE NOZZLE Ø 1.7CP		
	L30618X	MZ346-0004CPX		0 MAZAK® DOUBLE NOZZLE Ø 1.7CP		
	L619X	MZ346-0005CP		0 MAZAK® DOUBLE NOZZLE Ø 1.8CP		
	L30619X	MZ346-0005CPX		0 MAZAK® DOUBLE NOZZLE Ø 1.8CP		
	L620X	MZ346-0006CP	46683302390	MAZAK® DOUBLE NOZZLE Ø 2.0CP		
	L30620X	MZ346-0006CPX		0 MAZAK® DOUBLE NOZZLE Ø 2.0CP		
	L621X	MZ346-0007CP		0 MAZAK® DOUBLE NOZZLE Ø 2.2CP		
	L30621X	MZ346-0007CPX		0 MAZAK® DOUBLE NOZZLE Ø 2.2CP		
	L622X	MZ346-0008CP	46683302400	MAZAK® DOUBLE NOZZLE Ø 2.5CP		
	L30622X	MZ346-0008CPX		0 MAZAK® DOUBLE NOZZLE Ø 2.5CP		
	L623X	MZ346-0009CP	46683302410	MAZAK® DOUBLE NOZZLE Ø 3.0CP		
	L30623X	MZ346-0009CPX		0 MAZAK® DOUBLE NOZZLE Ø 3.0CP		

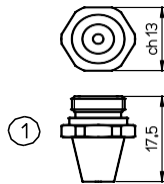
Replacement parts suitable for **MAZAK®**



CP = Chrome Plated

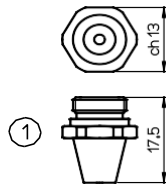
POS	SOSLaser Code	ALTERNATE REFERENCE	ORIGINAL CODE	DESCRIPTION	Unit Price	10 pack price
	L266	MZ321-0521-0.8	46603350521	MAZAK® NOZZLE Ø 0.8		
	L30266	MZ321-0008X	46603350521	MAZAK® NOZZLE Ø 0.8		
	L250	MZ321-0521-1.0	46603350521	MAZAK® NOZZLE Ø 1.0		
	L30250	MZ321-0010X	46603350521	MAZAK® NOZZLE Ø 1.0		
	L251	MZ321-0521-1.2	46603350521	MAZAK® NOZZLE Ø 1.2		
	L30251	MZ321-0012X	46603350521	MAZAK® NOZZLE Ø 1.2		
	L252	MZ321-0520-1.5	46603350520	MAZAK® NOZZLE Ø 1.5		
	L30252	MZ321-0520X	46603350520	MAZAK® NOZZLE Ø 1.5		
	L253	MZ321-0521-1.7	46603350521	MAZAK® NOZZLE Ø 1.7		
	L30253	MZ321-0017X	46603350521	MAZAK® NOZZLE Ø 1.7		
	L254	MZ321-0522-2.0	46603350522	MAZAK® NOZZLE Ø 2.0		
	L30254	MZ321-0054X	46603350522	MAZAK® NOZZLE Ø 2.0		
	L770	MZ321-0522-2.5	46603350522	MAZAK® NOZZLE Ø 2.5		
	L30770	MZ321-1025X	46603350522	MAZAK® NOZZLE Ø 2.5		
	L771	MZ321-0522-3.0	46683301281	MAZAK® NOZZLE Ø 3.0		
	L30771	MZ321-1030X	46683301281	MAZAK® NOZZLE Ø 3.0		
1	L266X	MZ321-0008CP	46603350521	MAZAK® NOZZLE Ø 0.8 CP		
	L30266X	MZ321-0008CPX	46603350521	MAZAK® NOZZLE Ø 0.8 CP		
	L250X	MZ321-0010CP	46603350521	MAZAK® NOZZLE Ø 1.0 CP		
	L30250X	MZ321-0010CPX	46603350521	MAZAK® NOZZLE Ø 1.0 CP		
	L251X	MZ321-521-1.2CP	46603350521	MAZAK® NOZZLE Ø 1.2 CP		
	L30251X	MZ321-0012CPX	46603350521	MAZAK® NOZZLE Ø 1.2 CP		
	L252X	MZ321-520-1.5CP	46603350520	MAZAK® NOZZLE Ø 1.5 CP		
	L30252X	MZ321-0520CPX	46603350520	MAZAK® NOZZLE Ø 1.5 CP		
	L253X	MZ321-0017CP	46603350521	MAZAK® NOZZLE Ø 1.7 CP		
	L30253X	MZ321-0017CPX	46603350521	MAZAK® NOZZLE Ø 1.7 CP		
	L254X	MZ321-522-2.0CP	46603350522	MAZAK® NOZZLE Ø 2.0 CP		
	L30254X	MZ321-0054CPX	46603350522	MAZAK® NOZZLE Ø 2.0 CP		
	L770X	MZ321-522-2.5CP	46603350522	MAZAK® NOZZLE Ø 2.5 CP		
	L30770X	MZ321-1025CPX	46603350522	MAZAK® NOZZLE Ø 2.5 CP		
	L771X	MZ321-522-3.0CP	46683301281	MAZAK® NOZZLE Ø 3.0 CP		
	L30771X	MZ321-1030CPX	46683301281	MAZAK® NOZZLE Ø 3.0 CP		

Replacement parts suitable for **MAZAK®**



POS	SOSLaser Code	ALTERNATE REFERENCE	ORIGINAL CODE	DESCRIPTION	Unit Price	10pack price
	L725	MZ385-0508	46603350508	MAZAK® HEXAGONAL NOZZLE Ø 0.8		
	L30725	MZ385-0508X	46603350508	MAZAK® HEXAGONAL NOZZLE Ø 0.8		
	L726	MZ385-0511	46603350511	MAZAK® HEXAGONAL NOZZLE Ø 1.0		
	L30726	MZ385-0511X	46603350511	MAZAK® HEXAGONAL NOZZLE Ø 1.0		
	L727	MZ385-5052	4660335052A	MAZAK® HEXAGONAL NOZZLE Ø 1.2		
	L30727	MZ385-5052X	4660335052A	MAZAK® HEXAGONAL NOZZLE Ø 1.2		
	L728	MZ385-5052B	4660335052B	MAZAK® HEXAGONAL NOZZLE Ø 1.5		
	L30728	MZ385-5052BX	4660335052B	MAZAK® HEXAGONAL NOZZLE Ø 1.5		
	L729	MZ385-0517	46603350517	MAZAK® HEXAGONAL NOZZLE Ø 1.7		
	L30729	MZ385-0517X	46603350517	MAZAK® HEXAGONAL NOZZLE Ø 1.7		
	L730	MZ385-517	46603350517-1,8	MAZAK® HEXAGONAL NOZZLE Ø 1.8		
	L30730	MZ385-517X	46603350517-1,8	MAZAK® HEXAGONAL NOZZLE Ø 1.8		
	L731	MZ385-5052C	4660335052C	MAZAK® HEXAGONAL NOZZLE Ø 2.0		
2	L30731	MZ385-5052CX	4660335052C	MAZAK® HEXAGONAL NOZZLE Ø 2.0		
	L732	MZ385-0522	46603350522-2,2	MAZAK® HEXAGONAL NOZZLE Ø 2.2		
	L30732	MZ385-0522X	46603350522-2,2	MAZAK® HEXAGONAL NOZZLE Ø 2.2		
	L733	MZ385-0003	4660335052D	MAZAK® HEXAGONAL NOZZLE Ø 2.5		
	L30733	MZ385-0003X	4660335052D	MAZAK® HEXAGONAL NOZZLE Ø 2.5		
	L734	MZ385-1003	46603350530	MAZAK® HEXAGONAL NOZZLE Ø 3.0		
	L30734	MZ385-1003X	46603350530	MAZAK® HEXAGONAL NOZZLE Ø 3.0		
	L735	MZ385-0030	46603350530-3,5	MAZAK® HEXAGONAL NOZZLE Ø 3.5		
	L30735	MZ385-0030X	46603350530-3,5	MAZAK® HEXAGONAL NOZZLE Ø 3.5		
	L736	MZ385-0530	46603350530-4,0	MAZAK® HEXAGONAL NOZZLE Ø 4.0		
	L30736	MZ385-0530X	46603350530-4,0	MAZAK® HEXAGONAL NOZZLE Ø 4.0		
	L737	MZ385-530	46603350530-4,5	MAZAK® HEXAGONAL NOZZLE Ø 4.5		
	L30737	MZ385-530X	46603350530-4,5	MAZAK® HEXAGONAL NOZZLE Ø 4.5		

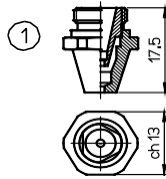
Replacement parts suitable for **MAZAK®**



CP = Chrome Plated

POS	SOSLaser Code	ALTERNATE REFERENCE	ORIGINAL CODE	DESCRIPTION	Unit Price	10 pack price
2	L725X	MZ385-0508CP	46603350508	MAZAK® HEXAGONAL NOZZLE Ø 0.8 CP		
	L30725X	MZ385-0508CPX	46603350508	MAZAK® HEXAGONAL NOZZLE Ø 0.8 CP		
	L726X	MZ385-0511CP	46603350511	MAZAK® HEXAGONAL NOZZLE Ø 1.0 CP		
	L30726X	MZ385-0511CPX	46603350511	MAZAK® HEXAGONAL NOZZLE Ø 1.0 CP		
	L727X	MZ385-052CP	4660335052A	MAZAK® HEXAGONAL NOZZLE Ø 1.2 CP		
	L30727X	MZ385-052CPX	4660335052A	MAZAK® HEXAGONAL NOZZLE Ø 1.2 CP		
	L728X	MZ385-052CP	4660335052B	MAZAK® HEXAGONAL NOZZLE Ø 1.5 CP		
	L30728X	MZ385-052CPX	4660335052B	MAZAK® HEXAGONAL NOZZLE Ø 1.5 CP		
	L729X	MZ385-0517CP	46603350517	MAZAK® HEXAGONAL NOZZLE Ø 1.7 CP		
	L30729X	MZ385-0517CPX	46603350517	MAZAK® HEXAGONAL NOZZLE Ø 1.7 CP		
	L730X	MZ385-0517CP	46603350517-1,8	MAZAK® HEXAGONAL NOZZLE Ø 1.8 CP		
	L30730X	MZ385-0517CPX	46603350517-1,8	MAZAK® HEXAGONAL NOZZLE Ø 1.8 CP		
	L731X	MZ385-0052CP	4660335052C	MAZAK® HEXAGONAL NOZZLE Ø 2.0 CP		
	L30731X	MZ385-0052CPX	4660335052C	MAZAK® HEXAGONAL NOZZLE Ø 2.0 CP		
	L732X	MZ385-0522CP	46603350522-2,2	MAZAK® HEXAGONAL NOZZLE Ø 2.2 CP		
	L30732X	MZ385-0522CPX	46603350522-2,2	MAZAK® HEXAGONAL NOZZLE Ø 2.2 CP		
	L733X	MZ385-0003CP	4660335052D	MAZAK® HEXAGONAL NOZZLE Ø 2.5 CP		
	L30733X	MZ385-0003CPX	4660335052D	MAZAK® HEXAGONAL NOZZLE Ø 2.5 CP		
	L734X	MZ385-1003CP	46603350530	MAZAK® HEXAGONAL NOZZLE Ø 3.0 CP		
	L30734X	MZ385-1003CPX	46603350530	MAZAK® HEXAGONAL NOZZLE Ø 3.0 CP		
	L735X	MZ385-0030CP	46603350530-3,5	MAZAK® HEXAGONAL NOZZLE Ø 3.5 CP		
	L30735X	MZ385-0030CPX	46603350530-3,5	MAZAK® HEXAGONAL NOZZLE Ø 3.5 CP		
	L736X	MZ385-0530CP	46603350530-4,0	MAZAK® HEXAGONAL NOZZLE Ø 4.0 CP		
	L30736X	MZ385-0530CPX	46603350530-4,0	MAZAK® HEXAGONAL NOZZLE Ø 4.0 CP		
	L737X	MZ385-530CP	46603350530-4,5	MAZAK® HEXAGONAL NOZZLE Ø 4.5 CP		
	L30737X	MZ385-530CPX	46603350530-4,5	MAZAK® HEXAGONAL NOZZLE Ø 4.5 CP		

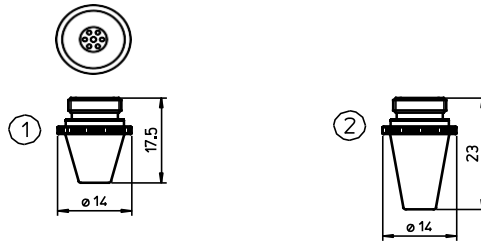
Replacement parts suitable for **MAZAK®**



CP = Chrome Plated

POS	SOSLaser Code	ALTERNATE REFERENCE	ORIGINAL CODE	DESCRIPTION	Unit Price	10 pack price
	L1223	MZ419-0001		MAZAK® DOUBLE NOZZLE HEXAGONAL Ø 1.2		
	L301223	MZ419-0001X		MAZAK® DOUBLE NOZZLE HEXAGONAL Ø 1.2		
	L1224	MZ419-0002		MAZAK® DOUBLE NOZZLE HEXAGONAL Ø 1.5		
	L301224	MZ419-0002X		MAZAK® DOUBLE NOZZLE HEXAGONAL Ø 1.5		
	L1225	MZ419-0003		MAZAK® DOUBLE NOZZLE HEXAGONAL Ø 1.8		
	L301225	MZ419-0003X		MAZAK® DOUBLE NOZZLE HEXAGONAL Ø 1.8		
	L1226	MZ419-0004		MAZAK® DOUBLE NOZZLE HEXAGONAL Ø 2.0		
	L301226	MZ419-0004X		MAZAK® DOUBLE NOZZLE HEXAGONAL Ø 2.0		
	L1227	MZ419-0005		MAZAK® DOUBLE NOZZLE HEXAGONAL Ø 2.2		
	L301227	MZ419-0005X		MAZAK® DOUBLE NOZZLE HEXAGONAL Ø 2.2		
	L1228	MZ419-0006		MAZAK® DOUBLE NOZZLE HEXAGONAL Ø 2.5		
	L301228	MZ419-0006X		MAZAK® DOUBLE NOZZLE HEXAGONAL Ø 2.5		
	L1229	MZ419-0007		MAZAK® DOUBLE NOZZLE HEXAGONAL Ø 3.0		
	L301229	MZ419-0007X		MAZAK® DOUBLE NOZZLE HEXAGONAL Ø 3.0		
1	L1223X	MZ419-0001CP		MAZAK® DOUBLE NOZZLE HEXAGONAL Ø 1.2 CP		
	L301223X	MZ419-0001CPX		MAZAK® DOUBLE NOZZLE HEXAGONAL Ø 1.2 CP		
	L1224X	MZ419-0002CP		MAZAK® DOUBLE NOZZLE HEXAGONAL Ø 1.5 CP		
	L301224X	MZ419-0002CPX		MAZAK® DOUBLE NOZZLE HEXAGONAL Ø 1.5 CP		
	L1225X	MZ419-0003CP		MAZAK® DOUBLE NOZZLE HEXAGONAL Ø 1.8 CP		
	L301225X	MZ419-0003CPX		MAZAK® DOUBLE NOZZLE HEXAGONAL Ø 1.8 CP		
	L1226X	MZ419-0004CP		MAZAK® DOUBLE NOZZLE HEXAGONAL Ø 2.0 CP		
	L301226X	MZ419-0004CPX		MAZAK® DOUBLE NOZZLE HEXAGONAL Ø 2.0 CP		
	L1227X	MZ419-0005CP		MAZAK® DOUBLE NOZZLE HEXAGONAL Ø 2.2 CP		
	L301227X	MZ419-0005CPX		MAZAK® DOUBLE NOZZLE HEXAGONAL Ø 2.2 CP		
	L1228X	MZ419-0006CP		MAZAK® DOUBLE NOZZLE HEXAGONAL Ø 2.5 CP		
	L301228X	MZ419-0006CPX		MAZAK® DOUBLE NOZZLE HEXAGONAL Ø 2.5 CP		
	L1229X	MZ419-0007CP		MAZAK® DOUBLE NOZZLE HEXAGONAL Ø 3.0 CP		
	L301229X	MZ419-0007CPX		MAZAK® DOUBLE NOZZLE HEXAGONAL Ø 3.0 CP		

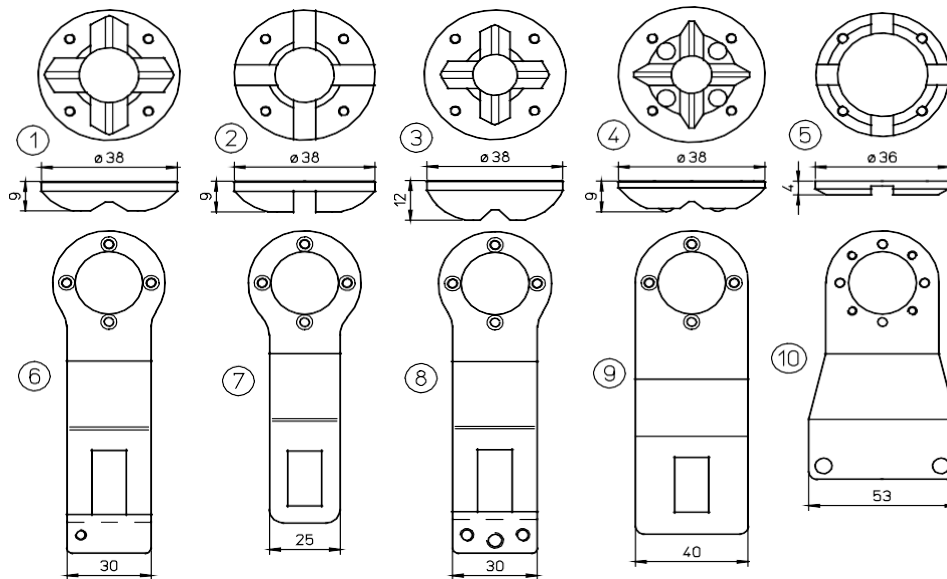
Replacement parts suitable for **MAZAK®**



CP = Chrome Plated

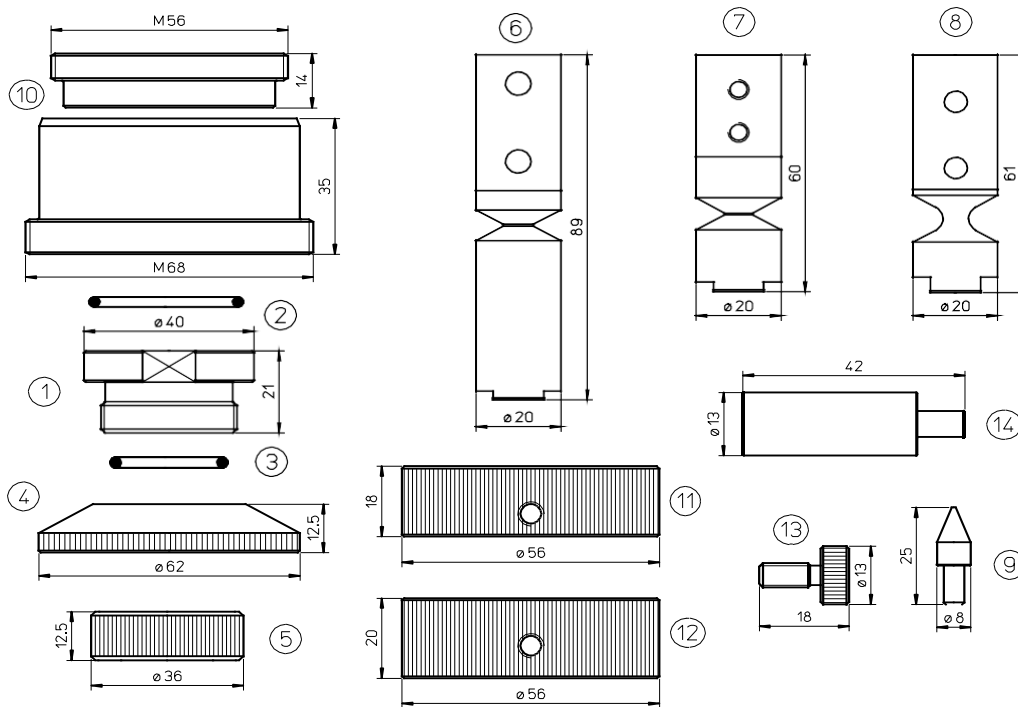
POS	SOSLaser Code	ALTERNATE REFERENCE	ORIGINAL CODE	DESCRIPTION	Unit Price	10 pack price
1	L492	MZ322-0523	46603350523	MAZAK® NOZZLE Ø 1.0 SHOWER		
	L493	MZ322-0523-1.5		MAZAK® NOZZLE Ø 1.5 SHOWER		
	L497	MZ322-0523-2.0		MAZAK® NOZZLE Ø 2.0 SHOWER		
2	L284	MZ322-0001		MAZAK® LONG NOZZLE Ø 2.0		
	L285	MZ332-0002		MAZAK® LONG NOZZLE Ø 2.5		
	L286	MZ332-0003		MAZAK® LONG NOZZLE Ø 3.0		
	L373X	MZ322-0015CP		MAZAK® LONG NOZZLE Ø 1.5 CP		
	L284X	MZ322-0001CP		MAZAK® LONG NOZZLE Ø 2.0 CP		
	L285X	MZ332-0002CP		MAZAK® LONG NOZZLE Ø 2.5 CP		
	L286X	MZ332-0003CP		MAZAK® LONG NOZZLE Ø 3.0 CP		

Replacement parts suitable for **MAZAK®**



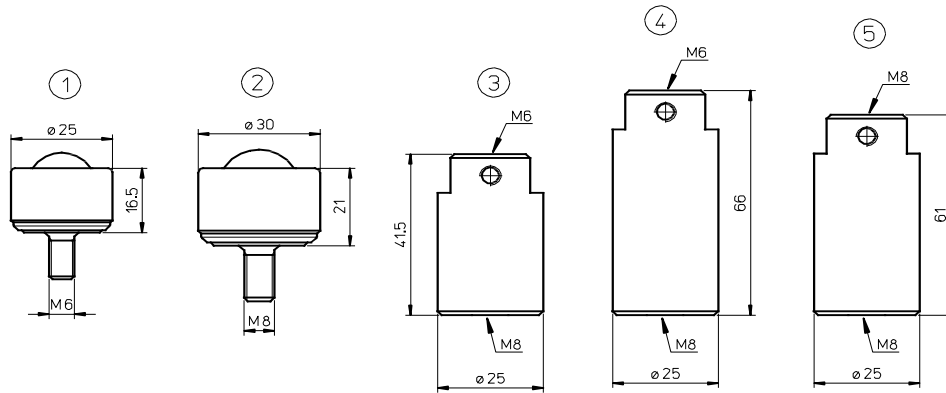
POS	SOSLaser Code	ALTERNATE REFERENCE	ORIGINAL CODE	DESCRIPTION	Unit Price	10pack price
1	AL10	MZ309-5080	46602350080	MAZAK® STYLUS FOOT H9 - BRASS		
	AL145	MZ309-5080CP		MAZAK® STYLUS FOOT H9 - BRASS CP		
	AL15	MZ309-1043	46572301043	MAZAK® STYLUS FOOT H9 - STEEL		
	AL16	MZ309-1045	46572301045	MAZAK® STYLUS FOOT H9 - PTFE		
2	AL132	MZ309-0001		MAZAK® STYLUS FOOT H9 - BRASS		
	AL146	MZ309-0001CP		MAZAK® STYLUS FOOT H9 - BRASS CP		
	AL133	MZ309-0004		MAZAK® STYLUS FOOT H9 - STEEL		
3	AL17	MZ309-1041	46572301041	MAZAK® STYLUS FOOT H12 - BRASS		
	AL147	MZ309-1041CP		MAZAK® STYLUS FOOT H12 BRASS CP		
	AL59	MZ309-1042	46572301042	MAZAK® STYLUS FOOT H12 - STEEL		
	AL18	MZ309-1041T	46572301041	MAZAK® STYLUS FOOT H12 - PTFE		
4	AL39	MZ309-0003		MAZAK® STYLUS FOOT H9-BRASS WITH SPHERE		
5	AL117	MZ309-0520	46512300520	MAZAK® STYLUS FOOT H4 - BRASS		
6	AL64	MZ309-0005		MAZAK® STYLUS ARM WITH SCREW M4		
	AL66	MZ309-0580	36602300580	MAZAK® STYLUS ARM WITH SCREW M6		
7	AL60	MZ309-0560	36602300560-36682300050	MAZAK® STEEL STYLUS ARM		
8	AL167	MZ309-0281	36682300281	MAZAK® STYLUS ARM - STEEL		
9	AL168	MZ309-0020	36602350020	MAZAK® STYLUS ARM - HIGHER VERSION		
10	AL169	MZ309-0250	46522300250	MAZAK® STYLUS ARM		

Replacement parts suitable for **MAZAK®**



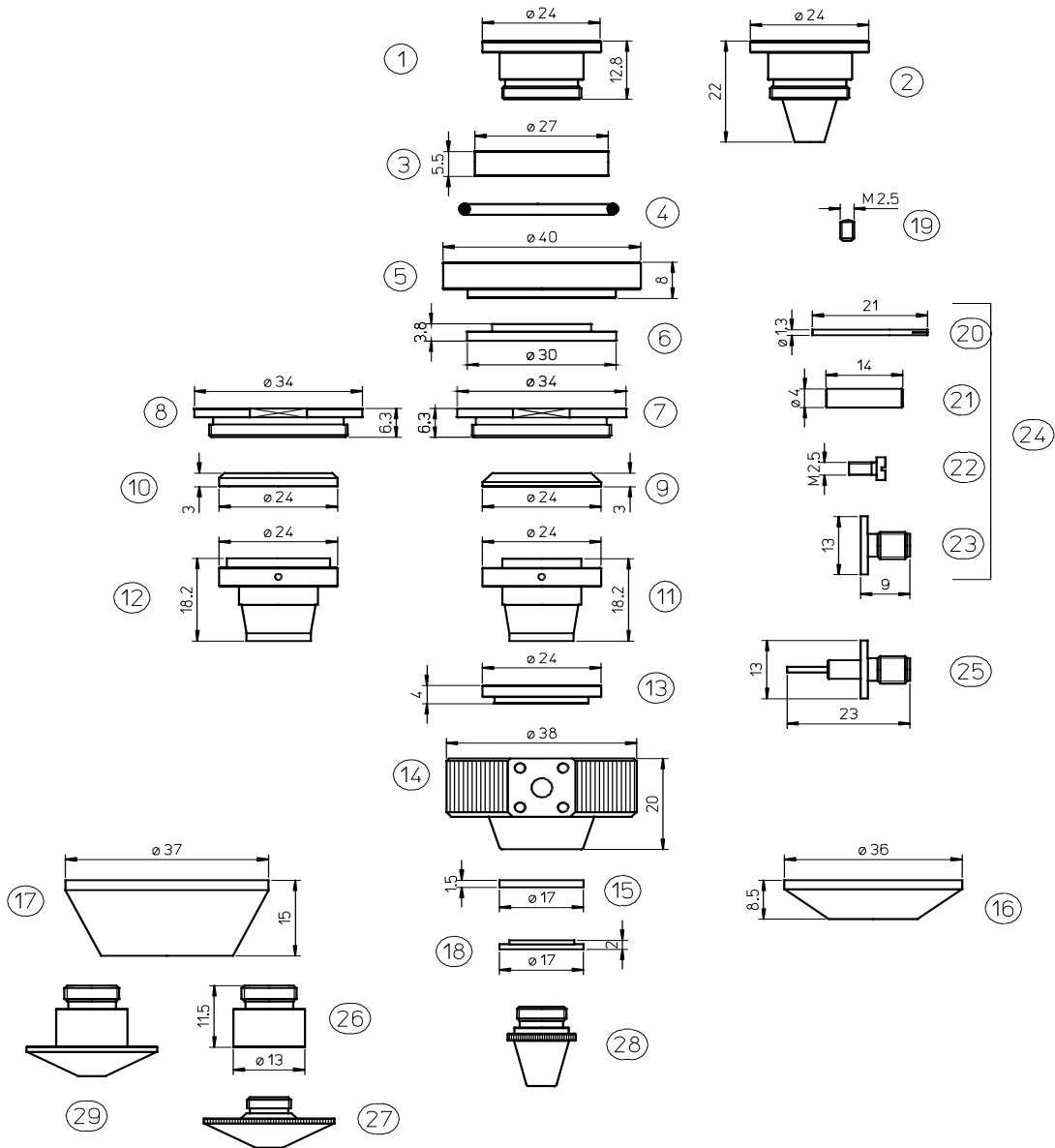
POS	SOSLaser Code	ALTERNATE REFERENCE	ORIGINAL CODE	DESCRIPTION	Unit Price	10pack price
1	AL63	MZ309-0080	46523300080	MAZAK® BASE		
2	AL97	MZ309-3200	J2600S03200	MAZAK® O'RING EXTERNAL BASE - RUBBER		
3	AL98	MZ309-2200	J2600S02200	MAZAK® O'RING INTERNAL BASE		
4	AL57	MZ309-0030	46683300030	MAZAK® RETAINER		
5	AL13	MZ309-1720	46583301720	MAZAK® RETAINER NUT		
6	AL12	MZ309-0550	36602300230	MAZAK® BREAK-AWAY BAR L89 - M8		
7	AL14	MZ309-0280	36682300280	MAZAK® ALUMINIUM BREAK-AWAY BAR L60 - M8		
8	AL121	MZ309-0101	36572300101	MAZAK® BREAK AWAY BAR L61 - M6		
9	AL20	MZ309-0013	46600030013	MAZAK® TABLE PIN - 5PC		
10	AL106	MZ309-309-1		MAZAK® MOUNT FOR 2.0" LENS		
11	AL153	MZ335-0930	46683300930	MAZAK® RING		
	AL166	MZ335-0003		MAZAK® RING KIT - AL153 + 4 PCS AL152		
12	AL192	MZ335-0931		MAZAK® RING H20		
13	AL152	MZ335-0320	46683300032	MAZAK® MILD STEEL BOLT M5 X0.5		
14	AL186	MZ335-0008	46522300242	MAZAK® STYLUS PIN		

Replacement parts suitable for **MAZAK®**



POS	SOSLaser Code	ALTERNATE REFERENCE	ORIGINAL CODE	DESCRIPTION	Unit Price	10pack price
1	AL61	MZ309-Z580	Z21KV000580	MAZAK® FREE TABLE ROLLER		
	AL325	MZ309-Z580B	Z21KV000580	MAZAK® FREE TABLE ROLLER PKG 2		
	AL3061	MZ309-Z580X	Z21KV000580	MAZAK® FREE TABLE ROLLER PKG 10		
2	AL210	MZ309-1160	Z21ZZ001160	MAZAK® BIG FREE BALL		
3	AL62	MZ309-0321	46575100321	MAZAK® BLOCK STAINLESS STEEL		
4	AL134	MZ309-0050	46705100050	MAZAK® LONG BLOCK STAINLESS STEEL		
5	AL324	MZ309-0324		MAZAK® BLOCK STAINLESS STEEL		

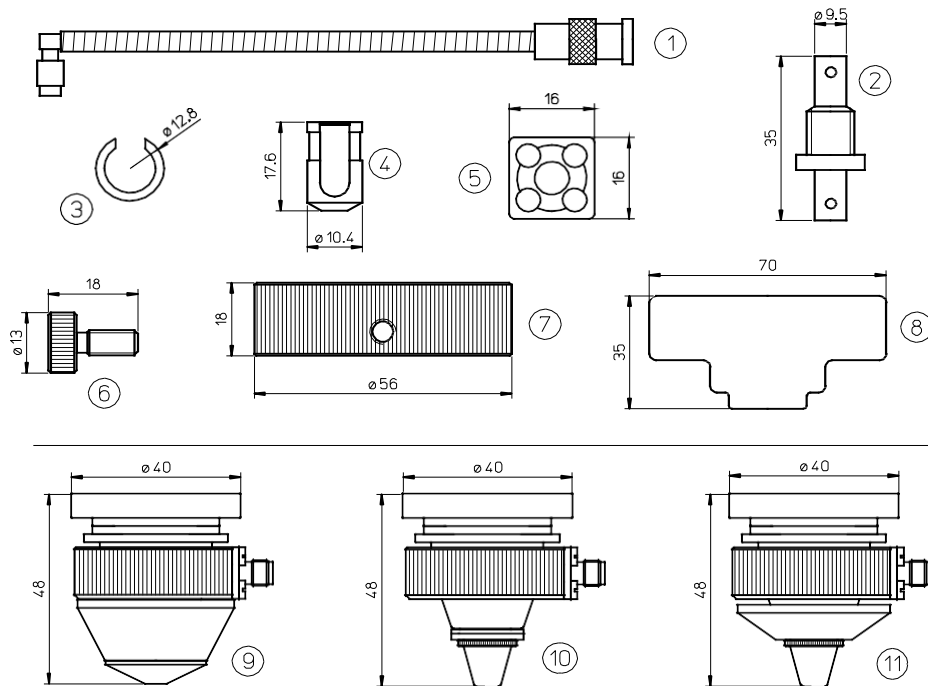
Replacement parts suitable for **MAZAK®**



Replacement parts suitable for **MAZAK®**

POS	SOSLaser Code	ALTERNATE REFERENCE	ORIGINAL CODE	DESCRIPTION	Unit Price	10 pack price
1	AL74	MZ335-1110	46683301110	MAZAK® CENTRAL COPPER BODY		
2	AL112	MZ335-0100		MAZAK® CENTRAL COPPER BODY-ESSE A. PAT.		
3	AL80	MZ335-1080	46683301080	MAZAK® PTFE SPACER 27x5.5		
	AL80/P	MZ335-1080P	46683301080	MAZAK® SPECIAL SPACER 27X5.5 - PLASTIC		
	AL280	MZ335-1080C	46683301080	MAZAK® CERAMIC SPACER 27x5.5		
	ALM280	MZ335-1080M	46683301080	MAZAK® CERAMIC SPACER 27x5.5		
4	AL97	MZ309-3200	J2600S03200	MAZAK® O'RING EXTERNAL BASE - RUBBER		
5	AL84	MZ335-1070	46683301070	MAZAK® BRASS BASE		
6	AL79	MZ335-1090	46683301090	MAZAK® PTFE SPACER 30x4		
	AL79/P	MZ335-0090C	46683301090	MAZAK® SPECIAL SPACER 30X4 - PLASTIC		
	AL279	MZ335-1090C	46683301090	MAZAK® CERAMIC SPACER 30x4		
	ALM279	MZ335-1090M	46683301090	MAZAK® CERAMIC SPACER 30x4		
7	AL83	MZ335-1100	46683301100	MAZAK® COPPER NUT		
8	AL376	MZ335-1101	46773300510	MAZAK® COPPER NUT		
9	AL77	MZ335-1120	46683301120	MAZAK® PTFE SPACER 24x3		
	AL77/P	MZ335-1120LL	46683301120	MAZAK® SPECIAL SPACER 24x3 - PLASTIC		
	AL277	MZ335-1120C	46683301120	MAZAK® CERAMIC SPACER 24x3		
	ALM277	MZ335-1120M	46683301120	MAZAK® CERAMIC SPACER 24x3		
10	AL377	MZ335-0710	46773300710	MAZAK® CERAMIC SPACER 24x3		
	ALM377	MZ335-0710M	46773300710	MAZAK® CERAMIC SPACER 24x3		
11	AL75	MZ335-0850	46683300850	MAZAK® COPPER NOZZLE HOLDER		
12	AL253	MZ335-0720	46773300720	MAZAK® COPPER NOZZLE HOLDER		
13	AL78	MZ335-1130	46683301130	MAZAK® PTFE SPACER 24x4		
	AL78/P	MZ335-1130LL	46683301130	MAZAK® SPECIAL SPACER 24X4 - PLASTIC		
	AL278	MZ335-1130C	46683301130	MAZAK® CERAMIC SPACER 24x4		
	ALM278	MZ335-1130M	46683301130	MAZAK® CERAMIC SPACER 24x4		
14	AL73	MZ335-1140	46683301140	MAZAK® ALUMINIUM BODY		
15	AL81	MZ335-1150	46683301150	MAZAK® PTFE SPACER 17x1.5		
16	AL111	MZ335-1930	46683301930	MAZAK® PTFE PROTECTION		
	AL111/P	MZ335-1930LL	46683301930	MAZAK® SPECIAL PROTECTION - PLASTIC		
	AL275	MZ335-0009	46683301930	MAZAK® CERAMIC PROTECTION		
17	AL118	MZ335-1841	46683301841	MAZAK® PTFE SPACER		
18	AL82	MZ335-1160	46683301160	MAZAK® COPPER RING 17x2		
19	AL119	MZ335-1180	46683301180	MAZAK® SCREW FOR CONTACT SLOTTED HEAD		
20	AL76	MZ335-1170	46683301170	MAZAK® CONTACT		
21	AL88	MZ335-0030		MAZAK® CONNECTING PTFE PIPE		
22	AL127	MZ335-0000	46683300000	MAZAK® SCREW FOR CONNECTORS(4 PCS)		
23	AL113	MZ335-1113		MAZAK® CONNECTOR		
24	AL154	MZ335-0001	46683301170	MAZAK® KIT CONNECTOR (AL76-88-127-113)		
25	AL213	MZ335-0001A		MAZAK® CONNECTOR ASSEMBLY		
26	AL128	MZ335-1830	46683301830	MAZAK® ADAPTER FOR TRUMPF® NOZZLE		
27				<i>Please refer to the Trumpf® nozzle section</i>		
28				<i>Please refer to the Mazak® nozzle section</i>		
29				<i>Please refer to the Mazak® nozzle section</i>		

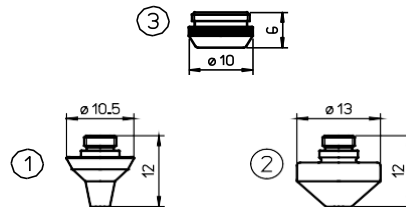
Replacement parts suitable for **MAZAK®**



POS	SOSLaser Code	ALTERNATE REFERENCE	ORIGINAL CODE	DESCRIPTION	Unit Price	10 pack price
1	AL103	MZ335-1980	46683301980	MAZAK® CONNECTING CABLE FOR SENSOR HEAD		
	AL103/S	MZ335-1330	46683301330	MAZAK® CONNECTING CABLE SENSOR HEAD+3CM		
2	AL104	MZ335-0005		MAZAK® CABLE ADAPTER		
3	AL155	MZ335-1870	46683301870	MAZAK® COVER CLIPS - PTFE		
4	AL156	MZ335-1860	46683301860	MAZAK® CABLE CONNECTOR COVER - PTFE		
	AL156/P	MZ335-1860LL	46683301860	PLASTIC		
5	AL157	MZ335-1850	46683301850	MAZAK® CONNECTOR COVER - PTFE		
	AL157/P	MZ335-1850P	46683301850	MAZAK® CONNECTOR COVER LONG LIFE - PLASTIC		
6	AL152	MZ335-0320	46683300032	MAZAK® MILD STEEL BOLT M5 X0.5		
	AL153	MZ335-0930	46683300930	MAZAK® RING		
	AL166	MZ335-0003		MAZAK® RING KIT - AL153 + 4 PCS AL152		
8	AL165	MZ335-1230	46683301230	MAZAK® PLATE		
9	TMA10	MZ335-0002		MAZAK® HEAD W/PTFE SPACER		
	TMA10/P	MZ335-0012		MAZAK® HEAD W/LONG LIFE SPACER		
	TMA10/C	MZ335-1013		MAZAK® HEAD W/CERAMIC SPACER		
10	TMA20	MZ335-1014		MAZAK® HEAD W/PTFE SPACER		
	TMA20/P	MZ335-0015		MAZAK® HEAD W/LONG LIFE SPACER		
	TMA20/C	MZ335-0016		MAZAK® HEAD W/CERAMIC SPACER		
11	TMA30	MZ335-0017		MAZAK® HEAD W/PTFE SPACER		
	TMA30/P	MZ335-0018		MAZAK® HEAD W/LONG LIFE SPACER		
	TMA30/C	MZ335-0019		MAZAK® HEAD W/CERAMIC SPACER		

Replacement parts suitable for **MAZAK®**

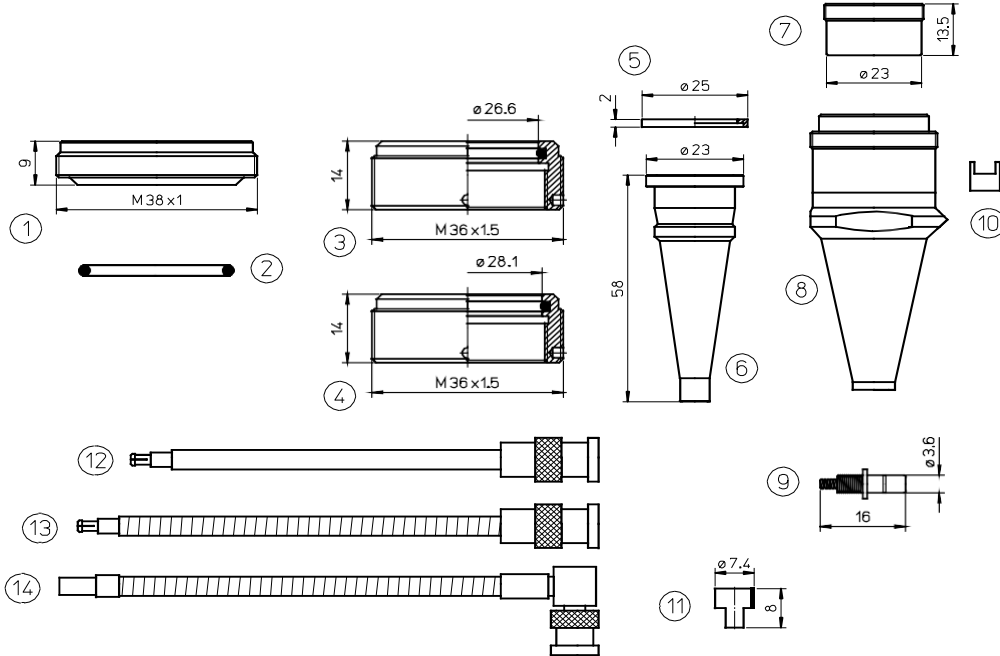
Mazak® 3D - Precitec® 5°C/MG - 5°H/MG



POS	SOSLaser Code	ALTERNATE REFERENCE	ORIGINAL CODE	DESCRIPTION	Unit Price	10pack price
1	L554	PT347-0005	46713300290-10	MAZAK® NOZZLE 3D Ø 1.0		
	L30554	PT347-0005X	46713300290-10	MAZAK® NOZZLE 3D Ø 1.0		
	L555	PT347-0290-1.2	46713300290-12	MAZAK® NOZZLE 3D Ø 1.2		
	L30555	PT347-0090X	46713300290-12	MAZAK® NOZZLE 3D Ø 1.2		
	L556	PT347-0290	46713300290-15-P0352-381-00015	MAZAK® NOZZLE 3D Ø 1.5		
	L30556	PT347-0290X	46713300290-15-P0352-381-00015	MAZAK® NOZZLE 3D Ø 1.5		
	L557	PT347-0118		MAZAK® NOZZLE 3D Ø 1.8		
	L30557	PT347-0118X		MAZAK® NOZZLE 3D Ø 1.8		
	L558	PT347-0280	46713300310-P0352-382-00020	MAZAK® NOZZLE 3D Ø 2.0		
	L30558	PT347-0280X	46713300310-P0352-382-00020	MAZAK® NOZZLE 3D Ø 2.0		
	L560	PT347-0001	46713300280-25	MAZAK® NOZZLE 3D Ø 2.5		
	L30560	PT347-0001X	46713300280-25	MAZAK® NOZZLE 3D Ø 2.5		
	L563	PT347-0002	46713300280-30-46713300430	MAZAK® NOZZLE 3D Ø 3.0		
	L30563	PT347-0002X	46713300280-30	MAZAK® NOZZLE 3D Ø 3.0		
	L564	PT347-0035	46713300280-35	MAZAK® NOZZLE 3D Ø 3.5		
	L30564	PT347-0035X	46713300280-35	MAZAK® NOZZLE 3D Ø 3.5		
	2	L576	PT347-0004		MAZAK® NOZZLE Ø 1.02D	
L30576		PT347-0004X		MAZAK® NOZZLE Ø 1.02D		
L577		PT347-0310-1.2	46713300310	MAZAK® NOZZLE Ø 1.22D		
L30577		PT347-0012X	46713300310	MAZAK® NOZZLE Ø 1.22D		
L578		PT347-0310	P0352-386-00015	MAZAK® NOZZLE Ø 1.52D		
L30578		PT347-0310X	P0352-386-00015	MAZAK® NOZZLE Ø 1.52D		
L579		PT347-1018		MAZAK® NOZZLE Ø 1.82D		
L30579		PT347-1018X		MAZAK® NOZZLE Ø 1.82D		
L580		PT347-0300	46713300300-P0352-387-00020	MAZAK® NOZZLE Ø 2.02D		
L30580		PT347-0300X	46713300300-P0352-387-00020	MAZAK® NOZZLE Ø 2.02D		
L581		PT347-0003	46713300300-25	MAZAK® NOZZLE Ø 2.52D		
L30581		PT347-0003X	46713300300-25	MAZAK® NOZZLE Ø 2.52D		
L582		PT347-0006	46713300300-30	MAZAK® NOZZLE Ø 3.02D		
L30582		PT347-0006X	46713300300-30	MAZAK® NOZZLE Ø 3.02D		
3	AL160	PT347-0320	46713300321-P0352-311-00001	MAZAK® VESPEL NUT - SPACE GEAR		

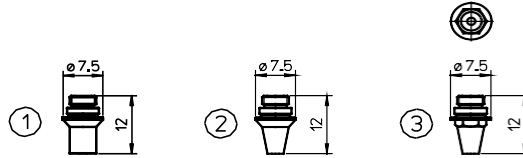
Replacement parts suitable for **MAZAK®**

3D MACHINE



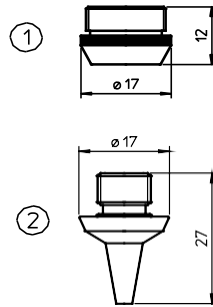
POS	SOSLaser Code	ALTERNATE REFERENCE	ORIGINAL CODE	DESCRIPTION	Unit Price	10pack price
1	AL198	PT347-4297	P0492-702-00001-29100021	PRECITEC® INSULATING RING - plastic		
2	AL94	AM326-6453	71366453	AMADA® O'RING FOR NOZZLE OUTER		
3	AL218	PT347-0008	46713330200	MAZAK® 5-AXIS INSULATOR		
4	AL221	PT347-0920	46713330920	MAZAK® INSULATION RING		
5	AL350	PT347-350	46713330960	MAZAK® WASHER FOR CONE		
6	AL349	PT347-349	46713330930	MAZAK® INNER SENSOR CONE		
7	AL353	PT347-0940	46713330940	MAZAK® TORCH INNER TOP		
8	AL351	PT347-1240		MAZAK® TORCH OUTER HNP		
	AL369	PT347-0369	46713331240	MAZAK® COMPLETE OUTER TORCH (AL351+AL356+AL354)		
9	AL354	PT347-1111	46713331111	MAZAK® CONNECTOR		
10	AL356	PT347-9006	46713330951	MAZAK® CONNECTOR CAP		
11	AL256	PT347-0009		PRECITEC® INSULATOR COLLAR		
12	AL204	PT347-0101	P0360-100-00500 - 46713300100	PRECITEC® ORIG. SENSOR CABLE KE 500 Z		
13	AL257	PT347-1386	281386 P0360-155-00500	MAZAK® ELECTRODE CABLE		
14	AL358	PT347-0181	46743300181	MAZAK® CONNECTING CABLE FOR SENSOR HEAD		
	AL364	0	46743300183	MAZAK® CONNECTING CABLE L=35 CM		

Replacement parts suitable for **MAZAK®**



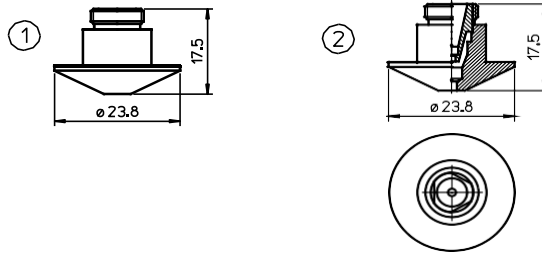
POS	SOSLaser Code	ALTERNATE REFERENCE	ORIGINAL CODE	DESCRIPTION	Unit Price	10 pack price
1	L480	PT347-1005	281005-P0352-323-00010	MAZAK® NOZZLE Ø 1.0 ZK		
	L30480	PT347-1005X	281005-P0352-323-00010	MAZAK® NOZZLE Ø 1.0 ZK		
	L481	PT347-1034	281034-P0352-324-00012	MAZAK® NOZZLE Ø 1.2 ZK		
	L30481	PT347-1034X	281034-P0352-324-00012	MAZAK® NOZZLE Ø 1.2 ZK		
	L482	PT347-1013	281013-P0352-325-00015	MAZAK® NOZZLE Ø 1.5 ZK		
	L30482	PT347-1013X	281013-P0352-325-00015	MAZAK® NOZZLE Ø 1.5 ZK		
	L483	PT347-0899	280899-P0352-326-00018	MAZAK® NOZZLE Ø 1.8 ZK		
	L30483	PT347-0899X	280899-P0352-326-00018	MAZAK® NOZZLE Ø 1.8 ZK		
	L484	PT347-0044-3	350044.3-P0352-327-00020	MAZAK® NOZZLE Ø 2.0 ZK		
	L30484	PT347-0044X	350044.3-P0352-327-00020	MAZAK® NOZZLE Ø 2.0 ZK		
	L485	PT347-1025	P0352-328-00025	MAZAK® NOZZLE Ø 2.5 ZK		
	L30485	PT347-1025X	350044.3-P0352-328-00025	MAZAK® NOZZLE Ø 2.5 ZK		
2	L486	PT347-1006	281006-P0352-333-00010	MAZAK® NOZZLE Ø 1.0 KK		
	L30486	PT347-1006X	281006-P0352-333-00010	MAZAK® NOZZLE Ø 1.0 KK		
	L487	PT347-1030	281030-P0352.334.00012	MAZAK® NOZZLE Ø 1.2 KK		
	L30487	PT347-1030X	281030-P0352.334.00012	MAZAK® NOZZLE Ø 1.2 KK		
	L488	PT347-1031	281031-P0352.335.00015	MAZAK® NOZZLE Ø 1.5 KK		
	L30488	PT347-1031X	281031-P0352.335.00015	MAZAK® NOZZLE Ø 1.5 KK		
	L489	PT347-0898	280898-P0352.336.00018	MAZAK® NOZZLE Ø 1.8 KK		
	L30489	PT347-0898X	280898-P0352.336.00018	MAZAK® NOZZLE Ø 1.8 KK		
	L490	PT347-1020	P0352.336.00020	MAZAK® NOZZLE Ø 2.0 KK		
	L30490	PT347-1020X	P0352.336.00020	MAZAK® NOZZLE Ø 2.0 KK		
3	L1760	PT347-1760		0 PRECITEC® NOZZLE DE M1.5 KS 1.0HEX		
	L301760	PT347-1760X		0 PRECITEC® NOZZLE DE M1.5 KS 1.0HEX		
	L1761	PT347-1761		0 PRECITEC® NOZZLE DE M1.5 KS 1.2HEX		
	L301761	PT347-1761X		0 PRECITEC® NOZZLE DE M1.5 KS 1.2HEX		
	L1762	PT347-1762	P0491-1001-00015	PRECITEC® NOZZLE DE M1.5 KS 1.5HEX		
	L301762	PT347-1762X		0 PRECITEC® NOZZLE DE M1.5 KS 1.5HEX		
	L1764	PT347-1764	P0491-1002-00020	PRECITEC® NOZZLE DE M1.5 KS 2.0HEX		
	L301764	PT347-1764X		0 PRECITEC® NOZZLE DE M1.5 KS 2.0HEX		

Replacement parts suitable for **MAZAK®**



POS	SOSLaser Code	ALTERNATE REFERENCE	ORIGINAL CODE	DESCRIPTION	Unit Price	10 pack price
1	AL337	MZ332-1280	46713331280	MAZAK® VESPEL NUT		
2	L1300	MZ332-1305		MAZAK® 3D NOZZLE Ø 1.0		
	L1295	MZ332-1320	46713331320	MAZAK® 3D NOZZLE Ø 1.2		
	L1296	MZ332-1310	46713331310	MAZAK® 3D NOZZLE Ø 1.5		
	L1301	MZ332-1301		MAZAK® 3D NOZZLE Ø 1.8		
	L1297	MZ332-1300	46713331300	MAZAK® 3D NOZZLE Ø 2.0		
	L1298	MZ332-1330	46713331330	MAZAK® 3D NOZZLE Ø 2.5		
	L1299	MZ332-1290	46713331290	MAZAK® 3D NOZZLE Ø 3.0		

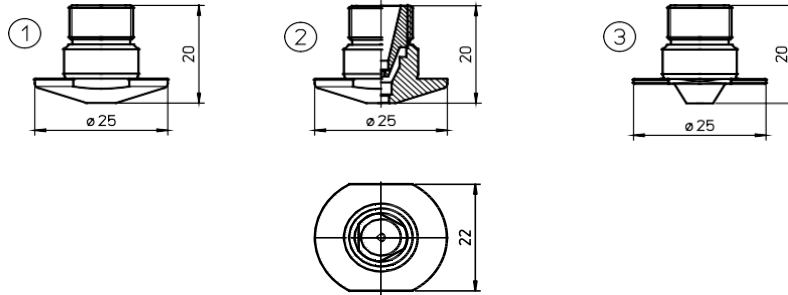
Replacement parts suitable for **MAZAK®**



CP= Chrome Plated

POS	SOSLaser Code	ALTERNATE REFERENCE	ORIGINAL CODE	DESCRIPTION	Unit Price	10 pack price
1	L428	MZ335-0004		MAZAK® NOZZLE Ø 1.0		
	L423	MZ335-0011		MAZAK® NOZZLE Ø 1.2		
	L429	MZ335-1950	46683301950	MAZAK® NOZZLE Ø 1.5		
	L430	MZ335-1821	46683301821	MAZAK® NOZZLE Ø 2.0		
	L471	MZ335-0112		MAZAK® NOZZLE Ø 2.2		
	L431	MZ335-1960	46683301960	MAZAK® NOZZLE Ø 2.5		
	L432	MZ335-1970	46683301970	MAZAK® NOZZLE Ø 3.0		
	L472	MZ335-0006		MAZAK® NOZZLE Ø 3.5		
	L473	MZ335-0013		MAZAK® NOZZLE Ø 4.0		
	L474	MZ335-0014		MAZAK® NOZZLE Ø 4.5		
	L428X	MZ335-0004CP		MAZAK® NOZZLE Ø 1.0 CP		
	L423X	MZ335-0007CP		MAZAK® NOZZLE Ø 1.2 CP		
	L429X	MZ335-1950CP	46683301950	MAZAK® NOZZLE Ø 1.5 CP		
	L430X	MZ335-1821CP	46683301821	MAZAK® NOZZLE Ø 2.0 CP		
	L471X	MZ335-0012CP		MAZAK® NOZZLE Ø 2.2 CP		
	L431X	MZ335-1960CP	46683301960	MAZAK® NOZZLE Ø 2.5 CP		
	L432X	MZ335-1970CP	46683301970	MAZAK® NOZZLE Ø 3.0 CP		
	L472X	MZ335-0006CP		MAZAK® NOZZLE Ø 3.5 CP		
	L473X	MZ335-0013CP		MAZAK® NOZZLE Ø 4.0 CP		
	L474X	MZ335-0014CP		MAZAK® NOZZLE Ø 4.5 CP		
2	L850	MZ360-0001		0 MAZAK® DOUBLE NOZZLE Ø 1.0		
	L851	MZ360-0002		0 MAZAK® DOUBLE NOZZLE Ø 1.2		
	L852	MZ360-0003		0 MAZAK® DOUBLE NOZZLE Ø 1.5		
	L858	MZ360-0004		0 MAZAK® DOUBLE NOZZLE Ø 1.8		
	L853	MZ360-0005		0 MAZAK® DOUBLE NOZZLE Ø 2.0		
	L849	MZ360-0006		0 MAZAK® DOUBLE NOZZLE Ø 2.2		
	L854	MZ360-0007		0 MAZAK® DOUBLE NOZZLE Ø 2.5		
	L855	MZ360-0008		0 MAZAK® DOUBLE NOZZLE Ø 3.0		
	L856	MZ360-0009		0 MAZAK® DOUBLE NOZZLE Ø 3.5		
	L850X	MZ360-0001CP		0 MAZAK® DOUBLE NOZZLE Ø 1.0 CP		
	L851X	MZ360-0002CP		0 MAZAK® DOUBLE NOZZLE Ø 1.2 CP		
	L852X	MZ360-0003CP	46683302420	MAZAK® DOUBLE NOZZLE Ø 1.5 CP		
	L858X	MZ360-0004CP		0 MAZAK® DOUBLE NOZZLE Ø 1.8 CP		
	L853X	MZ360-0005CP	46683302430	MAZAK® DOUBLE NOZZLE Ø 2.0 CP		
	L849X	MZ360-0006CP		0 MAZAK® DOUBLE NOZZLE Ø 2.2 CP		
	L854X	MZ360-0007CP	46683302440	MAZAK® DOUBLE NOZZLE Ø 2.5 CP		
L855X	MZ360-0008CP	46683302450	MAZAK® DOUBLE NOZZLE Ø 3.0 CP			
L856X	MZ360-0009CP		0 MAZAK® DOUBLE NOZZLE Ø 3.5 CP			

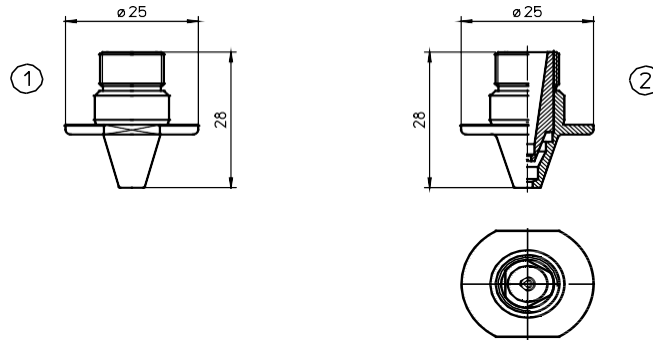
Replacement parts suitable for **MAZAK®**



CP = Chrome Plated

POS	SOSLaser Code	ALTERNATE REFERENCE	ORIGINAL CODE	DESCRIPTION	Unit Price	10 pack price
1	L949X	MZ368-0018CP		MAZAK® NOZZLE Ø 0.8 CP		
	L941X	MZ368-4430CP		MAZAK® NOZZLE Ø 1.0 CP		
	L942X	MZ368-4470CP	46143304470	MAZAK® NOZZLE Ø 1.2 CP		
	L943X	MZ368-4450CP	46143304450	MAZAK® NOZZLE Ø 1.5 CP		
	L950X	MZ368-4455CP		MAZAK® NOZZLE Ø 1.8 CP		
	L944X	MZ368-4460CP	46143304460	MAZAK® NOZZLE Ø 2.0 CP		
	L945X	MZ368-4480CP	46143304480	MAZAK® NOZZLE Ø 2.5 CP		
	L946X	MZ368-4490CP	46143304490	MAZAK® NOZZLE Ø 3.0 CP		
	L947X	MZ368-4500CP	46143304500	MAZAK® NOZZLE Ø 3.5 CP		
	L948X	MZ368-4510CP	46143304510	MAZAK® NOZZLE Ø 4.0 CP		
2	L952X	MZ373-0001		MAZAK® DOUBLE NOZZLE Ø 1.2 CP		
	L953X	MZ368-0005CP	46143306450	MAZAK® DOUBLE NOZZLE Ø 1.5 CP		
	L954X	MZ373-0003	46143306460	MAZAK® DOUBLE NOZZLE Ø 2.0 CP		
	L955X	MZ373-0004	46143306480	MAZAK® DOUBLE NOZZLE Ø 2.5 CP		
	L956X	MZ373-0005	46143306490	MAZAK® DOUBLE NOZZLE Ø 3.0 CP		
	L957X	MZ373-0006	46143306500	MAZAK® DOUBLE NOZZLE Ø 3.5 CP		
	L958X	MZ373-0007		MAZAK® DOUBLE NOZZLE Ø 4.0 CP		
3	L1264	MZ427-0001		MAZAK® NOZZLE Ø 1.0 SPECIAL		
	L1265	MZ427-0002		MAZAK® NOZZLE Ø 1.2 SPECIAL		
	L1266	MZ427-0003		MAZAK® NOZZLE Ø 1.5 SPECIAL		
	L1267	MZ427-0004		MAZAK® NOZZLE Ø 2.0 SPECIAL		
	L1268	MZ427-0005		MAZAK® NOZZLE Ø 3.0 SPECIAL		

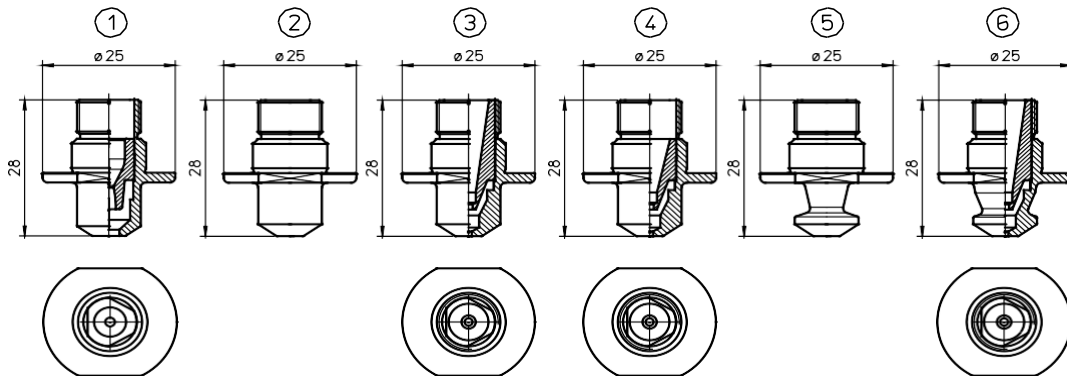
Replacement parts suitable for **MAZAK®**



CP = Chrome Plated

POS	SOSLaser Code	ALTERNATE REFERENCE	ORIGINAL CODE	DESCRIPTION	Unit Price	10pack price
1	L1379X	MZ373-0308CP		MAZAK® NOZZLE SLIM Ø 0.8 CP		
	L1380X	MZ373-0310CP		MAZAK® NOZZLE SLIM Ø 1.0 CP		
	L1381X	MZ373-0341CP	46143310343	MAZAK® NOZZLE SLIM Ø 1.2 CP		
	L1382X	MZ373-0351CP	46143310353	MAZAK® NOZZLE SLIM Ø 1.5 CP		
	L1389X	MZ373-0318CP		MAZAK® NOZZLE SLIM Ø 1.8 CP		
	L1383X	MZ373-0361CP	46143310363	MAZAK® NOZZLE SLIM Ø 2.0 CP		
	L1388X	MZ373-0365CP		MAZAK® NOZZLE SLIM Ø 2.2 CP		
	L1384X	MZ373-0371CP	46143310373	MAZAK® NOZZLE SLIM Ø 2.5 CP		
	L1385X	MZ373-0381CP	46143310383	MAZAK® NOZZLE SLIM Ø 3.0 CP		
	L1386X	MZ373-0391CP	46143310393	MAZAK® NOZZLE SLIM Ø 3.5 CP		
	L1387X	MZ373-0401CP	46143310403	MAZAK® NOZZLE SLIM Ø 4.0 CP		
2	L1390X	MZ373-0300CP		MAZAK® DOUBLE NOZZLE SLIM Ø 0.8 CP		
	L1391X	MZ373-0311CP		MAZAK® DOUBLE NOZZLE SLIM Ø 1.0 CP		
	L1399X	MZ373-0312CP		MAZAK® DOUBLE NOZZLE SLIM Ø 1.2 CP		
	L1392X	MZ373-0315CP	36143311500	MAZAK® DOUBLE NOZZLE SLIM Ø 1.5 CP		
	L1400X	MZ373-0319CP		MAZAK® DOUBLE NOZZLE SLIM Ø 1.8 CP		
	L1393X	MZ373-0320CP	36143311512	MAZAK® DOUBLE NOZZLE SLIM Ø 2.0 CP		
	L1398X	MZ373-0322CP		MAZAK® DOUBLE NOZZLE SLIM Ø 2.2 CP		
	L1394X	MZ373-0325CP	36143311522	MAZAK® DOUBLE NOZZLE SLIM Ø 2.5 CP		
	L1395X	MZ373-0330CP	36143311532	MAZAK® DOUBLE NOZZLE SLIM Ø 3.0 CP		
	L1396X	MZ373-0335CP	36143312380	MAZAK® DOUBLE NOZZLE SLIM Ø 3.5 CP		
	L1397X	MZ373-0340CP	36143312390	MAZAK® DOUBLE NOZZLE SLIM Ø 4.0 CP		
	L1511X	MZ373-0345CP		MAZAK® DOUBLE NOZZLE SLIM Ø 4.5 CP		
	L1512X	MZ373-0350CP		MAZAK® DOUBLE NOZZLE SLIM Ø 5.0 CP		

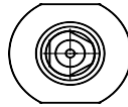
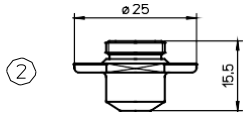
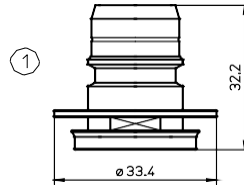
Replacement parts suitable for **MAZAK®**



CP = Chrome Plated

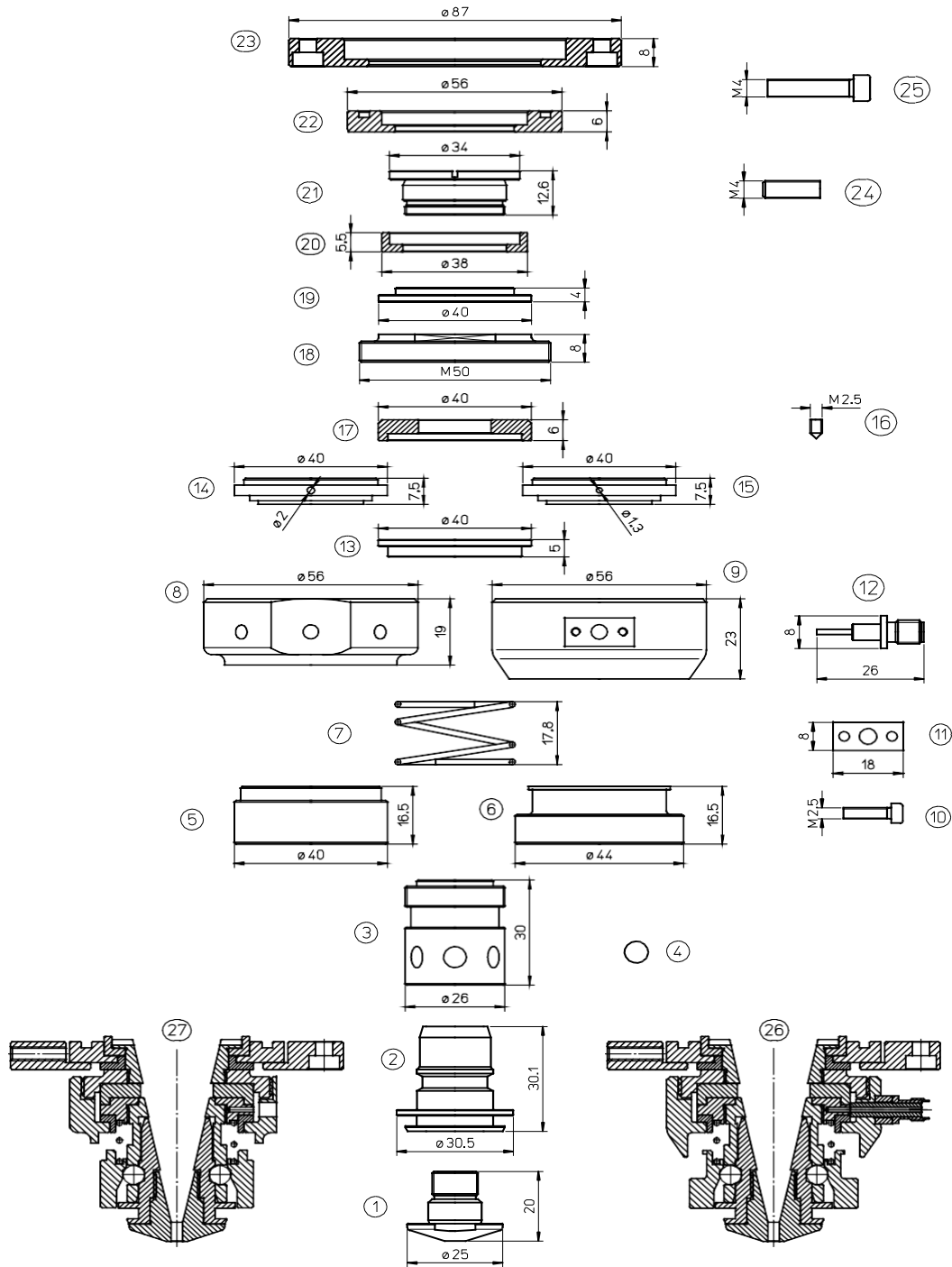
POS	SOSLaser Code	ALTERNATE REFERENCE	ORIGINAL CODE	DESCRIPTION	Unit Price	10pack price
1	L1571X	MZ373-1571	Q3143300010	MAZAK® DOUBLE NOZZLE PENCIL SUS Ø 3.0 CP		
	L1572X	MZ373-1572	Q6143300020	MAZAK® DOUBLE NOZZLE PENCIL SUS Ø 3.5 CP		
	L1573X	MZ373-1573	Q6143300030	MAZAK® DOUBLE NOZZLE PENCIL SUS Ø 4.0 CP		
	L1574X	MZ373-1574	Q6143300040	MAZAK® DOUBLE NOZZLE PENCIL SUS Ø 4.5 CP		
	L1575X	MZ373-1575	Q6143300050	MAZAK® DOUBLE NOZZLE PENCIL SUS Ø 5.0 CP		
2	L1580X	MZ373-1580		0 MAZAK® NOZZLE PENCIL Ø 0.8 CP		
	L1581X	MZ373-1581	Q6143312210	MAZAK® NOZZLE PENCIL Ø 1.0 CP		
	L1582X	MZ373-1582	36143312220	MAZAK® NOZZLE PENCIL Ø 1.2 CP		
	L1583X	MZ373-1583	36143312230	MAZAK® NOZZLE PENCIL Ø 1.5 CP		
	L1584X	MZ373-1584	Q6143300060	MAZAK® NOZZLE PENCIL Ø 1.8 CP		
	L1585X	MZ373-1585	36143312240	MAZAK® NOZZLE PENCIL Ø 2.0 CP		
	L1586X	MZ373-1586		0 MAZAK® NOZZLE PENCIL Ø 2.2 CP		
	L1587X	MZ373-1587	36143312250	MAZAK® NOZZLE PENCIL Ø 2.5 CP		
	L1588X	MZ373-1588	36143312260	MAZAK® NOZZLE PENCIL Ø 3.0 CP		
	L1589X	MZ373-1589	36143312270	MAZAK® NOZZLE PENCIL Ø 3.5 CP		
	L1590X	MZ373-1590	36143312280	MAZAK® NOZZLE PENCIL Ø 4.0 CP		
	L1591X	MZ373-1591	06143355590	MAZAK® NOZZLE PENCIL Ø 4.5 CP		
	L1592X	MZ373-1592	06283301030	MAZAK® NOZZLE PENCIL Ø 5.0 CP		
L1593X	MZ373-1593	06283301830	MAZAK® NOZZLE PENCIL Ø 5.5 CP			
3	L1600X	MZ373-1600		0 MAZAK® DOUBLE NOZZLE PENCIL Ø 0.8 CP		
	L1601X	MZ373-1601		0 MAZAK® DOUBLE NOZZLE PENCIL Ø 1.0 CP		
	L1602X	MZ373-1602	Q6143300080	MAZAK® DOUBLE NOZZLE PENCIL Ø 1.2 CP		
	L1603X	MZ373-1603	36143312300	MAZAK® DOUBLE NOZZLE PENCIL Ø 1.5 CP		
	L1604X	MZ373-1604	36143312310	MAZAK® DOUBLE NOZZLE PENCIL Ø 1.8 CP		
	L1605X	MZ373-1605	36143312311	MAZAK® DOUBLE NOZZLE PENCIL Ø 2.0 CP		
	L1606X	MZ373-1606		0 MAZAK® DOUBLE NOZZLE PENCIL Ø 2.2 CP		
	L1607X	MZ373-1607	36143312320	MAZAK® DOUBLE NOZZLE PENCIL Ø 2.5 CP		
	L1608X	MZ373-1608	36143312330	MAZAK® DOUBLE NOZZLE PENCIL Ø 3.0 CP		
	L1609X	MZ373-1609	36143312340	MAZAK® DOUBLE NOZZLE PENCIL Ø 3.5 CP		
	L1610X	MZ373-1610	36143312350	MAZAK® DOUBLE NOZZLE PENCIL Ø 4.0 CP		
	L1611X	MZ373-1611	Q6143312360	MAZAK® DOUBLE NOZZLE PENCIL Ø 4.5 CP		
L1612X	MZ373-1612	Q6143312370	MAZAK® DOUBLE NOZZLE PENCIL Ø 5.0 CP			
4	L1614X	MZ373-1614	Q6260700010	MAZAK® DOUBLE NOZZLE PENCIL Ø 4.0-1.2 CP		
	L1615X	MZ373-1615	06143355360	MAZAK® DOUBLE NOZZLE PENCIL Ø 4.0-1.4 CP		
	L1616X	MZ373-1616	06143355370	MAZAK® DOUBLE NOZZLE PENCIL Ø 4.0-1.8 CP		
	L1617X	MZ373-1617	06283301050	MAZAK® DOUBLE NOZZLE PENCIL Ø 4.5-1.2 CP		
	L1618X	MZ373-1618	06283301200	MAZAK® DOUBLE NOZZLE PENCIL Ø 5.0-1.2 CP		
	L1619X	MZ373-1619	06283301210	MAZAK® DOUBLE NOZZLE PENCIL Ø 5.5-1.2 CP		
L1686X	MZ373-1686	06283301840	MAZAK® DOUBLE NOZZLE PENCIL Ø 5.5-2.0 CP			
5	L1816X	MZ373-1790	06283301790	MAZAK® NOZZLE PENCIL Ø 1.0/HP CP		
	L1817X	MZ373-1800	06283301800	MAZAK® NOZZLE PENCIL Ø 1.2HP CP		
	L1818X	MZ373-1810	06283301810	MAZAK® NOZZLE PENCIL Ø 1.5HP CP		
6	L1829X	MZ373-1820	06283301820	MAZAK® DOUBLE NOZZLE PENCIL Ø 1.5HP CP		

Replacement parts suitable for **MAZAK®**



POS	SOSLaser Code	ALTERNATE REFERENCE	ORIGINAL CODE	DESCRIPTION	Unit Price	10pack price
1	AL465	MZ373-0465		0 MAZAK® SPECIAL NOZZLE HOLDER		
2	L1890	MZ373-0030	Q6283300030	MAZAK® DOUBLE NOZZLE SMOOTH Ø 6.0		
	L1891	MZ373-0020	Q6283300020	MAZAK® DOUBLE NOZZLE SMOOTH Ø 7.5		
	L1892	MZ373-0010	Q6283300010	MAZAK® DOUBLE NOZZLE SMOOTH Ø 9.5		

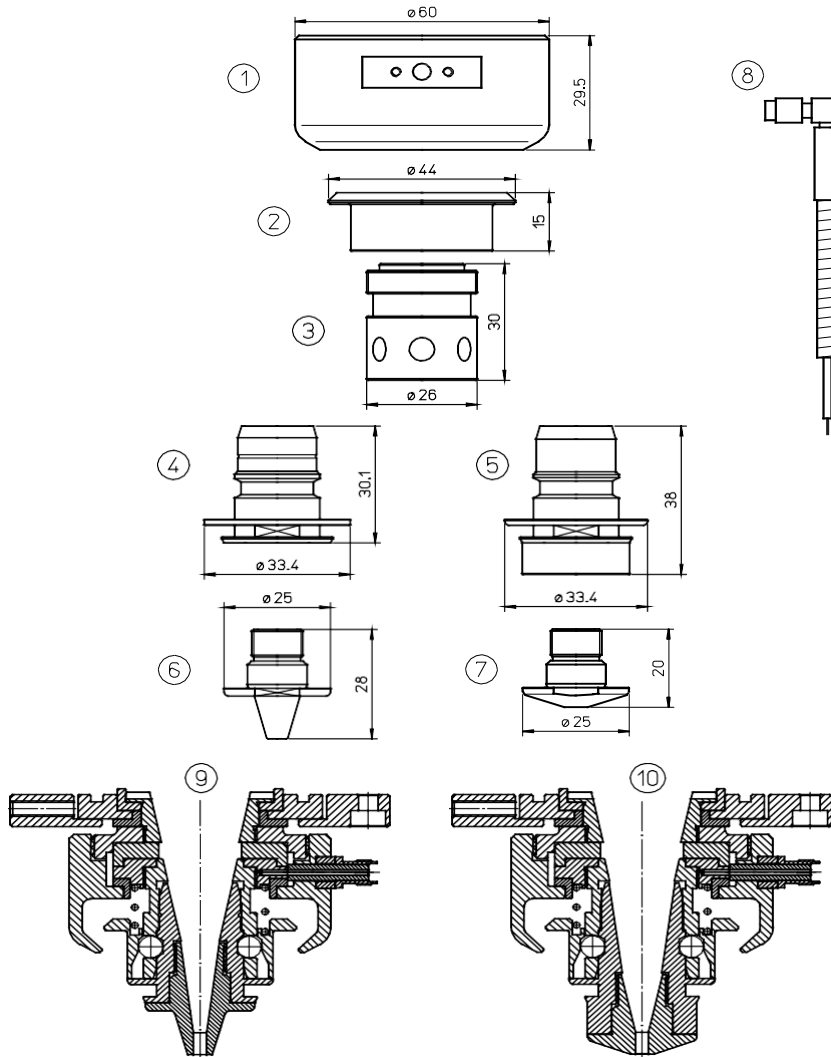
Replacement parts suitable for **MAZAK®**



Replacement parts suitable for **MAZAK®**

POS	SOSLaser Code	ALTERNATE REFERENCE	ORIGINAL CODE	DESCRIPTION	Unit Price	10 pack price
1				<i>Please refer to the Mazak® nozzle section</i>		
2	AL242	MZ368-0001	36143304420	MAZAK® H.G. NOZZLE HOLDER		
3	AL291	MZ413-4400	36143304400	MAZAK® H.G. COUPLER		
4	AL311	MZ413-0230	46143300230	MAZAK® H.G. KIT BALL - 6PCS		
5	AL292	MZ413-4430	46143304430	MAZAK® H.G. SPRING RETAINER		
6	AL314	MZ413-8000	46143308000	MAZAK® H.G. RETAINER SPRING STEEL		
7	AL289	MZ413-0220	46143300220	MAZAK® H.G. SPRING		
8	AL293	MZ413-3242	36143303242	MAZAK® H.G. BODY		
9	AL313	MZ413-7980	36143307980	MAZAK® H.G. ALUMINUM BODY		
10	AL317	MZ413-0030	A05GS002560	MAZAK® H.G. SCREW FOR CONNECTOR - 2 PCS		
11	AL318	MZ413-8170	46143308170	MAZAK® H.G. SPACER FOR CONNECTOR ALUMINUM		
12	AL315	MZ413-8190	46143308190	MAZAK® H.G. CONNECTOR		
13	AL284 AL384	MZ408-0240 MZ413-0240	46143300240 46143300240	MAZAK® H.G. CERAMIC INSULATOR 40 x 5 MAZAK® H.G. PTFE INSULATOR 40 x 5		
14	AL287	MZ413-4250	46143304250	MAZAK® H.G. RETAINER NUT W/AMPLIF. HOLE 2.0		
15	AL295	MZ413-7420	46143307421	MAZAK® H.G. RETAINER NUT W/AMPLIF. HOLE 1.3		
16	AL322	MZ413-1180	46683301180	MAZAK® H.G. SCREW HEX DRIVE		
17	AL290 AL390	MZ408-4440 MZ413-4440	46143304440 46143304440	MAZAK® H.G. INSULATOR CERAMIC 40 x 6 MAZAK® H.G. PTFE INSULATOR 40 x 6		
18	AL294	MZ413-0290	46143300290	MAZAK® H.G. RETAINER NUT		
19	AL285 AL385	MZ408-0260 MZ413-0260	46143300260 46143300260	MAZAK® H.G. CERAMIC INSULATOR 40 x 4 MAZAK® H.G. PTFE INSULATOR 40 x 4		
20	AL286 AL386	MZ408-0270 MZ413-0270	46143300270 46143300270	MAZAK® H.G. INSULATOR CERAMIC 38 x 5,5 MAZAK® H.G. PTFE INSULATOR 38 x 5,5		
21	AL288	MZ413-0280	46143300280	MAZAK® H.G. RETAINER NUT W/CONE		
22	AL316	MZ413-0320	46143300320	MAZAK® H.G. RING BRASS		
23	AL320	MZ413-0332	36143300332	MAZAK® H.G. RING ALUMINUM		
24	AL321	MZ413-0010		MAZAK® H.G. SCREW FOR HEAD CENTERING - 4 PCS		
25	AL319	MZ413-0200	A06CB040160	MAZAK® H.G. SET SCREWS FOR HEAD - 4 PCS		
26	TMA50/C	MZ413-0001		MAZAK® H.G. HEAD W/CERAMIC SPACER		
27	TMA40/C	MZ413-0002		MAZAK® H.G. HEAD W/CERAMIC SPACER		

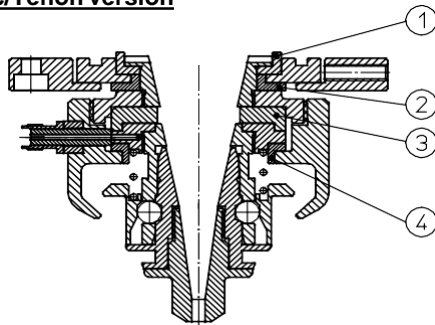
Replacement parts suitable for **MAZAK®**



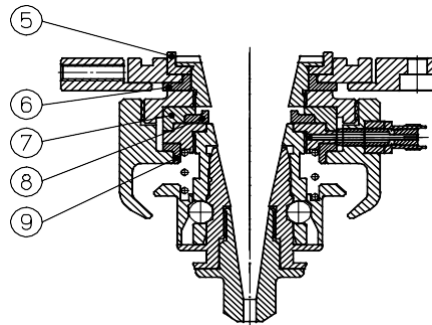
POS	SOSLaser Code	ALTERNATE REFERENCE	ORIGINAL CODE	DESCRIPTION	Unit Price	10pack price
1	AL365	MZ368-0550	36143310550	MAZAK® H.G. ALUMINUM BODY		
2	AL366	MZ368-0541	36143310541	MAZAK® H.G. RETAINER SPRING STEEL		
3	AL367	MZ368-0530	36143310530	MAZAK® H.G. COUPLER		
4	AL362	MZ368-0522	36143310522	MAZAK® H.G. NOZZLE HOLDER LARGE		
5	AL363	MZ368-0740	36143310740	MAZAK® H.G. NOZZLE HOLDER LONG		
6				<i>Please refer to Mazak® Slim Nozzle section</i>		
7				<i>Please refer to Mazak® Nozzle section</i>		
8	AL368	MZ335-8290	46143308290	MAZAK® DOWNSIDE CABLE OF PREAMP BUILT-IN TYPE		
9	TMA60/C	MZ368-0060		MAZAK® H.G. HEAD W/CERAMIC SPACER		
10	TMA70/C	MZ368-0070		MAZAK® H.G. HEAD W/CERAMIC SPACER		

Replacement parts suitable for **MAZAK®**

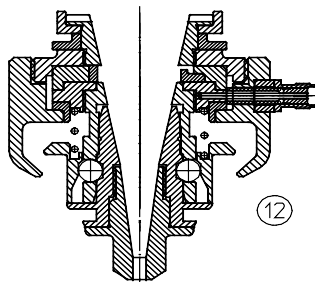
Ceramic/Teflon version



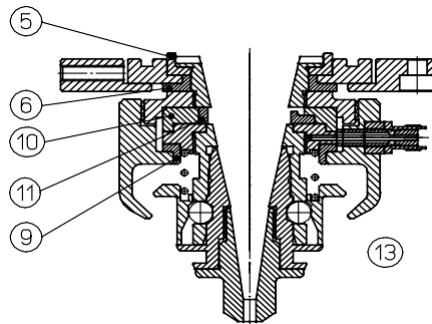
PPS version



PPS version

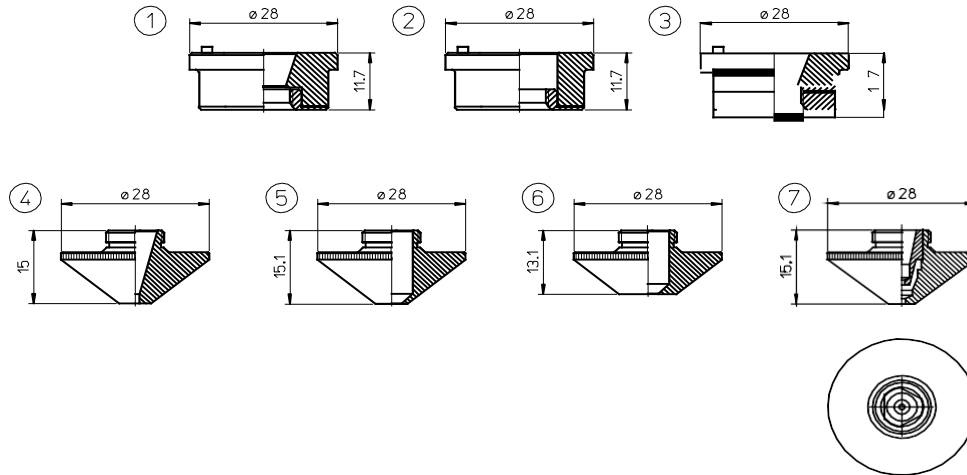


PPS version



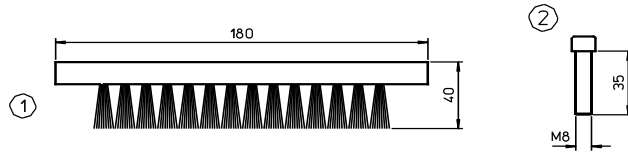
POS	SOSLaser Code	ALTERNATE REFERENCE	ORIGINAL CODE	DESCRIPTION	Unit Price	10pack price
1	AL286	MZ408-0270	46143300270	MAZAK® H.G. INSULATOR CERAMIC 38 x 5,5		
	AL386	MZ413-0270	46143300270	MAZAK® H.G. PTFE INSULATOR 38 x 5,5		
2	AL285	MZ408-0260	46143300260	MAZAK® H.G. CERAMIC INSULATOR 40 x 4		
	AL385	MZ413-0260	46143300260	MAZAK® H.G. PTFE INSULATOR 40 x 4		
3	AL290	MZ408-4440	46143304440	MAZAK® H.G. INSULATOR CERAMIC 40 x 6		
	AL390	MZ413-4440	46143304440	MAZAK® H.G. PTFE INSULATOR 40 x 6		
4	AL284	MZ408-0240	46143300240	MAZAK® H.G. CERAMIC INSULATOR 40 x 5		
	AL384	MZ413-0240	46143300240	MAZAK® H.G. PTFE INSULATOR 40 x 5		
5	AL486	MZ368-2100	46143312100	MAZAK® RING PPS		
6	AL485	MZ368-2130	46143312130	MAZAK® RING PPS		
7	AL490	MZ368-2080	46143312080	MAZAK® SPACER PPS		
8	AL487	MZ368-2090	46143312090	MAZAK® RING		
9	AL484	MZ368-2120	46143312120	MAZAK® RING PPS		
10	AL464	MZ368-2170	46143312170	MAZAK® PPS RING 40 x 6		
11	AL463	MZ368-2180	46143312180	MAZAK® CERAMIC RING 23x4		
12	TMA85	MZ368-0085	0	MAZAK® H.G. HEAD W/PPS SPACER		
13	TMA80	MZ368-0080	0	MAZAK® H.G. HEAD W/PPS SPACER		

Replacement parts suitable for **MAZAK®**



POS	SOSLaser Code	ALTERNATE REFERENCE	ORIGINAL CODE	DESCRIPTION	Unit Price	10pack price
1	AL355	PT348-1051	P0571-1051-00001	PRECITEC® ORIGINAL NOZZLE HOLDER KT B2" CON		
	AL495	PT348-1052	P0571-1051-00001	PRECITEC® NOZZLE HOLDER KT B2" CON		
	AL380	PT348-1053	P0571-1051-00001	PRECITEC® NOZZLE HOLDER KT B2" CON		
2	AL23	PT348-1330OEM	281330-P0571-260-00001	PRECITEC® ORIGINAL NOZZLE HOLDER KT B2"		
	AL131	PT348-1330	281330 - P0571-260-00001	PRECITEC® NOZZLE HOLDER KT B2"		
	AL421	PT348-0260	281330 - P0571-260-00001	PRECITEC® NOZZLE HOLDER KT B2"		
3	AL331	PT348-1330C	0	PRECITEC® NOZZLE HOLDER KT B2" CON		
4				<i>Please refer to the Precitec nozzle section</i>		
5	L1692	PT345-0180	06283300180	MAZAK® NOZZLE Ø 4.0		
	L1696	PT345-0120	06283300120	MAZAK® NOZZLE Ø 5.0		
6	L1693	PT345-0210	06283300210	MAZAK® NOZZLE Ø 4.0		
	L1697	PT345-0190	06283300190	MAZAK® NOZZLE Ø 5.0		
7	L1701	PT345-0050	06283300050	MAZAK® DOUBLE NOZZLE Ø 1.5		
	L1702	PT345-0060	06283300060	MAZAK® DOUBLE NOZZLE Ø 2.0		
	L1703	PT345-0070	06283300070	MAZAK® DOUBLE NOZZLE Ø 2.5		
	L1704	PT345-0080	06283300080	MAZAK® DOUBLE NOZZLE Ø 3.0		
	L1705	PT345-0090	06283300090	MAZAK® DOUBLE NOZZLE Ø 3.5		
	L1706	PT345-0100	06283300100	MAZAK® DOUBLE NOZZLE Ø 4.0		
	L1707	PT345-0110	06283300110	MAZAK® DOUBLE NOZZLE Ø 4.5		
				<i>Please refer to the Precitec nozzle section for more style</i>		

Replacement parts suitable for **MAZAK®**

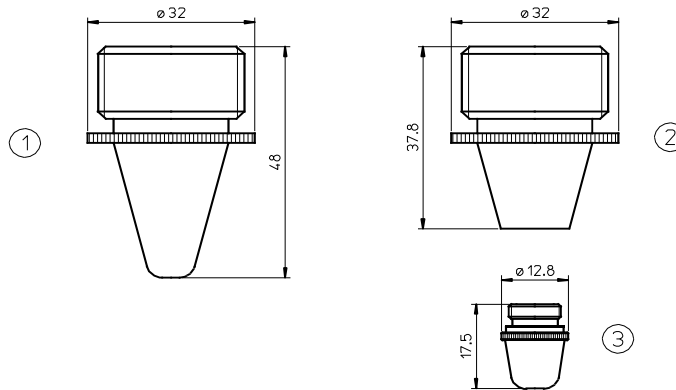


POS	SOSLaser Code	ALTERNATE REFERENCE	ORIGINAL CODE	DESCRIPTION	Unit Price	10 pack price
1	AL301	MZ427-0006		MAZAK® BRUSH 180X30X20 WITH SCREWS		
2	333884	BY328-3884	333884	BYSTRONIC®/MAZAK® PLASTIC SCREWS - 2 pcs		

FILTERS

POS	SOSLaser Code	ALTERNATE REFERENCE	ORIGINAL CODE	DESCRIPTION	Unit Price	10 pack price
	71232023	AM313-2023	71232023	AMADA® MAZAK® FILTER VACUUM PUMP		

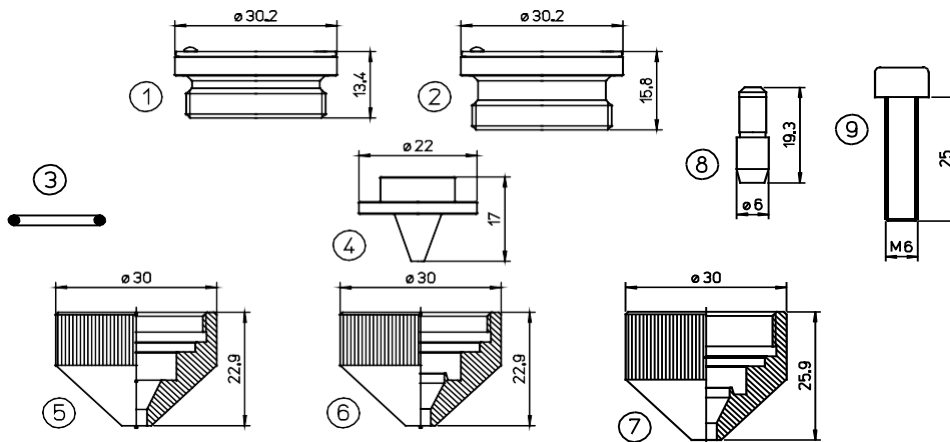
Replacement parts suitable for **MESSER GRIESHEIM®**



POS	SOSLaser Code	ALTERNATE REFERENCE	ORIGINAL CODE	DESCRIPTION	Unit Price	10 pack price
1	L271	MG356-2282	72252282	MESSER G.® NOZZLE Ø 0.8 Long		
	L272	MG356-2281	72252281	MESSER G.® NOZZLE Ø 1.0 Long		
	L273	MG356-2280	72252280	MESSER G.® NOZZLE Ø 1.2 Long		
	L274	MG356-2192	72252192	MESSER G.® NOZZLE Ø 1.4 Long		
	L275	MG356-2190	72252190	MESSER G.® NOZZLE Ø 1.6 Long		
	L276	MG356-2191	72252191	MESSER G.® NOZZLE Ø 1.8 Long		
	L334	MG356-3911	72253911	MESSER G.® NOZZLE Ø 2.0 Long		
	L335	MG356-3912	72253912	MESSER G.® NOZZLE Ø 2.2 Long		
	L336	MG356-3916	72253916	MESSER G.® NOZZLE Ø 2.4 Long		
	L337	MG356-4459	72254459	MESSER G.® NOZZLE Ø 3.0 Long		
2	AL110	MG389-0001		MESSER G.® NOZZLE ADAPTER BODY		
3	L340	MG389-0002		MESSER G.® NOZZLE Ø 0.8		
	L341	MG389-0003		MESSER G.® NOZZLE Ø 1.0		
	L342	MG389-0004		MESSER G.® NOZZLE Ø 1.2		
	L343	MG389-0005		MESSER G.® NOZZLE Ø 1.4		
	L344	MG389-0006		MESSER G.® NOZZLE Ø 1.6		
	L345	MG389-0007		MESSER G.® NOZZLE Ø 1.8		
	L346	MG389-0008		MESSER G.® NOZZLE Ø 2.0		
	L347	MG389-0009		MESSER G.® NOZZLE Ø 2.2		
	L348	MG389-0010		MESSER G.® NOZZLE Ø 2.4		
	L349	MG389-0011		MESSER G.® NOZZLE Ø 3.0		

CP = CHROMEPLATED

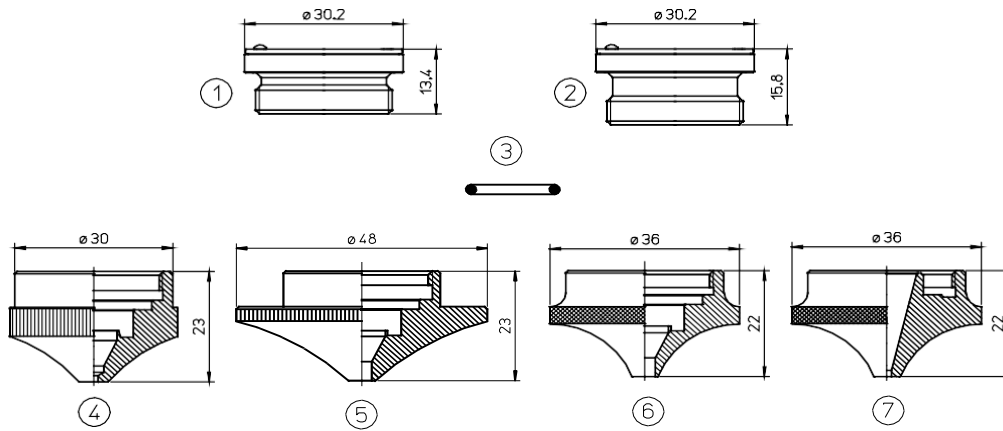
Replacement parts suitable for **MITSUBISHI**®



CP = Chrome Plated

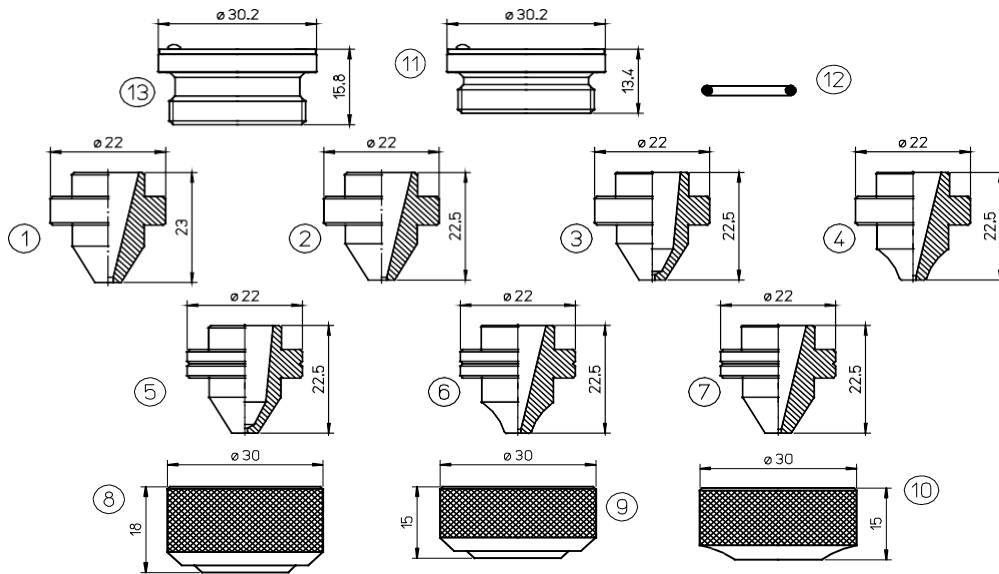
POS	SOSLaser Code	ALTERNATE REFERENCE	ORIGINAL CODE	DESCRIPTION	Unit Price	10pack price
1	AL267	MB334-0001	P0594-860-00001 - 71800010	PRECITEC® NOZZLE HOLDER IT HP2" MZP/MEL		
2	AL401	PT347-0895	P0593-895-00001	PRECITEC® NOZZLE HOLDER IT HP2" ZP/MEL		
3	AL388	MB334-W290	W290-71800107	MITSUBISHI® O-RING		
4	L1121	MB316-1121	0	MITSUBISHI® INNER NOZZLE 1.5 - 3 HOLES		
	L1122	MB316-1122	0	MITSUBISHI® INNER NOZZLE 2.0 - 3 HOLES		
	L288	MB316-390	W390	MITSUBISHI® INNER NOZZLE 1.3 - 4 HOLES		
	L1127	MB316-1127	0	MITSUBISHI® INNER NOZZLE 1.5 - 4 HOLES		
	L1116	MB316-1116	0	MITSUBISHI® INNER NOZZLE 2.0 - 4 HOLES		
	L835	MB316-2706	W270-6	MITSUBISHI® INNER NOZZLE 1.3 - 6 HOLES		
	L1117	MB316-1117	0	MITSUBISHI® INNER NOZZLE 1.5 - 6 HOLES		
	L1118	MB316-1118	0	MITSUBISHI® INNER NOZZLE 2.0 - 6 HOLES		
	L280	MB316-270	W270	MITSUBISHI® INNER NOZZLE 1.3 - 8 HOLES		
	L1119	AM387-0023	71800023 - BQ943D156H01/W270-1.5	AMADA® - MITSUBISHI® INNER NOZZLE 1.5 - 8 HOLES		
	L1120	AM387-0025		AMADA® - MITSUBISHI® INNER NOZZLE 2.0 - 8 HOLES		
	L289	MB316-387	W387	MITSUBISHI® INNER NOZZLE 1.3 - 12 HOLES		
	L290	MB316-388	W388	MITSUBISHI® INNER NOZZLE 1.3 - 16 HOLES		
	L836	MB316-389	W389	MITSUBISHI® INNER NOZZLE 1.3 - 20 HOLES		
L291	MB316-515	W515	MITSUBISHI® INNER NOZZLE 1.5 - 24 HOLES			
L1123	AM387-0024	71800024 - BQ943D156H03	AMADA® - MITSUBISHI® INNER NOZZLE 1.5 - 24 HOLES			
L1124	AM387-0026		AMADA® - MITSUBISHI® INNER NOZZLE 2.0 - 24 HOLES			
5	AL239	MB316-268	0	AMADA® - MITSUBISHI® SHIELD CAP SHORT W/O STEP		
	AL239X	MB316-268CP	0	AMADA® - MITSUBISHI® SHIELD CAP SHORT W/O STEP CP		
6	AL508	MB316-0508	0	MITSUBISHI® OUTER NOZZLE 1.2		
	AL510	MB316-0510	0	MITSUBISHI® OUTER NOZZLE 1.5		
	AL509	MB316-0509	0	MITSUBISHI® OUTER NOZZLE 1.7		
	AL511	MB316-0511	0	MITSUBISHI® OUTER NOZZLE 2.0		
	AL515	MB316-0515	0	MITSUBISHI® OUTER NOZZLE 2.3		
	AL512	MB316-0512	0	MITSUBISHI® OUTER NOZZLE 2.5		
	AL513	MB316-0513	0	MITSUBISHI® OUTER NOZZLE 3.0		
	AL514	MB316-0514	0	MITSUBISHI® OUTER NOZZLE 3.5		
	AL238	MB316-269S	0	AMADA® - MITSUBISHI® SHIELD CAP SHORT		
	AL238X	MB316-269SCP	0	AMADA® - MITSUBISHI® SHIELD CAP SHORT CP		
7	AL65	MB316-269	0	MITSUBISHI® DOUBLE NOZZLE TIP		
	AL65X	MB316-269CP	0	MITSUBISHI® DOUBLE NOZZLE TIP CP		
8	AL345	AM416-0009		AMADA® SAFETY PIN		
9	AL346	AM416-A005	71800008 - L249OA005	AMADA® SAFETY SCREW		

Replacement parts suitable for **MITSUBISHI®**



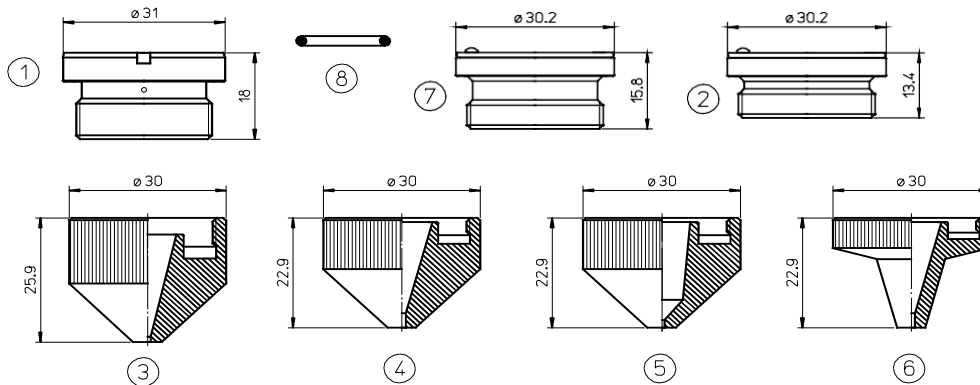
POS	SOSLaser Code	ALTERNATE REFERENCE	ORIGINALCODE	DESCRIPTION	Unit Price	10 pack price
1	AL267	MB334-0001	P0594-860-00001 - 71800010	PRECITEC® NOZZLE HOLDER IT HP2" MZP/MEL		
2	AL401	PT347-0895	P0593-895-00001	PRECITEC® NOZZLE HOLDER IT HP2" ZP/MEL		
3	AL388	MB334-W290	W290-71800107	MITSUBISHI® O-RING		
4	AL302	AM416-0002		AMADA® - MITSUBISHI® OUTER NOZZLE Ø 1.7		
	AL303	AM416-0003		AMADA® - MITSUBISHI® OUTER NOZZLE Ø 2.0		
	AL304	AM416-0004		AMADA® - MITSUBISHI® OUTER NOZZLE Ø 2.5		
	AL305	AM416-0005		AMADA® - MITSUBISHI® OUTER NOZZLE Ø 3.0		
	AL306	AM416-0006		AMADA® - MITSUBISHI® OUTER NOZZLE Ø 4.0		
5	AL266	MB316-0440	BQ933D044H01-71800101- W18Q93304401	MITSUBISHI® OUTER NOZZLE HIGH SPEED PIERCE		
6	AL270	AM416-2197	71802197 - BQ933D044H01	AMADA® - MITSUBISHI® OUTER NOZZLE		
7	L1262	AM416-5400	7180015400 - BQ023D020H01	AMADA® NOZZLE HIGH SPEED PIERCE Ø 1.7		

Replacement parts suitable for **MITSUBISHI®**



POS	SOSLaser Code	ALTERNATE REFERENCE	ORIGINALCODE	DESCRIPTION	Unit Price	10 pack price
1	L354	MB327-327-1		MITSUBISHI® NOZZLE Ø 1.0		
	L363	MB327-777	W777	MITSUBISHI® NOZZLE Ø 1.2		
	L355	MB327-266	W266	MITSUBISHI® NOZZLE Ø 1.5		
	L356	MB327-267	W267	MITSUBISHI® NOZZLE Ø 2.0		
	L357	MB327-776	W776	MITSUBISHI® NOZZLE Ø 2.5		
	L358	MB327-268	W268	MITSUBISHI® NOZZLE Ø 3.0		
	L359	MB327-268-3.5	W268-3.5	MITSUBISHI® NOZZLE Ø 3.5		
2	L1134	AM326-0018	71800018 - BQ943D157H01	AMADA® - MITSUBISHI® NOZZLE Ø 1.5		
	L1135	AM326-0019	71800019 - BQ943D157H02	AMADA® - MITSUBISHI® NOZZLE Ø 2.0		
	L1136	AM326-0020	71800020 - BQ943D157H03	AMADA® - MITSUBISHI® NOZZLE Ø 2.5		
	L1137	AM326-0021	71800021 - BQ943D157H04	AMADA® - MITSUBISHI® NOZZLE Ø 3.0		
	L1138	AM326-0022	71800022 - BQ943D596H01	AMADA® - MITSUBISHI® NOZZLE Ø 3.5		
	L1139	AM326-0023	0	AMADA® - MITSUBISHI® NOZZLE Ø 4.0		
3	L1125	AM387-0016	71800016-BQ943D897H01- W18Q94389701	AMADA® - MITSUBISHI® HV NOZZLE Ø 1.0		
	L1128	AM387-1901	W18Q93309101	AMADA® - MITSUBISHI® HV NOZZLE Ø 2.5		
	L1129	AM387-1902	W18Q93309102	AMADA® - MITSUBISHI® HV NOZZLE Ø 3.0		
4	L1126	AM387-0001	71800016A0-BQ933D283H01	AMADA® - MITSUBISHI® NOZZLE Ø 1.0 WITH RADIUS NO GROOVE		
5	L965	MB327-0010		MITSUBISHI® NOZZLE Ø 1.0		
	L966	MB327-0012		MITSUBISHI® NOZZLE Ø 1.2		
	L967	MB327-0015		MITSUBISHI® NOZZLE Ø 1.5		
	L964	MB327-0017		MITSUBISHI® NOZZLE Ø 1.7		
	L968	MB327-0020		MITSUBISHI® NOZZLE Ø 2.0		
	L969	MB327-0025		MITSUBISHI® NOZZLE Ø 2.5		
6	L1130	AM387-0017	71800017-BQ943D269H01- W18Q93326901	AMADA® - MITSUBISHI® HV NOZZLE Ø 1.2 WITH RADIUS		
7	L1132	AM387-2701	W18Q93302701	AMADA® - MITSUBISHI® HV NOZZLE Ø 1.7		
8	AL116	MB327-263	W263	MITSUBISHI® NOZZLE NUT		
9	AL240	MB327-263S	P0593-865-00001	MITSUBISHI® NOZZLE NUT SHORT		
10	AL269	AM367-0269	71800026 - BQ933D94H01	AMADA® - MITSUBISHI® NOZZLE NUT SHORT		
11	AL267	MB334-0001	P0594-860-00001 - 71800010	PRECITEC® NOZZLE HOLDER IT HP2" MZP/MEL		
12	AL388	MB334-W290	W290-71800107	MITSUBISHI® O-RING		
13	AL401	PT347-0895	P0593-895-00001	PRECITEC® NOZZLE HOLDER IT HP2" ZP/MEL		

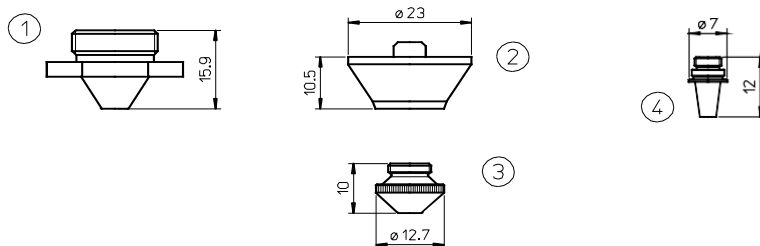
Replacement parts suitable for **MITSUBISHI®**



CP = Chrome Plated

POS	SOSLaser Code	ALTERNATE REFERENCE	ORIGINAL CODE	DESCRIPTION	Unit Price	10 pack price
1	AL373	MB334-0830	P0461-230-00001 - W830	MITSUBISHI® NOZZLE HOLDER IT461		
2	AL267	MB334-0001	P0594-860-00001 - 71800010	PRECITEC® NOZZLE HOLDER IT HP2" MZP/MEL		
3	L398	MB334-1249	W1249	MITSUBISHI® SHIELD NOZZLE Ø 1.0		
	L397	MB334-1256	W1256	MITSUBISHI® SHIELD NOZZLE Ø 1.2		
	L399	MB334-1250	W1250	MITSUBISHI® SHIELD NOZZLE Ø 1.5		
	L702	MB334-1251	W1251	MITSUBISHI® SHIELD NOZZLE Ø 2.0		
	L703	MB334-1252	W1252	MITSUBISHI® SHIELD NOZZLE Ø 2.5		
	L704	MB334-1253	W1253	MITSUBISHI® SHIELD NOZZLE Ø 3.0		
	L705	MB334-1254	W1254	MITSUBISHI® SHIELD NOZZLE Ø 3.5		
	L706	MB334-1255	W1255	MITSUBISHI® SHIELD NOZZLE Ø 4.0		
4	L910	MB334-1626	W1626	MITSUBISHI® NOZZLE Ø 1.0		
	L911	MB334-1627	W1627	MITSUBISHI® NOZZLE Ø 1.2		
	L908	MB334-1625	0	MITSUBISHI® NOZZLE Ø 1.4		
	L912	MB334-1628	W1628	MITSUBISHI® NOZZLE Ø 1.5		
	L918	MB334-1661	W1661	MITSUBISHI® NOZZLE Ø 1.7		
	L913	MB334-1629	W1629	MITSUBISHI® NOZZLE Ø 2.0		
	L914	MB334-1630	W1630	MITSUBISHI® NOZZLE Ø 2.5		
	L915	MB334-1664	W1664	MITSUBISHI® NOZZLE Ø 3.0		
	L916	MB334-1665	W1665	MITSUBISHI® NOZZLE Ø 3.5		
	L917	MB334-1666	W1666	MITSUBISHI® NOZZLE Ø 4.0		
	L909	MB334-1662	W1662	MITSUBISHI® NOZZLE Ø 4.5		
	L919	MB334-1663	W1663	MITSUBISHI® NOZZLE Ø 5.0		
	L910X	MB334-1626CP	W1626	MITSUBISHI® NOZZLE Ø 1.0 CP		
	L911X	MB334-1627CP	W1627	MITSUBISHI® NOZZLE Ø 1.2 CP		
	L912X	MB334-1628CP	W1628	MITSUBISHI® NOZZLE Ø 1.5 CP		
	L918X	MB334-1661CP	W1661	MITSUBISHI® NOZZLE Ø 1.7 CP		
	L913X	MB334-1629CP	W1629	MITSUBISHI® NOZZLE Ø 2.0 CP		
	L914X	MB334-1630CP	W1630	MITSUBISHI® NOZZLE Ø 2.5 CP		
	L915X	MB334-1664CP	W1664	MITSUBISHI® NOZZLE Ø 3.0 CP		
L916X	MB334-1665CP	W1665	MITSUBISHI® NOZZLE Ø 3.5 CP			
L917X	MB334-1666CP	W1666	MITSUBISHI® NOZZLE Ø 4.0 CP			
5	L1078	MB334-1626B	W1626B	MITSUBISHI® NOZZLE Ø 1.0 LOW PRESSURE		
	L1079	MB334-1627B	W1627B	MITSUBISHI® NOZZLE Ø 1.2 LOW PRESSURE		
	L1080	MB334-1628B	W1628B	MITSUBISHI® NOZZLE Ø 1.5 LOW PRESSURE		
	L1081	MB334-1629B	W1629B	MITSUBISHI® NOZZLE Ø 2.0 LOW PRESSURE		
	L1082	MB334-1630B	W1630B	MITSUBISHI® NOZZLE Ø 2.5 LOW PRESSURE		
	L1083	MB334-1664B	W1664B	MITSUBISHI® NOZZLE Ø 3.0 LOW PRESSURE		
	L1084	MB334-1665B	W1665B	MITSUBISHI® NOZZLE Ø 3.5 LOW PRESSURE		
	L1085	MB334-1666B	W1666B	MITSUBISHI® NOZZLE Ø 4.0 LOW PRESSURE		
6	L1715	MB334-1631	NCW1626C	MITSUBISHI® NOZZLE Ø 1.0 NARROW CONE		
	L1716	MB334-1632	NCW1627C	MITSUBISHI® NOZZLE Ø 1.2 NARROW CONE		
	L1718	MB334-1633	NCW1629C	MITSUBISHI® NOZZLE Ø 2.0 NARROW CONE		
	L1719	MB334-1634	NCW1630C	MITSUBISHI® NOZZLE Ø 2.5 NARROW CONE		
7	AL401	PT347-0895	P0593-895-00001	PRECITEC® NOZZLE HOLDER IT HP2" ZP/MEL		
8	AL388	MB334-W290	W290-71800107	MITSUBISHI® O-RING		

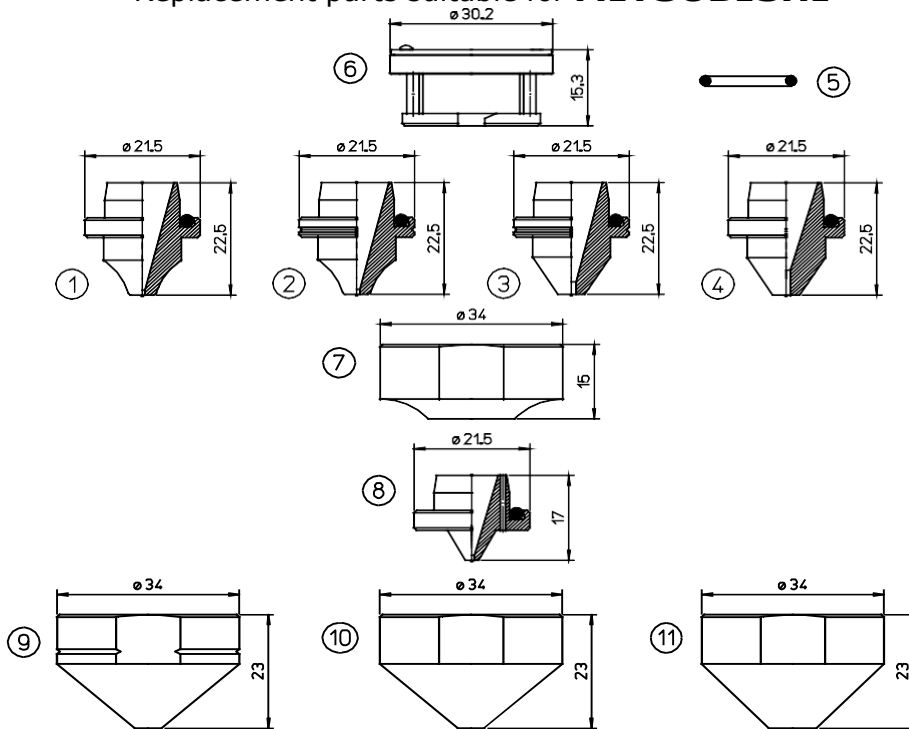
Replacement parts suitable for **MITSUBISHI**®



CP = Chrome Plated

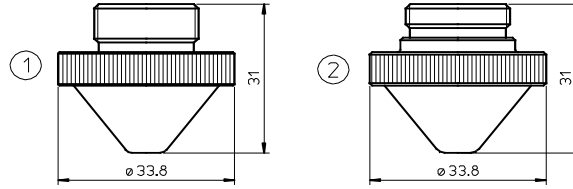
POS	SOSLaser Code	ALTERNATE REFERENCE	ORIGINAL CODE	DESCRIPTION	Unit Price	10 pack price
1	L548	MB330-000		MITSUBISHI® NOZZLE Ø 1.0		
	L549	MB330-001	W001	MITSUBISHI® NOZZLE Ø 1.5		
	L550	MB330-002	W002	MITSUBISHI® NOZZLE Ø 2.0		
	L551	MB330-004	W004	MITSUBISHI® NOZZLE Ø 2.5		
	L552	MB330-003	W003	MITSUBISHI® NOZZLE Ø 3.0		
2	AL138	PT344-1079	281079-P0492-430-00003-W149	PRECITEC® ORIG. NOZZLE HOLDER KT M1.5" S F2.5		
3	L400	PT344-0013	280013-P0492-441-00008	PRECITEC® FP NOZZLE Ø 0.8		
	L30400	PT344-0013X	280013-P0492-441-00008	PRECITEC® FP NOZZLE Ø 0.8		
	L401	PT344-0014	280014-P0492-442-00010-W223	PRECITEC® FP NOZZLE Ø 1.0		
	L30401	MB336-223X	280014-P0492-442-00010-W223	PRECITEC® FP NOZZLE Ø 1.0		
	L402	PT344-0015	280015-P0492-443-00012	PRECITEC® FP NOZZLE Ø 1.2		
	L30402	PT344-0015X	280015-P0492-443-00012	PRECITEC® FP NOZZLE Ø 1.2		
	L403	PT344-0016	280016-P0492-444-00015-W224	PRECITEC® FP NOZZLE Ø 1.5		
	L30403	MB336-224X	280016-P0492-444-00015-W224	PRECITEC® FP NOZZLE Ø 1.5		
	L543	PT344-0018	P0492-447-00018	PRECITEC® FP NOZZLE Ø 1.8		
	L30543	PT344-0018X	P0492-447-00018	PRECITEC® FP NOZZLE Ø 1.8		
	L544	PT344-0937	280937-P0492-445-00020-W225	PRECITEC® FP NOZZLE Ø 2.0		
	L30544	MB336-225X	280937-P0492-445-00020-W225	PRECITEC® FP NOZZLE Ø 2.0		
	L546	PT344-0023	P0492-448-00023	PRECITEC® FP NOZZLE Ø 2.3		
	L30546	PT344-0023X	P0492-448-00023	PRECITEC® FP NOZZLE Ø 2.3		
	L545	PT344-1791	281791-P0492-446-00025-W226	PRECITEC® FP NOZZLE Ø 2.5		
	L30545	MB336-226X	281791-P0492-446-00025-W226	PRECITEC® FP NOZZLE Ø 2.5		
	L547	MB336-0005		PRECITEC® FP NOZZLE Ø 3.0		
	L30547	MB336-0005X		PRECITEC® FP NOZZLE Ø 3.0		
	L400X	PT344-0008CP	280013-P0492-441-00008	PRECITEC® FP NOZZLE Ø 0.8 CP		
	L30400X	PT344-0008CPX	280013-P0492-441-00008	PRECITEC® FP NOZZLE Ø 0.8 CP		
	L401X	PT344-0010CP	280014-P0492-442-00010-W223	PRECITEC® FP NOZZLE Ø 1.0 CP		
	L30401X	PT344-0010CPX	280014-P0492-442-00010-W223	PRECITEC® FP NOZZLE Ø 1.0 CP		
	L402X	PT344-0012CP		PRECITEC® FP NOZZLE Ø 1.2 CP		
	L30402X	PT344-0012CPX		PRECITEC® FP NOZZLE Ø 1.2 CP		
	L403X	PT344-0015CP	280016-P0492-444-00015-W224	PRECITEC® FP NOZZLE Ø 1.5 CP		
	L30403X	PT344-0015CPX	280016-P0492-444-00015-W224	PRECITEC® FP NOZZLE Ø 1.5 CP		
	L543X	PT344-0018CP	P0492-447-00018	PRECITEC® FP NOZZLE Ø 1.8 CP		
	L30543X	PT344-0018CPX	P0492-447-00018	PRECITEC® FP NOZZLE Ø 1.8 CP		
	L544X	PT344-0022CP	280937-P0492-445-00020-W225	PRECITEC® FP NOZZLE Ø 2.0 CP		
	L30544X	PT344-0022CPX	280937-P0492-445-00020-W225	PRECITEC® FP NOZZLE Ø 2.0 CP		
	L546X	PT344-0023CP	P0492-448-00023	PRECITEC® FP NOZZLE Ø 2.3 CP		
	L30546X	PT344-0023CPX	P0492-448-00023	PRECITEC® FP NOZZLE Ø 2.3 CP		
	L545X	PT344-0025CP	281791-P0492-446-00025-W226	PRECITEC® FP NOZZLE Ø 2.5 CP		
L30545X	PT344-0025CPX	281791-P0492-446-00025-W226	PRECITEC® FP NOZZLE Ø 2.5 CP			
L547X	PT344-0027CP		PRECITEC® FP NOZZLE Ø 3.0 CP			
L30547X	PT344-0027CPX		PRECITEC® FP NOZZLE Ø 3.0 CP			
4	L1710	MB336-0018	P0352-377-00018	MITSUBISHI® NOZZLE Ø 1.8 – DE M1.5" 1.8H		

Replacement parts suitable for **MITSUBISHI®**



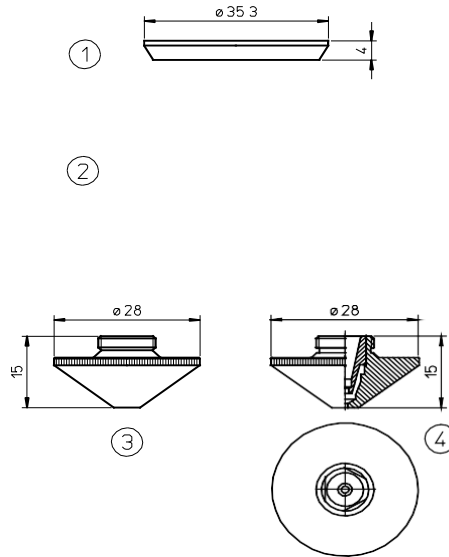
POS	SOSLaser Code	ALTERNATE REFERENCE	ORIGINALCODE	DESCRIPTION	unit price	10 pack price
1	L1620	MB327-1620	BQ983D150-H01	MITSUBISHI® NOZZLE Ø 1.0 W/o-ring		
	L1633	MB327-1633	BQ983D314-H01	MITSUBISHI® NOZZLE Ø 1.4 W/o-ring		
2	L1621	MB327-1621	BQ983D151-H01	MITSUBISHI® NOZZLE Ø 1.2 W/o-ring		
3	L1622	MB327-1622	BQ983D152-H01	MITSUBISHI® NOZZLE Ø 1.7 W/o-ring		
4	L1623	MB327-1623	BQ983D153-H01	MITSUBISHI® NOZZLE Ø 1.5 W/o-ring		
	L1624	MB327-1624	BQ983D153-H02	MITSUBISHI® NOZZLE Ø 2.0 W/o-ring		
	L1625	MB327-1625	BQ983D153-H03	MITSUBISHI® NOZZLE Ø 2.5 W/o-ring		
	L1626	MB327-1626	BQ983D153-H04	MITSUBISHI® NOZZLE Ø 3.0 W/o-ring		
	L1627	MB327-1627	BQ983D153-H05	MITSUBISHI® NOZZLE Ø 3.5 W/o-ring		
5	AL393	MB327-393	0	MITSUBISHI® O-RING FOR NOZZLE		
6	AL460	MB327-0311	BQ980D311G02	MITSUBISHI® EX INSULATION NOZZLE HOLDER		
7	AL467	MB327-0328	BQ980D328G01	MITSUBISHI® EX OUTER NOZZLE FOR SINGLE NOZZLE		
8	L1749	MB327-1749		MITSUBISHI® EX INNER NOZZLE 1,5 - 3 HOLES - W/o-ring		
	L1751	MB327-1751		MITSUBISHI® EX INNER NOZZLE 1,5 - 4 HOLES - W/o-ring		
	L1753	MB327-1753		MITSUBISHI® EX INNER NOZZLE 1,5 - 6 HOLES - W/o-ring		
	L1755	MB327-1755	BQ983D206H03	MITSUBISHI® EX INNER NOZZLE 1.5 - 8 HOLES W/o-ring		
	L1757	MB327-1757	BQ983D206H04	MITSUBISHI® EX INNER NOZZLE 1.5 - 24 HOLES W/o-ring		
	L1750	MB327-1750		MITSUBISHI® EX INNER NOZZLE 2,0 - 3 HOLES - W/o-ring		
	L1752	MB327-1752		MITSUBISHI® EX INNER NOZZLE 2,0 - 4 HOLES - W/o-ring		
L1754	MB327-1754		MITSUBISHI® EX INNER NOZZLE 2,0 - 6 HOLES - W/o-ring			
9	AL472	MB327-0472	0	MITSUBISHI® EX OUTER NOZZLE 1,5 FOR THICK MATERIAL		
	AL473	MB327-0473		MITSUBISHI® EX OUTER NOZZLE 2,0 FOR THICK MATERIAL		
	AL474	MB327-0474		MITSUBISHI® EX OUTER NOZZLE 2,5 FOR THICK MATERIAL		
	AL475	MB327-0475		MITSUBISHI® EX OUTER NOZZLE 3,0 FOR THICK MATERIAL		
	AL476	MB327-0476		MITSUBISHI® EX OUTER NOZZLE 3,5 FOR THICK MATERIAL		
	AL468	MB327-0434	BQ980D434G01	MITSUBISHI® EX OUTER NOZZLE 4,0 FOR THICK MATERIAL		
10	AL469	MB327-4423	BQ980D442G03	MITSUBISHI® EX OUTER NOZZLE Ø 4,0 MM		
11	AL470	MB327-4421	BQ980D442G01	MITSUBISHI® EX OUTER NOZZLE Ø 7,0 MM		

Replacement parts suitable for **NTC® - BEYELER®**



POS	SOSLaser Code	ALTERNATE REFERENCE	ORIGINAL CODE	DESCRIPTION	Unit Price	10 pack price
1	L454	NT401-0001		NTC® NOZZLE Ø1.0		
	L455	NT401-0002		NTC® NOZZLE Ø1.2		
	L456	NT401-0003		NTC® NOZZLE Ø1.5		
	L457	NT401-0004		NTC® NOZZLE Ø2.0		
	L458	NT401-0005		NTC® NOZZLE Ø2.5		
	L459	NT401-0006		NTC® NOZZLE Ø3.0		
2	L1090	NT382-3738	4R019681	NTC® NOZZLE Ø1.0		
	L1091	NT382-3737	4R023668	NTC® NOZZLE Ø1.2		
	L1092	NT382-3904	4R020576	NTC® NOZZLE Ø1.5		
	L1093	NT382-3739	4R019680	NTC® NOZZLE Ø2.0		
	L1096	NT382-0025		NTC® NOZZLE Ø2.5		
	L1094	NT382-3905	4R019770	NTC® NOZZLE Ø3.0		
	L1095	NT382-0040		NTC® NOZZLE Ø4.0		

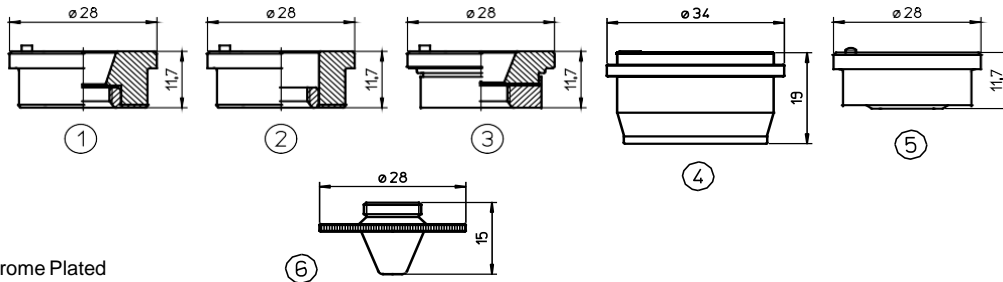
Replacement parts suitable for **NUKON**®



POS	SOSLaser Code	ALTERNATE REFERENCE	ORIGINAL CODE	DESCRIPTION	Unit Price	10 pack price
1	AL441	BY328-9016	10046025 08-12-04-9016	BYSTRONIC® ISOLATOR CERAMIC RING		
2						
3				<i>Please refer to the Precitec nozzle section</i>		
4				<i>Please refer to the Precitec nozzle section</i>		

Replacement parts suitable for **PRECITEC®**

ADIGE®.ADIRA®.BALLIU®.BAYKAL®.BLM®.CR ELECTRONIC®.CUTLITE PENTA®.DURMA®ERMAKSAN®.ESAB®.FINN-POWER®.
GASPARINI®.GHT®.HAN'S LASER®.LASERMAK®.PRIMA POWER®.PRIMA SMART®.RAINER®.SALVAGNINI®.SHT®.UNITY PRIMA®

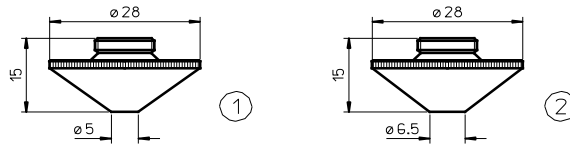


CP = Chrome Plated

POS	SOSLaser Code	ALTERNATE REFERENCE	ORIGINAL CODE	DESCRIPTION	Unit Price	10 pack price
1	AL355	PT348-1051	P0571-1051-00001	PRECITEC® ORIGINAL NOZZLE HOLDER KT B2" CON		
	AL495	PT348-1052	P0571-1051-00001	PRECITEC® NOZZLE HOLDER KT B2" CON		
	AL380	PT348-1053	P0571-1051-00001	PRECITEC® NOZZLE HOLDER KT B2" CON		
2	AL23	PT348-1330OEM	281330-P0571-260-00001	PRECITEC® ORIGINAL NOZZLE HOLDER KT B2"		
	AL131	PT348-1330	281330 - P0571-260-00001	PRECITEC® NOZZLE HOLDER KT B2"		
	AL421	PT348-0260	281330 - P0571-260-00001	PRECITEC® NOZZLE HOLDER KT B2"		
3	AL331	PT348-1330C	0	PRECITEC® NOZZLE HOLDER KT B2" CON		
4	AL228	PT348-1001		CR ELECTRONIC® NOZZLE HOLDER		
5	AL141	PT348-1518	281518-P0571-265-00001	PRECITEC® ORIG. NOZZLE HOLDER IT B2" Z ALUMINUM		
6	L247	PT350-1590	281590-P0591-569-00008	PRECITEC® NOZZLE Ø 0.8		
	L30247	PT350-1590X	281590-P0591-569-00008	PRECITEC® NOZZLE Ø 0.8		
	L162	PT350-1331	281331-P0591-561-00010	PRECITEC® NOZZLE Ø 1.0		
	L30162	PT350-1331X	281331-P0591-561-00010	PRECITEC® NOZZLE Ø 1.0		
	L130	PT350-1351	281351-P0591-562-00012	PRECITEC® NOZZLE Ø 1.2		
	L30130	PT350-1351X	281351-P0591-562-00012	PRECITEC® NOZZLE Ø 1.2		
	L131	PT350-1352	281352-P0591-563-00015	PRECITEC® NOZZLE Ø 1.5		
	L30131	PT350-1352X	281352-P0591-563-00015	PRECITEC® NOZZLE Ø 1.5		
	L248	PT350-0017	0	PRECITEC® NOZZLE Ø 1.7		
	L30248	PT350-0017X	0	PRECITEC® NOZZLE Ø 1.7		
	L153	PT350-1353	281353-P0591-564-00018	PRECITEC® NOZZLE Ø 1.8		
	L30153	PT350-1353X	281353-P0591-564-00018	PRECITEC® NOZZLE Ø 1.8		
	L132	PT350-1354	281354-P591-565-00020	PRECITEC® NOZZLE Ø 2.0		
	L30132	PT350-1354X	281354-P591-565-00020	PRECITEC® NOZZLE Ø 2.0		
	L154	PT350-0023	0	PRECITEC® NOZZLE Ø 2.3		
	L30154	PT350-0023X	0	PRECITEC® NOZZLE Ø 2.3		
	L155	PT350-1591	281591-P0591-566-00025	PRECITEC® NOZZLE Ø 2.5		
	L30155	PT350-1591X	281591-P0591-566-00025	PRECITEC® NOZZLE Ø 2.5		
	L249	PT350-0249	0	PRECITEC® NOZZLE Ø 2.7		
	L30249	PT350-0249X	0	PRECITEC® NOZZLE Ø 2.7		
	L156	PT350-0030	0	PRECITEC® NOZZLE Ø 3.0		
	L30156	PT350-0030X	0	PRECITEC® NOZZLE Ø 3.0		
	L247X	PT350-1590CP	281590-P0591-569-00008	PRECITEC® NOZZLE Ø 0.8 CP		
	L30247X	PT350-1590CPX	281590-P0591-569-00008	PRECITEC® NOZZLE Ø 0.8 CP		
	L162X	PT350-1331CP	281331-P0591-561-00010	PRECITEC® NOZZLE Ø 1.0 CP		
	L30162X	PT350-1331CPX	281331-P0591-561-00010	PRECITEC® NOZZLE Ø 1.0 CP		
	L130X	PT350-1351CP	281351-P0591-562-00012	PRECITEC® NOZZLE Ø 1.2 CP		
	L30130X	PT350-1351CPX	281351-P0591-562-00012	PRECITEC® NOZZLE Ø 1.2 CP		
	L131X	PT350-1352CP	281352-P0591-563-00015	PRECITEC® NOZZLE Ø 1.5 CP		
	L30131X	PT350-1352CPX	281352-P0591-563-00015	PRECITEC® NOZZLE Ø 1.5 CP		
	L248X	PT350-0001CP	0	PRECITEC® NOZZLE Ø 1.7 CP		
	L30248X	PT350-0001CPX	0	PRECITEC® NOZZLE Ø 1.7 CP		
	L153X	PT350-1353CP	281353-P0591-564-00018	PRECITEC® NOZZLE Ø 1.8 CP		
L30153X	PT350-1353CPX	281353-P0591-564-00018	PRECITEC® NOZZLE Ø 1.8 CP			
L132X	PT350-1354CP	281354-P591-565-00020	PRECITEC® NOZZLE Ø 2.0 CP			
L30132X	PT350-1354CPX	281354-P591-565-00020	PRECITEC® NOZZLE Ø 2.0 CP			
L154X	PT350-0002CP	0	PRECITEC® NOZZLE Ø 2.3 CP			
L30154X	PT350-0002CPX	0	PRECITEC® NOZZLE Ø 2.3 CP			
L155X	PT350-1591CP	281591-P0591-566-00025	PRECITEC® NOZZLE Ø 2.5 CP			
L30155X	PT350-1591CPX	281591-P0591-566-00025	PRECITEC® NOZZLE Ø 2.5 CP			
L249X	PT350-0249CP	0	PRECITEC® NOZZLE Ø 2.7 CP			
L30249X	PT350-0249CPX	0	PRECITEC® NOZZLE Ø 2.7 CP			
L156X	PT350-0003CP		PRECITEC® NOZZLE Ø 3.0 CP			
L30156X	PT350-0003CPX	0	PRECITEC® NOZZLE Ø 3.0 CP			

Replacement parts suitable for **PRECITEC®**

ADIGE®.ADIRA®.BALLIU®.BAYKAL®.BLM®.CR ELECTRONIC®.CUTLITE PENTA®.DURMA®ERMAKSAN®.ESAB®.FINN-POWER®.
GASPARINI®.GHT®.HAN'S LASER®.LASERMAK®.PRIMA POWER®.PRIMA SMART®.RAINER®.SALVAGNINI®.SHT®.UNITY PRIMA®

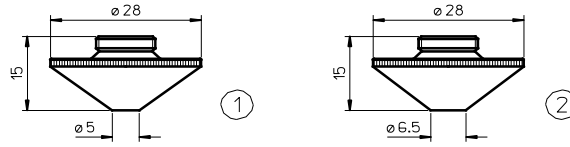


CP = Chrome Plated

POS	SOSLaser Code	ALTERNATE REFERENCE	ORIGINALCODE	DESCRIPTION	Unit Price	10 pack price
1	L935	PT345-0008	0	PRECITEC® NOZZLE Ø 0.8 HD		
	L30935	PT345-0008X	0	PRECITEC® NOZZLE Ø 0.8 HD		
	L234	PT345-1548	281548-P0591-571-00010	PRECITEC® NOZZLE Ø 1.0 HD		
	L30234	PT345-1548X	281548-P0591-571-00010	PRECITEC® NOZZLE Ø 1.0 HD		
	L235	PT345-1549	281549-P0591-572-00012	PRECITEC® NOZZLE Ø 1.2 HD		
	L30235	PT345-1549X	281549-P0591-572-00012	PRECITEC® NOZZLE Ø 1.2 HD		
	L824	PT345-1555	0	PRECITEC® NOZZLE Ø 1.4 HD		
	L30824	PT345-1555X	0	PRECITEC® NOZZLE Ø 1.4 HD		
	L236	PT345-1463	281463-P0591-573-00015	PRECITEC® NOZZLE Ø 1.5 HD		
	L30236	PT345-1463X	281463-P0591-573-00015	PRECITEC® NOZZLE Ø 1.5 HD		
	L237	PT345-0001	P0591-574-00018	PRECITEC® NOZZLE Ø 1.8 HD		
	L30237	PT345-0001X	P0591-574-00018	PRECITEC® NOZZLE Ø 1.8 HD		
	L238	PT345-1550	281550-P0591-575-00020	PRECITEC® NOZZLE Ø 2.0 HD		
	L30238	PT345-1550X	281550-P0591-575-00020	PRECITEC® NOZZLE Ø 2.0 HD		
	L239	PT345-0003	0	PRECITEC® NOZZLE Ø 2.3 HD		
	L30239	PT345-0003X	0	PRECITEC® NOZZLE Ø 2.3 HD		
	L240	PT345-1551	281551-P0591-576-00025	PRECITEC® NOZZLE Ø 2.5 HD		
	L30240	PT345-1551X	281551-P0591-576-00025	PRECITEC® NOZZLE Ø 2.5 HD		
	L936	PT345-1552	0	PRECITEC® NOZZLE Ø 2.75 HD		
	L30936	PT345-1552X	0	PRECITEC® NOZZLE Ø 2.75 HD		
	L241	PT345-0002	0	PRECITEC® NOZZLE Ø 3.0 HD		
	L30241	PT345-0002X	0	PRECITEC® NOZZLE Ø 3.0 HD		
	L826	PT345-0005	0	PRECITEC® NOZZLE Ø 3.2 HD		
	L30826	PT345-0005X	0	PRECITEC® NOZZLE Ø 3.2 HD		
	L827	PT345-0006	0	PRECITEC® NOZZLE Ø 3.5 HD		
	L30827	PT345-0006X	0	PRECITEC® NOZZLE Ø 3.5 HD		
	L828	PT345-0004	0	PRECITEC® NOZZLE Ø 4.0 HD		
L30828	PT345-0004X	0	PRECITEC® NOZZLE Ø 4.0 HD			
L829	PT345-0007	0	PRECITEC® NOZZLE Ø 4.5 HD			
L30829	PT345-0007X	0	PRECITEC® NOZZLE Ø 4.5 HD			
2	L1936	PT345-1936	0	PRECITEC® NOZZLE Ø 4.0 HD LARGE HEAD		
	L301936	PT345-1936X	0	PRECITEC® NOZZLE Ø 4.0 HD LARGE HEAD		
	L1937	PT345-1937	0	PRECITEC® NOZZLE Ø 4.5 HD LARGE HEAD		
	L301937	PT345-1937X	0	PRECITEC® NOZZLE Ø 4.5 HD LARGE HEAD		
	L830	PT345-0830	0	PRECITEC® NOZZLE Ø 5.0 HD		
	L30830	PT345-0830X	0	PRECITEC® NOZZLE Ø 5.0 HD		

Replacement parts suitable for *PRECITEC*®

ADIGE®.ADIRA®.BALLIU®.BAYKAL®.BLM®.CR ELECTRONIC®.CUTLITE PENTA®.DURMA®ERMAKSAN®.ESAB®.FINN-POWER®.
GASPARINI®.GHT®.HAN'S LASER®.LASERMAK®.PRIMA POWER®.PRIMA SMART®.RAINER®.SALVAGNINI®.SHT®.UNITY PRIMA®

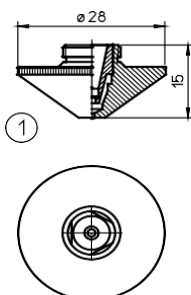


CP = Chrome Plated

POS	SOSLaser Code	ALTERNATE REFERENCE	ORIGINALCODE	DESCRIPTION	Unit Price	10 pack price
1	L935X	PT345-1547CP	0	PRECITEC® NOZZLE Ø 0.8 HD CP		
	L30935X	PT345-1547CPX	0	PRECITEC® NOZZLE Ø 0.8 HD CP		
	L234X	PT345-1548CP	281548-P0591-571-00010	PRECITEC® NOZZLE Ø 1.0 HD CP		
	L30234X	PT345-1548CPX	281548-P0591-571-00010	PRECITEC® NOZZLE Ø 1.0 HD CP		
	L235X	PT345-1549CP	281549-P0591-572-00012	PRECITEC® NOZZLE Ø 1.2 HD CP		
	L30235X	PT345-1549CPX	281549-P0591-572-00012	PRECITEC® NOZZLE Ø 1.2 HD CP		
	L824X	PT345-1547CP	0	PRECITEC® NOZZLE Ø 1.4 HD CP		
	L30824X	PT345-1555CPX	0	PRECITEC® NOZZLE Ø 1.4 HD CP		
	L236X	PT345-1463CP	281463-P0591-573-00015	PRECITEC® NOZZLE Ø 1.5 HD CP		
	L30236X	PT345-1463CPX	281463-P0591-573-00015	PRECITEC® NOZZLE Ø 1.5 HD CP		
	L237X	PT345-0001CP	P0591-574-00018	PRECITEC® NOZZLE Ø 1.8 HD CP		
	L30237X	PT345-0001CPX	P0591-574-00018	PRECITEC® NOZZLE Ø 1.8 HD CP		
	L238X	PT345-1550CP	281550-P0591-575-00020	PRECITEC® NOZZLE Ø 2.0 HD CP		
	L30238X	PT345-1550CPX	281550-P0591-575-00020	PRECITEC® NOZZLE Ø 2.0 HD CP		
	L239X	PT345-0003CP	0	PRECITEC® NOZZLE Ø 2.3 HD CP		
	L30239X	PT345-0003CPX	0	PRECITEC® NOZZLE Ø 2.3 HD CP		
	L240X	PT345-1551CP	281551-P0591-576-00025	PRECITEC® NOZZLE Ø 2.5 HD CP		
	L30240X	PT345-1551CPX	281551-P0591-576-00025	PRECITEC® NOZZLE Ø 2.5 HD CP		
	L936X	PT345-1552CP	0	PRECITEC® NOZZLE Ø 2.75 HD CP		
	L30936X	PT345-1552CPX	0	PRECITEC® NOZZLE Ø 2.75 HD CP		
	L241X	PT345-0002CP	0	PRECITEC® NOZZLE Ø 3.0 HD CP		
	L30241X	PT345-0002CPX	0	PRECITEC® NOZZLE Ø 3.0 HD CP		
	L826X	PT345-0005CP	0	PRECITEC® NOZZLE Ø 3.2 HD CP		
	L30826X	PT345-0005CPX	0	PRECITEC® NOZZLE Ø 3.2 HD CP		
	L827X	PT345-0006CP	0	PRECITEC® NOZZLE Ø 3.5 HD CP		
	L30827X	PT345-0006CPX	0	PRECITEC® NOZZLE Ø 3.5 HD CP		
	L828X	PT345-0004CP	0	PRECITEC® NOZZLE Ø 4.0 HD CP		
	L30828X	PT345-0004CPX	0	PRECITEC® NOZZLE Ø 4.0 HD CP		
L829X	PT345-0007CP		PRECITEC® NOZZLE Ø 4.5 HD CP			
L30829X	PT345-0007CPX		0 PRECITEC® NOZZLE Ø 4.5 HD CP			
2	L1936X	PT345-1936CP	0	PRECITEC® NOZZLE Ø 4.0 HD LARGE HEAD CP		
	L301936X	PT345-1936CPX	0	PRECITEC® NOZZLE Ø 4.0 HD LARGE HEAD CP		
	L1937X	PT345-1937CP	0	PRECITEC® NOZZLE Ø 4.5 HD LARGE HEAD CP		
	L301937X	PT345-1937CPX	0	PRECITEC® NOZZLE Ø 4.5 HD LARGE HEAD CP		
	L830X	PT345-0830CP	0	PRECITEC® NOZZLE Ø 5.0 HD CP		
	L30830X	PT345-0830CPX	0	PRECITEC® NOZZLE Ø 5.0 HD CP		

Replacement parts suitable for **PRECITEC®**

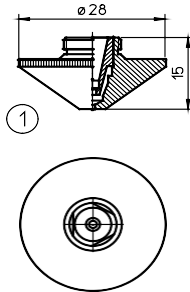
ADIGE®.ADIRA®.BALLIU®.BAYKAL®.BLM®.CR ELECTRONIC®.CUTLITE PENTA®.DURMA®ERMAKSAN®.ESAB®.FINN-POWER®.
GASPARINI®.GHT®.HAN'S LASER®.LASERMAK®.PRIMA POWER®.PRIMA SMART®.RAINER®.SALVAGNINI®.SHT®.UNITY PRIMA®



POS	SOSLaser Code	ALTERNATE REFERENCE	ORIGINAL CODE	DESCRIPTION	Unit Price	10 pack price
	L669	PT358-0669	0	PRECITEC® DOUBLE NOZZLE Ø 0.8 - 1.5		
	L30669	PT358-0669X	0	PRECITEC® DOUBLE NOZZLE Ø 0.8 - 1.5		
	L691	PT358-0691	0	PRECITEC® DOUBLE NOZZLE Ø 0.9 - 1.5		
	L30691	PT358-0691X	0	PRECITEC® DOUBLE NOZZLE Ø 0.9 - 1.5		
	L660	PT358-0010	0	PRECITEC® DOUBLE NOZZLE Ø 1.0 - 1.5		
	L30660	PT358-0010X	0	PRECITEC® DOUBLE NOZZLE Ø 1.0 - 1.5		
	L692	PT358-0692	0	PRECITEC® DOUBLE NOZZLE Ø 1.1 - 1.5		
	L30692	PT358-0692X	0	PRECITEC® DOUBLE NOZZLE Ø 1.1 - 1.5		
	L661-12	PT358-0112	0	PRECITEC® DOUBLE NOZZLE Ø 1.2 - 1.2		
	L30661-12	PT358-0112X	0	PRECITEC® DOUBLE NOZZLE Ø 1.2 - 1.2		
	L661	PT358-0125	P0591-002-00012	PRECITEC® DOUBLE NOZZLE Ø 1.2 - 1.5		
	L30661	PT358-0125X	P0591-002-00012	PRECITEC® DOUBLE NOZZLE Ø 1.2 - 1.5		
	L672	PT358-0124	0	PRECITEC® DOUBLE NOZZLE Ø 1.4 - 1.5		
	L30672	PT358-0124X	0	PRECITEC® DOUBLE NOZZLE Ø 1.4 - 1.5		
	L662	PT358-0015	P0591-002-00015	PRECITEC® DOUBLE NOZZLE Ø 1.5 - 1.5		
	L30662	PT358-0015X	P0591-002-00015	PRECITEC® DOUBLE NOZZLE Ø 1.5 - 1.5		
	L663	PT358-0018	P0591-002-00018	PRECITEC® DOUBLE NOZZLE Ø 1.8 - 1.5		
	L30663	PT358-0018X	P0591-002-00018	PRECITEC® DOUBLE NOZZLE Ø 1.8 - 1.5		
	L664	PT358-0020	P0591-002-00020	PRECITEC® DOUBLE NOZZLE Ø 2.0 - 1.5		
	L30664	PT358-0020X	P0591-002-00020	PRECITEC® DOUBLE NOZZLE Ø 2.0 - 1.5		
	L664-18	PT358-0418	0	PRECITEC® DOUBLE NOZZLE Ø 2.0 - 1.8		
	L30664-18	PT358-0418X	0	PRECITEC® DOUBLE NOZZLE Ø 2.0 - 1.8		
	L664-20	PT358-0420	0	PRECITEC® DOUBLE NOZZLE Ø 2.0 - 2.0		
	L30664-20	PT358-0420X	0	PRECITEC® DOUBLE NOZZLE Ø 2.0 - 2.0		
	L665	PT358-0023	0	PRECITEC® DOUBLE NOZZLE Ø 2.3 - 1.5		
	L30665	PT358-0023X	0	PRECITEC® DOUBLE NOZZLE Ø 2.3 - 1.5		
	L666	PT358-0007	0	PRECITEC® DOUBLE NOZZLE Ø 2.5 - 1.5		
1	L30666	PT358-0007X	0	PRECITEC® DOUBLE NOZZLE Ø 2.5 - 1.5		
	L666-20	PT358-0620	0	PRECITEC® DOUBLE NOZZLE Ø 2.5 - 2.0		
	L30666-20	PT358-0620X	0	PRECITEC® DOUBLE NOZZLE Ø 2.5 - 2.0		
	L667	PT358-0030	0	PRECITEC® DOUBLE NOZZLE Ø 3.0 - 1.5		
	L30667	PT358-0030X	0	PRECITEC® DOUBLE NOZZLE Ø 3.0 - 1.5		
	L667-20	PT358-0720	0	PRECITEC® DOUBLE NOZZLE Ø 3.0 - 2.0		
	L30667-20	PT358-0720X	0	PRECITEC® DOUBLE NOZZLE Ø 3.0 - 2.0		
	L668	PT358-0035	0	PRECITEC® DOUBLE NOZZLE Ø 3.5 - 1.5		
	L30668	PT358-0035X	0	PRECITEC® DOUBLE NOZZLE Ø 3.5 - 1.5		
	L840	PT358-0040	0	PRECITEC® DOUBLE NOZZLE Ø 4.0 - 1.5		
	L30840	PT358-0040X	0	PRECITEC® DOUBLE NOZZLE Ø 4.0 - 1.5		
	L841	PT358-0045	0	PRECITEC® DOUBLE NOZZLE Ø 4.5 - 1.5		
	L30841	PT358-0045X	0	PRECITEC® DOUBLE NOZZLE Ø 4.5 - 1.5		
	L861	PT358-0050	0	PRECITEC® DOUBLE NOZZLE Ø 5.0 - 1.5		
	L30861	PT358-0050X	0	PRECITEC® DOUBLE NOZZLE Ø 5.0 - 1.5		
	L1925	PT358-1925	0	PENTA ® DOUBLE NOZZLE Ø 1.0		
	L1926	PT358-1926	0	PENTA ® DOUBLE NOZZLE Ø 1.2		
	L1927	PT358-1927	0	PENTA ® DOUBLE NOZZLE Ø 1.5		
	L1928	PT358-1928	0	PENTA ® DOUBLE NOZZLE Ø 2.0		
	L1929	PT358-1929	0	PENTA ® DOUBLE NOZZLE Ø 2.5		
	L1930	PT358-1930	0	PENTA ® DOUBLE NOZZLE Ø 3.0		
	L1931	PT358-1931	0	PENTA ® DOUBLE NOZZLE Ø 3.5		
	L1932	PT358-1932	0	PENTA ® DOUBLE NOZZLE Ø 4.0		
	L1933	PT358-1933	0	PENTA ® DOUBLE NOZZLE Ø 4.5		

Replacement parts suitable for *PRECITEC*®

ADIGE®.ADIRA®.BALLIU®.BAYKAL®.BLM®.CR ELECTRONIC®.CUTLITE PENTA®.DURMA®ERMAKSAN®.ESAB®.FINN-POWER®.
GASPARINI®.GHT®.HAN'S LASER®.LASERMAK®.PRIMA POWER®.PRIMA SMART®.RAINER®.SALVAGNINI®.SHT®.UNITY PRIMA®

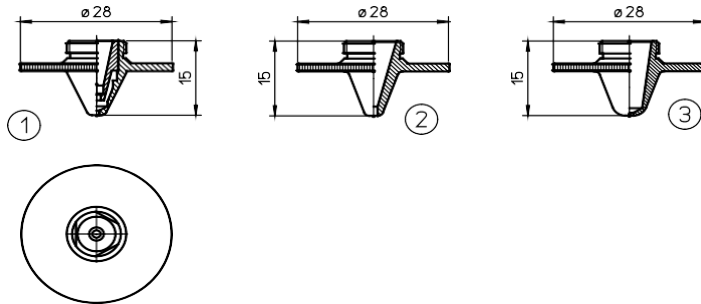


CP = Chrome Plated

POS	SOSLaser Code	ALTERNATE REFERENCE	ORIGINAL CODE	DESCRIPTION	Unit Price	10 pack price
	L669X	PT358-0008CP	0	PRECITEC® DOUBLE NOZZLE Ø 0.8 - 1.5 CP		
	L30669X	PT358-0008CPX	0	PRECITEC® DOUBLE NOZZLE Ø 0.8 - 1.5 CP		
	L691X	PT358-0691CP	0	PRECITEC® DOUBLE NOZZLE Ø 0.9 - 1.5 CP		
	L30691X	PT358-0691CPX	0	PRECITEC® DOUBLE NOZZLE Ø 0.9 - 1.5 CP		
	L660X	PT358-0010CP	0	PRECITEC® DOUBLE NOZZLE Ø 1.0 - 1.5 CP		
	L30660X	PT358-0010CPX	0	PRECITEC® DOUBLE NOZZLE Ø 1.0 - 1.5 CP		
	L692X	PT358-0692CP	0	PRECITEC® DOUBLE NOZZLE Ø 1.1 - 1.5 CP		
	L30692X	PT358-0692CPX	0	PRECITEC® DOUBLE NOZZLE Ø 1.1 - 1.5 CP		
	L661X	PT358-0125CP	0	PRECITEC® DOUBLE NOZZLE Ø 1.2 - 1.5 CP		
	L30661X	PT358-0125CPX	0	PRECITEC® DOUBLE NOZZLE Ø 1.2 - 1.5 CP		
	L672X	PT358-0124CP	0	PRECITEC® DOUBLE NOZZLE Ø 1.4 - 1.5 CP		
	L30672X	PT358-0124CPX	0	PRECITEC® DOUBLE NOZZLE Ø 1.4 - 1.5 CP		
	L662X	PT358-0015CP	0	PRECITEC® DOUBLE NOZZLE Ø 1.5 - 1.5 CP		
	L30662X	PT358-0015CPX	0	PRECITEC® DOUBLE NOZZLE Ø 1.5 - 1.5 CP		
	L663X	PT358-0018CP	0	PRECITEC® DOUBLE NOZZLE Ø 1.8 - 1.5 CP		
	L30663X	PT358-0018CPX	0	PRECITEC® DOUBLE NOZZLE Ø 1.8 - 1.5 CP		
1	L664X	PT358-0020CP	0	PRECITEC® DOUBLE NOZZLE Ø 2.0 - 1.5 CP		
	L30664X	PT358-0020CPX	0	PRECITEC® DOUBLE NOZZLE Ø 2.0 - 1.5 CP		
	L665X	PT358-0023CP	0	PRECITEC® DOUBLE NOZZLE Ø 2.3 - 1.5 CP		
	L30665X	PT358-0023CPX	0	PRECITEC® DOUBLE NOZZLE Ø 2.3 - 1.5 CP		
	L666X	PT358-0025CP	0	PRECITEC® DOUBLE NOZZLE Ø 2.5 - 1.5 CP		
	L30666X	PT358-0025CPX	0	PRECITEC® DOUBLE NOZZLE Ø 2.5 - 1.5 CP		
	L667X	PT358-0030CP	0	PRECITEC® DOUBLE NOZZLE Ø 3.0 - 1.5 CP		
	L30667X	PT358-0030CPX	0	PRECITEC® DOUBLE NOZZLE Ø 3.0 - 1.5 CP		
	L668X	PT358-0035CP	0	PRECITEC® DOUBLE NOZZLE Ø 3.5 - 1.5 CP		
	L30668X	PT358-0035CPX	0	PRECITEC® DOUBLE NOZZLE Ø 3.5 - 1.5 CP		
	L840X	PT358-0040CP	0	PRECITEC® DOUBLE NOZZLE Ø 4.0 - 1.5 CP		
	L30840X	PT358-0040CPX	0	PRECITEC® DOUBLE NOZZLE Ø 4.0 - 1.5 CP		
	L841X	PT358-0045CP	0	PRECITEC® DOUBLE NOZZLE Ø 4.5 - 1.5 CP		
	L30841X	PT358-0045CPX	0	PRECITEC® DOUBLE NOZZLE Ø 4.5 - 1.5 CP		
	L861X	PT358-0050CP	0	PRECITEC® DOUBLE NOZZLE Ø 5.0 - 1.5 CP		
	L30861X	PT358-0050CPX	0	PRECITEC® DOUBLE NOZZLE Ø 5.0 - 1.5 CP		

Replacement parts suitable for **PRECITEC®**

ADIGE®.ADIRA®.BALLIU®.BAYKAL®.BLM®.CR ELECTRONIC®.CUTLITE PENTA®.DURMA®ERMAKSAN®.ESAB®.FINN-POWER®.
GASPARINI®.GHT®.HAN'S LASER®.LASERMAK®.PRIMA POWER®.PRIMA SMART®.RAINER®.SALVAGNINI®.SHT®.UNITY PRIMA®

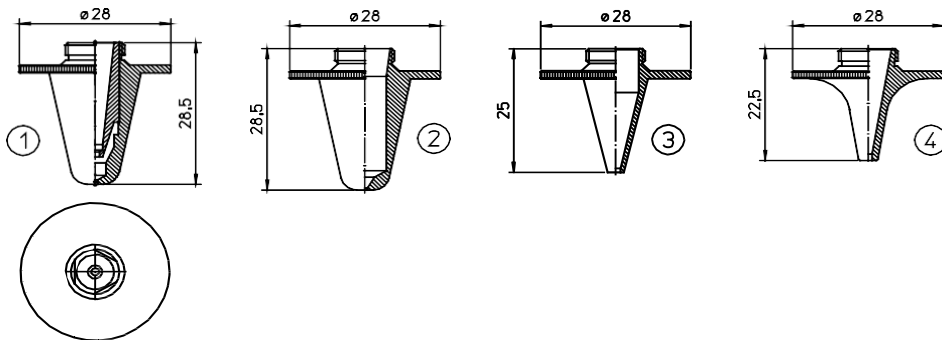


CP = Chrome Plated

POS	SOSLaser Code	ALTERNATE REFERENCE	ORIGINALCODE	DESCRIPTION	Unit Price	10 pack price
1	L1348	PT358-0001	6930250001	PRECITEC®3D DOUBLE NOZZLE Ø 0.8 - 1.5		
	L1349	PT358-0002	6930250002	PRECITEC®3D DOUBLE NOZZLE Ø 1.0 -1.5		
	L1350	PT358-0003	6930250003	PRECITEC®3D DOUBLE NOZZLE Ø 1.2 - 1.5		
	L1351	PT358-0004	6930250004	PRECITEC®3D DOUBLE NOZZLE Ø 1.5 - 1.5		
	L1470	PT358-0005	0	PRECITEC®3D DOUBLE NOZZLE Ø 1.8 - 1.5		
	L1348X	PT358-0001CP		PRECITEC®3D DOUBLE NOZZLE Ø 0.8 - 1.5 CP		
	L1349X	PT358-0002CP		PRECITEC®3D DOUBLE NOZZLE Ø 1.0 - 1.5 CP		
	L1350X	PT358-0003CP		PRECITEC®3D DOUBLE NOZZLE Ø 1.2 - 1.5 CP		
	L1351X	PT358-0004CP		PRECITEC®3D DOUBLE NOZZLE Ø 1.5 - 1.5 CP		
	L1470X	PT358-0005CP	0	PRECITEC®3D DOUBLE NOZZLE Ø1.8 - 1.5 CP		
2	L799	PT406-0799	0	PRECITEC® NOZZLE Ø 0.8 HD		
	L738	PT406-0001	0	PRECITEC® NOZZLE Ø 1.0 HD		
	L739	PT406-0002	0	PRECITEC® NOZZLE Ø 1.2 HD		
	L740	PT406-0003	0	PRECITEC® NOZZLE Ø 1.5 HD		
3	L792	PT406-0008	0	PRECITEC® NOZZLE Ø 0.8		
	L793	PT406-0010	0	PRECITEC® NOZZLE Ø 1.0		
	L794	PT406-0125	0	PRECITEC® NOZZLE Ø 1.2		
	L742	PT406-0015	P0591-1049-00015	PRECITEC® NOZZLE Ø 1.5		
	L743	PT406-0018	P0591-1050-00018	PRECITEC® NOZZLE Ø 1.8		
L744	PT406-0020	0	PRECITEC® NOZZLE Ø 2.0			

Replacement parts suitable for **PRECITEC®**

ADIGE®.ADIRA®.BALLIU®.BAYKAL®.BLM®.CR ELECTRONIC®.CUTLITE PENTA®.DURMA®ERMAKSAN®.ESAB®.FINN-POWER®.
GASPARINI®.GHT®.HAN'S LASER®.LASERMAK®.PRIMA POWER®.PRIMA SMART®.RAINER®.SALVAGNINI®.SHT®.UNITY PRIMA®

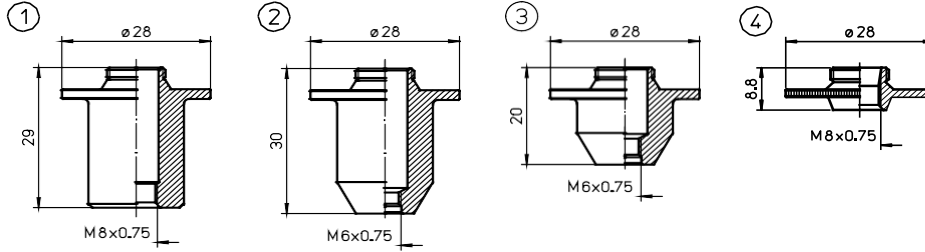


CP = Chrome Plated

POS	SOSLaser Code	ALTERNATE REFERENCE	ORIGINAL CODE	DESCRIPTION	Unit Price	10 pack price
1	L680	PT420-0010	0	PRECITEC® DOUBLE NOZZLE Ø 1.0 - 1.5 LONG		
	L681	PT420-0125	0	PRECITEC® DOUBLE NOZZLE Ø 1.2 - 1.5 LONG		
	L682	PT420-0015	0	PRECITEC® DOUBLE NOZZLE Ø 1.5 - 1.5 LONG		
	L683	PT420-0018	0	PRECITEC® DOUBLE NOZZLE Ø 1.8 - 1.5 LONG		
	L684	PT420-0020	0	PRECITEC® DOUBLE NOZZLE Ø 2.0 - 1.5 LONG		
	L685	PT420-0023	0	PRECITEC® DOUBLE NOZZLE Ø 2.3 - 1.5 LONG		
	L686	PT420-0025	0	PRECITEC® DOUBLE NOZZLE Ø 2.5 - 1.5 LONG		
	L687	PT420-0030	0	PRECITEC® DOUBLE NOZZLE Ø 3.0 - 1.5 LONG		
	L688	PT420-0035	0	PRECITEC® DOUBLE NOZZLE Ø 3.5 - 1.5 LONG		
2	L308	PT390-0010	P0573-563-00010	PRECITEC® NOZZLE Ø 1.0 LONGED		
	L307	PT390-0012	P0573-563-00012	PRECITEC® NOZZLE Ø 1.2 LONGED		
	L382	PT390-0015	P0573-563-00015	PRECITEC® NOZZLE Ø 1.5 LONGED		
	L383	PT390-0018		PRECITEC® NOZZLE Ø 1.8 LONGED		
	L437	PT390-0020	P0573-564-00020	PRECITEC® NOZZLE Ø 2.0 LONGED		
	L438	PT390-0023	P0573-565-00023	PRECITEC® NOZZLE Ø 2.3 LONGED		
	L439	PT390-0025	P0573-566-00025	PRECITEC® NOZZLE Ø 2.5 LONGED		
	L440	PT390-0030		PRECITEC® NOZZLE Ø 3.0 LONGED		
3	L1341	PT390-0001		PRECITEC® NOZZLE Ø 1.0 LONG		
	L1343	PT390-0002		PRECITEC® NOZZLE Ø 1.5 LONG		
	L1344	PT390-0003		PRECITEC® NOZZLE Ø 1.8 LONG		
	L1345	PT390-0004		PRECITEC® NOZZLE Ø 2.0 LONG		
4	L1374	PT390-0040	P0578-0411-00010	PRECITEC® NOZZLE RADIUS Ø 1.0 LONG		
	L1375	PT390-0005	P0578-0412-00012	PRECITEC® NOZZLE RADIUS Ø 1.2 LONG		
	L1376	PT390-0006	P0578-0413-00015	PRECITEC® NOZZLE RADIUS Ø 1.5 LONG		
	L1373	PT390-0009	P0578-0414-00018	PRECITEC® NOZZLE RADIUS Ø 1.8 LONG		
	L1377	PT390-0007	P0578-0415-00020	PRECITEC® NOZZLE RADIUS Ø 2.0 LONG		
	L1378	PT390-0008	P0578-0417-00025	PRECITEC® NOZZLE RADIUS Ø 2.5 LONG		
	L1374X	PT390-0040CP		PRECITEC® NOZZLE RADIUS Ø 1.0 LONG CP		
	L1375X	PT390-0005CP		PRECITEC® NOZZLE RADIUS Ø 1.2 LONG CP		
	L1376X	PT390-0006CP		PRECITEC® NOZZLE RADIUS Ø 1.5 LONG CP		
	L1373X	PT390-0009CP		PRECITEC® NOZZLE RADIUS Ø 1.8 LONG CP		
	L1377X	PT390-0007CP		PRECITEC® NOZZLE RADIUS Ø 2.0 LONG CP		
L1378X	PT390-0008CP		PRECITEC® NOZZLE RADIUS Ø 2.5 LONG CP			

Replacement parts suitable for **PRECITEC®**

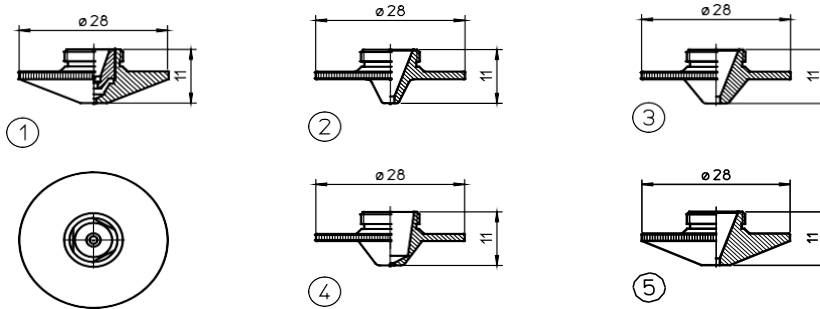
ADIGE®.ADIRA®.BALLIU®.BAYKAL®.BLM®.CR ELECTRONIC®.CUTLITE PENTA®.DURMA®ERMAKSAN®.ESAB®.FINN-POWER®.
GASPARINI®.GHT®.HAN'S LASER®.LASERMAK®.PRIMA POWER®.PRIMA SMART®.RAINER®.SALVAGNINI®.SHT®.UNITY PRIMA®



POS	SOSLaser Code	ALTERNATE REFERENCE	ORIGINAL CODE	DESCRIPTION	Unit Price	10 pack price
1	AL333	PT406-0333		PRECITEC® ADAPTER L=29 FOR TRUMPF® NOZZLE M8		
2	AL334	PT406-0334		PRECITEC® ADAPTER L=30 FOR TRUMPF® NOZZLE M6		
3	AL335	PT406-0335		PRECITEC® ADAPTER L=20 FOR TRUMPF® NOZZLE M6		
4	AL43	PT406-0043	0	PRECITEC® ADAPTER FOR TRUMPF® NOZZLE		

Replacement parts suitable for **PRECITEC®**

ADIGE®.ADIRA®.BALLIU®.BAYKAL®.BLM®.CR ELECTRONIC®.CUTLITE PENTA®.DURMA®ERMAKSAN®.ESAB®.FINN-POWER®.
GASPARINI®.GHT®.HAN'S LASER®.LASERMAK®.PRIMA POWER®.PRIMA SMART®.RAINER®.SALVAGNINI®.SHT®.UNITY PRIMA®



CP = Chrome Plated

POS	SOSLaser Code	ALTERNATE REFERENCE	ORIGINAL CODE	DESCRIPTION	Unit Price	10pack price
1	L1179	PT377-0001	0	PRECITEC® DOUBLE NOZZLE Ø 1.0 - 1.5		
	L1180	PT377-0002	0	PRECITEC® DOUBLE NOZZLE Ø 1.5 - 1.5		
	L1181	PT377-0003	0	PRECITEC® DOUBLE NOZZLE Ø 2.0 - 1.5		
	L1182	PT377-0004	0	PRECITEC® DOUBLE NOZZLE Ø 2.5 - 1.5		
	L1183	PT377-0005	0	PRECITEC® DOUBLE NOZZLE Ø 3.0 - 1.5		
	L1179X	PT377-0001CP	0	PRECITEC® DOUBLE NOZZLE Ø 1.0 - 1.5CP		
	L1160X	PT377-1160CP	0	PRECITEC® DOUBLE NOZZLE Ø 1.2 - 1.5CP		
	L1161X	PT377-1161CP	0	PRECITEC® DOUBLE NOZZLE Ø 1.4 - 1.5CP		
	L1180X	PT377-0002CP	0	PRECITEC® DOUBLE NOZZLE Ø 1.5 - 1.5CP		
	L1162X	PT377-1162CP	0	PRECITEC® DOUBLE NOZZLE Ø 1.8 - 1.5CP		
	L1181X	PT377-0003CP	0	PRECITEC® DOUBLE NOZZLE Ø 2.0 - 1.5CP		
	L1182X	PT377-0004CP	0	PRECITEC® DOUBLE NOZZLE Ø 2.5 - 1.5CP		
	L1183X	PT377-0005CP	0	PRECITEC® DOUBLE NOZZLE Ø 3.0 - 1.5CP		
	L1184X	PT377-1184CP	0	PRECITEC® DOUBLE NOZZLE Ø 3.5 - 1.5CP		
2	L1218	PT348-0001		PRECITEC® NOZZLE Ø 1.5HD		
	L1219	PT348-0002		PRECITEC® NOZZLE Ø 2.0HD		
	L1220	PT348-0003		PRECITEC® NOZZLE Ø 2.5HD		
	L1218X	PT348-0001CP		PRECITEC® NOZZLE Ø 1.5 HD CP		
	L1219X	PT348-0002CP		PRECITEC® NOZZLE Ø 2.0 HD CP		
	L1220X	PT348-0003CP		PRECITEC® NOZZLE Ø 2.5 HD CP		
3	L1060	PT348-0010		PRECITEC® NOZZLE Ø 1.0HD		
	L1061	PT348-0012		PRECITEC® NOZZLE Ø 1.2HD		
	L1062	PT348-0015		PRECITEC® NOZZLE Ø 1.5HD		
	L1063	PT348-0020		PRECITEC® NOZZLE Ø 2.0HD		
	L1064	PT348-0025		PRECITEC® NOZZLE Ø 2.5HD		
	L1065	PT348-0030		PRECITEC® NOZZLE Ø 3.0HD		
	L1086	PT348-1086		PRECITEC® NOZZLE Ø 3.5HD		
	L1087	PT348-1087		PRECITEC® NOZZLE Ø 4.0HD		
	L1088	PT348-1088		PRECITEC® NOZZLE Ø 4.5HD		
	L1089	PT348-1089		PRECITEC® NOZZLE Ø 5.0HD		
4	L410	PT348-1340	281340-P0571-281-00010	PRECITEC® NOZZLE Ø 1.0		
	L411	PT348-1341	281341-P0571-282-00012	PRECITEC® NOZZLE Ø 1.2		
	L412	PT348-1342	281342-P0571-283-00015	PRECITEC® NOZZLE Ø 1.5		
	L413	PT348-0018	281342-P0571-284-00018	PRECITEC® NOZZLE Ø 1.8		
	L414	PT348-1343	281343-P0571-285-00020	PRECITEC® NOZZLE Ø 2.0		
	L415	PT348-1344	281344-P0571-286-00025	PRECITEC® NOZZLE Ø 2.5		
5	L465	PT377-0010	281599-P0571-291-00010	PRECITEC® NOZZLE Ø 1.0		
	L466	PT377-0012	P0571-292-00012	PRECITEC® NOZZLE Ø 1.2		
	L467	PT377-0015	281570-P0571-293-00015	PRECITEC® NOZZLE Ø 1.5		
	L468	PT377-0018		PRECITEC® NOZZLE Ø 1.8		
	L469	PT377-0020	281571-P0571-295-00020	PRECITEC® NOZZLE Ø 2.0		
	L470	PT377-0025	281572-P0571-297-00025	PRECITEC® NOZZLE Ø 2.5		
	L463	PT377-0030		PRECITEC® NOZZLE Ø 3.0		

Replacement parts suitable for **PRECITEC®**

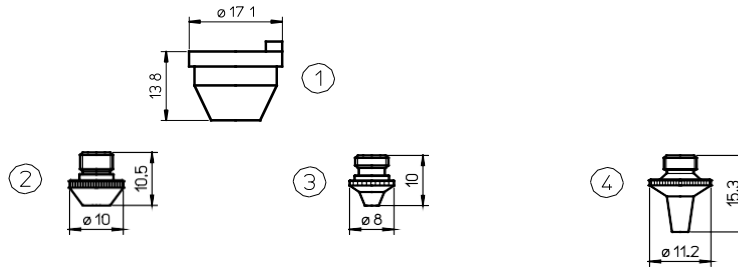


TRUMPF®

CP = Chrome Plated

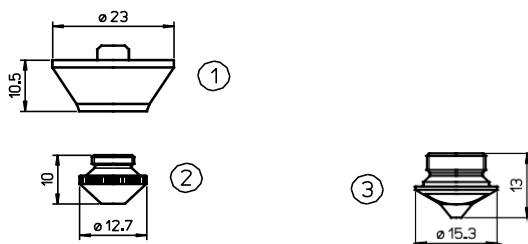
POS	SOSLaser Code	ALTERNATE REFERENCE	ORIGINAL CODE	DESCRIPTION	Unit Price	10pack price
AKK52 - AKH27 - YH27 - YR30 SENSOR SYSTEM						
1	L405	PT344-1813	281813-P0589-424-00008	PRECITEC® NOZZLE Ø0.8		
	L30405	PT344-1813X	281813-P0589-424-00008	PRECITEC® NOZZLE Ø0.8		
	L406	PT344-1789	281789-P0589-426-00010	PRECITEC® NOZZLE Ø1.0		
	L30406	PT344-1789X	281789-P0589-426-00010	PRECITEC® NOZZLE Ø1.0		
	L404	PT344-1561	281561 - 778550	PRECITEC® NOZZLE Ø1.2		
	L30404	PT344-1561X	281561 - 778550	PRECITEC® NOZZLE Ø1.2		
	L407	PT344-1499	281814 - 149957	PRECITEC® NOZZLE Ø1.5		
	L30407	PT344-1499X	281814 - 149957	PRECITEC® NOZZLE Ø1.5		
	L408	PT344-0020	P0589-428-00020	PRECITEC® NOZZLE Ø2.0		
	L30408	PT344-0020X	P0589-428-00020	PRECITEC® NOZZLE Ø2.0		
	L405X	PT344-1813CP	281813-P0589-424-00008	PRECITEC® NOZZLE Ø 0.8CP		
	L30405X	PT344-1813CPX	281813-P0589-424-00008	PRECITEC® NOZZLE Ø 0.8CP		
	L406X	PT344-1789CP	281789-P0589-426-00010	PRECITEC® NOZZLE Ø 1.0CP		
	L30406X	PT344-1789CPX	281789-P0589-426-00010	PRECITEC® NOZZLE Ø 1.0CP		
	L404X	PT344-1561CP	281561 - 778550 - P0589-425-00012	PRECITEC® NOZZLE Ø 1.2CP		
	L30404X	PT344-1561CPX	281561 - 778550	PRECITEC® NOZZLE Ø 1.2CP		
	L407X	PT344-1499CP	281814 - 149957	PRECITEC® NOZZLE Ø 1.5CP		
	L30407X	PT344-1499CPX	281814 - 149957	PRECITEC® NOZZLE Ø 1.5CP		
	L408X	PT344-0020CP	P0589-428-00020	PRECITEC® NOZZLE Ø 2.0CP		
	L30408X	PT344-0020CPX	P0589-428-00020	PRECITEC® NOZZLE Ø 2.0CP		
YK52 SENSOR SYSTEM						
2	L800	PT391-0010	281498-PO587-722-00010	PRECITEC® NOZZLE Ø1.0		
	L30800	PT391-0010X	281498-PO587-722-00010	PRECITEC® NOZZLE Ø1.0		
	L801	PT391-0012	PO587-723-00012	PRECITEC® NOZZLE Ø1.2		
	L30801	PT391-0012X	PO587-723-00012	PRECITEC® NOZZLE Ø1.2		
	L802	PT391-0015	281497-PO587-721-00015	PRECITEC® NOZZLE Ø1.5		
	L30802	PT391-0015X	281497-PO587-721-00015	PRECITEC® NOZZLE Ø1.5		
	L803	PT391-0018	281516-PO587-737-00018	PRECITEC® NOZZLE Ø1.8		
	L30803	PT391-0018X	281516-PO587-737-00018	PRECITEC® NOZZLE Ø1.8		
	L804	PT391-0020	281567-PO587-771-00020	PRECITEC® NOZZLE Ø2.0		
	L30804	PT391-0020X	281567-PO587-771-00020	PRECITEC® NOZZLE Ø2.0		
	L805	PT391-0025	PO587-772-00025	PRECITEC® NOZZLE Ø2.5		
	L30805	PT391-0025X	PO587-772-00025	PRECITEC® NOZZLE Ø2.5		

Replacement parts suitable for **PRECITEC®**



POS	SOSLaser Code	ALTERNATE REFERENCE	ORIGINAL CODE	DESCRIPTION	Unit Price	10pack price
5"KN SENSOR SYSTEM						
1	AL53	TR302-2405	280408-092405	TRUMPF® ORIG. NOZZLE HOLDER KT M1.5" KN		
2	L445	PT344-0550	0	PRECITEC® NOZZLE Ø0.8		
	L30445	PT344-0550X	0	PRECITEC® NOZZLE Ø0.8		
	L292	PT344-0551	280551-P0494-853-00010	PRECITEC® NOZZLE Ø1.0		
	L30292	PT344-0551X	280551-P0494-853-00010	PRECITEC® NOZZLE Ø1.0		
	L293	PT344-0552	280552-P0494-854-00012	PRECITEC® NOZZLE Ø1.2		
	L30293	PT344-0552X	280552-P0494-854-00012	PRECITEC® NOZZLE Ø1.2		
	L294	PT344-0553	280553-P0494-855-00015	PRECITEC® NOZZLE Ø1.5		
	L30294	PT344-0553X	280553-P0494-855-00015	PRECITEC® NOZZLE Ø1.5		
	L295	PT344-0554	280554-P0494-856-00017	PRECITEC® NOZZLE Ø1.7		
	L30295	PT344-0554X	280553-P0494-856-00017	PRECITEC® NOZZLE Ø1.7		
	L296	PT344-0555	280555-P0494-855-00020	PRECITEC® NOZZLE Ø2.0		
	L30296	PT344-0555X	280555-P0494-855-00020	PRECITEC® NOZZLE Ø2.0		
	L372	PT344-9023		PRECITEC® NOZZLE Ø2.3		
	L30372	PT344-9023X		PRECITEC® NOZZLE Ø2.3		
	L371	PT344-9025		PRECITEC® NOZZLE Ø2.5		
	L30371	PT344-9025X		PRECITEC® NOZZLE Ø2.5		
	L304	PT344-0030		PRECITEC® NOZZLE Ø3.0		
	L30304	PT344-0030X		PRECITEC® NOZZLE Ø3.0		
	L303	PT344-0400		PRECITEC® NOZZLE Ø4.0		
L30303	PT344-0400X		PRECITEC® NOZZLE Ø4.0			
DE M 1,5"						
3	L1055	PT379-0010	280943-P0494-787-00010	PRECITEC® NOZZLE Ø 1.0 KN TAK		
	L301055	PT379-0010X	280943-P0494-787-00010	PRECITEC® NOZZLE Ø 1.0 KN TAK		
	L1056	PT379-0012	280942-P0494-788-00012	PRECITEC® NOZZLE Ø 1.2 KN TAK		
	L301056	PT379-0012X	280942-P0494-788-00012	PRECITEC® NOZZLE Ø 1.2 KN TAK		
	L1057	PT379-0015	280941-P0494-789-00015	PRECITEC® NOZZLE Ø 1.5 KN TAK		
	L301057	PT379-0015X	280941-P0494-789-00015	PRECITEC® NOZZLE Ø 1.5 KN TAK		
	L1058	PT379-0018		PRECITEC® NOZZLE Ø 1.8 KN TAK		
	L301058	PT379-0018X		PRECITEC® NOZZLE Ø 1.8 KN TAK		
	L1059	PT379-0020		PRECITEC® NOZZLE Ø 2.0 KN TAK		
	L301059	PT379-0020X		PRECITEC® NOZZLE Ø 2.0 KN TAK		
DE Y 30/22						
4	L1980	PT344-1980	P0787-482-00012	PRECITEC® NOZZLE Ø 1.2 DE Y30/22 F100		
	L301980	PT344-1980X	P0787-482-00012	PRECITEC® NOZZLE 1.2 DE Y30/22 F100		
	L1981	PT344-1981	P0787-483-00015	PRECITEC® NOZZLE Ø 1.5 DE Y30/22 F100		
	L301981	PT344-1981X	P0787-483-00015	PRECITEC® NOZZLE 1.5 DE Y30/22 F100		

Replacement parts suitable for **PRECITEC®**
ADIGE®. FINN-POWER®

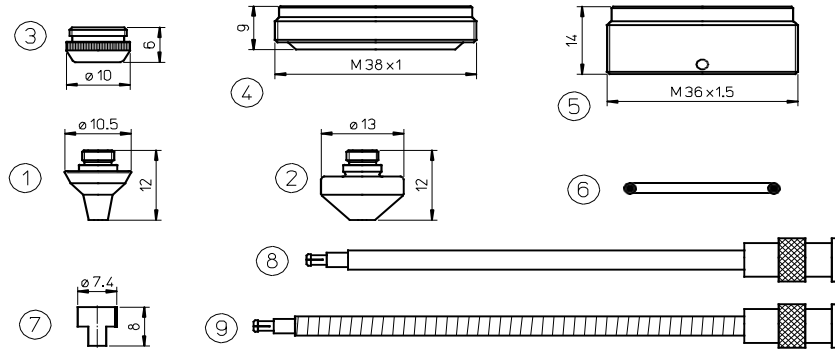


CP = Chrome Plated

POS	SOSLaser Code	ALTERNATE REFERENCE	ORIGINAL CODE	DESCRIPTION	Unit Price	10pack price
2,5"CM SENSOR SYSTEM						
1	AL138	PT344-1079	281079-P0492-430-00003-W149	PRECITEC® ORIG. NOZZLE HOLDER KT M1.5" S F2.5		
	L400	PT344-0013	280013-P0492-441-00008	PRECITEC® FP NOZZLE Ø 0.8		
	L30400	PT344-0013X	280013-P0492-441-00008	PRECITEC® FP NOZZLE Ø 0.8		
	L401	PT344-0014	280014-P0492-442-00010-W223	PRECITEC® FP NOZZLE Ø 1.0		
	L30401	MB336-223X	280014-P0492-442-00010-W223	PRECITEC® FP NOZZLE Ø 1.0		
	L402	PT344-0015	280015-P0492-443-00012	PRECITEC® FP NOZZLE Ø 1.2		
	L30402	PT344-0015X	280015-P0492-443-00012	PRECITEC® FP NOZZLE Ø 1.2		
	L403	PT344-0016	280016-P0492-444-00015-W224	PRECITEC® FP NOZZLE Ø 1.5		
	L30403	MB336-224X	280016-P0492-444-00015-W224	PRECITEC® FP NOZZLE Ø 1.5		
	L543	PT344-0018	P0492-447-00018	PRECITEC® FP NOZZLE Ø 1.8		
	L30543	PT344-0018X	P0492-447-00018	PRECITEC® FP NOZZLE Ø 1.8		
	L544	PT344-0937	280937-P0492-445-00020-W225	PRECITEC® FP NOZZLE Ø 2.0		
	L30544	MB336-225X	280937-P0492-445-00020-W225	PRECITEC® FP NOZZLE Ø 2.0		
	L546	PT344-0023	P0492-448-00023	PRECITEC® FP NOZZLE Ø 2.3		
	L30546	PT344-0023X	P0492-448-00023	PRECITEC® FP NOZZLE Ø 2.3		
	L545	PT344-1791	281791-P0492-446-00025-W226	PRECITEC® FP NOZZLE Ø 2.5		
	L30545	MB336-226X	281791-P0492-446-00025-W226	PRECITEC® FP NOZZLE Ø 2.5		
	L547	MB336-0005		PRECITEC® FP NOZZLE Ø 3.0		
	L30547	MB336-0005X		PRECITEC® FP NOZZLE Ø 3.0		
2	L400X	PT344-0008CP	280013-P0492-441-00008	PRECITEC® FP NOZZLE Ø 0.8 CP		
	L30400X	PT344-0008CPX	280013-P0492-441-00008	PRECITEC® FP NOZZLE Ø 0.8 CP		
	L401X	PT344-0010CP	280014-P0492-442-00010-W223	PRECITEC® FP NOZZLE Ø 1.0 CP		
	L30401X	PT344-0010CPX	280014-P0492-442-00010-W223	PRECITEC® FP NOZZLE Ø 1.0 CP		
	L402X	PT344-0012CP		PRECITEC® FP NOZZLE Ø 1.2 CP		
	L30402X	PT344-0012CPX		PRECITEC® FP NOZZLE Ø 1.2 CP		
	L403X	PT344-0015CP	280016-P0492-444-00015-W224	PRECITEC® FP NOZZLE Ø 1.5 CP		
	L30403X	PT344-0015CPX	280016-P0492-444-00015-W224	PRECITEC® FP NOZZLE Ø 1.5 CP		
	L543X	PT344-0018CP	P0492-447-00018	PRECITEC® FP NOZZLE Ø 1.8 CP		
	L30543X	PT344-0018CPX	P0492-447-00018	PRECITEC® FP NOZZLE Ø 1.8 CP		
	L544X	PT344-0022CP	280937-P0492-445-00020-W225	PRECITEC® FP NOZZLE Ø 2.0 CP		
	L30544X	PT344-0022CPX	280937-P0492-445-00020-W225	PRECITEC® FP NOZZLE Ø 2.0 CP		
	L546X	PT344-0023CP	P0492-448-00023	PRECITEC® FP NOZZLE Ø 2.3 CP		
	L30546X	PT344-0023CPX	P0492-448-00023	PRECITEC® FP NOZZLE Ø 2.3 CP		
	L545X	PT344-0025CP	281791-P0492-446-00025-W226	PRECITEC® FP NOZZLE Ø 2.5 CP		
	L30545X	PT344-0025CPX	281791-P0492-446-00025-W226	PRECITEC® FP NOZZLE Ø 2.5 CP		
	L547X	PT344-0027CP		PRECITEC® FP NOZZLE Ø 3.0 CP		
	L30547X	PT344-0027CPX		PRECITEC® FP NOZZLE Ø 3.0 CP		
3	L1012	PT401-1008	P0587-842-00008	PRECITEC® NOZZLE Ø 0.8		
	L1013	PT401-0010	P0587-841-00010	PRECITEC® NOZZLE Ø 1.0		
	L1014	PT401-0015	P0587-846-00015	PRECITEC® NOZZLE Ø 1.5		

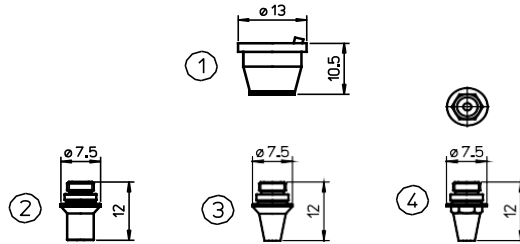
Replacement parts suitable for **PRECITEC®**
ADIGE® MAZAK®

Mazak® 3D - Precitec® 5°C/MG - 5"H/MG



POS	SOSLaser Code	ALTERNATE REFERENCE	ORIGINAL CODE	DESCRIPTION	Unit Price	10pack price
1	L554	PT347-0005	46713300290-10	MAZAK® NOZZLE 3D Ø 1.0		
	L30554	PT347-0005X	46713300290-10	MAZAK® NOZZLE 3D Ø 1.0		
	L555	PT347-0290-1.2	46713300290-12	MAZAK® NOZZLE 3D Ø 1.2		
	L30555	PT347-0090X	46713300290-12	MAZAK® NOZZLE 3D Ø 1.2		
	L556	PT347-0290	46713300290-15-P0352-381-00015	MAZAK® NOZZLE 3D Ø 1.5		
	L30556	PT347-0290X	46713300290-15-P0352-381-00015	MAZAK® NOZZLE 3D Ø 1.5		
	L557	PT347-0118		MAZAK® NOZZLE 3D Ø 1.8		
	L30557	PT347-0118X		MAZAK® NOZZLE 3D Ø 1.8		
	L558	PT347-0280	46713300310-P0352-382-00020	MAZAK® NOZZLE 3D Ø 2.0		
	L30558	PT347-0280X	46713300310-P0352-382-00020	MAZAK® NOZZLE 3D Ø 2.0		
	L560	PT347-0001	46713300280-25	MAZAK® NOZZLE 3D Ø 2.5		
	L30560	PT347-0001X	46713300280-25	MAZAK® NOZZLE 3D Ø 2.5		
	L563	PT347-0002	46713300280-30-46713300430	MAZAK® NOZZLE 3D Ø 3.0		
	L30563	PT347-0002X	46713300280-30	MAZAK® NOZZLE 3D Ø 3.0		
	L564	PT347-0035	46713300280-35	MAZAK® NOZZLE 3D Ø 3.5		
L30564	PT347-0035X	46713300280-35	MAZAK® NOZZLE 3D Ø 3.5			
2	L576	PT347-0004		MAZAK® NOZZLE Ø 1.02D		
	L30576	PT347-0004X		MAZAK® NOZZLE Ø 1.02D		
	L577	PT347-0310-1.2	46713300310	MAZAK® NOZZLE Ø 1.22D		
	L30577	PT347-0012X	46713300310	MAZAK® NOZZLE Ø 1.22D		
	L578	PT347-0310	P0352-386-00015	MAZAK® NOZZLE Ø 1.52D		
	L30578	PT347-0310X	P0352-386-00015	MAZAK® NOZZLE Ø 1.52D		
	L579	PT347-1018		MAZAK® NOZZLE Ø 1.82D		
	L30579	PT347-1018X		MAZAK® NOZZLE Ø 1.82D		
	L580	PT347-0300	46713300300-P0352-387-00020	MAZAK® NOZZLE Ø 2.02D		
	L30580	PT347-0300X	46713300300-P0352-387-00020	MAZAK® NOZZLE Ø 2.02D		
	L581	PT347-0003	46713300300-25	MAZAK® NOZZLE Ø 2.52D		
	L30581	PT347-0003X	46713300300-25	MAZAK® NOZZLE Ø 2.52D		
	L582	PT347-0006	46713300300-30	MAZAK® NOZZLE Ø 3.02D		
L30582	PT347-0006X	46713300300-30	MAZAK® NOZZLE Ø 3.02D			
3	AL160	PT347-0320	46713300321-P0352-311-00001	MAZAK® VESPEL NUT - SPACE GEAR		
4	AL198	PT347-4297	P0492-702-00001-29100021	PRECITEC® INSULATING RING - plastic		
5	AL218	PT347-0008	46713330200	MAZAK® 5-AXIS INSULATOR		
6	AL94	AM326-6453	71366453	AMADA® O'RING FOR NOZZLE OUTER		
7	AL256	PT347-0009	46713300390	PRECITEC® INSULATOR COLLAR		
8	AL204	PT347-0101	P0360-100-00500 - 46713300100	PRECITEC® ORIG. SENSOR CABLE KE 500 Z		
9	AL257	PT347-1386	281386 P0360-155-00500	MAZAK® ELECTRODE CABLE		

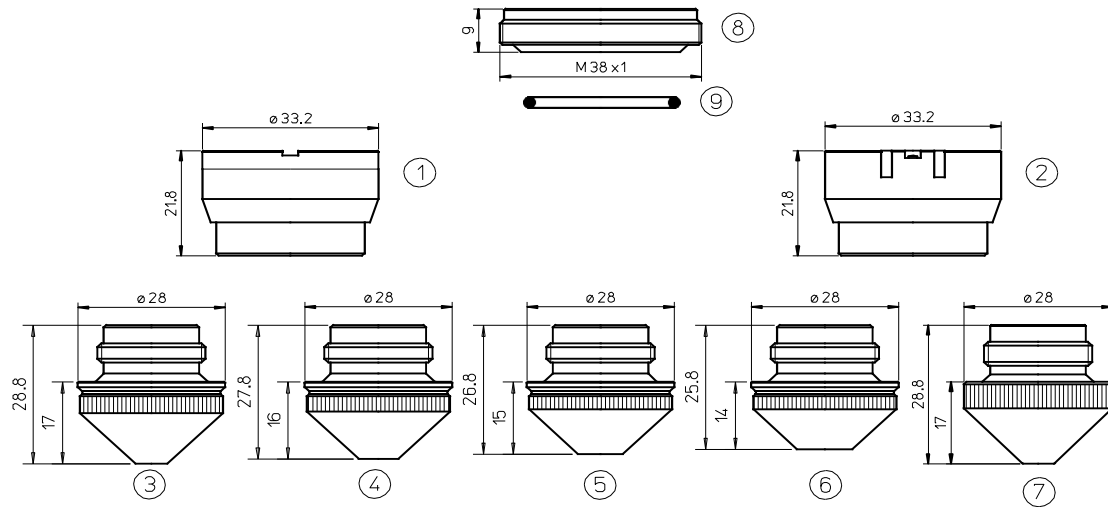
Replacement parts suitable for **PRECITEC®**
ADIGE®. MAZAK®



POS	SOSLaser Code	ALTERNATE REFERENCE	ORIGINAL CODE	DESCRIPTION	Unit Price	10pack price
1	P4911300001	PT347-0110	P0491-130-00001	PRECITEC® ORIG. NOZ. HOLDER KT M1.5" K S -CERAMIC		
2	L480	PT347-1005	281005-P0352-323-00010	MAZAK® NOZZLE Ø 1.0 ZK		
	L30480	PT347-1005X	281005-P0352-323-00010	MAZAK® NOZZLE Ø 1.0 ZK		
	L481	PT347-1034	281034-P0352-324-00012	MAZAK® NOZZLE Ø 1.2 ZK		
	L30481	PT347-1034X	281034-P0352-324-00012	MAZAK® NOZZLE Ø 1.2 ZK		
	L482	PT347-1013	281013-P0352-325-00015	MAZAK® NOZZLE Ø 1.5 ZK		
	L30482	PT347-1013X	281013-P0352-325-00015	MAZAK® NOZZLE Ø 1.5 ZK		
	L483	PT347-0899	280899-P0352-326-00018	MAZAK® NOZZLE Ø 1.8 ZK		
	L30483	PT347-0899X	280899-P0352-326-00018	MAZAK® NOZZLE Ø 1.8 ZK		
	L484	PT347-0044-3	350044.3-P0352-327-00020	MAZAK® NOZZLE Ø 2.0 ZK		
	L30484	PT347-0044X	350044.3-P0352-327-00020	MAZAK® NOZZLE Ø 2.0 ZK		
3	L485	PT347-1025	P0352-328-00025	MAZAK® NOZZLE Ø 2.5 ZK		
	L30485	PT347-1025X	350044.3-P0352-328-00025	MAZAK® NOZZLE Ø 2.5 ZK		
	L486	PT347-1006	281006-P0352-333-00010	MAZAK® NOZZLE Ø 1.0 KK		
	L30486	PT347-1006X	281006-P0352-333-00010	MAZAK® NOZZLE Ø 1.0 KK		
	L487	PT347-1030	281030-P0352.334.00012	MAZAK® NOZZLE Ø 1.2 KK		
	L30487	PT347-1030X	281030-P0352.334.00012	MAZAK® NOZZLE Ø 1.2 KK		
	L488	PT347-1031	281031-P0352.335.00015	MAZAK® NOZZLE Ø 1.5 KK		
	L30488	PT347-1031X	281031-P0352.335.00015	MAZAK® NOZZLE Ø 1.5 KK		
	L489	PT347-0898	280898-P0352.336.00018	MAZAK® NOZZLE Ø 1.8 KK		
	L30489	PT347-0898X	280898-P0352.336.00018	MAZAK® NOZZLE Ø 1.8 KK		
4	L490	PT347-1020	P0352.336.00020	MAZAK® NOZZLE Ø 2.0 KK		
	L30490	PT347-1020X	P0352.336.00020	MAZAK® NOZZLE Ø 2.0 KK		
	L1760	PT347-1760	0	PRECITEC® NOZZLE DE M1.5 KS 1.0HEX		
	L301760	PT347-1760X	0	PRECITEC® NOZZLE DE M1.5 KS 1.0HEX		
	L1761	PT347-1761	0	PRECITEC® NOZZLE DE M1.5 KS 1.2HEX		
	L301761	PT347-1761X	0	PRECITEC® NOZZLE DE M1.5 KS 1.2HEX		
	L1762	PT347-1762	P0491-1001-00015	PRECITEC® NOZZLE DE M1.5 KS 1.5HEX		
L301762	PT347-1762X	0	PRECITEC® NOZZLE DE M1.5 KS 1.5HEX			
L1764	PT347-1764	P0491-1002-00020	PRECITEC® NOZZLE DE M1.5 KS 2.0HEX			
L301764	PT347-1764X	0	PRECITEC® NOZZLE DE M1.5 KS 2.0HEX			

Replacement parts suitable for **PRECITEC®**

ADIGE®. BALLIU®.FINN-POWER®



POS	SOSLaser Code	ALTERNATE REFERENCE	ORIGINAL CODE	DESCRIPTION	Unit Price	10pack price
1	AL40 AL298	PT311-0565 PT311-0298	280565-P0497-605-00001-29100106 P0497-68871	PRECITEC® ORIG. NOZ. HOLDER KT M1.5"D _{XN} - CERAMIC PRECITEC® ORIG. NOZ. HOLDER KT M1.5"D _{XN} - CERAMIC		
2	AL130 AL130/S	PT311-1146OEM PT311-1146	281146-P0380-211-00001-29100033 281146-P0380-211-00001-29100033	PRECITEC® ORIG. NOZ. HOLDER IT M1.5" DZ - ALUMINUM PRECITEC® NOZZLE HOLDER IT M1.5" DZ - ALUMINUM		
3	L365 L366	PT376-0010 PT376-0012	280029-P0492-628-00010 280030-P0492-629-00012	PRECITEC® NOZZLE Ø1.0 PRECITEC® NOZZLE Ø1.2		
4	L367	PT376-0015	280028-P0492-627-00015	PRECITEC® NOZZLE Ø1.5		
5	L368 L369	PT376-0017 PT376-0020	281384-P0492-630-00017 280027-P0492-626-00020	PRECITEC® NOZZLE Ø1.7 PRECITEC® NOZZLE Ø2.0		
6	L370	PT376-0025	280026-P0492-625-00025	PRECITEC® NOZZLE Ø2.5		
7	L163 L164 L165 L166 L167 L462 L201	PT311-0010 PT311-0012 PT311-0015 PT311-0020 PT311-0025 PT311-0027 PT311-0030	281253-P0380-251-00010 281254-P0380-252-00012 281255-P0380-253-00015 281270-P0380-254-00020 281271-P0380-255-00025 281271-2.7 281271-3.0	PRECITEC® NOZZLE Ø1.0 PRECITEC® NOZZLE Ø1.2 PRECITEC® NOZZLE Ø1.5 PRECITEC® NOZZLE Ø2.0 PRECITEC® NOZZLE Ø2.5 PRECITEC® NOZZLE Ø2.7 PRECITEC® NOZZLE Ø3.0		
8	AL201	PT311-0001	PO492-702-00002	PRECITEC® INSULATING RING - plastic		
9	AL94	AM326-6453	71366453	AMADA® O'RING FOR NOZZLE OUTER		

Replacement parts suitable for **PRECITEC®**
PRECITEC® ORIGINAL SPARE PARTS

SOSLaser Code	ALTERNATE REFERENCE	ORIGINAL CODE	DESCRIPTION	Unit Price
P49713000001	PT347-0012		PRECITEC® NUT MU M1.5°DXN	
P49700200200	PT347-0200		PRECITEC® ORIG. CABLE KE 200gg	
P251107000001	PT347-0000	OG Y D50 d2HII	PRECITEC® ORIG. OG Y D50 d2 PROTECTING GLASS	
P36015000300	PT347-0014	KE 300 gw ZMM	PRECITEC® ORIG. SENSOR CABLE	
P253103400001	PT347-0000		PRECITEC® GLASS OG D30 d1,5	
P58936000001	PT317-9360	P0589-360-00002	PRECITEC® GLASS	
P78746700001	PT347-0013	P0787-467-00001	PRECITEC® PROTECTION CAP ZM Y30/22 F100DR	

Replacement parts suitable for **PRIMA POWER®**

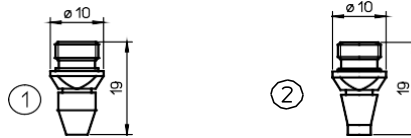


CP = Chrome Plated

POS	SOSLaser Code	ALTERNATE REFERENCE	ORIGINAL CODE	DESCRIPTION	Unitprice	10pack price
	L70	PR331-4102	490.76.102	PRIMA P.® NOZZLE Ø 0.3 CYLINDRICAL BRASS		
	L3070	PR331-4102X	490.76.102	PRIMA P.® NOZZLE Ø 0.3 CYLINDRICAL BRASS		
	L74	PR331-0001B		PRIMA P.® NOZZLE Ø 1.0 BRASS CYLINDRICAL		
	L3074	PR331-0001BX		PRIMA P.® NOZZLE Ø 1.0 BRASS CYLINDRICAL		
	L418	PR331-0001		PRIMA P.® NOZZLE Ø 1.0 COPPER CYLINDRICAL		
	L30418	PR331-0001X		PRIMA P.® NOZZLE Ø 1.0 COPPER CYLINDRICAL		
	L416	PR331-0002		PRIMA P.® NOZZLE Ø 1.2 COPPER CYLINDRICAL		
	L30416	PR331-0002X		PRIMA P.® NOZZLE Ø 1.2 COPPER CYLINDRICAL		
	L54	PR331-3321B	485.73.321	PRIMA P.® NOZZLE Ø 1.5 BRASS CYLINDRICAL		
	L3054	PR331-3321BX	485.73.321	PRIMA P.® NOZZLE Ø 1.5 BRASS CYLINDRICAL		
	L419	PR331-3321C		PRIMA P.® NOZZLE Ø 1.5 COPPER CYLINDRICAL		
	L30419	PR331-3321CX		PRIMA P.® NOZZLE Ø 1.5 COPPER CYLINDRICAL		
	L417	PR331-0003		PRIMA P.® NOZZLE Ø 1.7 COPPER CYLINDRICAL		
	L30417	PR331-0003X		PRIMA P.® NOZZLE Ø 1.7 COPPER CYLINDRICAL		
	L55	PR331-3322B	485.73.322	PRIMA P.® NOZZLE Ø 2.0 BRASS CYLINDRICAL		
	L3055	PR331-3322BX	485.73.322	PRIMA P.® NOZZLE Ø 2.0 BRASS CYLINDRICAL		
	L420	PR331-322C		PRIMA P.® NOZZLE Ø 2.0 COPPER CYLINDRICAL		
	L30420	PR331-322CX		PRIMA P.® NOZZLE Ø 2.0 COPPER CYLINDRICAL		
	L204	PR331-3323B	485.73.323	PRIMA P.® NOZZLE Ø 2.5 BRASS CYLINDRICAL		
	L30204	PR331-3323BX	485.73.323	PRIMA P.® NOZZLE Ø 2.5 BRASS CYLINDRICAL		
	L421	PR331-3323C		PRIMA P.® NOZZLE Ø 2.5 COPPER CYLINDRICAL		
1	L30421	PR331-3323CX		PRIMA P.® NOZZLE Ø 2.5 COPPER CYLINDRICAL		
	L205	PR331-3324B	485.73.324	PRIMA P.® NOZZLE Ø 3.0 BRASS CYLINDRICAL		
	L30205	PR331-3324BX	485.73.324	PRIMA P.® NOZZLE Ø 3.0 BRASS CYLINDRICAL		
	L422	PR331-3324		PRIMA P.® NOZZLE Ø 3.0 COPPER CYLINDRICAL		
	L30422	PR331-3324X		PRIMA P.® NOZZLE Ø 3.0 COPPER CYLINDRICAL		
	L418X	PR331-0001CP		PRIMA P.® NOZZLE Ø 1.0 CP		
	L30418X	PR331-0001CPX		PRIMA P.® NOZZLE Ø 1.0 CP		
	L416X	PR331-0002CP		PRIMA P.® NOZZLE Ø 1.2 CP		
	L30416X	PR331-0002CPX		PRIMA P.® NOZZLE Ø 1.2 CP		
	L419X	PR331-0321CCP	485.73.421	PRIMA P.® NOZZLE Ø 1.5 CP		
	L30419X	PR331-0321CCPX	485.73.421	PRIMA P.® NOZZLE Ø 1.5 CP		
	L417X	PR331-0003CP		PRIMA P.® NOZZLE Ø 1.7 CP		
	L30417X	PR331-0003CPX		PRIMA P.® NOZZLE Ø 1.7 CP		
	L420X	PR331-322CCP	485.73.422	PRIMA P.® NOZZLE Ø 2.0 CP		
	L30420X	PR331-322CCPX	485.73.422	PRIMA P.® NOZZLE Ø 2.0 CP		
	L421X	PR331-3323CCP	485.73.423	PRIMA P.® NOZZLE Ø 2.5 CP		
	L30421X	PR331-3323CCPX	485.73.423	PRIMA P.® NOZZLE Ø 2.5 CP		
	L422X	PR331-3324CP	485.73.424	PRIMA P.® NOZZLE Ø 3.0 CP		
	L30422X	PR331-3324CPX	485.73.424	PRIMA P.® NOZZLE Ø 3.0 CP		
	L1245	PR331-0301	490.1N.301	PRIMA P.® NOZZLE Ø 2.0 BRASS SHORT		
2	L301245	PR331-0301X	490.1N.301	PRIMA P.® NOZZLE Ø 2.0 BRASS SHORT		
	L1246	PR331-0302	490.1N.302	PRIMA P.® NOZZLE Ø 2.5 BRASS SHORT		
	L301246	PR331-0302X	490.1N.302	PRIMA P.® NOZZLE Ø 2.5 BRASS SHORT		

CP = CHROME PLATED

Replacement parts suitable for **PRIMA POWER®**



CP = Chrome Plated

POS	SOSLaser Code	ALTERNATE REFERENCE	ORIGINAL CODE	DESCRIPTION	Unit price	10pack price
1	L631	PR393-0001		PRIMA P.® NOZZLE Ø 0.3		
	L30631	PR393-0001X		PRIMA P.® NOZZLE Ø 0.3		
	L632	PR393-0002		PRIMA P.® NOZZLE Ø 1.0		
	L30632	PR393-0002X		PRIMA P.® NOZZLE Ø 1.0		
	L637	PR393-0003		PRIMA P.® NOZZLE Ø 1.2		
	L30637	PR393-0003X		PRIMA P.® NOZZLE Ø 1.2		
	L633	PR393-0004		PRIMA P.® NOZZLE Ø 1.5		
	L30633	PR393-0004X		PRIMA P.® NOZZLE Ø 1.5		
	L638	PR398-0005		PRIMA P.® NOZZLE Ø 1.7		
	L30638	PR398-0005X		PRIMA P.® NOZZLE Ø 1.7		
	L634	PR393-0006		PRIMA P.® NOZZLE Ø 2.0		
	L30634	PR393-0006X		PRIMA P.® NOZZLE Ø 2.0		
	L635	PR393-0007		PRIMA P.® NOZZLE Ø 2.5		
	L30635	PR393-0007X		PRIMA P.® NOZZLE Ø 2.5		
	L636	PR393-0008		PRIMA P.® NOZZLE Ø 3.0		
L30636	PR393-0008X		PRIMA P.® NOZZLE Ø 3.0			
2	L301235	PR393-3451X		0 PRIMA P.® NOZZLE Ø 1.5 CON-CYL		
	L301236	PR393-3452X		PRIMA P.® NOZZLE Ø 2.0 CON-CYL		
	L301237	PR393-3453X		0 PRIMA P.® NOZZLE Ø 2.5 CON-CYL		
	L1231X	PR393-3455CP	485.73.455	PRIMA P.® NOZZLE Ø 0.3 CP CON-CYL		
	L301231X	PR393-3455CPX	485.73.455	PRIMA P.® NOZZLE Ø 0.3 CP CON-CYL		
	L1235X	PR393-3451CP	485.73.451	PRIMA P.® NOZZLE Ø 1.5 CP CON-CYL		
	L301235X	PR393-3451CPX	485.73.451	PRIMA P.® NOZZLE Ø 1.5 CP CON-CYL		
	L1236X	PR393-3452CP	485.73.452	PRIMA P.® NOZZLE Ø 2.0 CP CON-CYL		
	L301236X	PR393-3452CPX	485.73.452	PRIMA P.® NOZZLE Ø 2.0 CP CON-CYL		
	L1237X	PR393-3453CP	485.73.453	PRIMA P.® NOZZLE Ø 2.5 CP CON-CYL		
L301237X	PR393-3453CPX	485.73.453	PRIMA P.® NOZZLE Ø 2.5 CP CON-CYL			

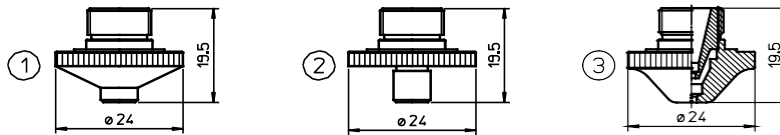
Replacement parts suitable for **PRIMA POWER®**



CP = Chrome Plated

POS	SOSLaser Code	ALTERNATE REFERENCE	ORIGINAL CODE	DESCRIPTION	Unit price	10 pack price
	L62	PR357-0001	490.76.103	PRIMA P.® NOZZLE Ø 0.3 CONICAL BRASS		
	L3062	PR357-0001X	490.76.103	PRIMA P.® NOZZLE Ø 0.3 CONICAL BRASS		
	L450	PR357-0002		PRIMA P.® NOZZLE Ø 1.0 CONICAL COPPER		
	L30450	PR357-0002X		PRIMA P.® NOZZLE Ø 1.0 CONICAL COPPER		
	L451	PR357-0003		PRIMA P.® NOZZLE Ø 1.2 CONICAL COPPER		
	L30451	PR357-0003X		PRIMA P.® NOZZLE Ø 1.2 CONICAL COPPER		
	L206	PR357-331B	485.73.331	PRIMA P.® NOZZLE Ø 1.5 CONICAL BRASS		
	L30206	PR357-331BX	485.73.331	PRIMA P.® NOZZLE Ø 1.5 CONICAL BRASS		
	L424	PR357-331C		PRIMA P.® NOZZLE Ø 1.5 CONICAL COPPER		
	L30424	PR357-331CX		PRIMA P.® NOZZLE Ø 1.5 CONICAL COPPER		
	L426	PR357-0004		PRIMA P.® NOZZLE Ø 1.7 CONICAL COPPER		
	L30426	PR357-0004X		PRIMA P.® NOZZLE Ø 1.7 CONICAL COPPER		
	L57	PR357-333B	485.73.333	PRIMA P.® NOZZLE Ø 2.0 CONICAL BRASS		
	L3057	PR357-333BX	485.73.333	PRIMA P.® NOZZLE Ø 2.0 CONICAL BRASS		
	L425	PR357-333C		PRIMA P.® NOZZLE Ø 2.0 CONICAL COPPER		
	L30425	PR357-333CX		PRIMA P.® NOZZLE Ø 2.0 CONICAL COPPER		
	L449	PR357-0005	485.73.334	PRIMA P.® NOZZLE Ø 2.5 CONICAL BRASS		
	L30449	PR357-0005X	485.73.334	PRIMA P.® NOZZLE Ø 2.5 CONICAL BRASS		
	L427	PR357-0006		PRIMA P.® NOZZLE Ø 2.5 CONICAL COPPER		
1	L30427	PR357-0006X		PRIMA P.® NOZZLE Ø 2.5 CONICAL COPPER		
	L630	PR357-0007		PRIMA P.® NOZZLE Ø 3.0 CONICAL COPPER		
	L30630	PR357-0007X		PRIMA P.® NOZZLE Ø 3.0 CONICAL COPPER		
	L450X	PR357-0002CP		PRIMA P.® NOZZLE Ø 1.0 CP		
	L30450X	PR357-0002CPX		PRIMA P.® NOZZLE Ø 1.0 CP		
	L451X	PR357-0003CP		PRIMA P.® NOZZLE Ø 1.2 CP		
	L30451X	PR357-0003CPX		PRIMA P.® NOZZLE Ø 1.2 CP		
	L424X	PR357-331CCP	485.73.431	PRIMA P.® NOZZLE Ø 1.5 CP		
	L30424X	PR357-331CCPX	485.73.431	PRIMA P.® NOZZLE Ø 1.5 CP		
	L426X	PR357-0004CP		PRIMA P.® NOZZLE Ø 1.7 CP		
	L30426X	PR357-0004CPX		PRIMA P.® NOZZLE Ø 1.7 CP		
	L425X	PR357-322CCP	485.73.433	PRIMA P.® NOZZLE Ø 2.0 CP		
	L30425X	PR357-322CCPX	485.73.433	PRIMA P.® NOZZLE Ø 2.0 CP		
	L427X	PR357-0006CP		PRIMA P.® NOZZLE Ø 2.5 CP		
	L30427X	PR357-0006CPX		PRIMA P.® NOZZLE Ø 2.5 CP		
	L630X	PR357-0007CP	485.73.43x	PRIMA P.® NOZZLE Ø 3.0 CP		
	L30630X	PR357-0007CPX	485.73.43x	PRIMA P.® NOZZLE Ø 3.0 CP		
2	AL136	PR395-0001	480.73.107	PRIMA P.® INSULATING RING-PLASTIC - HEAD 5" - ID 10		
	AL163	PR395-0002		PRIMA P.® INSULATING RING-PLASTIC - HEAD 7.5" - ID 11		

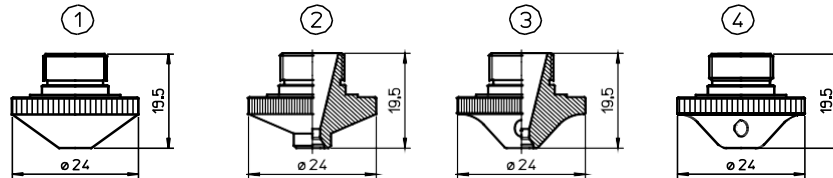
Replacement parts suitable for **PRIMA POWER®**



CP = Chrome Plated

POS	SOSLaser Code	ALTERNATE REFERENCE	ORIGINAL CODE	DESCRIPTION	Unit price	10pack price
1	L532	PR351-1E109		PRIMA P.® NOZZLE Ø 0.8		
	L312	PR351-1E110		PRIMA P.® NOZZLE Ø 1.0		
	L362	PR351-1E108		PRIMA P.® NOZZLE Ø 1.2		
	L207	PR351-1E111	LW6.1E.111	PRIMA P.® NOZZLE Ø 1.5		
	L208	PR351-1E112	LW6.1E.112	PRIMA P.® NOZZLE Ø 2.0		
	L209	PR351-1E113	LW6.1E.113	PRIMA P.® NOZZLE Ø 2.5		
	L210	PR351-1E114	LW6.1E.114	PRIMA P.® NOZZLE Ø 3.0		
	L312X	PR351-1E110CP		PRIMA P.® NOZZLE Ø 1.0 CP		
	L362X	PR351-1E115CP		PRIMA P.® NOZZLE Ø 1.2 CP		
	L207X	PR351-1E111CP	LW6.1E.111	PRIMA P.® NOZZLE Ø 1.5 CP		
	L208X	PR351-1E112CP	LW6.1E.112	PRIMA P.® NOZZLE Ø 2.0 CP		
	L209X	PR351-1E113CP	LW6.1E.113	PRIMA P.® NOZZLE Ø 2.5 CP		
L210X	PR351-1E114CP	LW6.1E.114	PRIMA P.® NOZZLE Ø 3.0 CP			
2	L608	PR366-1G600	LW6.1G.500-LW6.1G.600	PRIMA P.® NOZZLE Ø 1.5		
	L609	PR366-1G601	LW6.1G.501-LW6.1G.601	PRIMA P.® NOZZLE Ø 2.0		
	L610	PR366-1G602	LW6.1G.502-LW6.1G.602	PRIMA P.® NOZZLE Ø 2.5		
	L611	PR366-1G603	LW6.1G.503-LW6.1G.603	PRIMA P.® NOZZLE Ø 3.0		
	L609X	PR366-1G601CP	LW6.1G.501-LW6.1G.601	PRIMA P.® NOZZLE Ø 2.0 CP		
	L610X	PR366-1G602CP	LW6.1G.502-LW6.1G.602	PRIMA P.® NOZZLE Ø 2.5 CP		
	L611X	PR366-1G603CP	LW6.1G.503-LW6.1G.603	PRIMA P.® NOZZLE Ø 3.0 CP		
3	L905X	PR362-0008CP	1059.70000.010	PRIMA P.® DOUBLE NOZZLE Ø 0.8 CP		
	L900X	PR362-0003CP	1059.70000.003	PRIMA P.® DOUBLE NOZZLE Ø 1.0 CP		
	L907X	PR362-0002CP	1059.70000.008	PRIMA P.® DOUBLE NOZZLE Ø 1.25 CP		
	L901X	PR362-0005CP	1059.70000.004	PRIMA P.® DOUBLE NOZZLE Ø 1.5 CP.		
	L906X	PR362-0001CP	1059.70000.009	PRIMA P.® DOUBLE NOZZLE Ø 1.75 CP		
	L902X	PR362-0004CP	1059.70000.005	PRIMA P.® DOUBLE NOZZLE Ø 2.0 CP		
	L903X	PR362-0006CP	1059.70000.006	PRIMA P.® DOUBLE NOZZLE Ø 2.5 CP		
	L904X	PR362-0007CP	1059.70000.007	PRIMA P.® DOUBLE NOZZLE Ø 3.0 CP		

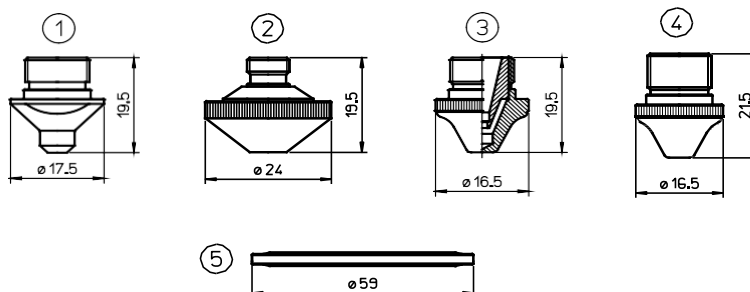
Replacement parts suitable for **PRIMA POWER®**



CP = Chrome Plated

POS	SOSLaser Code	ALTERNATE REFERENCE	ORIGINAL CODE	DESCRIPTION	Unit price	10 pack price
1	L862	PR422-0001		0 PRIMA P.® NOZZLE Ø 1.0		
	L863	PR422-0002		0 PRIMA P.® NOZZLE Ø 1.5		
	L864	PR422-0003		0 PRIMA P.® NOZZLE Ø 2.0		
	L865	PR422-0004		0 PRIMA P.® NOZZLE Ø 2.5		
	L866	PR422-0005		0 PRIMA P.® NOZZLE Ø 3.0		
2	L1165X	PR422-0650CP	LW6. 1G. 650	PRIMA P.® NOZZLE Ø 3.0 CP		
3	L1208X	PR422-0608CP	LW6. 1G. 608	PRIMA P.® NOZZLE Ø 3.0 DL TYPE CP		
	L1209X	PR422-0609CP	LW6. 1G. 609	PRIMA P.® NOZZLE Ø 3.5 DL TYPE CP		
4	L1167X	PR394-604	LW6. 1G. 604	PRIMA P.® NOZZLE Ø 1.5 CP		
	L1166X	PR394-603		PRIMA P.® NOZZLE Ø 1.75 CP		
	L1168X	PR394-605	LW6. 1G. 605	PRIMA P.® NOZZLE Ø 2.0 CP		
	L1169X	PR394-606	LW6. 1G. 606	PRIMA P.® NOZZLE Ø 2.5 CP		
	L1170X	PR394-607	LW6. 1G. 607	PRIMA P.® NOZZLE Ø 3.0 CP		

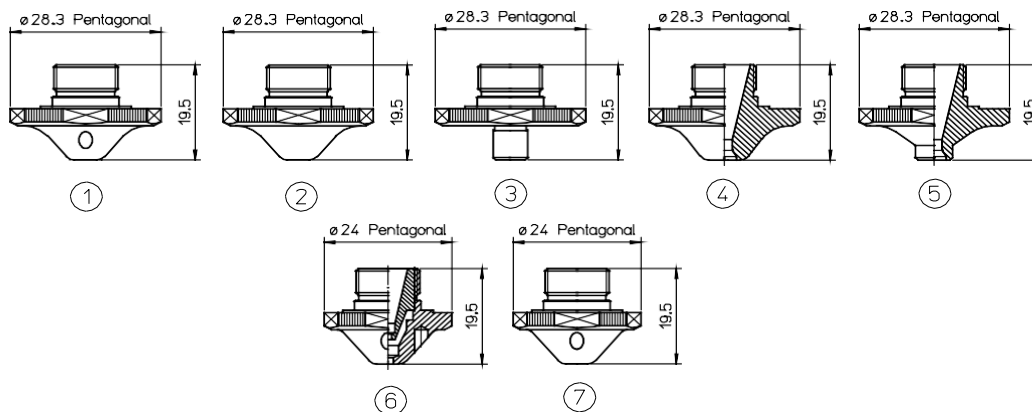
Replacement parts suitable for **PRIMA POWER®**



CP = Chrome Plated

POS	SOSLaser Code	ALTERNATE REFERENCE	ORIGINAL CODE	DESCRIPTION	Unit price	10 pack price
1	L922	PR398-498	750.42.559	PRIMA P.® NOZZLE Ø 0.3		
	L891	PR398-0001		PRIMA P.® NOZZLE Ø 1.0		
	L892	PR398-550	750.42.550	PRIMA P.® NOZZLE Ø 1.5		
	L893	PR398-551	750.42.551	PRIMA P.® NOZZLE Ø 2.0		
	L894	PR398-552	750.42.552	PRIMA P.® NOZZLE Ø 2.5		
	L895	PR398-0004	750.42.553	PRIMA P.® NOZZLE Ø 3.0		
	L891X	PR398-0001CP		PRIMA P.® NOZZLE Ø 1.0 CP		
	L892X	PR398-0006	750.42.550	PRIMA P.® NOZZLE Ø 1.5 CP		
	L893X	PR398-0002CP	750.42.551	PRIMA P.® NOZZLE Ø 2.0 CP		
	L894X	PR398-0003CP	750.42.552	PRIMA P.® NOZZLE Ø 2.5 CP		
	L895X	PR398-0004CP	750.42.553	PRIMA P.® NOZZLE Ø 3.0 CP		
2	L875	PR399-0001		PRIMA P.® L.W. NOZZLE Ø 1.0		
	L876	PR399-0002		PRIMA P.® L.W. NOZZLE Ø 1.5		
	L877	PR399-0003	LW3.1E.102	PRIMA P.® L.W. NOZZLE Ø 2.0		
	L878	PR399-0004	LW3.1E.103	PRIMA P.® L.W. NOZZLE Ø 2.5		
	L879	PR399-0005	LW3.1E.104	PRIMA P.® L.W. NOZZLE Ø 3.0		
3	L1239X	PR421-111CP	520.17.111	PRIMA P.® DOUBLE NOZZLE Ø 1.5 CP		
	L1240X	PR421-114CP	520.17.114	PRIMA P.® DOUBLE NOZZLE Ø 2.0 CP		
	L1241X	PR421-560CP	750.43.560	PRIMA P.® DOUBLE NOZZLE Ø 2.5 CP		
	L1242X	PR421-561CP	750.43.561	PRIMA P.® DOUBLE NOZZLE Ø 3.0 CP		
	L1243X	PR421-562CP	750.43.562	PRIMA P.® DOUBLE NOZZLE Ø 3.5 CP		
4	L1211X	PR409-4515	787.04.515	PRIMA P.® NOZZLE Ø 1.25 CP		
	L1212X	PR409-4512	787.04.512	PRIMA P.® NOZZLE Ø 1.5 CP		
	L1217X	PR409-4516	787.04.516	PRIMA P.® NOZZLE Ø 1.75 CP		
	L1213X	PR409-4513	787.04.513	PRIMA P.® NOZZLE Ø 2.0 CP		
	L1214X	PR409-4514	787.04.514	PRIMA P.® NOZZLE Ø 2.5 CP		
5	AL259	PR421-720	1058.36520.720	PRIMA P.® GASKET FOR LENS		

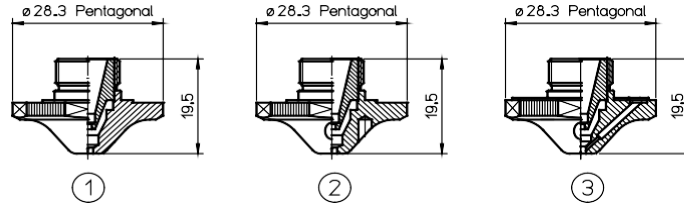
Replacement parts suitable for **PRIMA POWER®**



CP = Chrome Plated

POS	SOSLaser Code	ALTERNATE REFERENCE	ORIGINAL CODE	DESCRIPTION	Unit price	10 pack price
1	L1428X	PR422-0660	LW6.1G.660	PRIMA P.® NOZZLE PENT Ø 0.8 CP		
	L1429X	PR422-0661	LW6.1G.661	PRIMA P.® NOZZLE PENT Ø 1.0 CP		
	L1430X	PR422-0662	LW6.1G.662	PRIMA P.® NOZZLE PENT Ø 1.25 CP		
	L1431X	PR422-0663	LW6.1G.663	PRIMA P.® NOZZLE PENT Ø 1.5 CP		
	L1432X	PR422-0664	LW6.1G.664	PRIMA P.® NOZZLE PENT Ø 1.75 CP		
	L1433X	PR422-0665	LW6.1G.665	PRIMA P.® NOZZLE PENT Ø 2.0 CP		
	L1434X	PR422-0666	LW6.1G.666	PRIMA P.® NOZZLE PENT Ø 2.25 CP		
	L1435X	PR422-0667	LW6.1G.667	PRIMA P.® NOZZLE PENT Ø 2.5 CP		
	L1436X	PR422-0668	LW6.1G.668	PRIMA P.® NOZZLE PENT Ø 2.75 CP		
	L1437X	PR422-0669	LW6.1G.669	PRIMA P.® NOZZLE PENT Ø 3.0 CP		
L1438X	PR422-0670	LW6.1G.670	PRIMA P.® NOZZLE PENT Ø 3.5 CP			
2	L1807X	PR422-0103CP	LW6.1G.103	PRIMA P.® NOZZLE PENT Ø 1.5 CP		
	L1808X	PR422-0105CP	LW6.1G.105	PRIMA P.® NOZZLE PENT Ø 2.0 CP		
	L1809X	PR422-0107CP	LW6.1G.107	PRIMA P.® NOZZLE PENT Ø 2.5 CP		
	L1810X	PR422-0109CP	LW6.1G.109	PRIMA P.® NOZZLE PENT Ø 3.0 CP		
3	L1477X	PR422-0699	LW6.1G.699	PRIMA P.® NOZZLE PENT Ø 1.5 CYL		
	L1478X	PR422-0700	LW6.1G.700	PRIMA P.® NOZZLE PENT Ø 2.0 CYL		
	L1479X	PR422-0701	LW6.1G.701	PRIMA P.® NOZZLE PENT Ø 2.5 CYL		
	L1480X	PR422-0702	LW6.1G.702	PRIMA P.® NOZZLE PENT Ø 3.0 CYL		
4	L1837X	PR422-0522CP	LW6.1G.522a	PRIMA P.® NOZZLE PENT Ø 3-4.5 DL CP		
5	L1838X	PR422-0524CP	LW6.1G.524	PRIMA P.® NOZZLE PENT Ø 3 DL CP		
6	L1540X	PR422-0643	LW6.1G.643	PRIMA P.® DOUBLE NOZZLE PENT Ø 1.5 CP		
	L1541X	PR422-0645	LW6.1G.645	PRIMA P.® DOUBLE NOZZLE PENT Ø 2.0 CP		
	L1542X	PR422-0647	LW6.1G.647	PRIMA P.® DOUBLE NOZZLE PENT Ø 2.5 CP		
7	L1533X	PR422-0633	LW6.1G.633	PRIMA P.® NOZZLE PENT Ø 1.5 CP		
	L1534X	PR422-0635	LW6.1G.635	PRIMA P.® NOZZLE PENT Ø 2.0 CP		
	L1535X	PR422-0637	LW6.1G.637	PRIMA P.® NOZZLE PENT Ø 2.5 CP		

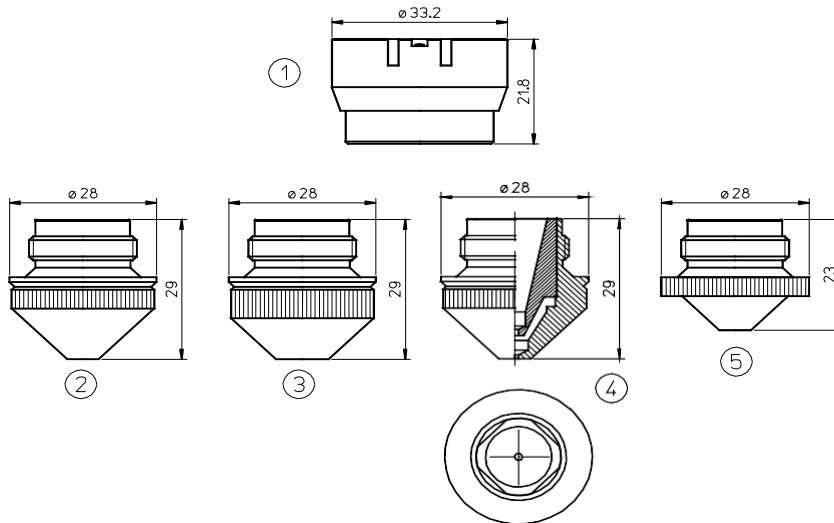
Replacement parts suitable for **PRIMA POWER®**



CP = Chrome Plated

POS	SOSLaser Code	ALTERNATE REFERENCE	ORIGINAL CODE	DESCRIPTION	Unit price	10 pack price
1	L1783X	PR422-1783CP	LW6.1G.302	PRIMA P.® DOUBLE NOZZLE PENT Ø 1.25 CP		
	L1784X	PR422-1784CP	LW6.1G.303	PRIMA P.® DOUBLE NOZZLE PENT Ø 1.5 CP		
	L1785X	PR422-1785CP	LW6.1G.304	PRIMA P.® DOUBLE NOZZLE PENT Ø 1.75 CP		
	L1786X	PR422-1786CP	LW6.1G.305	PRIMA P.® DOUBLE NOZZLE PENT Ø 2.0 CP		
	L1787X	PR422-1787CP	LW6.1G.307	PRIMA P.® DOUBLE NOZZLE PENT Ø 2.5 CP		
	L1788X	PR422-1788CP	LW6.1E.204	PRIMA P.® DOUBLE NOZZLE PENT 25-20 CP		
	L1789X	PR422-1789CP	LW6.1G.309	PRIMA P.® DOUBLE NOZZLE PENT Ø 3.0 CP		
	L1790X	PR422-1790CP	LW6.1E.206	PRIMA P.® DOUBLE NOZZLE PENT 30-20 CP		
	L1791X	PR422-1791CP	LW6.1E.207	PRIMA P.® DOUBLE NOZZLE PENT 35-30 CP		
	L1462	PR422-1462	LW6.1G.200	PRIMA P.® DOUBLE NOZZLE PENT Ø 3.0		
	L1463	PR422-1463	LW6.1G.201	PRIMA P.® DOUBLE NOZZLE PENT Ø 3.5		
	L1464	PR422-1464	LW6.1G.202	PRIMA P.® DOUBLE NOZZLE PENT Ø 4.0		
	L1472	PR422-1472	LW6.1G.203	PRIMA P.® DOUBLE NOZZLE PENT Ø 5.0		
	L1473	PR422-1473	LW6.1G.204	PRIMA P.® DOUBLE NOZZLE PENT Ø 7.0		
2	L1440X	PR422-0680	LW6.1G.680	PRIMA P.® DOUBLE NOZZLE PENT Ø 0.8 CP		
	L1441X	PR422-0681	LW6.1G.681	PRIMA P.® DOUBLE NOZZLE PENT Ø 1.0 CP		
	L1442X	PR422-0682	LW6.1G.682	PRIMA P.® DOUBLE NOZZLE PENT Ø 1.25 CP		
	L1443X	PR422-0683	LW6.1G.683	PRIMA P.® DOUBLE NOZZLE PENT Ø 1.5 CP		
	L1444X	PR422-0684	LW6.1G.684	PRIMA P.® DOUBLE NOZZLE PENT Ø 1.75 CP		
	L1445X	PR422-0685	LW6.1G.685	PRIMA P.® DOUBLE NOZZLE PENT Ø 2.0 CP		
	L1446X	PR422-0686	LW6.1G.686	PRIMA P.® DOUBLE NOZZLE PENT Ø 2.25 CP		
	L1447X	PR422-0687	LW6.1G.687	PRIMA P.® DOUBLE NOZZLE PENT Ø 2.5 CP		
	L1448X	PR422-0688	LW6.1G.688	PRIMA P.® DOUBLE NOZZLE PENT Ø 2.75 CP		
	L1449X	PR422-0689	LW6.1G.689	PRIMA P.® DOUBLE NOZZLE PENT Ø 3.0 CP		
	L1465	PR422-0800	LW6.1G.800	PRIMA P.® DOUBLE NOZZLE BRILLIANT Ø 3.0		
	L1466	PR422-0801	LW6.1G.801	PRIMA P.® DOUBLE NOZZLE BRILLIANT Ø 3.5		
	L1467	PR422-0802	LW6.1G.802	PRIMA P.® DOUBLE NOZZLE BRILLIANT Ø 4.0		
	L1468	PR422-0803	LW6.1G.803	PRIMA P.® DOUBLE NOZZLE BRILLIANT Ø 5.0		
L1469	PR422-0804	LW6.1G.804	PRIMA P.® DOUBLE NOZZLE BRILLIANT Ø 7.0			
3	L1453X	PR422-0627	LW6.1G.627	PRIMA P.® TRIPLE NOZZLE PENT Ø 1.25 CP		
	L1454X	PR422-0620	LW6.1G.620	PRIMA P.® TRIPLE NOZZLE PENT Ø 1.5 CP		
	L1455X	PR422-0621	LW6.1G.621	PRIMA P.® TRIPLE NOZZLE PENT Ø 1.75 CP		
	L1456X	PR422-0622	LW6.1G.622	PRIMA P.® TRIPLE NOZZLE PENT Ø 2.0 CP		
	L1457X	PR422-0623	LW6.1G.623	PRIMA P.® TRIPLE NOZZLE PENT Ø 2.25 CP		
	L1458X	PR422-0624	LW6.1G.624	PRIMA P.® TRIPLE NOZZLE PENT Ø 2.5 CP		
	L1459X	PR422-0625	LW6.1G.625	PRIMA P.® TRIPLE NOZZLE PENT Ø 2.75 CP		
	L1460X	PR422-0626	LW6.1G.626	PRIMA P.® TRIPLE NOZZLE PENT Ø 3.0 CP		

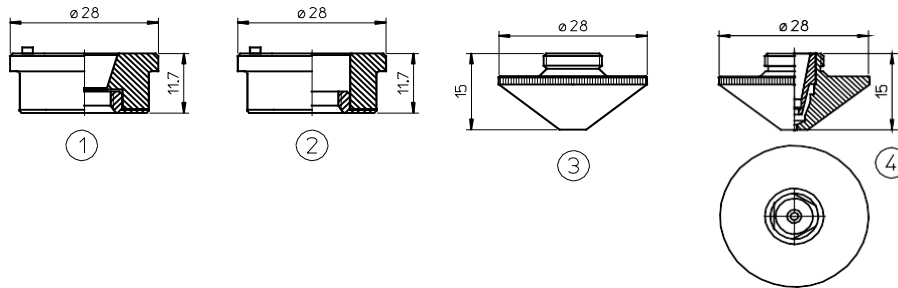
Replacement parts suitable for **SALVAGNINI®**



CP = Chrome Plated

POS	SOSLaser Code	ALTERNATE REFERENCE	ORIGINAL CODE	DESCRIPTION	Unitprice	10pack price
1	AL130	PT311-1146OEM	281146-P0380-211-00001-29100033	PRECITEC® ORIG. NOZ. HOLDER IT M1.5" DZ - ALUMINUM		
	AL130/S	PT311-1146	281146-P0380-211-00001-29100033	PRECITEC® NOZZLE HOLDER IT M1.5" DZ - ALUMINUM		
2	L374	SA365-00A4	141300A4	SALVAGNINI® NOZZLE Ø 0.75		
	L375	SA365-01A4	146331A4	SALVAGNINI® NOZZLE Ø 1.0		
	L376	SA365-30A4	146330A4	SALVAGNINI® NOZZLE Ø 1.25		
	L377	SA365-97A4	146329A4 - 142321A4	SALVAGNINI® NOZZLE Ø 1.5		
	L378	SA365-98A4	146328A4	SALVAGNINI® NOZZLE Ø 1.75		
	L379	SA365-99A4	146327A4 - 142322A4	SALVAGNINI® NOZZLE Ø 2.0		
	L381	SA365-25A4	146326A4-142323	SALVAGNINI® NOZZLE Ø 2.25		
	L380	SA365-26A4	146325A4 - 142324A4	SALVAGNINI® NOZZLE Ø 2.5		
	L888	SA365-24A4	146324A4	SALVAGNINI® NOZZLE Ø 2.75		
	L889	SA365-23A4	146323A4	SALVAGNINI® NOZZLE Ø 3.0		
	L374X	SA365-00A4CP	141300A4	SALVAGNINI® NOZZLE Ø 0.75 CP		
	L375X	SA365-01A4CP	146331A4	SALVAGNINI® NOZZLE Ø 1.0 CP		
	L376X	SA365-30A4CP	146330A4	SALVAGNINI® NOZZLE Ø 1.25 CP		
	L377X	SA365-97A4CP	146329A4	SALVAGNINI® NOZZLE Ø 1.5 CP		
L378X	SA365-98A4CP	146328A4	SALVAGNINI® NOZZLE Ø 1.75 CP			
L379X	SA365-99A4CP	146327A4	SALVAGNINI® NOZZLE Ø 2.0 CP			
L381X	SA365-26A4CP	146326A4	SALVAGNINI® NOZZLE Ø 2.25 CP			
L380X	SA365-25A4CP	146325A4	SALVAGNINI® NOZZLE Ø 2.5 CP			
L888X	SA365-24A4CP	146324A4	SALVAGNINI® NOZZLE Ø 2.75 CP			
L889X	SA365-23A4CP	146323A4	SALVAGNINI® NOZZLE Ø 3.0 CP			
3	L570	SA365-0001		SALVAGNINI® NOZZLE Ø 1.2		
4	L988X	SA423-0001		0 SALVAGNINI® DOUBLE NOZZLE Ø 1.0 CP		
	L989X	SA423-0002		0 SALVAGNINI® DOUBLE NOZZLE Ø 1.25 CP		
	L990X	SA423-0003		0 SALVAGNINI® DOUBLE NOZZLE Ø 1.5 CP		
	L991X	SA423-0004		0 SALVAGNINI® DOUBLE NOZZLE Ø 1.75 CP		
	L992X	SA423-0005		0 SALVAGNINI® DOUBLE NOZZLE Ø 2.0 CP		
	L993X	SA423-0006		0 SALVAGNINI® DOUBLE NOZZLE Ø 2.25 CP		
	L994X	SA423-0007		0 SALVAGNINI® DOUBLE NOZZLE Ø 2.5 CP		
	L995X	SA423-0008		0 SALVAGNINI® DOUBLE NOZZLE Ø 2.7 CP		
	L996X	SA423-0009		0 SALVAGNINI® DOUBLE NOZZLE Ø 3.0 CP		
5	L1000	SA365-51A4	144151A4	SALVAGNINI® NOZZLE Ø 2.0 SHORT		
	L1001	SA365-125A4	144125A4	SALVAGNINI® NOZZLE Ø 2.25 SHORT		
	L1002	SA365-52A4	144152A4	SALVAGNINI® NOZZLE Ø 2.5 SHORT		
	L1005	SA365-57A4	144057A4	SALVAGNINI® NOZZLE Ø 2.75 SHORT		
	L1003	SA365-53A4	144153A4	SALVAGNINI® NOZZLE Ø 3.0 SHORT		

Replacement parts suitable for **SALVAGNINI®**

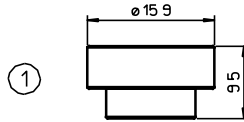


SALVAGNINI® L1

PRECITEC® DE HP 1,5"

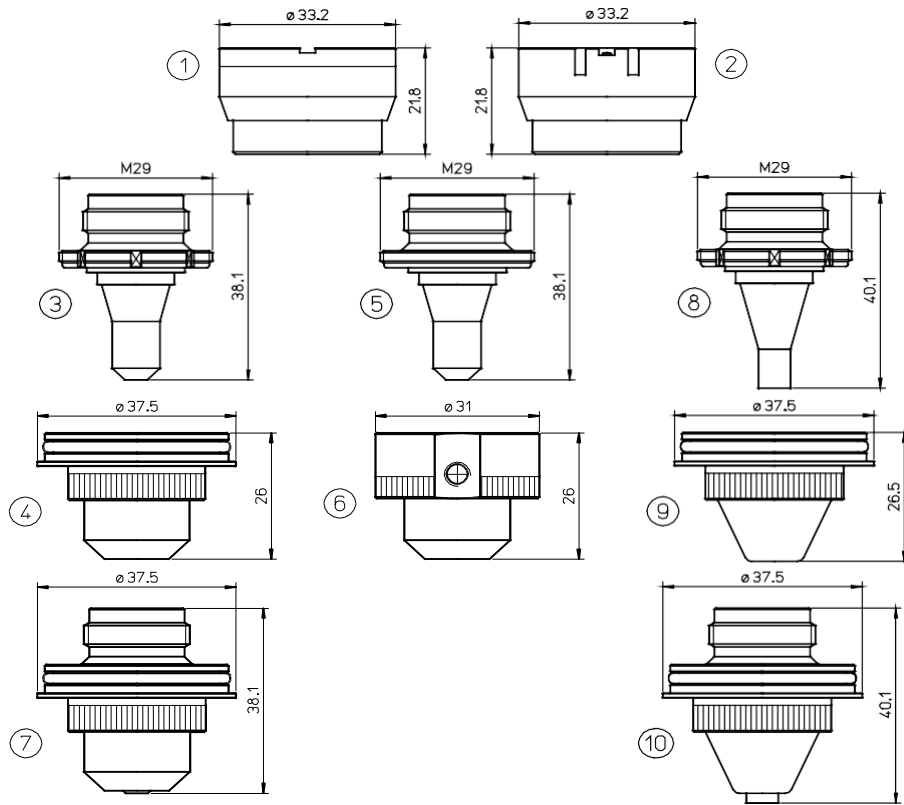
POS	SOSLaser Code	ALTERNATE REFERENCE	ORIGINAL CODE	DESCRIPTION	Unit price	10 pack price
1	AL355	PT348-1051	P0571-1051-00001	PRECITEC® ORIGINAL NOZZLE HOLDER KT B2" CON		
	AL495	PT348-1052	P0571-1051-00001	PRECITEC® NOZZLE HOLDER KT B2" CON		
	AL380	PT348-1053	P0571-1051-00001	PRECITEC® NOZZLE HOLDER KT B2" CON		
2	AL23	PT348-1330OEM	281330-P0571-260-00001	PRECITEC® ORIGINAL NOZZLE HOLDER KT B2"		
	AL131	PT348-1330	281330 - P0571-260-00001	PRECITEC® NOZZLE HOLDER KT B2"		
	AL421	PT348-0260	281330 - P0571-260-00001	PRECITEC® NOZZLE HOLDER KT B2"		
3				<i>Please refer to the Precitec nozzle section</i>		
4				<i>Please refer to the Precitec nozzle section</i>		

Replacement parts suitable for **STRIPPIT®**



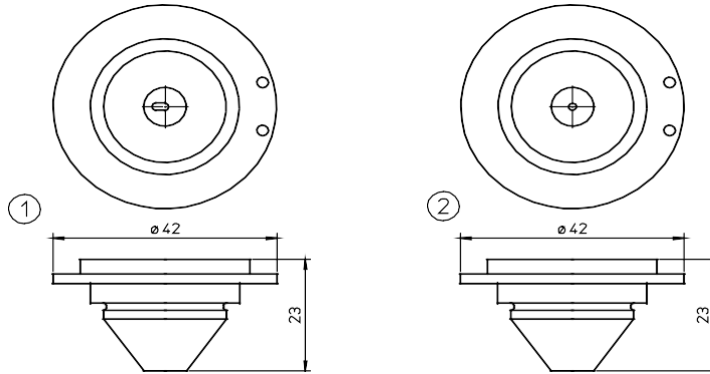
POS	SOSLaser Code	ALTERNATE REFERENCE	ORIGINAL CODE	DESCRIPTION	Unit price	10pack price
1	L3	ST337-6054-100	106054-100	STRIPPIT® NOZZLE Ø 1.0		
	L64	ST337-6054-150	106054-150	STRIPPIT® NOZZLE Ø 1.5		
	L65	ST337-6054-200	106054-200	STRIPPIT® NOZZLE Ø 2.0		

Replacement parts suitable for **TANAKA®**



POS	SOSLaser Code	ALTERNATE REFERENCE	ORIGINAL CODE	DESCRIPTION	Unitprice	10pack price
1	AL40	PT311-0565	280565-P0497-605-00001-29100106	PRECITEC® ORIG. NOZ. HOLDER KT M1.5"DXN - CERAMIC		
2	AL130	PT311-1146OEM	281146-P0380-211-00001-29100033	PRECITEC® ORIG. NOZ. HOLDER IT M1.5" DZ - ALUMINUM		
	AL130/S	PT311-1146	281146-P0380-211-00001-29100033	PRECITEC® NOZZLE HOLDER IT M1.5" DZ - ALUMINUM		
3	L1201	TK381-C17E-1	C17E-1	TANAKA® INNER NOZZLE Ø 1.7		
	L1200	TK381-C20E-1	C20E-1	TANAKA® INNER NOZZLE Ø 2.0		
	L1202	TK381-C20E-25	0	TANAKA® INNER NOZZLE Ø 2.5		
4	AL283	TK381-C20E-0	C20E-2	TANAKA® NOZZLE OUTER		
5	L1516	TK364-C15D-1	C15D-1	TANAKA® INNER NOZZLE Ø 1.5		
	L1517	TK364-C20D-1	C20D-1	TANAKA® INNER NOZZLE Ø 2.0		
	L1518	TK364-C22D-1	C22D-1	TANAKA® INNER NOZZLE Ø 2.2		
6	AL381	TK364-C22D-0	C22D-2	TANAKA® NOZZLE OUTER		
7	L1205	TK381-C20E-2	C20E	TANAKA® NOZZLE ASSEMBLY (AL283+L1200)		
	L1204	TK381-C17E-2	C17E	TANAKA® NOZZLE ASSEMBLY (AL283+L1201)		
8	L1195	TK381-CZ20B-1		0 TANAKA® INNER NOZZLE Ø 2.0		
9	AL382	TK381-CZ20B-0		0 TANAKA® NOZZLE OUTER		
10	L1207	TK381-CZ20B-2	CZ20B-2	TANAKA® NOZZLE ASSEMBLY (AL382+L1195)		

Replacement parts suitable for **THYSSEN®**

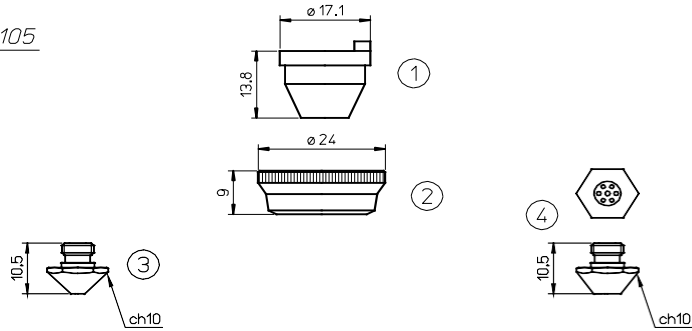


POS	SOSLaser Code	ALTERNATE REFERENCE	ORIGINAL CODE	DESCRIPTION	Unit price	10 pack price
1	L1142	TH424-0002		THYSSEN® NOZZLE WITH SLOT HOLE		
2	L1143	TH424-0001		THYSSEN® NOZZLE Ø1.5		

Replacement parts suitable for **TRUMPF®**

TUBE TECH MACHINERY®

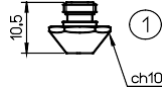
LASER TLC 105



CP = Chrome Plated

POS	SOSLaser Code	ALTERNATE REFERENCE	ORIGINAL CODE	DESCRIPTION	Unit Price	10pack price
1	AL53	TR302-2405	280408-092405	TRUMPF® ORIG. NOZZLE HOLDER KT M1.5" KN		
2	AL177	TR352-0001	280550-P0494-940-00001	TRUMPF® ORIG. RING		
3	L211	TR302-6939	226939	TRUMPF® NOZZLE Ø 1.0		
	L40211	TR302-6939X	226939	TRUMPF® NOZZLE Ø 1.0		
	L212	TR302-0002		TRUMPF® NOZZLE Ø 1.4		
	L40212	TR302-0002X		TRUMPF® NOZZLE Ø 1.4		
	L213	TR302-0003		TRUMPF® NOZZLE Ø 1.7		
	L40213	TR302-0003X		TRUMPF® NOZZLE Ø 1.7		
	L211X	TR302-6933CP	226939	TRUMPF® NOZZLE Ø 1.0 CP		
	L40211X	TR302-6933CPX	226939	TRUMPF® NOZZLE Ø 1.0 CP		
	L212X	TR302-0002CP		TRUMPF® NOZZLE Ø 1.4 CP		
	L40212X	TR302-0002CPX		TRUMPF® NOZZLE Ø 1.4 CP		
	L213X	TR302-0003CP		TRUMPF® NOZZLE Ø 1.7 CP		
	L40213X	TR302-0003CPX		TRUMPF® NOZZLE Ø 1.7 CP		
	L214	TR302-0001		TRUMPF® NOZZLE Ø 1.0 HD		
	L40214	TR302-0001X		TRUMPF® NOZZLE Ø 1.0 HD		
	L215	TR302-6940	226940	TRUMPF® NOZZLE Ø 1.4 HD		
	L40215	TR302-6940X	226940	TRUMPF® NOZZLE Ø 1.4 HD		
	L216	TR302-7144	227144	TRUMPF® NOZZLE Ø 1.7 HD		
	L40216	TR302-7144X	227144	TRUMPF® NOZZLE Ø 1.7 HD		
	L214X	TR302-0001CP		TRUMPF® NOZZLE Ø 1.0 HD CP		
	L40214X	TR302-0001CPX		TRUMPF® NOZZLE Ø 1.0 HD CP		
	L215X	TR302-6949CP	226940	TRUMPF® NOZZLE Ø 1.4 HD CP		
	L40215X	TR302-6949CPX	226940	TRUMPF® NOZZLE Ø 1.4 HD CP		
	L216X	TR302-7144CP	227144	TRUMPF® NOZZLE Ø 1.7 HD CP		
	L40216X	TR302-7144CPX	227144	TRUMPF® NOZZLE Ø 1.7 HD CP		
4	L395	TR302-7364	237364	TRUMPF® SHOWER NOZZLE Ø 1.0		
	L40395	TR302-7364X	237364	TRUMPF® SHOWER NOZZLE Ø 1.0		

Replacement parts suitable for **TRUMPF®**

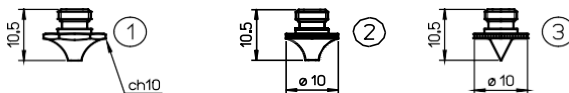


CP = Chrome Plated

POS	SOSLaser Code	ALTERNATE REFERENCE	ORIGINAL CODE	DESCRIPTION	Unit Price	10pack price
	L1150	TR302-4230	135420-1354230	TRUMPF® NOZZLE Ø 0.8		
	L401150	TR302-4230X	135420-1354230	TRUMPF® NOZZLE Ø 0.8		
	L255	TR302-2334	212334	TRUMPF® NOZZLE Ø 1.0		
	L40255	TR302-2334X	212334	TRUMPF® NOZZLE Ø 1.0		
	L1150X	TR302-0008CP	135420-1354230	TRUMPF® NOZZLE Ø 0.8 CP		
	L401150X	TR302-0008CPX	135420-1354230	TRUMPF® NOZZLE Ø 0.8 CP		
	L255X	TR302-2334CP	212334	TRUMPF® NOZZLE Ø 1.0 CP		
	L40255X	TR302-2334CPX	212334	TRUMPF® NOZZLE Ø 1.0 CP		
	L1151	TR302-0009		TRUMPF® NOZZLE Ø 0.8 HD		
	L401151	TR302-0009X		TRUMPF® NOZZLE Ø 0.8 HD		
	L270	TR302-0004		TRUMPF® NOZZLE Ø 1.0 HD		
	L40270	TR302-0004X		TRUMPF® NOZZLE Ø 1.0 HD		
	L1154	TR302-6198	1479581	TRUMPF® NOZZLE Ø 1.2 HD		
	L401154	TR302-6198X	1479581	TRUMPF® NOZZLE Ø 1.2 HD		
	L256	TR302-6199	216199	TRUMPF® NOZZLE Ø 1.4 HD		
	L40256	TR302-6199X	216199	TRUMPF® NOZZLE Ø 1.4 HD		
	L257	TR302-5213	225213	TRUMPF® NOZZLE Ø 1.7 HD		
	L40257	TR302-5213X	225213	TRUMPF® NOZZLE Ø 1.7 HD		
	L1147	TR302-7009	1487009	TRUMPF® NOZZLE Ø 2.0 HD		
1	L401147	TR302-7009X	1487009	TRUMPF® NOZZLE Ø 2.0 HD		
	L277	TR302-6156	126156	TRUMPF® NOZZLE Ø 2.3 HD		
	L40277	TR302-6156X	126156	TRUMPF® NOZZLE Ø 2.3 HD		
	L1149	TR302-6125	0	TRUMPF® NOZZLE Ø 2.5 HD		
	L401149	TR302-6125X	0	TRUMPF® NOZZLE Ø 2.5 HD		
	L1152	TR302-0027		TRUMPF® NOZZLE Ø 2.7 HD		
	L401152	TR302-0027X		TRUMPF® NOZZLE Ø 2.7 HD		
	L1151X	TR302-0009CP		TRUMPF® NOZZLE Ø 0.8 HD CP		
	L401151X	TR302-0009CPX		TRUMPF® NOZZLE Ø 0.8 HD CP		
	L270X	TR302-0004CP		TRUMPF® NOZZLE Ø 1.0 HD CP		
	L40270X	TR302-0004CPX		TRUMPF® NOZZLE Ø 1.0 HD CP		
	L256X	TR302-6199CP	216199	TRUMPF® NOZZLE Ø 1.4 HD CP		
	L40256X	TR302-6199CPX	216199	TRUMPF® NOZZLE Ø 1.4 HD CP		
	L257X	TR302-5213CP	225213	TRUMPF® NOZZLE Ø 1.7 HD CP		
	L40257X	TR302-5213CPX	225213	TRUMPF® NOZZLE Ø 1.7 HD CP		
	L277X	TR302-6156CP	126156	TRUMPF® NOZZLE Ø 2.3 HD CP		
	L40277X	TR302-6156CPX	126156	TRUMPF® NOZZLE Ø 2.3 HD CP		
	L1152X	TR302-0027CP		TRUMPF® NOZZLE Ø 2.7 HD CP		
	L401152X	TR302-0027CPX		TRUMPF® NOZZLE Ø 2.7 HD CP		

Replacement parts suitable for **TRUMPF®**

LASER TLC 105

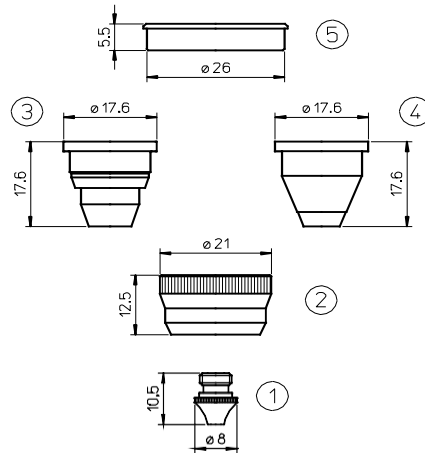


CP = Chrome Plated

POS	SOSLaser Code	ALTERNATE REFERENCE	ORIGINAL CODE	DESCRIPTION	Unit Price	10pack price
1	L625	TR302-5320		TRUMPF® NOZZLE Ø 1.0		
	L40625	TR302-5320X		TRUMPF® NOZZLE Ø 1.0		
	L625X	TR302-5320CP		TRUMPF® NOZZLE Ø 1.0 CP		
	L40625X	TR302-5320CPX		TRUMPF® NOZZLE Ø 1.0 CP		
	L627	TR302-0007		TRUMPF® NOZZLE Ø 1.0 HD		
	L40627	TR302-0007X		TRUMPF® NOZZLE Ø 1.0 HD		
	L628	TR302-5318		TRUMPF® NOZZLE Ø 1.4 HD		
	L40628	TR302-5318X		TRUMPF® NOZZLE Ø 1.4 HD		
	L629	TR302-0017		TRUMPF® NOZZLE Ø 1.7 HD		
	L40629	TR302-0017X		TRUMPF® NOZZLE Ø 1.7 HD		
	L627X	TR302-0007CP		TRUMPF® NOZZLE Ø 1.0 HD CP		
	L40627X	TR302-0007CPX		TRUMPF® NOZZLE Ø 1.0 HD CP		
	L628X	TR302-5318CP		TRUMPF® NOZZLE Ø 1.4 HD CP		
	L40628X	TR302-5318CPX		TRUMPF® NOZZLE Ø 1.4 HD CP		
	L629X	TR302-0017CP		TRUMPF® NOZZLE Ø 1.7 HD CP		
	L40629X	TR302-0017CPX		TRUMPF® NOZZLE Ø 1.7 HD CP		
2	L746	TR302-0025		TRUMPF® NOZZLE Ø 0.25		
	L40746	TR302-0025X		TRUMPF® NOZZLE Ø 0.25		
	L267	TR302-0010	135320	TRUMPF® NOZZLE Ø 1.0 HD		
	L40267	TR302-0010X	135320	TRUMPF® NOZZLE Ø 1.0 HD		
	L1153	TR302-0012		TRUMPF® NOZZLE Ø 1.2 HD		
	L401153	TR302-0012X		TRUMPF® NOZZLE Ø 1.20 HD		
	L268	TR302-0014	135318	TRUMPF® NOZZLE Ø 1.4 HD		
	L40268	TR302-0014X	135318	TRUMPF® NOZZLE Ø 1.4 HD		
	L269	TR302-6157	126157	TRUMPF® NOZZLE Ø 1.7 HD		
	L40269	TR302-6157X	126157	TRUMPF® NOZZLE Ø 1.7 HD		
	L267X	TR302-0010CP	135320	TRUMPF® NOZZLE Ø 1.0 HD CP		
	L40267X	TR302-0010CPX	135320	TRUMPF® NOZZLE Ø 1.0 HD CP		
	L1153X	TR302-0012CP		TRUMPF® NOZZLE Ø 1.2 HD CP		
	L401153X	TR302-0012CPX		TRUMPF® NOZZLE Ø 1.2 HD CP		
	L268X	TR302-0014CP	135318	TRUMPF® NOZZLE Ø 1.4 HD CP		
	L40268X	TR302-0014CPX	135318	TRUMPF® NOZZLE Ø 1.4 HD CP		
L269X	TR302-0157CP	126157	TRUMPF® NOZZLE Ø 1.7 HD CP			
L40269X	TR302-0157CPX	126157	TRUMPF® NOZZLE Ø 1.7 HD CP			
3	L747	TR302-0747		TRUMPF® NOZZLE SHARP TIP		

Replacement parts suitable for **TRUMPF®**

LASER TLC 1005

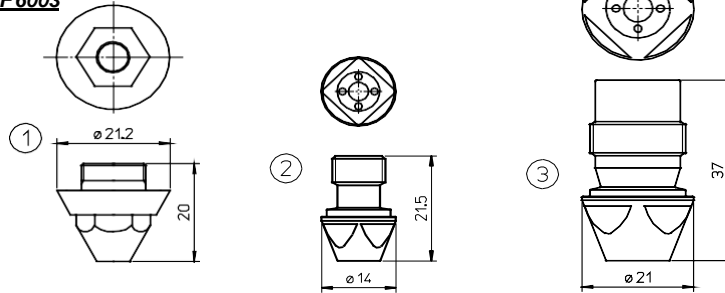


CP = Chrome Plated

POS	SOSLaser Code	ALTERNATE REFERENCE	ORIGINAL CODE	DESCRIPTION	Unit Price	10pack price
	L745	TR302-8206	958206	TRUMPF® NOZZLE Ø 0.25		
	L40745	TR302-8206X	958206	TRUMPF® NOZZLE Ø 0.25		
	L500	TR352-3799	913799	TRUMPF® NOZZLE Ø 0.8 HD		
	L40500	TR352-3799X	913799	TRUMPF® NOZZLE Ø 0.8 HD		
	L501	TR352-3800	913800	TRUMPF® NOZZLE Ø 1.0 HD		
	L40501	TR352-3800X	913800	TRUMPF® NOZZLE Ø 1.0 HD		
	L498	TR352-7034	1487034	TRUMPF® NOZZLE Ø 1.2 HD		
	L40498	TR352-7034X	1487034	TRUMPF® NOZZLE Ø 1.2 HD		
	L502	TR352-3801	913801	TRUMPF® NOZZLE Ø 1.4 HD		
	L40502	TR352-3801X	913801	TRUMPF® NOZZLE Ø 1.4 HD		
	L503	TR352-7988	937988	TRUMPF® NOZZLE Ø 1.7 HD		
	L40503	TR352-7988X	937988	TRUMPF® NOZZLE Ø 1.7 HD		
	L499	TR352-7991		TRUMPF® NOZZLE Ø 1.75 HD		
	L40499	TR352-7991X		TRUMPF® NOZZLE Ø 1.75 HD		
	L508	TR352-7990		TRUMPF® NOZZLE Ø 2.0 HD		
	L40508	TR352-7990X		TRUMPF® NOZZLE Ø 2.0 HD		
	L504	TR352-7989	937989	TRUMPF® NOZZLE Ø 2.3 HD		
	L40504	TR352-7989X	937989	TRUMPF® NOZZLE Ø 2.3 HD		
1	L500X	TR352-3799CP	913799	TRUMPF® NOZZLE Ø 0.8 HD CP		
	L40500X	TR352-3799CPX	913799	TRUMPF® NOZZLE Ø 0.8 HD CP		
	L501X	TR352-3800CP	913800	TRUMPF® NOZZLE Ø 1.0 HD CP		
	L40501X	TR352-3800CPX	913800	TRUMPF® NOZZLE Ø 1.0 HD CP		
	L498X	TR352-7034CP		TRUMPF® NOZZLE Ø 1.2 HD CP		
	L40498X	TR352-7034CPX		TRUMPF® NOZZLE Ø 1.2 HD CP		
	L502X	TR352-3801CP	913801	TRUMPF® NOZZLE Ø 1.4 HD CP		
	L40502X	TR352-3801CPX	913801	TRUMPF® NOZZLE Ø 1.4 HD CP		
	L503X	TR352-7988CP	937988	TRUMPF® NOZZLE Ø 1.7 HD CP		
	L40503X	TR352-7988CPX	937988	TRUMPF® NOZZLE Ø 1.7 HD CP		
	L508X	TR352-7990CP		TRUMPF® NOZZLE Ø 2.0 HD CP		
	L40508X	TR352-7990CPX		TRUMPF® NOZZLE Ø 2.0 HD CP		
	L504X	TR352-7989CP	937989	TRUMPF® NOZZLE Ø 2.3 HD CP		
	L40504X	TR352-7989CPX	937989	TRUMPF® NOZZLE Ø 2.3 HD CP		
2	AL254	TR352-3965	0913965	TRUMPF® RETAINER NUT		
3	AL412	TR302-6678C	936678 - 913966/00-WO	TRUMPF® CERAMIC NOZZLE HOLDER		
4	AL212	TR302-6678	936678 - 913966/00-WO	TRUMPF® CERAMIC NOZZLE HOLDER		
5	AL389	TR302-0354	0960354	TRUMPF® PTFE INSULATOR		

Replacement parts suitable for **TRUMPF®**

TLF 6003



CP = Chrome Plated

POS	SOSLaser Code	ALTERNATE REFERENCE	ORIGINAL CODE	DESCRIPTION	Unit Price	10pack price
1	L1010X	TR352-2530CP	932530	TRUMPF® NOZZLE Ø 4.5 CP		
2	L1185	TR352-4947	924947	TRUMPF® WELDING NOZZLE M10		
3	L1186	TR352-0783	220783	TRUMPF® WELDING NOZZLE M18		

TESTA YH27

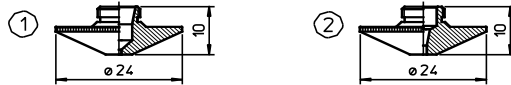
YAG



CP = Chrome Plated

POS	SOSLaser Code	ALTERNATE REFERENCE	ORIGINAL CODE	DESCRIPTION	Unit Price	10pack price
1	L405	PT344-1813	281813-P0589-424-00008	PRECITEC® NOZZLE Ø0.8		
	L30405	PT344-1813X	281813-P0589-424-00008	PRECITEC® NOZZLE Ø0.8		
	L406	PT344-1789	281789-P0589-426-00010	PRECITEC® NOZZLE Ø1.0		
	L30406	PT344-1789X	281789-P0589-426-00010	PRECITEC® NOZZLE Ø1.0		
	L404	PT344-1561	281561 - 778550	PRECITEC® NOZZLE Ø1.2		
	L30404	PT344-1561X	281561 - 778550	PRECITEC® NOZZLE Ø1.2		
	L407	PT344-1499	281814 - 149957	PRECITEC® NOZZLE Ø1.5		
	L30407	PT344-1499X	281814 - 149957	PRECITEC® NOZZLE Ø1.5		
	L408	PT344-0020	P0589-428-00020	PRECITEC® NOZZLE Ø2.0		
	L30408	PT344-0020X	P0589-428-00020	PRECITEC® NOZZLE Ø2.0		
	L405X	PT344-1813CP	281813-P0589-424-00008	PRECITEC® NOZZLE Ø 0.8CP		
	L30405X	PT344-1813CPX	281813-P0589-424-00008	PRECITEC® NOZZLE Ø 0.8CP		
	L406X	PT344-1789CP	281789-P0589-426-00010	PRECITEC® NOZZLE Ø 1.0CP		
	L30406X	PT344-1789CPX	281789-P0589-426-00010	PRECITEC® NOZZLE Ø 1.0CP		
	L404X	PT344-1561CP	281561 - 778550 - P0589-425-00012	PRECITEC® NOZZLE Ø 1.2CP		
	L30404X	PT344-1561CPX	281561 - 778550	PRECITEC® NOZZLE Ø 1.2CP		
	L407X	PT344-1499CP	281814 - 149957	PRECITEC® NOZZLE Ø 1.5CP		
	L30407X	PT344-1499CPX	281814 - 149957	PRECITEC® NOZZLE Ø 1.5CP		
	L408X	PT344-0020CP	P0589-428-00020	PRECITEC® NOZZLE Ø 2.0CP		
	L30408X	PT344-0020CPX	P0589-428-00020	PRECITEC® NOZZLE Ø 2.0CP		
2	L507	TR414-0008	12-11-16-00	TRUMPF® HAAS® YAG NOZZLE Ø 0.8 W/O-RING		
	L506	TR414-0010		TRUMPF® HAAS® YAG NOZZLE Ø 1.0 W/O-RING		
	L505	TR414-0012	12-11-09-17/00	TRUMPF® HAAS® YAG NOZZLE Ø 1.2 W/O-RING		

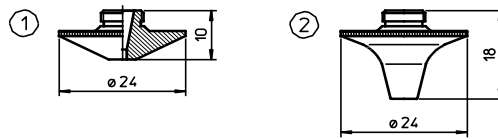
Replacement parts suitable for **TRUMPF®**



CP = Chrome Plated

POS	SOSLaser Code	ALTERNATE REFERENCE	ORIGINAL CODE	DESCRIPTION	Unit Price	10pack price
	L18	TR301-4561	124561-237499	TRUMPF® NOZZLE Ø 0.8		
	L3018	TR301-4561X	124561-237499	TRUMPF® NOZZLE Ø 0.8		
	L19	TR301-4562	124562-237498	TRUMPF® NOZZLE Ø 1.0		
	L3019	TR301-4562X	124562-237498	TRUMPF® NOZZLE Ø 1.0		
	L361	TR301-6809	966809	TRUMPF® NOZZLE Ø 1.2		
	L30361	TR301-6809X	966809	TRUMPF® NOZZLE Ø 1.2		
	L795	TR301-0014		TRUMPF® NOZZLE Ø 1.4		
	L30795	TR301-0014X		TRUMPF® NOZZLE Ø 1.4		
	L26	TR301-7500	237500	TRUMPF® NOZZLE Ø 1.5		
	L3026	TR301-7500X	237500	TRUMPF® NOZZLE Ø 1.5		
	L796	TR301-0017		TRUMPF® NOZZLE Ø 1.7		
	L30796	TR301-0017X		TRUMPF® NOZZLE Ø 1.7		
	L24	TR301-7503	237503	TRUMPF® NOZZLE Ø 2.0		
	L3024	TR301-7503X	237503-1253211	TRUMPF® NOZZLE Ø 2.0		
	L797	TR301-4564	124564	TRUMPF® NOZZLE Ø 2.3		
	L30797	TR301-4564X	124564	TRUMPF® NOZZLE Ø 2.3		
	L25	TR301-7504	237504	TRUMPF® NOZZLE Ø 3.0		
	L3025	TR301-7504X	237504	TRUMPF® NOZZLE Ø 3.0		
1	L18X	TR301-0561CP	352280	TRUMPF® NOZZLE Ø 0.8 CP		
	L3018X	TR301-0561CPX	352280	TRUMPF® NOZZLE Ø 0.8 CP		
	L19X	TR301-0562CP	352281	TRUMPF® NOZZLE Ø 1.0 CP		
	L3019X	TR301-0562CPX	352281	TRUMPF® NOZZLE Ø 1.0 CP		
	L361X	TR301-0809CP	352282	TRUMPF® NOZZLE Ø 1.2 CP		
	L30361X	TR301-0809CPX	352282	TRUMPF® NOZZLE Ø 1.2 CP		
	L795X	TR301-0014CP		TRUMPF® NOZZLE Ø 1.4 CP		
	L30795X	TR301-0014CPX		TRUMPF® NOZZLE Ø 1.4 CP		
	L26X	TR301-7500CP	352288	TRUMPF® NOZZLE Ø 1.5 CP		
	L3026X	TR301-7500CPX	352288	TRUMPF® NOZZLE Ø 1.5 CP		
	L796X	TR301-0017CP		TRUMPF® NOZZLE Ø 1.7 CP		
	L30796X	TR301-0017CPX		TRUMPF® NOZZLE Ø 1.7 CP		
	L24X	TR301-7503CP		TRUMPF® NOZZLE Ø 2.0 CP		
	L3024X	TR301-7503CPX		TRUMPF® NOZZLE Ø 2.0 CP		
	L797X	TR301-4564CP	124564	TRUMPF® NOZZLE Ø 2.3 CP		
	L30797X	TR301-4564CPX	124564	TRUMPF® NOZZLE Ø 2.3 CP		
	L25X	TR301-7504CP	237504	TRUMPF® NOZZLE Ø 3.0 CP		
	L3025X	TR301-7504CPX		TRUMPF® NOZZLE Ø 3.0 CP		
2	L20	TR301-7497	237497	TRUMPF® NOZZLE Ø 1.4 HD		
	L3020	TR301-7497X	237497	TRUMPF® NOZZLE Ø 1.4 HD		
	L20X	TR301-1497CP	352283	TRUMPF® NOZZLE Ø 1.4 HD CP		
	L3020X	TR301-1497CPX	352283	TRUMPF® NOZZLE Ø 1.4 HD CP		

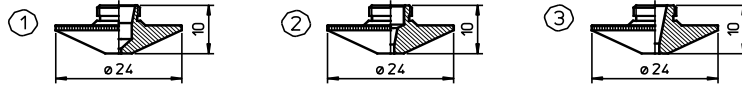
Replacement parts suitable for **TRUMPF®**



CP = Chrome Plated

POS	SOSLaser Code	ALTERNATE REFERENCE	ORIGINAL CODE	DESCRIPTION	Unit Price	10 pack price
1	L258	TR301-7497-S	237497/S	TRUMPF® NOZZLE Ø 1.4 HD		
	L30258	TR301-0497X	237497/S	TRUMPF® NOZZLE Ø 1.4 HD		
	L21	TR301-7501	237501	TRUMPF® NOZZLE Ø 1.7 HD		
	L3021	TR301-7501X	237501	TRUMPF® NOZZLE Ø 1.7 HD		
	L168	TR301-3211	237502	TRUMPF® NOZZLE Ø 2.0 HD		
	L30168	TR301-3211X	237502	TRUMPF® NOZZLE Ø 2.0 HD		
	L76	TR301-6933	126933	TRUMPF® NOZZLE Ø 2.3 HD		
	L3076	TR301-6933X	126933	TRUMPF® NOZZLE Ø 2.3 HD		
	L185	TR301-0003		TRUMPF® NOZZLE Ø 2.5 HD		
	L30185	TR301-0003X		TRUMPF® NOZZLE Ø 2.5 HD		
	L360	TR301-2742	942742	TRUMPF® NOZZLE Ø 2.7 HD		
	L30360	TR301-2742X	942742	TRUMPF® NOZZLE Ø 2.7 HD		
	L396	TR301-0004		TRUMPF® NOZZLE Ø 3.0 HD		
	L30396	TR301-0004X		TRUMPF® NOZZLE Ø 3.0 HD		
	L258X	TR301-0497CP	237497/S	TRUMPF® NOZZLE Ø 1.4 HD CP		
	L30258X	TR301-0497CPX		TRUMPF® NOZZLE Ø 1.4 HD CP		
	L21X	TR301-0501CP	352284	TRUMPF® NOZZLE Ø 1.7 HD CP		
	L3021X	TR301-0501CPX	352284	TRUMPF® NOZZLE Ø 1.7 HD CP		
	L168X	TR301-1002CP	352287	TRUMPF® NOZZLE Ø 2.0 HD CP		
	L30168X	TR301-1002CPX	237502	TRUMPF® NOZZLE Ø 2.0 HD CP		
L76X	TR301-0933CP	352285	TRUMPF® NOZZLE Ø 2.3 HD CP			
L3076X	TR301-0933CPX	352285	TRUMPF® NOZZLE Ø 2.3 HD CP			
L185X	TR301-0003CP		TRUMPF® NOZZLE Ø 2.5 HD CP			
L30185X	TR301-0003CPX		TRUMPF® NOZZLE Ø 2.5 HD CP			
L360X	TR301-0742CP	352286	TRUMPF® NOZZLE Ø 2.7 HD CP			
L30360X	TR301-0742CPX	352286	TRUMPF® NOZZLE Ø 2.7 HD CP			
L396X	TR301-1004CP		TRUMPF® NOZZLE Ø 3.0 HD CP			
L30396X	TR301-1004CPX		TRUMPF® NOZZLE Ø 3.0 HD CP			
2	L1550	TR301-7773	1277773	TRUMPF® NOZZLE Ø 0.8		
	L1551	TR301-7771	1277771	TRUMPF® NOZZLE Ø 1.0		
	L1552	TR301-7774	1277774	TRUMPF® NOZZLE Ø 1.2		
	L1553	TR301-7776	1277776	TRUMPF® NOZZLE Ø 1.4		
	L1554	TR301-7779	1277779	TRUMPF® NOZZLE Ø 1.7		
	L1555	TR301-7780	1277780	TRUMPF® NOZZLE Ø 2.0		
	L1556	TR301-7781	1277781	TRUMPF® NOZZLE Ø 2.3		
	L1557	TR301-7782	1277782	TRUMPF® NOZZLE Ø 2.7		
	L1550X	TR301-7773CP		TRUMPF® NOZZLE Ø 0.8 CP		
	L1551X	TR301-7771CP		TRUMPF® NOZZLE Ø 1.0 CP		
	L1552X	TR301-7774CP		TRUMPF® NOZZLE Ø 1.2 CP		
	L1553X	TR301-7776CP		TRUMPF® NOZZLE Ø 1.4 CP		
	L1554X	TR301-7779CP		TRUMPF® NOZZLE Ø 1.7 CP		
	L1555X	TR301-7780CP		TRUMPF® NOZZLE Ø 2.0 CP		
	L1556X	TR301-7781CP		TRUMPF® NOZZLE Ø 2.3 CP		
L1557X	TR301-7782CP		TRUMPF® NOZZLE Ø 2.7 CP			

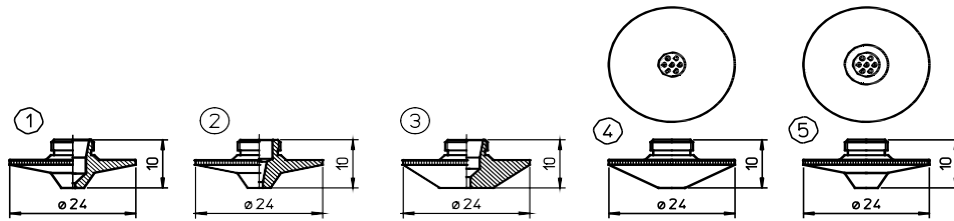
Replacement parts suitable for **TRUMPF®**



CP = Chrome Plated

POS	SOSLaser Code	ALTERNATE REFERENCE	ORIGINAL CODE	DESCRIPTION	Unit Price	10pack price
1	L18XH	TR301-4561CP	352280	TRUMPF® NOZZLE Ø 0.8 SPECIAL CP		
	L3018XH	TR301-4561CPX	352280	TRUMPF® NOZZLE Ø 0.8 SPECIAL CP		
	L19XH	TR301-4562CP	352281	TRUMPF® NOZZLE Ø 1.0 SPECIAL CP		
	L3019XH	TR301-4562CPX	352281	TRUMPF® NOZZLE Ø 1.0 SPECIAL CP		
	L361XH	TR301-6809CP	352282	TRUMPF® NOZZLE Ø 1.2 SPECIAL CP		
	L30361XH	TR301-6809CPX	352282	TRUMPF® NOZZLE Ø 1.2 SPECIAL CP		
2	L20XH	TR301-7497CP	352283	TRUMPF® NOZZLE Ø 1.4 HD SPECIAL CP		
	L3020XH	TR301-7497CPX	352283	TRUMPF® NOZZLE Ø 1.4 HD SPECIAL CP		
3	L258XH	TR301-0014HCP		TRUMPF® NOZZLE Ø 1.4 HD SPECIAL CP		
	L30258XH	TR301-0014HCPX		TRUMPF® NOZZLE Ø 1.4 HD SPECIAL CP		
	L21XH	TR301-7501CP	352284	TRUMPF® NOZZLE Ø 1.7 HD SPECIAL CP		
	L3021XH	TR301-7501CPX	352284	TRUMPF® NOZZLE Ø 1.7 HD SPECIAL CP		
	L168XH	TR301-0002CP	352287	TRUMPF® NOZZLE Ø 2.0 HD SPECIAL CP		
	L30168XH	TR301-0002CPX	237502	TRUMPF® NOZZLE Ø 2.0 HD SPECIAL CP		
	L76XH	TR301-6933CP	352285	TRUMPF® NOZZLE Ø 2.3 HD SPECIAL CP		
	L3076XH	TR301-6933CPX	352285	TRUMPF® NOZZLE Ø 2.3 HD SPECIAL CP		
	L185XH	TR301-0025HCP		TRUMPF® NOZZLE Ø 2.5 HD SPECIAL CP		
	L30185XH	TR301-0025HCPX		TRUMPF® NOZZLE Ø 2.5 HD SPECIAL CP		
	L360XH	TR301-2742CP	352286	TRUMPF® NOZZLE Ø 2.7 HD SPECIAL CP		
	L30360XH	TR301-2742CPX	352286	TRUMPF® NOZZLE Ø 2.7 HD SPECIAL CP		
	L396XH	TR301-0004CP		TRUMPF® NOZZLE Ø 3.0 HD SPECIAL CP		
	L30396XH	TR301-0004CPX		TRUMPF® NOZZLE Ø 3.0 HD SPECIAL CP		

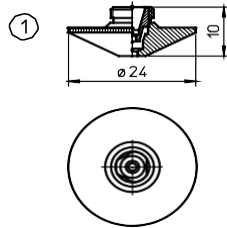
Replacement parts suitable for **TRUMPF®**



CP = Chrome Plated

POS	SOSLaser Code	ALTERNATE REFERENCE	ORIGINAL CODE	DESCRIPTION	Unit Price	10pack price
1	L2	TR301-5780	215780	TRUMPF® NOZZLE Ø0.8		
	L3002	TR301-5780X	215780	TRUMPF® NOZZLE Ø0.8		
	L11	TR301-7658	087658	TRUMPF® NOZZLE Ø 1.0		
	L3011	TR301-7658X	087658	TRUMPF® NOZZLE Ø 1.0		
	L2X	TR301-5780CP	215780	TRUMPF® NOZZLE Ø 0.8 CP		
	L3002X	TR301-5780CPX	215780	TRUMPF® NOZZLE Ø 0.8 C.P.		
	L11X	TR301-7658CP	087658	TRUMPF® NOZZLE Ø 1.0 CP		
	L3011X	TR301-7658CPX	087658	TRUMPF® NOZZLE Ø 1.0 CP		
2	L1	TR301-8894	088894	TRUMPF® NOZZLE Ø 1.4 HD		
	L3001	TR301-8894X	088894	TRUMPF® NOZZLE Ø 1.4 HD		
	L12	TR301-7867	217867	TRUMPF® NOZZLE Ø 1.7 HD		
	L3012	TR301-7867X	217867	TRUMPF® NOZZLE Ø 1.7 HD		
3	L798	TR301-1010		TRUMPF® NOZZLE Ø 1.0		
	L30798	TR301-1010X		TRUMPF® NOZZLE Ø 1.0		
	L13	TR301-8893	088893	TRUMPF® NOZZLE Ø 1.5		
	L3013	TR301-8893X	088893	TRUMPF® NOZZLE Ø 1.5		
	L68	TR301-1781	221781	TRUMPF® NOZZLE Ø 2.0		
	L3068	TR301-1781X	221781	TRUMPF® NOZZLE Ø 2.0		
	L230	TR301-4565	235592	TRUMPF® NOZZLE Ø 3.0		
L30230	TR301-4565X	235592	TRUMPF® NOZZLE Ø 3.0			
4	L495	TR301-7872	237872	TRUMPF® SHOWER NOZZLE Ø0.8		
	L30495	TR301-7872X	237872	TRUMPF® SHOWER NOZZLE Ø0.8		
5	L496	TR301-7976	217976	TRUMPF® SHOWER NOZZLE Ø0.8		
	L30496	TR301-7976X	217976	TRUMPF® SHOWER NOZZLE Ø0.8		

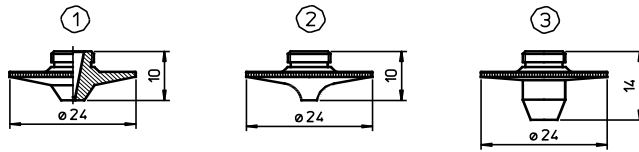
Replacement parts suitable for **TRUMPF®**



CP = Chrome Plated

POS	SOSLaser Code	ALTERNATE REFERENCE	ORIGINAL CODE	DESCRIPTION	Unit Price	10pack price
	L640	TR355-0005	0	TRUMPF® DOUBLE NOZZLE Ø 0.8		
	L30640	TR355-0005X	0	TRUMPF® DOUBLE NOZZLE Ø 0.8		
	L641	TR355-0001	0	TRUMPF® DOUBLE NOZZLE Ø 1.0		
	L30641	TR355-0001X	0	TRUMPF® DOUBLE NOZZLE Ø 1.0		
	L648	TR355-0006	0	TRUMPF® DOUBLE NOZZLE Ø 1.2		
	L30648	TR355-0006X	0	TRUMPF® DOUBLE NOZZLE Ø 1.2		
	L642	TR355-0002	0	TRUMPF® DOUBLE NOZZLE Ø 1.4		
	L30642	TR355-0002X	0	TRUMPF® DOUBLE NOZZLE Ø 1.4		
	L643	TR355-0003	0	TRUMPF® DOUBLE NOZZLE Ø 1.7		
	L30643	TR355-0003X	0	TRUMPF® DOUBLE NOZZLE Ø 1.7		
	L644	TR355-0007	0	TRUMPF® DOUBLE NOZZLE Ø 2.0		
	L30644	TR355-0007X	0	TRUMPF® DOUBLE NOZZLE Ø 2.0		
	L645	TR355-0004	0	TRUMPF® DOUBLE NOZZLE Ø 2.3		
	L30645	TR355-0004X	0	TRUMPF® DOUBLE NOZZLE Ø 2.3		
	L646	TR355-0008	0	TRUMPF® DOUBLE NOZZLE Ø 2.7		
	L30646	TR355-0008X	0	TRUMPF® DOUBLE NOZZLE Ø 2.7		
	L647	TR355-0009	0	TRUMPF® DOUBLE NOZZLE Ø 3.0		
	L30647	TR355-0009X	0	TRUMPF® DOUBLE NOZZLE Ø 3.0		
	L649	TR355-0010	0	TRUMPF® DOUBLE NOZZLE Ø 4.0		
	L30649	TR355-0010X	0	TRUMPF® DOUBLE NOZZLE Ø 4.0		
1	L640X	TR355-0005CP	0	TRUMPF® DOUBLE NOZZLE Ø 0.8 CP		
	L30640X	TR355-0005CPX	0	TRUMPF® DOUBLE NOZZLE Ø 0.8 CP		
	L641X	TR355-0001CP	0	TRUMPF® DOUBLE NOZZLE Ø 1.0 CP		
	L30641X	TR355-0001CPX	0	TRUMPF® DOUBLE NOZZLE Ø 1.0 CP		
	L648X	TR355-0006CP	0	TRUMPF® DOUBLE NOZZLE Ø 1.2 CP		
	L30648X	TR355-0006CPX	0	TRUMPF® DOUBLE NOZZLE Ø 1.2 CP		
	L642X	TR355-0002CP	0	TRUMPF® DOUBLE NOZZLE Ø 1.4 CP		
	L30642X	TR355-0002CPX	0	TRUMPF® DOUBLE NOZZLE Ø 1.4 CP		
	L643X	TR355-0003CP	0	TRUMPF® DOUBLE NOZZLE Ø 1.7 CP		
	L30643X	TR355-0003CPX	0	TRUMPF® DOUBLE NOZZLE Ø 1.7 CP		
	L644X	TR355-0007CP	0	TRUMPF® DOUBLE NOZZLE Ø 2.0 CP		
	L30644X	TR355-0007CPX	0	TRUMPF® DOUBLE NOZZLE Ø 2.0 CP		
	L645X	TR355-0004CP	0	TRUMPF® DOUBLE NOZZLE Ø 2.3 CP		
	L30645X	TR355-0004CPX	0	TRUMPF® DOUBLE NOZZLE Ø 2.3 CP		
	L646X	TR355-0008CP	0	TRUMPF® DOUBLE NOZZLE Ø 2.7 CP		
	L30646X	TR355-0008CPX	0	TRUMPF® DOUBLE NOZZLE Ø 2.7 CP		
	L647X	TR355-0009CP	0	TRUMPF® DOUBLE NOZZLE Ø 3.0 CP		
	L30647X	TR355-0009CPX	0	TRUMPF® DOUBLE NOZZLE Ø 3.0 CP		
	L649X	TR355-0010CP	0	TRUMPF® DOUBLE NOZZLE Ø 4.0 CP		
	L30649X	TR355-0010CPX	0	TRUMPF® DOUBLE NOZZLE Ø 4.0 CP		

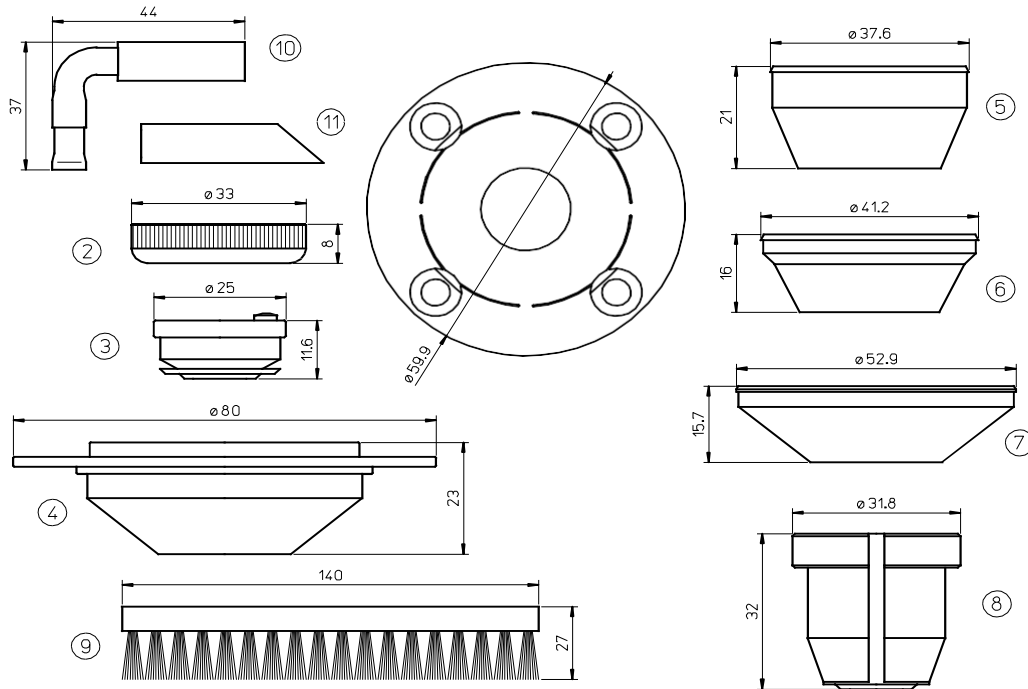
Replacement parts suitable for **TRUMPF®**



CP = Chrome Plated

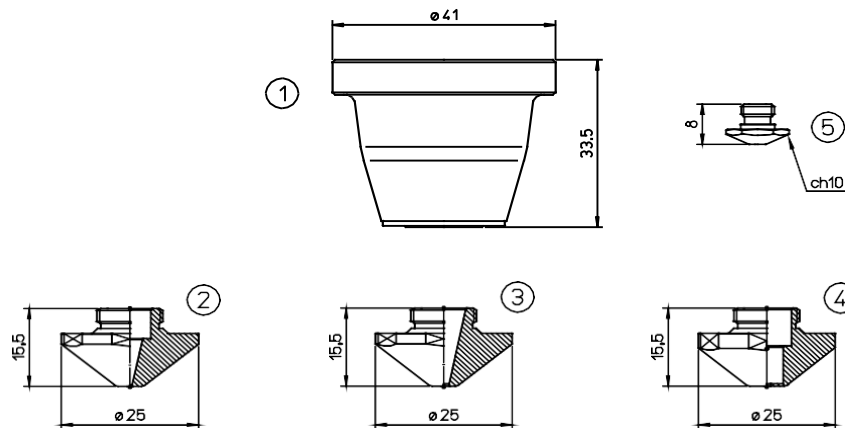
POS	SOSLaser Code	ALTERNATE REFERENCE	ORIGINAL CODE	DESCRIPTION	Unit Price	10pack price
1	L226	TR412-0008	0	TRUMPF® NOZZLE Ø 0.8HD		
	L30226	TR412-0008X	0	TRUMPF® NOZZLE Ø 0.8HD		
	L181	TR412-0010	0	TRUMPF® NOZZLE Ø 1.0HD		
	L30181	TR412-0010X	0	TRUMPF® NOZZLE Ø 1.0HD		
	L182	TR412-0014	0	TRUMPF® NOZZLE Ø 1.4HD		
	L30182	TR412-0014X	0	TRUMPF® NOZZLE Ø 1.4HD		
	L227	TR412-0017	0	TRUMPF® NOZZLE Ø 1.7 HD		
	L30227	TR412-0017X	0	TRUMPF® NOZZLE Ø 1.7 HD		
	L313	TR301-0001	0	TRUMPF® NOZZLE Ø 2.3HD		
L30313	TR301-0001X	0	TRUMPF® NOZZLE Ø 2.3HD			
2	L720	TR412-0023	0	TRUMPF® SPECIAL NOZZLE Ø 2.3HD		
	L30720	TR412-0023X	0	TRUMPF® SPECIAL NOZZLE Ø 2.3HD		
	L721	TR412-0025	0	TRUMPF® SPECIAL NOZZLE Ø 2.5HD		
	L30721	TR412-0025X	0	TRUMPF® SPECIAL NOZZLE Ø 2.5HD		
	L722	TR412-0027	0	TRUMPF® SPECIAL NOZZLE Ø 2.7HD		
	L30722	TR412-0027X	0	TRUMPF® SPECIAL NOZZLE Ø 2.7HD		
	L1034X	TR412-1014CP	0	TRUMPF® SPECIAL NOZZLE Ø 1.4 HD CP		
	L301034X	TR412-1014CPX	0	TRUMPF® SPECIAL NOZZLE Ø 1.4 HD CP		
	L1035X	TR412-1017CP	0	TRUMPF® SPECIAL NOZZLE Ø 1.7 HD CP		
	L301035X	TR412-1017CPX	0	TRUMPF® SPECIAL NOZZLE Ø 1.7 HD CP		
	L720X	TR412-1023CP	0	TRUMPF® SPECIAL NOZZLE Ø 2.3 HD CP		
	L30720X	TR412-1023CPX	0	TRUMPF® SPECIAL NOZZLE Ø 2.3 HD CP		
	L721X	TR412-1025CP	0	TRUMPF® SPECIAL NOZZLE Ø 2.5 HD CP		
	L30721X	TR412-1025CPX	0	TRUMPF® SPECIAL NOZZLE Ø 2.5 HD CP		
L722X	TR412-1027CP	0	TRUMPF® SPECIAL NOZZLE Ø 2.7 HD CP			
L30722X	TR412-1027CPX	0	TRUMPF® SPECIAL NOZZLE Ø 2.7 HD CP			
3	L200	TR415-0008	0	TRUMPF® EXTENDED NOZZLE Ø 0.8		
	L199	TR415-0010	0	TRUMPF® EXTENDED NOZZLE Ø 1.0		
	L657	TR415-0012	0	TRUMPF® EXTENDED NOZZLE Ø 1.2		
	L658	TR415-0014	0	TRUMPF® EXTENDED NOZZLE Ø 1.4		
	L670	TR415-0016	0	TRUMPF® EXTENDED NOZZLE Ø 1.6		
	L659	TR415-0017	0	TRUMPF® EXTENDED NOZZLE Ø 1.7		

Replacement parts suitable for **TRUMPF®**



POS	SOSLaser Code	ALTERNATE REFERENCE	ORIGINAL CODE	DESCRIPTION	Unit Price	10pack price
1	AL70	TR301-4485	234485	TRUMPF® BREAK-AWAY		
2	AL250	TR301-6066	216066	TRUMPF® SIGNBOARD		
3	AL400	TR301-8809OEM	258809	TRUMPF® ORIG. NOZZLE HOLDER		
	AL38	TR301-8809	258809-243839-247894	TRUMPF® CERAMIC NOZZLE HOLDER		
4	AL19	TR301-6065	216065	TRUMPF® PTFE COVER		
5	AL47	TR301-6153	256153-955826	TRUMPF® PTFE COVER - WHITE		
	AL347	TR301-6153T	256153-955826	TRUMPF® COVER - BLACK		
6	AL36	TR301-4496	254496	TRUMPF® PTFE COVER		
7	AL41	TR301-5286	225286	TRUMPF® PTFE COVER		
8	AL108	TR301-0432	254493-260432	TRUMPF® CERAMIC NOZZLE HOLDER .		
9	AL272	TR301-3202	0353202 - 900594	TRUMPF® BRUSH - TASTER		
10	088557	TR301-8557	088557	TRUMPF® NOZZLE 90°		
11	256184	TR301-6184	256184	TRUMPF® BLOW TUBE		

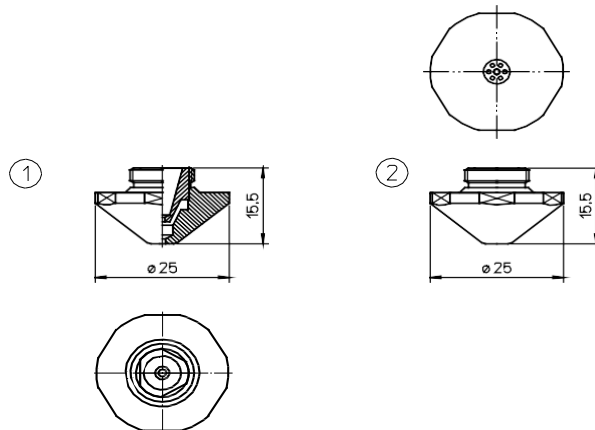
Replacement parts suitable for **TRUMPF®**



CP = Chrome Plated

POS	SOSLaser Code	ALTERNATE REFERENCE	ORIGINAL CODE	DESCRIPTION	Unit Price	10 pack price
1	AL405	TR301-9171	1349171	TRUMPF® CERAMIC NOZZLE HOLDER		
	AL410	TR407-5673	1755673	TRUMPF® CERAMIC NOZZLE HOLDER AUTOCHANGER		
	L1270	TR407-4858	1324858	TRUMPF® NOZZLE Ø 0.8 EAA		
	L501270	TR407-4858X	1324858	TRUMPF® NOZZLE Ø 0.8 EAA		
	L1272	TR407-4860	1324860	TRUMPF® NOZZLE Ø 1.0 EAA		
	L501272	TR407-4860X	1324860	TRUMPF® NOZZLE Ø 1.0 EAA		
	L1273	TR407-4861	1324861	TRUMPF® NOZZLE Ø 1.2 EAA		
	L501273	TR407-4861X	1324861	TRUMPF® NOZZLE Ø 1.2 EAA		
	L1275	TR407-4863	1324863	TRUMPF® NOZZLE Ø 1.4 EAA		
	L501275	TR407-4863X	1324863	TRUMPF® NOZZLE Ø 1.4 EAA		
	L1276	TR407-4864	1324864	TRUMPF® NOZZLE Ø 1.7 EAA		
	L501276	TR407-4864X	1324864	TRUMPF® NOZZLE Ø 1.7 EAA		
2	L1270XH	TR407-4858CPH	0	TRUMPF® NOZZLE Ø 0.8 EAA SPECIAL CP		
	L501270XH	TR407-4858CPHX	0	TRUMPF® NOZZLE Ø 0.8 EAA SPECIAL CP		
	L1272XH	TR407-4860CPH	0	TRUMPF® NOZZLE Ø 1.0 EAA SPECIAL CP		
	L501272XH	TR407-4860CPHX	0	TRUMPF® NOZZLE Ø 1.0 EAA SPECIAL CP		
	L1273XH	TR407-4861CPH	0	TRUMPF® NOZZLE Ø 1.2 EAA SPECIAL CP		
	L501273XH	TR407-4861CPHX	0	TRUMPF® NOZZLE Ø 1.2 EAA SPECIAL CP		
	L1275XH	TR407-4863CPH	0	TRUMPF® NOZZLE Ø 1.4 EAA SPECIAL CP		
	L501275XH	TR407-4863CPHX	0	TRUMPF® NOZZLE Ø 1.4 EAA SPECIAL CP		
	L1276XH	TR407-4864CPH	0	TRUMPF® NOZZLE Ø 1.7 EAA SPECIAL CP		
	L501276XH	TR407-4864CPHX	0	TRUMPF® NOZZLE Ø 1.7 EAA SPECIAL CP		
	L1277	TR407-4865	1324865	TRUMPF® NOZZLE Ø 2.0 EAA		
	L501277	TR407-4865X	1324865	TRUMPF® NOZZLE Ø 2.0 EAA		
	L1278	TR407-4866	1324866	TRUMPF® NOZZLE Ø 2.3 EAA		
	L501278	TR407-4866X	1324866	TRUMPF® NOZZLE Ø 2.3 EAA		
	L1279	TR407-4867	1324867	TRUMPF® NOZZLE Ø 2.7 EAA		
	L501279	TR407-4867X	1324867	TRUMPF® NOZZLE Ø 2.7 EAA		
3	L1277XH	TR407-4865CPH	0	TRUMPF® NOZZLE Ø 2.0 EAA SPECIAL CP		
	L501277XH	TR407-4865CPHX	0	TRUMPF® NOZZLE Ø 2.0 EAA SPECIAL CP		
	L1278XH	TR407-4866CPH	0	TRUMPF® NOZZLE Ø 2.3 EAA SPECIAL CP		
	L501278XH	TR407-4866CPHX	0	TRUMPF® NOZZLE Ø 2.3 EAA SPECIAL CP		
	L1279XH	TR407-4867CPH	0	TRUMPF® NOZZLE Ø 2.7 EAA SPECIAL CP		
	L501279XH	TR407-4867CPHX	0	TRUMPF® NOZZLE Ø 2.7 EAA SPECIAL CP		
4	L1260	TR407-7264	1637264	TRUMPF® NOZZLE ZAA-01		
5	L1700	TR407-9610	1589610	TRUMPF® BLOW OFF NOZZLE EBM Ø 2.0		

Replacement parts suitable for **TRUMPF®**



CP = Chrome Plated

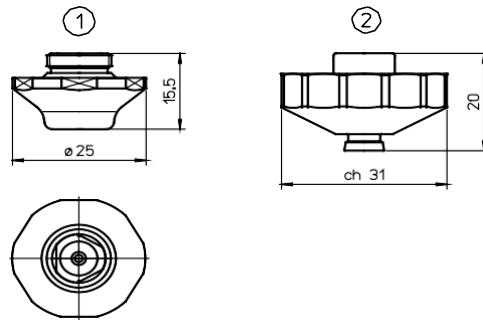
POS	SOSLaser Code	ALTERNATE REFERENCE	ORIGINAL CODE	DESCRIPTION	Unit Price	10pack price
1	L1308	TR426-1308		TRUMPF® DOUBLE NOZZLE Ø 0.8		
	L501308	TR426-1308X		TRUMPF® DOUBLE NOZZLE Ø 0.8		
	L1309	TR426-1309		TRUMPF® DOUBLE NOZZLE Ø 1.0		
	L501309	TR426-1309X		TRUMPF® DOUBLE NOZZLE Ø 1.0		
	L1310	TR426-1310		TRUMPF® DOUBLE NOZZLE Ø 1.2		
	L501310	TR426-1310X		TRUMPF® DOUBLE NOZZLE Ø 1.2		
	L1311	TR426-1311		TRUMPF® DOUBLE NOZZLE Ø 1.4		
	L501311	TR426-1311X		TRUMPF® DOUBLE NOZZLE Ø 1.4		
	L1312	TR426-1312		TRUMPF® DOUBLE NOZZLE Ø 1.7		
	L501312	TR426-1312X		TRUMPF® DOUBLE NOZZLE Ø 1.7		
	L1308XH	TR426-1308CPH		TRUMPF® DOUBLE NOZZLE Ø 0.8 SPECIAL CP		
	L501308XH	TR426-1308CPHX		TRUMPF® DOUBLE NOZZLE Ø 0.8 SPECIAL CP		
	L1309XH	TR426-1309CPH		TRUMPF® DOUBLE NOZZLE Ø 1.0 SPECIAL CP		
	L501309XH	TR426-1309CPHX		TRUMPF® DOUBLE NOZZLE Ø 1.0 SPECIAL CP		
	L1310XH	TR426-1310CPH		TRUMPF® DOUBLE NOZZLE Ø 1.2 SPECIAL CP		
	L501310XH	TR426-1310CPHX		TRUMPF® DOUBLE NOZZLE Ø 1.2 SPECIAL CP		
	L1311XH	TR426-1311CPH		TRUMPF® DOUBLE NOZZLE Ø 1.4 SPECIAL CP		
	L501311XH	TR426-1311CPHX		TRUMPF® DOUBLE NOZZLE Ø 1.4 SPECIAL CP		
	L1312XH	TR426-1312CPH		TRUMPF® DOUBLE NOZZLE Ø 1.7 SPECIAL CP		
	L501312XH	TR426-1312CPHX		TRUMPF® DOUBLE NOZZLE Ø 1.7 SPECIAL CP		
	L1313	TR426-1313		TRUMPF® DOUBLE NOZZLE Ø 2.0		
	L501313	TR426-1313X		TRUMPF® DOUBLE NOZZLE Ø 2.0		
	L1314	TR426-1314		TRUMPF® DOUBLE NOZZLE Ø 2.3		
	L501314	TR426-1314X		TRUMPF® DOUBLE NOZZLE Ø 2.3		
	L1315	TR426-1315		TRUMPF® DOUBLE NOZZLE Ø 2.7		
	L501315	TR426-1315X		TRUMPF® DOUBLE NOZZLE Ø 2.7		
	L1313XH	TR426-1313CPH		TRUMPF® DOUBLE NOZZLE Ø 2.0 SPECIAL CP		
	L501313XH	TR426-1313CPHX		TRUMPF® DOUBLE NOZZLE Ø 2.0 SPECIAL CP		
	L1314XH	TR426-1314CPH		TRUMPF® DOUBLE NOZZLE Ø 2.3 SPECIAL CP		
	L501314XH	TR426-1314CPHX		TRUMPF® DOUBLE NOZZLE Ø 2.3 SPECIAL CP		
	L1315XH	TR426-1315CPH		TRUMPF® DOUBLE NOZZLE Ø 2.7 SPECIAL CP		
	L501315XH	TR426-1315CPHX		TRUMPF® DOUBLE NOZZLE Ø 2.7 SPECIAL CP		
	2	L1281	TR426-6012		TRUMPF® SHOWER NOZZLE Ø 1.2	
L501281		TR426-6012X		TRUMPF® SHOWER NOZZLE Ø 1.2		

Replacement parts suitable for **TRUMPF®**



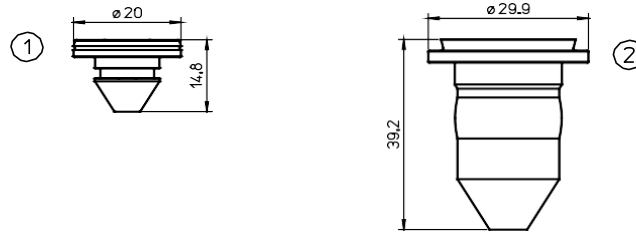
POS	SOSLaser Code	ALTERNATE REFERENCE	ORIGINAL CODE	DESCRIPTION	Unit Price	10pack price
2	L1500	TR426-3324	1373324	TRUMPF® NOZZLE Ø 0.8 EAB		
	L501500	TR426-3324X	1373324	TRUMPF® NOZZLE Ø 0.8 EAB		
1	L1501	TR426-3325	1373325	TRUMPF® NOZZLE Ø 1.0 EAB		
	L501501	TR426-3325X	1373325	TRUMPF® NOZZLE Ø 1.0 EAB		
	L1502	TR426-3326	1373326	TRUMPF® NOZZLE Ø 1.2 EAB		
	L501502	TR426-3326X	1373326	TRUMPF® NOZZLE Ø 1.2 EAB		
	L1503	TR426-3327	1373327	TRUMPF® NOZZLE Ø 1.4 EAB		
	L501503	TR426-3327X	1373327	TRUMPF® NOZZLE Ø 1.4 EAB		
	L1504	TR426-3328	1373328	TRUMPF® NOZZLE Ø 1.7 EAB		
	L501504	TR426-3328X	1373328	TRUMPF® NOZZLE Ø 1.7 EAB		
2	L1505	TR426-3329	1373329	TRUMPF® NOZZLE Ø 2.0 EAB		
	L501505	TR426-3329X	1373329	TRUMPF® NOZZLE Ø 2.0 EAB		
	L1506	TR426-3330	1373330	TRUMPF® NOZZLE Ø 2.3 EAB		
	L501506	TR426-3330X	1373330	TRUMPF® NOZZLE Ø 2.3 EAB		
	L1507	TR426-3331	1373331	TRUMPF® NOZZLE Ø 2.7 EAB		
	L501507	TR426-3331X	1373331	TRUMPF® NOZZLE Ø 2.7 EAB		

Replacement parts suitable for **TRUMPF®**



POS	SOSLaser Code	ALTERNATE REFERENCE	ORIGINAL CODE	DESCRIPTION	Unit Price	10pack price
1	L1885	TR407-9091	1809091	TRUMPF® DOUBLE NOZZLE Ø 6.0 EAQ		
	L1886	TR407-9421	1809421	TRUMPF® DOUBLE NOZZLE Ø 7.5 EAQ		
	L1887	TR407-6199	1886199	TRUMPF® DOUBLE NOZZLE Ø 9.5 EAQ		
2	L1800	TR407-4018	1774018	TRUMPF® NOZZLE EFL D1,4		
	L1801	TR407-8745	1838745	TRUMPF® NOZZLE EFL D1,7		
	L1802	TR407-4020	1774020	TRUMPF® NOZZLE EFL D2,0		
	L1803	TR407-4092	1774092	TRUMPF® NOZZLE EFL D2,3		

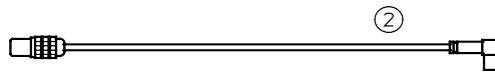
Replacement parts suitable for **TRUMPF®**



POS	SOSLaser Code	ALTERNATE REFERENCE	ORIGINAL CODE	DESCRIPTION	Unit Price	10 pack price
1	L5	TR303-2952	202952	TRUMPF® NOZZLE $\varnothing 0.8$		
	L34	TR303-0969	218969	TRUMPF® NOZZLE $\varnothing 1.0$		
	L35	TR303-9402	209402	TRUMPF® NOZZLE $\varnothing 1.4$ HD		
	L36	TR303-7953	217953	TRUMPF® NOZZLE $\varnothing 1.7$ HD		
2	L217	TR304-0653-08	060653	TRUMPF® NOZZLE $\varnothing 0.8$		
	L218	TR304-0653-3	060653	TRUMPF® NOZZLE $\varnothing 1.0$		
	L219	TR304-0653-14	060653	TRUMPF® NOZZLE $\varnothing 1.4$		

Replacement parts suitable for **TRUMPF®**

SOSLaser Code	ALTERNATE REFERENCE	ORIGINAL CODE	DESCRIPTION	Unit Price	10pack price
FT1	TR301-2380	092380	TRUMPF® FILTER 092380 DX		
FT2	TR301-2381	092381	TRUMPF® FILTER 092381 BX		
FT3	TR301-2379	092379	TRUMPF® FILTER 092379 CI		
FT4	TR301-3676	123676 - U0310 VF	TRUMPF® FILTER 123676		
FT5	TR301-3675	123675 - U0310 SMA	TRUMPF® FILTER 123675		
FT6	TR301-3674	123674 - U0310 CA	TRUMPF® FILTER 123674		
CP10	TR301-6152	146152	TRUMPF® WATER FILTER 30x68x250 146152		



POS	SOSLaser Code	ALTERNATE REFERENCE	ORIGINAL CODE	DESCRIPTION	Unit Price	10pack price
2	351086	TR301-1086	0351086-S0492-001-00000	TRUMPF® - ORIG. ELECTRODE CABLE PRECITEC® KE 130gw/TT		