

# ENPHASE EQUIPMENT



Envoy S



Envoy S



Envoy S Metered



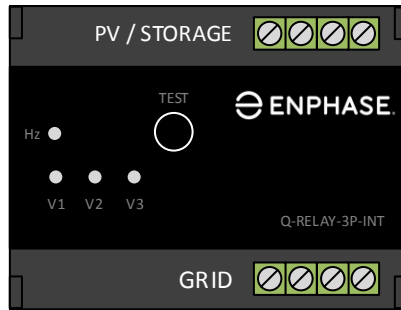
CT



1 & 3 Phase Branche terminator



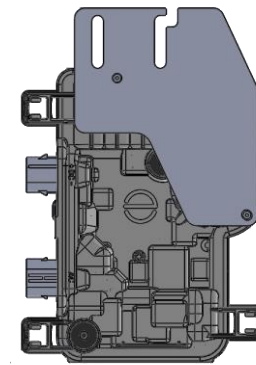
1PH Q-Relay



3PH Q-Relay + Phase Coupler



ACB 1.5



IQ7 / IQ7+ / IQ7X



1PH Field Wireable connectors



Ferrite

TDK/EPCOSB64290L0022X830



Q-Cable Landscape/Portrait

NOTES:  
1. CAUTION: Before installing any PV equipment, check the phase-to-neutral voltage at the delivery point. The operating voltage must be within a range acceptable by the 230V micro-inverters.

2. The design and installation of the photovoltaic power plant must be carried out in compliance with the electrical standards in force in the country of installation and must be carried out by trained and authorized personnel.

3. The lengths and sections of AC cable (between the end of the Q-CABLE and the electrical panel) must be determined in accordance with the electrical standards in force in the country of installation. It is recommended that the voltage drop on this type of cable does not exceed 1%.

4. A single phase Q-CABLE is usually protected at the top by a 20A curve B circuit breaker.

5. The microinverters integrate an HF transformer ensuring the function of galvanic separation. An AC type circuit breaker may be required in accordance with the electrical codes in force in the country of installation.

6. The implementation of an equipotential bond between the module frames and between the metal carcasses of PV field inverters may be required in accordance with the electrical standards in force in the country of installation.

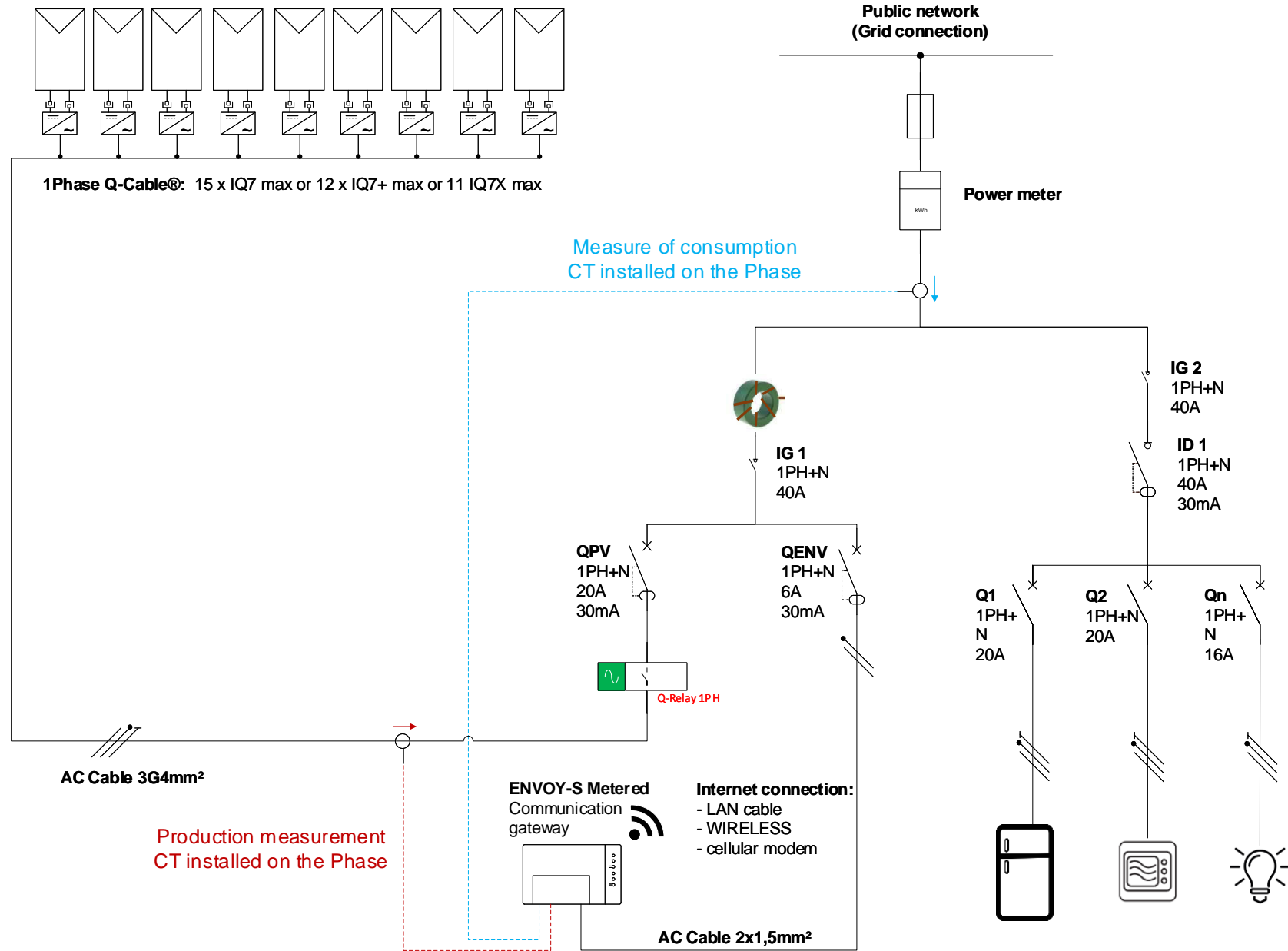
DWN BY: WS  
CHK BY: DG  
DATE: 11/07/2019

REV: -  
SHEET: 1 of 1  
SCALE: NTS@A4

DRAWING No:  
EN-EQP-IQ-SERIES

DRAWING Name:  
Electrical diagram example: Enphase Equipment

# SELF-CONSUMPTION AND STORAGE



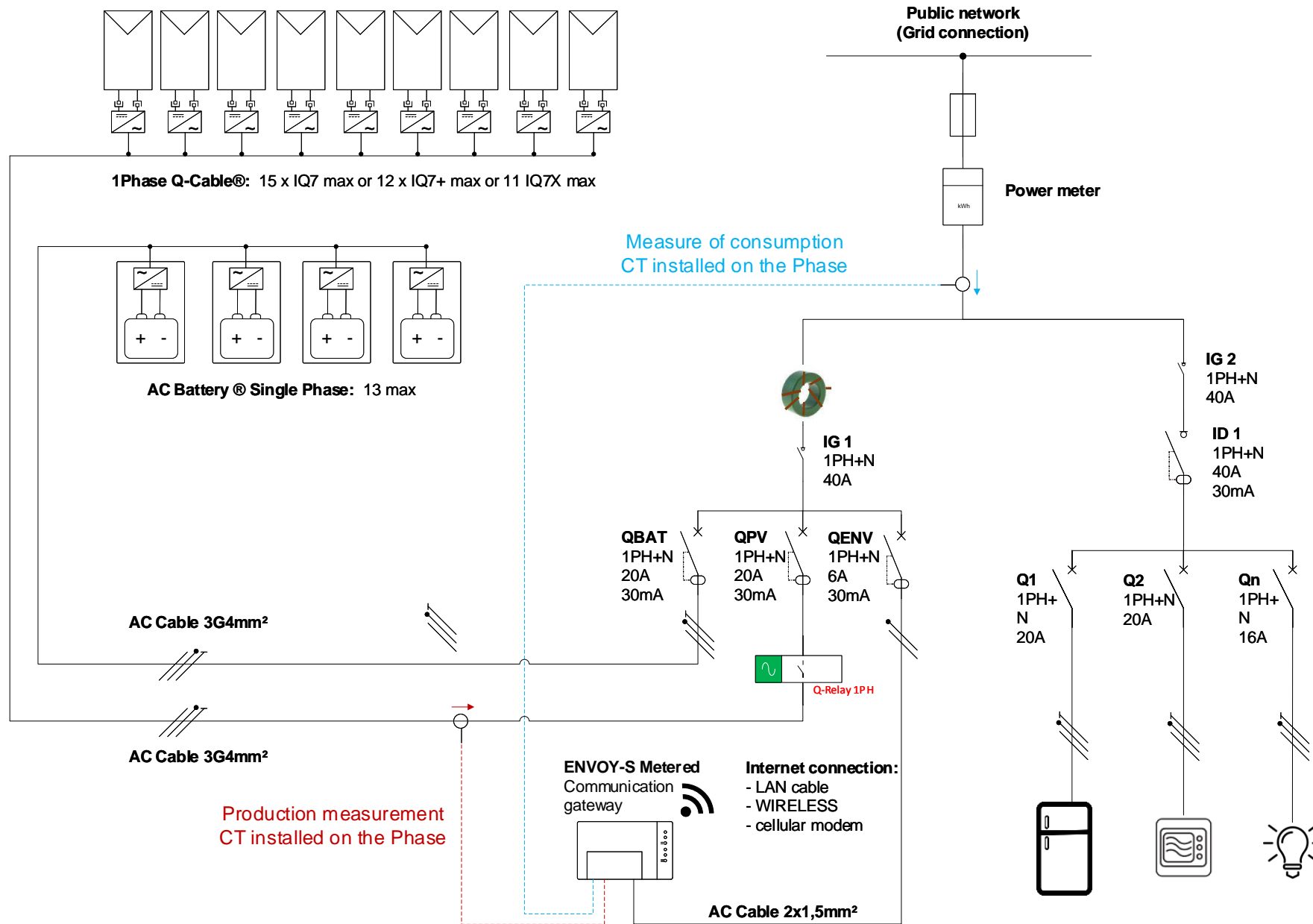
- NOTES:**
1. CAUTION: Before installing any PV equipment, check the phase-to-neutral voltage at the delivery point. The operating voltage must be within a range acceptable by the 230V micro-inverters.
  2. The design and installation of the photovoltaic power plant must be carried out in compliance with the electrical standards in force in the country of installation and must be carried out by trained and authorized personnel.
  3. The lengths and sections of AC cable (between the end of the Q-CABLE and the electrical panel) must be determined in accordance with the electrical standards in force in the country of installation. It is recommended that the voltage drop on this type of cable does not exceed 1%.
  4. A single phase Q-CABLE is usually protected at the top by a 20A curve B circuit breaker.
  5. The microinverters integrate an HF transformer ensuring the function of galvanic separation. An AC type circuit breaker may be required in accordance with the electrical codes in force in the country of installation.
  6. The implementation of an equipotential bond between the module frames and between the metal carcasses of PV field inverters may be required in accordance with the electrical standards in force in the country of installation.

**DRAWING No:**  
EN-1AC-1PH

**DRAWING Name:**  
Electrical diagram example: 1 single-phase branch production (IQ7 or IQ7 + OR IQ7X)

<b>DWN BY:</b> WS	<b>CHK BY:</b> DG	<b>DATE :</b> 11/07/2019
<b>REV:</b> -	<b>SHEET:</b> 1 of 1	<b>SCALE:</b> NTS@A4

# SELF-CONSUMPTION AND STORAGE



- NOTES:**
1. CAUTION: Before installing any PV equipment, check the phase-to-neutral voltage at the delivery point. The operating voltage must be within a range acceptable by the 230V micro-inverters.
  2. The design and installation of the photovoltaic power plant must be carried out in compliance with the electrical standards in force in the country of installation and must be carried out by trained and authorized personnel.
  3. The lengths and sections of AC cable (between the end of the Q-CABLE and the electrical panel) must be determined in accordance with the electrical standards in force in the country of installation. It is recommended that the voltage drop on this type of cable does not exceed 1%.
  4. A single phase Q-CABLE is usually protected at the top by a 20A curve B circuit breaker.
  5. The microinverters integrate an HF transformer ensuring the function of galvanic separation. An AC type circuit breaker may be required in accordance with the electrical codes in force in the country of installation.
  6. The implementation of an equipotential bond between the module frames and between the metal carcasses of PV field inverters may be required in accordance with the electrical standards in force in the country of installation.

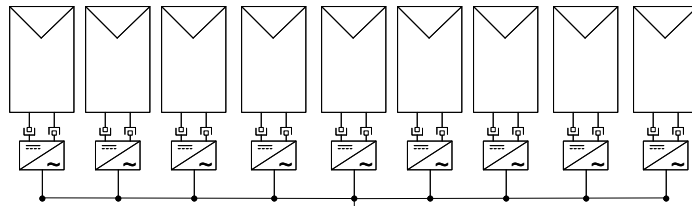
**DRAWING No:**  
EN-1AC-1PH-ACB

**DRAWING Name:**  
Electrical diagram example: 1 single-phase branch in self-consumption + storage (IQ7 or IQ7 + OR IQ7X)

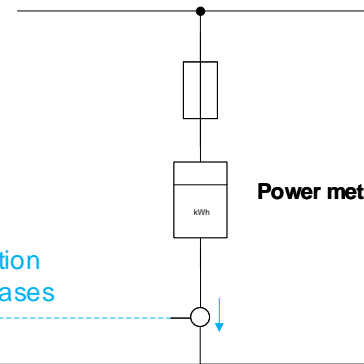
<b>DWN BY:</b> WS	<b>CHK BY:</b> DG	<b>DATE :</b> 11/07/2019
<b>REV:</b> -	<b>SHEET:</b> 1 of 1	<b>SCALE:</b> NTS@A4

# SELF-CONSUMPTION AND STORAGE

3Phase Q-Cable®: 45 x IQ7 max or 36 x IQ7+ max or 33 IQ7X max



Public network  
(Grid connection)



Measure of consumption  
CT installed on the Phases

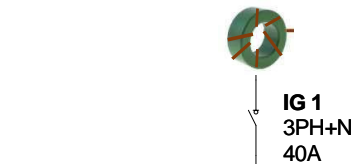
AC Cable 5G4mm<sup>2</sup>

Production measurement  
CT installed on the Phases

ENVOY-S Metered  
Communication gateway

Internet connection:  
- LAN cable  
- WIRELESS  
- cellular modem

AC Cable 4x2,5mm<sup>2</sup>



QPV  
3PH+N  
20A  
30mA

QENV  
3PH+N  
6A  
30mA

Q-Relay 3PH

IG 2  
3PH+N  
40A

ID 1  
3PH+N  
40A  
30mA

Q1  
1PH+N  
20A

Q2  
1PH+N  
20A

Qn  
1PH+N  
16A



- NOTES:
1. CAUTION: Before installing any PV equipment, check the phase-to-neutral voltage at the delivery point. The operating voltage must be within a range acceptable by the 230V micro-inverters.
  2. The design and installation of the photovoltaic power plant must be carried out in compliance with the electrical standards in force in the country of installation and must be carried out by trained and authorized personnel.
  3. The lengths and sections of AC cable (between the end of the Q-CABLE and the electrical panel) must be determined in accordance with the electrical standards in force in the country of installation. It is recommended that the voltage drop on this type of cable does not exceed 1%.
  4. A single phase Q-CABLE is usually protected at the top by a 20A curve B circuit breaker.
  5. The microinverters integrate an HF transformer ensuring the function of galvanic separation. An AC type circuit breaker may be required in accordance with the electrical codes in force in the country of installation.
  6. The implementation of an equipotential bond between the module frames and between the metal carcasses of PV field inverters may be required in accordance with the electrical standards in force in the country of installation.

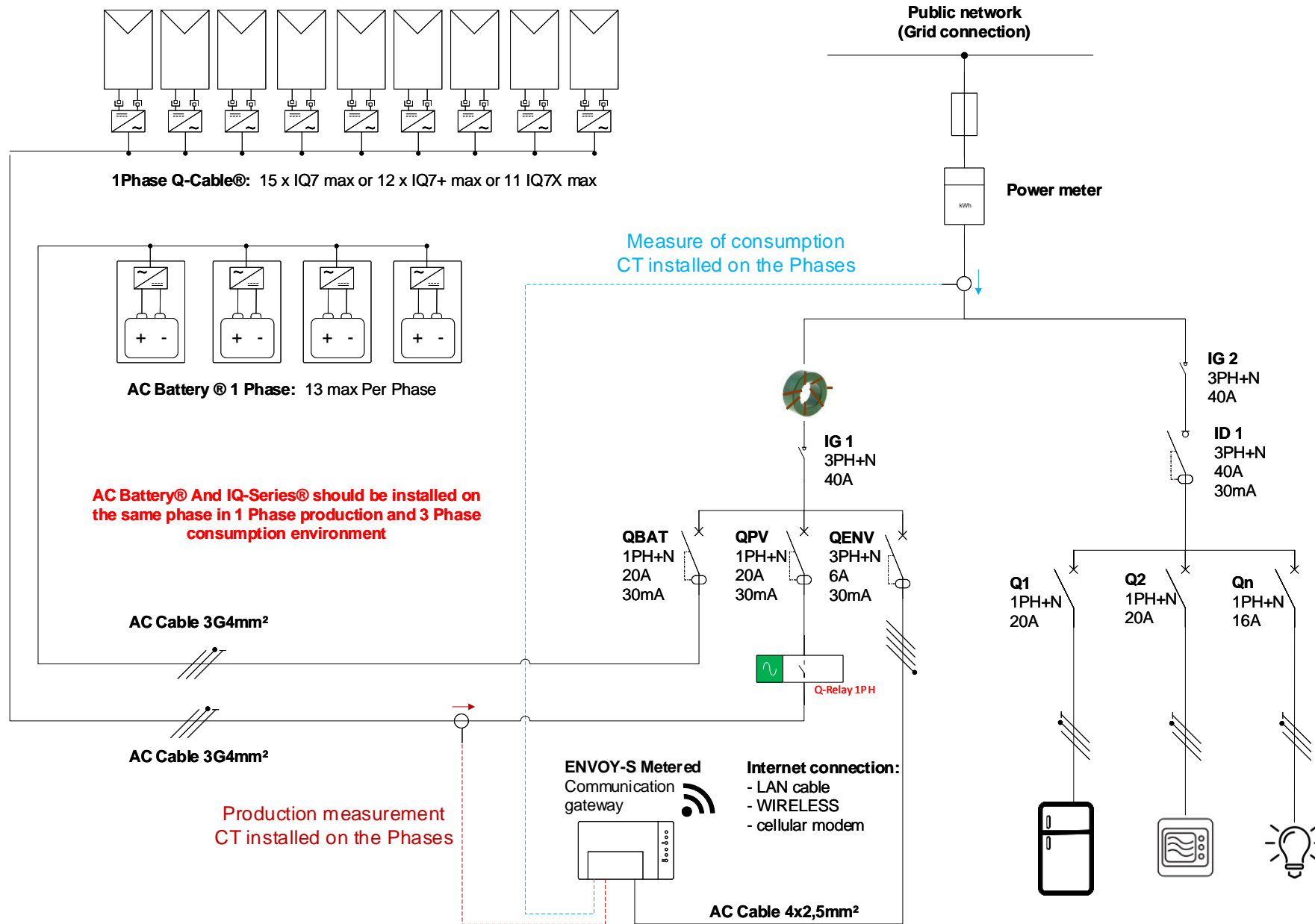
DWN BY: WS    CHK BY: DG    DATE : 11/07/2019

REV: -    SHEET: 1 of 1    SCALE: NTS@A4

DRAWING No:  
EN-3AC-3PH

DRAWING Name:  
Electrical diagram example: 3 single-phase branch (IQ7 or IQ7 + OR IQ7X)

# SELF-CONSUMPTION AND STORAGE



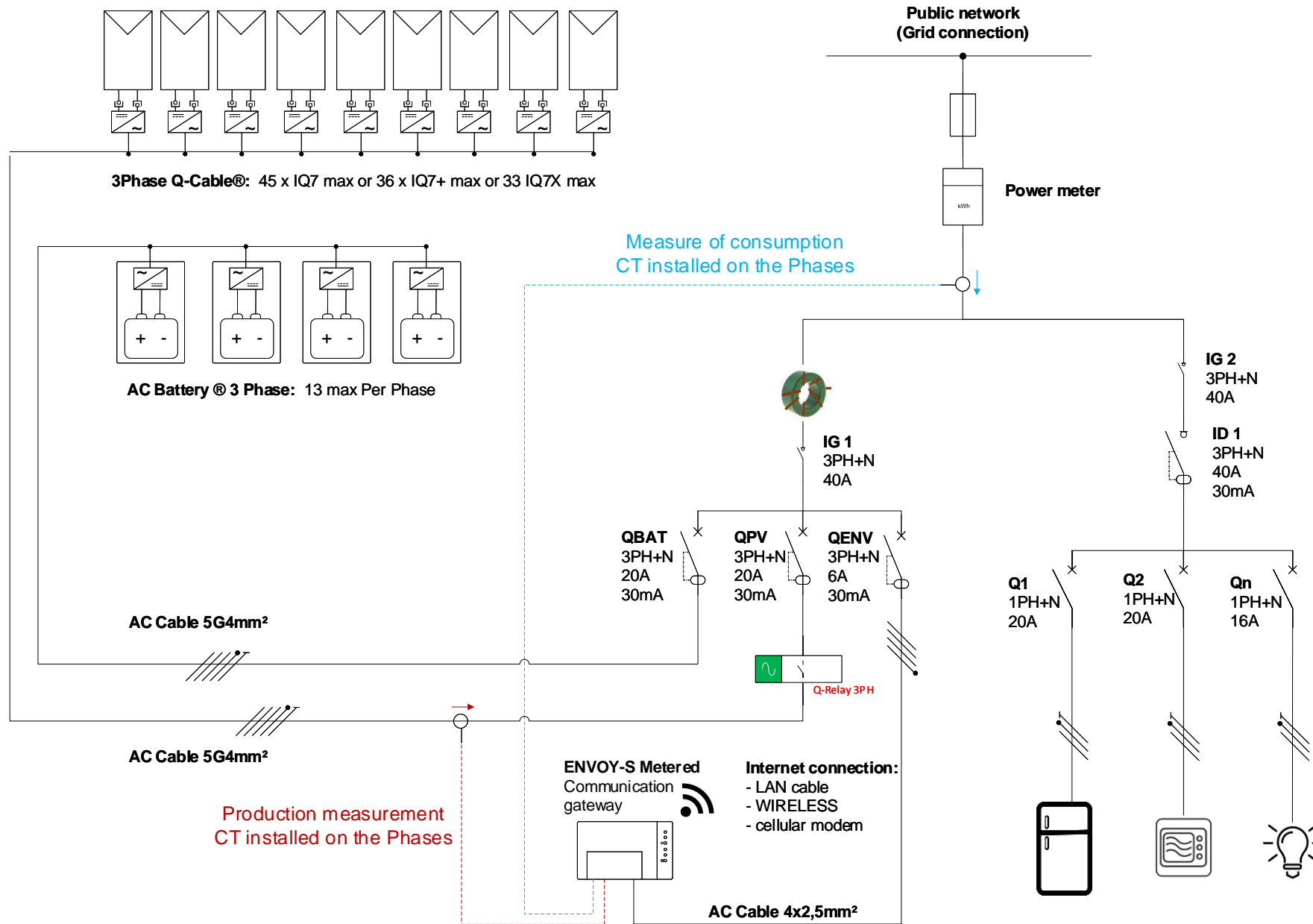
- NOTES:**
1. CAUTION: Before installing any PV equipment, check the phase-to-neutral voltage at the delivery point. The operating voltage must be within a range acceptable by the 230V micro-inverters.
  2. The design and installation of the photovoltaic power plant must be carried out in compliance with the electrical standards in force in the country of installation and must be carried out by trained and authorized personnel.
  3. The lengths and sections of AC cable (between the end of the Q-CABLE and the electrical panel) must be determined in accordance with the electrical standards in force in the country of installation. It is recommended that the voltage drop on this type of cable does not exceed 1%.
  4. A single phase Q-CABLE is usually protected at the top by a 20A curve B circuit breaker.
  5. The microinverters integrate an HF transformer ensuring the function of galvanic separation. An AC type circuit breaker may be required in accordance with the electrical codes in force in the country of installation.
  6. The implementation of an equipotential bond between the module frames and between the metal carcasses of PV field inverters may be required in accordance with the electrical standards in force in the country of installation.

**DRAWING No:**  
EN-3AC-3PH-ACB

**DRAWING Name:**  
Electrical diagram example: 1 single-phase branch in self-consumption + storage (IQ7 or IQ7 + OR IQ7X)

<b>DWN BY:</b> WS	<b>CHK BY:</b> DG	<b>DATE :</b> 11/07/2019
<b>REV:</b> -	<b>SHEET:</b> 1 of 1	<b>SCALE:</b> NTS@A4

# SELF-CONSUMPTION AND STORAGE



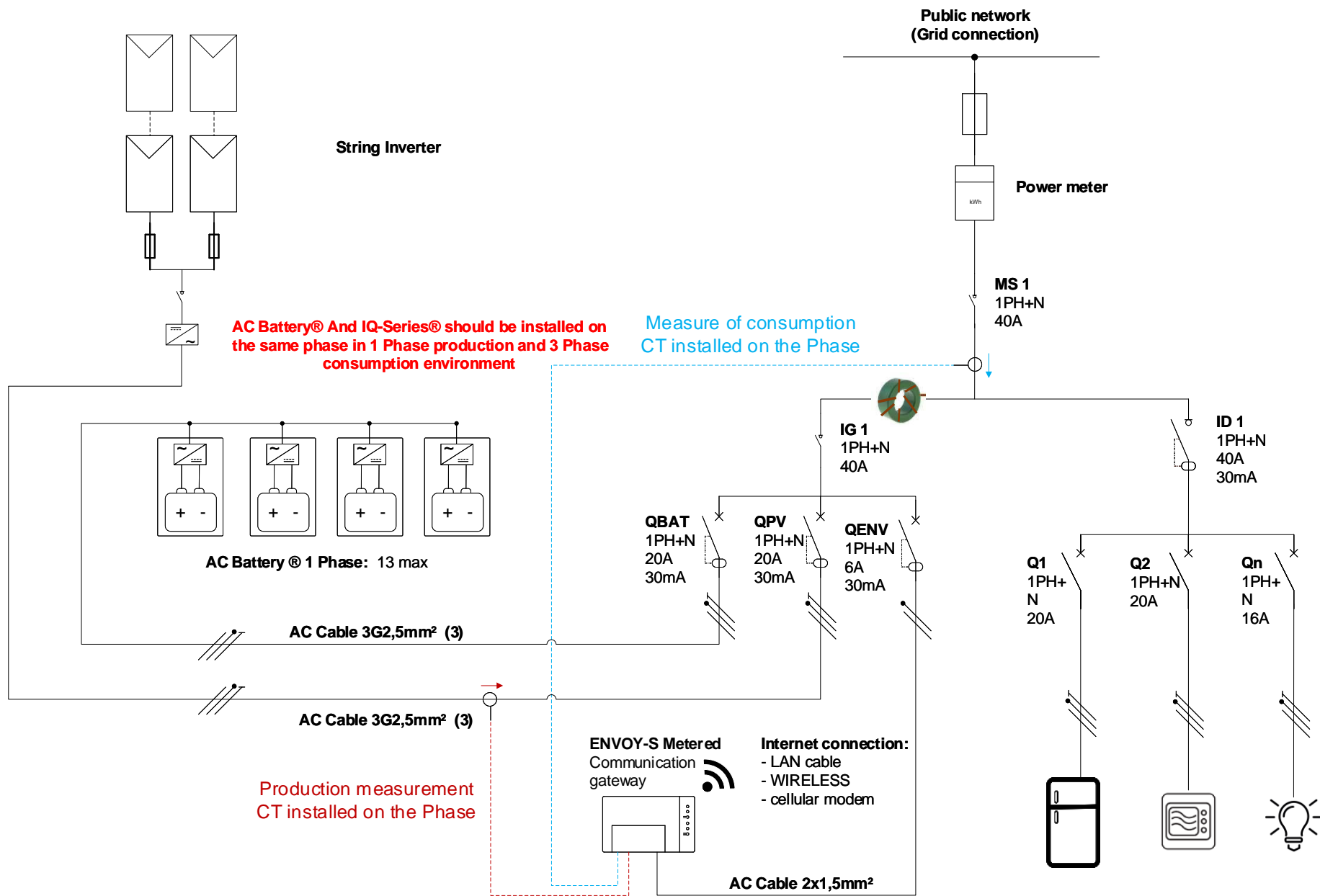
- NOTES:**
1. CAUTION: Before installing any PV equipment, check the phase-to-neutral voltage at the delivery point. The operating voltage must be within a range acceptable by the 230V micro-inverters.
  2. The design and installation of the photovoltaic power plant must be carried out in compliance with the electrical standards in force in the country of installation and must be carried out by trained and authorized personnel.
  3. The lengths and sections of AC cable (between the end of the Q-CABLE and the electrical panel) must be determined in accordance with the electrical standards in force in the country of installation. It is recommended that the voltage drop on this type of cable does not exceed 1%.
  4. A single phase Q-CABLE is usually protected at the top by a 20A curve B circuit breaker.
  5. The microinverters integrate an HF transformer ensuring the function of galvanic separation. An AC type circuit breaker may be required in accordance with the electrical codes in force in the country of installation.
  6. The implementation of an equipotential bond between the module frames and between the metal carcasses of PV field inverters may be required in accordance with the electrical standards in force in the country of installation.

**DRAWING No:**  
EN-3AC-3PH-ACB

**DRAWING Name:**  
Electrical diagram example: 3 single-phase branch in self-consumption + storage (IQ7 or IQ7 + OR IQ7X)

<b>DWN BY:</b> WS	<b>CHK BY:</b> DG	<b>DATE :</b> 11/07/2019
<b>REV:</b> -	<b>SHEET:</b> 1 of 1	<b>SCALE:</b> NTS@A4

# SELF-CONSUMPTION AND STORAGE



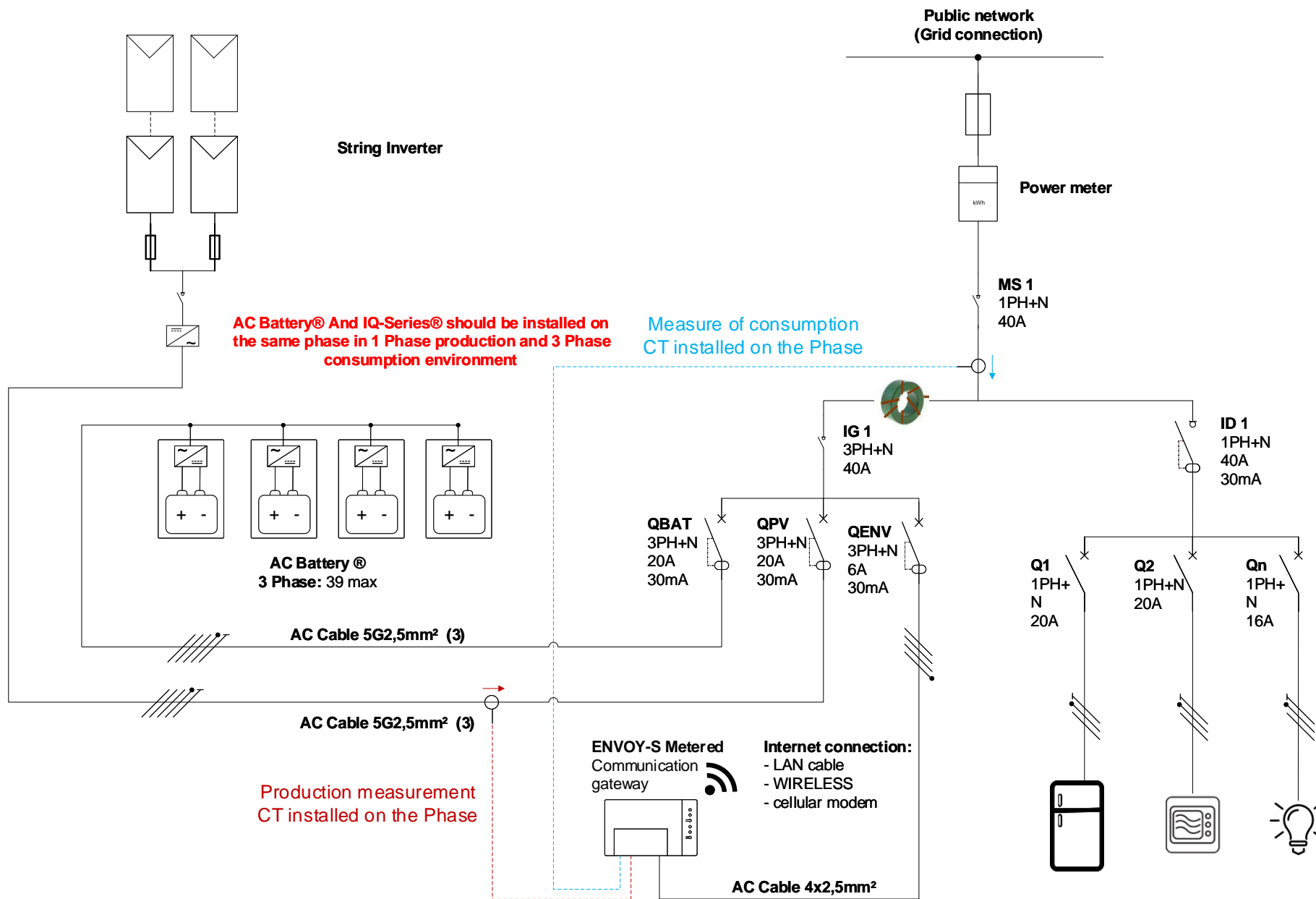
- NOTES:**
1. CAUTION: Before installing any PV equipment, check the phase-to-neutral voltage at the delivery point. The operating voltage must be within a range acceptable by the 230V micro-inverters.
  2. The design and installation of the photovoltaic power plant must be carried out in compliance with the electrical standards in force in the country of installation and must be carried out by trained and authorized personnel.
  3. The lengths and sections of AC cable (between the end of the Q-CABLE and the electrical panel) must be determined in accordance with the electrical standards in force in the country of installation. It is recommended that the voltage drop on this type of cable does not exceed 1%.
  4. A single phase Q\_CABLE is usually protected at the top by a 20A curve B circuit breaker.
  5. The microinverters integrate an HF transformer ensuring the function of galvanic separation. An AC type circuit breaker may be required in accordance with the electrical codes in force in the country of installation.
  6. The implementation of an equipotential bond between the module frames and between the metal carcasses of PV field inverters may be required in accordance with the electrical standards in force in the country of installation.

**DRAWING No:**  
EN-1AC-STR-1PH-ACB

**DRAWING Name:**  
Electrical diagram example: string inverter in self-consumption + storage

<b>DWN BY:</b> WS	<b>CHK BY:</b> DG	<b>DATE :</b> 11/07/2019
<b>REV:</b> -	<b>SHEET:</b> 1 of 1	<b>SCALE:</b> NTS@A4

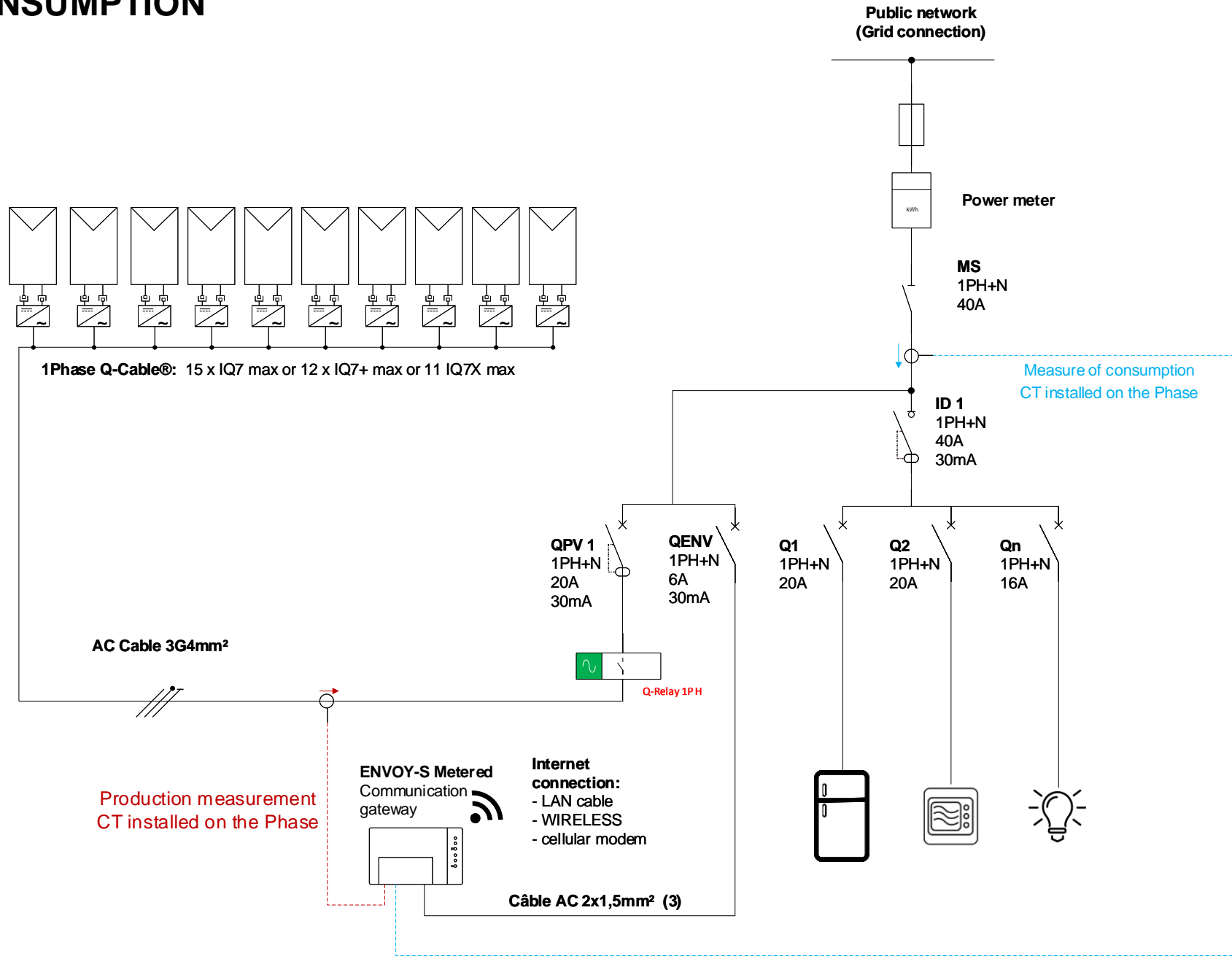
# SELF-CONSUMPTION AND STORAGE



- NOTES:
1. CAUTION: Before installing any PV equipment, check the phase-to-neutral voltage at the delivery point. The operating voltage must be within a range acceptable by the 230V micro-inverters.
  2. The design and installation of the photovoltaic power plant must be carried out in compliance with the electrical standards in force in the country of installation and must be carried out by trained and authorized personnel.
  3. The lengths and sections of AC cable (between the end of the Q-CABLE and the electrical panel) must be determined in accordance with the electrical standards in force in the country of installation. It is recommended that the voltage drop on this type of cable does not exceed 1%.
  4. A single phase Q\_CABLE is usually protected at the top by a 20A curve B circuit breaker.
  5. The microinverters integrate an HF transformer ensuring the function of galvanic separation. An AC type circuit breaker may be required in accordance with the electrical codes in force in the country of installation.
  6. The implementation of an equipotential bond between the module frames and between the metal carcasses of PV field inverters may be required in accordance with the electrical standards in force in the country of installation.



# CONSUMPTION



- NOTES:**
1. CAUTION: Before installing any PV equipment, check the phase-to-neutral voltage at the delivery point. The operating voltage must be within a range acceptable by the 230V micro-inverters.
  2. The design and installation of the photovoltaic power plant must be carried out in compliance with the electrical standards in force in the country of installation and must be carried out by trained and authorized personnel.
  3. The lengths and sections of AC cable (between the end of the Q-CABLE and the electrical panel) must be determined in accordance with the electrical standards in force in the country of installation. It is recommended that the voltage drop on this type of cable does not exceed 1%.
  4. A single phase Q\_CABLE is usually protected at the top by a 20A curve B circuit breaker.
  5. The microinverters integrate an HF transformer ensuring the function of galvanic separation. An AC type circuit breaker may be required in accordance with the electrical codes in force in the country of installation.
  6. The implementation of an equipotential bond between the module frames and between the metal carcasses of PV field inverters may be required in accordance with the electrical standards in force in the country of installation.

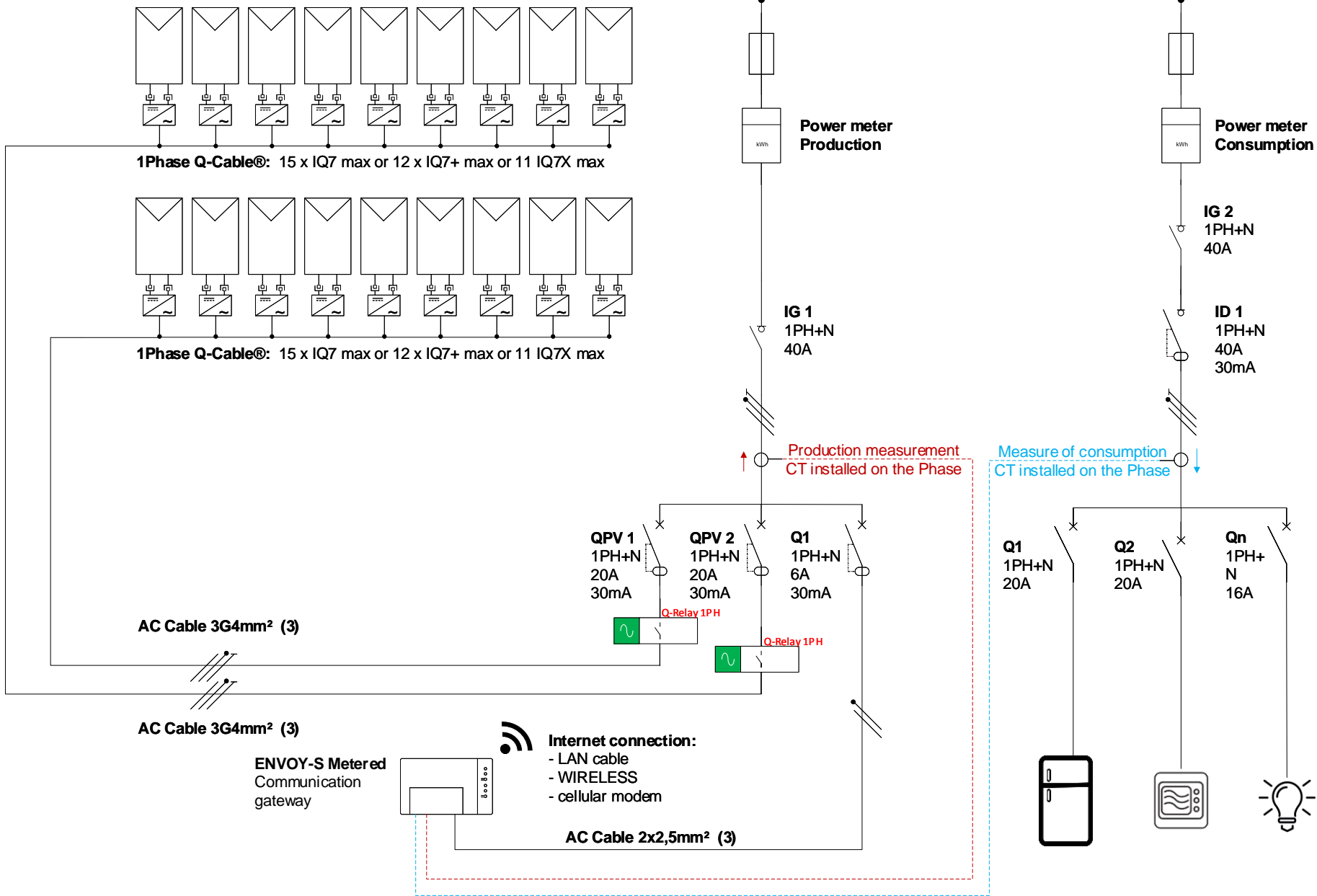
**DRAWING No:**  
FR-1AC-1PH-SelfC

**DRAWING Name:**  
Exemple de schéma électrique: 1 branche monophasée en autoconsommation (M215 ou M250)

<b>DWN BY:</b> VC	<b>CHK BY:</b> MB	<b>DATE :</b> 20/05/2016
<b>REV:</b> -	<b>SHEET:</b> 1 of 1	<b>SCALE:</b> NTS@A4

# 1 PHASE DIRECT INJECTION

Public network  
(Grid connection)



NOTES:  
1. CAUTION: Before installing any PV equipment, check the phase-to-neutral voltage at the delivery point. The operating voltage must be within a range acceptable by the 230V micro-inverters.

2. The design and installation of the photovoltaic power plant must be carried out in compliance with the electrical standards in force in the country of installation and must be carried out by trained and authorized personnel.

3. The lengths and sections of AC cable (between the end of the Q-CABLE and the electrical panel) must be determined in accordance with the electrical standards in force in the country of installation. It is recommended that the voltage drop on this type of cable does not exceed 1%.

4. A single phase Q\_CABLE is usually protected at the top by a 20A curve B circuit breaker.

5. The microinverters integrate an HF transformer ensuring the function of galvanic separation. An AC type circuit breaker may be required in accordance with the electrical codes in force in the country of installation.

6. The implementation of an equipotential bond between the module frames and between the metal carcasses of PV field inverters may be required in accordance with the electrical standards in force in the country of installation.

DWN BY: VC  
CHK BY: MB  
DATE: 20/05/2016

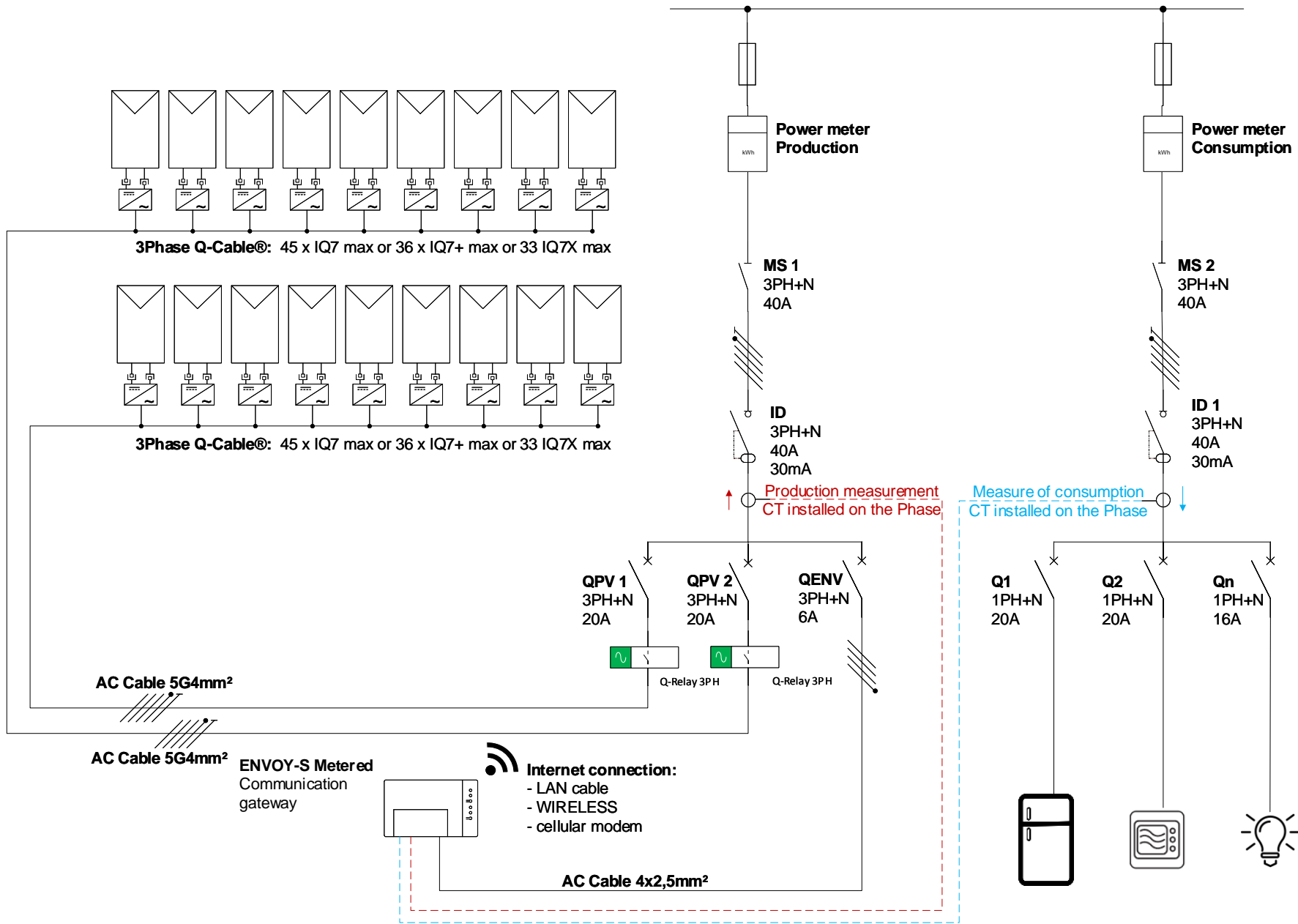
REV: -  
SHEET: 1 of 1  
SCALE: NTS@A4

DRAWING No:  
EN-2AC-1PH-Dir

DRAWING Name:  
Example of electrical diagram: 2 single-phase branches in direct injection

# 3 PHASE DIRECT INJECTION (Residential)

Public network  
(Grid connection)



- NOTES:
1. CAUTION: Before installing any PV equipment, check the phase-to-neutral voltage at the delivery point. The operating voltage must be within a range acceptable by the 230V micro-inverters.
  2. The design and installation of the photovoltaic power plant must be carried out in compliance with the electrical standards in force in the country of installation and must be carried out by trained and authorized personnel.
  3. The lengths and sections of the AC cable (between the end of the Q-CABLE and the electrical panel) must be determined in accordance with the electrical standards in force in the country of installation. It is recommended that the voltage drop on this type of cable does not exceed 1%.
  4. A single phase Q\_CABLE is usually protected at the top by a 20A curve B circuit breaker.
  5. The microinverters integrate an HF transformer ensuring the function of galvanic separation. An AC type circuit breaker may be required in accordance with the electrical codes in force in the country of installation.
  6. The implementation of an equipotential bond between the module frames and between the metal carcasses of PV field inverters may be required in accordance with the electrical standards in force in the country of installation.

DWN BY: WS	CHK BY: DG	DATE : 11/07/2019
REV: -	SHEET: 1 of 1	SCALE: NTS@A4