

# V3000 MF

Ball valve

Shut off system

## Technical Data Sheet



## Description

- Can equip on all types of installations from heating systems, home water installations to heavy duty industrial applications at high pressure and temperature.
- Reduce bore : 3/8" to 1"
- Full bore : 1" 1/4 to 2"



### V3000 MF

Ball valve - Shut off system

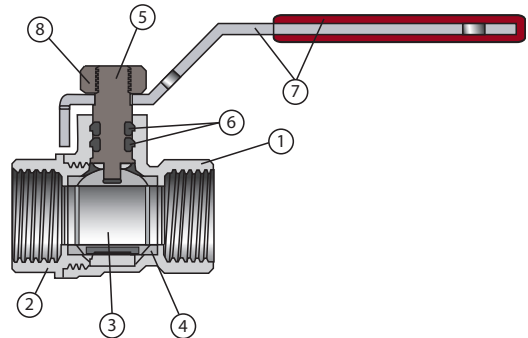
| DN    |    | PFA<br>in bar | Ref.            | Weight<br>Kg |
|-------|----|---------------|-----------------|--------------|
| "     | mm |               |                 |              |
| 3/8   | 10 | 30            | <b>149B5351</b> | 0,108        |
| 1/2   | 15 | 30            | <b>149B5352</b> | 0,155        |
| 3/4   | 20 | 30            | <b>149B5353</b> | 0,204        |
| 1     | 25 | 30            | <b>149B5354</b> | 0,315        |
| 1 1/4 | 32 | 30            | <b>149B5355</b> | 0,520        |
| 1 1/2 | 40 | 30            | <b>149B5356</b> | 0,903        |
| 2     | 50 | 30            | <b>149B5357</b> | 1,312        |

#### Technical features

|   |                              |
|---|------------------------------|
| Operating temperature                         | -20 °C to 80 °C              |
| Permissible operating pressure (PFA) in water | See table above              |
| Connection                                    | Male / female, (BSP)         |
| Mediums                                       | Drinking water and hot water |

#### Nomenclature and materials

| N° | Description   | Materials           | EURO   |
|----|---------------|---------------------|--------|
| 1  | Body          | Brass               | CW617N |
| 2  | Nipple        | Brass               | CW617N |
| 3  | Ball          | Brass               |        |
| 4  | Seat seal     | PTFE                |        |
| 5  | Stem          | Brass               | CW614N |
| 6  | O-ring        | NBR                 |        |
| 7  | Hand lever    | Geomet® steel+ LDPE |        |
| 8  | Locking screw | Geomet® steel       |        |



# Approvals

## ACS

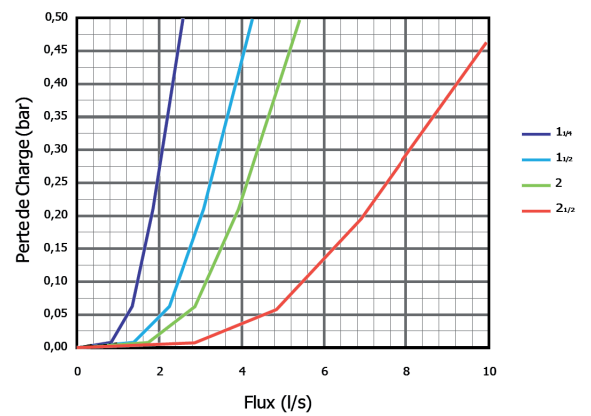
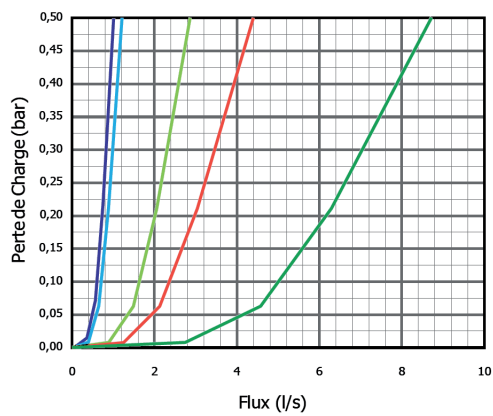
**International construction Standards :**  
Thread connection according to EN ISO 228-1

# Application

General process, heating and multi-fluid applications.

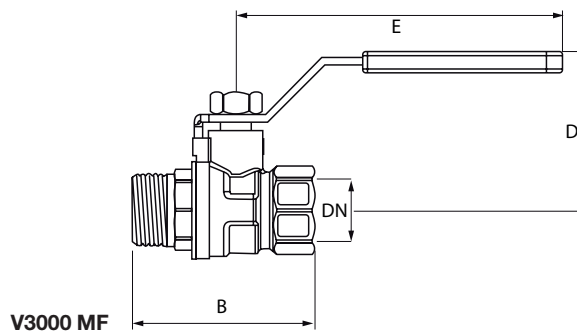
# Operation

V3000 - Headloss chart



## Sizing

| DN    |       | B   | D  | E   |
|-------|-------|-----|----|-----|
| "     | mm    | mm  | mm | mm  |
| 3/8   | 12/17 | 49  | 40 | 70  |
| 1/2   | 15/21 | 55  | 49 | 93  |
| 3/4   | 20/27 | 63  | 53 | 93  |
| 1     | 26/34 | 72  | 61 | 113 |
| 1 1/4 | 33/42 | 85  | 66 | 113 |
| 1 1/2 | 40/49 | 98  | 74 | 153 |
| 2     | 50/60 | 119 | 81 | 153 |



The descriptions and photographs contained in this product specification sheet are supplied by way of information only and are not binding.

Socla reserves the right to carry out any technical and design improvements to its products without prior notice. Warranty : All sales and contracts for sale are expressly conditioned on the buyer's assent to Socla terms and conditions found on its website at [www.socla.com](http://www.socla.com). Socla hereby objects to any term, different from or additional to Socla terms, contained in any buyer communication in any form, unless agreed to in a writing signed by an officer of Socla.



**A WATTS Brand**

**Socla sas**

365 rue du Lieutenant Putier • 71530 Virey-Le-Grand • France

Tel. +33 03 85 97 42 00 • Fax +33 03 85 97 42 42

[contact@wattswater.com](mailto:contact@wattswater.com) • [www.socla.com](http://www.socla.com)

ISO 9001 version 2015 / ISO 18001