

# PFT 2515 Display trolley

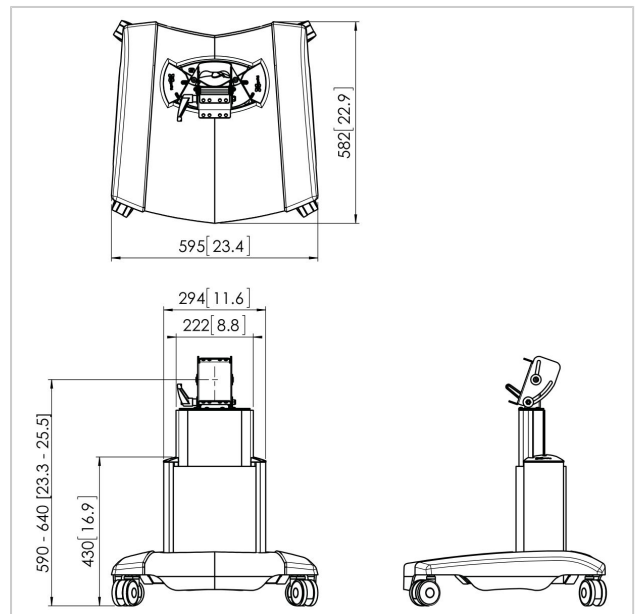
Article number (SKU) 7325155  
 Colour Black

## Key Benefits

- Cable management
- Modular

The PFT 2515 is especially designed for monitor use in studio's and on stage. But also for exhibitions, showrooms and specific retail applications this is an excellent trolley solution.

The series of AV trolleys are designed to provide maximum communication power or design integration. The trolley needs to be combined with the Connect-it interface bars and interface display strips.



## PFT 2515 Display trolley



VOGEL'S HOLDING BV 2019 (c) All rights reserved.  
Subject to printing errors, technical and price amendments.  
Date: 2019-06-17

[www.vogels.com](http://www.vogels.com)

## Specifications

|  |               |
|--|---------------|
| Product type number                          | PFT 2515      |
| Article number (SKU)                         | 7325155       |
| Colour                                       | Black         |
| EAN single box                               | 8712285331121 |
| Height                                       | 740           |
| TÜV certified                                | Yes           |
| Guarantee                                    | 5 years       |
| Max. weight load (kg)                        | 70            |
| Adjustable height                            | True          |
| Max. distance to floor - center display (mm) | 640           |
| Max. screen size (inch)                      | 65            |
| Min. distance to floor - center display (mm) | 590           |
| Min. screen size (inch)                      | 32            |

