

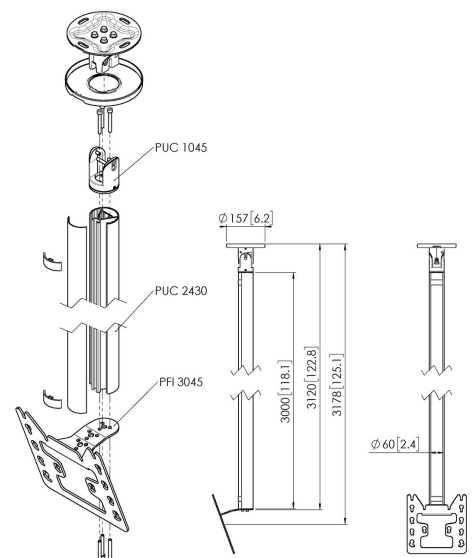
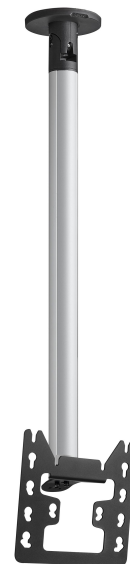
CT243022S Ceiling mount turn

Key Benefits

- Stylish high-end design
- Easy install
- Rotatable

Ceiling mount kit CT243022

Display size: Fitment: 200x200Max. load: 30 kg - 66 lbs Kit consists of: • 1x PUC 1045 Ceiling plate turn and tilt • 1x PUC 2430 Pole 300 cm • 1x PFI 3045 Display interface



CT243022S Ceiling mount turn



Specifications

Article number (SKU)	7955094
Colour	Silver
EAN single box	87 12285347146
Length	3203
Width	130
Depth	450
TÜV certified	Yes
Tilt	Tilt up to 20°
Turn	Up to 360°
Guarantee	5 years
Max. weight load (kg)	30
Max. bolt size	M8
Max. height of interface (mm)	253
Max. width of interface (mm)	240
Ceiling types	Flat / inclined ceiling
Height options	Fixed height
Levelling function	Post-installation horizontal levelling
Max. distance to ceiling - center display (mm)	3178
Max. horizontal hole pattern (mm)	200
Max. screen size (inch)	43
Max. vertical hole pattern (mm)	200
Min. horizontal hole pattern (mm)	100
Min. screen size (inch)	19
Min. vertical hole pattern (mm)	100
Orientation	Landscape / Portrait
Universal or fixed hole pattern	Fixed

VOGEL'S HOLDING BV (c)

All rights reserved.
Subject to printing errors,
technical and price
amendments.

Date: 2021-10-27



Vogel's. For Sure.