



WWW.V-MUX.COM

Features

- 55 Amp Capacity
- Rugged Sealed Plastic Enclosure
- Deutsch Connectors
- PWM Capability
- Analog Inputs
- Re-Programmable by the OEM
- Peer to Peer Network
- Short Circuit Detect
- Open Circuit Detect
- Remote Diagnostics



4x12 Input/Output Node

V-MUX® is a Vehicle Multiplex System that offers tremendous flexibility to the OEM.

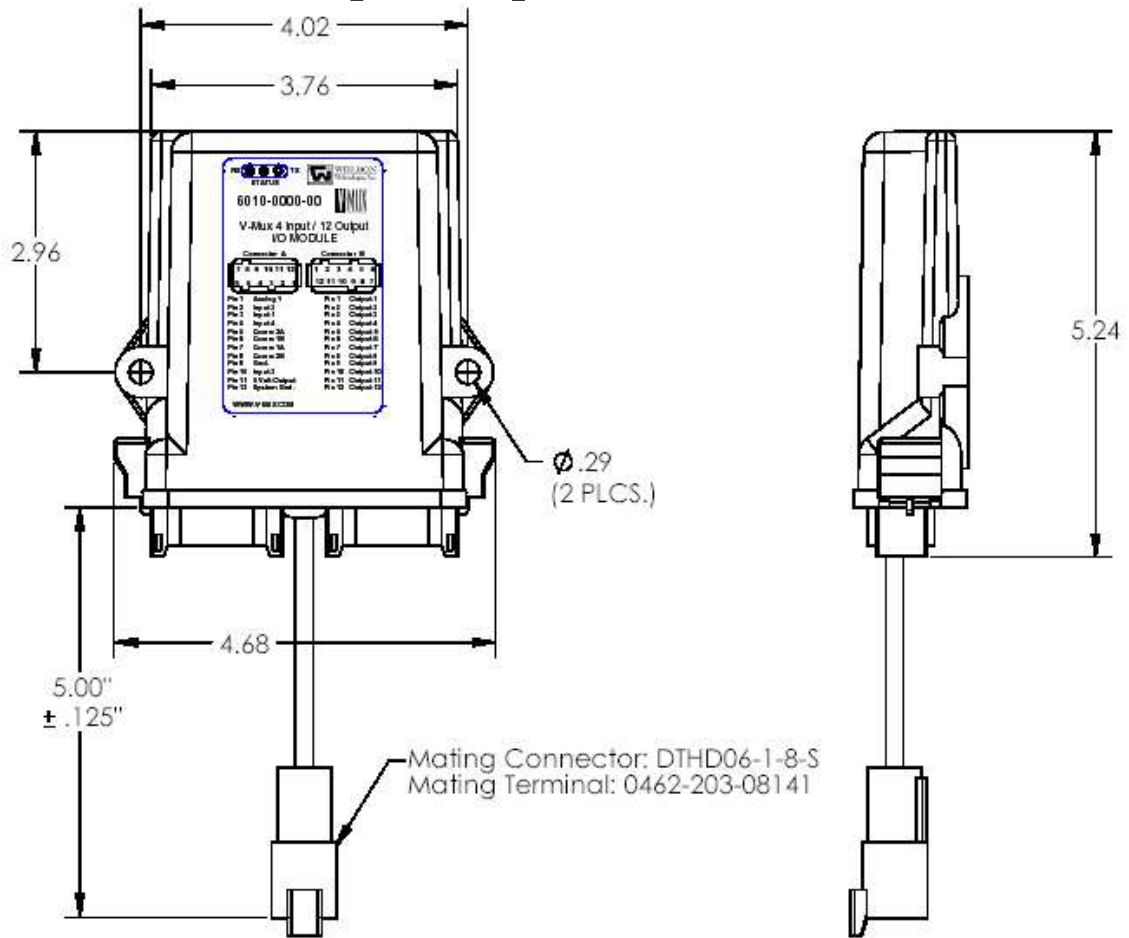
Utilizing from 1 to 32 nodes the OEM can build their entire electrical system from the ground up. Integrate stand alone sub-systems such as door interlocks, climate control and voltage monitoring. The System Designer™ software gives you the flexibility to use any input or output the way you need to. Don't be held hostage by companies providing "custom programming" that require you to rely on them for changes. With V-MUX® you have SRP (Self Reliant Programming) at your fingertips to make your

Weldon Your Gateway to the Future
800.989.2718

Technical Specifications

4x12 Input Output Node

V-MUX™



Integration All Your Sub-Systems

- Voltage Monitoring
- Climate Control
- Door Systems
- High Idle Control—On Low Voltage
- Pressure Transducers
- Temperature Sensors
- Diagnostics
- Chassis Kneeling

Name	QTY/Misc	Description
Digital Inputs	4	High Speed Bi-Directional
Analog Inputs	1	0-5v with Calibration Capability
Communications	2	RS-485 Communications Ports
Digital Outputs	12	7.5 Amp W/Short Detection
Input Connector	Deutsch	DTM06-12SA
Output Connector	Deutsch	DTM06-12SB
Power In Conn.	Deutsch	DTHD06-1-8S
Operating Temp	Min/Max	-40 to +85° C
Operating Voltage	Min/Max	9-18v 24v - Available

