

# UC-C100-T

## Crestron Flex Video Conference System Integrator Kit for Microsoft Teams® Rooms



- *Conferencing integration solution for Microsoft Teams® Rooms software*
- *Native Microsoft Teams Rooms touch screen UI provides a consistent user experience with simple operation and one-touch meeting joins*
- *Complete kit contains a 10.1 in. touch screen and UC bracket assembly*
- *Optional integration with Crestron® control systems*
- *Direct connection option between UC Engine and touch screen for simple installation and configuration*
- *Network management and provisioning, system alerts, and the pairing of the touch screen to the system's UC Engine through the XiO Cloud® service*
- *Enterprise-grade security - connects and communicates securely over any enterprise or SMB network*
- *Supports a single video display*

The Crestron Flex UC-C100-T system provides a customizable conference room solution for use with the Microsoft Teams Rooms intelligent communications platform. It supports a single video display<sup>1</sup> and features a 10.1 in. touch screen (TS-1070-B-S) and UC Bracket Assembly (UC-BRKT-200-S-T-ASSY).

### Native Microsoft Teams® Rooms Experience

The UC-C100-T system brings the full Microsoft Teams Rooms UC experience to any meeting space in an enterprise or SMB facility, whether implementing a cloud based Microsoft Teams Rooms deployment, on-premises Skype® for Business software, or a hybrid of the two.

### Custom Room Integration

The UC-C100-T system provides the essential components needed to design a fully custom video conferencing space using your choice of display devices, cameras, speakers, microphones, and other AV equipment. Any Microsoft Teams software compliant USB camera and USB audio conferencing interface (or speakerphone) may be used.

### Intuitive User Interface

With a large 10.1 in. (257 mm) capacitive touch screen display, the Crestron® tabletop touch screen (TS-1070-B-S) provides superior conferencing control in meeting rooms, huddle spaces, and executive offices. The touch screen also offers optional control of room lighting, shades, thermostats, and other equipment.<sup>2</sup>

### Simplified Deployment

The UC Bracket Assembly (UC-BRKT-200-S-T-ASSY) provides preassembled components on one ready-to-mount bracket to simplify installation. The assembly can be mounted on a wall, or it can be attached to the rear of the display device. Crestron's direct connection method further simplifies installation with a single connection from the to the UC Bracket Assembly.

### Crestron Control System Integration

The UC-C100-T can integrate with a Crestron control system to enable touch screen control of room lighting, motorized window shades, climate control, AV, and other amenities.<sup>2</sup>

### Enterprise-Grade Security

Crestron Flex is an enterprise-grade solution, engineered in partnership with Microsoft® to integrate seamlessly into any Microsoft Teams Rooms software deployment. Crestron Flex is ideally equipped for mass deployment throughout any sized corporate, university, medical, military, or government facility.

### Easy Provisioning and Device Management

The XiO Cloud service is an IoT cloud based provisioning service that enables installers and IT managers to deploy and manage thousands of devices easily. The XiO Cloud service allows for system alerts, network management and provisioning, and the pairing of a control device to the system's UC Engine.<sup>3</sup> System updates are controlled by Windows® software update.

Visit [www.crestron.com/xiocloud](http://www.crestron.com/xiocloud) for additional information.

### Dual Control Option

Another TSW-series or TS-series<sup>4</sup> 10.1 in. touch screen may be added to the solution as an additional control point for the Microsoft Teams Rooms environment.

### Deployment Resources

View the [Crestron Flex Pre-Deployment Checklist](#) to help plan your Crestron Flex installation.

# UC-C100-T

## Crestron Flex Video Conference System Integrator Kit for Microsoft Teams® Rooms

### Specifications

#### Included Components

<b>TS-1070-B-S</b>	10.1 in. (257 mm) tabletop touch screen, black
<b>UC-BRKT-200-S-T-ASSY</b>	UC Bracket Assembly for Microsoft Teams Rooms systems, comprised of: <ul style="list-style-type: none"><li>• UC-ENGINE-S-T: UC Engine for Microsoft Teams video</li><li>• HD-CONV-USB-200: HDMI® to USB 3.0 converter for content ingest</li><li>• Mounting hardware</li></ul>
<b>CBL-CAT5E-7</b>	Ethernet LAN cable for UC Engine, RJ45-to-RJ45, black, 7 ft (2.1 m)
<b>CBL-4K-DP-HD-6</b>	Active Converter Cable, DisplayPort™ to HDMI®, 18 Gbps, 6 ft (1.8 m)
<b>CBL-HD-20</b>	HDMI Interface Cable, 20 ft (6.1 m)
<b>DM-CBL-ULTRA-PC-20</b>	Ethernet LAN cable, CAT6a, RJ45-to-RJ45, blue, 20 ft (6.1 m)
<b>PWE-4803RU</b>	PoE Injector
<b>EDID Passthrough</b>	HDMI Female-to-Male

#### Tabletop Touch Screen

<b>Touch Screen</b>	10.1 in. (257 mm) diagonal capacitive multi-touch TFT active matrix color LCD, 1920 x 1200 pixels
<b>UI</b>	Microsoft Teams UI plus optional Crestron Smart Graphics® room control UI <sup>2</sup>
<b>Ethernet</b>	100 Mbps, auto switching, auto negotiating, auto discovery, full/half duplex, TCP/IP, UDP/IP, CIP, DHCP, SSL, TLS, SSH, SFTP (SSH File Transfer Protocol), IEEE 802.1X, SNMP, IPv4 or IPv6, Active Directory® service authentication, HTTPS web browser setup, XiO Cloud® client, IEEE 802.3at compliant

#### Power over Ethernet

IEEE 802.3at Type 2 compliant PoE+ PD (Powered Device); Normally requests 15 W from an 802.3at Type 2 PSE with LLDP advanced power management; With room scheduling and USB enabled, requests 18 W from an 802.3at Type 2 PSE with LLDP; Requests 30 W (PoE+ Class 4) from an 802.3at Type 2 PSE without LLDP; Requests 15.4 W (PoE Class 0) from an 802.3af (or 802.3at Type 1) PSE

#### PoE Injector

A PoE injector is included to power the touch screen if network PoE is not available

#### Construction

Plastic, smooth black finish, edge-to-edge glass with black surround

#### Dimensions

Height: 5.29 in. (134 mm)  
Width: 9.63 in. (245 mm)  
Depth: 4.67 in. (119 mm)

#### Weight

2.44 lb (1105 g)

#### UC Bracket Assembly

##### Mini PC

Intel Core® processor with Windows® 10 IOT Edition OS

##### UC Client

Microsoft Teams Rooms with Skype® for Business software functionality

##### Management Client

XiO Cloud Service

##### Content Ingest

HDMI input via HDMI to USB 3.0 converter (model HD-CONV-USB-200)

##### Display Output

Single display support

##### Display Output Resolution

1080p

##### Power

65 W via external 100-240 VAC, 50/60 Hz adapter (included)

##### Construction

Metal mounting bracket, black, preassembled with UC-ENGINE-S-T and HD-CONV-USB-200

##### Mounting

Surface wall mount behind the display device, or attach to the rear of the display device via the bolts attaching the display to a VESA® compliant display mount; Bracket includes mounting holes on both side edges, spaced 100, 200, and 300 mm vertically, to allow for attachment to either side of the display mounting plate

# UC-C100-T

## Crestron Flex Video Conference System Integrator Kit for Microsoft Teams® Rooms

<b>Dimensions</b>	Height: 15.00 in. (381 mm) Width: 14.50 in. (368 mm) Depth: 1.72 in. (44 mm)
<b>Weight</b>	6.64 lb (3 kg)

### Models

#### UC-C100-T

Crestron Flex Video Conference System Integrator Kit for Microsoft Teams® Rooms

### Available Accessories

#### TS-770/1070-SMK

Swivel Mount Kit for TS-70 Series

#### SW-XIOC-EM

XiO Cloud® Provisioning and Management Service, Endpoint Management License

#### SW-XIOC-S

XiO Cloud® Provisioning and Management Service, Support License

#### SW-XIOC-API

XiO Cloud® Provisioning and Management Service, REST API License

#### Notes:

1. Display must support "Wake on Sync" and "Sleep on No Sync" functionality. Consult the display manufacturer's specifications or internal settings of the specific display.
2. Room control capability (lighting, shades, thermostats, etc.) requires additional equipment and commissioning to be provided by a Crestron authorized integrator and/or programmer. Additional costs may apply.
3. The XiO Cloud service is a room based subscription service available separately.
4. Only a TSW-series touch screen supports a custom UI.

This product may be purchased from select authorized Crestron dealers and distributors. To find a dealer or distributor, please contact the Crestron sales representative for your area. A list of sales representatives is available online at [www.crestron.com/How-To-Buy/Find-a-Representative](http://www.crestron.com/How-To-Buy/Find-a-Representative) or by calling 855-263-8754.

This product is covered under the Crestron standard limited warranty. Refer to [www.crestron.com/warranty](http://www.crestron.com/warranty) for full details.

The specific patents that cover Crestron products are listed online at [patents.crestron.com](http://patents.crestron.com).

Certain Crestron products contain open source software. For specific information, please visit [www.crestron.com/opensource](http://www.crestron.com/opensource).

Crestron, the Crestron logo, Smart Graphics, and XiO Cloud are either trademarks or registered trademarks of Crestron Electronics, Inc. in the United States and/or other countries. Active Directory, Microsoft Teams, Skype, and Windows are either trademarks or registered trademarks of Microsoft Corporation in the United States and/or other countries. HDMI is either a trademark or registered trademark of HDMI Licensing LLC in the United States and/or other countries. Intel Core is either a trademark or registered trademark of Intel Corporation in the United States and/or other countries. DisplayPort and VESA are either trademarks or registered trademarks of Video Electronics Standards Association in the United States and/or other countries. Other trademarks, registered trademarks, and trade names may be used in this document to refer to either the entities claiming the marks and names or their products. Crestron disclaims any proprietary interest in the marks and names of others. Crestron is not responsible for errors in typography or photography.

Specifications are subject to change without notice.

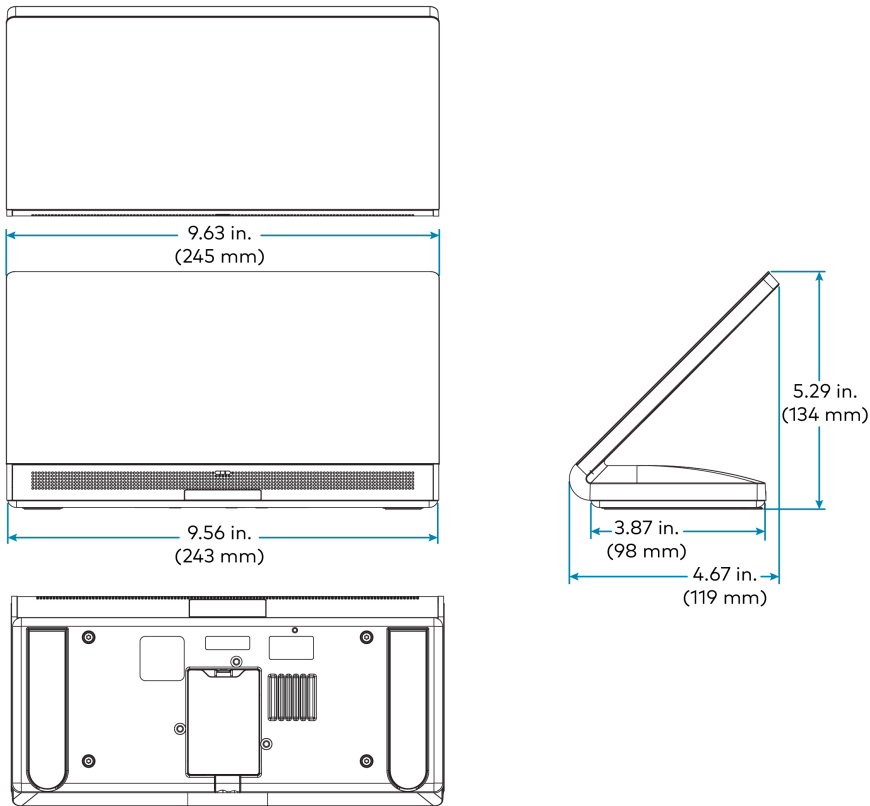
©2020 Crestron Electronics, Inc.

Rev 08/06/20

# UC-C100-T

## Crestron Flex Video Conference System Integrator Kit for Microsoft Teams® Rooms

### Touch Screen (TS-1070-B-S)



# UC-C100-T

## Crestron Flex Video Conference System Integrator Kit for Microsoft Teams® Rooms

### UC Bracket Assembly (UC-BRKT-200-S-T-ASSY)

