

EDUCATION

**Smart
metals**
MOUNTING SOLUTIONS

PRODUCT CATALOGUE

Innovative mounting
solutions for
projectors, flat panels
& whiteboards



2020 - 2021 Product Catalogue - Education

WELCOME



You just opened our Education Catalogue

This catalogue is all about SmartMetals' mounting solutions specifically for educational purposes. Our product assortment is much larger and covered in separate catalogues mentioned below. All catalogues are downloadable from smartmetals.nl/downloads. For a paper copy simply ask the SmartMetals Team.

Rental Catalogue

Our Rental catalogue covers all mounting solutions for rental purposes.



General Catalogue

Our General catalogue covers all mounting solutions for any installation purpose.



TABLE OF CONTENTS

Product Catalogue 2020 - 2021

GENERAL

Prologue.....	4
Introduction	6

EDUCATION

FLAT PANEL

FLAT PANEL - WALL MOUNTS	8
VESA Wall Mount	9
Universal Wall Mounts	10

FLAT PANEL - CEILING MOUNTS.....	14
Ceiling Mounts flat panels max. 32 inch.....	14
Ceiling mounts Heavy Duty Series.....	16
VESA ceiling mounts.....	17

FLAT PANEL - FLOOR MOUNTS	20
--	-----------

FLAT PANEL LIFT SYSTEMS - MANUAL & ELECTRICAL. 22	
Manual Lift Systems	24
ELECTRICAL LIFT SYSTEMS:	
Floor supported & wall mounted.....	26
Floor & wall mounted.....	27
Wall mounted.....	28
Freestanding on floor.....	30
On wheels.....	32
On wheels with table & tip function	38

(INTERACTIVE) WHITEBOARD

(INTERACTIVE) WHITEBOARD - LIFT SYSTEMS	40
--	-----------

PROJECTOR

PROJECTOR - WALL MOUNTS.....	44
Universal Wall Mounts	44
Projector-specific Wall Mounts.....	45
Short throw Wall Mounts	46

PROJECTOR - CEILING MOUNTS	48
Universal Ceiling Mounts.....	49
Projector-specific Ceiling Mounts	50

PROJECTOR - HOUSINGS.....	54
Universal projector housing	55

AV MOUNTING MADE SMART



What once started as a graduation assignment from only one student in Industrial Engineering & Management is now a thriving company with 50+ employees, dedicated to develop smart mounting solutions for the professional AV market.

There is more to our mounts than just metal: we supply not just any piece of metal to mount your valuable audiovisual and multi media equipment to, we supply smart mounting solutions made of metals: "SmartMetals Mounting Solutions".

Smart does not only apply to the functionality of our products, smart also applies to the way we work. By closely following the evolutions and needs of the audiovisual market, listening to and closely working together with our customers we stay ahead of the game.

We take great pride in the fact that all our products, from standard to custom-made, are of Dutch design. Developed in house and manufactured in the Netherlands. Our products distinguish themselves in quality, ease of use and functionality.

Despite the fact we have grown into a prominent international supplier it does not mean we have forgotten where we came from: underneath the shimmering successes we remain simple humans. We care. Not just about making innovative products but above everything we care about you and your business.

all team members of

The SmartMetals Team





ABOUT US

SmartMetals explained

SmartMetals Mounting Solutions is one of the leading international suppliers of audiovisual mounting solutions. Established and based in the Netherlands, we deliver high quality solutions for professionals.

Resources devoted to R&D translate in great responsiveness in the development of innovative products, closely following the evolutions and needs of the audiovisual market and offering quality in design.

Our complete product range includes fixed and mobile mounting solutions, motorized or manually in height adjustable or on a fixed height for projectors, flat screens and whiteboards. We offer a free warranty of 5 years on all our products.

Last but not least we develop custom made solutions for audiovisual installation, including flat panel housings and kiosks, for indoor and outdoor use.



WHY CHOOSE US?



Quality & Functionality

Our goal is to reach true functionality in all our products by combining innovative product design with high quality materials and craftsmanship.



Flexibility & Innovation

We respond to our customers' requests in a flexible way and timely manner. Developing and improving our products and services is a dynamic and continuous process.



Quick & easy installation

All our products are designed to ensure quick and trouble-free installation in any environment.



Honest business

We believe in honesty. We believe in caring. We treat our customers, partners, suppliers as well as our employees the way we would want them to treat us. As simple as that.

Just because you don't find it, doesn't mean we don't have it.

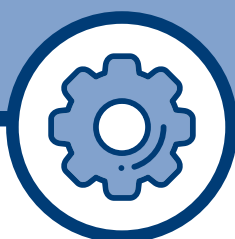
We have all sorts of smart mounting solutions, ranging from standard to customised to completely custom-made ones. Not every project benefits from our standard solutions, nor does every customer settle for standard. When you are involved in a project where demands go beyond what our standard products have to offer, please contact us:

We hear what you ask, listen to what you need and supply you with a solution that embodies just that.



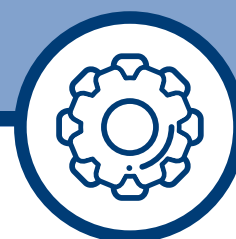
STANDARD

We have a vast product range as presented to you in this catalogue: all standard mounting solutions for your flat panels, projectors and whiteboards, usually available from stock or within a few days after order.



CUSTOMISED

When you require a slight deviation of our standard product, like for example an other colour or an other length, we happily customise our standard product to meet your wishes.



CUSTOM-MADE

Although you have taken inspiration from our standard product range, you want something totally different. It is our pleasure to develop a custom-made product for you to accommodate your needs perfectly.

FROM CONCEPT TO COMPLETION



STEP 1

Product request.

You contact us with your request for a custom-made product. Together we determine product requirements and we provide you with an offer. Upon order we move on to the next step.



STEP 3

Production.

Materials are purchased. Individual make parts are produced after which they are subjected to a provisional quality check.

Process duration: 2-4 weeks



STEP 2

Specification drawing.

After order we will convert your demand and, if any, concept drawing into a detailed specification drawing. Upon presentation you check details and we will process minor changes if any. When you are satisfied with the results, you give us your approval for production.

Process duration: 1-2 weeks



STEP 4

Finishing and assembly.

All manufactured metal make parts are galvanized or powder coated after which they are subjected to yet again a quality check. Then assembly starts followed by final testing the end-product. Remains only packing before collection by you or the carrier.

Process duration: 1-2 weeks



Easy install, safe use

The SmartMetals range of flat panel wall mounts is extensive. Suitable for landscape positioning of flat panels with a maximum weight of 160 kg.

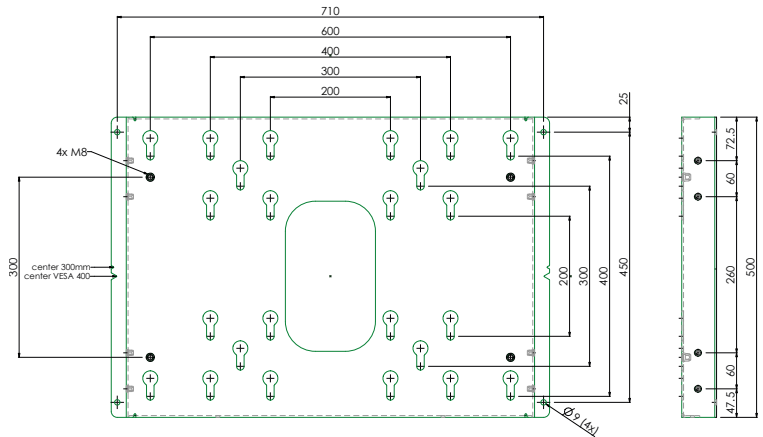
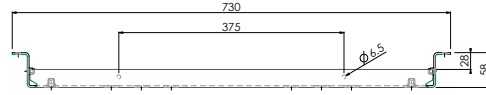
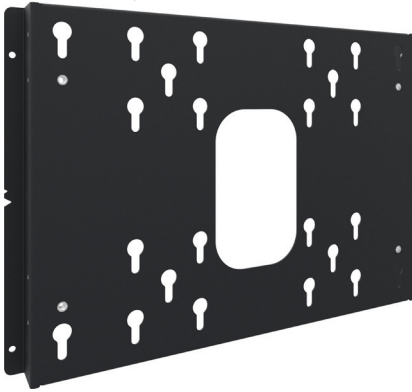
Installation is a breeze as all mounts are supplied including mounting materials for the flat panel. And since safety comes first, especially when children are involved we made securing your installation easy: simply lock the safety bar with a padlock.

The 052.xxx Series wall mounts, except for the 052.1200 project wall mount, are part of our modular system. With the 170 x 140 mounting pattern they combine perfectly with for example our floor stands and ceiling mounts.

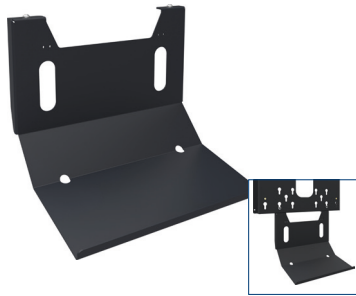
VESA WALL MOUNT

152.0010

This wall mount for touch screens easily combines with the whiteboard mounting kit further below on this page to create a five surface solution.



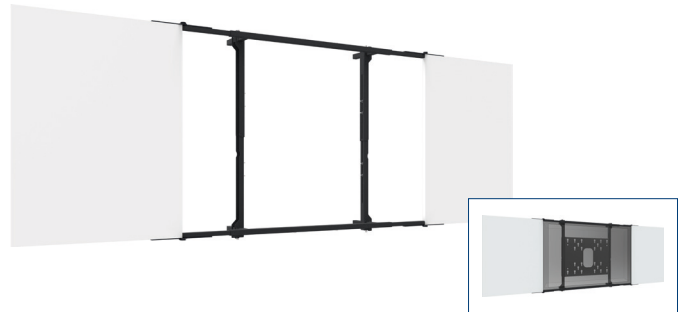
Colour	●
Max. load	150 kg
Position	Landscape
VESA	Max. 600 x 400



KEYBOARD SUPPORT

Use this keyboard support in combination with flat panels of maximum 70 inch.

Article code
063.7240



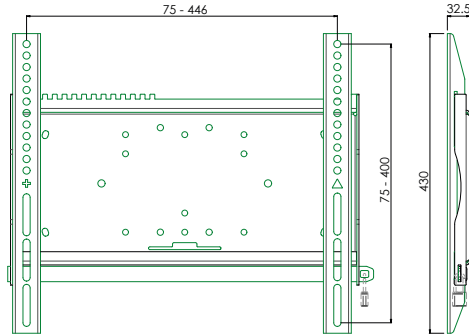
MOUNTING KIT INCL. WHITEBOARDS

Our whiteboard mounting kits come with enamel or laquered steel whiteboards custom-made for your touch screen or (interactive) whiteboard model. Markers do not leave stains on enamel steel, in contrast to lacquered steel, and we offer a 25 years warranty on the surface of an enamel steel whiteboard.

Article code	Description
152.0110-ES	Kit incl. whiteboards enamel steel for touch screen 55-70 inch, max. 1750mm x 1050mm (LxH)
152.0110-LS	Kit incl. whiteboards lacquered steel for touch screen 55-70 inch, max. 1750mm x 1050mm (LxH)
152.0120-ES	Kit incl. whiteboards enamel steel for touch screen 70-86 inch, max. 2050mm x 1250mm (LxH)
152.0120-LS	Kit incl. whiteboards lacquered steel for touch screen 70-86 inch, max. 2050mm x 1250mm (LxH)

Accessories

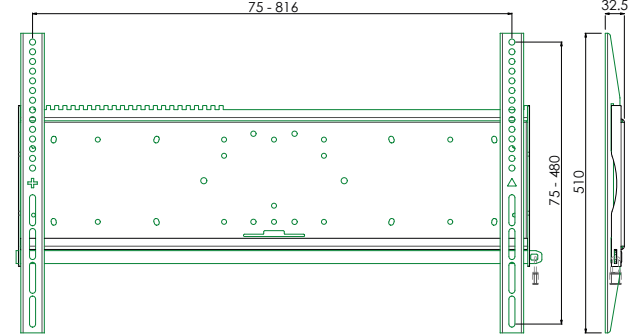
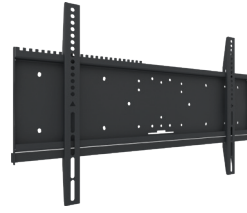
UNIVERSAL WALL MOUNTS



052.1000

Universal wall mount: max. 446 x 400 mm.

	Colour	●
	Max. load	125 kg
	Position	Landscape
	VESA	Max. 400 x 400



052.2000

Universal wall mount: max. 816 x 480 mm.

	Colour	●
	Max. load	125 kg
	Position	Landscape
	VESA	Max. 800 x 400

Accessories



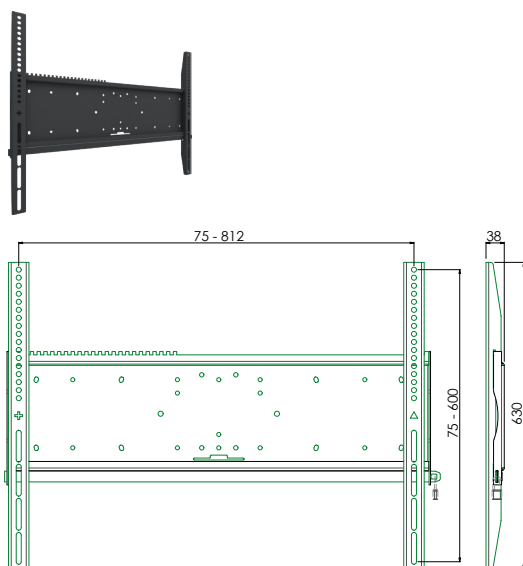
PADLOCK

Padlock 20 mm for use in combination with universal wall mounts.

Secure your monitor by locking the security bar with this padlock.





Article code

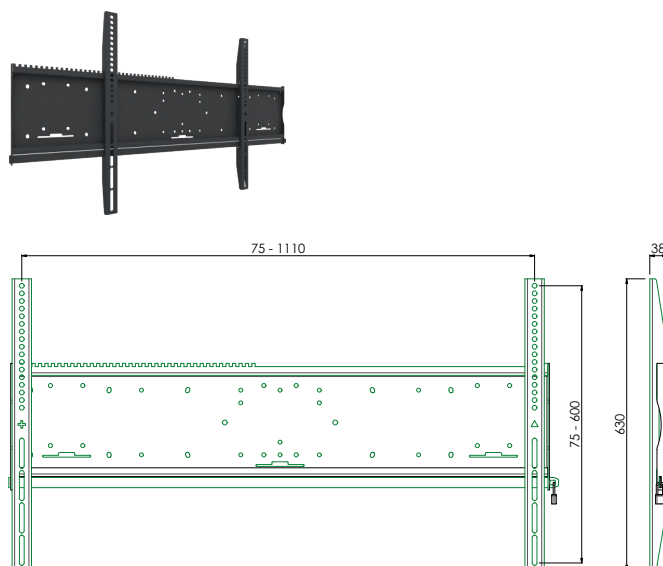
000.0001



052.2010





Universal wall mount: max. 812 x 600 mm

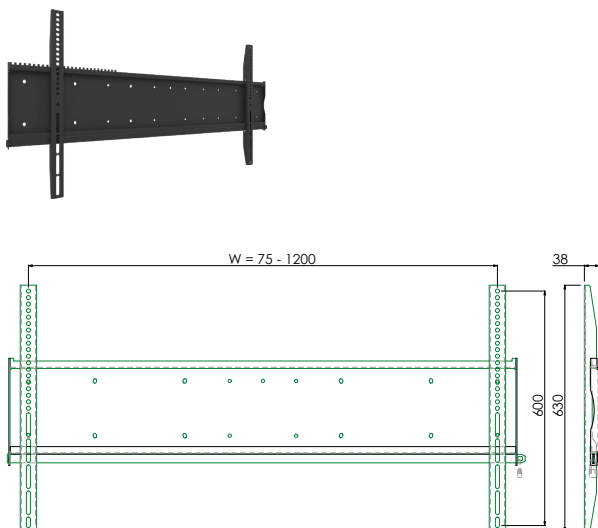
 Colour	●
 Max. load	125 kg
 Position	Landscape
 VESA	Max. 800 x 600



052.6000





Universal wall mount: max. 1110 x 600 mm

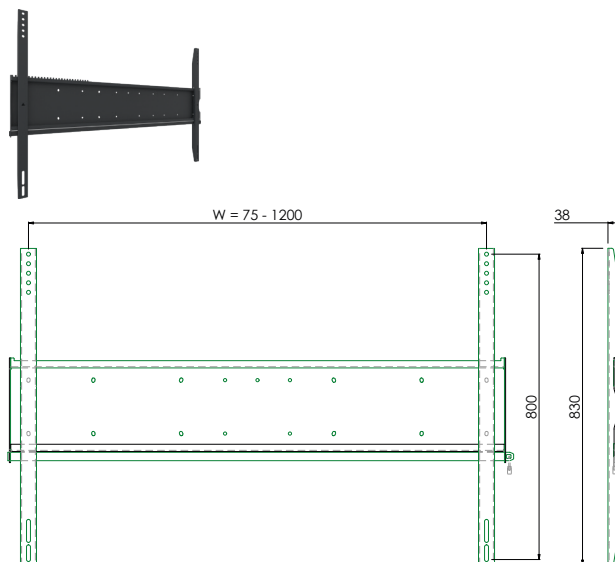
 Colour	●
 Max. load	160 kg
 Position	Landscape
 VESA	Max. 1000 x 600



052.6100





Universal wall mount: max. 1244 x 600 mm

 Colour	●
 Max. load	160 kg
 Position	Landscape
 VESA	Max. 1200 x 600



052.6200

Universal wall mount: max. 1244 x 800 mm

 Colour	●
 Max. load	160 kg
 Position	Landscape
 VESA	Max. 1200 x 800

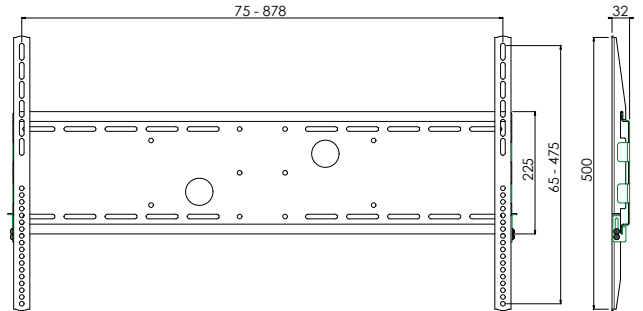
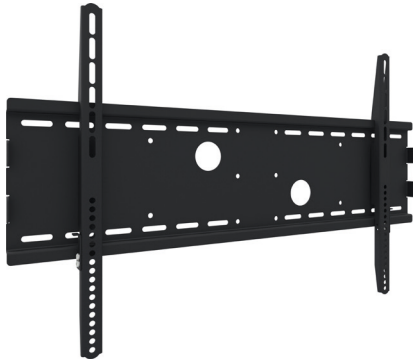
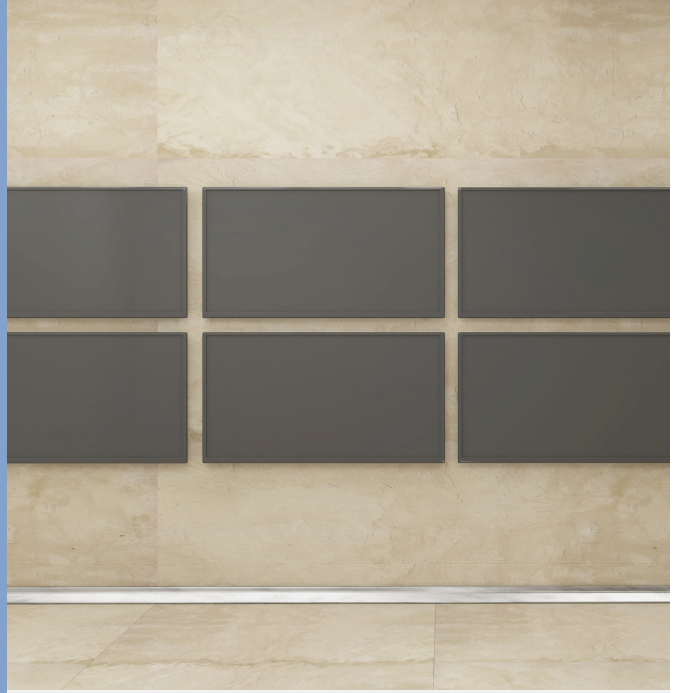
UNIVERSAL WALL MOUNTS

Project wall mount

COST EFFICIENT

Our project wall mounts, like all other wall mounts, are easy to use and install flat panels with a maximum weight of 75 kg. Especially interesting is its budget friendly price.

This wall mount falls outside our modular system lacking the specific 170 x 140 mounting pattern necessary for combination with our floor stands, ceiling mounts and other products.



052.1200

Project wall mount: max. 878 x 475 mm

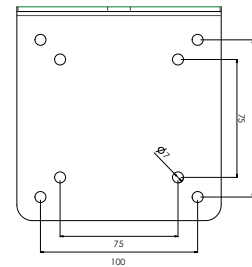
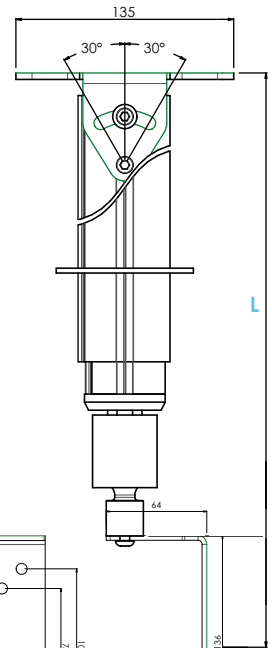
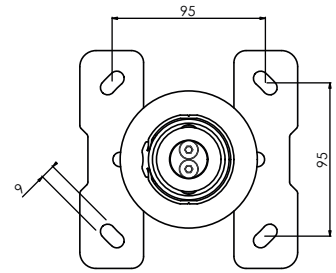
	Colour	●
	Max. load	75 kg
	Position	Landscape
	VESA	800 x 400

“SmartMetals: The Smarter Way of Mounting”

SmartMetals Mounting Solutions

CEILING MOUNTS

For flat panels max. 32 inch, 10 kg



CEILING MOUNT VESA 75/100

Mount your flat panel up to 32 inch to the ceiling by combining a ceiling mount from the L3-L5 range with VESA 75/100 bracket, 003.2100.

	Colours	
	Max. load	10 kg
	Max. inch	32 inch
	Position	Landscape & Portrait
	VESA	75, 100

Combine



ADJUSTABLE TUBE SET L3-L5

Article code	Length (L) (centre VESA)
002.2050 L3	466 - 635 mm
002.2060 L4	666 - 975 mm
002.2070 L5	1002 - 1625 mm

VESA 75/100 BRACKET

Article code
003.2100



A clear view for everyone

When your wall space is limited or the wall is too weak for mounting, you may want to consider a ceiling mount.

Ceiling mounting your flat panel with the SmartMetals Ceiling Mount Series offers a clear view for everyone in the room.

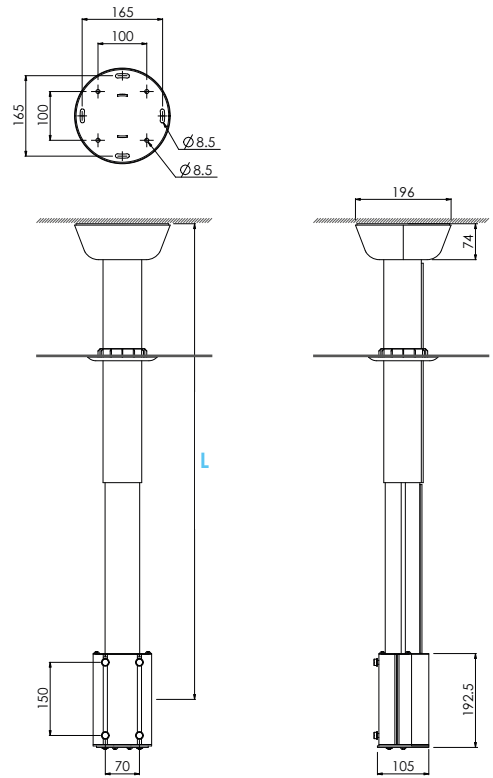
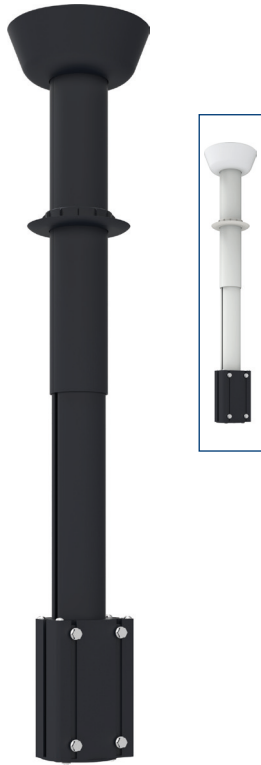
All models are telescopically adjustable in height and rotatable -90° - $+90^{\circ}$ and the ones with VESA bracket are tiltable max. 15° as well. Cables can run

through the cable duct all the way up into the supplied ceiling rose or into the suspended ceiling which is neatly finished with the included ceiling finishing ring.

The biggest benefit of this range is the saving of precious installation time due to the telescopic adjustment for a price where others offer you a cuttable fixed length.

CEILING MOUNTS

Heavy Duty Series



CEILING MOUNT

Telescopically adjustable and rotatable from -90° to +90°. Supplied including ceiling rose for architectural ceiling and ceiling finishing ring for a suspended ceiling. Please add a universal wall mount (which at the same time serves as a monitor bracket) to mount your flat panel to the tube set.

	Colours	<input type="radio"/> <input checked="" type="radio"/>
	Max. load	80 kg
	Max. inch	70 inch
	Position	Landscape & Portrait
	Note	170 x 140 modular mounting
	Required	Universal wall mount, see page 9

Article code	Colour	Length (L) (centre VESA)
072.3100B	Black	625 - 975 mm
072.3100W	White	625 - 975 mm
072.3150B	Black	890 - 1475 mm
072.3150W	White	890 - 1475 mm
072.3250B	Black	1450 - 2475 mm
072.3250W	White	1450 - 2475 mm
072.3300B	Black	1950 - 2975 mm
072.3300W	White	1950 - 2975 mm

Accessory



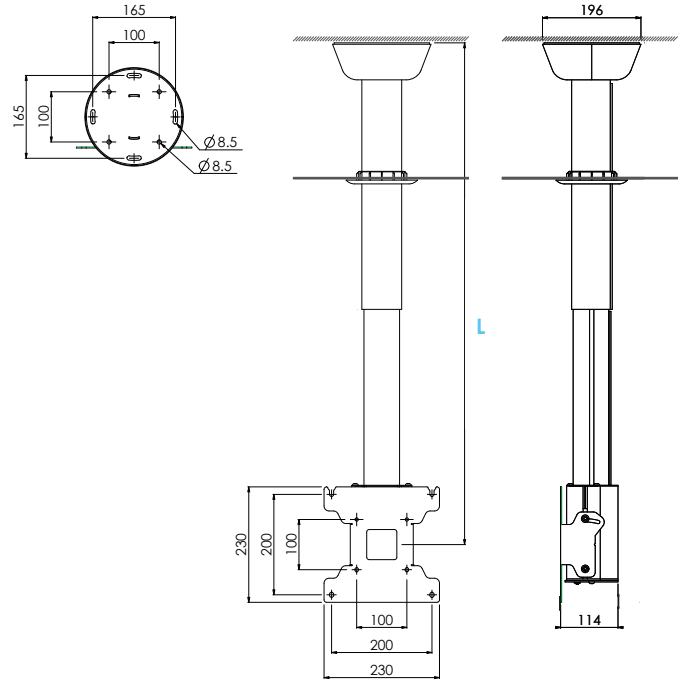
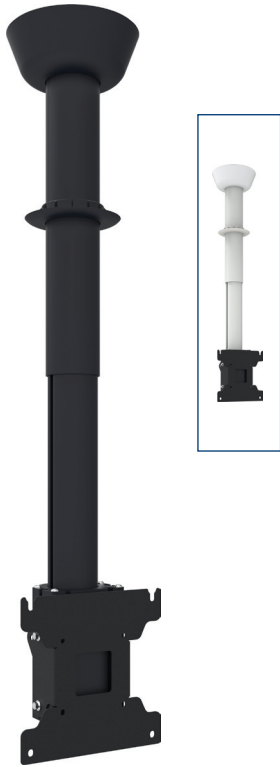
BACK TO BACK KIT

Simply add this kit and an additional monitor bracket to your 072.3xxx ceiling mount and mount the second monitor in a back to back configuration.

Article code
[072.3000-200](#)

CEILING MOUNTS

Heavy Duty Series with VESA bracket



CEILING MOUNT VESA 200

Telescopically adjustable, rotatable from -90° to +90° and tiltable max. 15°. Supplied including VESA 100 x 100 / 200 x 200 bracket, ceiling rose for architectural ceiling and ceiling finishing ring for a suspended ceiling.

	Colours	<input type="radio"/> <input checked="" type="radio"/>
	Max. load	30 kg
	Max. inch	55 inch
	Position	Landscape & Portrait

Article code	Colour	Length (L) (centre VESA)
072.3100B-122	Black	650 - 1000 mm
072.3100W-122	White	650 - 1000 mm
072.3150B-122	Black	915 - 1500 mm
072.3150W-122	White	915 - 1500 mm
072.3250B-122	Black	1475 - 2500 mm
072.3250W-122	White	1475 - 2500 mm
072.3300B-122	Black	1975 - 3000 mm
072.3300W-122	White	1975 - 3000 mm

Accessory



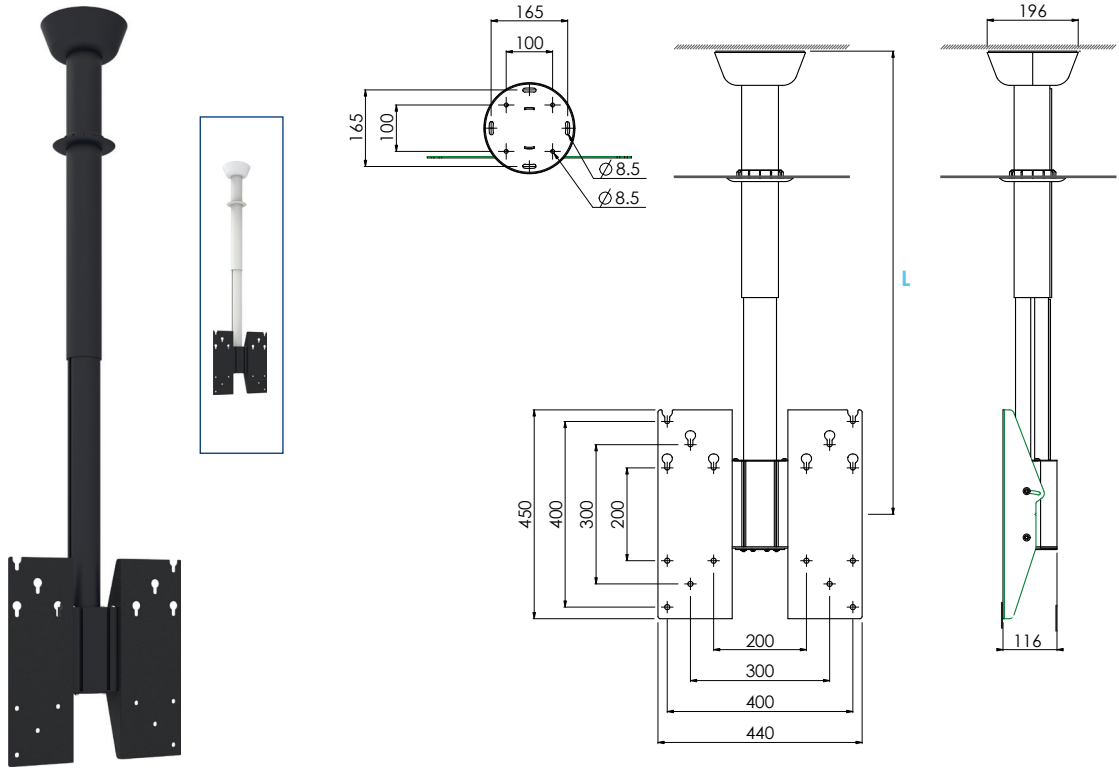
BACK TO BACK KIT FOR -122 MODELS

Simply add this kit with VESA bracket to your 072.3xxx-122 ceiling mount and mount the second monitor in a back to back configuration.

Article code
[072.3000-222](#)

CEILING MOUNTS

Heavy Duty Series with VESA bracket



CEILING MOUNT VESA 400

Telescopically adjustable, rotatable from -90° to +90° and tiltable max. 15°. Supplied including VESA 200/300/400 bracket, ceiling rose for architectural ceiling and ceiling finishing ring for a suspended ceiling.

	Colours	○ ●
	Max. load	80 kg
	Max. inch	70 inch
	Position	Landscape & Portrait

Article code	Colour	Length (L) (centre VESA)
072.3100B-144	Black	650 - 1000 mm
072.3100W-144	White	650 - 1000 mm
072.3150B-144	Black	915 - 1500 mm
072.3150W-144	White	915 - 1500 mm
072.3250B-144	Black	1475 - 2500 mm
072.3250W-144	White	1475 - 2500 mm
072.3300B-144	Black	1975 - 3000 mm
072.3300W-144	White	1975 - 3000 mm

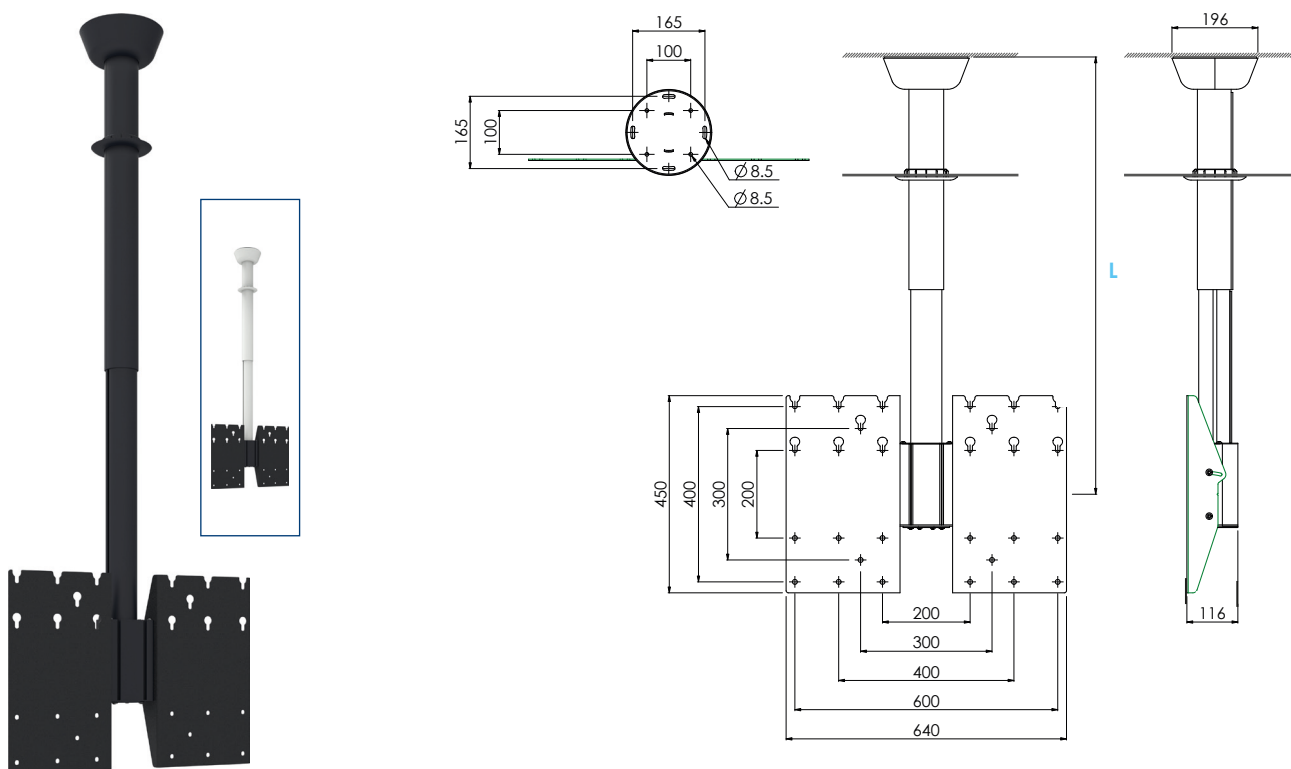
Accessory



BACK TO BACK KIT FOR -144 MODELS

Simply add this kit with VESA bracket to your 072.3xxx-144 ceiling mount and mount the second monitor in a back to back configuration.

Article code
[072.3000-244](#)



CEILING MOUNT VESA 600

Telescopically adjustable, rotatable from -90° to $+90^{\circ}$ and tiltable max. 15° . Supplied including VESA 200/300/400/600x400 bracket, ceiling rose for architectural ceiling and ceiling finishing ring for a suspended ceiling.

 Colours	○ ●
 Max. load	80 kg
 Max. inch	70 inch
 Position	Landscape & Portrait

Article code	Colour	Length (L) (centre VESA)
072.3100B-164	Black	650 - 1000 mm
072.3100W-164	White	650 - 1000 mm
072.3150B-164	Black	915 - 1500 mm
072.3150W-164	White	915 - 1500 mm
072.3250B-164	Black	1475 - 2500 mm
072.3250W-164	White	1475 - 2500 mm
072.3300B-164	Black	1975 - 3000 mm
072.3300W-164	White	1975 - 3000 mm

Accessory



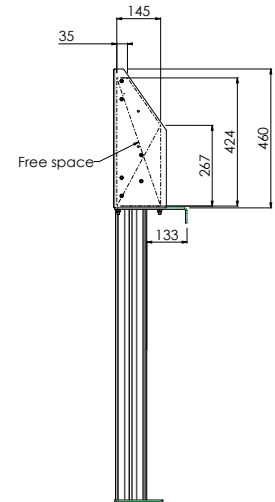
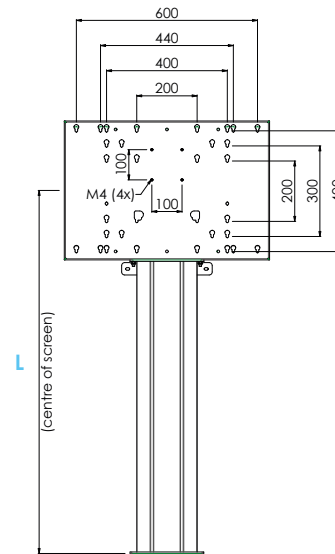
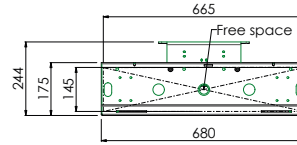
BACK TO BACK KIT FOR -164 MODELS

Simply add this kit with VESA bracket to your 072.3xxx-164 ceiling mount and mount the second monitor in a back to back configuration.

Article code
[072.3000-264](#)

FLOOR MOUNTS

Floor to wall mounted



FLOOR TO WALL COLUMN

This solution is installed fixed to the floor, near and connected to a wall for an extra stable solution for your touchscreen. VESA mounting is integrated as well as ample storage space for placing a mini PC or other peripherals.

	Colour	
	Max. load	135 kg
	Max. inch	86 inch
	Position	Landscape
	VESA	Max. 600 x 400

Article code	Length (centre screen) (L)
052.7320	1200 mm
052.7340	1400 mm
052.7360	1600 mm

Accessories



LARGE WALL PLATE

To create additional mounting surface on a weak wall.

[052.7235](#)



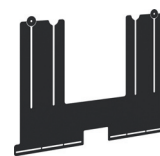
ADAPTER SET
VESA 800/600 x 400/200

052.7265



ADAPTER SET
VESA 800/600 x 500/600

052.7280



SOUNDBAR ADAPTER

Universally applicable.

052.7285



WALL MOUNT KIT
for 052.73x0 series

When drilling in the floor is not an option.

052.7330



BACK COVER
lockable

063.7260



KEYBOARD SUPPORT

To combine with flat panels max. 70 inch.

063.7240



MOUNTING KIT INCL. WHITEBOARDS FOR TOUCH SCREENS

Our whiteboard mounting kits come with enamel or laquered steel whiteboards custom-made for your touch display or (interactive) whiteboard model. Compared to lacquered steel, enamel steel offers no usage stains of the markers on the whiteboard and we offer 25 years warranty on the surface of an enamel steel whiteboard. Combine this mounting kit with a wall mount, floor lift or floor lift trolley and you have an educational tool with optimal ease of use.

Article code	Description
152.0110-ES	Kit incl. whiteboards enamel steel for touch screen 55-70 inch, max. 1750mm x 1050mm (LxH)
152.0110-LS	Kit incl. whiteboards lacquered steel for touch screen 55-70 inch, max. 1750mm x 1050mm (LxH)
152.0120-ES	Kit incl. whiteboards enamel steel for touch screen 70-86 inch, max. 2050mm x 1250mm (LxH)
152.0120-LS	Kit incl. whiteboards lacquered steel for touch screen 70-86 inch, max. 2050mm x 1250mm (LxH)



LAPTOP SUPPORTS

This laptop support can be mounted to the column over the full height and can be secured with a padlock.

Article code	Description
063.0100	Laptop support, surface 386 x 308 mm
063.0110	Laptop support, surface 300 x 190 mm

FLAT PANEL LIFT SYSTEMS

Manual & Electrical



ANTI-THEFT

Store and safeguard your valuable peripherals by adding a lockable back cover to your lift system.

BETTER SAFE THAN SORRY

With anti-collision on electrical lift systems, also called anti-pinch protection, you rule out the risk of someone getting hurt or materials damaged when a lift bumps into an obstacle and continues its movement. Anti-collision causes a lift to stop and safely move back up again the moment it experiences resistance.



MULTI PURPOSE CABINET

- ✓ it serves as monitor mounting
- ✓ it offers ample storage for peripherals
- ✓ it has VESA 100 for NUC/mini PC mounting
- ✓ it has a cut-out for a standard flush-mounted box for mounting for example a button panel.

Smarter education

Whether you are a teacher or a student, with a SmartMetals lift system you easily adjust your touchscreen suitable to your height, manually or electrically.

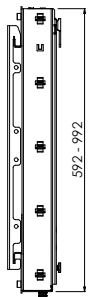
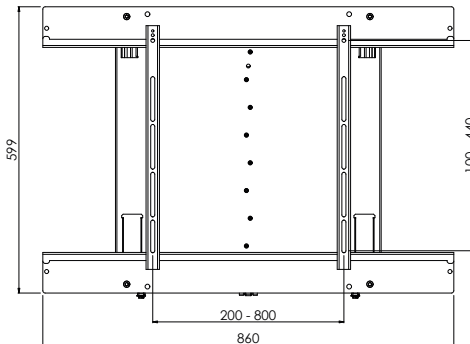
Our lift range is quick and easy to assemble and supplied including flat panel mounting materials. It is designed to accommodate almost all touch screens and offers both cabling and peripherals to be kept completely out of sight yet accessible where it is needed. Most of the lift systems standard come with an integrated anti-collision protection. For the ones that do not anti-collision is optionally available as well as a wide range of other accessories to further extend the functionality of the lift.

MANUAL LIFT SYSTEMS

Wall mounted

The demand for mounting solutions that allow a touchscreen to be adjusted quickly and repeatedly increases. Touchscreens are getting bigger, which means that users can not reach the upper part and therefore can not operate it.

The BalanceBox lets you quickly and effortlessly move a touchscreen to the right work and presentation height, regardless your height, or if you are in a (wheel)chair. Optimal accessibility and therefore a continuously pleasant and especially healthy posture when writing and drawing contribute to a perfect presentation.



BALANCEBOX 400

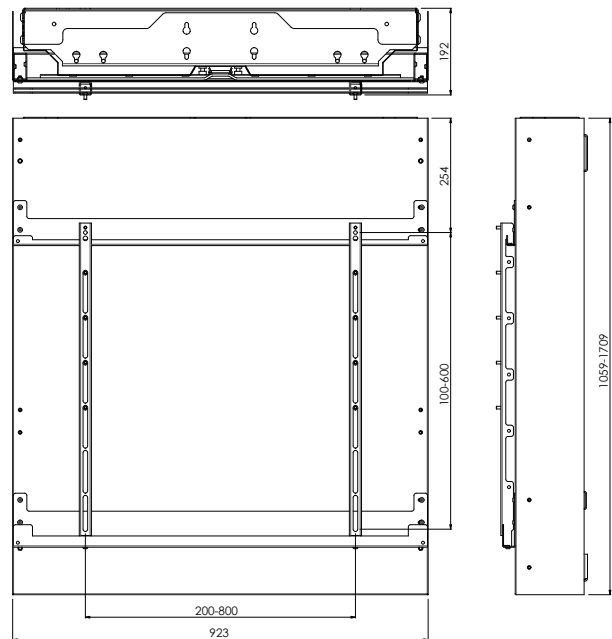
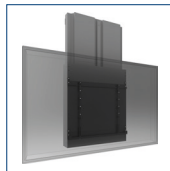
For touchscreens 37 - 90 kg, including mount max. VESA 800 x 400.

	Position	Landscape
	VESA	800 x 400
	Accessories	See next page
	Stroke	400 mm

Article code	Maximum load
BBW.0400-38	19 - 38 kg
BBW.0400-65	37 - 65 kg
BBW.0400-90	62 - 90 kg

HOW DOES IT WORK?

The BalanceBox is a mounting system with a built-in spring mechanism that balances heavy weights like a touchscreen, so that it appears to be "weightless". Manually moving up and down becomes child's play.



BALANCEBOX 650

For touchscreens 30 - 164 kg, including mount max. VESA 800 x 650.

	Position	Landscape
	VESA	800 x 650
	Accessories	See below
	Stroke	650 mm

Article code	Maximum load
BBW.0650-65	30 - 65 kg
BBW.0650-122	63 - 122 kg
BBW.0650-164	90 - 164 kg

Accessories

MOBILE STAND FOR BALANCEBOX

Mobile stand with integrated laptop shelf.

	Colour	●
	Note	No pictures nor specification sheet are available at the time this catalogue goes to press. Please contact our sales team if you have questions.

Article code	Description	Max. load
BBM.0400	Mobile stand for BalanceBox 400	125 kg
BBM.0650	Mobile stand for BalanceBox 650	180 kg

FLOOR SUPPORT FOR BALANCEBOX

For use with non-supporting walls.

	Colour	○
	Max. load	225 kg
	Note	No pictures nor specification sheet are available at the time this catalogue goes to press. Please contact our sales team if you have questions.

Article code	Description
BBF.0400	Floor support for BalanceBox 400
BBF.0650	Floor support for BalanceBox 650

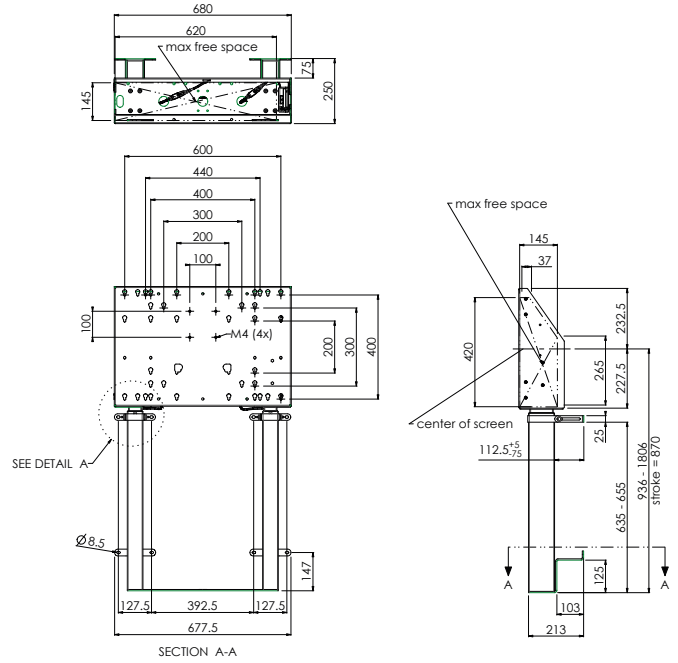
ELECTRICAL LIFT SYSTEMS

Floor supported & wall mounted

WALL LIFT XXL MAX. 86 INCH



	Colours	○ ●
	Max. load	120 kg
	Max. inch	86
	Position	Landscape & Portrait
	VESA	Max. 600 x 400
	Stroke	870 mm
	Accessories	See from page 34
	Anti-collision	Included

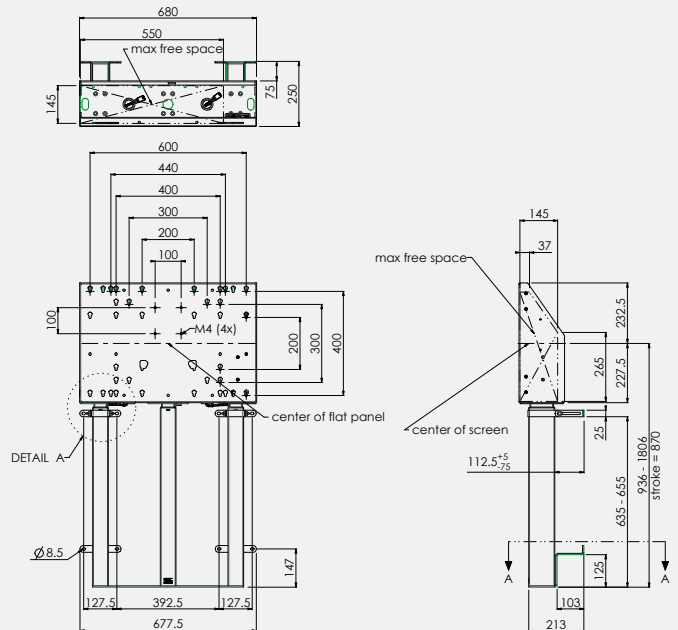


Article code	Colours
052.7150W	White
052.7150B	Black

WALL LIFT XXL MAX. 98 INCH



	Colours	○ ●
	Max. load	180 kg
	Max. inch	98
	Position	Landscape & Portrait
	VESA	Max. 600 x 400
	Stroke	870 mm
	Accessories	See from page 34
	Anti-collision	Included

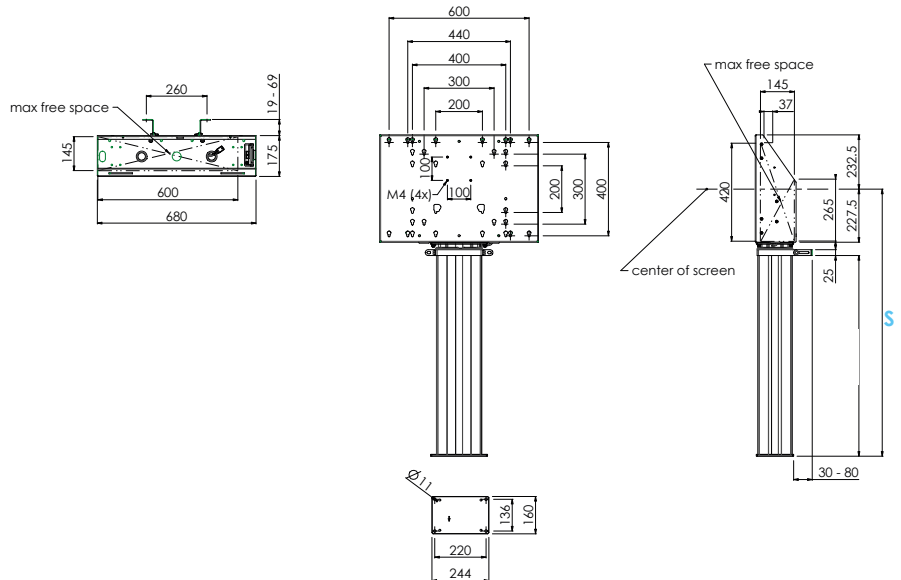
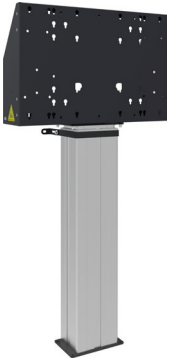


Article code	Colour
052.7155W	White
052.7155B	Black

ELECTRICAL LIFT SYSTEMS

Floor & wall mounted

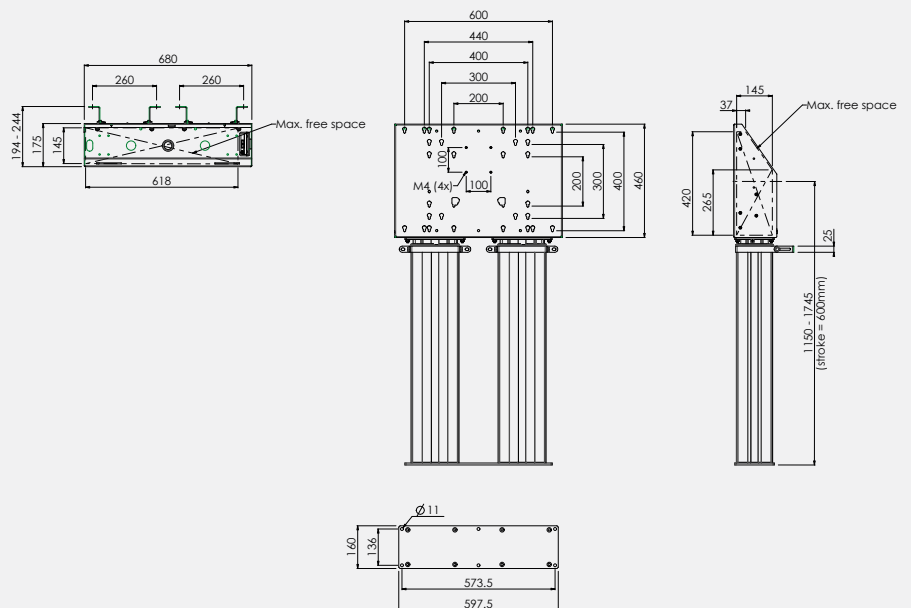
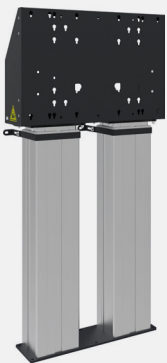
FLOOR LIFT XL MAX. 86 INCH



	Colour	
	Max. load	135 kg
	Max. inch	86
	Position	Landscape & Portrait
	VESA	Max. 600 x 400
	Stroke	600 mm
	Accessories	See from page 34

Article code	Stroke (centre screen) (S)
052.7200	1145.0 mm - 1745.0 mm (600 mm)
052.7250	882.5 mm - 1383.5 mm (500 mm)

FLOOR LIFT DOUBLE XL MAX. 98 INCH

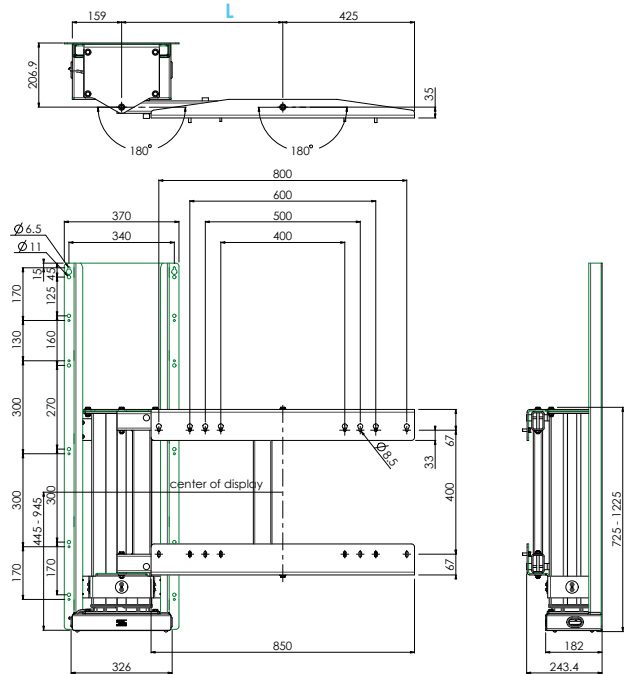


	Colour	
	Max. load	200 kg
	Max. inch	98
	Position	Landscape & Portrait
	VESA	Max. 600 x 400
	Stroke	600 mm
	Accessories	See from page 34

Article code	Stroke (centre screen)
052.7110	1145.0 mm - 1745.0 mm (600 mm)

ELECTRICAL LIFT SYSTEMS

Wall mounted



OPTIMAL FLEXIBILITY WITH 180° TURNABLE SWING

The wall mounted Swing has an electric height adjustment of 500 mm for (touch) screens up to 86 inch.

In addition to the electrical height adjustment, the monitor can be moved forward manually with a 180° turning motion and back to the wall again. When the monitor is pulled forward it can also be turned 90° to the left and right. The Swing offers the most flexibility for an optimal positioning of your (touch) screens.

	Colour	○
	Max. load	100 kg
	Position	Landscape, Portrait
	VESA	800/600/500/400 x 400
	Stroke	500 mm

Benefits

- ✓ Adaptive use
- ✓ Health & Safety responsible use
- ✓ Easy to install
- ✓ Universal for all (touch) screens

Article code	Inch range	Arm length to centre screen
052.7400-65	Max. 65 inch	520 mm
052.7400-86	Max. 86 inch	740 mm

Accessory



FLOOR SUPPORT

Placed beneath the Swing the lift will be floor supported in case of weak wall. The support lends itself perfectly for branding and hiding small peripherals behind its lockable cover.

Article code	Description
052.7440	Floor support 690 mm
052.7445	Floor support 965 mm

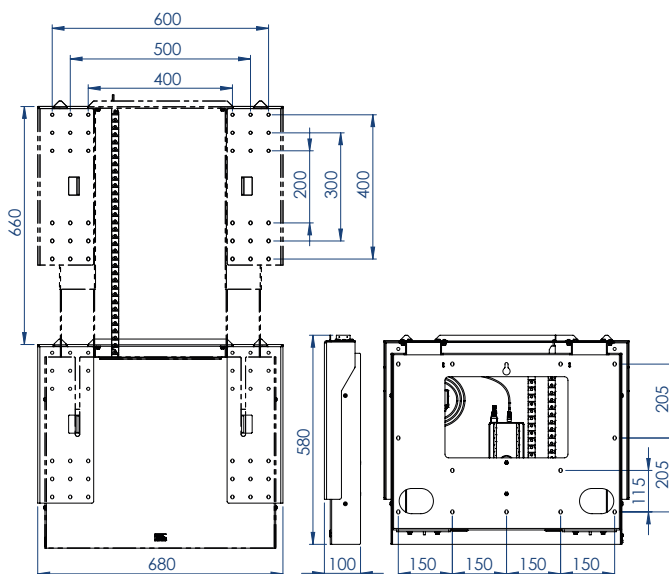
NEW



FREE FLOATING DESIGNED WALL LIFT FOR TOUCH SCREENS MAX. 86 INCH

The latest newcomer in our product range is this ultra-shallow wall lift system for touch screens of max. 86 inch: build-up between wall and touch screen is only 90 mm. With this lift your touch screen is mounted seemingly free floating in front of a wall, thus preserving aesthetics in the room. As with all lifts in our range, assembly and installation are quick and easy.

	Colour	○
	Max. load	100 kg
	Max. inch	86 inch
	Position	Landscape
	VESA	Max. 600 x 400
	Stroke	660 mm



Art. code

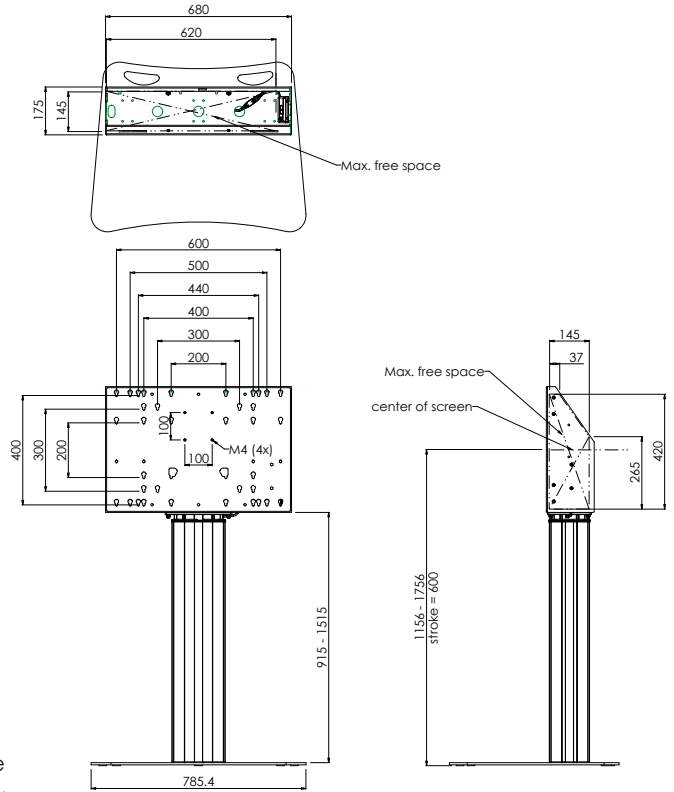
052.7500

Benefits

- ✓ Depth no more than 90 mm
- ✓ Invisibly mounted behind the monitor
- ✓ Aesthetics of the room are retained
- ✓ Easy to install

ELECTRICAL LIFT SYSTEMS

Freestanding on floor



FREESTANDING FLOOR LIFT XL MAX. 135 KG, MAX. 86 INCH

For a freestanding solution, for example when drilling in the floor is not allowed, simply combine our floor lift XL with baseplate 052.7210.

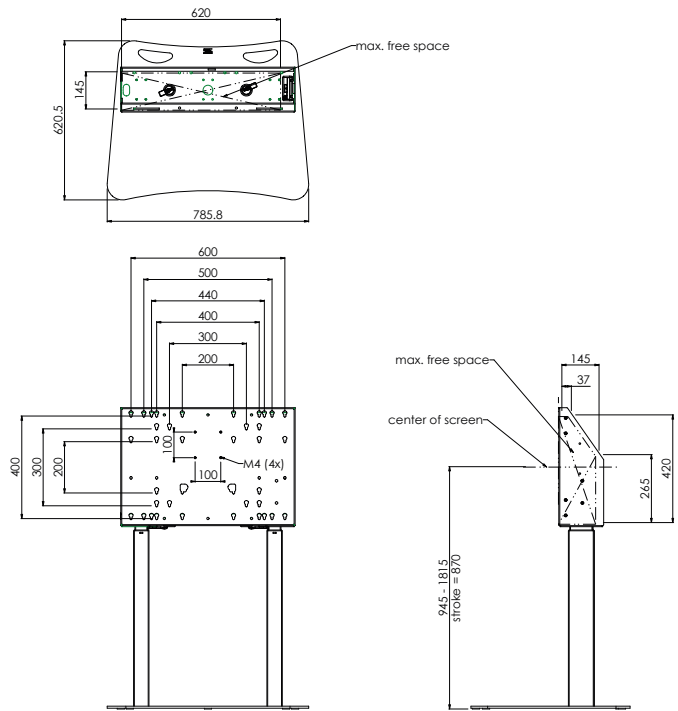
	Colour	
	Max. load	135 kg
	Max. inch	86 inch
	Position	Landscape, Portrait
	VESA	Max. 600 x 400
	Accessories	See from page 54

Article code	Stroke (centre screen)
062.7410	1156.0 mm - 1756.0 mm (600 mm)



FREESTANDING FLOOR LIFT ANTI-COLLISION, MAX. 86 INCH

	Colour	<input type="radio"/> <input checked="" type="radio"/>
	Max. load	120 kg
	Max. inch	86 inch
	Position	Landscape, Portrait
	VESA	Max. 600 x 400
	Stroke	870 mm
	Accessories	See from page 54
	Anti-collision	Included

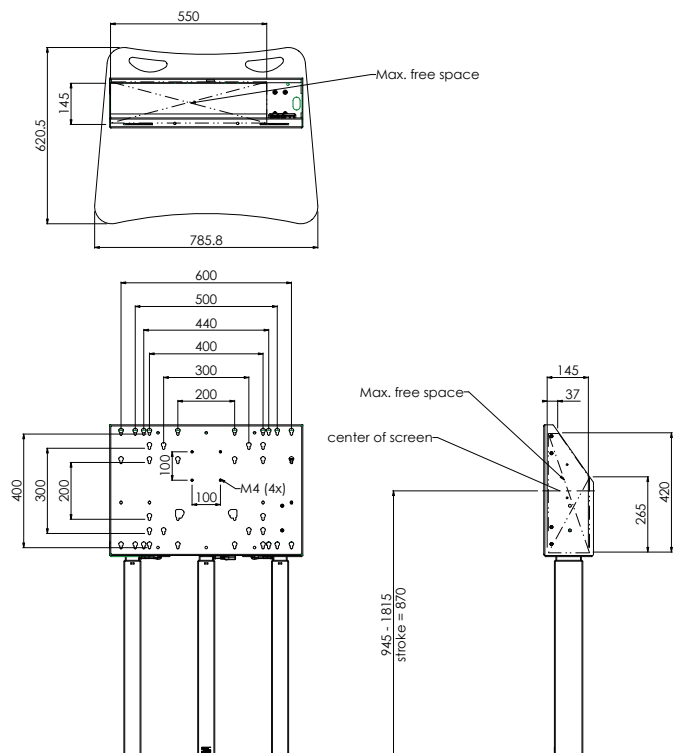


Article code	Colour
062.7420.11	White
062.7420.01	Black



FREESTANDING FLOOR LIFT ANTI-COLLISION, MAX. 98 INCH

	Colour	<input type="radio"/> <input checked="" type="radio"/>
	Max. load	180 kg
	Max. inch	98 inch
	Position	Landscape, Portrait
	VESA	Max. 600 x 400
	Stroke	870 mm
	Accessories	See from page 54
	Anti-collision	Included



Article code	Colour
062.7430.11	White
062.7430.01	Black

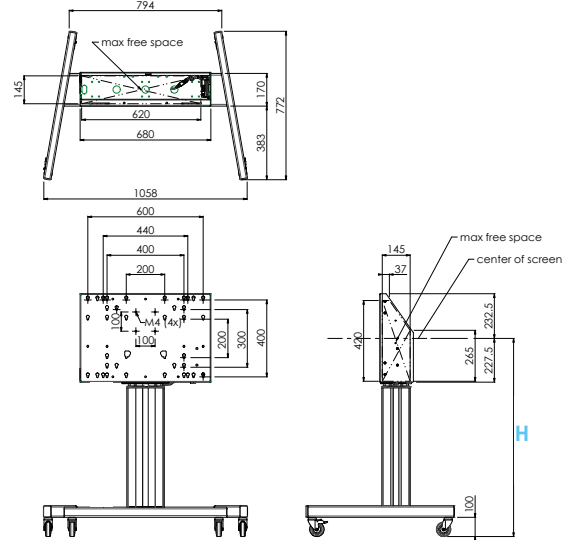
ELECTRICAL LIFT SYSTEMS

On wheels



FLOOR LIFT MAX. 86 INCH

	Colours	● ○
	Max. load	120 kg
	Max. inch	86 inch
	Position	Landscape & Portrait
	VESA	Max. 600 x 400
	Accessories	See from page 34



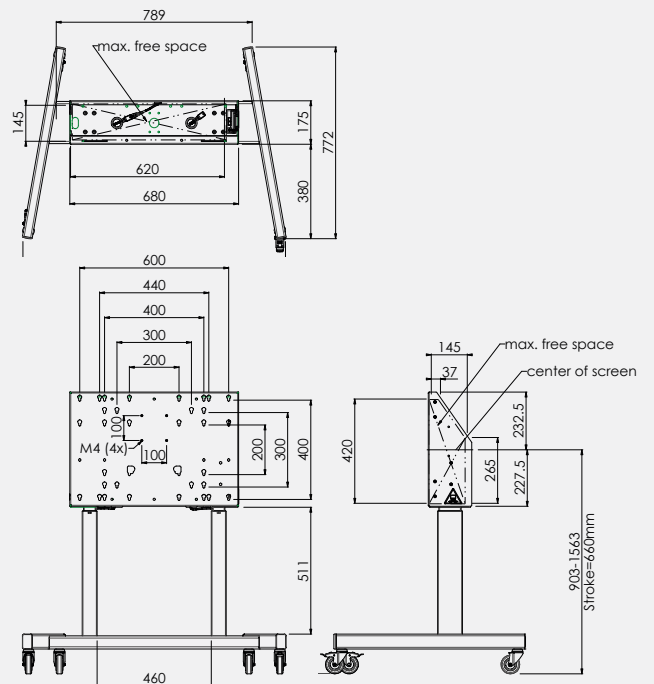
Article code	Colour	Height (centre screen) (H)
062.7270	Silver grey	1030 - 1530 (500 mm)
062.7290	Silver grey	1290 - 1890 (600 mm)
062.7275	Black	1030 - 1530 (500 mm)
062.7295	Black	1290 - 1890 (600 mm)

Anti-collision



FLOOR LIFT MAX. 86 INCH

	Colour	○ ●
	Max. load	120 kg
	Max. inch	86 inch
	Position	Landscape & Portrait
	VESA	Max. 600 x 400
	Stroke	660 mm
	Accessories	See from page 34
	Anti-collision	Included



Article code	Colour
062.7205W	White
062.7205B	Black


No matter the environment or the way of use: we dare say we have a suitable lift system always.

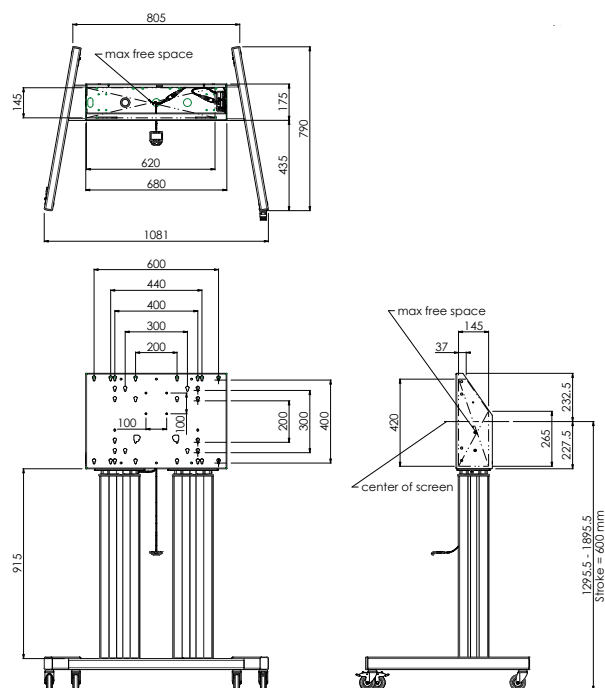
You want to use a lift in more than just one room? Choose a lift on wheels.

All our lift systems are easy to install and safe in use due to the anti-collision feature which is included in most of our lifts and optionally available for the rest.



FLOOR LIFT DOUBLE XL MAX. 98 INCH

 Colour	●
 Max. load	160 / 200 kg* <i>*sturdier wheels (same height), pls contact us</i>
 Max. inch	98 inch
 Position	Landscape
 VESA	Max. 600 x 400
 Accessories	See from page 34











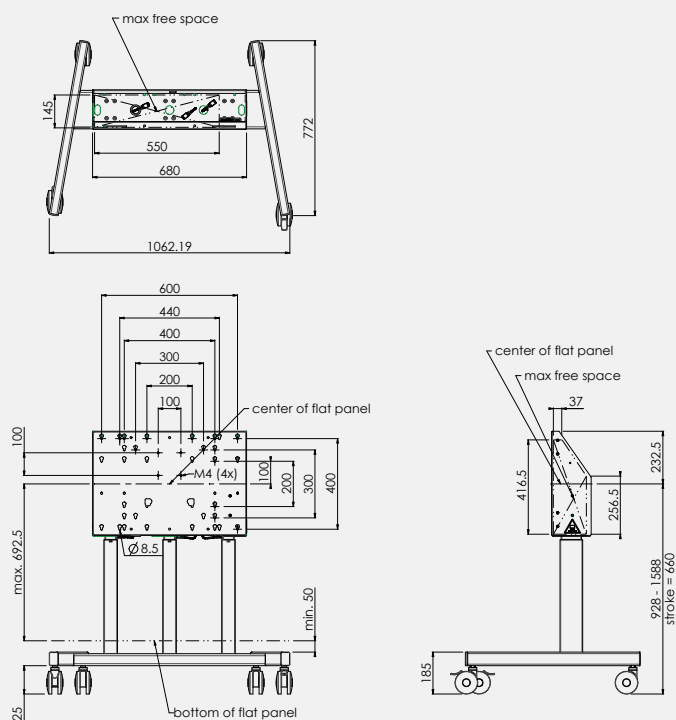
Article code

062.7105



FLOOR LIFT MAX. 98 INCH

 Colour	○ ●
 Max. load	180 kg
 Max. inch	98 inch
 Position	Landscape & Portrait
 VESA	Max. 600 x 400
 Stroke	660 mm
 Accessories	See from page 34
 Anti-collision	Included



Article code

062.7225W

Colour

White

062.7225B

Black

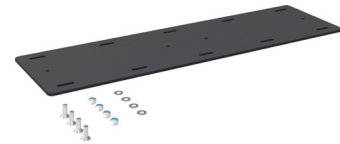
ACCESSORIES

For lift systems



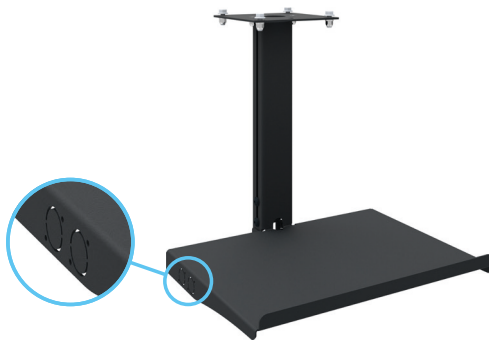
LIFT MOUNT WITH ROTATION
max. 800 x 600 mm, max. load 100 kg

052.5080



LARGE WALL PLATE
for 052.7110

052.7130



LAPTOP SUPPORT
for 2-column lifts with anti-collision

With 2x recess for Neutrik connectors and hidden cable entry.

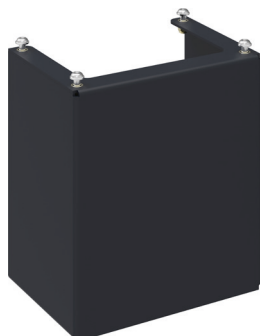
052.7145



WALL BRACKET
for 052.7200 & 052.7250

To support floor lifts 052.7200 and 052.7250 against a wall. Combined with the large wall plate (052.7235) you create a sturdy fixation to a weak wall. Combine it with the wall fixation kit (052.7230), in case you cannot bolt to the floor. One piece of this wall bracket is standard included with our lift systems.

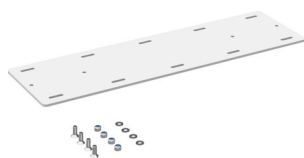
052.7227



FLOOR SUPPORT
for 052.72x0, 062.727x & 062.729x

When you need to place your lift system higher this support takes care of it. Also ideal for branding purposes.

Article code	Description
052.7255	Support 410 mm
052.7255-27	Support 270 mm



LARGE WALL PLATE
for 052.7150

052.7135



CAMERA SUPPORT
for 2-column lifts with
anti-collision

052.7147



CAMERA SUPPORT
for lift systems without
anti-collision

052.7247



BASE PLATE
for 052.7200 and 052.7250

To install floor lifts freestanding.

052.7210



ADAPTER SET
VESA 800/600 x 400/200

Suitable for 052.7110, 052.72x0,
062.73x0, 062.7x05, 062.727x &
062.729x.

052.7265



ADAPTER SET
VESA 800/600 x 500/600

Suitable for 052.7110, 052.72x0,
062.73x0, 062.7x05, 062.727x &
062.729x.

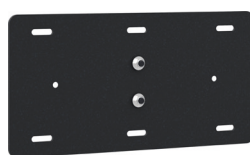
052.7280



WALL FIXATION KIT
for 052.7200 and 052.7250

When drilling in the floor is not
an option.

052.7230



LARGE WALL PLATE
for 052.7200 and 052.7250

To create additional mounting
surface on a weak wall.

052.7235



**ANTI-COLLISION
MODULE**
incl. 200 mm cable

Two pcs required for 052.7110,
062.7105 and 172.7022-45/55.

052.7217



**UNIVERSAL
SOUNDBAR ADAPTER**

052.7285



LAPTOP SUPPORT
for 052.72x0, 062.72xx &
062.7105

052.7245



SET OF 2 HANDLES
for 062.72xx & 062.7105

063.7207

ACCESSORIES

For lift systems



LOCKABLE BACK COVER
for 052.72x0, 062.727x & 062.729x

063.7260



KEYBOARD SUPPORT
for 052.72x0 & 062.72xx

To combine with flat panels of max. 70 inch.

063.7240



MOUNTING KIT INCL. WHITEBOARDS FOR TOUCH SCREENS

Our whiteboard mounting kits come with enamel or laquered steel whiteboards custom-made for your touch display or (interactive) whiteboard model. Compared to lacquered steel, enamel steel offers no usage stains of the markers on the whiteboard and we offer 25 years warranty on the surface of an enamel steel whiteboard. Combine this mounting kit with a wall mount, floor lift or floor lift trolley and you have an educational tool with optimal ease of use.

Article code	Description
152.0110-ES	Mounting kit incl. whiteboards enamel steel for touch screen 55-70 inch, max. 1750mm x 1050mm (LxH)
152.0110-LS	Mounting kit incl. whiteboards lacquered steel for touch screen 55-70 inch, max. 1750mm x 1050mm (LxH)
152.0120-ES	Mounting kit incl. whiteboards enamel steel for touch screen 70-86 inch, max. 2050mm x 1250mm (LxH)
152.0120-LS	Mounting kit incl. whiteboards lacquered steel for touch screen 70-86 inch, max. 2050mm x 1250mm (LxH)

“SmartMetals: The Smarter Way of Mounting”

SmartMetals Mounting Solutions

ELECTRICAL LIFT SYSTEMS

On wheels with table & tip function

Our Tip & Touch Series for flat panels and touch screens offer the most flexible way of use: The trolley can be safely moved from one room to another, it has a table function and from there can be tilted 90° to an upright position to then be adjusted 660 mm in height electrically. The Tip & Touch offers perfect usability for example in a classroom or anywhere where users vary in length.



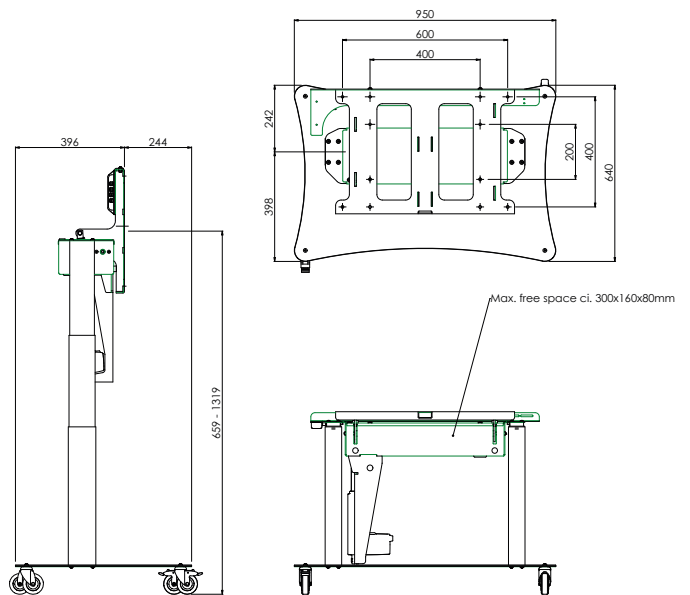
BENEFITS

- ✓ Easily and safely movable
- ✓ Monitor to be used in both a table and upright position
- ✓ Also available in models specifically designed for little children (lower) and wheelchair users (wider)
- ✓ Perfect usability for users with different lengths



TIP & TOUCH STAND

Stand on wheels with anti-collision for touchscreens max. 75 inch. Supplied including mount max. VESA 600 x 400.



	Colour	●
	VESA	Max. 600 x 400
	Stroke	660 mm
	Anti-collision	Included

Article code	Max. load	Max. inch	H base plate
062.7650	60 kg	Max. 65 inch	6 mm
062.7650-95	95 kg	Max. 75 inch	12 mm

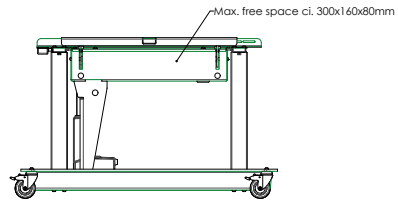
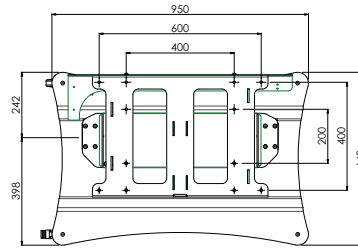
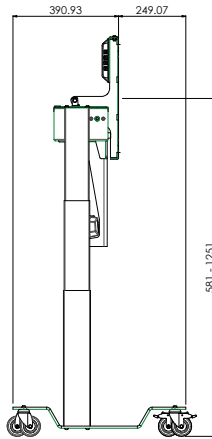
SPECIAL MODEL

TIP & TOUCH EXTRA LOW

This model has been developed especially for the smaller children.



	Colour	●
	Max. load	60 kg
	Max. inch	65 inch
	VESA	Max. 600 x 400
	Stroke	660 mm
	Anti-collision	Included



Article code
062.7660

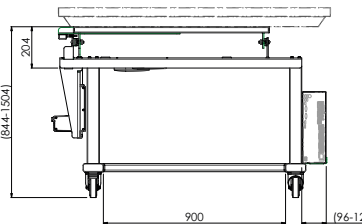
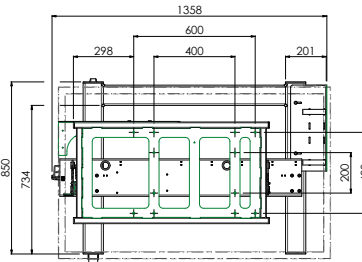
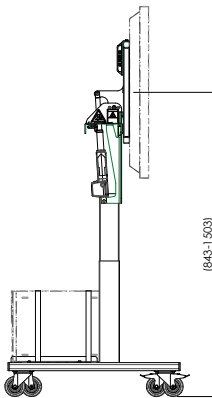
SPECIAL MODEL

TIP & TOUCH EXTRA WIDE

This model has been developed especially for users in wheelchair.



	Colour	●
	Max. load	60 kg
	Max. inch	65 inch
	VESA	Max. 600 x 400
	Stroke	660 mm
	Anti-collision	Included



Article code
062.7700

Accessories



COMPUTER CABINET

Article code
063.7670



Ultimate engagement

With interactive whiteboards being a game changer in classrooms, allowing teachers to engage more directly with interactive content, another need arose: an easily in height adjustable solution to accommodate both teacher and students, suitable for mounting any short throw projector and stable enough when the whiteboard is touched or written on. We fulfilled this need with following (interactive) whiteboard lift systems, for both fixed and mobile use.

ELECTRICAL LIFT SYSTEMS

(Interactive) whiteboard lift systems



FLOOR LIFT FOR INTERACTIVE WHITEBOARD

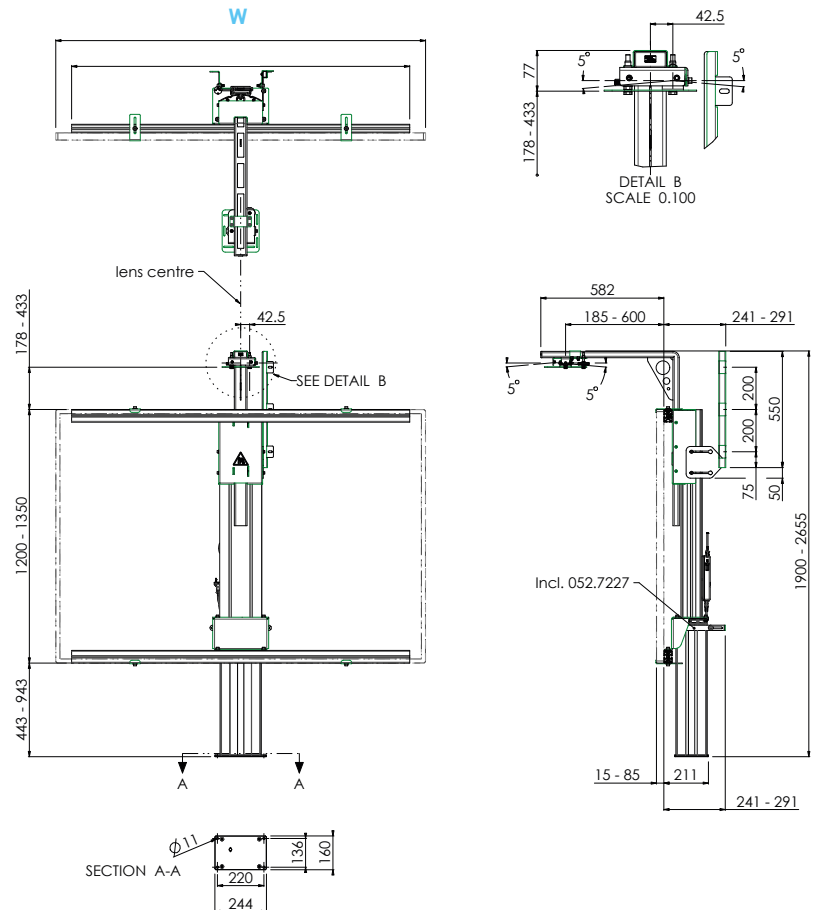
This lift is a quick and easy to install floor lift, allowing electrical height adjustment of your interactive whiteboard and projector. The lifts are fitted with universal whiteboard fitting, making it suitable for almost every IWB.

The lift requires positioning close to a wall to which it can be attached with its adjustable wall bracket.

The floor lift comes with a remote control to adjust the whiteboard 500 mm in height.

Please specify your whiteboard and projector upon order.

	Colour	
	Max. load	80 kg
	Position	Landscape
	Stroke	500 mm
	Accessories	See page 43
	Required	Projector mount (excl.), pls contact us



Benefits

- ✓ Adaptive use
- ✓ Extra stable because of floor and wall mounting
- ✓ Quick and easy to install
- ✓ Universal whiteboard fitting

Article code	Whiteboard width (W)	Inch size
152.1000-77	1600 - 1899 mm	77 inch
152.1000-87	1900 - 2099 mm	87 inch
152.1000-101	2100 - 2299 mm	101 inch

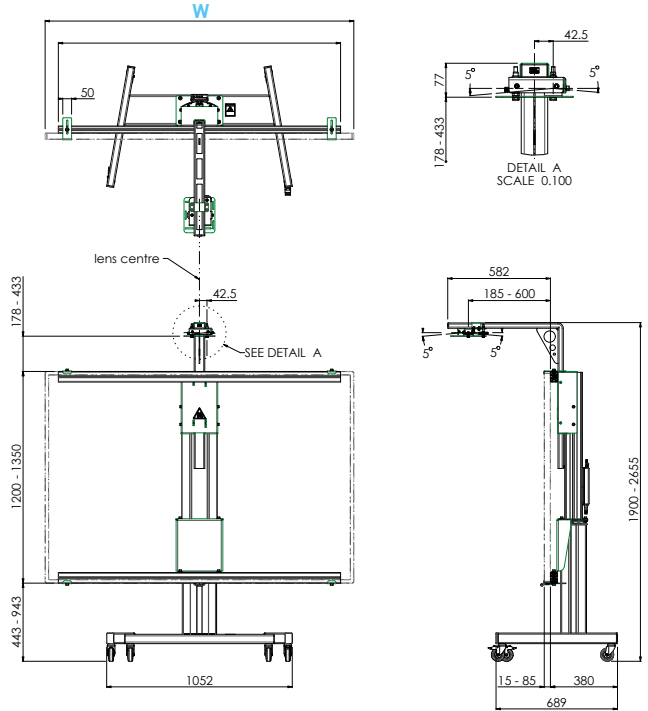


FLOOR LIFT ON WHEELS FOR INTERACTIVE WHITEBOARD

This is the same lift as the floor model but with wheels for flexible use in more than just one location.

When the lift is in its lowest position and projector is in withdrawn position you can ride this lift through a door size 2315 x 930 mm.

	Colour	
	Max. load	80 kg
	Max. inch	77 inch
	Position	Landscape
	Stroke	500 mm
	Accessories	See page 43
	Required	Projector mount (excl.), pls contact us



Benefits

- ✓ Adaptive and flexible use
- ✓ Fits through door
- ✓ Quick and easy to install
- ✓ Universal whiteboard fitting

Article code	Whiteboard width (W)	Inch size
152.2000-77	1600 - 1899 mm	77 inch
152.2000-87	1900 - 2099 mm	87 inch
152.2000-101	2100 - 2299 mm	101 inch



ACCESSORIES

For (interactive) whiteboard lift systems



PEN TRAY 350 MM for 152.1000/2000 Series

To place pens and markers underneath your whiteboard.

152.1010



PROJECTOR BRACKET

For Benq, Epson, Hitachi, NEC, Panasonic, Sony, Vivitek, i3.

152.1030-0x



WALL FIXATION KIT for 152.1000-77/87/101

When drilling in the floor is not an option.

152.1040



ANTI-COLLISION MODULE incl. 200 mm cable

052.7217



ACTIVEBOARD MOUNT

Required to mount an ActiveBoard digiboard, which can not be clamped due to its plastic bezel.

152.1045



MOUNTING KIT INCLUDING WHITEBOARDS

Our whiteboard mounting kits come with enamel or laquered steel whiteboards custom-made for your touch display or (interactive) whiteboard model. Compared to lacquered steel, enamel steel offers no usage stains of the markers on the whiteboard and we offer 25 years warranty on the surface of an enamel steel whiteboard. Combine this mounting kit with a wall mount, floor lift or floor lift trolley and you have an educational tool with optimal ease of use.

Article code	Description
152.1070-ES	Kit incl. enamel steel whiteboards for IWB 77-79 inch
152.1070-LS	Kit incl. lacq. steel whiteboards for IWB 77-79 inch
152.1080-ES	Kit incl. enamel steel whiteboards for IWB 87-89 inch
152.1080-LS	Kit incl. lacq. steel whiteboards for IWB 87-89 inch
152.1100-ES	Kit incl. enamel steel whiteboards for IWB 100-101 inch
152.1100-LS	Kit incl. lacq. steel whiteboards for IWB 100-101 inch



LARGE WALL PLATE for 152.1000 Series

To create additional mounting surface on a weak wall.

052.7235

WALL MOUNTS

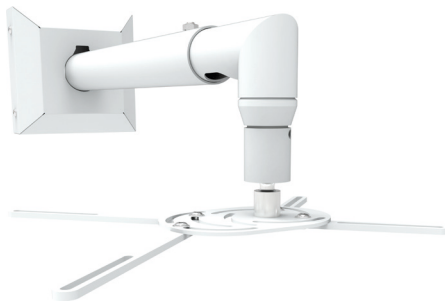
Universal wall mounts

OPTIMAL POSITIONING

When you carefully choose your projector for perfect projection performance you should want equal quality for the way of mounting to be able to perfectly align your image.

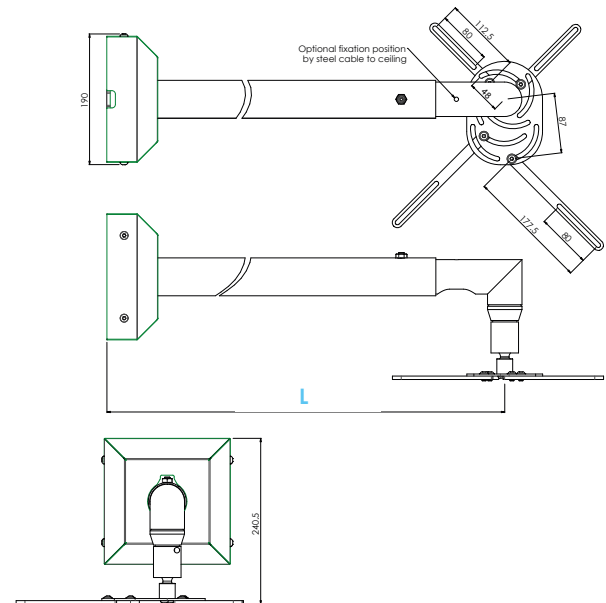
Our wall mounts offer optimal alignment features starting from the moment you are installing to the moment you are projecting:

- ✓ Wall plate with slotted holes for perfect positioning
- ✓ Tubes are adjustable in length
- ✓ Projector tiltable +20° - -20°
- ✓ Ball joint offers 360° rotation



WALL MOUNT WITH BRACKET

This wall mount has a continuous length adjustment, in-tube cable management and comes with a universal bracket to mount your projector (mounting reach Ø 410 mm).

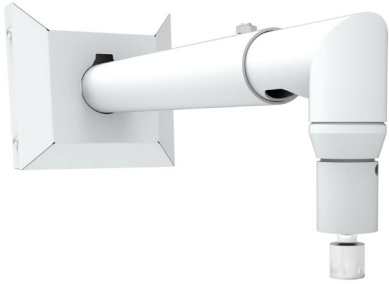


 Colour	○
 Max. load	25 kg
 Accessories	See page 47

Article code	Length (L)
002.1565	600 - 900 mm
002.1570	850 - 1350 mm
002.1575	1100 - 1750 mm





WALL MOUNTS

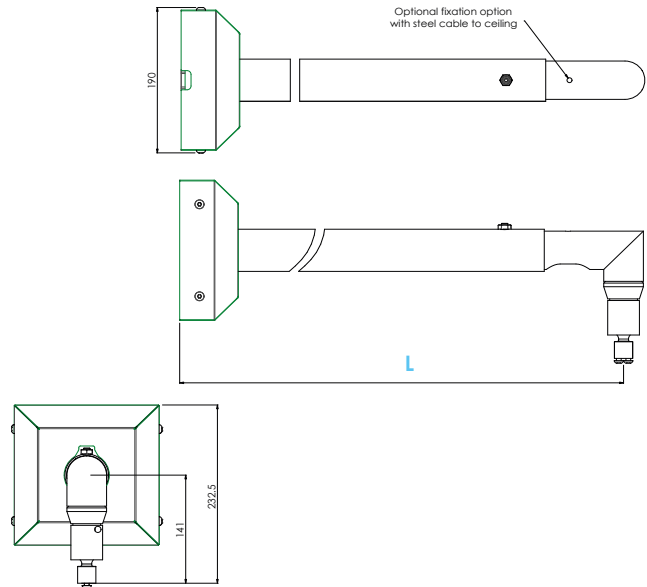
Projector-specific wall mounts



WALL MOUNT CONTINUOUSLY ADJUSTABLE

This wall mount has a continuous length adjustment, in-tube cable management and by adding a projector-specific bracket, custom-made for your brand and type of projector, you will save valuable time and money.

 Colour	○
 Max. load	25 kg
 Accessories	See page 47
 Required	See page 47



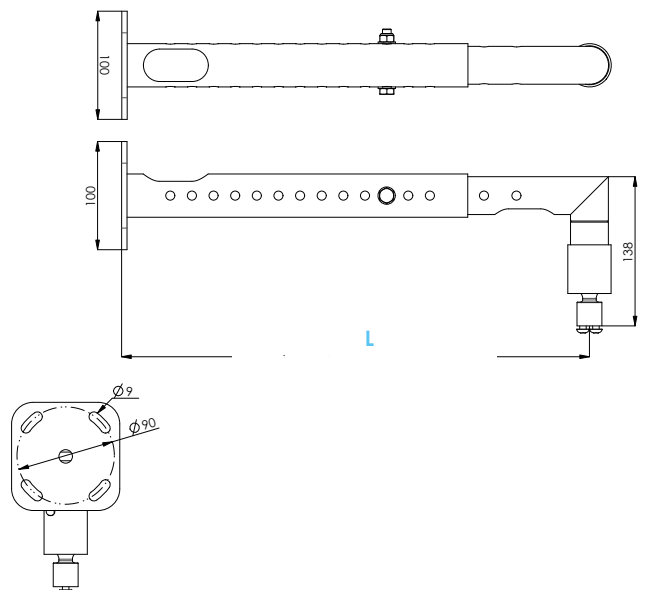
Article code	Length (L)
002.1065	600 - 900 mm
002.1070	850 - 1350 mm
002.1075	1100 - 1750 mm



WALL MOUNT STEPWISE ADJUSTABLE

This wall mount has a stepwise length adjustment, in-tube cable management and by adding a projector-specific bracket, custom-made for your brand and type of projector, you will save valuable time and money. A universal bracket is available as well.

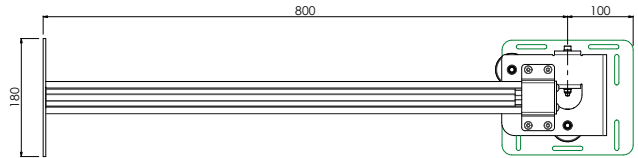
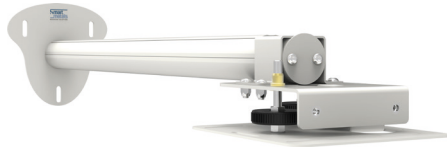
 Colour	●
 Max. load	30 kg
 Accessories	See page 47
 Required	See page 47



Article code	Length (L)
002.1560	350 - 630 mm
002.1561	600 - 1000 mm

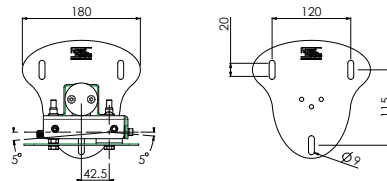
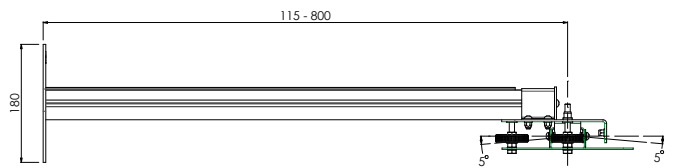
WALL MOUNTS

Short throw wall mounts



SHORT THROW WALL MOUNT WITH FINE ADJUSTMENT 800 MM

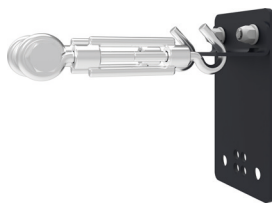
Combine this short throw wall mount with a projector-specific bracket which has been developed especially to adjust the projector from the centre of the lens. The mount has an in-tube cable management and allows a tilt of $+5^\circ / -5^\circ$.



	Colour	○
	Max. load	10 kg
	Accessories	See page 47
	Required	See page 47

Article code

002.1850



PORTRAIT MOUNTING KIT (for 002.156x wall mount)

Combine this kit with a wall mount from the 002.156x series mounts to use your projector in portrait position mounted to the ceiling. The kit allows a perfect alignment of your projector by just adjusting the nuts on the mounting kit.

Additionally required: projector-specific bracket (art. no.: 002.1001).

002.1550



STAINLESS STEEL MIRROR KIT (for 002.156x wall mount)

This mirror kit allows a neat installation by positioning the projector above the ceiling, projecting via a mirror mounted directly underneath the suspended ceiling; the ball joint ensures projection in the proper angle. All visible parts below the ceiling are made of stainless steel.

Additionally required: projector-specific bracket (art. no.: 002.1001).

002.2000

ACCESSORIES

For wall mounts



PROJECTOR BRACKET projector-specific, for 002.15xx and 002.10xx

The projector-specific bracket is custom-made for your brand and type of projector. With the design, we have taken into account the position of the lens and the projectors centre of gravity. Valuable time and money will be saved with the use of projector-specific brackets.

Please mention projector brand and type upon order.

002.1001



PROJECTOR BRACKET universal, for 002.156x

This universal projector bracket fits every projector with mounting holes within a reach of max. 385 mm Ø.

Please mention projector brand and type upon order.

002.1000



PROJECTOR BRACKET short-throw projector- specific, for 002.1850

The projector-specific bracket is custom-made for your brand and type of projector. With the design, we have taken into account the position of the lens and the projectors centre of gravity. Valuable time and money will be saved with the use of projector-specific brackets.

Please mention projector brand and type upon order.

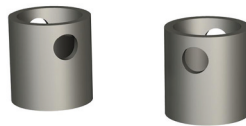
152.1030-0x



ANTI-THEFT BUSHES M6, to secure projector



002.1159



ANTI-THEFT BUSHES M8, to secure wall/ceiling plate



002.1160



PADLOCK 2 CM to secure anti-theft bushes

000.0001



- ✓ Suitable for sloped ceilings
- ✓ Tubes adjustable in length
- ✓ Projector tiltable $+20^{\circ}$ - -20°
- ✓ Ball joint offers 360° rotation
- ✓ In-tube cable management

Solid & safe

Our universal tube sets fit virtually any projector up to 25 kg. They are fitted with a mechanical stop (the two parts of the tube cannot be separated) ensuring optimal safety for the people below.

Ceiling mounting is very straightforward as is mounting and orienting the projector thereafter. Cables are neatly managed in a cable duct which is accessible from the outside.

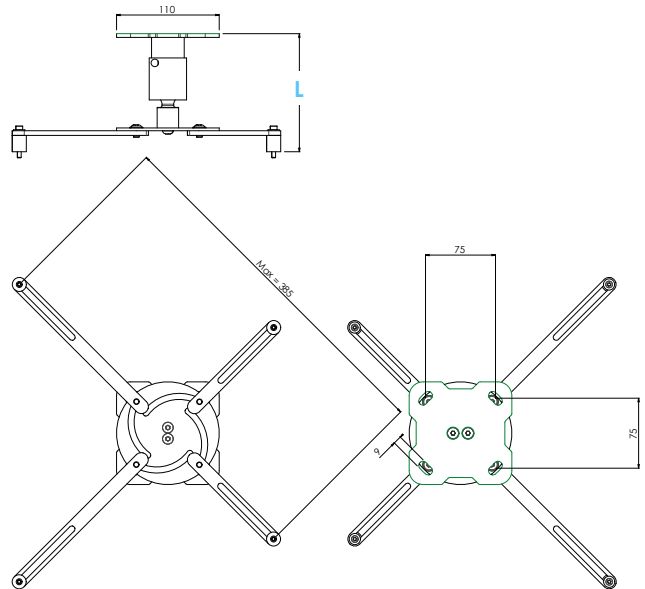
CEILING MOUNTS

Universal ceiling mounts



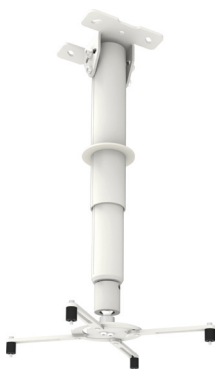
CEILING MOUNT FIXED WITH UNIVERSAL BRACKET

This ceiling mount comes with a universal projector bracket to mount your projector (mounting reach \varnothing 385 mm).



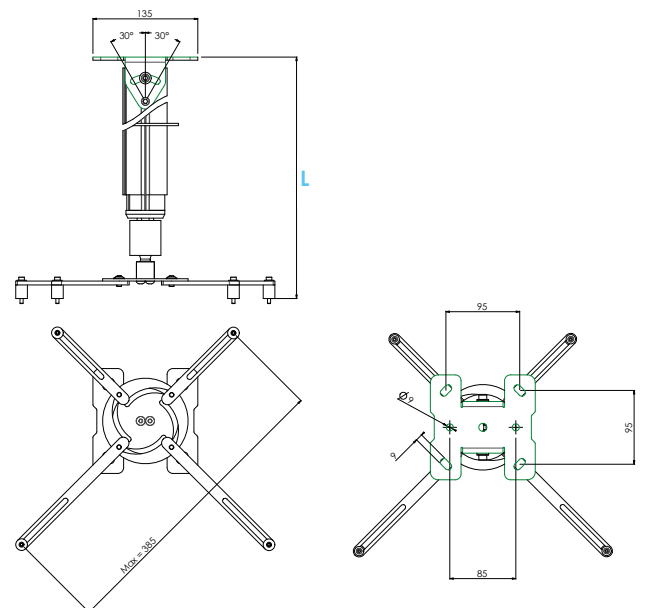
Colour	<input type="radio"/>
Max. load	25 kg
Accessories	See from page 51

Article code	Description	Length (L)
002.2440	L1	127 mm
002.2445	L2	276 mm



CEILING MOUNT ADJUSTABLE WITH UNIVERSAL BRACKET

This ceiling mount is adjustable in length and comes with a universal projector bracket to mount your projector (mounting reach \varnothing 385 mm).



Colour	<input type="radio"/>
Max. load	25 kg
Accessories	See from page 51

Article code	Description	Length (L)	Stabilizer kit
002.2450	L3	423 - 592 mm	-
002.2460	L4	593 - 932 mm	-
002.2470	L5	933 - 1582 mm	-
002.2480	L6	1582 - 2787 mm	integrated

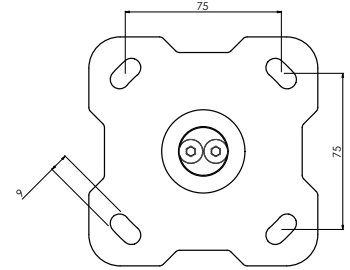
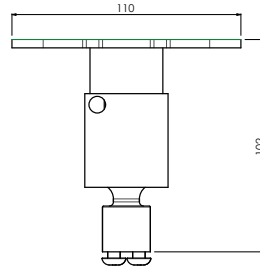
CEILING MOUNTS

Projector-specific ceiling mounts



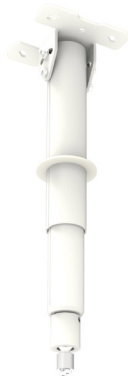
CEILING MOUNT FIXED EXCLUDING BRACKET

By adding a projector-specific bracket, custom-made for your brand and type of projector, you will save valuable time and money.



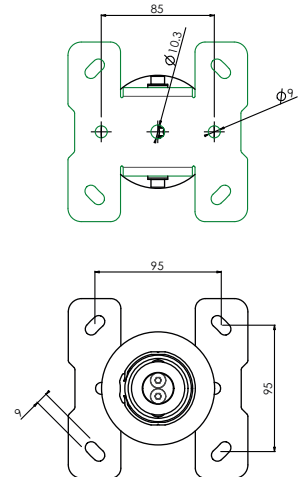
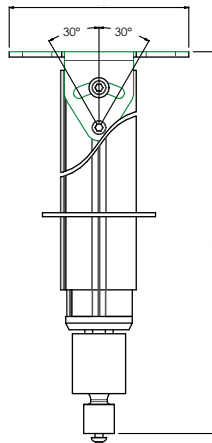
	Colour	○
	Max. load	25 kg
	Accessories	See from page 51

Article code	Description	Length (L)
002.2040	L1	127 mm
002.2045	L2	276 mm



CEILING MOUNT ADJUSTABLE EXCLUDING BRACKET

This ceiling mount has a continuous length adjustment, in-tube cable management and by adding a projector-specific bracket, custom-made for your brand and type of projector, you will save valuable time and money.



	Colour	○
	Max. load	25 kg
	Accessories	See from page 51

Article code	Description	Length (L)	Stretching set
002.2050	L3	423 - 592 mm	-
002.2060	L4	593 - 932 mm	-
002.2070	L5	933 - 1582 mm	-
002.2080	L6	1582 - 2787 mm	integrated

ACCESSORIES

For ceiling mounts



PROJECTOR BRACKET projector-specific

The projector-specific bracket is custom-made for your brand and type of projector. With the design, we have taken into account the position of the lens and the projector's centre of gravity. Valuable time and money will be saved with the use of projector-specific brackets.

Please mention projector brand and type upon order.

002.1001

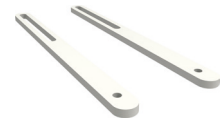


PROJECTOR BRACKET universal

This universal projector bracket fits every projector with mounting holes within a reach of max. 385 mm Ø.

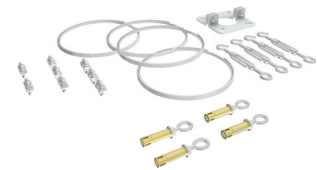
Please mention projector brand and type upon order.

002.1000



SET OF LONG ARMS increases reach with 64.5 mm Ø

Article code	Colour
002.1002.01	Black
002.1002.11	White



STABILIZER KIT for tube sets over 2000 mm

Attaches to tube set and structure to stabilize projector. Kit includes anchor wires, eye bolts, wire strainers and conduit clamps.

003.1250



ANTI-THEFT KIT WHITE

With this anti-theft kit, theft of a projector is made considerably more difficult. The suspension points of the projector are shielded with a heavy steel cable. The steel cable runs through the cable duct to the ceiling where it is secured in a special module. This module is then closed with a disc lock. This set can be used with both universal and projector-specific brackets.

003.2220



PADLOCK 2 CM to secure anti-theft bushes

000.0001



ANTI-THEFT BUSHES M6, to secure projector



002.1159



ANTI-THEFT BUSHES M8, to secure wall/ceiling plate



002.1160

ACCESSORIES

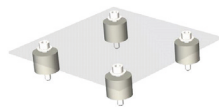
For ceiling mounts



RENTAL PLATE WITH QUARTER TURN LATCHES

A product typically used in the audiovisual rental business but very useful for educational purposes as well in case you need to use one projector in more than one room: Mount a ceiling or wall mount in each room in combination with this rental plate and combine the projector with a projector-specific bracket. This rental plate allows a quick installation as you only need to loosen and fasten the quarter turn latches without the further need of tools.

003.1121



FIXED SPACERS stainless steel

A product typically used in the audiovisual rental business but very useful for educational purposes as well: it is the perfect solution to keep all materials together in situations where you have to regularly detach the projector from the projector mount.

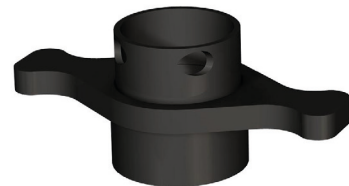
003.1125



CONTINUOUS ANGULAR ADJUSTMENT

For mounting a ceiling mount to a slope ceiling. Tilt function: $+90^\circ$ / -90° .

003.1180



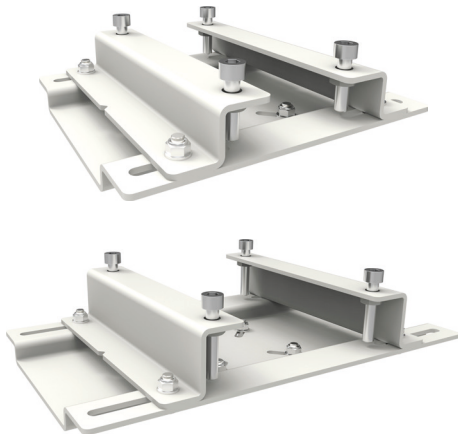
RENTAL BALL JOINT LOCKING RING

A product typically used in the audiovisual rental business but very useful for educational purposes as well to easily fixate the ball joint by only turning the integrated wings without the further need of tools.

003.1151

ACCESSORIES

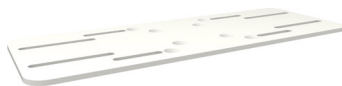
For ceiling mounts



I-BEAM MOUNTS

To mount SmartMetals ceiling mounts (projector and flat screens) to an I-beam.

Article code	Model	Description
072.2010	small	Adjustable 80 - 180 mm
072.2020	large	Adjustable 160 - 310 mm



CEILING PLATE for sheet-pile profile

Suitable for mounting a standard tube set to the sheet pile profile at the top floors of buildings.

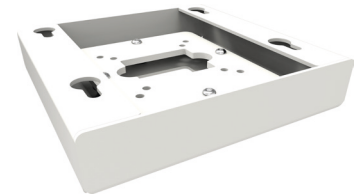
003.2124



WOODEN BEAM ADAPTER

For mounting a standard ceiling mount to a wooden beam which is smaller than the ceiling mounting plate.

003.2126



SHOCK ABSORBER for L1-L6, max. 30 kg

With the shock absorber attached between ceiling mount and structure vibrations are isolated to keep your projected image as still as possible.

003.2130



Untouchable & secure

At all time you want your valuable projector secured against theft or vandalism. At the same time you care about hasslefree installation and maintenance. SmartMetals projector housings got your back.

PROJECTOR HOUSINGS

Universal projector housing



PROTECT YOUR VALUABLE PROJECTOR

Our projector housings keep your projector protected against theft and damage. Because of the smart design, the housings accommodate about any projector whether the lens is positioned on the left, middle or right and they come in three different sizes. They are supplied with a universal bracket and combined with our ceiling or wall mount you obtain flexibility in orientation.

Projector housings are installed easily, and allow quick access to the projector when maintenance is required: just remove the lock set and lower cover of the housing. During maintenance the projector remains aligned to the projection surface.

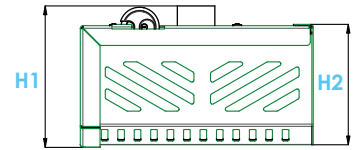
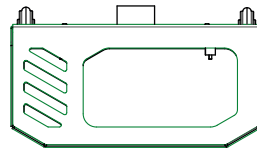
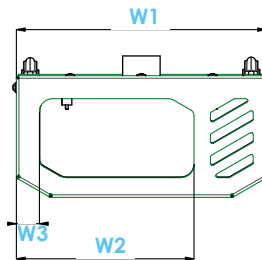
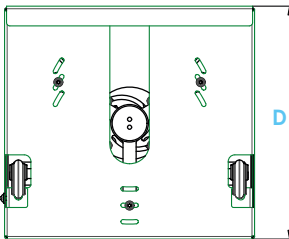


Colour



Required

Wall mounts, see from page 47
Ceiling mounts, see from page 52



Housing dimensions in mm

Article code	Model	Max. projector size incl. cables (WxDxH)	(D)	(W1)	(W2)	(W3)	(H1)	(H2)
002.3010	S	350 x 330 x 110 mm	354	380	270	35	215	183
002.3030	M	400 x 330 x 150 mm	354	430	295	35	255	223
002.3020	L	490 x 430 x 180 mm	454	520	355	35	285	253
002.3040	XL	600 x 530 x 200 mm *	554	635	397,5	62,5	294	263

*Note: for this housing a projector-specific bracket is required. Please contact us for a bracket for your brand and type of projector.

ACCESSORIES



LOCK SET

For projector housing with L3-L6 ceiling mounts.

Article code

000.3100



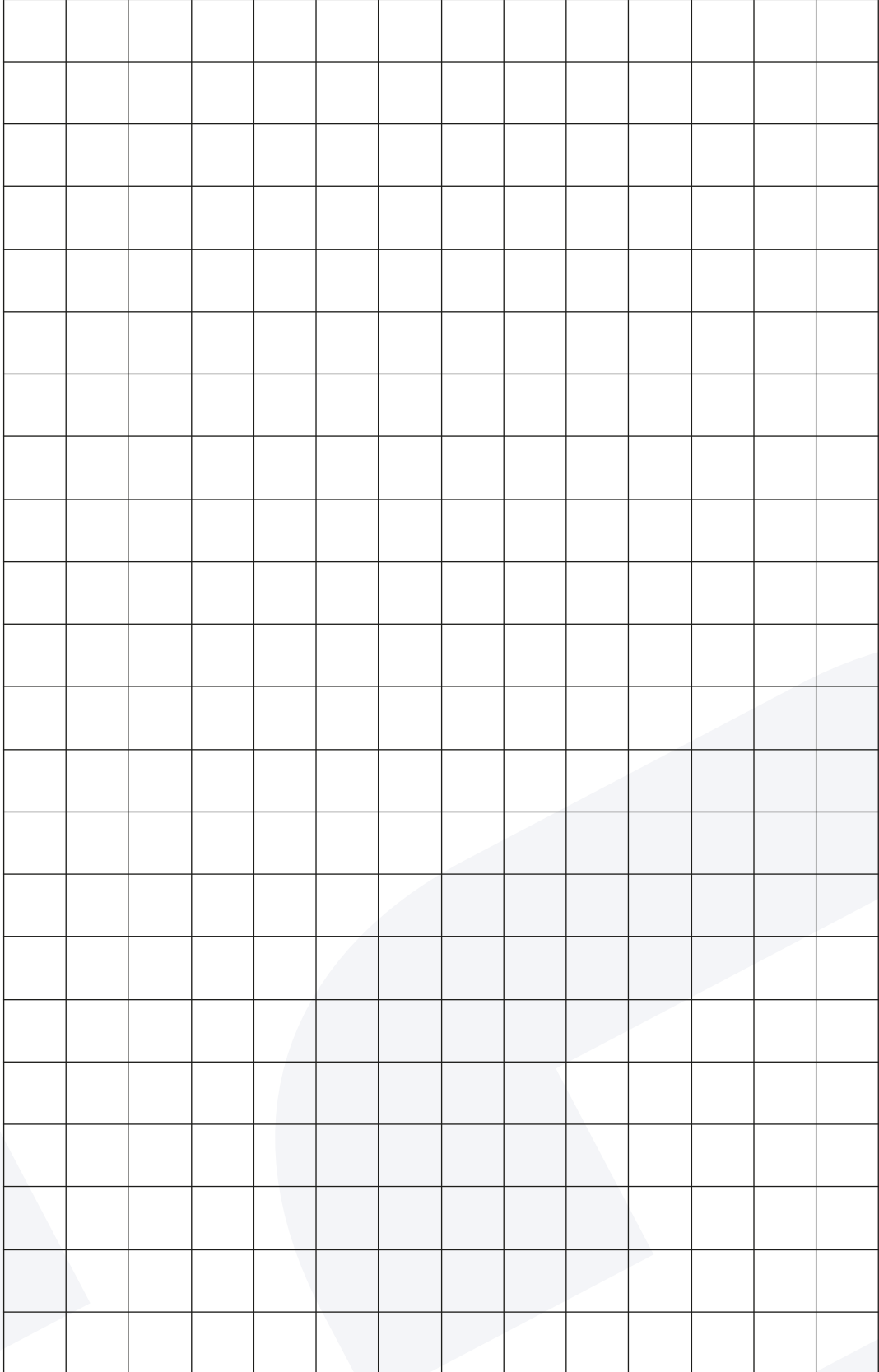
LOCK SET

For projector housing with L1-L2 ceiling mounts and wall mounts.

Article code

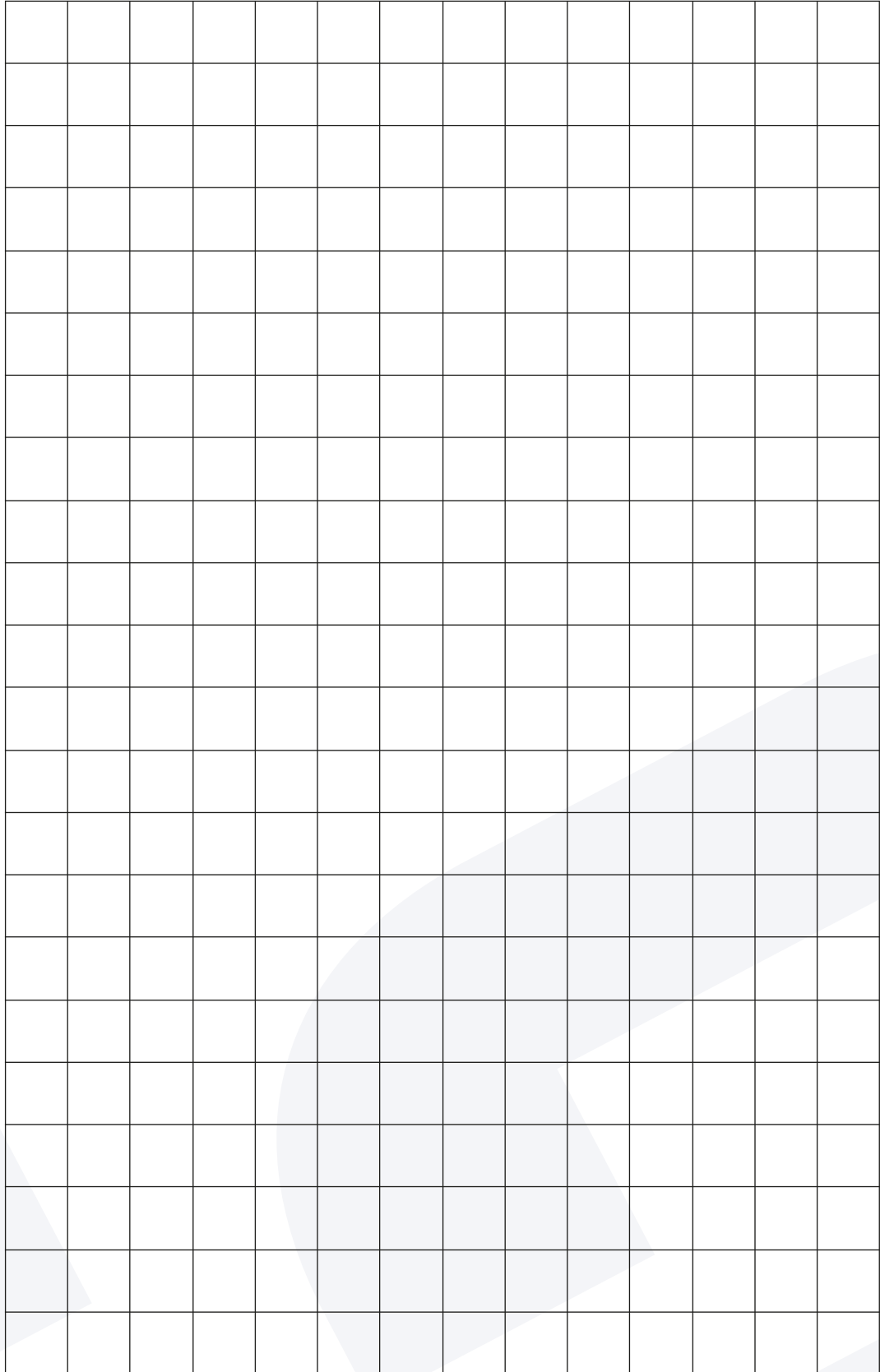
000.3200

SKETCHES





SKETCHES







EDUCATION

Address

SmartMetals Mounting Solutions B.V.
Pascalweg 13
4104 BE CULEMBORG
The Netherlands

Telephone

+ 31 (0)88 70 60 100

Email & Website

info@smartmetals.nl
www.smartmetals.nl

2020 - 2021 Product Catalogue - Education

The information contained in this catalogue is to be used only as a guide to assist with product selection. The products features and technical drawings set forth in this catalogue are subject to change due to product innovations. Please consider information on our website www.smartmetals.nl in any case leading.