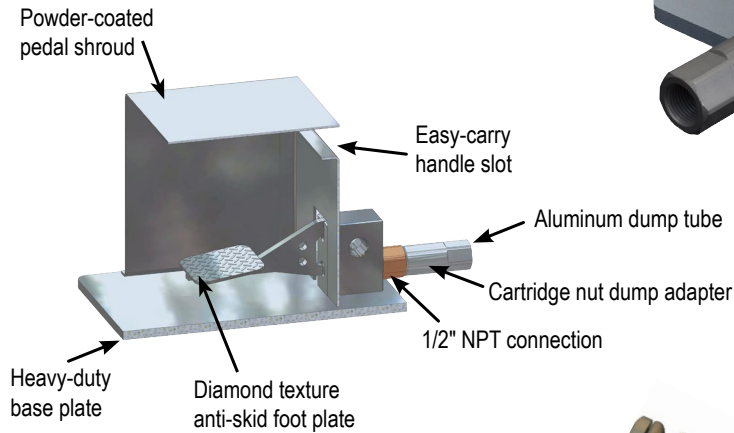
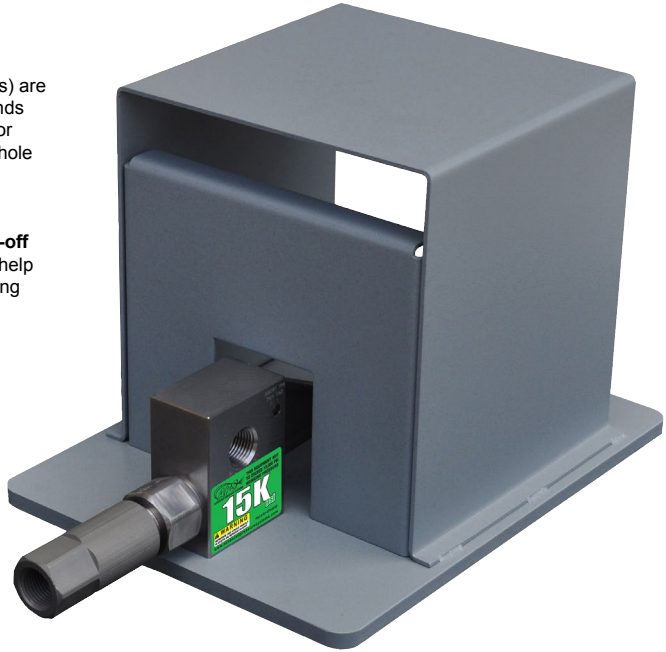


15K Foot Operated Dump Style Control Guns

Typical Foot Gun Hookup These foot operated control valves (foot guns) are designed for smooth reliable operation. They are easily rebuilt in the field in 30 seconds by unscrewing the dump tube, which removes the used valve assembly. The operator then snaps a new cartridge style valve into the dump tube adapter and returns the whole assembly to the gun.

To prevent low pressure water from the flex lance nozzle spraying back towards the operator, when the foot gun is in dump mode, it is recommended that a **Nozzle Shut-off Valve (Part # 60-010-050)** is used between the foot gun and the flex lance. This will help to minimize cleanup at the end of the job and greatly assist the operator when inserting the lance into the next tube. (see diagram below).

Strain Relief Whip Hoses (Part # 43-004-003) are designed to relieve the forces on the flex lance end fitting, which extends the life of the lance, and reduces the risk to the operator associated with the end fitting failing prematurely.



Part #	Description
61-010-012	Complete Foot Style Control Gun

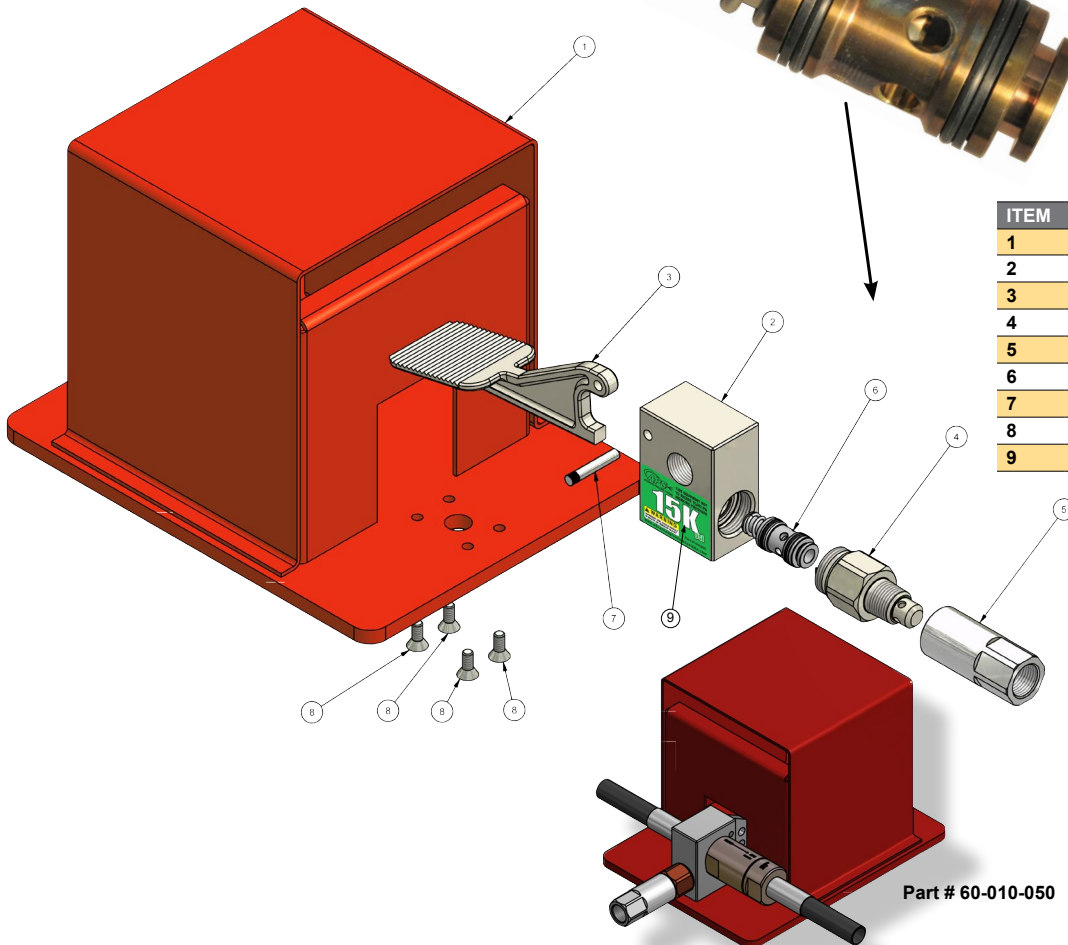
The APS 15K Foot Operated Control Guns feature:

- Fully enclosed safety shrouds.
- Easy-carry handles.
- Quick-change cartridge overhaul.
- Non-slip foot pedals.



Easy-Change Cartridge Assembly The cartridge assembly enables rebuilding of the gun in the field in 30 seconds or less with common tools.

#60-010-020

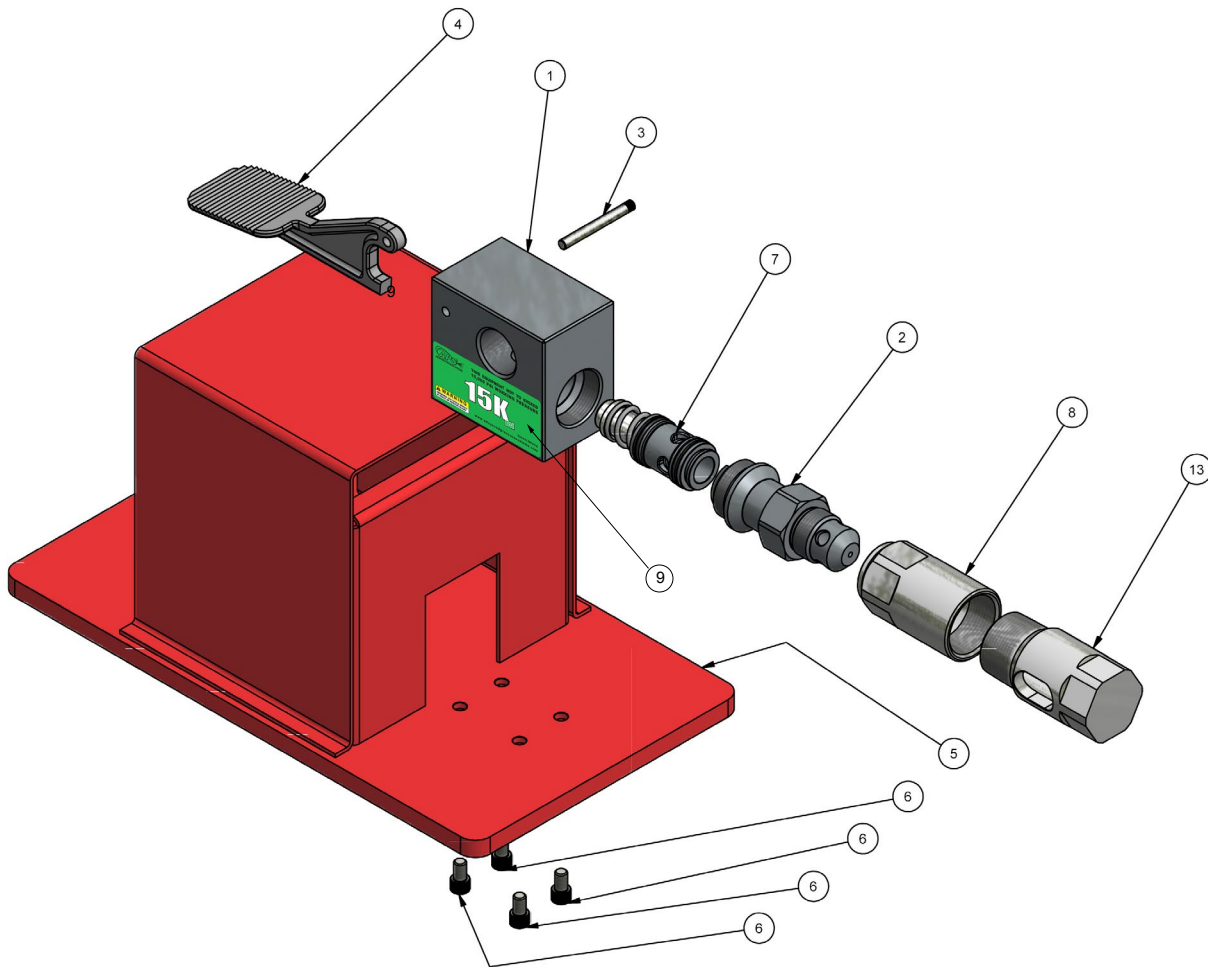


ITEM	Part #	Descriptions
1	61-010-004	Foot Gun Base Complete Assy
2	61-010-003	15K Foot Gun Block
3	61-010-007	Foot Pedal Casting
4	61-010-001	15K Dump Adapter
5	61-010-002	Dump Tube
6	60-010-020	15K Cartridge Assembly
7	60-010-021	Trigger Pivot Pin
8	10-201-063	1/4"-20 C'Sink Screw 0.625 Long
9	61-010-003D	15K psi Safety Decal - Gun Block

Part # 60-010-050

15K High-Flow Dump Style Foot Operated Control Gun Exploded View & Parts List

Part #	Description
61-050-001	15K High-Flow Foot Gun

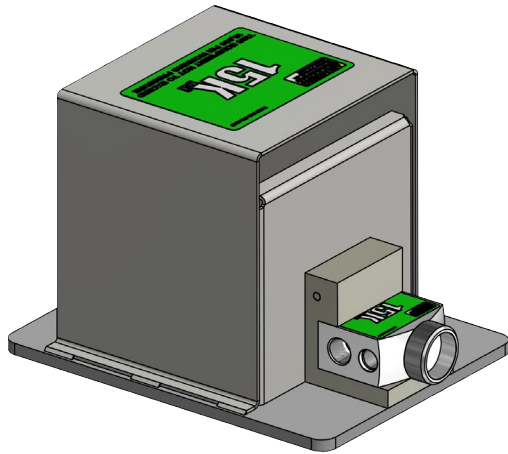


Item	QTY	Part #	Description
1	1	61-050-011	HIGH FLOW FOOT GUN BLOCK
2	1	61-050-002	HIGH FLOW FOOT GUN - DUMP ADAPTER
3	1	61-020-005	PIVOT PIN
4	1	61-010-007	FOOT PEDAL
5	1	61-050-010	HIGH FLOW FOOT GUN BASE - ASSEMBLY
6	4	10-002-050	5/6"-18 SS SHCS 1/2" LONG
7	1	61-050-012	HIGH FLOW FOOT GUN - CARTRIDGE ASSEMBLY
8	1	61-050-005	HIGH FLOW FOOT GUN - DUMP TUBE
9	2	61-050-011D	15K psi Safety Decal - Gun Block
13	1	61-050-013	HIGH FLOW FOOT GUN - DUMP DEFLECTOR

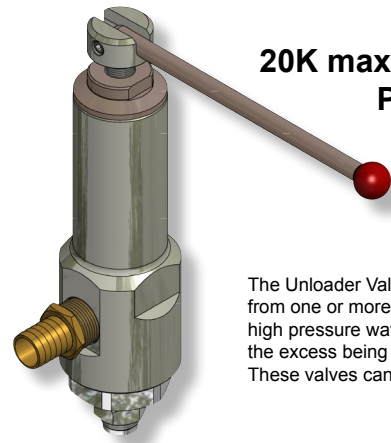
15K Dry Shut-Off Style Foot Operated Control Valve

The Dry Shut-Off foot gun doesn't dump water when the peddle is released. If water waste is a concern for your application, this is the solution.

**15K Dry Shut-Off Foot Gun
Part # 61-010-304**

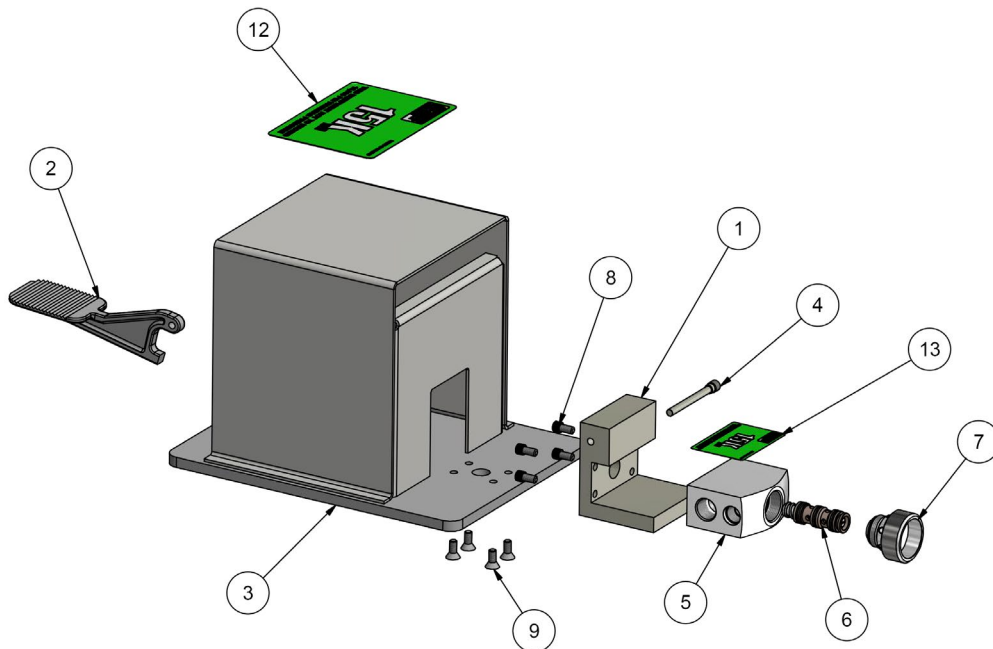


**20K max Unloader Valve
Part #60-020-361**



The Unloader Valves allow for the operation of multiple guns from one or more pumps. Changes in the flow demands for high pressure water, are automatically accommodated, with the excess being diverted back to the feed side of the pump. These valves can also be rebuilt in the field in 5 minutes.

ITEM	QTY	PART NUMBER	DESCRIPTION
1	4	10-001-050	1/4"-20 SHCS 1/2" LONG SS
2	4	10-201-063	1/4"-20 FLAT HEAD SOCKET CAP SCREW 5/8" LONG SS
3	1	60-010-004D	DECAL, 15K CONTROL GUNBLOCK
4	1	60-010-301	15K DRY SHUT-OFF FOOT GUN BLOCK
5	1	60-010-304	15K DRY SHUT-OFF GUN CARTRIDGE
6	1	60-020-306	CARTRIDGE NUT
7	1	61-010-004	FOOT GUN BASE COMPLETE ASSY
8	1	61-010-007	FOOT PEDAL
9	1	61-010-014D	DECAL, 15K FOOT GUN
10	1	61-010-302	ADAPTER BLOCK - DRY SHUT-OFF FOOT GUN
11	1	61-010-303	PIVOT PIIN



15K Air-Operated Dump Valves

The Air-Operated Dump Valve allows an operator to remotely control pressure in cleaning applications from 15,000 psi. When air is sent to the cylinder, the valve closes and allows the system to build pressure. The valve opens when the air is exhausted, reducing system pressure to near atmospheric.

- 30-second field replaceable cartridge design for minimal downtime.
- Remote pneumatic operation for reduced operator fatigue and added convenience and safety.
- Inlet and outlet connections threaded 1/2 NPT.
- All components precision machined from stainless steel.
- Heavy-duty air cylinder.



Part #	Description
61-001-007	15K Air Actuated Foot Gun
60-010-020	15K Cartridge Assembly

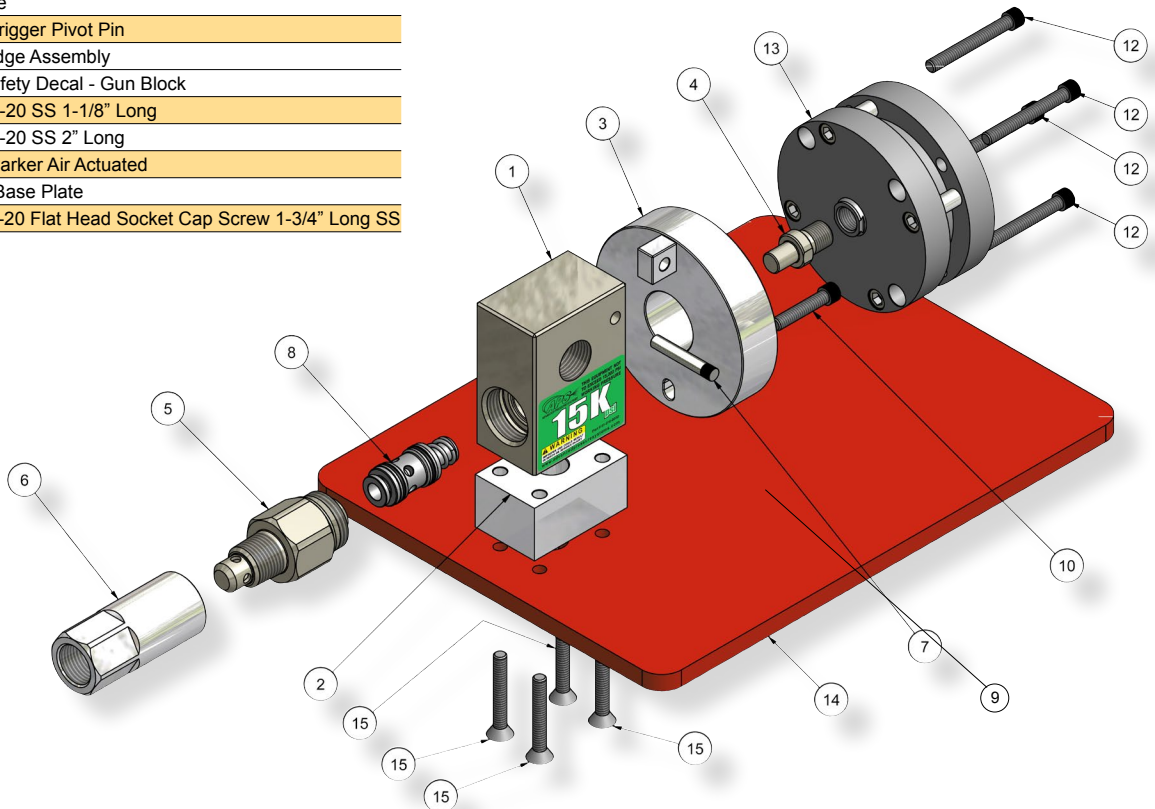
Easy-Change Cartridge Assembly - Part # 60-010-020

The cartridge assembly enables rebuilding of the gun in the field in 30 seconds or less with common tools.



15K Air Actuated Foot Gun - Part # 61-001-007

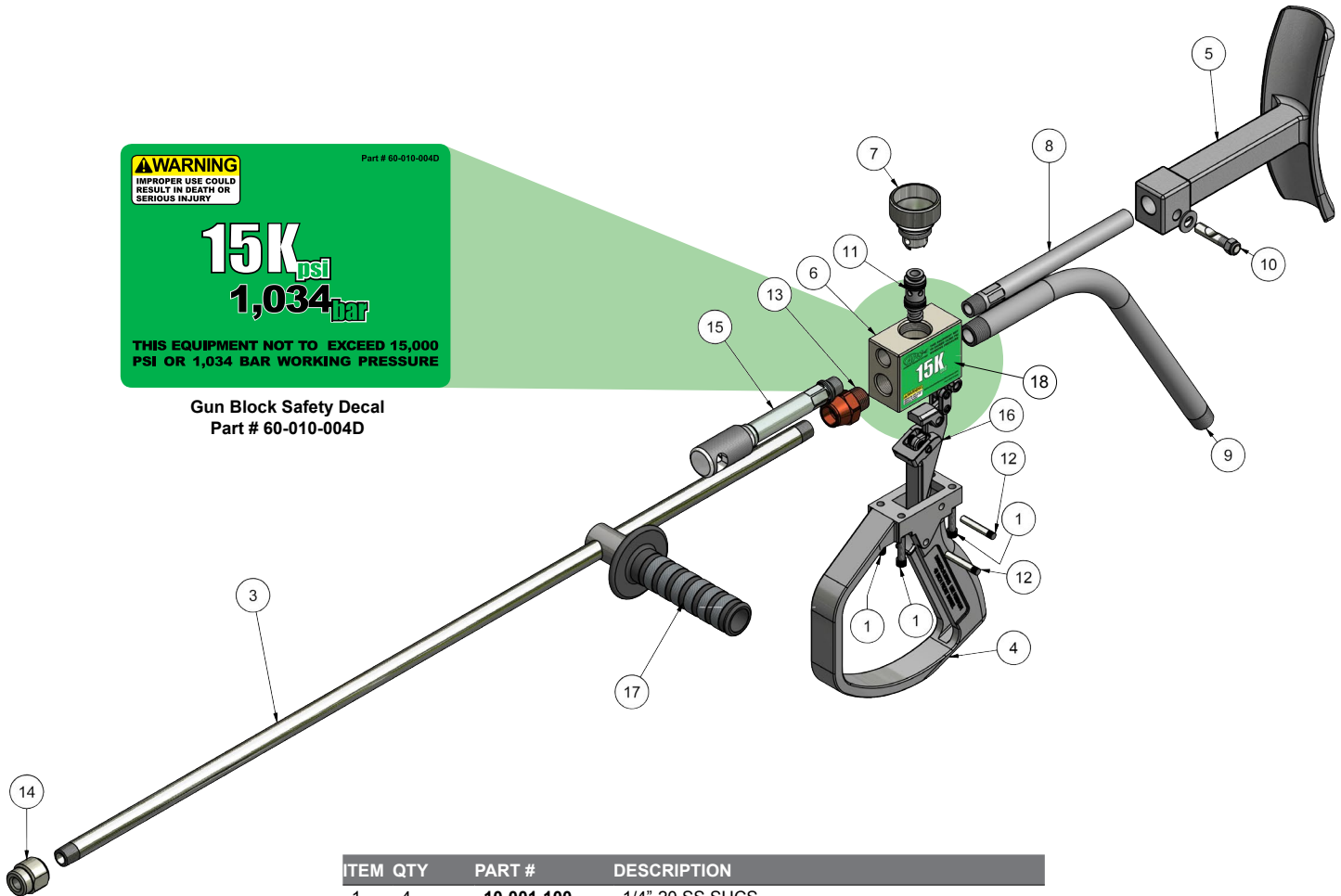
ITEM	QTY	PART #	DESCRIPTION
1	1	61-010-003	15K Foot Gun Block
2	1	61-001-002	Block, 15K Air Actuator Riser
3	1	61-001-001	Air Actuator Plate
4	1	61-001-003	Plunger 15K/20K Air Actuator Valve
5	1	61-010-001	15K Dump Adapter
6	1	61-010-002	Dump Tube
7	1	60-010-021	Pin, Gun Trigger Pivot Pin
8	1	60-010-020	15K Cartridge Assembly
9	2	61-050-011D	15K psi Safety Decal - Gun Block
10	1	10-001-112	SHCS 1/4"-20 SS 1-1/8" Long
12	4	10-001-200	SHCS 1/4"-20 SS 2" Long
13	1	61-001-004	Cylinder, Parker Air Actuated
14	1	61-010-006	Foot Gun Base Plate
15	4	10-201-175	C'sink 1/4"-20 Flat Head Socket Cap Screw 1-3/4" Long SS



15K Handheld Dump Style Control Guns with 3/8" NPT Barrel APS offers the 15,000 psi (15K) series of hand operated control guns, using the industry standard cartridge* style dump valve. These guns have been carefully designed to incorporate all the features that are demanded by experienced operators.

- The cartridge valve* enables the gun to be rebuilt in the field in 30 seconds or less. This will minimize down time and increase productivity.
- The cartridge valve* also keeps the trigger force to a minimum, which reduces operator stress.
- These guns are lighter in weight (13 - 15lbs. depending on barrel diameter) resulting in less operator fatigue.
- The adjustable comfort-contoured shoulder stocks and front hand grips contribute to ease of use for operators, tending to diminish fatigue.
- These guns are standard with 48" front barrels for operator safety.
- All working components are stainless steel for corrosion resistance and durability.

Part #	Description	Barrel
60-010-052	Complete Handheld Dump Style Control Gun	3/8"



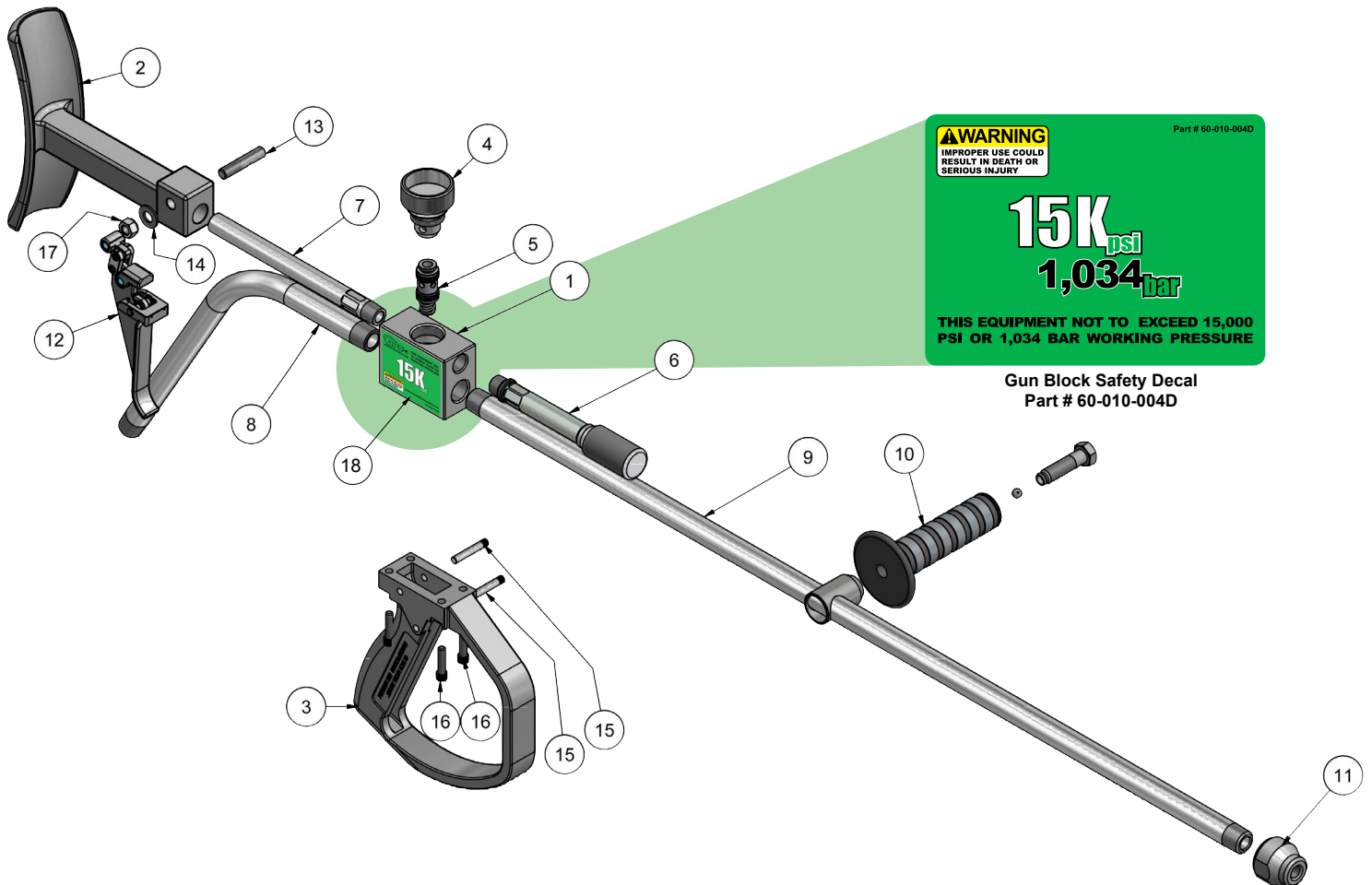
ITEM	QTY	PART #	DESCRIPTION
1	4	10-001-100	1/4"-20 SS SHCS
2	1	10-010-001	Plain 375 SS Washer
3	1	20-012-048	15K Gun Barrel 48" Long
4	1	60-010-001	Gun Handle
5	1	60-010-003	Shoulder Stock
6	1	60-010-004	Gun Block 15K
7	1	60-010-005	"Handi Change" Cartridge Nut - 15K
8	1	60-010-009	Shoulder Stock Tube
9	1	60-010-012	Inlet Tube 15K
10	1	60-010-017	3/8" Barrel/Shoulder Stock Cam Stud (Incl. Locknut)
11	1	60-010-020	15K Cartridge Assembly
12	2	60-010-021	Trigger Pivot Pin
13	1	60-010-024	Barrel Bushing 1/2" to 3/8"
14	1	60-010-025	3/8" x 1/4" Nozzle Holder
15	1	60-010-057	Dump Tube Assembly
16	1	60-010-061	Trigger & Cam Assy w/Safety Latch
17	1	60-010-029	Quick Adjust Front Handle
18	2	60-010-004D	15K psi Safety Decal - Gun Block

15K CONTROL GUNS

15K Handheld Dump Style Control Guns with 1/2" NPT Barrel APS offers the 15,000 psi (15K) series of hand operated control guns, using the industry standard cartridge* style dump valve. These guns have been carefully designed to incorporate all the features that are demanded by experienced operators.

*** SAFE OPERATION OF ANY HAND HELD CONTROL GUNS REQUIRES THE USE OF A SAFETY SHROUD. SEE PAGE 32 ***

Part #	Description	Barrel
60-010-051	Complete Handheld Dump Style Control Gun	1/2"



ITEM	QTY	PART #	DESCRIPTION
1	1	60-010-004	Gun Block 15K
2	1	60-010-003	Shoulder Stock
3	1	60-010-001	Gun Handle
4	1	60-010-005	Hand Tightened Cartridge Nut - 15K
5	1	60-010-020	15K Cartridge Assembly
6	1	60-010-057	Dump Tube Assembly
7	1	60-010-009	Shoulder Stock Tube
8	1	60-010-012	Inlet Tube
9	1	20-013-048	Front Barrel 48" Long, 1/2" NPT at Each End
10	1	60-010-028	1/2" NPT FRONT HANDLE ASSEMBLY (Quick Adjust)
11	1	60-010-026	Nozzle Holder 1/2" NPT x 1/4" NPT
12	1	60-010-061	Trigger & Cam Assy. W/Safety Latch
13	1	60-010-017	Shoulder Stock Cam Stud Assy.(Includes Lock Nut)
14	1	10-010-001	3/8" Plain 3/8" Washer SS
15	2	60-010-021	Trigger Pivot Pin
16	4	10-001-100	SHCS 1/4" -20 SS
17	1	10-100-002	3/8"-16 Nylon Lock Nut
18	2	60-010-004D	15K psi Safety Decal - Gun Block

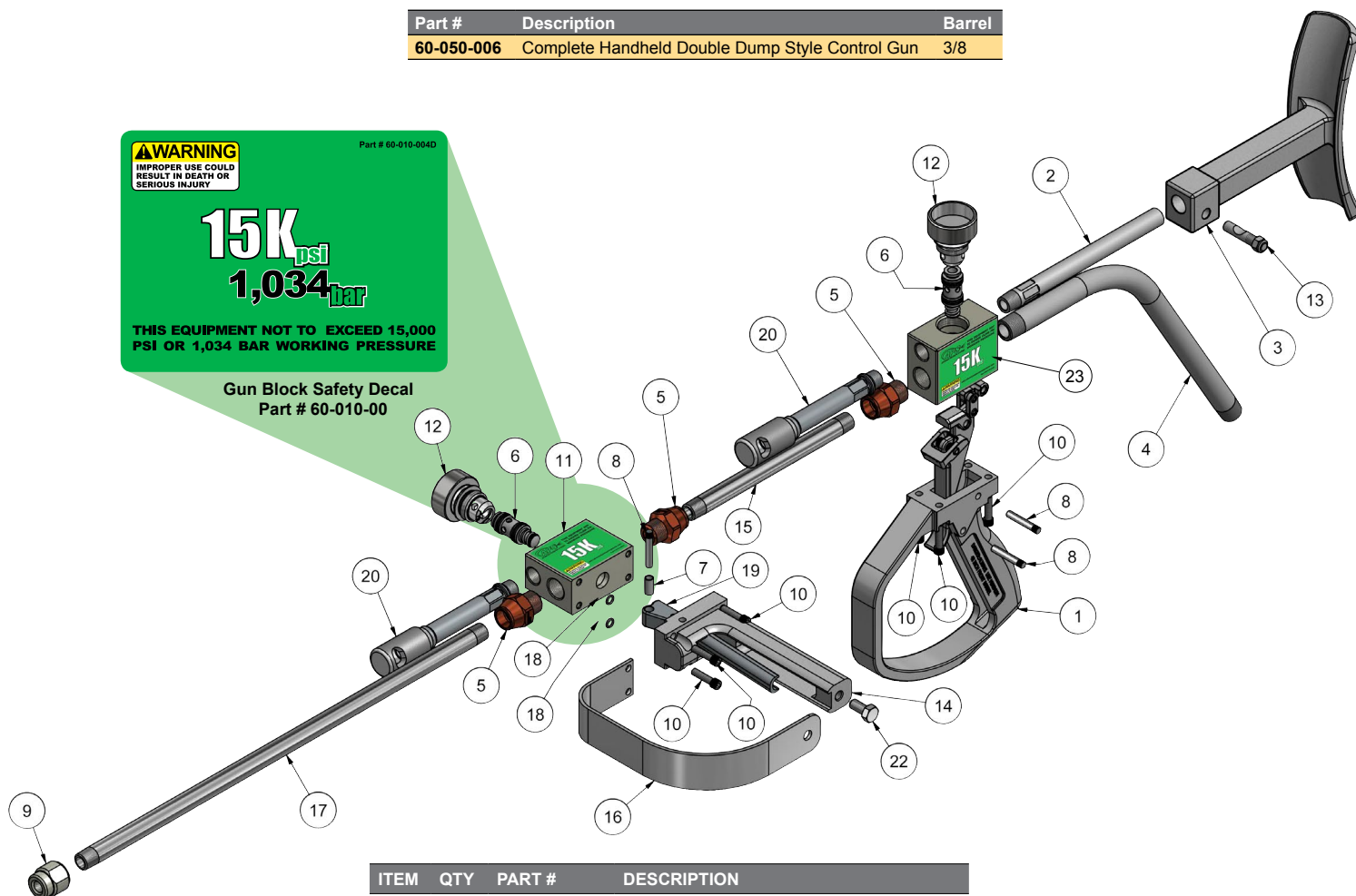
15K Hand-Held Double-Dump Control Guns

- There is an increasing demand for the extra safety of control guns which incorporate dual dump ports. The Advanced Pressure Systems 15K Double Dump Control Guns feature this added security together with the ergonomic advantages and operator comfort of a specially designed front handle.
- This handle is at right angles to the axis of the barrel, which conforms to the natural alignment of the hand and arm of the operator. Some other guns simply use two standard handles, which are cumbersome, uncomfortable to use and are heavier.
- The APS Double Dump Guns are available in 3/8" barrel size.

Part #	Description	Barrel
60-050-006	Complete Handheld Double Dump Style Control Gun	3/8



Gun Block Safety Decal
Part # 60-010-00



ITEM	QTY	PART #	DESCRIPTION
1	1	60-010-001	Gun Handle
2	1	60-010-009	Shoulder Stock Tube
3	1	60-010-003	Shoulder Stock
4	1	60-010-012	Inlet Tube 15K
5	3	60-010-024	Barrel Bushing 1/2" x 3/8"
6	2	60-010-020	15K Cartridge Assembly
7	1	60-010-022	Pivot Bushing
8	3	60-010-021	Trigger Pivot Pin
9	1	60-010-025	Nozzle Holder 3/8" x 1/4"NPT
10	8	10-001-100	1/4"-20 SHCS, 1" Long
11	2	60-010-004	Gun Block 15K
12	2	60-010-005	"HANDI CHANGE" CARTRIDGE NUT - 15K
13	1	60-010-017	Shoulder Stock Cam Stud Assy.
14	1	60-050-002	Double Dump Gun Handle
15	1	20-012-008	Nipple 3/8" NPT x 8" Long
16	1	60-050-005	Double Dump Handle Trigger Guard
17	1	20-012-036	3/8" NPT Barrel 36" Long
18	2	30-001-010	O-Ring 2-010 BUNA-N, 90 Dur.
19	1	60-050-003	Double Dump Front Trigger
20	2	60-010-057	Dump Tube Assembly
21	1	60-010-061	Trigger & Cam w/Safety Latch
22	1	10-016-075	Bolt, Hex Head 3/8"-16 X 3/4" SS
23	4	60-010-004D	15K psi Safety Decal - Gun Block

15K CONTROL GUNS

15K Handheld Dry Shut-Off Style Control Guns with 3/8" NPT Barrel

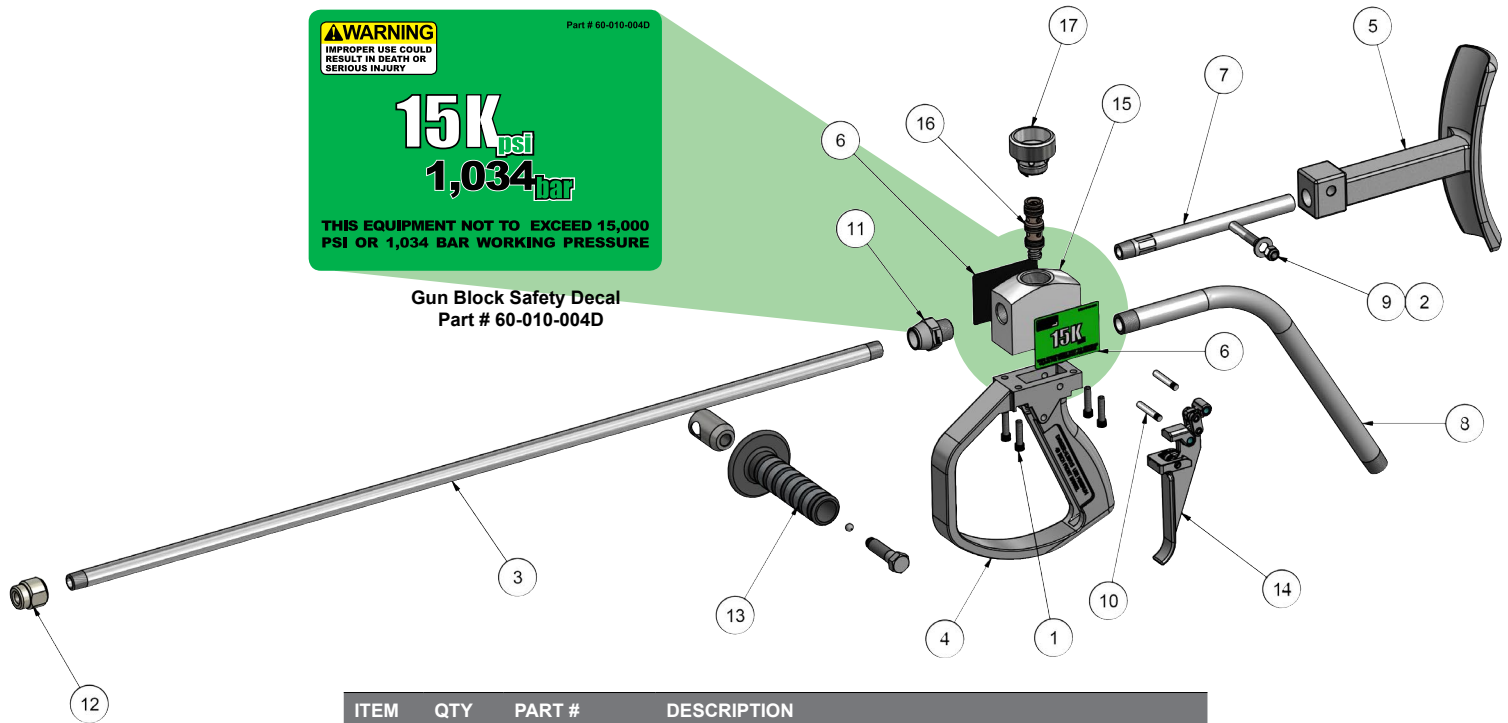
APS offers the 15,000 psi (15K) series of hand operated control guns, using the industry standard cartridge* style dry shut-off valve. These are our Dry Shut-Off Control Guns and Unloader Valves. Enjoy the same benefits of our renowned Dump Style Guns with the added advantage of reduced water consumption, which means less waste to be removed from the work site.

Please note that ALL Hand Held Control Guns are supplied with 48" long (1.22 meters) front barrels.

Part #	Description	Barrel
60-010-305	Complete Handheld Dry Shut-Off Style Control Gun	3/8



Gun Block Safety Decal
Part # 60-010-004D



ITEM	QTY	PART #	DESCRIPTION
1	4	10-001-100	1/4"-20 SHCS 1" LONG
2	1	10-010-001	3/8" SS PLAIN WASHER
3	1	20-012-048	NIPPLE 48" LONG 3/8" NPT
4	1	60-010-001	GUN HANDLE
5	1	60-010-003	SHOULDER STOCK
6	2	60-010-004	DECAL, 15K CONTROL GUN BLOCK
7	1	60-010-009	SHOULDER STOCK TUBE
8	1	60-010-012	INLET TUBE 15K
9	1	60-010-017	3/8"BARREL / SHOULDER STOCK CAM STUD
10	2	60-010-021	TRIGGER PIVOT PIN
11	1	60-010-024	BARREL BUSHING - 1/2"NPT TO 3/8" NPT
12	1	60-010-025	NOZZLE HOLDER - 3/8"NPT x 1/4"NPT
13	1	60-010-029	QUICK CHANGE FRONT HANDLE
14	1	60-010-061	TRIGGER ASSEMBLY WITH LINKAGE & SAFETY LATCH
15	1	60-010-301	15K Dry SHUT-OFF GUN BLOCK
16	1	60-010-304	15K Dry SHUT-OFF CARTRIDGE ASSEMBLY

Part #60-020-361
20K max Unloader Valve

The Unloader Valves allow for the operation of multiple guns from one or more pumps. Changes in the flow demands for high pressure water, are automatically accommodated, with the excess being diverted back to the feed side of the pump. These valves can also be rebuilt in the field in 5 minutes.



Part#: 60-010-304
Cartridge Assembly,
15K Dry Shut-Off Gun
(J/S Type 52635)

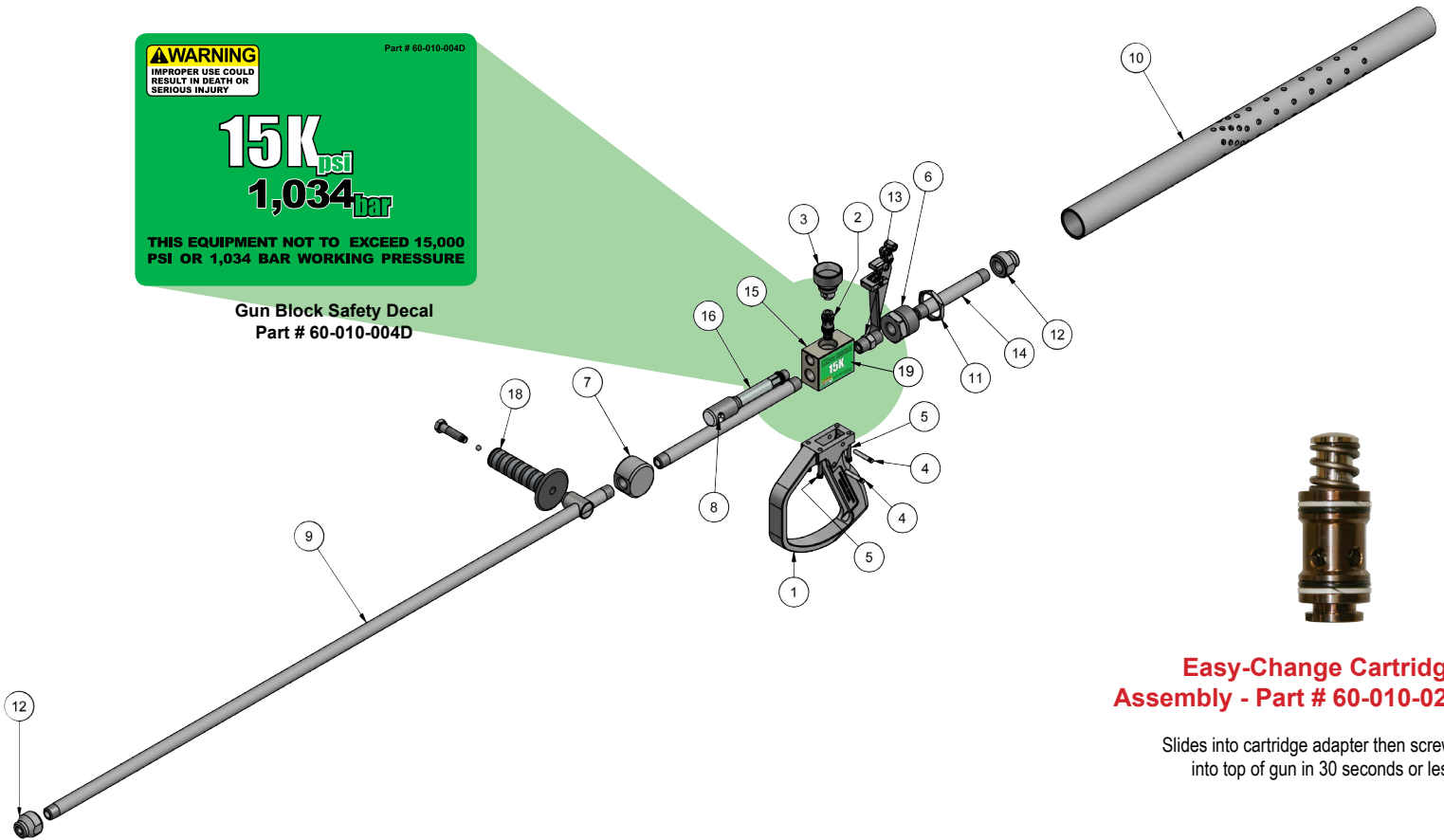
15K Hand-Held Zero-Thrust Control Guns

- These guns are designed primarily for underwater use, where the self cancelling forwards and backward thrusts allow the user to carry out blasting operations without being propelled away from the intended work area.
- They also have application on dry land where a balanced tool is needed, such as in a suspended gondola on the side of a building.
- The quick change rebuild cartridge allows field overhaul in 30 seconds.
- For corrosion resistance, all components are of high grade stainless steel, and the complete assembly weighs just 16.45 lbs (7.47 Kg.).

Part #	Description	Barrel
60-010-035	Complete Zero Thrust Style Control Gun	1/2



Gun Block Safety Decal
Part # 60-010-004D



Easy-Change Cartridge Assembly - Part # 60-010-020

Slides into cartridge adapter then screws into top of gun in 30 seconds or less!

ITEM	QTY	PART #	DESCRIPTION
1	1	60-010-001	Gun Handle
2	1	60-010-020	15K Cartridge Assembly
3	1	60-010-005	Hand Tightened Cartridge Nut - 15k
4	2	60-010-021	Trigger Pivot Pin
5	4	10-001-100	SHCS 1/4"-20 x 1" Long SS
6	1	60-010-034	Adapter for Diffuser 15K Zero Thrust Gun
7	1	20-004-004	Wafer Tee 1/2"NPT 15K
8	1	20-013-008	Nipple 1/2"NPT x 8" Long 15K
9	1	20-013-036	Nipple 1/2"NPT x 36" Long 15K
10	1	60-010-032	Diffuser - Zero Thrust Gun
11	1	60-010-033	Jam Nut - Diffuser Zero Thrust Gun
12	2	60-010-026	Nozzle Holder - 1/2"NPT x 1/4"NPT
13	1	20-011-008	Hex. Nipple- 1/2"NPT x 1/2"NPT
14	1	20-013-006	Nipple 1/2"NPT x 6" Long 15K
15	1	60-010-004	Gun Block 15K
16	1	60-010-057	Dump Tube Assembly
17	1	60-010-061	Trigger & Cam Assy. w/Safety Latch
18	1	60-010-028	1/2" NPT FRONT HANDLE ASSEMBLY (Quick Adjust)
19	4	60-010-004D	15K psi Safety Decal - Gun Block