

SIX ROBBLEES' INC.

Trailer Parts & Accessories

Parts Guide for Trailer & Towing Applications



Visit our
Customer Website at
sixrobblees.com

TRAILER PARTS

ARMSTRONG

Agricultural Wheels,
Hubs, Spindles

BAYLOCK

Alum. Trailer Locks

B&W

Gooseneck Hitches
Tow-n-Stow Ball Mounts

BULLDOG

Jacks & Couplers

BUYERS

Towing & Accessories

CALIFORNIA IMMOBILIZER

Locks

CURT HITCHES

Hitches, Ball Mounts
Electrical Wiring

DEKA

Wire & Primary Electrical

DEXTER

Axles, Brakes
Hubs/Drums, Suspension

DEXTER MARINE

Bearing Protectors, Disc Brakes
Surge Couplers, Repair Parts



DRAW-TITE

Towing Accessories

EZ LOADER

Replacement Components
Trailer Fenders & Axles

FULTON

Jacks, Couplers,
Winches,
Locks & Marine

JOBBOX

Under Body Boxes

OPTRONICS

LED & Incandescent Lighting

POLLAK

Electrical Connectors

PRO SERIES

Jacks & Couplers

RAM

Jacks & Couplers



RIDE-RITE

Air Suspension Kits

SPRINGS

Trailer Springs

TECTRAN

Electrical Components

Wiring Accessories

TEKONSHA

Brake Controllers

Electrical

TIE DOWN

Towing Accessories

TIRES

Tires & Wheel Assemblies

TRIMAX

Locks

TRUCKLITE

LED

Incandescent Lighting

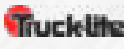
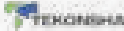
WALLACE FORGE

Pintle Hitches

Towing

WESBAR

Lighting



ACCURIDE

Rims & Wheels

AIR FLOW SYSTEMS

Rubber Intake Components

ALCOA

Aluminum Wheels

ANCRA

Load Control Products

BALDWIN

Filters

BENDIX

Air Brake Components

BETTS

Mud Flap Brackets

BOSTROM

Air Seats

CLAMPKO

T-Bolt Clamps

DAYTON

Suspension, Wheel-End Clutches

DONALDSON

Filter & Exhaust

DORMAN

Engine Sensor, Exterior & Interior body

DYNAFLEX EXHAUST

Chrome Exhaust

ECCO

Safety Lighting, Back-up Alarms

EIKO

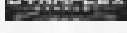
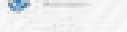
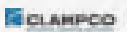
Lighting

EUCLID

Brake & Suspension Parts

FRASLE

Brake Lining



HEAVY DUTY

GRAND ROCK

Exhaust Components

HALDEX/MIDLAND

Air Valves, Compressors, Dryers

HD AMERICA

Relined Brake Shoes

HORTON

Fan Clutches

HUTCH

Suspension Components

JAMES KING

Mud Flaps

LOCTITE

Thread Sealant

LUBERFINER

Filters

MARATHON

Brake Lining

MERITOR

Axles, Brakes, & Wheel End Comp.

MICO

Hydraulic Brake Locks & Switches

MONROE

Shocks

MOTOR WHEEL INTL.

Drums Slacks

MS. CARITA

Warning Flags, Safety Products

OPTRONICS

LED & Incandescent Lighting



PREMIER

Pintle Hitches & Jacks

QUALITY CHAIN

Snow Chains

RETRAC

Mirrors

ROADMASTER

Chrome Accessories

SAF HOLLAND

5th Wheel, Landing Gear

SHUTTLEWORTH

Exhaust Components

SKF

Seals & Air Dryers

STANDARD MOTOR PRODUCTS

Seals & Brake Drums

TECTRAN

Air Brake Hose

Wire & brass Fittings

TIMKEN

Bearings

TRUCKLITE

LED & Incandescent Lighting

TRUX

LED Lighting,
Chrome Accessories

US TARP

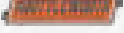
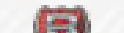
Tarps & Tarp Kits

VELVAC

Mirrors

WEBB

Hubs, Brake Drums



**FOR ONLINE ORDERING 24/7
VISIT US AT WWW.SIXROBBLEES.COM**

SIX ROBBLEES' HISTORY

Six Robblees' Inc., having been open for business since 1913, is excited to be celebrating its 110th Anniversary. The following is a brief history of the first 109 years.

The company was originally started as J.A. Robblee & Co. in Tacoma, WA by three brothers; Jim a sheet metal worker, Bill a locksmith and Herb a bicycle repairman. Although repairing bicycle wheels brought in the majority of their business, by the end of the World War I their experience in tuning bike spokes had been transformed to racing car wheels for drivers of the local Indy car circuit. Over the next several years, other brothers joined the company and lent their expertise. By 1920, a second location was added in Seattle.

Founding brother, Jim passed away in 1930 and willed his interest to his six remaining brothers; Bill, Herb, Fred, Ted, Hank and Dick. The company was then renamed Six Robblees' Inc. The locksmithing operation was sold to some nephews in 1948 when Hank and Dick bought out their retiring brothers. Dick started Six Robblees' Inc. of Oregon in Portland in 1940 and worked there until selling to Hank's son, Dave in 1987. Hank opened a third location in Yakima in 1964.

Dave Robblee started in 1966 and through the National Wheel and Rim Association (NWRA) expanded the business into custom wheels, installer undercarriage auto parts and a complete line of tire shop supplies and equipment. He was active in signing Six Robblees' up as members of buying groups Heavy Duty America (HDA) and Ascot Tire Supply. In addition, he grew the company by adding 12 branches throughout Alaska, Montana, Oregon and Washington. Amongst some of the branch additions were the purchases of Union Rubber Company (Oakland, CA), Motor Wheel and Parts (Seattle, WA), Bearin & Rim Supply (Spokane, WA), Dee's Truck Parts (Wasilla, AK), Northwest Wheel (Great Falls, MT), Montana Wheel (Missoula, MT), WIM (Kennewick, WA) and True Wheel Inc. (Vancouver, WA).

The purchase of Motor Wheel and Parts of Seattle, WA and Bearing & Rim of Spokane, WA in 1992 thrust the company into the small trailer parts market and added a solid third market segment to the already thriving truck parts and tire shop supplies categories – all three centered around the wheel.

The new millennium opened with the retirement of Dave Robblee and the promotion of longtime sales & general manager, Tom Ogren, as president. He opened 4 branches, two of which were through the purchases of Tech Supply (Eugene, OR) and Gamo Truck Parts (Grants Pass, OR). Tom retired at the end of 2008 and handed the title of president to Andy Robblee (Dave's son). Andy has added 4 branches and expanded the company into Idaho, and Wyoming. Acquisitions include Milo's Auto & Truck (Casper, WY), Valley Brake & Truck Parts (Twin Falls & Nampa, ID), Scott's Automotive (Boise, ID), Airflow Systems (Portland, OR & Seattle, WA) and three Anchorage, AK companies; Custom Truck Inc., Mobile Trailer Supply and Karen's RV.

Six Robblees' Inc. has grown from a small family business with 3 employees to a small family business with 23 branches in 7 states. Our product offering has expanded to include car, truck and trailer wheels as well as small trailer components, RV products and service, light truck accessories, tire shop supplies and heavy duty truck parts. We have seen tremendous growth and improvement in product offering and service; preserving the belief – "Customers deserve great service!" We hope you will join with us as we grow in the future.

Andy Robblee



ORDERING INFORMATION

Payment Terms

All invoices are due for payment by the 10th of the month, following the month in which the purchase was made. The billing cycle starts on the 1st of the month and continues through the end of the month. If the account should become delinquent and remain unpaid on the 25th of the second month following purchase, a 2% service charge will be applied. Past due accounts may be placed on a cash basis at our option.

Pricing

Prices are consistent with current market conditions and are subject to change without notice.

Shipping

We are happy to ship any product ordered via UPS or common carrier LTL (pallet shipments). Just confirm with your sales representative how you would like your order delivered. In some cases, we may have free local delivery available (commercial addresses only). For a more complete description of our delivery options, please call your local warehouse.

Online Ordering

With an account, you'll be able to: check stock levels and pricing, place an order, check order status, and search account history and A/R balance. Visit us at www.sixrobblees.com

Monthly Specials

We send out monthly flyers to your email with specials that you won't find anywhere else. Sign up for our monthly specials at www.sixrobblees.com.

Returns

No returns will be accepted without prior authorization. A restocking fee may be levied on returned merchandise.

Disclaimer

Six Robblees' Inc. has made a diligent effort to illustrate and describe products in this catalog accurately; however, illustrations, photos, and descriptions are for the sole purpose of identification and do not express or imply a warranty that the products are merchantable, or fit for a particular purpose, or that the products will necessarily conform to the illustrations, photos or descriptions. Six Robblees' Inc. makes no warranty or affirmation of fact, express or implied. Six Robblees' Inc. is not responsible for inadvertent typographical errors or omissions. No part of this book may be reproduced or utilized in any form or by means, electronic or mechanical, including recording, photocopying or by any information storage and retrieval system without permission in writing by Six Robblees' Inc. The sole intent of this catalog is to aid Six Robblees' Inc. customers in the resale of trailer and light truck parts.

©2023 by Six Robblees' Inc.



SECTION TABLE OF CONTENTS

INTRODUCTION	1-3
AXLES	4-20
HUB, DRUMS, BRAKES	21-60
SUSPENSION	61-71
TIRES & WHEELS	72-79
AGRICULTURAL	80-83
JACKS COUPLERS & WINCHES	84-92
LOAD CONTROL & TRAILER HARDWARE	93-103
LIGHTING & ELECTRICAL	104-124
HITCHES, TOWING & ACCESSORIES	125-174
RV PARTS & SUPPLIES	175-220
VEHICLE ACCESSORIES	221-225
SHOP TOOLS & SUPPLIES	226-230



AXLE SECTION



AXLE SECTION CONTENTS

AXLE TERMINOLOGY	5
TORFLEX ORDER FORM.	6
TORFLEX AXLES	7-14
600 - 1,100 lbs. Capacity.	7
1,000 - 2,200 lbs. Capacity	8
2,300 - 3,500 lbs. Capacity.	9
4,000 - 5,200 lbs. Capacity.	10
5,500 - 7,000 lbs. Capacity.	11
7,200 lbs. Capacity.	12
8,000 lbs. Capacity.	13
9,000 - 10,000 lbs. Capacity	14
LEAF SPRING AXLES	15-17
2000 lbs. Capacity	15
3500 lbs. Capacity	16
6000 lbs. Capacity	17
AXLE KITS	18
Leaf Spring Axle Kits	18
Heavy Duty Axles	18
SPINDLES.	19-20



AXLE TERMINOLOGY

Axle capacity cannot exceed the spindle capacity.

All axles are furnished with spring seats, spindle nuts, and washers.

Capacity

All axle and axle component capacities are based upon gross load measured at tires

Camber

All axles will be cambered 1.5° (Nominal) at center unless otherwise requested. All dropped axles are cambered 1.5° (Nominal) at drop.

Hub Face Width

Hub face width is the distance in inches from mounting surface of hub to mounting surface of opposite hub.

Hub Face

The hub face is the mounting surface of a hub, perpendicular to the axis of rotation, that a wheel's disc contacts when mounted.

Underslung

Springs are mounted below the axle.

Overslung

Springs are mounted above the axle.

Double Eye Spring

A spring with a completely closed loop, bushed eye on both ends.

Slipper Spring

A spring with a closed loop, bushed eye on only one end. The other end rides, or "slips" against a corresponding contact surface at its rear attachment point.

Overhang

Overhang for axles with single tires is the distance from the centerline of the spring to the hub face. Overhang for axles with dual tires is the distance from the centerline of the spring to the centerline of the duals.

Overhang vs. Axle Capacity

Axle beam carrying capacity is reduced as the overhang is increased beyond allowed maximum.

Load Ratings

In assembling running gear components, it is desirable to match the capacities of the axle, tires, wheels, brakes, etc. as closely as possible. The component with the lowest capacity determines the capacity of the entire running gear. For example, an axle beam rated at 5,800 lbs. matched with wheels rated at 2,600 lbs. each (5,200 lbs./axle), tires at 5,100 lbs. and brakes at 5,000 lbs. rates the running gear capacity at 5,000 lbs.

Track Width

For single wheel axles: the distance from centerline of one tire to centerline of other. For dual wheel axles: distance from centerline of one pair of duals to centerline of other.

Wheel Offset

Wheel offset is the distance from the rim centerline to the mounting surface of the disc.

Inset / Outset

Inset (positive offset) - Rim centerline is INBOARD of disc mounting surface.

Outset (negative offset) - Rim centerline is OUTBOARD of disc mounting surface.

Bolt Circle

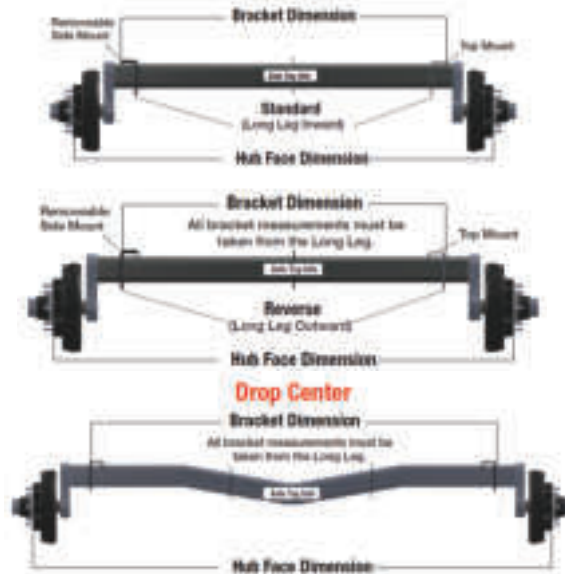
A hub's bolt circle is the circle described by the center points of the wheel mounting studs. Remember! For hubs with an odd number of mounting studs, this is NOT a stud to stud dimension!



TORFLEX ORDER FORM

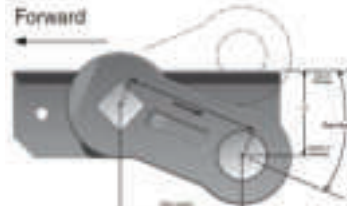
AXLES

Date: _____ Account # _____
 Account Name: _____
 Contact Person: _____
 Phone: () _____
 Customer Signature: _____
 Capacity: _____ Quantity: _____
 Hub Face: _____ Outside of Brackets: _____
 Axle Type: Beam Only Idler Brake Axle
 Brake Flange (Beam & Idler):
Bearing Lubrication
 Grease Oil E-Z Lube® Nev-R-Lube®
 Cambered: Yes No OR Drop Center
Start Angle:
 22.5° Up 10° Down
 10° Up 22.5° Down
 0° 32° Down
 45° Down
Brake Type:
 Electric Single Servo Hydraulic
 Nev-R-Adjust® Electric Duo Servo Hydraulic
 Disc Hydraulic Free Backing Hydraulic
 Park:
 Removable Spindle:
 Wheel Bolt Pattern: **Select** _____
 Stud Size: 1/2" 9/16" 5/8" Flgs. 5/8" Coned/Clamp Ring
 Swivel Flange Nut (10K & 12K)
 Idler: (2K 5 on 4.5K) 5.50" Diameter Hub 6.50" Diameter Hub
 Mounting Brackets: Low 1" High 3" High (2.2K & 3.5K)
 Side Mounting Kit: Yes No
 Side Mount Hangers: Steel Aluminum
 Bracket Orientation: Standard Reverse
 Pre-wired: Yes No
 Axle Finish: No-Paint Paint Powder Coat
 E-Coat Galvanized
 Notes: _____



600 - 12,000 LBS. CAPACITY

Start Angle
(measure when unloaded)



IN CASE OF CUSTOMER ERROR:

Dexter builds axles to order per customer specifications. Please be sure all dimensions and specifications are correct. Axles are subject to a 50% restock fee if returned & the customer is responsible for all freight charges incurred for the original shipment & return. Some combinations may not work pending on options chosen or may not apply.

Bracket Orientation



TORFLEX AXLES

AXLES

600 - 1,100 lbs. Capacity

Ideal for light utility, personal watercraft and motorcycle trailers
Short version spindle for trailers with extremely short overhangs
Electric brakes are available with and without parking feature

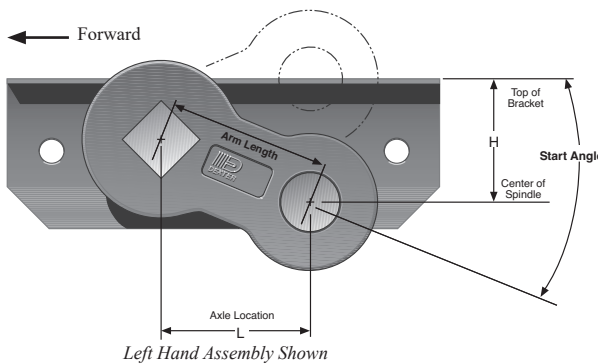
Lubrication options: Standard grease, and E-Z Lube™

7 x 1¼" electric and 7 x 1¾" hydraulic brakes



Articulation Dimensions

Dimensions are for top mount only. Side mount is 0.18" higher. Allow 3" bump clearance from full load.

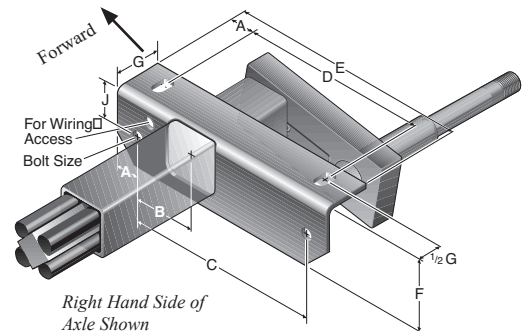


#8 OVERHANG PER SIDE

Spindle	Min.	Max.
Short	4.75"	9.04"
Standard	6.00"	9.04"

Start Angle	Bracket Profile	No Load		Full Load		Shock Load	
		H	L	H	L	H	L
45° down	Low	3.84	2.83	2.54	3.70	1.87	3.91
22.5° down	Low	2.54	3.70	1.01	4.00	0.31	3.94
10° down	Low	1.70	3.94	0.14	3.91	-0.52	3.70
0°	Low	1.01	4.00	-0.52	3.70	-1.14	3.37
10° up	Low	0.31	3.94	-1.14	3.37	-1.69	2.95
22.5° up	Low	-0.52	3.70	-1.82	2.83	-2.27	2.29

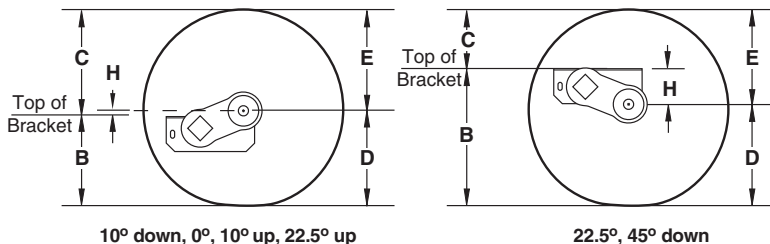
Note: Positive numbers in the H column indicate the spindle is BELOW the top of the bracket. Conversely, negative numbers are ABOVE the top of the bracket.



Right Hand Side of Axle Shown

Full Load Dimensions

Dimensions are for top mount only. Side mount is 0.18" higher. Allow 3" bump clearance from full load.



#8 BRACKET DIMENSIONS

Low		Low	
A	B	E	F
1.00	2.38	10.00	2.88
8.00	7.75	G	J
		2.00	1.57
Bolt Size ½" bolt, Tube Size 1.75"			

START ANGLE

Tire	45° Down			22.5° Down			10° Down			0°			10° Up			22.5° Up			D	E
	H	B	C	H	B	C	H	B	C	H	B	C	H	B	C	H	B	C		
ST175/80R13	2.5	13.7	9.5	1.0	12.2	11.0	0.1	11.3	11.9	-0.5	10.7	12.5	-1.1	10.1	13.1	-1.8	9.4	13.8	11.2	12.0
4.80-8	2.5	10.4	6.3	1.0	8.9	7.8	0.1	8.0	8.7	-0.5	7.4	9.3	-1.1	6.8	9.9	-1.8	6.1	10.6	7.9	8.8
4.80-12	2.5	12.0	8.3	1.0	10.5	9.8	0.1	9.6	10.7	-0.5	9.0	11.3	-1.1	8.4	11.9	-1.8	7.7	12.6	9.5	10.8
20.5x8.0-10	2.5	12.2	8.3	1.0	10.7	9.8	0.1	9.8	10.7	-0.5	9.2	11.3	-1.1	8.6	11.9	-1.8	7.9	12.6	9.7	10.8



TORFLEX AXLES

AXLES

1,000 - 2,200 lbs. Capacity



Ideal for light utility, fold-down campers and boat trailers
 Short version spindle for trailers with extremely short overhangs
 Electric brakes are available with and without parking feature

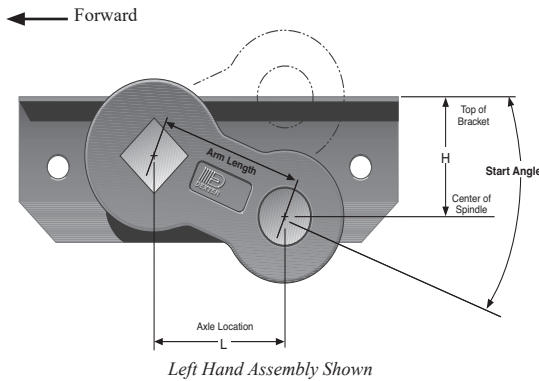


Lubrication options: Standard grease, and E-Z Lube™

7 x 1¼" electric and 7 x 1¾" hydraulic brakes

Articulation Dimensions

Dimensions are for top mount only. Side mount is 0.18" higher. Allow 3" bump clearance from full load.



Start Angle	Bracket Profile	No Load		Full Load		Shock Load	
		H	L	H	L	H	L
45° down	Low	5.46	4.24	3.52	5.54	2.52	5.86
	High	6.33	4.24	4.38	5.54	3.38	5.86
22.5° down	Low	3.52	5.54	1.22	6.00	0.18	5.91
	High	4.38	5.54	2.00	6.00	1.04	5.91
10° down	Low	2.26	5.91	-0.08	5.86	-1.08	5.54
	High	3.13	5.91	0.79	5.86	-0.21	5.54
0°	Low	1.22	6.00	-1.08	5.54	-2.00	5.06
	High	2.09	6.00	-0.21	5.54	-1.14	5.06
10° up	Low	0.18	5.91	-2.00	5.06	-2.83	4.42
	High	1.04	5.91	-1.14	5.06	-1.97	4.42
22.5° up	Low	-1.08	5.54	-3.02	4.24	-3.70	3.44
	High	-0.21	5.54	-2.16	4.24	-2.83	3.44

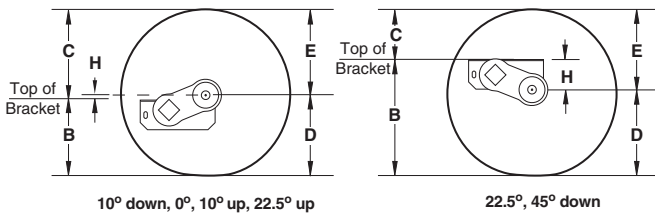
#9 OVERHANG PER SIDE

Spindle	Min.	Max.
Short	6.00"	10.90"
Standard	6.50"	10.90"

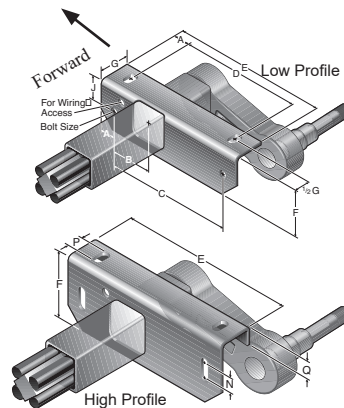
Note: Positive numbers in the H column indicate the spindle is BELOW the top of the bracket. Conversely, negative numbers are ABOVE the top of the bracket.

Full Load Dimensions

Dimensions are for top mount only. Side mount is 0.18" higher. Allow 3" bump clearance from full load.



#9 BRACKET DIMENSIONS



	Low	High
A	1.00	1.00
B	2.38	2.38
C	8.00	8.00
D	7.75	7.75
E	10.00	10.00
F	2.88	3.75
G	2.00	2.00
J	1.57	1.57
N	----	.86
P	----	.94
Q	----	1.00
Bolt Size	½" bolt	
Tube Size	2.17"	

START ANGLE

Tire	45° Down			22.5° Down			10° Down			0°			10° Up			22.5° Up			D	E
	H	B	C	H	B	C	H	B	C	H	B	C	H	B	C	H	B	C		
ST175/80R13	3.5	14.7	8.5	1.2	12.4	10.8	-0.1	11.1	12.1	-1.1	10.1	13.1	-2.0	9.2	14.0	-3.0	8.2	15.0	11.2	12.0
4.80-8	3.5	11.4	5.3	1.2	9.1	7.6	-0.1	7.8	8.9	-1.1	6.8	9.9	-2.0	5.9	10.8	-3.0	4.9	11.8	7.9	8.8
4.80-12	3.5	13.0	7.3	1.2	10.7	9.6	-0.1	9.4	10.9	-1.1	8.4	11.9	-2.0	7.5	12.8	-3.0	6.5	13.8	9.5	10.8
20.5x8.0-10	3.5	13.2	7.3	1.2	10.9	9.6	-0.1	9.6	10.9	-1.1	8.6	11.9	-2.0	7.7	12.8	-3.0	6.7	13.8	9.7	10.8



TORFLEX AXLES

AXLES

2,300 - 3,500 lbs. Capacity

Ideal for camper, cargo-carriers and light vehicle towing apps. Electric brakes are available with and without parking feature Hydraulic disc brakes available

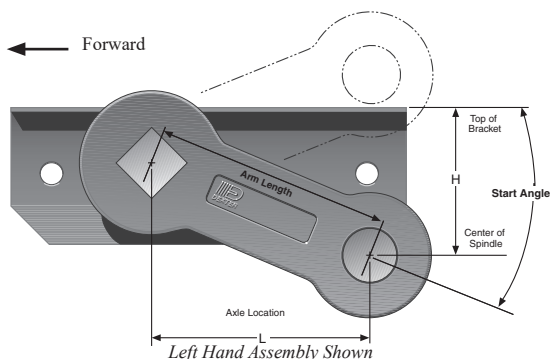
Lubrication options: Standard grease, E-Z Lube™, Oil Bath, and Nev-R-Lube™

10 x 2¼" electric, hydraulic drum, and disc brakes



Articulation Dimensions

Dimensions are for top mount only. Side mount is 0.18" higher. Allow 3" bump clearance from full load.



Start Angle	Bracket Profile	No Load		Full Load		Shock Load	
		H	L	H	L	H	L
45° down	Low	5.75	4.24	3.79	5.54	2.79	5.86
	High	6.55	4.24	4.61	5.54	3.61	5.86
22.5° down	Low	3.79	5.54	1.49	6.00	0.45	5.91
	High	4.61	5.54	2.31	6.00	1.27	5.91
10° down	Low	2.53	5.91	0.19	5.86	-0.81	5.54
	High	3.35	5.91	1.01	5.86	0.01	5.54
0°	Low	1.49	6.00	-0.81	5.54	-1.73	5.06
	High	2.31	6.00	0.01	5.54	-0.91	5.06
10° up	Low	0.45	5.91	-1.73	5.06	-2.56	4.42
	High	1.27	5.91	-0.91	5.06	-1.74	4.42
22.5° up	Low	-0.81	5.54	-2.75	4.24	-3.43	3.44
	High	0.01	5.54	-1.93	4.24	-2.60	3.44

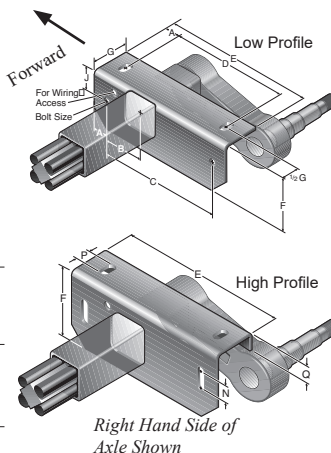
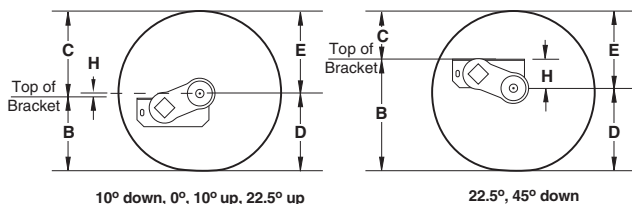
Note: Positive numbers in the H column indicate the spindle is BELOW the top of the bracket. Conversely, negative numbers are ABOVE the top of the bracket.

#10 OVERHANG PER SIDE

Spindle	Min.	Max.
Standard	6.30"	11.80"
Disc Brake	6.56"	11.80"
10L	5.88"	13.76"

Full Load Dimensions

Dimensions are for top mount only. Side mount is 0.18" higher. Allow 3" bump clearance from full load.



#10 BRACKET DIMENSIONS

	Low	High
A	1.00	1.00
B	2.50	2.50
C	8.00	8.00
D	8.00	8.00
E	10.00	10.00
F	3.43	4.25
G	2.50	2.50
J	1.62	1.62
N	----	1.03
P	----	1.00
Q	----	1.00
Bolt Size	⅝" bolt	
Tube Size	2.62"	

START ANGLE

Tire	45° Down			22.5° Down			10° Down			0°			10° Up			22.5° Up			D	E
	H	B	C	H	B	C	H	B	C	H	B	C	H	B	C	H	B	C		
ST175/80R13	3.8	15.0	8.2	1.5	12.7	10.5	0.2	11.4	11.8	-0.8	10.4	12.8	-1.7	9.5	13.7	-2.8	8.4	14.8	11.2	12.0
ST205/75R14	3.8	15.9	9.3	1.5	13.6	11.6	0.2	12.3	12.9	-0.8	11.3	13.9	-1.7	10.4	14.8	-2.8	9.3	15.9	12.1	13.1
ST225/75R15	3.8	16.8	10.6	1.5	14.5	12.9	0.2	13.2	14.2	-0.8	12.2	15.2	-1.7	11.3	16.1	-2.8	10.2	17.2	13.0	14.4



TORFLEX AXLES

AXLES



4,000 - 5,200 lbs. Capacity

Ideal for camper, cargo-carriers and light vehicle towing apps. Totally rubber-cushioned for smooth, quiet independent ride. Electric & hydraulic brakes available w/ and w/o parking feature.

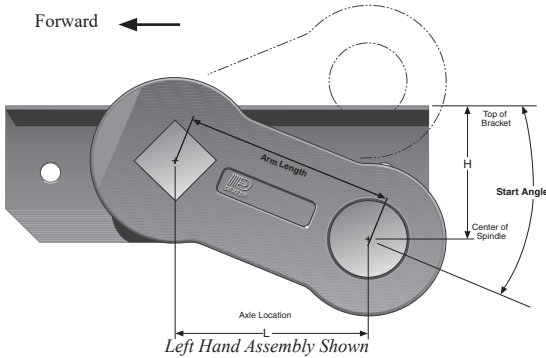
Lubrication options: Standard grease, E-Z Lube™, Oil Bath, and Nev-R-Lube™

12 x 2" electric, hydraulic drum, and disc brakes



Articulation Dimensions

Dimensions are for top mount only. Side mount is 0.25" higher. Allow 3" bump clearance from full load.



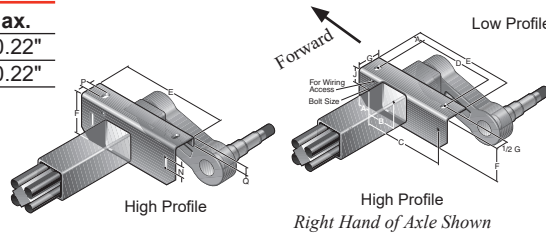
Start Angle	Bracket Profile	No Load		Full Load		Shock Load	
		H	L	H	L	H	L
45° down	Low	6.01	4.24	4.06	5.54	3.06	5.86
	High	6.76	4.24	4.81	5.54	3.81	5.86
22.5° down	Low	4.06	5.54	1.77	6.00	0.72	5.91
	High	4.81	5.54	2.52	6.00	1.47	5.91
10° down	Low	2.81	5.91	0.47	5.86	-0.53	5.54
	High	3.56	5.91	1.22	5.86	0.22	5.54
0°	Low	1.77	6.00	-0.53	5.54	-1.46	5.06
	High	2.52	6.00	0.22	5.54	-0.71	5.06
10° up	Low	0.72	5.91	-1.46	5.06	-2.29	4.42
	High	1.47	5.91	-0.71	5.06	-1.54	4.42
22.5° up	Low	-0.53	5.54	-2.48	4.24	-3.15	3.44
	High	0.22	5.54	-1.73	4.24	-2.40	3.44

Note: Positive numbers in the H column indicate the spindle is BELOW the top of the bracket. Conversely, negative numbers are ABOVE the top of the bracket.

#11 OVERHANG PER SIDE

Spindle	Min.	Disc*	Max.
Short	7.00"	7.50"	10.22"
Standard	7.47"	7.50"	10.22"

* Minimum overhang with disc brakes

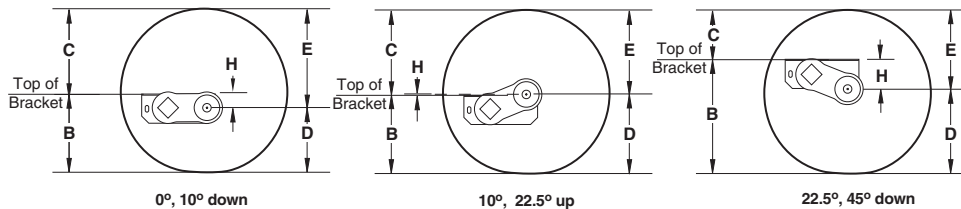


#11 BRACKET DIMENSIONS

	Low	High
A	0.75	1.25
B	3.50	3.50
C	9.50	9.50
D	9.00	9.00
E	11.00	12.00
F	3.91	4.66
G	2.50	2.50
J	1.83	1.83
N	----	1.03
P	----	1.00
Q	----	1.00
Bolt Size	5/8" bolt	
Tube Size	3.03"	

Full Load Dimensions

Dimensions are for top mount only. Side mount is 0.25" higher. Allow 3" bump clearance from full load.



START ANGLE

Tire	45° Down			22.5° Down			10° Down			0°			10° Up			22.5° Up			D	E
	H	B	C	H	B	C	H	B	C	H	B	C	H	B	C	H	B	C		
ST225/75R15	4.1	17.1	10.3	1.8	14.8	12.6	0.5	13.5	13.9	-0.5	12.5	14.9	-1.5	11.5	15.9	-2.5	10.5	16.9	13.0	14.4
LT235/85R16	4.1	18.4	11.3	1.8	16.1	13.6	0.5	14.8	14.9	-0.5	13.8	15.9	-1.5	12.8	16.9	-2.5	11.8	17.9	14.3	15.4
LT225/75R16	4.1	17.6	10.8	1.8	15.3	13.1	0.5	14.0	14.4	-0.5	13.0	15.4	-1.5	12.0	16.4	-2.5	11.0	17.4	13.5	14.9



TORFLEX AXLES

AXLES

5,500 - 7,000 lbs. Capacity

Ideal for camper, cargo-carriers and light vehicle towing apps. Totally rubber-cushioned for smooth, quiet independent ride. Electric & hydraulic brakes available w/ and w/o parking feature.

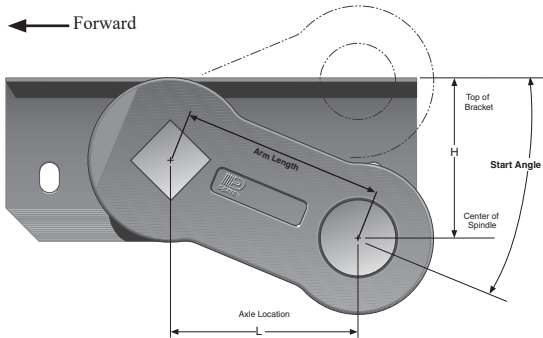
Lubrication options: Standard grease, E-Z Lube™, Oil Bath, and Nev-R-Lube™

12 x 2" electric, hydraulic drum, and disc brakes



Articulation Dimensions

Dimensions are for top mount only. Side mount is 0.31" higher. Allow 3" bump clearance from full load.



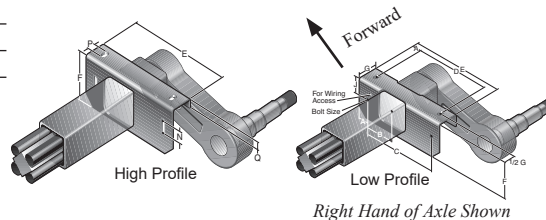
Left Hand Assembly Shown

Start Angle	Bracket Profile	No Load		Full Load		Shock Load	
		H	L	H	L	H	L
45° down	Low	6.24	4.24	4.30	5.54	3.30	5.86
	High	6.99	4.24	5.05	5.54	4.05	5.86
22.5° down	Low	4.30	5.54	2.00	6.00	0.96	5.91
	High	5.05	5.54	2.75	6.00	1.71	5.91
10° down	Low	3.04	5.91	0.70	5.86	-0.30	5.54
	High	3.79	5.91	1.45	5.86	0.45	5.54
0°	Low	2.00	6.00	-0.30	5.54	-1.22	5.06
	High	2.75	6.00	0.45	5.54	-0.47	5.06
10° up	Low	0.96	5.91	-1.22	5.06	-2.05	4.42
	High	1.71	5.91	-0.47	5.06	-1.30	4.42
22.5° up	Low	-0.30	5.54	-2.24	4.24	-2.91	3.44
	High	0.45	5.54	-1.49	4.24	-2.16	3.44

Note: Positive numbers in the H column indicate the spindle is BELOW the top of the bracket. Conversely, negative numbers are ABOVE the top of the bracket.

#12 OVERHANG PER SIDE

Spindle	Min.	Max.
Standard	7.50"	15.20"
Short	7.00"	15.20"

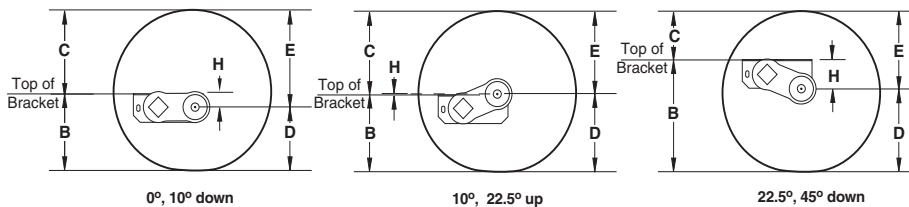


#12 BRACKET DIMENSIONS

	Low	High
A	1.25	1.25
B	3.50	3.50
C	9.50	9.50
D	9.00	9.00
E	12.00	12.00
F	4.37	5.12
G	2.50	2.50
J	2.06	2.06
N	----	1.03
P	----	1.00
Q	----	1.00
Bolt Size	5/8" bolt	
Tube Size	3.50"	

Full Load Dimensions

Dimensions are for top mount only. Side mount is 0.31" higher. Allow 3" bump clearance from full load.



START ANGLE

Tire	45° Down			22.5° Down			10° Down			0°			10° Up			22.5° Up			D	E
	H	B	C	H	B	C	H	B	C	H	B	C	H	B	C	H	B	C		
LT235/85R16	4.3	18.6	11.1	2.0	16.3	13.4	0.7	15.0	14.7	-0.3	14.0	15.7	-1.2	13.1	16.6	-2.2	12.1	17.6	14.3	15.4
7.50-16LT	4.3	19.2	12.4	2.0	16.9	14.7	0.7	15.6	16.0	-0.3	14.6	17.0	-1.2	13.7	17.9	-2.2	12.7	18.9	14.9	16.7



TORFLEX AXLES

AXLES



7,200 lbs. Capacity

Ideal for camper, cargo-carriers and light vehicle towing apps.
Totally rubber-cushioned for smooth, quiet independent ride
Electric & hydraulic brakes available w/ and w/o parking feature

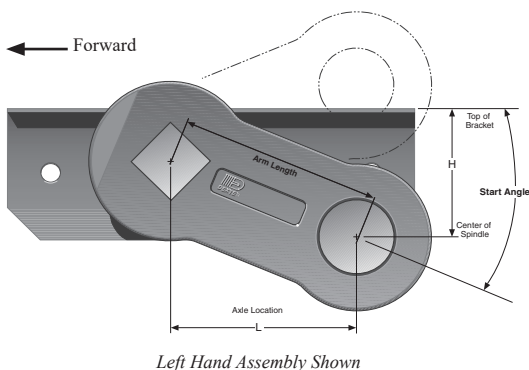
Lubrication options: Standard grease, E-Z Lube™, Oil Bath, and Nev-R-Lube™

12 x 2" electric and hydraulic brakes



Articulation Dimensions

Dimensions are for top mount only. Side mount is 0.31" higher. Allow 3" bump clearance from full load.

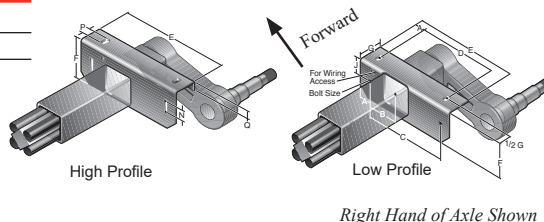


Start Angle	Bracket Profile	No Load		Full Load		Shock Load	
		H	L	H	L	H	L
45° down	Low	6.24	4.24	4.30	5.54	3.30	5.86
	High	6.99	4.24	5.05	5.54	4.05	5.86
22.5° down	Low	4.30	5.54	2.00	6.00	0.96	5.91
	High	5.05	5.54	2.75	6.00	1.71	5.91
10° down	Low	3.04	5.91	0.70	5.86	-0.30	5.54
	High	3.79	5.91	1.45	5.86	0.45	5.54
0°	Low	2.00	6.00	-0.30	5.54	-1.22	5.06
	High	2.75	6.00	0.45	5.54	-0.47	5.06
10° up	Low	0.96	5.91	-1.22	5.06	-2.05	4.42
	High	1.71	5.91	-0.47	5.06	-1.30	4.42
22.5° up	Low	-0.30	5.54	-2.24	4.24	-2.91	3.44
	High	0.45	5.54	-1.49	4.24	-2.16	3.44

Note: Positive numbers in the H column indicate the spindle is BELOW the top of the bracket. Conversely, negative numbers are ABOVE the top of the bracket.

#12V OVERHANG PER SIDE

Spindle	Min.	Max.
Standard	7.00"	14.77"

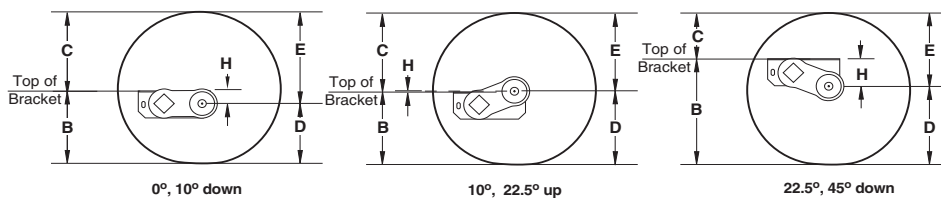


#12V BRACKET DIMENSIONS

	Low	High
A	1.25	1.25
B	3.50	3.50
C	9.50	9.50
D	9.00	9.00
E	12.00	12.00
F	4.37	5.12
G	2.50	2.50
J	2.06	2.06
N	----	1.03
P	----	1.00
Q	----	1.00
Bolt Size	5/8" bolt	
Tube Size	3.50"	

Full Load Dimensions

Dimensions are for top mount only. Side mount is 0.25" higher. Allow 3" bump clearance from full load.



START ANGLE

Tire	45° Down			22.5° Down			10° Down			0°			10° Up			22.5° Up			D	E
	H	B	C	H	B	C	H	B	C	H	B	C	H	B	C	H	B	C		
LT235/85R16	4.3	18.6	11.1	2.0	16.3	13.4	0.7	15.0	14.7	-0.3	14.0	15.7	-1.2	13.1	16.6	-2.2	12.1	17.6	14.3	15.4
7.50-16LT	4.3	19.2	12.4	2.0	16.9	14.7	0.7	15.6	16.0	-0.3	14.6	17.0	-1.2	13.7	17.9	-2.2	12.7	18.9	14.9	16.7
9.50-16.5LT	4.3	18.4	10.9	2.0	16.1	13.2	0.7	14.8	14.5	-0.3	13.8	15.5	-1.2	12.9	16.4	-2.2	11.9	17.4	14.1	15.2



TORFLEX AXLES

AXLES

8,000 lbs. Capacity

Ideal for camper, cargo-carriers and horse trailers
Totally rubber-cushioned for smooth, quiet independent ride
Electric & hydraulic brakes available w/ and w/o parking feature

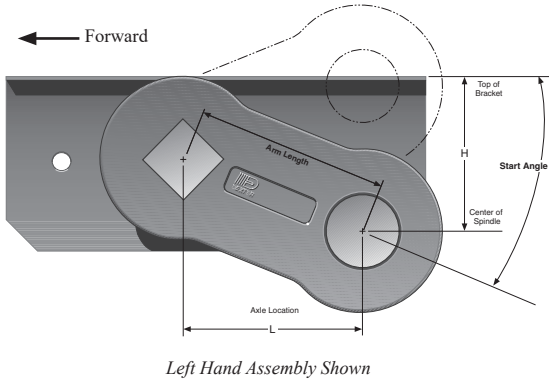
Lubrication options: Standard grease, Oil Bath, and Nev-R-Lube™

12¼ x 3¾" electric, hydraulic, and disc brakes



Articulation Dimensions

Dimensions are for top mount only. Side mount is 0.31" higher. Allow 3" bump clearance from full load.

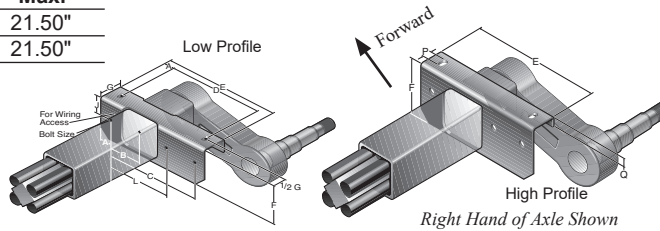


Start Angle	Bracket Profile	No Load		Full Load		Shock Load	
		H	L	H	L	H	L
45° down	Low	6.49	4.24	4.55	5.54	3.55	5.86
	High	7.18	4.24	5.24	5.54	4.24	5.86
22.5° down	Low	4.55	5.54	2.25	6.00	1.21	5.91
	High	5.24	5.54	2.94	6.00	1.90	5.91
10° down	Low	3.29	5.91	0.95	5.86	-0.05	5.54
	High	3.98	5.91	1.64	5.86	0.64	5.54
0°	Low	2.25	6.00	-0.05	5.54	-0.97	5.06
	High	2.94	6.00	0.64	5.54	-0.28	5.06
10° up	Low	1.21	5.91	-0.97	5.06	-1.80	4.42
	High	1.90	5.91	-0.28	5.06	-1.11	4.42
22.5° up	Low	-0.05	5.54	-1.99	4.24	-2.66	3.44
	High	0.64	5.54	-1.30	4.24	-1.97	3.44

Note: Positive numbers in the H column indicate the spindle is BELOW the top of the bracket. Conversely, negative numbers are ABOVE the top of the bracket.

#13 OVERHANG PER SIDE

Spindle	Min.	Max.
Short	8.50"	21.50"
Standard	9.00"	21.50"

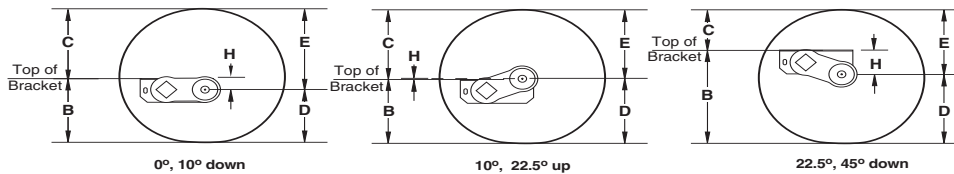


#13 BRACKET DIMENSIONS

	Low	High
A	1.22	1.22
B	3.63	3.63
C	10.56	10.56
D	10.56	10.56
E	13.00	13.00
F	4.81	5.50
G	2.50	2.50
J	2.25	2.25
L	7.26	7.26
P	----	1.00
Q	----	1.00
Bolt Size	¾" bolt	
Tube Size	3.88"	

Full Load Dimensions

Dimensions are for low profile, top mount only. high profile brackets are .75" higher. side mount is .31" higher. allow 3" bump clearance from full load.



START ANGLE

Tire	45° Down			22.5° Down			10° Down			0°			10° Up			22.5° Up			D	E
	H	B	C	H	B	C	H	B	C	H	B	C	H	B	C	H	B	C		
10R17.5 HC	4.6	20.2	13.4	2.3	17.9	15.7	1.0	16.6	17.0	-0.1	15.5	18.1	-1.0	14.6	19.0	-2.0	13.6	20.0	15.6	18.0
215/75R 17.5	4.6	18.6	10.7	2.3	16.3	13.0	1.0	15.0	14.3	-0.1	13.9	15.4	-1.0	13.0	16.3	-2.0	12.0	17.3	14.0	15.3
12-16.5 LT	4.6	19.5	11.2	2.3	17.2	13.5	1.0	15.9	14.8	-0.1	14.8	15.9	-1.0	13.9	16.8	-2.0	12.9	17.8	14.9	15.8



TORFLEX AXLES

AXLES



9,000 - 10,000 lbs. Capacity

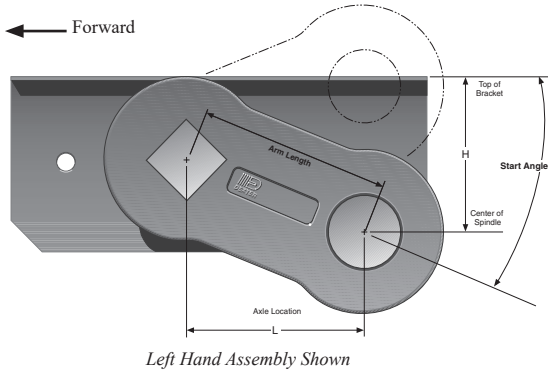
Ideal for Equipment, Cargo-Carrier, and Industrial Trailers.
Totally rubber-cushioned for smooth, quiet independent ride
Electric & hydraulic brakes available w/ and w/o parking feature

Lubrication options: Standard grease, and Oil Bath

12¼ x 3⅝" electric and hydraulic brakes

Articulation Dimensions

Dimensions are for top mount only. Side mount is 0.31" higher. Allow 3" bump clearance from full load.



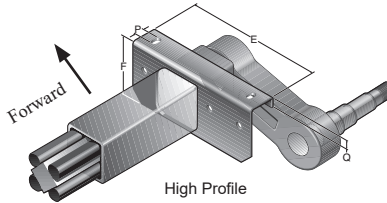
Start Angle	Bracket Profile	No Load		Full Load		Shock Load	
		H	L	H	L	H	L
45° down	High	7.18	4.24	5.24	5.54	4.24	5.83
22.5° down	High	5.24	5.54	2.94	6.00	1.90	5.91
10° down	High	3.98	5.91	1.64	5.86	0.64	5.54
0°	High	2.94	6.00	0.64	5.54	-0.28	5.06
10° up	High	1.90	5.91	-0.28	5.06	-1.11	4.42
22.5° up	Hgh	0.64	5.54	-1.30	4.24	-1.97	3.44

Note: Dual wheel not available for 13G one-piece. one-piece hub/drum is not interchangeable with the two-piece hub & drum

Note: Positive numbers in the H column indicate the spindle is BELOW the top of the bracket. Conversely, negative numbers are ABOVE the top of the bracket.

#13 OVERHANG PER SIDE

Spindle	Min.	Max.	Brake
13D	12.25"	17.20"	12¼" x 4"
13G one piece	10.11"	17.20"	12¼" x 3⅝"
13G two-piece	9.00"	21.50"	12¼" x 3⅝"

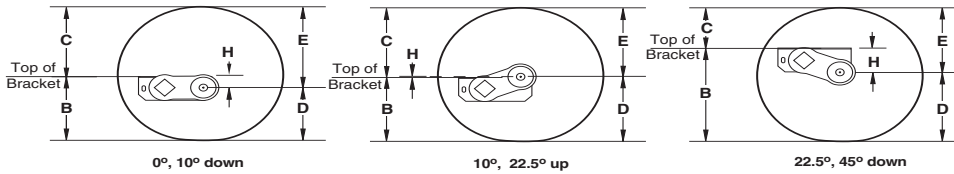


#13D & #13G BRACKET DIMENSIONS

A	1.22
B	3.63
C	10.56
D	10.56
E	13.00
F	5.50
G	2.50
J	2.25
L	7.26
P	1.00
Q	1.00
Bolt Size	¾" bolt
Tube Size	3.88

Full Load Dimensions

Dimensions are for high profile, top mount only. Side mount is .31" higher. Allow 3" bump clearance from full load



START ANGLE

Tire	45° Down			22.5° Down			10° Down			0°			10° Up			22.5° Up			D	E
	H	B	C	H	B	C	H	B	C	H	B	C	H	B	C	H	B	C		
10R17.5 HC	5.2	20.2	13.4	2.9	17.9	15.7	1.6	16.6	17.0	0.6	15.6	18.0	-0.3	14.6	18.9	-1.3	13.6	19.9	15.6	18.0
215/75R 17.5	5.2	18.6	10.8	2.9	16.3	13.1	1.6	15.0	14.4	0.6	14.0	15.4	-0.3	13.0	16.3	-1.3	12.0	17.3	14.0	15.3
12-16.5 LT	5.2	19.5	11.3	2.9	17.2	13.6	1.6	15.9	14.9	0.6	14.9	15.9	-0.3	13.9	16.8	-1.3	12.9	17.8	14.9	15.8



LEAF SPRING AXLES

AXLES

2000 lbs. Capacity: 1 $\frac{3}{4}$ " tube diameter



D20 OVERHANG PER SIDE

	Min.	Max.
Straight	5.75"	7.62"
2 $\frac{3}{4}$ " Dia. Drop	7.62"	9.00"

* All axles are EZ-Lube. 2K axles are usually not pre-wired
Std grease axles available as special order. Axles are sold as beams
only and come complete with spring seats, spindle nuts, & washers

Part # Beam Only	2000 lbs. Straight Axles			Spring Centers		
	Hub Face	Brake Flange to Flange (Outside)	Overall	Max	Recommended	Min
TS2049EZ	49"	42"	53.50"	37.50"	34.25"	33.75"
TS2051EZ	51"	44"	55.50"	39.50"	36.25"	35.75"
TS2053EZ	53"	46"	57.50"	41.50"	38.25"	37.75"
TS2055EZ	55"	48"	59.50"	43.50"	40.25"	39.75"
TS2057EZ	57"	50"	61.50"	45.50"	42.25"	41.75"
TS2059EZ	59"	52"	63.50"	47.50"	44.25"	43.75"
TS2061EZ	61"	54"	65.50"	49.50"	46.25"	45.75"
TS2063EZ	63"	56"	67.50"	51.50"	48.25"	47.75"
TS2065EZ	65"	58"	69.50"	53.50"	50.25"	49.75"
TS2067EZ	67"	60"	71.50"	55.50"	52.25"	51.75"
TS2069EZ	69"	62"	73.50"	57.50"	54.25"	53.75"
TS2071EZ	71"	64"	75.50"	59.50"	56.25"	55.75"
TS2073EZ	73"	66"	77.50"	61.50"	58.25"	57.75"
TS2075EZ	75"	68"	79.50"	63.50"	60.25"	59.75"
TS2077EZ	77"	70"	81.50"	65.50"	62.25"	61.75"
TS2079EZ	79"	72"	83.50"	67.50"	64.25"	63.75"
TS2081EZ	81"	74"	85.50"	69.50"	66.25"	65.75"
TS2083EZ	83"	76"	87.50"	71.50"	68.25"	67.75"
TS2085EZ	85"	78"	89.50"	73.50"	70.25"	69.75"
TS2087EZ	87"	80"	91.50"	75.50"	72.25"	71.75"



LEAF SPRING AXLES

AXLES

3500 lbs. Capacity: 2³/₈" tube diameter



D35 OVERHANG PER SIDE

	Min.	Disc	Max.
Straight	5.62"	7.5"	9.00"
4" Drop	7.00"	7.5"	9.00"
6" Drop	7.87"	7.87"	9.00"
3" dia. Str.	5.62"	7.5"	11.50"
3" dia. Drop	7.00"	7.5"	11.50"
Nev-R-Lube™	5.31"	-	9.00"

* All axles are EZ-Lube and pre-wired. .

Standard grease and Nev-R-Lube™ axles available as special order. Axles are sold as beams and are shipped with spring seats, spindle nuts, & washers

3500 lbs. Straight/Drop Axles				Spring Centers				
Part # Beam Only TS/TD	Hub Face	Brake Flange to Flange (Outside)	Overall	Max		Recommended		Min
				Straight	Drop	Straight	Drop	
TS/(D)3551EZ	51"	44.6"	55.5"	39.75"	37"	35"	34.5"	33"
TS/(D)3553EZ	53"	46.6"	57.5"	41.75"	39"	37"	36.5"	35"
TS/(D)3555EZ	55"	48.6"	59.5"	43.75"	41"	39"	38.5"	37"
TS/(D)3557EZ	57"	50.6"	61.5"	45.75"	43"	41"	40.5"	39"
TS/(D)3559EZ	59"	52.6"	63.5"	47.75"	45"	43"	42.5"	41"
TS/(D)3561EZ	61"	54.6"	65.5"	49.75"	47"	45"	44.5"	43"
TS/(D)3563EZ	63"	56.6"	67.5"	51.75"	49"	47"	46.5"	45"
TS/(D)3565EZ	65"	58.6"	69.5"	53.75"	51"	49"	48.5"	47"
TS/(D)3567EZ	67"	60.6"	71.5"	55.75"	53"	51"	50.5"	49"
TS/(D)3569EZ	69"	62.6"	73.5"	57.75"	55"	53"	52.5"	51"
TS/(D)3571EZ	71"	64.6"	75.5"	59.75"	57"	55"	54.5"	53"
TS/(D)3573EZ	73"	66.6"	77.5"	61.75"	59"	57"	56.5"	55"
TS/(D)3575EZ	75"	68.6"	79.5"	63.75"	61"	59"	58.5"	57"
TS/(D)3577EZ	77"	70.6"	81.5"	65.75"	63"	61"	60.5"	59"
TS/(D)3579EZ	79"	72.6"	83.5"	67.75"	65"	63"	62.5"	61"
TS/(D)3581EZ	81"	74.6"	85.5"	69.75"	67"	65"	64.5"	63"
TS/(D)3583EZ	83"	76.6"	87.5"	71.75"	69"	67"	66.5"	65"
TS/(D)3585EZ	85"	78.6"	89.5"	73.75"	71"	69"	68.5"	67"
TS/(D)3587EZ	87"	80.6"	91.5"	75.75"	73"	71"	70.5"	69"
TS/(D)3589EZ	89"	82.6"	93.5"	77.75"	75"	73"	72.5"	71"
TS/(D)3591EZ	91"	84.6"	95.5"	79.75"	77"	75"	74.5"	73"
TS/(D)3593EZ	93"	86.6"	97.5"	81.75"	79"	77"	76.5"	75"
TS/(D)3595EZ	95"	88.6"	99.5"	83.75"	81"	79"	78.5"	77"



LEAF SPRING AXLES

AXLES

7000 lbs. Capacity: 3" tube diameter



D70 OVERHANG PER SIDE

	Min.	Disc.	Max.
Straight	6.63"	9.00"	10.00"
4" Drop	7.87"	N/A	9.50"
Nev-R-Lube™	6.19"	9.00	10.00"

* All axles are EZ-Lube and pre-wired.

Standard grease and Nev-R-Lube™ axles available as special order.

Axles are sold as beams and are shipped with spring seats, spindle nuts, & washers

7000 lbs. Straight/Drop Axles				Spring Centers					
Part # Beam Only TS/TD	Hub Face	Brake Flange to Flange (Outside)	Overall	Max		Recommended		Min	
				Straight	Drop	Straight	Drop	Straight	Drop
TS(/D)7063EZ	63"	54.25"	68.75"	50.00"	47.25"	48"	45"	43"	43"
TS(/D)7065EZ	65"	56.25"	70.75"	52.00"	49.25"	50"	47"	45"	45"
TS(/D)7067EZ	67"	58.25"	72.75"	54.00"	51.25"	52"	49"	47"	47"
TS(/D)7069EZ	69"	60.25"	74.75"	56.00"	53.25"	54"	51"	49"	49"
TS(/D)7071EZ	71"	62.25"	76.75"	58.00"	55.25"	56"	53"	51"	51"
TS(/D)7073EZ	73"	64.25"	78.75"	60.00"	57.25"	58"	55"	53"	53"
TS(/D)7075EZ	75"	66.25"	80.75"	62.00"	59.25"	60"	57"	55"	55"
TS(/D)7077EZ	77"	68.25"	82.75"	64.00"	61.25"	62"	59"	57"	57"
TS(/D)7079EZ	79"	70.25"	84.75"	66.00"	63.25"	64"	61"	59"	59"
TS(/D)7081EZ	81"	72.25"	86.75"	68.00"	65.25"	66"	63"	61"	61"
TS(/D)7083EZ	83"	74.25"	88.75"	70.00"	67.25"	68"	65"	63"	63"
TS(/D)7085EZ	85"	76.25"	90.75"	72.00"	69.25"	70"	67"	65"	65"
TS(/D)7087EZ	87"	78.25"	92.75"	74.00"	71.25"	72"	69"	67"	67"
TS(/D)7089EZ	89"	80.25"	94.75"	76.00"	73.25"	74"	71"	69"	69"
TS(/D)7091EZ	91"	82.25"	96.75"	78.00"	75.2"	76"	73"	71"	71"
TS(/D)7093EZ	93"	84.25"	98.75"	80.00"	77.25"	78"	75"	73"	73"
TS(/D)7095EZ	95"	86.25"	100.75"	82.00"	79.25"	80"	77"	75"	75"



AXLES KITS

AXLES

Leaf Spring Axle Kits

Kit #	Description
2000SI	2,000 lbs. Single Axle Idler Kit
2000SB	2,000 lbs. Single Axle Kit with 7" x 1.25" Brakes (elect., hyd.)
3500SI	3,500 lbs. Single Axle Idler Kit
3500SB	3,500 lbs. Single Axle Kit with 10" x 2.25" Brakes (elect., hyd.)
5200SI	5,200 lbs. Single Axle Idler Kit
5200SB	5,200 lbs. Single Axle Kit with 12" x 2" Brakes (elect., hyd.)
6000SI	6,000 lbs. Single Axle Idler Kit
6000SB	6,000 lbs. Single Axle Kit with 12" x 2" Brakes (elect., hyd.)
7000SB	7,000 lbs. Single Axle Kit with 12" x 2" Brakes (elect., hyd.)
2000TI	2,000 lbs. Tandem Axle Idler Kit
2000TB	2,000 lbs. Tandem Axle Kit with 7" x 1.25" Brakes (elect., hyd.)
3500TI	3,500 lbs. Tandem Axle Idler Kit
3500TB	3,500 lbs. Tandem Axle Kit w/10" x 2.25" Brakes (elect., hyd.)
5200TB	5,200 lbs. Tandem Axle Kit w/12" x 2" Brakes (elect., hyd.)
6000TI	6,000 lbs. Tandem Axle Idler Kit
6000TB	6,000 lbs. Tandem Axle Kit with 12" x 2" Brakes (elect., hyd.)
6000TBS	6,000 lbs. Tdm. Kit w/slipper sprgs w/12" x 2" Brakes (elect., hyd.)
7000TB	7,000 lbs. Tandem Axle Kit with 12" x 2" Brakes (elect., hyd.)
7000TBS	7,000 lbs. Tdm. Kit w/slipper sprgs w/12" x 2" Brakes (elect., hyd.)
3500TRI	3,500 lbs. Triple Axle Kit w/10" x 2.25" Brakes (elect., hyd.)
5200TRI	5,200 lbs. Triple Axle Kit w/12" x 2" Brakes (elect., hyd.)
6000TRI	6,000 lbs. Triple Axle Kit w/12" x 2" Brakes (elect., hyd.)
7000TRI-S	7,000 lbs. Triple Kit w/slipper sprgs w/12" x 2" Brakes (elect., hyd.)

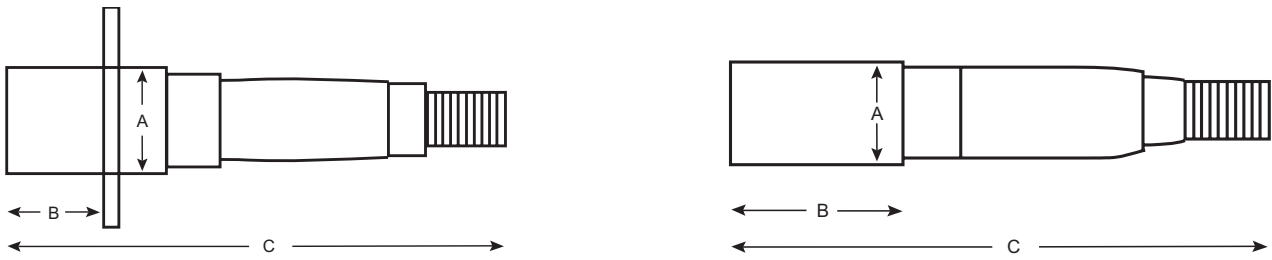
Heavy Duty Axles

Part #	Description
8000TDM	Tandem Axle Kit w/12.25" x 3.325" Brakes (elect., hyd.)
10000TDM-GD	Dual Wheel, 8 on 6.5" B.C. Springs: 5 leaf (2½" wide) 12¼" x 3¾" self-adjusting electric or hydraulic brakes
10000TDM-HD	Dual Wheel, 8 on 6.5" B.C. Springs: 5 leaf (3" wide) 12¼" x 4" self-adjusting electric or hydraulic brakes
10000TDM-AIR	Dual Wheel, 8 on 6.5" B.C. Springs: 5 leaf (3" wide) 12¼" x 4" air brakes
10000TDM-DISC	Dual Wheel, 8 on 6.5" B.C. Springs: 5 Leaf (3" Wide) Hyd. Disc Brakes
12000TDM-HD	Dual Wheel, 8 on 6.5" B.C., Springs: 5 Leaf (3" wide), 12¼" x 5" self-adjusting electric or hydraulic brakes.
15000TDM-HD	Dual Wheel, 8 on 6.5" B.C., Springs: 5 Leaf (3" wide), 12¼" x 5" self-adjusting electric or hydraulic brakes.



SPINDLES

AXLES



Round Spindles

Part #	Spindle			Inner Bearing	Outer Bearing	Seal	Max Cap per Spindle	
	Type	A	B					C
R104BT8	BT8	1.25"	3.5"	8.25"	L44643	L44643	SL122-1	1000#
R104BT16	BT8	1.25"	3.5"	8.25"	L44649	L44649	SL122-1	1000#
R204BT8	BT8	1.50"	3.5"	8.25"	L44643	L44643	SL122-1	1000#
R204BT16	BT8	1.50"	3.5"	8.25"	L44649	L44649	10-9	1000#
R204-84-1.50	84	1.50"	4"	8.25"	L68149	L44649	SL173	1750#
R3568A	84	1.75"	6"	10.75"	L68149	L44649	SL173	1750#
R50642**	42	2.25"	6"	11"	25580	15123 or 14125A	SL225-1	3000#
SFA-1752*	84	1.75"	2"	7.50"	L68149	L44649	SL173	1750#
SFA-3000*/**	42	2.25"	2.25"	9.25"	25580	15123 or 14125A	SL225-1	3000#

Square Spindles

Part #	Spindle			Inner Bearing	Outer Bearing	Seal	Max Cap per Spindle	
	Type	A	B					C
SP204BT8	BT8	1.50"	3.5"	8.25"	L44643	L44643	SL122-1	1000#
SP20484	84	1.50"	3.5"	8.25"	L68149	L44649	SL173	1750#
SP35684	84	1.75"	6.0"	10.50"	L68149	L44649	SL173	1750#
SP50642SQ**	42	2.00"	6.0"	11"	25580	15123 or 14125A	SL225-1	3000#

* Flanged ** Outer Bearing Depends on Hub Used

UFP Torsion Axle Spindles

Part #	Application	Inner Bearing	Outer Bearing
002-324-08*	3.7K Axle	L68149	L44649
002-326-09	6K Axle	25580	LM67048/14125A
002-326-05**	6K Axle	25580	LM67048/14125A
002-326-06**	6K Axle	25580	LM67048/14125A

* Zirk Fitting P/N 32616 Sold Separately

** Drum Brake Only



Spindle nut (006-210-00), washer (005-164-00), lock shield (006-211-00), and cotter pin (019-002-00) sold separately. Add "K" to end of the part number to receive nut, washer and cotter pin



SPINDLES

AXLES



Fig. 1

Tie-Down Torsion Axle Spindles

Part #	Fig. #	Application	Inner Bearing	Outer Bearing
80043A	1	3.5K Axle	L68149	L44649
80062A	1	6K Axle	25580	15123/14125A

Fig. 2



Flexride Half Spindles

Part #	Fig. #	Description
FR935	2	Pair, 935 lbs. capacity, 1" welded spindle
FR1400B	-	Pair, 1400 lbs. capacity, Adj. Spindle Arms
FR2000B	-	Pair, 2000 lbs. capacity, Adj. Spindle Arms

Note: Add "K" to end of the part number to receive nut, washer and cotter pin

Fig. 3



Dexter Removable Spindle Kit

Part #	Fig. #	Application	Inner Bearing	Outer Bearing
K71-742-00	3	#9 Torflex Axle	L44649	L44649
K71-743-00	4	#10 Torflex Axle	L68149	L44649
K71-744-00	-	#11 Torflex Axle	25580	15123
K71-745-00	-	#12 Torflex Axle	25580	14125A

Fig. 4



Fig. 5



Round Tube Axle Brake Spindles

Part #	Fig #	Description	Center Hole
004-034-00	5	Brake Flange for 7" Brakes	1.64"
004-035-00	5	Brake Flange for 10" Brakes	2.274"
004-044-00	6	Brake Flange for 12" Brakes	3.246"

Fig. 6



HUB, DRUM, BRAKES SECTION



HUB, DRUMS, BRAKES CONTENTS

7" ELECTRIC BRAKES	22
10" ELECTRIC BRAKES	23-25
12" ELECTRIC BRAKES	26-27
12¼" ELECTRIC BRAKES	28-31
8K - 12K AL-KO BRAKES	32
HUBS/DRUMS	33-44
AL-KO HUBS/DRUMS	45-46
7" & 10" HYDRAULIC BRAKES	47
12" HYDRAULIC BRAKES	48
UFP DISC BRAKES	49-51
TIE DOWN DISC BRAKES	52
SURGE BRAKE ACTUATORS	53-54
SURGE BRAKE ACCESSORIES	55
UFP BRAKE ACTUATOR PARTS	56
SEALS / Z-RINGS	57
CAPS/BEARING PROTECTORS	58
BEARINGS/RACES	59
GREASE/SEAL KITS	60



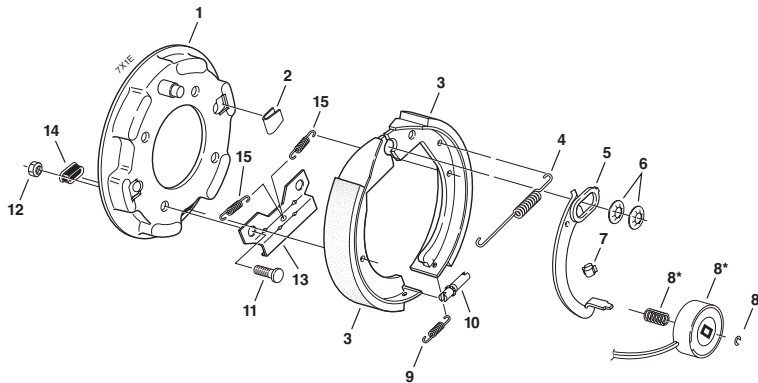
7" ELECTRIC BRAKES



7" x 1.25" Electric

Part #	Description
K23-047-00	LH, 2200 lbs. per pair
K23-048-00	RH, 2200 lbs. per pair

7BP Mounting Hardware Kit (per wheel)



2200 LBS. ELECTRIC BRAKE

Item	Part No.	Qty/Brk	Description
1	036-036-04	1	Backing Plate Assembly
2	046-023-00	2	Shoe Hold Down Clip
3	K71-045-00	1	Shoe & Lining Kit containing: 1 #040-125-00 Primary S&L 1 #040-049-00 Secondary S&L
4	046-024-00	1	Retractor Spring
5	047-114-01	1	LH Actuating Lever Arm
-	047-115-01	1	RH Actuating Lever Arm
6	046-030-00	2	Anchor Post Clip
7	027-005-00	1	Wire Clip
For brakes manufactured after 4/1/90			
8	K71-057-00	1	Magnet Kit containing: 1 #042-134-00 Magnet 1 #046-121-00 Magnet Clip 1 #046-086-00 Magnet Spring
9	046-022-00	1	Adjusting Screw Spring
10	043-021-00	1	Adjusting Screw
11	FB437	4	Brake Mounting Bolt
12	006-017-00	4	Brake Mounting Nut
n/s*	005-008-00	4	Brake Mounting Washer
13	064-001-00	1	Stabilizer Bracket
14	046-007-00	1	Adjuster Slot Plug
For brakes manufactured after 8-1-91			
15	046-114-00	2	Shoe Centering Spring

* Not included with complete brake assembly. Items sold separately.



10" ELECTRIC BRAKES

HUBS, DRUMS & BRAKES



10" x 1 1/2" Electric

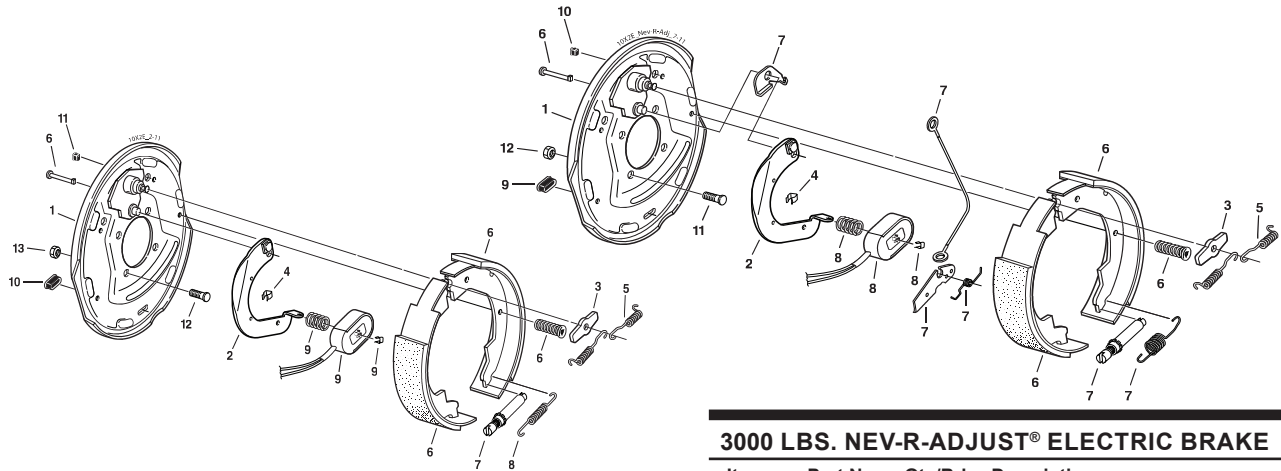
Part #	Description
K23-472-00	LH 3000 lbs.
K23-473-00	RH 3000 lbs.

10BP Mounting Hardware Kit (per wheel)



10" x 1 1/2" Nev-R-Adjust®

Part #	Description
K23-476-00	LH 3000 lbs.
K23-477-00	RH 3000 lbs.



3000 LBS. ELECTRIC BRAKE

Item	Part No.	Qty/Brk	Description
1	036-134-03	1	Backing Plate Assembly
2	047-019-05	1	LH Actuating Lever Arm
-	047-020-05	1	RH Actuating Lever Arm
3	005-067-00	1	Washer, Anchor Post
4	027-005-00	2	Wire Clip
5	046-009-00	2	Retractor Spring
6	K71-046-00	1	Shoe & Lining Kit containing: 2 #035-001-00 Shoe Hold Down Cup 1 #040-129-00 Primary Shoe & Lining 1 #040-130-00 Secondary Shoe & Lining 2 #046-006-00 Shoe Hold Down Spring 2 #049-009-00 Shoe Hold Down Pin "T"
7	043-004-00	1	Adjuster Assembly
8	046-018-00	1	Adjusting Screw Spring
9	K71-104-00	1	Magnet Kit containing: 1 #042-140-00 Magnet (green wire) 1 #027-009-00 Magnet Clip 1 #046-080-00 Magnet Spring
10	046-007-00	1	Adjuster Slot Plug
11	046-016-00	1	Wire Grommet
12	FB437	4	Brake Mounting Bolt – Press-In
13*	006-017-00	4	Brake Mounting Nut

* Not included with complete brake assembly. Items sold separately.

3000 LBS. NEV-R-ADJUST® ELECTRIC BRAKE

Item	Part No.	Qty/Brk	Description
1	036-019-19	1	Backing Plate Assembly
2	047-019-10	1	LH Actuating Lever Arm
-	047-020-10	1	RH Actuating Lever Arm
3	005-067-00	1	Washer
4	027-005-00	3	Wire Clip
5	046-009-00	2	Retractor Spring
6	K71-701-00	1	LH Shoe & Lining Kit containing: 1 #040-129-00 Primary Shoe+Lining 1 #040-375-00 Secondary Shoe+Lining 2 #049-009-00 Shoe Hold Down Pin T 2 #046-006-00 Shoe Hold Down Spring
6	K71-702-00	1	RH Shoe & Lining Kit containing: 1 #040-129-00 Primary S&L 1 #040-140-02 Secondary S&L 2 #049-009-00 Shoe Hold Down Pin #8 2 #035-001-00 Shoe Hold Down Spring & Cup
7	K71-703-00	1	LH & RH Brake Adjuster Kit 2 #046-139-00 Adjusting Screw Spring 1 #046-140-00 LH Lever Spring 1 #046-141-00 RH Lever Spring 1 #048-022-00 LH Adjuster Assembly 1 #048-023-00 RH Adjuster Assembly 2 #071-529-00 Hook for Cable 1 #071-532-01 LH Adjusting Lever 1 #071-532-02 RH Adjusting Lever 2 #071-533-00 Adjuster Cable 1 #071-655-01 LH Cable Lever 1 #071-655-02 RH Cable Lever 2 #071-656-00 Adjuster Cable
8	K71-104-00	1	Magnet Kit containing: 1 #042-140-00 Magnet (green wire) 1 #027-009-00 Magnet Clip 1 #046-080-00 Magnet Spring
9	046-007-00	1	Adjuster Slot Plug
10	046-016-00	1	Wire Grommet
11	FB437	4	Brake Mounting Bolt
12*	006-017-00	4	Brake Mounting Nut



10" ELECTRIC BRAKES

HUBS, DRUMS & BRAKES



10" x 2 1/4" Electric

Part #	Description
023-026-00	LH 3500 lbs.
023-027-00	RH 3500 lbs.

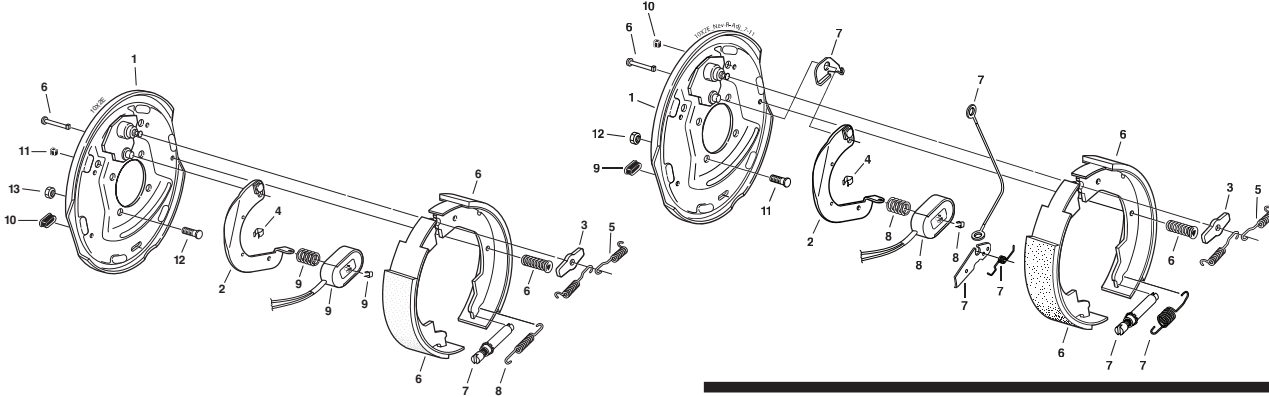


10" x 2 1/4" Nev-R-Adjust®

Part #	Description
023-468-00	LH 3500 lbs.
023-469-00	RH 3500 lbs.

10BP Mounting Hardware Kit (per wheel)

Brake Flange Hole to Hole Measurement is (w) 2 7/8" x (h) 2 7/8"



3500 LBS. ELECTRIC BRAKE

Item	Part No.	Qty/Brk	Description
1	036-019-10	1	Backing Plate Assembly
2	047-019-00	1	LH Actuating Lever Arm
-	047-020-00	1	RH Actuating Lever Arm
3	005-067-00	1	Washer, Anchor Post
4	027-005-00	3	Wire Clip
5	046-009-00	2	Retractor Spring
6	K71-047-00	1	Shoe & Lining Kit containing: 1 #040-017-00 Primary S&L 1 #040-021-00 Secondary S&L 2 #049-002-00 Shoe Hold Down Pin #8 2 #046-077-00 Shoe Hold Down Spring &
Cup			
7	043-004-00	1	Adjuster Assembly
8	046-018-00	1	Adjusting Screw Spring
9	K71-104-00	1	Magnet Kit containing: 1 #042-140-00 Magnet (green wire) 1 #027-009-00 Magnet Clip 1 #046-080-00 Magnet Spring
10	046-007-00	1	Adjuster Slot Plug
11	046-016-00	1	Wire Grommet
12*	FB437	4	Brake Mounting Bolt
13*	006-017-00	4	Brake Mounting Nut
14*	005-008-00	4	Brake Mounting Washer

* Not included with complete brake assembly. Items sold separately.

3500 LBS. NEV-R-ADJUST® ELECTRIC BRAKE

Item	Part No.	Qty/Brk	Description
1	036-019-19	1	Backing Plate Assembly
2	047-019-10	1	LH Actuating Lever Arm
2	047-020-10	1	RH Actuating Lever Arm
3	005-067-00	1	Washer
4	027-005-00	2	Wire Clip
5	046-009-00	2	Retractor Spring
6	K71-681-00	1	LH Shoe & Lining Kit containing: 1 #040-367-00 Primary Shoe & Lining 1 #040-368-01 Secondary Shoe & Lining 2 #049-002-00 Shoe Hold Down Pin T 2 #046-077-00 Shoe Hold Down Spring
6	K71-682-00	1	RH Shoe & Lining Kit containing: 1 #040-367-00 Primary S&L 1 #040-368-02 Secondary S&L 2 #049-002-00 Shoe Hold Down Pin #8 2 #046-077-00 Shoe Hold Down Spring&Cup
7	K71-703-00	1	LH & RH Brake Adjuster Kit 2 #046-139-00 Adjusting Screw Spring 1 #046-140-00 LH Lever Spring 1 #046-141-00 RH Lever Spring 1 #048-022-00 LH Adjuster Assembly 1 #048-023-00 RH Adjuster Assembly 2 #071-529-00 Hook for Cable 1 #071-532-01 LH Adjusting Lever 1 #071-532-02 RH Adjusting Lever 2 #071-533-00 Adjuster Cable 1 #071-655-01 LH Cable Lever 1 #071-655-02 RH Cable Lever 2 #071-656-00 Adjuster Cable
8	K71-104-00	1	Magnet Kit containing: 1 #042-140-00 Magnet (green wire) 1 #027-009-00 Magnet Clip 1 #046-080-00 Magnet Spring
9	046-007-00	1	Adjuster Slot Plug
10	046-016-00	1	Wire Grommet
11	FB437	4	Brake Mounting Bolt
12*	006-017-00	4	Brake Mounting Nut



10" ELECTRIC BRAKES

HUBS, DRUMS & BRAKES



10" x 2 1/4" D44 Electric

Part #	Description
K23-462-00	LH 4400 lbs.
K23-463-00	RH 4400 lbs.

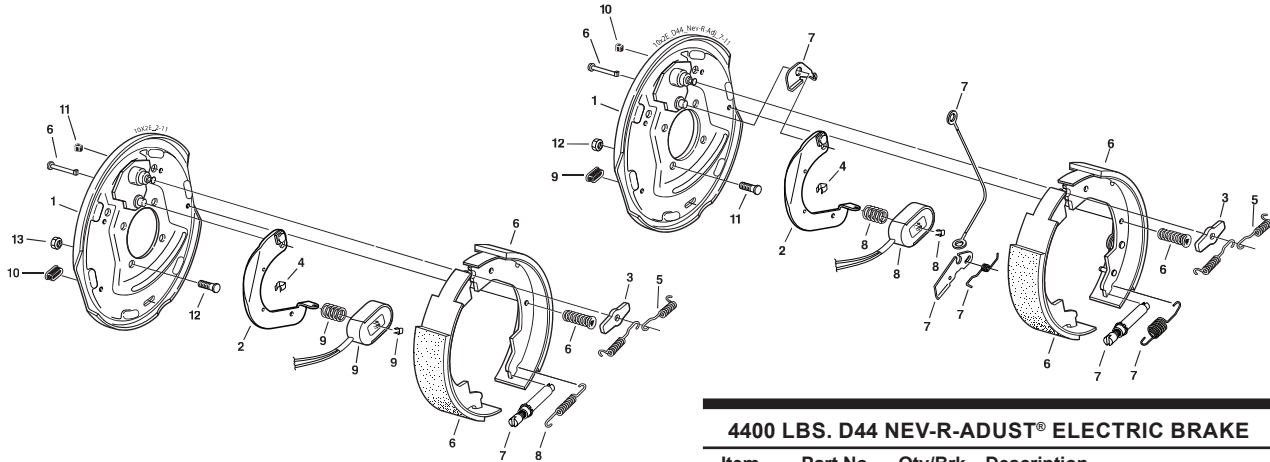


10" x 2 1/4" D44 Nev-R-Adjust®

Part #	Description
K23-478-00	LH 4400 lbs.
K23-479-00	RH 4400 lbs.

10BP Mounting Hardware Kit (per wheel)

Brake Flange Hole to Hole Measurement is (w) 2 7/8" x (h) 3 1/4"



4400 LBS. ELECTRIC BRAKE

Item	Part No.	Qty/Brk	Description
1	036-019-19	1	Backing Plate Assembly
2	047-019-05	1	LH Actuating Lever Arm
2	047-020-05	1	RH Actuating Lever Arm
3	005-067-00	1	Washer
4	027-005-00	2	Wire Clip
5	046-009-00	2	Retractor Spring
6	K71-672-00	1	Shoe & Lining Kit contains: 1 #040-361-00 Primary S&L 1 #040-362-00 Secondary S&L 2 #049-002-00 Shoe Hold Down Pin #8 2 #046-077-00 Shoe Hold Down Spring+Cup
7	043-004-00	1	Adjuster Assembly
8	046-018-00	1	Adjusting Screw Spring
9	K71-125-00	1	Magnet Kit contains: 1 #042-143-00 Magnet (black wire) 1 #027-009-00 Magnet Clip 1 #046-080-00 Magnet Spring
10	046-007-00	2	Adjuster Slot Plug
11	046-016-00	1	Wire Grommet
12*	007-271-00	4	Brake Mounting Bolt Press-in
13*	006-017-00	4	Brake Mounting Nut

* Not included with complete brake assembly. Items sold separately.

**THESE BRAKES WILL NOT FIT AXLES
PRODUCED PRIOR TO 05/01/2009**

4400 LBS. D44 NEV-R-ADJUST® ELECTRIC BRAKE

Item	Part No.	Qty/Brk	Description
1	036-019-19	1	Backing Plate Assembly
2	047-019-10	1	LH Actuating Lever Arm
2	047-020-10	1	RH Actuating Lever Arm
3	005-067-00	1	Washer
4	027-005-00	2	Wire Clip
5	046-009-00	2	Retractor Spring
6	K71-698-00	1	LH Shoe & Lining Kit contains: 1 #040-379-00 Primary Shoe & Lining 1 #040-380-01 Secondary Shoe & Lining 2 #049-002-00 Shoe Hold Down Pin T 2 #046-077-00 Shoe Hold Down Spring
6	K71-699-00	1	RH Shoe & Lining Kit contains: 1 #040-379-00 Primary S&L 1 #040-368-02 Secondary S&L 2 #049-002-00 Shoe Hold Down Pin #8 2 #046-077-00 Shoe Hold Down Spring+Cup
7	K71-703-00	1	LH & RH Brake Adjuster Kit 2 #046-139-00 Adjusting Screw Spring 1 #046-140-00 LH Lever Spring 1 #046-141-00 RH Lever Spring 1 #048-022-00 LH Adjuster Assembly 1 #048-023-00 RH Adjuster Assembly 2 #071-529-00 Hook for Cable 1 #071-532-01 LH Adjusting Lever 1 #071-532-02 RH Adjusting Lever 2 #071-533-00 Adjuster Cable 1 #071-655-01 LH Cable Lever 1 #071-655-02 RH Cable Lever 2 #071-656-00 Adjuster Cable
8	K71-125-00	1	Magnet Kit contains: 1 #042-143-00 Magnet (black wire) 1 #027-009-00 Magnet Clip 1 #046-080-00 Magnet Spring
9	046-007-00	1	Adjuster Slot Plug
10	046-016-00	1	Wire Grommet
11	007-271-00	4	Brake Mounting Bolt - Press-in
12*	006-017-00	4	Brake Mounting Nut



12" ELECTRIC BRAKES

HUBS, DRUMS & BRAKES



12" x 2" Electric

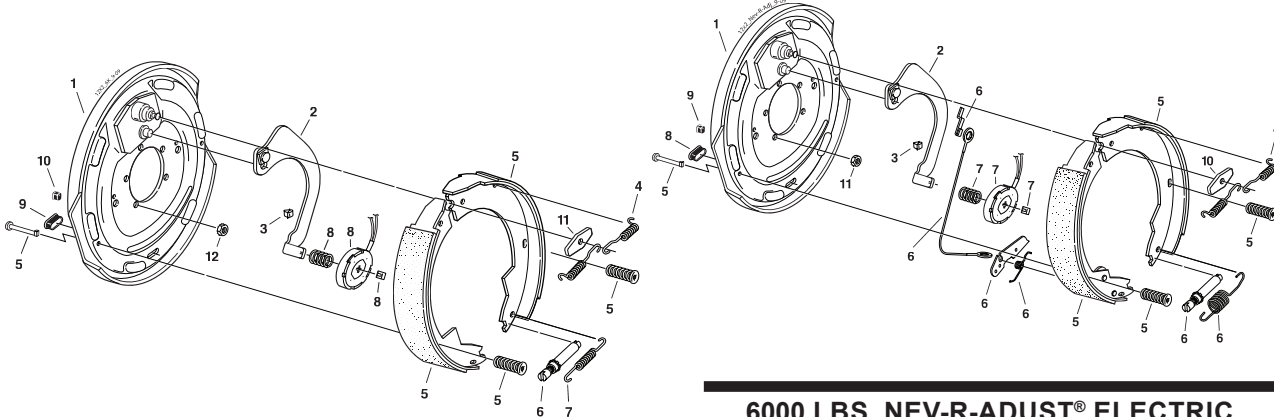
Part #	Description
023-105-00	LH, 6000 lbs.
023-106-00	RH, 6000 lbs.
023-105-09	LH, 4-bolt mtg.
023-106-09	RH, 4-bolt mtg.



12" x 2" Nev-R-Adjust®

Part #	Description
023-458-00	LH 6000 lbs.
023-459-00	RH 6000 lbs.

12BP Mounting Hardware Kit (per wheel)



6000 LBS. ELECTRIC BRAKE

Item	Part No.	Qty/Brk	Description
1	036-089-05	1	Backing Plate Assembly
2	047-107-05	1	LH Actuating Lever Arm Assembly
-	047-108-05	1	RH Actuating Lever Arm Assembly
3	027-005-00	2	Wire Clip
4	046-009-00	2	Retractor Spring
5	K71-127-00	1	Shoe and Lining Kit containing: 1 #040-044-00 Primary S&L 1 #040-045-00 Secondary S&L 2 #049-011-00 Shoe Hold Down Pin #2 2 #046-077-00 Shoe Hold Down Spring&Cup
6	043-004-00	1	Adjuster Assembly
7	046-018-00	1	Adjusting Screw Spring
8	K71-105-00	1	Magnet Kit containing: 1 #042-144-00 Magnet (white wire) 1 #027-009-00 Magnet Clip 1 #046-080-00 Magnet Spring
9	046-007-00	1	Adjuster Slot Plug
10	046-016-00	1	Wire Grommet
11	005-067-00	1	Anchor Post Washer
12*	006-193-00	5	Nut Washer Assembly

* Not included with complete brake assembly. Items sold separately.

6000 LBS. NEV-R-ADJUST® ELECTRIC BRAKE

Item	Part No.	Qty/Brk	Description
1	036-089-05	1	Backing Plate Assembly
2	047-107-05	1	LH Actuating Lever Arm Assembly
-	047-108-05	1	RH Actuating Lever Arm Assembly
3	027-005-00	2	Wire Clip
4	046-009-00	2	Retractor Spring
5	K71-675-00	1	LH Shoe & Lining Kit contains: 1 #040-044-00 Primary Shoe & Lining 1 #040-045-03 Secondary Shoe & Lining 2 #049-011-00 Shoe Hold Down Pin #2 2 #046-077-00 Shoe Hold Down Spring
5	K71-676-00	1	RH Shoe & Lining Kit contains: 1 #040-044-00 Primary Shoe & Lining 1 #040-045-04 Secondary Shoe & Lining 2 #049-011-00 Shoe Hold Down Pin #2 2 #046-077-00 Shoe Hold Down Spring&Cup
6	K71-679-00	1	LH & RH Brake Adjuster Kit 2 #046-139-00 Adjusting Screw Spring 1 #046-140-00 LH Lever Spring 1 #046-141-00 RH Lever Spring 1 #048-022-00 LH Adjuster Assembly 1 #048-023-00 RH Adjuster Assembly 2 #071-528-00 Adjuster Cable 2 #071-529-00 Hook for Cable 1 #071-530-01 LH Adjusting Lever 1 #071-530-02 RH Adjusting Lever
7	K71-105-00	1	Magnet Kit contains: 1 #042-144-00 Magnet (white wire) 1 #027-009-00 Magnet Clip 1 #046-080-00 Magnet Spring
8	046-007-00	1	Adjuster Slot Plug
9	046-016-00	1	Wire Grommet
10*	005-067-00	5	Nut Washer Assembly



12" ELECTRIC BRAKES



12" x 2" Electric

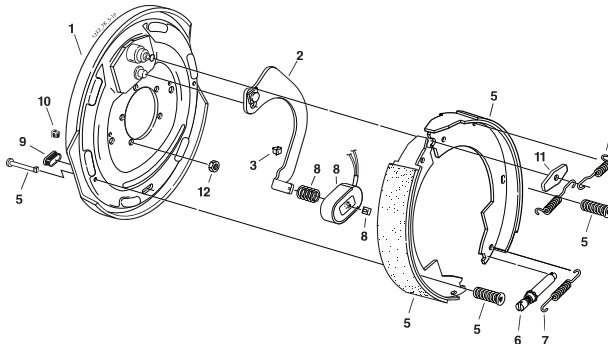
Part #	Description
K23-180-00 LH, 7000 lbs.	
K23-181-00 RH, 7000 lbs.	



12" x 2" Nev-R-Adjust®

Part #	Description
K23-464-00 LH 7000 lbs.	
K23-465-00 RH 7000 lbs.	

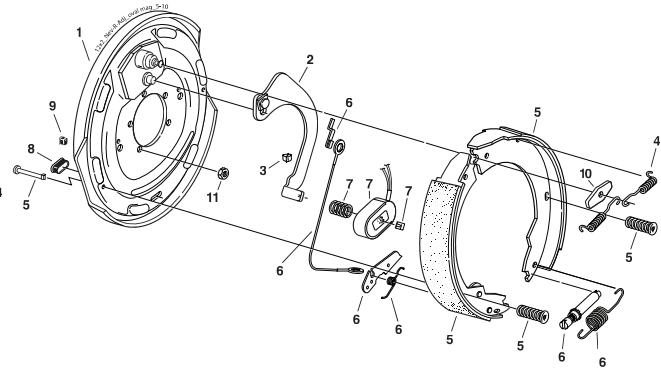
HUBS, DRUMS & BRAKES



7000 LBS. ELECTRIC BRAKE

Item	Part No.	Qty/Brk	Description
1	036-089-10	1	Backing Plate Assembly
2	047-107-05	1	LH Actuating Lever Arm Assembly
-	047-108-05	1	RH Actuating Lever Arm Assembly
3	027-005-00	2	Wire Clip
4	046-009-00	2	Retractor Spring
5	K71-127-00	1	Shoe and Lining Kit containing: 1 #040-215-00 Primary Shoe & Lining 1 #040-216-00 Secondary Shoe & Lining 2 #049-011-00 Shoe Hold Down Pin #2 2 #046-077-00 Shoe Hold Down Spring&Cup
6	043-004-00	1	Adjuster Assembly
7	046-018-00	1	Adjusting Screw Spring
8	K71-125-00	1	Magnet Kit containing: 1 #042-143-01 Magnet (black wire) 1 #027-009-00 Magnet Clip 1 #046-080-00 Magnet Spring
9	046-007-00	1	Adjuster Slot Plug
10	046-016-00	1	Wire Grommet
11	005-067-00	1	Anchor Post Washer
12*	006-193-00	5	Nut Washer Assembly

* Not included with complete brake assembly. Items sold separately.



7000 LBS. NEV-R-ADJUST® ELECTRIC BRAKE

Item	Part No.	Qty/Brk	Description
1	036-089-10	1	Backing Plate Assembly
2	047-107-05	1	LH Actuating Lever Arm Assembly
-	047-108-05	1	RH Actuating Lever Arm Assembly
3	027-005-00	2	Wire Clip
4	046-009-00	2	Retractor Spring
5	K71-675-00	1	LH Shoe & Lining Kit contains: 1 #040-215-00 Primary Shoe & Lining 1 #040-216-01 Secondary Shoe & Lining 2 #049-011-00 Shoe Hold Down Pin #2 2 #046-077-00 Shoe Hold Down Spring
5	K71-676-00	1	RH Shoe & Lining Kit contains: 1 #040-215-00 Primary Shoe & Lining 1 #040-216-02 Secondary Shoe & Lining 2 #049-011-00 Shoe Hold Down Pin #2 2 #046-077-00 Shoe Hold Down Spring&Cup
6	K71-679-00	1	LH & RH Brake Adjuster Kit 2 #046-139-00 Adjusting Screw Spring 1 #046-140-00 LH Lever Spring 1 #046-141-00 RH Lever Spring 1 #048-022-00 LH Adjuster Assembly 1 #048-023-00 RH Adjuster Assembly 2 #071-528-00 Adjuster Cable 2 #071-529-00 Hook for Cable 1 #071-530-01 LH Adjusting Lever 1 #071-530-02 RH Adjusting Lever
7	K71-125-00	1	Magnet Kit contains: 1 #042-143-00 Magnet (black wire) 1 #027-009-00 Magnet Clip 1 #046-080-00 Magnet Spring
8	046-007-00	1	Adjuster Slot Plug
9	046-016-00	1	Wire Grommet
10	005-067-00	1	Anchor Post Washer
11*	006-193-00	5	Nut Washer Assembly



12¼" ELECTRIC BRAKES

HUBS, DRUMS & BRAKES



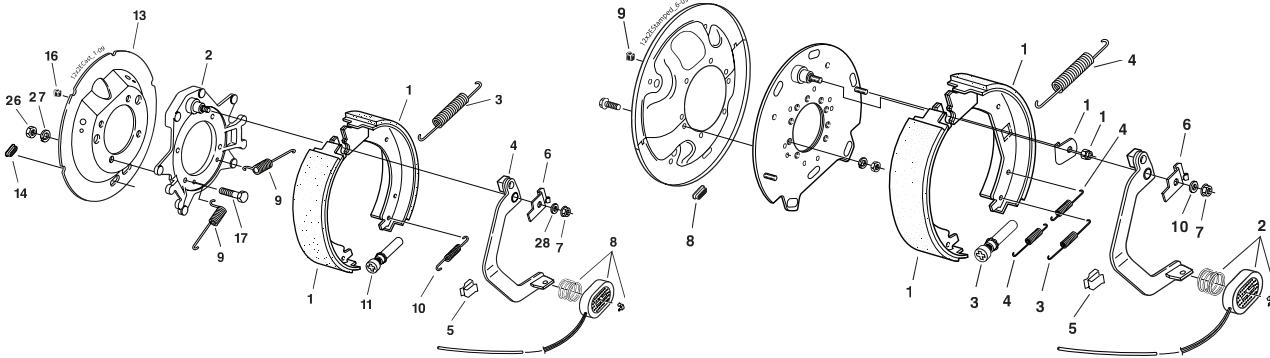
12¼" x 2½" Electric Cast Backing Plate

Part #	Description
K23-428-00	Left Hand, 7200 lbs. Cap.
K23-429-00	Right Hand, 7200 lbs. Cap.

12¼" x 2½" Electric Stamped Backing Plate

Part #	Description
K23-369-00	Left Hand, 7200 lbs. Cap.
K23-370-00	Right Hand, 7200 lbs. Cap.

Brakes manufactured after 5/00 use the Cast Backing Plate



7200 LBS. CAST ELECTRIC BRAKE

Item	Part No.	Qty/Brk	Description
1	K71-497-00	1	LH Shoe & Lining Kit containing: 1 #040-348-01 LH Primary S&L 1 #040-349-02 LH Secondary S&L
1	K71-496-00	1	RH Shoe & Lining Kit containing: 1 #040-349-01 RH Secondary S&L 1 #040-348-02 RH Secondary S&L
2	036-119-02	1	Backing Plate
3	046-119-00	1	Shoe Return (grey)
4	047-124-05	1	LH Actuating Lever Arm Assembly
-	047-125-05	1	RH Actuating Lever Arm Assembly
5	027-039-00	3	Wire Clip
6	071-455-01	1	LH Lever Arm Retainer
-	071-455-02	1	RH Lever Arm Retainer
7	006-062-00	1	Flange Nut
8	K71-378-00	1	Magnet Kit containing: 1 #042-131-00 Magnet 1 #027-050-00 Magnet Retainer 1 #046-117-00 Magnet Spring
9	046-136-00	2	Centering Spring
10	046-018-00	1	Adjuster Spring (red)
11	048-017-00	1	Adjuster Assembly
13*	036-118-20	1	Dust Shield (sold separately)
14*	046-007-00	2	Adjuster Slot Plug
16*	046-016-00	1	Magnet Wire Grommet
17*	007-251-00	4	Brake Mounting Bolt
26*	006-129-00	4	Hex Nut
27*	005-058-00	4	Lockwasher
28*	005-142-00	1	Washer

* Not included with complete brake assembly. Items sold separately.

7200 LBS. STAMPED ELECTRIC BRAKE

Item	Part No.	Qty/Brk	Description
1	K71-410-00	1	Shoe & Lining Kit contains: 1 #040-310-01 RH Primary/LH Second. S&L 1 #040-309-01 LH Primary/RH Second.S&L 2 #005-107-00 Shoe Hold Down Washer 2 #006-127-00 Locknut
2	K71-378-00	1	Magnet Kit contains: 1 #042-131-00 Magnet 1 #027-050-00 Magnet Retainer 1 #046-117-00 Magnet Spring
3	K71-411-00	1	Adjusting Screw Kit contains: 1 #046-018-00 Adjuster Spring (red) 1 #046-017-00 Adjuster Assembly
4	K71-412-00	1	Brake Spring Kit contains: 1 #046-119-00 Shoe Return (gray) 1 #046-117-00 Magnet Spring 2 #046-120-00 Centering Spring 1 #046-018-00 Adjuster Spring (red)
5	027-039-00	3	Wire Clip
6	071-455-01	1	LH Lever Arm Retainer
-	071-455-02	1	RH Lever Arm Retainer
7	006-092-01	1	Flange Nut
8	046-007-00	2	Adjuster Slot Plug
9	046-016-00	1	Magnet Wire Grommet
10	005-142-00	1	Washer

Note: Only numbered items are available.



12¼" ELECTRIC BRAKES



12¼" x 3⅜" Electric Brake FSA

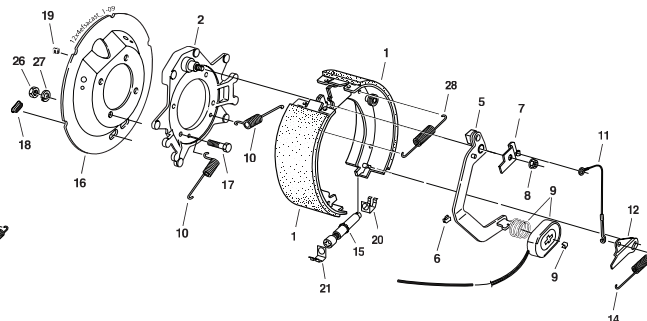
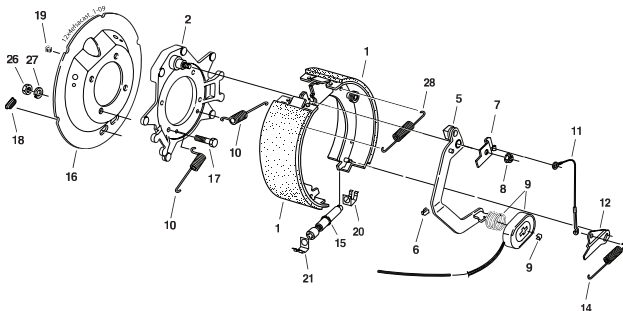
12¼" x 3⅜" Electric Brake Manual Adjust

Part #	Description
K23-434-00	LH, 8000 lbs.
K23-435-00	RH, 8000 lbs.

Part #	Description
K23-432-00	LH, 8000 lbs.
K23-433-00	RH, 8000 lbs.

Brakes manufactured after 4/00 use the Cast Backing Plate

* When updating from a stamped steel backing plate to a cast backing plate, the dust shield will need to be replaced.



8000 LBS. CAST ELECTRIC BRAKES

Item	Part No.	Qty/Brk	Description
1	K71-499-00	1	LH Shoe & Lining Kit containing: 1 #040-350-01 LH Primary Shoe & Lining 1 #040-351-02 LH Secondary Shoe & Lining
1	K71-498-00	1	RH Shoe & Lining Kit containing: 1 #040-351-01 LH Primary Shoe & Lining 1 #040-350-02 LH Secondary Shoe & Lining
2	036-119-02	1	Backing Plate Assembly
5	047-123-38	1	LH Actuating Arm Assembly
5	047-123-37	1	RH Actuating Arm Assembly
6	027-039-00	3	Wire Clip
7	071-455-01	1	LH Arm/Shoe Retainer
7	071-455-02	1	RH Arm/Shoe Retainer
8	006-062-00	1	Flange Nut
9	K71-378-00	1	Magnet Kit containing: 1 #042-131-00 Magnet 1 #027-050-00 Magnet Retainer Clip 1 #046-117-00 Magnet Spring
10	046-136-00	2	Centering Spring
11	071-462-00	1	Adjuster Cable
12	071-464-00	1	LH Adjuster Lever
-	071-463-00	1	RH Adjuster Lever
14	046-137-00	1	Adjuster Spring
15	048-019-00	1	LH Adjuster Assembly (silver)
15	048-020-00	1	RH Adjuster Assembly (gold)
16*	036-115-20	1	Dust Shield
17*	007-097-00	4	Brake Mounting Bolt
19*	046-016-00	1	Wire Grommet
20	046-133-00	1	Adjuster Clip (barrel end)
21	046-132-00	1	Adjuster Clip (thread end)
26*	006-129-00	4	Brake Mounting Nut
27*	005-058-00	4	Lockwasher
28*	046-119-00	1	Return Spring

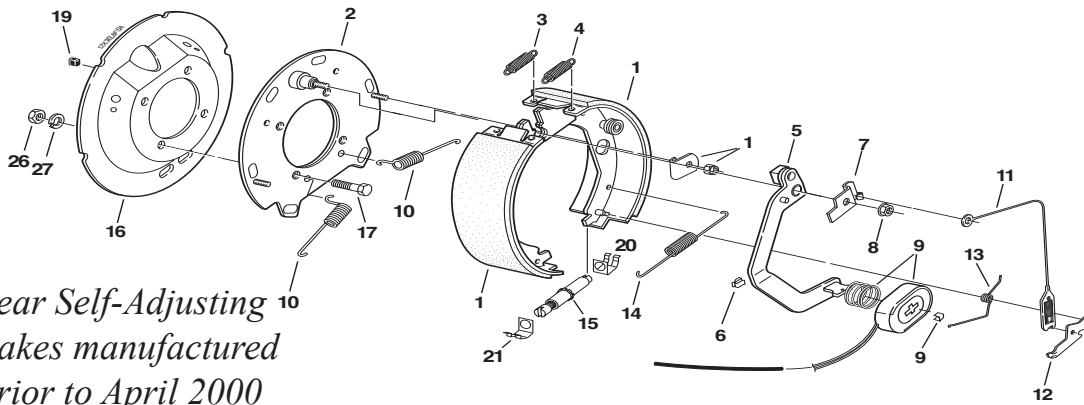
8000 LBS. CAST ELECTRIC BRAKES

Item	Part No.	Qty/Brk	Description
1	K71-499-00	1	LH Shoe & Lining Kit containing: 1 #040-350-01 LH Primary Shoe & Lining 1 #040-351-02 LH Secondary Shoe & Lining
1	K71-498-00	1	RH Shoe & Lining Kit containing: 1 #040-351-01 LH Primary Shoe & Lining 1 #040-350-02 LH Secondary Shoe & Lining
2	036-119-02	1	Backing Plate Assembly
5	047-123-18	1	LH Actuating Arm Assembly
5	047-123-17	1	RH Actuating Arm Assembly
6	027-039-00	3	Wire Clip
7	071-455-01	1	LH Arm/Shoe Retainer
7	071-455-02	1	RH Arm/Shoe Retainer
8	006-092-01	1	Flange Nut
9	K71-378-00	1	Magnet Kit containing: 1 #042-131-00 Magnet 1 #027-050-00 Magnet Retainer Clip 1 #046-117-00 Magnet Spring
10	046-136-00	2	Centering Spring
11	005-142-00	1	Washer
14	046-018-00	1	Adjuster Spring
15	048-019-00	1	Adjuster Assembly
16*	036-115-20	1	Dust Shield
17*	007-097-00	4	Brake Mounting Bolt
18*	046-007-00	2	Adjuster Slot Plug
19*	046-016-00	1	Wire Grommet
20	046-132-00	1	Adjuster Clip (thread end)
21	046-133-00	1	Adjuster Clip (barrel end)
26*	006-129-00	4	Brake Mounting Nut
27*	005-058-00	4	Lockwasher
28*	046-119-00	1	Return Spring

HUBS, DRUMS & BRAKES



12¼" ELECTRIC BRAKES



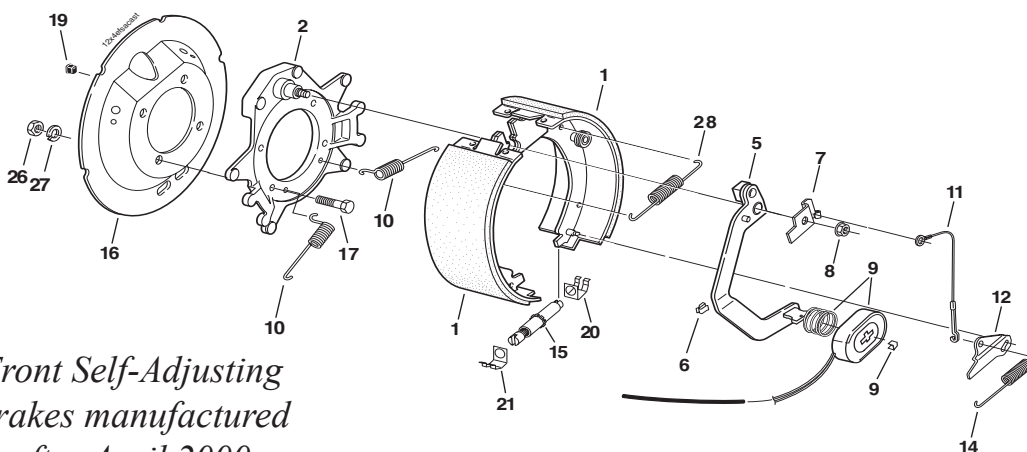
*Rear Self-Adjusting
Brakes manufactured
prior to April 2000*

Item	Description	Qty. Per Brake	12¼" x 3¾"	12¼" x 4"	12¼" x 5"	12¼" x 5"
			9K, 10K GD, 13G Part No.	10K HD, 13D Part No.	12K Part No.	15K Part No.
1	LH Shoe & Lining Kit Contains:	1	K71-049-00	K71-051-00	K71-053-00	K71-053-00
	LH Primary	1	040-110-01	040-108-01	040-102-01	040-102-01
	LH Secondary	1	040-111-02	040-109-02	040-103-02	040-103-02
	Shoe Hold Down Washer	2	005-107-00	005-107-00	005-107-00	005-107-00
	Lock Nut	2	006-127-00	006-127-00	006-127-00	006-127-00
1	RH Shoe & Lining Kit Contains:	1	K71-050-00	K71-052-00	K71-054-00	K71-054-00
	RH Primary	1	040-111-01	040-109-01	040-103-01	040-103-01
	RH Secondary	1	040-110-02	040-108-02	040-102-02	040-102-02
	Shoe Hold Down Washer	2	005-107-00	005-107-00	005-107-00	005-107-00
	Lock Nut	2	006-127-00	006-127-00	006-127-00	006-127-00
2	Backing Plate Assembly	1	036-072-05	036-072-05	036-072-06	036-072-06
3	Shoe Return Spring (rear-black)	1	046-071-00	046-071-00	046-071-00	046-071-00
4	Shoe Return Spring (front-green)	1	046-083-00	046-083-00	046-083-00	046-083-00
5	LH Actuator Arm Assembly	1	047-123-38	047-123-38	047-123-36	047-123-36
	RH Actuator Arm Assembly	1	047-123-37	047-123-37	047-123-35	047-123-35
6	Wire Clip	3	027-039-00	027-039-00	027-039-00	027-039-00
7	LH Arm/Shoe Retainer	1	071-455-01	071-455-01	071-455-01	071-455-01
	RH Arm/Shoe Retainer	1	071-455-02	071-455-02	071-455-02	071-455-02
8	Flange Nut	1	006-092-01	006-092-01	006-092-01	006-092-01
9	Magnet Kit Contains:	1	K71-378-00	K71-378-00	K71-378-00	K71-378-00
	Magnet Retainer Clip	1	027-050-00	027-050-00	027-050-00	027-050-00
	Magnet Assembly	1	042-131-00	042-131-00	042-131-00	042-131-00
	Magnet Mounting Spring	1	046-117-00	046-117-00	046-117-00	046-117-00
11	Adjuster Cable	1	071-020-00	071-020-00	071-020-00	071-020-00
12	LH Adjuster Lever	1	071-019-01	071-019-01	071-019-01	071-019-01
	RH Adjuster Lever	1	071-019-02	071-019-02	071-019-02	071-019-02
13	LH Adjuster Lever Spring	1	046-073-00	046-073-00	046-073-00	046-073-00
	RH Adjuster Lever Spring	1	046-074-00	046-074-00	046-074-00	046-074-00
14	Adjuster Spring	1	046-072-00	046-072-00	046-072-00	046-072-00
15	LH Adjuster Assembly	1	048-009-00	048-009-00	048-009-00	048-009-00
	RH Adjuster Assembly	1	048-010-00	048-010-00	048-010-00	048-010-00
16	Dust Shield	1	036-115-21	036-115-22	036-115-23	036-115-23
17	Brake Mounting Screw	7	007-116-00	007-116-00	007-116-00	007-116-00
19	Wire Grommet	1	046-016-00	046-016-00	046-016-00	046-016-00
20	Adjuster Clip (thread end)	1	046-132-00	046-132-00	046-132-00	046-132-00
21	Adjuster Clip (barrel end)	1	046-133-00	046-133-00	046-133-00	046-133-00
26	Brake Mounting Nut	7	006-017-00	006-017-00	006-017-00	006-017-00
27	Brake Mounting Lockwasher	7	005-008-00	005-008-00	005-008-00	005-008-00



12¼" ELECTRIC BRAKES

HUBS, DRUMS & BRAKES



*Front Self-Adjusting
Brakes manufactured
after April 2000*

Item	Description	Qty. Per Brake	12¼" x 3¾"	12¼" x 4"	12¼" x 5"	12¼" x 5"
			9K, 10K GD, 13G Part No.	10K HD, 13D Part No.	12K Part No.	15K Part No.
1	LH Shoe & Lining Kit Contains:	1	K71-499-00	K71-501-00	K71-503-00	K71-503-00
	LH Primary	1	040-351-01	040-352-01	040-354-01	040-354-01
	LH Secondary	1	040-350-02	040-353-02	040-355-02	040-354-02
1	RH Shoe & Lining Kit Contains:	1	K71-498-00	K71-500-00	K71-502-00	K71-502-00
	RH Primary	1	040-350-01	040-353-01	040-355-01	040-355-01
	RH Secondary	1	040-351-02	040-352-02	040-354-02	040-354-02
2	Backing Plate Assembly	1	036-120-02	036-120-02	036-120-02	036-120-02
5	LH Actuator Arm Assembly	1	047-123-38	047-123-38	047-123-36	047-123-36
	RH Actuator Arm Assembly	1	047-123-37	047-123-37	047-123-35	047-123-35
6	Wire Clip	3	027-039-00	027-039-00	027-039-00	027-039-00
7	LH Arm/Shoe Retainer	1	071-455-01	071-455-01	071-455-01	071-455-01
	RH Arm/Shoe Retainer	1	071-455-02	071-455-02	071-455-02	071-455-02
8	Flange Nut	1	006-092-01	006-092-01	006-092-01	006-092-01
9	Magnet Kit Contains:	1	K71-376-00	K71-376-00	K71-377-00	K71-378-00
	Magnet Retainer Clip	1	027-050-00	027-050-00	027-050-00	027-050-00
	Magnet Assembly	1	042-129-00	042-129-00	042-130-00	042-131-00
	Magnet Mounting Spring	1	046-117-00	046-117-00	046-117-00	046-117-00
10	Centering Spring	2	046-136-00	046-136-00	046-136-00	046-136-00
11	Adjuster Cable	1	071-462-00	071-462-00	071-462-00	071-462-00
12	LH Adjuster Lever	1	071-464-00	071-464-00	071-464-00	071-464-00
	RH Adjuster Lever	1	071-463-00	071-463-00	071-463-00	071-463-00
14	Adjuster Spring	1	046-137-00	046-137-00	046-137-00	046-137-00
15	LH Adjuster Assembly	1	048-019-00	048-019-00	048-019-00	048-019-00
	RH Adjuster Assembly	1	048-020-00	048-020-00	048-020-00	048-020-00
16	Dust Shield	1	036-115-21	036-115-22	036-115-23	036-115-23
17	Brake Mounting Screw	7	007-116-00	007-116-00	007-116-00	007-116-00
19	Wire Grommet	1	046-016-00	046-016-00	046-016-00	046-016-00
20	Adjuster Clip (thread end)	1	046-132-00	046-132-00	046-132-00	046-132-00
21	Adjuster Clip (barrel end)	1	046-133-00	046-133-00	046-133-00	046-133-00
26	Brake Mounting Nut	7	006-017-00	006-017-00	006-017-00	006-017-00
27	Brake Mounting Lockwasher	7	005-008-00	005-008-00	005-008-00	005-008-00
28	Return Spring	1	046-119-00	046-119-00	046-119-00	046-119-00



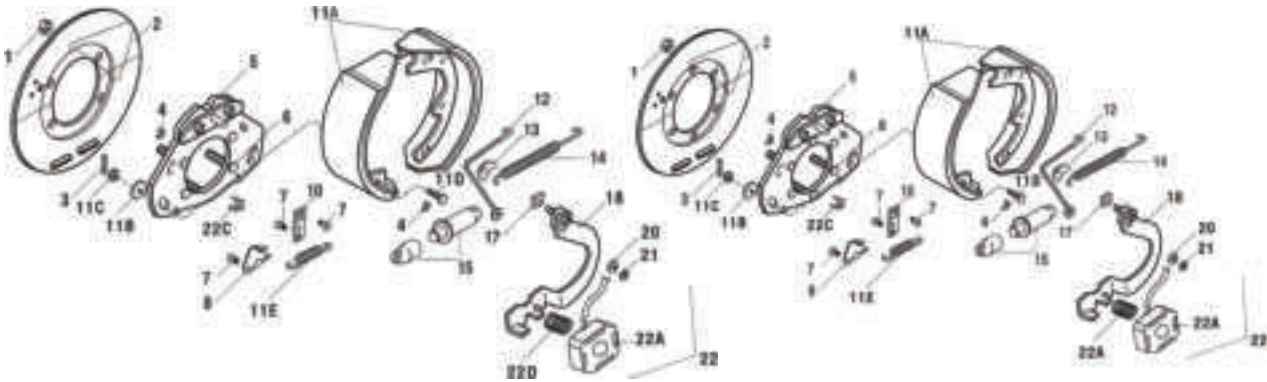
8K - 12K ALKO BRAKES

12" x 3³/₈" Electric

Part #	Description
K23-532-00	LH 8,000 lbs.
K23-533-00	RH 8,000 lbs.

12¹/₄" x 3¹/₂" Electric

Part #	Description
K23-529-00	RH, 10K & 12K
K23-528-00	LH, 10K & 12K



8000 LBS. ELECTRIC BRAKE

Item	Part No.	Description
1	006-129-01	Brake Attaching Nut 1/2" - 20
2	036-141-00	Dust Cover (Metal) (2 Required)
3	019-027-00	Shoe Hold Down Cotter Pin
4	046-168-00	Pin Retaining "C" Clip
5	—	Backing Plate Assembly
6	007-353-00	Brake Mounting Stud 1/2 x 20
7	039-060-00	Self Adjuster Pivot Pin
8	071-814-00	RH Auto Adjust Lever (Shown)
9	071-813-00	LH Auto Adjust Lever
10	071-826-00	RH Auto Adjust Lever (shown)
11	K71-850-00	Shoe & Lining Kit
11A	040-396-00	Shoe & Lining
11B	005-197-00	Washer Plain
11C	006-235-00	Nut Lock 5/16-24
11D	007-354-00	Bolt Carriage 5/16-24
11E	046-165-00	Spring Self Adjuster Lever
12	071-816-00	Cable Assembly
13	071-815-00	Cable Guide
14	046-162-00	Shoe Retract Spring
15	048-028-00	RH Adjuster Assembly (Shown)
16	048-029-00	LH Adjuster Assembly
17	050-009-00	Slipper Block
18	047-211-00	RH Lever Assembly (Shown)
19	047-210-00	LH Lever Assembly
20	005-142-00	Lever Retaining Washer
21	046-167-00	Lever Retaining "E" Clip
22	K71-863-00	Magnet Assembly Kit
22A	042-148-00	Magnet Assy Vented
22C	046-170-00	Grommet Strain Relief Adapter
22D	046-171-00	Spring Magnet
22E	046-169-00	Clip Crimp Ring 1"x.75 (Not Shown)
22F	046-164-00	Spring Magnet Retainer (Not Shown)

10K & 12K ELECTRIC BRAKE

Item	Part No.	Description
1	006-129-01	Brake Attaching Nut 1/2" - 20
2	036-140-01	Dust Cover (Metal) (2 Required)
3	019-027-00	Shoe Hold Down Cotter Pin
4	046-168-00	Pin Retaining Clip
5	—	Backing Plate Assembly
6	007-353-00	Brake Mounting Stud 1/2 x 20
7	039-060-00	Self Adjuster Pivot Pin
8	071-814-00	RH Auto Adjust Lever (Shown)
9	071-813-00	LH Auto Adjust Lever
10	071-826-00	Self Adjuster Bias Level
11	K71-818-00	Shoe & Lining Kit
11A	040-395-00	Shoe & Lining
11B	005-197-00	Washer Plain
11C	006-235-00	Nut Lock 5/16-24
11D	007-354-00	Bolt Carriage 5/16-24
11E	046-165-00	Spring Self Adjuster Lever
12	071-816-00	Cable Assembly
13	071-815-00	Cable Guide
14	046-162-00	Shoe Retract Spring
15	048-028-00	RH Adjuster Assembly (Shown)
16	048-029-00	LH Adjuster Assembly
17	050-009-00	Slipper Block
18	047-211-00	RH Lever Assembly (Shown)
19	047-210-00	LH Lever Assembly
20	005-142-00	Lever Retaining Washer
21	046-167-00	Lever Retaining Clip
22	K71-863-00	Magnet Assembly Kit
22A	042-148-00	Magnet Assy Vented 9-16K
22B	046-166-00	Grommet Magnet Wire
22C	046-170-00	Grommet Strain Relief Adapter
22E	046-169-00	Clip Crimp Ring 1" x .75 (Not Shown)
22F	046-164-00	Spring Magnet Retainer 10-16K (Not Shown)



HUBS/DRUMS

Bearing Identification for Hubs/Hub Drums

Hub Part #	Axle Size	Type of Use	Description	Inner Bearing-Outer Bearing	
008-091-05	2000 lbs.	w/o brakes	4-hole Hub Only, studed	L-44643 or L-44649	
008-259-05	2000 lbs.	w/o brakes	5-hole Hub Only, 8-10-12" Wheels	L-44643 or L-44649	
008-258-05	2000 lbs.	w/o brakes	5-hole Hub Only, 13-14-15" Wheels	L-44643 or L-44649	
008-173-16	2000 lbs.	elec. brakes	4-hole Hub & Drum	L-44643 or L-44649	
008-257-05	2000 lbs.	elec. brakes	5-hole Hub & Drum, Elec. Brakes	L-44643 or L-44649	
008-271-07	2000 lbs.	hyd. brakes	5-hole Hub & Drum, Hyd. Brakes	L-44643 or L-44649	
008-418-02	3000 lbs.	elec. brakes	5-hole Hub & Drum, 5 on 4.5 B.C.	LM67048	L-44649
008-A09-02	3500 lbs.	w/o brakes	5-hole Hub Only, 5 on 4.5 B.C.	L-68149	L-44649
008-248-10	3500 lbs.	w/o brakes	5-hole Hub Only, 5 on 4.75 B.C.	L-68149	L-44649
008-256-07	3500 lbs.	w/o brakes	5-hole Hub Only, 5 on 5 B.C.	L-68149	L-44649
008-256-05	3500 lbs.	w/o brakes	5-hole Hub Only, 5 on 5.5 B.C.	L-68149	L-44649
008-251-05	3500 lbs.	w/o brakes	6-hole Hub Only, 6 on 5.5 B.C.	L-68149	L-44649
008-247-05	3500 lbs.	brakes	5-hole Hub & Drum, 5 on 4.5 B.C.	L-68149	L-44649
008-247-12	3500 lbs.	brakes	5-hole Hub & Drum, 5 on 4.75 B.C.	L-68149	L-44649
008-249-07	3500 lbs.	brakes	5-hole Hub & Drum, 5 on 5 B.C.	L-68149	L-44649
008-249-05	3500 lbs.	brakes	5-hole Hub & Drum, 5 on 5.5 B.C.	L-68149	L-44649
008-250-05	3500 lbs.	brakes	6-hole Hub & Drum, 6 on 5.5 B.C.	L-68149	L-44649
008-213-05	5200 lbs.	w/o brakes	6-hole Hub Only, 6 on 5.5 B.C.	25580	LM67048
008-213-09	5200 lbs.	w/o brakes	6-hole Hub Only, 6 on 5.5 B.C.	25580	15123
008-201-05	5200 lbs.	brakes	6-hole Hub & Drum, 6 on 5.5 B.C.	25580	LM67048
008-201-09	5200 lbs.	brakes	6-hole H/D, Oil Bath, 6 on 5.5 B.C.	25580	15123
008-174-05	6000 lbs.	brakes	Demountable Hub/Drum	25580	15123
008-231-09	6000 lbs.	w/o brakes	8-hole Hub Only, 8 on 6.5 B.C.	25580	14125A
008-219-04	6000 lbs.	brakes	8-hole Hub & Drum, 8 on 6.5 B.C.	25580	14125A
008-219-09	6000 lbs.	brakes	8-hole, Hub/Drum, 1/2" studs	25580	14125A
008-219-13	7000 lbs.	brakes	8-hole, Hub/Drum, 9/16" studs	25580	14125A

E-Z Loader Specialty Hubs

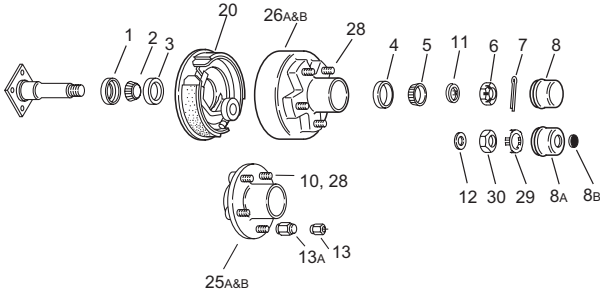
Hub Part #	Axle Size	Type of Use	Description	Inner Bearing-Outer Bearing	
008-466-09	2000 lbs.	w/o brakes	5.5" Flange, 1 5/8" between races, Oil Bath	L-44643	L-44649
2-150A-04-03	2000 lbs.	w/o brakes	^^^ Non-Oil Bath	L-44643	L-44649
008-436-30	3500 lbs.	w/o brake	Oil Bath Hub Only	L-68149	L-44649
300-029534	3500 lbs.	w/o brake	Oil Bath Hub Kit	L-68149	L-44649
250-029196	5200 lbs.	w/o brake	Oil Bath Hub Only	25580	LM67048
008-447-05	4200 lbs.	w/o brakes	Idler Hub	L-68149	L-68149
250-029518	3500 lbs.	Disc Brake	Reliable 10" Hub & Rotor, Oil Bath	L68148	L44649



HUBS/DRUMS

Dexter 600-2000 lbs. Cap.

4 on 4.00 and
5 on 4.50 Bolt Pattern Hub Group



GREASE LUBE PARTS

Item	Part No.	Description
1	10-9	Grease Seal 1.987" x 1.500"
-	SL122-1	Grease Seal 1.983" x 1.249"
2	L44649	Inner Bearing Cone 1.063" I.D.
-	L44643	Inner Bearing Cone 1.000" I.D.
3	L44610	Inner Bearing Cup
4	L44610	Outer Bearing Cup
5	L44649	Inner Bearing Cone 1.063" I.D.
-	L44643	Inner Bearing Cone 1.000" I.D.
6	006-001-00	Spindle Nut, 6 Slot, E-Z Lube Application
9	005-101-00	E-Z Lube Tang Washer
6	006-176-00	Spindle Nut, 12 Slot, Cotter Pin App.
7	019-002-00	Cotter Pin
8	021-003-00	Grease Cap - Closed
8A	021-041-01	Grease Cap for E-Z Lube
8B	085-001-00	Rubber Plug for E-Z Lube Grease Cap
12	005-023-00	Spindle Washer
11	006-190-00	Spindle Nut Retainer (after 2002)
30	006-191-00	Special Jam Nut (after 2002)

7" BRAKES

Item	Part No.	Description
20	K23-047-00/K23-048-00	LH/RH 7x1¼ Electric
-	K23-398-00/K23-399-00	LH/RH 7x1¼ Hydraulic Uni-servo

HUBS

Item	Part No.	Description	Bolt Circle
<i>Brake Drums</i>			
n/s	008-173-00	½" Studs, hyd. / elec. brakes	4 on 4.00
20A	008-257-05	½" Studs, elec. brakes ONLY	5 on 4.50
20B	008-271-07	½" Studs, hyd. brakes ONLY	5 on 4.50

Idler Hubs

n/s	008-091-05	½" Studs	4 on 4.00
18A	008-259-05	½" Studs, 8"-12" wheels ONLY	5 on 4.50
18B	008-258-05	½" Studs, 13"-15" wheels ONLY	5 on 4.50

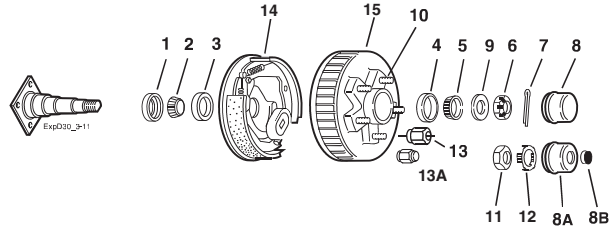
STUDS & WHEEL NUTS

Item	Part No.	Description
n/s	007-316-00	½-20 Wheel Bolt
14	025-053-01	½-20 x ½-20 Screw-in Stud
13	006-080-00	½-20 60° Cone Nut
13A	W1312H-2	½-20 Chrome Capped Wheel Nut
28	007-246-00	½-20 x 1.95" Press-in Stud



Dexter 3000 lbs. Cap.

5 on 4.50 Bolt Pattern Hub Group



GREASE LUBE PARTS

Item	Part No.	Description
1	SL173	Grease Seal 2.565" x 1.725"
2	LM67048	Inner Bearing Cone
3	LM67010	Inner Bearing Cup
4	L44610	Outer Bearing Cup
5	L44649	Outer Bearing Cone
6	006-176-00	Spindle Nut
7	019-002-00	Cotter Pin
8	021-003-00	Grease Cap
8A	021-041-01	Grease Cap for E-Z Lube®
8B	085-001-00	Rubber Plug for E-Z Lube®
9	005-023-00	Spindle Washer
11	006-191-00	Special Jam Nut (after 2002)
12	006-190-00	Spindle Nut Retainer (after 2002)

10" x 1½" BRAKES

Item	Part No.	Description
14	K23-472-00/K23-473-00	LH/RH Electric
14	K23-476-00/K23-477-00	LH/RH Nev-R-Adjust®

HUBS

Item	Part No.	Description	Bolt Circle
<i>Hubs and Drums</i>			
15	008-418-02	½" Stud	5 on 4.50

STUDS & WHEEL NUTS

Item	Part No.	Description
10	007-185-00	½-20 Press Wheel Stud
13	006-080-00	½-20 60° Cone Nut
13A	W1312H-2	½-20 Chrome Capped Wheel Nut

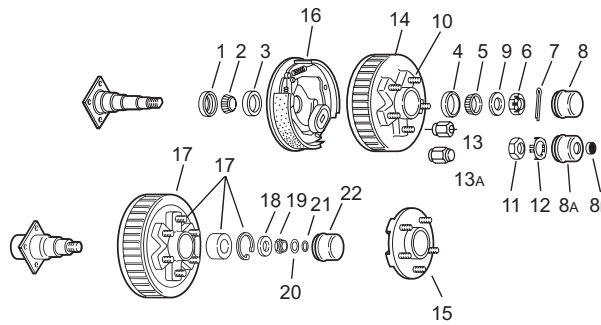


HUBS/DRUMS

HUBS, DRUMS & BRAKES

Dexter 2000-3500 lbs. Cap.

5 on 4.50, 5 on 4.75, 5 on 5.00,
5 on 5.50 and 6 on 5.50
Bolt Pattern Hub Group



GREASE LUBE PARTS

Item	Part No.	Description
1	SL173	Grease Seal 2.565" x 1.725"
-	168255-TB	Grease Seal 2.560" x 1.680"
-	SE162-256-43TC	Grease Seal 2.560" x 1.620"
2	L68149	Inner Bearing Cone
3	L68111	Inner Bearing Cup
-	L68110	Inner Bearing Cup, UFP Drums
4	L44610	Outer Bearing Cup
5	L44649	Outer Bearing Cone
6	006-001-00	Spindle Nut, 6 Slot, E-Z Lube App.
-	005-101-00	E-Z Lube Tang Washer
6	006-176-00	Spindle Nut, 12 Slot, Cotter Pin App.
7	019-002-00	Cotter Pin
8	021-003-00	Grease Cap Closed
8A	021-041-01	Grease Cap for E-Z Lube
8B	085-001-00	Rubber Plug for E-Z Lube Grease Cap
9	005-023-00	Spindle Washer
11	006-191-00	Special Jam Nut (after 2002)
12	006-190-00	Spindle Nut Retainer (after 2002)

STUDS & WHEEL NUTS

Item	Part No.	Description
10	007-122-00	1/2-20 x 1.84" Long Press-in Stud
13	006-080-00	1/2-20 60° Cone Nut
13A	W1312H-2	1/2-20 Chrome Capped Wheel Nut
-	007-316-00	Wheel Bolt

10 X 2 1/4" BRAKES

Item	Part No.	Description
16	023-026-00 / 023-027-00	LH/RH Electric
-	023-549-00 / 023-548-00	RH/LH Hyd. Free Backing Marine
-	023-468-00 / 023-469-00	LH/RH Fwd. Nev-R-Adjust® Elec.

HUBS

Item	Part No.	Description	Bolt Circle
<i>Brake Drums</i>			
14	008-247-05	1/2" Stud	5 on 4.50
-	008-247-12	1/2" Stud	5 on 4.75
-	008-249-07	1/2" Stud	5 on 5.00
-	008-249-05	1/2" Stud	5 on 5.50
-	008-250-05	1/2" Stud	6 on 5.50
<i>Idler Hubs</i>			
15	008-A09-02	1/2" Stud	5 on 4.50
-	008-248-10	1/2" Stud	5 on 4.75
-	008-256-07	1/2" Stud	5 on 5.00
-	008-256-05	1/2" Stud	5 on 5.50
-	008-251-05	1/2" Stud	6 on 5.50

NEV-R-LUBE® BRAKE DRUM

Item	Part No.	Description	Bolt Circle
17	008-386-80	Hub and Drum includes	6 on 5.50
*007-185-00 1/2-20 Press-in Stud			
031-072-03 35mm Cartridge Bearing			
069-094-00 Bearing Retainer			

NEV-R-LUBE® PARTS 35MM

Item	Part No.	Description
18	*005-150-00	Spindle Washer
19	*006-183-00	Spindle Nut
20	*092-002-00	Washer, Torque Label
21	*069-096-00	Snap Ring
22	*021-084-00	Grease Cap

*Available as Service Parts Only

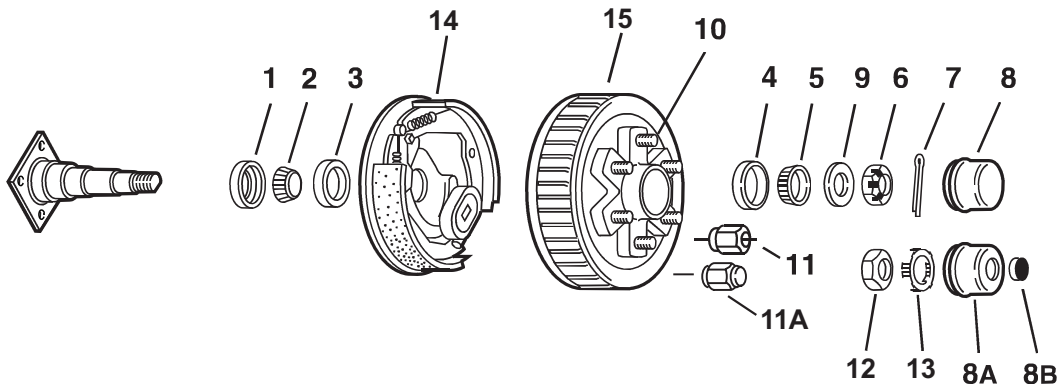


HUBS/DRUMS



Dexter 4400 lbs. Cap.

6 on 5.50 Bolt Pattern Hub Group



GREASE LUBE PARTS

Item	Part No.	Description
1	SL173	Grease Seal 2.565" x 1.725"
2	L68149	Inner Bearing Cone
3	L68111	Inner Bearing Cup
4	LM67010	Outer Bearing Cup
5	LM67048	Outer Bearing Cone
6	006-176-00	Spindle Nut
7	019-002-00	Cotter Pin (not used with E-Z Lube®)
8	021-001-00	Grease Cap
8A	021-042-01	Grease Cap for E-Z Lube®
8B	085-001-00	Rubber Plug for E-Z Lube®
9	005-023-00	Spindle Washer
12	006-191-00	Special Jam Nut (after 2002)
13	006-190-00	Spindle Nut Retainer (after 2002)

STUDS & WHEEL NUTS

Item	Part No.	Description
10	007-122-00	½-20 Pressed Wheel Stud
11	006-080-00	½-20 60° Cone Nut
11A	W1312H-2	½-20 Chrome Capped Wheel Nut

10" x 2¼" BRAKES

NEW STYLE AFTER 5/1/09

Item	Part No.	Description
14	K23-462-00	LH Electric
14	K23-463-00	RH Electric
14	K23-478-00	LH Electric Nev-R-Adjust®
14	K23-479-00	RH Electric Nev-R-Adjust®

10" x 2¼" BRAKES

OLD STYLE BEFORE 5/1/09

Item	Part No.	Description
ns	K23-454-00	LH Electric
ns	K23-455-00	RH Electric

HUBS

Item	Part No.	Description	Bolt Circle
<i>Hubs and Drums</i>			
15	008-407-05	½" Stud	6 on 5.50

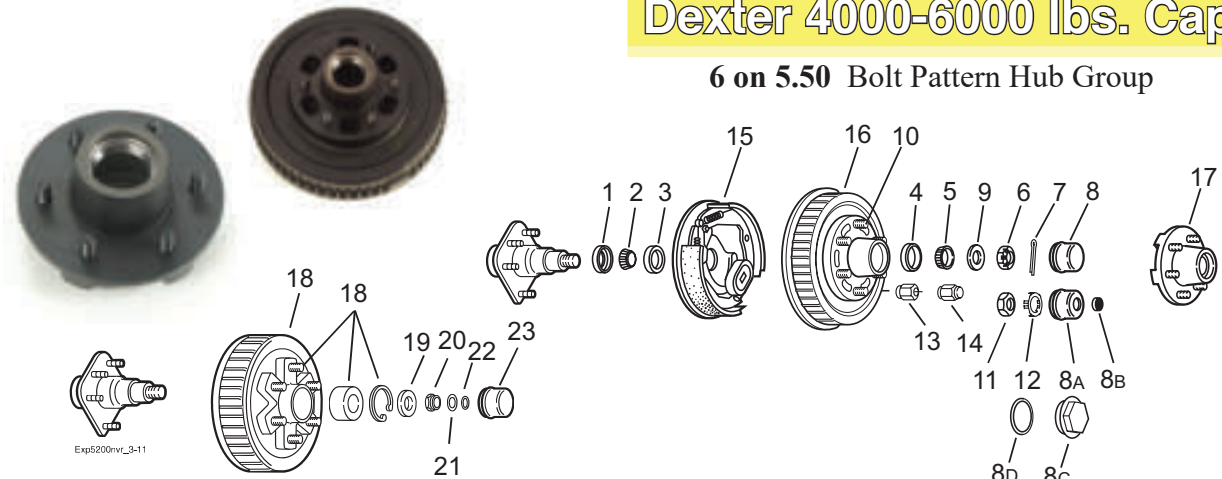


HUBS/DRUMS

HUBS, DRUMS & BRAKES

Dexter 4000-6000 lbs. Cap.

6 on 5.50 Bolt Pattern Hub Group



GREASE LUBE PARTS

Item	Part No.	Description
1	SL225-1	Grease Seal, 3.376" x 2.250"
-	10-10	Grease Seal, 3.376" x 2.125"
2	25580	Inner Bearing Cone
3	25520	Inner Bearing Cup
4	LM67010	Outer Bearing Cup (for 5200#)
-	15245	Outer Bearing Cup (for 6000#)
5	LM67048	Outer Bearing Cone (for 5200#)
-	15123	Outer Bearing Cone (for 6000#)
6	006-001-00	Spindle Nut, 6 Slot, E-Z Lube Application
-	005-101-00	E-Z Lube Tang Washer
6	006-176-00	Spindle Nut, 12 Slot, Cotter Pin
7	019-002-00	Cotter Pin
8	021-001-00	Grease Cap
8A	021-042-01	Grease Cap for E-Z Lube
8B	085-001-00	Rubber Plug for E-Z Lube
9	005-023-00	Spindle Washer
11	006-191-00	Special Jam Nut (after 2002)
12	006-190-00	Spindle Nut Retainer (after 2002)

STUDS & WHEEL NUTS

Item	Part No.	Description
10	007-122-00	1/2-20 x 1.84" Long Press-in Stud
-	007-262-00	1/2-20 x 2.50" Long Press-in Stud
-	007-132-00	3/16-18 x 2.30" Long Press-in Stud
13	006-080-00	1/2-20 60° Cone Nut
-	006-053-00	3/16-18 60° Cone Nut
14	W1312H-2	1/2-20 Chrome Capped Wheel Nut

OIL LUBE PARTS

Item	Part No.	Description
1	SL225-1	Oil Seal, 3.376" x 2.250"
8C	021-040-00	Oil Cap
8D	010-059-00	O-Ring
n/s	046-052-00	Oil Filler Plug

12 X 2 BRAKES

Item	Part No.	Description
15	023-105-00/023-106-00	LH/RH Electric, 5 mounting holes
-	023-105-09/023-106-09	LH/RH Electric, 9 mounting holes
-	023-464-00/023-459-00	LH/RH Electric, Nev-R-Adjust
-	K23-112-00/K23-113-00	LH/RH Electric w/park
-	023-458-00/023-459-00	LH/RH Free Backing Marine
-	K23-324-00/K23-325-00	LH/RH Hydr. Uni-servo
-	K23-322-00/K23-323-00	LH/RH Hydr. Duo-servo
-	023-580-00/023-581-00	RH Hydr., Free Backing Marine 5.2K

HUBS

Item	Part No.	Description	Outer Bearing	Bolt Circle
<i>Brake Drums</i>				
16	008-201-05	1/2" Stud	LM67048	6 on 5.50
-	008-201-09	1/2" Stud	15123	6 on 5.50
<i>Idler Hubs</i>				
17	008-213-05	1/2" Stud	LM67048	6 on 5.50
-	008-213-09	1/2" Stud	15123	6 on 5.50

NEV-R-LUBE® BRAKE DRUM

Item	Part No.	Description	Bolt Circle
18	008-388-80	Hub and Drum includes	6 on 5.50
	007-122-00	1/2-20 Press-in Stud	
	031-073-03	42mm Cartridge Bearing	
	069-095-00	Bearing Retainer	

NEV-R-LUBE® PARTS 42MM

Item	Part No.	Description
19	005-147-01	Spindle Washer, 42mm
20	006-183-00	Spindle Nut
21	092-002-00	Washer, Torque Label
22	069-096-00	Snap Ring
23	021-085-00	Hub Cap, 42mm

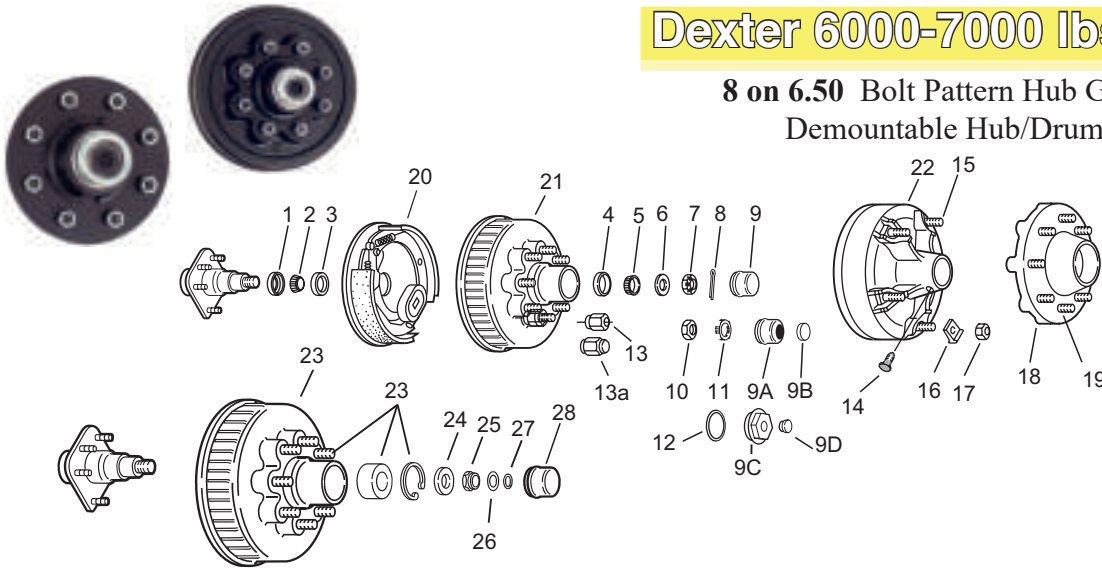


HUBS/DRUMS

HUBS, DRUMS & BRAKES

Dexter 6000-7000 lbs. Cap.

8 on 6.50 Bolt Pattern Hub Group Demountable Hub/Drum



GREASE LUBE PARTS

Item	Part No.	Description
1	SL225-1	Grease Seal, 3.376" x 2.250"
-	10-10	Grease Seal, 3.376" x 2.125"
2	25580	Inner Bearing Cone
3	25520	Inner Bearing Cup
4	14276	Outer Bearing Cup (8 Lug Hub/Drum)
-	15245	Outer Bearing Cup (MH Hub/Drum)
5	14125A	Outer Bearing Cone (8 Lug Hub/Drum)
-	15123	Outer Bearing Cone (MH Hub/Drum)
6	005-057-00	Spindle Washer
7	006-001-00	Spindle Nut, 6 Slot, E-Z Lub Application
-	005-101-00	E-Z Lube Tang Washer
7	006-176-00	Spindle Nut, 12 Slot, Cotter Pin App.
8	019-002-00	Cotter Pin
9	021-039-00	Grease Cap - Closed (8 Lug Hub/Drum)
-	021-001-00	Grease Cap - Closed (MH Hub/Drum)
9A	021-043-01	Grease Cap for E-Z Lube (8 Lug Hub/Drum)
-	021-042-01	Grease Cap for E-Z Lube (MH Hub/Drum)
9B	085-001-00	Rubber Plug
10	006-191-00	Special Jam Nut for E-Z Lube (post 2002)
11	006-190-00	Spindle Nut Retainer for E-Z Lube (post 2002)

12 X 2 BRAKES

Item	Part No.	Description
20	023-105-00/023-106-00	L/RH Electric, 6k lbs.
-	023-180-00/023-181-00	L/RH Electric, 7k lbs.
-	023-464-00/023-459-00	L/RH Electric, 6k lbs. Nev-R-Adjust®
-	023-464-00/023-465-00	L/RH Electric, 7k lbs. Nev-R-Adjust®
-	023-458-00/023-459-00	R/LH Hydraulic, Free Backing Marine
-	K23-342-00/K23-343-00	R/LH Hyd., Free Backing 7klbs.
-	023-581-00/023-580-00	RH Hyd., Free Backing Marine 5.2k lbs

OIL LUBE PARTS

Item	Part No.	Description
1	SL225-1	Oil Seal, 3.376" x 2.250"
9C	021-035-00	Oil Cap
9D	046-032-00	Oil Cap Plug
12	010-045-00	O' Ring
14	046-052-00	Oil Filler Plug



HUBS & HUB/DRUMS

Item	Part No.	Description	Bolt Circle
<i>Idler Hubs</i>			
18	008-231-09	Grease 1/2" Stud	8 on 6.50
-	008-231-18	Grease 5/16" Stud	8 on 6.50
<i>Brake Drums</i>			
21	008-219-04	Grease 1/2" Stud	8 on 6.50
-	008-219-13	Grease 5/16" Stud	8 on 6.50
-	008-219-18	Grease 3/8" Stud	8 on 6.50
-	008-219-09	Oil 1/2" Stud	8 on 6.50
22	008-174-05	Grease 5/16" Stud	MH Hub/Drum

NEV-R-LUBE® BRAKE DRUM

Item	Part No.	Description	Bolt Circle
23	008-385-82	Hub and Drum includes 007-122-00 1/2-20 Press-in Stud 031-071-03 50mm Cartridge Bearing 069-093-00 Bearing Retainer	8 on 6.50

NEV-R-LUBE® PARTS 50MM

Item	Part No.	Description
24	005-149-00	Spindle Washer, 50mm
25	006-183-00	Spindle Nut
26	092-002-00	Washer, Torque Label
27	069-096-00	Snap Ring
28	021-086-00	Grease Cap, 50mm

STUDS & WHEEL NUTS

Item	Part No.	Description
13	006-080-00	1/2-20 60° Cone Nut
-	006-053-00	5/16-18 60° Cone Nut
-	006-109-00	5/16-18 90° Cone Nut
13A	W1312H-2	1/2-20 Chrome Capped Wheel Nut
15	025-011-00	5/16"-12 x 5/16"-18 Screw-in Stud
16	015-002-00	Rim Clamp for 14.5" Rims
17	006-005-00	5/16-18 Hex Nut
19	007-122-00	1/2-20 x 1.84" Long Press-in Stud (pre 01/04)
-	007-262-00	1/2-20 x 2.50" Long Press-in Stud (post 01/04)
-	007-132-00	5/16-18 x 2.30" Long Press-in Stud
-	007-115-00	5/16-18 x 3.16" Long Press-in Stud



HUBS/DRUMS

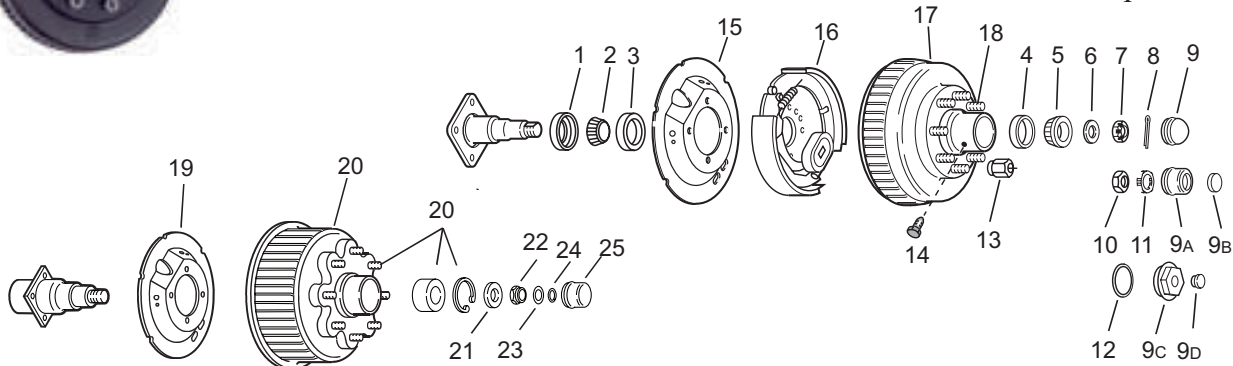
HUBS, DRUMS & BRAKES



Dexter 7200 lbs. Cap.

8 on 6.50

Bolt Pattern Hub Group



GREASE LUBE PARTS

Item	Part No.	Description
1	SL225-1	Grease Seal 3.376" x 2.250"
2	25580	Inner Bearing Cone
3	25520	Inner Bearing Cup
4	02420	Outer Bearing Cup
5	02475	Outer Bearing Cone
6	005-057-00	Spindle Washer
7	006-001-00	Spindle Nut, 6 Slot, E-Z Lube Application
-	005-101-00	E-Z Lube Tang Washer
7	006-176-00	Spindle Nut, 12 Slot, Cotter Pin
8	019-002-00	Cotter Pin
9	021-039-00	Grease Cap
9A	021-043-01	Grease Cap E-Z Lube
9B	085-001-00	E-Z Lube Plug
10	006-191-00	Special Jam Nut (after 2002)
11	006-190-00	Spindle Nut Retainer (after 2002)

OIL LUBE PARTS

Item	Part No.	Description
1	SL225-1	Oil Seal 3.376" x 2.250"
9C	021-035-00	Oil Cap
9D	046-032-00	Oil Cap Plug
12	010-045-00	'O' Ring for Oil Lube
14	046-052-00	Oil Filler Plug

STUDS & WHEEL NUTS

Item	Part No.	Description
13	006-080-00	1/2"-20 60° Cone
-	006-053-00	5/16"-18 60° Cone
-	006-109-00	5/16"-18 90° Cone
-	006-058-00	5/16"-18 Flange Nut
18	007-122-00	1/2"-20 x 1.84" Long Press-in Stud
-	007-223-00	5/16"-18 x 2.01" Long Press-in Stud
-	007-224-00	5/16"-18 x 2.50" Long Press-in Stud

12 1/4" X 2 1/2" BRAKES

(For brakes after 05/2000 with cast backing plates use Cast No. parts)

Item	Part No.	Cast No.	Description
15	036-110-00	-	Dust Shield (top)
-	036-110-01	-	Dust Shield (bottom)
16	023-370-00	K23-428-00	LH 12 1/4 x 2 1/2" Electric Brakes
-	023-369-00	K23-429-00	RH 12 1/4 x 2 1/2" Electric Brakes
19	-	036-118-20	Dust Shield not included w/assy

HUB & DRUM

(For hubs after 5/2000 with cast backing plates use Cast No. parts)

Item	Part No.	Cast No.	Description
17	-	008-393-10	Grease 1/2" studs 8 on 6.50
-	008-355-04	008-393-13	Grease 5/16" studs 8 on 6.50
-	008-355-06	008-393-14	Grease 3/8" studs 8 on 6.50
-	-	008-393-09	Oil 1/2" studs 8 on 6.50
-	008-355-12	008-393-03	Oil 5/16" studs 8 on 6.50
-	008-355-14	008-393-05	Oil 3/8" studs 8 on 6.50

NEV-R-LUBE® BRAKE DRUM

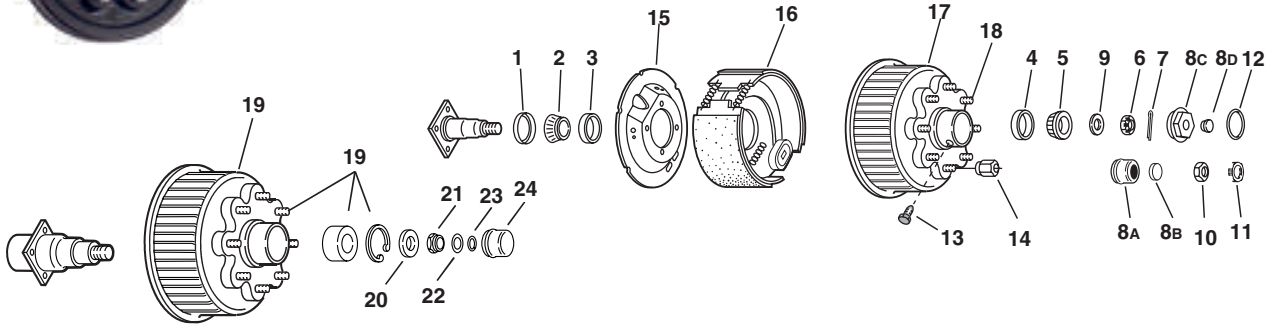
Item	Part No.	Description	Bolt Circle
20	008-395-80	Hub and Drum includes	8 on 6.50
	007-223-00	5/16"-18 Press-in Stud	
	031-071-03	50mm Cartridge Bearing	
	069-093-00	Bearing Retainer	
-	008-395-81	Hub and Drum includes	8 on 6.50
	007-224-00	5/16" Press-in Stud	
	031-071-03	50mm Cartridge Bearing	
	069-093-00	Bearing Retainer	

NEV-R-LUBE® PARTS 50MM

Item	Part No.	Description
21	005-149-00	Spindle Washer, 50mm
22	006-183-00	Spindle Nut
23	092-002-00	Washer, Torque Label
24	069-096-00	Snap Ring
25	021-086-00	Grease Cap, 50mm



HUBS/DRUMS



Dexter 8000 lbs. Cap.

8 on 6.50

Bolt Pattern Hub Group

GREASE LUBE PARTS

Item	Part No.	Description
1	SL225-1	Grease Seal 3.376" x 2.250"
2	25580	Inner Bearing Cone
3	25520	Inner Bearing Cup
4	02420	Outer Bearing Cup
5	02475	Outer Bearing Cone
6	006-176-00	Spindle Nut
7	019-002-00	Cotter Pin
8A	021-043-01	Grease Cap E-Z Lube
8B	085-001-00	E-Z Lube Plug
9	005-057-00	Spindle Washer
n/s	021-039-00	Grease Cap, Closed
10	006-191-00	Special Jam Nut (after 2002)
11	006-190-00	Spindle Nut Retainer (after 2002)

OIL LUBE PARTS

Item	Part No.	Description
1	SL225-1	Oil Seal 3.376" x 2.250"
8C	021-035-00	Oil Cap
8D	046-032-00	Oil Cap Plug
12	010-045-00	'O' Ring for Oil Lube
13	046-052-00	Oil Filler Plug

NEV-R-LUBE® BRAKE DRUM

Item	Part No.	Description	Bolt Circle
19	008-389-81	Hub and Drum includes	8 on 6.50
	007-223-00	5/16-18 Press-in Stud	
	031-071-03	50mm Cartridge Bearing	
	069-093-00	Bearing Retainer	
-	008-389-80	007-224-00 5/16-18 Press-in Stud	
	069-093-00	Bearing Retainer	

NEV-R-LUBE® PARTS 50MM

Item	Part No.	Description
20	005-149-00	Spindle Washer, 50mm
21	006-183-00	Spindle Nut
22	092-002-00	Washer, Torque Label
23	069-096-00	Snap Ring
24	021-086-00	Grease Cap, 50mm

12 1/4 X 3 3/8 BRAKES

Item	Part No.	Description
15	036-115-20	Dust Shield
-	036-115-24	Dust Shield for brakes w/park
16	K23-434-00/K23-435-00	LH/RH Self-Adj. Electric Brake
-	K23-432-00/K23-433-00	LH/RH Man-Adj. Electric Brake
-	K23-402-00/K23-403-00	LH/RH Self-Adj. Hyd. Brake Duo-servo
-	K23-171-00/K23-172-00	LH/RH Self-Adj. Hyd. Brake DS w/park
-	K23-420-00/K23-421-00	LH/RH Self-Adj. Hyd. DS Corrosion
-	K23-388-00/K23-387-00	LH/RH Man-Adj. Hyd. Brake Duo-servo
-	K23-418-00/K23-419-00	LH/RH Hyd. Brake Uni-servo
-	K23-252-00/K23-253-00	LH/RH Hyd. Brake Uni-servo w/ park

HUB & DRUM

Item	Part No.	Description	Bolt Circle
<i>Hubs and Drums</i>			
17	008-285-08	Grease 5/16" studs	8-6.50
-	008-285-11	Grease 9/16" studs	8-6.50
-	008-285-10	Oil 5/8" studs	8-6.50
-	008-285-09	Oil 9/16" studs	8-6.50
<i>Plain Hub</i>			
-	008-287-07	Grease 5/8" studs	8-6.50
-	008-287-11	Grease 9/16" studs	8-6.50
-	008-287-17	Oil 5/8" studs	8-6.50
-	008-287-14	Oil 9/16" studs	8-6.50

STUDS & WHEEL NUTS

Item	Part No.	Description
14	006-053-00	5/16-18 60° Cone
-	006-109-00	5/8-18 90° Cone
-	006-058-00	5/16-18 Flange Nut
-	033-052-01	Clamp Ring
18	007-132-00	5/16-18 x 2.30" Long Press-in Stud
-	007-115-00	5/16-18 x 3.16" Long Press-in Stud

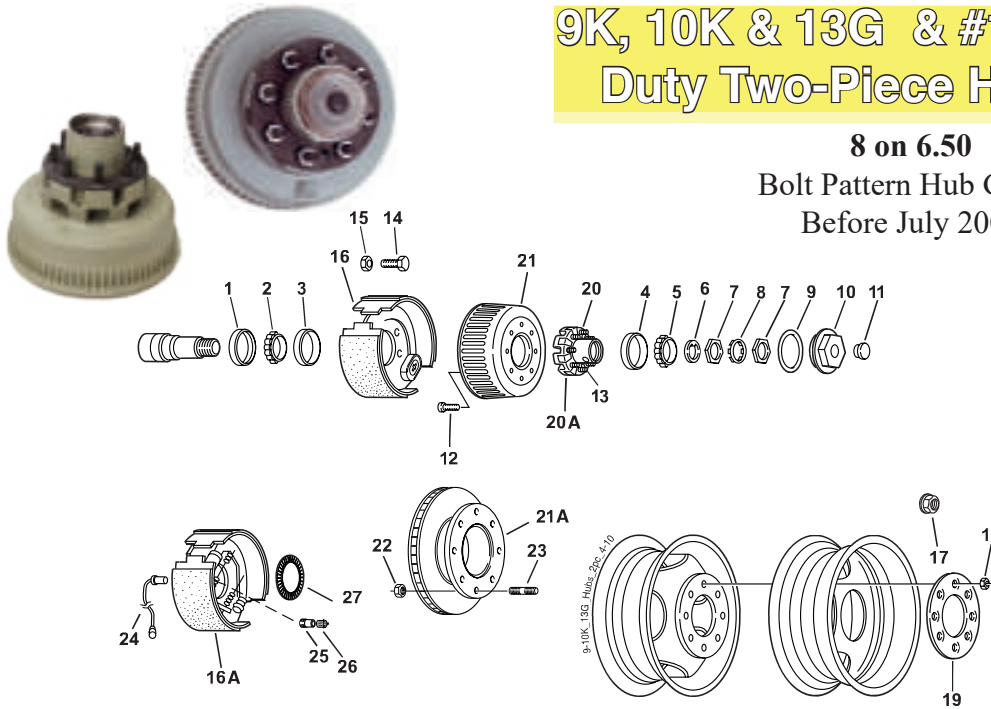


HUBS/DRUMS

HUBS, DRUMS & BRAKES

9K, 10K & 13G & #14T General Duty Two-Piece Hub Group

8 on 6.50
Bolt Pattern Hub Group
Before July 2009



OIL LUBE PARTS

Item	Part No.	Description
1	10-51	Oil Seal
2	387A	Inner Bearing Cone
3	382A	Inner Bearing Cup
4	25520	Outer Bearing Cup
5	25580	Outer Bearing Cone
6	005-070-00	Spindle Washer
7	006-096-00	Spindle Nut
8	005-071-00	Tang Washer
9	010-050-00	'O' Ring
10	021-036-00	Oil Cap
11	046-032-00	Oil Cap Plug
12	007-292-00	Drum Mounting Screw
14	007-116-00	Brake Mounting Bolt
15	006-017-00	Brake Mounting Nut
-	005-008-00	Lockwasher

1 1/4 X 3 3/8 BRAKES

Item	Part No.	Description
16	K23-450-00/K23-451-00	LH/RH Electric, FSA
16A	K23-410-00/K23-411-00	LH/RH Hydraulic, FSA, Duo-Servo
-	K23-210-00/K23-211-00	LH/RH Hydraulic, RSA, DS w/Park
-	K23-412-00/K23-413-00	LH/RH Hydraulic, FSA, Uni-Servo
-	K23-234-00/K23-235-00	LH/RH Hydraulic, Uni-servo w/Park

* One-piece hub/drum is not interchangeable with the two-piece hub & drum

HUBS & DRUMS

Item	Part No.	Description
20	008-288-03	Oil Hub w/cups & studs
21	009-044-01	Drum - Machined
n/s	009-044-03	Drum - ABS
n/s	008-288-05	Oil Hub & Drum w/cups & studs

HUBS & ROTOR

AVAILABLE ON 13G - NOT OFFERED ON D90, D100, #14T

Item	Part No.	Description
20A	008-288-07	Oil Hub w/Cups and Studs
21A	070-006-01	Brake Rotor
22	6-46	Rotor Mounting Nut
23	025-014-00	Rotor Mounting Stud

ABS COMPONENTS

Item	Part No.	Description
24	097-004-00	Sensor, Straight
25	024-204-00	Sensor Block
26	097-002-00	Sensor Clip
27	024-203-00	Tone Ring

STUDS & WHEEL NUTS

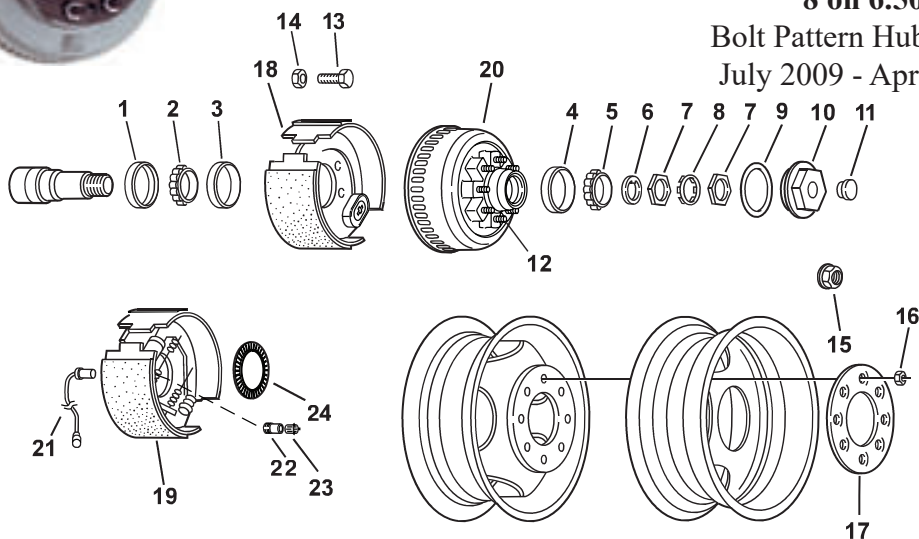
Item	Part No.	Description
13	007-115-00	5/8-18 x 3.16" Long Press-in Stud
17	006-058-00	5/8-18 Flange Nut
18*	006-109-00	5/8-18 90° Cone Nut
19*	033-052-01	Clamp Ring

* Must use the 90° Cone nut with the clamp ring. Alternate fastener is just the flange nut.



HUBS/DRUMS

9K, 10K & 13G General Duty One-Piece Hub Group



8 on 6.50

Bolt Pattern Hub Group

July 2009 - April 2013

Note: Dual wheel cannot be used with 13G

OIL LUBE PARTS

Item	Part No.	Description
1	10-51	Oil Seal
2	387A	Inner Bearing Cone
3	382A	Inner Bearing Cup
4	25520	Outer Bearing Cup
5	25580	Outer Bearing Cone
6	005-070-00	Spindle Washer
7	006-096-00	Spindle Nut
8	005-071-00	Tang Washer
9	010-163-00	'O' Ring
10	021-088-00	Oil Cap
11	046-032-00	Oil Cap Plug
13	007-116-00	Brake Mounting Bolt
14	006-017-00	Brake Mounting Nut
-	005-008-00	Lockwasher

12 1/4 X 3 3/8 BRAKES

Item	Part No.	Description
18	K23-450-00/K23-451-00	LH/RH Electric, FSA
19	K23-410-00/K23-411-00	LH/RH Hydr., FSA, Duo-Servo
-	K23-210-00/K23-211-00	LH/RH Hydr., RSA, DS w/Park
-	K23-412-00/K23-413-00	LH/RH Hydr., FSA, Single-Servo
-	K23-234-00/K23-235-00	LH/RH Hydr., Manual Adjust Single-servo w/Park

One-piece hub/drum is not interchangeable with the two-piece hub & drum..

HUB & DRUM

Item	Part No.	Description
20	008-415-02	Hub & Drum Assembly
-	008-415-04	Hub & Drum Assembly - ABS

ABS COMPONENTS

Item	Part No.	Description
21	097-004-00	Sensor, Straight
22	024-204-00	Sensor Block
23	097-002-00	Sensor Clip
24	024-205-01	Tone Ring
-	007-248-00	Tone Ring Screws

STUDS & WHEEL NUTS

Item	Part No.	Description
12	007-115-00	3/8-18 x 3.16" Long Press-in Stud
15	006-058-00	3/8-18 Flange Nut
16*	006-109-00	3/8-18 90° Cone Nut
17*	033-052-01	Clamp Ring

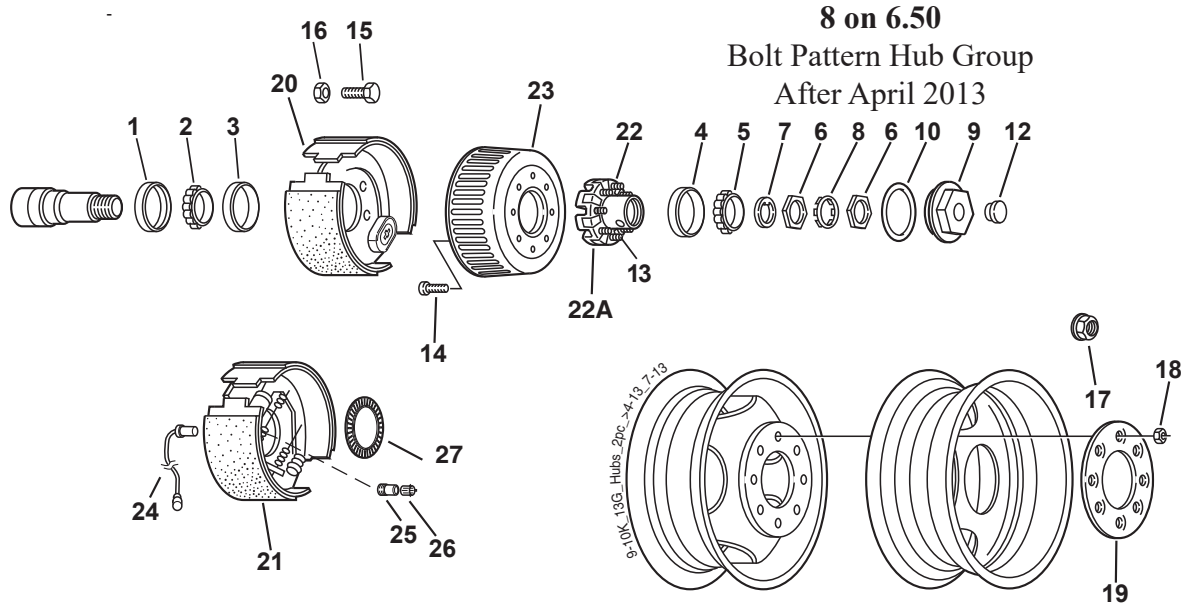
* Must use the 90° Cone nut with the clamp ring. Alternate fastener is just the flange nut.



HUBS/DRUMS

HUBS, DRUMS & BRAKES

9K, 10K & 13G General Duty Two-Piece Hub Group



STANDARD OIL LUBE PARTS

Item	Part No.	Description
1	10-51	Oil Seal
2	387A	Inner Bearing Cone
3	382A	Inner Bearing Cup
4	25520	Outer Bearing Cup
5	25580	Outer Bearing Cone
6	006-096-00	Spindle Nut (2)
7	005-070-00	Spindle Washer
8	005-071-00	Tang Washer
9	021-088-00	Oil Cap
10	010-163-00	'O' Ring
12	046-032-00	Oil Cap Plug
13	007-115-00	5/8-18 Wheel Stud
14	007-292-00	Drum Mounting Screw
15	007-116-00	Brake Mounting Bolt
16	006-017-01	Brake Mounting Nut
ns	005-008-00	Lockwasher

HUB & DRUM

Item	Part No.	Description
ns	008-430-05	Oil Hub and Drum w/Cups and Studs
22	008-430-03	Oil Hub w/Cups and Studs
23	009-123-01	Drum - Machined
ns	008-430-07	Oil Hub and Drum w/Cups and Studs ABS
22	008-430-03	Oil Hub w/Cups and Studs
ns	009-123-03	Drum - for ABS

12 1/4 X 3 3/8" BRAKES

Item	Part No.	Description
20	K23-450-00/K23-451-00	L/RH Electric, FSA
21	K23-410-00/K23-411-00	L/RH Hydraulic, FSA, Duo-Servo
21	K23-210-00/K23-211-00	L/RH Hyd., RSA, Du-Servo w/Park
ns	K23-412-00/K23-413-00	L/RH Hydraulic, FSA, Single-Servo
ns	K23-234-00/K23-235-00	L/RH Hyd, Man Adj Single Serve wPark

ABS COMPONENTS

Item	Part No.	Description
24	097-004-00	Sensor, Straight
25	024-204-00	Sensor Block
26	097-002-00	Sensor Clip
27	024-205-01	Tone Ring
ns	007-248-00	Tone Ring Screws

STUDS & WHEEL NUTS

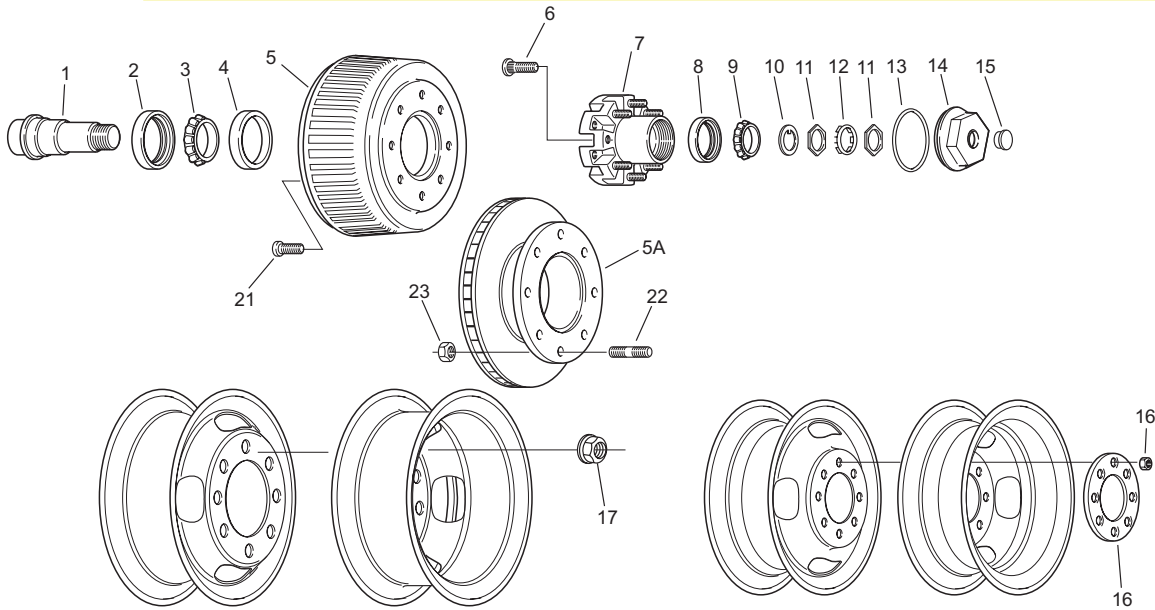
Item	Part No.	Description
18*	006-109-00	5/8-18 90° Cone Nut 200 lbs.-ft
19*	033-052-01	Clamp Ring
17	006-058-00	5/8-18 Flange Nut 300 lbs.-ft
13	007-115-00	5/8-18 Press-in Stud

* Must use the 90° Cone nut with the clamp ring. Alternate fastener is just the flange nut.



HUBS/DRUMS

10K, 12K, 15K and 13D Heavy Duty Hub Group

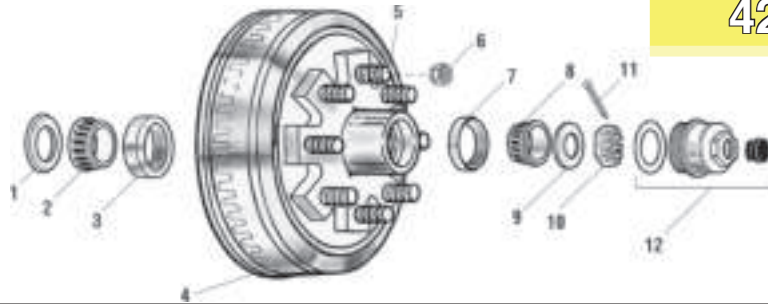


Item	Description	10K/13D	10K/13D	12K	12K	12K	15K
		8 on 6.50	Disc 8 on 6.50	Low-Profile 8 on 6.50	Hi-Profile 8 on 6.50	Disc 8 on 6.50	8 on 275mm
2	Unionized Oil Seal	10-56	10-56	10-56	10-56	10-56	10-56
3	Inner Bearing Cone	395S	395S	3984	3984	3984	3984
4	Inner Bearing Cup	394A	394A	3920	3920	3920	3920
5	Brake Drum	009-027-01	---	009-028-01	009-028-01	---	009-028-01
5	Brake Drum ABS	009-027-03	---	009-028-05	009-028-05	---	009-028-05
5A	Brake Rotor	---	070-006-01	---	---	007-006-01	---
5A	Brake Rotor ABS	---	070-006-02	---	---	007-006-02	---
6	Wheel Mtg. Stud	007-115-00	007-115-00	007-115-00	007-115-00	007-115-00	R006035 (std) 007-195-00 (long)
7	Hubs w/Cups & Studs	008-214-05	008-214-06	008-216-06	008-214-08	008-214-10	008-401-05 (std stud) 008-401-06 (long stud)
8	Outer Bearing Cup	382A	382A	28622	28622	28622	28622
9	Outer Bearing Cone	387A	387A	28682	28682	28682	28682
10	Spindle Washer	005-060-00	005-060-00	005-060-00	005-060-00	005-060-00	005-060-00
11	Spindle Nut	006-084-00	006-084-00	006-084-00	006-084-00	006-084-00	006-084-00
12	Tang Washer	005-059-00	005-059-00	005-059-00	005-059-00	005-059-00	005-059-00
13	Oil Cap "O" Ring	010-050-00	010-050-00	010-050-00	010-050-00	010-050-00	010-050-00
14	Oil Cap	021-036-00	021-036-00	021-036-00	021-036-00	021-036-00	021-036-00
15	Oil Cap Plug	046-032-00	046-032-00	046-032-00	046-032-00	046-032-00	046-032-00
16	Wheel Clamp Ring	033-052-01	033-052-01	033-052-01	033-052-01	033-052-01	---
	Wheel Nut	006-109-00	006-109-00	006-109-00	006-109-00	006-109-00	---
17	Flange Nut (swivel)	---	---	---	---	---	13-3052
21	Drum Mounting Screw	007-244-00	---	007-244-00	007-244-00	---	007-244-00
22	Rotor Mounting Stud	---	025-014-00	---	---	025-014-00	---
23	Rotor Mounting Nut	---	006-046-01	---	---	006-046-01	---



AL-KO HUBS/DRUM

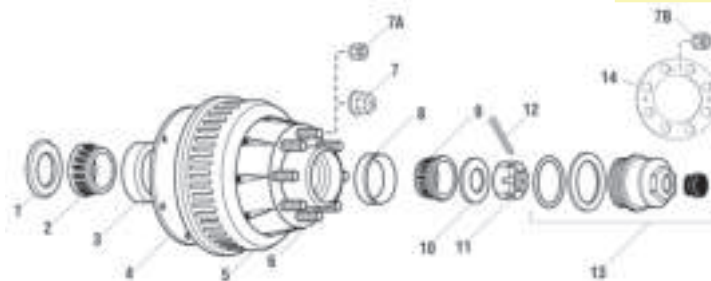
42 Spindle



8K HUB/DRUM PARTS LIST FOR 12" X 3 3/8" BRAKES

Item	Part No.	Description
1	SL225-1	Oil Seal
2	25580	Inner Bearing
3	25520	Inner Race
4	008-489-05	Hub/Drum 1/16" Stud
4A	008-489-07	Hub/Drum 5/16" Stud
5	007-357-00	Wheel Stud, 1/16"-18
5A	007-362-00	Wheel Stud, 5/16"-18x3.00
6	006-053-00	Wheel Nut 1/16"-18 60° Cone
6A	006-109-00	Wheel Nut 5/16"-18 90° Cone
7	02420	Outer Race
8	02475	Outer Bearing
9	005-027-00	Spindle Washer
10	006-176-00	Spindle Nut
11	019-002-00	Cotter Pin
12	K71-845-00	Oil Cap Assembly

99 Spindle



10K GD HUB/DRUM PARTS LIST FOR 12 1/4" X 3 1/2" BRAKES

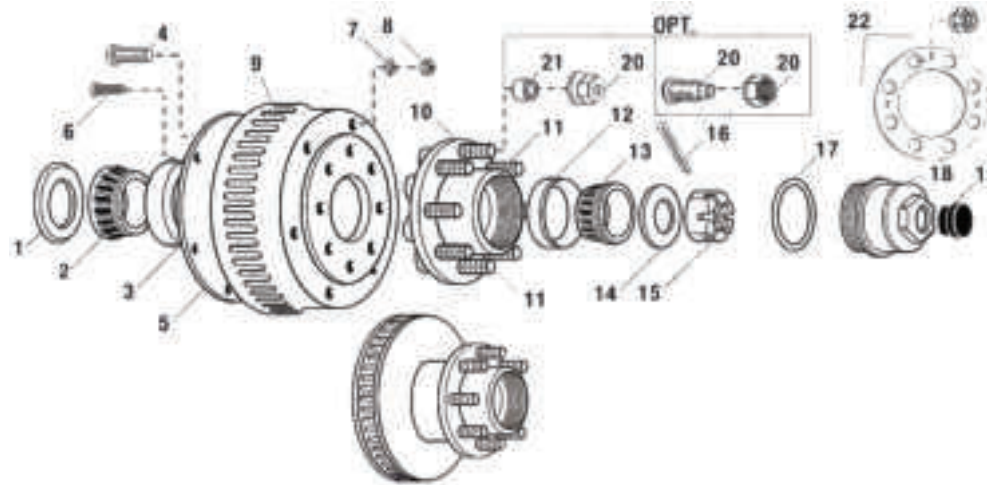
Item	Part No.	Qty/Brk	Description
1	27438		Oil Seal
2	28580		Inner Bearing
3	28521		Inner Race
4	K71-864-00		Armature Plate Assembly
5	008-481-09		10K GD Hub/Drum, 4.88" Pilot
5A	008-481-05		10K GD Hub/Drum, 4.75" Pilot
6	007-362-00		Wheel Stud, 5/16"x3
7	039946MP	2 pc.	Flange Nut 5/16"-18
7A	006-058-00		Fixed Flange Nut 5/16"-18
7B	006-109-00		Sgl. Wheel Nut 5/16"-18 90° Cone
8	25520		Outer Race
9	25580		Outer Bearing
10	005-224-00		Spindle Washer
11	006-239-00		Spindle Nut
12	019-035-00		Cotter Pin
13	K71-859-00		Oil Cap Assembly
14	033-052-01		Wheel Clamp Ring for 5/16" Studs



AL-KO HUBS/DRUM

HUBS, DRUMS & BRAKES

HD HUB Group



10K HD & 12K REPLACEMENT PARTS

Item	120# Spindle Drum w/8 on 6.5" Bolt Pattern	120# Spindle Drum w/6 on 8.75" BP	120# Spindle Drum w/6 on 8.75" BP (Double Cap Nut)	120# Spindle Drum w/10 on 8.75" BP	120# Spindle Drum w/10 on 8.75" Bolt Pattern (Double Cap Nut)	120# Spindle Rotor w/8 on 6.5" Bolt Pattern	160# Spindle Drum w/6 on 8.75" Bolt Pattern	160# Spindle Drum w/10 on 8.75" Bolt Pattern
1	Unitized Seal	10-56	10-56	10-56	10-56	10-56	10-56	10-56
2	Inner Bearing Cone	JM511946	JM511946	JM511946	JM511946	JM511946	39590	39590
3	Inner Bearing Cup	JM511910	JM511910	JM511910	JM511910	JM511910	39520	39520
4	Drum Mounting Bolt	007-458-00	007-458-00	007-458-00	007-458-00	---	007-458-00	007-458-00
5	Armature Plate	071-823-00	071-823-00	071-823-00	071-823-00	---	071-823-00	071-823-00
6	Flat head Bolt 1/4"-20	007-358-00	007-358-00	007-358-00	007-358-00	---	007-358-00	007-358-00
7	Lock Washer, 1/4"	005-079-00	005-079-00	005-079-00	005-079-00	---	005-079-00	005-079-00
8	Hex Nut, 1/4"-20	006-099-00	006-099-00	006-099-00	006-099-00	---	006-099-00	006-099-00
9	Brake Drum	009-132-01	009-132-01	009-132-01	009-132-01	---	009-132-01	009-132-01
9A	Brake Rotor	---	---	---	---	A09089421 (F.F.)* A090814 (COINED)**	---	---
10	Hubs w/Cups & 3/4" Studs	A568215 (F.F.)* A090884 (COINED)**	---	---	---	---	---	---
10	Hubs w/Cups & 3/4" Studs	---	---	---	---	---	---	A09080683 (F.F.)* A09083620 (RH) A09080621 (LH)- Coined**
11	Wheel Mounting Stud 007-459-00 (3/4")	007-362-00 (5/8") ---	007-459-00 (3/4") A09077153 (LH)	A09077152 (RH) ---	A09077116 (3/4") A09077153 (LH)	A09077152 (RH) ---	A09077116 A09077152 (RH) A09077153 (LH) (Coined)**	A09077116 A09077152 (RH) A09077153 (LH) (Coined)**
12	Outer Bearing Cup	JM205110	JM205110	JM205110	JM205110	JM205110	JM205110	JM205110
13	Outer Bearing Cone	JM205149	JM205149	JM205149	JM205149	JM205149	JM205149	JM205149
14	Spindle Washer	005-224-00	005-224-00	005-224-00	005-224-00	005-224-00	005-224-00	005-224-00
15	Spindle Nut	006-239-00	006-239-00	006-239-00	006-239-00	006-239-00	006-239-00	006-239-00
16	Cotter Pin	019-035-00	019-035-00	019-035-00	019-035-00	019-035-00	019-035-00	019-035-00
17	Oil Cap Kit	K71-859-00	K71-859-00	K71-859-00	K71-859-00	K71-859-00	K71-859-00	K71-859-00
20	Wheel Attaching Nut	006-209-00 (Swiveling Flange)	006-240-00 (Swiveling Flange)	006-069-01 006-070-01 RH 006-069-02 006-070-02 LH	006-240-00 (Swiveling Flange)	006-069-01 006-070-01 RH 006-069-02 006-070-02 LH	006-209-00 (Swiveling Flange) 006-058-00 (Fixed Flange Coined)**	006-240-00 (Swiveling Flange)
21	Wheel Attaching Misc. (Stud Sleeve)	---	A09141905 ---	---	A09141905 ---	---	A09141905 (Stud Sleeve)	A09141905 (Stud Sleeve)
22	Wheel Clamp Ring & Nut (5/8" - 90° Cone)	033-097-01 006-109-00	---	---	---	---	033-097-01 006-109-00 (5/8" - 90° Cone)	---

*Used w/ Flat Face Wheels **Used with Coin In-out Wheels (Replacement Only)



7" & 10" HYDRAULIC BRAKES



7" x 1 3/4" Hydraulic

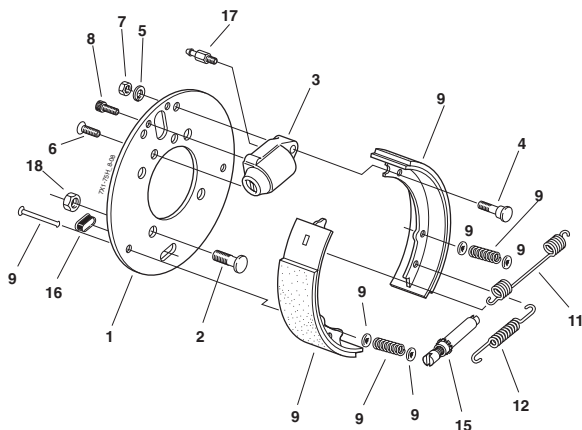
Part #	Description
K23-398-00	LH, 2000 lbs.
K23-399-00	RH, 2000 lbs.



10" x 2 1/4" Hydraulic

Part #	Description
023-548-00	LH 3500 lbs. Cast Whl. Cyl.
023-459-00	RH 3500 lbs. Cast Whl. Cyl.

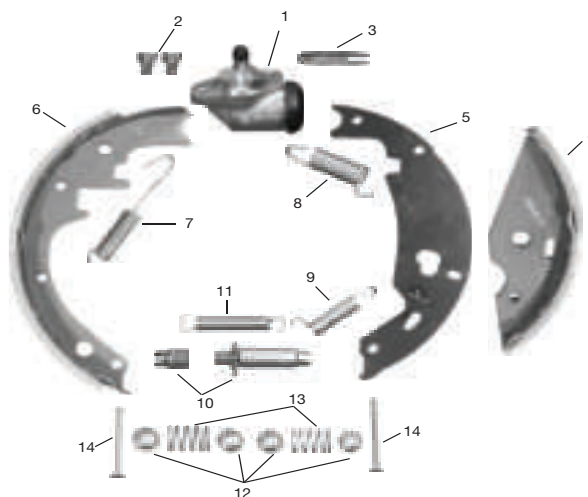
10BP Mounting Hardware Kit (per wheel)



2200 LBS. HYDRAULIC BRAKE

Item	Part No.	Qty/Brk	Description
1	036-038-00	1	Backing Plate
2	FB437	4	Brake Mounting Bolt - Press-in
3	054-080-03	1	Wheel Cylinder Assembly - LH (includes item #17)
3	054-080-04	1	Wheel Cylinder Assembly - RH (includes item #17)
4	038-072-00	1	Anchor Post
5	005-004-00	1	Lock Washer
6	007-235-00	1	Counter Sunk Cap Screw
7	006-010-00	1	Hex Nut
8	007-234-00	1	Socket Head Cap Screw
9	K71-466-00	1	Shoe & Lining Kit Contains:
	#040-327-01	1	Primary Shoe & Lining
	#040-328-01	1	Secondary Shoe & Lining
	#046-006-00	2	Shoe Hold Down Spring
	#035-001-00	4	Shoe Hold Down Spring Cup
	#049-014-00	2	Shoe Hold Down Pin
11	046-126-00	1	Retractor spring
12	046-127-00	1	Adjusting Screw Spring
15	043-004-00	1	Adjuster Screw Assembly
16	046-007-00	1	Adjuster Slot Plug
17	054-084-00	1	Bleeder Screw 6mm Thread (brakes before 1/97)
17	054-088-00	1	Bleeder Screw 7mm Thread (brakes after 1/97)
*18	006-017-00	4	Brake Mounting Nut

* Not included with complete brake assembly. Items sold separately.



3500 LBS. HYDRAULIC FREE BACKING BRAKE

Item	Part No.	Qty/Brk	Description
1,2,3	K0700R/L	1	Wheel Cylinder Kit, Cast RH or LH
	K11009	1	Wheel Cylinder Kit, Aluminum LH
	K11011	1	Wheel Cylinder Kit, Aluminum RH
4	040-411-00	1	Front Shoe, Free Backing
5	040-412-00	1	Shoe Lever
6	040-422-00	1	Secondary Shoe
7	046-192-00	1	Spring, Stainless, Rear Shoe Return
8	046-204-00	1	Spring, Stainless, Front Shoe Lever
9	046-172-01	1	Spring, Stainless, Lower Free Backing Shoe
10	043-038-00	1	Adjusting Screw Assembly
11	046-191-00	1	Spring, Stainless, Adjusting Screw
12,13,14	5353	1	Shoe Lining Hold Down Kit



12" HYDRAULIC BRAKES



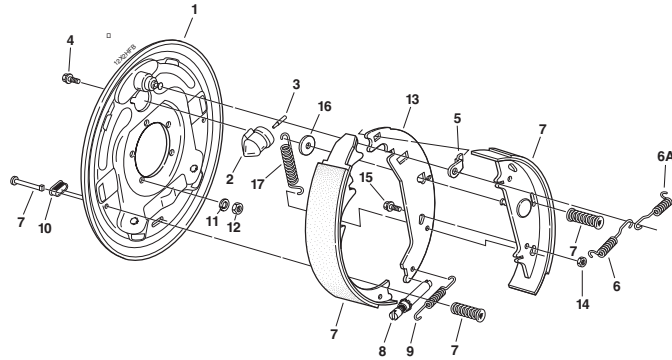
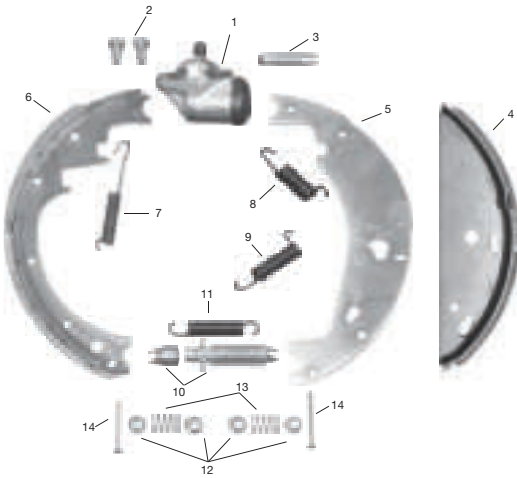
12" x 2" Hydraulic

Part #	Description
023-581-00	RH 5200 lbs. Cast Whl. Cyl.
023-580-00	LH 5200 lbs. Cast Whl. Cyl.

12" x 2" Hydraulic

Part #	Description
K23-342-00	LH, F/B, 7000 lbs.
K23-343-00	RH, F/B, 7000 lbs.

12BP Mounting Hardware Kit (per wheel)



5200 LBS. HYDRAULIC FREE BACKING BRAKE

Item	Part No.	Qty/Brk	Description
1,2,3	K0700R/L	1	Wheel Cylinder Kit, Cast RH or LH
	K11009	1	Wheel Cylinder Kit, Aluminum LH
	K11011	1	Wheel Cylinder Kit, Aluminum RH
4	040-428-00	1	Front Shoe, Free Backing
5	040-430-00	1	Shoe Lever
6	040-442-00	1	Secondary Shoe
7	046-205-01	1	Spring, Stainless, Rear Shoe Return
8	046-204-01	1	Spring, Stainless, Front Shoe Lever
9	046-172-01	1	Spring/Stainless/Low Free Backing Shoe
10	043-042-00	1	Adjusting Screw Assembly (Obselete)
11	046-198-00	1	Spring, Stainless, Adjusting Screw
12,13,14	5353	1	Shoe Lining Hold Down Kit

7000 LBS. HYDRAULIC FREE BACKING BRAKE

Item	Part No.	Qty/Brk	Description
1	036-093-08	1	Backing Plate Assembly
2	K0700L	1	LH Brake Cylinder Uni-Servo
-	K0700R	1	RH Brake Cylinder Uni-Servo
3	054-060-00	2	Cylinder Push Rod
5	037-069-02	1	Travel Link
6	046-101-00	1	Retractor Spring
6A	046-107-01	1	Shoe Lever Return Spring
7	K71-394-00	1	LH Shoe&Lining Kit containing: #040-243-08LH Primary S&L
	#040-315-02	1	LH Secondary S&L
	#046-077-00	1	Shoe Hold Down Spring & Cup Sec
	#035-001-00	2	Shoe Hold Down Cup Primary
	#046-006-00	1	Shoe Hold Down Spring Primary
	#049-013-00	1	Shoe Hold Down Pin #1 Primary
	#049-002-00	1	Shoe Hold Down Pin #8 Secondary
7	K71-395-00	1	RH Shoe&Lining Kit containing: Same as K71-394-00 except for the following:
	#040-243-09	1	RH Primary S&L
	#040-315-01	1	RH Secondary S&L
8	043-028-00	1	Adjuster Assembly
9	046-123-00	1	Adjusting Screw Spring
10	046-007-00	1	Adjuster Slot Plug
11	005-067-00	1	Anchor Post Washer
12	005-004-00	5	Lockwasher
13	040-244-01	1	Shoe Lever
14	006-011-00	1	Locknut
15	007-210-00	1	Screw
16	005-064-00	1	Washer
17	046-089-00	1	Primary Shoe Return Spring



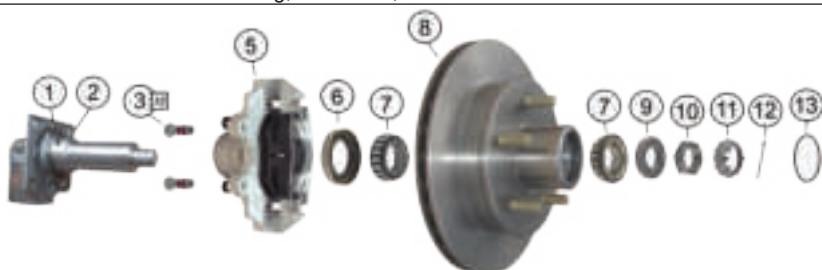
UFP DISC BRAKES

HUBS, DRUMS & BRAKES



UFP 3.7K DB-35 BRAKE PARTS LIST (KIT # K71-077-05)

Item	Part No.	Qty/Brk	Description
1	010-173-00	1	O-Ring 1½" x 1 ⅝" x ⅛" Located under L-Ring (not shown)
2	060-041-00	1	Stainless Steel L-Ring Where Seal Rides, Without Grease Outlet Hole
2a	060-036-00	1	Stainless Steel L-Ring Where Seal Rides, With Grease Outlet Hole
3	007-299-00	2	⅞"-20 x 1 ⅝" Mounting Bolt w/Loctite
5	089-135-23	1	Caliper Assembly, Zinc Plated Left
-	089-135-24	1	Caliper Assembly, Zinc Plated Right
6	168255TB	1	Grease Seal, 2.56" ID - 1.68" OD
7	L68149	1	Inner Bearing
8	008-435-05	1	Hub/Rotor 5 on 4.5" Bolt Pattern, Zinc Plated
9	L44649	1	Outer Bearing
10	005-164-00	1	Spindle D-Washer, 1 ⅝" OD x ⅜" thick (heat treated)
11	006-210-00	1	Spindle Nut, 1 ⅜"-20 x ⅝" thick
12	006-211-00	1	Lock Shield
13	019-002-00	1	Cotter Pin, ⅛" x 1 ¼"
14	010-169-00	1	O-Ring, Hub Nose, 2" x 2 ⅝" x ⅛"



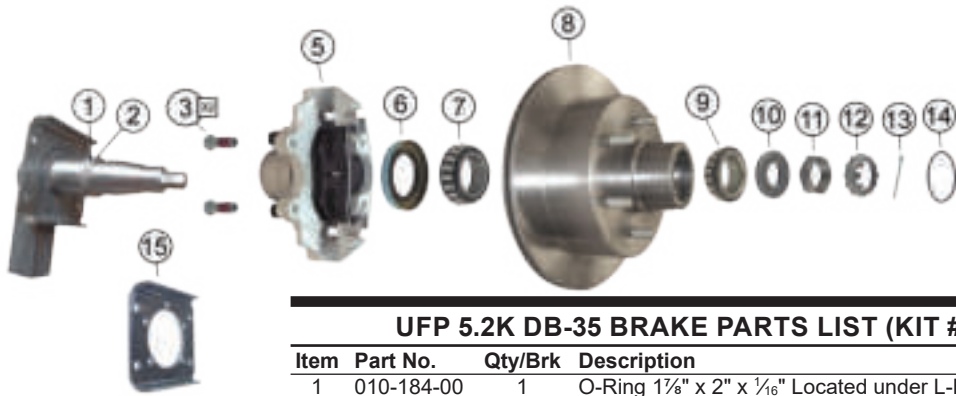
UFP 4.2K DB-35 BRAKE PARTS LIST

Item	Part No.	Qty/Brk	Description
1	010-173-00	1	O-Ring 1½" x 1 ⅝" x ⅛" Located under L-Ring (not shown)
2	060-041-00	1	Stainless Steel L-Ring Where Seal Rides, Without Grease Outlet Hole
2a	060-036-00	1	Stainless Steel L-Ring Where Seal Rides, With Grease Outlet Hole
3	007-299-00	2	⅞"-20 x 1 ⅝" Mounting Bolt w/Loctite
5	089-135-23	1	Caliper Assembly, Zinc Plated Left
-	089-135-24	1	Caliper Assembly, Zinc Plated Right
6	SE168-232-53TB	1	Grease Seal, 2.56" ID - 1.68" OD
7	L68149	1	Inner Bearing / Outer Bearing
8	008-442-05	1	Hub/Rotor 5 on 4.5" Bolt Pattern, Zinc Plated
9	005-171-00	1	Spindle D-Washer, 2" OD x ⅜" thick 2" Diameter
10	006-210-00	1	Spindle Nut, 1 ⅜"-20 x ⅝" thick
11	006-211-00	1	Lock Shield
12	019-002-00	1	Cotter Pin, ⅛" x 1 ¼"
13	010-169-00	1	O-Ring, Hub Nose, 2" x 2 ⅝" x ⅛"



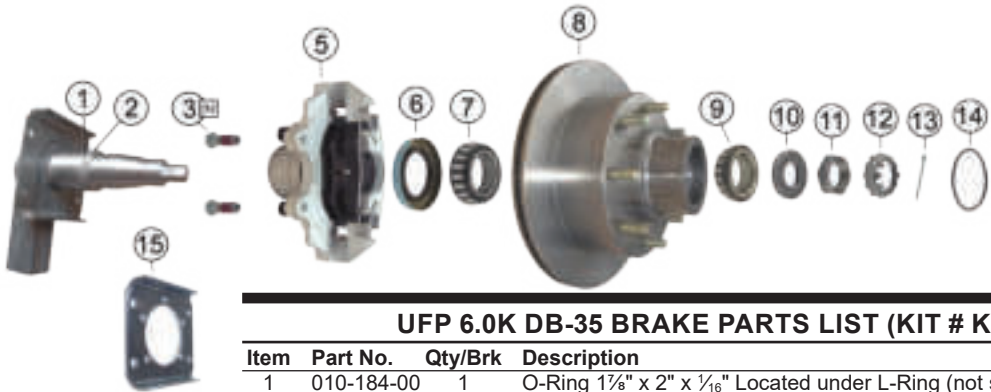
UFP DISC BRAKES

HUBS, DRUMS & BRAKES



UFP 5.2K DB-35 BRAKE PARTS LIST (KIT # K71-0789-05)

Item	Part No.	Qty/Brk	Description
1	010-184-00	1	O-Ring 1 $\frac{1}{8}$ " x 2" x $\frac{1}{16}$ " Located under L-Ring (not shown)
2	060-040-00	1	Stainless Steel L-Ring Where Seal Rides, Without Grease Outlet Hole
2a	060-037-00	1	Stainless Steel L-Ring Where Seal Rides, With Grease Outlet Hole
3	007-299-00	2	$\frac{7}{16}$ "-20 x 1 $\frac{1}{8}$ " Mounting Bolt w/Loctite
5	089-135-23	1	Caliper Assembly, Zinc Plated Left
-	089-135-24	1	Caliper Assembly, Zinc Plated Right
6	10-10/SL225-1	1	Grease Seal, 3.38" ID - 2.13" OD
7	25580	1	Inner Bearing
8	008-441-05	1	Hub/Rotor 6 on 5.5" Bolt Pattern, Zinc Plated
9	LM67048	1	Outer Bearing
10	005-171-00	1	Spindle D-Washer, 1 $\frac{5}{8}$ " OD x $\frac{3}{16}$ " thick (heat treated)
11	006-210-00	1	Spindle Nut, 1 $\frac{3}{16}$ "-20 x $\frac{5}{16}$ " thick
12	006-211-00	1	Lock Shield
13	019-002-00	1	Cotter Pin, $\frac{1}{8}$ " x 1 $\frac{1}{4}$ "
14	010-170-00	1	O-Ring, Hub Nose, 2 $\frac{3}{8}$ " x 2 $\frac{1}{2}$ " x $\frac{1}{16}$ "
15	004-088-00	1	Brake Flange Adapter (Used to convert drum brake axle to disc brake)

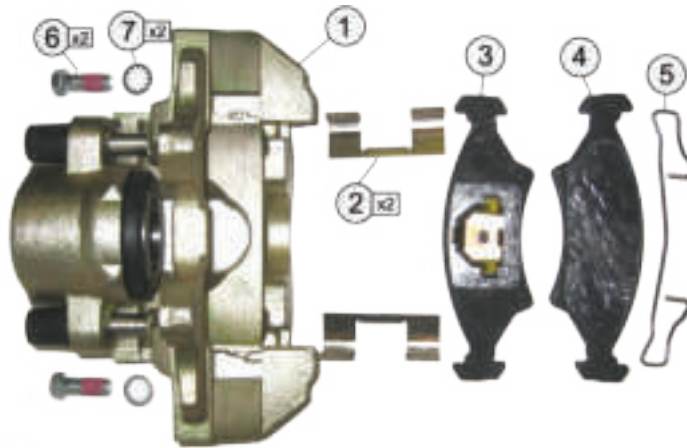


UFP 6.0K DB-35 BRAKE PARTS LIST (KIT # K71-824-05)

Item	Part No.	Qty/Brk	Description
1	010-184-00	1	O-Ring 1 $\frac{1}{8}$ " x 2" x $\frac{1}{16}$ " Located under L-Ring (not shown)
2	060-040-00	1	Stainless Steel L-Ring Where Seal Rides, Without Grease Outlet Hole
2a	060-037-00	1	Stainless Steel L-Ring Where Seal Rides, With Grease Outlet Hole (not shown)
3	007-299-00	2	$\frac{7}{16}$ "-20 x 1 $\frac{1}{8}$ " Mounting Bolt w/Loctite
5	089-135-23	1	Caliper Assembly, Zinc Plated Left
-	089-135-24	1	Caliper Assembly, Zinc Plated Right
6	10-10/SL225-1	1	Grease Seal, 3.38" ID - 2.13" OD
7	25580	1	Inner Bearing
8	008-439-05	1	Hub/Rotor 8 on 6.5" Bolt Pattern, Zinc Plated
9	14125A	1	Outer Bearing
10	005-171-00	1	Spindle D-Washer, 1 $\frac{5}{8}$ " OD x $\frac{3}{16}$ " thick
11	006-210-00	1	Spindle Nut, 1 $\frac{3}{16}$ "-20 x $\frac{5}{16}$ " thick
12	006-211-00	1	Lock Shield
13	019-002-00	1	Cotter Pin, $\frac{1}{8}$ " x 1 $\frac{1}{4}$ "
14	010-171-00	1	O-Ring, Hub Nose, 2 $\frac{3}{4}$ " x 2 $\frac{1}{8}$ " x $\frac{1}{16}$ "
15	004-088-00	1	Brake Flange Adapter (Used to convert drum brake axle to disc brake)



UFP DISC BRAKES



UFP DB-35 BRAKE CALIPER PARTS LIST

Item	Part No.	Qty/Brk	Description
1	089-135-23/24	1	Caliper Body Assembly, (Includes items 2, 3, 4 & 5)
2	054-111-00	2	Stainless Steel Pad Seat
3/4	091-007-00	1	Inner / Outer Brake Pad (Non-Metallic)
5	054-110-00	1	Stainless Steel Wire Retainer
6	007-299-00	2	7/16"-20 x 1 1/8" Mounting Bolt w/Loctite



UFP DB-42 BRAKE CALIPER PARTS LIST

Item	Part No.	Qty/Brk	Description
1	008-452-05	1	3.7K Hub/Rotor 5-4.5" B.C. L68149/L44649
1	008-450-06	1	5.2K Hub/Rotor 6-5.5" B.C. 25580/LM67048
1	008-475-06	1	6K Hub/Rotor 8-6.5" B.C. 25580/14125A
2	089-014-01/02	1	Caliper Body (L/R)
3	054-115-00	1	Caliper Mounting Bracket
4	091-009-00	1	Brake Pad Set (Includes 1 Inner Pad & 1 Outer Pad)
5	007-306-00	1	Caliper Mounting Bolt
6	007-306-00	2	Spring Clips
7	054-106-00	1	Wire Retainer



TIE DOWN DISC BRAKES & ACTUATORS

Tie Down Disc Brakes

Part #	Fig. #	Description
Eliminator Vented Disc Brakes		
82113	1	9.6" Vented Disc Brake Assembly for 5 lug wheels
82100	1	12" Vented Disc Brake Assembly for 6 lug Wheels



Fig. 1

Disc Brake Accessories

Part #	Fig. #	Description
Replacement Components for Eliminator Vented Disc Brakes		
46304A	2	Aluminum Caliper for Vented Rotor (comes w/pads)
46845X	3	Rotor, 9.6" Integral Style, 5 on 4.5" B.C.
46247X	3	Rotor, 12" Integral Style, 6 on 5.5" B.C.
82024	4	Brake Pad Set
12114	5	Stainless Steel Caliper Slide Pin



Fig. 2



Fig. 3



Fig. 4

BrakeRite Electric/Hydraulic Actuators

Part #	Fig. #	Description
K68-003-00	6	Drum Brake, 1000 psi
K68-001-00	6	Disc Brake, 1500 psi
K58-036-00	-	Ford / Chevy Adapter
068-250-00	-	Filler Cap for BrakeRite

*Note: needed for Ford & Chevy vehicles with integral tow package on 2006 and up models.
 Note: a 10 amp breakaway set up is recommended for use with the BreakRite systems.
 Use Part Number BR-KIT*



Fig. 5

Titan Model 60 ZX 7000

Part #	Fig. #	Description	Capacity
068-139-01	7	Drum Brake, Multi-Fit Coupler	7,000 lbs.
068-134-01	8	Drum Brake, Lever Lock Coupler	7,000 lbs.
068-196-05	8	Disc Brake, Lever Lock Coupler	7,000 lbs.
068-202-05	7	Disc Brake, Multi-Fit Coupler	7,000 lbs.
068-091-00	-	Gasket, Master Cylinder	
068-093-00	-	Cover, Master Cylinder	
068-085-00	-	Master Cylinder - Drum Brake	
068-195-00	-	Master Cylinder - Disc Brake	
053-012-00	-	Shock Absorber	
068-147-00	-	Filler Cap & Gasket	
K74-325-00	-	Latch Repair Kit for #068-139-01/#068-202-05	
K74-326-00	-	Lever Lock Assembly for #068-134-01/#068-196-05	
068-188-00	-	Breakaway Assembly w/pin, cover & S-Hook	
068-350-00	-	Orifice Conn., .015" Dia. for Drum Brakes	
068-221-00	-	Orifice Conn., .125" Dia. for Disc Brakes	
068-213-00	-	Reverse Lock Out Solenoid Valve	
068-414-01	-	Solenoid Valve Cover, Plated	



Fig. 6

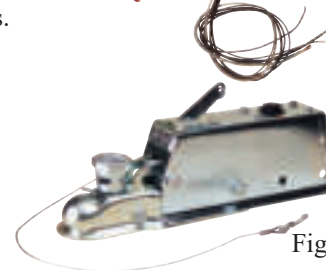


Fig. 7



Fig. 8



SURGE BRAKE ACTUATORS

Titan Model 6

Part #	Fig. #	Description	Capacity
068-122-00	1	Drum Brake, 2 ⁵ / ₁₆ " Ball Coupler	8,000 lbs.
068-123-00	2	Drum Brake, w/3" Lunette Eye	8,000 lbs.
068-204-02	1	Disc Brake, 2 ⁵ / ₁₆ " Ball Coupler	8,000 lbs.
053-011-00	-	Shock Absorber	
068-014-00	-	Master Cylinder - Drum Brake	
068-359-00	-	Master Cylinder - Disc Brake	
068-357-00	-	Master Cylinder Cap with Gasket	
068-350-00	-	Orifice Conn., .015" Dia. for Drum Brakes	
068-221-00	-	Orifice Conn., .125" dia. for Disc Brakes	
071-A84-00	-	2 ⁵ / ₁₆ " Ball Coupler Repair Kit	
068-213-00	-	Reverse Lockout Solenoid Valve	
068-297-00	-	Solenoid Valve Cover, Plated	



Fig. 1



Fig. 2



Fig. 3

Titan Model 10

Part #	Fig. #	Description	Type	Capacity
068-044-00	3	Drum Brake, Weld-on	Painted	12,500 lbs.
068-102-00	4	Drum Brake, Bolt-on	Zinc	12,500 lbs.
068-508-20	4	Disc Brake, Bolt-on w/Solenoid & Cover	Zinc	12,500 lbs.
068-104-00	5	Drum Brake, Bolt-on Drop Coupler	Zinc	12,500 lbs.
068-506-20	5	Disc Brake, Bolt-on Drop Coupler w/Solenoid & Cover	Zinc	12,500 lbs.
068-098-00	6	Drum Brake, Weld-on w/Channel	Painted	12,500 lbs.
053-011-00	-	Shock Absorber (2 required)		
068-094-00	-	Master Cylinder - Drum Brake		
K68-094-01	-	Master Cylinder - Disc Brake		
068-011-00	-	Cylinder Bracket, RH		
068-012-00	-	Cylinder Bracket, LH		
068-250-01	-	Filler Cap for Master Cylinder		
068-350-00	-	Orifice Connector, .015" dia. for Drum Brakes		
068-213-00	7	Reverse Lock-Out Solenoid Valve		
068-415-01	-	Solenoid Valve Cover, Plated		



Fig. 4



Fig. 5



Fig. 6



Fig. 7



SURGE BRAKE ACTUATORS

Titan Model 20

Part #	Fig. #	Description	Type	Capacity
068-082-00	-	Drum Brake, Weld-on W/ Channel	Painted	20,000 lbs.
068-075-00	1	Drum Brake, Weld-on w/Adj. Eye	Painted	20,000 lbs.
068-030-00	2	Drum Brake, Weld-on w/Eye	Painted	20,000 lbs.
068-034-00	-	Drum Brake, 2 ⁵ / ₁₆ " Coupler	Painted	20,000 lbs.
068-507-20	-	Disc Brake, Bolt-on, 2 ⁵ / ₁₆ " Coupler w/Solenoid & Cover	Zinc	20,000 lbs.
068-094-00	-	Master Cylinder - Drum Brake		
K68-094-01	-	Master Cylinder - Disc Brake		
053-010-00	-	Shock Absorber (2 required)		
068-011-00	-	Cylinder Bracket, RH		
068-012-00	-	Cylinder Bracket, LH		
068-250-01	-	Filler Cap for Master Cylinder		
068-350-00	-	Orifice Connector, .015" dia. for Drum Brakes		
068-213-00	-	Reverse Lock-Out Solenoid Valve		
068-415-01	-	Solenoid Valve Cover, Plated		



Fig. 1



Fig. 2

Demco/Atwood Actuator Repair Parts

Part #	Fig #	Description
5650	3	Drum Brake Master Cylinder
09153	-	Master Cyl. Gasket
03876	-	Master Cyl. Cap w/ Diaphragm & O-Ring
5401	-	DA10/DA20 Lever Repair Kit
05408	-	Breakaway Cable
84258	-	Boot Kit
85830	-	Damper
87478	-	Cap
85852	-	Push Rod Assembly
85884	-	Release Handle
85842	-	Shoulder Bolt



Fig. 3

SURGE BRAKE ACCESSORIES

Hydraulic Hose & Fittings

Part #	Fig. #	Description
81099	1	Brake Hose (pair) 1/8" x 24"
05982	-	18.5" Hydraulic Flexible Hose, M/F
SB5045	-	3/16" x 4.5" Steel Brakeline
BL312SA	-	3/16" x 12" Steel Brakeline
BL320SA	-	3/16" x 20" Steel Brakeline
BL340SA	-	3/16" x 40" Steel Brakeline
BL360SA	-	3/16" x 60" Steel Brakeline
BL372SA	-	3/16" x 72" Steel Brakeline
142-3	-	3/16" Hose Union
16197	-	Hose Frame Bracket
16198	-	Hose Clip
071-A53-00	-	T-fitting with Bracket



Fig. 1



Fig. 2



Fig. 3

UFP Inner Member Assembly

Part #	Fig. #	For Use With:	Hitch Ball
099-060-00	2	A-60 Single Drum	2"
099-060-10	2	A-60 Single Disc or Tandem Drum	2"
099-060-20	2	A-60 Tandem Disc	2"
099-075-00	3	A-75 Single Drum	2"
099-075-10	3	A-75 Single Disc or Tandem Drum	2"
099-075-20	3	A-75 Tandem Disc	2"
099-184-00	4	XR-84 Drum Brake	2"
099-184-20	4	XR-84 Tdm. Disc Brake	2"
099-184-30	4	XR-84 Trp. Disc Brake	2"
099-384-20	5	A-84 Tandem Disc	2 5/16"
099-162-34	6	A-160 Complete Tandem Disc	2 5/16"
BLEEDER TOOL	-	Clamp Assy. w/ Pump Pot	



Fig. 4



Fig. 5



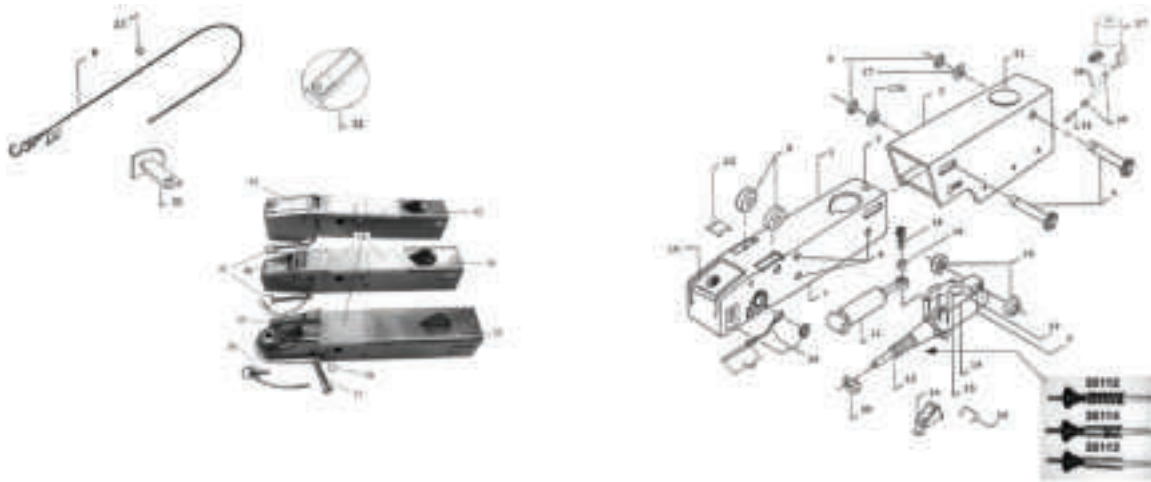
Fig. 6

Note: Design specifically for bleeding UFP Surge Couplers



UFP BRAKE ACTUATOR PARTS

HUBS, DRUMS & BRAKES



Item	Part No.	Description	Includes
3	054-127-00	Master Cylinder Complete	(1) For Disc Brake
3	054-102-00	Master Cylinder Complete	(1) For Drum Brake
13	K34300	Reservoir Plate Cover Kit	(1) Reservoir Plate Cover
14			(1) Reservoir Diaphragm
15			(1) Reservoir Plug
11	K71-758-00	Shock Absorber Kit	(1) Shock Absorber
18			(1) Bolt 3/8" - 16 1/2" Plate
19			(1) Bushing
12	K35112	Pushrod Single Disc Kit, Single Drum or Tandem Drum	(1) Pushrod (1) Bracket (1) Bracket Spring
12	K35114	Pushrod Tandem Disc Only	(1) Pushrod (1) Bracket (1) Bracket Spring
12	K35113	Pushrod Assy. for Trp. Disc	(1) Pushrod (1) Bracket (1) Bracket Spring
4	K34079	Roller Pin Kit	(2) Roller Pins
5			(2) Retaining Rings
9			(2) Front Rollers (Steel)
10			(2) Rear Rollers (Plastic)
17			(2) Roller Pin Washers
27	K71-755-00	Back Up Valve Kit	(1) Back Up Valve
28			(1) Reverse Valve Drain
29			(2) Nylon Cable Ties
30			(1) Fitting Mini-Barb
21	097-022-00	Plastic Outer Member Cap	(1) Fits A-60 & A-75
16	36360	Latch Repl. Kit	(1) For A-60
35	36369	Latch Repl. Kit	(1) For A-75
40	40006	Latch Repl. Kit	(1) For XR-84
43	40120	Latch Repl. Kit	(1) For A-84 & A-160
26	071-771-00	Hitch Pin Kit	(1) Fits A-60
8/23	071-195-00		Breakaway Cable Kit For A-60, 17" Long
	071-196-00		Breakaway Cable Kit For A-75 & A-84 15" Long
	071-197-00		Breakaway Cable Kit For XR-84
31	071-669-00	Side Lockout Kit	(1) Fits A-60, A-75 & A-84
32	K71-072-00	Top Lockout Upgrade	(1) Fits A-60, A-75 & A-84
34	014-143-00	A-75, XR-84, & A-84 Top Pad	see diagram for how many needed



SEALS / Z-RINGS

HUBS, DRUMS & BRAKES

Seals

Part #	I.D. Size	O.D. Size
Grease Seals		
SL100	1.000"	1.780"
SL122-1	1.249"	1.983"
AB1990E	1.370"	1.970"
10-9	1.500"	1.987"
SE150-232-31TC	1.500"	2.320"
SE162-256-43TC	1.620"	2.560"
SE168-232-53TB	1.680"	2.320"
168255TB	1.680"	2.550"
10-42	1.750"	2.330"
SL173	1.725"	2.565"
010-041-00 (plastic)	1.930"	2.500"
AD7131E	2.125"	3.264"
10-10	2.125"	3.376"
10-63	2.250"	3.376"
SL225-1	2.250"	3.376"
Oil Seals		
010-048-00	2.375"	3.376"
10-51	2.875"	3.880"
10-56	3.125"	4.506"
SL168-OIL	1.680"	2.550"
SL173-OIL	1.725"	2.550"
24438	2.725"	3.785"
250-31468 3.5K EZ-Loader	1.68	2.55
250-020844 5.2K EZ-Loader	2.12	3.76



HADCO Seals & Z-Rings

Seal #	I.D.	O.D.	Z-Ring #
SE175-235-50TC (3150)	1.75"	2.35"	516032
SE175-256-31TC (3077)	1.75"	2.56"	516032
523603 (3149)	2.31"	2.897"	516033
523127 (3063)	2.00"	3.266"	n/a
29031	1.88"	3.00"	n/a



CAPS/BEARING PROTECTORS

Grease Caps

Part #	Description	Type	O.D. Size
001503	Grease Cap	Closed	1.78"
523046	HADCO "2R"	Closed	1.81"
021-003-00	Grease Cap	Closed	1.99"
001601	Grease Cap	Closed	2.33"
021-001-00	Grease Cap	Closed	2.45"
021-039-00	Grease Cap	Closed	2.72"
021-041-01	Grease Cap EZ-Lube	Open	1.99"
021-042-01	Grease Cap, EZ-Lube	Open	2.45"
021-043-01	Grease Cap, EZ-Lube	Open	2.72"
085-001-00	Rubber Plug for EZ-Lube Caps		
021-143-00	Grease Cap, UFP	Open	2.32"
085-001-00	Rubber Plug for 36189 Cap		



Oil Caps

Part #	Description	O-Ring #	Cap Plug
021-040-00	Dexter 5.2K (6 lug)	010-059-00	n/a
021-035-00	Dexter 6K-8K	010-045-00	046-032-00
021-036-00	Dexter 9K-15K	010-050-00	046-032-00
021-088-00	Dexter 9K-10K	010-163-00	046-032-00
046-052-00	Oil Fill Plug		
K71-845-00	Al-Ko Oil Cap (7-8K Axles '94 & Newer)		
K71-859-00	Al-Ko Oil Cap Assembly (10-16K)		
250-031620	Oil bath Cap for E-Z Loader, 3.5K		
250-034392	O-Ring for 250-031620		
250-031621	Oil Bath Cap for E-Z Loader, 5.2K		
250-034393	O-Ring for 250-031621		
021-099-00	UFP Trailer Buddy Gold Oil Protector 1.98" Cap		
XLPROLUBE1980K	Retrofit Oil Cap & Seal Kit for 1.980" Caps		
XLPROLUBE2440K	Retrofit Oil Cap & Seal Kit for 2.440" Caps		



Wheel Bearing Protectors

Part #	O.D. Size	Outer Bearing	Outer Race
K71-006-00	1.781"	LM11949	LM11910
K71-001-00	1.980"	L44643 / L44649	L44610
K71-013-00	2.328"	LM67048	LM67010
K71-002-00	2.441"	LM67048 / 15123	LM67010 / 15245
K71-005-00	2.717"	14125A	14276
021-118-00*	1.980"	L44643/L44649	L44610
K71-018-00	Cover Only for 1.78" (Pair)		
K71-017-00	Cover Only for 1.98" (Pair)		
K71-019-00	Cover Only for 2.44" (Pair)		



* Screw-On Cap



BEARINGS/RACES

HUBS, DRUMS & BRAKES

Bearing Kits (One bearing kit = two hubs)

Kits Consist of:

Kit #	Seals	Bearings	Grease Caps	Rubber Cap	Nuts
2000HKEZ	(2) 10-9	(4) L-44649	(2) 021-041-01	(2) 085-001-00	(10) 006-080-00
2001HKEZ	(2) SL122-1	(4) L-44643	(2) 021-041-01	(2) 085-001-00	(10) 006-080-00
2000HK16EZ	(2) SL122-1	(4) L-44649	(2) 021-041-01	(2) 085-001-00	(10) 006-080-00
3500HKEZ	(2) SL173	(2) L-44649 (2) L-68149	(2) 021-041-01	(2) 085-001-00	(10) 006-080-00
6001HK6EZ	(2) SL225-1	(2) 25580 (2) 15123	(2) 021-042-01	(2) 085-001-00	(12) 006-080-00
6001HK8EZ	(2) SL225-1	(2) 25580 (2) 14125A	(2) 021-043-01	(2) 085-001-00	(16) W1012B
2000HK	(2) 10-9	(4) L44649	(2) 021-003-00	N/A	(10) 006-080-00
3500HK	(2) SL173	(2) L68149 (2) L44649	(2) 021-003-00	N/A	(10) 006-080-00
5200HK	(2) SL225-1	(2) 25580 (2) LM67048	(2) 021-001-00	N/A	(12) 006-080-00
6000HK6	(2) SL225-1	(2) 25580 (2) 15123	(2) 021-001-00	N/A	(12) 006-080-00
6000HK8	(2) SL225-1	(2) 25580 (2) 14125A	(2) 021-039-00	N/A	(16) W1012B



Bearings & Races

Part #	I.D. Size	Race	Part #	I.D. Size	Race
LM11949	0.750"	LM11910	L68149	1.378"	L68111
L44643	1.000"	L44610	L68149	1.378"	L68110
L44649	1.063"	L44610	25580	1.750"	25520
02475	1.250"	02420	JM205149	1.969"	JM205110
LM67048	1.250"	LM67010	28580	2.000"	28521
15123	1.250"	15245	387A	2.250"	382A
14125A	1.250"	14276	JM511946	2.559"	JM511910
LM48548	1.375"	LM48510	395S	2.621"	394A



Nev-R-Lube Bearings & Caps

Part#	Description
031-072-03	Bearing Cartridge for 3.5K Axles, 35mm
031-073-03	Bearing Cartridge for 6K Axles, 40mm
031-071-03	Bearing Cartridge for 7K Axles, 50mm
021-084-00	Nev-R-Lube Cap, 35mm
021-085-00	Nev-R-Lube Cap, 40mm
021-086-00	Nev-R-Lube Cap, 50mm



GREASE/SEAL KITS

Grease

Part #	Description	Container	Size
SL3310	Lithium General Purpose	Tube	14 oz. (10/case)
SL3120	Boat Trailer Wheel Bearing	Tube	14 oz. (10/case)
SL3121	Boat Trailer Wheel Bearing	Can	14 oz. (12/case)
SL3190	Extreme Pressure, Premium Red	Tube	14 oz. (10/case)
SL3191	Extreme Pressure, Premium Red	Can	14 oz. (12/case)
SL2472	SAE 80W90 Gear Oil	Bottle	32 oz. (12/case)



Grease Guns

Part #	Description
8000	Prof. Duty Grease Gun



Enduro Trl. Seal Kits

Part #	Inner Bearing	Seal Diameter
SK-1	L-44643	1.98"
SK-2	LM-48548, L-68149	2.56"
SK-3	LM-29749	2.56"
SK-4	15123	2.63"
SK-5	L-44649	1.98"
SK-6	2778	3.00"
SK-7	LM67048	2.33"
SK-10	L-68149	2.36"
SK-11	25580	3.38"



SUSPENSION SECTION



SUSPENSION CONTENTS

HANGER KITS	62
Hanger Kits.	62
Heavy Duty Suspension Kits	62
E-Z Flex Suspension.	62
Trailer Shock Kit (per axle)	62
SUSPENSION PARTS	63-64
Hanger Kit Components.	63
U-Bolt Kits Components	63
Double Eye Hangers.	64
Slipper Hangers	64
Equalizers - 1¾" Wide, Double Eye Spring.	64
Equalizers - 2" Wide, Slipper Spring	64
E-Z LOADER PARTS	65
E-Z Loader Square Axles (before 1995)	65
Boat Trailer Suspension Parts	65
C-Hook Springs	65
Square U-Bolt Kits (per axle)	65
SPRINGS	66-67
Double Eye Springs (1.75" Wide)	66
Shackle Links	66
Slipper Springs	67
Spring Eye Bushings	67
Spring Mounting Pads.	67
U-BOLTS	68-69
Round U-Bolt Kits (per axle)	68
Round U-Bolts	68
Tie Plates for Round U-Bolts	68
Square U-Bolts.	69
Self Locking Nuts	69
Over/Under Conversion Kits	69
NUTS & BOLTS	70-71

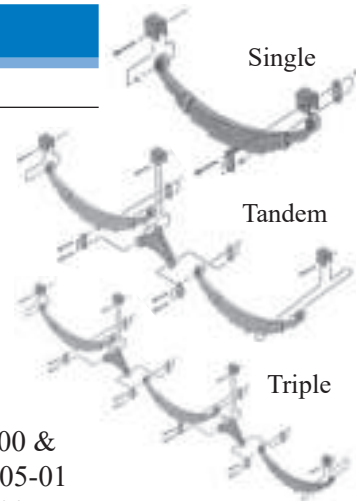


HANGER KITS

SUSPENSION

Hanger Kits

Axle Size	Spring Type	Single #	Tandem #	Triple #
2000 lbs.	1.75" Double Eye	HK-1 or HKSGL	HK-2 or HKTDM	HK-3 or -
	1.75" Slipper	SHK-1-2000	-	-
3500 lbs.	1.75" Double Eye	HK-1 or HKSGL	HK-2 or HKTDM	HK-3 or -
	2" Slipper	SHK-1	SHK-2	SHK-3
6000 lbs.	1.75" Double Eye	HK-1 or HKSGL	HK-2 or HKTDM	HK-3 or -
	2" Slipper	SHK-1	SHK-2	SHK-3
8000 lbs.	2" Slipper	HAP-105-00	HAP-105-00 & HAP-205-01	HAP-105-00 & (2) HAP-205-01
10000 lbs.	2.50" Slipper	HAP-158-00	HAP-158-00 & HAP-258-01	HAP-158-00 & (2) HAP-258-01



Note: HK-1, HK-2, HK-3 kits use Dexter style hangers and equalizers.
 HKSGL, HKTDM use H2, E1, RH1 hangers and R2 equalizers.
 6000 lbs. tandem and triple kits have std. axle space 33.5", for 36" use 13-122-02 equalizer.
 10000 lbs. hanger kits include equalizers for 38" axle space - other spacing available (42.25" & 48.50")

Heavy Duty Suspension Kits

Part #	Fig. #	Description
K71-358-00	-	Kit for 1.75" wide, double eye springs - Single axle
K71-359-00	1	Kit for 1.75" wide, dbl. eye springs - Tdm. axle - 33" Spacing
K71-360-00	-	Kit for 1.75" wide, dbl. eye springs - Trip. axle - 33" Spacing
K71-449-00	1	Kit for 1.75" wide, dbl. eye springs - Tdm. axle - 35" Spacing
K71-453-00	-	Kit for 1.75" wide, dbl. eye springs - Trip. axle - 35" Spacing



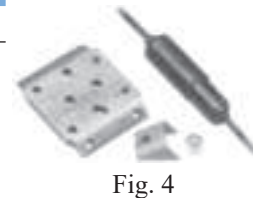
E-Z Flex Suspension

Part #	Fig. #	Description
For 33" Axle Centers		
K71-652-06	2	Complete E-Z Flex Suspension Kit
K71-654-06	3	E-Z Flex Equalizer & Bolt Kit
For 35" Axle Centers		
K71-653-06	2	Complete E-Z Flex Suspension Kit
K71-655-06	3	E-Z Flex Equalizer & Bolt Kit



Trailer Shock Kit (per axle)

Part #	Fig. #	Description
K71-175-01	4	Kit for 2 3/8" & 3" dia. tubes, 1.75" springs, underslung only
052-003-00	-	Replacement Shock



SUSPENSION PARTS

Hanger Kit Components

Double Eye Springs

Part #	Hangers	Equalizer	Shackle Link	Bolt/Nut
HK-1	(2) 028-005-00, (2) 030-020-00		(4) 018-012-01	(6) 007-003-00, (6) 006-007-00
HKSGL	(2) 028-084-00, (2) E-1		(4) 018-011-01	(6) 007-003-00, (6) 006-007-00
HK-2	(4) 028-005-00, (2) 029-031-00	(2) 013-104-02	(8) 018-011-01	(14) 007-003-00, (14) 006-007-00
HK-2.16*	(4) 028-005-00, (2) 029-031-00	(2) 013-122-02	(8) 018-011-01	(14) 007-003-00, (14) 006-007-00
HKTDM	(4) 028-084-00, (2) 029-045-00	(2) R2	(8) 018-011-01	(14) 007-003-00, (14) 006-007-00
HK-3	(4) 028-005-00, (4) 029-031-00	(2) 013-104-02 (2) 013-105-02	(12) 018-011-01	(22) 007-003-00, (24) 006-007-00
HK3-16*	(4) 028-005-00, (4) 029-031-00	(2) 013-122-02 (2) 013-126-02	(12) 018-011-01	(22) 007-003-00 (22) 006-007-00

*For Use with 16" Tire/Wheels

Slipper Springs

Part #	Hangers	Equalizer	Bolts/Nuts
SHK-1-2000	(2) 028-039-00, (2) 030-037-00		(4) 007-003-00, (6) 006-007-00
SHK-1	(2) 028-001-00, (2) 030-028-00		(2) 007-017-00, (2) 006-007-00 (2) 007-007-00, (2) 006-011-00
SHK-2	(2) 028-001-00, (2) 030-028-00 (2) 029-001-00	(2) 013-004-00	(4) 007-017-00, (4) 006-007-00 (4) 007-007-00, (4) 006-011-00 (2) 007-001-00, (2) 006-111-00
SHK-2L	(2) 028-001-00, (2) 029-001-00 (2) 030-028-00	(2) 72-1587	(2) 007-007-00, (6) 006-007-00, (2) 006-011-00, (6) 007-017-00, (2) 007-001-00, (2) 006-111-00
SHK-3	(2) 028-001-00, (2) 030-028-00 (4) 029-001-00	(4) 013-004-00	(6) 007-017-00, (6) 006-007-00 (6) 007-007-00, (6) 006-011-00 (4) 007-001-00, (4) 006-111-00

U-Bolt Kits Components

Part #	Size	U-Bolt	Flange Plate	Nut
UBK-175	1.75"	(4) 011-054-00	(2) 012-040-00	(8) 006-130-00
UBK-238	2.38"	(4) 011-021-00	(2) 012-003-00	(8) 006-046-01
UBK-238S	2.38"	(4) 011-021-00	(2) 012-004-00	(8) 006-046-01
UBK-35	2.38"	(4) 011-022-00	(2) 012-003-00	(8) 006-046-01
UBK-300	3.00"	(4) 011-018-00	(2) 012-001-00	(8) 006-046-01
UBK-300-S	3.00"	(4) 011-018-00	(2) 012-002-00	(8) 006-046-01
UBK-350	3.50"	(4) 011-065-00	(2) 012-037-00	(8) 006-007-00

For U-Bolt size and dimensions, see page 76



SUSPENSION PARTS

SUSPENSION

Double Eye Hangers

Part #	Fig.#	Used in Kit #	Width	Height	Position
028-005-00	1	HK1, HK2, HK3	1¾"	3.25"	End
030-020-00	1	HK1	1¾"	0.91"	Rear
029-031-00	1	HK2, HK3	1¾"	3.62"	Center
028-084-00	1	HKSGL,HKTDH,HKTRP	1¾"	1.69"	End
E-1	2	HKSGL	1¾"	0.75"	Rear
029-045-00	1	HKTDH, HKTRP	1¾"	4.75"	Center



Fig. 1



Fig. 2

Slipper Hangers

Part #	Fig.#	Used in Kit #	Width (A)	Height (B)	Position
028-039-00	1	SHK-1-2000	1¾"	1.00"	Front
030-037-00	-	SHK-1-2000	1¾"	0.18"	Rear
028-001-00	1	SHK1, SHK2, SHK3	2"	4.25"	Front
030-028-00	1	SHK1, SHK2, SHK3	2"	4.00"	Rear
029-001-00	1	SHK2, SHK3	2"	3.50"	Center

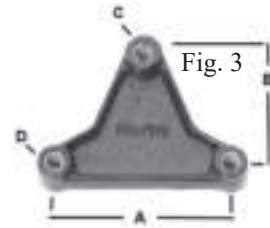


Fig. 3

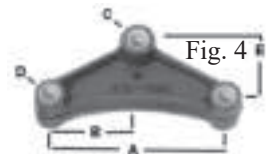


Fig. 4

Equalizers - 1¾" Wide, Double Eye Spring

Part #	Fig. #	A	B	C	D	E
013-010-00	3	6¼"	4"	9/16"	9/16"	
013-104-02	4	5¾"	2¾"	9/16"	9/16"	2"
EQ-1A	4	6¼"	3¾"	9/16"	9/16"	2½"
EQ-458	4	6¼"	3¾"	¾"	9/16"	2½"
013-122-02	4	7¾"	3¾"	9/16"	9/16"	2¾"
EQ-E34	4	7¾"	3¾"	¾"	9/16"	2¾"
EQ-R2	5	5½"	2¾"	9/16"	9/16"	
EQ-R89	5	8"	4"	9/16"	9/16"	
EQ-R83	5	8"	4"	9/16"	¾"	
013-105-02	6	6¾"	2"	9/16"	9/16"	
013-126-02	6	9"	2¾"	9/16"	9/16"	9/16"

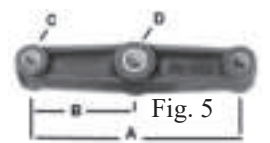


Fig. 5

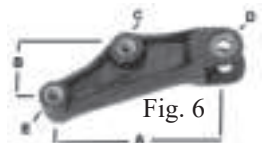


Fig. 6

Equalizers - 2" Wide, Slipper Spring

Part #	Fig. #	A	B	C	D	E	F	G
013-004-00	7	4⅝"	5½"	5"	9/16"	5/16"	7/8"	2⅛"
013-044-01	8	13⅛"	5⅝"	6"	3½"	9/16"	7/8"	5/16"
A8303	8	11½"	4¾"	4⅜"	3¾"	9/16"	7/8"	9/16"
72-1587	8	11"	4⅝"	4⅝"	3½"	9/16"	7/8"	5/16"

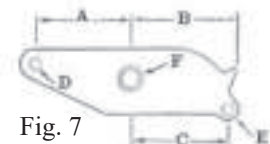


Fig. 7

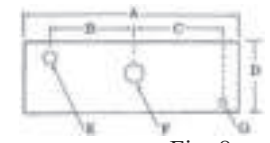


Fig. 8



E-Z LOADER PARTS

E-Z Loader Square Axles (before 1995)

Part #	Axle Size	Tube Size	Hub Face	Spring Center
250-022304-10*	2000 lbs.	2" x 2"	73 ³ / ₈ "	58 ¹ / ₂ "
* This axle has drop center and is the direct replacement for a straight beam				
250-024287-10	3500 lbs.	2" x 2"	87 ³ / ₈ "	70 ¹ / ₄ "
250-020838-10	5200 lbs.	2" x 3"	87 ³ / ₈ "	70 ¹ / ₄ "



Boat Trailer Suspension Parts

Part #	Description	Part #	Description
028-084-00	Front & Rear Hanger	290-001669	Equalizer Bolt
250-015514-10	Center Hanger	290-002596	Equalizer Nut
250-031579-10	Equalizer (w/o bushing)	007-003-00	Bolts
250-031580	Equalizer Bushing	006-007-00	Lock Nuts



C-Hook Springs

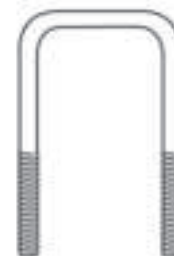
Part #	Description (eye to eye)	Stack Height	Capacity (each)	Leaves
C-2	1.75" x 26"	0.94"	1300 lbs.	3
C-3	1.75" x 26"	1.08"	1750 lbs.	3
C-4	1.75" x 26"	1.44"	2350 lbs.	4
C-5	1.75" x 26"	1.80"	2850 lbs.	5



**** Bushing MPE-228 sold separately ****

Square U-Bolt Kits (per axle)

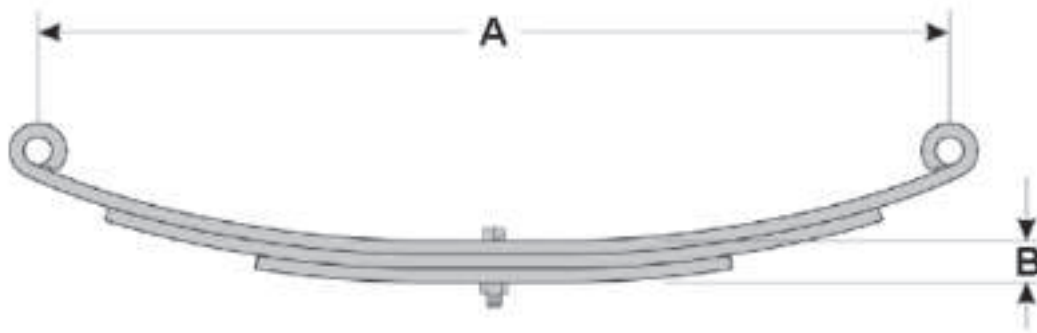
Part #	Description	U-Bolt Size
300-015974	1 ¹ / ₂ " x 1 ¹ / ₂ " x Square Axle w/C2 Springs	1 ¹ / ₂ " x 3 ³ / ₈ "
300-015975	2" x 2" Square Axle w/C3 or C4 Springs	4 ¹ / ₂ " x 2"
300-015976	2" x 3" Square Axle w/C5 Springs	6 ¹ / ₂ " x 2"
290-015796	3/8"-16 x 1 ¹ / ₂ " x 3 ³ / ₈ " U-Bolt	
290-002540	1/2"-13 x 2" x 4 ¹ / ₂ " U-Bolt	
290-020980	1/2"-13 x 2" x 6 ¹ / ₂ " U-Bolt	
250-015795	Bottom Plate 1 ¹ / ₂ " x 1 ¹ / ₂ "	
250-031133	Bottom Plate 2" x 2" or 2" x 3"	



**** See page 77 for locknuts ****



SPRINGS



Double Eye Springs (1.75" Wide)

Part #	Description "A"	Leaves	Stack Height "B"	Capacity (each)
72-16	20½"	3	0.67"	850 lbs.
72-17	20"	3	0.79"	1000 lbs.
72-13	21"	4	1.00"	1400 lbs.
72-06	23⅛"	3	0.94"	1200 lbs.
72-09	23⅛"	3	1.08"	1750 lbs.
72-22	25¼"	3	0.94"	1250 lbs.
72-23	25¼"	3	1.04"	1500 lbs.
72-42	25¼"	4	1.29"	1750 lbs.
72-24	25¼"	3	1.16"	2000 lbs.
72-25	25¼"	4	1.44"	2500 lbs.
72-26	25¼"	4	1.56"	3000 lbs.
72-27	25¼"	6	2.05"	3500 lbs.
AS-3	26"	3	0.75"	800 lbs.
AWS-2	26"	2	0.72"	1000 lbs.
AS-4	26"	4	1.00"	1060 lbs.
AWS-3	26"	3	1.08"	1500 lbs.
AWS-4	26"	4	1.44"	2000 lbs.
AWS-5	26"	5	1.80"	2500 lbs.
AWS-6	26"	6	2.16"	3000 lbs.
AWS-7	26"	7	2.52"	3500 lbs.

Shackle Links

Part #	Description
018-011-05	2¼" center to center Shackle
018-012-05	3¼" center to center Shackle
4101-2A	2⅝" center to center Shackle



Slipper Springs

Part #	Width	Length		Stack Height		Capacity (each)
		"A"	Leaves	"B"		
BT25-06	1.75"	25"	2	0.50"		600 lbs.
BT25-09	1.75"	25"	3	0.79"		900 lbs.
BT25-12	1.75"	25"	4	1.05"		1200 lbs.
72-30	2"	25"	4	1.33"		2000 lbs.
72-32	2"	25"	5	1.80"		3500 lbs.
72-51*	2"	25"	7	2.53"		4000 lbs.
072-051-02**	2"	25"	7	2.53"		4000 lbs.
US-3073	2"	27½"	5	1.80"		3400 lbs.
072-077-00	2.5"	30"	5	2.14"		5000 lbs.
072-080-01	2.5"	30½"	5	2.14"		5000 lbs.
072-043-01	3"	30½"	5	2.00"		5000 lbs.
US-3084	2"	29½"	6	2.41"		4300 lbs.
072-043-01	3"	30½"	5	2.00"		5000 lbs.
072-044-01	3"	30½"	6	2.40"		6000lbs.
072-045-01	3"	30½"	7	2.80"		7500lbs.

* with 1/16" nylon bushing

** with 3/8" rubber bushing



Spring Eye Bushings

Part #	Description	Spring Width	O.D.	I.D. (bolt size)
014-001-00	Nylon	1¾"	11/16"	9/16"
014-064-01	Nylon	2"	11/16"	9/16"
014-054-01	Nylon	2"	13/16"	9/16"
014-077-00	Bronze	1¾"	11/16"	9/16"
MPE-228	Nylon	1¾"	1"	9/16"
NB-3	Nylon	1¾"	3/4"	9/16"



Spring Mounting Pads

Part #	Description	Spring Width	Axle Size
003-049-00	1¾" Dia. Tube	1¾"	2000 lbs.
003-043-00	2¾" Dia. Tube	1¾"	3500 lbs.
003-001-00	3" Dia. Tube	2-3"	5200/6000 lbs.
003-048-00	3½" Dia. Tube	2-3"	8000 lbs.
003-066-00	5" Dia. Tube	2-3"	10,000 lbs.
003-072-00	5" Dia. Tube	2½"	10,000 lbs.
003-062-00	2¾" Dia. Tube Conversion Seat		
003-063-00	3" Dia. Tube Conversion Seat		



U-BOLTS

SUSPENSION

Round U-Bolt Kits (per axle)

Axle Size	Axle Dia.	Double Eye Springs	Slipper Springs
		1 3/4" Wide Part#	2" Wide Part#
2000 lbs.	1 3/4"	UBK-175	UBK-175 (1.75" wide)
3500 lbs.	2 3/8"	UBK-238*	UBK-238-S
3500 lbs.	2 3/8"	UBK-35**	-
6000 lbs.	3"	UBK-300	UBK-300-S
8000 lbs.	3 1/2"	-	UBK-350
10000 lbs.	5"	-	UBK-10GD (2.5" wide)
10000 lbs.	5"	-	UBK-10HD (3" wide)

* Uses 5 3/4" long U-bolts

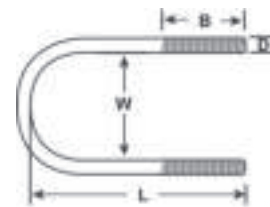
** Uses 6 1/4" long U-bolts



Round U-Bolts

Part #	Size (W)	Description	Dia. (D)	(L)	(B)
011-054-00	1 3/4"	2000 lbs.	3/8" - 24	4"	1 7/16"
011-021-00	2 3/8"	3500 lbs.	1/2" - 20	5 1/2"	1 7/8"
011-022-00	2 3/8"	3500 lbs.	1/2" - 20	6 1/4"	1 7/8"
011-049-00	3"	6000 lbs.	1/2" - 20	5 1/2"	1 1/2"
011-016-00	3"	6000 lbs.	1/2" - 20	6"	2"
011-018-00	3"	6000 lbs.	1/2" - 20	7"	2"
4201-1	3"	6000 lbs.	9/16" - 18	7"	3"
011-065-00	3 1/2"	8000 lbs.	9/16" - 18	7 7/8"	1 3/4"
011-064-00	4"	9000 lbs.	5/8" - 11	8"	2"
011-070-00	5"	10-15K lbs.	3/4" - 10	9 3/4"	2 3/8"
011-077-00	5"	10K	5/8"-11	9"	2 1/4"

*** U-Bolts are bulk w/o nuts. See Self-Locking Nuts Section (opposite page) for nuts. ***



Tie Plates for Round U-Bolts

Part #	Description	Spring Width	U-Bolt Width
012-040-00	For 11-54 U-Bolt	1.75"	1.75"
012-003-00	For 11-22 U-Bolt	1.75"	2.38"
012-004-00	For 11-22 U-Bolt	2"	2.38"
012-001-00	For 11-18 U-Bolt	1.75"	3.00"
012-002-00	For 11-18 U-Bolt	2"	3.00"
012-037-00	For 11-65 U-Bolt	2"	3.50"
012-042-00	For 11-64 U-Bolt	2"	4.00"
012-049-00	For 11-77 U-Bolt	2.50"	5.00"
012-046-00	For 11-70 U-Bolt	3"	5.00"

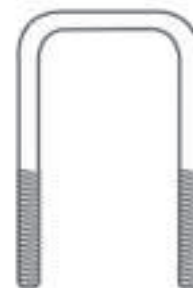
*** Recommended Min/Max Torque Settings (lbs.-ft.) for Dexter U-Bolts: ***

3/8" = 30-50, 7/16" = 45-70, 1/2" = 45-70, 9/16" = 75-85



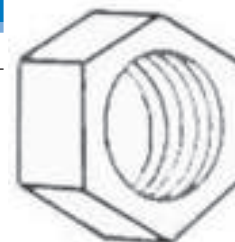
Square U-Bolts

Part #	Size (W)	Dia. (D)	Length (L)
290-002423	1½"	⅜"-16	2⅜"
290-015796	1½"	⅜"-16	3⅜"
290-011676	2⅛"	⅜"-16	4"
290-002422	3"	⅜"-16	4"
290-002540	2"	½"-13	4½"
290-021380	2"	½"-13	5½"
290-020980	2"	½"-13	6½"
290-002482	3"	½"-13	3¼"
290-002485	3"	½"-13	4¼"
290-015566	3"	½"-13	5¼"
290-002496	3"	½"-13	6½"
290-002516	3"	½"-13	7¼"
U4	1½"	⅞"-18	4½"
U6	1¾"	⅞"-18	5"
U7	1¾"	⅞"-18	5¾"
U8	2"	⅞"-18	5¾"
U16	2"	⅞"-18	4¾"
U17	2¼"	⅞"-18	6"
006-005-00	Nut for ⅞" U-Bolts		
UW1	Lock Washer for ⅞" U-Bolts		
290-002598	Locknut for ½"-13 U-Bolts		
290-002579	Locknut for ⅜"-16 U-Bolts		
290-002596	Locknut for ⅝"-11 Hex		



Self Locking Nuts

Part #	Thread Size	Description
006-130-01	⅜" - 24	For 11-54 U-Bolt
006-046-01	½" - 20	For 11-22/11-18 U-Bolts
006-007-01	⅞" - 18	For 11-65 U-Bolt
006-038-00	⅝" - 11	For 11-64 & 11-77 U-Bolts
006-113-00	¾" - 10	For 11-70 U-Bolt
005-095-00		Lock Washer for 006-113-00



Over/Under Conversion Kits

Part #	Description
K71-384-00	Conversion Kit for 2 3/8" tube
K71-385-00	Conversion Kit for 3" tube - 5.2K Max.



NUTS & BOLTS

Nuts

Part #	Fig. #	Dimensions	Description
006-080-00	1	1/2"-20	Wheel 60° Acorn Taper
006-053-00	1	9/16"-18	Wheel 60° Acorn Taper
006-060-00	1	9/16"-18	Wheel 90° Acorn Taper
006-109-00	1	5/8"-18	Wheel 90° Acorn Taper
006-130-01	2	3/8"-24	U-Bolt Nut, Flanged Locking
006-092-01	2	7/16"-20	Flange Nut for Shackle Bolt
006-046-01	2	1/2"-20	U-Bolt Nut, Flanged Locking
006-058-00	2	5/8"-18	Wheel Nut, Flanged
006-011-00	3	5/16"-18	Locknut for 7-7 Keeper Bolt
006-010-00	3	3/8"-24	Brake Mounting Nut for 12" Brake
006-017-01	3	7/16"-20	Brake Mounting Nut for 10" Brake
006-007-01	3	9/16"-18	Locknut for U-Bolt and Shackle
006-005-00	3	9/16"-18	Square Top U-Bolts or Mobile Home
006-038-00	3	5/8"-11	Locknut for U-Bolt
006-113-00	3	3/4"-10	Locknut for U-Bolt
SLN-105	3	3/4"-16	Locknut for 4113-9W
006-210-00	3	1 3/16"-20	Spindle Nut
006-111-00	3	7/8"-9	Locknut for Equalizer
006-191-00	3	1"-14	Spindle Nut, Non-Castladed
SN-750	4	3/4"-16	Spindle Nut
006-001-00	4	1"-14	6 Slotted Spindle Nut
006-176-00	-	1"-14	12 Slotted Spindle Nut, Non E-Z Lube
019-002-00	5	1/8" x 1 3/4"	Cotter Pin



Fig. 2



Fig. 3



Fig. 4



Fig. 5



Fig. 6



Fig. 7



Fig. 8



Fig. 9



Fig. 10



Fig. 11



Fig. 12



Fig. 13

Washers

Part #	Fig. #	Description
005-101-00	6	1" Tang Washer
005-059-00	7	1 3/4" Tang Washer
005-004-00	8	Split Washer, 3/8"
005-008-00	8	Split Washer, 7/16"
005-058-00	8	Split Washer, 1/2"
UW1	8	Split Washer, 9/16"
005-023-00	9	1" D Washer
005-027-00	10	Spindle Washer 1 1/16" O.D. x 1" I.D.
SW750	10	Plain Washer, 3/4"
290-010453	11	1 3/16" Keyed Spindle Washer
516054	11	1" Keyed Spindle Washer
006-211-00	12	1 3/16" Lock Shield (Cookie Cutter)
006-190-00	13	Jam Cage for EZ Lube Axles



DEXTER AXLE



Suspension Bolts

Part #	Fig. #	Dimensions	Type	Application
007-007-00	1	5/16"-18 x 3 1/4"	Keeper	For 2-7K Suspension
007-126-01	1	7/16"-20 x 3"	Shackle	1/16" Shoulder
007-187-01	1	7/16"-20 x 3"	Wet Bolt	1/16" Shoulder
007-003-01	1	9/16"-18 x 3"	Shackle	For 1 3/4" Springs
007-017-00	1	9/16"-18 x 3 1/2"	Shackle	For 2" Springs
007-236-05	-	9/16"-18 x 3 1/2"	Wet Bolt	For 2" Springs
4113-9W	1	3/4"-16 x 3 1/2"	Wet Bolt	Equalizer Bolt
007-001-00	1	7/8"-9 x 4 5/8"	Equalizer	3500-8000 lbs. Susp.



Fig. 1



Fig. 2

Wheel Bolts

Part #	Fig. #	Dimensions	Knurl	Application
007-316-00	2	1/4"-20 x .875"		Wheel Bolt, 60° Taper
LB-509	2	1/2"-20 x .875"		Wheel Bolt, 90° Taper
007-084-00	2	9/16"-18 x 1.125"		Wheel Bolt, 90° Taper, Ag
025-014-00	3	1/2"-20 x 1/2"-13"		Double End Stud, Dexter
025-053-01	3	1/2"-20 x 1/2"-20"		Double End Stud, Dexter
007-246-00	-	1/2"-20 x 1.95"	.54	Press-in Stud, Dexter, 2K
007-185-00	-	1/2"-20 x 1.79"	.61	Press-in Stud, Dexter, 3K
007-122-00	-	1/2"-20 x 1.840"	.61	pre-2004 Press-In Wheel Stud, 6K-7K
007-262-00	-	1/2"-20 x 2.50"	.54	post-2004 Press-In Stud, 6K-7K
007-132-00	-	9/16"-18 x 2.30"	.68	Press-In Stud, 6K-8K
007-115-00	-	5/8"-18 x 3.0625"	.68	Press-In Stud, 6K-7K
ST-502-04	-	1/2"-20 x 1.812"	.54	Press-In Stud, Reliable
ST-504	-	1/2"-20 x 2.093"	.60	Press-In Stud, Reliable
007-361-00	-	1/2"-20 x 2.00"	.54	Press-In Stud, AL-KO
007-360-00	-	1/2"-20 x 2.50"	.54	Press-In Stud, AL-KO
007-357-00	-	9/16"-18 x 2.82"	.61	Press-In Stud, AL-KO
007-362-00	-	5/8"-18 x 2.75"	.68	Press-In Stud, AL-KO
007-312-00	-	1/2"-20 x 1.75"	.56	Press-In Stud, UFP
007-314-00	-	1/2"-20 x 2.03"		Press-In Stud, UFP
007-036-00*	4	1/2"-13 x 1.62"		Bolt, Course, Mobile Home



Fig. 3



Fig. 4

Miscellaneous Bolts

Part #	Fig. #	Dimensions	Application
007-112-00	5	3/8"-24 x 0.88"	Brake Stud, Press-In 12" Brake
007-005-00	5	3/8"-24 x 1"	Cap Screw, for 12" Brakes
FB437	5	7/16"-20 x 1"	Cap Screw, for 10" Brakes



Fig. 5



TIRES & WHEELS SECTION



TIRES & WHEELS CONTENTS

WHEELS	73-75
TIRES	75-76
RADIAL TIRE & WHEEL ASSEMBLIES	76-77
BIAS TIRE & WHEEL ASSEMBLIES.....	77-78
FENDERS	77
WHEEL ACCESSORIES	78-79



WHEELS

TIRES & WHEELS

8" Wheels

Part #	Style	Description	Rim Size	Bolt Pattern
JG8X3754G	1	Galvanized Spoke	8" x 3 $\frac{3}{4}$ "	4 - 4"
JG8X3755W	1	Plain Center	8" x 3 $\frac{3}{4}$ "	5 - 4 $\frac{1}{2}$ "
W-81WB-B	2	1" Bearing Hub	8" x 3 $\frac{3}{4}$ "	Integral
W-83WB-B	2	$\frac{3}{4}$ " Bearing Hub	8" x 3 $\frac{3}{4}$ "	Integral
JG8X74W	3	Plain Center	8" x 7"	4 - 4"
JG8X75W-413	3	Plain Center	8" x 7"	5 - 4 $\frac{1}{2}$ "



Style 1
Plain
Center



Style 2
Bearing
Hub

10" Wheels

Part #	Style	Description	Rim Size	Bolt Pattern
JG10X64W	3	Plain Center	10" x 6"	4 - 4"
JG10X65WHD	3	Plain Center	10" x 6"	5 - 4 $\frac{1}{2}$ "

12" Wheels

Part #	Style	Description	Rim Size	Bolt Pattern
JG12X44WS-600	5	White Spoke	12" x 4"	4 - 4"
JG12X44GS	5	Galvanized Spoke	12" x 4"	4 - 4"
JL12X45WS-600	5	White Spoke	12" x 4"	5 - 4 $\frac{1}{2}$ "
JL12X45GS	5	Galvanized Spoke	12" x 4"	5 - 4 $\frac{1}{2}$ "



Style 3
Plain
Center

13" Wheels

Part #	Style	Description	Rim Size	Bolt Pattern
JC13X454WS-413	5	White Spoke	13" x 4 $\frac{1}{2}$ "	4 - 4"
JC13X45WM-413	4	White Modular	13" x 4 $\frac{1}{2}$ "	5 - 4 $\frac{1}{2}$ "
JC13X45WS-413	5	White Spoke	13" x 4 $\frac{1}{2}$ "	5 - 4 $\frac{1}{2}$ "
JC13X45GM-413	4	Galvanized Modular	13" x 4 $\frac{1}{2}$ "	5 - 4 $\frac{1}{2}$ "
JC13X45GS-413	5	Galvanized Spoke	13" x 4 $\frac{1}{2}$ "	5 - 4 $\frac{1}{2}$ "
JC13X45MS-413	4	Silver Modular	13" x 4 $\frac{1}{2}$ "	5 - 4 $\frac{1}{2}$ "



Style 4
Modular

14" Wheels

Part #	Style	Description	Rim Size	Bolt Pattern
SV14X55WM	4	White Modular	14" x 5 $\frac{1}{2}$ "	5 - 4 $\frac{1}{2}$ "
SS14X55WS-413	5	White Spoke	14" x 5 $\frac{1}{2}$ "	5 - 4 $\frac{1}{2}$ "
JC14X55GM-413	4	Galvanized Modular	14" x 5 $\frac{1}{2}$ "	5 - 4 $\frac{1}{2}$ "
SV14X55GS-TR413G	5	Galvanized Spoke	14" x 5 $\frac{1}{2}$ "	5 - 4 $\frac{1}{2}$ "
JG14X55MS	4	Silver Modular	14" x 5 $\frac{1}{2}$ "	5 - 4 $\frac{1}{2}$ "
JG14X55MCR	4	Chrome Modular	14" x 5 $\frac{1}{2}$ "	5 - 4 $\frac{1}{2}$ "
14545PC	6	Plain Center	14" x 5 $\frac{1}{2}$ "	5 - 4 $\frac{1}{2}$ "



Style 5
Spoke



Style 6
Plain
Center

14.5" Wheels

Part #	Style	Description	Rim Size	Bolt Pattern
JG4506MH	4	Demountable Rim	14.5" x 6"	
JG145X66WC	3	Plain Center	14.5" x 6"	6 - 5 $\frac{1}{2}$ "



WHEELS

15" Wheels

Part #	Style	Description	Rim Size	Bolt Pattern
SS15x55WM-413	1	White Modular	15" x 5"	5 - 4½"
SS15x55WS-413	2	White Spoke	15" x 5"	5 - 4½"
SV15X55SM-TR413	1	Silver Modular	15" x 5"	5 - 4½"
SV15X555WM-TR413	1	White Modular	15" x 5"	5 - 5"
SS15X555WS-413	2	White Spoke	15" x 5"	5 - 5"
SV15X5555WS-TR413	2	White Spoke	15" x 5"	5 - 5½"
JC15X65WS-413	2	White Spoke	15" x 6"	5 - 4½"
JC15X65GM-413	1	Galvanized Modular	15" x 6"	5 - 4½"
JC15X65GS-413	2	Galvanized Spoke	15" x 6"	5 - 4½"
SS15X66WM-600	1	White Modular	15" x 6"	6 - 5½"
SS15X66WS-600	2	White Spoke	15" x 6"	6 - 5½"
JC15X66GM-600	1	Galvanized Modular	15" x 6"	6 - 5½"
JC15X66GS-600	2	Galvanized Spoke	15" x 6"	6 - 5½"
SS15X66SM-600	1	Silver Modular	15" x 6"	6 - 5½"



Style 1
Modular



Style 2
Spoke

16" & 17.5" Single Wheels

Part #	Style #	Description	Rim Size	Bolt Pattern	Stud Size
SS16X66WM-600	1	White Modular	16" x 6"	6 - 5½"	½"
SU16X66WS	2	White Spoke	16" x 6"	6 - 5½"	½"
JC16X66GM-600	1	Galvanized Modular	16" x 6"	6 - 5½"	½"
JC16X66GS-600	2	Galvanized Spoke	16" x 6"	6 - 5½"	½"
PD16X66SM	1	Silver Modular	16" x 6"	6 - 5½"	½"
SS16X68WM-416	1	White Modular	16" x 6"	8 - 6½"	½"
SV16X68WS-TR416S	2	White Spoke	16" x 6"	8 - 6½"	⅞"
JC16X68GM-501	1	Galvanized Modular	16" x 6"	8 - 6½"	½"
Jc16X68GS-501	2	Galvanized Spoke	16" x 6"	8 - 6½"	⅞"
SS16X68SM-416	1	Silver Modular	16" x 6"	8 - 6½"	½"
SR175WM08IN-S01G	1	White Modular	17.5" x 6¾"	8 - 6½"	⅝"



Style 3
Plain
Center



Fig. 4
Rim

16" & 17.5" Dual Wheels

Part #	Style #	Description	Rim Size	Bolt Pattern
SV16X68SD-TR501	4	Pilot Hole 4.75"	16" x 6"	8 - 6½"
SU16X68SDL-TR501	4	Pilot Hole 4.88"	16" x 6"	8 - 6½"
28656PKWHT21	-	Hub Pilot Wheel	17.5" x 6¾"	8 - 275mm
28112PKWHT21	-	Stud Pilot Wheel	17.5" x 6¾"	10 - 8¾"
28145PKGRY21	-	Stud Pilot Wheel	17.5" x 6¾"	6 - 8¾"



RADIAL TIRE & WHEELS

TIRES & WHEELS

Radial Tires

Part #	Description	Wheel Size	Load Range	Capacity
RN175X13CTL	Radial, ST175/80-13	13"	C	1360
RN205X14CTL	Radial, ST205/75R-14	14"	C	1760
TXII215X14CTL	Radial, ST215/75R-14	14"	C	1870
RN205X15CTL	Radial, ST205/75R-15	15"	C	1820
RN225X15DTL	Radial, ST225/75R-15	15"	D	2540
RN225X15ETL	Radial, ST225/75R-15	15"	E	2830
RN235X16ETL	Radial, ST235/80-16	16"	E	3520 sgl 3500 dual
RN2358516ETL	Radial, ST235/85R-16	16"	E	3640 sgl 3305 dual
SALT215X175HTL	Radial, ST215/17R-17.5	17.5"	H	4805 sgl 4540 dual



Style 1
Modular



Style 2
Spoke

Bias Tires

Part #	Description	Wheel Size	Load Range	Capacity
EC185858CTL	Bias, 18.5" x 8.50"	8"	C	940
EC4808CTL	Bias, 4.80" x 8"	8"	C	745
EC5708CTL-B	Bias, 5.70" x 8"	8"	C	910
EC205810CTL	Bias, 20.5" x 8.0"	10"	C	1105
EC205810ETL	Bias, 20.5" x 8.0"	10"	E	1535
EC48012CTL	Bias, 4.80" x 12"	12"	C	990
EC53012CTL	Bias, 5.30" x 12"	12"	C	1045



Style 3
Plain
Center

13" Tire & Wheel Assemblies

Part #	Tire	Wheel Description	Bolt Pattern	Load Range	Capacity (lbs/psi)
Y810141-017	ST175/80R-13	White Spoke	5 - 4½"	C	1360 / 50
Y810096-017	ST175/80R-13	Galv. Mod.	5 - 4½"	C	1360 / 50
Y810092-017	ST175/80R-13	Galv. Spoke	5 - 4½"	C	1360 / 50
Y810090	ST175/80R-13	Silver Mod.	5 - 4½"	C	1360 / 50



Style 4
Dual
Wheel

14" Tire & Wheel Assemblies

Part #	Tire	Wheel Description	Bolt Pattern	Load Range	Capacity (lbs/psi)
Y812180-017	ST205/75R-14	White Mod.	5 - 4½"	C	1760 / 50
Y812118-017	ST205/75R-14	White Spoke	5 - 4½"	C	1760 / 50
Y812136-017	ST205/75R-14	Galv. Mod.	5 - 4½"	C	1760 / 50
Y812104-053	ST205/75R-14	Galv. Spoke	5 - 4½"	C	1760 / 50
Y812112-073	ST205/75R-14	Silver Mod.	5 - 4½"	C	1760 / 50
Y812002-030	ST205/75R-14	Black Mod.	5 - 4½"	C	1760 / 50
Y813023-053	ST215/75R-14	White Spoke	5 - 4½"	C	1870 / 50
Y813176	ST215/75R-14	Galv. Mod.	5 - 4½"	C	1870 / 50



RADIAL/BIAS TIRE & WHEELS

TIRES & WHEELS

15" Tire & Wheel Assemblies

Part #	Tire	Wheel Description	Bolt Pattern	Load Range	Capacity (lbs/psi)
Y814061-017	ST205/75R-15	White Mod.	5 - 4½"	C	1820 / 50
Y814162-073	ST205/75R-15	White Spoke	5 - 4½"	C	1820 / 50
Y815057-017	ST205/75R-15	Silver Mod.	5 - 4½"	C	1820 / 50
Y814003	ST205/75R-15	Black Mod.	5 - 4½"	C	1820 / 50
Y814022	ST205/75R-15	Silver Mod	5 - 5½"	C	1820 / 50
Y813132-017	ST205/75R-15	Black Mod	5 - 5½"	C	1820 / 50
Y815150	ST225/75R-15	White Mod	6 - 5½"	D	2540 / 65
Y815025-030	ST225/75R-15	White Spoke	6 - 5½"	D	2540 / 65
Y815055-030	ST225/75R-15	Galv Spoke	6 - 5½"	D	2540 / 65
Y815020-017	ST225/75R-15	Silver Mod	6 - 5½"	D	2540 / 65
Y815008-017	ST225/75R-15	Black Mod	6 - 5½"	D	2540 / 65



16" Tire & Wheel Assemblies

Part #	Tire	Wheel Description	Bolt Pattern	Load Range	Capacity (lbs/psi)
Y816702-017	ST235/80R-16	Silver Mod	8 - 6½"	E	3520 / 80
Y816030-017	ST235/80R-16	White Spoke	8 - 6½"	E	3520 / 80
Y816077-017	ST235/80R-16	Silver Mod.	8 - 6½"	E	3520 / 80
Y816079-017	ST235/80R-16	Black Mod.	8 - 6½"	E	3520 / 80

8" Tire & Wheel Assemblies

Part #	Tire	Wheel Description	Bolt Pattern	Load Range	Capacity (lbs/psi)
Z343390-053	22x11 - 8 Knobby	Conv White	4 - 4"	A	340 / 15
Z705750-053	22x11 - 8 Knobby	Conv White	5 - 4½"	A	340 / 15
Z761400-167	4.80x8	Conv White	4 - 4"	C	760 / 90
Z701510-124	4.80x8	Conv White	5 - 4½"	C	760 / 90
Z703100-147	5.70x8	Conv White	4 - 4"	C	910 / 75
Z761820-147	5.70x8	Conv White	5 - 4½"	C	910 / 75
Z762130-073	18.5x85x8	Conv White	4 - 4"	C	935 / 50
Z762100-073	18.5x85x8	Conv White	5 - 4½"	C	935 / 50



10" Tire & Wheel Assemblies

Part #	Tire	Wheel Description	Bolt Pattern	Load Range	Capacity (lbs/psi)
Z760102-017	20.5x80x10	Conv White	4 - 4"	C	1100 / 50
Z760502	20.5x80x10	Conv White	5 - 4½"	C	1100 / 50
Z705600	20.5x80x10	Conv White	5 - 4½"	E	1660 / 90

Wheel & Tread
Style May Vary
From Images

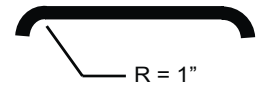


12" Tire & Wheel Assemblies

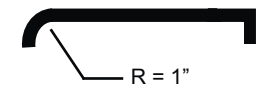
Part #	Tire	Wheel Description	Bolt Pattern	Load Range	Capacity (lbs/psi)
Z760710-167	4.80x12	White Spoke	4 - 4"	C	990 / 90
Z707106-167	4.80x12	White Spoke	5 - 4½"	C	990 / 90
Z760703-167	4.80x12	Galv. Spoke	5 - 4½"	C	990 / 90
Z760503-089	4.80x12	Galv. Mod	5 - 4½"	C	990 / 90
Z763102-017	5.30x12	White Spoke	4 - 4"	C	1050 / 80
Z763103-017	5.30x12	White Spoke	5 - 4½"	C	1050 / 80
Z763405	5.30x12	Galv Mod	5 - 4½"	C	1050 / 80

Single Fenders

Part #	Fig. #	Width x Radius x Length	Style
F65U	1	6" x 20" x 10"	1
F67U	1	6" x 25½" x 13"	1
F66U	1	6" x 28½" x 15"	1
F78U	1	7½" x 28½" x 15"	1
55062	1	8½" x 28½" x 15"	1
J90	1	9" x 33" x 17"	2
F68U	1	9" x 33" x 17"	1
F88U	1	10" x 33" x 17"	1
F89U	1	11" x 33" x 17"	1
F91	1	10" x 37" x 18"	1
JTMANN	2	10" x 35" x 12"	Jeep Style
JT1019	2	10" x 36" x 19¼"	Jeep Style



Style 1



Style 2



Fig. 1

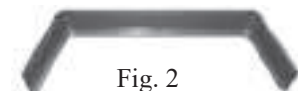


Fig. 2

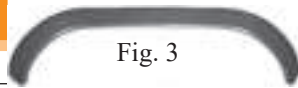


Fig. 3



Fig. 4

Tandem Fenders

Part #	Fig. #	Description	Width x Length	Style
F9X66U	3	Straight	9" x 66"	1
F9X68U	3	Straight	9" x 68"	1
F9X72U	3	Straight	9" x 72"	1
F10X72U	3	Straight	10" x 72"	1
F11X72U	3	Straight	11" x 72"	1
F1833TV9	4	Center Valance	9" x 69"	1
F1833TV10	4	Center Valance	10" x 69"	2
F1833TV11	4	Center Valance	11" x 69"	1
6001	4	Center Valance	10¾" x 72"	2
JT1068	2	Jeep Style	10" x 68"	

Fender Backing

Part #	Description
6001-112-16	Fender Backing for 6001 Fender
6006-1216	Fender Backing for "TV" Series Fenders



WHEEL ACCESSORIES

Triple Fenders

Part #	Fig. #	Description	Width x Length	Style
F10TRP102U	-	Straight	10" x 102"	1
F10VTRP102	1	Dual Center Valance	10" x 102"	2

Plastic Fenders

Part #	Fig. #	Description
44331	2	Black Fender - 13"-15" Tire/Wheel
250-023725-10	3	E-Z Loader 13" Single fender gray w/steps
250-023712-10	3	E-Z Loader Fender 14" Single Grey w/Steps
250-023716-10	4	E-Z Loader 14" Tandem Fender Gray lf/rf w/1 step
250-023715-10	4	E-Z Loader 14" Tandem Fender Gray rf/lr w/1 step

Chrome Hub Covers

Part #	Fig. #	Size	Type	Height	Emblem Diameter
HC200	5	3.195"	Closed	3.3"	1.5"
SH3300CL	5	3.25"	Closed	3.5"	1.5"
SH4250CL	5	4.25"	Closed	4.2"	1.75"
HC204A	6	4.25"	Open	4.25"	
SH515CL	-	5.1"	Closed	4.8"	2.0"

Chrome Lug Nuts & Covers

Part #	Fig. #	Description
W1012H	-	1/2" Acorn, 3/4" Hex
W1312H-2	7	1/2" Acorn, Heat-Treated, 13/16" Hex
W1096L	-	9/16" Duplex Acorn, 1.90" Long x 3/4" Hex
W7896XL	-	9/16" Duplex Acorn, 2.38" Long x 3/4" Hex

Wheel Locks

Part #	Fig. #	Description
W2012L-C	8	1/2" Acorn Lock Set w/Key
TCL75	9	Trailer Keeper Lock - fits most trailer wheels up to 15"
STL0603	10	Spare Tire Lock (fits up to 9/16" studs)
CI00503	11	California Immobilizer (fits 14" and 15" tires)
CI00504	11	California Immobilizer (fits 16" tires)

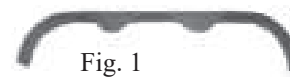


Fig. 1



Fig. 2



Fig. 3



Fig. 4



Fig. 5



Fig. 6



Fig. 7



Fig. 8



Fig. 9



Fig. 10



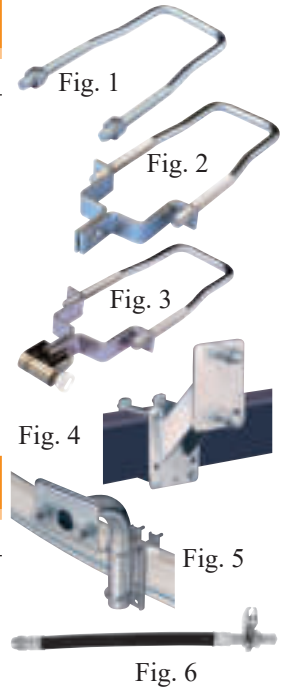
Fig. 11



WHEEL ACCESSORIES

Spare Tire Carriers

Part #	Fig. #	Description
86091	1	Economy
ETCLB 0700	2	Economy w/locking levers
ETCHL 0700	3	Economy w/locking levers and HLO lock
86099	4	Hi-Mount Spare Tire Carrier <ul style="list-style-type: none"> - Fits both 4 and 5 lug wheels - Fits all trailer tongues up to 3"w x 4"h
86101	5	Spare Tire Carrier <ul style="list-style-type: none"> - Fits trailer wheels up to 16.5" - Fits all trailer tongues up to 3"w x 5"h



Dual Wheel Flexible Valve Extensions

Part #	Fig. #	Description
Rubber Hose Extension		
FE-300-7	6	7" RV extension, sold individually
FE-300-9	6	9" RV extension, sold individually
Stainless Steel Braided Hose Kits		
8001	8	4 Hose Kit for 16" - 19.5" wheels, hub mount
8002	-	2 Hose Kit for 16" - 19.5" wheels, hub mount
8009	7	2 Hose Kit for 16" - 19.5" wheels, hand hole mount



Dually Valves

Part #	Fig. #	Description	Hand Holes	Wheel Size
DL1E(C)	9	Ford E-Series ('92-07)	Round	16"
DL1F(C)	9	Ford E-Series ('08-11), Motor Homes	Oval	16", 19.5"
DL3F(C)	9	Ford F-Series ('98-'08)	Oval	16", 19.5"
DL1GM(C)	9	Chevy/GM, ('00-'09)	Oval	16"
DL1SP(C)	9	Sprinter Trucks ('07-'11)	Oval	15", 16"
DL1SP16(C)	9	Sprinter Trucks (Pre '07)	Oval	15", 16"
DL1SST(C)	9	Ford E (Pre '97), Dodge Dually (Post '00)	Oval	16"

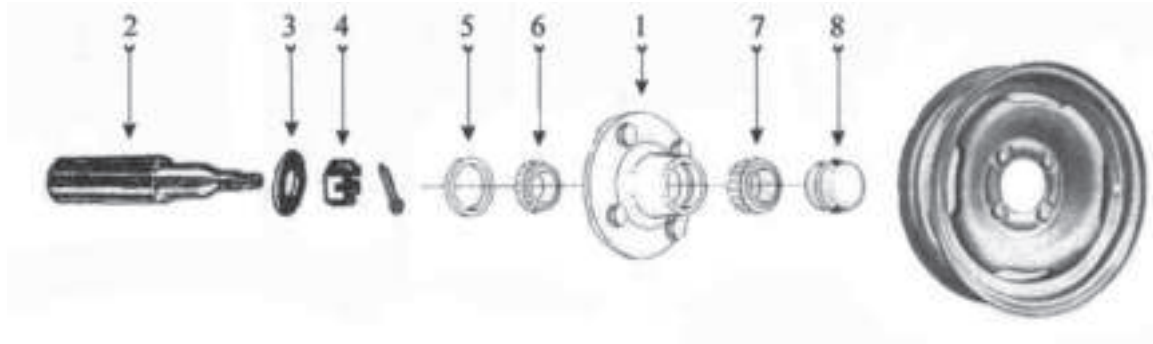


Wheel Chocks

Part #	Fig. #	Description	W	D	H
Heavy Duty Curved Rubber Chock with Chain Eye					
WC6810L	10	2-Sided	10"	8"	6"
WC1467A	10	2-Sided	5"	6"	5"



AGRICULTURAL SECTION



AGRICULTURAL CONTENTS

INDUSTRIAL/AG WHEELS.....	81
Agricultural Wheels/Rims	81
Skid Steer Wheels	81
AG HUBS & SPINDLES	82-83



INDUSTRIAL / AG WHEELS

AGRICULTURAL



Agricultural Wheels/Rims

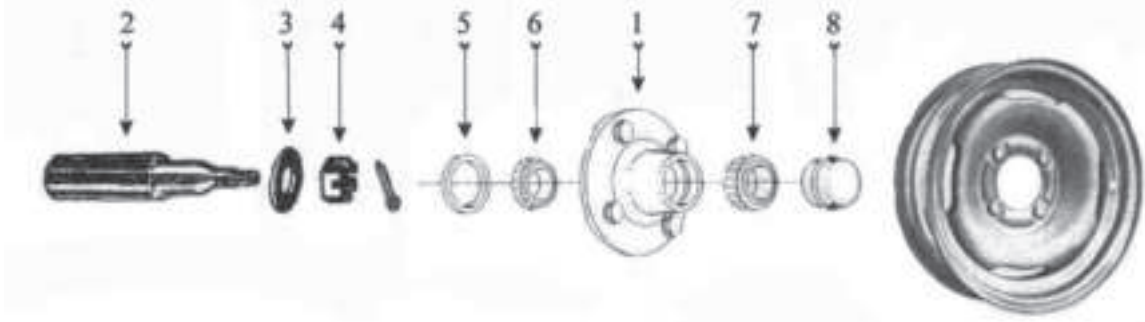
	Part #	Size	Bolt Circle	Offset	Description	Hub Pilot	Capacity (lbs.)	
14"	W41328	14" x 8"	6 - 6"	1 1/8"	inset	4.625"	2800	
	W51812P10	15" x 4.5"	4 - 5"	3/8"	outset	3.625"	1250	
	W51712	15" x 5"	4 - 5"	3/8"	outset	3.625"	1250	
	W51522	15" x 5"	5 - 5.5"	1/4"	outset	4.00"	2200	
15"	W511635RP10	15" x 6"	6 - 6"	1 1/8"	inset	4.625"	3500	
	W52220	15" x 6"	5 - 5.5"	1/4"	outset	4.00"	2200	
	W50334P10	15" x 8"	6 - 6"	1 1/8"	inset	4.626"	3800	
	W51150	15" x 8"	8 - 8"	1 1/8"	inset	6.00"	5000	
	W50534P10	15" x 10"	6 - 6"	1 1/8"	inset	4.625"	3800	
	W51350	15" x 10"	8 - 8"	1 1/8"	inset	6.00"	5000	
	W62435	16" x 6"	6 - 6"	1 1/8"	inset	4.625"	3500	
16"	W64635P10	16" x 8"	6 - 6"	1 1/8"	inset	4.625"	3800	
	W60355P10	16" x 8"	8 - 8"	1 1/8"	inset	6.00"	5500	
	W60555	16" x 10"	8 - 8"	1 1/8"	inset	6.00"	5500	
	W64460P10	16.1" x 11"	8 - 8"	3/8"	inset	6.00"	6000	
	W617760	16.1" x 16"	8 - 8"	1 1/8"	inset	6.00"	6000	
Rim	R3217156Z2	Rim & Clamp (bolt circle 6 - 20.5")						

Skid Steer Wheels

Part #	Machine	Size	Bolt Pattern	Offset	Hub Backset	Center	Capacity (lbs.)
W63338V	Case /John Deere	16 1/2" x 8 1/4"	6 - 6"	0.375"	5"	4.62"	3800



AG HUBS & SPINDLES



4 on 5" Bolt Pattern 3.62" Pilot
1500 lbs. Capacity at 20 MPH

5 on 5½" Bolt Pattern 4" Pilot
2760 lbs. Capacity at 20 MPH

Parts Breakdown		
Ref #	Part #	Description
1	633200-4	Complete Hub
2	S5101E12	Spindle Assembly 1½" Butt Diameter
3	P301802	Spindle Washer
4	P251703	Spindle Nut
5	SE150-232-31TC	Grease Seal
6	LM67048	Inner Bearing
7	LM11949	Outer Bearing
8	P502003	Grease Cap

Parts Breakdown		
Ref #	Part #	Description
1	719200-5	Complete Hub
2	S8130F-16	Spindle Assembly. 1¾" Butt Diameter
3	P301804	Spindle Washer
4	P251721	Spindle Nut
5	15190	Grease Seal
6	LM48548	Inner Bearing
7	LM67048	Outer Bearing
8	P502026	Grease Cap

6 on 6" Bolt Pattern 4.62" Pilot
3500 lbs. Capacity at 20 MPH

6 on 6" Bolt Pattern 4.62" Pilot
3560 lbs. Capacity at 20 MPH

Parts Breakdown		
Ref #	Part #	Description
1	2-35660F-04-00	Complete Hub
2	SA3500F	Spindle Assembly. 2" Butt Diameter
3	SW-750	Spindle Washer
4	SN-750	Spindle Nut
5	SL-175	Grease Seal
6	JL3910	Inner Bearing
7	LM67048	Outer Bearing
8	1604	Grease Cap

Parts Breakdown		
Ref #	Part #	Description
1	L888200-6	Complete Hub
2	S5103-G-16	Spindle Assembly 1¾" Butt Diameter
2	LS8133-I-00	Spindle Assembly 2" Butt Diameter
3	P301804	Spindle Washer
4	P251721	Spindle Nut
5	SE162-256-43T8	Grease Seal
6	JL69349	Inner Bearing
7	LM67048	Outer Bearing
8	P502026	Grease Cap

AG HUBS & SPINDLES

8 on 8" Bolt Pattern 6" Pilot
4500 lbs. Capacity at 20 MPH

Parts Breakdown		
Ref #	Part #	Description
1	2-45880F-04-00	Complete Hub
2	SA-4500F	Spindle Assembly. 2¼" Butt Diameter
3	SW-750	Spindle Washer
4	SN-750	Spindle Nut
5	SL-226	Grease Seal
6	LM603049	Inner Bearing
7	LM67048	Outer Bearing
8	1604	Grease Cap

6 on 6" Bolt Pattern 4.62" Pilot
4910 lbs. Capacity at 20 MPH

Parts Breakdown		
Ref #	Part #	Description
1	L803200-6	Complete Hub
2	S5137J-14	Spindle Assembly. 2½" Butt Diameter
3	P301804	Spindle Washer
4	P251721	Spindle Nut
5	SE200-362-25TC	Grease Seal
6	25590	Inner Bearing
7	25877	Outer Bearing
8	P502001	Grease Cap

8 on 8" Bolt Pattern 6" Pilot
6000 lbs. Capacity at 20 MPH

Parts Breakdown		
Ref #	Part #	Description
1	2-60880F-04-00	Complete Hub
2	SA6000F	Spindle Assembly. 2¾" Butt Diameter
3	SW-1001	Spindle Washer
4	SN-1001	Spindle Nut
5	SL-275	Grease Seal
6	JLM506849	Inner Bearing
7	LM501349	Outer Bearing
8	1609	Grease Cap

8 on 8" Bolt Pattern 6" Pilot
8000 lbs. Capacity at 20 MPH

Parts Breakdown		
Ref #	Part #	Description
1	L758200-8	Complete Hub
2	S5199-K-00	Spindle Assembly. 3.00" Butt Diameter
3	P301807	Spindle Washer
4	P251706	Spindle Nut
5	CR29968	Grease Seal
6	387AS	Inner Bearing
7	LM 501349	Outer Bearing
8	P502008	Grease Cap

10 on 11.25" Bolt Pattern 8.69" Pilot
15,000 lbs. Capacity at 20 MPH

Parts Breakdown		
Ref #	Part #	Description
1	873202-10	Complete Hub
2	S5296-U-00	Spindle Assembly. 3½" Butt Diameter
3	P301808	Spindle Washer
4	P251702	Spindle Nut
5	CR33772	Grease Seal
6	BR33275	Inner Bearing
7	BR460	Outer Bearing
8	P502016	Grease Cap



JACKS, COUPLERS & WINCHES SECTION



JACKS COUPLERS & WINCHES CONTENTS

COUPLERS	85-86
COUPLER ACCESSORIES	86
SWIVEL JACKS	87
A-FRAME JACKS	98
RV JACKS	98
HD JACKS	99
JACK ACCESSORIES	90
MARINE JACKS	91
MARINE WINCHES	92



Adjustable Trailer Hitches

Part #	Fig. #	Description	Capacity
028390	1	Adjustable, 2" ball, Bulldog	7,000 lbs.
25329	1	Adjustable, 2 ⁵ / ₁₆ " ball, Curt	12,500 lbs.
A200C 0317	2	Adjustable coupler only, 2" ball	8,000 lbs.
48660	3	Lunette Eye 3" only	24,000 lbs.
CTA-400	-	2 ⁵ / ₁₆ " Stamped Adjustable Coupler	14,000 lbs.
074-324-00	4	Clevis for 3/4" pin	12,000 lbs.
074-338-00	4	Clevis for 1" pin	20,000 lbs.
0091558	-	2 ⁵ / ₁₆ " Flat Mount Cast Coupler	15,000 lbs.
074-323-00	5	3 position leveler channel	
2376152	6	5 position channel, w/ weldable gussets	
B9020	7	Bolt and nut kit , Grade 8	

Pintle Rings

Part #	Fig. #	Description	I.D. Ring	M.G.T.W
2065136	8	C1020 Steel Forged	2 ¹ / ₂ " I.D.	10,000 lbs.
IQ09329	9	Square 4 Hole Mount	2 ¹ / ₂ " I.D.	42,000 lbs.
2067133	9	Square 4 Hole Mount	3" I.D.	60,000 lbs.
4210	10	Drawbar Lock		

Straight Tongue Couplers

Part #	Fig. #	Description	Ball Size	Capacity
1⁷/₈" Ball				
E11200 0340	11	2" channel	1 ⁷ / ₈ "	2,000 lbs.
E112500340	11	2 ¹ / ₂ " channel	1 ⁷ / ₈ "	2,000 lbs.
E11300 0340	11	3" channel	1 ⁷ / ₈ "	2,000 lbs.
2" Ball				
22200 0301	11	2" channel, Fulton, zinc	2"	3,500 lbs.
22250 0301	11	2 ¹ / ₂ " channel, Fulton, zinc	2"	3,500 lbs.
22300 0301	11	3" channel, Fulton, zinc	2"	3,500 lbs.
028382	12	3" channel, Bulldog	2"	5,000 lbs.
34300 0301	11	3" channel, Fulton, zinc	2"	5,000 lbs.
028387	12	3" channel, Bulldog	2"	7,000 lbs.
2⁵/₁₆" Ball				
028462	12	3" channel, Hammerblow	2 ⁵ / ₁₆ "	12,500 lbs.
074-326-01	13	3" channel, Titan	2 ⁵ / ₁₆ "	20,000 lbs.
074-350-00		3" channel, Titan, zinc, bolt on	2 ⁵ / ₁₆ "	21,000 lbs.



COUPLERS & ACCESSORIES

A-Frame Couplers

Part #	Fig. #	Description	Ball Size	Capacity
CA-5100-B	1	A-Frame Coupler	2"	5,000 lbs.
028384	2	Bulldog	2"	5,000 lbs.
CA-5210-B	1	A-frame Coupler	2"	8,000 lbs.
44305R0317	7	Fulton, Wedge latch	2 ⁵ / ₁₆ "	10,000 lbs.
028463	2	A-frame Coupler	2 ⁵ / ₁₆ "	12,500 lbs.
CA-5400-B	8	A-Frame Coupler	2 ⁵ / ₁₆ "	14,000 lbs.



Fig. 1



Fig. 2

Safety Chain

Part #	Fig. #	Size	Working Load Limit
CCG301S5-200	3	Grade 30, 1/4" x 5'	1,250 lbs. cap.
CCG305S5-200	3	Grade 30, 5/16" x 5'	1,900 lbs. cap.
CCG435-32-SL	4	Grade 43, 5/16" x 32'	3,900 lbs. cap.
BSC3835	4	35" x 3/8" 15,000 lbs. breaking strength	
59548	-	36" Black Vinyl Jacketed Safety Cable (class 4, 7000 lbs.)	
SC38B	-	Safety Chain Clip, 3/8" dia.	
SC50B	-	Safety Chain Clip, 1/2" dia.	

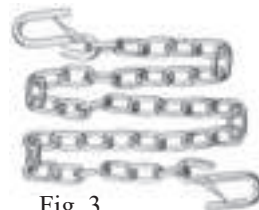


Fig. 3



Fig. 4



Fig. 5

Coupler Repair Kits

Part #	Fig.	#Description
CH0701	4	Coupler Handle for all 1 7/8" and 2" Fulton Couplers
024200	-	Coupler Latch Kit, Bulldog
0091015	5	Cast Coupler Repair Kit - Buyers & Croft
CBK1	-	Coupler Bolt Kit for 3" Channel



Fig. 6

Coupler Locks

Part #	Fig. #	Description
580410	6	Easy Access Adjustable Coupler Lock
23022	-	Coupler Lock, 1/4" pin x 3/4" span
86-00-5015	7	Universal Coupler Lock - Fits 1 7/8", 2" & 2 5/16"
73226	-	Economy Universal Coupler Lock
63228	8	Coupler Lock for 2" Couplers
63227	8	Coupler Lock for 2 5/16" Couplers
KPL200	9	King Pin Lock
TL-50		Gooseneck Coupler Lock



Fig. 7



Fig. 8



Fig. 9



SWIVEL JACKS

Swivel Jacks

Part #	Fig. #	Description	Capacity	Mtg. Height	Travel
2,000 lbs. Jacks					
TJB-2001S-B		Sidewind, (R) bracket	2,000 lbs.	10"	10"
TJP-2001S-B		Sidewind, (R) pipe	2,000 lbs.	10"	10"
158109	1	Sidewind, (B) pipe	2,000 lbs.	10.75"	10"
TJP-2001-B	2	Topwind, (R) pipe	2,000 lbs.	11"	10"
158451	2	Topwind, (B) pipe	2,000 lbs.	11"	10"
TJB-2001-B	3	Topwind, (R) bracket	2,000 lbs.	11"	10"
151401	3	Topwind, (B) bracket	2,000 lbs.	11"	10"
158151	1	Sidewind, (B) pipe	2,000 lbs.	14.50"	15"
158452	2	Topwind, (B) pipe	2,000 lbs.	14.50"	15"
151421	3	Topwind, (B) pipe	2,000 lbs.	14.50"	15"
TJP-2002S-B		Sidewind, (R) pipe	2,000 lbs.	15.25"	15"
TJB-2002-B		Topwind, (R) bracket	2,000 lbs.	16"	15"
TJP-2002-B		Sidewind, (R) pipe	2,000 lbs.	16"	15"
3,000 lbs. Jacks					
TJP-5001S-B	4	Sidewind, (R) pipe	3,000 lbs.	10"	10"
TJP-5001-B	5	Topwind, (R) pipe	3,000 lbs.	11"	10"
TJP-5002S-B	4	Sidewind, (R) pipe	3,000 lbs.	15.25"	15"
TJP-5002-B	5	Topwind, (R) pipe	3,000 lbs.	16"	15"
5,000 lbs. Jacks					
171401	3	Topwind, (B) bracket	5,000 lbs.	11.25"	10"
171412	3	Topwind (B) bracket	5,000 lbs.	14.75"	15"
178101	2	Topwind, (B) pipe	5,000 lbs.	11.25"	10"
178151	2	Topwind, (B) pipe	5,000 lbs.	14.75"	15"
178201	4	Sidewind, (B) pipe	5,000 lbs.	10.40"	10"
178203	4	Sidewind, (B) pipe	5,000 lbs.	15.40"	15"
7,000 lbs. Jacks					
198150	4	Sidewind, (B) pipe	7,000 lbs.	11"	10"
198250	4	Sidewind, (B) pipe	7,000 lbs.	16"	15"
198100	5	Topwind, (B) pipe	7,000 lbs.	11"	10"
198200	5	Topwind, (B) pipe	7,000 lbs.	16"	15"



Fig. 1

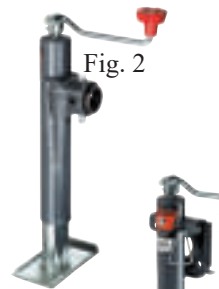


Fig. 2



Fig. 3



Fig. 4



Fig. 5

**** Bulldog Jacks, (B) sold w/mounting bracket ****
 **** Ram Jacks, (R) sold w/ mounting bracket ****
 **** See page 107 for brackets ****



A-FRAME & RV JACKS

A-Frame Mount

Part #	Fig. #	Description	Retracted	Capacity	Travel
Bulldog Jacks					
155022	1	Topwind	8.80"	2000 lbs.	15"
155033	-	Topwind	5.40"	2000 lbs.	15"
1550100317	-	Sidewind	7.0"	3,000 lbs.	13"
175000	-	Topwind	12"	5,000 lbs.	15"
175013	-	Topwind	10.81"	5,000 lbs.	15"
Ram Jacks					
TJA-2000-B	-	Topwind	21.25	2,000 lbs.	14"
TJA-2001S-B	-	Sidewind	25"	2,000 lbs.	14.5"
TJA-5000T-B	-	Topwind	22.75"	3,000 lbs.	15"



Fig. 1

Power Jacks

Part #	Fig. #	Description	Capacity	Travel
500200	3	Bulldog Power Jack	4,000 lbs.	17"
EJ-3508-WBX	-	Ram Power Jack, White	3,500 lbs.	18"
EJ-3520-BBX	-	Ram Power Jack, Black		

Other power jacks available upon request.



Fig. 2

Stabilizer Jacks

Part #	Fig. #	Description	Capacity	Travel
SJ-100	3	Ram Stabilizer Jack	1,000 lbs.	6"
SJ-100-HD	4	Ram Stabilizer Jack Rod		
SJL8 0300	-	Assembly Drop Leg & 1½" Outer Tube (includes pin)		

**** See Page 95 for Jack Accessories ****



Fig. 3



Fig. 4

HD JACKS

JACKS, COUPLERS & WINCHES

Drop Leg Jacks - 4" Square

Part #	Fig. #	Description	Support Cap.	Travel
182404	1	Sidewind, Standard	12,000 lbs.	12.5"
182804	1	Spring Loaded	12,000 lbs.	12.5"
183900*	2	2-Speed, Standard	12,000 lbs.	12.5"
183902*	2	2-Speed, Spring Loaded	12,000 lbs.	25"
LG8700-31	3	Cam-Lock, Spring Loaded	12,000 lbs.	13.5"
LGD700-21	4	Dual Pin, Spring Loaded	20,000 lbs.	12"
182304*	-	Topwind, Standard	12,000 lbs.	12.5"
015181	5	6" Standard Crank Handle		
LG0094-6450	-	Cross Drive Shaft, 64.5" long		
LG0094	-	Cross Drive Shaft, 68" long		

* Part # 015181 Handle sold separately



Fig. 1

Fig. 2



Fig. 3

Fig. 4

Single Speed Sqr Jacks

Part #	Description	Retracted	Capacity	Travel
Ram Jacks				
TJD-12000-R2	Sidewind, Non Spring	28"	2000 lbs.	12.5"
TJD-12000SP-R24	Sidewind, Spring	28"	2000 lbs.	12.5"



Fig. 5

Electric Drive Motor Jacks

Part #	Fig. #	Description
1824200100	6	Aftermarket Single Speed Jack Applications

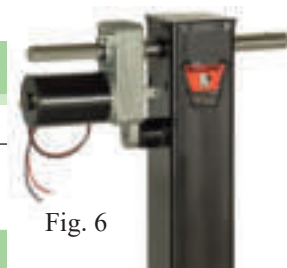


Fig. 6

Square Tube Jacks - 2.5" Square

Part #	Fig. #	Description	Support Cap.	Travel
190754	7	Sidewind - Bulldog	8,000 lbs.	15"
190704	8	Topwind - Bulldog	8,000 lbs.	15"
TJD-7000S	-	Economy-Sidewind	8,000 lbs.	15"
TJD-7000	-	Economy-Topwind	8,000 lbs.	15"
500338	-	Drop Leg Pin		



Fig. 7

Fig. 8



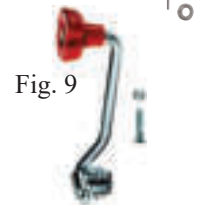
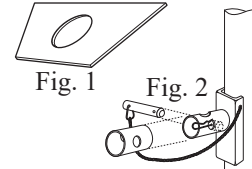
JACK ACCESSORIES

Service Parts

Part #	Fig. #	Description
JSP-100	1	Bottom Support Plate, 2,000/5,000 lbs. cap. 2.23" Hole dia.

Fulton/Bulldog Jacks

015279	2	Weld-On Bracket, Male, 5/8" Pin Hole Dia.
015273	2	Weld-On Bracket, Male, 1/16" Pin Hole Dia.
005024	2	Weld-On Bracket, Female, 5/8" Pin Hole Dia.
500277	-	F2 Weld-On Mtg. Bracket
500241	-	Snap Ring
018403	3	1/16" Pull Pin & Chain Assembly for Topwind Jacks
500231	3	5/8" Pull Pin & Chain Assembly for Sidewind Jacks
017125	4	Steel Caster Wheel, 6" Dia.
1400750340	5	Caster, 2" Tube Dia., 1200lbs. rated
CP555-0301	5	Phenolic Caster, 2" Tube Dia., 1500 lbs. rated
500106	6	Sidewind Gear Kit, up to 5,000 lbs. Jacks
500270	-	Drop Leg Kit for 190xxx Series Jacks
0185640301	7	Disc Foot w/Pin, 2" dia.
018173 0324	-	Foot for 175xxx Series Jacks
500105	8	Sidewind Crank Kit for 17xxxx Series Jacks, 6.5" radius
500171	8	Sidewind Handle for 19xxxx Series Jacks, 8.5" radius
500180	9	Topwind Handle Assembly with Red Knob, 6.75" radius
500134	-	F2 Handle Crank Kit
500326	-	Cap for Bulldog SW Jacks 1.85" dia.
500103	-	Kit, 3/8" Plunger Pin Assy. (2,3,5K) Pins
500177	-	Kit, 3/4" Plunger w/ J-Pin for 180Series Jacks



MARINE JACKS

JACKS, COUPLERS & WINCHES

Marine Jacks

Part #	Fig. #	Description	Capacity	Mtg. Travel	Screw Travel
1413020134	1	F2 Swivel, Twin Track	1,600 lbs.	8"	10"
1413040134	2	F2 Swivel, Wide Track	1,600 lbs.	8"	10"
Part #	Fig. #	Description	Capacity	Mtg Height	Travel
XP10 0301	3	Swivel, Bolt-On	1,200 lbs.	12.75"	10"
XP15 0301	3	Swivel, Bolt-On	1,500 lbs.	12.75"	10"
XPD15L0101	4	Swivel, Dual-Wheel	1,500 lbs.	14.75"	12"
XP15W 0301	-	Swivel, Weld-On	1,500 lbs.	12.75"	10"
HD50000101	5	Drop Leg	5,000 lbs.	4.50"	28"
MJ-1200B	-	Ram, Bulk	1,200 lbs.	12.75"	10"
MJSQ-2500B	5	Ram, Drop Leg	2,500 lbs.	4.50"	28"
6811S00	-	6" Wheel Repair Kit			
0933301S00	-	Handle Kit, Fits XP-10 Jacks			
0933305S00	-	Handle Kit, Fits XP-15 Jacks			
0933302S00	-	Bevel Gear Kit, Fits XP-10 Jacks			
0933306S00	-	Bevel Gear Kit, Fits XP-15 Jacks			
0933307S00	-	Plunger Pin Kit			
0917540-00	-	Cap for XP-10 Jack			



Fig. 1



Fig. 2



Fig. 3



Fig. 4



Fig. 5



Fig. 6



Fig. 7



Fig. 8

FULTON



MARINE WINCHES

F2 Winches

Part #	Fig. #	Description
FW2000 0101	1	Single Speed Winch, w/ 2" x 20' strap & hook
FW32000101	1	Two Speed Winch, w/ 2" x 20' strap & hook

Single Speed Trailer Winches

Part #	Fig. #	Description	Gear Ratio	Ratchet Type
142001	2	900 lbs. cap.	3.1:1	Two-way
142100	2	1,100 lbs. cap.	4.1:1	Two-way
142103	2	1,300 lbs. cap.	4.1:1	Two-way
142200	2	1,500 lbs. cap.	4.1:1	Two-way
142300	2	1,800 lbs. cap.	5.1:1	Two-way

Two Speed Trailer Winches

Part #	Fig. #	Description	Gear Ratio	Ratchet Type
142400	3	2,000 lbs. cap.	4.1 & 9.8:1	Two-way w/Neutral
142410	3	2,600 lbs. cap.	5.1 & 12.2:1	Two-way w/Neutral
142420	3	3,200 lbs. cap.	5.1:1 & 12.1:1	Two-way w/Neutral
142430	3	3,700 lbs. cap.	5.1:1 & 12.1:1	Two-way w/Neutral

Brake Winches

Part #	Fig. #	Description	Gear Ratio
143001	4	1,000 lbs. Capacity	4.1:1
143101	4	1,500 lbs. Capacity	5.1:1
143201	4	2,500 lbs. Capacity	15.8:1

Winch Accessories

Part #	Fig. #	Description
WC325 0100	5	Winch Cable & Hook, $\frac{3}{16}$ " x 25 ft. cable
WC750 0100	5	Winch Cable & Hook, $\frac{7}{32}$ " x 50 ft. cable
501-202	6	Winch Strap, nylon web, 2" x 20 ft
501-208	6	Watercraft Winch Strap, nylon web, 2" x 12 ft
501107	-	Winch Handle 7"
501106	-	Winch Handle 8"
501108	-	Winch Handle 10"
501101	-	Winch Handle 11"
501132	-	2-Speed Ratchet Repair Service Kit
501001	-	Cable Keeper Service Kit, Fits K/KX Winches

Fig. 1



Fig. 2



Fig. 3

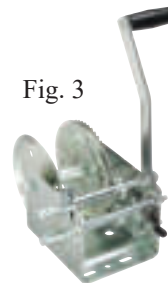


Fig. 4

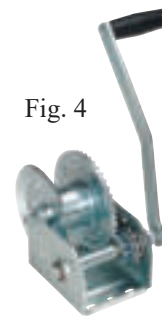


Fig. 5



Fig. 6



FULTON

SIX ROBBLES INC.
Since 1913

LOAD CONTROL & TRAILER HARDWARE SECTION



LOAD CONTROL & TRAILER HARDWARE CONTENTS

LOAD CONTROL	94-96
TIE DOWNS	97
STAKE BODY COMPONENTS	98
DOOR HARDWARE	99
TOOL BOXES & LATCHES	100
LADDER RACKS & TARPS	101
CHAIN HARDWARE	102
PINS & HOOKS	103

LOAD CONTROL

Winch Straps

Part #	Fig. #	Description
43795-10-27	1	4" x 27' Standard Winch Strap w/Flathook
43795-10-30	1	4" x 30' Standard Winch Strap w/Flathook
49347-11	1	2" x 25' Standard Winch Strap w/Flathook
43795-11-27	2	4" x 27' Standard Winch Strap w/D-Ring
43795-11-30	2	4" x 30' Standard Winch Strap w/D-Ring



Fig. 1



Fig. 2



Fig. 3

Fig. 4



Fig. 5

Fig. 6



Fig. 7



Fig. 8



Fig. 9



Fig. 10



Fig. 11



Fig. 12



Fig. 13

Winches

Part #	Fig. #	Description
43579-20	3	Low Profile, Weld-On, Combination
43563-10	4	Standard, Weld-On, Combination
43564-16	5	Low Profile, Portable, Combination
43564-14	6	Standard, Portable, Combination
41696-10	7	Weld-On Cable Only, Right Hand
41696-11	7	Weld-On Cable Only, Left Hand
49723-10	8	SilverCap Overdrive Ratcheting Cap

Winch Bars

Part #	Fig. #	Description
42313-10	9	Painted Knurled Standard Winch Bar
42313-12	10	Painted Knurled Combination Winch Bar

Accessories

Part #	Fig. #	Description
43986-10	11	Plastic Corner Protector for 2", 3" or 4" Straps
44102-11	12	Small "C" Hook, 5/8" steel plate
44122-10	13	Corner Iron Hook



LOAD CONTROL

Chain Assemblies

Part #	Fig. #	Description
CCG70320S	1	3/8" x 20', Grade 70 steel, Binder Chain
CCG70520S	1	5/16" x 20', Grade 70 steel, Binder Chain
CCG70220	1	1/2" x 20', Grade 70 steel, Binder Chain

**** Buckets, Pails and/or Drums Available of all Styles of Chain ****

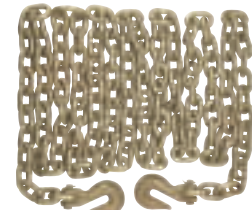


Fig. 1

Chain Binders

Part #	Fig. #	Description
CCBLT5	2	5/16" - 3/8" Lever Load Binder
CCBRT5	3	5/16" - 3/8" Ratcheting Load Binder
H5125-0658	4	5/16" - 3/8" Ratcheting Load Binder w/Folding Handle

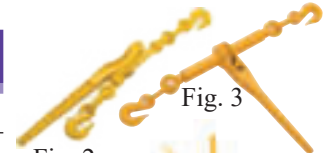


Fig. 3

Fig. 2

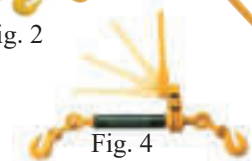


Fig. 4

Ratchet Straps

Part #	Fig. #	Description
45982-10	5	2" x 27' Ratchet Strap w/Flathook
45982-42	-	2" x 27' Ratchet Strap w/Wire Hook
45982-19	-	2" x 27' Ratchet Strap w/Twisted Snap Hook
43887-10	6	1" x 16' Ratchet Strap w/Wire Hook

**** Custom Straps Available Upon Request ****



Fig. 5



Fig. 6



Fig. 7



Fig. 8



Fig. 9



Fig. 10



Fig. 11

Logistic Track & Accessories

Part #	Fig. #	Description
48117-21-120.00	-	10" E-Track, Horizontal, Galv.
48117-32-120	-	10' E-Track, Vertical, Painted
40386-11	7	2" x 6" Rope Tie-off
48672-13	8	Ratchet Strap E-Track 12'
48672-14	8	Ratchet Strap E-Track 16'
40602-17	-	Cambuckle Strap E-Track 12'
49039-50	-	E-Track Load Bar, 84.7"-95.7" Adj. Range
40921-10	9	Locking Wood Beam Socket
49542-10	10	Series E/A Fitting w/D-ring
01090	11	Rope Ring w/E-track fitting
01120	12	J-Hook, 4.25" inside dia.
01130	13	J-Hook, 2.00" inside dia.



Fig. 12



Fig. 13



LOAD CONTROL

Tarp Straps

Part #	Fig. #	Description	Max. Stretch
52210AE	1	9" Tarp Strap (50/box)	18"
52215AE	1	15" Tarp Strap (50/box)	30"
52221AE	1	21" Tarp Strap (50/box)	42"
52231AE	1	31" Tarp Strap (50/box)	62"

Heavy Duty Rubber Rope

Part #	Fig. #	Description
CCRR375H	2	3/8" x 150' Hollow Core
49211-10	3	Rubber Rope SJ Hook

Load Locks

Part #	Fig. #	Description
43782-15	4	Aluminum Load Lock Bar, 89"-105" range
CC5010	5	3 Section Steel, Cargo Bar, 48"-108" range

Wheel Tiedowns w/o Ratchet

Part #	Fig. #	Description
45515-10	6	Cluster Hook (RTJ)
CCASR208SH	7	Auto Tie Down 2" x 8'

Light Truck Accessories

Part #	Fig. #	Description
9500500	8	Cargo Net - Pickup Truck, 60" x 78"
SL56	-	Cargo Net - ATV, 15" x 30"
CAMPER CLAMPS	9	Camper Tie Down Clamps
ST93	10	Super Track Set, Aluminum, 93" length
LR1	-	Load Ring for Super Track

Tow Straps

Part #	Fig. #	Description	W.L.L
CCRS220	11	Tow Strap w/ loops on both ends	5,000 lbs.
CCRS230	-	Tow Strap w/ loops on both ends	6,000 lbs.



Fig. 1



Fig. 2



Fig. 3



Fig. 4



Fig. 5



Fig. 6



Fig. 7



Fig. 8

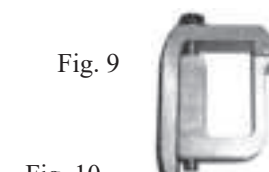


Fig. 9



Fig. 10



Fig. 11



TIE DOWNS

LOAD CONTROL & TRAILER HARDWARE

Heavy Duty D-Rings

Part #	Fig. #	Type	ID (h x w)	Safe Working Load	Ultimate Breaking Strength
B38I	1	½" Bolt-On	2½" x 2¾"	4,080 lbs.	11,781 lbs.
B38IW	2	½" Weld-On	2½" x 2¾"	4,080 lbs.	11,781 lbs.
B40	2	⅝" Weld-On	3" x 3"	6,130 lbs.	18,390 lbs.
B46	2	¾" Weld-On	3" x 3"	9,120 lbs.	26,500 lbs.
B50	2	1" Weld-On	4" x 3"	15,586 lbs.	46,760 lbs.



Fig. 1



Fig. 2



Fig. 3



Fig. 3

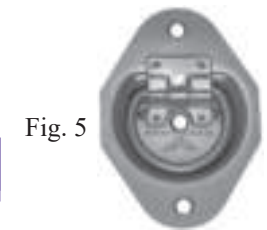


Fig. 5

Rope Rings

Part #	Fig. #	Description	Safe Working Load	Ultimate Breaking Strength
B20	3	Rope ring	800 lbs.	2,400 lbs.
B21	-	Rope Ring w/clip	800 lbs.	2,400 lbs.
B23	3	Light duty surface mount	400 lbs.	1,200 lbs.
B28F	-	Heavy duty w/weld-on bracket	2,000 lbs.	6,000 lbs.
B32F	-	Surface mntd. w/bolt-on brkt	2,000 lbs.	6,000 lbs.
B2402AL	4	Chain Loop, Aluminum	n/a	n/a

Recessed Rings

Part #	Fig. #	Description	Safe Working Load	Ultimate Breaking Strength
2383156	5	Recessed rope ring	285 lbs.	850 lbs.
2383155FL	6	Surface mounted	265 lbs.	800 lbs.
2383169	-	Recessed w/plastic bezel	500 lbs.	1,500 lbs.
2383154	7	Heavy duty recessed rope ring	2,000 lbs.	6,000 lbs.
2383154K	7	Heavy duty kit w/backing plate	2,000 lbs.	6,000 lbs.
2383153	8	Heavy duty recessed rotating	2,000 lbs.	6,000 lbs.



Fig. 6



Fig. 7



Fig. 8



STAKE BODY COMPONENTS

Liner Slats & Stakes

Part #	Fig. #	Description
SA1447WDNH	1	Stake - 47"
SA1454WDNH	1	Stake - 54"
LS166548	2	Liner Slat - 47.25" L x 6.5" W

Fig. 1

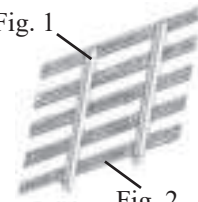


Fig. 2

Fig. 3



Stake Pockets

Part #	Fig. #	Description
B2373R	3	7/32" Weld-on Straight Stake Pocket, 3" x 1.5" x 3"
B2373K	3	1/4" Weld-on Straight Stake Pocket, 3" x 1.5" x 4"
B2373G	4	1/2" Bolt-on Straight Stake Pocket, 3" x 1.5" x 2.5"



Fig. 4

Latches

Part #	Fig. #	Description
2094183	5	1/2" Spring Latch Assembly w/Keeper
2094182	6	3/4" Spring Latch Assy.
B2598H	7	5/8" Spring Latch w/ Plain Tube
B2598LP	7	5/8" Spring Latch w/ Plain Tube & Ext. Plunger
B2575	5	1/2" Snap Lock, Zinc

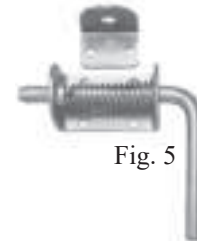


Fig. 5

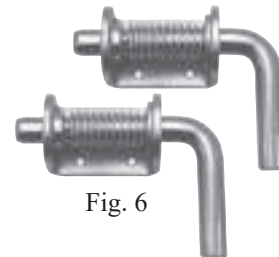


Fig. 6



Fig. 7



DOOR HARDWARE

Handles

Part #	Fig. #	Description
DH500	1	Door Hold Back w/4" hook
DH5006	1	Door Hold Back w/6" hook
B2399B2C	2	8¼" Die Cast Grab Handle, Chrome Plated
B2159C	3	Cam Action Door-Lock Kit, ¾" pipe not included
THPXL	6	Trailer Door Lock, "Hockey Puck" Style



Weld-On "Bullet" Hinge

Part #	Fig. #	Description
FBP080GF	7	3.15" length, 0.51" Dia. Overall
FBP100GF	7	3.94" Length, 0.63" Dia. Overall
FBP120GF	7	4.72" Length, 0.63" Dia. Overall
FBP150GF	7	5.91" Length, 0.93" Dia. Overall

**** All Hinges are Steel w/Brass Pin, Bushing and Grease Fitting ****



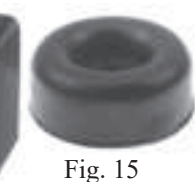
Hinge Hardware

Part #	Fig. #	Description
2024172	8	Forged Hinge Butt, w/ Pin & Cotter, 1½" Opening Width, 2" Projection, 1⅛" Eye dia., ½" Pin
2024171	9	Forged Hinge Strap (Short), 4⅜" x 1½" 1½" Hole dia.
B2426FS	10	Formed Hinge Strap w/ Grease Fitting



Rubber Bumpers

Part #	Fig. #	Description	W	D	H
B5760	11	Molded Rubber Bumper*	2¼"	2"	7¾"
D46	12	Rubber D-Bumper	4"	3¾"	6"
D2120	13	Rubber D-Bumper	2⅛"	1⅞"	120"
B5500	14	Molded Rubber Bumper*	3"	3½"	6"
B6000L	14	Molded Rubber Bumper*	3½"	3½"	6"
B1001	15	2½" Round Bumper Protects vehicle from door handles, latches, cam locks			



* Sold in pairs



TOOL BOXES & LATCHES

Underbody Toolboxes

Part #	Fig. #	H x W x D	Type
1703350	1	14" x 12" x 24"	Buyers Folding-T Handle, Steel, Black
1703300	1	14" x 16" x 24"	Buyers Folding T-Handle, Steel, Black
1703303	1	14" x 16" x 30"	Buyers Folding-T Handle, Steel, Black
1703305	1	14" x 16" x 36"	Buyers Folding-T Handle, Steel, Black
790982	2	18" x 18" x 24"	JOBOX Folding-T Handle, Steel, Black
791982	2	18" x 18" x 30"	JOBOX Folding-T Handle, Steel, Black
792982	2	18" x 18" x 36"	JOBOX Folding-T Handle, Steel, Black
793982	2	18" x 18" x 48"	JOBOX Folding-T Handle, Steel, Black
794982	2	18" x 18" x 60"	JOBOX Folding-T Handle, Steel, Black
1702325	1	18" x 18" x 72"	Buyers Folding-T Handle, Steel, Black

**** Toolboxes also available in Aluminum ****

1701006 - Universal Mounting Bracket



Fig. 1



Fig. 2



Fig. 3

Buyers Trailer Tongue Toolboxes

Part #	Fig. #	Description
1701280	-	Steel, Black Powder Coat, A-Frame Toolbox
1701380	3	Aluminum, Diamond Tread, A-Frame Toolbox
1701680	4	Polymer, A-Frame Toolbox



Fig. 4

Latches

Part #	Fig. #	Description
L3980	5	Buyers Flush Mount, Single Point Locking, Steel
L3885	5	Buyers Flush Mount, Locking, Stainless Steel
L8815	6	Buyers Flush Mount, Folding-T Handle, Stainless Steel
L8816	7	Buyers Flush Mount, T-Handle, w/ blind studs
LL9000	8	Buyers Die Cast, Flush Mount
39LL71	9	Buyers Cylinder & Key
TL382	10	Buyers Tipper Latch Assembly, Zinc Plated Steel
10010-5	11	JOBOX Lockable T-Handle Tool Box Latch



Fig. 5



Fig. 6



Fig. 7



Fig. 8



Fig. 9

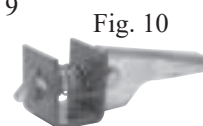


Fig. 10



Fig. 11



LADDER RACKS & TARPS

Buyers Tarp Kits

Part #	Description
DTR4510	4½' x 10' Mesh Tarp & Hardware Kit
DTR5012	5' x 12' Mesh Tarp & Hardware Kit
DTR6014	6' x 14' Mesh Tarp & Hardware Kit
DTR6515	6½' x 15' Mesh Tarp & Hardware Kit
DTR6518	6½' x 18' Mesh Tarp & Hardware Kit
DTR7012	7' x 12' Mesh Tarp & Hardware Kit
DTR7015	7' x 15' Mesh Tarp & Hardware Kit
DTR7018	7' x 18' Mesh Tarp & Hardware Kit
DTR7515	7½' x 15' Mesh Tarp & Hardware Kit
DTR8022	8' x 22' Mesh Tarp & Hardware Kit



Fig. 1



Fig. 2

Ladder Racks

Part#	Fig. #	Description
1501150	1	Pickup Truck Rack (11½' x 56" x 36")
CI-00565	2	Ladder Rack for Enclosed Trailers, sold individually
5480005	3	Ratchet Tie Down, angle mount
5480007	4	Ratchet tie Down, tube mount



Fig. 3

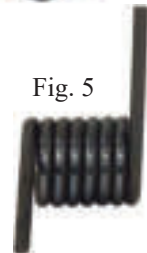
Torsion Ramp Springs

Part#	Fig. #	Description
3002879	5	Torsion ramp Spring Left Hand Coil, Plain Finish
3002880	-	Torsion ramp Spring Right Hand Coil, Plain Finish

Fig. 4



Fig. 5



CHAIN HARDWARE

Safety Chain S-Hooks

Part #	Fig. #	Description
CCG303SH	1	Safety Chain S Hooks, 3/8"
CCG301SH	1	Safety Chain S Hooks, 7/16"
CCG305SH	1	Safety Chain S Hooks, 17/32"



Fig. 1

Quick Links

Part #	Fig. #	Description
QL192	2	Quick Link, 3/16"
QL125	2	Quick Link, 125
QL281	2	Quick Link, 1/4"
QL312	2	Quick Link, 5/16"
QL375	2	Quick Link, 3/8"
QL437	2	Quick Link, 7/16"
QL531	2	Quick Link, 1/2"



Fig. 2

Clevis Slip Hooks

Part #	Fig. #	Description
CCG43SLIP250	3	System 4 Clevis Slip Hooks w/Latch, 1/4"
CCG43SLIP312	3	System 4 Clevis Slip Hooks w/Latch, 5/16"
CCG43SLIP375	3	System 4 Clevis Slip Hooks w/Latch, 3/8"
CCG43SLIP500	3	System 4 Clevis Slip Hooks w/Latch, 1/2"



Fig. 3

Clevis Grab Hooks

Part #	Fig. #	Description
CCGRAB-1/4	4	System 7 Clevis Grab Hooks, 1/4"
CCGRAB-5/16	4	System 7 Clevis Grab Hooks, 5/16"
CCGRAB-3/8	4	System 7 Clevis Grab Hooks, 3/8"
CCGRAB-1/2	4	System 7 Clevis Grab Hooks, 1/2"



Fig. 4

Anchor Shackles

Part #	Fig. #	Description
SPC250	5	Forged Screw Pin Anchor Shackles, 1/4"
SPC312	5	Forged Screw Pin Anchor Shackles, 5/16"
SPC375	5	Forged Screw Pin Anchor Shackles, 3/8"
SPC437	5	Forged Screw Pin Anchor Shackles, 7/16"
SPC531	5	Forged Screw Pin Anchor Shackles, 1/2"
SPC625	5	Forged Screw Pin Anchor Shackles, 5/8"
SPC750	5	Forged Screw Pin Anchor Shackles, 3/4"



Fig. 5

Bulk Chain (Zinc)

Part #	Description	W.L.L
CCG3016B200-200	3/16" x 200' Grade 30 Proof Coil Chain	800 lbs.
CCG301B100-200	1/4" x 100' Grade 30 Proof Coil Chain	1,300 lbs.
CCG305B100-200	5/16" x 100' Grade 30 Proof Coil Chain	1,900 lbs.
CCG303B50-200	3/8" x 50' Grade 30 Proof Coil Chain	2,650 lbs.



PINS & HOOKS

Hitch Pins

Part #	Fig. #	Description
HP12414	1	1/2" x 4 1/4" Hitch Pin
HP58412	1	5/8" x 4 1/4" Hitch Pin
HP58625	1	5/8" x 6 1/4" Hitch Pin
HP34425	1	3/4" x 4 1/4" Hitch Pin
HP34625	1	3/4" x 6 1/4" Hitch Pin
66120	1	7/8" x 6 1/4" Hitch Pin
HP10625	1	1" x 6" Hitch Pin
66130	1	1 1/8" x 6 1/4" Hitch Pin

Linch Pins

Part #	Fig. #	Description
1215000	2	3/16" Linch Pin
1202000	2	1/4" Linch Pin
1203000	2	5/16" Linch Pin
1214000	2	7/16" Linch Pin

Snapper Pins

Part #	Fig. #	Description
2312811	3	1/4" dia. x 2" length Snapper Pin
2312813	3	5/16" dia. x 2 25/32" length Snapper Pin
66056	3	3/8" dia. x 1 5/8" length Snapper Pin
2312814	3	3/8" dia. x 2 1/2" length Snapper Pin
2312815	3	1/4" dia. x 2 49/64" length Snapper Pin
2312816	3	1/4" dia. x 3 1/4" length Snapper Pin
66070	3	1/4" dia. x 3 3/4" length Snapper Pin

Hooks

Part #	Fig. #	Description
63030	4	Black Tow Hook, 5,000 lbs. GTW
B2448C	5	Tarp Hook - Zinc Plated, 3 1/4" long, 9/32" holes

Snap Pear Hooks

Part #	Fig. #	Description
SH440	6	Snap Pear Hooks, 1/8"
SH660	6	Snap Pear Hooks, 1/4"
SH880	6	Snap Pear Hooks, 5/16"
SH1010	6	Snap Pear Hooks, 3/8"
SH1112	6	Snap Pear Hooks, 7/16"
SH1316	6	Snap Pear Hooks, 1/2"
SH1520	6	Snap Pear Hooks, 9/16"

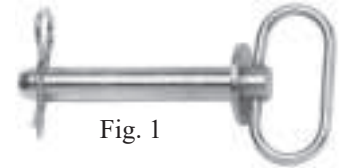


Fig. 1



Fig. 2

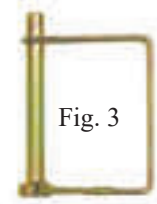


Fig. 3



Fig. 4



Fig. 5



Fig. 6



LIGHTING & ELECTRICAL SECTION



LIGHTING & ELECTRICAL CONTENTS

GLO-LIGHT LIGHTS	105
LED INTERIOR/EXTERIOR LIGHTS	106
LED CLEARANCE LIGHTS.	107
LED STOP/TURN/TAIL LIGHTS	108
LED UTILITY LIGHTING	109
CLEARANCE LIGHTS.	110
STOP/TURN/TAIL LIGHTS	111
UTILITY LIGHTS	112
MISC. LIGHTING.	113
LIGHTING ACCESSORIES.	114
TRAILER CONNECTORS.	115-117
WIRING ACCESSORIES	118-119
WIRE	120
WIRING ACCESSORIES	121-122
BREAKAWAY SYSTEMS	123
BRAKE CONTROLLERS	124



GLO-LIGHT LIGHTS

Stop / Turn / Tail Lights

Part #	Fig. #	Description
STL108RB	1	Passenger Side Combo Light
STL109RB	1	Drivers Side Combo Light
STL116RB	2	Passenger Side Low Profile Light
STL117RB	2	Drivers Side Low Profile Light
STL101RB	3	4" Round Sealed Stop/Turn/Tail Light
STL101AB	3	4" Round Sealed Amber Turn Signal Light
STL111RB	4	6" Oval Sealed Stop/Turn/Tail Light
STL111AB	4	6" Oval Sealed Amber Turn Signal Light



Fig. 1

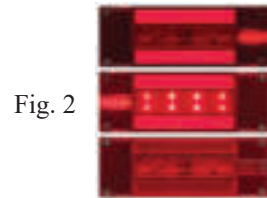


Fig. 2



Fig. 3

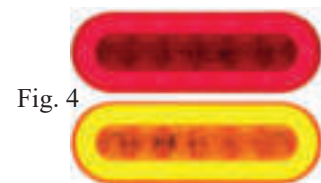


Fig. 4



Fig. 5

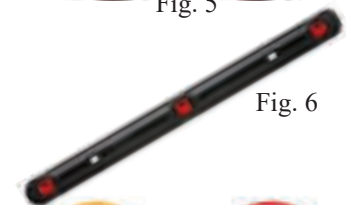


Fig. 6

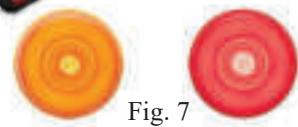


Fig. 7



Fig. 10



Fig. 9



Fig. 8

Marker Lights

Part #	Fig. #	Description
MCL110RKB	5	3/4" Red Sealed Marker Light w/ Grommet
MCL110AKB	5	3/4" Amber Sealed Marker Light w/ Grommet
MCL922RB	6	3/4" Red Sealed 3 Light ID Bar
MCL155RB	7	2" Round Red Sealed Marker Light
MCL155AB	7	2" Round Amber Sealed Marker Light
MCL157 RB	7	2 1/2" Round Red Sealed Marker Light
MCL157AB	7	2 1/2" Round Amber Sealed Marker Light
MCL165RB	8	Red Sealed Thinline M/C Light
MCL165AB	8	Amber Sealed Thinline M/C Light

Marker Lights

Part #	Fig. #	Description
BUL101CB	9	4" Round Sealed DOT Back-up Light
BUL111CB	10	6" Oval Sealed DOT Back-up Light



LED INTERIOR/EXTERIOR LIGHTS

Dome Lights

Part #	Fig. #	Description
RVILL33	1	Single Fixture, on/off switch, 9-LED
RVILL34	2	Double Fixture, on/off switch, 18-LED
ILL06COB	3	Mini Dome Light, Cool White LED's
ILL10CCB	4	Dome Light, 10-LED
ILL21CBP	5	6" Dome Light for Surface Mount
ILL22CB	6	Dome Light w/ on-off switch
ILL36CB	7	Surface Mount Dome Light



Fig. 3



Fig. 5



Fig. 7



Fig. 9



Fig. 11

Fig. 12

Porch Lights

RVPLL11ABP	8	Amber Porch Light
RVPLL8C	9	Clear Porch Light
ILL85CB	10	Exterior Step/Area Light
ILL86CB	11	Step/Area Light, White Finish

Utility Lights

Part #	Fig. #	Description
UCL11CKBP	12	3/4" Sealed Utility Light
UCL60CSBB	13	Touch Switch Utility Light

LED Strip Lights

Part #	Fig. #	Description
5621827	14	Strip Light 18" Clear
5622436	14	Strip Light 24" Clear
5623654	14	Strip Light 36" Clear
5624872	14	Strip Light 48" Clear



Fig. 14



Fig. 13



Fig. 12



Fig. 11



Fig. 9



Fig. 10



LED CLEARANCE LIGHTS

LED Marker/Clearance Lights

Part #	Fig. #	Color	Type	Size	Diodes
MCL11AKB	1	Amber	Round	3/4"	2
MCL11RKB	1	Red	Round	3/4"	2
MCL55AB	2	Amber	Round	2"	3
MCL56AB	2	Amber	Round	2"	1
MCL55RB	2	Red	Round	2"	3
MCL56RB	2	Red	Round	2"	1
MCL527AB	2	Amber	Round	2 1/2"	2
MCL57AB	2	Amber	Round	2 1/2"	3
MCL527RB	2	Red	Round	2 1/2"	2
MCL57RB	2	Red	Round	2 1/2"	3
MCL31AB	3	Amber	Oval	4" x 2 1/16"	6
MCL31RB	3	Red	Oval	4" x 2 1/16"	6
AL90AB	4	Amber	Rectangular	1 1/4" x 2 1/2"	1
AL90RB	4	Red	Rectangular	1 1/4" x 2 1/2"	1
AL91AB	4	Amber	Rectangular	1 1/4" x 2 1/2"	3
AL91RB	4	Red	Rectangular	1 1/4" x 2 1/2"	3
MCL61AB	5	Amber	Rectangular	4" x 1 1/4"	2
MCL61RB	5	Red	Rectangular	4" x 1 1/4"	2
MCL61ARB	5	Amber/Red	Rectangular	4" x 1 1/4"	2
MCL65AB	5	Amber	Rectangular	4" x 1 1/4"	3
MCL65RB	5	Red	Rectangular	4" x 1 1/4"	3
MCL65ARBP	-	Amber/Red	Rectangular	4" x 1 1/4"	10
MCL44AB	6	Amber	Rectangular	4" x 1 1/2"	6
MCL44RB	6	Red	Rectangular	4" x 1 1/2"	6
MCL32AB	7	Amber	Bullseye	4" x 2"	16
MCL32RB	7	Red	Bullseye	4" x 2"	16
MCL36AB	8	Amber	Square	2 7/8" x 2 1/8"	6
MCL36RB	8	Red	Square	2 7/8" x 2 1/8"	6
MCL95AB	9	Amber	Rectangular	2 1/8" x 1 1/8"	3
MCL95AB	9	Red	Rectangular	2 1/8" x 1 1/8"	3



Fig. 1



Fig. 2



Fig. 3



Fig. 4



Fig. 5



Fig. 6



Fig. 7



Fig. 8



Fig. 9



LED STOP/TURN/TAIL LIGHTS

LED Stop/Turn/Tail Lights

Part #	Fig. #	Description	Diodes
4050	1	4" Red Round Light	24
6050	2	6" Red Oval Light	24
STL72RB	3	6" Red Oval Light	10
STL12RB	-	6" Red Oval Light	6
STL43RB	4	4" Red Round Light	10
STL76RB	-	Thin Line, 13¼" x 2½", Red	11
STL13RB	-	4" Red Round Light	7
STL8RB	5	Universal Under 80" w/o License Light	16
STL9RB	5	Universal Under 80" w/License Light	21
STL2RB	-	Universal Over 80" w/o License Light	
STL3RB	-	Universal Over 80" w/ License Light	

LED Marine S/T/T Lights

STL16RB	6	Waterproof Over 80" w/o License Light	18
STL17RB	6	Waterproof Over 80" w/License Light	22
AL16RB	-	Taillight Lens for STL-16/17RB	
AL17RB	-	Sidemarkers Lens for STL-16/17RB	

LED E-Z Loader OEM Lights

250-032132	7	Waterproof Over 80" Wrap-Around, Curbside	
250-032133	-	Waterproof Over 80" Wrap-Around, Roadside	
250-032136	8	Waterproof Over 80" 4 x 6 Low Profile, Curbside	
250-032137	-	Waterproof Over 80" 4 x 6 Low Profile, Roadside	

LED Light Kits

Part #	Fig. #	Description
TLL9RK	5	Universal Light Kit
TLL16RK	6	Waterproof Light Kit

LED Plugs/Wiring

Part #	Fig. #	Description
A46PB	-	2-Wire Pigtail for Marker Clearance Lights
A47PB	-	3-Wire Right Angle Pigtail for S/T/T Lights
A45PB	-	3-Wire Straight Pigtail for Stop/Turn/Tail Lights

Fig. 1

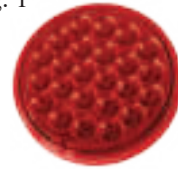


Fig. 2



Fig. 3



Fig. 4



Fig. 5



Fig. 6



Fig. 7



Fig. 8



LED UTILITY LIGHTING

LED Identification Bars

Part #	Fig. #	Description
15050R	1	Model 15, Stainless Steel, Red
35740R	-	Model 35, Aluminum, Red
MCL-78RB	2	ID Light Bar w/supplemental Stop/Turn/Tail Functions
MCL-93RB	3	Sealed ID Light Bar
MCL-97RB	4	Stainless Steel ID Light Bar, Marine



Fig. 1



Fig. 2



Fig. 3



Fig. 4

LED Back-up Lighting

Part #	Fig. #	Description
BUL06CB	5	4" Round, 6 Diodes
BUL12CB	6	6" Oval, 6 Diodes



Fig. 5



Fig. 6

LED Work Lights

Part #	Fig. #	Description
TLL45FB	7	Round, LED Worklight, 6 Diodes
TLL46CFB	8	Rectangular, LED Worklight, 10 Diodes



Fig. 7



Fig. 8



CLEARANCE LIGHTS

LIGHTING & ELECTRICAL

Clearance & Marker Lights

Part #	Fig. #	Description	Size
MC53RB	1	Red, Sealed Lamp	2" Round
MC53AB	1	Amber, Sealed Lamp	2" Round
MC55RB	1	Red, Sealed Lamp	2½" Round
MC55AB	1	Amber, Sealed Lamp	2½" Round
10205R	1	Red, Sealed w/Reflector	2½" Round
10205Y	1	Yellow, Sealed w/Reflector	2½" Round
A91RB	2	Red, Sealed Lamp	2½" x 1¼"
A91AB	2	Amber, Sealed Lamp	2½" x 1¼"
19200R	3	Red, Sealed Lamp	4" x 1¼"
19200Y	3	Yellow, Sealed Lamp	4" x 1¼"
MC65ARB	-	Red/Amber Fender Lamp Only	4" x 1¼"
MC67ARB	-	Red/Amber Fender Lamp, w/ Bracket	4" x 1¼"
1259	4	Red, Two Bulb Design	4" x 2"
1259A	4	Amber, Two Bulb Design	4" x 2"
1211	5	Red, Two Bulb Design, Bullseye	4" x 2"
1211A	5	Amber, Two Bulb Design, Bullseye	4" x 2"
MC38RB	6	Red, Single Bulb Design	4" x 2"
MC38AB	6	Amber, Single Bulb Design	4" x 2"
MC36RB	7	Red, Sqr. Style Stud Mount	2½" x 2¾"
MC36AB	7	Amber, Sqr. Style Stud Mount	2½" x 2¾"
MC35RS	8	Red, Sqr. Style Ear Mount	2¾" x 3⅝"
MC35AB	8	Amber, Sqr. Style Ear Mount	2¾" x 3⅝"
MC95AB	-	Amber, Sealed Stud Mount	2½" x 1½"
MC95RB	-	Red, Sealed Stud Mount	2½" x 1½"
194	-	Replacement Bulb (10/pack)	

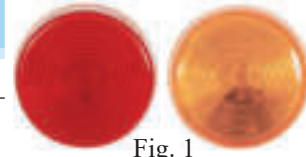


Fig. 1



Fig. 2

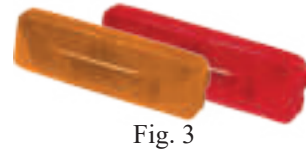


Fig. 3



Fig. 4



Fig. 5

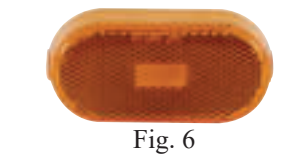


Fig. 6



Fig. 7



Fig. 8

Clearance & Marker Replacement Lenses

Part #	Fig. #	Description
A35AB	-	For MC-35AB, MC-36AB
A35RB	-	For MC-35RB, MC-38RB
A38AB	-	For MC-38AB
A38RB	-	For MC-38RB
9007	-	For 1211
9007A	-	For 1211A
A36AB	-	For MC36AB
A36RB	-	For MC36RB

STOP/TURN/TAIL LIGHTS

Sealed Stop, Turn and Tail Lights

Part #	Fig. #	Description	Size
40002R	1	Red, w/Grommet & Pig Tail	4" Round
40002Y	-	Yellow, w/Grommet & Pig Tail	4" Round
40202R	1	Red, Lamp Only	4" Round
40202Y	-	Yellow, Lamp Only	4" Round
60002R	2	Red, w/Grommet & Pig Tail	6" Oval
60002Y	-	Yellow, w/Grommet & Pig Tail	6" Oval
60202R	2	Red, Lamp Only	6" Oval
60202Y	-	Yellow, Lamp Only	6" Oval



Fig. 1



Fig. 2



Fig. 3

Universal Mount Stop/Turn/Tail

Part #	Fig. #	Description	Size
80462R	3	Red, w/o License, Steel 2-Bolt	4" Round
80463R	3	Red, w/License, Steel 2-Bolt	4" Round
ST2RB	4	Combination Tail Light for Over 80" Applications	
ST3RB	4	Combination Tail Light for Over 80" Applications	
ST8RB	5	Standard Combination Light, RH	
ST9RB	5	Standard Combination Light, LH	



Fig. 4



Fig. 5

Marine Stop/Turn/Tail

Part #	Fig. #	Description
ST16RB	6	Waterproof Low Profile 7-Function Taillight, RH
ST17RB	6	Waterproof Low Profile 8-Function Taillight, LH
TL36RK	7	Waterproof New Low Profile, 7-Function Tail Light Pair
250-027977	8	E-Z Loader Submersible Light, LH
250-027978	8	E-Z Loader Submersible Light, RH
006504	9	Fulton Waterproof Light, LH
006554	9	Fulton Waterproof Light, RH
403356	-	Fulton Illumination Capsule



Fig. 6



Fig. 7



Fig. 8

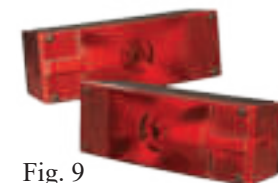


Fig. 9

Stop, Turn and Tail Replacement Lenses

Part #	Fig. #	Description
A16RB	-	Tail & Side for ST-16RB, ST-17RB
A8R	-	Tail & Side for ST-8RB, ST-9RB w/gasket
A2RB	-	Sidemarkers Lens for ST2RB & ST3RB
A9R	-	Sidemarkers for ST-8RB, ST-9RB
AL16RB	-	Tail Lens for STL-16RB, STL-17RB
A36R	-	Taillight Lens STL36RB & STL37RB



UTILITY LIGHTS

Identification Light Bars

Part #	Fig. #	Description
10744R	1	2" Round Sealed, Black Metal Housing
15741R	2	Sealed, Stainless Steel Housing
MC93RB	3	Sealed, Black Plastic Housing
MC99RB	4	PeeWee Lights, White Steel Housing
MC97RB	5	Marine Light Bar, Sealed



Fig. 1



Fig. 2

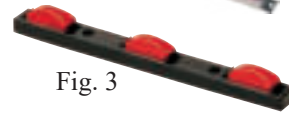


Fig. 3



Fig. 4



Fig. 5

License Plate Lamps

Part #	Fig. #	Description
26330	6	#67 Bulb, Clear, Steel Housing, Mounts on 2" Centers
26335	7	#67 Bulb, Clear, Plastic Housing, Mounts 1.75" Centers
LP11CB	8	License Plate Light, Chrome
LP52CB	-	License Plate Light w/ Steel Bracket
LP5SB	-	Plastic License Plate Bracket, Straight
LP10SB	9	Plastic License Plate Bracket, Angled
LP15SB	-	Steel Zinc Plated Bracket, Angled



Fig. 6



Fig. 7



Fig. 8



Fig. 9

Tail Light Kits

Part #	Fig. #	Description
2823285	10	Standard Tail Light Kit
TL16RK	11	Submersible, Waterproof Tail Light Kit



Fig. 10

Dual Face Bracket

Part #	Fig. #	Description
15415	12	Designed for utility trailer fenders, LH kit
15416	12	Designed for utility trailer fenders, RH kit



Fig. 11



Fig. 12



MISC. LIGHTING

Multi-Purpose Lamps

Part #	Fig. #	Description
80360	1	Clear, Rubber Housed, Par 36 Sealed Beam
80374	1	Clear, Rubber Housed, Par 36 Spot Light
H15986001	1	Hella Halogen, Rubber Housed Light
80394	2	Clear, Rubber Housed, Sealed Trapazoid Beam
80396	2	Clear, Rubber Housed, Sealed Wide Flood Beam
H9411	-	Replacement Light for 80394
H9406	-	Replacement Light for 80396
80571	-	Replacement H3 Bulb for 90609



Fig. 1



Fig. 2



Fig. 3

Magnetic Towlight Kits

Part #	Fig. #	Description
TL21RK	3	Towing Light Kit, w/ 4-Flat Wire Harness Mounts vertically or horizontally 26' Connector, Plastic Case Included
TL257M	4	Heavy Duty Towing Light Set



Fig. 4

Interior Lighting

Part #	Fig. #	Description
80350	5	6" Dome Light, Chrome Housing w/switch
UCL11CKBP	-	3/4" Sealed LED Utility Light



Fig. 5



Fig. 6



Fig. 7

Exterior Lighting

Part #	Fig. #	Description
RVPL1CP	6	Rectangular Porch/Utility Light, no switch
RVPL3CP	7	Rectangular Porch/Utility Light, with switch



Fig. 8



Fig. 9

Back-Up Lighting

Part #	Fig. #	Description
40004	8	4" Round Kit, black rubber grommet incl.
60004C	9	6" Oval Kit, black rubber grommet incl.



Fig. 10

AG Lights

Part #	Fig. #	Description
8261501	10	Dual LH AG Light, Rear - Amber/Red, Front - Blank/Amber
8261601	10	Dual RH AG Light, Rear - Red/Amber, Front - Amber/Blank



LIGHTING ACCESSORIES

Lighting Accessories

Part #	Fig. #	Description	Size
A54GK	1	Grommet Mount Kit w/pigtail	2" Round
A91GB	2	Grommet Mount Only, Black	2½" x 1¼"
A54GB	4	Grommet Mount Only, Black	2" Round
A57GK	1	Grommet Mount Kit w/pigtail	2½" Round
A57GB	4	Grommet Mount Only, Black	2½" Round
A45GB	3	Grommet Mount Only, Black	4" Oval
A70GB	3	Grommet Mount Only, Black	6" Oval
A46PB	-	Pigtail for Marker Lights	
A47PB	-	Right Angle Pigtail for Stop/Turn/Tail Lights	
A45PB	-	Straight Angle Pigtail for Stop/Turn/Tail Lights	
30728	5	"L" Bracket for 2" Lamps	
10729	5	"L" Bracket for 2½" Lamps	
40720	5	"L" Bracket for 4" Lamps	
60720	6	"L" Bracket for 6" Oval Lamps	
LB383	7	Single 6" Oval Light Box, Black Steel	
LB3163	-	Dual 6" Oval Light Box, Black Steel	
LB663	8	Single 4" Round Light Box, Black Steel	
LB6123	-	Dual 4" Round Light Box, Black Steel	
A91BB		Adapter Mount Kit, black	2½" x 1¼"
A91CB		Adapter Mount Kit, chrome	2½" x 1¼"
A67CB		Adapter Mount Kit, chrome	4" x 1 1/4"
97944	09	NYK-77 Compound 2oz. Protect electrical connectors against contamination	



Fig. 1



Fig. 2



Fig. 3



Fig. 4



Fig. 5



Fig. 6



Fig. 7



Fig. 8



Fig. 9

Conspicuity Tape

Part #	Fig. #	Description
18806	10	2" x 150" per roll, conspicuity tape
37	-	2" x 150' per roll, economy conspicuity tape
18382	11	2" x 18" strips, conspicuity tape



Fig. 10



Fig. 11



TRAILER CONNECTORS

Single Pole Connectors

Part #	Fig. #	Description
11-851P	1	Socket, 300 Amp Capacity
11-852P	2	Plug, 300 Amp Capacity
11-762P	-	Rubber Boot
11-763P	-	Cable Guard
11-771P	-	Socket Bracket



Fig. 1

Fig. 2

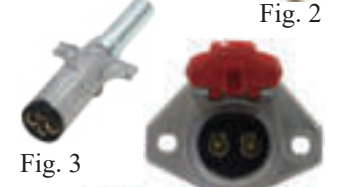


Fig. 3

Fig. 4

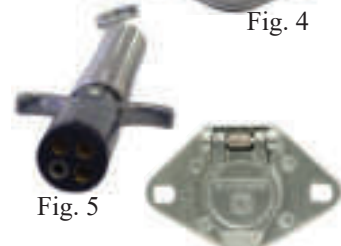


Fig. 5

Fig. 6

Dual Pole Connectors

Part #	Fig. #	Description
670-DDSG	3	Double Dual Plug Assembly
670-22	4	Horizontal Socket Assembly for Tailgates
670-28	-	Vertical Socket Assembly for Tarp Systems
670-722	-	Boot for back of Socket Assembly

4-Way Round Connectors

Part #	Fig. #	Description
670-41	5	Connector Plug, Trailer End
11-403P	-	Connector Plug, Trailer End w/Cableguard
670-42	6	Connector Socket, Car End
11-409P	7	Chrome Plug, Trailer End
11-410P	8	Chrome Socket, Car End



Fig. 7

Fig. 8



Fig. 9

4-Way Flat Connectors

Part #	Fig. #	Description
118001	9	48" Car End Plug (Includes 4 Wire Taps)
118002	9	60" Car End Plug (Includes 4 Wire Taps)
118043	-	30" Knockout Car End (unbonded)
118004	10	12" Trailer End Plug
118033	10	48" Trailer End Plug
A20WB	11	20' Wishbone Harness
A25WB	11	25' Wishbone Wiring Harness
A35WB	11	35' Wishbone Harness
118185	12	18" Car & Trailer End Loop (Includes 4 Wire Taps)
118044	12	48" Car & Trailer End Loop (Includes 4 Wire Taps)
118045	12	60" Car & Trailer End Loop (Includes 4 Wire Taps)
20112	13	4-Flat Connector Cover



Fig. 10



Fig. 11



Fig. 12



Fig. 13

TRAILER CONNECTORS

7-Way Round Connectors

Part #	Fig. #	Description
11-700P	1	Standard Plug, Trailer End Only
670-71SG	2	Standard Plug w/Cable Guard, Trailer End Only
11-902	2	Weather Beater Plug w/Cable Guard
11-704P	3	Nylon Plug, Trailer End Only
11-720P	4	Solid Pin, 2 Hole Mount Socket, Car End Only
670-72	4	Split Pin, 2 Hole Mount Socket, Car End Only
11-723P	5	Nylon Socket, Car End Only
670-722	-	Rubber Boot for Socket
11-763	-	Cable Guard



7-Way RV Connectors

Part #	Fig. #	Description
12-702	6	Metal Connector Plug, Trailer End Only
12-703	7	Metal Connector Socket, Car End Only
12-706	8	Black Plastic Plug, Trailer End Only
12-707	9	Black Plastic Socket, Car End Only
82-00-3315	-	7-Way Plug Cover w/ Lanyard
57015	-	CURT 7/4 Way Dual Connector



7-Way U.S. Car Electrical Connectors

Part #	Fig. #	Description
55415	10	7-Way U.S. Car End Connector, Display Package
11-893P	10	7-Way U.S. Car End Connector, Bulk
20223	11	7-Way U.S. Car End Connector with 7' Lead
8551511	12	7-Way U.S. Car End Connector, Display Package
11-916P	-	7-Way U.S. Car End Connector, Bulk



5-Way Flat Connectors

Part #	Fig. #	Description
118016	13	72" Car End Wiring Harness
118017	14	48" Trailer End Wiring Harness
A35W5BP	14	35' Wishbone Harness
118215	-	72" Car & Trailer End Loop



6-Way Round Connectors

Part #	Fig. #	Description
670-61	-	Connector Plug, No Cableguard
670-61SG	15	Connector Plug w/Cableguard
670-62	16	Connector Socket, Concealed Terminal
11-608P	-	Connector Socket, w/Rubber Boot



TRAILER CONNECTORS

7-Way Molded Connectors

Part #	Fig. #	Description
50-67-003	1	7-way Molded Trailer Cord w/8' cable
50-67-907	1	7-way Molded Trailer Cord w/4' cable
50-87-007	2	Straight Truck End (Super Sealed) with 7' Cable
50-97-407	3	Right Angle End with 7' Cable



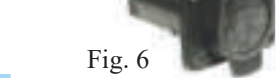
RV Power Coils

Part #	Fig.#	Cable Type	Length	# of Plugs
7R4101M	-	4 Conductor/14Gauge	10'	1
7R4102M	4	4 Conductor/14Gauge	10'	2
7R4152M	4	4 Conductor/14Gauge	15'	2
7R6152	-	4 Conductor/14Gauge	15'	2



9-Way RV Connectors

Part #	Fig. #	Description
12-906P	5	Plastic Connector Plug, Trailer End Only
12-907P	6	Plastic Connector Socket, Car End Only



Trailer Plug Adapters

Part #	Fig. #	Description
57183	-	4-Flat Car End Adapter to 6-Way Round Pin
57184	7	4-Flat Car End Adapter to 7-Way Round Pin, Plastic
20322	-	4-Flat Car End Adapter to 7-Way Round Pin, Metal
57672	8	4-Flat to 4-Flat & 7-way Blade
57621	9	6-Way Round Pin to 4-Flat Adapter
R67F	10	6-Way Male to 7-Way Female Blade
57241	11	7-Way Flat Pin to 4-Flat Adapter, Display Pack
12-716	11	7-Way Flat Pin to 4-Flat Adapter, Bulk
K8000	12	7-Way Flat to 6-Way Round, 4 & 5-Way Flat
KA-57WB	-	7-Way Flat to 5-Way Flat
57041	-	7-Way Round to 4-Way Flat
K12-719	13	7-Way to 6-Way Adapter Electric Brakes to Center Pin
K12-729	13	7-Way to 6-Way Adapter Electric Brakes to Outer Pin
F77R	-	7-Way Flat on Truck to 7-Way Round on Trailer
R77F	-	7 Way Round on Truck to 7-Way Flat on Trailer



WIRING ACCESSORIES

Mounting Brackets

Part #	Fig. #	Description
57202	1	Bracket for 6 & 7-Way Round Connectors, long
118140	1	Bracket for 4-Flat & 5-Way Round, short
118137	2	Mounting Bracket for 4, 5 & 6-Way Round Connectors
118138	-	Mounting Bracket for 7-Way Standard Connectors
118144	-	Mounting Bracket for 4-Flat Connectors
20046	-	Mounting Bracket for 5-Flat Connectors
118156	3	6 & 7-Way Connector Mounting Box, 2½" Sq. Cross Tube
118157	3	6 & 7-Way Connector Mounting Box, 3" Sq. Cross Tube
118159	3	6 & 7-Way Connector Mounting Box Universal Fit for both Square and Round Tube Hitches



Fig. 1



Fig. 2

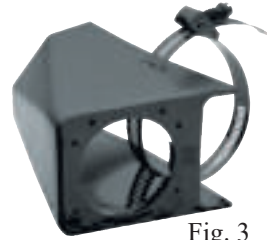


Fig. 3

Connector Accessories

Part #	Fig. #	Description
11-763P	4	Cable Guard, Plated Steel, 3.5" long, Fits: 11-700, 11-704, 11-900, 11-904 and 11-852
670-722	5	Rubber Boot, seals against dust/moisture, 2.5" long For .460-.720 dia. cable Fits: 11-852, 11-700, 11-900, 11-704 and 11-904
11-617P	-	Connector Bracket, heavy gauge steel plated Fits under trailer tongue, ball or 2-hole frame mount
11-771P	6	7 Pole Socket Bracket
12-711U	7	Black Epoxy Coated Mounting Bracket
12-701UP	-	Stamped Steel Mounting Bracket, Bulk
12-711UP	-	7-Way Mounting Bracket, Packaged
670-00	-	Universal Mounting Bracket, fits 4, 6 & 7-Way Sockets



Fig. 4



Fig. 5



Fig. 6



Fig. 7



WIRING ACCESSORIES

Modulite Power Modules

Part #	Fig. #	Description
119192	1	Modulite Ultra
119177	-	Modulite HD Protector w/ Backup
119190	-	Modulite HD Plus
119191	-	Modulite HD Plus & Wiring Kit
119147	-	Modulite HD Protector
119148	-	Modulite HD Protector & Wiring Kit
119179	-	Modulite Protector
119180	-	Modulite Protector & Wiring Kit
118151	-	Wiring Kit for Modulite's

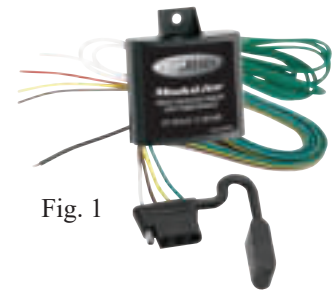


Fig. 1

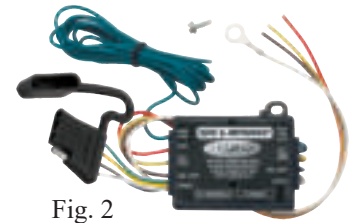


Fig. 2

Taillight Converters

Part #	Fig. #	Description
119130	2	Standard Taillight Converter
119178	3	Taillight Converter w/ Circuit Protection
118158	4	2 to 3-Way Taillight Converters

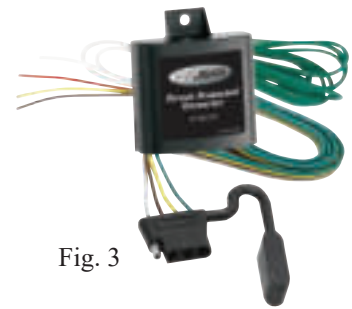
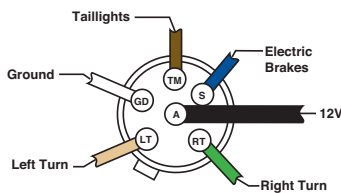


Fig. 3

Wiring Connector Guide

6-WAY CAR END**



6-WAY TRAILER END

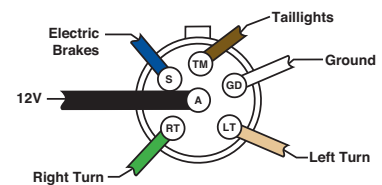
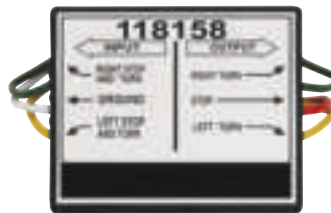
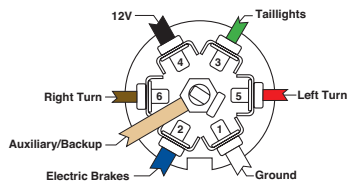
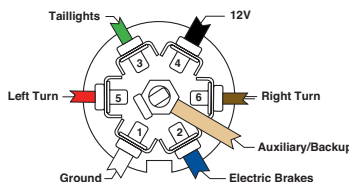


Fig. 4

7-WAY CAR END (FLAT PIN RV)



7-WAY TRAILER END



**Alternate wiring diagram switches terminals (A) and (S)



WIRE

Parallel Multi-Conductor Wire

Part #	Fig. #	Description	Sell Size	Gauge
03212	1	Jacketed, blk/wht	100 feet	12/2
03213	1	Jacketed, blk/wht	per foot	12/2
03217	1	Jacketed, blk/red	1000 feet	12/2
03206	1	Jacketed, blk/wht	100 feet	14/2
02902	2	Bonded, red/blk	per foot	14/2
03207	1	Jacketed, wht/blk	per foot	14/2
02905	3	Bonded, brn/yel/grn	per foot	14/3
02906	4	Bonded, wh/ye/br/gn	100 feet	14/4
02908	4	Bonded, wh/ye/br/gn	per foot	14/4
03202	1	Jacketed, blk/wht	per foot	16/2
02911	2	Bonded, red/blk	per foot	16/2
02914	3	Bonded, brn/yel/grn	per foot	16/3
02917	4	Bonded, wht/brn/yel/grn	per foot	16/4
04903	-	Jacketed Cable	500 foot	16/6
04904	-	Jacketed Cable	100 foot	14/4
04906	-	Jacketed Cable	100 foot	14/6
04908	-	Jacketed Cable	100 foot	14/7
04915	-	Jacketed Cable	100 foot	14/4,10/2,12/1
744A5	1	Jacketed, Articflex	per foot	14/4
764A5	1	Jacketed, Articflex	per foot	14/6
75422A5	1	Jacketed, Articflex	per foot	14/5, 12/2
76210A5	1	Jacketed, Articflex	per foot	12/6, 10/1



Fig. 1



Fig. 2



Fig. 3

Fig. 4

Primary Wire Spools (100 ft. Spools)

Description	10 Gauge #	12 Gauge #	14 Gauge #	16 Gauge	18 Gauge#
Red	02508	02458	02408	02358	02308
White	02509	02459	02409	02359	02309
Black	02510	02460	02410	02360	02310
Green	02511	02461	02411	02361	02311
Yellow	02512	02462	02412	02362	02312
Brown	02513	02463	02413	02363	02313
Blue	02514	02464	02414	02364	02314
Orange	02515	02465	02415	02365	02315



Fig. 5

*** 500 ft. and 1000 ft. spools available upon request ***



WIRING ACCESSORIES

Split Loom

Part #	Fig. #	Description	Width	Length
804S-T	1	Black Split Loom	¼"	50 ft.
804S-1	1	Black Split Loom	¼"	100 ft.
806S-T	1	Black Split Loom	⅜"	50 ft.
806S-1	1	Black Split Loom	⅜"	100 ft.
808S-T	1	Black Split Loom	½"	50 ft.
808S-1	1	Black Split Loom	½"	100 ft.
810S-T	1	Black Split Loom	⅝"	50 ft.
810S-1	1	Black Split Loom	⅝"	100 ft.
812S-T	1	Black Split Loom	¾"	50 ft.
812S-1	1	Black Split Loom	¾"	100 ft.
816S-T	1	Black Split Loom	1"	50 ft.
816S-1	1	Black Split Loom	1"	100 ft.

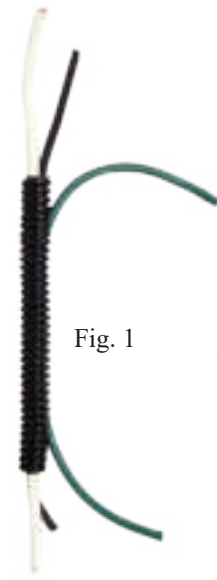


Fig. 1



Fig. 2

Cable Ties

Part #	Fig. #	Description	Width	Length
933-1B	2	Black Cable Tie, 100 pkg.	.10"	4"
933-2B	2	Black Cable Tie, 100 pkg.	.14"	5½"
933-3B	2	Black Cable Tie, 100 pkg.	.19"	7½"
933-2LB	2	Black Cable Tie, 100 pkg.	.14"	11½"
933-4B	2	Black Cable Tie, 100 pkg.	.19"	14½"
933-5B	2	Black Cable Tie, 100 pkg.	.30"	14½"



Fig. 3

Junction Boxes

Part#	Fig.#	Description
BE22010	3	7-Way HD Junction Box
667-7040	3	7-Way Economy Junction Box



Fig. 4

Tube Clamps & Frame Clips

Part #	Fig. #	Clamping Dia.	Width	Mtg. Screw Size	Qty/Pkg.
901RA	4	¼"	½"	¼"	25
903RA	4	⅜"	½"	¼"	25
904RA	4	½"	½"	¼"	25
905R	4	⅝"	⅜"	⅜"	25
906R	4	¾"	⅜"	⅜"	25
907R		1"	⅜"	⅜"	25
920-F4	5	Frame Clip ½" x 1½", 10 pkg			



Fig. 5



WIRING ACCESSORIES

Butt Connectors & Wire Splice

Part #	Fig. #	Gauge	Type	Color	Qty/Pkg.
TRB	1	22-18	Vinyl	Red	100
TBB	1	16-14	Vinyl	Blue	100
TYB	1	12-10	Vinyl	Yellow	100
T78-0001	1	22-18	Nylon	Red	50
T78-0002	1	16-14	Nylon	Blue	50
T78-0003	1	12-10	Nylon	Yellow	50
TRB-ST	2	22-18	Heat Shrink	Red	25
TBB-ST	2	16-14	Heat Shrink	Blue	25
TYB-ST	2	12-10	Heat Shrink	Yellow	25
M3	3	14-16	Quick Splice	Blue	25
38151	3	14-18	Quick Splice	White	100

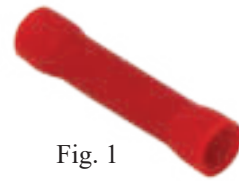


Fig. 1

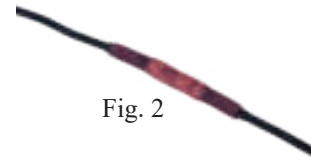


Fig. 2



Fig. 3

Ring Terminals

Part #	Fig. #	Gauge	Stud Size	Color	Qty/Pkg.
TR10	4	22-18	#10	Red	100
TR25	4	22-18	¼"	Red	100
TB10	4	16-14	#10	Blue	100
TB25	4	16-14	¼"	Blue	100
TY10	4	12-10	#10	Yellow	100
TY25	4	12-10	¼"	Yellow	100
TY38	4	12-10	⅜"	Yellow	100



Fig. 4

Heat Shrink & Electrical Tape

Part #	Fig. #	Description	Size	Qty/Pkg.
SS02-01-6	5	Black Heat Shrink Tubing	⅛" x 6"	6
SS03-01-6	5	Black Heat Shrink Tubing	⅜" x 6"	6
SS04-01-6	5	Black Heat Shrink Tubing	¼" x 6"	6
SS06-01-6	5	Black Heat Shrink Tubing	⅜" x 6"	6
SS08-01-6	5	Black Heat Shrink Tubing	½" x 6"	6
SS12-01-6	5	Black Heat Shrink Tubing	¾" x 6"	6
59740	-	Electrical Tape, ¾" x 66'		



Fig. 5



BREAKAWAY SYSTEMS

Breakaway Kits

Part #	Fig. #	Description
2026	1	Breakaway Kit w/ 5amp Battery
2028	1	Same as 2026 plus DC-to-DC Battery Charger
20005	2	Breakaway Kit w/ 5amp Battery
20010	3	Same as 20005 but w/Weldable Mounting
20020	3	Same as 20010 plus DC-to-DC Battery Charger
86113	4	Economy Breakaway Kit w/Charger
86171	5	BreakawayKit w/LED Indicator Light Side Load w/Charger & Switch
86172	6	BreakawayKit w/LED Indicator Light Top Load w/Charger & Switch



Breakaway Switches

Part #	Fig. #	Description
D2901	7	Breakaway Switch in Nylon Case, bulk Weldable Metal Tab
2010-A	-	Replacement Cable and Pin Assembly for 2010B, bulk
2010-A-P	-	Replacement Cable and Pin Assembly for 2010B, clamshell
2009-P	-	Breakaway Switch, Metal, clamshell
2009-A	-	Replacement Pin & Cable for 2009-P
88-00-2040	8	Fastway 4' Zip Cable & Switch
88-00-2060	8	Fastway 6' Zip Cable & Switch
88-00-2160	9	Fastway 6' Universal Replacement Cable



Battery Parts & Circuit Breakers

Part #	Fig. #	Description
D5741	10	12v 5-Amp/hr Sealed Lead Acid Battery
40790	11	Battery Smart Box
2018	1	Battery Case
2051	2	Battery Case
20000	3	Battery Case
2024-07	-	12v 4-Amp/hr DC-to-DC Trickle Charger
42909	12	Break-A-Way Pin & Cable
7000-S	13	Battery Switch, 3 Terminals
7001-S	14	Battery Switch, 4 Terminals
54-220	15	20 Amp, Universal Circuit Breaker
54-230	15	30 Amp, Universal Circuit Breaker
54-240P	15	40 Amp, Universal Circuit Breaker
54-250P	15	50 Amp, Universal Circuit Breaker
52-216P	-	In-Line 30amp Fuse Holder (each)
CB150PB	16	150amp, Circuit Breaker

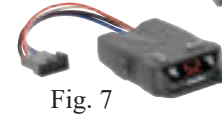


BRAKE CONTROLLERS

Tekonsha Electric Brake Controllers

Part #	Fig. #	Name	Axles	Mechanics
90195	1	P3	1-4	Proportional
90885	2	Prodigy P2	1-4	Proportional
90160	3	Primus IQ	1-3	Proportional
9030	4	Voyager	1-4	Proportional
90250	5	Prodigy RF	1-3	Proportional
8508220		BRAKE-EVN	1-4	Proportional

Note: all Tekonsha Brake Controllers are Plug & Play (excl. Prodigy RF). Refer to your Cequent Catalog for the specific brake control wiring harness.



Drawtite Electric Brake Controllers

Part #	Fig. #	Name	Axles	Mechanics
5504*	7	Activator IV	1-4	Time-Based
5520*	8	Activator III	1-4	Time-Based

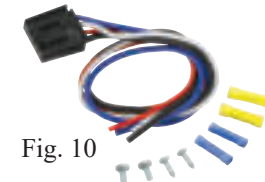
** Note: all Draw-Tite Brake Controllers are Plug & Play. Refer to your Cequent Catalog for the specific brake control wiring harness.*

Air Brake Controller

Part #	Fig. #	Description
100400C	9	Air Brake Controller (Hayes)

Brake Control Accessories

Part #	Fig. #	Description
Check your Cequent catalog for vehicle specific applications to ensure proper fit.		
7686	-	Prodigy Pocket Mount
7685	-	Prodigy Mounting Bracket
7894	10	Universal 12" Brake Control Plug
20501	-	Pulse Preventer



HITCHES, TOWING & ACCESSORIES SECTION

HITCHES & TOWING ACCESSORIES



HITCHES, TOWING & ACCESSORIES CONTENTS

BW	126-133
DEMCO	134-136
FASTWAY	137-140
ROADMASTER	141-148
CURT	149-159
WEIGHSAFE	160-162
HITCH BALLS	163
BALL MOUNTS	164-165
HITCH ACCESSORIES	166-168,170
PINTLE HITCHES	169
WEIGHT DISTRIBUTION	171
5TH WHEEL	172
GOOSENECK HITCHES	173
TEKONSHA BRAKES	174



BW RECEIVER HITCHES

HITCHES & TOWING ACCESSORIES



BW TOW & STOW® RECEIVER HITCH

TRAILER HITCHES

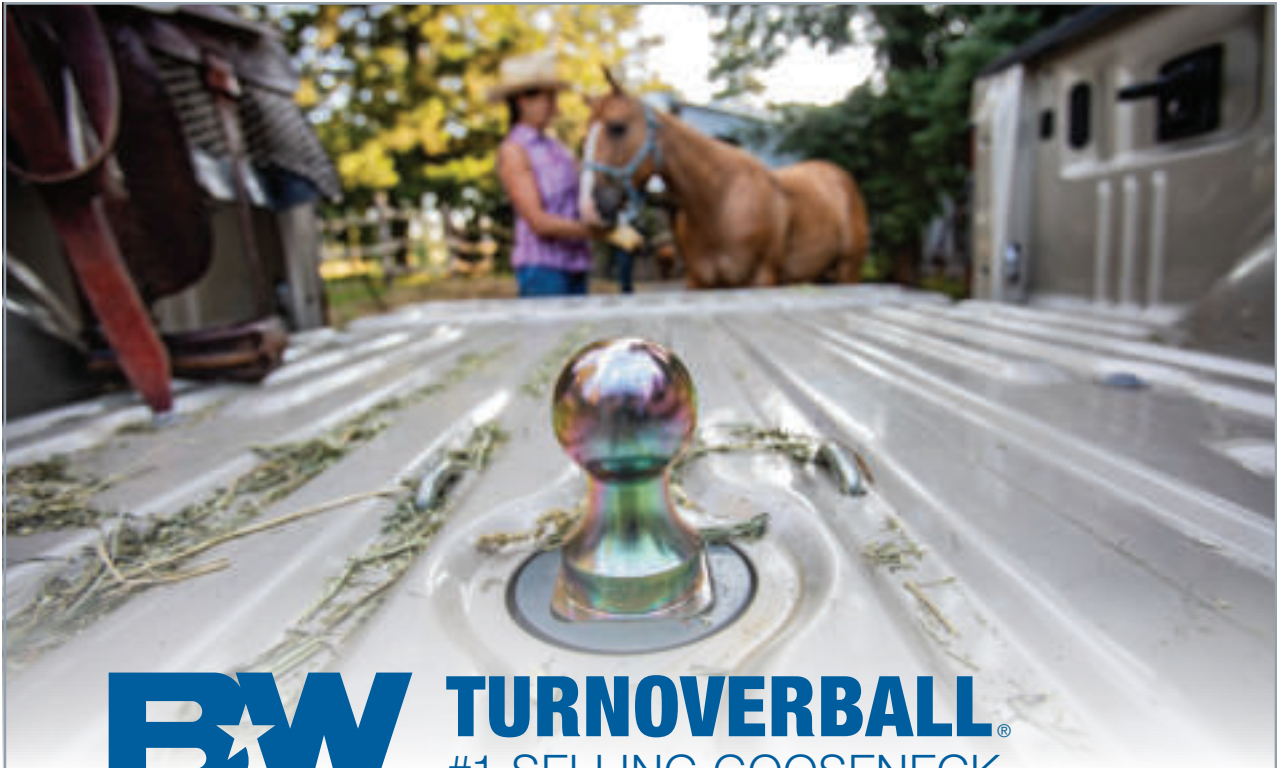
The Tow & Stow is adjustable in height and has multiple ball sizes. By pulling two pins, the hitch can be stowed out of the way.

	PART NUMBER	DROP	RISE	BALL SIZE		PART NUMBER	DROP	RISE	BALL SIZE	
BLACK POWDER COATED	TS10033B	3"	3 1/2"	2 5/16" x 2"	CHROME	TS10033C	3"	3 1/2"	2 5/16" x 2"	
	TS10035B	3"	3 1/2"	1 7/8" x 2"		TS10047C	3"	3 1/2"	1 7/8" x 2" x 2 5/16"	
	TS10047B	3"	3 1/2"	1 7/8" x 2" x 2 5/16"		TS10037C	5"	5 1/2"	2 5/16" x 2"	
	TS10037B	5"	5 1/2"	2 5/16" x 2"		TS10048C	5"	5 1/2"	1 7/8" x 2" x 2 5/16"	
	TS10038B	5"	5 1/2"	1 7/8" x 2"		TS10040C	7"	7 1/2"	2 5/16" x 2"	
	TS10048B	5"	5 1/2"	1 7/8" x 2" x 2 5/16"		TS10049C	7"	7 1/2"	1 7/8" x 2" x 2 5/16"	
	TS10040B	7"	7 1/2"	2 5/16" x 2"		TS20037C	5"	4 1/2"	2 5/16" x 2"	
	TS10049B	7"	7 1/2"	1 7/8" x 2" x 2 5/16"		TS20048C	5"	4 1/2"	1 7/8" x 2" x 2 5/16"	
	TS10043B	9"	9 1/2"	2 5/16" x 2"		TS20040C	7"	7 1/2"	2 5/16" x 2"	
	TS10050B	9"	9 1/2"	1 7/8" x 2" x 2 5/16"		TS20049C	7"	7 1/2"	1 7/8" x 2" x 2 5/16"	
2.5" SHANK	TS20037B	5"	4 1/2"	2 5/16" x 2"	BROWNING	TS10033BB	3"	3 1/2"	2 5/16" x 2"	
	TS20048B	5"	4 1/2"	1 7/8" x 2" x 2 5/16"		TS10047BB	3"	3 1/2"	1 7/8" x 2" x 2 5/16"	
	TS20040B	7"	7 1/2"	2 5/16" x 2"		TS10037BB	5"	5 1/2"	2 5/16" x 2"	
	TS20049B	7"	7 1/2"	1 7/8" x 2" x 2 5/16"		TS10048BB	5"	5 1/2"	1 7/8" x 2" x 2 5/16"	
	TS20043B	8 1/2"	9"	2 5/16" x 2"		TS10063BMP	2 1/2"	3 1/2"	2" Shank with 2 5/16" x 2" Balls	
3" SHANK	TS20050B	8 1/2"	9"	1 7/8" x 2" x 2 5/16"	TS10064BMP	2 1/2"	3 1/2"	2" Shank with 1 7/8" x 2 5/16" x 2" Balls		
	TS30037B	5"	4 1/2"	2 5/16" x 2"	TS10065BMP	4 1/2"	5 1/2"	2" Shank with 2 5/16" x 2" Balls		
	TS30048B	5"	4 1/2"	1 7/8" x 2" x 2 5/16"	TS10066BMP	4 1/2"	5 1/2"	2" Shank with 1 7/8" x 2 5/16" x 2" Balls		
	TS30040B	7"	7 1/2"	2 5/16" x 2"	TS20066BMP	7"	7 1/2"	2.5" Shank with 2 5/16" x 2" Balls		
	TS30049B	7"	7 1/2"	1 7/8" x 2" x 2 5/16"	TS20067BMP	7"	7 1/2"	2.5" Shank with 1 7/8" x 2 5/16" x 2" Balls		
PINTLE	TS10055	8 1/2"	4 1/2"	2" Shank with 2" Ball	2" SHANK		2 1/2" SHANK		3" SHANK	
	TS10056	8 1/2"	4 1/2"	2" Shank with 2 5/16" Ball	10,000 lb GTW	18,000 lb GTW	21,000 lb GTW	1,000 lb VTW	1,800 lb VTW	2,100 lb VTW
	TS20055	8 1/2"	4 1/2"	2.5" Shank with 2" Ball						
	TS20056	8 1/2"	4 1/2"	2.5" Shank with 2 5/16" Ball						



BW GOOSENECK HITCHES

HITCHES & TOWING ACCESSORIES



TURNOVERBALL®
#1 SELLING GOOSENECK
HITCH IN AMERICA



- Solid, machined 2-5/16" ball
- Durable, powder-coat finish
- Only 4" hole in the bed
- Bolts to existing holes in the frame with no drilling or welding
- Flexible latch pin handle attached to a spring loaded, 5/8" steel locking pin that goes completely through the ball
- Limited Lifetime Warranty

OEM BALL AND SAFETY CHAIN KIT

For use with factory towing systems

- Handle provides leverage for operation and a clean way to carry the ball
- Handle locks in horizontal position to prevent accidental unlatching
- Internal and external components are plated or made from stainless steel corrosion protection
- Safety chain anchors accommodate commercially available safety chain hooks



OEM	GNXA2061	Ford, GM, & Nissan Titan
	GNXA2062	Ram



BW GOOSENECK HITCHES

TURNOVERBALL® GOOSENECK HITCH FIT LIST



PART NUMBER	TRUCK YEAR, MAKE, AND MODEL	
CHEVROLET GMC	GNRK1020 2020-2022 Chevrolet & GMC 2500 & 3500 Trucks - Excludes Trucks with CarbonPro Bed	
	GNRK1016 2016-2019 Chevrolet & GMC 2500 & 3500 Trucks	
	GNRK1012 2011-2015 Chevrolet & GMC 2500 & 3500 Trucks	
	GNRK1019 2019-2021 Chevrolet & GMC 1500 Trucks Excludes 2019 Chevrolet LD & GMC Limited & Trucks with CarbonPro Bed	
	GNRK1057 2007-2018 Chevrolet & GMC 1500 Short Bed Trucks with Fully Boxed Frame 2019 Chevrolet LD & GMC Limited	
	GNRK1007 2007-2018 Chevrolet & GMC 1500 Long Bed Trucks with Fully Boxed Frame	
	GNRK1067 2001-2010 Chevrolet & GMC 2500 Heavy Duty Trucks 2007-2010 Chevrolet & GMC 3500 Trucks (With 1 bed cross member over the axle)	
	GNRK1062 2001-2007 Chevrolet & GMC 3500 Trucks (With 2 bed cross members over the axle)	
	GNRK1059 1999-2007 Chevrolet & GMC 1500 & 2500 Light Duty Trucks (Tube Frame changing to C-Channel before axle)	
	GNRK1050 1988-1998 Chevrolet & GMC 1500, 2500 & 3500 Short Bed Trucks 1999-2000 Chevrolet & GMC 2500 & 3500 Short Bed Trucks (Full C-Channel Frame)	
	GNRK1000 1988-1998 Chevrolet & GMC 1500, 2500 & 3500 Long Bed Trucks 1999-2000 Chevrolet & GMC 2500 & 3500 Long Bed Trucks (Full C-Channel Frame)	
	GNRK1400 1973-1987 Chevrolet & GMC 1500, 2500, & 3500 Trucks (Requires Drilling into Frame)	
	FORD	GNRK1116 2017-2022 Ford F250 & F350 Trucks 2017-2022 Ford F450 with Factory Installed Bed
		GNRK1121 2015-2021 Ford F150 Trucks - Excludes Raptor & 2019-2020 F150 Limited
GNRK1111 2011-2016 Ford F250 & F350 Trucks 2011-2016 F450 with Factory Installed Bed		
GNRK1104 2004-2014 Ford F150 Trucks - Excludes 2004 F150 Heritage Edition		
GNRK1108 1999-2010 Ford F250 & F350 Trucks 2008-2010 F450 with Factory Installed Bed		
GNRK1197 1997-2003 Ford F150 without Air Bag Overloads & Light Duty F250 Trucks, & 2004 F150 Heritage Edition		
GNRK1100 1980-1998 Ford F250 & F350 Without Overload Springs - Excludes Light Duty F250		
GNRK1110 1980-1998 Ford F250 & F350 With Overload Springs (Requires Drilling into Frame)		
GNRK1150 1980-1996 Ford F150 Trucks		
DODGE RAM		GNRK1320 2019-2022 Ram 2500 & 3500 Trucks
	GNRK1314 2013-2018 Ram 3500 Trucks	
	GNRK1384 2014-2018 Ram 2500 Trucks	
	GNRK1319 2019-2021 Ram 1500 Trucks - Excludes 2019 Ram 1500 Classic	
	GNRK1309 2009-2018 Dodge/Ram 1500 Trucks *Only GNXA4685 and RVK3500 with special post work with this hitch 2019 Ram 1500 Classic Trucks	
	GNRK1313 2013 Ram 2500 Diesel Trucks 2010-2012 Ram 2500 & 3500 Diesel Trucks 2003-2009 Dodge 2500 & 3500 Trucks	
	GNRK1308 2013 Ram 2500 Gas Engine Trucks 2013 Ram 2500 Mega-Cab Trucks 2010-2012 Ram 2500 & 3500 Gas Engine Trucks 2006-2012 Dodge/Ram 1500, 2500, & 3500 Mega-Cab Trucks	
	GNRK1316 2002-2008 Dodge 1500 Trucks - Excludes Mega-Cab	
	GNRK1394 1994-2002 Dodge 2500 & 3500 Trucks 1994-2001 Dodge 1500 Trucks	
	GNRK1300 1973-1993 Dodge 1500, 2500, & 3500 Trucks (Requires Drilling into Frame)	



BW 5TH WHEEL HITCHES

HITCHES & TOWING ACCESSORIES



PATRIOT FIFTH WHEEL HITCHES



The **Patriot 18K Slider™** is our rail mounted hitch now available with 12 inches of slide for maneuvering a short-bed truck.

- 18,000 LB. GTW - 4,500 LB. VTW
- Fits standard mounting rails
- Cam-operated, machined jaws
- Polyurethane bushings for a smooth, rattle-free tow
- Height Adjustment 17"-19"

ITEM	DESCRIPTION
RVK3270	Patriot 18K Slider 5th Wheel Hitch



The **Patriot 18K™** is our rail mounted hitch with a one piece base design for easier installation and a higher tow rating.

- 18,000 LB. GTW - 4,500 LB. VTW
- Fits standard mounting rails
- Cam-operated, machined jaws
- Polyurethane bushings for a smooth, rattle-free tow
- Height Adjustment 16"-19"

ITEM	DESCRIPTION
RVK3255	Patriot 18K 5th Wheel Hitch



The **Patriot 16K™** is our rail mounted hitch. Designed as a less expensive, lighter-weight alternative to the Companion, with many of the same great features.

- 16,000 LB. GTW - 4,000 LB. VTW
- Fits standard mounting rails
- Cam-operated, machined jaws
- Polyurethane bushings for a smooth, rattle-free tow
- Height Adjustment 16"-19"

ITEM	DESCRIPTION
RVK3200	Patriot 16K 5th Wheel Hitch



BW 5TH WHEEL HITCHES



COMPANION™ FIFTH WHEEL HITCHES

The **Companion™** adored by RVers, was designed to address the issue of sloppiness in hitches. The result is a quiet, cushioned ride that is free of jerking. And it's removable. Free up your truck bed when you're not towing.



20,000 LB. GTW - 5,000 LB. VTW

Utilizes B&W's under bed mounting system

Cam-operated, machined jaws

Polyurethane bushings for a smooth, rattle-free tow

Height Adjustment 16 1/4"-18 1/4"

Flatbed version rated at 22,000 LB. GTW, no height adjustment

ITEM	DESCRIPTION
RVK3500	Companion 5th Wheel Hitch
RVK3050	Companion Flatbed 5th Wheel Hitch



The **Companion Slider™** has all the benefits that customers love about our Companion, but adds the additional turning clearance you might need with a short-bed truck. It has an automatic latch in both directions and 12" of rearward travel. It uses the same cushioned coupler as the original Companion, with cam operated jaws that eliminate binding. And it's removable, with no rails left in the bed when you're not towing.

20,000 LB. GTW - 5,000 LB. VTW

Utilizes B&W's under bed mounting system

Cam-operated, machined jaws

Polyurethane bushings for a smooth, rattle-free tow

Height Adjustment 17"-19"

ITEM	DESCRIPTION
RVK3405	Companion Slider 5th Wheel RV Hitch

BW 5TH WHEEL HITCHES

HITCHES & TOWING ACCESSORIES



BW **COMPANION™** TRAILER HITCHES FOR FORD, GM & RAM PUCKS

The **Companion for Ford Pucks, Companion for Ram Pucks, and Companion for Chevrolet/GMC Pucks** have all the benefits that customers love about our Companion, but it's designed to work with the factory hitch platform.

It uses the same cushioned coupler head as the original Companion, with cam operated jaws that eliminate binding. And it's removable, with no rails left in the bed when you're not towing.

- 20,000 LB. GTW - 5,000 LB. VTW - Ford Companion Hitches
- 20,000 LB. GTW - 5,000 LB. VTW - GM Companion Hitches
- 20,000 LB. GTW - 5,000 LB. VTW - Ram Companion Slider
- 25,000 LB. GTW - 6,250 LB. VTW - Ram Companion
- 25,000 LB. GTW - 6,250 LB. VTW - 25K Ford Companion
- 25,000 LB. GTW - 6,250 LB. VTW - 25K GM Companion
- Fits the factory hitch platform
- Cam-operated, machined jaws
- Polyurethane bushings for a smooth, rattle-free tow
- Height Adjustment 16 3/4"-18 3/4" - Ford Companion and Chevrolet/GMC Companion
- Height Adjustment 17"-19" - Ram Companion

PART #	DESCRIPTION
RVK3300	20K Companion 5th Wheel Hitch - Fits Ford Puck System
RVK3305	25K Companion 5th Wheel Hitch - Fits Ford Puck System
RVK3370	Companion Slider 5th Wheel Hitch - Fits Ford Puck System
RVK3600	Companion 5th Wheel Hitch - Fits Ram Puck System
RVK3670	Companion Slider 5th Wheel Hitch - Fits Ram Puck System
RVK3700	20K Companion 5th Wheel Hitch - Fits Chevrolet/GMC Puck System
RVK3710	20K Companion Fifth Wheel Hitch - Fits 2020-2021 GM Puck System
RVK3705	25K Companion 5th Wheel Hitch - Fits Chevrolet/GMC Puck System
RVK3715	25K Companion Fifth Wheel Hitch - Fits 2020-2021 GM Puck System
RVK3770	Companion Slider 5th Wheel Hitch - Fits Chevrolet/GMC Puck System
RVK3775	Companion Slider Fifth Wheel Hitch - Fits 2020-2021 GM Puck System



BW BALL MOUNTS

HEAVY-DUTY BALL MOUNTS

HIGH GLOSS POWDER COAT FINISH



PART #	DROP	SHANK
BMHD30010	2" Drop	2" x 6" Shank
BMHD30011	2" Drop	2" x 8" Shank
BMHD30012	4" Drop	2" x 6" Shank
BMHD30013	4" Drop	2" x 8" Shank
BMHD30014	6" Drop	2" x 6" Shank
BMHD30210	2" Drop	2.5" x 6" Shank
BMHD30212	4" Drop	2.5" x 6" Shank
BMHD30214	6" Drop	2.5" x 6" Shank

CLASS



16,000 lb GTW
1,600 lb VTW

HEAVY-DUTY PINTLE PLATE

HIGH GLOSS POWDER COAT FINISH



PART #	HOLE	POSITION	SHANK
PMHD14001	6 Hole,	2 Position,	2" x 9" Shank
PMHD14002	8 Hole,	3 Position,	2" x 9" Shank
PMHD14003	8 Hole,	3 Position,	2" x 11" Shank
PMHD14004	14 Hole,	6 Position,	2" x 13" Shank
PMHD14005	14 Hole,	6 Position,	2" x 15" Shank
PMHD14202	8 Hole,	3 Position,	2.5" x 9" Shank

CLASS



16,000 lb GTW
1,600 lb VTW

TRIPLE TOW BALL MOUNT

HIGH GLOSS POWDER COAT FINISH



CLASS



10,000 lb GTW
1,000 lb VTW

BMTT31004 Triple Tow Ball Mount

HEAVY-DUTY RECEIVER HITCH

HIGH GLOSS POWDER COAT FINISH



Three piece no-drill design means quick and easy installation. Shipped in a box to ensure hardware and instructions are included.

BW BALL MOUNTS

HITCHES & TOWING ACCESSORIES


HEAVY-DUTY RECEIVER HITCH FIT LIST



	PART NUMBER	TRUCK YEAR, MAKE, AND MODEL
CHEVROLET GMC	HDRH25600	2011-2018 Chevrolet/GMC 2500 & 3500 Heavy Duty Long Bed Trucks with factory bumper
	HDRH25601	2011-2019 Chevrolet/GMC 2500 & 3500 Heavy Duty Short Bed Trucks with factory bumper
	HDRH25189	2001-2010 Chevrolet/GMC 2500 & 3500 Heavy Duty Long Bed Trucks with factory bumper
	HDRH25187	2001-2010 Chevrolet/GMC 2500 & 3500 Heavy Duty Long Bed Trucks with 10" step bumper
	HDRH25182	2001-2010 Chevrolet/GMC 2500 Heavy Duty Short Bed Trucks with factory bumper
	HDRH25217	2008-2018 Chevrolet/GMC 1500 Light Duty Trucks with factory bumper 1999-2007 Chevrolet/GMC 1500 & 2500 Light Duty Trucks with factory bumper
	HDRH25122	1988-2009 Chevrolet/GMC Cab & Chassis 34" Frame (Without Dual Tanks) (5 1/2" Drop) 1973-1987 Chevrolet/GMC 1500, 2500, & 3500 Long Bed Trucks with factory bumper
	HDRH25198	1988-2009 Chevrolet/GMC Cab & Chassis 34" Frame (8" Drop) 1973-1987 Chevrolet/GMC 1500, 2500, & 3500 Long Bed Trucks with 10" step bumper
	HDRH25124	1998-2000 Chevrolet/GMC 1500, 2500, & 3500 Trucks Old Body Style with factory bumper
FORD	HDRH25602	2017-2021 Ford F250 & F350 Trucks with factory bumper
	HDRH25401	2011-2016 Ford F250 & F350 Trucks with factory bumper
	HDRH25230	1999-2010 Ford F250 & F350 Trucks with Factory Bumper (18" spare) 2008-2010 Ford F450 with Factory Installed Bed and Bumper
	HDRH25198	1999-2012 Ford Cab & Chassis 34" Frame (8" Drop) 1967-1998 Ford F250 & F350 with 10" step bumper 1967-1996 Ford F150 with 10" step bumper
	HDRH25122	1999-2010 Ford Cab & Chassis 34" Frame (5 1/2" Drop) 1967-1998 Ford F250 & F350 Trucks with factory bumper 1967-1996 Ford F150 with factory bumper
	HDRH24400	1997-2003 Ford F150 with factory bumper (Rated at 12,000 lbs)
DODGE RAM	HDRH25502	2014-2020 Ram 2500 & 3500 Short Bed Trucks with Factory Bumper
	HDRH25503	2014-2020 Ram 2500 & 3500 Long Bed Trucks with Factory Bumper
	HDRH25211	2003-2013 Dodge/Ram 2500 & 3500 Trucks with factory bumper 2003-2008 Dodge 1500 Trucks with factory bumper
	HDRH25132	1994-2002 Dodge 2500 & 3500 Trucks with factory bumper 1994-2001 Dodge 1500 Trucks with factory bumper
	HDRH25122	1972-1993 Dodge 1500, 2500, & 3500 Trucks with factory bumper
	HDRH25198	1972-1993 Dodge 1500, 2500, & 3500 Trucks with 10" step bumper

HITCH BALLS

SPECIALTY AND HEAT TREATED



PART #	BALL DIAMETER	SHANK DIAMETER	SHANK LENGTH	MAX LOAD	RISE	THREADS PER INCH	FINISH
HB94001	2-5/16"	1"	2-1/2"	12K	No Rise	14	Heat Treated
HB94002	2-5/16"	1-1/4"	2-1/2"	24K	1"	12	Heat Treated
HB94003	2-5/16"	1-1/4"	3-1/4"	24K	1"	12	Heat Treated
HB94004	2-5/16"	1-1/4"	2-1/2"	30K	No Rise	12	Heat Treated
HB94005	2-5/16"	1-1/2"	2-3/4"	30K	1"	12	Heat Treated
HB94006	2-5/16"	1-1/2"	2-3/4"	30K	2"	12	Heat Treated
HB94007	2-5/16"	1-3/8"	2-3/4"	30K	1"	12	Heat Treated
HB94008	3"	2"	3-1/4"	30K	No Rise	12	Heat Treated
HB94009	2-5/16"	2"	3-1/2"	30K	No Rise	4.5	Heat Treated
HB94011	2-5/16"	2-3/16"	4"	30K	No Rise	n/a	Heat Treated
HB94050	2-5/16"	1-1/4"	2-1/2"	16K	No Rise	12	Chrome



DEMCO TOW BARS

HITCHES & TOWING ACCESSORIES

DEMCO

VICTORY SERIES TOW BARS



Patent # 6502847, 6612604, 6764092, 7837216

DEMCO
DOMINATOR™



LIGHTWEIGHT

9511008 - Dominator™

Weighs: 30 lbs.
Tows: 7,500 lbs.

DEMCO
COMMANDER™ 2



ECONOMICAL

9511012 - Commander 2™

Weighs: 41 lbs.
Tows: 6,000 lbs.

DEMCO
EXCALI-BAR™ 3



HEAVY DUTY

9511013 - Excali-Bar 3™

Weighs: 46 lbs.
Tows: 10,500 lbs.



LIMITED
WARRANTY
LIFETIME



Self-supporting
arms



SAFETY
Safety cables
included



Easy trigger
release



Rise or drop
male receiver



Adjustable
towing angle



MADE IN
USA



DEMCO BRAKES

HITCHES & TOWING ACCESSORIES



#1 IN TOWED VEHICLE BRAKING



MFG	SYSTEM	5 YR WARRANTY	DUAL SIGNAL	PROPORTIONAL BRAKING	INSTALLED	PORTABLE
Demco	Air Force One	✓		✓	✓	
Demco	Stay-IN-Play DUO	✓	✓		✓	
Demco	Delta Force	✓	✓			✓

AIR FORCE ONE (AFO) For Air Brake

- Only air brake to meet DOT and chassis regulations
- Fits every car and motorhome
- No pulleys, catches, or springs
- Breakaway integrated



Air Force One Braking System	9599007
AFO with Wireless Coachlink	9599019
AFO Second Car Kit	6271
AFO Reinstall Kit	6217
AFO Freightliner Custom Chassis Specific Towed Vehicle Kit	9599020
AFO Tiffin Towed Vehicle Kit	9599021



US Patent 7,699,406

STAY-IN-PLAY DUO For Hydraulic Brake Motorhome

- Fits every car and motorhome
- No pulleys, catches, or springs
- Breakaway integrated

Stay-IN-Play Duo Braking System	9599006
Stay-IN-Play Duo Braking System with Wireless Coachlink	9599018
Stay-IN-Play Duo Braking System Reinstall Kit	6270



US Patent 6,644,761

MAVERICK Universal Portable Solution

- Easy set up
- Set it once Pedal Clamp for simple operation
- Utilizes coach brake control for fast acting, proportional braking
- Towed brakes can be activated manually from gain control in Coach
- Fits every car
- Versatile - works with vacuum and active assist brakes

Maverick Braking System



9599022

WIRELESS COACHLINK™ Universal for all Braking Systems

- Plugs into coach power port
- Instant visual feedback that brakes are applied
- Transmits signal from towed-vehicle
- Positive "Brakes on" light
- Audible tone indication lets you know your braking system is working flawlessly

Wireless Radio Set

9599005



SUPPLEMENTAL BRAKING SYSTEM ACCESSORIES

PART DESCRIPTION	PART #	PART DESCRIPTION	PART #
Stand Off Bracket for Delta Force	6274	Delta Force Second Car Kit	6221
Gives extra 2" of space between the box and brake arm connection		AFO reinstall Kit	6217
Smart Car Bracket For Stay-IN-Play Duo and AFO	6227	Stay-IN-Play Duo Reinstall Kit	6270
Vacuum Tee Kit For Stay-IN-Play Duo and AFO	6257	Coach Air Kit	6231
Standard AFO Coiled Airline	6212	Battery Disconnect Switch	6338
Spartan Specific Coil Airline	6296	SBS Air Tester	6339
Freightliner Custom Chassis Specific Air Jumper	6376	12V Power Outlet	6342
AFO Air Pressure Stop Switch	6232	Charge Wire Kit	6252
Replacement AFO Air Cylinder	6210	Air Cylinder Cable Repair Kit	6337
Replacement Stay-IN-Play Duo Air Cylinder	6215	Jeep Cherokee Brake Arm Bracket	6356
AFO - Stay-IN-Play Duo Conversion Kit	6218	Brakelight Override Relay	6414
Stay-IN-Play Duo - AFO Conversion Kit	6220	USB to 12V Adapter	17502
AFO Second Car Kit	6271		



DEMCO 5TH WHEEL HITCHES

HITCHES & TOWING ACCESSORIES

DEMCO

RECON 5TH WHEEL HITCH

THE NEWEST MEMBER OF THE RECON FAMILY

NOW IN A SLIDER APPLICATION

- Simple assembly
- 14" of travel
- Lightweight

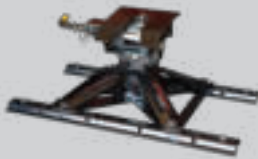


DEMCO
RECON

2
PIECES
Easy install and removal

Light weight

MADE IN USA



Recon for bed rails



Recon for Gooseball



Recon for Recessed Gooseball



Recon Slider for bed rails

No additional adapter plates or cables needed to install on a king pin

- Four applications: Stationary and Manual Slider for Industry Standard bed rails, Gooseball mount & Recessed Gooseball mount
- Gooseball mount fits any standard 2-5/16" Gooseneck ball
- Flat deck applications with Recessed Gooseneck ball
- The new Recon Slider allows for 14" of rearward travel
- Wrap around jaw with lock bar for stronger, more secure, safer towing experience
- Dual articulation head for easy hookup and release on uneven terrain
- 3 height adjustments 15-1/2" to 18" for 8550043, 8550044, 8550045
- 3 height adjustments 16-7/8" to 19-3/8" for 8550052, 8550053
- 3 height adjustments 11-1/2' to 14" for 8550046
- 21,000 towing capacity

PART DESCRIPTION	PART #
ISR Mount (rails not included)	8550043
ISR Mount (rails included)	8550044
2 5/16" Goose Ball Mount	8550045
Flat Deck (recessed 2 5/16" Goose Ball Mount)	8550046
Recon Slider (rails not included)	8550052
Recon Slider (rails included)	8550053

NEW



EQ SWAY CONTROL SHANKS



STANDARD MODEL with 2 5/16" ball installed

MFG Part #	Description
90-00-1069	1,000/10,000 lb

STANDARD MODELS with standard shank (ball not included)

MFG Part #	Description
90-00-0400	400/4,000 lb
90-00-0600	600/6,000 lb
90-00-1000	1,000/10,000 lb
90-00-1200	1,200/12,000 lb
90-00-1400	1,400/14,000 lb
90-00-1600	1,600/16,000 lb

NO-SHANK MODELS for use with adjustable shanks

MFG Part #	Description
90-00-0401	400/4,000 lb
90-00-0601	600/6,000 lb
90-00-1001	1,000/10,000 lb
90-00-1201	1,200/12,000 lb
90-00-1401	1,400/14,000 lb

EQUAL-I-ZER® HITCH BALLS

MFG Part #	Description
91-00-6080	2" 8,000 lb
91-00-6100	2 5/16" 10,000 lb
91-00-6120	2 5/16" 12,000 lb
91-00-6140	2 5/16" 14,000 lb
91-00-6160	2 5/16" 16,000 lb
70-00-4800	1 7/8" Thin Walled Socket

2" ADJUSTABLE SHANKS

MFG Part #	Description
90-02-4100	3" Drop/7" Rise x 12" Length
90-02-4200	4" Drop/8" Rise x 12" Length
90-02-4300	6" Drop/10" Rise x 12" Length
90-02-4400	9" Drop/13" Rise x 12" Length
90-02-4711	12" Drop/15" Rise x 12" Length
90-02-4500	3" Drop/7" Rise x 18" Length
90-02-4600	4" Drop/8" Rise x 18" Length

2" ADJUSTABLE 4K SHANKS only for use with 4K hitch

MFG Part #	Description
90-02-4140	4K : 3" Drop/7" Rise x 12" Length
90-02-4240	4K : 4" Drop/8" Rise x 12" Length
90-02-4340	4K : 6" Drop/10" Rise x 12" Length

2 1/2" ADJUSTABLE SHANKS

MFG Part #	Description
90-02-4125	3" Drop/7" Rise x 12" Length
90-02-4225	4" Drop/8" Rise x 12" Length
90-02-4325	6" Drop/10" Rise x 12" Length
90-02-4425	9" Drop/13" Rise x 12" Length
90-02-4725	12" Drop/15" Rise x 12" Length

Go to equalizerhitch.com/find-your-shank-size to help determine which shank you need.



THE BEST PROTECTION FOR YOUR JOURNEY.™



FASTWAY BALL MOUNTS



FLASH™ BALL MOUNTS



SCALE

Measures trailer tongue weight
Integrated mechanical spring scale
Gives you confidence and peace of mind
Helps balance trailer load for improved towing safety
Enjoy better steering, braking, and reduced trailer sway



STEEL

Massive tow ratings, up to 20k for HD models
Commercial-grade towing capacity and strength
Solid shank made from forged steel
Ultimate towing confidence



SIMPLE

Light weight corrosion-resistant aluminum
Adjustments made quick and easy
Super strength alloy
18k towing capacity for HD models



SILENT

Virtually eliminates hitch rattle for a quiet tow
Fast and easy adjustments save time and effort
Corrosion-resistant aluminum
Years of excellent performance



SECURE

Integrated locking pins for ultimate security
Fast and easy adjustments save time and effort
Convenient front-facing locks
Excellent choice for towing multiple trailers



* HD versions

Model #	Drop	Rise	Shank
48-00-8400	4"	5"	2"
48-00-8600	6"	7"	2"
48-00-8800	8"	9"	2"
48-00-8900	10"	11"	2"
48-00-8625*	5"	7"	2 1/2"
48-00-8825*	7"	9"	2 1/2"
48-00-8925*	9"	11"	2 1/2"

Model #	Drop	Rise	Shank
49-00-5600	6"	6"	2"
49-00-5900	10"	10"	2"
49-00-5625*	6"	5"	2 1/2"
49-00-5925*	10"	9"	2 1/2"

Model #	Drop	Rise	Shank
42-00-2400	4"	5"	2"
42-00-2600	6"	7"	2"
42-00-2800	8"	9"	2"
42-00-2900	10"	11"	2"
42-00-2625*	6"	6"	2 1/2"
42-00-2825*	8"	8"	2 1/2"
42-00-2925*	10"	10"	2 1/2"

Model #	Drop	Rise	Shank
47-00-3400	4"	5"	2"
47-00-3600	6"	7"	2"
47-00-3800	8"	9"	2"
47-00-3900	10"	11"	2"
47-00-3606	6"	6"	2 1/2"
47-00-3806	8"	8"	2 1/2"
47-00-3906	10"	10"	2 1/2"

Model #	Drop	Rise	Shank
44-00-4400	4"	5"	2"
44-00-4600	6"	7"	2"
44-00-4800	8"	9"	2"
44-00-4900	10"	11"	2"
44-00-4606	6"	6"	2 1/2"
44-00-4806	8"	8"	2 1/2"
44-00-4906	10"	10"	2 1/2"
44-00-4625*	6"	6"	2 1/2"
44-00-4825*	8"	8"	2 1/2"
44-00-4925*	10"	10"	2 1/2"



E2 SWAY CONTROL HITCHES

Faster, Easier - Sway Control

e2™ HITCH

e2 TRUNNION

Built-in sway control and weight distribution make towing faster, easier, and safer for you and your family.

Permanent sway control for when you're on downhill grades, towing heavy loads, passing semi-trucks, fighting crosswinds, and making quick maneuvers.

The perfect hitch for RV, boat, cargo, construction, and ATV trailers.

No chains or add-ons to remove when backing up, or driving in inclement weather.

Weight distribution keeps your truck, trailer, and cargo safer, due to improved steering control and stopping power.

Available in 4,500 lb, 6,000 lb, 8,000 lb, 10,000 lb, and 12,000 lb weight ratings.

Brackets are mounted 27" – 30" back from the center of the hitch ball.



Model	Max tongue wt./Max trailer wt.
92-00-0450	450/4,500 lb
92-00-0600	600/6,000 lb
92-00-0800	800/8,000 lb
92-00-1000	1,000/10,000 lb
92-00-1200	1,200/12,000 lb
92-00-1033	1,000/10,000 lb (no shank model)
92-00-1065	1,000/10,000 lb (hitch ball installed)

e2 ROUND BAR

Built-in sway control and weight distribution make towing faster, easier, and safer for you and your family.

Permanent sway control for when you're on downhill grades, towing heavy loads, passing semi-trucks, fighting crosswinds, and making quick maneuvers.

The perfect hitch for RV, boat, cargo, construction, and ATV trailers.

No chains or add-ons to remove when backing up, or driving in inclement weather.

Weight distribution keeps your truck, trailer, and cargo safer, due to improved steering control and stopping power.

Available in 6,000 lb, 8,000 lb, and 10,000 lb weight ratings.

Brackets are mounted 24" – 27" back from the center of the hitch ball.



Model	Max tongue wt./Max trailer wt.
94-00-0600	600/6,000 lb
94-00-0800	800/8,000 lb
94-00-1000	1,000/10,000 lb
94-00-1033	1,000/10,000 lb (no shank model)
94-00-1061	1,000/10,000 lb (hitch ball installed)



e2 Shanks

Model	Trunnion	Round Bar
92-02-4100	0.5" drop/6" rise x 12" length	2.5" drop/5.5" rise x 12" length
92-02-4213	2" drop/8" rise x 12" length	4.5" drop/7" rise x 12" length
92-02-4214	4" drop/9.5" rise x 12" length	6.5" drop/9" rise x 12" length
92-02-4315	6.5" drop/12.5" rise x 12" length	9" drop/11.5" rise x 12" length

FASTWAY
TRAILER PRODUCTS®

Fastway e2 - Faster, Easier.™



FASTWAY ACCESSORIES

HITCHES & TOWING ACCESSORIES



Fastway Trailer Products - Faster, Easier.™



ZIP™ Breakaway Cable

The coiled cable stays safely off the ground while you're towing, preventing wear and tear to the cable, and providing years of lasting use.

Model	Description
80-00-2040	4' ZIP w/ Switch
80-00-2060	6' ZIP w/ Switch
80-01-2204	4' ZIP w/ Pin
80-01-2206	6' ZIP w/ Pin
80-01-2140	4' Universal ZIP
80-01-2160	6' Universal ZIP



FLIP™ Automatic Jack Foot

Extends your trailer jack by six inches, eliminating 48 cranks in one direction, saving you time and effort. No more searching for wood blocks or rocks to put under the trailer jack.

Model	Description
88-00-4500	FLIP 4" Jack Foot
88-00-6500	FLIP 6" Jack Foot



ONESTEP™ Stabilizing Wheel Chock

Locks both wheels in place, allowing you to freely move around your trailer, with virtually no wheel movement. Can be set or removed from a standing position.

Model	Description
84-00-4000	ONESTEP Wheel Chock
84-00-4150	ONESTEP XL Wheel Chock
84-00-4840	ONESTEP Double Pack



SHIN GUARD

Protects your shins by providing a cushion between your shin and the hard edges of the ball mount.

Model	Description
82-00-3125	Black SHIN GUARD
82-00-3126	Orange SHIN GUARD
82-00-3127	Yellow SHIN GUARD



FORTRESS™ Coupler Lock

Toughest coupler lock available, fits virtually every coupler style, is corrosion resistant and provides superior security.

Model	Description
86-00-5015	FORTRESS Coupler Lock



BALL COVER

Saves time cleaning off road grime and re-greasing the hitch ball.

Model	Description
82-00-3220	2" BALL COVER
82-00-3216	2-5/16" BALL COVER



7-PIN PLUG COVER

Keeps dirt and debris out of your wiring harness.

Model	Description
82-00-3315	7-PIN PLUG COVER



CHAIN UP™

The most secure way to keep your safety chains off the ground and working properly.

Model	Description
82-00-3065	CHAIN UP for Ball Mount
82-00-3090	CHAIN UP for Weight Distribution & Multi Ball



RECEIVER LOCK

Securely locks your hitch into your receiver.

Model	Description
86-00-3050	Locking Hitch Pin - For 2" Receivers
86-00-3160	Locking Hitch Pin - For 2-1/2" Receivers



ROADMASTER TOW BARS



See roadmasterinc.com/patent for patent information

Time Tested • Time Proven

ALL-TERRAIN™

Non-binding tow bars



Featuring the Freedom Latch, storage latch and built-in channel guides

Freedom Latch non-binding technology

No more binding!
(or skinned knuckles, or "#%?#@?!")

The cam design inside the Freedom Latch transforms linear motion into rotary motion at a 400-to-1 ratio — five pounds of force against the latch equals 2,000 pounds of force against the lock. You'll never have to straighten and align your towed vehicle to release the tow bar — Freedom Latches release at any angle. First time, every time. After all, who's on vacation here — you, or your tow bar?

Exclusive features

- **One-step storage latch**
Fold the tow bar toward the motorhome and it will "click," automatically locking in place.
- **Built-in channel guides**
The safety cables and the power cord can be routed through the built-in channel guides for protection against damage or dragging, and for a clean, uncluttered look.
- **Solid stainless steel inner arms**
For smooth, trouble-free operation and easy maintenance. Stainless steel looks better, lasts longer and prevents corrosion that binds.
- **Largest hook-up radius**
No wasted time lining up your towed vehicle! You can't say this about many things in life but connecting Roadmaster tow bars is just like horseshoes — "close" is good enough.
- **Metal-flake powder-coat finish**
Exceeds all 500-hour salt spray, extreme weather and high-impact standards.

See roadmasterinc.com/patent for patent information

Falcon™ All-Terrain

522 Falcon All-Terrain tow bar
6,000-lb. weight capacity motorhome-mounted tow bar — weighs 38 lbs.

527 Falcon All-Terrain tow bar
for Blue Ox baseplates

Sterling™ All-Terrain

576 Sterling All-Terrain tow bar
8,000-lb. weight capacity aluminum motorhome-mounted tow bar — weighs 35 lbs. (Includes safety cables & power cord).

586 Sterling All-Terrain tow bar
for Blue Ox baseplates

BlackHawk™ 2 All-Terrain

422 BlackHawk 2 All-Terrain tow bar
10,000-lb. weight capacity motorhome-mounted tow bar — weighs 42 lbs.

427 BlackHawk 2 All-Terrain
for Blue Ox baseplates

World's strongest aluminum tow bar!

The Sterling All-Terrain weighs just 35 pounds, yet pulls up to four tons. Comes with safety cables, the power cord and a powder-coat finish. (Specifications subject to change).



ROADMASTER TOW BARS



See roadmasterinc.com/patent for patent information



Made in the U.S.A.



Time Tested • Time Proven



World's first illuminated tow bar

The Nighthawk is a non-binding, aluminum alloy tow bar incorporating a jaw-dropping design with embedded LED lights. It includes internally-routed safety cables and power cord, an attractive black matte finish and solid stainless steel inner arms.

Nighthawk is Roadmaster's first tow bar designed for 'direct-connect' baseplates, which incorporate the strength of the crossbar into the baseplate. So, no crossbar is required.

Aesthetically, the Nighthawk emulates the clean, sleek look of the Sterling All-Terrain tow bar, with which it shares many performance and convenience features, including a military-grade aluminum alloy shell.

- Non-binding Freedom Latch — disconnects first time, every time
- The Nighthawk has the longest tow bar arms everproduced, for maximum stability while towing.
- Solid stainless steel inner arms for smooth, trouble-free operation and easy maintenance
- Built-in channel guides — support and protect the included safety cables and power cord



A row of 300-lumen LEDs along each tow bar arm illuminates with the motorhome's lights, adding safety and convenience to nighttime towing.

676

Nighthawk tow bar
8,000-lb weight capacity aluminum motorhome-mounted tow bar — weighs 35-lbs (Includes safety cables and power cord)

677

Nighthawk for Blue Ox baseplates

TOW BAR ADAPTERS



030 adapts Blue Ox tow bars to Roadmaster baseplates



039-2 Universal Tow Bar Adapter for Blue Ox, Demco and Curt Tow Bars

030.....
Adapts Blue Ox motorhome mounted tow bars to direct-connect baseplates

031.....
Adapts the following tow bars to Blue Ox baseplates: Falcon; Falcon All-Terrain; BlackHawk 2 All-Terrain (serial # up to 16,500); Sterling (serial # up to 14,500).

031-5.....
Adapts all Sterling tow bars (serial # above 14,500), BlackHawk 2 All-Terrain tow bars (with serial # above 16,500) and Nighthawk tow bars to Blue Ox baseplates.

034.....
Adapts the following tow bars to Demco baseplates: Falcon 2; Falcon All-Terrain; BlackHawk 2 All-Terrain (serial # up to 16,500); Sterling (serial # up to 14,500).

034-5.....
Adapts all Sterling tow bars (serial # above 14,500), BlackHawk All-Terrain tow bars (serial # above 16,500) and Nighthawk tow bars to Demco baseplates (includes collar).

039-2.....
Universal Tow Bar Adapter - Adapts Blue Ox, Demco or Curt tow bar onto late-model Roadmaster base plates.



ROADMASTER TOW BARS



Time Tested • Time Proven



Stow and go

In the folded position, the Falcon 2 conveniently stores out of the way on the back of your motorhome. A tow bar cover (sold separately) keeps your tow bar clean.

See roadmasterinc.com/patent for patent information

6,000-lb. weight capacity motorhome-mounted tow bar

- Stainless steel in virtually every moving component for smooth, trouble-free operation.
- Autowlok locking mechanism — allows both tow bar arms to extend or retract for a quick connection. Drive away and the arms self-center and automatically lock.
- A latching mechanism ensures secure, easy storage on the back of your motorhome.
- Easily connect/disconnect the Falcon 2 in seconds.
- Full-length, steel crossbar for maximum support
- A lustrous powder-coat finish for maximum durability

- 520** Falcon 2 tow bar weighs 37 lbs.
- 525** Falcon 2 tow bar fits Blue Ox baseplates
- 066** Falcon 2 & StowMaster Release Tool

The release tool aids in unlocking tow bar arms when bound — not necessary with any All-Terrain tow bar or the Nighthawk



Made in the U.S.A.



TRACKER™
The safest, strongest, easiest, most durable, trouble-free, 5,000-lb. rated, A-frame tow bar manufactured...**BAR NONE!**



- 020** Tracker tow bar..... Weight 20 lbs.; fits standard 2" ball
Note: Optional set of quick-disconnects (part number 201) is necessary to remove the front extensions. Note: Will not fit 'direct-connect' style baseplates.

STOWMASTER™

America's Best-Selling Car-Mounted Tow Bar

6,000-lb. weight capacity car-mounted tow bar

- Stainless steel in virtually every moving component for smooth, trouble-free operation.
- Autowlok locking mechanism — allows both tow bar arms to extend or retract for a quick connection. Then, as you drive away, the arms self-center and automatically lock.
- Self-lubricating nylon bushings eliminate friction between the arms. Other manufacturers use steel on steel.
- Plug-welded arms — steel plugs seal both ends of the tow bar, preventing corrosion from moisture and debris.
- Full-length, steel crossbar for maximum support
- A lustrous powder-coat finish for maximum durability

- 501** StowMaster tow bar weighs 48 lbs
- 504** StowMaster tow bar with 2-5/16" coupler (special order).....
- 581** StowMaster tow bar with 2½" pintle ring
- 583** StowMaster with 3" pintle ring (special order).....



StowMaster pintle ring



ROADMASTER ACCESSORIES

WHICH BASEPLATE IS RIGHT FOR YOU?

DIRECT-CONNECT STYLE



Allows you to connect the tow bar directly to the baseplate, eliminating the need for a crossbar. This is our easiest system to connect and disconnect. If you're using a motorhome-mounted tow bar (except Sterling), this is the baseplate you should choose. For a Sterling, StowMaster, Tracker, Guardian rock shield or Tow Defender part number 4700, use the 'crossbar-style'.

CROSSBAR STYLE



Accommodates Roadmaster tow bars and accessories by using the crossbar and/or quick-disconnect system as a mounting platform. If you're using a Sterling or a car-mounted tow bar, you need this style of baseplate.



Time Tested • Time Proven

HIDDEN BASEPLATES



NOW YOU SEE 'EM...

...NOW YOU DON'T!

Baseplate arms easily remove for clean appearance

Strongest, safest and easiest to use!

- **A BETTER DESIGN** — Integrated into the frame and undercarriage of the vehicle, connecting to existing holes and fasteners wherever possible.
- **EASIER INSTALLATION** — 30% quicker to install, on average. There are fewer components to unbolt or remove and fewer holes to drill.
- **COMPUTER-TESTED** — Every baseplate design is subjected to computer-simulated "Finite Element Analysis" to ensure structural integrity and maximum strength.
- **CUSTOM FIT** — Every baseplate is custom-made to fit a specific vehicle or range of vehicles.
- **WE HAVE THE BASEPLATE FOR YOUR CAR** — Roadmaster has more than 1,200 different baseplates available (far more than any other company) — which fit nearly every towable vehicle made in the last 25 years.
- **BAKED-ON FINISH** — Every baseplate is powder coated. Charged particles of pigment are baked into the surface. They fuse to the metal to form a lustrous, uniform and extremely durable finish.

Visit fitmaster.roadmasterinc.com to see which baseplates are required to tow your vehicle.

BUMPER ADAPTERS, COVERS AND TOW BAGS!



shown:
035-1

Connect a motorhome-mounted tow bar directly to off-road bumpers.

Note: Confirm bumper is approved for flat towing by manufacturer before using.

- 035**.....
For bumper mounts ¾" thick
- 035-1**.....
For bumper mounts 1" thick
- 035-G2**.....
For Smittybuilt Gen2 bumpers



Tow bar and quick-disconnect covers are crafted from heavy duty marine-grade black vinyl.

- 055-3**.....
Cover for Roadmaster motorhome-mounted tow bars
- 052-3**.....
Cover for the StowMaster tow bar
- 105**.....
Quick-disconnect crossbar cover



Keep your towing accessories in one place and keep dirt and grime out of your car or motorhome. Made from marine-grade vinyl, with a Velcro closure.

- 056**.....
Accessory Tow bag
(approximate size: 10" w x 14" h)

ROADMASTER ACCESSORIES



Time Tested • Time Proven

COMBO KITS

Tow bars, you've met your match.

Combo Kits contain the accessories you need, matched to your Roadmaster tow bar.

Each Combo Kit contains:

- A wiring kit with four 'Hy-Power' diodes and two bulbs and sockets for flexibility
- A power cord to connect the vehicles, with a 7-wire plug for the motorhome (attached) and a plug and socket for the towed vehicle (Note: The Sterling All-Terrain and Nighthawk tow bars come with power cords, so their Combo Kit does not include one)
- A bracket to mount the power cord socket
- A pair of safety cables, rated at 6,000-, 8,000- or 10,000-lb. capacity (Note: The Sterling All-Terrain and Nighthawk tow bars come with safety cables, so their Combo Kit does not include them)
- Two or three case-hardened steel padlocks (keyed alike) — for added security
- A marine-grade vinyl cover to protect your tow bar
- A marine-grade vinyl storage bag — for all your towing accessories

INCLUDES BULBS AND SOCKETS!



shown: 9243-1

- 9284-2** **Sterling All-Terrain and Nighthawk Combo Kit**
Does not include safety cables or power cord; includes receiver hitch lock and silicone spray
- 9243-1** **Falcon 2 and Falcon All-Terrain Combo Kit**
6,000-lb. capacity — with hybrid (coiled-to-straight) safety cables and hybrid power cord
- 9243-3** **BlackHawk 2 All-Terrain Combo Kit**
10,000-lb. capacity — with straight safety cables and straight power cord
- 9252** **StowMaster Combo Kit**
6,000-lb. capacity — with coiled safety cables and coiled power cord

TOW BAR PADLOCKS

COUPLER PADLOCK



QUICK-DISCONNECT PADLOCK



RECEIVER HITCH LOCK



Don't spend your time worrying about a stranger or kids unlatching or removing your safety pins. Replace them with padlocks and peace of mind. Padlocks discourage theft and tampering and protect against accidental release. Hardened steel shackle, double ball locking mechanism, and solid brass tumblers and components.

- 302** 2-pack quick-disconnect padlocks (keyed alike)
- 303** 2-pack quick-disconnect padlocks and 1 coupler padlock (keyed alike).....
- 308** 4-pack quick-disconnect padlocks (keyed alike)
- 304** 1 receiver hitch lock and 2-pack quick-disconnect locks.....
- 305** Coupler padlock.....
- 315** Receiver hitch lock.....
- 316** 2-pack receiver hitch locks (keyed alike)



ROADMASTER ACCESSORIES

HITCHES & TOWING ACCESSORIES

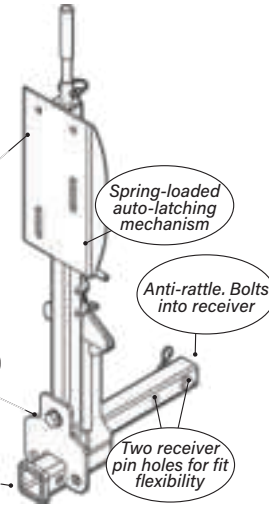
SPARE TIRE CARRIERS



Time Tested • Time Proven

SPARE YOURSELF!

A SPARE TIRE CARRIER FOR YOUR MOTORHOME!



Most motorhomes don't carry a spare. So spare yourself and get a spare tire carrier — before Murphy's Law kicks in. Roadmaster's spare tire carrier is the proactive approach to a flat tire.

- With a ready-to-go spare, AAA can get you back on the road quickly.
- Carrying your own spare allows you to control the cost.
- You have a place to put your spare, without taking up valuable cargo space.
- Comes with a two-inch receiver hitch for a tow bar, hitch rack or other hitch-mounted accessory.
- The carrier can be lowered to either side for engine access or ladder clearance.
- Powder-coated for durability and corrosion resistance
- Bolts into receiver to help prevent rattle

SPECIFICATIONS

- For 16", 16.5", 19.5", 22.5", 24" and 24.5" dually wheels
- 10,000-lb. max. capacity
- 400-lb. max. tongue weight
- Mounts in a standard 2-inch receiver hitch



The pivot bolt acts like a fulcrum, allowing you to easily raise or lower the tire with the included lever arm.

Swing the tire to either side for quick access to the engine compartment.

195225-S Spare Tire Carrier
(for motorhomes and buses)

A SPARE TIRE CARRIER FOR VANS, TRUCKS, AND SUVs!

All the convenience and performance features of the original spare tire carrier — automatic locking, the patented hinge mechanism for raising or lowering the spare, and an anti-rattle attachment bolt.
Note: If you have deep dish or dually-style wheels, you will need to use the 195225-S Spare Tire Carrier instead.

- Fits all non-dually style wheels with lug nut circles up to 8"
- Mounts in a standard 2-inch receiver hitch
- 6,000-lb. capacity
- 200-lb. tongue weight

195125 Spare Tire Carrier
(for vans, trucks and SUVs)



ROADMASTER ACCESSORIES

HITCHES & TOWING ACCESSORIES

HITCH ACCESSORIES



Time Tested • Time Proven

FOR 2-INCH RECEIVER HITCHES

The 07 series High-Low Hitches have a 6,000-lb. GVWR and a maximum tongue weight of 200 pounds. The 048 series hitches have a solid steel shank, allowing a 10,000-lb. capacity and 400-lb. tongue weight. Fit nearly all two-inch receiver hitches. Available in 2", 4", 6" and 10" sizes.



Shown: 048-8
Also available in 2", 4", 6" and 10" sizes.

	size	weight capacity
048-2	2"	0,000 lbs.....
072	2"	6,000 lbs.....
048-4	4"	10,000 lbs.....
070	4"	6,000 lbs.....
048-6	6"	10,000 lbs.....
076	6"	6,000 lbs.....
048-8	8"	10,000 lbs.....
048-10	10"	10,000 lbs.....

2½-INCH TO 2-INCH HIGH-LOW ADAPTERS

It's both an adapter and a drop hitch! These adapters attach to 2½-inch receivers and accept a 2-inch insert. Great for tow bars, bike carriers, cargo trays and any other hitch-mounted accessory. 10,000-lb. capacity; 400-lb. maximum tongue weight; fit nearly all 2½" receiver hitches.



Shown: 058-4
Also available in 4", 8" and 10" sizes.

	size	weight capacity
058-4	4"	10,000 lbs.....
058-6	6"	10,000 lbs.....

QUIET HITCH

STOP SWAY & WANDER BEFORE IT BEGINS!

Quiet Hitch eliminates any free play between the receiver and tow bar (or whatever you insert) for a solid, seamless connection. Consistent pressure keeps towing combination tracking straight, which reduces tire wear, and wear and tear on the hitch and receiver. Especially effective on towing combinations w/multiple hitch extensions; also reduces noisy rattle caused by hitch accessories.



Note: Receiver must have ring/collar for Quiet Hitch to attach.

061	For 2" hitch receivers.....
062	For 2½" hitch receivers.....
061-125	For 1¼" hitch receivers.....

DUAL HITCH RECEIVER

With this dual-purpose hitch receiver, you can add a bike carrier or other hitch accessory to the rear of your motorhome. Solid-steel construction; 10,000-lb. capacity; 400-lb. maximum tongue weight.



Shown: 077-4

077-2	2"/2" Dual Hitch Receiver.....	Both receivers offset by 2"
077-4	2"/4" Dual Hitch Receiver.....	One receiver offset by 2"; the other by 4"
077-6	2"/6" Dual Hitch Receiver.....	One receiver offset by 2"; the other by 6"
077-8	2"/8" Dual Hitch Receiver.....	One receiver offset by 2"; the other by 8"
077-10	2"/10" Dual Hitch Receiver.....	One receiver offset by 2"; the other by 10"

ANTI-RATTLE HITCH RECEIVER EXTENSION

This 7½" hitch extension has a solid steel shank, allowing a 10,000-lb. capacity and a 400-lb. tongue weight. A threaded hitch pin hole and bolt eliminate the rattle, wander and sway associated with other hitch extensions.



071-1075	7½" Hitch receiver ext.....
----------	-----------------------------

HITCH RECEIVER EXTENSIONS

The hitch receiver extensions provide 7½ and 12 inches, for those towing systems which need a little more reach. Rated at 6,000-lbs GVWR and 200-lbs max tongue weight.

071-75	7½" Hitch Receiver Extension.....
071	12" Hitch Receiver Extension.....

QUICK FOOT JACK EXTENSION

If your tongue jack takes forever to raise and lower, you need Quick Foot. Just drop it and pin it to gain up to six inches of trailer tongue height in ten seconds or less! Fits virtually all standard tongue jacks (both manual and electric) with two-inch diameter inner tubes. 5,000-lb. tongue weight rating.



Quick Foot saves time!

725014	Quick Foot jack extension.....
--------	--------------------------------



ROADMASTER BRAKES



Time Tested • Time Proven

TOWED VEHICLE SUPPLEMENTAL BRAKING



'Set-it-
and-forget-it'
braking system



A revolutionary innovation in supplemental braking – nothing.

Zip. Zero. Zilch. Nothing. Nada. Nil. That's what you have to do to connect and disconnect InvisiBrake. There's nothing to take in or out of your towed vehicle and there's nothing to push, pull, set, adjust, activate or deactivate. What could be easier than nothing at all?

WHAT IS INVISIBRAKE®?

InvisiBrake is a fully-automatic supplemental braking system that uses the electrical connections already in place on your towed vehicle (the towed vehicle's electrical harness) to brake when you brake the motorhome – the same electrical signal that activates the towed vehicle's brake lights also activates InvisiBrake.

• OUT OF SIGHT

InvisiBrake is so small (8¾" x 8¾" x 2¾") it can usually be mounted under the driver's seat, under the rear seat, behind interior panels or in the trunk, without sacrificing any of the vehicle's usable space.

• SET-IT-AND-FORGET-IT BRAKING

Once it's installed, InvisiBrake just works. Nothing for you to remember – not even an 'on' switch – just plug in the umbilical cord like you always do and you're ready to go!

• CHARGES YOUR BATTERY WHILE TOWING

InvisiBrake trickle-charges your battery during towing – InvisiBrake will never drain it.

• TWO-STAGE MOTORHOME MONITOR

Includes an LED monitor for a visual reference of braking activity; an alert at the motorhome will warn you if the brakes have been on for too long.

• ACTIVATES ONLY WHEN THE MOTORHOME'S BRAKE LIGHTS ILLUMINATE – no false braking!

• ENERGIZES YOUR POWER BRAKES – InvisiBrake energizes power brakes instead of working on a 'dead' pedal.

• WORKS IN VIRTUALLY ANY TOWED VEHICLE WITH VACUUM-POWERED BRAKES
Including hybrids and those with full-time ('active') power braking systems.

• INCLUDES EMERGENCY BREAK AWAY SYSTEM

• EASILY ADJUSTS TO INDIVIDUAL PREFERENCES
Braking pressure is adjustable from 5 to 100 psi.

• MEETS U.S. AND CANADIAN BRAKING REQUIREMENTS

8700 InvisiBrake.....



How does InvisiBrake work?

1. The controller receives a braking signal from the motorhome.
2. The vacuum created by the controller activates the power brakes.
3. The air cylinder pulls a cable that applies the brakes.



CURT 5TH WHEEL

HITCHES & TOWING ACCESSORIES



NEW

LIGHTWEIGHT WITH DIRECT-STRIKE COUPLING

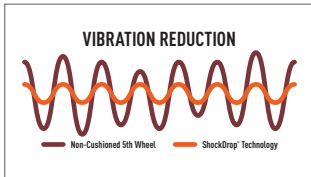
CROSSWING™ LIGHTWEIGHT 5TH WHEEL HITCH

- Premium steel construction offers robust 20,000-lb. capacity
- Unique coupling system eliminates guesswork by offering visible contact surface
- 65% lighter than most traditional 5th wheels (main body weighs 60 lbs.)



16600

Increased comfort



Features patent-pending ShockDrop technology to reduce jerking and jarring for a more comfortable towing experience

CROSSWING™ SINGLE POINT 5TH WHEEL HITCH

- Mounts over the top of most standard height 2-5/16" aftermarket and OEM gooseneck balls
- Bed protector supports distribute forces across the truck bed, adding support and reducing bed wear while protecting the bed from fore-and-aft abrasions during starts and stops (#16040)



16051 hitch and supports

16602 hitch only
16040 supports only

No guesswork



Head piece permanently installs onto kingpin, allowing head channel to guide the kingpin into place for easier hookup

One-person install



65% lighter than most traditional 5th wheel hitches (main body weighs up to 70 lbs.)



TRUST THE TOWING EXPERTS | curtmfg.com



CURT 5TH WHEEL



5TH WHEEL HITCHES

PowerRide™ hitch

- Tough, professional-grade, 30K capacity with enhanced ergonomics and functionality
- Ergonomic, self-resetting handle for easier use from the side of the truck bed
- Multi-directional, cast yoke head for a smooth ride and less strain on the truck
- Integrated wear plates for smooth operation, extended longevity and no grease
- Fast, one-pin head removal makes moving easy with smaller, lighter pieces
- Strategic grip points for ergonomic handling



A-Series™ hitches

- Available in 16K, 20K, 25K, 30K
- Articulating head with patented cast yoke and torsion springs
- Lockable, self-resetting handle for fewer steps while coupling



E-Series™ hitch

- Available in 16K
- Pivots on dual axes for 10 degrees of lateral movement
- Operates using a single handle and automatically locks for easy, secure coupling



OEM puck system mounting

- Quarter-turn anchors for quick installation
- Anchors adjust to eliminate chucking
- Industry-standard base rails accept any 5th wheel legs or roller (#16027)
- Available for Ford, GM, Nissan and Ram



5th wheel rollers

- Provides 12" of additional clearance between the truck cab and trailer on short-bed trucks
- Available in 16K, 20K and 24K capacities



Custom brackets, base rails and X5 adapter mounting options available. Contact your sales rep.

CURT 5TH WHEEL

HITCHES & TOWING ACCESSORIES

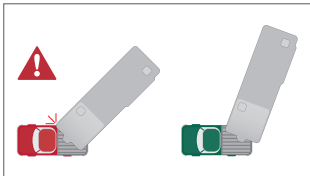


S-SERIES™ 5TH WHEEL SLIDERS

- Smooth sliding between positions with no binding
- Automatically latches in both directions so you only have to exit the truck once
- Easy-to-reach lever arm for ergonomic operation
- Lever lift motion for user-friendly functionality vs. traditional pull-out style
- Tested for safety in accordance with SAE J2638
- Mount to all industry-standard base rails



Greater maneuverability



Provides 12" of displacement for the coupling point, adding turning clearance to avoid trailer obstruction

Added convenience

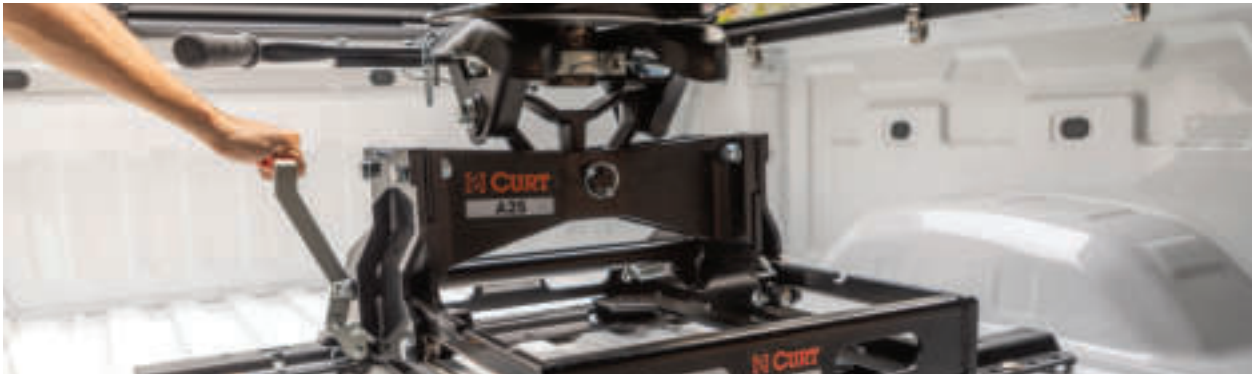


Handle automatically locks into place when you drive forward, eliminating the need to exit the truck multiple times during hookup

Factory assembled



Ships fully assembled for fast, easy installation onto any industry-standard rails



TRUST THE TOWING EXPERTS | curtmfg.com

LIPPERT



CURT WEIGHT DIST.



**STOP SWAY
IN ITS TRACKS**

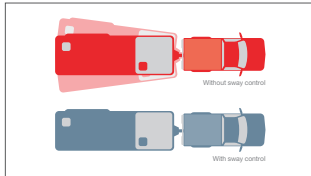
TRUTRACK™ 2P WEIGHT DISTRIBUTION HITCHES

- Two distinct points of sway control, working together to keep trailer aligned
- Integrated sway control reduces sway and levels the vehicle and trailer
- Adjustable brackets provide fixed support unlike spring bar chain models



17601

Integrated sway control



Integrated sway control reduces sway and levels the vehicle and trailer

TRUTRACK™ 4P WEIGHT DISTRIBUTION HITCHES

- Four points of sway control work together to keep trailer aligned
- Integrated sway control actively resists sway and levels the vehicle and trailer
- Welded head with cast pieces and trunnion-style forged steel spring bars



17500

Multiple points of control



Available in two or four points of sway control that use friction to keep trailer aligned

Adjustable brackets



Adjustable brackets provide fixed support unlike spring bar chain models



TRUST THE TOWING EXPERTS | curtmfg.com



WEIGHT DISTRIBUTION HITCHES

Trunnion bar

- Available capacities ranging from 5,000 to 15,000 lbs.
- Kits available with sway control included
- Heavy-duty formed head with trunnion, forged steel spring bars



Round bar

- Available capacities ranging from 5,000 to 14,000 lbs.
- Kits available with sway control included
- Heavy-duty fabricated head with round, forged steel spring bars



Sway control unit

- Helps limit lateral trailer movement to reduce sway
- Fits most weight distribution hitches or a sway tab mount



Weight distribution shanks

- Up to 15,000 lbs. GTW / 1,500 lbs. TW
- Provides an adjustable mount for most weight distribution hitches
- Solid steel for reliable strength



RV towing starter kit

- Complete kit to maximize comfort and control when towing a small travel trailer
- Ideal for vehicles less than 5,000 lbs. GVW and trailers 3,500 to 5,000 lbs. GTW
- Pre-torqued RockerBall™ dampens jerking and jarring for smoother towing
- Echo® brake controller uses Bluetooth and smartphone to control trailer brakes
- Sway control unit helps limit lateral trailer movement to reduce sway



SIX ROBBLEES EXCLUSIVE HITCH & SWAY CONTROL KIT

Pkg#	GTW	TW	Bars	Description
MV Round Bar Weight Distribution Kits				
17065	10,000 - 12,000 lbs.	1,000 - 1,400 lbs.	31-3/16"	WD hitch (17057), sway control (17200), pre-torqued 2-5/16" trailer ball (40030) and chains pre-assembled to spring bars



CURT BALL MOUNTS



ROCKERBALL™ TRAILER BALLS

- Dynamic, adaptive suspension trailer ball with ShockDrop™ technology
- Anti-swivel base compatible with most standard ball mounts
- Available in capacities up to 12,000 lbs. and trailer ball diameters to fit 2" or 2-5/16" couplers



40247



40248

REBELLION™ XD CUSHION HITCHES

- Dynamic, adaptive suspension ball mount with ShockDrop™ technology
- Lighter weight for less stress on the trailer hitch
- Adjustable, head for precise leveling
- Available in capacities up to 20,000 lbs.
- Various trailer ball configuration options

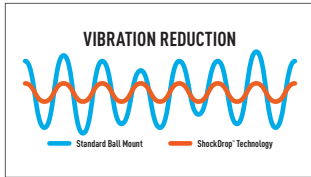


45955



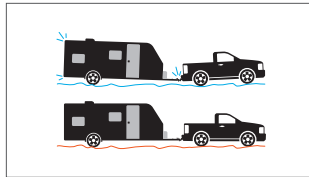
45951

Increased comfort



ShockDrop dynamically reacts to jarring, limiting its effects and giving the driver increased control on the road

Improved control



ShockDrop dynamically reacts to jarring, limiting its effects and giving the driver increased control on the road

Unmatched confidence



Unlike a cushion hitch with an airbag or bearings, ShockDrop is virtually maintenance-free and is stringently tested



TRUST THE TOWING EXPERTS | curtmfg.com



CURT BALL MOUNTS



BALL MOUNTS

Adjustable channel mounts

- Available for 2", 2-1/2" and 3" receiver tubes
- Allows for precise trailer leveling
- Lightweight, slim mount weighs only 15 lbs. (#45903)
- Shank can be flipped to maximize rise or drop
- Built-in anti-rattle helps promote quiet towing
- Hitch step and pintle mount accessories available
- Includes pins & clips

Only 15 lbs!



Part #	Max GTW	Shank	Drop
45900	14,000 lbs.	2"	6"
45902	20,000 lbs.	2-1/2"	6"
45903	10,000 lbs.	2"	3-3/4"

Part #	Max GTW	Shank	Drop
45926	14,000 lbs.	2"	10-1/8"
45927	20,000 lbs.	2-1/2"	10-3/8"
45928	21,000 lbs.	3"	10-5/8"

Class 3 ball mounts

- Fits any 2" x 2" receiver tube opening
- Multiple drop and rise options to accommodate various vehicle-trailer combinations
- Hollow shanks can be used with an anti-rattle kit
- Includes factory-torqued, 2" trailer ball and pin & clip



Part #	GTW	Shank	Drop	Rise
45030	7,500 lbs.	2"	2"	3/4"
45050	7,500 lbs.	2"	4"	2"
45070	7,500 lbs.	2"	6"	4"

Part #	GTW	Shank	Drop	Rise
45090	7,500 lbs.	2"	8"	6"
45036*	7,500 lbs.	2"	2"	--
45056*	7,500 lbs.	2"	4"	--

Aluminum ball mounts

- Fits 2" x 2" receiver tubes
- Constructed from solid aluminum



Part #	GTW	Shank	Drop	Rise
45360	8,000 lbs.	2"	2"	1"
45361	8,000 lbs.	2"	4"	3"
45362	8,000 lbs.	2"	6"	5"

Forged ball mounts

- Available for 2", 2-1/2" and 3" receiver tubes
- Constructed from solid, forged steel



Part #	GTW	Shank	Drop	Rise
45431	17,000 lbs.	2"	4"	3"
45456	20,000 lbs.	2-1/2"	2"	1/2"
45432	21,000 lbs.	3"	8"	6"



CURT CUSTOM HITCHES

HITCHES & TOWING ACCESSORIES



CUSTOM FIT TRAILER HITCHES

- Made with a vehicle-specific design for a custom fit
- Tested for safety in accordance with SAE J684
- Open-back receiver for easy cleaning
- CURT offers multi-fit hitches, front mount hitches, RV adjustable hitches, RV bumper hitches and hitch accessories



Made in the USA



Proud to manufacture all of our custom hitches in the USA

Superior strength & fit



Precision robotic welding for superior strength and fit

Rust resistance



Liquid A-coat applied inside and out for max rust resistance



TRUST THE TOWING EXPERTS | curtmfg.com



CURT BRAKES

HITCHES & TOWING ACCESSORIES



BRAKE CONTROLLERS

- Easily calibrated for all towing needs
- Quick plug equipped for fast, easy installation



Echo® in-line
Hidden under vehicle
Bluetooth-enabled
Smartphone-ready



Echo® under-dash
Hidden under dash
Bluetooth-enabled
Smartphone-ready



Echo® mobile
Portable design
Bluetooth-enabled
Smartphone-ready



Spectrum™
Integrated OE look
Hidden main body
Tri-color LED display



Assure™
Full text readout
Tri-axis sensitivity
Adjustable screen



TriFlex™
Tri-axis sensitivity
Auto adjustment
Digital display



Discovery™
Time-based
Adjustable output
Digital display



Venturer™
Time-based
Adjustable output
Ramp-up LED display



TRUST THE TOWING EXPERTS | curtmfg.com



CURT ACCESSORIES



CURT
SMART TOWING SOLUTIONS

PROTECTIVE TAILGATE SENSORS

- Helps avoid costly tailgate damage on GMC MultiPro™ / Chevy Multi-flex™ trucks
- Easy installation requires no wire cutting or splicing
- No extra electronic components or batteries required



58266

ELECTRICAL ADAPTERS

- Adapts a vehicle connector to fit a mismatched trailer plug
- Available in 4-, 6- and 7-way configurations
- Most are plug-and-play with no cutting or splicing



57015

PLUGS & SOCKETS

- Splices into existing wiring to supply power from the vehicle to the trailer
- Available in 2-, 4-, 5-, 6- and 7-way configurations
- Dust covers available



58140

CUSTOM WIRING

- Vehicle-specific, custom-fit
- Provides a standard 4-way flat connector on the vehicle for plugging in trailer wiring
- Simple plug-and-play design eliminates the need for splicing



HARNESS EXTENSIONS

- Vehicle-specific, custom-fit
- Routes a 7-way RV blade socket into truck bed while retaining use of rear socket
- Allows for easy connection of 5th wheel or gooseneck wiring



56070

BREAKAWAY KITS

- Activates electric trailer brakes in the event of a breakaway
- Meets DOT requirements for holding / breakaway situations
- Compatible on trailers with up to three axles
- Required in most states



52044

TRUST THE TOWING EXPERTS | curtmfg.com



WEIGH SAFE DROP HITCH

HITCHES & TOWING ACCESSORIES



WEIGH SAFE DROP HITCH

The patented Weigh Safe Adjustable Ball Mount is the **ONLY** ball mount in the industry that has a built-in scale to measure tongue weight. With components made of 6061 aircraft grade aluminum and stainless steel tow balls, this ball mount will offer you "Towing Peace of Mind" with every towing journey. Can be used in both the drop and rise positions!

AVAILABLE SIZES

SHANK SIZES & GROSS TRAILER WEIGHT RATINGS



DROP LENGTHS



Optional keyed alike Hitch Locking Pin (See "Keyed Alike" SKUS below)



DUAL PIN KEY LOCK ASSEMBLY TO SECURE PRODUCT

2" STAINLESS STEEL TOW BALL INCLUDED

DUST LOCK COVER



SCAN FOR PRODUCT VIDEO

2-5/16" STAINLESS STEEL TOW BALL INCLUDED

BUILT-IN GAUGE MEASURES TONGUE WEIGHT



PART # (SKU)	DROP	SHANK	KEYED ALIKE
WS4-2	4"	2"	WS4-2-KA
WS4-2.5	4"	2.5"	WS4-2.5-KA
WS6-2	6"	2"	WS6-2-KA
WS6-2.5	6"	2.5"	WS6-2.5-KA
WS6-3	6"	3"	WS6-3-KA
WS8-2	8"	2"	WS8-2-KA
WS8-2.5	8"	2.5"	WS8-2.5-KA
WS8-3	8"	3"	WS8-3-KA
WS10-2	10"	2"	WS10-2-KA
WS10-2.5	10"	2.5"	WS10-2.5-KA
WS10-3	10"	3"	WS10-3-KA



Also available in black cerakote aluminum!



Stow when not in use!
***Except 3" shank sizes



WEIGH SAFE DROP HITCH

HITCHES & TOWING ACCESSORIES



180 DROP HITCH

**CHROME-PLATED
STEEL
TOW BALLS**

AVAILABLE SIZES

SHANK SIZES & GROSS TRAILER WEIGHT RATINGS



2" 12.5K LBS 2.5" 18.5K LBS 3" 21K LBS

DROP LENGTHS



SCAN FOR CERAKOTE PRODUCT VIDEO

Optional keyed alike Hitch Locking Pin (See "Keyed Alike" SKUS below)



DUAL PIN KEY LOCK ASSEMBLY TO SECURE PRODUCT

DUST LOCK COVER



*****ALSO AVAILABLE IN A 1-7/8" X 2" COMBO BALL**



**CHROME-PLATED STEEL COMBO BALL
2" & 2-5/16" TOW BALLS**

PART # (SKU)	DROP	SHANK	KEYED ALIKE
CTB4-2	4"	2"	CTB4-2-KA
CTB4-2.5	4"	2.5"	CTB4-2.5-KA
CTB6-2	6"	2"	CTB6-2-KA
CTB6-2.5	6"	2.5"	CTB6-2.5-KA
CTB6-3	6"	3"	CTB6-3-KA
CTB8-2	8"	2"	CTB8-2-KA
CTB8-2.5	8"	2.5"	CTB8-2.5-KA
CTB8-3	8"	3"	CTB8-3-KA
CTB10-2	10"	2"	CTB10-2-KA
CTB10-2.5	10"	2.5"	CTB10-2.5-KA
CTB10-3	10"	3"	CTB10-3-KA



**Stow when not in use!
***Except 3" shank sizes
& 4" drop lengths.**



Also available in black cerakote aluminum!



HITCH BALLS

Hitch Balls

Chrome Part No.	A Ball Dia.	B Shank Dia.	C Shank Length	Max Gross Trlr. Wt. (GTW) lbs.
1 7/8" Hitch Balls				
41001	1 7/8"	3/4"	1 5/8"	2,000
40015	1 7/8"	3/4"	2 1/8"	2,000
40002	1 7/8"	1"	2 1/8"	3,500
40017	1 7/8"	1"	3"	3,500
2" Hitch Balls				
40003	2"	3/4"	1 3/4"	3,500
40018	2"	3/4"	2 1/8"	3,500
40004	2"	1"	2 1/8"	6,000
40037	2"	1"	2 1/8"	7,500
40020	2"	1"	3"	6,000
40090	2"	1 1/4"	2 5/8"	10,000
2 5/16" Hitch Balls				
40050	2 5/16"	1"	2 1/8"	7,500
40030	2 5/16"	1 1/4"	2 5/8"	15,000
40008	2 5/16"	1 1/4"	2 3/4"	20,000



Specialty & Heat Treated Hitch Balls

Part #	Ball Dia.	Shank Dia.	Rise	Shank Length	Max. Load (lbs.)
1802050	2 5/16"	1 1/4"	-	2 3/4"	30,000
1802056	2 5/16"	1 1/2"	1"	2 3/4"	30,000
1802061	2 5/16"	1 1/2"	2"	2 3/4"	30,000
84137	2 5/16"	1 3/8"	-	2 1/2"	40,000

Interchangeable Hitch Balls

Part #	Fig. #	Shank	Ball A	Ball B	Ball C	Max. GTW (lbs.)
42178	1	1"	1 7/8"	2"	-	3500/6000
42225	1	1"	1 7/8"	2"	2 5/16"	3500/6000/8000
42280	1	1"	-	2"	2 5/16"	6000/8000



Reducer Bushings

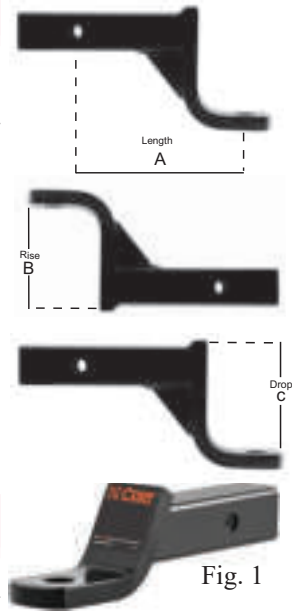
Part #	Description
21100	Reducer Bushing 1" to 3/4"
21200	Reducer Bushing 1 1/4" to 1"



BALL MOUNTS

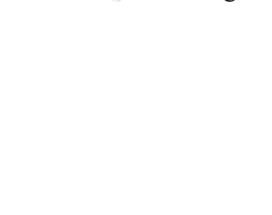
Utility Ball Mounts (Black E-Coat Finish)

Part #	Fig. #	Rating (lbs.) GTW / TW	Ball Size (Hole)	A Length	B Rise	C Drop
45030	1	7,500/750	1"	7½"	¾"	2"
45040	1	7,500/750	1"	10¼"	¾"	2"
45250	2	7,500/750	1"	12¼"	¾"	2"
45050	3	7,500/750	1"	8¼"	2"	4"
45060	3	7,500/750	1"	10¼"	2"	4"
45070	3	6,000/600	1"	9¼"	4"	6"
45090	3	5,000/500	1"	11½"	6"	8"
45112	3	3,500/350	1"	14"	8"	-
		5,000/500	1"	14"	-	10"



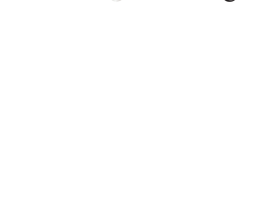
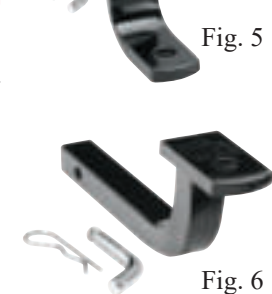
1¼" Drawbar Kits - Pin & Clip Included (Black E-Coat Finish)

Part #	Style	Rating (lbs.)	Ball Size	A	B	C
Class I						
45018	4	2,000 / 200	¾"	6¾"	⅝"	1¼"
45019	4	2,000 / 200	¾"	9¾"	⅝"	1¼"
45022	5	2,000 / 200	¾"	7¼"	2⅝"	3¼"
45026	5	2,000 / 200	¾"	9⅜"	2⅝"	3¼"
45021	6	2,000 / 200	¾"	9½"	3¾"	N/A
Class II						
45518	4	3,500 / 300	¾"	6¾"	¾"	1¼"
45519	4	3,500 / 300	¾"	9¾"	¾"	1¼"
45520	6	3,500 / 300	¾"	9¾"	3⅛"	-
45522	6	3,500 / 300	¾"	11¼"	3⅛"	-
45014	6	3,500 / 300	¾"	9⅝"	5"	-
45521	5	3,500 / 300	¾"	7¼"	2⅝"	3¼"



Hollow Shank HD Ball Mounts

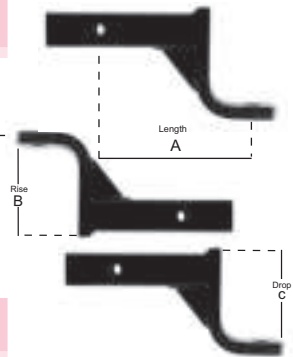
Part #	Style	Rating (lbs.) GTW / TW	Ball Size (Hole)	A Length	B Rise	C Drop
45310	1	10,000/1,000	1¼"	9⅜"	1"	2"
45311	3	10,000/1,000	1¼"	9⅜"	2¾"	4"
45336	3	10,000/1,000	1¼"	9⅜"	4¾"	6"
45338	3	10,000/1,000	1¼"	9⅜"	6¾"	8"



BALL MOUNTS

Ultra Frame Solid Shank Ball Mounts (Black)

Part #	Fig. #	Rating (lbs.)		Ball Size (Hole)	A Length	B Rise	C Drop
		GTW	TW				
45312	1	12,000	1,200	1¼"	9¾"	1"	2"
45313	2	12,000	1,200	1¼"	9¾"	3"	4"
45446	2	12,000	1,200	1¼"	9¾"	5"	6"
45448	2	12,000	1,200	1¼"	9¾"	7"	8"



Solid Forged Ball Mounts

Part #	Fig. #	Rating (lbs.)		Ball Size (Hole)	A Length	B Drop	C Drop
		GTW	TW				
1803051	3	20,000	2,000	1¼"	7½"	¾"	2"
1803056	3	20,000	2,000	1¼"	7½"	2¾"	4"
1803059	3	20,000	2,000	1¼"	7½"	4¾"	6"

Fig. 1

Fig. 2

Clevis Ball Mounts

Part #	Fig. #	Ball Rating (lbs.)		Clevis Rating (lbs.)	
		GTW	TW	GTW	TW
45821	4	6,000	600	6,000	600
1803065	4	6,000	600	8,000	800
HP34625	5	¾" x 6¼" Clevis Pin			
HP10625	5	1" x 6¼" Clevis Pin			

Fig. 3

Fig. 4

Fig. 5

Multiple-Ball Ball Mounts

Part #	Fig. #	Description	Length	GTW/TW
45660	6	Ball Mount for 2", 2½"	8½"	10K/1K
45650	7	Tri-Ball (1⅞", 2", 2½")	7-8½"	10K/1K
45799	8	Adj. Tri-Ball Hitch (1⅞", 2", 2½")	16"	6K/7.5K/10K

Fig. 6

Fig. 7

Adjustable Ball Mounts

Part #	Fig. #	Description	GTW	TW	Length	Rise	Drop
45812	9	Quick Release Assembly	5,000	500	12½"	6¼"	7½"
45901	10	4-Pos. Solid Shank	6,000	600	11/12"	5¼"	6¾"

Fig. 8

Fig. 9

Fig. 10



HITCH PINS & LOCKS

Fastway Locking Adj. Alum. Ball Mounts

Part #	Fig. #	Drop	Rise	Shank	Ball Sizes
DT-ALBM6400	-	4"	5"	2"	2", 2 ⁵ / ₁₆ "
DT-ALBM6600	1	6"	7"	2"	2", 2 ⁵ / ₁₆ "
DT-ALBM6800	-	8"	9"	2"	2", 2 ⁵ / ₁₆ "
DT-ALBM7000	-	10"	11"	2"	2", 2 ⁵ / ₁₆ "
DT-ALBM6425	-	4"	5"	2 ¹ / ₂ "	2", 2 ⁵ / ₁₆ "
DT-ALBM6625	1	6"	7"	2 ¹ / ₂ "	2", 2 ⁵ / ₁₆ "
DT-ALBM6825	-	8"	9"	2 ¹ / ₂ "	2", 2 ⁵ / ₁₆ "
DT-ALBM7025	-	10"	11"	2 ¹ / ₂ "	2", 2 ⁵ / ₁₆ "

BW Tow & Stow Ball Mounts (10K)

Part #	Fig. #	Drop	Rise	Ball Sizes
--------	--------	------	------	------------

Accessories

TS35010	2	Replacement Stainless Steel Pins		
TS35020	3	Silencer Pad		

Ball Mount Locks

Part #	Fig. #	Description
63201	4	J-Pin Anti-Rattle Pin w/Barrel Lockset
BLHP125	5	1/2" Dia. - Fits 1 1/4" Receivers
BLHP200	5	5/8" Dia. - Fits 2" or 2 1/2" Receivers
BLPHP300	6	Deadbolt Receiver Lock for 2" Square Receivers
63250	7	Deadbolt Drawbar/Coupler Lock Set for 2" Receivers
25219	8	Quietride Hitch Pin with Lock

* Not Compatible with 18K Receivers

Pin & Clips

Part #	Fig. #	Description
06237	9	1/2" Pin for 1 1/4" Square Receivers
55010	9	5/8" Pin for 2" Square Receivers
HP12	10	Hairpin Clip for 06237 and 55010 Pin
HP545WC	9/10	Bulk 1/2" Hitch Pin w/Clip for 1 1/4" Square Receivers
HP6253WC	9/10	Bulk 5/8" Hitch Pin w/Clip for 2" Square Receivers
63243	9/10	Packaged 5/8" Hitch Pin w/Clip for 2 1/2" Square Receivers

Receiver Tube Covers

Part #	Fig. #	Description Fits	Material
1202	11	Black, Economy	2" Square Plastic
5330	12	Black, Economy	2" Square Rubber

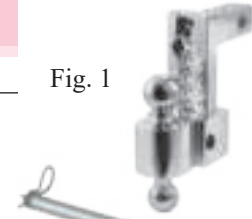


Fig. 1



Fig. 2



Fig. 3



Fig. 4



Fig. 5



Fig. 6



Fig. 7



Fig. 8

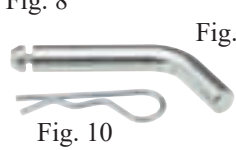


Fig. 9



Fig. 10



Fig. 11



Fig. 12



HITCH ACCESSORIES

Hitch Ball Covers

Part #	Fig. #	Description
3832	-	Ball Cover for 1 $\frac{7}{8}$ " to 2" Hitch Balls, Orange
3833	-	Ball Cover for 1 $\frac{7}{8}$ " to 2" Hitch Balls, Yellow
3834	-	Ball Cover for 1 $\frac{7}{8}$ " to 2" Hitch Balls, Blue
42250	1	Ball Cover for 1 $\frac{7}{8}$ " to 2" Hitch Balls, Black
42251	1	Ball Cover for 2 $\frac{5}{16}$ " Hitch Balls, Black
82-00-3220	2	2" Tethered Ball Cover, Black
82-00-3216	2	2 $\frac{5}{16}$ " Tethered Ball Cover, Black



Fig. 1



Fig. 2

Receiver Extensions

Part #	Fig. #	Description
2200007	3	Receiver Extension 7"
1804005	3	Receiver Extension 12"
220001B	3	Receiver Extension 18"
31001	4	12" Receiver Extension, with step
WFC220001	4	14" Receiver Extension
1804010	5	Dual Receiver Extension
1804055	6	Bolt-On Receiver Tube, 2" I.D. x 6"

Note: Receiver Extensions Reduces Hitch Capacity by $\frac{1}{3}$



Fig. 3



Fig. 4

Combo Bars (unpainted)

Part #	Length	Diameter	Ring
2359128	6"	2" x 2"	Forged
2360129	8"	2" x 2"	Forged
2361131	12"	2" x 2"	Forged
2361132	18"	2" x 2"	Forged
2361133	24"	2" x 2"	Forged
2361134	36"	2" x 2"	Forged
2361135	48"	2" x 2"	Forged
3006	6"	1 $\frac{1}{4}$ " x 1 $\frac{1}{4}$ "	Standard
49510	10"	2 $\frac{1}{2}$ " x 2 $\frac{1}{2}$ "	Forged
RT255818	18"	2 $\frac{1}{2}$ " x 2 $\frac{1}{2}$ "	Forged



Fig. 5



Fig. 6



Forged



Standard



HITCH MOUNTED ACCESSORIES

Cargo Carriers

Part #	Fig. #	Description	Capacity	Mount
18152	1	60"x24"x6"	500 lbs.	2" Receiver
18110	2	47 ¾"x19½"x2½"	400 lbs.	2" Receiver
53201	3	Optional LED Light Kit		



Fig. 1



Fig. 2



Fig. 3

Hitch Adapters

Part #	Fig. #	Description
1804030	-	Hitch Adapter, 1¼" to 2"
1804035	4	Hitch Adapter, 2" to 1¼"



Fig. 4

Front Mounted Receiver Accessories

Part #	Fig. #	Description
31010	5	Universal Winch Mounting Plate
31006	6	Universal Spare Tire Carrier
31001	7	Receiver Mounted Service Step



Fig. 5

Economy Tow Bars

Part #	Fig. #	Description
19745	8	5,000 lbs. Capacity Tow Bar - Adjustable Black, Fits 2" Ball, Arms Adjust from 26" to 41"



Fig. 6



Fig. 7



Fig. 8



PINTLE HITCHES

Combination Hitches

Part #	Fig. #	Description	Capacity
23071922*	1	Drop Forged, 2" Ball	16,000 lbs.
23081992*	1	Drop Forged, 2 ⁵ / ₁₆ " Ball	16,000 lbs.

*When used as a "ball coupler" the ratings are as stamped on the ball.
* Includes Mounting hardware*

8520	2	Grade 8 Mounting Bolt Kit, for BH8 Series
RB2000	3	Replacement 2" Ball, for BH82000
RB2516	3	Replacement 2 ⁵ / ₁₆ " Ball, for BH82516
P11C	4	Replacement Lock Pin w/Chain, for BH8 Series



Fig. 1



Fig. 2



Fig. 3

Rigid Pintle Hooks

Part #	Fig. #	Description	M.G.T.W. (lbs.)
IQ09345*	5	5-Ton Pintle Hook	10,000
2055136*	5	8-Ton Pintle Hook	16,000
2056124*	5	15-Ton Pintle Hook	30,000
2057235*	5	20-Ton Pintle Hook	40,000

8520	2	Mounting Bolt Kit for PH5, PH8, PH15 <i>* Includes Mounting hardware</i>
------	---	---

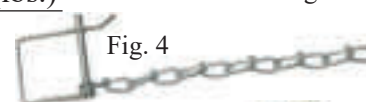


Fig. 4



Fig. 5

Pintle Mount Adapters

Part #	Fig. #	Description
PMHD14002	6	8 Hole, 3 Position, 2" x 9" Shank, 16K
PMHD14003	6	8 Hole, 3 Position, 2" x 11" Shank, 16K
PM84	-	4 Hole, 1 Position, 2" x 9" Shank, 20K
PMHD14004	-	14 Hole, 6 Position, 2" x 13" Shank, 16K
PMHD14005	-	14 Hole, 6 Position, 2" x 15" Shank, 16K
8520	-	Bolt Kit for Pintle Mounts



Fig. 6



Fig. 7

Receiver Mount Hitch

Part #	Fig. #	Description	Capacity
48005	7	Fits 2" Receiver Tubes	10,000 lbs.
RM62000	8	2" Combination Hitch	12,000 lbs.
RM62516	8	2 ⁵ / ₁₆ " Combination Hitch	12,000 lbs.



Fig. 8

Tow & Stow Pintle Hitch

Part #	Fig. #	Rise	Drop	Ball Size	Capacity
TS10055	9	8"	6 ¹ / ₂ "	2"	10,000 lbs.
TS10056	9	8"	6 ¹ / ₂ "	2 ⁵ / ₁₆ "	10,000 lbs.



Fig. 9



2½" HITCH ACCESSORIES

2½" Square Forged Ball Mounts

Part #	Fig. #	GTW / TW (lbs.)	Length	Drop	Rise
45456	1	20,000 / 2,700	8½"	2"	½"
45458	1	20,000 / 2,700	8½"	4"	2½"
45459	1	20,000 / 2,700	9"	6"	4½"
45460	-	20,000 / 2,700 Drop 16,000 / 2,160 Rise	10"	8"	6½"



Fig. 1



Fig. 2

Hitch Balls

Part #	Fig. #	Description	GTW/GVWR Rating
40008	2	Chrome, 2 ⁵ / ₁₆ " x 1¼"	20,000 lbs.

Receiver Accessories

Part #	Fig. #	Description	WC Rating	WD Rating
45048	3	Hitch Box Extension		
		24" Extension	6,000 lbs.	8,000 lbs.
		34" Extension	4,500 lbs.	6,000 lbs.
PMHD14202	4	8 Hole, 3 position, 2½" x 7" Shank, 16K		
48348	-	8 Hole, 3 position, 2½" x 7⅞" Shank, 18K		
45405	5	Reducer Bushing. Reduces Opening from 2½" to 2"		
23021	6	Ball Mount Lock, Fits 2" & 2½" Tubes		
2319224	7	Replacement Hitch Pin & Clip		

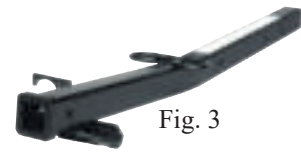


Fig. 3

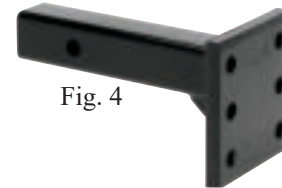


Fig. 4



Fig. 5



Fig. 6



Fig. 7



5TH WHEEL HITCHES

5th Wheel Accessories

Part #	Fig. #	Description
16200	1	5th Wheel Rail & Install Kit, 10-Bolt
30439	-	Install Kit w/ Hdwe & Brkt.'s for 30035
30048	-	5th Wheel Slider, work with Reese Select Series
50024	-	5th Wheel Slider, works with R16 & R20 hitches
30053	2	5th Wheel Starter Kit
16721	-	10" Lube Plate, works with Reese Select Series
16722	-	12" Lube Plate , will not work with R16 & R20 Hitches



Fig. 1



Fig. 2

Reese Pro Series 5th Wheel Hitch

Part #	Fig. #	Description
30128	3	15K 5th Wheel Hitch
30129	4	15K Slider 5th Wheel Hitch
**** Comes complete with 5th wheel rail kit ****		
30862	-	25K 5th Wheel, Rail Kit sold Separately
****It is recommended that a 10-Bolt Rail kit be used, P/N 16200****		

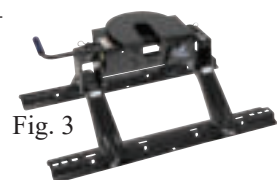


Fig. 3

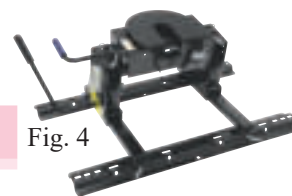


Fig. 4

King Pin

Part #	Fig. #	Description
KP20038	5	Trailer King Pin, 3/8" thick bolster plate
2084192	5	Trailer King Pin, 1/4" thick bolster plate
KPL200	-	King Pin Lock



Fig. 5



GOOSENECK HITCHES

HITCHES & TOWING ACCESSORIES

Folding Hitch Ball

Part #	Fig. #	Description
61052	1	Buyers 25K Folding Ball Hitch

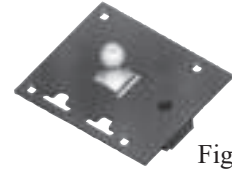


Fig. 1

25K Above-Bed Gooseneck

Part #	Fig. #	Description
49080	2	Pro Series 25K Gooseneck Hitch (short bed trucks)
30035	-	Rails & Mounting Bracket Kit for Full Size Trucks



Fig. 2

2 5/16" Gooseneck Couplers

Part #	Fig. #	Description
028760 0300	4	20K Round Bulldog Adj. Coupler
028761 0300	-	20K Replacement Inner Tube & Coupler
GCPN-25008	-	Economy 25K Adj. Round Coupler
028960 0300	3	25K Square Bulldog Adj. Coupler
028950 0300	4	30K Round Bulldog Adj. Coupler
028980 0300	3	30K Square Bulldog Adj. Coupler
028774 0300	6	Bulldog Coupler Repair Kit



Fig. 3

Fig. 4

Fig. 5

Gooseneck Accessories

Part #	Fig. #	Description
48501	7	King Pin to Gooseneck Adapter, 24K Cap.
TEXA4200	10	Extend-a-Goose 10" offset Trailer Coupler
GNXA2000	-	B & W 2 5/16" Replacement Ball
GNXA2050	-	B & W 2 5/16" High Rise Ball
GNXA4085	11	B & W Gooseneck Extender, offset ball 4"
GNXA4000	12	B & W Inverted King Pin
1900-2-1600	-	B & W Safety Chain Kit
TL-50	-	Gooseneck Coupler Lock



Fig. 6



Fig. 7

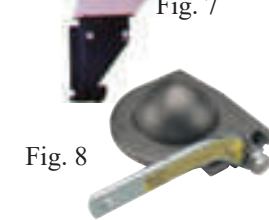


Fig. 8



Fig. 11

Fig. 9

Fig. 10



Fig. 12



RV BRANDS

RV Appliances	176
Lighting & Electrical	177-187
Cleaners & Maintenance	188-193
Hardware	194-199
Steps & Handrails	200-201
RV Covers & Vents	202-207
LP Products	208-209
Fresh Water	210-213
Sewer & Sanitation	214-216
Towing	217
Air Springs	218-220



RV APPLIANCES



Polar®

The Norcold Polar® series of refrigerators offer both DC compressor and gas absorption models for the perfect fit and function.

SKU	Description	Cutout Dimensions (In.) H x W x D	Power
N8XFR	8 cu. ft., RH	59 7/8" x 23 1/2" x 24"	AC/LP
N7XFR	7 cu. ft., RH	52 7/8" x 23 1/2" x 24"	AC/LP

*Door panels sold separately. Dimensions (in.): upper 15 1/2" x 21 1/2"; lower 39 7/8" x 21 1/2"

** Door panels sold separately. Dimensions (in.): upper 15 1/2" x 21 1/2"; lower 32 7/8" x 21 1/2"



LIGHTING & ELECTRICAL

RV LIGHTING & ELECTRICAL

25 YEARS | 1 MILLION PANELS SOLD



on select ISW inverters!

INDUSTRIAL PURE SINE WAVE INVERTERS

Premium mobile power in a sleek, lightweight profile. Bring reliable power on the road with the new Go Power! Industrial Pure Sine Wave Inverter, available in 200-3000 watts. Provide peace of mind when powering electronics with a 2-year warranty.

PURE SINE WAVE INVERTERS	OUTPUT (watts)	SURGE (watts)	OUTLETS
GP-ISW3000-12	3000	6000	Hard wire
GP-ISW2000-12	2000	3500	2 GFCI
GP-ISW1500-12	1500	2650	2 GFCI
GP-ISW1000-12	1000	1750	2 GFCI
GP-ISW700-12	700	1230	2 GFCI
GP-SW400-12	400	450	2 GFCI
GP-SW200-12	200	260	2

HEAVY DUTY MODIFIED SINE WAVE INVERTERS

Economical power solutions for running lights, appliances, and other resistive loads. The Go Power! Modified Sine Wave Inverters are reliable inverters that range from 225 to 5000 watts and come with a 1-year warranty.

MODIFIED SINE WAVE INVERTERS	OUTPUT (watts)	SURGE (watts)	OUTLETS
GP-5000HD	5000	10000	4 (+HW)
GP-3000HD	3000	6000	4 (+HW)
GP-1750HD	1750	3500	3
GP-1000HD	1000	2000	2
GP-800HD	800	1600	2
GP-400HD	400	800	2
GP-225HD	225	450	2

Don't see the Go Power! inverter you had in mind? Contact your dealer for other available products.

IC Series™

CUT INSTALL TIME IN HALF WITH
AN INVERTER/CHARGER



BONUS
Remote
included

A 3-in-1 system combining an inverter, battery charger, and automatic transfer switch to save space and simplify installation. UL listed, the inverter charger is available in 2000 and 3000 watt models, and comes with a 3-year warranty. Kits include remote.

INVERTERCHARGER	WATTS	SURGE	BATTERY CHARGER	TRANSFER SWITCH	WEIGHT
GP-IC-3000-12-PKG	3000	6000	125 amps	2x 50 amps	51.9 lbs
GP-IC-2000-12-PKG	2000	3400	100 amps	2x 50 amps	38.7 lbs

SOLAR READY BATTERIES

GP-LIFE04-100

GP-LIFE04-250

SUN CYCLE™ LITHIUM BATTERY

- 12V, 92AH @ C100 | 100AH @ C20
- 36 lbs (16.3 kg)
- 12.9 in x 7 in x 9.2 in
- 12V, 250AH @ C50
- 80 lbs (36.3 kg)
- 20.5 in x 9.5 in x 8.8 in

GP-AGM-224-6V

GP-AGM-100-12V

SUN CYCL E™ AGM SOLAR BATTERIES

- 6V, 224AH @ C20
- 67.3 lbs (30.5 kg)
- 10.24 in x 7.09 in x 9.72 in
- 12V, 110AH @ C100 | 100AH @ C20
- 67.5 lbs (30.6 kg)
- 12.01 in x 6.61 in x 8.15 in

LIGHTING & ELECTRICAL

RV LIGHTING & ELECTRICAL

25 YEARS | 1 MILLION PANELS SOLD

Go Power!

NEW ECLIPSE MPPT SOLAR SERIES

Charge batteries faster and maximize your solar charging performance with the new ECLIPSE MPPT solar series. Choose from either a rigid 190-watt or 190-watt Solar Flex panel. Kits are expandable up to 3000-watts with stackable controllers*.

Supercharge your solar array to 98% conversion efficiency with MPPT charging. Ideal for series configurations. Bluetooth® enabled remote* allows you to view and change essential battery stats from your handheld device.

FEATURES Bluetooth® RVC Compatible Lithium Controller

KITS	AMPS	WATTS	CONTROLLER
GP-ECLIPSE-190	9.45	190	30 AMP
GP-ECLIPSE-FLEX-190	9.89		
GP-ECLIPSE-190-E	9.45	Not Required	
GP-ECLIPSE-FLEX-190-E	9.89		

MOST POPULAR KIT → OVERLANDER

NEW 100W

The best-selling solar kits on the market! OVERLANDER and RETREAT kits keep batteries healthy and charged while providing freedom to run lights, water pumps, furnaces, and other DC appliances. Power output warranty: 25 years.

NEW: 100W Slim Solar Panel

EXPANSION KITS	AMPS	WATTS	CONTROLLER
OVERLANDER	9.3	190	
RETREAT	5.4	100	
SLIM SOLAR	5.4	100	

EXPANSION KITS

EXPANSION KITS	AMPS	WATTS
OVERLANDER-E	9.3	190
RETREAT-E	5.4	100
SLIM-100E	5.4	100


SOLAR + INVERTER SYSTEMS

SOLAR EXTREME (570 watts)

- 570 watt, 28.35 amp (3x 190W modules)
- Bluetooth® ready 30 amp PWM digital controller
- 3000 watt pure sine wave inverter charger (with built-in 125 amp battery charger and 50 amp transfer switch)
- Inverter install kit and remote

7+ days

Pair with: 4 or more



WITH Bluetooth® CONTROLLERS

SOLAR ELITE (380 watts)

- 380 watt, 18.9 amp (2x 190W modules)
- Bluetooth® ready 30 amp PWM digital controller
- 2000 watt pure sine wave inverter charger (with built-in 100 amp battery charger and 50 amp transfer switch)
- Inverter install kit and remote

4-7 days

Pair with: 4 x

WEEKENDER ISW (190 watts)

- 190 watt, 9.45 amp (1x 190W module)
- Bluetooth® ready 30 amp PWM digital controller
- 1500 watt industrial pure sine wave inverter
- Prewired 30 amp transfer switch
- Inverter install kit and remote

1-4 days

Pair with: 2 x

Don't see the Go Power! product you had in mind? Contact your dealer for other available products.



LIGHTING & ELECTRICAL

25 YEARS | 1 MILLION PANELS SOLD

MPPT SOLAR CONTROLLERS **NEW**



**MAXIMUM
POWER POINT
TRACKING**

RV-C COMPATIBLE

**Lithium
compatible
Controller**

30 AMP MPPT RV-C COMPATIBLE SOLAR CONTROLLER GP-MPPT-30-RVC

MPPT solar controllers optimize an RV's solar charging in all sun and tilt conditions. Easy to install on their own and compatible with all RV-C multiplexing systems, these MPPT solar controllers offer superior flexibility for any RV installation. 5-Year Warranty



OPTIONAL BLUETOOTH® REMOTE GP-RVC-R

Conveniently set and view essential charge information remotely with the GP-RVC-R. The LCD screen shows battery charge current and voltage.

Bluetooth®

MORE SOLAR CONTROLLERS



BLUETOOTH® ENABLED MPPT GP-MPPT-PRO-60

Ideal for larger solar installations, this stackable controller optimizes solar charging using the MPPT charging technology.

MPPT ACCESSORIES

- REMOTE (Optional)
- BLUETOOTH® DONGLE (Optional)



GP-PWM-30-UL

**Lithium
compatible
Controller**



GP-PWM-10-FM

NEW



GP-BMK-25

BATTERY MONITOR

View your battery's performance with the Go Power! Battery Monitor Kit (GP-BMK-25). Fit for all battery types, the GP-BMK-25 gives you easy to understand battery stats at the push of a button.

Go Power!

SOLAR FLEX™



**NOW
110W**

**82%
lighter**

**Lithium
compatible
Controller**

**WIRELESS
WARRANTY**

Conforms to the RV rooftop and eliminates any need for custom mounts. SolarFlex™ kits are fully expandable; add an expansion kit as your needs grow. Ships with a digital solar controller and can be mounted with adhesive or screws for a secure install.

SOLAR FLEX	AMPS	WATTS	CONTROLLER
GP-FLEX-500	28	5x 100	40 amp
GP-FLEX-200	11.2	2x 100	30 amp*
GP-FLEX-100	5.6	100	30 amp*
GP-FLEX-55	2.8	50	10 amp*
GP-FLEX-35	1.7	30	10 amp*
GP-FLEX-100E	5.6	100	Not required
GP-FLEX 50E	2.8	50	Not required

Controllers are Lithium Compatible. 30 amp Controllers are Bluetooth Ready. **Bluetooth®**



PORTABLE SOLAR KITS

Plug & Play connectivity ensures fast and easy set-up between the panels and the battery. Includes 12' UV cables and a durable carry case.

KITS	AMPS	WATTS	CONTROLLER
GP-PSK-200	11.2	200	30 amp
GP-PSK-130	6.9	130	10 amp
GP-PSK-90	4.7	90	10 amp

ACCESSORIES	DESCRIPTION
GP-PSK-X30	30' Extension Cable
GP-PSK-7PIN	7 Pin Trailer Adapter

NEW



DURACUBE PORTABLE POWER STATION 500-WATT HOUR SOLAR GENERATOR

Compact, portable power. 500 watt-hour battery pack with a 500-watt pure sine wave inverter.

NEW



DURAPACK SOLAR BATTERY PACK 8 WATTS SOLAR • 10,000MAH BATTERY

Capable of charging cell phones up to 3 times per charge.

DURALITE

Lightweight and easy to use, these portable solar kits are perfect for powering weekend getaways.

NEW



KITS	AMPS	WATTS	CONTROLLER
GP-DURALITE-100	4.55	100	30 amp
GP-DURALITE-100-E	4.55	100	10 amp

LIGHTING & ELECTRICAL

RV LIGHTING & ELECTRICAL



Omnidirectional Bulb



016-1141-280 Omin Direction LED Bulb

LED Replacement Bulb



016-1156-170 Single Contact Bayonet

Wedge LED Bulb



016-921-280 921 LED Tower Bulb 280 LMS

JC10 LED Bulb



016-02-JC10 JC-10 Halogen 12-volt RV Int 1/cd

LED Replacement Tube



016-T818 18" Fluorescent Tube LED bulb

921 Tower LED Bulb



016-781921 921 Tower LED Omnidirectional Tower Wedge/921 Light Fixtures

LED Replacement Bulbs



016-194-70 0.24 watts, 0.020 amps, 2 Pk



LED RV Lights



- 42-84-410 S/T/T Module (Red) Bulb Socket Plug
- 42-84-412 T Module (Amber) Bulb Socket Plug
- 42-84-414 Backup Light Module (Red Reflex) Bulb Socket Plug



Round Connectors



- 670-41 4-way Plug, Trailer End
- 670-42 4-way Socket, Car End
- 670-61 6-way Plug, No Cableguard
- 670-61SG 6-way Plug w/ Cableguard
- 670-62 6-way Socket, Concealed Terminal
- 670-71SG 7-way Standard Plug w/ Cable Guard, Trailer End Only
- 670-72 7-way Split Pin, 2 Hole Mount Socket, Car End Only
- 670-722 7-way Rubber Boot for Socket



Flat Connectors



- 118001 4-way 48" Car End Plug (w/ 4 Wire Taps)
- 118002 4-way 60" Car End Plug (w/ 4 Wire Taps)
- 118004 4-way 12" Trailer End Plug
- 118033 4-way 48" Trailer End Plug
- 118185 4-way 18" Car/Trailer End Loop (w/ 4 Wire Taps)
- 118044 4-way 48" Car/Trailer End Loop (w/ 4 Wire Taps)
- 118045 4-way 60" Car/Trailer End Loop (w/ 4 Wire Taps)
- 20112 4-Flat Connector Cover
- 118016 5-way 72" Car End Wiring Harness
- 118017 5-way 48" Trailer End Wiring Harness
- 118215 5-way 72" Car & Trailer End Loop



Flat Connectors



- A20WB 4-way 20' Wishbone Harness
- A25WB 4-way 25' Wishbone Wiring Harness
- A35WB 4-way 35' Wishbone Harness
- A35W5BP 5-way 35' Wishbone Harness



Round Connectors



- 11-403P 4-way Connector Plug, Trailer End w/ Cableguard
- 11-409P 4-way Chrome Plug, Trailer End
- 11-410P 4-way Chrome Socket, Car End
- 11-608P 6-way Connector Socket, W/ Rubber Boot
- 11-700P 7-way Standard Plug, Trailer End Only
- 11-902 7-way Weather Beater Plug w/ Cable Guard
- 11-704P 7-way Nylon Plug, Trailer End Only
- 11-720P 7-way Solid Pin, 2 Hole Mount Socket, Car End Only
- 11-723P 7-way Nylon Socket, Car End Only



7-Way RV Connectors



- 12-702 Metal Connector Plug, Trailer End Only
- 12-703 Metal Connector Socket, Car End Only
- 12-706 Black Plastic Plug, Trailer End Only
- 12-707 Black Plastic Socket, Car End Only
- 82-00-3315 7-Way Plug Cover w/ Lanyard



LIGHTING & ELECTRICAL



7-Way Molded Connectors



- 50-67-003** 7-way Molded Trailer Cord w/8' cable
- 50-67-907** 7-way Molded Trailer Cord w/4' cable
- 50-87-007** Straight Truck End (Super Sealed) w/7' Cable
- 50-97-407** Right Angle End w/7' Cable

15-30 AMP Adapter



- A10-1530A** 15AM-30AF Adapter Plug, Bulk
- A10-1530AVP** 15AM-30AF Adapter Plug, Carded

15-30 AMP Dogbone Adapter



- A10-1530** 15AM-30AF, 12", Red, Bulk
- A10-1530HVP** 15AM-30AF, 12", Red, Carded

30-15 Adapter



- A10-3015A** 30AM-15AF Adapter Plug, Bulk
- A10-3015AVP** 30AM-15AF Adapter Plug, Carded

15-50 Adapter Cord



- A10-1550** 15AM-50AF, 12", Bulk
- A10-1550VP** 15AM-50AF Adapter Cord, 12", Red, Carded



Trailer Plug Adapters



- 20320** 4-Flat Car End Adapter to 6-Way Round Pin
- 20321** 4-Flat Car End Adapter to 7-Way Round Pin, Plastic
- 20322** 4-Flat Car End Adapter to 7-Way Round Pin, Metal
- 20144** 4-Flat to 4-Flat & 7-way Blade
- 118700** 6-Way Round Pin to 4-Flat Adapter
- 118702** 7-Way Flat Pin to 4-Flat Adapter, Display Pack
- 118709** 7-Way Round to 4-Way Flat

30-50-AMP Adapter



- A10-3050A** 30AM-50AF Adapter Plug, Bulk

50-30 AMP Adapter



- A10-5030A** 50AM-30AF Adapter Plug, Bulk
- A10-5030AVP** 50AM-30AF Adapter Plug, Carded

30-15 AMP Adapter



- A10-3015BK** 30AM-15AF, 12", Bulk

30-15 AMP Adapter



- A10-3015** 30AM-15AF w/Handle, 12", Red, Bulk
- A10-3015HVP** 30AM-15AF w/Handle, 12", Red, Carded



15-30 Adapter Plug



- A10-1530ARD** Mighty Cord Round Adapter Plug, 15a Male To 30a Female, Bulk
- A10-1530ARDVP** Mighty Cord Round Adapter Plug, 15a Male To 30a Female, Carded

Generator Adapter 30-AMP



- A10-G3030A** GEN30AM-RV30AF Adapter Plug, Bulk
- A10-G3030AVP** GEN30AM-RV30AF Adapter Plug, Carded

15-30 AMP Adapter Cord



- A10-1530BK** 15AM-30AF, 12", Bulk

30-50 AMP Adapter Cord



- A10-3050F** 50AM-30AF w/Handle, 12", Red, Bulk
- A10-3050FHVP** 30AM-50AF w/Handle, 12", Red, Carded



LIGHTING & ELECTRICAL

RV LIGHTING & ELECTRICAL

30-50 Adapter



A10-3050FBK 50AM-30AF, 12", Bulk

50-30 AMP Adapter Cord



A10-5030F 50AM-30AF w/Handle, 12", Red, Bulk

A10-5030FHVP 50AM-30AF w/Handle, 12", Red, Carded

50-30 AMP Adapter



A10-5030FBK 50AM-30AF, 12", Bulk

30-20 AMP Adapter



A10-G20420Y GEN20AM 4P 20AF Y-Adapter, Bulk

30-20 AMP Adapter



A10-G3020Y GEN30AM 3P 20AF Y-Adapter, Bulk

30-20 AMP Adapter



A10-G30420Y GEN30AM 4P 20AF Y-Adapter, Bulk

30-AMP Generator Adapter Cord



A10-G30330 GEN30AM 3P RV30AF Adapter Cord, 12", Bulk

A10-G30330VP GEN30AM 3P RV30AF Adapter Cord, 12", Carded

A10-G30350VP GEN30AM 3P RV50AF Adapter Cord, 12", Carded

30-50 AMP Adapter



A10-G30430 GEN30AM 4P RV30AF Adapter Cord, 12", Bulk

A10-G30430VP GEN30AM 4P RV30AF Adapter Cord, 12", Carded

A10-G30450VP GEN30AM 4P RV50AF Adapter Cord, 12", Carded

20-AMP Generator Extension Cord



A10-G20253E GEN20A 3P Extension Cord, 25', Bulk

A10-G20254E GEN20A 4P Extension Cord, 25', Bulk

30A Extension Cord With Handle



A10-3010EH 30A Extension Cord w/Handle, 10'

A10-3015EH 30A Extension Cord w/Handle, 15'

A10-3025EH 30A Extension Cord w/Handle, 25'

A10-3050EH 30A Extension Cord w/Handle, 50'

30-AMP Extension Cord



A10-3025E 30A Extension Cord, 25', Bulk

A10-3050E 30A Extension Cord, 50', Bulk

30-AMP LED Extension Cord



A10-3025EHLED 30A Extension Cord w/Handle & LED, 25', Bulk

A10-3050EHLED 30A Extension Cord w/Handle & LED, 50', Bulk

30-AMP Power Cord



A10-3025END 30A Power Cord w/Handle, 25', Red, Boxed

A10-3025ENDBK 30a Power Cord, 25', Bulk

30-AMP Generator Extension Cord



A10-G30253E GEN30A 3P Extension Cord, 25', Bulk

A10-G30254E GEN30A 4P Extension Cord, 25', Bulk

30-AMP Power Cord Set



A10-3025ED 30A Detach Power Cord w/Handle, 25', Red, Boxed



LIGHTING & ELECTRICAL

30 AMP LED Power Cord



A10-3025ED90 30A 90° LED Detach Power Cord w/ Handle, 25', Red, Boxed

50-A Extension Cord



A10-5025E 50A Extension Cord, 25', Bulk
A10-5050E 50A Extension Cord, 50', Bulk

Extension Cord 50 AMP



A10-5010EH 50A Extension Cord w/Handle, 10'
A10-5015EH 50A Extension Cord w/Handle, 15'
A10-5025EH 50A Extension Cord w/Handle, 25'
A10-5050EH 50A Extension Cord w/Handle, 50'

50-A 90 Deg LED Detach Power Cord



A10-5025ED90 50A 90° LED Detach Power Cord w/ Handle, 25', Red, Boxed

50-AMP Power Cord Set



A10-5025ED 50A Detach Power Cord w/Handle, 25', Red, Boxed



50-A LED Extension Cord



A10-5025EHLED 50A Extension Cord w/Handle & LED, 25', Bulk
A10-5050EHLED 50A Extension Cord w/Handle & LED, 50', Bulk

50-AMP Power Cord



A10-5025END 50A Power Cord w/Handle, 25', Red, Boxed
A10-5025ENDBK 50A Power Cord, 25', Bulk

50A Extension Cord



A10-5025E 50A Extension Cord, 25', Bulk
A10-5050E 50A Extension Cord, 50', Bulk

Detachable Power Cord

A10-3025EDBK 30A Detach Power Cord, 25', Bulk

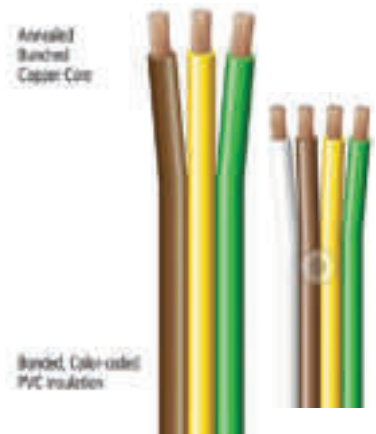


A10-5025EDBK 50A Detach Power Cord, 25', Bulk

Parallel Multi-Conductor Wire

Images to the right

03212	Jacketed, blk/wht (100ft)	12/2 gauge
03213	Jacketed, blk/wht (per ft)	12/2 gauge
03217	Jacketed, blk,red (1000ft)	12/2 gauge
03206	Jacketed, blk/wht (100ft)	14/2 gauge
02902	Bonded, red/blk (per ft)	14/2 gauge
03207	Jacketed, wht/blk (per ft)	14/2 gauge
02905	Bonded, brn/yel/grn (per ft)	14/3 gauge
02906	Bonded, wht/brn/yel/grn (100ft)	14/4 gauge
02908	Bonded, wht/brn/yel/grn (per ft)	14/4 gauge
03202	Jacketed, blk/wht (per ft)	16/2 gauge
02911	Bonded, red/blk (per ft)	16/2 gauge
02914	Bonded, brn/yel/grn (per ft)	16/3 gauge
02917	Bonded, wht/brn/yel/grn (per ft)	16/4 gauge
04903	Jacketed Cable (500ft)	16/6 gauge
04904	Jacketed Cable (100ft)	14/4 gauge
04906	Jacketed Cable (100ft)	14/6 gauge
04908	Jacketed Cable (100ft)	14/7 gauge
04915	Jacketed Cable (100ft)	14/4,10/2,12/1
744A5	Jacketed, Articflex (per ft)	14/4 gauge
764A5	Jacketed, Articflex (per ft)	14/6 gauge
75422A5	Jacketed, Articflex (per ft)	14/5,12/2 gauge
76210A5	Jacketed, Articflex (per ft)	12/6,10/1 gauge



LIGHTING & ELECTRICAL



SURGE GUARD® RV POWER PROTECTION



Check out our new limited lifetime & connected equipment warranties.
Visit rvpower.southwire.com for more information.

FULL ELECTRICAL PROTECTION

Surge Guard full electrical protection products are ideal for larger travel trailers, fifth wheels, and motorhomes that contain more electronics. These products protect the RV by disconnecting the power supply, preventing the bad power from entering the RV. These units provide protection against:

- Power surges
- Open ground
- Open neutral
- Reverse polarity
- Miswired pedestal
- Low and High Voltage

SURGE PROTECTION

Surge Guard surge protection products with pedestal wiring diagnostics are designed for pop-up campers and small travel trailers with less electrical amenities. These devices provide high level surge protection along with visual identification of a wiring issue or power supply fault.

- Elevated Ground Line Current
- Low and High Frequency
- Load Side Open Neutral (34951 Only)



FULL PROTECTION PORTABLE W/ BLUETOOTH



Automatically shuts off power to RV when electrical fault occurs. Low/high voltage & frequency, open ground, open neutral, reverse polarity, elevated ground line current, and Patent Pending Load Side Open Neutral Protection (34951 Only). Includes Bluetooth communication to optional 40301 display. Multiple displays can be connected to a single Surge Guard. 10 second start up delay and 128 second fault restoration delay. Text based display shows all faults along with real time voltage and amp draw.

34931	30A PORT SURGE GUARD WIRELESS
34951	50A PORT SURGE GUARD WIRELESS
40301	SURGE GUARD WIRELESS DISPLAY



FULL PROTECTION PORTABLE

Automatically shuts off power to RV when electrical fault occurs. Low/high voltage & frequency, open ground, open neutral, reverse polarity, elevated ground line current, and Patent Pending Load Side Open Neutral Protection (34951 Only). 10 second start up delay and 128 second fault restoration delay. Text based display shows all faults along with real time voltage and amp draw.

34930	30AMP SURGE GUARD FULL PROTECTION PORTABLE
34950	50AMP SURGE GUARD FULL PROTECTION PORTABLE W/ LCD DISPLAY



FULL PROTECTION HARDWIRE



Automatically shuts off the power when excessive voltage, low (<102V) and high (>132V), or an open ground or neutral is present. Auto reset on power restoration. Caution light indicates surge failure, miswired pedestal, reverse polarity, and elevated ground voltage. 128 second reset delay. Fits neatly inside RVs electrical compartment. Optional Remote Power Monitor LCD Display. (sold separately).

35530	30AMP SURGE GUARD HARDWIRE
35550	50AMP SURGE GUARD HARDWIRE
40300	REMOTE DISPLAY WITH 50' CABLE



PORTABLE SURGE PROTECTORS



Surge protector designed to handle the high power consumption demands of RVers. Analyzes circuits to identify power supply status. Checks for open ground, open neutral, correct polarity, and reversed lines/ground. Features surge protection indicator and thermal sensor to indicate overheating plug/receptacle. Easy-T-Pull™ plug handles. Weather resistant with a rain-proof cover.

44380	30A PORTABLE W/FULL COVER CSA APPRV		44280	120V, 30A
44390	50A PORTABLE W/FULL COVER CSA APPRV		44290	120/240V, 50A



PORTABLE SURGE PROTECTORS



Identifies faulty park power plus offers surge protection. Analyzes circuits to verify pedestal power. Checks for open ground, open neutral, and correct polarity. Illuminated power status indicators. Easy-T-Pull™ plug handles.

44260	30A SURGE PROTECTOR	44270	50A SURGE PROTECTOR
-------	---------------------	-------	---------------------

IN STOCK



LIGHTING & ELECTRICAL



BASIC AUTOMATIC TRANSFER SWITCHES

Mechanical interlocking contactors. Time delay at power up. Transfers to generator power automatically when energized after a 30-second delay. 50A, FLA contactor.

40100	BASIC AUTO TRANS SWITCH 50A 120/240V
41300	30A TRANSFER
40140-001	TRANSFER SWITCH 50A 120/240V



REVERSE POLARITY PROTECTION AUTOMATIC TRANSFER SWITCHES

Protects RV from reverse polarity and open ground of shore power. The transfer switch automatically transfers power to the generator when both sources are available, after a 30 second delay.

41301	AUTO TRANS SWITCH 30A
40141-001	TRANSFER SWITCH 50A 120/240V
40101-001	TRANSFER SWITCH 50A 120/240V



SURGE GUARD* AUTOMATIC TRANSFER SWITCH

Protects RV from the most damaging common electrical faults. Transfers to either shore power or generator automatically when energized. In the event both shore and generator powers are available, generator power will dominate after a 30 second delay. Includes 2,600 Joules of surge suppression (fuse protected), and protects against reverse polarity, open ground, open neutral, and low and high voltage.

41261-011	50A SURGE GUARD TRANSFER
-----------	--------------------------



SURGE GUARD* RVC COMPATIBLE AUTOMATIC TRANSFER SWITCH

Same great features as the Surge Guard* ATS plus total electrical protection from faulty park power. Provides added protection from low (<102V) and high (>132V) voltage, miswired pedestal, open ground, and high and low frequency. Oversize contactors 65A, FLA contactor rating. 3,350 Joules of surge protection.

40450RVC	50AMP SURGE GUARD AUTOMATED
40430RVC	30AMP SURGE GUARD AUTOMATED
41390RVC	90A SURGE GUARD TRANSFER
40350RVC	50AMP SURGE GUARD AUTOMATED
40299	REMOTE DISPLAY PANEL
40258	50' COMMUNICATION CABLE



OVER-VOLTAGE ADAPTER

Provides protection for a single 15A receptacle from over-voltage conditions with limited surge protection. Can be used on any 15A receptacle in a RV, home, or campground. Great add-on when using a portable surge protector device to enhance protection.

44300	OVERVOLTAGE ADAPTER 15A
-------	-------------------------



NEUTRAL-GROUND BONDING PLUG

This plug is used on portable generators that are designed with a floating neutral electrical system. All RV full electrical protection devices detect this as an open ground fault and will not allow power to pass through. Simply plug into one of the 15A outlets on the generator to use.

44400	NEUTRAL-GROUND BONDING PLUG
-------	-----------------------------



LOCK HASP

Prevents unauthorized removal of your portable Surge Guard* device from your RV. Also can be used to protect connection points of extension cords and adapters.

*Only compatible with 44260, 44270, 44750.

34590	UNIVERSAL HASP LOCK
-------	---------------------



DIGITAL VOLTAGE MONITOR

Fully tests incoming power for: open ground, reverse polarity, and high/low voltage. Constantly monitors line RMS voltage and checks frequency. Small, rugged construction. Includes audible alarm when electrical fault occurs.

AECM20020	DIGITAL MONITOR
-----------	-----------------



CLEANERS & MAINTENANCE

ZARPAX RV & Marine Dehumidifier



Reusable dehumidifiers for RV & Marine use. Absorbed water does not leak and just needs to be microwaved to recharge.

- LV-RM450 Single Pack**
- LV2-RM450 Double Pack**

Sikaflex 221

This fast curing product provides permanent elastic adhesion to a number of surfaces with excellent cut and tear resistance. Sikaflex -221 is weather resistant, sandable, paintable and NSF approved for potable water and incidental food contact.



- 017-106449 Sikaflex 221 Colonial White 300ML Cart**
- 017-90891 Sikaflex 221 White 300ML Cart**
- 017-90892 Sikaflex 221 Alum Gray 300ML Cart**
- 017-90893 Sikaflex 221 Black 300ML Cart**

Sikaflex 252

The original elastic bonding adhesive, Sikaflex-252 offers great adhesive strength coupled with elasticity. This combination bonds and seals at the same time, and is strong enough to reduce or even completely eliminate traditional fastening systems such as welds, rivets, screw and bolts. Excellent Green Strength means less clamping time. Bonds to a wide variety of substrates. Sandable, paintable and NSF approved for incidental food contact.



- 017-90915 Sikaflex 252 White 10.5 OZ Cart**
- 017-90916 Sikaflex 252 Black 10.5 OZ Cart**

Cap Tape

Grey Mylar backed PVC Foam Tape w/adhesive coating.



- 018-1400125B 1/4" X 1 1/2" X 30' - Black**

Sikaflex 505

Sikaflex-505 UV is a one-component silane terminated polymer (STP) sealant containing no solvents or isocyanates with excellent UV and weathering resistance. Sikaflex-505 UV offers 60 minute tack free time with adhesion to a wide variety of substrates with little or no surface treatment, has excellent tooling characteristics and non yellowing.



- 017-415763 STP Sealant**

Sikaflex 715

Sikaflex-715, is a cross-linking "chemical curing flexible, elastic, and durable roof sealant". This curing process imparts a highly elastic internal strength not found in traditional RV roof sealant products. It will bond to a variety of roofing component substrates. Unlike other roofing sealants, it has very low VOC's and won't crack under the most extreme conditions! Traditional roof sealants have high shrink characteristics and crack when exposed to the environment.



- 017-187690 Sikaflex 715 Roof Sealant 300 ML Cart**

Weather Stripping

Quality Cap Tape and Weather Stripping products for use around windows, or doors.



- 018-3161210 3/16" x 1/2" x 10'**
- 018-3163810 3/16" x 3/8" x 10'**
- 018-5163810 5/16" x 3/8" x 10'**

Sikasil GP

SikaSil silicone is an acetoxy-curing low modulus sealant used for general seam sealing in interior and exterior applications. It has excellent adhesion to metals, glass, plastics & fiberglass. SikaSil GP has excellent weather stability, is solvent free and is mold & mildew resistant. Elongation of 570%, 300 psi tensile strength, 25 minute tack time and a joint movement accommodation factor of +/-25%, Highly UV resistant.



- 017-189150 Sikasil Gp Clear Silicone 295 ML Cart**
- 017-189151 Sikasil GP White Silicone 295 ML Cart**

Sikasil N-Plus

Sikasil®-N Plus is a general purpose, neutral cure silicone sealant used for interior and exterior applications. Sikasil® N-Plus is highly UV resistant with excellent weather stability and is mold and mildew resistant. Offers excellent sealing joint flexibility for dynamic moving parts. Elongation of 430%, 300 psi tensile strength and 30 minute tack free time.



- 017-412406 Sikasil N Plus - Clear 295 M**
- 017-412136 Sikasil N Plus - White 295 ML**

Sika Multiseal Plus Tape

Sika MultiSeal Plus a new self-adhering, multi-purpose roofing repair tape that, combines an advanced copolymer mastic that exhibits aggressive adhesion with a flexible, non-release, tear proof, UV resistant TPO membrane to create a fast, easy to apply, permanent watertight seal. It can be stretched, cut and folded around intricately shaped roofing accessories to create a to stop water penetration.



- 017-413828 Sika Multiseal Plus Tape 4" X 50' Roll - White Membrane**

Vinyl Foam Tape

Quality Cap Tape and Weather Stripping products for use around windows, doors or anyplace where you are looking to quiet or prevent moisture, dirt and dust from entering.



- 018-143817 1/4" x 3/8" x 50'**
- 018-381210 3/8" x 1/2" x 50'**



CLEANERS & MAINTENANCE



An AIRXCEL Brand

the rv roofing experts



RUBBER ROOF COATING SYSTEMS

Introducing our new color: Tan! Two part, commercial grade systems provides an excellent protective barrier for extending the life of EPDM. Part 2 now available in Standard, CoolCoat™ or Signature. Saves over 25% in labor compared to similar systems. Quick drying time.

A PART 1: CLEANER/ACTIVATOR cleans and prepares EPDM roofing for maximum adhesion of the Part 2 coating. Spray on and rinse off thoroughly. Coverage rate 125 sq. ft. per quart. Biodegradable.

SELECT YOUR COATING OPTION

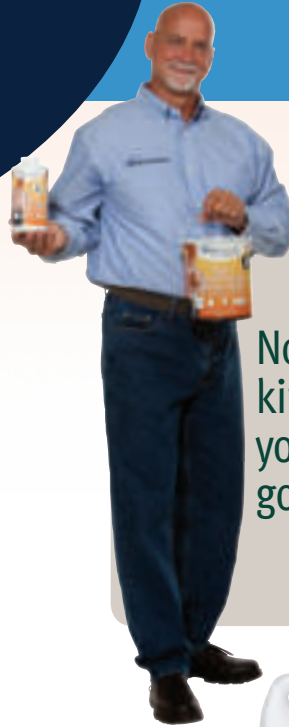
B PART 2: OPTION 1, ACRYLIC COATING* is an excellent protective barrier extending the life of your rubber roof membrane. Provides superior weatherability and UV resistance. Use with Dicor Rubber Roof Cleaner/Activator for proper adhesion. Requires two coats. Coverage rate of 1 gallon per 125 sq. ft. per coat.

C PART 2: OPTION 2, COOLCOAT™ INSULATING COATING* has Ceramic MicroCells™ to reduce heat transfer, known as heat flux, to the coach interior up to 29%. CoolCoat reflects and dissipates solar heat with tiny yet indestructible vacuum spheres to reduce A/C demand. Use with Dicor Rubber Roof Cleaner/Activator for proper adhesion.

D PART 2: OPTION 3, SIGNATURE EXTENDED LIFE COATING* You may never coat your RV roof again! Our Signature XL is 100% silicone coating. Permanently flexible, unaffected by UV rays and temperature extremes. Signature XL dries to the touch in one hour and is walkable in two. Use with Dicor Rubber Roof Cleaner/Activator for proper adhesion. For EPDM roofs only. Contact Dicor Customer Service for appropriate lap sealants.

A	RP-CRP-Q	1 qt	—
B	RP-CRC-1	1 gal	White
B	RP-CRCT-1	1 gal	Tan
C	RP-IRC-1	1 gal	White
C	RP-IRCT-1	1 gal	Tan
D	RP-SELRC-1	1 gal	White
D	RP-SELRCT-1	1 gal	Tan

*Not for use on metal roofs.



No matter what kind of RV roof you have, we've got you covered!

Rudy



FIBERGLASS ROOF COATING SYSTEM

D PART 1: FIBERGLASS CLEAN AND PREP To ensure proper adhesion of Dicor Fiberglass RV Roof Coating to a fiberglass roof, it is essential to first prepare the surface using Dicor Fiberglass Clean & Prep. Dicor Fiberglass Clean & Prep is specifically formulated to remove all wax, oils, road grit and other contaminants on gel coat and to enhance the adhesion of the roof coating.

Fast Acting Formula • Biodegradable • Easy to use

E PART 2: FIBERGLASS RV ROOF COATING This 100% acrylic resin coating forms a flexible layer over any fiberglass roof to protect and beautify. Dicor Fiberglass RV Roof Coating gives roofs a super bright white finish, which resists mildew and algae and reflects the sun's heat to help keep the interior cooler. Always use Dicor Fiberglass Clean & Prep and allow to dry before applying this coating product. Two coats are required. One gallon of Dicor Fiberglass RV Roof Coating will cover 350 sq. ft. per coat.

Protects roof • Easy to apply • Soap and water clean up

E	RP-FRC-1	1 gal	Fiberglass Clean & Prep	—
F	RP-FCP-1	1 gal	Fiberglass RV Roof Coating	White
F	RP-FRCT-1	1 gal	Fiberglass RV Roof Coating	Tan



CLEANERS & MAINTENANCE

RESTORE



METAL ROOF COATING SYSTEM

A METAL ROOF RUST INHIBITIVE PRIMER halts the rusting process and creates a barrier to prevent rust from bleeding through. First remove all surface rust, dirt and debris with a wire brush. Rinse, let dry, then apply the primer which is specifically formulated to reduce further corrosion of metal roofs, while enhancing the adhesion of the Dicor Elastomeric RV Roof Coating. Helps control rust • Water clean up • Easy to use

B COATING READY COVER TAPE For use on metal RV roofing, Dicor Coating Ready Cover Tape is a fleece backed sealing tape for use on metal RV roofing seams prior to coating. Its aggressive grip provides immediate sealing on contact and cures completely in 24 hours. Must be followed with Dicor Elastomeric Coating.

C ELASTOMERIC METAL RV ROOF COATING For use on metal RV roofing (NOT RECOMMENDED FOR EPDM RUBBER, TPO, FIBERGLASS or ALUMINUM ROOFING) Dicor Elastomeric RV Roof Coating protects and beautifies metal, steel, and previously coated RV roofs. Dicor Elastomeric RV Roof Coating is formulated with 100% Acrylic Elastomeric resins to form a rubber-like coating that will expand and contract with the roof movement. Arctic White RV Elastomeric is brilliant white to provide a superior reflectivity, thereby lowering interior temperatures. Requires two coats for adequate protection at an application rate of 1 gallon per 200 sq. ft. per coat.

A	RP-MRRIP-Q	1 qt	Metal Roof Rust Inhibitor Primer
B	RP-CRCT-4-1C	50 ft	Coating Ready Cover Tape
C	RP-MRC-1	1 gal	Elastomeric Roof Coating: White



RV ROOF RENEW KIT

Make your roof look new again! Includes four gallons of Dicor Acrylic Roof Coating, two quarts of Dicor Cleaner/Activator, one 4" x 50' roll Coating Ready Cover Tape, one metal pan, one 9" paint roller, two 9" roller covers, one roll 1" masking tape. Each kit comes with easy-to-follow instructions. Contents will cover a 30 ft. unit. Individual components can be purchased separately.

RP-RRK-30	Roof Renew Kit	White
RP-RRKT-30	Roof Renew Kit	Tan

CLEAN & PROTECT

Dicor's roof care and maintenance products contain no harmful petroleum distillates, harsh abrasives or citric ingredients that can cause irreparable damage.

RV ROOF CLEANER

Formulated specifically for RV Roofs, this biodegradable deep cleaning formula lifts dirt and grime, yet is gentle on the surface. Simply spray on, brush with a medium bristle brush and rinse off.

For best results follow with Dicor Roof Gard RV Roof Protectant.



D	RP-RC160C	16 oz	Concentrate
E	RP-RC320S	32 oz	Trigger Spray
F	RP-RC-1GL	1 gal	Trigger Spray Refill



RV ROOF PROTECTANT

Helps prevent RV roof oxidation caused by harsh UV rays. The mild, nonabrasive formula keeps surfaces cleaner longer with no residue or oily

build-up. Contains no silicone, waxes, glycerine or petroleum distillates. Simply spread evenly with a damp mop or cloth and let air dry. Will not harm rubber roofing.

G	RP-RG320S	32 oz	Trigger Spray
H	RP-RG-1GL	1 gal	Trigger Spray Refill

CLEANERS & MAINTENANCE



An AIRXCEL Brand

the rv roofing experts

PATCHIT™ ROOF REPAIR KIT

Easily repair punctures, tears, and breaks that can occur in RV and manufactured housing roofs. The kit includes a 9" x 10" peel-and-stick EPDM rubber patch and a tube of lap sealant. Quite versatile by design, it can be used to patch EPDM rubber, most TPO plastic, metal and fiberglass roofing.



402PR White PATCHIT

EPDM RUBBER ROOF REPAIR MEMBRANE

Repairs punctures, tears and breaks in EPDM rubber, TPO plastic, metal and fiberglass roofing. This easy to use peel-and-stick material is made of self-adhering EPDM rubber and conforms to most shapes and surfaces, yet remains flexible and strong.



533RM-6 6" x 25" Roll

533RM-12 12" x 25" Roll

BUTYL TAPE

Ideal for sealing uniquely shaped joints. Installs quickly, without gaps. Apply along unusual patterns. Because the sealant is on a continuous roll, installer can work fast and be virtually assured there are no skips or runs in the seal. Priced each.



BT-1834-1 Butyl Tape, Single 1/8" x 3/4" x 30' Roll

BT-1834-5 Butyl Tape, Box of 5 1/8" x 3/4" x 30' Roll

BBT3634-1 Butyl Tape, Black 3/16" x 3/4" x 20' Roll

DiSEAL

The perfect choice to repair any rip, tear or open seam on all RV Roofs.



DiSEAL SEALING TAPE

Now in Tan, DiSeal is a flexible weather resistant compound designed for sealing EPDM rubber, TPO, fiberglass, wood, plastic, steel or aluminum. Permanently seals most leaks immediately and fully cures within 24 hours.



522TPO-4125-1C 4" x 12.5' Roll White

522TPO-425-1C 4" x 25' Roll White

522TPO-450-1C 4" x 50' Roll White

522TPO-66-1C 6" x 6" Patch White

522TPOT-4125-1C 4" x 12.5' Roll Tan

522TPOT-425-1C 4" x 25' Roll Tan

522TPOT-450-1C 4" x 50' Roll Tan

522AF-450-1C 4" x 50' Roll Foil

522AF-66-1C 6" x 6" Patch Foil



CLEANERS & MAINTENANCE

REPAIR



SEAL-TITE™ WINDOW RESEAL KIT

Seal-Tite Window Reseal Kit stops existing window leaks and provides a long-lasting, watertight seal for new windows with our unique Seal-Tite Foamcore technology, enough to reseal 6 to 8 windows, depending on size. The Foamcore Kit includes: two rolls of foamcore tape, two tubes of Dicor Products Clear Cap Sealant, a Putty knife, a spray bottle and instructions.

WINDOW FOAMCORE KIT

WRK-1	\$XXXXX
-------	---------



EPDM AND DIFLEX II ROOF INSTALLATION KIT

Includes two-gallons of 901BA water-based bonding adhesive, 150' of butyl tape used to seal around all accessories and molding, and six tubes of lap sealant. Easy to follow instructions.

401CK	Installation Kit	White (use with BriteTEK™ roofing)
401CK-D	Installation Kit	Dove (Bright White)
401CK-T	Installation Kit	Tan
401CK-G	Installation Kit	Grey
401CK-V	Installation Kit	Ivory

TUFFLEX ROOF INSTALLATION KIT

Includes two-gallons of 935BA water-based bonding adhesive, 150' of butyl tape used to seal around all accessories and molding, six tubes of lap sealant and 3 rolls of 1.5" fleece tape. Easy to follow instructions.

435CK-W	Installation Kit	White
---------	------------------	-------



SEAL-TITE™ CORNER SEAL KIT

Corner Seal Kit includes two rolls of Corner Seal Tape, six tubes of Dicor Products Clear Cap Sealant to serve as a conventional putty and cap sealant, a putty knife to remove excess sealant, and a spray bottle for the cleanup process.

CORNER SEAL KIT

CS-114Kit	1.25" x 50'
CS-112Kit	1.50" x 50'
CS-200Kit	2.00" x 50'

SEAL-TITE™ CORNER SEAL

Seal-Tite Corner Seal Tape has an adhesive side consisting of a thick, pressure-sensitive elastomeric seal that sticks and conforms to any smooth or irregular surface, including S-locks. The fleece side provides more superior caulk-cure adhesion than the typical smooth surface of RV exteriors. Designed to be used with Dicor Products Cap Sealant.



SEAL-TITE™ CORNER SEAL

CS114B-1	1.25" x 50'
CS112B-1	1.50" x 50'
CS200B-1	2.00" x 50'



CLEANERS & MAINTENANCE

RV CLEANERS & MAINTENANCE

dicor products
An AIRXCEL Brand
the rv roofing experts

REPLACE

ROOF SYSTEM BONDING ADHESIVES

Water Based Acrylic Bonding Adhesive is environmentally friendly, provides excellent coverage and is easy to apply. Application rate of 160 sq. ft. per gal. Use on moisture absorbent substrates. NOT for use on metal, fiberglass or membrane-to-membrane applications.



901BA-1	1 gal	EDPM AND TPO ONLY
917BA-5	5 gal	EDPM AND TPO ONLY
935BA-1	1 gal	TUFFLEX ONLY

CAP SEALANT HAPS FREE FOR WINDOW AND DOOR APPLICATIONS

Excellent for sealing the perimeters of windows, entry doors, compartment doors and joints made of bare or repainted materials. UV and water resistant. Fast drying, easy gunning and paintable.



351CSCL-1	Clear
351CST-1	Tan
351CSW-1	White
351CSB-1	Black



"When a need arises, Dicor will do what it takes to serve our customers. We embrace continuous improvement on products to fit industry needs."

Rudy

LAP SEALANT FOR MOST ROOFING APPLICATIONS

Helps create a watertight seal along a roof's edges, air vents, vent pipes and screw heads. Dicor Products Lap Sealant is a versatile sealant formulated for EPDM roofing but also compatible with most other roofing material, including Dicor DiFlex II™, Tufflex™ PVC and BriTEK™ TPO roofing. It offers excellent adhesion to aluminum, mortar, wood, vinyl, galvanized metal and concrete. Continuously seals and remains flexible. Color matched, our lap sealants are UV stabilized to prevent discoloration and deterioration and will not stain or discolor any material to which it is applied.



SELF-LEVELING FOR HORIZONTAL SURFACES

501LSW-1	White
501LSD-1	Dove (Bright White)
501LST-1	Tan
501LSG-1	Grey
501LSV-1	Ivory
501LSB-1	Black
502LSW-1	White
502LSD-1	Dove (Bright White)

SELF-LEVELING HAPS FREE CONTAINS NO HAZARDOUS AIR POLLUTING SOLVENTS

505LSW-1	White
505LSD-1	Dove (Bright White)
505LST-1	Tan
505LSG-1	Grey
505LSV-1	Ivory

NON-SAG NOT SELF LEVELING

551LSW-1	White
551LSD-1	Dove (Bright White)
551LST-1	Tan
551LSG-1	Grey
551LSV-1	Ivory
551LSB-1	Black



HARDWARE

RV HARDWARE



Hatch Key Lock

- 00e00 5/8" Lock
- 00100 1-1/8" Lock



Thumb Compartment Lock

- 00115 5/8" Lock (pictured)
- 00125 7/8" Lock
- 00135 1-1/8" Lock
- 00145 1-3/8" Lock



Keyed Compartment Lock

- 00155 5/8" Lock
- 00165 7/8" Lock
- 00175 1-1/8" Lock
- 00185 1-3/8" Lock



Compartment Door Finger Pull

- 00195 Stainless Steel, Package



Water Heater Door Latch

- 00225 Metal Door Latch, Package



Wall Vent Latch

- 00235 Thin Wall, 2/Pkg
- 00245 Thick Wall, 2/Pkg



Compartment Key Lock

- 00305 5/8" Lock
- 00315 7/8" Lock (pictured)
- 00325 1-1/8" Lock
- 00335 1-3/8" Lock



Baggage Door Catch

- 10224 Bullet, Blk
- 10225 Square, Blk
- 10234 Bullet, Wht
- 10244 Bullet, Grey
- 10245 Square, Steel
- 10254 Bullet, Colonial Wht
- 10355 Square, Wht



Hood Latch

- 10865 Chrome
- 10875 Rubber



Fold Down Camper Latch

- 10825 Latch & Catch, Zinc (pictured)
- 10835 Catch, Zinc
- 10845 Latch & Catch, Wht
- 10855 Catch, White
- 11845 Latch & Catch, Blk
- 11855 Catch, Blk



Hood Latch

- 10865 Chrome
- 10875 Rubber



Compartment Trigger Latch

- 10935 2" Latch, Blk (pictured)
- 10945 3" Latch, Metal
- 11705 Flush Mount, Blk
- 11715 Offset Mount, Metal



Fold-Out Bunk Clamp

- 20775 White
- 20785 Zinc
- 20795 Extended, Zinc



Rubber Bumper Plug

- 208-A 4" w/ tabs
- 329-A 4-1/4" w/ tabs
- 358-A 4" w/out tabs



Rain Gutter Spouts

- 389PW-A Polar White
- 655-FLEX-PW-A Flexible, Extended Wht
- 655-BK-A Rigid, Extended Blk
- 749-PW-A 3" Extended, Wht



Plastic Thumb Lock

- 433BK-A Black
- 433PW-A Polar White



90° Angle Brackets

- 11695 Steel, 4/pkg



Tri-Lug Window Knob

- 20165 9/16" Wht
- 20175 9/16" Black
- 20185 13/16" Wht
- 20195 13/16" Black



Window Crank

- 20205 1" Plastic, Blk
- 20215 1-3/8" Plastic, Blk
- 20225 1-3/4" Plastic, Blk
- 20265 1" Metal
- 20275 1-3/4" Metal
- 20305 Replacement vent Crank, Metal



Window Knob

20335	1" White
20345	1" Black
20355	1/2" White
20365	1/2" Black



Kappet Screws w/ Covers

20415	White, 14/pkg
20425	Beige, 14/pkg (pictured)
20375	Cover Only, White
20385	Cover Only, Black
20395	Cover Only, Brown



Window Latch

20435	Metal
-------	-------



Plastic Rosettes

20455	White (pictured)
20465	Clear



Closet Pole Socket Set

20535	White
-------	-------



Closet Door Bumper

20545	Beige
-------	-------



Sliding Door Hanger Plate

20555	Metal
-------	-------



Sliding Door Hanger

20565	Metal
-------	-------



Wardrobe Door Guide/Hanger

20575	Top Hanger, (pictured)
20585	Bottom Guide



Sliding/Pocket Adjustable Door Guide

20595	White
-------	-------



Deluxe In-Frame Pocket Door Guide

20605	Brown
-------	-------



Universal Door Security Strap

20615	White
-------	-------



Door Bumper

20625	White
-------	-------



Universal Latch

20645	Brass
20655	Silver



Sliding Mirror Latch

20665	Clear
-------	-------



Lock Pin

20705	Silver
-------	--------



Folding Shelf Bracket

20725	White
20735	Brown



Table Leaf Support

20745	10" 2/pkg
20765	12"



Folding Door Latch/Strike

81855	Plastic
-------	---------



Window Latch

81875	Large
-------	-------



Premium Vinyl Insert

10015	25', Blk
10025	25', Wht
10061	50', Blk
10071	50', Wht
10111	100', Blk
10121	100', Wht



Emergency Window Latch

81925	Plastic, 1 set
-------	----------------



Floor Registers



288-86-AB-PW-A	2"x10" Dampered Plastic, Wht
288-86-AB-TN-A	2"x10" Dampered Plastic, Tan
288-86-A-PW-A	2"x10" Undampered Plastic, Wht
288-86-A-TN-A	2"x10" Undampered Plastic, Tan
02-28905	2"x10" Dampered, Wht
02-28915	2"x10" Dampered, Brn
02-28925	2"x10" Undampered, Wht
02-28935	2"x10" Undampered, Brn
02-28945	4"x8" Undampered, Wht
02-28955	4"x8" Undampered, Brn
02-28965	4"x8" Dampered, Wht
02-28975	4"x8" Dampered, Brn
02-28985	4"x10" Undampered, Wht
02-28995	4"x10" Undampered, Brn
02-29005	4"x10" Dampered, Wht (pictured)
02-29015	4"x10" Dampered Brn

Adjustable Ceiling Vent

ACG150DPW-A	1.5" Collar Depth
ACG25DPW-A	.25" Collar Depth



Ceiling Grill

GRILL2D-A	Dampered, Wht
-----------	---------------



Heat Vents

HV4DBK-A	4" Dampered, Blk
HV4DPW-A	4" Dampered, Wht
HV4DTN-A	4" Dampered, Tan



C-Clip Door Holder

10204	3", Wht (pictured)
10374	5-1/2", Polar Wht
10394PW	C-Clip only, Wht
10535	3", Metal
10595	C-Clip only, Metal



Plunger Door Holder

10284	3" Straight Plunger Door Holder (pictured)
10304	3" Angled Plunger Door Holder
10404	Plunger Door Holder Socket



HARDWARE

RV HARDWARE

T-Style Door Holder

- 10324 3-1/2", blk (pictured)
- 10414 3-1/2", wht
- 10434 6" Door Holder, blk
- 10444 6" Door Holder, wht
- 10495 4" Metal
- 10515 4" Stainless Steel
- 10525 6" Stainless Steel



90° T-Style Door Holder

- 06-11875 6", Stainless Steel, (pictured)
- 10605 6", Polar Wht
- 10625 6", Blk
- 11785 4", Stainless Steel



45° T-Style Door Holder

- 11755 Zinc
- 11765 Stainless Steel



Spring Loaded Door Holder

- 10335 2" Door Holder



Ultimate Door Holder

- 10465 4"
- 10475 6"



Fleetwood Door Holder

- 10615 4" Stainless Steel



Pivoting Door Holder

- 10645 3-1/2" 180° Pivot



Low Profile Bumper Door Holder

- 10665 Bumper



Door Bumpers

- 10695 Black
- 10705 White



Ramp Bumper

- 10715 Black



Rubber Bumper

- 11745 1", Black



Door Knob/ Latch Set

- 20495 Metal



Privacy Latch

- 20505 Brown (pictured)
- 20515 Gold



Screen Door Latch

- 10765 Right Hand (pictured)
- 10775 Left Hand
- 06-11865 Bi-Directional Latch



Bullet Screen Door Latch

- 10785 Black



Entry Door Window Frame

- 11011 12"x21" Inside, White
- 11021 12"x21" Inside, Black



Screen Door Stop/Handle

- 11135 12" White
- 11145 12" Black
- 11155 12" Opaque



Screen Door Slider

- 11165 12" White
- 11175 12" Black
- 11185 12" Opaque
- 11195 12" Flat, Clear



Philips Style Screen Latch

- 11205 RHBlack (pictured)
- 11215 LH Black



Coleman Screen Door Latch

- 10795 White



Locking Camper Door Latch

- 10805 Silver (pictured)
- 11675 Black
- 11685 White



Locking T-Handle

- 10885 Chrome
- 10985 Black



Locking L-Handle

- 10895 2-3/4" Inside Cam (pictured)
- 10925 2" Cam



Inside Cam

- 10915 Locking L-Handle (pictured)
- 10905 Inside L-Handle



Assist Handle

- 482-A-2-A Polar White
- 482-A-3-A Black



Deluxe Assist Handle

- 48315 White (pictured)
- 48325 Black



Steel Assist Handle

- 9482-000-020 Chrome Plated
- 9482-000-111 Powder Coated, Wht (pictured)



Full Extension End Cap

- 49615 3/4" x 3/4" x 3/8"
- 49625 3/4" x 1-3/8" x 1/2"
- 49635 3/4" x 1-7/8" x 3/8"



Metal Vinyl End Cap

- 1-3/8" x 1-1/4" x 1/4", 4/pkg
- 49655 White
- 49665 Colonial White
- 49675 Aluminum



Cabinet Barrel Catch

- 70195 w/ Nylon Clip (pictured)
- 70205 w/ Metal Clip



Nylon Friction Catch

- 70215 Metal Clip



Double Roller Cabinet Catch

- 70225 w/ Clip, Wht
- 70235 w/ Prong (pictured)



Roller Catch

- 70245 Heavy Duty
- 70255 Regular (pictured)



Magnetic Catch

- 70265 Side Mount, pictured
- 70275 Surface Mount



Bull Dog Catch

- 70305 2/pkg



Shur-Latch

- 70315 2-1/2" diameter



Concealed Positive Catch

- 70325 Brown



Pull-to-Open Cabinet Catch

- 70395 2/pkg



Spring Loaded Cabinet Catch

- 70435 Black



Cabinet Strike

- 70445 Large
- 70465 Small



Push-to-Open Touch Catch

- 70455 White



Cabinet Catch & Strikes

- 70485 Decorated
- 70495 Plain (pictured)
- 70505 Small



Bead Catch

- 70535 2", Brass



Cabinet Door Strut

- 70545 Metal
- 70555 Plastic (pictured)



Self-Closing Flush Mount Hinge

- 70575 Satin Nickel
- 70585 Antique Brass
- 70595 Brass (pictured)



Free Swing Flush Mount Hinge

- 70655 Satin Nickel
- 70605 Antique Brass
- 70615 Brass (pictured)



3-1/2" Non-Mortise Hinge

- 70625 Brass (pictured)
- 70635 Satin Nickel



Spring Support Hinge

- 70705 Metal



Cabinet Catch & Strikes

- 70715 Question Mark
- 70725 Small "C" Shape (pictured)
- 70735 Large "C" Shape



Roller Drawer Guide

- 70785 Brown



Drawer Slides

- 70795 Drawer Slide
- 70985 Drawer Slide Repair Kit
- 70995 Universal Drawer Slide Kit (pictured)



Cabinet Drawer Lock

- 71005 White



Door/Drawer Bumper

- 71015 1/2", 12/pkg



Sew-In Snap Tape

- 81005 72" Type A, C, E



Curtain Carrier

- 81065 Large Sew-In (A)
- 81075 Snap-In (A)
- 81085 Large Sliding Eye (A) (pictured)
- 81155 Wheeled w/ hook (B)
- 81165 Wheeled w/ ring (B)
- 81265 Small Sew-In (C)
- 81275 Elastic Sew-In (C)
- 81305 Small Sliding Eye (C)
- 81455 Snap-In (E)



Brackets

- 81175 Wall (pictured)
- 81185 Ceiling



Curtain Tabs

- 81285 Type C Sew-In (pictured)



Sew-In Slide Tape

- 81355 72" Type C
- 81365 72" Type D (pictured)



Side Curtain Retainer

- 81485 White



Drape Hook

- 81545 Stainless Steel



Snap Installation Kit

- 81565 Heavy Duty



HARDWARE

RV HARDWARE

Snap Kit

- 81575 Fabric-to-Fabric
- 81585 Fabric-to-Wall (Pictured)



Turn Button Assembly

- 81595 4/pkg



Mini Blind Wand

- 81605 12" Wand



Mini Blind Hold Down

- 81625 Metal Hole Style
- 81635 Post Style (pictured)
- 81645 Hook Style



Shower Curtain Ring

- 81665 Metal



Shade Hold Down

- 81705 Pleated Shade
- 81735 Day/Night Shade (pictured)



Shower Door Roller

- 81745 Universal, Wht



End Stop

- 81835 Type B



Mini Blind Brackets

- 81915 Clear



Cord Tensioner

- 81945 Plastic (pictured)
- 81955 Plastic, Extended



Ball Stud

- BS-1005 10 mm



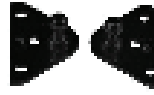
End Fittings

- EF-PS30 Gas Spring Fitting w/ Steel Spring
- EF-PS122 .328" Eyelet (pictured)
- EF-PS130 Gas Spring Fitting w/ Snap On cap
- EF-PS300 Clevis Swivel, 6mm



Gas Spring Mounting Bracket

- BR-1015 Angled
- BR-1020 Flat (pictured)
- BR-10336 Flat
- BR-1060 Angled
- BR-12552 Angled
- BR-12553 Angled



Gas Spring



- GSNI-2125-90 EXT 15 / COMP 9.00 / LBS 90
- GSNI-2200-90 EXT 17 / COMP 10.41 / LBS 90
- GSNI-2300-80 EXT 20 / COMP 11.41 / LBS 80
- GSNI-2300-90 EXT 20 / COMP 11.41 / LBS 90
- GSNI-2300-100 EXT 20 / COMP 11.41 / LBS 100
- GSNI-2300-120 EXT 20 / COMP 11.41 / LBS 120
- GSNI-2300-150 EXT 20 / COMP 11.41 / LBS 150
- GSNI-4033-30 EXT 18 / COMP 11.50 / LBS 30
- GSNI-4900-15 EXT 7.50 / COMP 5.25 / LBS 15
- GSNI-4900-40 EXT 7.50 / COMP 5.25 / LBS 40
- GSNI-5000-20 EXT 10 / COMP 6.41 / LBS 20
- GSNI-5000-60 EXT 10 / COMP 6.41 / LBS 60
- GSNI-5100-30 EXT 12 / COMP 7.91 / LBS 30
- GSNI-5100-40 EXT 12 / COMP 7.91 / LBS 40
- GSNI-5150-20 EXT 15 / COMP 8.91 / LBS 20
- GSNI-5150-40 EXT 15 / COMP 8.91 / LBS 40
- GSNI-5150-60 EXT 15 / COMP 8.91 / LBS 60
- GSNI-5200-30 EXT 17 / COMP 7.66 / LBS 30
- GSNI-5200-40 EXT 17 / COMP 9.66 / LBS 40
- GSNI-5200-50 EXT 17 / COMP 9.66 / LBS 50
- GSNI-5200-60 EXT 17 / COMP 9.66 / LBS 60
- GSNI-5300-10 EXT 20 / COMP 11.41 / LBS 10
- GSNI-5300-20 EXT 20 / COMP 11.41 / LBS 20
- GSNI-5300-30 EXT 20 / COMP 11.41 / LBS 30
- GSNI-5300-40 EXT 20 / COMP 11.41 / LBS 40
- GSNI-5300-50 EXT 20 / COMP 11.41 / LBS 50
- GSNI-5300-60 EXT 20 / COMP 11.41 / LBS 60
- GSNI-6624 EXT 14 / COMP 8.03 / LBS 24
- GSNI-6642 EXT 14.5 / COMP 8.91 / LBS 35
- GSNI-6687 EXT 26.32 / COMP 15.82 / LBS 74
- GSNI-7145 EXT 26.32 / COMP 15.82 / LBS 150

AP Products L Bracket



Gas Spring 1/2" L Bracket

- 010-079 3/4" Length
- 010-079-2 3/4" Small "L" Gas Spring - Pair

AP Products L Bracket Large



- 010-145-2 Gas Spring L Bracket Large 1-1/4"

AP Products Ball Stud



- 010-080-2 Ball Stud- 1 Pair

AP Products Table Leg Base



Flush mount, sits flat with RV floor.

- 013-1112 Round Flush Mount Pedestal Base - Chrome

AP Products Surface Mount Base



- 013-1119 Round Surface Mount Pedestal Base - Chrome (6 holes)



Plastic Rivet

Plastic rivets are 1/4 inches x 1 inch. White. Sold in a 25 pack.

013-140 1" Plastic Rivet



Privacy Lock

Polished brass with spherical knob, contemporary design. 2-3/8" round drive-in latch.



013-202 Locking Brass Privacy Knob

L300 Lock

Exceeds Federal motorhome vehicle safety standards. Replaces the L300. Opening Requirements: 4 5/8" x 4 7/8". Door Thickness: 1 3/8" - 2". Plate size: Outside 5 1/4" x 5 7/8". Inside 5 1/4" x 5 7/16".



013-257 RV Entrance Motor Home Lock

Global Slam Lock

Baggage Door Slam Lock - Black.

013-573 Global Slam B

013-671 Bauer Slam Baggage Lock - Black



Bauer Electric Motor Home Lock

Meets DOT specifications for motor home use. No wiring needed - uses 4 AA batteries to operate (not included). Comes with key for overriding forgotten code or dead battery.



013-531 Electric Motor Home Lock



Electric Travel Trailer Lock



It is powered by 4 AA batteries. It is retrofit-table in RV entry doors and is easy to install. Completely programmable with a 4 digit PIN number. Keypad lights up for easy use at night. It possesses the intelligence to know the position of the deadbolt and indicates low battery strength.

013-509 Trailer Entrance Lock

013-530 Electric Travel Trailer Lock - Left Hand

Global Travel Trailer Lock W/Keys



Entrance Lock with Paddle and Deadbolt. Directly replaces most Entrance Locks on Travel Trailers and 5th Wheels. Black finish.

013-570 Global Travel Trailer Lock W/Keys - Black

013-571 White Global Travel Trailer Entrance Lock Set

013-572 Chrome Global Travel Trailer Entrance Lock Set

Bauer Travel Trailer Lock W/Keys

Direct replacement for standard RV entry door locks. Fits in a 2-3/4" x 3-3/4" cut out. Low Profile Inside Egress to prevent interference with screen door. Corrosion Resistant Lock Cylinders based on ASTM B117-09 1000 hour Salt Fog Test. Lightweight, UV Resistant with Double Sided Key.



013-534 RV Entrance Lock, White

013-535 RV Entrance Lock - Chrome

4 X 8 Floor Register



Metal floor register for use with ducted AC or furnaces. Measures 4" x 8" or 4" x 10" both are equipped with shut-off, brown in color.

013-626 4" x 8"

4 X 10 Floor Register



013-628 4" x 10"

2-1/4 X 10 Floor Register

2-1/4" x 10" Floor register w/damper - Brown.



013-641 Floor Register - Brown W/Damper

Exit Window Latch

Exit window latch.



013-242 10" Exit Window Latch



STEPS & HANDRAILS

RV STEPS & HANDLES



Aluma Tread Steps



- 358992** Triple Step
- 358991** Quad Step

Replacement Tread

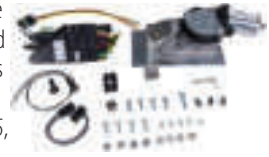


Makes your step treads visible in low light conditions, measures 6" x 21".

- 909342000** Glow Tread

Replacement Kit

Upgrade your old style Kwikkee step motor and control board with this kit. Fits most 22, 23, 28A, 30, 32, 33, 34, 35, 36, 38 and 40 series steps.



- 379145** Kwikkee Conversion Kit

Motor



Control Step

Step Control for steps after 2007 and newer for any single or double step.



- 379146** Step Control W/Override



Pullout Steps



24" Wide, Steel

- 432678** Single Step w/ Tape
- 432682** Double Step w/ Tape
- 432687** Triple Step w/ Tape, 7" Rise
- 432690** Triple Step w/ Tape, 9" Rise
- 432693** Quad Step w/ Tape, 8" Rise

Step Motor for all doubles (except 42 series and 47 series) and all singles.

- 379147** Step Motor For All Doubles

Magnetic Switch

3/8" diameter core Round Magnetic Door Switch, White, Normally Closed



- 378047** White, 3/8"

25 Series Motor



Designed to help the step automatically retract and extend when coach door is opened and closed.

- 369506** Kwikkee Step Motor for 25 Series

Switch Kit Magnet

3/8" Core Round Magnetic Door Switch Black, Normally open.



- 375385** Small Door Jam Switch, Black, 3/8-

Electric Steps



- 3747453** Single Step, 28 Series, w/ mtr & switch
- 372261** Double Step, 32 Series

Motor Replacement Kit

Kwikkee 909520000 Motor Replacement Kit For Pre-IMGL/9510 Control Steps Camper Trailer RV



- 379608** Replacement Motor

Switch Kit Magnet N23

Heavy-Duty Rectangular Magnetic Switch Pack - White (not for use with black control unit)



- 374198** Miniature Rectangular Magnetic Door Switch, White



STEPS & HANDRAILS

Round Switch

Round Electric Step Door Switch is a replacement magnetic switch.



379400 3/4" Round Magnetic Door Switch

Gear & Linkage



Gear & Linkage Kit A Control For Steps Camper Trailer RV.

379160 Gear/Linkage "A" New Style

Linkage Kit



A- style linkage kit used for 22, 23, 30, 32, 33, 34, 35, 36, 38, and 40 step series.

379649 "A" Step Linkage Kit

Linkage Kit



"B"- style Linkage Kit used for 28, 31, 37, and 39 step series.

379648 B- Linkage Kit



Replacement Kit 2



"B"- style IMGL Kit: Improved Motor Linkage Kit used for IMGL (improved motor gear linkage for steps before 2006) 28, 31, 37, and 39 step series, includes control.

379769 "B" Improved Motor Linkage Kit

Control Unit



Engine does not have to be running to activate step. When in the down position, platform is lighted and the anti-skid top provides for maximum safety.

379606 Control Unit For 5323 & 5327 Switches

Large Switch



The Kwikkee Large Rectangle Door Switch Kit by Lippert Components is designed to secure the coach door when opened and closed.

379406 Kwikkee Large Rectangle Door Switch Kit

Pigtail Harness



4-Way plug with packard connector.

369243 4-Way Plug w/ Packard Connector 10" Leads

Cotter & Clevis Pin



The Kwikkee Cotter and Clevis Pin offers a low cost option for replacing worn or broken pins.

379178 Kwikkee Cotter and Clevis Pin

Switch Plunger

This switch is normally open, contacts open when button is out, closed when button is pushed in



379407 Plunger Switch
379388 Switch Plated Plunger

KwikLube



1 Case is 12 11oz. cans

379177 Kwikkee Grease Gun in a Can



COVERS & VENTS

RV COVERS & VENTS

RV PERMAPRO

DESIGNED BY CLASSIC ACCESSORIES



PermaPRO™ Class A RV Cover

MFG #	FITS/DESCRIPTION
80-142-151001-00	MODEL 2: Fits Class A RVs 20'-24' L, 122" Max H
80-328-161001-RT	MODEL 3T: Fits Class A RVs 24'-28' L, 125" Max H
80-329-171001-RT	MODEL 4T: Fits Class A RVs 28'-30' L, 130" Max H
80-330-181001-RT	MODEL 5T: Fits Class A RVs 30'-33' L, 130" Max H
80-331-191001-RT	MODEL 6T: Fits Class A RVs 33'-37' L, 135" Max H
80-184-201001-00	MODEL 7XT: Fits Class A RVs 37'-40' L, 140" Max H
80-333-211001-RT	MODEL 8XT: Fits Class A RVs 40'-42' L, 140" Max H



PermaPRO™ Class B RV Cover

MFG #	FITS/DESCRIPTION
80-411-141001-RT	MODEL 1: Fits Class B RVs up to 20' L, 117" Max H
80-412-151001-RT	MODEL 2: Fits Class B RVs 20'-23' L, 117" Max H
80-413-161001-RT	MODEL 3: Fits Class B RVs 23'-25' L, 117" Max H
80-414-171001-RT	MODEL 4: Fits Class B RVs 25'-27' L, 117" Max H
80-415-161001-RT	MODEL 3T: Fits Class B RVs 23'-25' L, 128" Max H
80-416-171001-RT	MODEL 4T: Fits Class B RVs 25'-27' L, 128" Max H



PermaPRO™ Class C RV Cover

MFG #	FITS/DESCRIPTION
80-127-141001-00	MODEL 1: Fits Class C RVs up to 20' L, 122" Max H
80-128-151001-00	MODEL 2: Fits Class C RVs 20'-23' L, 122" Max H
80-129-161001-00	MODEL 3: Fits Class C RVs 23'-26' L, 122" Max H
80-130-171001-00	MODEL 4: Fits Class C RVs 26'-29' L, 122" Max H
80-131-181001-00	MODEL 5: Fits Class C RVs 29'-32' L, 122" Max H
80-314-191001-RT	MODEL 6T: Fits Class C RVs 32'-35' L, 125" Max H
80-315-201001-RT	MODEL 7T: Fits Class C RVs 35'-38' L, 135" Max H



PermaPRO™ Camper Cover

MFG #	FITS/DESCRIPTION
80-258-141001-00	MODEL 1: Fits Campers 8'-10' L
80-259-151001-00	MODEL 2: Fits Campers 10'-12' L & Lance® 1172 and 1191

*Lance is a brand name of Lance Camper Manufacturing Corporation



PermaPRO™ 5th Wheel and Toy Hauler Cover

MFG #	FITS/DESCRIPTION
80-121-141001-00	MODEL 1: Fits 5th Wheels and Toy Haulers 20'-23' L, 122" Max H
80-122-151001-00	MODEL 2: Fits 5th Wheel and Toy Haulers 23'-26' L, 122" Max H
80-317-161001-RT	MODEL 3T: Fits 5th Wheel and Toy Haulers 26'-29' L, 130" Max H
80-318-171001-RT	MODEL 4T: Fits 5th Wheel and Toy Haulers 29'-33' L, 135" Max H
80-319-181001-RT	MODEL 5T: Fits 5th Wheel and Toy Haulers s 33'-37' L, 135" Max H
80-187-191001-00	MODEL 6XT: Fits 5th Wheel and Toy Haulers 37'-41' L, 140" Max H
80-299-203101-RT	MODEL 7XT: Fits 5th Wheel and Toy Haulers 41'-44' L, 140" Max H

COVERS & VENTS

RV PERMAPRO

DESIGNED BY CLASSIC ACCESSORIES



PermaPRO™ Folding Camping Trailer Cover

MFG #	FITS/DESCRIPTION
80-400-301001-RT	MODEL 0: Fits Folding Camper Trailers up to 8'-6" L'
80-401-141001-RT	MODEL 1: Fits Folding Camper Trailers 8'-10" L'
80-402-151001-RT	MODEL 2: Fits Folding Camper Trailers 10'-12" L'
80-403-161001-RT	MODEL 3: Fits Folding Camper Trailers 12'-14" L'
80-404-171001-RT	MODEL 4: Fits Folding Camper Trailers 14'-16" L'
80-405-181001-RT	MODEL 5: Fits Folding Camper Trailers 16'-18" L'
80-406-191001-RT	MODEL 6: Fits Folding Camper Trailers 18'-20" L'

*FIT DIMENSIONS include only the Trailer Body, tow hitch not included



PermaPRO™ R-POD Travel Trailer Cover

MFG #	FITS/DESCRIPTION
80-255-151001-00	MODEL 2: Fits R-POD Travel Trailers up to 16'2" L'
80-256-161001-00	MODEL 3: Fits R-POD Travel Trailers up to 17'7" L'
80-257-171001-00	MODEL 4: Fits R-POD Travel Trailers up 17'7" L'

*R-POD is a brand name of Forest River Inc.

*FIT DIMENSIONS include only the Trailer Body, tow hitch not included



PermaPRO™ Molded Fiberglass Travel Trailer Cover

MFG #	FITS/DESCRIPTION
80-407-141001-RT	MODEL 1: Fits Molded Fiberglass Travel Trailers 8'-10" L'
80-408-151001-RT	MODEL 2: Fits Molded Fiberglass Travel Trailers 10'1"-13" L'

*FIT DIMENSIONS include only the Trailer Body, tow hitch not included



PermaPRO™ Teardrop Trailer Cover

MFG #	FITS/DESCRIPTION
80-397-141001-RT	MODEL 1: Fits Teardrop Travel Trailers up to 8' L', 5' W
80-398-151001-RT	MODEL 2: Fits Teardrop Travel Trailers up to 8'-10" L', 5' W
80-399-161001-RT	MODEL 3: Fits T@B & Clam Shell 10'-12" L', 6' W

*FIT DIMENSIONS include only the Trailer Body, tow hitch not included

*T@B is a registered trademark of Pleasant Valley Teardrop Trailers



PermaPRO™ Travel Trailer and Toy Hauler Cover

MFG #	FITS/DESCRIPTION
80-321-301001-RT	MODEL 0: Fits Travel Trailers and Toy Haulers 15'-18" L, 114" Max H
80-134-141001-00	MODEL 1: Fits Travel Trailers and Toy Haulers 18'-20" L, 118" Max H
80-135-151001-00	MODEL 2: Fits Travel Trailers and Toy Haulers 20'-22" L, 118" Max H
80-136-161001-00	MODEL 3: Fits Travel Trailers and Toy Haulers 22'-24" L, 118" Max H
80-137-171001-00	MODEL 4: Fits Travel Trailers and Toy Haulers 24'-27" L, 118" Max H
80-138-181001-00	MODEL 5: Fits Travel Trailers and Toy Haulers 27'-30" L, 118" Max H
80-139-191001-00	MODEL 6: Fits Travel Trailers and Toy Haulers 30'-33" L, 118" Max H
80-325-201001-RT	MODEL 7T: Fits Travel Trailers and Toy Haulers 33'-35" L, 124" Max H
80-326-211001-RT	MODEL 8T: Fits Travel Trailers and Toy Haulers 35'-38" L, 124" Max H
80-327-221001-RT	MODEL 9T: Fits Travel Trailers and Toy Haulers 38'-40" L, 124" Max H



COVERS & VENTS

RV STEPS & HANDLES

Seat Cover



80-112-012401-00 RV Seat Cover Tan - 1 Sz -2cs

RV Wheel Covers



Classic wheel covers sized for a custom fit. Tire sizes are listed on the back of the packages so customers can determine sizing without measuring their tires. Fast and easy slip-on fit, folds up for easy storage. Rugged wipe-clean vinyl with a soft, non-scratch backing, water-repellent and water-resistant. Two wheel covers included in each package.

76230	RV Wheel Covers Sno White 26.75" - 29"
76240	29" To 31-3/4"
76250	32" To 34-1/2"
76260	36" To 39"
76280	40" To 42"

AC Cover



77410 Coleman® Mach I - II - III - Mach 3 Plus - Mach 15 - Roughneck & TSR

80-226-192301-00 Dometic Brisk Air II

Spare Tire Cover

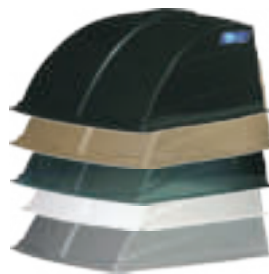


Classic wheel covers sized for a custom fit. Elasticized back hem for a fast and adjustable fit. Rugged wipe-clean vinyl with a soft, non-scratch backing, water-repellent and water-resistant. Tire sizes are listed on the back of the packages so customers can determine sizing without measuring their tires. Comes in three colors; snow white, grey, and black.

75387	30" - 33" - Black
75347	26.75" - 29.75" - Black
80-073-041001-00	30" - 33" - Grey
80-072-021001-00	26.75" - 29.75" - Grey
80-218-042301-00	30" - 33" - White
80-217-022301-00	26.75" - 29.75" - White

Roof Vent Cover

Leave your vent open rain or shine. The Camco Vent Cover offers high-flow ventilation in an aerodynamic design. Removable louvers for easy cleaning. Mounts to existing 14"x14" roof vents. UV stabilized resin for years of rugged use.



40443	Black
40433	White
40453	Smoke
40463	Champagne
40473	Silver



We Cover Your Gear®



Class B Cover



Fifth Wheel Hitch Cover



Tear Drop Cover



Bike Cover

COVERS & VENTS

A FULL LINE OF REPLACEMENT VENT LIDS



Jensen for metal vent (starting with 2004)



Jensen - pin hinge (prior to 1994)



Ventline (prior to 2008) Elair (starting with 1994)



Elair (prior to 1994)



Ventline (starting with 2008)

Available in white, smoke and black.

CAMCO

MATCH YOUR HINGE

Old Elixir Vent Lid



UV stabilized, fully assembled rust resistant galvanized mounting hardware. Standard 14" x 14"

40156 Vent Lid, Elixir pre '94, White

40165 Vent Lid, Elixir pre '94, Smoke

40170 Vent Lid, Elixir pre '94, Black

Old Jensen Vent Lid



UV stabilized, fully assembled rust resistant galvanized mounting hardware. Two models are available, impact resistant polypropylene and unbreakable polycarbonate. Standard 14" x 14"

40154 Vent Lid, Jensen pre '94 pin, White

40145 Vent Lid, Jensen pre '94 pin, Smoke

40174 Vent Lid, Jensen pre '94 pin, Black

Old Elixir Vent Lid Poly Carb



Unbreakable 14" x 14" vent lids are preassembled and include rust-resistant mounting hardware for quick, easy installation.

40162 Vent Lid, Elixir pre '94, White (Polycarb)

40172 Vent Lid, Elixir pre '94, Black (Polycarb)

Old Jensen Vent Lid Poly Carb



Unbreakable 14" x 14" vent lids are preassembled and include rust-resistant mounting hardware for quick, easy installation.

40160 Vent Lid, Jensen pre '94 pin, White

40175 Vent Lid, Jensen pre '94 pin, Black (

Jensen Vent Lid



UV stabilized, fully assembled rust resistant galvanized mounting hardware. Two models are available, impact resistant polypropylene and unbreakable polycarbonate. Standard 14" x 14"

40153 Vent Lid, Jensen Metal Base '94 up, White

40173 Vent Lid, Jensen Metal Base '94 up, Black

Ventline Vent Lid



The Camco Vent Lid comes ready for a quick installation right on your RV. UV-stabilized to resist the sun's rays and is rust resistant. Dimensions: 14" W x 14" L. (1) Ventline Lid and Mounting Hardware.

40151 Vent Lid, Ventline '08 up, White

40176 Vent Lid, Ventline '08 up, Black



COVERS & VENTS

RV STEPS & HANDLES

CAMCO Complete Vent Lid Kit



Camco's non-powered roof vents includes a white impact resistant dome, seamless one piece frame, manual crank dome lift, screen, interior garnish ring & galvanized steel roof flanges. Leak proof and weather tight.

40480 Vent Lid, 14"x14"

VALTEK Universal Vent Lid



Universal vent lid replaces Jensen, Ventline, Elixir and Ventadome vent lids. Made of durable impact and UV resistant polypropylene

- Rust-resistant mounting hardware included
- 16" x 15" x 3.5"

A10-3375	16" X 15" X 3.5", White, Boxed
A10-3375PB	16" X 15" X 3.5", White, Polybagged
A10-3376	16" X 15" X 3.5", Smoke, Boxed
A10-3376PB	16" X 15" X 3.5", Smoke, Polybagged

Old Ventline Vent Lid



UV stabilized, fully assembled rust resistant galvanized mounting hardware. Standard 14" x 14".

- 40155** Vent Lid, Ventline pre '08/Elixir '94 up, W
- 40146** Vent Lid, Ventline pre '08/Elixir '94 up, S
- 40177** Vent Lid, Ventline pre '08/Elixir '94 up, Bk

Vent Insulator



RV Vent Insulator with a full 3" of foam. Reflective surface blocks 100% of the sun's damaging rays.

45192 Vent Insulator, Fits 14" x 14" Vent (W/ Reflective)

Old Ventline Vent Lid Poly Carb



Unbreakable 14" x 14" vent lids are preassembled for quick, easy installation. Replaces models as noted.

- 40161** Vent Lid, Ventline pre '08/Elixir '94 up, Black (Polycarb)
- 40178** Vent Lid, Ventline pre '08/Elixir '94 up, Black (Polycarb)

Refrigerator Vent Cover



Fits Dometic, Camco and newer Norcold bases. Made from UV stabilized, durable polypropylene plastic.

- 42160** Refrigerator Vent Cover -White
- 421603** Refrigerator Vent Cover -Black

Vent Installation Kit w/ Butyl Tape



Comes with screws and butyl tape

25013 Installation Kit with Putty Tape

Vent Installation Kit w/ Putty Tape



Comes with screws and grey putty tape

25003 Installation Kit with Putty Tape





Propane Tank Cover



Fits 20 or 30# Steel Double Tank with an easy access panel for valves. Heavy Duty UV Stabilized Polymer

40532	Colonial White (Pictured)
40542	White
40539	Black

Single Stage Regulator



Excela-Flow Single Stage Regulator 1/4" FNPT x 3/8" FNPT - 140KBTU/H

MEGR-230P	Single Stage Regulator - Pkg
------------------	------------------------------

Auto Change Regulator

The automatic changeover regulator is your application for two cylinder systems. The changeover feature allows users the benefit of uninterrupted fuel flow to the LP-gas system.



MEGR-253P	Auto Change Regulator, Pkg.
------------------	-----------------------------

High Capacity Auto Regulator

LP regulator 2-stage high capacity excele-flow automatic changeover packaged.



MEGR-253HP	Two-Stage High Capacity, Pkg.
-------------------	-------------------------------

Two Stage Regulator

Compact 2 stage regulator HN excess flow POL inlet x 3/8" FNPT outlet - 90 vent.



MEGR-295P	2 Stage Regulator, Pkg.
MEGR-295HP	2 Stage Regulator 9:00 Vent HC

Two Stage Regulator Bottom Vent

These regulators feature all zinc body construction, high and low 1/8 NPT pressure tap ports, an integral drip lip vent and optional 90 degree vent location. The MEGR-291 series two stage regulator meets RVIA, UL and NFPA test requirements.



MEGR-291P	291 2-Stage Regulator, Pkg.
MEGR-291HP	Two Stage Regulator - High Capacity, Packaged
MEGR-291LP	Two Stage Regulator - Low Capacity, Packaged

Two Stage Regulator Side Vent



Combines all the features of the 290 two-stage regular. When mounted horizontally, it's vent is pointed down; under a protective cover. It is approved for use on single vertical cylinders or horizontal tanks. Meets requirements for use on recreational vehicles.

MEGR-298P	2 Stage Regulator, Pkg.
------------------	-------------------------

High Pressure Regulator



The MEGR-130 is a compact, high pressure, single stage, fixed regulator with 10 to 30 PSI - 1/4" FNPT inlet/outlet. The MEGR-130 can be used to regulate air and LP gas.

MEGR-130-30P	30 PSI - Pkg
---------------------	--------------

Regulator Cover



Regulator Cover 2 Stage For MEGR-291 298 and 253 Series RV Parts

MEGR-862P	Two Stage Universal Regulator
------------------	-------------------------------

Regulator Mounting Bracket



Clear zinc plate, 3.5 inch centerline. MEC Universal L-Mount Regulator Mounting Bracket. L-shaped universal regulator mounting bracket.

MEGR-900P	Z-Mount Universal Regulator Mounting Bracket
MEGR-RVBP	Universal L-Mount Regulator Mounting Bracket

Type I Pigtail



12" Pigtail Acme Nut X 1/4" I F, Type 1.

MER425-12P	12' Rv Type 1 Pigtail-Pkg
MER425-15P	15" ACME x 1/4" Flare, Pkg.
MER425-24P	Thermo Pigtail (1/4" Inverted Flare X QCC, 24" Length)
MER425-36P	1/4" Inverted Flare with Pigtail Acme Nut
MER425-48P	

LP Pigtail W/1/4" MPT



15" pigtail. Type 1 ACME x male 1/4" threaded. Connects propane cylinder to regulator. Type 1 ACME end screws to the tank, male 1/4" threads screws into the regulator. Please note that some gas regulators require pigtails with 1/4" inverted flares so doublecheck yours before ordering.

MER426-15P	15" Pigtail x 1/4" MPT, Pkg.
MER426-20P	20" Pigtail x 1/4" MPT, Pkg.



LP PRODUCTS

Stainless Steel Braided Pigtails



Capacity: Standard QCC - 200,000 BTU/H. Excess Flow Safety Shut-Off. Female QCC, Type I connection x 1/4" inverted male flare. 100% Leak Tested. 350 PSIG Working Pressure.

- MER425SS-15P** 15" Stainless Steel Braided RV Pigtail Hose - 1/4" Male Inverted Flare
- MER425SS-24P** 24" Stainless Steel Braided RV Pigtail Hose - 1/4" Male Inverted Flare
- MER425SS-36P** 36" Stainless Steel Braided RV Pigtail Hose - 1/4" Male Inverted Flare

High Flow Type I Pigtail

400,000 BTU capacity
1/4" ID High pressure thermoplastic hose
1/4" Inv. Flare and
1/4" MPT connection offered



- MER425H-12P** 12" High Flow Type I LP Pigtail - Pkg
- MER425H-15P** 15" Lp Hose High Flow Female
- MER425H-24P** High Flow Thermoplastic Hose, 1/4" Hose ID - 24"

High Flow Stainless Steel Braided Pigtails



For connecting propane cylinders to the propane regulator. Provides added protection to the hose.

- MER425HSS-15P** Stainless Steel Pigtail High Flow - 15"
- MER425HSS-24P** Stainless Steel Pigtail High Flow - 24"

Stay-Longer Hose



Thermoplastic Hose
1-20 female swivel connection, 1-20 male swivel connection, 1-20 male swivel connection

- MER421-144P** 144" Length - Packaged

1/2" Flare Pigtail

48" LP Hose - 3/8" MNPT (Male National Pipe Thread) x 1/2" FFS (Female Flare Swivel) is rated up to 350 PSIG



working pressure with a 400 lbs. pull test rating.

- MER611-36P** 36" LP Hose - 3/8" MNPT x 1/2" FFS
- MER611-48P** 48" LP Hose - 3/8" MNPT X 1/2" FFS

3/8" Pigtail

Has two ends and fully crimped brass ferrules. 36" in length with an inside diameter of 3/8". Flexible



thermoplastic UL and CGA approved hose. Includes thermal protection.

- MER610-36P** 36" RV Pigtail Hose - 3/8" MNPT X 3/8" FFS
- MER610-48P** 48" RV Pigtail Hose - 3/8" MNPT X 3/8" FFS

3/8" Female Pigtail

Marshall Excelsior MER613 Series Thermalplastic Hose
Thermalplastic hose 3/8 inch Female Flare Swivel x 3/8



inch Female Flare Swivel, 36 inch long

- MER613-36P** 3/8" x 3/8" Female Flare Swivel
- MER613-48P** Hose 36' 3/8 FFS x 3/8 FFS

POL Pigtail

400,000 BTU capacity. Rated up to 350 psi working pressure with a 400 pound pull test rating. Male soft nose POL, plastic hand wheel and 1-20 male swivel connections.



- MER407-60P** 1/4" Id Hp Hose 60' Pkg

Quick Disconnect Hose Assembly



- MER14TCQD-72P** HP Hose W/Cap
- MER14TCQD-144P** Hp Hose 1/4 Id X 1/4 Mnpt 144"

Adapter, Stay-Longer



Excess flow male hard hose POL 1/4" female inverted flare with check. Female POL 1" 20-Male, packaged.

- ME420P** Stay-Longer Tee

Stay-Longer Adapter



- ME422P** Camping Elbow, QCC1 X Retro-Q X1-20m X 1/4" Inv. Flare, Pkg.

Propane Cylinder Adapter

Excess Flow POL (Prest-O-Lite) x 1"-20 Male with Cap x F. POL x 1-5/16" M. Acme with Quick Closing Poppet - Elbow.



- ME423P** Flow-Longer Elbow Propane Adapter, Pkg.



Bluetooth LP Tank Sensor

Bluetooth Signal Updates Monitor Or Smart Device. Sensor Mounts To Bottom Of Tank. Tank Fuel Level Is Updated Every 5 Seconds. Sensor Communicates To Mobile Device or Monitor In Coach.



- 024-1000** LP Tank Check Dual Sensor w/ Monitor Kit
- 024-1001** LP Tank Check Single Sensor Kit
- 024-1002** LP Tank Check Dual Sensor Kit
- 024-1003** 15 Pack





Heated Hose

Heated fresh water supply hose provides drinking water in sub-zero temperatures. The heating source is self-regulating, - no thermostat is required. Heavy duty zippered insulation cuffs at each end are included for added freeze protection. Hose operates at 120VAC/90 Watts.



W01-5315 Heated Water Hose, 1/2" X 15', Blue

W01-5325 Heated Water Hose, 1/2" X 25', Blue

W01-5350 Heated Water Hose, 1/2" X 50', Blue



High Pressure Drinking Water Hose

- High pressure, non-toxic drinking water hose
- 160 psi working pressure
- NSF listed materials



W01-5048 Drinking Water Hose, 1/2" x 4', White

W01-5120 Drinking Water Hose, 1/2" x 10', White

W01-5180 Drinking Water Hose, 1/2" x 15', White

W01-5300 Drinking Water Hose, 1/2" x 25', White

W01-5600 Drinking Water Hose, 1/2" x 50', White



Hi-Flow 90° Water Regulator

- Protects RV plumbing against high pressure
- 50-55psi without check valve



A01-02222 Hi-Flow 90° Water Regulator, Brass, Lead-Free, Bulk



Lead-Free Water Regulators

- Protects RV plumbing against high pressure
- Regulates incoming water pressure to 40-50 psi



A01-1120 Water Regulator, Brass, Lead-Free, Bulk

A01-1120VP Water Regulator, Brass, Lead-Free, Carded



Lead-Free High Flow Water Regulators

- Protects RV plumbing against high pressure
- 15% to 20% more flow



A01-1122VP Water Regulator, High Flow, Brass, Lead-Free, Carded



Dust Plug

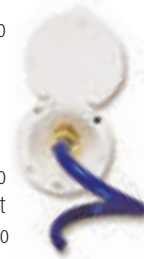
- Protects your fresh water system from dust and insects



A0170SVP Water Inlet Plug, 3/4", With Strap, White, Carded

Quick Connect Valve Only

The Spray-Port is an auxiliary hook-up without storage. Small and simple, it measures only 4" deep and requires only a 2-3/4" round installation hole. Note: New Coil Hose (not included-sold separately) required to connect to this product. Or a Brass-Quick Connect Adapter (sold separately) is required to attach a garden hose to this product.



PF147005 Quick Connect Valve, 2.75", White (SA-PORT-BTW-RT)

Spray Away Quick Connect Hose

High Quality 15, 3/8" polyurethane coil hose for the Spray Port with Brass insert to fit Spray Port Quick Connector, 15 feet, lightweight, UV resistant hoses, re-coils to just 12 inches.



PF267003 Hose for Spray-Away, 15' Coiled (SA-HOSE-15-ASYR)

Hot/Cold Spray Port

High pressure/high volume water follow does a fast, thorough job. Uses a 5-1/2" square installation hole and is only 5-3/4" deep. Note: Coil Hose (not included-sold separately) required to connect to this products.



PF213246 Faucet w/ Quick Connect, 3-3/8", 2 Knob, Plastic, White (P1403M-55QCI)

PF213247 Faucet w/ Quick Connect, 4", 2 Knob, Plastic, White (P1404M-55QCI)

8" Kitchen Faucet



SINGLE LEVER Faucet W/Spray Features reliable washer less cartridges, chrome finishes, all-metal exteriors, brass under bodies, copper supply tubes and 1/2" IPS fittings.

PF211326 Kitchen Faucet, 8", 2 Knob, Plastic-Chrome

8" Kitchen Faucet Lever Handles



Two handle 8" faucet, 8" Down Spout.

PF211327 Kitchen Faucet, 8", 2 Lever Teacup, Plastic, Chrome (P5033A-T44I)

PF221301 Kitchen Faucet, 8", 2 Lever, 1/4 Turn, Plastic, Chrome (R5003-I)

Hi Arc Kitch Faucet

DuraPro underbody, plastic stem and bonnets, chrome lever handles. Phoenix 8 inch Kitchen Faucet. With high-arc spout. DuraPro underbody, plastic stem and bonnets, chrome lever handles.



PF211344 Kitchen Faucet, 8" Hi-Arc, 2 Lever Teacup, Plastic, Chrome (P5034A-T44I)



FRESH WATER

Hi-Arc Kitchen Faucet

Phoenix U S A High Arc Spout Deck Faucet features 8 inch centers high arc spout sleek contemporary styling.



PF221202 Kitchen Faucet, 8" Hi-Arc, 2 Lever, 1/4 Turn, Plastic, White (R5177-I)

PF221302 Kitchen Faucet, 8" Hi-Arc, 2 Lever, 1/4 Turn, Plastic, Chrome (R5103-I)

PF231302 Kitchen Faucet, 8" Hi-Arc Hybrid, 2 Lever, Chrome (RB5602-I)

PF231321 Kitchen Faucet, 8" Hi-Arc Hybrid, 1 Lever, Ceramic Disc, Chrome (S2102-01-02I)

Pull-Out Kitchen Faucet

A one piece molded underbody formed with plastic resin and powder metal composite. It has sturdy brass encased water connections and is LEAD FREE and EPA certified for up to 45% water savings.



PF231341 Kitchen Faucet, 8" Pull Out Hybrid, 1 Lever, Ceramic Disc, Chrome (SP2104-01-02I)

Hybrid 8" Kitchen Faucet

A one piece molded underbody formed with plastic resin and powder metal composite. It has sturdy brass encased water connections and is LEAD FREE and EPA certified for up to 45% water savings.



PF231441 Kitchen Faucet, 8" Pull Out Hybrid, 1 Lever, Ceramic Disc, Brushed Nickel (SP2104-06-02I)

4" Chrome Lavatory Faucet

4" lavatory faucet has clear acrylic handles and comes with chrome or white finish.



PF212307 Lavatory Faucet, 4", 2 Knob, Plastic, Chrome (P4032A-I)

4" Hybrid Lavatory Faucet

A one piece molded underbody formed with plastic resin and powder metal composite makes this a high performance unit. It is LEAD FREE and EPA certified for up to 20% water savings.



PF232301 Bathroom Faucet, 4" Hybrid Low-Arc, 2 Lever, 1/4 Turn, Chrome (RB4602-I)

PF232323 Bathroom Faucet, 4" Single Lever, Tall, Ceramic Disc, Chrome (S1205-I)

PF232401 Bathroom Faucet, 4" Low-Arc Hybrid, 2 Lever, 1/4 Turn, Brushed Nickel (RB4662-I)

PF232421 Bathroom Faucet, 4", Tall, Single Lever, Ceramic Disc, Brushed Nickel (S1265-I)

4" Chrome Lavatory Faucet Teacup

4" Lavatory faucet with a chrome finish. DuraPro underbody with a plastic compression valve.



PF212308 Lavatory Faucet, 4", 2 Lever Teacup, Plastic, Chrome (P4032A-T44I)

4" Bathroom Faucet

Two-handle 4" lavatory faucet with plastic underbody.



PF222201 Bathroom Faucet, 4", 2 Lever, 1/4 Turn, Plastic, White (R4077-I)

PF222301 Bathroom Faucet, 4", 2 Lever, 1/4 Turn, Plastic, Chrome (R4003-I)

PF222501 Bathroom Faucet, 4", 2 Lever Teacup, 1/4 Turn, Plastic, Rubbed Bronze (R4084-I)

4" Bathroom Faucet w/ Diverter Valve

4" decorative Lav-A-Shower faucet with anti-syphon hook up for personal shower.



PF222241 Bathroom Diverter Faucet, 4", 2 Lever, 1/4 Turn, Plastic, White (R4477-I)

Shower Valve W/ Vacuum Breaker

4" decorative shower valve, with vacuum breaker for personal shower.



PF223241 Shower Valve w/ Vac Brkr, 4", 2 Lever, 1/4 Turn, Plastic, White (R0477-I)

2 Lever With D-Spod

4" decorative tub-shower diverted with anti-syphon hook up for personal shower.



PF232261 Tub Div Faucet w/ D-Spod, 4", 2 Lever, 1/4 Turn, Plastic, White (R4777-I)

Shower Valve w/ Breaker

Two handle 4" shower valve. Vacuum breaker for attaching a hand held shower. Plastic underbody.



PF223341 Shower Valve w/ Vac Brkr, 4", 2 Lever, 1/4 Turn, Plastic, Chrome (R0403-I)

Tub Faucet with D-Spod

Two handle tub filler with diverter and D-Spod for attaching a hand held shower.



PF223361 Tub Div Faucet w/ D-Spod, 4", 2 Lever, 1/4 Turn, Plastic, Chrome (R4703-I)



FRESH WATER

RV FRESH WATER



Quality that delivers –
Just Like Home Performance.

POWER RV
REMCO
RV3200
The ideal OEM replacement pump.



3.0 GPM
45 PSI
12 Volt DC

OEM replacement pump
An Exact OEM drop-in replacement, the 3200 is a heavy duty 3 chamber positive displacement diaphragm pump. It is self-priming and can be run dry. Includes fittings and inlet strainer.

POWER RV
REMCO
Rebel
REMCO
Pumps



3.2-5.3 GPM
60 PSI
12 Volt DC

FLO IQ
Eliminates Pump Cycling

The Price-Performance Leader
Engineered to withstand the most rigorous and punishing duty cycles, the REMCO™ Rebel™ Series Pump is a top-line performer.

POWER RV
REMCO
AquaJet
REMCO
Pumps



3.4 to 5.3 GPM
65 PSI
12 Volt DC

Super Smooth Digital Flow Control
With years of field proven reliability, it's patented variable speed technology and five chamber design, the REMCO™ PowerRV™ AquaJet™ has earned a reputation as the finest and most advanced RV water system pump on the market.

Liquid Temperature: 40F (40°C) Max
Amps: 0 Max
Max Pressure: 45 PSI (3 bar)
Flow Rate: 3.0 GPM / 12 LPM
Inlet/Outlet Ports: 1/2" NPT Male
Leads: 18 AWG, 4 1/2" Long

- Weight:** 4.8 lbs (2.1 kg)
- Quiet operation
 - Low amp draw
 - Easy connect fittings
 - Industry standard mount pattern
 - Built in check valve
 - Capable of being run dry

Liquid Temperature: 40F (40°C) Max
Amps: 0 Max
Max Pressure: 60 PSI (4.1 bar)
Flow Rate:
53REBEL - 3.2 GPM / 12 LPM
54REBEL - 4.0 GPM / 15 LPM
55REBEL - 5.2 GPM / 20 LPM
Inlet/Outlet Ports: Remco Quick-Attach - fittings included

- Leads:** 18 AWG, 2" Long
Weight: 8 lbs (3.6 kg)
- No Cycling
 - Outlet check valve prevents back flow
 - High performance 60 PSI, 13 Amps Max
 - Self-priming
 - Capable of being run dry

53REBEL-JRV
54REBEL-JRV

Liquid Temperature: 40F (40°C) Max
Amps: 0 Max
Max Pressure: 65 PSI
Flow Rate:
AES - 3.4 GPM / 13 LPM
ARV - 5.3 GPM / 20 LPM
Inlet/Outlet Ports: Remco Quick-Attach - fittings included

- Leads:** 18 AWG, 2" Long
Weight: 11 lbs (5 kg)
- Low Voltage Shut-off
 - Self-priming
 - Capable of being run dry
 - **Quietest pump on the market**

55AQUAJET-AES
55AQUAJET-ARV

90-3214-1C4-82L-SB



SEWER & SANITATION

Rotating Wye

- Joins two outlet hoses to one sewer hose line
- Used when unit has two separate tank valves
- Rotating bayonet ends ensure that hose lays flat
- 4 durable hooks



F02-2030 Rotating Wye, 3", Bulk

Valve and Hose Adapter

Adapts drain hose to valve system with four bayonet attachments for a leak proof seal. Twist right onto your RV sewer hose



F02-3101 EZ Coupler Valve Adapter, Red, Carded

Coupler

- Connects two hoses together by simply threading on



F02-3102 EZ Coupler, Red, Carded

90° Elbow

Multi-tiered sewer fitting press fits into sewer outlets for fast and easy set up. Two piece design allows hose to remain attached for easy storage. 3/4" threaded connector for 2nd gray water tank. Drip Cap included



F02-3103 EZ Coupler Universal Sewer Adapter, Red, Carded

Bayonet Fitting

Create an extension hose with two EZ Coupler parts (F02-3101 and F02-3108) that connect with a quick snap.



F02-3108 EZ Coupler Bayonet Fitting, Red, Carded

EZ Coupler 90

- Universal threaded sewer fitting with a standard bayonet end
- 6 different types of sewer connections with a gas tight fit
- Quick twist attachment
- Threads are 3", 3-1/2", and 4"



F02-3112 EZ Coupler 90° Bayonet Sewer Fitting, Red, Carded

RV Hydroflush

- Breaks up plugged tanks, cleans tank, pipe, valve, drain hose
- Includes an internal backflow preventer and removable anti-siphon valve



F02-4100 RV Hydroflush 45°

Clear Hose Adapters

- Clear so you know when your tank is clean. Easy bayonet attachment. No need to remove or re-attach drain hose for use with current drain hose fittings. 45° design reduces stress on sewer hose



T1026-1 Clearview Adapter, 45°, with 3" Bay Lugs

Flanged Valve Fittings



Slip hub 3"

T1005 3" Hub

Caps and Accessories



T1020 Waste Valve Cap, 3", Black, Bulk

T1020-1 Waste Valve Cap, 3", 3/4" GHT with Cap, Black

Hose Adapters

- Fits all standard black waste valve systems
- Use with 3" clamp
- Santoprene® seal for leak proof connections



T1024 Hose Adapter, 3" Straight, Black, Bulk

Rotating Rigid Pipe Adapter

- Rotates for easy connection
- Connects RV waste outlet to 3" male pipe thread



T1027 Rotating Rigid Sewer Pipe Bayonet Adapter, 3" Male Thread x Bayonet Hooks

Starter Kit w/ Water Regulator



K88121 Kit includes toilet paper, electrical adapter, drinking water hose, toilet treatments, drain hose, disposable gloves



SEWER & SANITATION

EZ Coupler Bayonet Kits & Extensions



- D04-0113** EZ Coupler Extension Hose, 10', Boxed
- D04-0115** EZ Coupler Deluxe Bayonet Sewer Hose Kit, 20', Boxed

Dominator Sewer Hose Kits and Extensions



- Rotating fittings prevent hose from twisting and pulling away from valve and sewer connection
- Holds its shape after installation
 - Protection from leaks - UV stabilized poly construction
 - Collapses for easy storage (from 15' to 57")
- D04-0250** Dominator Sewer Hose Kit, 15', Boxed
 - D04-0275** Dominator Sewer Hose Kit, 20', Boxed

Quick Drain Standard with Adapter



- D04-0120PB** Quick Drain Hose, Standard, 10', With Straight Hose Adapter, Blue, Bagged

Viper Sewer Hose Kit



- UV and puncture resistant, rotating fittings prevent kinks, and it stays flexible down to -30°F
- D04-0450** Viper Sewer Hose Kit, 15', Boxed
 - D04-0475** Viper Sewer Hose Kit, 20', Boxed

Silverback Sewer Hose Kit



- D04-0675** Silverback Sewer Hose Kit, 20', Boxed

Slunky Sewer Hose Support



- Deep pocket design provides enhanced stability
 - Allows the hose to be curved around any obstacle while maintaining proper elevation for best drainage
 - Compact, light and easily stored
- S1000** Slunky Hose Support, 10', Boxed
 - S1000LO** Slunky Hose Support, 10', Low, Boxed
 - S1500** Slunky Hose Support, 15', Boxed
 - S2000** Slunky Hose Support, 20', Boxed
 - S2500** Slunky Hose Support, 25', Boxed

EZ Flush Heavy Duty with Sizing Rings



- EZ Flush RV drain hose with sizing rings & 15 mil vinyl cover
- D04-0012** EZ Flush Heavy Duty Drain Hose, 10', Bronze, Boxed
 - D04-0040** EZ Flush Heavy Duty Drain Hose, 20', Bronze, Boxed

Viper Extension Hose



- UV and puncture resistant, rotating fittings prevent kinks, and it stays flexible down to -30°F
- D04-0410** Viper Extension Hose, 10', Boxed

Galvanized Steel Hose Clamps



- For 3" drain hose
 - 1/2" band
- H03-0058** Hose Clamp #48, Zinc Plated, 2-1/2" x 3-1/2", Boxed



SEWER & SANITATION

Bladex Body

- Fits Bladex, Valterra, Bristol and Anonda valves
- Includes seals, nuts and bolts



T1001VP Bladex Waste Valve Body, 1-1/2", Carded

Bladex Handle



Metal Valve Handle - Carded

T1003-6MPV Carded Metal Valve Handle

Bladex

- Fits Bladex, Valterra, Bristol and Anonda valves
- Includes seals, nuts and bolts



T1003VP Blade Waste Valve Body, 3", Carded

T1003VPM Bladex Waste Valve Body, 3", Metal Handle, Carded

Twist On Valve

- No more mess with an old valve problem. Twists onto your current waste valve



T58 Twist On Waste Valve, Boxed



Horst Miracle Probes

Prevents false readings:
- Horst Miracle Probes are considerably longer than



standard probes and protected from liquid residue or sludge setting up a conductive path, or toilet paper from creating a false probe contact and related reading
Additional Features:

- Easy to install as they fit the 3/8" diameter holes of existing probes
- Compatibility with existing wiring and monitors

T21301 Horst Miracle Probes, For Black Water Tanks, Bulk

Softness Toilet Tissue



- 2-Ply sheets
- Safe for septic systems
- Ensures a clog-free RV tank
- Tested for rapid breakdown

Q23630 Toilet Tissue, 4 pk



Totes

Transports Waste from Your RV/Trailer: Allows you to transport waste from your RV or trailer to a dump station;

Includes: (1) tote tank, (2 or 4) oversized wheels, (1) tank rinser, (1) ladder hook, (1) 3-foot, super heavy-duty sewer hose with swivel bayonet and lug fittings, (1) 15-inch female to female orange Rhino grey water hose, (1) clear elbow with a 4-in-1 adapter, (1) clear double bayonet elbow, (3) storage caps, (2) caps with lanyards for rinse connections and (1) steel tow adapter

Easy to Transport: Large, heavy-duty, no-flat wheels with bearings make transport smooth and effortless. A removable steel tow adapter allows you to easily roll the tote tank like a suitcase, or tow it slowly behind a truck or golf cart; Integrated Ladder Hook: Can sturdily clamp on to RV or camper ladder when not in use and the body of the tote tank features grooves to securely strap it in place

Simple to Clean: The low drain hole ensures that the tote tank empties completely. The smooth interior is easy to wash off using the integrated tank rinser



Rhino Portable Holding Tank - 2 Wheel



39000 15 Gal Holding Tank

39002 21 Gal Holding Tank

39004 28 Gal Holding Tank

39006 36 Gal Holding Tank



Rhino Portable Holding Tank, Steerable Wheels - 4 Wheel



39005 28 Gal Holding Tank

39007 36 Gal Holding Tank



Center Hub Requires Minimum 1" Clearance

PART# 00108

Rock Tamers® 2" Hub Mudflap System Matte Black w/Stainless Steel Trim Plates

FITS 2"

DRAWBAR/RECOVER

PART# 00110

Rock Tamers® 2.5" Hub Mudflap System Matte Black w/Stainless Steel Trim Plates

FITS 2½"

DRAWBAR/RECOVER

PART# 00112

Rock Tamers® 3" Hub Mudflap System Matte Black w/Stainless Steel Trim Plates

FITS 3"

DRAWBAR/RECOVER

ADJUSTABLE WIDTH & HEIGHT TO FIT MOST VEHICLES



- > UV PROTECTED FORGED ALUMINUM HUBS & ARMS
- > 3/8" THICK; 24" X 24" WIDE FIBER REINFORCED RUBBER MUDFLAPS
- > STAINLESS SLEEVED STEEL RODS, STAINLESS & ZINC NICKEL HARDWARE

PART # 00400 Stand Requires Standard 2" Ball Mount for Display (Not Included)

RT231 HEAT SHIELD*

Patent Pending



RT200 EXHAUST OUTLET*

Patent Pending



RT240 TAIL LIGHT BAR*

Patent Pending



*Rock Tamers® System Sold Separately



AIR SPRINGS

RV AIR SPRINGS

AIR COMMAND™ SYSTEMS

PUT THE POWER IN YOUR HANDS

Air Command™ brings the controls to your fingertips

Firestone Air Command systems provide an instant air source for air suspension products. Adjust the ride for various load and road conditions with a flip of a switch, a click on a remote, or a tap on your phone. Individual air accessory components are also available, including compressors, air tanks, and mounting solutions.

AIR COMMAND™ APP KIT - 2610

See air accessories chart on page 6

Control your air springs with your phone.

- Easy installation
- Free air pressure control app for iOS and Android
- Mount-anywhere compressor
- 2 Memory presets
- Manual inflation option
- See page 6 for Air Command™ products













AIR COMMAND™ SYSTEMS


INSTANT AIR SPRING CONTROL

Which Air Command™ system is best for you?

Determine which power level is best for your use, then select the control system for the corresponding kit number.

1. POWER			
Kit grade choices	STANDARD DUTY	HEAVY DUTY	EXTREME DUTY
Kit description	Best for moderate usage, including towing boats, trailers 20' or smaller, and medium loads	Best for 8-lug trucks, trailers larger than 20', slide-in campers, and heavy loads	Best for Heavy Duty uses, plus off-road tire or truck tire inflation. Includes 2-gallon air tank and 25' air hose
Air spring types	Ride-Rite™ & Coil-Rite™	Ride-Rite™ & RED	Ride-Rite™ & RED
Frequency of use and load weight	●○○○○	●●●○○	●●●●●
Max PSI	100	150	150
Fill time*	0-30 PSI : 17 sec. 0-60 PSI : 42 sec.	0-30 PSI : 14 sec. 0-60 PSI : 35 sec.	0-30 PSI : 7 sec. 0-60 PSI : 18 sec.
Compressor included in kit	 9523	 9499	 9287
Tank & air hose included in kit	Not included	Not included	 9420  2311

2. CONTROL			
 Single-leveling system choices Controls both air springs equally.			
SINGLE ANALOG 	2158 Mounting Plate: 2497	2097 Mounting Plate: 2497	2543 Mounting Plate: 2530
SINGLE WIRELESS 	2610 Mounting Plate: 2612	2626	Not available
 Dual-leveling system choices Control each air spring independently or equally.			
DUAL ANALOG 	2178 Mounting Plate: 2497	2219 Mounting Plate: 2497	2549 Mounting Plate: 2530

 Mounting plate kits make your installation a breeze. See page 35 to match your selected mounting plate number from above.



AIR SPRINGS

RV AIR SPRINGS

THE BEST AIR SPRINGS RIDE ON AIR

Firestone Ride-Rite™ Air Springs ride on air only to give you comfort, confidence and control.



GO EXTREME

Need power for frequent, extreme hauling? Ride-Rite™ Extreme Duty Air Springs were made with you in mind. Up to 150 PSI and leveling loads up to 7,500 lbs.*

RIDE-RITE AIR SPRING KITS		
Model	Year	Part No.
Chevrolet/GMC		
Silverado/Sierra 1500 (2WD, 4WD)	2019-2023	2609
Silverado/Sierra 1500 (2WD, 4WD)	2007-2018	2430
Silverado/Sierra 2500/3500HD (2WD, 4WD)	2011-2023	2613
Silverado/Sierra 2500/3500 (2WD, 4WD)	2001-2010	2250
Dodge/RAM		
RAM 1500 (2WD, 4WD)	2002-2008	2286
RAM 2500 (2WD, 4WD)	2014-2023	2598
RAM 2500 (2WD, 4WD)	2003-2013	2299
RAM 3500 (2WD)	2014-2023	2616
RAM 3500 (4WD)	2013-2023	2615
RAM 3500 (2WD, 4WD)	2003-2012	2299
Ford		
F150 (2WD, 4WD) (not Raptor or FX2)	2015-2023	2582*
F150 (2WD,4WD) (with CCD option)	2021-2023	2627
F150 (2WD, 4WD) (not Raptor or FX2)	2009-2014	2525
F150 (2WD, 4WD) (with B&W hitch)	2009-2014	2542
F250/F350/F450 (4WD)	2017-2023	2625
F250/F350 (2WD)	2017-2023	2600
F250/F350 (2WD, 4WD)	2011-2016	2597
F250/F350 (2WD, 4WD)	2008-2010	2550
Toyota		
Tundra (2WD, 4WD) (TRD) (not factory air)	2022-2023	2628
Tundra (2WD, 4WD) (TRD) (not factory air)	2007-2021	2445
Tacoma (4WD)	2005-2023	2407
Tacoma Prerunner (2WD only)	2005-2023	2407*
Tacoma (2WD)	2005-2023	2410*

*See application guide for specific fitment requirements

RED LABEL AIR SPRING KITS		
Make/Model	Year	Part No.
Chevrolet/GMC		
Silverado/Sierra 2500/3500 HD (2WD, 4WD)	2011-2023	2709
Silverado/Sierra 2500/3500 (2WD, 4WD)	2001-2010	2700
Dodge/RAM		
RAM 2500 (2WD, 4WD)	2014-2023	2706
RAM 2500 (2WD, 4WD)	2003-2013	2701
RAM 3500 (4WD)	2013-2023	2710
RAM 3500 (2WD, 4WD)	2003-2012	2701
Ford		
F250/F350/F450 (4WD)	2017-2023	2716
F250/F350 (2WD, 4WD)	2011-2016	2703

*See application guide for specific fitment requirements

COIL RITE KITS		
Make/Model	Year	Part No.
Chevrolet/GMC		
GM Full Size SUV	Various	4108*
Ford		
Ford F250/F350/F450 (Front)	Various	2021-2023
Maverick	2021-2023	4119
Jeep		
Jeep Gladiator	2019-2023	4148
Dodge/RAM		
Ram 1500 (2WD,4WD) (not Power Ram)	2009-2018	4185
Ram 1500 (2WD, 4WD) (not factory air)	2019-2023	4130
Ram 2500/3500 (Front)	Various	4193
Toyota		
Toyota 4Runner	1998-2023	4135
Toyota Sienna	2004-2021	4155

*See application guide for specific fitment requirements

AIR COMMAND COMPRESSOR KITS					
Product	Control	Compressor	Leveling	Air Tank	Part No.
Air Command	App	Standard Duty	Single	No	2610
Air Command	App	Heavy Duty	Single	No	2626
Air Command	Analog	Standard Duty	Single	No	2158
Air Command	Analog	Heavy Duty	Single	No	2097
Air Command	Analog	Extreme Duty	Single	Yes - 2 Gallon	2543
Air Command	Analog	Standard Duty	Dual	No	2178
Air Command	Analog	Heavy Duty	Dual	No	2219
Air Command	Analog	Extreme Duty	Dual	Yes - 2 Gallon	2549
Air Command	Self Leveling	Heavy Duty	Single	Yes - 3 Gallon	2186/2239
Air Command	Self Leveling	Heavy Duty	Dual	Yes - 3 Gallon	2017/2239



VEHICLE ACCESSORIES CONTENTS



VEHICLE ACCESSORIES CONTENTS

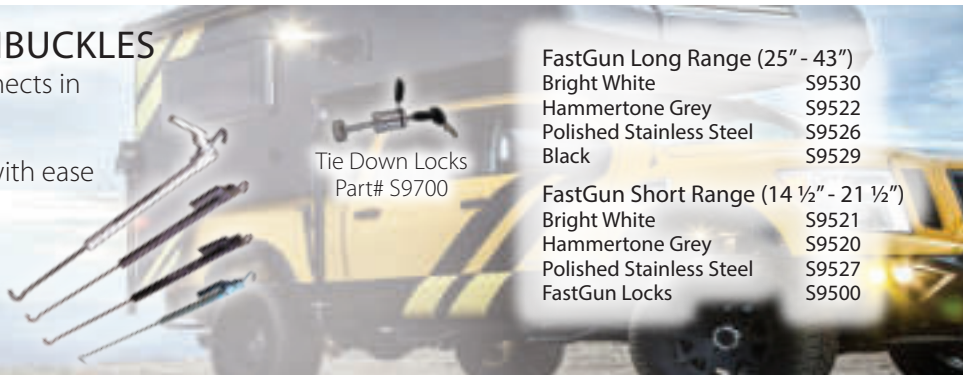
TORKLIFT PRODUCTS	222
MIRRORS	223
MISC. TRUCK ACCESSORIES.....	224
LANDSCAPE TRAILER ACCESSORIES	225

TORKLIFT PRODUCTS

VEHICLE ACCESSORIES

FASTGUN TURNBUCKLES

- Connects and disconnects in seconds
- Spring-loaded design
- Secure your camper with ease
- 100% tool free
- 100% lockable
- 100% stainless steel



Tie Down Locks
Part# S9700

FastGun Long Range (25" - 43")
Bright White S9530
Hammer tone Grey S9522
Polished Stainless Steel S9526
Black S9529

FastGun Short Range (14 1/2" - 21 1/2")
Bright White S9521
Hammer tone Grey S9520
Polished Stainless Steel S9527
FastGun Locks S9500

GOOD

Basic Springload Kit

MFG# S9000



BETTER

SpringLoad XL

MFG# S9050A



BEST

Original FastGun

Stainless Steel Polished

Powder Coated Grey

Powder Coated Black

Bright White

MFG# S9526

MFG# S9522

MFG# S9529

MFG# S9530



Truck Camper Suspension Upgrade
Optional. Not required with SuperHitch

FRAME-MOUNTED STEEL CAMPER TIE DOWNS

- Improve vehicle handling and stability
- Avoid bed and bumper damage
- No-drill applications available

FRAME-MOUNTED ALUMINUM TALON TIE DOWNS

- 100% military grade aluminum and stainless steel
- Rust free corrosion protection for life*



Consult the application & fit guide at Torklift.com



Round Convex Mirrors

Part #	Fig. #	Description
<i>5/16" Center Mounting</i>		
708520	-	5" Round, Polished Stainless Steel , with J-Bracket
708516	1	6" Round, Steel Coated Black
708515	-	6" Round Polished Stainless steel with J-Bracket
708508	-	7½" Round, Polished Stainless steel with J-Bracket
708501	-	8½" Round, Polished Stainless Steel, with J-Bracket
708503	1	8½" Round, Steel Coated Black, with J-Bracket
<i>5/16" Offset Mounting</i>		
708509	2	7½" Round, Polished Stainless Steel with J-Bracket
708560	-	8" Round, Polished Stainless Steel, Heated
708502	2	8½" Round, Polished Stainless Steel with J-Bracket
708560	-	8½" Round, Polished Stainless Steel, Heated w/J-Bracket



Fig. 1



Fig. 2

Fig. 3



Fig. 4

Fig. 5



Fig. 6



Fig. 7



Fig. 8

Replacement Heads & Arms

Part #	Fig. #	Description	Size
704096	3	Stainless Steel, Convex Mirror	6½" x 6"
704077	3	White, Convex Mirror	6½" x 6"
704091	4	Stainless Steel, Flat Mirror	6½" x 10"
704032	4	White, Flat Mirror	6½" x 10"
610809	5	Bright Anodized Aluminum	7½" x 10½"
604768	6	Stainless Steel, OEM Replacement	6" x 9"
604769	-	Stainless Steel, OEM Replacement	5" x 8"
605755	-	Gooseneck Mounting Arm	
601690	-	3" Extension, Stainless Steel	

Spot Mirrors

Part #	Fig. #	Description
723075	7	4" x 5½" Rectangular Convex, Stick-On
723050	8	2" Round Convex, Stick-On
723060	8	3" Round Convex, Stick-On
723065	8	3¾" Round Convex, Stick-On

Heavy Weight Bedmat Applications

Universal Utility Mats

Universal Bed Mat 4' x 8'	8'	48" x 96"
DZ85005		



MISC. TRUCK ACCESSORIES

VEHICLE ACCESSORIES



Fig. 1

Back-Up Alarms

Part #	Fig. #	Description
505	1	87 Decibel, 12-24 VDC, self-grounding back-up alarm
510	1	97 Decibel, 12 VDC, self-grounding back-up alarm
520	1	97 Decibel, 12-24 VDC, self-grounding back-up alarm
530	1	102 Decibel, 12-24 VDC, self-grounding back-up alarm
EA5050	2	87db Multi-Frequency Back-Up Alarm
EA5200	2	97db Multi-Frequency Back-Up Alarm



Fig. 2

Back-Up Camera Systems

Part #	Fig. #	Description
EC5605-WK 3	3	5.6" LCD Wireless Camera System
K7000B	4	7.0" LCD Color Camera System



Fig. 3

Safety Triangles

Part #	Fig. #	Description
1005	5	Triangle Flare Kit



Fig. 4

Safety Flags

Part #	Fig. #	Description
FW200C	6	18" x 18" Red Cloth Flag with Wire
FW300C	6	18" x 18" Red Jersey Flag with Wire
FW400C	6	12" x 12" Orange Mesh Flag with Wire
MF101	7	Flag Magnet
FS200C	8	18" x 18" Red Cloth Flag with Handle
FS300C	8	18" x 18" Red Mesh Flag with Handle
FS400B	8	16" x 16" Orange Mesh Flag with Handle
AV104	9	18" x 84" "Oversize Load" Banner
CV110AK	9	12" x 48" "Oversize Load" Banner - Reflective
AWS204	9	18" x 84" "Oversize Load" Wood Sign



Fig. 5



Fig. 6



Fig. 8



Fig. 7



Fig. 9



LANDSCAPE TRAILER ACCESSORIES

Landscape Trailer Racks

Part #	Fig. #	Description
LT10	1	Lockable Trimmer Rack (padlocks not incl.)
LT12	2	Trimmer Rack for Enclosed Trailers
LT13	3	Lockable Trimmer Rack, Locks Incl.
LT15	4	Multi Rack, fits Hedge Trimmers or Chain Saws
LT20	5	Backpack Blowers, most brands but not Stihl
LT22	5	Backpack Blowers, Stihl BR340 & BR420
LT25	6	Water Cooler Rack, adj. strap included
LT30	7	Gas Can Rack, fits 1 5-gal. or 2 2-1/2-gal. cans
LT32	7	Gas Can Rack, fits 1 5-gal. gas can
LT35	8	Hand Tool Rack, holds 6 straight handle tools
LT37	9	Hand Tool Rack, holds 6 straight handle tools
LT40	10	Trimmer Line Spool Bracket



Fig. 1



Fig. 2



Fig. 3



Fig. 4

Tailgate Assist

Part#	Fig. #	Description
5201000	11	EZ Gate Tailgate Assist

Ramp Plate Kits

Part#	Fig. #	Description
RP8	-	Works with 2" x 8" Planks
RP12	-	Works with 2" x 12" Planks



Fig. 11

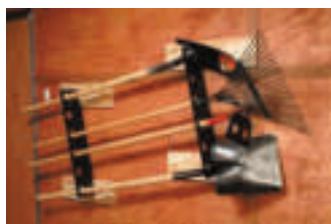


Fig. 9



Fig. 10



Fig. 8



Fig. 5



Fig. 6



Fig. 7



SHOP TOOLS & SUPPLIES SECTION

SHOP SUPPLIES



SHOP TOOLS & SUPPLIES CONTENTS

SHOP TOOLS	227
SHOP TOOLS	228
SHOP SUPPLIES	229
PACKAGED PARTS	230

Testers

Part #	Fig. #	Description
8010	1	The Trailer Tester is designed to help you quickly identify problems in the wiring of the trailer. The tester indicates approx. amount of current in each circuit. It will also test the voltage of the external battery connected the trailer charge circuit.
6565	2	The Current Monitor testing device is designed to assist in determining whether a tow vehicle's 7-way blade car end connector has been wired properly.
7585	3	The Brake Control Bench Tester is a test device designed to determine if a brake control is working properly. Checks brake control output, independent of vehicle wiring, and simulates many different fault conditions.



Fig. 1



Fig. 2

Circuit Testers

Part #	Fig. #	Description
20114	4	4-Flat Circuit Tester
20115	5	5-Flat Circuit Tester
20116	6	6-Way Round Circuit Tester
20117	7	7-way Flat Circuit Tester



Fig. 3

Tongue Weight Scale

Part #	Fig. #	Description
5780	8	Load-Master Trailer Tongue Weight Scale

Wire Looms

Part #	Fig. #	Description
5481	9	7/16" Wire Forms for Fishwiring Bolts in Frames (20 pack)
5482	9	1/2" Wire Forms for Fishwiring Bolts in Frames (20 pack)



Fig. 4



Fig. 5



Fig. 6



Fig. 7



Fig. 8



Fig. 9

SHOP TOOLS

SHOP SUPPLIES



Fig. 2

Champion Air Compressors		
Part #	Fig. #	Description
VR5-8	1	5 HP, 80 Gallon Tank, 230 Volt, Single Phase, Vertical
HGR7-3H	2	13 HP, Honda, 30 Gallon Tank, Electric Start

Fig. 1



Fig. 3

Air Tools

Part #	Fig. #	Description
153-23120	3	½" Drive Super Duty Impact Wrench, 600 Ft. Lbs.
153-12131	4	½" Drive Composite Impact Wrench, 700 Ft. Lbs.
157-01035	5	½" Air Drill, 500 RPM
157-10874	6	3" Cut-Off Tool Max RPM 22,000
157-10875	7	¼" Mini Angle Die Grinder, Max RPM 22,000
125	8	Needle Scaler
181-00085	-	Marvel Oil, 1 Quart



Fig. 4



Fig. 5



Fig. 6

Jacks

Part #	Fig. #	Description
200T	-	2 Ton Floor Jack, One Stroke Lifting Capability
302-62035	9	3½ Ton Floor Jack, One Stroke Lifting Capability
ZN-12	10	12 Ton Bottle Jack
ZNB-12	-	12 Ton Bottle Jack, Low Profile
ZN22-S	10	20 Ton Bottle Jack
ZNB-22	-	20 Ton Bottle Jack, Low Profile
302-63030	11	3 Ton Jack Stands, Pair
302-63060	11	6 Ton Jack Stands, Pair
302-63120	11	12 Ton Jack Stands, Pair



Fig. 7



Fig. 8



Fig. 9

Fig. 10

Air Hose & Hose Reels

Part #	Fig. #	Description
121-03825	12	¾" x 25' Shop Air Hose, ¼" NPT
121-03850	12	¾" x 50' Shop Air Hose, ¼" NPT
121-01225	12	½" x 25' Shop Air Hose, ½" NPT
121-01250	12	½" x 50' Shop Air Hose, ½" NPT
HR3850	13	¾" x 50' Hose Reel
HR1250	13	½" x 50' Hose Reel



Fig. 11



Fig. 12



Fig. 13

SHOP SUPPLIES

SHOP SUPPLIES

Chemicals

Part #	Fig. #	Description
408-00016	1	Penetrating Catalyst, 12 oz.
05330	2	Screwloose, Super Penetrant, 11 oz.
05005	3	Power Lube, Multipurpose Lubricant, 9 oz.
05088*	4	Non-Chlorinated Brakleen, 15 oz.
05089*	5	Brakleen, Parts Cleaner, 19 oz.
05050	6	Brakleen, Ultra Low Voc, California Approved
734-20PL*	7	Non-Chlorinated, Six Robblees' Brake Cleaner, 14 oz.
05037	8	White Lithium Grease, 10 oz.
494-01010	9	Anti Seize, 10 oz.

*Not Available for Sale in California



Fig. 1



Fig. 2



Fig. 3



Fig. 4



Fig. 5



Fig. 6



Fig. 7



Fig. 8



Fig. 9



Fig. 10

Gloves

Part #	Fig. #	Description
BLUE NITRILE	10	Industrial Nitrile Disposable, Blue (100/Box) Sizes: SU-690-M, SU-690-L, SU-690-XL
MIDKNIGHT	11	Industrial Nitrile Disposable, Black (100/Box) Sizes: MK-296-M, MK-296-L, MK-296-XL, MK-296XXL
DURAFLOCK	-	Industrial Flock-Lined Gloves (50/Box) Sizes: DFK-608-M, DFK-608-L, DFK-608-XL, DFK-608-XXL
ATLAS 300	12	Blue/Gray Rubber Palm, Coated Gloves Sizes: ATLAS300M, ATLAS300L, ATLAS300XL

Safety Products

Part #	Fig. #	Description
CK229Y	13	Indoor/Outdoor Safety Glasses
LL1HW	-	Foam Ear Plugs (200/Box)

Fig. 11

Cleaners & Towels

Part #	Fig. #	Description
FD85	-	25 lbs. Bag Floor Dry Chemical
0072405	14	Pail, Lifter Hand Wipes
25219	15	Fast Orange Hand Cleaner



Fig. 12



Fig. 13

Brake Fluid

Part #	Fig. #	Description
2232	16	DOT3 Brake Fluid, 1 quart
2234	-	DOT3 Brake Fluid, 1 gallon
2241	-	DOT3 Brake Fluid, 5 gallon



Fig. 16



Fig. 14



Fig. 15



PACKAGED PARTS



Fig. 1

Connectors

Part #	Fig. #	Description
K11-604	-	6-Way Plug, Trailer End
K12-706	1	7-Way Plug, Trailer End
K12-707	-	7-Way Socket, Vehicle End, Flat Pin
K12-716	-	7 Flat to 4 Flat Adapter
K12-717	-	6-Way Round to 4-Way flat
KA57-WB	-	7-Way Flat to 5-Way Flat
K12-719	-	7-Way flat to 6-Way Round (brake A pin)
K12-729	-	7-Way flat to 6-Way Round (brake C pin)
K8000	-	7 Flat to 6 Round / 4 & 5 Flat



Fig. 2

Wheel End Parts

Part #	Fig. #	Description
K5502	-	Bearing Set (L44610/L44619)
K5503	-	Bearing Set (25580/25520)
K5505	-	Bearing Set (L68149/L68111)
K5507	-	Bearing Set (LM67010/LM67048)
K5508	-	Bearing Set (14276/14125A)
K5509	-	Bearing Set (15245/15123)
K10-9	-	Grease Seal (2/Card), 2K
KSL122-1	-	Grease Seal (2/Card), 2K
KSL173-2	-	Grease Seal (2/Card), 3.5K
K10-10	2	Grease Seal (2/Card), 6K
KSL225-1	-	Grease Seal (2/Card), 6K
K21-3	3	Grease Cap (2/Card), 2K, 3.5K
K21-1	-	Grease Cap (2/Card), 5.2K
K21-39	-	Grease Cap (2/Card), 6K
K21-41	-	EZ-Lube Grease Cap (2/Card), 2K, 3.5K
K21-42	-	EZ-Lube Grease Cap (2/Card), 5.2K
K21-43	-	EZ-Lube Grease Cap (2/Card), 6K
K2000	4	2000 lbs. Axle Bearing Kit w/ 1" bearing
K2001	-	2000 lbs. Axle Bearing Kit w/ 1 1/16" bearing
K3500	-	3500 lbs. Axle Bearing Kit
K3500EZ	-	3500 lbs. EZ- Lube Axle Bearing Kit
K6001-6	-	6000 lbs. Axle Bearing Kit, 6 lug wheel
K6001-8	-	6000 lbs. Axle Bearing Kit, 8 lug wheel
K85-1	-	EZ-Lube Plug Kit (2/Card)
KAXL-1	-	Axle Nut Kit (per wheel)
KAXL-EZ	-	EZ-Lube Axle Nut Kit (per wheel)



Fig. 3



Fig. 4



AP PRODUCTS

Hardware

B&W

5th Wheel/Towing

BARGMAN

Connectors & LED Lights

CAMCO

RV Accessories & Battery Boxes

RV Roof Vent Cover/Lids

CLASSIC ACCESSORIES

RV/Tire Covers

CURT

5th Wheel, Hitches & Weight dist.

Brake Controls

DEMCO

Autoside 5th Wheel Hitches

SMI Braking

DICOR

Roofing Systems

EQUALIZER (E2)

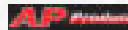
Weight Distribution

FASTWAY

Towing & Accessories

FIRESTONE

Air Springs



RV

GO POWER

Batteries, Solar, Inverters

JR PRODUCTS

Hardware

KWIKEE

Step Parts

LIPPERT

Brakes, Jacks, Steps

MARSHALL EXCELSIOR

LP Regulators, Hoses

NORCOLD

Refrigerators

OPTRONICS

Lighting

POLLAK

Electrical Connectors

PREST-O-FIT

Step Rugs/ Mats

RAM

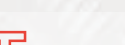
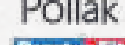
Jacks, Couplers

REESE

5th Wheel Weight Distribution/Towing

REMCO

Water Pumps



ROADMASTER INC

Tow Bars

ROCKTAMERS

Mud Flaps

RV SAFE

Smoke/Gas Alarms LP/CO

SIKA

Sealants

SOUTHWIRE

Surge Protectors

STARLIGHTS INC

LED Lighting

TEKONSHA

Brake Controls & Connectors

TIRE MINDER

TPMS

TORKLIFT

Suspension & Towing, Steps

VALTERRA

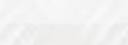
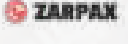
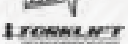
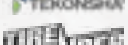
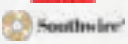
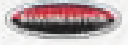
Adapters, Plumbing, Electrical

WEIGSAFE

Trailer Hitches, Towing

ZARPAX

Dehumidifiers



ARIES AUTOMOTIVE

Truck Accessories

AUTOSOCK

Textile Traction Devices

B&W

Gooseneck Hitches

Tow-n-Stow Ball Mounts

BUYERS

Snow Plow Parts

CURT

Hitches, 5th Wheel Hitches

Weight Dist. Hitches

FASTWAY

Alum. Adj. Ball Mounts

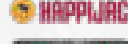
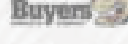
Trailer Accessories

HAPPIJAC

Camper Tie-Downs

HINIKER

Snow Plows



LIGHT TRUCK

HUSKY

Floor Liners & Mud Flaps

KONETA

Bed Mats

LEER (AK ONLY)

Truck Caps & Tonneau Covers

LUND

Bug Shields

Deflectors & Louvers

Tonneau Covers

LUVERNE

Grille Guards

Nerf, Tube & Grip Steps



PIAA

Performance Lights

QUALITY

Winter Traction Products

REESE

5th Wheel Hitches

RIDE-RITE

Air Helper Springs

STAMPEDE

Fender Flares & Hood Deflectors

TEKONSHA

Brake Controls

TORKLIFT

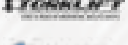
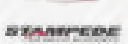
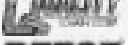
Camper Tiedowns & Towing Accessories

UWS

Alum. Tool Boxes

WEATHERTECH

Floor Mats



ACCU-TURN

Tire Change Equipment

AUTEL

TPMS & Diagnostic Tools

AME

Hydraulic Pumps & Rams

ASCOT

Tire Shop Supplies, Air Tools

Equipment & Sockets

BARTEC

TPMS

BLACKJACK

Temporary Tire Repair

BLASTER

Penetrating Oil & Conditioner

CHAMPION

Shop Air Compressors

CHALLENGER

Lifts

CHEETAH

Tire Bead Seater

CHICAGO PNEUMATIC

Air Tools, Rotary Screw Compressors

COUNTERACT

Balancing Bead Products



TIRE SHOP

CRC

Chemicals, Brakleen, Grease

Smart Washers

DILL

Tire Valves

TPMS Sensors

EASY SOX

Snow Tire Accessories

FLEXZILLA

Hoses

GOODYEAR

Wiper Blades

HALTEC

Valve Hardware, Large Bore

HOFMANN

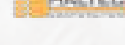
Tire Changers & Balancers

IMI/EQUAL

Balancing Compounds

INGERSOLL-RAND

Air Tools & Compressors



KENTOOL

Tire Tools

LIQUITUBE

Tire Sealant

MACPEK

Snow Wheels

MARKAL

Tire Shop Markers

MURPHY'S

Tire Soap

NORCO

Lifting Equipment

PERFECT

Wheel Weights

PREMA

Tire Repair Products

REMA

Tire Repair Products

SCHRADER

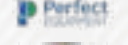
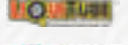
TPMS Sensors

SPECIALTY PRODUCTS

Alignments Parts & Tools

WEST COAST WHEEL

Wheel Accessories

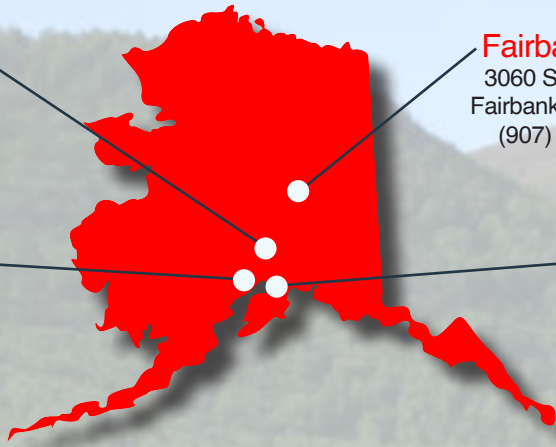


Wasilla, AK
2281 E. Sun Mt. Ave.
Wasilla, AK 99654
(907) 376-8000

Fairbanks, AK
3060 S. Cushman
Fairbanks, AK 99701
(907) 452-6160

Anchorage, AK
4748 Old Seward
Highway
Anchorage, AK 99503

Anchorage, AK
3000 Commercial Dr.
Anchorage, AK 99501
(907) 276-5171



21 Locations to Serve You

www.sixrobblees.com

Fax: 844-384-9160

Register for Online
Access Today!



Seattle, WA
11010 Tukwila Intl. Blvd.
Tukwila, WA 98168
(206) 767-7970
(800) 275-7499

Everett, WA
3531 Paine Ave.
Everett, WA 98201
(425) 252-8666

Bellingham, WA
5236 Guide Meridian
Bellingham, WA 98226
(360) 398-7173

Yakima, WA
E. 1206 Mead
Yakima, WA 98903
(509) 457-4123

Spokane, WA
N 909 Fancher
Spokane, WA 99212
(509) 535-8862

Port Angeles, WA
2509 E Eddy Lane
Port Angeles, WA 98362
(360) 452-9371

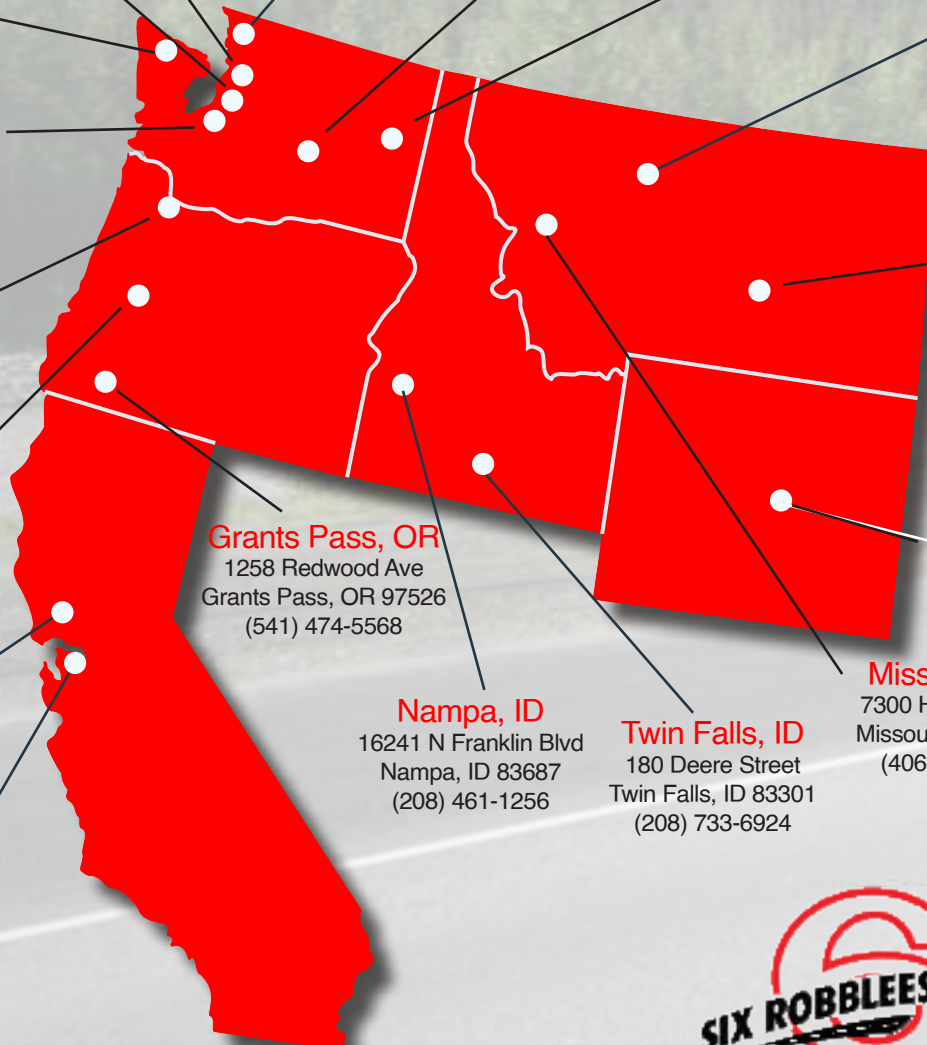
Tacoma, WA
2020 Milwaukee Way E.
Tacoma, WA 98421
(253) 272-8413

Portland, OR
3677 SE Edison St.
Portland, OR 97222
(503) 652-9971

Eugene, OR
275 N. Seneca
Eugene, OR 97402
(541) 485-8606

Rohnert Park, CA
5905 Labath Ave.
Rohnert Park, CA 94928
(707) 584-4484

Oakland, CA
541 Julie Ann Way
Oakland, CA 94621
(510) 569-6323



Grants Pass, OR
1258 Redwood Ave
Grants Pass, OR 97526
(541) 474-5568

Nampa, ID
16241 N Franklin Blvd
Nampa, ID 83687
(208) 461-1256

Twin Falls, ID
180 Deere Street
Twin Falls, ID 83301
(208) 733-6924

Missoula, MT
7300 Hwy. 10 West
Missoula, MT 59808
(406) 721-0567

Great Falls, MT
815 Crescent Drive
Great Falls, MT 59404
(406) 761-6361

Billings, MT
2437 Enterprise Ave.
Billings, MT 59102
(406) 248-1658

Casper, WY
4845 W. Yellowstone Hwy.
Casper, WY 82604
(307) 237-3071

