

ZIP ROUND DOWNLIGHT

Project name: _____

Type: _____



Ceiling recessed downlight luminaire, ideal for any architectural need, both functional lighting and accent lighting.

Luminaire characteristics:

Power input: 16W

Lumens: 780 to 845 lm

Luminaire efficacy: 49 to 53 lm/W

Source: LED module (LM-80 tested)

3000K : 90CRI,

4000K : 90CRI

Lumen maintenance: 70% of initial lumens at >50 000 hours (L70),(LM79 tested).

Optics: Flood (adjustable $\pm 15^\circ$) or wide flood

Material:

Body : Die-cast aluminum with stainless steel front trim

Reflector: 99.98% pure anodized aluminum

Diffuser: 10mm thick tempered semiacid-etched or acid-etched glass

Hardware: Stainless steel screws and silicone gaskets

Back box: Polypropylene

Electrical: Integral high efficiency electronic power supply, rated at 50 000 hours, 120-277V.

Mounting: Recessed installation in false ceiling, or in concrete using back box accessory.

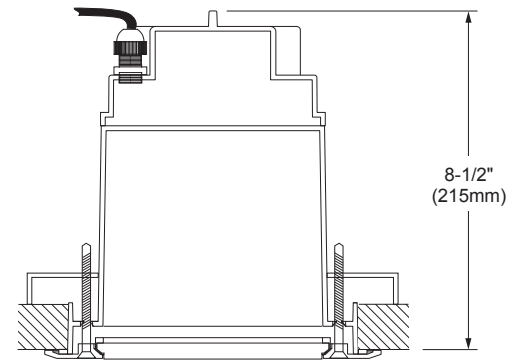
Finish: Stainless Steel

Weight: 5.75 lbs (2.6kg).

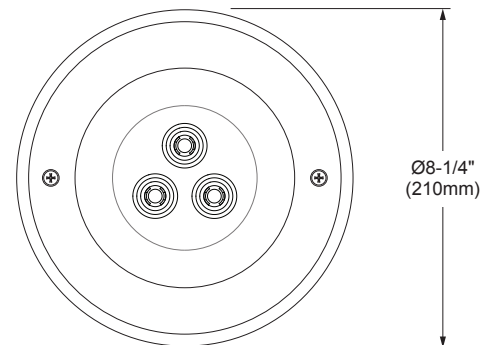
Warranty: 5 year limited warranty.

Certification: cULus for wet location.

Ratings: IP65, IK09



SECTION VIEW



TOP VIEW

Project name: _____

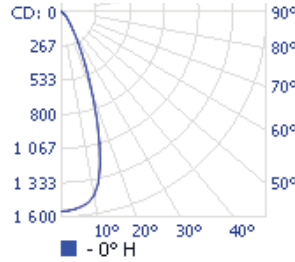
Type: _____

TECHNICAL DATA

LOAD (W)	CCT (K)	CRI	OPTIC	DELIVERED LUMENS (lm)	LUMINAIRE EFFICACY (lm / w)	CENTER BEAM CANDLE POWER (cd)	MODEL
16W	3000K	90	Flood	780	49	1560	S.5852W
	4000K			845	53	1685	S.5852N

	Center Beam fc	Beam Width
3.3ft	143 fc	2.3 ft
6.7ft	34.8 fc	4.7 ft
10.0ft	15.6 fc	7.0 ft
13.3ft	8.83 fc	9.3 ft
16.7ft	5.60 fc	11.7 ft
20.0ft	3.91 fc	14.0 ft

3000K - 90 CRI - 39° flood



INSTALLATION INFO

Ceiling thickness: Min: 1/4" (7mm), Max 1-1/8" (30mm)
Cut-out dimension: Ø 7-1/4" (184mm)

ACCESSORY (TO BE ORDERED SEPARATELY)

- S.5520** - Polypropylene recessed box for concrete
 Ø7-1/2", H: 9-1/2"
 (Ø190, H: 240mm)



ORDERING INFO

MODEL	VOLTAGE	FINISH
<input type="radio"/> S.5852W - 3000K, flood	<input type="radio"/> UNV - 120-277V	<input type="radio"/> 19 - Stainless steel
<input type="radio"/> S.5852N - 4000K, flood		
<input type="radio"/> S.5883W - 3000K, wide flood		
<input type="radio"/> S.5883N - 4000K, wide flood		