

Order Code: 100015738

NEC PD04-Tipster Trolley

Stylish and flexible mobile mounting solution

For robust handling of mobile visualization, the PD04-Tipster Trolley delivers with modern, minimalist style.

NEC MultiSync® WD551 + Tipster PD04



The trolley offers four different mounting heights to ensure your display is appropriately positioned for your audience. Suitable for presentation use in corporate environments and conferences. With 4 large lockable wheels, your display can be easily moved between locations. The trolley is suitable for displays weighing up to 50 kg and provides VESA standard mounting options.

The ingenious two-pipe design adds further to the clean look of PD04-Tipster. The pipes have room for cables, which can exit just above the casted aluminum foot, or under it, whichever suits the installation best.

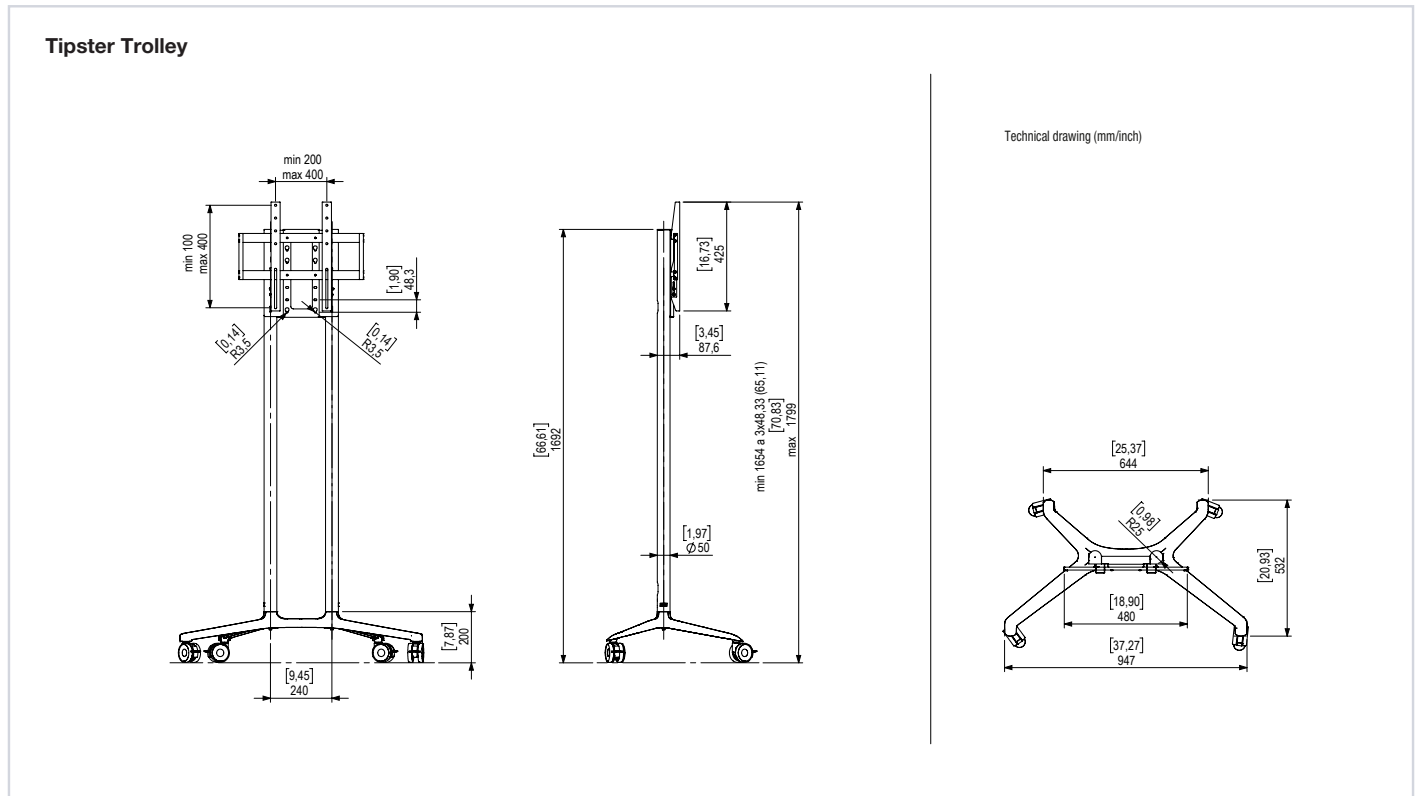
PD04-Tipster Trolley with optional accessory PD04-MS Multi-use Shelf



Delivering Genuine Benefits

- **Quick and easy installation** – a simple design and easy mounting ensure speedy and cost-effective implementation.
- **Mounting flexibility** – with max. VESA 400 x 400 mm and four different height settings it can hold your display in both portrait and landscape orientation..
- **Neat and tidy solution** – coloured in Dark Grey RAL7016, the trolley offers cabling to form a holistic profile with sleek styling.
- **Integrated cable management** – pipes have room for cables, which can exit just above the casted aluminum foot, or under it, whichever suits the installation best.

Technical Drawings



Technical Specifications

PRODUCT INFORMATION	
Product Name	PD04-Tipster
Order Code	100015738
Load capacity [kg]	up to 50 kg
Recommended display size	32" - 75"
Height Adjustment [mm]	Four fixed heights
VESA pattern	100 x 200 to 400 x 400
Product weight [kg]	18
Shipping weight [kg]	20
Product dimensions (WxHxD) [mm]	942 x 1730 x 555
Colour	Dark Grey RAL7016
Shipping Content	Trolley with 4 wheels, VESA adapter, screws, spacers, manual
Optional Accessories	PD04-DH Disinfection Holder, Dark Grey RAL7016, Order Code: 100015735 PD04-MS Multi-use Shelf, Dark Grey RAL7016, Order Code: 100015737 PD04-CS Camera Shelf, Dark Grey RAL7016, Order Code: 100015734 PD04-MB Media Box, Dark Grey RAL 7016, Order Code: 100015736
For additional pictures and Solutions overview, visit www.sharpnecdisplays.eu for details.	

Optional Accessories

PD04-DH Disinfection Holder

Order Code: 100015735

This clever disinfection holder is a simple tool for keeping the workplace healthy. A perfect match for disinfection pump bottles of different sizes and shapes, and it works just as well for an automatic dispenser. The sleek attachment to the NEC PD04-Tipster floorstand will add a clean look to the solution.



PD04-MS Multi-Use Shelf

Order Code: 100015737

The multi-use shelf offers maximum functionality in a small shelf. When mounting, you can choose which side of the shelf should be up. It looks just as good on the back as on the front of the NEC Tipster PD042 floorstand. You can even mount this adaptable and flexible shelf in a standing position for a closed laptop or tablet. Stepless and tool-free positioning.

PD04-CS Camera Shelf

Order Code: 100015734

Together with the NEC PD04-Tipster floorstand the camera shelf is a great companion for huddle rooms, or for video conferences on the go. It is height adjustable and suitable for displays of approximate size 43 – 75".



PD04-MB Media Box

Order Code: 100015736

This media box will hide cables or a media player on the back of the Tipster floorstand so that the look of the unit will be clean and stylish. The mounting interface inside the box is adjustable.

Sharp NEC Display Solutions Europe GmbH

Landshuter Allee 12-14, D-80637 München
infomail@sharpnec-displays.eu
Phone: +49 (0) 89 99 699-0
Fax: +49 (0) 89 99 699-500
www.sharpnecdisplays.eu