



Product Catalogue | edition 12

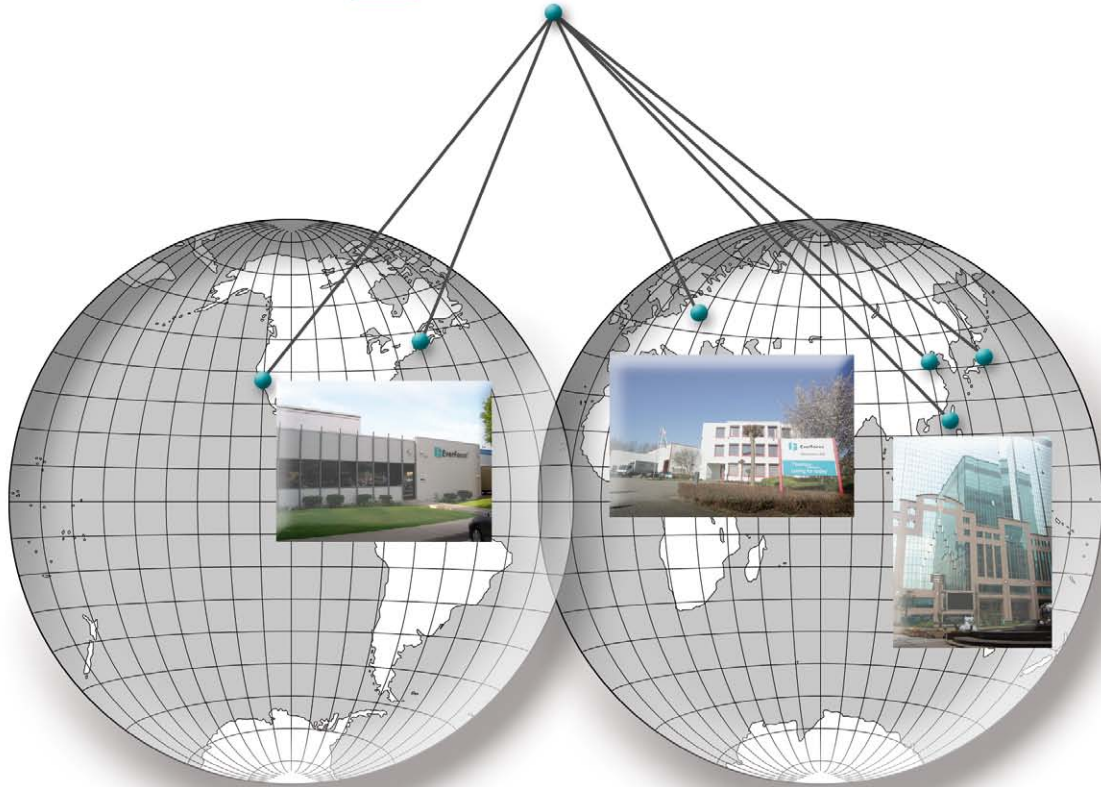
nevio



EverFocus®

Focused on you!





EverFocus Electronics AG

Albert-Einstein-Straße 1 ♦ D-46446 Emmerich am Rhein

Fon: +49 (0) 28 22 - 93 94-0 ♦ Fax: +49 (0) 28 22 - 93 94 -95

info@everfocus.de ♦ www.everfocus.de

Focused on you!



With more than 15 years experience as a renowned manufacturer of excellent CCTV products, EverFocus offers a comprehensive product range geared to system integration.

EverFocus Electronics Corp. with residence in Taipei, Taiwan, guarantees the worldwide distribution of CCTV products through branch offices in China, India, Japan, USA and Europe. The European distribution centre, EverFocus Electronics AG, is located in Emmerich am Rhein, Germany, where our team is dedicated to fulfilling customer demands. Sometimes even the impossible ones. That's how we ensure your satisfaction. We offer you mutual success, a pleasant cooperation and a promise:

We are here for you.

▶ NeVio megapixel cameras	page 4
NeVio network cameras	page 7
NeVio speed dome cameras	page 12
NeVio video servers	page 13
NeVio network recorders	page 15
NeVio software PowerCon 4.x	page 16
NeVio network peripherals	page 18

NeVio megapixel and network cameras overview

	EAN 1350	EAN 900	EQN 2200	EZN 850	EAN 850 A	EAN 800 A EAN 800 AW	EDN 850 H	EDN 800 T	EPN 3600
Camera type	1.3 Megapixel camera	1.3 Megapixel camera	2.0 Megapixel camera	Network IR camera	D/N network camera	Colour network camera	D/N network dome camera	Network dome camera	Network speed dome camera
Colour / b/w	day/night, autom. IRC	day/night, autom. IRC	colour	day/night, autom. IRC	day/night, autom. IRC	colour	day/night, autom. IRC	colour	day/night
Sensor type	8,5 mm (1/3") progressive scan CCD	8,5 mm (1/3") progressive scan CMOS	8,5 mm (1/3") progressive scan CMOS	8,5 mm (1/3") SONY super HAD	8,5 mm (1/3") SONY super HAD	8,5 mm (1/3") SONY super HAD	8,5 mm (1/3") SONY super HAD	8,5 mm (1/3") SONY colour IT CCD	6,35 mm (1/4") SONY Exview HAD
Effective pixels (HxV)	1280 x 960	1280 x 1024	1600 x 1200	752 x 582	752 x 582	752 x 582	752 x 582	752 x 582	752 x 582
Sensitivity (lux)	1,0 (colour) 0,2 (b/w)	0,5	0,5	0,2 (IR LED off) 0,002 (DSSx128) 0 (IR LED on)	0,25 0,002 (DSSx128)	0,4	0,25 0,002 (DSSx128)	0,2	1,4 (colour) 0,01 (b/w)
Compression method	MPEG4 / JPEG	H.264 / MPEG4 / MJPEG	H.264 / MJPEG	H.264 / MPEG4 / MJPEG	H.264 / MPEG4 / MJPEG	H.264 / MPEG4 / MJPEG	H.264 / MPEG4 / MJPEG	H.264 / MPEG4 / MJPEG	H.264 / MPEG4 / MJPEG
Compression settings	5 levels MJPEG 4 levels MPEG4	8 levels	5 levels	8 levels	8 levels	8 levels	8 levels	8 levels	8 levels
Max. streaming frame rate	12,5 fps MJPEG 25 fps MPEG4	25 fps	25 fps	25 fps	25 fps	25 fps	25 fps	25 fps	25 fps
Network interface	10 Base-T / 100 Base-TX auto negotiation, RJ-45 socket, supports MDI/MDI-X auto crossover function								
Independent streams	2	3	2	4	4	4	4	4	3
Motion detection	3 zones	5 zones	4 zones	5 zones	5 zones	5 zones	5 zones	5 zones	4 zones
Privacy masking	-	-	-	4 zones	4 zones	-	-	-	8 zones
Alarm	2 inputs 1 output	1 input 1 output	1 input 1 output	1 input 1 output	1 input 1 output	1 input 1 output	1 input 1 output	1 input 1 output	4 inputs 2 outputs
Audio	1 in / 1 out 2-way	1 in / 1 out 2-way	built-in mic. / speaker	-	1 in / 1 out 2-way	1 in / 1 out 2-way	1 in / 1 out 2-way	-	1 in / 1 out 2-way
PoE (Power over Ethernet)	supported	supported	-	-	supported	supported	supported	supported	-
IP66 weatherproof housing	-	-	-	yes	-	-	yes	-	yes
Vandal-proof housing	-	-	-	-	-	-	yes	yes	-
Local storage	-	SD card interface	-	SD card interface for optional SD card 3.3 V, supports SDHC host specification					-
Supported by PowerCon 4.x	yes	yes	yes	yes	yes	yes	yes	yes	yes

▶ For EverFocus CCTV Products, please refer to the "Product Catalogue Edition 12"

► EAN 1350 - 1.3 Megapixel CCD day / night network camera, automatic IR cut filter

Features

- ✓ 1.3 Megapixel progressive scan CCD sensor providing high definition video
- ✓ progressive scan technology for clear reproduction of fast moving objects
- ✓ highest sensitivity day/night mode with auto IR cut filter removal technologies and CCD sensor
- ✓ with digital pan/tilt and electronic zoom, users can point and see the very details of the region of interest
- ✓ dual codec (MPEG4 / MJPEG) simultaneously
- ✓ 2-way audio
- ✓ C/CS mount DC lens exchangeable with backfocus adjustment
- ✓ Power over Ethernet (PoE) eases installation, security and maintenance



Technical data		Software functions / features	
Sensor type	8,5 mm (1/3") progressive CCD	Browser	integrated browser applet (Internet Explorer 6.0 or above required)
Effective pixels	full scan mode: 1280 x 960, 4-pixel addition mode: 640x480	Application software	PowerCon 4.3 or higher (optional) EverFocus NVR series
Electronic shutter	1:50 ~ 1:10.000	OS supported	Microsoft Windows XP, Vista
Digital slow shutter	2x ~ 32x max. / off	TCP/IP	Static IP address / DHCP PPoE, DDNS, UPnP, SAMBA Multicast SMTP (event notification) primary / secondary DNS server IP filtering
AGC (auto gain control)	3 levels	User management	3 level user rights, anonymous login
AWB (auto white balance)	auto / manual / indoor / outdoor	Date/time	Time/date overlay internal RTC or sync. by NTP or PC time 3 redundant NTP servers
IR cut filter	automatic / manual / ext. contact mode	Event trigger	motion, alarm in, boot
Lens mount	CS-mount / C-mount, DC drive, backfocus adjustment, lens not included	Event schedule	weekly schedule with 1 timer zone per weekday
Minimum illumination	1 lux / F = 1.2 (colour mode) / 0,2 lux / F = 1.2 (b/w mode)	Event reaction	record to FTP/SAMBA / e-mail notification / HTTP/TCP notification / relay output
Signal standard	PAL	Motion	3 zones with adjustable sensitivity and threshold
Video output	1 Vp-p composite, BNC (switchable between video out and IP streaming)	Pre-alarm buffer	up to 10 sec.
Video compression	MPEG4 / JPEG (dual streaming)	Display	overlay time / date / text image normal, flip h/v, rotate 180°
Video frame rate	12,5 IPS max. (JPEG 1260 x 980) 25 IPS max. (MPEG4 640 x 480), configurable	Digital zoom	100% ~ 800% (client browser) 100% ~ 1200% (camera)
Video resolution	MPEG4: 640 x 480, 352 x 288, 320 x 240, 176 x 144 MJPEG: 1260 x 960, 640 x 480, 352 x 288, 320 x 240, 176 x 144	Video settings	brightness, saturation, contrast, sharpness, backlight
Pan/tilt	digital and support for RS-485 PT devices	Others	remote firmware upgrade configuration up- / download remote reboot
Motion detection	yes (3 zones)	Recommended accessories:	
Video streaming	RTSP/RTP/UDP, RTSP/RTP/TCP	EFV 246 MP	2,4~6mm Megapixel DC lens
Protocols	RTSP/RTP HTTP tunnel, LAN multicast	EFV 308 MP	3~8mm Megapixel DC lens
OSD	text, time and date, configurable	EFV 550 MP	5~50mm Megapixel DC lens
Audio input/output	1 x line in, 1 x line out, 3,5mm stereo sockets	FH 7153 H	outdoor housing (see page 38)
Audio modes	duplex / full duplex / simplex	BA 12	wall mount bracket (see page 39)
LAN port	RJ-45, 10/100 M auto-sensed, auto crossover		
Communication protocol	HTTP / RTSP / FTP / SMTP / TCP/IP / UDP / ARP / ICMP / DHCP / PPPoE / DDNS / UPnP / SAMBA		
Video streaming	RTSP/RTP/UDP, RTSP/RTP/TCP, RTSP/RTP HTTP tunnel, LAN multicast		
Alarm	2x input, 1 relay output, screwless terminal		
RS-485	1 x RS-485 telemetry out (Pelco-D/P), screwless terminal		
Status LED	3x: status, network link / traffic		
Power	12 V DC / 24 V AC, 8W max., or PoE 802.3af		
Dimensions (WxHxL)	80 x 81 x 166 mm (w/o socket lens)		
Temperature	operating temp. 0°C ~ +55°C, storage temp. -20°C ~ +70°C		
Humidity	10% ~ 95%, non-condensing		
Weight	600 g		

Ordering information

EAN 1350	1.3 Megapixel CCD day / night network camera, automatic IR cut filter, w/o lens, incl. punch-down tool, 12 V DC / 24 V AC (or PoE)
EAN 1350 / 308	Set: EAN 1350 + outdoor housing FH 7153 H + Megapixel DC lens EFV 308 MP + bracket BA 12
EAN 1350 / 550	Set: EAN 1350 + outdoor housing FH 7153 H + Megapixel DC lens EFV 550 MP + bracket BA 12
AP12A122E0	Power supply, 230 V AC / 12 V DC, 600 mA
AP12A152E0	Power supply, 230 V AC / 12 V DC, 1500 mA

▶ **EAN 900 - 1.3 Megapixel network camera with progressive scan, automatic IR cut filter**

Features

- ✓ 1.3 Megapixel 8,5 mm (1/3") progressive scan CMOS sensor with high sensitivity
- ✓ built-in H.264, MPEG-4 and MJPEG digital signal output at 1280 x 720 (720P) image size with up to 15 IPS
- ✓ day/night function with automatically swiveling IR cut filter
- ✓ 3 independently adjustable network video streams (for compression method and resolution)
- ✓ Power over Ethernet (PoE) IEEE 802.3af
- ✓ supports MDI/MDI-X auto crossover
- ✓ bandwidth control: 64K/128K/256K/1M/2M/4M/8M bps and unlimited
- ✓ built-in network interface (10 Base-T / 100 Base-TX) for remote monitoring by PC
- ✓ smart wizard setting for varied event and schedule recording
- ✓ built-in digital motion detection and PTZ function
- ✓ bidirectional audio
- ✓ power supply included



Technical data		Software functions / features	
Sensor type	8,5 mm (1/3") progressive scan CMOS image sensor	Network interface	10 Base-T / 100 Base-TX auto negotiation, RJ-45 socket, supports MDI/MDI-X auto crossover function
Effective pixels	1280 (H) x 1024 (V)	Protocol types	HTTP, TCP/IP, FTP, SMTP, DHCP, DNS, DDNS, NTP
Sensitivity	0,5 lux / F = 1.2	Bandwidth control	min. 64 kbit / sec., adjustable
Lens	optional C/CS mount, DD control supported, lens not included!	RS-485	RS-485 interface half-duplex (functionality reserved), screwless terminal 2-pin
Picture compression	H.264 / MPEG4 / MJPEG	Power LED	on: system power is on off: system power is off
Picture resolution	1280 x 1024 / 1280 x 960 / 1280 x 720 / 640 x 480 / 320 x 240	Green network LED	on (still): linked / off: not linked on (blinking): active
Day/night switching	autom. swiveling IR cut filter & enhanced b/w sensitivity	Yellow network LED	on: 100 Mbps off: 10 Mbps
Compression setting	8 levels	Local storage	SD card interface for optional SD card 3.3 V, supports SDHC host specification
Streaming frame rate	1280 x 1024 / 1280 x 960 / 1280 x 720: 15 IPS 640 x 480 / 320 x 240: 30 IPS	Recommended accessories	
Microphone	built-in microphone, selectable internal microphone or audio input in camera setting	EFV 246 MP	2,4~6mm Megapixel DC lens
Audio input	3,5mm stereo socket, sensitivity 100 mV max. / 10 KOhm impedance, selectable internal microphone or audio input in camera setting	EFV 308 MP	3~8mm Megapixel DC lens
Audio output	3,5mm stereo socket, sensitivity 500 mV max. at 10 KOhm impedance	EFV 550 MP	5~50mm Megapixel DC lens
Compression method	ADPCM (pulse code modulation) U-Law		
Frequency bandwidth	300 Hz ~ 3,4 KHz		
2-way audio	yes		
Alarm input	1 x input for dry contacts, N.O./N.C. adjustable, input pulse length 50 ms min.		
Alarm output	1 x optocoupler output, N.O./N.C. adjustable, max. load 24 V DC, 50 mA		
Motion detection	built-in motion detection		
Motion areas	up to 5 windows		
Power source	12 V DC (230 V AC via included power supply) & PoE		
Power over Ethernet	PoE 802.3af 48 VDC		
Power consumption	4,5 W max. (12 VDC)		
Ambient temperature	0°C ~ +40°C		
Dimensions (WxHxD)	68 x 57 x 135 mm		
Weight	600 g		

Ordering information

EAN 900	1.3 Megapixel network camera with progressive scan, automatic IR cut filter, incl. 230 V AC power supply, 12 V DC / PoE
EFV 246 MP	2,4 ~ 6 mm / F = 1.2 Megapixel DC lens
EFV 308 MP	3 ~ 8 mm / F = 1.0 Megapixel DC lens
EFV 550 MP	5 ~ 50 mm / F = 1.4 Megapixel DC lens

► EQN 2200 - 2.0 Megapixel colour network camera with progressive scan

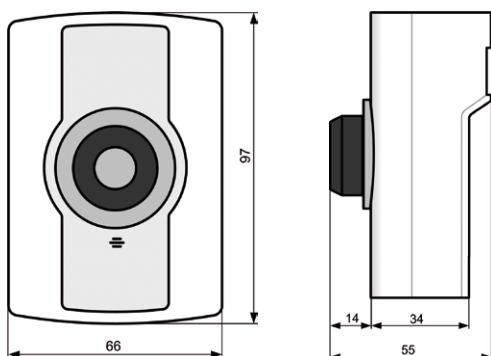
Features

- ✓ 2.0 Megapixel 8,5 mm (1/3") progressive scan CMOS sensor with high sensitivity
- ✓ built-in H.264 and MJPEG digital signal output at 1600 x 1200 (720P) image size
- ✓ 2 independently adjustable network video streams (for compression method and resolution)
- ✓ supports MDI/MDI-X auto crossover
- ✓ built-in network interface (10 Base-T / 100 Base-TX) for remote monitoring by PC
- ✓ smart wizard setting for varied event and schedule recording
- ✓ built-in digital motion detection and PTZ function
- ✓ bidirectional audio
- ✓ built-in 4,3mm megapixel lens with adjustable focus
- ✓ integrated bracket for wall or ceiling mount
- ✓ power supply included



Technical data

Sensor type	8,5 mm (1/3") progressive scan CMOS image sensor, 2 Megapixel
Effective pixels	1600 (H) x 1200 (V)
Sensitivity	0,5 lux / F = 1.8
Lens	4,3mm / F 1.8 megapixel lens, adjustable focus
Video compression	H.264 / MJPEG
Picture resolution	1600 x 1200 (UXGA) / 1280 x 960, 1280 x 720 (HD720P) / 1024 x 768 (XGA) / 800 x 600 (SVGA) / 640 x 480 (VGA) / 320 x 240 (QVGA) / 160 x 112
Streaming frame rate	10 IPS @ 1600 x 1200, 15 IPS @ 1280 x 960, 30 fps for all other resolutions
Compression setting	H.264: CBR: 32 K ~ 3 M / VBR: 5 steps MJPEG: 5 steps
Audio	built-in microphone and speaker, 2-way half-duplex audio transmission
Alarm input	1 x input for dry contacts, N.O./N.C. adjustable
Alarm output	1 x optocoupler output, N.O./N.C. adjustable, max. load 24 V DC / 50 mA
Network interface	10 Base-T / 100 Base-TX auto-negotiation, RJ-45 socket, supports MDI/MDI-X auto crossover function
Supported protocols	HTTP, TCP/IP, UDP, RTP, RTSP, FTP, SMTP, DHCP, DNS, DDNS, NTP, ONVIF, PSIA
User management	max. 10 users, 3 levels of user rights
Motion detection	integrated motion detection with up to 4 detection zones
Event trigger	alarm input, manual trigger, motion detection
Event reaction	trigger alarm output, send mail notification, upload video to FTP, network alarm
Pre-alarm	12 MB pre-alarm buffer
Post-alarm	10 ~ 120 sec.
Power source	5 V DC, 110 ~ 240 V AC via included power supply
Power consumption	4 W max.
Ambient temperature	0°C ~ +40°C
Dimensions (WxHxD)	66 x 97 x 55 mm (incl. lens)
Weight	140 g



Ordering information

EQN 2200	2.0 Megapixel colour network camera with progressive scan, incl. power supply and bracket, 5 V DC
----------	---

► **EZN 850 - 8,5 mm (1/3") IP outdoor IR camera with motorised lens, H.264, MPEG-4, MJPEG**

Features

- ✓ motorised 6~50mm DC varifocal lens
- ✓ 42 high-power IR LED with 35° beaming angle
- ✓ solid outdoor housing with integrated cable management
- ✓ compression methods: H.264, MPEG4 or MJPEG
- ✓ adjustable compression rate with 8 levels
- ✓ camera module with high resolution technology (up to 560 TV lines)
- ✓ 4 independently adjustable network video streams (for compression method and resolution)
- ✓ 4 adjustable privacy zones
- ✓ composite video output
- ✓ local alarm input / output
- ✓ motion detection with 5 zones
- ✓ alarm e-mail and network alarm function
- ✓ local alarm video storage at optional SD card
- ✓ network bandwidth control
- ✓ integrated wall bracket with internal cable installation



Technical data

	EZN 850 / P	EZN 850 A/P
Pickup device	8,5 mm (1/3") SONY super HAD interlaced CCD	
Effective pixels	752 x 582 (PAL)	
Sensitivity	IR LED OFF: 0,2 lux / F = 1,2; IR LED ON: 0 lux	
Lens	motorised DC varifocal lens 6~50 mm, 9x optical zoom	
Video output	BNC socket, composite 1 Vp-p / 75 Ohm	
Video output resolution	530 TV lines (colour mode) / 560 TV lines (b/w mode)	
IR distance	max. 30 ~ 50 m (depending on reflections in scenery) max. 40 ~ 70 m with additional IR illuminator kit EIR 100	
IR wavelength	850 nm	
Picture compression	H.264 / MPEG-4 / M-JPEG	
Picture resolution	D1, VGA, CIF, QVGA, QCIF 704 x 576, 640 x 480, 352 x 288, 320 x 240, 176 x 144	
Compression setting	8 levels adjustable	
Streaming frame rate	1 ~25 IPS, adjustable at full D1	
Independent streams	4 (50 IPS total at 704 x 576)	
Motion detection	built-in motion detection, 5 zones	
Privacy areas	up to 4 windows	
Network interface	10 Base-T / 100 Base-TX auto negotiation, RJ-45 socket	
Protocol types	HTTP, TCP/IP, FTP, SMTP, DHCP, DNS, DDNS, NTP	
Bandwidth control	min. 64 kbit / sec. adjustable	
RS-485	RS-485 interface half-duplex, EverFocus / Pelco-D protocol	
Alarm I/O	1 input, 1 output, N.O./N.C. adjustable	
Power output	DC 12V for external IR illuminator	
Green network LED	on: 100 Mbps / off: 10 Mbps	
Yellow network LED	on (still): linked / on (blinking): active / off: not linked	
Power LED	red LED on: system power on / off: system power off	
Local storage	SD card interface for optional SD card 3.3 V, supports SDHC host specification	
Power supply	100 ~ 240 V AC, 50/60 Hz	24 V AC
Power consumption	17 W max. (heater & IR LED on); 34 W max. with EIR 100	
Ambient temperature	-40°C ~ +50°C	
Humidity	20 ~ 85%	
Heater	+10°C on, +20°C off	
Dimensions (HxL)	115 x 275 mm	
Weight	1,6 kg	

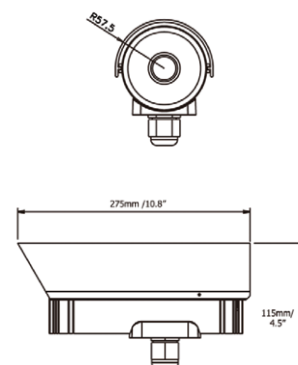


Image: EZN 850 with additional IR illuminator kit EIR 100



Image: ceiling mount bracket EZ CMB
For specifications, please refer to page 9!

Ordering information

EZN 850 / P	8,5 mm (1/3") IP outdoor IR camera with motorised lens, H.264, MPEG4, MJPEG, 100 ~ 240 V AC
EZN 850 A / P	8,5 mm (1/3") IP outdoor IR camera with motorised lens, H.264, MPEG4, MJPEG, 24 V AC
EIR 100	External IR illuminator kit
EZ CMB	Ceiling mount bracket for EZN 850
AP24A152E0	Power supply, 230 V AC / 24 V AC, 1,5 A, recommended for use w/o additional IR illuminator kit EIR 100
AP24A302E1	Power supply, 230 V AC / 24 V AC, 3A, recommended for use with additional IR illuminator kit EIR 100

► **EAN 850 A - 8,5 mm (1/3") advanced day / night network camera, high resolution, automatic IR cut filter**

Features

- ✓ 4 independently adjustable network video streams (for compression method and resolution)
- ✓ compression methods: H.264, MPEG4 or MJPEG
- ✓ adjustable compression rate with 4 levels
- ✓ day/night function with automatically swiveling IR cut filter
- ✓ camera module with high resolution technology (540 TV lines)
- ✓ high resolution stream: up to 704 x 576 pixel
- ✓ 4 adjustable privacy zones
- ✓ bidirectional audio
- ✓ composite video output
- ✓ local alarm input / output
- ✓ motion detection with 5 zones
- ✓ alarm e-mail and network alarm function
- ✓ local alarm video storage at optional SD card
- ✓ PoE (Power over Ethernet) supported
- ✓ network bandwidth control
- ✓ power supply included



Technical data

Pickup device	8,5 mm (1/3") Sony super HAD interlaced CCD, Polestar solution
Effective pixel	752 (H) x 582 (V) (PAL)
Sensitivity	0,002 lux (sens-up x128), 0,25 lux / F = 1.2
Lens	optional C/CS mount, manual / DD lens control supported (lens not included!)
Day/night control	automatically swiveling IR cut filter and enhanced b/w sensitivity
Video output	BNC socket, composite 1 Vp-p / 75 Ohm
Video output resolution	540 TV lines
Picture compression	H.264 / MPEG-4 / M-JPEG
Picture resolution	D1, VGA, CIF, QCIF / 704 x 576, 640 x 480, 352 x 288, 176 x 144
Compression setting	5 levels adjustable (super / high / standard / low / lowest)
Streaming frame rate	1 ~ 25 IPS, adjustable
Microphone	internal electret microphone, selection internal microphone or audio input in camera setting
Audio input	3,5mm stereo socket, sensitivity 100 mV max. / 10 KOhm impedance, selection internal microphone or audio input in camera setting
Audio output	3,5mm stereo socket, sensitivity 500 mV max. at 10 KOhm impedance
Compression method	ADPCM (pulse code modulation) U-Law
Frequency bandwidth	300 Hz ~ 3,4 KHz
Operation modes	duplex operation, audio direction enabled in browser GUI selection internal microphone or audio input in camera setting
Alarm input	1 x input for dry contacts, N.O./N.C. adjustable
Alarm output	1 x dry relay contact, N.O./N.C. adjustable, 70 V DC / 200 mA max.
Network interface	10 Base-T / 100 Base-TX auto negotiation, RJ-45 socket
Protocol types	HTTP, TCP/IP, UDP/IP, FTP, SMTP, RTP, RTCP, DHCP, DNS, DDNS, NTP
Bandwidth control	min. 64 kbit / sec. adjustable
RS-485	RS-485 interface half-duplex (function reserved), screwless terminal 2-pin
Green network LED	on: 100 Mbps / off: 10 Mbps
Yellow network LED	on (still): linked / on (blinking): active / off: not linked
Red power LED	on: system power on / off: system power off
Pre-alarm memory	internal memory for pre-alarm record 2~5 sec.
Event log	internal event log for 256 entries (FIFO), non-volatile
Local storage	SD card interface for optional SD card 3.3 V, supports SDHC host specification
Power supply	12 V DC (230 V AC via included power supply) or PoE (PoE 802.3af 48 VDC)
Power consumption	7 W max. (12 VDC)
Ambient temperature	0°C ~ +50°C
Dimensions (WxHxD)	68 x 57 x 135 mm
Weight	600 g

Ordering information

EAN 850 A	8,5 mm (1/3") advanced day / night network camera, high resolution, automatic IR cut filter, incl. 230 V AC power supply, 12 V DC / PoE
-----------	---

- ▶ **EAN 800 A - 8,5 mm (1/3") advanced colour network camera, high resolution**
- EAN 800 AW - 8,5 mm (1/3") advanced colour wireless network camera, high resolution**

Features

- ✓ 4 independently adjustable network video streams (for compression method and resolution)
- ✓ compression methods: H.264, MPEG4 or MJPEG
- ✓ adjustable compression rate with 8 levels
- ✓ camera module with high resolution technology (520 TV lines)
- ✓ bidirectional audio
- ✓ composite video output
- ✓ local alarm input / output
- ✓ integrated motion detection
- ✓ alarm e-mail and network alarm function
- ✓ local alarm video storage at optional SD card
- ✓ PoE (Power over Ethernet) supported
- ✓ network bandwidth control
- ✓ power supply included



Technical data

	EAN 800 A	EAN 800 AW
Pickup device	8,5 mm (1/3") Sony super HAD interlaced CCD	
Effective pixel	752 (H) x 582 (V) (PAL)	
Sensitivity	0,4 lux / F = 1.2	
Lens	optional C/CS mount, manual / DD lens control supported (lens not included!)	
Day/night switching	yes	
Video output	BNC socket, composite 1 Vp-p / 75 Ohm	
Video output resolution	520 TV lines	
Video compression	H.264 / MPEG-4 / M-JPEG	
Video resolution	4CIF, VGA, CIF, QVGA, QCIF	
Compression setting	8 levels adjustable	
Streaming frame rate	up to 25 fps	
Audio	built-in microphone, 2-way audio	
Network interface	10 Base-T / 100 Base-TX auto negotiation, RJ-45 socket, supports MDI/MDI-S auto crossover function	
Wireless	-	built-in IEEE 802.11 b/g WLAN antenna gain 2 dBi
Protocol types	HTTP, TCP/IP, UDP/IP, FTP, SMTP, RTP, RTCP, DHCP, DNS, DDNS, NTP	
Bandwidth control	min. 64 kbit / sec. adjustable	
Client limit	max. 32 clients simultaneously	
RS-485	RS-485 interface half-duplex	
Alarm input	1 alarm input	
Alarm output	1 alarm output	
Event trigger	alarm input, manual trigger, motion detection, schedule recording	
Event notification	alarm output, e-mail notification, upload video to FTP, record video to SD card, record video to PC, network alarm	
Pre-alarm buffer	48 MB RAM reserved for pre-alarm record up to 120 sec.	
Local storage	SD card interface for optional SD card version 2.0, supports SDHC host specification	
Power supply	12 V DC (230 V AC via included power supply) or PoE (PoE 802.3af 48 VDC)	
Power consumption	7 W max. (12 VDC)	
Ambient temperature	0°C ~ +40°C	
Dimensions (WxHxD)	68 x 57 x 136 mm	68 x 57 x 167 mm (incl. WLAN antenna)
Weight	550 g	

Ordering information

EAN 800 A	8,5 mm (1/3") advanced colour network camera, high resolution, incl. 230 V AC power supply, 12 V DC / PoE
EAN 800 AW	8,5 mm (1/3") advanced colour wireless network camera, high resolution, incl. 230 V AC power supply, 12 V DC / PoE

► **EDN 850 H - 8,5 mm (1/3") vandal-proof outdoor day/night CCD network camera, automatic IR cut filter, multistream H.264 / MPEG4 / MJPEG**

Features

- ✓ multistream output at 4CIF resolution @ 25 fps
- ✓ compression methods: H.264, MPEG4 or MJPEG
- ✓ adjustable compression rate with 8 levels
- ✓ day/night function with automatically swiveling IR cut filter
- ✓ camera module with high resolution technology (560 TV lines)
- ✓ high resolution stream: up to 704 x 576 pixel
- ✓ varifocal lens with DC auto iris
- ✓ BNC video output for easy camera installation
- ✓ local alarm input / output
- ✓ integrated motion detection
- ✓ alarm e-mail and network alarm function
- ✓ local alarm video storage at optional SD card
- ✓ PoE (Power over Ethernet) supported
- ✓ network bandwidth control
- ✓ vandal-proof metal IP66 outdoor housing
- ✓ optional wall bracket
- ✓ power supply included



Technical data

Sensor	8,5 mm (1/3") SONY super HAD interlaced CCD
Picture element	752 (H) x 582 (V) (PAL)
Sensitivity	0,002 lux (sens-up x128), 0,25 lux / F = 1.2
Day/night switching	automatically swiveling IR cut filter and enhanced b/w sensitivity
Lens	2,8 ~ 10 mm DC varifocal lens
Video output	1 Vp-p BNC, 560 TV lines
Compression method	H.264 / MPEG-4 / M-JPEG
Compression rate	8 quality levels
Resolution	4CIF, VGA, CIF, QVGA, QCIF
Frame rate	up to 25 fps
Network interface	10 Base-T / 100 Base-TX auto negotiation, RJ-45 socket / plug, support of MDI / MDI-X auto crossover function
Protocol types	HTTP, TCP/IP, UDP, RTP, RSP, FTP, SMTP, DHCP, DNS, DDNS, NTP
Local storage	SD card interface for optional SD card version 2.0, supports SDHC host specification
Audio	1 input / 1 output, 3,5mm stereo socket, sensitivity 1 Vrms, two-way audio
Alarm	1 input / 1 output
Event trigger	alarm input, manual trigger, motion detection and schedule recording
Event notification	alarm output, e-mail notification, upload video to FTP, record video to SD card, record video to PC, network alarm
Pre-alarm buffer	48 MB RAM reserved for pre-alarm record up to 120 seconds
Weatherproof rating	IP 66
Power supply	12 V DC (230 V AC via included power supply) or PoE (PoE 802.3af 48 VDC)
Power consumption	5 W max. (12 V DC)
Ambient temperature	-10°C ~ +50°C
Dimensions (diameter x H)	123 x 108 mm
Weight	740 g

► **ED WMA - wall mount bracket**



Material: aluminium
 Dimensions (WxHxD): 150 x 110 x 170 mm
 Weight: 600 g
 Max. load: 4 kg
 Application: with ED 610T, EDN 850 H and EDN 800T

Ordering information

EDN 850 H	8,5 mm (1/3") vandal-proof outdoor day/night CCD network camera, automatic IR cut filter, multistream H.264, MPEG4, MJPEG, incl. 230 V AC power supply, 12 V DC / PoE
ED WMA	Wall mount bracket

► **EDN 800 T - 8,5 mm (1/3") vandal-proof colour CCD network camera, multistream H.264 / MPEG4 / MJPEG**

Features

- ✓ 4 independently adjustable network video streams (for compression method and resolution)
- ✓ compression methods: H.264, MPEG4 or MJPEG
- ✓ adjustable compression rate with 4 levels
- ✓ camera module with high resolution technology (520 TV lines)
- ✓ high resolution stream: up to 704 x 576 pixel
- ✓ varifocal lens with DC auto iris
- ✓ BNC video output for easy camera installation
- ✓ local alarm input / output
- ✓ motion detection with 5 zones
- ✓ alarm e-mail and network alarm function
- ✓ local alarm video storage at optional SD card
- ✓ PoE (Power over Ethernet) supported
- ✓ network bandwidth control
- ✓ vandal-proof metal indoor housing
- ✓ optional wall bracket
- ✓ power supply included



Technical data

Sensor	8,5 mm (1/3") Sony IT colour CCD
Picture element	752 (H) x 582 (V) (PAL)
Sensitivity	0,2 lux / F = 1.2
S/N ratio	> 50 dB (AGC off)
Lens	3,7 ~ 12 mm DC varifocal lens
Video output	1 Vp-p BNC, 520 TV lines
Compression method	H.264 / MPEG-4 / M-JPEG
Compression rate	8 quality levels
Resolution	704 x 576, 640 x 480, 352 x 288, 176 x 144
Frame rate	1 ~ 25 IPS
Network interface	10 Base-T / 100 Base-TX auto negotiation, RJ-45 socket / plug, support of MDI / MDI-X auto crossover function
Protocol types	HTTP, TCP/IP, FTP, SMTP, DHCP, DNS, DDNS, NTP
Local storage	SD card interface for optional SD card 3.3 V, supports SDHC host specification
Alarm input	1 x N.O. / N.C.
Alarm output	1 alarm output
Motion detection	5 adjustable motion areas
Event trigger	alarm input, manual trigger, motion detection and schedule recording
Event notification	alarm output, e-mail notification, upload video to FTP, record video to SD card, record video to PC, network alarm
Power supply	12 V DC (230 V AC via included power supply) or PoE (PoE 802.3af 48 VDC)
Power consumption	6 W max.
Ambient temperature	0°C ~ +40°C
Dimensions (diameter x H)	118 x 100 mm
Weight	820 g

► **ED WMA - wall mount bracket**



Material: aluminium

Dimensions (WxHxD): 150 x 110 x 170 mm

Weight: 600 g

Max. load: 4 kg

Application: with ED 610 T, EDN 850 H and EDN 800 T

Ordering information

EDN 800 T	8,5 mm (1/3") vandal-proof colour CCD network camera, multistream H.264, MPEG4, MJPEG, incl. 230 V AC power supply, 12 V DC / PoE
ED WMA	Wall mount bracket

- ▶ EPN 3600 - 6,35 mm (1/4") 36x D/N outdoor IP speed dome camera with auto tracking function
- EPN 3600 I - 6,35 mm (1/4") 36x D/N indoor IP speed dome camera with auto tracking function

Features

- ✓ 36x optical zoom (+12x digital zoom)
- ✓ H.264/MPEG4/MJPEG digital signal output with up to 25 fps
- ✓ H.264/MPEG4/MJPEG multistream output for simultaneous live monitoring and high resolution recording
- ✓ smart auto tracking function
- ✓ integrated Wide Dynamic Range
- ✓ IP66 outdoor model and indoor model available
- ✓ several built-in protocols
- ✓ 192 programmable preset positions
- ✓ 4 programmable patterns
- ✓ 8 freely adjustable privacy zones
- ✓ 4 alarm inputs, 2 alarm outputs with tour/position auto triggering



Technical data			Functions	
	EPN 3600	EPN 3600 I		
Sensor	6,35 mm (1/4") CCD SONY Exview HAD		Communication	RS-485
Scanning system	625 TV lines, 50 fields/sec.		Built-in protocols	Pelco-P / Pelco-D / EverFocus / Samsung (E.) / Panasonic
Picture element	752 x 582 (PAL)		Communication speed	1200 / 2400 / 4800 / 9600 bps
Horizontal resolution	530 TV lines		Address editable through DIP switch	yes
Sensitivity	1,4 lux (F 1.6, 50 IRE - colour) / 0,1 lux (F 1.6, 50 IRE - b/w)		Speed dome address range	1 ~ 255
Video output	1 Vp-p, BNC		Auto tracking	tracking mask, pan/tilt limits with adjustable object size
S/N ratio	50 dB (AGC off)		Horizontal rotation speed	0,1° / sec. ~ 360° / sec.
Electronic shutter	1 ~ 1:10.000 sec.		Horizontal rotation range	360° unlimited rotation
DSS digital slow shutter	on / off, 50x max.		Tilt rotation range	180° tilt motion with electronic auto flip
Shutter selection	auto / A.FLK / manual		Day / night switching	manual / automatic
White balance	auto / indoor / outdoor		Auto zoom speed control	auto-adjustment of PT control speed acc. to zoom position
Back light compensation	on / off		Autopan, 2 points scanning	adjustable speeds, adjustable end stops
AGC	yes (auto / manual)		Autopan speed	1 ~ 255 steps
Motion detection	yes, 4 zones		Dwell time (2 points)	1 ~ 99 sec.
Privacy zone masking	yes, 8 zones		Preset positions	192
WDR Wide Dynamic Range	on / off		Running to position speed	up to 360° / sec.
Zoom ratio	36x optical zoom (+12x digital zoom, max. 432x)		Pattern	4x, 90 seconds max. each
Focus length	f = 3,4 (wide) ~ 122,4 (tele) mm		Auto resume	after inactivity 0,5 ~ 60 min. or after power-up
Aperture	F 1.6 (wide) ~ F 4.5 (tele)		Auto resume actions	home position, tour 1, pattern 1, auto-pan, previous mode
Viewing angle	57,8° (wide end) to 1,7° (tele end)		Manual pan speed	0,01° ~ 180° / sec.
Minimum object distance	320 mm (wide end) to 1500 mm (tele end)		Manual tilt speed	0,01° ~ 180° / sec.
Focusing method	auto, one-push AF, manual		Dwell time at preset position	1 ~ 99 sec.
Picture compression	H.264 / MPEG4 / MJPEG		Tours	16
Picture resolution	704 x 576, 640 x 480, 352 x 288, 176 x 144		Presets per tour	16 preset positions
Streaming frame rate	1 ~ 25 fps, adjustable		Position accuracy	+/- 0,1°
Audio input / output	external microphone input / line input / line level output		Alarm	4 inputs, 2 outputs, with tour/position auto triggering
Audio streaming	2-way audio		Proportional pan speed	yes
Audio compression	ADPCM (pulse code modulation) U-Law		Privacy zones	8, freely adjustable, 10 colours / mosaic
Network interface	10 Base-T / 100 Base-TX auto negotiation, RJ-45 socket		Built-in menu for functions	yes, multiline OSD
Supported protocols	HTTP, TCP/IP, FTP, SMTP, DHCP, DNS, DDNS, NTP			
Bandwidth control	min. 64 kByte/sec. adjustable			
Weatherproof rating	IP 66	IP 30		
Power source	24 V AC			
Power consumption	30 W max.			
Fan	thermostat controlled			
Ambient temperature	-40°C ~ +40°C			
Humidity	~ 95%	~ 85%		
Dimensions (diameter x H)	210 x 250 mm (incl. sunshield)	160 x 220 mm		
Weight	5,2 kg (incl. sunshield)	3,0 kg		

Ordering information

EPN 3600 / P	6,35 mm (1/4") 36x day / night outdoor IP speed dome camera, 24 V AC (incl. sunshield, w/o bracket, w/o power supply)
EPN 3600 I / P	6,35 mm (1/4") 36x day / night indoor IP speed dome camera, 24 V AC (w/o bracket, w/o power supply)
Accessories	please refer to pages 34 - 36 of the CCTV catalogue part

► ERS-4 - 4-channel video server with recording capability

Features

- ✓ H.264 compression format
- ✓ user-friendly graphic user interface (GUI) with graphical icons and visual indicators
- ✓ menu setup local (mouse, local monitor) or via network (browser, CMS)
- ✓ express setup function
- ✓ audio recording capability
- ✓ optional 1 built-in SATA harddisk
- ✓ multi-language support



Technical data	
<i>Physical</i>	
Video input	4 x 1 Vp-p FBAS, BNC, automatic 75 Ohm termination
Monitor output	1 x 1 Vp-p FBAS, BNC, at 75 Ohm 1 x VGA (resolution 800 x 600 @ 60 Hz)
Recording rate / resolution	100 IPS (352 x 288) 100 IPS (704 x 288) 50 IPS (704 x 576)
Playback and streaming rate / resolution	up to 100 IPS (352 x 288) up to 100 IPS (704 x 288) up to 50 IPS (704 x 576) depending on network conditions
Audio input	1 x line input, 1 V max. / 1 KOhm, RCA socket
Audio output	1 x line output, 1 V max. at 1 KOhm, RCA socket
Alarm input	4 x N.O. / N.C., screw terminal connector
Alarm output	1 x relay output, N.O. / N.C., screw terminal connector
Network interface	100 Base-T, 8P8C / RJ-45 socket
RS-485	1 x, screw terminal connector
USB	1 x USB 2.0 on back panel (for USB mouse) 1 x USB 2.0 on front panel (for service purpose)
Status LED	power, alarm, HDD activity, network traffic
Clock	built-in real time clock, NTP synchronisation option
Power source	12 V DC, 100 ~ 240 V AC via included power supply, 50/60 Hz
Power consumption	6 W max. (w/o HDD) / 21 W max. (with HDD)
Ambient temperature	0°C ~ +40°C
Humidity	20 ~ 80%
Dimensions (WxHxD)	320 x 54 x 209 mm
Weight	1,7 kg (w/o HDD) / 2,5 kg (with HDD)
<i>Functional</i>	
Operating system	embedded Linux
Video compression	H.264
User interface	graphical user interface (GUI)
Operation	simultaneous network live / playback operation and local recording
Recording mode	manual, schedule and event recording
Playback search	by date / time or event
Video pause	yes
Video loss detection	yes
Motion detection	yes
Event log	yes
Schedule setting	supports express and advanced schedule setting
User access	3 levels of user access support, max. 10 users
PTZ protocols	EverFocus, Pelco-D, Pelco-P, Samsung (El.), transparent

Ordering information	
ERS-4 NH	4-channel video server with recording capability, w/o harddisk, 12 V DC
ERS-4 / HD size	4-channel video server with recording capability, with built-in harddisk, 12 V DC
ERS-4-HDMK	Harddisk assembly kit for ERS-4
EDA-Rack	482 mm (19") rack mount kit for ECOR DVRs and video server ERS-4

- ▶ **EVS 200 A** - 2-channel video encoder
- EVS 200 AW** - 2-channel wireless video encoder

Features

- ✓ high quality H.264, MPEG4 and MJPEG multistream output at 4CIF resolution @ 25 fps
- ✓ H.264/MPEG4/MJPEG dual stream output per channel for simultaneous live monitoring and high resolution recording
- ✓ smart wizard settings for varied event and schedule recording
- ✓ PTZ control support
- ✓ built-in SD card slot for local storage
- ✓ 2-way audio
- ✓ Power over Ethernet (PoE) IEEE 802.3af
- ✓ compact size



Technical data		
	EVS 200 A	EVS 200 AW
Video input	2 x 1 Vp-p BNC, automatic 75 Ohm termination	
Video compression	H.264 / MPEG4 / MJPEG	
Video resolution	4CIF, VGA, CIF, QVGA, QCIF	
Video quality	8 levels adjustable	
Streaming frame rate	up to 25 fps	
Independent streams	4 (2 per channel)	
Audio input	2 x line in 1 V max. / 10 KOhm, 3,5mm stereo socket	
Audio output	1 x line out 1 V max. at 10 KOhm, 3,5mm stereo socket	
Audio compression method	IMA ADPCM (pulse code modulation)	
Operation mode	2-way audio	
Network interface	10 Base-T / 100 Base-TX auto negotiation, RJ-45 socket, supports MDI/MDI-X auto crossover function	
Wireless	-	built-in IEEE 802.11 b/g WLAN antenna gain 2 dBi
Supported protocols	HTTP, TCP/IP, UDP, RTP, RTSP, FTP, SMTP, DHCP, DNS, DDNS, NTP	
Bandwidth control	min. 64 kbps adjustable	
Max. client limit	max. 32 simultaneous clients	
Alarm input	2 alarm inputs	
Alarm output	2 alarm outputs	
RS-485	1 x, terminal connector	
Supported RS-485 protocols	EverFocus, Pelco-D/P, Samsung, Panasonic	
Event trigger	alarm input, manual trigger, motion detection, schedule recording	
Event reaction	alarm output, e-mail notification, upload video to FTP, record video to SD card, record video to PC, network alarm	
Pre-alarm buffer	48 MB RAM reserved for pre-alarm record up to 120 sec.	
Local storage	SD card interface for optional SD card version 2.0, supports SDHC host specification	
Power supply	12 V DC or PoE (PoE IEEE 802.3af 48 VDC)	
Power consumption	4,5 W max. (12 V DC)	
Ambient temperature	0°C ~ +40°C	
Dimensions (WxHxD)	77 x 102 x 153 mm	
Weight	300 g	

- ▶ **EVS RMK - 482 mm (19") rack mount kit**

Material: steel black

Dimensions (WxHxD): 480 x 44 x 255 mm, 19" 1U

Weight: 1,8 kg

Application: max. 5 x EVS 200 A or EVS 200 AW



Ordering information	
EVS 200 A	2-channel video encoder, 12 V DC / PoE
EVS 200 AW	2-channel wireless video encoder, 12 V DC / PoE
EVS RMK	482 mm (19") rack mount kit for max. 5 EVS 200 A / EVS 200 AW video encoders

- ▶ ENR 3200 - 32-channel network video recorder
- ENR 1600 - 16-channel network video recorder
- ENR 800 - 8-channel network video recorder

Features

- ✓ management of up to 32 channels from Megapixel cameras, IP cameras and video servers
- ✓ multi-brand IP product support
- ✓ local and remote PTZ control and digital PTZ
- ✓ bidirectional audio
- ✓ I/O control of IP video devices
- ✓ multi-language support
- ✓ dual monitor support
- ✓ integrated video analytics
- ✓ system and event log database
- ✓ support of EKB 200 USB joystick
- ✓ 3GPP live view support
- ✓ easy installation with automatic camera search



Technical data

	ENR 3200	ENR 1600	ENR 800
<i>Physical</i>			
IP video channels	32	16	8
Recording / playback rate	up to 25 IPS / channel		
Total recording rate	up to 400 IPS in 4CIF resolution, up to 800 IPS in CIF resolution (depending on camera type / compression settings / method) // up to 85 MBit/s total input stream		
View modes	1/4/6/9/10/13/16/25/36	1/4/6/9/10/13/16	1/4/6/8
Recording resolution	up to 1280 x 1024		
Compression method	H.264 / MPEG4 / MJPEG		
Audio	bidirectional transmission, 1 audio channel per video channel (depending on IP device specification)		
Internal HDD	up to 4x 8,9 cm (3,5") SATA recording HDD + 1 system HDD		
Video export	internal DVD-RW drive, USB 2.0 interface		
Network interface	1.000 Mbit/s, RJ45, standards IEEE 802.3, IEEE 802.3u, IEEE 802.3ab, IEEE 802.3x		
Further interfaces	USB 2.0 6x, PS2 keyboard / mouse		
Alarm I/O	support of I/O contacts of connected IP devices (depending on IP device specification)		
Monitor output	1 x VGA out, 1 x VGA/DVI out, dual monitor operation possible; supported GUI resolutions: 1024 x 768, 1200 x 900, 1280 x 1024, 1600 x 1200		
Power	110 ~ 230 V AC, 300 VA max.		
Ambient temperature	0°C ~ +40°C		
Housing	steel, aluminium front, black		
Dimensions (WxHxD)	430 x 171,5 x 439,6 mm, 19", 4U, optional mounting brackets available		
Weight	11 kg		
<i>Functionality</i>			
Multi-language support	yes		
E-Map	unlimited number of maps or other graphics with free placement of camera or I/O icons		
Counting function	for freely definable object sizes, counting of one or two directions		
Monitor output	GUI in 4:3 format, dual monitor support, 2nd monitor can be used for additional live and/or playback view		
Bandwidth monitor	optional OSD display of individual network bandwidth per camera and total streaming bandwidth		
Database management	integrated tool for database reconstruction, repair and relocation; export option for configuration file		
Video analytics	general motion, missing object, camera occlusion, foreign object, lose focus, signal lost		
PTZ	PTZ control in OSD or with EKB 200 joystick for PTZ cameras; digital software PTZ for all cameras		
Recording methods	continuous, schedule, event (motion / contact)		
Schedule	individual for each camera, daily schedule with 6 possible recording modes		
Recording rates	1 ~ 25 IPS adjustable for each camera (depending on camera specification)		
Multi-channel playback	up to 16 channels time-synchronized		
Search functions	time/date via calendar and timebar; intelligent search with modes general motion, missing object, camera occlusion, foreign object, signal lost		
Video export	snapshot in JPEG format, video export in AVI or ASF format		
Video backup	backup of multiple camera video data to local / network video drive or CD / DVD		
Remote access	via Client PC (software / webbrowser); 3G mobile phone client (RTSP stream)		

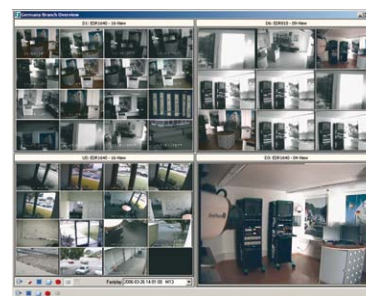
Ordering information

ENR 3200 / 1600 / 800 / x / HD size	32-/16-/8-channel network video recorder with x built-in harddisks, 110 ~ 230 V AC
ENR-U8	Upgrade kit for 8 additional recording channels, upgrade from ENR 800 / 1600
ENR-U16	Upgrade kit for 16 additional recording channels, upgrade from ENR 800 / 1600
ENR-Client	ENR Client PC w/o management software, with built-in 160 GB harddisk, w/o additional storage HDD
BA RK 01	482mm (19") mounting brackets, set of 2 pcs, aluminium / steel, dimensions (WxLxD): 24 x 135 x 95 mm

► EPC 4000 - PowerCon 4.x Center

Features EPC 4000 and PowerCon 4.x

- ✓ unlimited number of managed systems (DVRs, Megapixel / network cameras, video servers, 3rd party applications)
- ✓ live and playback view
- ✓ local storage and printout of video data or single pictures on client PC
- ✓ multi-window design with scalable video windows
- ✓ free definable multiviews with up to 16 DVR systems or network cameras, also mixed display of different DVRs (max. 256 cameras in 1 multiview with 16 x 16-channel DVR*)
- ✓ mapview: visualisation of CCTV system in areas or buildings with free scalable maps, graphics (BMP or JPG format) or active symbols
- ✓ remote DVR configuration (EDR DVR series only)
- ✓ remote configuration of EverFocus network cameras and video servers
- ✓ PTZ joystick control
- ✓ POS module for retail applications (optional)
- ✓ GPS module for object tracking (optional)
- ✓ network alarm reception and management
- ✓ multi-monitor support (depending on PC configuration)
- ✓ advanced access rights management with individual user rights for functions and system access
- ✓ network monitor for visualisation of network traffic
- ✓ system checker: integrated background port checker with alarm function for availability of DVRs, cameras and video servers in network
- ✓ support of external program starts
- ✓ basic feature support for browser-based 3rd party applications



* function requires specific PC + network preconditions - please contact your sales partner for further details!

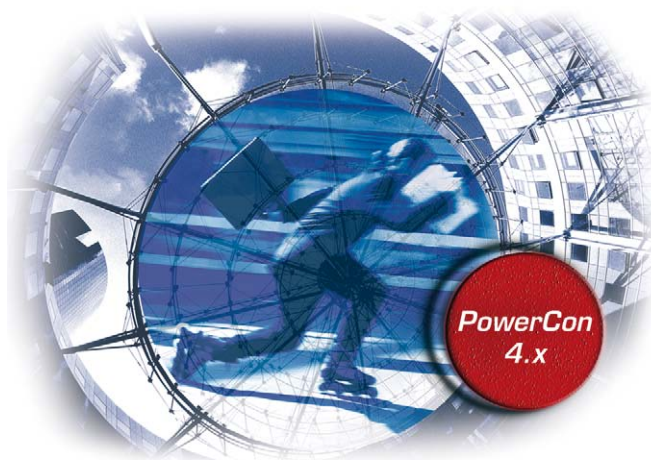
Technical data

Hardware specifications	
Power	110 ~ 230 V AC, 300 VA max.
Operating temperature	0°C ~ +40°C
Material	steel, aluminium front
Dimensions (WxHxD)	430 x 171,5 x 439,6 mm, 19", 4U, optional mounting brackets available
Weight	11 kg
Software specifications	
Supported DVRs	EDR 1600 / 400* EDSR 100 / EDSR 400 H/M / EDSR 1600 / 900 / 600* EDR 1640 / 920 / 1610 A/D / 910 A/D / 410 D / 810 H/M / 410 H/M Paragon 264 DVR series / Paragon DVR series (from version 4.3) ECOR 264 DVR series / ECOR DVR series (from version 4.3) * latest firmware version
Supported network cameras	EAN 600 / EAN 800* / EZN 850* / EAN 850 A* / EAN 800 A* / EAN 800 AW* / EDN 850 H* / EDN 800 T* / EPN 3600* * from version 4.3, incl. recording function
Supported Megapixel cameras	EAN 1350* / EAN 900* / EQN 2200* * from version 4.3, incl. recording function
Further supported devices	video servers EVS 400 / EVS 100 / ERS-4 / EVS 200 A / EVS 200 AW network multi I/O controller EPS 100

Ordering information EPC 4000 and PowerCon 4.x

EPC 4000 / x / HD size	PowerCon 4.x Center, incl. PowerCon 4.x software, with up to 4 built-in harddisks for storage, 110 ~ 230 V AC
BA RK 01	482 mm (19") mounting brackets, set of 2 pcs., aluminium / steel, dimensions (WxLxD): 24 x 135 x 95 mm
PowerCon 4.x	PowerCon 4.x single client version with CM stick
PowerCon 4.x update	PowerCon 4.x update version for PowerCon Pro and PowerCon station (serial number of existing version required)
EPS-4 S-X (license no.)	PowerCon 4.x multi-client network license for 5 / 10 / 15 / 25 users
EPS POS-X (POS device no.)	PowerCon POS module for 1 / 4 / 8 POS devices (graphic text display EDA 911 required!)
EPS GPS-BM 10	PowerCon GPS module including 10 x vehicle license (GPS receiver EDA GPS required!)

► PowerCon 4.x - network management software



System requirements

Processor	PC Pentium IV (1.6 or higher) / AMD Athlon (1.8 or higher)
Operating system	Windows XP, service pack 2, .NET Framework 2.0, service pack 1
VGA card	32 MB min., 16,7 million colours, with DirectX 9.0C support
USB	2.0 interface
Memory	512 MB RAM 250 MB free HD space for installation min. 10 GB free HD space for storage
Mediaplayer	Microsoft mediaplayer version 8.x or higher
Further	DirectX 9.0C
Supported DVRs	EDR 1600 / 400* EDSR 100 / EDSR 400 H/M / EDSR 1600 / 900 / 600* EDR 1640 / 920 / 1610 A/D / 910 A/D / 410 D / 810 H/M / 410 H/M Paragon 264 DVR series / Paragon DVR series (from version 4.3) ECOR 264 DVR series / ECOR DVR series (from version 4.3) * latest firmware version
Supported network cameras	EAN 600 / EAN 800* / EZN 850* / EAN 850 A* / EAN 800 A* / EAN 800 AW* / EDN 850 H* / EDN 800 T* / EPN 3600* * from version 4.3, incl. recording function
Supported Megapixel cameras	EAN 1350* / EAN 900* / EQN 2200* * from version 4.3, incl. recording function
Further supported devices	video servers EVS 400 / EVS 100 / ERS-4 / EVS 200 A / EVS 200 AW network multi I/O controller EPS 100

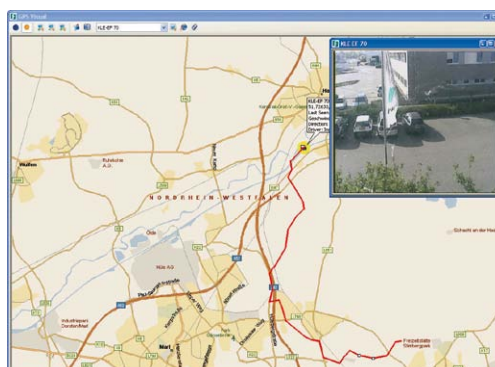
POS module:

By means of the graphical text display (EDA 911, optional) featuring all relevant till protocols, POS data are captured together with related video data and recorded in the digital video recorder. Recorded data can be evaluated on a common PC with PowerCon 4.x software. The PowerCon Analyzer offers numerous search functions, e.g. date/time, cashier, value or keyword search, and instantly provides the associated playback video.



GPS module:

Utilizing a wireless router (e.g. 3G / UMTS / GPRS) together with the mobile DVR, the vehicle's GPS data can periodically be sent through the Internet. The received GPS data are indicated on the PowerCon-supported interactive map (e.g. Microsoft MapPoint) and allow for continuous automatic vehicle location.



- ▶ EDA 911 - graphic text display
- EL IPCT 100 - converter for network transmission via coaxial cable
- EKB 200 - USB 3D joystick controller

Features EDA 911

- ✓ text overlay of serial data at video output
- ✓ characters display in 16 lines with 40 characters each, fixed character set
- ✓ configurable character colour / background
- ✓ free positioning of defined data fields; display timeout adjustable
- ✓ special characters possible (optional)
- ✓ generation of screen background signal in case of video loss
- ✓ on-screen camera text stored in EEPROM
- ✓ relay output can be triggered by data input
- ✓ POS data evaluation with EverFocus DVR and PowerCon management software (optional POS software module)
- ✓ data protocols for several ATM, access control and POS systems included on CD-ROM



Technical data EDA 911

Video input	1 Vp-p Composite PAL, 75 Ohm terminated, BNC
Video output	1 Vp-p Composite PAL at 75 Ohm, BNC, with text overlay
RS-232	2 x RS-232, 9-pin Sub-D male and female
Baud rate	1200 ... 115.200 baud
Network interface	10 Mbit Ethernet RJ45
Keyboard	PS/2 socket for clock and text setting
Relay output	1 x NO/NC
Casing	steel, RAL 7037 powder-coated
Power source	9 ~ 12 V DC, 800 mA max.
Dimensions (WxHxD)	140 x 45 x 83 mm
Weight	900 g

Technical data EL IPCT 100

Network connector	RJ-45 socket
Coaxial connector	BNC socket
Max. network bandwidth	10 Mbps, exceeds IEEE 80.2 10 Base-T specification
Transmission distance	max. 200 m with RG-59 coaxial cable
Recommended cable	RG-59 video cable
Power	passive device, no power source
Dimensions (WxHxD)	25 x 22 x 69 mm
Weight	80 g



Technical data EKB 200

Keys	16, programmable through software
PTZ function keys	4 keys, Iris+, Iris-, Focus+, Focus-
Joystick	3D PTZ function control
Interface	USB 1.1
Default protocol	USB HID class
Mounting method	desktop, wall, panel
Support software	Key Mapper (for Microsoft® Windows XP, 2000, Vista)
Power source	USB bus power / 80 mA max. no external power supply required
Ambient temperature	0°C ~ +40°C
Dimensions (WxHxD)	197 x 108 x 197 mm
USB cable length	1,8 m
USB cable colour	black
Weight	750 g



- ▶ **ESW PoE 24** - 24+2 port managed PoE switch
- EPS 100** - network multi I/O controller with 8 inputs / 8 outputs

Features ESW PoE 24

- ✓ full 802.3af PoE power (15,4 W) at all 24 PoE ports
- ✓ 19" housing with internal power supply
- ✓ additional 2 GB ports (copper or SFP) for uplink to IP video management and recording devices
- ✓ web-based interface for remote configuration
- ✓ enhanced features incl. VLAN support, port mirroring, bandwidth control per port, DHCP client, trunking, broadcast storm control



Technical data ESW PoE 24

PoE ports	24 x 10/100 Base-TX, RJ-45 connectors, full 802.3af power (15,4W) at each port, auto negotiation, auto MDI/MDI-X
GB ports	2 x 10/100/1000 Base-T, RJ-45 connectors (auto negotiation, auto MDI/MDI-X) or 2x Combo SFP open slots, no PoE
Status LED	link / act / PoE for each port; power
Forwarding / filtering rates	1000 Mbps: 1.488.000 pps; 100 Mbps: 148.800 pps; 10 Mbps: 14.880 pps
Standards	IEEE 802.3; IEEE 802.3u; IEEE 802.ab; IEEE 802.3z; IEEE 802.3x; IEEE 802.1Q; IEEE 802.1p; IEEE 802.3; IEEE 802.3af
Dimensions (WxHxD)	440 x 44 x 332 mm; 19" 1U
Ambient temperature	0 ~ +55°C
Power input	100 ~ 240 V AC, 50 ~ 60 Hz
Power consumption	390 W max.
Weight	4,5 kg



Technical data EPS 100

Output type	8 x Darlington transistors with common ground
Max. output load	up to DC 50 V / up to 500 mA / 1 pin max., total power = 1 W / 1 pin or 2,25 W all pins
Input type	8 x binary optocoupled; Low: 0 ... 3V; High: 5 V / 5 mA to 20 V / 25 mA
Sampling period	100 ms
Network interface	RJ45 10 Base-T (10 Mbit or 10/100 Mbit network compatible), IEEE 802.3
Supported protocols	IP: ARP, TCP
Serial interface	RS-232 or RS-485; 50 ... 115.2 kBd - entire range, step = 50 Bd
Diagnostic LEDs	power, link, activity
Power source	8 ~ 24 V DC, 200 mA typical
Ambient temperature	0°C ~ +50°C
Dimensions (WxHxD)	95 x 38 x 128 mm
Weight	395 g

nevio

Product Catalogue | edition 12

▶ **CIE-Group**
Widdowson Close
Blenheim Ind Est
Bulwell
Nottingham
NG6 8WB
T +44(0)115 9770075
F +44(0)115 9770081
E info@cie-ltd.co.uk
W www.cie-group.com