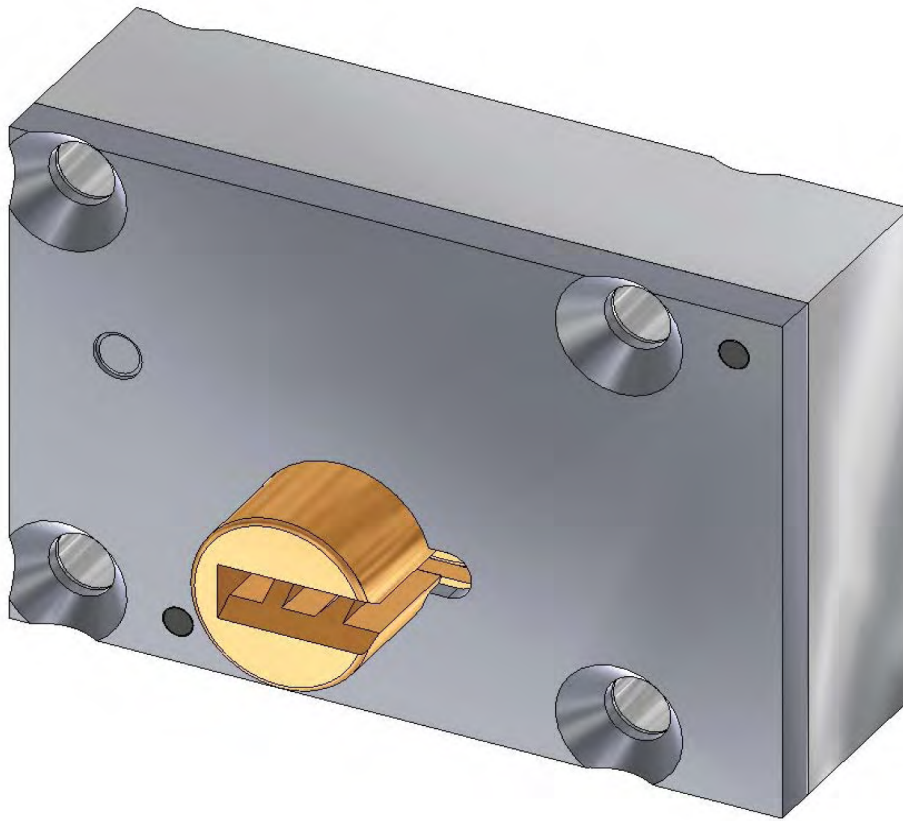




**AIRTEQ SYSTEMS**  
www.airteqsystems.com  
800-466-3007

## 5015 SERIES LATCH

5015 5-30-06





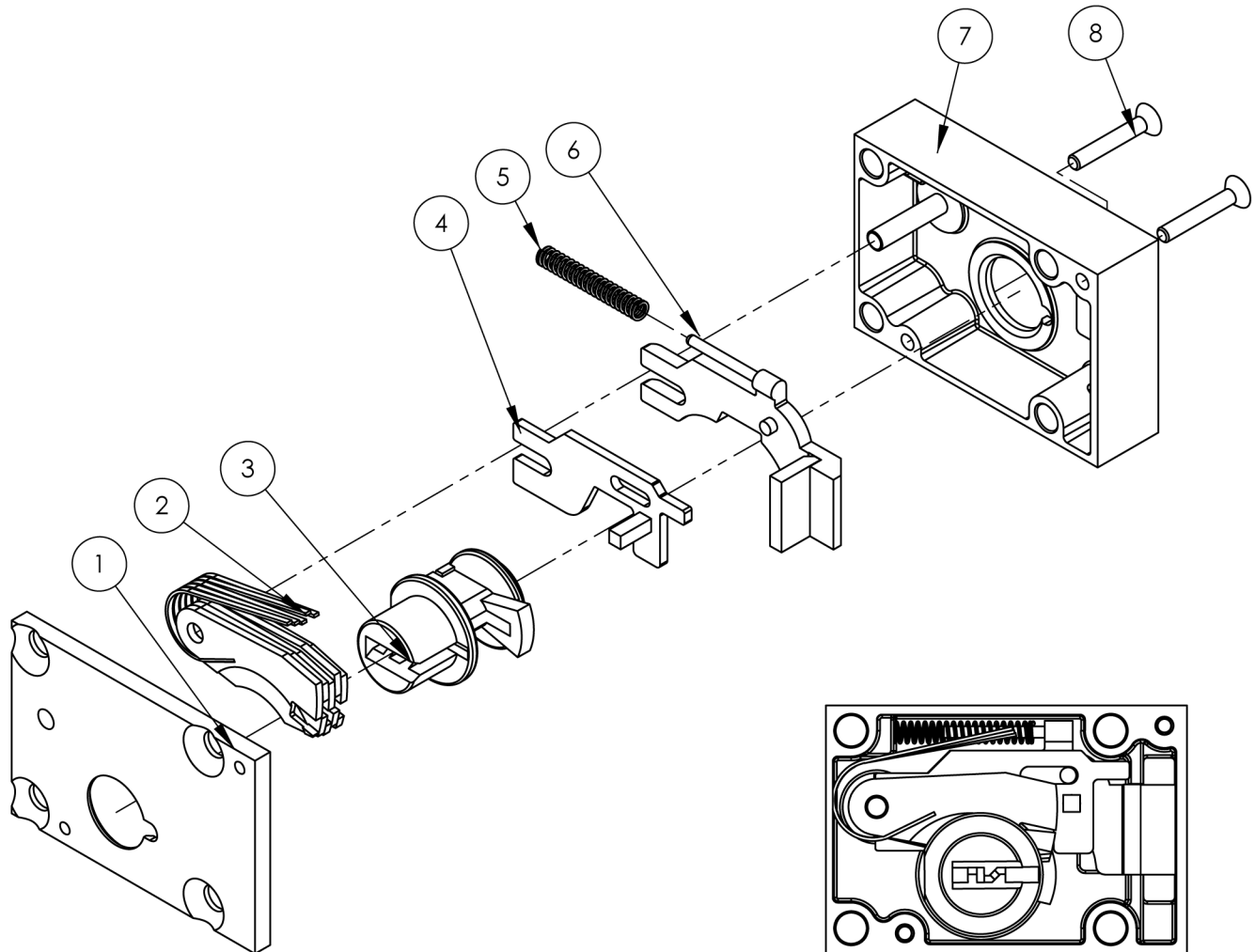
**AIRTEQ SYSTEMS**

www.airteqsystems.com

800-466-3007

## 5015 SERIES LATCH

5015 6-5-07



NOTE: COVER NOT SHOWN

ITEM NO.	QTY	PART NUMBER	DESCRIPTION
1	1	216-5017-027	COVER, W/C'SINKS
2	1	449-5017-000	TUMBLER KIT
3	1	216-5001-004 216-5017-028 216-5001-025	CYLINDER K1S, B KEYWAY (SHOWN) (OR) CYLINDER A KEYWAY (OR) CYLINDER F KEYWAY
4	1	146-5017-004	SLIDE WELDMENT
5	1	216-5017-034	SPRING
6	1	146-5015-000	LATCH, STANDARD BEVEL
7	1	146-5015-001	CASE, W/C'SINKS
8	2	310-1032-018	SCREW, FH SOC., 10-32 X 1 1/4

**MAINTENANCE INSTRUCTIONS**  
**AIRTEQ**  
**MECHANICAL LEVER TUMBLER LOCKS**

All Airteq mechanical lever tumbler locks are designed for years of trouble-free use. No periodic maintenance or lubrication is recommended. If, however, a lock fails to perform properly, the following procedure is recommended.

- 1) Remove the lock cover.
- 2) Carefully remove the tumbler stack. Mark each tumbler position on the tumbler with a permanent marker for ease of reassembly.
- 3) Remove the remaining components.
- 4) Clean the case, cover and other components with alcohol or acetone and a clean lint free cloth.
- 5) Lightly lubricate the following areas with a multi-purpose synthetic lubricant with teflon, similar to "Synco Super Lube with Teflon":
  - a) All machined surfaces at the bottom of the lock case.
  - b) The I.D. of the key cylinder hole in the case.
  - c) The I.D. of the key cylinder hole in the cover and the counterbore around it.
- 6) Carefully reassemble the lock. Be sure that the tumbler stack has been properly reassembled.
- 7) 5070 Series locks only:

Lubricate the surfaces where the actuator pawl and slide weldment interface.

**WARNING:**

- 1) Never use WD40 or similar silicone based lubricants.
- 2) Never use graphite powder as a lubricant.
- 3) Never lubricate the lever tumblers.

**KEYS AND LEVER TUMBLERS**

- 1) Key wear can cause improper operation of the lock and may damage the lock's lever tumblers. Keys in constant use should be periodically compared to a similar new key. When grooves due to wear are noted in the steps on the key bit, the old key should be replaced.
- 2) When rekeying is performed, new tumbler stacks should be purchased as a set including a new key. This enables Airteq to maintain complete keying records.