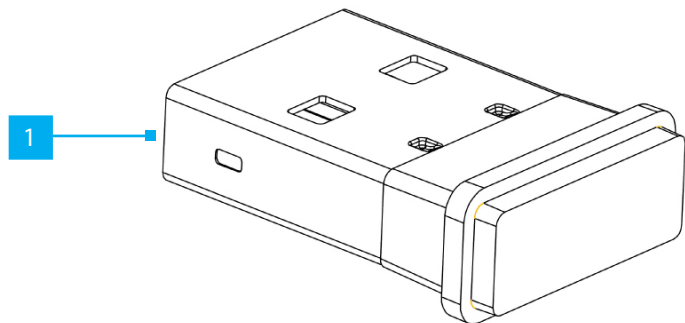


## USB to Bluetooth Version 5.0 Adapter - 10m Class 2

### Product Diagram (USBA-BLUETOOTH-V5-C2)



### Installation

- Connect the **USB Bluetooth Adapter** to a **USB Type-A Port**, located on the **Host Computer**. The **USB Bluetooth Adapter** will auto-install using native drivers.

Component	Function
1 USB Type-A	<ul style="list-style-type: none"> <li>• Connect the <b>USB Bluetooth Adapter</b> to a <b>Host Computer</b></li> </ul>

### Package Contents

- USB Bluetooth Adapter x 1
- Quick-Start Guide x 1

### Requirements

For the latest manuals, product information, technical specifications, and declarations of conformance, please visit: [www.startech.com/USBA-BLUETOOTH-V5-C2](http://www.startech.com/USBA-BLUETOOTH-V5-C2)

- Host Computer with an available USB Type-A port

## Regulatory Compliance

### FCC -- Part 15

This equipment has been tested and found to comply with the limits for a Class B digital device, pursuant to part 15 of the FCC Rules. These limits are designed to provide reasonable protection against harmful interference in a residential installation. This equipment generates, uses and can radiate radio frequency energy and, if not installed and used in accordance with the instructions, may cause harmful interference to radio communications. However, there is no guarantee that interference will not occur in a particular installation. If this equipment does cause harmful interference to radio or television reception, which can be determined by turning the equipment off and on, the user is encouraged to try to correct the interference by one or more of the following measures:

- Reorient or relocate the receiving antenna.
- Increase the separation between the equipment and receiver.
- Connect the equipment into an outlet on a circuit different from that to which the receiver is connected.
- Consult the dealer or an experienced radio/TV technician for help.

This device complies with part 15 of the FCC Rules. Operation is subject to the following two conditions: (1) This device may not cause harmful interference, and (2) this device must accept any interference received, including interference that may cause undesired operation. Changes or modifications not expressly approved by StarTech.com could void the user's authority to operate the equipment.

FCC-ID : QIJ-B190

IC-ID : 11232A-USBBT2EDRS

### Industry Canada Statement

This Class B digital apparatus complies with Canadian ICES-003.  
Cet appareil numérique de la classe [B] est conforme à la norme NMB-003 du Canada.  
CAN ICES-3 (B)/NMB-3(B)

This device complies with Industry Canada licence-exempt RSS standard(s). Operation is subject to the following two conditions: (1) This device may not cause interference, and (2) This device must accept any interference, including interference that may cause undesired operation of the device.

Le présent appareil est conforme aux CNR d'Industrie Canada applicables aux appareils radio exempts de licence. L'exploitation est autorisée aux deux conditions suivantes:

(1) l'appareil ne doit pas produire de brouillage, et (2) l'utilisateur de l'appareil doit accepter tout brouillage radioélectrique subi, même si le brouillage est susceptible d'en compromettre le fonctionnement.

HVIN : USBBT2EDRS

### Radio Frequency Exposure General Statement

StarTech.com products have been tested and meet applicable limits for Radio Frequency (RF) exposure for the country where they are intended to operate.

Products intended for use 20cm (8 inches) or more from the body meet limits for Maximum Permissible Exposure (MPE).

Products intended to be used at distances less than 20cm (8 inches) from the body meet limits for Specific Absorption Rate (SAR).

Specific Absorption Rate (SAR) refers to the rate at which the body absorbs RF energy. SAR limits are 1.6 Watts per kilogram (over a volume containing a mass of 1 gram of tissue) in countries that follow the United States FCC limit and 2.0 W/kg (averaged over 10 grams of tissue) in countries that follow the Council of the European Union limit.

### Use of Trademarks, Registered Trademarks, and other Protected Names and Symbols

This manual may make reference to trademarks, registered trademarks, and other protected names and/or symbols of third-party companies not related in any way to StarTech.com. Where they occur these references are for illustrative purposes only and do not represent an endorsement of a product or service by StarTech.com, or an endorsement of the product(s) to which this manual applies by the third-party company in question. StarTech.com hereby acknowledges that all trademarks, registered trademarks, service marks, and other protected names and/or symbols contained in this manual and related documents are the property of their respective holders.

### Warranty Information

This product is backed by a two-year warranty.

For further information on product warranty terms and conditions, please refer to [www.startech.com/warranty](http://www.startech.com/warranty).

### Limitation of Liability

In no event shall the liability of StarTech.com Ltd. and StarTech.com USA LLP (or their officers, directors, employees or agents) for any damages (whether direct or indirect, special, punitive, incidental, consequential, or otherwise), loss of profits, loss of business, or any pecuniary loss, arising out of or related to the use of the product exceed the actual price paid for the product. Some states do not allow the exclusion or limitation of incidental or consequential damages. If such laws apply, the limitations or exclusions contained in this statement may not apply to you.

### Safety Measures

- If product has an exposed circuit board, do not touch the product under power.

### Mesures de sécurité

- Si l'un des circuits imprimés du produit est visible, ne pas touchez le produit lorsqu'il est sous tension.

### 安全対策

- 製品に露出した状態の回路基盤が含まれる場合、電源が入っている状態で製品に触らないでください。

### Misure di sicurezza

- Se il prodotto ha un circuito stampato visibile, non toccare il prodotto quando è acceso.

### Säkerhetsåtgärder

- Rör aldrig vid enheter med oskyddade kretskort när strömmen är påslagen.

### StarTech.com Ltd.

45 Artisans Crescent  
London, Ontario  
N5V 5E9  
Canada

### StarTech.com LLP

4490 South Hamilton  
Road  
Groveport, Ohio  
43125  
U.S.A.

### StarTech.com Ltd.

Unit B, Pinnacle 15  
Gowerton Road  
Brackmills,  
Northampton  
NN4 7BW  
United Kingdom

### StarTech.com Ltd.

Siriusdreef 17-27  
2132 WT Hoofddorp  
The Netherlands

FR: startech.com/fr  
DE: startech.com/de  
ES: startech.com/es  
NL: startech.com/nl  
IT: startech.com/it  
JP: startech.com/jp

# Compliance Statements

## Device safety information

### Compliance with 2014/53/EU radio equipment directive (RED)

StarTech.com wireless products comply with the requirement of Article 10(2) of the RED as they can be operated in at least one Member State as examined. The product also complies with Article 10(10) as it has no restrictions on putting into service in all EU Member States.

In accordance with Article 10.8(a) and 10.8(b) of the RED, the following tables provide information on the frequency bands used and the maximum radio frequency transmit power of StarTech.com wireless products for sale in the EU:

Bluetooth

Frequency range (MHz)	Channels used	Max. Transmit Power (dBm/mW)
2402 - 2480	0-78	Class 2: 3.06 dBm (2mW)

### TPC: Transmit Power Control

Maximum Permissible Exposure (MPE): Ensure that at least 31cm separation distance is maintained between the StarTech.com wireless device and the body of the user.

### Specific precautions for EMC


**Warning:** StarTech.com Class A equipment is compliant with Class A of EN 55032. In a residential environment this equipment may cause radio interference.

StarTech.com products are tested to the requirements of EN 55032 (emissions) and EN 55035 (immunity). There are no specific precautions which must be taken in order to comply with the requirements of Directive 2014/30/EU Essential Requirements in Section 1 of Annex I.

In addition, StarTech.com wireless products are further tested to ensure spurious emissions are within the specified limits, as well as meeting the requirements for adaptivity, which mitigates against problems caused by co-location with other wireless products.

StarTech.com products are not subject to the requirements in Section 2 of Annex I of Directive 2014/30/EU for fixed installations.

### Disposal of waste batteries and electrical & electronic equipment

 This symbol on the product or its batteries or its packaging means that this product and any batteries it contains must not be disposed of with your household waste. Instead, it is your responsibility to hand this over to an applicable collection point for the recycling of batteries and electrical and electronic equipment.

This separate collection and recycling will help to conserve natural resources and prevent potential negative consequences for human health and the environment due to the possible presence of hazardous substances in batteries and electrical and electronic equipment, which could be caused by inappropriate disposal. Disposal regulations vary by region. Dispose of old batteries and equipment in compliance with your local regulations.

### EU Declaration of conformance

Hereby, StarTech.com declares that the radio equipment type USB-A-BLUE TOOTH-V5-C2 is in compliance with Directive 2014/53/EU.

The full text of the EU Declaration of Conformity is available at the following internet address: [https://media.startech.com/cms/pdfs/usba-bluetooth-v5-c2\\_doc.pdf](https://media.startech.com/cms/pdfs/usba-bluetooth-v5-c2_doc.pdf)

## Informations sur la sécurité de l'environnement

### Conformité à la directive sur les équipements radio 2014/53/EU (RED)

Les produits sans fil StarTech.com sont conformes à l'exigence de l'article 10(2) de la RED car ils peuvent être mis en service dans au moins un Etat membre tel qu'examiné. Le produit est également conforme à l'article 10(10) car il ne présente aucune restriction de mise en service dans tous les Etats membres de l'UE.

Conformément à l'article 10.8(a) et 10.8(b) de la RED, les tableaux suivants fournissent des informations sur les bandes de fréquences utilisées et la puissance d'émission radiofréquence maximale des produits sans fil StarTech.com en vente dans l'UE :

Bluetooth

Gamme de fréquences (MHz)	Canaux utilisés	Max. Puissance d'émission (dBm/mW)
2402 - 2480	0-78	Class 2: 3.06 dBm (2mW)

### TPC: Transmit Power Control

Maximum Permissible Exposure (MPE) : Veuillez à maintenir une distance de séparation d'au moins 31 cm entre le dispositif sans fil StarTech.com et le corps de l'utilisateur.

### Précautions spécifiques pour la CEM

**Avertissement:** L'équipement de classe A de StarTech.com est conforme à la classe A de la norme EN 55032. Dans un environnement résidentiel, cet équipement peut provoquer des interférences radio.


Les produits StarTech.com sont testés selon les exigences de la norme EN 55032 (émissions) et EN 55035 (immunité). Il n'y a pas de précautions spécifiques à prendre pour se conformer aux exigences de la directive 2014/30/UE Exigences essentielles de la section 1 de l'annexe I.

En outre, les produits sans fil de StarTech.com sont testés pour s'assurer que les émissions parasites sont dans les limites spécifiées, et qu'ils répondent aux exigences d'adaptabilité, ce qui atténue les problèmes causés par la co-localisation avec d'autres produits sans fil.

Les produits StarTech.com ne sont pas soumis aux exigences de la section 2 de l'annexe I de la directive 2014/30/UE pour les installations fixes.

### Elimination des déchets de piles et d'équipements électriques et électroniques

Ce symbole sur le produit, ses piles ou son emballage signifie que ce produit et les piles qu'il contient ne doivent pas être jetés avec vos déchets ménagers. Il est de votre responsabilité de les remettre à un point de collecte approprié pour le recyclage des piles et des équipements électriques et électroniques.

 Cette collecte séparée et ce recyclage permettront de préserver les ressources naturelles et d'éviter les conséquences négatives potentielles pour la santé humaine et l'environnement dues à la présence éventuelle de substances dangereuses dans les piles et les équipements électriques et électroniques, qui pourraient être causées par une élimination inappropriée. Les réglementations en matière d'élimination varient selon les régions. Mettez au rebut les piles et les équipements usagés conformément aux réglementations locales.

### Déclaration de conformité de l'UE

Par la présente, StarTech.com déclare que l'équipement radio de type USB-A-BLUE TOOTH-V5-C2 est conforme à la directive 2014/53/EU.

Le texte intégral de la déclaration de conformité de l'UE est disponible à l'adresse internet suivante: [https://media.startech.com/cms/pdfs/usba-bluetooth-v5-c2\\_doc.pdf](https://media.startech.com/cms/pdfs/usba-bluetooth-v5-c2_doc.pdf)

## Informationen zur Gerätesicherheit

### Einhaltung der Richtlinie 2014/53/EU über Funkanlagen (RED)

Die drahtlosen Produkte von StarTech.com erfüllen die Anforderungen von Artikel 10 Absatz 2 der RED, da sie wie geprüft in mindestens einem Mitgliedstaat betrieben werden können. Das Produkt erfüllt auch die Anforderungen von Artikel 10 Absatz 10, da es keine Einschränkungen für die Inbetriebnahme in allen EU-Mitgliedstaaten aufweist.

In Übereinstimmung mit Artikel 10.8(a) und 10.8(b) der RED enthalten die folgenden Tabellen Informationen zu den verwendeten Frequenzbändern und der maximalen Funkfrequenz Sendeleistung von StarTech.com Drahtlosprodukten für den Verkauf in der EU:

Bluetooth

Frequenzband (MHz)	Genutzte Kanäle	Max. Sendeleistung (dBm/mW)
2402 - 2480	0-78	Class 2: 3.06 dBm (2mW)

### TPC: Transmit Power Control

Maximum Permissible Exposure (MPE) : Stellen Sie sicher, dass ein Abstand von mindestens 31 cm zwischen dem StarTech.com Drahtlosgerät und dem Körper des Benutzers eingehalten wird.

### Besondere vorsichtsmaßnahmen für die EMV

**Warning:** StarTech.de Geräte der Klasse A erfüllen die Anforderungen der Klasse A gemäß EN 55032. In einer Wohnumgebung kann dieses Gerät Funkstörungen verursachen.

Die Produkte von StarTech.com werden gemäß den Anforderungen von EN 55032 (Emissionen) und EN 55035 (Störfestigkeit) getestet. Es gibt keine besonderen Vorkehrungen, die getroffen werden müssen, um die Anforderungen der Richtlinie 2014/30/EU Grundlegende Anforderungen in Abschnitt 1 von Anhang I zu erfüllen.

Darüber hinaus werden die drahtlosen Produkte von StarTech.com weiter getestet, um sicherzustellen, dass die Störaussendungen innerhalb der festgelegten Grenzwerte liegen und die Anforderungen an die Anpassungsfähigkeit erfüllt werden, um Probleme zu vermeiden, die durch die gemeinsame Nutzung mit anderen drahtlosen Produkten entstehen.

StarTech.com Produkte unterliegen nicht den Anforderungen in Abschnitt 2 des Anhangs I der Richtlinie 2014/30/EU für ortsfeste Installationen.

### Entsorgung von Altbatterien und elektrischen und elektronischen Geräten

Dieses Symbol auf dem Produkt, seinen Batterien oder seiner Verpackung bedeutet, dass dieses Produkt und die darin enthaltenen Batterien nicht mit dem Hausmüll entsorgt werden dürfen. Stattdessen sind Sie dafür verantwortlich, dieses Produkt bei einer geeigneten Sammelstelle für das Recycling von Batterien und elektrischen und elektronischen Geräten abzugeben.

Diese getrennte Sammlung und Wiederverwertung trägt dazu bei, die natürlichen Ressourcen zu schonen und mögliche negative Folgen für die menschliche Gesundheit und die Umwelt zu vermeiden, die durch das mögliche Vorhandensein gefährlicher Stoffe in Batterien und elektrischen und elektronischen Geräten bei unsachgemäßer Entsorgung entstehen könnten. Die Entsorgungsvorschriften sind je nach Region unterschiedlich. Entsorgen Sie alte Batterien und Geräte in Übereinstimmung mit den örtlichen Vorschriften.

### EU Konformitätserklärung

Hiermit erklärt StarTech.com, dass das Funkgerät Typ USB-A-BLUE TOOTH-V5-C2 der Richtlinie 2014/53/EU entspricht.

Der vollständige Text der EU Konformitätserklärung ist unter der folgenden Internetadresse abrufbar: [https://media.startech.com/cms/pdfs/usba-bluetooth-v5-c2\\_doc.pdf](https://media.startech.com/cms/pdfs/usba-bluetooth-v5-c2_doc.pdf)

# Compliance Statements

## Informazioni sulla sicurezza del dispositivo

### Conformità alla direttiva 2014/53/UE sulle apparecchiature radio (RED)

I prodotti wireless StarTech.com sono conformi al requisito dell'articolo 10(2) della RED in quanto possono essere utilizzati in almeno uno Stato membro come esaminato. Il prodotto è inoltre conforme all'articolo 10(10) in quanto non ha restrizioni alla messa in servizio nessuno degli Stati membri dell'UE.

In conformità all'articolo 10.8(a) e 10.8(b) della RED, le seguenti tabelle forniscono informazioni sulle bande di frequenza utilizzate e sulla potenza massima di trasmissione delle frequenze radio dei prodotti wireless StarTech.com in vendita nell'UE:

Bluetooth

Gamma di frequenza (MHz)	Canali utilizzati	Massima potenza di trasmissione (dBm/mW)
2402 - 2480	0-78	Class 2: 3.06 dBm (2mW)

### TPC: Transmit Power Control

Maximum Permissible Exposure (MPE): Assicurarsi che venga mantenuta una distanza di almeno 31 cm tra il dispositivo wireless StarTech.com e il corpo dell'utente.

### Precauzioni specifiche per EMC

**Attenzione:** Le apparecchiature di classe A di StarTech.com sono conformi alla classe A di EN 55032. In un ambiente residenziale questa apparecchiatura può causare interferenze radio.

I prodotti StarTech.com sono testati secondo i requisiti di EN 55032 (Prescrizioni di emissioni) e EN 55035 (Caratteristiche di immunità). Non ci sono precauzioni specifiche che devono essere prese per essere conformi ai requisiti della direttiva 2014/30/UE Requisiti essenziali nella Sezione 1 dell'Allegato I.

Inoltre, i prodotti wireless StarTech.com sono ulteriormente testati per garantire che le emissioni spurie rientrino nei limiti specificati oltre a soddisfare i requisiti di adattabilità, che mitigano i problemi causati dalla co-locazione con altri prodotti wireless.

I prodotti StarTech.com non sono soggetti ai requisiti della sezione 2 dell'allegato I della direttiva 2014/30/UE per le installazioni fisse.

### Smaltimento dei rifiuti di batterie e apparecchiature elettriche ed elettroniche

Questo simbolo sul prodotto o sulle sue batterie o sulla sua confezione significa che questo prodotto e tutte le batterie che contiene non devono essere smaltiti con i rifiuti domestici. Invece è vostra responsabilità consegnare il prodotto ad un punto di raccolta idoneo per il riciclaggio delle batterie e delle apparecchiature elettriche ed elettroniche.

Questa raccolta differenziata e il riciclaggio aiuteranno a conservare le risorse naturali e a prevenire potenziali conseguenze negative per la salute umana e per l'ambiente dovute alla possibile presenza di sostanze pericolose nelle batterie e nelle apparecchiature elettriche ed elettroniche, che potrebbero essere causate da uno smaltimento inappropriato. Le norme di smaltimento variano a seconda della nazione. Smaltire le vecchie batterie e le apparecchiature in conformità alle normative locali.

### Dichiarazione di conformità UE

Con la presente, StarTech.com dichiara che l'apparecchiatura radio tipo USB-A-BLUETOOTH-V5-C2 è conforme alla Direttiva 2014/53/UE.

Il testo completo della dichiarazione di conformità UE è disponibile al seguente indirizzo internet: [https://media.startech.com/cms/pdfs/usba-bluetooth-v5-c2\\_doc.pdf](https://media.startech.com/cms/pdfs/usba-bluetooth-v5-c2_doc.pdf)

## Información sobre la seguridad de los productos

### Cumplimiento de la directiva 2014/53/UE de equipos de radio (RED)

Los productos inalámbricos de StarTech.com cumplen el requisito del apartado 2 del artículo 10 de RED, ya que pueden funcionar en al menos un Estado Miembro como se ha examinado. El producto también cumple con el artículo 10(10) ya que no tiene restricciones para su puesta en servicio en todos los Estados miembros de la UE.

De acuerdo con el artículo 10.8(a) y 10.8(b) de la RED, las siguientes tablas proporcionan información sobre las bandas de frecuencia utilizadas y la potencia máxima de transmisión de radiofrecuencia de los productos inalámbricos de StarTech.com para su venta en la UE:

Bluetooth

Gama de frecuencias (MHz)	Canales utilizados	Max. Potencia de transmisión (dBm/mW)
2402 - 2480	0-78	Class 2: 3.06 dBm (2mW)

### TPC: Transmit Power Control

Maximum Permissible Exposure (MPE): Asegúrese de mantener una distancia de separación de al menos 31 cm entre el dispositivo inalámbrico de StarTech.com y el cuerpo del usuario.

### Precauciones específicas para la CEM

**Advertencia:** Los equipos de clase A de StarTech.com cumplen con la clase A de la norma EN 55032. En un entorno residencial, este equipo puede causar interferencias de radio.

Los productos de StarTech.com se prueban según los requisitos de la norma EN 55032 (emisiones) y EN 55035 (inmunitad). No hay precauciones específicas que deban tomarse para cumplir con los requisitos de la Directiva 2014/30/UE Essential Requirements en la Sección 1 del Anexo I.

Además, los productos inalámbricos de StarTech.com se someten a pruebas adicionales para garantizar que las emisiones no esenciales estén dentro de los límites especificados, así como para cumplir los requisitos de adaptabilidad, que mitigan los problemas causados por la ubicación conjunta con otros productos inalámbricos.

Los productos de StarTech.com no están sujetos a los requisitos de la sección 2 del anexo I de la Directiva 2014/30/UE para instalaciones fijas.

### Eliminación de residuos de pilas y equipos eléctricos y electrónicos

Este símbolo en el producto o en sus pilas o en su embalaje significa que este producto y las pilas que contiene no deben eliminarse con la basura doméstica. En su lugar, es su responsabilidad entregarlo en un punto de recogida aplicable para el reciclaje de pilas y equipos eléctricos y electrónicos.

Esta recogida selectiva y el reciclaje ayudarán a conservar los recursos naturales y a evitar posibles consecuencias negativas para la salud humana y el medio ambiente debido a la posible presencia de sustancias peligrosas en las pilas y los aparatos eléctricos y electrónicos, que podrían ser causadas por una eliminación inadecuada. Las normas de eliminación varían según la región. Deshágase de las pilas y equipos viejos de acuerdo con la normativa local.

### Declaración de conformidad de la UE

Por la presente, StarTech.com declara que el equipo de radio tipo USB-A-BLUETOOTH-V5-C2 cumple con la Directiva 2014/53/UE.

El texto completo de la declaración de conformidad de la UE está disponible en la siguiente dirección de Internet: [https://media.startech.com/cms/pdfs/usba-bluetooth-v5-c2\\_doc.pdf](https://media.startech.com/cms/pdfs/usba-bluetooth-v5-c2_doc.pdf)

## Informatie over de veiligheid van het apparaat

### Conformiteit met richtlijn radioapparatuur 2014/53/EU (RED)

De draadloze producten van StarTech.com voldoen aan de eis van artikel 10, lid 2, van de RED, omdat ze zoals onderzocht in ten minste één lidstaat kunnen worden gebruikt. Het product voldoet ook aan artikel 10, lid 10, aangezien er geen beperkingen zijn voor ingebruikname in alle lidstaten van de EU.

In overeenstemming met artikel 10.8(a) en 10.8(b) van de RED, geven de volgende tabellen informatie over de gebruikte frequentiebanden en het maximale zendvermogen voor radiofrequenties van de draadloze producten van StarTech.com die in de EU te koop zijn:

Bluetooth

Frequentiebereik (MHz)	Gebruikte kanalen	Max. Zendvermogen (dBm/mW)
2402 - 2480	0-78	Class 2: 3.06 dBm (2mW)

### TPC: Transmit Power Control

Maximum Permissible Exposure (MPE): Zorg ervoor dat er ten minste 31 cm afstand wordt gehouden tussen het StarTech.com draadloze apparaat en het lichaam van de gebruiker.

### Specifieke voorzorgsmaatregelen voor EMC

**Waarschuwing:** StarTech.com klasse A apparatuur voldoet aan klasse A van EN 55032. In een woonomgeving kan deze apparatuur radiostoring veroorzaken.

De producten van StarTech.com zijn getest volgens de eisen van EN 55032 (emissies) en EN 55035 (immunititeit). Er zijn geen specifieke voorzorgsmaatregelen die moeten worden genomen om te voldoen aan de eisen van Richtlijn 2014/30/EU Essentiële eisen in sectie 1 van bijlage I.

Bovendien worden de draadloze producten van StarTech.com verder getest om ervoor te zorgen dat ongewenste emissies binnen de gespecificeerde limieten blijven en dat ze voldoen aan de eisen voor adaptiviteit, zodat problemen veroorzaakt door co-locatie met andere draadloze producten wordt tegengegaan.

De producten van StarTech.com zijn niet onderworpen aan de vereisten in sectie 2 van bijlage I van Richtlijn 2014/30/EU voor vaste installaties.

### Verwijdering van afgedankte batterijen en elektrische en elektronische apparatuur

Dit symbool op het product of de batterijen of de verpakking betekent dat dit product en de batterijen die het bevat niet bij het huisvuil mogen worden geplaatst. In plaats daarvan is het uw verantwoordelijkheid dit in te leveren bij een inzamelingspunt voor de recycling van batterijen en elektrische en elektronische apparatuur.

Deze gescheiden inzameling en recycling draagt bij tot het behoud van natuurlijke hulpbronnen en voorkomt potentiële negatieve gevolgen voor de volksgezondheid en het milieu als gevolg van de mogelijke aanwezigheid van gevaarlijke stoffen in batterijen en elektrische en elektronische apparatuur, die veroorzaakt kunnen worden door een onjuiste verwijdering. De regelgeving inzake afvalverwijdering verschilt per regio. Gooi oude batterijen en apparatuur weg in overeenstemming met uw plaatselijke voorschriften.

### EU-Verklaring van overeenstemming

Hierbij verklaart StarTech.com dat de radioapparatuur van het type USB-A-BLUETOOTH-V5-C2 in overeenstemming is met Richtlijn 2014/53/EU.

De volledige tekst van de EU-conformiteitsverklaring is beschikbaar op het volgende internetadres: [https://media.startech.com/cms/pdfs/usba-bluetooth-v5-c2\\_doc.pdf](https://media.startech.com/cms/pdfs/usba-bluetooth-v5-c2_doc.pdf)