

8-Port Gigabit Ethernet Switch (4-Port PoE+) - Managed

IES81GPOEW



*actual product may vary from photos

FR: Guide de l'utilisateur - fr.startech.com

DE: Bedienungsanleitung - de.startech.com

ES: Guía del usuario - es.startech.com

NL: Gebruiksaanwijzing - nl.startech.com

PT: Guia do usuário - pt.startech.com

IT: Guida per l'uso - it.startech.com

For the latest information, technical specifications, and support for this product, please visit www.StarTech.com/IES81GPOEW.

FCC Compliance Statement

This equipment has been tested and found to comply with the limits for a Class B digital device, pursuant to Part 15 of the FCC rules. These limits are designed to provide reasonable protection against harmful interference when the equipment is operated in a commercial environment. This equipment generates, uses and can radiate radio frequency energy and, if not installed and used in accordance with the instruction manual, may cause harmful interference to radio communications. Operation of this equipment in a residential area is likely to cause harmful interference in which case the user will be required to correct the interference at his own expense.

This device complies with part 15 of the FCC Rules. Operation is subject to the following two conditions: (1) This device may not cause harmful interference, and (2) this device must accept any interference received, including interference that may cause undesired operation.

Changes or modifications not expressly approved by StarTech.com could void the user's authority to operate the equipment.

Industry Canada Statement

This Class B digital apparatus complies with Canadian ICES-003.

Cet appareil numérique de la classe [B] est conforme à la norme NMB-003 du Canada.

CAN ICES-3 (B)/NMB-3(B)

Use of Trademarks, Registered Trademarks, and other Protected Names and Symbols

This manual may make reference to trademarks, registered trademarks, and other protected names and/or symbols of third-party companies not related in any way to StarTech.com. Where they occur these references are for illustrative purposes only and do not represent an endorsement of a product or service by StarTech.com, or an endorsement of the product(s) to which this manual applies by the third-party company in question. Regardless of any direct acknowledgement elsewhere in the body of this document, StarTech.com hereby acknowledges that all trademarks, registered trademarks, service marks, and other protected names and/or symbols contained in this manual and related documents are the property of their respective holders.



Points de collecte sur www.quefairedermesdechets.fr
Privilégiez la réparation ou le don de votre appareil !

Table of Contents

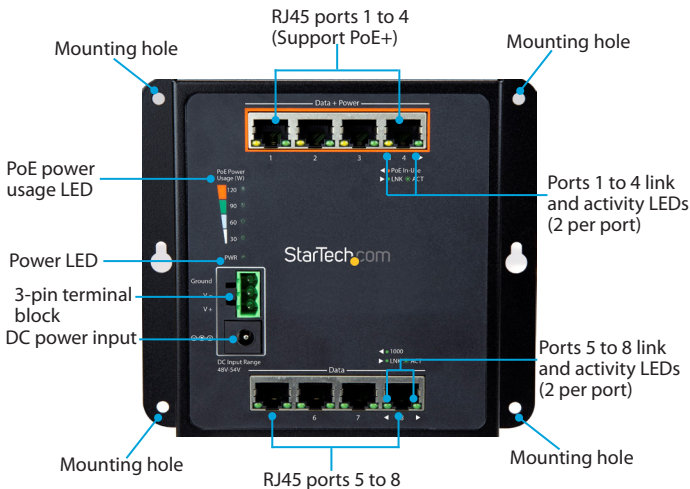
Introduction	1
Product diagram.....	1
Package contents.....	2
Requirements.....	3
About the LED indicators	3
Wire the power inputs	4
Reboot the network switch	4
Reset to the default factory settings	4
Installation	5
Install the network switch onto a wall.....	5
Install the switch onto a magnetic surface.....	6
Mount the switch onto a DIN rail	7
Technical support	8
Warranty information	8

Introduction

Use the IES81GPOEW to add up to 10 GbE devices to your network. The IES81GPOEW features eight RJ45 ports, four of which support Power over Ethernet and up to 36 watts on each of the four ports.

Product diagram

Front view



Bottom view



Reset button

Package contents

- 1 x network switch
- 1 x terminal block connector
- 4 x screw anchors
- 4 x screws
- 4 x attaching pins
- 4 x locking pins
- 4 x washers
- 4 x magnets
- 1 x DIN rail
- 3 x DIN-rail screws
- 8 x RJ45 dust caps
- 1 x quick-start guide

Requirements

- Ethernet port connection
- RJ45 network cables
- PoE powered devices (optional)

This network switch is OS independent and doesn't require any additional drivers or software.

Requirements are subject to change. For the latest requirements, please visit www.StarTech.com/IES81GPOEW.

About the LED indicators

This network switch features a **link and activity LED indicator** for each of the eight RJ45 ports. There is also a **power LED** located above the 3-pin terminal block, and a **PoE power usage LED** that illuminates in 30 watt increments.

For more information about what the LED indicators signify, see the table below.

LED	Behavior	Significance
LED indicator on the right side of RJ45 ports 1 to 4	Illuminated green	Link was successfully established
	Blinking green	Connected device is transferring data
LED indicator on the left side of RJ45 ports 1 to 4	Illuminated yellow	Port is providing power
	Not illuminated	Connected device is not a PoE powered device
LED indicator on the right side of RJ45 ports 5 to 8	Illuminated green	Link was successfully established
	Blinking green	Connected device is transferring data
LED indicator on the left side of RJ45 ports 5 to 8	Illuminated green	Connected device is transferring data at 1000 Mbps
	Not illuminated	Link is down or connected device is transferring data at 10/100 Mbps
Power LED indicator	Illuminated	Switch is receiving power

Wire the power inputs

You can use either an external power adapter or the terminal block to power the network switch. Alternatively, you can connect both an external power adapter and the terminal block to create a redundant power input.

You should use wire ranging in size of 12 to 24 AWG.

Caution! Make sure that you ground the enclosure before you install the terminal block connector into the network switch.

1. Insert the grounding wire into the **Ground** port on the terminal block, and tighten the wire clamp screws.
2. Insert the positive DC power wire into the **V+** port on the terminal block connector, and tighten the wire clamp screws.
3. Insert the negative DC power wire into the **V-** port on the terminal block connector, and tighten the wire clamp screws.
4. Insert the terminal block connector into the **3-pin terminal block** on the network switch.

Reboot the network switch

The **Reset button** on the network switch is designed to reboot the network switch without turning off and turning on the power.

- To reboot the network switch, press the **Reset button**.

Reset to the default factory settings

You can use the **Reset button** to reset the network switch to the following default factory settings:

Default user name: admin

Default password: admin

Default IP address: 192.168.0.100

Subnet mask: 255.255.255.0

Default gateway: 192.168.0.254

- To reset to the default factory settings, press and hold the **Reset button** for more than 5 seconds.

When you press the **Reset button**, the **port LED indicators** illuminate. When the LEDs are no longer illuminated, the reset sequence is complete.

Installation

Install the network switch onto a wall

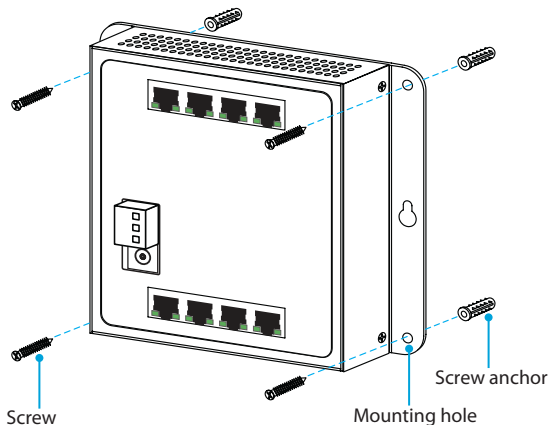
The mounting holes on the network switch are 8 mm in diameter, and the distance between the two holes is 133 mm.

1. Hold the network switch against the wall in the area that you want to install it, and use a pencil to trace the location of the four **mounting holes** onto the wall.
2. Use the **mounting holes** that you traced on the wall as a template and drill holes in the wall.
3. Insert the four **screw anchors** into the holes.

Note: Make sure that the **screw anchors** are flush against the wall.

4. Place the network switch against the wall and insert the four **screws** through the **mounting holes** on the switch and into the **screw anchors**. (figure 1)
5. Tighten the **screws**.
6. To power the switch, connect an external power adapter, wire the power inputs, or do both.
7. Connect RJ45 cables to the **RJ45 ports** on the network switch.

figure 1



*actual product may vary from illustration

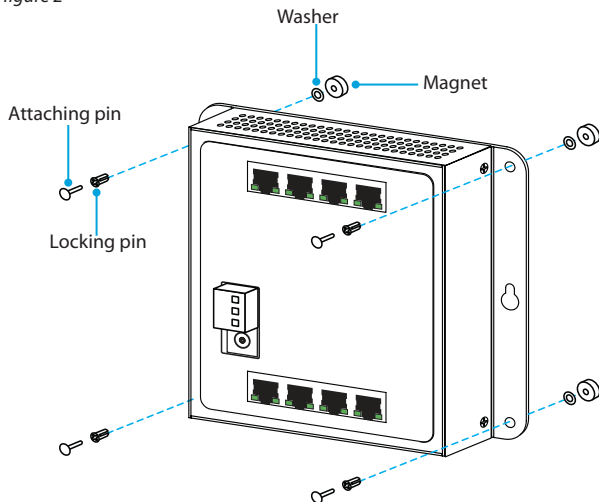
Install the switch onto a magnetic surface

1. Push each of the **attaching pins** into a **locking pin**.
2. Insert the **attaching** and **locking pins** into one of the **mounting holes** on the network switch, through a **washer**, and into a **magnet**.

Note: To prevent the magnets from becoming loose, make sure that you position the magnet so that the flat side is against the network switch.

3. Repeat step 2 for all of the **mounting holes** on the network switch. (figure 2)
4. Attach the network switch to a magnetic surface.
5. To power the switch, connect an external power adapter, wire the power inputs, or do both.
6. Connect RJ45 cables to the **RJ45 ports** on the enclosure.

figure 2

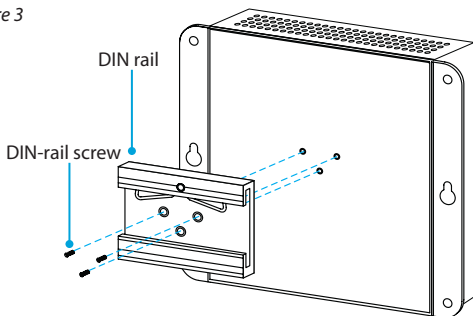


*actual product may vary from illustration

Mount the switch onto a DIN rail

1. With the flat side of the **DIN rail** positioned against the network switch, line up the holes on the **DIN rail** with the holes on the switch.
2. Insert the **DIN-rail screws** through the **DIN rail** and into the network switch. (*figure 3*)
3. Tighten the screws.

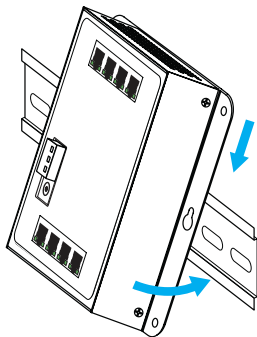
figure 3



*actual product may vary from illustration

4. Hook the **DIN rail** onto the top of the track, and push it against the track. (*figure 4*)
5. To power the switch, connect an external power adapter, wire the power inputs, or do both.
6. Connect the RJ45 cables to the **RJ45 ports** on the enclosure.

figure 4



Technical support

StarTech.com's lifetime technical support is an integral part of our commitment to provide industry-leading solutions. If you ever need help with your product, visit www.startech.com/support and access our comprehensive selection of online tools, documentation, and downloads.

For the latest drivers/software, please visit www.startech.com/downloads

Warranty information

This product is backed by a two-year warranty.

StarTech.com warrants its products against defects in materials and workmanship for the periods noted, following the initial date of purchase. During this period, the products may be returned for repair, or replacement with equivalent products at our discretion. The warranty covers parts and labor costs only. StarTech.com does not warrant its products from defects or damages arising from misuse, abuse, alteration, or normal wear and tear.

Limitation of Liability

In no event shall the liability of StarTech.com Ltd. and StarTech.com USA LLP (or their officers, directors, employees or agents) for any damages (whether direct or indirect, special, punitive, incidental, consequential, or otherwise), loss of profits, loss of business, or any pecuniary loss, arising out of or related to the use of the product exceed the actual price paid for the product. Some states do not allow the exclusion or limitation of incidental or consequential damages. If such laws apply, the limitations or exclusions contained in this statement may not apply to you.

Hard-to-find made easy. At StarTech.com, that isn't a slogan. It's a promise.

StarTech.com is your one-stop source for every connectivity part you need. From the latest technology to legacy products — and all the parts that bridge the old and new — we can help you find the parts that connect your solutions.

We make it easy to locate the parts, and we quickly deliver them wherever they need to go. Just talk to one of our tech advisors or visit our website. You'll be connected to the products you need in no time.

Visit www.startech.com for complete information on all StarTech.com products and to access exclusive resources and time-saving tools.

StarTech.com is an ISO 9001 Registered manufacturer of connectivity and technology parts. StarTech.com was founded in 1985 and has operations in the United States, Canada, the United Kingdom and Taiwan servicing a worldwide market.