

## 42U Adjustable 4 Post Open Frame Server Rack



*Actual product may vary from photos*

### User Manual

SKU#: 4POSTRACK42

For the latest information and specifications visit  
[www.startech.com/4POSTRACK42](http://www.startech.com/4POSTRACK42)

---

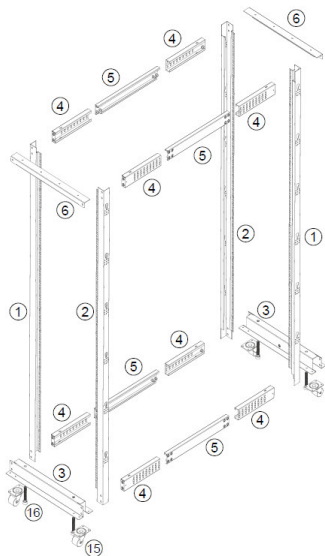
## **Use of Trademarks, Registered Trademarks, and other Protected Names and Symbols**

This manual may make reference to trademarks, registered trademarks, and other protected names and/or symbols of third-party companies not related in any way to StarTech.com. Where they occur these references are for illustrative purposes only and do not represent an endorsement of a product or service by StarTech.com, or an endorsement of the product(s) to which this manual applies by the third-party company in question. Regardless of any direct acknowledgement elsewhere in the body of this document, StarTech.com hereby acknowledges that all trademarks, registered trademarks, service marks, and other protected names and/or symbols contained in this manual and related documents are the property of their respective holders.

# Table of Contents

Product Diagram .....	3
Package Contents.....	4
Installation .....	9
Installing the Casters .....	13
Installing the Levelers .....	14
Installing the Cable Management Hooks.....	15
Grounding the Rack.....	16
Mounting Depth Chart.....	17
Specifications.....	18

## Product Diagram



<b>1</b>	<b><i>Left Vertical Rails (x 2)</i></b>	<b>5</b>	<b><i>Center Beams (x 4)</i></b>
<b>2</b>	<b><i>Right Vertical Rails (x 2)</i></b>	<b>6</b>	<b><i>Top Brackets (x 2)</i></b>
<b>3</b>	<b><i>Base Brackets (x 2)</i></b>	<b>15</b>	<b><i>Leveler Feet (x 4)</i></b>
<b>4</b>	<b><i>Corner Beams (x 8)</i></b>	<b>16</b>	<b><i>Casters (x 4)</i></b>

## Package Contents



*Left Vertical Rails*

*Qty: Two*



*Right Vertical Rails*

*Qty: Two*



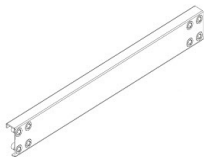
*Base Brackets*

*Qty: Two*



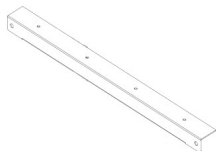
*Corner Sections*

*Qty: Eight*



**Center Sections**

**Qty: Four**



**Top Brackets**

**Qty: Two**



**M8 Bolts**

**Qty: Fifty**



**M8 Washers**

**Qty: Fifty**



**M6 (10 mm) Wrench**

**Qty: One**



**M8 (13 mm) Wrench**

**Qty: One**



***Phillips Head Screwdriver***

***Qty: One***



***M6 Cage Nuts***

***Qty: Fifty***



***PVC Cup Washers***

***Qty: Fifty***



***M6 Phillips Head Screws***

***Qty: Fifty***



***Cable Management Hooks***

***Qty: Twenty Four***



***Hook Mounting Screws***

***Qty: Twenty Four***



***Casters***

***Qty: Four***



***Leveling Feet***

***Qty: Four***



***M6 Bolts***

***Qty: Sixteen***



***M6 Flat Washers***

***Qty: Sixteen***



***M6 Flange Nuts***

***Qty: Sixteen***



***Grounding Wires***

***Qty: Four***





***M6 Grounding Wire Bolts***

***Qty: Four***



***M6 Grounding Wire Lock Washers***

***Qty: Four***

## Installation

1. Align the **Corner Beams** (x 2) with the **Center Beam**, Sliding the **Corner Beams** ovetop of the **Center Beam**. The two **Corner Beams** should be on top of the **Center Beam**.



Align the Corner Beams (x 2) with the Center Beam

2. Slide the **Corner Beams** (x 2), inward along the **Center Beam**, to adjust the mounting depth of the **Rack**.
3. To Adjust the mounting depth align the numbers on the **Center Beam** with the first **Rectangular Cutout** on the **Corner Beams** (x 2). For more mounting depth options see the [Mounting Depth Chart](#).



*Aligning the Rectangular Cutout*

**Note** If you want to achieve a mounting depth of 34" both of the first **Rectangular Cutouts** must be aligned with the number 6.

4. When you have the mounting depth set, insert the **M8 Bolt** (x 8) through the **Corner Beams** (four per beam), and into the **Center Beam**.

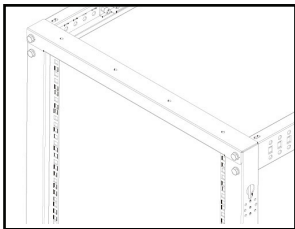


*Inserting the M8 Bolt at position 8 and 9*

5. On the back on the **Center Beam** align the **M8 Washers** (x 8) with the **M8 Bolts** inserted in step 4.
6. Use the **Wrenches** (included) to hold the **M8 Washer** while tightening the **M8 Bolt**. Tighten all **M8 Bolts**, being careful not to over-tighten.
7. Align the **Left Vertical Rail** with the **Screw Holes** at the end of the **Beam Assembly** (which consists of two **Corner Beams** and one **Center Beam**).

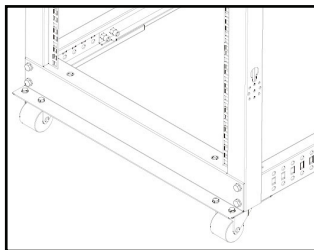
**Note:** *The side with the two **Screw Holes** at the end of the **Left Vertical Rail** is the bottom of the **Rack**.*

8. Align the **Screw Holes** on the **Top Bracket** with the **Screw Holes** on the **Left Vertical Rail**. Align **M8 Washers** (x 2) with the **Screw Holes** on the end and top of the **Top Bracket**. Make sure that the **Top Bracket** is on the outside or overtop of the **Left Vertical Rail**.
9. Insert an **M8 Bolt** through the end **Screw Hole** on the **Top Bracket** and into the **Left Vertical Rail**.
10. Insert an **M8 Bolt** through the top **Screw Hole** on the **Left Vertical Rail** and into the **Beam Assembly**.
11. Using the included **Wrench** tighten the **M8 Bolts** being careful not to over-tighten.



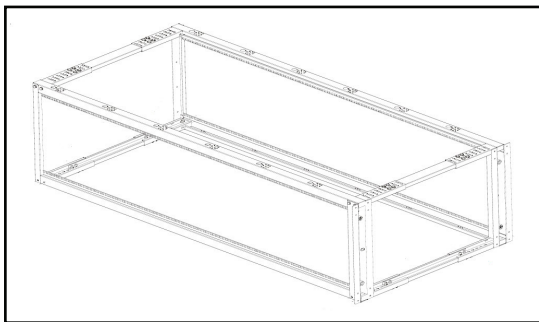
*Aligning the Top Bracket with the Vertical Rail*

12. Align the **Screw Holes** in the **Base Bracket** with the **Screw Holes** in the **Left Vertical Rail**.
13. Align the **M8 Washers** (x 2) with the **Screw Holes** on the end and top of the **Base Bracket**.
14. Insert two **M8 Bolts** through the end **Screw Holes** and into the **Left Vertical Rail**.
15. Using the **Wrench** (included), tighten the **M8 Bolts**, being careful not to over-tighten.
16. Align the **Screw Holes** on the **Base Bracket** with the **Screw Holes** on the **Left Vertical Rail**.



### *Aligning the Base Bracket with the Vertical Rail*

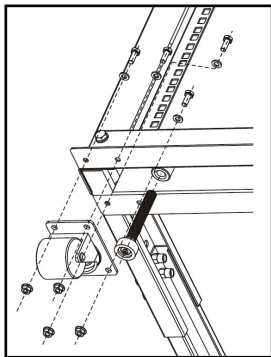
17. Repeat steps 7 - 17 to install the **Right Vertical Bracket, Top, and Base Brackets**.
18. When you have one side assembled repeat steps 7 - 17 to assemble the other side of the **Rack**.



### *Assembled Rack*

## Installing the Casters

1. Make sure that the **Rack** is positioned on its side.  
***Note:** Two people are required for repositioning the **Rack**.*
2. Align the **Mounting Holes** on the **Casters** with the **Caster Mounting Holes** on the bottom of the **Rack**.
3. Insert the **M6 Bolts** (x 4) through the **Flat Washers** (x 4).
4. Insert the **M6 Bolts** and **Flat Washers** through the **Rack** and **Caster** and into the **M6 Flange Nut**.



*Installing the Casters*

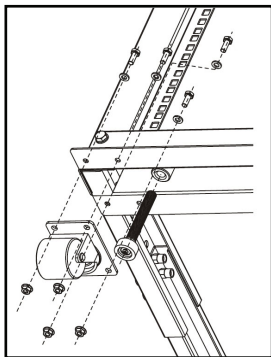
5. Use the **M6 (10 mm) Wrench** to tighten the **M6 Bolts**.

## Installing the Levelers

1. Make sure that the **Rack** is positioned on its side.

**Note:** *Two people are required for repositioning the Rack.*

2. Align the **Levelers** (x 4) with the **Leveler Mounting Holes** on the bottom of the **Rack**.

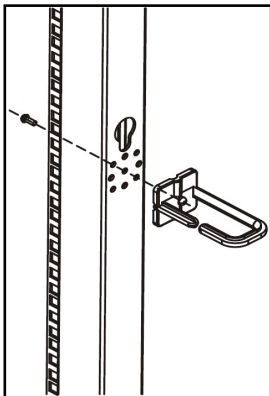


*Installing the Levelers*

3. Insert the **Levelers** into the **Leveler Mounting Holes**. Tighten the all four **Levelers** to the same height so that the **Rack** is level.

## Installing the Cable Management Hooks

1. Align the **Cable Management Hooks** with the **Cable Management Screw Holes** along the back of the **Rack**.
2. Insert a **Hook Management Screw** through the **Rack** and into the **Cable Management Hook**.
3. Using the **Phillips Head Screwdriver**, tighten the **Hook Management Screw** being careful not to over-tighten.

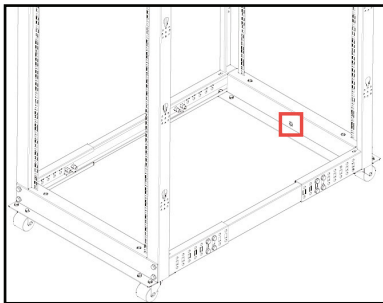


*Installing the Cable Management Hooks*



## Grounding the Rack

1. Thread an **M6 Grounding Wire Lock Washer** over an **M6 Grounding Wire Bolt** to completed the **M6 Grounding Wire Bolt Assembly**.
2. Insert an **M6 Grounding Wire Bolt Assembly** through the **Grounding Point**, located on a **Grounding Wire**, and into the **Ground Hole** located on the inside of the base of the **Rack** and tighten, using the **M6 (10 mm) Wrench**.



*Grounding the Rack*

3. Run the **Grounding Wire** under the **Rack's Frame**.
4. Connect the **Grounding Wire** to an **Earth Ground Connection Point**.

## Mounting Depth Chart

Mounting Depth	Numbers	Mounting Depth	Numbers
22 in.	0 and 0 (*)	32 in.	5 and 5
23 in.	1 and 0	33 in.	5 and 6
24 in.	1 and 1	34 in.	6 and 6
25 in.	1 and 2	35 in.	6 and 7
26 in.	2 and 2	36 in.	7 and 7
27 in.	2 and 3	37 in.	7 and 8
28 in.	3 and 3	38 in.	8 and 8
29 in.	3 and 4	39 in.	8 and 9
30 in.	4 and 4	40 in.	9 and 9 (*)
31 in.	4 and 5		

*\* In these configurations, only half of the M8 bolts and washers are used per side. The product can still be used to its rated weight.*

## Specifications

<b>U Height</b>	42U
<b>Material</b>	Steel
<b>Rack Type</b>	4-Post
<b>Frame Type</b>	Open Frame
<b>Colour</b>	Black
<b>Minimum Mounting Depth</b>	22 in. (558.8 mm)
<b>Maximum Mounting Depth</b>	40 in. (1016 mm)
<b>Dimensions (WxHxD)</b>	23.6x80.5x26 in. (600x2045x662 mm)
<b>Weight</b>	84.9 lb. (38.5 kg)

## Warranty Information

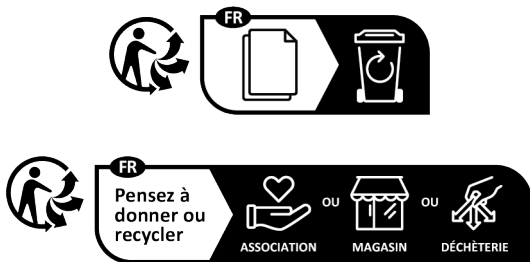
This product is backed by a two-year warranty.

For further information on product warranty terms and conditions, please refer to [www.startech.com/warranty](http://www.startech.com/warranty).

## Limitation of Liability

In no event shall the liability of StarTech.com Ltd. and StarTech.com USA LLP (or their officers, directors, employees or agents) for any damages (whether direct or indirect, special, punitive, incidental, consequential, or otherwise), loss of profits, loss of business, or any pecuniary loss, arising out of or related to the use of the product exceed the actual price paid for the product.

Some states do not allow the exclusion or limitation of incidental or consequential damages. If such laws apply, the limitations or exclusions contained in this statement may not apply to you.



[www.quefairedemesdechets.fr](http://www.quefairedemesdechets.fr)







## Hard-to-find made easy. At StarTech.com, that isn't a slogan. It's a promise.

StarTech.com is your one-stop source for every connectivity part you need. From the latest technology to legacy products — and all the parts that bridge the old and new — we can help you find the parts that connect your solutions.

We make it easy to locate the parts, and we quickly deliver them wherever they need to go. Just talk to one of our tech advisors or visit our website. You'll be connected to the products you need in no time.

Visit [www.startech.com](http://www.startech.com) for complete information on all StarTech.com products and to access exclusive resources and time-saving tools.

StarTech.com is an ISO 9001 Registered manufacturer of connectivity and technology parts. StarTech.com was founded in 1985 and has operations in the United States, Canada, the United Kingdom and Taiwan servicing a worldwide market.

### Reviews

Share your experiences using StarTech.com products, including product applications and setup, what you love about the products, and areas for improvement.

#### StarTech.com Ltd.

45 Artisans  
Crescent  
London, Ontario  
N5V 5E9  
Canada

#### StarTech.com LLP

4490 South  
Hamilton Road  
Groveport, Ohio  
43125  
U.S.A.

#### StarTech.com Ltd.

Unit B, Pinnacle 15  
Gowerton Road  
Brackmills,  
Northampton  
NN4 7BW  
United Kingdom

#### StarTech.com Ltd.

Siriusdreef 17-27  
2132 WT  
Hoofddorp  
The Netherlands

FR: [fr.startech.com](http://fr.startech.com)

DE: [de.startech.com](http://de.startech.com)

ES: [es.startech.com](http://es.startech.com)

NL: [nl.startech.com](http://nl.startech.com)

IT: [it.startech.com](http://it.startech.com)

JP: [jp.startech.com](http://jp.startech.com)