

MPV 60

Model:

MPV 60 DIESEL

MPV 60 LPG

MPV 60 PETROL



Part List US-English

29-01-2013

Nilfisk
ALTO
works for you

www.nilfisk-alto.com

Ersatzteile auf www.gluesing.net

Table of Contents

MPV 60

MAIN BROOM LEVER	3
MAIN BROOM LIFT FRAME	5
MAIN BROOM DRIVER	7
MAIN BROOM IDLER	9
SIDE BROOM ASSEMBLY	11
SIDE BROOM LEVER	13
SIDE BROOM LIFT SYSTEM	15
BRAKE PEDAL	17
HOPPER	19
HOPPER ASSEMBLY	21
HOPPER COVER	23
DUMP DOOR	25
FILTER SHAKER	27
FRONT WHEEL	29
REAR (DRIVE) WHEEL	31
STEERING COLUMN	33
BROOM DOOR	35
FORWARD/REVERSE CONTROL	37
ADJUSTABLE FOOT PEDAL	39
SAFETY ARM	41
OIL COOLER	43
LIGHTS & HORN	45
BATTERY	47
HYDRAULIC RESERVOIR	49
VACUUM FAN	51
FLAPS (WHEEL WELL)	53
BROOM CHAMBER FLAPS & SEALS	55
CONTROL & RELIEF VALVES	57
PUMP	59
HYDRAULIC FILTER	61
INSTRUMENT PANEL HOUSING	63
INSTRUMENT PANEL1	65
FRONT BUMPER	67
REAR BUMPER	69
SEAT & FLOOR ASSEMBLY	71
ENGINE COVER	73
MITSUBISHI S4L2 DIESEL ENGINE (FAN, BRACKETS)	75
MITSUBISHI S4L2 DIESEL ENGINE (COOLING SYSTEM)	77
MITSUBISHI S4L2 DIESEL ENGINE (AIR INTAKE SYSTEM)	79

Table of Contents

MPV 60

mitsubishi s4l2 diesel engine (throttle, pump plat	81
throttle control (diesel)	83
mitsubishi s4l2 diesel engine (exhaust system)	85
mitsubishi s4l2 diesel engine (fuel system)	87
fuel tank (gas & diesel)	89
Ford 416EFI engine computer relay box (gas & LP)	91
Ford 416EFI gas & LP engines (brackets, alternator	93
Ford 416EFI gas engine - cooling system	95
Ford 416EFI gas engine - air intake & exhaust syst	97
Ford 416EFI gas engine - fuel system	99
Ford 416EFI LP engine - fuel system (N. America &	101
Ford 416EFI LP engine - fuel system ("CE" models)	103
LP tank	105
Ford 416EFI LP engine - air intake & exhaust syste	107
Ford 416EFI LP engine - cooling system	109
CE kit	111
Decals	113
Total steel package -	115
Hydraulic hose diagram	117
Brooms option	119
Side broom spotlight	121
Skirted vacuumized side broom	123
Back-up alarm option	125
Brake light option	127
Rear work light option	129
Fire extinguisher option	131
Overhead guard option	133
Strobe light with overhead guard option	135
Strobe light without overhead guard option	137
Pulse air option - 1	139
Pulse air option - 2	141
Pulse air electrical assembly	143
Litter vac option - 1	145
Litter vac option - 2	147
Litter vac option - 3	149
PrototectoSeal gas cap option	151
Spark arrestor option	153
Retractable seatbelt option	155
Suspension seat option	157

Table of Contents

MPV 60

TIE DOWN OPTION	159
FRONT SOLID CUSHION TIRE OPTION	161
REAR SOLID CUSHION TIRE OPTION	163
TURN SIGNAL OPTION	165
RECOMMENDED SPARE PARTS KIT/MITSUBISHI S4L2 DIESEL	167
RECOMMENDED SPARE PARTS KIT/FORD 416EFI GAS/LP SE	169
INSTRUMENT PANEL2	171

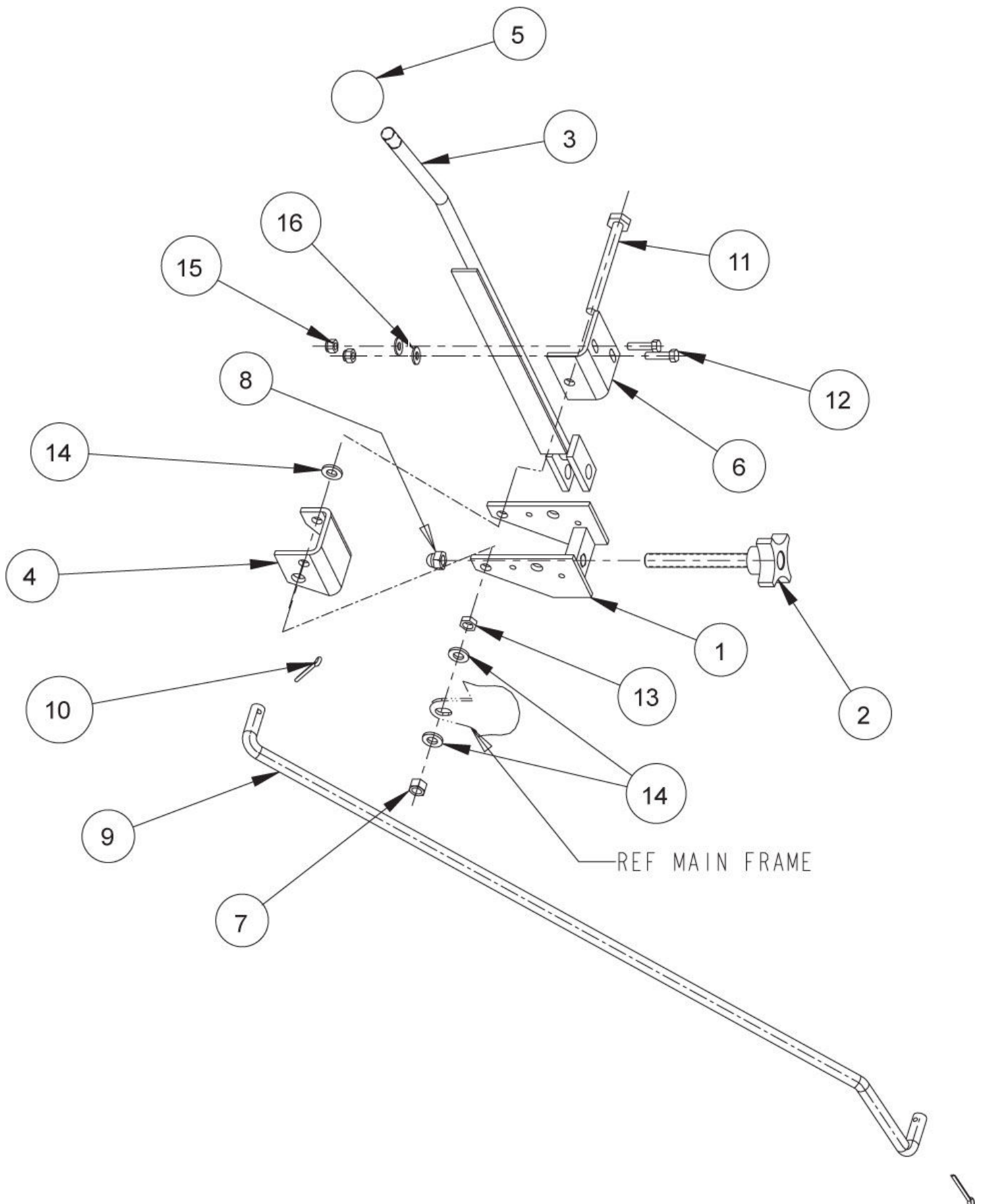
MAIN BROOM LEVER

MPV 60

29-01-2013

Part List ID
MPV6003

3



MAIN BROOM LEVER

MPV 60

29-01-2013

Part List ID
MPV6003

4

Pos	Part no.	Qty	Description
1	8-08-00876	1	BRACKET BROOM LIFT
2	8-39-00017	1	MAIN BROOM KNOB ASSY
3	8-66-00188	1	LEVER HANDLE MAIN BROOM
4	8-08-00831	1	BRKT ANGLE ADJ MB
5	8-39-00003	1	KNOB CONT
6	8-08-00779	1	BROOM PIVOT BRKT
7	2-95-04182	1	NUT EL.STOP 3/8 16 ZN PL
8	2-00-00656	1	NUT HEX CAP .50 13 BRASS/CHROM
9	8-66-00187	1	ROD MAIN BROOM LINKAGE
10	2-00-00776	2	PIN COTT.125 DIA X 1.50 STL ZN
11	2-00-03296	1	SCREW HHC .375 X 4.00 GR5 ZN
12	2-00-00205	2	BOLT HEX TAP .25 20X1.0 GR 5
13	2-00-02360	1	NUT HEX FIN .38 16 ZINC PL
14	2-00-00402	3	WSHR FL..750X.391X.093 STL ZN
15	2-00-00641	2	NUT INS FIBRE .25 20 ZN PL
16	2-00-03702	2	WSHR FL..625X.281X.063 STL.ZN

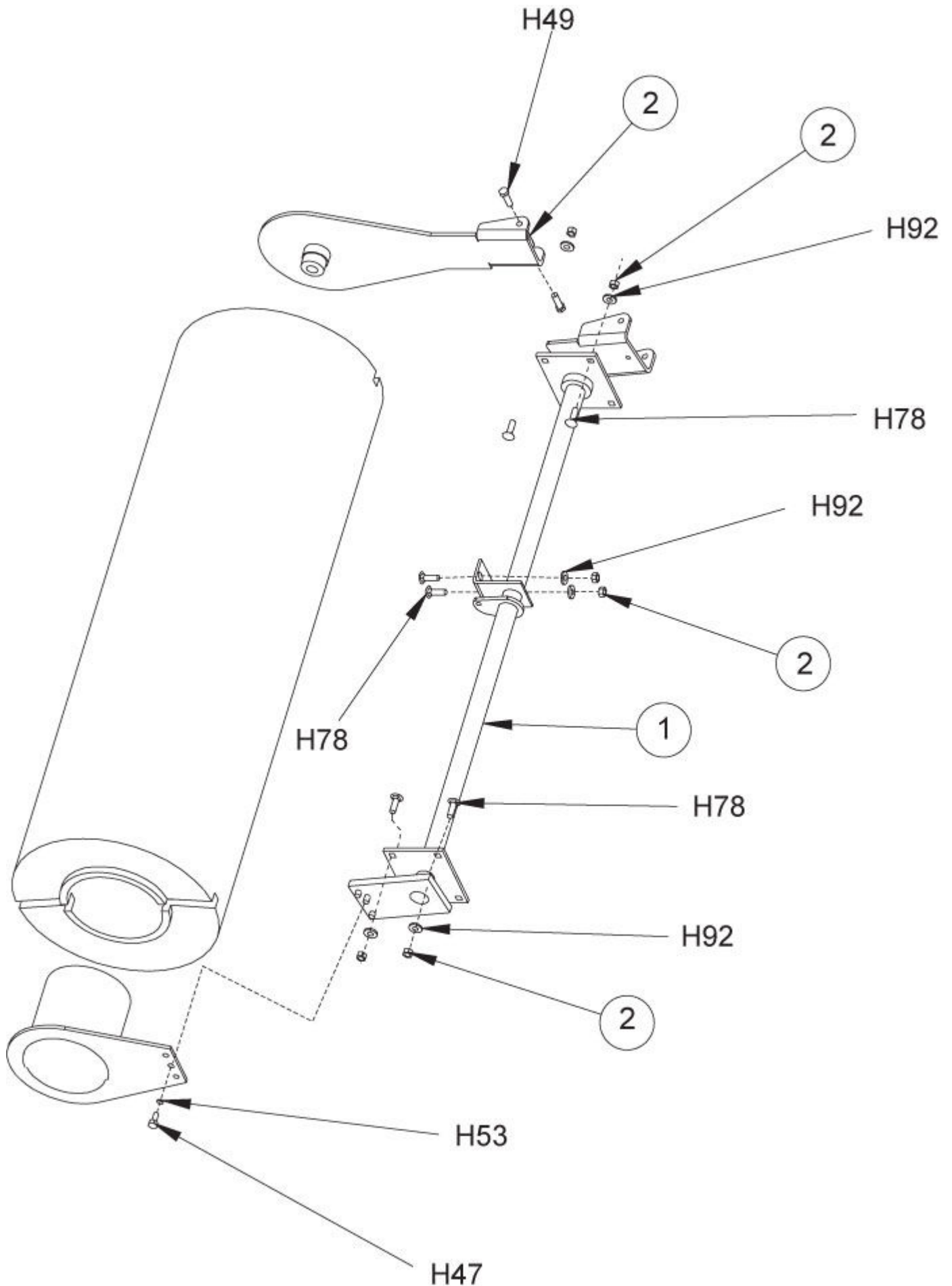
MAIN BROOM LIFT FRAME

MPV 60

29-01-2013

Part List ID
MPV6004

5



MAIN BROOM LIFT FRAME

MPV 60

29-01-2013

Part List ID
MPV6004

6

Pos	Part no.	Qty	Description
1	8-03-04319	1	MAIN BROOM LIFT FRAME
2	2-95-04182	8	NUT EL.STOP 3/8 16 ZN PL
H47	2-00-00232	1	SCW HHC .375 16 X .75 GR5 ZN
H49	2-00-00209	2	SCW HHC.375 16 X 1.25 GR 5 ZN
H53	2-00-02310	1	LK WASH HELICAL SPR ZN
H78	2-00-05187	6	BOLT CARR.38 16 X 1.25 GR 5 ZN
H92	2-00-04801	6	WSHR FLAT .875X.380X.120TH ZN

H= HARDWARE USED

Ersatzteile auf www.gluesing.net

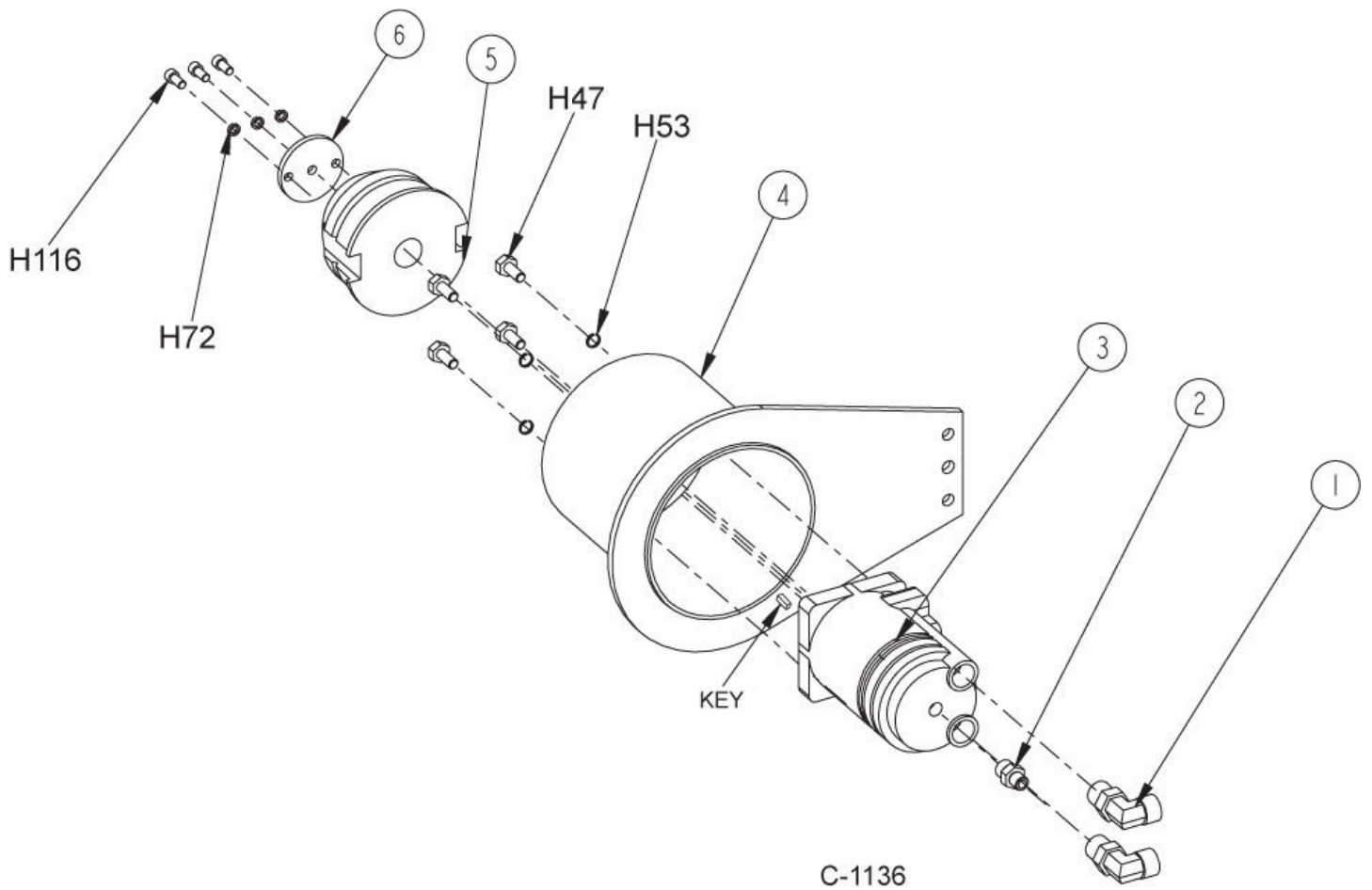
MAIN BROOM DRIVER

MPV 60

29-01-2013

Part List ID
MPV6005

7



MAIN BROOM DRIVER

MPV 60

29-01-2013

Part List ID
MPV600b

8

Pos	Part no.	Qty	Description	
0	2-00-00722	1	KEY WOODRUFF 1/4 X 1	Comes with motor
0	56479577	1	SEAL KIT	Service Part
1	2-00-04885	2	HYD.FITTING SAE TO OR 90 EL	
2	2-00-04895	1	STRAIGHT THREAD FITTING	
3	0882-040	1	HYDRAULIC MOTOR MAIN BROOM	
4	8-16-00041	1	WLDMT DRIVE BROOM ARM	
5	8-33-09046-1	1	HUB	
6	8-58-05160	1	PLATE LOCKING DRIVER BROOM	
H47	2-00-00232	4	SCW HHC .375 16 X .75 GR5 ZN	
H53	2-00-02310	4	LK WASH HELICAL SPR ZN	
H72	2-00-00518	3	LK WASH 1/4 MED. SECTION ZN	
H11	2-00-03039	3	SCREW HSHC .25 20X.63 ZINC PL	

H= HARDWARE USED

Ersatzteile auf www.gluesing.net

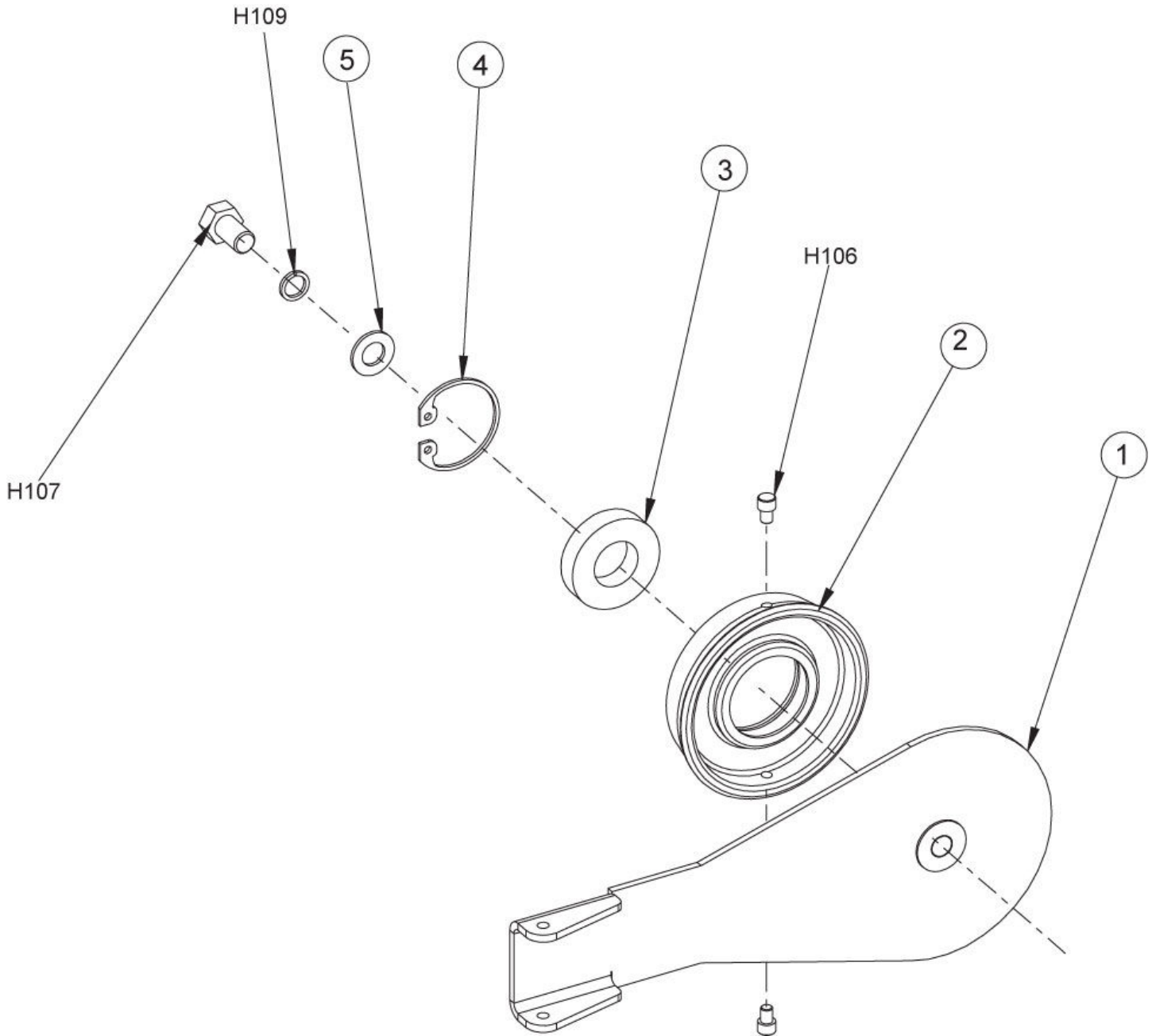
MAIN BROOM IDLER

MPV 60

29-01-2013

Part List ID
MPV6006

9



MAIN BROOM IDLER

MPV 60

29-01-2013

Part List ID
MPV6006

10

Pos	Part no.	Qty	Description
1	8-16-00064	1	IDLER ARM WELDMENT
2	8-33-09090	1	IDLER MAIN BROOM MACHINED
3	2-00-04889	1	BEARING MAIN BROOM IDLER
4	2-00-04890	1	RETAINING RING BROOM IDLER
5	8-75-01157	1	THRUST WASHER
H10	2-00-04886	2	SCREW HSHC 3/8 16 X 1/2 LONG
H10	2-00-04887	1	SCREW HHC .75 10 X 1.25 GR5 ZN
H10	2-00-00522	1	LK WASH HEL. ZN PL STEEL

H= HARDWARE USED

Ersatzteile auf www.gluesing.net

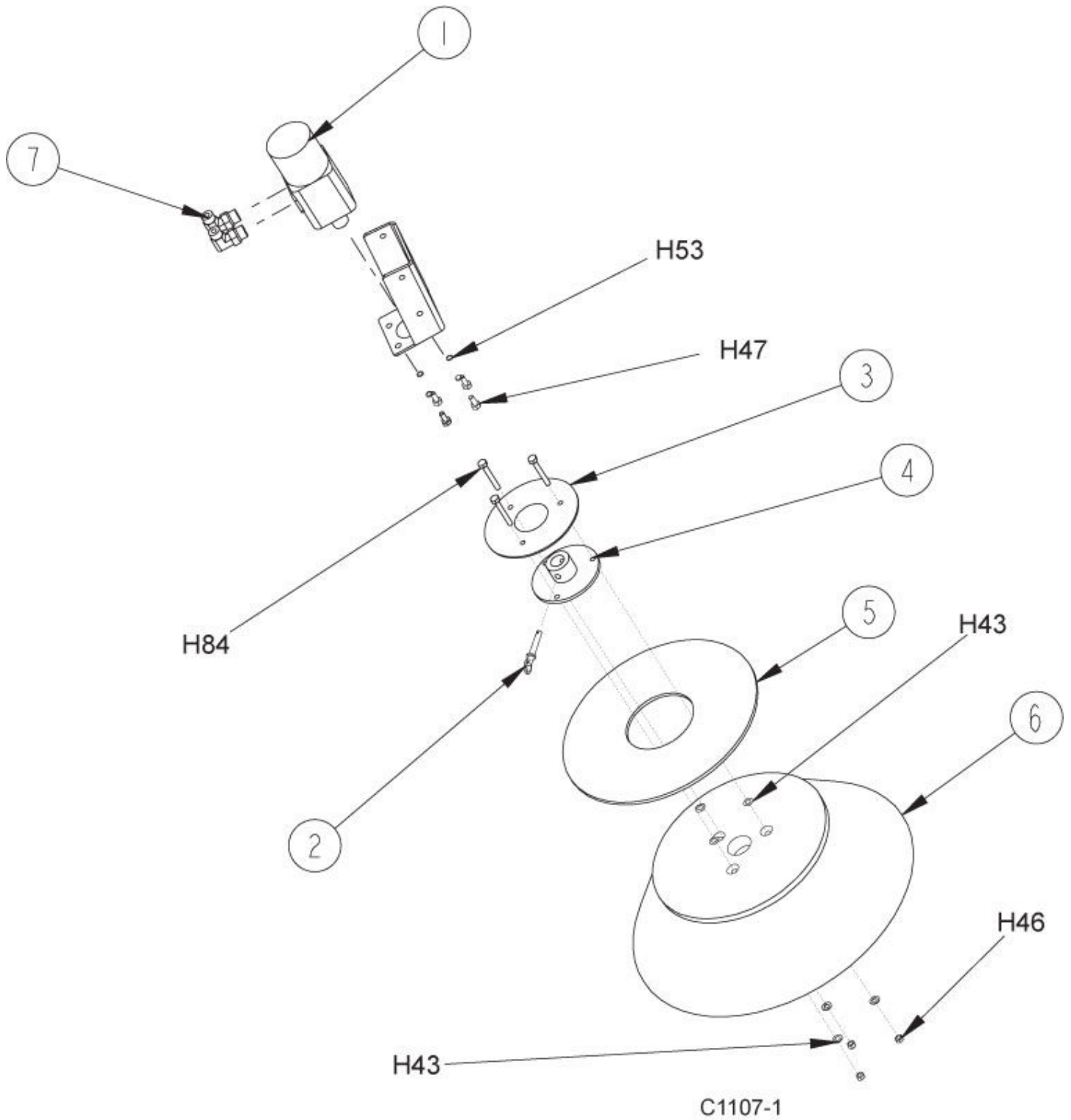
SIDE BROOM ASSEMBLY

MPV 60

29-01-2013

Part List ID
MPV6007

11



SIDE BROOM ASSEMBLY

MPV 60

29-01-2013

Part List ID
MPV600/

12

Pos	Part no.	Qty	Description
1	0882-050	1	SIDE BROOM MOTOR
1	56479577	1	SEAL KIT
2	8-55-08122	1	PIN SAFETY SNAP SQ HANDLE
3	8-25-06010	1	FLANGE ROLLER DISC
4	8-33-09091	1	HUB SIDE BROOM
5	8-66-05011	1	DISC SIDE BROOM ROLLER
6	8-08-03211	1	NYLON SIDE BROOM
7	2-00-04921	2	FITTING 90 SAE10 TO ORS8
H43	2-00-00409	6	WSHR FLAT.688X.344X.063 STL
H46	2-00-00644	3	NUT INS FIBRE .31 18 ZN PL
H47	2-00-00232	4	SCW HHC .375 16 X .75 GR5 ZN
H53	2-00-02310	4	LK WASH HELICAL SPR ZN
H84	2-00-00228	3	SCREW HHC .313 18 X 2.50 G5 ZN

H= HARDWARE USED

Ersatzteile auf www.gluesing.net

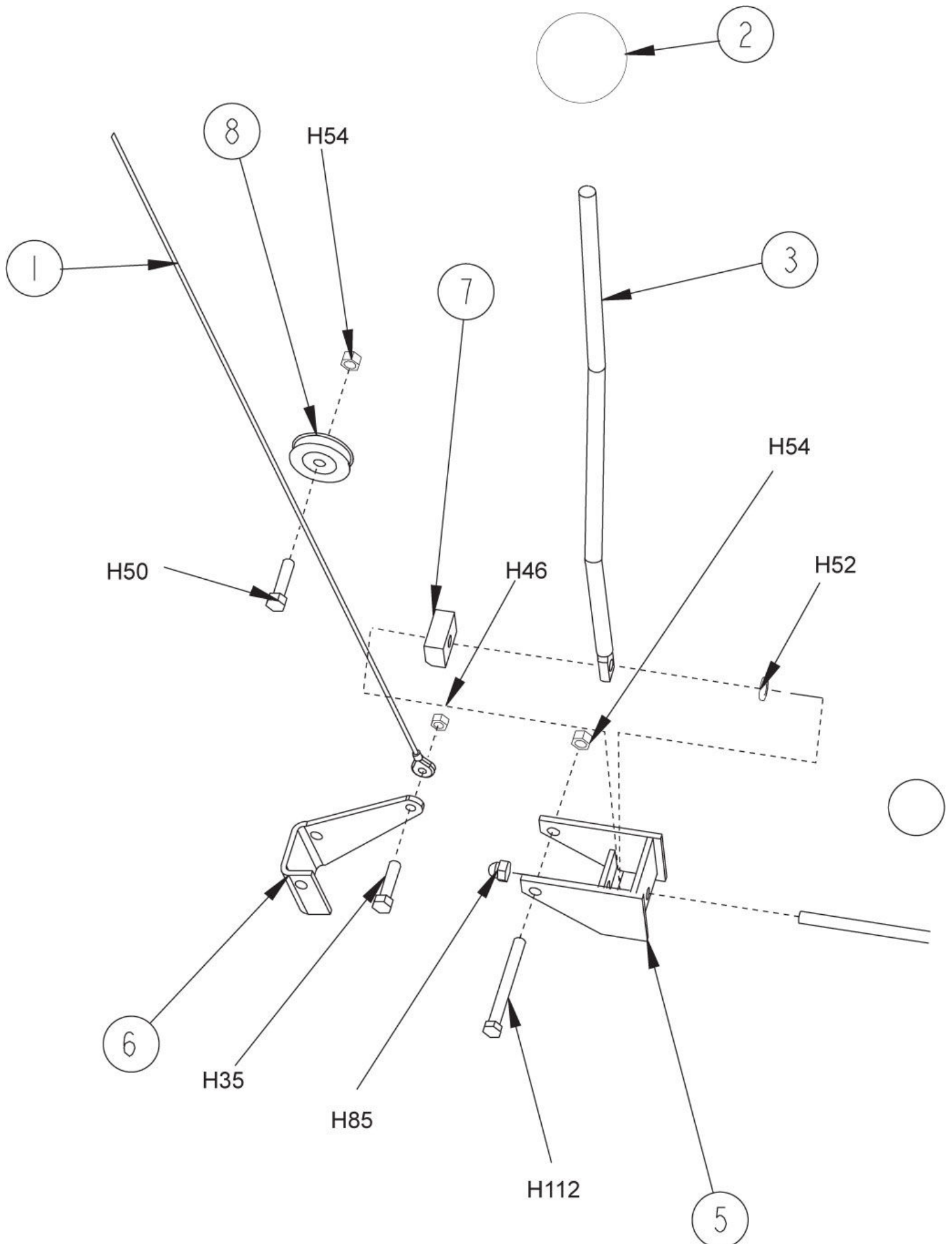
SIDE BROOM LEVER

MPV 60

29-01-2013

Part List ID
MPV6009

13



SIDE BROOM LEVER

MPV 60

29-01-2013

Part List ID
MPV6009

14

Pos	Part no.	Qty	Description
1	8-10-00039	1	CABLE SIDE BROOM
2	8-39-00003	1	KNOB CONT
3	8-66-00190	1	LEVER HANDLE SIDE BROOM
4	8-39-00017	1	MAIN BROOM KNOB ASSY
5	8-08-00876	1	BRACKET BROOM LIFT
6	8-08-00775	1	BRKT ABGLE ADJ SB
7	7-60-00160	1	PULLEY HOPPER DUMP
8	2-00-00656	1	NUT HEX CAP .50 13 BRASS/CHROM
9	8-08-00890	1	BRKT SIDE BROOM LEVER MTG
H35	2-00-02708	3	SCW HHM .313 18 X 1.00 GR 5 ZN
H43	2-00-00409	4	WSHR FLAT.688X.344X.063 STL
H46	2-00-00644	3	NUT INS FIBRE .31 18 ZN PL
H50	2-00-00234	1	SCW HHC .375 16 X 1.50 GR5 ZN
H54	2-00-02360	2	NUT HEX FIN .38 16 ZINC PL
H94	2-00-00410	1	WSHR FL .875X.375X.063 STL.ZN
H11	2-00-03296	1	SCREW HHC .375 X 4.00 GR5 ZN

H= HARDWARE USED

Ersatzteile auf www.gluesing.net

SIDE BROOM LIFT SYSTEM

MPV 60

29-01-2013

Part List ID
MPV6011

16

Pos	Part no.	Qty	Description
1	8-08-00772	1	BRKT SIDE BROOM
2	8-08-00790	1	BRKT SIDE BROOM
3	7-76-00101	2	SPRING BRUSH LOAD
4	8-08-00846	1	BRACKET PIVOT SB
5	2-95-04182	14	NUT EL.STOP 3/8 16 ZN PL
7	7-13-07130	1	CLIP CABLE RETAINER
8	7-60-00160	1	PULLEY HOPPER DUMP
9	8-42-05143	2	LINK SIDE BROOM LIFT
10	8-10-00039	1	CABLE SIDE BROOM
11	2-95-04689	1	WSHR AXLE STEEL/ZINC
H35	2-00-02708	1	SCW HHM .313 18 X 1.00 GR 5 ZN
H43	2-00-00409	2	WSHR FLAT.688X.344X.063 STL
H45	2-00-00585	2	NUT HEX FIN .31 18 ZN
H46	2-00-00644	3	NUT INS FIBRE .31 18 ZN PL
H48	2-00-00233	4	SCREW HHC .375 16 X 1.00 GR ZN
H49	2-00-00209	7	SCW HHC.375 16 X 1.25 GR 5 ZN
H50	2-00-00234	1	SCW HHC .375 16 X 1.50 GR5 ZN
H52	2-00-00402	3	WSHR FL..750X.391X.093 STL ZN
H54	2-00-02360	2	NUT HEX FIN .38 16 ZINC PL
H17	2-00-02709	2	SCREW HHM .313 18 X 1.50

H= HARDWARE USED

Ersatzteile auf www.gluesing.net

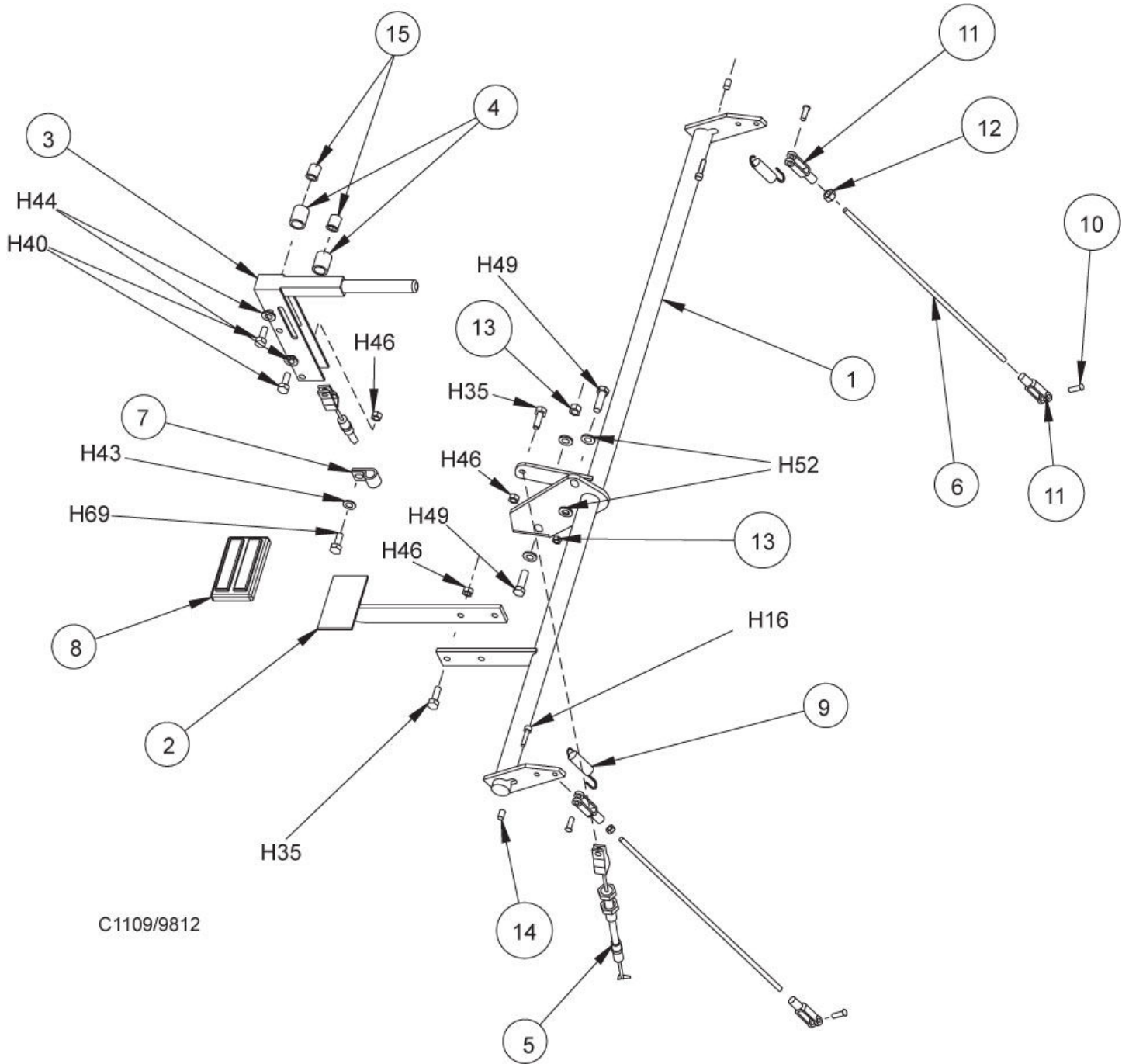
BRAKE PEDAL

MPV 60

29-01-2013

Part List ID
MPV6013

17



C1109/9812

BRAKE PEDAL

MPV 60

29-01-2013

Part List ID
MPV6013

18

Pos	Part no.	Qty	Description
1	8-70-05293	1	BRAKE CROSS SHAFT
2	8-55-00033	1	PEDAL BRAKE WELDMENT
3	7-41-05083	1	LEVER PARKING BRAKE
4	8-75-01184	2	SPACER LEVER MOUNTING
5	8-10-00038	1	CABLE PARKING BRAKE
6	8-66-00154	2	ROD PULL BRAKE ASSY
7	2-00-05169	1	CLAMP BRAKE CABLE
9	7-76-00051	2	SPR RUB SPLASH
10	2-00-04909	4	YOKE PIN ASSY
11	8-14-01006	4	CLEVIS
12	2-95-01999	2	NUT HEX JAM .25 28 ZN
13	2-95-04182	3	NUT EL.STOP 3/8 16 ZN PL
14	2-00-05261	2	INSERT 1/4 20
15	2-00-05330	2	INSERT THREADED 5/16 18
H16	2-00-03051	2	SCW SH .25 20 X .75 NYLOC
H35	2-00-02708	3	SCW HHM .313 18 X 1.00 GR 5 ZN
H40	2-00-01770	2	SCW HHC .313 18 X 2.75 GR5 ZN
H43	2-00-00409	1	WSHR FLAT.688X344X.063 STL
H44	2-00-00530	2	LK WASH 5/16 MED SEC SPL ZN
H46	2-00-00644	4	NUT INS FIBRE .31 18 ZN PL
H49	2-00-00209	3	SCW HHC.375 16 X 1.25 GR 5 ZN
H52	2-00-00402	6	WSHR FL..750X.391X.093 STL ZN
H69	2-00-01255	1	SCW HHC .313 18 X .875 GR5 ZN

H= HARDWARE USED

Ersatzteile auf www.gluesing.net

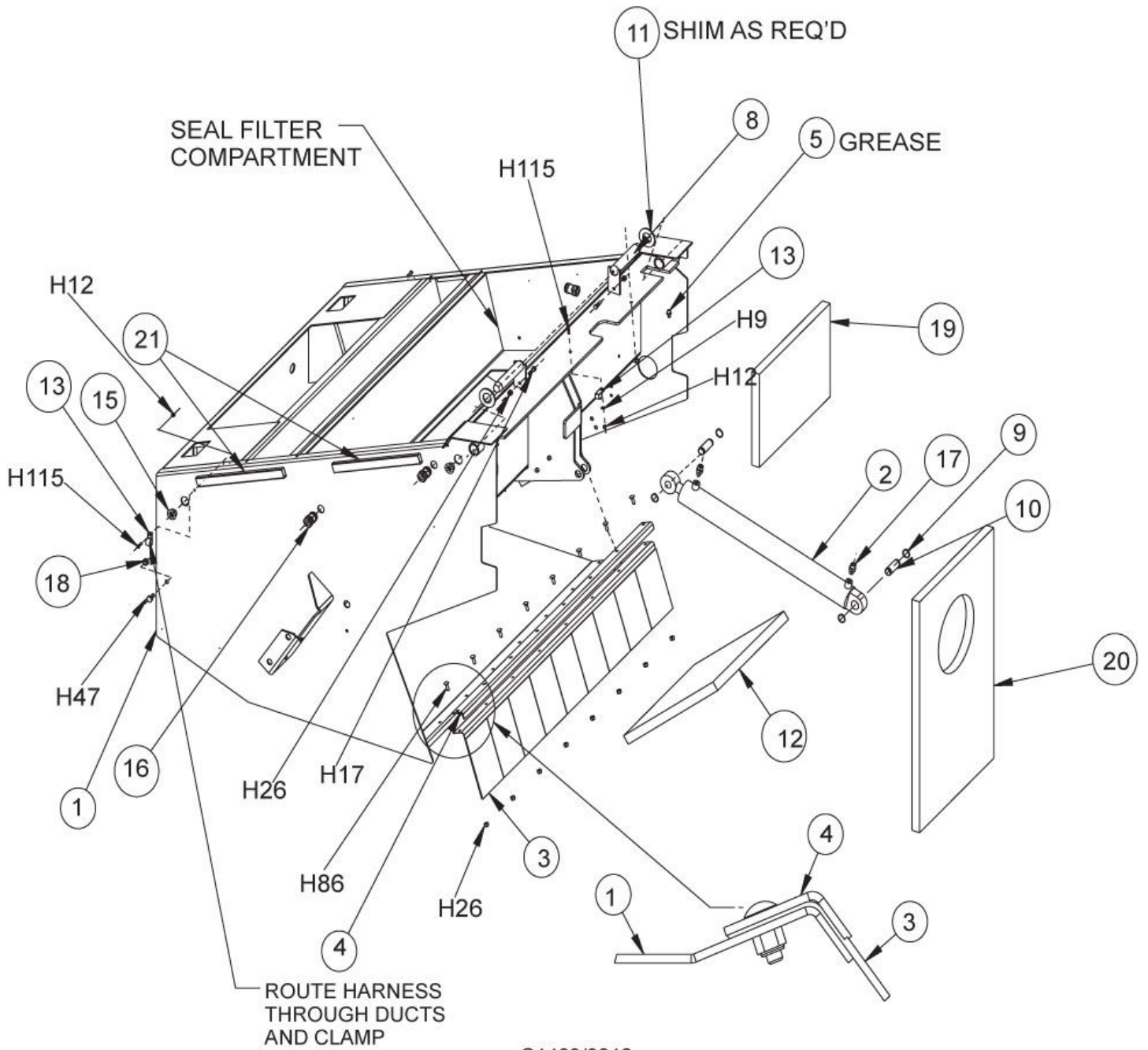
HOPPER

MPV 60

29-01-2013

Part List ID
MPV6015

19



HOPPER

MPV 60

29-01-2013

Part List ID
MPV601b

20

Pos	Part no.	Qty	Description
1	8-32-06105	1	HOPPER WELDMENT LC
2	0880-449	1	SEAL KIT FOR CYL. 8 17 05029
2	7-17-05014	1	CYLINDER HOPPER LIFT VARIABLE
3	8-25-08223	1	HOPPER FLAP
4	8-13-07169	1	CLAMP HOPPER FLAP
5	2-00-00566	2	FTG ALEMITE 1610 BL
8	8-55-08118	2	PIN HOPPER PIVOT
9	2-00-00540	4	RING RET EXT 5100 75 .75 D
10	8-55-08123	2	PIN CYL
11	2-00-05024	2	WASH FLAT 2 OD X1.06X 109 ZN
12	8-34-09024	1	INSULATION HOPPER BACK
13	2-00-04210	3	CLAMP WECKESSER .25 6B NYL
15	8-09-01082	3	BUSHING UNIVERSAL
16	8-09-01083	2	BUSHING CONNECTOR LIQ TIGHT
17	2-00-04895	2	STRAIGHT THREAD FITTING
18	2-95-04182	1	NUT EL.STOP 3/8 16 ZN PL
19	8-34-09023	1	INSULATION HOPPER BACK
20	8-34-09022	1	INSULATION HOPPER BACK
21	8-20-06043	2	DUCT WIRE 1.00x.50x12.00
22	2-00-05382	1	HOLE PLUG .812
H9	2-00-00426	1	WSHR FL .500X.219X.063 STL.ZN
115	2-00-03063	3	SCREW THM 10 24 X .75 ZN
H12	2-00-01246	3	10 24 NYLON INSERT THIN
H17	2-00-00205	2	BOLT HEX TAP .25 20X1.0 GR 5
H26	2-00-00641	10	NUT INS FIBRE .25 20 ZN PL
H27	2-00-03702	8	WSHR FL..625X.281X.063 STL.ZN
H47	2-00-00232	1	SCW HHC .375 16 X .75 GR5 ZN
H86	2-00-03575	8	BOLT CARR..25 20 X .75 GR5 ZN

H= HARDWARE USED

Ersatzteile auf www.gluesing.net

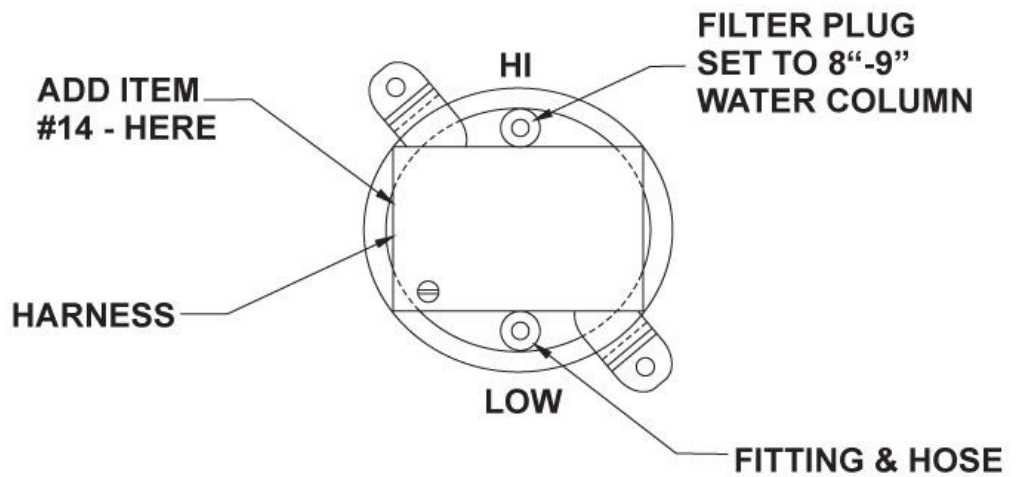
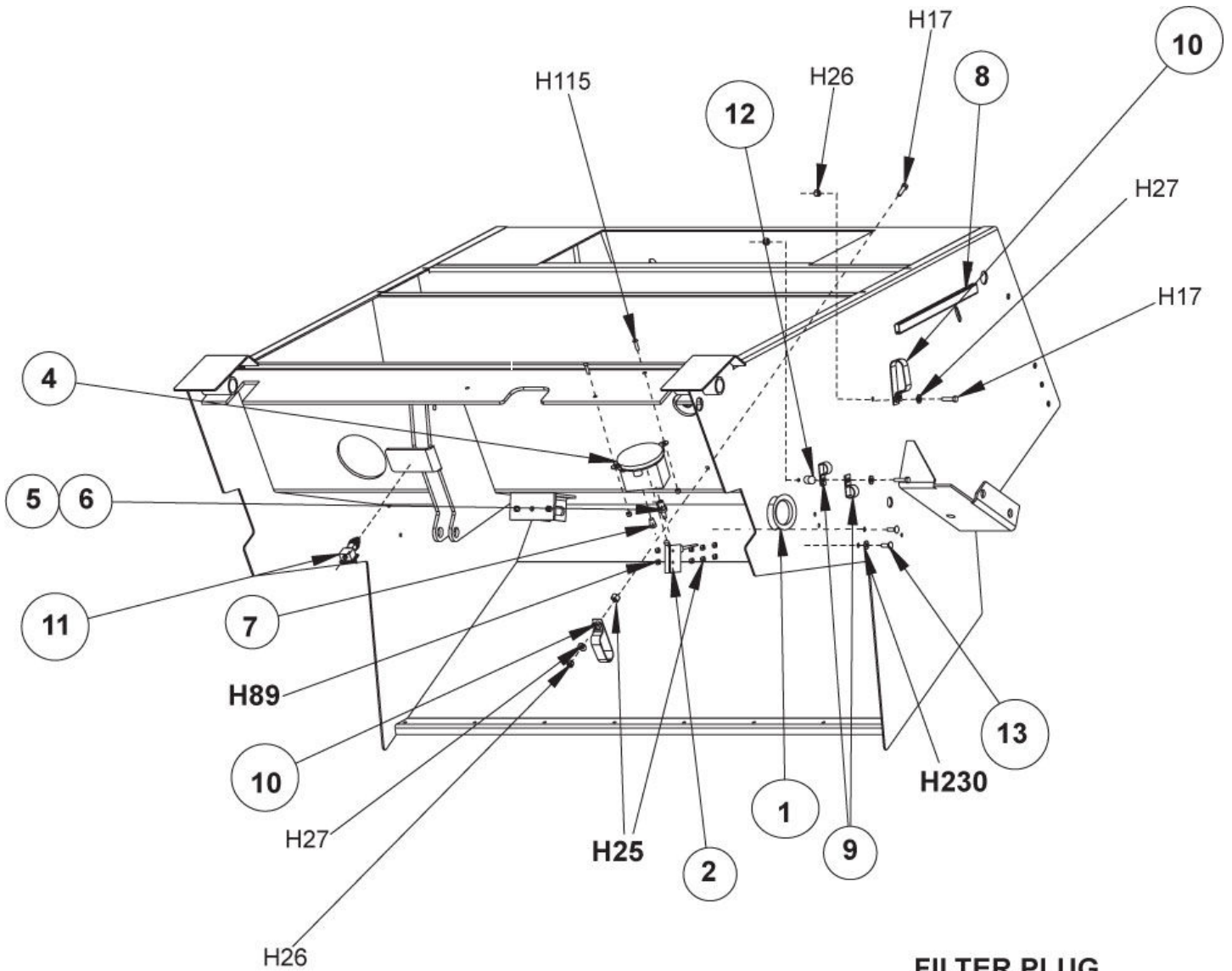
HOPPER ASSEMBLY

MPV 60

29-01-2013

Part List ID
MPV6017

21



HOPPER ASSEMBLY

MPV 60

29-01-2013

Part List ID
MPV601/

22

Pos	Part no.	Qty	Description
1	7-21-04022	1	EDGING
2	8-82-00058	1	SWITCH
4	8-63-05014	1	CLOGGED FILTER SWITCH
5	7-87-02155	1	TUBE DETERGENT FEED .25X9.0
6	2-00-04518	1	FITTING
7	8-24-04075	1	FILTER PLG
8	8-20-06036	1	DUCT WIRE
10	2-00-05253	3	CLAMP
11	8-82-00050	1	SWITCH LIFT CYLINDER LOCK OUT
12	2-00-05261	1	INSERT 1/4 20
13	2-00-00092	2	SCREW PH.RHM 8 32 X 1.75 ZN
14	2-00-03261	1	GROM BAT CABLE ATLANTIC INDIA
H25	2-00-00594	5	NUT HEX STD FIN .25 20 ZN
H26	2-00-00641	2	NUT INS FIBRE .25 20 ZN PL
H27	2-00-03702	3	WSHR FL..625X.281X.063 STL.ZN
H89	2-00-01372	2	NUT INS FIBRE 8 32 STL/ZN
H11	2-00-03063	2	SCREW THM 10 24 X .75 ZN
H23	2-00-00466	4	WSHR FLAT .625X.203X.031 STL.

H= HARDWARE USED

Ersatzteile auf www.gluesing.net

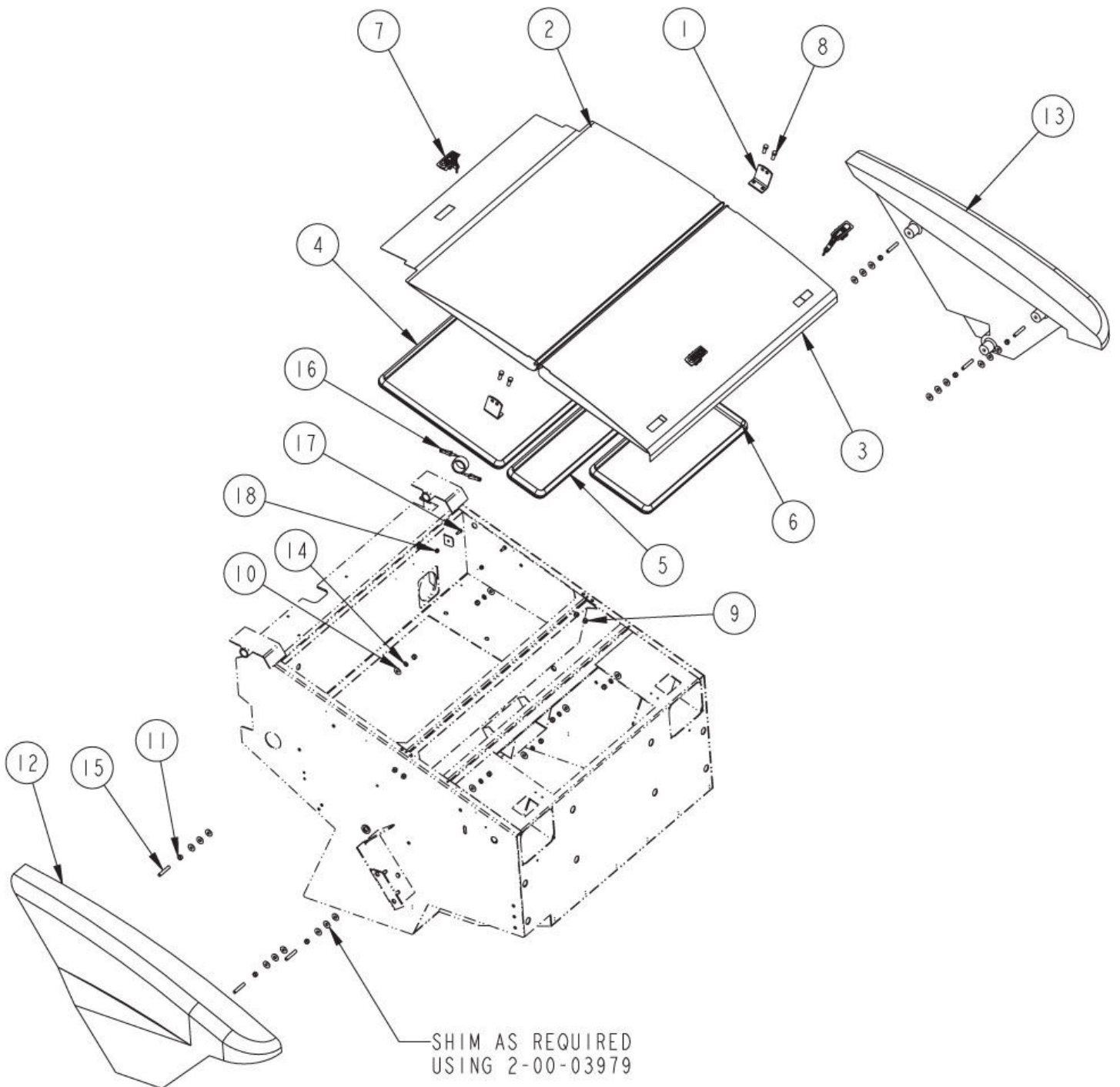
HOPPER COVER

MPV 60

29-01-2013

Part List ID
MPV6019

23



HOPPER COVER

MPV 60

29-01-2013

Part List ID
MPV6019

24

Pos	Part no.	Qty	Description
1	8-08-00878	2	BKT HINGE COVER PIVOT
2	8-16-07397	1	COVER FILTERWELDED
3	8-16-07398	1	COVER DEBRISWELDED
4	8-29-00240	1	GASKET HOPPER
5	8-29-00278	1	GASKET HOPPER
6	8-29-00279	1	GASKET HOPPER
7	8-41-00069	3	LATCH COVER SOUTHCO
8	2-00-00233	4	SCREW HHC .375 16 X 1.00 GR ZN
9	2-95-04182	4	NUT EL.STOP 3/8 16 ZN PL * = As Required
10	2-00-03979	1	WSHR FL 1.0X.438 X.064 .104 TH
11	2-00-02360	12	NUT HEX FIN .38 16 ZINC PL
12	8-16-07411	1	COVER SIDERHALTO BLUE
13	8-16-07412	1	COVER SIDELHALTO BLUE
14	2-00-02310	6	LK WASH HELICAL SPR ZN
15	7-89-07423	6	WELD DETAIL STUD MTG SUPPORT
16	8-10-00027	1	CABLE BATTERY COVER
17	2-00-00221	2	SCW HHC .25 20 X .75 GR 8 ZN
18	2-00-00641	2	NUT INS FIBRE .25 20 ZN PL

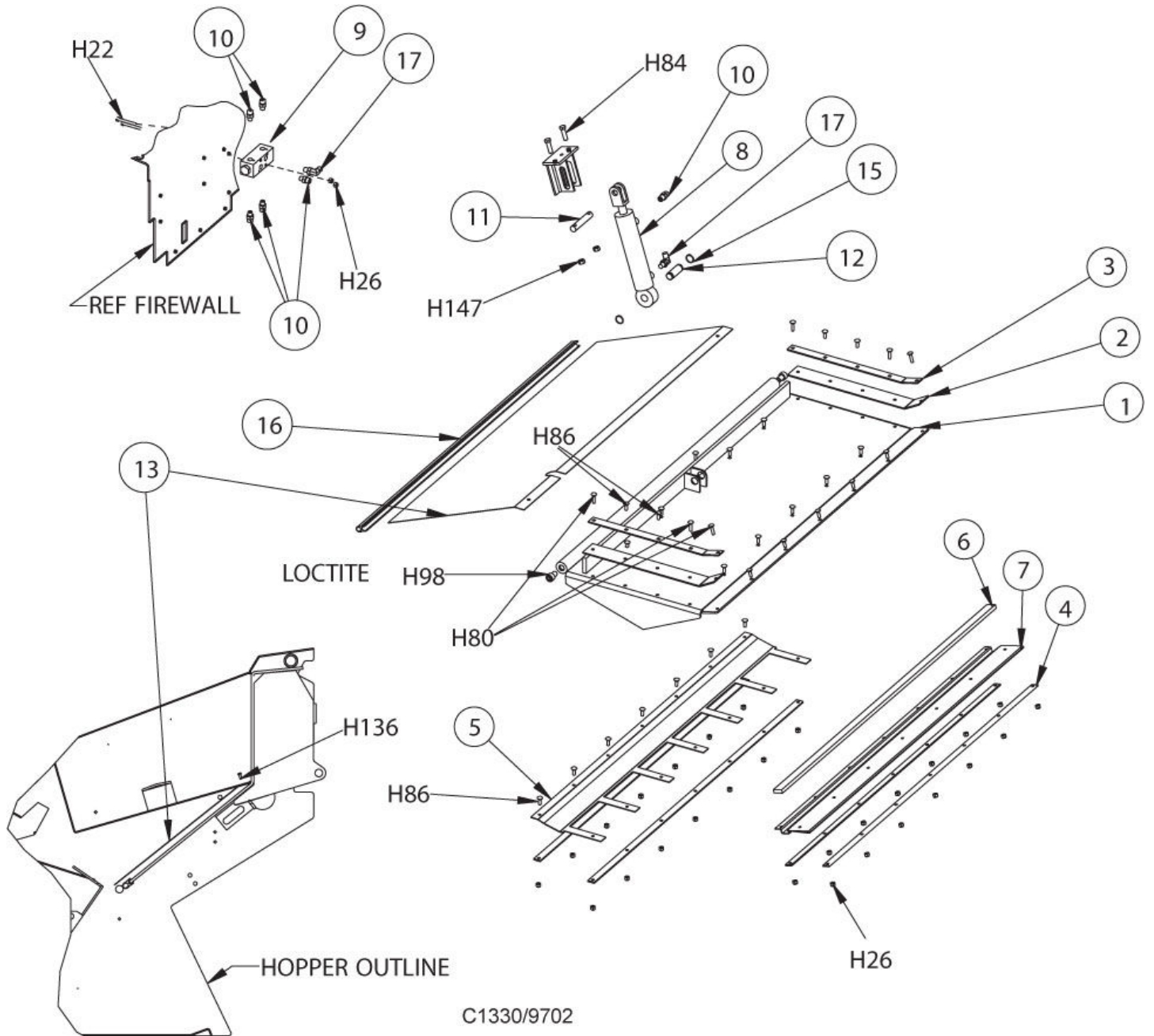
DUMP DOOR

MPV 60

29-01-2013

Part List ID
MPV6021

25



DUMP DOOR

MPV 60

29-01-2013

Part List ID
MPV60Z1

26

Pos	Part no.	Qty	Description
1	8-19-08058	1	DOOR HOPPER
2	8-68-05075	2	SEAL DUMP DOOR
3	8-13-07118	2	CLAMP DUMP DOOR SEAL
4	8-13-07119	4	CLAMP DUMP DOOR SEAL
5	8-25-08193	1	FLAP DOOR VENT
6	8-68-05076	1	SEAL DUMP DOOR
7	8-68-05077	1	SEAL DUMP DOOR
8	7-17-05011	1	CYLINDER HOPPER DUMP
8	7-70-00021	1	SEAL KIT FOR 7 17 05010 05011
9	8-88-00064	1	CHECK VALVE
10	2-00-04895	6	STRAIGHT THREAD FITTING
11	8-55-08124	1	PIN DOOR CYLINDER
12	8-55-08123	1	PIN CYL
13	8-52-00191	1	PANEL HOPPER SEAL
15	2-00-00540	2	RING RET EXT 5100 75 .75 D
16	8-29-00149	1	GASKET ENGINE COVER SL LH SDE
17	2-00-04892	2	HYD. ADAPTER SAE TO OR 90 EL
H22	2-00-02589	2	SCW HHC .25 20 X 2.00 GR5 ZN
H26	2-00-00641	34	NUT INS FIBRE .25 20 ZN PL
H80	2-00-02196	6	BOLT CARR .25 20 X 1.00 G5 ZN
H84	2-00-00228	2	SCREW HHC .313 18 X 2.50 G5 ZN
H86	2-00-03575	30	BOLT CARR..25 20 X .75 GR5 ZN
H98	2-00-05277	2	SCREW HSHC .50 13 X .75
H13	2-00-03940	2	SCREW T/CHH 10 24X50 SPECIAL
H14	2-00-00642	2	NUT INS FIBRE .63 18

H= HARDWARE USED

Ersatzteile auf www.gluesing.net

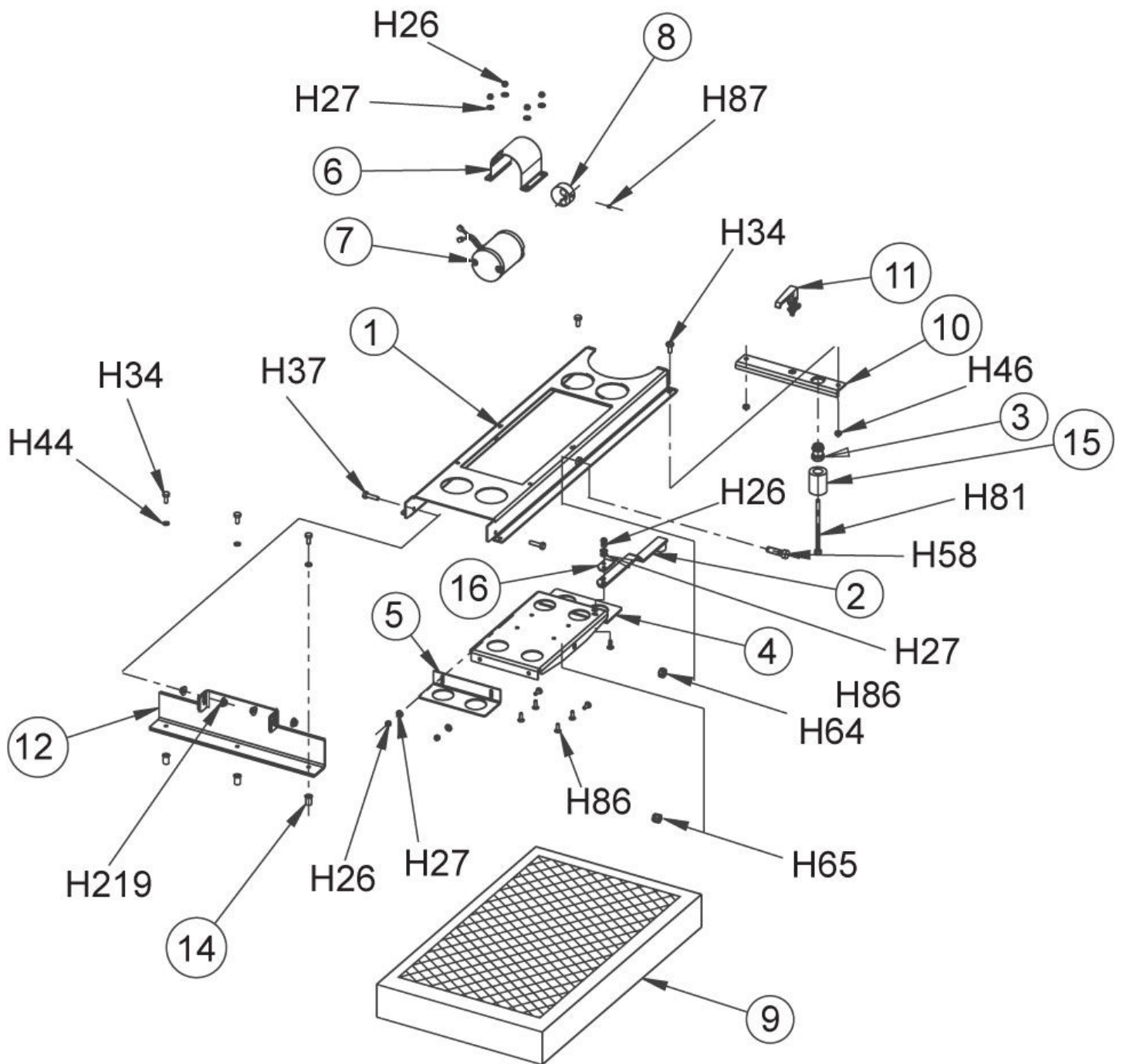
FILTER SHAKER

MPV 60

29-01-2013

Part List ID
MPV6023

27



C1404/9906

FILTER SHAKER

MPV 60

29-01-2013

Part List ID
MPV60Z3

28

Pos	Part no.	Qty	Description
1	8-13-07170	1	CLAMP FILTER
2	8-05-07090	1	BAR VIBRATION
3	8-09-01083	1	BUSHING CONNECTOR LIQ TIGHT
4	8-58-05280	1	PLATE SHAKER MOTOR
5	8-03-04302	1	ARM SHAKER
6	8-16-07406	1	COVER SHAKER MOTOR
7	0860-623	1	SHAKER MOTOR ASSEMBLY
8	56514774	1	WEIGHT
9	8-24-04139-1	1	FLTR PANEL ULTRA WEB CELLULOSE
9	8-24-04139-2	1	FLTR PANEL ULTRA WEB WATER RES
10	8-13-07168	1	MTG. ANGLE SHAKER
11	8-41-00065	1	LATCH
12	8-08-00786	1	MTG ANGLE FILTER/SHAKER ASSY
13	8-90-07433	1	WIRE HOPPER SHAKER
14	2-00-05330	3	INSERT THREADED 5/16 18
15	8-68-05099	1	HOPPER DUST SEAL
16	8-13-07172	1	CLAMP VIBRATION BAR
219	2-00-05359	1	5/16 18 SERR. FLANGE NUT ZN
H26	2-00-00641	1	NUT INS FIBRE .25 20 ZN PL
H27	2-00-03702	1	WSHR FL..625X281X.063 STL.ZN
H34	2-00-00208	1	SCW HHC .313 18 X .75 GR5 ZN
H37	2-00-00207	1	SCW HHC .313 18 X 1.25 GR 5 ZN
H44	2-00-00530	1	LK WASH 5/16 MED SEC SPL ZN
H46	2-00-00644	1	NUT INS FIBRE .31 18 ZN PL
H58	2-00-00241	1	SCREW HHC .50 13 X 1.75 GR5 ZN
H64	2-00-00596	1	NUT FULL HEX FIN .50 13 ZN
H65	2-00-04936	1	NUT INS FIBRE .50 13 ZINC
H81	2-00-05276	1	SCREW HHC .375 16 X 5.50 GR5 ZN
H86	2-00-03575	1	BOLT CARR..25 20 X .75 GR5 ZN
H87	2-00-00263	1	SETSCREW HSKCP .25 20 X .25

H= HARDWARE USED

Ersatzteile auf www.gluesing.net

FRONT WHEEL

MPV 60

29-01-2013

Part List ID
MPV60z5

30

Pos	Part no.	Qty	Description
1	0860-703	2	AXLE SHAFT ASSY
1	8-71-05007	1	BRAKE SHOE
2	8-70-00085	1	TUBE INNER PNEU TIRE 5.00x8
2	8-85-06021	1	TIRE 5.00X8 PNEUMATIC
2	8-89-08067	2	WHEEL ASSY FRONT PNUE 5 x 8
3	8-11-00030	2	CAP
4	8-33-09089	2	HUB DRUM MACHINED
5	8-80-05035	10	STUD DRIVE WHEEL HUB
6	2-00-04621	4	CUP TIMKEN
7	2-00-02079	2	BRG SINGLE SEAL TIMKEN
8	2-00-04622	2	CONETIMKEN
9	2-00-05026	2	NUT HEX SLOT FIN. ZN
10	2-00-05024	2	WASH FLAT 2 OD X1.06X.109 ZN
11	2-00-02436	2	PIN COTT.188 DIA X 1.75 STL ZN
12	2-00-03797	1	WSHR SEAL 2.25 OD ZINC PL * AS NEEDED
H63	2-00-02312	8	LK WASHER 1/2 ID MED SEC ZN
H66	2-00-02689	8	SCW HHC .50 20 X 1.00 GR5 ZN

H= HARDWARE USED

Ersatzteile auf www.gluesing.net

REAR (DRIVE) WHEEL

MPV 60

29-01-2013

Part List ID
MPV60Z/

32

Pos	Part no.	Qty	Description
1	8-92-00040	1	YOKE REAR WHEEL MPV 60
2	0880-238	1	SEAL KIT MOTOR
2	0880-586	1	SEAL KIT SHAFT CHARLYNN 006
2	56109737	1	WHEEL MOTOR KIT
3	2-00-04621	2	CUP TIMKEN
4	2-00-02079	2	BRG SINGLE SEAL TIMKEN
5	7-11-00048	1	CAP PLASTIC HEX NUT COVER
6	8-55-08131	1	PIVOT PIN REAR WHEEL
7	2-00-02436	1	PIN COTT.188 DIA X 1.75 STL ZN
8	2-00-05026	1	NUT HEX SLOT FIN. ZN
9	2-00-05024	1	WASH FLAT 2 OD X1.06X 109 ZN
10	0880-238	1	SEAL KIT MOTOR
10	7-70-00021	1	SEAL KIT FOR 7 17 05010 05011
10	8-70-00085	1	TUBE INNER PNEU TIRE 5.00x8
10	8-85-06021	1	TIRE 5.00X8 PNEUMATIC
10	8-89-08068	1	WHEEL ASSEMBLY
11	8-65-00045	1	RETAINER HYD HOSE
12	7-17-05017	1	CYLINDER STEERING
13	8-66-00149	1	ROD END
14	2-00-00566	1	FTG ALEMITE 1610 BL
16	2-00-00776	1	PIN COTT.125 DIA X 1.50 STL ZN
17	2-00-04895	1	STRAIGHT THREAD FITTING
18	2-00-04976	2	FITTING HYD 45 EL 40RS 4SAE
19	2-00-04979	2	FITTING HYD STR 8 ORS 12SAE
20	8-30-05175	1	GUARD HOSE
21	7-13-07176	1	CLAMP PIVOT PIN
109	2-00-00522	1	LK WASH HEL. ZN PL STEEL
221	2-00-03335	2	SCREW HSHC .31 18 X .50 BL OX
H15	2-00-00221	2	SCW HHC .25 20 X .75 GR 8 ZN
H34	2-00-00208	2	SCW HHC .313 18 X .75 GR5 ZN
H44	2-00-00530	2	LK WASH 5/16 MED SEC SPL ZN
H65	2-00-04936	4	NUT INS FIBRE .50 13 ZINC
H70	2-00-05254	1	SCREW HHC .75 10 X 2.25
H71	2-00-05255	1	NUT FIBRE .75 10 ZINC PL
H72	2-00-00518	2	LK WASH 1/4 MED. SECTION ZN
H73	2-00-00247	4	SCREW HHC .50 13 X 2.50 GR5 ZN
H75	2-00-00618	1	NUT HEX JAM .75 16 ZINC PL

H= HARDWARE USED

Ersatzteile auf www.gluesing.net

STEERING COLUMN

MPV 60

29-01-2013

Part List ID
MPV60Z9

34

Pos	Part no.	Qty	Description
1	8-60-05034	1	STEERING CONTROL UNIT
2	8-89-08016	1	WHEEL STEERING
3	8-58-05270	1	PLATE LATCH
4	8-33-05136	1	HOUSING STEERING
5	8-41-00050	1	LATCH TILT STEERING
6	8-08-00780	2	HOUSING MTG BRKT
7	7-09-01057	1	BUSHING LIFT BRUSH
8	8-31-06083	1	GRIP-LATCH
9	8-76-00042	1	SPR LEVER LIFT BRUSH GUTTER
10	2-10-01336	1	SPRING TRUCK WHEEL BRACKET
11	8-11-00022	1	CAP WHEEL STEERING
12	2-95-04182	1	NUT EL.STOP 3/8 16 ZN PL
13	8-33-02360	1	HOSE HEAT SHIELD
H17	2-00-00205	4	BOLT HEX TAP .25 20X1.0 GR 5
H25	2-00-00594	1	NUT HEX STD FIN .25 20 ZN
H26	2-00-00641	4	NUT INS FIBRE .25 20 ZN PL
H27	2-00-03702	2	WSHR FL..625X.281X.063 STL.ZN
H35	2-00-02708	1	SCW HHM .313 18 X 1.00 GR 5 ZN
H44	2-00-00530	4	LK WASH 5/16 MED SEC SPL ZN
H46	2-00-00644	5	NUT INS FIBRE .31 18 ZN PL
H52	2-00-00402	4	WSHR FL..750X.391X.093 STL ZN
H69	2-00-01255	4	SCW HHC .313 18 X .875 GR5 ZN
H94	2-00-00410	2	WSHR FL .875X.375X.063 STL.ZN
H95	2-00-03382	1	WSHR FRICT SHAKEPROOF REG FIN
H96	2-00-02605	1	SCREW HHC .375 16 X 4.50
H15	2-00-04363	4	SCREW HHC M8 X 1.255 X 20MM

H= HARDWARE USED

Ersatzteile auf www.gluesing.net

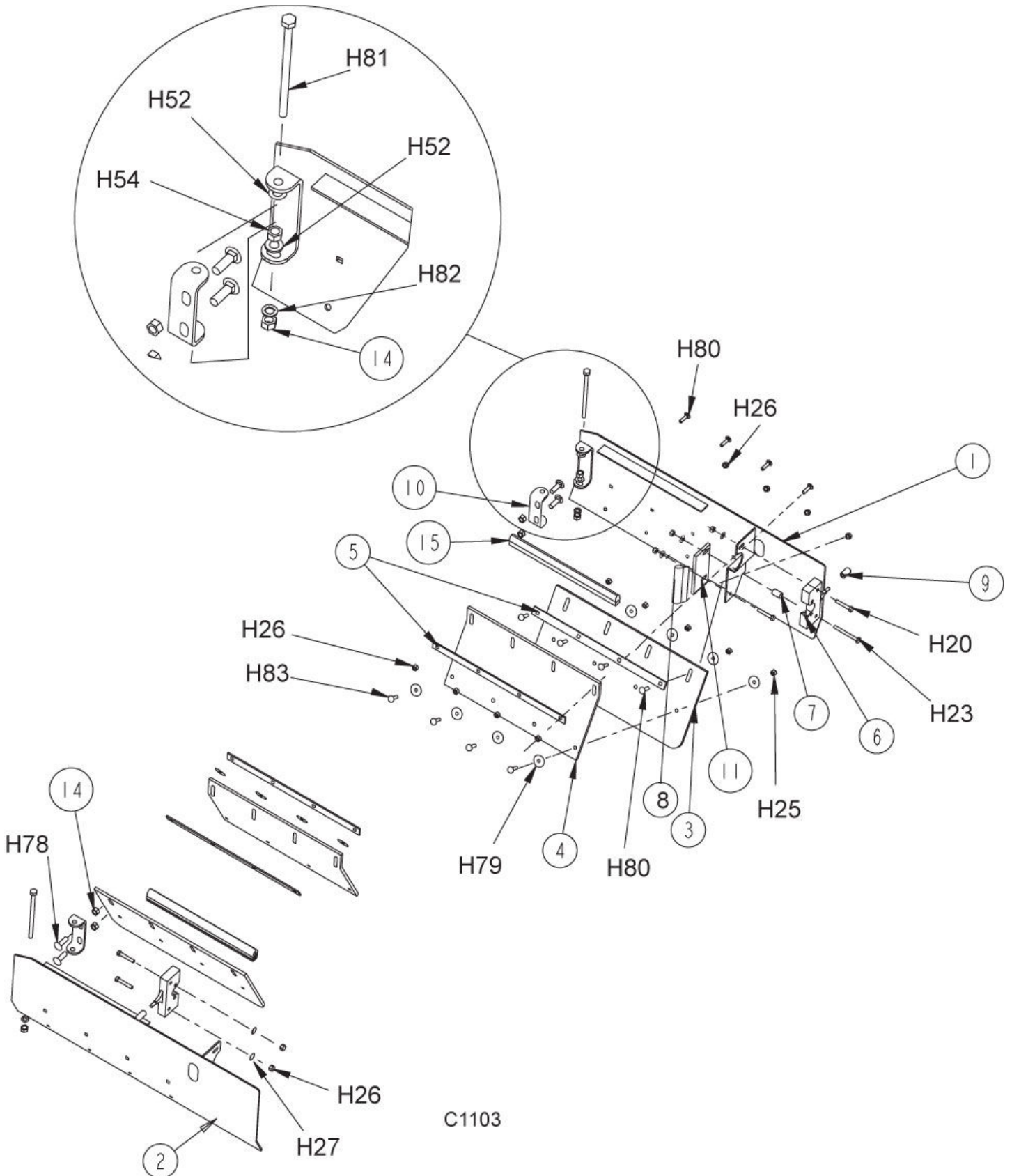
BROOM DOOR

MPV 60

29-01-2013

Part List ID
MPV6031

35



BROOM DOOR

MPV 60

29-01-2013

Part List ID
MPV6031

36

Pos	Part no.	Qty	Description
1	8-19-08060	1	BROOM DOOR WELDMENT RH
2	8-19-08059	1	BROOM DOOR WELDMENT LH
3	8-25-08222	2	FLAP BROOM DOOR OUTER
4	8-25-08198	2	FLAP BROOM DOOR INNER
5	8-13-07116	4	CLAMP BROOM DOOR FLAP
6	8-41-00052	2	LATCH
7	8-75-01199	1	SPACER BROOM DOOR LATCH
8	8-29-00232	1	GASKET BROOM CHAMBER
9	8-39-00015	2	KNOB LATCH BROOM DOOR
10	8-57-05024	2	DOOR PIVOT BRKT
11	8-58-05271	1	PLATE IDLER RETAINER
14	2-95-04182	6	NUT EL.STOP 3/8 16 ZN PL
15	8-29-00235	2	GASKET BROOM DOOR
H20	2-00-00203	4	SCREW HHC.25 20 X 1.50 GR 5 ZN
H23	2-00-01980	1	SCREW HHC.25 20 X 2.50 GR 5 ZN
H25	2-00-00594	8	NUT HEX STD FIN .25 20 ZN
H26	2-00-00641	21	NUT INS FIBRE .25 20 ZN PL
H27	2-00-03702	5	WSHR FL..625X281X.063 STL.ZN
H52	2-00-00402	4	WSHR FL..750X391X.093 STL ZN
H54	2-00-02360	2	NUT HEX FIN .38 16 ZINC PL
H78	2-00-05187	4	BOLT CARR.38 16 X 1.25 GR 5 ZN
H79	2-00-01676	16	WSHR FLAT 1.063X.266X.063 STL.
H80	2-00-02196	16	BOLT CARR .25 20 X 1.00 G5 ZN
H81	2-00-05276	2	SCREW HHC.375 16 X 5.50 GR5 ZN
H82	2-00-00505	2	LK WASH INT TOOTH .38DIA SCREW
H83	2-00-04877	8	SHCS 1/4 20X1 SS LOK STRIP

H= HARDWARE USED

Ersatzteile auf www.gluesing.net

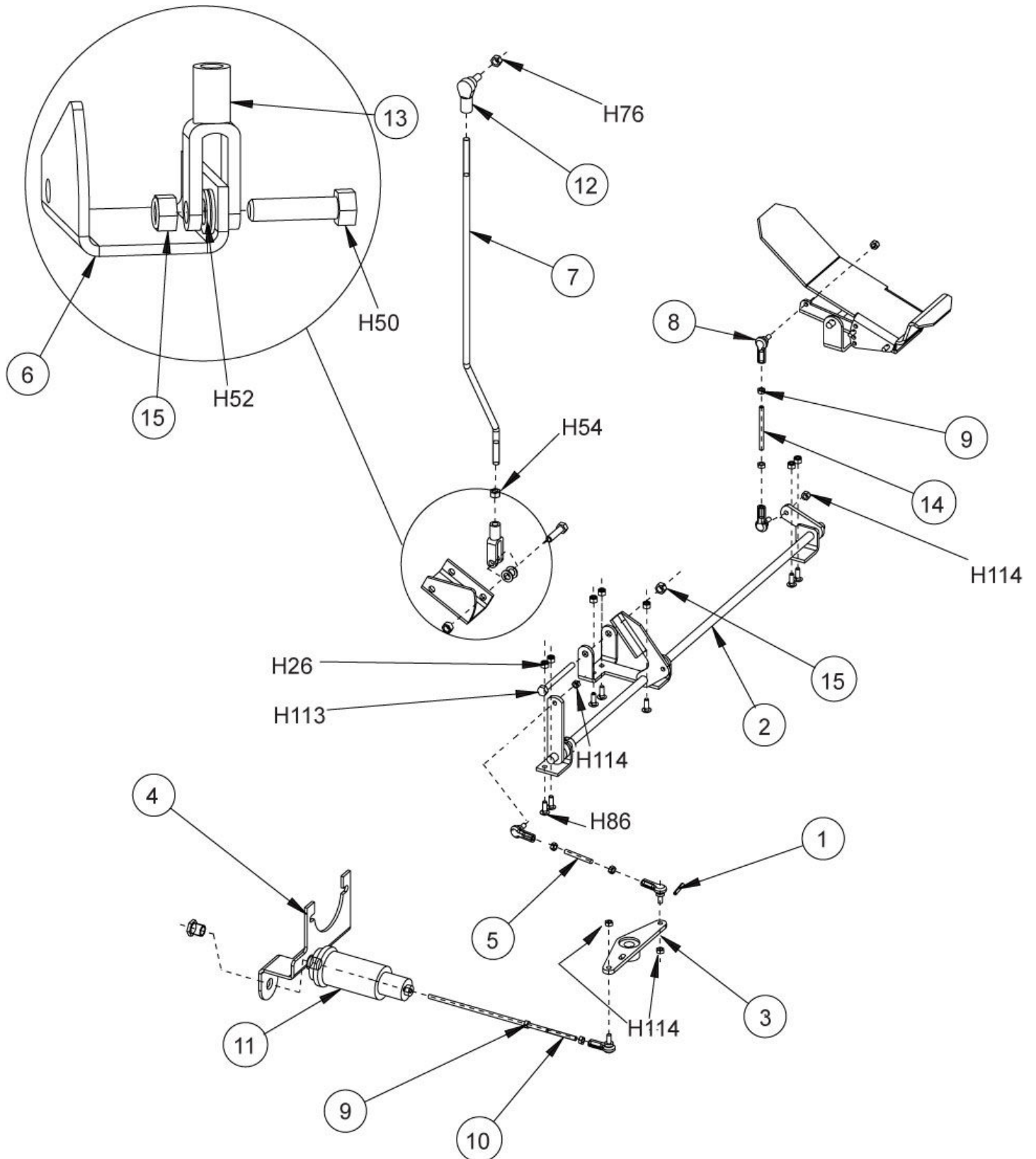
FORWARD/REVERSE CONTROL

MPV 60

29-01-2013

Part List ID
MPV6033

37



FORWARD/REVERSE CONTROL

MPV 60

29-01-2013

Part List ID
MPV6033

38

Pos	Part no.	Qty	Description
1	2-00-00880	1	PIN ROLL .188 DIA X 1.25 LG ZINC
2	8-70-05294	1	SHAFT FWD/REV
3	8-03-04322	1	ARM PUMP CONTROL EFI MPV60
4	8-08-00877	1	BRACKET HYDROBACK
5	8-66-00169	1	ROD THREADED 1/4 28
6	8-03-04306	1	ARM SPEED LIMITER
7	8-66-00172	1	ROD SPEED LIMITER
8	7-25-02050	5	BALL JOINT ROD END 1/4 28
9	2-95-01999	6	NUT HEX JAM .25 28 ZN
10	8-66-00189	1	ROD HYDROBACK CONNECTION
11	8-16-00063	1	CENTERING CONTROL
12	8-66-00173	1	ROD END .375 24
13	8-14-01001	1	CLEVIS ROD .375 IN
14	8-66-00194	1	ROD THREADED 1/4 28
15	2-95-04182	2	NUT EL.STOP 3/8 16 ZN PL
H26	2-00-00641	7	NUT INS FIBRE .25 20 ZN PL
H50	2-00-00234	1	SCW HHC .375 16 X 1.50 GR5 ZN
H52	2-00-00402	2	WSHR FL..750X391X.093 STL ZN
H54	2-00-02360	1	NUT HEX FIN .38 16 ZINC PL
H76	2-00-00632	1	NUT INS FIBRE .38 24 ZN PL
H86	2-00-03575	7	BOLT CARR..25 20 X .75 GR5 ZN
H11	2-00-03333	1	SCR HHC .375 16 X 3.75 GR5 ZN
H11	2-00-00633	5	NUT INS FIBRE RH .25 28 ZN PL

H= HARDWARE USED

Ersatzteile auf www.gluesing.net

ADJUSTABLE FOOT PEDAL

MPV 60

29-01-2013

Part List ID
MPV603b

40

Pos	Part no.	Qty	Description
1	8-55-00034	1	FOOT PEDAL FWD/REV ADJUSTABLE
2	8-55-00035	1	PEDAL BASE FWD/REV
3	8-08-00782	1	BRKT FWD/REV PEDAL
4	2-00-05246	1	PIN FWD/REV PEDAL PIVOT
5	2-00-05247	2	PIN ADJ FOOTPEDAL
6	2-00-05249	3	HAIR PIN COTTER
7	7-23-03048	1	WSHR SPR SHAKEPROOF 3502 18 36 * AS NEEDED
H36	2-00-00196	2	BLT CAR..31 18 X 1 GR 5 ZN
H46	2-00-00644	2	NUT INS FIBRE .31 18 ZN PL
H30	2-00-00490	1	WSHR SPR SHAKEPROOF 3502 20 43 * DIESEL ONLY

H= HARDWARE USED

Ersatzteile auf www.gluesing.net

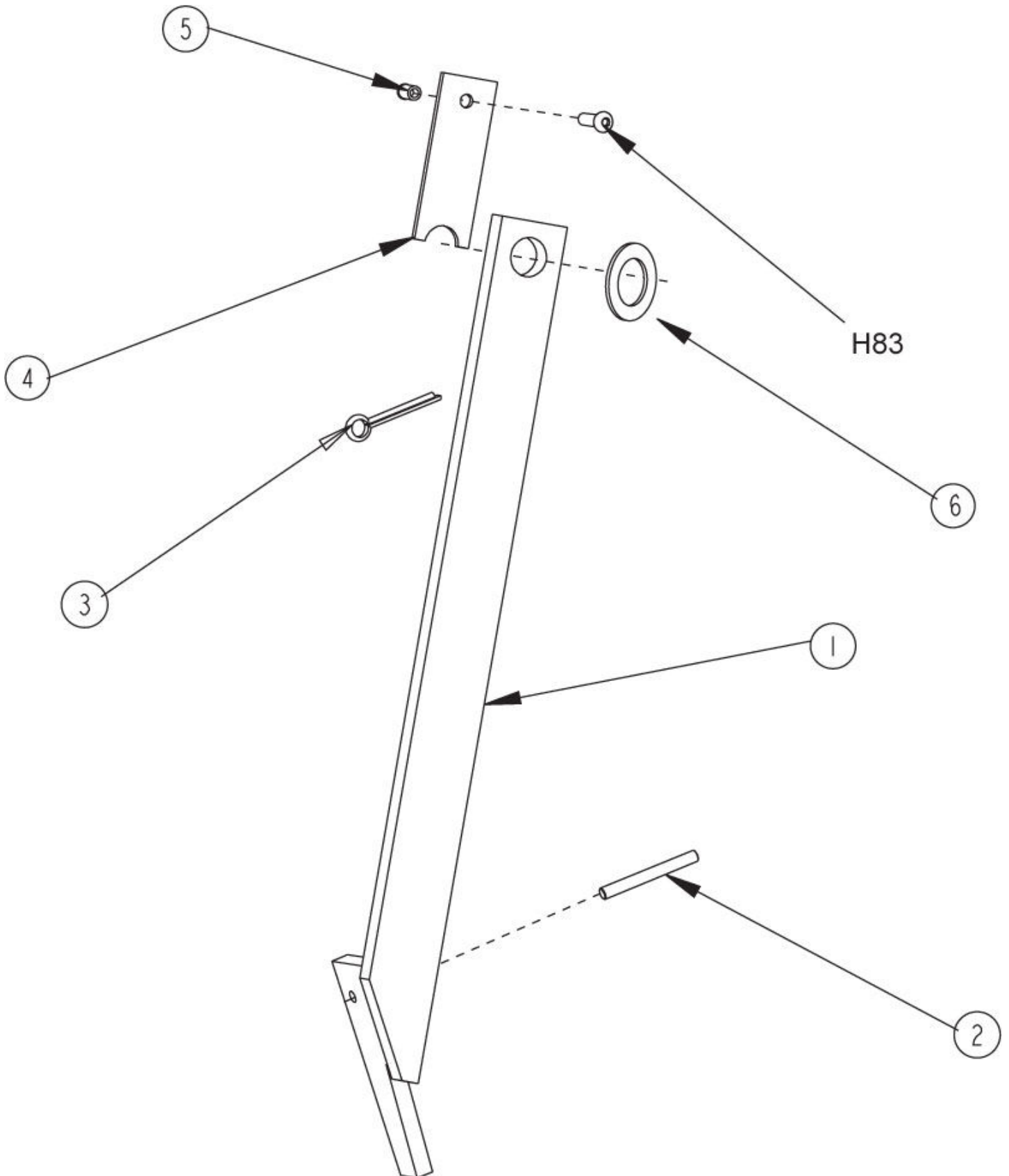
SAFETY ARM

MPV 60

29-01-2013

Part List ID
MPV6036

41



SAFETY ARM

MPV 60

29-01-2013

Part List ID
MPV6036

42

Pos	Part no.	Qty	Description
1	8-81-00168	1	WELDMENT SAFETY ARM
3	2-00-02436	1	PIN COTT.188 DIA X 1.75 STL ZN
4	8-71-00018	1	SHIM SAFETY ARM
5	2-00-05261	1	INSERT 1/4 20
6	2-00-00432	1	WSHR FL.1.125X766X063 STL ZN
H83	2-00-04877	1	SHCS 1/4 20X1 SS LOK STRIP

H= HARDWARE USED

Ersatzteile auf www.gluesing.net

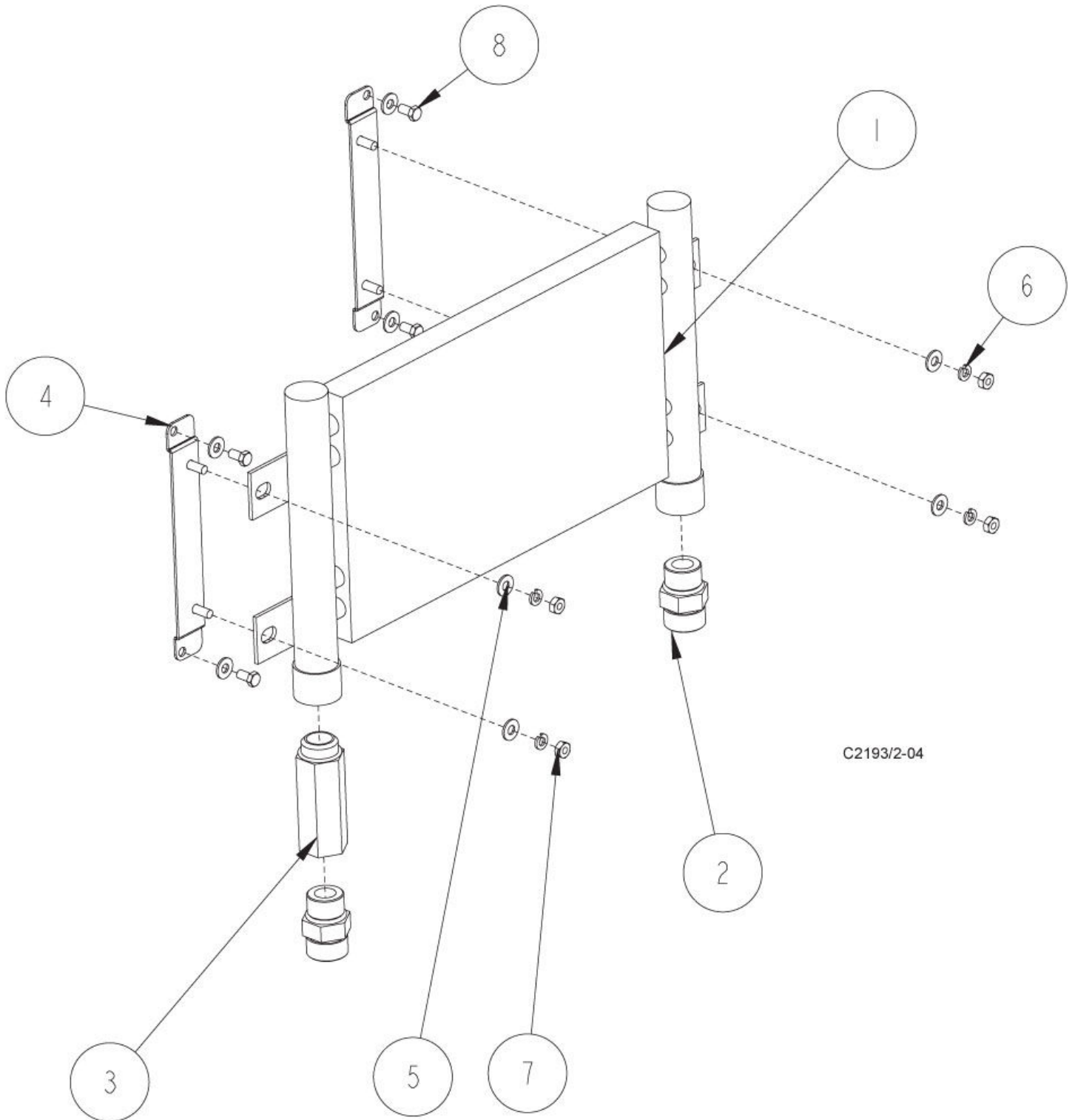
OIL COOLER

MPV 60

29-01-2013

Part List ID
MPV6037

43



C2193/2-04

OIL COOLER

MPV 60

29-01-2013

Part List ID
MPV603/

44

Pos	Part no.	Qty	Description
1	8-62-01012	1	OIL COOLER
2	2-00-04973	2	FITTING HYD STR 12 ORS 12SAE
3	8-88-00059	1	VALVE CHECK 5PSI
4	7-08-01189	2	BRKT MNT OIL COOLER EFI 416
5	2-00-03702	8	WSHR FL..625X.281X.063 STL.ZN
6	2-00-00518	4	LK WASH 1/4 MED. SECTION ZN
7	2-00-00594	4	NUT HEX STD FIN .25 20 ZN
8	2-00-00219	4	SCW HHC .25 20 X .50 GR 5 ZN

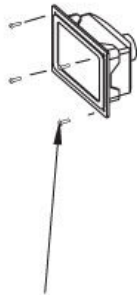
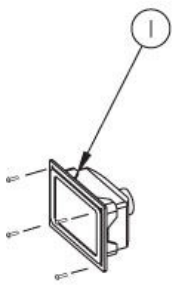
LIGHTS & HORN

MPV 60

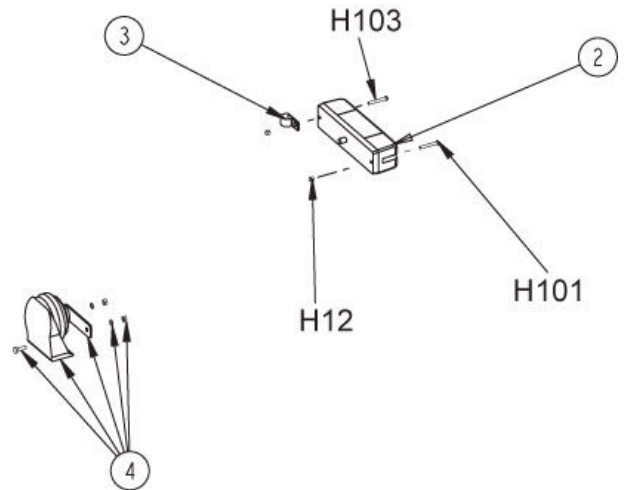
29-01-2013

Part List ID
MPV6038

45



H102



LIGHTS & HORN

MPV 60

29-01-2013

Part List ID
MPV6038

46

Pos	Part no.	Qty	Description
1	8-40-05050	1	SEALED BEAM FOR 8 40 05045
1	8-40-05051	2	LIGHT HEAD 12V
2	2-00-05291	1	BULB
2	56382869	1	TAIL LIGHT KIT
2	8-41-03010	1	LENS RED CENTER FOR 8 40 05044
2	8-41-03011	1	LENS-RED-END FOR 8-40-05044
3	2-00-04210	1	CLAMP WECKESSER .25 6B NYL
4	8-32-09013	1	HORN 12v DC
H12	2-00-01246	2	10 24 NYLON INSERT THIN
H10	2-00-04897	1	SCREW THM 10 24 X 1.25 ZN
H10	2-00-04795	8	SCREW SCKT BTN.HD.10 24 X .75
H10	2-00-00089	1	SCREW RHM 10 24 X 1.50 ZN PL

H= HARDWARE USED

Ersatzteile auf www.gluesing.net

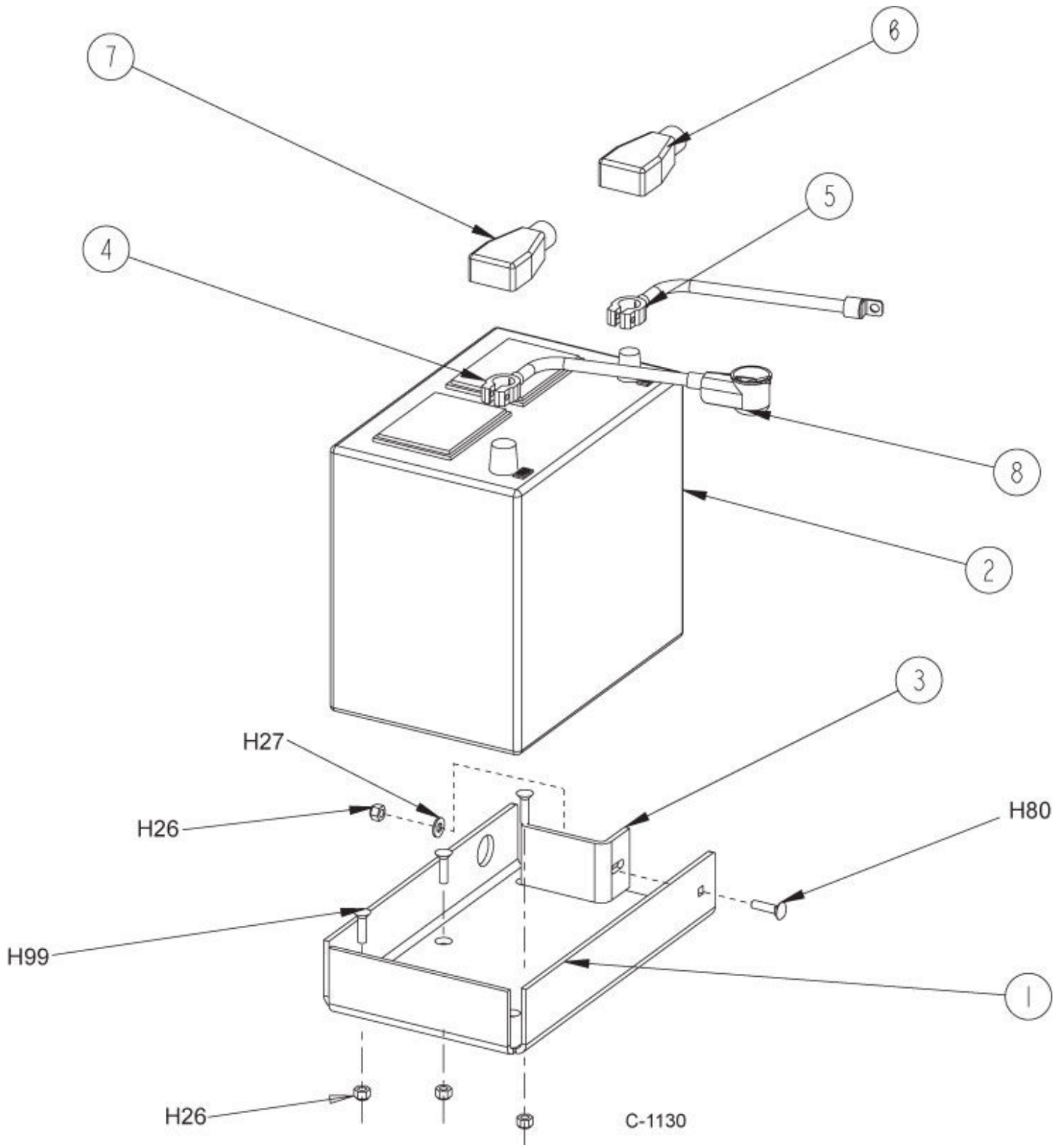
BATTERY

MPV 60

29-01-2013

Part List ID
MPV6039

47



BATTERY

MPV 60

29-01-2013

Part List ID
MPV6039

48

Pos	Part no.	Qty	Description
1	8-08-00792	1	BATTERY BRACKET
2	0875-008	1	BAT SAE 2 SHA 12V OR EQUIV
2	0875-057	1	BATTERY MAINTENANCE FREE
3	7-13-07109	1	CLAMP FUEL TANK
4	7-90-07280	1	WIRE POSITIVE + BAT. CABLE
5	7-90-07281	1	WIRE GROUND BAT. CABLE
6	2-00-05171	1	BOOT PROTECTIVE RED
7	2-00-05173	1	BOOT PROTECTIVE BLK
8	2-00-04952	1	BOOT PROTECTIVE
H26	2-00-00641	4	NUT INS FIBRE .25 20 ZN PL
H27	2-00-03702	1	WSHR FL..625X.281X.063 STL.ZN
H80	2-00-02196	1	BOLT CARR .25 20 X 1.00 G5 ZN
H99	2-00-02810	3	SCREW FHM .25 20 X 1.00

H= HARDWARE USED

Ersatzteile auf www.gluesing.net

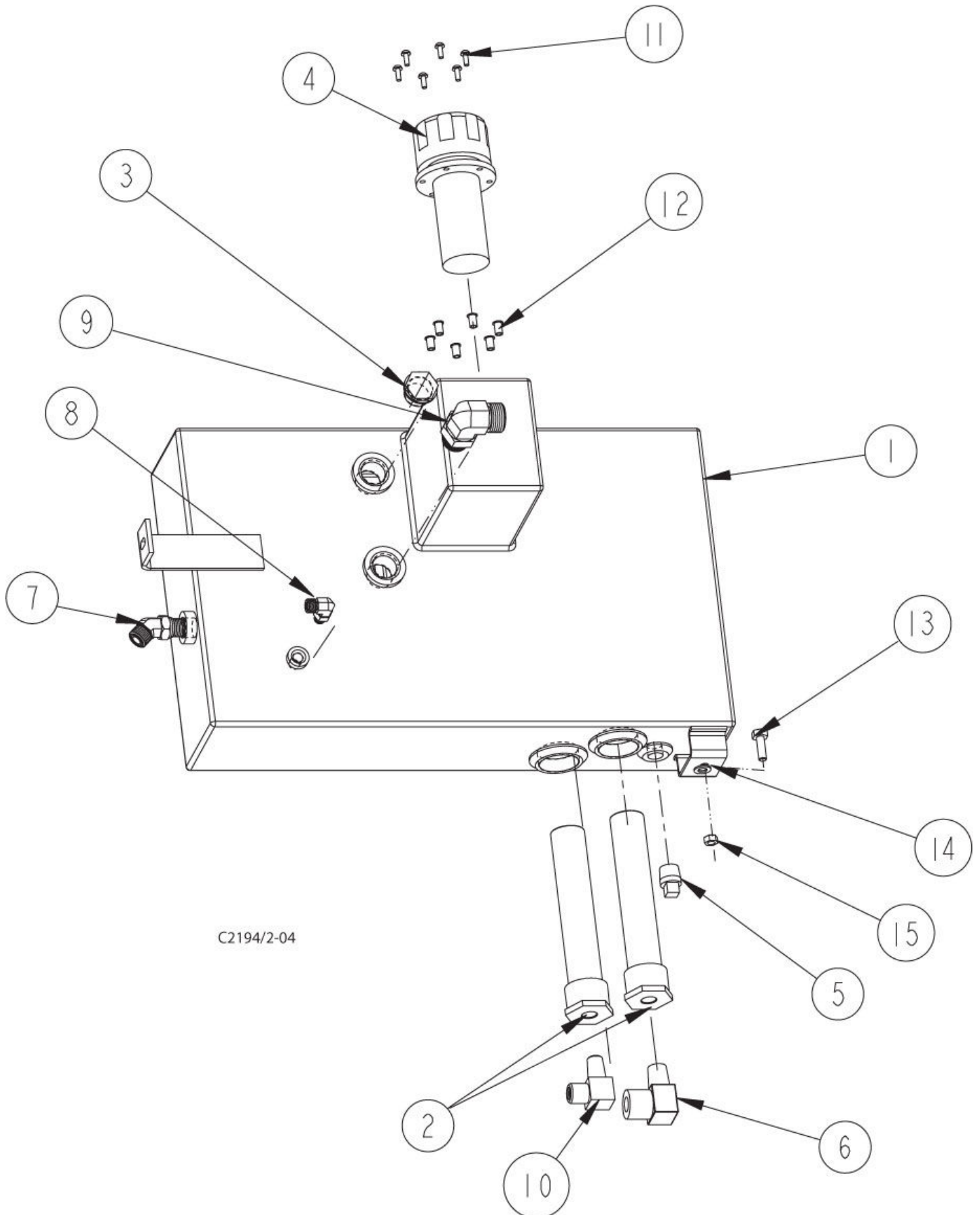
HYDRAULIC RESERVOIR

MPV 60

29-01-2013

Part List ID
MPV6041

49



C2194/2-04

HYDRAULIC RESERVOIR

MPV 60

29-01-2013

Part List ID
MPV6041

50

Pos	Part no.	Qty	Description
1	8-83-04044	1	RESERVOIR HYD MPV60 EFI 416
2	8-24-04115	2	STRAINER HYD RESERVOIR
3	8-48-05033	1	SIGHT GLASS HYD. FLUID
4	8-11-00026	1	FILLER+FILTER ASSY
5	2-00-02474	1	PLUG PIPE GALV .50
6	2-00-05074	1	HYD FITTING 3/4 NPT ORS 12 90
7	2-00-04975	1	FITTING HYD 45 EL 80RS 8SAE
8	2-00-04892	1	HYD. ADAPTER SAE TO OR 90 EL
9	2-00-04972	1	FITTING HYD 90 EL 120RS 12SAE
10	2-00-05438	1	HYD.FITTING 3/4MP X 1/2ORS
11	2-00-00049	6	SCW RHM 10 24 X .50 ZN PL
12	2-00-05262	6	INSERT 10 24 THREAD
13	2-00-02708	1	SCW HHM .313 18 X 1.00 GR 5 ZN
14	2-00-00409	1	WSHR FLAT.688X.344X.063 STL
15	2-00-00644	1	NUT INS FIBRE .31 18 ZN PL

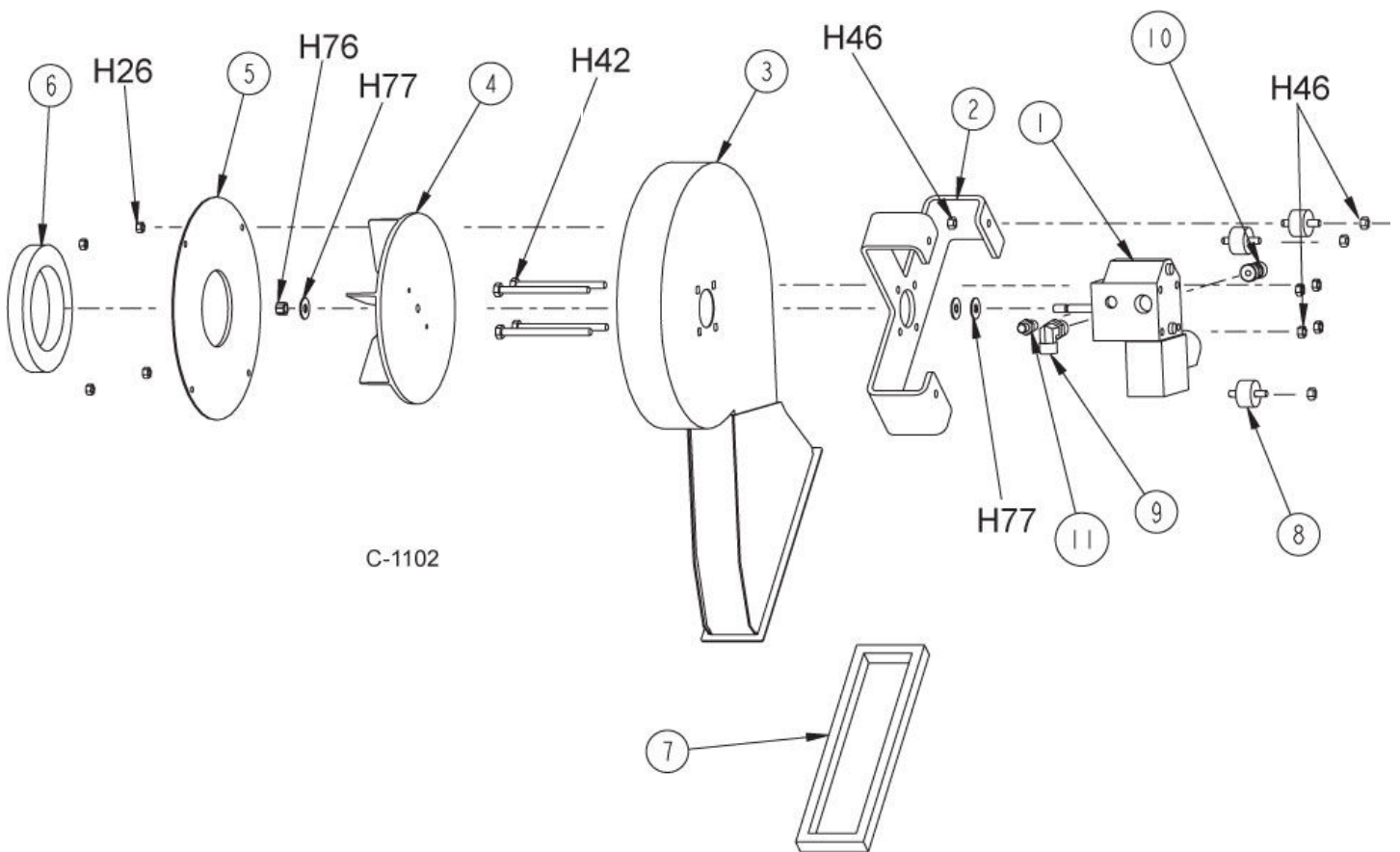
VACUUM FAN

MPV 60

29-01-2013

Part List ID
MPV6043

51



2-43

VACUUM FAN

MPV 60

29-01-2013

Part List ID
MPV6043

52

Pos	Part no.	Qty	Description
1	0882-064	1	HYD MOTOR MANIFOLD ASSY.
2	8-08-00787	1	BRKT VAC FAN
3	8-20-06035	1	EXHAUST DUCT
4	8-23-00012	1	FAN IMPELLER
5	8-30-05169	1	GUARD PLATE
6	8-29-00183	1	GASKET BLOWER
7	8-29-00230	1	GASKET BLOWER EXHAUST
8	8-50-05037	3	PAD
9	2-00-04885	1	HYD.FITTING SAE TO OR 90 EL
10	2-00-04970	1	FITTING HYD STR 8 ORS 8 SAE
11	2-00-04895	1	STRAIGHT THREAD FITTING
12	0875-117	1	DIODE ASSY FAN SOL
H26	2-00-00641	4	NUT INS FIBRE .25 20 ZN PL
H42	2-00-02655	4	SCR. HHC .313 18X4.50 GR5 ZN
H46	2-00-00644	1	NUT INS FIBRE .31 18 ZN PL
H76	2-00-00632	1	NUT INS FIBRE .38 24 ZN PL
H77	2-00-00484	3	SPACER .625X.375X.047 STL/ZNC

H= HARDWARE USED

Ersatzteile auf www.gluesing.net

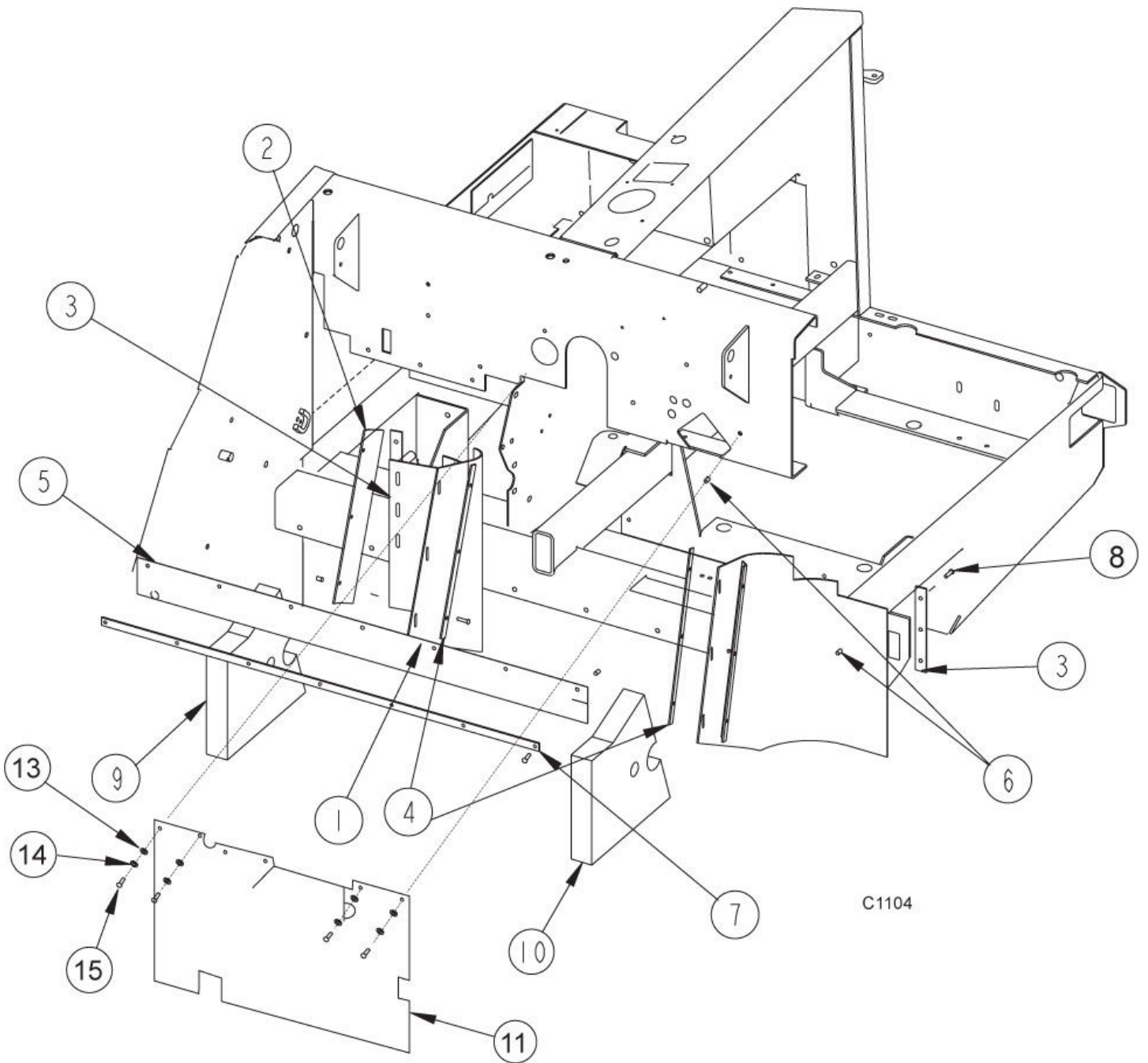
FLAPS (WHEEL WELL)

MPV 60

29-01-2013

Part List ID
MPV6045

53



FLAPS (WHEEL WELL)

MPV 60

29-01-2013

Part List ID
MPV6045

54

Pos	Part no.	Qty	Description
1	8-25-08194	2	FLAP WHEEL WELL
2	8-13-07113	2	CLAMP WHEEL WELL FLAP FRONT
3	8-13-07112	2	CLAMP WHEEL WELL FLAP REAR
4	8-13-07123	2	CLAMP WHEEL WELL FLAP FRONT
5	8-68-05078	1	SEAL FRAME TO DUMP DOOR
6	2-00-05261	25	INSERT 1/4 20
7	8-13-07119	1	CLAMP DUMP DOOR SEAL
8	2-00-04877	19	SHCS 1/4 20X1 SS LOK STRIP
9	8-68-05079	1	SEAL WHEEL WELL RH
10	8-68-05080	1	SEAL WHEEL WELL LH
11	8-25-08218	1	FLAP DUST CONTROL
12	2-00-03702	6	WSHR FL..625X.281X.063 STL.ZN
13	2-00-00518	6	LK WASH 1/4 MED. SECTION ZN
14	2-00-00221	6	SCW HHC .25 20 X .75 GR 8 ZN

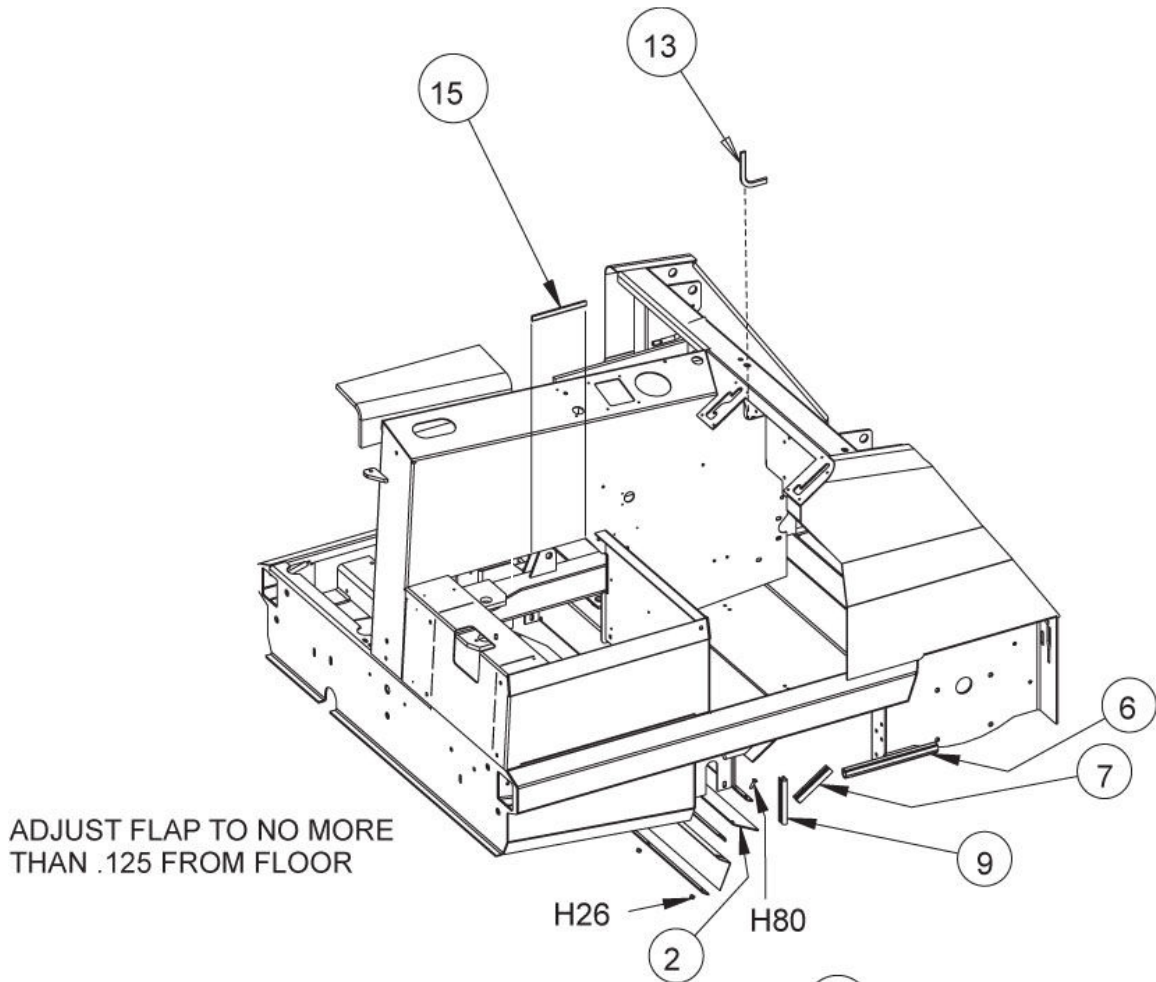
BROOM CHAMBER FLAPS & SEALS

29-01-2013

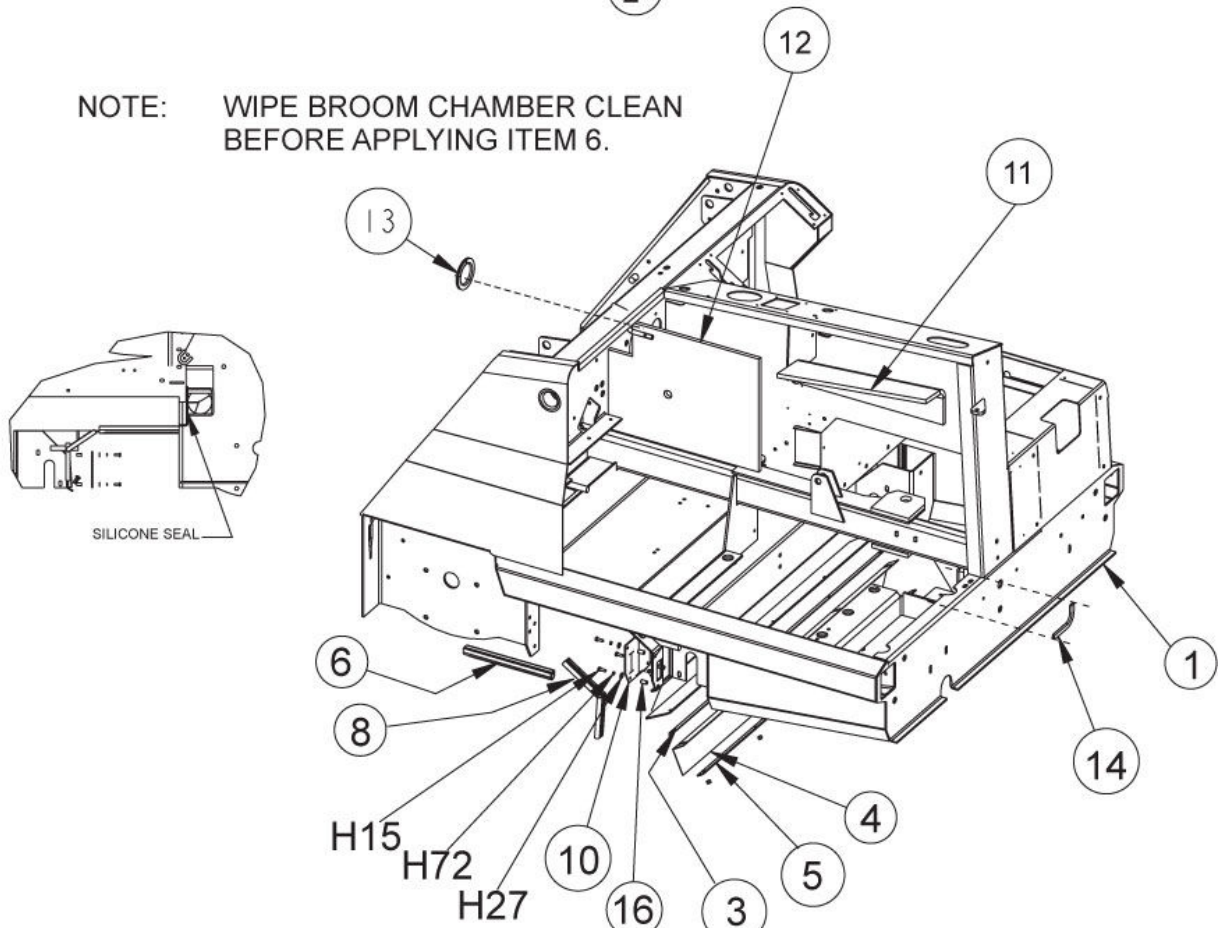
Part List ID
MPV6047

MPV 60

55



NOTE: WIPE BROOM CHAMBER CLEAN BEFORE APPLYING ITEM 6.



BROOM CHAMBER FLAPS & SEALS

MPV 60

29-01-2013

Part List ID
MPV604/

56

Pos	Part no.	Qty	Description
1	8-27-07119	1	MAIN FRAME WELDMENT MVP 60
2	8-25-08197	1	FLAP BROOM CHAMBER INNER
3	8-13-07114	1	CLAMP BROOM CHAMBER FLAP INNER
4	8-25-08196	1	FLAP BROOM CHAMBER OUTER
5	8-13-07115	1	CLAMP BROOM CHAMBER FLAP OUTER
6	8-29-00231	2	GASKET BROOM CHAMBER
7	8-29-00232	1	GASKET BROOM CHAMBER
8	8-29-00234	1	GASKET BROOM CHAMBER
9	8-29-00233	1	GASKET BROOM CHAMBER
10	8-29-00277	1	GASKET BROOM CHAMBER
11	8-34-09017	1	INSULATION CENTER WALL
12	8-34-09018	1	INSULATION CENTER WALL
13	7-21-04022	2	EDGING
14	7-21-04031	1	EDGING BRUSH DR SUPT
15	7-21-03003	1	EDGING
16	2-00-05261	4	INSERT 1/4 20
H15	2-00-00221	4	SCW HHC .25 20 X .75 GR 8 ZN
H26	2-00-00641	5	NUT INS FIBRE .25 20 ZN PL
H27	2-00-03702	4	WSHR FL..625X.281X.063 STL.ZN
H72	2-00-00518	4	LK WASH 1/4 MED. SECTION ZN
H80	2-00-02196	5	BOLT CARR .25 20 X 1.00 G5 ZN

H= HARDWARE USED

Ersatzteile auf www.gluesing.net

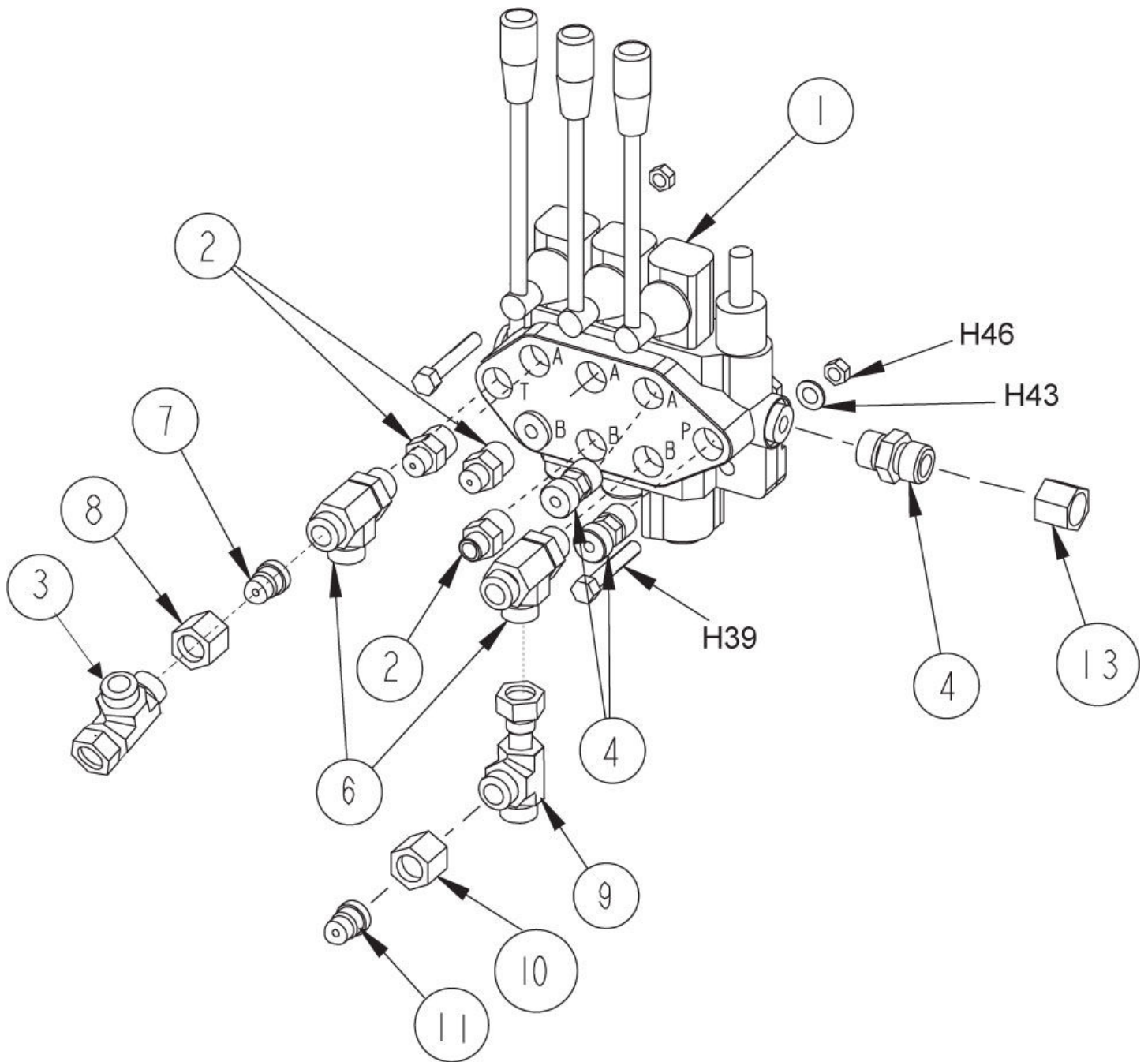
CONTROL & RELIEF VALVES

MPV 60

29-01-2013

Part List ID
MPV6049

57



CONTROL & RELIEF VALVES

MPV 60

29-01-2013

Part List ID
MPV6049

58

Pos	Part no.	Qty	Description
1	7-70-00095	1	SEAL KIT FOR 7 88 00065
1	7-88-00068	1	RELIEF VALVE 2500 PSI
1	8-88-00060	1	VALVE SPOOL
2	2-00-05264	3	FITTING 8SAE X 4ORS
3	2-00-05162	1	FITTING RUN TEE 4 ORS
4	2-00-04970	3	FITTING HYD STR 8 ORS 8 SAE
6	2-00-04924	2	FITTING RUN TEE SAE8 TO ORS8
7	2-00-04929	1	FITTING REDUCER ORS 8 TO 4
8	2-00-04939	1	FITTING NUT FOR REDUCER
9	2-00-04928	1	FITTING RUN TEE ORS8MALE TOEML
10	2-00-04939	1	FITTING NUT FOR REDUCER
11	2-00-04929	1	FITTING REDUCER ORS 8 TO 4
13	2-00-04957	1	FITTING CAP 8 ORS
H39	2-00-00218	2	SCW HHC .313 18 X 2.00 GR5 ZN
H43	2-00-00409	1	WSHR FLAT.688X.344X.063 STL
H46	2-00-00644	2	NUT INS FIBRE .31 18 ZN PL

H= HARDWARE USED

Ersatzteile auf www.gluesing.net

PUMP

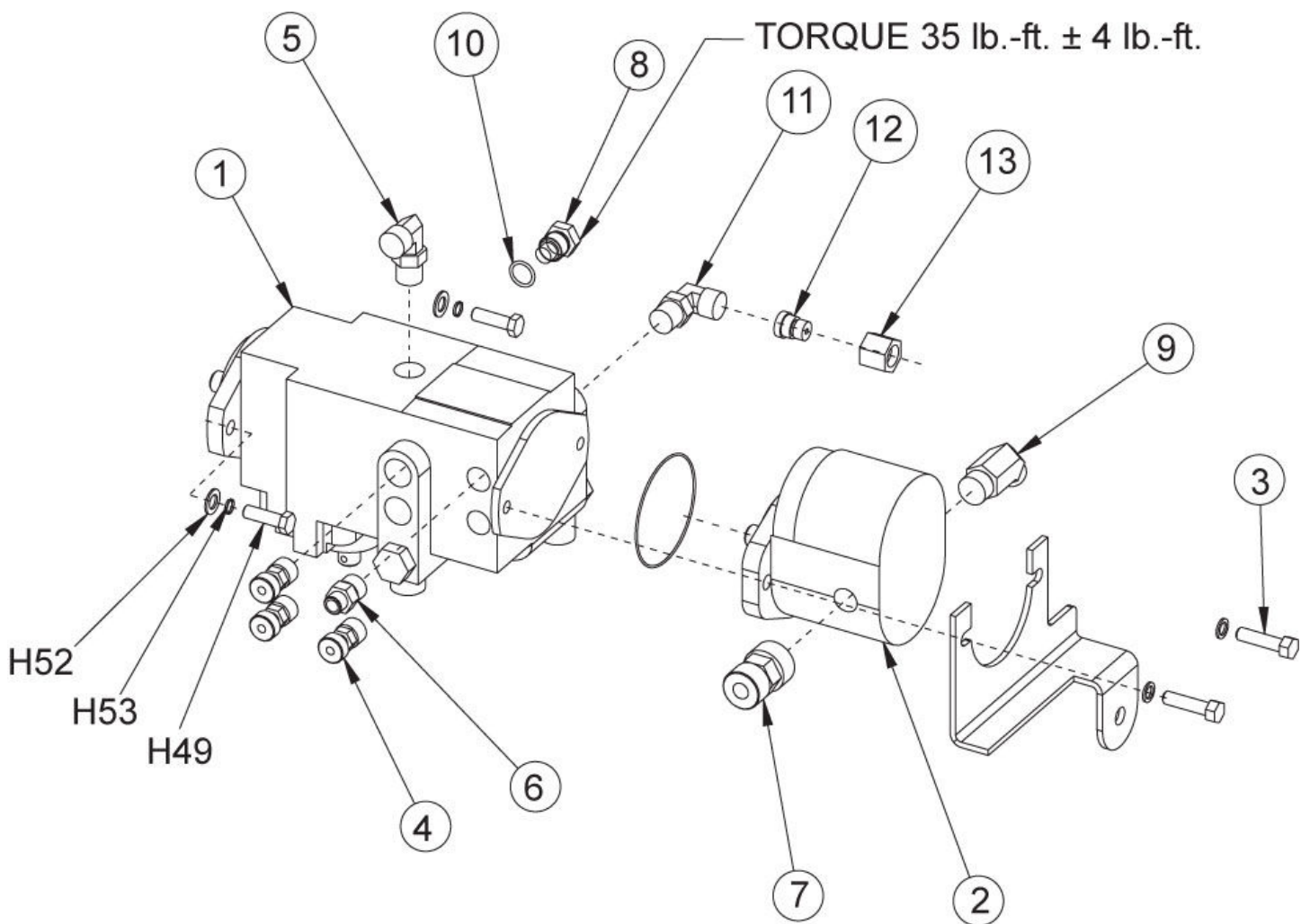
MPV 60

29-01-2013

Part List ID

MPV6051

59



PUMP

MPV 60

29-01-2013

Part List ID
MPV60b1

60

Pos	Part no.	Qty	Description
1	7-60-05023-1	1	PUMP PISTON
1	7-70-00093	1	SEAL KIT FOR 7 60 05023
2	0880-488	1	SEAL KIT FOR 8 60 05009 PUMP
2	0885-067	1	PUMP GEAR
3	0880-404	1	HYD. PUMP ASSY. KIT
4	2-00-04970	3	FITTING HYD STR 8 ORS 8 SAE
5	2-00-04885	1	HYD.FITTING SAE TO OR 90 EL
6	2-00-05264	1	FITTING 8SAE X 4ORS
7	2-00-04971	1	FITTING HYD STR 12 ORS 16SAE
8	7-78-05023	1	PUMP STOP REVERSE SPEED
9	2-00-04989	1	FITTING HYD 8 ORS 10 SAE 45dg
10	2-00-04983	1	O RING FOR 8 O RING BOSS
11	2-00-04885	1	HYD.FITTING SAE TO OR 90 EL
12	2-00-04929	1	FITTING REDUCER ORS 8 TO 4
13	2-00-04939	1	FITTING NUT FOR REDUCER
H49	2-00-00209	2	SCW HHC.375 16 X 1.25 GR 5 ZN
H52	2-00-00402	2	WSHR FL..750X.391X.093 STL ZN
H53	2-00-02310	2	LK WASH HELICAL SPR ZN

H= HARDWARE USED

Ersatzteile auf www.gluesing.net

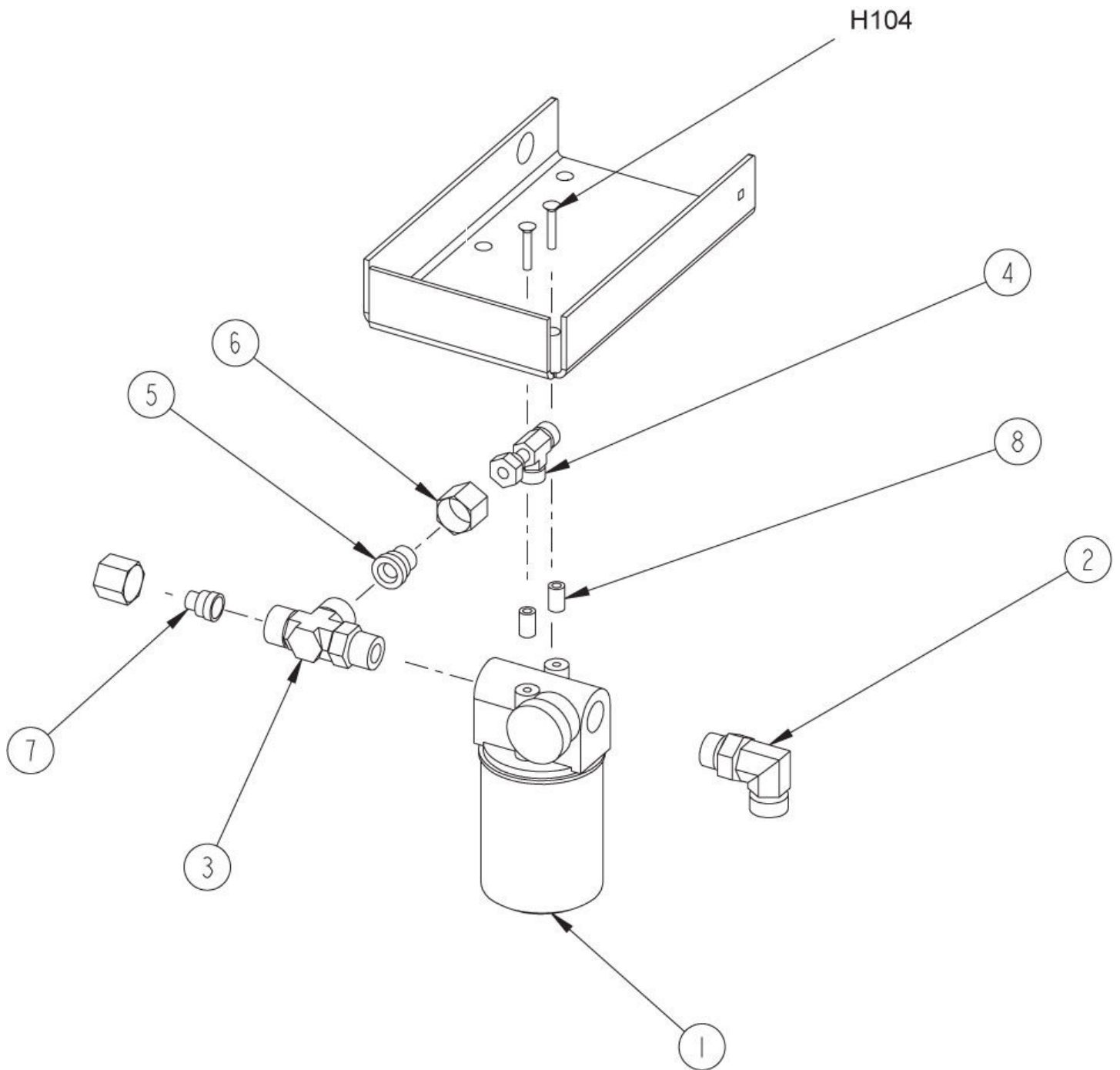
HYDRAULIC FILTER

MPV 60

29-01-2013

Part List ID
MPV6052

61



HYDRAULIC FILTER

MPV 60

29-01-2013

Part List ID
MPV60bZ

62

Pos	Part no.	Qty	Description
1	2-60-02280	1	VISUAL RETURN INDICATOR SP 15P
1	8-24-04116	1	FILTER LOW PRESSURE
1	8-24-04118	1	ELEMENT FILTER SERVICE
2	2-00-04972	1	FITTING HYD 90 EL 120RS 12SAE
3	2-00-05269	1	RUN TEE 12SAE 12ORS
4	2-00-04928	1	FITTING RUN TEE ORS8MALE TOEML
5	2-00-05271	1	ORFS REDUCER 12 8ORS
6	2-00-05270	1	NUT 12ORS
7	2-00-05282	1	ORFS REDUCER 12 4 ORS
8	8-75-01199	2	SPACER BROOM DOOR LATCH

INSTRUMENT PANEL HOUSING

MPV 60

29-01-2013

Part List ID
MPV60b3

64

Pos	Part no.	Qty	Description	
1	8-33-05118	1	INSTR PANEL HOUSING	*Part of 0860-630
2	8-33-05119	1	CENTERWALL HOUSING	*Part of 0860-630
3	8-16-07356	1	COVER VALVE SLOT	
4	8-52-00196	1	PANEL CONTROL VALVE	*Part of 0860-630
5	8-16-07355	1	COVER MAIN BROOM SLOT	
6	8-16-07354	1	COVER SIDE BROOM SLOT	
7	8-52-00194	1	PANEL MAIN BROOM	*Part of 0860-630
8	8-52-00195	1	PANEL SIDE BROOM	*Part of 0860-630
9	8-82-00024	1	HORN PUSH BUTTON	
10	2-00-05283	1	PLUG BUTTON .44 DIA HOLE	
11	8-52-00189	1	PANEL THROTTLE	
12	2-00-04513	1	3/4IN. HOLE PLUG	
13	8-68-05081	1	TRIM SEAL	
14	2-00-02293	1	LK WASH INT TOOTH .63DIA SCREW	
15	2-00-05337	21	SCREW BHSC 8 32x1.00 S/S	
16	2-00-00460	18	WSHR FLAT .438X.192X.031 STL.	

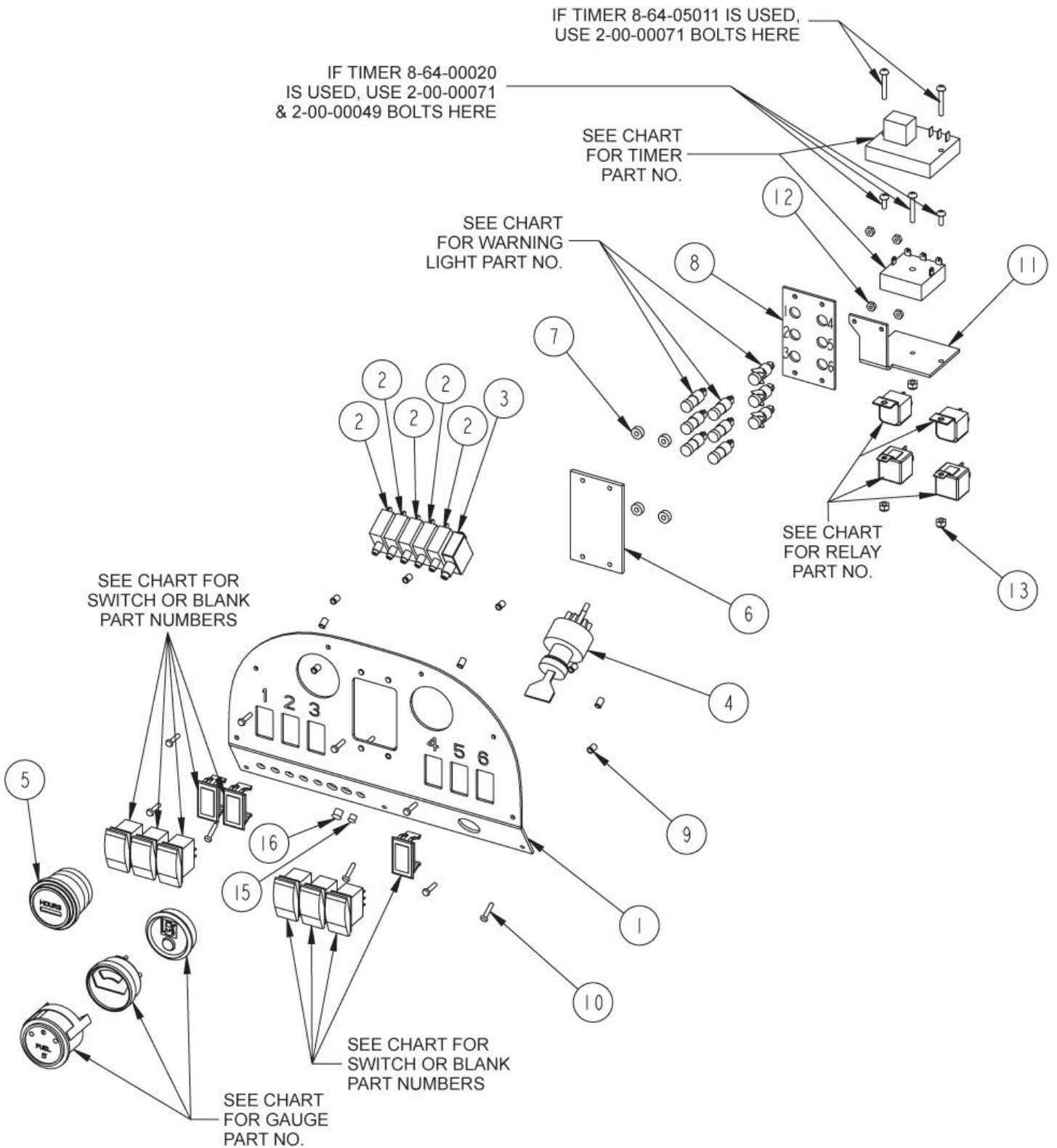
INSTRUMENT PANEL 1

MPV 60

29-01-2013

Part List ID
MPV6055

65



INSTRUMENT PANEL1

MPV 60

29-01-2013

Part List ID
MPV60bb

66

Pos	Part no.	Qty	Description
1	8-52-00203	1	PANEL INSTRUMENT
2	8-64-00008	6	CIRCUIT BREAKER 15 AMP
3	7-64-00025	2	CIRCUIT BREAKER 25 AMP
4	7-82-00026	1	KEY SWITCH ANTI RE START
5	56478363	1	METER HOUR
6	8-41-03014	1	LENS WARNING LIGHT
7	8-75-01223	4	SPACER PANEL
8	8-58-05292	1	PLATE WARNING LIGHT
9	2-00-05324	9	THREADED INSERT 8 32
10	2-00-05337	9	SCREW BHSC 8 32x1.00 S/S
11	8-08-00948	1	BRKT TIMER
12	2-00-01372	4	NUT INS FIBRE 8 32 STL/ZN
13	2-00-01246	3	10 24 NYLON INSERT THIN
14	0895-142	1	INSTR HARNESS 6150/MPV60

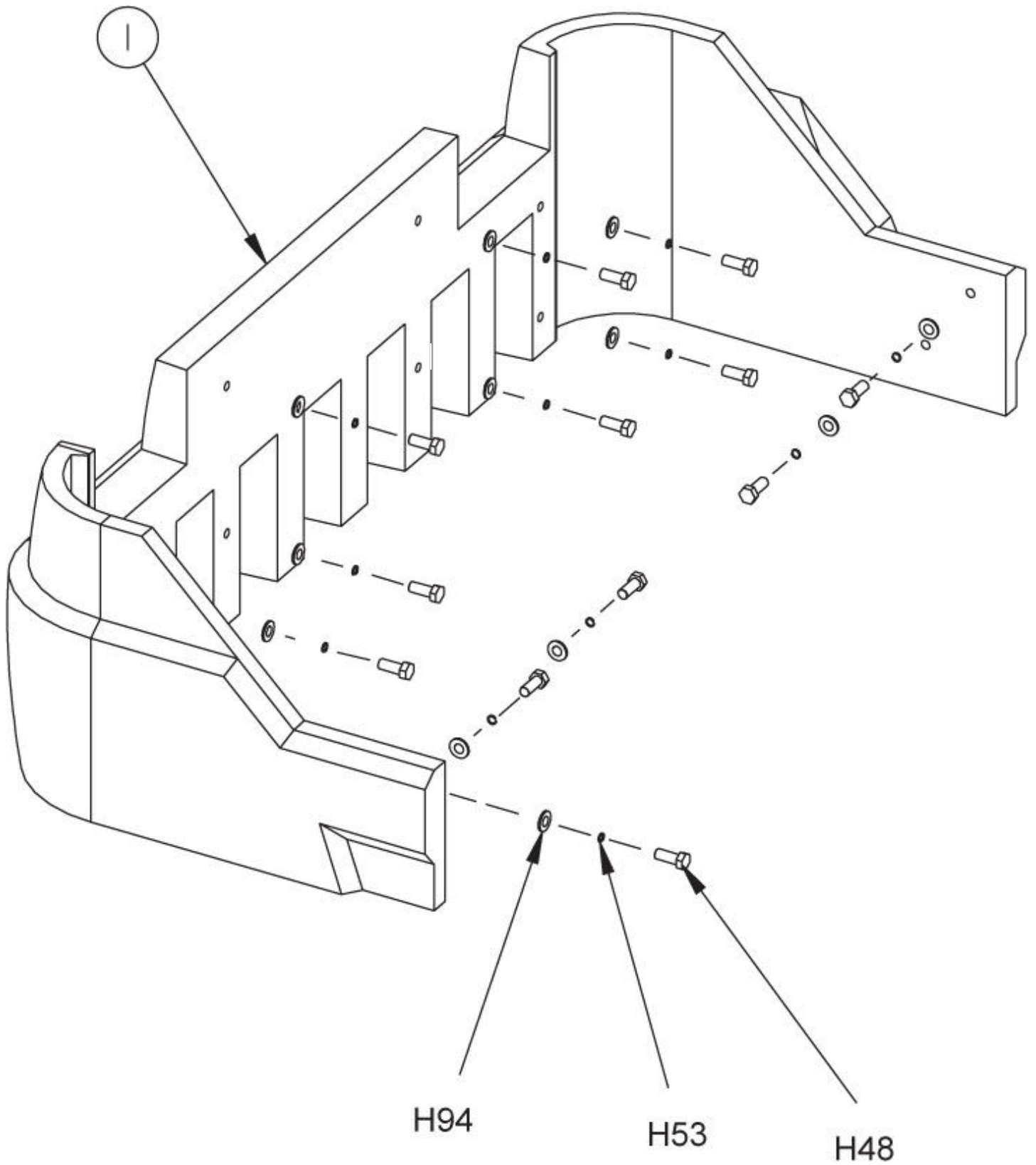
FRONT BUMPER

MPV 60

29-01-2013

Part List ID
MPV6056

67



C1121

FRONT BUMPER

MPV 60

29-01-2013

Part List ID
MPV60b6

68

Pos	Part no.	Qty	Description
1	8-08-07055	1	BUMPER FRONT
H48	2-00-00233	12	SCREW HHC .375 16 X 1.00 GR ZN
H53	2-00-02310	12	LK WASH HELICAL SPR ZN
H94	2-00-04851	12	WASHER 1.56 ODX .391 ID X .090

H= HARDWARE USED

Ersatzteile auf www.gluesing.net

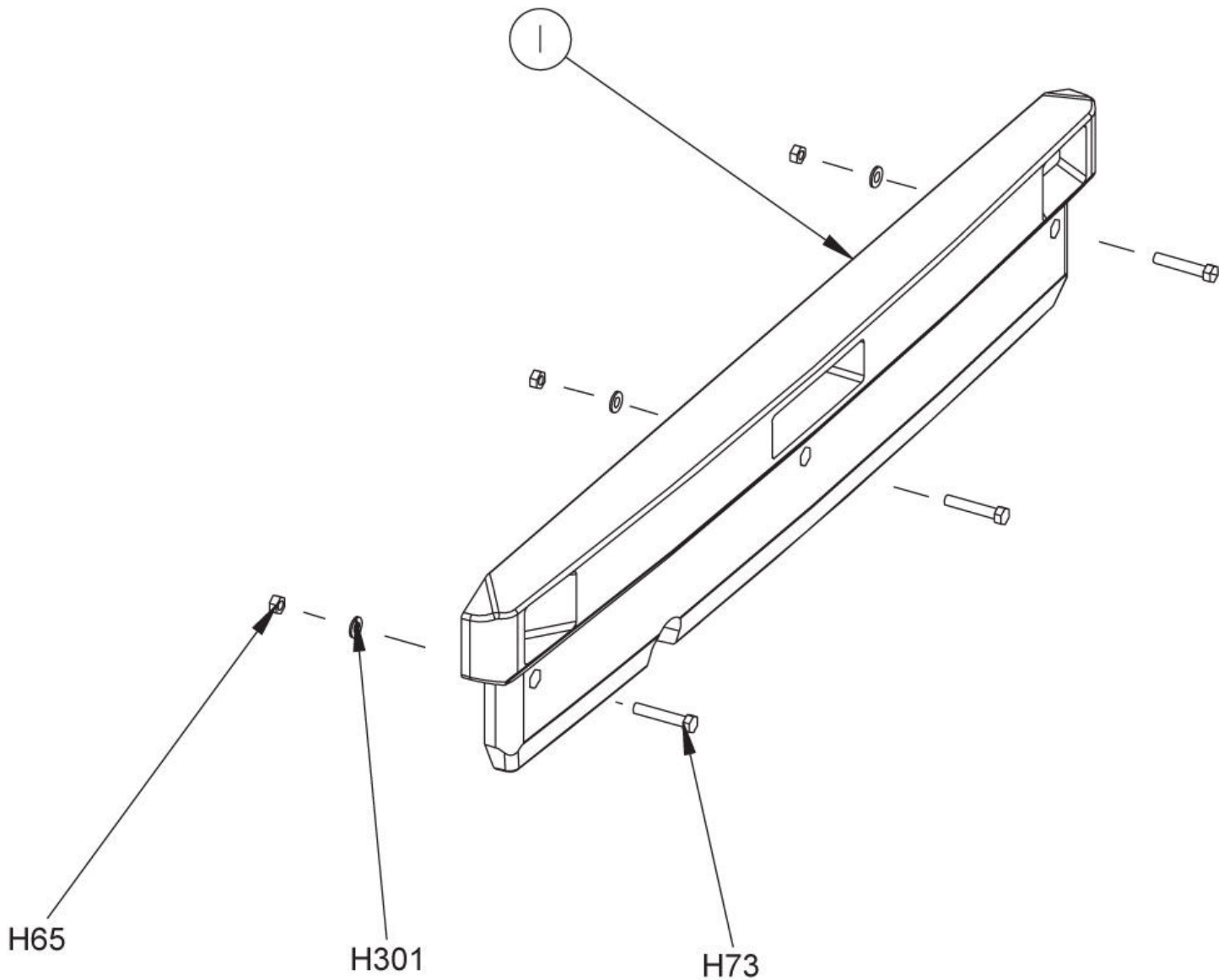
REAR BUMPER

MPV 60

29-01-2013

Part List ID
MPV6057

69



REAR BUMPER

MPV 60

29-01-2013

Part List ID
MPV60b/

70

Pos	Part no.	Qty	Description
1	8-08-07056	1	BUMPER REAR
H65	2-00-04936	3	NUT INS FIBRE .50 13 ZINC
H73	2-00-00247	3	SCREW HHC .50 13 X 2.50 GR5 ZN
H30	2-00-04159	3	WSHR FL 1.375X.563X 109 STL.ZN

H= HARDWARE USED

Ersatzteile auf www.gluesing.net

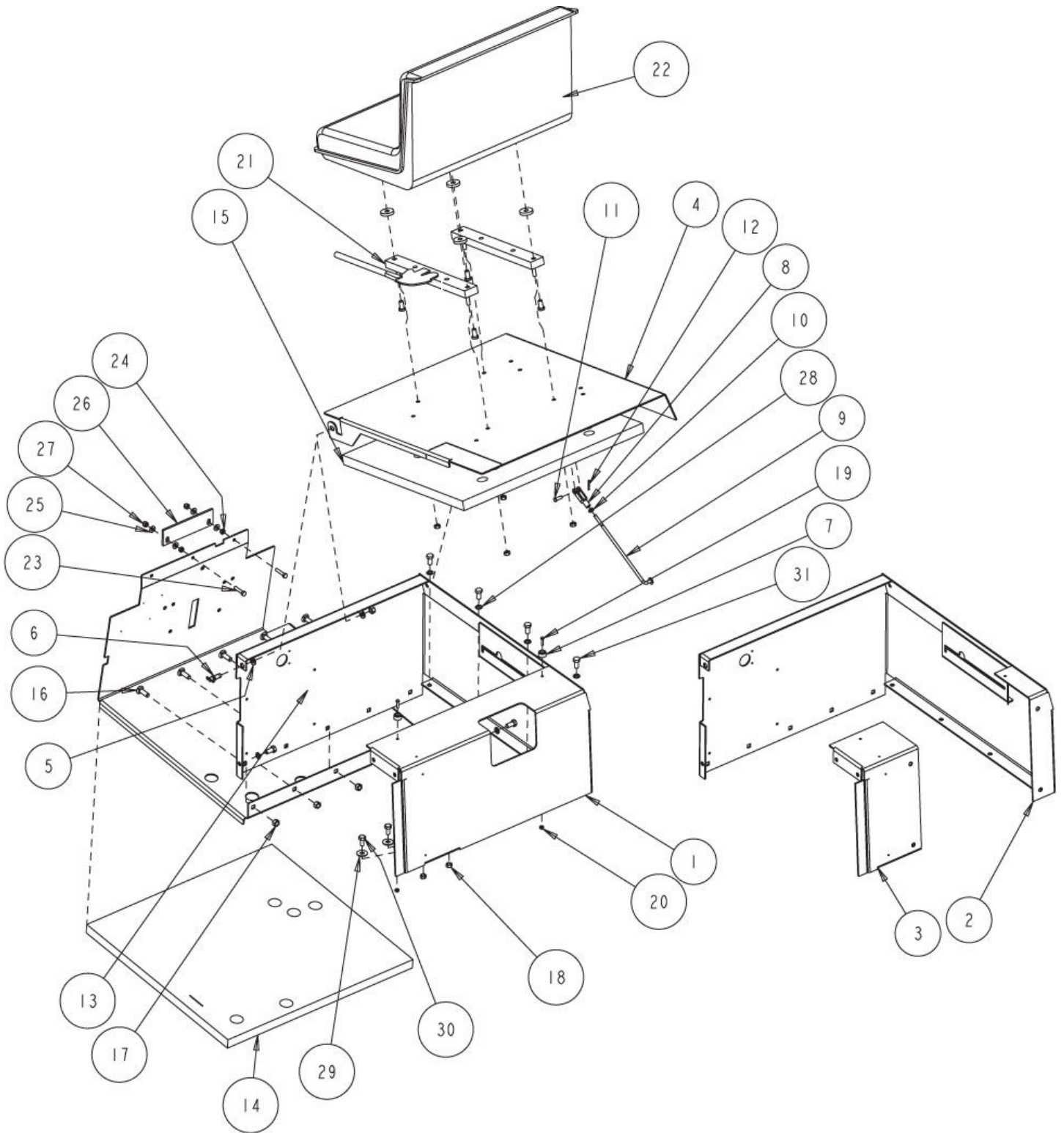
SEAT & FLOOR ASSEMBLY

MPV 60

29-01-2013

Part List ID
MPV6059

71



SEAT & FLOOR ASSEMBLY

MPV 60

29-01-2013

Part List ID
MPV60s9

72

Pos	Part no.	Qty	Description
2	8-33-05153	1	SEAT HOUSING LP MPV60
4	8-16-07348	1	SEAT DECK
5	2-00-00402	1	WSHR FL..750X391X.093 STL ZN
6	8-55-08121	1	PIN SEAT DECK PIVOT
7	8-50-05058	1	RUBBER STEM BUMPER
8	8-14-01006	1	CLEVIS
9	8-66-00171	1	ROD SEAT DECK PROP
10	2-95-01999	1	NUT HEX JAM .25 28 ZN
11	2-00-04909	1	YOKE PIN ASSY
12	2-00-05249	1	HAIR PIN COTTER
13	8-52-00123	1	FLOOR/KICK PANEL
14	8-34-09016	1	INSULATION FLOOR
15	8-34-09019	1	INSULATION SEAT DECK
16	2-00-05187	1	BOLT CARR.38 16 X 1.25 GR 5 ZN
17	2-95-04182	1	NUT EL.STOP 3/8 16 ZN PL
18	2-00-00644	1	NUT INS FIBRE .31 18 ZN PL
19	2-00-05258	1	SCREW BHS 8 32 3/4 BLACKSE
20	2-00-01372	1	NUT INS FIBRE 8 32 STL/ZN
21	7-72-05005	1	SLIDE ADJUSTER KIT
22	8-69-00022	1	SEAT
23	2-00-00222	1	SCREW HHM .25 20 X 1.25 G5 ZN
24	2-00-00589	1	NUT HEX JAM .25 20 REG ZN
25	2-00-03702	1	WSHR FL..625X281X.063 STL.ZN
26	8-58-05270	1	PLATE LATCH
27	2-00-00641	1	NUT INS FIBRE .25 20 ZN PL
28	2-00-02310	1	LK WASH HELICAL SPR ZN
29	2-00-03979	1	WSHR FL 1.0X.438 X.064 .104 TH
30	2-00-00208	1	SCW HHC .313 18 X .75 GR5 ZN
31	2-00-00232	1	SCW HHC .375 16 X .75 GR5 ZN

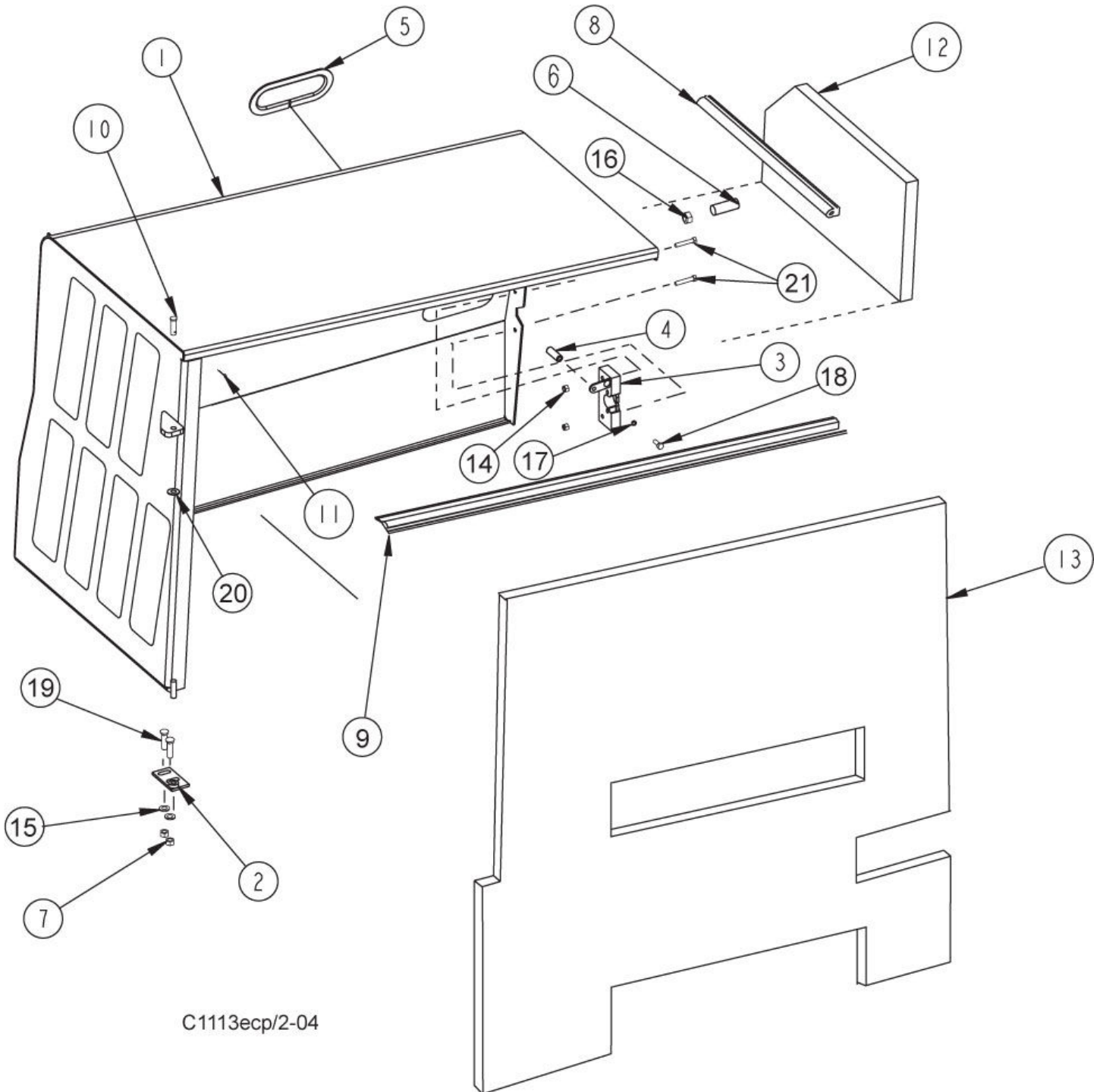
ENGINE COVER

MPV 60

29-01-2013

Part List ID
MPV6061

73



C1113ecp/2-04

ENGINE COVER

MPV 60

29-01-2013

Part List ID
MPV6061

74

Pos	Part no.	Qty	Description
1	8-16-07363	1	ENGINE COVER WELDED
2	8-08-00776	1	ENG COVER MTG PLATE
3	8-41-00051	1	LATCH
4	8-39-00014	1	KNOB LATCH ENGINE COVER
5	7-21-03003	1	EDGING
6	8-66-05012	1	ROLLER ENG COVER GUIDE
7	2-95-04182	2	NUT EL.STOP 3/8 16 ZN PL
8	8-29-00236	1	GASKET ENGINE COVER
9	8-29-00237	1	GASKET ENGINE COVER
10	2-00-05266	1	PIN PIVOT 3/8 X 1 1/8 ZN
11	2-00-05249	1	HAIR PIN COTTER
12	8-34-09037	1	INSULATION ENGINE COVER MPV60
13	8-34-09021	1	INSULATION ENGINE COVER
14	2-00-00641	2	NUT INS FIBRE .25 20 ZN PL
15	2-00-00402	1	WSHR FL..750X.391X.093 STL ZN
16	2-00-04936	1	NUT INS FIBRE .50 13 ZINC
17	2-00-00518	1	LK WASH 1/4 MED. SECTION ZN
18	2-00-00221	1	SCW HHC .25 20 X .75 GR 8 ZN
19	2-00-03750	2	BOLT CARR.38 16 X 1.50 GR5 ZN
20	2-00-00410	1	WSHR FL .875X.375X.063 STL.ZN
21	2-00-00203	2	SCREW HHC.25 20 X 1.50 GR 5 ZN

MITSUBISHI S4L2 DIESEL ENGINE (FAN, BRACK

MPV 60

29-01-2013

Part List ID
MPV6063

76

Pos	Part no.	Qty	Description
1	0777-049	1	DIESEL ENGINE S4L2 MITSUBISHI
2	7-75-01250	1	SPACER BREEZA FAN S4L2 DIESEL
3	7-23-00023	1	FAN S4L2 DIESEL MITSUBISHI
4	7-08-02042	1	BRKT RIGHT REAR MNT S4L2
5	7-08-01176	1	BRKT FRONT ENG MNT S4L2 DIESEL
6	7-08-01177	1	BRKT FRONT MNT S4L2
7	7-75-01246	1	SPACER S4L2
8	7-08-02043	1	BRKT LEFT REAR MNT S4L2
9	7-08-01175	1	BRACKET FRONT MNT S4L2
10	7-08-02041	1	BRKT FRONT MNT S4L2
11	7-35-00017	4	ISOLATOR ENGINE MOUNT
12	2-00-05067	8	WSHR FLAT 1.750X.531X.100 STL.
13	2-00-02617	4	SCW HHC .50 13 X 3.25 GR5 ZN
14	2-00-00405	4	WSHR FLAT 1.063X.531X.094 STL.
15	2-00-04936	4	NUT INS FIBRE .50 13 ZINC
16	2-00-00402	16	WSHR FL..750X.391X.093 STL ZN
17	2-00-00209	8	SCW HHC.375 16 X 1.25 GR 5 ZN
18	2-95-04182	8	NUT EL.STOP 3/8 16 ZN PL
19	2-00-05043	16	LK WASH HELICAL SPR M12 MEDIUM
20	2-00-05960	12	HHC M12X1.25X25MM SCREW
21	2-00-05962	4	SCREW M12 X 1.25 X 45MM

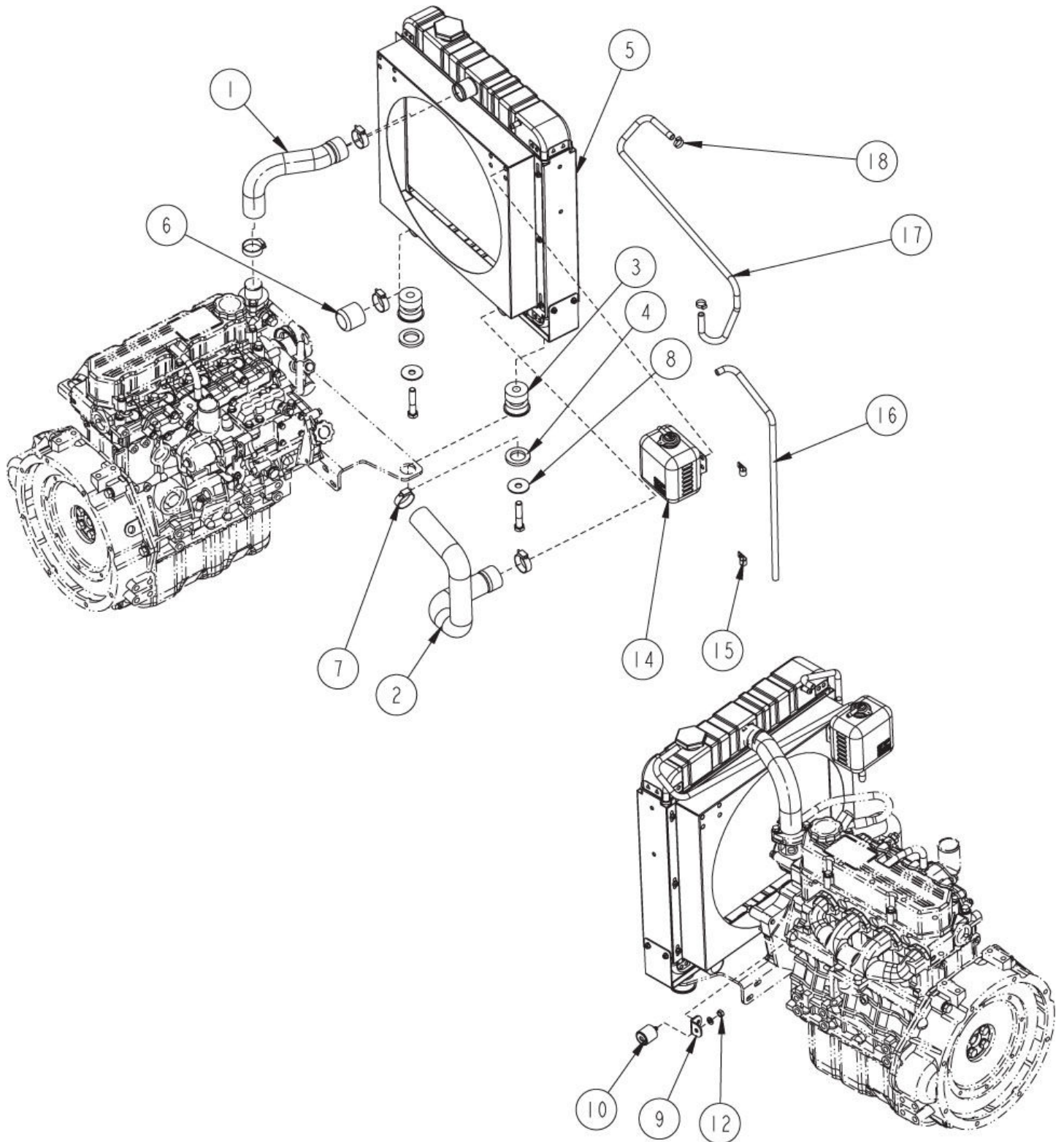
MITSUBISHI S4L2 DIESEL ENGINE (COOLING SYS)

MPV 60

29-01-2013

Part List ID
MPV6065

77



MITSUBISHI S4L2 DIESEL ENGINE (COOLING SYS

MPV 60

29-01-2013

Part List ID

MPV6065

78

Pos	Part no.	Qty	Description
1	7-33-02604	1	HOSE UPPER RADIATOR S4L2
2	7-33-02605	1	HOSE RADIATOR LOWER S4L2
3	7-35-00017	2	ISOLATOR ENGINE MOUNT
4	2-00-05955	2	FLT WSHR 1.25ID X 2.00OD X .25
5	7-62-01008	1	RADIATOR EFI416
6	2-00-05956	1	PLUG RADIATOR OUTLET
7	2-00-03404	5	CLAMP WITTECK C24P
8	2-00-05067	2	WSHR FLAT 1.750X.531X 100 STL.
9	7-08-02047	1	BRKT RADIATOR MNT S4L2 DIESEL
10	7-35-00028	1	ISOLATOR 32MMX32MM M8 1.25MM
11	2-00-05041	2	LK WASH HELICAL SPR M8 MEDIUM
12	2-00-05964	1	NUT M8 X 1.25 X 13MM
13	2-00-00247	2	SCREW HHC .50 13 X 2.50 GR5 ZN
14	7-07-02002	1	OVERFLOW BOTTLE ASSY
15	2-00-04602	2	CLAMP HOSE SINGLE 1/2 O.D.
16	7-33-02644	1	HOSE PVC CLEAR
17	7-33-02643	1	HOSE 1/4 ID X 36 IN LONG BLK
18	2-95-04388	2	CLAMP HOSE FEEDWATER IDEAL6203

MITSUBISHI S4L2 DIESEL ENGINE (AIR INTAKE S)

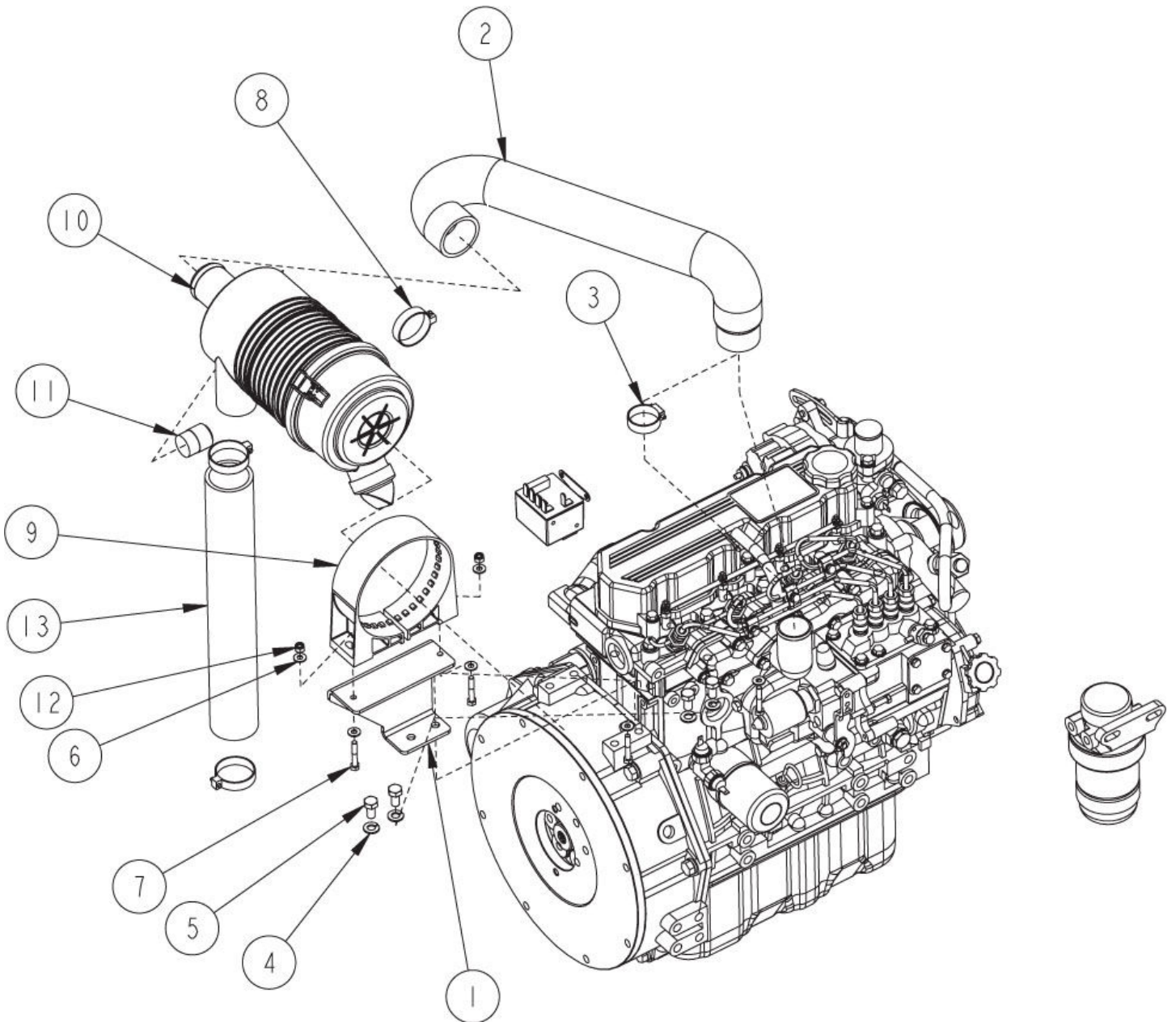
MPV 60

29-01-2013

Part List ID

MPV6067

79



MITSUBISHI S4L2 DIESEL ENGINE (AIR INTAKE SY

MPV 60

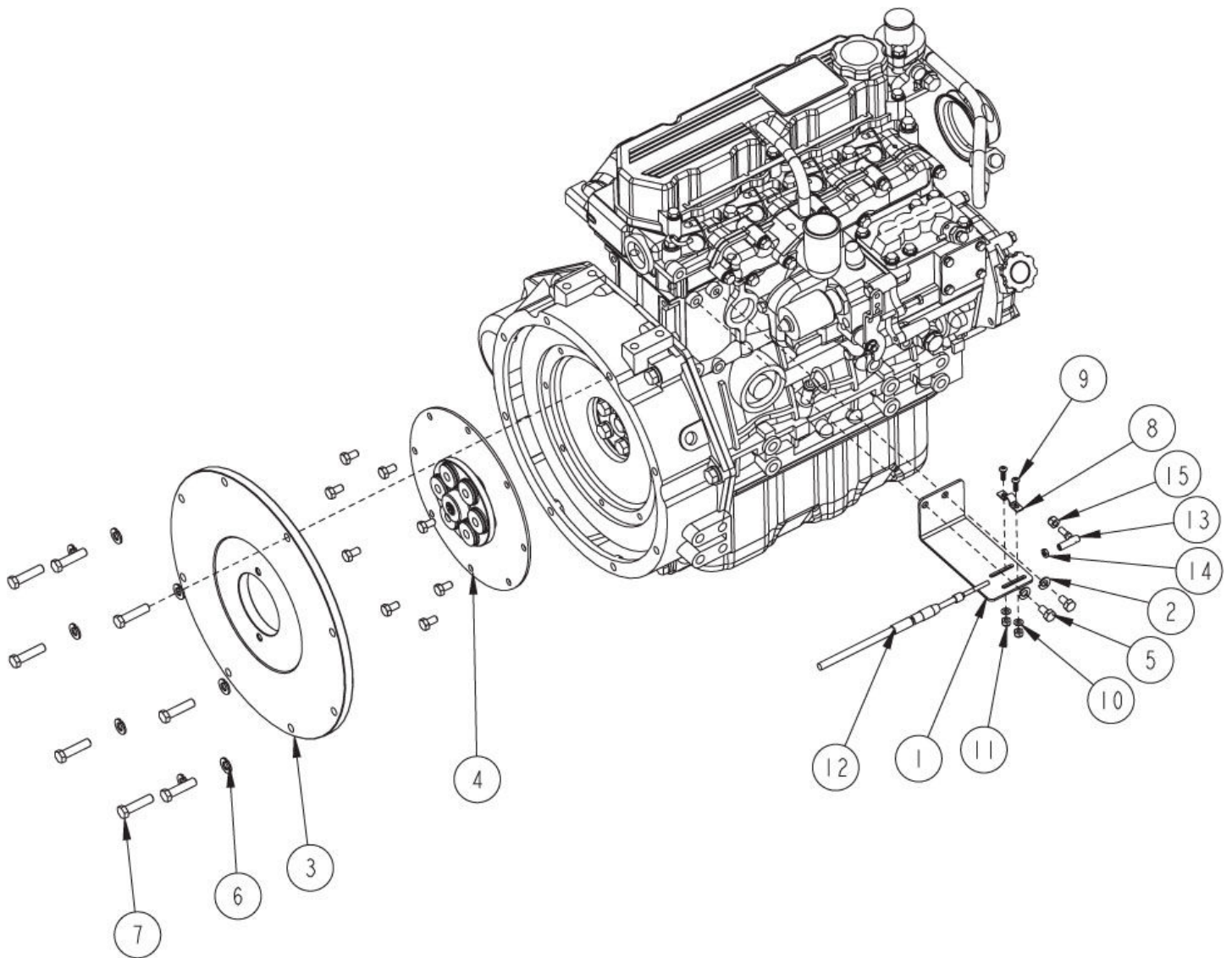
29-01-2013

Part List ID

MPV606/

80

Pos	Part no.	Qty	Description
1	7-08-02044	1	BRKT AIR CLEANER S4L2
2	7-33-02608	1	HOSE AIR INTAKE S4L2
3	2-00-03404	1	CLAMP WITTECK C24P
4	2-00-05042	4	LK WASH HELICAL SPR M10 MEDIUM
5	2-00-05958	4	SCREW HHC M10 X 1.25 X 20MM
6	2-00-03702	6	WSHR FL..625X281X.063 STL.ZN
7	2-00-00203	4	SCREW HHC.25 20 X 1.50 GR 5 ZN
8	2-00-02216	3	CLAMP IDEAL CO 5232
9	7-13-07231	1	MOUNT AIR CLEANER ECP
10	7-24-04083	1	AIR CLEANER FILTER ECP
11	7-24-04087	1	FILTER SERVICE INDICATOR 20 WC
12	2-00-00641	2	NUT INS FIBRE .25 20 ZN PL



MITSUBISHI S4L2 DIESEL ENGINE (THROTTLE, PUM

MPV 60

29-01-2013

Part List ID

MPV6068

82

Pos	Part no.	Qty	Description
1	7-08-02048	1	BRKT THROTTLE S4L2
2	2-00-05041	2	LK WASH HELICAL SPR M8 MEDIUM
3	7-58-05335	1	CASTING PUMP PLATE S4L2 DIESEL
4	7-16-05044	1	COUPLING ENGINE S4L2 DIESEL
5	2-00-05963	10	SCREW HHC M8X1.25X15MM 8.8BLOX
6	2-00-05042	8	LK WASH HELICAL SPR M10 MEDIUM
7	2-00-05329	8	SCW HHC M10X1.50X40MM S/S
8	8-13-07094	1	CONDUIT CLAMP
9	2-00-04794	2	SCREW 10 24 X63 GR8 ZN
10	2-00-00426	2	WSHR FL .500X.219X.063 STL.ZN
11	2-00-01246	2	10 24 NYLON INSERT THIN
12	8-10-00033	1	CABLE THROTTLE
13	8-25-02036	1	BALL JOINT CONNECTOR
14	2-00-00626	1	NUT HEX MAC SCR 10 32 ZN
15	2-00-00633	1	NUT INS FIBRE RH .25 28 ZN PL

THROTTLE CONTROL (DIESEL)

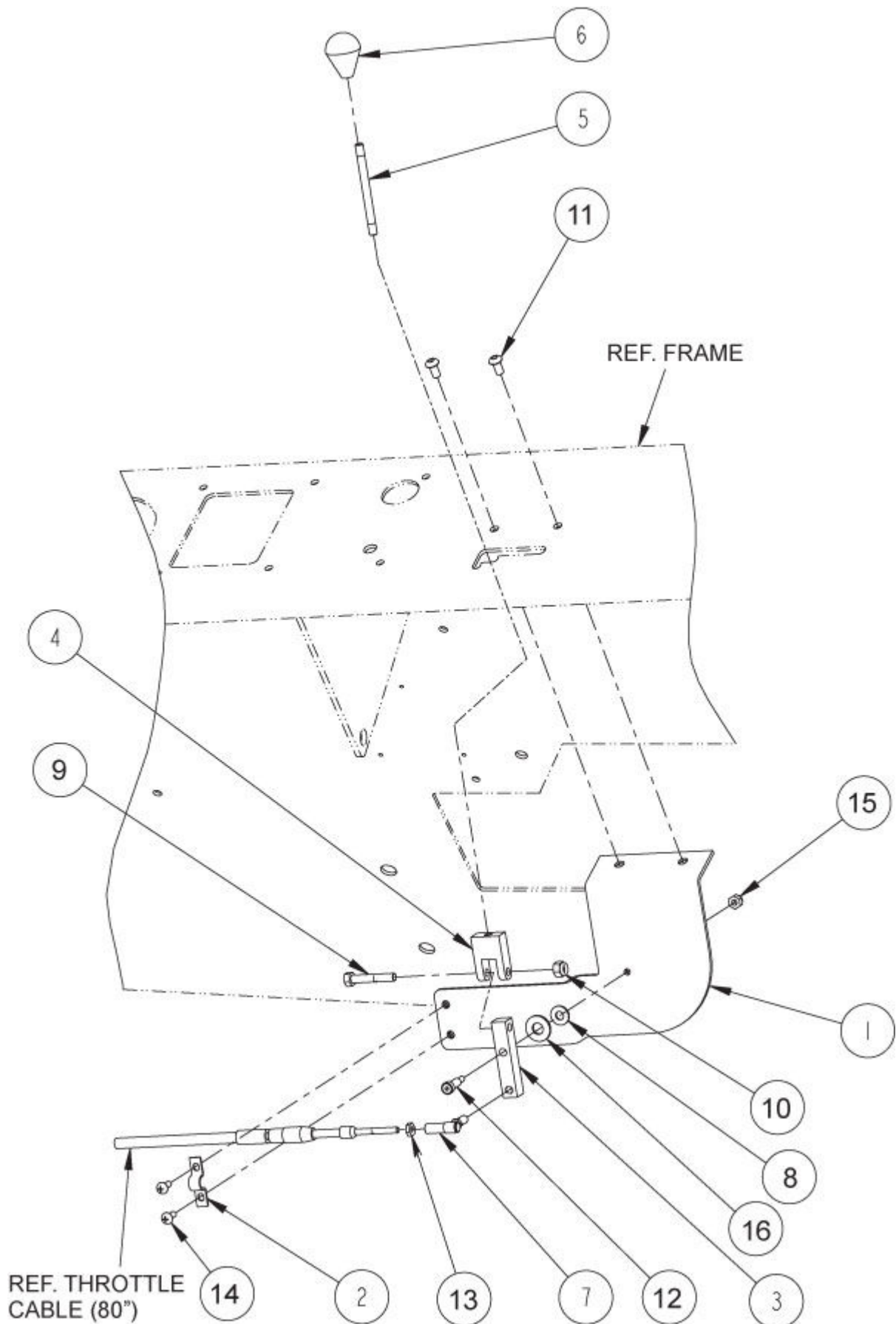
MPV 60

29-01-2013

Part List ID

MPV6069

83



THROTTLE CONTROL (DIESEL)

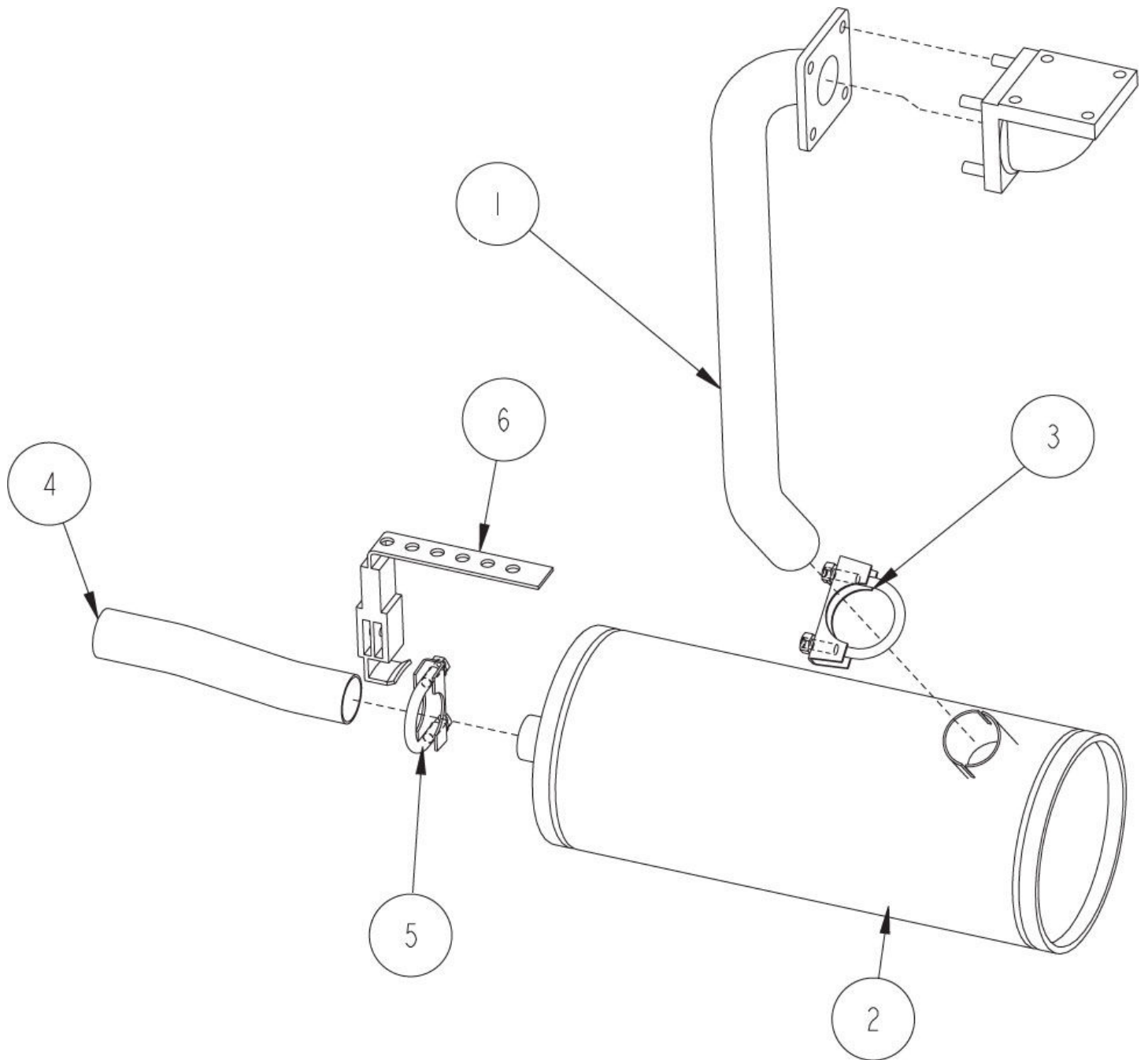
MPV 60

29-01-2013

Part List ID
MPV6069

84

Pos	Part no.	Qty	Description
2	8-13-07094	1	CONDUIT CLAMP
3	8-92-00046	1	PIVOT BLOCK THROTTLE MPV60
4	8-92-00045	1	YOKE THROTTLE
5	8-66-00192	1	ROD CONTROL THROTTLE MPV60
6	7-39-00017	1	KNOB CONT SOLUTION
7	8-25-02036	1	BALL JOINT CONNECTOR
8	2-00-03702	1	WSHR FL..625X.281X.063 STL.ZN
9	2-00-00203	1	SCREW HHC.25 20 X 1.50 GR 5 ZN
10	2-00-00641	1	NUT INS FIBRE .25 20 ZN PL
11	2-00-04876	2	SCREW 1/4 20 X.50 BHS GR 8 ZN
12	2-00-04563	1	10 24 SHOULDER SCREW
13	2-00-00626	1	NUT HEX MAC SCR 10 32 ZN
14	2-00-00049	2	SCW RHM 10 24 X .50 ZN PL
15	2-00-01246	1	10 24 NYLON INSERT THIN
16	7-23-03048	1	WSHR SPR SHAKEPROOF 3502 18 36



MITSUBISHI S4L2 DIESEL ENGINE (EXHAUST SYS

MPV 60

29-01-2013

Part List ID MPV60/0

86

Pos	Part no.	Qty	Description
1	8-87-02120	1	TUBE EXHAUST S4L2
2	7-49-00043	1	MUFFLER S4L2
3	7-13-07075	1	CLAMP FOR 104V4 ENG 1.625 ID
4	8-87-02123	1	TUBE EXHAUST MPV60 S4L2
5	2-00-04040	1	CLAMP MUFFLER
6	7-31-07017	1	HANGER MUFFLER

MITSUBISHI S4L2 DIESEL ENGINE (FUEL SYST

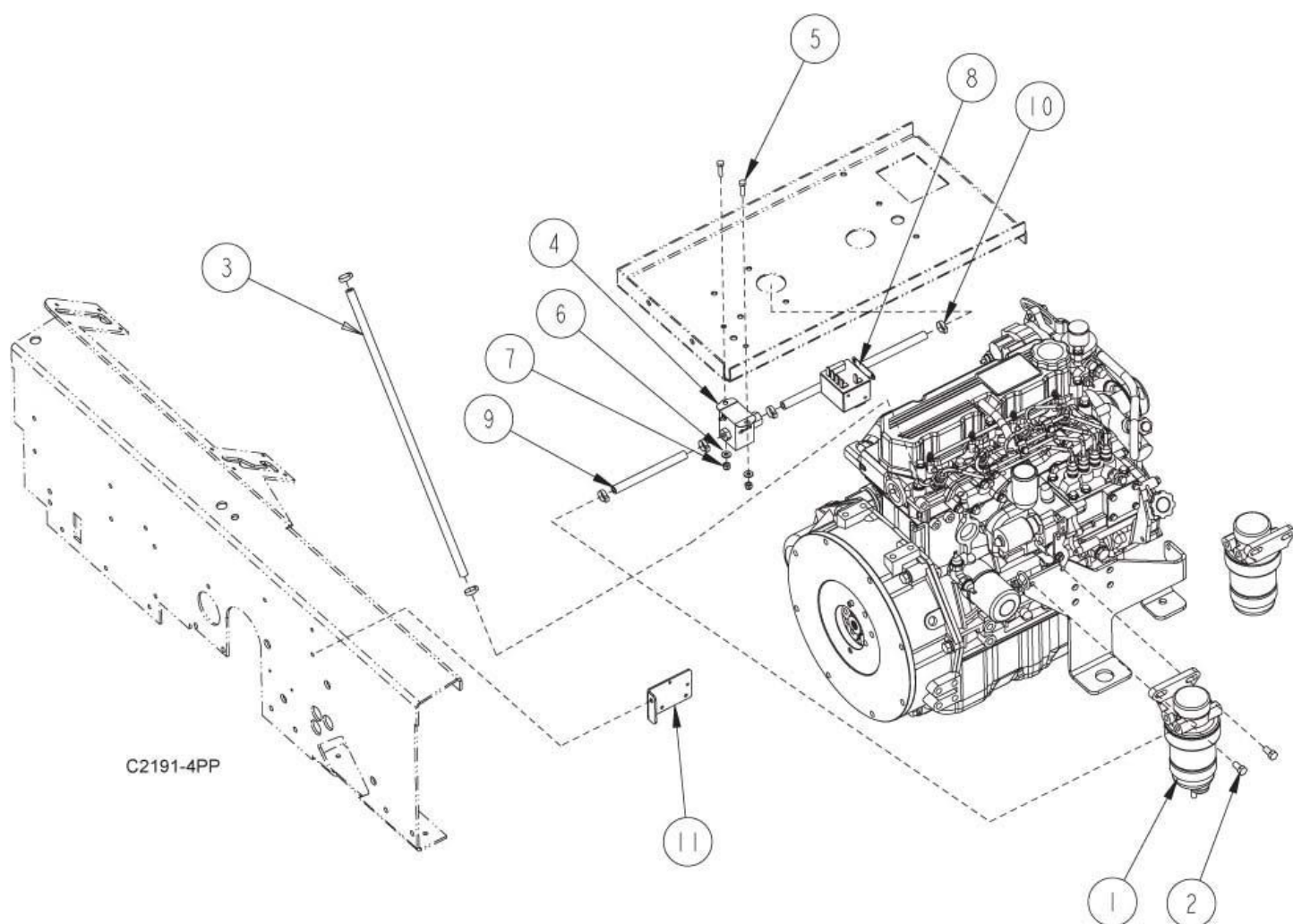
MPV 60

29-01-2013

Part List ID

MPV6071

87



MITSUBISHI S4L2 DIESEL ENGINE (FUEL SYST

MPV 60

29-01-2013

Part List ID

MPV60/1

88

Pos	Part no.	Qty	Description
1	7-24-04078	1	FUEL FILTER ASSYS4L2/S4Q2
2	2-00-00232	2	SCW HHC .375 16 X .75 GR5 ZN
3	8-33-02145	1	HOSEFUEL TNK BOTTOM TO FILTR
4	8-60-05028	1	FUEL PUMP ELECT FORD LRG423
5	2-00-00205	2	BOLT HEX TAP .25 20X1.0 GR 5
6	2-00-03702	2	WSHR FL..625X.281X.063 STL.ZN
7	2-00-00641	2	NUT INS FIBRE .25 20 ZN PL
8	8-33-02386	1	HOSE FUEL MPV60 S4L2
9	8-33-02387	1	HOSE FUEL MPV60 S4L2
10	2-95-04388	6	CLAMP HOSE FEEDWATER IDEAL6203
11	8-08-00936	1	BRKT MURPHY S4L2

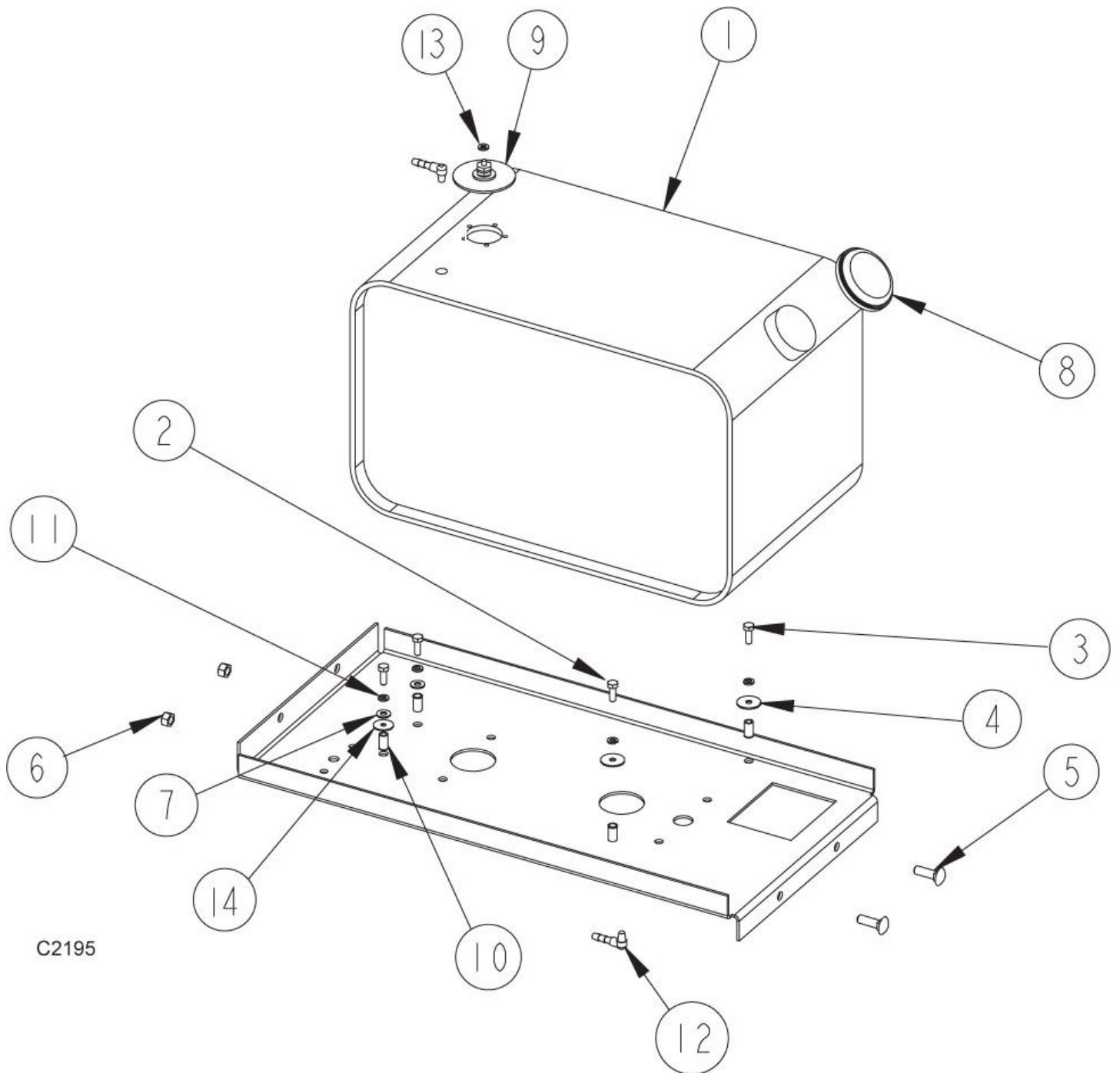
FUEL TANK (GAS & DIESEL)

MPV 60

29-01-2013

Part List ID
MPV6072

89



C2195

FUEL TANK (GAS & DIESEL)

MPV 60

29-01-2013

Part List ID
MPV60/2

90

Pos	Part no.	Qty	Description
2	8-08-00791	1	BRKT FUEL SUPPORT
3	2-00-00221	7	SCW HHC .25 20 X .75 GR 8 ZN
4	2-00-01676	2	WSHR FLAT 1.063X.266X.063 STL.
5	2-00-05187	2	BOLT CARR.38 16 X 1.25 GR 5 ZN
6	2-95-04182	2	NUT EL.STOP 3/8 16 ZN PL
7	2-00-03702	5	WSHR FL..625X.281X.063 STL.ZN
8	7-11-00029	1	CAP FILLER VENTED
9	8-26-04003	1	FLOAT FUEL TANK
10	2-00-05261	4	INSERT 1/4 20
11	2-00-00518	4	LK WASH 1/4 MED. SECTION ZN
12	2-00-05973	2	HOSE BARB 1/8 X 5/16 ID 90 DEG
13	2-00-00512	1	LK WASH INT TH 10 ZN

FORD 416EFI ENGINE COMPUTER RELAY BOX (GA

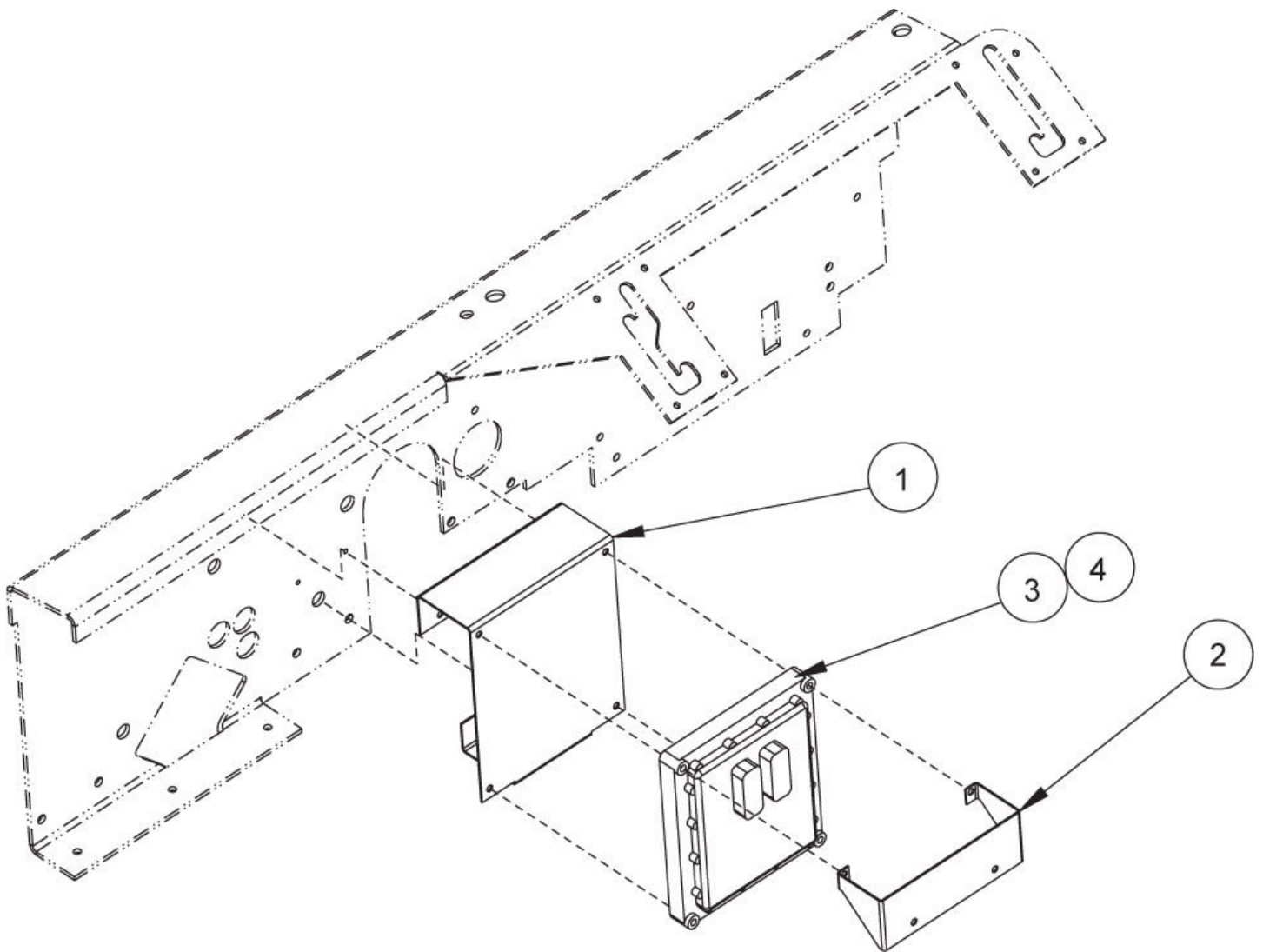
MPV 60

29-01-2013

Part List ID

MPV6073

91



FORD 416EFI ENGINE COMPUTER RELAY BOX (GA

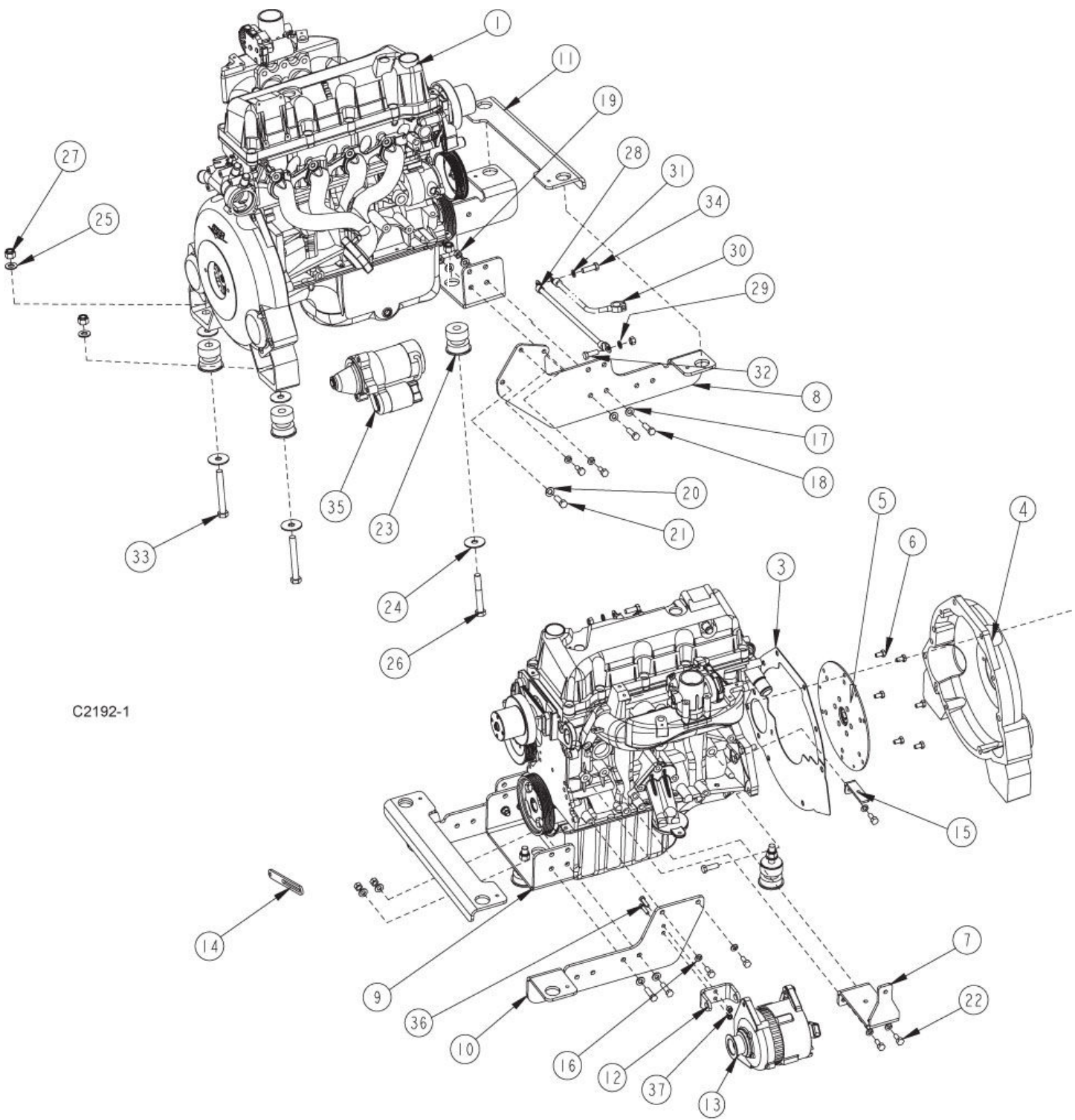
MPV 60

29-01-2013

Part List ID
MPV60/3

92

Pos	Part no.	Qty	Description
1	8-08-00926	1	BRKT EPM EFI 416 MPV60
2	8-08-00927	1	BRKT RELAY BOX EFI 416 MPV60
4	0769-032	1	EPM W/CALIBRATION 416 EXPORT



C2192-1

FORD 416EFI GAS & LP ENGINES (BRACKETS, ALTE

MPV 60

29-01-2013

Part List ID

MPV60/s

94

Pos	Part no.	Qty	Description
1	0777-047	1	ENGINE EFI 416 GAS
2	0777-058	1	FORD 416EFI GAS ENGINEEXPORT
2	0777-059	1	FORD 416EFI LP ENGINEEXPORT
3	7-58-05338	1	PLATE STARTER EFI416
4	7-33-05145	1	HOUSING PUMP MNT EFI416
5	7-16-05047	1	COUPLING ENG/PUMP EFI416
6	2-00-05963	1	SCREW HHC M8X1.25X15MM 8.8BLOX
7	7-08-01185	1	BRACKET ENG FRNT TUBE SUPPORT
8	7-08-01179	1	BRKT ENG LEG RGHT FRNT
9	7-08-01182	1	BRKT ENGINE MNT EFI416
10	7-08-01180	1	BRKT ENG FRNT LEG LEFT
11	7-08-01181	1	BRKT ENG CROSS EFI 416
12	7-08-01183	1	BRKT ALTERNATOR EFI416
13	0775-292	1	ALTERNATOR EFI416
14	7-03-04254	1	ARM ALTERNATOR EFI416
15	7-08-01186	1	BRKT BACK TUBE SUPPORT ENG
16	2-00-05041	7	LK WASH HELICAL SPR M8 MEDIUM
17	2-00-00402	8	WSHR FL..750X391X093 STL ZN
18	2-00-00209	4	SCW HHC.375 16 X 1.25 GR 5 ZN
19	2-95-04182	5	NUT EL.STOP 3/8 16 ZN PL
20	2-00-05042	1	LK WASH HELICAL SPR M10 MEDIUM
21	2-00-05922	1	SCREW HHC M10 X 1.5 X 30MM LG
22	2-00-04363	7	SCREW HHC M8 X 1.255 X 20MM
23	7-35-00017	3	ISOLATOR ENGINE MOUNT
24	2-00-05067	5	WSHR FLAT 1.750X.531X100 STL.
25	2-00-00405	2	WSHR FLAT 1.063X.531X094 STL.
27	2-00-04936	3	NUT INS FIBRE .50 13 ZINC
28	8-90-07328	1	WIRE CONTACTOR TO SHUNT
29	2-00-00505	1	LK WASH INT TOOTH .38DIA SCREW
30	7-90-07281	1	WIRE GROUND BAT. CABLE
31	2-00-02310	1	LK WASH HELICAL SPR ZN
32	2-00-00233	1	SCREW HHC .375 16 X 1.00 GR ZN
34	2-00-05005	4	SCW HHC M10X1.50X30MM GR8.8 BO
35	0775-291	1	STARTER EFI416
36	2-00-00205	2	BOLT HEX TAP .25 20X1.0 GR 5
37	2-00-00641	2	NUT INS FIBRE .25 20 ZN PL

FORD 416EFI GAS ENGINE - COOLING SYSTEM

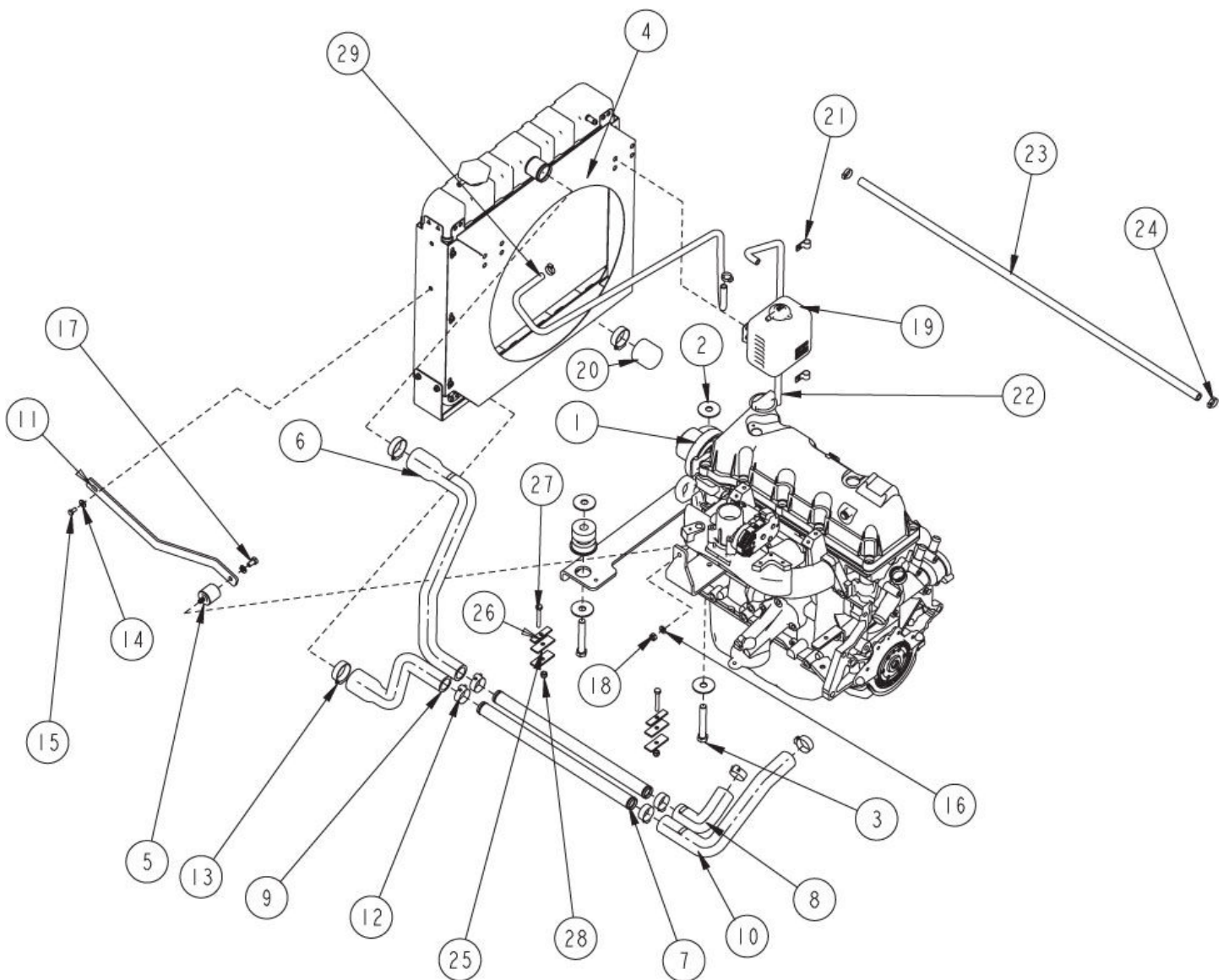
MPV 60

29-01-2013

Part List ID

MPV6077

95



FORD 416EFI GAS ENGINE - COOLING SYSTEM

MPV 60

29-01-2013

Part List ID
MPV60//

96

Pos	Part no.	Qty	Description
1	7-35-00017	2	ISOLATOR ENGINE MOUNT
2	2-00-05067	4	WSHR FLAT 1.750X.531X.100 STL.
3	2-00-02617	2	SCW HHC .50 13 X 3.25 GR5 ZN
4	7-62-01008	1	RADIATOR EFI416
5	7-35-00028	1	ISOLATOR 32MMX32MM M8 1.25MM
6	7-33-02610	1	HOSE 25MM ID 20R4 23000072T
7	7-87-02930	2	CONNECTOR STRGHT 410X25.4 DIA
8	7-33-02612	1	HOSE 27MM ID 20R4 23000057T
9	7-33-02609	1	HOSE 25MM ID 20R4 23000072B
10	7-33-02611	1	HOSE 27MM ID 20R4 23000057B
11	7-08-01184	1	SUPPORT UPPER 361 X 25 X 4.76
12	2-00-02220	6	CLAMP WITTEK 16
13	2-00-03404	3	CLAMP WITTECK C24P
14	2-00-03702	1	WSHR FL..625X.281X.063 STL.ZN
15	2-00-00219	1	SCW HHC .25 20 X .50 GR 5 ZN
16	2-00-05041	2	LK WASH HELICAL SPR M8 MEDIUM
17	2-00-05963	1	SCREW HHC M8X1.25X15MM 8.8BLOX
18	2-00-05964	1	NUT M8 X 1.25 X 13MM
19	7-07-02002	1	OVERFLOW BOTTLE ASSY
20	2-00-05956	1	PLUG RADIATOR OUTLET
21	2-00-04602	2	CLAMP HOSE SINGLE 1/2 O.D.
22	7-33-02644	1	HOSE PVC CLEAR
24	2-95-04388	4	CLAMP HOSE FEEDWATER IDEAL6203
25	7-29-00192	4	GASKET OIL COOLER
26	8-13-07088	2	CLIP OIL COOLER
27	2-00-02589	2	SCW HHC .25 20 X 2.00 GR5 ZN
28	2-00-00641	2	NUT INS FIBRE .25 20 ZN PL
29	7-33-02643	1	HOSE 1/4 ID X 36 IN LONG BLK

FORD 416EFI GAS ENGINE - AIR INTAKE & EXHAUSE

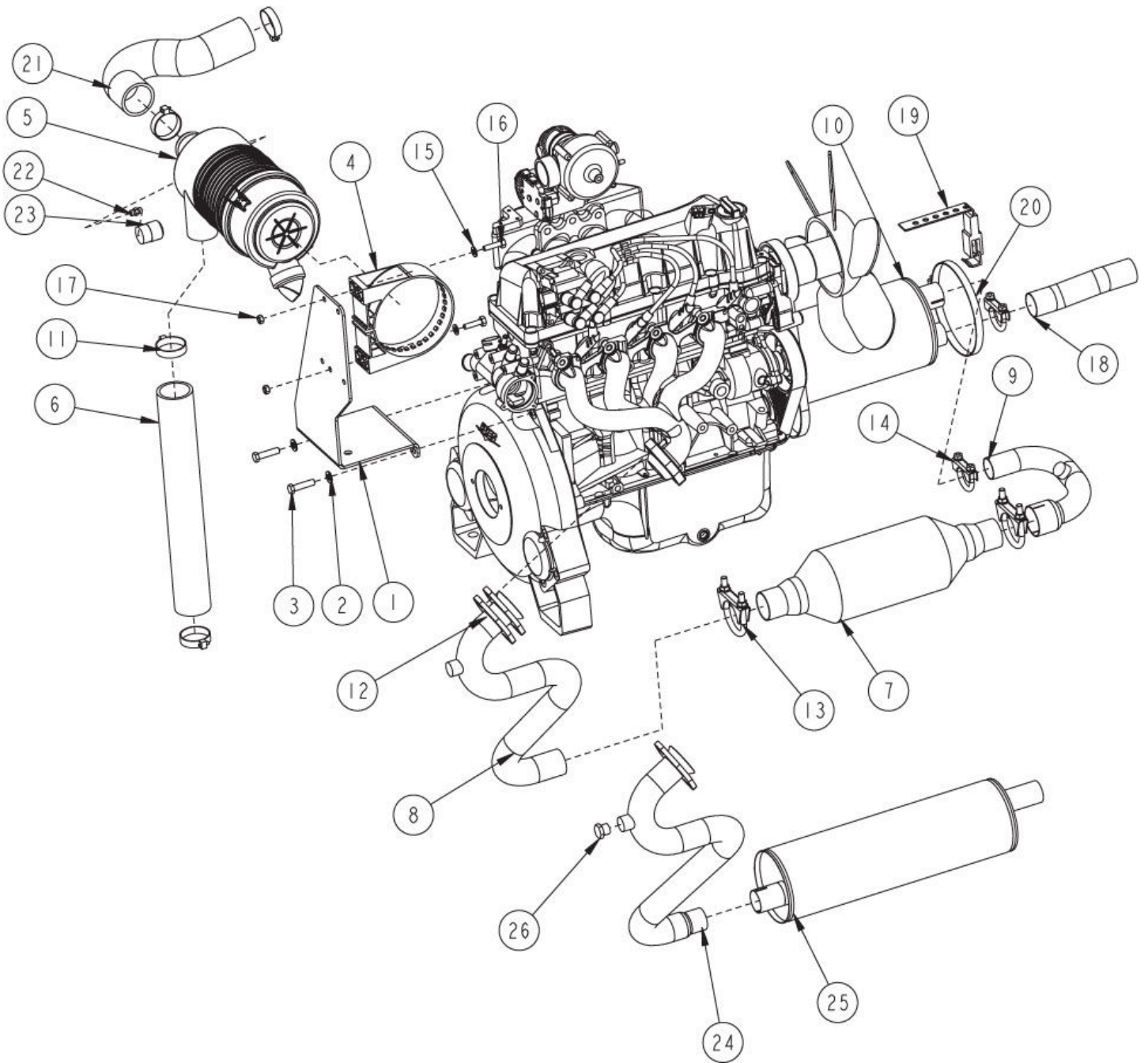
MPV 60

29-01-2013

Part List ID

MPV6079

97



FORD 416EFI GAS ENGINE - AIR INTAKE & EXHAUS

MPV 60

29-01-2013

Part List ID

MPV60/9

98

Pos	Part no.	Qty	Description
1	7-08-02051	1	BRKT AIR CLEANER EFI416
2	2-00-05042	2	LK WASH HELICAL SPR M10 MEDIUM
3	2-00-05329	2	SCW HHC M10X1.50X40MM S/S
4	7-13-07231	1	MOUNT AIR CLEANER ECP
5	7-24-04083	1	AIR CLEANER FILTER ECP
7	7-11-04037	1	CATALYTIC CONVERTER EFI416
8	7-87-02223	1	TUBE EXHAUST EFI 416 MPV60
9	7-87-02222	1	TUBE EXHAUST MPV60 GAS/LP
10	7-49-00041	1	MUFFLER EFI 416
11	7-33-02607	1	HOSE AIR INTAKE EFI416
12	2-00-02216	4	CLAMP IDEAL CO 5232
13	7-58-05340	1	PLATE EXHAUST FLANGE EFI416
14	2-00-05970	2	CLAMP MUFFLER 2
15	2-00-04040	2	CLAMP MUFFLER
16	2-00-00409	2	WSHR FLAT.688X.344X.063 STL
17	2-00-00207	2	SCW HHC .313 18 X 1.25 GR 5 ZN
18	2-00-00644	2	NUT INS FIBRE .31 18 ZN PL
19	8-87-02122	1	TUBE EXHAUST EFI416 MPV60
20	7-31-07017	1	HANGER MUFFLER
21	2-00-04400	1	CLAMP IDEAL 7 INCH 4 INCH
22	2-95-02519	1	NIP PIPE BLK CLOSE .125X.75
23	7-24-04087	1	FILTER SERVICE INDICATOR 20 WC
24	8-87-02124	1	TUBE EXHAUST EFI416 MPV60
25	7-49-00031	1	MUFFLER
26	2-00-06090	1	PLUG 18MM X 1.5

FORD 416EFI GAS ENGINE - FUEL SYSTEM

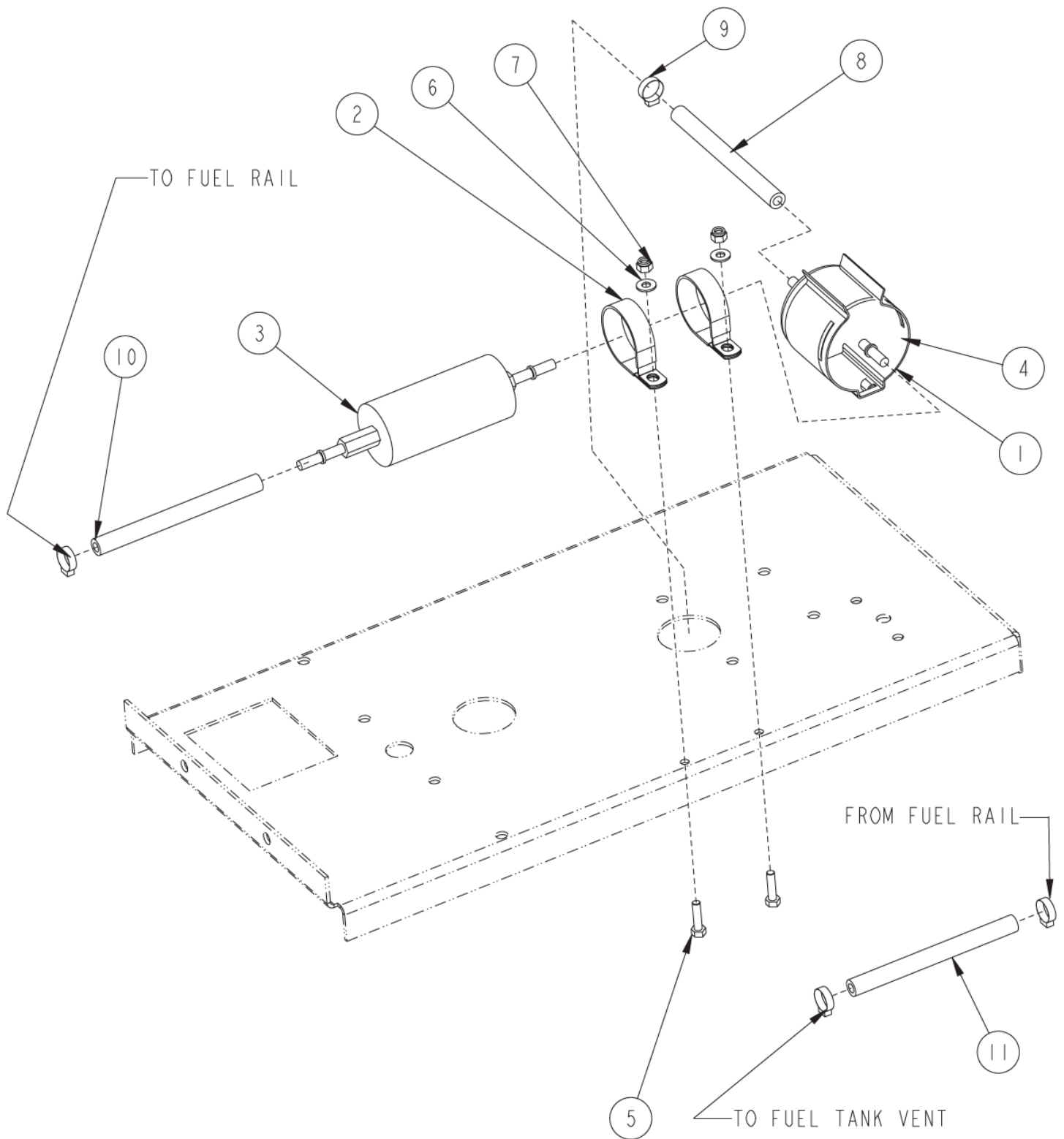
MPV 60

29-01-2013

Part List ID

MPV6081

99



FORD 416EFI GAS ENGINE - FUEL SYSTEM

MPV 60

29-01-2013

Part List ID
MPV6081

100

Pos	Part no.	Qty	Description	
1	8-08-00944	1	BRKT LP REGULATOR EFI416 MPV60	
2	7-11-04043	1	LP REGULATOR EFI425/416 N.AM	REF, NORTH AMERICA ONLY, COMES W/ENGINE ASSEMBLY
3	2-00-05972	2	FITTING 3/8 NPT X 5/8 HOSE 90	
4	2-00-05674	1	FTG 1/4NPT NIPPLE BRASS	
5	7-88-00110	1	VALVE SAFETY LP	REF, NORTH AMERICA ONLY, COMES W/ENGINE ASSEMBLY
6	2-00-05678	1	FTG 1/4NPT STREET ELBOW BRASS	
7	56900921	1	TEE	
8	8-82-00046	1	SWITCH PRESSURE	
10	8-33-02390	1	HOSE LP HEATER EFI416	55"
11	8-33-02391	1	HOSE LP HEATER EFI425	54"
12	8-33-02392	1	HOSE LP EFI 13.75 LOW PRSS	NORTH AMERICA ONLY
13	8-33-02393	1	HOSE LP 35 EFI 3/8 LOW PRESS	NORTH AMERICA ONLY
14	8-33-02394	1	HOSE LP EFI425	NORTH AMERICA ONLY
15	2-00-00518	4	LK WASH 1/4 MED. SECTION ZN	NORTH AMERICA ONLY
16	2-00-00219	4	SCW HHC .25 20 X .50 GR 5 ZN	
17	2-00-00519	2	LK WASH 10 MED SEC ZN	
18	2-00-00049	2	SCW RHM 10 24 X .50 ZN PL	
19	2-00-03407	4	CLAMP WITTECK 10P	
20	2-95-04388	4	CLAMP HOSE FEEDWATER IDEAL6203	
21	7-33-02654	1	HOSE LP HIGH PRESSRURE	19,25", REF, COMES W/ENGINE ASSEMBLY
22	7-11-04046	1	LP REGULATOR425/416 EXPORT	REF, EX MODELS ONLY, COMES W/ENGINE ASSEMBLY
26	2-00-06000	1	FITTING 1/2 NPT X 3/4 BARB	
27	2-00-06087	1	FITTING 1/2NPT X 5/8 BARB 90	EX MODELS ONLY

FORD 416EFI LP ENGINE - FUEL SYSTEM (N. AME)

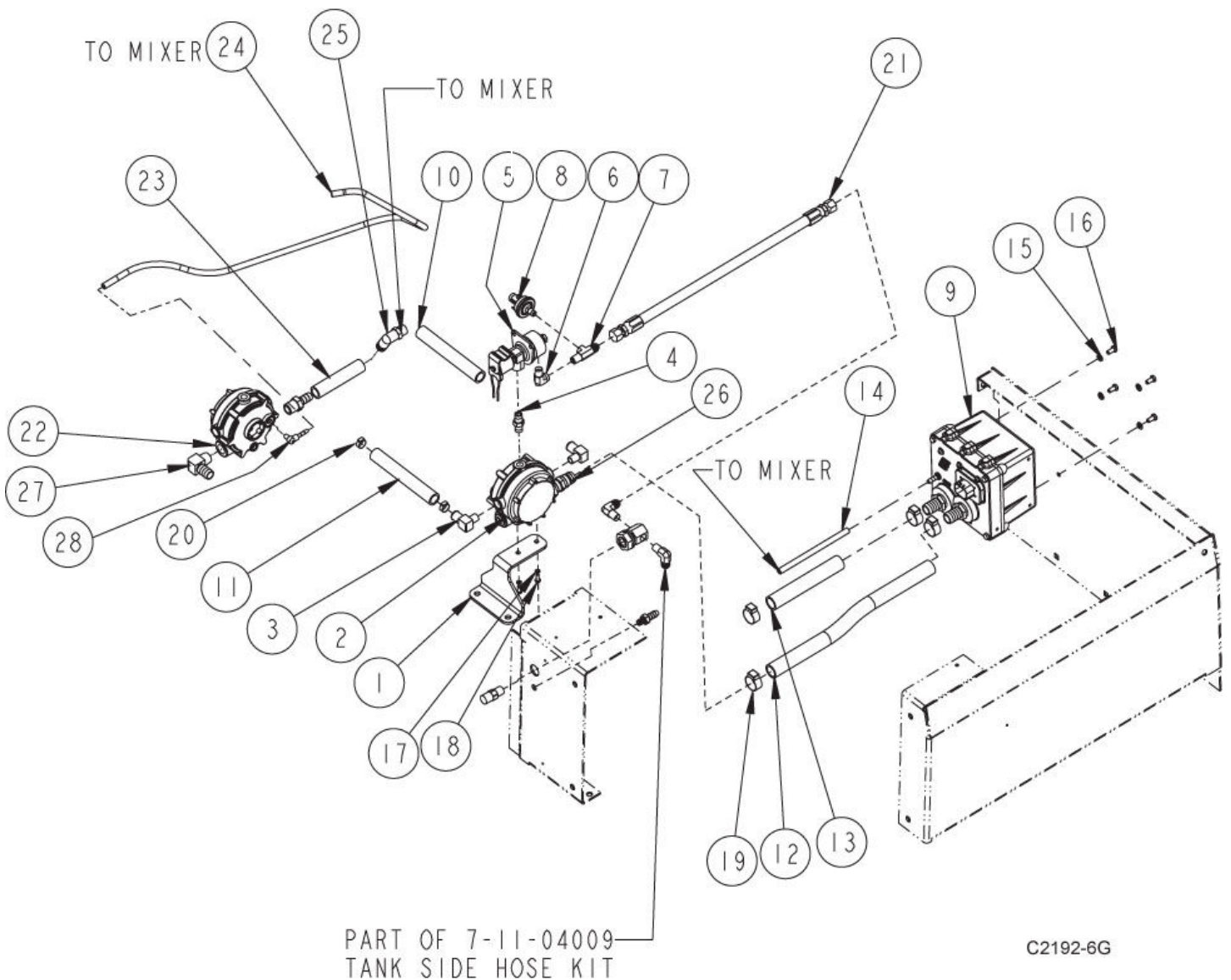
MPV 60

29-01-2013

Part List ID

MPV6083

101



FORD 416EFI LP ENGINE - FUEL SYSTEM (N. AME)

MPV 60

29-01-2013

Part List ID

MPV6083

102

Pos	Part no.	Qty	Description
1	8-08-00944	1	BRKT LP REGULATOR EFI416 MPV60
2	7-11-04043	1	LP REGULATOR EFI425/416 N.AM
3	2-00-05972	2	FITTING 3/8 NPT X 5/8 HOSE 90
4	2-00-05674	1	FTG 1/4NPT NIPPLE BRASS
5	7-88-00110	1	VALVE SAFETY LP
6	2-00-05678	1	FTG 1/4NPT STREET ELBOW BRASS
7	56900921	1	TEE
8	8-82-00046	1	SWITCH PRESSURE
10	8-33-02390	1	HOSE LP HEATER EFI416
11	8-33-02391	1	HOSE LP HEATER EFI425
12	8-33-02392	1	HOSE LP EFI 13.75 LOW PRSS
13	8-33-02393	1	HOSE LP 35 EFI 3/8 LOW PRESS
14	8-33-02394	1	HOSE LP EFI425
15	2-00-00518	4	LK WASH 1/4 MED. SECTION ZN
16	2-00-00219	4	SCW HHC .25 20 X .50 GR 5 ZN
17	2-00-00519	2	LK WASH 10 MED SEC ZN
18	2-00-00049	2	SCW RHM 10 24 X .50 ZN PL
19	2-00-03407	4	CLAMP WITTECK 10P
20	2-95-04388	4	CLAMP HOSE FEEDWATER IDEAL6203
21	7-33-02654	1	HOSE LP HIGH PRESSRURE
22	7-11-04046	1	LP REGULATOR425/416 EXPORT
26	2-00-06000	1	FITTING 1/2 NPT X 3/4 BARB
27	2-00-06087	1	FITTING 1/2NPT X 5/8 BARB 90

FORD 416EFI LP ENGINE - FUEL SYSTEM ("CE" M

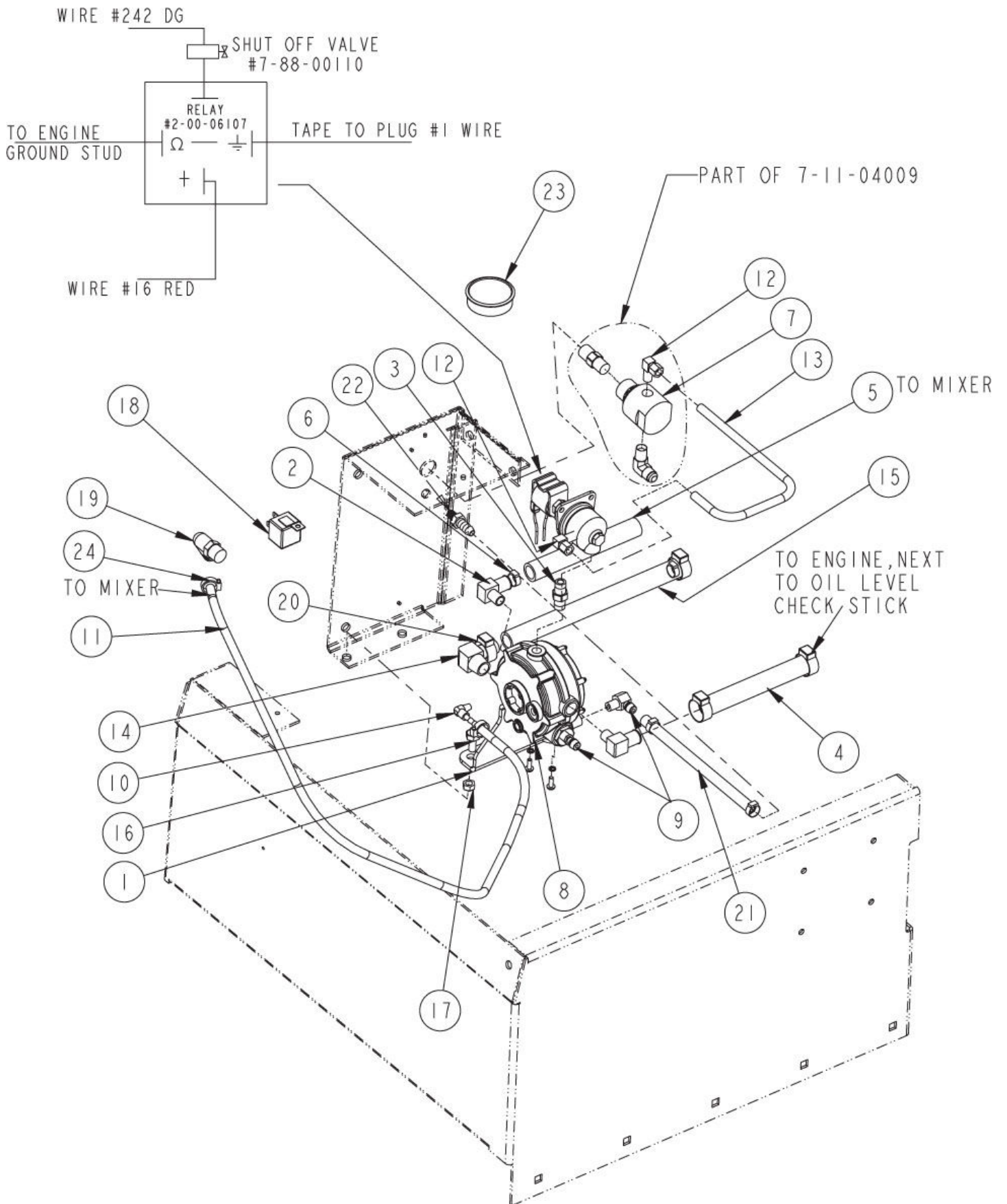
MPV 60

29-01-2013

Part List ID

MPV6085

103



FORD 416EFI LP ENGINE - FUEL SYSTEM ("CE" MC

MPV 60

29-01-2013

Part List ID

MPV6085

104

Pos	Part no.	Qty	Description
1	8-08-00944	1	BRKT LP REGULATOR EFI416 MPV60
2	2-00-05972	2	FITTING 3/8 NPT X 5/8 HOSE 90
3	2-00-05674	1	FTG 1/4NPT NIPPLE BRASS
4	8-33-02390	1	HOSE LP HEATER EFI416
5	8-33-02391	1	HOSE LP HEATER EFI425
6	2-95-04388	4	CLAMP HOSE FEEDWATER IDEAL6203
7	2-00-06093	1	FITTING 1/4 NPT BULKHEAD TEE
8	7-11-04046	1	LP REGULATOR425/416 EXPORT
9	7-88-00117	1	LP SAFETY VALVE SET
10	2-00-04787	1	MALE PIPE 90 DEG ELBOW BARB
14	2-00-06087	1	FITTING 1/2NPT X 5/8 BARB 90
16	2-00-00208	2	SCW HHC .313 18 X .75 GR5 ZN
17	2-00-00644	2	NUT INS FIBRE .31 18 ZN PL
18	303000189	1	RELAY LPG EUROPE SAFETY
20	2-00-03407	4	CLAMP WITTECK 10P
22	2-00-05997	1	FTG 3/8 HOSE BARB BULKHEAD
23	2-00-05281	1	PLUG FUEL GUAGE
24	2-00-05363	2	HOSE CLAMPEF 17200

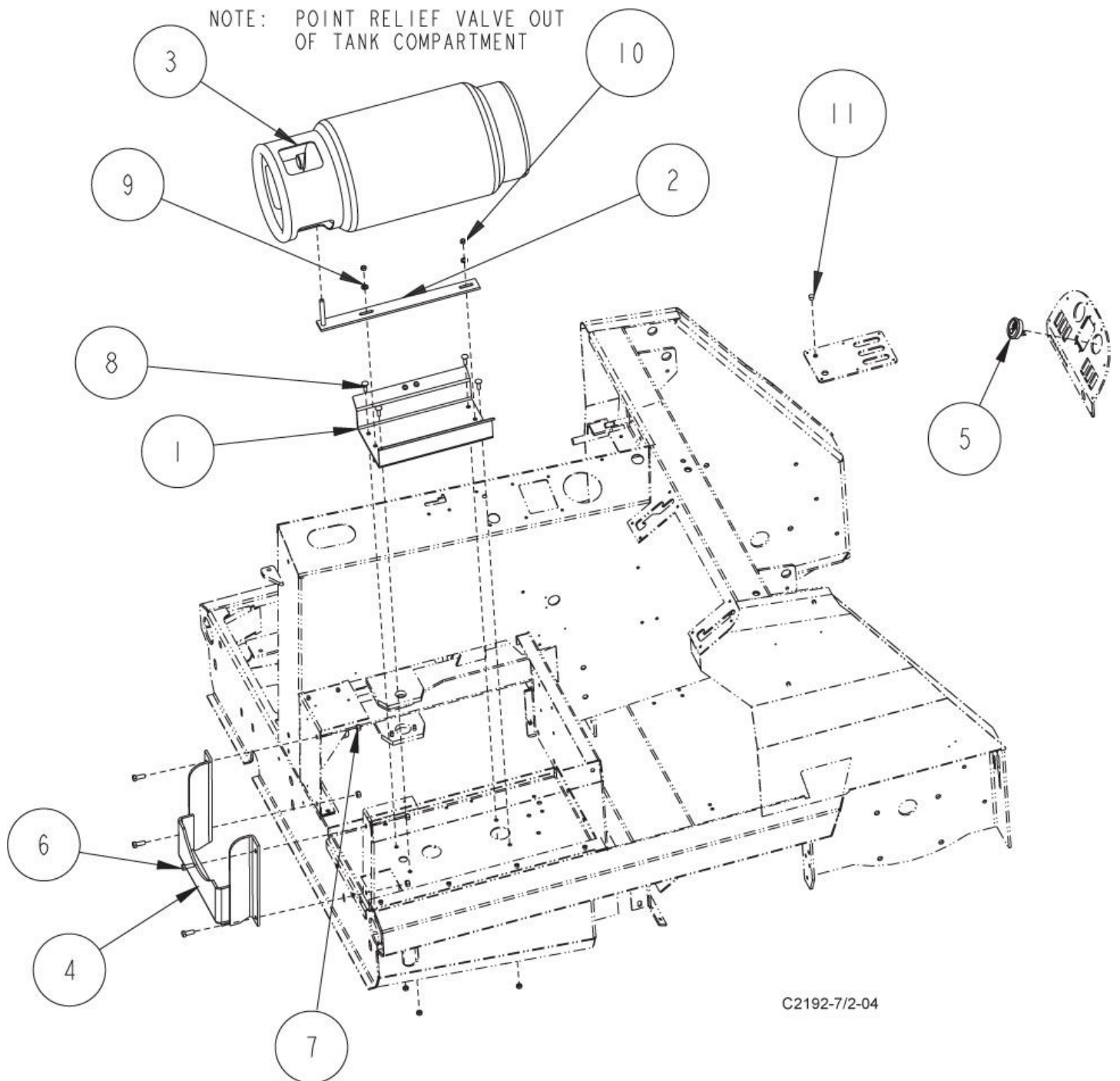
LP TANK

MPV 60

29-01-2013

Part List ID
MPV6087

105



LP TANK

MPV 60

29-01-2013

Part List ID
MPV608/

106

Pos	Part no.	Qty	Description
1	8-08-00813	1	BRKT TANK
2	8-43-05005	1	LOCATING PIN LP TANK
3	56456590	1	L.P. TANK
4	8-30-05171	1	GUARD LP TANK
5	7-11-04035	1	KIT LOW LP INDICATOR 7760
6	2-00-00233	4	SCREW HHC .375 16 X 1.00 GR ZN
7	2-95-04182	4	NUT EL.STOP 3/8 16 ZN PL
8	2-00-00196	6	BLT CAR..31 18 X 1 GR 5 ZN
9	2-00-00409	2	WSHR FLAT.688X.344X.063 STL
10	2-00-00644	6	NUT INS FIBRE .31 18 ZN PL
11	2-00-05283	1	PLUG BUTTON .44 DIA HOLE

FORD 416EFI LP ENGINE - AIR INTAKE & EXHAUST

MPV 60

29-01-2013

Part List ID

MPV6089

107

No Drawing For Part List

FORD 416EFI LP ENGINE - AIR INTAKE & EXHAUST

MPV 60

29-01-2013

Part List ID

MPV6089

108

Pos	Part no.	Qty	Description
1	7-08-02051	1	BRKT AIR CLEANER EFI416
2	2-00-05042	2	LK WASH HELICAL SPR M10 MEDIUM
3	2-00-05329	2	SCW HHC M10X1.50X40MM S/S
4	7-13-07231	1	MOUNT AIR CLEANER ECP
5	7-24-04083	1	AIR CLEANER FILTER ECP
7	7-11-04037	1	CATALYTIC CONVERTER EFI416
8	7-87-02223	1	TUBE EXHAUST EFI 416 MPV60
9	7-87-02222	1	TUBE EXHAUST MPV60 GAS/LP
10	7-49-00041	1	MUFFLER EFI 416
11	2-00-02216	4	CLAMP IDEAL CO 5232
12	7-58-05340	1	PLATE EXHAUST FLANGE EFI416
13	2-00-05970	2	CLAMP MUFFLER 2
14	2-00-04040	2	CLAMP MUFFLER
15	2-00-00409	2	WSHR FLAT.688X.344X.063 STL
16	2-00-00207	2	SCW HHC .313 18 X 1.25 GR 5 ZN
17	2-00-00644	2	NUT INS FIBRE .31 18 ZN PL
18	8-87-02122	1	TUBE EXHAUST EFI416 MPV60
19	7-31-07017	1	HANGER MUFFLER
20	2-00-04400	1	CLAMP IDEAL 7 INCH 4 INCH
21	8-33-02395	1	HOSE INTAKE EFI416
22	2-95-02519	1	NIP PIPE BLK CLOSE .125X.75
23	7-24-04087	1	FILTER SERVICE INDICATOR 20 WC
24	8-87-02124	1	TUBE EXHAUST EFI416 MPV60
25	7-49-00031	1	MUFFLER
26	2-00-06090	1	PLUG 18MM X 1.5

FORD 416EFI LP ENGINE - COOLING SYSTEM

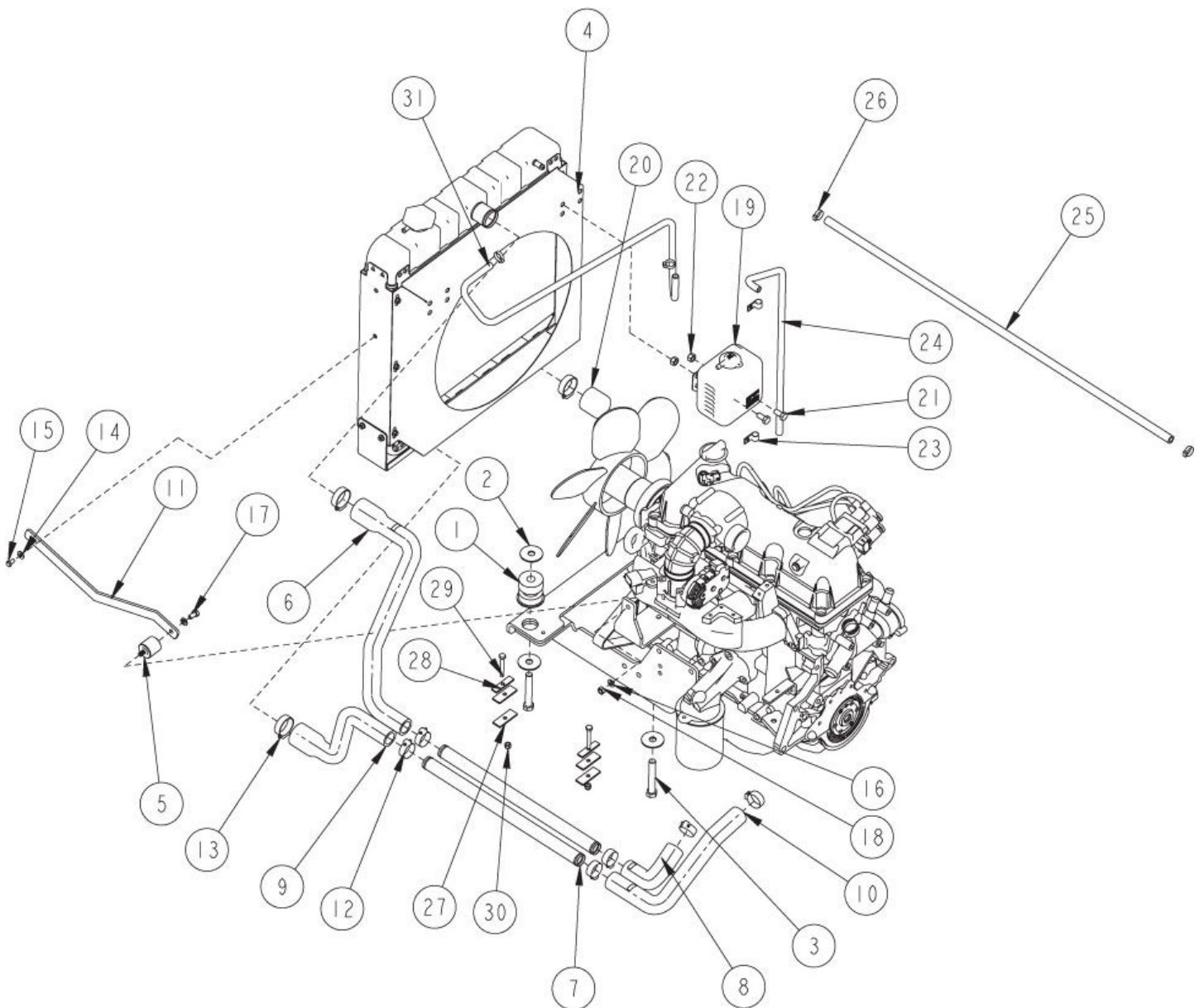
MPV 60

29-01-2013

Part List ID

MPV6091

109



FORD 416EFI LP ENGINE - COOLING SYSTEM

MPV 60

29-01-2013

Part List ID
MPV6091

110

Pos	Part no.	Qty	Description
1	7-35-00017	2	ISOLATOR ENGINE MOUNT
2	2-00-05067	4	WSHR FLAT 1.750X.531X.100 STL.
3	2-00-02617	2	SCW HHC .50 13 X 3.25 GR5 ZN
4	7-62-01008	1	RADIATOR EFI416
5	7-35-00028	1	ISOLATOR 32MMX32MM M8 1.25MM
6	7-33-02610	1	HOSE 25MM ID 20R4 23000072T
7	7-87-02930	2	CONNECTOR STRGHT 410X25.4 DIA
8	7-33-02612	1	HOSE 27MM ID 20R4 23000057T
9	7-33-02609	1	HOSE 25MM ID 20R4 23000072B
10	7-33-02611	1	HOSE 27MM ID 20R4 23000057B
11	7-08-01184	1	SUPPORT UPPER 361 X 25 X 4.76
12	2-00-02220	6	CLAMP WITTEK 16
13	2-00-03404	3	CLAMP WITTECK C24P
14	2-00-03702	1	WSHR FL..625X.281X.063 STL.ZN
15	2-00-00220	1	SCW HHC .25 20 X .63 GR 8 ZN
16	2-00-05041	2	LK WASH HELICAL SPR M8 MEDIUM
17	2-00-05963	1	SCREW HHC M8X1.25X15MM 8.8BLOX
18	2-00-05964	1	NUT M8 X 1.25 X 13MM
19	7-07-02002	1	OVERFLOW BOTTLE ASSY
20	2-00-05956	1	PLUG RADIATOR OUTLET
21	2-00-00232	2	SCW HHC .375 16 X .75 GR5 ZN
22	2-95-04182	2	NUT EL.STOP 3/8 16 ZN PL
23	2-00-04602	2	CLAMP HOSE SINGLE 1/2 O.D.
24	7-33-02644	1	HOSE PVC CLEAR
26	2-95-04388	4	CLAMP HOSE FEEDWATER IDEAL6203
27	7-29-00192	4	GASKET OIL COOLER
28	8-13-07088	2	CLIP OIL COOLER
29	2-00-02589	2	SCW HHC .25 20 X 2.00 GR5 ZN
30	2-00-00641	2	NUT INS FIBRE .25 20 ZN PL
31	7-33-02643	1	HOSE 1/4 ID X 36 IN LONG BLK

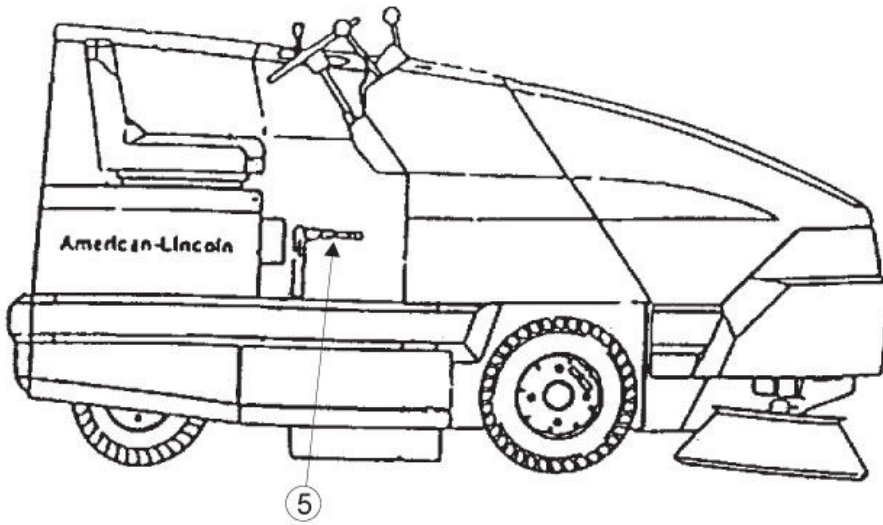
CE KIT

MPV 60

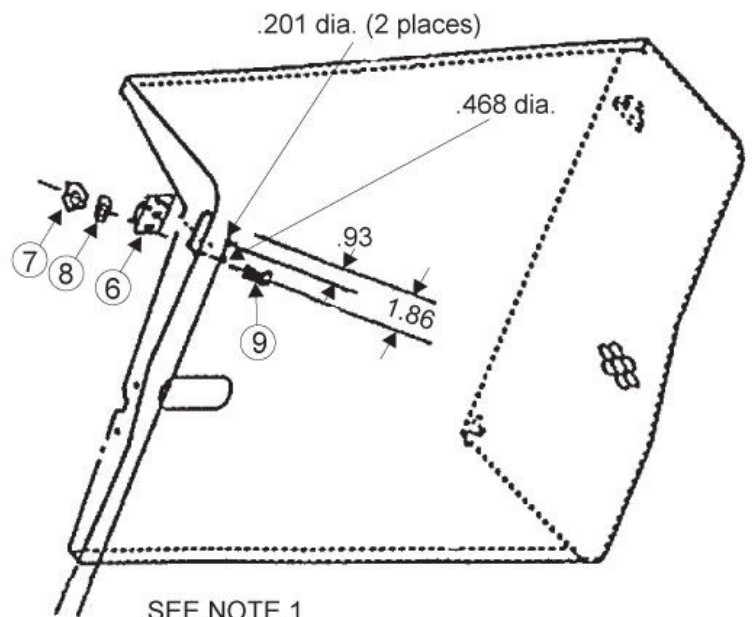
29-01-2013

Part List ID
MPV6093

111

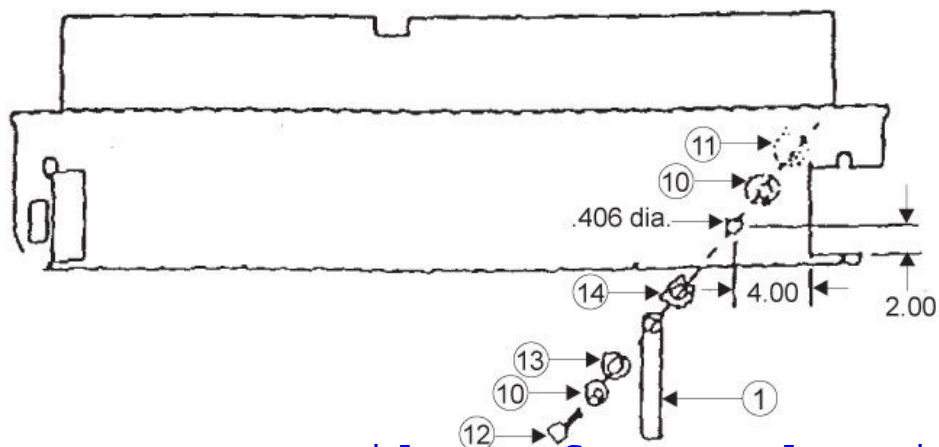


NOTE 1: POSITION HOLES WHERE LATCH CATCHES & HOLDS LENTEL BY AS MUCH AS POSSIBLE BUT NO LESS THAN 3/16".



SEE NOTE 1 FOR PLACEMENT

BROOM CHAMBER



CE KIT

MPV 60

29-01-2013

Part List ID
MPV6093

112

Pos	Part no.	Qty	Description
1	56416517	1	STRAP STATIC
2	0880-593	1	BACK UP ALARM OPTION
3	8-41-05087	1	SLAM LATCH ENGINE COVER
4	8-50-00016	1	NAMEPLATE CE
5	7-41-05099	1	LEVER PARKING BRAKE LOCKING
6	8-31-06090	2	LATCH KEY
7	2-00-01246	2	10 24 NYLON INSERT THIN
8	2-00-00426	2	WSHR FL .500X219X.063 STL.ZN
9	2-00-03062	2	SCREW THM 10 24 X .63 ZN
10	2-00-02310	2	LK WASH HELICAL SPR ZN
11	2-00-02360	1	NUT HEX FIN .38 16 ZINC PL
12	2-00-00233	1	SCREW HHC .375 16 X 1.00 GR ZN
13	2-00-00402	1	WSHR FL..750X391X.093 STL ZN
14	2-00-03829	1	LK WASH INT/EXT TOOTH ZN

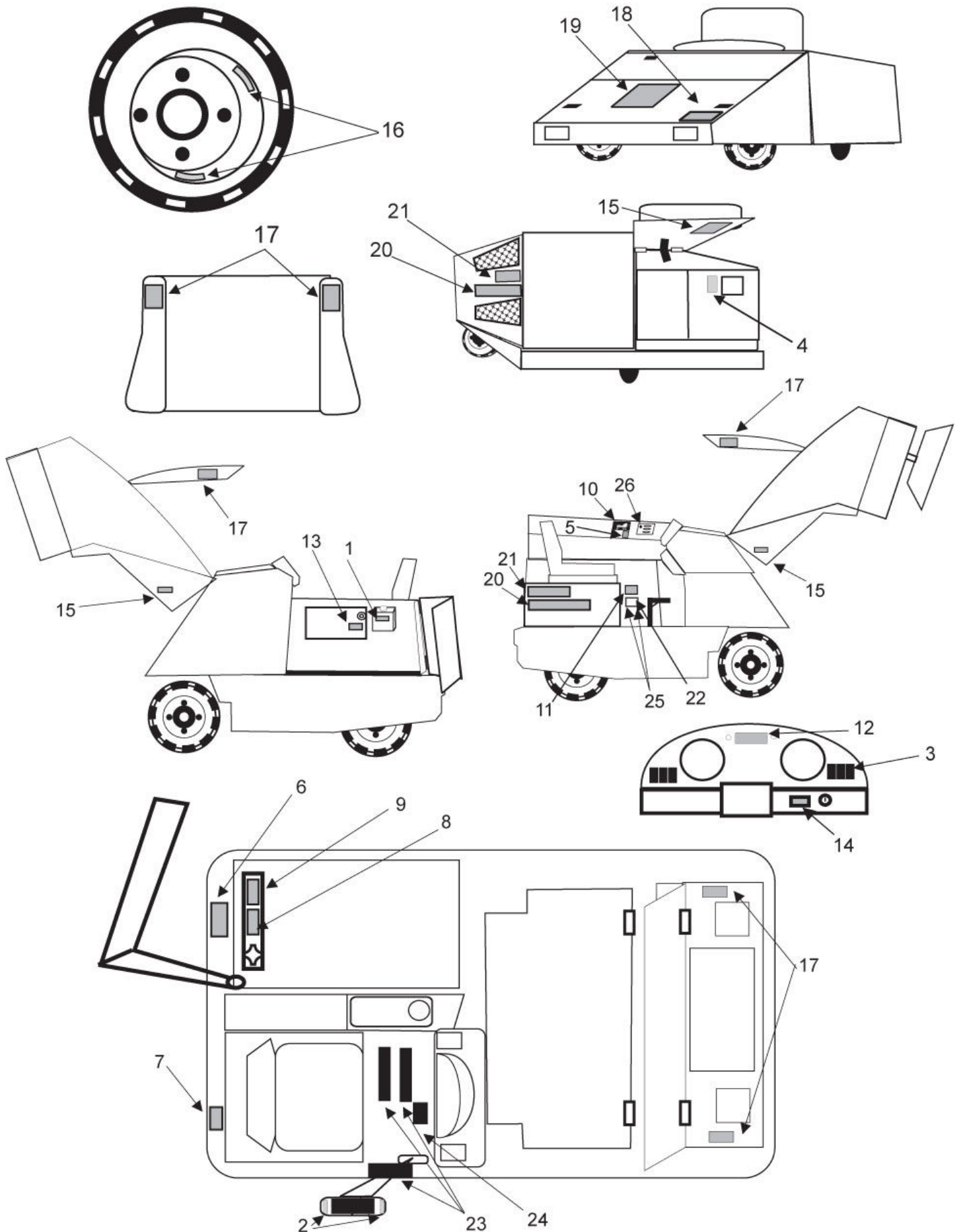
DECALS

MPV 60

29-01-2013

Part List ID
MPV6095

113



Ersatzteile auf www.gluesing.net

DECALS

MPV 60

29-01-2013

Part List ID
MPV6096

114

Pos	Part no.	Qty	Description
2	8-18-00490	1	DECAL BI DIRECTIONAL PEDAL
3	8-18-00487	1	DECAL BLANK OPTIONS ADHESIVE
10	8-18-00505	1	DECAL MPV60 THROTTLEADHESIVE
18	70434A	1	LABEL DIV OF ALTOFM POLISHER
18	8-18-00549	1	DECAL A/L TECH SMALL ADHESIVE
19	8-18-00525	1	DECAL AMERICAN LINCOLN MEDIUM
19	8-18-00528	1	DECAL ALTO LARGE
20	8-18-00524	2	DECAL AMERICAN LINCOLN SMALL
20	8-18-00548	1	DECAL A/L TECH LG ADHESIVE
21	8-18-00529	1	DECAL MPV60 ADHESIVE
23	7-50-05136	3	PAD
24	8-50-05055	1	PAD FWD/REV PEDAL
25	2-00-04115	2	RIVET USM POP ZN PLATE
26	8-18-00552	1	DECAL CHECK ENGINE

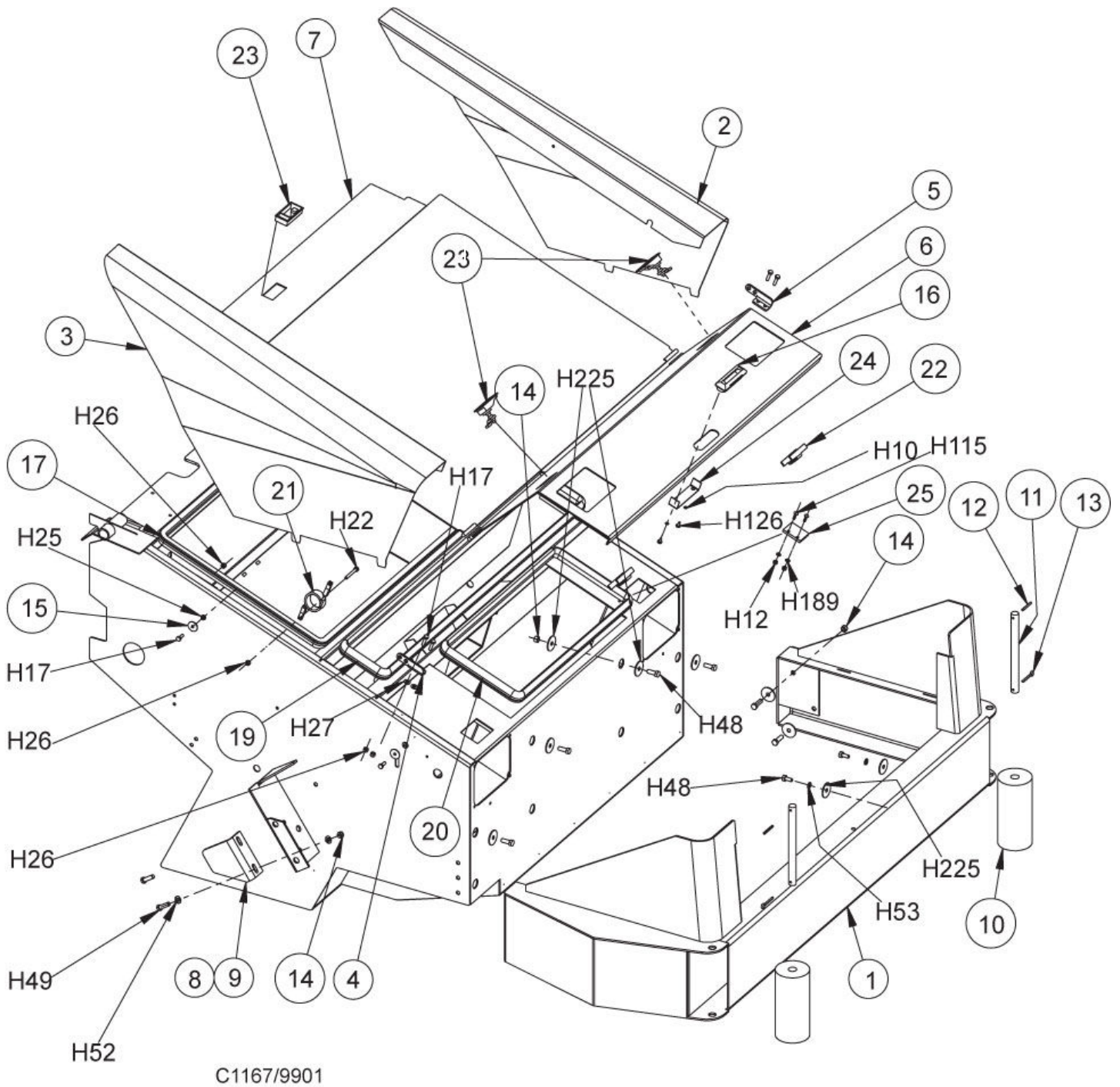
TOTAL STEEL PACKAGE -

MPV 60

29-01-2013

Part List ID
MPV6097

115



TOTAL STEEL PACKAGE - MPV 60

29-01-2013

Part List ID
MPV609/

116

Pos	Part no.	Qty	Description
1	8-08-07063	1	BUMPER FRONTWELDED
2	8-16-07378	1	SIDE COVER LH MPV TS
3	8-16-07377	1	SIDE COVER MPV 60 TS
4	8-08-00850	1	BRACKET MPV TOTAL STL
5	8-08-00851	1	BRACKET MPV TOTAL STL
6	8-16-07402	1	FRONT COVERWELDEDMPV60 TS
7	8-16-07401	1	TOP COVER WELDED
8	8-08-00852	1	BRACKET BUMPER GUIDE MPV TS
9	8-08-00853	1	BRACKET BUMPER GUIDE
10	7-66-05009	2	ROLLER BUMPER
11	8-70-05304	2	PIN ROLLER BUMPER
12	2-00-02444	2	PIN ROLL .188X1.75 CAD PL
13	2-00-02436	2	PIN COTT.188 DIA X 1.75 STL ZN
14	2-95-04182	12	NUT EL.STOP 3/8 16 ZN PL
16	8-31-06078	1	HANDLE PURCHASED
17	8-29-00240	1	GASKET HOPPER
19	8-29-00278	1	GASKET HOPPER
20	8-29-00279	1	GASKET HOPPER
21	8-10-00027	1	CABLE BATTERY COVER
22	8-08-00886	2	BRACKET LATCH
23	8-41-00040	3	LATCH
24	8-79-00098	1	STRAP HANDLE
25	8-05-07091	2	LATCH BAR MPV TS
H10	2-00-00519	2	LK WASH 10 MED SEC ZN
H12	2-00-01246	2	10 24 NYLON INSERT THIN
H17	2-00-00205	8	BOLT HEX TAP .25 20X1.0 GR 5
H22	2-00-02589	2	SCW HHC .25 20 X 2.00 GR5 ZN
H25	2-00-00594	4	NUT HEX STD FIN .25 20 ZN
H26	2-00-00641	8	NUT INS FIBRE .25 20 ZN PL
H27	2-00-03702	4	WSHR FL..625X.281X.063 STL.ZN
H48	2-00-00233	12	SCREW HHC .375 16 X 1.00 GR ZN
H49	2-00-00209	4	SCW HHC.375 16 X 1.25 GR 5 ZN
H52	2-00-00402	4	WSHR FL..750X.391X.093 STL ZN
H53	2-00-02310	4	LK WASH HELICAL SPR ZN
H11	2-00-03063	2	SCREW THM 10 24 X .75 ZN
H12	2-00-03466	2	SCW 10 16X.50 ZN SELF TAPPING
H18	2-00-00460	2	WSHR FLAT .438X.192X.031 STL.
H22	2-00-04851	16	WASHER 1.56 ODX .391 ID X .090

H= HARDWARE USED

Ersatzteile auf www.gluesing.net

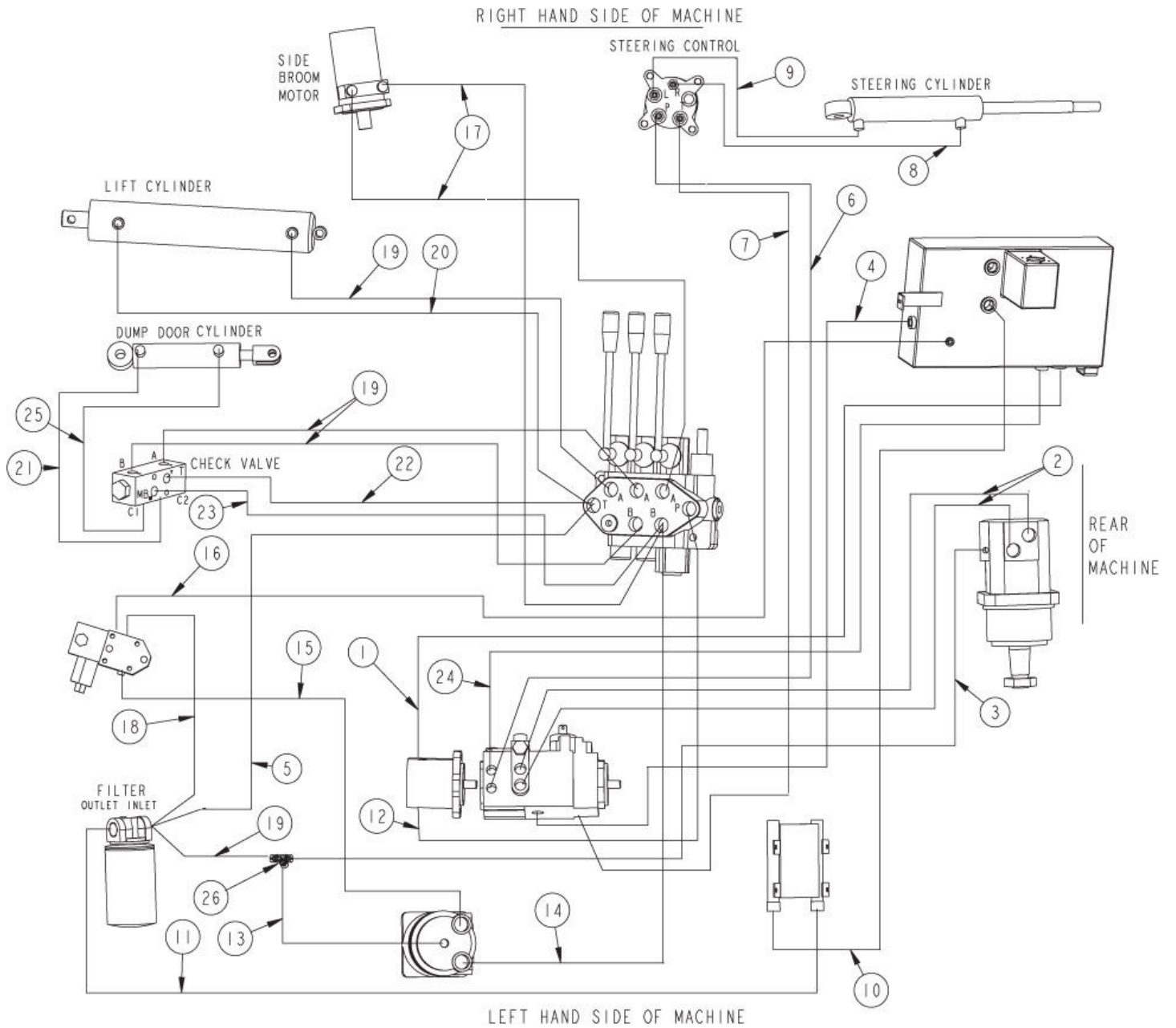
HYDRAULIC HOSE DIAGRAM

MPV 60

29-01-2013

Part List ID
MPV6099

117



HYDRAULIC HOSE DIAGRAM

MPV 60

29-01-2013

Part List ID
MPV6099

118

Pos	Part no.	Qty	Description
1	8-33-02343	1	HOSE 12 x 45
2	8-33-02344	2	HOSE 16 x 55
3	8-33-02173	1	HOSE HYD ORS4 STR ENDS 80
4	8-33-02214	1	HOSE 8 8 O RING FACE 29 LG.
5	8-33-02326	1	HOSE HYD 8 x 34.5 0 0
6	8-33-02185	1	HOSE HYD ORS4 STR ENDS 56
7	8-33-02189	1	HOSE .25ID IWB 66
8	7-33-02193	1	HOSE HYD ORS 4 90 TO STR 49
9	8-33-02182	1	HOSE HYD ORS4 STR ENDS 42.5
11	8-33-02372	1	HYD.HOSE 1 13/16 12 64 LG
12	8-33-02323	1	HOSE HYD 8 x 55 0 90
13	8-33-02329	1	HOSE HYD 4 x 30 0 90
14	8-33-02324	1	HOSE HYD 8 x 72 0 0
15	8-33-02325	1	HOSE HYD 8 x 65 0 0
16	8-33-02328	1	HOSE HYD 4 x 78.5 0 90
17	8-33-02327	2	HOSE 8 x 94 0 0
18	7-33-02206	1	HOSE HYD STR 90 8 ORS
19	7-33-02189	4	HOSE HYD ORS 4 90 TO STR 26
20	8-33-02175	1	HOSE HYD ORS4 STR ENDS 21
21	7-33-02193	1	HOSE HYD ORS 4 90 TO STR 49
22	8-33-02176	1	HOSE HYD 4 ORS STR TO 90
23	8-33-02199	1	HOSE HYD.LIFT CYL TO VALVE
24	7-33-02546	1	HOSE 8 ORF STR X 90 ELL 42.5
25	7-33-02191	1	HOSE HYD 4 STR TO 90
26	2-00-04930	1	FITTING UNION TEE ALL ORS4

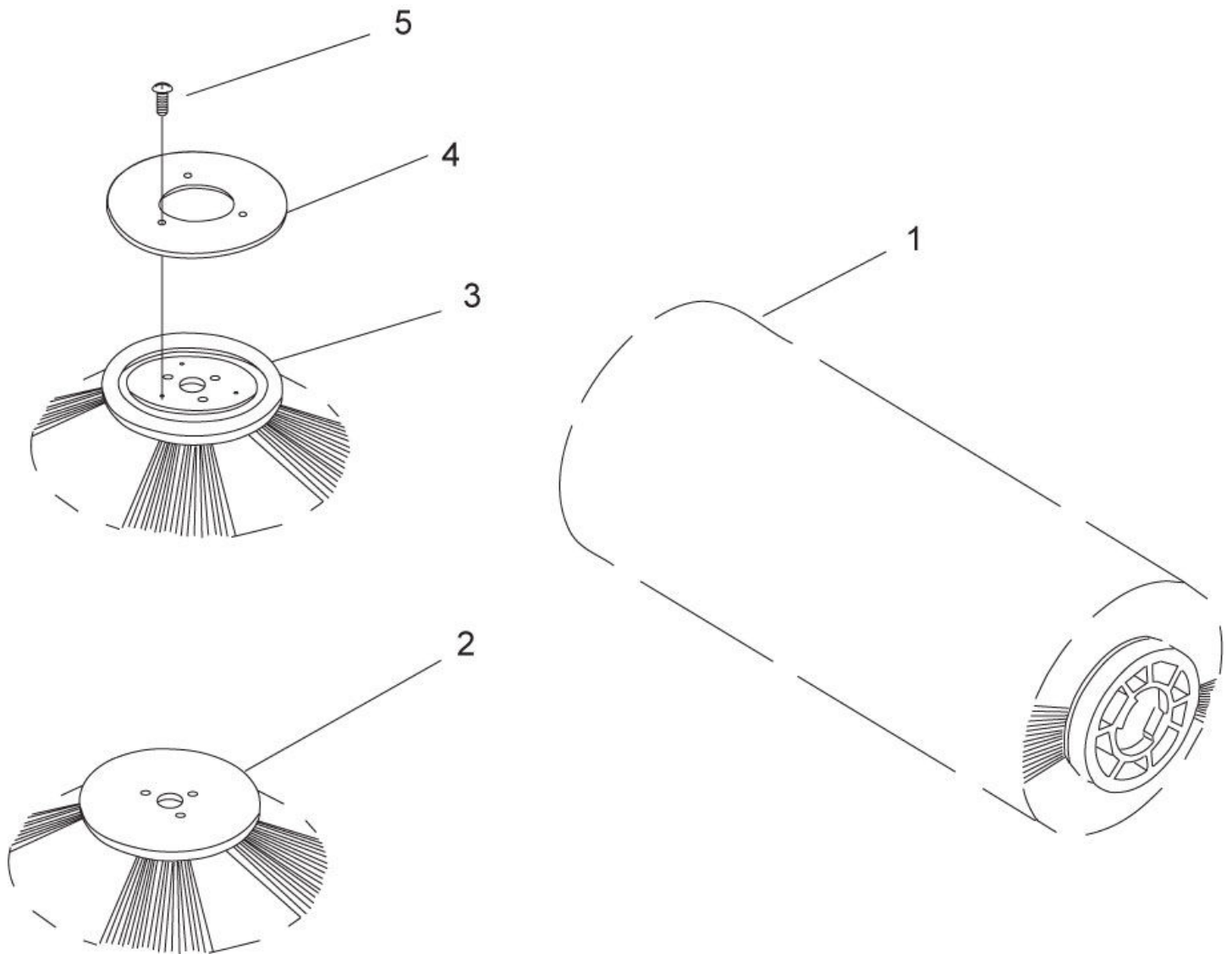
BROOMS OPTION

MPV 60

29-01-2013

Part List ID
MPV60102

119



BROOMS OPTION

MPV 60

29-01-2013

Part List ID
MPV60U2

120

Pos	Part no.	Qty	Description
1	8-08-03217	1	MAIN BROOM 45 PROEX 8 WIRE
1	8-08-03218	1	MAIN BROOM 45 POLY 8 WIRE
1	8-08-03219	1	MAIN BROOM 45 NYLON
1	8-08-03220	1	MAIN BROOM 45 NYLON HI DENS
1	8-08-03221	1	MAIN BROOM 45 FIBRE 8 WIRE HD
1	8-08-03232	1	MAIN BROOM 45 NYL 8 HELICAL
2	8-08-03211	1	NYLON SIDE BROOM
2	8-08-03212	1	BROOM SIDE PROLENE .060
3	8-08-03199	1	BROOM WIRE SIDE
4	8-58-05248	1	PLATE SIDE BROOM RETAINER
5	2-00-04121	3	SCREW WOOD PH RHD 10 13X.75

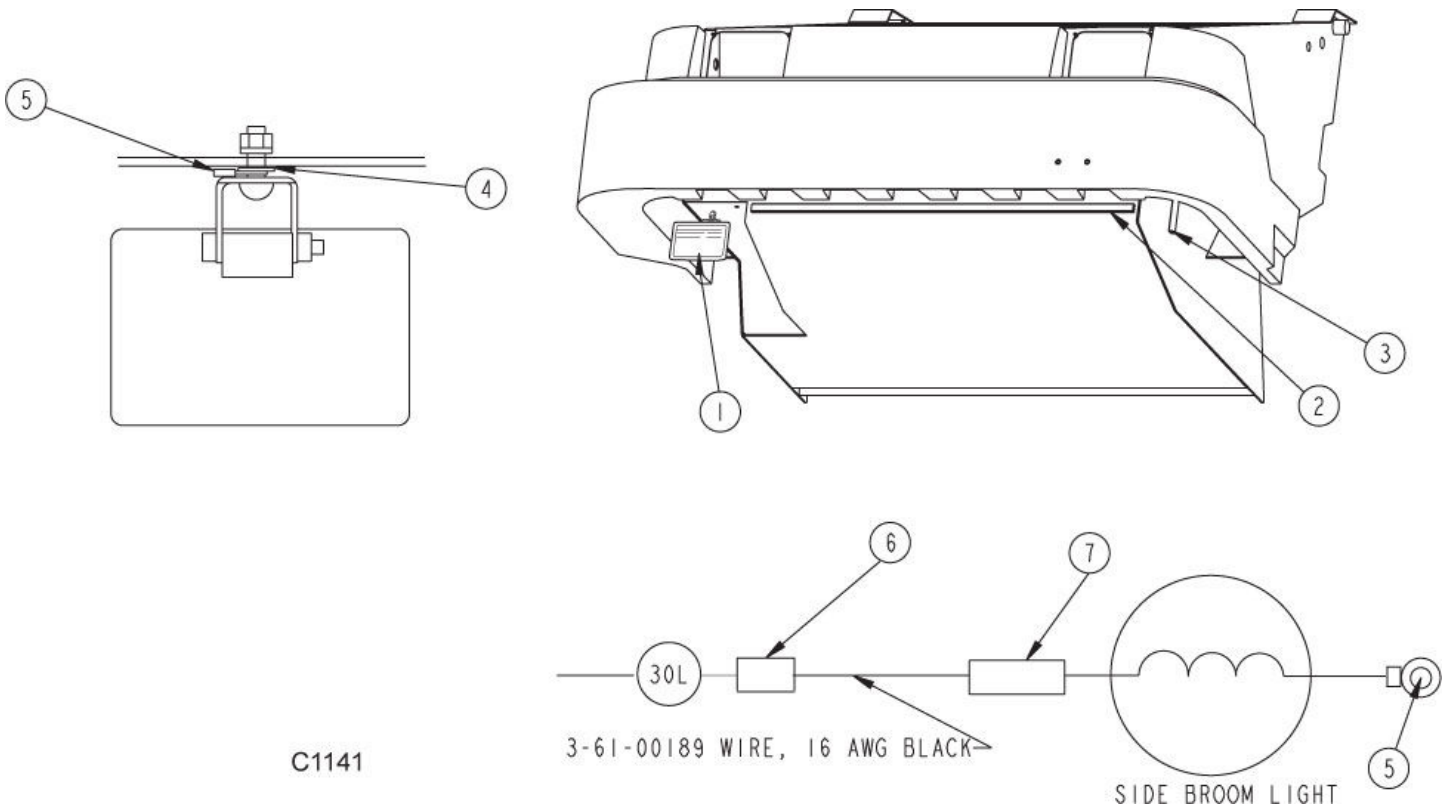
SIDE BROOM SPOTLIGHT

MPV 60

29-01-2013

Part List ID
MPV60103

121



SIDE BROOM SPOTLIGHT

MPV 60

29-01-2013

Part List ID
MPV60103

122

Pos	Part no.	Qty	Description
1	8-40-05049	1	LIGHT
3	8-20-06037	1	DUCT WIRE
4	2-00-02303	1	LK WASH INT TOOTH ZINC PL
5	2-00-04282	1	RING TERMINAL INSULATED
6	2-00-04578	1	TERMINAL BULLET MALE
7	2-00-01128	1	CONN BUTT SPLICE INSULATED

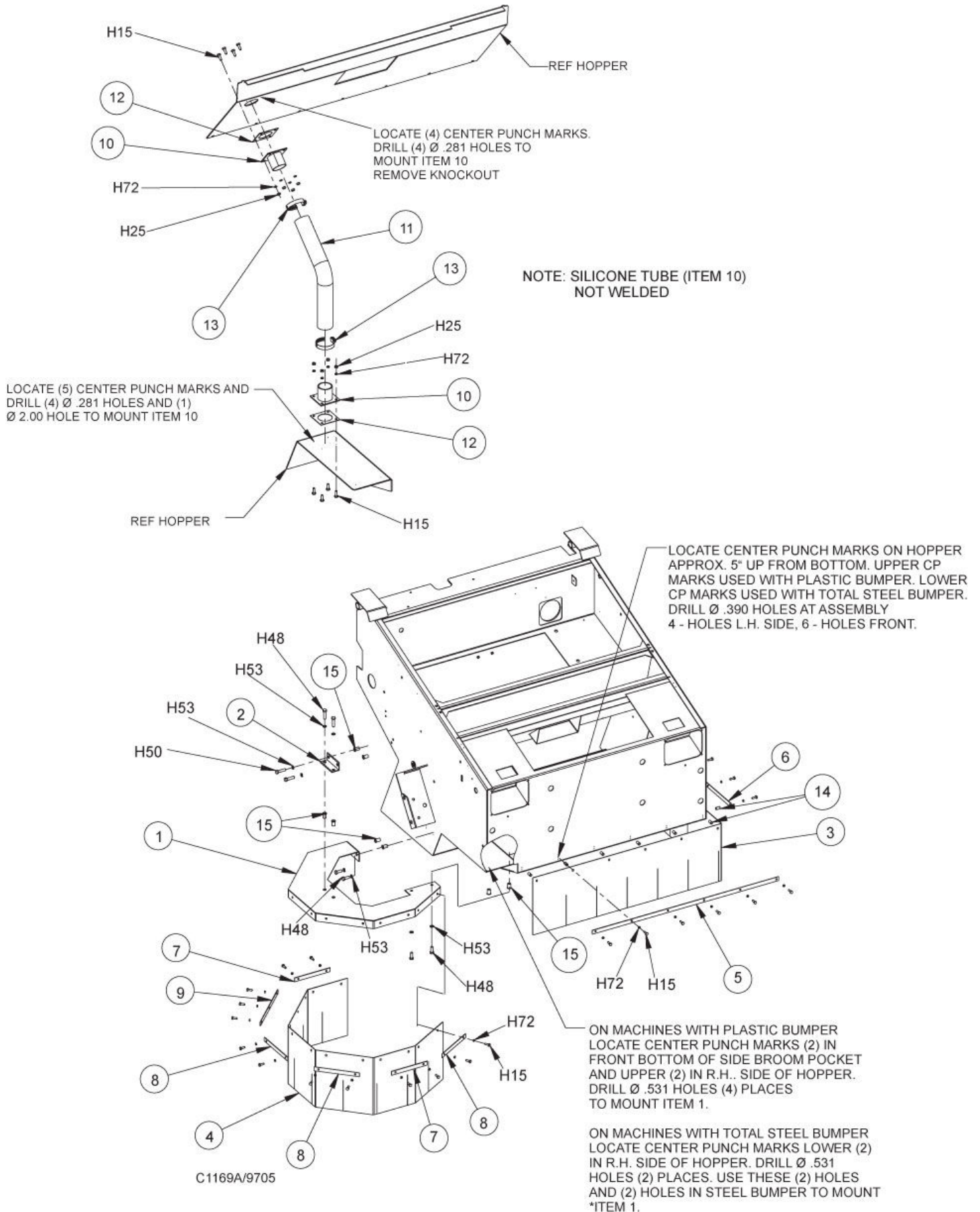
SKIRTED VACUUMIZED SIDE BROOM

MPV 60

29-01-2013

Part List ID
MPV60105

123



SKIRTED VACUUMIZED SIDE BROOM

MPV 60

29-01-2013

Part List ID
MPV6010b

124

Pos	Part no.	Qty	Description
1	8-33-05144	1	WELDMENT BROOM GUARD
1	8-33-05146	1	WELDMENT BROOM GUARD
2	8-08-00864	1	BRACKET VAC SIDE BROOM /SE
3	8-25-08216	1	FLAP FRONT
3	8-25-08224	1	FLAP FRONT TS VAC SIDE BROOM
4	8-25-08226	1	FLAP R.H. SIDE
4	8-25-08227	1	FLAP R.H. SIDE
5	8-13-07155	1	CLAMP FRONT FLAP SE
6	8-13-07156	1	CLAMP SIDE FLAP SE
7	8-13-07157	3	CLAMP BROOM FLAP SE
8	8-13-07158	2	CLAMP BROOM FLAP SE
9	8-13-07159	1	CLAMP BROOM FLAP SE
10	8-03-02043	2	HOSE ADAPTER SE
11	8-33-02357	1	HOSE
12	8-29-00253	2	GASKET
13	2-00-02217	2	CLAMP HOSE HS 40
14	2-00-05261	10	INSERT 1/4 20
15	2-00-05347	8	THREADED INSERT 3/8 16
H15	2-00-00221	31	SCW HHC .25 20 X .75 GR 8 ZN
H25	2-00-00594	8	NUT HEX STD FIN .25 20 ZN
H48	2-00-00233	5	SCREW HHC .375 16 X 1.00 GR ZN
H50	2-00-00234	2	SCW HHC .375 16 X 1.50 GR5 ZN
H53	2-00-02310	6	LK WASH HELICAL SPR ZN
H72	2-00-00518	31	LK WASH 1/4 MED. SECTION ZN

H= HARDWARE USED

Ersatzteile auf www.gluesing.net

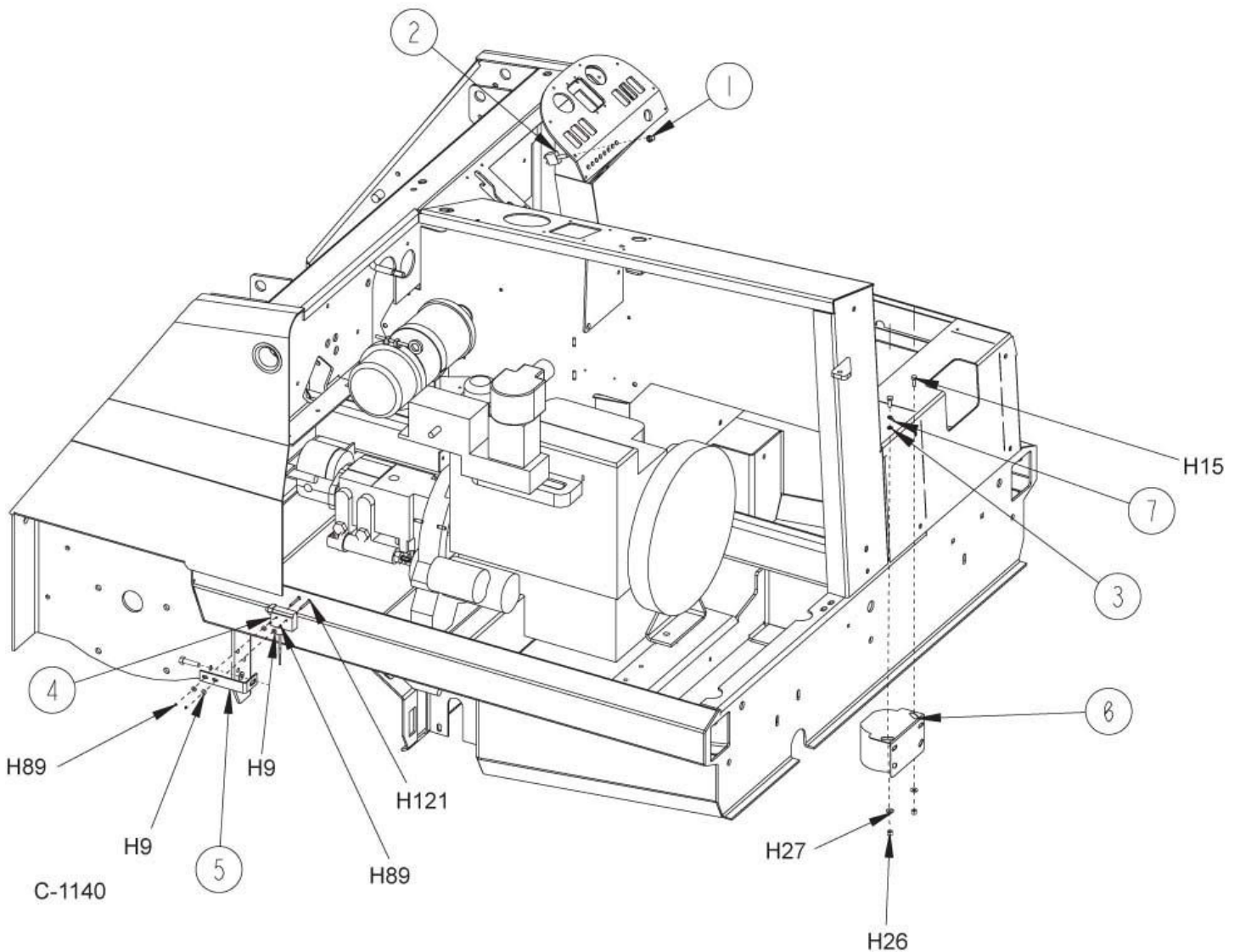
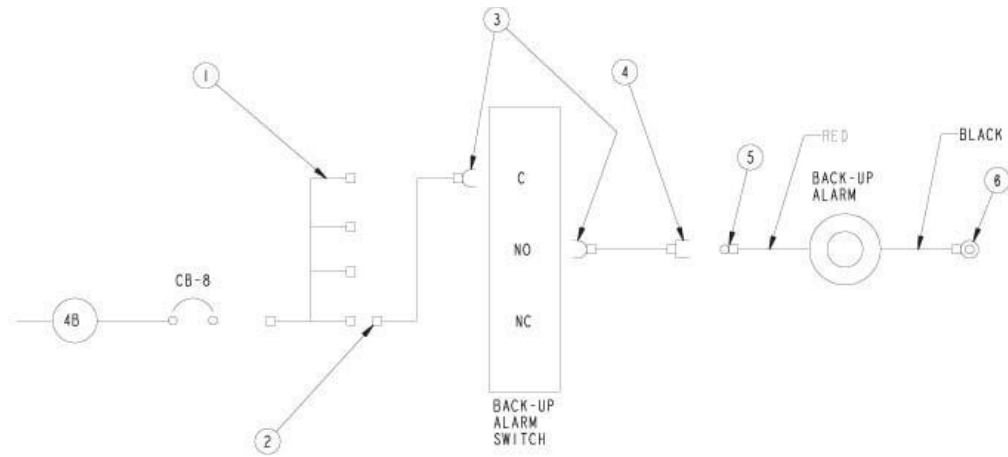
BACK-UP ALARM OPTION

MPV 60

29-01-2013

Part List ID
MPV60107

125



BACK-UP ALARM OPTION

MPV 60

29-01-2013

Part List ID
MPV6010/

126

Pos	Part no.	Qty	Description
1	8-11-00044	1	BOOT
2	8-64-00008	1	CIRCUIT BREAKER 15 AMP
3	2-00-00501	1	LK WASH INT TOOTH ZN
4	8-82-00058	1	SWITCH
5	8-08-02040	1	BRKT BACK UP ALARM SWITCH
6	56409232	1	BACK UP ALARM
7	2-00-00828	1	TERM STAKON T+B B 71 TYPE 1
8	8-90-07434	1	WIRE WING
9	8-11-00015	1	SPADE TERMINAL MALE
10	2-00-04742	2	TERMINAL
11	2-00-04626	1	TERMINAL BULLET FEMALE
12	2-00-04578	1	TERMINAL BULLET MALE
13	2-00-00828	1	TERM STAKON T+B B 71 TYPE 1
H9	2-00-00426	4	WSHR FL .500X.219X.063 STL.ZN
H15	2-00-00221	2	SCW HHC .25 20 X .75 GR 8 ZN
H26	2-00-00641	2	NUT INS FIBRE .25 20 ZN PL
H27	2-00-03702	2	WSHR FL..625X.281X.063 STL.ZN
H89	2-00-01372	4	NUT INS FIBRE 8 32 STL/ZN
H12	2-00-00090	2	SCW PH.RHM 8 32 X 1.50 ZN

H= HARDWARE USED

Ersatzteile auf www.gluesing.net

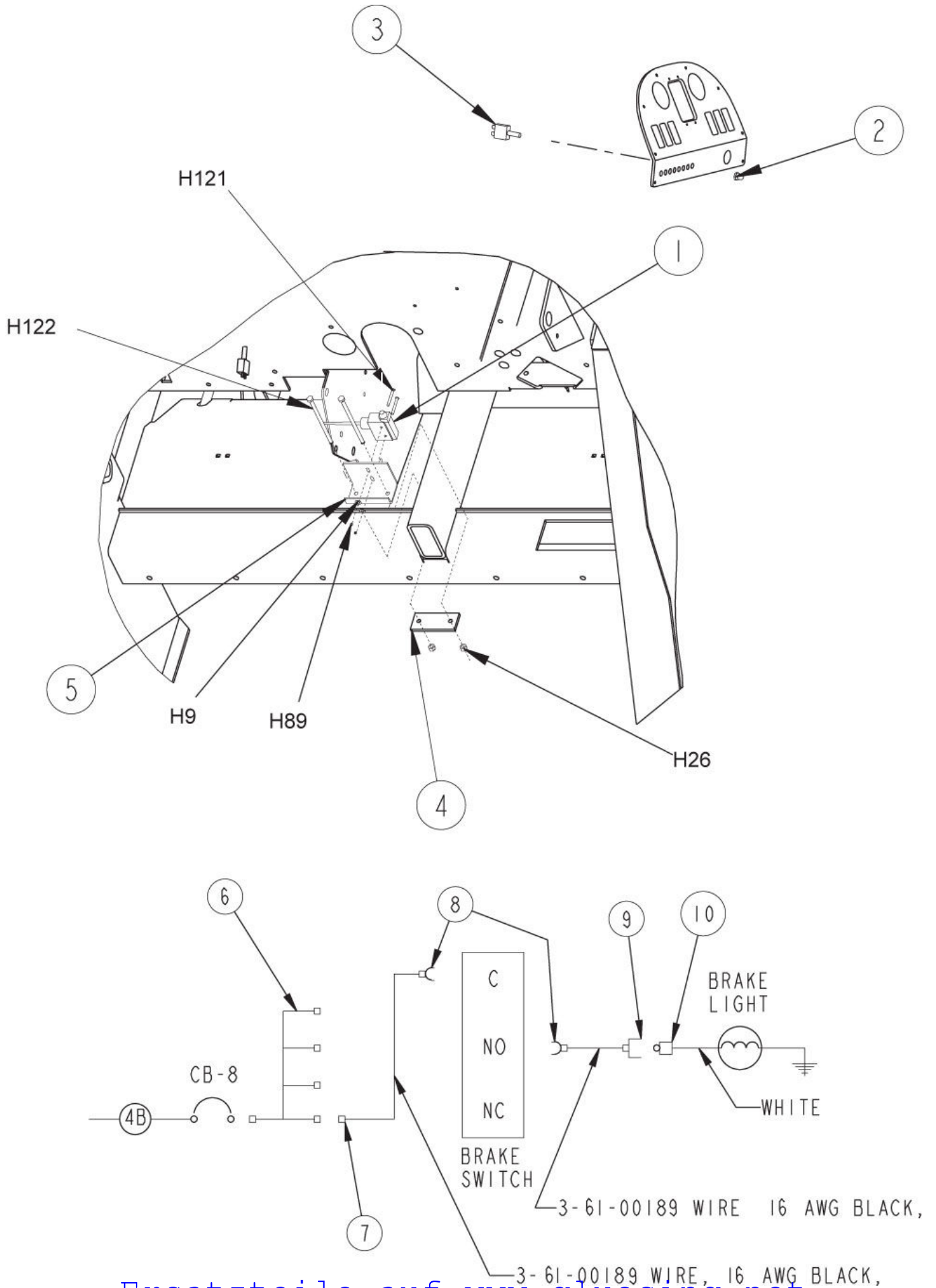
BRAKE LIGHT OPTION

MPV 60

29-01-2013

Part List ID
MPV60109

127



BRAKE LIGHT OPTION

MPV 60

29-01-2013

Part List ID
MPV60109

128

Pos	Part no.	Qty	Description
1	8-82-00058	1	SWITCH
2	8-11-00044	1	BOOT
3	8-64-00008	1	CIRCUIT BREAKER 15 AMP
4	8-13-07132	1	CLAMP BRAKE SWITCH MPV OPTION
5	8-08-00818	1	BRKT BRAKE SWITCH /SE
6	8-90-07434	1	WIRE WING
7	8-11-00015	1	SPADE TERMINAL MALE
8	2-00-04742	2	TERMINAL
9	2-00-04626	1	TERMINAL BULLET FEMALE
10	2-00-04578	1	TERMINAL BULLET MALE
10	2-00-05291	1	BULB
H9	2-00-00426	2	WSHR FL .500X.219X.063 STL.ZN
H26	2-00-00641	2	NUT INS FIBRE .25 20 ZN PL
H89	2-00-01372	2	NUT INS FIBRE 8 32 STL/ZN
H12	2-00-00090	2	SCW PH.RHM 8 32 X 1.50 ZN

H= HARDWARE USED

Ersatzteile auf www.gluesing.net

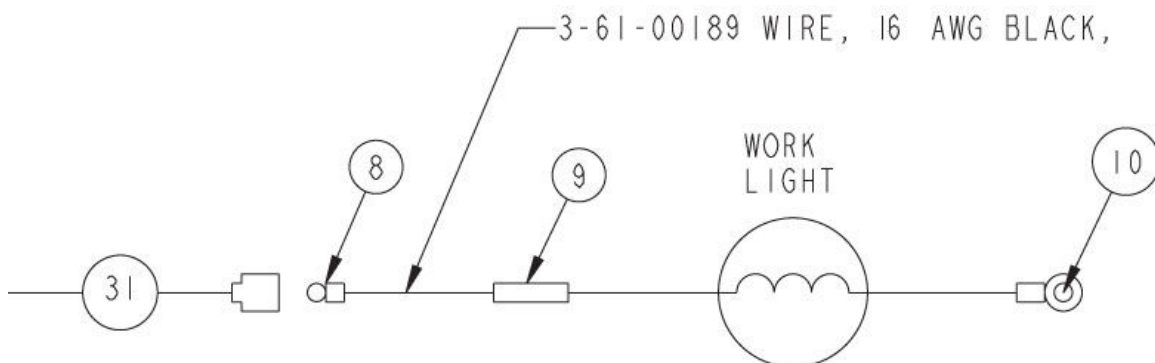
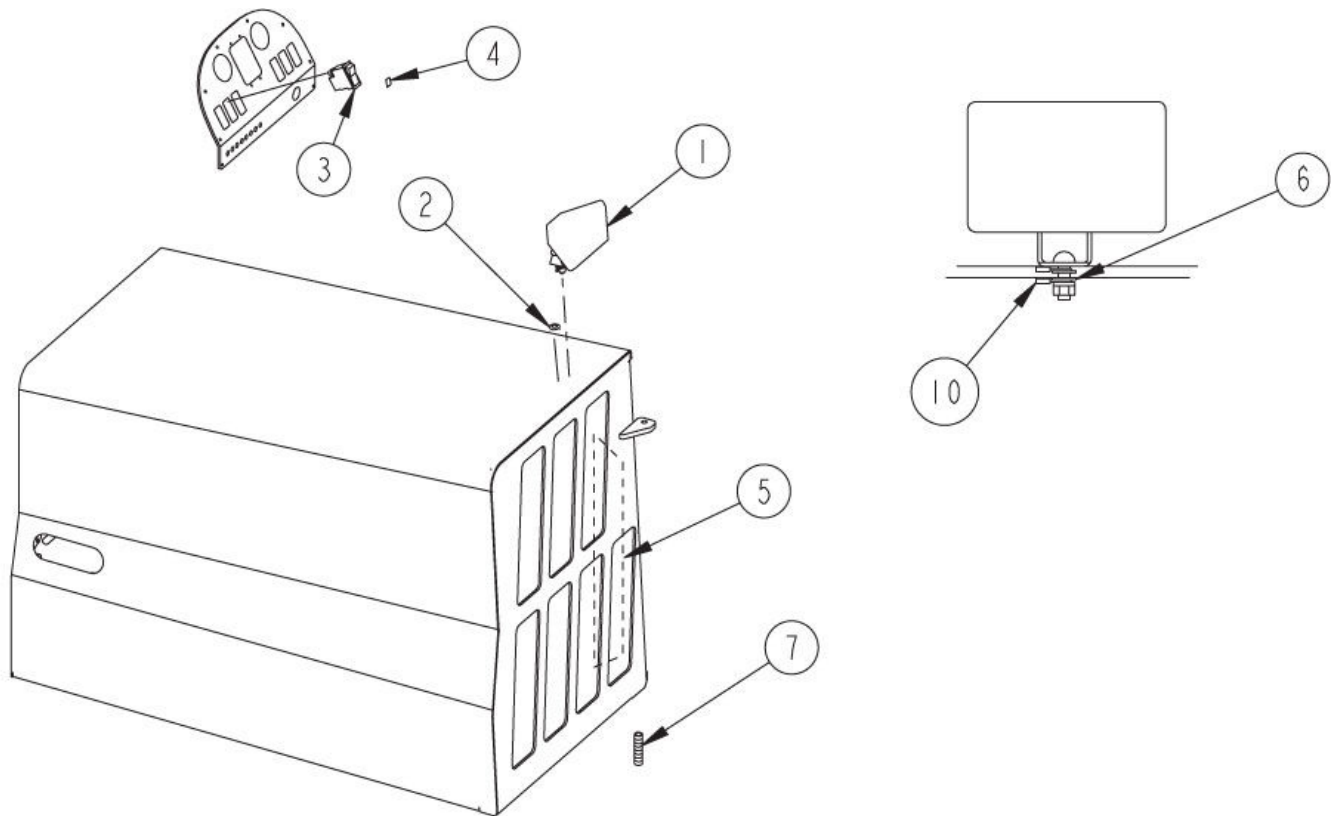
REAR WORK LIGHT OPTION

MPV 60

29-01-2013

Part List ID
MPV60110

129



REAR WORK LIGHT OPTION

MPV 60

29-01-2013

Part List ID
MPV60110

130

Pos	Part no.	Qty	Description
1	8-40-05049	1	LIGHT
2	2-00-00491	2	GROMMET RUB .75 .375
3	8-82-00072	1	CARLING SPST SWITCH
4	8-41-03004	1	LENS WORK LIGHT
5	8-20-06037	1	DUCT WIRE
6	2-00-02303	1	LK WASH INT TOOTH ZINC PL
7	3-61-02014	1	.695 OD X .50 ID BLACK LOOM
8	2-00-04578	1	TERMINAL BULLET MALE
9	2-00-01128	1	CONN BUTT SPLICE INSULATED
10	2-00-04282	1	RING TERMINAL INSULATED

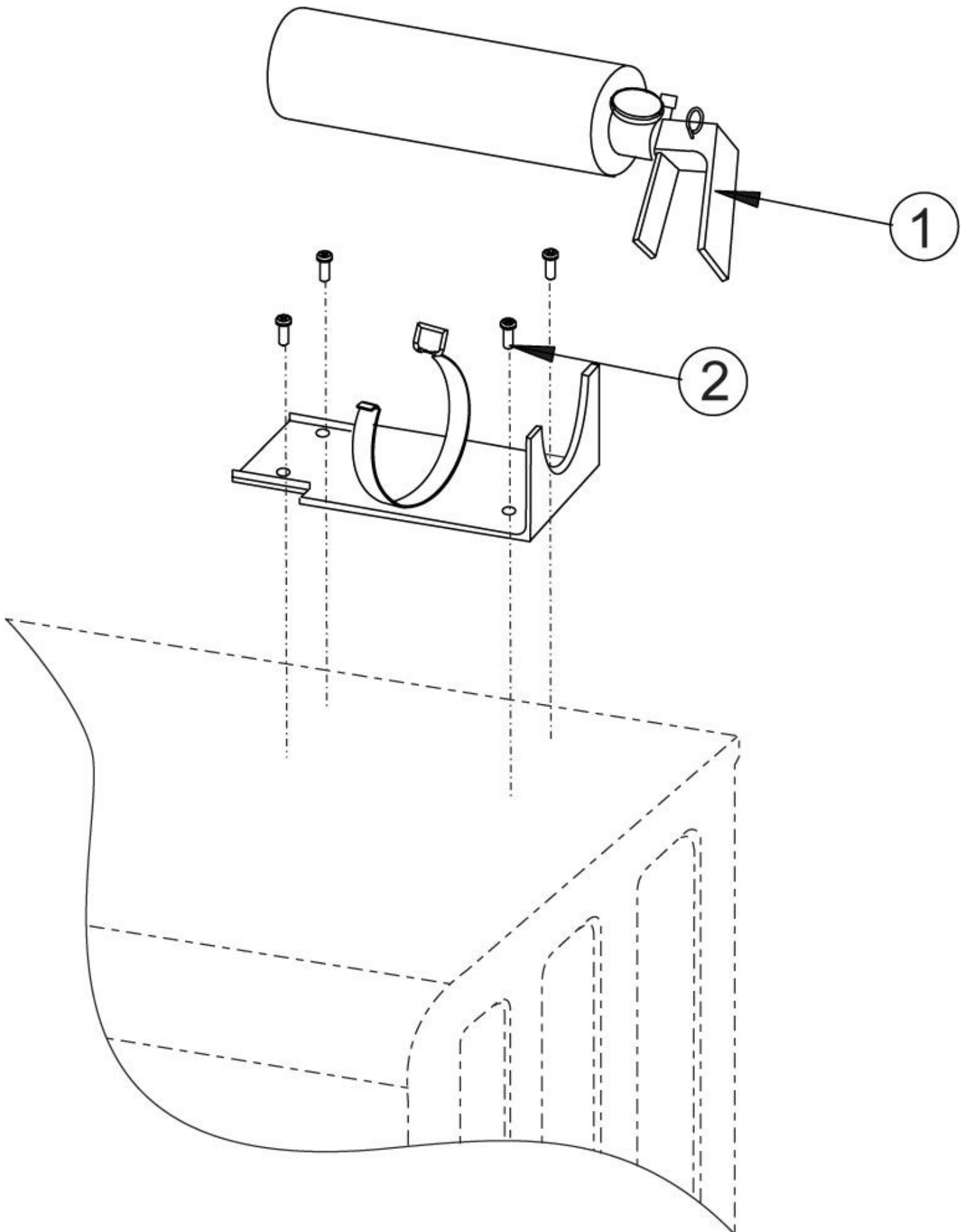
FIRE EXTINGUISHER OPTION

MPV 60

29-01-2013

Part List ID
MPV60111

131



FIRE EXTINGUISHER OPTION

MPV 60

29-01-2013

Part List ID
MPV60111

132

Pos	Part no.	Qty	Description
1	8-83-04033	1	FIRE EXTINGUISHER 2 1/2 POUND
2	2-95-01998	2	SCREW T/FRH 14 10X75

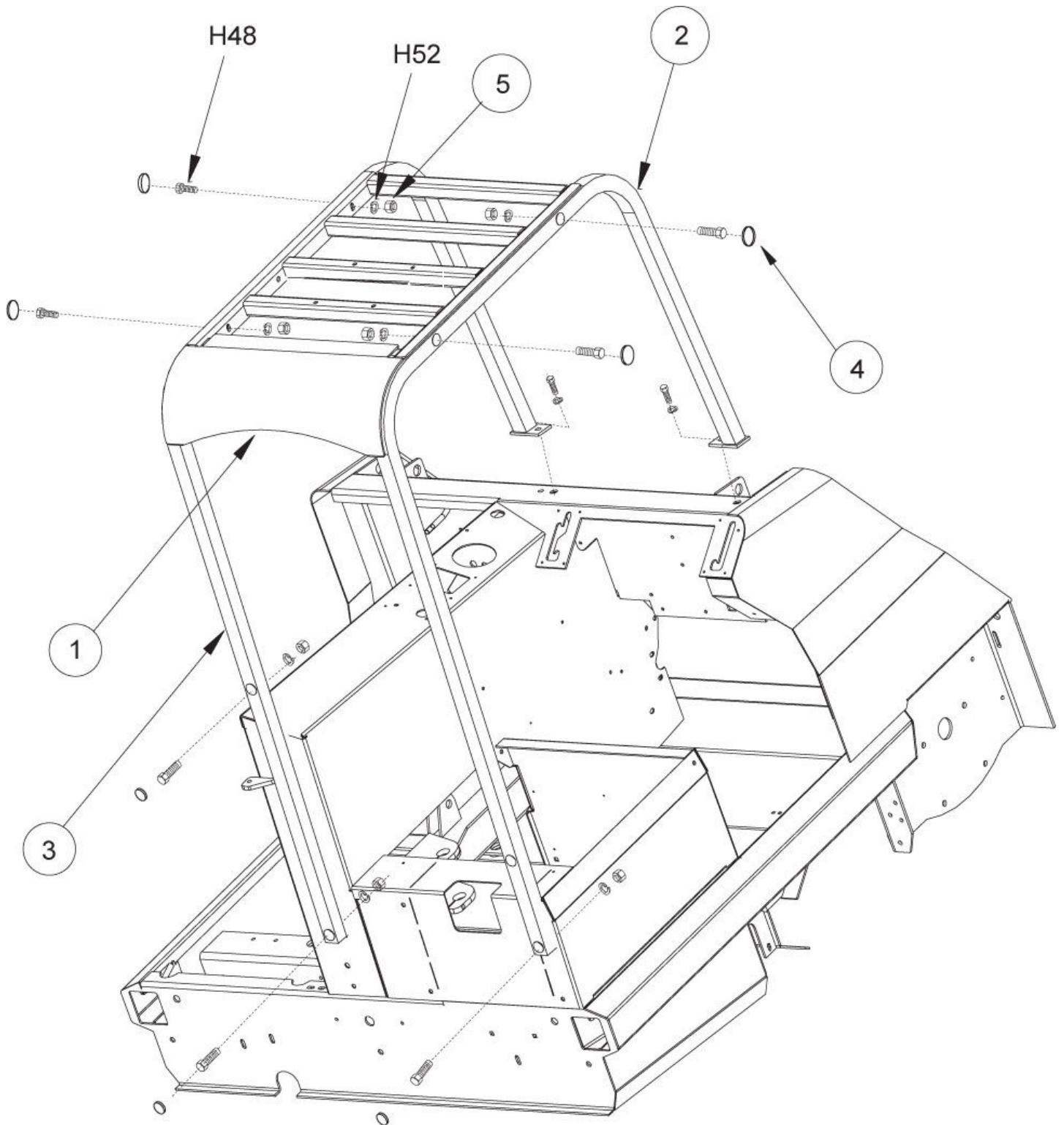
OVERHEAD GUARD OPTION

MPV 60

29-01-2013

Part List ID
MPV60113

133



OVERHEAD GUARD OPTION

MPV 60

29-01-2013

Part List ID
MPV60113

134

Pos	Part no.	Qty	Description
1	8-30-05174	1	WELDMENT OHG TOP
2	8-30-05172	1	OVERHEAD GUARD LEG RH
3	8-30-05173	1	OVERHEAD GUARD LEG LH
4	2-00-05134	8	PLUG BUTTON
5	2-95-04182	8	NUT EL.STOP 3/8 16 ZN PL
H48	2-00-00233	2	SCREW HHC .375 16 X 1.00 GR ZN
H52	2-00-00402	4	WSHR FL..750X.391X.093 STL ZN
H57	2-00-00240	8	SCW HHC .50 13 X 1.25 GR 5 ZN
H63	2-00-02312	2	LK WASHER 1/2 ID MED SEC ZN

H= HARDWARE USED

Ersatzteile auf www.gluesing.net

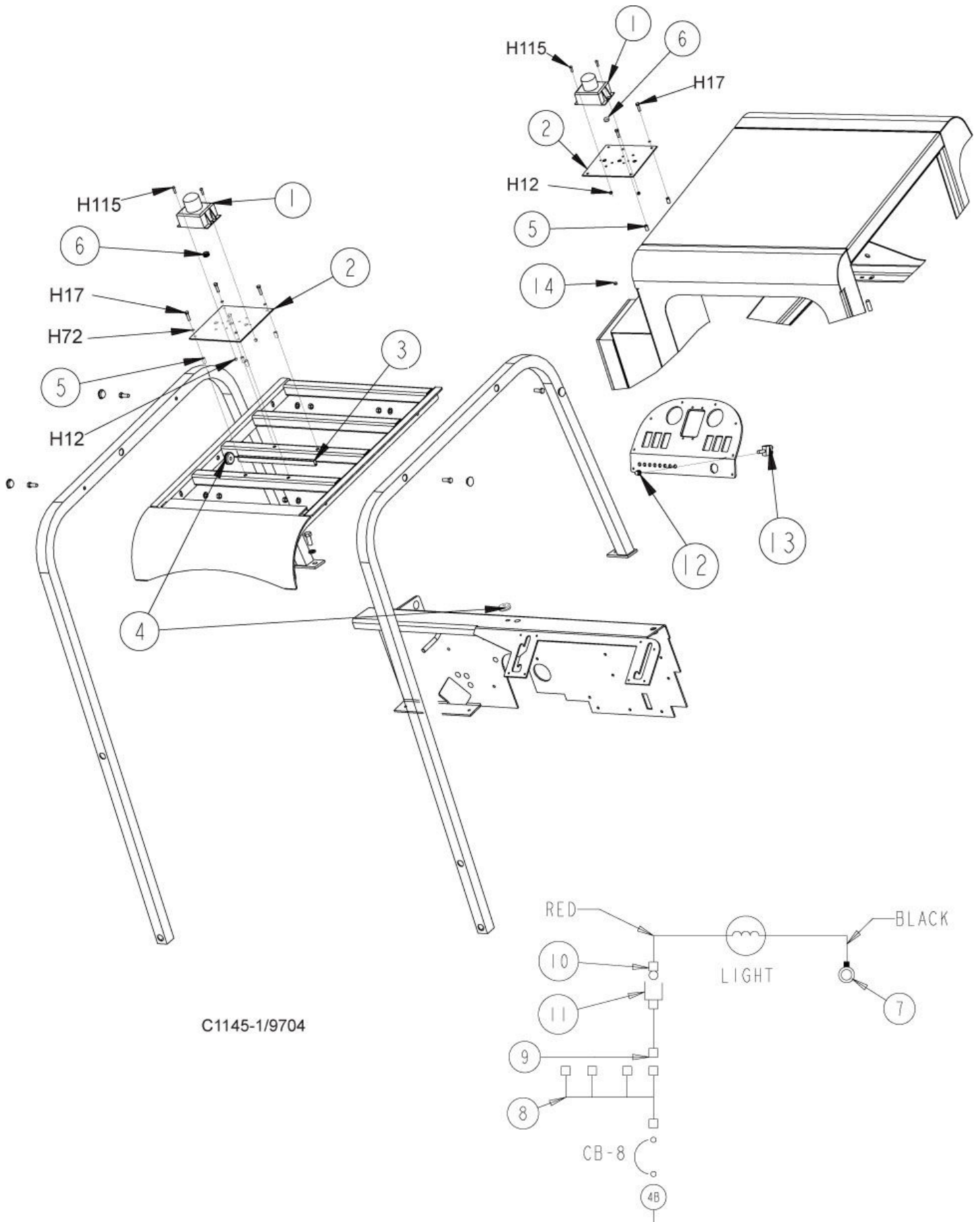
STROBE LIGHT WITH OVERHEAD GUARD OPT

MPV 60

29-01-2013

Part List ID
MPV60115

135



C1145-1/9704

STROBE LIGHT WITH OVERHEAD GUARD OPTI

MPV 60

29-01-2013

Part List ID MPV6011b

136

Pos	Part no.	Qty	Description
1	8-40-05020	1	STROBE 12V RED
1	8-40-05036	1	LIGHT STROBE 12v AMBER
2	8-58-05228	1	PLATE FLASHER MOUNTING
3	8-20-06036	1	DUCT WIRE
4	2-00-01915	2	GROM ATL INDIA RUB 828
5	2-00-05261	4	INSERT 1/4 20
6	2-00-00491	1	GROMMET RUB .75 .375
7	2-00-04281	1	RING TERMINAL INSULATED
8	8-90-07434	1	WIRE WING
9	8-11-00015	1	SPADE TERMINAL MALE
10	2-00-04578	2	TERMINAL BULLET MALE
11	2-00-04626	2	TERMINAL BULLET FEMALE
12	8-11-00044	1	BOOT
13	8-64-00008	1	CIRCUIT BREAKER 15 AMP
14	2-00-04200	1	BUSHING SNAP
H12	2-00-01246	4	10 24 NYLON INSERT THIN
H17	2-00-00205	6	BOLT HEX TAP .25 20X1.0 GR 5
H72	2-00-00518	4	LK WASH 1/4 MED. SECTION ZN
H11	2-00-03063	4	SCREW THM 10 24 X .75 ZN

H= HARDWARE USED

Ersatzteile auf www.gluesing.net

STROBE LIGHT WITHOUT OVERHEAD GUARD OI

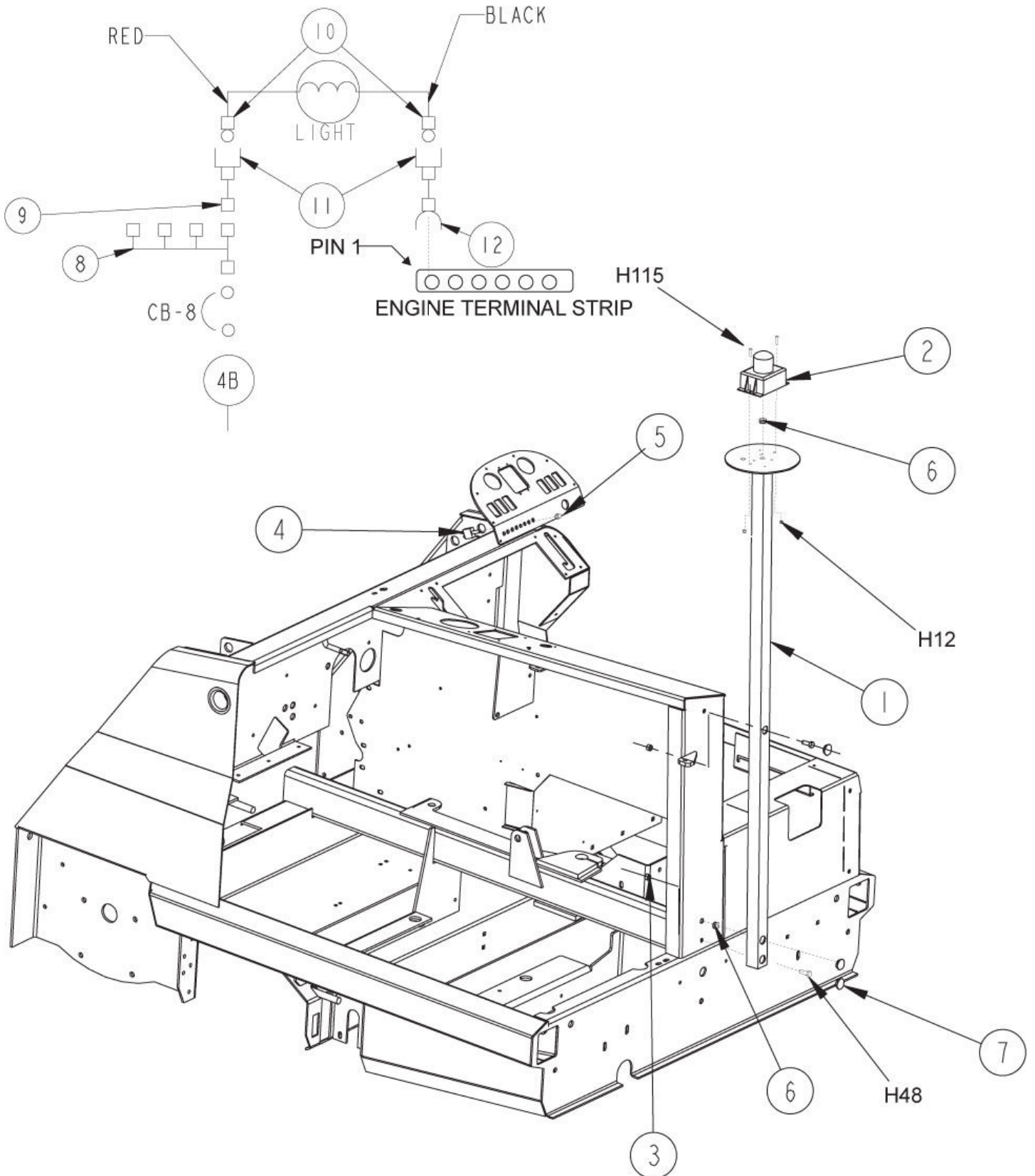
MPV 60

29-01-2013

Part List ID

MPV60117

137



STROBE LIGHT WITHOUT OVERHEAD GUARD OF MPV 60

29-01-2013

Part List ID MPV6011/

138

Pos	Part no.	Qty	Description
1	8-81-00173	1	LIGHT POLE OPT. MPV/6150
2	8-40-05020	1	STROBE 12V RED
2	8-40-05036	1	LIGHT STROBE 12v AMBER
3	2-95-04182	2	NUT EL.STOP 3/8 16 ZN PL
4	8-64-00008	1	CIRCUIT BREAKER 15 AMP
5	8-11-00044	1	BOOT
6	2-00-00491	2	GROMMET RUB .75 .375
7	2-00-05134	3	PLUG BUTTON
8	8-90-07434	1	WIRE WING
9	8-11-00015	1	SPADE TERMINAL MALE
10	2-00-04578	2	TERMINAL BULLET MALE
11	2-00-04626	2	TERMINAL BULLET FEMALE
12	2-00-04742	1	TERMINAL
H12	2-00-01246	2	10 24 NYLON INSERT THIN
H48	2-00-00233	2	SCREW HHC .375 16 X 1.00 GR ZN
H11	2-00-03063	2	SCREW THM 10 24 X .75 ZN

H= HARDWARE USED

Ersatzteile auf www.gluesing.net

PULSE AIR OPTION - 1

MPV 60

29-01-2013

Part List ID
MPV60119

140

Pos	Part no.	Qty	Description
1	8-48-00020	1	MANIFOLD CDC 2160
2	8-24-04154	1	FILTER ECDC
3	8-20-06040	1	FILTER DUCT WELDED
4	8-78-05024	1	STOP
5	3-73-00050	6	GASKET-MICROCELLULAR URETHANE
6	0890-006	1	COMPRESSOR W/SEALED BRGS.
7	0782-091	1	MOTOR 1 HP
7	7-08-03180	1	BRUSH MOTOR SERVICE ONLY CARBON BRUSH
8	8-88-00061	3	VALVE PILOT OPERATED
9	8-56-05080	3	FITTING 1 CLOSE NIPPLE
10	2-00-03859	3	FITTING REDUCER
11	8-13-07149	1	CLAMP LH
12	8-13-07150	1	CLAMP RH
13	8-88-00062	3	VALVE
14	2-00-04515	1	TEE 1/4NPT STREET TEE
15	2-00-04477	1	FITTING PIPE MALE 90 DEG ELBOW
16	2-00-04856	2	FITTING-BARBED
17	8-16-07408	1	COVER V BELT
19	8-56-05061	2	90 DEG STREET ELBOW 1/4 NPT
20	2-00-02407	2	NUT-WING .25-20 FLAT TYPE
21	8-80-05045	2	STUD
22	8-60-00165	2	PULLEY 5.75 O.D.
23	8-60-00171	2	BUSHING
25	8-33-02335	1	HOSE
26	8-58-05787	1	END PLATE
27	8-82-00063	1	SWITCH PRESSURE
28	8-33-05147	2	HOUSING FILTER COVER
29	8-03-03007	1	ALTERNATOR 94A 12V LES FAN PUL
30	8-24-04157	2	FILTER PULSEAIR
31	8-33-05145	2	WELDMENT FILTER BASE
32	8-09-01082	1	BUSHING UNIVERSAL
33	8-58-05786	1	PLATE COMP.MTG
34	2-00-02471	2	GALV PIPE PLUG
35	8-25-02037	1	FITTING PULSE AIR VALVE
H15	2-00-00221	2	SCW HHC .25 20 X .75 GR 8 ZN
H24	2-00-00220	2	SCW HHC .25 20 X .63 GR 8 ZN
H26	2-00-00641	4	NUT INS FIBRE .25 20 ZN PL
H27	2-00-03702	4	WSHR FL..625X.281X.063 STL.ZN
H36	2-00-00196	8	BLT CAR..31 18 X 1 GR 5 ZN
H37	2-00-00207	3	SCW HHC .313 18 X 1.25 GR 5 ZN
H44	2-00-00530	11	LK WASH 5/16 MED SEC SPL ZN
H45	2-00-00585	8	NUT HEX FIN .31 18 ZN
H17	2-00-02371	4	NUT HEX JAM .50 13 ZN

H= HARDWARE USED

Ersatzteile auf www.gluesing.net

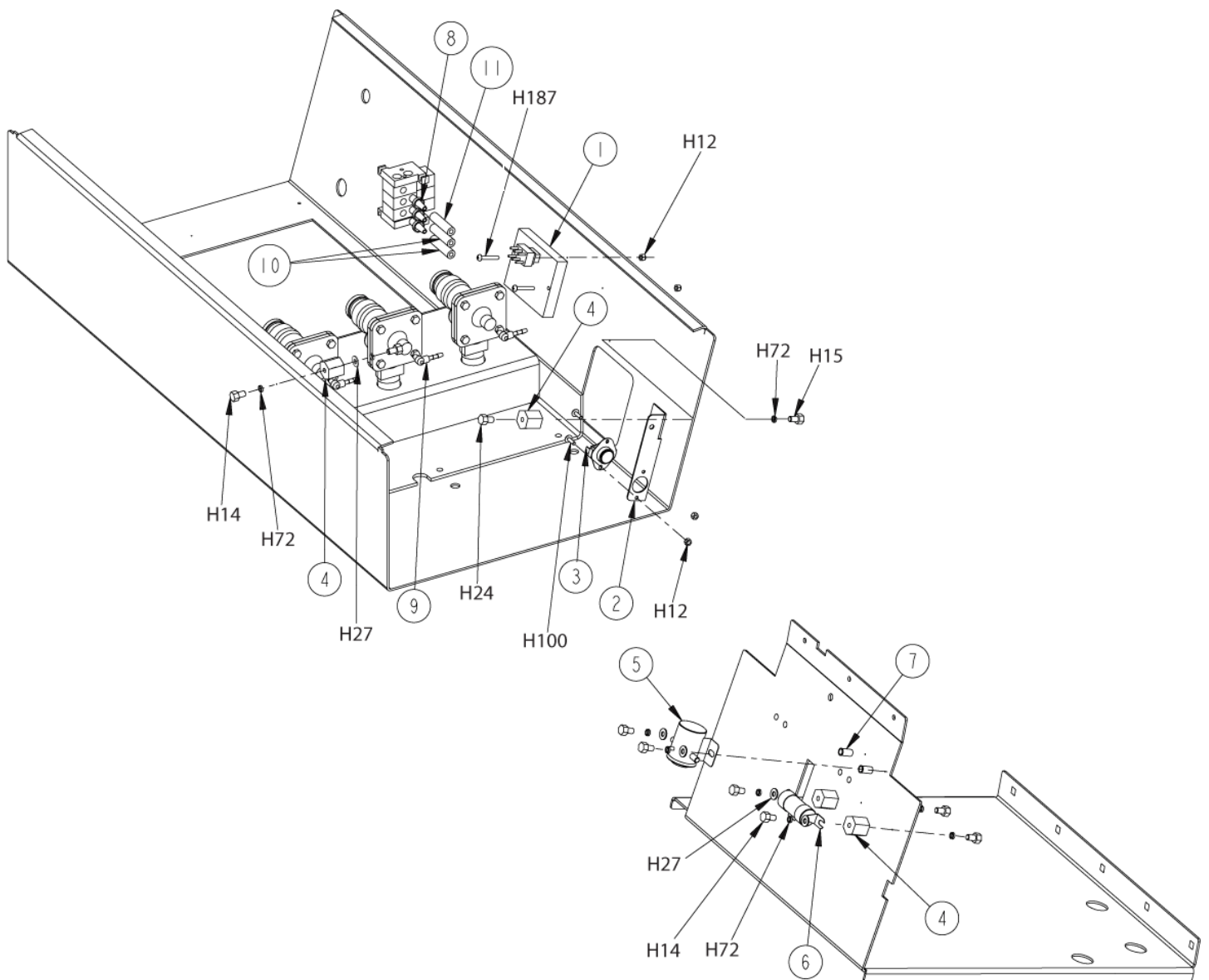
PULSE AIR OPTION - 2

MPV 60

29-01-2013

Part List ID
MPV60121

141



PULSE AIR OPTION - 2

MPV 60

29-01-2013

Part List ID
MPV60121

142

Pos	Part no.	Qty	Description
1	8-64-00016	1	RELAY SOLID STATE MODULE
2	8-08-00859	1	BRACKET TEMP. SWITCH
3	8-82-00056	1	SWITCH THERMOSTAT REF.
4	56469858	4	INSULATED STANDOFF
5	7-74-00002	1	SOLENOID
6	7-28-00002	1	FUSE 80AMP
7	2-00-05261	2	INSERT 1/4 20
8	2-00-04518	3	FITTING
9	2-00-04787	3	MALE PIPE 90 DEG ELBOW BARB
10	56370004	2	HOSE FUEL LINE .25 E00071
11	56370004	1	HOSE FUEL LINE .25 E00071
H12	2-00-01246	4	10 24 NYLON INSERT THIN
H14	2-00-00219	14	SCW HHC .25 20 X .50 GR 5 ZN
H15	2-00-00221	1	SCW HHC .25 20 X .75 GR 8 ZN
H24	2-00-00220	2	SCW HHC .25 20 X .63 GR 8 ZN
H27	2-00-03702	9	WSHR FL..625X.281X.063 STL.ZN
H72	2-00-00518	17	LK WASH 1/4 MED. SECTION ZN
H10	2-00-03062	2	SCREW THM 10 24 X .63 ZN
H18	2-00-00071	2	SCREW RHM 10 24 X 1.25

H= HARDWARE USED

Ersatzteile auf www.gluesing.net

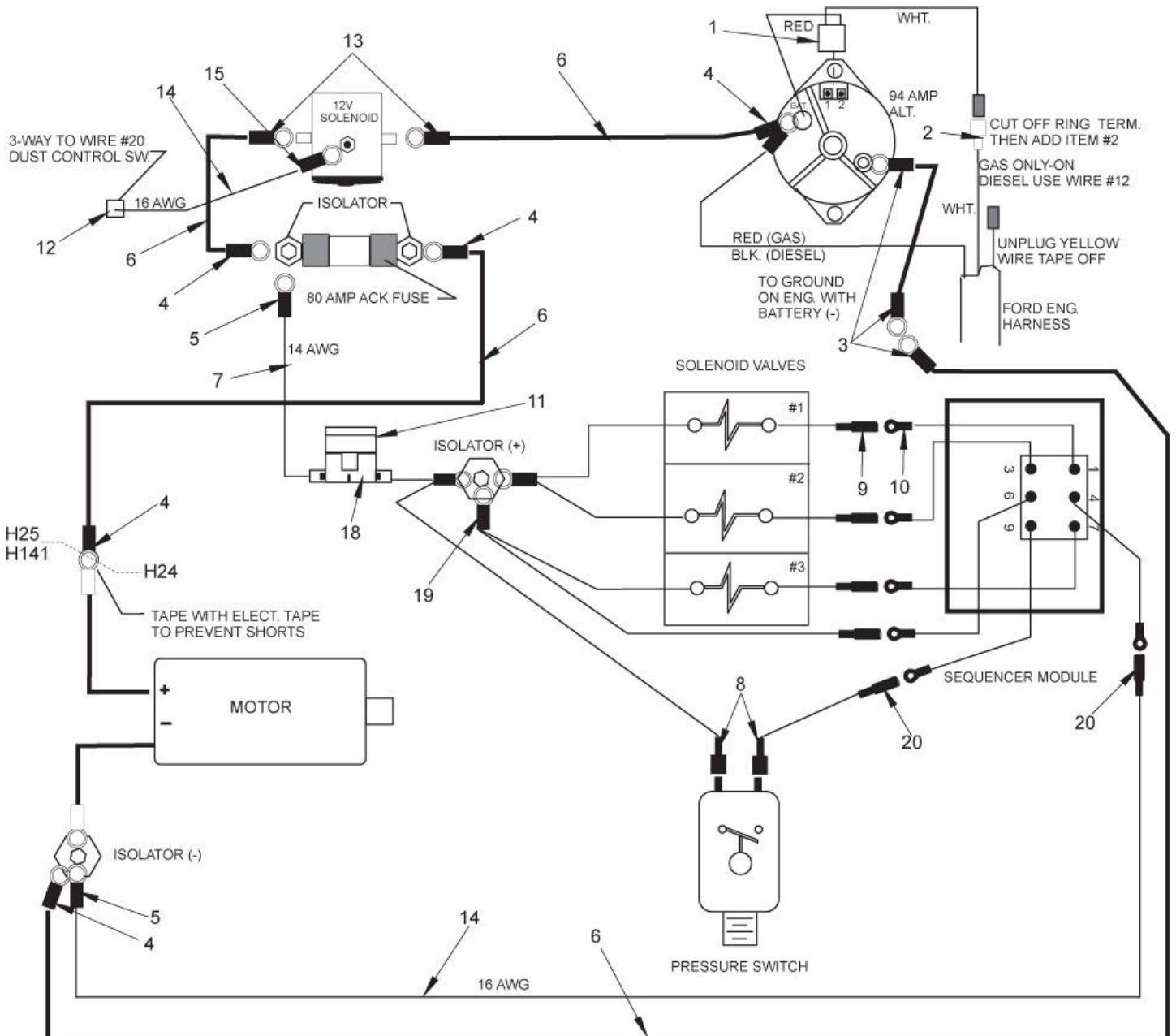
PULSE AIR ELECTRICAL ASSEMBLY

MPV 60

29-01-2013

Part List ID
MPV60123

143



PULSE AIR ELECTRICAL ASSEMBLY

MPV 60

29-01-2013

Part List ID
MPV60123

144

Pos	Part no.	Qty	Description
1	0895-092	1	WIRE HARNESS ASSY DIESEL
2	2-00-04440	1	TERMINAL DISCONNECT
5	2-00-04284	2	RING TERMINAL INSULATED
6	3-61-00021	15	6 19X7 / 27 GA 1/16 BLK INSUL
7	3-61-00144	10	NO.14 19 BLACK STRANDED
8	2-00-03418	2	SPADE TERMINAL FEMALE
9	2-00-04584	4	TERMINAL BULLET FEMALE
10	2-00-04578	6	TERMINAL BULLET MALE
11	8-28-05020	1	FUSE 5 AMP ATC
12	2-00-04479	1	QUICK CONNECT SPLICE
14	3-61-00189	5	16GA STRANDED BLK INSUL WIRE
15	2-00-04281	1	RING TERMINAL INSULATED
16	0875-121	1	RESISTOR ASSY
17	2-00-04345	10	TY RAP THOMAS+BETTS TY 28M
18	7-32-03019	1	HOLDER FUSE
19	2-00-01862	3	RING TERMINAL INSULATED
20	2-00-04626	2	TERMINAL BULLET FEMALE
H24	2-00-00220	1	SCW HHC .25 20 X .63 GR 8 ZN
H25	2-00-00594	1	NUT HEX STD FIN .25 20 ZN
H14	2-00-00501	1	LK WASH INT TOOTH ZN

H= HARDWARE USED

Ersatzteile auf www.gluesing.net

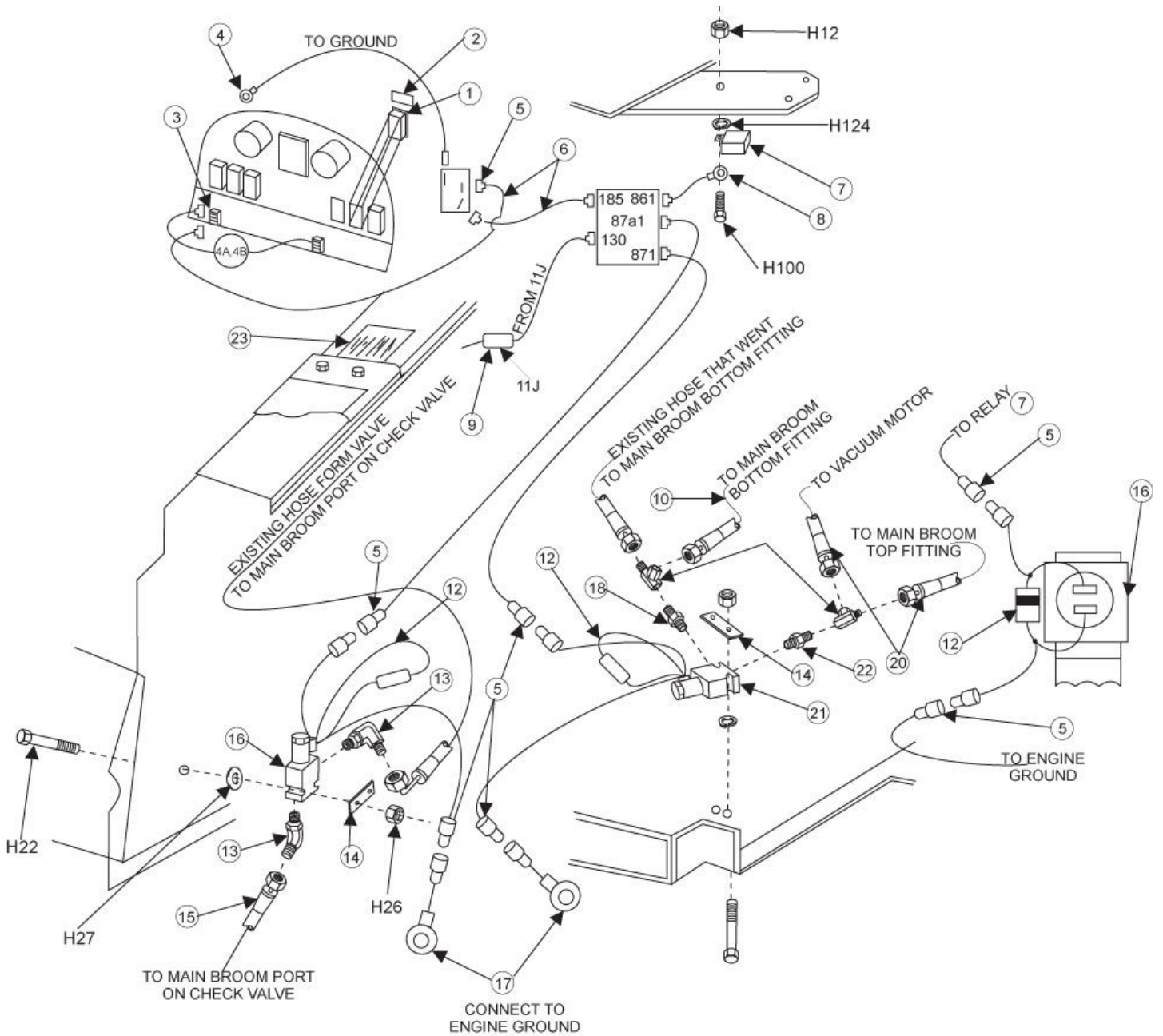
LITTER VAC OPTION - 1

MPV 60

29-01-2013

Part List ID
MPV60125

145



LITTER VAC OPTION - 1

MPV 60

29-01-2013

Part List ID
MPV6012b

146

Pos	Part no.	Qty	Description
1	8-82-00068	1	SWITCH 2 POS.ON/OFF LIGHT
2	8-18-00445	1	DECAL LITTERVAC
3	8-64-00008	1	CIRCUIT BREAKER 15 AMP
4	2-00-04742	1	TERMINAL
5	2-00-03418	13	SPADE TERMINAL FEMALE
6	3-61-00189	1	16GA STRANDED BLK INSUL WIRE
7	8-64-05009	1	RELAY BROOMS FAN
8	2-00-00833	1	TERM LUG
9	2-00-04479	1	QUICK CONNECT SPLICE
10	8-33-02326	1	HOSE HYD 8 x 34.5 0 0
12	0875-117	2	DIODE ASSY FAN SOL
13	2-00-04926	2	FITTING 90 SAE6 TO ORS4
14	8-08-00590	2	BRACKET SIDE BROOM VALVE MTG
15	7-33-02189	1	HOSE HYD ORS 4 90 TO STR 26
16	8-88-00044	1	VALVE SOLENOID
17	2-00-05048	2	TERMINAL FITS .38 STUD
18	2-00-04885	1	HYD.FITTING SAE TO OR 90 EL
19	2-00-04928	2	FITTING RUN TEE ORS8MALE TOEML
20	8-33-02214	2	HOSE 8 8 O RING FACE 29 LG.
21	8-88-00042	1	VALVE SOLENOID N.C.
22	2-00-04970	1	FITTING HYD STR 8 ORS 8 SAE
23	8-18-00444	1	DECAL LITTERVAC INSTRUCTIONS
H12	2-00-01246	1	10 24 NYLON INSERT THIN
H22	2-00-02589	4	SCW HHC .25 20 X 2.00 GR5 ZN
H26	2-00-00641	4	NUT INS FIBRE .25 20 ZN PL
H27	2-00-03702	8	WSHR FL..625X.281X.063 STL.ZN
H10	2-00-03062	1	SCREW THM 10 24 X .63 ZN
H12	2-00-02296	1	LK WASH EXT TOOTH STL/ZN

H= HARDWARE USED

Ersatzteile auf www.gluesing.net

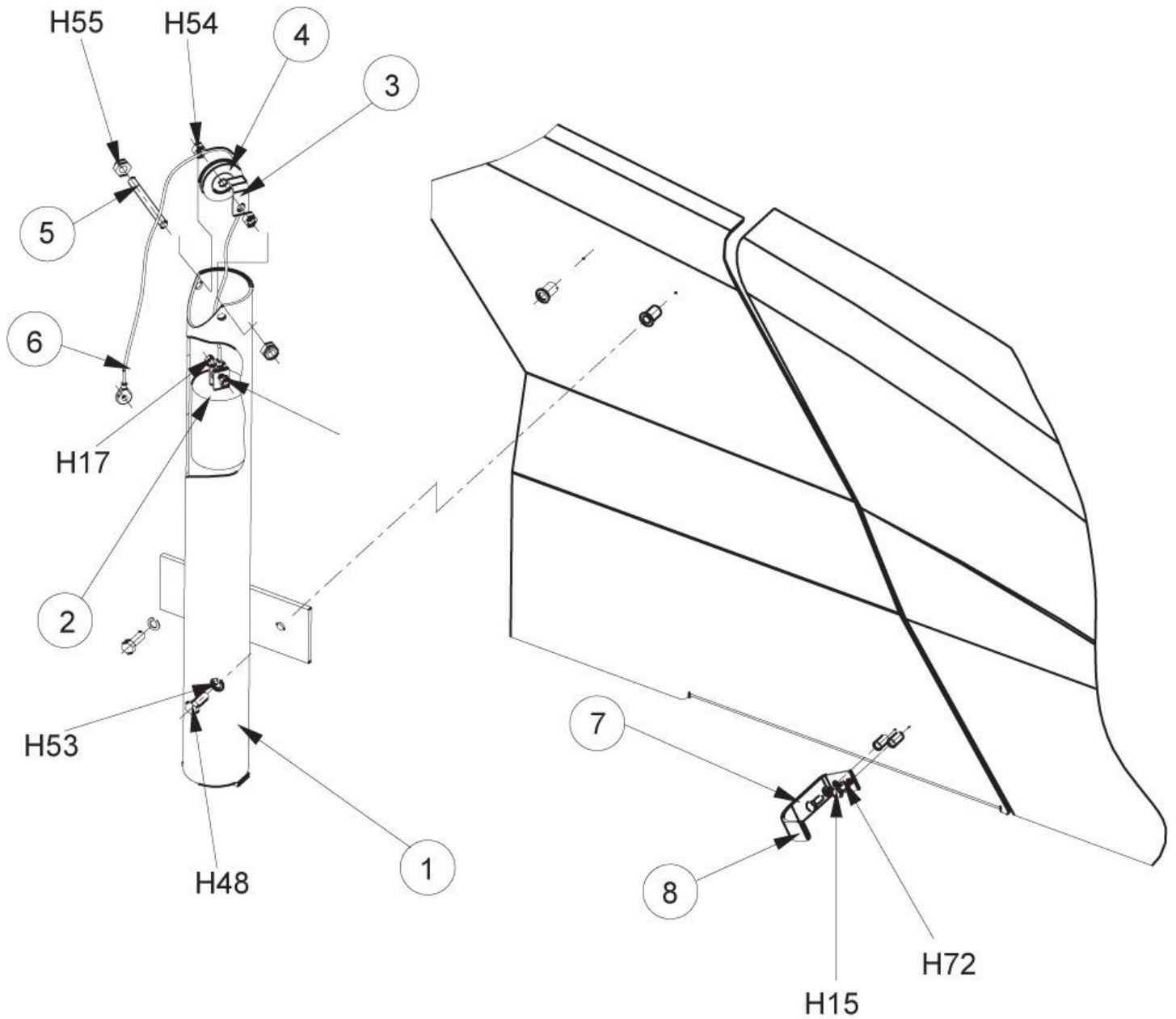
LITTER VAC OPTION - 2

MPV 60

29-01-2013

Part List ID
MPV60127

147



LITTER VAC OPTION - 2

MPV 60

29-01-2013

Part List ID
MPV6012/

148

Pos	Part no.	Qty	Description
1	8-81-00180	1	WLDMT LITTERVAC SUPPORT
2	8-89-04020	1	COUNTERWEIGHT ASSEMBLY
3	7-13-07130	1	CLIP CABLE RETAINER
4	7-60-00160	1	PULLEY HOPPER DUMP
5	8-80-05047	1	STUD VAC WAND
6	8-10-00036	1	CABLE R.H. SIDE BROOM
7	8-08-00881	1	BRACKET VAC WAND
8	7-31-06065	1	HANDLE GRIP 1.0 X .12
H15	2-00-00221	2	SCW HHC .25 20 X .75 GR 8 ZN
H17	2-00-00205	1	BOLT HEX TAP .25 20X1.0 GR 5
H26	2-00-00641	1	NUT INS FIBRE .25 20 ZN PL
H48	2-00-00233	2	SCREW HHC .375 16 X 1.00 GR ZN
H53	2-00-02310	2	LK WASH HELICAL SPR ZN
H54	2-00-02360	2	NUT HEX FIN .38 16 ZINC PL
H55	2-00-00643	2	NUT INS FIBRE .38 16 ZN PL
H72	2-00-00518	2	LK WASH 1/4 MED. SECTION ZN

H= HARDWARE USED

Ersatzteile auf www.gluesing.net

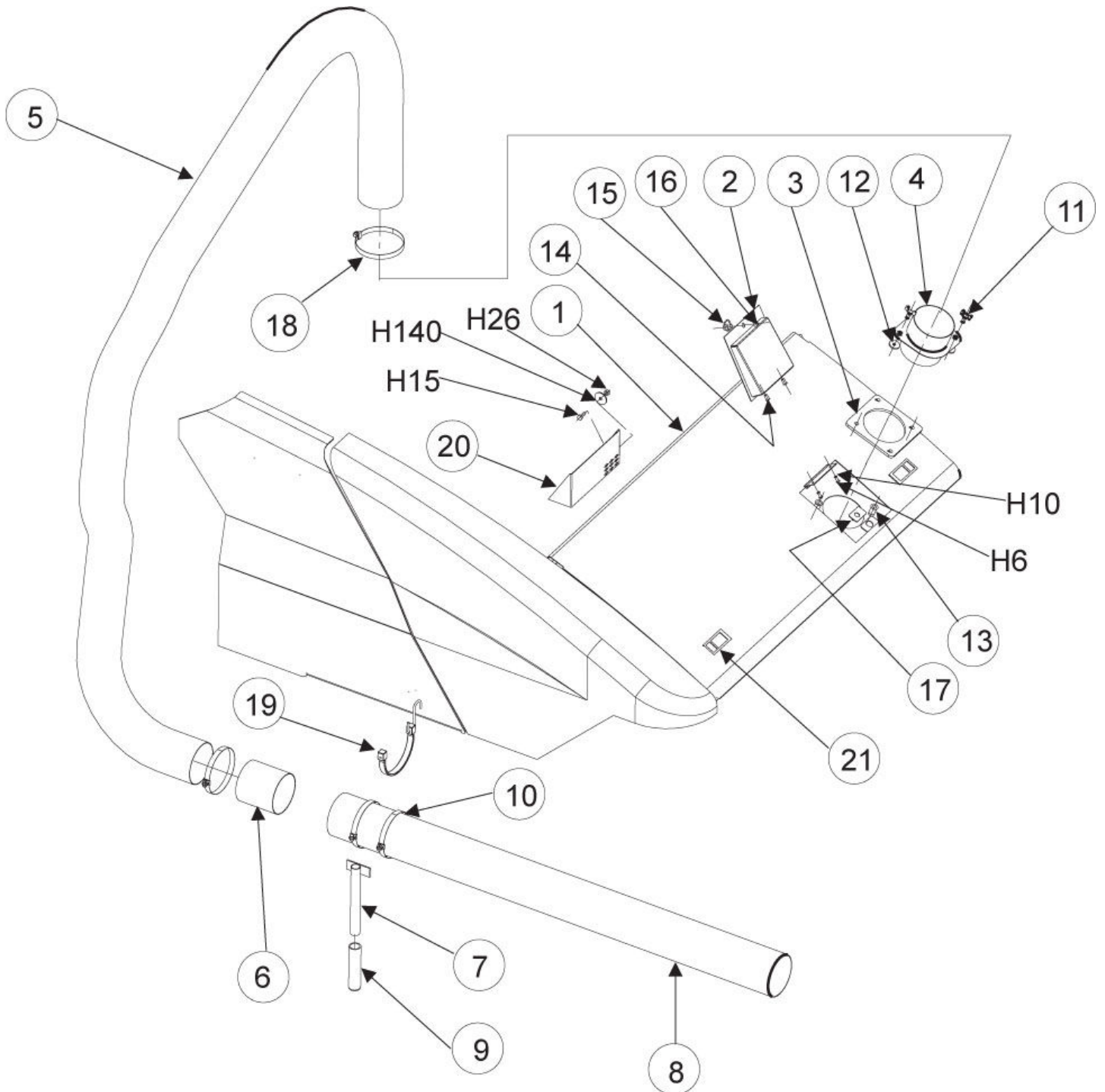
LITTER VAC OPTION - 3

MPV 60

29-01-2013

Part List ID
MPV60129

149



LITTER VAC OPTION - 3

MPV 60

29-01-2013

Part List ID
MPV60129

150

Pos	Part no.	Qty	Description
1	8-16-07400	1	WLDMT COVER DEBRISLITTER VAC
2	8-16-07404	1	WLDMT COVER LITTERVAC OPENING
3	8-29-00281	1	GASKET VAC WAND COVER
4	8-87-02117	1	WLDMT TUBE VAC WAND
5	8-33-02359	1	HOSE LITTERVAC
6	8-87-02119	1	TUBE INTERCONNECT
7	8-08-00883	1	WLDMT HANDLE BRACKET
8	8-87-02118	1	TUBE LITTERVAC
9	2-95-03355	1	GRIP HDL
10	2-00-03959	2	CLAMP FAN HOSE
11	2-00-04066	2	SCREW WING .313 18X.75
12	2-14-03197	2	WSHR SEAT VALVE NEOPRENE
13	2-00-05330	2	INSERT THREADED 5/16 18
14	2-00-05262	2	INSERT 10 24 THREAD
15	7-23-03113	1	FASTENER QTR. TURN BJR5 50
16	7-23-03107	1	GROMMET RETAINER GH5
17	7-23-03108	1	CLIP U TYPE
19	8-79-00128	1	STRAP BUNGEE
20	8-30-05180	1	GUARD
21	8-41-00040	2	LATCH
H6	2-00-00049	2	SCW RHM 10 24 X .50 ZN PL
140	2-00-00447	2	WSHR FLT 1.25X281X.09 ZN
H10	2-00-00519	2	LK WASH 10 MED SEC ZN
H15	2-00-00221	2	SCW HHC .25 20 X .75 GR 8 ZN
H26	2-00-00641	2	NUT INS FIBRE .25 20 ZN PL

H= HARDWARE USED

Ersatzteile auf www.gluesing.net

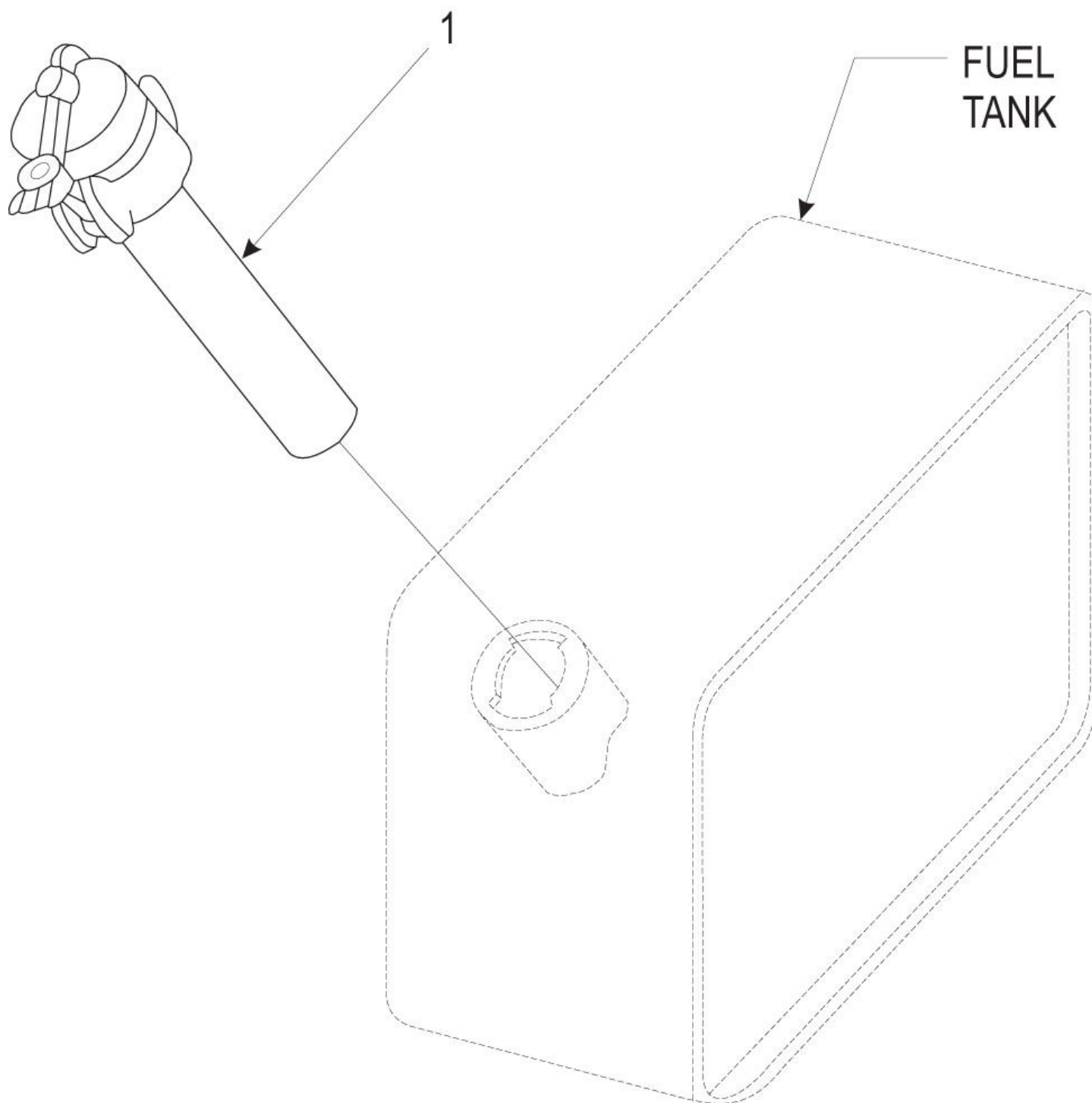
PROTOTECTOSEAL GAS CAP OPTION

MPV 60

29-01-2013

Part List ID
MPV60130

151



PROTOTECTOSEAL GAS CAP OPTION

MPV 60

29-01-2013

Part List ID
MPV60130

152

Pos	Part no.	Qty	Description
1	8-11-00024	1	CAP GAS ARRESTOR FLAME

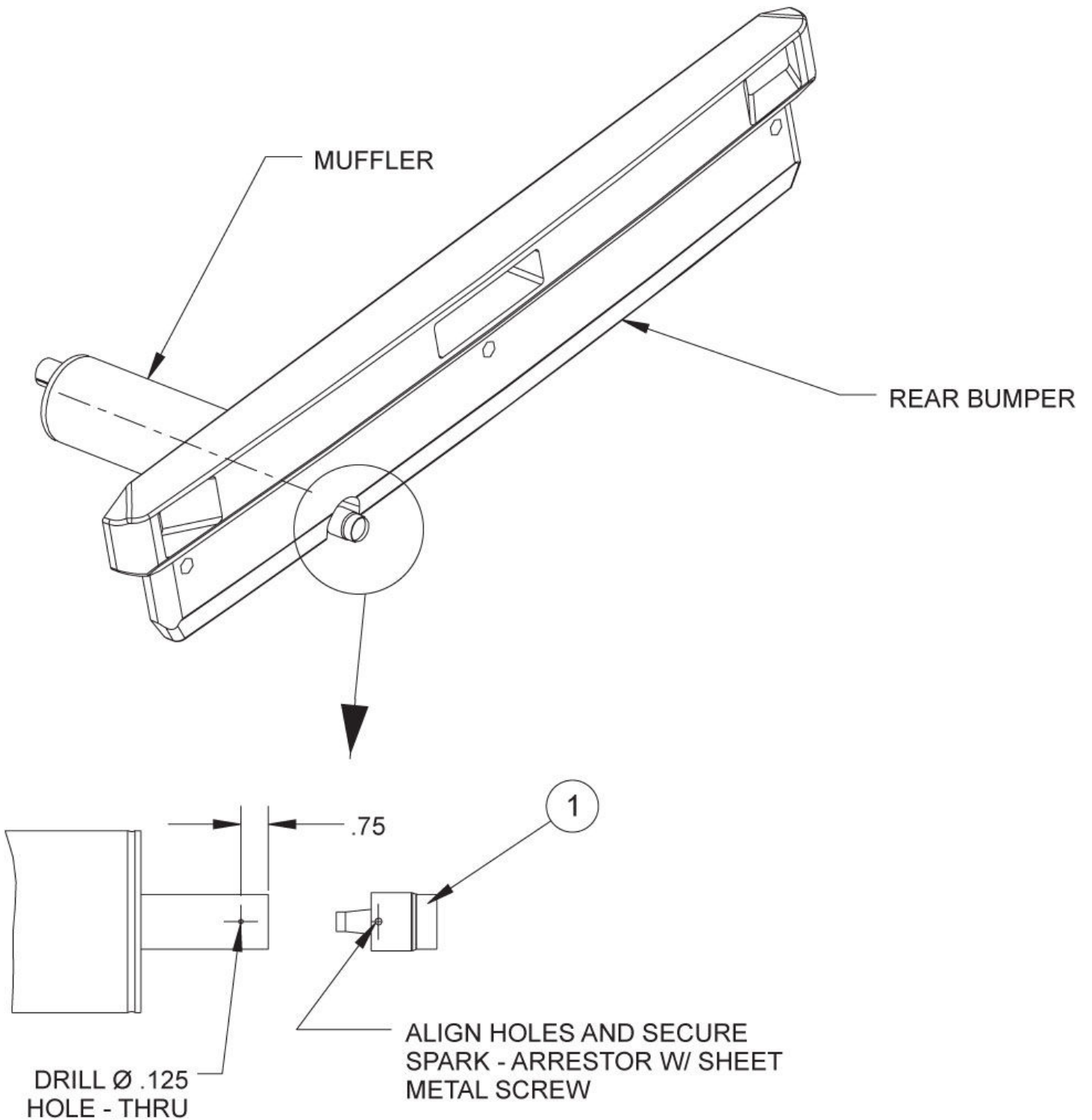
SPARK ARRESTOR OPTION

MPV 60

29-01-2013

Part List ID
MPV60131

153



SPARK ARRESTOR OPTION

MPV 60

29-01-2013

Part List ID
MPV60131

154

Pos	Part no.	Qty	Description
1	56419625	1	SPARK ARRESTER

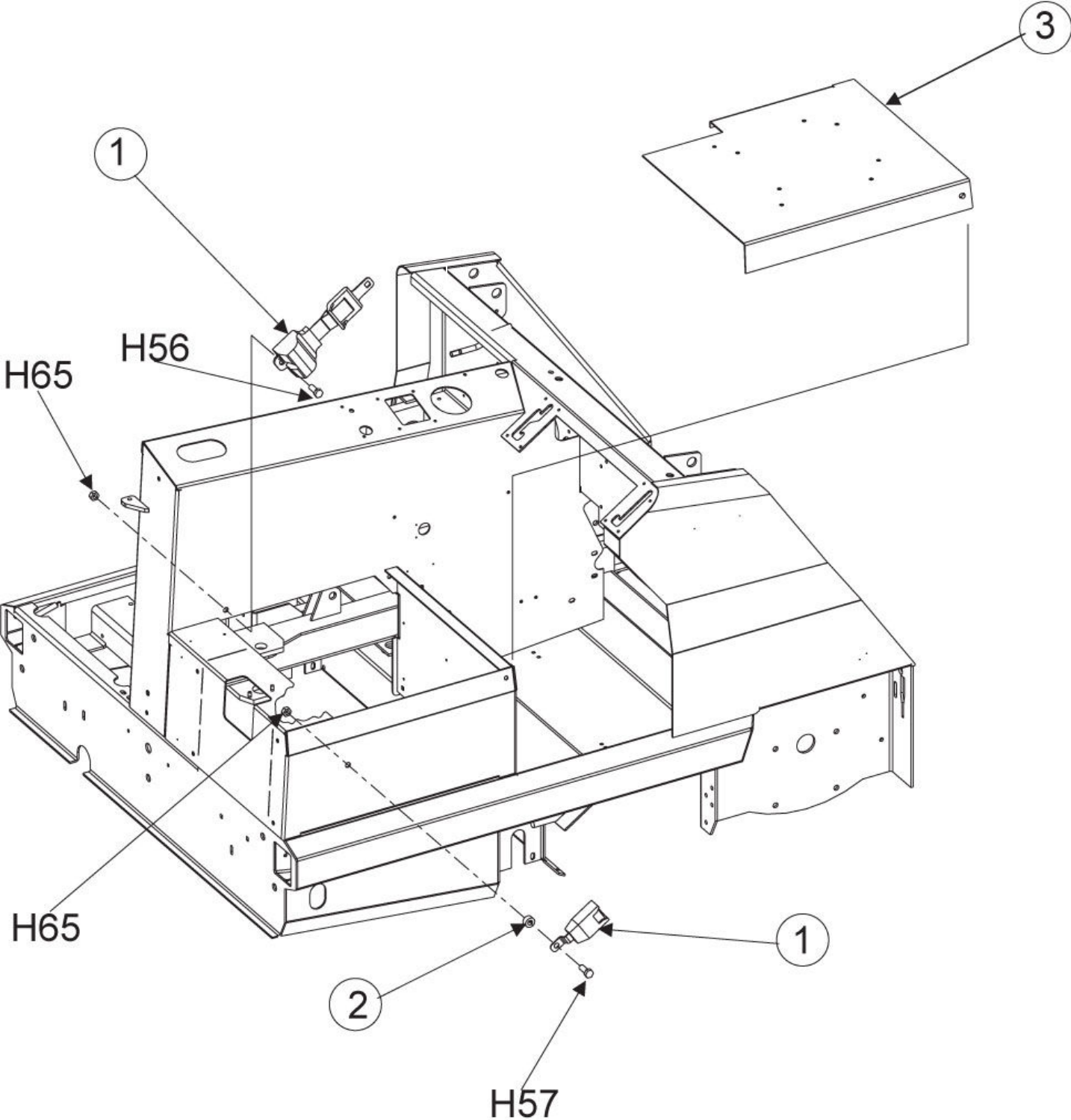
RETRACTABLE SEATBELT OPTION

MPV 60

29-01-2013

Part List ID
MPV60133

155



RETRACTABLE SEATBELT OPTION

MPV 60

29-01-2013

Part List ID
MPV60133

156

Pos	Part no.	Qty	Description
1	56109301	1	BELT SEAT 60
2	2-00-03589	1	COLLAR W/SETSCR. 1.00OD/.500ID
3	8-16-07348	1	SEAT DECK
H56	2-00-00239	1	SCW HHC .50 13 X 1.00 GR5 ZN
H57	2-00-00240	1	SCW HHC .50 13 X 1.25 GR 5 ZN
H65	2-00-04936	2	NUT INS FIBRE .50 13 ZINC

H= HARDWARE USED

Ersatzteile auf www.gluesing.net

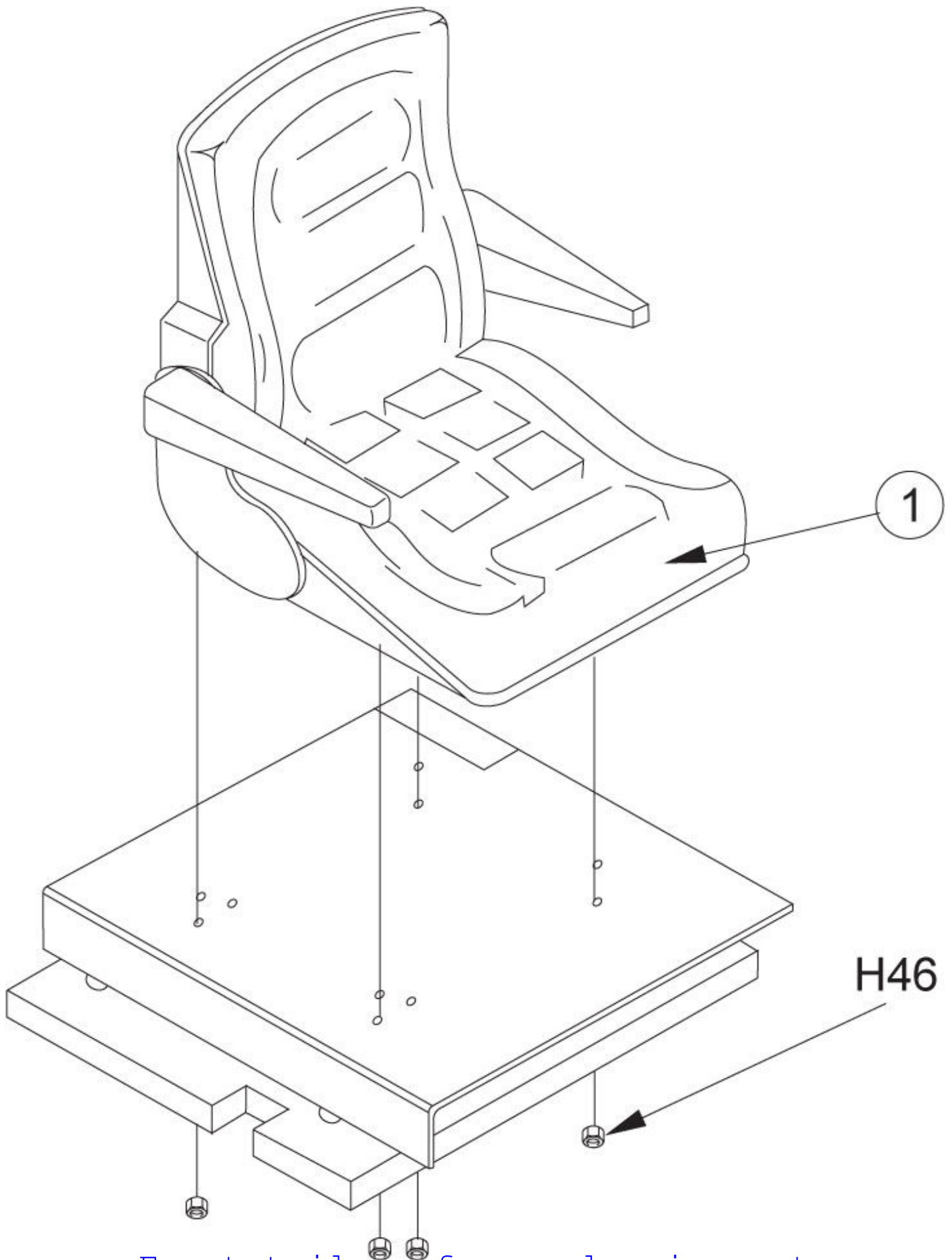
SUSPENSION SEAT OPTION

MPV 60

29-01-2013

Part List ID
MPV60134

157



SUSPENSION SEAT OPTION

MPV 60

29-01-2013

Part List ID
MPV60134

158

Pos	Part no.	Qty	Description
1	8-69-00019	1	SEAT SUSPENSION MICHIGAN OPT
H46	2-00-00644	4	NUT INS FIBRE .31 18 ZN PL

H= HARDWARE USED

Ersatzteile auf www.gluesing.net

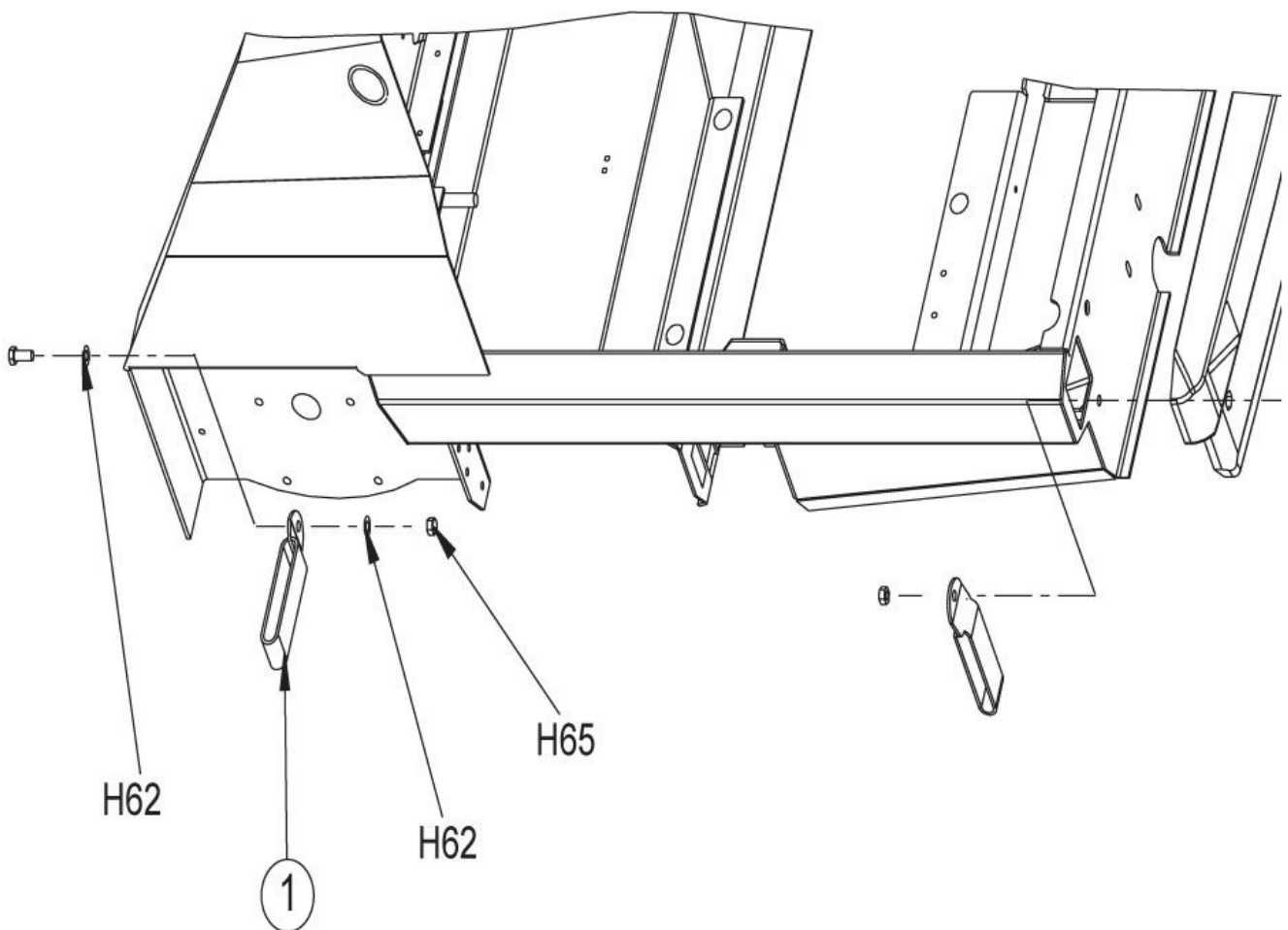
TIE DOWN OPTION

MPV 60

29-01-2013

Part List ID
MPV60135

159



TIE DOWN OPTION

MPV 60

29-01-2013

Part List ID
MPV6013b

160

Pos	Part no.	Qty	Description
1	8-79-00125	4	TIE DOWN STRAP
H57	2-00-00240	1	SCW HHC .50 13 X 1.25 GR 5 ZN
H62	2-00-00405	2	WSHR FLAT 1.063X.531X.094 STL.
H65	2-00-04936	1	NUT INS FIBRE .50 13 ZINC

H= HARDWARE USED

Ersatzteile auf www.gluesing.net

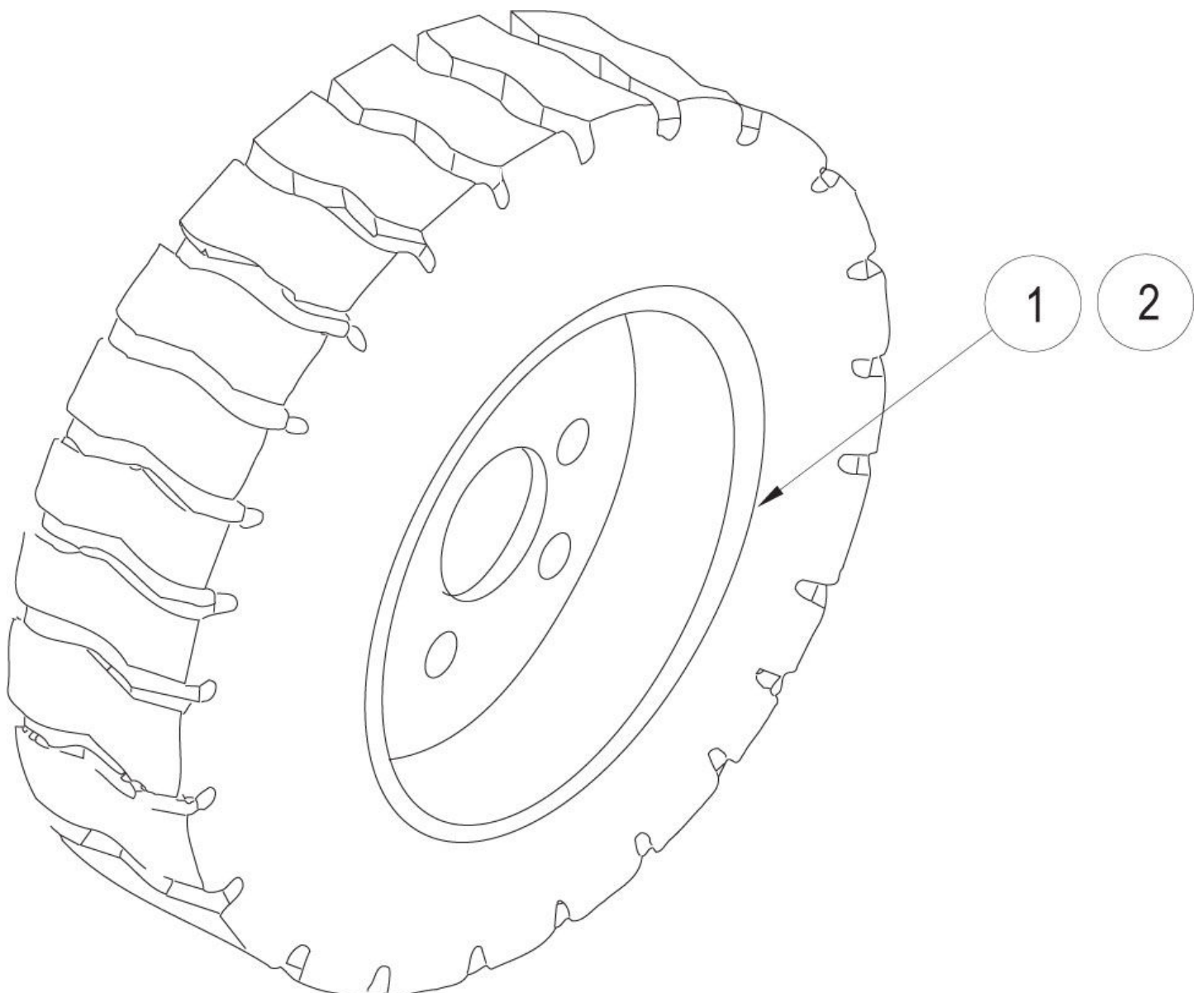
FRONT SOLID CUSHION TIRE OPTION

MPV 60

29-01-2013

Part List ID
MPV60136

161



FRONT SOLID CUSHION TIRE OPTION

MPV 60

29-01-2013

Part List ID
MPV60136

162

Pos	Part no.	Qty	Description
1	8-89-08071	1	WHEEL ASSY FRONT SOFT SHOE 5x8
2	8-85-06018	1	TIRE SOFTSHOE 5 X 8 X 3

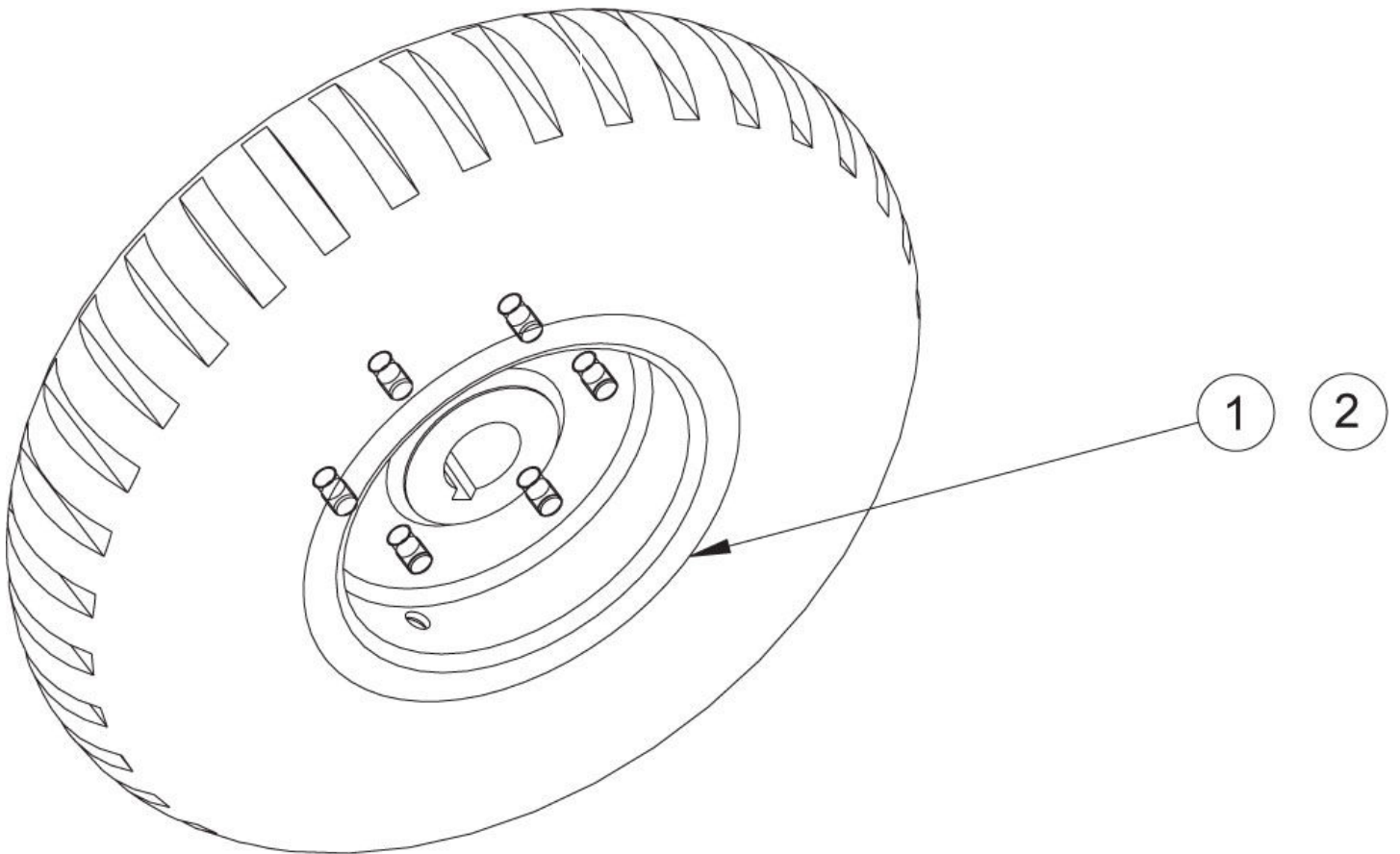
REAR SOLID CUSHION TIRE OPTION

MPV 60

29-01-2013

Part List ID
MPV60137

163



REAR SOLID CUSHION TIRE OPTION

MPV 60

29-01-2013

Part List ID
MPV6013/

164

Pos	Part no.	Qty	Description
1	8-89-08070	1	WHEEL ASSY REAR SOFT SHOE 5x8
2	8-85-06018	1	TIRE SOFTSHOE 5 X 8 X 3

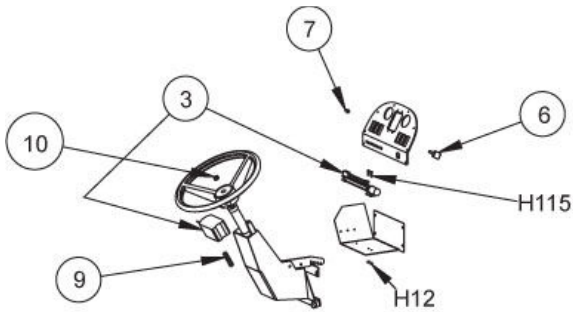
TURN SIGNAL OPTION

MPV 60

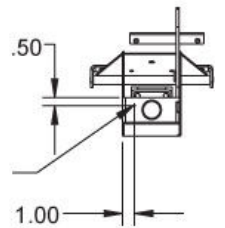
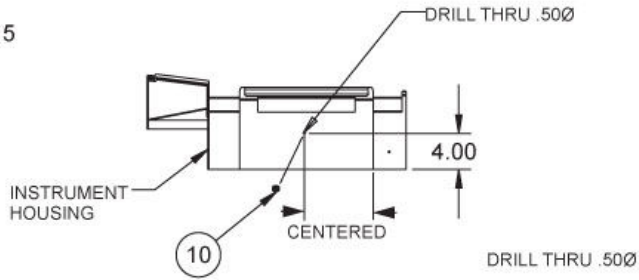
29-01-2013

Part List ID
MPV60139

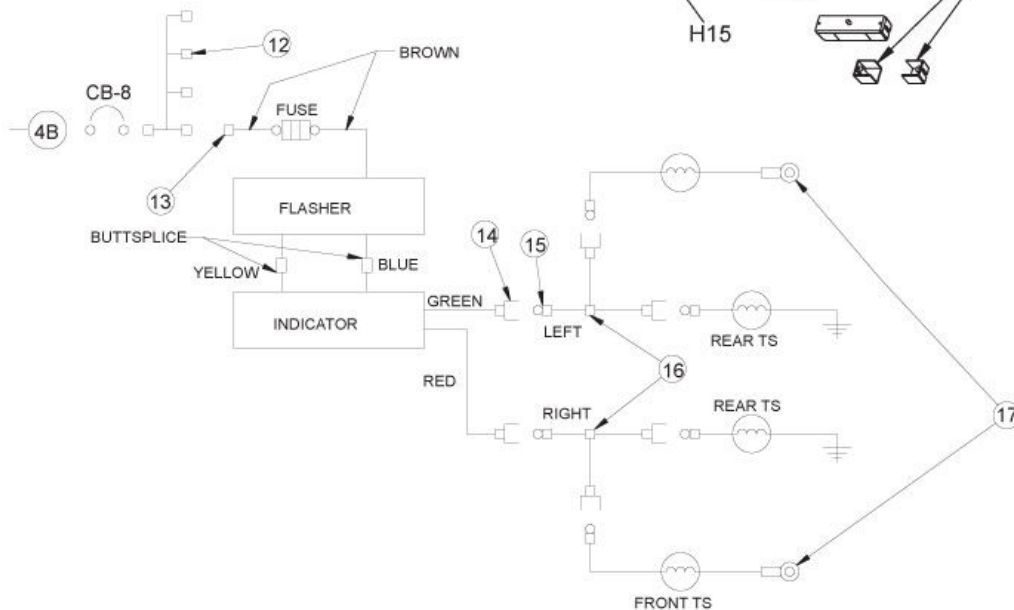
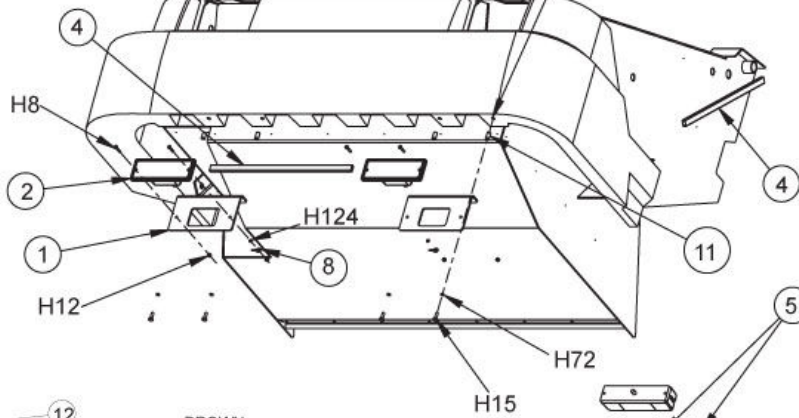
165



NOTE: SECURE WIRES TO COLUMN WITH TY-RAPS AS REQUIRED



NOTE: POSITION LIGHT BRKTS AT SIDE EDGES OF HOPPER AND AGAINST BUMPER TO LOCATE HOLES 1.00" IN FROM FRONT EDGE OF BUMPER DRILL (4) Ø .390 HOLES THRU



TURN SIGNAL OPTION

MPV 60

29-01-2013

Part List ID
MPV60139

166

Pos	Part no.	Qty	Description
1	8-08-00884	2	BRACKET LIGHT
2	2-00-05291	1	BULB
2	8-40-05046	2	TURN SIGNAL
2	8-41-03012	1	LENS AMBER FOR 8 40 05046
3	8-82-00025	1	TURN SIGNAL SWITCH ASSY
4	8-20-06037	2	DUCT WIRE
5	8-41-03009	2	LENS TURN SIGNAL
6	8-64-00008	1	CIRCUIT BREAKER 15 AMP
7	8-11-00044	1	BOOT
8	2-00-00828	1	TERM STAKON T+B B 71 TYPE 1
9	3-61-02014	5	.695 OD X .50 ID BLACK LOOM
10	2-00-00491	2	GROMMET RUB .75 .375
11	2-00-05261	4	INSERT 1/4 20
12	8-90-07434	1	WIRE WING
13	8-11-00015	1	SPADE TERMINAL MALE
14	2-00-04626	6	TERMINAL BULLET FEMALE
15	2-00-04578	6	TERMINAL BULLET MALE
16	2-00-04479	2	QUICK CONNECT SPLICE
17	2-00-00828	2	TERM STAKON T+B B 71 TYPE 1
H8	2-00-00039	4	SCREW RHM 10 24 X 1.00 ZN
H12	2-00-01246	6	10 24 NYLON INSERT THIN
H15	2-00-00221	4	SCW HHC .25 20 X .75 GR 8 ZN
H72	2-00-00518	4	LK WASH 1/4 MED. SECTION ZN
H11	2-00-03063	2	SCREW THM 10 24 X .75 ZN
H12	2-00-02296	2	LK WASH EXT TOOTH STL/ZN

H= HARDWARE USED

Ersatzteile auf www.gluesing.net

RECOMMENDED SPARE PARTS KIT/MITSUBISHI S4L

MPV 60

29-01-2013

Part List ID
MPV60140

167

No Drawing For Part List

RECOMMENDED SPARE PARTS KIT/MITSUBISHI S4L

MPV 60

29-01-2013

Part List ID
MPV60140

168

Pos	Part no.	Qty	Description	
0	0775-286	1	STARTER MOTOR MITSUBISHI S4L2	ADDITIONAL MITSUBISHI S4L2 ENGINE SERVICE PARTS
0	0775-288	1	ALTERNATOR MITSUBISHI S4L2	ADDITIONAL MITSUBISHI S4L2 ENGINE SERVICE PARTS
0	0895-134	1	HARNESS S4L2 MITSUB FRAME SIDE	ADDITIONAL MITSUBISHI S4L2 ENGINE SERVICE PARTS
0	2-00-04982	1	FITTING 1/8 NPT STR	ADDITIONAL MITSUBISHI S4L2 ENGINE SERVICE PARTS
0	2-00-05989	1	ALTERNATOR BELT S4L2	ADDITIONAL MITSUBISHI S4L2 ENGINE SERVICE PARTS
0	56109487	1	FUEL FILTER ELEMENT	ADDITIONAL MITSUBISHI S4L2 ENGINE SERVICE PARTS
0	7-16-05044	1	COUPLING ENGINE S4L2 DIESEL	ADDITIONAL MITSUBISHI S4L2 ENGINE SERVICE PARTS
0	7-24-04099	1	OIL FILTER S4L2 DIESEL	ADDITIONAL MITSUBISHI S4L2 ENGINE SERVICE PARTS
0	7-29-00311	1	GASKET WATER PUMP S4L2 DIESEL	ADDITIONAL MITSUBISHI S4L2 ENGINE SERVICE PARTS
0	7-29-00313	1	GASKET THERMOSTAT S4L2 DIESEL	ADDITIONAL MITSUBISHI S4L2 ENGINE SERVICE PARTS
0	7-56-04075	1	PIPE 1 CYLINDER S4L2 DIESEL	ADDITIONAL MITSUBISHI S4L2 ENGINE SERVICE PARTS
0	7-56-04076	1	PIPE 2 CYLINDER S4L2 DIESEL	ADDITIONAL MITSUBISHI S4L2 ENGINE SERVICE PARTS
0	7-56-04077	1	PIPE 3 CYLINDER S4L2 DIESEL	ADDITIONAL MITSUBISHI S4L2 ENGINE SERVICE PARTS
0	7-56-04078	1	PIPE 4 CYLINDER S4L2 DIESEL	ADDITIONAL MITSUBISHI S4L2 ENGINE SERVICE PARTS
0	7-58-05335	1	CASTING PUMP PLATE S4L2 DIESEL	ADDITIONAL MITSUBISHI S4L2 ENGINE SERVICE PARTS
0	7-60-05049	1	WATER PUMP MITSUBISHI S4L2	ADDITIONAL MITSUBISHI S4L2 ENGINE SERVICE PARTS
0	7-64-00040	1	RELAY MURPHY S4Q2/S4L2	ADDITIONAL MITSUBISHI S4L2 ENGINE SERVICE PARTS
0	7-64-00041	1	RELAY GLOW PLUG S4Q2/S4L2	ADDITIONAL MITSUBISHI S4L2 ENGINE SERVICE PARTS
0	7-75-03005	1	GLOW PLUG MITSUBISHI S4L2	ADDITIONAL MITSUBISHI S4L2 ENGINE SERVICE PARTS
0	7-82-00055	1	OIL PRESSURE SWITCHS4L2/S4Q2	ADDITIONAL MITSUBISHI S4L2 ENGINE SERVICE PARTS
0	7-82-00056	1	SWITCH WATER TEMP S4L2 DIESEL	ADDITIONAL MITSUBISHI S4L2 ENGINE SERVICE PARTS
0	7-84-08017	1	THERMOSTAT MITSUBISHI S4L2	ADDITIONAL MITSUBISHI S4L2 ENGINE SERVICE PARTS
0	8-82-00070	1	TEMPERATURE SENDING UNIT	ADDITIONAL MITSUBISHI S4L2 ENGINE SERVICE PARTS
1	8-25-08222	2	FLAP BROOM DOOR OUTER	
2	8-25-08198	2	FLAP BROOM DOOR INNER	
3	8-25-08194	1	FLAP WHEEL WELL	
4	8-25-08197	1	FLAP BROOM CHAMBER INNER	
5	8-25-08196	1	FLAP BROOM CHAMBER OUTER	
6	8-24-04139-1	1	FLTR PANEL ULTRA WEB CELLULOSE	
7	8-25-08202	1	HOPPER FLAP	
8	8-68-05075	2	SEAL DUMP DOOR	
9	8-68-05077	1	SEAL DUMP DOOR	
10	56482029	1	FILTER PRIMARY	
10	7-24-04086	1	FILTER SAFETY ELEMENT	
11	2-00-05989	1	ALTERNATOR BELT S4L2	
12	56109487	1	FUEL FILTER ELEMENT	
13	7-24-04099	1	OIL FILTER S4L2 DIESEL	
14	8-24-04118	1	ELEMENT FILTER SERVICE	
15	8-68-05076	1	SEAL DUMP DOOR	

RECOMMENDED SPARE PARTS KIT/FORD 416EFI GA

MPV 60

29-01-2013

Part List ID

MPV60141

169

No Drawing For Part List

RECOMMENDED SPARE PARTS KIT/FORD 416EFI GA

MPV 60

29-01-2013

Part List ID

MPV60141

170

Pos	Part no.	Qty	Description	
0	0769-030	1	FUEL PUMP EFI 416	ADDITIONAL FORD 416 ENGINE SERVICE PARTS
0	0769-032	1	EPM W/CALIBRATION 416 EXPORT	ADDITIONAL FORD 416 ENGINE SERVICE PARTS
0	0775-291	1	STARTER EFI416	ADDITIONAL FORD 416 ENGINE SERVICE PARTS
0	0775-292	1	ALTERNATOR EFI416	ADDITIONAL FORD 416 ENGINE SERVICE PARTS
0	2-00-06092	1	FAN BELT FORD 416	ADDITIONAL FORD 416 ENGINE SERVICE PARTS
0	7-08-01188	1	BRKT FUEL FILTER EFI416	ADDITIONAL FORD 416 ENGINE SERVICE PARTS
0	7-11-04037	1	CATALYTIC CONVERTER EFI416	ADDITIONAL FORD 416 ENGINE SERVICE PARTS
0	7-11-04041	1	THROTTLE BODY FORD 425	ADDITIONAL FORD 416 ENGINE SERVICE PARTS
0	7-11-04043	1	LP REGULATOR EFI425/416 N.AM	ADDITIONAL FORD 416 ENGINE SERVICE PARTS
0	7-11-04045	1	MEGAJECTOR LP EFI425	ADDITIONAL FORD 416 ENGINE SERVICE PARTS
0	7-11-04046	1	LP REGULATOR425/416 EXPORT	ADDITIONAL FORD 416 ENGINE SERVICE PARTS
0	7-11-04054	1	MIXER LP 416	ADDITIONAL FORD 416 ENGINE SERVICE PARTS
0	7-11-04055	1	SENSOR TMAP FORD 416	ADDITIONAL FORD 416 ENGINE SERVICE PARTS
0	7-11-04062	1	SENSOR HEGO 416 425 ENGINE	ADDITIONAL FORD 416 ENGINE SERVICE PARTS
0	7-11-04065	1	LIGHT MALFUNCTION INDICATOR	ADDITIONAL FORD 416 ENGINE SERVICE PARTS
0	7-11-04066	1	SENSOR O2 POST CAT MONITOR	ADDITIONAL FORD 416 ENGINE SERVICE PARTS
0	7-11-04071	1	MIXER FORD 416 EXPORT	ADDITIONAL FORD 416 ENGINE SERVICE PARTS
0	7-14-07015	1	COIL PACK FORD 416	ADDITIONAL FORD 416 ENGINE SERVICE PARTS
0	7-21-07005	1	VACUUM ELBOW SC7750	ADDITIONAL FORD 416 ENGINE SERVICE PARTS
0	7-23-00025	1	FAN FORD 416	ADDITIONAL FORD 416 ENGINE SERVICE PARTS
0	7-75-03007	1	SPARK PLUG FORD 416	ADDITIONAL FORD 416 ENGINE SERVICE PARTS
0	7-88-00110	1	VALVE SAFETY LP	ADDITIONAL FORD 416 ENGINE SERVICE PARTS
0	7-90-08017	1	SPARK PLUG WIRE 3 FORD 416	ADDITIONAL FORD 416 ENGINE SERVICE PARTS
0	7-90-08018	1	SPARK PLUG WIRE 2 FORD 416	ADDITIONAL FORD 416 ENGINE SERVICE PARTS
0	7-90-08019	1	SPARK PLUG WIRE 1 FORD 416	ADDITIONAL FORD 416 ENGINE SERVICE PARTS
0	7-90-08020	1	SPARK PLUG WIRE NO.4 FORD 416	ADDITIONAL FORD 416 ENGINE SERVICE PARTS
1	8-25-08222	2	FLAP BROOM DOOR OUTER	
2	8-25-08198	2	FLAP BROOM DOOR INNER	
3	8-25-08194	1	FLAP WHEEL WELL	
4	8-25-08197	1	FLAP BROOM CHAMBER INNER	
5	8-25-08196	1	FLAP BROOM CHAMBER OUTER	
6	8-24-04139-1	1	FLTR PANEL ULTRA WEB CELLULOSE	
7	8-25-08202	1	HOPPER FLAP	
8	8-68-05075	2	SEAL DUMP DOOR	
9	8-68-05077	1	SEAL DUMP DOOR	
10	56482029	1	FILTER PRIMARY	
10	7-24-04086	1	FILTER SAFETY ELEMENT	
11	2-00-05990	1	ALTERNATOR BELT FORD 416	
12	7-24-04067	1	FUEL FILTER FORD 416	
13	8-24-04156	1	FILTER OILFORD 425/416	
14	8-24-04118	1	ELEMENT FILTER SERVICE	
15	8-68-05076	1	SEAL DUMP DOOR	

INSTRUMENT PANEL2

MPV 60

29-01-2013

Part List ID
MPV6063A

171

SWITCH POSITIONS						
	1	2	3	4	5	6
	HEAD LIGHTS	WORK LIGHT	GLOW PLUG	FILTER SHAKER	DUST CONTROL	THROTTLE
GAS	8-82-00072	2-00-05375	2-00-05375	8-82-00073	8-82-00072	8-82-00074
LP	8-82-00072	2-00-05375	2-00-05375	8-82-00073	8-82-00072	8-82-00074
DIESEL	8-82-00072	2-00-05375	8-82-00073	8-82-00073	8-82-00072	2-00-05375

0880-594 CURB BROOM LIGHT SWITCH (POSITION 2): 8-82-00072

0880-595 REAR WORK LIGHT SWITCH (POSITION 2): 8-82-00072

	LIGHT POSITIONS		GAUGE	TIMER	RELAY (2 PER)
	1 - 3	4 - 6			
GAS	8-40-05057	8-40-05056	8-48-05032	8-64-05011	8-64-05009
LP	8-40-05057	8-40-05056	7-11-04035	8-64-05011	8-64-05009
DIESEL	8-40-05057	8-40-05056	8-48-05032	8-64-05011	8-64-05009

INSTRUMENT PANEL2

MPV 60

29-01-2013

Part List ID
MPV6063A

172

Pos	Part no.	Qty	Description
1	8-82-00072	1	CARLING SPST SWITCH
2	2-00-05375	1	BLANK SWITCH
3	8-82-00073	1	CARLING SPST MOMENTARY SWITCH
4	8-82-00074	1	CARLING TTDT SWITCH
10	8-40-05057	1	WARNING LAMP RED
11	8-40-05056	1	WARNING LAMP AMBER
12	8-48-05032	1	GAUGE FUEL
13	7-11-04035	1	KIT LOW LP INDICATOR 7760
14	8-64-05011	1	RELAY
15	8-64-05009	1	RELAY BROOMS FAN