

INDEX

Air Hose

Section 1

Air Hose	1-1 – 1-3
Heavy Duty	1-4
General Purpose	1-5 – 1-14

Cam & Groove Fittings

Section 2

Cam & Groove Fittings	2-1 – 2-16
Cam & Groove Gaskets.....	2-17 – 2-18
Coupling Systems Insta-Lock™	2-19 – 2-28

Chemical Hose & Chemical Chart

Section 3

Chemical Hose	3-1 – 3-8
Chemical Chart.....	3-9 – 3-33

Conveyor Belt & Components

Section 4

Conveyor Belt	4-1 – 4-6
Idlers.....	4-7 – 4-34
Pulleys.....	4-35 – 4-42
Bushings.....	4-43

Fittings

Section 5

Air King Fittings	5-1 – 5-2
Air King Accessories.....	5-3
Air King with Ferrules	5-4

INDEX

Fittings (continued)

Section 5

Series Filters/Regulators	5-5 – 5-10
Air King Safety Cables.....	5-11
Gauges	5-12 – 5-14
Hose Reels	5-15 – 5-16
Banding Tools	5-17
Water-Steam Washdown Station.....	5-18
Washdown Spray Nozzles.....	5-19 – 5-21
Spray Lances.....	5-22
Boss Ground Joints	5-23 – 5-25
Double Bolt Clamps.....	5-26
Fire Equipment / Caps, Plugs and Plain Wye.....	5-27
Fire Equipment / Hydrant Wrenches	5-28
Fire Equipment / Single Hydrant Gate Valve	5-29 5-30
Fire Equipment / 1/4 Turn Wye Valve	5-31
Fire Equipment / Hydrant Adapters	5-32 – 5-36
Fire Equipment / Fog Nozzles	5-37 – 5-41
Irrigation Fittings.....	5-42 – 5-44
Sand Blast Fittings.....	5-45
Foot Valves / Strainers	5-46
Shank Fittings King Short.....	5-47 – 5-48
(Bauer Style) Quick Connect Fittings	5-49 – 5-51
Hose Menders	5-52

Flexco

Section 6

Alligator Staple Fasteners	6-1 – 6-3
Bolt Hinged Fasteners.....	6-4 – 6-8
Rivet Hinged Fasteners.....	6-9 – 6-17
Bolt Solid Plate Fasteners	6-18 – 6-25
Belt Maintenance Tools	6-27 – 6-28

Continued On Next Page

INDEX

Flexco (continued)

Section 6

Belt Positioner	6-29
V-Plow	6-30
Skirt Clamps	6-31
Precleaner	6-33 – 6-36
Secondary Cleaner.....	6-37 – 6-39
Replacement Blades	6-41 – 6-49

Food Hose

Section 7

Food Hose.....	7-1 – 7-9
----------------	-----------

Material Handling Hose

Section 8

Vac Hose	8-1 – 8-3
Softwall.....	8-4
Allcrete.....	8-5
Ammonium Nitrate Pellet.....	8-6
Torrid Air	8-7

Petroleum Hose

Section 9

BC Gasoline	9-1
Plicord Flexwing	9-2 – 9-4
Redwing Fuel Oil	9-5
Flexwing Versafuel	9-6
Pyroflex Hot Tar & Asphalt II.....	9-7
Plicord Extremeflex.....	9-8

INDEX

Pipe Fittings & Valves

Section 10

Pipe Fittings.....	10-1 – 10-8
Flanges.....	10-9
Victaulic Clamps.....	10-12 – 10-13
Gasoline Nozzles.....	10-14
Valves.....	10-15 – 10-26

Sheet Rubber

Section 11

Red SBR Sheet Rubber.....	11-1
Channel Rubber.....	11-2
Red Pure Gum Sheet.....	11-3
Commercial Neoprene.....	11-4
Skirtboard Rubber.....	11-5
FDA White Nitrile.....	11-6
Tan Pure Gum Rubber.....	11-7

Water Hose

Section 12

Water Discharge.....	12-1 – 12-2
Heavy Duty Water Discharge.....	12-3 – 12-4
Medium Duty Water Suction & Discharge.....	12-5 – 12-7
Heavy Duty Water Suction & Discharge.....	12-8 – 12-9
Medium Duty Water Suction.....	12-10
Steam Hose.....	12-11
Water Suction.....	12-12 – 12-13
Heavy Duty Water Discharge (Mill Hose).....	12-14 – 12-17
Pressure Washer Hose.....	12-18
Plicord Furnace Door.....	12-19



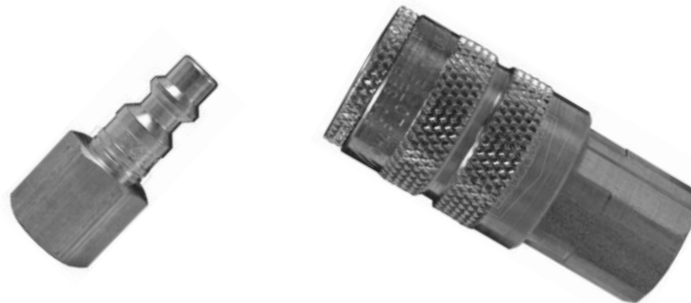
FRONTIER®

Continental  ContITech

- COUPLED:** 1/4" or 3/8" Brass MNPT Each End with Ferrules
- COVER:** Red Versigard® Synthetic Rubber
- TUBE:** Versigard® Synthetic Rubber, RMA Class C (limited oil resistance)
- TEMP:** -40° F to 190° F
- APPLICATION:** An economical air and water hose used in a wide range of industrial, construction and agricultural applications.

Additional Lengths Available

PART #	DESCRIPTION	W.P.	STOCK
20025750-25BN	3/8" x 25' Red Frontier cpld 1/4" Brass MNPT each end with ferrules	200	IN STOCK
20025750-50BN	3/8" x 50' Red Frontier cpld 1/4" Brass MNPT each end with ferrules	200	IN STOCK
20025750-100BN	3/8" x 100' Red Frontier cpld 1/4" Brass MNPT each end with ferrules	200	IN STOCK
20025773-25BN	1/2" x 25' Red Frontier cpld 3/8" Brass MNPT each end with ferrules	200	IN STOCK
20025773-50BN	1/2" x 50' Red Frontier cpld 3/8" Brass MNPT each end with ferrules	200	IN STOCK
20025773-100BN	1/2" x 100' Red Frontier cpld 3/8" Brass MNPT each end with ferrules	200	IN STOCK



FRONTIER®



ContiTech

COVER: Red Versigard® Synthetic Rubber

TUBE: Versigard® Synthetic Rubber, RMA (limited oil resistance)

TEMP: -40° F to 190° F

APPLICATION: An economical air and water hose used in a wide range of industrial, construction and agricultural applications.



PART #	DESCRIPTION	W.P.
20026671-50GMA6	3/4" x 50' Red Air Hose cpld Chicago x Chicago, 2 bands E/E	200
20025799-100GMA6	3/4" x 100' Red Air Hose cpld Chicago x Chicago, 2 bands E/E	200

PART #	DESCRIPTION	W.P.
20026671-50GMA4	3/4" x 50' Red Air Hose cpld Chicago x Chicago, 1 bolt clamp E/E	200
20025799-100GMA4	3/4" x 100' Red Air Hose cpld Chicago x Chicago, 1 bolt clamp E/E	200



PART #	DESCRIPTION	W.P.
20026671-50AM6WF	3/4" x 50' Red Air Hose cpld Chicago x Chicago, with crimped ferrules	250
20025799-100AM6WF	3/4" x 100' Red Air Hose cpld Chicago x Chicago, with crimped ferrules	250



FRONTIER®

Continental  ContITech

- COUPLED:** 4-Lug (Chicago) x 4-Lug (Chicago)
- COVER:** Red Versigard® Synthetic Rubber
- TUBE:** Versigard® Synthetic Rubber, RMA Class C Limited Oil Resistance
- TEMP:** -40° F to 190° F
- APPLICATION:** An economical air hose used with an air compressor in a wide range of industrial, and agricultural applications.

PART #	DESCRIPTION	W.P.	STOCK
200025826-25AM	1 1/4" x 25' Red Frontier cpld with 4-Lug x 4-Lug 3 Bands E/E	200	IN STOCK
200025826-50AM	1 1/4" x 50' Red Frontier cpld with 4-Lug x 4-Lug 3 Bands E/E	200	IN STOCK
200025834-25AM	1 1/2" x 25' Red Frontier cpld with 4-Lug x 4-Lug 3 Bands E/E	200	IN STOCK
200025834-50AM	1 1/2" x 50' Red Frontier cpld with 4-Lug x 4-Lug 3 Bands E/E	200	IN STOCK
20022939-25AM	2" x 25' Red Frontier cpld with 4-Lug x 4-Lug 3 Bands E/E	200	IN STOCK
20022939-50AM	2" x 50' Red Frontier cpld with 4-Lug x 4-Lug 3 Bands E/E	200	IN STOCK

Yellow Steel Air



ContiTech



- COUPLED:** Female boss ground joint with female spud
- COVER:** Yellow chemvic synthetic rubber, RMA Class B
- TUBE:** Black Nitrile synthetic rubber RMA Class B
- TEMP:** -40° F to 200° F
- REINFORCEMENT:** Braided steel wire
- APPLICATION:** A heavy duty wrapped finish, spiral ply wire air hose for higher pressure service in severe industrial applications including services in mines, quarries and construction jobs

PART #	DESCRIPTION	W.P.
20317183-GF61P325	1-1/2" x 25' Yellow Steel Air cpld female boss ground joint each end with female spud	500
20317183-GF61P350	1-1/2" x 50' Yellow Steel Air cpld female boss ground joint each end with female spud	500
20316407-GF81P325	2" x 25' Yellow Steel Air cpld female boss ground joint each end with female spud	500
20316407-GF81P350	2" x 50' Yellow Steel Air cpld female boss ground joint each end with female spud	500
20316204-GF111P325	3" x 25' Yellow Steel Air cpld female boss ground joint each end with female spud	500
20316204-GF111P350	3" x 50' Yellow Steel Air cpld female boss ground joint each end with female spud	500



GORILLA®



- APPLICATION:** A premium-quality, multipurpose industrial hose with a wide range of applications in factories, construction, agriculture, quarries, mines, railroads, the oil and gas industry, and shipbuilding. All sizes are rated at 500 psi (3.4 Mpa) maximum working pressure. Nonconductive, minimum electrical resistance greater than one (1) megaohm per inch of hose length at 1000 Volts DC.
- CONSTRUCTION**
- TUBE:** Nitrile synthetic rubber, RMA Class A (High Oil Resistance)
- COVER:** Yellow Carbryn® synthetic rubber, RMA Class A (High Oil Resistance) MSHA approved
- REINFORCEMENT:** Spiral Flexten® yarn, 2" is braided synthetic yarn
- TEMPERATURE:** -20°F to 190°F (-29°C to 88°C)
- PACKAGING:**
- | | |
|------------|---|
| 3/16"–3/4" | 500' reels, maximum 3 pieces, 50' increments |
| 1" | 450' reels, maximum 3 pieces, 50' increments |
| 1 1/4" | 250'–450' reels, maximum 3 pieces, 50' increments |
| 1 1/2" | 150'–350' reels, maximum 3 pieces, 50' increments |
| 2" | 200' carton, maximum 3 pieces, 50' increments |
- Coupled assemblies available: 1/4", 3/8", 1/2", and 3/4".
- BRANDING:** Continuous brand example Gorilla 1" (25.4 mm) 500 psi. Made in USA by Continental. Flame Resistant USMSHA No. 2G-14C/14.
- COUPLINGS:** Contact fitting manufacturer for proper fitting recommendation and coupling procedure.

<i>ID</i>		<i>NOM. OD</i>		<i>MAX. WP</i>		<i>WEIGHT</i>	
<i>in.</i>	<i>mm.</i>	<i>in.</i>	<i>mm.</i>	<i>psi.</i>	<i>Mpa.</i>	<i>lb./ft.</i>	<i>kg./m.</i>
3/16	4.8	0.47	11.9	500	3.45	0.08	0.12
1/4	6.4	0.61	15.5	500	3.45	0.17	0.25
5/16	7.9	0.69	17.5	500	3.45	0.20	0.30
3/8	9.5	0.73	18.6	500	3.45	0.22	0.33
1/2	12.7	0.89	22.6	500	3.45	0.28	0.42
5/8	15.9	1.06	26.9	500	3.45	0.35	0.52
3/4	19.1	1.19	30.2	500	3.45	0.41	0.61
1	25.4	1.50	37.8	500	3.45	0.58	0.86
1 1/4	31.8	1.77	45.6	500	3.45	0.79	1.18
1 1/2	38.1	2.04	51.8	500	3.45	0.86	1.27
2	50.8	2.62	66.6	500	3.45	1.22	1.76



- APPLICATION:** An economical air and water hose, Frontier is for a wide range of industrial, construction and agricultural applications. Available in 200, 250, and 300 PSI working pressures.
- CONSTRUCTION**
- TUBE:** Versigard® synthetic rubber, RMA Class C (Limited Oil Resistance)
- COVER:** Black, Red, Yellow, Green or Blue Versigard® synthetic rubber
- REINFORCEMENT:** Spiral synthetic yarn, 2" is braided
- TEMPERATURE:** -40° F to 190° F (-40° C to 88° C)
- PACKAGING:**
- | | |
|------------|---|
| 3/16"-3/4" | 500' reels, maximum 3 pieces, 50' increments |
| 1" | 450' reels, maximum 3 pieces, 50' increments |
| 1 1/4" | 400' reels, maximum 3 pieces, 50' increments |
| 1 1/2" | 300' reels, maximum 3 pieces, 50' increments |
| 2" | 200', cartons, maximum 3 pieces, 50' increments |
- Coupled assemblies available in 1/4", 3/8", 1/2", and 3/4" in r ed.
- COUPLINGS:** Contact fitting manufacturer for proper fitting recommendation and coupling procedure.
- BRANDING:** Continuous brand example 1/2" Frontier by Continental XXX psi WP.

Frontier® 200

<i>ID</i>		<i>NOM. OD</i>		<i>MAX. WP</i>		<i>WEIGHT</i>	
<i>in.</i>	<i>mm.</i>	<i>in.</i>	<i>mm.</i>	<i>psi.</i>	<i>Mpa.</i>	<i>lb./ft.</i>	<i>kg./m.</i>
3/16	4.8	0.44	11.2	200	1.38	0.08	0.12
1/4	6.4	0.50	12.7	200	1.38	0.09	0.13
5/16	7.9	0.58	14.7	200	1.38	0.12	0.18
3/8	9.5	0.67	17.0	200	1.38	0.15	0.22
1/2	12.7	0.81	20.6	200	1.38	0.20	0.30
5/8	15.9	0.97	24.6	200	1.38	0.27	0.40
3/4	19.1	1.12	28.5	200	1.38	0.34	0.51
1	25.4	1.44	36.8	200	1.38	0.54	0.80
1 ^{1/4}	31.8	1.73	44.0	200	1.38	0.75	1.12
1 ^{1/2}	38.1	1.98	50.3	200	1.38	0.86	1.28
2	50.8	2.50	63.5	200	1.38	1.16	1.73

Frontier® 250

<i>ID</i>		<i>NOM. OD</i>		<i>MAX. WP</i>		<i>WEIGHT</i>	
<i>in.</i>	<i>mm.</i>	<i>in.</i>	<i>mm.</i>	<i>psi.</i>	<i>Mpa.</i>	<i>lb./ft.</i>	<i>kg./m.</i>
1/4	6.4	0.53	13.5	250	1.72	0.11	0.16
5/16	7.9	0.59	15.0	250	1.72	0.13	0.19
3/8	9.5	0.70	17.8	250	1.72	0.17	0.25
1/2	12.7	0.84	21.3	250	1.72	0.22	0.33
5/8	15.9	0.98	24.9	250	1.72	0.27	0.40
3/4	19.1	1.14	29.0	250	1.72	0.35	0.52

Frontier® 300

<i>ID</i>		<i>NOM. OD</i>		<i>MAX. WP</i>		<i>WEIGHT</i>	
<i>in.</i>	<i>mm.</i>	<i>in.</i>	<i>mm.</i>	<i>psi.</i>	<i>Mpa.</i>	<i>lb./ft.</i>	<i>kg./m.</i>
1/4	6.4	0.53	13.5	300	2.07	0.10	0.15
3/8	9.5	0.70	17.8	300	2.07	0.17	0.25
1/2	12.7	0.84	21.3	300	2.07	0.22	0.33
3/4	19.1	1.15	29.2	300	2.07	0.37	0.55
1	25.4	1.48	37.3	300	2.07	0.58	0.86

INSTA-GRIP 250™



- APPLICATION:** For use with push-on fittings at working pressures of 250 psi for industrial service. Nonconductive, minimum electrical resistance greater than one (1) megohm per inch of hose length at 1000 Volts DC.
- CONSTRUCTION**
- TUBE:** Chemivic® oil- and heat-resistant synthetic rubber, RMA Class A (High Oil Resistance)
- COVER:** Red, Black, or Green Chemivic®, RMA Class A (High Oil Resistance)
- REINFORCEMENT:** Spiral Flexten® yarn
- TEMPERATURE:** 500' reels, maximum 3 pieces, 50' increments
- PACKAGING:** -20°F to 190°F (-29°C to 88°C)
- BRANDING:** Continuous brand example Insta-Grip Nonconductive 3/8" (9.5mm) 250 psi WP. Made in USA by Continental
- COUPLINGS:** Contact fitting manufacturer for proper fitting recommendation and coupling procedure.

<i>ID</i>		<i>NOM. OD</i>		<i>MAX. WP</i>		<i>WEIGHT</i>	
<i>in.</i>	<i>mm.</i>	<i>in.</i>	<i>mm.</i>	<i>psi.</i>	<i>Mpa.</i>	<i>lb./ft.</i>	<i>kg./m.</i>
1/4	6.4	0.50	12.7	250	1.72	0.08	0.12
3/8	9.5	0.65	16.5	250	1.72	0.12	0.18
1/2	12.7	0.80	20.3	250	1.72	0.17	0.25
5/8	15.9	0.94	23.9	250	1.72	0.23	0.34
3/4	19.1	1.08	27.4	250	1.72	0.28	0.42

ORTAC®



APPLICATION:

Continental’s Ortac® (Oil Resistant Tube and Cover) is our most popular premium-quality multipurpose hose. Used in the most abusive industrial applications, Ortac will handle air, oil, water, kerosene and some chemicals. Nonconductive, minimum electrical resistance greater than one (1) megohm per inch of hose length; at 1000 Volts DC. Available in 250, 300 and 400 PSI working pressures. NOTE: Ortac 400 Yellow is USMSHA approved.

CONSTRUCTION

TUBE:

Nitrile synthetic rubber, RMA Class A (high oil resistance)

COVER:

Red or Yellow Carbryn® synthetic rubber, RMA Class A (high oil resistance)

REINFORCEMENT:

Spiral synthetic yarn, 2" is braided

TEMPERATURE:

-20°F to 190°F (-29°C to 88°C)

PACKAGING:

3/16"–3/4"	500' reels, maximum 3 pieces, 50' increments
1"	450' reels, maximum 3 pieces, 50' increments
1 1/4"	400' reels, maximum 3 pieces, 50' increments
1 1/2"	300' reels, maximum 3 pieces, 50' increments
2"	200' cartons, maximum 3 pieces, 50' increments

BRANDING:

Continuous brand example 1 1/2" (38.1 mm) Ortac XXX psi WP. Made in USA by Continental

COUPLINGS:

Contact fitting manufacturer for proper fitting recommendation and coupling procedure.

ORTAC® 250

<i>ID</i>		<i>NOM. OD</i>		<i>MAX. WP</i>		<i>WEIGHT</i>	
<i>in.</i>	<i>mm.</i>	<i>in.</i>	<i>mm.</i>	<i>psi.</i>	<i>Mpa.</i>	<i>lb./ft.</i>	<i>kg./m.</i>
1/4	6.4	0.53	13.5	250	1.72	0.09	0.13
5/16	7.9	0.69	17.5	250	1.72	0.14	0.21
3/8	9.5	0.69	17.5	250	1.72	0.15	0.22
1/2	12.7	0.84	21.3	250	1.72	0.20	0.30
5/8	15.9	1.00	25.4	250	1.72	0.26	0.39
3/4	19.1	1.14	29.0	250	1.72	0.34	0.51
1	25.4	1.47	37.3	250	1.72	0.51	0.76
1 ^{1/4}	31.8	1.77	45.2	250	1.72	0.70	1.04
1 ^{1/2}	38.1	2.08	52.8	250	1.72	0.96	1.43
2	50.8	2.50	63.5	200	1.72	1.08	1.61

ORTAC® 300

<i>ID</i>		<i>NOM. OD</i>		<i>MAX. WP</i>		<i>WEIGHT</i>	
<i>in.</i>	<i>mm.</i>	<i>in.</i>	<i>mm.</i>	<i>psi.</i>	<i>Mpa.</i>	<i>lb./ft.</i>	<i>kg./m.</i>
3/16	4.8	0.44	11.8	300	2.07	0.07	0.10
1/4	6.4	0.61	15.7	300	2.07	0.14	0.21
5/16	7.9	0.68	17.3	300	2.07	0.16	0.24
3/8	9.5	0.73	18.6	300	2.07	0.18	0.27
1/2	12.7	0.89	22.6	300	2.07	0.25	0.37
5/8	15.9	1.06	26.9	300	2.07	0.35	0.52
3/4	19.1	1.19	30.2	300	2.07	0.40	0.60
1	25.4	1.50	38.1	300	2.07	0.59	0.88
1 ^{1/4}	31.8	1.81	46.0	300	2.07	0.76	1.13
1 ^{1/2}	38.1	2.08	52.8	300	2.07	0.88	1.31

ORTAC® 400

<i>ID</i>		<i>NOM. OD</i>		<i>MAX. WP</i>		<i>WEIGHT</i>	
<i>in.</i>	<i>mm.</i>	<i>in.</i>	<i>mm.</i>	<i>psi.</i>	<i>Mpa.</i>	<i>lb./ft.</i>	<i>kg./m.</i>
1/4	6.4	0.61	15.7	400	2.76	0.16	0.24
3/8	9.5	0.73	18.8	400	2.76	0.20	0.30
1/2	12.7	0.89	22.8	400	2.76	0.26	0.39
3/4	19.1	1.18	30.0	400	2.76	0.41	0.61
1	25.4	1.50	38.1	400	2.76	0.61	0.91

Variflex®



- APPLICATION:** A good-quality, economical general purpose hose for industrial air service, compressor lines, pneumatic tools, low-pressure spray and many other applications where the need for oil resistance is moderate. Nonconductive, minimum electrical resistance greater than one (1) megohm per inch of length of hose at 1000 V DC. Available in 200 and 300 PSI working pressures.
- CONSTRUCTION**
- TUBE:** Nitrile synthetic rubber, RMA Class A (high oil resistance)
- COVER:** Red, Blue, or Black Chemivic® synthetic rubber, RMA Class B (medium oil resistance)
- REINFORCEMENT:** Spiral synthetic yarn
- TEMPERATURE:** -20 °F to 190 °F (-29 °C to 88 °C)
- PACKAGING:**
- | | |
|------------|--|
| 3/16"-3/4" | 500' reels, maximum 3 pieces, 50' increments |
| 1" | 450' reels, maximum 3 pieces, 50' increments |
| 1 1/4" | 400' reels, maximum 3 pieces, 50' increments |
| 1 1/2" | 300' reels, maximum 3 pieces, 50' increments |
- Coupled assemblies available in 1/4", 3/8", and 1/2" in red.
- BRANDING:** Continuous brand example Variflex Nonconductive 1/2" (12.7 mm) XXX psi WP. Made in USA by Continental .
- COUPLINGS:** Contact fitting manufacturer for proper fitting recommendation and coupling procedure.

Variflex® 200

ID		NOM. OD		MAX. WP		WEIGHT	
<i>in.</i>	<i>mm.</i>	<i>in.</i>	<i>mm.</i>	<i>psi.</i>	<i>Mpa.</i>	<i>lb./ft.</i>	<i>kg./m.</i>
3/16	4.8	0.44	11.2	200	1.38	0.07	0.10
1/4	6.4	0.53	13.5	200	1.38	0.10	0.15
5/16	7.9	0.63	16.0	200	1.38	0.14	0.21
3/8	9.5	0.69	17.5	200	1.38	0.15	0.22
1/2	12.7	0.84	21.3	200	1.38	0.21	0.31
5/8	15.9	1.00	25.4	200	1.38	0.27	0.40
3/4	19.1	1.13	28.7	200	1.38	0.38	0.57
1	25.4	1.47	37.3	200	1.38	0.58	0.86

Variflex® 300

ID		NOM. OD		MAX. WP		WEIGHT	
<i>in.</i>	<i>mm.</i>	<i>in.</i>	<i>mm.</i>	<i>psi.</i>	<i>Mpa.</i>	<i>lb./ft.</i>	<i>kg./m.</i>
1/4	6.4	0.54	13.7	300	2.07	0.14	0.21
5/16	7.9	0.64	16.3	300	2.07	0.18	0.27
3/8	9.5	0.69	17.5	300	2.07	0.19	0.28
1/2	12.7	0.86	21.8	300	2.07	0.26	0.39
5/8	15.9	1.02	25.9	300	2.07	0.33	0.49
3/4	19.1	1.19	30.2	300	2.07	0.42	0.63
1	25.4	1.50	38.1	300	2.07	0.62	0.92
1 ¹ / ₄	31.8	1.77	45.6	250	1.72	0.84	1.25
1 ¹ / ₂	38.1	2.08	53.2	250	1.72	1.04	1.55

FLEXSTEEL® SERVICE STATION AIR



APPLICATION:	For tire inflation service from towers, reels, or curb connections.
CONSTRUCTION	
TUBE:	Nitrile synthetic rubber, RMA Class B (medium/high oil resistance)
COVER:	Red or Black nitrile synthetic rubber, abrasion- and oil-resistant, RMA Class B (medium/high oil resistance)
REINFORCEMENT:	Braided (1) steel wire braid
TEMPERATURE:	-20°F to 190°F (-29°C to 88°C)
PACKAGING:	500' reels, maximum 3 pieces, 25' minimum
BRANDING:	Continuous brand example Continental 1/4" Flexsteel Service Station Air. Made in USA.
COUPLINGS:	Contact fitting manufacturer for proper fitting recommendation and coupling procedure.

ID		NOM. OD		MAX. WP		WEIGHT	
<i>in.</i>	<i>mm.</i>	<i>in.</i>	<i>mm.</i>	<i>psi.</i>	<i>Mpa.</i>	<i>lb./ft.</i>	<i>kg./m.</i>
1/4	6.35	0.61	15.49	250	1.72	0.17	0.25
3/8	9.53	0.72	18.29	250	1.72	0.23	0.34



Cam & Groove Fittings

Global Cam and Groove

Dixon global cam and groove are designed to interchange with all products produced to MIL-C-27487F. Global cam and groove are intended for the transfer of products such as water and sewage in non-critical applications in the agricultural and construction industries. For other applications please consult Dixon.

Features:

- All parts are made to Dixon specifications and branded Dixon
- Buna seals are standard in all couplers

Global Type A Adapters



female NPT x male adapter

Size	Aluminum *		Brass		316 Stainless Steel	
	Part #		Part #		Part #	
¾"	G75-A-AL		G75-A-BR		G75-A-SS	
1"	G100-A-AL		G100-A-BR		G100-A-SS	
1¼"	G125-A-AL		G125-A-BR		G125-A-SS	
1½"	G150-A-AL		G150-A-BR		G150-A-SS	
2"	G200-A-AL		G200-A-BR		G200-A-SS	
2½"	G250-A-AL		G250-A-BR		G250-A-SS	
3"	G300-A-AL		G300-A-BR		G300-A-SS	
4"	G400-A-AL		G400-A-BR		G400-A-SS	
6"	G600-A-AL		---		G600-A-SS	

* ¾" - 4" are A380 die cast aluminum
6" is 356T6 aluminum

Global Type E Adapters



hose shank x male adapter

NOT for use with Interlocking Crimp Ferrules

Size	Aluminum *		Brass		316 Stainless Steel	
	Part #		Part #		Part #	
¾"	G75-E-AL		G75-E-BR		G75-E-SS	
1"	G100-E-AL		G100-E-BR		G100-E-SS	
1¼"	G125-E-AL		G125-E-BR		G125-E-SS	
1½"	G150-E-AL		G150-E-BR		G150-E-SS	
2"	G200-E-AL		G200-E-BR		G200-E-SS	
2½"	G250-E-AL		G250-E-BR		G250-E-SS	
3"	G300-E-AL		G300-E-BR		G300-E-SS	
4"	G400-E-AL		G400-E-BR		G400-E-SS	
6"	G600-E-AL		---		G600-E-SS	

* ¾" - 4" are A380 die cast aluminum
6" is 356T6 aluminum

Global Type F Adapters



male NPT x male adapter

Size	Aluminum *		Brass		316 Stainless Steel	
	Part #		Part #		Part #	
¾"	G75-F-AL		G75-F-BR		G75-F-SS	
1"	G100-F-AL		G100-F-BR		G100-F-SS	
1¼"	G125-F-AL		G125-F-BR		G125-F-SS	
1½"	G150-F-AL		G150-F-BR		G150-F-SS	
2"	G200-F-AL		G200-F-BR		G200-F-SS	
2½"	G250-F-AL		G250-F-BR		G250-F-SS	
3"	G300-F-AL		G300-F-BR		G300-F-SS	
4"	G400-F-AL		G400-F-BR		G400-F-SS	
6"	G600-F-AL		---		G600-F-SS	

* ¾" - 4" are A380 die cast aluminum
6" is 356T6 aluminum

Global Type DP Dust Plugs



dust plug

Size	Aluminum *		Brass		316 Stainless Steel	
	Part #		Part #		Part #	
¾"	G75-DP-AL		G75-DP-BR		G75-DP-SS	
1"	G100-DP-AL		G100-DP-BR		G100-DP-SS	
1¼"	G125-DP-AL		G125-DP-BR		G125-DP-SS	
1½"	G150-DP-AL		G150-DP-BR		G150-DP-SS	
2"	G200-DP-AL		G200-DP-BR		G200-DP-SS	
2½"	G250-DP-AL		G250-DP-BR		G250-DP-SS	
3"	G300-DP-AL		G300-DP-BR		G300-DP-SS	
4"	G400-DP-AL		G400-DP-BR		G400-DP-SS	
6"	G600-DP-AL		---		G600-DP-SS	

* ¾" - 4" are A380 die cast aluminum
6" is 356T6 aluminum



Cam & Groove Fittings

Global Type B Couplers

Size	Aluminum *		Brass	
	Part #		Part #	
3/4"	G75-B-AL		G75-B-BR	
1"	G100-B-AL		G100-B-BR	
1 1/4"	G125-B-AL		G125-B-BR	
1 1/2"	G150-B-AL		G150-B-BR	
2"	G200-B-AL		G200-B-BR	
2 1/2"	G250-B-AL		G250-B-BR	
3"	G300-B-AL		G300-B-BR	
4"	G400-B-AL		G400-B-BR	
6"	G600-B-AL		---	

* 3/4" - 4" are A380 die cast aluminum
6" is 356T6 aluminum



female coupler x male NPT

Size	316 Stainless Steel	
	Part #	
3/4"	G75-B-SS	
1"	G100-B-SS	
1 1/4"	G125-B-SS	
1 1/2"	G150-B-SS	
2"	G200-B-SS	
2 1/2"	G250-B-SS	
3"	G300-B-SS	
4"	G400-B-SS	
6"	G600-B-SS	



female coupler x male NPT

Global Type C Couplers

Size	Aluminum *		Brass	
	Part #		Part #	
3/4"	G75-C-AL		G75-C-BR	
1"	G100-C-AL		G100-C-BR	
1 1/4"	G125-C-AL		G125-C-BR	
1 1/2"	G150-C-AL		G150-C-BR	
2"	G200-C-AL		G200-C-BR	
2 1/2"	G250-C-AL		G250-C-BR	
3"	G300-C-AL		G300-C-BR	
4"	G400-C-AL		G400-C-BR	
6"	G600-C-AL		---	

* 3/4" - 4" are A380 die cast aluminum
6" is 356T6 aluminum



female coupler x hose shank

NOT for use with
Interlocking Crimp Ferrules

Size	316 Stainless Steel	
	Part #	
3/4"	G75-C-SS	
1"	G100-C-SS	
1 1/4"	G125-C-SS	
1 1/2"	G150-C-SS	
2"	G200-C-SS	
2 1/2"	G250-C-SS	
3"	G300-C-SS	
4"	G400-C-SS	
6"	G600-C-SS	



female coupler x hose shank

NOT for use with
Interlocking Crimp Ferrules

Cam & Groove Fittings



Global Type D Couplers



female coupler x female NPT

Size	Aluminum *		Brass	
	Part #		Part #	
3/4"	G75-D-AL		G75-D-BR	
1"	G100-D-AL		G100-D-BR	
1 1/4"	G125-D-AL		G125-D-BR	
1 1/2"	G150-D-AL		G150-D-BR	
2"	G200-D-AL		G200-D-BR	
2 1/2"	G250-D-AL		G250-D-BR	
3"	G300-D-AL		G300-D-BR	
4"	G400-D-AL		G400-D-BR	
6"	G600-D-AL		---	

* 3/4" - 4" are A380 die cast aluminum
6" is 356T6 aluminum



female coupler x female NPT

Size	316 Stainless Steel	
	Part #	
3/4"	G75-D-SS	
1"	G100-D-SS	
1 1/4"	G125-D-SS	
1 1/2"	G150-D-SS	
2"	G200-D-SS	
2 1/2"	G250-D-SS	
3"	G300-D-SS	
4"	G400-D-SS	
6"	G600-D-SS	

Global Type DC Dust Caps



dust cap

Size	Aluminum *		Brass	
	Part #		Part #	
3/4"	G75-DC-AL		G75-DC-BR	
1"	G100-DC-AL		G100-DC-BR	
1 1/4"	G125-DC-AL		G125-DC-BR	
1 1/2"	G150-DC-AL		G150-DC-BR	
2"	G200-DC-AL		G200-DC-BR	
2 1/2"	G250-DC-AL		G250-DC-BR	
3"	G300-DC-AL		G300-DC-BR	
4"	G400-DC-AL		G400-DC-BR	
6"	G600-DC-AL		---	

* 3/4" - 4" are A380 die cast aluminum
6" is 356T6 aluminum



dust cap

Size	316 Stainless Steel	
	Part #	
3/4"	G75-DC-SS	
1"	G100-DC-SS	
1 1/4"	G125-DC-SS	
1 1/2"	G150-DC-SS	
2"	G200-DC-SS	
2 1/2"	G250-DC-SS	
3"	G300-DC-SS	
4"	G400-DC-SS	
6"	G600-DC-SS	

Service Industrial Supply

506 Brookforest Ave. Rt. 59 Shorewood Illinois 60404

Phone: 815.725.0062 • Fax: 815.725.2483 • www.serviceindustrialsupply.com



Cam & Groove Fittings

Replacement Handle Assemblies for Global Couplers

For Aluminum and Brass Global Couplers

Handles come complete with ring and pin.

Size	<i>Investment Stainless</i> Part #
3/4" 1"	G75HRP G100HRP



investment stainless

Size	<i>Forged Brass</i> Part #
1 1/4" thru 2 1/2" 3" and 4" 6"	G152HRP G34HRP G600HRP



forged brass

For Stainless Steel Global Couplers

Handles come complete with ring and pin.

Size	<i>Sintered Stainless</i> Part #
3/4" 1"	G75HRPSS G100HRPSS
1 1/4" thru 2 1/2" 3" and 4" 6"	G125250HRPSS G300400HRPSS G600HRPSS



sintered stainless

Safety Clip for Global Couplers

NEW

<i>Zinc Plated Carbon Steel</i> Part #
GSAFETYCLIP



Cam & Groove Fittings



Polypropylene Cam and Groove Adapters

SAFETY
ALERT

NOT recommended for use with Teflon® gaskets

- recommended for a maximum working pressure of **125 PSI** (½" - 1"), **100 PSI** (1¼" - 2") and **75 PSI** (3" - 4"); recommendations based on the use of mating Dixon fittings at an ambient temperature of **70°F** with standard seal installed
- ½" couplers and adapters will interchange with ¾" couplers and adapters. Only the threads and barbs are ½".
- 1¼" couplers and adapters will interchange with 1½" couplers and adapters. Only the threads and barbs are 1¼".
- Polypropylene cam and groove should not be mixed with aluminum fittings. **SAFETY**
ALERT
- Adapters are manufactured from a glass-filled polypropylene.

¹ Dust caps and dust plugs are not to be used in pressure applications for safety and environmental reasons. **SAFETY**
ALERT



female NPT x male adapter

type A		
Size	Polypropylene Part #	Opt Qty
¾" x ½"	PPA50	24
¾"	PPA75	24
1"	PPA100	24
1½" x 1¼"	PPA125	24
1½"	PPA150	24
2"	PPA200	24
3"	PPA300	24
4"	PPA400	8



male NPT x male adapter

type F		
Size	Polypropylene Part #	Opt Qty
¾" x ½"	PPF50	24
¾"	PPF75	24
1"	PPF100	24
1½" x 1¼"	PPF125	24
1½"	PPF150	24
2"	PPF200	24
3"	PPF300	24
4"	PPF400	8



hose shank x male adapter

type E		
Size	Polypropylene Part #	Opt Qty
¾" x ½"	PPE50	24
¾"	PPE75	24
1"	PPE100	24
1½" x 1¼"	PPE125	24
1½"	PPE150	24
2"	PPE200	24
3"	PPE300	24
4"	PPE400	8



dust plug¹

type P ¹		
Size	Polypropylene Part #	Opt Qty
¾"	PPP75	24
1"	PPP100	24
1½"	PPP150	24
2"	PPP200	24
3"	PPP300	24
4"	PPP400	8

Polypropylene Adapter Elbows

- recommended for a maximum working pressure of **100 PSI** (1½" - 2"); recommendations based on the use of mating Dixon fittings at an ambient temperature of **70°F** with standard seal installed.
- Adapter elbows are manufactured from a glass-filled polypropylene.
- For use at elevated temperatures or other unusual operating conditions, consult factory. **SAFETY**
ALERT



male adapter x female NPT

90° elbow x FNPT		
Size	Polypropylene Part #	Opt Qty
1½"	90PPA150	24
2"	90PPA200	24



male adapter x male NPT

90° elbow x MNPT		
Size	Polypropylene Part #	Opt Qty
1½"	90PPF150	24
2"	90PPF200	24

Service Industrial Supply

506 Brookforest Ave. Rt. 59 Shorewood Illinois 60404

Phone: 815.725.0062 • Fax: 815.725.2483 • www.serviceindustrialsupply.com



Cam & Groove Fittings

Polypropylene Cam and Groove Couplers

NOT recommended for use with Teflon® gaskets

SAFETY
ALERT

- recommended for a maximum working pressure of **125 PSI** (½" - 1"), **100 PSI** (1¼" - 2") and **75 PSI** (3" - 4"); recommendations based on the use of mating Dixon fittings at an ambient temperature of **70°F** with standard seal installed.
- ½" couplers and adapters will interchange with ¾" couplers and adapters. Only the threads and barbs are ½".
- 1¼" couplers and adapters will interchange with 1½" couplers and adapters. Only the threads and barbs are 1¼".
- Polypropylene cam and groove should not be mixed with aluminum fittings. **SAFETY ALERT**
- supplied with EPDM gaskets, 304 stainless steel handles and pins
- Couplers are manufactured from a glass-filled polypropylene.

¹ Dust caps and dust plugs are not to be used in pressure applications for safety and environmental reasons. **SAFETY ALERT**

² 4" coupler has 3 handles

type D

Size	Polypropylene Part #	Opt Qty
¾" x ½"	PPD50	24
¾"	PPD75	24
1"	PPD100	24
1½" x 1¼"	PPD125	24
1½"	PPD150	24
2"	PPD200	24
3"	PPD300	24
4"	PPD400 ²	8



female NPT x female coupler

type B

Size	Polypropylene Part #	Opt Qty
¾" x ½"	PPB50	24
¾"	PPB75	24
1"	PPB100	24
1½" x 1¼"	PPB125	24
1½"	PPB150	24
2"	PPB200	24
3"	PPB300	24
4"	PPB400 ²	8



male NPT x female coupler

type C

Size	Polypropylene Part #	Opt Qty
¾" x ½"	PPC50	24
¾"	PPC75	24
1"	PPC100	24
1½" x 1¼"	PPC125	24
1½"	PPC150	24
2"	PPC200	24
3"	PPC300	24
4"	PPC400 ²	8



hose shank x female coupler

type H¹

Size	Polypropylene Part #	Opt Qty
¾"	PPH75	24
1"	PPH100	24
1½"	PPH150	24
2"	PPH200	24
3"	PPH300	24
4"	PPH400 ²	8



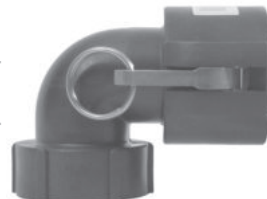
dust cap¹

Polypropylene Coupler Elbows

- recommended for a maximum working pressure of **100 PSI** (1½" - 2"); recommendations based on the use of mating Dixon fittings at an ambient temperature of **70°F** with standard seal installed.
- Coupler elbows are manufactured from a glass-filled polypropylene.
- Supplied with EPDM gaskets, 304 stainless steel handles and pins.
- For use at elevated temperatures or other unusual operating conditions, consult factory. **SAFETY ALERT**

FNPT x 90° Elbow

Size	Polypropylene Part #	Opt Qty
1½"	90PPD150	24
2"	90PPD200	24



female NPT x female coupler

Hose Shank x 90° Elbow

Size	Polypropylene Part #	Opt Qty
1½"	90PPC150	24
2"	90PPC200	24



hose shank x female coupler

Cam & Groove Fittings



Cam and Groove x Cam and Groove Elbows

45° Elbows

adapter x coupler

Size	Aluminum		Stainless Steel	
	Part #		Part #	
2"	200DA-45AL	¹	200DA-45SS	¹
3"	300DA-45AL		300DA-45SS	¹
4"	400DA-45AL		400DA-45SS	¹
6"	600DA-45AL		---	

¹ Parts are produced as a welded fabrication.



male adapter x female coupler

coupler x coupler

Size	Aluminum		Stainless Steel	
	Part #		Part #	
2"	200DD-45AL		---	
3"	300DD-45AL		300DD-45SS	
4"	400DD-45AL		---	
6"	600DD-45AL		---	

Parts are produced as a welded fabrication.



female coupler x female coupler

90° Elbows

adapter x coupler

Size	Aluminum		Stainless Steel	
	Part #		Part #	
1"	---		100DA-90SS	¹
1½"	150DA-90AL	¹	150DA-90SS	¹
2"	200DA-90AL		200DA-90SS	
3"	300DA-90AL		300DA-90SS	
4"	400DA-90AL		400DA-90SS	
5"	500DA-90AL	¹	---	
6"	600DA-90AL		---	
6"	---		RDA90600EZ	^{1, 2}

¹ Parts are produced as a welded fabrication.

² EZ Boss-Lock design (not pictured)



male adapter x female coupler

coupler x coupler

Size	Aluminum		Stainless Steel	
	Part #		Part #	
2"	200DD-90AL		---	
3"	300DD-90AL		300DD-90SS	
4"	400DD-90AL		---	
6"	600DD-90AL		---	

Parts are produced as a welded fabrication.



female coupler x female coupler

 **Service Industrial Supply**

506 Brookforest Ave. Rt. 59 Shorewood Illinois 60404

Phone: 815.725.0062 • Fax: 815.725.2483 • www.serviceindustrialsupply.com



Cam & Groove Fittings

Cam and Groove Elbows Type A

adapter x female NPT 90° elbow



male adapter x female NPT

Size	Aluminum		Stainless Steel	
	Part #		Part #	
1½"	150A-90AL		---	
2"	200A-90AL		200A-90SS ¹	
3"	300A-90AL		300A-90SS	
4"	400A-90AL		---	

¹ Parts are produced as a welded fabrication.

Type D

coupler x female NPT 90° elbow



female coupler x female NPT

Size	Aluminum		Brass		Stainless Steel	
	Part #		Part #		Part #	
1"	---		---		100D-90SS	
1¼"	---		125D-90BR		---	
1½"	150D-90AL		150D-90BR		---	
2"	200D-90AL		200D-90BR		200D-90SS	
2½"	---		---		---	
3"	300D-90AL		---		300D-90SS	
4"	400D-90AL		---		400D-90SS ¹	
4"	AD90400EZ ²		---		---	
6"	600D-90AL		---		---	

¹ Parts are produced as a welded fabrication.

² EZ Boss-Lock design (not pictured)

Type E

adapter x hose shank 90° elbow



male adapter x hose shank

Size	Aluminum		Stainless Steel	
	Part #		Part #	
2"	---		200E-90SS ¹	
3"	300E-90AL		300E-90SS	
4"	400E-90AL		400E-90SS ¹	
6"	600E-90AL ¹		---	

¹ Parts are produced as a welded fabrication.

Type C

coupler x hose shank 90° elbow



female coupler x hose shank

Size	Aluminum		Brass		Stainless Steel	
	Part #		Part #		Part #	
1¼"	---		125C-90BR		---	
1½"	150C-90AL		---		150C-90SS	
2"	200C-90AL		200C-90BR		200C-90SS	
3"	300C-90AL		---		300C-90SS	
4"	400C-90AL		---		400C-90SS ¹	
6"	600C-90AL		---		---	

¹ Parts are produced as a welded fabrication.

Cam & Groove Fittings



Cam and Groove Elbows

Type F

adapter x male NPT 90° elbow

Size	Aluminum		Stainless Steel	
	Part #		Part #	
1½"	150F-90AL		---	
2"	200F-90AL		200F-90SS ¹	
3"	---		300F-90SS ¹	

¹ Parts are produced as a welded fabrication.



male adapter x male NPT

Type B

adapter x male NPT 90° elbow

Size	Aluminum		Stainless Steel	
	Part #		Part #	
1½"	150B-90AL		---	
2"	200B-90AL		200B-90SS ¹	
3"	---		300B-90SS ¹	

¹ Parts are produced as a welded fabrication.



female coupler x male NPT



Cam & Groove Fittings

Reducing Cam and Groove Couplings

In reducing couplings, the coupler or adapter is the first size (i.e., a 4030-C-AL is a 4" coupler to a 3" hose shank).

Type A adapter x female NPT



reducing
male adapter x female NPT

Size	Aluminum		Opt Qty	Stainless Steel		Opt Qty
	Part #			Part #		
2" x 1½"	2015-A-AL		--	2015-A-SS ¹		--
2" x 3"	2030-A-AL		10	2030-A-SS		10
3" x 2"	3020-A-AL		5	3020-A-SS		10
3" x 4"	3040-A-AL		10	---		--
4" x 3"	4030-A-AL		10	4030-A-SS ¹		--
4" x 6"	4060-A-AL		5	---		--
6" x 4"	6040-A-AL		5	6040-A-SS ¹		--

¹ Parts are produced as a welded fabrication.

Type D coupler x female NPT



reducing
female coupler x female NPT

Size	Aluminum		Opt Qty	Brass		Stainless Steel	
	Part #			Part #		Part #	
1½" x 1"	1510-D-AL ¹		10	---		1510-D-SS ¹	
2" x 1½"	2015-D-AL		10	---		2015-D-SS	
3" x 2"	3020-D-AL		10	---		3020-D-SS	
4" x 3"	4030-D-AL		10	4030-D-BR		4030-D-SS ¹	
5" x 4"	5040-D-AL ¹		--	---		---	
6" x 4"	6040-D-AL ¹		--	---		---	

¹ Parts are produced as a welded fabrication.

Type E adapter x hose shank



reducing
male adapter x hose shank

Size	Aluminum		Opt Qty	Stainless Steel	
	Part #			Part #	
2" x 1½"	2015-E-AL ¹		--	2015-E-SS ¹	
3" x 2"	---		--	3020-E-SS ¹	
3" x 2½"	---		--	3025-E-SS	
4" x 3"	4030-E-AL		10	4030-E-SS ¹	
5" x 4"	5040-E-AL ¹		--	---	

¹ Parts are produced as a welded fabrication.

Type C coupler x hose shank



reducing
female coupler x hose shank

Size	Aluminum		Opt Qty	Stainless Steel	
	Part #			Part #	
2" x 1½"	2015-C-AL ¹		--	2015-C-SS ¹	
3" x 2"	3020-C-AL		10	3020-C-SS	
3" x 2½"	---		--	3025-C-SS	
3" x 4"	3040-C-AL		5	---	
4" x 3"	4030-C-AL		5	4030-C-SS ¹	
5" x 4"	5040-C-AL ¹		--	---	

¹ Parts are produced as a welded fabrication.

Cam & Groove Fittings



Reducing Cam and Groove Couplings

In reducing couplings, the coupler or adapter is the first size (i.e., a 4030-C-AL is a 4" coupler to a 3" hose shank).

Type F

adapter x male NPT

Size	Aluminum Part #	Opt Qty	Stainless Steel Part #
1½" x 2"	1520-F-AL	--	---
2" x 1½"	2015-F-AL	--	2015-F-SS ¹
2" x 3"	2030-F-AL	--	---
3" x 1½"	3015-F-AL	10	3015-F-SS ¹
3" x 2"	3020-F-AL	10	3020-F-SS
3" x 4"	3040-F-AL	10	---
4" x 3"	4030-F-AL	10	4030-F-SS ¹



reducing
male adapter x male NPT

¹ Parts are produced as a welded fabrication.

Type B

coupler x male NPT

Size	Aluminum Part #	Opt Qty	Stainless Steel Part #
1½" x 1"	1510-B-AL	10	1510-B-SS ¹
2" x 1½"	2015-B-AL	10	2015-B-SS ¹
2" x 3"	2030-B-AL	--	---
3" x 2"	3020-B-AL	10	3020-B-SS ¹
3" x 4"	3040-B-AL	10	---
4" x 3"	4030-B-AL	5	4030-B-SS ¹



reducing
female coupler x male NPT

¹ Parts are produced as a welded fabrication.



Cam & Groove Fittings

Reducing Cam and Groove Couplings



3" coupler x 1½" adapter



4" coupler x 6" adapter



3" coupler x 2½" adapter



5" coupler x 6" adapter

In reducing cam and groove couplings, the coupler is the first size (i.e., a 4030-DA-AL is a 4" coupler to a 3" adapter).

¹ Parts are produced as a welded fabrication.

² The 8" coupler has 4 cam arms and *does not interchange*.

SAFETY
ALERT

coupler x adapter

Size	Aluminum		Opt Qty	Stainless Steel	
	Part #			Part #	
1" x 1½"	1015-DA-AL ¹		--	1015-DA-SS ¹	
1½" x 1"	1510-DA-AL		--	1510-DA-SS ¹	
1½" x 2"	1520-DA-AL		10	1520-DA-SS	
2" x 1"	2010-DA-AL ¹		--	2010-DA-SS ¹	
2" x 1½"	2015-DA-AL		10	2015-DA-SS	
2" x 2½"	2025-DA-AL ¹		--	2025-DA-SS ¹	
2" x 3"	2030-DA-AL		5	2030-DA-SS	
2" x 4"	2040-DA-AL		--	2040-DA-SS ¹	
2½" x 2"	---		--	2520-DA-SS ¹	
2½" x 3"	---		--	2530-DA-SS ¹	
3" x 1½"	3015-DA-AL		--	3015-DA-SS ¹	
3" x 2"	3020-DA-AL		10	3020-DA-SS	
3" x 2½"	3025-DA-AL ¹		--	3025-DA-SS ¹	
3" x 4"	3040-DA-AL		5	3040-DA-SS	
3" x 6"	3060-DA-AL ¹		--	3060-DA-SS ¹	
4" x 2"	4020-DA-AL		5	4020-DA-SS ¹	
4" x 2½"	4025-DA-AL		--	4025-DA-SS ¹	
4" x 3"	4030-DA-AL		5	4030-DA-SS	
4" x 5"	4050-DA-AL		2	---	
4" x 6"	4060-DA-AL		2	4060-DA-SS ¹	
5" x 3"	5030-DA-AL ¹		2	5030-DA-SS ¹	
5" x 4"	5040-DA-AL		2	5040-DA-SS ¹	
5" x 6"	5060-DA-AL ¹		--	5060-DA-SS	
6" x 3"	6030-DA-AL		2	6030-DA-SS ¹	
6" x 4"	6040-DA-AL		2	6040-DA-SS	
6" x 5"	6050-DA-AL		--	6050-DA-SS ¹	
8" x 6"	8060-DA-AL ^{1,2}		--	---	

Size	Aluminum Hard Coat	Brass	Opt Qty	Iron	Opt Qty
	Part #	Part #		Part #	
3" x 2"	3020-DA-ALH	3020-DA-BR	10	3020-DA-MI	10
3" x 4"	---	3040-DA-BR	5	---	--
4" x 3"	4030-DA-ALH	4030-DA-BR	2	4030-DA-MI	--
6" x 4"	---	6040-DA-BR	--	6040-DA-MI	--

Reducing Couplers x Adapters with Port



port on lug

Size	Tap Size	Stainless Steel
		Part #
3" x 2"	1/4"	3020DAT25SS
3" x 2"	3/8"	3020DAT38SS
3" x 2"	1/2"	3020DAT50SS
3" x 2"	3/4"	3020DAT75SS

Service Industrial Supply

506 Brookforest Ave. Rt. 59 Shorewood Illinois 60404

Phone: 815.725.0062 • Fax: 815.725.2483 • www.serviceindustrialsupply.com

Cam & Groove Fittings



Boss-Lock Reducing Cam and Groove Couplings

In reducing cam and groove couplings, the coupler is the first size (i.e., a 4030-DA-AL is a 4" coupler to a 3" adapter).

¹ Parts are produced as a welded fabrication.

² The 8" coupler *does not interchange*. **SAFETY ALERT**

Size	Aluminum		Stainless Steel		Opt Qty
	Part #		Part #		
2" x 3"	ADA2030 ¹		RDA2030BL		10
2½" x 2"	ADA2520 ¹		---		--
2½" x 3"	ADA2530 ¹		---		--
3" x 2"	ADA3020		RDA3020BL		10
3" x 4"	ADA3040 ¹		RDA3040BL		10
4" x 2"	ADA4020 ¹		RDA4020BL		10
4" x 3"	ADA4030		RDA4030BL		10
6" x 4"	ADA6040 ¹		---		--
8" x 6"	ADA8060 ^{1,2}		---		--



3" coupler x 2" adapter

EZ Boss-Lock Reducing Cam and Groove Couplings

In reducing cam and groove couplings, the coupler is the first size (i.e., a 4030-DA-AL is a 4" coupler to a 3" adapter).

¹ Parts are produced as a welded fabrication.

Size	Aluminum		Stainless Steel	
	Part #		Part #	
2" x 3"	ADA2030EZ ¹		RDA2030EZ ¹	
3" x 2"	ADA3020EZ		RDA3020EZ	
3" x 4"	ADA3040EZ ¹		RDA3040EZ ¹	
4" x 2"	ADA4020EZ ¹		RDA4020EZ ¹	
4" x 3"	ADA4030EZ		RDA4030EZ	
6" x 4"	ADA6040EZ ¹		RDA6040EZ	



4" coupler x 2" adapter

Dixon Lockable Dust Caps

Size	Aluminum		Opt Qty	Brass		Opt Qty
	Part #			Part #		
1½"	150DC-LAL		10	150DC-LBR		10
2"	200DC-LAL		10	200DC-LBR		10
3"	300DC-LAL		10	300DC-LBR		10
4"	400DC-LAL		10	400DC-LBR		10
6"	600DC-LAL		2	---		--



- with angled, ergonomic thumb release

Size	Stainless Steel Part #
1½"	150DC-LSS
2"	200DC-LSS
3"	300DC-LSS
4"	400DC-LSS





Cam & Groove Fittings

Spool Adapters



increaser / reducer



same size

Size	Aluminum		Stainless Steel
	Part #		Part #
1"	---		100-AA-SS
1¼"	---		125-AA-SS ¹
1½"	150-AA-AL		150-AA-SS
1½" x 2"	1520-AA-AL		1520-AA-SS
2"	200-AA-AL		200-AA-SS
2" x 3"	2030-AA-AL		2030-AA-SS
2" x 4"	2040-AA-AL		2040-AA-SS ¹
2½" x 3"	2530-AA-AL ¹		2530-AA-SS ¹
2½" x 4"	2540-AA-AL ¹		---
3"	300-AA-AL		300-AA-SS
3" x 4"	3040-AA-AL		3040-AA-SS ¹
4"	400-AA-AL		400-AA-SS
4" x 5"	4050-AA-AL		---
4" x 6"	4060-AA-AL		4060-AA-SS ¹
5"	500-AA-AL ¹		500-AA-SS ¹
5" x 6"	5060-AA-AL ¹		---
6"	600-AA-AL		600-AA-SS ¹
Size	Brass		
	Part #		
2"	200-AA-BR		
3"	300-AA-BR		

¹ Parts are produced as a welded fabrication.

Dixon Spool Couplers



reducer / increaser



same size

Size	Aluminum		Stainless Steel
	Part #		Part #
1½"	---		150-DD-SS ¹
2"	200-DD-AL		200-DD-SS
2" x 3"	2030-DD-AL		2030-DD-SS
3"	300-DD-AL		300-DD-SS
3" x 4"	3040-DD-AL		3040-DD-SS ¹
4"	400-DD-AL		400-DD-SS ¹
4" x 5"	4050-DD-AL ¹		4050-DD-SS ¹
4" x 6"	4060-DD-AL ¹		4060-DD-SS
5"	500-DD-AL ¹		500-DD-SS
6"	600-DD-AL ¹		600-DD-SS

¹ Parts are produced as a welded fabrication.

Boss-Lock Spool Couplers



reducer /
increaser



same size

Size	Aluminum		Stainless Steel
	Part #		Part #
2"	ADD200 ¹		RDD200EZ
2" x 3"	ADD2030 ¹		RDD2030EZ ¹
3"	ADD300 ¹		RDD300EZ ¹
3" x 4"	ADD3040 ¹		RDD3040EZ ¹
4"	ADD400 ¹		RDD400EZ ¹
6"	---		RDD600EZ ¹

¹ Parts are produced as a welded fabrication.

Service Industrial Supply

506 Brookforest Ave. Rt. 59 Shorewood Illinois 60404

Phone: 815.725.0062 • Fax: 815.725.2483 • www.serviceindustrialsupply.com

Cam & Groove Fittings



Adapters and Couplers x 150# Flanged Drilling

adapter x 150# flange

Size	Aluminum		Stainless Steel		Stainless Steel
	Part #		Part #		Part #
1"	---		---		100-AL-SS
1½"	---		---		150-AL-SS
2"	200-AL-AL		---		200-AL-SS
3"	300-AL-AL		300-AL-MI		300-AL-SS
4"	400-AL-AL		---		400-AL-SS
6"	600-AL-AL		---		600-AL-SS
8"	800-AL-AL ¹		---		---



adapter x 150# ASA flange

Boss-Lock coupler x 150# flange

Size	Aluminum		Stainless Steel
	Part #		Part #
1"	---		100-DL-SS
1½"	---		150-DL-SS
2"	200-DL-AL		200-DL-SS
3"	300-DL-AL		300-DL-SS
4"	400-DL-AL		400-DL-SS
6"	600-DL-AL		600-DL-SS
8"	800-DL-AL ¹		---



coupler x 150# ASA flange

EZ Boss-Lock coupler x 150# flange

Size	Stainless Steel Part #
1"	RDL100EZ ¹
1½"	RDL150EZ ¹
2"	RDL200EZ
3"	RDL300EZ ¹
4"	RDL400EZ ¹
6"	RDL600EZ ¹



EZ Boss-Lock coupler
x 150# ASA flange

¹ Parts are produced as a welded fabrication.

In-Line Sight Glass for Bulk Transfer

Designed for dry bulk transfer hose. Includes aluminum bodies, Buna seals, acrylic sight glasses, stainless steel hardware and bronze cam arms (where applicable).

coupler x adapter

Size	Part #
4" x 4"	3544CA
3" x 3"	3533CA
4" x 3"	3543CA
3" x 4"	3534CA

adapter x adapter

Size	Part #
3" x 3"	3533AA
4" x 4"	3544AA
3" x 4"	3534AA

coupler x coupler

Size	Part #
4" x 4"	3544CC
3" x 3"	3533CC
4" x 3"	3543CC



Service Industrial Supply

506 Brookforest Ave. Rt. 59 Shorewood Illinois 60404

Phone: 815.725.0062 • Fax: 815.725.2483 • www.serviceindustrialsupply.com



Cam & Groove Fittings

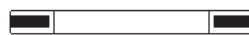
Cam and Groove Gaskets



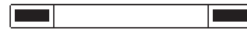
- White neoprene and white Buna-N gaskets contain all FDA approved materials.

Size	Part #	Buna-N	Viton®-A	extra thick Buna-N	Ethylene Propylene	Neoprene	white Neoprene	white Buna-N	Silicone
		-BU	-VI	-THK	-EPR	-NE	-WNE	-WB	-SIL
1/2"	50-G	-BU	-VI	-THK	-EPR	-NE	-WNE	-WB	-SIL
3/4"	75-G	-BU	-VI	-THK	-EPR	-NE	-WNE	-WB	-SIL
1"	100-G	-BU	-VI	-THK	-EPR	-NE	-WNE	-WB	-SIL
1 1/4"	125-G	-BU	-VI	-THK	-EPR	-NE	-WNE	-WB	-SIL
1 1/2"	150-G	-BU	-VI	-THK	-EPR	-NE	-WNE	-WB	-SIL
2"	200-G	-BU	-VI	-THK	-EPR	-NE	-WNE	-WB	-SIL
2 1/2"	250-G	-BU	-VI	-THK	-EPR	-NE	-WNE	-WB	-SIL
3"	300-G	-BU	-VI	-THK	-EPR	-NE	-WNE	-WB	-SIL
4"	400-G	-BU	-VI	-THK	-EPR	-NE	-WNE	-WB	-SIL
5"	500-G	-BU	-VI	-THK	-EPR	-NE	-WNE	-WB	-SIL
6"	600-G	-BU	-VI	-THK	-EPR	-NE	-WNE	-WB	-SIL
8"	800-G	-BU	-VI	-THK	-EPR	-NE	-WNE	-WB	-SIL

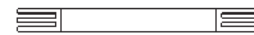
Teflon® Gaskets



envelope



encapsulated



accordion

- Teflon® white Buna filler (TFWB) and Teflon® encapsulated silicone (TES) contain all FDA approved materials.
- Teflon® accordion gaskets (TFACC) are recommended for use with viscous (thick) fluids only.
- Encapsulated gasket pressure ratings are reduced to **125 PSI** for 1/2" - 2 1/2" at ambient temperature (**70°F**)
- Teflon® encapsulated Viton® (TEV) gaskets - maximum operating temperature **200°F**
- Teflon® encapsulated silicone gaskets (TES) gaskets - maximum operating temperature **225°F**
- Maximum operating temperatures for specific chemicals may be lower. Contact the Dixon Factory for specific recommendations.

SAFETY
ALERT

The torque (force) required to close the handles on a pair of cam and groove fittings will vary according to the gasket chosen. Due to the nature of the Teflon® material, the various Teflon® gasket designs will require the most torque, increasing as you go from envelope to encapsulated, and finally, accordion.

Size	Part #	Envelope		Encapsulated		Accordion		
		Teflon® Buna filler	Teflon® Viton® filler	Teflon® white Buna filler	Teflon® Ethylene Propylene filler	Teflon® encapsulated silicone	Teflon® encapsulated Viton®	Teflon® accordion
		-TF	-TFVI	-TFWB	-TFEP	-TES	-TEV	-TFACC
1/2"	50-G	-TF	-TFVI	-TFWB	-TFEP	-TES	-TEV	-TFACC
3/4"	75-G	-TF	-TFVI	-TFWB	-TFEP	-TES	-TEV	-TFACC
1"	100-G	-TF	-TFVI	-TFWB	-TFEP	-TES	-TEV	-TFACC
1 1/4"	125-G	-TF	-TFVI	-TFWB	-TFEP	-TES	-TEV	-TFACC
1 1/2"	150-G	-TF	-TFVI	-TFWB	-TFEP	-TES	-TEV	-TFACC
2"	200-G	-TF	-TFVI	-TFWB	-TFEP	-TES	-TEV	-TFACC
2 1/2"	250-G	-TF	-TFVI	-TFWB	-TFEP	-TES	-TEV	-TFACC
3"	300-G	-TF	-TFVI	-TFWB	-TFEP	-TES	-TEV	-TFACC
4"	400-G	-TF	-TFVI	-TFWB	-TFEP	-TES	-TEV	-TFACC
5"	500-G	-TF	-TFVI	-TFWB	-TFEP	-TES	-TEV	-TFACC
6"	600-G	-TF	-TFVI	-TFWB	-TFEP	-TES	-TEV	-TFACC



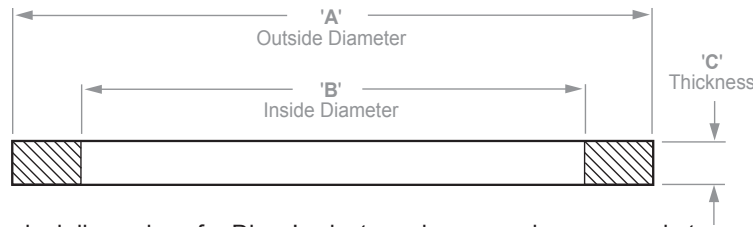
506 Brookforest Ave. Rt. 59 Shorewood Illinois 60404

Phone: 815.725.0062 • Fax: 815.725.2483 • www.serviceindustrialsupply.com

Cam & Groove Fittings



Dixon Cam and Groove Gasket Dimensions



- The following are the nominal dimensions for Dixon's elastomeric cam and groove gaskets.
- The ID's of the Teflon® envelope gaskets and the Teflon® accordion gaskets are *1/16" smaller than* the ID's for the elastomeric gaskets shown below.
- Thicknesses of Teflon® accordion gaskets may vary from chart below.

Size	Part #	'A'	'B'	'C'
1/2"	50-G ¹	1-1/32"	11/16"	.156"
3/4"	75-G	1-3/8"	7/8"	.218"
1"	100-G	1-9/16"	1-1/16"	.250"
1 1/4"	125-G	1-15/16"	1-23/64"	.250"
1 1/2"	150-G	2-3/16"	1-5/8"	.250"
2"	200-G	2-5/8"	2"	.250"
2 1/2"	250-G	3-1/8"	2-3/8"	.250"
3"	300-G	3-23/32"	3"	.250"
4"	400-G	4-7/8"	4"	.250"
5"	500-G	5-15/16"	4-7/8"	.250"
6"	600-G	7-1/16"	6"	.250"
8"	800-G ¹	9-5/16"	8-1/8"	.343"

¹ No interchange standard exists for the 1/2" and 8" fittings. Generally, these sizes do not interchange with other manufacturer's products. As such, the gaskets in these sizes are not suitable for use in other manufacturers' couplings.

SAFETY
ALERT

Dixon Cam and Groove Gasket Color Codes

Gasket Code	Gasket Material	Material Color	Color code stripes (appear on the OD of the gasket or filler)
-BU	Buna-N (standard in all metal fittings)	black	1 blue
-VI	Viton®	black	1 yellow
-THK	Extra Thick Buna	black	2 blue
-EPR	Ethylene Propylene	black	1 white
-NE	Neoprene	black	1 red
-WNE	White Neoprene, FDA approved material	white	none
-WB	White Buna N, FDA approved material	white	blue
-SIL	Silicone	red	none
-TF	Teflon® (TFE) Envelope with Buna-N filler	white / black	1 blue
TFVI	Teflon® (TFE) Envelope with Viton® filler	white / black	1 yellow
TFWB	Teflon® (TFE) Envelope with White Buna-N filler, FDA approved materials	white / white	blue
TFEP	Teflon® (TFE) Envelope with Ethylene Propylene filler	white / black	1 white stripe
-TES	Teflon® (FEP) Encapsulated Silicone core, FDA approved materials	translucent / red	none
-TEV	Teflon® (FEP) Encapsulated Viton® core	translucent / black	none
TFACC	Teflon® (TFE) Accordion, FDA approved materials	white	none

Since other manufacturer's coding systems vary, this chart should not be used as a reference in identifying gaskets of unknown origin.

SAFETY
ALERT

Service Industrial Supply

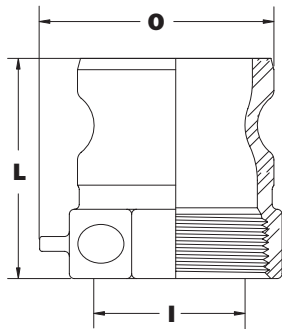
506 Brookforest Ave. Rt. 59 Shorewood Illinois 60404

Phone: 815.725.0062 • Fax: 815.725.2483 • www.serviceindustrialsupply.com



INSTA-LOCK™ TYPE A MALE ADAPTER x FEMALE NPT THREAD

- APPLICATION:** Type A fitting is commonly threaded onto a pipe, threaded hose end or manifold system, which is connected and disconnected on a regular basis. Insta-Lock fittings are designed for liquids only. Consult the chemical resistance guide for specific chemical recommendations.
- MATERIALS:** Aluminum, 316# Stainless Steel and Brass
- PRESSURE RATING:** Sizes 1/2"–2", 250 PSI; sizes 2 1/2"–4", 150 PSI; sizes 5"–6", 75 PSI. Recommended working pressure ratings based on ambient temperature (70°F).
- BRANDING:** Example: Continental A200SS



SIZE	ALUMINUM	STAINLESS STEEL	BRASS
1/2	A050AL	A050SS	A050BR
3/4	A075AL	A075SS	A075BR
1	A100AL	A100SS	A100BR
1 1/4	A125AL	A125SS	A125BR
1 1/2	A150AL	A150SS	A150BR
2	A200AL	A200SS	A200BR
2 1/2	A250AL	A250SS	A250BR
3	A300AL	A300SS	A300BR
4	A400AL	A400SS	A400BR
5	A500AL	A500SS	A500BR
6	A600AL	A600SS	A600BR

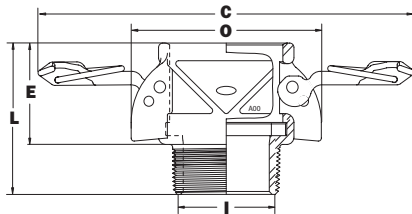
SIZE	DISTANCE CHAIN LUG EXTENDS FROM BODY	OVERALL LENGTH (L)	MAXIMUM WIDTH ACROSS ADAPTER (O)	MINIMUM ID (I)
<i>in.</i>	<i>in.</i>	<i>in.</i>	<i>in.</i>	<i>in.</i>
1/2	0.375	1.656	1.500	0.500
3/4	0.375	1.656	1.688	0.781
1	0.375	2.163	1.804	0.875
1 1/4	0.375	2.437	2.237	1.063
1 1/2	0.375	2.531	2.368	1.375
2	0.375	2.781	2.909	1.750
2 1/2	0.375	3.093	3.585	2.187
3	0.375	3.281	4.009	2.812
4	0.375	3.528	5.257	3.750
5	0.375	3.813	6.438	4.688
6	0.375	3.656	7.688	5.750

Note: Continental Insta-Lock Fittings are never to be used in steam or compressed air service.

INSTA-LOCK™ TYPE B FEMALE COUPLER x MALE NPT THREAD



- APPLICATION:** Type B fitting is normally threaded onto a pipe or manifold which joins to a rubber hose assembly which is connected and disconnected regularly. Insta-Lock fittings are designed for liquids only. Consult the chemical resistance guide for specific chemical recommendations.
- MATERIALS:** Aluminum, 316# Stainless Steel and Brass
- PRESSURE RATING:** Sizes 1/2"-2", 250 PSI; sizes 2 1/2"-4", 150 PSI; sizes 5"-6", 75 PSI. Recommended working pressure ratings based on ambient temperature (70°F) with Standard Nitrile gaskets.
- BRANDING:** Example: Continental B200SS



SIZE	ALUMINUM	STAINLESS STEEL	BRASS
1/2	B050AL	B050SS	B050BR
3/4	B075AL	B075SS	B075BR
1	B100AL	B100SS	B100BR
1 1/4	B125AL	B125SS	B125BR
1 1/2	B150AL	B150SS	B150BR
2	B200AL	B200SS	B200BR
2 1/2	B250AL	B250SS	B250BR
3	B300AL	B300SS	B300BR
4	B400AL	B400SS	B400BR
5	B500AL	B500SS	B500BR
6	B600AL	B600SS	B600BR

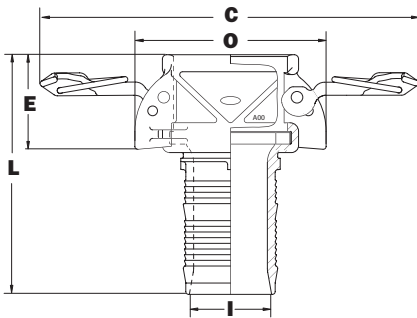
SIZE	MAX WIDTH WITH CAM ARMS CLOSED (O)	OVERALL LENGTH (L)	EXPOSED LENGTH (E)	MINIMUM ID (I)	MAX WIDTH WITH CAM ARMS EXTENDED (C)
in.	in.	in.	in.	in.	in.
1/2	2.469	1.906	1.188	0.469	4.969
3/4	2.781	2.031	1.313	0.688	5.261
1	2.920	2.500	1.625	0.875	5.367
1 1/4	3.510	2.937	2.000	1.063	7.669
1 1/2	3.830	2.937	2.000	1.375	7.967
2	4.210	3.218	2.156	1.750	8.340
2 1/2	4.720	3.718	2.250	2.187	8.837
3	5.680	4.000	2.468	2.812	10.435
4	6.780	4.218	2.593	3.750	11.538
5	7.813	4.406	2.625	4.688	12.571
6	9.344	4.750	2.844	5.750	16.096

Note: Continental Insta-Lock Fittings are never to be used in steam or compressed air service. Continental Insta-Lock Cam Arms are designed exclusively for Insta-Lock fittings.



INSTA-LOCK™ TYPE C FEMALE COUPLER x HOSE SHANK

- APPLICATION:** Type C fitting can be attached to a rubber hose with the use of interlocking ferrules, crimp sleeves, or bands. Insta-Lock fittings are designed for liquids only. Consult the chemical resistance guide for specific chemical recommendations.
- MATERIALS:** Aluminum, 316# Stainless Steel and Brass
- PRESSURE RATING:** Sizes 1/2"–2", 250 PSI; sizes 2 1/2"–4", 150 PSI; sizes 5"–6", 75 PSI. Recommended working pressure ratings based on ambient temperature (70°F) with Standard Nitrile gaskets.
- BRANDING:** Example: Continental C200SS



SIZE	ALUMINUM	STAINLESS STEEL	BRASS
1/2	C050AL	C050SS	C050BR
3/4	C075AL	C075SS	C075BR
1	C100AL	C100SS	C100BR
1 1/4	C125AL	C125SS	C125BR
1 1/2	C150AL	C150SS	C150BR
2	C200AL	C200SS	C200BR
2 1/2	C250AL	C250SS	C250BR
3	C300AL	C300SS	C300BR
4	C400AL	C400SS	C400BR
5	C500AL	C500SS	C500BR
6	C600AL	C600SS	C600BR

SIZE	MAX WIDTH WITH CAM ARMS CLOSED (O)	OVERALL LENGTH (L)	EXPOSED LENGTH (E)	MINIMUM ID (I)	MAX WIDTH WITH CAM ARMS EXTENDED (C)
<i>in.</i>	<i>in.</i>	<i>in.</i>	<i>in.</i>	<i>in.</i>	<i>in.</i>
1/2	2.469	3.063	1.188	0.260	4.969
3/4	2.781	3.656	1.313	0.490	5.261
1	2.920	4.250	1.975	0.718	5.367
1 1/4	3.510	4.625	2.350	0.906	7.669
1 1/2	3.830	4.750	2.370	1.156	7.967
2	4.210	5.281	2.531	1.625	8.340
2 1/2	4.720	5.750	2.625	2.093	8.837
3	5.680	6.840	2.849	2.560	10.435
4	6.780	7.218	2.994	3.468	11.538
5	7.813	7.563	2.625	4.469	12.571
6	9.344	8.969	2.844	5.469	16.096

Note: Continental Insta-Lock Fittings are never to be used in steam or compressed air service. Continental Insta-Lock Cam Arms are designed exclusively for Insta-Lock fittings.

INSTA-LOCK™ TYPE D FEMALE COUPLER x FEMALE NPT THREAD

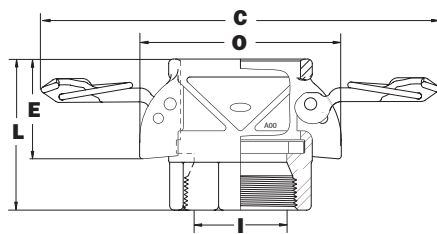


APPLICATION: Type D fitting is commonly threaded onto a pipe, threaded hose end, or manifold system, which is connected and disconnected on a regular basis. Insta-Lock fittings are designed for liquids only. Consult the chemical resistance guide for specific chemical recommendations.

MATERIALS: Aluminum, 316# Stainless Steel and Brass

PRESSURE RATING: Sizes 1"–2", 250 PSI; sizes 2½"–4", 150 PSI; sizes 5"–6", 75 PSI. Recommended working pressure ratings based on ambient temperature (70°F) with Standard Nitrile gaskets.

BRANDING: Example: Continental D200SS



SIZE	ALUMINUM	STAINLESS STEEL	BRASS
1/2	D050AL	D050SS	D050BR
3/4	D075AL	D075SS	D075BR
1	D100AL	D100SS	D100BR
1¼	D125AL	D125SS	D125BR
1½	D150AL	D150SS	D150BR
2	D200AL	D200SS	D200BR
2½	D250AL	D250SS	D250BR
3	D300AL	D300SS	D300BR
4	D400AL	D400SS	D400BR
5	D500AL	D500SS	D500BR
6	D600AL	D600SS	D600BR

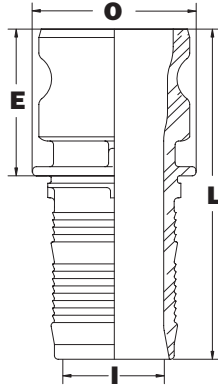
SIZE	MAX WIDTH WITH CAM ARMS CLOSED (O)	OVERALL LENGTH (L)	EXPOSED LENGTH (E)	MINIMUM ID (I)	MAX WIDTH WITH CAM ARMS EXTENDED (C)
in.	in.	in.	in.	in.	in.
1/2	2.469	1.813	1.188	0.656	4.969
3/4	2.781	2.063	1.313	0.813	5.261
1	2.920	2.375	1.975	1.000	5.367
1¼	3.510	2.687	2.350	1.300	7.669
1½	3.830	2.843	2.370	1.560	7.967
2	4.210	3.156	2.531	1.937	8.340
2½	4.720	3.437	2.625	2.312	8.837
3	5.680	3.718	2.849	2.937	10.435
4	6.780	4.030	2.994	3.750	11.538
5	7.813	4.313	2.563	4.688	12.571
6	9.344	4.513	2.719	5.750	16.096

Note: Continental Insta-Lock Fittings are never to be used in steam or compressed air service. Continental Insta-Lock Cam Arms are designed exclusively for Insta-Lock fittings.



INSTA-LOCK™ TYPE E MALE ADAPTER x HOSE SHANK

- APPLICATION:** Type E fitting can be attached to a rubber hose with the use of interlocking ferrules, crimp sleeve and bands. Insta-Lock fittings are designed for liquids only. Consult the chemical resistance guide for specific chemical recommendations.
- MATERIALS:** Aluminum, 316# Stainless Steel and Brass
- PRESSURE RATING:** Sizes 1"-2", 250 PSI; sizes 2^{1/2}"-4", 150 PSI; sizes 5"-6", 75 PSI. Recommended working pressure ratings based on ambient temperature (70°F).
- BRANDING:** Example: Continental E200SS



SIZE	ALUMINUM	STAINLESS STEEL	BRASS
1/2	E050AL	E050SS	E050BR
3/4	E075AL	E075SS	E075BR
1	E100AL	E100SS	E100BR
1 ^{1/4}	E125AL	E125SS	E125BR
1 ^{1/2}	E150AL	E150SS	E150BR
2	E200AL	E200SS	E200BR
2 ^{1/2}	E250AL	E250SS	E250BR
3	E300AL	E300SS	E300BR
4	E400AL	E400SS	E400BR
5	E500AL	E500SS	E500BR
6	E600AL	E600SS	E600BR

SIZE	MAXIMUM OD (O)	OVERALL LENGTH (L)	EXPOSED LENGTH (E)	MINIMUM ID (I)
<i>in.</i>	<i>in.</i>	<i>in.</i>	<i>in.</i>	<i>in.</i>
1/2	1.188	3.500	1.625	0.260
3/4	1.262	3.969	1.625	0.490
1	1.625	4.569	1.944	0.718
1 ^{1/4}	2.000	4.812	2.187	0.906
1 ^{1/2}	2.312	5.000	2.250	1.156
2	2.687	5.625	2.500	1.625
2 ^{1/2}	3.062	6.187	2.687	2.093
3	3.781	7.125	2.750	2.562
4	4.875	7.434	2.809	3.468
5	6.563	7.844	2.906	4.469
6	7.125	9.188	3.063	5.469

Note: Continental Insta-Lock Fittings are never to be used in steam or compressed air service.

INSTA-LOCK™ TYPE F MALE ADAPTER x MALE NPT THREAD

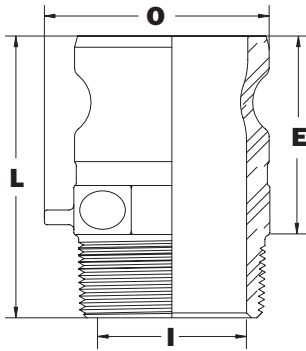


APPLICATION: Type F fitting is normally threaded into pipe or manifold connections and mated with Part C, Part B, or Part D. Used in applications that require frequent connections. Insta-Lock fittings are designed for liquids only. Consult the chemical resistance guide for specific chemical recommendations.

MATERIALS: Aluminum, 316# Stainless Steel and Brass

PRESSURE RATING: Sizes 1/2"–2", 250 PSI; sizes 2 1/2"–4", 150 PSI; sizes 5"–6", 75 PSI. Recommended working pressure ratings based on ambient temperature (70°F).

BRANDING: Example: Continental F200SS



SIZE	ALUMINUM	STAINLESS STEEL	BRASS
1/2	F050AL	F050SS	F050BR
3/4	F075AL	F075SS	F075BR
1	F100AL	F100SS	F100BR
1 1/4	F125AL	F125SS	F125BR
1 1/2	F150AL	F150SS	F150BR
2	F200AL	F200SS	F200BR
2 1/2	F250AL	F250SS	F250BR
3	F300AL	F300SS	F300BR
4	F400AL	F400SS	F400BR
5	F500AL	F500SS	F500BR
6	F600AL	F600SS	F600BR

SIZE	MAXIMUM WIDTH ACROSS ADAPTER (O)	OVERALL LENGTH (L)	EXPOSED LENGTH (E)	MINIMUM ID (I)	DISTANCE CHAIN LUG EXTENDS FROM BOD (C)
<i>in.</i>	<i>in.</i>	<i>in.</i>	<i>in.</i>	<i>in.</i>	<i>in.</i>
1/2	1.150	2.250	1.531	0.469	0.375
3/4	1.688	2.375	1.656	0.688	0.375
1	1.730	2.819	2.038	0.875	0.375
1 1/4	2.130	3.156	2.279	1.187	0.375
1 1/2	2.300	3.222	2.347	1.437	0.375
2	2.909	3.593	2.596	1.750	0.375
2 1/2	3.281	4.218	2.812	2.187	0.375
3	3.844	4.343	2.875	2.812	0.375
4	4.994	4.746	3.184	3.734	0.375
5	6.188	4.906	3.125	4.688	0.375
6	7.500	5.219	3.313	5.750	0.375

Note: Continental Insta-Lock Fittings are never to be used in steam or compressed air service.

INSTA-LOCK™ INTERLOCKING STAINLESS STEEL MALE NPT HOSE STEM

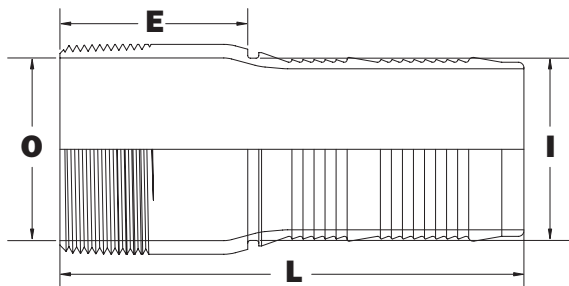


APPLICATION: Continental Interlocking Stainless Steel Male NPT Hose Stem fittings are designed to be attached to a rubber hose with the use of a Goodyear Insta-Lock Ferrule. Insta-Lock fittings are designed for liquids only, consult the chemical resistance guide for specific chemical resistance recommendations.

MATERIALS: 316# Stainless Steel

PRESSURE RATING: Sizes 1" to 2" 250 PSI, 2^{1/2}" to 4" 150 PSI. Recommended working pressure ratings based on ambient temperature (70°F)

BRANDING: Example: Continental GTM200SS



SIZE	STAINLESS STEEL
1	GTM100SS
1 ^{1/4}	GTM125SS
1 ^{1/2}	GTM150SS
2	GTM200SS
2 ^{1/2}	GTM250SS
3	GTM300SS
4	GTM400SS

SIZE	MAXIMUM OD (O)	OVERALL LENGTH (L)	EXPOSED LENGTH (C)	MINIMUM ID (I)
in.	in.	in.	in.	in.
1	1.315	4.375	1.750	0.830
1 ^{1/4}	1.660	4.500	1.875	1.130
1 ^{1/2}	1.900	4.750	2.000	1.360
2	2.375	5.250	2.125	1.820
2 ^{1/2}	2.875	6.125	2.625	2.240
3	3.500	7.000	2.625	2.730
4	4.500	7.625	3.000	3.710

Note: Continental Insta-Lock Fittings are never to be used in steam or compressed air service.

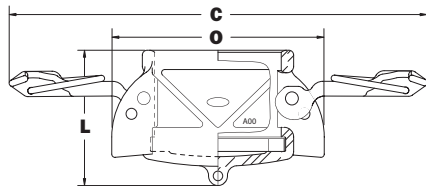
INSTA-LOCK™ DUST CAP



APPLICATION: Dust Cap is used to seal the pipe system and hose assemblies during non-use or transfer of assembly. Mating parts are the Part A, Part E, and Part F.

MATERIALS: Aluminum, 316# Stainless Steel and Brass (standard Nitrile gasket)

BRANDING: Example: Continental DC200SS



SIZE	ALUMINUM	STAINLESS STEEL	BRASS
1/2	DC050AL	DC050SS	DC050BR
3/4	DC075AL	DC075SS	DC075BR
1	DC100AL	DC100SS	DC100BR
1 1/4	DC125AL	DC125SS	DC125BR
1 1/2	DC150AL	DC150SS	DC150BR
2	DC200AL	DC200SS	DC200BR
2 1/2	DC250AL	DC250SS	DC250BR
3	DC300AL	DC300SS	DC300BR
4	DC400AL	DC400SS	DC400BR
5	DC500AL	DC500SS	DC500BR
6	DC600AL	DC600SS	DC600BR

SIZE	MAX WIDTH WITH CAM ARMS CLOSED (O)	OVERALL LENGTH (L)	OD WITH CAM ARMS EXTENDED (C)	DISTANCE CHAIN LUG EXTENDS FROM BODY
<i>in.</i>	<i>in.</i>	<i>in.</i>	<i>in.</i>	<i>in.</i>
1/2	2.469	1.625	4.969	0.375
3/4	2.781	1.625	5.261	0.375
1	2.920	2.086	5.367	0.375
1 1/4	3.510	2.360	7.669	0.375
1 1/2	3.830	2.400	7.967	0.375
2	4.210	2.633	8.340	0.375
2 1/2	4.720	2.786	8.837	0.375
3	5.680	2.957	10.435	0.375
4	6.780	3.134	11.538	0.375
5	7.813	3.219	12.571	0.375
6	9.344	3.500	16.096	0.375

Note: Continental Insta-Lock Fittings are never to be used in steam or compressed air service. Continental Insta-Lock Cam Arms are designed exclusively for Insta-Lock fittings.

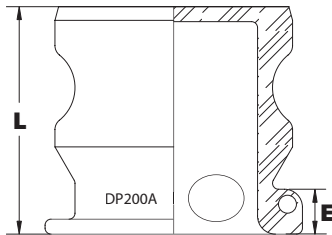


Warning: Dust Caps and Dust Plugs are not to be used in pressure applications for safety and environmental reasons.



INSTA-LOCK™ DUST PLUG

- APPLICATION:** Dust plug is used to seal the pipe system and hose assemblies during non-use or transfer of assembly. Mating parts are the Part C, Part B, and Part D.
- MATERIALS:** Aluminum, 316# Stainless Steel and Brass
- BRANDING:** Example: Continental DP200SS



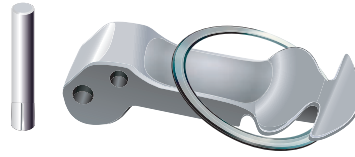
SIZE	ALUMINUM	STAINLESS STEEL	BRASS
1/2	DP050AL	DP050SS	DP050BR
3/4	DP075AL	DP075SS	DP075BR
1	DP100AL	DP100SS	DP100BR
1 ¹ / ₄	DP125AL	DP125SS	DP125BR
1 ¹ / ₂	DP150AL	DP150SS	DP150BR
2	DP200AL	DP200SS	DP200BR
2 ¹ / ₂	DP250AL	DP250SS	DP250BR
3	DP300AL	DP300SS	DP300BR
4	DP400AL	DP400SS	DP400BR
5	DP500AL	DP500SS	DP500BR
6	DP600AL	DP600SS	DP600BR

SIZE	OVERALL LENGTH (L)	EXPOSED LENGTH (E)
<i>in.</i>	<i>in.</i>	<i>in.</i>
1/2	1.531	0.500
3/4	1.563	0.500
1	1.843	0.469
1 ¹ / ₄	2.125	0.469
1 ¹ / ₂	2.156	0.469
2	2.375	0.469
2 ¹ / ₂	2.437	0.469
3	2.500	0.469
4	2.559	0.469
5	2.594	0.469
6	2.781	0.469

Note: Continental Insta-Lock Fittings are never to be used in steam or compressed air service.

Warning: Dust Caps and Dust Plugs are not to be used in pressure applications for safety and environmental reasons.

INSTA-LOCK™ REPAIR KITS



MATERIALS: 316# Stainless Steel and Brass

KIT INCLUDES: 1 handle, 1 finger ring, 1 pin

PART NUMBER SYSTEM: First 3 digits = Size
S = Stainless Steel
B = Brass
G = Continental Insta-Lock Handle
M = Music Wire Ring
P = Pin

<i>SIZE</i>	<i>STAINLESS STEEL HANDLES</i>	<i>BRASS HANDLES</i>
1/2	050SGMP	050BGMP
3/4	100SGMP	100BGMP
1	100SGMP	100BGMP
1 ¹ / ₄	125SGMP	125BGMP
1 ¹ / ₂	150SGMP	150BGMP
2	200SGMP	200BGMP
2 ¹ / ₂	250SGMP	250BGMP
3	300SGMP	300BGMP
4	300SGMP	300BGMP
5	300SGMP	300BGMP
6	600SGMP	600BGMP



FABCHEM™



ContiTech

- COUPLED:** Stainless Steel Continental Insta-Lock™ Camlocks Male x Female with Crimped on Ferrules
- COVER:** Green Versigard® Synthetic Rubber with Bright Orange Longitudinal Stripe, Corrugated
- TUBE:** Pliosyn Ultra-High Molecular Weight Polyethylene (UHMWPE)
- TEMP:** -30° F to 275° F
- REINFORCEMENT:** Spiral-Plied Synthetic Fabric with double wire helix
- APPLICATION:** It handles the majority of common industrial chemicals in pressure, gravity flow and suction service.

Stainless Steel Caps & Plugs Available
Additional Lengths Available

PART #	DESCRIPTION	W.P.	STOCK
20018488-10CESSF	1-1/2" x 10' Green Fabchem cpld Stainless Steel Continental Insta-Lock Male x Female Camlocks with Ferrules	200	IN STOCK
20018493-10CESSF	2" x 10' Green Fabchem cpld Stainless Steel Continental Insta-Lock Male x Female Camlocks with Ferrules	200	IN STOCK
20018498-10CESSF	3" x 10' Green Fabchem cpld Stainless Steel Continental Insta-Lock Male x Female Camlocks with Ferrules	200	IN STOCK
20018502-10CESSF	4" x 10' Green Fabchem cpld Stainless Steel Continental Insta-Lock Male x Female Camlocks with Ferrules	200	IN STOCK
20018488-20CESSF	1-1/2" x 20' Green Fabchem cpld Stainless Steel Continental Insta-Lock Male x Female Camlocks with Ferrules	200	IN STOCK
20018493-20CESSF	2" x 20' Green Fabchem cpld Stainless Steel Continental Insta-Lock Male x Female Camlocks with Ferrules	200	IN STOCK
20018498-20CESSF	3" x 20' Green Fabchem cpld Stainless Steel Continental Insta-Lock Male x Female Camlocks with Ferrules	200	IN STOCK
20018502-20CESSF	4" x 20' Green Fabchem cpld Stainless Steel Continental Insta-Lock Male x Female Camlocks with Ferrules	200	IN STOCK
20018488-25CESSF	1-1/2" x 25' Green Fabchem cpld Stainless Steel Continental Insta-Lock Male x Female Camlocks with Ferrules	200	IN STOCK
20018493-25CESSF	2" x 25' Green Fabchem cpld Stainless Steel Continental Insta-Lock Male x Female Camlocks with Ferrules	200	IN STOCK
20018498-25CESSF	3" x 25' Green Fabchem cpld Stainless Steel Continental Insta-Lock Male x Female Camlocks with Ferrules	200	IN STOCK
20018502-25CESSF	4" x 25' Green Fabchem cpld Stainless Steel Continental Insta-Lock Male x Female Camlocks with Ferrules	200	IN STOCK

BROWN FLEXWING®



ContiTech



- COUPLED:** Stainless Steel Continental Insta-Lock™ Camlocks Male x Female with Crimped on Ferrules
- COVER:** Brown Versigard® Synthetic Rubber with White Stripe, Smooth
- TUBE:** Black Chemrin® Synthetic Rubber
- TEMP:** -30° F to 275° F
- REINFORCEMENT:** Spiral-Plied Synthetic Fabric with Double Wire Helix
- APPLICATION:** A versatile chemical hose capable of handling a wide variety of acids, alcohols, salt solutions and petroleum based products.

Stainless Steel Caps & Plugs Available

Additional Lengths Available

PART #	DESCRIPTION	W.P.	STOCK
20018569-20CESSF	1-1/2" x 20' Brown Flexwing cpld Stainless Steel Continental Insta-Lock Male x Female Camlocks with Ferrules	150	IN STOCK
20018571-20CESSF	2" x 20' Brown Flexwing cpld Stainless Steel Continental Insta-Lock Male x Female Camlocks with Ferrules	150	IN STOCK
20018573-20CESSF	3" x 20' Brown Flexwing cpld Stainless Steel Continental Insta-Lock Male x Female Camlocks with Ferrules	150	IN STOCK
20018574-20CESSF	4" x 20' Brown Flexwing cpld Stainless Steel Continental Insta-Lock Male x Female Camlocks with Ferrules	150	IN STOCK
20018569-25CESSF	1-1/2" x 25' Brown Flexwing cpld Stainless Steel Continental Insta-Lock Male x Female Camlocks with Ferrules	150	IN STOCK
20018571-25CESSF	2" x 25' Brown Flexwing cpld Stainless Steel Continental Insta-Lock Male x Female Camlocks with Ferrules	150	IN STOCK
20018573-25CESSF	3" x 25' Brown Flexwing cpld Stainless Steel Continental Insta-Lock Male x Female Camlocks with Ferrules	150	IN STOCK
20018574-25CESSF	4" x 25' Brown Flexwing cpld Stainless Steel Continental Insta-Lock Male x Female Camlocks with Ferrules	150	IN STOCK



BROWN FLEXWING®

Continental  ContiTech

- COUPLED:** Stainless Steel Male x Female Camlocks S.S. Double Banded
- COVER:** Brown Versigard® Synthetic Rubber with White Stripe, Smooth
- TUBE:** Black Chemrin® Synthetic Rubber
- TEMP:** -30° F to 275° F
- REINFORCEMENT:** Spiral-Plied Synthetic Fabric with double wire helix
- APPLICATION:** A versatile chemical hose capable of handling a wide variety of acids, alcohols, salt solutions and petroleum based products.

Stainless Steel Caps & Plugs Available
Additional Lengths Available

PART #	DESCRIPTION	W.P.	STOCK
20018569-20CESSB	1-1/2" x 20' Brown Flexwing cpld Stainless Steel Male x Female Camlocks, S.S. Double Banded	150	IN STOCK
20018571-20CESSB	2" x 20' Brown Flexwing cpld Stainless Steel Male x Female Camlocks, S.S. Double Banded	150	IN STOCK
20018573-20CESSB	3" x 20' Brown Flexwing cpld Stainless Steel Male x Female Camlocks, S.S. Double Banded	150	IN STOCK
20018574-20CESSB	4" x 20' Brown Flexwing cpld Stainless Steel Male x Female Camlocks, S.S. Double Banded	150	IN STOCK
20018569-25CESSB	1-1/2" x 25' Brown Flexwing cpld Stainless Steel Male x Female Camlocks, S.S. Double Banded	150	IN STOCK
20018571-25CESSB	2" x 25' Brown Flexwing cpld Stainless Steel Male x Female Camlocks, S.S. Double Banded	150	IN STOCK
20018573-25CESSB	3" x 25' Brown Flexwing cpld Stainless Steel Male x Female Camlocks, S.S. Double Banded	150	IN STOCK
20018574-25CESSB	4" x 25' Brown Flexwing cpld Stainless Steel Male x Female Camlocks, S.S. Double Banded	150	IN STOCK

GREEN XLPE



ContiTech



- COUPLED:** Stainless Steel Continental Insta-lock™ Camlocks Male x Female with Crimped on Ferrules
- COVER:** Green Versigard® Synthetic Rubber with White Stripe (wrapped impression)
- TUBE:** Clear Speclar® Synthetic Rubber Cross-Linked Polyethylene (XLPE)
- TEMP:** -25° F to 150° F
- REINFORCEMENT:** Spiral-Plied Synthetic Fabric with double wire helix
- APPLICATION:** It handles the majority of today's industrial chemicals in pressure, gravity flow or suction service.

Stainless Steel Caps & Plugs Available

Additional Lengths and Sizes Available

PART #	DESCRIPTION	W.P.	STOCK
20018690-10CESSF	1" x 10' Green XLPE cpld S.S. Male x Female Camlocks w/ Ferrules	150	IN STOCK
20018690-20CESSF	1" x 20' Green XLPE cpld S.S. Male x Female Camlocks w/ Ferrules	150	IN STOCK
20018690-25CESSF	1" x 25' Green XLPE cpld S.S. Male x Female Camlocks w/ Ferrules	150	IN STOCK
20018697-10CESSF	1-1/2" x 10' Green XLPE cpld S.S. Male x Female Camlocks w/ Ferrules	150	IN STOCK
20018697-20CESSF	1-1/2" x 20' Green XLPE cpld S.S. Male x Female Camlocks w/ Ferrules	150	IN STOCK
20018697-25CESSF	1-1/2" x 25' Green XLPE cpld S.S. Male x Female Camlocks w/ Ferrules	150	IN STOCK
20018700-10CESSF	2" x 10' Green XLPE cpld S.S. Male x Female Camlocks w/ Ferrules	150	IN STOCK
20018700-20CESSF	2" x 20' Green XLPE cpld S.S. Male x Female Camlocks w/ Ferrules	150	IN STOCK
20018700-25CESSF	2" x 25' Green XLPE cpld S.S. Male x Female Camlocks w/ Ferrules	150	IN STOCK
20018707-10CESSF	3" x 10' Green XLPE cpld S.S. Male x Female Camlocks w/ Ferrules	150	IN STOCK
20018707-20CESSF	3" x 20' Green XLPE cpld S.S. Male x Female Camlocks w/ Ferrules	150	IN STOCK
20018707-25CESSF	3" x 25' Green XLPE cpld S.S. Male x Female Camlocks w/ Ferrules	150	IN STOCK



CHEMICAL HOSE

CONSTRUCTION: Multiple Plies of Polypropylene Films and Polyester Vapor Barriers

TEMP: -40° F to 140° F

FITTINGS: Externally Swagged or Crimped

SAFETY FACTOR: 4 to 1

I.D.	O.D.	MAXIMUM LENGTH	WP	BEND RADIUS
1"	1.5"	60 FEET	250	4.0"
1-1/2"	1.9"	60 FEET	250	5.0"
2"	2.4"	60 FEET	250	6.0"
3"	3.4"	60 FEET	250	7.9"
4"	4.4"	60 FEET	250	11.9"
6"	7.0"	60 FEET	250	27.0"
8"	9.4"	60 FEET	250	30.0"

~FITTINGS AVAILABLE~

*S.S. MNPT

*S.S. MALE AND FEMALE CAMLOCKS

*CARBON STEEL FIXED/FLOATING FLANGES

S.S. Braided Hose

Technical Information

S.I.S. offers a wide range of S.S. braided hose in sizes 1/4" ID thru 14" ID in single or double braided hose. S.S. 304 Standard, 321, and 316 also available. Braided hose can be ordered in bronze, and exotic alloys. We offer many fitting options such as male, female, S.S. camlocks, carbon or S.S. 150# flanges, victaulic, female ground joint, and male pipe ends.

COUPLED:	304 Stainless Steel MNPT x MNPT
COVER:	Single Braid 304 Stainless Steel
TUBE:	Convuluted 321 Stainless Steel
TEMP:	1200° F
APPLICATION:	It handles the majority of common industrial chemicals in pressure, gravity flow and suction service.

PART #	DESCRIPTION	WP	STOCK
84-9604	1" X 25' Stainless Steel Single Braided Hose cpld SS MNPT E/E	714	In Stock
84-9605	1 1/2" X 25' Stainless Steel Single Braided Hose cpld SS MNPT E/E	590	In Stock
84-9606	2" X 25' Stainless Steel Single Braided Hose cpld SS MNPT E/E	648	In Stock
84-9607	3" X 25' Stainless Steel Single Braided Hose cpld SS MNPT E/E	395	In Stock
84-9608	4" X 20' Stainless Steel Single Braided Hose cpld SS MNPT E/E	290	In Stock



HI-PER®



APPLICATION:	A premium hose which is Teflon® lined to handle a broad spectrum of fluids and materials in a wide variety of applications.
CONSTRUCTION	
TUBE:	Teflon® Fluoroethylenepropylene (FEP) has FDA/USDA compliant materials
COVER:	Blue Versigard® synthetic rubber with bright orange spiral transfer tape (wrapped impression)
REINFORCEMENT:	Spiral-plied synthetic fabric with double wire helix
TEMPERATURE:	-40 °F to 300 °F (-40 °C to 149 °C)
PACKAGING:	Custom lengths available (minimum 5')
BRANDING:	Continuous spiral brand Continental Hi-Per Universal Chemical Hose Teflon® lined.
COUPLINGS:	Use Continental's Insta-Lock Cam & Groove Fittings with this product.
NON-STOCK/SIZES:	Order in increments of 100' for 1/2"- 2" Order in increments of 60' for 2 1/2" and larger sizes

<i>ID</i>		<i>NOM. OD</i>		<i>MAX. WP</i>		<i>BEND RADIUS</i>		<i>VACUUM HG</i>		<i>WEIGHT</i>	
<i>in.</i>	<i>mm.</i>	<i>in.</i>	<i>mm.</i>	<i>psi</i>	<i>Mpa</i>	<i>in.</i>	<i>mm.</i>	<i>in.</i>	<i>mm.</i>	<i>lb./ft.</i>	<i>kg./m</i>
1/2	12.7	0.97	24.6	200	1.38	3	76	29	737	0.37	0.55
3/4	19.1	1.11	28.2	200	1.38	5	127	29	737	0.56	0.83
1	25.4	1.52	38.6	200	1.38	8	191	29	737	0.71	1.06
1 1/4	31.8	1.73	43.9	200	1.38	11	279	29	737	0.84	1.25
1 1/2	38.1	2.13	54.1	200	1.38	14	356	29	737	1.24	1.85
2	50.8	2.69	68.3	200	1.38	18	457	29	737	1.71	2.54
2 1/2	63.5	3.14	79.8	200	1.38	22	559	29	737	2.01	2.99
3	76.2	3.67	93.2	200	1.38	35	889	29	737	2.52	3.75

Note: Refer to the Chemical properties of Teflon® Chart for Specific Chemical and temperature Compatibility. Teflon® is a registered trademark of DuPont.



- APPLICATION:** For the transfer of a variety of industrial chemicals used today. (Refer to Continental Chemical Resistance Guide for compatibility.) For use in pressure, gravity flow and/or suction service. Hose may be cleaned using open-end steam up to 50 psi or in a bath containing 10% Sodium Hydroxide (NaOH), up to 212 °F (100 °C).
- CONSTRUCTION**
- TUBE:** Beige Alphasyn™ Modified Cross-Linked Polyethylene (Modified XLPE)
- COVER:** Black Omegasyn™ abrasion-resistant EPDM with white spiral stripe
- REINFORCEMENT:** Spiral-plyed synthetic fabric with double wire helix
- TEMPERATURE:** -40 °F to 250 °F (-40 °C to 121 °C)
- PACKAGING:** 100' length coiled, polywrapped
- BRANDING:** Continuous spiral brand Continental Viper Chemical Transfer Alphasyn 200 psi WP.
- COUPLINGS:** Fittings should be permanently attached for fluid temperatures above 125 °F (52 °C) and up to 250 °F (121 °C). Use Continental's Insta-Lock Cam & Groove Fittings with this product.

ID		NOM. OD		MAX. WP		BEND RADIUS		VACUUM HG		WEIGHT	
<i>in.</i>	<i>mm.</i>	<i>in.</i>	<i>mm.</i>	<i>psi</i>	<i>Mpa</i>	<i>in.</i>	<i>mm.</i>	<i>in.</i>	<i>mm.</i>	<i>lb./ft.</i>	<i>kg./m.</i>
3/4	19.1	1.25	31.7	200	1.38	4	100	29	737	0.45	0.67
1	25.4	1.45	36.9	200	1.38	4	100	29	737	0.53	0.79
1 1/4	32.0	1.71	43.6	200	1.38	5	125	29	737	0.64	0.95
1 1/2	38.1	1.95	49.6	200	1.38	5	125	29	737	0.74	1.10
2	50.8	2.54	64.5	200	1.38	7	175	29	737	1.16	1.73
2 1/2	63.5	3.05	77.5	200	1.38	8	200	29	737	1.41	2.10
3	76.2	3.59	91.2	200	1.38	10	250	29	737	1.82	2.71
4	101.6	4.64	117.8	200	1.38	14	350	29	737	2.42	3.61

Note: Refer to the Continental Chemical Resistance Chart for Specific Chemical and Temperature Compatibility.

Viper chemical hose will handle fluid up to 250 °F, however, this rating is contingent on the specific chemical conveyed. Contact Continental Customer Service at 1-800-235-4632 for any chemical above the temperature stated in the Continental Chemical Resistance Guide. Refer to the Continental Chemical Resistance Chart for Specific Chemical and Temperature Compatibility.

CHEMICAL CHARTS

GOODYEAR ENGINEERED PRODUCTS CHEMICAL RESISTANCE CHARTS

RATINGS AND DEFINITIONS

The Continental Chemical Resistance Chart is to be used as a guide only.

- A** The chemical is expected to have minor or no effect on the product. Product may be used for continuous service. Changes in working conditions, such as concentration of the chemical or temperature, may affect product performance and cause degradation of the product.
- B** The product may be used for continuous or intermittent service, however the product properties will be affected by the exposure to the chemical. Changes in working conditions, such as concentration of the chemical or temperature, may affect product performance and cause degradation of the product.
- X** The product should not be used with this chemical.
- I** Insufficient or no data available for this chemical. Further testing is recommended to determine compatibility of the chemical with the product.

Caution: Unless otherwise specified, the ratings applied to tube stocks are based on fully concentrated or saturated solutions at 100°F under normal service conditions.

Note: Hose ratings are for the effect on the polymer only. The degree of resistance of a rubber compound to a specific chemical depends on many variables such as temperature, concentration, length of exposure, stability of chemical, etc. For a specific compound, many grades of polymers are available which can alter the compound's chemical resistance.

WHEN IN DOUBT, before using a specific product, contact your local Continental Sales Representative for assistance if unusual service conditions or high temperatures are present in the product application.

THIS CHEMICAL RESISTANCE CHART SUPERSEDES ALL PREVIOUSLY PUBLISHED INFORMATION REGARDING CONTINENTAL CHEMICAL HOSE RESISTANCE RATINGS.

APPENDIX B

CHEMICAL CHARTS

Common Name & Description	Continental Trade Name	Continental Examples with Polymer in the Tube
UHMWPE (Ultra High Molecular Weight Polyethylene)	Pliosyn™	Fabchem™
Butyl (Isobutylene and Isoprene)	Weatherex®	Gray Flexwing®
Hypalon® (Chlorosulfonated Polyethylene)	Hysunite™	Yellow Flexwing®
NR - Natural Rubber (Isoprene, natural)	Pureten™	Tan Flexwing®
Viton®	Flosyn®	Orange Flexwing®
Nitrile		Flexwing® Petroleum
CPE (Chlorinated Polyethylene)	Chemrin®	Brown Flexwing®, ExtremeFlex™ Brown
EPDM (Ethylene Propylene Diene)	EPDM	Purple Flexwing®, ExtremeFlex™ Purple
EPDM (Heat Resistant)	Pyrosyn®	Flexsteel® 250 Steam, Whitewater®
Cross-Link Polyethylene (XLPE)	Speclar®	Blue Flexwing®, Green XLPE
Alphasyn® (Modified Cross-Link Polyethylene)	Alphasyn®	Viper™
Teflon®		Hi-Per®
316 Stainless Steel		Insta-Lock™
Aluminum		Insta-Lock™
Brass		Insta-Lock™

Caution: This chart and the following chemical resistance charts are intended to reflect the various tube compounds as they pertain to Continental petroleum and chemical hose. Always use a Continental petroleum or chemical hose when the hose is to be used for conveyance of petroleum or chemicals. Consult the following pages for chemical compatibility of the various tube stocks.

Hypalon® is a registered trademark of DuPont Dow Elastomers L.L.C.
Viton® is a registered trademark of DuPont Dow Elastomers L.L.C.
Teflon® is a registered trademark of E.I. du Pont de Nemours and Company.

This chemical chart is offered as a guide only. There are many variables to be considered with each application. Ratings are for tube polymer only! For explanation of ratings see the initial page of these Chemical Charts in Appendix B. Contact customer services for chemicals or polymers not listed at 800-235-4632.

RATING SCALE		CONTINENTAL CHEMICAL HOSE											FITTING				
		Fabciem™	Gray Flexwing®	Yellow Flexwing	Tan Flexwing	Orange Flexwing	Flexwing Petroleum	Brown Flexwing	ExtremeFlex™ Brown	Purple Flexwing	ExtremeFlex™ Purple	Green XLPE	Blue Flexwing	Chem One™ & Viper™	HI-PER®	Insta-Lock™	Insta-Lock
GASKET		Temperature (°F)	HOSE TUBE POLYMER											METAL			
T = Teflon®	V = Viton®		UHMWPE	Butyl	Hypalon®	NR	Viton®	Nitrile	CPE	EPDM	XLPE	Alphasyn™	Teflon®	316 SS	Aluminum	Brass	Gasket
A																	
Acetaldehyde	100	B	B	X	X	X	X	I	A	A	A	A	A	B	X	TS	
Acetic Acid, Conc.	100	A	A	X	B	X	X	A	A	A	A	A	A	B	X	T	
Acetic Acid, Dilute 10	150	B	A	X	A	X	X	A	A	A	A	A	A	I	X	TVN	
Acetic Acid, Glacial	100	A	B	X	X	X	X	A	A	A	A	A	A	B	X	TS	
Acetic Aldehyde	100	A	B	X	X	X	X	I	A	A	A	A	A	B	X	T	
Acetic Anhydride	100	B	A	B	X	X	X	A	A	A	A	A	A	B	X	TS	
Acetic Ester	100	B	B	X	X	X	X	B	A	A	A	A	A	A	A	TV	
Acetic Ether	100	B	B	X	X	X	X	B	A	A	A	A	A	A	A	T	
Acetic Oxide	100	B	A	B	X	X	X	A	A	A	A	A	A	B	X	T	
Acetone	100	A	A	X	B	X	X	A	A	A	A	A	A	A	I	T	
Acetone Cyanohydrin	100	B	A	X	X	X	X	A	A	A	A	A	I	I	I	TS	
Acetyl Acetone	100	B	B	X	X	X	X	B	I	A	A	A	I	B	I	T	
Acetyl Chloride	100	B	X	X	X	B	X	A	B	B	A	A	B	X	A	TV	
Acetyl Oxide	100	B	A	B	X	X	X	A	A	A	A	A	A	B	X	T	
Acetylene (dry)	100	A	A	A	A	A	A	A	A	A	X	A	A	I	I	TVBNS	
Acetylene Dichloride	100	B	X	X	X	A	X	I	I	A	X	A	I	A	X	TV	
Acetylene Tetrachloride	100	B	X	X	X	A	X	I	I	A	I	A	A	X	X	TV	
Acrolein	100	B	A	B	B	A	B	I	I	A	A	A	I	I	I	TV	
Acrylic Acid	100	B	X	X	X	A	X	X	X	A	A	A	A	I	I	TV	
Acrylonitrile	100	B	X	X	X	X	X	A	X	B	A	A	A	X	I	T	
Alk-Tri	100	I	X	X	X	A	X	I	I	A	I	A	A	I	I	TV	
Allyl Alcohol	100	A	A	A	A	B	A	A	A	A	A	A	A	I	A	TBN	
Allyl Bromide	100	B	X	X	X	B	X	B	I	B	I	A	I	I	I	T	
Allyl Chloride	100	B	X	X	X	B	X	B	X	B	I	A	A	X	X	TS	
Alum	150	A	A	A	A	A	A	A	A	A	A	A	A	I	X	TVBNS	
Aluminum Acetate	100	A	A	A	X	X	X	A	A	A	A	A	A	I	X	T	
Aluminum Chloride	150	A	A	A	A	A	A	A	A	A	A	A	I	I	X	TVB	
Aluminum Formate	100	A	B	X	X	X	X	I	I	A	A	A	I	I	I	T	
Aluminum Hydroxide	150	A	A	B	A	X	B	A	A	A	A	A	A	I	X	TS	
Aluminum Sulfate	150	A	A	A	A	A	A	A	A	A	A	A	A	X	X	TVBNS	
Aminoethanol	100	A	A	B	B	I	B	A	I	A	A	A	A	B	I	TBN	
Aminoethylethanolamine	100	A	A	B	B	I	B	A	I	A	A	A	I	I	I	T	
Ammonia	---	NO HOSE RECOMMENDED FOR THIS APPLICATION															

CHEMICAL CHARTS



ContiTech

This chemical chart is offered as a guide only. There are many variables to be considered with each application. Ratings are for tube polymer only! For explanation of ratings see the initial page of these Chemical Charts in Appendix B. Contact customer services for chemicals or polymers not listed at 800-235-4632.

		CONTINENTAL CHEMICAL HOSE												FITTING			
		Fabchem™	Gray Flexwing®	Yellow Flexwing	Tan Flexwing	Orange Flexwing	Flexwing Petroleum	Brown Flexwing, ExtremeFlex™ Brown	Purple Flexwing, ExtremeFlex™ Purple	Green XLPE	Blue Flexwing	Chem One™ & Viper™	HI-PEP®	Insta-Lock™	Insta-Lock	Insta-Lock	Insta-Lock
		UHMWPE	Butyl	Hypalon®	NR	Viton®	Nitrile	CPE	EPDM	XLPE	Alphasyn™	Teflon®	316 SS	Aluminum	Brass	Gasket	
		HOSE TUBE POLYMER												METAL			
		A															
Temperature (°F)		A	A	A	X	A	A	A	A	A	A	A	A	I	I	I	TVB
Ammonia Cupric Sulfate	150	A	A	A	X	A	A	A	A	A	A	A	A	I	I	I	TVB
Ammonium Chloride	150	A	A	A	A	A	A	A	A	A	A	A	A	A	X	X	TVBN
Ammonium Hydroxide	150	A	A	B	A	X	X	A	X	A	A	A	A	A	X	I	TNS
Ammonium Nitrate (ANFO)	150	SPECIAL HOSE REQUIRED												A	B	X	TVBS
Ammonium Phosphate	150	A	A	A	A	A	A	A	A	A	A	A	A	A	X	X	TVBNS
Ammonium Sulfate	150	A	A	A	A	A	X	A	A	A	A	A	A	A	X	X	TVNS
Ammonium Sulfide	150	A	A	A	A	A	X	A	A	A	A	A	A	A	X	X	TVN
Ammonium Sulfite	150	A	A	A	A	A	A	A	A	A	A	A	A	A	X	I	TVBN
Ammonium Thiosulfate	100	A	A	A	A	A	A	A	A	A	A	A	A	A	B	X	TVBN
Amyl Acetate	100	A	A	B	X	X	X	X	B	A	A	A	A	A	A	I	T
Amyl Alcohol	100	A	A	A	A	B	A	A	A	A	A	A	A	A	I	A	TBNS
Amyl Chloride	100	A	X	X	X	A	X	X	X	A	B	A	A	A	X	I	T V
Amyl Oleate	100	A	X	X	X	I	B	I	I	A	I	A	I	I	I	I	T
Amyl Phenol	100	A	X	X	X	A	X	I	I	A	I	A	I	I	I	I	T V
Amyl Phthalate	100	A	A	X	X	X	X	I	I	A	I	A	I	I	I	I	T
Amylamine	100	A	B	X	X	X	X	B	X	A	I	A	I	I	I	I	T
Anethole	100	X	X	X	X	B	X	X	I	X	I	A	I	I	I	I	T
Anhydrous Ammonia	---	NO HOSE RECOMMENDED FOR THIS APPLICATION															
Aniline	100	A	A	X	X	A	X	B	A	A	A	A	A	A	B	X	T V
Animal Grease	100	A	X	X	X	A	A	B	X	A	A	A	A	A	A	I	TVB
Animal Oils	100	A	B	X	X	A	A	A	X	A	B	A	A	A	A	I	TVB
Antimony Pentachloride	100	A	X	X	X	I	X	I	X	B	B	A	I	I	I	I	T
Aqua Ammonia	150	A	A	B	A	A	B	B	B	A	A	A	A	A	X	I	T V
Aromatic Spirits	100	A	X	X	X	A	X	I	X	A	I	A	A	I	I	I	T V
Aromatic Tar	100	A	X	X	X	A	X	B	X	A	I	A	I	I	I	I	T V
Arquads	100	A	A	A	A	A	A	A	A	A	A	A	A	I	I	I	TVB
Arsenic Acid	100	A	A	A	A	I	X	A	A	A	A	A	A	A	X	X	TVS
Arsenic Chloride	100	I	X	X	X	X	X	X	X	X	X	A	I	I	I	I	T N
Arsenic Trichloride	100	I	X	X	X	X	X	X	X	X	X	A	X	I	I	I	T N
Asphalt	500	SPECIAL HOSE REQUIRED												A	I	I	TVN
ASTM #1 Oil	100	A	X	B	X	A	A	A	X	A	A	A	A	A	A	I	TVBNS
ASTM #2 Oil	100	A	X	X	X	A	A	A	X	A	A	A	A	A	A	A	TVB
ASTM #3 Oil	100	A	X	X	X	A	A	A	X	A	A	A	A	A	A	A	TVB



506 Brookforest Ave. Rt. 59 Shorewood Illinois 60404

Phone: 815.725.0062 • Fax: 815.725.2483 • www.serviceindustrialsupply.com

This chemical chart is offered as a guide only. There are many variables to be considered with each application. Ratings are for tube polymer only! For explanation of ratings see the initial page of these Chemical Charts in Appendix B. Contact customer services for chemicals or polymers not listed at 800-235-4632.

		CONTINENTAL CHEMICAL HOSE											FITTING							
		Fabchem™	Gray Flexwing®	Yellow Flexwing	Tan Flexwing	Orange Flexwing	Flexwing Petroleum	Brown Flexwing	ExtremeFlex™ Brown	Purple Flexwing	ExtremeFlex™ Purple	Green XLPE	Blue Flexwing	Chem One™ & Viper™	HI-PER®	Insta-Lock™	Insta-Lock	Insta-Lock	Insta-Lock	
		UHMWPE	Butyl	Hypalon®	NR	Viton®	Nitrile	CPE	EPDM	XLPE	Alphasyn™	Teflon®	316 SS	Aluminum	Brass	Gasket				
		HOSE TUBE POLYMER											METAL							
		B																		
		Temperature (°F)																		
Barium Carbonate	150	A	A	A	A	A	A	A	A	A	A	A	A	A	X	I	TVBN			
Barium Chloride	150	A	A	A	A	A	A	A	A	A	A	A	A	A	X	I	TVBN			
Barium Hydroxide	150	A	A	A	A	B	A	A	A	A	A	A	A	X	X	TBNS				
Barium Sulfate	150	A	A	A	A	A	A	A	A	A	A	A	A	B	A	X	TVBS			
Barium Sulfide	150	A	A	A	A	A	A	A	A	A	A	A	A	X	X	TVBS				
Benzal Chloride	100	A	B	I	I	I	X	X	I	A	I	A	B	X	I	T				
Benzaldehyde	100	A	B	X	X	X	X	X	B	A	B	A	A	B	I	T				
Benzene (Benzol)	100	A	X	X	X	A	X	X	X	B	B	A	A	A	A	T	V			
Benzine (Ligroin)	100	A	X	X	X	A	A	I	X	A	B	A	A	A	I	TVB				
Benzine Solvent (Ligroin)	100	A	X	X	X	A	A	I	X	A	I	A	A	A	I	TVBS				
Benzoic Acid	100	A	B	B	X	I	I	A	B	A	A	A	B	B	X	TVN				
Benzoic Aldehyde	100	A	B	X	X	X	X	X	B	A	I	A	A	I	B	T				
Benzotrithloride	100	X	I	I	I	I	X	X	X	X	X	A	I	I	I	T				
Benzoyl Chloride	100	X	I	I	I	I	X	X	X	B	X	A	B	I	I	T				
Benzyl Acetate	100	A	A	B	X	X	X	B	I	A	B	A	B	I	I	T				
Benzyl Alcohol	100	A	A	X	X	A	X	A	X	A	A	A	A	B	I	TVS				
Benzyl Chloride	100	A	X	X	X	A	X	X	X	A	I	A	A	X	X	T	V			
Bichromate of Soda	150	A	A	X	I	I	I	I	I	A	A	A	I	I	I	T				
Black Sulfate Liquor	150	A	X	B	B	B	B	A	B	A	A	A	A	X	X	TVBN				
Black Sulfate Liquor	275	X	X	X	X	X	X	A	X	X	X	A	A	X	X	T				
Bleach	100	X	B	X	X	B	X	I	A	X	B	A	X	X	X	T	V			
Brine	150	A	A	A	A	A	A	A	A	A	A	A	A	X	I	TVBNS				
Bromine	100	X	X	X	X	B	X	I	X	X	X	A	X	X	X	T	V			
Bromo Benzene	100	B	X	X	X	B	X	X	X	X	X	A	I	I	I	T	V			
Bromo Toluene	100	X	X	X	X	B	X	X	X	X	X	A	I	I	I	T				
Bromochloromethane	100	X	B	X	X	B	X	X	I	X	A	A	A	X	X	T				
Bunker C.	100	B	X	X	X	A	A	I	X	A	B	A	A	I	I	TVB				
Bunker Oil	100	B	X	X	X	A	A	I	X	X	B	A	A	I	I	TVB				
Butanol	100	A	A	A	A	B	A	A	A	A	A	A	A	I	I	T	BN			
Butyl (Normal) Alcohol	100	A	A	A	A	B	A	A	A	A	A	A	A	I	I	T	BN			
Butyl (Secondary) Alcohol	100	A	A	A	A	B	A	A	A	A	A	A	A	I	I	T	BN			
Butyl Acetate	100	A	A	B	X	X	X	B	B	A	B	A	A	B	I	T				
Butyl Acetoacetate	100	A	X	X	X	X	X	X	I	A	B	A	I	I	I	T				

CHEMICAL CHARTS



ContiTech

This chemical chart is offered as a guide only. There are many variables to be considered with each application. Ratings are for tube polymer only! For explanation of ratings see the initial page of these Chemical Charts in Appendix B. Contact customer services for chemicals or polymers not listed at 800-235-4632.

		CONTINENTAL CHEMICAL HOSE											FITTING				
		Fabchem™	Gray Flexwing®	Yellow Flexwing	Tan Flexwing	Orange Flexwing	Flexwing Petroleum	Brown Flexwing, ExtremeFlex™ Brown	Purple Flexwing, ExtremeFlex™ Purple	Green XLPE	Blue Flexwing	Chem One™ & Viper™	HL-PE®	Insta-Lock™	Insta-Lock	Insta-Lock	Insta-Lock
		UHMWPE	Butyl	Hypalon®	NR	Viton®	Nitrile	CPE	EPDM	XLPE	Alphasyn™	Teflon®	316 SS	Aluminum	Brass	Gasket	
		HOSE TUBE POLYMER											METAL				
		Temperature (°F)															
		B															
Butyl Acrylate	100	B	X	X	X	X	X	B	X	B	B	A	I	I	I	T	
Butyl Alcohol	100	A	A	A	A	B	A	A	A	A	A	A	A	I	I	TBN	
Butyl Aldehyde	100	A	B	X	X	X	X	B	X	A	B	A	X	A	X	T	
Butyl Amine	100	A	B	X	X	X	X	B	X	A	B	A	A	A	I	T	
Butyl Benzene	100	A	X	X	X	A	X	X	X	A	B	A	I	I	I	TV	
Butyl Benzl Phthalate	100	A	A	X	X	X	X	I	I	A	I	A	I	I	I	T	
Butyl Bromide	100	B	X	X	X	B	X	X	X	B	B	A	I	I	I	T	
Butyl Butyrate	100	B	X	X	X	X	X	X	I	B	I	A	I	I	I	TV	
Butyl Carbitol	100	A	A	A	X	I	X	A	B	A	A	A	I	I	I	T	
Butyl Cellosolve	100	A	A	A	X	X	X	A	A	X	A	A	A	A	X	T	
Butyl Chloride	100	B	X	X	X	A	X	X	I	B	I	A	B	I	I	TV	
Butyl Ether	100	A	X	B	X	X	B	A	X	A	A	A	A	I	I	T	
Butyl Ethyl Acetaldehyde	100	A	B	X	X	X	X	I	I	A	B	A	I	I	I	T	
Butyl Ethyl Ether	100	A	X	B	X	I	B	I	X	A	A	A	I	I	I	T	
Butyl Phthalate	100	A	A	X	X	X	X	I	I	A	A	A	A	A	I	T	
Butyl Stearate	100	A	X	X	X	I	A	B	X	A	B	A	A	A	A	TBS	
Butylate	100	A	I	I	I	I	I	I	A	I	I	I	I	I	I	I	
Butyraldehyde	100	A	B	X	X	X	X	B	X	A	B	A	X	A	X	T	
Butyric Acid	100	A	X	B	X	I	X	A	B	A	A	A	A	B	I	T	
Butyric Anhydride	100	A	X	B	X	I	X	I	I	A	I	A	I	I	I	T	
		C															
Cadmium Acetate	100	A	A	A	X	X	X	A	I	A	A	A	I	I	I	T	
Calcium Acetate	100	A	A	A	X	X	X	A	A	A	A	A	A	I	I	TB	
Calcium Aluminate	100	A	A	A	A	A	A	A	A	A	A	A	I	I	I	TVB	
Calcium Bichromate	150	X	A	X	I	I	I	I	I	X	I	A	I	I	I	T	
Calcium Bisulfate	150	A	A	A	A	A	A	A	A	A	A	A	A	X	X	TVBN	
Calcium Bisulfite	150	A	A	A	A	A	A	A	A	I	A	A	A	X	X	TVBNS	
Calcium Carbonate	150	A	A	A	A	A	A	A	A	A	A	A	A	I	X	TVBNS	
Calcium Chloride	150	A	A	A	A	A	A	A	A	A	A	A	B	X	X	TVBNS	
Calcium Hydroxide (Caustic Lime)	100	A	A	B	A	X	B	A	A	A	A	A	A	X	X	TNS	
Calcium Hypochlorite	100	B	B	X	X	B	X	A	B	X	A	A	A	X	X	TV	
Calcium Nitrate	150	A	A	A	A	A	A	A	A	A	A	A	B	X	X	TVBN	
Calcium Silicate	150	A	A	A	A	A	A	A	A	A	A	A	I	A	I	TVBN	

This chemical chart is offered as a guide only. There are many variables to be considered with each application. Ratings are for tube polymer only! For explanation of ratings see the initial page of these Chemical Charts in Appendix B. Contact customer services for chemicals or polymers not listed at 800-235-4632.

		CONTINENTAL CHEMICAL HOSE											FITTING				
		Fabchem™	Gray Flexwing®	Yellow Flexwing	Tan Flexwing	Orange Flexwing	Flexwing Petroleum	Brown Flexwing, ExtremeFlex™ Brown	Purple Flexwing, ExtremeFlex™ Purple	Green XLPE	Blue Flexwing	Chem One™ & Viper™	HI-PER®	Insta-Lock™	Insta-Lock	Insta-Lock	Insta-Lock
		UHMWPE	Butyl	Hypalon®	NR	Viton®	Nitrile	CPE	EPDM	XLPE	Alphasyn™	Teflon®	316 SS	Aluminum	Brass	Gasket	
		HOSE TUBE POLYMER											METAL				
C	Temperature (°F)	RATING SCALE															
		A = May be used for Continuous Service B = May be used for Intermittent Service I = Insufficient data, contact customer services X = Do not use															
		GASKET															
		T = Teflon® V = Viton® B = Nitrile N = Neoprene S = Silicone															
Calcium Sulfate	150	A	A	A	A	A	A	A	A	A	A	A	A	I	I	I	TVBS
Calcium Sulphhydrate	100	A	A	A	A	A	A	A	A	A	A	A	I	I	I	I	TVB
Calcium Sulfide	150	A	A	A	A	A	A	A	A	A	A	A	A	X	X	X	TVBN
Calcium Sulfite	150	A	A	A	X	A	A	A	A	A	A	A	B	B	X	X	TVBNS
Caprylic Acid	100	A	X	B	X	I	X	A	I	A	A	A	B	I	X	T	
Carbitol	100	A	A	A	X	I	X	A	A	A	A	A	B	A	X	T	
Carbitol Acetate	100	A	B	B	X	I	X	I	I	A	A	A	I	I	I	T	
Carbolic Acid, Phenol	100	A	A	X	X	A	X	A	X	A	B	A	A	B	A	T	TV
Carbon Dioxide	100	A	A	A	A	A	A	A	A	A	A	A	A	B	I	I	TVBNS
Carbon Disulfide	---	NO HOSE RECOMMENDED FOR THIS APPLICATION															
Carbon Tetrachloride	100	B	X	X	X	A	X	X	X	A	B	A	A	I	I	I	TV
Carbonic Acid	100	A	A	A	A	A	A	A	A	A	A	A	A	B	B	I	TVBS
Casinghead Gasoline	100	B	X	X	X	A	A	B	X	B	B	A	I	I	I	I	TVB
Caster Oil (Castor Oil)	100	A	A	A	X	A	A	A	A	A	A	A	A	A	I	I	TVBS
Caustic Potash	150	A	A	B	A	X	B	A	B	A	A	A	A	X	X	T	
Caustic Soda	150	A	A	B	A	X	B	A	A	A	A	A	A	X	X	TNS	
Cellosize	100	A	A	X	X	I	X	I	I	A	A	A	I	I	I	T	
Cellosolve	100	A	A	A	X	X	X	I	A	A	A	A	A	A	X	T	
Cellosolve Acetate	100	A	B	B	X	X	X	X	B	A	A	A	A	I	X	T	
Chloracetic Acid	100	A	X	X	B	X	X	A	X	A	A	A	A	X	X	T	
Chlorinated Solvents	100	B	X	X	X	A	X	B	X	A	I	A	B	X	A	T	TV
Chlorine (Dry) (Gas)	---	NO HOSE RECOMMENDED FOR THIS APPLICATION															
Chlorine (Wet)	100	X	X	X	X	B	X	X	X	X	X	A	X	X	X	T	TV
Chloroacetone	100	A	I	X	X	X	X	X	X	A	I	A	A	X	X	T	
Chlorobenzene	100	B	X	X	X	A	X	X	X	A	B	A	A	B	I	T	TV
Chlorobenzol	100	A	X	X	X	A	X	I	X	A	B	A	A	B	I	T	TV
Chlorobutane	100	X	X	X	X	A	X	X	I	X	I	A	I	I	I	T	TV
Chloroethylbenzene	100	A	X	X	X	A	X	I	X	A	I	A	I	I	I	T	TV
Chloroform	100	B	X	X	X	B	X	X	X	X	B	A	A	B	I	T	TV
Chloropentane	100	A	X	X	X	A	X	X	X	A	I	A	A	X	I	T	TV
Chlorophenol	100	A	X	X	X	B	X	X	X	X	B	A	I	I	I	T	TV
Chloropropanone	100	A	I	X	X	X	X	X	X	A	I	A	I	I	I	T	
Chlorosulfonic Acid	100	X	X	X	X	X	X	I	X	X	X	A	B	X	X	T	

CHEMICAL CHARTS



ContiTech

This chemical chart is offered as a guide only. There are many variables to be considered with each application. Ratings are for tube polymer only! For explanation of ratings see the initial page of these Chemical Charts in Appendix B. Contact customer services for chemicals or polymers not listed at 800-235-4632.

		CONTINENTAL CHEMICAL HOSE											FITTING			
		Fabchem™	Gray Flexwing®	Yellow Flexwing	Tan Flexwing	Orange Flexwing	Flexwing Petroleum	Brown Flexwing, ExtremeFlex™ Brown	Purple Flexwing, ExtremeFlex™ Purple	Green XLPE	Blue Flexwing	Chem One™ & Viper™	HI-PEP®	Insta-Lock™	Insta-Lock	Insta-Lock
		HOSE TUBE POLYMER											METAL			
C		UHMWPE	Butyl	Hypalon®	NR	Viton®	Nitrile	CPE	EPDM	XLPE	Alphasyn™	Teflon®	316 SS	Aluminum	Brass	Gasket
Temperature (°F)																
Chlorothene	100	X	X	X	X	A	X	I	X	A	I	A	A	I	I	TV
Chlorotoluene	100	X	X	X	X	A	X	X	X	X	I	A	A	I	I	TV
Chlorpyrifos	100	I	I	I	I	I	I	I	X	I	I	I	I	I	I	I
Chromic Acid 25%	100	B	X	B	X	I	X	A	X	X	B	A	B	X	X	TV
Coal Oil	100	A	X	X	X	A	A	A	X	A	A	A	A	X	A	TVB
Coal Tar	100	A	X	X	X	A	X	B	X	A	A	A	A	I	I	TVS
Coal Tar Naptha	100	A	X	X	X	A	X	B	X	A	A	A	A	A	I	TV
Copper Chloride	100	A	A	A	X	A	A	A	A	A	A	A	X	X	X	TVBNS
Copper Hydrate	100	A	A	B	X	X	B	I	I	A	A	A	I	I	I	TB
Copper Hydroxide	100	A	A	B	X	X	B	I	I	A	A	A	I	I	I	TB
Copper Nitrate	100	A	A	A	X	A	A	A	A	A	A	A	A	X	X	TVBNS
Copper Nitrite	100	A	A	A	X	A	A	A	A	A	A	A	I	I	I	TVB
Copper Sulfate	100	A	A	A	X	A	A	A	A	A	A	A	A	X	X	TVBNS
Copper Sulfide	100	A	A	A	X	A	A	A	A	A	A	A	I	I	I	TVB
Creosols	100	A	A	X	X	A	X	A	X	A	B	A	A	I	X	TV
Creosote	100	A	X	X	X	A	B	I	X	A	B	A	A	I	I	TV
Cresylic Acid	100	A	A	X	X	I	X	X	X	A	I	A	A	B	X	TV
Crotonaldehyde	100	A	A	X	X	X	X	A	I	A	A	A	I	I	I	T
Crude Oil	100	A	X	X	X	A	A	B	X	A	B	A	A	A	I	TVB
Cumene	100	A	X	X	X	A	X	X	X	A	B	A	I	I	I	TV
Cupric Carbonate	100	A	A	A	X	A	A	A	A	A	A	A	I	I	I	TVBN
Cupric Chloride	100	A	A	A	X	A	A	A	A	A	A	A	B	X	I	TVBNS
Cupric Nitrate	100	A	A	A	X	A	A	A	A	A	A	A	B	I	I	TVBN
Cupric Nitrite	100	A	A	A	X	A	A	A	A	A	A	A	I	I	I	TVB
Cupric Sulfate	100	A	A	A	X	A	A	A	A	A	A	A	I	I	I	TVBNS
Cyclohexane	100	A	X	X	X	A	B	A	X	A	B	A	A	B	X	TV
Cyclohexanol	100	A	X	X	X	B	B	A	X	A	B	A	A	X	X	TVB
Cyclohexanone	100	A	X	X	X	X	X	X	X	A	B	A	A	I	I	T
Cyclopentane	100	A	X	X	X	A	B	B	X	A	B	A	I	I	I	TVN
Cyclopentane, methyl	100	A	X	X	X	A	B	I	X	A	B	A	I	I	I	TV
Cyclopentanol	100	A	X	X	X	B	B	A	X	A	A	A	I	I	I	TVB
Cyclopentanone	100	A	X	X	X	X	X	X	X	A	B	A	I	I	I	T

Service Industrial Supply

506 Brookforest Ave. Rt. 59 Shorewood Illinois 60404

Phone: 815.725.0062 • Fax: 815.725.2483 • www.serviceindustrialsupply.com

This chemical chart is offered as a guide only. There are many variables to be considered with each application. Ratings are for tube polymer only! For explanation of ratings see the initial page of these Chemical Charts in Appendix B. Contact customer services for chemicals or polymers not listed at 800-235-4632.

D	Temperature (°F)	CONTINENTAL CHEMICAL HOSE												FITTING		
		HOSE TUBE POLYMER												METAL		
		UHMWPE	Butyl	Hypalon®	NR	Viton®	Nitrile	CPE	EPDM	XLPE	Alphasyn™	Teflon®	316 SS	Aluminum	Brass	Gasket
D.D.T. in Kerosene	100	A	X	X	X	A	A	A	X	A	B	A	I	I	A	TVB
D.M.P.	100	X	X	X	X	X	X	X	X	X	A	A	A	I	I	TV
Decalin®	100	X	X	X	X	A	X	X	X	A	X	A	I	I	I	TV
Decanol	100	A	A	A	X	B	A	A	A	A	A	A	I	I	I	TB
Decyl Alcohol	100	A	A	A	X	B	A	A	A	A	A	A	I	I	I	TB
Decyl Aldehyde	100	A	X	X	X	X	X	I	I	A	B	A	I	I	I	T
Decyl Butyl Phthalate	100	A	A	X	X	X	X	I	I	A	I	A	I	I	I	T
Denatured Alcohol	100	A	A	A	A	B	A	A	A	A	A	A	A	B	A	TB
Diacetone Alcohol	100	A	A	B	B	X	X	A	X	A	A	A	A	I	I	T
Diamyl Phenol	100	A	X	X	X	A	X	A	X	A	I	A	I	I	I	TV
Diamylamine	100	A	A	X	B	I	B	A	I	A	B	A	I	I	I	TB
Diamylene	100	A	X	X	X	A	X	B	X	A	B	A	I	I	I	TV
Dibenzyl Ether	100	A	B	X	X	I	X	X	X	A	B	A	A	A	X	T
Dibromobenzene	100	B	X	X	X	A	X	I	X	A	I	A	I	I	I	TV
Dibutyl Amine	100	A	X	X	B	X	B	A	X	A	A	A	I	I	I	T
Dibutyl Ether	100	A	X	B	X	X	X	A	X	A	A	A	A	A	X	T
Dibutyl Phthalate	100	A	A	X	X	X	X	X	A	A	A	A	A	A	I	TV
Dibutyl Sebacate	100	A	A	X	X	X	X	B	X	A	I	A	I	I	I	TVS
Dicalcium Phosphate	100	A	A	A	A	A	A	A	A	A	A	A	I	I	I	TVB
Dicamba	100	A	I	I	I	I	I	I	A	A	I	A	I	I	I	T
Dichloroacetic Acid	100	A	X	X	B	X	X	B	I	A	I	A	I	I	I	T
Dichlorobenzene	100	A	X	X	X	A	X	X	X	A	B	A	A	B	I	TV
Dichlorobutane	100	A	X	X	X	A	X	X	X	A	I	A	I	I	I	TV
Dichlorodifluoromethane	100	I	X	X	X	B	B	I	X	I	X	A	I	I	I	TVB
Dichloroethane	100	A	X	X	X	A	X	X	X	A	A	A	I	A	I	TV
Dichloroethyl Ether	100	A	X	X	X	I	X	B	X	A	B	A	I	I	I	T
Dichloroethylene	100	X	X	X	X	A	X	I	I	X	X	A	I	A	X	TV
Dichlorohexane	100	A	X	X	X	A	X	X	X	A	A	A	I	I	I	TV
Dichloropentane	100	A	X	X	X	A	X	X	X	A	B	A	I	I	I	TV
Dichloropropane	100	A	X	X	X	A	X	X	X	B	I	A	A	X	I	TV
Diesel Oil	150	A	X	X	X	A	A	A	X	A	B	A	A	A	I	TVB
Diethanol Amine	100	A	A	X	B	I	B	A	I	A	A	A	A	I	I	T
Diethyl Benzene	100	A	X	X	X	A	X	X	X	A	B	A	I	I	I	TV

CHEMICAL CHARTS



ContiTech

This chemical chart is offered as a guide only. There are many variables to be considered with each application. Ratings are for tube polymer only! For explanation of ratings see the initial page of these Chemical Charts in Appendix B. Contact customer services for chemicals or polymers not listed at 800-235-4632.

		CONTINENTAL CHEMICAL HOSE											FITTING				
		Fabchem™	Gray Flexwing®	Yellow Flexwing	Tan Flexwing	Orange Flexwing	Flexwing Petroleum	Brown Flexwing, ExtremeFlex™ Brown	Purple Flexwing, ExtremeFlex™ Purple	Green XLPE	Blue Flexwing	Chem One™ & Viper™	HI-PEP®	Insta-Lock™	Insta-Lock	Insta-Lock	Insta-Lock
		UHMWPE	Butyl	Hypalon®	NR	Viton®	Nitrile	CPE	EPDM	XLPE	Alphasyn™	Teflon®	316 SS	Aluminum	Brass	Gasket	
		HOSE TUBE POLYMER											METAL				
D	Temperature (°F)																
Diethyl Carbinol	100	A	A	A	A	B	A	I	I	A	A	A	I	I	I	TBN	
Diethyl Ketone	100	A	B	X	X	X	X	X	X	A	B	A	I	I	I	T	
Diethyl Oxalate	100	A	B	X	B	I	X	A	X	A	B	A	I	I	I	T	
Diethyl Phthalate	100	A	A	X	X	X	X	B	X	A	B	A	I	I	I	T	
Diethyl Sebacate	100	A	A	X	X	X	X	B	X	A	B	A	A	A	I	T	
Diethyl Sulfate	100	A	B	X	X	X	X	A	I	A	A	A	X	I	I	TNS	
Diethyl Triamine	100	A	A	X	B	I	B	A	I	A	A	A	I	I	I	TB	
Diethylamine	100	A	A	X	B	I	B	B	B	A	B	A	A	I	X	TB	
Diethylene Dioxide	100	A	B	X	X	X	X	B	A	A	A	A	X	X	X	T	
Diethylene Glycol	100	A	A	A	A	A	A	X	A	A	A	A	A	B	A	TVBN	
Diethylene Triamine	100	A	A	X	B	I	B	A	I	A	A	A	I	I	X	T	
Dihydroxydiethyl Ether	100	A	A	A	A	A	A	A	A	A	A	A	I	I	I	TVBN	
Dihydroxyethyl Amine	100	A	A	X	B	I	B	A	I	A	A	A	I	I	I	TB	
Diisobutyl Ketone	100	A	B	X	X	X	X	I	B	A	B	A	I	I	I	T	
Diisobutylene	100	A	X	X	X	A	A	X	X	A	B	A	A	I	I	TVB	
Diisooctyl Adipate	100	A	A	X	X	X	X	I	I	A	I	A	I	I	I	T	
Diisooctyl Phthalate	100	A	A	X	X	X	X	I	I	A	I	A	I	I	I	T	
Diisocyanate	100	X	X	X	X	X	X	X	X	X	B	A	I	I	I	T	
Diisodecyl Adipate	100	A	A	X	X	X	X	I	I	A	I	A	I	I	I	T	
Diisodecyl Phthalate	100	A	A	X	X	X	X	I	I	A	I	A	I	I	I	T	
Diisopropanol Amine	100	A	A	X	B	I	B	I	I	A	B	A	I	I	I	TB	
Diisopropyl Amine	100	A	A	X	B	I	B	I	I	A	B	A	I	I	I	TB	
Diisopropyl Ether	100	A	X	B	X	I	B	I	X	A	B	A	A	I	I	TB	
Diisopropyl Ketone	100	A	B	X	X	X	X	I	B	A	B	A	A	A	I	T	
Dilauryl Ether	100	A	I	B	X	I	B	I	I	A	B	A	I	I		TB	
Dimethyl Amine	---	NO HOSE RECOMMENDED FOR THIS APPLICATION															
Dimethyl Benzene	100	A	X	X	X	A	X	X	X	A	B	A	A	I	I	TV	
Dimethyl Ether	100	A	X	B	X	I	B	I	X	B	B	A	I	I	I	TB	
Dimethyl Ketone	100	A	A	X	B	X	X	A	A	B	A	A	A	A	I	T	
Dimethyl Phenol	100	A	X	X	X	A	X	I	X	A	A	A	I	I	I	TV	
Dimethyl Phthalate	100	A	A	X	X	X	X	A	B	A	A	A	A	I	I	TV	
Dimethyl Sulfate	100	A	B	X	X	X	X	A	I	A	A	A	I	I	I	T	
Dimethyl Sulfide	---	NO HOSE RECOMMENDED FOR THIS APPLICATION															



506 Brookforest Ave. Rt. 59 Shorewood Illinois 60404

Phone: 815.725.0062 • Fax: 815.725.2483 • www.serviceindustrialsupply.com

This chemical chart is offered as a guide only. There are many variables to be considered with each application. Ratings are for tube polymer only! For explanation of ratings see the initial page of these Chemical Charts in Appendix B. Contact customer services for chemicals or polymers not listed at 800-235-4632.

D	Temperature (°F)	CONTINENTAL CHEMICAL HOSE												FITTING			
		UHMWPE	Butyl	Hypalon®	NR	Viton®	Nitrile	CPE	EPDM	XLPE	Alphasyn™	Teflon®	316 SS	Aluminum	Brass	Gasket	
		Fabchem™	Gray Flexwing®	Yellow Flexwing	Tan Flexwing	Orange Flexwing	Flexwing Petroleum	Brown Flexwing, ExtremeFlex™ Brown	Purple Flexwing, ExtremeFlex™ Purple	Green XLPE	Blue Flexwing	Chem One™ & Viper™	HL-PE®	Insta-Lock™	Insta-Lock	Insta-Lock	Insta-Lock
HOSE TUBE POLYMER												METAL					
Dimethyl Carbinol	100	A	A	A	A	B	A	A	A	A	A	A	A	I	I	I	TBNS
Dinitrobenzene	100	A	X	X	X	A	X	I	I	A	B	A	I	I	I	I	TV
Diocetyl Adipate	100	A	A	X	X	X	X	X	B	A	I	A	I	I	I	I	T
Diocetyl Amine	100	A	A	X	B	I	B	I	I	A	B	A	I	I	I	I	T
Diocetyl Phthalate	100	A	B	X	X	A	X	X	X	A	A	A	A	I	I	I	TV
Diocetyl Sebacate	100	A	A	X	X	X	X	X	B	A	I	A	I	I	I	I	TV
Dioxane	100	A	B	X	X	X	X	B	X	A	A	A	A	I	I	I	T
Dioxolane	100	A	X	X	X	I	X	B	X	A	B	A	I	I	I	I	T
Diphenyl Phthalate	100	A	A	X	X	X	X	I	I	A	A	A	I	I	I	I	T
Dipropyl Ketone	100	A	B	X	X	X	X	X	I	A	A	A	I	I	I	I	T
Dipropylamine	100	A	A	X	B	I	B	B	I	A	A	A	I	I	I	I	T
Dipropylene Glycol	100	A	A	A	A	A	A	A	I	A	A	A	I	I	I	I	TVB
Disodium Phosphate	100	A	A	A	A	I	A	A	I	A	A	A	A	I	B	I	TB
Divinyl Benzene	100	A	X	X	X	A	X	X	X	A	B	A	I	I	I	I	TV
Dodecyl Benzene	100	A	X	X	X	A	X	I	X	A	B	A	I	I	I	I	TV
Dodecyl Toluene	100	A	X	X	X	A	X	I	X	A	B	A	I	I	I	I	TV
Dow-Per	100	A	X	X	X	A	X	I	X	A	B	A	I	I	I	I	TV
Dowtherm® A	100	A	I	X	X	A	X	X	X	A	A	A	I	A	I	I	TV
Dowtherm® E	100	A	X	X	X	A	X	X	X	A	A	I	I	X	I	I	V
Dowtherm® SR-1	100	A	A	A	A	A	A	I	I	A	A	A	I	I	I	I	TVB
E																	
Endolene	100	I	I	I	I	I	I	I	I	I	I	I	I	I	I	I	I
Epichlorohydrin	---	NO HOSE RECOMMENDED FOR THIS APPLICATION															
Ethanol	100	A	A	A	A	B	A	A	A	A	A	A	A	B	A	A	TBN
Ethanol Amine	100	A	A	B	B	I	B	A	B	A	B	A	A	B	I	I	TB
Ethyl Acetate	100	A	B	X	X	X	X	B	A	A	A	A	A	A	A	A	T
Ethyl Acetoacetate	100	A	B	X	X	X	X	A	B	A	A	A	B	I	I	I	T
Ethyl Acrylate	100	A	X	X	X	X	X	B	X	B	B	A	A	A	A	A	T
Ethyl Alcohol	100	A	A	A	A	A	A	A	A	A	A	A	A	B	A	A	TVBNS
Ethyl Aldehyde	---	NO HOSE RECOMMENDED FOR THIS APPLICATION															
Ethyl Aluminum Dichloride	100	X	X	X	X	B	X	I	X	B	I	A	I	I	I	I	TV
Ethyl Benzene	100	A	X	X	X	A	X	X	X	A	B	A	A	A	X	I	TV
Ethyl Butanol	100	A	A	A	A	B	A	A	A	A	A	A	I	I	I	I	TB

CHEMICAL CHARTS



ContiTech

This chemical chart is offered as a guide only. There are many variables to be considered with each application. Ratings are for tube polymer only! For explanation of ratings see the initial page of these Chemical Charts in Appendix B. Contact customer services for chemicals or polymers not listed at 800-235-4632.

E	Temperature (°F)	CONTINENTAL CHEMICAL HOSE											FITTING				
		HOSE TUBE POLYMER											METAL				
		UHMWPE	Butyl	Hypalon®	NR	Vitor®	Nitrile	CPE	EPDM	XLPE	Alphasyn™	Teflon®	316 SS	Aluminum	Brass	Gasket	
		<i>Fabchem™</i>	<i>Gray Flexwing®</i>	<i>Yellow Flexwing</i>	<i>Tan Flexwing</i>	<i>Orange Flexwing</i>	<i>Flexwing Petroleum</i>	<i>Brown Flexwing, ExtremeFlex™ Brown</i>	<i>Purple Flexwing, ExtremeFlex™ Purple</i>	<i>Green XLPE</i>	<i>Blue Flexwing</i>	<i>Chem One™ & Viper™</i>	<i>HL-PER®</i>	<i>Insta-Lock™</i>	<i>Insta-Lock</i>	<i>Insta-Lock</i>	<i>Insta-Lock</i>
Ethyl Butyl Acetate	100	A	A	B	X	X	X	I	I	A	B	A	I	I	I	I	T
Ethyl Butyl Alcohol	100	A	A	A	A	B	A	A	A	A	A	A	I	I	I	I	TB
Ethyl Butyl Amine	100	A	A	X	B	I	B	I	I	I	I	A	I	I	I	I	TB
Ethyl Butyl Ketone	100	A	B	X	X	X	X	X	I	A	A	A	I	I	I	I	T
Ethyl Butyraldehyde	100	A	B	X	X	X	X	X	I	A	B	A	I	I	I	I	T
Ethyl Chloride	---	NO HOSE RECOMMENDED FOR THIS APPLICATION															
Ethyl Dichloride	100	B	X	X	X	B	X	X	X	B	B	A	I	I	I	I	TV
Ethyl Ether	---	NO HOSE RECOMMENDED FOR THIS APPLICATION															
Ethyl Formate	100	A	B	X	X	X	X	A	B	A	A	A	A	I	I	I	TV
Ethyl Hexanol	100	A	A	A	A	B	A	A	A	A	A	A	I	I	I	I	TBN
Ethyl Hexoic Acid	100	A	X	B	X	I	X	I	I	A	A	A	I	I	I	I	T
Ethyl Hexyl Acetate	100	A	A	B	X	X	X	I	I	A	B	A	I	I	I	I	T
Ethyl Hexyl Alcohol	100	A	A	A	A	B	A	A	A	A	A	A	I	I	I	I	TBN
Ethyl Iodide	100	X	X	X	X	B	X	X	X	B	B	A	I	I	I	I	TV
Ethyl Isobutyl Ether	100	A	X	B	X	I	B	I	X	A	B	A	I	I	I	I	T
Ethyl Methyl Ketone	100	A	B	X	X	X	X	I	I	A	A	A	A	A	A	A	T
Ethyl Oxalate	100	A	A	X	A	I	X	A	X	A	B	A	I	I	I	I	TV
Ethyl Phthalate	100	A	A	X	X	X	X	B	I	A	I	A	I	I	I	I	T
Ethyl Propyl Ether	100	A	X	B	X	I	B	A	X	A	B	A	I	I	I	I	TB
Ethyl Propyl Ketone	100	A	B	X	X	X	X	I	I	A	A	A	I	I	I	I	T
Ethyl Silicate	100	A	A	I	X	I	A	A	I	A	A	A	A	I	I	I	TBN
Ethyl Sulfate	100	A	B	X	X	X	X	A	I	A	A	A	X	I	I	I	TBS
Ethylamine	---	NO HOSE RECOMMENDED FOR THIS APPLICATION															
Ethylene Bromide	100	X	X	X	X	B	X	I	X	B	B	A	A	X	I	I	TV
Ethylene Chloride	100	B	X	X	X	B	X	I	X	B	B	A	A	B	I	I	TV
Ethylene Diamine	100	A	A	X	B	I	B	I	B	A	I	A	A	I	I	I	TB
Ethylene Dibromide	100	X	X	X	X	B	X	I	X	B	B	A	A	X	I	I	TV
Ethylene Dichloride	100	B	X	X	X	B	X	X	X	B	A	A	A	B	I	I	TV
Ethylene Glycol	150	A	A	A	A	A	A	A	A	A	A	A	A	A	I	I	TVBNS
Ethylhexil Phosphorodieth	100	I	X	X	I	I	A	A	X	X	I	I	I	I	I	I	B
Ex-Tri	100	A	X	X	X	A	X	I	I	A	B	A	I	I	I	I	TV

This chemical chart is offered as a guide only. There are many variables to be considered with each application. Ratings are for tube polymer only! For explanation of ratings see the initial page of these Chemical Charts in Appendix B. Contact customer services for chemicals or polymers not listed at 800-235-4632.

		CONTINENTAL CHEMICAL HOSE												FITTING			
		Fabchem™	Gray Flexwing®	Yellow Flexwing	Tan Flexwing	Orange Flexwing	Flexwing Petroleum	Brown Flexwing, ExtremeFlex™ Brown	Purple Flexwing, ExtremeFlex™ Purple	Green XLPE	Blue Flexwing	Chem One™ & Viper™	HL-PEX®	Insta-Lock™	Insta-Lock	Insta-Lock	Insta-Lock
		UHMWPE	Butyl	Hyalon®	NR	Vitor®	Nitrile	CPE	EPDM	XLPE	Alphasyn™	Teflon®	316 SS	Aluminum	Brass	Gasket	
		HOSE TUBE POLYMER												METAL			
		Temperature (°F)															
		F															
Ferric Bromide	150	A	A	A	A	A	A	A	A	A	A	A	I	I	I	TVB	
Ferric Chloride	150	A	A	A	A	A	A	A	A	A	A	A	X	X	X	TVBNS	
Ferric Sulfate	150	A	A	A	A	A	A	A	A	A	A	A	A	X	X	TVBN	
Ferrous Acetate	100	A	A	A	X	X	X	I	I	A	A	A	I	I	I	T	
Ferrous Chloride	150	A	A	A	A	B	A	A	A	A	A	A	I	X	X	T B	
Ferrous Hydroxide	100	A	A	B	A	X	B	I	I	A	A	A	B	I	I	T N	
Ferrous Sulfate	150	A	A	A	A	A	A	A	A	A	A	A	B	X	X	TVBN	
Fluoboric Acid 65%	150	B	A	A	A	I	I	A	I	I	A	A	I	I	X	T N	
Fluorine (wet)	100	X	X	X	X	X	X	X	X	X	X	B	X	X	X	T	
Fluosilicic Acid 50%	150	B	A	A	A	I	I	A	I	I	A	A	A	X	X	T N	
Formaldehyde 40%	100	A	A	A	B	B	A	A	A	A	A	A	A	B	I	T B	
Formalin	100	A	A	A	B	A	A	A	A	A	A	A	A	B	I	TVB	
Formic Acid	100	A	A	X	B	X	X	A	A	B	A	A	B	I	X	T V	
Freon® 12	100	A	X	X	X	B	B	I	X	B	X	A	A	I	I	T N	
Freon® 22	100	A	X	X	X	X	X	I	I	B	X	A	A	I	I	T N	
Fuel A (ASTM)	100	B	X	X	X	A	A	I	X	B	B	A	A	A	A	TVB	
Fuel B (ASTM)	100	B	X	X	X	A	A	I	X	B	B	A	I	I	I	TVB	
Fuel Oil	100	A	X	X	X	A	A	X	X	B	B	A	A	A	I	TVB	
Furfural	100	A	A	I	I	X	X	A	B	A	A	A	A	A	X	T	
Furfuryl Alcohol	100	A	X	I	I	X	I	A	I	A	A	A	A	A	I	T	
		G															
Gallic Acid	100	A	B	I	A	I	I	A	B	I	B	A	B	I	I	T S	
Gasoline	100	B	X	X	X	A	A	B	X	B	B	A	A	I	I	TVB	
Glacial Acetic Acid	100	A	B	X	X	X	X	B	A	A	A	A	A	B	X	T	
Gluconic Acid	100	A	X	B	X	I	X	A	I	A	A	A	X	X	A	T	
Glycerin	100	A	A	A	A	A	A	A	A	B	A	A	A	A	A	TVBNS	
Glyphosate	100	A	I	I	I	I	I	I	A	I	I	I	I	I	I	I	
Graffinite	100	I	X	X	X	X	A	A	X	X	I	I	I	I	I	B	
Grease	100	A	X	X	X	A	A	I	X	B	A	A	A	A	A	TVB	
Green Sulfate Liquor	150	A	A	A	A	I	A	A	A	A	A	A	A	X	X	TBS	
		H															
Heptanal	100	A	X	X	X	X	X	X	I	A	I	A	I	I	I	T B	
Heptane	100	A	X	X	X	A	A	A	X	B	B	A	A	A	I	TVB	

CHEMICAL CHARTS



ContiTech

This chemical chart is offered as a guide only. There are many variables to be considered with each application. Ratings are for tube polymer only! For explanation of ratings see the initial page of these Chemical Charts in Appendix B. Contact customer services for chemicals or polymers not listed at 800-235-4632.

	Temperature (°F)	CONTINENTAL CHEMICAL HOSE												FITTING			
		HOSE TUBE POLYMER												METAL			
		UHMWPE	Butyl	Hypalon®	NR	Viton®	Nitrile	CPE	EPDM	XLPE	Alphasyn™	Teflon™	316 SS	Aluminum	Brass	Gasket	
		<i>Fabchem™</i>	<i>Gray Flexwing®</i>	<i>Yellow Flexwing</i>	<i>Tan Flexwing</i>	<i>Orange Flexwing</i>	<i>Flexwing Petroleum</i>	<i>Brown Flexwing, ExtremeFlex™ Brown</i>	<i>Purple Flexwing, ExtremeFlex™ Purple</i>	<i>Green XLPE</i>	<i>Blue Flexwing</i>	<i>Chem One™ & Viper™</i>	<i>HL-PER®</i>	<i>Insta-Lock™</i>	<i>Insta-Lock</i>	<i>Insta-Lock</i>	<i>Insta-Lock</i>
H																	
Heptane Carboxylic Acid	100	A	X	B	X	A	X	A	I	A	A	A	I	I	I	I	TV
Hexaldehyde	100	A	X	X	X	X	X	I	X	A	B	A	A	A	I	I	T
Hexane	100	B	X	X	X	A	A	B	X	B	B	A	A	A	A	TVB	
Hexanol	100	A	A	A	A	B	A	A	A	A	A	A	A	I	I	TB	
Hexyl Methyl Ketone	100	A	B	X	X	X	X	I	I	A	A	A	I	I	I	T	
Hexylamine	100	A	B	X	X	X	X	B	I	A	B	A	I	I	I	T	
Hexylene	100	X	X	X	X	A	A	I	X	X	I	A	I	I	I	TVB	
Hexylene Glycol	150	A	A	A	A	A	A	A	I	A	A	A	A	B	A	TVBN	
Hexyl-Alcohol	100	A	A	A	A	B	A	A	X	A	A	A	A	I	I	TB	
Hi-Tri	100	A	X	X	X	A	X	I	X	A	B	A	I	I	I	TV	
Hydrobromic Acid (37%)	150	B	A	A	A	I	X	A	A	I	A	A	X	X	X	TN	
Hydrochloric Acid 38% concentrated, fuming acid	125	A	B	X	I	I	X	X	I	A	I	A	X	X	X	T	
Hydrochloric Acid 37%	125	A	B	A	B	X	X	A	B	A	A	A	X	X	X	T	
Hydrofluoric Acid (10%)	125	A	A	A	X	I	X	A	I	A	A	A	A	X	X	TN	
Hydrofluosilicic Acid	150	B	B	A	A	I	I	A	A	I	A	A	A	X	X	T	
Hydrogen Dioxide 10%	100	B	X	X	X	A	X	I	I	I	I	A	A	B	X	TV	
Hydrogen Dioxide over 10%	100	B	X	X	X	I	X	I	X	I	I	A	I	I	X	T	
Hydrogen Gas	---	NO HOSE RECOMMENDED FOR THIS APPLICATION															
Hydrogen Peroxide 10% to 50%	100	B	X	X	X	A	X	A	I	I	I	A	I	B	I	TVS	
Hydrogen Peroxide over 50%	100	X	X	X	X	X	X	X	X	X	I	A	A	I	X	T	
I																	
Iodine	100	A	I	A	I	I	I	A	I	B	I	A	I	I	X	TVB	
Iron Acetate	100	A	A	A	X	X	X	I	I	A	A	A	I	I	I	TNS	
Iron Hydroxide	100	A	A	B	X	X	B	I	I	A	A	A	I	I	I	TN	
Iron Salts	150	A	A	A	A	A	A	A	A	A	A	A	I	I	I	TVBN	
Iron Sulfate	150	A	A	A	A	A	A	A	A	A	A	A	I	I	I	TVBN	
Iron Sulfide	150	A	A	A	A	A	A	A	A	A	A	A	I	I	I	TVB	
Isoamyl Acetate	100	A	A	B	X	X	X	I	X	A	B	A	I	I	I	T	
Isoamyl Alcohol	100	A	A	A	A	B	A	A	A	A	A	A	A	I	A	TBN	
Isoamyl Bromide	100	B	X	X	X	B	X	I	X	B	I	A	I	I	I	TV	
Isoamyl Butyrate	100	B	X	X	X	X	X	I	I	B	B	A	I	I	I	T	
Isoamyl Chloride	100	X	X	X	X	B	X	I	I	X	B	A	I	I	I	TV	

This chemical chart is offered as a guide only. There are many variables to be considered with each application. Ratings are for tube polymer only! For explanation of ratings see the initial page of these Chemical Charts in Appendix B. Contact customer services for chemicals or polymers not listed at 800-235-4632.

	Temperature (°F)	CONTINENTAL CHEMICAL HOSE												FITTING			
		Fabchem™	Gray Flexwing®	Yellow Flexwing	Tan Flexwing	Orange Flexwing	Flexwing Petroleum	Brown Flexwing, ExtremeFlex™ Brown	Purple Flexwing, ExtremeFlex™ Purple	Green XLPE	Blue Flexwing	Chem One™ & Viper™	HL-PE®	Insta-Lock™	Insta-Lock	Insta-Lock	Insta-Lock
		HOSE TUBE POLYMER												METAL			
		UHMWPE	Butyl	Hypalon®	NR	Viton®	Nitrile	CPE	EPDM	XLPE	Alphasyn™	Teflon®	316 SS	Aluminum	Brass	Gasket	
I																	
Isomyl Ether	100	A	X	B	X	I	B	I	X	A	I	A	I	I	I	T	
Isomyl Phthalate	100	A	A	X	X	X	X	I	I	A	I	A	I	I	I	T	
Isobutane	---	NO HOSE RECOMMENDED FOR THIS APPLICATION															
Isobutanol	100	A	A	A	A	B	A	A	A	A	A	A	A	I	I	TBNS	
Isobutyl Acetate	100	A	A	B	X	X	X	B	X	A	B	A	A	B	I	T	
Isobutyl Alcohol	100	A	A	A	A	B	X	A	A	A	A	A	A	I	I	TNS	
Isobutyl Aldehyde	100	A	B	X	X	X	X	B	I	A	B	A	I	I	I	T	
Isobutyl Amine	100	A	B	X	X	X	X	I	I	A	B	A	I	I	I	T	
Isobutyl Bromide	100	B	X	X	X	B	X	I	X	X	I	A	I	I	I	TV	
Isobutyl Carbinol	100	A	A	A	A	B	A	A	A	A	A	A	A	I	A	TBN	
Isobutyl Chloride	100	B	X	X	X	B	X	I	X	X	I	A	I	I	I	TV	
Isobutyl Ether	100	A	X	B	X	I	X	I	X	A	I	A	I	I	I	TB	
Isobutylene	100	A	X	X	X	A	X	I	X	A	B	A	I	I	I	TV	
Isooctane	100	B	X	X	X	A	A	I	X	B	B	A	A	A	A	TVBS	
Isopentane	---	NO HOSE RECOMMENDED FOR THIS APPLICATION															
Isophorone	100	B	A	I	I	I	X	I	A	B	B	A	B	A	I	T	
Isopropanol	100	A	A	A	A	B	A	A	A	A	A	A	A	I	I	TVBS	
Isopropanol Amine	100	A	A	X	B	X	B	I	I	A	B	A	I	I	I	TB	
Isopropyl Acetate	100	A	A	X	X	X	X	B	X	A	A	A	A	I	I	T	
Isopropyl Alcohol	100	A	A	A	A	B	A	A	A	A	A	A	A	I	I	TBNS	
Isopropyl Amine	100	A	B	X	X	X	X	I	I	A	B	A	I	I	I	T	
Isopropyl Benzene	100	A	X	X	X	A	X	X	X	A	B	A	I	I	I	TV	
Isopropyl Chloride	---	NO HOSE RECOMMENDED FOR THIS APPLICATION															
Isopropyl Ether	100	A	X	B	X	I	X	I	X	A	B	A	A	I	I	TB	
Isopropyl Toluene	100	A	X	X	X	A	X	I	X	A	I	A	I	I	I	TV	
J																	
Jet Fuels	---	SPECIAL HOSE REQUIRED												A	A	A	TVB
K																	
Kerosene	100	A	X	X	X	A	A	A	X	A	A	A	A	A	I	TVB	
L																	
Lauryl Alcohol	100	A	A	A	A	B	A	A	A	A	A	A	I	I	I	TB	
Lead Acetate	100	A	A	X	X	X	X	A	B	A	A	A	A	X	X	T	

CHEMICAL CHARTS



ContiTech

This chemical chart is offered as a guide only. There are many variables to be considered with each application. Ratings are for tube polymer only! For explanation of ratings see the initial page of these Chemical Charts in Appendix B. Contact customer services for chemicals or polymers not listed at 800-235-4632.

		CONTINENTAL CHEMICAL HOSE												FITTING				
		Fabichem™	Gray Flexwing®	Yellow Flexwing	Tan Flexwing	Orange Flexwing	Flexwing Petroleum	Brown Flexwing, ExtremeFlex™ Brown	Purple Flexwing, ExtremeFlex™ Purple	Green XLPE	Blue Flexwing	Chem One™ & Viper™	HI-PEP®	Insta-Lock™	Insta-Lock	Insta-Lock	Insta-Lock	
		UHMWPE	Butyl	Hypalon®	NR	Viton®	Nitrile	CPE	EPDM	XLPE	Alphasyn™	Teflon®	316 SS	Aluminum	Brass	Gasket		
		HOSE TUBE POLYMER												METAL				
		Temperature (°F)																
L		Lead Sulfate	150	A	A	A	A	A	A	A	A	A	A	A	A	X	X	TVBN
		Ligroin	100	A	X	X	X	A	A	I	X	A	B	A	A	A	I	TVB
		Linseed Oil	100	A	A	B	X	A	A	A	B	I	A	A	A	I	A	TVBNS
		Liquefied Natural Gas (LNG)	---	NO HOSE RECOMMENDED FOR THIS APPLICATION														
		Liquefied Petroleum Gas (LPG)	---	NO HOSE RECOMMENDED FOR THIS APPLICATION														
		Lubricating Oils	100	A	X	X	X	A	A	I	X	A	I	A	A	A	A	TVB
M		MIBK	100	A	X	X	X	X	X	X	X	A	B	A	X	X	X	T
		M.E.K.	100	A	X	X	X	X	X	X	X	A	B	A	X	X	X	T
		Magnesium Acetate	100	A	A	A	X	X	X	A	I	A	A	A	I	I	I	T
		Magnesium Chloride	150	A	A	A	A	A	A	A	A	A	A	A	X	I	TVBS	
		Magnesium Hydrate	150	A	A	B	A	B	B	I	I	A	A	A	X	I	TN	
		Magnesium Hydroxide	150	A	A	B	A	B	B	A	A	A	A	A	X	I	TVBN	
		Magnesium Sulfate	150	A	A	A	A	A	A	A	B	A	A	A	I	I	TVBNS	
		Maleic Acid	100	A	X	X	X	I	X	I	I	B	I	A	B	X	TV	
		Malic Acid	150	B	I	A	A	I	I	I	I	I	A	A	B	X	TVBNS	
		Manganese Sulfate	150	A	A	A	X	A	A	A	A	A	A	A	I	I	TVBN	
		Manganese Sulfide	150	A	A	A	X	A	A	A	A	A	A	A	I	I	TVB	
		Manganese Sulfite	150	A	A	A	X	A	A	A	A	A	A	A	I	I	TVB	
		Methanol	100	A	A	A	A	X	A	A	A	A	A	A	I	I	TB	
		Mesityl Oxide	100	A	B	X	X	X	X	B	X	A	B	A	A	I	I	T
		Methallyl Alcohol	100	A	A	A	A	B	A	A	A	A	A	A	I	I	I	TB
		Methyl (Wood) Alcohol	100	A	A	A	A	X	A	A	A	A	A	A	I	I	TBNS	
		Methyl Acetate	100	A	A	B	X	X	X	A	A	A	A	A	I	I	T	
		Methyl Acetoacetate	100	A	B	X	X	X	X	A	I	A	A	A	I	I	I	T
		Methyl Acetone	---	NO HOSE RECOMMENDED FOR THIS APPLICATION														
		Methyl Amyl Acetate	100	B	A	B	X	X	X	I	X	A	B	A	I	I	I	T
		Methyl Amyl Alcohol	100	A	A	A	A	B	A	A	A	A	A	A	I	I	I	TBN
		Methyl Amyl Carbinol	100	A	A	A	A	B	A	A	A	A	A	A	I	I	I	TB
		Methyl Amyl Ketone	100	A	B	X	X	X	X	X	I	A	B	A	I	I	I	T
		Methyl Benzene	100	A	X	X	X	A	X	X	X	A	B	A	A	A	A	TV
		Methyl Butanol	100	A	A	A	A	B	A	A	I	A	A	A	A	I	A	TBN

This chemical chart is offered as a guide only. There are many variables to be considered with each application. Ratings are for tube polymer only! For explanation of ratings see the initial page of these Chemical Charts in Appendix B. Contact customer services for chemicals or polymers not listed at 800-235-4632.

M	Temperature (°F)	CONTINENTAL CHEMICAL HOSE											FITTING				
		Fabchem™	Gray Flexwing®	Yellow Flexwing	Tan Flexwing	Orange Flexwing	Flexwing Petroleum	Brown Flexwing, ExtremeFlex™ Brown	Purple Flexwing, ExtremeFlex™ Purple	Green XLPE	Blue Flexwing	Chem One™ & Viper™	HI-PEP®	Insta-Lock™	Insta-Lock	Insta-Lock	Insta-Lock
		UHMWPE	Butyl	Hyalon®	NR	Vitor®	Nitrile	CPE	EPDM	XLPE	Alphasyn™	Teflon®	316 SS	Aluminum	Brass	Gasket	
		HOSE TUBE POLYMER											METAL				
Methyl Butanone	100	A	B	X	X	X	X	B	B	A	B	A	I	I	I	T	
Methyl Butyl Ketone	100	A	B	X	X	X	X	X	I	A	B	A	A	B	I	T	
Methyl Carbitol	100	A	A	A	X	I	X	A	I	A	A	A	I	I	I	T	
Methyl Cellosolve	100	A	A	A	X	I	X	A	A	A	A	A	A	B	A	T	
Methyl Chloride	---	NO HOSE RECOMMENDED FOR THIS APPLICATION															
Methyl Cyclohexane	100	A	X	X	X	B	X	B	X	B	I	A	I	I	I	TV	
Methyl Ethyl Ketone (M.E.K.)	100	A	X	X	X	X	X	X	X	A	B	A	X	X	X	T	
Methyl Hexanol	100	A	A	A	B	A	A	A	A	A	A	A	I	I	I	TVB	
Methyl Hexanone	100	A	B	X	X	X	X	X	I	A	B	A	I	I	I	T	
Methyl Hexyl Ketone	100	A	B	X	X	X	X	X	I	A	B	A	I	I	I	T	
Methyl Isobutyl Carbinol	100	A	A	A	A	B	A	A	A	A	A	A	B	I	I	TBN	
Methyl Isobutyl Ketone (MIBK)	100	A	X	X	X	X	X	X	X	A	B	A	X	X	X	T	
Methyl Isopropyl Ketone	100	A	B	X	X	X	X	B	B	A	B	A	A	I	I	T	
Methyl Normal Amyl Ketone	100	A	B	X	X	X	X	I	I	A	B	A	I	I	I	T	
Methyl Propyl Carbinol	100	A	A	A	A	B	A	A	A	A	A	A	I	I	I	TB	
Methyl Propyl Ether	100	A	X	B	X	I	X	I	X	A	B	A	I	I	I	T	
Methyl Propyl Ketone	100	A	B	X	X	X	X	B	I	A	B	A	I	I	I	T	
Methyl Tertiary Butyl Ether (MTBE) 100% Concentratel	100	X	X	X	X	X	X	X	X	A	B	I	I	I	I	I	
Methylallyl Acetate	100	A	A	B	X	X	X	I	A	A	A	A	I	I	I	T	
Methylallyl Chloride	100	A	X	X	X	X	X	X	I	B	I	A	I	I	I	T	
Methyldiethanolamine	100	A	X	X	X	X	A	A	X	A	A	A	I	I	I	TB	
Methylene Bromide	100	B	X	X	X	B	X	I	X	B	A	A	I	I	I	TV	
Methylene Chloride	---	NO HOSE RECOMMENDED FOR THIS APPLICATION															
Metribuzin	100	A	I	I	I	I	I	I	A	I	I	A	I	I	I	T	
Mineral Spirits	100	A	X	X	X	B	A	I	X	A	B	A	A	A	I	TB	
Monochloroacetic Acid	100	A	X	X	B	I	X	A	X	A	A	A	A	X	X	T	
Monochlorobenzene	100	B	X	X	X	A	X	X	X	B	B	A	A	B	B	TV	
Monochlorodifluoromethane	100	I	X	X	X	X	X	I	I	I	I	A	A	I	I	TN	
Monoethanol Amine	100	A	A	X	B	I	B	A	B	A	B	A	A	B	I	TN	
Monoethyl Amine	---	NO HOSE RECOMMENDED FOR THIS APPLICATION															
Monoisopropanol Amine	100	A	A	X	B	I	B	I	I	A	B	A	I	I	I	TB	
Muriatic Acid	125	A	X	X	A	I	X	A	X	A	A	A	X	X	X	T	

CHEMICAL CHARTS



ContiTech

This chemical chart is offered as a guide only. There are many variables to be considered with each application. Ratings are for tube polymer only! For explanation of ratings see the initial page of these Chemical Charts in Appendix B. Contact customer services for chemicals or polymers not listed at 800-235-4632.

		CONTINENTAL CHEMICAL HOSE												FITTING			
		Fabchem™	Gray Flexwing®	Yellow Flexwing	Tan Flexwing	Orange Flexwing	Flexwing Petroleum	Brown Flexwing, ExtremeFlex™ Brown	Purple Flexwing, ExtremeFlex™ Purple	Green XLPE	Blue Flexwing	Chem One™ & Viper™	HL-PEX®	Insta-Lock™	Insta-Lock	Insta-Lock	Insta-Lock
		UHMWPE	Butyl	Hypalon®	NR	Vitor®	Nitrile	CPE	EPDM	XLPE	Alphasyn™	Teflon®	316 SS	Aluminum	Brass	Gasket	
		HOSE TUBE POLYMER												METAL			
		Temperature (°F)															
RATING SCALE																	
A = May be used for Continuous Service																	
B = May be used for Intermittent Service																	
I = Insufficient data, contact customer services																	
X = Do not use																	
GASKET																	
T = Teflon®																	
V = Viton®																	
B = Nitrile																	
N = Neoprene																	
S = Silicone																	
N																	
N/Methylpyrrolidone	100	A	X	X	X	X	X	X	X	A	I	A	I	I	I	T	
Naphtha	100	A	X	X	X	A	A	A	X	A	A	A	A	A	I	TVBN	
Naphthalene	100	A	X	X	X	A	X	I	X	A	I	A	A	B	I	TV	
Natural Gas	---	NO HOSE RECOMMENDED FOR THIS APPLICATION															
Neohexane	100	A	X	X	X	A	A	B	X	A	B	A	A	A	I	TVB	
Neu-Tri	100	A	X	X	X	A	X	I	X	A	B	A	I	I	I	TV	
Nickel Chloride	150	A	A	A	A	A	A	A	A	A	A	A	B	X	X	TVBS	
Nickel Nitrate	150	A	A	A	A	A	A	A	A	A	A	A	B	X	X	TVBN	
Nickel Sulfate	150	A	A	A	A	A	A	A	A	A	A	A	A	X	X	TVBNS	
Nitric Acid 25%	100	B	B	X	X	X	X	X	X	B	A	A	A	X	X	TV	
Nitric Acid 37%	100	X	X	X	X	X	X	X	X	X	A	A	A	X	X	TV	
Nitric Acid 40%-60%	100	X	X	X	X	X	X	X	X	X	B	A	A	X	X	TV	
Nitric Acid 70%	100	X	X	X	X	X	X	X	X	X	B	A	B	X	X	T	
Nitro Benzene	100	A	X	X	X	B	X	X	X	A	B	A	A	B	X	T	
Nitrogen Gas	100	A	A	A	A	A	A	A	A	A	A	A	A	I	I	TVBNS	
Nitrous Oxide	100	A	A	A	A	A	A	A	A	A	A	A	A	I	X	TVBNS	
Nonenes	100	A	X	X	X	A	A	I	X	A	B	A	I	I	I	VB	
O																	
Octadecanoic Acid	100	A	B	X	X	I	A	A	B	A	A	A	A	B	A	TB	
Octane	100	B	X	X	X	A	A	A	X	B	B	A	B	I	B	TVB	
Octanol	100	A	A	A	A	B	A	A	X	A	A	A	A	I	I	TBN	
Octyl Acetate	100	A	A	A	X	X	X	X	I	A	B	A	I	I	I	T	
Octyl Alcohol	100	A	A	A	A	B	A	A	X	A	A	A	A	I	I	TB	
Octyl Aldehyde	100	A	X	X	X	X	X	I	I	A	I	A	I	I	I	T	
Octyl Amine	100	A	B	X	X	X	X	B	I	A	B	A	I	I	I	T	
Octyl Carbinol	100	A	A	A	A	B	A	A	A	A	A	A	I	I	I	TB	
Octylene Glycol	100	A	A	A	A	A	A	A	A	A	A	A	I	I	I	TVB	
Oil Petroleum	100	B	X	X	X	A	A	A	X	A	B	A	A	A	X	TVB	
Oleic Acid	100	A	B	X	X	I	B	A	X	A	B	A	A	B	X	TB	
Oleum	100	X	X	X	X	X	X	X	X	X	X	A	I	X	X	TV	
Organic Fatty Acids	100	A	X	X	X	X	A	A	X	A	B	A	A	I	I	TB	
Orthodichlorobenzene	100	A	X	X	X	A	X	I	X	A	B	A	I	I	I	TV	

This chemical chart is offered as a guide only. There are many variables to be considered with each application. Ratings are for tube polymer only! For explanation of ratings see the initial page of these Chemical Charts in Appendix B. Contact customer services for chemicals or polymers not listed at 800-235-4632.

		CONTINENTAL CHEMICAL HOSE											FITTING					
		Fabchem™	Gray Flexwing®	Yellow Flexwing	Tan Flexwing	Orange Flexwing	Flexwing Petroleum	Brown Flexwing, ExtremeFlex™ Brown	Purple Flexwing, ExtremeFlex™ Purple	Green XLPE	Blue Flexwing	Chem One™ & Viper™	HL-PE®	Insta-Lock™	Insta-Lock	Insta-Lock	Insta-Lock	
		UHMWPE	Butyl	Hypalon®	NR	Viton®	Nitrile	CPE	EPDM	XLPE	Alphasyn™	Teflon®	316 SS	Aluminum	Brass	Gasket		
		HOSE TUBE POLYMER											METAL					
Temperature (°F)	O	Orthodichlorobenzol	100	A	X	X	X	A	X	I	X	A	I	A	I	I	I	TV
	Orthoxylene	100	B	X	X	X	A	X	I	X	A	B	A	I	I	I	TV	
Oxalic Acid	100	A	A	X	X	I	X	A	B	I	B	A	A	B	X	TS		
Oxygen	---	NO HOSE RECOMMENDED FOR THIS APPLICATION																
Ozone	100	A	B	B	X	I	X	A	A	I	B	A	I	I	I	TS		
Temperature (°F)	P	Palmitic Acid	100	A	A	B	X	I	A	A	B	B	B	A	A	I	X	TBS
	Papermakers Alum	150	A	A	A	A	A	A	A	A	A	A	A	I	I	I	TVBN	
Paradichlorobenzol	100	B	X	X	X	A	X	I	X	A	I	A	I	I	I	TV		
Paraffin	150	A	B	X	X	A	A	A	X	X	I	A	A	A	A	TVB		
Paraldehyde	100	A	B	X	X	X	X	I	B	A	B	A	A	A	I	T		
Paraxylene	100	A	X	X	X	A	X	I	X	A	B	A	I	I	I	TV		
Pelargonic Acid	100	A	A	X	X	I	A	I	I	A	I	A	I	I	I	TB		
Pentachloroethane	100	A	X	X	X	A	X	I	X	A	I	A	A	B	X	TV		
Pentane	---	NO HOSE RECOMMENDED FOR THIS APPLICATION																
Pentanol	100	A	A	A	A	B	A	A	A	A	A	A	I	I	I	TBN		
Pentanone	100	A	B	X	X	X	X	B	I	A	B	A	I	I	I	T		
Perchloroethylene	100	B	X	X	X	A	X	X	X	A	B	A	A	B	X	TV		
Petroleum Ether (Ligroin)	100	A	X	X	X	A	A	A	X	A	B	A	A	A	I	TVB		
Petroleum - Crude	100	A	X	X	X	A	A	A	X	A	B	A	A	A	X	TVB		
Petroleum Oils	100	A	X	X	X	A	A	A	X	A	B	A	A	A	X	TVB		
Phenol	125	A	A	X	X	A	X	A	X	A	B	A	A	B	B	TV		
Phenolsulfonic Acid	100	X	X	X	X	X	X	A	I	B	B	A	B	I	I	T		
Phenyl Chloride	100	A	X	X	X	A	X	X	X	A	B	A	A	B	I	TV		
Phosphoric Acid 10%	150	A	A	A	A	X	A	A	A	A	A	A	A	X	X	TVBN		
Phosphoric Acid 10-85%	100	A	A	A	B	X	X	A	A	A	A	A	A	X	I	TVN		
Pine Oil	100	A	X	X	X	A	X	B	X	A	B	A	A	I	X	TV		
Pinene	100	A	X	X	X	A	B	B	X	A	B	A	B	I	I	TV		
Polyethylene Glycol	150	A	A	A	A	A	A	A	A	A	A	A	I	I	I	TVBN		
Polypropylene Glycol	150	A	A	A	A	A	A	A	A	A	A	A	I	I	I	TVB		
Potassium Acetate	100	A	A	B	X	X	X	A	B	A	A	A	A	X	X	TB		
Potassium Bisulfate	150	A	A	A	A	A	A	A	A	A	A	A	A	I	X	TVBN		
Potassium Bisulfite	150	A	A	A	A	A	A	A	A	A	A	A	I	I	I	TVBN		

CHEMICAL CHARTS



ContiTech

This chemical chart is offered as a guide only. There are many variables to be considered with each application. Ratings are for tube polymer only! For explanation of ratings see the initial page of these Chemical Charts in Appendix B. Contact customer services for chemicals or polymers not listed at 800-235-4632.

P	Temperature (°F)	CONTINENTAL CHEMICAL HOSE											FITTING				
		Fabchem™	Gray Flexwing®	Yellow Flexwing	Tan Flexwing	Orange Flexwing	Flexwing Petroleum	Brown Flexwing, ExtremeFlex™ Brown	Purple Flexwing, ExtremeFlex™ Purple	Green XLPE	Blue Flexwing	Chem One™ & Viper™	HL-PE®	Insta-Lock™	Insta-Lock	Insta-Lock	Insta-Lock
		UHMWPE	Butyl	Hypalon®	NR	Viton®	Nitrile	CPE	EPDM	XLPE	Alphasyn™	Teflon®	316 SS	Aluminum	Brass	Gasket	
S		HOSE TUBE POLYMER											METAL				
Potassium Carbonate	150	A	A	A	A	A	A	A	A	A	A	A	A	X	X	TVBN	S
Potassium Chloride	150	A	A	A	A	A	A	A	A	A	A	A	A	X	X	TVBNS	
Potassium Chromate	150	B	A	X	I	I	I	A	I	B	B	A	B	I	I	TVBN	
Potassium Dichromate	150	B	A	X	I	I	I	A	I	B	B	A	A	B	X	TVBNS	
Potassium Hydrate	150	A	A	B	A	X	B	A	B	A	A	A	A	X	I	T	S
Potassium Hydroxide	150	B	A	B	A	X	B	A	B	A	A	A	A	X	X	T	N
Potassium Nitrate	150	A	A	A	A	A	A	A	A	A	A	A	A	B	A	TVBNS	
Potassium Permanganate	100	A	A	A	A	A	B	I	I	A	A	A	A	I	I	TVS	
Potassium Silicate	150	A	A	A	A	A	A	A	A	A	A	A	A	I	I	TVBNS	
Potassium Sulfate	150	A	A	A	A	A	A	A	A	A	A	A	A	B	A	TVBNS	
Potassium Sulfide	150	A	A	A	A	A	A	A	A	A	A	A	A	X	X	TVBNS	
Potassium Sulfite	150	A	A	A	A	A	A	A	A	A	A	A	A	I	X	TVBNS	
Propanediol	100	A	A	A	A	A	A	A	A	A	A	A	I	I	I	TVBS	
Propane Gas	---	X	X	X	X	X	X	X	X	X	X	X	X	X	X		
Propanol	100	A	A	A	A	B	A	A	A	A	A	A	A	I	I	TVB	
Propyl Acetate	100	A	A	B	X	X	X	B	X	A	B	A	A	I	I	T	
Propyl Alcohol	100	A	A	A	A	B	A	A	A	A	A	A	A	I	I	T	B
Propyl Aldehyde	100	A	B	X	X	X	X	X	I	A	B	A	I	I	I	T	
Propyl Chloride	---	NO HOSE RECOMMENDED FOR THIS APPLICATION															
Propylene Diamine	100	A	A	X	B	I	B	A	I	A	I	A	I	I	I	T	B
Propylene Dichloride	100	B	X	X	X	B	X	X	X	B	I	A	A	X	I	T	V
Propylene Glycol	100	A	A	A	A	A	A	A	A	A	A	A	A	I	I	TVBS	
Propylene Tetramer	100	A	X	X	X	X	A	A	X	A	B	I	I	I	I	B	
S																	
Sea Water	100	A	A	A	A	A	A	A	A	A	A	A	A	I	X	TVBNS	
Sewage	100	A	X	A	X	I	A	A	A	A	A	A	A	X	I	TBNS	
Silicate of Soda	100	A	A	A	A	A	A	A	A	A	A	A	A	X	X	TVBNS	
Soap	100	A	X	X	X	X	A	A	X	X	I	A	A	X	X	TBNS	
Soda Ash	100	A	A	A	A	A	A	A	A	A	A	A	A	X	I	TVBNS	
Soda, Caustic	100	A	A	B	A	X	B	A	A	A	A	A	A	X	X	TNS	
Soda, Lime	100	A	A	B	A	X	B	A	A	A	A	A	I	I	I	TVB	
Soda, Niter	100	A	A	A	A	A	A	A	B	A	A	A	A	B	I	TVB	
Sodium Acetate	100	A	A	A	X	X	X	A	B	B	B	A	A	I	A	TNS	

This chemical chart is offered as a guide only. There are many variables to be considered with each application. Ratings are for tube polymer only! For explanation of ratings see the initial page of these Chemical Charts in Appendix B. Contact customer services for chemicals or polymers not listed at 800-235-4632.

S	Temperature (°F)	CONTINENTAL CHEMICAL HOSE												FITTING			
		HOSE TUBE POLYMER												METAL			
		Fabchem™	Gray Flexwing®	Yellow Flexwing	Tan Flexwing	Orange Flexwing	Flexwing Petroleum	Brown Flexwing, ExtremeFlex™ Brown	Purple Flexwing, ExtremeFlex™ Purple	Green XLPE Blue Flexwing	Chem One™ & Viper™	HL-PEX®	Insta-Lock™	Insta-Lock	Insta-Lock	Insta-Lock	
UHMWPE	Butyl	Hyalon®	NR	Vitor®	Nitrile	CPE	EPDM	XLPE	Alphasyn™	Teflon®	316 SS	Aluminum	Brass	Gasket			
Sodium Aluminate	100	A	A	A	A	A	A	A	A	A	A	A	A	I	I	TVBN	
Sodium Bisulfate	150	A	A	A	A	A	A	A	A	A	A	A	X	X	TVBNS		
Sodium Bisulfite	150	A	A	A	A	A	A	A	A	A	A	A	X	X	TVBNS		
Sodium Carbonate	150	A	A	A	A	A	A	A	A	A	A	A	X	I	TVBNS		
Sodium Chloride (Brine)	150	A	A	A	A	A	A	A	A	A	A	A	X	I	TVBNS		
Sodium Chromate	150	X	A	X	I	I	I	A	I	X	I	A	A	A	TVBN		
Sodium Dichromate	150	A	A	X	I	I	I	A	A	A	A	A	I	X	T		
Sodium Hydrate	150	A	A	B	A	X	B	A	A	A	A	B	X	X	TN		
Sodium Hydrochlorite (20%)	100	A	B	X	X	B	X	I	I	B	A	A	I	I	I	T	
Sodium Hydrosulfide	100	A	X	X	X	X	A	A	X	A	I	A	I	B	I	TB	
Sodium Hydroxide (50%)	150	A	A	B	A	X	B	A	A	A	A	A	X	X	TBN		
Sodium Hypochlorite	100	B	B	X	X	B	X	A	A	X	B	A	X	X	X	TVS	
Sodium Nitrate	150	A	A	A	A	A	A	A	B	A	A	A	A	B	I	TVBNS	
Sodium Silicate	150	A	A	A	A	A	A	A	A	A	A	A	X	X	TVBNS		
Sodium Sulfate	150	A	A	A	A	A	A	A	A	A	A	A	B	X	TVBNS		
Sodium Sulfide	150	A	A	A	A	A	A	A	A	A	A	A	X	X	TVBN		
Sodium Sulfite	150	A	A	A	A	A	A	A	B	A	A	A	I	I	TVBNS		
Sodium Sulphydrate	100	A	X	X	X	X	A	A	X	A	B	A	I	I	I	TB	
Sodium Thiosulfate	150	A	A	A	A	A	A	A	A	A	A	A	I	X	TVBNS		
Stannic Chloride	150	A	A	A	A	I	A	A	A	A	A	A	X	X	X	TB	
Stannic Sulfide	150	A	A	A	A	I	A	A	A	A	A	A	I	I	I	TBN	
Stannous Chloride	150	A	A	A	A	I	A	A	B	A	A	A	X	X	TB		
Stannous Sulfide	150	A	A	A	A	I	A	A	A	A	A	A	I	I	I	TB	
Stearic Acid	100	A	B	X	X	I	A	A	B	A	A	A	A	B	A	TVB	
Stoddard Solvent	100	A	X	X	X	A	A	A	X	A	B	A	A	A	I	TVB	
Styrene	100	B	X	X	X	A	X	X	X	X	I	A	A	I	I	TV	
Sulfamic Acid (>10%)	100	X	A	B	B	I	B	A	I	I	I	A	I	I	I	TVN	
Sulfonic Acid	100	B	X	X	X	X	X	I	I	B	I	A	I	I	I	TVN	
Sulfur Dioxide (Liquid)	100	B	B	B	I	X	I	I	I	X	I	A	A	I	I	TN	
Sulfuric Acid 25%	150	A	A	B	B	I	X	A	A	A	A	A	I	X	X	TVN	
Sulfuric Acid 93%	100	X	X	B	X	B	X	X	B	A	A	A	I	X	X	TV	
Sulfuric Acid 93-98%	100	X	X	X	X	B	X	X	X	I	B	A	I	X	X	TV	
Sulfuric Acid Fuming	100	X	X	X	X	X	X	X	X	X	X	A	I	X	X	T	

CHEMICAL CHARTS



ContiTech

This chemical chart is offered as a guide only. There are many variables to be considered with each application. Ratings are for tube polymer only! For explanation of ratings see the initial page of these Chemical Charts in Appendix B. Contact customer services for chemicals or polymers not listed at 800-235-4632.

		CONTINENTAL CHEMICAL HOSE											FITTING					
		Fabchem™	Gray Flexwing®	Yellow Flexwing	Tan Flexwing	Orange Flexwing	Flexwing Petroleum	Brown Flexwing, ExtremeFlex™ Brown	Purple Flexwing, ExtremeFlex™ Purple	Green XLPE	Blue Flexwing	Chem One™ & Viper™	HI-PEP®	Insta-Lock™	Insta-Lock	Insta-Lock	Insta-Lock	
		UHMWPE	Butyl	Hypalon®	NR	Viton®	Nitrile	CPE	EPDM	XLPE	Alphasyn™	Teflon®	316 SS	Aluminum	Brass	Gasket		
		HOSE TUBE POLYMER											METAL					
		Temperature (°F)																
RATING SCALE																		
A = May be used for Continuous Service																		
B = May be used for Intermittent Service																		
I = Insufficient data, contact customer services																		
X = Do not use																		
GASKET																		
T = Teflon® V = Viton®																		
B = Nitrile N = Neoprene																		
S = Silicone																		
S																		
Sulfurous Acid 10%	150	A	A	A	A	I	X	A	A	A	A	A	I	X	X	T		
Sulfurous Acid 10-75%	100	A	A	A	A	I	X	A	A	A	A	A	I	X	X	T		
Sulphonate	100	I	X	X	X	X	A	A	X	X	I	I	I	I	I	B		
T																		
Tall Oil	100	A	X	X	X	A	A	I	X	I	I	A	A	X	X	TVB		
Tallow	150	A	X	X	X	I	A	A	X	I	I	A	A	I	A	TBNS		
Tannic Acid	150	A	A	A	A	I	B	A	X	I	I	A	A	X	I	TVBN		
Tar	---	SPECIAL HOSE REQUIRED											A	A	I	I		
Tartaric Acid	150	A	A	A	A	I	A	A	A	A	A	A	A	I	A	TBN		
Tergitol	100	X	I	I	I	I	I	I	I	I	I	A	I	I	I	T		
Tertiary Butyl Alcohol	100	A	A	A	A	B	A	A	A	A	A	A	I	I	I	TB		
Tetrachlorobenzene	100	B	X	X	X	B	X	I	X	B	I	A	I	I	I	T		
Tetrachloroethane	100	A	X	X	X	A	X	I	X	X	I	A	A	X	X	TV		
Tetrachloroethylene	100	A	X	X	X	A	X	X	X	A	B	A	A	B	X	TV		
Tetrachloromethane	100	A	X	X	X	A	X	X	X	X	B	A	A	I	I	TV		
Tetrachloronaphthalene	100	B	X	X	X	B	X	I	X	X	I	A	I	I	I	T		
Tetradecanol	100	A	A	A	A	B	A	A	A	A	A	A	I	I	I	TB		
Tetraethylene Glycol	150	A	A	A	A	A	A	A	A	A	A	A	I	I	I	TVB		
Tetraethylene Lead	100	X	X	X	X	A	X	X	X	X	I	A	I	I	I	TV		
Tetrahydrofuran	100	B	X	X	X	X	X	X	X	B	X	A	A	B	X	T		
THF	100	B	X	X	X	X	X	X	X	B	X	A	A	B	X	T		
Thionyl Chloride	100	X	I	I	I	I	I	I	I	I	X	A	X	X	X	T		
Tin Chloride	100	A	A	A	A	I	A	A	A	A	A	A	X	X	X	TVB		
Tin Tetrachloride	150	B	A	A	A	I	A	A	A	A	A	A	X	X	X	TB		
Titanium Tetrachloride	100	B	X	X	X	A	B	X	X	A	B	A	B	X	X	TV		
Toluene	100	A	X	X	X	A	X	X	X	B	B	A	A	A	A	TV		
Toluidine	100	X	I	I	I	I	I	I	I	I	I	A	I	I	I	T		
Toluol	100	A	X	X	X	A	X	X	X	A	B	A	A	A	A	TV		
Transformer Oil	100	X	I	I	I	I	I	I	I	I	I	A	A	I	I	T		
Transmission Oil "A"	150	B	X	X	X	A	A	I	X	I	I	A	A	A	A	TVB		
Tributoxy Ethylsulphate	100	I	A	X	X	A	X	X	A	X	I	I	I	I	I	V		
Tributyl Amine	100	A	A	X	B	I	B	A	I	A	A	A	I	I	I	T		
Tributyl Phosphate	100	A	A	X	X	X	X	X	X	A	I	A	A	I	X	T		

This chemical chart is offered as a guide only. There are many variables to be considered with each application. Ratings are for tube polymer only! For explanation of ratings see the initial page of these Chemical Charts in Appendix B. Contact customer services for chemicals or polymers not listed at 800-235-4632.

	Temperature (°F)	CONTINENTAL CHEMICAL HOSE											FITTING					
		Fabchem™	Gray Flexwing®	Yellow Flexwing	Tan Flexwing	Orange Flexwing	Flexwing Petroleum	Brown Flexwing, ExtremeFlex™ Brown	Purple Flexwing, ExtremeFlex™ Purple	Green XLPE	Blue Flexwing	Chem One™ & Viper™	HI-PEP®	Insta-Lock™	Insta-Lock	Insta-Lock	Insta-Lock	
		UHMWPE	Butyl	Hypalon®	NR	Viton®	Nitrile	CPE	EPDM	XLPE	Alphasyn™	Teflon®	316 SS	Aluminum	Brass	Gasket		
		HOSE TUBE POLYMER											METAL					
T																		
Trichlorobenzene	100	B	X	X	X	B	X	X	X	B	I	A	I	A	I	I	T	
Trichloroethane	100	A	X	X	X	A	X	B	X	X	B	A	A	I	I	I	TV	
Trichloroethylene	100	X	X	X	X	A	X	X	X	X	B	A	A	I	I	I	TV	
Trichloropropane	100	A	X	X	X	A	X	I	X	A	I	A	A	X	I	I	TV	
Tricresylphosphate	100	A	A	X	X	A	X	A	A	A	I	A	A	X	I	I	TV	
Tridecanol	100	A	A	A	A	B	A	A	A	A	A	A	I	I	I	I	TB	
Triethanolamine	100	A	A	X	B	X	B	A	A	A	A	A	A	I	X	I	TB	
Triethylamine	100	A	A	X	B	I	B	A	I	A	A	A	A	I	I	I	TVBN	
Triethylene Glycol	150	A	A	A	A	I	A	A	I	A	A	A	A	A	I	I	TB	
Trifluralin (Trefalin)	100	A	X	X	X	A	X	X	X	A	I	A	I	I	I	I	TV	
Triphenyl Phosphate	100	A	A	X	X	I	X	I	I	A	I	A	A	I	I	I	T	
Tripolyphosphate	100	X	I	I	I	I	I	I	I	I	I	A	I	I	I	I	T	
Trisodium Phosphate	150	A	A	A	A	A	A	A	A	A	A	A	A	X	I	I	TVBNS	
Turpentine	100	A	X	X	X	A	A	B	X	A	X	A	A	A	A	A	TVB	
U																		
Urea	100	A	A	I	I	I	X	A	I	A	A	A	A	B	I	I	TVBN	
Undecanol	100	B	A	A	A	B	A	A	A	A	A	A	I	I	I	I	TB	
V																		
V.M. & P. Naptha	100	A	X	X	X	A	A	I	X	A	I	A	I	I	I	I	TVBS	
Vinyl Acetate	100	A	A	B	X	X	X	A	X	A	B	A	A	I	X	I	TV	
Vinyl Benzene	100	A	X	X	X	A	X	X	X	A	I	A	A	I	I	I	TV	
Vinyl Chloride	---	NO HOSE RECOMMENDED FOR THIS APPLICATION																
Vinyl Ether	---	NO HOSE RECOMMENDED FOR THIS APPLICATION																
Vinyl Toluene	100	A	X	X	X	A	X	X	X	A	I	A	I	I	I	I	TV	
Vinyl Trichloride	100	A	X	X	X	A	X	X	X	A	B	A	A	I	I	I	TV	

CHEMICAL CHARTS

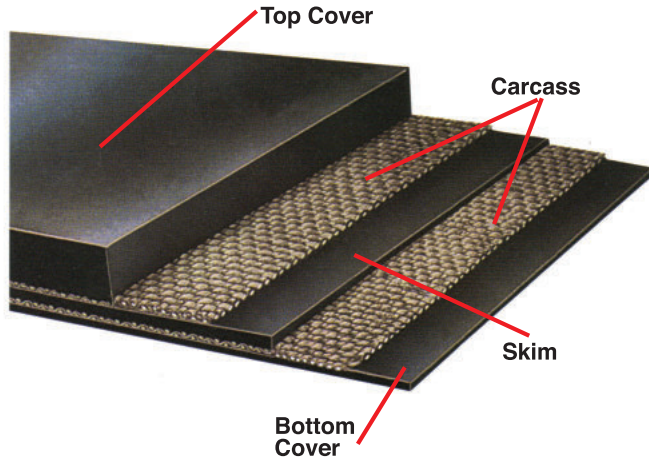


ContiTech

This chemical chart is offered as a guide only. There are many variables to be considered with each application. Ratings are for tube polymer only! For explanation of ratings see the initial page of these Chemical Charts in Appendix B. Contact customer services for chemicals or polymers not listed at 800-235-4632.

		CONTINENTAL CHEMICAL HOSE												FITTING			
		Fabchem™	Gray Flexwing®	Yellow Flexwing	Tan Flexwing	Orange Flexwing	Flexwing Petroleum	Brown Flexwing, ExtremeFlex™ Brown	Purple Flexwing, ExtremeFlex™ Purple	Green XLPE	Blue Flexwing	Chem One™ & Viper™	HI-PEP®	Insta-Lock™	Insta-Lock	Insta-Lock	Insta-Lock
		UHMWPE	Butyl	Hyalon®	NR	Viton®	Nitrile	CPE	EPDM	XLPE	Alphasyn™	Teflon®	316 SS	Aluminum	Brass	Gasket	
		HOSE TUBE POLYMER												METAL			
W																	
Water	180	A	A	A	A	A	A	A	A	A	A	A	A	I	I	TVBNS	
Wax	100	A	X	X	X	X	A	A	X	X	X	A	A	I	I	TVBN	
White Oil	100	A	X	X	X	I	A	A	X	I	I	A	I	I	I	TVB	
Wood Alcohol	100	A	A	A	A	X	A	A	A	A	A	A	A	I	I	TBNS	
X																	
Xylene (Xylol)	100	X	X	X	X	A	X	X	X	A	B	A	A	I	I	T V	
Xylidine	100	B	X	X	X	X	X	X	X	B	B	A	B	A	I	T	
Z																	
Zinc Carbonate	150	A	A	A	A	A	A	A	A	A	A	A	B	B	X	TVBN	
Zinc Chloride	150	A	A	A	A	A	A	A	A	A	A	A	A	X	X	TVBNS	
Zinc Chromate	150	A	A	X	I	I	I	A	X	B	I	A	I	I	I	T	
Zinc Phosphate	100	A	X	X	X	X	A	A	A	X	I	A	I	I	I	TBNS	
Zinc Sulfate	150	A	A	A	A	A	A	A	A	A	A	A	A	X	X	TVBNS	

Conveyor Belts



DURAKING 220



COVER:	3/16" Top, 1/16" Bottom, Grade 2 Rubber
PLIES:	2
CARCASS:	All Polyester
PIW:	220
MIN PULLEY DIAMETER RECOMMENDED:	12"

- GENERAL PURPOSE, HIGH PERFORMANCE CONVEYOR BELT
- COVERS ARE REMA GRADE II RUBBER
- DESIGNED PRIMARILY TO CONVEY LIGHT AGGREGATE, COAL, WOOD CHIPS, SAND AND OTHER MATERIALS THAT ARE NOT HIGH IMPACT RESISTANCE

WIDTH	PLIES	P/W	TOP COVER	BOTTOM COVER
18"	2	220	3/16"	1/16"
24"	2	220	3/16"	1/16"
30"	2	220	3/16"	1/16"
36"	2	220	3/16"	1/16"
42"	2	220	3/16"	1/16"
48"	2	220	3/16"	1/16"
60"	2	220	3/16"	1/16"

***OTHER WIDTHS AVAILABLE**

***RECOMMENDED FASTENERS 140E/375/R5/VULCANIZED**

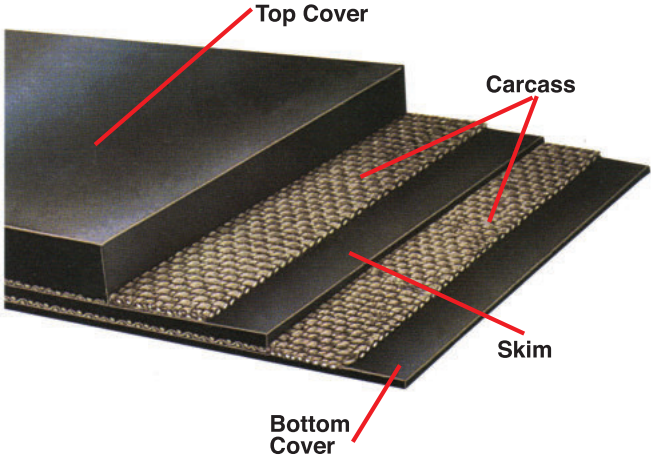
***ALL BELTS CAN BE LACED AT OUR FACILITY**

 **Service Industrial Supply**

506 Brookforest Ave. Rt. 59 Shorewood Illinois 60404

Phone: 815.725.0062 • Fax: 815.725.2483 • www.serviceindustrialsupply.com

Conveyor Belts



DURAKING 330



- COVER:** 3/16" Top, 1/16" Bottom, Grade 2 Rubber
- PLIES:** 3
- CARCASS:** All Polyester
- PIW:** 330
- MIN PULLEY DIAMETER RECOMMENDED** 14"

- GENERAL PURPOSE, HIGH PERFORMANCE CONVEYOR BELT
- COVERS ARE REMA GRADE II RUBBER
- DESIGNED PRIMARILY TO CONVEY LIGHT AGGREGATE, COAL, WOOD CHIPS, SAND AND OTHER MATERIALS THAT ARE NOT HIGH IMPACT RESISTANCE

WIDTH	PLIES	P/W	TOP COVER	BOTTOM COVER
18"	3	330	3/16"	1/16"
24"	3	330	3/16"	1/16"
30"	3	330	3/16"	1/16"
36"	3	330	3/16"	1/16"
42"	3	330	3/16"	1/16"
48"	3	330	3/16"	1/16"
60"	3	330	3/16"	1/16"

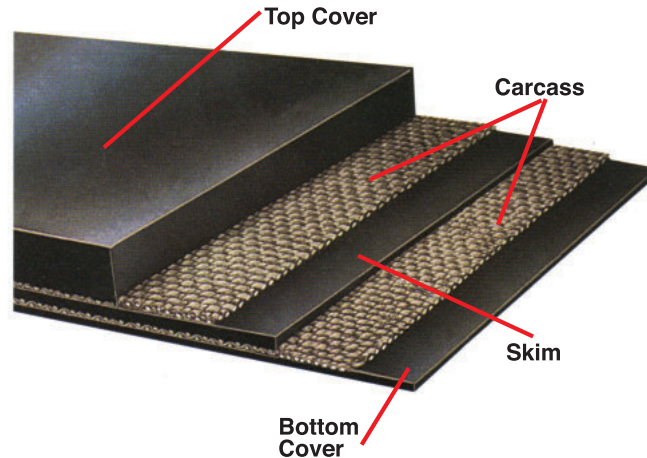
- *OTHER WIDTHS AVAILABLE
- *RECOMMENDED FASTENERS 140E/375/R5/VULCANIZED
- *ALL BELTS CAN BE LACED AT OUR FACILITY



506 Brookforest Ave. Rt. 59 Shorewood Illinois 60404
 Phone: 815.725.0062 • Fax: 815.725.2483 • www.serviceindustrialsupply.com

Conveyor Belts

DURAKING 330



COVER: 1/4" Top, 1/16" Bottom, Grade 2 Rubber
PLIES: 3
CARCASS: All Polyester
PIW: 330
MIN PULLEY DIAMETER RECOMMENDED: 14"

- GENERAL PURPOSE, HIGH PERFORMANCE CONVEYOR BELT
- COVERS ARE REMA GRADE II RUBBER
- DESIGNED PRIMARILY TO CONVEY LIGHT AGGREGATE, COAL, WOOD CHIPS, SAND AND OTHER MATERIALS

WIDTH	PLIES	P/W	TOP COVER	BOTTOM COVER
18"	3	330	1/4"	1/16"
24"	3	330	1/4"	1/16"
30"	3	330	1/4"	1/16"
36"	3	330	1/4"	1/16"
42"	3	330	1/4"	1/16"
48"	3	330	1/4"	1/16"
60"	3	330	1/4"	1/16"

***OTHER WIDTHS AVAILABLE**

***RECOMMENDED FASTENERS 190E/550/R5/VULCANIZED**

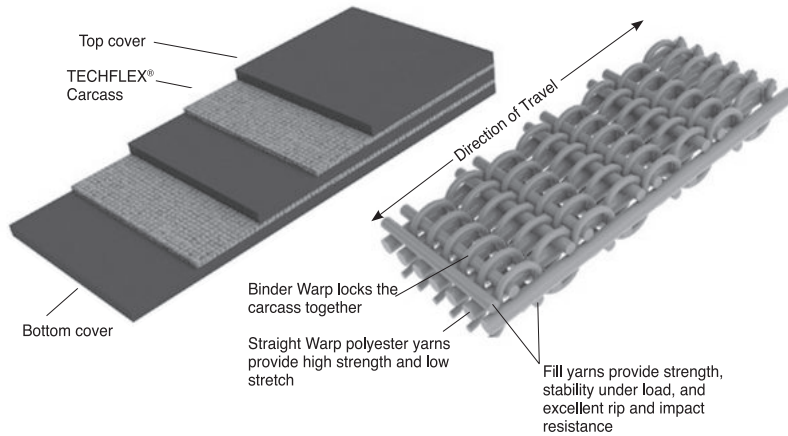
***ALL BELTS CAN BE LACED AT OUR FACILITY**

 **Service Industrial Supply**

506 Brookforest Ave. Rt. 59 Shorewood Illinois 60404

Phone: 815.725.0062 • Fax: 815.725.2483 • www.serviceindustrialsupply.com

Conveyor Belts



TECHFLEX I

Garlock

Rubber Technologies

COVER: 1/4" Top, 1/8" Bottom, Grade 1 Rubber

PLIES: Single Ply Straight Wrap

CARCASS: All Polyester

PIW: 440

MIN PULLEY DIAMETER RECOMMENDED: 16"

WIDTH	PLIES	P/W	TOP COVER	BOTTOM COVER
30"	1	440	1/4"	1/8"
36"	1	440	1/4"	1/8"
42"	1	440	1/4"	1/8"
48"	1	440	1/4"	1/8"
60"	1	440	1/4"	1/8"
72"	1	440	1/4"	1/8"

A. HIGH STRENGTH CARCASS CONSTRUCTION

Straight wrap yarns in parallel planes with special binder provide extra strength. Strong mechanical and chemical bonding between compound and textile increases strength. Reinforcing eliminates need for multiple plies, resulting in a thinner more flexible belt.

B. EXTRA FLEXIBILITY

Allows belts to operate over smaller pulleys. Resists flex fatigue, lasts longer. Easier to install in hard-to-access areas.

C. EXCELLENT RIP AND IMPACT RESISTANCE

Special weave design with fill yarns above and below wrap yarns increase rip resistance. Planes of straight fibers offer additional resistance to lump impact.

D. LOW STRETCH

Straight wrap weave stretches less than crimped weave fabrics. Longer belt life.

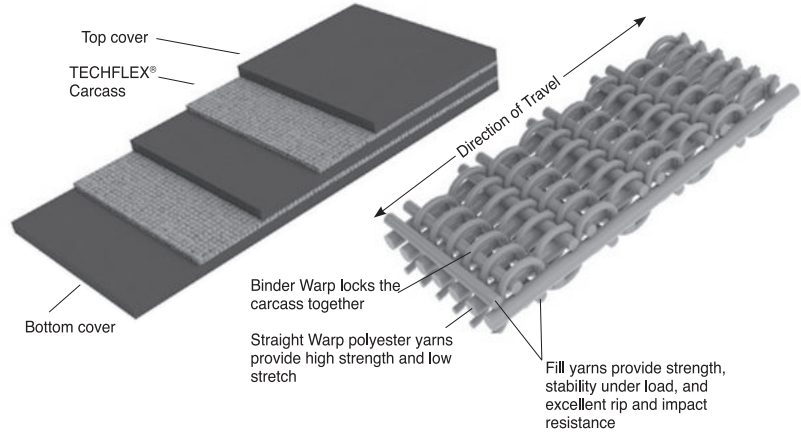
 **Service Industrial Supply**

506 Brookforest Ave. Rt. 59 Shorewood Illinois 60404

Phone: 815.725.0062 • Fax: 815.725.2483 • www.serviceindustrialsupply.com

Conveyor Belts

TECHFLEX II



COVER:	3/8" Top, 1/8" Bottom, Grade 1 Rubber
PLIES:	2-Ply Straight Wrap
CARCASS:	All Polyester
PIW:	880
MIN PULLEY DIAMETER RECOMMENDED:	24"

WIDTH	PLIES	P/W	TOP COVER	BOTTOM COVER
36"	2	880	3/8"	1/8"
42"	2	880	3/8"	1/8"
48"	2	880	3/8"	1/8"
60"	2	880	3/8"	1/8"

A. HIGH STRENGTH CARCASS CONSTRUCTION

Straight wrap yarns in parallel planes with special binder provide extra strength. Strong mechanical and chemical bonding between compound and textile increases strength. Reinforcing eliminates need for multiple plies, resulting in a thinner more flexible belt.

B. EXTRA FLEXIBILITY

Allows belts to operate over smaller pulleys. Resists flex fatigue, lasts longer. Easier to install in hard-to-access areas.

C. EXCELLENT RIP AND IMPACT RESISTANCE

Special weave design with fill yarns above and below wrap yarns increase rip resistance. Planes of straight fibers offer additional resistance to lump impact.

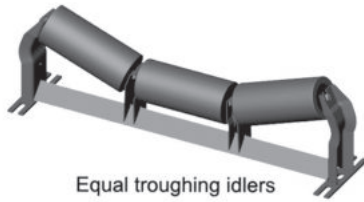
D. LOW STRETCH

Straight wrap weave stretches less than crimped weave fabrics. Longer belt life.

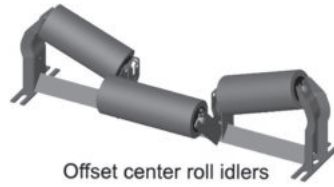


506 Brookforest Ave. Rt. 59 Shorewood Illinois 60404

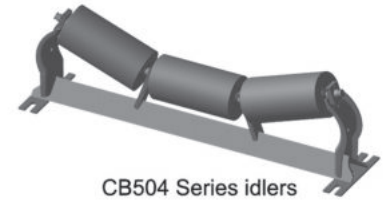
Phone: 815.725.0062 • Fax: 815.725.2483 • www.serviceindustrialsupply.com



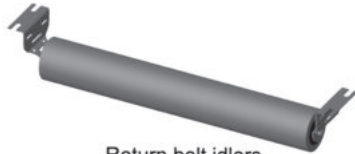
Equal troughing idlers



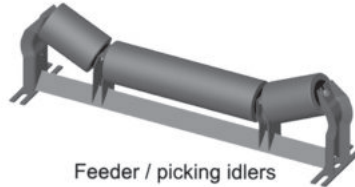
Offset center roll idlers



CB504 Series idlers



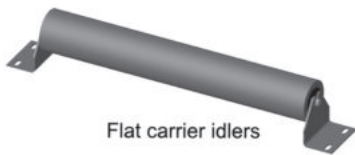
Return belt idlers



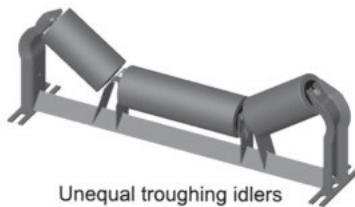
Feeder / picking idlers



40 Series idlers



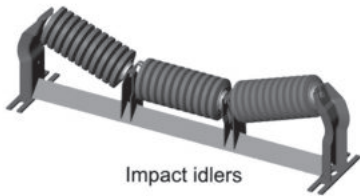
Flat carrier idlers



Unequal troughing idlers



Garland idlers



Impact idlers



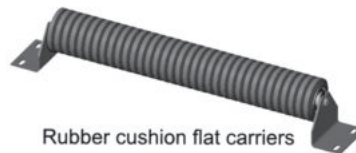
Channel mount low profile idlers



Live shaft rollers



Rubber cushion return idlers



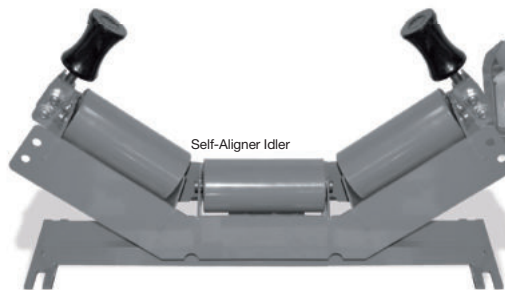
Rubber cushion flat carriers



Side guide idlers



Stub roll idlers



Self-Aligner Idler



Wire Rope Idler

Squirrel Cage Return

Variable Pitch Idler

Urathon Return

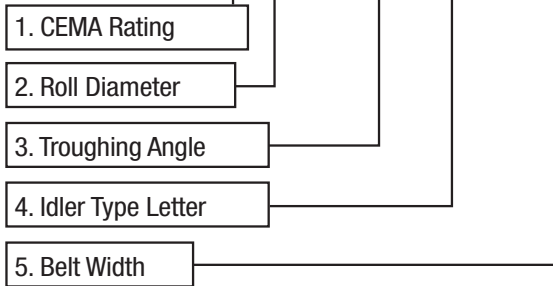
New Styles Available

- Self-Aligner Idlers
- Self-Aligner Returns
- Wire Rope Idlers
- Squirrel Cage Returns
- Variable Pitch Idlers
- V-Return Idlers
- Urathon® Returns
- Spiral Urathon® Returns

Ordering Guide



C6 - 35 E - 30



- E..... Troughing Idler Equal Length Rolls
- EA Self-Aligning Troughing Idler
- EI..... Rubber Cushion Troughing Idler
- GO..... Offset Troughing Idler
- U Troughing Idler Unequal Length Rolls
- P Feeder / Picking Idler
- RET Return Idler
- FLT Flat Carrier Idler
- RETA Return Self-Aligning Idler
- RETI..... Return Rubber Cushion Idler
- FLTI Flat Carrier Rubber Cushion Idler
- CM Low-Profile Channel Mount Idler
- SM Low-Profile Standard Mount Idler
- BA Bi-Directional Aligning Idler
- CMI Channel Mount Impact Low Profile Idler
- SMI..... Standard Mount Impact Low Profile Idler
- RETAI..... Return Self-Aligning Rubber Cushion Idler
- EW Wire Rope Idler
- VPE..... Variable Pitch Idler
- RETU Urathon® Return
- MOX Moxie® Roll (i.e. C5-35E-30MOX)
- LSB Live Shaft Feeder (i.e. LSB-530-107)

Superior makes ordering easy with a simple number and letter system so you can easily jot down the idlers you need and relay them to our sales staff. This will eliminate confusion and ensure accuracy on your order. Simply follow the procedure to the left and you'll be on your way to placing an accurate order.

Superior manufactures many different styles of CEMA C, D, E, and F idlers along with a full line of CB-504 style bearing idlers and rollers. We have been in the idler manufacturing business since 1974 and have modified our product offering to provide solutions for our customers. We appreciate feedback from the field on ways to improve our products and have made many changes based on this valued customer feedback.

Shipping Notes

- * 4-6 Pulleys fit per pallet depending on size
- * CB ROLLS: 2 returns per box or 6 rolls per box
- * Expedite services are available for a minimum of \$50

1. CEMA Rating or Series- Specify either CEMA, C, D, E, or F.
2. Roll Size - Specify either 4, 5, 6, 7, or 8 for the corresponding roll size diameter.
3. Troughing Angle - Specify either 20, 35, or 45 for the corresponding troughing angle.
4. Idler Type Letter - Specify the idler identification letter for the particular idler you may need from the chart on the right.
5. Belt Width - Specify the belt width.

Pallet Loads

Returns

Roller Diameter	Pieces/Pallet
4"	34 max
5"	21 max
6"	18 max

Other Products

Product	Pieces/Pallet
Picking Idlers	Standard
Channel Mounts	20 max
Self Aligners (EA)	2 max
Self Aligners (RETA)	3 max
Bi-Directional	3 max
Off Set Idlers (GO)	7 max

CEMA C Idlers

Roller Diameter	Idlers/Row	Number of Rows	Pieces/Pallet
4"	11	Up to 36" BW = 2 rows	22 max
		42"- 48" BW = 2 rows	22 max
5"	9	Up to 36" BW = 2 rows	18 max
		42" BW = 2 rows	18 max
		48" BW = 2 rows	18 max
		54" BW & up = 1 row	8 max
6"	7	Up to 30" BW = 2 rows	14 max
		36" BW & up = 1 row	7 max

Hex Brackets

Bracket	Weight
4 1/2" Drop	3 lb
1 1/2" Drop	2.05 lb
4 1/2" Rise	2.8 lb
1 1/2" Rise	1.25 lb

Slotted Brackets

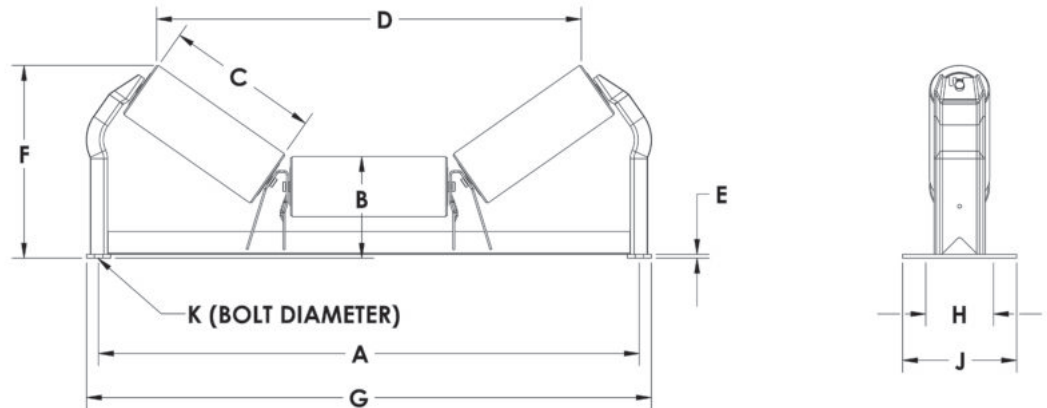
Bracket	Weight
4 1/2" Drop	1.54 lb
1 1/2" Drop	.84 lb
4 1/2" Rise	2.94 lb
1 1/2" Rise	1.76 lb



506 Brookforest Ave. Rt. 59 Shorewood Illinois 60404

Phone: 815.725.0062 • Fax: 815.725.2483 • www.serviceindustrialsupply.com

TROUGHING IDLERS (EQUAL LENGTH ROLLERS) – 4" DIAMETER

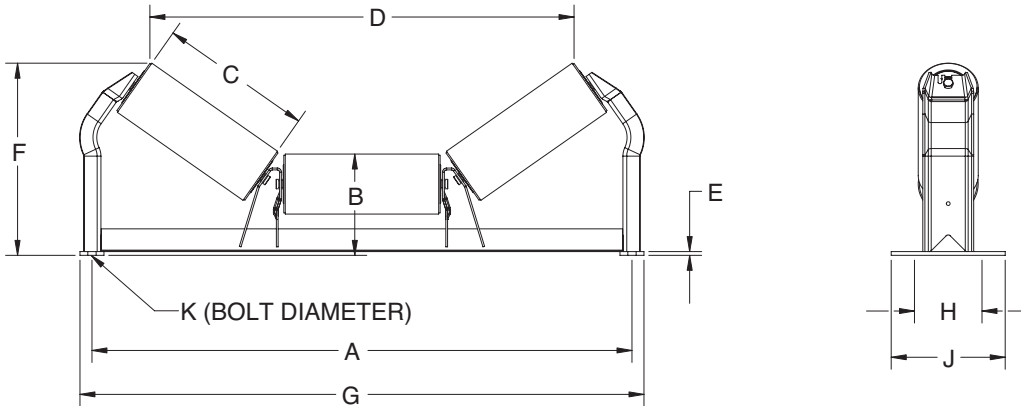


	PART NUMBER	BW*	A	B	C	D	E	F	G	H	J	K	WT
20°	C4-20E-18	18	27	7 13/16	7	22 3/16	3/16	10 5/16	29	6	8	1/2	33
	C4-20E-24	24	33	7 15/16	9	27 15/16	5/16	11 1/16	35	6	9 1/2	5/8	40
	C4-20E-30	30	39	7 15/16	11	33 11/16	5/16	11 13/16	41	6	9 1/2	5/8	48
	C4-20E-36	36	45	7 15/16	13	39 7/16	5/16	12 1/2	47	6	9 1/2	5/8	54
	C4-20E-42	42	51	8 5/16	15	45 3/16	5/16	13 9/16	53	7 1/2	9 1/2	5/8	68
	C4-20E-48	48	57	8 5/16	17	51	5/16	14 1/4	59	7 1/2	9 1/2	5/8	75
	C4-20E-54	54	63	8 3/8	19	56 7/16	3/8	15 1/4	65 1/2	9	11	5/8	85
	C4-20E-60	60	69	8 3/8	21	62 3/16	3/8	15 15/16	71 1/2	9	11	5/8	91
35°	C4-35E-18	18	27	7 13/16	7	20 1/16	3/16	12	29	6	8	1/2	35
	C4-35E-24	24	33	7 15/16	9	25 5/16	5/16	13 5/16	35	6	9 1/2	5/8	42
	C4-35E-30	30	39	7 15/16	11	30 9/16	5/16	14 7/16	41	6	9 1/2	5/8	50
	C4-35E-36	36	45	7 15/16	13	35 7/8	5/16	15 5/8	47	6	9 1/2	5/8	57
	C4-35E-42	42	51	8 5/16	15	41 1/8	5/16	17 1/8	53	7 1/2	9 1/2	5/8	64
	C4-35E-48	48	57	8 5/16	17	46 3/8	5/16	18 5/16	59	7 1/2	9 1/2	5/8	78
	C4-35E-54	54	63	8 3/8	19	51 5/16	3/8	19 11/16	65 1/2	9	11	5/8	88
	C4-35E-60	60	69	8 3/8	21	56 9/16	3/8	20 7/8	71 1/2	9	11	5/8	95
45°	C4-45E-18	18	27	7 13/16	7	18 3/4	3/16	13 1/8	29	6	8	1/2	36
	C4-45E-24	24	33	7 15/16	9	23 9/16	5/16	14 5/8	35	6	9 1/2	5/8	43
	C4-45E-30	30	39	7 15/16	11	28 7/16	5/16	16 1/16	41	6	9 1/2	5/8	52
	C4-45E-36	36	45	7 15/16	13	33 1/4	5/16	17 1/2	47	6	9 1/2	5/8	59
	C4-45E-42	42	51	8 5/16	15	38 1/16	5/16	19 5/16	53	7 1/2	9 1/2	5/8	73
	C4-45E-48	48	57	8 5/16	17	42 15/16	5/16	20 11/16	59	7 1/2	9 1/2	5/8	81
	C4-45E-54	54	63	8 3/8	19	47 3/8	3/8	22 5/16	65 1/2	9	11	5/8	91
	C4-45E-60	60	69	8 3/8	21	52 3/16	3/8	23 3/4	71 1/2	9	11	5/8	98

* Belt Width

Note: Dimensions are subject to change without notice. Certified prints available for construction.
Wide base option available upon request.

TROUGHING IDLERS (EQUAL LENGTH ROLLERS) – 5" DIAMETER



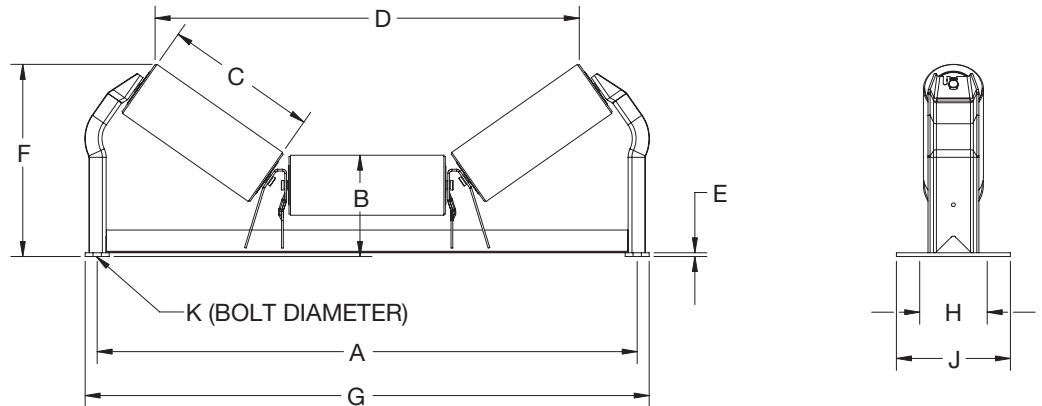
	PART NUMBER	BW*	A	B	C	D	E	F	G	H	J	K	WT
20°	C5-20E-18**	18	27	8 5/16	7 1/16	21 7/8	3/16	10 3/4	29	6	8	1/2	39
	C5-20E-24**	24	33	8 7/16	9 1/16	27 11/16	5/16	11 9/16	35	6	9 1/2	5/8	47
	C5-20E-30**	30	39	8 7/16	11 1/16	33 7/16	5/16	12 5/16	41	6	9 1/2	5/8	57
	C5-20E-36**	36	45	8 7/16	13 1/16	39 3/16	5/16	12 15/16	47	6	9 1/2	5/8	64
	C5-20E-42**	42	51	8 13/16	15 1/16	44 15/16	5/16	14 1/16	53	7 1/2	9 1/2	5/8	80
	C5-20E-48**	48	57	8 13/16	17 1/16	50 11/16	5/16	14 3/4	59	7 1/2	9 1/2	5/8	88
	C5-20E-54**	54	63	8 7/8	19 1/16	56 3/16	3/8	15 3/4	65 1/2	9	11	5/8	99
	C5-20E-60**	60	69	8 7/8	21 1/16	61 15/16	3/8	16 7/16	71 1/2	9	11	5/8	107
35°	C5-35E-18**	18	27	8 3/16	7 1/16	19 9/16	3/16	12 7/16	29	6	8	1/2	41
	C5-35E-24**	24	33	8 5/16	9 1/16	24 13/16	5/16	13 11/16	35	6	9 1/2	5/8	49
	C5-35E-30**	30	39	8 5/16	11 1/16	30 1/16	5/16	14 7/8	41	6	9 1/2	5/8	59
	C5-35E-36**	36	45	8 5/16	13 1/16	35 3/8	5/16	16	47	6	9 1/2	5/8	67
	C5-35E-42**	42	51	8 3/4	15 1/16	40 5/8	5/16	17 9/16	53	7 1/2	9 1/2	5/8	83
	C5-35E-48**	48	57	8 3/4	17 1/16	45 15/16	5/16	18 11/16	59	7 1/2	9 1/2	5/8	91
	C5-35E-54**	54	63	8 13/16	19 1/16	50 13/16	3/8	20 1/8	65 1/2	9	11	5/8	102
	C5-35E-60**	60	69	8 13/16	21 1/16	56 1/8	3/8	21 1/4	71 1/2	9	11	5/8	111
45°	C5-45E-18**	18	27	8 5/16	7 1/16	18 1/8	3/16	13 7/16	29	6	8	1/2	42
	C5-45E-24**	24	33	8 7/16	9 1/16	22 15/16	5/16	15	35	6	9 1/2	5/8	51
	C5-45E-30**	30	39	8 7/16	11 1/16	27 13/16	5/16	16 7/16	41	6	9 1/2	5/8	61
	C5-45E-36**	36	45	8 7/16	13 1/16	32 5/8	5/16	17 13/16	47	6	9 1/2	5/8	69
	C5-45E-42**	42	51	8 13/16	15 1/16	37 7/16	5/16	19 5/8	53	7 1/2	9 1/2	5/8	85
	C5-45E-48**	48	57	8 13/16	17 1/16	42 5/16	5/16	21 1/16	59	7 1/2	9 1/2	5/8	93
	C5-45E-54**	54	63	8 7/8	19 1/16	46 3/4	3/8	22 11/16	65 1/2	9	11	5/8	105
	C5-45E-60**	60	69	9	21 1/16	51 9/16	3/8	24 1/16	71 1/2	9	11	5/8	114

* Belt Width

**Add MOX to the end of the part number to replace steel cans with Moxie® rolls

Note: Dimensions are subject to change without notice. Certified prints available for construction.
Wide base option available upon request.

TROUGHED IDLERS (EQUAL LENGTH ROLLERS) – 6" DIAMETER



	PART NUMBER	BW*	A	B	C	D	E	F	G	H	J	K	WT
20°	C6-20E-18	18	27	8 13/16	7	21 9/16	3/16	11 1/4	29	6	8	1/2	47
	C6-20E-24	24	33	8 15/16	9	27 5/16	5/16	12 1/16	35	6	9 1/2	5/8	57
	C6-20E-30	30	39	8 15/16	11	33 1/16	5/16	12 3/4	41	6	9 1/2	5/8	69
	C6-20E-36	36	45	8 15/16	13	38 7/8	5/16	13 7/16	47	6	9 1/2	5/8	78
	C6-20E-42	42	51	9 5/16	15	44 5/8	5/16	14 1/2	53	7 1/2	9 1/2	5/8	96
	C6-20E-48	48	57	9 5/16	17	50 3/8	5/16	15 3/16	59	7 1/2	9 1/2	5/8	106
	C6-20E-54	54	63	9 3/8	19	55 13/16	3/8	16 1/4	65 1/2	9	11	5/8	119
	C6-20E-60	60	69	9 3/8	21	61 9/16	3/8	16 15/16	71 1/2	9	11	5/8	129
35°	C6-35E-18	18	27	8 13/16	7	18 15/16	3/16	12 13/16	29	6	8	1/2	48
	C6-35E-24	24	33	8 15/16	9	24 1/4	5/16	14 1/8	35	6	9 1/2	5/8	59
	C6-35E-30	30	39	8 15/16	11	29 1/2	5/16	15 1/4	41	6	9 1/2	5/8	71
	C6-35E-36	36	45	8 15/16	13	34 13/16	5/16	16 7/16	47	6	9 1/2	5/8	81
	C6-35E-42	42	51	9 5/16	15	40 1/16	5/16	17 15/16	53	7 1/2	9 1/2	5/8	99
	C6-35E-48	48	57	9 5/16	17	45 3/8	5/16	19 1/8	59	7 1/2	9 1/2	5/8	109
	C6-35E-54	54	63	9 3/8	19	50 1/4	3/8	20 1/2	65 1/2	9	11	5/8	122
	C6-35E-60	60	69	9 3/8	21	55 1/2	3/8	21 11/16	71 1/2	9	11	5/8	133
45°	C6-45E-18	18	27	8 15/16	7	17 7/16	3/16	13 3/4	29	6	8	1/2	50
	C6-45E-24	24	33	8 15/16	9	22 1/4	5/16	15 5/16	35	6	9 1/2	5/8	61
	C6-45E-30	30	39	8 15/16	11	27 1/8	5/16	16 3/4	41	6	9 1/2	5/8	73
	C6-45E-36	36	45	8 15/16	13	31 15/16	5/16	18 3/16	47	6	9 1/2	5/8	83
	C6-45E-42	42	51	9 5/16	15	36 3/4	5/16	19 15/16	53	7 1/2	9 1/2	5/8	101
	C6-45E-48	48	57	9 5/16	17	41 5/8	5/16	21 3/8	59	7 1/2	9 1/2	5/8	111
	C6-45E-54	54	63	9 3/8	19	46 1/16	3/8	23	65 1/2	9	11	5/8	125
	C6-45E-60	60	69	9 3/8	21	50 7/8	3/8	24 7/16	71 1/2	9	11	5/8	136

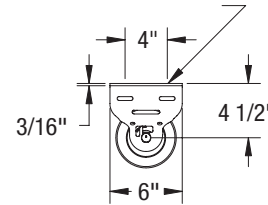
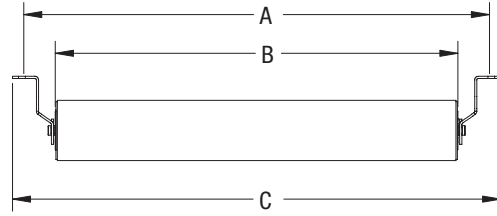
* Belt Width

**Add MOX to the end of the part number to replace steel cans with Moxie® rolls

Note: Dimensions are subject to change without notice. Certified prints available for construction.
Wide base option available upon request.

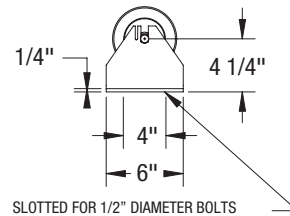
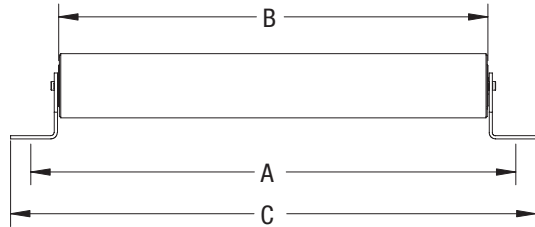
RETURN IDLERS – 4", 5", & 6" DIAMETER

4" PART NUMBER	5" PART NUMBER	6" PART NUMBER	BW*	A	B	C	WT***		
							4"	5"	**
C4-RET-16	C5-RET-16**	C6-RET-16	16	25	19 3/8	26 7/16	16	21	-
C4-RET-18	C5-RET-18**	C6-RET-18	18	27	21 3/8	28 7/16	17	23	30
C4-RET-20	C5-RET-20**	C6-RET-20	20	29	23 3/8	30 7/16	-	24	31
C4-RET-24	C5-RET-24**	C6-RET-24	24	33	27 3/8	34 7/16	21	27	37
C4-RET-30	C5-RET-30**	C6-RET-30	30	39	33 3/8	40 7/16	24	32	43
C4-RET-36	C5-RET-36**	C6-RET-36	36	45	39 3/8	46 7/16	27	37	50
C4-RET-42	C5-RET-42**	C6-RET-42	42	51	45 3/8	52 7/16	31	41	57
C4-RET-48	C5-RET-48**	C6-RET-48	48	57	51 3/8	58 7/16	32	46	63
C4-RET-54 ✓	C5-RET-54** ✓	C6-RET-54 ✓	54	63	57 3/8	64 7/16	42	54	74
C5-RET-60 ✓	C5-RET-60** ✓	C6-RET-60 ✓	60	69	63 3/8	70 7/16	45	60	81



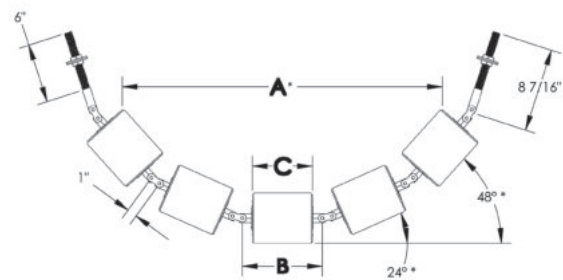
FLAT IDLERS – 4", 5", & 6" DIAMETER

4" PART NUMBER	5" PART NUMBER	6" PART NUMBER	BW*	A	B	C	WT***		
							4"	5"	**
C4-FLT-16	C5-FLT-16**	C6-FLT-16	16	25	19 3/8	26 15/16	19	24	-
C4-FLT-18	C5-FLT-18**	C6-FLT-18	18	27	21 3/8	28 15/16	20	25	33
C4-FLT-20	C5-FLT-20**	C6-FLT-20	20	29	23 3/8	30 15/16	21	27	34
C4-FLT-24	C5-FLT-24**	C6-FLT-24	24	33	27 3/8	34 15/16	23	30	39
C4-FLT-30	C5-FLT-30**	C6-FLT-30	30	39	33 3/8	40 15/16	27	35	46
C4-FLT-36	C5-FLT-36**	C6-FLT-36	36	45	39 3/8	46 15/16	30	39	53
C4-FLT-42	C5-FLT-42**	C6-FLT-42	42	51	45 3/8	52 15/16	33	44	59
C4-FLT-48	C5-FLT-48**	C6-FLT-48	48	57	51 3/8	58 15/16	37	49	66
C4-FLT-54 ✓	C5-FLT-54** ✓	C6-FLT-54 ✓	54	63	57 3/8	64 15/16	44	58	77
C4-FLT-60 ✓	C5-FLT-60** ✓	C6-FLT-60 ✓	60	69	63 3/8	70 15/16	48	63	84



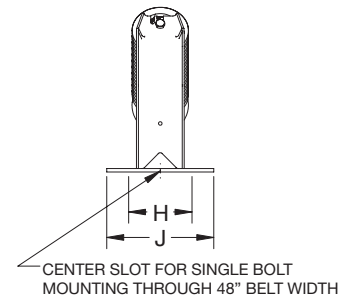
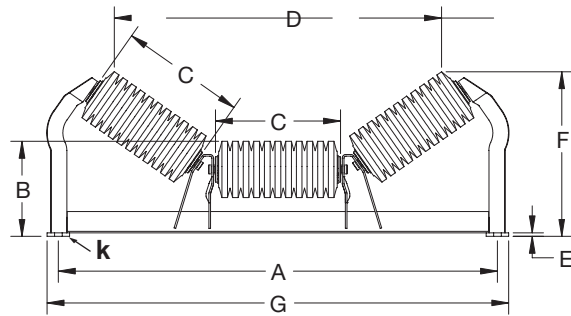
GARLAND IDLERS – 4", 5", & 6" DIAMETER

4" PART NUMBER	5" PART NUMBER	6" PART NUMBER	BW*	Roll #	A	B	C	WT***		
								4"	5"	6"
43-3400-16	43-3500-16	43-3600-16	16	3	18 3/16	6 15/16	5 1/16	15	22	29
43-3400-18	43-3500-18	43-3600-18	18	3	21 5/16	8 1/16	6 1/16	17	23	29
43-3400-24	43-3500-24	43-3600-24	24	3	25 7/8	9 11/16	7 5/8	20	26	35
43-3400-30	43-3500-30	43-3600-30	30	5	32 5/8	8 1/16	6 1/16	28	37	48
43-3400-36	43-3500-36	43-3600-36	36	5	36 13/16	9 1/16	7 1/16	31	41	53
43-3400-42	43-3500-42	43-3600-42	42	5	45 1/8	11 1/16	9 1/16	36	49	65
43-3400-48	43-3500-48	43-3600-48	48	5	53 7/16	13 1/16	11 1/16	42	56	77
43-3400-54	43-3500-54	43-3600-54	54	5	61 13/16	15 1/16	13 1/16	47	64	88
43-3400-60	43-3500-60	43-3600-60	60	5	70 1/8	17 1/16	15 1/16	53	72	99



*Belt Width / **Add MOX to the end of the part number to replace steel cans with Moxie® rolls / *** All weights include brackets.
 ✓ Meets CEMA D specifications / Dimensions subject to change without notice. Certified prints available

RUBBER CUSHION IMPACT TROUGHING IDLERS – 4" DIAMETER

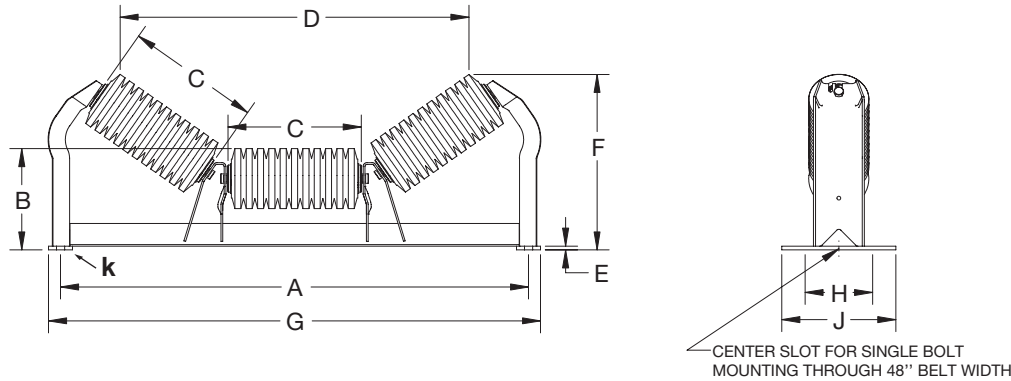


	PART NUMBER	BW*	A	B	C	D	E	F	G	H***	J	K	WT
20°	C4-20EI-18	18	27	7 13/16	7	22 3/16	3/16	10 5/16	29	6	8	1/2	36
	C4-20EI-24	24	33	7 15/16	9	27 15/16	5/16	11 1/16	35	6	9 1/2	5/8	44
	C4-20EI-30	30	39	7 15/16	11	33 11/16	5/16	11 13/16	41	6	9 1/2	5/8	54
	C4-20EI-36	36	45	7 15/16	13	39 7/16	5/16	12 1/2	47	6	9 1/2	5/8	69
	C4-20EI-42	42	51	8 5/16	15	45 3/16	5/16	13 9/16	53	7 1/2	9 1/2	5/8	86
	C4-20EI-48	48	57	8 5/16	17	51	5/16	14 1/4	59	7 1/2	9 1/2	5/8	95
	C4-20EI-54	54	63	8 3/8	19	56 7/16	3/8	15 1/4	65 1/2	9	11	5/8	108
	C4-20EI-60	60	69	8 3/8	21	62 3/16	3/8	15 15/16	71 1/2	9	11	5/8	117
35°	C4-35EI-18	18	27	7 13/16	7	20 1/16	3/16	12	29	6	8	1/2	38
	C4-35EI-24	24	33	7 15/16	9	25 5/16	5/16	13 5/16	35	6	9 1/2	5/8	46
	C4-35EI-30	30	39	7 15/16	11	30 9/16	5/16	14 7/16	41	6	9 1/2	5/8	56
	C4-35EI-36	36	45	7 15/16	13	35 7/8	5/16	15 5/8	47	6	9 1/2	5/8	72
	C4-35EI-42	42	51	8 5/16	15	41 1/8	5/16	17 1/8	53	7 1/2	9 1/2	5/8	89
	C4-35EI-48	48	57	8 5/16	17	46 3/8	5/16	18 5/16	59	7 1/2	9 1/2	5/8	98
	C4-35EI-54	54	63	8 3/8	19	51 5/16	3/8	19 11/16	65 1/2	9	11	5/8	112
	C4-35EI-60	60	69	8 3/8	21	56 9/16	3/8	20 7/8	71 1/2	9	11	5/8	127
45°	C4-45EI-18	18	27	7 13/16	7	18 3/4	3/16	13 1/8	29	6	8	1/2	39
	C4-45EI-24	24	33	7 15/16	9	23 9/16	5/16	14 5/8	35	6	9 1/2	5/8	48
	C4-45EI-30	30	39	7 15/16	11	28 7/16	5/16	16 1/16	41	6	9 1/2	5/8	58
	C4-45EI-36	36	45	7 15/16	13	33 1/4	5/16	17 1/2	47	6	9 1/2	5/8	74
	C4-45EI-42	42	51	8 5/16	15	38 1/16	5/16	19 5/16	53	7 1/2	9 1/2	5/8	91
	C4-45EI-48	48	57	8 5/16	17	42 15/16	5/16	20 11/16	59	7 1/2	9 1/2	5/8	100
	C4-45EI-54	54	63	8 3/8	19	47 3/8	3/8	22 5/16	65 1/2	9	11	5/8	115
	C4-45EI-60	60	69	8 3/8	21	52 3/16	3/8	23 3/4	71 1/2	9	11	5/8	124

* Belt Width (Reinforcing on 36" BW - 60" BW Impact Frame).

Note: Dimensions are subject to change without notice. Certified prints available for construction.

RUBBER CUSHION IMPACT TROUGHING IDLERS – 5" DIAMETER

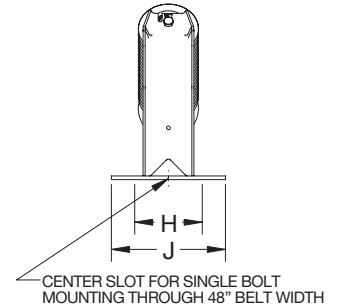
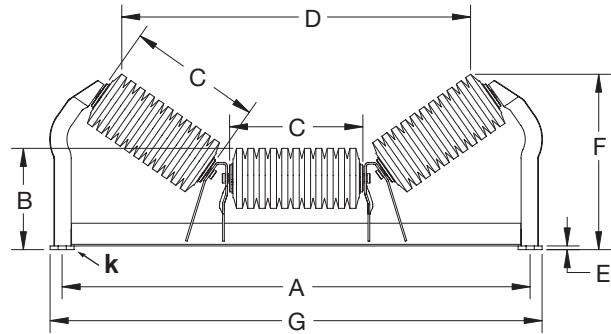


	PART NUMBER	BW*	A	B	C	D	E	F	G	H***	J	K	WT
20°	C5-20EI-18	18	27	8 5/16	7 1/16	20 7/8	3/16	10 5/8	29	6	8	1/2	40
	C5-20EI-24	24	33	8 7/16	9 11/16	26 5/8	5/16	11 7/16	35	6	9 1/2	5/8	50
	C5-20EI-30	30	39	8 7/16	11 1/16	32 5/16	5/16	12 3/16	41	6	9 1/2	5/8	61
	C5-20EI-36	36	45	8 7/16	13 1/16	38 1/16	5/16	12 7/8	47	6	9 1/2	5/8	77
	C5-20EI-42	42	51	8 13/16	15 1/16	43 13/16	5/16	13 15/16	53	7 1/2	9 1/2	5/8	95
	C5-20EI-48	48	57	8 13/16	17 1/16	49 9/16	5/16	14 5/8	59	7 1/2	9 1/2	5/8	105
	C5-20EI-54	54	63	8 7/8	19 1/16	56 3/16	3/8	15 3/4	65 1/2	9	11	5/8	124
	C5-20EI-60	60	69	8 7/8	21 1/16	61 15/16	3/8	16 7/16	71 1/2	9	11	5/8	136
35°	C5-35EI-18	18	27	8 5/16	7 1/16	18 9/16	3/16	12 3/16	29	6	8	1/2	42
	C5-35EI-24	24	33	8 7/16	9 1/16	23 13/16	5/16	13 7/16	35	6	9 1/2	5/8	52
	C5-35EI-30	30	39	8 7/16	11 1/16	29 1/16	5/16	14 5/8	41	6	9 1/2	5/8	63
	C5-35EI-36	36	45	8 7/16	13 1/16	34 3/8	5/16	15 3/4	47	6	9 1/2	5/8	79
	C5-35EI-42	42	51	8 13/16	15 1/16	39 5/8	5/16	17 5/16	53	7 1/2	9 1/2	5/8	100
	C5-35EI-48	48	57	8 13/16	17 1/16	44 7/8	5/16	18 7/16	59	7 1/2	9 1/2	5/8	110
	C5-35EI-54	54	63	8 13/16	19 1/16	50 13/16	3/8	20 1/8	65 1/2	9	11	5/8	128
	C5-35EI-60	60	69	8 13/16	21 1/16	56 1/8	3/8	21 1/4	71 1/2	9	11	5/8	140
45°	C5-45EI-18	18	27	8 5/16	7 1/16	17 1/4	3/16	13 1/8	29	6	8	1/2	43
	C5-45EI-24	24	33	8 7/16	9 1/16	22 1/16	5/16	14 11/16	35	6	9 1/2	5/8	53
	C5-45EI-30	30	39	8 7/16	11 1/16	26 7/8	5/16	16 1/8	41	6	9 1/2	5/8	65
	C5-45EI-36	36	45	8 7/16	13 1/16	31 11/16	5/16	17 1/2	47	6	9 1/2	5/8	81
	C5-45EI-42	42	51	8 13/16	15 1/16	36 1/2	5/16	19 5/16	53	7 1/2	9 1/2	5/8	102
	C5-45EI-48	48	57	8 13/16	17 1/16	41 5/16	5/16	20 3/4	59	7 1/2	9 1/2	5/8	112
	C5-45EI-54	54	63	8 7/8	19 1/16	46 3/4	3/8	22 11/16	65 1/2	9	11	5/8	128
	C5-45EI-60	60	69	9	21 1/16	51 9/16	3/8	24 1/16	71 1/2	9	11	5/8	143

* Belt Width (Reinforcing on 36" BW - 60" BW Impact Frame).

Note: Dimensions are subject to change without notice. Certified prints available for construction.

RUBBER CUSHION IMPACT TROUGHING IDLERS – 6" DIAMETER



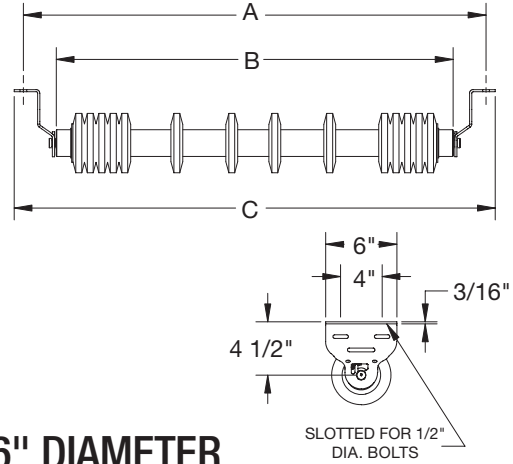
	PART NUMBER	BW*	A	B	C	D	E	F	G	H***	J	K	WT
20°	C6-20EI-18	18	27	8 13/16	7 1/16	20 1/2	3/16	11 1/8	29	6	8	1/2	46
	C6-20EI-24	24	33	8 15/16	9 1/16	26 1/4	5/16	11 15/16	35	6	9 1/2	5/8	57
	C6-20EI-30	30	39	8 15/16	11 1/16	31 15/16	5/16	12 5/8	41	6	9 1/2	5/8	71
	C6-20EI-36	36	45	8 15/16	13 1/16	37 3/4	5/16	13 5/16	47	6	9 1/2	5/8	88
	C6-20EI-42	42	51	9 5/16	15 1/16	43 7/16	5/16	14 3/8	53	7 1/2	9 1/2	5/8	108
	C6-20EI-48	48	57	9 5/16	17 1/16	49 3/16	5/16	15 1/16	59	7 1/2	9 1/2	5/8	119
	C6-20EI-54	54	63	9 3/8	19	55 13/16	3/8	16 1/4	65 1/2	9	11	5/8	141
	C6-20EI-60	60	69	9 3/8	21	61 9/16	3/8	16 15/16	71 1/2	9	11	5/8	155
35°	C6-35EI-18	18	27	8 13/16	7 1/16	18	1/4	12 5/8	29	6	8	1/2	48
	C6-35EI-24	24	33	8 15/16	9 1/16	23 1/4	5/16	13	35	6	9 1/2	5/8	59
	C6-35EI-30	30	39	8 15/16	11 1/16	28 1/2	5/16	15 1/16	41	6	9 1/2	5/8	73
	C6-35EI-36	36	45	8 15/16	13 1/16	33 11/16	5/16	16 3/16	47	6	9 1/2	5/8	90
	C6-35EI-42	42	51	9 5/16	15 1/16	39	5/16	17 11/16	53	7 1/2	9 1/2	5/8	112
	C6-35EI-48	48	57	9 5/16	17 1/16	44 5/16	5/16	18 7/8	59	7 1/2	9 1/2	5/8	124
	C6-35EI-54	54	63	9 3/8	19	50 1/4	3/8	20 1/2	65 1/2	9	11	5/8	142
	C6-35EI-60	60	69	9 3/8	21	55 1/2	3/8	21 11/16	71 1/2	9	11	5/8	144
45°	C6-45EI-18	18	27	8 15/16	7	17 7/16	3/16	13 3/4	29	6	8	1/2	49
	C6-45EI-24	24	33	8 15/16	9	22 1/4	5/16	15 5/16	35	6	9 1/2	5/8	61
	C6-45EI-30	30	39	8 15/16	11	27 1/8	5/16	16 3/4	41	6	9 1/2	5/8	74
	C6-45EI-36	36	45	8 15/16	13	31 15/16	5/16	18 3/16	47	6	9 1/2	5/8	92
	C6-45EI-42	42	51	9 5/16	15	36 3/4	5/16	19 15/16	53	7 1/2	9 1/2	5/8	115
	C6-45EI-48	48	57	9 5/16	17	41 5/8	5/16	21 3/8	59	7 1/2	9 1/2	5/8	127
	C6-45EI-54	54	63	9 3/8	19	46 1/16	3/8	23	65 1/2	9	11	5/8	147
	C6-45EI-60	60	69	9 3/8	21	50 7/8	3/8	24 7/16	71 1/2	9	11	5/8	162

* Belt Width (Reinforcing on 36" BW - 60" BW Impact Frame).

Note: Dimensions are subject to change without notice. Certified prints available for construction.

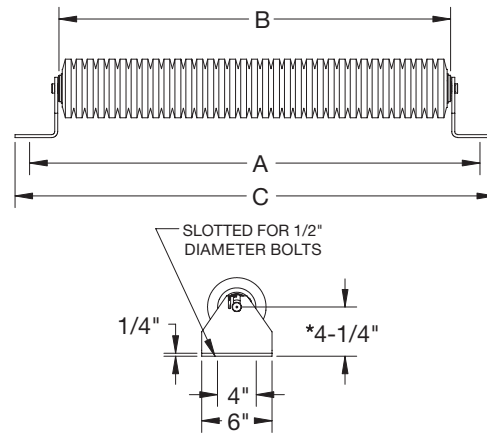
RUBBER CUSHION RETURN IDLERS – 4", 5", & 6" DIAMETER

4" PART NUMBER	5" PART NUMBER	6" PART NUMBER	BW*	A	B	C	WT**		
							4"	5"	6"
C4-RETI-18	C5-RETI-18	C6-RETI-18	18	27	21 3/8	28 7/16	21	23	27
C4-RETI-20	C5-RETI-20	C6-RETI-20	20	29	23 3/8	30 7/16	22	25	29
C4-RETI-24	C5-RETI-24	C6-RETI-24	24	33	27 3/8	34 7/16	25	28	33
C4-RETI-30	C5-RETI-30	C6-RETI-30	30	39	33 3/8	40 7/16	29	33	37
C4-RETI-36	C5-RETI-36	C6-RETI-36	36	45	39 3/8	46 7/16	34	38	43
C4-RETI-42	C5-RETI-42	C6-RETI-42	42	51	45 3/8	52 7/16	38	42	47
C4-RETI-48	C5-RETI-48	C6-RETI-48	48	57	51 3/8	58 7/16	42	46	51
C4-RETI-54✓	C5-RETI-54✓	C6-RETI-54✓	54	63	57 3/8	64 7/16	50	54	60
C5-RETI-60✓	C5-RETI-60✓	C6-RETI-60✓	60	69	63 3/8	70 7/16	56	60	66

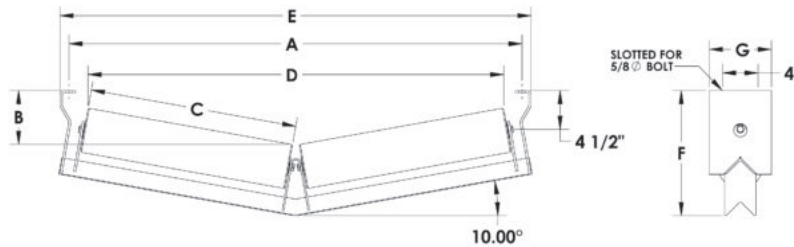


RUBBER CUSHION FLAT IDLERS – 4", 5", & 6" DIAMETER

4" PART NUMBER	5" PART NUMBER	6" PART NUMBER	BW*	A	B	C	WT**		
							4"	5"	6"
C4-FLT-18	C5-FLT-18	C6-FLT-18	18	27	21 3/8	28 15/16	20	25	33
C4-FLT-20	C5-FLT-20	C6-FLT-20	20	29	23 3/8	30 15/16	21	27	34
C4-FLT-24	C5-FLT-24	C6-FLT-24	24	33	27 3/8	34 15/16	23	30	39
C4-FLT-30	C5-FLT-30	C6-FLT-30	30	39	33 3/8	40 15/16	27	35	46
C4-FLT-36	C5-FLT-36	C6-FLT-36	36	45	39 3/8	46 15/16	30	39	53
C4-FLT-42	C5-FLT-42	C6-FLT-42	42	51	45 3/8	52 15/16	33	44	59
C4-FLT-48	C5-FLT-48	C6-FLT-48	48	57	51 3/8	58 15/16	37	49	66
C4-FLT-54✓	C5-FLT-54✓	C6-FLT-54✓	54	63	57 3/8	64 15/16	44	58	77
C4-FLT-60✓	C5-FLT-60✓	C6-FLT-60✓	60	69	63 3/8	70 15/16	48	63	84



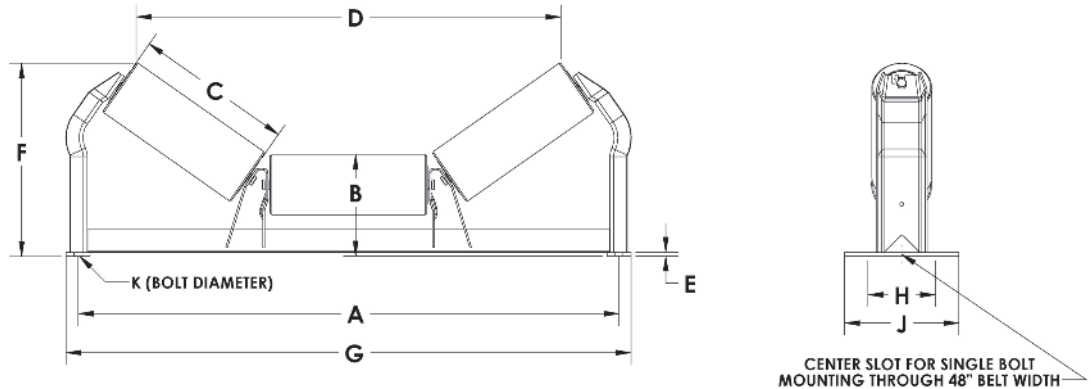
V-RETURN IDLER – 4", 5", & 6" DIAMETER



PART NUMBER	PART NUMBER	PART NUMBER	BW*	A	B			C	D			E	F	G	WT		
					4"	5"	6"		4"	5"	6"				4"	5"	6"
C4-10RETV-24	C5-10RETV-24	C6-10RETV-24	24	33	4 15/16	4 7/16	3 15/16	14 3/8	28 15/16	28 13/16	28 5/8	35 1/8	12 3/8	7	42	49	58
C4-10RETV-30	C5-10RETV-30	C6-10RETV-30	30	39	5 1/2	5	4 1/2	17	34 1/4	34 1/16	33 7/8	41 1/8	12 7/8	7	46	55	67
C4-10RETV-36	C5-10RETV-36	C6-10RETV-36	36	45	6	5 1/2	5	20 1/2	41	40 7/8	40 11/16	47 1/8	13 3/8	7	52	62	74
C4-10RETV-42	C5-10RETV-42	C6-10RETV-42	42	51	6 9/16	6 1/16	5 9/16	23 3/8	46 11/16	46 1/2	46 5/16	53 1/8	14	7	57	68	82
C4-10RETV-48	C5-10RETV-48	C6-10RETV-48	48	57	7 1/16	6 9/16	6 1/16	26 1/2	52 15/16	52 3/4	52 9/16	59 1/8	14 1/2	7	61	74	90
C4-10RETV-54	C5-10RETV-54	C6-10RETV-54	54	63	7 9/16	7 1/8	6 5/8	29 1/4	58 1/4	58 1/8	57 15/16	65 1/8	15 3/8	7	82	97	114
C4-10RETV-60	C5-10RETV-60	C6-10RETV-60	60	69	8 1/8	7 5/8	7 1/8	32 1/2	64 3/4	64 5/8	64 3/8	71 1/8	15 7/8	7	89	105	127

* Belt Width / ** All weights include brackets / ✓ Meets CEMA D specifications.
 Dimensions are subject to change without notice. Certified prints available for construction.

TROUGHING IDLERS (EQUAL LENGTH ROLLERS) – 5" & 6" DIAMETER



	PART NUMBER**		BW*	A	B		C	D		E	F		G	H	J	K	WT	
	5"	6"			5"	6"		5"	6"		5"	6"					5"	6"
20°	D5-20E-24	D6-20E-24	24	33	8 1/2	9	9 1/16	27 11/16	27 5/16	5/16	11 11/16	12 1/8	35	6	9 1/2	5/8	54	64
	D5-20E-30	D6-20E-30	30	39	8 1/2	9	11 1/16	33 7/16	33 1/8	5/16	12 3/8	12 13/16	41	6	9 1/2	5/8	64	76
	D5-20E-36	D6-20E-36	36	45	8 1/2	9	13 1/16	39 3/16	38 7/8	5/16	13 1/16	13 1/2	47	6	9 1/2	5/8	72	86
	D5-20E-42	D6-20E-42	42	51	8 7/8	9 3/8	15 1/16	44 15/16	44 5/8	5/16	14 1/8	14 5/8	53	7 1/2	9 1/2	5/8	88	104
	D5-20E-48	D6-20E-48	48	57	9 1/4	9 3/4	17 1/16	51	50 11/16	5/16	14 7/8	15 5/16	59	7 1/2	9 1/2	5/8	101	119
	D5-20E-54	D6-20E-54	54	63	9 5/16	9 13/16	19 1/16	56 1/2	56 1/8	3/8	15 15/16	16 3/8	65 1/2	9	11	5/8	113	133
	D5-20E-60	D6-20E-60	60	69	9 5/16	9 13/16	21 1/16	62 1/4	61 7/8	3/8	16 5/8	17 1/16	71 1/2	9	11	5/8	122	144
	D5-20E-72	D6-20E-72	72	81	9 5/16	9 13/16	25 1/16	73 3/4	73 3/8	3/8	18	18 7/16	83 1/2	9	11	5/8	141	167
35°	D5-35E-24	D6-35E-24	24	33	8 1/2	9	9 1/16	24 3/4	24 3/16	5/16	13 3/4	14 3/16	35	6	9 1/2	5/8	54	66
	D5-35E-30	D6-35E-30	30	39	8 1/2	9	11 1/16	30	29 7/16	5/16	14 15/16	15 3/8	41	6	9 1/2	5/8	66	79
	D5-35E-36	D6-35E-36	36	45	8 1/2	9	13 1/16	35 5/16	34 3/4	5/16	16 1/8	16 1/2	47	6	9 1/2	5/8	74	89
	D5-35E-42	D6-35E-42	42	51	8 7/8	9 3/8	15 1/16	40 9/16	40	5/16	17 5/8	18 1/16	53	7 1/2	9 1/2	5/8	91	107
	D5-35E-48	D6-35E-48	48	57	9 1/4	9 3/4	17 1/16	46 1/4	45 11/16	5/16	18 15/16	19 5/16	59	7 1/2	9 1/2	5/8	104	123
	D5-35E-54	D6-35E-54	54	63	9 5/16	9 13/16	19 1/16	51 1/8	50 9/16	3/8	20 3/8	20 3/4	65 1/2	9	11	5/8	117	137
	D5-35E-60	D6-35E-60	60	69	9 5/16	9 13/16	21 1/16	56 7/16	55 13/16	3/8	21 1/2	21 7/8	71 1/2	9	11	5/8	126	148
	D5-35E-72	D6-35E-72	72	81	9 5/16	9 13/16	25 1/16	66 15/16	66 3/8	3/8	23 13/16	24 3/16	83 1/2	9	11	5/8	145	171
45°	D5-45E-24	D6-45E-24	24	33	8 1/2	9	9 1/16	22 13/16	22 1/8	5/16	15 1/16	15 3/8	35	6	9 1/2	5/8	57	68
	D5-45E-30	D6-45E-30	30	39	8 1/2	9	11 1/16	27 11/16	27	5/16	16 1/2	16 13/16	41	6	9 1/2	5/8	68	80
	D5-45E-36	D6-45E-36	36	45	8 1/2	9	13 1/16	32 1/2	31 13/16	5/16	17 15/16	18 1/4	47	6	9 1/2	5/8	76	90
	D5-45E-42	D6-45E-42	42	51	8 7/8	9 3/8	15 1/16	37 3/8	36 11/16	5/16	19 11/16	20 1/16	53	7 1/2	9 1/2	5/8	93	109
	D5-45E-48	D6-45E-48	48	57	9 1/4	9 3/4	17 1/16	42 9/16	41 7/8	5/16	21 5/16	21 5/8	59	7 1/2	9 1/2	5/8	107	125
	D5-45E-54	D6-45E-54	54	63	9 5/16	9 13/16	19 1/16	47	46 5/16	3/8	22 15/16	23 5/16	65 1/2	9	11	5/8	119	140
	D5-45E-60	D6-45E-60	60	69	9 5/16	9 13/16	21 1/16	51 7/8	51 3/16	3/8	24 3/8	24 11/16	71 1/2	9	11	5/8	129	151
	D5-45E-72	D6-45E-72	72	81	9 5/16	9 13/16	25 1/16	61 1/2	60 13/16	3/8	27 3/16	27 9/16	83 1/2	9	11	5/8	149	175

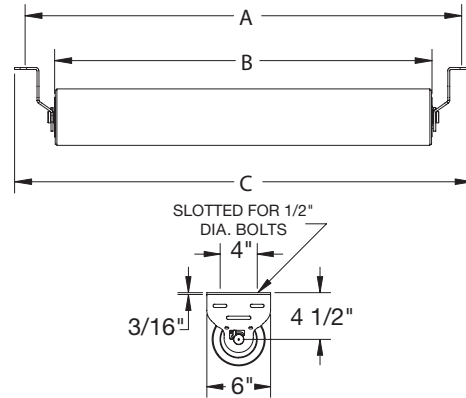
* Belt Width

**Add MOX to the end of the part number to replace steel cans with Moxie® rolls

Note: Dimensions are subject to change without notice. Certified prints available for construction.

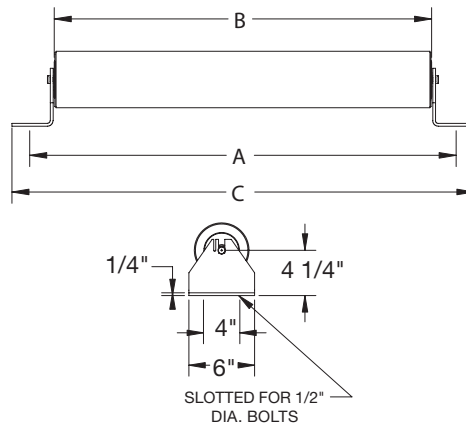
RETURN IDLERS – 5" & 6" DIAMETER

5" PART NUMBER	6" PART NUMBER	BW*	A	B	C	WT***	
						5"	6"
D5-RET-24**	D6-RET-24	24	33	27 3/8	34 7/16	31	40
D5-RET-30**	D6-RET-30	30	39	33 3/8	40 7/16	36	47
D5-RET-36**	D6-RET-36	36	45	39 3/8	46 7/16	41	54
D5-RET-42**	D6-RET-42	42	51	45 3/8	52 7/16	46	62
D5-RET-48**	D6-RET-48	48	57	51 3/8	58 7/16	51	69
D5-RET-54**	D6-RET-54	54	63	57 3/8	64 7/16	57	76
D5-RET-60**	D6-RET-60	60	69	63 3/8	70 1/16	62	83
D5-RET-72**	D6-RET-72	72	81	75 3/8	82 7/16	72	97

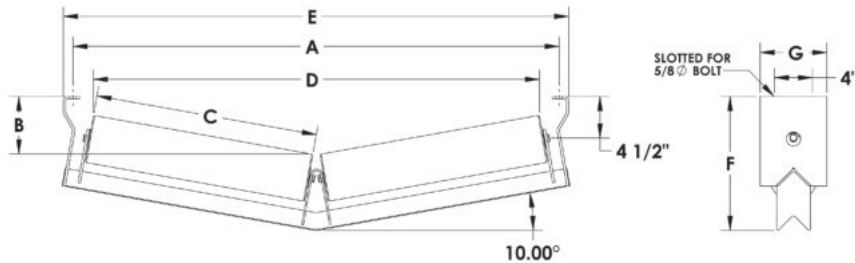


FLAT IDLERS – 5" & 6" DIAMETER

5" PART NUMBER	6" PART NUMBER	BW*	A	B	C	WT***	
						5"	6"
D5-FLT-24**	D6-FLT-24	24	33	27 3/8	34 15/16	33	43
D5-FLT-30**	D6-FLT-30	30	39	33 3/8	40 15/16	39	50
D5-FLT-36**	D6-FLT-36	36	45	39 3/8	46 15/16	44	57
D5-FLT-42**	D6-FLT-42	42	51	45 3/8	52 15/16	48	64
D5-FLT-48**	D6-FLT-48	48	57	51 3/8	58 15/16	54	71
D5-FLT-54**	D6-FLT-54	54	63	57 3/8	64 15/16	59	78
D5-FLT-60**	D6-FLT-60	60	69	63 3/8	70 15/16	64	85
D5-FLT-72**	D6-FLT-72	72	81	75 3/8	82 15/16	75	100



V-RETURN IDLER – 5" & 6" DIAMETER

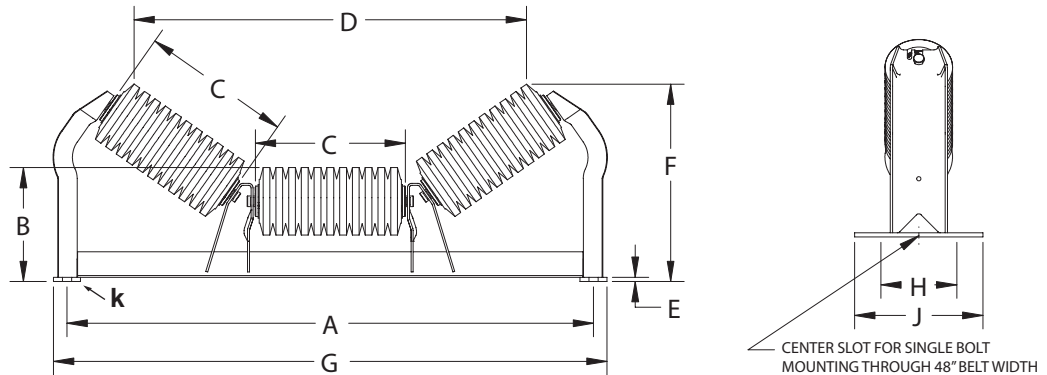


5" PART NUMBER	6" PART NUMBER	BW*	A	B		C	D		E	F	G	WT***	
				5"	6"		5"	6"				5"	6"
D5-10RETV-24	D6-10RETV-24	24	33	4 3/8	3 7/8	14 3/8	29	28 9/16	35 1/8	12 3/8	9 1/2	58	68
D5-10RETV-30	D6-10RETV-30	30	39	4 7/8	4 3/8	17	34 5/16	33 7/8	41 1/8	12 7/8	9 1/2	64	76
D5-10RETV-36	D6-10RETV-36	36	45	5 7/16	4 15/16	20 1/2	41 1/16	40 5/8	47 1/8	13 3/8	9 1/2	71	86
D5-10RETV-42	D6-10RETV-42	42	51	5 15/16	5 7/16	23 3/8	46 11/16	46 1/4	53 1/8	14	9 1/2	78	92
D5-10RETV-48	D6-10RETV-48	48	57	6 7/16	6	26 1/2	53	52 9/16	59 1/8	14 1/2	9 1/2	85	101
D5-10RETV-54	D6-10RETV-54	54	63	7	6 1/2	29 1/4	58 5/16	57 7/8	65 1/8	15 3/8	9 1/2	107	128
D5-10RETV-60	D6-10RETV-60	60	69	7 1/2	7 1/16	32 1/2	64 13/16	64 3/8	71 1/8	15 7/8	9 1/2	116	136
D5-10RETV-66	D6-10RETV-66	66	75	8 1/16	7 9/16	35 3/4	71 1/8	70 11/16	77 1/8	16 3/8	9 1/2	125	149
D5-10RETV-72	D6-10RETV-72	72	81	8 9/16	8 1/16	38	75 5/8	75 3/16	83 1/8	17	9 1/2	132	154

* Belt Width / **Add MOX to the end of the part number to replace steel cans with Moxie[®] rolls

*** All weights include brackets.

RUBBER CUSHION IMPACT TROUGHING IDLER – 5" & 6" DIAMETER

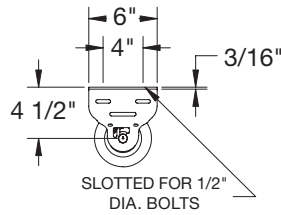
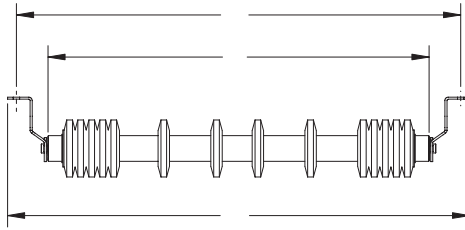


	PART NUMBER		BW*	A	B		C	D		E	F		G	H***	J	K	WT	
	5"	6"			5"	6"		5"	6"		5"	6"					5"	6"
20°	D5-20EI-24	D6-20EI-24	24	33	8 1/2	9	9 1/16	27 11/16	27 5/16	5/16	11 11/16	12 1/8	35	6	9 1/2	5/8	61	68
	D5-20EI-30	D6-20EI-30	30	39	8 1/2	9	11 1/16	33 7/16	33 1/8	5/16	12 3/8	12 13/16	41	6	9 1/2	5/8	74	82
	D5-20EI-36	D6-20EI-36	36	45	8 1/2	9	13 1/16	39 3/16	38 7/8	5/16	13 1/16	13 1/2	47	6	9 1/2	5/8	92	94
	D5-20EI-42	D6-20EI-42	42	51	8 7/8	9 3/8	15 1/16	44 15/16	44 5/8	5/16	14 1/8	14 5/8	53	7 1/2	9 1/2	5/8	112	123
	D5-20EI-48	D6-20EI-48	48	57	9 1/4	9 3/4	17 1/16	51	50 11/16	5/16	14 7/8	15 5/16	59	7 1/2	9 1/2	5/8	129	141
	D5-20EI-54	D6-20EI-54	54	63	9 5/16	9 13/16	19 1/16	56 1/2	56 1/8	3/8	15 15/16	16 3/8	65 1/2	9	11	5/8	145	159
	D5-20EI-60	D6-20EI-60	60	69	9 5/16	9 13/16	21 1/16	62 1/4	61 7/8	3/8	16 5/8	17 1/16	71 1/2	9	11	5/8	159	175
	D5-20EI-72	D6-20EI-72	72	81	9 5/16	9 13/16	25 1/16	72 1/2	72 1/8	3/8	18 5/16	16 15/16	83 1/2	9	11	5/8	182	201
35°	D5-35EI-24	D6-35EI-24	24	33	8 1/2	9	9 1/16	24 3/4	24 3/16	5/16	13 3/4	14 3/16	35	6	9 1/2	5/8	63	70
	D5-35EI-30	D6-35EI-30	30	39	8 1/2	9	11 1/16	30	29 7/16	5/16	14 15/16	15 3/8	41	6	9 1/2	5/8	76	85
	D5-35EI-36	D6-35EI-36	36	45	8 1/2	9	13 1/16	35 5/16	34 3/4	5/16	16 1/8	16 1/2	47	6	9 1/2	5/8	95	97
	D5-35EI-42	D6-35EI-42	42	51	8 7/8	9 3/8	15 1/16	40 9/16	40	5/16	17 5/8	18 1/16	53	7 1/2	9 1/2	5/8	116	127
	D5-35EI-48	D6-35EI-48	48	57	9 1/4	9 3/4	17 1/16	46 1/4	45 11/16	5/16	18 15/16	19 5/16	59	7 1/2	9 1/2	5/8	132	145
	D5-35EI-54	D6-35EI-54	54	63	9 5/16	9 13/16	19 1/16	51 1/8	50 9/16	3/8	20 3/8	20 3/4	65 1/2	9	11	5/8	149	163
	D5-35EI-60	D6-35EI-60	60	69	9 5/16	9 13/16	21 1/16	56 7/16	55 13/16	3/8	21 1/2	21 7/8	71 1/2	9	11	5/8	163	179
	D5-35EI-72	D6-35EI-72	72	81	9 5/16	9 13/16	25 1/16	66 15/16	66 3/8	3/8	23 13/16	24 3/16	83 1/2	9	11	5/8	188	207
45°	D5-45EI-24	D6-45EI-24	24	33	8 1/2	9	9 1/16	22 13/16	22 1/8	5/16	15 1/16	15 3/8	35	6	9 1/2	5/8	64	71
	D5-45EI-30	D6-45EI-30	30	39	8 1/2	9	11 1/16	27 11/16	27	5/16	16 1/2	16 13/16	41	6	9 1/2	5/8	78	86
	D5-45EI-36	D6-45EI-36	36	45	8 1/2	9	13 1/16	32 1/2	31 13/16	5/16	17 15/16	18 1/4	47	6	9 1/2	5/8	97	99
	D5-45EI-42	D6-45EI-42	42	51	8 7/8	9 3/8	15 1/16	37 3/8	36 11/16	5/16	19 11/16	20 1/16	53	7 1/2	9 1/2	5/8	118	129
	D5-45EI-48	D6-45EI-48	48	57	9 1/4	9 3/4	17 1/16	42 9/16	41 7/8	5/16	21 5/16	21 5/8	59	7 1/2	9 1/2	5/8	135	148
	D5-45EI-54	D6-45EI-54	54	63	9 5/16	9 13/16	19 1/16	47	46 5/16	3/8	22 15/16	23 5/16	65 1/2	9	11	5/8	152	166
	D5-45EI-60	D6-45EI-60	60	69	9 5/16	9 13/16	21 1/16	51 7/8	51 3/16	3/8	24 3/8	24 11/16	71 1/2	9	11	5/8	166	182
	D5-45EI-72	D6-45EI-72	72	81	9 5/16	9 13/16	25 1/16	61 1/2	60 13/16	3/8	27 3/16	27 9/16	83 1/2	9	11	5/8	191	210

* Belt Width (Reinforcing on 36" BW - 72" BW Impact Frame only).

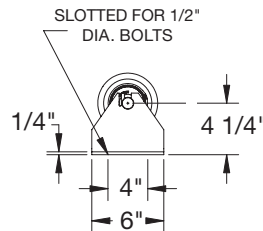
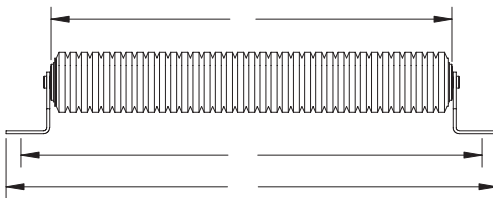
Note: Dimensions are subject to change without notice. Certified prints available for construction.

RUBBER CUSHION RETURN IDLERS – 5" & 6" DIAMETER



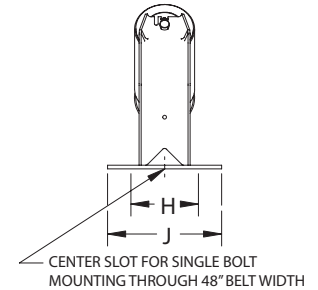
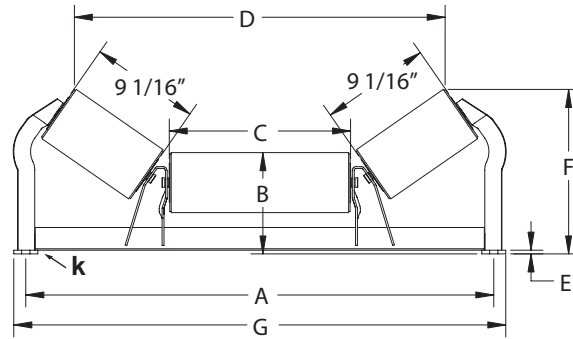
PART NUMBERS		BW*	A	B	C	WT**	
5"	6"					5"	6"
D5-RETI-24	D6-RETI-24	24	33	27 7/16	34 7/16	39	42
D5-RETI-30	D6-RETI-30	30	39	33 7/16	40 7/16	45	49
D5-RETI-36	D6-RETI-36	36	45	39 7/16	46 7/16	53	57
D5-RETI-42	D6-RETI-42	42	51	45 7/16	52 7/16	59	63
D5-RETI-48	D6-RETI-48	48	57	51 7/16	58 7/16	66	70
D5-RETI-54	D6-RETI-54	54	63	57 7/16	64 7/16	72	77
D5-RETI-60	D6-RETI-60	60	69	63 7/16	70 7/16	80	85
D5-RETI-72	D6-RETI-72	72	81	75 7/16	82 7/16	93	99

RUBBER CUSHION FLAT IDLERS – 5" & 6" DIAMETER



PART NUMBERS		BW*	A	B	C	WT**	
5"	6"					5"	6"
D5-FLTI-24	D6-FLTI-24	24	33	27 3/8	34 15/16	45	52
D5-FLTI-30	D6-FLTI-30	30	39	33 3/8	40 15/16	53	62
D5-FLTI-36	D6-FLTI-36	36	45	39 3/8	46 15/16	61	72
D5-FLTI-42	D6-FLTI-42	42	51	45 3/8	52 15/16	69	81
D5-FLTI-48	D6-FLTI-48	48	57	51 3/8	58 15/16	78	92
D5-FLTI-54	D6-FLTI-54	54	63	57 3/8	64 15/16	86	101
D5-FLTI-60	D6-FLTI-60	60	69	63 3/8	70 15/16	94	111
D5-FLTI-72	D6-FLTI-72	72	81	75 3/8	82 15/16	111	131

TROUGHING IDLERS (UNEQUAL LENGTH ROLLERS) – 5" & 6" DIAMETER



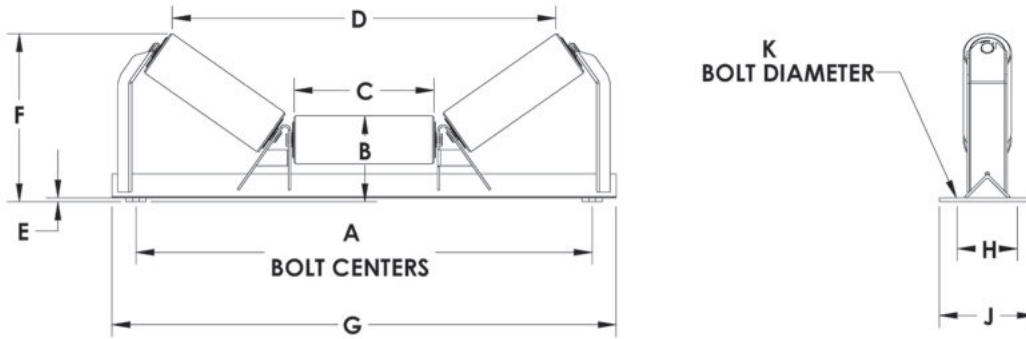
	35° PART NUMBER	45° PART NUMBER	BW*	A	B	C		D		E	F		G	H***	J	K	WT	
						35°	45°	35°	45°		35°	45°					35°	45°
5"	D5-35U-30	D5-45U-30	30	39	8 9/16	15 1/16	15 1/16	30 3/4	28 7/8	5/16	13 3/4	15 1/16	41	6	9 1/2	5/8	65	66
	D5-35U-36	D5-45U-36	36	45	8 9/16	21 1/16	21 1/16	36 3/4	35 7/8	5/16	13 3/4	15 1/16	47	6	9 1/2	5/8	72	73
	D5-35U-42	D5-45U-42	42	51	8 15/16	26 9/16	26 5/16	42 7/8	41	5/16	13 3/4	15 1/8	53	6	9 1/2	5/8	87	88
	D5-35U-48	D5-45U-48	48	57	8 15/16	32 9/16	32 5/16	48 7/8	47	5/16	13 13/16	15 1/8	59	6	9 1/2	5/8	95	96
	D5-35U-54	D5-45U-54	54	63	9 5/16	38 1/16	37 5/8	55	53 1/8	3/8	13 15/16	15 5/16	65	9	11	5/8	111	112
	D5-35U-60	D5-45U-60	60	69	9 5/16	44 1/16	43 5/8	61	59 1/8	3/8	13 15/16	15 5/16	71 1/2	9	11	5/8	120	121
	D5-35U-72	D5-45U-72	72	81	9 5/16	56 1/16	55 5/8	73	71 1/8	3/8	13 15/16	15 5/16	83 1/2	9	11	5/8	137	138
6"	D6-35U-30	D6-45U-30	30	39	9 1/16	15	15	30 3/16	28 3/16	5/16	14 1/8	15 3/8	41	6	9 1/2	5/8	77	79
	D6-35U-36	D6-45U-36	36	45	9 1/16	21	21	36 3/16	34 3/16	5/16	14 1/8	15 3/8	47	6	9 1/2	5/8	86	88
	D6-35U-42	D6-45U-42	42	51	9 7/16	26 1/2	26 5/16	42 3/8	40 5/16	5/16	14 1/4	15 1/2	53	6	9 1/2	5/8	102	103
	D6-35U-48	D6-45U-48	48	57	9 7/16	32 1/2	32 5/16	48 3/8	46 5/16	5/16	14 1/4	15 1/2	59	6	9 1/2	5/8	112	113
	D6-35U-54	D6-45U-54	54	63	9 13/16	38	37 9/16	54 9/16	52 1/2	3/8	14 3/8	15 5/8	65	9	11	5/8	129	130
	D6-35U-60	D6-45U-60	60	69	9 13/16	44	43 9/16	60 9/16	58 1/2	3/8	14 3/8	15 5/8	71 1/2	9	11	5/8	140	141
	D5-35U-72	D5-45U-72	72	81	9 13/16	56	55 9/16	72 9/16	70 1/2	3/8	14 3/8	15 5/8	83 1/2	9	11	5/8	160	161

* Belt Width (Reinforcing on 36" BW - 72" BW Impact Frame only).

** Also available in rubber cushioned roller. Designated by (UI).

Note: Dimensions are subject to change without notice. Certified prints available for construction.

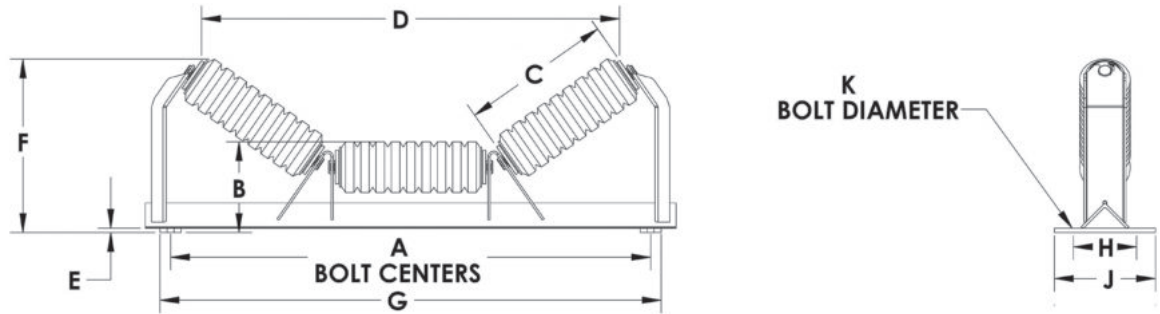
TROUGHING IDLER (EQUAL LENGTH ROLLERS) – 6" & 7" DIAMETER



	PART NUMBER		BW*	A	B		C	D		E	F		G	H	J	K	WT	
	6"	7"			6"	7"		6"	7"		6"	7"					6"	7"
20°	E6-20E-36	E7-20E-36	36	45	10 3/4	11 1/4	12 3/4	39 13/16	39 1/2	1/2	15 3/8	15 13/16	49	9 1/2	12	3/4	158	169
	E6-20E-42	E7-20E-42	42	51	10 3/4	11 1/4	14 3/4	45 9/16	45 1/4	1/2	16 1/16	16 1/2	55	9 1/2	12	3/4	175	187
	E6-20E-48	E7-20E-48	48	57	10 3/4	11 1/4	17 1/2	53 1/2	53 3/16	1/2	17	17 7/16	63	9 1/2	12	3/4	197	212
	E6-20E-54	E7-20E-54	54	63	10 3/4	11 1/4	19 1/2	59 1/4	58 15/16	1/2	17 11/16	18 1/8	68 1/2	9 1/2	12	3/4	213	229
	E6-20E-60	E7-20E-60	60	69	10 3/4	11 1/4	21 1/2	65 1/16	64 11/16	1/2	18 3/8	18 13/16	74 1/4	9 1/2	12	3/4	230	247
	E6-20E-72	E7-20E-72	72	81	11 1/2	12	25 1/2	76 9/16	76 3/16	1/2	20 7/16	20 15/16	86	9 1/2	12	3/4	264	284
	E6-20E-84	E7-20E-84	84	93	11 3/4	12 1/4	29 1/2	88 1/16	87 3/4	1/2	22 1/16	22 9/16	97 1/4	12	14	3/4	299	321
	E6-20E-96	E7-20E-96	96	105	11 3/4	12 1/4	33 1/2	99 9/16	99 1/4	1/2	23 7/16	23 15/16	109	12	14	3/4	332	357
35°	E6-35E-36	E7-35E-36	36	45	10 3/4	11 1/4	12 3/4	35 13/16	35 1/4	1/2	18 1/4	18 11/16	49	9 1/2	12	3/4	164	175
	E6-35E-42	E7-35E-42	42	51	10 3/4	11 1/4	14 3/4	41 1/16	40 1/2	1/2	19 7/16	19 13/16	55	9 1/2	12	3/4	181	193
	E6-35E-48	E7-35E-48	48	57	10 3/4	11 1/4	17 1/2	48 5/16	47 3/4	1/2	21	21 7/16	63	9 1/2	12	3/4	204	218
	E6-35E-54	E7-35E-54	54	63	10 3/4	11 1/4	19 1/2	53 7/8	53 5/16	1/2	22 1/4	22 5/8	68 1/2	9 1/2	12	3/4	222	238
	E6-35E-60	E7-35E-60	60	69	10 3/4	11 1/4	21 1/2	58 7/8	58 5/16	1/2	23 5/16	23 11/16	74 1/4	9 1/2	12	3/4	238	255
	E6-35E-72	E7-35E-72	72	81	11 1/2	12	25 1/2	69 7/16	68 7/8	1/2	26 3/8	26 3/4	86	9 1/2	12	3/4	273	293
	E6-35E-84	E7-35E-84	84	93	11 3/4	12 1/4	29 1/2	80	79 7/16	1/2	28 7/8	29 5/16	97 1/4	12	14	3/4	309	332
	E6-35E-96	E7-35E-96	96	105	11 3/4	12 1/4	33 1/2	90 9/16	89 15/16	1/2	31 3/16	31 9/16	109	12	14	3/4	343	368
45°	E6-45E-36	E7-45E-36	36	45	10 3/4	11 1/4	12 3/4	32 5/16	31 5/8	1/2	19 15/16	20 5/16	49	9 1/2	12	3/4	168	179
	E6-45E-42	E7-45E-42	42	51	10 3/4	11 1/4	14 3/4	37 1/8	36 7/16	1/2	21 3/8	21 11/16	55	9 1/2	12	3/4	186	198
	E6-45E-48	E7-45E-48	48	57	10 3/4	11 1/4	17 1/2	43 3/4	43 1/16	1/2	23 5/16	23 5/8	63	9 1/2	12	3/4	209	224
	E6-45E-54	E7-45E-54	54	63	10 3/4	11 1/4	19 1/2	48 5/8	47 15/16	1/2	24 11/16	26 1/16	68 1/2	9 1/2	12	3/4	227	242
	E6-45E-60	E7-45E-60	60	69	10 3/4	11 1/4	21 1/2	53 7/16	52 3/4	1/2	26 1/8	26 1/2	74 1/4	9 1/2	12	3/4	244	261
	E6-45E-72	E7-45E-72	72	81	11 1/2	12	25 1/2	63 1/16	62 3/8	1/2	29 11/16	30 1/16	86	9 1/2	12	3/4	281	300
	E6-45E-84	E7-45E-84	84	93	11 3/4	12 1/4	29 1/2	72 3/4	72 1/16	1/2	32 3/4	33 1/8	97 1/4	12	14	3/4	317	339
	E6-45E-96	E7-45E-96	96	105	11 3/4	12 1/4	33 1/2	82 7/16	81 3/4	1/2	35 9/16	35 15/16	109	12	14	3/4	352	377

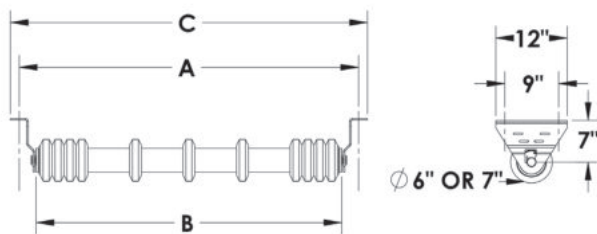
* Belt Width

RUBBER CUSHION IMPACT TROUGHING IDLERS – 6" & 7" DIAMETER



	PART NUMBER		BW*	A	B		C	D		E	F		G	H	J	K	WT	
	6"	7"			6"	7"		6"	7"		6"	7"					6"	7"
20°	E6-20EI-36	E7-20EI-36	36	45	10 3/4	11 1/4	12 3/4	39 13/16	39 1/2	1/2	15 3/8	15 13/16	49	9 1/2	12	3/4	148	159
	E6-20EI-42	E7-20EI-42	42	51	10 3/4	11 1/4	14 3/4	45 9/16	45 1/4	1/2	16 1/16	16 1/2	55	9 1/2	12	3/4	165	177
	E6-20EI-48	E7-20EI-48	48	57	10 3/4	11 1/4	17 1/2	53 1/2	53 3/16	1/2	17	17 7/16	63	9 1/2	12	3/4	189	205
	E6-20EI-54	E7-20EI-54	54	63	10 3/4	11 1/4	19 1/2	59 1/4	58 15/16	1/2	17 11/16	18 1/8	68 1/2	9 1/2	12	3/4	205	223
	E6-20EI-60	E7-20EI-60	60	69	10 3/4	11 1/4	21 1/2	65 1/16	64 11/16	1/2	18 3/8	18 13/16	74 1/4	9 1/2	12	3/4	221	242
	E6-20EI-72	E7-20EI-72	72	81	11 1/2	12	25 1/2	76 9/16	76 3/16	1/2	20 7/16	20 15/16	86	9 1/2	12	3/4	256	280
	E6-20EI-84	E7-20EI-84	84	93	11 3/4	12 1/4	29 1/2	88 1/16	87 3/4	1/2	22 1/16	22 9/16	97 1/4	12	14	3/4	291	319
	E6-20EI-96	E7-20EI-96	96	105	11 3/4	12 1/4	33 1/2	99 9/16	99 1/4	1/2	23 7/16	23 15/16	109	12	14	3/4	324	355
35°	E6-35EI-36	E7-35EI-36	36	45	10 3/4	11 1/4	12 3/4	35 13/16	35 1/4	1/2	18 1/4	18 11/16	49	9 1/2	12	3/4	153	165
	E6-35EI-42	E7-35EI-42	42	51	10 3/4	11 1/4	14 3/4	41 1/16	40 1/2	1/2	19 7/16	19 13/16	55	9 1/2	12	3/4	171	183
	E6-35EI-48	E7-35EI-48	48	57	10 3/4	11 1/4	17 1/2	48 5/16	47 3/4	1/2	21	21 7/16	63	9 1/2	12	3/4	196	212
	E6-35EI-54	E7-35EI-54	54	63	10 3/4	11 1/4	19 1/2	53 7/8	53 5/16	1/2	22 1/4	22 5/8	68 1/2	9 1/2	12	3/4	214	232
	E6-35EI-60	E7-35EI-60	60	69	10 3/4	11 1/4	21 1/2	58 7/8	58 5/16	1/2	23 5/16	23 11/16	74 1/4	9 1/2	12	3/4	229	250
	E6-35EI-72	E7-35EI-72	72	81	11 1/2	12	25 1/2	69 7/16	68 7/8	1/2	26 3/8	26 3/4	86	9 1/2	12	3/4	265	289
	E6-35EI-84	E7-35EI-84	84	93	11 3/4	12 1/4	29 1/2	80	79 7/16	1/2	28 7/8	29 5/16	97 1/4	12	14	3/4	301	329
	E6-35EI-96	E7-35EI-96	96	105	11 3/4	12 1/4	33 1/2	90 9/16	89 15/16	1/2	31 3/16	31 9/16	109	12	14	3/4	335	366
45°	E6-45EI-36	E7-45EI-36	36	45	10 3/4	11 1/4	12 3/4	32 5/16	31 5/8	1/2	19 15/16	20 5/16	49	9 1/2	12	3/4	158	169
	E6-45EI-42	E7-45EI-42	42	51	10 3/4	11 1/4	14 3/4	37 1/8	36 7/16	1/2	21 3/8	21 11/16	55	9 1/2	12	3/4	175	188
	E6-45EI-48	E7-45EI-48	48	57	10 3/4	11 1/4	17 1/2	43 3/4	43 1/16	1/2	23 5/16	23 5/8	63	9 1/2	12	3/4	201	218
	E6-45EI-54	E7-45EI-54	54	63	10 3/4	11 1/4	19 1/2	48 5/8	47 15/16	1/2	24 11/16	26 1/16	68 1/2	9 1/2	12	3/4	218	236
	E6-45EI-60	E7-45EI-60	60	69	10 3/4	11 1/4	21 1/2	53 7/16	52 3/4	1/2	26 1/8	26 1/2	74 1/4	9 1/2	12	3/4	235	256
	E6-45EI-72	E7-45EI-72	72	81	11 1/2	12	25 1/2	63 1/16	62 3/8	1/2	29 11/16	30 1/16	86	9 1/2	12	3/4	272	296
	E6-45EI-84	E7-45EI-84	84	93	11 3/4	12 1/4	29 1/2	72 3/4	72 1/16	1/2	32 3/4	33 1/8	97 1/4	12	14	3/4	309	337
	E6-45EI-96	E7-45EI-96	96	105	11 3/4	12 1/4	33 1/2	82 7/16	81 3/4	1/2	35 9/16	35 15/16	109	12	14	3/4	344	375

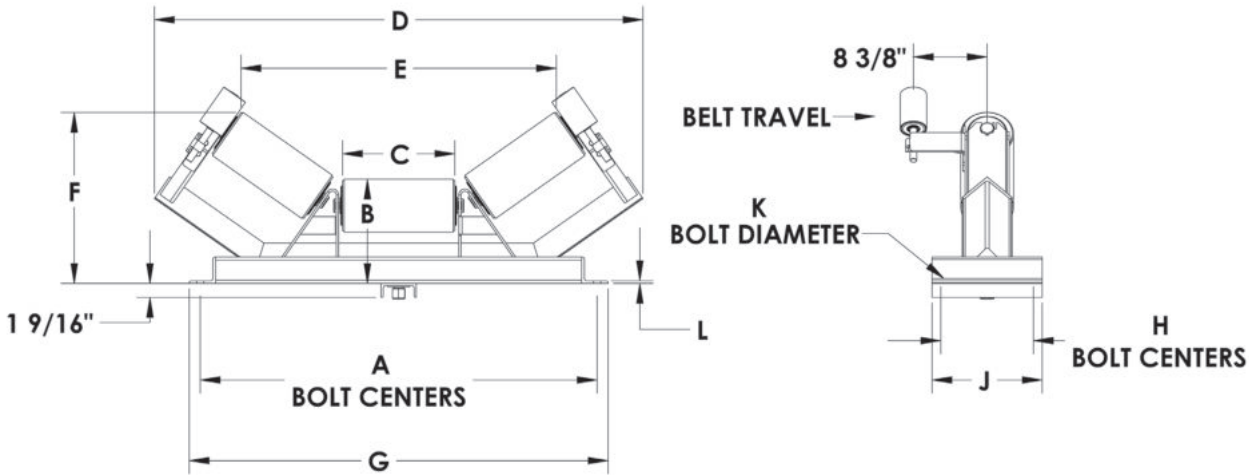
RUBBER CUSHION RETURN IDLERS – 6" & 7" DIAMETER



6" PART NUMBER	7" PART NUMBER	BW	A	B	C	WT*	
						6"	7"
E6-RETI-36	E7-RETI-36	36	45	39	48	87	93
E6-RETI-42	E7-RETI-42	42	51	45	54	97	104
E6-RETI-48	E7-RETI-48	48	57	51	60	108	115
E6-RETI-54	E7-RETI-54	54	63	57	66	117	124
E6-RETI-60	E7-RETI-60	60	69	63	72	127	135
E6-RETI-72	E7-RETI-72	72	81	75	84	147	155
E6-RETI-84	E7-RETI-84	84	93	87	96	169	179
E6-RETI-96	E7-RETI-96	96	105	99	108	187	197

* All weights include brackets.

SELF-ALIGNING TROUGHING IDLER – 6" & 7" DIAMETER

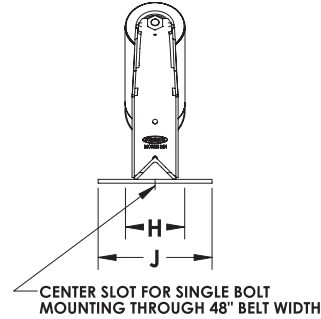
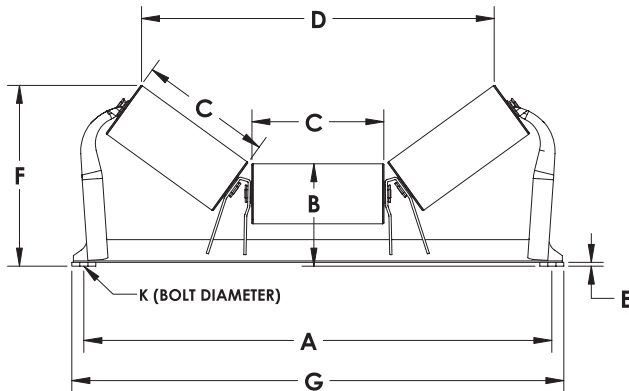


	PART NUMBER		BW*	A	B		C	D		E	F		G	H	J	K	L	WT	
	6"	7"			6"	7"		6"	7"		6"	7"						6"	7"
20°	E6-20EA-36	E7-20EA-36	36	45	11 13/16	12 5/16	12 3/4	39 13/16	39 1/2	53 1/16	16 3/8	16 13/16	47 1/2	9 1/2	12 1/2	3/4	1 9/16	243	255
	E6-20EA-42	E7-20EA-42	42	51	11 13/16	12 5/16	14 3/4	45 5/8	45 1/4	58 13/16	17 1/16	17 1/2	53 1/2	9 1/2	12 1/2	3/4	1 9/16	266	279
	E6-20EA-48	E7-20EA-48	48	57	11 13/16	12 5/16	17 1/2	53 1/2	53 3/16	66 3/4	18	18 7/16	59 1/2	9 1/2	12 1/2	3/4	1 9/16	295	310
	E6-20EA-54	E7-20EA-54	54	63	11 13/16	12 5/16	19 1/2	59 1/4	58 15/16	72 1/2	18 11/16	19 1/8	65 1/2	9 1/2	12 1/2	3/4	1 9/16	318	334
	E6-20EA-60	E7-20EA-60	60	69	11 13/16	12 5/16	21 1/2	65 1/16	64 11/16	78 1/4	19 3/8	19 13/16	71 1/2	9 1/2	12 1/2	3/4	1 9/16	342	358
	E6-20EA-72	E7-20EA-72	72	81	12 9/16	13 1/16	25 1/2	76 9/16	76 3/16	89 13/16	21 1/2	21 15/16	83 1/2	9 1/2	12 1/2	3/4	1 9/16	388	408
	E6-20EA-84	E7-20EA-84	84	93	12 13/16	13 5/16	29 1/2	88 1/16	87 3/4	101 5/16	23 1/8	23 9/16	95 1/2	12	15	3/4	1 9/16	464	486
	E6-20EA-96	E7-20EA-96	96	105	12 13/16	13 5/16	33 1/2	99 9/16	99 1/4	112 13/16	24 7/16	24 15/16	107 1/2	12	15	3/4	1 9/16	514	538
	35°	E6-35EA-36	E7-35EA-36	36	45	11 13/16	12 5/16	12 3/4	35 3/4	35 3/16	55 3/8	19 3/8	19 13/16	47 1/2	9 1/2	12 1/2	3/4	1 9/16	249
E6-35EA-42		E7-35EA-42	42	51	11 13/16	12 5/16	14 3/4	41	40 7/16	60 11/16	20 1/2	20 15/16	53 1/2	9 1/2	12 1/2	3/4	1 9/16	272	285
E6-35EA-48		E7-35EA-48	48	57	11 13/16	12 5/16	17 1/2	48 1/4	47 11/16	67 15/16	22 1/8	22 1/2	59 1/2	9 1/2	12 1/2	3/4	1 9/16	301	316
E6-35EA-54		E7-35EA-54	54	63	11 13/16	12 5/16	19 1/2	53 9/16	53	73 3/16	23 1/4	23 5/8	65 1/2	9 1/2	12 1/2	3/4	1 9/16	324	340
E6-35EA-60		E7-35EA-60	60	69	11 13/16	12 5/16	21 1/2	58 13/16	58 1/4	78 1/2	24 3/8	24 13/16	71 1/2	9 1/2	12 1/2	3/4	1 9/16	347	364
E6-35EA-72		E7-35EA-72	72	81	12 9/16	13 1/16	25 1/2	69 3/8	68 13/16	89	27 7/16	27 7/8	83 1/2	9 1/2	12 1/2	3/4	1 9/16	395	414
E6-35EA-84		E7-35EA-84	84	93	12 13/16	13 5/16	29 1/2	79 15/16	79 3/8	99 9/16	30	30 3/8	95 1/2	12	15	3/4	1 9/16	470	492
E6-35EA-96		E7-35EA-96	96	105	12 13/16	13 5/16	33 1/2	90 1/2	89 15/16	110 1/8	32 1/4	32 11/16	107 1/2	12	15	3/4	1 9/16	520	545
45°		E6-45EA-36	E7-45EA-36	36	45	11 13/16	12 5/16	12 3/4	32 1/4	31 1/2	57 7/16	21 1/16	21 3/8	47 1/2	9 1/2	12 1/2	3/4	1 9/16	256
	E6-45EA-42	E7-45EA-42	42	51	11 13/16	12 5/16	14 3/4	37 1/16	36 3/8	62 1/4	22 7/16	22 13/16	53 1/2	9 1/2	12 1/2	3/4	1 9/16	279	291
	E6-45EA-48	E7-45EA-48	48	57	11 13/16	12 5/16	17 1/2	43 11/16	43	68 15/16	24 3/8	24 3/4	59 1/2	9 1/2	12 1/2	3/4	1 9/16	308	322
	E6-45EA-54	E7-45EA-54	54	63	11 13/16	12 5/16	19 1/2	48 9/16	47 13/16	73 3/4	25 13/16	26 3/16	65 1/2	9 1/2	12 1/2	3/4	1 9/16	331	346
	E6-45EA-60	E7-45EA-60	60	69	11 13/16	12 5/16	21 1/2	53 3/8	52 11/16	78 9/16	27 1/4	27 9/16	71 1/2	9 1/2	12 1/2	3/4	1 9/16	354	370
	E6-45EA-72	E7-45EA-72	72	81	12 9/16	13 1/16	25 1/2	63	62 5/16	88 1/4	30 13/16	31 3/16	83 1/2	9 1/2	12 1/2	3/4	1 9/16	401	421
	E6-45EA-84	E7-45EA-84	84	93	12 13/16	13 5/16	29 1/2	72 11/16	72	97 7/8	33 7/8	34 1/4	95 1/2	12	15	3/4	1 9/16	477	499
	E6-45EA-96	E7-45EA-96	96	105	12 13/16	13 5/16	33 1/2	82 5/16	81 5/8	107 9/16	36 3/4	37 1/16	107 1/2	12	15	3/4	1 9/16	526	551



81 Series CEMA C Regreaseable Idlers

TROUGHING IDLERS (EQUAL LENGTH ROLLERS) – 4" & 5" DIAMETER



	PART NUMBER		BW*	A	B		C	D		E	F		G	H***	J	K	WT	
	4"	5"			4"	5"		4"	5"		4"	5"					4"	5"
20°	814-20E-18	815-20E-18	18	27	8	8 1/2	7 1/16	21 7/8	21 9/16	1/4	10 1/2	11	29	6	8	1/2	39	40
	814-20E-24	815-20E-24	24	33	8	8 1/2	9 1/16	27 5/8	27 5/16	5/16	11 3/16	11 11/16	35	6	9 1/2	5/8	40	44
	814-20E-30	815-20E-30	30	39	8	8 1/2	11 1/16	33 7/16	33 13/16	5/16	11 13/16	12 3/8	41	6	9 1/2	5/8	46	54
	814-20E-36	815-20E-36	36	45	8	8 1/2	13 1/16	39 3/16	38 13/16	5/16	12 5/8	13 1/16	47	6	9 1/2	5/8	53	62
	814-20E-42	815-20E-42	42	51	8 1/2	9	15 1/16	44 15/16	44 9/16	5/16	13 13/16	14 3/16	53	7 1/2	9 1/2	5/8	68	78
	814-20E-48	815-20E-48	48	57	8 1/2	9	17 1/16	50 11/16	50 3/8	5/16	14 3/8	14 7/8	59	7 1/2	9 1/2	5/8	76	87
	814-20E-54	815-20E-54	54	63	8 1/2	9	19 1/16	56 7/16	56 1/8	3/8	15 1/8	15 3/8	65 1/2	9	11	5/8	82	96
	814-20E-60	815-20E-60	60	69	8 1/2	9	21 1/16	62 3/16	61 7/8	3/8	15 3/4	16 3/16	71 1/2	9	11	5/8	88	104
35°	814-35E-18	815-35E-18	18	27	8	8 1/2	7 1/16	20	19 7/16	1/4	12 1/4	12 3/8	29	6	8	1/2	40	42
	814-35E-24	815-35E-24	24	33	8	8 1/2	9 1/16	25 5/16	24 11/16	5/16	13 3/8	13 13/16	35	6	9 1/2	5/8	42	47
	814-35E-30	815-35E-30	30	39	8	8 1/2	11 1/16	30 9/16	30	5/16	14 9/16	14 13/16	41	6	9 1/2	5/8	50	57
	814-35E-36	815-35E-36	36	45	8	8 1/2	13 1/16	35 13/16	35 1/4	5/16	15 11/16	16 1/8	47	6	9 1/2	5/8	56	64
	814-35E-42	815-35E-42	42	51	8 1/2	9	15 1/16	41 1/8	40 9/16	5/16	17 5/16	17 11/16	53	7 1/2	9 1/2	5/8	70	82
	814-35E-48	815-35E-48	48	57	8 1/2	9	17 1/16	46 3/8	45 13/16	5/16	18 7/16	18 7/8	59	7 1/2	9 1/2	5/8	78	90
	814-35E-54	815-35E-54	54	63	8 1/2	9	19 1/16	51 11/16	51 1/8	3/8	19 5/8	20	65 1/2	9	11	5/8	86	100
	814-35E-60	815-35E-60	60	69	8 1/2	9	21 1/16	56 15/16	56 3/8	3/8	20 3/4	21 3/16	71 1/2	9	11	5/8	D	107
45°	814-45E-18	815-45E-18	18	27	8	8 1/2	7 1/16	18 5/8	17 15/16	1/4	13 5/16	13 3/8	29	6	8	1/2	42	43
	814-45E-24	815-45E-24	24	33	8	8 1/2	9 1/16	23 1/2	22 3/4	5/16	14 11/16	15 1/16	35	6	9 1/2	5/8	44	49
	814-45E-30	815-45E-30	30	39	8	8 1/2	11 1/16	28 5/16	27 5/8	5/16	16 1/8	16 1/8	41	6	9 1/2	5/8	50	58
	814-45E-36	815-45E-36	36	45	8	8 1/2	13 1/16	33 1/8	32 7/16	5/16	17 9/16	17 13/16	47	6	9 1/2	5/8	57	65
	814-45E-42	815-45E-42	42	51	8 1/2	9	15 1/16	37 15/16	37 1/4	5/16	19 7/16	19 1/4	53	7 1/2	9 1/2	5/8	75	85
	814-45E-48	815-45E-48	48	57	8 1/2	9	17 1/16	42 13/16	42 1/16	5/16	20 13/16	21 3/16	59	7 1/2	9 1/2	5/8	81	92
	814-45E-54	815-45E-54	54	63	8 1/2	9	19 1/16	47 5/8	46 15/16	3/8	22 1/4	22 3/8	65 1/2	9	11	5/8	87	103
	814-45E-60	815-45E-60	60	69	8 1/2	9	21 1/16	52 7/16	51 3/4	3/8	23 11/16	24 1/16	71 1/2	9	11	5/8	95	111

* Belt Width

Note: Dimensions are subject to change without notice. Certified prints available for construction.



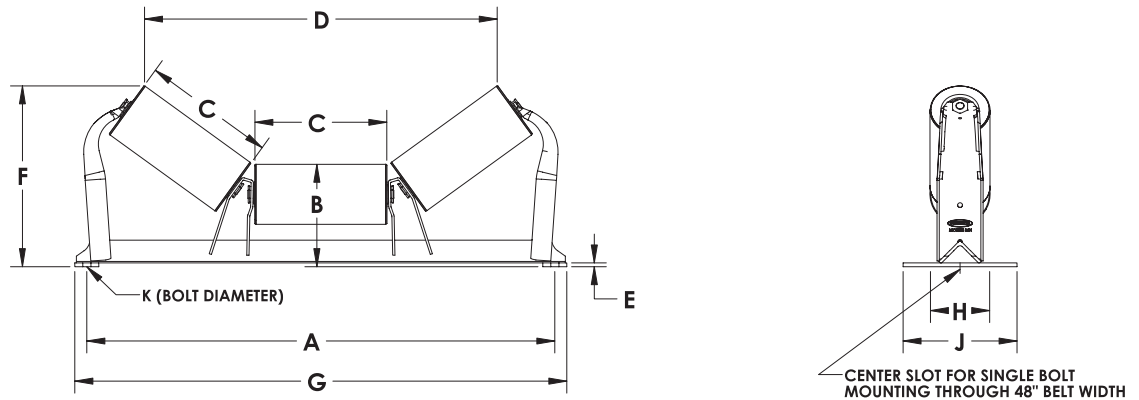
506 Brookforest Ave. Rt. 59 Shorewood Illinois 60404

Phone: 815.725.0062 • Fax: 815.725.2483 • www.serviceindustrialsupply.com



81 Series CEMA C Regreaseable Idlers

TROUGHING IDLERS (EQUAL LENGTH ROLLERS) – 6" DIAMETER



	PART NUMBER	BW*	A	B	C	D	E	F	G	H***	J	K	WT
20°	816-20E-18	18	27	9	7 1/16	21 3/16	1/4	11 7/16	29	6	8	1/2	42
	816-20E-24	24	33	9	9 1/16	26 15/16	5/16	12 1/8	35	6	9 1/2	5/8	49
	816-20E-30	30	39	9	11 1/16	32 3/4	5/16	12 7/8	41	6	9 1/2	5/8	59
	816-20E-36	36	45	9	13 1/16	38 1/2	5/16	13 9/16	47	6	9 1/2	5/8	66
	816-20E-42	42	51	9 1/2	15 1/16	44 1/4	5/16	14 11/16	53	7 1/2	9 1/2	5/8	84
	816-20E-48	48	57	9 1/2	17 1/16	50	5/16	15 3/8	59	7 1/2	9 1/2	5/8	96
	816-20E-54	54	63	9 1/2	19 1/16	55 3/4	3/8	16 1/8	65 1/2	9	11	5/8	114
	816-20E-60	60	69	9 1/2	21 1/16	61 1/2	3/8	16 3/4	71 1/2	9	11	5/8	119
35°	816-35E-18	18	27	9	7 1/16	18 7/8	1/4	13 1/16	29	6	8	1/2	44
	816-35E-24	24	33	9	9 1/16	24 1/8	5/16	14 3/16	35	6	9 1/2	5/8	51
	816-35E-30	30	39	9	11 1/16	29 7/16	5/16	15 3/8	41	6	9 1/2	5/8	61
	816-35E-36	36	45	9	13 1/16	34 11/16	5/16	16 1/2	47	6	9 1/2	5/8	68
	816-35E-42	42	51	9 1/2	15 1/16	40	5/16	18 1/8	53	7 1/2	9 1/2	5/8	86
	816-35E-48	48	57	9 1/2	17 1/16	45 1/4	5/16	19 1/4	59	7 1/2	9 1/2	5/8	98
	816-35E-54	54	63	9 1/2	19 1/16	50 1/2	3/8	20 7/16	65 1/2	9	11	5/8	118
	816-35E-60	60	69	9 1/2	21 1/16	55 13/16	3/8	21 9/16	71 1/2	9	11	5/8	123
45°	816-45E-18	18	27	9	7 1/16	17 1/4	1/4	14	29	6	8	1/2	45
	816-45E-24	24	33	9	9 1/16	22 1/16	5/16	15 7/16	35	6	9 1/2	5/8	53
	816-45E-30	30	39	9	11 1/16	26 7/8	5/16	16 7/8	41	6	9 1/2	5/8	63
	816-45E-36	36	45	9	13 1/16	31 3/4	5/16	18 1/4	47	6	9 1/2	5/8	70
	816-45E-42	42	51	9 1/2	15 1/16	36 9/16	5/16	20 1/8	53	7 1/2	9 1/2	5/8	91
	816-45E-48	48	57	9 1/2	17 1/16	41 3/8	5/16	21 9/16	59	7 1/2	9 1/2	5/8	100
	816-45E-54	54	63	9 1/2	19 1/16	46 3/16	3/8	23	65 1/2	9	11	5/8	122
	816-45E-60	60	69	9 1/2	21 1/16	51	3/8	24 3/8	71 1/2	9	11	5/8	126

* Belt Width

Note: Dimensions are subject to change without notice. Certified prints available for construction.



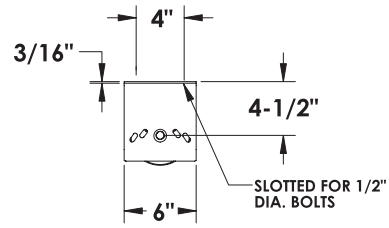
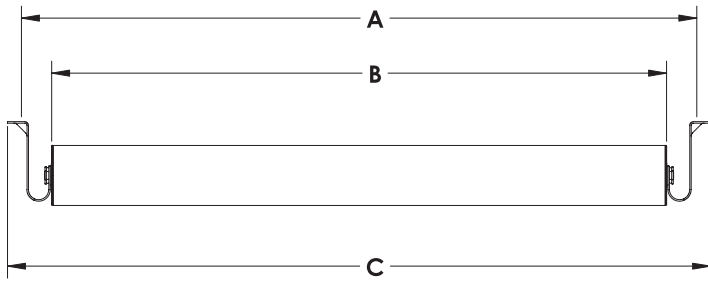
506 Brookforest Ave. Rt. 59 Shorewood Illinois 60404

Phone: 815.725.0062 • Fax: 815.725.2483 • www.serviceindustrialsupply.com

81 Series CEMA C Regreaseable Idlers

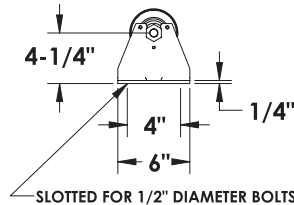
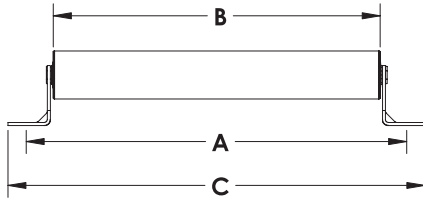


RETURN IDLERS – 4", 5", & 6" DIAMETER



4" PART NUMBER	5" PART NUMBER	6" PART NUMBER	BW*	A	B	C	WT**		
							4"	5"	6"
814-RET-18	815-RET-18	816-RET-18	18	27	21 5/16	28 3/4	19	24	26
814-RET-24	815-RET-24	816-RET-24	24	33	27 5/16	34 3/4	22	29	33
814-RET-30	815-RET-30	816-RET-30	30	39	33 5/16	40 3/4	25	33	37
814-RET-36	815-RET-36	816-RET-36	36	45	39 5/16	46 3/4	31	37	43
814-RET-42	815-RET-42	816-RET-42	42	51	45 5/16	52 3/4	33	40	46
814-RET-48	815-RET-48	816-RET-48	48	57	51 5/16	58 3/4	35	46	52
814-RET-54 ✓	815-RET-54 ✓	816-RET-54 ✓	54	63	57 5/16	64 3/4	40	51	56
814-RET-60 ✓	815-RET-60 ✓	816-RET-60 ✓	60	69	63 5/16	70 3/4	42	55	60

FLAT IDLERS – 4", 5", & 6" DIAMETER



4" PART NUMBER	5" PART NUMBER	6" PART NUMBER	BW*	A	B	C	WT**		
							4"	5"	6"
814-FLT-18	815-FLT-18	816-FLT-18	18	27	21 5/16	28 3/4	19	24	26
814-FLT-24	815-FLT-24	816-FLT-24	24	33	27 5/16	34 3/4	22	29	33
814-FLT-30	815-FLT-30	816-FLT-30	30	39	33 5/16	40 3/4	25	33	37
814-FLT-36	815-FLT-36	816-FLT-36	36	45	39 5/16	46 3/4	31	37	43
814-FLT-42	815-FLT-42	816-FLT-42	42	51	45 5/16	52 3/4	33	40	46
814-FLT-48	815-FLT-48	816-FLT-48	48	57	51 5/16	58 3/4	35	46	52
814-FLT-54 ✓	815-FLT-54 ✓	816-FLT-54 ✓	54	63	57 5/16	64 3/4	40	51	56
814-FLT-60 ✓	815-FLT-60 ✓	816-FLT-60 ✓	60	69	63 5/16	70 3/4	42	55	60

* Belt Width / ** All weights include brackets.

✓ Meets CEMA D specifications

Note: Return and Flat idlers are supplied with hold down kit for positive locking.

Dimensions are subject to change without notice. Certified prints available for construction.



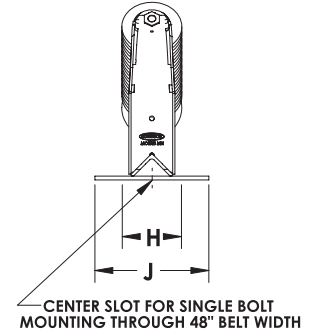
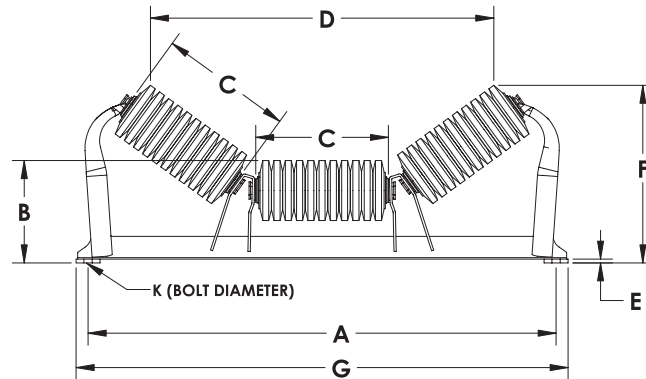
506 Brookforest Ave. Rt. 59 Shorewood Illinois 60404

Phone: 815.725.0062 • Fax: 815.725.2483 • www.serviceindustrialsupply.com



81 Series CEMA C Regreaseable Idlers

RUBBER CUSHION IMPACT TROUGHING IDLERS – 4" & 5" DIAMETER



	PART NUMBER		BW*	A	B		C	D		E	F		G	H***	J	K	WT	
	4"	5"			4"	5"		4"	5"		4"	5"					4"	5"
20°	814-20EI-18	815-20EI-18	18	27	8	8 1/2	7 1/16	21 3/8	21 1/16	1/4	10 3/8	10 7/8	29	6	8	1/2	40	46
	814-20EI-24	815-20EI-24	24	33	8	8 1/2	9 1/16	27 1/8	26 13/16	5/16	11 1/16	11 9/16	35	6	9 1/2	5/8	47	51
	814-20EI-30	815-20EI-30	30	39	8	8 1/2	11 1/16	32 15/16	32 9/16	5/16	11 11/16	12 1/4	41	6	9 1/2	5/8	57	68
	814-20EI-36	815-20EI-36	36	45	8	8 1/2	13 1/16	38 11/16	38 5/16	5/16	12 1/2	12 15/16	47	6	9 1/2	5/8	71	81
	814-20EI-42	815-20EI-42	42	51	8 1/2	9	15 1/16	44 7/16	44 1/16	5/16	13 11/16	14 1/16	53	7 1/2	9 1/2	5/8	93	102
	814-20EI-48	815-20EI-48	48	57	8 1/2	9	17 1/16	50 3/16	49 7/8	5/16	14 1/4	14 3/4	59	7 1/2	9 1/2	5/8	107	116
35°	814-20EI-54	815-20EI-54	54	63	8 1/2	9	19 1/16	55 15/16	55 5/8	3/8	15	15 1/2	65 1/2	9	11	5/8	116	125
	814-20EI-60	815-20EI-60	60	69	8 1/2	9	21 1/16	61 11/16	61 3/8	3/8	15 5/8	16 3/16	71 1/2	9	11	5/8	130	139
	814-35EI-18	815-35EI-18	18	27	8	8 1/2	7 1/16	19 5/8	19 1/16	1/4	12 1/8	12 1/4	29	6	8	1/2	42	48
	814-35EI-24	815-35EI-24	24	33	8	8 1/2	9 1/16	24 15/16	24 5/16	5/16	13 1/4	13 11/16	35	6	9 1/2	5/8	50	58
	814-35EI-30	815-35EI-30	30	39	8	8 1/2	11 1/16	30 3/16	29 5/8	5/16	14 7/16	14 11/16	41	6	9 1/2	5/8	62	69
	814-35EI-36	815-35EI-36	36	45	8	8 1/2	13 1/16	35 7/16	34 7/8	5/16	15 9/16	16	47	6	9 1/2	5/8	73	82
45°	814-35EI-42	815-35EI-42	42	51	8 1/2	9	15 1/16	40 3/4	40 3/16	5/16	17 3/16	17 9/16	53	7 1/2	9 1/2	5/8	95	104
	814-35EI-48	815-35EI-48	48	57	8 1/2	9	17 1/16	46	45 7/16	5/16	18 5/16	18 3/4	59	7 1/2	9 1/2	5/8	109	118
	814-35EI-54	815-35EI-54	54	63	8 1/2	9	19 1/16	51 5/16	50 3/4	3/8	19 1/2	19 7/8	65 1/2	9	11	5/8	118	127
	814-35EI-60	815-35EI-60	60	69	8 1/2	9	21 1/16	56 9/16	56	3/8	20 5/8	21 1/16	71 1/2	9	11	5/8	133	142
	814-45EI-18	815-45EI-18	18	27	8	8 1/2	7 1/16	18 1/4	17 9/16	1/4	13 1/8	13 7/16	29	6	8	1/2	44	50
	814-45EI-24	815-45EI-24	24	33	8	8 1/2	9 1/16	23 1/8	22 3/8	5/16	14 1/2	14 7/8	35	6	9 1/2	5/8	52	61
814-45EI-30	815-45EI-30	30	39	8	8 1/2	11 1/16	27 15/16	27 1/4	5/16	15 15/16	16 5/16	41	6	9 1/2	5/8	62	72	
814-45EI-36	815-45EI-36	36	45	8	8 1/2	13 1/16	32 3/4	32 3/4	5/16	17 3/8	17 3/4	47	6	9 1/2	5/8	75	84	
814-45EI-42	815-45EI-42	42	51	8 1/2	9	15 1/16	37 9/16	36 7/8	5/16	19 1/4	19 9/16	53	7 1/2	9 1/2	5/8	97	106	
814-45EI-48	815-45EI-48	48	57	8 1/2	9	17 1/16	42 7/16	41 11/16	5/16	20 5/8	21	59	7 1/2	9 1/2	5/8	111	120	
814-45EI-54	815-45EI-54	54	63	8 1/2	9	19 1/16	47 1/4	46 9/16	3/8	22 1/16	22 7/16	65 1/2	9	11	5/8	121	130	
814-45EI-60	815-45EI-60	60	69	8 1/2	9	21 1/16	52 1/16	51 3/8	3/8	23 1/2	23 7/8	71 1/2	9	11	5/8	136	145	

* Belt Width (Reinforcing on 36" BW - 60" BW Impact Frame).

Note: Dimensions are subject to change without notice. Certified prints available for construction.



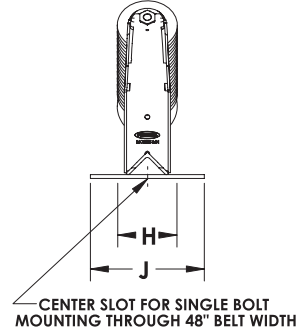
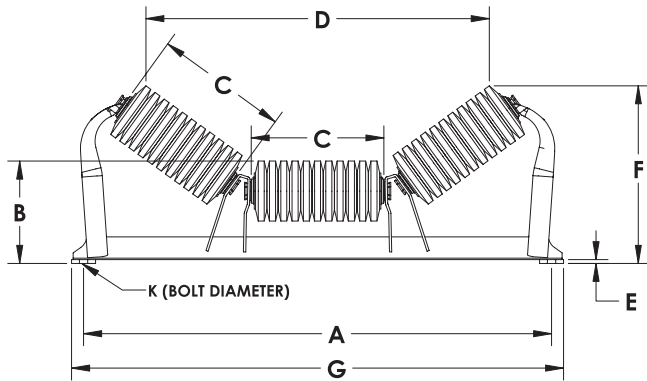
506 Brookforest Ave. Rt. 59 Shorewood Illinois 60404

Phone: 815.725.0062 • Fax: 815.725.2483 • www.serviceindustrialsupply.com

81 Series CEMA C Regreaseable Idlers



RUBBER CUSHION IMPACT TROUGHING IDLERS – 6" DIAMETER



	PART NUMBER	BW*	A	B	C	D	E	F	G	H***	J	K	WT
20°	816-20EI-18	18	27	9	7 1/16	20 11/16	1/4	11 5/16	29	6	8	1/2	49
	816-20EI-24	24	33	9	9 1/16	26 7/16	5/16	12	35	6	9 1/2	5/8	62
	816-20EI-30	30	39	9	11 1/16	32 1/4	5/16	12 3/4	41	6	9 1/2	5/8	74
	816-20EI-36	36	45	9	13 1/16	38	5/16	13 7/16	47	6	9 1/2	5/8	90
	816-20EI-42	42	51	9 1/2	15 1/16	43 3/4	5/16	14 9/16	53	7 1/2	9 1/2	5/8	111
	816-20EI-48	48	57	9 1/2	17 1/16	49 1/2	5/16	15 1/4	59	7 1/2	9 1/2	5/8	126
	816-20EI-54	54	63	9 1/2	19 1/16	55 1/4	3/8	15 15/16	65 1/2	9	11	5/8	136
	816-20EI-60	60	69	9 1/2	21 1/16	61	3/8	16 5/8	71 1/2	9	11	5/8	146
35°	816-35EI-18	18	27	9	7 1/16	18 1/2	1/4	12 15/16	29	6	8	1/2	51
	816-35EI-24	24	33	9	9 1/16	23 3/4	5/16	14 1/16	35	6	9 1/2	5/8	65
	816-35EI-30	30	39	9	11 1/16	29 1/16	5/16	15 1/4	41	6	9 1/2	5/8	77
	816-35EI-36	36	45	9	13 1/16	34 5/16	5/16	16 3/8	47	6	9 1/2	5/8	92
	816-35EI-42	42	51	9 1/2	15 1/16	39 5/8	5/16	18	53	7 1/2	9 1/2	5/8	113
	816-35EI-48	48	57	9 1/2	17 1/16	44 7/8	5/16	19 1/8	59	7 1/2	9 1/2	5/8	128
	816-35EI-54	54	63	9 1/2	19 1/16	50 1/8	3/8	20 5/16	65 1/2	9	11	5/8	139
	816-35EI-60	60	69	9 1/2	21 1/16	55 7/16	3/8	21 7/16	71 1/2	9	11	5/8	150
45°	816-45EI-18	18	27	9	7 1/16	16 7/8	1/4	13 13/16	29	6	8	1/2	53
	816-45EI-24	24	33	9	9 1/16	21 11/16	5/16	15 1/4	35	6	9 1/2	5/8	67
	816-45EI-30	30	39	9	11 1/16	26 1/2	5/16	16 11/16	41	6	9 1/2	5/8	78
	816-45EI-36	36	45	9	13 1/16	32 1/16	5/16	18 1/16	47	6	9 1/2	5/8	94
	816-45EI-42	42	51	9 1/2	15 1/16	36 3/16	5/16	19 15/16	53	7 1/2	9 1/2	5/8	115
	816-45EI-48	48	57	9 1/2	17 1/16	41	5/16	21 3/8	59	7 1/2	9 1/2	5/8	131
	816-45EI-54	54	63	9 1/2	19 1/16	45 13/16	3/8	22 13/16	65 1/2	9	11	5/8	142
	816-45EI-60	60	69	9 1/2	21 1/16	50 9/16	3/8	24 3/16	71 1/2	9	11	5/8	153

* Belt Width (Reinforcing on 36" BW - 60" BW Impact Frame).

Note: Dimensions are subject to change without notice. Certified prints available for construction.



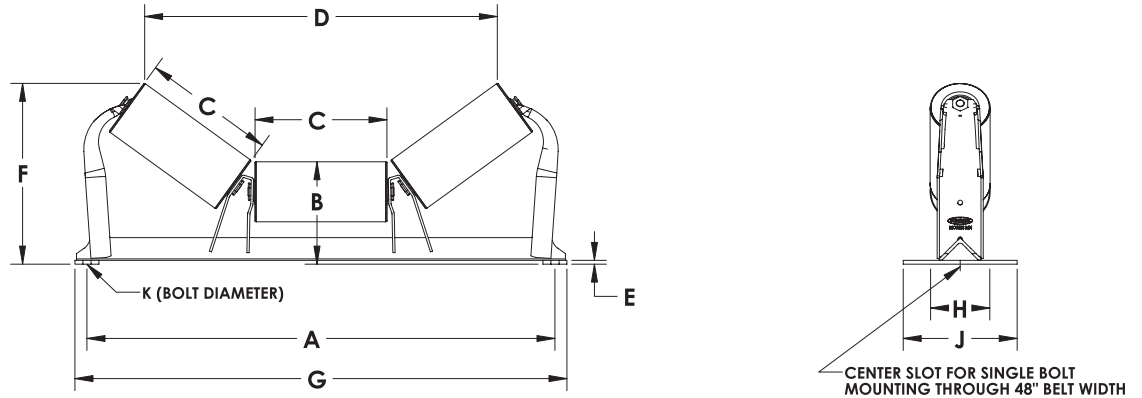
506 Brookforest Ave. Rt. 59 Shorewood Illinois 60404

Phone: 815.725.0062 • Fax: 815.725.2483 • www.serviceindustrialsupply.com



91 Series CEMA D Regreaseable Idlers

TROUGHING IDLERS (EQUAL LENGTH ROLLERS) – 5" & 6" DIAMETER



	PART NUMBER		BW*	A	B		C	D		E	F		G	H***	J	K	WT	
	5"	6"			5"	6"		5"	6"		5"	6"					5"	6"
20°	915-20E-24	916-20E-24	24	33	8 1/2	9	9 1/16	27 5/8	26 15/16	5/16	11 11/16	12 1/8	35	6	9 1/2	5/8	45	51
	915-20E-30	916-20E-30	30	39	8 1/2	9	11 1/16	33 1/16	32 3/4	5/16	12 3/8	12 7/8	41	6	9 1/2	5/8	56	61
	915-20E-36	916-20E-36	36	45	9	9 1/2	13 1/16	38 13/16	38 1/2	5/16	13 1/16	14 1/32	47	6	9 1/2	5/8	65	69
	915-20E-42	916-20E-42	42	51	9	9 1/2	15 1/16	44 9/16	44 1/4	5/16	14 3/16	14 3/4	53	7 1/2	9 1/2	5/8	81	88
	915-20E-48	916-20E-48	48	57	9 3/8	9 7/8	17 1/16	50 3/8	50	5/16	14 7/8	15 3/4	59	7 1/2	9 1/2	5/8	91	100
	915-20E-54	916-20E-54	54	63	9 7/16	9 15/16	19 1/16	56 1/8	55 3/4	3/8	15 5/8	16 1/2	65 1/2	9	11	5/8	100	118
	915-20E-60	916-20E-60	60	69	9 7/16	9 15/16	21 1/16	61 7/8	61 1/2	3/8	16 5/16	17 3/16	71 1/2	9	11	5/8	108	124
	915-20E-72	916-20E-72	72	81	9 7/16	9 15/16	25 1/16	73 3/8	73	3/8	18 1/8	18 9/16	83 1/2	9	11	5/8	127	143
35°	915-35E-24	916-35E-24	24	33	8 1/2	9	9 1/16	24 11/16	24 1/8	5/16	13 13/16	14 3/16	35	6	9 1/2	5/8	49	53
	915-35E-30	916-35E-30	30	39	8 1/2	9	11 1/16	30	29 7/16	5/16	14 15/16	15 3/8	41	6	9 1/2	5/8	59	64
	915-35E-36	916-35E-36	36	45	9	9 1/2	13 1/16	35 1/4	34 11/16	5/16	16 1/8	17	47	6	9 1/2	5/8	67	71
	915-35E-42	916-35E-42	42	51	9	9 1/2	15 1/16	40 9/16	40	5/16	17 11/16	18 3/16	53	7 1/2	9 1/2	5/8	85	90
	915-35E-48	916-35E-48	48	57	9 3/8	9 7/8	17 1/16	45 13/16	45 1/4	5/16	18 7/8	19 11/16	59	7 1/2	9 1/2	5/8	94	102
	915-35E-54	916-35E-54	54	63	9 7/16	9 15/16	19 1/16	51 1/8	50 1/2	3/8	20	20 7/8	65 1/2	9	11	5/8	104	123
	915-35E-60	916-35E-60	60	69	9 7/16	9 15/16	21 1/16	56 5/16	55 13/16	3/8	21 3/16	22	71 1/2	9	11	5/8	111	128
	915-35E-72	916-35E-72	72	81	9 7/16	9 15/16	25 1/16	66 7/8	66 5/16	3/8	23 15/16	24 5/16	83 1/2	9	11	5/8	123	147
45°	915-45E-24	916-45E-24	24	33	8 1/2	9	9 1/16	22 3/4	22 1/6	5/16	15 1/16	15 7/16	35	6	9 1/2	5/8	51	55
	915-45E-30	916-45E-30	30	39	8 1/2	9	11 1/16	27 5/8	26 7/8	5/16	16 1/2	16 7/8	41	6	9 1/2	5/8	60	66
	915-45E-36	916-45E-36	36	45	9	9 1/2	13 1/16	32 7/16	31 3/4	5/16	17 15/16	18 3/4	47	6	9 1/2	5/8	67	73
	915-45E-42	916-45E-42	42	51	9	9 1/2	15 1/16	37 1/4	36 9/16	5/16	19 3/4	20 3/16	53	7 1/2	9 1/2	5/8	89	95
	915-45E-48	916-45E-48	48	57	9 3/8	9 7/8	17 1/16	42 1/16	41 3/8	5/16	21 3/16	21 15/16	59	7 1/2	9 1/2	5/8	96	104
	915-45E-54	916-45E-54	54	63	9 7/16	9 15/16	19 1/16	46 15/16	46 3/16	3/8	22 5/8	23 7/16	65 1/2	9	11	5/8	107	127
	915-45E-60	916-45E-60	60	69	9 7/16	9 15/16	21 1/16	51 3/4	51	3/8	24 1/16	24 7/8	71 1/2	9	11	5/8	116	131
	915-45E-72	916-45E-72	72	81	9 7/16	9 15/16	25 1/16	61 3/8	60 11/16	3/8	27 5/16	27 11/16	83 1/2	9	11	5/8	133	150

* Belt Width

Note: Dimensions are subject to change without notice. Certified prints available for construction.



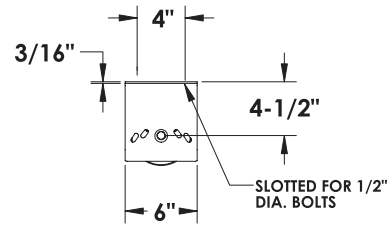
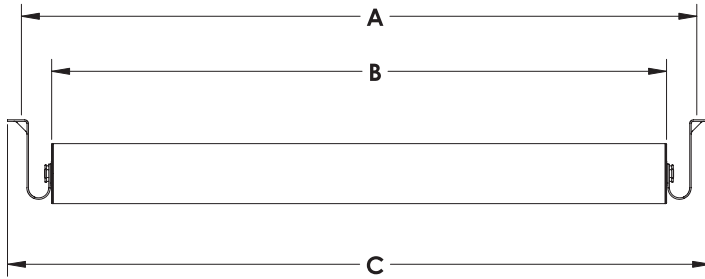
506 Brookforest Ave. Rt. 59 Shorewood Illinois 60404

Phone: 815.725.0062 • Fax: 815.725.2483 • www.serviceindustrialsupply.com

91 Series CEMA D Regreaseable Idlers

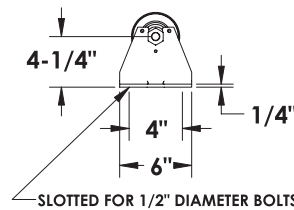
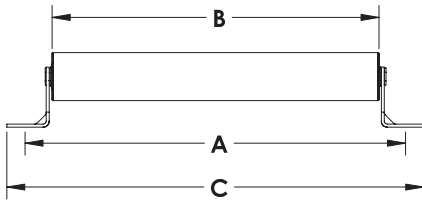


RETURN IDLERS – 5" & 6" DIAMETER



PART NUMBER		BW*	A	B	C	WT**	
5"	6"					5"	6"
915-RET-24	916-RET-24	24	33	27 5/16	34 3/4	31	36
915-RET-30	916-RET-30	30	39	33 5/16	40 3/4	36	40
915-RET-36	916-RET-36	36	45	39 5/16	46 3/4	40	47
915-RET-42	916-RET-42	42	51	45 5/16	52 3/4	42	50
915-RET-48	916-RET-48	48	57	51 5/16	58 3/4	50	57
915-RET-54	916-RET-54	54	63	57 5/16	64 3/4	55	61
915-RET-60	916-RET-60	60	69	63 5/16	70 3/4	60	65
915-RET-72	916-RET-72	72	81	75 5/16	82 3/4	64	70

FLAT IDLERS – 5" & 6" DIAMETER



PART NUMBER		BW*	A	B	C	WT**	
5"	6"					5"	6"
915-FLT-24	916-FLT-24	24	33	27 5/16	34 3/4	32	36
915-FLT-30	916-FLT-30	30	39	33 5/16	40 3/4	36	40
915-FLT-36	916-FLT-36	36	45	39 5/16	46 3/4	40	47
915-FLT-42	916-FLT-42	42	51	45 5/16	52 3/4	43	50
915-FLT-48	916-FLT-48	48	57	51 5/16	58 3/4	50	57
915-FLT-54	916-FLT-54	54	63	57 5/16	64 3/4	55	61
915-FLT-60	916-FLT-60	60	69	63 5/16	70 3/4	60	65
915-FLT-72	916-FLT-72	72	81	75 5/16	82 3/4	64	70

* Belt Width / ** All weights include brackets.

Note: Return and Flat idlers are supplied with hold down kit for positive locking.

Dimensions are subject to change without notice. Certified prints available for construction.



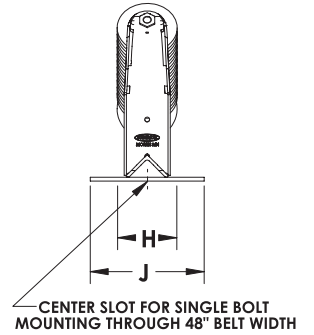
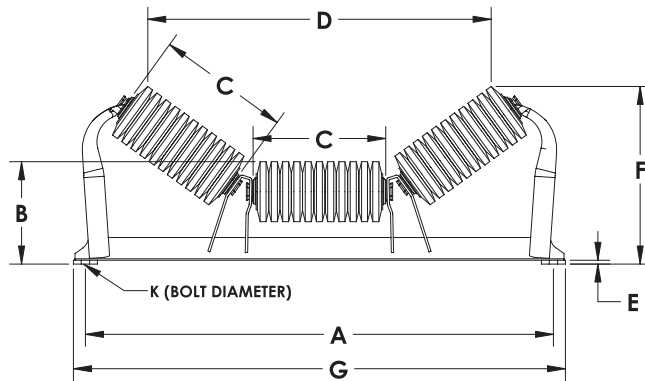
506 Brookforest Ave. Rt. 59 Shorewood Illinois 60404

Phone: 815.725.0062 • Fax: 815.725.2483 • www.serviceindustrialsupply.com



91 Series CEMA D Regreaseable Idlers

RUBBER CUSHION IMPACT TROUGHING IDLER – 5" & 6" DIAMETER



PART NUMBER		BW*	A	B		C	D		E	F		G	H***	J	K	WT		
5"	6"			5"	6"		5"	6"		5"	6"					5"	6"	5"
20°	915-20EI-24	916-20EI-24	24	33	8 1/2	9	9 1/16	26 13/16	26 7/16	5/16	11 11/16	12 1/8	35	6	9 1/2	5/8	53	65
	915-20EI-30	916-20EI-30	30	39	8 1/2	9	11 1/16	32 9/16	32 1/4	5/16	12 3/8	12 7/8	41	6	9 1/2	5/8	71	78
	915-20EI-36	916-20EI-36	36	45	9	9 1/2	13 1/16	38 5/16	38	5/16	13 9/16	14 1/32	47	6	9 1/2	5/8	83	94
	915-20EI-42	916-20EI-42	42	51	9	9 1/2	15 1/16	44 1/16	43 3/4	5/16	14 1/4	14 3/4	53	7 1/2	9 1/2	5/8	106	116
	915-20EI-48	916-20EI-48	48	57	9 3/8	9 7/8	17 1/16	49 7/8	49 1/2	5/16	15 5/16	15 3/4	59	7 1/2	9 1/2	5/8	120	131
	915-20EI-54	916-20EI-54	54	63	9 7/16	9 15/16	19 1/16	55 5/8	55 1/4	3/8	16 1/32	16 1/2	65 1/2	9	11	5/8	130	142
	915-20EI-60	916-20EI-60	60	69	9 7/16	9 15/16	21 1/16	61 3/8	61	3/8	16 3/4	17 3/16	71 1/2	9	11	5/8	145	152
	915-20EI-72	916-20EI-72	72	81	9 7/16	9 15/16	25 1/16	73	72 11/16	3/8	17 9/16	18 1/16	83 1/2	9	11	5/8	160	164
35°	915-35EI-24	916-35EI-24	24	33	8 1/2	9	9 1/16	24 5/16	23 3/4	5/16	11 11/16	14 3/16	35	6	9 1/2	5/8	60	68
	915-35EI-30	916-35EI-30	30	39	8 1/2	9	11 1/16	29 5/8	29 1/16	5/16	12 3/8	15 3/8	41	6	9 1/2	5/8	72	81
	915-35EI-36	916-35EI-36	36	45	9	9 1/2	13 1/16	34 7/8	34 5/16	5/16	16 5/8	16	47	6	9 1/2	5/8	85	96
	915-35EI-42	916-35EI-42	42	51	9	9 1/2	15 1/16	40 3/16	39 5/8	5/16	17 3/4	18 3/16	53	7 1/2	9 1/2	5/8	108	118
	915-35EI-48	916-35EI-48	48	57	9 3/8	9 7/8	17 1/16	45 7/16	44 7/8	5/16	19 1/4	19 11/16	59	7 1/2	9 1/2	5/8	123	133
	915-35EI-54	916-35EI-54	54	63	9 7/16	9 15/16	19 1/16	50 3/4	50 1/8	3/8	20 1/2	20 7/8	65 1/2	9	11	5/8	132	145
	915-35EI-60	916-35EI-60	60	69	9 7/16	9 15/16	21 1/16	56	55 7/16	3/8	21 5/8	22	71 1/2	9	11	5/8	148	157
	915-35EI-72	916-35EI-72	72	81	9 7/16	9 15/16	25 1/16	65 1/2	64 15/16	3/8	24 3/16	24 11/16	83 1/2	9	11	5/8	164	172
45°	915-45EI-24	916-45EI-24	24	33	8 1/2	9	9 1/16	22 3/4	21 11/16	5/16	15 1/16	15 7/16	35	6	9 1/2	5/8	51	70
	915-45EI-30	916-45EI-30	30	39	8 1/2	9	11 1/16	27 5/8	26 1/2	5/16	16 1/8	16 7/8	41	6	9 1/2	5/8	60	81
	915-45EI-36	916-45EI-36	36	45	9	9 1/2	13 1/16	32 7/16	32 1/16	5/16	18 7/16	18 3/4	47	6	9 1/2	5/8	67	98
	915-45EI-42	916-45EI-42	42	51	9	9 1/2	15 1/16	37 1/4	36 3/16	5/16	19 13/16	20 3/16	53	7 1/2	9 1/2	5/8	89	120
	915-45EI-48	916-45EI-48	48	57	9 3/8	9 7/8	17 1/16	42 1/16	41	5/16	21 5/8	21 15/16	59	7 1/2	9 1/2	5/8	96	136
	915-45EI-54	916-45EI-54	54	63	9 7/16	9 15/16	19 1/16	46 15/16	45 13/16	3/8	23 1/16	23 7/16	65 1/2	9	11	5/8	107	148
	915-45EI-60	916-45EI-60	60	69	9 7/16	9 15/16	21 1/16	51 3/4	50 9/16	3/8	24 1/2	24 7/8	71 1/2	9	11	5/8	116	159
	915-45EI-72	916-45EI-72	72	81	9 7/16	9 15/16	25 1/16	61 3/8	60 7/16	3/8	27 5/16	26 15/16	83 1/2	9	11	5/8	133	174

* Belt Width (Reinforcing on 36" BW - 72" BW Impact Frame only).

Note: Dimensions are subject to change without notice. Certified prints available for construction.



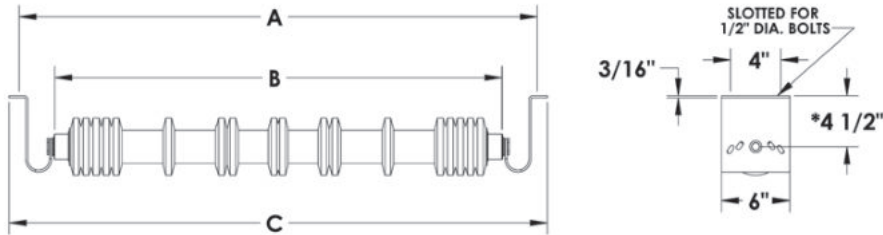
506 Brookforest Ave. Rt. 59 Shorewood Illinois 60404

Phone: 815.725.0062 • Fax: 815.725.2483 • www.serviceindustrialsupply.com

91 Series CEMA D Regreaseable Idlers



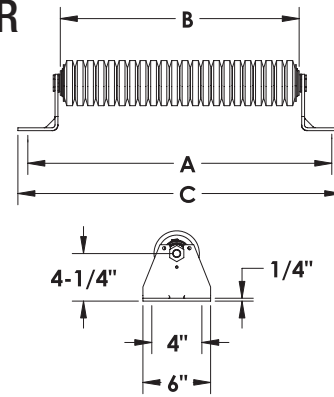
RUBBER CUSHION RETURN IDLERS – 5" & 6" DIAMETER



PART NUMBER		BW*	A	B	C	WT**	
5"	6"					5"	6"
915-RETI-24	916-RETI-24	24	33	21 5/16	34 3/4	30	36
915-RETI-30	916-RETI-30	30	39	27 5/16	40 3/4	36	40
915-RETI-36	916-RETI-36	36	45	33 5/16	46 3/4	40	47
915-RETI-42	916-RETI-42	42	51	39 5/16	52 3/4	43	50
915-RETI-48	916-RETI-48	48	57	45 5/16	58 3/4	50	57
915-RETI-54	916-RETI-54	54	63	51 5/16	64 3/4	55	61
915-RETI-60	916-RETI-60	60	69	57 5/16	70 3/4	60	65
915-RETI-72	916-RETI-72	72	81	63 5/16	82 3/4	76	70

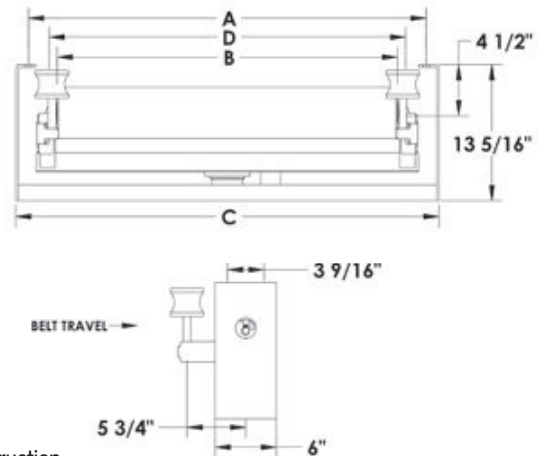
RUBBER CUSHION FLAT IDLERS – 5" & 6" DIAMETER

PART NUMBER		BW*	A	B	C	WT**	
5"	6"					5"	6"
915-FLTI-24	916-FLTI-24	24	33	21 5/16	34 3/4	47	50
915-FLTI-30	916-FLTI-30	30	39	27 5/16	40 3/4	53	57
915-FLTI-36	916-FLTI-36	36	45	33 5/16	46 3/4	60	66
915-FLTI-42	916-FLTI-42	42	51	39 5/16	52 3/4	68	75
915-FLTI-48	916-FLTI-48	48	57	45 5/16	58 3/4	76	83
915-FLTI-54	916-FLTI-54	54	63	51 5/16	64 3/4	82	91
915-FLTI-60	916-FLTI-60	60	69	57 5/16	70 3/4	89	101
915-FLTI-72	916-FLTI-72	72	81	63 5/16	82 3/4	96	112



SELF-ALIGNING RETURN IDLERS – 5" & 6" DIAMETER

PART NUMBER		BW*	A	B	C	D	WT
5"	6"						
915-RETA-24	916-RETA-24	24	33	27 5/16	35 3/4	29 5/8	88
915-RETA-30	916-RETA-30	30	39	33 5/16	41 3/4	35 5/8	116
915-RETA-36	916-RETA-36	36	45	39 5/16	47 3/4	41 5/8	122
915-RETA-42	916-RETA-42	42	51	45 5/16	53 3/4	47 5/7	154
915-RETA-48	916-RETA-48	48	57	51 5/16	59 3/4	53 5/8	164
915-RETA-54	916-RETA-54	54	63	57 5/16	65 3/4	59 5/8	177
915-RETA-60	916-RETA-60	60	69	63 5/16	71 3/4	65 5/8	193
915-RETA-72	916-RETA-72	72	81	75 5/16	83 3/4	77 5/8	222



* Belt Width / ** All weights include brackets

Dimensions are subject to change without notice. / Certified prints available for construction.

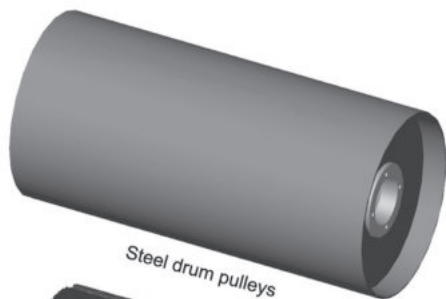
** Also available in bi-directional. Designated by (RETBA).



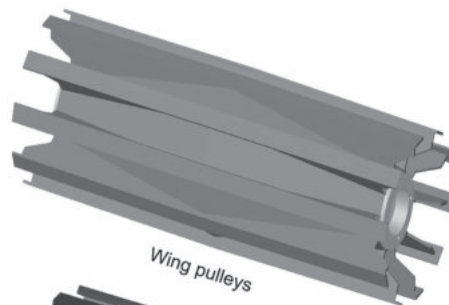
506 Brookforest Ave. Rt. 59 Shorewood Illinois 60404

Phone: 815.725.0062 • Fax: 815.725.2483 • www.serviceindustrialsupply.com

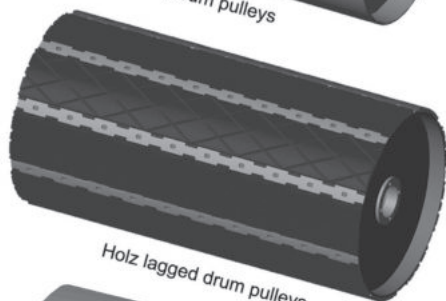
The pulleys shown on this page are Superior's most commonly sold pulleys. These styles can meet most standard conveyor requirements. Special pulleys can be designed and fabricated for customers with special applications. Superior would be happy to help you in selecting the right type of pulley to fulfill your conveying needs.



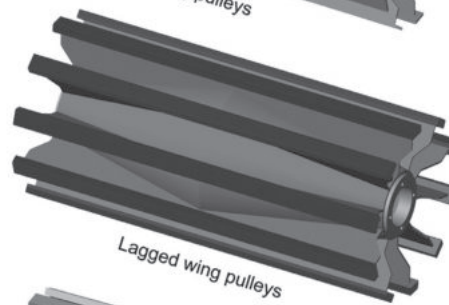
Steel drum pulleys



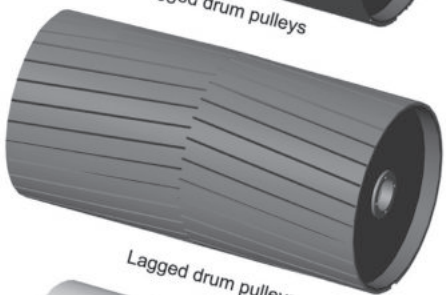
Wing pulleys



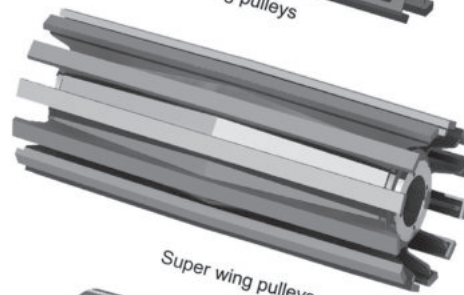
Holz lagged drum pulleys



Lagged wing pulleys



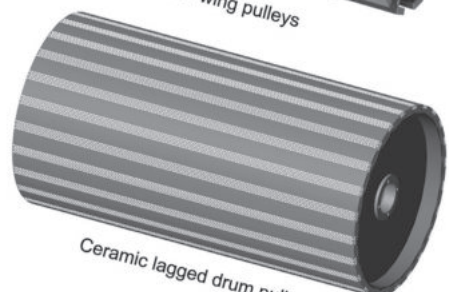
Lagged drum pulleys



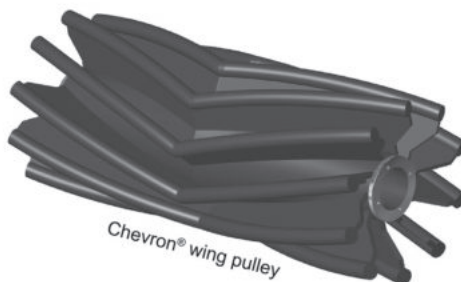
Super wing pulleys



Stainless steel drum pulleys



Ceramic lagged drum pulleys



Chevron® wing pulley

CEMA Drum Pulleys



WEIGHT INFORMATION DRUM PULLEYS – 12" - 36" FACE WIDTH

Table 1

DIA.	XT* HUB	QD* HUB	MAX. BORE	WEIGHTS*										
				FACE WIDTH (INCHES)										
				12	14	16	18	20	22	24	26	30	32	36
10"	XT25	SF	2 1/2	38	39	42	46	47	50	53	57	63	65	72
	XT30	E	3	44	46	49	51	53	54	57	61	68	70	77
	XT35	F	3 1/2	42	48	53	56	59	61	63	64	69	73	85
12"	XT25	SF	2 1/2	45	48	52	57	55	59	63	69	75	79	87
	XT30	E	3	51	55	58	61	63	65	67	74	85	93	100
	XT35	F	3 1/2	57	60	62	68	71	72	74	76	87	94	105
14"	XT25	SF	2 1/2	52	58	63	66	72	74	75	80	89	95	106
	XT30	E	3	61	64	69	73	74	75	80	84	94	98	108
	XT35	F	3 1/2	63	67	71	74	75	77	81	86	110	111	111
	XT40	JS	4	65	71	78	82	83	86	90	92	112	122	132
16"	XT25	SF	2 1/2	67	73	79	83	84	87	92	93	114	124	137
	XT30	E	3	69	76	80	84	85	90	95	100	120	129	140
	XT35	F	3 1/2	73	80	83	88	89	94	100	105	121	130	150
	XT40	JS	4	101	107	113	120	129	130	137	111	146	150	165
18"	XT25	SF	2 1/2	82	95	101	107	125	135	139	141	147	156	
	XT30	E	3	93	100	108	117	129	137	141	143	149	160	162
	XT35	F	3 1/2	96	103	110	118	130	138	144	148	150	170	172
	XT40	JS	4	103	111	116	126	135	140	146	152	150	175	180
	XT45	MS	4 1/2	162	168	177	183	193	202	224	238	240	243	249
20"	XT25	SF	2 1/2	97	108	117	124	134	143	152	160	178	186	198
	XT30	E	3	105	113	121	132	137	146	155	164	181	190	208
	XT35	F	3 1/2	108	118	126	133	139	148	157	165	183	192	209
	XT40	JS	4	115	125	136	142	145	154	188	199	220	227	235
	XT45	MS	4 1/2		163	172	179	184	187	195	206	228	239	261
	XT50	NS	5										253	275
24"	XT30	E	3	141	151	160	163	171	173	181	192	213	224	
	XT35	F	3 1/2	142	150	161	168	173	174	183	193	222	225	248
	XT40	JS	4	146	156	166	180	207	216	220	224	227	231	253
	XT45	MS	4 1/2		193	204	213	215	228	241	254	280	287	292
	XT50	NS	5			229	238	260	275	289	268	295	308	334
	XT60	PS	6											375
30"	XT30	E	3	228	253	265	273	280	283	289	294	299	304	311
	XT35	F	3 1/2	231	254	267	284	286	287	291	298	306	312	321
	XT40	JS	4	237	256	277	293	294	296	308	283	309	323	349
	XT45	MS	4 1/2			310	317	321	325	329	332	365	381	414
	XT50	NS	5			311	320	332	335	337	347	379	396	429
	XT60	PS	6								365	398	414	504
36"	XT35	F	3 1/2	363	388	413	438	442	445	448	450	460	479	484
	XT40	JS	4	367	397	422	442	446	450	453	460	473	482	499
	XT45	MS	4 1/2		430	454	462	467	473	475	480	484	487	502
	XT50	NS	5			464	491	480	485	495	499	507	518	525
	XT60	PS	6				505	524	542	558	569	573	580	619
	XT70	WS	7											655

* Weights DO NOT include the bushings.

* QD® is a registered trademark of Emerson Electric Co.

* All weights are approximate.

* XT® is a registered trademark of Van Gorp Corp.



506 Brookforest Ave. Rt. 59 Shorewood Illinois 60404

Phone: 815.725.0062 • Fax: 815.725.2483 • www.serviceindustrialsupply.com



CEMA Drum Pulleys

WEIGHT INFORMATION DRUM PULLEYS – 38" - 63" FACE WIDTH

Table 2

DIA.	XT* HUB	QD* HUB	MAX. BORE	WEIGHTS*									
				FACE WIDTH (INCHES)									
				38	40	42	44	46	51	54	57	60	63
10"	XT25	SF	2 1/2	78	81	85	88	92	100				
	XT30	E	3	82	85	89	92	95	104				
	XT35	F	3 1/2	87	91	93	97	99	105				
12"	XT25	SF	2 1/2	96	100	104	108	112	117				
	XT30	E	3	100	104	108	111	115	126				
	XT35	F	3 1/2	104	108	112	116	120	127				
14"	XT25	SF	2 1/2	114	119	122	128	134	141				
	XT30	E	3	118	123	128	132	137	143				
	XT35	F	3 1/2	120	124	129	134	138	151	158	165	177	181
	XT40	JS	4	127	136	140	145	150	160	166	173	186	191
16"	XT30	E	3	144	149	154	159	164	169	175	182	187	193
	XT35	F	3 1/2	145	150	155	161	168	181	188	196	212	216
	XT40	JS	4	151	171	176	180	184	190	200	208	220	231
	XT45	MS	4 1/2	205	210	219	222	229	233	236	239	242	248
18"	XT30	E	3	158	164	170	177	182	188	195	202	211	219
	XT35	F	3 1/2	160	166	172	179	185	200	260	272	293	315
	XT40	JS	4	166	172	178	184	190	205	265	277	298	322
	XT45	MS	4 1/2	184	186	192	198	204	213	273	285	306	323
	XT50	NS	5	253	261	269	277	284	304	315	327	348	349
20"	XT30	E	3	229	234	240	245	251	256	262	267	273	278
	XT35	F	3 1/2	231	241	250	259	267	289	302	307	313	318
	XT40	JS	4	237	246	254	263	272	294	307	326	352	364
	XT45	MS	4 1/2	242	253	262	271	279	301	314	327	353	365
	XT50	NS	5	299	310	335	346	357	364	375	383	390	399
24"	XT35	F	3 1/2	279	289	300	310	321	327	332	338	343	349
	XT40	JS	4	283	294	304	315	325	358	374	403	438	453
	XT45	MS	4 1/2	291	353	366	379	382	389	395	404	439	454
	XT50	NS	5	369	380	393	406	419	452	471	490	529	549
	XT60	PS	6	408	421	434	508	514	529	564	587	636	659
30"	XT35	F	3 1/2	391	404	417	423	429	434	440	445	451	457
	XT40	JS	4	396	409	422	442	455	487	507	526	592	612
	XT45	MS	4 1/2	464	470	486	492	499	510	518	527	545	620
	XT50	NS	5	480	495	511	527	544	584	609	623	634	642
	XT60	PS	6	568	587	607	627	646	695	724	733	747	751
	XT70	WS	7				662	682	731	760	789	859	888
	XT80	WS	8									890	919
36"	XT40	JS	4	673	697	720	744	767	826	847	869	880	1001
	XT45	MS	4 1/2	674	698	721	745	768	827	876	911	1009	1044
	XT50	NS	5	689	712	736	759	783	841	877	912	1010	1053
	XT60	PS	6	708	731	754	778	801	860	895	930	1028	1045
	XT70	WS	7	743	766	790	813	837	896	931	966	1064	1063
	XT80	WS	8							961	996	1095	1099

* Weights DO NOT include the bushings.

* QD® is a registered trademark of Emerson Electric Co.

* All weights are approximate.

* XT® is a registered trademark of Van Gorp Corp.



506 Brookforest Ave. Rt. 59 Shorewood Illinois 60404

Phone: 815.725.0062 • Fax: 815.725.2483 • www.serviceindustrialsupply.com

BUSHING LOCATION – DIMENSIONS DRUM PULLEYS

Table 3

BUSHING	DIMENSIONS			BUSHING	DIMENSIONS		
	A	B	C		A	B	C
XT15	5/32	1 1/8	13/16	QDSF	3/4	2 1/16	1 5/8
XT20	7/16	1 13/32	1 1/8	QDE	13/16	2 3/4	1 7/8
XT25	1/2	1 7/8	1 9/16	QDF	3/4	3 3/4	3 5/16
XT30	1/2	2 1/16	1 3/8	QDJS	3/4	4 5/8	2 3/16
XT35	9/16	2 15/32	1 9/16	QDMS	1 11/16	6 3/4	1 7/8
XT40	5/8	2 13/16	1 13/16	QDNS	1	8 1/8	3 3/16
XT45	3/4	3 5/16	2	QDPS	2 1/16	9 3/8	3 3/16
XT50	13/16	3 3/4	2 1/4	QDWS	2 1/16	11 3/8	3 3/4
XT60	7/8	4 1/8	2 1/4	-	-	-	-
XT70	1	4 11/16	2 3/4	-	-	-	-
XT80	1 1/8	5 1/8	3 3/16	-	-	-	-



- A. End of pulley to face of bushing
- B. Length through hub and bushing
- C. Clearance required to remove bushing

* Weights DO NOT include the bushings.
 * QD® is a registered trademark of Emerson Electric Co.

* All weights are approximate.
 * XT® is a registered trademark of Van Gorp Corp.



CEMA Wing Pulleys

WEIGHT INFORMATION WING PULLEYS – 12" - 32" FACE WIDTH

Table 4

DIA.	XT* HUB	QD* HUB	MAX. BORE	WEIGHTS*									
				FACE WIDTH (INCHES)									
				12	14	16	18	20	22	24	26	30	32
10"	XT25	SF	2 1/2	34	35	44	52	58	63	69	67	78	83
	XT30	E	3	36	37	42	51	55	58	63	75	86	92
12"	XT25	SF	2 1/2	46	54	60	63	69	76	82	89	103	110
	XT30	E	3	48	53	62	68	70	77	83	90	103	109
	XT35	F	3 1/2	43	48	57	64	76	84	83	89	102	109
14"	XT25	SF	2 1/2	57	64	66	87	92	102	111	120	139	148
	XT30	E	3	58	68	78	88	92	101	110	118	136	145
	XT35	F	3 1/2	56	68	78	87	91	111	121	131	134	160
	XT40	JS	4	49	67	76	82	92	103	111	130	150	159
16"	XT25	SF	2 1/2	67	72	94	104	123	135	148	160	185	198
	XT30	E	3	68	76	92	102	120	132	143	155	179	191
	XT35	F	3 1/2	63	70	83	98	106	129	141	152	175	201
	XT40	JS	4	68	78	88	100	113	127	137	148	174	185
18"	XT25	SF	2 1/2	88	102	113	127	161	177	193	209	242	252
	XT30	E	3	86	100	112	124	155	171	186	201	232	248
	XT35	F	3 1/2	80	98	108	122	136	167	182	197	227	242
	XT40	JS	4	85	101	113	123	139	152	180	195	224	255
	XT45	MS	4 1/2	99	106	123	136	149	163	178	194	219	237
20"	XT25	SF	2 1/2	102	112	125	142	185	204	222	241	278	286
	XT30	E	3	100	110	116	129	181	197	215	233	268	286
	XT35	F	3 1/2	92	110	128	135	151	193	210	228	263	298
	XT40	JS	4	93	116	127	141	156	192	209	226	276	295
	XT45	MS	4 1/2	111	126	138	155	172	186	202	213	249	293
24"	XT25	SF	2 1/2	167	197	229	253	257	282	307	332	374	400
	XT30	E	3	169	195	227	236	241	273	297	321	370	394
	XT35	F	3 1/2	167	189	220	238	243	267	290	314	362	408
	XT40	JS	4	166	192	221	241	245	264	287	310	356	402
	XT45	MS	4 1/2	175	203	223	254	278	305	331	359	374	398
	XT50	NS	5			227	225	250	275	301	328	376	409

* All weights are approximate.
 * Weights DO NOT include the bushings.
 * QD® is a registered trademark of Emerson Electric Co.
 * XT® is a registered trademark of Van Gorp Corp.



506 Brookforest Ave. Rt. 59 Shorewood Illinois 60404

Phone: 815.725.0062 • Fax: 815.725.2483 • www.serviceindustrialsupply.com

CEMA Wing Pulleys



WEIGHT INFORMATION WING PULLEYS – 36" - 63" FACE WIDTH

Table 5

DIA.	XT* HUB	QD* HUB	MAX BORE	WEIGHTS*									
				FACE WIDTH (INCHES)									
				36	38	40	44	46	51	54	57	60	63
10"	XT25	SF	2 1/2	93	98	103	124	131	138				
	XT30	E	3	91	95	100	124	129	134				
12"	XT25	SF	2 1/2	124	131	136	150	156	167				
	XT30	E	3	122	129	136	149	155	187				
	XT35	F	3 1/2	121	128	134	147	153	185				
14"	XT25	SF	2 1/2	164	199	210	232	245	258				
	XT30	E	3	163	194	204	225	230	256	271			
	XT35	F	3 1/2	160	190	199	219	229	253	268	277	292	307
	XT40	JS	4	193	203	213	234	230	247	261	275	289	303
16"	XT25	SF	2 1/2	108	114	120	127	135	142	155	162	167	174
	XT30	E	3	214	226	238	240	247	253	259	268	279	282
	XT35	F	3 1/2	210	221	233	256	267	270	273	290	296	301
	XT40	JS	4	224	237	249	273	285	290	307	351	369	387
	XT45	MS	4 1/2	208	218	229	272	284	313	330	348	365	383
18"	XT25	SF	2 1/2	127	134	146	159	172	185	198	210	223	235
	XT30	E	3	156	170	182	197	201	214	230	246	258	274
	XT35	F	3 1/2	290	306	323	355	371	382	387	391	398	406
	XT40	JS	4	286	302	317	348	364	403	426	450	473	496
	XT45	MS	4 1/2	265	279	314	345	360	398	420	443	466	488
	XT50	NS	5			288	314	327	388	410	431	452	473
20"	XT30	E	3	322	332	350	386	404	429	453	478	492	514
	XT35	F	3 1/2	335	342	350	385	402	465	493	522	550	578
	XT40	JS	4	331	349	367	403	421	467	494	521	548	575
	XT45	MS	4 1/2	328	346	363	399	416	461	487	514	540	567
	XT50	NS	5		342	359	392	409	451	476	501	526	551
24"	XT30	E	3	433	457	482	506	531	556	581	606	628	653
	XT35	F	3 1/2	434	459	483	518	542	557	675	714	739	758
	XT40	JS	4	451	476	501	520	554	638	675	713	732	769
	XT45	MS	4 1/2	446	470	494	543	567	628	665	701	738	774
	XT50	NS	5	438	461	484	531	554	612	647	681	716	751
	XT60	PS	6				522	544	599	631	664	688	730

* Weights DO NOT include the bushings.

* QD® is a registered trademark of Emerson Electric Co.

* All weights are approximate.

* XT® is a registered trademark of Van Gorp Corp.



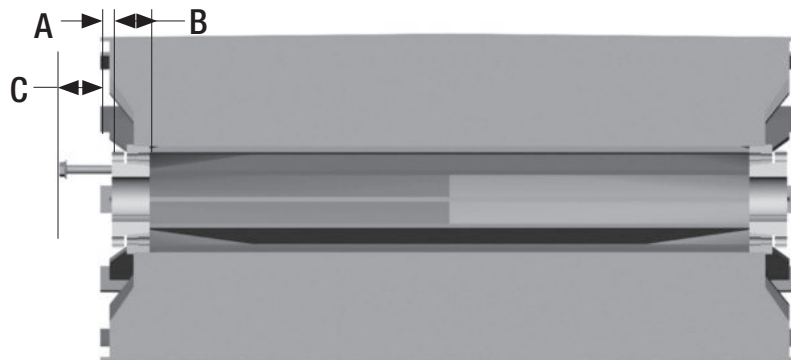
506 Brookforest Ave. Rt. 59 Shorewood Illinois 60404

Phone: 815.725.0062 • Fax: 815.725.2483 • www.serviceindustrialsupply.com

BUSHING LOCATION – DIMENSIONS WING PULLEYS

Table 6

BUSHING	DIMENSIONS			BUSHING	DIMENSIONS		
	A	B	C		A	B	C
XT15	5/32	1 1/8	13/16	QDSF	3/4	2 1/16	1 5/8
XT20	7/16	1 13/32	1 1/8	QDE	13/16	2 3/4	1 7/8
XT25	1/2	1 7/8	1 9/16	QDF	3/4	3 3/4	3 5/16
XT30	1/2	2 1/16	1 3/8	QDJS	3/4	4 5/8	2 3/16
XT35	9/16	2 15/32	1 9/16	QDMS	1 11/16	6 3/4	1 7/8
XT40	5/8	2 13/16	1 13/16	QDNS	1	8 1/8	3 3/16
XT45	3/4	3 5/16	2	QDPS	2 1/16	9 3/8	3 3/16
XT50	13/16	3 3/4	2 1/4	QDWS	2 1/16	11 3/8	3 3/4
XT60	7/8	4 1/8	2 1/4	-	-	-	-
XT70	1	4 11/16	2 3/4	-	-	-	-
XT80	1 1/8	5 1/8	3 3/16	-	-	-	-



- A. End of pulley to face of bushing
- B. Length through hub and bushing
- C. Clearance required to remove bushing

Pulley Lagging

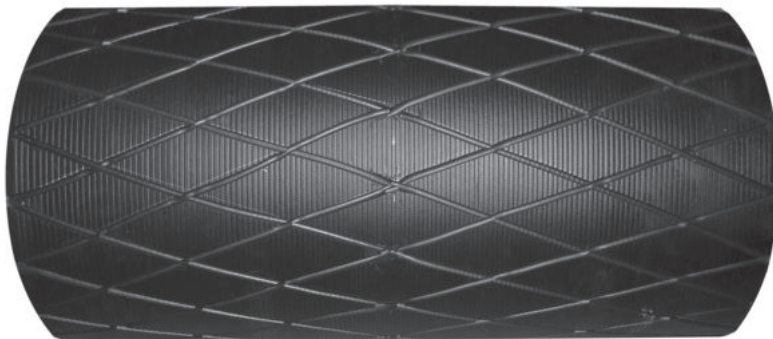


Superior offers 60-durometer lagging as a standard for the long life and high traction necessary for your application, with other lagging durometers available

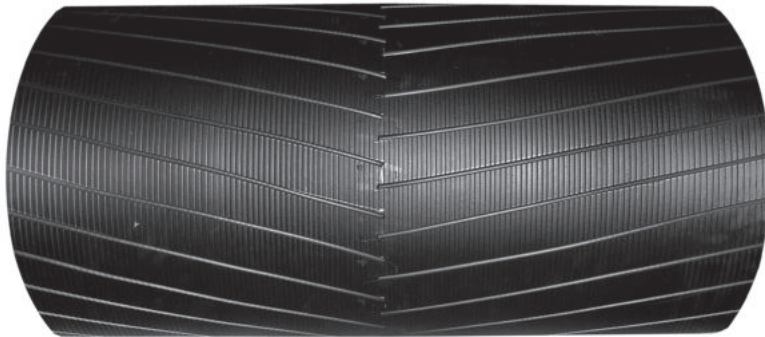
Lagging is used on pulleys to improve traction and to lengthen pulley and belt life by eliminating rim wear due to abrasive conditions. Superior's in-house lagging can be welded directly to the face of the pulley.

Drum pulley lagging is vulcanized and available in smooth, herringbone, or the diamond groove design. Replaceable lagging is available for drum pulleys and can be welded directly to the face of the pulley. Wing pulley lagging is available in replaceable strips of vulcanized rubber.

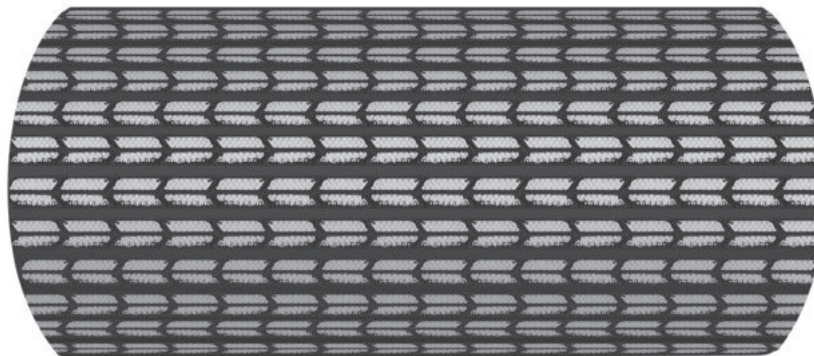
If a shaft is to be installed in a pulley, the direction of rotation must be specified if grooving is desired. The groove pattern is usually consistent with the direction of rotation, with the apex of the groove pattern leading in the direction of rotation.



Diamond Lagging



Herringbone Lagging



Ceramic Lagging

 **Service Industrial Supply**

506 Brookforest Ave. Rt. 59 Shorewood Illinois 60404

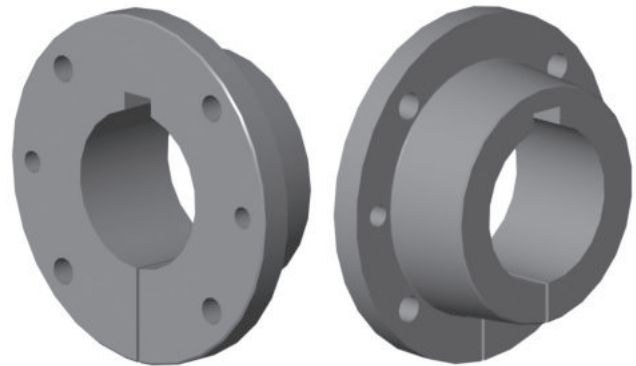
Phone: 815.725.0062 • Fax: 815.725.2483 • www.serviceindustrialsupply.com

XT® Bushings

The XT® bushing was specifically designed for pulley applications with two hubs.

The taper angle on the XT® bushing is 2" per foot which is a steeper taper than that of a QD® bushing. The steeper taper requires minimal axial movement of the hub and end disc during installation. This is more suitable for pulley applications because any axial movement creates additional stress in the end disc of the pulley.

All XT® bushings up through XT80 have a 4-bolt flange for clamping the bushing to the hub.



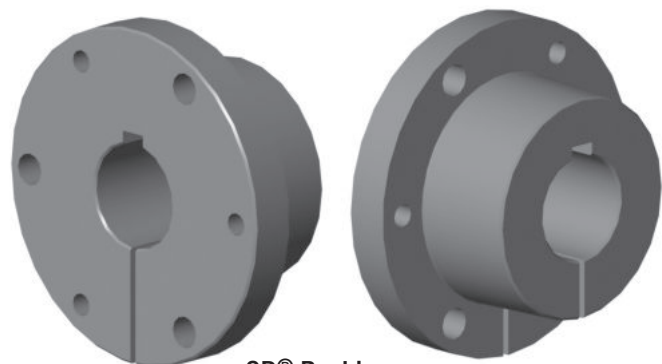
XT® Bushings

QD® Bushings

The QD® bushing was originally designed for single hub applications such as sheaves and sprockets. For this reason, they are very common throughout the entire industry.

The taper angle on QD® bushings is 3/4" per foot. This is a relatively shallow taper and therefore can develop a clamping force equivalent to that of the XT® bushing with a lower preload in the bolts. However, the shallower taper requires more axial movement of the hub and end disc during installation to obtain the required clamping force. The axial movement creates additional stresses in the end disc of the pulley.

The range of QD® bushings from SF to JS all have a 3-bolt flange for clamping the bushing to the hub. The QD® bushings from MS to WS have 4 bolts.



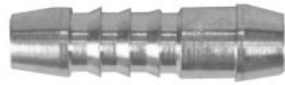
QD® Bushings



Air Fittings

Dixon Mining Fittings

These lightweight fittings are designed for underground air and water service. Metal to metal taper seat, zinc-plated steel. Available with standard hex nut or iron wing nut.



stem



hex nut



wing nut



Female NPT x Nut Thread
female spud

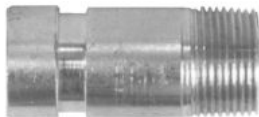


Male NPT x Nut Thread
male spud

Size	Part #	Part #	Part #	Part #	Part #
3/8"	---	---	---	MFFS06-16	MFMS06-16¹
1/2"	MFS08-16	MFN16	MFB2	---	---
3/4"	MFS12-16	MFN16	MFB2	MFFS12-16	---
1"	MFS16-16	MFN16	MFB2	MFFS16-16	---
1-1/4"	MFS20-20	MFN20	---	---	---
1-1/2"	MFS24-24	MFN24	---	---	---

Note: spuds ending with -16 for use with MFN16 or MFB2

Schedule 40 Pipe Nipples



victaulic groove x MNPT

All double reamed ends

¹ Item will be discontinued when stock is depleted.



male NPT

Size	Overall Length	Part #	Part #
1"	3"	MFVN16¹	MFTN16

Air King 4 - Lug Quick-Acting Couplings

- rated to **150 PSI**
- Boss clamps recommended, see page 93.
- **Warning: Must use safety clips. Not to be used for steam service.**

- Safety clips are same size for both 2-lug and 4-lug Universal Couplings, see page 99.

**SAFETY
ALERT**



Hose Ends

Size	Iron		Brass		Opt Qty
	Part #	Part #	Part #	Part #	
1 1/4"	AM16		AB16		25
1 1/2"	AM21		AB21		25
2"	AM26		AB26		10

Female NPT Ends

Size	Iron		Brass		Opt Qty
	Part #	Part #	Part #	Part #	
1 1/4"	AM18		AB18		25
1 1/2"	AM23		AB23		25
2"	AM28		AB28		20



Washer

Rubber Washer Part #
AWR14

Service Industrial Supply

506 Brookforest Ave. Rt. 59 Shorewood Illinois 60404

Phone: 815.725.0062 • Fax: 815.725.2483 • www.serviceindustrialsupply.com

Air Fittings



Air King Universal Couplings Hose Ends

Size	Iron		Opt Qty	Brass		Opt Qty	316 Stainless Steel	
	Part #			Part #			Part #	
3/8"	AMH		25	ABH		25	RAMH	
1/2"	AM1		50	AB1¹		50	RAM1	
5/8"	AM5		50	AB5		50	---	
3/4"	AM6		50	AB6¹		50	RAM6	
1"	AM11		50	AB11¹		50	RAM11	



¹ may use with Air King ferrules

Male NPT Ends

Size	Iron		Opt Qty	Brass		Opt Qty	316 Stainless Steel	
	Part #			Part #			Part #	
1/4"	AMB1		25	ABB1		25	---	
3/8"	AMB		25	ABB		25	RAMB	
1/2"	AM2		50	AB2		50	RAM2	
3/4"	AM7		50	AB7		50	RAM7	
1"	AM12		50	AB12		50	RAM12	



Female NPT Ends

Size	Iron		Opt Qty	Brass		Opt Qty	316 Stainless Steel	
	Part #			Part #			Part #	
1/4"	AMC1		25	ABC1		25	---	
3/8"	AMC		25	ABC		25	RAMC	
1/2"	AM3		50	AB3		50	RAM3	
3/4"	AM8		50	AB8		50	RAM8	
1"	AM13		50	AB13		50	RAM13	



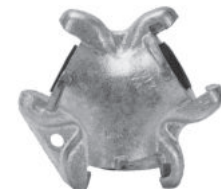
Blank Ends

Iron		Opt Qty	Brass		Opt Qty	316 Stainless Steel	
Part #			Part #			Part #	
AM0		25	AB0		25	RAM0	



Triple Connections

Iron		Opt Qty	Brass		Opt Qty
Part #			Part #		
AM10		25	AB10		25



- The use of an Air King safety clip or wire type retainer is necessary to ensure Air King universal couplings will not become accidentally disconnected. This guarantees the fittings are properly connected as pin will not go through holes in mating flanges until couplings are locked in place. Only one Air King safety clip or wire type retainer is required for each Air King universal coupling.
- Air King is rated to **150 PSI** at ambient temperature (70°F).
- Standard Air King fittings come with AWR4 washers.
- Air King available to meet pressure requirements as specified in A-A-59553 commercial item description superseding Mil Spec.WWC-633D.

**SAFETY
ALERT**

Air King is for air and water service only *Warning: Never use any Air King coupling for steam service!*
None of Dixon's catalog information is to be interpreted to mean that this type of coupling is suitable for use on steam hose.

**SAFETY
ALERT**

Service Industrial Supply

506 Brookforest Ave. Rt. 59 Shorewood Illinois 60404

Phone: 815.725.0062 • Fax: 815.725.2483 • www.serviceindustrialsupply.com



Air King Accessories

The use of an Air King safety clip or wire type retainer is necessary to ensure Air King universal couplings will not become accidentally disconnected. This guarantees the fittings are properly connected as the pin will not go through the holes in the mating flanges until couplings are locked in place. Only one Air King safety clip or wire type retainer is required for each Air King universal coupling.

Standard Safety Clip



- same size for all coupling sizes

Wire Diameter	Part #	Pkg Qty
.080	AC1	25

Air King Safety Pins



- heavy duty
- oversized

Wire Diameter	Part #
.058	AKSP1
.091	AKSP25

Stainless Steel Clip



- same size for all coupling sizes

Wire Diameter	Part #
.072	AC7

Lanyards



- synthetic cord
- same size for all coupling sizes

Part #	Pkg Qty
ACL8	25



- stainless steel cable

Part #
LR7

Washers



- same size for all coupling sizes
- rubber temperature range: -20°F to 160°F
- neoprene temperature range: -20°F to 190°F
- neoprene is oil resistant

Black natural rubber		Neoprene	
Part #	Pkg Qty	Part #	Pkg Qty
AWR4	50	AWS6	50

Air King Clamps

Size	Hose OD		Plated Iron Part #	Opt Qty	Torque ¹
	From:	To:			
3/8"	44/64"	56/64"	CD ³	100	6
1/2"	1"	1-12/64"	A4	50	6
3/4"	1-8/64"	1-20/64"	A9 ³	50	21
1"	1-20/64"	1-32/64"	A10 ^{2,3}	50	21
1"	1-32/64"	1-52/64"	A14	50	21



¹ recommended torque rating in ft. lbs.

² can be used with **AM6** and **AM11**

³ investment cast carbon steel

• Torque values for clamps are based on dry bolts. The use of lubricant on bolts will adversely effect clamp performance.

SAFETY
ALERT

Air King is for air and water service only Warning: Never use any Air King coupling for steam service!
None of Dixon's catalog information is to be interpreted to mean that this type of coupling is suitable for use on steam hose.

SAFETY
ALERT

Air King with Ferrules

Universal design provides quick, easy and effective coupling of air hose. Exclusive interlocking ferrule can be crimped or swaged to achieve maximum coupling sealing and retention with a low profile streamline appearance.



- iron and stainless steel Air King with carbon steel ferrules can be crimped or swaged
- rated to **150 PSI** working pressure.
- *for air and water service only* **SAFETY ALERT**

Size	Hose OD		Iron		Stainless Steel	
	From:	To:	Part #		Part #	
1/2"	5/4/64"	1-2/64"	AM1WF		---	
3/4"	1-4/64"	1-22/64"	AM6WF		RAM6WF	
1"	1-18/64"	1-34/64"	AM11WF-1		---	
1"	1-30/64"	1-46/64"	AM11WF		---	

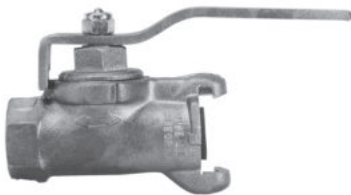
Air King with Gauge Port



- drilled to 1/4" NPT for mounting gauge
- *gauge not included*

Iron		Stainless Steel	
Part #		Part #	
AM7T		RAM7T	

In-Line Ball Valve with Air King End



- easily maintained in line valve
- one piece ball and stem
- positive on/off

Size	Iron	
	Part #	
3/4"	VAM75	

Air King Universal Swivels

These universal swivel fittings interchange with other Air King fittings and include a heavy-duty, free-turning joint that swivels under pressure to prevent hose kinking. Working pressure: **150 PSI**. *For air and water service only* **SAFETY ALERT**



hose end



male NPT



female NPT

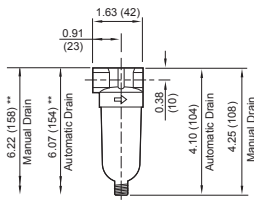
Size	Iron		Iron		Iron	
	Part #		Part #		Part #	
1/2"	---		AM2SWIV		---	
3/4"	AM6SWIV		AM7SWIV		AM8SWIV	

SAFETY ALERT

Air King is for air and water service only *Warning: Never use any Air King coupling for steam service!*
None of Dixon's catalog information is to be interpreted to mean that this type of coupling is suitable for use on steam hose.

Series 1 Miniature FRL's

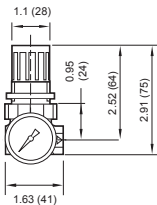
- 5 micron element
- 1 oz. reservoir
- inlet pressure **150 PSI** maximum



** minimum clearance to remove bowl

Miniature Filter with Transparent Bowl

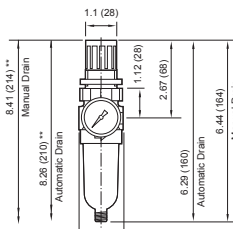
Size	SCFM	Automatic Drain		Manual Drain	
		Part #	Part #	Part #	Part #
1/8"	18	F07-100A		F07-100M	
1/4"	21	F07-200A		F07-200M	



- **5-100 PSI** range
- relieving type
- inlet pressure **300 PSI** max.
- models supplied with a GC620 gauge
- regulation at flows up to 22SCFM at 100 PSIG

Miniature Regulators

Size	SCFM	With Gauge		Without Gauge	
		Part #	Part #	Part #	Part #
1/8"	22	R07-100RG		R07-100R	
1/4"	22	R07-200RG		R07-200R	

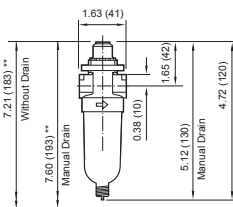


** minimum clearance to remove bowl

- **5-100 PSI** range
- relieving type
- 5 micron element
- 1 oz. reservoir
- push to lock adjusting knob
- inlet pressure **150 PSI** maximum
- models supplied with a GC620 gauge
- bowl guard not available

Miniature Filter/Regulators with Transparent Bowl

Size	SCFM	Automatic Drain		Manual Drain	
		Part #	Part #	Part #	Part #
1/8"	18	B07-102AG		B07-102MG	
1/4"	21	B07-202AG		B07-202MG	

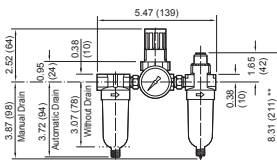


** minimum clearance to remove bowl

- 1 oz. reservoir
- inlet pressure **150 PSI** maximum

Miniature Lubricators

Size	SCFM	Transparent Bowl	
		Part #	Part #
1/8"	14	L07-100A	
1/4"	14	L07-200A	



** minimum clearance to remove bowl

- **5-125 PSI** range
- 1 oz. reservoir
- inlet pressure **150 PSI** maximum
- models supplied with a GC620 gauge

Miniature Combination Units with Transparent Bowl

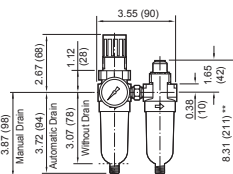
Size	SCFM	Automatic Drain		Manual Drain	
		Part #	Part #	Part #	Part #
1/8"	14	P1A-100A		P1A-100M	
1/4"	14	P1A-200A		P1A-200M	



Series 1 Micro Mate Combination Units

- **5-125 PSI** range
- inlet pressure **150 PSI** max.
- requires only two pipe connections

Miniature Regulator/Lubricators with Transparent Bowl



** minimum clearance to remove bowl

Size	SCFM	Automatic Drain		Price/E
		Part #	Part #	
1/8"	10	PTH-100AG		\$227.20
1/4"	10	PTH-200AG		227.20



FRL's are designed for air service only, unless otherwise indicated.

SAFETY ALERT

SCFM ratings at 100 PSIG inlet pressure.

Series 1 Airline Filters

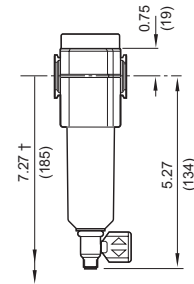
- 40 micron element
- 2 oz. reservoir
- quick-release bayonet bowl
- prismatic lens liquid level indicator
- particle removal per ISO 8573-1, Class 5 and Class 3
- inlet pressure:
transparent bowl: **150 PSI**
metal bowl: **250 PSI**



with transparent bowl

1/4" with Transparent Bowl

Size	SCFM	Semi-Automatic Drain		Manual Drain	
		Part #		Part #	
1/4"	55	F72G-2A		F72G-2M	
3/8"	55	F72G-3A		F72G-3M	



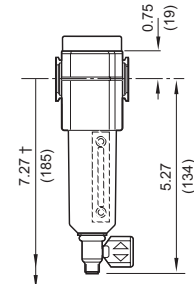
† Minimum clearance to remove bowl



with metal bowl

1/4" with Metal Bowl and Sight Glass

Size	SCFM	Semi-Automatic Drain		Manual Drain	
		Part #		Part #	
1/4"	55	F72G-2A-MB		F72G-2M-MB	
3/8"	55	F72G-3A-MB		F72G-3M-MB	



† Minimum clearance to remove bowl

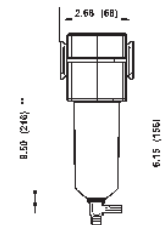


with transparent bowl

- 40 micron element
- 4 oz. reservoir
- quick-release bayonet bowl
- prismatic lens liquid level indicator
- particle removal per ISO 8573-1, Class 5 and Class 3
- inlet pressure:
transparent bowl: **150 PSI**
metal bowl: **250 PSI**

3/8" with Transparent Bowl

Size	SCFM	Automatic Drain		Manual Drain	
		Part #		Part #	
1/4"	53	F73G-2A		F73G-2M	
3/8"	65	F73G-3A		F73G-3M	
1/2"	69	F73G-4A		F73G-4M	



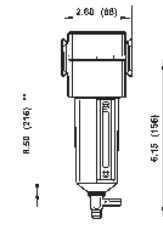
** Minimum clearance required to remove bowl.



with metal bowl

3/8" with Metal Bowl and Sight Glass

Size	SCFM	Automatic Drain		Manual Drain	
		Part #		Part #	
1/4"	53	F73G-2A-MB		F73G-2M-MB	
3/8"	65	F73G-3A-MB		F73G-3M-MB	
1/2"	69	F73G-4A-MB		F73G-4M-MB	



1/4 Turn Manual Drain
** Minimum clearance required to remove bowl.

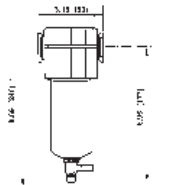
SCFM ratings at 100 PSIG inlet pressure.

SAFETY
ALERT

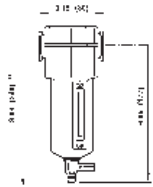
FRL's are designed for air service only, unless otherwise indicated.

Series 1 Airline Filters

- 40 micron element
- 7 oz. reservoir
- quick-release bayonet bowl
- prismatic lens liquid level indicator
- particle removal per ISO 8573-1, Class 5 and Class 3
- inlet pressure:
transparent bowl: **150 PSI**
metal bowl: **250 PSI**



Minimum clearance required to remove bowl



Minimum clearance required to remove bowl

1/2" with Transparent Bowl and Guard

Size	SCFM	Automatic Drain Part #	Manual Drain Part #
3/8"	112	F74G-3A	F74G-3M
1/2"	140	F74G-4A	F74G-4M
3/4"	140	F74G-6A	F74G-6M



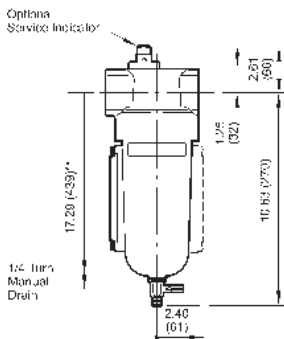
with transparent bowl

1/2" with Metal Bowl and Sight Glass

Size	SCFM	Automatic Drain Part #	Manual Drain Part #
3/8"	112	F74G-3A-MB	F74G-3M-MB
1/2"	140	F74G-4A-MB	F74G-4M-MB
3/4"	140	F74G-6A-MB	F74G-6M-MB



with metal bowl

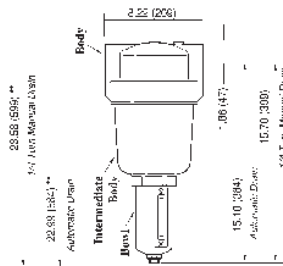


Optional Service Indicator

- 40 micron element
- 1 qt. reservoir
- general purpose with low pressure drop and excellent water removal characteristics
- inlet pressure: **250 PSI**

1" with Metal Bowl and Sight Glass

Size	SCFM	Automatic Drain Part #	Manual Drain Part #
3/4"	325	F17-600A	F17-600M
1"	425	F17-800A	F17-800M
1 1/4"	425	F17-A00A	F17-A00M
1 1/2"	425	F17-B00A	F17-B00M



28.58 (599) ±.005
1/2" Auto. Manual Drain

22.58 (562) ±.005
Automatic Drain

Minimum clearance required to remove bowl

- 50 micron element
- 2 gallon reservoir
- inlet pressure: **250 PSI**

2" with Metal Bowl and Sight Glass

Size	SCFM	Automatic Drain Part #	Manual Drain Part #
2"	1400	F18-C00A	F18-C00M



FRL's are designed for air service only, unless otherwise indicated.

SAFETY ALERT

SCFM ratings at 100 PSIG inlet pressure.

Series 1 Oil Removal (Coalescing) Filters



- in-line or modular installation
- quick-release bayonet bowl
- prismatic lens liquid level indicator
- provides air quality class 2 hydrocarbon and class 1 particulate removal per ISO 8573-1
- element removes particles down to 0.01mm. Maximum remaining oil content of air leaving the filter is 0.01 ppm at 70°F (21°C) with an inlet concentration of 8 ppm.
- service life indicator turns from green to red when element needs to be replaced.
- For maximum service life install a general purpose filter upstream of the oil removal filter.

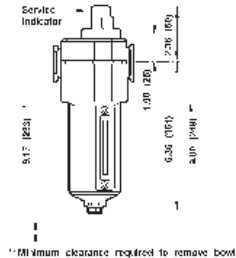
SAFETY
ALERT

1/2" Standard Flow with Metal Bowl

Size	SCFM Saturated	SCFM Dry	Automatic Drain Part #
3/8"	35	70	F74C-3A-MB
1/2"	35	75	F74C-4A-MB

1/2" High Flow with Metal Bowl

Size	SCFM Saturated	SCFM Dry	Automatic Drain Part #
1/2"	60	100	F74H-4A-MB
3/4"	60	120	F74H-6A-MB



1 Minimum clearance required to remove bowl.

Series 1 Oil Vapor Removal Filters

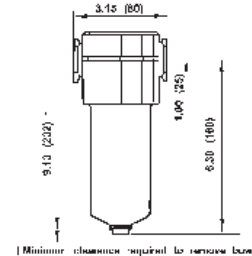


- in-line or modular installation
- quick-release bayonet bowl
- Activated carbon cartridge filter element absorbs oil vapors and removes most hydrocarbon odors.
- provides air quality class 1 particulate removal per ISO 8573-1, when used with the F74C series
- Filter and element designs optimizes air velocity and contact time to reduce oil content of air leaving the filter to 0.003 ppm at 70°F (21°C).
- Minimum service life of 400 hours can be expected if the vapor removal filter is protected upstream by an oil removal (coalescing) filter and if the filtration temperature is in the region of 70° to 80°F (21° to 26°C). Above this range, oil vapor content of compressed air increases substantially and element service life is reduced.
- Carbon cartridge element provides long service life.
- For maximum service life install a general purpose filter and an oil removal filter upstream of the oil vapor removal filter.

SAFETY
ALERT

1/2" with Metal Bowl

Size	SCFM	Automatic Drain Part #
3/8"	21	F74V-3A-MB
1/2"	21	F74V-4A-MB
3/4"	21	F74V-6A-MB



1 Minimum clearance required to remove bowl.

SAFETY
ALERT

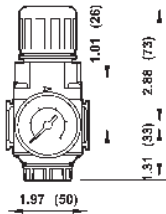
FRL's are designed for air service only, unless otherwise indicated.

SCFM ratings at 100 PSIG inlet pressure.



Air Fittings

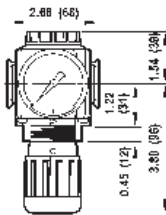
Series 1 Regulators



- 5-150 PSI range
- inlet pressure: **300 PSI**
- in-line or modular installation
- two full flow 1/8" NPT gauge ports
- models supplied with GC620 gauge
- For 0-60 PSI range, add an 'L' to the end of the part number.

1/4"

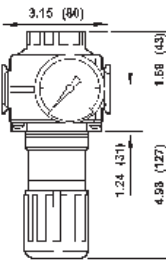
Size	SCFM	With Gauge Part #	Without Gauge Part #
1/4"	70	R72G-2RG	R72G-2R
3/8"	70	R72G-3RG	R72G-3R



- 5-150 PSI range
- inlet pressure: **300 PSI**
- in-line or modular installation
- relieving type
- two full flow 1/4" NPT gauge ports
- models supplied with GC230 gauge
- For 0-60 PSI range, add an 'L' to the end of the part number.

3/8"

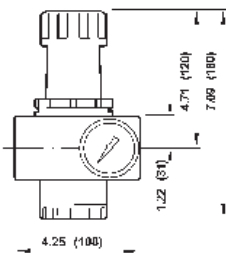
Size	SCFM	With Gauge Part #	Without Gauge Part #
1/4"	91	R73G-2RG	R73G-2R
3/8"	144	R73G-3RG	R73G-3R
1/2"	144	R73G-4RG	R73G-4R



- 5-150 PSI range
- inlet pressure: **300 PSI**
- in-line or modular installation
- relieving type
- two full flow 1/4" NPT gauge ports
- models supplied with GC230 gauge
- For 0-60 PSI range, add an 'L' to the end of the part number.

1/2"

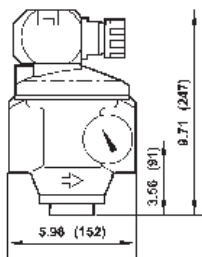
Size	SCFM	With Gauge Part #	Without Gauge Part #
3/8"	208	R74G-3RG	R74G-3R
1/2"	220	R74G-4RG	R74G-4R
3/4"	220	R74G-6RG	R74G-6R



- 5-125 PSI range
- inlet pressure: **300 PSI**
- in-line or modular installation
- relieving type
- two full flow 1/4" NPT gauge ports
- models supplied with GC230 gauge

1"

Size	SCFM	With Gauge Part #	Without Gauge Part #
3/4"	440	R17-600RG	R17-600R
1"	480	R17-800RG	R17-800R
1 1/4"	400	R17-A00RG	R17-A00R
1 1/2"	440	R17-B00RG	R17-B00R



- 5-125 PSI range
- inlet pressure: **450 PSI**
- relieving type
- two full flow 1/4" NPT gauge ports
- models supplied with GC230 gauge

2"

Size	SCFM	With Gauge Part #	Without Gauge Part #
2"	2000	R18-C05RG	R18-C05R



FRL's are designed for air service only, unless otherwise indicated.

SAFETY
ALERT

SCFM ratings at 100 PSIG inlet pressure.

Service Industrial Supply

506 Brookforest Ave. Rt. 59 Shorewood Illinois 60404

Phone: 815.725.0062 • Fax: 815.725.2483 • www.serviceindustrialsupply.com

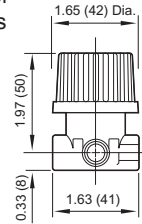
Miniature Non-Repairable General Purpose Regulators



- 5-125 PSI range
- lightweight construction
- left to right flow
- wrench flats for easy installation
- relieving piston design allows reduction of downstream pressure when the system is dead-ended
- model supplied with a GC620 gauge

Compact

Size	SCFM	With Gauge Part #	Without Gauge Part #
1/4"	13	R46-200RG	R46-200R



Series 1 General Regulators

Floating valve pin provides positive seating and dependability. Large diaphragm provides quick response to flow demands and line pressure changes. Balanced valve reduces inlet pressure variations on outlet pressure.



- 5-125 PSI range
- inlet pressure: 400 PSI
- t-handle adjustment
- models supplied with GC620 gauge

Size	GPM	With Gauge Part #
1/4"	110	R11-013RG
3/8"	110	R11-037RG
1/2"	200	R11-061RG

Series 1 Manifold Regulators

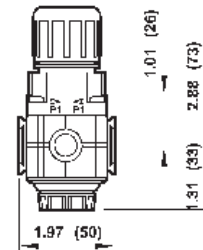
Manifold up to six regulators on a single air supply. Design allows in-line installation with hex nipple or modular installation with 72 Series accessories (see page 220).



- 5-150 PSI range
- inlet pressure: 300 PSI
- models supplied with GC620 gauge

1/4"

Size	SCFM	With Gauge Part #	Without Gauge Part #
1/4"	83	R72M-2RG	R72M-2R
3/8"	83	R72M-3RG	R72M-3R



Series 1 Cylinder Gas Regulator

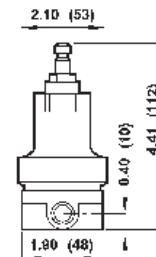
SAFETY ALERT

UL listed for service with Carbon Dioxide, water, pumped air, Nitrogen, Argon, Helium, Krypton, Neon and Xenon. *Not to be used with flammable gases.*



- 5-125 PSI range
- inlet pressure: 3000 PSI
- relieving type
- two ports for high pressure and two ports for service

Size	SCFM	Without Gauge Part #
1/4"	10	R83-200R



SAFETY ALERT

FRL's are designed for air service only, unless otherwise indicated.

SCFM ratings at 100 PSIG inlet pressure.



Air Fittings

King Safety Cables

When hose, couplings or clamps fail, or there is an accidental separation of the assembly, King safety cables minimize damage to equipment and injuries to operators. King safety cable reaches across the hose fittings to provide standby safety for hose. Spring-loaded loops in the cable ends open easily to pass over the couplings for a firm grip on the hose. Thoroughly tested with years of service. A positive safeguard for air hose connections - helps you meet today's safety standards. *King safety cable must be installed in the extended position (no slack).* **SAFETY ALERT**

Features:

- hose-to-hose or hose-to-rigid outlet
- King cable is the low cost answer to eliminate injuries caused by broken air hose connections
- highly resistant to rust and corrosion
- no tools needed - Easy to install and remove



Style WSR, for hose-to-tool service

Cable	Hose ID	Length	Max. Work. Press. PSI	Steel Part #	SS Part #
1/8"	1/2" - 1/4"	20 3/4"	200	WSR1	WSR1SS
3/16"	1/2" - 2"	28"	200	WSR3	---
1/4"	1 1/2" - 3"	38"	200	WSR2	WSR2SS
3/8"	4"	44"	200	WSR4	---



Style W, for hose-to-hose service

Cable	Hose ID	Length	Max. Work. Press. PSI	Steel Part #	SS Part #
1/8"	1/2" - 1/4"	20 3/4"	200	WB1	---
3/16"	1/2" - 2"	28"	200	WB3	---
1/4"	1 1/2" - 3"	38 3/4"	200	WA2	WA2SS
3/8"	4"	44"	200	WA4	---

Note: Cables are shipped with safety restraint labels attached. Labels are not pictured.

King Safety Cable Options



WSR1E
WSR1E with stainless steel marine eye



WB1C
WB1 with safety clip and lanyard

Cable	Part #	Description	Max. Working Pressure PSI
1/8"	WSR1C	WSR1 with safety clip and lanyard used to lock Air King couplings	200
1/8"	WB1C	WB1 with safety clip and lanyard used to lock Air King couplings	200
1/8"	WSR1E	WSR1 with stainless steel safety marine eye used to connect safety cable to a bolt on tool	200
1/4"	WA2B	WA2 with bronze/copper ferrule for special environmental conditions	200
1/8"	WB1SS	WB1 made with 304 stainless steel cable and springs with bronze/copper ferrules for special environmental conditions	200

Spring Guard



Protects hose against the effects of flexing at its most vulnerable point - immediately behind the coupling. End 'tang' allows end guard to be secured under a clamp or ferrule. Made of half-round galvanized steel wire to fit hose OD's from 7/8" to 3".

Guard ID	Hose OD		Wire Gauge	Over All Length	Tang Length	Approx. # of Coils	Galvanized Steel Part #
	From	To					
3/4"	7/8"	15/16"	0.175	12"	1"	33	SEGC1-0.75-12
1"	15/16"	1-1/4"	0.175	12"	1"	33	SEGC1-1.00-12
1 1/4"	1-1/4"	1-1/2"	0.175	14"	2"	39	SEGC1-1.25-14
1 1/2"	1-1/2"	1-3/4"	0.175	14"	2"	39	SEGC1-1.50-14
1 3/4"	1-3/4"	2"	0.175	16"	2"	44	SEGC1-1.75-16
2"	2"	2-1/2"	0.280	16"	2"	44	SEGC1-2.00-16
2 1/2"	2-1/2"	3"	0.280	18"	2"	50	SEGC1-2.50-18
3"	3"	3-1/4"	0.280	18"	2"	50	SEGC1-3.00-18



506 Brookforest Ave. Rt. 59 Shorewood Illinois 60404

Phone: 815.725.0062 • Fax: 815.725.2483 • www.serviceindustrialsupply.com

ABS Standard Dry Gauges

- ASME B40.1, Grade B (\pm 3-2-3% accuracy)
- ABS plastic case
- c-shaped bronze safety bourdon tube (600 PSI and lower)
- helical wound bronze safety bourdon tube (1000 PSI and higher)
- polycarbonate crystal
- black aluminum pointer
- PowerFlex™ movement with polyester segment, designed to resist the effects of shock, vibration and pulsation.
- ambient temperature range of -40°F to 150°F

Center Back Mount



1½" face

1/8" center back mount

PSI	Fig. Inter.	Minor Grad.	Part #
0-30	5	.5	GC605
0-60	5	1	GC610
0-100	10	2	GC615
0-160	20	5	GC620
0-200	20	5	GC625

2" face

1/4" center back mount

PSI	Fig. Inter.	Minor Grad.	Part #
0-15	1	.5	GC200
0-30	5	.5	GC215
0-60	5	1	GC220
0-100	10	2	GC225
0-160	20	5	GC230
0-200	20	5	GC235
0-300	30	5	GC240

2" face
1/4" lower mount

Lower Mount

PSI	Fig. Inter.	Minor Grad.	Part #
0-15	1	.5	GL100
0-30	5	.5	GL115
0-60	5	1	GL120
0-100	10	2	GL125
0-160	20	5	GL130
0-200	20	5	GL135
0-300	30	5	GL140



GL140

2½" face
1/4" lower mount

PSI	Fig. Inter.	Minor Grad.	Part #
0-15	1	.5	GL300
0-30	5	.5	GL320
0-60	5	1	GL325
0-100	10	2	GL330
0-160	20	5	GL335
0-200	20	5	GL340
0-300	30	5	GL345
0-400	50	10	GL347
0-600	50	10	GL350
0-1000	200	20	GL355
0-1500	300	50	GL360
0-2000	400	50	GL365
0-3000	500	100	GL370
0-5000	1000	100	GL375

3½" face
1/4" lower mount

PSI	Fig. Inter.	Minor Grad.	Part #
0-15	1	.5	GS15-4
0-30	5	.5	GS30-4
0-60	5	1	GS60-4
0-100	10	2	GS100-4
0-160	20	5	GS160-4
0-200	20	5	GS200-4
0-300	30	5	GS300-4
0-400	50	10	GS400-4
0-600	50	10	GS600-4
0-1000	200	20	GS1000-4



Air Fittings

Contractor Pressure Gauges

- accuracy class: $\pm 1\%$ of span
- material of wetted parts: copper alloy
- window: acrylic, snap in



4277768-0001

- dial: aluminum, white
- pointer: aluminum, black, adjustable
- mounting flange/bracket: rear flange, stainless steel
- stainless steel case

4½" face
¼" lower mount

PSI	Part #
0-15	4277750-0001
0-30	4277768-0001
0-60	4277776-0003

FlutterGuard™ Dry Gauges

FlutterGuard™ virtually eliminates pointer flutter, making the gauge easier to read and reducing excessive movement wear. Liquid-free casing results in lighter weight and eliminates the chance of gauge leakage.

- ASME B40.1, Grade B ($\pm 3-2-3\%$ accuracy)
- ABS plastic case
- c-shaped bronze safety bourdon tube (600 PSI and lower)
- helical wound bronze safety bourdon tube (1000 PSI and higher)
- polycarbonate crystal
- black aluminum pointer



GL345FG

- PowerFlex™ movement with polyester segment, designed to resist the effects of shock, vibration and pulsation.
- ambient temperature range of **-40°F to 150°F**

2½" face
¼" lower mount

PSI	Fig. Inter.	Minor Grad.	Part #
0-15	1	.5	GL300FG
0-30	5	.5	GL320FG
0-60	5	1	GL325FG
0-100	10	2	GL330FG
0-160	20	5	GL335FG
0-200	20	5	GL340FG
0-300	30	5	GL345FG
0-400	50	10	GL347FG
0-600	50	10	GL350FG
0-1000	200	20	GL355FG
0-1500	300	50	GL360FG
0-2000	400	50	GL365FG
0-3000	500	100	GL370FG
0-5000	1000	100	GL375FG

All Stainless Panel Builder Gauges

- suitable for corrosive environments
- used in gaseous and liquid media
- ASME B40.100 Grade A 2/1/2% full scale accuracy
- 316L stainless steel wetted parts materials
- ambient temperature range of **-4°F to 140°F**
- media temperature **212°F** maximum
- dial - white aluminum with black lettering; stop pin
- pointer - black aluminum
- glycerin filled case



PBLSS200

- laminated safety glass window lens
- fits industry standard 2.56" panel hole cutout

2½" face
¼" lower back mount

PSI	Fig. Inter.	Minor Grad.	Part #
0-15	3	.2	PBLSS15
0-30	5	.5	PBLSS30
0-60	10	1	PBLSS60
0-100	20	2	PBLSS100
0-160	20	2	PBLSS160
0-200	50	5	PBLSS200
0-300	50	5	PBLSS300
0-400	100	10	PBLSS400
0-600	100	10	PBLSS600
0-800	200	20	PBLSS800
0-1000	200	20	PBLSS1000
0-1500	300	20	PBLSS1500
0-2000	500	50	PBLSS2000
0-3000	500	50	PBLSS3000
0-5000	1000	100	PBLSS5000

Service Industrial Supply

506 Brookforest Ave. Rt. 59 Shorewood Illinois 60404

Phone: 815.725.0062 • Fax: 815.725.2483 • www.serviceindustrialsupply.com

All Stainless Steel Dry Gauges

Stainless steel gauges provide the corrosion resistance and durability of a permanently sealed gauge. Designed for severe service applications.

2 1/2" face

1/4" lower mount

PSI	Fig. Inter.	Minor Grad.	Part #
0-15	3	.2	<i>GSS15</i>
0-30	5	.5	<i>GSS30</i>
0-60	10	1	<i>GSS60</i>
0-100	20	2	<i>GSS100</i>
0-160	20	2	<i>GSS160</i>
0-200	50	5	<i>GSS200</i>
0-300	50	5	<i>GSS300</i>
0-400	100	10	<i>GSS400</i>
0-600	100	10	<i>GSS600</i>
0-1000	200	20	<i>GSS1000</i>
0-1500	300	20	<i>GSS1500</i>
0-2000	500	50	<i>GSS2000</i>
0-3000	500	50	<i>GSS3000</i>
0-5000	1000	100	<i>GSS5000</i>
0-10000	2000	200	<i>GSS10000</i>

- 2-1-2% accuracy
- 304 series stainless case with stainless crimp ring
- polycarbonate window
- 1/4" lower mount stainless connector
- 316 stainless bourdon tube and socket
- ambient temperature range: **-40°F to 140°F**



GSS100

1/4" lower mount

3 1/2" face

PSI	Fig. Inter.	Minor Grad.	Part #
0-15	3	.5	<i>GSS15-4</i>
0-30	5	.5	<i>GSS30-4</i>
0-60	10	1	<i>GSS60-4</i>
0-100	20	2	<i>GSS100-4</i>
0-160	20	2	<i>GSS160-4</i>
0-200	40	5	<i>GSS200-4</i>
0-300	50	5	<i>GSS300-4</i>
0-400	50	10	<i>GSS400-4</i>
0-600	100	10	<i>GSS600-4</i>
0-1000	200	10	<i>GSS1000-4</i>
0-1500	200	20	<i>GSS1500-4</i>
0-2000	400	20	<i>GSS2000-4</i>
0-3000	500	50	<i>GSS3000-4</i>
0-5000	1000	100	<i>GSS5000-4</i>
0-10000	2000	200	<i>GSS10000-4</i>

- 3-2-3% accuracy
- 316 series stainless solid back case with polycarbonate window
- 1/4" lower mount stainless connector
- 316 stainless bourdon tube and socket, polyester segment
- ambient temperature range of **-40°F to 140°F**



GSS160-4

All Stainless Steel Liquid Filled Gauges

Stainless steel gauges provide the corrosion resistance and durability of a permanently sealed gauge. Designed for severe service applications.

2 1/2" face

1/4" lower mount

PSI	Fig. Inter.	Minor Grad.	Part #
0-15	3	.2	<i>GLSS15</i>
0-30	5	.5	<i>GLSS30</i>
0-60	10	1	<i>GLSS60</i>
0-100	20	2	<i>GLSS100</i>
0-160	20	2	<i>GLSS160</i>
0-200	50	5	<i>GLSS200</i>
0-300	50	5	<i>GLSS300</i>
0-400	100	10	<i>GLSS400</i>
0-600	100	10	<i>GLSS600</i>
0-1000	200	20	<i>GLSS1000</i>
0-1500	300	20	<i>GLSS1500</i>
0-2000	500	50	<i>GLSS2000</i>
0-3000	500	50	<i>GLSS3000</i>
0-5000	1000	100	<i>GLSS5000</i>
0-10000	2000	200	<i>GLSS10000</i>

- polycarbonate window
- 1/4" lower mount stainless connector
- 304 stainless case with stainless crimp ring
- glycerin filled
- ambient temperature range of **-4°F to 140°F**



GLSS1500

- 2-1-2% accuracy
- 2 1/2" 304 series stainless case with stainless crimp ring



Air Fittings

Spring Driven Hose Reels Reelcraft® 5000 Series

- maximum temperature is **150°F**
- reel inlet 3/8" NPTF
- all steel construction
- full shaft and swivel

- furnished standard with PVC hose
- Compressed air hose should not be converted to oxygen service. Compressed air hoses are often contaminated with an oil coating, which can react explosively when oxygen is introduced.

SAFETY
ALERT

with hose

Hose ID	Hose Length	Service	PSI	Weight lbs.	Part #
1/4"	50'	air / water	300	26	5450LP
3/8"	35'	air / water	300	25	5635LP
3/8"	50'	air / water	300	37	5650LP

without hose

Hose Capacity	Service	PSI	Weight lbs.	Part #	Price/E
50' of 1/4" or 35' of 3/8"	air / water	500	21	5600LP	
50' of 3/8"	air / water	500	31	5605LP	



Reelcraft® 7000 Series

- all steel construction
- "LP" Low Pressure reels:
 - maximum temperature **150°F**
 - reel inlet 1/2" NPTF
 - PVC hose is standard

- "MP" Medium Pressure reels:
 - maximum temperature **210°F**
 - reel inlet 1/2" NPTF
 - SAE 100 R1T 1-wire braid hose standard
- "HP" High Pressure reels:
 - maximum temperature **210°F**
 - reel inlet 1/4" NPTF
 - SAE 100 R2T 2-wire braid hose standard

with hose

Hose ID	Hose Length	Service	PSI	Weight lbs.	Part #
3/8"	70'	air / water	300	50	7670LP
1/2"	50'	air / water	300	51	7850LP

without hose

Hose Capacity	Service	PSI	Weight lbs.	Part #
70' of 3/8", 50' of 1/2"	air / water	500	43	7800LP
50' of 3/8" or 50' of 1/2"	oil	3000	44	7800MP
50' of 1/4" or 50' of 3/8"	grease	5000	46	7600HP



Reelcraft® 8000 Series

- maximum temperature is **150°F with hose**
- maximum temperature is **210°F without hose**
- furnished standard with PVC hose
- reel inlet 3/4" NPTF

- Five-in-one heat treated aluminum casting incorporates main shaft, ratchet, spring arbor and inlet/outlet plumbing in one piece casting. High pressure cast steel.
- The most compact 3/4" x 50' hose reel of its capacity available.

with hose

Hose ID	Hose Length	Service	PSI	Weight lbs.	Part #
1/2"	75'	air / water	300	90	82075LP
1/2"	100'	air / water	300	99	82100LP
3/4"	50'	air / water	250	89	83050LP

without hose

Hose Capacity	Service	PSI	Weight lbs.	Part #
50' of 3/4" or 100' of 1/2"	air / water	500	74	83000LP



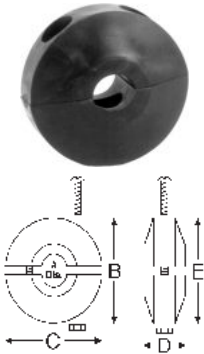
Consult factory for uses other than stated services.

Service Industrial Supply

506 Brookforest Ave. Rt. 59 Shorewood Illinois 60404

Phone: 815.725.0062 • Fax: 815.725.2483 • www.serviceindustrialsupply.com

Adjustable Hose Bumper Stops



Hose ID	Hose OD		Dimensions		Reel Series	Part #
	From:	To:	B,C,E	D		
1/4"	.438"	.625"	2-1/2"	1-1/4"	5000	1-HR1004A
3/8"	.625"	.749"	2-1/2"	1-1/4"	5000	1-HR1004
3/8"	.625"	.749"	3"	1-1/4"	7000	1-HR1004-3
1/2" or 3/8" 2-wire	.750"	1.050"	3"	1-1/4"	7000	2-HR1004-3
3/4"	1.060"	1.300"	3"	1-1/4"	7000	3-HR1004-3
1/2"	.750"	1.050"	3-1/2"	2-7/8"	9000	2-HR1005
3/4"	1.060"	1.380"	3-1/2"	2-7/8"	9000	3-HR1005
1"	1.390"	1.550"	3-1/2"	2-7/8"	9000	4-HR1005

Adjustable Hose Bumper Stops are not included on hose reels ordered without hose. Order separately.

Reelcraft® 30,000 Manual Driven Hose Reels



- unitized construction: reel frame, spool and drum are fabricated from heavy gauge steel
- all bolted construction - no welds
- manual driven standard
- motor drive available
- 1/2" inlet

without hose

Hose ID	Hose Capacity	Spool Width	PSI	Weight lbs.	Part #
3/4"	100'	12"	1000	46	C33112L
1/2"	200'	12"	3000	46	C32112M

Hose Rack



- can be used for fire or water hose
- fabricated of heavy 12 gauge sheet steel for rugged industrial and shipboard use
- provides compact and economical hose storage
- rugged 12 gauge steel construction provides long dependable service
- curved saddle design avoids sharp bends in the hose to prolong hose life
- red enamel finish

Hose Size	Hose Capacity	Weight lbs.	Part #
2" to 2 1/2"	9" Depth, 100' of 2 1/2"	8	HR1610

Hung Up On Dixon Hose Racks



DHR1
single hose rack



DHR2
double hose rack

- can be used for fire or water hose
- aluminum rack can be easily mounted
- single and double racks have 5 pre-drilled 5/16" mounting holes
- two racks can be bolted face to face to create extra hose capacity
- single rack overall dimensions 19-1/2" x 6" x 9-3/16"
- double rack overall dimensions 19-1/2" x 12" x 9-3/16"

Description	Weight lbs.	Part #
single hose rack	3.5	DHR1
double hose rack	9.5	DHR2



Banding Tools

Band Clamp Tools

Description	Part #
Clamping tool for band and buckles	C2



Description	Part #
Clamping tool for band and buckles	51960



Description	Part #
51960 adapter for installing preformed clamps	51970



Water-Steam Washdown Station

Fail-safe mixing station, bronze, wall mounted, safely blends steam and cold water for hot water on demand. Should cold water fail, the steam is instantly shut-off. **150 PSI** maximum, **200°F** maximum.



station is not supplied with hose and nozzle

All units are furnished with the following:

- control valves
- dial thermometer
- in-line check valves
- 3/4" inlet and outlet
- stainless steel hose rack
- mounting plate and hardware

Part #	
SWDS	

Pressure Requirements

Steam Pressure		Water Pressure	
Minimum	Maximum	Minimum	Maximum
80 PSI	150 PSI	50 PSI	80 PSI

Hot and Cold Water Mixing Station

Style 1 hot and cold water mixing station, bronze, wall mounted. **150 PSI** maximum, **200°F** maximum.



All units are furnished with the following:

- control valves
- dial thermometer
- in-line check valves
- 3/4" inlet and outlet
- stainless steel hose rack
- mounting plate and hardware

Part #	
WDS1	

Rack for Mixing Station



Designed to hold 50' of 3/4" heavy duty industrial grade hose.

- heavy duty stainless steel construction
- stainless steel lag screws
- heavy duty solid brass mounting crowns
- supplied with mounting hardware

Part #	
WDSR	

Hot Water Washdown Hose



- working pressure: **250 PSI**
- temperature to: **200°F**
- 3/4" male, both ends
- white, wrapped Neoprene cover (.075" thick), braided textile reinforcement
- smooth extruded Chlorobutyl tube
- furnished with internal stainless steel spring guards at both ends

Size	Part #
5/8" x 25'	SWDSHOSE25
5/8" x 50'	SWDSHOSE50



Brass Fittings

Hot Water Washdown Spray Nozzles

For low pressure cleaning and sanitation applications, such as food and dairy processing, tank and drum cleaning, pharmaceutical and chemical manufacturing and meat and poultry packing.

- efficient design for operator comfort
- variable spray pattern from solid stream to 50° hollow cone
- hose connects at base of gun for easy maneuvering
- ½" female NPT inlet
- rubber coated handle protects hands from water temperatures to 150°F
- 12.5 GPM flow capacity at 150 PSI
- Do not use with steam lines.



Cover color	Brass		Aluminum	
	Part #		Part #	
black	BWSG		AWSG	
white	BWSG-W		AWSG-W	

Swivel Connectors for Washdown Spray Guns

- 300 series stainless steel swivel connector for stainless spray nozzles
- 360° ball type swivel adapter helps prevent hose kinking

Ball Type Swivel Adapters



Description	Part #
½" NPT x ½" hose barb	SSA44
½" NPT x 5/8" hose barb	SSA54
½" NPT x ¾" hose barb	SSA64



- brass swivel body
- stainless steel hose shank
- brass connecting nut
- EPDM gasket connecting nut

Hose Shank

NPT	Hose ID	Part #
½"	½"	BNS44
½"	¾"	BNS64



GHT Thread

NPT	Female GHT	Part #
½"	¾"	BMAS974



Thermal-Gard™ Elevated Temperature Spray Nozzle

The Thermal-Gard™ elevated temperature spray nozzle protects the operator from extreme hot water temperatures that exceed the comfort zone of standard hot water nozzles. 3/8" female NPT inlet. Black cover.

- Assembly includes required special rigid, stainless steel adapter, (3/8" male NPT x 1/2" female NPT).
- Thermal insulating sleeve reduces overall heat during elevated temperature conditions.
- Stainless steel lever handle is coated for additional thermal protection, and operator comfort.
- Lightweight aluminum alloy body reduces overall weight.
- Corrosion resistant body is anodized for additional corrosion protection.
- Recommended for water temperatures above 140°F to a maximum temperature of 200°F.
- 14 GPM flow capacity
- working pressure: 150 PSI



Aluminum	
Part #	
AWSG-TG	



506 Brookforest Ave. Rt. 59 Shorewood Illinois 60404

Phone: 815.725.0062 • Fax: 815.725.2483 • www.serviceindustrialsupply.com



Stainless Spray Nozzle

- 1/2" female NPT inlet
- specifically designed to prevent accidental spray
- durable dark blue cover design prevents front-mounted levers from being accidentally activated when nozzle is dropped



- design also reduces hand fatigue and offer smooth lever action
- trigger locking mechanism provides safe and secure method of keeping the nozzle open during any spray pattern
- variable spray patterns, from fan spray to solid stream
- drip-free automatic shut-off feature
- rate to **150 PSI / 200°F**
- **5.5 GPM** flow capacity at **100 PSI**

<i>Stainless</i>	
Part #	
D150SDB	

Temperature Indicating Spray Nozzle

When you uncoil your hose and walk away from the hot and cold water mixer, you can no longer read the dial thermometer on the mixer. With the temperature indicating spray nozzle, you take your thermometer with you. 1/2" female NPT inlet. Black cover.

- Easy to read dial thermometer is located at the rear of the nozzle for accurate and continual monitoring of water temperature.
- The dial thermometer is all stainless steel with a plastic sight window, and the entire gauge assembly is recessed into the rubber cover for complete protection.
- Alerts the operator to shut-down the steam valve upon cold water failure, preventing scalding and steam burn injuries (ensures operator safety).
- ensures a more accurate discharge water temperature reading
- recommended for water temperatures to **200°F**
- maximum operating pressure: **150 PSI**
- **14 GPM** flow capacity



<i>Bronze</i>	
Part #	
BWSG-TI	

Stainless Steel Industrial Grade Spray Nozzle

The stainless steel industrial grade spray nozzle is recommended for use on corrosive applications where bronze and aluminum are not suitable.

- heavy duty 300 series stainless steel body and barrel
- variable spray pattern adjusts from a soft spray to a solid stream
- Replaceable rubber cover is specially formulated to resist a wide range of oils and chemicals. Rubber cover also protects surrounding equipment.
- 1/2" male NPT x 3/4" hose barb 300 series stainless steel swivel adapter
- maximum operating pressure: **150 PSI**
- **8 GPM** flow capacity at **100 PSI**
- 1/2" female NPT inlet



<i>300 series Stainless Steel</i>	
Part #	
300SSSG	

Brass Industrial Grade Front Lever Spray Nozzle

The brass industrial grade spray nozzle provides effortless one hand operation: by actuating the operating lever the valve is opened/closed and the jet power is regulated from spray to concentrated jet.

- maximum operating pressure: **350 PSI**
- suitable for hot water up to **122°F**
- The adjusting screw on the back of the gun allows you to fix the desired form of jet. The fixing clamp for the operating lever allows permanent service.
- **6.6 GPM** flow capacity at **72 PSI**
- 1/2" female NPT inlet
- durable nozzle constructed of a high quality brass and steel combination



<i>Brass</i>	
Part #	
DWG050	



Brass Fittings

Pressure Spray Guns

- 3/8" female inlet
- 1/4" female outlet
- **8 GPM**
- operating pressure: **4500 PSI**
- temperatures to **300°F**
- anti-fatigue pressure compensating design
- W = weeping, for the car wash industry, allows a small stream of water / leak

Part #	
HPSG	
HPSGW 	



- 3/8" female inlet
- 1/4" female outlet
- **6.6 GPM**
- operating pressure: **3625 PSI**
- temperatures to **140°F**

Part #	
HPSGC	



- 3/8" female inlet
- 1/4" female outlet
- 8 GPM
- operating pressure: **5000 PSI**
- temperatures to **300°F**
- heavy duty anti-fatigue design
- stainless inner tube

Part #	
HPSGHD	



- 3/8" female inlet
- 22 mm x 14 mm female outlet
- **8 GPM**
- operating pressure: **3200 PSI**
- temperatures to **104°F**
- extension length: 14"

Part #	
AL9	



Brass Fittings



Spray Lances and Extensions for Pressure Gun

- for use with **AL9** spray gun *only*
- operating pressure: **4000 PSI** maximum
- temperatures to **300°F**



Part #	Description	Length
AL248	zinc, 22 mm x 14 mm male inlet x 1/4" male outlet	24"

Dual Lance

- for use with **HPSG, HPSGC, HPSGHD** and **HPSGW**
- for soap and water
- temperatures to **300°F**
- **GPM: 10.5**
- requires 1 high pressure nozzle and 1 soap nozzle (pg. 266)
- Allows quick adjustment from high to low pressure with a twist of the handle; low pressure setting allows for use of soap.



AL344

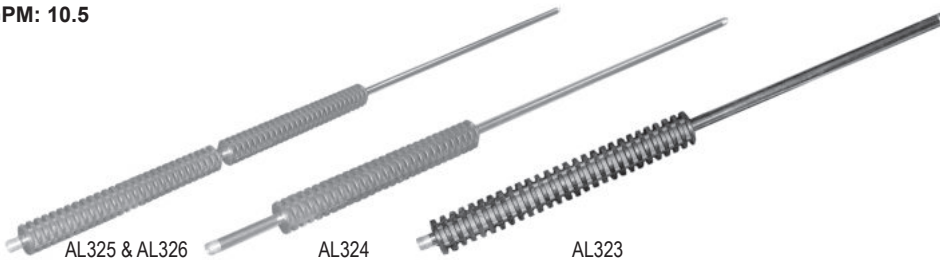


AL333

Part #	Description	Length	Max. Operating PSI
AL333	zinc, 1/4" male inlet 2 each 1/4" female outlets	40"	3,650
AL344	stainless steel, 1/4" male inlet, 2 each 1/4" female outlets	40"	4,000

Molded Grip Extensions

- for use with **HPSG, HPSGC, HPSGHD** and **HPSGW**
- operating pressure: **5000 PSI** maximum
- temperatures to **300°F**
- maximum **GPM: 10.5**



AL325 & AL326

AL324

AL323

Part #	Description	Length
AL323XX	zinc, 1/4" male inlet x 1/4" male outlet	24"
AL324XX	zinc, 1/4" male inlet x 1/4" male outlet, 4" space from the end	36"
AL325XX	zinc, 1/4" male inlet x 1/4" male outlet, 2 grips	48"
AL326XX	zinc, 1/4" male inlet x 1/4" male outlet, 2 grips	59"

Vented Grip Lance

- for use with **HPSG, HPSGC, HPSGHD** and **HPSGW**
- for hot water
- operating pressure: **5000 PSI** maximum
- temperatures to **300°F**
- maximum **GPM: 10.5**



AL361



AL362

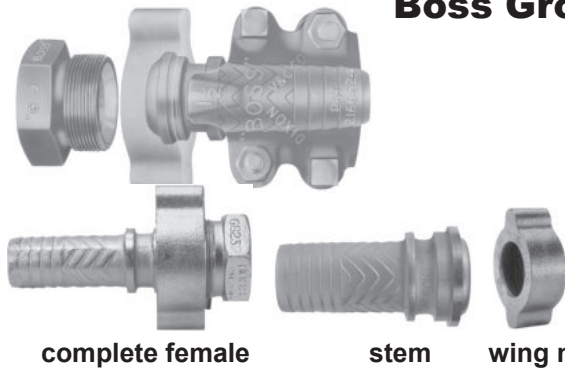
Part #	Description	Length
AL361	zinc, 1/4" male inlet x 1/4" female outlet, straight	36"
AL362	zinc, 1/4" male inlet x 1/4" female outlet, bent	48"

Service Industrial Supply

506 Brookforest Ave. Rt. 59 Shorewood Illinois 60404

Phone: 815.725.0062 • Fax: 815.725.2483 • www.serviceindustrialsupply.com

Boss Ground Joint Seal



Positive Metal-to-Polymer Seal

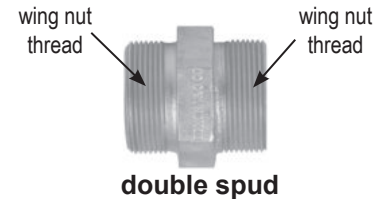
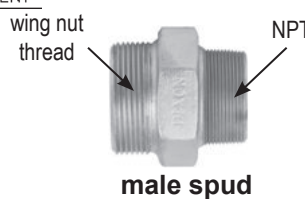
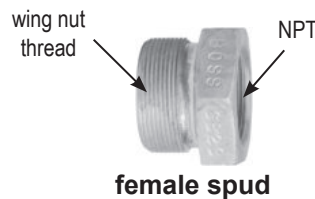
- A leakproof seal is formed when the metal head of the stem makes contact with the patented polymer seat in the spud.
- The non-metallic polymer seat resists most chemicals found in manufacturing facilities (reference corrosion resistance chart on pages 548-553).
- recommended for steam service up to **450°F**
- easy to seal
- works with existing ground joint fittings
- *plated steel and / or iron*
- use with Boss clamps found on pages 93 and 94.

SAFETY
ALERT

Hose Shank x NPT	Part #	Part #	Opt Qty	Part #	Opt Qty
1/4"	GF1 ¹	GBA	100	BA2	100
3/8"	GF3 ¹	GCA	100	CB	100
1/2"	GF6	GB1	100	B2	100
3/4"	GF26	GB6	50	B12	25
1"	GF36	GB11	50	B12	25
1-1/4"	GF51	GB16	25	B17	25
1-1/2"	GF61	GB21	25	B17	25
2"	GF81 ²	GB26 ²	10	B27	10
2-1/2"	GF96	GB31	5	B32	5
3"	GF111	GB36	5	B37	5
4"	GF141	GB46	5	B47	5
6"	GF201 ¹	GB66	2	B67	2

- ¹ 1/4", 3/8" and 6" come only with copper seat spuds
² not to be used with #250, #275 or #306 Boss clamps

SAFETY
ALERT



Thread	Part #	Opt Qty	Part #	Part #
1/4"	GBC ¹	100	---	---
3/8"	GCC ¹	100	GMC ¹	---
1/2"	GB3	100	GM3	GDB3
3/4"	GB8	50	GM8	GDB13
1"	GB13	50	GM13	GDB13
1-1/4"	GB18	25	GM18	GDB23
1-1/2"	GB23	25	GM23	GDB23
2"	GB28	10	GM28	GDB28
2-1/2"	GB33	5	GM33	GDB33
3"	GB38	5	GM38	GDB38
4"	GB48	5	---	---
6"	GB68 ¹	2	---	---

- ¹ 1/4", 3/8" and 6" come only with copper seat spuds

SAFETY
ALERT

Boss couplings and the steam quick disconnects are the only Dixon couplings recommended for steam service.

Boss Fittings



Boss Male Stems



steel barstock



iron



316 stainless



brass

Hose x NPT Size	Steel Bar Stock Part #	Opt Qty	Size	Iron Part #	Opt Qty	Size	316 Stainless Part #	Size	Brass Part #
1/4" x 1/8"	MS4X2	25	---	---	---	1/2"	RMS1	---	---
1/4" x 1/4"	MSA	50	---	---	---	3/4"	RMS6	3/4"	BMS6
1/4" x 3/8"	MSB	25	---	---	---	1"	RMS11	1"	BMS11
3/8" x 1/4"	MS6X4	25	1 1/4"	MS16	20	1 1/4"	RMS16	1 1/4"	BMS16
3/8" x 3/8"	MSC	100	1 1/2"	MS21	20	1 1/2"	RMS21	1 1/2"	BMS21
3/8" x 1/2"	MS6X8	25	2"	MS26	10	2"	RMS26	2"	BMS26
1/2" x 1/4"	MS8X4	25	2 1/2"	MS31	5	2 1/2"	RMS31	---	---
1/2" x 3/8"	MS8X6	50	3"	MS36	5	3"	RLP36 ¹	3"	BMS36
1/2" x 1/2"	MS1	25	4"	MS46	2	4"	RLP46 ¹	---	---
1/2" x 3/4"	MS8X12	25	---	---	---	---	---	---	---
3/4" x 1/2"	MS12X8	25	---	---	---	---	---	---	---
3/4" x 3/4"	MS6	25	---	---	---	---	---	---	---
3/4" x 1"	MS12X16	25	---	---	---	---	---	---	---
1" x 3/4"	MS16X12	25	---	---	---	---	---	---	---
1" x 1"	MS11	25	---	---	---	---	---	---	---

¹ tubular steel



male NPT end

LP-Boss Male Stems



beveled end

Size	Plated Steel NPT Part #	316 Stainless NPT Part #	Plated Carbon Steel NPT Part #	Unplated Steel Beveled Part #
1 1/4"	LP16	---	LP16-80 ²	---
1 1/2"	LP21	---	LP21-80 ²	---
2"	LP26	---	LP26-80 ²	LPB26
2 1/2"	LP31	---	---	---
3"	LP36	RLP36 ¹	---	LPB36
4"	LP46	RLP46 ¹	---	---
6"	LP66	---	---	---

¹ tubular steel

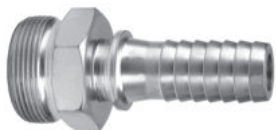
² schedule 80 stems meet NFPA 58

Boss Hose Menders

- collars engage grip fingers of Boss clamps
- 3/4" - 3" plated iron; 1/2" plated steel



Size	Part #	Price/E	Size	Part #
1/2"	M1	\$9.30	1 1/2"	M21
3/4"	M6	17.25	2"	M26
1"	M11	27.40	2 1/2"	M31
1 1/4"	M16	19.75	3"	M36



Boss Spud x Hose

Size	Polymer Seat Part #
1"	GH1311
2"	GH2826

Boss Clamps

Hose ID	Hose OD		Plated Iron		Opt Qty	Stainless Steel		Torque ³	Brass	
	From:	To:	Part #			Part #			Part #	Torque
1/4"	36/64"	42/64"	BD ⁴		100	---		6	---	--
3/8"	44/64"	56/64"	CD ⁴		100	---		6	---	--
1/2"	52/64"	60/64"	DD ⁴		100	---		6	---	--
1/2"	60/64"	1-4/64"	B4 ⁴		25	RB4		12	BB4	10
1/2"	1-4/64"	1-12/64"	B5 ⁴		25	---		12	---	--
3/4"	1-10/64"	1-20/64"	BU9 ⁴		50	RBU9		21	BBU9	18
3/4"	1-20/64"	1-32/64"	B9		25	RB9		21	BB9	18
3/4"	1-32/64"	1-44/64"	B10 ⁴		25	---		21	BB10	--
1/2"	58/64"	1-2/64"	968		50	---		6	---	--
1"	1-26/64"	1-36/64"	156 ^{1,4}		20	---		21	---	--
1"	1-34/64"	1-46/64"	BU14		25	RBU14		21	BBU14	18
1"	1-44/64"	1-60/64"	B14 ⁴		25	RB14		21	BB14	18
1"	1-60/64"	2-8/64"	B15		20	---		21	---	--
	1-32/64"	1-50/64"	BU18		10	---		40	---	--
	1-44/64"	1-56/64"	187 ¹		10	---		21	---	--
	1-50/64"	2-6/64"	BU19		10	---		40	---	--
	1-56/64"	2-4/64"	206 ¹		20	---		21	---	--
	2-8/64"	2-24/64"	B19		10	RB19		40	BB19 ²	28
	1-52/64"	2"	BU22		10	---		40	---	--
	2"	2-14/64"	B22		10	---		40	---	--
	2"	2-8/64"	212 ¹		10	---		21	---	--
	2-4/64"	2-16/64"	225 ¹		10	---		40	---	--
	2-12/64"	2-24/64"	BU24		10	RBU24		40	BBU24 ²	28
	2-24/64"	2-36/64"	B24		10	RB24		40	---	--
	2-36/64"	2-48/64"	B25		10	---		40	---	--
	2-16/64"	2-32/64"	250 ^{1,5}		10	---		40	---	--
	2-22/64"	2-34/64"	BU28		10	---		60	---	--
	2-32/64"	2-48/64"	275 ^{1,5}		10	---		40	---	--
	2-32/64"	2-50/64"	BU29		10	RBU29		60	BBU29 ²	40
	2-48/64"	3-4/64"	B29		10	RB29		60	BB29 ²	40
	2-48/64"	3-4/64"	306 ^{1,5}		10	---		60	---	--
	3-6/64"	3-28/64"	B30		5	---		60	---	--
	3-4/64"	3-32/64"	350 ¹		5	---		60	---	--
	3-6/64"	3-28/64"	BU34		5	---		60	---	--
	3-32/64"	3-60/64"	B34		5	---		150	---	--
	3-32/64"	3-48/64"	375 ¹		5	---		60	---	--
	3-32/64"	3-60/64"	BU35		5	RBU35		150	---	--
	3-48/64"	4"	401 ¹		5	---		150	---	--
	3-52/64"	4-4/64"	B35		5	---		150	---	--
	4"	4-12/64"	418 ¹		4	---		200	---	--
	4-4/64"	4-28/64"	B39		5	---		200	---	--
	4-12/64"	4-32/64"	450 ¹		2	---		200	---	--



2-bolt type



4-bolt type
2 gripping fingers



4-bolt type
4 gripping fingers¹

¹ 4 gripping fingers

² will become obsolete as inventory is depleted

³ torque applies to plated iron and stainless steel clamps

⁴ investment cast carbon steel

⁵ not to be used with GF81, GB26, WF81, B26, RGF81, RGB26, BGF81, BGB26, RWF81, RB26

- Replacement nuts and bolts are available, contact the factory for more information.
- The bolts used in the Boss interlocking clamps are not standard bolts. They vary from standard bolts in their length, diameter, overall thread length and material hardness. These bolts can be retorqued, but it is **not** recommended that the bolts or clamps be reused, as they are designed for a single bend only. Dixon recommends using only factory supplied replacement bolts.
- Torque values for clamps are based on dry bolts. The use of lubricant on bolts will adversely effect clamp performance. *Do not lubricate nuts and bolts.*
- recommended torque rating in ft. lbs.

Clamps



Double Bolt Clamps

A rugged, plated iron two-bolt clamp with machine bolts and hex nuts.

- inner surface has dual gripping ridges
- bolt lugs are reinforced to prevent bending out of alignment

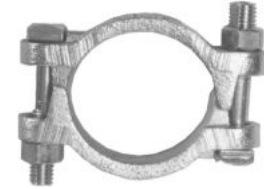


with saddles

Hose OD		Plated Iron Part #	Opt Qty	Torque in ft. lbs.
from	to			
3-32/64"	3-52/64"	400	25	40
3-50/64"	4-4/64"	431	20	40
4-2/64"	4-18/64"	463	20	40
4-16/64"	4-60/64"	525	10	60
4-32/64"	5-16/64"	550	10	60
5-8/64"	5-44/64"	600	10	60
5-44/64"	5-60/64"	639	10	60
5-60/64"	6-32/64"	675	10	60
6-32/64"	7-36/64"	769	10	60
7-44/64"	8-12/64"	818	5	125
8-16/64"	8-56/64"	875	5	125
8-60/64"	9-56/64"	988	5	125
9-60/64"	11-24/64"	1125	5	125
11-12/64"	13"	1275	3	125
12-12/64"	14"	1360	2	200
13-12/64"	15"	1450	2	200
15-4/64"	17-32/64"	1700	2	260

- measure hose OD accurately before ordering clamps
- Torque values for clamps are based on dry bolts. The use of lubricant on bolts will adversely effect clamp performance.
- Consult Dixon when using double bolt clamps on helical wire hose.

**SAFETY
ALERT**



without saddles

Hose OD		Plated Iron Part #	Opt Qty	Torque in ft. lbs.
from	to			
1-8/64"	1-12/64"	J48	100	15
1-12/64"	1-24/64"	J49	50	21
1-28/64"	1-34/64"	JX49	25	21
1-40/64"	1-52/64"	DL14	25	40
1-48/64"	2-3/64"	DL20	25	27
2-7/64"	2-19/64"	DL24¹	25	27
2-20/64"	2-40/64"	DL32¹	25	40
2-32/64"	2-48/64"	DL275	25	40
2-48/64"	3-4/64"	DL306	20	60
3-4/64"	3-24/64"	DL328	20	60
3-16/64"	3-32/64"	DL350	20	60

¹ investment carbon steel

Single Bolt Clamps



- measure hose OD accurately before ordering clamps
- Torque values for clamps are based on dry bolts. The use of lubricant on bolts will adversely effect clamp performance.

**SAFETY
ALERT**

Hose OD		Plated Iron Part #	Torque in ft. lbs.
from	to		
56/64"	1"	2	6
62/64"	1-8/64"	3	6
1-4/64"	1-12/64"	4	6
1-10/64"	1-16/64"	5	6
1-16/64"	1-24/64"	6	6
1-22/64"	1-28/64"	7	6
1-28/64"	1-36/64"	8	6
1-34/64"	1-44/64"	9	6
1-42/64"	1-48/64"	10	6
1-48/64"	1-56/64"	11	6
1-56/64"	2-2/64"	12	6
2"	2-8/64"	13	12
2-8/64"	2-18/64"	14	12
2-16/64"	2-26/64"	15	12

Hose OD		Plated Iron Part #	Torque in ft. lbs.
from	to		
2-24/64"	2-32/64"	16	12
2-32/64"	2-40/64"	17	12
2-40/64"	2-56/64"	18	12
2-56/64"	3-4/64"	19	12
3-4/64"	3-16/64"	20	12
3-16/64"	3-28/64"	21	12
3-28/64"	3-40/64"	22	21
3-40/64"	3-52/64"	23	21
3-52/64"	4-8/64"	24	21
4-8/64"	4-20/64"	25	21
4-16/64"	4-32/64"	26	21
4-28/64"	4-40/64"	27	21
4-40/64"	4-56/64"	X27	21
4-56/64"	5-16/64"	28	21

Service Industrial Supply

506 Brookforest Ave. Rt. 59 Shorewood Illinois 60404

Phone: 815.725.0062 • Fax: 815.725.2483 • www.serviceindustrialsupply.com

Aluminum Caps and Plugs with Chain

- extruded hardcoated aluminum
- rocker lug



Size	Thread	Part #
1"	NPSH	AFC100
1½"	NPSH	AFC150
2"	NPSH	AFC200
1"	NST (NH)	AFC100F
1½"	NST (NH)	AFC150F
2"	NST (NH)	AFC200F
2½"	NST (NH)	AFC250F
3"	NST (NH)	AFC300F
4"	NST (NH)	AFC400F
4½"	NST (NH)	AFC450F
6"	NST (NH)	AFC600F

Not all sizes are stocked

- extruded hardcoated aluminum
- rocker lug



Size	Thread	Part #
1½"	NST (NH)	AFP150F
2½"	NST (NH)	AFP250F
3"	NST (NH)	AFP300F
4"	NST (NH)	AFP400F
4½"	NST (NH)	AFP450F
6"	NST (NH)	AFP600F

Not all sizes are stocked

Brass Plain Wye with Pin Lugs

- divides one stream into two
- female swivel, two male outlets



Female NST (NH)	(2) Male NST (NH)	Dixon Part #	Powhatan Part #
1½"	1½"	PW15F15F	04-106-00009
2½"	1½"	PW25F15F	04-106-00021
2½"	2½"	PW25F25F	04-106-00032

Aluminum Plain Wyes with Rocker Lugs

- divides one stream into two
- 1 female swivel and 2 male outlets



Female Thread	Male NPSH	Dixon Part #
1" NPSH	1"	ARPW10S10S
1½" NST (NH)	1"	ARPW15F10S

Spanner and Hydrant Wrenches

Adjustable Hydrant Wrench

- plated iron head and 1/2" plated steel handle
- for pentagon nuts up to 1 3/4"
- built-in spanner for pin or rocker lug couplings
- overall length 16 1/4"

Part #	Pkg Qty	Wt. (lbs)
AHW	20	2.7



Pigtail Adjustable Hydrant Wrench

- double spanner head fits pin lug or rocker (sensible) lug couplings, pentagon nuts up to 1 1/2" from point to flat, 1 1/2" - 6" rocker lug caps, 2" - 4 1/2" pin lug caps, and square nuts up to 1-1/8"

Part #	Wt. (lbs)
AHWPT	4.5



Heavy Duty Adjustable Hydrant Wrench

- plated iron head, 7/8" plated steel handle
- for pentagon hydrant nuts up to 1 3/4" from point to flat
- notched to fit 1 1/4" square hydrant nut
- spanner for pin lug and sensible (rocker) lug couplings, 1 1/2" thru 6"
- overall length 18"

Part #	Pkg Qty	Wt. (lbs)
189	15	4.7



Double Head Adjustable Hydrant Wrench

- for pentagon hydrant nuts up to 1-7/8" and square heads up to 1 1/2"
- designed to fit 3/4" - 6" rocker lug or pin lug couplings, can also be used for long handle couplings
- ductile iron head with a deeply knurled chrome plated steel handle
- replaceable adjustable jaw is made of manganese bronze
- overall length 19 1/2"

Part #	Wt. (lbs)
189DH	5



5 Hole Hydrant Wrench

- 5 pentagon holes designed to fit common hydrant nut sizes
- built-in spanner for pin or rocker lug couplings
- plated iron

Part #	Pkg Qty	Wt. (lbs)
PHW	25	1.94



Grip-All Spanner Wrench

- lightweight aluminum, fits 3/4" to 6" split lug, rocker lug and pin lug couplings
- can be operated in tight quarters
- A gas cock shutoff is provided in the handle. The handle is shaped to fit your hand allowing a positive grip on the coupling.

Part #	Wt. (lbs)
GAW	.52



Long Handle Suction Spanner Wrench

- plated iron spanner for use on long handle, rocker lug, or pin lug couplings from 2 1/2" to 6"
- open end slips over long handles for additional leverage while the claw fits rocker lugs or pin lugs, the other end can be used as a pry or crowbar.
- inverted "T" body construction for lighter weight and improved strength
- can be used on Dixon's cam and groove pin lug or trapezoidal lug tank car adapters or 8" pin lug couplings
- overall length 18-3/4"

Part #	Wt. (lbs)
LHW	3.25



NEW



Single Hydrant Gate Valve with Hand Wheel

The hydrant gate valve is used to throttle the flow from a fire hydrant without damaging the hydrant itself.

- O-ring seal
- Underwriters Listed
- for use on standpipes and fire pumps where UL listing is required
- for use up to **175 PSI** (water only)



female inlet x male outlet

Inlet	Outlet	Cast Red Brass	Wt (lbs)
Female NST (NH)	Male NST (NH)	Part #	
2½"	2½"	UHGV250F	9

replacement parts

Description	Part #	Wt (lbs)
Replacement Valve Wheel	UHGV250-W	.5

Brass Single Hydrant Gate Valves



- pin lug swivel, non-rising stem
- aluminum speed handle, **rubber seal**
- designed to protect fire hydrants from damage that can occur if used for throttling
- for use up to **175 PSI** (water only)

Female x Male	Part #	Pkg Qty
2½" NST (NH) x 2½" NPSH	HGV250	4
2½" NST (NH) x 2½" NST (NH)	HGV250F	4
replacement handle	HGV250-H	1



Single Hydrant Gate Valves



- pin lug swivel, non-rising stem
- Underwriters Listed
- red hand wheel, **metal-metal seal**
- designed to protect fire hydrants from damage that can occur if used for throttling
- for use up to **300 PSI** (water only)

Female x Male	Part #
2½" NST (NH) x 2½" NST (NH)	HGVW250F
replacement wheel	HGVW250-W

Aluminum Single Hydrant Gate Valves



- pin lug swivel, non-rising stem
- aluminum speed handle, **non-metallic seal**
- designed to protect fire hydrants from damage that can occur if used for throttling
- for use up to **175 PSI** (water only)

Female x Male	Part #
2½" NST (NH) x 2½" NST (NH)	AHGV250F
replacement handle	AHGV250F-H



Backflow Preventer

Designed to give maximum protection against backflow caused by back-pressure or back-siphonage from a cross-connection wherein a contaminant hazard exists.

- consists of two spring-loaded poppet type check valves and a mechanically independent, hydraulically dependent pressure differential relief valve
- three top mounted test cocks ensure easy access during repair and maintenance
- supply pressures up to **175 PSIG** and water temperatures from **33°F to 180°F**
- meets USC's FCCC and HR Manual, Sec. 10, ASSE 1015, AWWA C-510 and CSA B64.4 specifications
- Underwriters Listed and Factory Mutual approved



NPT	Working Pressure	Part #	Wt. (lbs)
2"	175 PSI	BFP200	41

Create a Fire Hydrant Backflow Preventer by using the **RSMSA25F20T** and the **DMH2025F**.

Brass Straight Globe Valves

- ideal for wet and combination systems
- cast brass with red handwheel
- used with a fire hose rack assembly, or as a fire department outlet connection
- for use up to **300 PSI**



Inlet Female NPT	Outlet Male NST (NH)	Dixon Part #	Powhatan Part #
1½"	1½"	SGV150F	18-217-00010
2½"	2½"	SGV250F	18-217-00083



Inlet Female NPT	Outlet Female NPT	Dixon Part #	Powhatan Part #
1½"	1½"	SGVF150	18-217-00104
2½"	2½"	SGVF250	18-217-00082

Chicago Pattern Valves

- cast brass with a round aluminum handwheel
- for use up to **175 PSI**



Inlet Male NPT	Outlet Male	Dixon Part #	Powhatan Part #
1½"	1½" NST (NH)	CPV150F	18-180-00008

Wharf Hydrants

- cast brass finish
- used to provide a fire department outlet connection
- pentagon nut at top of spindle
- discourages unauthorized use
- hydrostatically tested for **300 PSI**



Inlet Female NPT	Outlet Male NST (NH)	Dixon Part #	Powhatan Part #
3"	2½"	WHYD3025F	18-251-00008
4"	2½"	WHYD4025F	18-251-00015
4"	4½"	WHYD4045F	18-251-00017



Fire Equipment

Brass 1/4 Turn Plug Type Wye Valves

- cast brass
- *not recommended for charged preconnected hose lines*

SAFETY
ALERT

Female x Male	Dixon Part #	Powhatan Part #	Pkg Qty
2½" NST (NH) x 1½" NST (NH)	S6175	06-175-00212	5
2½" NST (NH) x 1½" NPSH	S6175S	06-175-00223	5
replacement handle	S6175-H	43-184-00002	1



Brass 1/4 Turn Ball Type Wye Valves

- operates easily under high pressure
- cast brass finish
- rocker lug swivel
- NSN# 4210-00-255-0234

Female x Male	Dixon Part #	Powhatan Part #
2½" NST (NH) x 1½" NPSH	S7337S	07-337-00196



Full Flow Brass 1/4 Turn Ball Type Hose Valves

- cast brass
- recommended for charged preconnected hose lines
- for use up to **175 PSI** (water only)

Female x Male	Dixon Part #	Powhatan Part #
1½" NST (NH) x 1½" NST (NH)	S7100-15	07-100-10003
2½" NST (NH) x 1½" NST (NH)	S7100	07-100-20003



Leader Line Wye 1/4 Turn Ball Type Hose Valves

- body painted red with chrome trim
- rocker lug swivel
- for use up to **400 PSI** (water only)

Female x Male	Part #
2½" NST (NH) x 1½" NST (NH)	LLBV2515F



Service Industrial Supply

506 Brookforest Ave. Rt. 59 Shorewood Illinois 60404

Phone: 815.725.0062 • Fax: 815.725.2483 • www.serviceindustrialsupply.com

Brass Hydrant Adapters with Pin Lugs



reducer



same size



increaser

Female NST (NH)Thread	Male GHT Thread	Dixon Part #	Powhatan Part #
1½"	¾"	HA1576	09-130-00084
2½"	¾"	HA2576	09-130-00263

Female NPSH Thread	Male NPSH Thread	Dixon Part #	Powhatan Part #
1½"	1"	HA15S10	09-130-00092

Female NST (NH)Thread	Male NPSH Thread	Dixon Part #	Powhatan Part #
1½"	¾"	HA1575	09-130-00932
1½"	1"	HA1510	09-130-00095
1½"	1½"	HA1515	09-130-00053
2½"	1"	HA2510	09-130-00283
2½"	1½"	HA2515	09-130-00298
2½"	2"	HA2520	09-130-00380
2½"	2½"	HA2525	09-140-00268
2½"	3"	HA2530	09-356-00226

Female NPSH Thread	Male NST (NH)Thread	Dixon Part #	Powhatan Part #
1½"	1½"	HA15S15F	09-140-00562
2"	1½"	HA20S15F	09-130-02495
2"	2½"	HA20S25F	09-356-00213
2½"	1½"	HA25S15F	09-130-00306
2½"	2½"	HA25S25F	09-140-00618
3"	2½"	HA30S25F	09-130-02368

Female NST (NH)Thread	Male NST (NH)Thread	Dixon Part #	Powhatan Part #
1½"	1"	HA1510F	09-130-00096
1½"	1½"	HA1515F	09-140-00696
1½"	2½"	HA1525F	09-356-00045
2"	2½"	HA2025F	09-335-00224
2½"	1"	HA2510F	09-130-01394
2½"	1½"	HA2515F	09-130-00297
2½"	2"	HA2520F	09-130-00382
2½"	2½"	HA2525F	09-140-00676
2½"	3"	HA2530F	09-356-00272
3"	1½"	HA3015F	09-130-01024
3"	2½"	HA3025F	09-130-00562
4"	2½"	HA4025F	09-149-00524
4½"	2½"	HA4525F	09-149-00519

Female NPSH Thread	Male NPT Thread	Dixon Part #	Powhatan Part #
1½"	1"	HA15S10T	09-130-01648
1½"	1½"	HA15S15T	09-140-01020
2½"	1"	HA25S10T	09-130-01848
3"	2½"	HA30S25T	09-130-02500

Female NPSH Thread	Male GHT Thread	Dixon Part #	Powhatan Part #
1½"	¾"	HA15S76	09-130-00086

Female NPT Thread	Male NST (NH)Thread	Dixon Part #	Powhatan Part #
1½"	1½"	HA15T15F	09-140-00668
2"	2½"	HA20T25F	09-356-00223

Female NST (NH)Thread	Male NPT Thread	Dixon Part #	Powhatan Part #
1½"	¾"	HA1575T	09-130-00083
1½"	1"	HA1510T	09-130-01385
1½"	1½"	HA1515T	09-140-00748
2½"	¾"	HA2575T	09-130-00262
2½"	1"	HA2510T	09-130-01057
2½"	1½"	HA2515T	09-130-00299
2½"	2"	HA2520T	09-130-00381
2½"	2½"	HA2525T	09-140-00267
2½"	3"	HA2530T	09-356-00331

- other styles and sizes are also available
- not all configurations are stocked
- consult the factory for pricing and availability



Brass Hydrant Adapters with Rocker Lugs



reducer



same size



increaser

Female NST (NH)Thread	Male GHT Thread	Dixon Part #	Powhatan Part #
1½"	¾"	RHA1576	09-130-00786
2½"	¾"	RHA2576	09-130-00809

Female NPSH Thread	Male NPSH Thread	Dixon Part #	Powhatan Part #	Price/E
1½"	1"	RHA15S10	09-130-00796	\$46.60
2½"	1½"	RHA25S15	09-130-00825	50.05

Female NST (NH)Thread	Male NPSH Thread	Dixon Part #	Powhatan Part #
1½"	1"	RHA1510	09-130-00791
1½"	1½"	RHA1515	09-140-00077
1½"	2"	RHA1520	09-356-00443
2½"	1"	RHA2510	09-130-00919
2½"	1½"	RHA2515	09-130-00819

Female NPSH Thread	Male NST (NH)Thread	Dixon Part #	Powhatan Part #
1½"	1½"	RHA15S15F	09-140-00066
2½"	1½"	RHA25S15F	09-130-00827
2½"	2½"	RHA25S25F	09-140-00348

Female NST (NH)Thread	Male NST (NH)Thread	Dixon Part #	Powhatan Part #
1½"	1"	RHA1510F	09-130-01686
1½"	1½"	RHA1515F	09-140-00721
1½"	2½"	RHA1525F	09-356-00220
2"	2½"	RHA2025F	09-356-00267
2½"	1"	RHA2510F	09-130-01113
2½"	1½"	RHA2515F	09-130-00817
2½"	1½"	RHA2515F-C	09-130-00769
2½"	2"	RHA2520F	09-130-01211

Female NPSH Thread	Male NPT Thread	Dixon Part #	Powhatan Part #
1½"	1"	RHA15S10T	09-130-02412
1½"	1½"	RHA15S15T	09-140-01661

Female NPT Thread	Male NST (NH)Thread	Dixon Part #	Powhatan Part #
1½"	1½"	RHA15T15F	09-140-00809
2½"	2½"	RHA25T25F	09-140-00798

- **-C** chrome finish
- other styles and sizes are also available
- not all configurations are stocked
- *consult the factory for pricing and availability*

Female NST (NH)Thread	Male NPT Thread	Dixon Part #	Powhatan Part #
1½"	1"	RHA1510T	09-130-00793
1½"	1½"	RHA1515T	09-140-00584
2½"	1"	RHA2510T	09-130-01697
2½"	1½"	RHA2515T	09-130-01126
2½"	2"	RHA2520T	09-130-00867
2½"	2½"	RHA2525T	09-140-00952
2½"	3"	RHA2530T	09-356-00339

Brass Female to Male Hex Nipples



reducer



same size



increaser

Female NPT Thread	Male NPSH Thread	Dixon Part #	Powhatan Part #
1"	¾" GHT	FM1076	---
1"	1"	FM1010	14-155-00076
1½"	1½"	FM1515	14-155-00174
2"	2"	FM2020	14-155-00281
2½"	2½"	FM2525	14-155-00363

Female NPSH Thread	Male NPT Thread	Dixon Part #	Powhatan Part #
¾" GHT	1"	FM7610T	---
1"	¾" GHT	FM10S76	14-155-00067
1½"	1½"	FM15S15T	14-155-00175
2½"	2½"	FM25S25T	14-155-00366

Female NPT Thread	Male NST (NH)Thread	Dixon Part #	Powhatan Part #
1"	1"	FM1010F	14-155-00080
1"	1½"	FM1015F	15-216-00046
1½"	1½"	FM1515F	14-155-00177
1½"	2½"	FM1525F	15-216-00090
1½"	3"	FM1530F	15-216-00533
2"	1½"	FM2015F	14-155-00265
2"	2½"	FM2025F	15-216-00192
2½"	2½"	FM2525F	14-155-00359
3"	2½"	FM3025F	14-155-00501
3"	3"	FM3030F	14-155-00516
4"	2½"	FM4025F	14-155-00675
4"	4"	FM4040F	14-155-00540
4"	4½"	FM4045F	15-216-00172
6"	6"	FM6060F	14-155-00711

Female NPSH Thread	Male NST (NH)Thread	Dixon Part #	Powhatan Part #
1½"	1½"	FM15S15F	14-155-00180
2"	1½"	FM20S15F	14-155-00267
2"	2½"	FM20S25F	15-216-00106
2½"	2½"	FM25S25F	14-155-00362
3"	2½"	FM30S25F	14-155-00500

Female NPT Thread	Male NPT Thread	Dixon Part #	Powhatan Part #
3"	2½"	FM3025T	14-155-00365

Female NPSH Thread	Male NPSH Thread	Dixon Part #	Powhatan Part #
2"	1½"	FM20S15	14-155-00264

Female NST (NH)Thread	Male NPSH Thread	Dixon Part #	Powhatan Part #
1½"	1½"	FM15F15S	14-155-00198
2½"	2½"	FM25F25S	14-155-00395

Female NST (NH)Thread	Male NPT Thread	Dixon Part #	Powhatan Part #
1"	1"	FM10F10T	14-155-00084
1½"	1½"	FM15F15T	14-155-00199
1½"	2"	FM15F20T	15-216-00081
1½"	2½"	FM15F25T	15-216-00098
2½"	¾"	FM25F75T	14-155-00319
2½"	1"	FM25F10T	14-155-00324
2½"	1½"	FM25F15T	14-155-00328
2½"	2"	FM25F20T	14-155-00345
2½"	2½"	FM25F25T	14-155-00392
2½"	3"	FM25F30T	15-216-00134
3"	2½"	FM30F25T	14-155-00867
3"	3"	FM30F30T	14-155-00519
4"	4"	FM40F40T	14-155-00545
4½"	4"	FM45F40T	14-155-00561

Female NST (NH)Thread	Male NST (NH)Thread	Dixon Part #	Powhatan Part #
1½"	1½"	FM15F15F	14-155-00197
1½"	2½"	FM15F25F	15-216-00097
1½"	3"	FM15F30F	15-216-00200
2½"	1½"	FM25F15F	14-155-00396
2½"	2½"	FM25F25F	15-216-00216
2½"	3"	FM25F30F	14-155-11508
3"	2½"	FM30F25F	14-155-00329



Fire Equipment

Brass Double Male Hex Nipples

- cast brass
- other configurations are also available, consult the factory for pricing and availability



reducer

Male NPT Thread	Male NPSH Thread	Dixon Part #	Powhatan Part #
1"	¾" GHT	DMH1076	---
1"	1"	DMH1010	14-146-00042
1"	1½"	DMH1015	14-146-00092
1½"	1"	DMH1510	14-146-00093
1½"	1½"	DMH1515	14-146-00110
1½"	2"	DMH1520	14-146-00155
2"	1½"	DMH2015	14-146-00153
2"	2"	DMH2020	14-146-00167
2"	2½"	DMH2025	14-146-00204
2½"	2"	DMH2520	14-146-00206
2½"	2½"	DMH2525	14-146-00226
2½"	3"	DMH2530	14-146-00295
3"	2½"	DMH3025	14-146-00290
3"	3"	DMH3030	14-146-00312
4"	4"	DMH4040	14-146-00337



same size

Male NST (NH) Thread	Male NST (NH) Thread	Dixon Part #	Powhatan Part #
1½"	1½"	DMH15F15F	14-146-00132
1½"	2½"	DMH15F25F	14-146-00188
2½"	2½"	DMH25F25F	14-146-00259
2½"	3"	DMH25F30F	14-146-00305

Male NST (NH) Thread	Male NPSH Thread	Dixon Part #	Powhatan Part #
1½"	1½"	DMH15F15S	14-146-00118



increaser

Male NPT Thread	Male NST (NH) Thread	Dixon Part #	Powhatan Part #
¾"	1½"	DMH7515F	14-146-00088
1"	1"	DMH1010F	14-146-01084
1"	1½"	DMH1015F	14-146-00090
1"	2½"	DMH1025F	14-146-00437
1½"	1"	DMH1510F	14-146-00097
1½"	1½"	DMH1515F	14-146-00115
1½"	2½"	DMH1525F	14-146-00187
2"	1½"	DMH2015F	14-146-00157
2"	2½"	DMH2025F	14-146-00367
2½"	1½"	DMH2515F	14-146-00192
2½"	2½"	DMH2525F	14-146-00221
2½"	3"	DMH2530F	14-146-00304
3"	2½"	DMH3025F	14-146-00294
3"	3"	DMH3030F	14-146-00313
4"	4"	DMH4040F	14-146-00339
4"	4½"	DMH4045F	14-146-00354
5"	5"	DMH5050F	14-146-00363
6"	4½"	DMH6045F	14-146-00364
6"	6"	DMH6060F	14-146-00431

Male NPT Thread	Male NPT Thread	Dixon Part #	Powhatan Part #
1½"	1½"	DMH15T15T	14-146-00113
2½"	3"	DMH25T30T	14-146-00291

Brass Double Males with Pin Lugs

- cast brass finish

Male NPSH Thread	Male NPSH Thread	Dixon Part #	Powhatan Part #
1½"	1½"	DMP1515	09-114-00075
2½"	2½"	DMP2525	09-114-00133
Male NST (NH) Thread	Male NST (NH) Thread	Dixon Part #	Powhatan Part #
1½"	1½"	DMP1515F	09-114-00035
2½"	2½"	DMP2525F	09-114-00125
Male NST (NH) Thread	Male NPSH Thread	Dixon Part #	Powhatan Part #
2½"	2½"	DMP25F25S	09-114-00128
Male NST (NH) Thread	Male NPT Thread	Dixon Part #	Powhatan Part #
1½"	1½"	DMP15F15T	09-114-00041
2½"	2½"	DMP25F25T	09-114-00438



Brass Double Males with Rocker Lugs

- cast brass finish

Male NST (NH) Thread	Male NST (NH) Thread	Dixon Part #	Powhatan Part #
1½"	1½"	DMR1515F	09-114-00060
2½"	2½"	DMR2525F	09-114-00153
Male NST (NH) Thread	Male NPT Thread	Dixon Part #	Powhatan Part #
1½"	1½"	DMR15F15T	09-114-00543
Male NPSH Thread	Male NPSH Thread	Dixon Part #	Powhatan Part #
1½"	1½"	DMR1515	09-114-00432
2½"	2½"	DMR2525	09-114-00505



Aluminum Double Males with Rocker Lugs

- extruded aluminum

Male NST (NH) Thread	Male NST (NH) Thread	Part #
1½"	1½"	ADMR15F15F
2½"	2½"	ADMR25F25F
Male NPSH Thread	Male NPSH Thread	Part #
1"	1"	ADMR10S10S

- hardcoated aluminum

Male NPT Thread	Male NST (NH) Thread	Part #
1½"	1½"	ADMR1515F
2½"	2½"	ADMR2525F
3"	2½"	ADMR3025F
6"	6"	ADMR6060F



- Other styles and sizes are also available
- Not all configurations are stocked
- Consult the factory for pricing and availability



Fire Equipment



Constant Flow Thermoplastic Fog Nozzles

- red polycarbonate with bumper, black plastic and steel stem
- adjusts from straight stream to fog
- 1" and 1½" are ULC listed
- for use up to **100 PSI** (*water only*)
- provides consistent volume at any spray angle
- replacement gaskets available below



2½" provided with handles on CFB250NST



1" through 2"

Size	Thread	90° Spray GPM @ 100 PSI	Part #
¾"	GHT	8	CFB75GHT
1"	SIPT (NPSH)	22	CFB100S
1½"	SIPT (NPSH)	75	CFB150S ¹
1½"	SIPT (NPSH)	150	HGCFB150S ²
2"	SIPT (NPSH)	75	CFB2015S ¹
2"	SIPT (NPSH)	150	CFB200S ²
1"	NST (NH)	22	CFB100NST
1½"	NST (NH)	75	CFB150NST ¹
1½"	NST (NH)	150	HGCFB150NST ²
2½"	NST (NH)	150	CFB250NST ³
2½"	NST (NH)	215	HGCFB250NST ²

¹ standard flow

² high flow

³ provided with handles

Blue Thermoplastic Refinery Fog Nozzles

- bumper and black plastic and steel stems
- glass-filled
- provides consistent volume at any spray angle
- adjusts from straight stream to fog
- resistant to petrochemicals
- for use up to **100 PSI** (*water only*)
- replacement gaskets available below



Size	Thread	GPM @ 100 PSI	Part #
1½"	SIPT	75	RNB150S
1½"	NST (NH)	75	RNB150NST

Gaskets

- for use in Constant Flow and Refinery Fog Nozzles above
- *all dimensions are nominal*



Size	Thread Type	Dimensions			Part #
		ID	OD	Thickness	
1"	SIPT (NPSH)	.900"	1.270"	.125"	CFG100S
1½"	SIPT (NPSH)	1.510"	1.878"	.125"	CFG150S
2"	SIPT (NPSH)	1.680"	2.340"	.156"	CFG200S
1"	NST (NH)	.900"	1.270"	.125"	CFG100NST
1½"	NST (NH)	1.510"	1.906"	.125"	CFG150NST
2½"	NST (NH)	2.250"	3.000"	.187"	CFG250NST

Service Industrial Supply

506 Brookforest Ave. Rt. 59 Shorewood Illinois 60404

Phone: 815.725.0062 • Fax: 815.725.2483 • www.serviceindustrialsupply.com

Thermoplastic Fog Nozzles

- red polycarbonate with brass stem
- for use up to **100 PSI** (*water only*)
- adjusts from straight stream to fog

Size	Thread	90° Spray GPM @ 100 PSI	Part # with Bumper	Part # without Bumper
¾"	GHT	30.9 ¹	FNB75GHT	---
¾"	NPS	30.9 ¹	FNB75S	---
1"	NPS	11.4	FNB100S	FN100S
1"	NPS	30.9 ¹	HGB100S	---
1½"	NPS	83.6	FNB150S	FN150S
1"	NST (NH)	11.4	FNB100NST	FN100NST
1"	NST (NH)	30.9 ¹	HGB100NST	---
1½"	NST (NH)	83.6	FNB150NST	FN150NST



for cabinet use

¹ 120° spray for ¾" nozzles

Thermoplastic Fog Nozzles



- manufactured from GE Lexan™ which provides superior durability
- brass stem with locking nut
- adjusts from straight stream to fog
- wings on sleeve for ease of adjustment
- for use up to **100 PSI** (*water only*)
- SL series nozzles are Factory Mutual approved.



FM approved
Domestic

Global

Size	Thread	90° spray GPM @ 100 PSI	Part # with Bumper	Part # with Bumper
¾"	NPSH	30.9 ¹	SL075	---
¾"	GHT	30.9 ¹	SL075GHT	---
1"	NPSH	30.9 ¹	SL100	PFNB100S
1½"	NPSH	75	SL150	PFNB150S
1½"	NST (NH)	75	SL150NST	PFNB150NST



¹ 120° spray on ¾" and 1"

Thermoplastic Fog Nozzles for Electrical Fires

Size	Thread	GPM @ 100 PSI	Part # with Bumper
1½"	NPS	75	FNBE150S
1½"	NST (NH)	75	FNBE150NST



- opens and closes in a 30° fog pattern - up to 120°

Gaskets for Thermoplastic Nozzles

- all dimensions are nominal

Size	Thread Type	Dimensions			Part #
		ID	OD	Thickness	
1"	NPS	.937"	1.234"	.125"	FNG100S
1"	NPS	1.000"	1.375"	.125"	HGG100S
1½"	NPS	1.500"	1.828"	.125"	FNG150S
1"	NST (NH)	.937"	1.281"	.125"	FNG100NST
1"	NST (NH)	1.000"	1.375"	.125"	HGG100NST
1½"	NST (NH)	1.500"	1.906"	.125"	FNG150NST





Fire Equipment



Brass Industrial Fog Nozzles

- shut off - straight stream - fog
- delivers 30° - 60° - 90° fog pattern
- supplied with bumper

- Underwriters Listed and Factory Mutual approved for Class A and B fires (except noted sizes)
- for use up to **100 PSI** (*water only*)



Size	Thread	90° Spray GPM @ 100 PSI	Dixon Part #	Powhatan Part #
3/4"	GHT	---	BFN75GHT ¹	02-464-00001
3/4"	NPSH	---	BFN75	02-464-00005
1"	NPSH	36	BFN100	02-464-00013
1 1/2"	NPSH	85	BFN150	02-464-00021
2"	NPSH	108	BFN200 ¹	02-200-00003
1"	NST (NH)	36	BFN100NST	02-464-00009
1 1/2"	NST (NH)	85	BFN150NST	02-464-00017
2 1/2"	NST (NH)	205	BFN250NST ¹	02-464-00033

¹ not Factory Mutual approved



Brass Electrical All-Fog Nozzles

Use of this nozzle is not likely to prove hazardous when nozzle is held in excess of 10 ft. from electrical apparatus and circuits not involving more than 250,000 volts.

- **no straight stream**
- from shut off to 30° fog, adjustable thru 90° fog
- supplied with bumper

- Underwriters Listed for Class C fires
- for use up to **100 PSI** (*water only*)



Size	Thread	90° Spray GPM @ 100 PSI	Dixon Part #	Powhatan Part #
1 1/2"	NST (NH)	90	BFNE150NST	02-463-00001



Heavy Duty Brass Industrial Fog Nozzles

- shut off - straight stream - fog
- delivers 30° - 60° - 90° fog pattern
- supplied with bumper

- Underwriters Listed and Factory Mutual approved
- for use up to **100 PSI** (*water only*)



Size	Thread	90° Spray GPM @ 100 PSI	Dixon Part #	Powhatan Part #
1"	NPSH	---	HFN100	02-250-00008
1 1/2"	NPSH	88 (+/-12)	HFN150	02-250-00019
1"	NST (NH)	---	HFN100NST	02-250-00012
1 1/2"	NST (NH)	88 (+/-12)	HFN150NST	02-250-00022

Higher Pressure Brass Industrial Fog Nozzles

- combination straight stream and fog
- shut off - straight stream - fog
- operating pressure from **25 PSI** to **300 PSI** (*water only*)
- large one-piece rubber bumper with molded teeth
- knurled base
- Factory Mutual approved

Size	Thread	90° Spray GPM @ 100 PSI	Dixon Part #	Powhatan Part #
1½"	NPSH	117	HPFN150	02-425-00003
1½"	NST (NH)	117	HPFN150NST	02-425-00001



Brass Rack Nozzles

- shut off - straight stream - fog
- delivers 30° - 60° - 90° fog pattern
- supplied without bumper
- Underwriters Listed for Class A and B fires
- Factory Mutual approved
- for use up to **100 PSI** (*water only*)

Size	Thread	90° Spray GPM @ 100 PSI	Part #
1½"	NST (NH)	80	BRN150NST



Global Brass Rack Nozzles



- supplied without bumper
- delivers 30° - 60° - 90° fog pattern shutoff - straight stream - fog
- Underwriters Listed for Class A and B fires
- Factory Mutual approved
- for use up to **100 PSI** (*water only*)

Size	Thread	90° Spray GPM @ 100 PSI	Part #
1½"	NST (NH)	80	BRN151NST



Brass Plain Hose Nozzles

- brass with satin finish
- operating pressure up to **100 PSI** (*water only*)

Size	Thread	Length	Orifice	Dixon Part #	Powhatan Part #
¾"	GHT	6"	1/4"	BN6	03-107-00005
¾"	NPSH	6"	1/4"	BN7	03-107-00001
1"	NPSH	8"	5/16"	BN10	03-107-00010
1¼"	NPSH	10"	3/8"	BN12	03-107-00026
1½"	NPSH	10"	1/2"	BN15	03-107-00049
2"	NPSH	12"	9/16"	BN20	03-107-00154
2½"	NPSH	12"	1"	BN25	03-107-00172
1"	NST (NH)	8"	5/16"	BN10F	03-107-00015
1½"	NST (NH)	10"	1/2"	BN15F	03-107-00053
2½"	NST (NH)	12"	1"	BN25F	03-107-00169





Fire Equipment

Thermoplastic Ball Shut-Off Nozzles

- lightweight
- glass reinforced plastic
- black pistol grip handle
- for use up to **150 PSI** (*water or AFFF only*)

Size	Thread	Part #
1½"	SIPT	PPSO150S
1½"	NST (NH)	PPSO150F



Thermoplastic Ball Shut-Off Nozzles

- lightweight
- glass reinforced plastic
- black pistol grip handle
- for use up to **150 PSI** (*water or AFFF only*)
- yellow nozzle tip can be detached to allow for installation of foam inductor

Size	Thread	GPM	Part #
1½"	SIPT	30	FNPSO150S-30
1½"	NST (NH)	30	FNPSO150F-30
1½"	SIPT	70	FNPSO150S-70
1½"	NST (NH)	70	FNPSO150F-70



Thermoplastic Plain Hose Nozzles

- thermoplastic
- red finish
- for use up to **100 PSI** (*water only*)

Size	Thread	Length	Orifice	Part #
1½"	NPS	10"	½"	PN15
1½"	NST (NH)	10"	½"	PN15F



Thermoplastic Penetrator Nozzle

The black and yellow penetrator nozzle is designed with standard 1½" NPSH male hose threads that are converted to female thread for connection to the hose using a double female rigid connector. It is specifically designed with a ¼" discharge orifice, which generates a high velocity water jet that is effective against deep seated wildland fires.

- for use up to **200 PSI** (*water only*)

Size	Thread	Length	Orifice	Part #
1½"	NH (NST)	5½"	¼"	PFN4005F



Twin Tip Straight Stream Forestry Nozzles

- molded high strength red polycarbonate
- The solid, one-piece reversible twin tips have 1/4" and 3/8" orifices.
- for use up to **100 PSI** (*water only*)

Size	Thread	Length with tip	Length without tip	Orifice of base nozzle	Part #
1½"	NPSH	9"	7½"	½"	PTTF150S
1½"	NH (NST)	9"	7½"	½"	PTTF150F



 **Service Industrial Supply**

506 Brookforest Ave. Rt. 59 Shorewood Illinois 60404

Phone: 815.725.0062 • Fax: 815.725.2483 • www.serviceindustrialsupply.com



PART#	DESCRIPTION
BL-600-4-10MRFR	4" x 10' Aluminum Irrg Pipe Press In Male x Female Fittings
BL-600-6-10MRFR	6" x 10' Aluminum Irrg Pipe Press In Male x Female Fittings
BL-600-8-10MRFR	8" x 10' Aluminum Irrg Pipe Press In Male x Female Fittings
BL-600-4-20MRFR	4" x 20' Aluminum Irrg Pipe Press In Male x Female Fittings
BL-600-6-20MRFR	6" x 20' Aluminum Irrg Pipe Press In Male x Female Fittings
BL-600-8-20MRFR	8" x 20' Aluminum Irrg Pipe Press In Male x Female Fittings

PART#	DESCRIPTION
BL-500-FR-4	4" Female End Cap
BL-500-FR-6	6" Female End Cap
BL-500-FR-8	8" Female End Cap



PART#	DESCRIPTION
BL-500-MR-4	4" Male End Plug
BL-500-MR-6	6" Male End Plug
BL-500-MR-8	8" Male End Plug

PART#	DESCRIPTION
BLB-4	4" Bandlock Clamp
BLB-6	6" Bandlock Clamp
BLB-8	8" Bandlock Clamp



PART#	DESCRIPTION
GO-4	4" EPDM Irrigation Gasket
GO-6	6" EPDM Irrigation Gasket
GO-8	8" EPDM Irrigation Gasket

Other Sizes Available

Irrigation Fittings



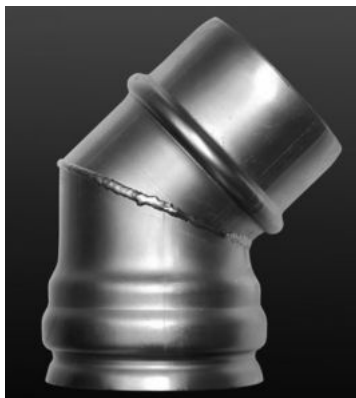
BANDLOCK
AMESBURY GROUP®

PART #	DESCRIPTION
BL-4-FR	4" Female x Long Shank
BL-6-FR	6" Female x Long Shank
BL-8-FR	8" Female x Long Shank



PART #	DESCRIPTION
BL-4-MR	4" Male x Long Shank
BL-6-MR	6" Male x Long Shank
BL-8-MR	8" Male x Long Shank

PART #	DESCRIPTION
BL-200-4-90-MRFR	4" 90 Degree Elbow Male x Female
BL-200-6-90-MRFR	6" 90 Degree Elbow Male x Female
BL-100-8-90-MRFR	8" 90 Degree Elbow Male x Female



PART #	DESCRIPTION
BL-200-4-45-MRFR	4" 45 Degree Elbow Male x Female
BL-200-6-45-MRFR	6" 45 Degree Elbow Male x Female
BL-200-8-45-MRFR	8" 45 Degree Elbow Male x Female

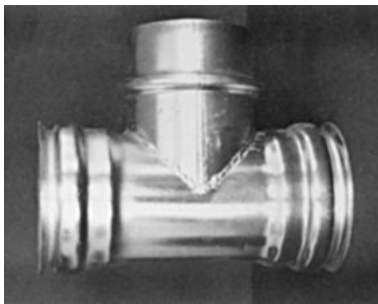
Other Sizes Available

Service Industrial Supply

506 Brookforest Ave. Rt. 59 Shorewood Illinois 60404

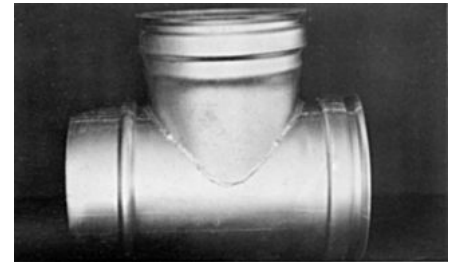
Phone: 815.725.0062 • Fax: 815.725.2483 • www.serviceindustrialsupply.com

PART #	DESCRIPTION
BL-300-64-MRFR	6" Male x 4" Female Reducer
BL-300-86-MRFR	8" Male x 6" Female Reducer



PART #	DESCRIPTION
BL-120-4-FRMRFR	4" End Tee F x M x F
BL-120-6-FRMRFR	6" End Tee F x M x F
BL-120-8-FRMRFR	8" End Tee F x M x F

PART #	DESCRIPTION
BL-100-4-MRFRFR	4" Side Outlet Tee M x F x F
BL-100-6-MRFRFR	6" Side Outlet Tee M x F x F
BL-100-8-MRFRFR	8" Side Outlet Tee M x F x F



PART #	DESCRIPTION
BL-600-4-PL	4" Safety T Plain Ends w/lid cable
BL-600-6-PL	6" Safety T Plain Ends w/lid cable
BL-800-6-PL	8" Safety T Plain Ends w/lid cable

Other Sizes Available



Sand Blast Fittings

Sand Blast Couplings

Sand blast couplings are designed for use on sand blast hose.

- supplied with screws
- nozzle holders have 1 1/4" NPSM thread
- rated to **110 PSI**
- *Abrasive blasting equipment must have hose safety cables or hose coupling safety locks.*

SAFETY
ALERT

• Installation:

- 1) Ends of hose must be cut square to fit snug against metal end.
- 2) Holding hose tight to end of fitting, insert screws and turn in full, putting screw 180° from first to ensure best centering.
- 3) After all screws have been placed, check tube opposite screws to be sure screws have not penetrated completely through.
- 4) On quick couplings, insert safety clips

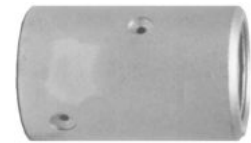
Quick Couplings

Hose Size	Hose OD	Brass		Aluminum	
		Part #		Part #	
3/4"	1-1/2"	BSB75		ASB75	
1"	1-7/8"	BSB100		ASB100	
1-1/4"	2-5/32"	BSB125		ASB125	
1-1/2"	2-3/8"	BSB150		ASB150	



Nozzle Holders

Hose Size	Hose OD	Brass		Aluminum	
		Part #		Part #	
3/4"	1-1/2"	BNH75		ANH75	
1"	1-7/8"	BNH100		ANH100	
1-1/4"	2-5/32"	BNH125		ANH125	
1-1/2"	2-3/8"	BNH150		ANH150	



Threaded Couplings

Size	Brass		Aluminum	
	Part #		Part #	
1-1/4"	BSC125		ASC125	
1-1/2"	BSC150		ASC150	



Replacement Parts

Part #	Description
SBG	black nitrile replacement gasket
USBG	urethane replacement gasket
SBCS	replacement screw

Service Industrial Supply

506 Brookforest Ave. Rt. 59 Shorewood Illinois 60404

Phone: 815.725.0062 • Fax: 815.725.2483 • www.serviceindustrialsupply.com

Cast Iron Threaded Foot Valves

Must be installed in the vertical position



Complete Threaded Assembly (painted)



Strainer Only (painted)



Flapper Valve Assembly



Valve Rubber



Seat Plate

NPT Size	Part #	Part #	Part #	Part #	Part #
1½"	DFVS20	FVS20	FVFA20	FVL20	FVSP20
2"	DFVS25	FVS25	FVFA25	FVL25	FVSP25
2½"	DFVS30	FVS30	FVFA30	FVL30	FVSP30
3"	DFVS35	FVS35	FVFA35	FVL35	FVSP35
4"	DFVS40	FVS40	FVFA40	FVL40	FVSP40
6"	DFVS60	FVS60	FVFA60	FVL60	FVSP60
8"	DFVS80	FVS80	FVFA80	FVL80	FVSP80

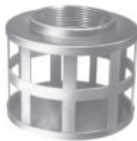
Strainers and Skimmers



Standard Threaded Round Hole Type *



304 Stain. Steel Round Hole Type



Standard Threaded Square Hole Type *



Long Thin Round Hole Type *



Skimmer Bottom Round Hole Type *



Skimmer Top Round Hole Type *

NPT Size	Part #	Part #	Part #	Part #	Part #
1½"	RHS20	RRHS20	SHS20	RSS20	DSB20
2"	RHS25	RRHS25	SHS25	RSS25	DSB25
2½"	RHS30	---	SHS30	RSS30	---
3"	RHS35	RRHS35	SHS35	RSS35	DSB35
4"	RHS40	RRHS40	SHS40	RSS40	---
5"	RHS50	---	---	---	---
6"	RHS60	RRHS60	SHS60	---	---
8"	RHS80	---	SHS80	---	---
10"	RHS100	---	---	---	---
12"	RHS120	---	---	---	---

* zinc plated steel

Polyethylene Strainers



NPT Size	Black Polyethylene Part #
1½"	TSS20
2"	TSS25
3"	TSS35



Shank Fittings

Flanged King Combination Nipples

- all parts are 150# ASA flange drilling

Size	Steel		316 Stainless Steel	
	Part #		Part #	
1½"	FST20		RFST20	
2"	FST25		RFST25	
3"	FST35		RFST35	
4"	FST40		RFST40	
6"	FST60		RFST60	
8"	FST80		RFST80	
10"	FST100		RFST100	
12"	FST120		RFST120	



Notched Turned Back Nipples

- When used with an appropriate notched ferrule, these fittings can be swaged or crimped onto hose, thereby providing improved shank retention.
- The stem can be removed from a damaged hose by cutting away the ferrule, without necessarily damaging the fitting. *After inspection to determine its suitability for reuse,* **SAFETY ALERT** it can be reinstalled into another hose by using a new ferrule.
- When used with double bolt or band clamps, notched turned back nipples will provide shank retention similar to that of the King turned back nipples.
- Notched turned back nipples let you use the same ferrules used with the notched (NO) cam and groove. This lets you maximize your inventory usage and reduce costs.

Stems

Size	316 Stainless Steel		Carbon Steel	
	Part #		Part #	
1½"	RN150NO		N150NO	
2"	RN200NO		N200NO	
3"	RN300NO		N300NO	
4"	RN400NO		N400NO	



Ferrules

Size	Hose OD		304 Stainless Steel	
	From:	To:	Part #	
1½"	1-60/64"	2-12/64"	GAS2334NO	
1½"	2-4/64"	2-22/64"	GAS2370NO	
2"	2-30/64"	2-44/64"	GAS2709NO	
2"	2-42/64"	2-54/64"	GAS2885NO	
3"	3-30/64"	3-46/64"	GAS3760NO	
3"	3-47/64"	3-54/64"	GAS3885NO	
4"	4-40/64"	4-47/64"	GAS5010NO	



- * Special pushers required: 1½" stem - RN150NOPUSH
 2" stem - RN200NOPUSH
 3" stem - RN300NOPUSH
 4" stem - RN400NOPUSH

Shank Fittings



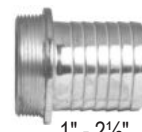
King Short Shank Suction Couplings, NPSM Thread



Complete Coupling



Female



1" - 2½"



3" - 6"

Male

Size	Aluminum with Brass Nut		Pkg Qty	Aluminum with Brass Nut		Aluminum	
	Complete Part #			Female Part #		Male Part #	
1½"	CAB150		60	FAB150		MA150	
2"	CAB200		40	FAB200		MA200	
2½"	CAB250		30	FAB250		MA250	
3"	CAB300		18	FAB300		MA300	
4"	CAB400		8	FAB400		MA400	
6"	CAB600		6	FAB600		MA600	

Size	Brass		Brass		Brass	
	Complete Part #		Female Part #		Male Part #	
1¼"	CBB125		FBB125		MB125	
1½"	CBB150		FBB150		MB150	
2"	CBB200		FBB200		MB200	
2½"	CBB250		FBB250		MB250	
3"	CBB300		FBB300		MB300	
4"	CBB400		FBB400		MB400	

Size	Plated Iron		Plated Iron		Plated Iron	
	Complete Part #		Female Part #		Male Part #	
1"	S33 ¹		S12 ¹		S10	
1¼"	S48 ²		S17 ²		S15	
1½"	S63 ²		S22 ²		S20	
2"	S78 ²		S27 ²		S25	
2½"	S93 ²		S32 ²		S30	
3"	S111 ²		S38 ²		S36	
4"	S123 ²		S42 ²		S40	
5"	S168 ²		S57 ²		S55	
6"	S183 ²		S62 ²		S60	

Size	Plated Iron with Brass Nut		Plated Iron with Brass Nut		Plated Iron	
	Complete Part #		Female Part #		Male Part #	
1"	SB33 ¹		SB12 ¹		S10	
1¼"	SB48 ²		SB17 ²		S15	
1½"	SB63 ²		SB22 ²		S20	
2"	SB78 ²		SB27 ²		S25	
2½"	SB93 ²		SB32 ²		S30	
3"	SB111 ²		SB38 ²		S36	
4"	SB123 ²		SB42 ²		S40	
5"	SB168 ²		SB57 ²		S55	
6"	SB183 ²		SB62 ²		S60	

¹ 1" fittings have a hex nut

² 1¼" - 6" have pin lugs



Shank Fittings

Quick Connect Fittings

Type B
(Bauer style)



Male with Hose Shank

Female with Hose Shank

Size		Galvanized
inches	mm	Part #
2"	50	MC3092
3"	76	MC3093
4"	108	MC3094
6"	159	MC3096
8"	194	MC3098
10"	250	MC30910
12"	300	MC30912

Size		Galvanized
inches	mm	Part #
2"	50	FC3102
3"	76	FC3103
4"	108	FC3104
6"	159	FC3106
8"	194	FC3108
10"	250	FC31010
12"	300	FC31012



Male with Male NPT

Female with Male NPT

Size		Galvanized
inches	mm	Part #
2"	50	MCM3112
3"	76	MCM3113
4"	108	MCM3114
6"	159	MCM3116
8"	194	MCM3118

Size		Galvanized
inches	mm	Part #
2"	50	FCM3122
3"	76	FCM3123
4"	108	FCM3124
6"	159	FCM3126
8"	194	FCM3128

Type B
(Bauer style)



Male with 150 ASA Flange

Female with 150 ASA Flange

Size		Galvanized
inches	mm	Part #
4"	108	MC3134
6"	159	MC3136
8"	194	MC3138
10"	250	MC31310
12"	300	MC31312

Size		Galvanized
inches	mm	Part #
4"	108	FC3144
6"	159	FC3146
8"	194	FC3148
10"	250	FC31410
12"	300	FC31412

Shank Fittings



Quick Connect Fittings



Female with Gasket

Type B
(Bauer style)



Male

Size		Unplated	
inches	mm	Part #	
2"	50	3022	
3"	76	3023	
4"	108	3024	
6"	159	3026	
8"	194	3028	
10"	250	30210	
12"	300	30212	

Size		Unplated	
inches	mm	Part #	
2"	50	3032	
3"	76	3033	
4"	108	3034	
6"	159	3036	
8"	194	3038	
10"	250	30310	
12"	300	30312	

• Female and male fittings are commonly used for butt-welding to pipe.



Safety Pins

Size		Galvanized	
inches	mm	Part #	
2"	50	SP59	
3"	76	SP76	
4"	108	SP89	
6"	159	SP159	
8"	194	SP159	
10"	250	SP390	
12"	300	SP390	



Lever Ring

Size		Galvanized	
inches	mm	Part #	
2"	50	LR3042	
3"	76	LR3043	
4"	108	LR3044	
6"	159	LR3046	
8"	194	LR3048	
10"	250	LR30410	
12"	300	LR30412	



Type B accessories

Size		Part #	Description
inches	mm		
10"	250	ACB304	lever assist bar for 10" and 12" Type B fittings
12"	300		



Type B gaskets

Size		Rubber	EPDM
inches	mm	Part #	Part #
2"	50	RG3052	RG3062
3"	76	RG3053	RG3063
4"	108	RG3054	RG3064
6"	159	RG3056	RG3066
8"	194	RG3058	RG3068
10"	250	RG30510	RG30610
12"	300	RG30512	RG30612



Shank Fittings

Quick Connect Fittings

Type B (Bauer style)



Male x Female 90° Elbow

Size		Galvanized	
inches	mm	Part #	
4"	108	EL3154-90	
6"	159	EL3156-90	
8"	194	EL3158-90	
10"	250	EL31510-90	
12"	300	EL31512-90	



Male x Female 45° Elbow

Size		Galvanized	
inches	mm	Part #	
4"	108	EL3154-45	
6"	159	EL3156-45	
8"	194	EL3158-45	
10"	250	EL31510-45	
12"	300	EL31512-45	



Female x Male Reducer

Female Size		Male Size		Galvanized	
inches	mm	inches	mm	Part #	
6"	159	4"	108	FMR31864	
8"	194	6"	159	FMR31886	
10"	250	8"	194	FMR318108	
12"	300	10"	250	FMR3181210	



Female x Male Increaser

Female Size		Male Size		Galvanized	
inches	mm	inches	mm	Part #	
4"	108	6"	159	FMI31946	
6"	159	8"	194	FMI31968	
8"	194	10"	250	FMI319810	
10"	250	12"	300	FMI3191012	



Male Plug

Size		Galvanized	
inches	mm	Part #	
2"	50	MP3232	
3"	76	MP3233	
4"	108	MP3234	
6"	159	MP3236	
8"	194	MP3238	
10"	250	MP32310	
12"	300	MP32312	



Female Plug with Gasket

Size		Galvanized	
inches	mm	Part #	
2"	50	FP3082	
3"	76	FP3083	
4"	108	FP3084	
6"	159	FP3086	
8"	194	FP3088	
10"	250	FP30810	
12"	300	FP30812	

Shank Fittings



Dixon Steel Hose Menders

Size	Zinc Plated Steel Part #	Opt Qty
1/4"	DMA	200
3/8"	DMB	100
1/2"	DM1	50
5/8"	DM5	50
3/4"	DM6	50
1"	DM11	50
1-1/4"	DM16	50
1-3/8"	DM18	50
1-1/2"	DM21	50
1-1/2"	DMXL21 *	25
2"	DM26	50
2"	DMXL26 *	25
2-1/2"	DM31	25
3"	DM36	20
4"	DM46	10
5"	DM51	5
6"	DM66	4
8"	DM86	1
10"	DM100	1
12"	DM120	1

- They are not for compressible products such as **SAFETY ALERT** air, nitrogen or steam.
- The working pressure may vary with the construction of the hose, the type of clamping system used and the application. Consult the factory for recommendations.
- In accordance with the R.M.A. bulletin for oil suction and discharge hose, a coupled length of hose in any size, should be tested to 1½ times the working pressure and held for fifteen minutes without leaking or coupling movement. For additional information and detailed instruction on testing procedures, see the Rubber Manufacturers Association (R.M.A.) handbook.

Size	Stainless Steel Part #	Opt Qty
1/4"	RDMA	100
3/8"	RDMB	100
1/2"	RDM1	50
3/4"	RDM6	50
1"	RDM11	50
1-1/4"	RDM16	5
1-1/2"	RDM21	50
2"	RDM26	10
3"	RDM36	5
4"	RDM46	5

* XL series is extra long

King Steel Hose Menders

- They are not for compressible products such as **SAFETY ALERT** air, nitrogen or steam.
- The working pressure may vary with the construction of the hose, the type of clamping system used and the application. Consult the factory for recommendations.

for 1 clamp each end for 2 clamps each end

- In accordance with the R.M.A. bulletin for oil suction and discharge hose, a coupled length of hose in any size, should be tested to 1½ times the working pressure and held for fifteen minutes without leaking or coupling movement. For additional information and detailed instruction on testing procedures, see the Rubber Manufacturers Association (R.M.A.) handbook.

Size	Steel Part #	Steel Part #
1/4"	KM21	---
5/16"	KM251	---
1/2"	KM41	KM42
5/8"	KM51	KM52
3/4"	KM61	KM62
1"	KM81	KM82
1-1/4"	KM101	KM102
1-1/2"	KM121	KM122
2"	---	KM162



for 1 clamp each end



for 2 clamps each end

Strainer with Spring Loaded Check Valves

- brass with NBR seat, stainless steel strainer
- soft seat for bubble tight shutoff, spring loaded for fast seating action

- flow profile designed to minimize head loss
- temperature range: **10°F to 210°F** (-10°C to 100°C)
- cracking pressure: **0.50 PSI**
- pressure rating: 1½" - 2" **400 PSI WOG**, 3" - 4" **175 PSI WOG**

Size	Part #
1½"	BVFS20 *
2"	BVFS25 *
3"	BVFS35
4"	BVFS40



* NSF61 approved

Service Industrial Supply

506 Brookforest Ave. Rt. 59 Shorewood Illinois 60404

Phone: 815.725.0062 • Fax: 815.725.2483 • www.serviceindustrialsupply.com

FASTENERS



CARTON CONTENTS:

- 4 Fastener Sets
- 4 Hinge Pins
- Required Amount of Retaining Washers

STEEL

RS62	BELT WIDTH		ORDERING NUMBER	ITEM CODE	WT. LBS.
	in.	mm			
	WITH NYLON COVERED STEEL CABLE PINS (NC)				
	12"	300	RS62J12/300NC	54476	1.3
	16"	400	RS62J16/400NC	54477	1.8
	18"	450	RS62J18/450NC	54478	2.0
	20"	500	RS62J20/500NC	54479	2.2
	24"	600	RS62J24/600NC	54480	2.7
	30"	750	RS62J30/750NC	54481	3.4
	36"	900	RS62J36/900NC	54482	4.0
	42"	1050	RS62J42NC	54485	4.7
	48"	1200	RS62J48NC	54483	5.4
	60"	1500	RS62J60NC	54484	6.7

STAINLESS (TYPE 316)

RS62	BELT WIDTH		ORDERING NUMBER	ITEM CODE	WT. LBS.
	in.	mm			
	WITH STEEL SPRING WIRE PINS (SP)				
	12"	300	RS62J12/300SP	54486	1.3
	18"	450	RS62J18/450SP	54487	2.0
	20"	500	RS62J20/500SP	54492	2.2
	24"	600	RS62J24/600SP	54488	2.7
	30"	750	RS62J30/750SP	54493	3.4
	36"	900	RS62J36/900SP	54489	4.0
	42"	1050	RS62J42SP	54502	4.7
	48"	1200	RS62J48SP	54490	5.4
	60"	1500	RS62J60SP	54491	6.7

RS62	BELT WIDTH		ORDERING NUMBER	ITEM CODE	WT. LBS.
	in.	mm			
	WITH STAINLESS SPRING WIRE PINS (SS)				
	12"	300	RS62SJ12/300SS	54494	1.3
	18"	450	RS62SJ18/450SS	54495	2.0
	20"	500	RS62SJ20/500SS	54496	2.2
	24"	600	RS62SJ24/600SS	54497	2.7
	30"	750	RS62SJ30/750SS	54498	3.4
	36"	900	RS62SJ36/900SS	54499	4.0
	42"	1050	RS62SJ42SS	54503	4.7
	48"	1200	RS62SJ48SS	54500	5.4
	60"	1500	RS62SJ60SS	54501	6.7

RS62	BELT WIDTH		ORDERING NUMBER	ITEM CODE	WT. LBS.
	in.	mm			
	WITH NYLON COVERED STAINLESS CABLE PINS (NCS)				
	12"	300	RS62SJ12/300NCS	54505	1.3
	18"	450	RS62SJ18/450NCS	54506	2.0
	24"	600	RS62SJ24/600NCS	54507	2.7
	30"	750	RS62SJ30/750NCS	54504	3.4
	36"	900	RS62SJ36/900NCS	54508	4.0
	48"	1200	RS62SJ48NCS	54509	5.4
	60"	1500	RS62SJ60NCS	54510	6.7

STEEL

RS125	BELT WIDTH		ORDERING NUMBER	ITEM CODE	WT. LBS.
	in.	mm			
	WITH NYLON COVERED STEEL CABLE PINS (NC)				
	4"	100	RS125J4NC*	54513	1.6
	10"	250	RS125J10NC	54514	1.7
	12"	300	RS125J12/300NC	54515	1.9
	14"	350	RS125J14NC	54516	2.3
	16"	400	RS125J16/400NC	54517	2.5
	18"	450	RS125J18/450NC	54518	2.8
	20"	500	RS125J20/500NC	54519	3.2
	24"	600	RS125J24/600NC	54520	3.7
	30"	750	RS125J30/750NC	54521	4.5
	36"	900	RS125J36/900NC	54522	5.5
	42"	1050	RS125J42NC	54523	6.6
	48"	1200	RS125J48NC	54524	7.4
	60"	1500	RS125J60NC	54525	9.3

STAINLESS (TYPE 316)

RS125	BELT WIDTH		ORDERING NUMBER	ITEM CODE	WT. LBS.
	in.	mm			
	WITH STEEL SPRING WIRE PINS (SP)				
	16"	400	RS125J16/400SP	54528	2.7
	18"	450	RS125J18/450SP	54529	3.0
	20"	500	RS125J20/500SP	54530	3.4
	24"	600	RS125J24/600SP	54531	4.0
	30"	750	RS125J30/750SP	54532	4.9
	36"	900	RS125J36/900SP	54533	6.0
	42"	1050	RS125J42SP	54536	7.1
	48"	1200	RS125J48SP	54534	7.8
	60"	1500	RS125J60SP	54535	10.2

RS125	BELT WIDTH		ORDERING NUMBER	ITEM CODE	WT. LBS.
	in.	mm			
	WITH STAINLESS SPRING WIRE PINS (SS)				
	12"	300	RS125SJ12/300SS	54537	1.9
	14"	350	RS125SJ14SS	54538	2.5
	16"	400	RS125SJ16/400SS	54539	2.8
	18"	450	RS125SJ18/450SS	54540	3.0
	20"	500	RS125SJ20/500SS	54541	3.5
	24"	600	RS125SJ24/600SS	54542	3.9
	30"	750	RS125SJ30/750SS	54543	4.9
	36"	900	RS125SJ36/900SS	54544	5.9
	42"	1050	RS125SJ42SS	54547	7.1
	48"	1200	RS125SJ48SS	54545	8.0
	60"	1500	RS125SJ60SS	54546	10.1

RS125	BELT WIDTH		ORDERING NUMBER	ITEM CODE	WT. LBS.
	in.	mm			
	WITH NYLON COVERED STAINLESS CABLE PINS (NCS)				
	10"	250	RS125SJ10NCS	54549	1.5
	12"	300	RS125SJ12/300NCS	54550	1.9
	14"	350	RS125SJ14NCS	54551	2.3
	16"	400	RS125SJ16/400NCS	54552	2.5
	18"	450	RS125SJ18/450NCS	54553	2.8
	20"	500	RS125SJ20/500NCS	54554	3.3
	24"	600	RS125SJ24/600NCS	54555	3.8
	30"	750	RS125SJ30/750NCS	54556	4.8
	36"	900	RS125SJ36/900NCS	54557	5.5
	42"	1050	RS125SJ42NCS	54560	6.3
	48"	1200	RS125SJ48NCS	54558	7.6
	60"	1500	RS125SJ60NCS	54559	9.4

*10 Sets per Box

STEEL

RS187	BELT WIDTH		ORDERING NUMBER	ITEM CODE	WT. LBS.
	in.	mm			
	WITH NYLON COVERED STEEL CABLE PINS (NC)				
	4"	100	RS187J4NC*	54587	2.3
	12"	300	RS187J12/300NC	54588	2.6
	16"	400	RS187J16/400NC	54589	3.7
	18"	450	RS187J18/450NC	54590	4.1
	20"	500	RS187J20/500NC	54591	4.8
	24"	600	RS187J24/600NC	54592	5.5
	30"	750	RS187J30/750NC	54593	6.8
	36"	900	RS187J36/900NC	54594	8.1
	42"	1050	RS187J42NC	54595	9.5
	48"	1200	RS187J48NC	54596	9.9
	60"	1500	RS187J60NC	54597	11.9

STAINLESS (TYPE 316)

RS187	BELT WIDTH		ORDERING NUMBER	ITEM CODE	WT. LBS.
	in.	mm			
	WITH STEEL SPRING WIRE PINS (SP)				
	18"	450	RS187J18/450SP	54598	4.5
	20"	500	RS187J20/500SP	54599	5.1
	24"	600	RS187J24/600SP	54601	5.9
	30"	750	RS187J30/750SP	54603	7.4
	36"	900	RS187J36/900SP	54604	9.0
	42"	1050	RS187J42SP	54605	10.1
	48"	1200	RS187J48SP	54602	11.5
	60"	1500	RS187J60SP	54586	14.4

RS187	BELT WIDTH		ORDERING NUMBER	ITEM CODE	WT. LBS.
	in.	mm			
	WITH STAINLESS SPRING WIRE PINS (SS)				
	12"	300	RS187SJ12/300SS	54765	3.4
	16"	400	RS187SJ16/400SS	54613	4.0
	18"	450	RS187SJ18/450SS	54606	4.5
	20"	500	RS187SJ20/500SS	54624	5.1
	24"	600	RS187SJ24/600SS	54607	5.9
	30"	750	RS187SJ30/750SS	54608	7.6
	36"	900	RS187SJ36/900SS	54609	8.9
	42"	1050	RS187SJ42SS	54610	9.7
	48"	1200	RS187SJ48SS	54611	11.8
	60"	1500	RS187SJ60SS	54612	13.8

RS187	BELT WIDTH		ORDERING NUMBER	ITEM CODE	WT. LBS.
	in.	mm			
	WITH NYLON COVERED STAINLESS CABLE PINS (NCS)				
	12"	300	RS187SJ12/300NCS	54616	2.8
	16"	400	RS187SJ16/400NCS	54614	3.9
	18"	450	RS187SJ18/450NCS	54615	4.3
	20"	500	RS187SJ20/500NCS	54621	4.9
	24"	600	RS187SJ24/600NCS	54617	5.5
	30"	750	RS187SJ30/750NCS	54618	7.1
	36"	900	RS187SJ36/900NCS	54619	8.4
	42"	1050	RS187SJ42NCS	54622	8.9
	48"	1200	RS187SJ48NCS	54620	11.3
	60"	1500	RS187SJ60NCS	54715	13.3

*10 Sets per Box

PLEASE NOTE: 310 Alligator Staple is no longer available.

MAGNETIC STAINLESS (TYPE 430)

ORDERING NUMBER	ITEM CODE	WT. LBS.
RS62MJ24/600MS	54473	2.7
RS125MJ24/600MS	54566	3.8

NOTE: Plate, Staples, and Hinge Pins are all Magnetic Stainless Steel.

STAPLE LENGTHS

- RS62 = .37" (9.4 mm)
- RS125 = .45" (11.4 mm)
- RS187 = .52" (13.2 mm)

Stock Items (non-shaded) carried in factory inventory.

Made To Order Items (shaded) allow one week for production. In most cases, the next standard stock item can be adapted to meet your requirements.

Non-Listed Items are available. Request quote for price and delivery.

Alligator[®] Ready Set[™] Staple Fasteners

HINGE PINS (EXTRA)

PACKAGES OF 10 PINS



	COIL LENGTH		ORDERING NUMBER	ITEM CODE	WT. LBS.	ORDERING NUMBER	ITEM CODE	WT. LBS.	BELT WIDTH		ORDERING NUMBER	ITEM CODE	WT. LBS.	ORDERING NUMBER	ITEM CODE	WT. LBS.
	Foot	M	NC62 NYLON COVERED STEEL CABLE			NCS62 NYLON COVERED STAINLESS CABLE			in.	mm	SP62 STEEL SPRING WIRE PINS			SS62 300 SERIES STAINLESS SPRING WIRE PINS		
For 62	10'	3	NC62-X	54002	.1	NCS62-X	54005	.1	12"	300	SP62-12/300	54111	.2	SS62-12/300	54148	.2
	100'	30	NC62-C	54003	1.0	NCS62-C	54006	1.0	16"	400	SP62-16/400	54112	.3	SS62-16/400	54149	.3
									18"	450	SP62-18/450	54113	.3	SS62-18/450	54150	.3
									20"	500	SP62-20	54114	.3	SS62-20	54151	.3
									24"	600	SP62-24/600	54115	.4	SS62-24/600	54152	.4
									30"	750	SP62-30/750	54116	.5	SS62-30/750	54153	.5
									36"	900	SP62-36/900	54117	.6	SS62-36/900	54154	.6
									42"	1050	SP62-42	54118	.7	SS62-42	54155	.7
									48"	1200	SP62-48	54119	.8	SS62-48	54156	.8
									54"	1350	SP62-54	54120	1.0	SS62-54	54157	1.0
								60"	1500	SP62-60	54121	1.0	SS62-60	54158	1.0	
NC AND NCS PIN MATERIAL IS OFFERED IN 10 FOOT (3 METER) COILS ("X") OR 100 FOOT (30 METER) REELS ("C").																
For 125			NC1 NYLON COVERED STEEL CABLE			NCS1 NYLON COVERED STAINLESS CABLE			SP1 STEEL SPRING WIRE PINS				SS1 300 SERIES STAINLESS SPRING WIRE PINS			
	10'	3	NC1-X	50661	.2	NCS1-X	50665	.2	16"	400	SP1-16/400	50173	.6	SS1-16/400	50413	.6
	100'	30	NC1-C	50662	1.7	NCS1-C	50666	1.7	18"	450	SP1-18/450	50174	.7	SS1-18/450	50414	.7
									20"	500	SP1-20	50175	.8	SS1-20	50415	.8
									24"	600	SP1-24/600	50176	1.0	SS1-24/600	50416	1.0
									30"	750	SP1-30/750	50178	1.2	SS1-30/750	50418	1.2
									36"	900	SP1-36/900	50179	1.4	SS1-36/900	50419	1.4
									42"	1050	SP1-42	50180	1.7	SS1-42	50420	1.7
									48"	1200	SP1-48	50181	1.9	SS1-48	50421	1.9
									60"	1500	SP1-60	50183	2.4	SS1-60	50423	2.4
For 187			NC187 NYLON COVERED STEEL CABLE			NCS187 NYLON COVERED STAINLESS CABLE			SP2 STEEL SPRING WIRE PINS				SS2 300 SERIES STAINLESS SPRING WIRE PINS			
	10'	3	NC187-X	50669	.2	NCS187-X	50673	.2	18"	450	SP2-18/450	50426	1.3	SS2-18/450	50439	1.3
	100'	30	NC187-C	50670	4.8	NCS187-C	50674	4.8	20"	500	SP2-20	50427	1.4	SS2-20	50440	1.4
									24"	600	SP2-24/600	50428	1.7	SS2-24/600	50441	1.7
									30"	750	SP2-30/750	50430	2.1	SS2-30/750	50443	2.1
									36"	900	SP2-36/900	50431	2.5	SS2-36/900	50444	2.5
									42"	1050	SP2-42	50432	2.9	SS2-42	50445	2.9
									48"	1200	SP2-48	50433	3.4	SS2-48	50446	3.4
									60"	1500	SP2-60	50435	4.2	SS2-60	50448	4.2

COMPLETE TOOL KITS

Each kit includes an Installation Tool, Staple Setting Plate, Belt Skiver, Belt Nippers, and a 1 lb. Hammer. Packaged in a durable plastic tool box.

ORDERING NUMBER	ITEM CODE	WT. LBS.	DESCRIPTION
RSTK4-6	54634	20.5	6" Installation Kit
RSTK4-12	54635	27.7	12" Installation Kit
50009	50009	5.4	Extra Tool Box



INTRODUCTORY KIT

Each kit includes: 1 RSC187-4 Application Tool, four Joints, RS125-18 Staple Fasteners, and six feet Nylon-covered Hinge Pin (NC) material.

ORDERING NUMBER	ITEM CODE	WT. LBS.
RSAS-1	54633	7.5

 **Service Industrial Supply**

506 Brookforest Ave. Rt. 59 Shorewood Illinois 60404

Phone: 815.725.0062 • Fax: 815.725.2483 • www.serviceindustrialsupply.com

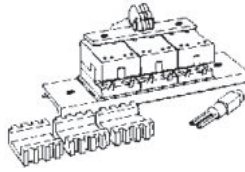
INSTALLATION TOOLS

ALLIGATOR® RSC187

(For sizes no. 62, No. 125, and no. 187)

Includes Staple Driver

ORDERING NUMBER	ITEM CODE	WT. LBS.
RSC187	54626	1.3
RSC187-4	54627	4.0
RSC187-6	54628	5.6
RSC187-12	54629	12.8
RSC187-24	54631	20.0

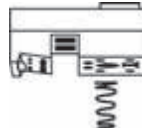


NOTE: To upgrade your old C187 installation tool for use with Ready Set staple fasteners, exchange the green guide block(s) with the yellow (Ready Set) guide block(s) (ST5-5, Item Code 50016).

READY SET STAPLE GUIDE BLOCK

(Includes Cam Lever Spring)

ORDERING NUMBER	ITEM CODE	WT. LBS.
ST5-5	50016	.2



ALLIGATOR® QUAD STAPLE DRIVER

(DRIVES FOUR STAPLES AT ONE TIME)

ORDERING NUMBER	ITEM CODE	WT. LBS.
ST6-9	50201	.5



STAPLE SETTING PLATE

ORDERING NUMBER	ITEM CODE	WT. LBS.
ST-28	50249	5.0



12" x 3"

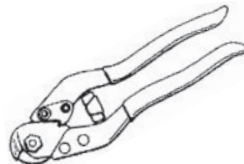
HINGE PIN RETAINING WASHERS-316SS

FOR FASTENER NUMBER	ORDERING NUMBER	ITEM CODE	WT. LBS.	INSIDE DIAMETER
62	62-RET-50	54030	.1	1/4"
125	125-RET-50	50053	.1	5/16"
187	187-RET-50	50075	.1	5/8"



ALLIGATOR® HINGE PIN CUTTER

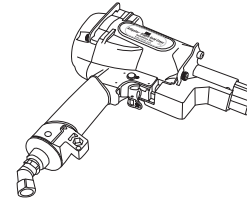
ORDERING NUMBER	ITEM CODE	WT. LBS.
APC-1	50004	.5



HINGE PIN BENDER

(For use with spring wire pins)

ORDERING NUMBER	ITEM CODE	WT. LBS.
PB1	50077	.4



ALLIGATOR® GOLD CLASS POWER DRIVER

DESCRIPTION	ORDERING NUMBER	ITEM CODE	WT. LBS.
Power Driver	RS-GOLD-DRIVER	55541	14.0
INITIAL DRIVE BASE			
6" Initial Drive Base	RS-GOLD-INITIAL-6	55542	10.0
12" Initial Drive Base	RS-GOLD-INITIAL-12	55543	15.0
24" Initial Drive Base	RS-GOLD-INITIAL-24	55544	20.0
36" Initial Drive Base	RS-GOLD-INITIAL-36	55548	25.0
48" Initial Drive Base	RS-GOLD-INITIAL-48	55551	30.0
FINAL SET DRIVE BASE			
6" Final Set Drive Base	RS-GOLD-FINAL-6	55545	12.0
12" Final Set Drive Base	RS-GOLD-FINAL-12	55546	17.0
24" Final Set Drive Base	RS-GOLD-FINAL-24	55547	22.0
36" Final Set Drive Base	RS-GOLD-FINAL-36	55549	27.0
48" Final Set Drive Base	RS-GOLD-FINAL-48	55552	32.0
REPLACEMENT PARTS			
Guide Block	ST7-5	55554	8.4
Punch	ST7-9	55555	7.4
Wear Plate (Final Set Base)	ST7-29	55556	2.3
Regulator Hose Assembly	ST7-34	55561	.5
Safety Guard	ST7-35	55562	.1

BELT NIPPERS

ORDERING NUMBER	ITEM CODE	WT. LBS.
BN-1	50003	.8



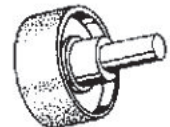
ROUGH-TOP BELT SKIVER

DESCRIPTION/ ORDERING NUMBER	ITEM CODE	WT. LBS.
RTBS Rough Top Skiver	03239	.3



ALLIGATOR® BELT GRINDER

ORDERING NUMBER	ITEM CODE	WT. LBS.
RB-1	30867	.7



FASTENERS



Exclusive Piloted Bolt Design Simplifies Installation:

The new piloted bolt is currently being phased in to replace standard bolt designs. To order the new piloted bolts as they become available, use standard bolt ordering numbers.

STEEL ("J" CARTON – Continuous Strip w/Steel Nuts & Bolts)

375X	BELT WIDTH		ORDERING NUMBER	ITEM CODE	WT. LBS.	ORDERING NUMBER	ITEM CODE	WT. LBS.	ORDERING NUMBER	ITEM CODE	WT. LBS.
	in.	mm	NCS STEEL JOINT WITH NYLON COVERED STEEL CABLE			NCS STEEL JOINT WITH NYLON COVERED STAINLESS CABLE			SC STEEL JOINT WITH BARE STEEL CABLE		
	12"	300	375XJ12NC	40000	2.3	375XJ18NCS	40012	3.3			
14"	350	375XJ14NC	40001	2.6	375XJ24NCS	40013	4.0	375XJ24SC	40020	4.0	
16"	400	375XJ16NC	40002	2.9	375XJ30NCS	40014	5.1				
18"	450	375XJ18NC	40003	3.3	375XJ36NCS	40015	6.3	375XJ36SC	40023	6.3	
20"	500	375XJ20NC	40004	3.8	375XJ42NCS	40016	7.3				
24"	600	375XJ24NC	40005	4.0	375XJ48NCS	40017	8.3	375XJ48SC	40025	7.7	
26"	650	375XJ26NC	40006	4.5							
30"	750	375XJ30NC	40007	5.1							
36"	900	375XJ36NC	40008	6.3							
42"	1050	375XJ42NC	40009	7.3							
48"	1200	375XJ48NC	40010	8.3							
60"	1500	375XJ60NC	39997	10.2							

STAINLESS 300 SERIES

("J" CARTON – Continuous Strip w/Stainless Nuts & Bolts)

375X	BELT WIDTH		ORDERING NUMBER	ITEM CODE	WT. LBS.	ORDERING NUMBER	ITEM CODE	WT. LBS.
	in.	mm	SSC STAINLESS JOINT WITH BARE STAINLESS CABLE			NCS STAINLESS JOINT WITH NYLON COVERED STAINLESS CABLE		
	18"	450				375XSJ18NCS	40035	3.3
24"	600	375XSJ24SSC	40225	4.0	375XSJ24NCS	40036	4.0	
30"	750	375XSJ30SSC	40226	5.1	375XSJ30NCS	40037	5.1	
36"	900	375XSJ36SSC	40227	6.3	375XSJ36NCS	40038	6.3	
42"	1050	375XSJ42SSC	40228	7.3	375XSJ42NCS	40039	7.3	
48"	1200	375XSJ48SSC	40229	8.3	375XSJ48NCS	40040	8.3	
60"	1500	375XSJ60SSC	39907	10.2				

EVERDUR

("J" CARTON – Continuous Strip w/Everdur Nuts & Bolts)

375X	BELT WIDTH		ORDERING NUMBER	ITEM CODE	WT. LBS.
	in.	mm	NB EVERDUR JOINT WITH NYLON COVERED BRONZE CABLE		
	18"	450	375XEJ18NB	39978	3.5
24"	600	375XEJ24NB	39980	4.3	
30"	750	375XEJ30NB	39982	5.4	
36"	900	375XEJ36NB	39984	6.6	
42"	1050	375XEJ42NB	39986	7.7	

GAUGE PINS (EXTRA)

BELT WIDTH	ORDERING NUMBER	ITEM CODE	WT. LBS.	ORDERING NUMBER	ITEM CODE	WT. LBS.	
				EACH			10 PER PACKAGE
18	450			FHGP18	39603	3.0	
24	600	FHGP24-1	39624	0.4	FHGP24	39605	3.9
30	750	FHGP30-1	39626	0.5	FHGP30	39607	4.8
36	900	FHGP36-1	39625	0.6	FHGP36	39610	5.8
42	1050	FHGP42-1	39627	0.7	FHGP42	39613	6.7
48	1200	FHGP48-1	39628	0.8	FHGP48	39615	7.7
60	1500	FHGP60-1	39629	1.0	FHGP60	39617	9.6

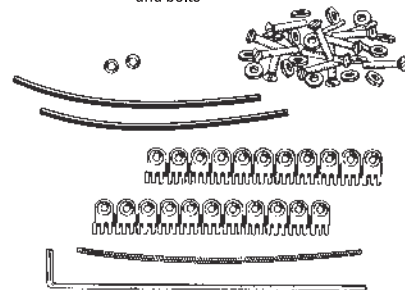
- Stock Items (non-shaded) carried in factory inventory.
- Made To Order Items (shaded) allow one week for production. In most cases, the next standard stock item can be adapted to meet your requirements.

Non-Listed Items are available. Request quote for price and delivery.

"J" CARTON

CARTON CONTENTS:

- 2 Strips of fastener
- 2 Pieces Filler Tubing
- 1 Hinge Pin
- 1 Gauge Pin
- 2 Hinge Pin Washers
- Required amount of nuts and bolts
- Required amount of clips for Individual Plate "J" Cartons



Bolt Hinged Fasteners



FASTENERS



Exclusive Piloted Bolt Design Simplifies Installation:

The new piloted bolt is currently being phased in to replace standard bolt designs. To order the new piloted bolts as they become available, use standard bolt ordering numbers.

STEEL ("J" CARTON – Continuous Strip w/Steel Nuts & Bolts)

550	BELT WIDTH		ORDERING NUMBER	ITEM CODE	ORDERING NUMBER	ITEM CODE	ORDERING NUMBER	ITEM CODE	ORDERING NUMBER	ITEM CODE	ORDERING NUMBER	ITEM CODE	WT. LBS.
	in.	mm	NC STEEL JOINT WITH NYLON COVERED STEEL CABLE		NCS STEEL JOINT WITH NYLON COVERED STAINLESS CABLE		SC STEEL JOINT WITH BARE STEEL CABLE		SSC STEEL JOINT WITH BARE STAINLESS CABLE		NAC STEEL JOINT WITH NYLON COVERED ARMORED CABLE		
CARTON – One Complete Joint													
18"	450	550J18NC	40138										3.3
20"	500	550J20NC	40046										3.7
24"	600	550J24NC	40047	550J24NCS	40059	550J24SC	40066	550J24SSC	40073	550J24NAC	40242		4.3
26"	650	550J26NC	40048										4.9
30"	750	550J30NC	40049	550J30NCS	40060	550J30SC	40068	550J30SSC	40074	550J30NAC	40243		5.5
36"	900	550J36NC	40050	550J36NCS	40061	550J36SC	40069	550J36SSC	40075	550J36NAC	40244		6.5
42"	1050	550J42NC	40051	550J42NCS	40062	550J42SC	40070	550J42SSC	40076	550J42NAC	40245		7.8
48"	1200	550J48NC	40052	550J48NCS	40063	550J48SC	40071	550J48SSC	40077	550J48NAC	40246		8.8
54"	1350	550J54NC	40053							550J54NAC	40247		9.9
60"	1500	550J60NC	40054										10.5

STAINLESS 300 SERIES

("J" CARTON – Continuous Strip w/Stainless Nuts & Bolts)

550	BELT WIDTH		ORDERING NUMBER	ITEM CODE
	in.	mm	NCS STAINLESS JOINT WITH NYLON COVERED STAINLESS CABLE	
CARTON – One Complete Joint				
18"	450	550SJ18NCS	40164	
24"	600	550SJ24NCS	40165	
30"	750	550SJ30NCS	40166	
36"	900	550SJ36NCS	40167	
42"	1050	550SJ42NCS	40168	
48"	1200	550SJ48NCS	40169	
60"	1500	550SJ60NCS	39939	

ORDERING NUMBER	ITEM CODE	WT. LBS.
SSC STEEL JOINT WITH BARE STAINLESS CABLE		
550SJ18SSC	39675	3.3
550SJ24SSC	39904	4.3
550SJ30SSC	39917	5.5
550SJ36SSC	39935	6.5
550SJ42SSC	39938	7.8
550SJ48SSC	39842	8.8
550SJ60SSC	39855	11.4

BULK FASTENER SETS

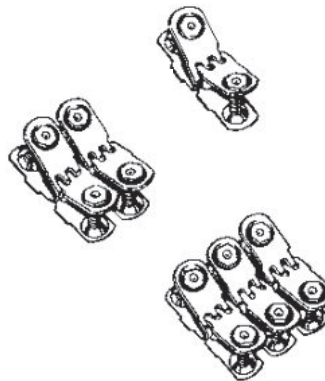
Required for Various Belt Widths

		375X		550	
BELT WIDTH		(RECOMMENDED)		(RECOMMENDED)	
in.	mm	SETS OF 3-PLATE	SETS OF 2-PLATE	SETS OF 3-PLATE	SETS OF 1-PLATE
12"	300	3	1		7
14"	350	3	2		9
16"	400	5			10
18"	450	5	1		11
20"	500	5	2	2	7
24"	600	7		2	8
28"	700	7	2	2	10
30"	750	7	2	2	11
36"	900	11		2	16
	1000	12		2	18
42"	1050	13		2	20
	1200	15		2	24
48"	1350	15		2	24
		17		2	28
54"	1500	18	1	2	32
60"		19		2	32
	1800	22	1	2	39
72"		23		2	40
	2100	25	2	2	48
84"		27		2	48
	2400	30	1	2	55
96"		31		2	56
	3000	37	2	2	71
120"		39		2	72

MEGALLOY®

("J" CARTON – Individual Plates w/Steel Nuts & Bolts)

550	BELT WIDTH		ORDERING NUMBER	ITEM CODE	WT. LBS.
	in.	mm	MA MEGALLOY JOINT WITH BARE STAINLESS CABLE		
CARTON – One Complete Joint					
18"	450	550MAJ18SSC	39574	3.3	
24"	600	550MAJ24SSC	39577	4.3	
30"	750	550MAJ30SSC	39580	5.5	
36"	900	550MAJ36SSC	39583	6.5	
42"	1050	550MAJ42SSC	39586	7.8	
48"	1200	550MAJ48SSC	39589	8.8	



BULK FASTENERS

Per set (with bolts & nuts)

Per container (with bolts and nuts)

Per set (with bolts & nuts)

Per container (with bolts and nuts)

DESCRIPTION	ORDERING NUMBER	ITEM CODE	WT. LBS.	ORDERING NUMBER	ITEM CODE	SETS/ CTN	WT. LBS.
STEEL							
Two-Plate Fastener	375X-2STS	39950	.3	375X-2	40100	25	8.0
Three-Plate Fastener	375X-3STS	39951	.5	375X-3	40101	18	8.5
Single-Plate Fastener	550-1STS	39952	.3	550-1	40102	50	12.0
Three-Plate Fastener	550-3STS	39953	.8	550-3	40103	18	13.0
MEGALLOY							
Single-Plate Fastener				550MA-1	40058	50	13.0

DESCRIPTION	ORDERING NUMBER	ITEM CODE	WT. LBS.	ORDERING NUMBER	ITEM CODE	SETS/ CTN	WT. LBS.
STAINLESS 300 SERIES							
Two-Plate Fastener	375XS-2STS	39957	.3	375XS-2	40108	25	6.3
Three-Plate Fastener	375XS-3STS	39958	.5	375XS-3	40109	18	8.1
Single-Plate Fastener	550S-1STS	39959	.3	550S-1	40110	50	12.1
EXTRA CLIPS							
#550 Clips (100/Pkg.)	CLIPS (550)	40134	2.8				

NOTE: Non-listed cartons over 60" (1500 mm) are supplied in single plate sets.



506 Brookforest Ave. Rt. 59 Shorewood Illinois 60404

Phone: 815.725.0062 • Fax: 815.725.2483 • www.serviceindustrialsupply.com

HINGE PINS



PACKAGES OF 10 PINS

EACH (ONE PIN)

BELT WIDTH		ORDERING NUMBER	ITEM CODE	WT. LBS.	ORDERING NUMBER	ITEM CODE	WT. LBS.	ORDERING NUMBER	ITEM CODE	WT. LBS.	ORDERING NUMBER	ITEM CODE	WT. LBS.		
in.	mm	NC NYLON COVERED STEEL CABLE (1/4" dia.)			NCS NYLON COVERED STAINLESS CABLE* (1/4" dia.)			NC NYLON COVERED STEEL CABLE (1/4" dia.)			NCS NYLON COVERED STAINLESS CABLE* (1/4" dia.)				
		12"	300	NC-12	40150	.8	NCS-12	40170	.8	NC-12-1	38000	.1			
		14"	350	NC-14	40151	1.0	NCS-14	40171	1.0	NC-14-1	38001	.1			
		16"	400	NC-16	40152	1.2	NCS-16	40172	1.2	NC-16-1	38002	.1			
		18"	450	NC-18	40153	1.4	NCS-18	40173	1.4	NC-18-1	38003	.1			
		20"	500	NC-20	40154	1.5	NCS-20	40174	1.5	NC-20-1	38004	.2			
		24"	600	NC-24	40155	1.7	NCS-24	40175	1.7	NC-24-1	38005	.2	NCS-24-1	38041	.2
		26"	650	NC-26	40156	1.8									
		30"	750	NC-30	40157	2.2	NCS-30	40177	2.2	NC-30-1	38007	.2	NCS-30-1	38043	.2
		36"	900	NC-36	40158	2.6	NCS-36	40178	2.6	NC-36-1	38008	.2	NCS-36-1	38044	.2
		42"	1050	NC-42	40159	3.1	NCS-42	40179	3.1	NC-42-1	38009	.2	NCS-42-1	38045	.3
		48"	1200	NC-48	40160	3.5	NCS-48	40180	3.5	NC-48-1	38010	.3	NCS-48-1	38046	.3
		54"	1350	NC-54	40161	3.9	NCS-54	40181	3.9	NC-54-1	38011	.3	NCS-54-1	38047	.3
		60"	1500	NC-60	40162	4.3	NCS-60	40182	4.3	NC-60-1	38012	.4	NCS-60-1	38048	.4
		72"	1800	NC-72	40163	5.0	NCS-72	40183	5.0	NC-72-1	38013	.4	NCS-72-1	38049	.5
100 FOOT COILS															
BULK		NC-C	39740	8.6											

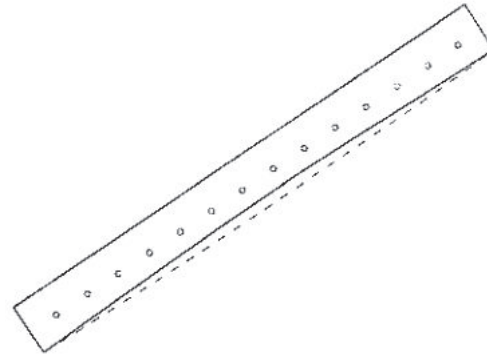
For 375X or 550

in.	mm	NAC NYLON COVERED ARMORED CABLE (1/4" dia.)			AC BARE ARMORED CABLE (1/4" dia.)			NAC NYLON COVERED ARMORED CABLE (1/4" dia.)			AC BARE ARMORED CABLE (1/4" dia.)							
		18"	450	NAC-18	40629	1.8	AC-18	40685	1.7	NAC-18-1	38108	.2	AC-18-1	38129	.2			
24"	600	NAC-24	40631	2.4	AC-24	40686	2.3	NAC-24-1	38109	.2	AC-24-1	38130	.2					
26"	650	NAC-26	40632	2.6	AC-26	40687	2.4	NAC-26-1	38110	.2	AC-26-1	38131	.2					
30"	750	NAC-30	40633	3.0	AC-30	40688	2.8	NAC-30-1	38111	.3	AC-30-1	38132	.3					
36"	900	NAC-36	40634	3.6	AC-36	40689	3.4	NAC-36-1	38112	.3	AC-36-1	38133	.3					
42"	1050	NAC-42	40636	4.2	AC-42	40691	3.8	NAC-42-1	38113	.4	AC-42-1	38134	.4					
48"	1200	NAC-48	40637	4.8	AC-48	40692	4.8	NAC-48-1	38114	.4	AC-48-1	38135	.4					
54"	1350	NAC-54	40638	5.4				NAC-54-1	38115	.5	AC-54-1	38136	.5					
60"	1500	NAC-60	40639	6.0				NAC-60-1	38116	.5	AC-60-1	38137	.5					
72"	1800	NAC-72	40640	7.2				NAC-72-1	38117	.6	AC-72-1	38138	.6					
in.	mm	SC BARE STEEL CABLE (1/4" dia.)			SSC BARE STAINLESS CABLE* (7/32" dia.)			SC BARE STEEL CABLE (1/4" dia.)			SSC BARE STAINLESS CABLE* (7/32" dia.)							
		24"	600	SC-24	40202	2.5	SSC-24	40210	2.2	SC-24-1	38180	.2	SSC-24-1	38199	.2			
		26"	650	SC-26	40203	2.6	SSC-30	40211	2.5	SC-30-1	38182	.3	SSC-30-1	38201	.3			
		30"	750	SC-30	40204	3.1	SSC-36	40212	3.0	SC-36-1	38183	.3	SSC-36-1	38202	.3			
		36"	900	SC-36	40205	3.7	SSC-42	40213	3.5	SC-42-1	38184	.4	SSC-42-1	38203	.4			
		42"	1050	SC-42	40206	4.3	SSC-48	40214	4.0	SC-48-1	38185	.4	SSC-48-1	38204	.4			
		48"	1200	SC-48	40207	4.9	* 300 SERIES				ACS BARE ARMORED STAINLESS CABLE* (17/64" dia.)			NB NYLON COVERED BRONZE CABLE (1/4" dia.)				
		18"	450													NB-18-1	38075	.2
		24"	600													NB-24-1	38077	.2
		30"	750	ACS-30	41354	2.8							ACS-30-1	41380	.2	NB-30-1	38079	.3
		36"	900	ACS-36	41355	3.0							ACS-36-1	41381	.2	NB-36-1	38080	.3
		42"	1050	ACS-42	41356	3.2							ACS-42-1	41382	.2	NB-42-1	38081	.4
		48"	1200	ACS-48	41357	3.5							ACS-48-1	41383	.3			
		54"	1350	ACS-54	41358	3.7			ACS-54-1	41384	.3							
		60"	1500	ACS-60	41359	4.0			ACS-60-1	41385	.4							

Stock Items (non-shaded) carried in factory inventory.
 Made To Order Items (shaded) allow one week for production.
 In most cases, the next standard stock item can be adapted to meet your requirements.
Non-Listed Items are available.
 Request quote for price and delivery.

INSTALLATION TOOLS

CURVED TEMPLETS



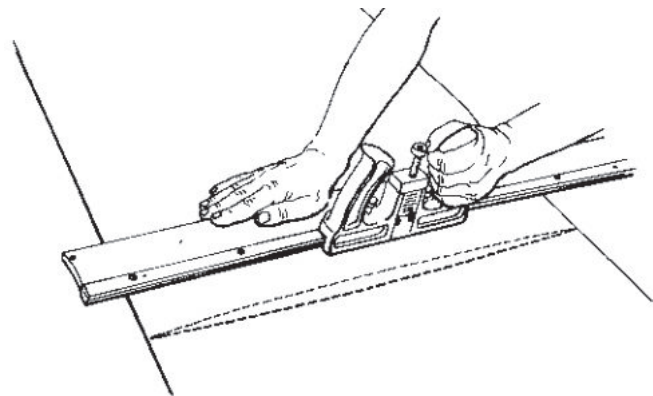
BELT WIDTH		ORDERING NUMBER	ITEM CODE	ORDERING NUMBER	ITEM CODE
in.	mm	375X		550	
12"	300	375X-12	30813	512	30799
14"	350	375X-14	30814		
16"	400	375X-16	30815	516	30800
18"	450	375X-18	30816	518	30801
20"	500	375X-20	30817	520	30802
24"	600	375X-24	30818	524	30803
26"	650	375X-26	30819	526	30804
30"	750	375X-30	30820	530	30805
36"	900	375X-36	30821	536	30806
42"	1050	375X-42	30822	542	30807
48"	1200	375X-48	30823	548	30808
54"	1350	375X-54	30824	554	30809
60"	1500	375X-60	30825	560	30810
72"	1800	375X-72	30826	572	30811

NOTE: All templets up to and including 72" are curved. For belt widths over 72", straight templet supplied.

CURVED BELT CUTTERS

DESCRIPTION	BELT WIDTH		ORDERING NUMBER	ITEM CODE	WT. LBS.
	in.	mm			
Cutter Complete	30"	750	400430	30914	14.2
	36"	900	400436	30915	16.1
	42"	1050	400442	30916	18.9
	48"	1200	400448	30917	19.0
	60"	1500	400460	30918	23.0
Cutter Base Only	30"	750	430	30950	5.4
	36"	900	436	30951	6.2
	42"	1050	442	30952	7.1
	48"	1200	448	30953	7.9
	60"	1500	460	30954	9.6
Cutter Head Only			400	30919	5.1
Cutter Blade			30023	30909	.2
Cutter Blade (Long)			30023L	30913	.2
Nails for Cutter Base (142 per package)			6D	30436	1.0

NOTE: Belt widths over 72" require straight cutters. Please refer to Page 70 for 300 series straight cutters.



EXTRA BOLTS & NUTS

100 PER BOX – BOLT DIMENSION IS 1/4" X 1-11/16"

FOR FASTENER NUMBER	ORDERING NUMBER / ITEM CODE	WT. LBS.	FOR FASTENER NUMBER	ORDERING NUMBER / ITEM CODE	WT. LBS.
BOLTS—STEEL			NUTS—STEEL—UNSLOTTED NUTS		
375X	20398	2.1	375X/550	20380	.9
550	20399	2.4	NUTS—STAINLESS—SLOTTED NUTS		
BOLTS—STAINLESS			375X/550	20381	.7
375X/550	20400	2.3	NUTS—EVERDUR—SLOTTED NUTS		
BOLTS—EVERDUR			375X/550	20387	.8
375X/550	20397	2.4			

Exclusive Piloted Bolt Design Simplifies Installation:

The new piloted bolt is currently being phased in to replace standard bolt designs. To order the new piloted bolts as they become available, use standard bolt ordering numbers.

Rivet Hinged Fasteners FASTENERS

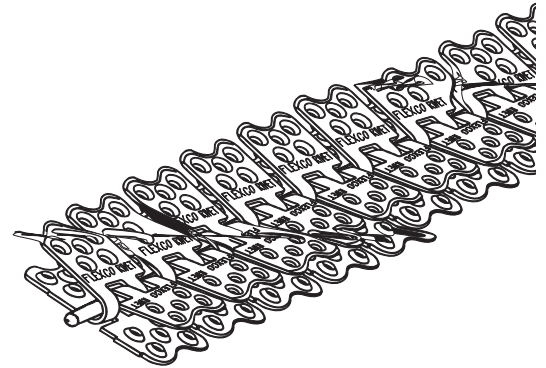


Order each component separately for a complete splice: Fastener Strip + Rivets + Hinge Pin

For R5	STEEL (Continuous Strip)					STAINLESS TYPE 316 (Continuous Strip)					RUSTALLOY® (Continuous Strip)*				
	BELT WIDTH		ORDERING NUMBER	ITEM CODE	WT. LBS.	BELT WIDTH		ORDERING NUMBER	ITEM CODE	WT. LBS.	BELT WIDTH		ORDERING NUMBER	ITEM CODE	WT. LBS.
	in.	mm	PACKAGE (Two Fastener Strips)			in.	mm	PACKAGE (Two Fastener Strips)			in.	mm	PACKAGE (Two Fastener Strips)		
	18"	450	R5-SE-18/450	41314	2.6	18"	450	R5S-SE-18/450	41326	2.6	18"	450			
	24"	600	R5-SE-24/600	41315	3.4	24"	600	R5S-SE-24/600	41327	3.4	24"	600	RAR5-SE-24/600	41328	3.4
	26"	650	R5-SE-26/650	41409	3.7						26"	650	RAR5-SE-26/650	41329	3.6
	30"	750	R5-SE-30/750	41276	4.2	30"	750	R5S-SE-30/750	41289	4.2	30"	750	RAR5-SE-30/750	41283	4.2
	36"	900	R5-SE-36/900	41277	5.1	36"	900	R5S-SE-36/900	41290	5.1	36"	900	RAR5-SE-36/900	41284	5.1
	42"	1050	R5-SE-42/1050	41278	5.9	42"	1050	R5S-SE-42/1050	41291	5.9	42"	1050	RAR5-SE-42/1050	41285	5.9
	48"	1200	R5-SE-48/1200	41279	6.9	48"	1200	R5S-SE-48/1200	41292	6.9	48"	1200	RAR5-SE-48/1200	41286	6.9
	54"	1350	R5-SE-54/1350	41296	7.3						54"	1350	RAR5-SE-54/1350	41287	7.3
	60"	1500	R5-SE-60/1500	41298	8.5	60"	1500	R5S-SE-60/1500	41294	8.5	60"	1500	RAR5-SE-60/1500	41288	8.5
	72"	1800	R5-SE-72/1800	41316	10.4										

MEGALLOY® (4 Plate Strips. 10 Strip Per Box)

For R5	ORDERING NUMBER		ITEM CODE	WT. LBS.	
	R5MA-SE		41067	4.7	
	Plates Required for one R5MA Joint				
	BELT WIDTH		PLATES REQUIRED	BELT WIDTH	
in.	mm		in.	mm	
18"	450	20	48"	1200	54
24"	600	26	54"	1350	60
30"	750	32	60"	1500	68
36"	900	40	72"	1800	82
42"	1050	46			



STEEL (Continuous Strip)

For R5-1/2	BELT WIDTH		ORDERING NUMBER	ITEM CODE	WT. LBS.
	in.	mm	PACKAGE (Two Fastener Strips)		
	18"	450	R5-1/2-SE-18/450	41514	3.9
24"	600	R5-1/2-SE-24/600	41515	5.0	
30"	750	R5-1/2-SE-30/750	41516	6.3	
36"	900	R5-1/2-SE-36/900	41513	7.8	
42"	1050	R5-1/2-SE-42/1050	41509	8.8	
46"	1150				
48"	1200	R5-1/2-SE-48/1200	41510	9.9	
54"	1350	R5-1/2-SE-54/1350	41525	11.6	
60"	1500	R5-1/2-SE-60/1500	41511	12.5	
72"	1800	R5-1/2-SE-72/1800	41512	15.5	

RUSTALLOY® (Continuous Strip)*

For R5-1/2	BELT WIDTH		ORDERING NUMBER	ITEM CODE	WT. LBS.
	in.	mm	PACKAGE (Two Fastener Strips)		
	18"	450			
24"	600	RAR5-1/2-SE-24/600	41341	5.0	
30"	750	RAR5-1/2-SE-30/750	41342	6.3	
36"	900	RAR5-1/2-SE-36/900	41351	7.5	
42"	1050	RAR5-1/2-SE-42/1050	41391	8.9	
46"	1150	RAR5-1/2-SE-46/1150	41392	9.7	
48"	1200	RAR5-1/2-SE-48/1200	41319	10.1	
54"	1350	RAR5-1/2-SE-54/1350	41393	11.5	
60"	1500	RAR5-1/2-SE-60/1500	41394	12.5	
72"	1800	RAR5-1/2-SE-72/1800	41395	15.4	

MEGALLOY® (4 Plate Strips. 10 Strip Per Box)

For R5-1/2	ORDERING NUMBER		ITEM CODE	WT. LBS.	
	R5-1/2MA-SE		41450	4.7	
	Plates Required for one R5-1/2MA Joint				
	BELT WIDTH		PLATES REQUIRED	BELT WIDTH	
in.	mm		in.	mm	
18"	450	20	48"	1200	54
24"	600	26	54"	1350	60
30"	750	32	60"	1500	68
36"	900	40	72"	1800	82
42"	1050	46			

* 400 SERIES STAINLESS

- Stock Items** (non-shaded) carried in factory inventory.
- Made To Order Items** (shaded) allow one week for production. In most cases, the next standard stock item can be adapted to meet your requirements.
- Non-Listed Items** are available. Request quote for price and delivery.

FASTENERS



Rivet Hinged Fasteners

Order each component separately for a complete splice: Fastener Strip + Rivets + Hinge Pin

STEEL (Continuous Strip)

RUSTALLOY® (Continuous Strip) *

RAR6LP LOW PROFILE*

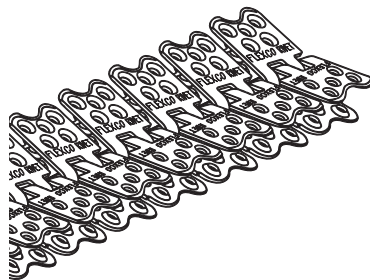
For R6	BELT WIDTH		ORDERING NUMBER	ITEM CODE	WT. LBS.	BELT WIDTH	BELT WIDTH		ORDERING NUMBER	ITEM CODE	WT. LBS.	BELT WIDTH	BELT WIDTH		ORDERING NUMBER	ITEM CODE	WT. LBS.		
	in.	mm	PACKAGE (Two Fastener Strips)				in.	mm	PACKAGE (Two Fastener Strips)					in.	mm	PACKAGE (Two Fastener Strips)			
	24"	600	R6-SE-24/600	40408	6.6	24"	600					24"	600						
	30"	750	R6-SE-30/750	40409	8.4	30"	750					30"	750						
	36"	900	R6-SE-36/900	40399	10.3	36"	900					36"	900						
	42"	1050	R6-SE-42/1050	40389	11.7	42"	1050	RAR6-SE-42/1050	41542	11.7	42"	1050	RAR6LP-SE-42/1050	40828	8.4				
	46"	1150	R6-SE-46/1150	40415	13.2	46"	1150	RAR6-SE-46/1150	41548	13.2	46"	1150	RAR6LP-SE-46/1150	40834	9.0				
	48"	1200	R6-SE-48/1200	40390	13.8	48"	1200	RAR6-SE-48/1200	41543	13.8	48"	1200	RAR6LP-SE-48/1200	40829	9.6				
	54"	1350	R6-SE-54/1350	40391	14.6	54"	1350	RAR6-SE-54/1350	41544	14.6	54"	1350	RAR6LP-SE-54/1350	40830	10.1				
	60"	1500	R6-SE-60/1500	40392	16.2	60"	1500	RAR6-SE-60/1500	41545	16.2	60"	1500	RAR6LP-SE-60/1500	40831	10.7				
	72"	1800	R6-SE-72/1800	40393	20.8	72"	1800	RAR6-SE-72/1800	41546	20.8	72"	1800	RAR6LP-SE-72/1800	40832	12.5				
	84"	2130	R6-SE-84/2130	40416	28.7	84"	2130	RAR6-SE-84/2130	41547	28.7	84"	2130	RAR6LP-SE-84/2130	40833	16.4				

RUSTALLOY® (Continuous Strip) * * 400 SERIES STAINLESS

For R8	BELT WIDTH		ORDERING NUMBER	ITEM CODE	WT. LBS.
	in.	mm	PACKAGE (Two Fastener Strips)		
	48"	1200	RAR8-SE-48/1200	41712	13.8
	54"	1350	RAR8-SE-54/1350	41713	14.6
	60"	1500	RAR8-SE-60/1500	41714	16.2
	72"	1800	RAR8-SE-72/1800	41715	20.8
	84"	2130	RAR8-SE-84/2130	41716	28.7

STAINLESS 300 SERIES

For R9	BELT WIDTH		ORDERING NUMBER	ITEM CODE	WT. LBS.
	in.	mm	PACKAGE (Two Fastener Strips)		
	48"	1200	R9S-SE-48/1200	41737	17.0
	54"	1350	R9S-SE-54/1350	41738	19.0
	60"	1500	R9S-SE-60/1500	41739	21.8
	72"	1800	R9S-SE-72/1800	41740	25.8
	84"	2130	R9S-SE-84/2130	41741	30.2



RIVET SELECTION CHART			
FASTENER SIZE	BELT THICKNESS RANGE		RIVET SIZE
	in.	mm	
R5	7/32-5/16	6-8	SRA
	9/32-3/8	7-10	SRB
	11/32-7/16	9-11	SRC
	13/32-7/16	10.5-11	SRC/D
R5-1/2 & RAR6LP	5/16-11/32	8-9	SRB
	5/16-13/32	8-10.5	SRC
	3/8-15/32	10-12	SRC/D
	7/16-17/32	11-13.5	SRD
	1/2-19/32	13-15	SRE
	9/16-21/32	14-16.5	SRF*
R6	5/8-23/32	16-18	SRG*
	13/32-7/16	9-11	SRC/D
	13/32-1/2	10.5-13	SRD
	15/32-9/16	12-14	SRE
	17/32-5/8	13.5-16	SRF
RAR8	19/32-11/16	15-17	SRG
	13/32-7/16	10.5-11	SRC/D
	13/32-1/2	10.5-13	SRD
	15/32-9/16	12-14	SRE
	17/32-5/8	13.5-16	SRF
R9S	19/32-11/16	15-17	SRG
	15/32-9/16	12-14	SRE
	17/32-5/8	13.5-16	SRF
	19/32-11/16	16-17	SRG
	21/32-3/4	16.5-19	SRH
	23/32-13/16	18-21	SRI
25/32-7/8	20-22	SRJ**	
27/32-15/16	21-24	SRK**	

Rivets Required For One R5, R5-1/2 or R6 Joint		
BELT WIDTH		RIVETS REQUIRED
in.	mm	
18"	450	100
24"	600	130
30"	750	160
36"	900	200
42"	1050	230
48"	1200	270
54"	1350	300
60"	1500	340
72"	1800	410
84"	2130	480

Rivets Required For One RAR8 or R9S Joint		
BELT WIDTH		RIVETS REQUIRED
in.	mm	
48"	1200	432
54"	1350	480
60"	1500	544
72"	1800	656
84"	2130	768

Stock Items (non-shaded) carried in factory inventory.

Made To Order Items (shaded) allow one week for production. In most cases, the next standard stock item can be adapted to meet your requirements.

Non-Listed Items are available. Request quote for price and delivery.

* Applies to RAR6LP only.

** Use with 3/4" diameter hinge pin.

SR™ Scalloped Edge™



Rivet Hinged Fasteners

RIVETS

Self-setting, pre-assembled with pilot nails



STEEL

ORDERING NUMBER	ITEM CODE	BOX QTY.	WT. LBS.
BOX (100 Rivets)			
SRA-100	40539	100	.9
SRB-100	40540	100	1.0
SRC-100	40541	100	1.1
BOX (250 Rivets)			
SRA	40527	250	2.3
SRB	40528	250	2.5
SRC	40529	250	2.6
SRC/D	40538	250	2.8
SRD	40530	250	2.9
SRE	40531	250	3.1
SRF	40532	250	3.1
SRG	40533	250	3.2
SRH	40534	250	3.4
SRI	40535	250	3.5
SRJ	40536	250	3.6
SRK	40537	250	3.7
BUCKET (2000 Rivets)			
SRA-2M	41190	2000	16.6
SRB-2M	41191	2000	18.1
SRC-2M	41192	2000	20.2
SRC/D-2M	41193	2000	21.2
SRD-2M	41194	2000	21.9
SRE-2M	41195	2000	23.1
SRF-2M	41196	2000	24.4
SRG-2M	41197	2000	24.9



NOTE: Use standard rivet selection criteria for collated rivet strips.

STAINLESS (TYPE 430)

ORDERING NUMBER	ITEM CODE	BOX QTY.	WT. LBS.
BOX (250 Rivets)			
SRA-S	40542	250	2.3
SRB-S	40543	250	2.5
SRC-S	40544	250	2.6
SRC/D-S	40548	250	2.8
SRD-S	40545	250	2.9
SRE-S	40546	250	3.1
SRF-S	40547	250	3.1
SRG-S	40523	250	3.2
SRH-S	40522	250	3.4
SRI-S	40506	250	16.7
SRJ-S	40507	250	18.4
SRK-S	40520	250	19.9
BUCKET (2000 Rivets)			
SRA-S-2M	41200	2000	17.1
SRB-S-2M	41201	2000	18.9
SRC-S-2M	41202	2000	20.6
SRC/D-S-2M	41203	2000	21.3
SRD-S-2M	41204	2000	21.9
SRE-S-2M	41205	2000	22.9
SRF-S-2M	41206	2000	23.5
SRG-S-2M	41207	2000	24.7
SRH-S-2M	41208	2000	25.1
SRI-S-2M	41181	2000	26.3
SRJ-S-2M	41183	2000	27.5
SRK-S-2M	41185	2000	28.7

RAPID LOADER™ RIVET STRIPS

(For R5, R5-1/2, R6, BR10)

Self-setting, pre-assembled with pilot nails

60 Strips / 1200 Rivets per Bucket

DESCRIPTION		ORDERING NUMBER	ITEM CODE	WT. LBS.
Size	Color Code			
STEEL				
A	Red	CSRLA	40857	13.00
B	White	CSRLB	40858	13.92
C	Blue	CSRLC	40859	14.84
C/D	Orange	CSRLC/D	40860	15.56
D	Green	CSRLD	40861	16.06
E	Purple	CSRLE	40862	16.62
F	Yellow	CSRLF	40863	17.34
G	Black	CSRLG	40864	17.90
STAINLESS (TYPE 430)				
A	Red	CSRLA-S	40978	12.90
B	White	CSRLB-S	40979	13.80
C	Blue	CSRLC-S	40980	14.92
C/D	Orange	CSRLC/D-S	40981	15.31
D	Green	CSRLD-S	40982	15.92
E	Purple	CSRLE-S	40983	16.48
F	Yellow	CSRLF-S	40984	16.94
G	Black	CSRLG-S	40985	17.52

RAPID LOADER™ RIVET STRIPS

WITH WASHERS

(For R5, R5-1/2, R6, BR10)

(For use with the Flexco® Power Set™ Rivet Driver and Hilti DX 460-SR installation tool)

60 Strips / 1200 Rivets per Bucket

DESCRIPTION		ORDERING NUMBER	ITEM CODE	WT. LBS.
Size	Color Code			
STEEL				
A	Red	CSRLA-W	40891	13.00
B	White	CSRLB-W	40892	13.92
C	Blue	CSRLC-W	40893	14.84
C/D	Orange	CSRLC/D-W	40895	15.56
D	Green	CSRLD-W	40897	16.06
E	Purple	CSRLE-W	40898	16.62
F	Yellow	CSRLF-W	40899	17.34
G	Black	CSRLG-W	40901	17.90
STAINLESS (TYPE 430)				
A	Red	CSRLA-S-W	40955	12.90
B	White	CSRLB-S-W	40956	13.80
C	Blue	CSRLC-S-W	40957	14.92
C/D	Orange	CSRLC/D-S-W	40958	15.31
D	Green	CSRLD-S-W	40959	15.92
E	Purple	CSRLE-S-W	40961	16.48
F	Yellow	CSRLF-S-W	40969	16.94
G	Black	CSRLG-S-W	40971	17.52

Rivet Hinged Fasteners



HINGE PINS



FOR R5-1/2, R6, RAR6LP **FOR R5-1/2, R6, RAR6LP & RAR8 FOR R6, RAR6LP**

BELT WIDTH		ORDERING NUMBER	ITEM CODE	WT. LBS.	ORDERING NUMBER	ITEM CODE	WT. LBS.	ORDERING NUMBER	ITEM CODE	WT. LBS.	ORDERING NUMBER	ITEM CODE	WT. LBS.	
		AC6 BARE ARMORED STEEL CABLE (3/8" dia.)			SC6 BARE STEEL CABLE (23/64" dia.)			*ACS6 BARE ARMORED STAINLESS CABLE (3/8" dia.)			NAC6 NYLON COVERED ARMORED CABLE (13/32" dia.)			
in.	mm	EACH (One Pin)			EACH (One Pin)			EACH (One Pin)			EACH (One Pin)			
24"	600	AC6-24-1	38164	.7							NAC6-24-1	38144	.7	
30"	750	AC6-30-1	38165	.8							NAC6-30-1	38145	.8	
36"	900	AC6-36-1	38166	1.0							NAC6-36-1	38146	1.0	
38"	950	AC6-38-1	38161	1.1	SC6-38-1	38370	1.1	ACS6-36/900-1	39274	1.0	NAC6-38-1	40940	1.1	
40"	1000	AC6-40-1	38162	1.1	SC6-40-1	38371	1.2	ACS6-40-1	39280	1.1	NAC6-40-1	40941	1.1	
42"	1050	AC6-42-1	38167	1.2	SC6-42-1	38376	1.2	ACS6-42-1	39275	1.2	NAC6-42-1	38147	1.2	
44"	1100	AC6-44-1	38143	1.3	SC6-44-1	38372	1.3				NAC6-44-1	40942	1.3	
46"	1150				SC6-46-1	38373	1.4	ACS6-46-1	39281	1.3	NAC6-46-1	40943	1.4	
48"	1200	AC6-48-1	38168	1.4	SC6-48-1	38377	1.4	ACS6-48-1	39276	1.3	NAC6-48-1	38148	1.4	
52"								ACS6-52-1	39282	1.4				
54"	1350	AC6-54-1	38169	1.5	SC6-54-1	38374	1.5	ACS6-54-1	39277	1.5	NAC6-54-1	38149	1.5	
60"	1500	AC6-60-1	38170	1.7	SC6-60-1	38375	1.6	ACS6-60-1	39278	1.7	NAC6-60-1	38150	1.7	
72"	1800	AC6-72-1	38171	2.1	SC6-72-1	38378	2.1	ACS6-72-1	39279	2.1	NAC6-72-1	38151	2.1	
84"	2130				SC6-84-1	38387	2.5	ACS6-84-1	39283	2.5	NAC6-84-1	38154	2.4	
PACKAGE (Ten Pins)					PACKAGE (Ten Pins)					PACKAGE (Ten Pins)				
24"	600	AC6-24	40707	6.2	SC6-36	38362	10.5	ACS6-36/900	39300	10.0	NAC6-24	40654	6.5	
30"	750	AC6-30	40709	8.1	SC6-38	38365	11.0				NAC6-30	40657	8.3	
36"	900	AC6-36	40710	10.0	SC6-40	38366	11.6	ACS6-40	39307	11.0	NAC6-36	40659	10.0	
38"	950	AC6-38	38403	10.2	SC6-42	38363	12.2	ACS6-42	39301	12.0	NAC6-38	40681	10.2	
40"	1000	AC6-40	38401	11.0	SC6-44	38367	12.8	ACS6-46	39308	12.3	NAC6-40	40670	11.0	
42"	1050	AC6-42	40712	12.0	SC6-46	38368	13.4	ACS6-48	39302	3.4	NAC6-42	40661	11.8	
44"	1100	AC6-44	40713	12.3	SC6-48	38364	14.0	ACS6-52	39306	14.0	NAC6-44	40680	12.3	
46"	1150							ACS6-54	39303	15.8	NAC6-46	40679	12.9	
48"	1200	AC6-48	40714	12.5	SC6-54	38369	15.8	ACS6-60	39304	17.6	NAC6-48	40663	13.5	
52"	1350				SC6-60	38380	17.6	ACS6-72	39305	20.9	NAC6-54	40665	15.0	
54"	1350	AC6-54	40716	14.7	SC6-72	38381	20.9	ACS6-84	39309	25.0	NAC6-60	40667	17.0	
60"	1500	AC6-60	40718	16.2	SC6-84	38390	25.0				NAC6-72	40669	20.1	
72"	1800	AC6-72	40720	19.6							NAC6-84	40671	24.4	
84"	2130	AC6-84	40721	25.0										

***300 SERIES**

FOR R9

BELT WIDTH		ORDERING NUMBER	ITEM CODE	WT. LBS.	ORDERING NUMBER	ITEM CODE	WT. LBS.
		*NCS NYLON COVERED STAINLESS CABLE (5/8" dia.)			NCS NYLON COVERED STAINLESS CABLE (3/4" dia.)		
in.	mm	EACH (One Pin)			EACH (One Pin)		
48"	1200	NCS962-48-1	53234	2.2	NCS975-48-1	53255	3.1
54"	1350	NCS962-54-1	53235	2.4	NCS975-54-1	53256	3.5
60"	1500	NCS962-60-1	53236	2.7	NCS975-60-1	53257	4.0
72"	1800	NCS962-72-1	53237	3.3	NCS975-72-1	53258	4.8
84"	2130	NCS962-84-1	53238	3.8	NCS975-84-1	53259	5.6

HINGE PIN RETAINING WASHERS FOR R2, R5, 1/4" DIAMETER NYLON CABLE HINGE PINS ONLY

50 PER PACKAGE

ORDERING NUMBER	ITEM CODE	WT. LBS.
310-RET-50	40135	.3

NOTE: 1/4" inside diameter



- Stock Items** (non-shaded) carried in factory inventory.
- Made To Order Items** (shaded) allow one week for production. In most cases, the next standard stock item can be adapted to meet your requirements.
- Non-Listed Items** are available. Request quote for price and delivery.

Rivet Hinged Fasteners



INSTALLATION TOOLS

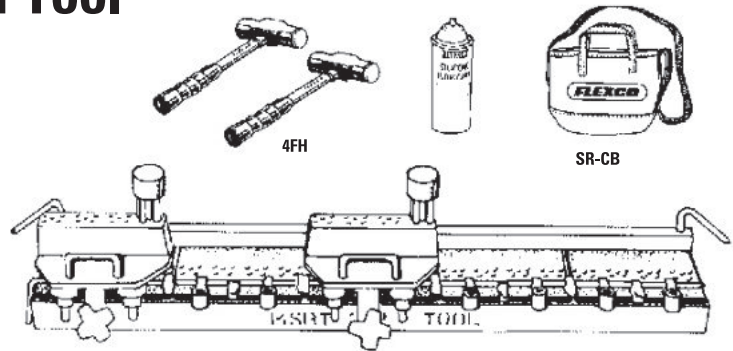
Multiple Rivet Applicator Tool

MSRT APPLICATOR COMPLETE

(Includes two SR700 Multiple Guide Blocks, two SR759 Multiple Drive Rods, two 4 lb. Hammers, Lubricant and one Canvas Carry Bag.)

(NOTE: For installation of R5, R5-1/2, and R6 Fasteners.)

BELT WIDTH		ORDERING NUMBER	ITEM CODE	WT. LBS.
in.	mm			
30"	750	MSRT-30	41041	63.0
36"	900	MSRT-36	41042	70.0
42"	1050	MSRT-42	41043	77.0
48"	1200	MSRT-48	41044	85.0
60"	1500	MSRT-60	41046	93.0
72"	1800	MSRT-72	41047	100.0
84"	2130	MSRT-84	41048	110.0



MSRT8 APPLICATOR COMPLETE

(NOTE: Installs R6, RAR6 & RAR8 fasteners only.)

BELT WIDTH		ORDERING NUMBER	ITEM CODE	WT. LBS.
in.	mm			
48"	1200	MSRT8-48	41032	85.0
60"	1500	MSRT8-60	41033	93.0
72"	1800	MSRT8-72	41034	100.0
84"	2130	MSRT8-84	41035	110.0

ALUMINUM MSRT APPLICATOR COMPLETE

(Includes two SR700 Multiple Guide Blocks, two SR759 Multiple Drive Rods, two 4 lb. Hammers, Lubricant and one Canvas Carry Bag.)

BELT WIDTH		ORDERING NUMBER	ITEM CODE	WT. LBS.
in.	mm			
30"	750	MSRT-30-AL	40771	*57.0
36"	900	MSRT-36-AL	40773	63.0
42"	1050	MSRT-42-AL	40775	69.0
48"	1200	MSRT-48-AL	40776	76.0
60"	1500	MSRT-60-AL	40782	89.0
72"	1800	MSRT-72-AL	40783	105.0
84"	2130	MSRT-84-AL	40784	*121.0
96"	2430	MSRT-96-AL	40785	*137.0

MSRT9 APPLICATOR COMPLETE

(NOTE: Installs R9 fasteners only.)

BELT WIDTH		ORDERING NUMBER	ITEM CODE	WT. LBS.
in.	mm			
48"	1200	MSRT9-48	40994	82.0
60"	1500	MSRT9-60	40995	98.0
72"	1800	MSRT9-72	40996	114.0
84"	2130	MSRT9-84	40997	121.0

NOTE: Guide blocks cannot be used with rivet sizes J, K and L.

ALUMINUM MSRT8 APPLICATOR COMPLETE

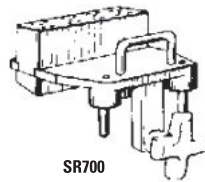
(NOTE: Installs R6, RAR6 & RAR8 fasteners only.)

BELT WIDTH		ORDERING NUMBER	ITEM CODE	WT. LBS.
in.	mm			
48"	1200	MSRT8-48-AL	41115	76.0
60"	1500	MSRT8-60-AL	41116	89.0
72"	1800	MSRT8-72-AL	41117	105.0
84"	2130	MSRT8-84-AL	41118	*121.0
96"	2430	MSRT8-96-AL	41119	*137.0

* Estimated weight

MULTIPLE RIVET DRIVER COMPONENTS

DESCRIPTION	ORDERING NUMBER	ITEM CODE	WT. LBS.
Multiple Guide Block	SR700	41054	3.0
Multiple 5 Prong Drive Rod	SR759	41055	1.0
Multiple Guide Block - For R8	SR800	41050	5.1
8 Prong Drive Rod	SR859-8	41068	1.2
Multiple Guide Block - For R9	SR900	41045	7.0
2 Prong Drive Rod	SR759-2	41058	.9
Silicone Lubricant	SL5-1	30932	1.4
Four lb. Hammer	4FH	30435	5.3
Six lb. Hammer	6FH	30375	7.3
Canvas Bag	SR-CB	41031	1.3



SR700



SR759

Rivet Hinged Fasteners

INSTALLATION TOOLS

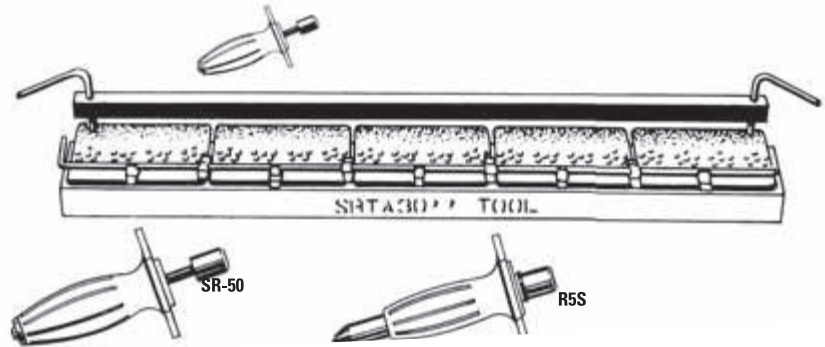


Single Rivet Applicator Tool

SRTA APPLICATOR COMPLETE

(Includes one SR-50 Driver Tool Complete)

BELT WIDTH		ORDERING NUMBER	ITEM CODE	WT. LBS.
in.	mm			
30"	750	SRTA-30	41213	35.0
36"	900	SRTA-36	41214	41.8
42"	1050	SRTA-42	41215	48.6
48"	1200	SRTA-48	41216	55.8
60"	1500	SRTA-60	41218	69.8
72"	1800	SRTA-72	41219	83.0
84"	2130	SRTA-84	41220	85.2



SINGLE RIVET DRIVER TOOL

DESCRIPTION	ORDERING NUMBER	ITEM CODE	WT. LBS.
Driver Tool Complete	SR-50	40510	.8
Drive Rod	SR5-7	40517	.3

RIVET SET*

ORDERING NUMBER	ITEM CODE	WT. LBS.
R5S	40348	1.9

*If no SRTA Application Tool is available, fasteners may be installed with an R5S Flexco Rivet Set. See Instruction Sheet No. RH315.

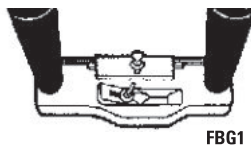
METAL TOOL BOX FOR SR™ and BR™ APPLICATOR TOOLS

DESCRIPTION	ORDERING NUMBER / ITEM CODE	WT. LBS.
36" Tool Box	40988	41.2
42" or 48" Tool Box	40990	48.2
60" Tool Box	40991	73.0

FLEXCO® BELT GROOVER

(7/16" WIDE GROOVE PATH)

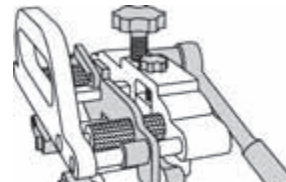
ORDERING NUMBER	ITEM CODE	WT. LBS.
FBG1	31978	1.8
EXTRA BLADES		
HSP3	31980	.1



FLEXCO® FSK™ BELT SKIVER

Width of Skive 2½" (64mm)

DESCRIPTION	ORDERING NUMBER	ITEM CODE	WT. LBS.
Skiver Complete with Standard Blade	FSK-1	31995	20.7
Skiver Complete with High-Wear Blade	FSK-1A	32001	20.7
Sharpening Stone		31987	0.5
STK Tool Box		50009	5.4
REPLACEMENT PARTS			
Skiver Blade-Standard	FSK-1B	31996	0.3
Skiver Blade-High Wear	FSK-1BA	31999	0.3
Skiver Ratchet Assembly	FSK-1R	31991	1.8
Skiver Chain	FSK-1C	31992	0.4
Skiver Sprocket	FSK-1S	31993	0.2
Skiver Fence Assembly	FSK-1F	31994	1.1



Stock Items (non-shaded) carried in factory inventory.

Made To Order Items (shaded) allow one week for production. In most cases, the next standard stock item can be adapted to meet your requirements.

Non-Listed Items are available. Request quote for price and delivery.

Rivet Hinged Fasteners



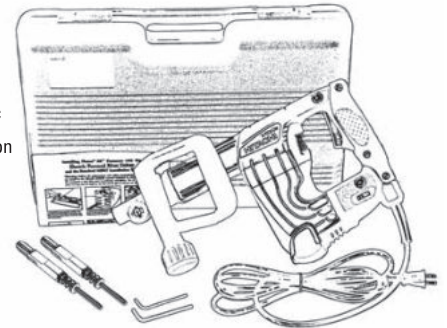
POWER INSTALLATION TOOLS

FLEXCO® ELECTRIC POWERED RIVET DRIVER KIT

(*Kit includes Driver, two Custom Drive Rods, Convenient Carrying Case)

DESCRIPTION	ORDERING NUMBER	ITEM CODE	WT. LBS.
Standard Kit *	EPRDVK-1	41077	15.0
Replacement Drive Rod	EPRDVS-DR	41078	2.0

- For use with standard 110 volt electric
- Works with standard MSRT application tool and guide block



FLEXCO® POWER SET™ RIVET DRIVER

(Includes one Power Set™ Rivet Driver, one regulator/filter/lubricator with fittings, 25 foot air hose with/fittings, steel guide block, and a special "tee" fitting for multiple Power Set capability in a plastic carrying case.)

DESCRIPTION	ORDERING NUMBER	ITEM CODE	WT. LBS.
Power Set Kit for R5, R5-1/2, & R6	MPSK5	43018	34.0
Power Set Kit for RAR8	MPSK8	43019	37.0

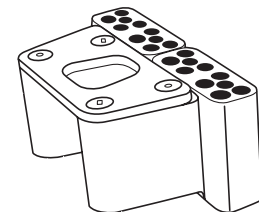
- For use with compressed air
- Works with Power Set steel guide block and standard MSRT application tool



STEEL GUIDE BLOCK ASSEMBLIES FOR THE HILTI DX 460-SR POWDER ACTUATED INSTALLATION TOOL

DESCRIPTION	ORDERING NUMBER	ITEM CODE	WT. LBS.
Single Block-for one collated rivet strip	HRD-GB5-4	43020	10.0
Double Block-for two collated rivet strips	HRD-GB5-8	43021	20.0

- For use with the Hilti DX 460-SR Powder Actuated tool and special steel guide block assembly
- Works with standard MSRT application tool and special steel guide block



Purchase the Hilti DX 460-SR from Hilti Mining.



Phone: 1-800-950-6614
Fax: 1-800-950-6610

- Fully-automatic, .27 caliber powder-actuated fastening tool with power adjustment dial and automatic cartridge advance and piston return
- Approved for use in underground gassy mines - MSHA approval record: MSHA PAD-1/02



FASTENERS

"E" BOX 25 FASTENER SETS

Exclusive Piloted Bolt Design Simplifies Installation:

The new piloted bolt is currently being phased in to replace standard bolt designs.

To order the new piloted bolts as they become available, use standard bolt ordering numbers.

ORDERING NUMBER	ITEM CODE	ORDERING NUMBER	ITEM CODE	ORDERING NUMBER	ITEM CODE	ORDERING NUMBER	ITEM CODE	WT. LBS.
STEEL		MEGALLOY® TOP & BOTTOM PLATES, STEEL BOLTS & NUTS		STAINLESS – 300 SERIES		EVERDUR		
1E	20002	140EMAP	20364	140ES	20034	140EE	20090	2.9
140E	20000	190EMAP	20365	190ES	20035	190EE	20091	4.6
190E	20001							4.8
1-1/2E	20004	1-1/2EMAP	20366	1-1/2ES	20038	1-1/2EE	20094	5.9
2E	20005	2EMAP	20367	2ES	20039	2EE	20095	8.0
2-1/4E	20006	2-1/4EMAP	20368	2-1/4ES	20040	2-1/4EE	20096	10.8
2-1/2*	20007							6.4
3*	20008							7.0



*10 Fastener Sets

"E" BOX 25 FASTENER SETS

ORDERING NUMBER	ITEM CODE	ORDERING NUMBER	ITEM CODE	ORDERING NUMBER	ITEM CODE	ORDERING NUMBER	ITEM CODE	WT. LBS.
PROMAL TOP PLATES BALANCE STEEL		MEGALLOY® TOP PLATES BALANCE STEEL		300 SERIES STAINLESS TOP PLATES, BALANCE STEEL		1/8" RUBBER-COVERED T.P. BALANCE STEEL		
140EP	20164	140EMA	20330	140EST	20118			
		190EMA	20331	190EST	20119			
1-1/2EP	20168	1-1/2EMA	20334	1-1/2EST	20122			
2EP	20169	2EMA	20335	2EST	20123			
		2-1/4EMA	20336	2-1/4EST	20124	2-1/4ERCT	20191	10.3



"C" BUCKET (100 FASTENER SETS – BOTTOM PLATES PRE-ASSEMBLED)

ORDERING NUMBER	ITEM CODE	ORDERING NUMBER	ITEM CODE	ORDERING NUMBER	ITEM CODE	WT. LBS.
STEEL		MEGALLOY® TOP PLATES BALANCE STEEL		MEGALLOY® TOP & BOTTOM PLATES, STEEL BOLTS & NUTS		
1C	20014	140CMA	20340	140CMAP	20370	10.9
140C	20012	190CMA	20341	190CMAP	20371	15.7
190C	20013					18.5
1-1/2C	20016	1-1/2CMA	20344	1-1/2CMAP	20372	21.9
2C	20017	2CMA	20345	2CMAP	20373	30.3
2-1/4C	20018	2-1/4CMA	20346			42.3
2-1/2C*	20019					64.0
3C*	20020					69.0

*Packaged in Cartons.

NOTE: Stainless and Everdur fastener sets are also available in "C" Buckets.

Stock Items (non-shaded) carried in factory inventory.

Made To Order Items (shaded) allow one week for production. In most cases, the next standard stock item can be adapted to meet your requirements.

Non-Listed Items are available. Request quote for price and delivery.

FLEXCO® VP™ FASTENERS

RUBBER COVERED TOP PLATES BALANCE STEEL				RUBBER COVERED TOP PLATES MEGALLOY® BOTTOM PLATES			
BOX*				BOX*			
ORDERING NUMBER	ITEM CODE	PLATES PER STRIP	STRIPS PER BOX	ORDERING NUMBER	ITEM CODE	PLATES PER STRIP	STRIPS PER BOX
140VP	20057	6	5	140VPMA	20081	6	5
190VP	20056	6	5	190VPMA	20060	6	5
2VP	20058	4	6				
BUCKET				BUCKET			
140VPB	20061	6	16	140VPBMA	20082	6	16
190VPB	20059	6	16	190VPBMA	20080	6	16
2VPB	20083	4	24				

* Box quantities provide enough fasteners to splice a 36" (900mm) belt.

FASTENER SETS

REQUIRED FOR VARIOUS BELT WIDTHS

BELT WIDTH	FASTENER SIZE 1, 140 & 190				FASTENER SIZE 1-1/2, 2 & 2-1/4				FASTENER SIZE 2-1/2 & 3				
	90°		45°		90°		45°		90°		45°		
	in.	mm	in.	mm	in.	mm	in.	mm	in.	mm	in.	mm	
12	300	10	9	12	12	8	8	9	10	6	6	7	7
18	450	15	14	19	19	12	11	15	15	9	9	12	12
24	600	20	19	26	26	16	15	21	21	12	13	17	16
30	750	25	24	33	33	20	19	27	27	16	16	21	21
36	900	30	29	41	40	24	23	33	32	19	19	26	26
	1000												29
42	1050	35	34	48	47	28	27	39	38	22	21	31	30
48	1200	40	39	55	54	32	31	44	43	26	26	35	35
54	1350	45	44	63	61	36	35	48	49	29	29	40	40
60	1500	50	49	69	68	40	39	56	55	32	32	44	44
72	1800	61	59	83	82	48	49	68	65	39	39	53	53

NOTE: Required fastener sets may vary from those listed depending on exact fastener size.



INSTALLATION TOOLS

90° TEMPLETS


BELT WIDTH		ORDERING NUMBER	ITEM CODE	ORDERING NUMBER	ITEM CODE	ORDERING NUMBER	ITEM CODE	WT. LBS.
in.	mm	1		140		190		
12"	300	1-12	30516	140-12	30483	190-12	30500	1.3
14"	350	1-14	30517	140-14	30484	190-14	30501	1.5
16"	400	1-16	30518	140-16	30485	190-16	30502	1.7
18"	450	1-18	30519	140-18	30486	190-18	30503	1.9
20"	500	1-20	30520	140-20	30487	190-20	30504	2.1
24"	600	1-24	30521	140-24	30488	190-24	30505	2.6
26"	650					190-26	30506	2.6
28"	700					190-28	30507	3.0
30"	750	1-30	30524	140-30	30491	190-30	30508	3.3
36"	900	1-36	30525	140-36	30492	190-36	30509	3.9
42"	1050	1-42	30526	140-42	30493	190-42	30510	4.5
48"	1200	1-48	30527	140-48	30494	190-48	30511	4.8
60"	1500					190-60	30513	5.9
				1-1/2		2		
12"	300			1-1/2-12	30548	2-12	30564	1.2
18"	450			1-1/2-18	30551	2-18	30567	1.9
20"	500			1-1/2-20	30552			1.8
24"	600			1-1/2-24	30553	2-24	30569	2.5
30"	750			1-1/2-30	30556	2-30	30572	3.1
36"	900			1-1/2-36	30557	2-36	30573	3.8
42"	1050			1-1/2-42	30558	2-42	30574	4.4
48"	1200			1-1/2-48	30559	2-48	30575	5.2
54"	1350			1-1/2-54	30560	2-54	30576	5.6
60"	1500			1-1/2-60	30561	2-60	30577	6.6
72"	1800			1-1/2-72	30562	2-72	30578	7.2
2-1/4				2-1/2		3		
20"	500			2-1/2-20	30600			2.9
24"	600	2-1/4-24	30585	2-1/2-24	30601			3.5
30"	750	2-1/4-30	30588	2-1/2-30	30604			4.4
36"	900	2-1/4-36	30589	2-1/2-36	30605	3-36	30620	5.3
42"	1050	2-1/4-42	30590	2-1/2-42	30606	3-42	30621	6.2
48"	1200	2-1/4-48	30591	2-1/2-48	30607	3-48	30622	7.1
54"	1350	2-1/4-54	30592	2-1/2-54	30608			7.9
60"	1500	2-1/4-60	30593	2-1/2-60	30609	3-60	30624	8.8
72"	1800	2-1/4-72	30594	2-1/2-72	30610	3-72	30625	10.6

45° TEMPLETS

ORDERING NUMBER	ITEM CODE	ORDERING NUMBER	ITEM CODE	ORDERING NUMBER	ITEM CODE	WT. LBS.
1		140		190		
1-12-45	30673					1.1
1-18-45	30676			190-18-45	30661	2.3
1-24-45	30678	140-24-45	30647	190-24-45	30663	3.0
1-30-45	30681	140-30-45	30650	190-30-45	30666	3.7
1-36-45	30682	140-36-45	30651	190-36-45	30667	4.5
		140-42-45	30652	190-42-45	30668	5.2
1-48-45	30684	140-48-45	30653	190-48-45	30669	6.0
		140-60-45	30655	190-60-45	30671	7.5
		1-1/2		2		
		1-1/2-18-45	30707			2.0
		1-1/2-24-45	30709	2-24-45	30725	3.0
		1-1/2-30-45	30712	2-30-45	30728	3.7
		1-1/2-36-45	30713	2-36-45	30729	5.3
		1-1/2-42-45	30714	2-42-45	30730	5.2
		1-1/2-48-45	30715			6.0
		1-1/2-60-45	30717	2-60-45	30733	7.5





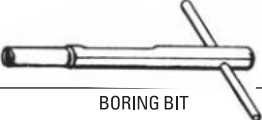






 **Stock Items** (non-shaded) carried in factory inventory.

 **Made To Order Items** (shaded) allow one week for production. In most cases, the next standard stock item can be adapted to meet your requirements.

Non-Listed Items are available. Request quote for price and delivery.

INSTALLATION TOOLS

HAND & POWER TOOLS

	DESCRIPTION	FOR FASTENER NUMBER	ORDERING NUMBER	ITEM CODE	WT. LBS.	
HAND TOOLS	BOLT HORN 		2BH	30480	.1	
	BOLT BREAKER (Two Per Package) 		1,140,190 & RP1	110	30474	1.2
			1½, 2, 2¼ & RP2	112*	30475	1.4
			2½ & 3	113*	30479	2.0
	PUNCH 		1,140,190 & RP1	P1P	30460	.1
			1½, 2, 2¼ & RP2	P2P	30461	.2
			2½ & 3	P3P	30462	.3
	BORING BIT 		1,140,190 & RP1	B1B	30468	.1
			1½, 2, 2¼ & RP2	B2B	30469	.1
			2½ & 3	B3B	30470	.1
WRENCH 		1,140,190 & RP1	S1S**	30442	.2	
		1½, 2, 2¼ & RP2	S2S	30443	.2	
		2½ & 3	S3S	30444	.2	
POWER TOOLS	POWER PUNCH 		1,140,190 & RP1	HP1	30463	.2
			1½, 2, 2¼ & RP2	HP2	30464	.2
			2½ & 3	HP3	30465	.2
	POWER BORING BIT 		1,140,190 & RP1	HB1	30471	.1
			1½, 2, 2¼ & RP2	HB2	30472	.1
			2½ & 3	HB3	30473	.1
	POWER WRENCH 	GREEN	1,140,190 & RP1	HW1**	30447	.3
		RED	1½, 2, 2¼ & RP2	HW2	30448	.3
		BLUE	2½ & 3	HW3	30449	.4
	QUICK CHANGE CHUCK 			5552	30481	.4

* Sizes 112 & 113 are straight bolt breakers – no bend.
** For use with slotted nuts only.

NAILS FOR TEMPLETS

FOR USE WITH TEMPLETS	ORDERING NUMBER	ITEM CODE	WT. LBS.	NAILS/PKG. (Approx.)
#1, 140, 1-1/4 & 190	6D	30436	1.0	142
#1-1/2, 2, 2-1/4, 2-1/2 & 3	8D	30437	1.0	90



FLEXCO-LOK®

Belt tape 100' per carton

FASTENER SIZE	ORDERING NUMBER	ITEM CODE	WT. LBS.	TAPE WIDTH
Nos. 140, 1	FL7C	30888	.8	7/16"
Nos. 190	FL11C	30889	1.0	11/16"
1-1/2, 2, 2-1/4				



CRACKING CHISEL

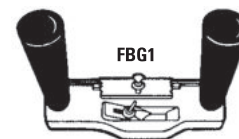
NUT SIZE	ORDERING NUMBER	ITEM CODE	WT. LBS.
1, 140 or 190	C1C	30438	1.2
1-1/2, 2, 2-1/4	C2C	30439	1.2



FLEXCO® BELT GROOVER

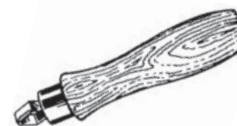
(7/16" wide groove path)

ORDERING NUMBER	ITEM CODE	WT. LBS.
FBG1	31978	1.8
EXTRA BLADES		
HSP3	31980	.1



FLEXCO® SILICONE LUBRICANT

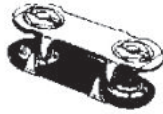
ORDERING NUMBER	ITEM CODE	PKG. QTY.	WT. LBS.
SL5-1	30932	1	1.4



FLEXCO® BELT IDENTIFICATION TOOL

ORDERING NUMBER	ITEM CODE	WT. LBS.
BT-1	31075	.06

Bolt Solid Plate Fasteners

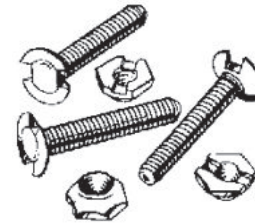


Exclusive Piloted Bolt Design Simplifies Installation:

The new piloted bolt is currently being phased in to replace standard bolt designs. To order the new piloted bolts as they become available, use standard bolt ordering numbers.

EXTRA BOLTS PER 100

FOR FASTENER NUMBER	ORDERING NUMBER / ITEM CODE	ORDERING NUMBER / ITEM CODE	ORDERING NUMBER / ITEM CODE	WT. LBS.
	STEEL	STAINLESS – 300 SERIES	EVERDUR	
1	20391			
140 & 190	20399	20400	20397	2.4
RP1	20398		20397	2.1
1-1/2, 2 & RP2	20406	20407	20409	4.1
2-1/4	20410	20411	20412	4.8
2-1/2 & 3	20414			7.2

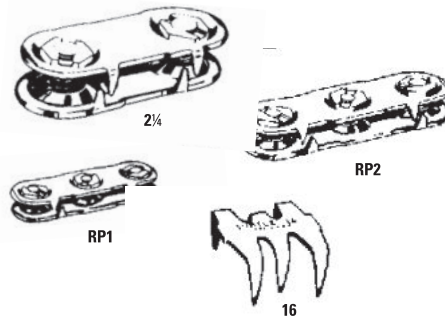


EXTRA NUTS PER 100

FOR FASTENER NUMBER	ORDERING NUMBER / ITEM CODE	ORDERING NUMBER / ITEM CODE	ORDERING NUMBER / ITEM CODE	WT. LBS.
	STEEL	STAINLESS – 300 SERIES	EVERDUR	
1, 140, 190 & RP1	20377	20381	20387	.8
1-1/2, 2, 2-1/4, & RP2	20378	20382	20388	1.1
2-1/2 & 3	20379			2.2

RIP REPAIR FASTENERS

ORDERING NUMBER	ITEM CODE	BOX QTY.	WT. LBS.
STEEL			
RP1E	20010	25	4.7
RP1C	20022	100	19.1
RP2E	20011	25	10.2
RP2C	20023	100	42.0
2-1/4E	20006	25	10.6
2-1/4C	20018	100	43.0
STAINLESS			
RP1ES	20041	25	4.9
RP2ES	20042	25	10.1
2-1/4ES	20040	25	10.7
EVERDUR			
2-1/4EE	20096	25	11.6

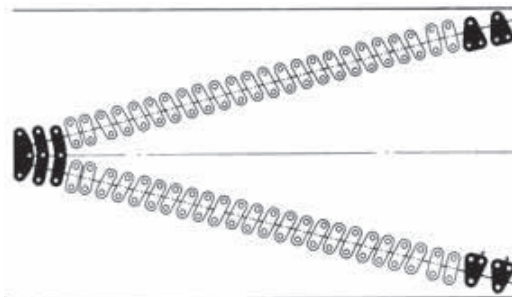


RIP REPAIR SELECTION INFORMATION

Belt Thickness		Fastener Size
in.	mm.	
3/8-9/16	10-14	No. 16
1/4-1/2	6-13	RP1
3/8-13/16	10-21	RP2
9/16-1-3/16	14-30	2-1/4

TURTLE® FASTENER-STEEL

ORDERING NUMBER	ITEM CODE	BOX QTY.	WT. LBS.
16	20206	50	4.3



WEDLOK®

DESCRIPTION	ORDERING NUMBER	ITEM CODE	WT. LBS.
Splice Kit*	2W	20200	4.0
Stainless Splice Kit	2WS	20201	4.0
Everdur Splice Kit	2WE	20197	4.0
Leading End Kit	2WL	20202	3.0
Trailing End Kit	2WT	20203	2.9
Templet Set	T2W	20204	6.3
72" Side Templet	T2WS72	20205	7.6

*Stainless Top Plates, Balance Steel.

WEDLOK SPLICE KIT

Refer to bulletin FW/200 for additional information.

- Stock Items** (non-shaded) carried in factory inventory.
- Made To Order Items** (shaded) allow one week for production. In most cases, the next standard stock item can be adapted to meet your requirements.
- Non-Listed Items** are available. Request quote for price and delivery.

Service Industrial Supply

506 Brookforest Ave. Rt. 59 Shorewood Illinois 60404

Phone: 815.725.0062 • Fax: 815.725.2483 • www.serviceindustrialsupply.com



BR™ Rivet Solid Plate Fasteners

FASTENERS

Order each component separately for a complete splice: Fasteners + Rivets



FLEXCO® BR6 FASTENERS

BELT WIDTH		ORDERING NUMBER	ITEM CODE	WT. LBS.
STEEL				
24	600	BR6-SE-24	40658	4.6
30	750	BR6-SE-30	40682	5.7
36	900	BR6-SE-36	40683	7.0
42	1050	BR6-SE-42	40684	8.0
STAINLESS				
24	600	BR6S-SE-24	40769	4.6
30	750	BR6S-SE-30	40787	5.7
36	900	BR6S-SE-36	40790	6.9
42	1050	BR6S-SE-42	40791	7.8

Each box of BR6 fasteners contains 4 fastener strips and hold down assembly clips.

FLEXCO® BR6 MEGALLOY®

ORDERING NUMBER	ITEM CODE	WT. LBS.
BR6MA-SE	41776	5.5

Each box of BR6 MegAlloy contains Ten 9-Plate fastener strips for 60"/1500 mm of splicing.

Fasteners and Rivets Required for one BR6 Joint

BELT WIDTH		FASTENERS REQUIRED	RIVETS REQUIRED
in.	mm		
24	600	18	108
30	750	22	132
36	900	27	162
42	1050	31	186
48	1200	36	216
60	1500	44	264
72	1800	54	324
84	2130	62	372
96	2430	72	432

RIVET SELECTION CHART

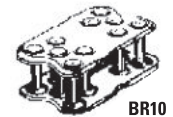
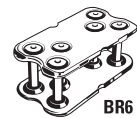
FASTENER SIZE	BELT THICKNESS RANGE		RIVET SIZE
	in.	mm	
BR6	1/4 - 11/32	6.5-9	A
	5/16 - 13/32	8-10.5	B
	3/8 - 15/32	9.5-12	C
	7/16 - 17/32	11-13.5	C/D
	1/2 - 19/32	13-15	D
BR10	9/16 - 21/32	14-17	E
	7/32-5/16	6-8	SRA
	9/32-3/8	7-9.5	SRB
	11/32-7/16	9-11	SRC
	13/32-1/2	10-13	SRD
BR14	15/32-9/16	12-14	SRD
	17/32-5/8	13.5-16	SRE
	19/32-11/16	15-17	SRF
	13/32-1/2	10-13	SRD
	15/32-9/16	12-14	SRE
	17/32-5/8	13.5-16	SRF
	19/32-11/16	15-17	SRG
	21/32-3/4	16-19	SRH
	23/32-13/16	18-21	SRI
25/32-7/8	20-22	SRJ	
27/32-15/16	21-24	SRK	

FLEXCO® BR10 & BR14 FASTENERS

FASTENER METAL	ORDERING NUMBER	ITEM CODE	WT. LBS.
BOX (35 Fasteners)			
STEEL	BR-10-SE	40750	8.0
MEGALLOY®	BR-10MA-SE	40752	7.9
STAINLESS	BR-10S-SE	40751	8.1
EVERDUR	BR-10E-SE	40753	7.9
STEEL	BR-14	40755	12.9
MEGALLOY®	BR-14MA	40756	13.1

Flexco® Rivet Solid Plate Fasteners And Rivets Required For one BR10 or BR14 Joint and Various Belt Widths

BELT WIDTH		SETS OF BR-10 OR BR-14 FASTENERS REQUIRED	RIVETS NEEDED FOR COMPLETE SPLICE	
in.	mm		BR-10	BR-14
18	450	10	100	140
24	600	14	140	196
26	650	15	150	210
28	700	16	160	224
30	750	17	170	138
36	900	21	210	294
42	1000	23	230	322
	1050	24	240	336
	1200	27	270	378
48	1350	28	280	392
	54	31	310	434
	60	35	350	490
72	1800	41	410	574
	2100	42	420	588
		48	480	672



ADDITIONAL FASTENER PARTS

DESCRIPTION	PKG. QTY.	ORDERING NUMBER	ITEM CODE	WT. LBS.
Hold Down Clips for BR10	23	BR101	40786	.5
Hold Down Clips for BR14	23	BR141	40788	.4
Black Plastic Retainers	49	BR103	40789	.1

Stock Items (non-shaded) carried in factory inventory.

Made To Order Items (shaded) allow one week for production. In most cases, the next standard stock item can be adapted to meet your requirements.

Non-Listed Items are available. Request quote for price and delivery.



506 Brookforest Ave. Rt. 59 Shorewood Illinois 60404

Phone: 815.725.0062 • Fax: 815.725.2483 • www.serviceindustrialsupply.com

BR™ Rivet Solid Plate Fasteners



RIVETS

Self-setting, pre-assembled with pilot nails



STEEL

ORDERING NUMBER	ITEM CODE	BOX QTY.	WT. LBS.
BOX (100 Rivets)			
SRA-100	40539	100	.9
SRB-100	40540	100	1.0
SRC-100	40541	100	1.1
BOX (250 Rivets)			
SRA	40527	250	2.3
SRB	40528	250	2.5
SRC	40529	250	2.6
SRC/D	40538	250	2.8
SRD	40530	250	2.9
SRE	40531	250	3.1
SRF	40532	250	3.1
SRG	40533	250	3.2
SRH	40534	250	3.4
SRI	40535	250	3.5
SRJ	40536	250	3.6
SRK	40537	250	3.7
BUCKET (2000 Rivets)			
SRA-2M	41190	2000	16.6
SRB-2M	41191	2000	18.1
SRC-2M	41192	2000	20.2
SRC/D-2M	41193	2000	21.2
SRD-2M	41194	2000	21.9
SRE-2M	41195	2000	23.1
SRF-2M	41196	2000	24.4
SRG-2M	41197	2000	24.9



2M RIVET BUCKET
(Contains 2000 Rivets)



NOTE: Use standard rivet selection criteria for collated rivet strips.

STAINLESS (TYPE 430)

ORDERING NUMBER	ITEM CODE	BOX QTY.	WT. LBS.
BOX (250 Rivets)			
SRA-S	40542	250	2.3
SRB-S	40543	250	2.5
SRC-S	40544	250	2.6
SRC/D-S	40548	250	2.8
SRD-S	40545	250	2.9
SRE-S	40546	250	3.1
SRF-S	40547	250	3.1
SRG-S	40523	250	3.2
SRH-S	40522	250	3.4
SRI-S	40506	250	16.7
SRJ-S	40507	250	18.4
SRK-S	40520	250	19.9
BUCKET (2000 Rivets)			
SRA-S-2M	41200	2000	17.1
SRB-S-2M	41201	2000	18.9
SRC-S-2M	41202	2000	20.6
SRC/D-S-2M	41203	2000	21.3
SRD-S-2M	41204	2000	21.9
SRE-S-2M	41205	2000	22.9
SRF-S-2M	41206	2000	23.5
SRG-S-2M	41207	2000	24.7
SRH-S-2M	41208	2000	25.1
SRI-S-2M	41181	2000	26.3
SRJ-S-2M	41183	2000	27.5
SRK-S-2M	41185	2000	28.7

RAPID LOADER™ RIVET STRIPS

Self-setting, pre-assembled with pilot nails

FOR FLEXCO® BR6

32 Strips/ 768 Rivets per Bucket

DESCRIPTION		ORDERING NUMBER	ITEM CODE	WT. LBS.
Size	Color Code			
STEEL				
A	Red	CBR6A	41785	10.5
B	White	CBR6B	41786	11.0
C	Blue	CBR6C	41788	11.0
C/D	Orange	CBR6C/D	41792	4.5
D	Green	CBR6D	41793	12.0
E	Purple	CBR6E	41794	12.0
STAINLESS (SERIES 400)				
A	Red	CBR6A-S	41795	10.0
B	White	CBR6B-S	41796	10.5
C	Blue	CBR6C-S	41797	11.0
C/D	Orange	CBR6C/D-S	41798	11.5
D	Green	CBR6D-S	41799	12.0
E	Purple	CBR6E-S	41800	12.0

FOR FLEXCO® BR10 or BR14

60 Strips / 1200 Rivets per Bucket

DESCRIPTION		ORDERING NUMBER	ITEM CODE	WT. LBS.
Size	Color Code			
STEEL				
A	Red	CSRLA	40857	13.00
B	White	CSRLB	40858	13.92
C	Blue	CSRLC	40859	14.84
C/D	Orange	CSRLC/D	40860	15.56
D	Green	CSRLD	40861	16.06
E	Purple	CSRLE	40862	16.62
F	Yellow	CSRLF	40863	17.34
G	Black	CSRLG	40864	17.90
STAINLESS				
A	Red	CSRLA-S	40978	12.90
B	White	CSRLB-S	40979	13.80
C	Blue	CSRLC-S	40980	14.92
C/D	Orange	CSRLC/D-S	40981	15.31
D	Green	CSRLD-S	40982	15.92
E	Purple	CSRLE-S	40983	16.48
F	Yellow	CSRLF-S	40984	16.94
G	Black	CSRLG-S	40985	17.52

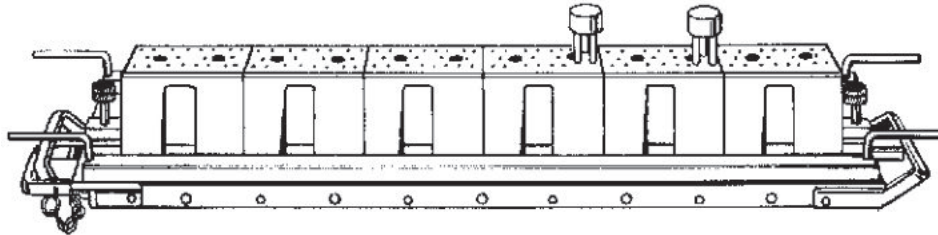


506 Brookforest Ave. Rt. 59 Shorewood Illinois 60404

Phone: 815.725.0062 • Fax: 815.725.2483 • www.serviceindustrialsupply.com

INSTALLATION TOOLS

Multiple Rivet Applicator Tool



MBRTA TOOL WITH
MULTIPLE RIVET DRIVER

MBRTA APPLICATOR TOOL Complete

(Includes two SR759 Multiple Drive Rods, BR500D Multiple Guide Blocks, one SR-50 Driver Tool, one BR151 Bridge Removal Tool, one Nut Driver, two 4 lb. Hammers, Lubricant and Metal Tool Box.)

TOOL WIDTH		ORDERING NUMBER	ITEM CODE	WT. LBS.	MULTIPLE GUIDE BLOCKS INCLUDED
in.	mm				
30	750	MBRTA-30	40927	111.3	4
36	900	MBRTA-36	40928	115.5	5
42	1050	MBRTA-42	40920	125.0	6
48	1200	MBRTA-48	40921	166.6	7
60	1500	MBRTA-60	40922	178.6	9
72	1800	MBRTA-72	40923	192.3	10
84	2130	MBRTA-84	40924	227.8	12
96	2430	MBRTA-96	40925	263.2	14

MBRT TOOL COMPONENTS

DESCRIPTION	ORDERING NUMBER	ITEM CODE	WT. LBS.
Multiple Guide Block-Blue, BR6	BR300	40882	3.8
Multiple Drive Rod-3 Prong	BR359	41187	1.0
Multiple Guide Block-Yellow, BR10, BR14	BR500D	41016	3.0
Multiple Drive Rod-5 Prong	SR759	41055	.9
Nut Driver	41008	41008	.5
Driver Tool Complete	SR-50	40510	.8
Bridge Removal Tool	BR151	40760	.5
Silicone Lubricant	SL5-1	30932	1.4
Four lb. Hammer	4FH	30435	5.3

ALUMINUM MBRT6 APPLICATOR Complete

(Includes one BR359 three prong multiple drive rod, two BR300 multiple guide blocks, one BR151 bridge removal tool, one 4 lb. hammer, and lubricant.)

BELT WIDTH		ORDERING NUMBER	ITEM CODE	WT. LBS.
in.	mm			
30	750	MBRT6-30-AL	41089	75.0
36	900	MBRT6-36-AL	41097	85.0
42	1050	MBRT6-42-AL	41098	92.0
48	1200	MBRT6-48-AL	41099	106.0
60	1500	MBRT6-60-AL	41107	120.0
72	1800	MBRT6-72-AL	41123	136.0
84	2130	MBRT6-84-AL	41124	156.0
96	2430	MBRT6-96-AL	41126	173.0

ACCESSORY TOOLS

DESCRIPTION	ORDERING NUMBER	ITEM CODE	WT. LBS.
Repair Tool Kit Complete	BRR-1014	40794	3.8
Anvil Plate w/Screws	BRP3	40907	.9
Center Block w/Screws	BRR-11	40796	.6
Center Punch	BRR-DP	40793	.1
Flexco Belt Groover	FBG1	31978	1.8
Extra Blades	HSP3	31980	.1

ALUMINUM MBRT10 APPLICATOR Complete

(Includes one SR759 five prong multiple drive rod, two BR500D multiple guide blocks, one BR151 bridge removal tool, one 4 lb. hammer, and lubricant.)

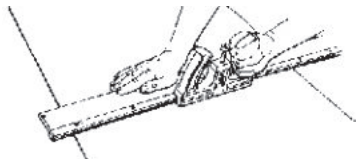
BELT WIDTH		ORDERING NUMBER	ITEM CODE	WT. LBS.
in.	mm			
30	750	MBRT10-30-AL	41138	79.0
36	900	MBRT10-36-AL	41139	89.0
42	1050	MBRT10-42-AL	41148	138.0
48	1200	MBRT10-48-AL	41149	105.0
60	1500	MBRT10-60-AL	41152	124.0
72	1800	MBRT10-72-AL	41153	141.0
84	2130	MBRT10-84-AL	41168	161.0
96	2430	MBRT10-96-AL	41179	177.0

METAL TOOL BOX FOR SR™ and BR™ APPLICATOR TOOLS

DESCRIPTION	ORDERING NUMBER/ITEM CODE	WT. LBS.
36" Tool Box	40988	41.2
42" or 48" Tool Box	40990	48.2
60" Tool Box	40991	73.0

Aluminum Content

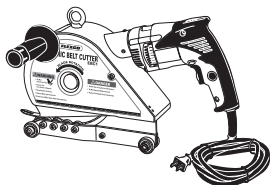
ALUMINUM ALLOY TYPE	PERCENT	
	Mg- Magnesium	Ti -Titanium
5356	5.5	0.2
6005	0.6	0.1
6061	1.0	0.0
7075	2.5	0.0



ALLIGATOR® 300 SERIES STRAIGHT CUTTER

DESCRIPTION	BELT WIDTH		ORDERING NUMBER	ITEM CODE	WT. LBS.
	in.	mm			
Cutter Complete	12"	300	300312	30900	14.2
	18"	450	300318	30901	15.6
	24"	600	300324	30902	17.4
	30"	750	300330	30903	19.1
	36"	900	300336	30904	20.0
	42"	1050	300342	30905	26.1
	48"	1200	300348	30906	27.9
	60"	1500	300360	30907	32.8
Cutter Base Only	30"	750	330	30937	10.8
	36"	900	336	30938	12.3
	42"	1050	342	30939	14.0
	48"	1200	348	30940	15.6
	60"	1500	360	30941	18.9
"E" Base Only			324E	30961	9.0
			330E	30962	10.8
			336E	30963	12.4
			348E	30964	15.8
			360E	30965	18.9
Connecting Bar			30027	30910	4.6
Cutter Head Only			300	30908	2.4
Cutter Blade			30023	30909	.2
for belts up to 1 1/8" thick					
Cutter Blade - Long			30023L	30913	.2
for belts up to 1 9/16" thick					
Extra Nails (90/Package)			8D	30437	1.0

FOR CURVED BELT CUTTER, SEE PAGE 47 BOLT HINGED FASTENER SECTION.

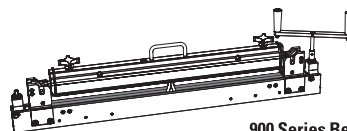


ELECTRIC BELT CUTTER

DESCRIPTION	ORDERING NUMBER	ITEM CODE	WT. LBS.
	EBC1	30001	19.0
	EBC2	30002	29.0
Spare Parts List			
Replacement blade for EBC1	EBC1-B	30003	2.0
Replacement blade for EBC2	EBC2-B	30004	2.8
Replacement electric hammer drill for EBC1	EBC1-DR	30005	7.5
Replacement electric hammer drill for EBC2	EBC2-DR	30006	12.1
Replacement eye bolt for EBC1 & EBC2	EBC-EB	30007	.9
Replacement handle for EBC1 & EBC2	EBC-H	30008	.4

Cutting Capacity-Electric Belt Cutter

BELT TYPE	EBC1		EBC2	
	IMPERIAL	METRIC	IMPERIAL	METRIC
Rubber	Up to 1"	Up to 25 mm	Up to 2"	Up to 50 mm
PVC	Up to 360 PIW	Up to 630 EP	Up to 1140 PIW	Up to 2000 EP



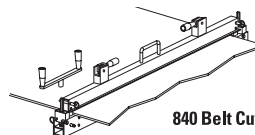
900 Series Belt Cutter

Aluminum Content-900 Series

ALUMINUM ALLOY TYPE	PERCENT	
	Mg- Magnesium	Ti -Titanium
5356	5.5	0.2
6005	0.6	0.1
6061	1.0	0.0
7075	2.5	0.0

900 SERIES* BELT CUTTER

DESCRIPTION	BELT WIDTH		ORDERING NUMBER	ITEM CODE	WT. LBS.
	in.	mm			
Cutter Complete for belts up to 1.5" (38 mm)	24"	600	900924	04200	32.0
	36"	900	900936	04143	39.0
	48"	1200	900948	04144	45.0
	60"	1500	900960	04145	53.0
	72"	1800	900972	04146	61.0
* Patent Pending	84"	2130	900984	04147	69.0
Replacement Blade Kit			900CBK	04149	0.15
Drive Handle Assembly				04140	2.0



840 Belt Cutter

Aluminum Content-840 Series

ALUMINUM ALLOY TYPE	PERCENT	
	Mg- Magnesium	Ti -Titanium
6061	1.00%	0%

840 SERIES ALUMINUM BELT CUTTER

(REPLACES 820 SERIES BELT CUTTER.)

DESCRIPTION	BELT WIDTH		ORDERING NUMBER	ITEM CODE	WT. LBS.
	in.	mm			
Cutter Complete for belts up to 3/8" - 1" thick	36"	900	840836	32267	25.0
	48"	1200	840848	32268	31.0
	60"	1500	840860	32269	37.0
	72"	1800	840872	32270	42.0
	84"	2130	840884	32271	48.0
Drive Handle Assembly			820/840WA	32272	2.0
Extra Blade (with screw) 1" - 25mm			820/840-1CB	32273	0.5
Optional Squaring Device			840SD	32274	2.0

OTHER REPLACEMENT CUTTER BLADES

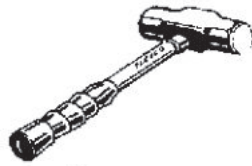
FOR CUTTER MODEL	ORDERING NUMBER	ITEM CODE	WT. LBS.
B8	B823	30921	0.1
BC350	31071	31071	1.0

Belt Maintenance Tools



FOUR LB. HAMMER

ORDERING NUMBER	ITEM CODE	WT. LBS.
4FH	30435	5.3



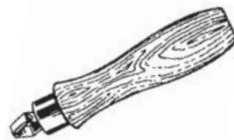
FLEXCO® SILICONE LUBRICANT

ORDERING NUMBER	ITEM CODE	PKG. QTY.	WT. LBS.
SL5-1	30932	1	1.4



FLEXCO® BELT IDENTIFICATION TOOL

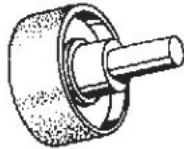
ORDERING NUMBER	ITEM CODE	WT. LBS.
BT-1	31075	.06



ALLIGATOR® BELT GRINDER

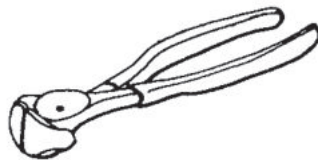
ORDERING NUMBER	ITEM CODE	WT. LBS.
RB-1	30867	.7

NOTE: Requires 2,500 RPM



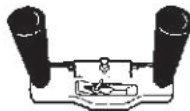
BELT NIPPER

ORDERING NUMBER	ITEM CODE	WT. LBS.
BN-1	50003	.8



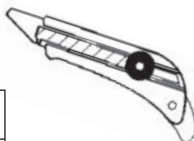
FLEXCO® BELT GROOVER (7/16" WIDE GROOVE PATH)

ORDERING NUMBER	ITEM CODE	WT. LBS.
FBG1	31978	1.8
EXTRA BLADES		
HSP3	31980	.1



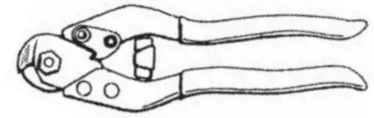
CARD CUTTER

ORDERING NUMBER	ITEM CODE	WT. LBS.
GC-1	18100	.3
EXTRA BLADES (50/Package)		
GCB-50	18101	.8



ALLIGATOR® HINGE PIN CUTTER

ORDERING NUMBER	ITEM CODE	WT. LBS.
APC-1	50004	.5



ROUTER COUNTERSINKING TOOLS

DESCRIPTION	ORDERING NUMBER	ITEM CODE	WT. LBS.
Template Guide	RTG-2	30890	.08
Router Templet	FRT-1	30875	.7
Router Bit	RT-5/8	30877	.2

FLEXCO® BELT GRIPS

SOLD BY THE PAIR

ORDERING NUMBER	ITEM CODE	WT. LBS.
22	30882	2.5



ROUGH-TOP BELT SKIVER

DESCRIPTION/ORDERING NO.	ITEM CODE	WT. LBS.
RTBS Rough Top Skiver	03239	0.3



REPLACEMENT ROLLERS

REF	DESCRIPTION	ORDERING NUMBER	ITEM CODE	WT. LBS.
4	Small Exalon Roller	RBPER-S	73169	7.9
	Medium Exalon Roller	RBPER-M	73170	11.0
	Large Exalon Roller	RBPER-L	73171	15.5
	Extra Large Exalon Roller	RBPER-XL	73172	27.8
4a	Small Steel Roller	RBPSR-S	74562	12.2
	Medium Steel Roller	RBPSR-M	74563	16.5
	Large Steel Roller	RBPSR-L	74564	23.2
	Extra Large Steel Roller	RBPSR-XL	74565	36.6
5	Roller Retainer Kit *	RBPRET	73163	0.5



Positioners come standard with Exalon rollers. Idler rollers on sizes S, M and L are 5" (125mm) diameter and rated CEMA D. Idler rollers on the XL size are 6" (150mm) diameter and rated CEMA E.

*Roller Retainer Kit not required for XL rollers (SDX style). Lead time: 1 working day

BELT POSITIONERS WITH EXALON ROLLERS*

SIZE	BELT WIDTH (Min-Max)		POSITIONER WIDTH (Min-Max)		ORDERING NUMBER	ITEM CODE	WT. LBS.
	in.	mm	in.	mm			
Small	18-24	450-600	24-34	600-850	RBP1E-S	73140	60.5
Medium	30-48	750-1200	34-56	850-1400	RBP1E-M	73142	73.5
Large	54-72	1350-1800	56-83	1400-2075	RBP1E-L	73144	94.0
Extra Large	72-96	1800-2400	72-120	1800-3000	RBP1E-XL	73146	182.0

*Positioners come standard with Exalon rollers. Use next larger size for belt widths between ranges.

NOTE: Idler Rollers on sizes S, M and L are 5" (125mm) diameter and rated CEMA D. Idler Rollers on the XL size are 6" (150mm) diameter and rated CEMA E.

Lead time: 1 working day

BELT POSITIONERS WITH STEEL ROLLERS

SIZE	BELT WIDTH (Min-Max)		POSITIONER WIDTH (Min-Max)		ORDERING NUMBER	ITEM CODE	WT. LBS.
	in.	mm	in.	mm			
Small	18-24	450-600	24-34	600-850	RBP1S-S	74558	69.8
Medium	30-48	750-1200	34-56	850-1400	RBP1S-M	74559	84.6
Large	54-72	1350-1800	56-83	1400-2075	RBP1S-L	74560	109.5
Extra Large	72-96	1800-2400	72-120	1800-3000	RBP1S-XL	74561	199.6

Lead time: 1 working day

Product Notes:

- The Positioner should be centered between two standard return rollers. For general applications--standard belts up to 72" (1800mm); position the unit no closer than 3' (.9M) to a return roller and no farther than 6' (1.8M).
- Works on the return side of the conveyor using simple angled rollers mounted in a fixed position to quickly and continuously funnel the belt into the correct path.
- A "quick fix" solution for belts that consistently wander to one side.
- Typically installed before the tail pulley to keep the belt centered at the critical loading point. Center loading is the key to solving many top side tracking problems.
- Idler rollers make smooth contact with the return belt's bottom cover, eliminating excessive wear and damage to the belt's edges.
- Has no pivoting mechanism to freeze up and cause the unit to stop working.
- Once installed, no further adjustment is required.

ROLLER DIMENSIONS

SIZE	LENGTH		DIAMETER	
	in.	mm	in.	mm
Small	9	225	5	125
Medium	13	325	5	125
Large	19	475	5	125
Extra Large	21	525	6	150

Product Notes:

- Optimal location: no closer than 3' (.9M) and no further than 6' (1.8M) from a return roller.
- Belt Positioners come standard with Exalon rollers.
- All rollers are "sealed for life". No regreasing maintenance is required.
- MSHA approved.

V-PLOW*

DESCRIPTION	BELT WIDTH		ORDERING NUMBER	ITEM CODE	WT. LBS.
	in.	mm			
Extra Small	18-24"	450-600	CBV-XS	73131	53.0
Small	30-36"	750-900	CBV-S	73132	65.0
Medium	42-48"	1050-1200	CBV-M	73133	74.0
Large	54-60"	1350-1500	CBV-L	73134	84.0
72"	72"	1800	CBV-72	74389	150.0
84"	84"	2100	CBV-84	74390	175.0
96"	96"	2400	CBV-96	74391	200.0

*Use next larger size for belt widths between ranges.
Lead time: 1 working day



REPLACEMENT BLADE KITS*

DESCRIPTION	BELT WIDTH		ORDERING NUMBER	ITEM CODE	WT. LBS.
	in.	mm			
Extra Small	18-24"	450-600	VBK-XS	73190	4.5
Small	30-36"	750-900	VBK-S	73191	6.0
Medium	42-48"	1050-1200	VBK-M	73192	7.5
Large	54-60"	1350-1500	VBK-L	73193	9.0
72"	72"	1800	VBK-72	74457	13.0
84"	84"	2100	VBK-84	74458	15.0
96"	96"	2400	VBK-96	74459	17.0

*Kit includes blades and replacement blade bolts.
Lead time: 1 working day



OPTIONAL URETHANE BLADE KITS*

Typically provides 3 to 5 times longer wear life.

DESCRIPTION	BELT WIDTH		ORDERING NUMBER	ITEM CODE	WT. LBS.
	in.	mm			
Extra Small	18-24"	450-600	VUBK-XS	75570	5.4
Small	30-36"	750-900	VUBK-S	75571	8.0
Medium	42-48"	1050-1200	VUBK-M	75572	10.5
Large	54-60"	1350-1500	VUBK-L	75573	13.0
72"	72"	1800	VUBK-72	75574	15.9
84"	84"	2100	VUBK-84	75575	18.5
96"	96"	2400	VUBK-96	75576	21.0

*Kit includes blades and replacement blade bolts.
Lead time: 1 working day

Product Notes:

- Exclusive blade design - 20° slant on leading edge spirals debris off the belt.
- Self-adjusting blade - the blade floats on the belt and self-adjusts as it wears.
- Unique blade adjuster - turnbuckle-type adjuster allows the blade to be accurately positioned to the belt.
- Easy to install - comes fully assembled and can be placed right into position on the conveyor.

Made To Order Items (shaded) allow 10 working days for production.

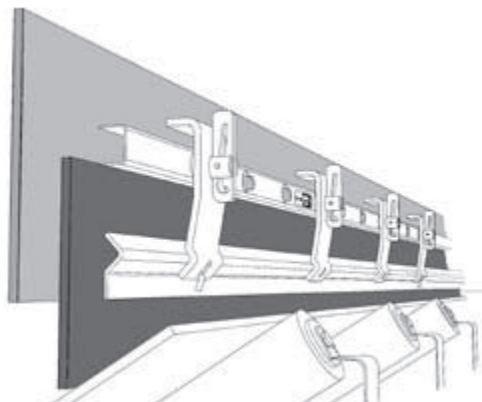
FLEX-LOK™ SKIRT CLAMP

One Skirt Clamp includes one 6' (1.8M) clamp runner, 4 clamp plates, 4 clamp pins and one 6' (1.8M) restraining bar. Skirt board and rubber not included.

DESCRIPTION	ORDERING NUMBER	ITEM CODE	WT. LBS.
Skirt Clamp	FLSC-I	71052	31.1
REPLACEMENT PARTS			
Clamp Runner - 6 ft. (1.8M)	FL-RPI	71058	7.3
Clamp Plate	FL-PC-I	71057	2.1
Clamp Pin	FL-CP-I	71141	1.9
Restraining Bar - 6 ft. (1.8M)	FL-RBI	71060	11.3

NOTE: Skirt Rubber Thickness Range: 5/16" to 1" (8 - 25mm)

Lead time: 1 working day



STANDARD

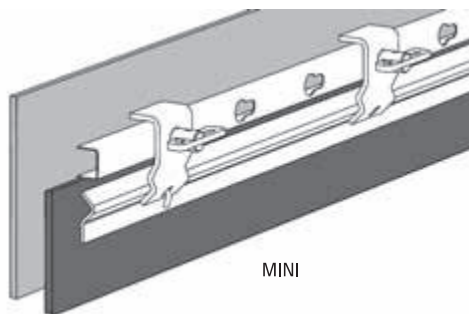
MINI FLEX-LOK™ SKIRT CLAMP

One Mini Skirt Clamp includes one 6' (1.8M) clamp runner, 3 mini clamp plates, 3 clamp pins and one 6' (1.8M) restraining bar. Skirt board and rubber not included.

DESCRIPTION	ORDERING NUMBER	ITEM CODE	WT. LBS.
Mini Skirt Clamp	FLSCM-I	71055	27.6
REPLACEMENT PARTS			
Clamp Runner - 6 ft. (1.8M)	FL-RPI	71058	7.3
Clamp Plate	FLM-PC	71140	2.1
Clamp Pin	FL-CP-I	71141	1.9
Restraining Bar - 6 ft. (1.8M)	FL-RBI	71060	11.3

NOTE: Skirt Rubber Thickness Range: 5/16" to 5/8" (8 - 16mm)

Lead time: 1 working day



MINI

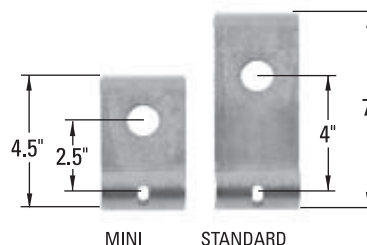
STAINLESS STEEL * FLEX-LOK™ SKIRT CLAMP

One SS Clamp includes one 6' (1.8M) clamp runner, 4 clamp plates, 4 clamp pins and one 6' (1.8M) restraining bar.

DESCRIPTION	ORDERING NUMBER	ITEM CODE	WT. LBS.
SS Skirt Clamp	FLSC-ISS	75778	25.0
REPLACEMENT PARTS			
Clamp Pin	FLCP-ISS	71164	1.9

*316SS (all parts)

Lead time: 1 working day



MINI STANDARD

Two models are available to fit your conveyor requirements

SERVICE MAINTENANCE

- **Inspection** - Periodically inspect the clearance between the skirt rubber and the belt. If this gap is more than 1/4" (6mm) or if excessive fines are escaping, readjust the skirt rubber.
- **Adjustment** - Unlock the wedges on the clamp pins and slide the skirt rubber down to the belt. Relock the clamp pins.

TROUBLESHOOTING

Problem: Skirt rubber slips out of skirt clamp.

Solution:

1. Check to insure wedges in clamp pins are locked.
2. Check skirt rubber position. Skirt rubber must not fold and lie on top of belt.



Anti-Vibration Clamp Pins
(Standard)

Rockline® EZP1

Precleaner

EZP1 Precleaner Belt Width Minus 2"

BELT WIDTH		BLADE WIDTH		ORDERING NUMBER	ITEM CODE	WT. LBS.
in.	mm	in.	mm			
12	300	10	250	EZP1-212	75610	49.4
18	450	16	400	EZP1-218	75611	55.3
24	600	22	550	EZP1-224	75612	61.2
30	750	28	700	EZP1-230	75613	67.1
36	900	34	850	EZP1-236	75614	73.0
42	1050	40	1000	EZP1-242	75615	78.9
48	1200	46	1150	EZP1-248	75616	84.8
54	1350	52	1300	EZP1-254	75617	90.7
60	1500	58	1450	EZP1-260	75618	96.6
72	1800	70	1750	EZP1-272	75771	102.5

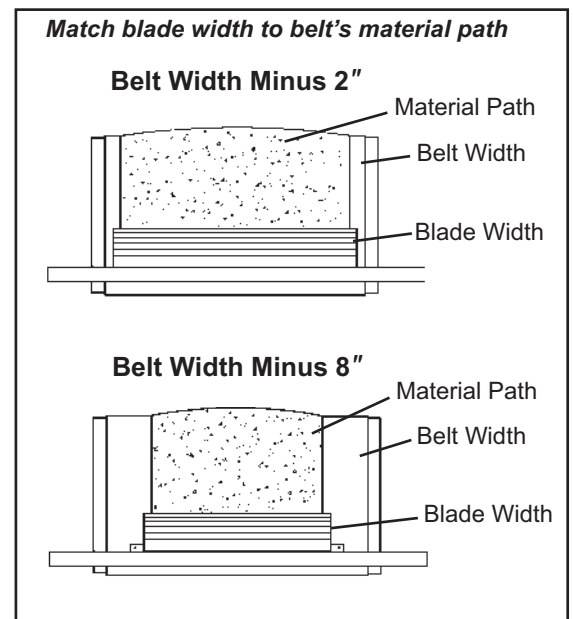
Lead time: 1 working day



EZP1 Precleaner Belt Width Minus 8"

BELT WIDTH		BLADE WIDTH		ORDERING NUMBER	ITEM CODE	WT. LBS.
in.	mm	in.	mm			
12	300	–	–	N/A	N/A	–
18	450	10	250	EZP1-818	75779	51.3
24	600	16	400	EZP1-824	75780	57.2
30	750	22	550	EZP1-830	75781	63.1
36	900	28	700	EZP1-836	75782	69.0
42	1050	34	850	EZP1-842	75783	74.9
48	1200	40	1000	EZP1-848	75784	80.8
54	1350	46	1150	EZP1-854	75785	86.7
60	1500	52	1300	EZP1-860	75786	92.6
72	1800	64	1600	EZP1-872	75774	98.5

Lead time: 1 working day



Product Notes:

- For optimal cleaning and reduced blade retensioning maintenance, the cleaner blade width should be sized to fit the material path of the belt. The material path is typically 2/3 of the belt width. In most cases a blade size of belt width minus 8" may be the best selection.
- Each cleaner can be retrofitted with three replacement blade sizes (belt width minus 2", minus 8", or minus 14").
- Comes complete with universal mounting plates and tensioner.
- Visual tension check. No guesswork on blade tensioning. Simply measure the spring, check label on tensioner and turn adjusting nut to restore optimal tension.
- Works with mechanical splices. Urethane blade glides over splices.
- Compatible with reversing belts.
- For applications requiring longer pole lengths, go to the minus 8" chart and select the cleaner one belt width size larger. This will provide a pole 6" longer and a blade size of belt width minus 2".



U.S. Patent No. D482,508S

Replacement Blades



Rockline® EZP1

Precleaner

Blade Width Selection

BELT WIDTH		BELT WIDTH MINUS 2"	BELT WIDTH MINUS 8"	BELT WIDTH MINUS 14"
in.	mm			
12	300	75628	N/A	N/A
18	450	75629	75628	N/A
24	600	75630	75629	75628
30	750	75631	75630	75629
36	900	75632	75631	75630
42	1050	75633	75632	75631
48	1200	75634	75633	75632
54	1350	75635	75634	75633
60	1500	75636	75635	75634
72	1800	75773	75775	75636

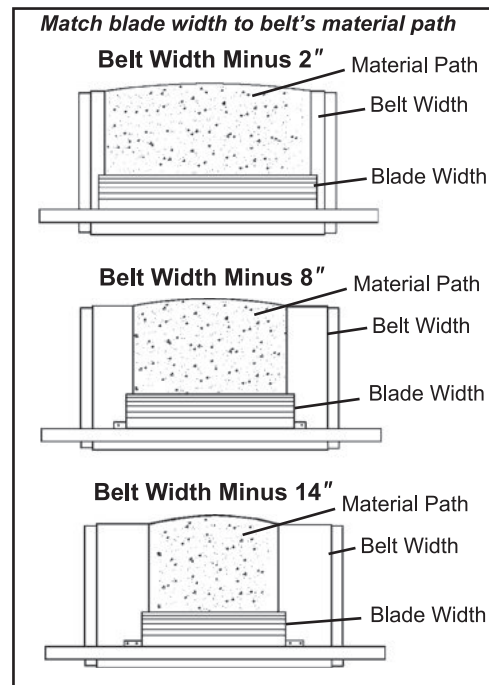
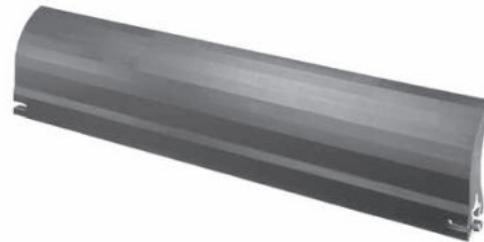
Ordering Information

ConShear™ Replacement Blades

BLADE WIDTH		ORDERING NUMBER	ITEM CODE	WT. LBS.
in.	mm			
10	250	CRB10	75628	4.6
16	400	CRB16	75629	7.3
22	550	CRB22	75630	10.1
28	700	CRB28	75631	12.8
34	850	CRB34	75632	15.5
40	1000	CRB40	75633	18.3
46	1150	CRB46	75634	21.0
52	1300	CRB52	75635	23.8
58	1450	CRB58	75636	26.5
64	1600	CRB64	75775	29.2
70	1750	CRB70	75773	32.0

Other blade sizes available upon request.
Lead time: 1 working day

ConShear™ Replacement Blades



Product Notes:

- Take blade width and ordering number from the worn blade and use the Replacement Blade Chart.
- For optimal cleaning and reduced blade retensioning maintenance, the cleaner blade width should be sized to fit the material path of the belt. The material path is typically 2/3 of the belt width. In most cases a blade size of belt width minus 8" may be the best selection.
- The ConShear™ blade has a faceted profile that renews the cleaning edge as it wears.
- Visual tension check. No guesswork on blade tensioning. Simply measure the spring, check label on tensioner and turn adjusting nut to restore optimal tension.
- ConShear blades are made of a special long-wearing urethane.
- A molded-in blade wear line indicates when the blade is worn out and needs to be replaced.
- Blade replacement is quick. Pull one pin, remove the old blade and slide the new one in.

U.S. Patent No. D482,508S



 **Service Industrial Supply**

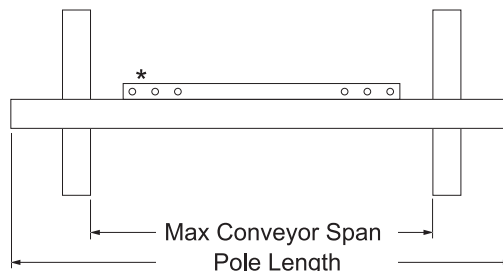
506 Brookforest Ave. Rt. 59 Shorewood Illinois 60404

Phone: 815.725.0062 • Fax: 815.725.2483 • www.serviceindustrialsupply.com

Pole Length Specifications

CLEANER SIZE		POLE LENGTH		MAXIMUM CONVEYOR SPAN	
in.	mm	in.	mm	in.	mm
12	300	42	1050	37	925
18	450	48	1200	43	1075
24	600	54	1350	49	1225
30	750	60	1500	55	1375
36	900	66	1650	61	1525
42	1050	72	1800	67	1675
48	1200	78	1950	73	1825
54	1350	88	2200	83	2075
60	1500	94	2350	89	2225
72	1800	106	2650	101	2525

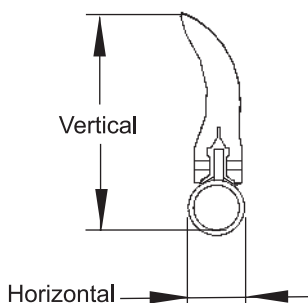
Pole Diameter - 2-3/8" (60mm)



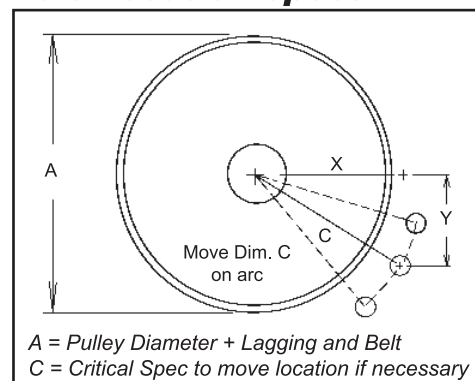
*Each pole size can be used with a blade size either belt width minus 2", belt width minus 8", or belt width minus 14".

Clearance Guidelines for Installation

HORIZONTAL CLEARANCE REQUIRED		VERTICAL CLEARANCE REQUIRED	
in.	mm	in.	mm
4	100	9 1/2	238



Pole Location Specs

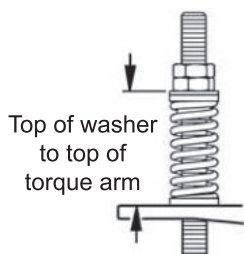


Spring Length Chart

with EST Spring Tensioner

BLADE WIDTH	PURPLE SPRING	SILVER SPRING	BLACK SPRING
10"	5 3/4"	6 1/4"	N/A
16"	5 1/4"	6"	N/A
22"	4 3/4"	5 7/8"	N/A
28"	4 1/4"	5 5/8"	N/A
34"	N/A	5 3/8"	5 5/8"
40"	N/A	5 1/8"	5 1/2"
46"	N/A	5"	5 1/4"
52"	N/A	4 3/4"	5 1/8"
58"	N/A	N/A	5"
64"	N/A	N/A	4 3/4"
70"	N/A	N/A	4 5/8"

Shading indicates preferred spring option



Pole Location Chart

A	X	Y	C
10"	3"	9"	9-1/2"
11"	3-3/4"	9"	9-3/4"
12"	4-3/8"	9"	10"
13"	5-3/8"	9"	10-1/2"
14"	5-7/8"	9"	10-3/4"
15"	6-3/4"	9"	11-1/4"
16"	7-1/8"	9"	11-1/2"
17"	7-7/8"	9"	12"
18"	8-1/4"	9"	12-1/4"
19"	9"	9"	12-3/4"
20"	9-3/8"	9"	13"
21"	10"	9"	13-1/2"
22"	10-3/4"	9"	14"
23"	11-3/8"	9"	14-1/2"
24"	12"	9"	15"
25"	12-5/8"	9"	15-1/2"
26"	13-1/4"	9"	16"
27"	13-7/8"	9"	16-1/2"
28"	14-3/8"	9"	17"
29"	15"	9"	17-1/2"
30"	15-5/8"	9"	18"
31"	16-1/8"	9"	18-1/2"
32"	16-3/4"	9"	19"
33"	17-1/4"	9"	19-1/2"
34"	17-7/8"	9"	20"
35"	18-3/8"	9"	20-1/2"
36"	19"	9"	21"



Specifications:

- Maximum Belt Speed 700 FPM (3.5M/sec)
- Temperature Rating -30°F to 180°F (-35°C to 82°C)
- Minimum Pulley Diameter 10" (250mm)
- Blade Height 7-1/4" (185mm)
- Useable Blade Wear Length 4" (100mm)
- Blade Material Urethane (proprietary blend for abrasion resistance and long wear)
- Available for Belt Widths 12" to 72" (300 to 1800mm)

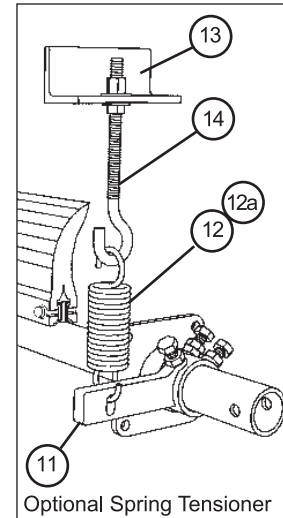
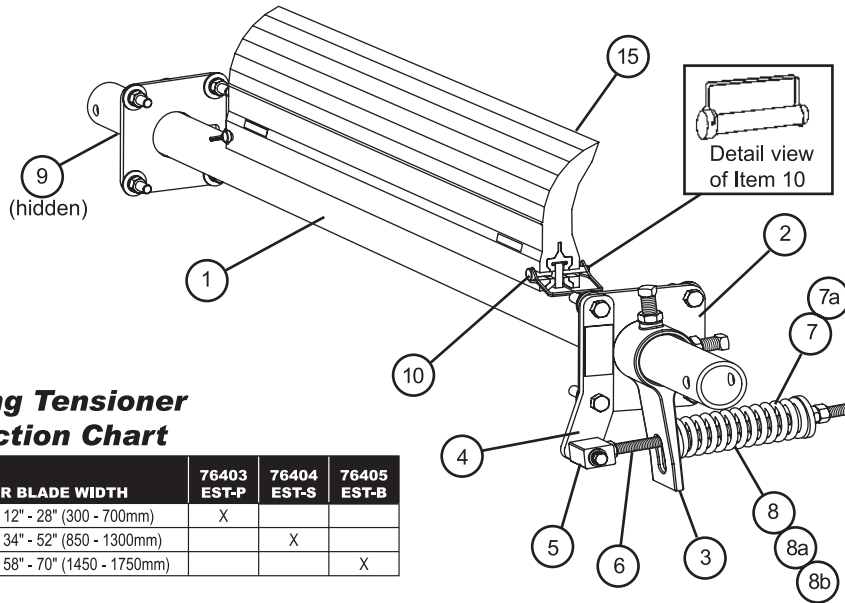
U.S. Patent No. D482,508S

Replacement Blades



Rockline® EZP1 Precleaner

Replacement Parts List



Spring Tensioner Selection Chart

CLEANER BLADE WIDTH	76403 EST-P	76404 EST-S	76405 EST-B
ConShear 12" - 28" (300 - 700mm)	X		
ConShear 34" - 52" (850 - 1300mm)		X	
ConShear 58" - 70" (1450 - 1750mm)			X

Replacement Parts

REF	DESCRIPTION	ORDERING NUMBER	ITEM CODE	WT. LBS.
1	12" (300mm) Pole	EZP1P12	75619	17.4
	18" (450mm) Pole	EZP1P18	75620	20.3
	24" (600mm) Pole	EZP1P24	75621	22.7
	30" (750mm) Pole	EZP1P30	75622	26.5
	36" (900mm) Pole	EZP1P36	75623	30.4
	42" (1050mm) Pole	EZP1P42	75624	32.7
	48" (1200mm) Pole	EZP1P48	75625	35.3
	54" (1350mm) Pole	EZP1P54	75626	39.2
	60" (1500mm) Pole	EZP1P60	75627	43.3
72" (1800mm) Pole	EZP1P72	75772	48.2	
2	Mounting Plate Kit* (2 ea.)	EZP1MPK	75637	7.7
3	Torque Arm Kit* (1 ea.)	ESTAK	76406	3.6
4	Pivot Shaft Bracket Kit* (1 ea.)	ESPSBK	76407	1.8
5	Pivot Block Kit*	ESPBK	76408	0.7
6	Pivot Rod Kit*	ESPRK	76409	1.2
7	Bushing Kit - Purple and Silver (includes 2 bushings)	ESBK-PS	76410	0.1
7a	Bushing Kit - Black (includes 2 bushings)	ESBK-B	76411	0.1
8	Tension Spring - Purple	QMTS-P	75845	1.0
8a	Tension Spring - Silver	ESS-S	76412	1.2
8b	Tension Spring - Black	ESS-B	76413	1.4
9	Pole Lock* (1 ea.)	EZP1PL	75641	1.1
-	EST Tensioner - Purple* for blade widths 12" - 28" (300 - 700mm) (includes 1 each items 3, 4, 5, 6, 7 & 8)	EST-P	76403	7.7
-	EST Tensioner - Silver* for blade widths 34" - 52" (850 - 1300mm) (includes 1 each items 3, 4, 5, 6, 7 & 8a)	EST-S	76404	7.9
-	EST Tensioner - Black* for blade widths 58" - 70" (1450 - 1750mm) (includes 1 each items 3, 4, 5, 6, 7a & 8b)	EST-B	76405	8.1
10	Blade Pin (1 ea.)	EZP1BP	75642	0.1

*Hardware Included
Lead time: 1 working day

U.S. Patent No. D482,508S

Optional Spring Tensioner & Parts

REF	DESCRIPTION	ORDERING NUMBER	ITEM CODE	WT. LBS.
11	Tension Arm Kit* (1 ea.)	HARK	73069	6.0
12	Tension Spring (1 ea.) for sizes 12" - 30" (300 - 750mm)	STTS	74419	1.4
12a	HD Tension Spring (1 ea.) for sizes 36" - 72" (900 - 1800mm)	HDTs	74502	2.0
13	Spring Tension J-Bolt Mount (1 ea.)	STJM	74775	3.0
14	J-Bolt Kit* (1 ea.)	STJK	74417	0.7
-	Optional Spring Tensioner Kit* for sizes 12" - 30" (300 - 750mm)	EZP1OTK1	76418	11.2
-	Optional Spring Tensioner Kit* for sizes 36" - 72" (900 - 1800mm)	EZP1OTK2	76419	11.8

*Hardware Included
Lead time: 1 working day

Replacement ConShear™ Blades

REF	BLADE WIDTH		ORDERING NUMBER	ITEM CODE	WT. LBS.
	in.	mm			
15	10	250	CRB10	75628	4.6
	16	400	CRB16	75629	7.3
	22	550	CRB22	75630	10.1
	28	700	CRB28	75631	12.8
	34	850	CRB34	75632	15.5
	40	1000	CRB40	75633	18.3
	46	1150	CRB46	75634	21.0
	52	1300	CRB52	75635	23.8
	58	1450	CRB58	75636	26.5
	64	1600	CRB64	75775	29.2
	70	1750	CRB70	75773	32.0

Order blade width for your belt width's material path:
Belt Width Minus 2", Belt Width Minus 8" or Belt Width
Minus 14".

Lead time: 1 working day



Service Industrial Supply

506 Brookforest Ave. Rt. 59 Shorewood Illinois 60404

Phone: 815.725.0062 • Fax: 815.725.2483 • www.serviceindustrialsupply.com

Product Ordering Information

Rockline® EZS2 Secondary Cleaner

EZS2 Secondary

BELT WIDTH		ORDERING NUMBER	ITEM CODE	WT. LBS.
in.	mm			
18	450	EZS2-18	75643	71.0
24	600	EZS2-24	75644	75.8
30	750	EZS2-30	75645	79.7
36	900	EZS2-36	75646	85.5
42	1050	EZS2-42	75647	89.4
48	1200	EZS2-48	75648	94.2
54	1350	EZS2-54	75649	99.0
60	1500	EZS2-60	75650	136.3
72	1800	EZS2-72	75651	151.9

Lead time: 1 working day



Replacement C-Tips

ORDERING NUMBER	ITEM CODE	WT. LBS.
ICT6	74535	0.7

Lead time: 1 working day

Tips Required Per Cleaner Size

in.	18	24	30	36	42	48	54	60	72
mm	450	600	750	900	1050	1200	1350	1500	1800
C-Tips Required	3	4	5	6	7	8	9	10	12

Product Notes:

- Blade width equals belt width.
- Can be installed in any location from where the belt leaves the pulley on down the beltline.
- FormFlex™ cushions automatically adjust the individual tension of each blade to the belt.
- Works with mechanical splices.
- A special cushion pad helps absorb the impact from mechanical splices and eliminates blade vibration.
- Comes complete with universal mounting brackets.
- Versatile tensioner can be installed to either push-up or pull-up the cleaner to the belt, depending on installation space constraints.
- If belt is cupped or has low tension, a hold-down roller may be required to flatten and support the belt for optimal cleaning results.

U.S. Patent No. 6,823,983



Secondary Cleaner



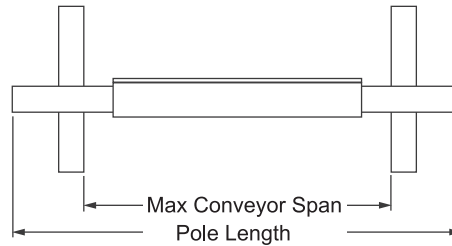
Rockline® EZS2 Secondary Cleaner

Specifications & Guidelines

Pole Length Specifications

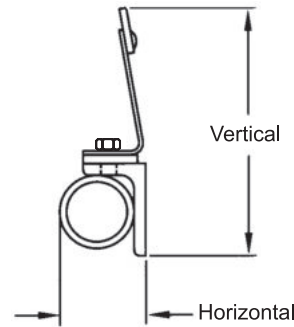
BELT WIDTH		BLADE WIDTH		POLE LENGTH		MAXIMUM CONVEYOR SPAN	
in.	mm	in.	mm	in.	mm	in.	mm
18	450	18	450	52	1300	47	1175
24	600	24	600	58	1450	53	1325
30	750	30	750	64	1600	59	1475
36	900	36	900	70	1750	65	1625
42	1050	42	1050	76	1900	71	1775
48	1200	48	1200	82	2050	77	1925
54	1350	54	1350	88	2200	83	2075
60	1500	60	1500	94	2350	89	2225
72	1800	72	1800	106	2650	101	2525

Pole Diameter - 2-3/8" (60mm)



Clearance Guidelines for Installation

HORIZONTAL CLEARANCE REQUIRED		VERTICAL CLEARANCE REQUIRED	
in.	mm	in.	mm
4	100	8 1/2 for 18"-54"	213
		9 1/2 for 60"-72"	238



Specifications:

- Maximum Belt Speed 700 FPM (3.5M/sec)
- Temperature Rating -30°F to 200°F (-35°C to 93°C)
- Useable Blade Wear Length 3/8" (9mm)
- Blade Material Impact Resistant Tungsten Carbide
(works with mechanical fasteners)
- Available for Belt Widths 18" to 72" (450 to 1800mm)

U.S. Patent No. 6,823,983



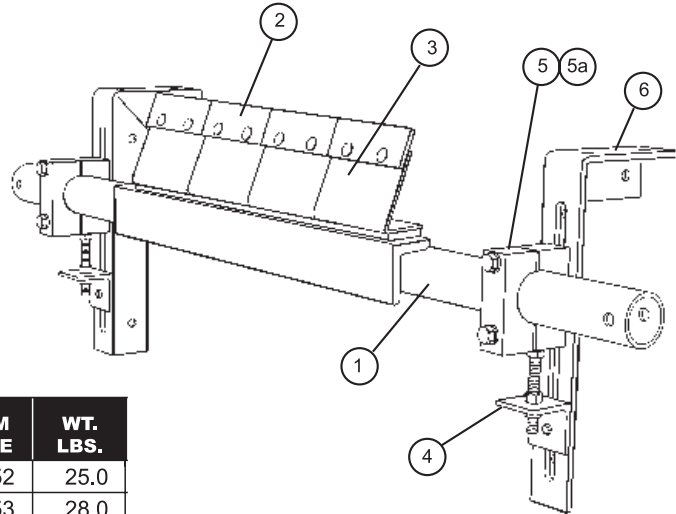
Service Industrial Supply

506 Brookforest Ave. Rt. 59 Shorewood Illinois 60404

Phone: 815.725.0062 • Fax: 815.725.2483 • www.serviceindustrialsupply.com

Replacement Parts List

Rockline® EZS2 Secondary Cleaner



Replacement Parts

REF	DESCRIPTION	ORDERING NUMBER	ITEM CODE	WT. LBS.
1	18" (450mm) Pole	EZS2P18	75652	25.0
	24" (600mm) Pole	EZS2P24	75653	28.0
	30" (750mm) Pole	EZS2P30	75654	30.0
	36" (900mm) Pole	EZS2P36	75655	34.0
	42" (1050mm) Pole	EZS2P42	75656	36.0
	48" (1200mm) Pole	EZS2P48	75657	39.0
	54" (1350mm) Pole	EZS2P54	75658	42.0
	60" (1500mm) Pole	EZS2P60	75659	77.0
	72" (1800mm) Pole	EZS2P72	75660	89.0
2	C-Tip Kit* (1 ea.)	ICT6	74535	0.7
3	FormFlex™ Cushion Kit* (incl. 1 cushion & 1 pad)	FFCK	75661	1.5
4	Adjusting Bracket Kit* (1 ea.)	EZS2ABK	75664	2.0
5	Pole Clamp Kit* (1 ea.) for sizes 18"-54" (450-1350mm)	EZS2PCK	75665	10.0
5a	HD Pole Clamp Kit* (1 ea.) for sizes 60"-72" (1500-1800mm)	EZS2HDPCK	75769	11.4
6	Mounting Bracket Kit (1 Right and 1 Left)	EZS2MBK	75666	13.0
-	Mounting Kit* for sizes 18"-54" (450-1350mm) (incl. 2 ea. Items 4 & 5 and 1 ea. Item 6)	EZS2MK	75667	31.5
-	HD Mounting Kit* for sizes 60"-72" (1500-1800mm) (incl. 2 ea. Items 4 & 5a and 1 ea. Item 6)	EZS2HDMK	75770	31.9

*Hardware Included
Lead time: 1 working day

Cleaner Tips and Cushions Required Per Cleaner Size

in.	mm	TIPS REQUIRED
18	450	3
24	600	4
30	750	5
36	900	6
42	1050	7
48	1200	8
54	1350	9
60	1500	10
72	1800	12

Mounting Kit Selection Chart

CLEANER WIDTH	75667 EZS2MK	75770 EZS2HDMK
EZS2 18" - 54" (450 - 1350mm)	X	
EZS2 60" - 72" (1500 - 1800mm)		X

U.S. Patent No. 6,823,983



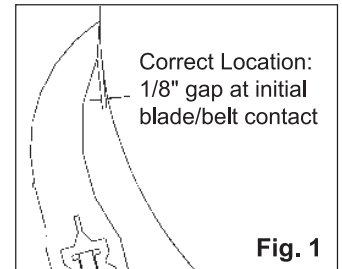
ConShear™ Replacement Blades for OEM Belt Cleaners

Installation and Tensioning Tips

For optimal cleaning efficiency and long wear life, the ConShear™ blade must be located and tensioned correctly on the belt head pulley. If the OEM cleaner pole is in the wrong location the performance of the new blade may be adversely affected. See “Possible Problems” below. For tensioning, please follow these instructions. Our recommended tensioning may be as much as 2 times more than the OEM recommendation, but the added tension is needed to take full advantage of the ConShear Blade Technology.

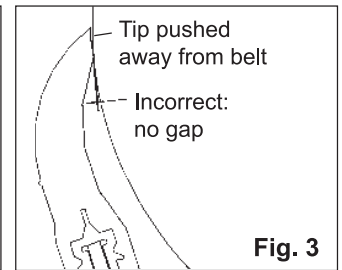
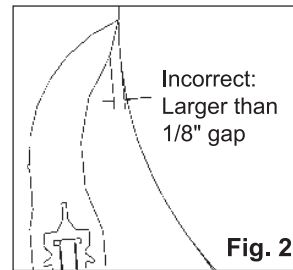
Correct Location:

When blade contact is made against the head pulley (prior to tensioning) there should be a 1/16" to 1/8" gap at the bottom of the blade face (Fig. 1).



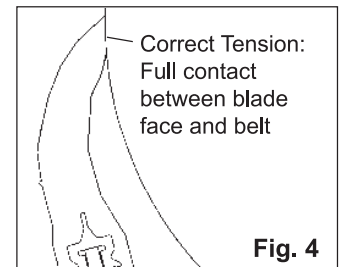
Possible Problems:

- **Pole location too far out** - The initial blade/belt contact gap will be larger than 1/8" (Fig. 2). If the blade is correctly tensioned it may flip through before it is fully worn. If tensioned too lightly, it will develop the “smile effect” quickly and not clean properly.
- **Pole location too far in** - If there is no gap at the initial blade/belt contact (Fig. 3), the tip of the blade may not be touching the belt. In this case, the blade will push away and lose its shearing (cleaning) effect. The blade may also develop a flap at the tip which may trap material.



Correct Tensioning:

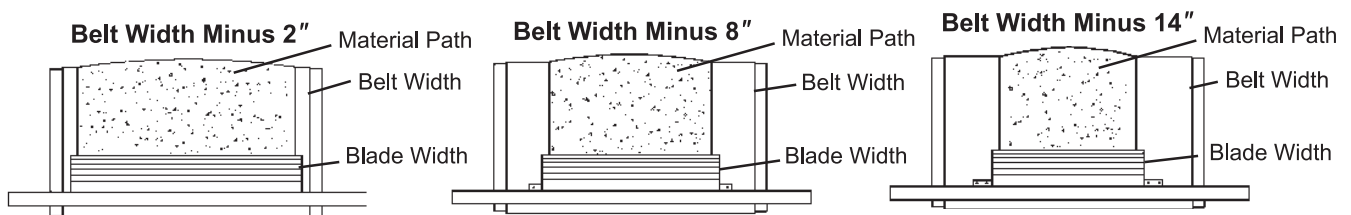
The blade should be tensioned until the gap is gone (Fig. 4).



The “Material Path” Option

For optimal cleaning and reduced blade retensioning, the cleaner blade width should be sized to fit the material path of the belt. The material path is typically the center 2/3 of the belt width. Choosing a blade only slightly wider than the material path can decrease differential blade wear which reduces blade retensioning maintenance, as well as reducing the frequency of blade replacement.

Match blade width to belt’s material path



Replacement Blades



Part Number Cross-Reference Guide

Cross-Reference for Replacement of Martin® QC® #1 Standard Blades and Martin® Pit Viper™ Standard Blades

Ordering Information

BELT WIDTH	ACTUAL BLADE LENGTH	ORDERING NUMBER	CON SHEAR™ ITEM CODE	MARTIN® QC #1® PART NUMBER	MARTIN® PIT VIPER™ PART NUMBER	WT. LBS.
12"	10"	CRB10	75628	32773-1211	PV121110OR	4.6
18"	16"	CRB16	75629	32773-1811	PV181116OR	7.3
24"	22"	CRB22	75630	32773-2411	PV241122OR	10.1
30"	28"	CRB28	75631	32773-3011	PV301128OR	12.8
36"	34"	CRB34	75632	32773-3611	PV361134OR	15.5
42"	40"	CRB40	75633	32773-4211	PV421140OR	18.3
48"	46"	CRB46	75634	32773-4811	PV481146OR	21.0
54"	52"	CRB52	75635	32773-5411	PV541152OR	23.8
60"	58"	CRB58	75636	32773-6011	PV601158OR	26.5
72"	70"	CRB70	75773	32773-7211	PV721170OR	32.0

Additional blade sizes are available upon request. Call for pricing.

NOTE: Blade coverage is 2 inches less than belt width.

Lead time: 1 working day

NOTE: Also works on Baker-Bohnert Yellow Jacket™ Primary Cleaners.

Replacement Blade Pin

ORDERING NUMBER	ITEM CODE	WT. LBS.
EZP1BP	75642	0.1

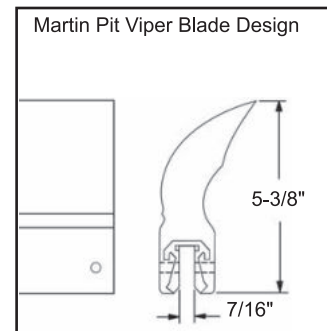
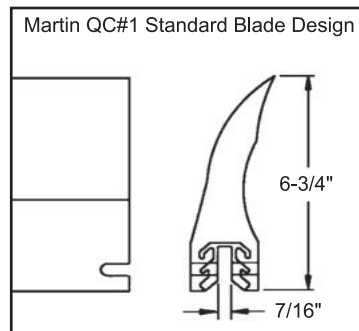
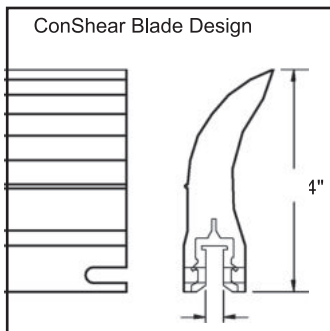
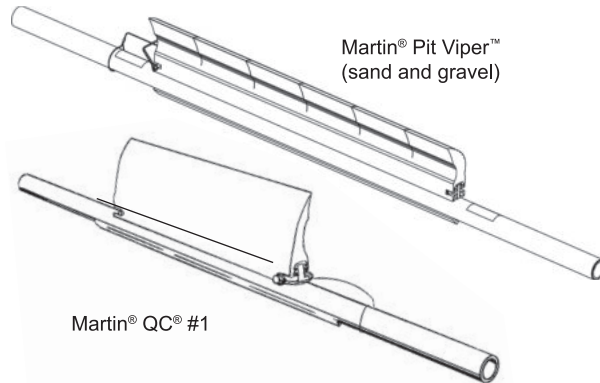
Lead time: 1 working day

Specifications

SLOT WIDTH	POLE PLATE THICKNESS	CON SHEAR™ BLADE HEIGHT	QC#1 BLADE HEIGHT
7/16"	5/16"	7-1/4"	6-3/4"

Useable Blade Volume Comparison

BLADE TYPE	BLADE LENGTH	USEABLE BLADE AREA (cross-section)	USEABLE BLADE VOLUME
Martin® QC™ #1	28"	3.00 in ²	84.0 in ³
Martin® Pit Viper™	28"	4.20 in ²	117.6 in ³
ConShear™	28"	5.50 in ²	154.0 in ³



U.S. Patent No. D482,508S

ConShear™ is a trademark of Flexible Steel Lacing Company.

Martin® and QC® #1 are registered trademarks, and Pit Viper™ is a trademark of Martin Engineering, Neponset, IL.

Yellow Jacket™ is a trademark of Baker-Bohnert, Louisville, KY

Service Industrial Supply

506 Brookforest Ave. Rt. 59 Shorewood Illinois 60404

Phone: 815.725.0062 • Fax: 815.725.2483 • www.serviceindustrialsupply.com

Cross-Reference for Replacement of Martin® QC® #1 Heavy-Duty Blades

Part Number Cross-Reference Guide

Ordering Information

BELT WIDTH	ACTUAL BLADE LENGTH	ORDERING NUMBER	CON SHEAR™ ITEM CODE	MARTIN® PART NUMBER	WT. LBS.
18"	12"	RBQC1HD-12	75985	35381-1811	5.5
24"	18"	RBQC1HD-18	75986	35381-2411	8.3
30"	24"	RBQC1HD-24	75987	35381-3011	11.0
36"	30"	RBQC1HD-30	75988	35381-3611	13.8
42"	36"	RBQC1HD-36	75989	35381-4211	16.6
48"	42"	RBQC1HD-42	75990	35381-4811	19.3
54"	48"	RBQC1HD-48	75991	35381-5411	22.1
60"	54"	RBQC1HD-54	75992	35381-6011	24.8
72"	66"	RBQC1HD-66	75993	35381-7211	30.4

Additional blade sizes are available upon request. Call for pricing.

NOTE: Blade coverage is 6 inches less than belt width.

Lead time: 1 working day

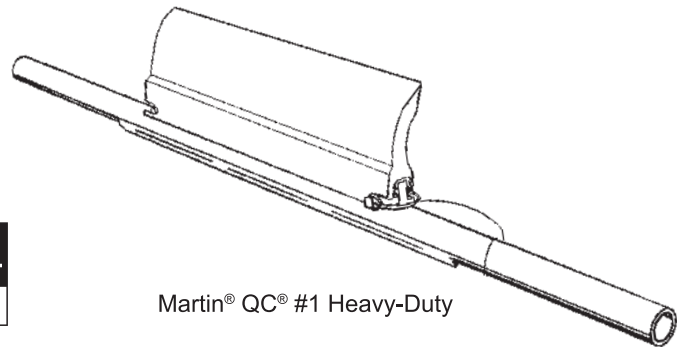
Replacement Blade Pin

ORDERING NUMBER	ITEM CODE	WT. LBS.
RB38BP	79481	0.2

Lead time: 1 working day

Specifications

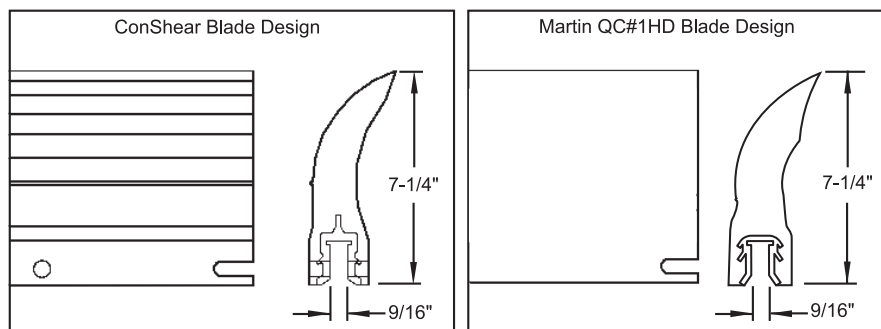
SLOT WIDTH	POLE PLATE THICKNESS	CON SHEAR BLADE HEIGHT	QC#1HD BLADE HEIGHT
9/16"	1/2"	7-1/4"	7-1/4"



Martin® QC® #1 Heavy-Duty

Useable Blade Volume Comparison

BLADE TYPE	BLADE LENGTH	USEABLE BLADE AREA (cross-section)	USEABLE BLADE VOLUME
Martin® QC™ #1 HD	28"	6.65 in ²	186.2 in ³
ConShear™	28"	5.50 in ²	154.0 in ³



U.S. Patent No. D482,508S

ConShear™ is a trademark of Flexible Steel Lacing Company.

Martin® and QC® #1 are registered trademarks of Martin Engineering, Neponset, IL.

Replacement Blades



Part Number Cross-Reference Guide

Cross-Reference for Replacement of Arch/Gordon Saber® Primary Blades

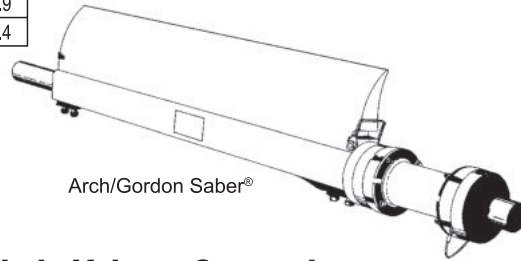
Ordering Information

BELT WIDTH	ACTUAL BLADE LENGTH	ORDERING NUMBER	CONShear™ ITEM CODE	ARCH/GORDON PART NUMBER	WT. LBS.
18"	16"	RBAGS-16	75995	MRBSB000180000	7.3
18"	18"	RBAGS-18	76967	MRBSB00018F000	8.2
24"	22"	RBAGS-22	75996	MRBSB000240000	10.1
24"	24"	RBAGS-24	76968	MRBSB00024F000	11.0
30"	28"	RBAGS-28	75997	MRBSB000300000	12.8
30"	30"	RBAGS-30	76969	MRBSB00030F000	13.7
36"	34"	RBAGS-34	75998	MRBSB000360000	15.5
36"	36"	RBAGS-36	76970	MRBSB00036F000	16.5
42"	40"	RBAGS-40	75999	MRBSB000420000	18.3
42"	42"	RBAGS-42	76971	MRBSB00042F000	19.2
48"	46"	RBAGS-46	76028	MRBSB000480000	21.0
48"	48"	RBAGS-48	76972	MRBSB00048F000	21.9
54"	52"	RBAGS-52	76029	MRBSB000540000	23.8
54"	54"	RBAGS-54	76973	MRBSB00054F000	24.7
60"	58"	RBAGS-58	76030	MRBSB000600000	26.5
60"	60"	RBAGS-60	76974	MRBSB00060F000	27.4
72"	70"	RBAGS-70	76031	MRBSB000720000	32.0
72"	72"	RBAGS-72	76975	MRBSB00072F000	32.9
84"	84"	RBAGS-84	76976	MRBSB00084F000	38.4

Additional blade sizes are available upon request. Call for pricing.

Lead time: 1 working day

NOTE: Also works on Falcon Primary Cleaners (Canada).



Arch/Gordon Saber®

Replacement Blade Pin

ORDERING NUMBER	ITEM CODE	WT. LBS.
EZP1BP	75642	0.1

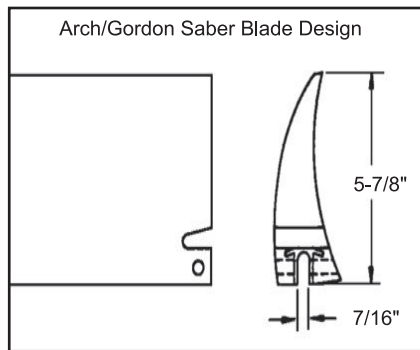
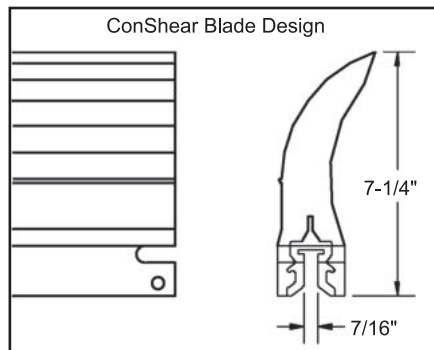
Lead time: 1 working day

Useable Blade Volume Comparison

BLADE TYPE	BLADE LENGTH	USEABLE BLADE AREA (cross-section)	USEABLE BLADE VOLUME
Arch/Gordon Saber®	28"	3.06 in ²	85.7 in ³
ConShear™	28"	5.50 in ²	154.0 in ³

Specifications

SLOT WIDTH	POLE PLATE THICKNESS	CONShear BLADE HEIGHT	SABER BLADE HEIGHT
7/16"	3/8"	7-1/4"	5-7/8"



U.S. Patent No. D482,508S

ConShear™ is a trademark of Flexible Steel Lacing Company.

Saber® is a registered trademark of Arch Environmental Equipment Inc., Paducah, KY.

Service Industrial Supply

506 Brookforest Ave. Rt. 59 Shorewood Illinois 60404

Phone: 815.725.0062 • Fax: 815.725.2483 • www.serviceindustrialsupply.com

Cross-Reference for Replacement of Arch/Gordon Saber (SCM) Channel Mount Blades

Part Number Cross-Reference Guide

Ordering Information

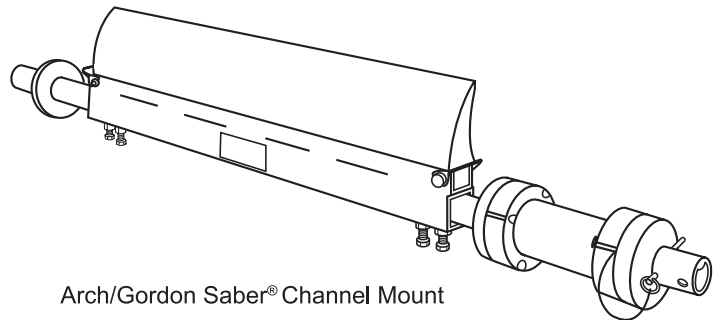
BELT WIDTH	ACTUAL BLADE LENGTH	ORDERING NUMBER	CONShear™ ITEM CODE	ARCH/GORDON PART NUMBER	ARCH/GORDON OLD PART NUMBER	WT. LBS.
18"	16"	RBAGSCM-16	76572	MRBCM00018	SCM-016-18	7.3
24"	22"	RBAGSCM-22	76573	MRBCM00024	SCM-016-24	10.1
30"	28"	RBAGSCM-28	76574	MRBCM00030	SCM-016-30	12.8
36"	34"	RBAGSCM-34	76575	MRBCM00036	SCM-016-36	15.5
42"	40"	RBAGSCM-40	76576	MRBCM00042	SCM-016-42	18.3
48"	46"	RBAGSCM-46	76577	MRBCM00048	SCM-016-48	21.0
54"	52"	RBAGSCM-52	76578	MRBCM00054	SCM-016-54	23.8
60"	58"	RBAGSCM-58	76579	MRBCM00060	SCM-016-60	26.5
72"	70"	RBAGSCM-70	76581	MRBCM00072	SCM-016-72	32.0

Additional blade sizes are available upon request. Call for pricing.
NOTE: Blade coverage is 2 inches less than belt width.

Replacement Blade Pin

ORDERING NUMBER	ITEM CODE	WT. LBS.
EZP1BP	75642	0.1

Lead time: 1 working day



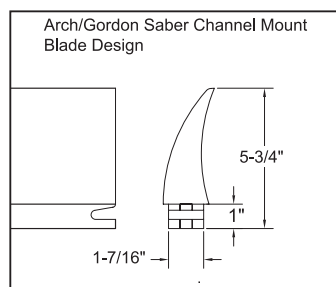
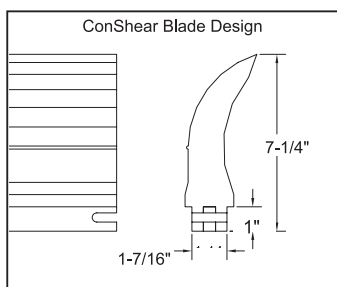
Arch/Gordon Saber® Channel Mount

Specifications

BASE WIDTH	CONShear BLADE HEIGHT	CHANNEL MOUNT BLADE HEIGHT
1-7/16"	7-1/4"	5-3/4"

Useable Blade Volume Comparison

BLADE TYPE	BLADE LENGTH	USEABLE BLADE AREA (cross-section)	USEABLE BLADE VOLUME
Arch/Gordon Saber® Channel Mount	28"	3.06 in ²	85.7 in ³
ConShear™	28"	5.50 in ²	154.0 in ³



U.S. Patent No. D482,508S
ConShear™ is a trademark of Flexible Steel Lacing Company.
Saber® is a registered trademark of Arch Environmental Equipment Inc., Paducah, KY.

Replacement Blades



Part Number Cross-Reference Guide

Cross-Reference for Replacement of ASGCO® Skalper® IV Blades*

Ordering Information

BELT WIDTH	ACTUAL BLADE LENGTH	ORDERING NUMBER	CON SHEAR™ ITEM CODE	ASGCO® PART NUMBER	WT. LBS.
18"	18"	RBAS4-18	76032	ASG-SK4-18A	8.3
24"	24"	RBAS4-24	76033	ASG-SK4-24A	11.0
30"	30"	RBAS4-30	76034	ASG-SK4-30A	13.8
36"	36"	RBAS4-36	76035	ASG-SK4-36A	16.6
42"	42"	RBAS4-42	76036	ASG-SK4-42A	19.3
48"	48"	RBAS4-48	76037	ASG-SK4-48A	22.1
54"	54"	RBAS4-54	76038	ASG-SK4-54A	24.8
60"	60"	RBAS4-60	76039	ASG-SK4-60A	27.6
72"	72"	RBAS4-72	76040	ASG-SK4-72A	33.1

Additional blade sizes are available upon request. Call for pricing.

NOTE: Blade coverage is the same as the belt width.

Blade design is identical to Argonics replacement blade, except for length. Can be interchanged.

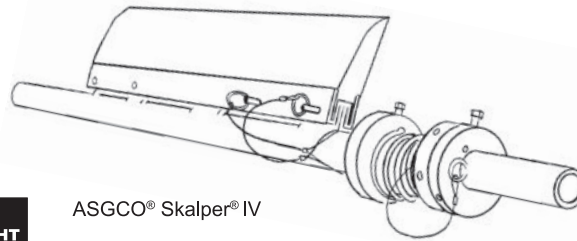
*Also interchangeable with ASGCO® Skalper® III Blades.

Lead time: 1 working day

Replacement Blade Pin

ORDERING NUMBER	ITEM CODE	WT. LBS.
RB38BP	79481	0.2

Lead time: 1 working day



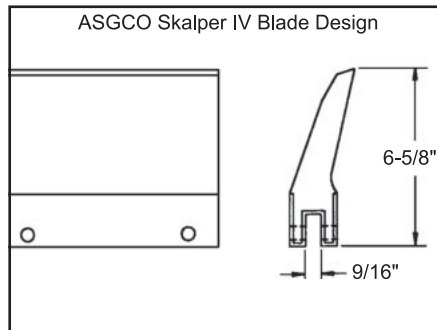
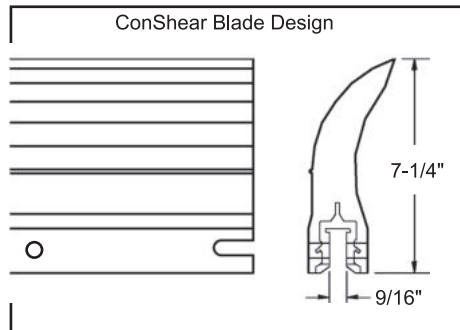
ASGCO® Skalper® IV

Specifications

SLOT WIDTH	POLE PLATE THICKNESS	CON SHEAR BLADE HEIGHT	SKALPER BLADE HEIGHT
9/16"	1/2"	7-1/4"	6-5/8"

Useable Blade Volume Comparison

BLADE TYPE	BLADE LENGTH	USEABLE BLADE AREA (cross-section)	USEABLE BLADE VOLUME
ASGCO® Skalper® IV	28"	3.29 in ²	92.1 in ³
ConShear™	28"	5.50 in ²	154.0 in ³



U.S. Patent No. D482,508S

ConShear™ is a trademark of Flexible Steel Lacing Company.

ASGCO® and Skalper® are registered trademarks of ASGCO Mfg, Inc., Allentown, PA.

Service Industrial Supply

506 Brookforest Ave. Rt. 59 Shorewood Illinois 60404

Phone: 815.725.0062 • Fax: 815.725.2483 • www.serviceindustrialsupply.com

Cross-Reference for Replacement

of Argonics™ Raptor™ Blades

Ordering Information

Part Number Cross Reference Guide

BELT WIDTH	ACTUAL BLADE LENGTH	ORDERING NUMBER	CONShear™ ITEM CODE	ARGONICS PART NUMBER	WT. LBS.
12"	10"	RBAER-10	76041	CP-RE-10-G83	4.6
18"	16"	RBAER-16	76042	CP-RE-16-G83	7.3
24"	22"	RBAER-22	76043	CP-RE-22-G83	10.1
30"	28"	RBAER-28	76044	CP-RE-28-G83	12.8
36"	34"	RBAER-34	76045	CP-RE-34-G83	15.5
42"	40"	RBAER-40	76046	CP-RE-40-G83	18.3
46"	44"	RBAER-44	76655	CP-RE-44-G83	20.1
48"	46"	RBAER-46	76047	CP-RE-46-G83	21.0
54"	52"	RBAER-52	76048	CP-RE-52-G83	23.8
60"	58"	RBAER-58	76049	CP-RE-58-G83	26.5
72"	70"	RBAER-70	76050	CP-RE-70-G83	32.0

Additional blade sizes are available upon request. Call for pricing.

NOTE: Blade coverage is 2 inches less than the belt width.

Blade design is identical to ASGCO replacement blade, except for length. Can be interchanged.

Lead time: 1 working day

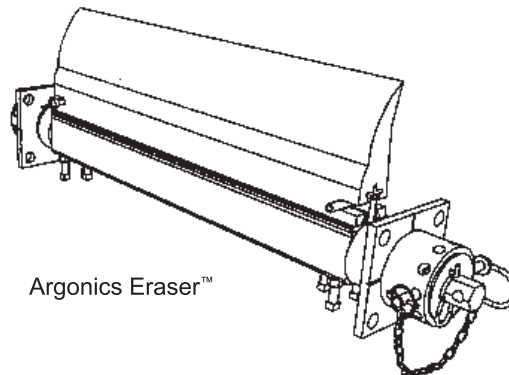
Replacement Blade Pin

ORDERING NUMBER	ITEM CODE	WT. LBS.
RB38BP	79481	0.2

Lead time: 1 working day

Specifications

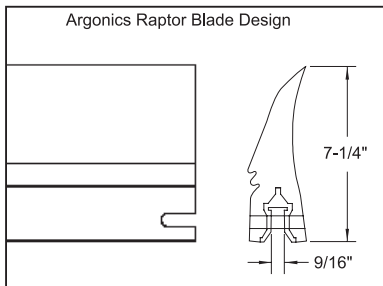
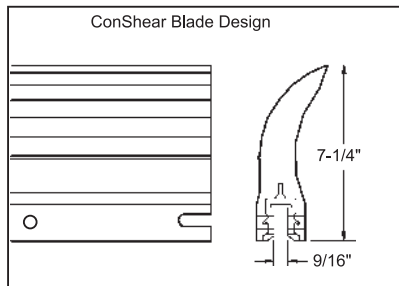
SLOT WIDTH	POLE PLATE THICKNESS	CONShear BLADE HEIGHT	RAPTOR BLADE HEIGHT
9/16"	1/2"	7-1/4"	7-1/4"



Argonics Eraser™

Useable Blade Volume Comparison

BLADE TYPE	BLADE LENGTH	USEABLE BLADE AREA (cross-section)	USEABLE BLADE VOLUME
Argonics™ Raptor™	28"	4.25 in ²	119.0 in ³
ConShear™	28"	5.50 in ²	154.0 in ³



U.S. Patent No. D482,508S

ConShear™ is a trademark of Flexible Steel Lacing Company.

Eraser™ and Raptor™ are registered trademarks of Argonics, Inc., Marquette, MI.

Replacement Blades



Part Number Cross-Reference Guide

Cross-Reference for Replacement of Stephens-Adamson Metso/Trellex Blades

Ordering Information

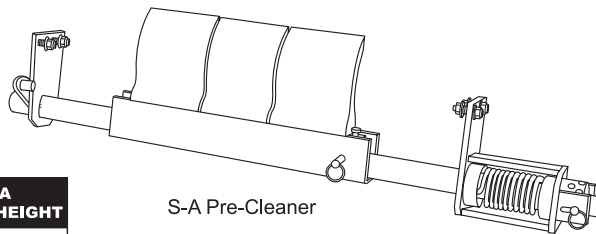
ACTUAL BLADE LENGTH	ORDERING NUMBER	CONShear™ ITEM CODE	SA PART NUMBER	WT. LBS.
6"	R6SA	76570	ABC90	3.1

Blades fit into cartridge that mounts on the pole.
Lead time: 1 working day

Cleaner Blades Required Per Belt Width

in.	18	24	30	36	42	48	54	60	72
mm	450	600	750	900	1050	1200	1350	1500	1800
Blades Required	2	3	4	5	6	7	8	9	11

NOTE: Blade coverage is 6 inches less than the belt width.

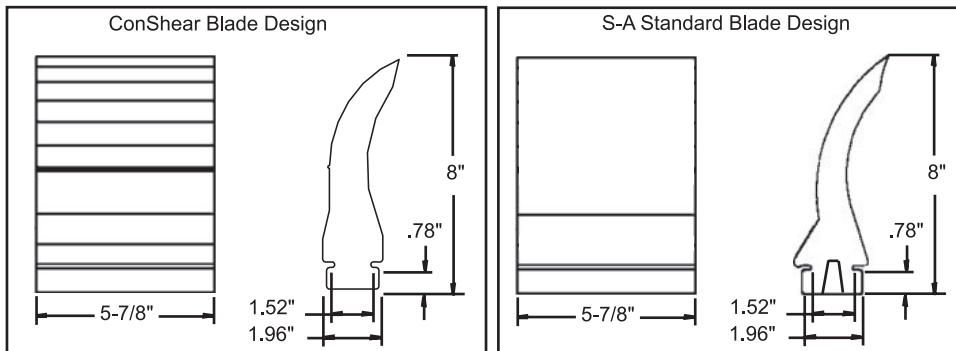


Specifications

BASE WIDTH	BASE HEIGHT	CONShear BLADE HEIGHT	S-A BLADE HEIGHT
1.96"	.78"	8"	8"

Useable Blade Volume Comparison

BLADE TYPE	BLADE LENGTH	USEABLE BLADE AREA (cross-section)	USEABLE BLADE VOLUME
S-A Metso/Trellex	6"	3.88 in ²	22.8 in ³
ConShear™	6"	5.50 in ²	33.0 in ³



U.S. Patent No. D482,508S
ConShear™ is a trademark of Flexible Steel Lacing Company.

Cross-Reference for Replacement of Martin® Durt Hawg® Precleaner Blades

Part Number Cross-Reference Guide

Ordering Information

ACTUAL BLADE LENGTH	ORDERING NUMBER	CON SHEAR™ ITEM CODE	MARTIN® PART NUMBER	WT. LBS.
6"	RB6DH	76571	27987-C	3.3

Lead time: 1 working day

Cleaner Blades Required Per Belt Width

in.	18	24	30	36	42	48	54	60	72
mm	450	600	750	900	1050	1200	1350	1500	1800
Blades Required	2	3	4	5	6	7	8	9	11

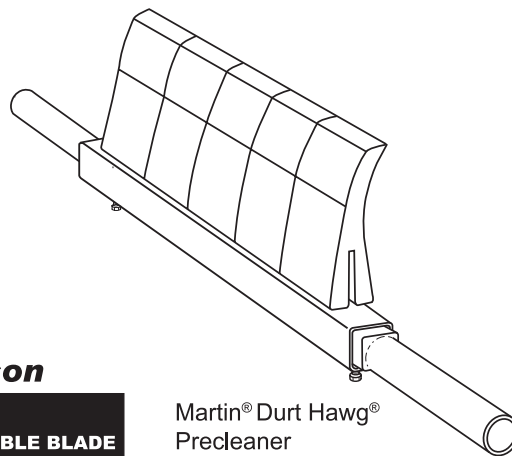
NOTE: Blade coverage is 6 inches less than the belt width.

Specifications

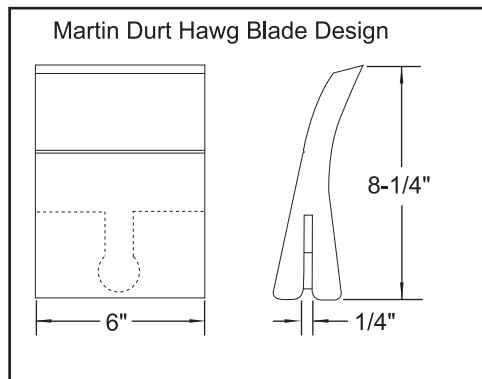
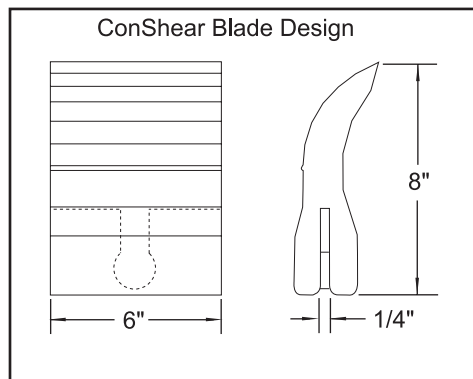
SLOT WIDTH	CON SHEAR BLADE HEIGHT	DURT HAWG BLADE HEIGHT
1/4"	8"	8 1/4"

Useable Blade Volume Comparison

BLADE TYPE	BLADE LENGTH	USEABLE BLADE AREA (cross-section)	USEABLE BLADE VOLUME
Martin® Durt Hawg	6"	3.80 in ²	22.2 in ³
ConShear™	6"	5.50 in ²	33.0 in ³

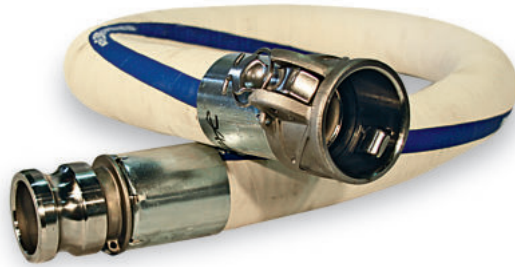


Martin® Durt Hawg® Precleaner



U.S. Patent No. D482,508S

ConShear™ is a trademark of Flexible Steel Lacing Company. Martin® and Durt Hawg® are registered trademarks of Martin Engineering, Neponset, IL.



WHITE FLEXWING®

Continental  ContlTech

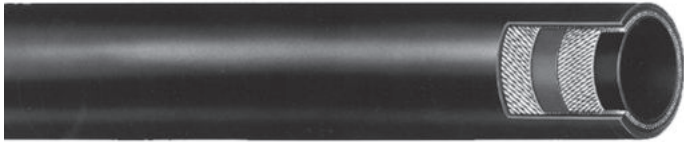
- COUPLED:** S.S. Continental Insta-lock™ Male x Female Camlocks with Crimped Ferrules
- COVER:** White Chemivic Synthetic Rubber (Wrapped Impression)
- TUBE:** White Chemivic™ Synthetic Rubber (FDA/USDA Compliant and Conforms to
3-A Sanitary Standard 18-03)
- TEMP:** -25° F to 250° F
- REINFORCEMENT:** Spiral-Plied Synthetic Fabric with Galvanized Wire Helix
- APPLICATION:** A highly flexible hose for gravity flow, pressure or suction service transferring oily and nonoily edibles from tank truck and in-plant services.

Stainless Steel Caps & Plugs Available

Additional Lengths Available

PART#	DESCRIPTION	W.P.	STOCK
20019289-10CEF	1-1/2" x 10' White Flexwing Food Hose cpld S.S. Continental Male x Female Camlocks with Crimped Ferrules	150	IN STOCK
20019289-20CEF	1-1/2" x 20' White Flexwing Food Hose cpld S.S. Continental Male x Female Camlocks with Crimped Ferrules	150	IN STOCK
20019289-25CEF	1-1/2" x 25' White Flexwing Food Hose cpld S.S. Continental Male x Female Camlocks with Crimped Ferrules	150	IN STOCK
20019292-10CEF	2" x 10' White Flexwing Food Hose cpld S.S. Continental Male x Female Camlocks with Crimped Ferrules	150	IN STOCK
200192-20CEF	2" x 20' White Flexwing Food Hose cpld S.S. Continental Male x Female Camlocks with Crimped Ferrules	150	IN STOCK
200192--25CEF	2" x 25' White Flexwing Food Hose cpld S.S. Continental Male x Female Camlocks with Crimped Ferrules	150	IN STOCK
20019297-10CEF	3" x 10' White Flexwing Food Hose cpld S.S. Continental Male x Female Camlocks with Crimped Ferrules	150	IN STOCK
20019297-20CEF	3" x 20' White Flexwing Food Hose cpld S.S. Continental Male x Female Camlocks with Crimped Ferrules	150	IN STOCK
20019297-25CEF	3" x 25' White Flexwing Food Hose cpld S.S. Continental Male x Female Camlocks with Crimped Ferrules	150	IN STOCK
20019301-10CEF	4" x 10' White Flexwing Food Hose cpld S.S. Continental Male x Female Camlocks with Crimped Ferrules	150	IN STOCK
20019301-20CEF	4" x 20' White Flexwing Food Hose cpld S.S. Continental Male x Female Camlocks with Crimped Ferrules	150	IN STOCK
20019301-25CEF	4" x 25' White Flexwing Food Hose cpld S.S. Continental Male x Female Camlocks with Crimped Ferrules	150	IN STOCK

POTABLE WATER



- APPLICATION:** Designed to handle water suitable for drinking. Used in oilfield or industrial applications. Used in discharge service only. This hose is not NSF approved.
- CONSTRUCTION**
- TUBE:** White natural rubber (complies with FDA requirements)
- COVER:** Blue SBR (smooth, wrapped impression)
- REINFORCEMENT:** Synthetic textile fabric plies
- TEMPERATURE:** -25°F to 180°F (-32C to 82°C)
- PACKAGING:** Coiled-polyethylene wrapped/bagel pack
- BRANDING:** Continuous brand example Continental Potable Water Hose 150 psi WP.
- COUPLINGS:** Contact fitting manufacturer for proper fitting recommendation and coupling procedure.

<i>ID</i>		<i>NOM. OD</i>		<i>MAX. WP</i>		<i>WEIGHT</i>	
<i>in.</i>	<i>mm.</i>	<i>in.</i>	<i>mm.</i>	<i>psi.</i>	<i>Mpa.</i>	<i>lb./ft.</i>	<i>kg./m.</i>
1	25.4	1.49	37.9	250	1.72	0.55	0.82
1 ^{1/2}	38.1	1.98	50.3	200	1.38	0.77	1.15
2	50.8	2.50	63.5	150	1.03	0.96	1.43
3	76.2	3.00	76.2	150	1.03	1.72	2.56
4	101.6	4.56	115.8	150	1.03	1.99	2.96

SPECTRA™ 1000



- APPLICATION:** For use on pressure washer machines with working pressures up to 1000 psi. Its oil-resistant cover provides protection against the effects of oil and animal fats.
- CONSTRUCTION**
- TUBE:** Nitrile synthetic rubber
 - COVER:** Yellow oil-resistant synthetic rubber, RMA Class A (High Oil Resistance)
 - REINFORCEMENT:** Braided (1) steel wire
- TEMPERATURE:** -20°F to 250°F (-29°C to 121°C)
- PACKAGING:** 500' reel, maximum 3 pieces, 50' increments, coupled lengths available
- BRANDING:** Continuous brand example Spectra™ 1000 3/8" 1000 psi WP. Made in USA by Continental.
- COUPLINGS:** Contact fitting manufacturer for proper fitting recommendation and coupling procedure.

<i>ID</i>		<i>NOM. OD</i>		<i>MAX. WP</i>		<i>WEIGHT</i>	
<i>in.</i>	<i>mm.</i>	<i>in.</i>	<i>mm.</i>	<i>psi.</i>	<i>Mpa.</i>	<i>lb./ft.</i>	<i>kg./m.</i>
3/8	9.5	0.69	17.5	1000	6.90	0.23	0.34
1/2	12.7	0.81	20.6	1000	6.90	0.29	0.42
3/4	19.1	1.10	27.9	1000	6.90	0.42	0.63

Note: Not recommended for steam service.

PLICORD® BREWLINE®



APPLICATION:	A quality discharge hose designed specifically for the highly demanding service of transferring nonoily liquid products in wineries and breweries.
CONSTRUCTION	
TUBE:	White chlorobutyl rubber (FDA/USDA compliant and conforms to 3-A Sanitary Standard 18-03)
COVER:	Red EPDM with a white spiral stripe (wrapped impression)
REINFORCEMENT:	Spiral-plied synthetic fabric, 4 plies to 1 ¹ / ₂ " I.D.; 6 plies over 1 ¹ / ₂ " I.D.
TEMPERATURE:	-40°F to 220°F (-40°C to 104°C)
PACKAGING:	100' length, coiled, polywrapped
BRANDING:	Continuous spiral brand example Continental Plicord Brewline hose 250 psi; FDA, 3-A, and USDA. Contact fitting manufacturer for proper fitting recommendation and coupling procedure.

ID		NOM. OD		MAX. WP		VACUUM		WEIGHT	
<i>in.</i>	<i>mm.</i>	<i>in.</i>	<i>mm.</i>	<i>psi.</i>	<i>Mpa.</i>	<i>in.</i>	<i>mm.</i>	<i>lb./ft.</i>	<i>kg./m.</i>
3/4	19.1	1.34	34.0	250	1.72	20	508	0.54	0.80
1	25.4	1.69	42.9	250	1.72	20	508	0.81	1.21
1 ¹ / ₄	31.8	2.00	50.8	250	1.72	20	508	1.05	1.56
1 ¹ / ₂	38.1	2.23	56.6	250	1.72	20	508	1.19	1.77
2	50.8	2.88	73.2	250	1.72	20	508	1.86	2.77
2 ¹ / ₂	63.5	3.51	89.2	250	1.72	20	508	2.66	3.96
3	76.2	4.09	103.9	250	1.72	20	508	3.57	5.31
4	101.6	5.31	134.9	250	1.72	20	508	5.43	8.08

FORTRESS™ 300
 WITH  **Microban®** PRODUCT PROTECTION



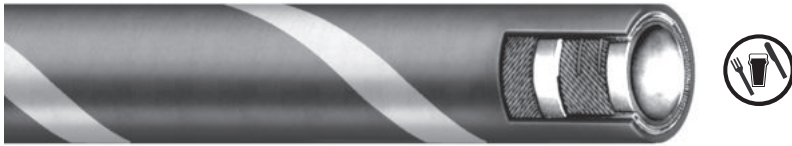
- APPLICATION:** A high-quality construction for hot water up to 200°F (93°C) cleanup service in food processing plants, dairies, packing houses, bottling plants, breweries, canneries and creameries. Its super abrasion and oil-resistant cover provides maximum protection against the adverse affects of oil and animal fats. The cover of Continental’s Fortress 300 hose incorporates Microban’s® * anti-microbial built-in product protection.
- CONSTRUCTION**
- TUBE:** Black Nitrile synthetic rubber
- COVER:** Yellow Carbryn® synthetic rubber, RMA Class A (High Oil Resistance) with Microban® product protection
- REINFORCEMENT:** Spiral synthetic yarn
- TEMPERATURE:** -20°F to 200°F (-29°C to 93°C)
- PACKAGING:** 1/2"–3/4" 500' reels, maximum 3 pieces, 50' increments
 1" 450' reels, maximum 3 pieces, 50' increments
- BRANDING:** Continuous brand example Fortress 300 with Microban® Built-in Protection 3/8" 300 psi WP. Made in USA by Continental.
- COUPLINGS:** Use Continental’s pressure washer fittings with this product. See page 235 for available sizes. Refer to Continental’s Hose Assembly Manual for crimp procedures. Coupled lengths with MxMS fittings and Kink Guards available.

ID		NOM. OD		MAX. WP		WEIGHT	
<i>in.</i>	<i>mm.</i>	<i>in.</i>	<i>mm.</i>	<i>psi.</i>	<i>Mpa.</i>	<i>lb./ft.</i>	<i>kg./m.</i>
1/2	12.7	0.90	22.8	300	2.07	0.29	0.43
5/8	15.9	1.06	27.0	300	2.07	0.36	0.54
3/4	19.1	1.19	30.2	300	2.07	0.41	0.61
1	25.4	1.50	38.1	300	2.07	0.60	0.89

*Microban® antimicrobial product protection inhibits the growth of bacteria, mold, and fungi that can cause odor, stains, or degradation of the hose cover.

Microban® is intended to protect the hose cover only. It is not a substitute for good sanitary practices.

PLICORD® GRAY FOOD



- APPLICATION:** A flexible hose for gravity flow, pressure, or suction service transferring edibles from tank truck and in-plant service.
- CONSTRUCTION**
- TUBE:** White Chemivic® synthetic rubber (FDA/USDA compliant and conforms to 3-A Sanitary Standard 18-03)
- COVER:** Gray Chemivic® synthetic rubber (wrapped impression)
- REINFORCEMENT:** Spiral-plyed synthetic fabric with Galvanized Wire helix
- TEMPERATURE:** -25°F to 212°F (-32°C to 100°C)
- PACKAGING:** 100' length, coiled, polywrapped
- BRANDING:** Continuous spiral brand Continental Plicord Gray Food; FDA, 3-A, and USDA 150 psi.
- COUPLINGS:** Use Continental's Insta-Lock Cam & Groove Fittings with this product.

ID		NOM. OD		MAX. WP		BEND RADIUS		VACUUM HG		WEIGHT	
<i>in.</i>	<i>mm.</i>	<i>in.</i>	<i>mm.</i>	<i>psi</i>	<i>Mpa</i>	<i>in.</i>	<i>mm.</i>	<i>in.</i>	<i>mm.</i>	<i>lb./ft.</i>	<i>kg./m.</i>
1	25.4	1.45	36.7	150	1.03	3	75	29	737	0.58	0.86
1 ^{1/2}	38.1	1.97	50.0	150	1.03	4	102	29	737	0.85	1.26
2	50.8	2.59	65.8	150	1.03	5	114	29	737	1.42	2.11
2 ^{1/2}	63.5	3.09	78.5	150	1.03	6	152	29	737	1.77	2.63
3	76.2	3.59	91.2	150	1.03	7	178	29	737	2.10	3.13
4	101.6	4.68	118.9	150	1.03	10	254	29	737	3.19	4.75

PLICORD® WINELINE®



- APPLICATION:** A quality, nontoxic hose for handling wine, potable water, and other nonoily liquid food products where the hose must meet FDA requirements. For discharge service and suction service up to 20" hg vacuum at ambient temperature.
- CONSTRUCTION**
- TUBE:** White chlorobutyl rubber (FDA/USDA compliant and conforms to 3-A Sanitary Standard 18-03)
- COVER:** White EPDM rubber with a purple spiral stripe (wrapped impression)
- REINFORCEMENT:** Spiral-plyed synthetic fabric, 4 plies to 1 1/2" I.D.; 6 plies over 1 1/2" I.D.
- TEMPERATURE:** -40°F to 220°F (-40°C to 104°C)
- PACKAGING:** 100' length, coiled, polywrapped
- BRANDING:** Continuous spiral brand Continental Plicord Winline hose 250 psi; FDA, 3-A, and USDA.
- COUPLINGS:** Contact fitting manufacturer for proper fitting recommendation and coupling procedure.

ID		NOM. OD		MAX. WP		VACUUM		WEIGHT	
<i>in.</i>	<i>mm.</i>	<i>in.</i>	<i>mm.</i>	<i>psi.</i>	<i>Mpa.</i>	<i>in.</i>	<i>mm.</i>	<i>lb./ft.</i>	<i>kg./m.</i>
3/4	19.1	1.39	35.3	250	1.72	20	508	0.60	0.89
1	25.4	1.69	42.9	250	1.72	20	508	0.80	1.19
1 1/4	31.8	2.00	50.8	250	1.72	20	508	1.04	1.55
1 1/2	38.1	2.23	56.6	250	1.72	20	508	1.20	1.79
2	50.8	2.92	74.2	250	1.72	20	508	1.98	2.95
2 1/2	63.5	3.50	88.9	250	1.72	20	508	2.65	3.94
3	76.2	4.09	103.9	250	1.72	20	508	3.55	5.28
4	101.6	5.30	134.6	250	1.72	20	508	5.40	8.04



tigerflex[®]

WE™ SERIES

- COUPLED:** Aluminum female x male camlocks with double bands
- CONSTRUCTION:** Clear PVC tube with multi-stranded ground wire
- TUBE:** Clear FDA and USDA
- TEMP:** -4° F to 150° F
- APPLICATION:** Food grade, dry materials, plastic processing equipment, grounding wire helps prevent the build up of static electricity

PART#	DESCRIPTION	W.P.	VACUUM
WE150-10CE	1-1/2" x 10' WE Food Hose with grounding wire cpld alum male x female camlocks double banded	50	28
WE150-20CE	1-1/2" x 20' WE Food Hose with grounding wire cpld alum male x female camlocks double banded	50	28
WE150-50CE	1-1/2" x 50' WE Food Hose with grounding wire cpld alum male x female camlocks double banded	50	28
WE200-10CE	2" x 10' WE Food Hose with grounding wire cpld alum male x female camlocks double banded	40	28
WE200-20CE	2" x 20' WE Food Hose with grounding wire cpld alum male x female camlocks double banded	40	28
WE200-50CE	2" x 50' WE Food Hose with grounding wire cpld alum male x female camlocks double banded	40	28
WE300-10CE	3" x 10' WE Food Hose with grounding wire cpld alum male x female camlocks double banded	40	28
WE300-20CE	3" x 20' WE Food Hose with grounding wire cpld alum male x female camlocks double banded	40	28
WE300-50CE	3" x 50' WE Food Hose with grounding wire cpld alum male x female camlocks double banded	40	28
WE400-10CE	4" x 10' WE Food Hose with grounding wire cpld alum male x female camlocks double banded	40	28
WE400-20CE	4" x 20' WE Food Hose with grounding wire cpld alum male x female camlocks double banded	30	24
WE400-50CE	4" x 50' WE Food Hose with grounding wire cpld alum male x female camlocks double banded	30	24



tigerflex[®]

WT™ SERIES

- COUPLED:** Aluminum female x male camlocks with double bands
- CONSTRUCTION:** Clear PVC tube with rigid PVC Helix
- TUBE:** Clear FDA and USDA Approved
- TEMP:** -4° F to 150° F
- APPLICATION:** Food grade liquids such as potable water, beer, wine and juice

PART#	DESCRIPTION	W.P.	VACUUM
WT150-10CE	1-1/2" x 10' WT Food Hose cpld alum male x female camlocks double banded	50	28
WT150-20CE	1-1/2" x 20' WT Food Hose cpld alum male x female camlocks double banded	50	28
WT150-50CE	1-1/2" x 50' WT Food Hose cpld alum male x female camlocks double banded	50	28
WT200-10CE	2" x 10' WT Food cpld alum male x female camlocks double banded	40	28
WT200-20CE	2" x 20' WT Food Hose cpld alum male x female camlocks double banded	40	28
WT200-50CE	2" x 50' WT Food Hose cpld alum male x female camlocks double banded	40	28
WT300-10CE	3" x 10' WT Food Hose cpld alum male x female camlocks double banded	40	28
WT300-20CE	3" x 20' WT Food Hose cpld alum male x female camlocks double banded	40	28
WT300-50CE	3" x 50' WT Food Hose cpld alum male x female camlocks double banded	40	28
WT400-10CE	4" x 10' WT Food Hose cpld alum male x female camlocks double banded	40	28
WT400-20CE	4" x 20' WT Food Hose cpld alum male x female camlocks double banded	30	24
WT400-50CE	4" x 50' WT Food Hose cpld alum male x female camlocks double banded	30	24

KANAFLEX 180AR



Kanaflex®

- COUPLED:** Male x Female Irrigation Fittings. Bands/Spiral Bolt Clamps
- COVER:** Thermoplastic Alloyed Blend of Nitrate, Polyurethane and PVC
- TUBE:** Thermoplastic Alloyed Blend of Polyurethane and PVC (Static Dissipating/Static Conductive)
- TEMP:** -40° F to 158° F
- REINFORCEMENT:** Rigid High-Density White PVC Helix
- APPLICATION:** This hose is used for a variety of abrasive material handling applications to transfer sand, gravel, dry cement, fly ash and slurries where a static dissipating tube is needed

Other Sizes/Lengths Available

PART #	DESCRIPTION	STOCK
20013529	2" x 25' Kanaflex 180AR	IN STOCK
2001352	3" x 25' Kanaflex 180AR	IN STOCK
20013535-25MRFR	4 x 25' Kanaflex 180AR cpld MXF Irrigation Fittings	IN STOCK
20013535-50MRFR	4" x 50' Kanaflex 180AR cpld MXF Irrigation Fittings	IN STOCK
20013545-25MRFR	6" x 25' Kanaflex 180AR cpld MXF Irrigation Fittings	IN STOCK

Material Handling Hose

VAC HOSE



- COVER:** Black Corrugated
- TUBE:** Smooth, Abrasion Resistant, 1/4" black Nitrile Tube
- TEMP:** -40° F to 160° F
- REINFORCEMENT:** Spiral-Plied Synthetic Fabric with wire helix
- APPLICATION:** Heavy duty corrugated vacuum hose designed for easy handling and full vacuum.

Additional Custom Lengths Available

PART #	DESCRIPTION	STOCK
98BG-06000-20-72	6" x 6' Corrugated Vac Hose with 4" Long Cuffs	IN STOCK
98BG-06000-20-120	6" x 10' Corrugated Vac Hose with 4" Long Cuffs	IN STOCK
98BG-06000-20-180	6" x 15' Corrugated Vac Hose with 4" Long Cuffs	IN STOCK
98BG-08000-20-62	8" x 5' Corrugated Vac Hose with 4" Long Cuffs	IN STOCK
98BG-08000-20-084	8" x 7' Corrugated Vac Hose with 4" Long Cuffs	IN STOCK
98BG-08000-20-127	8" x 10' Corrugated Vac Hose with 4" Long Cuffs	IN STOCK
98BG-08000-20-168	8" x 14' Corrugated Vac Hose with 4" Long Cuffs	IN STOCK



 **Service Industrial Supply**

506 Brookforest Ave. Rt. 59 Shorewood Illinois 60404

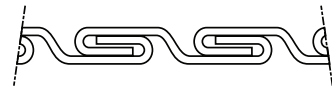
Phone: 815.725.0062 • Fax: 815.725.2483 • www.serviceindustrialsupply.com

Material Handling Hose



METAL FLEX

HOSE TEC®



Unpacked

CONSTRUCTION: A Single Metal Strip is Formed to Create a Flexible Interlocked Metal Hose

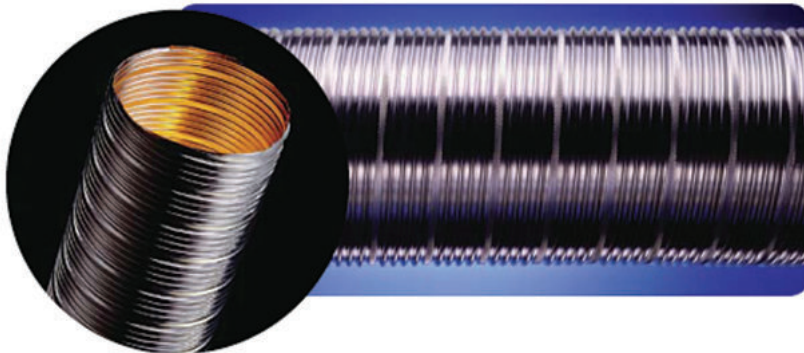
MATERIAL: *Galvanized Steel *.017"-.020" Strip Thickness

TEMP: Up to 750° F

APPLICATION: Semi-solid materials, dust and fume collection and fly ash removal

Other Sizes, Lengths Available
Also Available in Stainless Steel

PART #	DESCRIPTION	BEND RADIUS	WT. PER FOOT
41-0200	2" x 25' Lengths	16.00	1.30
41-0300	3" x 25' Lengths	22.00	2.00
41-0400	4" x 25' Lengths	29.00	2.60
41-0600	6" x 25' Lengths	44.00	3.60
41-0800	8" x 25' Lengths	56.00	4.70



 **Service Industrial Supply**

506 Brookforest Ave. Rt. 59 Shorewood Illinois 60404

Phone: 815.725.0062 • Fax: 815.725.2483 • www.serviceindustrialsupply.com

PLICORD® SOFTWALL



ContiTech



- COUPLED:** Aluminum Female x Female Camlocks Double Banded
- COVER:** Black Plioflex® Synthetic Rubber with White Spiral Stripe
- TUBE:** Black Chemrin Synthetic Rubber
- TEMP:** -25° F to 180° F
- REINFORCEMENT:** Spiral-Plied Synthetic Fabric
- APPLICATION:** For discharge of dry bulk cement from tank trucks and in-plant services.

PART #	DESCRIPTION	LBS./FT.	W.P.
20019309-10CC	4" x 10' 1/8" Tube cpld Alum F x F Camlocks w/2-Bands	1.72	50
20019309-20CC	4" x 20' 1/8" Tube cpld Alum F x F Camlocks w/2-Bands	1.72	50
20019309-25CC	4" x 25' 1/8" Tube cpld Alum F x F Camlocks w/2-Bands	1.72	50
20019281-10CC	4" x 10' 3/16" Tube cpld Alum F x F Camlocks w/2-Bands	2.20	50
20019281-20CC	4" x 20' 3/16" Tube cpld Alum F x F Camlocks w/2-Bands	2.20	50
20019281-25CC	4" x 25' 3/16" Tube cpld Alum F x F Camlocks w/2-Bands	2.20	50
20019277-10CC	4" x 10' 1/4" Tube cpld Alum F x F Camlocks w/2-Bands	2.61	50
20019277-20CC	4" x 20' 1/4" Tube cpld Alum F x F Camlocks w/2-Bands	2.61	50
20019277-25CC	4" x 25' 1/4" Tube cpld Alum F x F Camlocks w/2-Bands	2.61	50

Material Handling Hose



ALLCRETE TEXTILE® Plaster Grout & Concrete

- COUPLED:** C.S. MNPT/C.S. Victaulic/or Heavy Ends
- COVER:** Black EPDM rubber (rapped impression)
- TUBE:** Black ChemiTuf Synthetic Rubber
- TEMP:** -25° F to 180° F
- REINFORCEMENT:** Spiral-Plied high-strength fabric
- APPLICATION:** For use in plaster, grout, and shotcrete applications, handling a multitude of materials being pumped to concrete structures, dams, tunnel faces and swimming pools

PART #	DESCRIPTION	W.P.
20019933-25MM	1" x 25' Allcrete cpld Full Flow C.S. MNPT E/E W/Ferrules	1233
20019937-25MM	1-1/4" x 25' Allcrete cpld Full Flow C.S. MNPT E/E W/Ferrules	1233
20019937-25VIC	1-1/4" x 25' Allcrete cpld Full Flow C.S. Victaulic E/E W/Ferrules	1233
20019941-25MM	1-1/2" x 25' Allcrete cpld Full Flow C.S. MNPT E/E W/Ferrules	1233
20019941-25VIC	1-1/2" x 25' Allcrete cpld Full Flow C.S. Victaulic E/E W/Ferrules	1233
20019945-25MM	2" x 25' Allcrete cpld Full Flow C.S. MNPT E/E W/Ferrules	1233
20019945-25VIC	2" x 25' Allcrete cpld Full Flow C.S. Victaulic E/E W/Ferrules	1233
20019945-25HVY	2" x 25' Allcrete cpld Full Flow C.S. Heavy E/E W/Ferrules	1233
20019964-25HVY	3" x 25' Allcrete cpld Full Flow C.S. Heavy E/E W/Ferrules	1233
20019964-50HVY	3" x 50' Allcrete cpld Full Flow C.S. Heavy E/E W/Ferrules	1233

 **Service Industrial Supply**

506 Brookforest Ave. Rt. 59 Shorewood Illinois 60404

Phone: 815.725.0062 • Fax: 815.725.2483 • www.serviceindustrialsupply.com

PLICORD® AMMONIUM NITRATE PELLET



- APPLICATION:** For pellet transfer in blasting hole loading.
- CONSTRUCTION**
- TUBE:** Black Nitrile synthetic rubber (static dissipating/static conductive)
 - COVER:** Black Nitrile synthetic rubber (static dissipating/static conductive)
 - REINFORCEMENT:** Spiral-plied synthetic fabric
- TEMPERATURE:** -25°F to 200°F (-32°C to 93°C)
- PACKAGING:** 100' lengths, coiled and polywrapped
- BRANDING:** Continuous spiral brand Continental Ammonium Nitrate Pellet 100 psi.
- COUPLINGS:** Contact fitting manufacturer for proper fitting recommendation and coupling procedure.

ID		NOM. OD		MAX. WP		WEIGHT	
<i>in.</i>	<i>mm.</i>	<i>in.</i>	<i>mm.</i>	<i>psi.</i>	<i>Mpa.</i>	<i>lb./ft.</i>	<i>kg./m.</i>
3/4	19.1	1.17	29.7	100	0.69	0.33	0.49
1	25.4	1.42	36.1	100	0.69	0.34	0.51
1 ^{1/2}	38.1	1.92	48.8	100	0.69	0.59	0.88
2	50.8	2.49	63.3	100	0.69	0.76	1.13
2 ^{1/2}	63.5	2.94	74.7	100	0.69	0.90	1.34
3	76.2	3.42	86.9	100	0.69	1.10	1.64

Material Handling Hose Hose Assemblies

PLICORD® TORRIDAIR™ HOT AIR BLOWER



- COUPLED:** Aluminum female x female camlocks with double bands
- COVER:** Black weather-resistant, STF (Super Thermo-Flo) EPDM synthetic rubber
- TUBE:** Black STF (Super Thermo-Flo) EPDM synthetic rubber
- TEMP:** -40° F to 400° F
- REINFORCEMENT:** Spiral-plied synthetic fabric with double wire helix
- APPLICATION:** Designed to transfer hot, non-oily air (up to 400° F) from manifold blowers or in plant compressors to holding tanks used in the transfer of dry bulk materials

PART#	DESCRIPTION	W.P.
20020255-10CC	2" x 10' Torrid Air Blower Hose cpld alum female x female camlocks	100
20020255-20CC	2" x 20' Torrid Air Blower Hose cpld alum female x female camlocks	100
20020260-10CC	3" x 10' Torrid Air Blower Hose cpld alum female x female camlocks	100
20020260-20CC	3" x 20' Torrid Air Blower Hose cpld alum female x female camlocks	100
20020261-10CC	4" x 10' Torrid Air Blower Hose cpld alum female x female camlocks	100



BC GASOLINE



- COUPLED:** Brass MNPT Each End
- COVER:** Black Chemivic® Synthetic Rubber (ORS)
- TUBE:** Nitrile Synthetic Rubber (ORS)
- TEMP:** -40° F to 140° F
- REINFORCEMENT:** Braided Synthetic Yarn with Static Wire Two Braid
- APPLICATION:** For all types of dispensing pump applications where flexibility and lightweight are desired.

Standard Utility Nozzles Available

Additional Lengths Available

PART #	DESCRIPTION
20021585-10MM	3/4" x 10' BC Gasoline Hose cpld Brass MNPT Each End
80021585-15MM	3/4" x 15' BC Gasoline Hose cpld Brass MNPT Each End
20021585-25MM	3/4" x 25' BC Gasoline Hose cpld Brass MNPT Each End
20021591-10MM	1" x 10' BC Gasoline Hose cpld Brass MNPT Each End
20021591-15MM	1" x 15' BC Gasoline Hose cpld Brass MNPT Each End
20021591-20MM	1" x 25' BC Gasoline Hose cpld Brass MNPT Each End

Hose Assemblies *Petroleum (Tank Truck) Hose*

PLICORD® FLEXWING®



ContiTech



- COUPLED:** Aluminum Male x Female Camlocks Double Banded
- COVER:** Black, Red Spiral Stripe, Smooth, Synthetic Rubber
- TUBE:** Nitrile Synthetic Rubber RMA Class A High Oil Resistant
- TEMP:** -35° to 200° F
- REINFORCEMENT:** Spiral-Plied Synthetic Fabric with wire Helix
- APPLICATION:** For use in tank truck and in-plant operations to transfer gasoline, oil, ethanol blends and other petroleum based products up to 50% aromatic content. It is designed for pressure, gravity flow, or full suction service.

Aluminum Caps & Plugs Available
Additional Lengths Available

PART #	DESCRIPTION	W.P.	STOCK
20017488-10CEB	1-1/2" x 10' Flexwing Petroleum cpld Aluminum Male x Female Camlocks Double Banded	150	IN STOCK
20017496-10CEB	2" x 10' Flexwing Petroleum cpld Aluminum Male x Female Camlocks Double Banded	150	IN STOCK
20017508-10CEB	3" x 10' Flexwing Petroleum cpld Aluminum Male x Female Camlocks Double Banded	150	IN STOCK
20017516-10CEB	4" x 10' Flexwing Petroleum cpld Aluminum Male x Female Camlocks Double Banded	150	IN STOCK
20017488-20CEB	1-1/2" x 20' Flexwing Petroleum cpld Aluminum Male x Female Camlocks Double Banded	150	IN STOCK
20017496_20CEB	2" x 20' Flexwing Petroleum cpld Aluminum Male x Female Camlocks Double Banded	150	IN STOCK
20017508-20CEB	3" x 20' Flexwing Petroleum cpld Aluminum Male x Female Camlocks Double Banded	150	IN STOCK
20017516-20CEB	4" x 20' Flexwing Petroleum cpld Aluminum Male x Female Camlocks Double Banded	150	IN STOCK
20017488-20CEB	1-1/2" x 25' Flexwing Petroleum cpld Aluminum Male x Female Camlocks Double Banded	150	IN STOCK
20017496-20CEB	2" x 25' Flexwing Petroleum cpld Aluminum Male x Female Camlocks Double Banded	150	IN STOCK
20017508-20CEB	3" x 25' Flexwing Petroleum cpld Aluminum Male x Female Camlocks Double Banded	150	IN STOCK
20017516-20CEB	4" x 25' Flexwing Petroleum cpld Aluminum Male x Female Camlocks Double Banded	150	IN STOCK

Service Industrial Supply

506 Brookforest Ave. Rt. 59 Shorewood Illinois 60404

Phone: 815.725.0062 • Fax: 815.725.2483 • www.serviceindustrialsupply.com

Petroleum (Tank Truck) Hose Hose Assemblies



PLICORD® FLEXWING®



- COUPLED:** Aluminum Continental Insta-Lock™ Camlocks Male x Female with Crimped on Carbon Steel Ferrules
- COVER:** Black, Red Spiral Stripe, Smooth, Synthetic Rubber, Oil Resistant
- TUBE:** Nitrile Synthetic Rubber, RMA Class A High Oil Resistant
- TEMP:** -35° to 200° F
- REINFORCEMENT:** Spiral-Plied Synthetic Fabric with wire helix
- APPLICATION:** For use in tank truck and in-plant operations to transfer gasoline, oil, ethanol blends and other petroleum based products up to 50% aromatic content. It is designed for pressure, gravity flow, or full suction service.

Aluminum Steel Caps & Plugs Available

Additional Lengths Available

PART #	DESCRIPTION	W.P.	STOCK
20017488-20CEF	1-1/2" x 20' Flexwing Petroleum cpld Aluminum Insta-Lock™ Male x Female Camlocks with S.S. Ferrules	150	IN STOCK
20017496-20CEF	2" x 20' Flexwing Petroleum cpld Aluminum Insta-Lock™ Male x Female Camlocks with S.S. Ferrules	150	IN STOCK
20017508-20CEF	3" x 20' Flexwing Petroleum cpld Aluminum Insta-Lock™ Male x Female Camlocks with S.S. Ferrules	150	IN STOCK
20017516-20CEF	4" x 20' Flexwing Petroleum cpld Aluminum Insta-Lock™ Insta-Lock™ Male x Female Camlocks with S.S. Ferrules	150	IN STOCK
20017488-25CEF	1-1/2" x 25' Flexwing Petroleum cpld Aluminum Insta-Lock™ Male x Female Camlocks with S.S. Ferrules	150	IN STOCK
20017496-25CEF	2" x 25' Flexwing Petroleum cpld Aluminum Insta-Lock™ Male x Female Camlocks with S.S. Ferrules	150	IN STOCK
20017508-25CEF	3" x 25' Flexwing Petroleum cpld Aluminum Insta-Lock™ Male x Female Camlocks with S.S. Ferrules	150	IN STOCK
20017516-25CEF	4" x 25' Flexwing Petroleum cpld Aluminum Insta-Lock™ Male x Female Camlocks with S.S. Ferrules	150	IN STOCK
20017488-50CEF	1-1/2" x 50' Flexwing Petroleum cpld Aluminum Insta-Lock™ Male x Female Camlocks with S.S. Ferrules	150	IN STOCK
20017496-50CEF	2" x 50' Flexwing Petroleum cpld Aluminum Insta-Lock™ Male x Female Camlocks with S.S. Ferrules	150	IN STOCK
20017508-50CEF	3" x 50' Flexwing Petroleum cpld Aluminum Insta-Lock™ Male x Female Camlocks with S.S. Ferrules	150	IN STOCK
20017516-50CEF	4" x 50' Flexwing Petroleum cpld Aluminum Insta-Lock™ Male x Female Camlocks with S.S. Ferrules	150	IN STOCK

 **Service Industrial Supply**

506 Brookforest Ave. Rt. 59 Shorewood Illinois 60404

Phone: 815.725.0062 • Fax: 815.725.2483 • www.serviceindustrialsupply.com

Hose Assemblies *Petroleum (Tank Truck) Hose*

PLICORD® FLEXWING®

Continental  ContiTech



- COUPLED:** Stainless Steel Continental Insta-Lock™ Camlocks Male x Female with Crimped on Ferrules
- COVER:** Black, Red Spiral Stripe, Smooth, Synthetic Rubber
- TUBE:** Nitrile Synthetic Rubber, RMA Class A High Oil Resistant
- TEMP:** -35° to 200° F
- APPLICATION:** For use in tank truck and in-plant operations to transfer gasoline, oil, ethanol blends and other petroleum based products up to 50% aromatic content. It is designed for pressure, gravity flow, or full suction service.

Stainless Steel Caps & Plugs Available
Additional Lengths Available

PART #	DESCRIPTION	W.P.	STOCK
20017488-20CESSF	1-1/2" x 20' Flexwing Petroleum cpld Stainless Steel Insta-Lock Camlocks with Ferrules	150	IN STOCK
20017496-20CESSF	2" x 20' Flexwing Petroleum cpld Stainless Steel Insta-Lock Camlocks with Ferrules	150	IN STOCK
20017508-20CESSF	3" x 20' Flexwing Petroleum cpld Stainless Steel Insta-Lock Camlocks with Ferrules	150	IN STOCK
20017516-20CESSF	4" x 20' Flexwing Petroleum cpld Stainless Steel Insta-Lock Camlocks with Ferrules	150	IN STOCK
20017488-25CESSF	1-1/2" x 25' Flexwing Petroleum cpld Stainless Steel Insta-Lock Camlocks with Ferrules	150	IN STOCK
20017496-25CESSF	2" x 25' Flexwing Petroleum cpld Stainless Steel Insta-Lock Camlocks with Ferrules	150	IN STOCK
20017508-25CESSF	3" x 25' Flexwing Petroleum cpld Stainless Steel Insta-Lock Camlocks with Ferrules	150	IN STOCK
20017516-25CESSF	4" x 25' Flexwing Petroleum cpld Stainless Steel Insta-Lock Camlocks with Ferrules	150	IN STOCK
20017488-50CESSF	1-1/2" x 50' Flexwing Petroleum cpld Stainless Steel Insta-Lock Camlocks with Ferrules	150	IN STOCK
20017496-50CESSF	2" x 50' Flexwing Petroleum cpld Stainless Steel Insta-Lock Camlocks with Ferrules	150	IN STOCK
20017508-50CESSF	3" x 50' Flexwing Petroleum cpld Stainless Steel Insta-Lock Camlocks with Ferrules	150	IN STOCK
20017516-50CESSF	4" x 50' Flexwing Petroleum cpld Stainless Steel Insta-Lock Camlocks with Ferrules	150	IN STOCK

 **Service Industrial Supply**

506 Brookforest Ave. Rt. 59 Shorewood Illinois 60404

Phone: 815.725.0062 • Fax: 815.725.2483 • www.serviceindustrialsupply.com

REDWING® FUEL OIL



APPLICATION:	Redwing® Fuel Oil is for transfer and delivery of fuel oil and petroleum products for home delivery, commercial and industrial service. Redwing Fuel Oil has two textile braids. The braided construction reduces kinking and twisting when reeling. The smooth cover has low drag resistance.
CONSTRUCTION	
TUBE:	Nitrile synthetic rubber (ORS)
COVER:	Red Chemivic® synthetic rubber (smooth finish) (ORS)
REINFORCEMENT:	Braided (2) synthetic yarn
TEMPERATURE:	-40°F to 140°F (-40°C to 60°C)
PACKAGING:	Reels, cut lengths, and coupled lengths
BRANDING:	Continuous brand 1" (25.4 mm) 2 BD Redwing Fuel Oil by Continental Made in USA.
COUPLINGS:	Contact fitting manufacturer for proper fitting recommendation and coupling procedure.

<i>ID</i>		<i>NOM. OD</i>		<i>MAX. WP</i>		<i>WEIGHT</i>	
<i>in.</i>	<i>mm.</i>	<i>in.</i>	<i>mm.</i>	<i>psi.</i>	<i>Mpa.</i>	<i>lb./ft.</i>	<i>kg./m.</i>
1	25.4	1.50	38.1	250	1.72	0.57	0.85
1 ¹ / ₄	31.8	1.80	45.7	250	1.72	0.65	0.97
1 ³ / ₈	34.9	1.86	47.2	250	1.72	0.70	1.04
1 ¹ / ₂	38.1	2.09	53.1	250	1.72	0.93	1.39

FLEXWING VERSAFUEL™



APPLICATION:	For use in tank truck and in-plant operation to transfer diesel, biodiesel blends, B-100, ethanol blends, gasoline, oil and petroleum base products up to 60% aromatic content.
CONSTRUCTION	
TUBE:	Synthetic rubber (static dissipating).
COVER:	Black synthetic rubber with excellent resistance to biodiesel, ethanol, oil/petroleum products and abrasion.
REINFORCEMENT:	Spiral plied synthetic fabric with helix wire.
TEMPERATURE:	-30°F to 180°F (-34°C to 82°C)
PACKAGING:	100' lengths, coiled and polywrapped.
BRANDING:	Continuous spiral brand Continental Flexwing VersaFuel 150 PSI WP.
COUPLINGS:	Use Continental's Insta-Lock™ Cam and Groove fittings with this product.
NON-STOCK/SIZES :	400' minimum order

NOM ID		NOM OD		MAX WP		BEND RADIUS		VACUUM HG		WEIGHT	
<i>in.</i>	<i>mm.</i>	<i>in.</i>	<i>mm.</i>	<i>psi.</i>	<i>Mpa.</i>	<i>in.</i>	<i>mm.</i>	<i>in.</i>	<i>mm.</i>	<i>lb./ft.</i>	<i>kg./m</i>
1	25.4	1.50	38.1	150	1.03	2	50	29	700	0.59	0.88
1-1/4	32.0	1.77	44.8	150	1.03	3	75	29	700	0.74	1.10
1-1/2	38.0	2.03	51.7	150	1.03	4	100	29	700	0.92	1.37
2	51.2	2.55	64.9	150	1.03	5	125	29	700	1.21	1.80
2-1/2	63.7	3.07	77.9	150	1.03	6	150	29	700	1.56	2.32
3	76.1	3.58	91.0	150	1.03	7	175	29	700	1.94	2.89
4	102.1	4.60	117.0	150	1.03	10	250	29	700	2.53	3.77

PYROFLEX® HOT TAR & ASPHALT II



- COUPLED:** Aluminum Continental Insta-Lock male x female camlocks w/ crimped on carbon steel ferrules
- COVER:** Black Wingprene synthetic rubber RMA Class with spiral red stripe
- TUBE:** Black Nitrile (special heat resistant) Rubber RMA Class A
- TEMP:** -25° F to 350° F
- REINFORCEMENT:** Spiral-plied Flexten with wire helix
- APPLICATION:** For transfer of high temperature petroleum based materials such as tar, asphalt and hot oils

PART #	DESCRIPTION	W.P.
20017574-10CEF	2" x 10' Pyroflex Hot Tar & Asphalt cpld Insta-Lock Alum male x female camlocks with carbon steel ferrules	150
20017574-20CEF	2" x 20' Pyroflex Hot Tar & Asphalt cpld Insta-Lock Alum male x female camlocks with carbon steel ferrules	150
20017578-10CEF	3" x 10' Pyroflex Hot Tar & Asphalt cpld Insta-Lock Alum male x female camlocks with carbon steel ferrules	150
20017578-20CEF	3" x 20' Pyroflex Hot Tar & Asphalt cpld Insta-lock Alum male x female camlocks with carbon steel ferrules	150

Hose Assemblies *Petroleum (Tank Truck) Hose*

PLICORD® EXREMEFLEX™



Continental  ContlTech

- COUPLED:** Aluminum Continental Insta-Lock™ Camlocks Male x Female with Crimped on Carbon Steel Ferrules
- COVER:** Black Chemvic™ Synthetic (Corrugated)
- TUBE:** Black Nitrile Synthetic Rubber (Class A Oil Resistance)
- TEMP:** -40° F to 200° F
- REINFORCEMENT:** Spiral-Plied Synthetic Fabric with Wire Helix
- APPLICATION:** An extremely flexible and lightweight drop hose for use in tank trucks, in plant operations, to transfer diesel, ethanol gasoline, oil and petroleum based products up to 60% aromatic content.

Aluminum Caps and Plugs Available

Additional Lengths Available

PART #	DESCRIPTION	W.P.	STOCK
20017488-10CEF	1-1/2" x 10' Extremeflex Petroleum cpld Aluminum Insta-Lock Male x Female Camlocks with Ferrules	250	IN STOCK
20459045-10CEF	2" x 10' Extremeflex Petroleum cpld Aluminum Insta-Lock Male x Female Camlocks with Ferrules	250	IN STOCK
20459047-10CEF	3" x 10' Extremeflex Petroleum cpld Aluminum Insta-Lock Male x Female Camlocks with Ferrules	200	IN STOCK
20459048-10CEF	4" x 10' Extremeflex Petroleum cpld Aluminum Insta-Lock Male x Female Camlocks with Ferrules	150	IN STOCK
20017488-20CEF	1-1/2" x 20' Extremeflex Petroleum cpld Aluminum Insta-Lock Male x Female Camlocks with Ferrules	250	IN STOCK
20459045-20CEF	2" x 20' Extremeflex Petroleum cpld Aluminum Insta-Lock Male x Female Camlocks with Ferrules	250	IN STOCK
20459047-20CEF	3" x 20' Extremeflex Petroleum cpld Aluminum Insta-Lock Male x Female Camlocks with Ferrules	200	IN STOCK
20459048-20CEF	4" x 20' Extremeflex Petroleum cpld Aluminum Insta-Lock Male x Female Camlocks with Ferrules	150	IN STOCK
20017488-25CEF	1-1/2" x 25' Extremeflex Petroleum cpld Aluminum Insta-Lock Male x Female Camlocks with Ferrules	250	IN STOCK
20459045-25CEF	2" x 25' Extremeflex Petroleum cpld Aluminum Insta-Lock Male x Female Camlocks with Ferrules	250	IN STOCK
20459047-25CEF	3" x 25' Extremeflex Petroleum cpld Aluminum Insta-Lock Male x Female Camlocks with Ferrules	200	IN STOCK
20459048-25CEF	4" x 25' Extremeflex Petroleum cpld Aluminum Insta-Lock Male x Female Camlocks with Ferrules	150	IN STOCK

 **Service Industrial Supply**

506 Brookforest Ave. Rt. 59 Shorewood Illinois 60404

Phone: 815.725.0062 • Fax: 815.725.2483 • www.serviceindustrialsupply.com



Pipe Fittings

NPT Threaded Reducer Hex Bushings



Male NPT	Female NPT	150# Iron		Galvanized		316 Stainless Steel		Forged Steel		Brass	
		Part #		Part #		Part #		Part #	Price/E	Part #	Price/E
1/4"	1/8"	HB2518		HB2518G		HB2518SS		HB2518FS		---	
3/8"	1/8"	HB3818		---		---		---		---	
3/8"	1/4"	HB3825		HB3825G		HB3825SS		HB3825FS		---	
1/2"	1/8"	HB5018		---		---		---		---	
1/2"	1/4"	HB5025		HB5025G		HB5025SS		HB5025FS		---	
1/2"	3/8"	HB5038		HB5038G		HB5038SS		HB5038FS		---	
3/4"	1/8"	HB7518		---		---		---		---	
3/4"	1/4"	HB7525		HB7525G		HB7525SS		HB7525FS		---	
3/4"	3/8"	HB7538		HB7538G		HB7538SS		HB7538FS		---	
3/4"	1/2"	HB7550		HB7550G		HB7550SS		HB7550FS		---	
1"	1/8"	HB1018		---		---		---		---	
1"	1/4"	HB1025		HB1025G		HB1025SS		HB1025FS		---	
1"	3/8"	HB1038		HB1038G		HB1038SS		HB1038FS		---	
1"	1/2"	HB1050		HB1050G		HB1050SS		HB1050FS		---	
1"	3/4"	HB1075		HB1075G		HB1075SS		HB1075FS		---	
1-1/4"	1/2"	HB1250		---		---		---		---	
1-1/4"	3/4"	HB1275		---		HB1275SS		HB1275FS		---	
1-1/4"	1"	HB1210		HB1210G		HB1210SS		HB1210FS		HB1210B	
1-1/2"	1/2"	HB1550		---		---		---		---	
1-1/2"	3/4"	HB1575		HB1575G		HB1575SS		HB1575FS		HB1575B	
1-1/2"	1"	HB1510		HB1510G		HB1510SS		HB1510FS		HB1510B	
1-1/2"	1-1/4"	HB1512		HB1512G		HB1512SS		HB1512FS		HB1512B	
2"	1/2"	HB2050		HB2050G		---		---		HB2050B	
2"	3/4"	HB2075		HB2075G		HB2075SS		HB2075FS		HB2075B	
2"	1"	HB2010		HB2010G		HB2010SS		HB2010FS		HB2010B	
2"	1-1/4"	HB2012		HB2012G		HB2012SS		HB2012FS		HB2012B	
2"	1-1/2"	HB2015		HB2015G		HB2015SS		HB2015FS		HB2015B	
2-1/2"	1-1/2"	HB2515		---		---		---		---	
2-1/2"	2"	HB2520		HB2520G		HB2520SS		HB2520FS		---	
3"	1"	HB3010		---		---		---		---	
3"	1-1/2"	HB3015		---		---		---		---	
3"	2"	HB3020		HB3020G		HB3020SS		HB3020FS		HB3020B	
3"	2-1/2"	HB3025		---		HB3025SS		HB3025FS		HB3025B	
4"	1"	HB4010		---		---		---		---	
4"	1-1/2"	HB4015		---		---		---		---	
4"	2"	HB4020		HB4020G		HB4020SS		---		HB4020B	
4"	2-1/2"	HB4025		---		---		---		---	
4"	3"	HB4030		HB4030G		HB4030SS		HB4030FS		HB4030B	
5"	4"	HB5040		---		---		---		---	
6"	3"	HB6030		---		---		---		---	
6"	4"	HB6040		---		---		---		---	

NPT Threaded Reducing Union



Female NPT	Female NPT	150# Iron Part #
3/4"	1/2"	MIRU7550

Service Industrial Supply

506 Brookforest Ave. Rt. 59 Shorewood Illinois 60404

Phone: 815.725.0062 • Fax: 815.725.2483 • www.serviceindustrialsupply.com

Pipe Fittings



- other sizes are also available
- 304 stainless steel fittings are also available, consult the factory for pricing and availability

NPT Threaded Unions



Female NPT	300# Iron		150# Iron	Galvanized	316 Stainless Steel	Forged Steel	Brass
	Part #	Price/E	Part #	Part #	Part #	Part #	Part #
1/8"	---	-	MIU18	---	---TUN025SS	---	---
1/4"	---		MIU25	---	---TUN050SS	---	---
3/8"	---		MIU38	TUN038G	TUN075SS	---	TUN2F
1/2"	300MIU50		MIU50	TUN050G	TUN100SS	TUN050FS	TUN3F
3/4"	300MIU75		MIU75	TUN075G	TUN125SS	TUN075FS	TUN4F
1"	300MIU100		MIU100	TUN100G	TUN150SS	TUN100FS	TUN5F
1-1/4"	---		MIU125	TUN125G	TUN200SS	---	TUN6F
1-1/2"	300MIU150		MIU150	TUN150G	---	TUN150FS	TUN7F
2"	---		MIU200	TUN200G	---	TUN200FS	TUN8F
2-1/2"	---		MIU250	---	---	---	TUN9F
3"	300MIU300		MIU300	---	---	---	---
4"	---		MIU400	---	---	---	---

- other sizes are also available
- 304 stainless steel fittings are also available, consult the factory for pricing and availability

NPT Threaded Bell Reducers



Female NPT	Female NPT	300# Iron		150# Iron	Galvanized	316 Stainless Steel	Forged Steel	Brass
		Part #	Part #	Part #	Part #	Part #	Part #	Part #
1/4"	1/8"	---		BR1418	---	---	---	---
3/8"	1/8"	---		BR3818	---	---	---	---
3/8"	1/4"	---		BR3825	---	BR3825SS	---	---
1/2"	1/4"	300BR5025		BR5025	BR5025G	BR5025SS	---	---
1/2"	3/8"	---		BR5038	BR5038G	BR5038SS	BR5038FS	BR5038B
3/4"	1/4"	---		BR7525	---	---	---	---
3/4"	3/8"	---		BR7538	---	BR7538SS	---	---
3/4"	1/2"	300BR7550		BR7550	BR7550G	BR7550SS	BR7550FS	BR7550B
1"	1/4"	---		BR1025	---	---	---	---
1"	3/8"	---		BR1038	---	---	---	---
1"	1/2"	---		BR1050	BR1050G	BR1050SS	---	---
1"	3/4"	300BR1075		BR1075	BR1075G	BR1075SS	BR1075FS	BR1075B
1-1/4"	1/2"	---		BR1250	---	---	---	---
1-1/4"	3/4"	---		BR1275	---	---	---	---
1-1/4"	1"	300BR1210		BR1210	BR1210G	BR1210SS	---	BR1210B
1-1/2"	3/4"	---		BR1575	---	---	---	BR1575B
1-1/2"	1"	300BR1510		BR1510	BR1510G	BR1510SS	BR1510FS	BR1510B
1-1/2"	1-1/4"	300BR1512		BR1512	BR1512G	BR1512SS	BR1512FS	---
2"	3/4"	---		BR2075	---	---	---	---
2"	1"	300BR2010		BR2010	BR2010G	BR2010SS	BR2010FS	BR2010B
2"	1-1/4"	300BR2012		BR2012	---	---	---	---
2"	1-1/2"	300BR2015		BR2015	BR2015G	BR2015SS	BR2015FS	BR2015B
2-1/2"	1"	---		BR2510	---	---	---	---
2-1/2"	1-1/2"	---		BR2515	---	---	---	---
2-1/2"	2"	---		BR2520	BR2520G	---	---	---
3"	1"	---		BR3010	---	---	---	---
3"	1-1/4"	---		BR3012	---	---	---	---
3"	1-1/2"	---		BR3015	---	---	---	---
3"	2"	---		BR3020	BR3020G	BR3020SS	---	BR3020B
3"	2-1/2"	---		BR3025	BR3025G	---	---	---
4"	1"	---		BR4010	---	---	---	---
4"	1-1/2"	---		BR4015	---	---	---	---
4"	2"	---		BR4020	---	---	---	---
4"	2-1/2"	---		BR4025	---	---	---	---
4"	3"	---		BR4030	BR4030G	---	---	BR4030B
6"	3"	---		BR6030	---	---	---	---
6"	4"	---		BR6040	---	---	---	---

Service Industrial Supply

506 Brookforest Ave. Rt. 59 Shorewood Illinois 60404

Phone: 815.725.0062 • Fax: 815.725.2483 • www.serviceindustrialsupply.com



Pipe Fittings

NPT Threaded Couplings Both Ends



NEW

Female NPT	300# Iron Part #	150# Iron Part #	Galvanized Part #	316 Stainless Steel Part #	Forged Steel Part #	Brass Part #
1/8"	---	RHC18	NEW RHC18G	---	---	---
1/4"	300RHC25	RHC25	RHC25G	RHC25SS	RHC25FS	RHC25B
3/8"	300RHC38	RHC38	RHC38G	RHC38SS	RHC38FS	RHC38B
1/2"	300RHC50	RHC50	RHC50G	RHC50SS	RHC50FS	RHC50B
3/4"	300RHC75	RHC75	RHC75G	RHC75SS	RHC75FS	RHC75B
1"	300RHC100	RHC100	RHC100G	RHC100SS	RHC100FS	RHC100B
1-1/4"	300RHC125	RHC125	RHC125G	RHC125SS	RHC125FS	RHC125B
1-1/2"	300RHC150	RHC150	RHC150G	RHC150SS	RHC150FS	RHC150B
2"	300RHC200	RHC200	RHC200G	RHC200SS	RHC200FS	RHC200B
2-1/2"	---	RHC250	---	---	---	---
3"	---	RHC300	RHC300G	RHC300SS	---	---
4"	---	RHC400	RHC400G	RHC400SS	---	---
5"	---	RHC500	---	---	---	---
6"	---	RHC600	---	---	---	---

NPT Threaded 90° Threaded Elbows



- other sizes are also available
- 304 stainless steel fittings are also available, consult the factory for pricing and availability

NEW

Female NPT	300# Iron Part #	150# Iron Part #	Galvanized Part #	316 Stainless Steel Part #	Forged Steel Part #	Brass Part #
1/8"	---	EL9018	EL9018G	EL9018SS	---	---
1/4"	300EL9025	EL9025	EL9025G	EL90025SS	EL9025FS	---
3/8"	300EL9038	EL9038	EL9038G	EL90038SS	EL9038FS	---
1/2"	300EL9050	EL9050	EL9050G	EL90050SS	EL9050FS	---
3/4"	300EL9075	EL9075	EL9075G	EL90075SS	EL9075FS	---
1"	300EL90100	EL90100	EL90100G	EL90100SS	EL90100FS	EL90100B
1-1/4"	300EL90125	EL90125	EL90125G	EL90125SS	EL90125FS	---
1-1/2"	300EL90150	EL90150	EL90150G	EL90150SS	EL90150FS	EL90150B
2"	300EL90200	EL90200	EL90200G	EL90200SS	EL90200FS	EL90200B
2-1/2"	---	EL90250	---	---	---	---
3"	---	EL90300	EL90300G	EL90300SS	---	---
4"	---	EL90400	EL90400G	EL90400SS	---	---
5"	---	EL90500	---	---	---	---
6"	---	EL90600	---	---	---	---

Service Industrial Supply

506 Brookforest Ave. Rt. 59 Shorewood Illinois 60404

Phone: 815.725.0062 • Fax: 815.725.2483 • www.serviceindustrialsupply.com

NPT Threaded 45° Threaded Elbows

Female NPT	150# Iron Part #
1/8"	EL4518
1/4"	EL4525
3/8"	EL4538
1/2"	EL4550
3/4"	EL4575
1"	EL45100
1-1/4"	EL45125
1-1/2"	EL45150
2"	EL45200
2-1/2"	EL45250
3"	EL45300
4"	EL45400
5"	EL45500
6"	EL45600



NPT Threaded Side Outlet Elbows

Female NPT	150# Iron Part #
1/8"	SOE18
1/4"	SOE25
3/8"	SOE38
1/2"	SOE50
3/4"	SOE75
1"	SOE100
1-1/4"	SOE120
1-1/2"	SOE150
2"	SOE200



NPT Threaded Reducing Elbows

- other sizes are also available
- 304 stainless steel fittings are also available, consult the factory for pricing and availability

Female NPT	Female NPT	150# Iron Part #
1/4"	1/8"	REL2518
1/2"	1/4"	REL5025
1/2"	3/8"	REL5038
3/4"	1/2"	REL7550
1"	1/2"	REL1050
1"	3/4"	REL1075
1-1/4"	1"	REL1210
1-1/2"	1"	REL1510
1-1/2"	1-1/4"	REL1525
2"	1"	REL2010
2"	1-1/2"	REL2015
2-1/2"	2"	REL2520
3"	2"	REL3020
4"	2"	REL4020
4"	3"	REL4030





Pipe Fittings

NPT Threaded 45° Street Elbows



Size	150# Iron		Galvanized	
	Part #		Part #	
1/8"	SE4518		---	
1/4"	SE4525		SE4525G	
3/8"	SE4538		---	
1/2"	SE4550		SE4550G	
3/4"	SE4575		SE4575G	
1"	SE45100		---	
1-1/4"	SE45125		SE45125G	
1-1/2"	SE45150		SE45150G	
2"	SE45200		SE45200G	
2-1/2"	SE45250		SE45250G	
3"	SE45300		SE45300G	
4"	SE45400		SE45400G	

NPT Threaded 90° Street Elbows



- other sizes are also available
- 304 stainless steel fittings are also available, consult the factory for pricing and availability

Size	150# Iron		Galvanized		316 Stainless Steel		Forged Steel		Brass	
	Part #		Part #		Part #		Part #		Part #	
1/8"	SE9018		SE9018G		SE9018SS		---		---	
1/4"	SE9025		SE9025G		SE9025SS		SE9025FS		---	
3/8"	SE9038		SE9038G		SE9038SS		SE9038FS		---	
1/2"	SE9050		SE9050G		SE9050SS		SE9050FS		---	
3/4"	SE9075		SE9075G		SE9075SS		SE9075FS		SE9075B	
1"	SE9010		SE9010G		SE9010SS		SE9010FS		SE9010B	
1-1/4"	SE9012		SE9012G		SE9012SS		SE9012FS		SE9012B	
1-1/2"	SE9015		SE9015G		SE9015SS ^{NEW}		SE9015FS		SE9015B	
2"	SE9020		SE9020G		SE9020SS		SE9020FS		SE9020B	
2-1/2"	SE90250		---		---		---		---	
3"	SE90300		SE9030G ^{NEW}		---		---		---	
4"	SE90400		---		---		---		---	
6"	SE90600		---		---		---		---	

NPT Threaded Female Reducing Tees



Female NPT	Female NPT	150# Iron Part #
3/8"	1/4"	FRT3825
1/2"	3/8"	FRT5038
3/4"	1/2"	FRT7550
1"	1/2"	FRT1050
1-1/4"	1"	FRT1210
1-1/2"	1"	FRT1510
2"	1"	FRT2010
2"	1-1/2"	FRT2015
3"	2"	FRT3020

Pipe Fittings



NPT Threaded Side Outlet Tees

Female NPT	150# Iron Part #
1/2"	SOT50
3/4"	SOT75
1"	SOT100
1-1/4"	SOT120
1-1/2"	SOT150
2"	SOT200



NPT Threaded Street Service Tees

Female NPT	150# Iron Part #
1/2"	SST50
3/4"	SST75
1"	SST100
1-1/2"	SST150



NPT Threaded Female Tees



Female NPT	300# Iron		150# Iron		Galvanized		316 Stainless Steel		Forged Steel		Brass	
	Part #	Part #	Part #	Part #	Part #	Part #	Part #	Part #	Part #	Part #	Part #	
1/8"	---	---	FT18	---	---	---	---	---	---	---	---	---
1/4"	300FT25	---	FT25	---	FT25G	---	FT25SS	---	FT25FS	---	---	---
3/8"	300FT38	---	FT38	---	FT38G	---	FT38SS	---	---	---	---	---
1/2"	300FT50	---	FT50	---	FT50G	---	FT50SS	---	FT50FS	---	---	---
3/4"	---	---	FT75	---	FT75G	---	FT75SS	---	FT75FS	---	FT75B	---
1"	300FT10	---	FT10	---	FT100G	---	FT100SS	---	FT100FS	---	FT10B	---
1-1/4"	300FT120	---	FT120	---	FT120G	---	FT120SS	---	FT120FS	---	---	---
1-1/2"	---	---	FT15	---	FT150G	---	FT150SS	---	FT150FS	---	FT15B	---
2"	300FT200	---	FT200	---	FT200G	---	FT200SS	---	FT200FS	---	FT20B	---
2-1/2"	---	---	FT250	---	---	---	---	---	---	---	---	---
3"	---	---	FT30	---	FT300G	---	---	---	---	---	---	---
4"	---	---	FT40	---	FT400G	NEW	---	---	---	---	---	---
5"	---	---	FT500	---	---	---	---	---	---	---	---	---
6"	---	---	FT60	---	---	---	---	---	---	---	---	---

NPT Threaded Bull Head Tees

Female NPT	Female NPT	150# Iron Part #
1/2"	3/4"	BHT1575
1/2"	1"	BHT1510
3/4"	1"	BHT7510
1"	1-1/2"	BHT1015
1"	2"	BHT1020
1-1/2"	2"	BHT1520
2"	2-1/2"	BHT2025



Service Industrial Supply

506 Brookforest Ave. Rt. 59 Shorewood Illinois 60404

Phone: 815.725.0062 • Fax: 815.725.2483 • www.serviceindustrialsupply.com



Pipe Fittings



NPT Threaded Square Head Plugs



Male NPT	150# Iron	Galvanized	316 Stainless Steel	Forged Steel	Brass
	Part #	Part #	Part #	Part #	Part #
1/8"	SHP18	SHP18G	SHP18SS	---	---
1/4"	SHP14	SHP14G	SHP14SS	SHP14FS	---
3/8"	SHP38	SHP38G	SHP38SS	SHP38FS	---
1/2"	SHP50	SHP50G	SHP50SS	SHP50FS	SHP50B
3/4"	SHP75	SHP75G	SHP75SS	SHP75FS	SHP75B
1"	SHP100	SHP100G	SHP100SS	SHP100FS	SHP100B
1-1/4"	SHP125	SHP125G	SHP125SS	---	---
1-1/2"	SHP150	SHP150G	SHP150SS	SHP150FS	---
2"	SHP200	SHP200G	SHP200SS	---	---
2-1/2"	SHP250	SHP250G	SHP250SS	---	---
3"	SHP300	SHP300G	SHP300SS	SHP300FS	---
4"	SHP400	SHP400G	SHP400SS	---	---
5"	SHP500	---	---	---	---
6"	SHP600	SHP600G	---	---	---

NPT Threaded Crosses



Female NPT	150# Iron Part #
1/8"	MIC18
1/4"	MIC25
3/8"	MIC38
1/2"	MIC50
3/4"	MIC75
1"	MIC100
1-1/4"	MIC125
1-1/2"	MIC150
2"	MIC200
2-1/2"	MIC250
3"	MIC300
4"	MIC400

NPT Threaded Caps

- other sizes are also available
- 304 stainless steel fittings are also available, consult the factory for pricing and availability



Female NPT	300# Iron	150# Iron	Galvanized	316 Stainless Steel
	Part #	Part #	Part #	Part #
1/8"	---	MICAP18	---	SSCAP18
1/4"	---	MICAP25	---	SSCAP25
3/8"	---	MICAP38	---	SSCAP38
1/2"	300MICAP50	MICAP50	MICAP50G	SSCAP50
3/4"	300MICAP75	MICAP75	MICAP75G	SSCAP75
1"	300MICAP100	MICAP100	---	SSCAP10
1-1/4"	300MICAP125	MICAP120	---	SSCAP12
1-1/2"	300MICAP150	MICAP150	---	SSCAP15
2"	300MICAP200	MICAP200	MICAP200G	SSCAP20
2-1/2"	---	MICAP250	---	---
3"	---	MICAP300	---	---
4"	---	MICAP400	---	---
5"	---	MICAP500	---	---
6"	---	MICAP600	---	---



506 Brookforest Ave. Rt. 59 Shorewood Illinois 60404

Phone: 815.725.0062 • Fax: 815.725.2483 • www.serviceindustrialsupply.com

Pipe Nipples

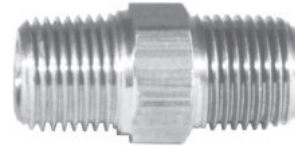
SAFETY
ALERT

Do not use pipe nipples as hose inserts.

SAFETY
ALERT

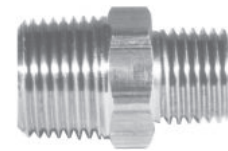
Straight Hex Nipples

Male NPT	Stainless Steel Part #
3/8"	HN38SS
1/2"	HN50SS
3/4"	HN75SS
1"	HN100SS



Reducing Hex Nipples

Male NPT	Male NPT	316 Stainless Steel Part #
3/8"	1/4"	RHN3825SS
1/2"	3/8"	RHN5038SS
3/4"	1/2"	RHN7550SS



Close Nipples



- made from schedule 40 welded pipe
- male NPT x male NPT design

NEW

Male NPT	Overall Length	Carbon Steel Part #	Galvanized Part #	316 Stainless Steel Part #	Opt Qty
1/8"	3/4"	---	---	CN012SS	1
1/4"	7/8"	CN025	CN025G	CN025SS	25
3/8"	1"	CN037	---	CN037SS	25
1/2"	1-1/8"	CN050	CN050G	CN050SS	10
3/4"	1-3/8"	CN075	CN075G	CN075SS	10
1"	1-1/2"	CN100	CN100G	CN100SS	10
1-1/4"	1-5/8"	CN125	---	---	10
1-1/2"	1-1/2"	CN150	CN150G	CN150SS	10
2"	2"	CN200	CN200G	CN200SS	10
2 1/2"	2 1/2"	CN250	---	---	--
3"	2-5/8"	CN300	CN300G	CN300SS	1
4"	2-5/8"	CN400	---	CN400SS	5
6"	3-1/8"	CN600	---	---	--



Pipe Fittings

150 LB. ASA Forged Flanges Lap-Joint

Size	Carbon Steel	
	Part #	
1"	LJ100	
1¼"	LJ125	
1½"	LJ150	
2"	LJ200	
2½"	LJ250	
3"	LJ300	
4"	LJ400	
5"	LJ500	
6"	LJ600	
8"	LJ800	
10"	LJ1000	
12"	LJ1200	

- raised shoulder with no raised face
- The lap joint flange is commonly called a Van Stone or a floating flange.



Slip-On

Size	Carbon Steel	Stainless Steel
	Part #	Part #
1"	SO100	---
1¼"	SO125	---
1½"	SO150	SOR150
2"	SO200	SOR200
2½"	SO250	---
3"	SO300	SOR300
4"	SO400	SOR400
5"	SO500	---
6"	SO600	SOR600
8"	SO800	---
10"	SO1000	---
12"	SO1200	---

- square shoulder with raised face



NPT Threaded

Size	Carbon Steel	Stainless Steel
	Part #	Part #
1"	T100	---
1¼"	T125	---
1½"	T150	TR150
2"	T200	TR200
2½"	T250	---
3"	T300	TR300
4"	T400	TR400
5"	T500	---
6"	T600	TR600
8"	T800	---
10"	T1000	---
12"	T1200	---



Gaskets

Size	Neoprene	Klingsil® C-4401
	Part #	Part #
1"	NG10	AG10
1¼"	NG15	AG15
1½"	NG20	AG20
2"	NG25	AG25
2½"	NG30	AG30
3"	NG35	AG35
4"	NG40	AG40
5"	NG50	---
6"	NG60	AG60
8"	NG80	AG80

- standard drop-ring type all 1/16" thick
- reference page 534 for Joint Sealant Gasket Material

Pipe Nipples

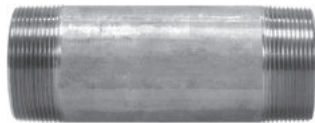
SAFETY
ALERT

Do not use pipe nipples as hose inserts.

SAFETY
ALERT

Threaded Both Ends

- made from schedule 40 welded pipe
- male NPT x male NPT design
- brass nipples are available
- other lengths are also available, consult factory for pricing



Male NPT	Overall Length	Carbon Steel		316 Stainless Steel	
		Part #		Part #	
1/2"	2"	TN050X2		---	
3/4"	2"	TN075X2		---	
1"	2"	TN100X2		---	
1 1/4"	2"	TN125X2		---	
1 1/2"	2"	TN150X2		---	
1/2"	3"	NEW TN050X3		---	
3/4"	3"	TN075X3		---	
1"	3"	TN100X3		---	
1 1/2"	3"	TN150x3		---	
2"	3"	TN200X3		---	
3"	3"	TN300X3		---	
1/2"	4"	TN050X4		---	
3/4"	4"	TN075X4		---	
1"	4"	TN100X4		---	
1 1/4"	4"	TN125X4		---	
1 1/2"	4"	TN150X4		---	
2"	4"	TN200X4		---	
3"	4"	TN300X4		---	
4"	4"	TN400X4		---	
2"	5"	NEW TN200X5		---	
1/4"	6"	---		NEW TN025X6SS	
1/2"	6"	TN050X6		TN050X6SS	
3/4"	6"	TN075X6		TN075X6SS	
1"	6"	TN100X6		TN100X6SS	
1 1/4"	6"	TN125X6		TN125X6SS	
1 1/2"	6"	TN150X6		TN150X6SS	
2"	6"	TN200X6		TN200X6SS	
3"	6"	TN300X6		TN300X6SS	
4"	6"	TN400X6		TN400X6SS	
6"	6"	TN600X6		---	
2"	8"	NEW TN200X8		---	
4"	8"	TN400X8		---	
6"	8"	TN600X8		---	

NEW

Merchant Couplings

- other sizes are also available



¹ 3" has NPT thread

Female NPSM	Black Iron Part #
1/4"	MRCH25
3/8"	MRCH38
1/2"	MRCH50
3/4"	MRCH75
1"	MRCH100
1-1/4"	MRCH125
1-1/2"	MRCH150
2"	MRCH200
3"	MRCH300 ¹

Pipe Fittings

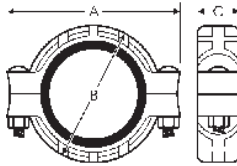


Standard Couplings - Series S



Standard couplings are designed for a wide range of applications: commercial/industrial construction, mining, process piping, and many others. The housing design allows for optimum strength without excessive casting weight.

- ductile iron body with rust inhibiting paint.
- Underwriters Listed and Factory Mutual approved
- Interchangeable with:
Victaulic's #77
Grinnell's #7001



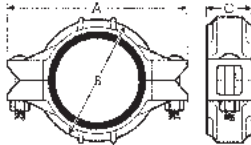
Nominal Size	Pipe OD	Max Working Pressure PSI	Max End Load Lbs.	Coupling Dimensions			Approx. Weight (lbs.)	Bolts			Ductile Iron w/ EPDM gasket Part #	Ductile Iron w/ Buna-N gasket Part #
				A	B	C		qty	size	length		
1½"	1.900	1000	2835	4-9/16"	3-1/4"	1-3/4"	1.5	2	3/8"	2-1/4"	C115	C115BU
2"	2.375	1000	4430	5-3/8"	3-5/8"	1-3/4"	2.6	2	1/2"	2-1/2"	C12	C12BU
2½"	2.875	1000	6492	6-1/4"	4-1/4"	1-3/4"	3.4	2	1/2"	2-1/2"	C125	C125BU
3"	3.500	1000	9621	7"	5"	1-3/4"	4.2	2	1/2"	2-3/4"	C13	C13BU
4"	4.500	1000	15904	8-1/2"	6-3/8"	2-1/16"	6.0	2	5/8"	3-1/4"	C14	C14BU
6"	6.625	1000	34472	11-1/2"	8-7/8"	2-1/16"	10.8	2	3/4"	4-1/4"	C16	C16BU
8"	8.625	800	46741	14-1/4"	11-1/4"	2-3/8"	21.8	2	7/8"	5"	C18	C18BU
10"	10.750	800	72610	16"	13-1/2"	2-1/2"	24.2	2	7/8"	5-1/2"	C20	C20BU
12"	12.750	800	102141	18"	15-1/2"	2-1/2"	27.5	2	7/8"	6"	C24	C24BU

Lightweight Flexible Couplings - Series L



Lightweight flexible couplings are designed for applications requiring moderate internal pressure or where weight is a factor. Applications include; general purpose, mining, irrigation, and compressed air where a deflection of 5% or less is required.

- ductile iron body with rust inhibiting paint
- Underwriters Listed and Factory Mutual approved
- Interchangeable with:
Victaulic's #75
Grinnell's #7000



Nominal Size	Pipe OD	Max Working Pressure PSI	Max End Load Lbs.	Coupling Dimensions			Approx. Weight (lbs.)	Bolts			Ductile Iron w/ EPDM gasket Part #	Ductile Iron w/ Buna-N gasket Part #
				A	B	C		qty	size	length		
1½"	1.900	500	1418	4-1/2"	2-7/8"	1-3/4"	1.5	2	3/8"	2-1/4"	L215	L215BU
2"	2.375	500	2215	5-5/32"	3-11/32"	1-3/4"	1.7	2	3/8"	1-7/8"	L02	L02BU
2½"	2.875	300	3246	5-25/32"	3-29/32"	1-3/4"	2.2	2	3/8"	2"	L025	L025BU
3"	3.500	300	4811	6-35/64"	4-3/8"	1-51/64"	2.8	2	1/2"	2-1/2"	L03	L03BU
4"	4.500	300	6362	8-3/64"	5-21/32"	1-15/16"	3.7	2	1/2"	2-3/4"	L04	L04BU
5"	5.563	300	9722	9-1/2"	6-3/4"	2"	5.7	2	5/8"	3-1/4"	L05	L05BU
6"	6.625	300	13789	10-53/64"	7-7/8"	2"	7.4	2	5/8"	3-1/4"	L06	L06BU
8"	8.625	300	20449	13-7/8"	10-13/64"	2-13/32"	12.8	2	3/4"	4-1/4"	L08	L08BU

Service Industrial Supply

506 Brookforest Ave. Rt. 59 Shorewood Illinois 60404

Phone: 815.725.0062 • Fax: 815.725.2483 • www.serviceindustrialsupply.com

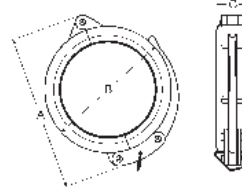


Pipe Fittings

Quick Release Couplings - Series Q

Quick release couplings are specially designed for applications requiring a quick connection and/or disconnection of a pipe joint. A locking pin through the handle prevents accidental opening of the coupling.

- ductile iron body with zinc plating and steel safety clip
- Interchangeable with:
Victaulic's #78
Grinnell's #7003



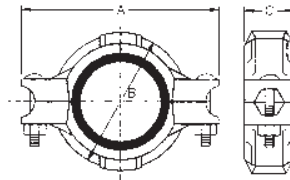
Nominal Size	Pipe OD	Max Working Pressure PSI	Max End Load Lbs.	Coupling Dimensions			Approx. Weight (lbs.)	Ductile Iron w/ EPDM gasket	Ductile Iron w/ Buna-N gasket
				A	B	C		Part #	Part #
1½"	1.900	300	850	4-3/4"	3-1/2"	1"	1.5	H315	H315BU
2"	2.375	300	1329	5-1/2"	3-3/4"	1-3/4"	2.5	H32	H32BU
2½"	2.875	300	2120	5-7/8"	4-3/4"	1-7/8"	4.0	H325	H325BU
3"	3.500	300	2886	7-1/4"	5-1/4"	1-3/4"	3.8	H33	H33BU
4"	4.500	300	4771	8-1/2"	6-1/2"	2"	6.0	H34	H34BU
6"	6.625	300	10341	10-5/8"	8-1/2"	2"	8.6	H36	H36BU



Rigid Couplings - Series R

This lightweight, low pressure, rigid style coupling is ideal for fire protection, plumbing, low pressure air and drainage. Small gripping teeth hold the housing into the groove allowing a straight run of pipe and preventing any flex at the joint.

- ductile iron body with rust inhibiting paint
- Underwriters Listed and Factory Mutual approved
- Interchangeable with:
Victaulic's #005
Grinnell's #7400



Nominal Size	Pipe OD	Max Working Pressure PSI	Max End Load Lbs.	Coupling Dimensions			Approx. Weight (lbs.)	Bolts			Ductile Iron w/ EPDM gasket	Ductile Iron w/ Buna-N gasket
				A	B	C		qty	size	length	Part #	Part #
2"	2.375	175	4425	5"	3-15/64"	1-3/4"	1.5	2	3/8"	2"	R72	R72BU
2½"	2.875	175	6490	5-5/8"	3-45/64"	1-3/4"	1.7	2	3/8"	2"	R725	R725BU
3"	3.500	175	9620	6-29/64"	4-5/16"	1-3/4"	2.5	2	3/8"	2"	R73	R73BU
4"	4.500	175	12720	7-53/64"	5-17/32"	2"	3.6	2	1/2"	2-3/4"	R74	R74BU
6"	6.625	175	27570	10-23/64"	7-37/64"	2"	5.8	2	5/8"	3-1/4"	R76	R76BU
8"	8.625	175	35050	13-25/32"	10"	2-21/64"	15.9	2	5/8"	3-1/4"	R78	R78BU



506 Brookforest Ave. Rt. 59 Shorewood Illinois 60404

Phone: 815.725.0062 • Fax: 815.725.2483 • www.serviceindustrialsupply.com

Tank Truck Fittings



Automatic Shut-Off Nozzles

- for card lock and truck refueling stations
- Venturi type automatic shut-off
- high pressure design for up to **80 GPM** flow (requires minimum 7.5 GPM for auto shut-off)
- detachable trigger ratchet
- aluminum construction with bronze trigger



pressure nozzle with spout

Female NPT Inlet	Spout Outlet	Aluminum Part #
1 1/4"	1-3/8'	1144D
1 1/2"	1-3/8'	1124D

- same features as above, plus a break away spout
- Underwriters Listed



pressure nozzle with spout

Female NPT Inlet	Spout Outlet	Aluminum Part #
1 1/4"	1-3/8'	AN125
1 1/2"	1-3/8'	AN150

Standard Utility Nozzles

- for use with 12 volt pumps and gravity flow fittings
- diecast metal body; choice of spouts
- for economy fuel dispensing, including construction, farm and small truck utility tanks
- Underwriters Listed
- working pressure to **25 PSI**



single piece

Female NPT Inlet	Spout Outlet	Aluminum Part #
1"	1" outlet *	900 *
1"	1" straight	900S
1"	1" bent	900B
1"	3/4" straight	900W34S
1"	3/4" bent	900W34B
3/4"	3/4" straight	900S34
3/4"	3/4" bent	900B34



* nozzle body only (without spout)

Note: 3/4" nozzle inlet uses 1" x 3/4" reducer bushing, supplied

Pressure Nozzles for Bulk Delivery

- manual operation (non-automatic) for high pressures and fuel flow up to **80 GPM**
- easy opening dash pot design with shock-less closing
- detachable trigger ratchet, packing gland and seal
- aluminum construction with bronze trigger
- available with aluminum spout or without spout



pressure nozzle without spout

Female NPT Inlet	Female NPT Outlet	Aluminum Part #
1 1/4"	1 1/4"	114DNS
1 1/2"	1 1/2"	112DNS

pressure nozzle with spout

Female NPT Inlet	Spout Outlet	Aluminum Part #
1 1/4"	1 1/4"	114D
1 1/2"	1 1/2"	112D



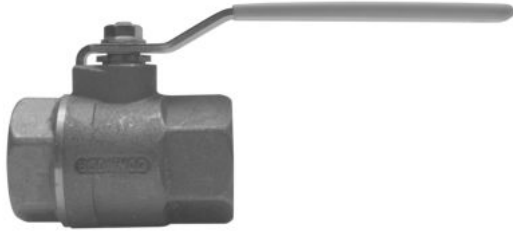
Service Industrial Supply

506 Brookforest Ave. Rt. 59 Shorewood Illinois 60404

Phone: 815.725.0062 • Fax: 815.725.2483 • www.serviceindustrialsupply.com

Domestic Brass Ball Valves

- For control of air, water, oil and gas in hose or pipe lines. For other services, please contact the factory.
- rated to **600 PSI WOG**; **150 PSI** saturated steam
- brass valve bodies, balls and stems
- blow-out proof stems
- Glass-filled reinforced Teflon® seats and stuffing box ring; stem seals and washers.
- plated steel handles and nuts with vinyl sleeves, both styles repairable
- meets WW-V 35C, Type II Composition
- ball valve handle replacements available, consult factory for pricing.

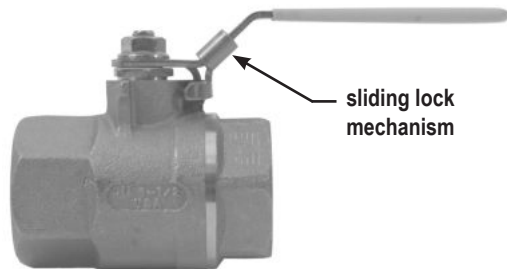


female NPT x female NPT

Size	Port Type	Brass	
		Part #	
1/4"	full	BBV25	
3/8"	full	BBV38	
1/2"	full	BBV50	
3/4"	standard	BBV75	
1"	standard	BBV100	
1-1/4"	standard	BBV125	
1-1/2"	standard	BBV150	
2"	standard	BBV200	

Locking Handle Brass Ball Valves

- For control of air, water, oil and gas in hose or pipe lines. For other services, please contact the factory.
- rated to **600 PSI WOG**; **150 PSI** steam
- blow-out proof RPTFE stem
- chrome-plated brass ball
- Stainless steel sliding lock mechanism secures handle in open or closed position; can be padlocked opened or closed.



female NPT x female NPT

Size	Port Type	Brass	
		Part #	
1/4"	full	BBLV25	
3/8"	full	BBLV38	
1/2"	full	BBLV50	
3/4"	standard	BBLV75	
1"	standard	BBLV100	
1-1/4"	standard	BBLV125	
1-1/2"	standard	BBLV150	
2"	standard	BBLV200	



Global Brass Ball Valves

- For control of air, water, oil and gas in hose or pipe lines.
- rated to **600 PSI WOG**
- body: forged brass, UNS#C37700
- adjustable stem packing nut
- Silicone free
- maximum temperature **300°F** (150°C)
- Underwriters approved
- CSA approved (Canadian Standards Association)



female NPT x female NPT

Size	Port Type	Brass	
		Part #	
1/2"	full	FBVG50	
3/4"	full	FBVG75	
1"	full	FBVG100	
1 1/4"	full	FBVG125	
1 1/2"	full	FBVG150	
2"	full	FBVG200	

Imported Brass Ball Valves

- For control of air, water, oil and gas in hose or pipe lines. For other services, please contact the factory.
- rated to **600 PSI WOG**; **150 PSI WSP**
- forged brass bodies
- blow-out proof stems
- PTFE seats, seals and thrust washers
- chrome-plated brass balls and plated steel handles
- maximum temperature **366°F**

- Underwriters, Factory Mutual, American Gas Association and Canadian Gas Association approved
- NSF61 approved



female NPT x female NPT

Size	Port Type	Brass	
		Part #	
1/4"	full	FBV25	
3/8"	full	FBV38	
1/2"	full	FBV50	
3/4"	full	FBV75	
1"	full	FBV100	
1 1/4"	full	FBV125	
1 1/2"	full	FBV150	
2"	full	FBV200	

female NPT x female NPT

Size	Port Type	Brass	
		Part #	
2 1/2"	full	FBV250	
3"	full	FBV300	
4"	full	FBV400	

female NPT x female NPT

Size	Port Type	Brass	
		Part #	
1/2"	standard	BV50	
3/4"	standard	BV75	
1"	standard	BV100	
1 1/4"	standard	BV125	
1 1/2"	standard	BV150	
2"	standard	BV200	

- For control of air, water, oil and gas in hose or pipe lines. For other services, please contact the factory.
- rated to **600 PSI WOG**; **150 PSI WSP**
- forged brass bodies
- blow-out proof stems
- PTFE seats, seals and thrust washers
- chrome-plated brass balls and plated steel handles
- maximum temperature **366°F**

female NPT x female NPT

Size	Port Type	Brass	
		Part #	
1/2"	full	FBV150	
3/4"	full	FBV175	
1"	full	FBV100	
1 1/4"	full	FBV125	
1 1/2"	full	FBV150	
2"	full	FBV200	

- For control of air, water, oil and gas in hose or pipe lines. For other services, please contact the factory.
- rated to **600 PSI WOG**; **150 PSI WSP**
- blow-out proof stems
- PTFE seats, double O-ring stem packing
- chrome-plated brass ball
- maximum temperature **366°F**
- Underwriters approved

Mini Ball Valves

female NPT x female NPT

Size	Port Type	Brass	
		Part #	
1/8"	standard	MBV12	
1/4"	full	MBV25	
3/8"	full	MBV38	
1/2"	standard	MBV50	

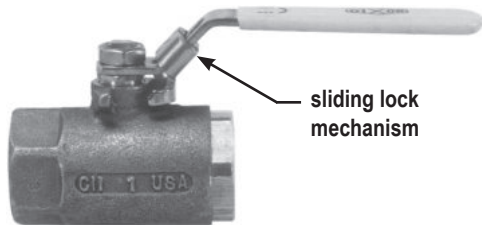


- rated to **150 PSI**
- nickel plated brass body
- Teflon® seats and Buna-N stem seal
- blow-out proof stem
- maximum temperature **150°F**

Safety Vented Ball Valves

- for air service only
- Lockable ball valves vent downstream air in accordance with OSHA regulation 1910.147 for pneumatic systems.
- brass valve

- chromium plated ball
- RTFE seats and stuffing box ring
- blow-out proof stem design
- adjustable packing gland



female NPT x female NPT

Size	Port Type	Brass	
		Part #	
1/4"	full	BBV25LV	
3/8"	full	BBV38LV	
1/2"	full	BBV50LV	
3/4"	standard	BBV75LV	
1"	standard	BBV100LV	
1-1/4"	standard	BBV125LV	
1-1/2"	standard	BBV150LV	
2"	standard	BBV200LV	

"Deadman" Spring Return Handle Ball Valves

- rated to **600 PSI WOG**; **150 PSI** saturated steam
- vacuum service to 29 inches Hg
- stainless steel lever
- chromium plated ball
- RTFE seats and stuffing box ring

Bronze

- blow-out proof stem design
- adjustable packing gland
- spring return closes valve when not held open
- operating torque approximately three times standard valve torque



female NPT x female NPT

Size	Port Type	Bronze	
		Part #	
1/2"	full	BBV50SR	
3/4"	standard	BBV75SR	
1"	standard	BBV100SR	
1 1/2"	standard	BBV150SR	
2"	standard	BBV200SR	

NEW

316 Stainless Steel

- rated to **2000 PSI WOG** 1/2" to 1"; **1500 PSI WOG** 1 1/4" to 2"
- **150 PSI** saturated steam, all sizes
- vacuum service to 29 inches Hg, all sizes
- PTFE seals
- blow-out proof stem design

- adjustable packing gland
- spring return closes valve when not held open
- operating torque approximately three times standard valve torque

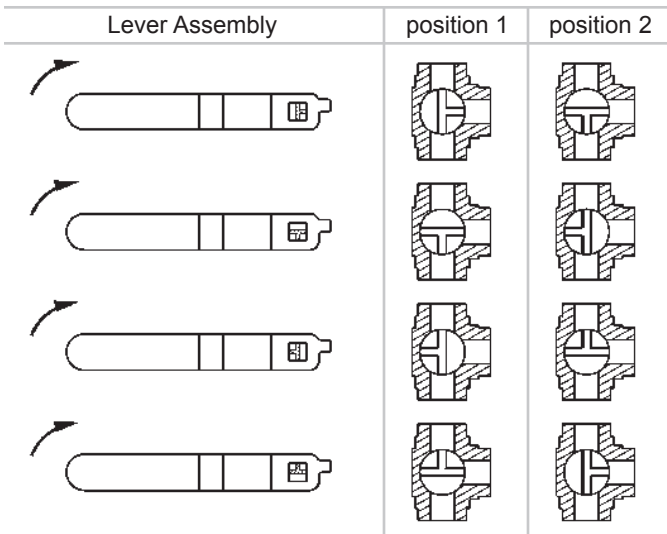


female NPT x female NPT

Size	Port Type	316 Stainless	
		Part #	
1/2"	full	SSBV50SR	
3/4"	standard	SSBV75SR	
1"	standard	SSBV100SR	
1 1/4"	standard	SSBV125SR	
1 1/2"	standard	SSBV150SR	
2"	standard	SSBV200SR	

3-Way Diverting Ball Valves

T Flow Pattern



- rated to **400 PSI** WOG; **100 PSI** saturated steam
- brass body
- blow-out proof stem
- chrome plated brass ball
- PTFE seats, seals, and thrust washer
- adjustable stem packing
- maximum temperature: **320°F**

female NPT x female NPT x female NPT

Size	Port Type	Brass Part #
1/2"	standard	BBV50DTW
3/4"	standard	BBV75DTW
1"	standard	BBV100DTW
1 1/4"	standard	BBV125DTW
1 1/2"	standard	BBV150DTW
2"	standard	BBV200DTW

Note: 1/4 turn handle can be adjusted to any orientation.
Notches on the valve stem reflect the three openings on the ball.

3-Way Diversion Ball Valves

L Flow Pattern

- can be used with gasoline and diesel fuel
- rated to **400 PSI** WOG
- bronze body
- blow-out proof stem
- chromium-plated ball
- RPTFE seats and stuffing box ring
- stainless steel handle and nut with vinyl sleeve
- adjustable packing gland

female NPT x female NPT x female NPT

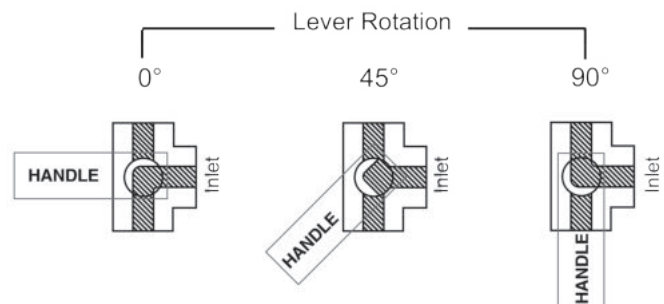
Size	Port Type	Brass Part #
1/2"	full	BBV50TW
3/4"	standard	BBV75TW
1"	standard	BBV100TW



- rated to **800 PSI** WOG
- stainless steel body and ball
- blow-out proof stem
- RPTFE seats and stuffing box ring
- stainless steel handle and nut with vinyl sleeve
- adjustable packing gland
- meets NACE MR-01-75

female NPT x female NPT x female NPT

Size	Port Type	Stainless Steel Part #
1/2"	full	SSBV50TW
3/4"	standard	SSBV75TW
1"	standard	SSBV100TW



Domestic Full Port Ball Valves



- machined solid chrome-plated ball
- multi-fill PTFE seats and seals
- adjustable packing
- blow-out proof stem design
- bronze castings
- vacuum service to 29 inches Hg
- rated to **600 PSI WOG**; **150 PSI** saturated steam

female NPT x female NPT

Size	Port Type	Bronze Part #
1/4"	full	BBV25FP
3/8"	full	BBV38FP
1/2"	full	BBV50FP
3/4"	full	BBV75FP
1"	full	BBV100FP
1-1/4"	full	BBV125FP
1-1/2"	full	BBV150FP
2"	full	BBV200FP

Dual Y Valves



- dual action valve, ideal for compressor applications
- female NPT threads
- non-vented rated to **600 PSI WOG**
- vented rated to **125 PSI CWP** (Cold Working Pressure)

female NPT x female NPT x female NPT

Inlet Size	Outlet Size	Description	Brass Part #
1"	3/4" (2x)	non-vented	BBV100DW
1 1/4"	3/4" (2x)	non-vented	BBV125DW
1"	3/4" (2x)	vented	BBV100DWV
1 1/4"	3/4" (2x)	vented	BBV125DWV

Bronze Ball Valves with NPT Tap for Drain

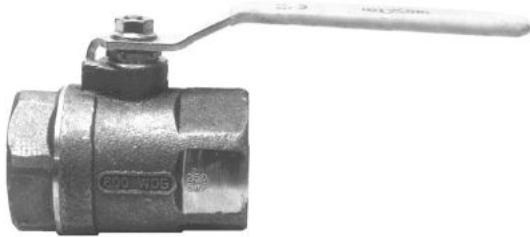


- recommended for water and air service
- rated to **125 PSI WOG**
- bronze ball valves vent downstream air in accordance with OSHA regulations for pneumatic systems.
- chromium plated ball
- RTFE seats and stuffing box ring
- blow-out proof stem design
- adjustable packing gland
- auto-drain / auto-vent
- A 1/4" NPT tapped port provides additional options such as an air venting elbow or noise muffler.

female NPT x female NPT

Size	Port Type	Bronze Part #
1/4"	full	BBV25VT
3/8"	full	BBV38VT
1/2"	full	BBV50VT
3/4"	full	BBV75VT
1"	full	BBV100VT

250 Lb. Steam Ball Valves



female NPT x female NPT

Size	Port Type	Bronze Part #
1/2"	full	BBV50ST
3/4"	standard	BBV75ST
1"	standard	BBV100ST
2"	standard	BBV200ST

- recommended for use with fluids with widely varying temperatures and/or thermal expansion rates
- rated to **600 PSIG; 250 PSI** saturated steam
- vacuum service to 29 inches Hg
- threaded bronze valve
- 316 stainless steel ball and stem
- multi-fill RPTFE seats
- multi-fill stuffing box ring
- high temperature MTFE stem packing
- blow-out proof stem design
- adjustable packing gland
- maximum temperature rating **406°F**

Carbon Steel Ball Valves

- for control of air, water, oil and gas in hose or pipe lines, for other services, please contact the factory
- rated to **150 PSI** saturated steam
- 1/4" - 1" rated to **2000 PSI**; 1 1/4" - 2" rated to **1500 PSI**
- carbon steel body
- chromium plated ball
- RPTFE seats and seals
- blow-out proof stem
- adjustable packing gland



female NPT x female NPT

Size	Port Type	Carbon Steel Part #
1/4"	full	IBV25
3/8"	full	IBV38
1/2"	standard	IBV50
3/4"	standard	IBV75
1"	standard	IBV100
1-1/4"	standard	IBV125
1-1/2"	standard	IBV150
2"	standard	IBV200

- blow out proof stem
- rugged construction
- Viton® shaft seals
- female thread

High Pressure Full-Bore Ball Valves

female x female

Size	PSI	Carbon Steel NEW		PSI	Stainless Steel	
		NPTF Part #	SAE Part #		NPTF Part #	
1/4"	7350	HPBV25	HPBV25SAE	7250	HPBV25SS	
3/8"	7350	HPBV38	HPBV38SAE	7250	HPBV38SS	
1/2"	7350	HPBV12	HPBV12SAE	7250	HPBV12SS	
3/4"	5880	HPBV34	HPBV34SAE	5800	HPBV34SS	
1"	5145	HPBV10	HPBV10SAE	5075	HPBV10SS	
1 1/4"	5880	HPBV125	HPBV125SAE	---	---	
1 1/2"	5880	HPBV150	HPBV150SAE	---	---	
2"	5880	HPBV200	HPBV200SAE	---	---	



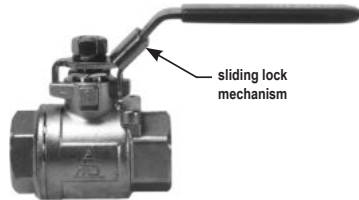
Stainless Steel Ball Valves



- for use in water, oil and gas
- 1/4" - 2" rated to **1000 PSI WOG** (CWP); 2 1/2" - 3" rated to **800 PSI WOG** (CWP); **100 PSI** saturated steam
- 316 stainless steel body, ball and stem
- Teflon® seat, joint gasket and thrust washer
- plastic cover on handle
- blow-out proof stem design
- temperature range **-60°F to 450°F**

female NPT x female NPT

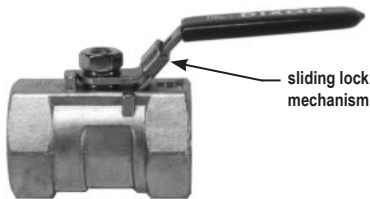
Size	Port Type	Stainless Steel	
		Part #	
1/4"	full	SSBV25	
3/8"	full	SSBV38	
1/2"	full	SSBV50	
3/4"	full	SSBV75	
1"	full	SSBV100	
1-1/4"	full	SSBV125	
1-1/2"	full	SSBV150	
2"	full	SSBV200	
2-1/2"	full	SSBV250	
3"	full	SSBV300	



- for use in water, oil and gas
- rated to **1000 PSI WOG**; **100 PSI** saturated steam
- 316 stainless steel body, ball and stem
- Teflon® seat, joint gasket and thrust washer
- plastic cover on handle
- blow-out proof stem design
- temperature range **-60°F to 450°F**
- lockable

female NPT x female NPT

Size	Port Type	316 Stainless Steel	
		Part #	
1/4"	full	SSLBV25	
3/8"	full	SSLBV38	
1/2"	full	SSLBV50	
3/4"	full	SSLBV75	
1"	full	SSLBV100	
1-1/4"	full	SSLBV125	
1-1/2"	full	SSLBV150	
2"	full	SSLBV200	



- for use in water, oil and gas
- rated to **800 PSI WOG**; **100 PSI** saturated steam
- 316 stainless steel body, ball and stem
- Teflon® seat, joint gasket and thrust washer
- plastic cover on handle
- blow-out proof stem design
- temperature range **-60°F to 450°F**
- lockable

female NPT x female NPT

Size	Port Type	316 Stainless Steel	
		Part #	
1/4"	reduced	SSLBV25SP	
3/8"	reduced	SSLBV38SP	
1/2"	reduced	SSLBV50SP	
3/4"	reduced	SSLBV75SP	
1"	reduced	SSLBV100SP	
1-1/4"	reduced	SSLBV125SP	
1-1/2"	reduced	SSLBV150SP	
2"	reduced	SSLBV200SP	

Bolted Polypropylene Ball Valves

- ½" - 3" is rated to **125 PSI** at **70°F**;
4" is rated to **90 PSI** at **70°F**
- chemically-resistant, reinforced polypropylene
- FDA approved material
- Teflon® ball seats
- EPDM O-ring body seals, Viton® O-ring stem seals
- 304 stainless steel nuts and bolts

4-bolt valve design

female NPT x female NPT

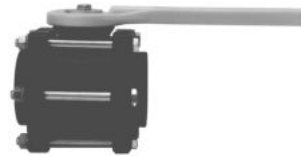
Size	Port Type	Polypropylene Part #	Opt Qty
½"	full	PVFP50	24
¾"	full	PVFP75	24
1"	full	PVFP100	24
1½"	full	PVFP150	24
1"	standard	PV100	24
2"	standard	PV200	24



6-bolt valve design

female NPT x female NPT

Size	Port Type	Polypropylene Part #	Opt Qty
2"	full	PVFP200	12
3"	full	PVFP300	8
4"	full	PVFP400	4



Bolted Polypropylene Ball Valves with Nozzles

- rated to **125 PSI** at **70°F**
- chemically-resistant, reinforced polypropylene
- Teflon® ball seat
- EPDM O-ring body seals, Viton® O-ring stem seals
- 304 stainless steel nuts and bolts
- body-to-flange design allows for low torque operation
- FDA approved material

female NPT x nozzle

Size	Port Type	Polypropylene Part #	Opt Qty
1½"	full	PVFPN150	12
2"	full	PVFPN200	9
2"	standard	PVN200	12



Compact Bolted Polypropylene Ball Valves

- rated to **125 PSI** at **70°F**
- chemically-resistant, reinforced polypropylene
- FDA approved material
- Teflon® ball seats
- EPDM O-ring body seals, Viton® O-ring stem seals
- 304 stainless steel nuts and bolts

female NPT x female NPT

Size	Port Type	Body Length	Polypropylene Part #
2"	full	4-7/8"	PVFPS200



female NPT x male adapter

Size	Port Type	Body Length	Polypropylene Part #
2"	full	6-7/8"	PVFPSA200



Ductile Iron Butterfly Valves

SAFETY ALERT NOT RECOMMENDED FOR STEAM SERVICE

- for use between two 150 lb. flanges
- will lock "open" or "closed"
- rated to **200 PSI**



- ductile iron body, ASTM A536
- aluminum bronze disc, ASTM B148, ALY.954
- Buna-N seal and stem seals
- PTFE bushing
- stainless steel top and bottom stems
- The number of holes on the valve should match the number of holes for the specific flange size listed in the Pipe and Flange dimensions chart on page 567.

threaded lug style with bronze disc

Size	with Buna-N liner	with EPDM liner
	Part #	Part #
2"	BFVL200	BFVL200E
3"	BFVL300	BFVL300E
4"	BFVL400	BFVL400E
6"	BFVL600	BFVL600E



- ductile iron body, ASTM A536
- aluminum bronze disc, ASTM B148, ALY.954
- Buna-N seal and stem seals
- PTFE bushing
- stainless steel top and bottom stems
- The number of holes on the valve depends on the body size.

wafer style with bronze disc

Size	with Buna-N liner	with EPDM liner
	Part #	Part #
2"	BBFVW200	BBFVW200E
3"	BBFVW300	BBFVW300E
4"	BBFVW400	BBFVW400E
6"	BBFVW600	BBFVW600E



- ductile iron body, ASTM A536
- stainless steel disc, ASTM A351, GR. CF-8M
- Buna-N seal and stem seals
- PTFE bushing
- stainless steel top and bottom stems
- The number of holes on the valve depends on the body size.

wafer style with stainless disc

Size	with Buna-N liner
	Part #
2"	BFVW200
3"	BFVW300
4"	BFVW400
6"	BFVW600

Econovalues

The Econo Valve series of ball valves are solidly constructed and designed for rugged service such as the mining and construction industries. The unique one piece ball and stem provides positive on/off action with no slacks and no leaks.

Specifications:

- body: spheroidal graphite cast iron to ISO 1083-1987; 400-250-15 SGI
- seals: nitrile butadiene
- handle: 1½" - 2" spheroidal graphite cast iron to ISO 1083-1987. other sizes have pressed mild steel handles
- ball and stem: spheroidal graphite cast iron to ISO 1083-1987; copper chrome plated to AS1192. ¾" and 1" are top-loading making in-line maintenance easy.
- bolts: hex, M10 x 1.5 x 90, grade 8, black
- nuts: hex, M10 x 1.5, grade 8, zinc plated

Pressure Ratings

Size	Working PSI	Burst PSI
½"	300	1160
¾"	300	1015
1"	300	1015
1½"	300	860
2"	300	860

Female NPT Standard Valves

female NPT x female NPT

Size	Iron Part #
¾"	EVNPT75
1"	EVNPT100
1½"	EVNPT150
2"	EVNPT200



Grooved Standard Valves

grooved end x grooved end

Size	Iron Part #
1"	EVGR100
1½"	EVGR150 *
2"	EVGR200



* item will be discontinued as stock is depleted

FNPT x Grooved Standard Valves

female NPT x grooved end

NPT Size	Grooved End Size	Iron Part #
1"	2"	EVNPTGR100200
2"	2"	EVNPTGR200



FNPT x Surelock Standard Valves

female NPT x small Surelock connection

Size	Iron Part #
1"	EVNPTSL100



Surelock x Surelock Standard Valves

small Surelock connection x small Surelock connection

Iron Part #
EVSL100



Spring-Loaded Check Valves



- 1½" - 2" rated to **400 PSI** WOG;
3" - 4" rated to **175 PSI** WOG
- cracking pressure: 0.50 PSI
- brass with NBR seat
- soft seat for bubble tight shutoff, spring loaded for fast seating action
- flow profile designed to minimize head loss
- temperature range **10°F to 210°F** (-10°C to 100°C)

NPT Size	Brass	
	Part #	
½"	CV050 *	
¾"	CV075 *	
1"	CV100 *	
1¼"	CV125 *	
1½"	CV150 *	
2"	CV200 *	
3"	CV300	
4"	CV400	

* NSF61 approved

Strainer with Spring-Loaded Check Valve



- 1½" - 2" rated to **400 PSI** WOG;
3" - 4" rated to **175 PSI** WOG
- cracking pressure: 0.50 PSI
- brass with NBR seat
- stainless steel strainer
- soft seat for bubble tight shutoff, spring loaded for fast seating action.
- flow profile designed to minimize head loss
- temperature range **10°F to 210°F** (-10°C to 100°C)

NPT Size	Brass	
	Part #	
1½"	BVFS20 *	
2"	BVFS25 *	
3"	BVFS35	
4"	BVFS40	

* NSF61 approved

Horizontal Swing Check Valves



- Swing check valves are designed to prevent back flow in plumbing and liquid piping systems, while offering full flow performance with a minimum of turbulence or pressure loss.
- A positive seating disc allows flow only in one direction and a screw-in cap provides easy access for periodic cleaning.
- for horizontal or vertical use
- rated to **200 PSI** WOG
- temperature range **-20° to 150°F**
- brass body
- brass disc

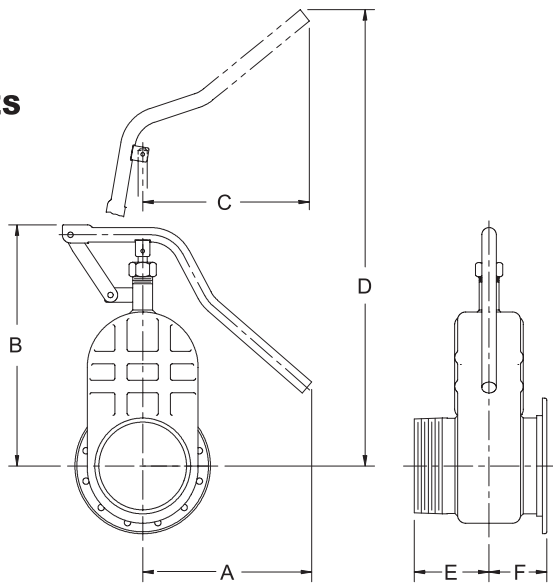
female NPT x female NPT

Size	Brass	
	Part #	
½"	SWCV50	
¾"	SWCV75	
1"	SWCV100	
1¼"	SWCV125	
1½"	SWCV150	
2"	SWCV200	
3"	SWCV300	

SLIDING VALVE

WITH REPLACEABLE O-RING SEAT

QUICK OPENING
STAINLESS GATES
BUBBLE TIGHT



4" & 6" VALVE

6 in. VALVE SHOWN

The Betts Sliding Valve is an economical means of providing a quick opening – quick closing valve where high working pressure will not be encountered. All valves are standard with stainless steel gates which provide a bubble tight seal.

TTMA DRILLING

Size	Assembly No. Flanged x Flanged	Material	Wt.	Size	Assembly No. Flanged x Threaded	Material	Wt.
4"	SV804 MSTs	Steel	14.9	4"	SV814 MSTs	Steel	14.1
	SV804 SSTs	316 Stainless			SV814 SSTs	316 Stainless	
6"	SV806 MSTs	Steel	32.5	6"	SV816 MSTs	Steel	30.0
	SV806 SSTs	316 Stainless			SV816 SSTs	316 Stainless	

ANSI DRILLING**

Size	Assembly No. Flanged x Flanged	Material	Wt.	Size	Assembly No. Flanged x Threaded	Material	Wt.
4"	SV854 MSTs	Steel	24.5	4"	SV864 MSTs	Steel	20.0
	SV854 SSTs	316 Stainless			SV864 SSTs	316 Stainless	
6"	SV856 MSTs	Steel	46.0	6"	SV866 MSTs	Steel	40.0
	SV856 SSTs	316 Stainless			SV866 SSTs	316 Stainless	

Dimensions

Size	A	B	C	D	E	F	TTMA Flange				ANSI Flange *				Max. Working Pressure
							O.D.	B.C.	Holes	Thick.	O.D.	B.C.	Holes	Thick.	
4"	9 ⁵ / ₈	13	8 ³ / ₁₆	24 ⁷ / ₁₆	3 ⁵ / ₁₆	2 ⁵ / ₈ *	7 ¹ / ₈	5 ⁷ / ₈	8- ⁷ / ₁₆	.1345	9	7 ¹ / ₂	8- ³ / ₄	1 ¹ / ₂	75 PSI
6"	11 ¹¹ / ₁₆	16 ¹¹ / ₁₆	11 ⁹ / ₁₆	31 ⁹ / ₁₆	5 ¹ / ₁₆	4	9 ³ / ₈	8 ¹ / ₈	12- ⁷ / ₁₆	.1345	11	9 ¹ / ₂	8- ⁷ / ₈	1 ¹ / ₂	50 PSI

*ANSI Dimension 3⁷/₁₆"

**Drilling Dimensions Only

Red SBR Sheet Rubber



COMMERCIAL GRADE RED

POLYMER: Styrene-Butadiene
TEMP: -22° F to 158° F
FINISH: Plate or Fabric
DUROMETER: 75

PLATE FINISH	FABRIC IMPRESSION	GAUGE x WIDTH	AVG. LENGTH	APPROX. WT./ROLL
R75-02 x 36 x 67	RF75-02 x 36 x 67	1/16" x 36"	67 ft.	106 lbs.
R75-04 x 36 x 36	RF75-04 x 36 x 36	1/8" x 36"	36 ft.	114 lbs.
R75-06 x 36 x 36	RF75-06 x 36 x 36	3/16" x 36"	36 ft.	171 lbs.
R75-08 x 36 x 18	RF75-08 x 36 x 18	1/4" x 36"	18 ft.	114 lbs.
R75-02 x 48 x 67	RF75-02 x 48 x 67	1/16" x 48"	67 ft.	141 lbs.
R75-03 x 48 x 67	RF75-03 x 48 x 67	3/32" x 48"	67 ft.	211 lbs.
R75-04 x 48 x 36	RF75-04 x 48 x 36	1/8" x 48"	36 ft.	152 lbs.
R75-06 x 48 x 36	RF75-06 x 48 x 36	3/16" x 48"	36 ft.	228 lbs.
R75-08 x 48 x 48	RF75-08 x 48 x 18	1/4" x 48"	18 ft.	152 lbs.

 **Service Industrial Supply**

506 Brookforest Ave. Rt. 59 Shorewood Illinois 60404

Phone: 815.725.0062 • Fax: 815.725.2483 • www.serviceindustrialsupply.com

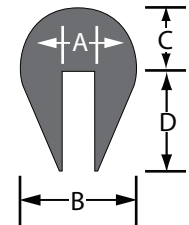
Channel Rubber

**STANDARD
ROUND/TAPERED
HEX-FLAT/HEX-FLAT TOP
COMMERCIAL GRADE EDM BLACK**

DUROMETER: 65



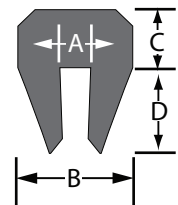
Channel Rubber is ideal for use as a protective edge on shaker screens and a variety of other type of industrial equipment



STANDARD ROUND TOP CHANNEL

DIMENSIONS

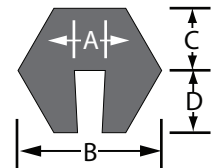
PART #	CHANNEL SIZE	A	B	C	D
RTCHNL-04X200	1/4"	.25	.81	.44	.56
RTCHNL-06X200	3/8"	.38	1.00	.50	.50
RTCHNL-08X100	1/2"	.50	1.25	.56	.63
RTCHNL-12X100	3/4"	.75	1.20	.63	1.40



TAPERED HEX-FLAT TOP CHANNEL

DIMENSIONS

PART #	CHANNEL SIZE	A	B	C	D
THCHNL-04X200	1/4"	.25	.65	.38	.63
THCHNL-06X200	3/8"	.38	.85	.50	.63
THCHNL-08X100	1/2"	.50	1.20	.50	.69
THCHNL-12X100	3/4"	.75	1.45	.50	.75



HEX-FLAT TOP CHANNEL

PART #	CHANNEL SIZE	ROLL LENGTH	APPROX WT./ROLL
RTCHNL-04X200	1/4"	200	50 lbs.
RTCHNL-06X200	3/8"	200	70 lbs.
RTCHNL-08X100	1/2"	100	51 lbs.
RTCHNL-12X100	3/4"	100	70 lbs.
THCHNL-04X200	1/4"	200	44 lbs.
THCHNL-06X200	3/8"	200	64 lbs.
THCHNL-08X100	1/2"	100	48 lbs.
THCHNL-12X100	3/4"	100	62 lbs.
HFTCHNL-04X200	1/4"	200	34 lbs.
HFTCHNL-06X200	3/8"	200	42 lbs.
HFTCHNL-08X100	1/2"	100	44 lbs.
HFTCHNL-12X100	3/4"	100	40 lbs.

 **Service Industrial Supply**

506 Brookforest Ave. Rt. 59 Shorewood Illinois 60404

Phone: 815.725.0062 • Fax: 815.725.2483 • www.serviceindustrialsupply.com

Red Pure Gum Sheet



COMMERCIAL GRADE RED GUM RUBBER

High Abrasion-Resistance

POLYMER: Isoprene Rubber (Natural)

TEMP: -40° F to 185° F

FINISH: Plate

DUROMETER: 45

PART#	GAUGES x WIDTH	AVG LENGTH	APPROX. WT./ROLL
RG45-12 x 48 x 25	3/8" x 48"	25 ft.	205 lbs.
RG45-16 x 48 x 25	1/2" x 48"	25 ft.	273 lbs.
RG45-24 x 48 x 25	3/4" x 48"	25 ft.	410 lbs.
RG45-32 x 48 x 25	1" x 48"	25 ft.	546 lbs.

Neoprene Sheet Rubber

COMMERCIAL GRADE BLACK

POLYMER: Chloroprene
TEMP: -20° F to 180° F
FINISH: Plate Smooth
DUROMETER: 40 to 70



PART #	GAUGES x WIDTH	AVG LENGTH	APPROX. WT./ROLL
N40-02 x 36 x 67	1/16" x 36"	67 ft.	96 lbs.
N40-04 x 36 x 67	1/8" x 36"	67 ft.	195 lbs.
N40-06 x 36 x 67	1/16" x 36"	36 ft.	158 lbs.
N40-08 x 36 x 36	1/8" x 36"	36 ft.	210 lbs.
N50-02 x 48 x 67	1/16" x 48"	67 ft.	132 lbs.
N50-04 x 48 x 36	1/8" x 48"	36 ft.	142 lbs.
N50-06 x 48 x 36	3/16" x 48"	36 ft.	213 lbs.
N50-08 x 48 x 18	1/4" x 48"	18 ft.	142 lbs.
N60-01 x 36 x 67	1/32" x 36"	67 ft.	52 lbs.
N60-02 x 36 x 67	1/16" x 36"	67 ft.	99 lbs.
N60-03 x 36 x 67	3/32" x 36"	67 ft.	149 lbs.
N60-04 x 36 x 67	1/8" x 36"	67 ft.	198 lbs.
N60-06 x 36 x 36	3/16" x 36"	36 ft.	161 lbs.
N60-08 x 36 x 36	1/4" x 36"	36 ft.	214 lbs.
N60-12 x 36 x 18	3/8" x 36"	18 ft.	160 lbs.
N60-16 x 36 x 18	1/2" x 36"	18 ft.	214 lbs.
N60-24 x 36 x 18	3/4" x 36"	18 ft.	319 lbs.
N60-32 x 36 x 18	1" x 36"	18 ft.	426 lbs.
N60-02 x 48 x 67	1/16" x 48"	67 ft.	132 lbs.
N60-03 x 48 x 67	3/32" x 48"	67 ft.	200 lbs.
N60-04 x 48 x 36	1/8" x 48"	36 ft.	142 lbs.
N60-06 x 48 x 36	3/16" x 48"	36 ft.	213 lbs.
N60-08 x 48 x 18	1/4" x 48"	18 ft.	142 lbs.
N60-12 x 48 x 18	3/8" x 48"	18 ft.	213 lbs.
N60-16 x 48 x 18	1/2" x 48"	18 ft.	284 lbs.
N60-24 x 48 x 18	3/4" x 48"	18 ft.	425 lbs.
N60-32 x 48 x 18	1" x 48"	18 ft.	567 lbs.
N70-02 x 48 x 67	1/16" x 48"	67 ft.	132 lbs.
N70-04 x 48 x 36	1/8" x 48"	36 ft.	142 lbs.
N70-06 x 48 x 36	3/16" x 48"	36 ft.	213 lbs.
N70-08 x 48 x 18	1/4" x 48"	18 ft.	142 lbs.

 **Service Industrial Supply**

506 Brookforest Ave. Rt. 59 Shorewood Illinois 60404

Phone: 815.725.0062 • Fax: 815.725.2483 • www.serviceindustrialsupply.com

Skirtboard Rubber



COMMERCIAL GRADE RUBBER

SBR/NR

TEMP: -22° F to 158° F

FINISH: Plate

DUROMETER: 60

PART#	GAUGES x WIDTH	AVG LENGTH	APPROX. WT./ROLL
SK60-08 x 3 x 50	1/4" x 3"	50 ft.	23 lbs.
SK60-08 x 4 x 50	1/4" x 4"	50 ft.	30 lbs.
SK60-08 x 5 x 50	1/4" x 5"	50 ft.	38 lbs.
SK60-08 x 6 x 50	1/4" x 6"	50 ft.	45 lbs.
SK60-08 x 8 x 50	1/4" x 8"	50 ft.	61 lbs.
SK60-08 x 10 x 50	1/4" x 10"	50 ft.	76 lbs.
SK60-08 x 12 x 50	1/4" x 12"	50 ft.	91 lbs.
SK60-12 x 3 x 50	3/8" x 3"	50 ft.	34 lbs.
SK60-12 x 4 x 50	3/8" x 4"	50 ft.	45 lbs.
SK60-12 x 5 x 50	3/8" x 5"	50 ft.	57 lbs.
SK60-12 x 6 x 50	3/8" x 6"	50 ft.	68 lbs.
SK60-12 x 8 x 50	3/8" x 8"	50 ft.	91 lbs.
SK60-12 x 10 x 50	3/8" x 10"	50 ft.	114 lbs.
SK60-12 x 12 x 50	3/8" x 12"	50 ft.	136 lbs.
SK60-16 x 3 x 50	1/2" x 3"	50 ft.	45 lbs.
SK60-16 x 4 x 50	1/2" x 4"	50 ft.	61 lbs.
SK60-16 x 5 x 50	1/2" x 5"	50 ft.	76 lbs.
SK60-16 x 6 x 50	1/2" x 6"	50 ft.	91 lbs.
SK60-16 x 8 x 50	1/2" x 8"	50 ft.	121 lbs.
SK60-16 x 10 x 50	1/2" x 10"	50 ft.	151 lbs.
SK60-16 x 12 x 50	1/2" x 12"	50 ft.	182 lbs.
SK60-24 x 3 x 50	3/4" x 3"	50 ft.	68 lbs.
SK60-24 x 6 x 50	3/4" x 6"	50 ft.	136 lbs.
SK60-24 x 8 x 50	3/4" x 8"	50 ft.	182 lbs.
SK60-24 x 9 x 50	3/4" x 9"	50 ft.	205 lbs.
SK60-24 x 10 x 50	3/4" x 10"	50 ft.	227 lbs.
SK60-24 x 12 x 50	3/4" x 12"	50 ft.	273 lbs.
SK60-32 x 3 x 50	1" x 3"	50 ft.	91 lbs.
SK60-32 x 6 x 50	1" x 6"	50 ft.	182 lbs.
SK60-32 x 8 x 50	1" x 8"	50 ft.	242 lbs.
SK60-32 x 10 x 50	1" x 10"	50 ft.	303 lbs.
SK60-32 x 12 x 50	1" x 12"	50 ft.	363 lbs.
SK60-48 x 10 x 50	1-1/2" x 50	50 ft.	455 lbs.

 **Service Industrial Supply**

506 Brookforest Ave. Rt. 59 Shorewood Illinois 60404

Phone: 815.725.0062 • Fax: 815.725.2483 • www.serviceindustrialsupply.com

FDA White Nitrile Sheet

FOOD GRADE: White Nitrile Sheet FDA Approved

POLYMER: Nitrile-Butadiene
Excellent Resistance to Petroleum

TEMP: -31° F to 230° F

FINISH: Plate

DUROMETER: 60



PART#	GAUGES x WIDTH	AVG LENGTH	APPROX. WT./ROLL
W60-02 x 36 x 67	1/16" x 36"	67 ft.	92 lbs.
W60-03 x 36 x 67	3/32" x 36"	67 ft.	137 lbs.
W60-04 x 36 x 36	1/8" x 36"	36 ft.	98lbs.
W60-06 x 36 x 18	3/16" x 36	18 ft.	74 lbs.
W60-08 x 36 x 18	1/4" x 36"	18 ft.	98 lbs.
W60-02 x 48 x 36	1/16" x 48"	36 ft.	66 lbs.
W60-04 x 48 x 36	1/8" x 48"	36 ft.	131 lbs.
W60-06 x 48 x 18	3/16" x 48"	18 ft.	98 lbs.
W60-08 x 48 x 18	1/4" x 48"	18 ft.	131 lbs.

- ***Excellent resistance to petroleum based fluids***
- ***Good physical properties***

Tan Pure Gum Sheet



TAN PURE GUM RUBBER

Abrasion-Resistance and Acid-Resistance

TEMP: -40° F to 176° F

FINISH: Plate

DUROMETER: 40

PART#	GAUGES x WIDTH	AVG LENGTH	APPROX. WT./ROLL
GF40-02 x 36 x 67	1/16" x 36"	67 ft.	65 lbs.
GF40-04 x 36 x 67	1/8" x 36"	67 ft.	131 lbs.
GF40-06 x 36 x 67	3/16" x 36"	67 ft.	196 lbs.
GF40-08 x 36 x 36	1/4" x 36"	36 ft.	140 lbs.
GF40-12 x 36 x 36	3/8" x 36"	36 ft.	211 lbs.
GF40-16 x 36 x 18	1/2" x 36"	18 ft.	140 lbs.
GF40-24 x 36 x 18	3/4" x 36"	18 ft.	211 lbs.
GF40-32 x 36 x 18	1" x 36"	18 ft.	281 lbs.
GF40-02 x 48 x 67	1/16" x 48"	67 ft.	87 lbs.
GF40-04 x 48 x 36	1/8" x 48"	36 ft.	94 lbs.
GF40-06 x 48 x 36	3/16" x 48"	36 ft.	140 lbs.
GF40-08 x 48 x 18	1/4" x 48"	18 ft.	94 lbs.

 **Service Industrial Supply**

506 Brookforest Ave. Rt. 59 Shorewood Illinois 60404

Phone: 815.725.0062 • Fax: 815.725.2483 • www.serviceindustrialsupply.com



BLUE SPIRAFLEX®

Continental  ContiTech

- COUPLED:** Aluminum Male x Female NPSH Double Banded
- COVER:** Blue PVC Compound / Synthetic Fabric
- TUBE:** Blue PVC Compound / Synthetic Fabric
- TEMP:** -10° F to 150° F
- APPLICATION:** For light duty water discharge applications in mining, construction, industry, agriculture and marine services.

Additional Lengths Available

PART #	DESCRIPTION	W.P.	STOCK
20069152-50SD	1-1/2" x 50' Blue Spiraflex cpld Aluminum Male x Female NPSH	90	IN STOCK
20069153-50SD	2" x 50' Blue Spiraflex cpld Aluminum Male x Female NPSH	80	IN STOCK
20069213-50SD	3" x 50' Blue Spiraflex cpld Aluminum Male x Female NPSH	55	IN STOCK
20069216-50SD	4" x 50' Blue Spiraflex cpld Aluminum Male x Female NPSH	50	IN STOCK
20069219-50SD	6" x 50' Blue Spiraflex cpld Aluminum Male x Female NPSH	35	IN STOCK
20069222-50SD	8" x 50' Blue Spiraflex cpld Aluminum Male x Female NPSH	35	IN STOCK
20069152-100SD	1-1/2" x 100' Blue Spiraflex cpld Aluminum Male x Female NPSH	90	IN STOCK
20069153-100SD	2" x 100' Blue Spiraflex cpld Aluminum Male x Female NPSH	80	IN STOCK
20069213-100SD	3" x 100' Blue Spiraflex cpld Aluminum Male x Female NPSH	55	IN STOCK
20069216-100SD	4" x 100' Blue Spiraflex cpld Aluminum Male x Female NPSH	50	IN STOCK
20069219-100SD	6" x 100' Blue Spiraflex cpld Aluminum Male x Female NPSH Triple Banded	35	IN STOCK
20069222-100SD	8" x 100' Blue Spiraflex cpld Aluminum Male x Female NPSH Triple Banded	35	IN STOCK



BLUE SPIRAFLEX®

Continental  ContiTech

- COUPLED:** Aluminum Male x Female Camlocks Double Banded
- COVER:** Blue PVC Compound / Synthetic Fabric
- TUBE:** Blue PVC Compound / Synthetic Fabric
- TEMP:** -10° F to 150° F
- APPLICATION:** For light duty water discharge applications in mining, construction, industry, agriculture and marine services.

Additional Lengths Available

PART #	DESCRIPTION	W.P.	STOCK
20069152-50CE	1-1/2" x 50' Blue Spiraflex cpld Aluminum Male x Female Camlocks Double Banded	90	IN STOCK
20069153-50CE	2" x 50' Blue Spiraflex cpld Aluminum Male x Female Camlocks Double Banded	80	IN STOCK
20069213-50CE	3" x 50' Blue Spiraflex cpld Aluminum Male x Female Camlocks Double Banded	55	IN STOCK
20069216-50CE	4" x 50' Blue Spiraflex cpld Aluminum Male x Female Camlocks Double Banded	50	IN STOCK
20069219-50CE	6" x 50' Blue Spiraflex cpld Aluminum Male x Female Camlocks Double Banded	35	IN STOCK
20069222-50CE	8" x 50' Blue Spiraflex cpld Aluminum Male x Female Camlocks Double Banded	35	IN STOCK
20069152-100CE	1-1/2" x 100' Blue Spiraflex cpld Aluminum Male x Female Camlocks Double Banded	90	IN STOCK
20069153-100CE	2" x 100' Blue Spiraflex cpld Aluminum Male x Female Camlocks Double Banded	80	IN STOCK
20069213-100CE	3" x 100' Blue Spiraflex cpld Aluminum Male x Female Camlocks Double Banded	55	IN STOCK
20069216-100CE	4" x 100' Blue Spiraflex cpld Aluminum Male x Female Camlocks Double Banded	50	IN STOCK
20069219-100CE	6" x 100' Blue Spiraflex cpld Aluminum Male x Female Camlocks Double Banded	35	IN STOCK
20069222-100CE	8" x 100' Blue Spiraflex cpld Aluminum Male x Female Camlocks Triple Banded	35	IN STOCK

 **Service Industrial Supply**

506 Brookforest Ave. Rt. 59 Shorewood Illinois 60404

Phone: 815.725.0062 • Fax: 815.725.2483 • www.serviceindustrialsupply.com



Ironsides®

 **Kuriyama of America, Inc.**

- COUPLED:** Aluminum Male x Female Camlocks Double Banded
- COVER:** Red PVC, reinforced with two spiral plies and longitudinal synthetic cords
- TUBE:** Red PVC
- TEMP:** -5° F to 170° F
- APPLICATION:** Agricultural, quarry, mining and heavy duty discharge.

Additional Lengths Available

PART #	DESCRIPTION	W.P.	STOCK
IS200-50CE	2" x 50' Red Ironsides cpld Aluminum Male x Female Camlocks	150	IN STOCK
IS300-50CE	3" x 50' Red Ironsides cpld Aluminum Male x Female Camlocks	150	IN STOCK
IS400-50CE	4" x 50' Red Ironsides cpld Aluminum Male x Female Camlocks	125	IN STOCK
IS600-50CE	6" x 50' Red Ironsides cpld Aluminum Male x Female Camlocks	115	IN STOCK
IS800-50CE	8" x 50' Red Ironsides cpld Aluminum Male x Female Camlocks	115	IN STOCK
IS200-100CE	2" x 100' Red Ironsides cpld Aluminum Male x Female Camlocks	150	IN STOCK
IS300-100CE	3" x 100' Red Ironsides cpld Aluminum Male x Female Camlocks	150	IN STOCK
IS400-100CE	4" x 100' Red Ironsides cpld Aluminum Male x Female Camlocks	125	IN STOCK
IS600-100CE	6" x 100' Red Ironsides cpld Aluminum Male x Female Camlocks	115	IN STOCK
IS800-100CE	8" x 100' Red Ironsides cpld Aluminum Male x Female Camlocks	115	IN STOCK

Hose Assemblies

Heavy-Duty Water Discharge

GatorFlow™

 Kuriyama of America, Inc.



- COUPLED:** Aluminum Male x Female Camlocks Double Banded
- COVER:** Black Ribbed Nitrile Cover Polyester Reinforcement
- TUBE:** Black Nitrile Rubber/PVC Polyester Reinforcement
- TEMP:** -20° F to 176° F
- APPLICATION:** Irrigation, agricultural, heavy duty discharge, limited oil and chemical uses.

Additional Lengths Available

PART #	DESCRIPTION	W.P.	STOCK
GF200-50CE	2" x 50' Black Gator Flow cpld Aluminum Male x Female Camlocks w/ 2-bands	200	IN STOCK
GF300-50CE	3" x 50' Black Gator Flow cpld Aluminum Male x Female Camlocks w/ 2-bands	175	IN STOCK
GF400-50CE	4" x 50' Black Gator Flow cpld Aluminum Male x Female Camlocks w/ 2-bands	150	IN STOCK
GF600-50CE	6" x 50' Black Gator Flow cpld Aluminum Male x Female Camlocks w/ 2-bands	150	IN STOCK
GF800-50CE	8" x 50' Black Gator Flow cpld Aluminum Male x Female Camlocks w/ 2-bands	150	IN STOCK
GF200-100CE	2" x 100' Black Gator Flow cpld Aluminum Male x Female Camlocks w/ 2-bands	200	IN STOCK
GF300-100CE	3" x 100' Black Gator Flow cpld Aluminum Male x Female Camlocks w/ 2-bands	175	IN STOCK
GF400-100CE	4" x 100' Black Gator Flow cpld Aluminum Male x Female Camlocks w/ 2-bands	150	IN STOCK
GF600-100CE	6" x 100' Black Gator Flow cpld Aluminum Male x Female Camlocks w/ 3-bands	150	IN STOCK
GF800-100CE	8" x 100' Black Gator Flow cpld Aluminum Male x Female Camlocks w/ 3-bands	150	IN STOCK

 **Service Industrial Supply**

506 Brookforest Ave. Rt. 59 Shorewood Illinois 60404

Phone: 815.725.0062 • Fax: 815.725.2483 • www.serviceindustrialsupply.com

Med Duty Water Suction & Discharge **Hose Assemblies**



VELOCITY
Continental  ContlTech

- COUPLED:** Aluminum Male x Female Camlocks
- TUBE/COVER:** Clear, Flexible with Synthetic Yarn Braiding
- TEMP:** -4° F to 150° F
- REINFORCEMENT:** Rigid PVC Helix (Orange)
- APPLICATION:** Med Duty Suction and Discharge Hose for Use in a Variety of Industries. Used where visual confirmation of material flow is necessary.

PART #	DESCRIPTION	W.P.	STOCK
SR-200-20CE	1 1/2" x 20' Orange Velocity cpld Male x Female Camlocks 2-Bands E/E	100	IN STOCK
SR-200-20CE	2" x 20' Orange Velocity cpld Male x Female Camlocks 2-Bands E/E	100	IN STOCK
SR-300-20CE	3" x 20' Orange Velocity cpld Male x Female Camlocks 2-Bands E/E	100	IN STOCK
SR-400-20CE	4" x 20' Orange Velocity cpld Male x Female Camlocks 2-Bands E/E	75	IN STOCK
SR-600-20CE	6" x 20' Orange Velocity cpld Male x Female Camlocks 2-Bands E/E	70	IN STOCK
SR-800-20CE	8" x 20' Orange Velocity cpld Male x Female Camlocks 2-Bands E/E	70	IN STOCK



 **Service Industrial Supply**

506 Brookforest Ave. Rt. 59 Shorewood Illinois 60404

Phone: 815.725.0062 • Fax: 815.725.2483 • www.serviceindustrialsupply.com

Med Duty Water Suction & Discharge **Hose Assemblies**



VELOCITY
Continental  ContiTech

- COUPLED:** Galvanized male x female Bauer style crimped
- COVER:** Clear flexible with synthetic yarn braiding
- TEMP:** -4° F to 150° F
- REINFORCEMENT:** Rigid PVC Helix (Orange)
- APPLICATION:** Medium duty suction and discharge hose for use in variety of industries used where visual confirmation of material flow is necessary

PART #	DESCRIPTION	W.P.
SR-200-20MCFC	2" x 20' Orange Velocity cpld Alum Male x Female Bauer Style w/ crimp sleeves	100
SR-300-20MCFC	3" x 20' Orange Velocity cpld Alum Male x Female Bauer Style w/ crimp sleeves	100
SR-400-20MCFC	4" x 20' Orange Velocity cpld Alum Male x Female Bauer Style w/ crimp sleeves	75
SR-600-20MCFC	6" x 20' Orange Velocity cpld Alum Male x Female Bauer Style w/ crimp sleeves	70

 **Service Industrial Supply**

506 Brookforest Ave. Rt. 59 Shorewood Illinois 60404

Phone: 815.725.0062 • Fax: 815.725.2483 • www.serviceindustrialsupply.com

Med Duty Water Suction & Discharge **Hose Assemblies**



VELOCITY

Continental  ContiTech

- COUPLED:** Aluminum male x female camlocks
- COVER:** Clear flexible with synthetic yarn braiding
- TEMP:** -4° F to 150° F
- REINFORCEMENT:** Rigid PVC Helix (Orange)
- APPLICATION:** Medium duty suction and discharge hose for use in variety of industries used where visual confirmation of material flow is necessary

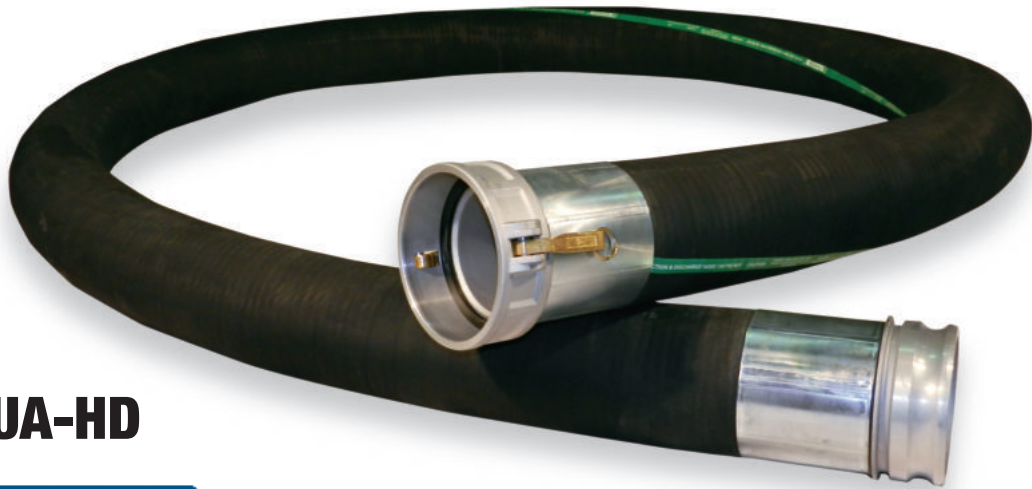
PART #	DESCRIPTION	W.P.
SR-200-20CEF	2" x 20' Orange Velocity cpld Alum Male x Female Camlocks w/ crimp sleeves	100
SR-300-20CEF	3" x 20' Orange Velocity cpld Alum Male x Female Camlocks w/ crimp sleeves	100
SR-400-20CEF	4" x 20' Orange Velocity cpld Alum Male x Female Camlocks w/ crimp sleeves	75
SR-600-20CEF	6" x 20' Orange Velocity cpld Alum Male x Female Camlocks w/ crimp sleeves	70

 **Service Industrial Supply**

506 Brookforest Ave. Rt. 59 Shorewood Illinois 60404

Phone: 815.725.0062 • Fax: 815.725.2483 • www.serviceindustrialsupply.com

Heavy Duty Water Suction & Discharge **Hose Assemblies**



TEX-AQUA-HD



Ahead Of The Curve.

- COUPLED:** Aluminum male x female camlocks with crimp sleeves
- COVER/TUBE:** Black EPDM/SBR Blend
- TEMP:** -40° F to 180° F
- REINFORCEMENT:** High tensile tire cord/Helix Wire
- APPLICATION:** Constructed with the highest-quality compounds to provide maximum flexibility, long life and lighter weight for easy handling.

PART #	DESCRIPTION	W.P.
AQUAHD2020CE	2" x 20' Black Aqua HD Suction & Discharge cpld Alum Male x Female w/ Crimp Sleeves	150
AQUAHD3020CE	3" x 20' Black Aqua HD Suction & Discharge cpld Alum Male x Female w/ Crimp Sleeves	150
AQUAHD4020CE	4" x 20' Black Aqua HD Suction & Discharge cpld Alum Male x Female w/ Crimp Sleeves	150
AQUAHD6020CE	6" x 20' Black Aqua HD Suction & Discharge cpld Alum Male x Female w/ Crimp Sleeves	150

 **Service Industrial Supply**

506 Brookforest Ave. Rt. 59 Shorewood Illinois 60404

Phone: 815.725.0062 • Fax: 815.725.2483 • www.serviceindustrialsupply.com

Hose Assemblies *Heavy Duty Water Suction & Discharge*

PLICORD® WATER S&D



- COUPLED:** Aluminum Male x Female Camlocks Double Banded
- COVER:** Black Plioflex® Synthetic Rubber (Wrapped Finish)
- TUBE:** Black Plioflex® Synthetic Rubber
- TEMP:** -25° F to 180° F
- APPLICATION:** For use as a general purpose suction and discharge hose in heavy duty operations in the construction and mining industries.

PART #	DESCRIPTION	W.P.	STOCK
20016403-20CE	1 1/2" x 20' Plicord Suction Discharge cpld Aluminum Male x Female Camlocks Double Banded	150	IN STOCK
20462936-20CE	2" x 20' Plicord Suction Discharge cpld Aluminum Male x Female Camlocks Double Banded	150	IN STOCK
20462938-20CE	3" x 20' Plicord Suction Discharge cpld Aluminum Male x Female Camlocks Double Banded	150	IN STOCK
20462940-20CE	4" x 20' Plicord Suction Discharge cpld Aluminum Male x Female Camlocks Double Banded	150	IN STOCK
20016426-20CE	6" x 20' Plicord Suction Discharge cpld Aluminum Male x Female Camlocks Triple Banded	100	IN STOCK
20015048-20CE	8" x 20' Plicord Suction Discharge cpld Aluminum Male x Female Camlocks Triple Banded	100	IN STOCK



 **Service Industrial Supply**

506 Brookforest Ave. Rt. 59 Shorewood Illinois 60404

Phone: 815.725.0062 • Fax: 815.725.2483 • www.serviceindustrialsupply.com



Green Hornet® XF

Continental  ContITech

- COUPLED:** Aluminum male x female camlocks, double banded
- COVER:** Black rubber/Lime Green
- TUBE:** Black thermoplastic rubber RMA Class B
- TEMP:** -40° F to 180° F
- APPLICATION:** Medium duty, light weight, smooth bore tube. For use in agricultural and sanitary industries. Slightly corrugated outer helix promotes abrasion resistance.

PART #	DESCRIPTION	W.P.	STOCK
20139385-20CE	1-1/2" x 20' Green Hornet XF cpld Aluminum Male x Female Camlocks Double Branded	50	IN STOCK
20450179-20CE	2" x 20' Green Hornet XF cpld Aluminum Male x Female Camlocks Double Branded	50	IN STOCK
20450351-20CE	3" x 20' Green Hornet XF cpld Aluminum Male x Female Camlocks Double Branded	45	IN STOCK
20450352-20CE	4" x 20' Green Hornet XF cpld Aluminum Male x Female Camlocks Double Branded	40	IN STOCK
20450353-20CE	6" x 20' Green Hornet XF cpld Aluminum Male x Female Camlocks Double Branded	40	IN STOCK

FLEXSTEEL® 250CB



- COUPLED:** MNPT x Female Boss Ground Joint Seal Fittings
- COVER:** Red or Black Pyrosyn® Synthetic Rubber
- TUBE:** Chlorobutyl Synthetic Rubber
- TEMP:** 0° F to 425° F
- REINFORCEMENT:** Braided Steel Wire
- APPLICATION:** Used for cleaning, heat control, pumping, thawing, blow out service, steam pumps.

Additional Lengths Available

PART #	COVER FINISH	DESCRIPTION	W.P.	REINFORCEMENT
20019131-25MF	Smooth	1/2" x 25' Flexsteel 250 CB Steam Hose cpld MNPT x Female Boss Ground Joint Seal w/ Bolt Clamps	250	Single Braid
20019131-50MF	Smooth	1/2" x 50' Flexsteel 250 CB Steam Hose cpld MNPT x Female Boss Ground Joint Seal w/ Bolt Clamps	250	Single Braid
2002340-25MF	Smooth	3/4" x 25' Flexsteel 250 CB Steam Hose cpld MNPT x Female Boss Ground Joint Seal w/ Bolt Clamps	250	Double Braided
2002340-50M/FB	Smooth	3/4" x 50' Flexsteel 250 CB Steam Hose cpld MNPT x Female Boss Ground Joint Seal w/ Bolt Clamps	250	Double Braided
20023419-25MF	Smooth	1" x 25' Flexsteel 250 CB Steam Hose cpld MNPT x Female Boss Ground Joint Seal w/ Bolt Clamps	250	Double Braided
20023419-50MF	Smooth	1" x 50' Flexsteel 250 CB Steam Hose cpld MNPT x Female Boss Ground Joint Seal w/ Bolt Clamps	250	Double Braided
20019147-25MF	Smooth	1-1/2" x 25' Flexsteel 250 CB Steam Hose cpld MNPT x Female Boss Ground Joint Seal w/ Bolt Clamps	250	Double Braided
20019147-50MF	Smooth	1-1/2" x 50' Flexsteel 250 CB Steam Hose cpld MNPT x Female Boss Ground Joint Seal w/ Bolt Clamps	250	Double Braided
20019151-25MF	Wrapped	2" x 25' Flexsteel 250 CB Steam Hose cpld MNPT x Female Boss Ground Joint Seal w/ Bolt Clamps	250	Double Braided
20019151-50MF	Wrapped	2" x 50' Flexsteel 250 CB Steam Hose cpld MNPT x Female Boss Ground Joint Seal w/ Bolt Clamps	250	Double Braided

SPIRALFLEX® 1600



- COUPLED:** Female Aluminum Camlock x Round Hole Strainer
- COVER:** Olive Green Pliovic®
- TUBE:** Olive Green Pliovic® with White Helix
- TEMP:** -0° F to 158° F
- REINFORCEMENT:** Spiral-Plied Synthetic Fabric with double wire helix
- APPLICATION:** Economical water suction and discharge hose used in construction and septic tank cleaning operations where mild chemical resistance is required: acids, alcohols, salt solutions and petroleum based products.

PART #	DESCRIPTION	STOCK
20013203-10CS	1-1/2" x 10' Green 1600 cpld Aluminum Female Camlocks x MNPT with round hole strainer	IN STOCK
20013209-10CS	2" x 10' Green 1600 cpld Aluminum Female Camlocks x MNPT with round hole strainer	IN STOCK
20013219-10CS	3" x 10' Green 1600 cpld Aluminum Female Camlocks x MNPT with round hole strainer	IN STOCK
20013223-10CS	4" x 10' Green 1600 cpld Aluminum Female Camlocks x MNPT with round hole strainer	IN STOCK
20013231-10CS	6" x 10' Green 1600 cpld Aluminum Female Camlocks x MNPT with round hole strainer	IN STOCK
20013203-20CS	1-1/2" x 20' Green 1600 cpld Aluminum Female Camlocks x MNPT with round hole strainer	IN STOCK
20013209-20CS	2" x 20' Green 1600 cpld Aluminum Female Camlocks x MNPT with round hole strainer	IN STOCK
20013219-20CS	3" x 20' Green 1600 cpld Aluminum Female Camlocks x MNPT with round hole strainer	IN STOCK
20013223-20CS	4" x 20' Green 1600 cpld Aluminum Female Camlocks x MNPT with round hole strainer	IN STOCK
20013231-20CS	6" x 20' Green 1600 cpld Aluminum Female Camlocks x MNPT with round hole strainer	IN STOCK



SPIRAFLEX® 1600

Continental  ContiTech

- COUPLED:** Aluminum Male NPSH x Female NPSH S&D Fittings
- COVER:** Olive Green Pliovic®
- TUBE:** Olive Green Pliovic® with white Helix
- TEMP:** 0° F to 158° F
- APPLICATION:** Economical water suction and discharge hose used in construction and septic tank cleaning operations where mild chemical resistance is required.

PART#	DESCRIPTION	W.P.	STOCK
20013203-20SD	1-1/2" x 20' Green 1600 cpld Male x Female NPSH	89	IN STOCK
20013209-20SD	2" x 20' Green 1600 cpld Male x Female NPSH	79	IN STOCK
20013219-20SD	3" x 20' Green 1600 cpld Male x Female NPSH	65	IN STOCK
20013223-20SD	4" x 20' Green 1600 cpld Male x Female NPSH	55	IN STOCK
20013231-20SD	6" x 20' Green 1600 cpld Male x Female NPSH	47	IN STOCK
20013223-10SD	4" x 10' Green 1600 cpld Male x Female NPSH	55	IN STOCK
20013231-10SD	6" x 10' Green 1600 cpld Male x Female NPSH	47	IN STOCK
20013203-25SD	1-1/2" x 25' Green 1600 cpld Male x Female NPSH	89	IN STOCK
20013209-25SD	2" x 25' Green 1600 cpld Male x Female NPSH	79	IN STOCK
20013219-25SD	3" x 25' Green 1600 cpld Male x Female NPSH	65	IN STOCK
20013223-25SD	4" x 25' Green 1600 cpld Male x Female NPSH	55	IN STOCK
20013231-25SD	6" x 25' Green 1600 cpld Male x Female NPSH	47	IN STOCK



MILL HOSE SINGLE JACKET



SUPERIOR FIRE HOSE CORP.

- COUPLED:** Aluminum Male NPSH x Female NPSH S&D Fittings
- COVER:** Single Jacket, All Polyester
- TUBE:** Black Natural Rubber Liner
- TEMP:** 0° F to 185° F
- APPLICATION:** Ideal for watering, dust control, and water discharge.

Not Intended for Fire Fighting Services

Additional Lengths Available

PART #	DESCRIPTION	W.P.	STOCK	TEST PRESS.
MH-250-150-50CAB	1-1/2" x 50' White Mill Hose cpld Aluminum Male NPSH x Female NPSH Fittings, Double Banded	150	IN STOCK	300
MH-250-150-100CAB	1-1/2" x 100' White Mill Hose cpld Aluminum Male NPSH x Female NPSH Fittings, Double Banded	150	IN STOCK	300
MH-250-200-50CAB	2" x 50' White Mill Hose cpld Aluminum Male NPSH x Female NPSH Fittings, Double Banded	150	IN STOCK	300
MH-250-200-100CAB	2" x 100' White Mill Hose cpld Aluminum Male NPSH x Female NPSH Fittngs, Double Banded	150	IN STOCK	300
MH-250-250-50CAB	2-1/2" x 50' White Mill Hose cpld Aluminum Male NPSH x Female NPSH Fittings, Double Banded	150	IN STOCK	250
MH-250-300-50CAB	3" x 50' White Mill Hose cpld Aluminum Male NPSH x Female NPSH Fittings, Double Banded	150	IN STOCK	250

Hose Assemblies *Mill Hose (Heavy Duty)*

MILL HOSE DOUBLE JACKET



SUPERIOR FIRE HOSE CORP.



- COUPLED:** Aluminum Male NST x Female NST Fire Hose Fittings
- COVER:** Double Jacket, All Polyester
- TUBE:** Black EPDM Rubber Liner
- TEMP:** 0° F to 185° F
- APPLICATION:** Ideal for heavy duty application in factories, plant clean-ups, and equipment or pump rental.

Not Intended for Fire Fighting Services

PART #	DESCRIPTION	W.P.	STOCK	PRESS TEST
DJ-600-150-25NST	1-1/2" x 25' Heavy Duty Double Jacket Mill Hose cpld Aluminum Male NST x Female NST Fire Hose Fittings	300	IN STOCK	600
DJ-600-150-50NST	1-1/2" x 50' Heavy Duty Double Jacket Mill Hose cpld Aluminum Male NST x Female NST Fire Hose Fittings	300	IN STOCK	600
DJ-600-250-25NST	2-1/2" x 25' Heavy Duty Double Jacket Mill Hose cpld Aluminum Male NST x Female NST Fire Hose Fittings	300	IN STOCK	600
DJ-600-250-50NST	2-1/2" x 50' Heavy Duty Double Jacket Mill Hose cpld Aluminum Male NST x Female NST Fire Hose Fittings	300	IN STOCK	600

 **Service Industrial Supply**

506 Brookforest Ave. Rt. 59 Shorewood Illinois 60404

Phone: 815.725.0062 • Fax: 815.725.2483 • www.serviceindustrialsupply.com



MILL HOSE SINGLE JACKET



SUPERIOR FIRE HOSE CORP.

- COUPLED:** Aluminum Male x Female Camlocks
- COVER:** Single Jacket, All Polyester
- TUBE:** Black Natural Rubber Liner
- TEMP:** 0° F to 185° F
- APPLICATION:** Ideal for watering, dust control, and water discharge.

Not Intended for Fire Fighting Services

Additional Lengths Available

PART#	DESCRIPTION	W.P.	STOCK
MH-250-150-25CE	1-1/2" x 25' White Mill Hose cpld Aluminum Male x Female Camlock, Double Banded	150	IN STOCK
MH-250-150-50CE	1-1/2" x 50' White Mill Hose cpld Aluminum Male x Female Camlock, Double Banded	150	IN STOCK
MH-250-150-100CE	1-1/2" x 100' White Mill Hose cpld Aluminum Male x Female Camlock, Double Banded	150	IN STOCK
MH-250-200-150-25CE	2" x 25' White Mill Hose cpld Aluminum Male x Female Camlock, Double Banded	150	IN STOCK
MH-250-200-150-50CE	2" x 50' White Mill Hose cpld Aluminum Male x Female Camlock, Double Banded	150	IN STOCK
MH-250-200-150-100CE	2" x 100' White Mill Hose cpld Aluminum Male x Female Camlock, Double Banded	150	IN STOCK
MH-250-200-150-25CE	2-1/2" x 25' White Mill Hose cpld Aluminum Male x Female Camlock, Double Banded	150	IN STOCK
MH-250-200-150-50CE	2-1/2" x 50' White Mill Hose cpld Aluminum Male x Female Camlock, Double Banded	150	IN STOCK
MH-250-300-150-25CE	3" x 25' White Mill Hose cpld Aluminum Male x Female Camlock, Double Banded	150	IN STOCK
MH-250-300-150-50 CE	3" x 50' White Mill Hose cpld Aluminum Male x Female Camlock, Double Banded	150	IN STOCK

MILL HOSE SINGLE JACKET



SUPERIOR FIRE HOSE CORP.



- COUPLED:** Aluminum Male NST x Female NST Fire Hose Fittings
- COVER:** Single Jacket, All Polyester
- TUBE:** Black EPDM Rubber Liner
- TEMP:** 0° F to 185° F
- APPLICATION:** Ideal for municipal washdown, plant clean-up, water discharge.

Not Intended for Fire Fighting Services

PART #	DESCRIPTION	W.P.	STOCK	TEST PRESS.
44APS-150-25NST	1-1/2" x 25' Heavy Duty Mill Hose cpld Aluminum Male NST x Female NST Fire Hose Fittings	250	IN STOCK	500
44APS-150-50NST	1-1/2" x 50' Heavy Duty Mill Hose cpld Aluminum Male NST x Female NST Fire Hose Fittings	250	IN STOCK	500
44APS-250-25NST	2-1/2" x 25' Heavy Duty Mill Hose cpld Aluminum Male NST x Female NST Fire Hose Fittings	250	IN STOCK	500
44APS-250-50NST	2-1/2" x 50' Heavy Duty Mill Hose cpld Aluminum Male NST x Female NST Fire Hose Fittings	250	IN STOCK	500



NEPTUNE™ PRESSURE WASHER

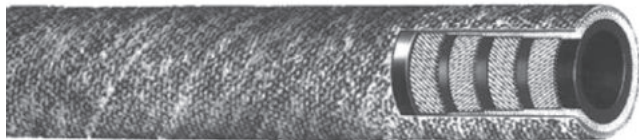


COUPLED:	3/8" MNPT x 3/8" MNPT
COVER:	Black Oil Resistant Rubber, RMA Class B
TUBE:	Nitrile Synthetic Rubber
TEMP:	-20° F to 250° F
REINFORCEMENT:	Braided 2 Steel Wires
APPLICATION:	For use with Industrial Hot Water Pressure Washer, and Asphalt Seal Coating Machines.

Brass or Stainless Steel Quick Disconnects Available

PART #	DESCRIPTION	W.P.	LBS./FT.
20023570	3/8" x 50' MNPT x MNPT Swivel with bend restrictors	3000	0.28
20023581	3/8" x 100' MNPT x MNPT Swivel with bend restrictors	3000	0.28
549-149-911GR	3/8" x 50' MNPT x MNPT Swivel with bend restrictors	6000	0.30
20023775	3/8" x 50' MNPT x MNPT Swivel with bend restrictors	4500	0.30
20023785	3/8" x 100' MNPT x MNPT Swivel with bend restrictors	4500	0.30

PLICORD® FURNACE DOOR



- APPLICATION:** For carrying cooling water to furnace doors in steel mills and similar service operations where the outside of the hose is subjected to open flame and elevated temperatures.
- CONSTRUCTION**
- TUBE:** SBR synthetic rubber (nonconductive)
- COVER:** Fiberglass fabric ply over rubber cover
- REINFORCEMENT:** 4 Spiral-plyed synthetic fabric
- TEMPERATURE:** -25 °F to 200 °F (-32 °C to 93 °C)
- PACKAGING:** 1/2" - 4" 100' lengths, coiled and polywrapped
- BRANDING:** Not branded
- COUPLINGS:** Contact fitting manufacturer for proper fitting recommendation and coupling procedure.

ID		NOM. OD		MAX. WP		WEIGHT	
<i>in.</i>	<i>mm.</i>	<i>in.</i>	<i>mm.</i>	<i>psi.</i>	<i>Mpa.</i>	<i>lb./ft.</i>	<i>kg./m.</i>
1/2	12.7	1.06	26.9	200	1.38	0.38	0.57
3/4	19.1	1.32	33.5	200	1.38	0.52	0.77
1	25.4	1.64	41.7	200	1.38	0.76	1.13
1 1/4	31.8	2.06	52.3	200	1.38	1.19	1.77
1 1/2	38.1	2.30	58.4	200	1.38	1.36	2.02
2	50.8	2.87	72.9	200	1.38	1.85	2.75
2 1/2	63.5	3.36	85.3	200	1.38	2.23	3.32
3	76.0	3.85	97.8	200	1.38	5.70	8.45
4	102.0	4.87	123.8	150	1.03	6.90	10.30

