

Parts Manual



Savannah (Chatham)

Chassis Numbers 73624-73654

Coach Numbers 3001-3031

T.O.C. Click here to go to the **Table of Contents**

Specs Click here to go to the **Specifications Page**

Index Click here to go to the **Index by Part Number**

Desc. Index Click here to go to the **Index by Part Description**

How To Use This Manual

This manual simplifies the task of ordering parts for your Gillig Phantom. Each page illustrates and lists the break-down of parts for a component or system on your coach. This enables maintenance and service personnel to identify and order parts quickly and efficiently. The new two-page format presents parts lists and illustrations on facing pages, facilitating parts identification by providing larger and sharper text and illustrations. Please refer to the illustration on the following page for an explanation of all the common elements used on each page of this manual.

Parts information in this manual is arranged in the same order as the Gillig bill of material. Each page represents a sub-bill from the bill of material. A page may represent more than one bill. Occasionally a single bill can be broken down on more than one page. A list of all bills used on a page appears in the lower right corner of the illustration page. Page numbers, located at the bottom each page, consist of a prefix at the outside, which corresponds to a bill number, and a page number in the center. An extensive table of contents and index is included in this manual to help you identify the part you need. The index lists parts both alphabetically by part name and numerically by part number.

The abbreviations A/R (As Required), and N/S (Not Shown) appear frequently throughout the manual. As Required indicates that a part should be replaced in measurements or quantities determined by the customer. The other abbreviations that appear throughout this manual are taken from the American National Standards Institute (ANSI).

Information in this manual is for the Gillig Phantom coaches listed in this manual only. Do not use this manual as a basis for ordering parts for any other Gillig coaches in your fleet. Additional copies of this or any other Gillig publication may be purchased by contacting the Gillig Parts Department. We hope you find this manual user-friendly, and we welcome your comments, questions, or suggestions regarding this manual or your Phantom coach. You may contact the Gillig Corporation by phone, fax, or letter.

Gillig Corporation
Phone: (800) 735-1500
or (510) 785-1500
Fax: (510) 887-0981
P.O. Box 3008
Hayward, CA 94545

Page Title & Item Description

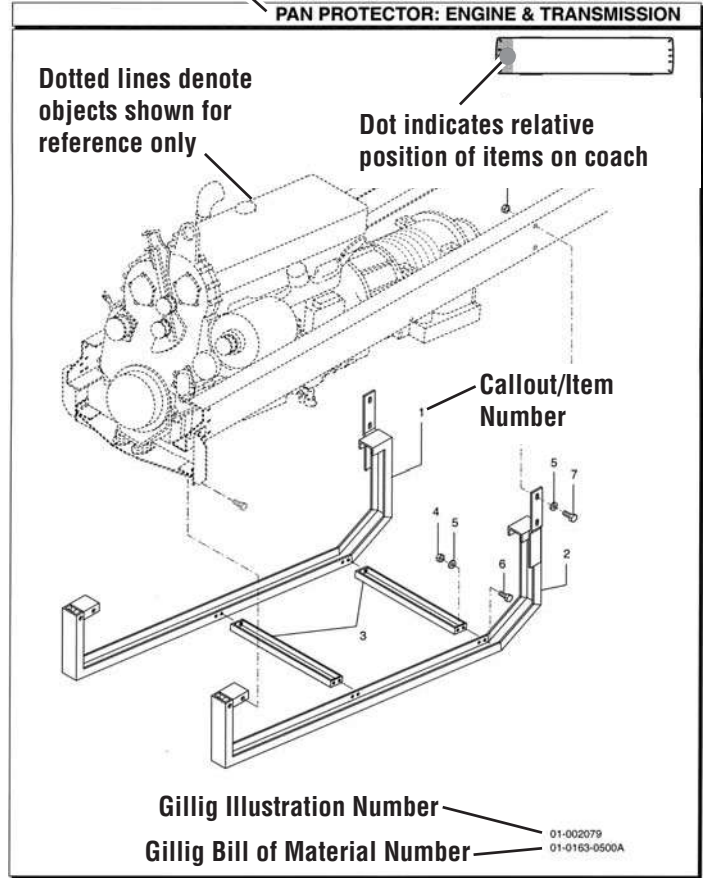
| PAN PROTECTOR: ENGINE & TRANSMISSION | | | |
|--------------------------------------|---------------|-----------------------------------|-----|
| Item | Part No. | Description | Qty |
| 1. | 42-33139-000 | BRACKET ASM, ENGINE & TRANS | 1 |
| 2. | 42-33139-000R | BRACKET ASM, ENGINE & TRANS | 1 |
| 3. | 42-33190-000 | BRACKET ASM, ENGINE & TRANS | 2 |
| 4. | 54-12541-009 | NUT, HXHD NYLOCK, 1/2"-13, GR8 | 12 |
| 5. | 54-12601-010 | WASHER, 1/2" HARD, FLAT | 12 |
| 6. | 54-12589-005 | BOLT, FLG HD, 1/2"-13 X 1.50, GR8 | 8 |
| 7. | 54-12589-006 | BOLT, FLG HD, 1/2"-13 X 1.75, GR8 | 4 |

Quantity of item required for this assembly

Item Description

Gillig Part Number

Callout/Item Number



Dotted lines denote objects shown for reference only

Dot indicates relative position of items on coach

Callout/Item Number

Gillig Illustration Number

Gillig Bill of Material Number

01-002079
01-0163-0500A

Page Number

Date page last revised

Page Number

W I N D O W S

GLAZING PART NUMBERS

The base part numbers (82-12026-xxx) are the same for any window of a certain type and size, regardless of the glazing which was installed to comply with customer specifications. The suffix number (82-12026-010) is used to identify the specific glazing desired. The table below lists the various glazings in use at the time this manual was printed. The glazing in your coaches can be found in the Specification Section of this manual. In addition, your Parts Representative will gladly assist you in identifying the unique part number suffix of the glazing used in your coaches. (SAR, Lucite or Alma=Plastic and Lam=Glass). For frames which are clear anodized add 'C' to the appropriate number.

| Suffix | Glazing | Suffix | Glazing |
|--------|-----------------------------|--------|----------------------------------|
| x01 | 1/4" 16% Gray SAR | x02 | 1/4" 44% Gray Lam |
| x03 | 1/4" 28% Gray Lam | x04 | 1/4" 28% Gray SAR |
| x05 | 1/4" 17% Gray Lam | x06 | 1/4" 73% Green Lam w/o Shade Bar |
| x07 | 1/2" 28% Gray SAR | x08 | 1/4" 89% Clear Lam |
| x09 | 1/4" 92% Clear SAR | x10 | |
| x11 | 1/2" 92% Clear SAR | x12 | 1/4" 55% Gray Lam |
| x13 | 1/4" 76% Gray SAR | x14 | 1/4" 55% Gray SAR |
| x15 | 1/4" 55% Blue SAR | x16 | 1/4" 46% Gray SAR |
| x17 | 1/4" 28% Bronze SAR | x18 | 1/4" 28% Bronze Lam |
| x19 | 1/4" 44% Gray SAR | x20 | 1/4" 17% Gray SAR |
| x21 | | x22 | 1/4" 92% Clear Alma |
| x23 | 1/4" 23% Brown Lam | x24 | |
| x25 | 1/4" 28% Gray Almacoat 2000 | x26 | 1/4" 73% Green w/ Shade Bar |
| x27 | 1/4" 50% Bronze Lexan | x28 | 1/4" 50% Gray Lexan |
| x29 | 1/4" 63% Green SMG | x30 | 4.0mm 71% Solar Management Lam |

Table of Contents

HOW TO USE THIS MANUAL 2

SPECIFICATIONS 13

 Window & Exterior Panel Layout 14

SECTION 1-DRIVETRAIN 15

 Engine Mounting 16

 Throttle Control 18

 Belt Guard 20

 Exhaust System 22

 Air Cleaner System 24

 Charge Air Cooler Piping 26

 Radiator/CAC Mounting 28

 Radiator/CAC Assembly 30

 Transmission Oil Cooler Piping 32

 Transmission D864.3E Oil Cooler Piping 34

 Surge Tank 36

 Fan, Fan Motor and Shroud 38

 Fan Motor 40

 Hydraulic Fan Motor Piping 42

 Hydraulic Cooler Mounting 44

 Engine Oil Filler Tube 46

 Engine Oil, Pressure Sensor & Manifold 48

 Fuel Piping 50

 Fuel Tank and Mounting, Filler Tube 52

 Transmission Mounting 54

 Transmission Dipstick and Tube 56

 Driveline Assembly 58

SECTION 2- CHASSIS 61

 Rear Chassis and Outriggers - SSTL 62

 Center Chassis SSTL & Outriggers - 35' 64

Forward Chassis SSTL - W/Lift-U Fold Out Ramp 66
 Battery Box Assembly 68
 Brake Chambers, Front 70
 Front Brakes 72
 Front Hub and Drum 74
 Steering Knuckle 76
 Front Suspension 78
 Hubodometer 80
 Carrier Assembly: R160 @ 5.38 82
 Rear Axle Housing 84
 Rear Brakes 86
 Rear Hub and Drum 88
 Rear Brake Chamber Assemblies 90
 Rear Suspension w/61143 Axle 92
 Wheels and Hardware 94

SECTION 3- ELECTRICAL SYSTEM 97

Headlight Assembly 98
 Exterior Lighting 100
 Electrical Panel Compartment 102
 Electrical Compartment 104
 Main Electrical Control Panel 106
 Electrical Panel, Rear Bulkhead 108
 Electrical Panel, Remote I/O 110
 Dash Console Assembly 112
 Tail Lights 114
 Stop Lights (Grille Mounted) 116
 Batteries and Cables 118
 Battery Cut-Off Switch 120
 Power Panel, Driver’s Console 122
 Battery Cables 124
 Battery Cut Off Switch and Jump Start 126
 Jump Start Connector 128
 Starter Mounting 130

Starter Internal Components 132

Voltage Regulator and Battery Fuse Bracket 136

Alternator Internal Components 138

Rear Run Box 142

Electric Horns 144

Fire Detection System 146

Crime Alarm System 148

Front Stepwell Light 150

Tube Lamps, Rear Steps 152

Map Light 154

External P. A. Speaker 156

Speakers, Ceiling-Mounted 158

Voice Annunciator Control 160

Two-way Radio Antenna 162

ABS - ECU Mounting 164

Defroster Fans 166

Stop Request Signal Pull Cords 168

Closeout: Exit Door 170

Lamp Panel Assembly - 144" 172

Lamp Panel Assembly - 84" 174

Lamp Panel Assembly - 108" 176

Lamp Panel Assembly - 120" 178

Lamp Panel Assembly - 48" 180

Lamp Panel Assembly - 98" 182

Lamp Panel Assembly - 50" 184

Harness Listing 186

SECTION 4- AIR SYSTEM 187

Front Suspension Kneeling 188

Rear Suspension Leveling Valve 190

Air Compressor Piping 192

Air Piping Components 194

Air Tanks and Fittings 196

Air Tanks & Mounting 198

Air Piping 200
 Rear Shop Air Connector 202
 Shop Air & Tow Connectors - FRONT 204
 Brake Piping 206
 Air Tank Drain Valves 208
 Air Dryer Assembly 210
 Door Control Piping 212

SECTION 5- STEERING/HYDRAULICS 215

Steering Gear Mounting 216
 Steering Gear Assembly 218
 Steering Mitre Box 220
 Steering Column and Mounting 222
 Steering Column Assembly 224
 Power Steering Pump 226
 Power Steering Piping 228
 Hydraulic Fluid Reservoir 230

SECTION 6- BODY/WINDOWS/AD FRAMES 233

Front Structure 234
 LH Sidewall Framing-Front 236
 LH Sidewall Framing-Rear 238
 RH Sidewall Framing, Front 240
 RH Sidewall Framing, Rear 242
 Settee Structure & Insulation 244
 Bulkhead Mounting 246
 Rear Body Framing 248
 Roof Framing 250
 Flooring & Supports 252
 Floor Hatch 254
 Entrance Door Assembly 256
 Entrance Door Baseplate Assembly 260
 Entrance Door Motor Assembly 262
 Panel: Entrance Door Control 264

| | |
|---|-----|
| Engine Door | 266 |
| Door Assembly: Exit | 268 |
| Baseplate & Pivot Assembly: Exit Door | 270 |
| Baseplate Assembly: Exit Door | 272 |
| Emergency Door Release Valve Box | 278 |
| Front Cap Assembly | 280 |
| Rear Cap | 282 |
| Rear Grille | 284 |
| Roof Skin & Hatches | 286 |
| Taillight Panels | 288 |
| Windshield | 290 |
| Side Window: 56" Non-Egress | 292 |
| Side Window: Destination Sign | 294 |
| Side Window: Driver's | 296 |
| Side Window: 34" Transom | 298 |
| Side Window: 32" Fixed | 300 |
| Side Window: 46" Non-Egress | 302 |
| Side Window: 46" Transom, Egress | 304 |
| Side window: 46" Stationary, Non-Egress | 306 |

SECTION 7- TRIM PANELS 309

| | |
|--|-----|
| Flooring and Trim | 310 |
| Front Wheelhouse Closeouts | 312 |
| Sidewall Panels-Interior LH | 314 |
| Interior Sidewall Panels: RH 35' | 316 |
| Interior Roof Panels | 318 |
| A/C Return Air Grille | 320 |
| Ramp And Stepwell Trim | 322 |
| Driver's Barrier | 324 |
| Entrance Door Barrier | 326 |
| Exit Door Barrier | 328 |
| Grab rails, Ceiling Mounted: 35' | 330 |
| Grab Handle, Dash Mounted | 332 |
| Wheelchair Grabrail | 334 |

| | |
|---|-----|
| Grab Handle, Entrance Door | 336 |
| Exit Door Grab Handles | 338 |
| Interior Mirrors | 340 |
| Driver's Seat | 342 |
| Driver's Seat Suspension | 344 |
| Stanchions, Vertical | 346 |
| Electrical Storage Box | 348 |
| Air Tank Closeout | 350 |
| Driver's Sunshades | 352 |
| Package Rack: Curbside | 354 |
| Farebox and Mounting | 356 |
| Coat Hook/Tie-Back | 358 |
| LH Exterior Mirror | 360 |
| Exterior Mirror, Curb Side | 362 |
| Mudflaps | 364 |
| Bike Rack w/Slide-in Standoff Bracket (Front) | 366 |
| LH Exterior Side Panels | 368 |
| Skirt Panel, Battery Box | 370 |
| Skirt Panel, Rear Wheel | 372 |
| Skirt Panel, Radiator Access | 374 |
| Exterior Panels: RH | 376 |
| Skirt Panel, Rear Wheel | 378 |
| Skirt Panel, Filter Access | 380 |
| Fender Flares | 382 |
| Exterior Trim | 384 |
| Front Bumper | 386 |
| Rear Bumper | 388 |
| Wiper, Motor and Arm | 390 |
| Windshield Washer Bottle Assembly | 392 |
| License Plate Holder | 394 |

SECTION 8- SIGNS/LIFT/SAFETY EQUIPMENT 397

| | |
|--|-----|
| Front Destination Sign Assembly | 398 |
| Side Destination Sign Streetside | 400 |

Rear Run Sign 402
 Entrance Door W/Lift-U Fold Out Ramp 404
 Fire Extinguisher & Flare Kit 406

SECTION 9- HEATING & AC 409

Driver’s Heater 410
 Heater Piping - Rear 412
 Heater Piping - Front 414
 Defroster Duct 416
 A/C Support Platform 418
 Heater Booster Pump and Connections 420
 Heater-A/C Transition Ducts 422
 Driver’s Air Duct Assembly 424
 A/C-Heater Drain Hoses 426
 Air Conditioning Compressor Mounting 428

SECTION 10- DASH & DECALS 431

Dash Panels, Gauges and Switches 432
 Interior Decals 436
 Exterior Decals 440

INDEX 443

Index (by Part Number) 444
 Index (by Part Description) 477

Notes • Notes • Notes • Notes • Notes • Notes • Notes • Notes • Notes • Notes

Lined writing area with 25 horizontal lines and a vertical margin line on the left.

Specifications

Customer Name: SAVANNAH (CHATHAM)

Coach Model: 35'X102"

Delivery Date: 02/26/03

SN: 73624-73654 (31)

Bus Numbers: 3001-3031

Major Components

Engine Asm: ISL, 280HP

53-47378-001

Transmission Asm: D864.3

53-49483-001

Axle Asm, Front: FH946RX160

53-50362-021 (ABS)

Axle Asm, Rear: 61143WX324

53-49582-003(ABS)

Ratio: 5.1710

HVAC: 53-49098-001

A/C Compressor: 53-49099-001

Lift-U

LIFT-U

Model:LU6-03-03

S/N: 4023-003

Date of Mfg: 01/31/03

17-45533CDCX903

Flooring

Altro Flooring:

MS-40484CWR082 Weld Rod, Flooring Altro, Storm

MS-40485CAS082 Sealer, Flooring Altro, Storm

MS-45865CWR082 Floor Weld Rod HB-Type, Altro,
Storm

15-48236CD25903 Kit, Diag., Altro Flooring,

Transflor

Nosing: Yellow

Standee: Yellow

Miscellaneous Options

Destination Sign: Twin Vision, 16-43879N000

Cover, Vin Label 6.13X4.63: 56-18828-001

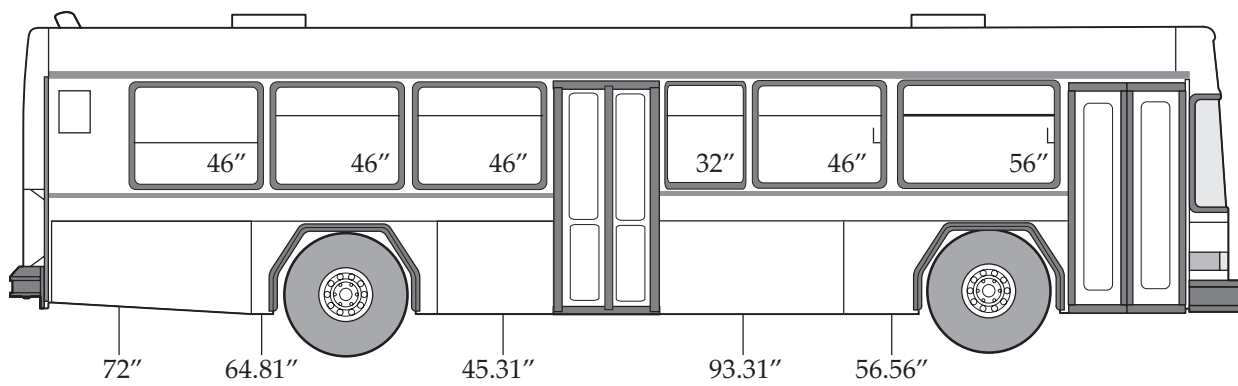
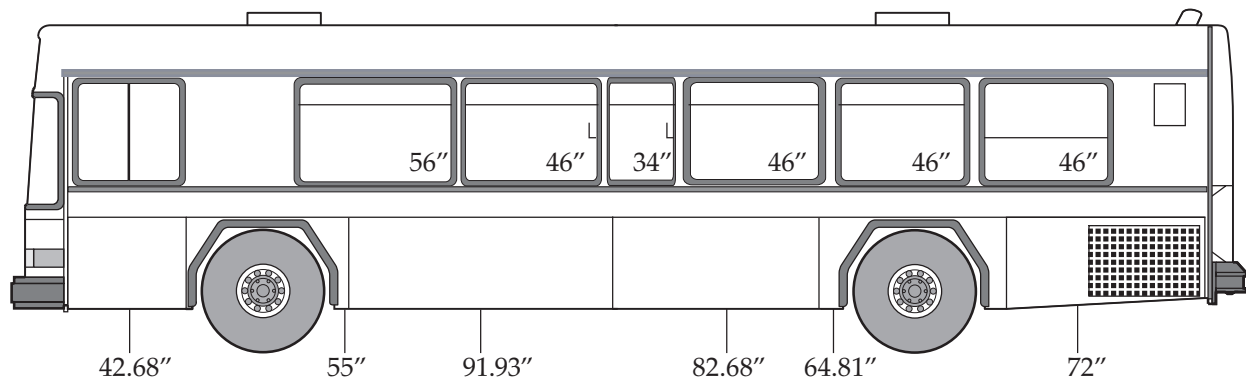
Decal, Data Plate: 59-35132-000

Window & Exterior Panel Layout

SAVANNAH (CHATHAM) 73625

02/26/03

35'X102"



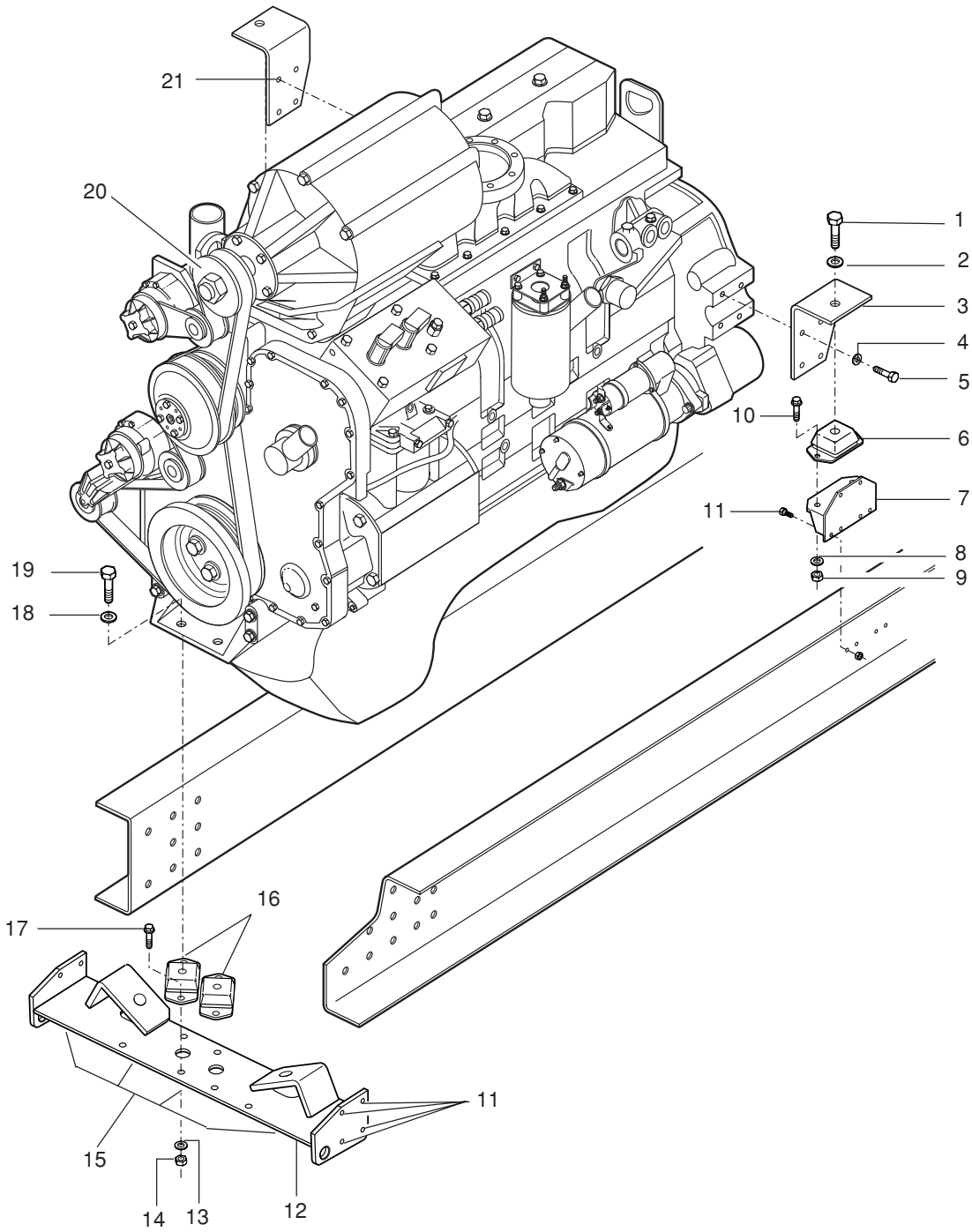
Section 1-Drivetrain

| | |
|--|----|
| Engine Mounting | 16 |
| Throttle Control | 18 |
| Belt Guard | 20 |
| Exhaust System | 22 |
| Air Cleaner System | 24 |
| Charge Air Cooler Piping | 26 |
| Radiator/CAC Mounting | 28 |
| Radiator/CAC Assembly | 30 |
| Transmission Oil Cooler Piping | 32 |
| Transmission D864.3E Oil Cooler Piping | 34 |
| Surge Tank | 36 |
| Fan, Fan Motor and Shroud | 38 |
| Fan Motor | 40 |
| Hydraulic Fan Motor Piping | 42 |
| Hydraulic Cooler Mounting | 44 |
| Engine Oil Filler Tube | 46 |
| Engine Oil, Pressure Sensor & Manifold | 48 |
| Fuel Piping | 50 |
| Fuel Tank and Mounting, Filler Tube | 52 |
| Transmission Mounting | 54 |
| Transmission Dipstick and Tube | 56 |
| Driveline Assembly | 58 |

ENGINE MOUNTING

| Item | Part No. | Description | Qty |
|------|--------------|---|-----|
| 1. | 54-17492-018 | BOLT, HXHD M20 X 2.5-60MM | 2 |
| 2. | 54-13112-017 | LOCKWASHER M20 SPLIT | 2 |
| 3. | 01-45827-000 | BRACKET, ENG MTG | 1 |
| 4. | 54-13112-010 | LOCKWASHER,M12 | 8 |
| 5. | 54-17489-014 | BOLT, HXHD M12 X 1.75-40MM | 8 |
| 6. | 53-21338-000 | MOUNT, ENG RR CUSHYFLOAT | 2 |
| 7. | 06-47957-000 | BRACKET ASM, ENG SUPT, RH/RH | 2 |
| | 06-47958-000 | PLATE, BACKING (AT FRAME) LH | 1 |
| | 06-47959-000 | PLATE, BACKING (AT FRAME) RH | 1 |
| 8. | 54-12601-012 | FLATWASHER, 5/8" HARDENED | 4 |
| 9. | 54-12540-011 | NUT, HXHD NYLOCK 5/8"-11 GR5 | 4 |
| 10. | 54-11328-006 | BOLT 5/8"-11 X 1.75 GR5 | 4 |
| 11. | 54-13559-007 | BOLT, FLGHD 1/2"-20 X 2 | 16 |
| | 54-12555-009 | NUT, HXHD FLG 1/2"-20 GR8 | 20 |
| 12. | 01-47872-000 | CROSSMEMBER ASM-ENG MTG | 1 |
| 13. | 54-12601-010 | FLATWASHER 1/2" | 4 |
| 14. | 54-12540-009 | LOCKNUT, NYLOK 1/2"-13 GR5 | 4 |
| 15. | 54-13559-005 | BOLT, FLGHD 1/2"-20 X 1.5" GR8 | 4 |
| 16. | 53-21338-001 | MOUNT, ENG FRT CUSHYFLOAT | 2 |
| 17. | 54-11324-005 | BOLT, HXHD 1/2"-13 X 1.5" GR5 | 4 |
| 18. | 54-13112-014 | LOCKWASHER M16 SPLIT | 2 |
| 19. | 54-17491-015 | BOLT, HXHD M16 X 2.0" / 45MM | 2 |
| 20. | 82-18408-000 | PULLEY, ALTERNATOR | 1 |
| | 82-19964-000 | POLY BELT, 8PK 1270MM / 50" ALTERNATOR | 1 |
| | 82-28291-000 | POLY BELT, 8PK 1435MM / 57.5" WATER PUMP/CRANKSHAFT | 1 |
| 21. | 01-45828-000 | BRACKET, ENG MTG | 1 |

ENGINE MOUNTING

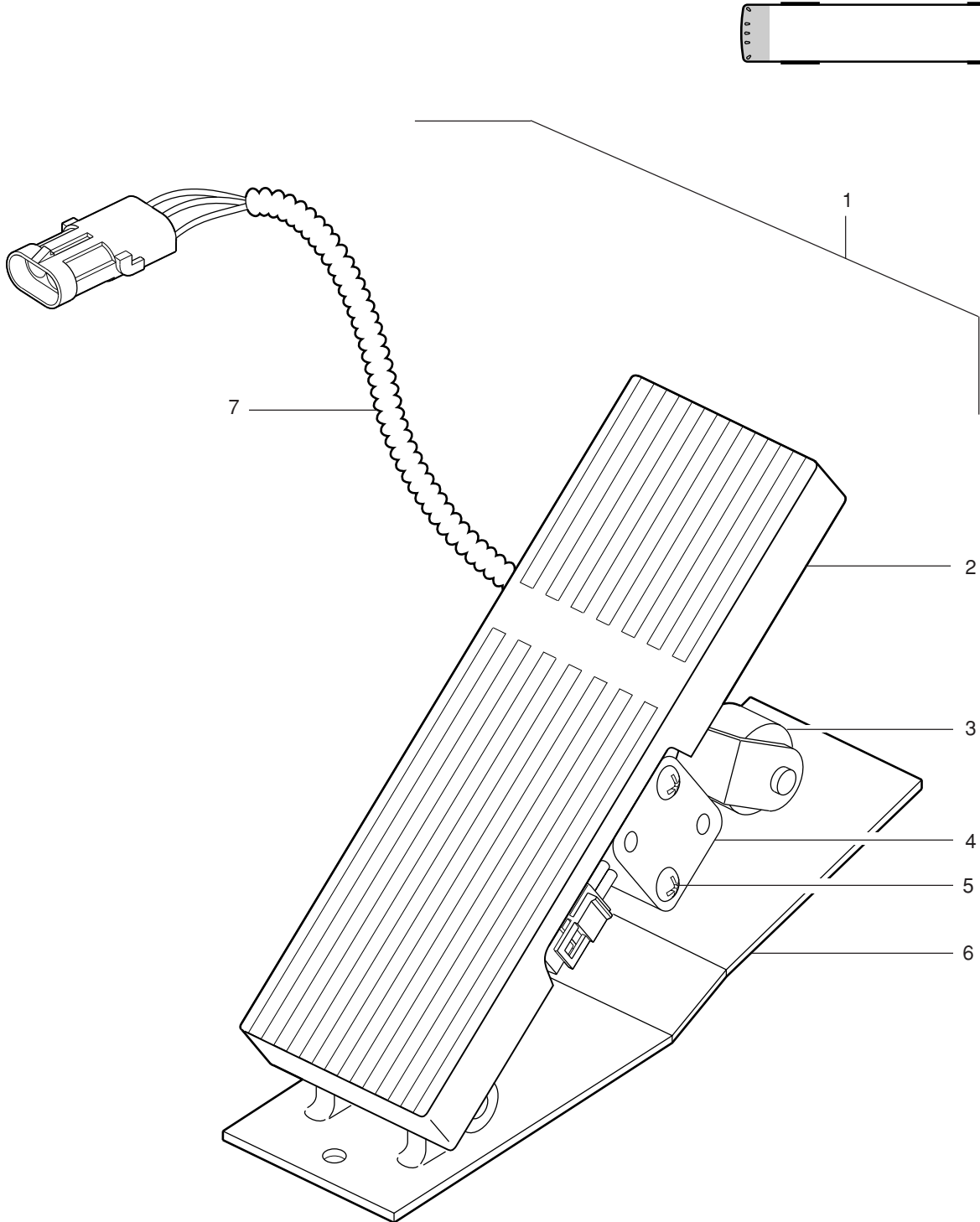


01-0050-0701B
01-002697
01-0050-0701B

THROTTLE CONTROL

| Item | Part No. | Description | Qty |
|------|--------------|------------------------------------|-----|
| 1. | 51-19017-016 | PEDAL ASM, ELECTRONIC THROTTLE 41° | 1 |
| | 82-15661 | KIT, TREADLE ASM W/O BASEPLATE | 1 |
| | 82-15650 | BUSHING, TREADLE PIN, OUTER | 2 |
| | 82-15651 | BUSHING, INNER TREADLE PIN | 2 |
| | 82-15658 | KIT, TREADLE PIN | 1 |
| 2. | 82-15656 | PAD, TREADLE COVER | 1 |
| 3. | 82-15649 | SNAPRING, TRUARC | 1 |
| | 82-07506-003 | KIT, PHASE 4 ROLLER | 1 |
| 4. | 82-07506-004 | KIT, POTENTIOMETER | 1 |
| 5. | 82-15655 | SCREW, TR #10-32 X 1.25 | 2 |
| 6. | 82-07506-005 | BASEPLATE, 41° | 1 |
| 7. | 82-15657 | HARNES, SENSOR | 1 |
| | 82-15654 | CLAMP, HARNES | 2 |
| | 82-15653 | SCREW, PAN HD, #8-32 X .31" | 2 |

THROTTLE CONTROL

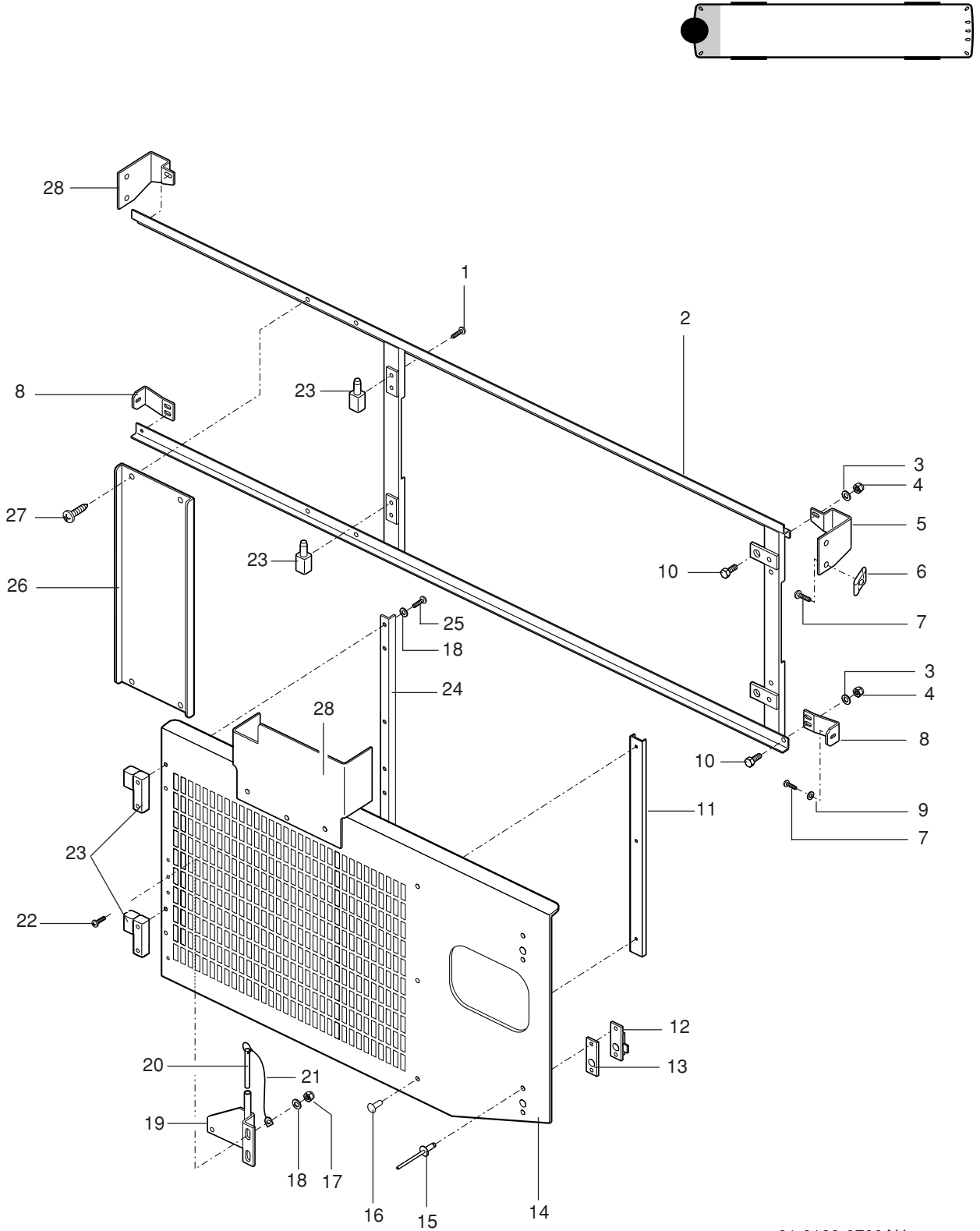


01-0102-0700A•
01-000315
01-0102-0700A

BELT GUARD

| Item | Part No. | Description | Qty |
|------|---------------|-------------------------------------|-----|
| 1. | 54-14288-06Z | SCREW, PHCRST #10-24X0.75 | 2 |
| 2. | 01-43215-000 | FRAME ASM-HINGED BELT GUARD | 1 |
| 3. | 54-12600-008 | FLATWASHER 3/8" | 4 |
| 4. | 54-12540-007 | NUT, HXHD NYLOCK 3/8"-16 GR5 | 4 |
| 5. | 01-43208-000R | BRACKET, BELT GUARD SUPT | 1 |
| 6. | 54-37358-000 | NUT PLATE, COBOLT M8 | 6 |
| 7. | 54-37359-001 | BOLT, BUTTON TORX HEAD M8 X 15MM | 6 |
| 8. | 01-43206-000 | BRACKET, BELT GUARD SUPT | 2 |
| 9. | 54-12600-007 | FLATWASHER 5/16" | 2 |
| 10. | 54-11320-002 | BOLT, HXHD 3/8"-16 X 3/4 GR5 | 4 |
| 11. | 01-38224-000 | CHANNEL, BELT GUARD | 1 |
| 12. | 50-00019-000 | LOCK ASM, 5/16" SQ KEY 1/4 TURN | 2 |
| 13. | 40-00445-002 | PLATE, LOCK | 2 |
| 14. | 01-43224M008 | PANEL, BELT GUARD (MAIN HINGED) | 1 |
| 15. | 54-10163-006 | RIVET, MONOBOLT | 4 |
| 16. | 54-10163-005 | RIVET, MONOBOLT | 8 |
| 17. | 54-12540-003 | LOCKNUT, NYLOK #10-24 GR5 | 2 |
| 18. | 54-12600-003 | FLATWASHER #10 STD | 4 |
| 19. | 01-43332-000 | BRACKET-LOCK PIN | 1 |
| 20. | 53-10828-000 | PIN, SELF-LOCKING | 1 |
| 21. | 01-42954N000 | CABLE, LOCK PIN | 1 |
| 22. | 54-14275-06Z | SCREW PHILLIPS CHROME #10-32 X 3/4" | 4 |
| 23. | 01-38230N000 | HINGE ASM, BELT GUARD | 2 |
| 24. | 01-43233-000 | BRACE-BELT GUARD | 1 |
| 25. | 54-14275-04Z | SCREW, PHCR #10-32 X 1/2" | 4 |
| 26. | 01-43235-000 | PANEL, BELT GUARD | 1 |
| 27. | 54-13111-001 | SCREW, #10 X 5/8" TORX | 4 |
| 28. | 01-43208-000L | BRACKET, BELT GUARD SUPT | 1 |
| 29. | 01-40318-000 | SHIELD, DRIVE BELT | 1 |
| | 59-28297-000 | DECAL, REAR RUN WARNING-ENGLISH | 1 |
| | 59-28302-000 | DECAL, BELT WARNING-ENGLISH | 1 |

BELT GUARD

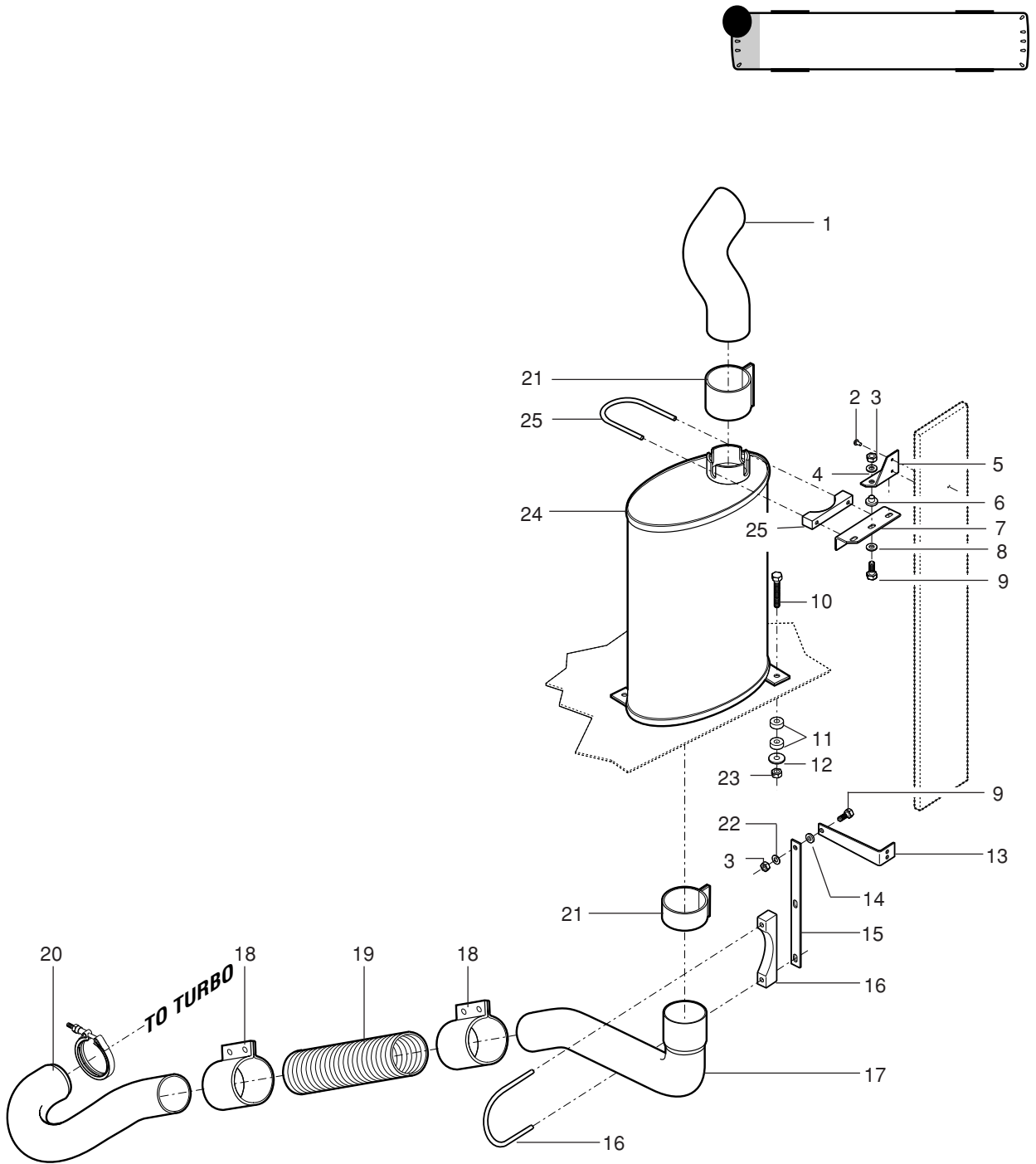


01-0160-0700AH
01-003092
01-0160-0700AH

EXHAUST SYSTEM

| Item | Part No. | Description | Qty |
|------|---------------|--|-----|
| 1. | 01-39454-000 | PIPE, EXHAUST TAIL | 1 |
| 2. | 54-10163-006 | RIVET, MONOBOLT, 1/4 STL(.350-.625 GRIP) | 4 |
| 3. | 54-12540-007 | NUT, HXHD NYLOCK, 3/8"-16, GR5 | 3 |
| 4. | 54-12605-000 | FLATWASHER, 3/8" FENDER | 4 |
| 5. | 01-36623-000 | BRACKET, MUFFLER MTG | 1 |
| 6. | 53-28088-001 | MOUNT, CENTER BONDED NEOPRENE | 2 |
| 7. | 42-19698-000 | BRACKET, MUFFLER MTG | 1 |
| 8. | 54-12600-008 | FLATWASHER, 3/8" | 2 |
| 9. | 54-11320-005 | BOLT, HXHD, 3/8"-16 X 1.5, GR5 | 2 |
| 10. | 54-11324-012 | BOLT, 1/2"-13 X 3.25", GR5 | 4 |
| 11. | 53-34748-000 | ISOLATOR, MOUNT | 4 |
| 12. | 54-12605-004 | WASHER 3/8" | A/R |
| 13. | 01-37454-000 | BRACKET, PIPE SUPT | 1 |
| 14. | 56-08690-000 | MOUNT, CENTER BOND, 3/8" BOLT | 1 |
| 15. | 01-37455-000 | BRACKET, PIPE SUPT | 1 |
| 16. | 54-00029-002 | CLAMP, 4" EXHAUST | 1 |
| 17. | 01-43114-000 | PIPE, EXHAUST MUFFLER INLET | 1 |
| 18. | 53-02322-002 | CLAMP, 4.00 OD | 2 |
| 19. | 01-46208-003 | TUBE, FLEX, EXHAUST | 1 |
| 20. | 01-45866-000H | PIPE, EXH TURBO OUTLET | 1 |
| | 82-18503-000 | CLAMP, 4"-4.5" TURBO TO FLANGED PIPE | 1 |
| | 01-38905N000 | ADAPTER, TURBO FLANGE | 1 |
| 21. | 53-02322-001 | CLAMP, 5.00 OD | 4 |
| 22. | 54-12605-004 | FLATWASHER, 3/8" FENDER | 1 |
| 23. | 54-12540-009 | LOCKNUT, NYLOK 1/2"-13, GR5 | 2 |
| 24. | 01-49826N000 | MUFFLER/CATALYIC ASM | 1 |
| 25. | 54-00029-001 | CLAMP ASM, 5" EXHAUST | 1 |
| | 54-12957-002 | PLUG, HXHD 1/8"MPT BRASS | 1 |

EXHAUST SYSTEM

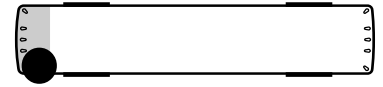


01-0200-0701C,V
01-000088
01-0200-0701C, V

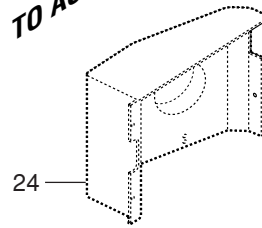
AIR CLEANER SYSTEM

| Item | Part No. | Description | Qty |
|------|---------------|--|-----|
| 1. | 20-37701-000 | CLOSEOUT, AIR CLEANER | 1 |
| | 54-37359-001 | BOLT, TORX HD, M8 X 15MM | A/R |
| | 54-37358-000 | NUT PLATE, COBOLT M8 | 3 |
| | 54-12600-008 | FLATWASHER, 3/8" | 3 |
| 2. | 20-37717-000 | BAFFLE, AIR CLEANER | 1 |
| 3. | 01-50113N000 | CLEANER ASM, AIR | 1 |
| 4. | 01-36872-000N | BRACKET, AIR CLEANER MTG 9 IN. LOW FLOOR | 2 |
| | 54-11320-003 | BOLT, HXHD, 3/8"-16 X 1.0", GR5 | 4 |
| | 54-12540-007 | NUT, HXHD NYLOCK, 3/8"-16, GR5 | 4 |
| 5. | 54-11318-003 | BOLT, HXHD, 5/16"-18 X 1.0", GR5 | 6 |
| | 54-11316-003 | BOLT, HXHD, 1/4"-20 X 1.0", GR5 | 6 |
| 6. | 01-36619-000 | BRACKET, AIR CLEANER MTG | 2 |
| 7. | 54-43619-000 | GUSSET, COBOLT 2 BOLT | 4 |
| | 54-37359-001 | BOLT, TORX HD, M8 X 16MM | 3 |
| 8. | 54-43619-000 | GUSSET, COBOLT 2 BOLT | 2 |
| 9. | 54-12600-007 | FLATWASHER, 5/16" | 6 |
| 10. | 54-12540-006 | NUT, HXHD NYLOCK 5/16"-18 GR5 | 6 |
| 11. | REF. ONLY | SPACER | 1 |
| 12. | 54-37359-001 | BOLT, TORX HD, M8 X 15MM | A/R |
| | 54-37358-000 | NUT PLATE, M8 | 6 |
| | 54-10163-005 | RIVET, MONOBOLT, 1/4 STL(.080-.375 GRIP) | 2 |
| 13. | 53-16126-001 | CLAMP, T-BOLT, 6.5" | 1 |
| 14. | 56-00031-010 | HOSE, HUMP | 1 |
| 15. | 53-16126-008 | CLAMP, T-BOLT, 5.5" | 2 |
| 16. | 01-45868-000 | PIPE, AIR CLEANER OUTLET | 1 |
| 17. | 53-27698-001 | INDICATOR, AIR RESTRICTION | 1 |
| 18. | 54-12955-002 | TEE, 1/8" STREET, BRASS | 1 |
| 19. | 54-12957-002 | PLUG, HXHD 1/8" MPT, BRASS | 1 |
| 20. | 53-16126-009 | CLAMP, T-BOLT, 4.5" | 1 |
| 21. | 56-18898-005 | ELBOW, 90° RUBBER | 1 |
| 22. | 54-00029-001 | CLAMP, 5" | 1 |
| 23. | 01-48993-000 | BRACKET, PIPE SUPT | 1 |
| | 54-10163-006 | RIVET, MONOBOLT | 2 |
| 24. | 22-41880M000 | CLOSE-OUT, AIR CLEANER | 1 |
| | 54-09120-001 | FASTENER, SPRING NUT | 2 |
| | 54-11316-003 | BOLT, HXHD 1/4"-20 X 1.0" GR.5 | 2 |
| | 54-12605-001 | WASHER, FLAT FENDER 1/4 | 2 |
| | 54-37359-001 | BOLT, BUTTON TORX HD. M8 X 15MM | 3 |
| | 54-12600-008 | FLATWASHER, 3/8" | 3 |
| | 40-08157-000 | BRACKET, CLIP SUPT. | 1 |
| | 01-37551-000 | BRACKET, PIPE SUPT. | 1 |

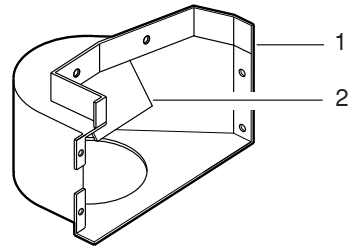
AIR CLEANER SYSTEM



TO AC UNIT

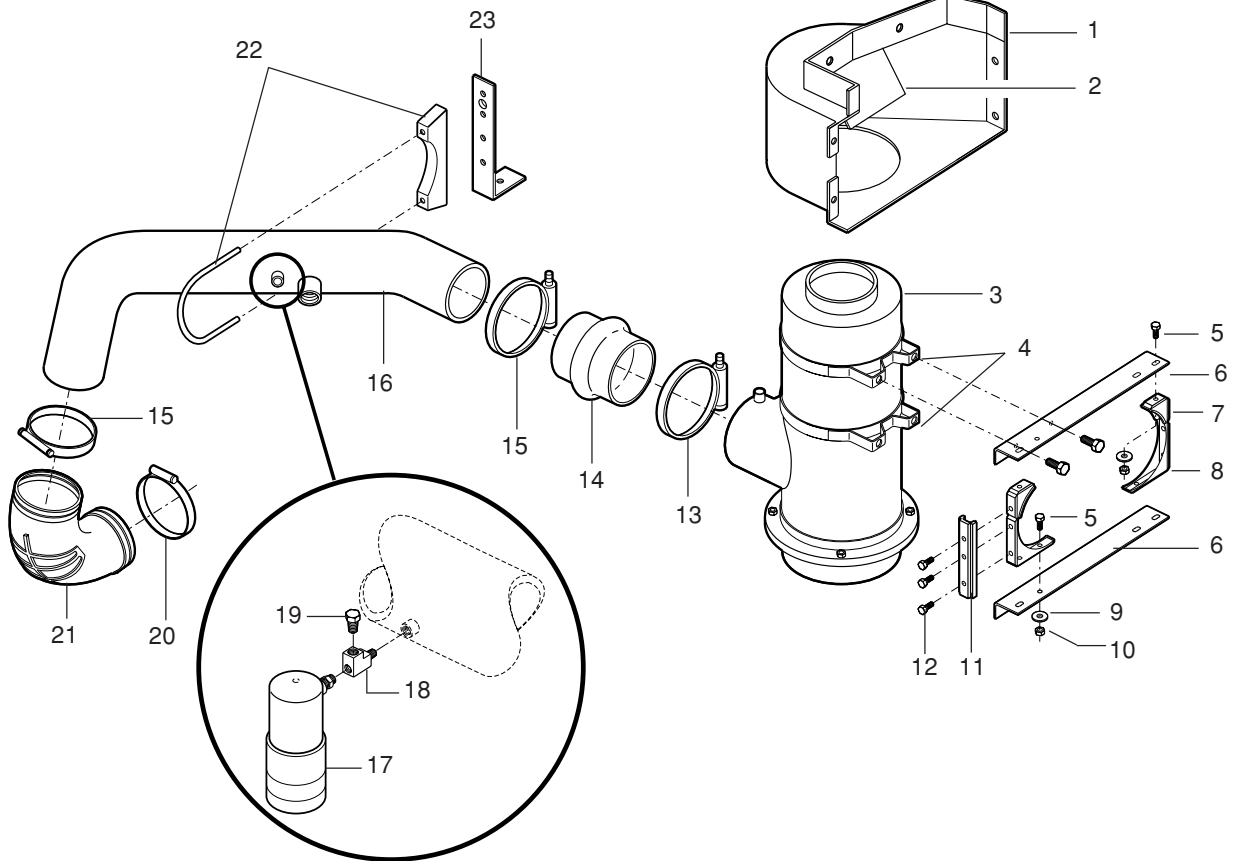


24



1

2

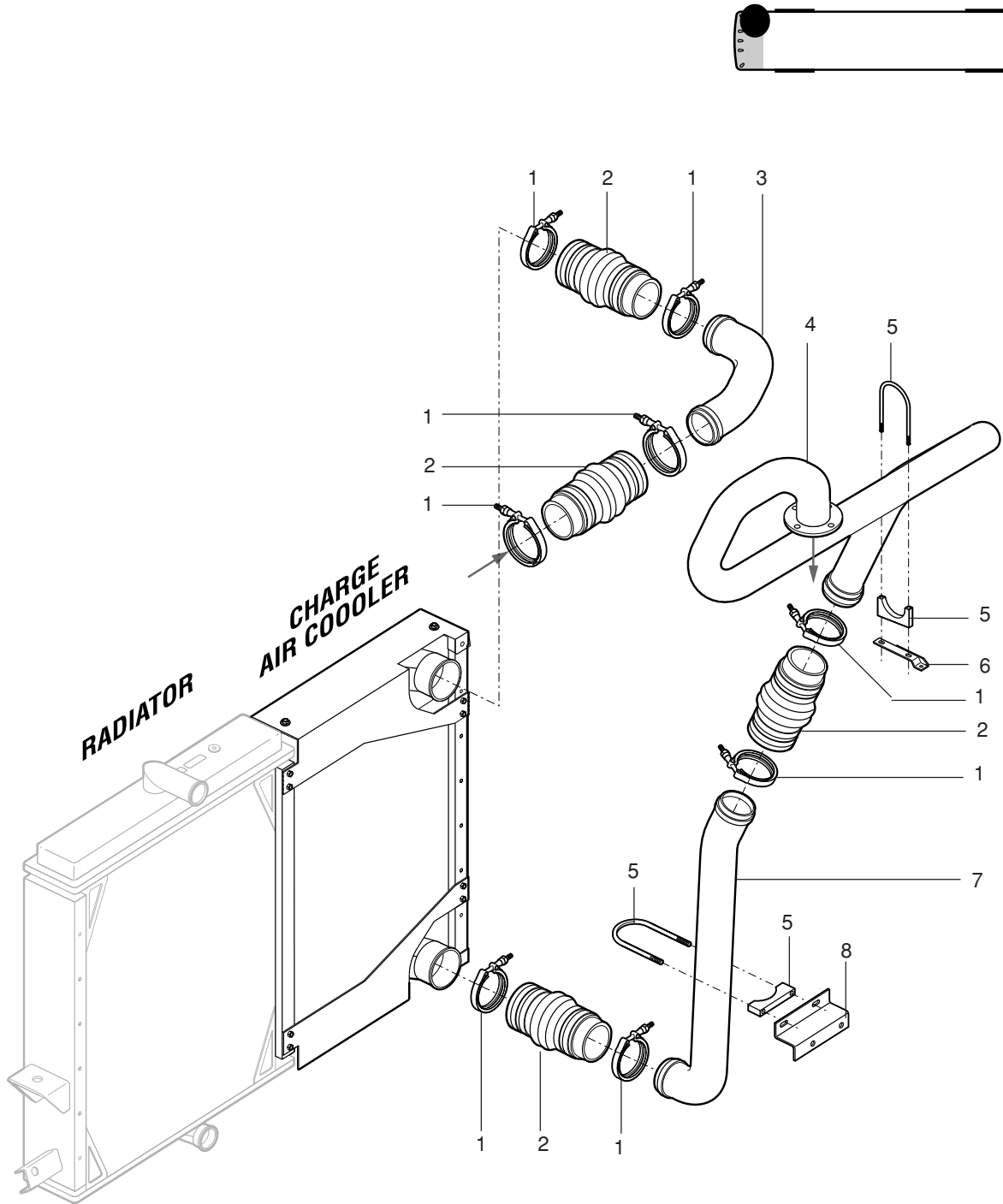


- 01-0252-0700D,Q+(L,X+C)
- 01-003299
- 01-0252-0700D, Q
- 01-0254-0700L, X
- 21-0220-0700C

CHARGE AIR COOLER PIPING

| Item | Part No. | Description | Qty |
|------|--------------|--|-----|
| 1. | 53-18882-001 | CLAMP, BREEZE "T"-BOLT (3.75"-4.62" RANGE) | 8 |
| | 53-26075-003 | CLAMP, CT "T" BOLT, 4" | A/R |
| 2. | 56-18875-006 | HOSE, HUMP, 4.0" X 7.5" HI-TEMP | 4 |
| 3. | 01-39484-000 | PIPE, CAC ENG. INLET | 1 |
| 4. | 01-45854-000 | PIPE, CAC ENG. OUTLET | 1 |
| 5. | 54-00029-002 | CLAMP ASM, 4" (2 PC SET) | 4 |
| 6. | 01-45856-000 | BRACKET, PIPE SUPPORT | 1 |
| | 54-17487-008 | BOLT, M8 X 1.25 X 20MM | 1 |
| | 54-13112-011 | WASHER, SPLIT LOCK M8 | 1 |
| | 54-12600-007 | WASHER, 5/16" FLAT | 1 |
| 7. | 01-42468-000 | PIPE, CAC OUTLET | 1 |
| 8. | 06-42470-000 | BRACKET, PIPE SUPPORT | 1 |
| | 40-19084-000 | BRACKET, STAND OFF | 1 |
| | 54-11318-004 | BOLT, HXHD, 5/16-18 X 1.25 GR5 | A/R |

CHARGE AIR COOLER PIPING

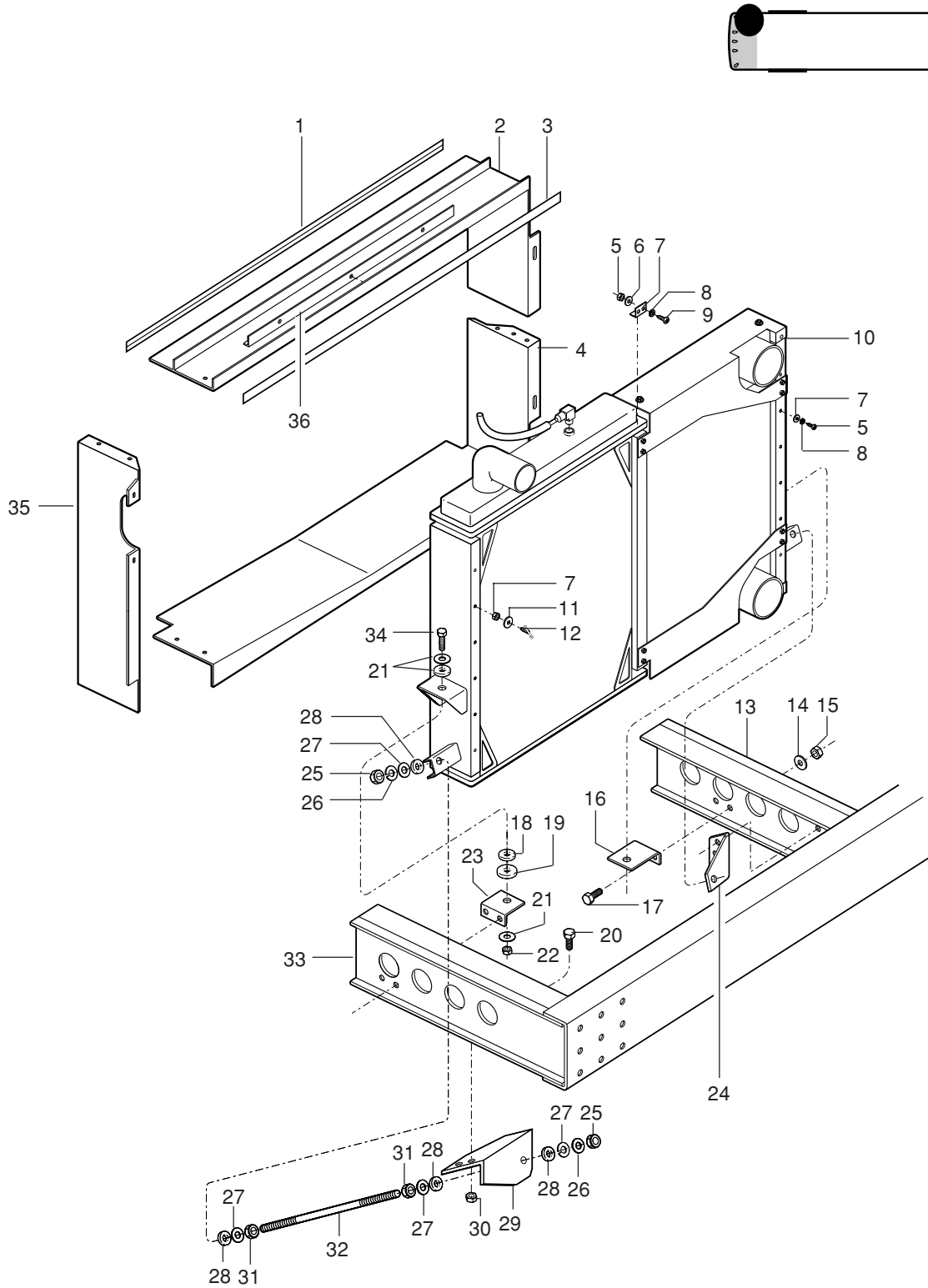


01-0280-0700E,P
01-003479
01-0280-0700E, P

RADIATOR/CAC MOUNTING

| Item | Part No. | Description | Qty |
|------|-----------------|--|-----|
| 1. | 01-43664L144.00 | EXTRUSION, RUBBER | 1 |
| | 53-02195-015 | ADHESIVE | 1 |
| 2. | 01-38525-000 | BAFFLE, UPPER | 1 |
| 3. | 56-02111-004 | TAPE, FOAM | 12 |
| 4. | 01-38526-000 | BAFFLE, LOWER | 1 |
| 5. | 54-12540-005 | LOCKNUT, NYLOK 1/4"-20 GR5 | 10 |
| 6. | 54-12602-011 | LOCKWASHER, 3/8" | 4 |
| 7. | 40-32983-000 | BRACKET, SHROUD MTG | 2 |
| 8. | 54-12605-002 | FLATWASHER, 1/4" FENDER | 32 |
| 9. | 54-11316-002 | CAPSCREW, 1/4"-20 X 3/4" GR5 | 29 |
| 10. | 55-32707-000 | RADIATOR/CAC ASM (BREAKDOWN ON FOLLOWING PAGE) | 1 |
| | 54-12958-004 | PLUG, HEX SOCKET, 1/4" BRASS | 1 |
| 11. | 54-12603-006 | LOCKWASHER, STAR 1/4" | 3 |
| 12. | 54-13113-064 | WINGBOLT, 1/4"-20 X 3/4" | 3 |
| 13. | 06-45157-000 | OUTRIGGER, RADIATOR MTG FRONT | 1 |
| 14. | 54-12601-010 | FLATWASHER, 1/2" HARD | 8 |
| 15. | 54-12542-009 | LOCKNUT, NYLOK 1/2"-13 GR8 | 4 |
| 16. | 01-36609-000 | BRACKET, RAD MTG, LH | 1 |
| 17. | 54-11321-004 | BOLT, HXHD, 3/8-16 X 1.25 GR8 | 4 |
| 18. | 54-13112-026 | FLATWASHER, 1-1/4" ID | 2 |
| 19. | 53-28088-001 | MOUNT, CTR BOND NEO. | 4 |
| 20. | 54-11320-005 | BOLT, HXHD, 3/8-16 X 1.50 GR5 | 8 |
| 21. | 41-00035-008 | FLATWASHER, 5/8" HARD | 6 |
| 22. | 54-12550-011 | LOCKNUT, NYLOK 5/8"-18 GR5 | 2 |
| 23. | 01-36608-000 | BRACKET, RAD MTG, RH | 1 |
| 24. | 01-36610-000 | BRACKET, RAD BRACE, LH | 1 |
| 25. | 54-12551-009 | NUT, HXHD 1/2"-20 GR5 | 4 |
| 26. | 54-12601-010 | LOCKWASHER, 1/2" | 4 |
| 27. | 41-00035-011 | FLATWASHER, 1/2" HARD | 8 |
| 28. | 56-07695-000 | BUSHING, ROD | 8 |
| 29. | 40-11230-002 | BRACKET, RAD BRACE, RH | 1 |
| 30. | 54-12540-007 | LOCKNUT, NYLOK 3/8"-16 GR5 | 4 |
| 31. | 54-12536-009 | NUT, HXHD 1/2"-13 GR5 | 4 |
| 32. | 40-10575-001 | ROD, RADIATOR BRACE | 2 |
| 33. | 06-45160-000 | OUTRIGGER, W/RAD. MTG REAR & POST MTG | 1 |
| 34. | 54-11352-009 | CAPSCREW, HXHD 5/8"-18 X 2-1/2" | 2 |
| | 56-02125-001.00 | TRIM, PLASTIC EDGE | 1 |
| 35. | 01-48221-000 | BRACKET, RAD CLOSEOUT | 1 |
| 36. | 40-33049-000 | SPACER, BAFFLE | 1 |
| | 56-09125-001 | HOSE, HUMP, 3.0 X 6.0 | 2 |
| | 53-21364-012 | CLAMP, CONTS TENS, HOSE, 3.31 - 3.50 | 4 |
| N/S | 06-45080-000 | GUARD, SKID | 1 |
| N/S | 06-45081-000 | BRACKET, RAD GUARD SUPT. | 1 |
| N/S | 54-11325-004 | BOLT, 1/2-13 X 1.25 GR8 | 6 |
| N/S | 54-12541-009 | NUT, HXHD NYLOCK 1/2-13 GR8 | 6 |

RADIATOR/CAC MOUNTING

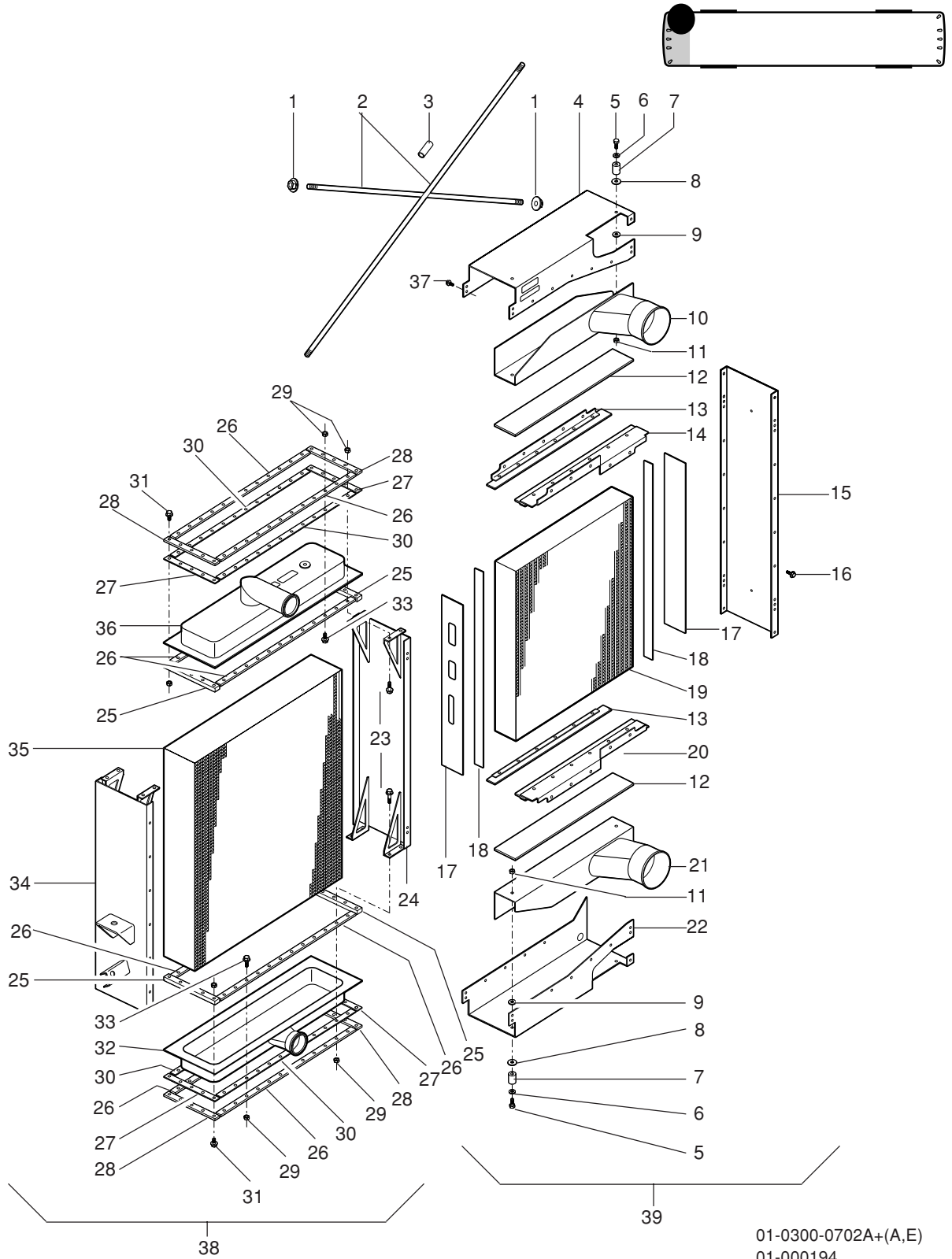


01-0300-0702A,B+(A,E)
 01-000097
 01-0300-0702A, B
 01-0302-0700A,E

RADIATOR/CAC ASSEMBLY

| Item | Part No. | Description | Qty |
|------|--------------|-------------------------------|-----|
| 1. | 82-17446-001 | NUT, HXHD TORQ 3/8-16 | 4 |
| 2. | 82-17446-002 | TIEROD | 2 |
| 3. | 82-17446-003 | HOSE, RUBBER | 1 |
| 4. | 82-17446-004 | CHANNEL ASM, CAC TOP | 1 |
| | 82-17447-011 | LABEL, IDENTIFICATION | 1 |
| | 82-17446-012 | LABEL | 1 |
| 5. | 54-11318-006 | CAPSCREW, HXHD 3/8-16 X 1.75 | 4 |
| 6. | 54-12600-008 | FLATWASHER, 3/8" | 4 |
| 7. | 82-17446-005 | ISOLATOR, MTG | 4 |
| 8. | 54-12600-013 | FLATWASHER, 3/4" | 4 |
| 9. | 54-12602-011 | LOCKWASHER, 3/8" | 4 |
| 10. | 82-17303-002 | TANK ASM, CAC TOP | 1 |
| 11. | 54-12536-007 | NUT, HXHD 3/8-16 | 4 |
| 12. | 82-17303-003 | HEADER, CAC | 2 |
| 13. | 82-17446-006 | SHIELD ASM, OUTER | 2 |
| 14. | 82-17446-007 | SHIELD ASM, INNER TOP | 1 |
| 15. | 82-17446-008 | SIDE ASM, CAC RH | 1 |
| 16. | 54-11318-002 | CAPSCREW, HXHD 3/8-16 X 1.00 | 22 |
| 17. | 82-17303-004 | SIDE, CAC | 2 |
| | 82-17303-006 | LABEL | 1 |
| | 82-17303-007 | LABEL, ID | 1 |
| | 82-17303-008 | LABEL | 1 |
| 18. | 82-17446-009 | SEAL, AIR | 2 |
| 19. | 82-17303-001 | CORE ASM, CAC | 1 |
| 20. | 82-17446-010 | SHIELD ASM, OUTER BOTTOM | 1 |
| 21. | 82-17303-005 | TANK ASM, CAC BOTTOM | 1 |
| 22. | 82-17446-011 | CHANNEL ASM, CAC BOTTOM | 1 |
| 23. | 54-11350-005 | CAPSCREW, HXHD 9/16-18 X 1.50 | 16 |
| 24. | 82-17447-001 | SIDE ASM, RADIATOR RH | 1 |
| 25. | 82-17447-002 | BAR, BOLTING (SHORT/THICK) | 4 |
| 26. | 82-17447-003 | BAR, BOLTING (LONG) | 8 |
| 27. | 82-17447-005 | GASKET, END | 4 |
| 28. | 82-17447-004 | BAR, BOLTING (SHORT/THIN) | 4 |
| 29. | 54-12540-006 | LOCKNUT, NYLOK 5/16-18 | 48 |
| 30. | 82-17447-006 | GASKET, SIDE | 4 |
| 31. | 54-11318-003 | CAPSCREW, HXHD 5/16-18 X 1.00 | 20 |
| 32. | 82-17447-007 | TANK ASM, RADIATOR BOTTOM | 1 |
| 33. | 54-11318-004 | CAPSCREW, HXHD 5/16-18 X 1.25 | 32 |
| 34. | 82-17447-008 | SIDE ASM, RADIATOR LH | 1 |
| 35. | 82-17447-009 | CORE ASM, RADIATOR | 1 |
| 36. | 82-17447-010 | TANK ASM, RADIATOR TOP | 1 |
| | 82-17447-011 | LABEL, ID | 1 |
| | 82-17447-012 | LABEL, BETA WELD | 1 |
| 37. | 82-17446-013 | SCREW, SHEET METAL | 20 |
| 38. | 82-17447-000 | RADIATOR ASM | 1 |
| 39. | 82-17303 | COOLER ASM, CAC | 1 |

RADIATOR/CAC ASSEMBLY

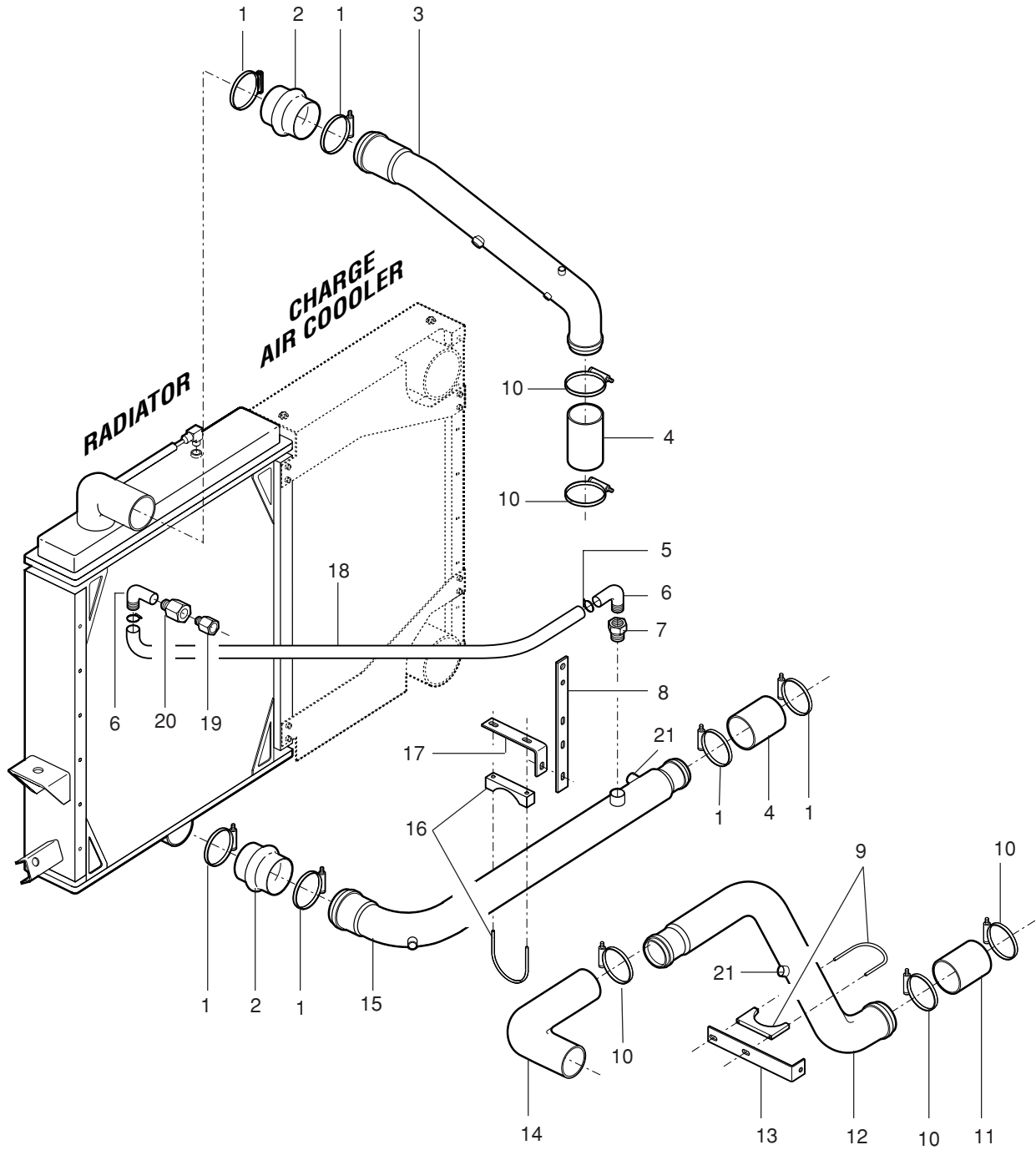


01-0300-0702A+(A,E)
01-000194
01-0300-0702A
01-0302-0700A,E

TRANSMISSION OIL COOLER PIPING

| Item | Part No. | Description | Qty |
|------|-----------------|--|-----|
| 1. | 53-21364-012 | CLAMP, CONST TENS, HOSE, 3.31 - 3.50 | 4 |
| 2. | 56-09125-001 | HOSE, HUMP, 3.0 X 6.0 | 2 |
| 3. | 01-45877-000 | PIPE-COOLANT ENG TO RAD | 1 |
| 4. | 56-09019-004.00 | HOSE,SILICONE 2.25" I.D. | 2 |
| | 53-21364-007 | CLAMP, HOSE CONST TENS, 2.31-2.56 | 2 |
| 5. | 53-18882-021 | CLAMP,HOSE 1.31-2.25 | 2 |
| 6. | 53-00227-000 | ELBOW, 90° 3/4"MPT X 1.0" HOSE | 2 |
| 7. | 54-12976-013 | ADAPTER,STL HEX PIPE 1/2 X 3/4 | 1 |
| | 54-12961-014 | BUSHING, 1.0" MPT X 3/4" FPT | 1 |
| 8. | 40-28622-000 | BRACKET,STANDOFF | 1 |
| 9. | 54-00029-006 | CLAMP,PIPE 2-1/2" | 1 |
| 10. | 53-21364-008 | CLAMP, HOSE CONST TENS, 2.56-2.75 | 6 |
| | 53-18882-025 | CLAMP,HOSE 2.31-3.25 | 2 |
| 11. | 56-09022-004.00 | HOSE, 2.5" SILICONE | 1 |
| 12. | 01-39539-000 | PIPE, COOLANT ENG INLET | 1 |
| 13. | 01-39540-000 | BRACKET, PIPE SUPT | 1 |
| | 54-17487-008 | CAPSCREW,METRIC HEX M8 1.25 X 20 | 1 |
| | 54-13112-011 | LOCKWASHER, M8 (8MM METRIC) | 1 |
| 14. | 53-27653-006 | ELBOW, SILICONE | 1 |
| 15. | 01-37796-000 | PIPE, COOLANT RAD OUTLET | 1 |
| 16. | 54-00029-005 | CLAMP, PIPE 2-3/4" | 1 |
| 17. | 40-19815-000 | BRACKET, PIPE SUPT | 1 |
| 18. | 56-09017-060.00 | HOSE, 1" SILICONE | 1 |
| | 53-21364-002 | CLAMP, HOSE CONST TENS, 1.40-1.57 | 2 |
| 19. | 54-13118-073 | ADAPTER,STL M22 X 1.5 TO 1/2FPT | 1 |
| 20. | 54-12976-013 | ADAPTER, HEX 1/2"MPT X 3/4" FPT, BRASS | 1 |
| 21. | 54-12899-012 | ELBOW, 45° 3/4"NPT | 1 |
| | 52-00516-000 | VALVE, DRAIN | 1 |
| | 54-12854-003 | NIPPLE, BRASS 2 X 3/4 | 1 |
| | 54-12905-012 | ELBOW, PIPE CAST 3/4 | 1 |
| | 54-12917-012 | COUPLING, 3/4 NPT BRASS | 1 |
| | 54-13112-010 | LOCKWASHER, M12 METRIC | 4 |
| | 54-17489-010 | BOLT, HXHD METRIC M12 1.75 X 25LG | 4 |
| | 21-46560-000 | BRACKET, SUPPORT | 1 |

TRANSMISSION OIL COOLER PIPING

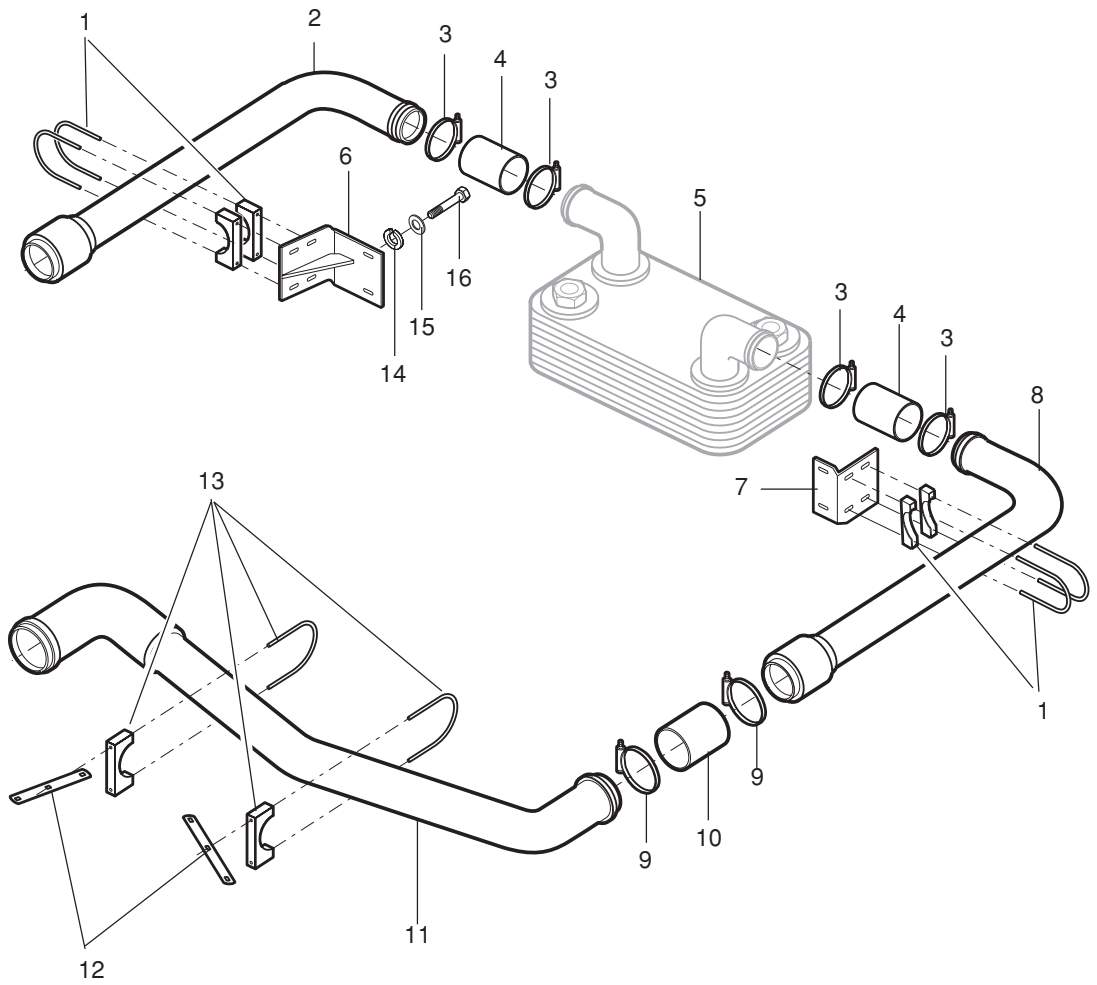
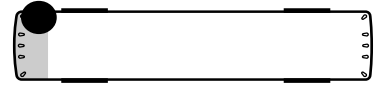


01-0332-705E,Z
01-001701
01-0332-705E, Z

TRANSMISSION D864.3E OIL COOLER PIPING

| Item | Part No. | Description | Qty |
|------|-----------------|---|-----|
| 1. | 54-00029-009 | CLAMP, PIPE 2" | 4 |
| 2. | 02-50364-000 | PIPE, COOLANT, OIL COOLER INLET | 1 |
| 3. | 53-21364-008 | CLAMP, HOSE CONST TENS, 2.56-2.75 | 6 |
| 4. | 56-09021-004.00 | HOSE, 2.0" ID X 2.36" OD SILICONE | 2 |
| 5. | 82-26805-000 | OIL COOLER, VOITH TRANSMISSION | 1 |
| 6. | 02-50374-000 | BRACKET ASM, PIPE SUPT | 1 |
| 7. | 02-50372-000 | BRACKET ASM, PIPE SUPT | 1 |
| 8. | 02-50366-000 | PIPE, COOLANT, OIL COOLER OUTLET | 1 |
| 9. | 53-21364-007 | CLAMP, CONST TENS HOSE 2.31-2.56, OETIKER | 4 |
| 10. | 56-09022-004.00 | HOSE, 2.50" ID SILICONE | 2 |
| 11. | 02-42604-000 | PIPE, COOLANT, COOLER RETURN TO ENGINE | 1 |
| 12. | 40-22860-000 | BRACKET, PIPE SUPPORT | 2 |
| 13. | 54-00029-006 | CLAMP, PIPE 2-1/2" | 2 |
| 14. | 54-13112-010 | WASHER, M12 SPLIT LOCK | 4 |
| 15. | 54-12601-010 | WASHER, 1/2" FLAT HARD | 4 |
| 16. | 54-17489-010 | BOLT, M12-1.75 X 25MM LG | 4 |
| | 56-09019-004.00 | HOSE, 2.25" ID SILICONE | 2 |

TRANSMISSION D864.3E OIL COOLER PIPING

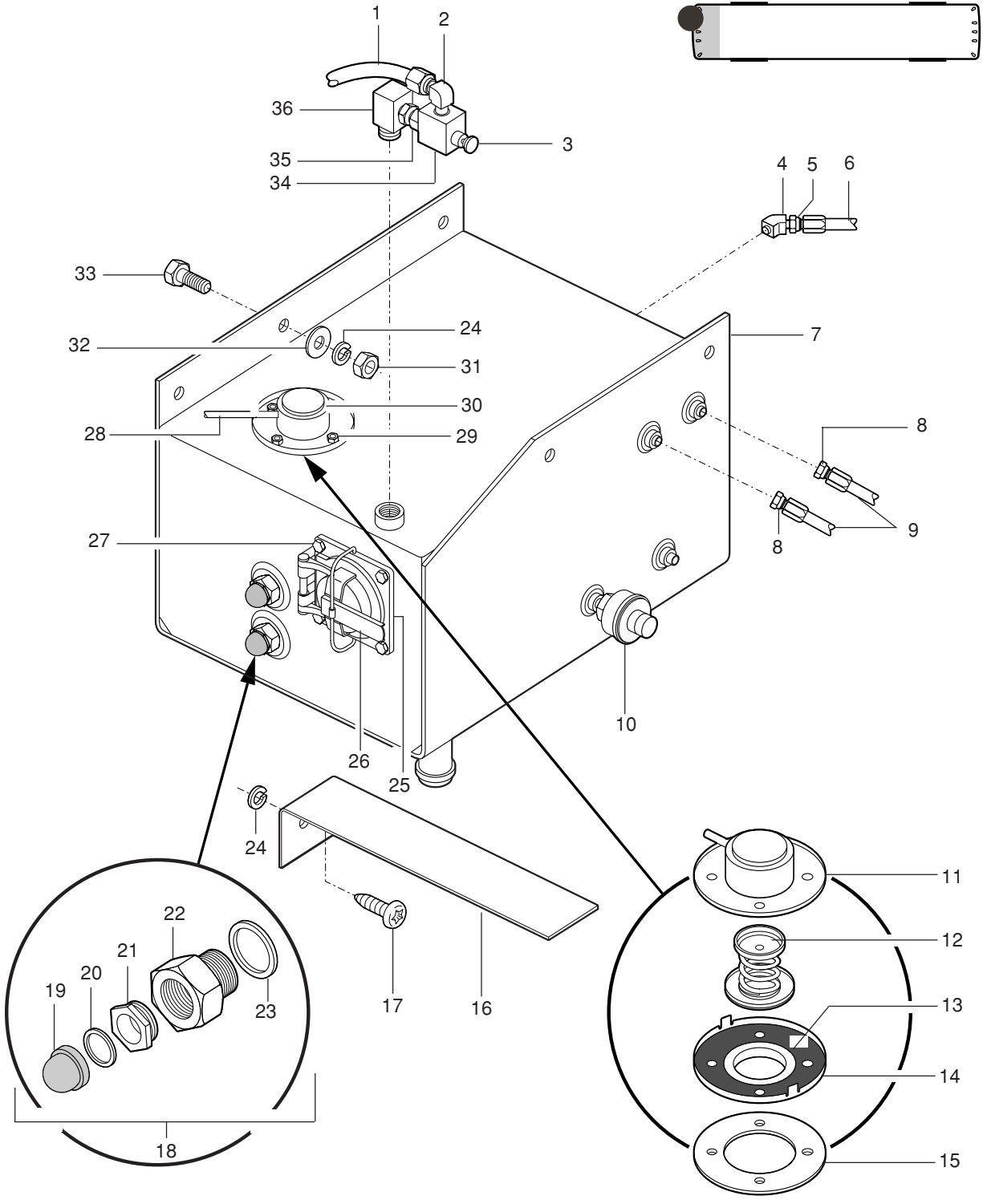


01-0332-0705E,Z
01-004598
01-0332-0705E, Z

SURGE TANK

| Item | Part No. | Description | Qty |
|------|-----------------|---------------------------------------|-----|
| 1. | 56-14037-057.00 | HOSE, NYLON .38" ID | 1 |
| 2. | 54-12935-004 | ELBOW, 90°-1/8NPT X 3/8 | 1 |
| 3. | 53-09989-000 | BUTTON, VALVE | 1 |
| 4. | 54-12996-005 | FITTING | 2 |
| 5. | 54-13073-005 | FITTING, HOSE #6 X 9/16"-18 JIC | 1 |
| 6. | 46-06B1111-0160 | HOSE ASM | 1 |
| | 53-09054-000 | VALVE, BLEEDER | 1 |
| 7. | 01-40171-000 | TANK ASM, SURGE | 1 |
| 8. | 54-12993-004 | HOSE END, FEMALE SWIVEL | 4 |
| 9. | 46-04B1010-TBM | HOSE | A/R |
| 10. | 51-27078-000 | SWITCH, LOW COOLANT WARNING | 1 |
| 11. | 42-09927-000 | COVER ASM, PRESSURE | 1 |
| | 53-09903-000 | COVER | 1 |
| 12. | 53-09902-000 | VALVE, PRESSURE REGULATOR | 1 |
| 13. | 53-09904-000 | GASKET, SURGE TANK PRESS REG | 1 |
| 14. | 53-09905-000 | SEAT, VALVE | 1 |
| 15. | 53-25344-000 | GASKET, SURGE TANK | 1 |
| 16. | 01-39935-000 | ANGLE, SURGE TANK SUPPORT | 1 |
| 17. | 54-14566-07Z | SCREW, HEX 3/8 X 1 | 1 |
| 18. | 53-33158-000N | SIGHTGLASS ASM | 2 |
| 19. | 82-15405-004 | LENS, SIGHT GLASS | 1 |
| 20. | 53-08339-002 | O-RING, SIGHT GLASS | 1 |
| 21. | 82-15405-001 | RETAINER, LENS | 1 |
| 22. | 82-15405-003 | FITTING, SIGHT GLASS BODY | 1 |
| 23. | 82-15405-002 | O-RING, OUTSIDE (VITON) | 1 |
| 24. | 54-12602-011 | LOCKWASHER, 3/8 | 5 |
| 25. | 53-25343-000 | GASKET, SURGE TANK CAP (SQUARE CORK) | 1 |
| 26. | 53-10024-000 | CAP, SURGE TANK | 1 |
| | 82-22389-000 | GASKET, SURGE TANK CAP (ROUND RUBBER) | 1 |
| 27. | 54-11340-002 | CAPSCREW, 1/4"-28 X 3/4" GR5 | 4 |
| 28. | 41-09925-000 | TUBE, OVERFLOW | 1 |
| 29. | 54-14445-005 | SCREW, HXHD, #10-32 X 5/8" | 4 |
| 30. | 45-09926-000 | REGULATOR ASM, PRESSURE | 1 |
| 31. | 54-12540-005 | NUT, HXHD NYLOCK, 1/4-20 | 2 |
| 32. | 54-12600-006 | FLATWASHER, 1/4" | 2 |
| 33. | 54-11316-005 | CAPSCREW, 1/4"-20 X 1.5" GR5 | 2 |
| 34. | 53-09988-000 | VALVE, PRESSURE RELIEF | 1 |
| 35. | 54-12956-003 | NIPPLE, HEX 1/4" X 1/8" MPT | 1 |
| 36. | 54-12948-004 | ELBOW, 90°-BRASS | 1 |

SURGE TANK

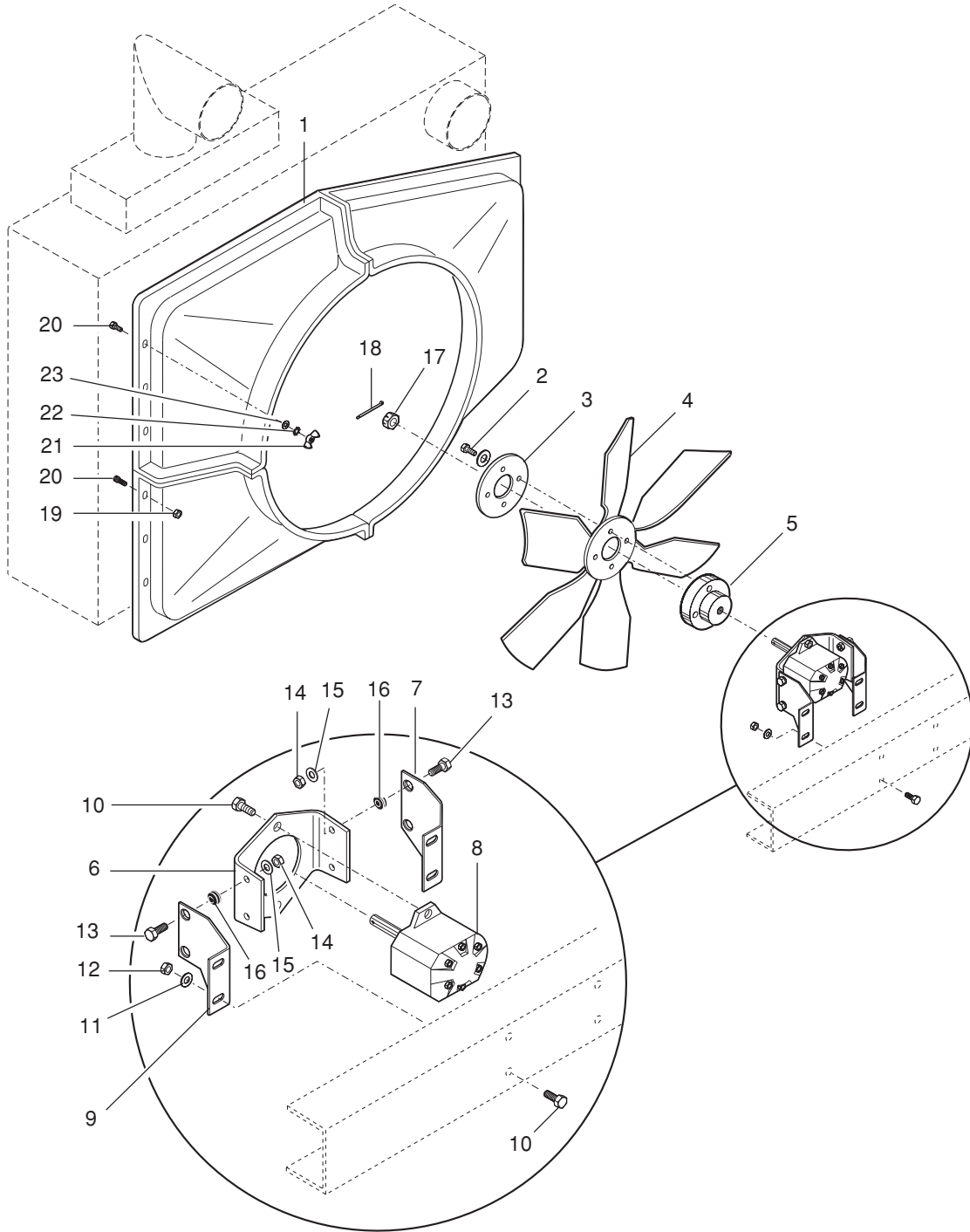
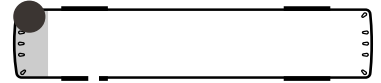


01-0340-0700B,G,S+(B)
01-003082
01-0340-0700B, G, S
13-0700-0701B

FAN, FAN MOTOR AND SHROUD

| Item | Part No. | Description | Qty |
|------|--------------|--------------------------------------|-----|
| 1. | 45-32982-000 | SHROUD | 1 |
| | 40-32983-000 | BRACKET, SHROUD MTG | 1 |
| 2. | 54-11321-004 | CAPSCREW, 3/8"-16 X 1.25" GR.8 | 4 |
| | 54-12602-011 | WASHER, 3/8" LOCK | 4 |
| 3. | 55-24050-000 | SPACER, FAN HUB BOLTS | 1 |
| 4. | 53-19523-016 | FAN, 9-BLADE 32" HI FLOW | 1 |
| 5. | 55-26597-000 | ADAPTER, FAN MTG | 1 |
| 6. | 40-26658-000 | BRACKET, FAN MOTOR MTG | 1 |
| 7. | 01-36618-000 | BRACKET, FAN MOTOR SUPT | 1 |
| 8. | 05-43222-006 | MOTOR ASM, HYD FAN DRIVE | 1 |
| 9. | 01-36617-000 | BRACKET, FAN MOTOR SUPT | 1 |
| 10. | 54-13559-005 | BOLT, HXHD 1/2"-20 X 1.5 GR8 | 8 |
| 11. | 54-12601-010 | WASHER, HARD FLAT 1/2" | 8 |
| 12. | 54-12551-009 | NUT, NYLOK, 1/2"-20, GR8 | 8 |
| 13. | 54-11320-005 | BOLT, 3/8"-16 X 1.5" GR5 | 4 |
| 14. | 54-12540-007 | LOCKNUT, NYLOCK 3/8"-16 GR5 AT BRACE | 4 |
| 15. | 54-12605-000 | FLATWASHER, FENDER 3/8" | 8 |
| 16. | 53-28088-001 | MOUNT, CENTER BONDED NEOPRENE | 4 |
| 17. | 54-13109-005 | NUT, SLOTTED 5/8"-18 HEX (CASTLE) | 1 |
| 18. | 54-13116-001 | PIN, COTTER 1/8 DIA. X 1.5" LG | 1 |
| 19. | 54-12540-005 | LOCKNUT, NYLOCK 1/4"-20 GR5 | 11 |
| 20. | 54-11316-002 | BOLT, HXHD 1/4"-20X.75 GR5 | 26 |
| 21. | 54-13113-064 | NUT, WING 1/4"-20X.75 GR5 | 3 |
| 22. | 54-12603-006 | LOCKWASHER, STAR INT./EXT. 1/4" | 3 |
| 23. | 54-12605-002 | FLATWASHER, FENDER 1/4" X 1.25" | 26 |

FAN, FAN MOTOR AND SHROUD

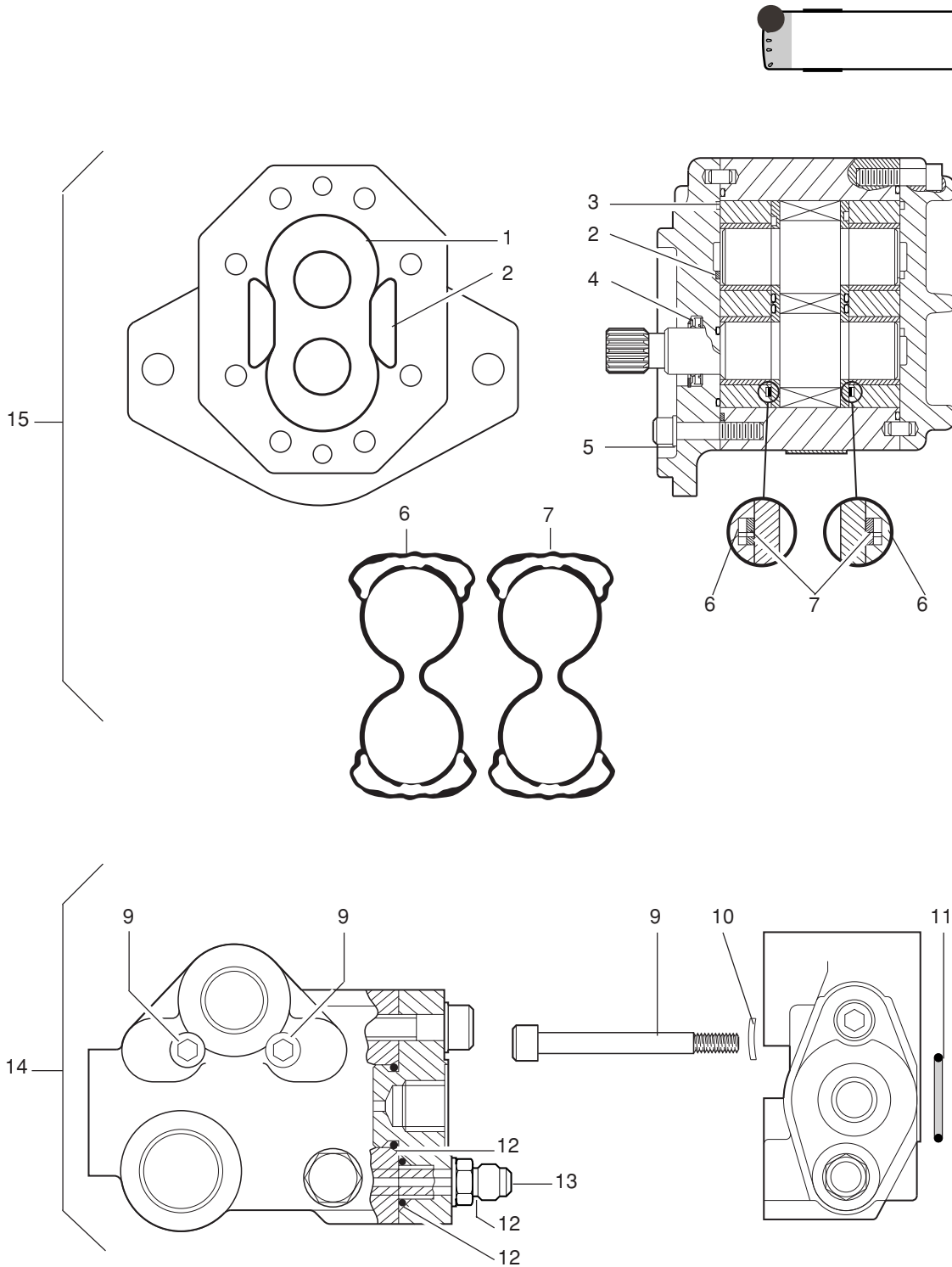


01-0350-0700X+(C)
 01-004449
 01-0350-0700X
 01-0353-0700C

FAN MOTOR

| Item | Part No. | Description | Qty |
|--|---------------|---|-----|
| 1. | 82-21276-003* | O-RING | 2 |
| 2. | 82-21276-002* | O-RING | 4 |
| 3. | 82-21276-004* | O-RING | 2 |
| 4. | 82-21276-005* | SEAL, SHAFT | 1 |
| 5. | 82-21276-008* | WASHER, COPPER | 4 |
| 6. | 82-21276-007* | RING, SEAL | 2 |
| 7. | 82-21276-006* | RING, ANTI EXT | 2 |
| 8. | 82-21276-001 | KIT, SEAL (INCLS ITEMS 1 - 7) | 1 |
| 9. | 82-21276-000 | SCREW, M10 X 60 | 2 |
| 10. | 82-16412 | WASHER, SPRING | 2 |
| 11. | 82-15970 | O-RING | 1 |
| 12. | 82-16411 | KIT, SEAL | 1 |
| 13. | 82-16404 | FITTING | 1 |
| 14. | 82-16393 | VALVE ASM, SWITCH | 1 |
| 15. | 82-21275-000 | MOTOR ASM, HYD GEAR | 1 |
| | 05-43222-006 | MOTOR ASM, HYD W/ VALVE (ITEMS 14 & 15) | 1 |
| * THESE ITEMS NOT SOLD SEPARATELY: SOLD IN KIT ONLY. | | | |

FAN MOTOR

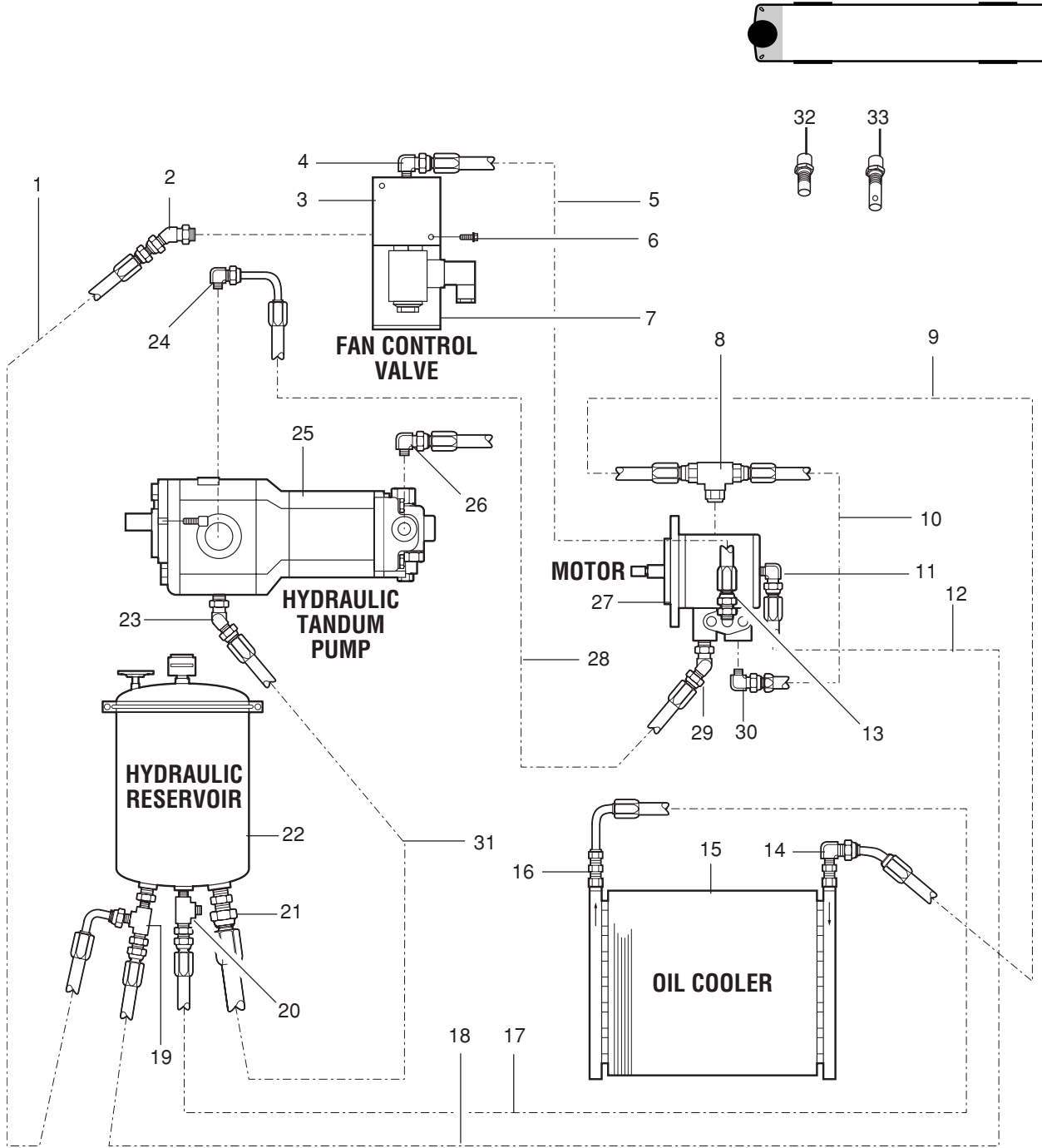


01-0350-0700X+(C)
01-002306
01-0350-0700X
01-0353-0700C

HYDRAULIC FAN MOTOR PIPING

| Item | Part No. | Description | Qty |
|------|-----------------|--|-----|
| 1. | 46-06B1014-000 | HOSE ASM., #6 RESERVIOR TO CONTROL VALVE | 1 |
| 2. | 54-13062-003 | ELBOW, 45° 9/16"-18 X #6 JIC | 1 |
| 3. | 05-49534-000 | VALVE, FAN CONTROL FDCA | 1 |
| | 05-42478-000 | SENSOR, COOLANT TEMPERATURE | 1 |
| | 05-42479-000 | SENSOR, CAC TEMPERATURE | 1 |
| 4. | 54-13063-004 | ELBOW, 9/16"-14 X # 4 JIC | 1 |
| 5. | 55-02404-144 | HOSE ASM., #4 | 2 |
| 6. | 54-17487-007 | CAPSCREW, METRIX M8-1.25 X 18MM | 2 |
| | 54-12602-010 | LOCKWASHER, 5/16" | 2 |
| 7. | 05-42480-000 | BRACKET, FAN CONTROL MOUNTING VALVE | 1 |
| | 54-11318-003 | BOLT, HEX HD. 5/16"-18 X 1.0" GR.5 | 2 |
| | 54-12540-006 | NUT, HEX HD. NYLOCK 5/16"-18 GR.5 | 2 |
| | 54-12600-007 | FLATWASHER, 5/16" | 2 |
| 8. | 54-49189-016 | TEE, 1-5/16"-12 SAE, O-RING 37° | 1 |
| 9. | 46-16B1012-000 | HOSE ASM., #16 | 1 |
| 10. | 55-32826-000 | TUBE ASM | 1 |
| 11. | 54-13063-008 | ELBOW, 90° 9/16" X #6 JIC | 1 |
| 12. | 46-06B1010-000 | HOSE ASM., #6 | 1 |
| 13. | 54-13059-004 | ADAPTER, 1/2"-20 X #4 JIC | 2 |
| 14. | 54-13118-056 | ELBOW, SWIVEL 1-5/16"-12 #16 JIC | 1 |
| 15. | 53-29075-002 | COOLER, OIL | 1 |
| 16. | 54-13059-038 | ADAPTER, 1-5/16"-12 X #16 JIC | 1 |
| 17. | 46-16B1010-000 | HOSE ASM., #16 | 1 |
| 18. | 46-06B1010-000 | HOSE ASM., #6 | 1 |
| 19. | 54-13071-022 | TEE, 3/4"-16 X #6 JIC | 1 |
| 20. | 54-13071-016 | TEE, 1-5/16"-12 X #16 JIC | 1 |
| 21. | 54-13062-014 | ADAPTER, 1-5/8" # 20 | 1 |
| 22. | 53-27178-000 | RESERVOIR ASM | 1 |
| 23. | 54-13062-014 | ELBOW, 45° 1-5/8"-14 X #20 JIC | 1 |
| 24. | 54-13063-019 | ELBOW, 90° 1-1/16"-12 X #12 JIC | 1 |
| 25. | 05-42481-001 | PUMP ASM, HYDRAULIC TANDEM 31 X 23 | 1 |
| 26. | 54-13063-010 | ELBOW, 9/16"-18 X # 8 JIC | 1 |
| 27. | 05-43222-006 | MOTOR, ASM, HYDRAULIC | 1 |
| 28. | 46-12J6365-0630 | HOSE ASM., #12 | 1 |
| 29. | 54-13062-007 | ELBOW, 45° 7/8"-14 X #12 JIC | 1 |
| 30. | 54-49197-022 | ELBOW, 90° O-RING SAE 37° | 1 |
| 31. | 46-20A1010-000 | HOSE ASM., #20 | 1 |
| 32. | 05-42478-000 | SENSOR, COOLANT TEMPERATURE | 1 |
| 33. | 05-42479-000 | SENSOR, CAC TEMPERATURE | 1 |
| | 56-23718-024.00 | FIRE SLEEVE, HOSE | 1 |
| | 56-23714-024.00 | FIRE SLEEVE, HOSE | 1 |
| | 53-23722-002 | CLAMP, FIRE SLEEVE | 2 |
| | 53-23722-000 | CLAMP, FIRE SLEEVE | 2 |

HYDRAULIC FAN MOTOR PIPING

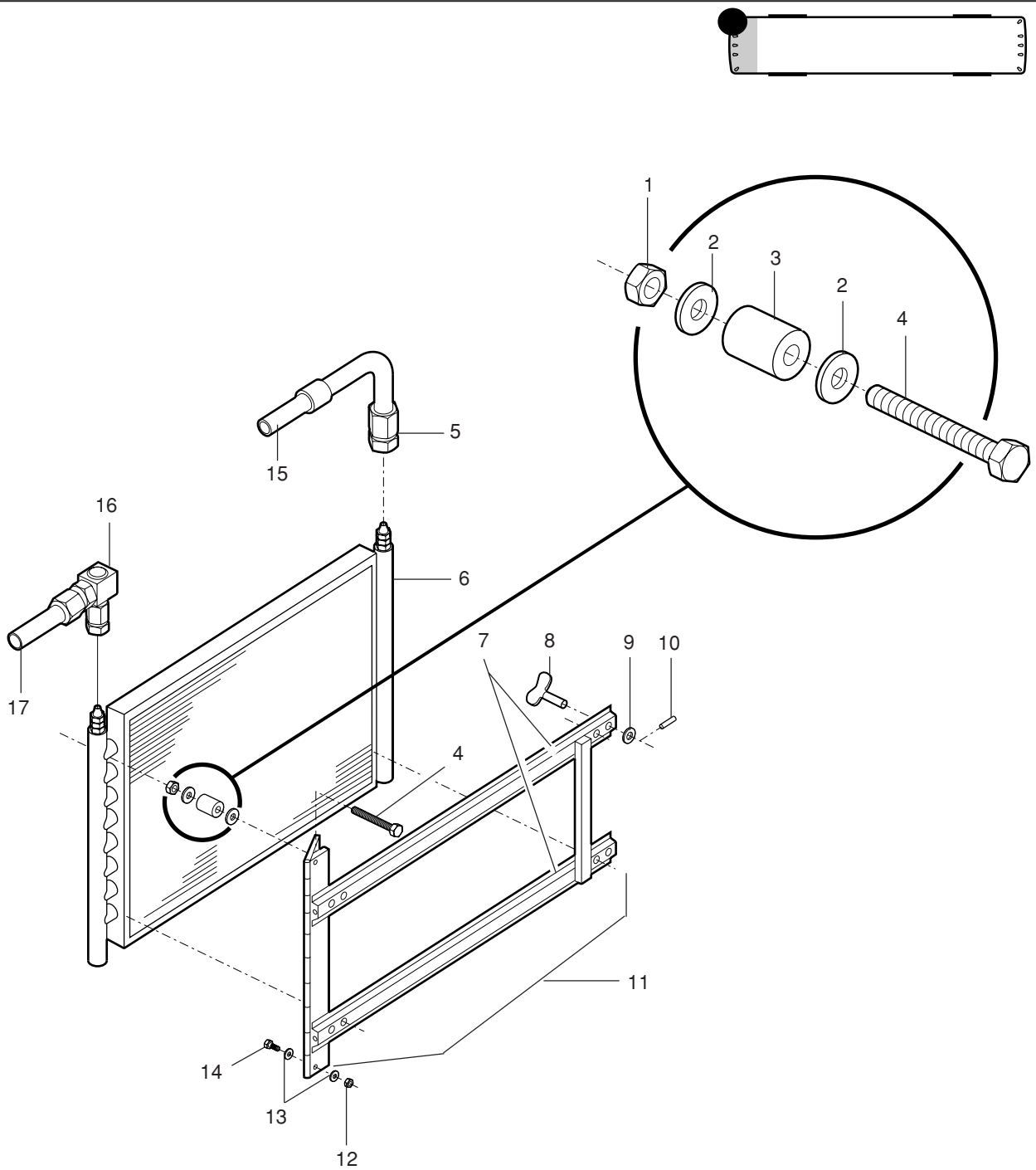


- 01-0351-0703F+(A,C+C)
- 01-003478
- 01-0351-0703F
- 01-0354-0700A,C
- 01-0360-0701C

HYDRAULIC COOLER MOUNTING

| Item | Part No. | Description | Qty |
|------|----------------|---|-----|
| 1. | 54-12540-006 | NUT, HXHD NYLOCK 5/16"-18 GR5 | 10 |
| 2. | 54-12605-004 | FLATWASHER 3/8" | 8 |
| 3. | 53-25574-000 | MOUNT, RUBBER, HYD OIL COOLER | 4 |
| 4. | 54-11318-009 | BOLT, HEX HD., 5/16"-18 X 2-1/2", GR5 | 4 |
| 5. | 54-13059-038 | ADAPTER, 1-5/16"-12 X #16 JIC | 1 |
| 6. | 53-29075-002 | COOLER, OIL 24"H X 18.75"W X 1.5" T | 1 |
| 7. | 42-34677-000 | BRACKET, CHANNEL (BETWEEN COOLER & BRACKET ASM.) | 2 |
| 8. | 45-29245-000 | BOLT, WING | 2 |
| 9. | 54-12600-007 | FLATWASHER, 5/16" | 8 |
| 10. | 54-13116-005 | PIN, COTTER, 1/32" X 3/4" | 2 |
| 11. | 42-29247-000 | BRACKET ASM, HYD. COOLER | 2 |
| | 42-29247-002 | BRACKET, HORIZONTAL 27.43" LONG | 2 |
| | 42-29247-001 | BRACKET, VERTICAL END PLATE 15.2" | 1 |
| | 45-29246-000 | BRACKET, VERTICAL HINGED PLATE | 1 |
| 12. | 54-12540-006 | NUT, HEX HD. NYLOCK 5/16"-18 | 10 |
| 13. | 54-12600-007 | FLATWASHER, 5/16" | 10 |
| 14. | 54-11318-004 | CAPSCREW, 5/16"-18 X 1.25" GR5 AT BRACKET CORNERS | 4 |
| | 54-11318-003 | CAPSCREW, 5/16"-18 X 1.0" GR5 AT CHANNEL HINGE | 2 |
| 15. | 46-16A1014-000 | HOSE ASM | 1 |
| 16. | 54-13118-056 | ELBOW, SWIVEL W/VITON SEAL | 1 |
| 17. | 46-16A1012-000 | HOSE ASM | 1 |

HYDRAULIC COOLER MOUNTING

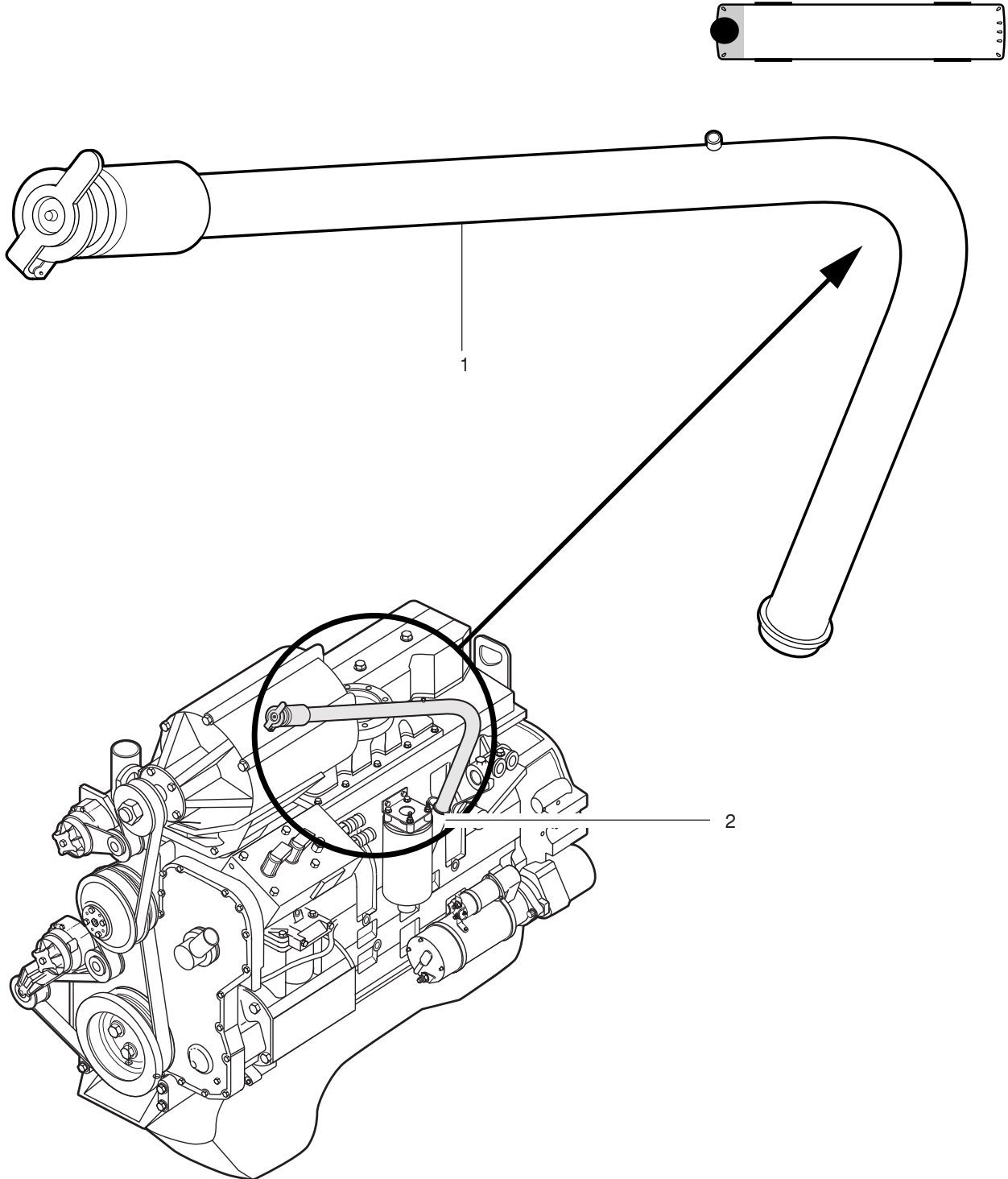


- 01-0351-0703F+(A,C+C)
- 01-002614
- 01-0351-0703F
- 01-0354-0700A,C
- 01-0360-0701C

ENGINE OIL FILLER TUBE

| Item | Part No. | Description | Qty |
|------|--------------|------------------------------|-----|
| 1. | 01-42521-000 | PIPE, ENGINE OIL FILL | 1 |
| 2. | 56-09026-000 | HOSE, SILICONE 1.50 | 1 |
| | 53-18882-007 | CLAMP, HOSE 1.25-2.12 | 2 |
| | 01-41197-000 | BRACKET, DIPSTICK MTG | 1 |
| | 42-29009-000 | BRACKET, STANDOFF | 1 |
| | 40-36434-000 | BRACKET, STANDOFF | 1 |
| | 54-13112-009 | LOCKWASHER, M10 | 1 |
| | 54-17488-008 | BOLT, HH METRIC 10MM X 1.5MM | 1 |

ENGINE OIL FILLER TUBE

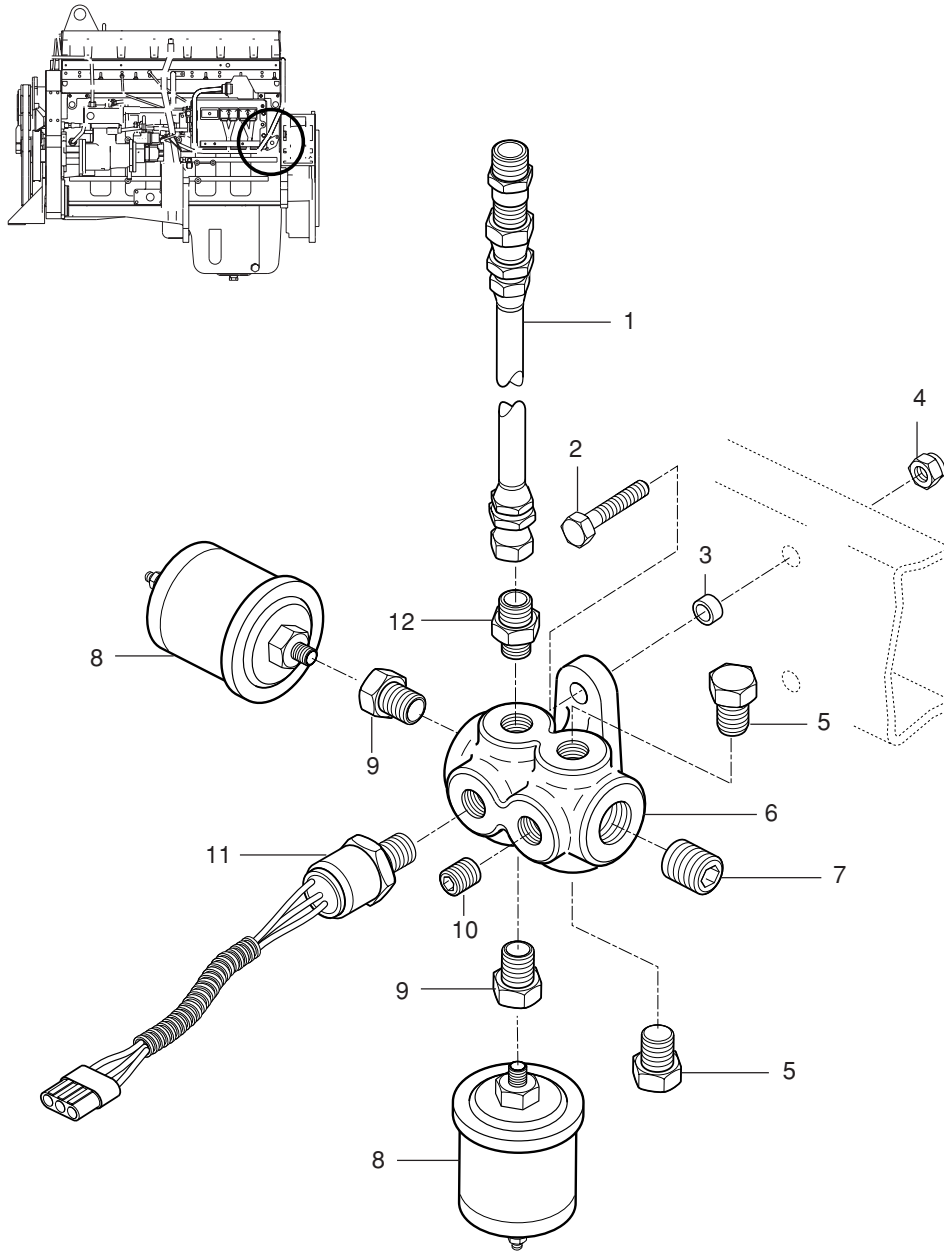


01-0400-0700D
01-001702
01-0400-0700D

ENGINE OIL, PRESSURE SENSOR & MANIFOLD

| Item | Part No. | Description | Qty |
|------|----------------|---|-----|
| 1. | 46-04B1111-000 | HOSE ASM, FC186 #4X | 1 |
| | 54-13074-004 | HOSE END, #4 HOSE, (SAE) | 2 |
| | 56-12299-000 | HOSE, #4 | A/R |
| 2. | 54-11316-005 | BOLT, HXHD 1/4-20 X 1.5 GR5 | 2 |
| 3. | 54-13117-001 | SPACER, 0.42ID X 0.67OD X 0.38LG | 2 |
| 4. | 54-12540-005 | LOCKNUT, NYLOK 1/4-20 GR5 | 2 |
| 5. | 54-12957-004 | PLUG, HEX HD 1/4MPT BRASS | 2 |
| 6. | 55-00274-001 | MANIFOLD, AIR FITTING | 1 |
| 7. | 54-12958-006 | PLUG, FLUSH, 3/8 NPT | 1 |
| 8. | 51-22968-022 | SENDER, OIL PRESSURE, 1/8-27 NPT | 2 |
| 9. | 54-12961-001 | BUSHING, HEX 1/8FPT X 1/4MPT, BRASS | 2 |
| 10. | 54-12958-004 | PLUG, FLUSH, 1/4 NPT | 1 |
| 11. | 51-23339-000 | SWITCH, OIL PRESSURE, 1/4-18 NPTF | 1 |
| 12. | 54-12993-004 | ADAPTER, 1/4 NPT X #4 | 1 |
| N/S | 54-13118-078 | ELBOW, 90° 10MM X 1 X #4 JIC, AT ENGINE OIL GALLERY | 1 |

ENGINE OIL, PRESSURE SENSOR & MANIFOLD



01-0425-0700C
01-004517
01-0425-0700C

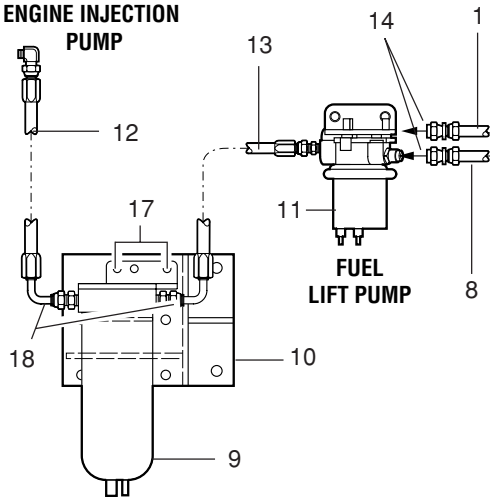
FUEL PIPING

| Item | Part No. | Description | Qty |
|------|-----------------|---|-----|
| 1. | 46-08D3033-000 | HOSE ASM, #8 | 1 |
| 2. | 54-13039-011 | UNION, 3/4-16 #8 | 2 |
| 3. | 46-08A1010-0160 | HOSE ASM, #8 | 1 |
| 4. | 54-13008-017 | ELBOW, 90° 1/2 MPT X #8 | 1 |
| 5. | 54-13003-021 | FITTING, CONN 1/2 MPT X 7/8-14 | 1 |
| 6. | 46-10A1010-0200 | HOSE ASM, #10 | 1 |
| 7. | 54-13039-014 | UNION, 37° FLARE, 5/8 X 5/8 | 2 |
| 8. | 46-10D3033-000 | HOSE ASM, #10 | 1 |
| 9. | REF ONLY | FILTER, FUEL FLEETGUARD (SUPPLIED W/ENGINE) | 1 |
| 10. | 01-39881-000 | BRACKET, FILTER MTG | 1 |
| 11. | REF ONLY | PUMP, FUEL LIFT (SUPPLIED W/ ENGINE) | 1 |
| 12. | REF ONLY | HOSE, FILTER | 1 |
| 13. | REF ONLY | HOSE, PUMP | 1 |
| 14. | REF ONLY | FITTING, SUPPLY/RETURN (SUPPLIED W/ ENGINE) | 2 |
| 15. | 32-45690-000 | TUBE, FUEL RETURN | 1 |
| 16. | 32-45689-000 | TUBE, FUEL FEED PRESSURE | 1 |
| 17. | 54-11320-004 | BOLT, HXHD, 3/8-16 X 1.25, GR5 | 2 |

FUEL PIPING

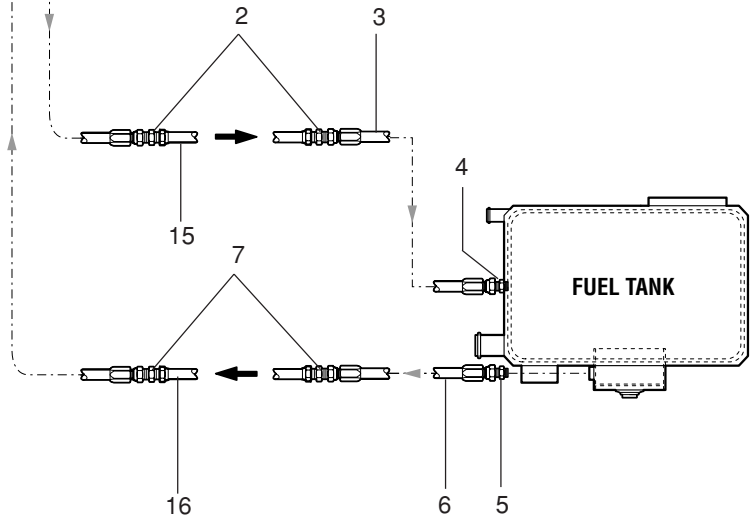


EXISTING 90°
ELBOW AT
ENGINE INJECTION
PUMP



FUEL
LIFT PUMP

FUEL FILTER

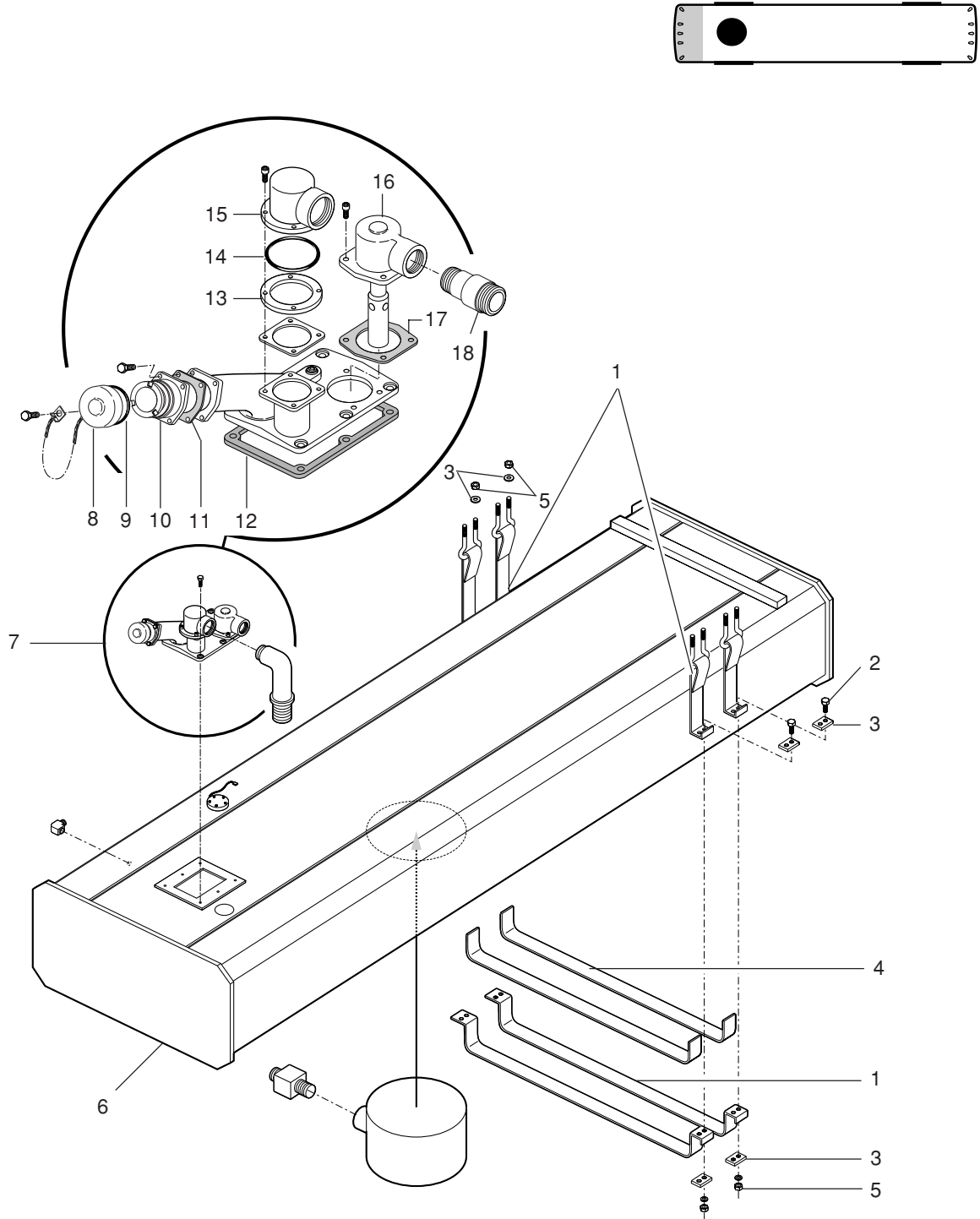


- 01-0650-0705A+(G+X+A)
- 01-003703
- 01-0650-0705A
- 32-0001-0701G
- 32-0015-0701X
- 32-0052-0701A

FUEL TANK AND MOUNTING, FILLER TUBE

| Item | Part No. | Description | Qty |
|------|--------------|---|-----|
| 1. | 32-48496-000 | BRACKET ASM, FUEL TANK MOUNTING | 4 |
| | 32-39745-000 | BRACKET ASM, FUEL TANK MTG, LH | 1 |
| 2. | 54-11346-005 | BOLT 7/16"-20 X 1.5 GR5 | 8 |
| 3. | 54-12600-009 | FLATWASHER, 7/16" | 16 |
| 4. | 56-29685-001 | LINER, FUEL TANK STRAP, 29" | 4 |
| | 56-29685-000 | LINER, FUEL TANK STRAP, 39" | 4 |
| 5. | 54-12540-007 | NUT, HXHD NYLOCK 7/16"-20 GR5 | 16 |
| 6. | 32-48495-000 | TANK ASM., 114 GAL. TRANSVERSE MOUNT FUEL | 1 |
| 7. | 53-23559-025 | FILL ASM, FUEL (INCLUDES ITEMS 7-16) | 1 |
| 8. | 82-24531-003 | CAP ASM, DUST | 1 |
| 9. | 82-15476 | O-RING, DUST CAP | 1 |
| 10. | 82-24531-002 | ADAPTER ASM | 1 |
| 11. | 82-24531-010 | GASKET, ADAPTER | 1 |
| 12. | 82-24531-009 | GASKET, FILLER NECK | 1 |
| 13. | 82-24531-008 | GASKET, PRESSURE RELIEF VALVE LOWER | 1 |
| 14. | 82-24531-007 | "O"-RING, PRESSURE RELIEF VALVE UPPER | 1 |
| 15. | 82-24531-001 | VALVE, PRESSURE RELIEF | 1 |
| | 82-24531-005 | ELBOW, 90° | 1 |
| | 82-24531-004 | WHISTLE ASM., PRESSURE RELIEF | 1 |
| 16. | 82-24531-000 | VALVE, LEVEL CONTROL | 1 |
| 17. | 82-24531-006 | GASKET, LEVEL CONTROL VALVE | 1 |
| 18. | 54-40849-012 | ADAPTER, MALE PIPE1-1/4 X HOSE BARB | 1 |

FUEL TANK AND MOUNTING, FILLER TUBE

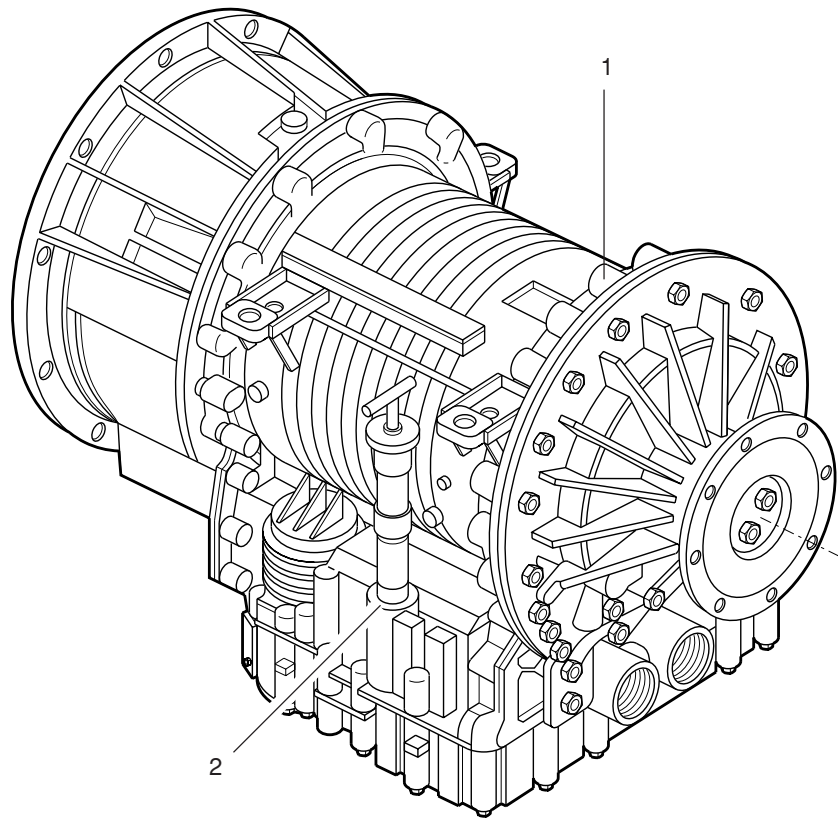


- 01-0650-0705A+(G+X+A)
- 01-003703
- 01-0650-0705A
- 32-0001-0701G
- 32-0015-0701X
- 32-0052-0701A

TRANSMISSION MOUNTING

| Item | Part No. | Description | Qty |
|------|--------------|---|-----|
| 1. | 53-49483-001 | TRANSMISSION ASM., D864.3E | 1 |
| | 40-08157-001 | BRACKET, CLIP SUPT | 2 |
| | 40-13509-000 | BRACKET, HYD SHIFTER LINE | 1 |
| | 40-16398-000 | BRACKET, STANDOFF | 2 |
| | 54-13112-029 | WASHER, B10 WAVE | 12 |
| | 54-17488-016 | CAPSCREW, M10-1.50X50 CLASS 8.8 | 8 |
| | | <u>TRANSMISSION TAIL SUPPORT NOT SUPPLIED BY GILLIG</u> | |

TRANSMISSION MOUNTING

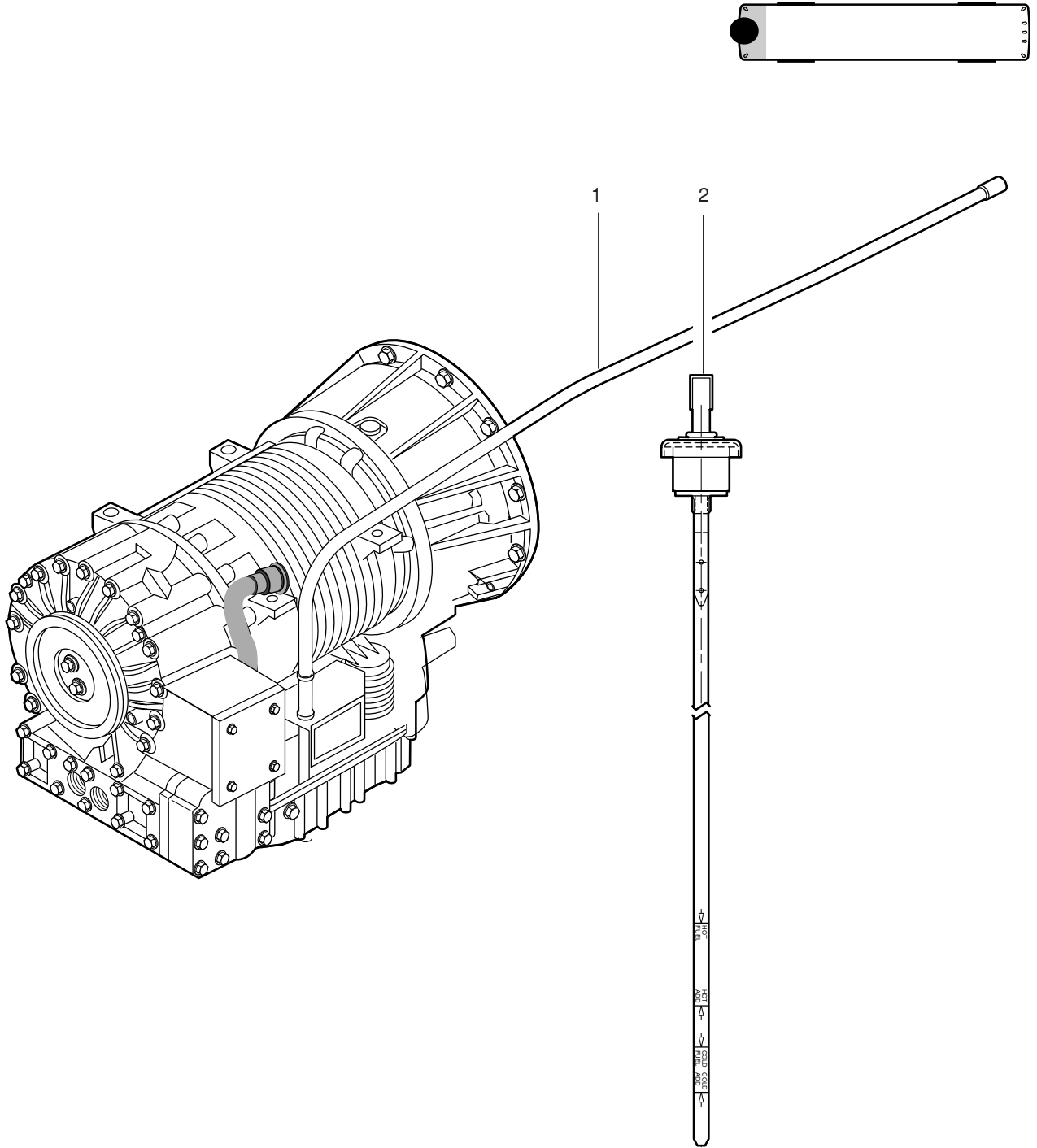


02-0052-0700B+(S)
02-001952
02-0020-0700B
02-0052-0700S

TRANSMISSION DIPSTICK AND TUBE

| Item | Part No. | Description | Qty |
|------|--------------|------------------------------|-----|
| 1. | 02-39489-000 | TUBE ASM, TRANS OIL DIPSTICK | 1 |
| 2. | 55-28747-000 | DIPSTICK, TRANS OIL | 1 |

TRANSMISSION DIPSTICK AND TUBE

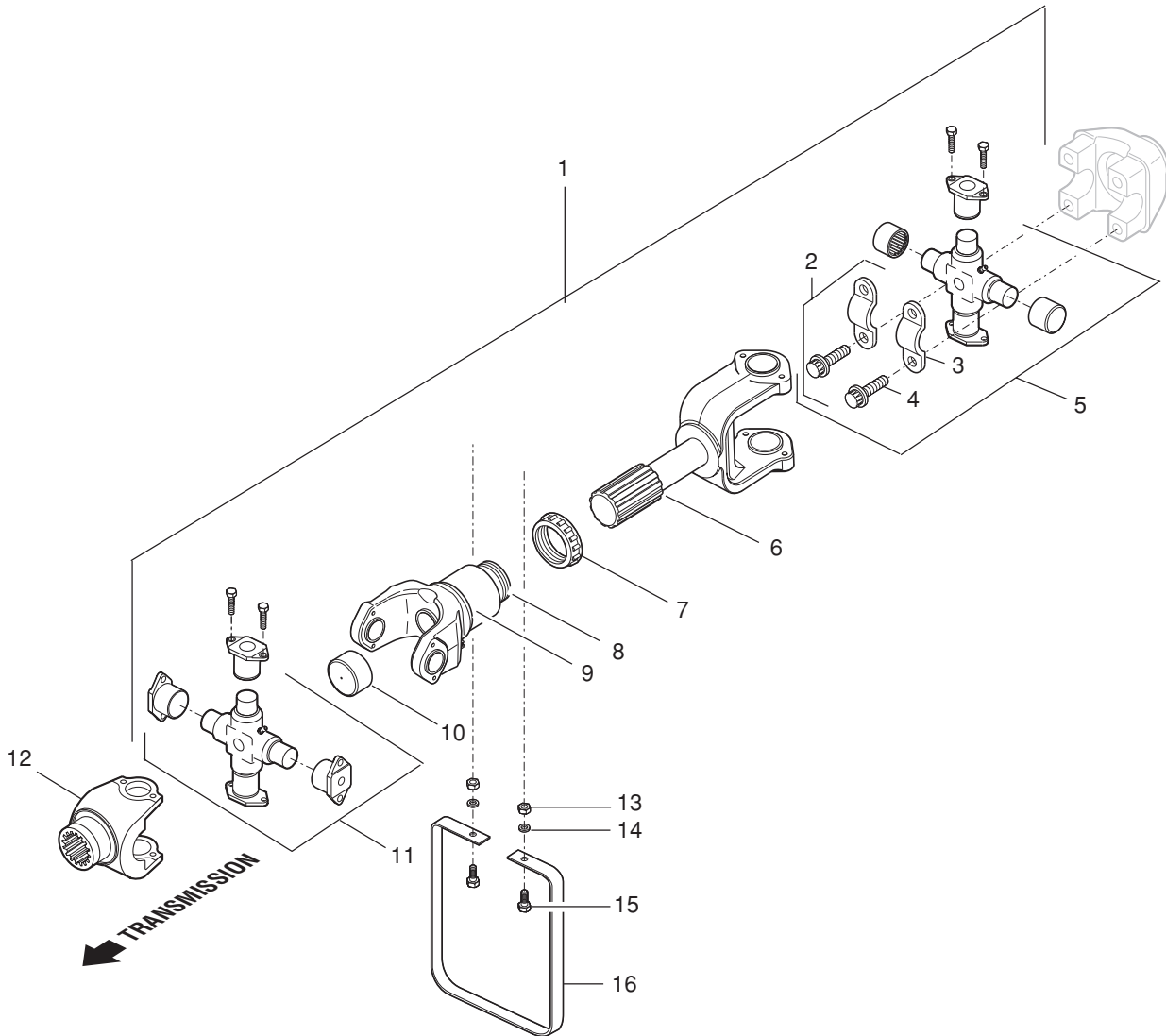


02-0100-0701D•
02-000349
02-01000-0701D

DRIVELINE ASSEMBLY

| Item | Part No. | Description | Qty |
|------|--------------|---|-----|
| 1. | 03-44682N000 | DRIVESHAFT ASM, 1710 SERIES | 1 |
| 2. | 53-22644-003 | KIT, BEARING CAP STRAPS & BOLTS | 1 |
| 3. | 54-23701-000 | STRAP, LOCK | 2 |
| 4. | 54-13113-044 | BOLT, SPECIAL 9/16"-24 X 16/32" | 4 |
| 5. | 82-13769-002 | KIT, U-JOINT "HALF ROUND TO FULL ROUND" | 1 |
| 6. | 82-28375-000 | YOKE, STUB SHAFT | 1 |
| 7. | 82-11459-000 | COLLAR NUT, DUST SEAL COMPRESSION | 1 |
| 8. | 82-28375-001 | YOKE, SLIP SHAFT | 1 |
| 9. | 82-17883-001 | FITTING, GREASE | 3 |
| 10. | 82-11463-001 | PLUG, PLASTIC (BLUE) CUP, GREASE | 1 |
| 11. | 82-11427-000 | KIT, U-JOINT "FULL ROUND TO FULL ROUND" | 1 |
| 12. | 82-20363-000 | YOKE, FULL ROUND (TRANS. OUTPUT) | 1 |
| 13. | 54-13108-006 | NUT, SPECIAL | 8 |
| 14. | 54-13112-006 | LOCKWASHER, SPECIAL | 8 |
| 15. | 54-13113-051 | BOLT, HXHD 3/8-24 X 1.5, GR 8 | 8 |
| 16. | 03-38697-000 | GUARD, DRIVELINE | 1 |

DRIVELINE ASSEMBLY



03-0002-0700X+(A)
03-004020
03-0002-0700X
03-0020-0700A

Section 2- Chassis

Rear Chassis and Outriggers - SSTL 62

Center Chassis SSTL & Outriggers - 35' 64

Forward Chassis SSTL - W/Lift-U Fold Out Ramp 66

Battery Box Assembly 68

Brake Chambers, Front 70

Front Brakes 72

Front Hub and Drum 74

Steering Knuckle 76

Front Suspension 78

Hubodometer 80

Carrier Assembly: R160 @ 5.38 82

Rear Axle Housing 84

Rear Brakes 86

Rear Hub and Drum 88

Rear Brake Chamber Assemblies 90

Rear Suspension w/61143 Axle 92

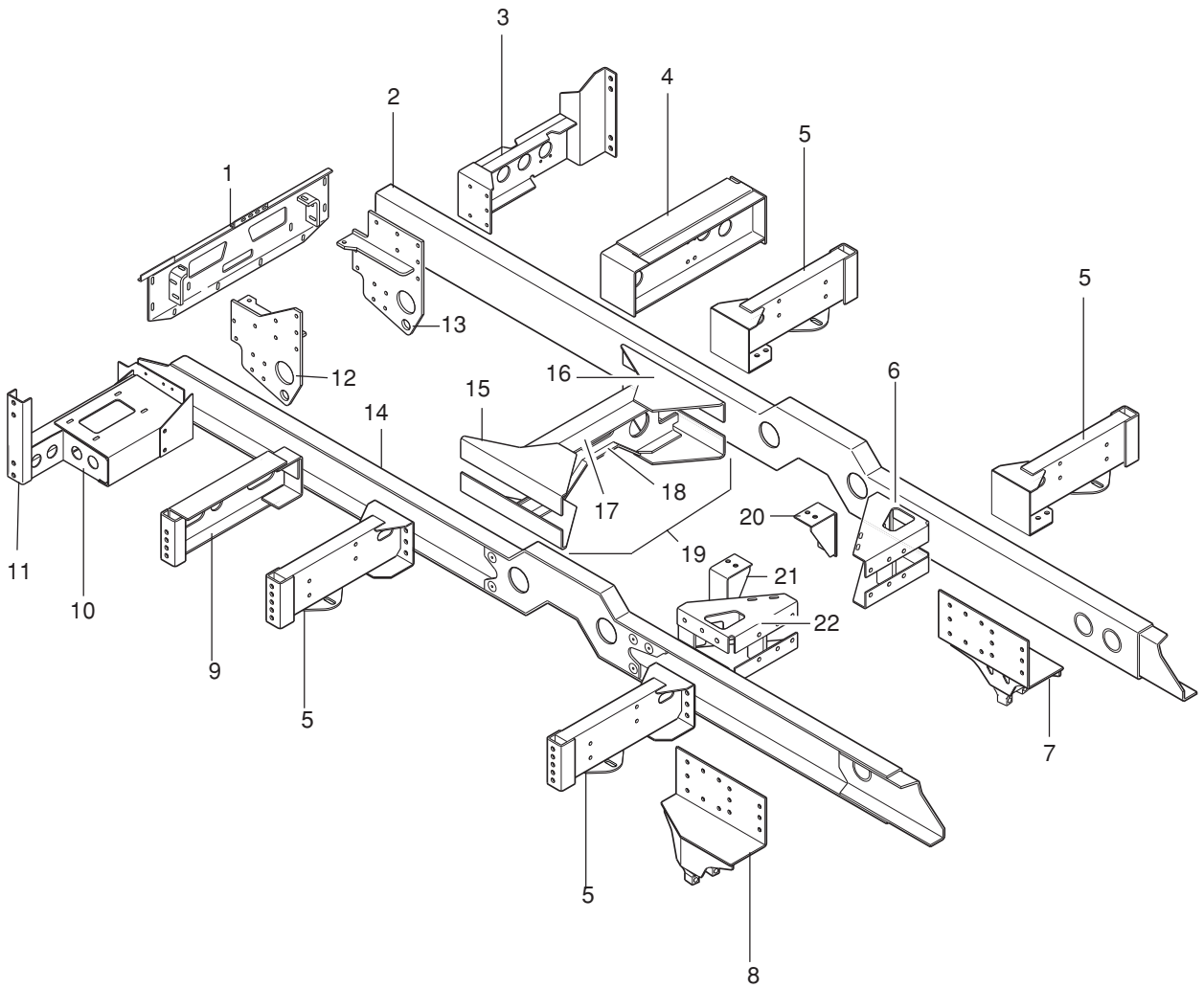
Wheels and Hardware 94

REAR CHASSIS AND OUTRIGGERS - SSSL

| Item | Part No. | Description | Qty |
|------|----------------|---|-----|
| 1. | 06-45300-000* | BRACKET ASM., BUMPER MOUNTING | 1 |
| 2. | 06-45134-000* | RAIL ASM, STREET SIDE | 1 |
| 3. | 06-45160-000* | OUTRIGGER, W/RAD. MTG REAR & POST MTG | 1 |
| 4. | 06-45157-000* | OUTRIGGER, RADIATOR MTG FRONT | 1 |
| 5. | 06-45179-000* | OUTRIGGER ASM., SUSPENSION | 4 |
| 6. | 06-45146-000L* | BRACKET ASM., TORQUE ROD | 1 |
| 7. | 06-46349-000L | BRACKET ASM., LOWER NEWAY TORQUE ROD | 1 |
| 8. | 06-46349-000R | BRACKET ASM., LOWER NEWAY TORQUE ROD | 1 |
| 9. | 06-45159-000 | OUTRIGGER, HYD. RESERVIOR MTG | 1 |
| 10. | 06-45158-000 | OUTRIGGER, A/C COMPRESSOR MTG | 1 |
| 11. | 06-45294-000 | BRACKET, POST MOUNTING | 1 |
| 12. | 06-47511-000 | BRACKET PLATE ASM., TOW EYE CURB SIDE | 1 |
| 13. | 06-47512-000 | BRACKET PLATE ASM., TOW EYE STREET SIDE | 1 |
| 14. | 06-45142-000* | RAIL ASM, CURB SIDE | 1 |
| 15. | 06-45149-000L | GUSSET, CROSSMEMBER | 2 |
| 16. | 06-45149-000R | GUSSET, CROSSMEMBER | 2 |
| 17. | 06-45147-000 | CROSSMEMBER CENTER SECTION | 2 |
| 18. | 06-45148-000 | FLANGE, ARCHED ON CROSSMEMBER LOWER SIDE | 1 |
| 19. | 06-45150-000* | CROSSMEMBER ASM. | 1 |
| 20. | 06-45200-000L* | BRACKET, TORQUE ROD SUPPORT | 1 |
| 21. | 06-45200-000R* | BRACKET, TORQUE ROD SUPPORT | 1 |
| 22. | 06-45146-000R* | GUSSET, CROSSMEMBER | 1 |
| | 06-45257-000* | PLATE, FUEL TANK SUPPORT 11.75" X 3.58", 2X.48" & 4X.66" DIA. | 2 |

NOTE: * HOGAN CHASSIS USE THE SAME PART NUMBER ONLY THE SUFFIX "H". HOGAN CHASSIS

REAR CHASSIS AND OUTRIGGERS - SSTL

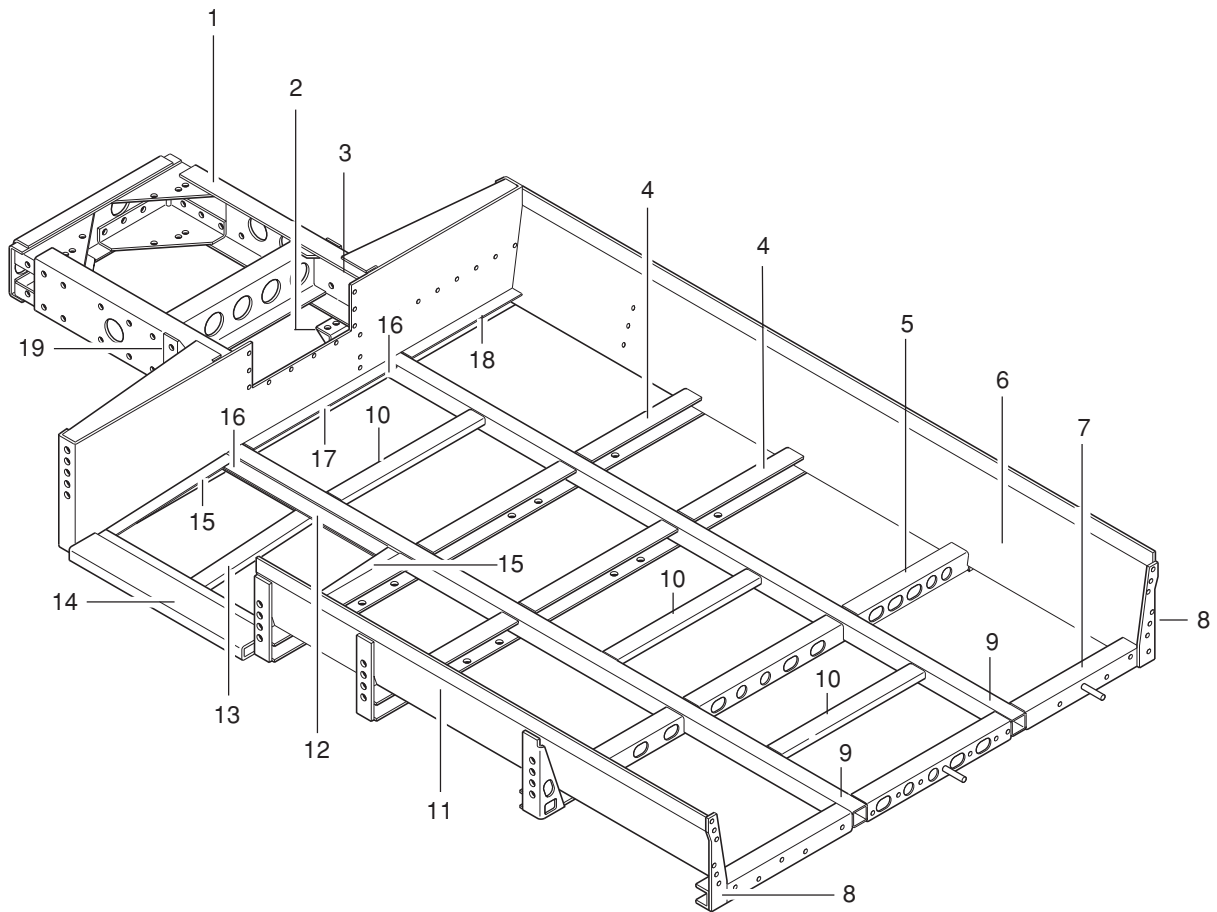
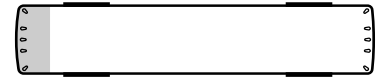


06-0006-0701K+(D,G+W)
06-003769
06-0006-0701K
06-0007-0704D, G
06-0008-0703W

CENTER CHASSIS SSTL & OUTRIGGERS - 35'

| Item | Part No. | Description | Qty |
|------|---------------|---------------------------------|-----|
| 1. | 06-44739-000 | TRANSITION ASM., CHASSIS CENTER | 1 |
| 2. | 06-44740-000 | GUSSET ASM., TRANSITION | 2 |
| 3. | 06-48056-000L | ANGLE, GUSSET, FRAME TRANSITION | 1 |
| 4. | 06-47769-000 | OUTRIGGER ASM. | 2 |
| 5. | 06-47769-001 | OUTRIGGER, TAPPING | 2 |
| 6. | 06-44767-000 | BARRIER, STREETSIDE | 1 |
| 7. | 06-44774-000 | CHANNEL, OUTRIGGER, FRONT JOINT | 1 |
| 8. | 06-46041-000 | PLATE, CHASSIS JOINT | 2 |
| 9. | 06-44760-000 | RAIL, CHASSIS CENTER | 2 |
| 10. | 06-45708-000 | CHANNEL FLOOR SUPPORT | 4 |
| 11. | 06-46138-000 | BARRIER, CURBSIDE | 1 |
| 12. | 06-44772-004 | PLATE, TAPPING | 1 |
| 13. | 06-48208-000 | SUPPORT, FLOOR | 1 |
| 14. | 06-46135-000 | STEP ASM., EXIT | 1 |
| 15. | 06-44772-001 | PLATE, TAPPING | 2 |
| 16. | 06-44751-000 | GUSSET, 3.0" X 3.57" | 4 |
| 17. | 06-44772-003 | PLATE, TAPPING | 1 |
| 18. | 06-44772-002 | PLATE, TAPPING | 1 |
| 19. | 06-48056-000R | ANGLE, GUSSET, FRAME TRANSITION | 1 |

CENTER CHASSIS SSSL & OUTRIGGERS - 35'

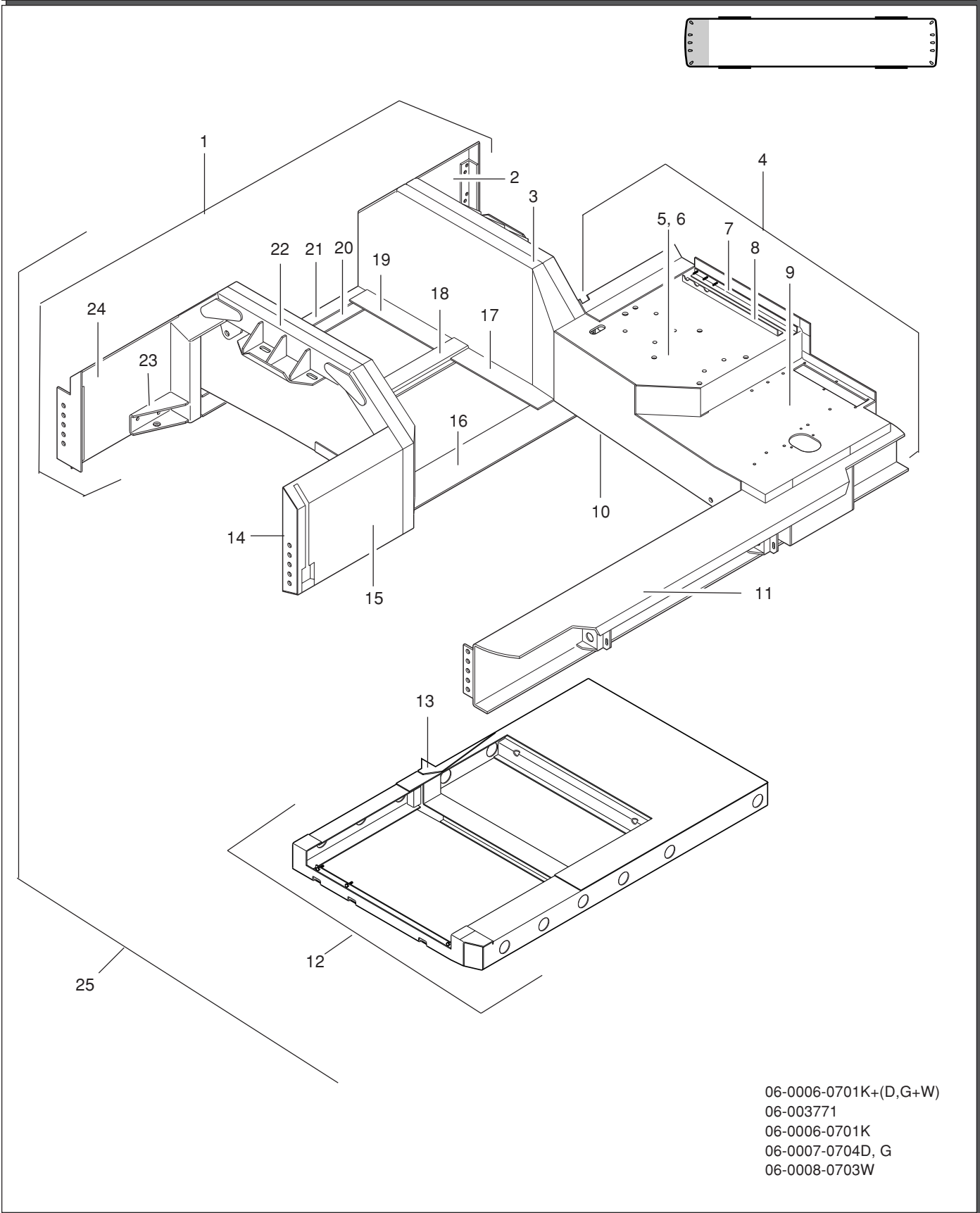


06-0006-0701K+(D,G+W)
06-003923
06-0006-0701K
06-0007-0704D, G
06-0008-0703W

FORWARD CHASSIS SSSL - W/LIFT-U FOLD OUT RAMP

| Item | Part No. | Description | Qty |
|------|---------------|--|-----|
| 1. | 06-44876-000 | OUTRIGGER ASM., LH/RH CHANNEL FRAME | 1 |
| 2. | 06-44874-000L | PANEL ASM., OUTRIGGER | 1 |
| 3. | 06-44871-000 | ARCH FRAME ASM., (STREETSIDE) | 1 |
| 4. | 06-44939-000 | FRAME ASM., DRIVER'S PLATFORM | 1 |
| 5. | 06-45015-000 | PLATFORM, DRIVER'S FLOOR | 1 |
| 6. | 06-47612-001 | PLATE ASM., BACKING | 2 |
| 7. | 06-46122-000 | ANGLE, PLATFORM | 1 |
| 8. | 06-44941-000 | ANGLE, SUPPORT | 1 |
| 9. | 06-45030-000 | PLATFORM, DRIVER'S FOOT PLATE | 1 |
| 10. | 06-45033-000 | SIDE PLATE, DRIVER'S PLATFORM | 1 |
| 11. | 06-44938-000 | CHANNEL ASM., HEADLIGHT BUMPER | 1 |
| 12. | 06-47113-000 | MODULE ASM., LIFT-U FOLD-OUT RAMP | 1 |
| 13. | 06-47122-000 | PLATE, FLOOR CORNER JUNCTION | 1 |
| 14. | 06-44890-000 | CHANNEL, OUTRIGGER VERTICAL | 1 |
| 15. | 06-44912-000 | PANEL, FT. WHEEL WELL AT ENTRANCE DOOR | 1 |
| 16. | 06-44882-000 | CHANNEL, ASM., OUTRIGGER | 1 |
| 17. | 06-47683-000 | ANGLE, FRAME, FLOOR LEFT | 1 |
| | 06-47687-000 | ANGLE, FRAME, FLOOR RIGHT | 1 |
| 18. | 06-44915-000 | CHANNEL, ASM., FLOOR SUPPORT | 1 |
| 19. | 06-44937-000 | PANEL, AT WHEEL HOUSING LEFT | 1 |
| | 06-44936-000 | PANEL, AT WHEEL HOUSING RIGHT | 1 |
| 20. | 06-44873-000 | CHANNEL, OUTRIGGER | 1 |
| 21. | 06-44880-000 | CHANNEL, OUTRIGGER | 1 |
| 22. | 06-44870-000 | ARCH FRAME ASM., (CURBSIDE) | 1 |
| 23. | 06-44881-000R | GUSSET, OUTRIGGER RIGHT | 1 |
| | 06-44881-000L | GUSSET, OUTRIGGER LEFT | 1 |
| 24. | 06-44874-000R | PANEL ASM., OUTRIGGER | 1 |
| 25. | 06-47159-001 | FRAME ASM., FRONT CHASSIS | 1 |

FORWARD CHASSIS SSTL - W/LIFT-U FOLD OUT RAMP

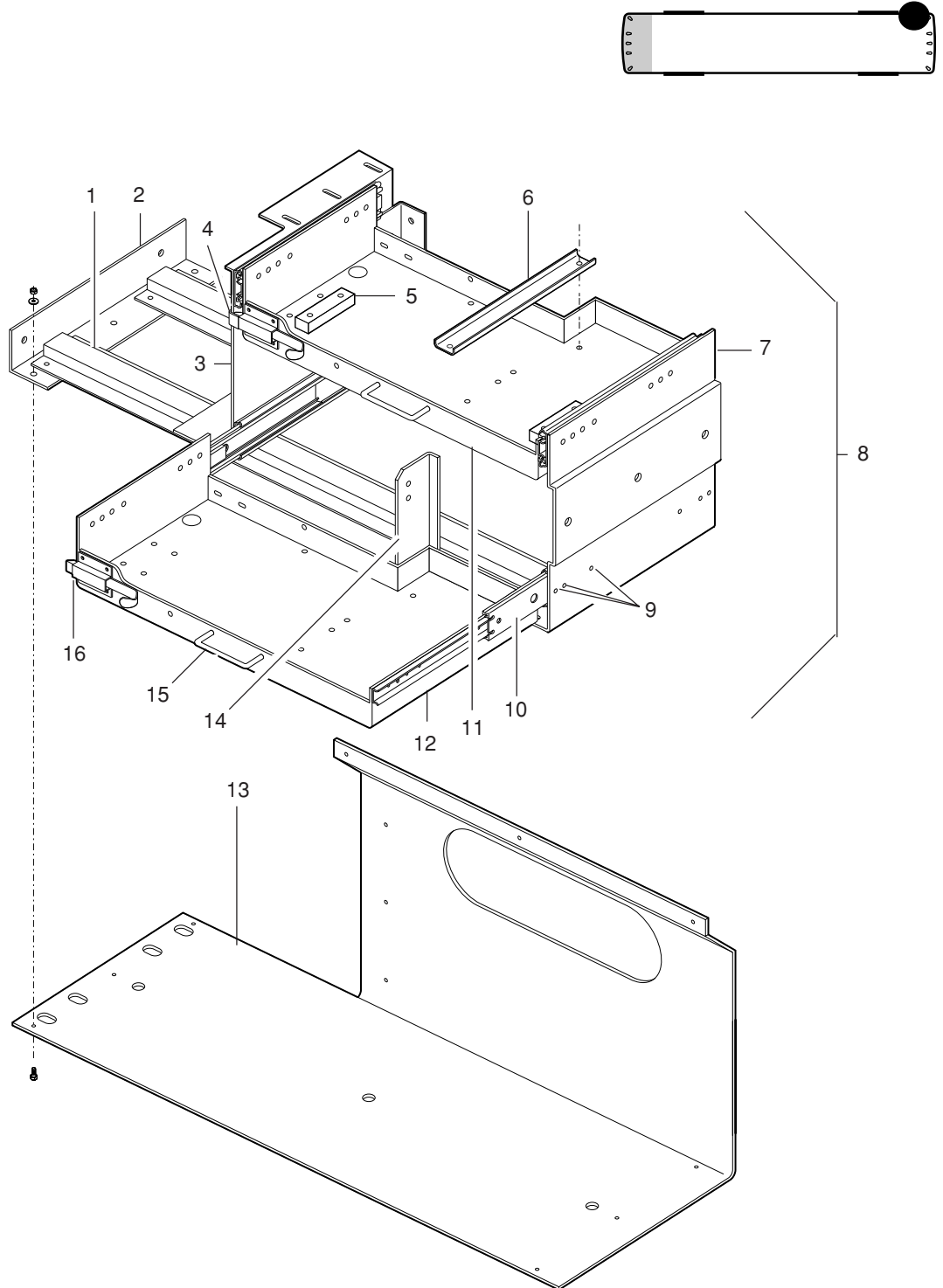


06-0006-0701K+(D,G+W)
06-003771
06-0006-0701K
06-0007-0704D, G
06-0008-0703W

BATTERY BOX ASSEMBLY

| Item | Part No. | Description | Qty |
|------|--------------|--|-----|
| 1. | 13-45416-000 | CHANNEL, BATTERY BOX MTG. | 2 |
| 2. | 13-45417-000 | ANGLE, BATTERY BOX MTG. | 1 |
| 3. | 13-45415-000 | WALL, SUPPORT BRACKET | 1 |
| | 54-13108-019 | NUT, HEX NYLOCK 1/4"-20 SSTL | 8 |
| | 54-13112-030 | FLATWASHER, 1/4" SSTL | 16 |
| | 54-13113-067 | BOLT, HXHD, 1/4"-20 X 1.0, SSTL GR 5 | 2 |
| 4. | 13-45413-000 | ANGLE, LATCH CATCH | 2 |
| 5. | 13-45424-000 | BLOCK, BATTERY HOLD DOWN | 2 |
| | 54-11316-006 | BOLT, HEXHEAD 1/4"-20 X 1.75" LONG GR.5 | 8 |
| | 54-12600-006 | FLATWASHER, 1/4" | 24 |
| | 54-12540-005 | LOCKNUT, NYLOCK 1/4"-20, GR5 | 4 |
| 6. | 13-46240-000 | CHANNEL, BATTERY HOLD DOWN | 2 |
| | 54-11316-027 | BOLT, HEXHEAD 1/4"-20 X 10.0" LONG GR.5 | 4 |
| | 54-12540-005 | NUT, NYLOCK 1/4"-20 | 12 |
| | 54-12600-006 | FLATWASHER, 1/4" | 24 |
| 7. | 13-45414-000 | WALL, SUPPORT BRACKET | 1 |
| 8. | 13-45411-000 | BOX ASM, BATTERY | 1 |
| 9. | 54-13119-056 | SCREW, FLAT HD. 1/4"-20 X .75" LONG | 28 |
| 10. | 53-26028-003 | SLIDE ASM, BALL BRG | 4 |
| | 54-13119-030 | SCREW, PAN HD. MACH. #10-24 X 5/8" LONG | 36 |
| | 54-13112-032 | FLATWASHER #10 | 44 |
| | 54-13108-032 | NUT, NYLOCK #10-24 | 36 |
| | 54-13119-030 | SCREW, PAN HD. MACH. 1/4"-20 X 3/4" LONG | 28 |
| 11. | 13-45418-000 | TRAY, BATTERY BOX UPPER | 1 |
| 12. | 13-46229-000 | TRAY, BATTERY BOX LOWER | 1 |
| 13. | 13-45422-000 | CLOSEOUT, BATTERY BOX | 1 |
| | 54-12600-008 | FLATWASHER, 3/8" | 24 |
| | 54-12540-007 | LOCKNUT, NYLOK 3/8"-16 GR.5 | 12 |
| | 54-12600-010 | FLATWASHER, 1/2" | 12 |
| | 54-12550-009 | LOCKNUT, NYLOK 1/2"-20 GR.5 | 6 |
| | 54-11348-005 | BOLT, 1/2"-20 X 1.50" GR.5 | 6 |
| | 54-11320-006 | BOLT, HEX HD. 3/8"-16 X 1.75" | 18 |
| 14. | 13-45660-000 | ANGLE, BATTERY FUSE MOUNTING | 1 |
| 15. | 13-45420-000 | HANDLE, BATTERY TRAY | 2 |
| 16. | 53-28507-000 | LATCH, SPRING FLUSH | 2 |

BATTERY BOX ASSEMBLY

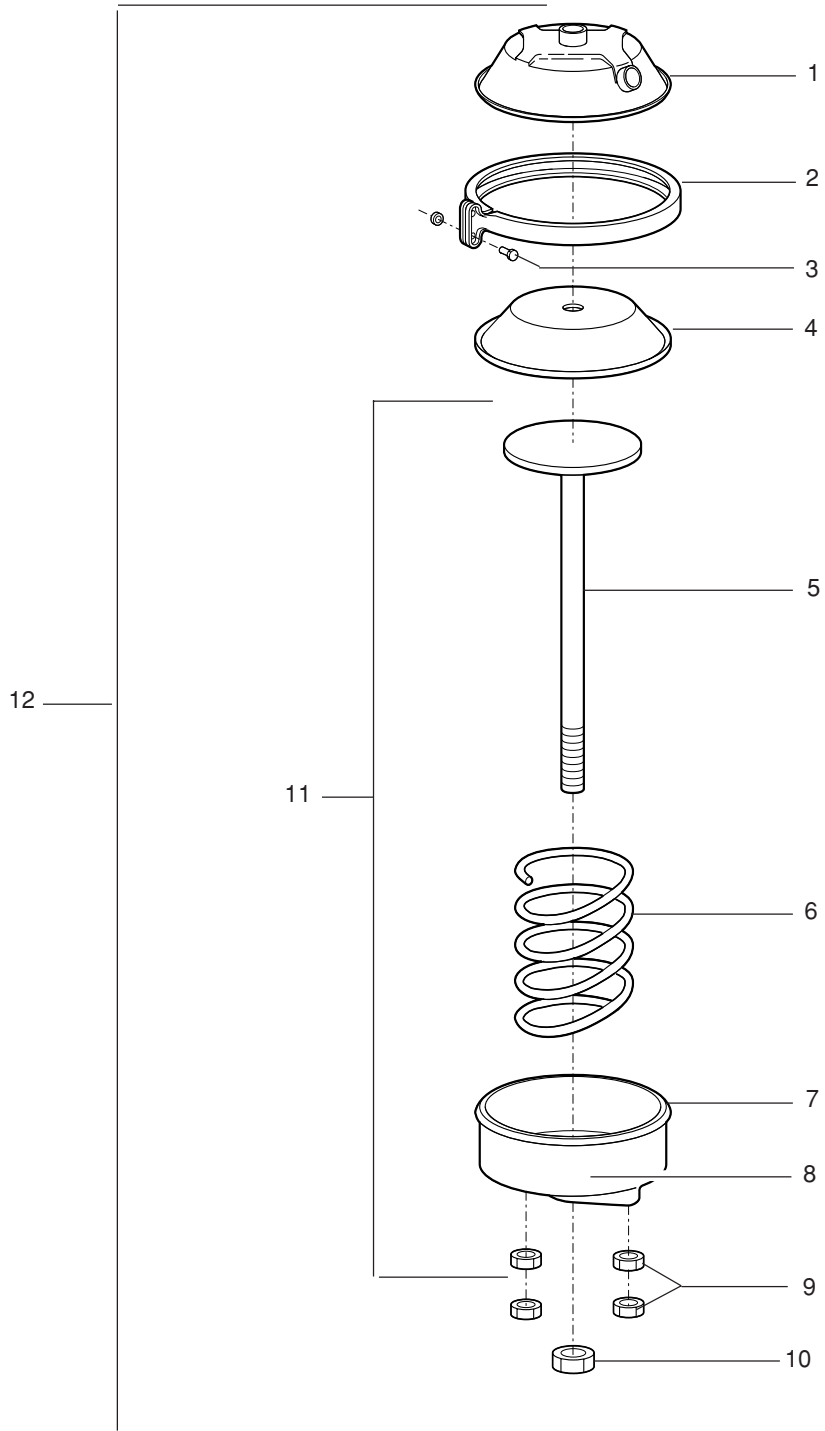
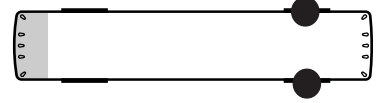


06-0201-0702A+(A)
06-000133
06-0201-0702A
06-0204-0701A

BRAKE CHAMBERS, FRONT

| Item | Part No. | Description | Qty |
|------|--------------|--|-----|
| 1. | 82-15369 | CAP, PRESSURE, FRT BRAKE CHAMBER | 1 |
| 2. | 82-15370 | CLAMP RING ASM, FRT BRAKE CHAMBER | 1 |
| 3. | 82-11999-001 | KIT, CLAMP BOLT, FRT BRAKE CHAMBER | 1 |
| 4. | 82-15371-001 | DIAPHRAGM, FRT BRAKE CHAMBER | 1 |
| 5. | 82-15372-001 | PISTON ASM, FRT BRAKE CHAMBER | 1 |
| 6. | 82-11997-003 | SPRING, RETURN, FRT BRAKE CHAMBER | 1 |
| 7. | 82-15373 | CHAMBER ASM, NP, FRONT BRAKE | 1 |
| 8. | 82-11997-005 | NUT, YOKE, FRT BRAKE CHAMBER, 5/8-11 | 1 |
| 9. | 82-11999-002 | KIT, NUTS/WASHERS, FRT BRAKE CHAMBER | 1 |
| 10. | 82-10539-000 | YOKE ASM, FRT BRAKE CHAMBER | 1 |
| 11. | 82-15374 | CHAMBER KIT, FRONT BRAKE <i>(INCLUDES ITEMS 5 - 9)</i> | 1 |
| 12. | 82-15710 | CHAMBER ASM, FRONT BRAKE | 1 |

BRAKE CHAMBERS, FRONT

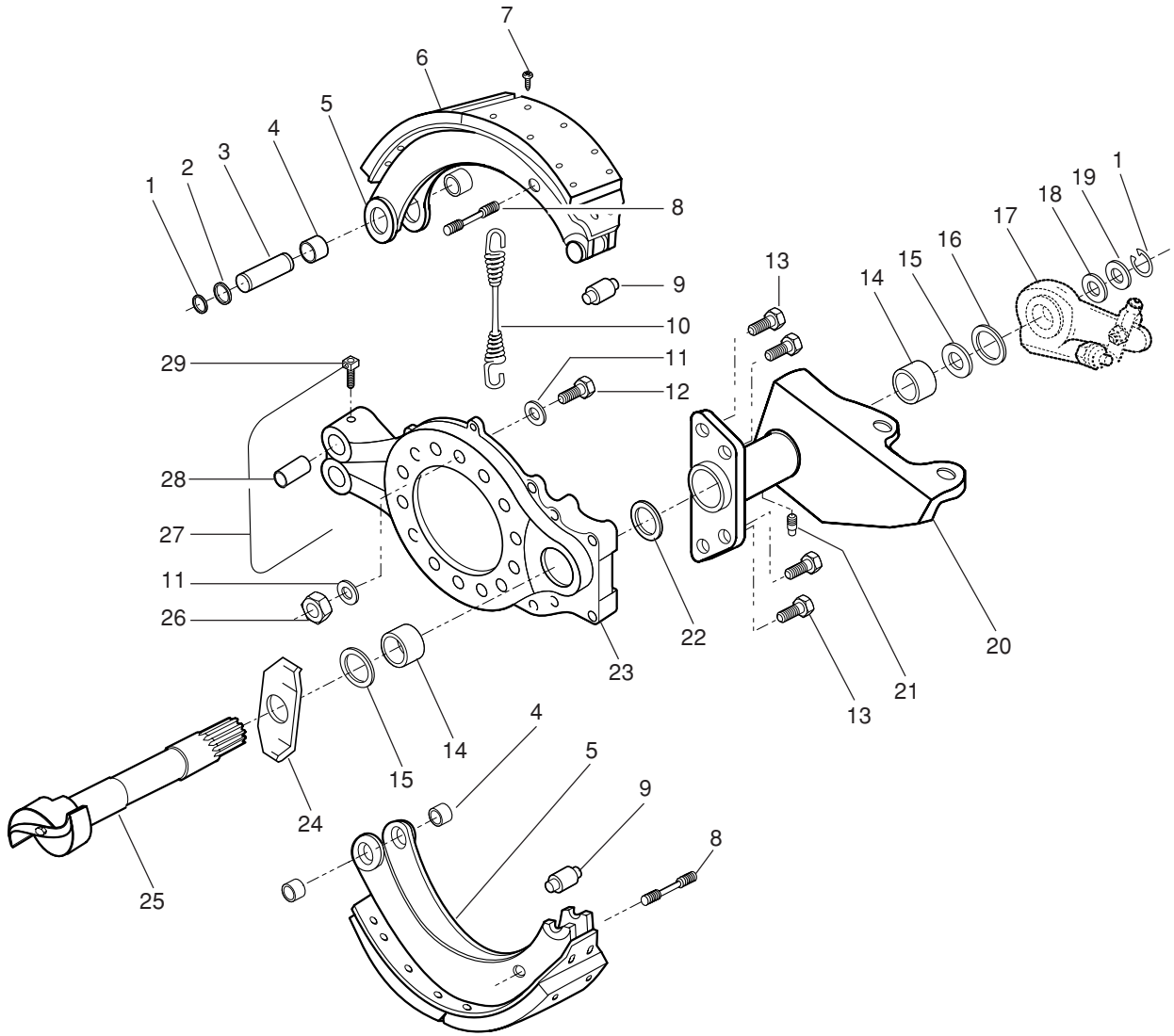
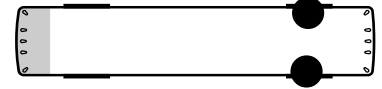


07-0000-2400
07-000136
07-0000-2400

FRONT BRAKES

| Item | Part No. | Description | Qty |
|------|--------------|------------------------------------|-----|
| 1. | 82-03344-000 | LOCKRING, RETAINER | 5 |
| 2. | 82-13652-001 | FLATWASHER | 4 |
| 3. | 82-03455-000 | PIN, ANCHOR | 2 |
| 4. | 82-03291-000 | BUSHING, BRONZE | 4 |
| 5. | 82-19124-000 | SHOE ASM, BRAKE W/O LINING | 2 |
| 6. | 82-19127-001 | LINING, ANCHOR END | 2 |
| | 82-19127-003 | LINING, CAM END | 2 |
| | 82-28439-000 | SHOE ASM, W/LINING & ROLLER | 2 |
| 7. | 82-17800-000 | RIVET, LINING | 24 |
| 8. | 82-03283-000 | PIN, RETURN SPRING | 2 |
| 9. | 82-19125-000 | ROLLER, BRAKE SHOE | 2 |
| | 82-03871-000 | RETAINER, ROLLER | 2 |
| 10. | 82-19126-000 | SPRING, RETURN | 1 |
| 11. | 82-03412-000 | FLATWASHER | 14 |
| 12. | 82-14740 | CAPSCREW | 7 |
| 13. | 82-12014-003 | CAPSCREW | 4 |
| 14. | 82-03294-000 | BUSHING, S-CAM | 2 |
| 15. | 82-02241-000 | SEAL ASM, GREASE | 2 |
| 16. | 82-03396-000 | FLATWASHER | 1 |
| 17. | 07-38005N000 | AUTOMATIC SLACK ADJUSTER, LH | 1 |
| | 07-38006N000 | AUTOMATIC SLACK ADJUSTER, RH | 1 |
| 18. | 82-19602-016 | FLATWASHER, THICK | 2 |
| 19. | 82-10276-007 | FLATWASHER, THIN | 2 |
| 20. | 82-28440-000 | BRACKET ASM, S-CAM/CHAMBER MTG, LH | 1 |
| | 82-28441-000 | BRACKET ASM, S-CAM/CHAMBER MTG, RH | 1 |
| 21. | 82-00872-001 | FITTING, GREASE | 1 |
| 22. | 82-03501-000 | O-RING | 1 |
| 23. | 82-02392-000 | SPIDER ASM, FRT BRAKE, LH | 1 |
| | 82-02138-000 | SPIDER ASM, FRT BRAKE, RH | 1 |
| 24. | 82-17649-000 | WASHER, SPECIAL | 1 |
| 25. | 82-03769-000 | CAMSHAFT, LH | 1 |
| | 82-03763-000 | CAMSHAFT, RH | 1 |
| 26. | 82-19641-001 | LOCKNUT | 7 |
| 27. | 82-19602-011 | LOCKWIRE | 1 |
| 28. | 82-03288-000 | BUSHING, ANCHOR PIN | 2 |
| 29. | 82-19602-000 | SETSCREW | 1 |

FRONT BRAKES

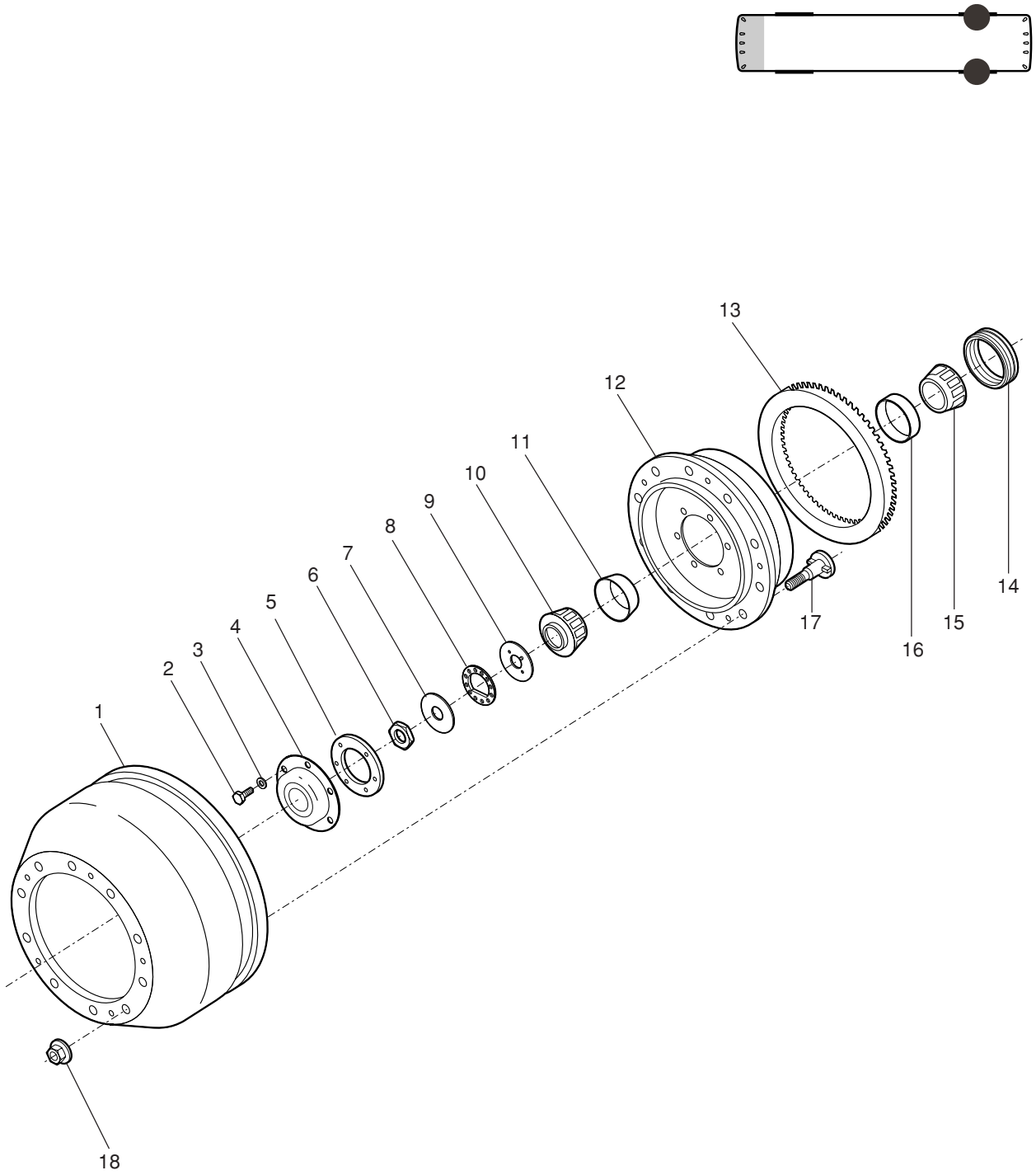


53-50362-021 (RX160)
07-001657
53-50362-021

FRONT HUB AND DRUM

| Item | Part No. | Description | Qty |
|------|--------------|-------------------------------|-----|
| 1. | 82-24490-000 | DRUM, FRT 16.5 X 6 (WEBB/BAL) | 1 |
| 2. | 82-01631-002 | CAPSCREW, HUB CAP | 6 |
| 3. | 82-03230-002 | LOCKWASHER | 6 |
| 4. | 82-26911-000 | HUB CAP ASM | 1 |
| 5. | 82-15303 | GASKET, HUB CAP | 1 |
| 6. | 82-04217-001 | NUT, OTR WHEEL BRG | 1 |
| 7. | 82-02207-000 | FLATWASHER | 1 |
| 8. | 82-04217-002 | LOCKRING | 1 |
| 9. | 82-19647-004 | NUT, INR WHEEL BRG | 1 |
| 10. | 82-10806-000 | BEARING, OTR CONE | 1 |
| 11. | 82-10183-001 | BEARING, OTR CUP | 1 |
| 12. | 82-24767-000 | HUB ASM, W/ CUPS & STUDS | 1 |
| 13. | NSS | EXCITER, ABS | |
| 14. | 82-22750-000 | SEAL ASM, OIL (STEMCO) | 1 |
| 15. | 82-10182-000 | BEARING, INR CONE | 1 |
| 16. | 82-08519-000 | BEARING, INR CUP | 1 |
| 17. | 82-24767-001 | STUD, WHEEL (RH THREAD) | 10 |
| 18. | 82-08266-000 | NUT ASM, WHEEL | 10 |

FRONT HUB AND DRUM

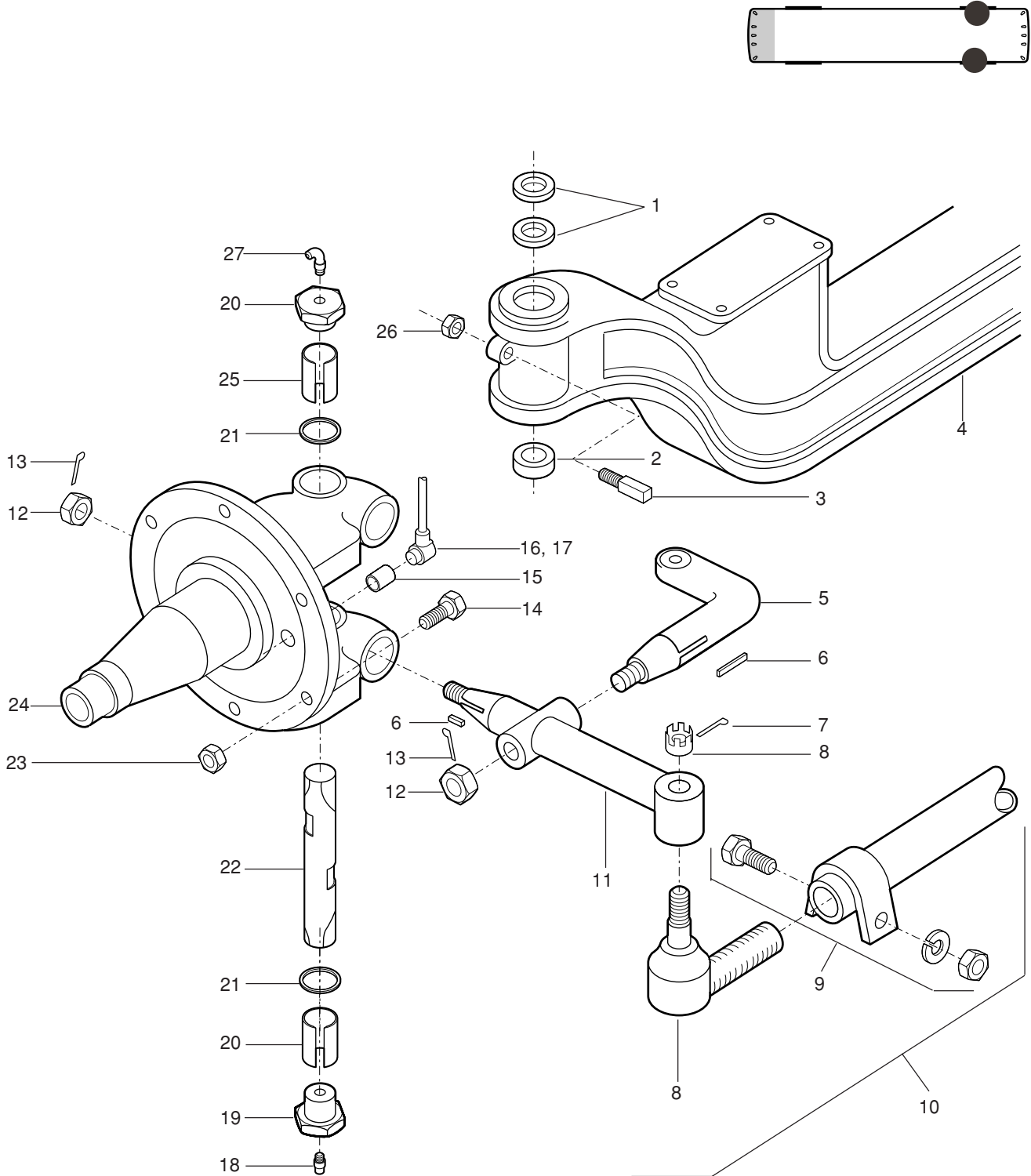


53-50362-021 (RX160)
07-001655
53-50362-021

STEERING KNUCKLE

| Item | Part No. | Description | Qty |
|------|--------------|----------------------------|-----|
| 1. | 82-03633-000 | SHIM, .005 | A/R |
| | 82-03624-000 | SHIM, .010 | A/R |
| | 82-00397-000 | SHIM, .015 | A/R |
| 2. | 82-13781-004 | BEARING, THRUST | 1 |
| 3. | 82-07929-001 | DRAW KEY, UPR | 1 |
| | 82-04850-000 | DRAW KEY, UPR | 1 |
| | 82-04042-000 | DRAW KEY, LWR | 1 |
| 4. | 82-23833-000 | CENTER, FH 946 AXLE BEAM | 1 |
| 5. | 82-19645-000 | ARM, STEERING LH | 1 |
| 6. | 82-17131 | KEY, WOODRUFF | 3 |
| 7. | 82-11291-002 | COTTER, TIE ROD | 1 |
| 8. | 82-19512-002 | END ASM, RH TIE ROD | 1 |
| | 82-19512-001 | END ASM, LH TIE ROD | 1 |
| 9. | 82-19644-001 | TUBE ASM, TIE ROD W/CLAMPS | 1 |
| 10. | 82-19512-000 | TIE ROD ASM, W/ENDS | 1 |
| 11. | 82-19642-000 | ARM, RH TIE ROD | 1 |
| | 82-19643-000 | ARM, LH TIE ROD | 1 |
| 12. | 82-03458-000 | NUT, ARM | 3 |
| 13. | 82-03886-001 | COTTER | 3 |
| 14. | 82-07929-003 | SCREW, STRG KNUCKLE STOP | 1 |
| 15. | 53-28246-013 | BUSHING, ABS (STEEL) | 1 |
| 16. | 82-15549 | SENSOR, ABS | 1 |
| 17. | 82-13694-000 | BRACKET, SKID CONTROL MTG | 1 |
| | 82-15550 | TIE, CABLE | 1 |
| 18. | 82-00872-001 | FITTING, GREASE | 1 |
| 19. | 82-19639-000 | CAP, KING PIN | 2 |
| 20. | 82-19637-002 | BUSHING, LWR KNUCKLE | 1 |
| 21. | 82-08218-000 | SEAL | 2 |
| 22. | 82-19639-001 | PIN, KNUCKLE/KING | 1 |
| 23. | 82-07929-004 | NUT, STOP SCREW | 1 |
| 24. | 82-19637-000 | KNUCKLE ASM, LH | 1 |
| | 82-19638-000 | KNUCKLE ASM, RH | 1 |
| 25. | 82-03298-000 | BUSHING, KNUCKLE | 1 |
| 26. | 82-03323-000 | NUT, DRAW KEY | 2 |
| 27. | 82-17109 | FITTING, 90° GREASE | 1 |

STEERING KNUCKLE

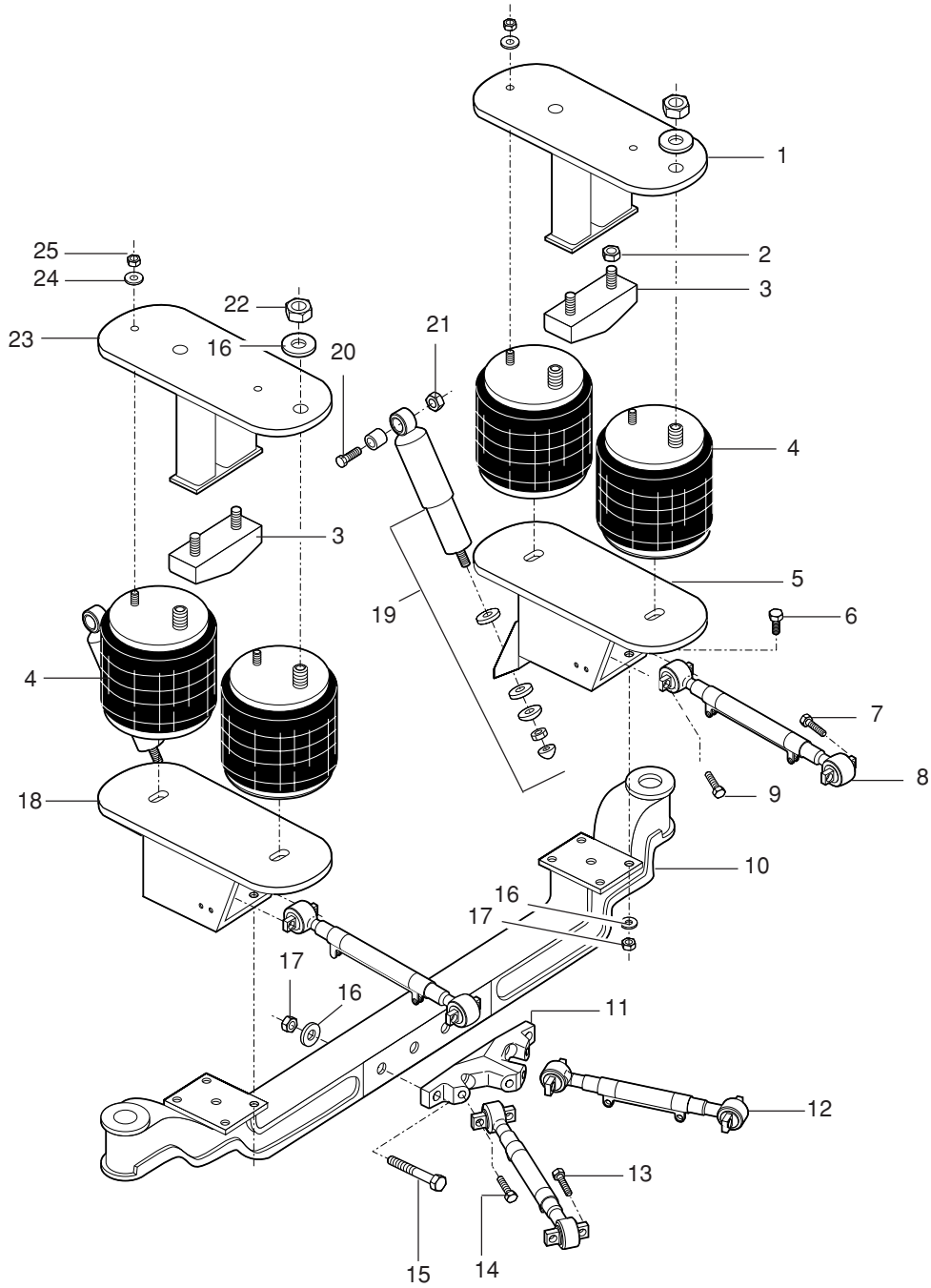
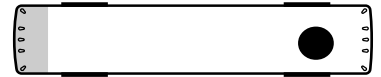


53-50362-021 (RX160)
07-001656
53-50362-021

FRONT SUSPENSION

| Item | Part No. | Description | Qty |
|------|---|--|-----|
| 1. | 08-36630-000L | STOP, AXLE LH | 1 |
| 2. | 54-12551-007 | LOCKNUT, NYLOK 3/8"-24 GR8 | 4 |
| 3. | 08-36629-000 | BUMPER, RUBBER | 2 |
| 4. | 08-37209-000N | SPRING, AIR (BAG) | 4 |
| | 54-11325-013 | BOLT, HXHD 1/2"-13 X 3.5" GR 8 (LOWER AIR BAG MTG) | 4 |
| | 54-12601-010 | FLATWASHER, 1/2" HARD | A/R |
| 5. | 08-40992M001L | TOWER, AIR SPRING MTG, LH | 1 |
| 6. | 54-11355-011 | BOLT, HXHD 3/4"-16 X 3.0" GR8 | 8 |
| 7. | 54-13563-011 | BOLT, 5/8"-18 X 3.0" GR8 | 4 |
| | 54-12551-011 | LOCKNUT, NYLOK 5/8"-18 GR8 | 4 |
| | 54-12601-012 | FLATWASHER, 5/8 HARD | A/R |
| 8. | 08-44634-000 | ROD, TORQUE, UPPER (CLEVITE*) | 2 |
| 9. | 54-13563-013 | BOLT, HXHD, 5/8-13 X 3.50 | 4 |
| | 54-12551-011 | LOCKNUT, NYLOK 5/8"-18 GR8 | 4 |
| | 54-12601-012 | FLATWASHER, 5/8 HARD | A/R |
| 10. | REF ONLY | AXLE ASM (REFER TO FRONT AXLE PAGE) | 1 |
| 11. | 08-40993M001 | BRACKET, TORQUE ROD | 1 |
| 12. | 08-44634-001 | ROD, TORQUE, LOWER (CLEVITE*) | 2 |
| 13. | 54-13563-015 | BOLT, HXHD 5/8"-18 X 4.0" GR8 | 4 |
| | 54-12551-011 | LOCKNUT, NYLOK 5/8"-18 GR8 | 4 |
| | 54-12601-012 | FLATWASHER, 5/8 HARD | A/R |
| 14. | 54-13563-008 | BOLT, FLGHD .5/8"-18 X 2.25" LG | 4 |
| 15. | 54-11355-021 | BOLT, 3/4"-16 X 7.0" GR8 | 4 |
| 16. | 54-12601-013 | FLATWASHER, 3/4" HARD | A/R |
| 17. | 54-12551-012 | LOCKNUT, NYLOK 3/4-16 GR8 | A/R |
| 18. | 08-40992M001R | TOWER, AIR SPRING MTG, RH | 1 |
| 19. | 08-37050-000N | ABSORBER, SHOCK FRONT W/ MTG HARDWARE | 2 |
| 20. | 54-11359-016 | BOLT, 1"-14 X 4.5" GR8 | 2 |
| 21. | 54-12551-014 | LOCKNUT, NYLOK 1-14UNF GR8 | 2 |
| | 54-12601-015 | FLATWASHER, 1" HARD | 4 |
| 22. | 54-12551-012 | LOCKNUT, NYLOK 3/4"-16 GR.8 | 4 |
| 23. | 08-36630-000R | STOP, AXLE RH | 1 |
| 24. | 54-12601-010 | FLATWASHER, 1/2 HARD | 8 |
| 25. | 54-12541-009 | LOCKNUT, NYLOK 1/2-13 GR8 | 4 |
| | (*LEMFORDER RODS BELOW CAN BE USED IN PLACE OF CLEVITE) | | |
| | 08-45050-000 | ROD, TORQUE UPPER (LEMFORDER) | 2 |
| | 08-45050-001 | ROD, TORQUE LOWER (LEMFORDER) | 2 |

FRONT SUSPENSION

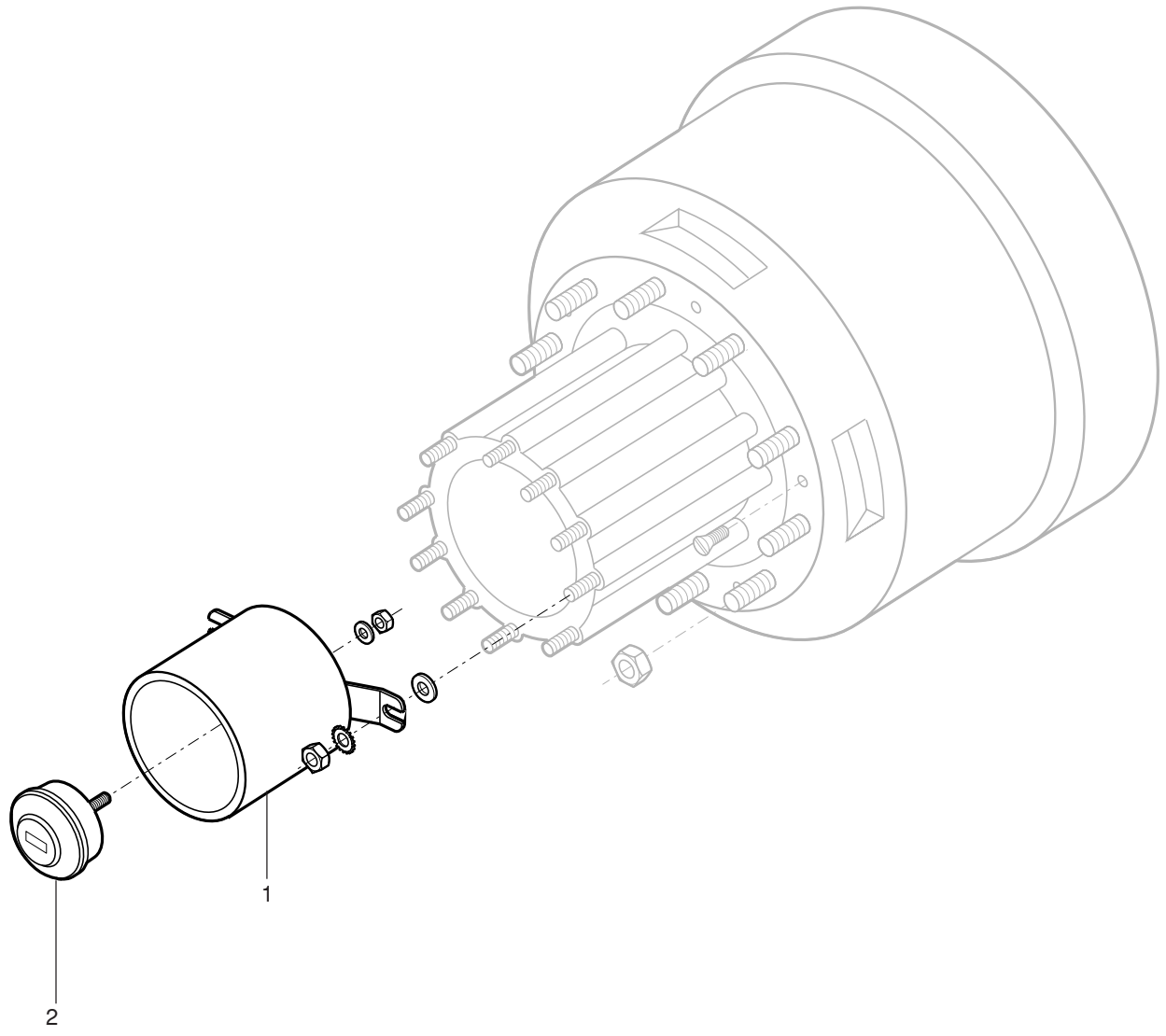
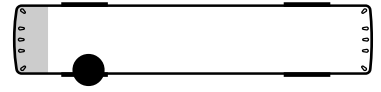


08-0001-0701B,F+(A)
 08-004901
 08-0001-0701B, F
 08-0051-0700A

HUBODOMETER

| Item | Part No. | Description | Qty |
|------|--------------|--|-----|
| 1. | 55-33736F001 | SHIELD ASM, HUBODOMETER MTG | 1 |
| 2. | 53-00743-005 | HUBODOMETER, 481-485, 12.5-22.5 W/O TENTHS | 1 |

HUBODOMETER



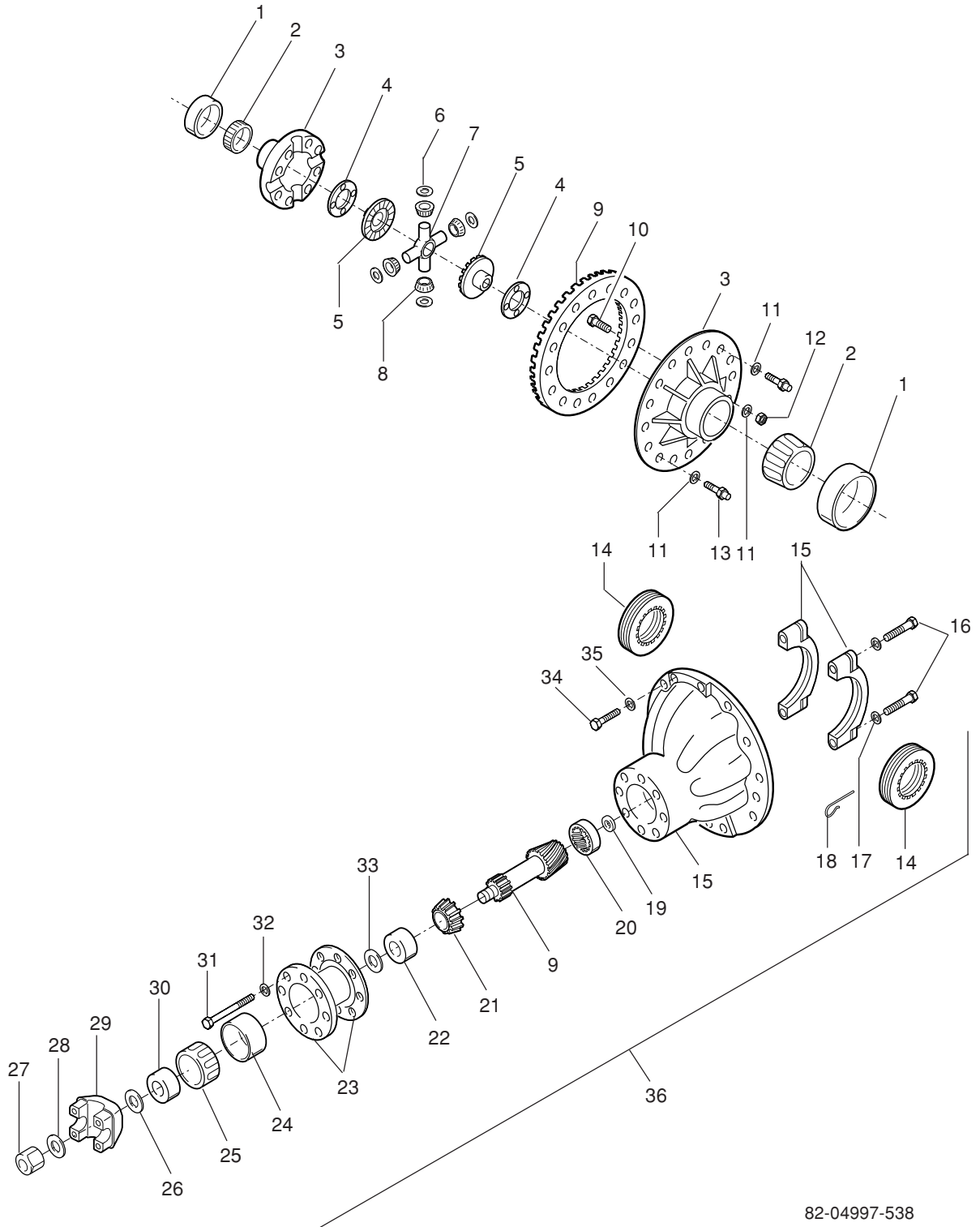
10-0150-0700B,M
10-002911
10-0150-0700B,M

CARRIER ASSEMBLY: R160 @ 5.38

| Item | Part No. | Description | Qty |
|------|--------------|---|-----|
| 1. | 82-09037-000 | BEARING, CUP, CARRIER | 2 |
| 2. | 82-09039-000 | BEARING, CONE, CARRIER | 2 |
| 3. | 82-13100-006 | CASE ASM, DIFF (4.89 - 7.17) | 1 |
| | 82-13100-008 | CASE ASM, DIFF W/NEST (4.89 - 7.17) | 1 |
| 4. | 82-08157-001 | WASHER, THRUST, CARRIER | 2 |
| 5. | 82-08157-004 | GEAR, SIDE, CARRIER | 2 |
| 6. | 82-08157-002 | WASHER, THRUST, CARRIER | 4 |
| 7. | 82-08157-005 | SPIDER, DIFFERENTIAL | 1 |
| 8. | 82-08157-003 | GEAR, DIFFERENTIAL | 4 |
| | 82-08163-003 | DIFFERENTIAL KIT (ITEMS 4 - 8) | 1 |
| 9 | 82-13096-538 | GEARSET, 5.38 RATIO | 1 |
| 10. | 82-13100-001 | BOLT, GEAR TO DIFF CASE | 12 |
| 11. | 82-04477-000 | WASHER, CARRIER | 24 |
| 12. | 82-13100-000 | LOCKNUT, CARRIER | 12 |
| | 82-13100-003 | DIFFERENTIAL GEAR BOLTS KIT (ITEMS 10 - 12) | 1 |
| 13. | 82-13103-000 | BOLT, DIFFERENTIAL CASE | 12 |
| 14. | 82-08160-005 | RING, ADJUSTING, CARRIER | 2 |
| 15. | 82-08160-006 | CASE ASM W/CAP, CARRIER W/CAP | 1 |
| | 82-15570 | BALL, CENTERING, CARRIER | 2 |
| 16. | 82-08156-005 | CAPSCREW, DIFFERENTIAL CAP | 4 |
| 17. | 82-08156-006 | LOCKWASHER, CARRIER | 4 |
| 18. | 82-08156-007 | COTTER, ADJ RING, CARRIER | 2 |
| 19. | 82-08162-008 | LOCKRING, PINION | 1 |
| 20. | 82-10883-000 | BEARING ASM, SPIGOT ROLLER | 1 |
| 21. | 82-08159-002 | BEARING, PINION CONE, INNER | 1 |
| 22. | 82-08159-003 | BEARING, PINION CUP, OUTER | 1 |
| 23. | 82-08163-001 | PINION SPACER KIT | 1 |
| 24. | 82-08159-004 | BEARING, PINION CUP, OUTER | 1 |
| 25. | 82-08159-005 | BEARING, PINION CONE, OUTER | 1 |
| 26. | 82-11625-000 | SEAL ASM, PINION | 1 |
| 27. | 82-08162-004 | NUT, PINION | 1 |
| | 82-04601-000 | FLATWASHER | 1 |
| 28. | 82-17979-001 | SEAL ASM, FACE | 1 |
| 29. | 82-04041-002 | YOKE ASM, DIFFERENTIAL* | 1 |
| | 82-10418-001 | YOKE, DIFFERENTIAL* | 1 |
| | 82-10418-000 | DEFLECTOR, YOKE, DIFFERENTIAL* | 1 |
| 30. | 82-08160-002 | CAGE ASM, PINION | 1 |
| 31. | 82-08162-006 | CAPSCREW, PINION CAGE | 8 |
| 32. | 82-17979-000 | WASHER, CARRIER | 8 |
| 33. | 82-08163-002 | SHIM KIT, PINION | 1 |
| 34. | 82-12101-001 | CAPSCREW, CARRIER (SHORT) | 4 |
| | 82-12101-002 | CAPSCREW, CARRIER (MEDIUM) | 4 |
| 35. | 82-03407-000 | FLATWASHER, CARRIER | 12 |
| 36. | 82-04997-538 | CARRIER ASM, R160 @ 5.38 | 1 |

* NOT INCLUDED IN ITEM 36

CARRIER ASSEMBLY

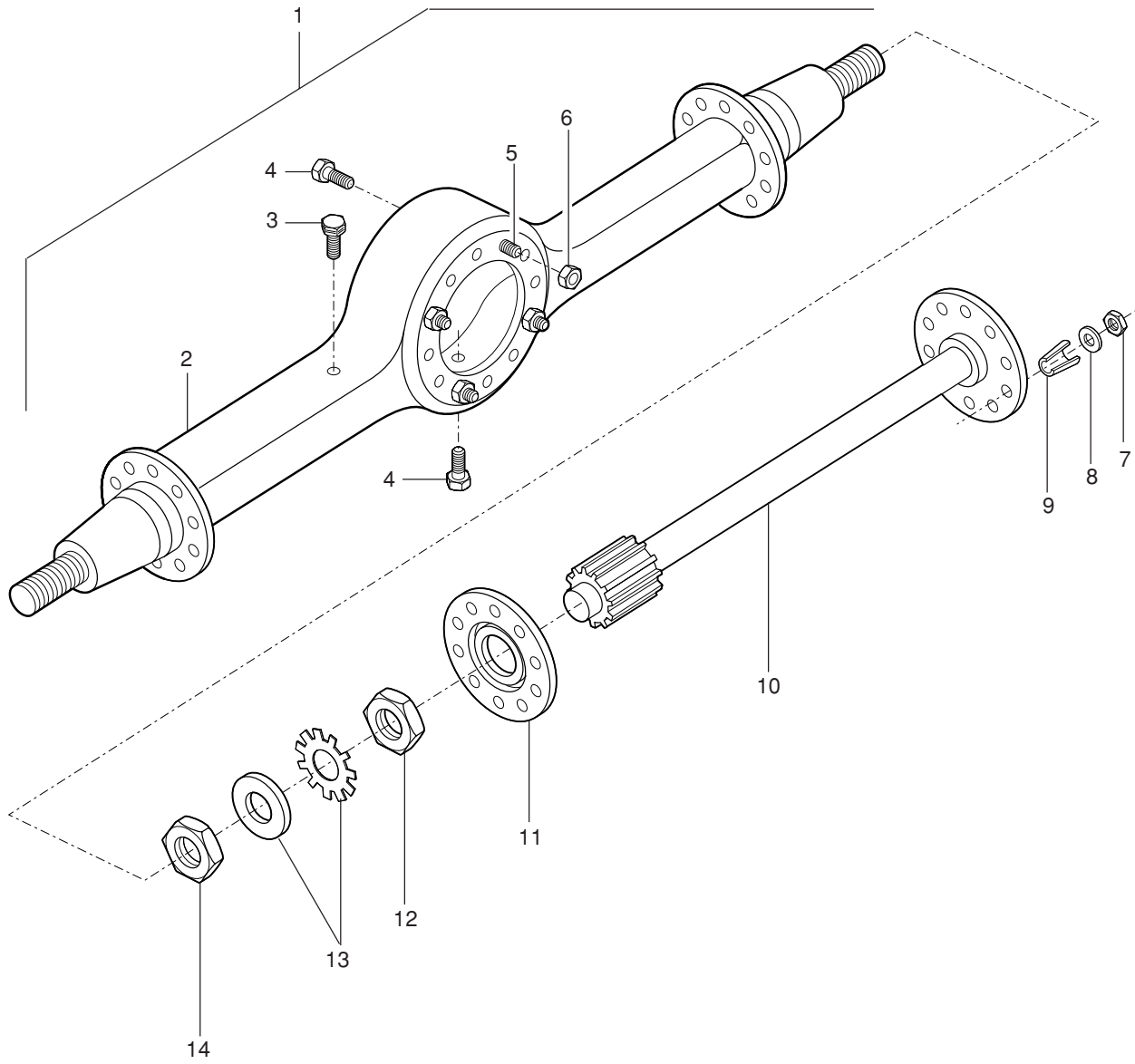


82-04997-538
10-000585
82-04997-538

REAR AXLE HOUSING

| Item | Part No. | Description | Qty |
|------|--------------|---------------------------------|-----|
| 1. | 53-49582-003 | AXLE ASM, 61143 HUB PILOT / ABS | 1 |
| 2. | 82-22435-000 | HOUSING ASM, 61143 AXLE | 1 |
| 3. | 82-02205-000 | BREATHER ASM | 1 |
| 4. | 53-26654-000 | PLUG, LUBE (MAGNETIC) | 2 |
| 5. | 82-11208-000 | STUD, HOUSING | 4 |
| 6. | 82-03175-000 | LOCKNUT | 4 |
| 7. | 82-08150-002 | NUT, AXLE STUD | 10 |
| 8. | 82-00825-000 | LOCKWASHER | 10 |
| 9. | 82-03450-000 | DOWEL, AXLE | 10 |
| 10. | 82-13779-001 | SHAFT, LH AXLE | 1 |
| | 82-13779-002 | SHAFT, RH AXLE | 1 |
| 11. | 82-02221-000 | GASKET | 2 |
| 12. | 82-11276-000 | NUT, OTR WHEEL BRG | 2 |
| 13. | 82-14660 | KIT, WASHER & LOCKRING | 2 |
| 14. | 82-11277-000 | NUT, INNER WHEEL BRG | 2 |

REAR AXLE HOUSING

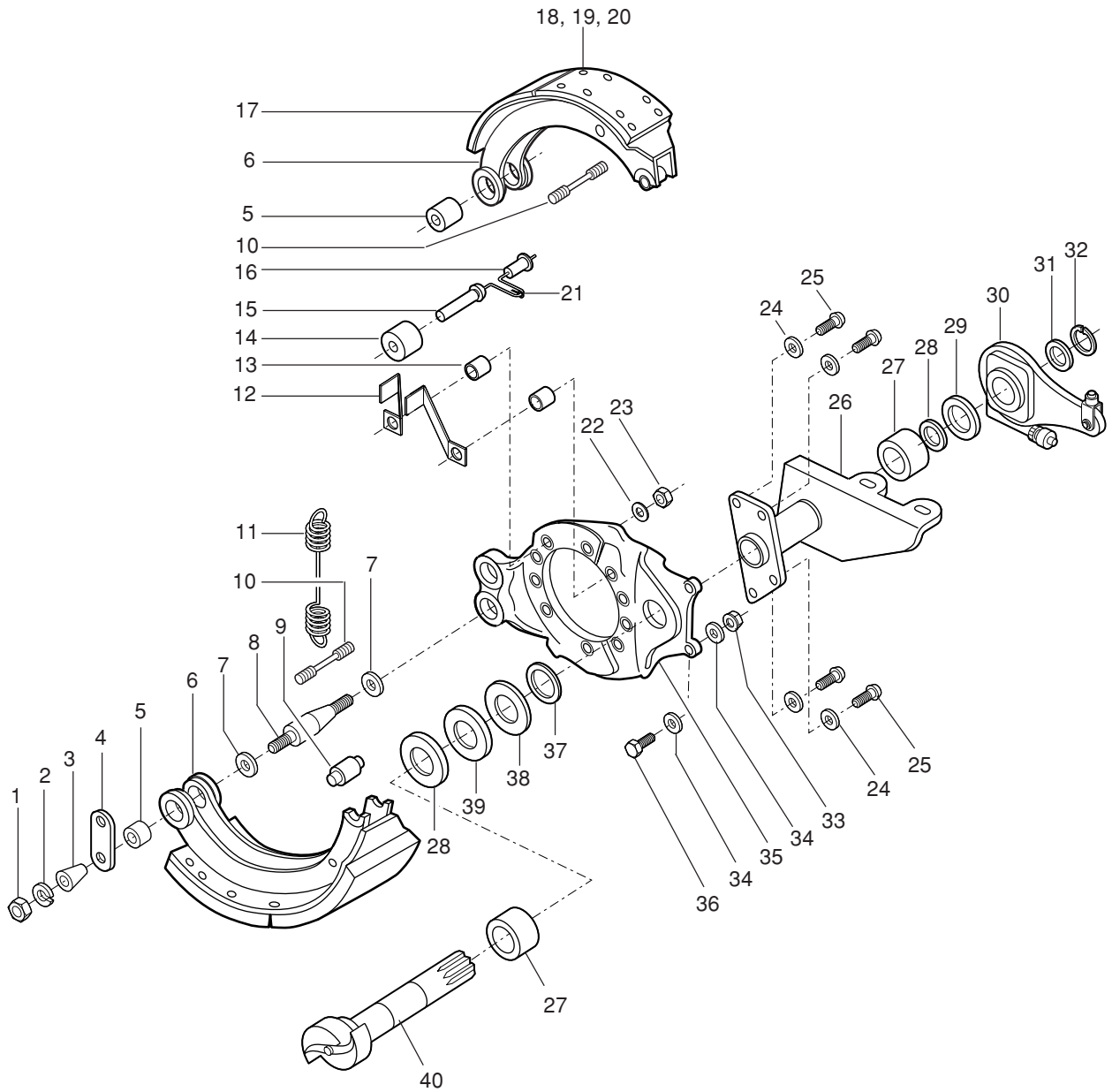
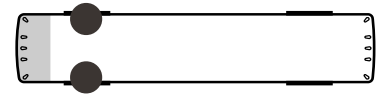


53-49582-003 (WX324)
10-000283
53-49582-003

REAR BRAKES

| Item | Part No. | Description | Qty |
|------|--------------|--------------------------------|-----|
| 1. | 82-08150-003 | LOCKNUT, HXHD 3/4-16 | 2 |
| 2. | 82-08150-004 | LOCKWASHER | 2 |
| 3. | 82-04710-000 | DOWEL, TAPERED | 2 |
| 4. | 82-08152-001 | STRAP, LOCK | 1 |
| 5. | 82-06886-000 | BUSHING | 2 |
| 6. | 82-01383-000 | SHOE ASM, W/O LINING | 1 |
| | 82-07935-000 | KIT, BRAKE SHOE ASM W/LINING | 2 |
| 7. | 82-04878-000 | KIT, WASHER/SPACER PACK | 1 |
| 8. | 82-11945-000 | PIN, BRAKE SHOE ANCHOR | 2 |
| 9. | 82-11310-000 | ROLLER, BRAKE SHOE | 2 |
| | 82-17691-000 | ROLLER, BRAKE SHOE (0.128" OS) | 2 |
| | 82-17692-000 | ROLLER, BRAKE SHOE (0.250" OS) | 2 |
| 10. | 82-11821-000 | PIN, RETURN SPRING | 2 |
| 11. | 82-03832-000 | SPRING, RETURN | 1 |
| 12. | 82-15541 | BRACKET ASM, SENSOR MTG | 2 |
| 13. | 82-15542 | SPACER | 4 |
| 14. | 82-18720-001 | BUSHING | 2 |
| 15. | 82-15540 | SENSOR ASM, ABS | 2 |
| 16. | 82-15543 | BUSHING, RUBBER | 2 |
| 17. | 82-06887-000 | KIT, 10" X 14.5" LINING | 1 |
| 18. | 82-03476-000 | BOLT, LINING 3/8 | 80 |
| 19. | 82-03230-000 | LOCKWASHER, 3/8 | 80 |
| 20. | 82-03182-000 | NUT, LINING 3/8 | 80 |
| 21. | 82-15554 | TIE, CABLE | 2 |
| | 82-22443-000 | TIE, CABLE | 2 |
| 22. | 82-03400-000 | FLATWASHER | 2 |
| 23. | 82-08204-000 | NUT, ANCHOR PIN | 2 |
| 24. | 82-03417-000 | FLATWASHER | 4 |
| 25. | 82-00155-000 | CAPSCREW | 4 |
| 26. | 82-22813-000 | BRACKET ASM, LH S-CAM MTG | 1 |
| | 82-22813-001 | BRACKET ASM, RH S-CAM MTG | 1 |
| | 82-18810-001 | CAPSCREW | 2 |
| | 82-19801-001 | FLATWASHER | 4 |
| | 82-11868-000 | LOCKNUT | 2 |
| | 82-00872-001 | FITTING, GREASE | 2 |
| 27. | 82-03295-000 | BUSHING, S-CAM | 1 |
| 28. | 82-02241-000 | SEAL ASM, OIL | 1 |
| 29. | 82-03398-000 | WASHER, SPACER | 2 |
| 30. | 09-49738-000 | SLACK ADJUSTER, 6" LH | 1 |
| | 09-49738-001 | SLACK ADJUSTER, 6" RH | 1 |
| 31. | 82-03396-000 | WASHER, S-CAM | 1 |
| 32. | 82-04221-004 | LOCKRING | 1 |
| 33. | 82-03169-000 | LOCKNUT, HXHD 5/8-18 | 10 |
| 34. | 82-04477-000 | FLATWASHER, 5/8 | 20 |
| 35. | 82-07287-000 | SPIDER, BRAKE | 1 |
| 36. | 82-03200-001 | CAPSCREW, HXHD 5/8-18 | 10 |
| 37. | 82-03501-000 | O-RING | 1 |
| 38. | 82-08207-000 | FLATWASHER | 3 |
| 39. | 82-03397-000 | WASHER, SPACER | 3 |
| 40. | 82-06793-001 | CAMSHAFT, LH | 1 |
| | 82-06793-000 | CAMSHAFT, RH | 1 |

REAR BRAKES

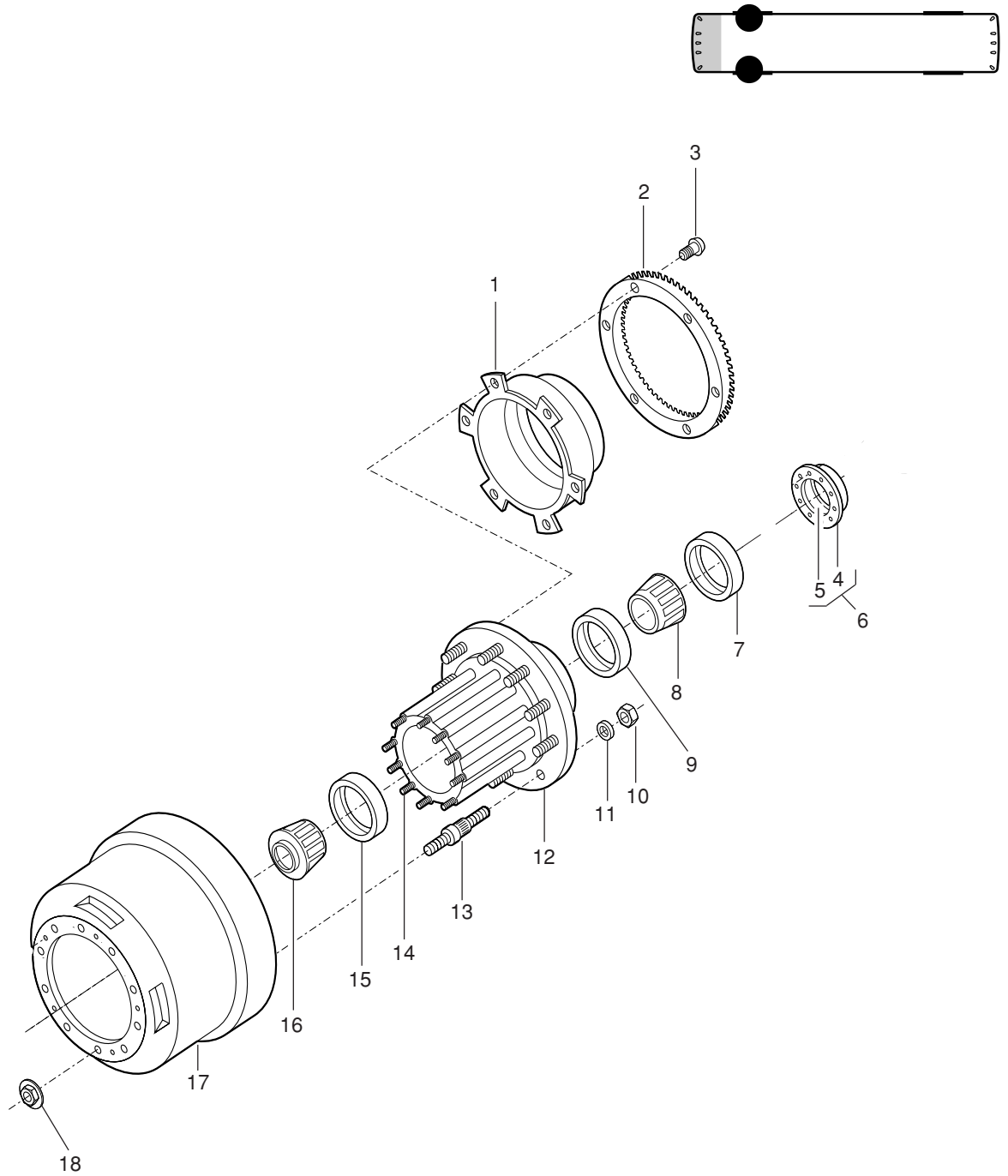


53-49582-003 (WX324)
10-000693
53-49582-003

REAR HUB AND DRUM

| Item | Part No. | Description | Qty |
|------|--------------|-----------------------------|-----|
| 1. | 82-15538 | SLINGER | 1 |
| 2. | 82-15537-000 | WHEEL, TOOTHED ABS | 1 |
| 3. | 82-15537-001 | CAPSCREW, HXHD 3/16-18X1.50 | 6 |
| 4. | 82-03872-000 | RETAINER | 1 |
| 5. | 82-17147 | SEAL ASM, OIL (NAT) | 1 |
| 6. | 82-17491 | RETAINER ASM, W/SEAL | 1 |
| 7. | 82-03439-000 | WIPER, SEAL | 1 |
| 8. | 82-09043-000 | BEARING, INR CONE | 1 |
| 9. | 82-09042-000 | BEARING, INR CUP | 1 |
| 10. | 82-03170-000 | LOCKNUT, HXHD 7/8-14 GR8 | 10 |
| 11. | 82-03430-000 | FLATWASHER, 7/8 | 10 |
| 12. | 82-15539 | HUB ASM, RR W/CUPS & STUDS | 1 |
| | 82-00092-000 | HUB ASM, RR W/CUPS | 1 |
| 13. | 82-12016-000 | STUD, WHEEL RH, 0.875"-14 | 10 |
| 14. | 82-04023-000 | STUD, AXLE SHAFT TO HUB | 10 |
| 15. | 82-10183-000 | BEARING, OTR CUP | 1 |
| 16. | 82-09045-000 | BEARING, OTR CONE | 1 |
| 17. | 82-17503-000 | DRUM, RR 14.5 X 10 (RW/BAL) | 2 |
| 18. | 53-13895-005 | NUT, WHEEL W/FLANGE | 20 |

REAR HUB AND DRUM

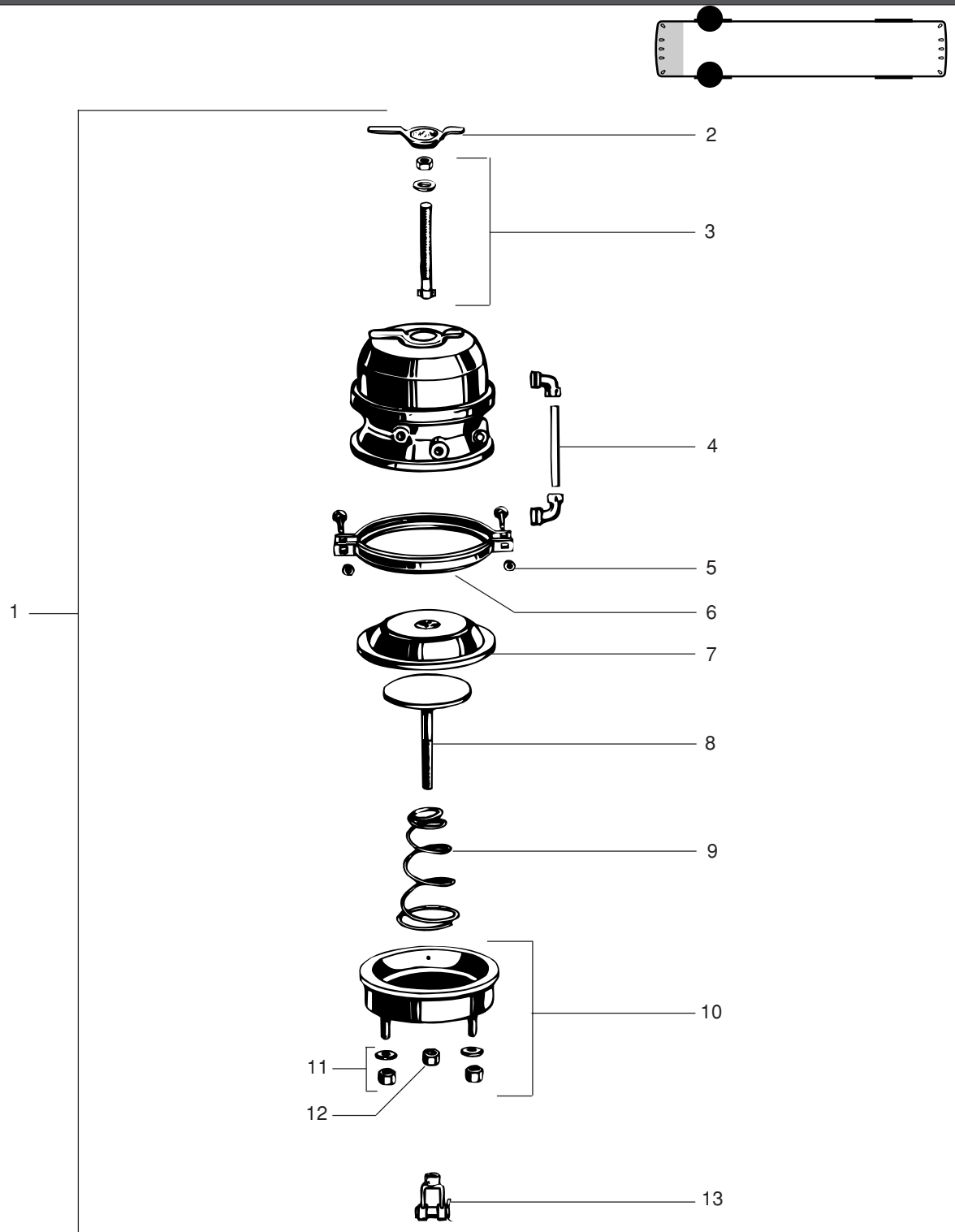


53-49582-003 (WX324)
10-000710
53-49582-003

REAR BRAKE CHAMBER ASSEMBLIES

| Item | Part No. | Description | Qty |
|------|--------------|-------------------------------------|-----|
| 1. | 09-40978-000 | CHAMBER ASM, BRAKE 36-36 | 1 |
| 2. | 82-10520-000 | PLUG, WEATHERSEAL, BRAKE CHAMBER | 1 |
| 3. | 82-10522-000 | BOLT KIT, RELEASE, BRAKE CHAMBER | 1 |
| 4. | 82-10496-000 | BREATHER TUBE KIT, BRAKE CHAMBER | 1 |
| 5. | 82-11999-001 | BOLTS AND NUTS KIT, BRAKE CHAMBER | 2 |
| 6. | 82-10524-000 | CLAMP RING ASM, BRAKE CHAMBER | 1 |
| 7. | 82-01811-000 | DIAPHRAGM, BRAKE CHAMBER | 1 |
| 8. | 82-08514-002 | PISTON ROD ASM, BRAKE CHAMBER | 1 |
| 9. | 82-08514-003 | SPRING, RETURN, BRAKE CHAMBER | 1 |
| 10. | 82-08514-004 | CHAMBER ASM, REAR BRAKE | 1 |
| 11. | 82-11999-002 | NUTS AND WASHERS KIT, BRAKE CHAMBER | 2 |
| 12. | 82-11997-005 | NUT, HXHD 5/8-18 | 1 |
| 13. | 82-10539-000 | YOKE ASM, BRAKE CHAMBER, REAR | 1 |

REAR BRAKE CHAMBER ASSEMBLIES



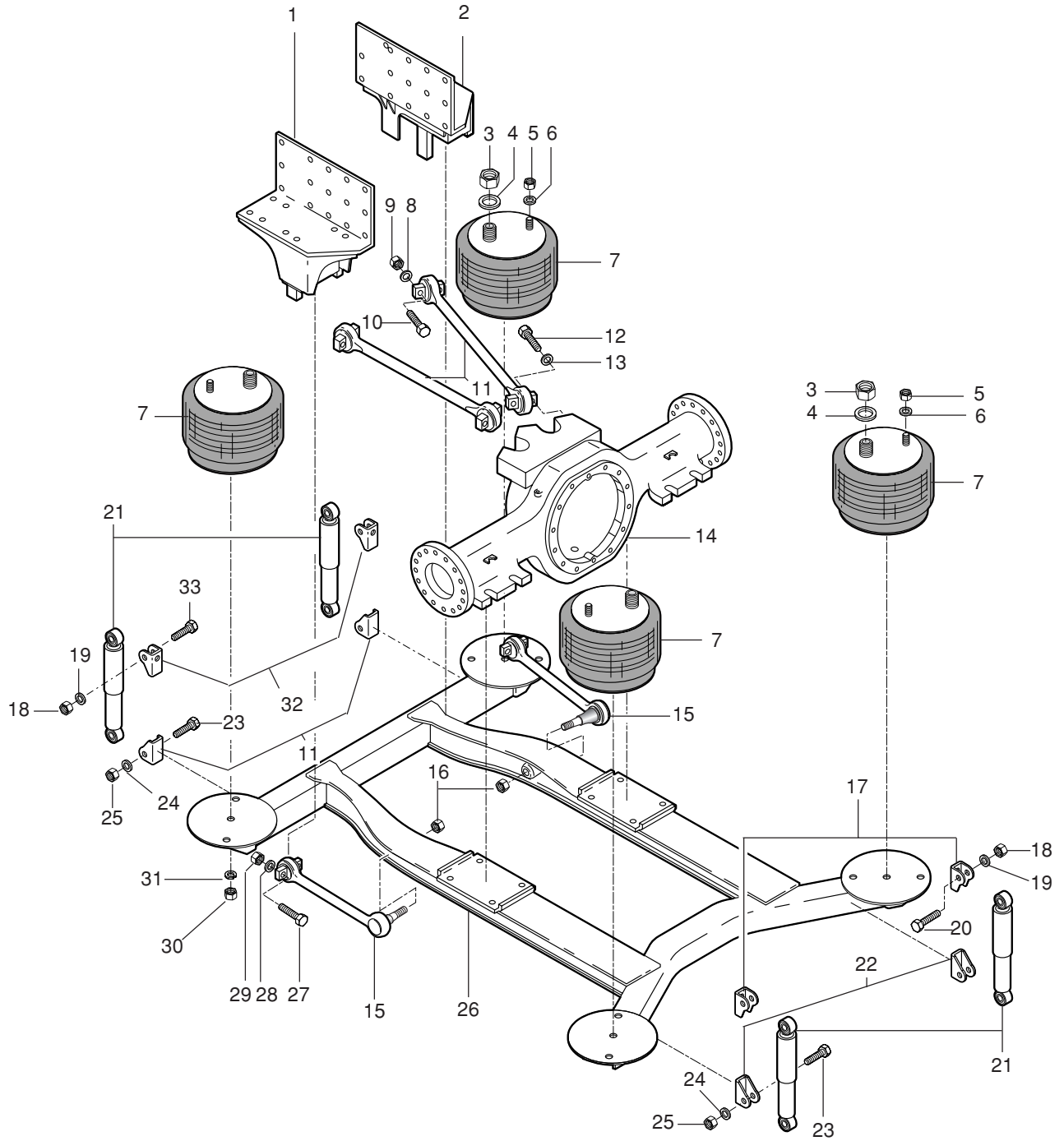
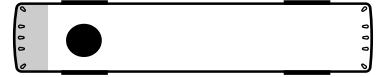
53-49582-003 (WX324)
04-000118
53-49582-003

REAR SUSPENSION W/61143 AXLE

| Item | Part No. | Description | Qty |
|------|---------------|--|-----|
| 1. | 06-46349-000L | BRACKET,TORQUE ROD, LH | 1 |
| 2. | 06-46349-000R | BRACKET, TORQUE ROD, RH | 1 |
| 3. | 82-13639-023 | NUT, LOCK 3/4"-16 | 4 |
| 4. | 82-13680-013 | WASHER, FLAT 3/4" | 4 |
| 5. | 82-13680-019 | NUT, LOCK 1/2"-13 | 4 |
| 6. | 82-13680-020 | WASHER, FLAT 1/2" | 4 |
| 7. | 82-19159-000 | SPRING, AIR (BAG) | 4 |
| 8. | 54-12601-013 | FLATWASHER, 3/4" HARD | 28 |
| 9. | 54-12551-012 | LOCKNUT, NYLOK 3/4"-16 GR8 | 12 |
| 10. | 54-11353-013 | BOLT, HXHD 5/8-18 X 3.5" GR8 | 4 |
| | 50-16939-010 | FLATWASHER, 3/4" NARROW | 4 |
| | 53-09611-013 | FLATWASHER, 1.37" | 2 |
| 11. | 82-28457-001 | TORQUE ROD, UPPER, ADJUSTABLE | 2 |
| 12. | 54-43312N000 | BOLT, HXHD M16 X 1.50 X 2.50 GR8 | 4 |
| 13. | 54-12601-013 | FLATWASHER, 3/4" HARD | 28 |
| 14. | REF ONLY | HOUSING, REAR AXLE (SEE AXLE SEC. FOR VERSION) | 1 |
| | 82-22402-000 | U-BOLT, 1.0"-8 GR.8 FLAT | 4 |
| | 82-22402-001 | SPACER, ANGLE U-BOLT | 4 |
| | 53-15085-025 | LOCKNUT, HEX 1.0"-8 | 8 |
| 15. | 82-22403-000 | TORQUE ROD, LOWER 17.0" | 2 |
| 16. | 53-09611-012 | NUT, LOCK 1-1/4"-12 | 2 |
| 17. | 11-36757-000 | BRACKET, SHOCK ABSORBER MTG | 2 |
| 18. | 54-12551-009 | LOCKNUT, NYLOK 1/2"-20 GR8 | 8 |
| 19. | 54-12601-010 | FLATWASHER, 1/2" HARD | 16 |
| 20. | 54-11349-016 | BOLT, HXHD 1/2"-20 X 5.50" GR8 | 4 |
| 21. | 11-45291000N | ABSORBER, SHOCK | 4 |
| 22. | REF. ONLY | BRACKET, (PART OF "H"-FRAME ASM.) | 2 |
| 23. | 54-11355-015 | BOLT, 3/4"-16UNF X 4.0" GR8 | 8 |
| 24. | 54-12601-013 | FLATWASHER, 3/4" HARD | 28 |
| 25. | 54-12551-012 | LOCKNUT, NYLOK 3/4"-16 GR8 | 12 |
| 26. | 82-28457-000 | H-FRAME ASM | 1 |
| 27. | 53-17801-008 | BOLT, HXHD 5/8"-11 X 5.0" GR.8 | 4 |
| 28. | 54-12601-012 | FLATWASHER, 5/8" HARDENED | A/R |
| 29. | 53-17801-009 | LOCKNUT, 5/8"-11 GR.8 | 4 |
| 30. | 82-13639-011 | WASHER, LOCK 1/2" (AIR BAG LOWER) | 8 |
| 31. | 82-13639-012 | NUT, HEX HD. 1/2"-13 (AIR BAG LOWER) | 8 |
| 32. | 11-47778-000 | BRACKET, SHOCK ABSORBER MTG | 2 |
| 33. | 54-11349-009 | BOLT, 1/2"-20 UNF X 2.5" LG. | 8 |
| | 54-12551-011 | LOCKNUT, 5/8"-18 GR.8 | 1 |

NOTE: 11-49484N000 KIT, REAR SUSPENSION

REAR SUSPENSION W/61143 AXLE

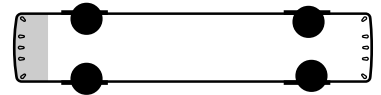


11-0013-0702E+(C)
11-003714
11-0013-0702E
11-0050-0700C

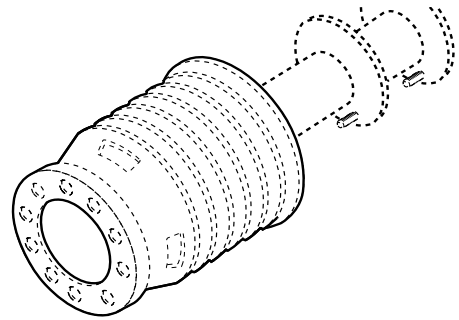
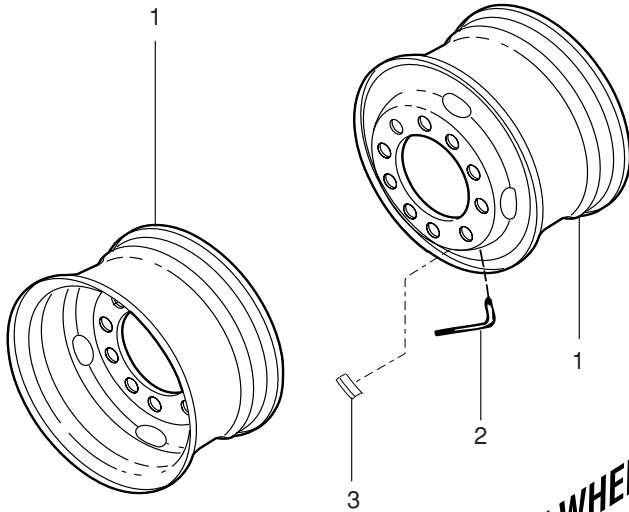
WHEELS AND HARDWARE

| Item | Part No. | Description | Qty |
|---|--------------|---|-----|
| 1. | 53-25570-001 | WHEEL, ALUMINUM MACHINE FINISH, HUB PILOT | 6 |
| 2. | 53-00777-001 | EXTENSION, VALVE STEM | 2 |
| 3. | 53-35042-XXX | WEIGHT, WHEEL | A/R |
| <p>SPECIFIC WEIGHTS HAVE UNIQUE NUMBERS IN PLACE OF "XXX". YOUR PARTS REPRESENTATIVES WILL ADVISE YOU OF THE NUMBER WHEN YOU PLACE YOUR ORDER. WHEEL STUDS & NUTS DEPEND ON WHICH WHEELS ARE IN USE, PLEASE VERIFY!</p> | | | |

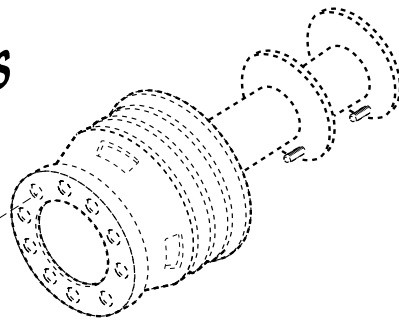
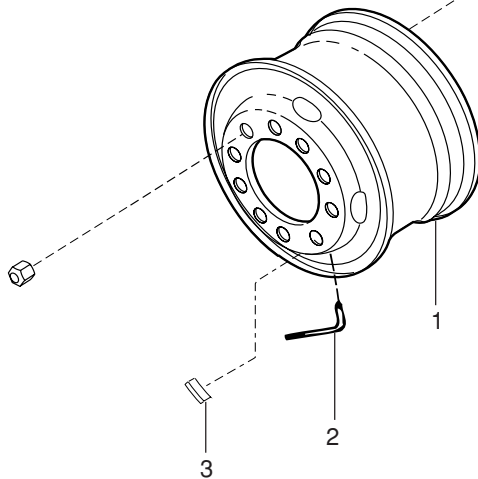
WHEELS AND HARDWARE



REAR WHEELS



FRONT WHEELS



12-0013-0701A,J
12-001959
12-0013-0701A, J

Section 3- Electrical System

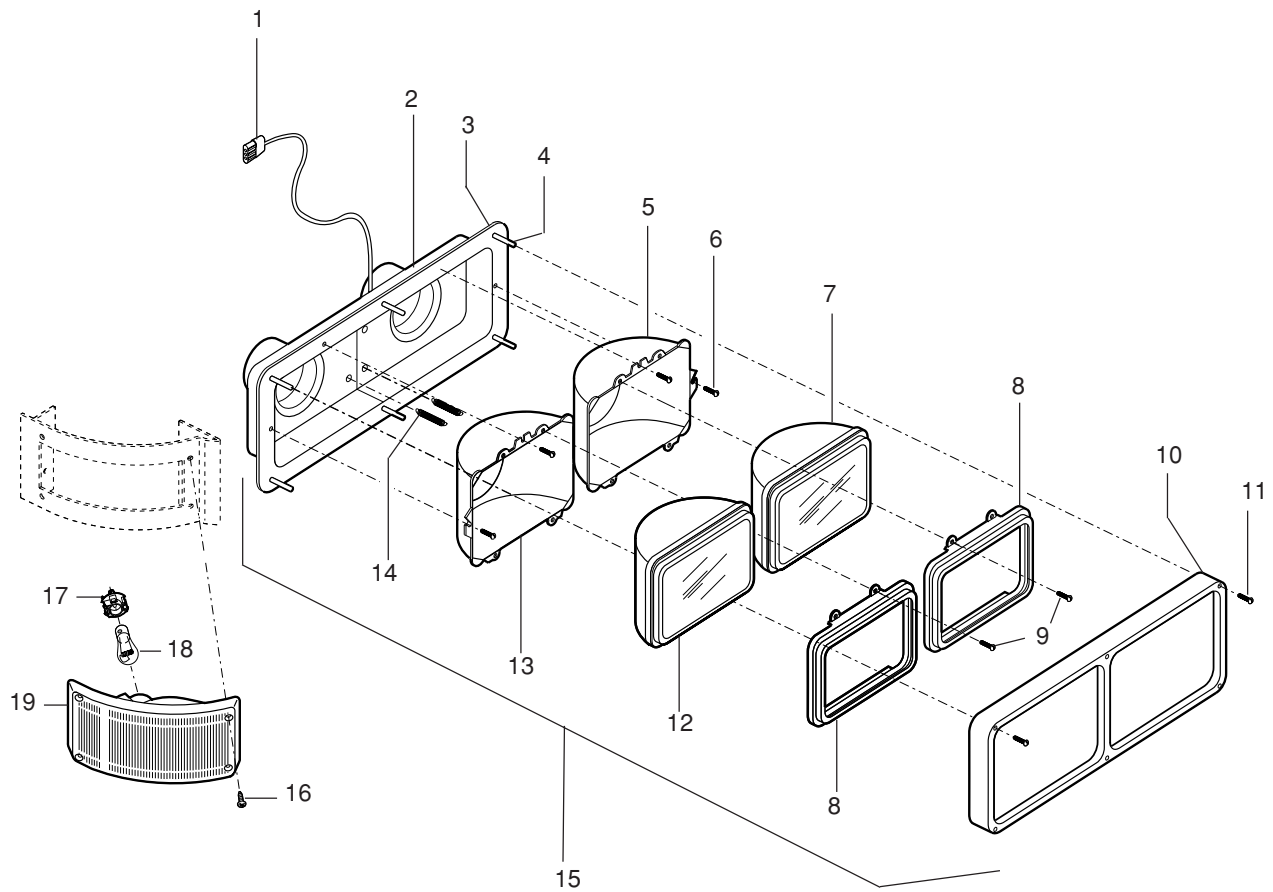
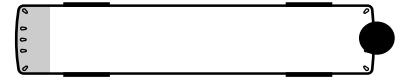
| | |
|--|-----|
| Headlight Assembly | 98 |
| Exterior Lighting | 100 |
| Electrical Panel Compartment | 102 |
| Electrical Compartment | 104 |
| Main Electrical Control Panel | 106 |
| Electrical Panel, Rear Bulkhead | 108 |
| Electrical Panel, Remote I/O | 110 |
| Dash Console Assembly | 112 |
| Tail Lights | 114 |
| Stop Lights (Grille Mounted) | 116 |
| Batteries and Cables | 118 |
| Battery Cut-Off Switch | 120 |
| Power Panel, Driver's Console | 122 |
| Battery Cables | 124 |
| Battery Cut Off Switch and Jump Start | 126 |
| Jump Start Connector | 128 |
| Starter Mounting | 130 |
| Starter Internal Components | 132 |
| Voltage Regulator and Battery Fuse Bracket | 136 |
| Alternator Internal Components | 138 |
| Rear Run Box | 142 |
| Electric Horns | 144 |
| Fire Detection System | 146 |
| Crime Alarm System | 148 |
| Front Stepwell Light | 150 |
| Tube Lamps, Rear Steps | 152 |
| Map Light | 154 |
| External P. A. Speaker | 156 |
| Speakers, Ceiling-Mounted | 158 |
| Voice Annunciator Control | 160 |
| Two-way Radio Antenna | 162 |
| ABS - ECU Mounting | 164 |
| Defroster Fans | 166 |
| Stop Request Signal Pull Cords | 168 |
| Closeout: Exit Door | 170 |
| Lamp Panel Assembly - 144" | 172 |
| Lamp Panel Assembly - 84" | 174 |
| Lamp Panel Assembly - 108" | 176 |
| Lamp Panel Assembly - 120" | 178 |
| Lamp Panel Assembly - 48" | 180 |
| Lamp Panel Assembly - 98" | 182 |
| Lamp Panel Assembly - 50" | 184 |
| Harness Listing | 186 |

HEADLIGHT ASSEMBLY

| Item | Part No. | Description | Qty |
|------|--------------|--|-----|
| 1. | 82-10988-017 | CABLE ASM, HEADLIGHT | *2 |
| | 51-16873-009 | CONNECTOR | 1 |
| | 51-16873-015 | SEAL | 3 |
| | 51-16873-002 | TERMINAL | 3 |
| 2. | 82-10988-011 | HOUSING, LH & RH BODY | *2 |
| 3. | 13-39301-000 | GASKET, HEADLIGHT | 2 |
| 4. | 82-10988-016 | SPRING, ADJUSTING | *2 |
| 5. | 82-10988-009 | NEST, INNER BUCKET ASM, RH | *1 |
| | 82-10988-010 | NEST, INNER BUCKET ASM, LH | *1 |
| 6. | 82-10988-014 | SCREW, ADJUSTING | *4 |
| 7. | 54-15729-028 | BULB, 3 CONTACT LUG, 12V | *2 |
| 8. | 82-10988-002 | RING, RETAINING | *2 |
| 9. | 82-10988-013 | SCREW, RETAINING RING | *8 |
| 10. | 82-10988-001 | BEZEL, CHROME,LH & RH | *1 |
| 11. | 82-10988-012 | SCREW, BEZEL | *6 |
| 12. | 54-15729-029 | BULB, 2 CONTACT LUG, 12V | *2 |
| 13. | 82-10988-007 | NEST, OUTER BUCKET ASM, RH | *1 |
| | 82-10988-008 | NEST, OUTER BUCKET ASM, LH | *1 |
| 14. | 82-10988-015 | RIVET, ADJUSTING SPRING | *2 |
| 15. | 51-27757-002 | LAMP ASM, HEADLIGHT, LH HALOGEN | 1 |
| | 51-27758-002 | LAMP ASM, HEADLIGHT, RH HALOGEN | 1 |
| 16. | 54-14288-09Z | SCREW, MTG | 4 |
| 17. | 82-10401-002 | SOCKET, BULB | 2 |
| 18. | 82-10402-000 | BULB, 12V./21W. | 2 |
| 19. | 13-39011N000 | LAMP & SOCKET ASM., FRONT TURN SIGNALS (NO BULB) | 2 |

NOTE: ITEMS MARKED WITH * ARE INCLUDED IN LAMP ASSEMBLIES
 51-27757-002, LH AND 51-27758-002, RH

HEADLIGHT ASSEMBLY

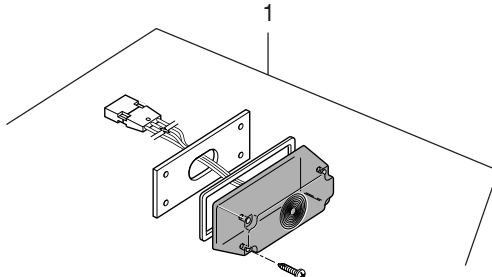
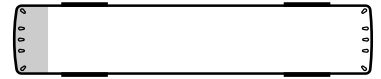


13-0051-0701A+(0700K)
 13-000139
 13-0051-0701A
 13-0060-0700K

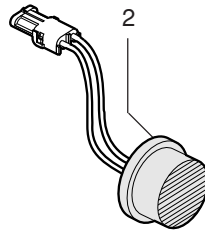
EXTERIOR LIGHTING

| Item | Part No. | Description | Qty |
|------|--|--|-------------|
| 1. | 13-46071-000 | LAMP ASM, SIDE TURN, FORWARD OF WHEELWELL | 4 |
| 2. | 13-39651-000 53-27116-000 59-39859F000 | LIGHT ASM, AMBER LED 2" DIA. RAMP WARNING KIT, LAMP MOUNTING DECAL, RAMP | 1 1 1 |
| 3. | 54-15729-027 | BULB, BAYONET, 12V | 2 |
| 4. | 51-45116-000 | LAMP ASM, CURB | 2 |
| 5. | 51-34803-002 | LAMP ASM, MARKER/CLEARANCE(AMBER), LED | 9 |
| 6. | 51-34803-001 | LAMP ASM, MARKER/CLEARANCE(RED), LED | 7 |
| 7. | 40-21506-000 | BRACKET, COMPARTMENT LAMP MTG | 3 |
| 8. | 51-45116-001 | LAMP ASM, ENG. COMPT | 3 |
| 9. | 51-29416-000 | LAMP, LICENSE PLATE | 1 |
| 10. | 51-29416-003 | PLUG, LAMP | 1 |
| 11. | 51-29416-002 | BASE, LAMP | 1 |
| 11. | 51-29416-001 | LAMP ONLY | 2 |
| 12. | 54-15729-002 | BULB, S. C. BAYONET | 1 |
| 12. | 51-09325-000 | REFLECTOR, RECTANGULAR, RED | 4 |
| | 51-09325-001 | REFLECTOR, RECTANGULAR, AMBER | 2 |

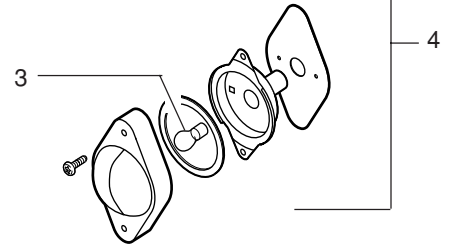
EXTERIOR LIGHTING



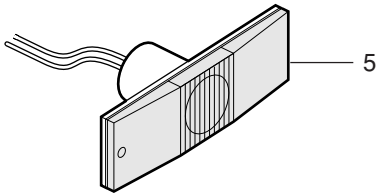
SIDE TURN/MARKER LAMP



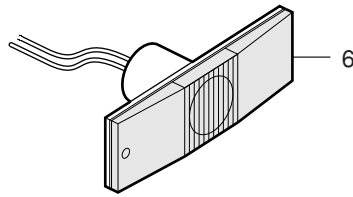
RAMP



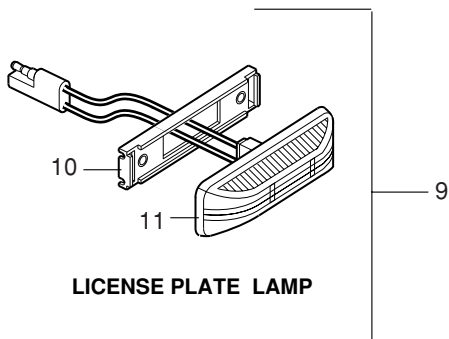
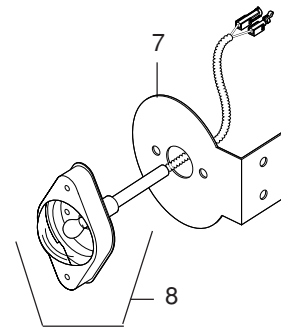
CURBSIDE LIGHT



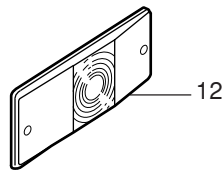
CENTER
MARKER LAMPS



REAR
MARKER LAMPS



LICENSE PLATE LAMP



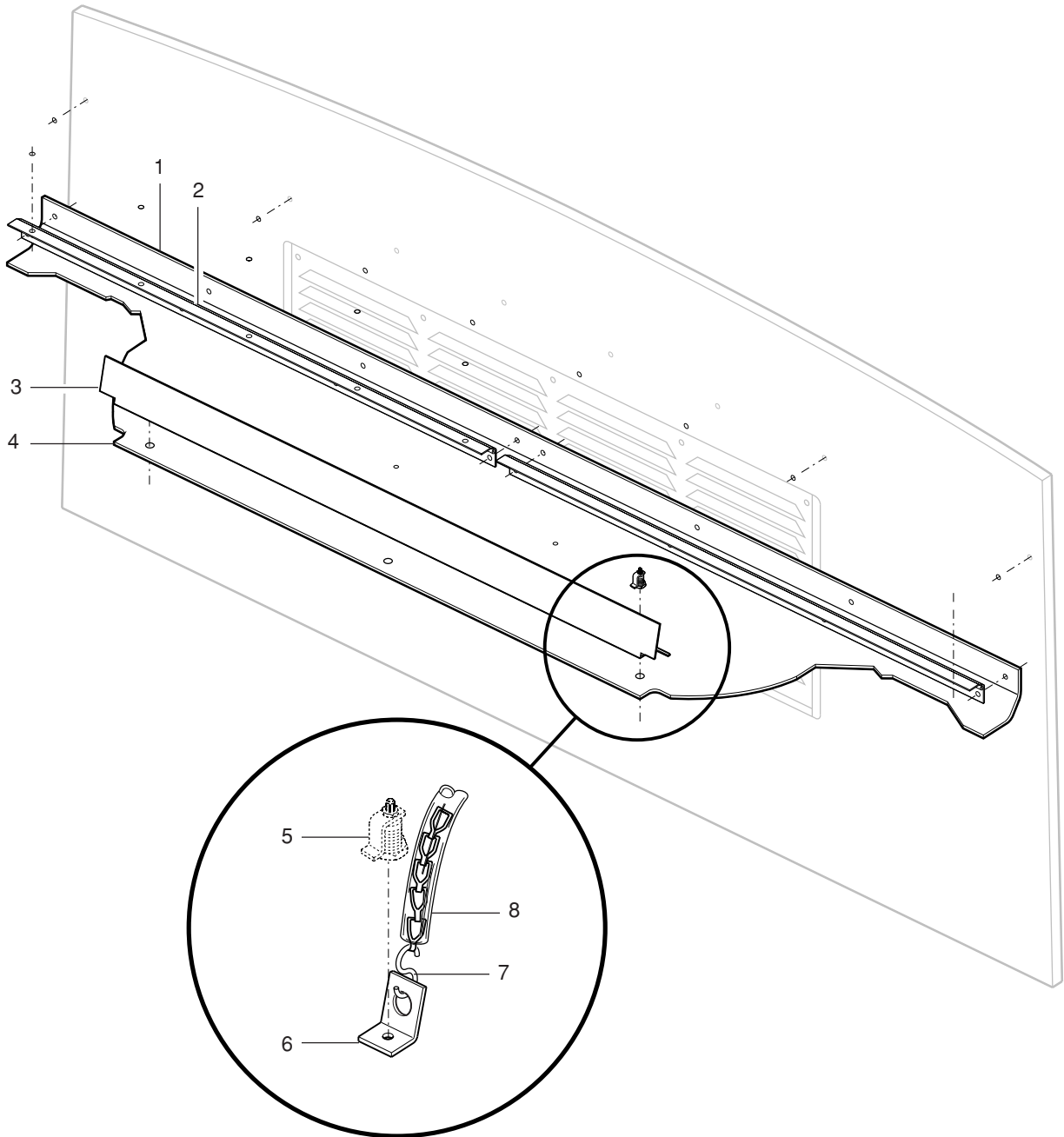
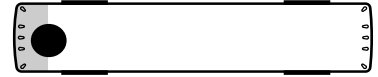
REFLECTOR

13-0060-0700AA,Z
13-0600-0700B,N,S
13-0609-0700A,B,D
13-0611-0700A

ELECTRICAL PANEL COMPARTMENT

| Item | Part No. | Description | Qty |
|------|--------------|-----------------------------|-----|
| 1. | 15-43028-000 | CLOSEOUT, RR CABINET BOTTOM | 1 |
| 2. | 15-37002-000 | HINGE, AIR TANK CLOSEOUT | 1 |
| 3. | 15-37658-000 | ANGLE, REINF AIR TANK DOOR | 1 |
| 4. | 15-37651M000 | CLOSEOUT | 1 |
| 5. | 54-38112N000 | LATCH ASM, COMPRESSION | 3 |
| 6. | 15-38968-000 | ANGLE, DOOR STRAP | 1 |
| 7. | 55-02306-000 | HOOK | 2 |
| 8. | 15-38966-000 | TUBING, HEAT SHRINKABLE | 1 |
| | 15-38967-000 | STRAP, CHAIN | 1 |
| | 53-00302-002 | GUIDE, ROPE | 1 |
| | 54-10163-004 | RIVET, MONOBOLT | 10 |
| | 54-10163-016 | RIVET, MONOBOLT | 8 |
| | 54-13111-002 | SCREW, #12-24 X .75 | 12 |

ELECTRICAL PANEL COMPARTMENT

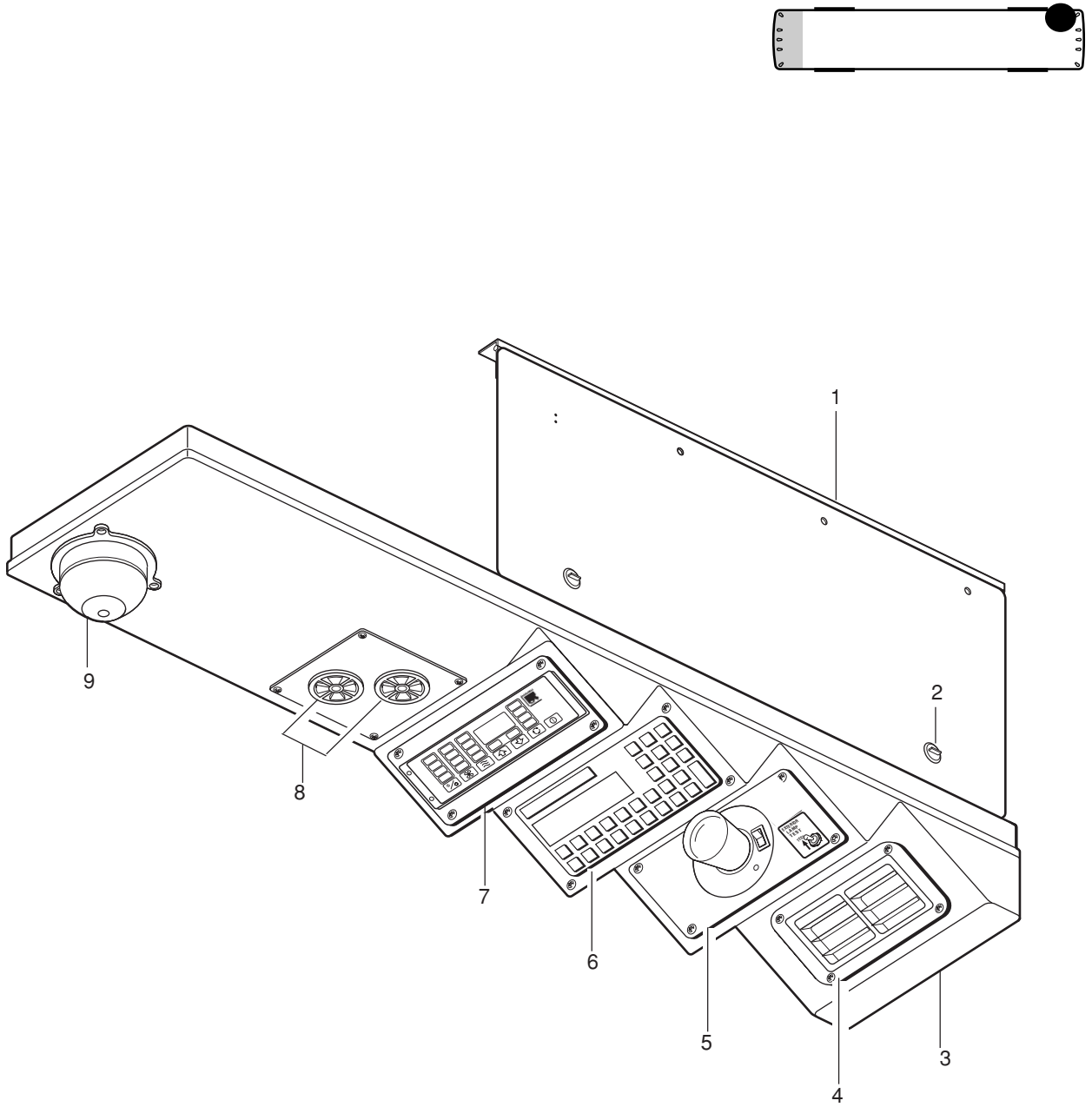


13-0250-0702A
13-002867
13-0250-0702A

ELECTRICAL COMPARTMENT

| Item | Part No. | Description | Qty |
|------|--------------|--|-----|
| 1. | 18-45458M005 | DOOR, OVER HEAD CONSOLE | 1 |
| 2. | 54-43814N000 | LATCH QUAD PANEL W/SHORT WING TWIST KNOB | 2 |
| 3. | 18-45460M014 | CONSOLE, OVERHEAD | 1 |
| 4. | 15-37992N000 | LOUVER ASM. DOUBLE SQUARE | 1 |
| 5. | 30-37207F004 | PANEL, MAP LIGHT | 1 |
| | 13-39922-000 | PLATE, CONSOLE PANEL REINFORCEMENT | 1 |
| 6. | REF ONLY | PANEL, CONTROLLER TWIN VISION | 1 |
| 7. | 30-37207F013 | PANEL, 7BUTTON INTELLIGAIRE II | 1 |
| 8. | 51-12096-007 | HORN, WARNING | 1 |
| | 51-12096-008 | HORN, WARNING | 1 |
| 9. | 53-00411-000 | BELL, FIRE | 1 |
| | 40-21418-000 | BAR, DOOR SUPPORT | 1 |
| | 54-11316-003 | BOLT, HXHD 1/4"-20 X 1.0" GR.5 | 1 |
| | 54-12540-005 | NUT, HXHD NYLOCK 1/4"-20 GR.5 | 1 |
| | 54-12600-006 | FLATWASHER, 1/4" | 2 |
| | 54-13111-001 | SCREW, #10 X 5/8" TORX | 20 |
| | 54-37358-000 | NUT PLATE, COBOLT M8 | 2 |
| | 54-37359-001 | BOLT, BUTTON TORX HEAD M8 X 15MM | 2 |
| | 56-24926-002 | CAP, END PROTECTOR | 1 |

ELECTRICAL COMPARTMENT

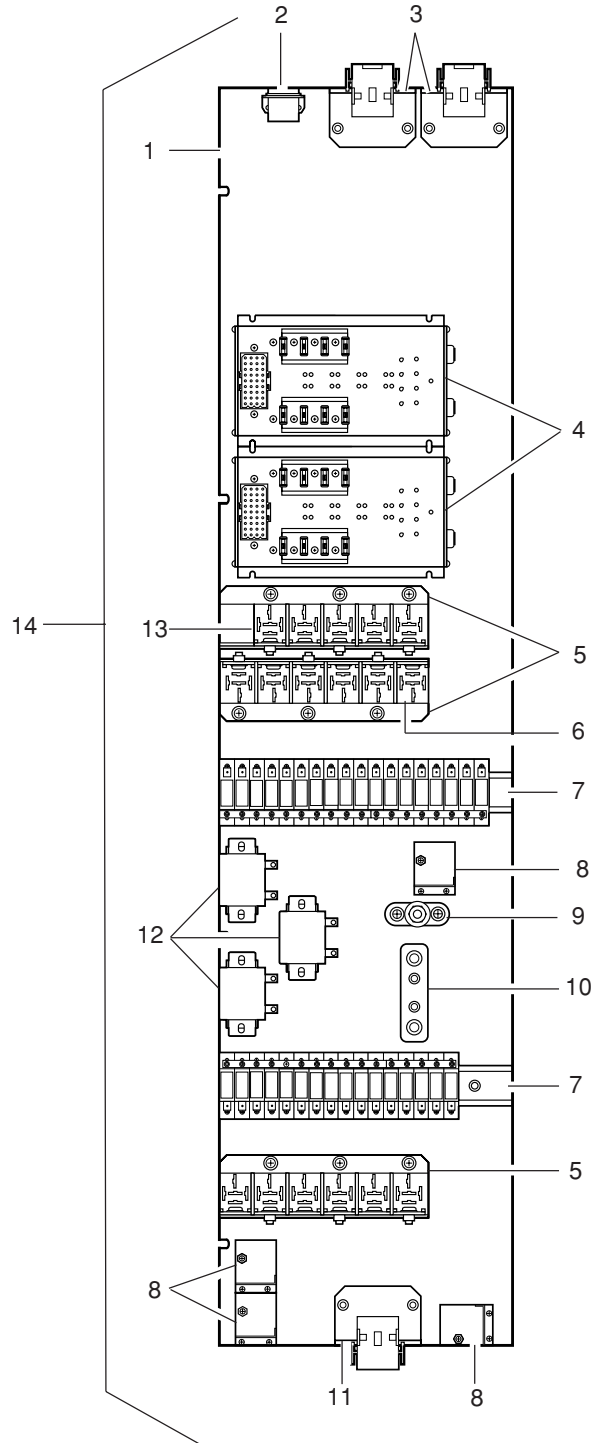
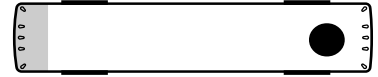


13-0250-0702N+(AB,AK,D,T)
13-004526
13-0250-0702N
13-0303-0704AB, AK, D, T

MAIN ELECTRICAL CONTROL PANEL

| Item | Part No. | Description | Qty |
|------|---------------|---|-----|
| 1 | 13-45471-001 | PANEL ASM, ELECTRICAL (BARE) | 1 |
| 2. | 40-49350-000 | BRACKET, "RETARDER, INTERLOCK SWITCH, BEEPER & WARBLER" | 1 |
| | 51-02164-003 | SWITCH, "RETARDER 'ON/OFF'" | 1 |
| | 51-02128-001 | GUARD, SWITCH | 1 |
| | 59-28760-000 | DECAL, "RETARDER" | 1 |
| | 51-02164-012 | SWITCH, "INTERLOCK 'OVERRIDE/ON'" | 1 |
| | 51-02128-001 | GUARD, SWITCH | 1 |
| | 59-33638-000 | DECAL, "INTERLOCK" | 1 |
| | 51-12096-002 | BEEPER | 1 |
| | 51-12096-005 | WARBLER | 1 |
| 3. | 40-25150-004 | BRACKET, CONNECTOR MOUNTING 3 EACH | 2 |
| 4. | 13-41361-009 | MODULE, 8 IN & 8 OUT | 2 |
| | 13-43316-005 | FUSE, 10 AMP. MINI ATM | 8 |
| | 13-41361-012 | I.D. KEY #69 | 1 |
| | 13-41361-013 | I.D. KEY #70 | 1 |
| 5. | 13-44353-001 | BRACKET, RELAY MOUNTING | 3 |
| 6. | 51-43419-003 | RELAY, 24VOLT 30AMP. | 3 |
| 7. | 45-26097-10.0 | RAIL, DIN (10") | 2 |
| | 13-37975-000 | HOLDER, C.B. 4-PLEX | 8 |
| | 13-37975-007 | HOLDER, C.B. 2-PLEX | 1 |
| | 13-37183-002 | BUSBAR, 4-HOLE (OVERLAPPED BUS BARS) | 1 |
| | 13-37183-004 | BUSBAR, 6-HOLE (OVERLAPPED BUS BARS) | 3 |
| | 13-37183-003 | BUSBAR, 5-HOLE (OVERLAPPED BUS BARS) | 3 |
| 8. | 51-24459-040 | BLOCK, TERMINAL | 4 |
| 9. | 51-42853-000 | STUD, 3/8" INSULATED | 1 |
| 10. | 13-40785-000 | STUD, TWIN INSULATED 5/16" | 1 |
| 11. | 40-25150-005 | BRACKET, CONNECTOR MOUNTING 1-WAY | 1 |
| 12. | 51-11693-003 | RELAY, 24V POWER 50AMP. | 3 |
| 13. | 51-43419-002 | RELAY, 12VOLT 30AMP. | 3 |
| | 13-37975-001 | CIRCUIT BREAKER, 6A | 2 |
| | 13-37975-003 | CIRCUIT BREAKER, 10A | 12 |
| | 13-37975-004 | CIRCUIT BREAKER, 15A | 9 |
| | 54-14274-06Z | SCREW, #8-32 X .75" PHILLIPS HD. MACHINE | 3 |
| | 13-37975-005 | CIRCUIT BREAKER, 20A | 7 |
| | 50-47889-000 | HARNESS (NOT SHOWN) | 1 |
| | 54-14244-06Z | SCREW, #8-32 X .75" PHILLIPS HD. COUNTER SUNK | 2 |
| | 54-14272-04Z | SCREW, #8-32 X .50" PHILLIPS HD. | 22 |
| | 54-14272-06Z | SCREW, #8-32 X .75" PHILLIPS HD. | 12 |
| | 54-14278-06Z | SCREW, 1/4"-20 X .75" PHILLPS HEAD | 13 |
| | 54-12600-002 | FLATWASHER, #8 | 30 |
| | 54-12600-003 | FLATWASHER, #10 | 5 |
| | 54-12600-006 | FLATWASHER 1/4" | 13 |
| | 54-14274-07Z | SCREW, #10-32 X 1.0" PHILLIPS HD. MACHINE | 2 |
| | 54-14270-03Z | SCREW, #6-32 X 3/8" PHILLIPS HD. MACHINE | 34 |
| | 54-12540-001 | NUT, NYLOCK #6-32 | 34 |
| | 54-12600-001 | FLATWASHER #6 | 34 |
| | 50-41416-002 | HARNESS, DATA-SYSTEM | 1 |
| 14. | 13-47890-000 | PANEL, ASM., MULTIPLEXING ELECT. | 1 |

MAIN ELECTRICAL CONTROL PANEL

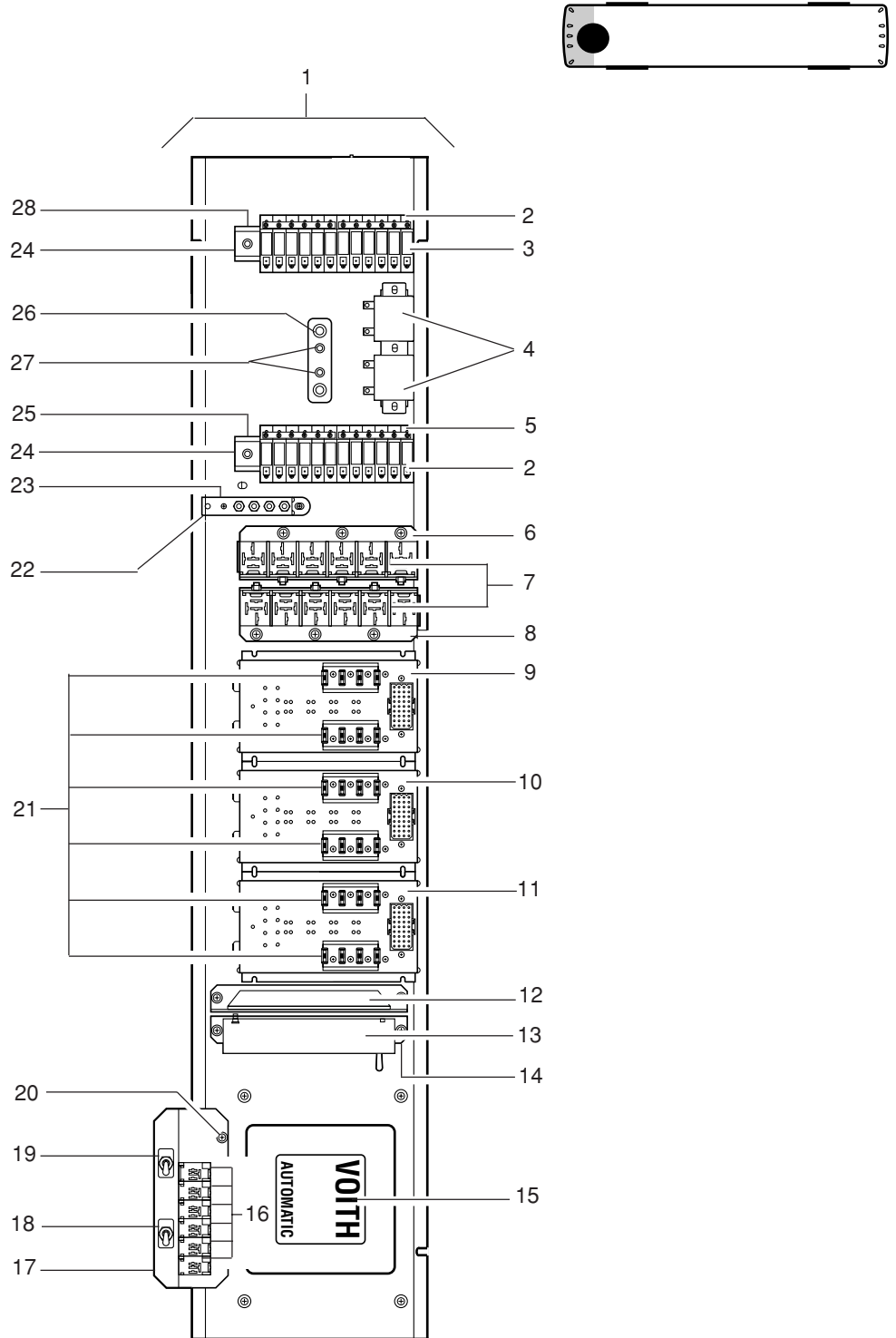


13-0252-0701A+(V)
13-003798
13-0252-0701A
13-0220-0700V

ELECTRICAL PANEL, REAR BULKHEAD

| Item | Part No. | Description | Qty |
|------|---------------|--|-----|
| 1. | 13-48867-000 | PANEL ASM., MAIN ELECTRICAL | 1 |
| | 54-48016N000 | SCREW, PHIL.HD. #6-32 X 3/8" | A/R |
| | 54-48010N000 | LOCKWASHER #6 | A/R |
| 2. | 13-48003-005 | HOLDER, CIRCUIT BREAKER (1-WAY) | 4 |
| | 13-48003-006 | HOLDER, CIRCUIT BREAKER (2-WAY) | 2 |
| | 13-48003-007 | HOLDER, CIRCUIT BREAKER (4-WAY) | 4 |
| 3. | 13-48113-000 | BUSS BAR, (12-POSITION) | 2 |
| 4. | 51-11693-003 | RELAY, 24VDC 50 AMP. | 2 |
| | 54-14274-06Z | MACH. SCREW, PHIL.HD. #10-32 X .75 | 3 |
| | 54-12600-003 | FLATWASHER, #10 | 5 |
| 5. | 13-48113-000 | BUSS BAR, (12-POSITION) | 2 |
| 6. | 13-44353-001 | BRACKET, RELAY MOUNTING | 1 |
| 7. | 51-43419-003 | RELAY, 24VDC - 30 AMP. | 9 |
| | 51-43419-002 | RELAY, 12VDC - 30 AMP. | 3 |
| 8. | 13-44353-002 | BRACKET, RELAY MOUNTING | 1 |
| | 51-14278-06Z | SCREW, PHIL.HD. 1/4"-20 X .75 | 13 |
| | 51-12600-006 | FLATWASHER 1/4" | 13 |
| 9. | 13-41361-010 | DIO MODULE, SPDL GROUNDING | 1 |
| 10. | 13-41361-008 | HCNC MODULE, SINGLE POINT DONLOAD | 1 |
| 11. | 13-41361-009 | DIO MODULE, SINGLE POINT DONLOAD | 1 |
| 12. | 51-23251-006 | EQUALIZER, VANNER EM70D | 1 |
| 13. | 13-41361-000 | VOLTAGE REGULATOR, "DINEX" PMS | 1 |
| 14. | 13-44355-000 | BRACKET, VOLT. REG./PMS MOUNTING | 2 |
| 15. | 53-38209-015 | ECU MODULE, VOITH TRANSMISSION D-864.3E | 1 |
| | 53-40059-008 | CABLE, TRANSMISSION W/35' BUS | 2 |
| | 53-40059-005 | CABLE, TRANSMISSION | 1 |
| 16. | 54-14278-08B | SCREW, PHILLIPS HD. CHROME 1/4-20 X 1.25 | 3 |
| | 51-43419-006 | RELAY, 24VDC - 10 AMP. | 4 |
| | 51-43419-005 | RELAY, 12VDC - 10 AMP. | 1 |
| 17. | 13-44353-000 | BRACKET, RELAY MOUNTING | 1 |
| | 40-13960-000 | BRACKET, SWITCH MOUNTING | 1 |
| | 40-44678-000 | PLATE, ADAPTOR MOUNTING | 1 |
| 18. | 51-02164-012 | SWITCH, TOGGLE SPST TRANSMISSION (ECONO/PERFORM) | 1 |
| | 59-26604-000 | DECAL, TRANS. MODE | 1 |
| 19. | 51-02164-019 | SWITCH, TOGGLE (ABS DIAGNOSTICS) | 1 |
| | 59-35121-001 | DECAL, (ABS DIAGNOSTICS) | 1 |
| | 51-02164-003 | SWITCH, TOGGLE "RETARDER" | 1 |
| 20. | 51-02128-001 | GUARD, TOGGLE | 1 |
| | 59-28760-000 | DECAL, "RETARDER ON/OFF" | 1 |
| | 51-14278-06Z | SCREW, PHIL.HD. 1/4"-20 X .75 | 3 |
| 21. | 13-43316-005 | FUSE, 10 AMP. MINI ATM | 24 |
| 22. | 40-21604-001 | BUSS BAR, (6-HOLE) | 1 |
| 23. | 51-00108-005 | TERMINAL STRIP (4-STUD) | 1 |
| | 51-14274-07Z | SCREW, PHIL.HD. MACHINE #10-32 X 1.00 | 2 |
| | 54-12600-003 | FLATWASHER #10 | 5 |
| 24. | 45-26097-07.0 | RAIL, DIN (7-INCH) | 2 |
| | 54-14272-04Z | SCREW, PHIL.HD. #8-32 X .50 | 22 |
| | 54-12600-002 | FLATWASHER #8 | 30 |
| 25. | 13-37183-003 | BUSS BAR (5-HOLE) | 2 |
| 26. | 13-40785-000 | STUD, TWIN INSULATED 5/16" | 1 |
| 27. | 54-14244-06Z | SCREW, PHIL.HD. MACH. COUNTER SUNK #8-32 X .75 | 2 |
| 28. | 13-27183-005 | BUSS BAR (7-HOLE) | 2 |

ELECTRICAL PANEL, REAR BULKHEAD

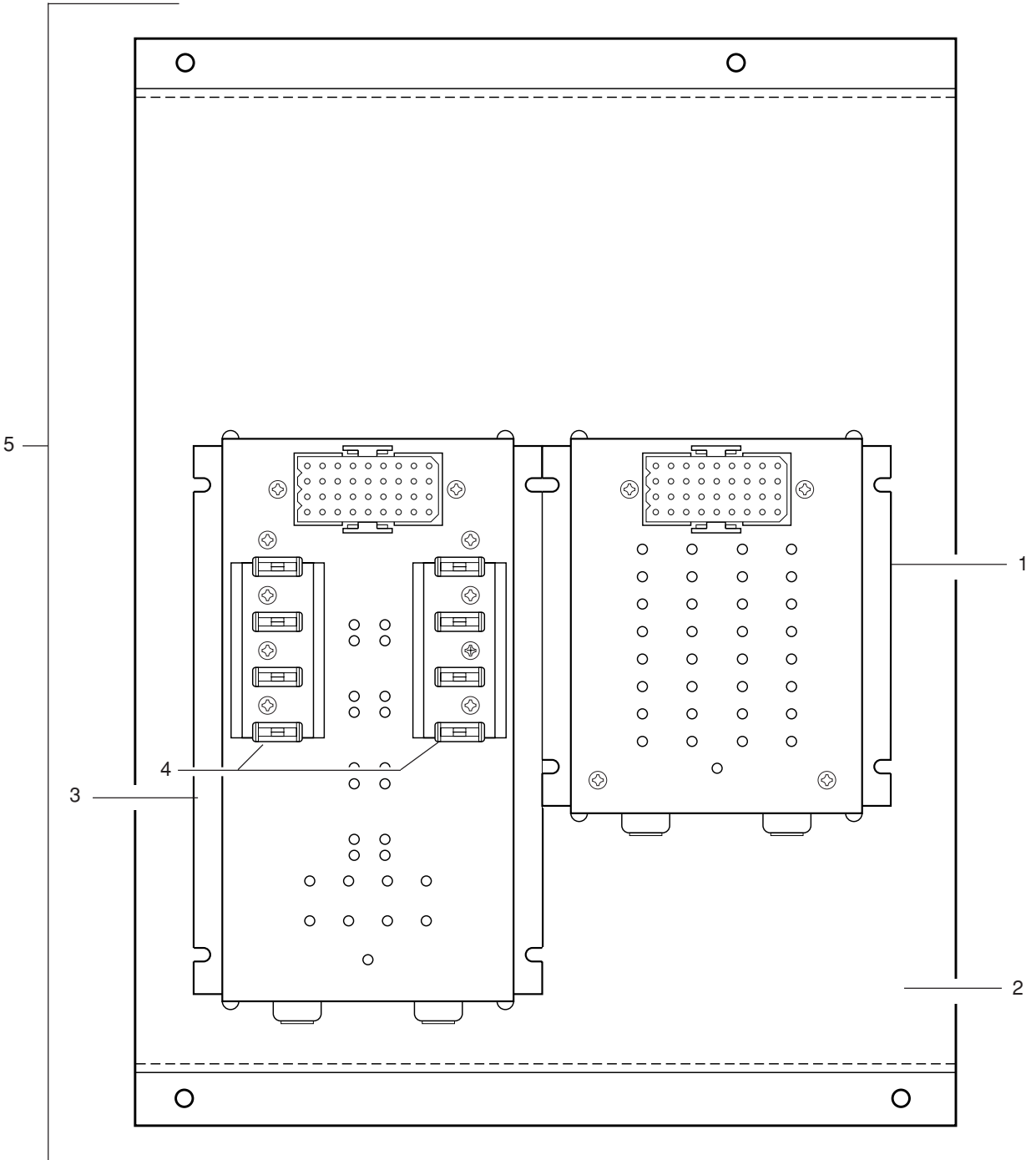


13-0252-0701L+(A)
13-003120
13-0252-0701L
13-0242-0700A

ELECTRICAL PANEL, REMOTE I/O

| Item | Part No. | Description | Qty |
|------|--------------|---|-----|
| 1. | 13-41361-018 | MODULE, 32 INPUT | 1 |
| | 54-14272-06Z | SCREW, #8-32 X .75" PAN HEAD | 7 |
| | 54-12600-002 | FLATWASHER, #8 | 7 |
| 2. | 13-37926-002 | PANEL, I/O MOUNTING | 1 |
| 3. | 13-41361-009 | MODULE, 8 IN AND 8 OUT W/115K BAUD SPDL | 1 |
| | 13-41361-011 | KEY, I.D. #64 | 1 |
| 4. | 13-43316-005 | FUSE, 10 AMP. MINI ATM | 8 |
| 5. | 13-46297-002 | PANEL ASM, REMOTE I/O | 1 |
| | 51-48999-000 | SWITCH ASM, "CRIME" PUSH-BUTTON | 1 |

ELECTRICAL PANEL, REMOTE I/O

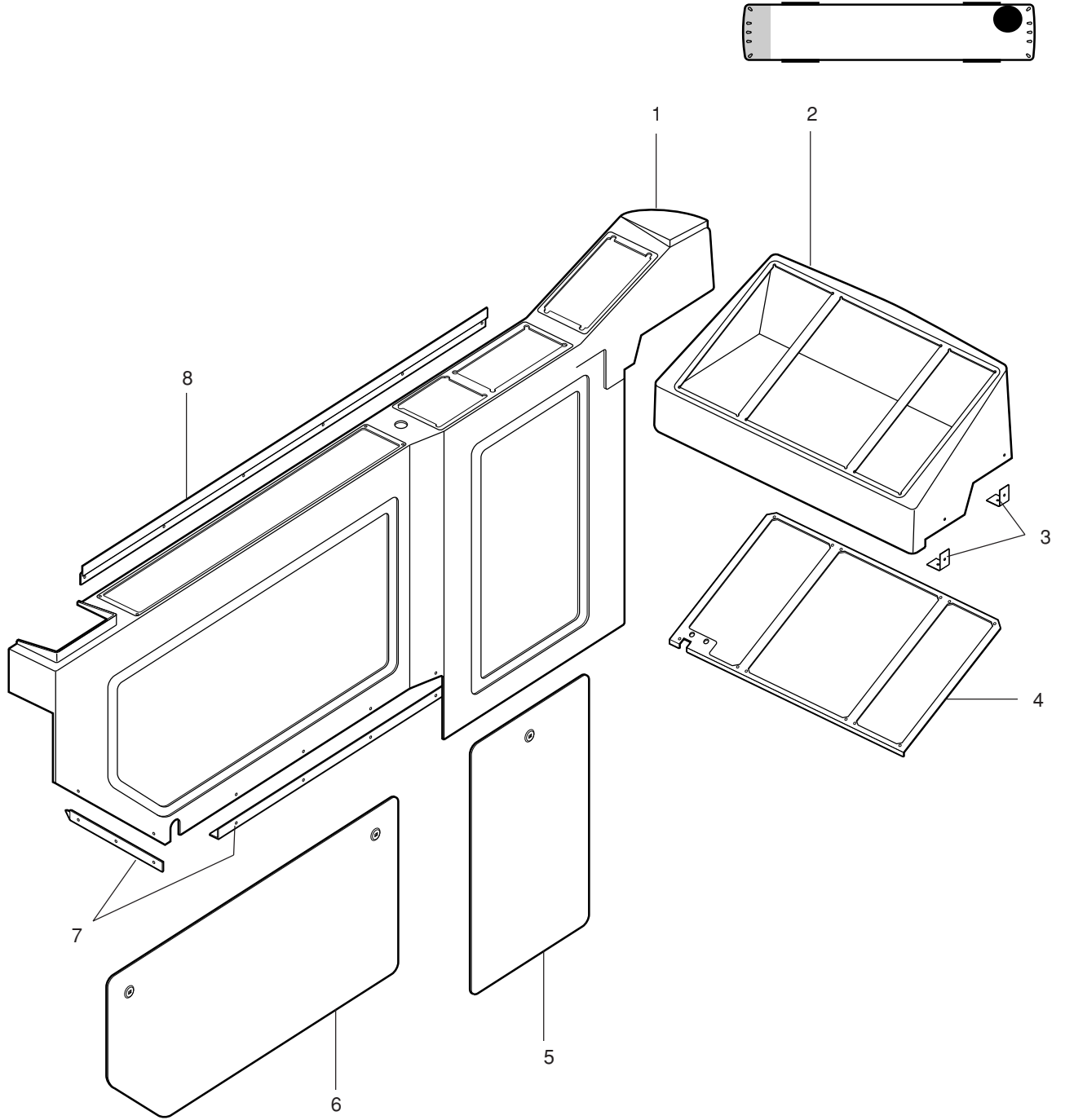


13-0301-0701B,G
13-003156
13-0301-0701B, G

DASH CONSOLE ASSEMBLY

| Item | Part No. | Description | Qty |
|------|--------------|--|-----|
| 1. | 15-45703M000 | CONSOLE ASM, DRIVERS | 1 |
| | 13-39358-000 | PANEL, CONSOLE REINFORCEMENT | 1 |
| 2. | 15-41307M002 | DASH, FIBERGLASS CTR | 1-5 |
| 3. | 15-37791-000 | ANGLE, MTG | 2 |
| 4. | 30-37149-001 | PANEL, DASH REINFORCEMENT | 1 |
| 5. | 18-47638-000 | PANEL, CONSOLE, LOWFLOOR | 1 |
| 6. | 15-45845-000 | PANEL, CONSOLE | 1 |
| | 54-49639N000 | LATCH ASM, QUAD PANEL | 6 |
| 7. | 15-37846L000 | ANGLE, MTG, CONSOLE | A/R |
| 8. | 15-38269-000 | ANGLE, MTG, CONSOLE | 1 |
| N/S | 15-40418M001 | CLOSEOUT, DASH | 1 |
| N/S | 15-49637-000 | CLOSEOUT, ELECTRICAL HARNESS COVER, B-POST | 1 |
| N/S | 15-47906-000 | BRACKET, MTG. CLOSEOUT B-POST | 1 |
| N/S | 15-49638-000 | BRACKET, WIRE HARNESS COVER | 1 |
| N/S | 54-49636N000 | FASTENER-SNAP-IN | 6 |
| N/S | 54-13111-002 | SCREW, #12-24 X .75 TORX SELF DR | 16 |

DASH CONSOLE ASSEMBLY

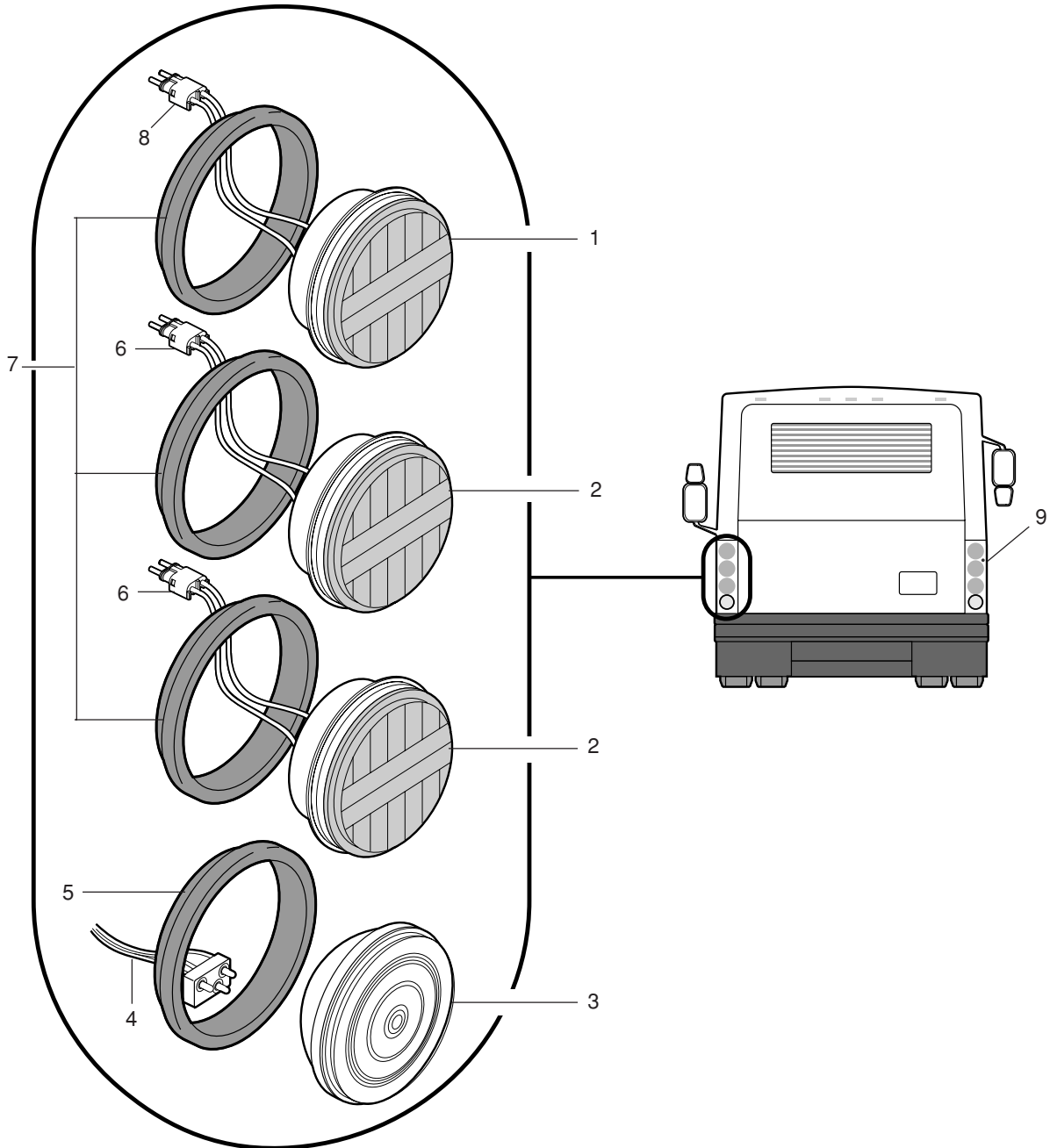
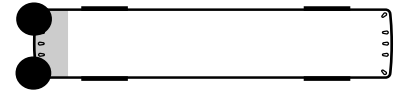


13-0303-0703B,C,G+(B,E)
13-001644
13-0303-0703B, C, G
30-0300-0700B, E

TAIL LIGHTS

| Item | Part No. | Description | Qty |
|------|--------------|--|-----|
| 1. | 51-34804-003 | LAMP ASM, RR, AMBER-"LED" | 2 |
| 2. | 51-34804-001 | LAMP ASM, RR STOP, TURN, TAIL, RED-"LED" | 4 |
| 3. | 13-37244-002 | LAMP ASM, RR BACK-UP, CLEAR (SEALED) | 2 |
| 4. | 82-11679-000 | CABLE, PIGTAIL CONNECTOR | 2 |
| 5. | 51-16264-001 | GROMMET, MOUNTING | 2 |
| 6. | 51-16873-016 | CONNECTOR, 3-WAY TOWER | 4 |
| | 51-16873-002 | TERMINAL, SOCKET | 12 |
| | 51-16873-015 | SEAL, WIRE | 12 |
| 7. | 13-37400-000 | GROMMET, MOUNTING | 4 |
| 8. | 51-16873-007 | CONNECTOR, 2-WAY TOWER | 2 |
| | 51-16873-002 | TERMINAL, SOCKET | 4 |
| | 51-16873-015 | SEAL, WIRE | 4 |
| | 51-09325-000 | REFLECTOR, RECTANGULAR RED | 2 |
| 9. | 51-12096-002 | HORN, BACK-UP WARNING ALARM | 1 |
| | 82-28569-000 | RING NUT, PLASTIC | 1 |

TAIL LIGHTS

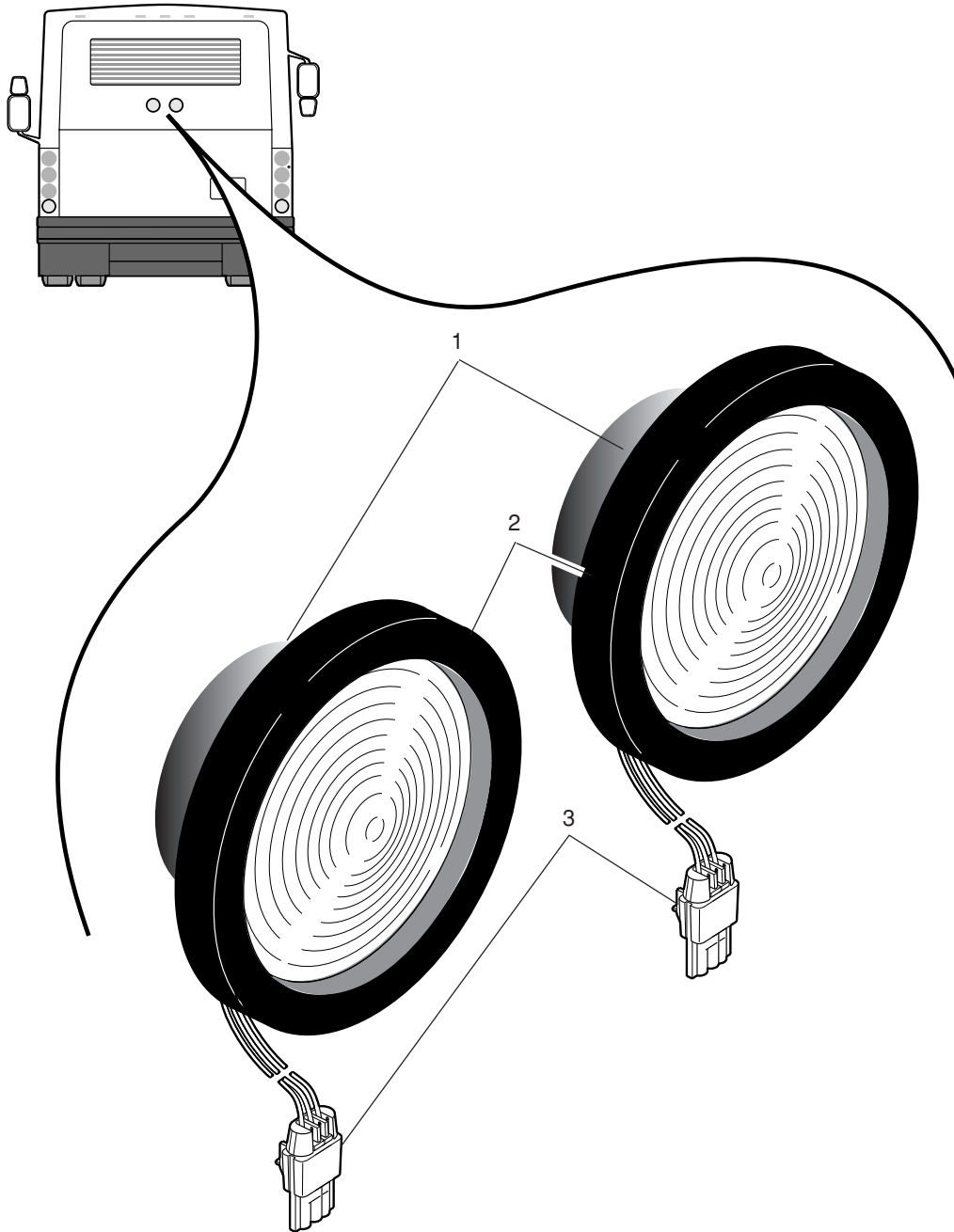
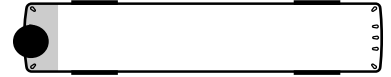


13-0353-0702A
13-001713
13-0353-0702A

STOP LIGHTS (GRILLE MOUNTED)

| Item | Part No. | Description | Qty |
|------|--------------|----------------------------|-----|
| 1. | 51-34804-002 | LAMP ASM, RED STOP, 4" LED | 2 |
| 2. | 13-37400-000 | GROMMET, MOUNTING | 2 |
| 3. | 51-16873-007 | CONNECTOR, 2-WAY TOWER | 2 |
| | 51-16873-002 | TERMINAL, SOCKET | 4 |
| | 51-16873-015 | SEAL, WIRE | 4 |

STOP LIGHTS (GRILLE MOUNTED)

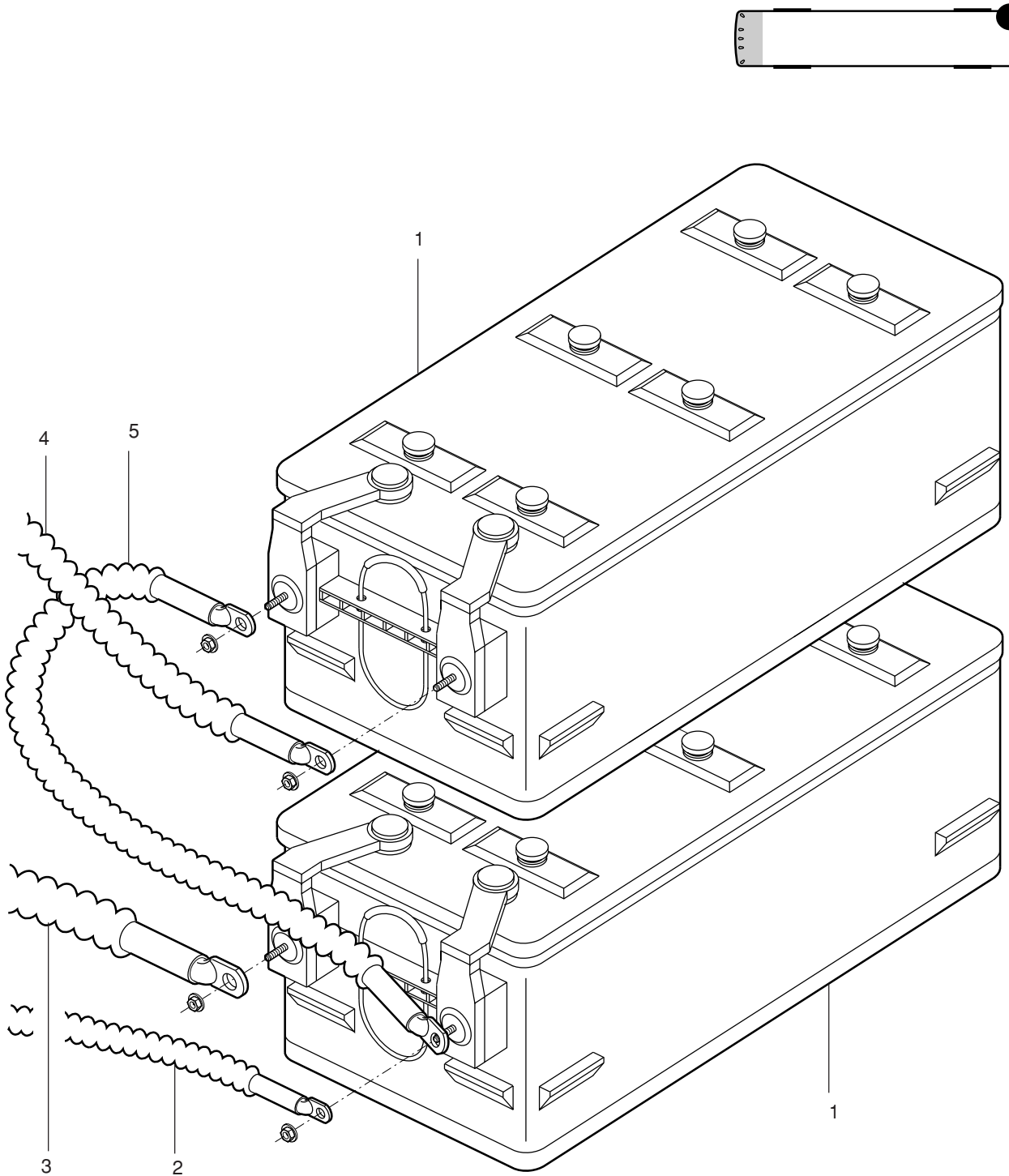


13-0360-0700B
13-001714
13-0360-0700B

BATTERIES AND CABLES

| Item | Part No. | Description | Qty |
|------|--------------|--|-----|
| 1. | 51-14840-017 | BATTERY, 8D-12V 3/8"NEG.-7/16"POS. SIDE STUD | 2 |
| 2. | 50-37082-001 | CABLE, BATTERY | 1 |
| 3. | 50-37096-001 | CABLE, BATTERY, NEGATIVE | 1 |
| 4. | 50-45662-007 | CABLE, BATTERY | 1 |
| | 50-45662-006 | CABLE, BATTERY | 1 |
| 5. | 50-37082-002 | CABLE, BATTERY, JUMPER | 1 |
| | 53-27097-003 | BOOT, STUD PROTECTOR RED - 0.70" CABLE X 1.28" STUD | 4 |
| | 53-27097-008 | BOOT, STUD PROTECTOR YELLOW - 0.70" CABLE X 1.28" STUD | 3 |
| | 53-27097-005 | BOOT, PLUG PROTECTOR RED - JUMP START CONNECTOR | 1 |
| | 55-29750-002 | CLAMP, ASM., CABLE | 1 |
| | 55-29750-001 | BRACKET | 1 |
| | 40-24993-007 | BUS BAR, BATTERY | 1 |
| | 13-47732-000 | CLOSEOUT, LOWER BATTERY SWITCH | 1 |
| | 13-48510-002 | EQUALIZER, BATTERY 100 AMP | 1 |
| | 13-45536-000 | SPACER, POWER CABLE | 2 |

BATTERIES AND CABLES

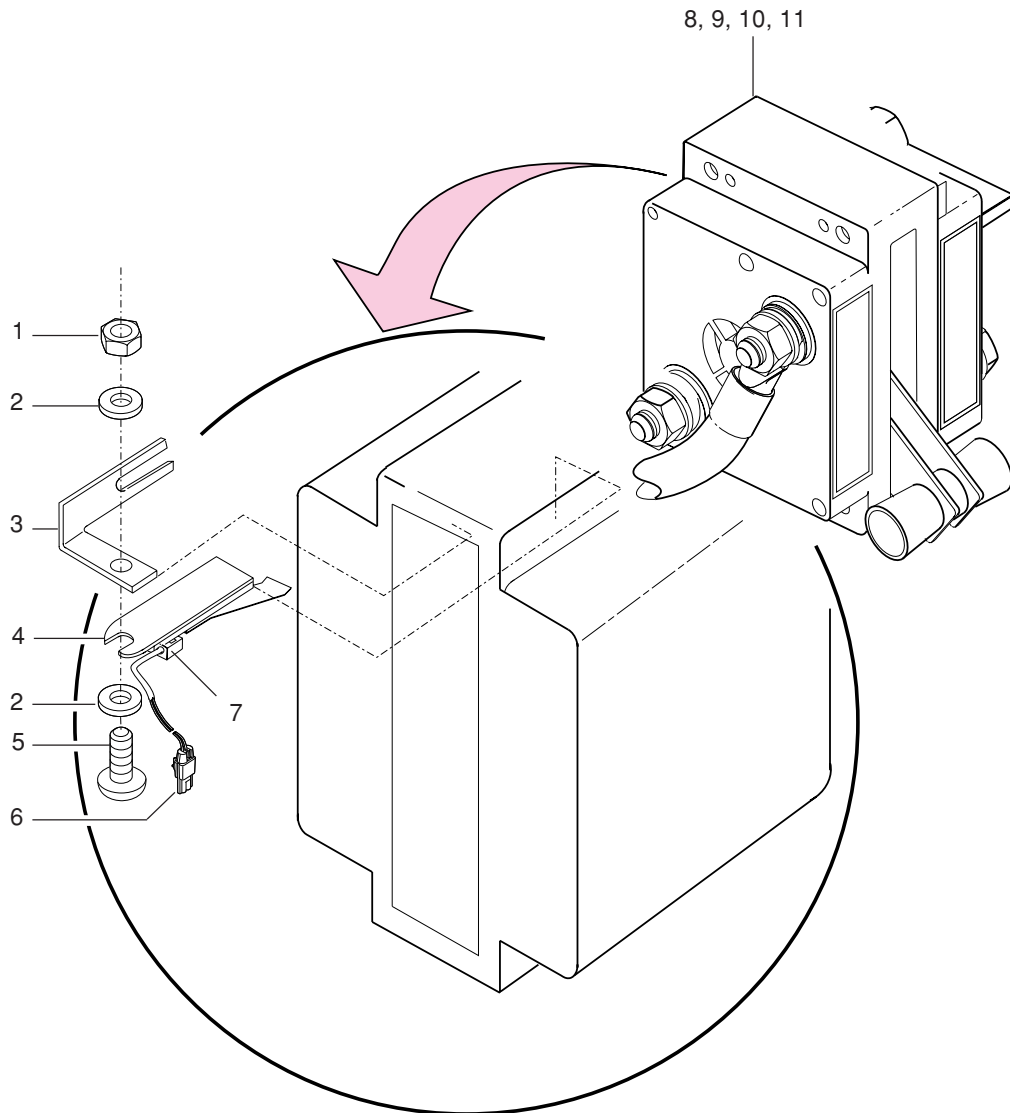
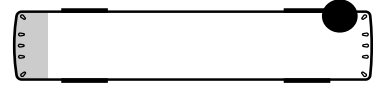


- 13-0400-0700J+(B+A+J)
- 13-000497
- 13-0400-0700J
- 13-0401-0701B
- 13-0402-0701A
- 13-0417-0702J

BATTERY CUT-OFF SWITCH

| Item | Part No. | Description | Qty |
|------|--------------|--|-----|
| 1. | 54-12540-005 | LOCKNUT, NYLOK 1/4"-20 GR5 | 1 |
| 2. | 54-12600-006 | FLATWASHER, 1/4" | 2 |
| | 54-12602-009 | LOCKWASHER, 1/4" | 2 |
| 3. | 40-29030-001 | BRACKET, SWITCH MTG | 1 |
| 4. | 40-29030-000 | BRACKET, ACTUATING ANGLE | 1 |
| 5. | 54-11316-003 | SCREW, HEXHD 1/4"-20 X 1.0" | 2 |
| 6. | 51-16873-007 | CONNECTOR, 2-WAY WEATHERPAK | 1 |
| 7. | 51-29031-000 | MICROSWITCH | 1 |
| 8. | 51-23648-001 | SWITCH, BATTERY POWER CUT-OFF | 1 |
| 9. | 54-13108-031 | LOCKNUT, NYLOCK 1/4-20 SSTL | 4 |
| 10. | 54-13113-089 | BOLT, SPCL 1/4"-20 X 2.50" | 4 |
| 11. | 54-30880-006 | FLATWASHER, 1/4" SSTL | 4 |
| | 13-36904-003 | CLAMP, CABLE .866-1.259 | 1 |
| | 40-36901-000 | BRACKET, SWITCH MTG. CHANNEL | 1 |
| | 40-36906-000 | BRACKET, SWITCH MTG. LOWER | 1 |
| | 40-46947-000 | SPACER, COPPER FUSE | 2 |
| | 13-40785-000 | HOLDER, FUSE | 2 |
| | 51-19332-060 | FUSE, 60 AMP. | 1 |
| | 51-19332-100 | FUSE, 100 AMP. | 1 |
| | 51-19332-125 | FUSE, 125 AMP. | 1 |
| | 50-40605-000 | CABLE, RADIO POWER | 1 |
| | 13-47732-000 | CLOSEOUT, BATTERY SWITCH (LOWER COVER PLATE) | 1 |
| | 54-13111-002 | SCREW, #12-24 X .75" SELF TAPPING TORX DRIVE | 2 |
| | 59-25064-000 | DECAL, BATT. SWITCH | 1 |

BATTERY CUT-OFF SWITCH

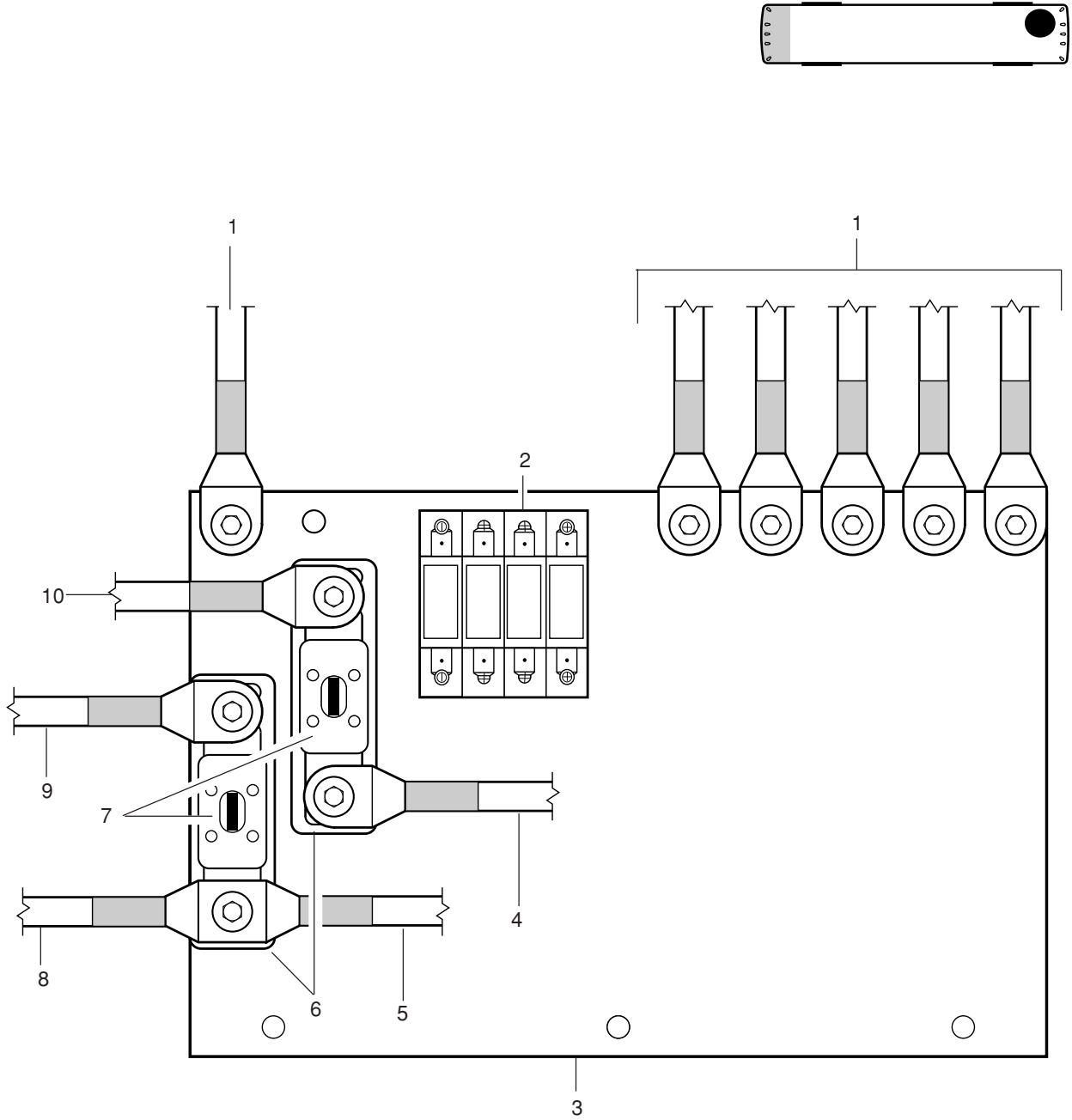


- 13-0400-0700J+(B+A+J)
- 13-001028
- 13-0400-0700J
- 13-0401-0701B
- 13-0402-0701A
- 13-0417-0702J

POWER PANEL, DRIVER'S CONSOLE

| Item | Part No. | Description | Qty |
|------|--------------|---|-----|
| 1. | REF. ONLY | CHASSIS GROUND STUDS | 5 |
| 2. | 13-48003-006 | CIRCUIT BREAKER 2-WAY C.B. MOUNTING | 1 |
| | 13-48003-004 | CIRCUIT BREAKER, 25AMP. | 1 |
| | 13-48003-001 | CIRCUIT BREAKER, 10AMP. | 1 |
| 3. | 13-45879-000 | PANEL, FUSE MTG | 1 |
| 4. | 50-37833-001 | CABLE ASM, CONSOLE | 1 |
| 5. | 50-37833-000 | CABLE ASM, CONSOLE | 1 |
| 6. | 51-50241-000 | BLOCK, FUSE | 2 |
| | 13-40785-000 | HOLDER, BATTERY FUSE | 4 |
| 7. | 51-19332-100 | FUSE, 100 AMP | 2 |
| | 54-30882-005 | NUT, HEX SSTL 1/4"-28 | A/R |
| 8. | 50-37071-016 | CABLE, "DOWN CHASSIS" 24VDC POWER TO REAR PANEL | 2 |
| 9. | 50-37292-004 | CABLE, OVERHEAD POWER 24V POS | 1 |
| 10. | 50-37292-003 | CABLE, OVERHEAD POWER 12V POS | 1 |
| | 50-25352-029 | CABLE ASM, JUMPER 12AWG, TRAN-BATT 10" | 1 |
| | 50-25352-030 | CABLE ASM, JUMPER 12AWG, ENG-BATT 10" | 1 |

POWER PANEL, DRIVER'S CONSOLE

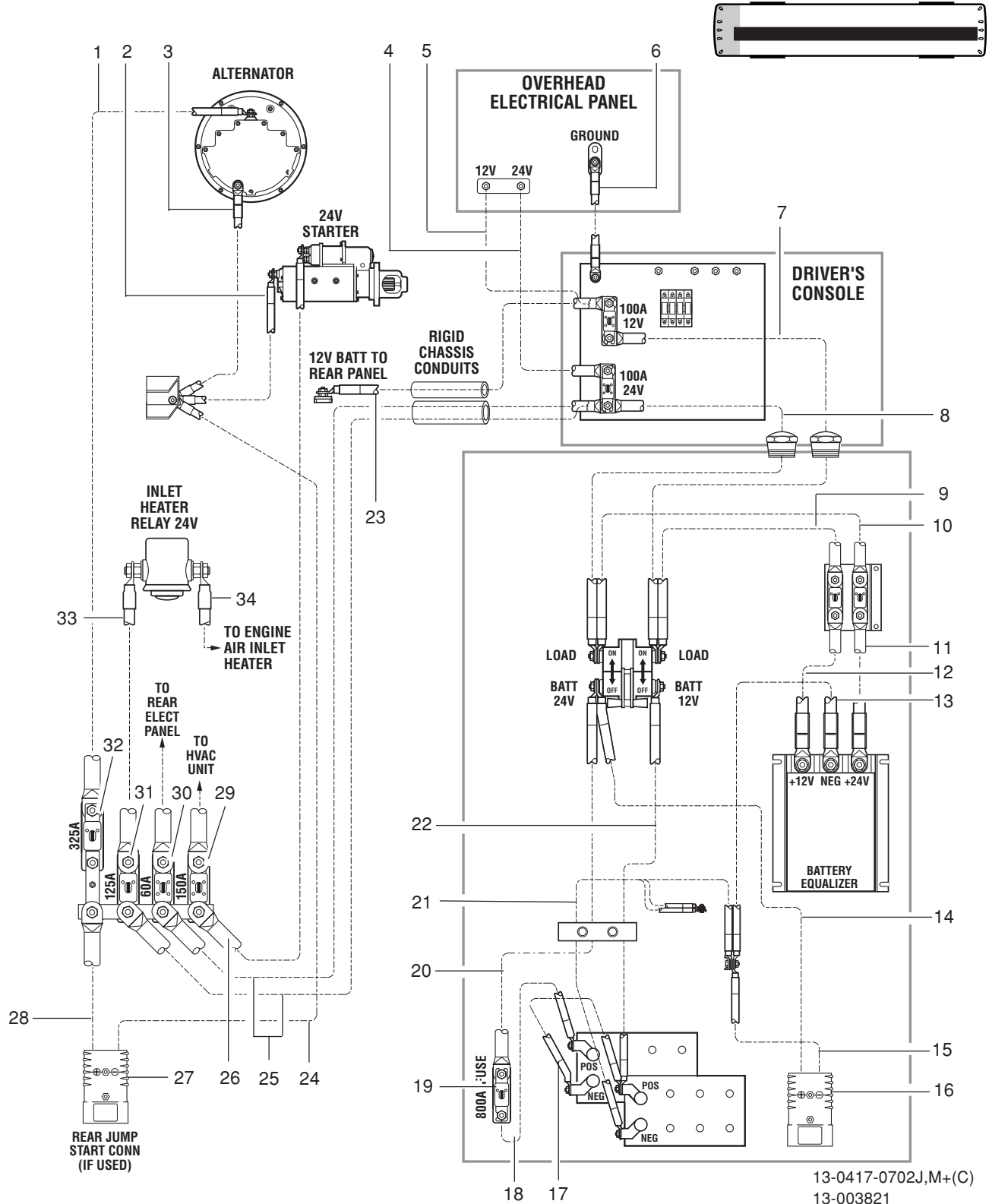


13-0417-0702G
13-003814
13-0417-0702G

BATTERY CABLES

| Item | Part No. | Description | Qty |
|------|--------------|--|-----|
| 1. | 50-19797-053 | CABLE ASM, ALTERNATOR, POSITIVE | 1 |
| | 40-32531-000 | BRACKET, CABLE SUPPORT | 1 |
| 2. | 50-19797-130 | CABLE, STARTER GROUND | 1 |
| 3. | 50-19797-267 | CABLE, ALTERNATOR, NEG | 1 |
| 4. | 50-37292-004 | CABLE, OVERHEAD POWER 24V POS | 1 |
| 5. | 50-37292-003 | CABLE, OVERHEAD POWER 12V POS | 1 |
| 6. | 50-37292-005 | CABLE, OVERHEAD GROUND NEG. | 1 |
| 7. | 50-37833-001 | CABLE ASM, CONSOLE 12 VOLT. | 1 |
| 8. | 50-37833-000 | CABLE ASM, CONSOLE 24 VOLT. | 1 |
| 9. | 50-43988-000 | CABLE ASM, EQUALIZER 12 VOLT. | 1 |
| 10. | 50-43988-001 | CABLE ASM, EQUALIZER 24 VOLT. | 1 |
| 11. | 50-37083-007 | CABLE, EQUALIZER 2GA RED 24VDC | 1 |
| 12. | 50-37083-008 | CABLE, EQUALIZER 2GA RED 12VDC | 1 |
| 13. | 50-37083-001 | CABLE, EQUALIZER 2GA BLACK GROUND | 1 |
| | 13-45810-002 | EQUALIZER, VOLTAGE 12V-24V @ 100AMP. | 1 |
| 14. | 42-21245-020 | CABLE, JUMPER POSITIVE 2/0 RED | A/R |
| 15. | 42-21245-021 | CABLE, JUMPER NEGATIVE 2/0 BLACK | A/R |
| 16. | 50-43623-002 | CABLE, BATT. JUMPER (SERIES CONN.) | A/R |
| 17. | 50-37082-002 | CABLE ASM.BATT. | 1 |
| 18. | 50-45662-007 | CABLE, BATT. POSITVE 4/0 24VDC TO 800AMP. FUSE | 1 |
| 19. | 51-19332-800 | FUSE, 800AMP. | 1 |
| | 51-19332-600 | FUSE, 600AMP. | 1 |
| 20. | 50-45662-006 | CABLE, 24VDC 4/0 RED, FUSE TO BATTERY CUT-OFF SWITCH | 1 |
| 21. | 50-37096-001 | CABLE, BATT NEG. TO GROUND | 1 |
| 22. | 50-37082-001 | CABLE, 12VOLT. POSITIVE TO CUT-OFF SWITCH | 1 |
| 23. | 50-37071-017 | CABLE, "DOWN CHASSIS" 12VDC POWER TO REAR PANEL | 1 |
| 24. | 42-21245-023 | CABLE, REAR JUMP STARTER NEG. | 1 |
| 25. | 50-37071-016 | CABLE, "DOWN CHASSIS" 24VDC POWER TO REAR PANEL | 2 |
| 26. | 50-37201-000 | CABLE, STARTER 24VDC 3/0 GA. POS. | 1 |
| 27. | 50-43623-003 | CABLE ASM., JUMP START (REAR) | 1 |
| 28. | 42-21245-022 | CABLE, REAR JUMP STARTER POS. | 1 |
| 29. | 51-19332-150 | FUSE, 150AMP. | 1 |
| 30. | 51-19332-060 | FUSE, 60AMP. | 1 |
| | 51-19332-125 | FUSE, 125AMP. | 1 |
| 31. | 51-19332-100 | FUSE, 100AMP. | 1 |
| | 51-19332-125 | FUSE, 125AMP. | 1 |
| 32. | 51-19332-325 | FUSE, 325AMP. | 1 |
| 33. | 50-19797-265 | CABLE, INLET HEATER | 1 |
| 34. | 50-19797-180 | CABLE, INLET HEATER | 1 |
| | 53-27097-002 | PROTECTOR, STUD .75" STUD X .50 CABLE | A/R |
| | 53-27097-003 | PROTECTOR, STUD 1.28" STUD X .70 CABLE | A/R |
| | 54-11316-010 | BOLT, 1/4"-20 X 2.75" GR.5 | 2 |
| | 54-12540-005 | NUT, HXHD NYLOCK 1/4"-20 GR.5 | 2 |
| | 54-12600-006 | FLATWASHER 1/4" | 2 |
| | 55-32537-000 | CLAMP, ELECTRICAL | 1 |

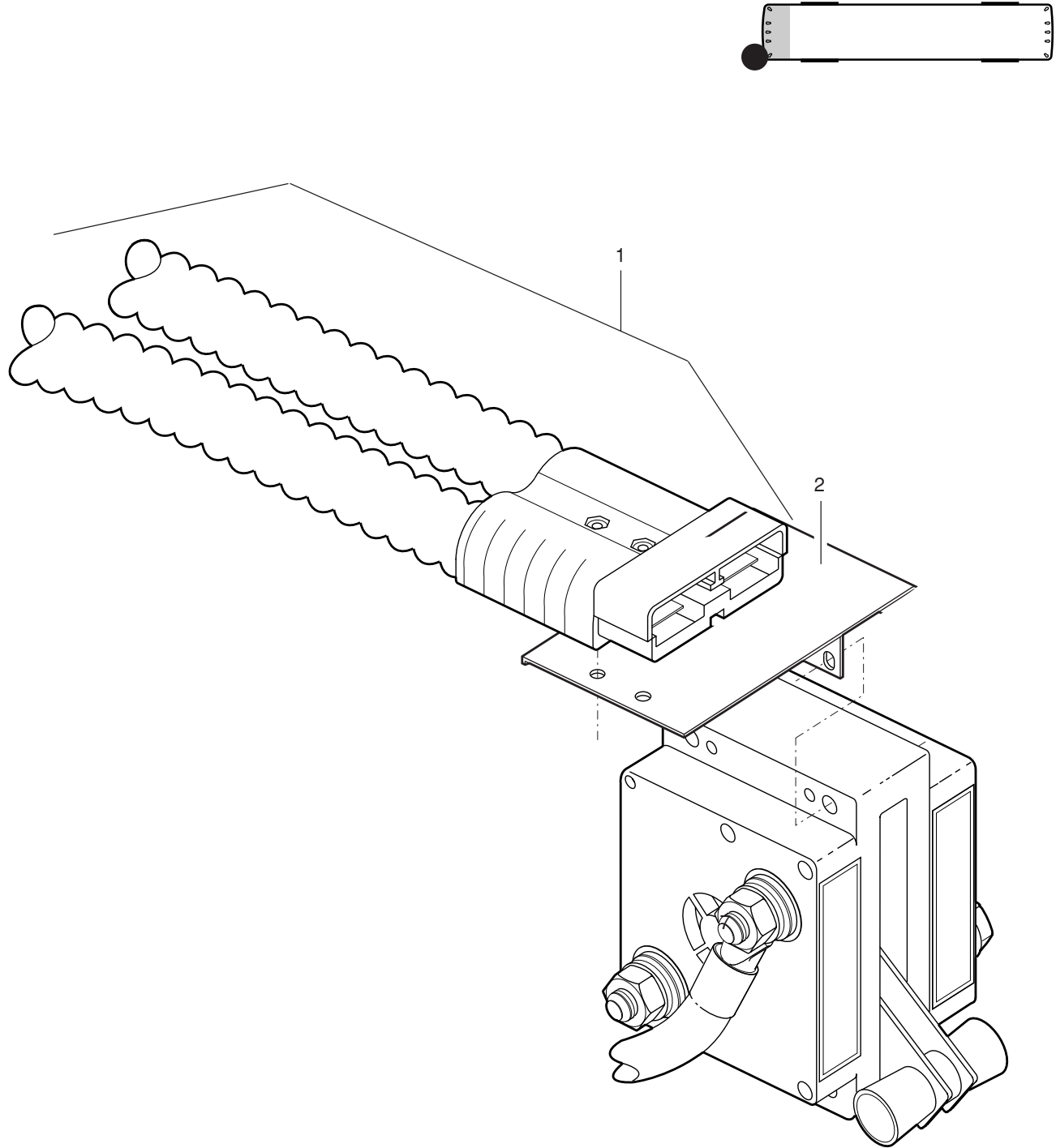
BATTERY CABLES



BATTERY CUT OFF SWITCH AND JUMP START

| Item | Part No. | Description | Qty |
|------|--------------|--------------------------------------|-----|
| 1. | 50-43623-002 | CABLE ASM., JUMPER | 1 |
| 2. | 13-39783-000 | PLATE, JUMP START CONNECTOR MOUNTING | 1 |
| | 13-41057-001 | BRACKET, CONNECTOR MOUNT | 1 |
| | 54-30440-034 | SCREW, PAN HD. CHROME | 2 |
| | 54-12600-006 | WASHER, FLAT (S.A.E. 1/4") | 2 |
| | 54-12540-005 | NUT, NYLON INSERT (1/4"-20) | 2 |

BATTERY CUT OFF SWITCH AND JUMP START

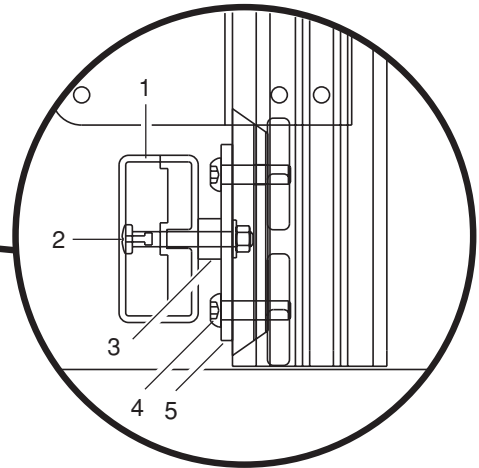
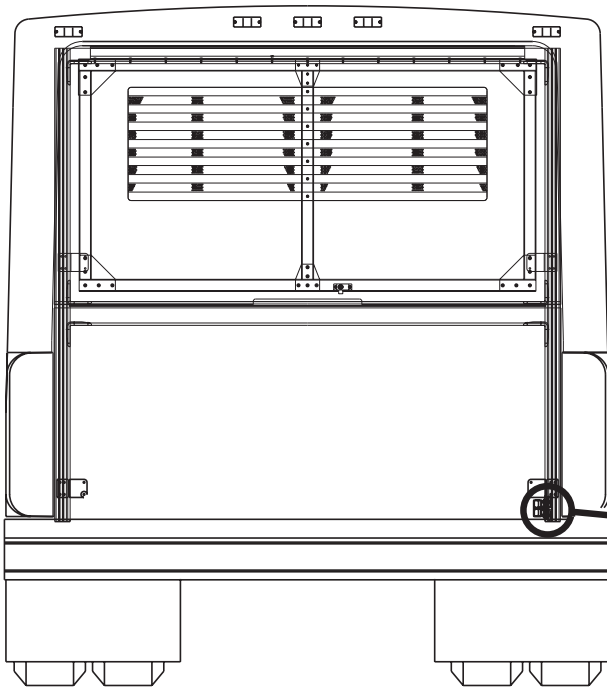
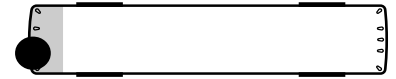


13-0400-0700G
13-002593
13-0400-0700G

JUMP START CONNECTOR

| Item | Part No. | Description | Qty |
|------|--------------|----------------------------------|-----|
| 1. | 50-43623-003 | CABLE ASM, JUMP START | 1 |
| 2. | 54-30440-037 | SCREW, 1/4"-20 X 2.5" PANHD SSTL | 2 |
| | 54-12540-005 | LOCKNUT, NYLOK 1/4-20 GR5 | 2 |
| | 54-12600-006 | FLATWASHER, 1/4" | 2 |
| 3. | 54-13117-001 | SPACER, 0.42ID X 0.67OD X 0.38LG | 2 |
| 4. | 54-37359-002 | BOLT, BUTTON TORX HEAD M8 X 20MM | 2 |
| 5. | 13-41057-000 | BRACKET-CONNECTOR MTG. | 1 |
| | 53-27097-005 | PROTECTOR, STUD | 2 |
| | 54-37358-000 | NUT PLATE, COBOLT M8 | 2 |

JUMP START CONNECTOR



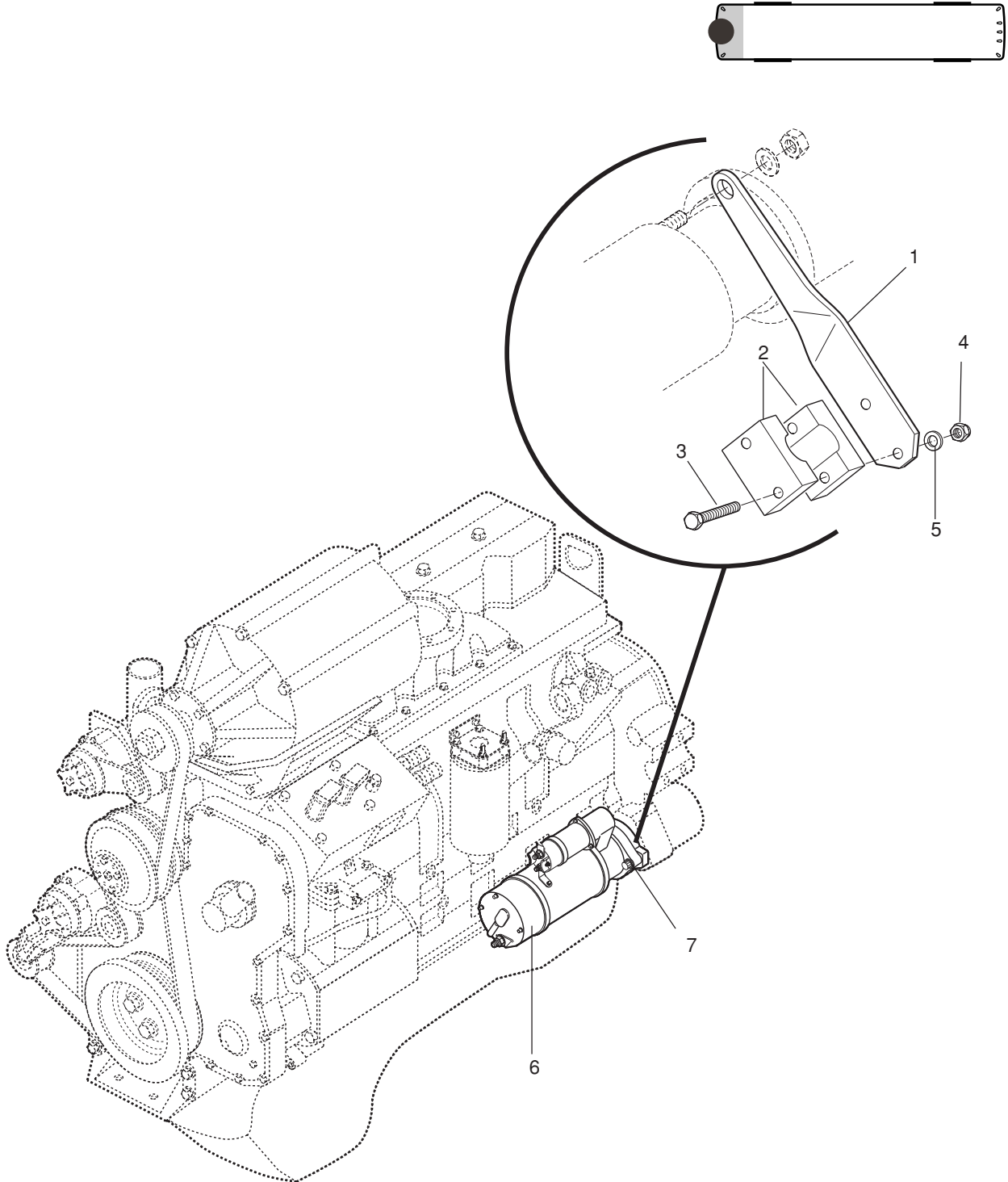
13-0400-0700H
13-002395
13-0420-0700H

STARTER MOUNTING

| Item | PartNo. | Description | Qty |
|------|--------------|--|-----|
| 1. | 40-32531-000 | BRACKET, CABLE SUPPORT | 1 |
| 2. | 55-32537-000 | CLAMP, ELECT CABLE | 1 |
| 3. | 54-11316-010 | BOLT, 1/4"-20 X 2.75" GR. 5 | 2 |
| 4. | 54-12540-005 | NUT, NYLOCK 1/4"-20 GR. 5 | 2 |
| 5. | 54-12600-006 | FLATWASHER, 1/4" | 2 |
| 6. | 53-19322-026 | STARTER ASM, 24V (SEE FOLLOWING PGS FOR BREAKDOWN) | 1 |
| 7. | 54-13113-055 | BOLT, SPECIAL M12 - 1.75 X 50MM MOUNTING | 3 |
| | 50-19797-130 | CABLE ASM, BATTERY POWER 20.0"BLACK | 1 |
| | 50-37201-000 | CABLE ASM, STARTER 3.0 GAUGE | 1 |
| | 53-27097-002 | PROTECTOR, RUBBER BOOT RED .75" STUD X .50" CABLE | 1 |
| | 53-27097-003 | PROTECTOR, RUBBER BOOT RED 1.28" STUD X .70" CABLE | 1 |

NOTE: FOR ELECTRICAL CABLE ROUTING SEE SCHEMATICS MANUAL.

STARTER MOUNTING

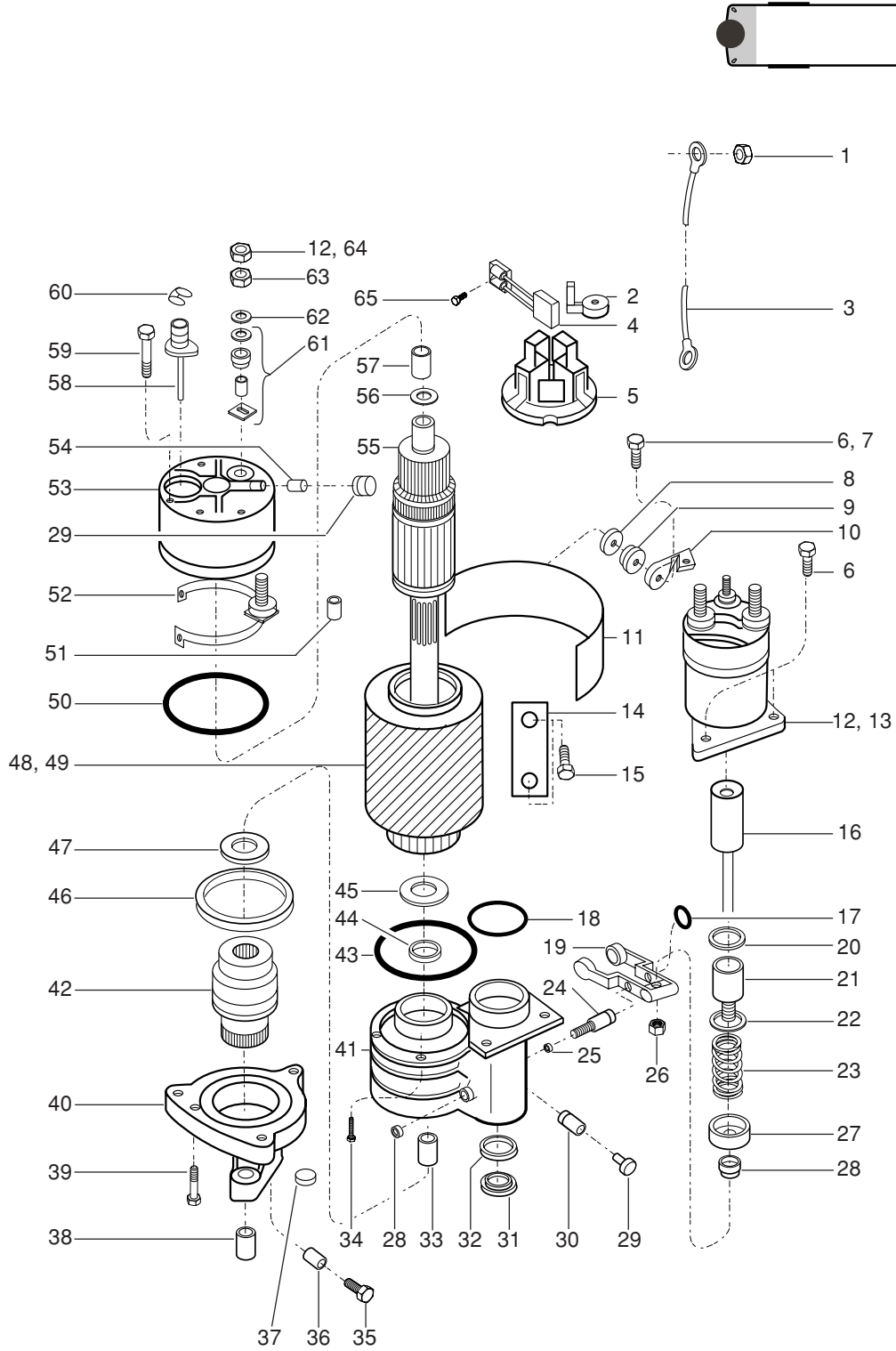


13-0426-0700E+C (-026)
13-004113
13-0426-0700E
13-0428-0700C

STARTER INTERNAL COMPONENTS

| Item | PartNo. | Description | Qty |
|--------------------------|--------------|-------------------------------------|-----|
| 1. | 82-16311 | NUT ASM, SHUNT | 1 |
| 2. | 82-16271 | SPRING, BRUSH | 4 |
| 3. | 82-16267 | LEAD, CE TERM | 1 |
| 4. | 82-16270 | BRUSH, STARTER MOTOR | 4 |
| 5. | 82-16269 | PLATE ASM, BRUSH | 1 |
| 6. | 82-16277 | SCREW, CONNECTOR | 2 |
| 7. | 82-16205 | FLATWASHER | 1 |
| 8. | 82-16275 | INSULATOR, FLD COIL (INSIDE FRAME) | 1 |
| 9. | 82-16276 | INSULATOR, FLD TERM (OUTSIDE FRAME) | 1 |
| 10. | 82-14595 | CONNECTOR, FLD TERM TO SWITCH | 1 |
| 11. | 82-16273 | INSULATOR, FIELD COIL | 1 |
| 12. | 82-16266 | NUT, W/WASHER | 2 |
| 13. | 82-08346-000 | SWITCH, SOLENOID | 1 |
| 14. | 82-16278 | SHOE, POLE | 4 |
| 15. | 82-21221-001 | SCREW, POLE SHOE | 8 |
| 16. | 82-14593 | PLUNGER, SOLENOID | 1 |
| 17. | 82-16296 | O-RING, SHAFT (1/2" OD) | 1 |
| 18. | 82-16289 | O-RING, LEVER/HSG/SWITCH | 1 |
| 19. | 82-16293 | LEVER ASM, SHIFT | 1 |
| 20. | 82-10428-000 | FLATWASHER | 1 |
| 21. | 82-16305 | BOOT, PLUNGER | 1 |
| 22. | 82-16306 | RETAINER, SPRING (1-13/64 HOLE) | 1 |
| 23. | 82-16307 | SPRING, PLUNGER | 1 |
| 24. | 82-16294 | SHAFT, SHIFT LEVER | 1 |
| 25. | 82-16295 | O-RING, SHAFT (3/8" OD) | 1 |
| 26. | 82-16310 | NUT, ADJ ROD | 1 |
| 27. | 82-21221-005 | RETAINER, SPRING (13/32 HOLE) | 1 |
| 28. | 82-16297 | SNAPRING, PLUNGER | 2 |
| 29. | 82-16260 | CUP, OIL RESERVOIR | 3 |
| 30. | 82-16285 | WICK, OIL | 3 |
| 31. | 82-16290 | PLUG, LEVER HSG | 1 |
| 32. | 82-16291 | GASKET, INSPECTION PLUG | 1 |
| 33. | 82-16284 | BUSHING, LEVER HSG | 1 |
| 34. | 82-16292 | SCREW, LEVER HSG MTG | 5 |
| 35. | 82-21221-002 | CUP, OIL RESERVOIR | 3 |
| 36. | 82-16300 | WICK, OIL | 3 |
| 37. | 82-16302 | PLUG, DRIVE HSG | A/R |
| 38. | 82-16299 | BUSHING, DRIVE HSG | 1 |
| 39. | 82-16303 | SCREW, DRIVE HSG MTG | 6 |
| 40. | 82-21221-007 | HOUSING, DRIVE | 1 |
| (CONTINUED ON NEXT PAGE) | | | |

STARTER INTERNAL COMPONENTS

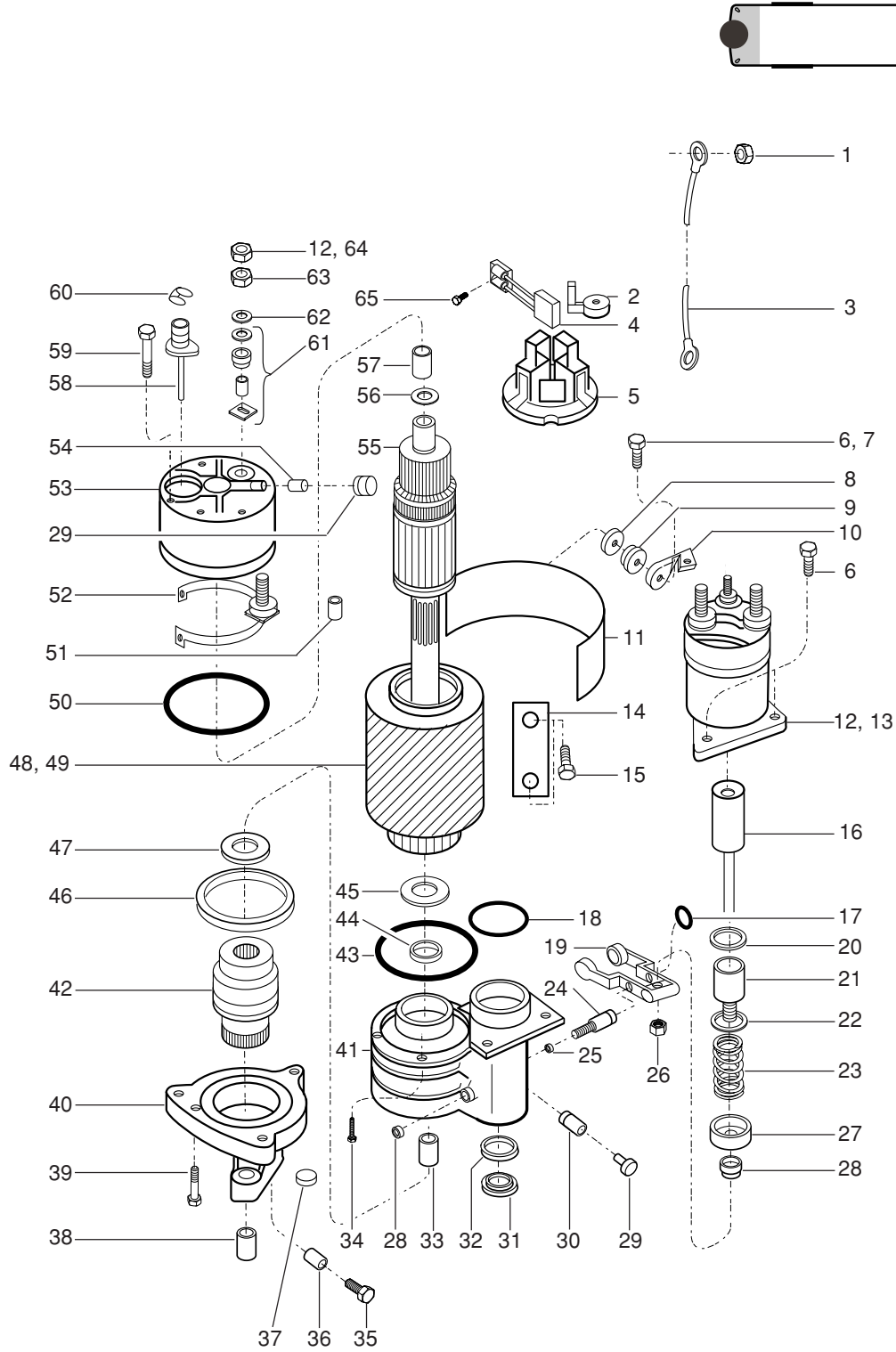


13-0426-0700E+C (-026)
 13-000873
 13-0426-0700E
 13-0428-0700C

STARTER INTERNAL COMPONENTS (continued)

| Item | PartNo. | Description | Qty |
|------|--------------|--|-----|
| | | (CONTINUED FROM PREVIOUS PAGE) | |
| 41. | 82-21221-006 | HSG ASM, LEVER | 1 |
| 42. | 82-18985-000 | MOTOR ASM, DRIVE | 1 |
| 43. | 82-16288 | O-RING, FRAME/LEVER HSG | 1 |
| 44. | 82-16286 | SEAL, LEVER HSG | 1 |
| 45. | 82-16282 | SPACER, ARMATURE/LEVER HSG | 1 |
| 46. | 82-16301 | O-RING, DRIVE/LEVER HSGS | 1 |
| 47. | 82-16287 | WASHER, BRAKE | 1 |
| 48. | 82-14594 | COIL ASM, FIELD (4 COILS) | 1 |
| 49. | 82-16276 | INSULATOR, FLD COIL (DE) | 1 |
| 50. | 82-16280 | O-RING, MOTOR FRAME | 1 |
| 51. | 82-16274 | PIN, SPRING (IN FRAME) | 2 |
| 52. | 82-16261 | TERMINAL ASM, W/LEAD | 1 |
| 53. | 82-16257 | FRAME, STARTER CE | 1 |
| 54. | 82-16259 | WICK, OIL | 3 |
| 55. | 82-14596 | ARMATURE, STARTER MOTOR | 1 |
| 56. | 82-16281 | WASHER, CE THRUST | 1 |
| 57. | 82-16258 | BUSHING, CE | 1 |
| 58. | 82-16262 | THERMOSTAT ASM, W/CONNECTOR | 1 |
| 59. | 82-16268 | SCREW, W/WASHER | 4 |
| 60. | 82-16263 | SNAPRING, THERMOSTAT | 1 |
| 61. | 82-16264 | KIT, CE TERMINAL INSULATION | 1 |
| 62. | 82-16204 | FLATWASHER | 1 |
| 63. | 82-16186 | LOCKWASHER | 1 |
| 64. | 54-12536-009 | NUT, HXHD 1/2-13 GR5 | 1 |
| 65. | 82-16262 | SCREW, BRUSH LEAD | 4 |
| | 82-16312 | KIT, BRUSH (ITEMS 2, 4, 50, 59, & 65) | |
| | 82-16313 | KIT, BUSHING (ITEMS 18, 26, 29, 30, 32, 33, 35, 36, 38, 43 - 47, 50, 54, 56, 57, & 59) | |
| | 82-16314 | KIT, SHIFT LEVER (ITEMS 17 - 19, 24 - 26, 28, 32, & 46) | |

STARTER INTERNAL COMPONENTS (continued)

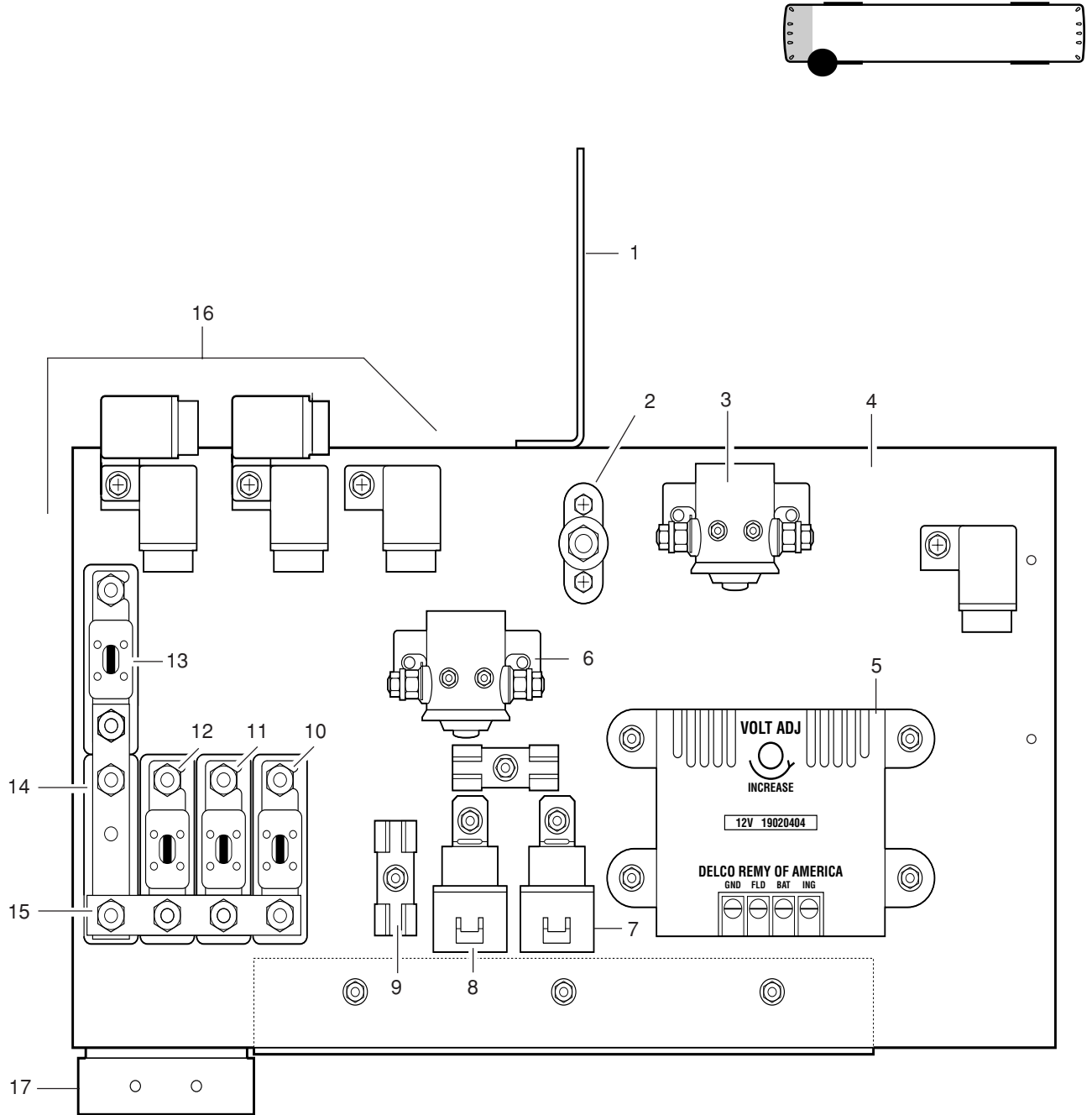


13-0426-0700E+C (-026)
 13-000873
 13-0426-0700E
 13-0428-0700C

VOLTAGE REGULATOR AND BATTERY FUSE BRACKET

| Item | Part No. | Description | Qty |
|------|--------------|---|-----|
| 1. | 13-42222-001 | BRACKET, 4-HOLE CONNECTOR MOUNTING | 1 |
| 2. | 51-42853-000 | INSULATED STUD, 12VOLT | 1 |
| 3. | 51-21794-004 | SOLENOID, MAGNETIC, STARTER | 1 |
| 4. | 13-38644-000 | PANEL, BATTERY FUSE MOUNTING | 1 |
| 5. | 51-25517-009 | VOLTAGE REGULATOR | 1 |
| 6. | 51-21794-005 | SOLENOID, MAGNETIC, ENGINE PRE-HEAT | 1 |
| 7. | 51-49741-003 | RELAY, SINGLE POLE AROMAT 24 VOLT | 1 |
| 8. | 51-49741-002 | RELAY, SINGLE POLE AROMAT 12 VOLT | 1 |
| 9. | 51-22881-003 | BRACKET, REGULATOR FUSE | 1 |
| | 51-22880-004 | FUSE, 9AMP. CERAMIC | 1 |
| 10. | 51-19332-150 | FUSE, 150 AMP. | 1 |
| 11. | 51-19332-060 | FUSE, 060 AMP. | 1 |
| 12. | 51-19332-125 | FUSE, 125 AMP. | 1 |
| 13. | 51-19332-325 | FUSE, 325 AMP. ALTERNATOR | 1 |
| 14. | 13-40785-000 | BLOCK, INSULATED FUSE BUSS | 5 |
| | 13-50241-000 | BLOCK FUSE | 5 |
| | 13-45849-000 | BUSS BAR, ALT FUSE 4.16" X .88" COPPER | 1 |
| | 13-45850-000 | SPACER, ALT FUSE BUSS BAR 3.25" X 1.0" COPPER | 1 |
| 15. | 13-37184-002 | HOLDER, FUSE BUSS BAR 4.00" X .88" COPPER | 1 |
| 16. | REF. ONLY | FUSES & RELAYS SUPPLIED WITH ENGINE HARNESS | A/R |
| | 51-17286-003 | FUSE, BLADE-TYPE 5AMP. TAN | A/R |
| | 51-17286-007 | FUSE, BLADE-TYPE 20AMP. YELLOW | A/R |
| 17. | 13-41281-000 | BRACKET, CABLE SUPPORT | 1 |
| | 13-41282-000 | BLOCK, CABLE RETAINER TOP | 1 |
| | 13-41282-001 | BLOCK, CABLE RETAINER BOTTOM | 1 |
| | 13-41278-000 | CAP, CABLE RETAINER BLOCK | 1 |
| | 54-14444-006 | SCREW, HEX SLOTTED #10 X 3/4" | 1 |
| | 54-14444-011 | SCREW, HEX SLOTTED #10 -24X 2.0" | 2 |
| | 54-14448-006 | SCREW, HEX SLOTTED #1/4"-20 X .75" | 3 |
| | 54-12540-003 | LOCKNUT, NYLOCK 10-24 GR.5 | 2 |
| | 54-12540-005 | LOCKNUT, NYLOCK 1/4"-20 GR.5 | 3 |
| | 54-12600-006 | FLATWASHER, 1/4" | 3 |
| | 54-12600-007 | FLATWASHER, 5/16" | 2 |
| | 50-19797-265 | CABLE, ASM, BATT/PWR 46.00 BLACK | 1 |
| | 50-19797-053 | CABLE, ASM, BATT/PWR 54.00 RED | 1 |
| | 50-19797-267 | CABLE, ASM, BATT/PWR BLACK | 1 |
| | 51-25517-006 | ALTERNATOR, 50DN 24VDC 270AMP. | 1 |

VOLTAGE REGULATOR AND BATTERY FUSE BRACKET



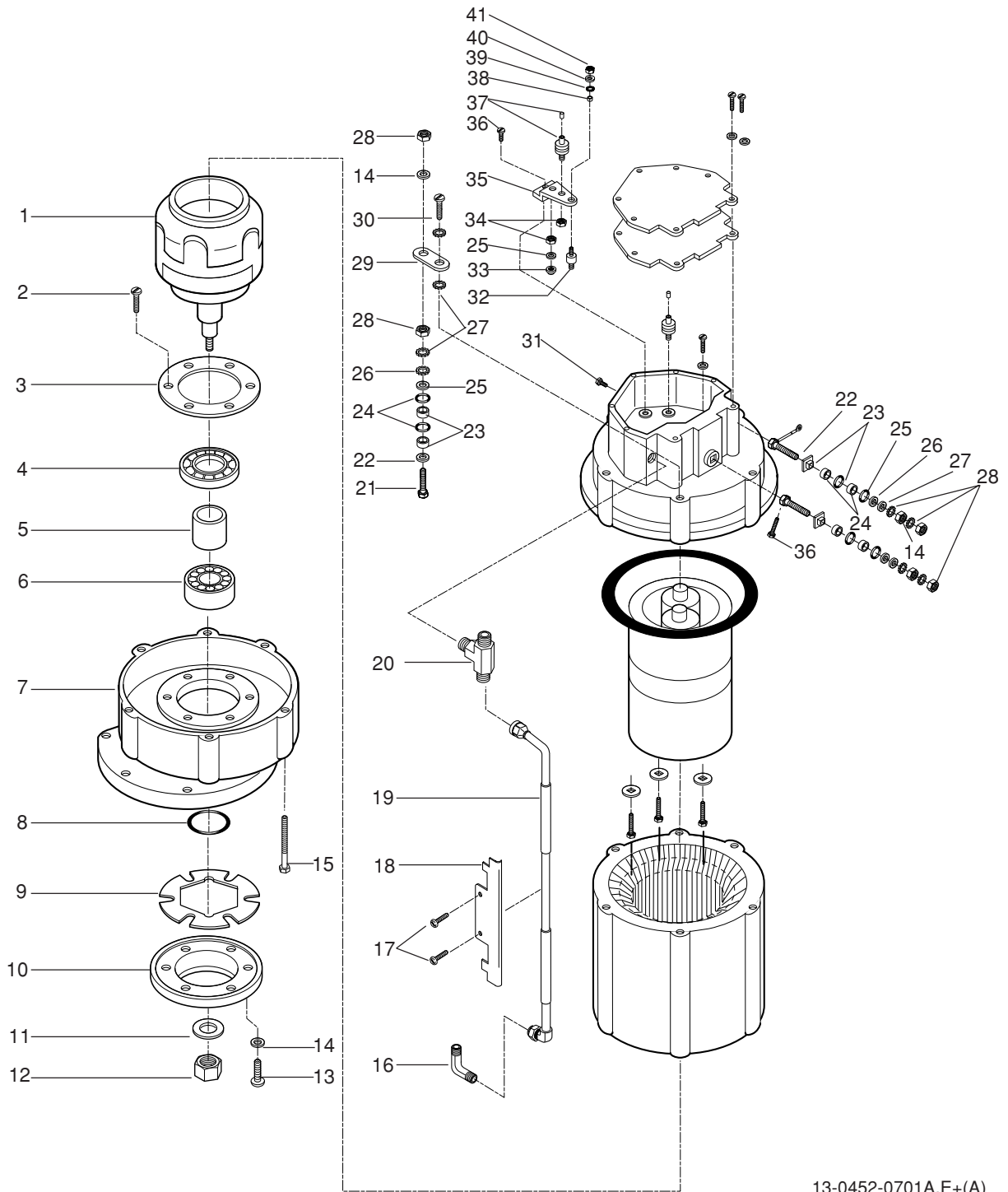
13-0452-0701A,E+(A)
13-003938
13-0452-0701A, E
13-0100-0701A

ALTERNATOR INTERNAL COMPONENTS

| Item | Part No. | Description | Qty |
|------|--------------|--------------------------|-----|
| 1. | 82-16164 | ROTOR ASM, ALTERNATOR | 1 |
| 2. | 82-16195 | SCREW, RETAINER PLATE | 6 |
| 3. | 82-04228-007 | PLATE, BRG RETAINER | 1 |
| 4. | 82-10284-001 | BRG, INNER BALL | 1 |
| 5. | 82-14586 | SPACER, BRG | 1 |
| 6. | 82-10284-000 | BRG, OUTER ROLLER | 1 |
| 7. | 82-10584-007 | FRAME ASM, DRIVE END | 1 |
| 8. | 82-16181 | O-RING | 1 |
| 9. | 82-10584-000 | GASKET, RETAINER | 1 |
| 10. | 82-10584-001 | PLATE, RETAINER | 1 |
| 11. | 82-16212 | WASHER, SHAFT NUT | 1 |
| 12. | 82-10584-002 | NUT, SHAFT | 1 |
| 13. | 82-16194 | SCREW, RETAINER | 6 |
| 14. | 82-16182 | LOCKWASHER | 8 |
| 15. | 82-16196 | SCREW, FRAME MTG | 6 |
| 16. | 82-16208 | ELBOW, OIL LINE DE | 1 |
| 17. | 82-16200 | SCREW, OIL LINE CLAMP | 2 |
| 18. | 82-04228-005 | CLAMP, OIL LINE | 1 |
| 19. | 82-13748-000 | TUBE, OIL LINE | 1 |
| 20. | 82-10440-000 | TEE, OIL LINE (RECT END) | 1 |
| 21. | 82-16176 | STUD, FLD TERM | 1 |
| 22. | 82-16202 | WASHER, INSUL | 2 |
| 23. | 82-14582 | SLEEVE, INSUL | 4 |
| 24. | 82-14583 | O-RING, TERMINAL | 4 |
| 25. | 82-14581 | WASHER, INSUL | 3 |
| 26. | 82-16205 | WASHER, PLAIN | 2 |
| 27. | 82-16185 | LOCKWASHER, TERM | 3 |
| 28. | 82-16190 | NUT, TERMINAL | 4 |
| 29. | 82-16207 | CONNECTOR | 1 |
| 30. | 82-16197 | SCREW, W/LOCKWASHER | 6 |
| 31. | 82-16211 | PLUG, 1/4" NPT | 1 |
| 32. | 82-14587 | STUD, RECT BRKT | 1 |
| 33. | 82-14588 | WASHER, INSUL | 1 |
| 34. | 82-16188 | NUT, W/WASHER | 2 |
| 35. | 82-16174 | BRKT, RECTIFIER | 1 |
| 36. | 82-16198 | SCREW, W/WASHER | 2 |
| 37. | 82-14576 | RECTIFIER | 1 |
| 38. | 82-16175 | SPACER, RECT BRKT | 1 |
| 39. | 82-16184 | LOCKWASHER | 1 |
| 40. | 82-16203 | WASHER, PLAIN | 1 |
| 41. | 82-16189 | NUT, 10-32 | 1 |

(CONTINUED ON FOLLOWING PAGE)

ALTERNATOR INTERNAL COMPONENTS

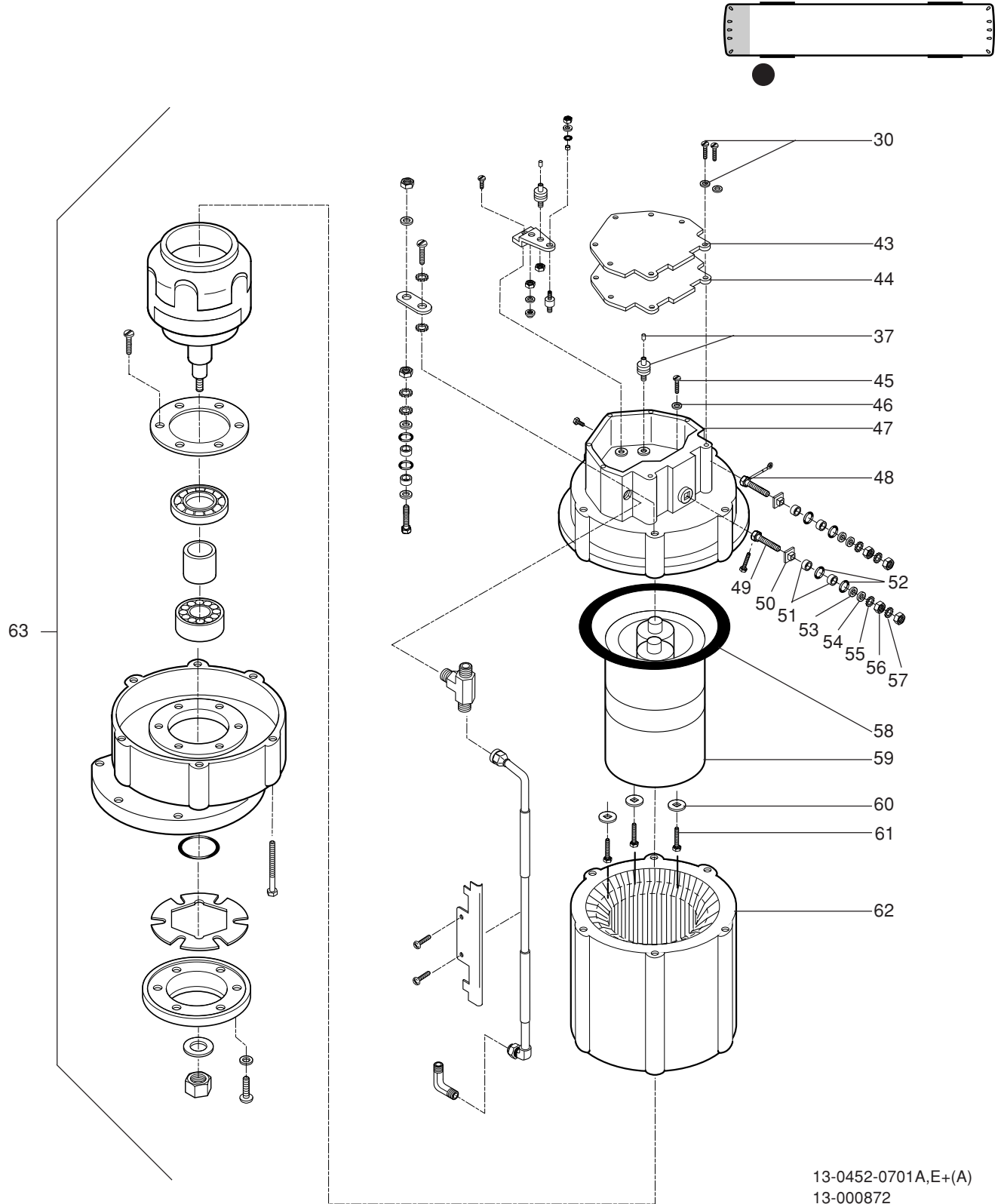


13-0452-0701A,E+(A)
13-000872
13-0452-0701A, E
13-0100-0701A

ALTERNATOR INTERNAL COMPONENTS (CONTINUED)

| Item | Part No. | Description | Qty |
|--------------------------------|--------------|--|-----|
| (CONTINUED FROM PREVIOUS PAGE) | | | |
| 43. | 82-16171 | COVER, RECT END' | 1 |
| 44. | 82-04228-006 | GASKET, COVER | 1 |
| 45. | 82-16199 | SCREW | 1 |
| 46. | 82-16183 | LOCKWASHER | 1 |
| 47. | 82-16172 | FRAME ASM, RECT END | 1 |
| 48. | 82-16178 | STUD, RELAY TERM | 1 |
| 49. | 82-16179 | STUD, OUTPUT TERM | 1 |
| 50. | 82-14589 | WASHER, INSUL (OUTPUT TERM) | 1 |
| 51. | 82-14585 | SLEEVE, INSUL (DC TERM) | 2 |
| 52. | 82-16209 | O-RING, DC TERM | 2 |
| 53. | 82-16201 | WASHER, INSUL (DC TERM) | 1 |
| 54. | 82-16204 | WASHER, PLAIN (DC TERM) | 1 |
| 55. | 82-16187 | LOCKWASHER, EXT TOOTH | 1 |
| 56. | 82-16192 | NUT, OUTPUT TERM | 1 |
| 57. | 82-16168 | LOCKWASHER, TERM | 1 |
| 58. | 82-16180 | O-RING, STATOR | 1 |
| 59. | 82-08789-000 | FIELD ASM | 1 |
| 60. | 82-14584 | WASHER, INSUL (SQUARE HOLE) | 3 |
| 61. | 82-16177 | STUD, FLD TERM | 3 |
| 62. | 82-17961-000 | STATOR ASM | 1 |
| 63. | 51-25517-006 | ALTERNATOR, 50DN 24VDC 270AMP. | 1 |
| | 82-27080-000 | REPAIR KIT, MASTER (LESS BEARINGS, DIODE & OIL LINE) | 1 |

ALTERNATOR INTERNAL COMPONENTS (CONTINUED)

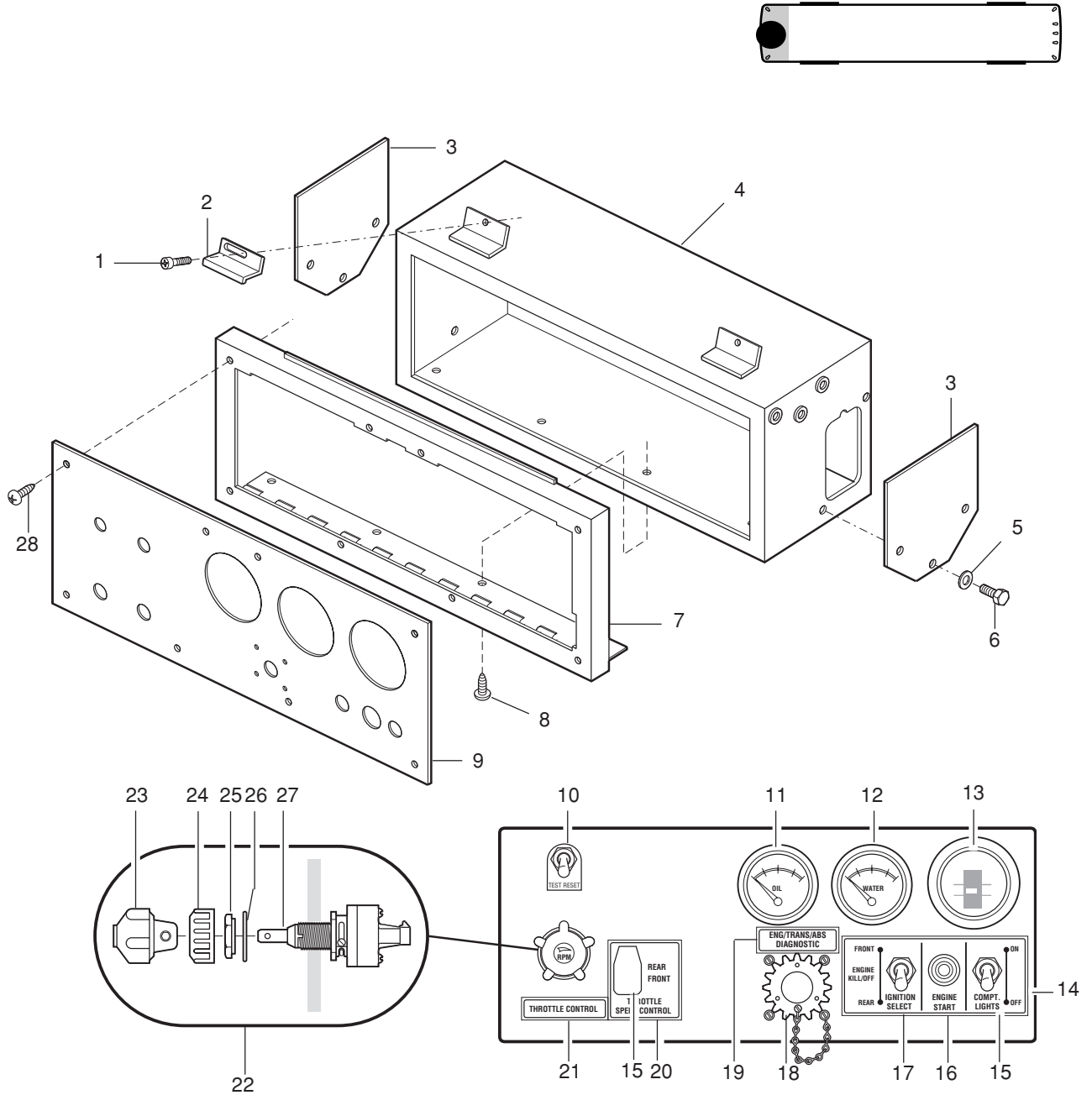


13-0452-0701A,E+(A)
13-000872
13-0452-0701A, E
13-0100-0701A

REAR RUN BOX

| Item | Part No. | Description | Qty |
|------|--------------|--------------------------------------|-----|
| 1. | 54-09120-001 | FASTENER, SPRING NUT | 2 |
| 2. | 54-46769-000 | CLAMP, COVER | 2 |
| 3. | 13-46514-000 | BRACKET ASM, REAR RUN BOX, LH/RH | 2 |
| 4. | 13-46422-000 | BOX ASM, REAR RUN | 1 |
| 5. | 54-12600-006 | FLATWASHER, 1/4" | 10 |
| | 54-12602-009 | LOCKWASHER, 1/4" | 10 |
| 6. | 54-11316-002 | BOLT, HXHD, 1/4"-20 X .75" GR5 | 10 |
| 7. | 13-45432-000 | COVER, FRAME, REAR RUN BOX | 1 |
| | 13-45433-000 | HINGE, REAR RUN BOX DOOR | 1 |
| 8. | 54-14289-03Z | SCREW, #10-32 X .38" PAN HD. TAPPING | 6 |
| 9. | 13-45430M004 | PANEL, INSTRUMENT FACE | 1 |
| 10. | 51-02164-025 | SWITCH, TOGGLE "TEST/RESET" | 1 |
| 11. | 51-22968-032 | GAUGE, OIL | 1 |
| | 51-22968-022 | SENDER, OIL PRESSURE | 1 |
| | 55-00274-001 | FITTING, MANIFOLD | 1 |
| 12. | 51-22968-029 | GAUGE, WATER | 1 |
| | 51-22968-021 | SENDER, WATER | 1 |
| 13. | 13-42889-002 | GAUGE, TRANS FLUID LEVEL W/SENSOR | 1 |
| | 50-48437-000 | HARNESS, TRANS OIL LEVEL GAUGE | 1 |
| | 50-48437-001 | HARNESS, TRANS OIL LEVEL GAUGE | 1 |
| | 13-36904-005 | CLAMP, CABLE | 1 |
| 14. | 59-28251-000 | DECAL, REAR RUN SWITCHES | 1 |
| 15. | 51-02164-012 | SWITCH, TOGGLE SPDT | 2 |
| | 51-13512-000 | BOOT, TOGGLE SWITCH | 2 |
| 16. | 51-00100-000 | SWITCH, PUSH BUTTON | 2 |
| | 51-10141-000 | GUARD, RUBBER SHIELD FOR PUSH BUTTON | 1 |
| 17. | 51-02164-015 | SWITCH, TOGGLE, 3PDT | 1 |
| 18. | 51-36164-021 | PLUG, ABS DIAGNOSTIC | 1 |
| | 51-26164-025 | CONNECTOR, CAP | 1 |
| | 54-15201-002 | CHAIN, #14, BRASS | A/R |
| | 54-13111-002 | SCREW, #12-24 X .50 | 2 |
| | 54-12540-001 | NUT, #6-32 GR5 | 2 |
| | 54-14284-04Z | SCREW, #6-32 X .50 | 2 |
| 19. | 59-39573-000 | DECAL, ABS DIAGNOSTIC | 1 |
| 20. | 59-22467-001 | DECAL, THROTTLE SPEED CONTROL | 1 |
| | 51-02128-002 | GUARD, TOGGLE SWITCH | 1 |
| 21. | 59-35932-000 | DECAL, THROTTLE CONTROL | 1 |
| 22. | 51-22466-001 | CONTROL ASM, ENG RPM SPEED | 1 |
| 23. | 82-14919-001 | KNOB ASM, W/BOOT | 1 |
| | 82-14919-005 | SCREW, SET | 1 |
| 24. | 82-14919-002 | NUT, TENSION SEAL | 1 |
| 25. | 82-14919-004 | NUT, JAM, .75-16 | 1 |
| 26. | 82-14919-003 | LOCKWASHER, INTERNAL TOOTH | 1 |
| 27. | 82-19579-000 | SEAL, NUT | 1 |
| 28. | 54-14275-03Z | SCREW, MACHINE #10-31 X .38" PHCR | A/R |

REAR RUN BOX

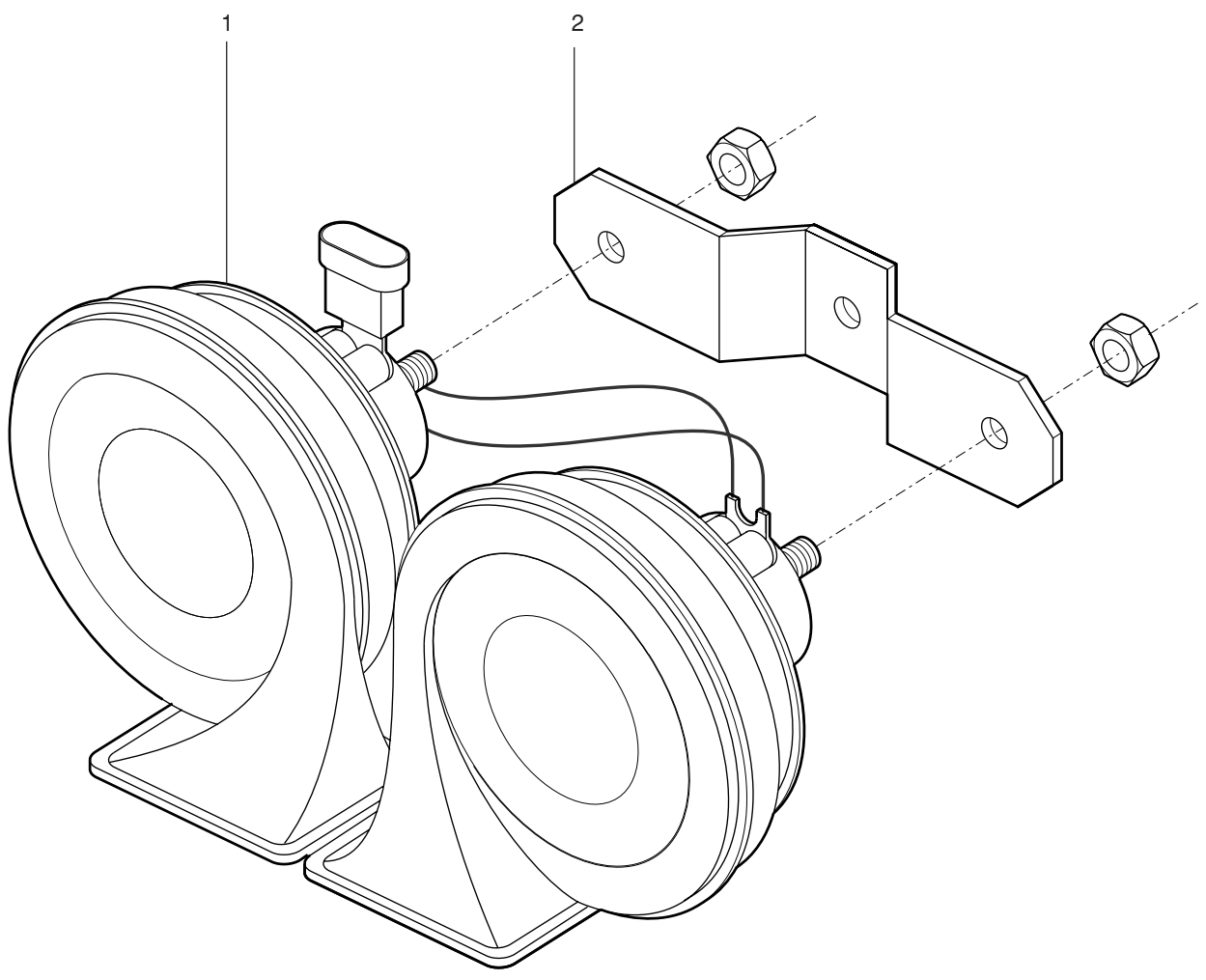
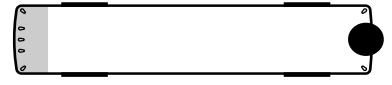


- 13-0502-
- 0704A+(AB+B,F,H+Q,R,V+A)
- 13-004175
- 13-0502-0704A
- 13-0503-0701AB
- 13-0505-0700B, F, H
- 13-0515-0700Q, R, V
- 13-0611-0700A

ELECTRIC HORNS

| Item | Part No. | Description | Qty |
|------|--------------|--------------------------------|-----|
| 1. | 51-36444-000 | KIT, DUAL HORN, 12V | 1 |
| 2. | 40-36310-000 | BRACKET, HORN MTG | 1 |
| N/S | 51-12096-002 | HORN, WARNING (BACK-UP & LIFT) | 2 |
| | 82-28569-000 | RING-NUT | 2 |
| N/S | 13-38201-000 | BRACKET, HORN WARNING MOUNTING | 1 |

ELECTRIC HORNS

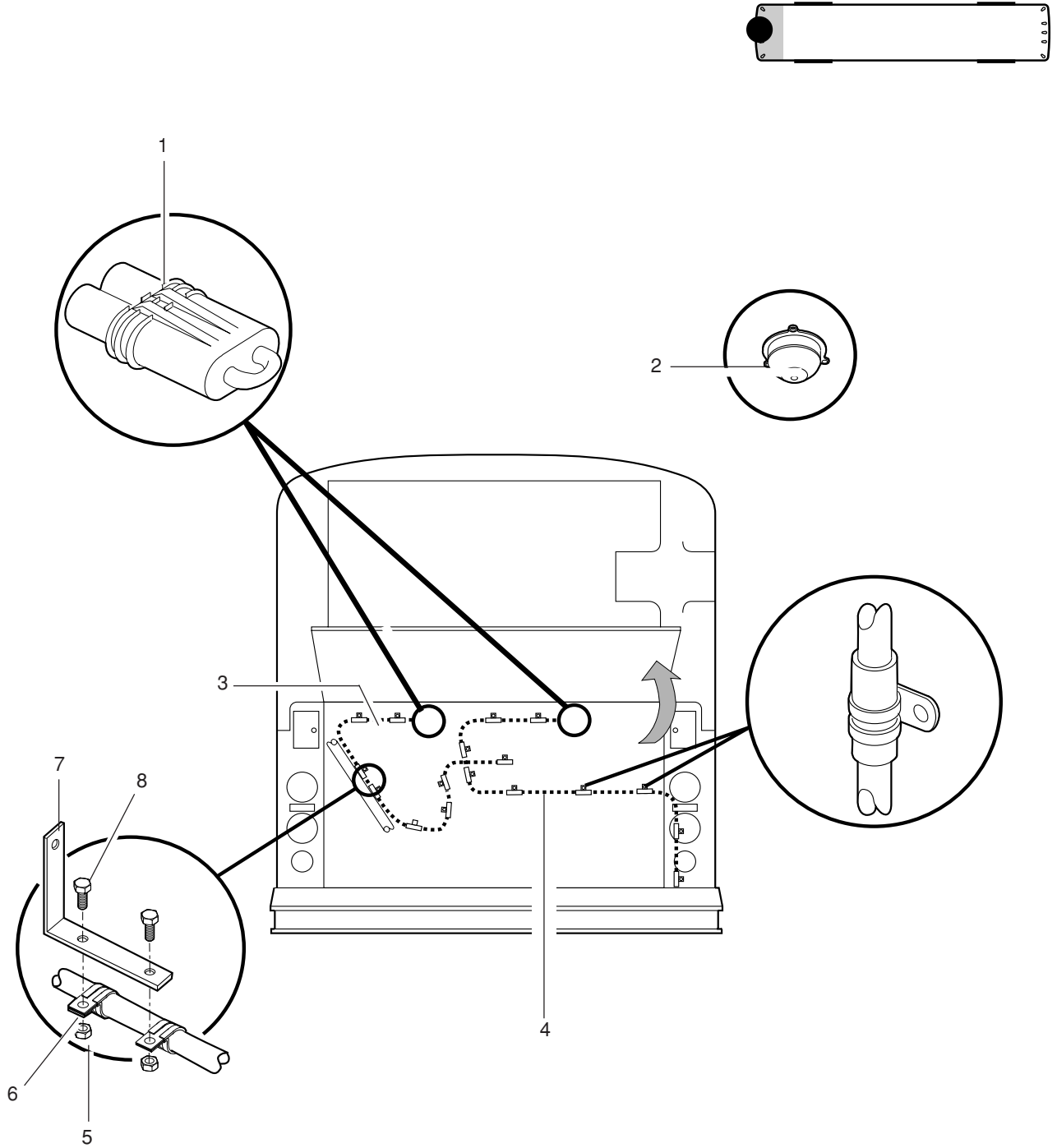


- 13-0550-0700A+0700A+0700B
- 13-001641
- 13-0550-0700A
- 13-0575-0700A
- 13-0976-0700B

FIRE DETECTION SYSTEM

| Item | Part No. | Description | Qty |
|------|--------------|-----------------------------------|-----|
| 1. | 51-16873-007 | CONNECTOR W/SEAL (TOWER), 1-WAY | 2 |
| | 51-16873-008 | CONNECTOR, SHROUD, 2-WAY | 2 |
| | 51-16873-018 | PLUG, GREEN | 4 |
| 2. | 53-00411-000 | BELL, ALARM, 12V | 1 |
| 3. | 50-26461-005 | HARNESS, FIRE DETECTION WIRE 85" | 1 |
| 4. | 50-26461-008 | HARNESS, FIRE DETECTION WIRE 150" | 1 |
| | 53-25162-013 | WIRE, FIRE DETECTION (100' REEL) | 1 |
| 5. | 54-12600-003 | WASHER, FLAT #10 STD | 15 |
| 6. | 55-28139-008 | CLAMP, LOOM | 20 |
| | 55-28139-012 | CLAMP, LOOM | 6 |
| | 56-00532-001 | CABLE TIE | 10 |
| | 53-25162-011 | SLEEVE PACKAGE, RUBBER | 15 |
| 7. | 40-11099-001 | BRKT, CLIP SUPPORT | 2 |
| 8. | 54-13111-001 | SCREW, TORX 10 X 5/8 | 15 |
| | 51-49741-003 | RELAY, SINGLE POLE AROMAT | 1 |
| | 50-41237-000 | HARNESS, ASM, JUMPER | 1 |

FIRE DETECTION SYSTEM

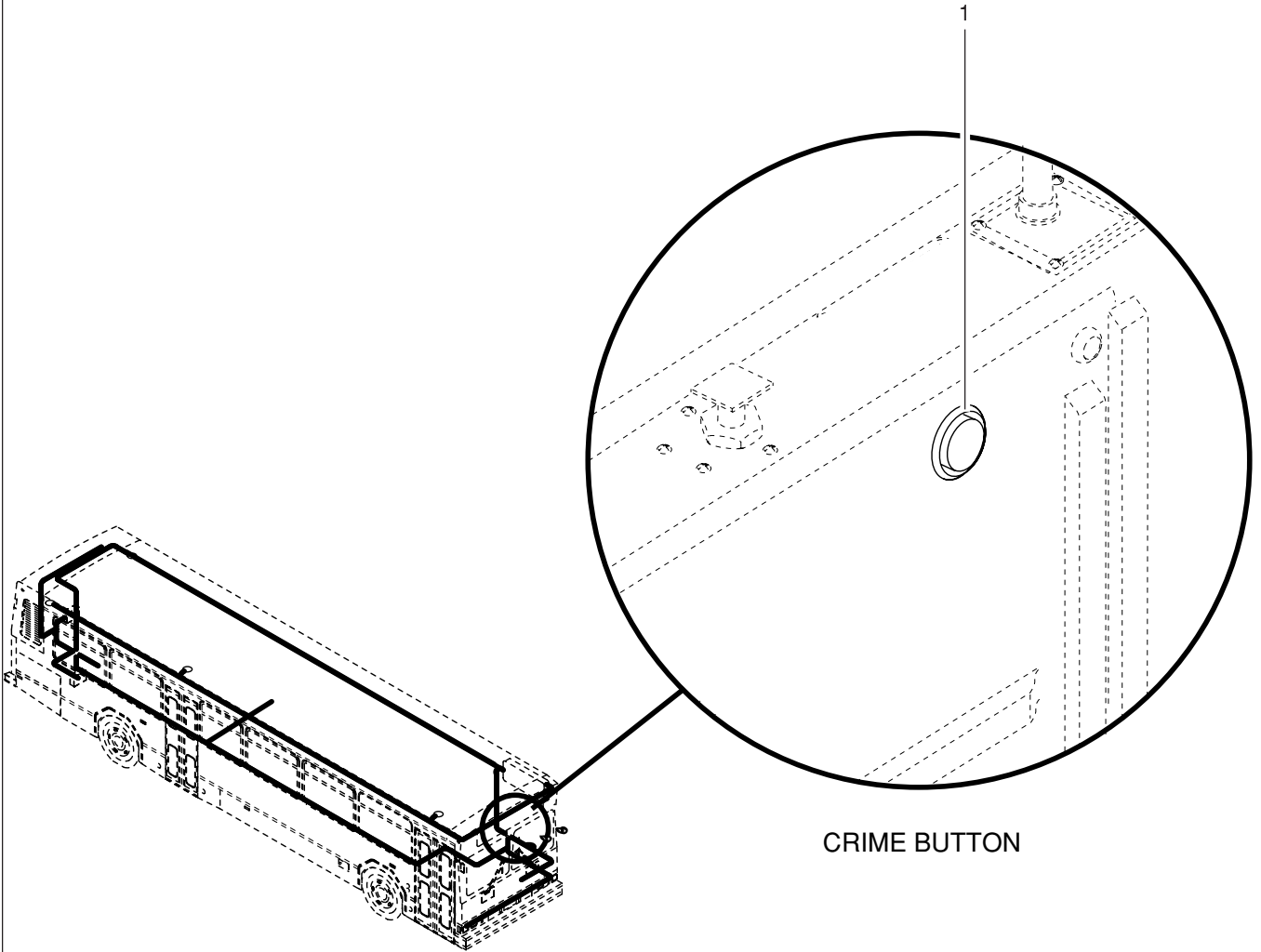
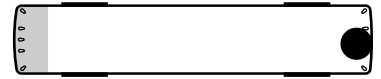


13-0580-0700C
13-000237
13-0580-0700C

CRIME ALARM SYSTEM

| Item | Part No. | Description | Qty |
|------|------------------------------|---|--------|
| 1. | 51-12230-001 42-25133-000 | SWITCH, PUSH BUTTON "CRIME ALARM" BRACKET, CRIME SWITCH MOUNTING | 1 1 |

CRIME ALARM SYSTEM



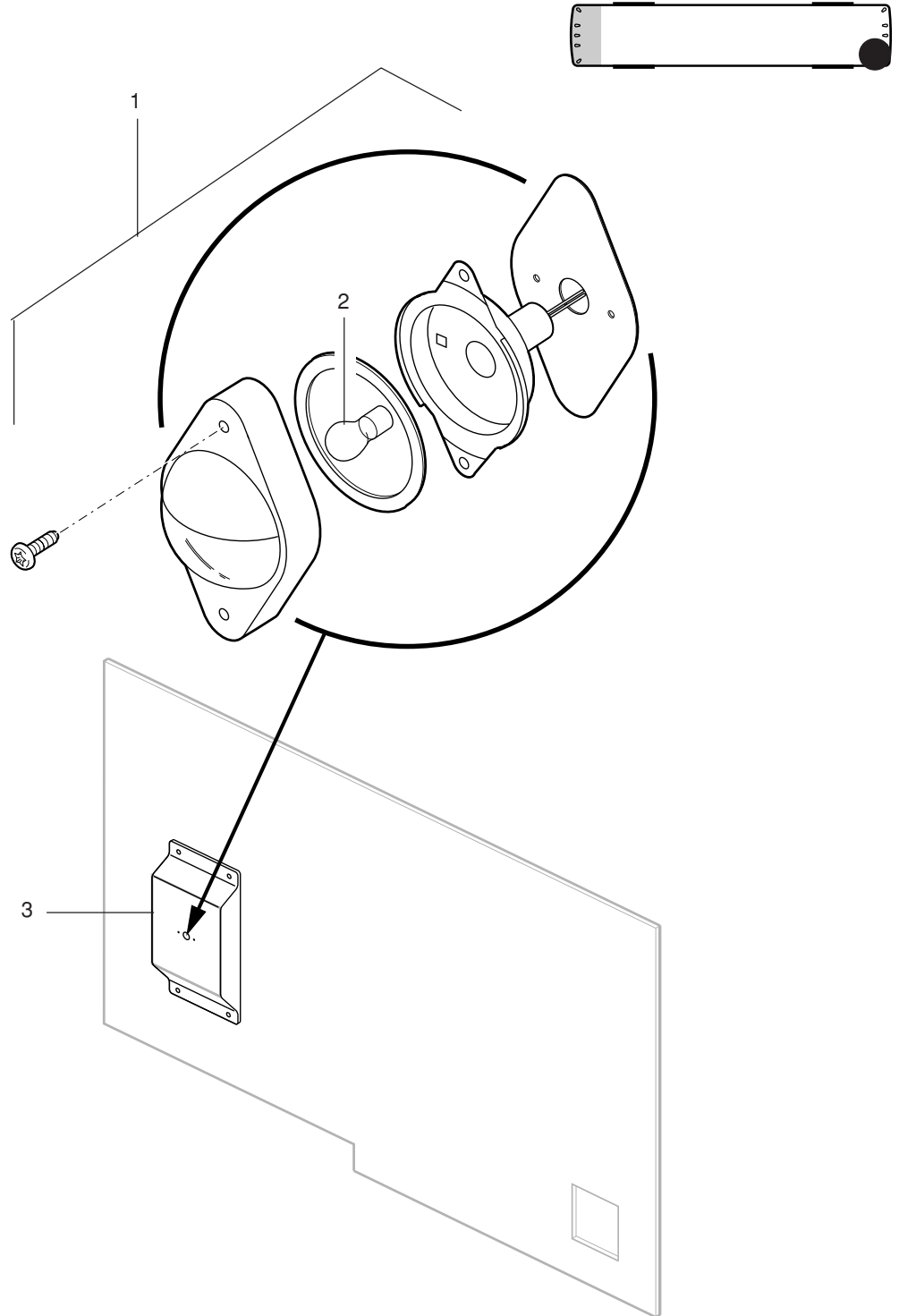
CRIME BUTTON

13-0590-0700A
13-001058
13-0590-0700A

FRONT STEPWELL LIGHT

| Item | Part No. | Description | Qty |
|------|--------------|-------------------------|-----|
| 1. | 51-45116-000 | LAMP ASM, W /SHIELD | 1 |
| 2. | 54-15729-027 | BULB, DC BAYONET, 12VDC | 1 |
| 3. | 43-27402-000 | BRACKET, STEPWELL LAMP | 1 |
| | 54-10163-011 | RIVET, MONOBOLT | 2 |

FRONT STEPWELL LIGHT

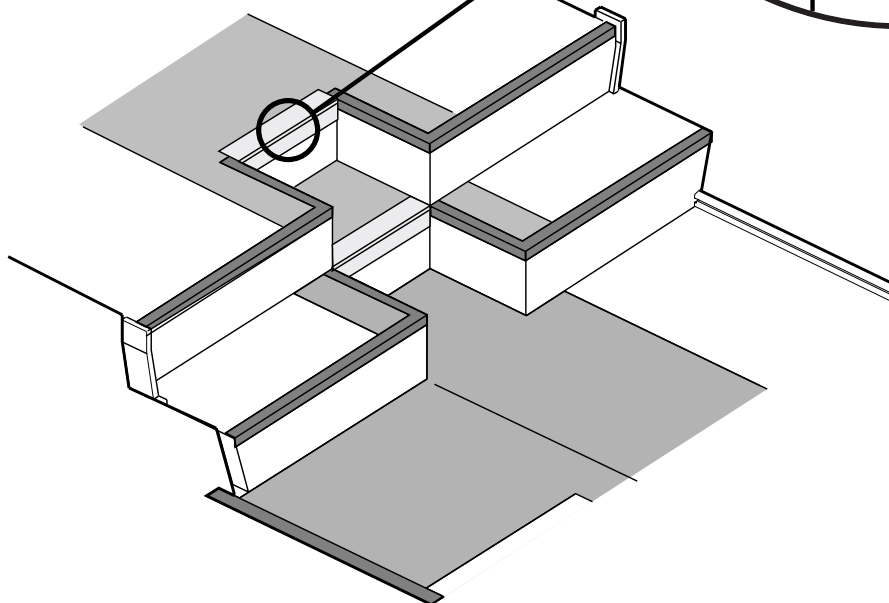
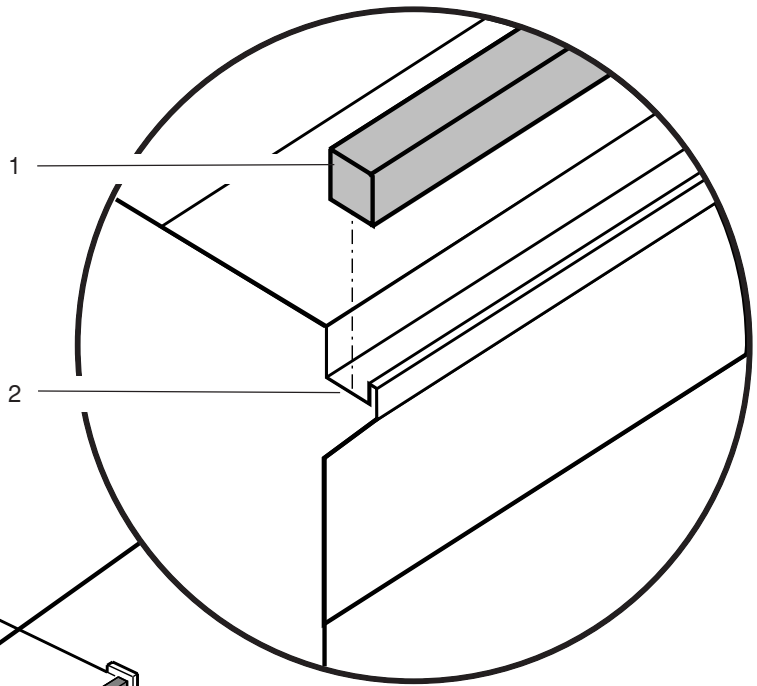
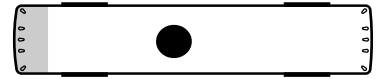


13-0651-0701L
13-002922
13-0651-0701L

TUBE LAMPS, REAR STEPS

| Item | Part No. | Description | Qty |
|------|--------------|--|-----|
| 1. | 13-42109F001 | LAMP ASM, TUBE | 2 |
| 2. | 13-40517-000 | EXTRUSION, LAMP MTG 5/16" CHANNEL (YELLOW) | A/R |
| | 51-16873-002 | SLEEVE, FEMALE (18-20 GA) | 2 |
| | 51-16873-005 | CONNECTOR (1-WAY), TOWER | 2 |
| | 51-16873-006 | CONNECTOR (1-WAY), SHROUD | 2 |
| | 54-13119-031 | SCREW, FLATHD, #6-20 X 3/4" | 6 |
| | 54-30445-028 | SCREW, PHCRST, #10-24 X 3/4" | 6 |

TUBE LAMPS, REAR STEPS

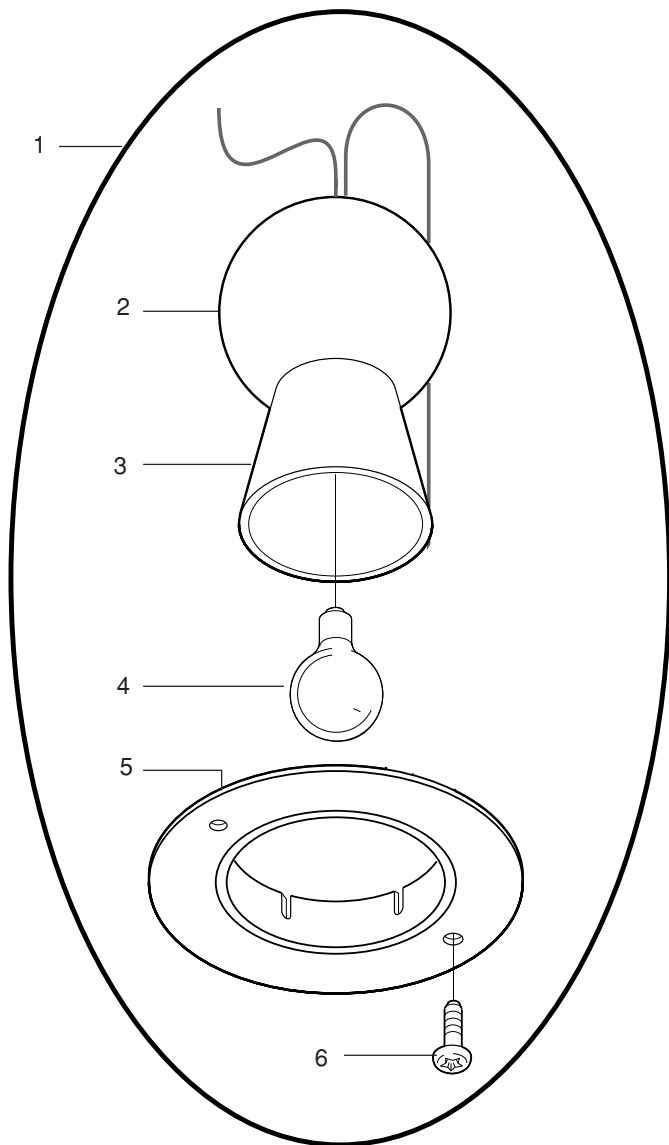
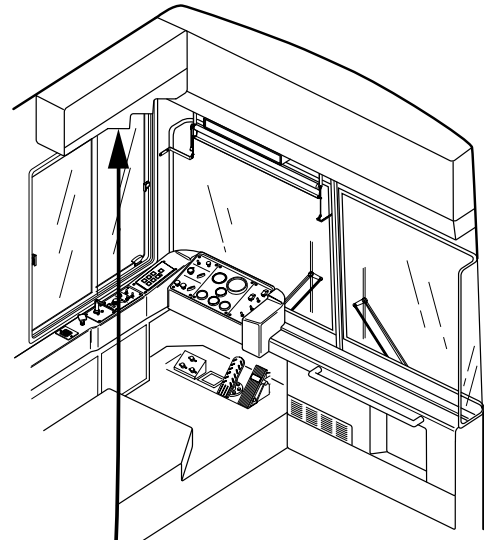


13-0652-0701A (yellow/tube)
13-001783
13-0652-0701A

MAP LIGHT

| Item | Part No. | Description | Qty |
|------|--------------|--------------------------|-----|
| 1. | 51-02112-003 | LIGHT ASM, MAP | 1 |
| 2. | 82-16110 | SOCKET ASM W/ PIGTAIL | 1 |
| 3. | 82-16106 | COLLAR, LAMP | 1 |
| | 82-16108 | REFLECTOR, LAMP | 1 |
| | 82-16107 | LENS, LAMP | 1 |
| 4. | 82-16109 | BULB, LAMP | 1 |
| 5. | 82-16105 | PLATE, LAMP MTG | 1 |
| 6. | 54-14288-06Z | SCREW, PHCRST 10-24X0.75 | 2 |

MAP LIGHT

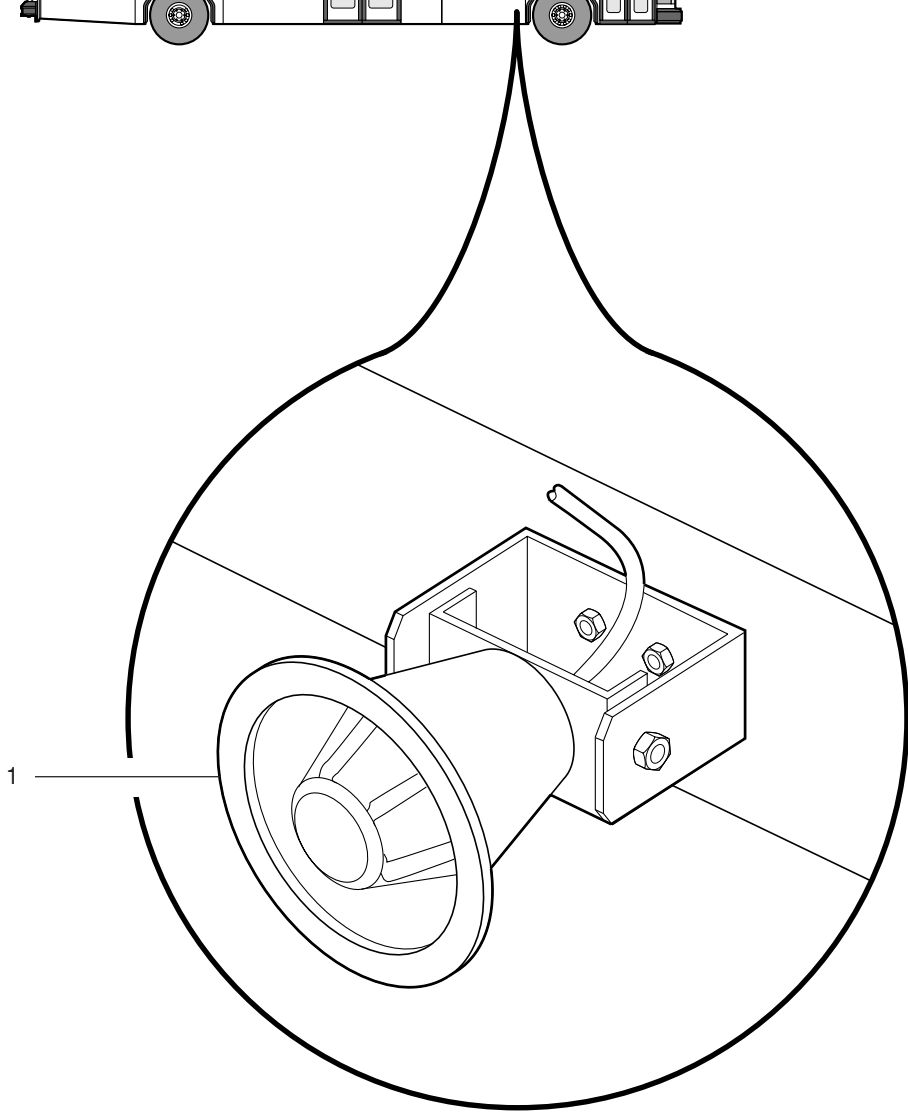
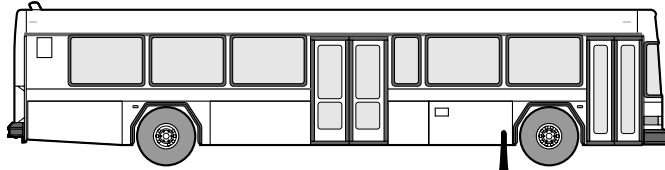
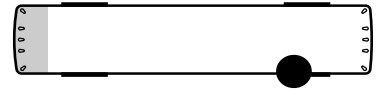


13-0653-0700A (map light)
13-001642
13-0653-0700A

EXTERNAL P. A. SPEAKER

| Item | Part No. | Description | Qty | |
|------|--|--------------------------|-----|--|
| 1. | 51-11768-002 | SPEAKER, EXTERIOR | 1 | |
| | 40-35925-000 | GRILLE, EXTERIOR SPEAKER | 1 | |
| | <u>GFI ELECT CONNECTIONS W/GROUND STRAPS</u> | | | |
| | 53-17575-003 | STRAP,GROUND | 1 | |
| | 53-17575-004 | HARDWARE, GROUND STRAP | 1 | |

EXTERNAL P. A. SPEAKER

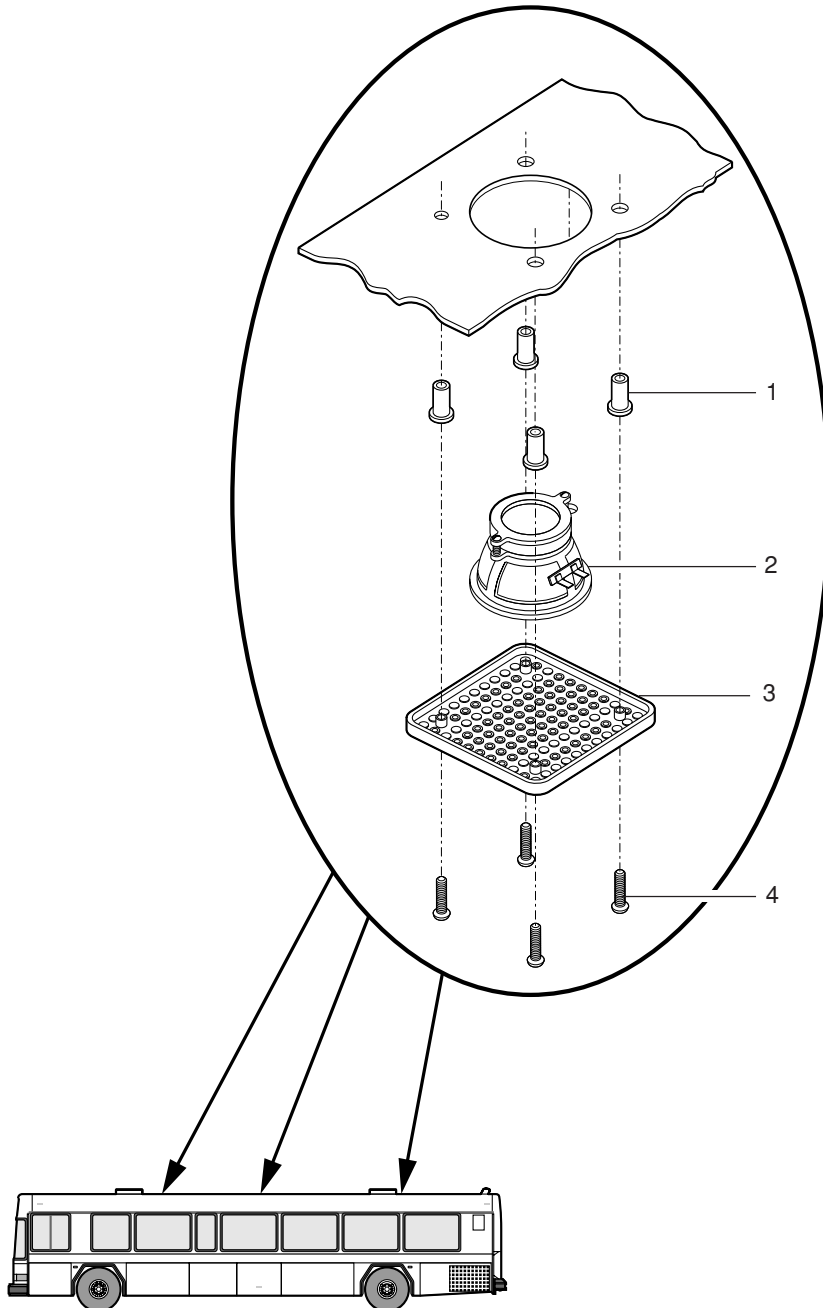
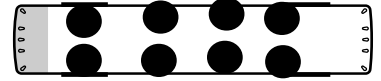


13-0752-0700A+0700E
(exterior)
13-001861
13-0752-0700A
13-0731-0700E

SPEAKERS, CEILING-MOUNTED

| Item | Part No. | Description | Qty |
|------|--------------|--------------------------|-----|
| 1. | 54-23766-000 | INSERT, BLIND THREAD | A/R |
| 2. | 51-32318-000 | SPEAKER ASM, 4 OHM | 6 |
| 3. | 53-35118-000 | COVER, SPEAKER | 6 |
| 4. | 54-13111-025 | SCREW, FLATHD #10-24 X 1 | A/R |
| | 54-12605-007 | FLATWASHER | A/R |
| | 54-14302-07B | SCREW, OHCR #10 X 1 | A/R |

SPEAKERS, CEILING-MOUNTED

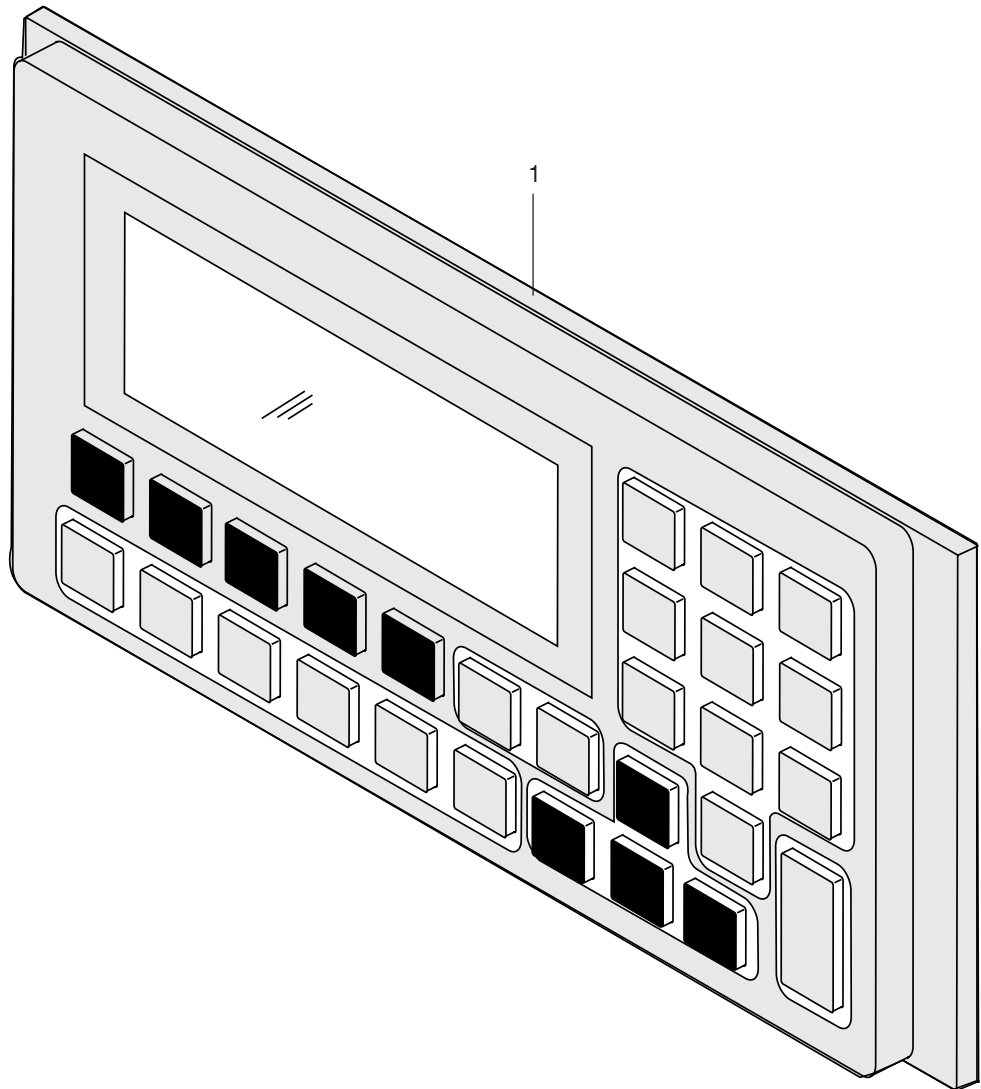
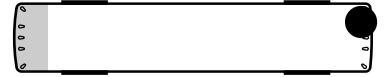


13-0755-0700D (6 spkrs)
13-001643
13-0755-0700D

VOICE ANNUNCIATOR CONTROL

| Item | Part No. | Description | Qty |
|------|--------------|---------------------------------------|-----|
| 1. | 51-33290-033 | OCU ASM., TERMINAL | 1 |
| | 51-33290-050 | CABLE ASM., TERMINAL TO INTERIOR SIGN | 1 |
| | 51-33290-019 | LOGIC UNIT ASM., VOICE ANNUNCIATOR | 1 |
| | 51-33290-008 | CABLE ASM., TWIN VISION INTERFACE | 1 |
| | 50-10932-006 | CLIP, HAND MICROPHONE | 1 |
| | 50-27194-001 | MICROPHONE, HAND | 1 |
| | 50-39968-000 | HARNESS, AUDIO | 1 |
| | 51-02164-025 | SWITCH, TOGGLE SPST | 1 |
| | 51-33290-005 | MICROPHONE, AMBIENT | 1 |
| | 51-33290-010 | SWITCH, SPEAKER SELECT | 1 |
| | 51-33290-012 | CABLE ASM., POWER WGILLIG CONNECTORS | 1 |
| | 51-33290-013 | CABLE ASM., DR500C TO TERMINAL | 1 |
| | 51-33290-017 | BRACKET, DISPLAY MTG W/BALL JOINT | 1 |
| | 51-33290-020 | CABLE ASM., INTERFACE TO DR500C+LOGIC | 1 |
| | 13-38881-001 | PLATE-GPS ANTENNA MOUNT | 1 |
| | 51-33290-024 | ANTENNA, GPS | 1 |
| | 51-33290-027 | CABLE. GPS ANTENNA | 1 |
| | 51-33290-028 | CABLE, RS232 | 1 |
| | 51-33290-048 | CABLE ASM., GPS POWER | 1 |
| | 51-33290-049 | CABLE ASM., HEADING SENSOR | 1 |
| | 51-33290-055 | GPS HEADING SENSOR | 1 |
| | 51-33290-056 | GPS RECIEVER | 1 |

VOICE ANNUNCIATOR CONTROL

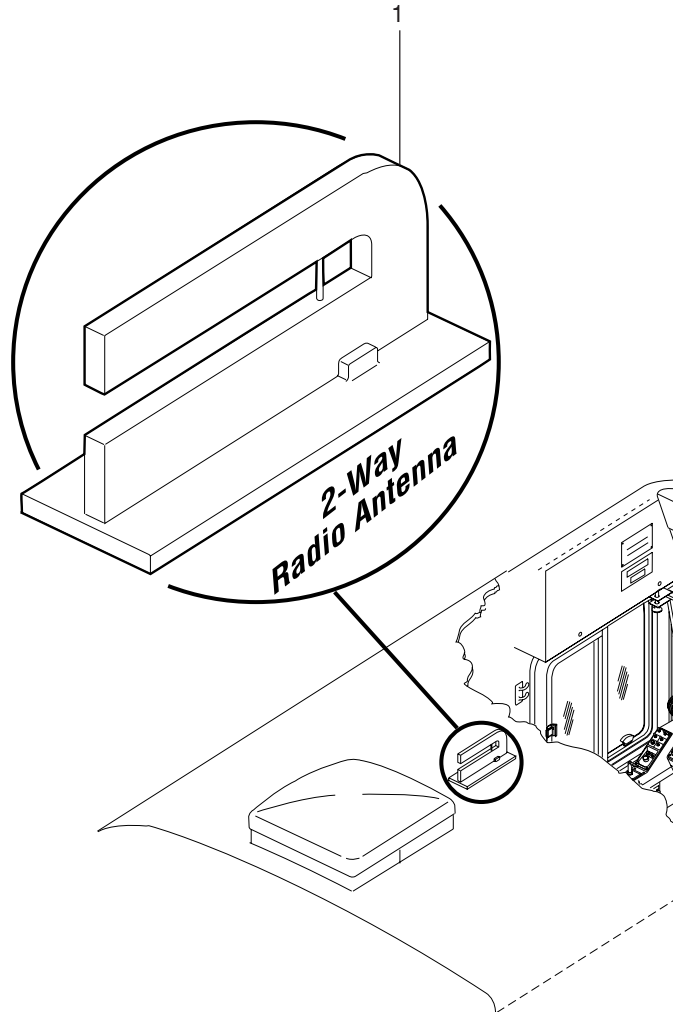


13-0763-0700D,Q,S
16-001534
13-0763-0700D, Q, S

TWO-WAY RADIO ANTENNA

| Item | Part No. | Description | Qty |
|------|--------------|-----------------------|-----|
| 1. | 51-15954-016 | ANTENNA, 806-896 MHZ | 1 |
| | 51-13722-001 | CABLE, COAXIAL RG-58U | 20 |
| | 51-29691-001 | CONN, COAXIAL CABLE | 1 |

TWO-WAY RADIO ANTENNA



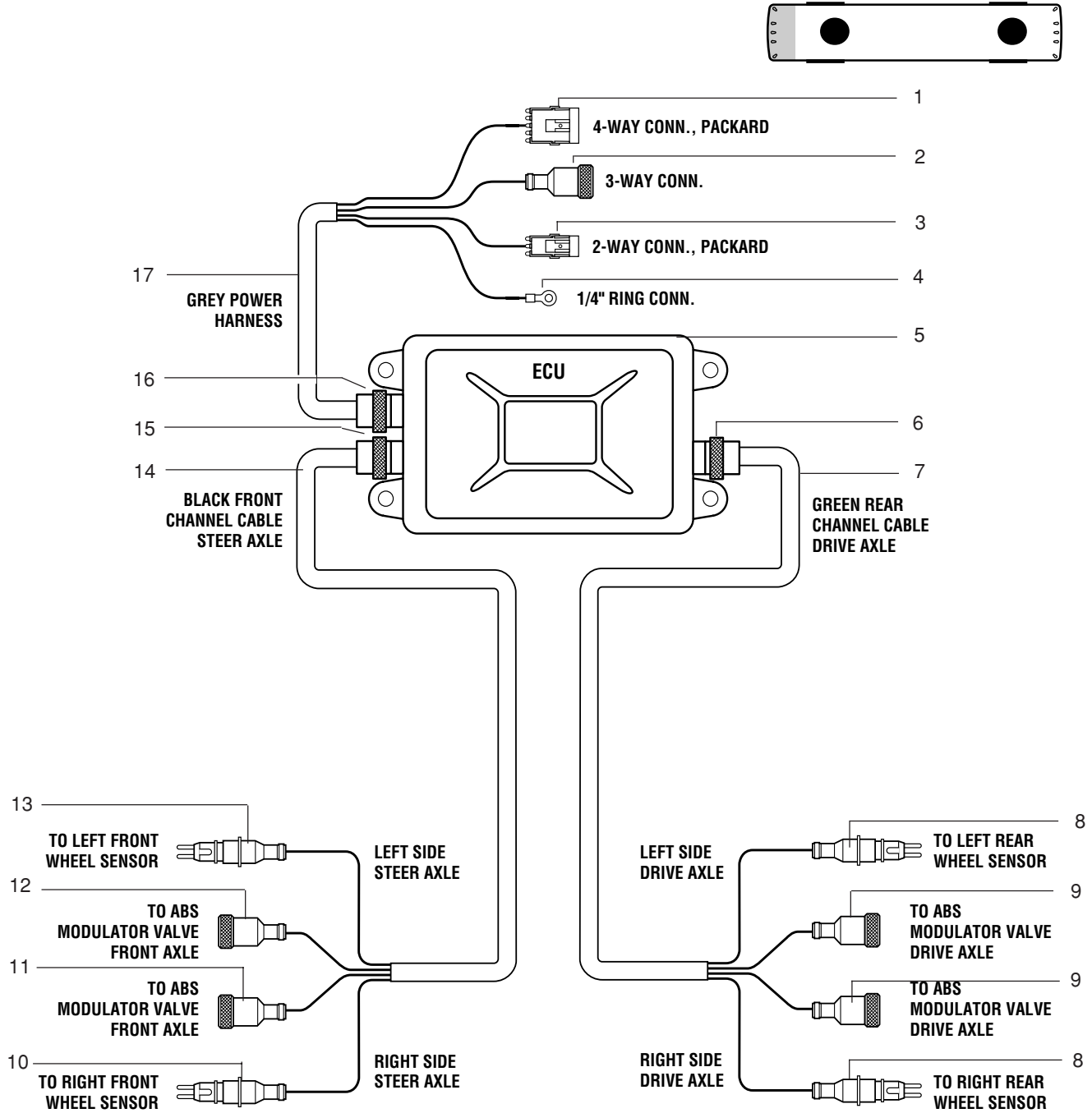
13-0765-0700A+(702C)
13-002144
13-0765-0700A
13-0765-0702C

ABS - ECU MOUNTING

| Item | Part No. | Description | Qty |
|------|--------------|--|-----|
| 1. | 51-16873-012 | CONNECTOR, 4-WAY PACKARD SHROUD | 1 |
| | 51-16873-003 | TERMINALS | 4 |
| | 51-16873-016 | SEALS | 4 |
| 2. | 51-29355-016 | CONNECTOR, 3-WAY PLUG | 1 |
| | 51-29355-002 | CONNECTOR, WEDGE | 1 |
| | 51-13833-034 | CONNECTOR, SOCKET | 1 |
| 3. | 51-16873-008 | CONNECTOR, 2-WAY PACKARD SHROUD | 1 |
| | 51-16873-003 | TERMINALS | 2 |
| | 51-16873-016 | SEALS | 2 |
| 4. | 51-00059-014 | CONNECTOR, 1/4" RING TERMINAL | 1 |
| 5. | 53-28246-030 | ECU ASM., ABS | 1 |
| | 13-42142-000 | CHANNEL, ECU MOUNTING | 1 |
| | 13-42143-001 | BRACKET, ECU MOUNTING | 1 |
| | 13-42144-001 | ANGLE, ECU MOUNTING | 1 |
| | 13-42167-001 | PANEL, ECU MOUNTING | 1 |
| | 59-35121-002 | DECAL, DIAGNOSTIC ID | 1 |
| 6. | 51-29355-022 | CONNECTOR, 12-WAY DEUTSCH DT SERIES | 1 |
| 7. | 50-49202-000 | HARNESS, GREEN ABS DRIVE AXLE W/O ATC | 1 |
| | 50-36981-000 | HARNESS, COMMUNICATION CABLE | 2 |
| | 50-36981-009 | HARNESS, COMMUNICATION CABLE | 1 |
| 8. | 53-28246-018 | CABLE, 16.5' W/CONNECTOR *, 2-WAY PIN | 2 |
| 9. | 53-28246-015 | CABLE, 13.0' W/CONNECTOR *, 3-WAY PLUG | 2 |
| 10. | 53-28246-021 | CABLE, 49' W/CONNECTOR *, 2-WAY PIN | 1 |
| 11. | 53-28246-025 | CABLE, 49' W/CONNECTOR *, 3-WAY PLUG | 1 |
| 12. | 53-28246-017 | CABLE, 39' W/CONNECTOR *, 3-WAY PLUG | 1 |
| 13. | 53-28246-020 | CABLE, 39' W/CONNECTOR *, 2-WAY PIN | 1 |
| 14. | 50-37825-001 | HARNESS, BLACK ABS FRONT CHANNEL 364" | 1 |
| 15. | 51-29355-009 | CONNECTOR, 12-WAY DEUTSCH DT SERIES | 1 |
| | 51-13833-039 | SOCKET, 12-WAY DEUTSCH DT SERIES | A/R |
| 16. | 51-29355-023 | CONNECTOR, 12-WAY DEUTSCH DT SERIES | 3 |
| 17. | 50-40208-000 | HARNESS, GREY ABS POWER | 1 |

*** NOTE:**
CABLE END CONNECTORS ARE MOLDED RUBBER
TO CABLE SHEATH, AND NOT REPLACEABLE
SEPARATELY.

ABS - ECU MOUNTING

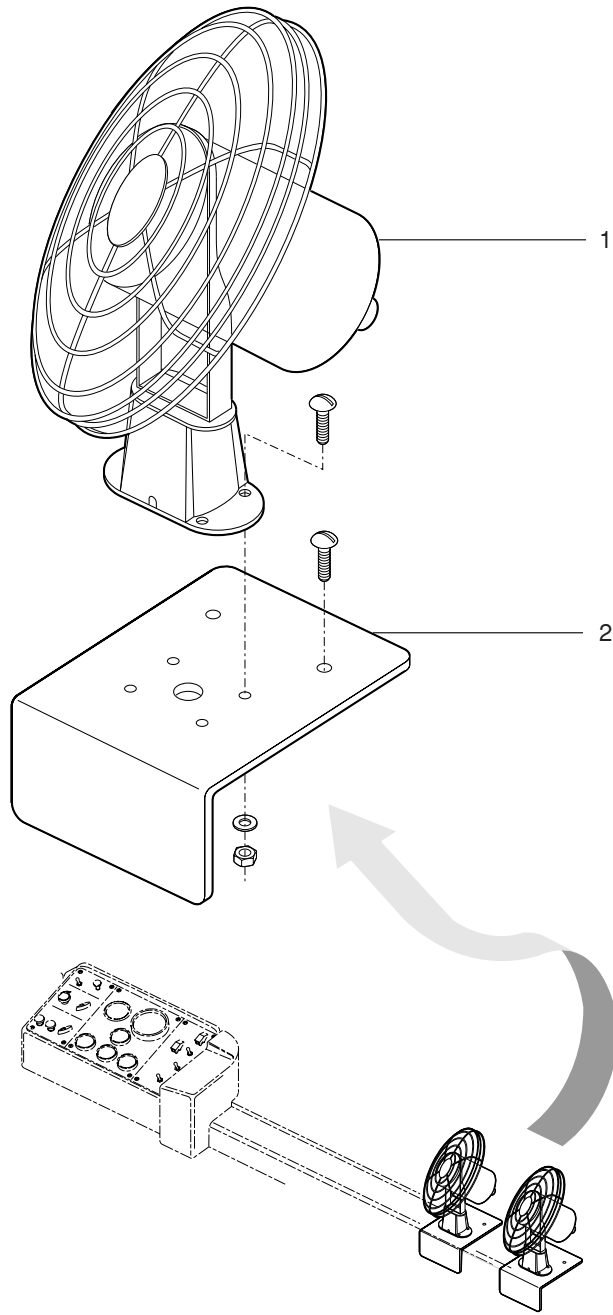


13-0810-0702B,D,Q
 13-003709
 13-0810-0702B, D, Q

DEFROSTER FANS

| Item | Part No. | Description | Qty |
|------|--------------|----------------------------|-----|
| 1. | 51-10855-003 | FAN, DEFROSTER | 2 |
| | 50-41824-001 | HARNESS, DEFROSTER FANS | 1 |
| 2. | 18-41846-000 | BRACKET, MTG | 2 |
| | 54-12540-003 | LOCKNUT, NYLOK #10-24, GR5 | 4 |
| | 54-12600-003 | FLATWASHER, #10 STD | 4 |
| | 54-14274-06B | SCREW, PH CR #10-24 X 3/4 | 4 |
| | 54-14292-07B | SCREW, PH CR #1/4-20X 1.0 | 2 |

DEFROSTER FAN

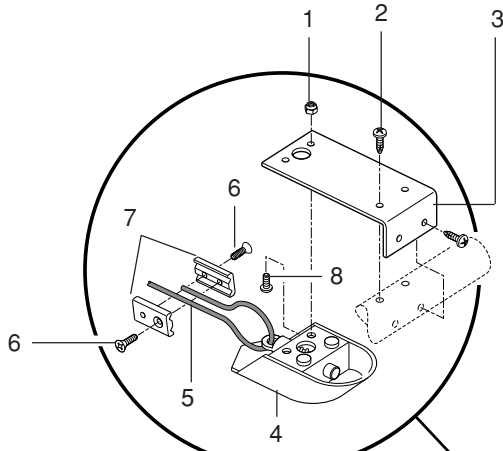


13-0825-0701E
13-002427E
13-0825-0701E

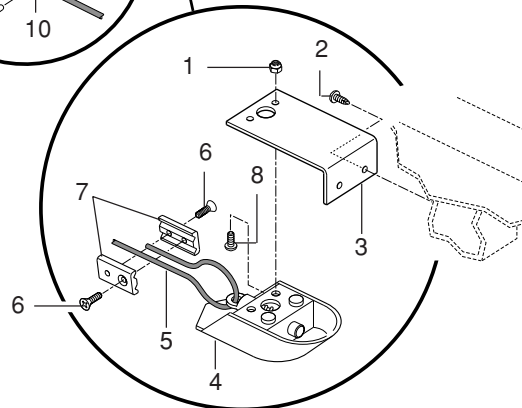
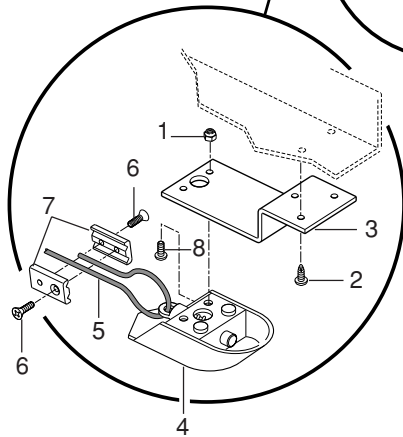
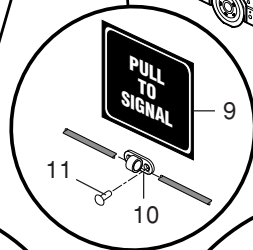
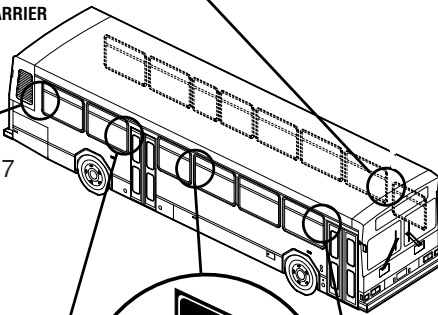
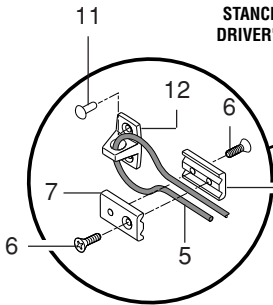
STOP REQUEST SIGNAL PULL CORDS

| Item | Part No. | Description | Qty |
|------|--------------|---|-----|
| 1. | 54-12540-002 | LOCKNUT, NYLOK #8-32 GR5 | 6 |
| 2. | 54-14286-04B | SCREW, SF TAP PNHD CR REC #8-32 X .50" | 3 |
| 3. | 40-36515-000 | BRACKET, SWITCH MTG STOP REQUEST | 3 |
| 4. | 51-02114-003 | SWITCH, PULL CORD | 3 |
| 5. | 51-02118-001 | CORD, PASS SIGNAL (YELLOW) | 52 |
| | 50-23947-000 | CABLE ASM., PULL CORD SWITCH | 3 |
| 6. | 54-13119-093 | SCREW, #10-24 X 7/16" FLAT HD. CR. SSTL | 38 |
| 7. | 15-40409-000 | CLAMP-TILLER | 52 |
| 8. | 54-14272-03Z | SCREW, MACHINE PHILLIPS CHROME #10-32 X .38 | 6 |
| 9. | 59-27792-000 | DECAL, "PULL TO SIGNAL" ENGLISH/SPANISH | 16 |
| 10. | 53-00302-001 | GUIDE, ROPE LARGE .04" DIA. OPENING | 10 |
| 11. | 54-10163-019 | RIVET, BLIND | 44 |
| 12. | 53-00302-002 | GUIDE, ROPE SMALL .03" DIA. OPENING | 19 |
| | 51-12096-007 | CHIME HORN, PASS SIGNAL 12VDC | 1 |
| | 51-12096-008 | CHIME HORN, PASS SIGNAL 12VDC | 1 |
| | 13-45862-000 | PLATE, CHIME MOUNTING | 1 |
| | 54-13119-111 | SCREW, SPCL, #10-24X3/8 | 6 |
| | 54-13119-003 | SCREW, #10-24X3/4 TAPTITE SPCL PHIL | 6 |
| | 54-12550-003 | NUT, NYLOCK, 10-32 GR5 | 6 |

STOP REQUEST SIGNAL PULL CORDS



OPTION 1
STANCHION TUBE
DRIVER'S BARRIER

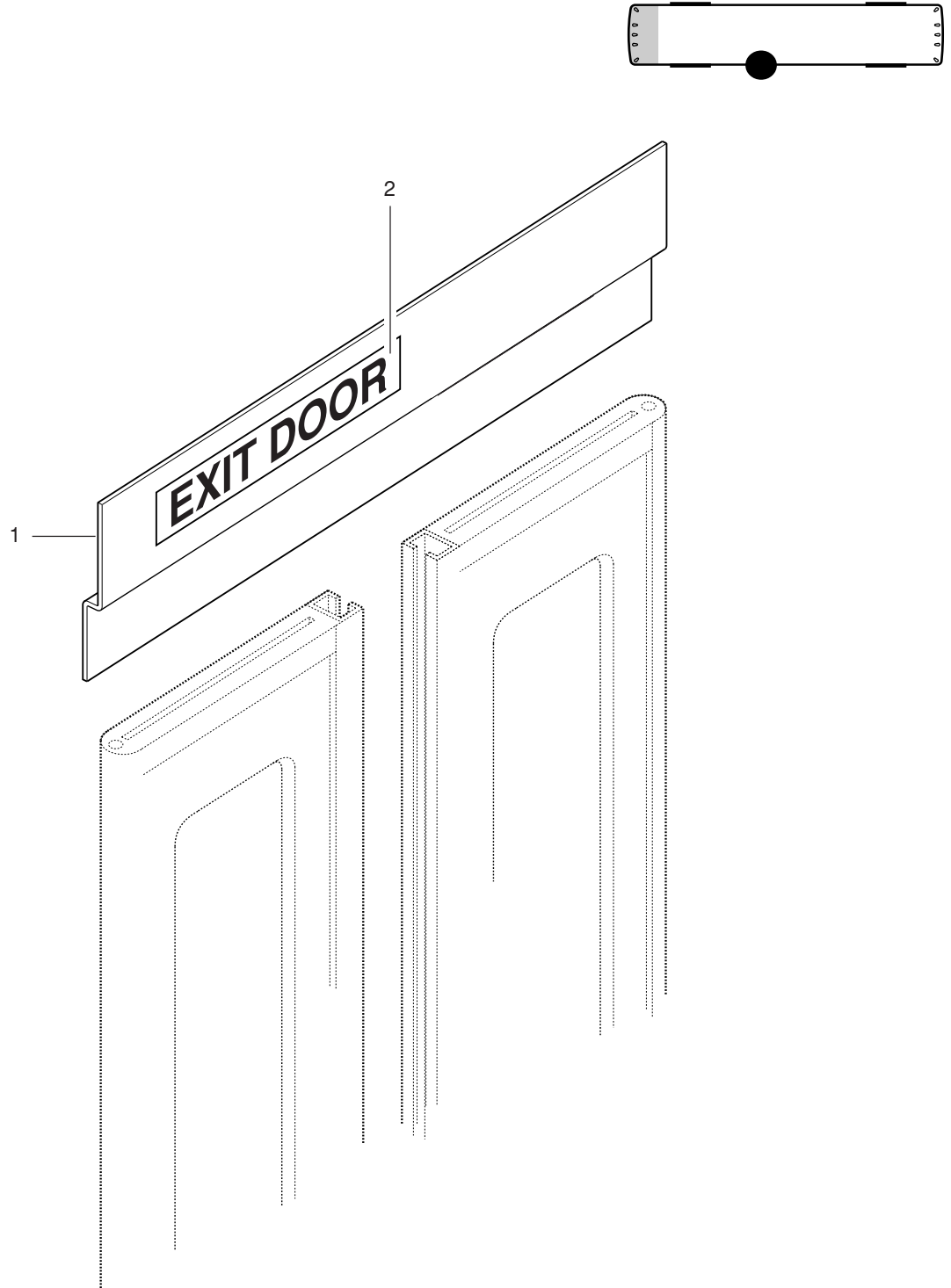


- 13-0850-0702D,K+(D+D,F)
- 13-003041
- 13-0850-0702D, K
- 13-0851-0702D
- 13-0858-0700D, F

CLOSEOUT: EXIT DOOR

| Item | Part No. | Description | Qty |
|------|--------------|---|-----|
| 1. | 15-44683M000 | PANEL, CLOSEOUT EXIT DOOR HEADER W/LAMP | 1 |
| 2. | 59-27794-000 | DECAL, "EXIT DOOR " (ENGLISH/SPANISH) | 1 |
| 3. | 13-46299-000 | PANEL ASM., EXIT DOOR CONTROL | 1 |
| | 50-39773-000 | HARNESS, EXIT DOOR HEADER | 1 |
| | 54-13119-003 | SCREW, #10-24 X .75" TAPTITE | 3 |
| | 50-13461-002 | CABLE ASM., W/ DIODE (RR. DOOR) | 2 |
| | 50-24458-005 | CABLE ASM., W/ DIODE (FT. DOOR) | 2 |

CLOSEOUT: EXIT DOOR

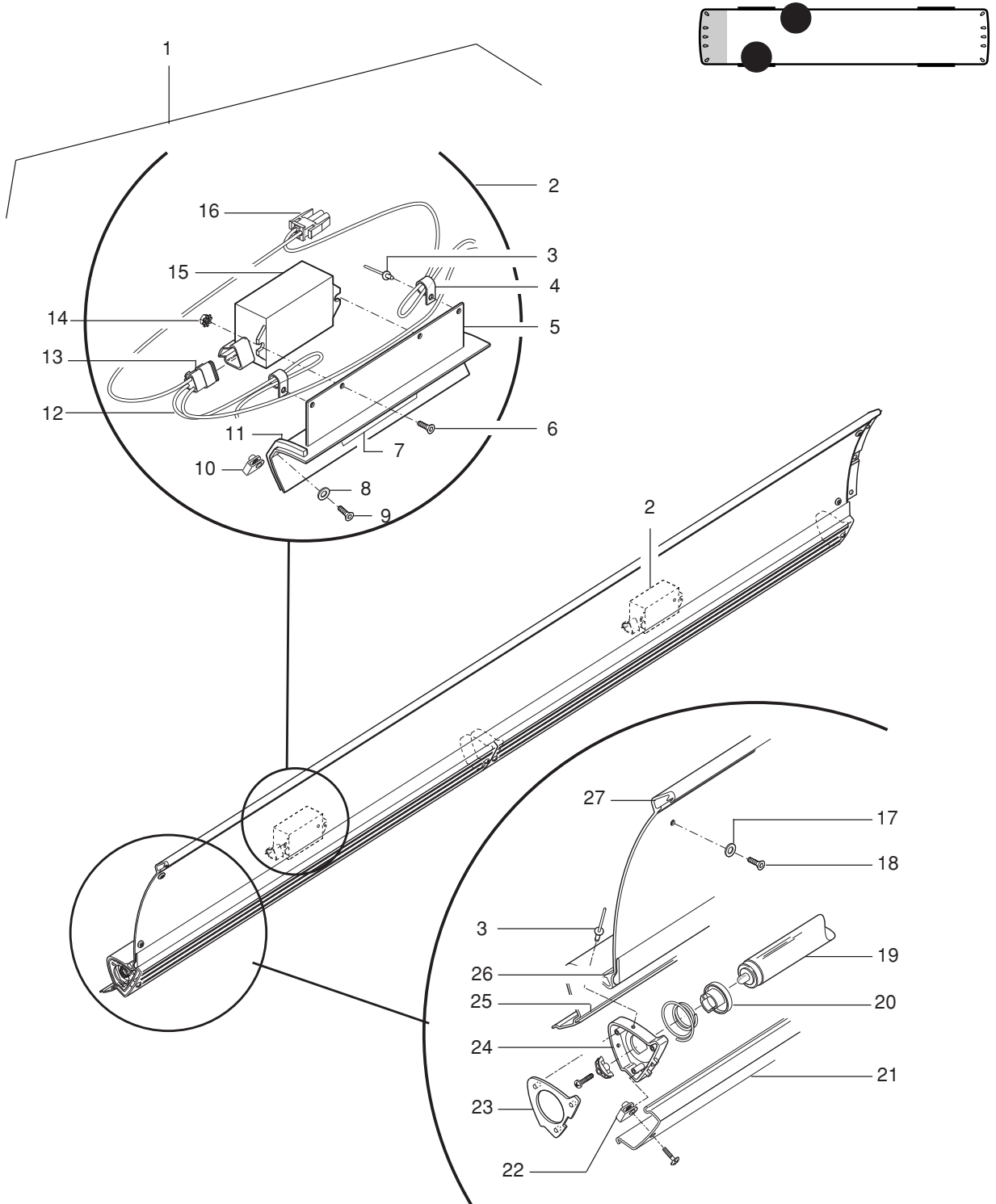


13-0911-0704K,M+(A)
13-003372
13-0911-0704K, M
13-0912-0700A

LAMP PANEL ASSEMBLY - 144"

| Item | Part No. | Description | Qty |
|------|--------------|-----------------------------------|-----|
| 1. | 82-27531-000 | LAMP PANEL ASSEMBLY, 144" | 1 |
| 2. | 82-27229-001 | INVERTER ASSEMBLY | 2 |
| 3. | 82-27229-006 | RIVET | 12 |
| 4. | 82-27229-005 | CLIP, WIRE | 2 |
| 5. | 82-27229-002 | COVER, INVERTER | 1 |
| 6. | 82-27229-003 | SCREW 10-24 X 3/8 PHIL. CTR. SUNK | 2 |
| 7. | 82-27229-008 | DECAL, "DANGER" | 1 |
| 8. | 82-27229-011 | WASHER, #10 EXTERNAL TOOTH | 2 |
| 9. | 82-27229-010 | SCREW #10-24 X 5/8 PHL. RD. HD. | 2 |
| 10. | 82-27229-009 | U-NUT | 4 |
| 11. | 82-27229-007 | SEAL | A/R |
| 12. | 82-27229-012 | HARNESS ASSEMBLY, LAMP | 2 |
| 13. | 82-27229-014 | CONNECTOR | 1 |
| | 82-27229-015 | WEDGE | 1 |
| | 82-27229-016 | TERMINAL | 3 |
| 14. | 82-27229-004 | NUT 10-24, KEPS | 2 |
| 15. | 82-22906-000 | INVERTER (BALLAST) | 1 |
| 16. | 82-27229-017 | CONNECTOR | 1 |
| | 82-27229-018 | TERMINAL | 2 |
| 17. | 82-01697-000 | WASHER, RETAINING | 4 |
| 18. | 82-01696-000 | SCREW, PHILLIPS | 4 |
| 19. | 82-27229-019 | TUBE, FLUORESCENT, 6' | 2 |
| 20. | 82-09145-000 | SOCKET, LAMP, FIXED END | 1 |
| | 82-27229-013 | SOCKET, LAMP, TELESCOPIC END | 1 |
| 21. | 82-23397-000 | COVER ASSEMBLY, LAMP | 2 |
| | 82-27229-029 | SEAL | A/R |
| | 82-27229-021 | ADHESIVE | A/R |
| 22. | 82-27229-023 | U-NUT | A/R |
| 23. | 82-27229-025 | CLOSURE, END, LH | 2 |
| | 82-27229-032 | CLOSURE, END, RH | 1 |
| | 82-27229-027 | CLOSURE, END, RH | 1 |
| 24. | 82-27229-024 | CAP, END, LH | 2 |
| | 82-27229-028 | CAP, END, RH | 2 |
| | 82-27229-031 | SEAL END CAP | A/R |
| | 82-27229-030 | SEALER (BETWEEN END CAPS) | A/R |
| 25. | 82-27229-026 | SEAL | A/R |
| 26. | 82-27229-020 | CHANNEL, FILLER | A/R |
| 27. | 82-27229-022 | MOLDING (ORDER BY LENGTH) | A/R |
| | 82-19211-000 | TOOL, FLUORESCENT TUBE REMOVAL | 1 |

LAMP PANEL ASSEMBLY - 144"

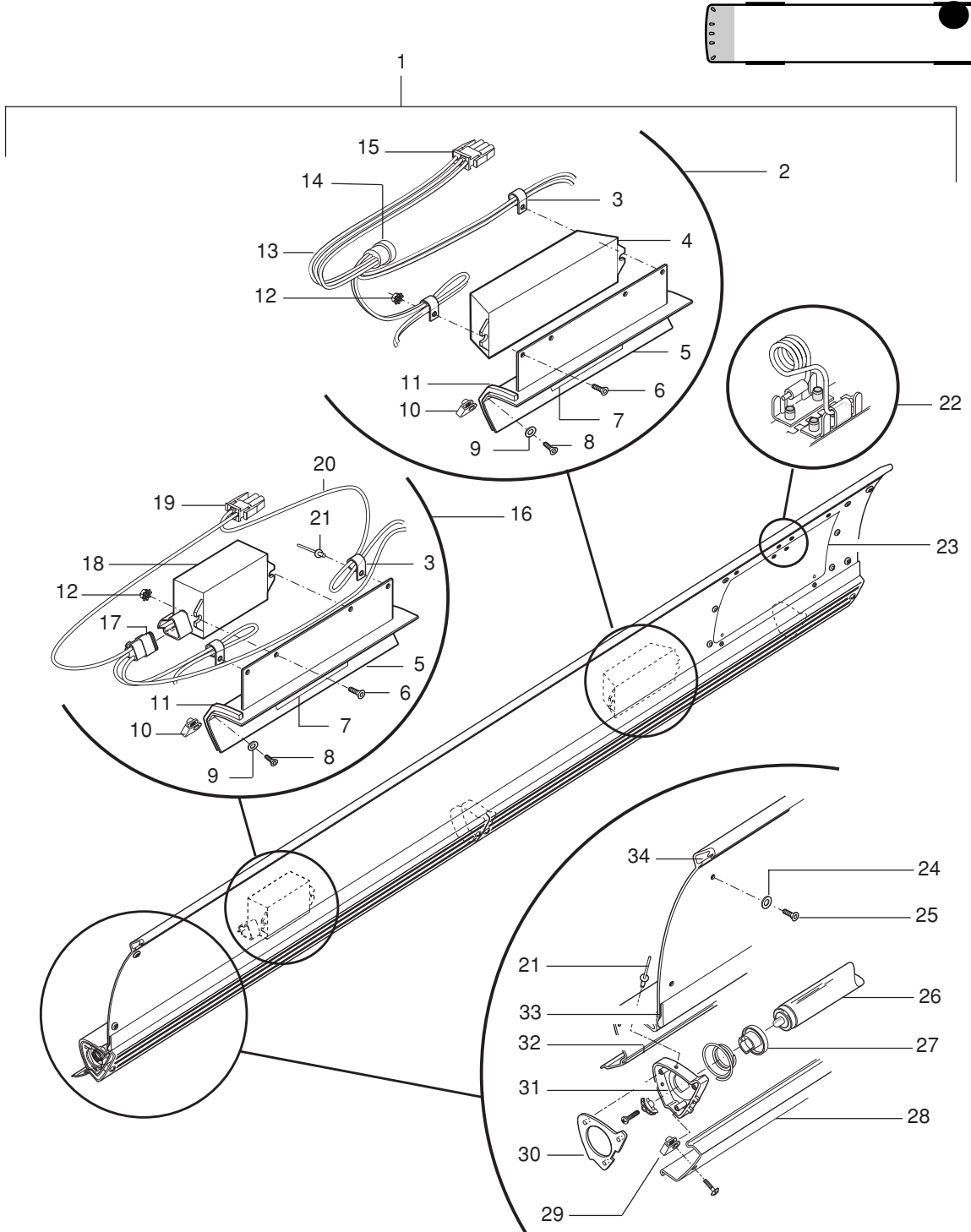


915-02-018
915-02-022

LAMP PANEL ASSEMBLY - 84"

| Item | Part No. | Description | Qty |
|------|--------------|--|-----|
| 1. | 82-27616-000 | LAMP PANEL ASSEMBLY-84" | 1 |
| 2. | 82-27269-001 | INVERTER ASSEMBLY, H.O. | 1 |
| 3. | 82-27229-005 | WIRE CLIP | 2 |
| 4. | 51-02186-013 | INVERTER, (BALLAST) H.O. | 1 |
| 5. | 82-27229-000 | INVERTER COVER | 1 |
| 6. | 82-27269-002 | SCREW 10-24 X 5/8 PHIL. CTR. SUNK-LH ONLY | 2 |
| | 82-27229-003 | SCREW 10-24 X 3/8 PHIL. CTR. SUNK-RH ONLY | 2 |
| 7. | 82-27229-008 | DANGER DECAL | 1 |
| 8. | 82-27229-010 | SCREW 10-24 X 5/8 PHL. RD. HD. | 2 |
| 9. | 82-27229-011 | WASHER #10 EXTERNAL TOOTH | 2 |
| 10. | 82-27229-009 | U-NUT | 4 |
| 11. | 82-27229-007 | SEAL | A/R |
| 12. | 82-27229-004 | KEPS NUT 10-24 | 2 |
| 13. | 82-27397-001 | HARNESS ASSEMBLY, H.O. | 1 |
| 14. | 82-27269-004 | CONNECTOR | 1 |
| | 82-27229-016 | TERMINAL | 7 |
| | 82-27269-005 | WEDGE | 1 |
| 15. | 82-27269-006 | CONNECTOR | 1 |
| | 82-27269-007 | TERMINAL | 3 |
| 16. | 82-27229-001 | INVERTER ASSEMBLY | 1 |
| 17. | 82-27229-014 | CONNECTOR | 1 |
| | 82-27229-015 | WEDGE | 1 |
| | 82-27229-016 | TERMINAL | 3 |
| 18. | 82-22906-000 | INVERTER, (BALLAST) | 1 |
| 19. | 82-27229-017 | CONNECTOR | 1 |
| | 82-27229-018 | TERMINAL | 2 |
| 20. | 82-27268-003 | HARNESS ASSEMBLY | 1 |
| 21. | 82-27229-006 | RIVET-RH ONLY | 2 |
| 22. | REF ONLY | SPRING, ACCESS DOOR (NOT AVAIL. SEPARATELY PER VENDOR) | 1 |
| 23. | 82-27229-033 | DOOR ASM, ACCESS 28" | 1 |
| 24. | 82-01697-000 | WASHER, RETAINING | 4 |
| 25. | 82-09141-001 | SCREWS, TAMPERPROOF | 4 |
| 26. | 82-27397-005 | TUBE, 4' - H.O. | 1 |
| | 82-27268-005 | TUBE, 3' | 1 |
| | 82-27270-001 | SLEEVE, BLUE, 6' | 1 |
| 27. | 82-13446-001 | SOCKET, LAMP, FIXED END, H.O. | 1 |
| | 82-13446-002 | SOCKET, LAMP, TELESCOPIC END, H.O. | 1 |
| | 82-09145-000 | SOCKET, LAMP, FIXED END | 1 |
| | 82-27229-013 | SOCKET, LAMP, TELESCOPIC END | 1 |
| 28. | 82-27268-007 | COVER ASSEMBLY, LAMP, 84" | 1 |
| 29. | 82-27229-023 | U-NUT | A/R |
| 30. | 82-27229-032 | CLOSURE, END, RH | 2 |
| | 82-27229-025 | CLOSURE, END, LH | 2 |
| 31. | 82-27229-028 | CAP, END, RH | 2 |
| | 82-27229-024 | CAP, END, LH | 2 |
| | 82-27229-030 | SEALER (BETWEEN END CAPS & LAMP PANEL) | A/R |
| | 82-27229-031 | SEAL END CAP | A/R |
| | 82-27229-029 | SEAL | A/R |
| 32. | 82-27229-026 | SEAL | A/R |
| 33. | 82-27229-020 | CHANNEL FILLER | A/R |
| | 82-27229-021 | ADHESIVE | A/R |
| 34. | 82-27229-022 | MOLDING | A/R |
| | 82-19211-000 | TOOL, FLUORESCENT TUBE REMOVAL | 1 |

LAMP PANEL ASSEMBLY - 84"

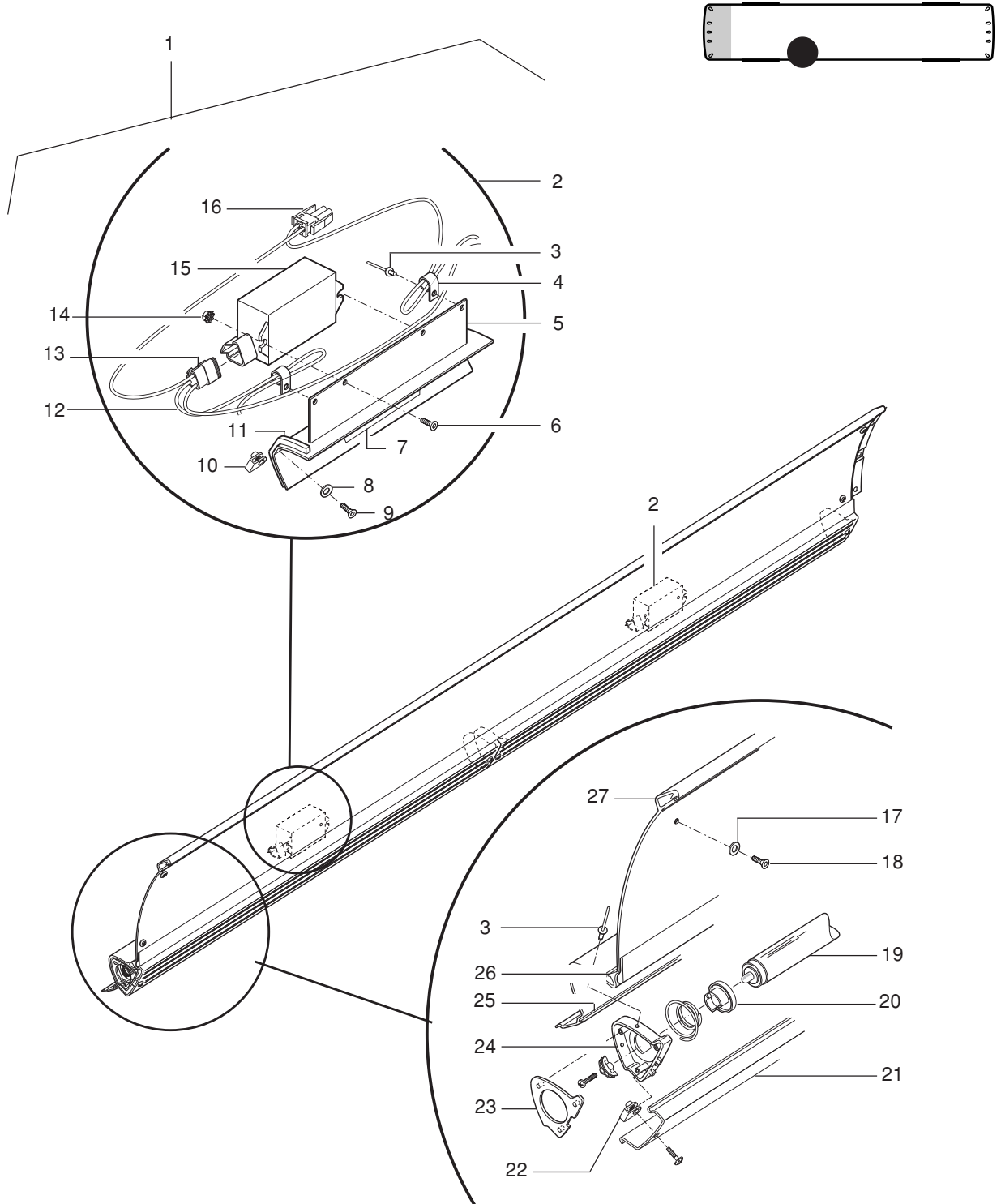


915-02-049
915-02-179

LAMP PANEL ASSEMBLY - 108"

| Item | Part No. | Description | Qty |
|------|--------------|-----------------------------------|-----|
| 1. | 82-27579-000 | LAMP PANEL ASSEMBLY, 108" | 1 |
| 2. | 82-27229-001 | INVERTER ASSEMBLY | 2 |
| 3. | 82-27229-006 | RIVET | 12 |
| 4. | 82-27229-005 | CLIP, WIRE | 2 |
| 5. | 82-27229-002 | COVER, INVERTER | 1 |
| 6. | 82-27229-003 | SCREW 10-24 X 3/8 PHIL. CTR. SUNK | 2 |
| 7. | 82-27229-008 | DECAL, "DANGER" | 1 |
| 8. | 82-27229-011 | WASHER, #10 EXTERNAL TOOTH | 2 |
| 9. | 82-27229-010 | SCREW #10-24 X 5/8 PHL. RD. HD. | 2 |
| 10. | 82-27229-009 | U-NUT | 4 |
| 11. | 82-27229-007 | SEAL | A/R |
| 12. | 82-27457-001 | HARNESS ASSEMBLY, LAMP, LH | 1 |
| | 82-27457-002 | HARNESS ASSEMBLY, LAMP, RH | 1 |
| 13. | 82-27229-014 | CONNECTOR | 1 |
| | 82-27229-015 | WEDGE | 1 |
| | 82-27229-016 | TERMINAL | 3 |
| 14. | 82-27229-004 | NUT 10-24, KEPS | 2 |
| 15. | 82-22906-000 | INVERTER (BALLAST) | 1 |
| 16. | 82-27229-017 | CONNECTOR | 1 |
| | 82-27229-018 | TERMINAL | 2 |
| 17. | 82-01697-000 | WASHER, RETAINING | 4 |
| 18. | 82-01696-000 | SCREW, PHILLIPS | 4 |
| 19. | 82-27268-006 | TUBE, FLUORESCENT, 4' | 1 |
| | 82-27390-003 | TUBE, FLUORESCENT, 5' | 1 |
| 20. | 82-09145-000 | SOCKET, LAMP, FIXED END | 1 |
| | 82-27229-013 | SOCKET, LAMP, TELESCOPIC END | 1 |
| 21. | 82-27457-003 | COVER ASSEMBLY, LAMP, 108" | 1 |
| | 82-27229-029 | SEAL | A/R |
| | 82-27229-021 | ADHESIVE | A/R |
| 22. | 82-27229-023 | U-NUT | A/R |
| 23. | 82-27229-025 | CLOSURE, END, LH | 2 |
| | 82-27229-032 | CLOSURE, END, RH | 1 |
| | 82-27229-027 | CLOSURE, END, RH | 1 |
| 24. | 82-27229-024 | CAP, END, LH | 2 |
| | 82-27229-028 | CAP, END, RH | 2 |
| | 82-27229-031 | SEAL END CAP | A/R |
| | 82-27229-030 | SEALER (BETWEEN END CAPS) | A/R |
| 25. | 82-27229-026 | SEAL | A/R |
| 26. | 82-27229-020 | CHANNEL, FILLER | A/R |
| 27. | 82-27229-022 | MOLDING (ORDER BY LENGTH) | A/R |
| | 82-19211-000 | TOOL, FLUORESCENT TUBE REMOVAL | 1 |

LAMP PANEL ASSEMBLY - 108"

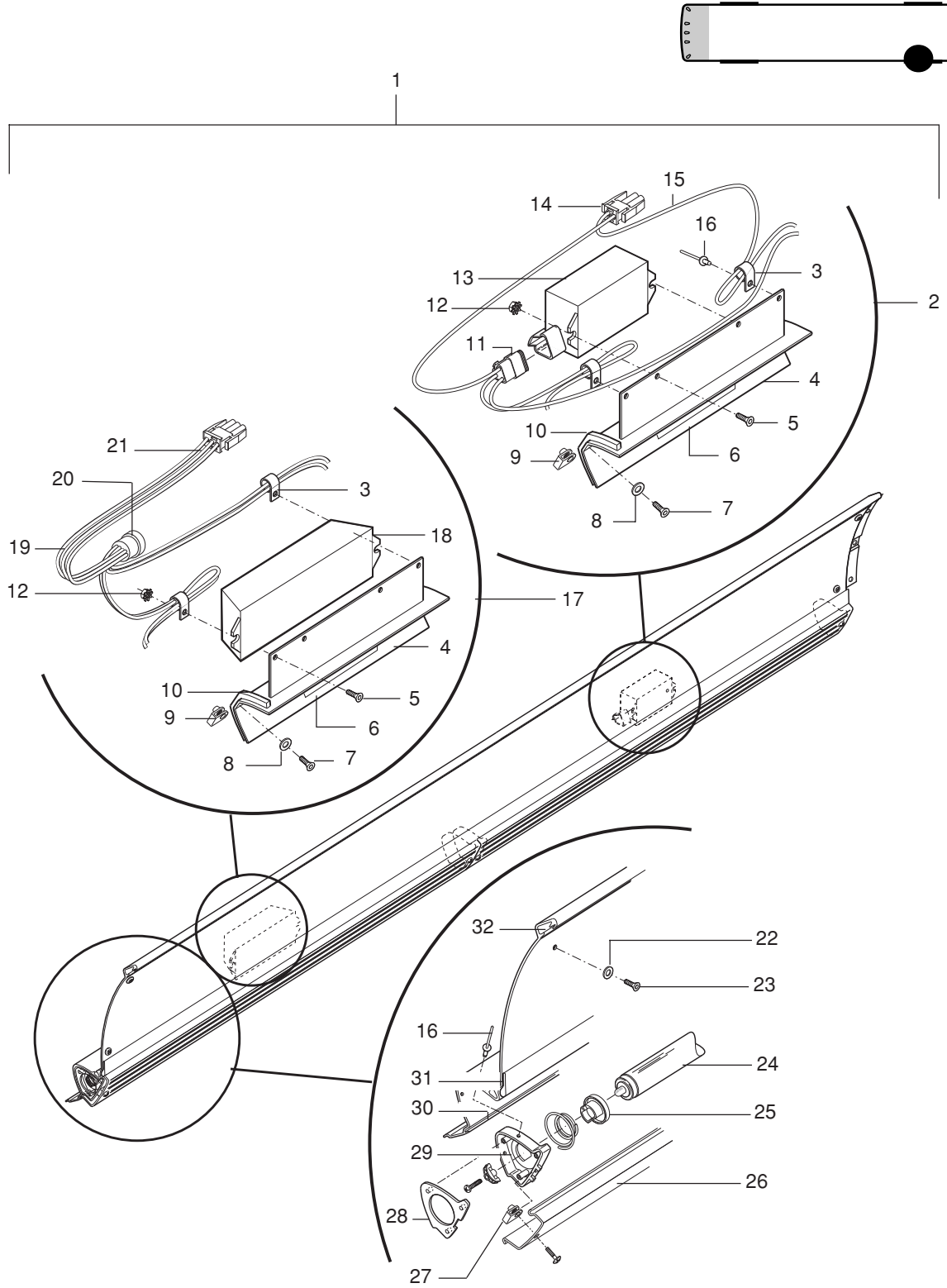


915-02-018
915-02-180

LAMP PANEL ASSEMBLY - 120"

| Item | Part No. | Description | Qty |
|------|--------------|---|-----|
| 1. | 82-27580-000 | LAMP PANEL ASSEMBLY-120" | 1 |
| 2. | 82-27229-001 | INVERTER ASSEMBLY | 1 |
| 3. | 82-27229-005 | WIRE CLIP | 2 |
| 4. | 82-27229-000 | INVERTER COVER | 1 |
| 5. | 82-27269-002 | SCREW 10-24 X 5/8 PHIL. CTR. SUNK-LH ONLY | 2 |
| | 82-27229-003 | SCREW 10-24 X 3/8 PHIL. CTR. SUNK-RH ONLY | 2 |
| 6. | 82-27229-008 | DANGER DECAL | 1 |
| 7. | 82-27229-010 | SCREW 10-24 X 5/8 PHL. RD. HD. | 2 |
| 8. | 82-27229-011 | WASHER #10 EXTERNAL TOOTH | 2 |
| 9. | 82-27229-009 | U-NUT | 4 |
| 10. | 82-27229-007 | SEAL | A/R |
| 11. | 82-27229-014 | CONNECTOR | 1 |
| | 82-27229-015 | WEDGE | 1 |
| | 82-27229-016 | TERMINAL | 3 |
| 12. | 82-27229-004 | KEPS NUT 10-24 | 2 |
| 13. | 82-22906-000 | INVERTER, (BALLAST) | 1 |
| 14. | 82-27229-017 | CONNECTOR | 1 |
| | 82-27229-018 | TERMINAL | 2 |
| 15. | 82-27391-001 | HARNES ASSEMBLY | 1 |
| 16. | 82-27229-006 | RIVET-RH ONLY | 2 |
| 17. | 82-27269-001 | INVERTER ASSEMBLY, H.O. | 1 |
| 18. | 51-02186-013 | INVERTER, (BALLAST) H.O. | 1 |
| 19. | 82-27458-001 | HARNES ASSEMBLY, H.O. | 1 |
| 20. | 82-27269-004 | CONNECTOR | 1 |
| | 82-27229-016 | TERMINAL | 7 |
| | 82-27269-005 | WEDGE | 1 |
| 21. | 82-27269-006 | CONNECTOR | 1 |
| | 82-27269-007 | TERMINAL | 3 |
| 22. | 82-01697-000 | WASHER, RETAINING | 4 |
| 23. | 82-09141-001 | SCREWS, TAMPERPROOF | 4 |
| 24. | 82-27390-003 | TUBE, 5' | 1 |
| | 82-27433-002 | TUBE, 5' - H.O. | 1 |
| 25. | 82-13446-001 | SOCKET, LAMP, FIXED END, H.O. | 1 |
| | 82-13446-002 | SOCKET, LAMP, TELESCOPIC END, H.O. | 1 |
| | 82-09145-000 | SOCKET, LAMP, FIXED END | 1 |
| | 82-27229-013 | SOCKET, LAMP, TELESCOPIC END | 1 |
| 26. | 82-27268-007 | COVER ASSEMBLY, LAMP, 84" | 2 |
| 27. | 82-27229-023 | U-NUT | A/R |
| 28. | 82-27229-032 | CLOSURE, END, RH | 2 |
| | 82-27229-025 | CLOSURE, END, LH | 2 |
| 29. | 82-27229-028 | CAP, END, RH | 2 |
| | 82-27229-024 | CAP, END, LH | 2 |
| | 82-27229-030 | SEALER (BETWEEN END CAPS & LAMP PANEL) | A/R |
| | 82-27229-031 | SEAL END CAP | A/R |
| | 82-27229-029 | SEAL | A/R |
| 30. | 82-27229-026 | SEAL | A/R |
| 31. | 82-27229-020 | CHANNEL FILLER | A/R |
| | 82-27229-021 | ADHESIVE | A/R |
| 32. | 82-27229-022 | MOLDING | A/R |
| | 82-19211-000 | TOOL, FLUORESCENT TUBE REMOVAL | 1 |

LAMP PANEL ASSEMBLY - 120"

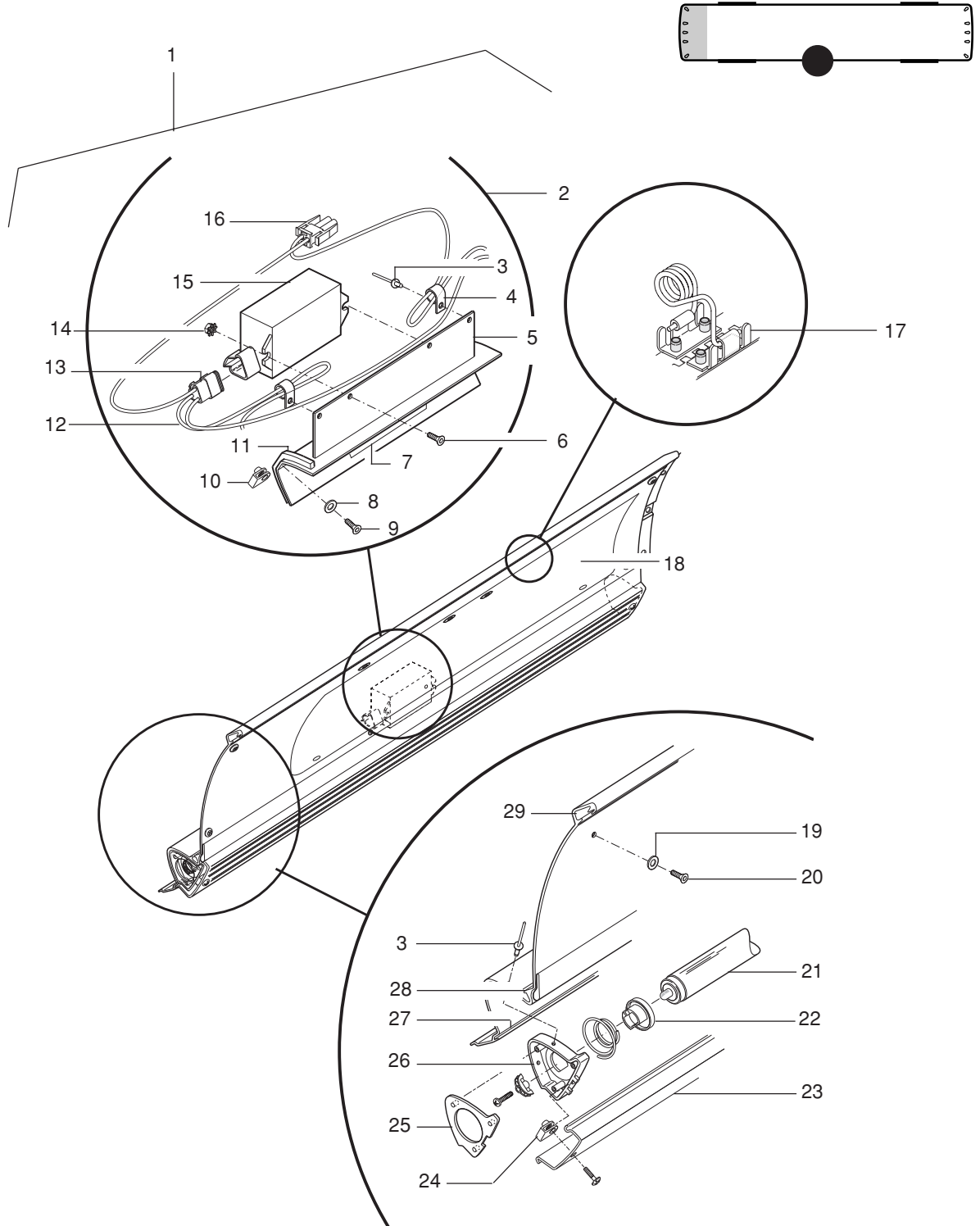


915-02-164
915-02-181

LAMP PANEL ASSEMBLY - 48"

| Item | Part No. | Description | Qty |
|------|--------------|--|-----|
| 1. | 82-27583-000 | LAMP PANEL ASSEMBLY, 48" | 1 |
| 2. | 82-27229-001 | INVERTER ASSEMBLY | 2 |
| 3. | 82-27229-006 | RIVET | 12 |
| 4. | 82-27229-005 | CLIP, WIRE | 2 |
| 5. | 82-27229-002 | COVER, INVERTER | 1 |
| 6. | 82-27229-003 | SCREW 10-24 X 3/8 PHIL. CTR. SUNK | 2 |
| 7. | 82-27229-008 | DECAL, "DANGER" | 1 |
| 8. | 82-27229-011 | WASHER, #10 EXTERNAL TOOTH | 2 |
| 9. | 82-27229-010 | SCREW #10-24 X 5/8 PHL. RD. HD. | 2 |
| 10. | 82-27229-009 | U-NUT | 4 |
| 11. | 82-27229-007 | SEAL | A/R |
| 12. | 82-27363-001 | HARNESS ASSEMBLY, LAMP | 2 |
| 13. | 82-27229-014 | CONNECTOR | 1 |
| | 82-27229-015 | WEDGE | 1 |
| | 82-27229-016 | TERMINAL | 3 |
| 14. | 82-27229-004 | NUT 10-24, KEPS | 2 |
| 15. | 82-22906-000 | INVERTER (BALLAST) | 1 |
| 16. | 82-27229-017 | CONNECTOR | 1 |
| | 82-27229-018 | TERMINAL | 2 |
| 17. | REF ONLY | SPRING, ACCESS DOOR (NOT SOLD SEP. PER VENDOR) | 1 |
| 18. | 82-27363-002 | DOOR ASM, LAMP ACCESS | 1 |
| 19. | 82-01697-000 | WASHER, RETAINING | 4 |
| 20. | 82-01696-000 | SCREW, PHILLIPS | 4 |
| 21. | 82-27363-003 | TUBE, FLUORESCENT, 48" | 1 |
| 22. | 82-09145-000 | SOCKET, LAMP, FIXED END | 1 |
| | 82-27229-013 | SOCKET, LAMP, TELESCOPIC END | 1 |
| 23. | 82-26124-000 | COVER ASSEMBLY, LAMP | 2 |
| | 82-27229-029 | SEAL | A/R |
| | 82-27229-021 | ADHESIVE | A/R |
| 24. | 82-27229-023 | U-NUT | A/R |
| 25. | 82-27229-025 | CLOSURE, END, LH | 2 |
| | 82-27229-032 | CLOSURE, END, RH | 1 |
| | 82-27229-027 | CLOSURE, END, RH | 1 |
| 26. | 82-27229-024 | CAP, END, LH | 2 |
| | 82-27229-028 | CAP, END, RH | 2 |
| | 82-27229-031 | SEAL END CAP | A/R |
| | 82-27229-030 | SEALER (BETWEEN END CAPS) | A/R |
| 27. | 82-27229-026 | SEAL | A/R |
| 28. | 82-27229-020 | CHANNEL, FILLER | A/R |
| 29. | 82-27229-022 | MOLDING (ORDER BY LENGTH) | A/R |
| | 82-19211-000 | TOOL, FLUORESCENT TUBE REMOVAL | 1 |

LAMP PANEL ASSEMBLY - 48"

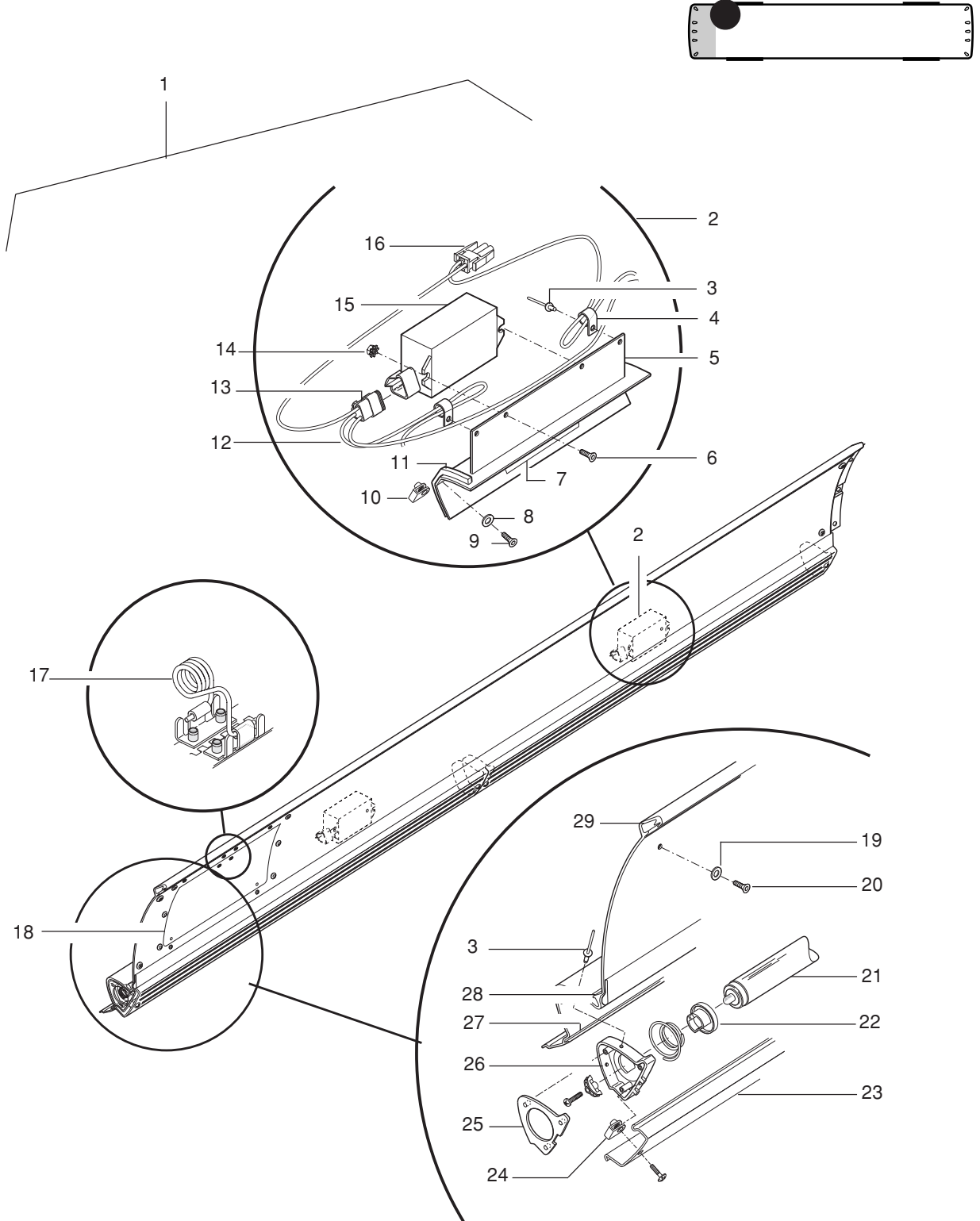


915-00-001
915-02-590

LAMP PANEL ASSEMBLY - 98"

| Item | Part No. | Description | Qty |
|------|--------------|--|-----|
| 1. | 82-27581-000 | LAMP PANEL ASSEMBLY, 98" | 1 |
| 2. | 82-27229-001 | INVERTER ASSEMBLY | 2 |
| 3. | 82-27229-006 | RIVET | 12 |
| 4. | 82-27229-005 | CLIP, WIRE | 2 |
| 5. | 82-27229-002 | COVER, INVERTER | 1 |
| 6. | 82-27229-003 | SCREW 10-24 X 3/8 PHIL. CTR. SUNK | 2 |
| 7. | 82-27229-008 | DECAL, "DANGER" | 1 |
| 8. | 82-27229-011 | WASHER, #10 EXTERNAL TOOTH | 2 |
| 9. | 82-27229-010 | SCREW #10-24 X 5/8 PHL. RD. HD. | 2 |
| 10. | 82-27229-009 | U-NUT | 4 |
| 11. | 82-27229-007 | SEAL | A/R |
| 12. | 82-27464-001 | HARNESS ASSEMBLY, LAMP | 2 |
| 13. | 82-27229-014 | CONNECTOR | 1 |
| | 82-27229-015 | WEDGE | 1 |
| | 82-27229-016 | TERMINAL | 3 |
| 14. | 82-27229-004 | NUT 10-24, KEPS | 2 |
| 15. | 82-22906-000 | INVERTER (BALLAST) | 1 |
| 16. | 82-27229-017 | CONNECTOR | 1 |
| | 82-27229-018 | TERMINAL | 2 |
| 17. | REF ONLY | SPRING, ACCESS DOOR (NOT SOLD SEP. PER VENDOR) | 1 |
| 18. | 82-27229-033 | DOOR ASM, LAMP ACCESS, 28" | 1 |
| 19. | 82-01697-000 | WASHER, RETAINING | 4 |
| 20. | 82-01696-000 | SCREW, PHILLIPS | 4 |
| 21. | 82-27268-006 | TUBE, FLUORESCENT, 4' | 2 |
| 22. | 82-09145-000 | SOCKET, LAMP, FIXED END | 1 |
| | 82-27229-013 | SOCKET, LAMP, TELESCOPIC END | 1 |
| 23. | 82-27581-001 | COVER ASSEMBLY, LAMP 4' | 2 |
| | 82-27229-029 | SEAL | A/R |
| | 82-27229-021 | ADHESIVE | A/R |
| 24. | 82-27229-023 | U-NUT | A/R |
| 25. | 82-27229-025 | CLOSURE, END, LH | 2 |
| | 82-27229-032 | CLOSURE, END, RH | 1 |
| | 82-27229-027 | CLOSURE, END, RH | 1 |
| 26. | 82-27229-024 | CAP, END, LH | 2 |
| | 82-27229-028 | CAP, END, RH | 2 |
| | 82-27229-031 | SEAL END CAP | A/R |
| | 82-27229-030 | SEALER (BETWEEN END CAPS) | A/R |
| 27. | 82-27229-026 | SEAL | A/R |
| 28. | 82-27229-020 | CHANNEL, FILLER | A/R |
| 29. | 82-27229-022 | MOLDING (ORDER BY LENGTH) | A/R |
| | 82-19211-000 | TOOL, FLUORESCENT TUBE REMOVAL | 1 |
| | 82-27444-001 | KIT, LENS STRAP | A/R |

LAMP PANEL ASSEMBLY - 98"

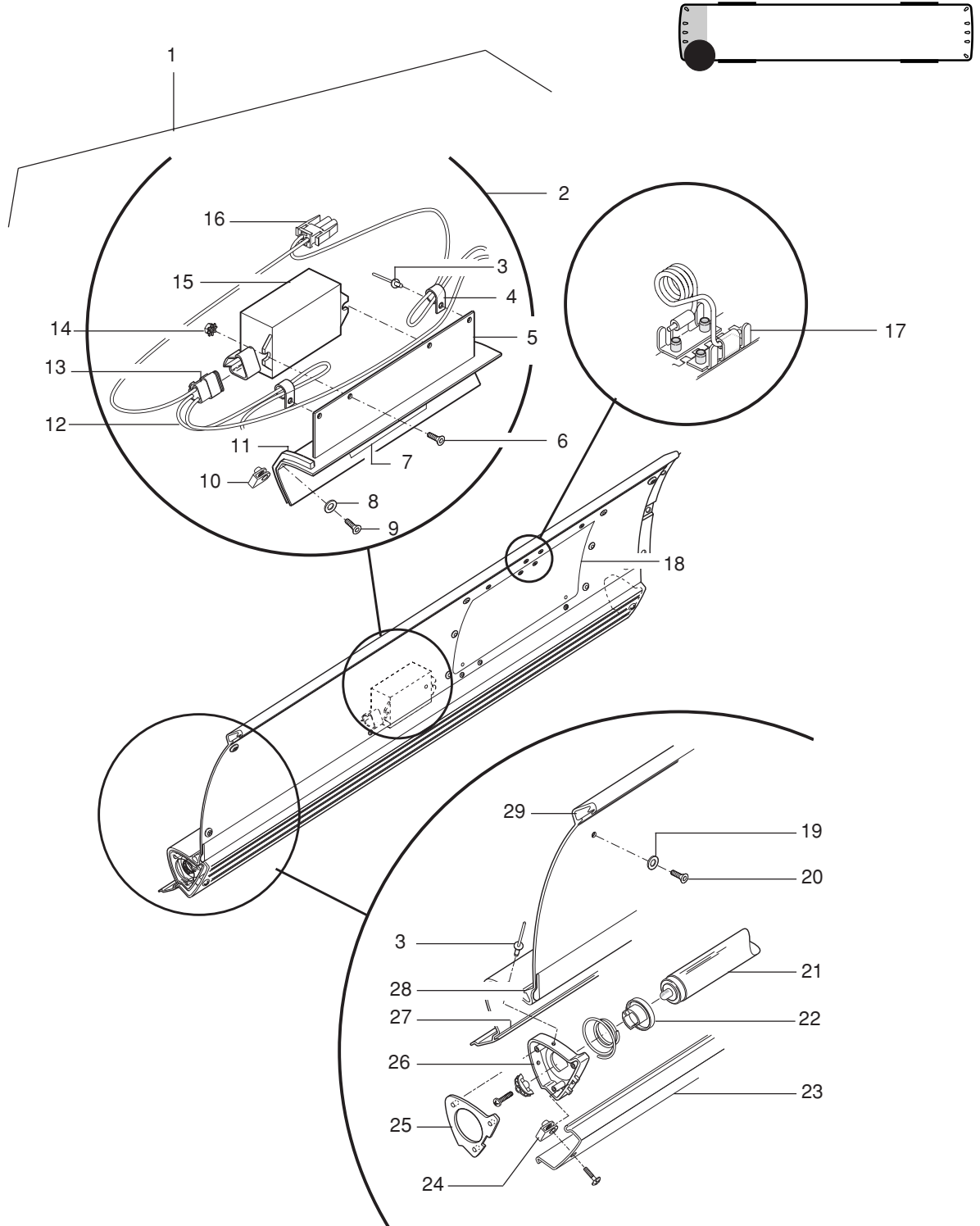


915-02-035
915-02-755

LAMP PANEL ASSEMBLY - 50"

| Item | Part No. | Description | Qty |
|------|--------------|--|-----|
| 1. | 82-27582-000 | LAMP PANEL ASSEMBLY, 50" | 1 |
| 2. | 82-27229-001 | INVERTER ASSEMBLY | 2 |
| 3. | 82-27229-006 | RIVET | 12 |
| 4. | 82-27229-005 | CLIP, WIRE | 2 |
| 5. | 82-27229-002 | COVER, INVERTER | 1 |
| 6. | 82-27229-003 | SCREW 10-24 X 3/8 PHIL. CTR. SUNK | 2 |
| 7. | 82-27229-008 | DECAL, "DANGER" | 1 |
| 8. | 82-27229-011 | WASHER, #10 EXTERNAL TOOTH | 2 |
| 9. | 82-27229-010 | SCREW #10-24 X 5/8 PHL. RD. HD. | 2 |
| 10. | 82-27229-009 | U-NUT | 4 |
| 11. | 82-27229-007 | SEAL | A/R |
| 12. | 82-27363-001 | HARNESS ASSEMBLY, LAMP | 2 |
| 13. | 82-27229-014 | CONNECTOR | 1 |
| | 82-27229-015 | WEDGE | 1 |
| | 82-27229-016 | TERMINAL | 3 |
| 14. | 82-27229-004 | NUT 10-24, KEPS | 2 |
| 15. | 82-22906-000 | INVERTER (BALLAST) | 1 |
| 16. | 82-27229-017 | CONNECTOR | 1 |
| | 82-27229-018 | TERMINAL | 2 |
| 17. | REF ONLY | SPRING, ACCESS DOOR (NOT SOLD SEP. PER VENDOR) | 1 |
| 18. | 82-27229-033 | DOOR ASM, LAMP ACCESS | 1 |
| 19. | 82-01697-000 | WASHER, RETAINING | 4 |
| 20. | 82-01696-000 | SCREW, PHILLIPS | 4 |
| 21. | 82-27268-006 | TUBE, FLUORESCENT, 48" | 1 |
| 22. | 82-09145-000 | SOCKET, LAMP, FIXED END | 1 |
| | 82-27229-013 | SOCKET, LAMP, TELESCOPIC END | 1 |
| 23. | 82-27582-001 | COVER ASSEMBLY, LAMP 50" | 1 |
| | 82-27229-029 | SEAL | A/R |
| | 82-27229-021 | ADHESIVE | A/R |
| 24. | 82-27229-023 | U-NUT | A/R |
| 25. | 82-27229-025 | CLOSURE, END, LH | 2 |
| | 82-27229-032 | CLOSURE, END, RH | 1 |
| | 82-27229-027 | CLOSURE, END, RH | 1 |
| 26. | 82-27229-024 | CAP, END, LH | 2 |
| | 82-27229-028 | CAP, END, RH | 2 |
| | 82-27229-031 | SEAL END CAP | A/R |
| | 82-27229-030 | SEALER (BETWEEN END CAPS) | A/R |
| 27. | 82-27229-026 | SEAL | A/R |
| 28. | 82-27229-020 | CHANNEL, FILLER | A/R |
| 29. | 82-27229-022 | MOLDING (ORDER BY LENGTH) | A/R |
| | 82-19211-000 | TOOL, FLUORESCENT TUBE REMOVAL | 1 |

LAMP PANEL ASSEMBLY - 50"



915-02-034
915-02-756

HARNES LISTING

| | | |
|--------------|--|---|
| 13-46297-002 | PANEL ASM, REMOTE I/O MOUNTING | 1 |
| 13-46299-000 | PANEL ASM, DOOR CONTROL COMPLETE | 1 |
| 13-47890-000 | PANEL ASM, FFRONT CONTROL (COMPLETE) | 1 |
| 13-48867-000 | PANEL ASM, REAR ELECTRICAL | 1 |
| 50-23877-000 | HARNES ASM, TAILLIGHT JUMPER | 2 |
| 50-26461-005 | HARNES, LINEAR FIRE DETECTION WIRE | 1 |
| 50-26461-008 | HARNES, LINEAR FIRE DETECTION WIRE | 2 |
| 50-36981-004 | HARNES, COMMUNICATION CABLE | 1 |
| 50-36981-000 | HARNES, COMMUNICATION CABLE | 2 |
| 50-36981-009 | HARNES, COMMUNICATION CABLE W/J1939 | 1 |
| 50-37103-001 | HARNES, ENGINE/TRANS POWER | 1 |
| 50-37769-002 | HARNES, TAIL LAMP | 1 |
| 50-37825-001 | HARNES, ABS FRONT CHANNEL | 1 |
| 50-37899-000 | HARNES, REAR CAP | 1 |
| 50-38157-000 | HARNES, IGNITION SWITCH PANEL | 1 |
| 50-38158-000 | HARNES, RT SIDE DASH PANEL | 1 |
| 50-38159-000 | HARNES, LEFT DASH PANEL | 1 |
| 50-38598-000 | HARNES, MARKER LAMP FRT CAP | 1 |
| 50-39450-004 | HARNES, REAR, TURN AND MARKER | 1 |
| 50-39453-001 | HARNES, BULKHEAD EXTENTION | 1 |
| 50-39466-001 | HARNES, PRESSURE SW. | 1 |
| 50-39468-000 | HARNES, 3RD BRAKE LT. | 1 |
| 50-39773-000 | HARNES, RR DOOR HEADER W/SPRING CLOSED D | 1 |
| 50-39968-003 | HARNES, AUDIO | 1 |
| 50-39968-000 | HARNES, AUDIO | 1 |
| 50-40026-000 | HARNES, RR DOOR EXTERIOR CURB LAMP | 1 |
| 50-40132-001 | HARNES, RETARDER PRESSURE SWITCHES | 1 |
| 50-40731-000 | HARNES, CTR DASH PANEL | 1 |
| 50-40996-000 | HARNES, VDO FILTER | 1 |
| 50-41237-000 | HARNES ASM, LINEAR FIRE JUMPER | 1 |
| 50-41416-002 | HARNES, MULTIPLEXING DATA SYSTEM | 1 |
| 50-41436-000 | HARNES, WINDSHIELD WIPERS | 2 |
| 50-41824-003 | HARNES, DRIVERS FAN | 1 |
| 50-42156-000 | HARNES, DOOR LAMP JUMPER | 1 |
| 50-42278-001 | HARNES, DRIVERS HEATER | 1 |
| 50-42360-003 | HARNES, MICROPHONE | 1 |
| 50-43518-000 | HARNES, FAREBOX POWER | 1 |
| 50-44200-002 | HARNES, BULKHEAD EXTENTION | 1 |
| 50-47765-000 | HARNES, RR RUN BOX | 1 |
| 50-47767-000 | HARNES, ENGINE | 1 |
| 50-47858-001 | HARNES, RH CEILING | 1 |
| 50-47859-001 | HARNES, LH CEILING | 1 |
| 50-47900-000 | HARNES, HEAD LIGHT & T/S | 1 |
| 50-47901-000 | HARNES, HEAD LIGHT & T/S | 2 |
| 50-48437-000 | HARNES, TRANS OIL LEVEL GAUGE | 1 |
| 50-48437-001 | HARNES, TRANS OIL LEVEL GAUGE | 1 |
| 50-48974-000 | HARNES L, DASH PANEL LF | 1 |
| 50-49189-001 | HARNES, VOLTAGE REGULATOR | 1 |
| 50-49202-000 | HARNES, ABS DRIVE AXLE | 1 |
| 50-50956-000 | HARNES ASM, ELECTRICAL COMPARTMENT | 1 |

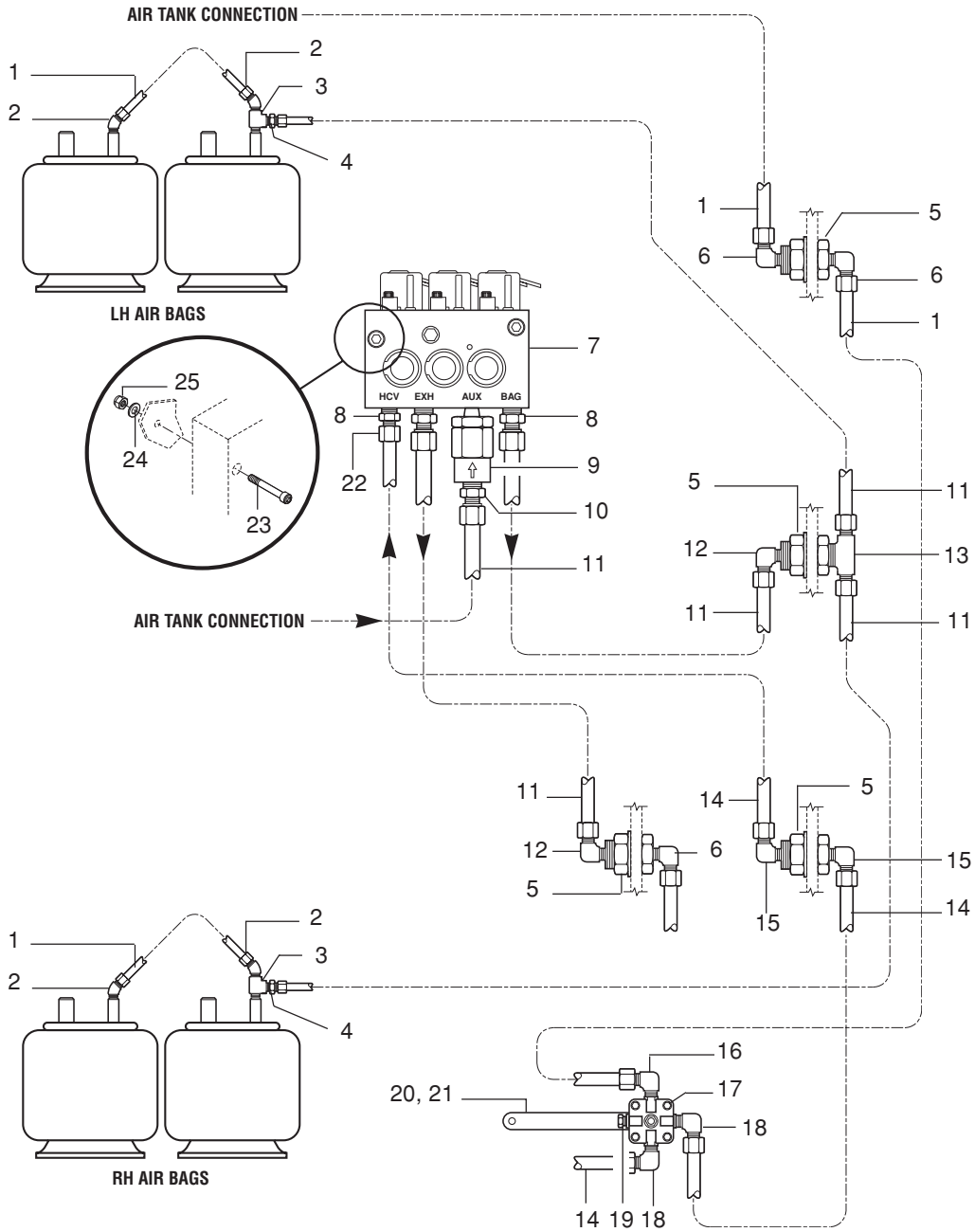
Section 4- Air System

| | |
|---|-----|
| Front Suspension Kneeling | 188 |
| Rear Suspension Leveling Valve | 190 |
| Air Compressor Piping | 192 |
| Air Piping Components | 194 |
| Air Tanks and Fittings | 196 |
| Air Tanks & Mounting | 198 |
| Air Piping | 200 |
| Rear Shop Air Connector | 202 |
| Shop Air & Tow Connectors - FRONT | 204 |
| Brake Piping | 206 |
| Air Tank Drain Valves | 208 |
| Air Dryer Assembly | 210 |
| Door Control Piping | 212 |

FRONT SUSPENSION KNEELING

| Item | Part No. | Description | Qty |
|------|--------------|------------------------------------|-----|
| 1. | 56-14037-000 | TUBING, NYLON 3/8 BLACK | A/R |
| 2. | 54-12934-005 | ELBOW, 45° BRASS, 3/8T X 1/4 MPT | 4 |
| 3. | 54-12955-004 | TEE, STREET BRASS, 1/4FPT X 1/4MPT | 2 |
| 4. | 54-12932-008 | ADAPTER, MALE, 1/2-1/4 | 2 |
| 5. | 54-13093-006 | FITTING, BULKHEAD, BRASS 3/8NPT | 4 |
| 6. | 54-12935-006 | ELBOW, 90°, 3/8NPT X 3/8T | 3 |
| 7. | 04-45322-000 | VALVE ASM, SUSP KNEELING | 1 |
| 8. | 54-12932-009 | ADAPTER, 3/8NPT X 1/2T | 2 |
| 9. | 53-21756-000 | VALVE, SINGLE CHECK, 1/2 | 1 |
| 10. | 54-12932-010 | ADAPTER, 1/2NPT X 1/2T | 1 |
| 11. | 56-14038-000 | TUBING, NYLON 1/2 BLACK | A/R |
| 12. | 54-12935-009 | ELBOW, 90° 3/8NPT X 1/2T | 2 |
| 13. | 54-12938-007 | TEE, 3/8NPT | 1 |
| 14. | 54-14036-000 | TUBING, NYLON 1/4 BLACK | A/R |
| 15. | 54-12935-003 | ELBOW, 90° 3/8NPT X 1/4T | 2 |
| 16. | 54-12935-005 | ELBOW, 90° 1/4NPT X 3/8T | 1 |
| 17. | 04-43073-002 | VALVE, SUSP HEIGHT CONTROL | 1 |
| 18. | 54-12935-002 | ELBOW, 90° 1/4MPT X 1/4MPT | 2 |
| 19. | 54-12957-004 | PLUG, HXHD 1/4MPT, BRASS | 1 |
| 20. | 08-36866-000 | BRACKET, LINK MTG | 1 |
| 21. | 04-36902-000 | LINK ASM, FRT KNEELING | 1 |
| 22. | 54-12932-002 | ADAPTER, MALE 1/4 X 1/4MPT | 1 |
| 23. | 54-13113-101 | BOLT, SOCKETHD, 5/16-18 UNC | 2 |
| 24. | 54-13112-019 | FLATWASHER, 5/16 SSTL | 2 |
| 25. | 54-13108-030 | NUT, NYLOK, 5/16-18 SSTL | 2 |
| | 04-38318-000 | BRACKET, GUARD | 1 |
| | 04-38319-000 | COVER, GUARD | 1 |
| | 54-13119-003 | SCREW, 10-24 | A/R |

FRONT SUSPENSION KNEELING

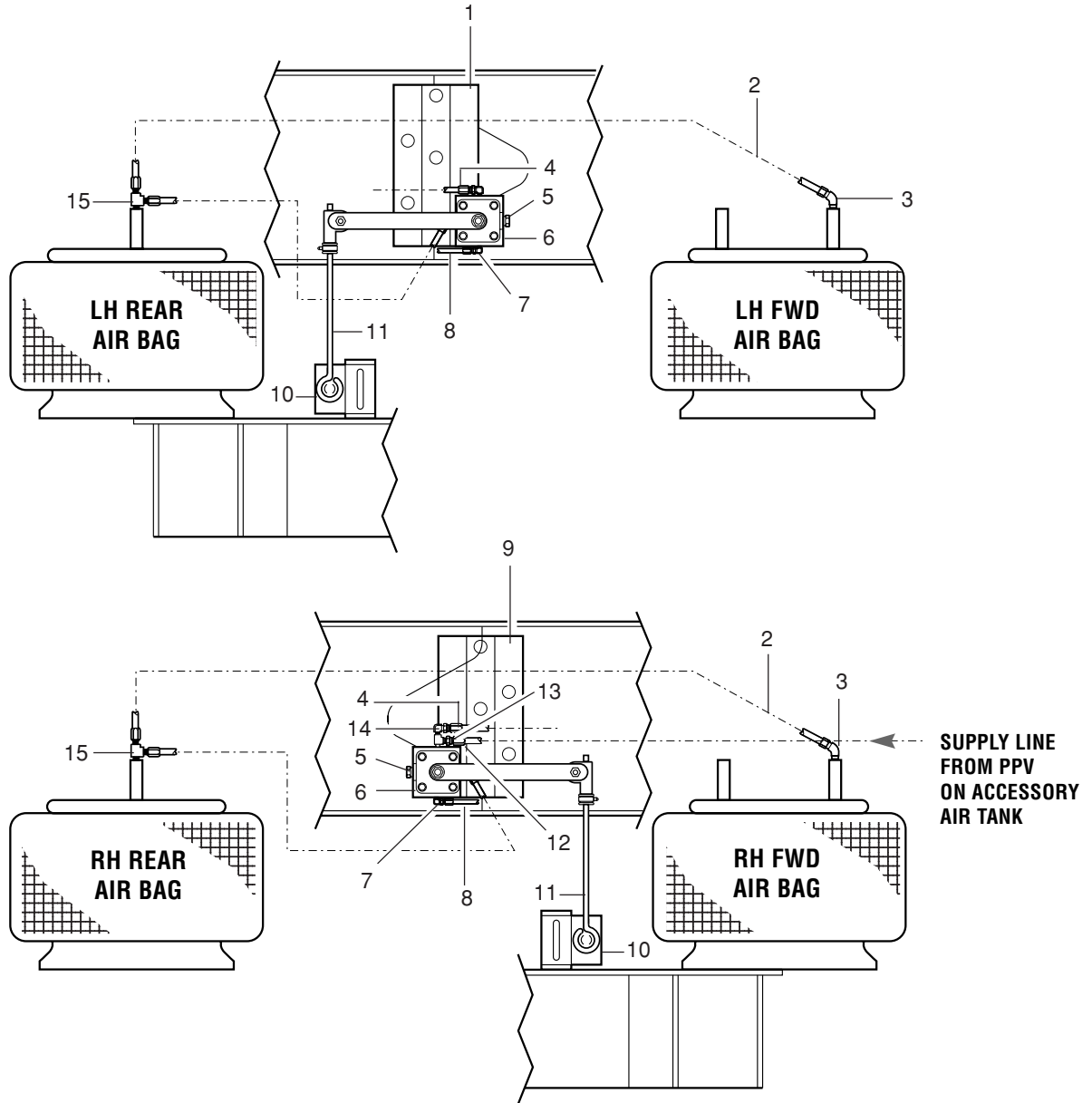


04-0100-0700C+(D)
04-004183
04-0100-0700C
04-0120-0700D

REAR SUSPENSION LEVELING VALVE

| Item | Part No. | Description | Qty |
|------|---------------|---|-----|
| 1. | 11-45372-000R | BRACKET ASM, LEVELING VALVE MTG RH | 1 |
| 2. | 56-14037-CTL | TUBING, 3/8 BLACK | 6 |
| 3. | 54-12934-005 | ELBOW, 45° 3/8T X 1/4MPT | 2 |
| 4. | 54-12935-005 | ELBOW, 90° 1/4NPT X 3/8T | 2 |
| 5. | 54-12958-004 | PLUG, HEX SOCKET 1/4MPT, BRASS | 2 |
| 6. | 04-43073-000 | VALVE, SUSPENSION HEIGHT CONTROL W/O DUMP VALVE | 2 |
| 7. | 54-12935-002 | ELBOW, 90° 1/4 X 1/4MPT | 2 |
| 8. | 56-14036-CTL | TUBING, NYLON 1/4 | 5 |
| 9. | 11-45372-000L | BRACKET ASM, LEVELING VALVE MTG LH | 1 |
| 10. | 11-48244-000 | PLATE, HCV LINK MTG | 2 |
| 11. | 04-36902-000 | LINK ASM, SUSPENSION | 2 |
| 12. | 54-12932-005 | FITTING, 3/8" T X 1/4" MPT | 1 |
| 13. | 04-46428-000 | VALVE, SINGLE CHECK | 1 |
| 14. | 54-12955-004 | STREET TEE, BRASS 1/4" FPT X 1/4" MPT | 1 |
| 15. | 54-12937-003 | TEE, 3/8" T X 1/4 MPT | 3 |

REAR SUSPENSION LEVELING VALVE



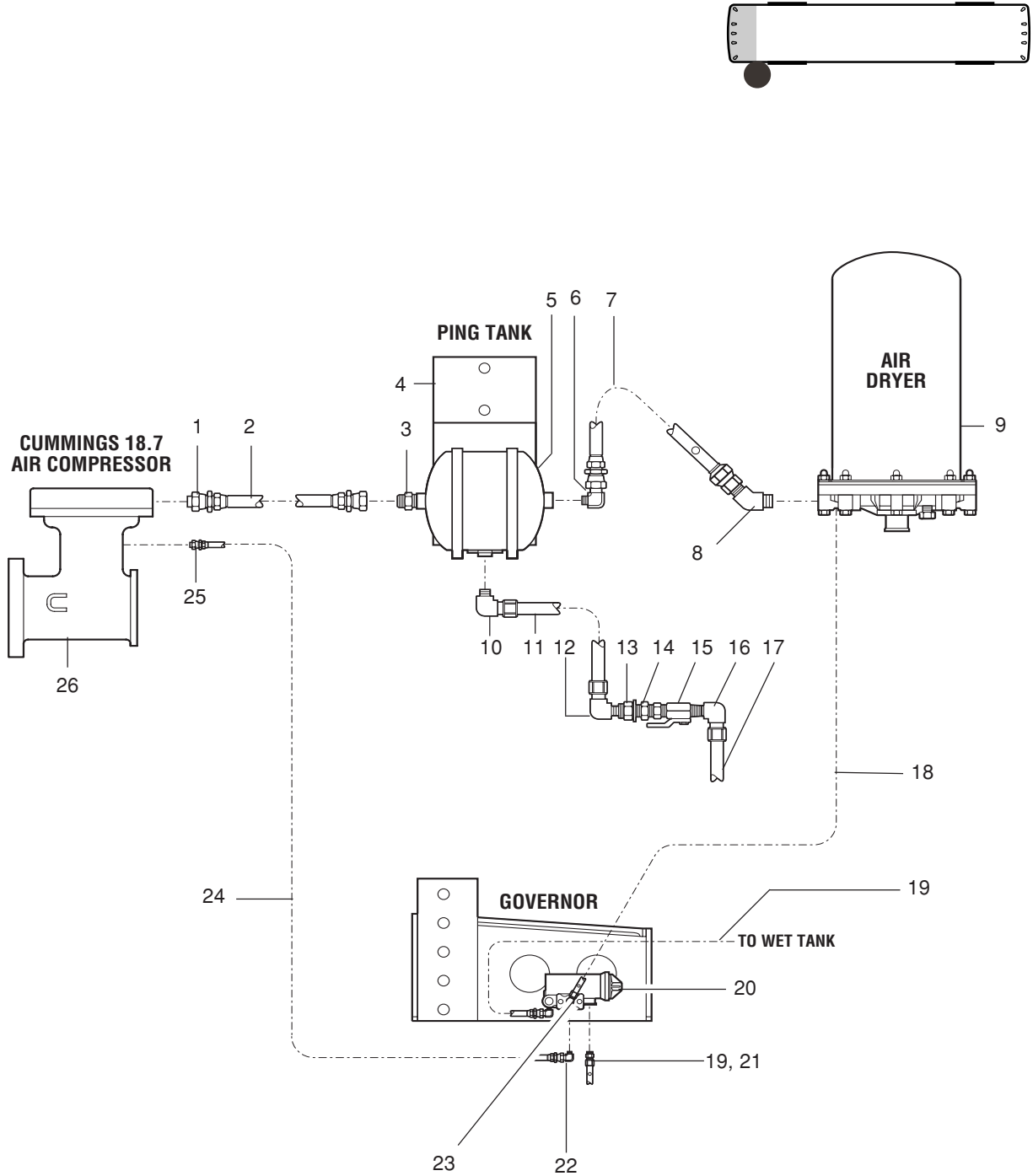
SUPPLY LINE FROM PPV ON ACCESSORY AIR TANK

04-0151-0701C
04-000110
04-0151-0701C

AIR COMPRESSOR PIPING

| Item | Part No. | Description | Qty |
|------|-----------------|---|-----|
| 1. | 54-13050-039 | ADAPTER, 3/4 | 1 |
| 2. | 46-16D3030-0450 | HOSE ASM, FC186 #16 | 1 |
| 3. | 54-13003-029 | STRAIGH CONN, 3/4 | 1 |
| 4. | 04-39502-000 | BRACKET, AIR PING TANK | 1 |
| | 04-39503-000 | U-BOLT, AIR TANK MTG | 2 |
| 5. | 53-15488-000 | TANK, PING | 1 |
| 6. | 54-13008-028 | ELBOW, 90°, 3/4"NPT X #16 JIC | 1 |
| 7. | 46-16D3030-0200 | HOSE ASM #16 TEFLON | 1 |
| 8. | 54-13007-023 | ELBOW, 45° DEG. 3/4"NPT X #16 JIC | 1 |
| 9. | REF ONLY | AIR DRYER ASM | 1 |
| 10. | 54-12935-005 | ELBOW, 90° 1/4F X 1/4M, BRASS | 1 |
| 11. | 56-14037-000 | TUBING, NYLON 1/4" BLACK | A/R |
| 12. | 54-12935-005 | ELBOW, 90° 1/4F X 1/4M, BRASS | 1 |
| 13. | 54-13093-005 | FITTING, BULKHEAD 1/4" NPT X 3/8" | 2 |
| 14. | 54-12956-004 | NIPPLE, 1/4" NPT SHORT | 1 |
| 15. | 53-20873-000 | VALVE, REMOTE MOUNTED SHUT-OFF 1/4 NPT | 1 |
| | 04-44412-000 | BRACKET, DRAIN VALVE MTG | 1 |
| 16. | 54-12936-002 | ELBOW, 90° 1/4"FPT X 1/4MPT, BRASS | 1 |
| 17. | 56-14036-003.00 | TUBING, NYLON 1/4" BLACK | 1 |
| 18. | 56-27280-000 | TUBING, 1/4" , NYLON, YELLOW | A/R |
| 19. | 56-14036-000 | TUBING, NYLON 1/4" BLACK | A/R |
| 20. | 53-00271-001 | GOVERNOR, AIR COMPRESSOR | 1 |
| 21. | 54-12932-001 | CONNECTION, 1/8 NPT X 1/4 | 1 |
| 22. | 54-12995-003 | ELBOW, 90°, 1/8 X #4 SAE | 1 |
| 23. | 54-12935-001 | ELBOW, 90° 1/8 NPT X 1/4 | 1 |
| 24. | 46-04D3031-0500 | HOSE ASM | 1 |
| 25. | 54-13118-078 | ADAPTER, 1/8 X #4 SAE | 1 |
| | 52-00002-001 | CONNECTION, 1/2" NPT X #16 JIC | 1 |
| | 53-21364-001 | CLAMP, CONSTANT TENSION HOSE 1.24-1.42, OETIKER | 2 |
| | 54-12899-012 | ELBOW, 45°-3/4 NPT, BRASS | 1 |
| | 56-22602-050.00 | HOSE, 1" ID, OIL RESISTANT | 1 |
| 26. | REF ONLY | COMPRESSOR, AIR FURNISHED WITH ENGINE | 1 |
| | 54-37358-000 | NUT PLATE, COBOLT M8 | 1 |
| | 54-37359-001 | BOLT, BUTTON TORX HEAD M8 X 15MM | 1 |

AIR COMPRESSOR PIPING

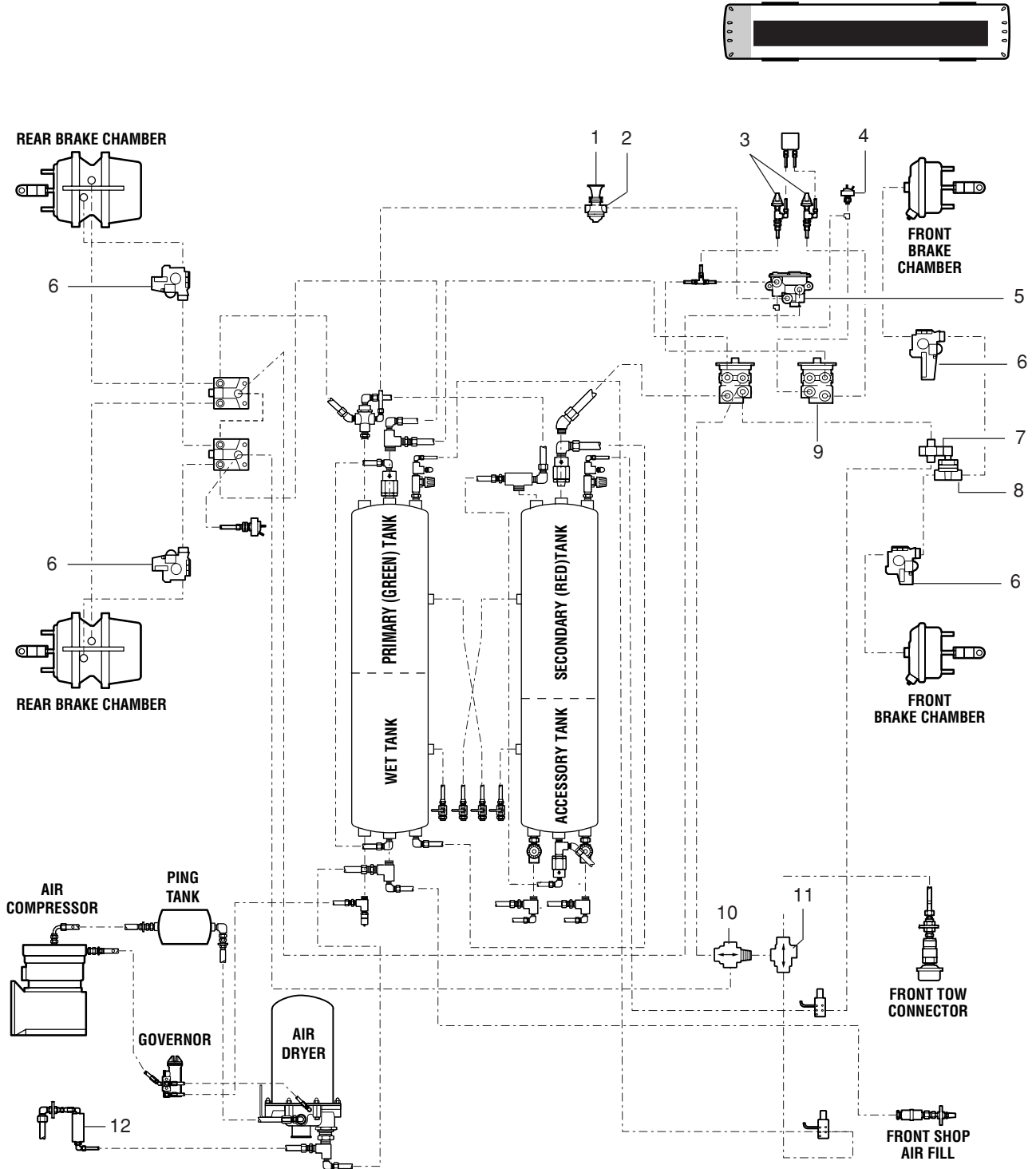


04-0160-0701C,J
04-004208
04-0160-0701C, J

AIR PIPING COMPONENTS

| Item | PartNo. | Description | Qty |
|------|--------------|---|-----|
| 1. | 53-00758-001 | VALVE, PARKING BRAKE | 1 |
| N/S | 54-12932-001 | CONN, MALE, 1/8MPT X 1/4T AIR BRAKE | A/R |
| N/S | 54-12935-001 | ELBOW, 90° 1/8NPT X 1/4T | A/R |
| N/S | 54-12935-004 | ELBOW, 90° 1/8NPT X 3/8TUBE | A/R |
| 2. | 51-23405-000 | SWITCH, EMERGENCY BRAKE PRESSURE | 2 |
| | 51-22937-002 | SWITCH, PRESS 14PSI CUTOUT | 1 |
| 3. | 53-20274-001 | VALVE, AIR SOLENOID, 24V | 2 |
| 4. | 51-00072-001 | SWITCH, STOPLIGHT | 1 |
| 5. | 53-00467-000 | VALVE, SPRING BRAKE CONTROL | 1 |
| 6. | 53-28246-001 | VALVE, MODULATOR | 4 |
| 7. | 53-20338-000 | VALVE, DOUBLE CHECK | 1 |
| 8. | 53-21580-000 | VALVE, QUICK RELEASE | 1 |
| 9. | 04-43094-000 | VALVE ASM, FOOT, E-8 | 1 |
| 10. | 04-37683-000 | VALVE, DOUBLE CHECK | 1 |
| 11. | 53-08005-008 | STRAINER, AIR | 1 |
| N/S | 04-42850-000 | PLATE, BULKHEAD FITTING MTG | 1 |
| N/S | 51-26117-005 | SWITCH, PRESSURE 7 PSI | 1 |
| N/S | 51-26117-015 | SWITCH, PRESSURE 2 PSI | 1 |
| N/S | 51-26117-017 | SWITCH, PRESSURE 4 PSI | 1 |
| N/S | 51-33372-000 | MODULE, TRANS RESISTANCE | 1 |
| N/S | 54-12961-001 | BUSHING, HEX 1/8FPT X 1/4MPT | 1 |
| N/S | 04-36712-000 | PLATE, VALVE MTG | 1 |
| N/S | 04-36933-000 | BULKHEAD UNION NYLON TUBE | 5 |
| N/S | 04-36933-001 | BULKHEAD UNION NYLON TUBE | 5 |
| N/S | 04-36933-003 | BULKHEAD UNION NYLON TUBE | 2 |
| N/S | 04-36933-004 | RING, BULKHEAD UNION RETAINING | 5 |
| N/S | 04-36933-005 | RING, BULKHEAD UNION RETAINING | 5 |
| N/S | 04-36933-007 | RING, BULKHEAD UNION RETAINING | 2 |
| N/S | 53-09370-000 | ELBOW, ANCHOR 1/4NPT | 3 |
| N/S | 54-12932-006 | CONN, MALE 3/8-3/8 MPT FOR AIR BRAKE | 1 |
| N/S | 54-12934-006 | ELBOW, 45° 3/8NPT X 3/8T | 1 |
| N/S | 54-12934-017 | FITTING, ELBOW, 45° 3/8NPTX#10 NYLON | 2 |
| N/S | 54-12935-002 | ELBOW 90° 1/4X1/4MPT AIR BRAKE | 4 |
| N/S | 54-12935-003 | ELBOW, 90° 3/8NPT X 1/4T | 1 |
| N/S | 54-12935-006 | ELBOW, 90° 3/8NPT X 3/8T | 5 |
| N/S | 54-12948-004 | ELBOW, 90° 1/4FX1/4M BRASS STREET ELBOW | 3 |
| N/S | 54-12957-006 | PLUG, HXHD 3/8MPT BRASS | 2 |
| N/S | 54-13093-004 | CONN, BULKHEAD, BRASS 1/4NPT X 3/4-16 | 2 |
| N/S | 54-42689-004 | ELBOW-UNION 90 AIR BRAKE 1/4 TUBE SIZE | 1 |
| N/S | 54-42689-006 | ELBOW-UNION 90 AIR BRAKE 3/8 TUBE SIZE | 1 |
| N/S | 54-42689-008 | ELBOW-UNION 90 AIR BRAKE 1/2 TUBE SIZE | 1 |
| N/S | 54-42689-010 | ELBOW-UNION 90 AIR BRAKE 5/8 TUBE SIZE | 2 |

AIR PIPING COMPONENTS

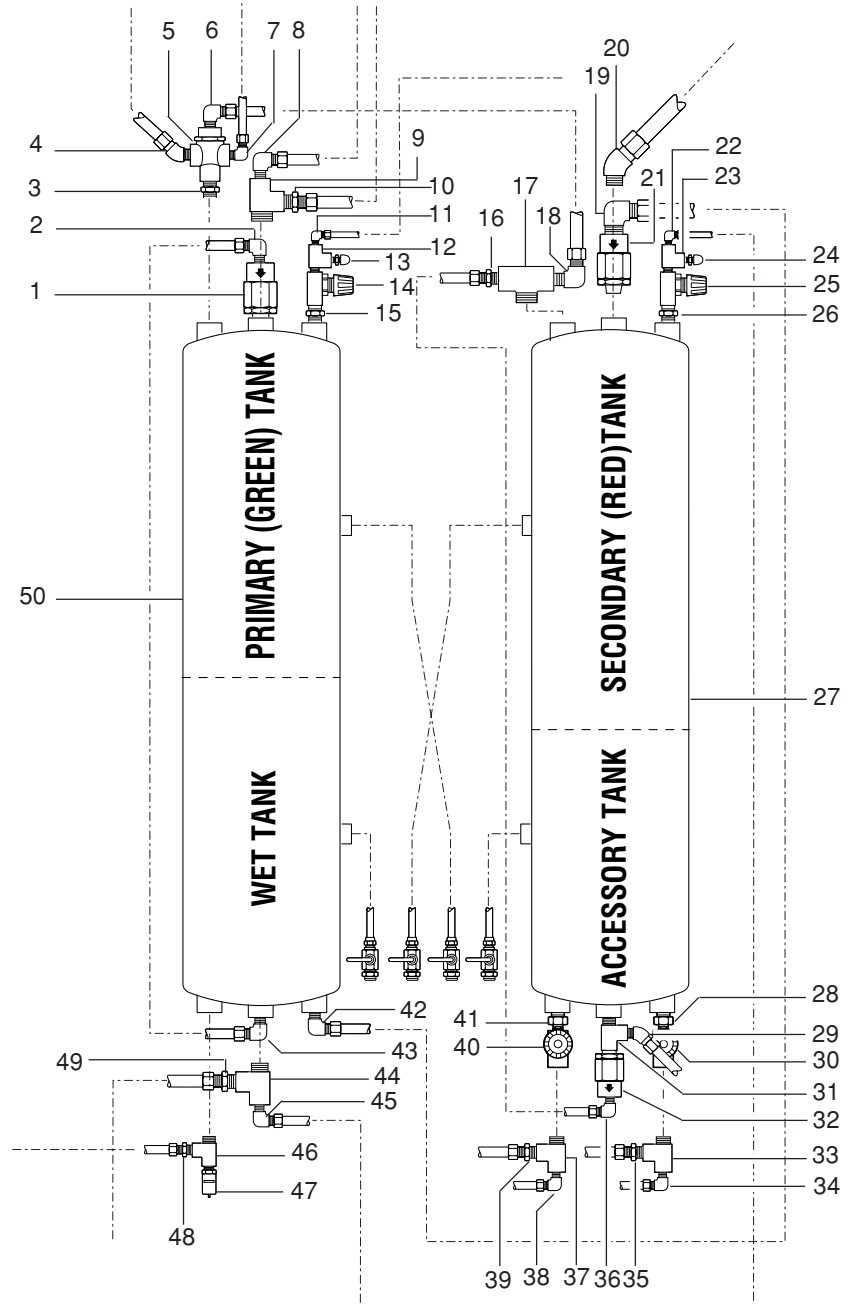


04-0165-
0703A,C,E,M+(A+0700E,N)
04-002729
04-0165-0703A,C,E, M
04-0168-0701A
13-0210-0700E, N

AIR TANKS AND FITTINGS

| Item | PartNo. | Description | Qty |
|------|--------------|--|-----|
| 1. | 53-21756-000 | VALVE, SGL CHECK 1/2 | 1 |
| 2. | 54-12935-013 | FITTING, ELBOW 90° 1/2PTX5/8 TUBE | 1 |
| 3. | 54-12956-007 | NIPPLE, HEX 1/2X3/8MPT, BRASS | 1 |
| 4. | 54-12934-009 | ELBOW, 45° 3/8MPT X 1/2T | 1 |
| 5. | 53-20338-000 | VALVE, DOUBLE CHECK | 1 |
| 6. | 54-12935-009 | ELBOW, 90° 3/8NPT X 1/2T | 1 |
| 7. | 54-12935-005 | ELBOW, 90° 1/4NPT X 3/8T | 1 |
| 8. | 54-12935-013 | FITTING, ELBOW 90° 1/2PTX5/8 TUBE | 1 |
| 9. | 54-12955-008 | STREET TEE, BRASS, 1/2 FPT X 1/2 MPT | 1 |
| 10. | 54-12932-013 | FITTING, MALE CONN AIR BRAKE 5/8X1/2M | 1 |
| 11. | 54-12934-005 | ELBOW, BRASS 45° 3/8T X 1/4MPT AIR BRAKE | 1 |
| 12. | 54-12955-004 | STREET TEE, BRASS, 1/4 FPT X 1/4 MPT | 1 |
| 13. | 53-16247-021 | VALVE, 1/4 MPT | 1 |
| 14. | 53-28784-000 | REGULATOR, PRESSURE | 1 |
| 15. | 54-12956-004 | NIPPLE, HEX 1/4X1/4MPT, BRASS | 1 |
| 16. | 54-12932-007 | CONN, MALE3/8X1/2 MPT AIR BRAKE | 1 |
| 17. | 54-12954-008 | BRASS, MALE BRANCH TEE, 1/2 | 1 |
| 18. | 54-12935-010 | FITTING, ELBOW, 90° 1/2 X1/2MPT | 1 |
| 19. | 54-12935-013 | FITTING, ELBOW 90° 1/2PTX5/8 TUBE | 1 |
| 20. | 54-12934-013 | FITTING, ELBOW, 45° 5/8 TUBEX1/2 M | 1 |
| 21. | 53-21756-000 | VALVE, SGL CHECK 1/2 | 1 |
| 22. | 54-12934-005 | ELBOW, BRASS 45° 3/8T X 1/4MPT AIR BRAKE | 1 |
| 23. | 54-12955-004 | STREET TEE, BRASS, 1/4 FPT X 1/4 MPT | 1 |
| 24. | 53-16247-021 | VALVE, 1/4 MPT | 1 |
| 25. | 53-28784-000 | REGULATOR, PRESSURE | 1 |
| 26. | 54-12956-004 | NIPPLE, HEX 1/4X1/4MPT, BRASS | 1 |
| 27. | 04-39207-000 | TANK AIR 9 INCH STEEL | 1 |
| 28. | 54-12956-004 | NIPPLE, HEX 1/4X1/4MPT, BRASS | 1 |
| 29. | 54-12934-008 | ELBOW, 45° 1/4MPT X 1/2T | 1 |
| 30. | 53-15022-002 | VALVE, AIR PROTECTION | 1 |
| 31. | 54-12955-004 | STREET TEE, BRASS, 1/4 FPT X 1/4 MPT | 1 |
| 32. | 53-00329-000 | VALVE, SINGLE CHECK | 1 |
| 33. | 54-12955-004 | STREET TEE, BRASS, 1/4 FPT X 1/4 MPT | 1 |
| 34. | 54-12935-005 | ELBOW, 90° 1/4NPT X 3/8T | 1 |
| 35. | 54-12932-005 | FITTING, 3/8TX1/4MPT BRAKE | 1 |
| 36. | 54-12935-005 | ELBOW, 90° 1/4NPT X 3/8T | 1 |
| 37. | 54-12955-004 | STREET TEE, BRASS, 1/4 FPT X 1/4 MPT | 1 |
| 38. | 54-12935-005 | ELBOW, 90° 1/4NPT X 3/8T | 1 |
| 39. | 54-12932-005 | FITTING, 3/8TX1/4MPT BRAKE | 1 |
| 40. | 53-15022-002 | VALVE, AIR PROTECTION | 1 |
| 41. | 54-12956-004 | NIPPLE, HEX 1/4X1/4MPT, BRASS | 1 |
| 42. | 54-12935-013 | FITTING, ELBOW 90° 1/2PTX5/8 TUBE | 1 |
| 43. | 54-12935-013 | FITTING, ELBOW 90° 1/2PTX5/8 TUBE | 1 |
| 44. | 54-12955-008 | STREET TEE, BRASS, 1/2 FPT X 1/2 MPT | 1 |
| 45. | 54-12935-007 | FITTING, ELBOW 90° 3/8 TUBE X 1/2PT | 1 |
| 46. | 54-12955-004 | STREET TEE, BRASS, 1/4 FPT X 1/4 MPT | 1 |
| 47. | 53-00276-000 | VALVE, SAFETY | 1 |
| 48. | 54-12932-002 | CONN, MALE, AIR BRAKE 1/4X1/4 MPT | 1 |
| 49. | 54-12932-013 | FITTING, MALE CONN AIR BRAKE 5/8X1/2M | 1 |
| 50. | 04-39206-000 | TANK AIR 8 INCH STEEL | 1 |
| | 54-44786-000 | FITTING, TEE F-TYPE, 1/4NPT X 3/8 NTA | 2 |
| | 54-44786-001 | FITTING, TEE F-TYPE, 1/2NPT X 3/8 NTA | 1 |
| | 54-44786-002 | FITTING, TEE F-TYPE, 1/2NPT X 5/8 NTA | 1 |

AIR TANKS AND FITTINGS

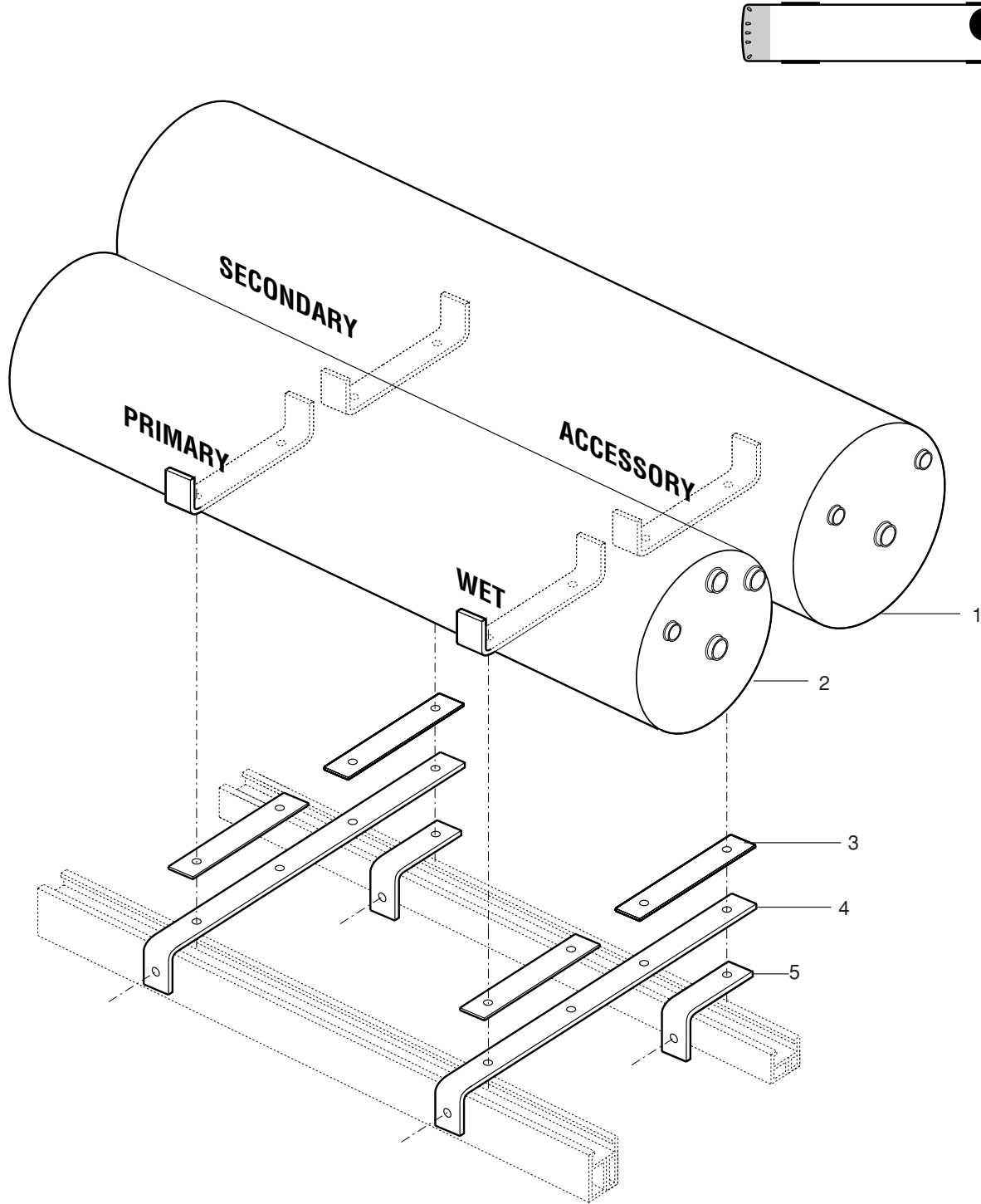


04-0165-
 0703A,C,E,M+(A+0700E,N)
 04-002184
 04-0165-0703A,C,E, M
 04-0168-0701A
 13-0210-0700E, N

AIR TANKS & MOUNTING

| Item | PartNo. | Description | Qty |
|------|--------------|----------------------------------|-----|
| 1. | 04-39207-000 | TANK, AIR 9" DUAL COMPT. (STEEL) | 1 |
| 2. | 04-39206-000 | TANK, AIR 8" DUAL COMPT. (STEEL) | 1 |
| 3. | 56-00032-007 | STRIP, RUBBER | 4 |
| 4. | 04-45627-000 | BRACKET, AIR TANK MTG | 2 |
| 5. | 04-45626-000 | BRACKET, AIR TANK MTG | 2 |
| | 54-11320-003 | BOLT, HXHD 3/8-16 X 1, GR5 | 8 |
| | 54-12602-011 | LOCKWASHER, 3/8 | 8 |
| | 04-40206-000 | INSULATION, AIR TANK | 2 |

AIR TANKS & MOUNTING

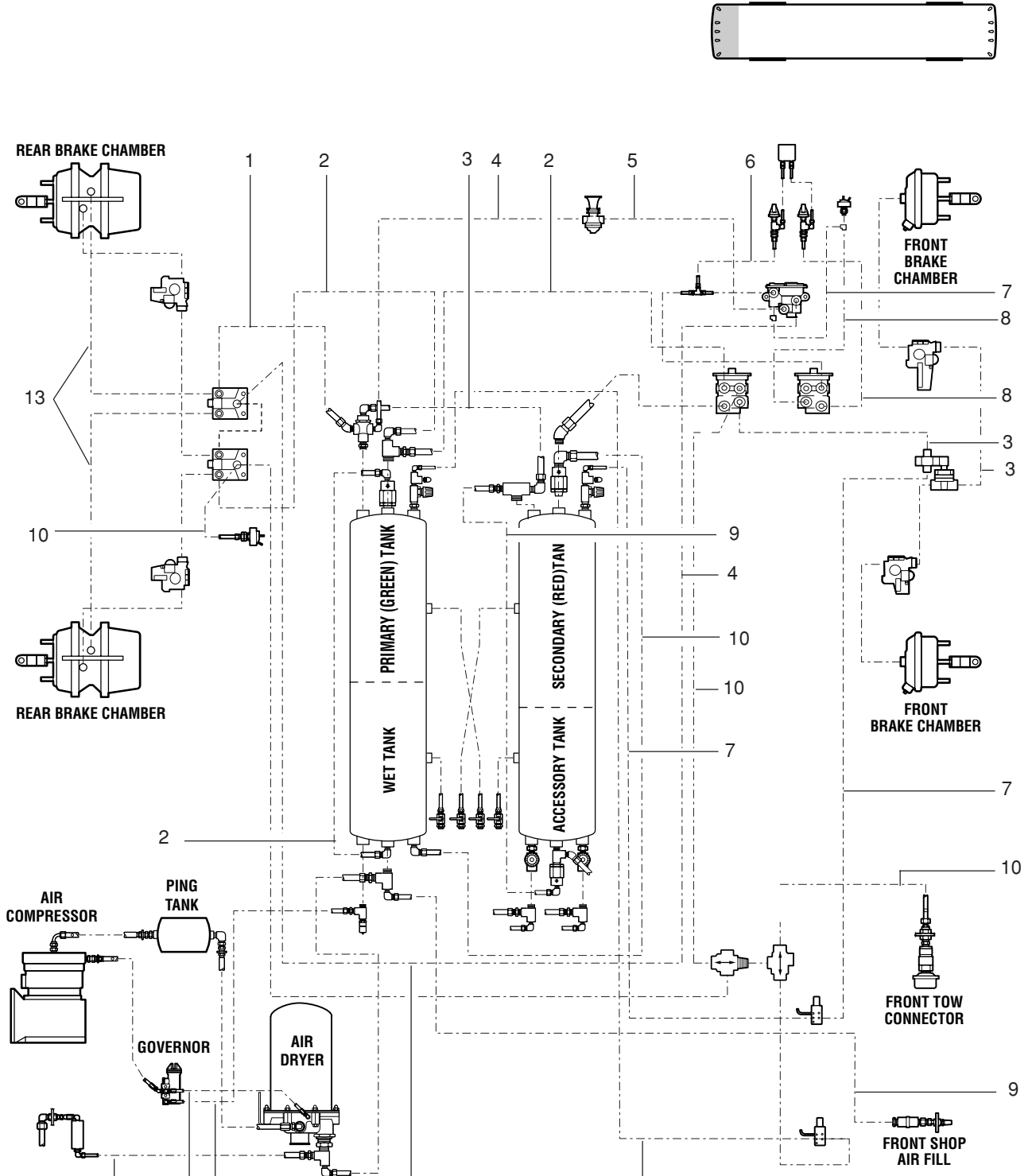


- 04-0165-0703A,C,E,M+(A+0700E,N)
- 04-001784
- 04-0165-0703A,C,E, M
- 04-0168-0701A
- 13-0210-0700E, N

AIR PIPING

| Item | PartNo. | Description | Qty |
|------|-----------------|---------------------------------|-----|
| 1. | 56-14054-000 | TUBING, NYLON, .50 BROWN | A/R |
| 2. | 56-14052-000 | TUBING, NYLON, .62 GREEN | A/R |
| 3. | 56-14042-000 | TUBING, NYLON, .50 RED | A/R |
| 4. | 56-14053-000 | TUBING, NYLON, .38 BROWN | A/R |
| 5. | 56-21888-000 | TUBING, NYLON, .62 RED | A/R |
| 6. | 56-14049-000 | TUBING, NYLON, .25 GREEN | A/R |
| 7. | 56-14041-000 | TUBING, NYLON, .38 RED | A/R |
| 8. | 56-14040-000 | TUBING, NYLON, .25 RED | A/R |
| 9. | 56-14037-000 | TUBING, NYLON, .38 BLACK | A/R |
| 10. | 56-14050-000 | TUBING, NYLON, .38 GREEN | A/R |
| 11. | 56-14036-000 | TUBING, NYLON, .25 BLACK | A/R |
| 12. | 56-27280-000 | TUBING, NYLON, .25 YELLOW | A/R |
| 13. | 56-14036-000 | TUBING, NYLON, .50 GREEN | A/R |
| | 56-14037-000 | TUBING, NYLON, .38 BLACK | A/R |
| | 56-14038-000 | TUBING, NYLON, .50 BLACK | A/R |
| | 56-21886-000 | TUBING, NYLON, .62 RED | A/R |
| | 56-09015.012.00 | HOSE, SILICONE, .75 | A/R |
| | 54-12953-004 | PIPE TEE, BRASS 1/4 | 1 |
| | 54-12956-006 | NIPPLE, HEX 3/8X3/8 MP, BRASS | 1 |
| | 54-12948-002 | ELBOW, 90 1/8FX1/8M STREET | 1 |
| | 55-00274-001 | FITTING, AIR MANIFOLD | 1 |
| | 04-37687-000 | CLAMP, PIPING &HARNESSES | A/R |
| | 04-37690-000 | CLAMP, PIPING &HARNESSES | A/R |
| | 04-45754-000 | CLAMP, PIPING &HARNESSES | A/R |
| | 04-45287-000 | BRACKET, CLAMP PIPING | 1 |
| | 04-374688-000 | PLATE REINF. FRT. WHEEL ROUTIMG | 2 |
| | 04-37691-000 | PLATE REINF. FRT. WHEEL ROUTIMG | 1 |
| | 04-47930-000 | PLATE, REINF. | 1 |

AIR PIPING

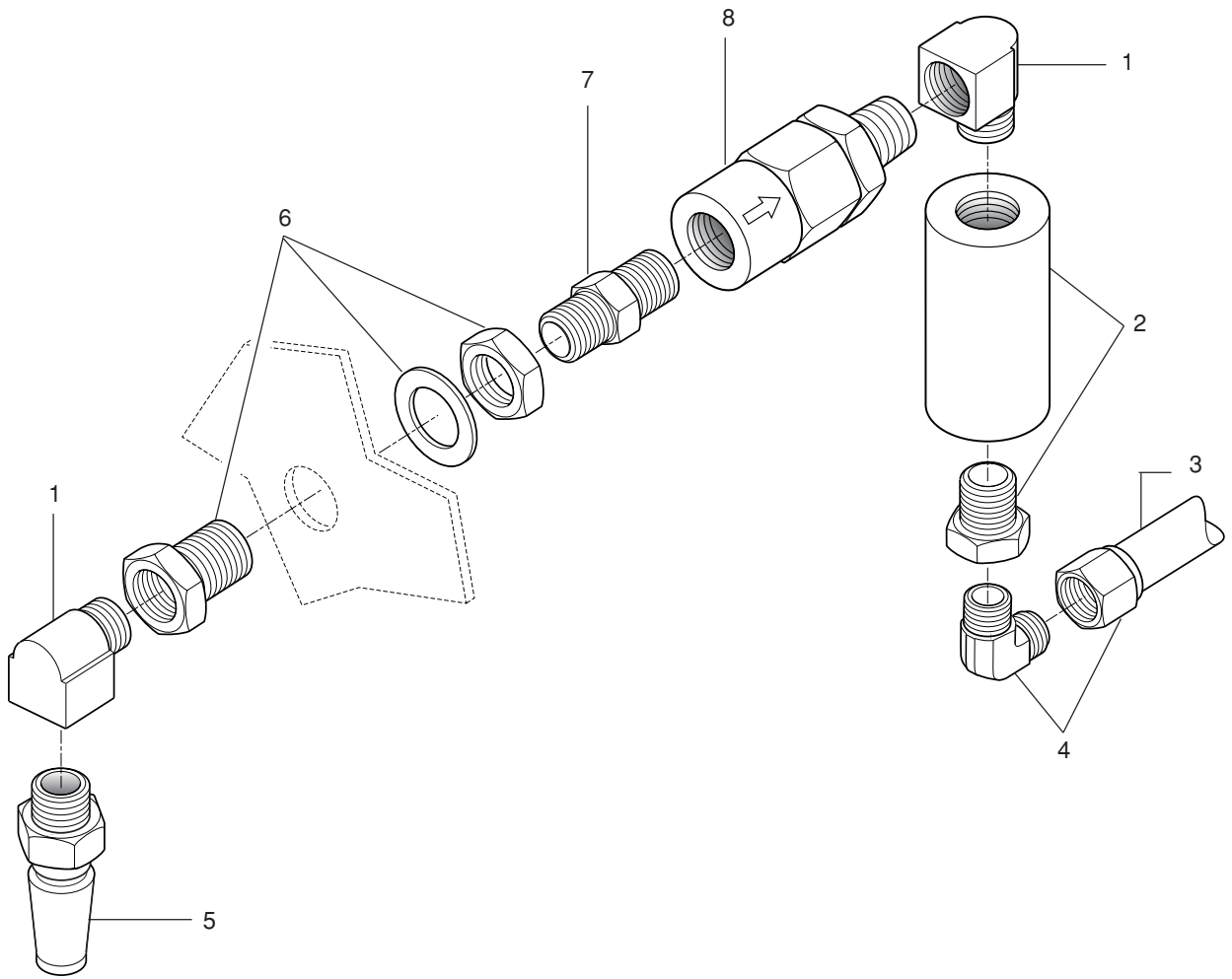
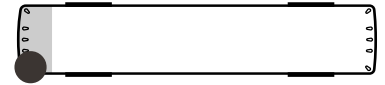


04-0165-0703A,C,E,M+(A+0700E,N)
 04-002729
 04-0165-0703A,C,E, M
 04-0168-0701A
 13-0210-0700E, N

REAR SHOP AIR CONNECTOR

| Item | Part No. | Description | Qty |
|------|--------------|------------------------------|-----|
| 1. | 54-12948-004 | ELBOW, 1/4NPT | 2 |
| 2. | 53-08005-008 | FILTER (STRAINER), AIR | 1 |
| 3. | 56-14037-000 | TUBE, 3/8" BLACK | A/R |
| 4. | 54-12935-005 | ELBOW ASM. 90° 1/4NPT X 3/8T | 1 |
| 5. | 53-16247-008 | VALVE, QUICK AIR 1/ 4MPT | 2 |
| 6. | 54-13093-004 | BULKHEAD ASM, 1/4NPT | 1 |
| 7. | 54-12956-004 | NIPPLE, 1/4NPT | 1 |
| 8. | 53-00329-000 | VALVE, SINGLE CHECK | 1 |

REAR SHOP AIR CONNECTOR

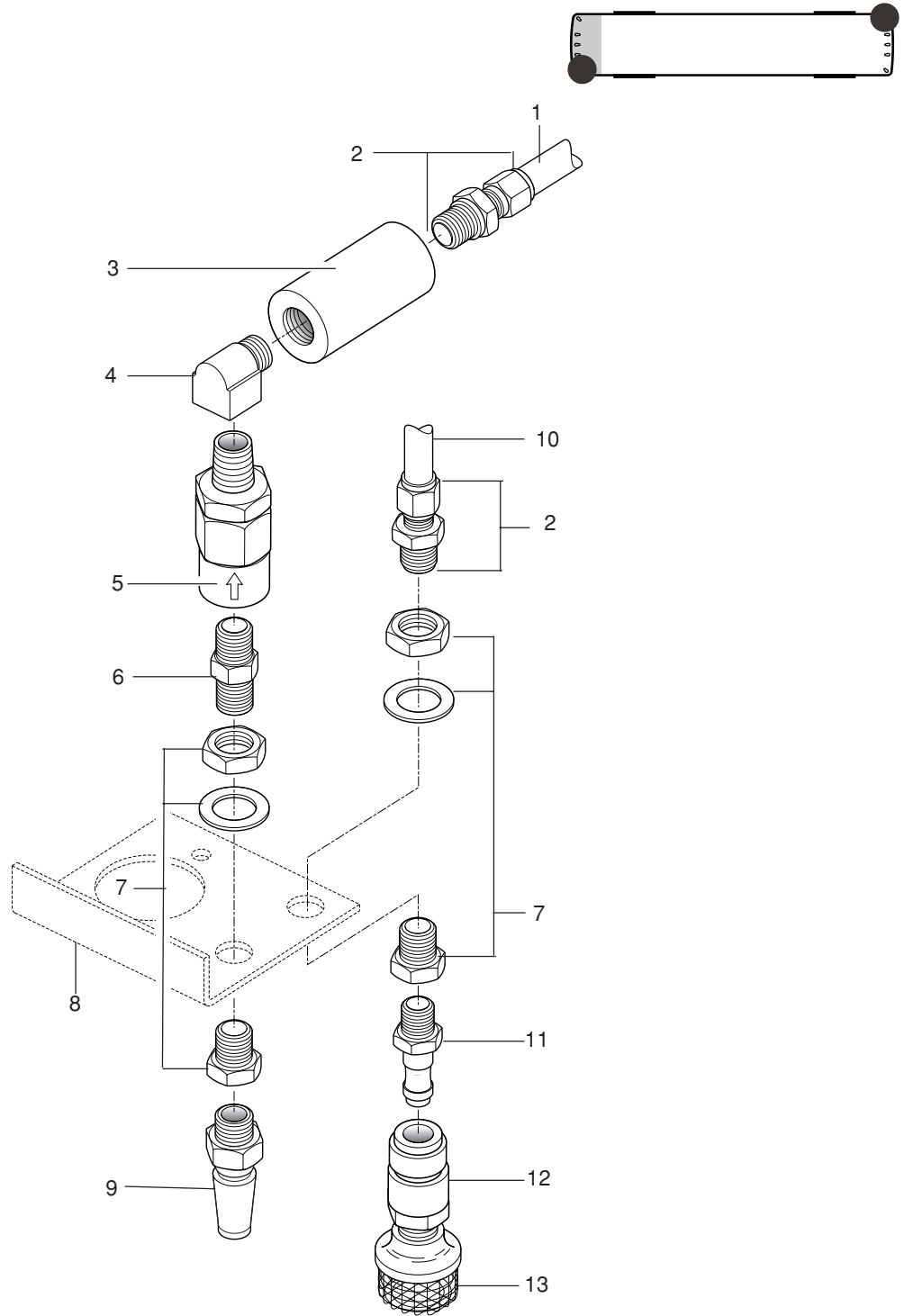


- 04-0170-45700 + B+A
- 04-004009
- 04-0170-45700
- 04-0165-0703B
- 04-0450-0700A

SHOP AIR & TOW CONNECTORS - FRONT

| Item | Part No. | Description | Qty |
|-----------------------------------|--------------|---|-----|
| <u>SHOP AIR CONNECTION</u> | | | |
| 1. | 56-14037-000 | TUBE, 3/8" NYLON BLACK | A/R |
| 2. | 54-12932-005 | ADAPTER, STRAIGHT 1/4"NPT X 3/8" TUBE | 1 |
| 3. | 53-08005-008 | AIR FILTER | 1 |
| 4. | 54-12948-004 | ELBOW, 90° DEG. NPT 1/4" | 1 |
| 5. | 53-00329-000 | CHECK VALVE, SINGLE | 1 |
| 6. | 54-12956-004 | NIPPLE, 1/4" NPT | 1 |
| 7. | 54-13093-004 | CONNECTOR, BULKHEAD 1/4" NPT X 3/4"-16 OUTER THREAD | 1 |
| 8. | REF. ONLY | BRACKET, WELDED ON HD. LITE/BUMPER CHANNEL | 1 |
| 9. | 53-16247-008 | COUPLING, QUICK DISCONNECT AIR 1/4" MPT | 1 |
| | 59-11831-000 | DECAL, "MAXIMUM SHOP AIR FILL - 120 P.S.I." | A/R |
| <u>TOW AIR CONNECTION</u> | | | |
| 10. | 56-14053-000 | TUBE, 3/8" NYLON BROWN | A/R |
| 2. | 54-12932-005 | ADAPTER, STRAIGHT 1/4"NPT X 3/8" TUBE | 1 |
| | 54-12935-006 | ELBOW, 90° DEG. 3/8"NPT X 3/8" TUBE | 1 |
| 7. | 54-13093-004 | CONNECTOR, BULKHEAD 1/4" NPT X 3/4"-16 | 1 |
| 11. | 53-11792-000 | CONNECTION, QUICK DISCONNECT, MALE | 1 |
| 12. | 53-16247-019 | QUICK DISCONNECT, FEMALE | 1 |
| | 53-16247-014 | QUICK DISCONNECT | 1 |
| 13. | 53-28862-000 | STRAINER | 1 |

SHOP AIR & TOW CONNECTORS - FRONT

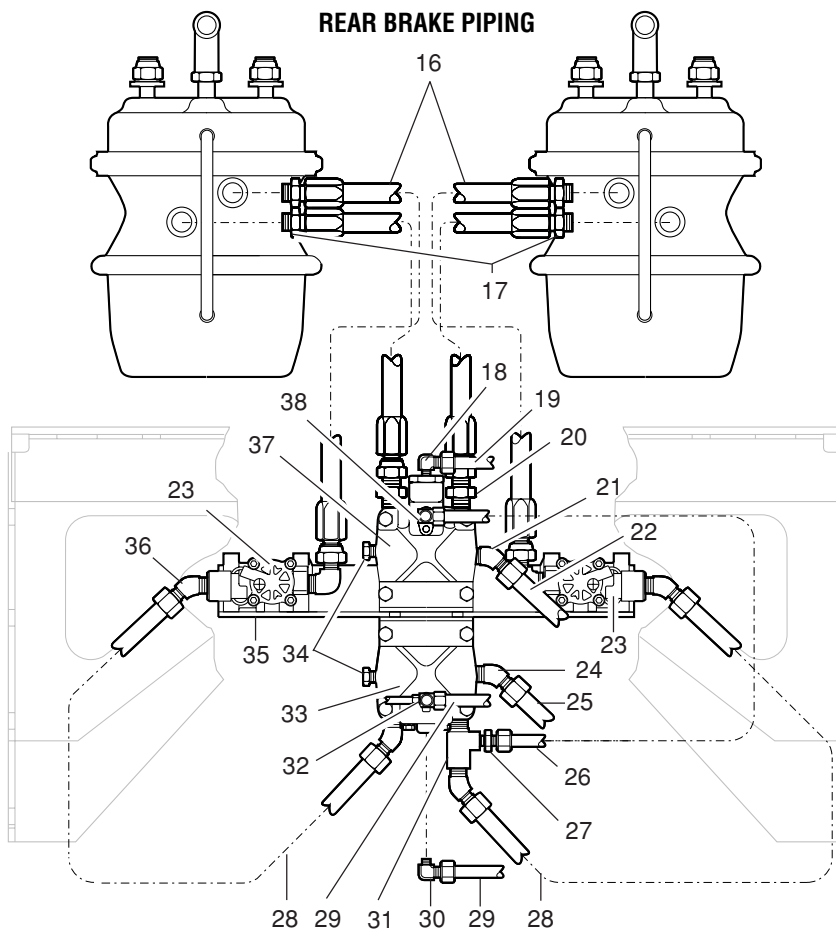
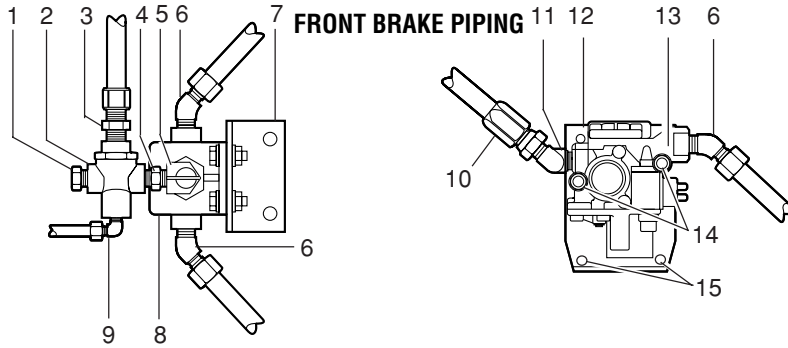
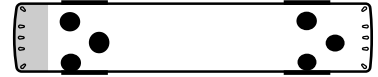


04-0170-45700 + B+A
04-004045
04-0170-45700
04-0165-0703B
04-0450-0700A

BRAKE PIPING

| Item | Part No. | Description | Qty |
|---------------------------|-----------------|---|-----|
| FRONT BRAKE PIPING | | | |
| 1. | 54-12957-004 | PLUG, HXHD 1/4" NPT | 2 |
| 2. | 53-20338-000 | VALVE, DOUBLE CHECK | 1 |
| 3. | 54-12932-009 | CONN., STR. 3/8" NPT X 1/2" TUBE | 1 |
| 4. | 54-12956-006 | NIPPLE, HEX 3/8" X 3/8" MPT, BRASS | 1 |
| 5. | 54-12949-006 | ELBOW, 3/8" NPT X 3/8" NPT | 1 |
| 6. | 54-12934-009 | ELBOW, 45° 3/8" NPT X 1/2" TUBE | 2 |
| 7. | REF. ONLY | FRAME, FRONT CENTER | 1 |
| 8. | 53-21580-000 | VALVE, QUICK RELEASE | 1 |
| 9. | 54-12935-006 | ELBOW, 90° 3/8" NPT X 3/8" T | 1 |
| 10. | 46-0818186-0270 | HOSE ASM. | 2 |
| 11. | 54-12993-018 | ADAPTER, STRAIGHT 1/2" NPT X #8 SAE | 2 |
| 12. | 04-43691-000 | BRACKET, ABS VALVE MTG | 2 |
| 13. | 53-28246-001 | VALVE, MODULATOR | 2 |
| 14. | 54-11318-012 | BOLT, 5/16" X 3.25" UNC GR.5 | 4 |
| | 54-12600-007 | FLATWASHER, 5/16" | 8 |
| | 54-12540-006 | NUT, 5/16" UNC NYLOCK | 4 |
| 15. | 54-11319-003 | BOLT, 5/16" X 1.0" UNC GR.8 | 4 |
| | 54-12601-007 | FLATWASHER, 5/16" HARDENED | 8 |
| | 54-12541-006 | NUT, 5/16" UNC NYLOCK | 4 |
| | 56-14041-CTL | TUBING, NYLON .38" RED | 1 |
| | 56-14042-CTL | TUBING, NYLON .50" RED | 3 |
| REAR BRAKE PIPING | | | |
| 16. | 46-0818186-0300 | HOSE ASM, PARKER 293 | 2 |
| | 46-0818186-0240 | HOSE ASM, PARKER 293 | 2 |
| | 54-42163-008 | HOSE END, 45° FLARE FEMALE SWIVEL | 1 |
| | 54-42164-008 | HOSE END, MALE PIPE | 1 |
| | 46-42162-000 | HOSE, AIR BRAKE FC293 | 1 |
| 17. | 54-12951-006 | FITTING, 45° 3/8" TUBE X 3/8" TUBE | 2 |
| 18. | 54-12935-005 | ELBOW, 90° 1/4" NPT X 3/8" TUBE | 1 |
| 19. | 56-14053-000 | TUBING, NYLON .38" BROWN, FROM SPRG BRAKE RELAY VALVE | 1 |
| 20. | 54-12996-009 | ELBOW, 45° 1/2" NPT X #8 SAE | 2 |
| 21. | 54-12934-010 | FITTING, 45° 1/2" TUBE X 1/2" MPT | 1 |
| 22. | 56-14054-000 | TUBING, NYLON .50 BROWN, FROM DBL CHK VLV ON AIR TANK | A/R |
| 23. | 53-28246-001 | VALVE, ABS MODULATOR | 2 |
| 24. | 54-12934-013 | ELBOW, 45° 1/2" NPT X 5/8" TUBE | 1 |
| 25. | 56-14052-000 | TUBING, NYLON 5/8" GREEN FROM PRIMARY AIR TANK | A/R |
| 26. | 56-14050-000 | TUBING, NYLON .38 "GREEN | A/R |
| 27. | 54-12932-007 | CONN, STRAIGHT MALE 3/8" TUBE X 1/2" NPT | 1 |
| 28. | 56-14052-000 | TUBING, NYLON 5/8" GREEN SBR VALVE TO ABS MOD.VALVE | A/R |
| 29. | 56-14040-000 | TUBING, NYLON .25" RED SBR VALVE TO ATC VALVE | A/R |
| 30. | 54-12935-002 | ELBOW, 90° 1/4" NPT X 1/4" TUBE | 1 |
| 31. | 54-12955-005 | TEE, 1/2" NPT X 1/2" NPT | 1 |
| 32. | 54-12938-005 | TEE, 1/4" NPT X 1/4" TUBE X 3/8" TUBE | 1 |
| 33. | 04-42849-000 | VALVE, RELAY R-12DC - 5.5PSI | 1 |
| | 04-45230-000 | BRACKET, RELAY VALVE MTG | 1 |
| | 53-28246-001 | VALVE, MODULATOR ABS (ANTI-LOCK BRAKING SYSTEM) | 1 |
| 34. | 54-12957-008 | PLUG, HXHD 1/2" MPT BRASS | 2 |
| 35. | 04-45230-000 | BRACKET, ABS VALVE MTG | 1 |
| 36. | 54-12935-013 | ELBOW, 45° 1/2" NPT X 5/8" TUBE | 4 |
| 37. | 53-11924-000 | VALVE, PARKING BRAKE R-14 RELAY W/ ANTI-COMPOUNDING | 1 |
| 38. | 54-12935-004 | ELBOW, 45° 1/8" NPT X 3/8" TUBE | 1 |
| | 54-12955-008 | STREET TEE, BRASS 1/2" FPT X 1/2" MPT | 1 |

BRAKE PIPING

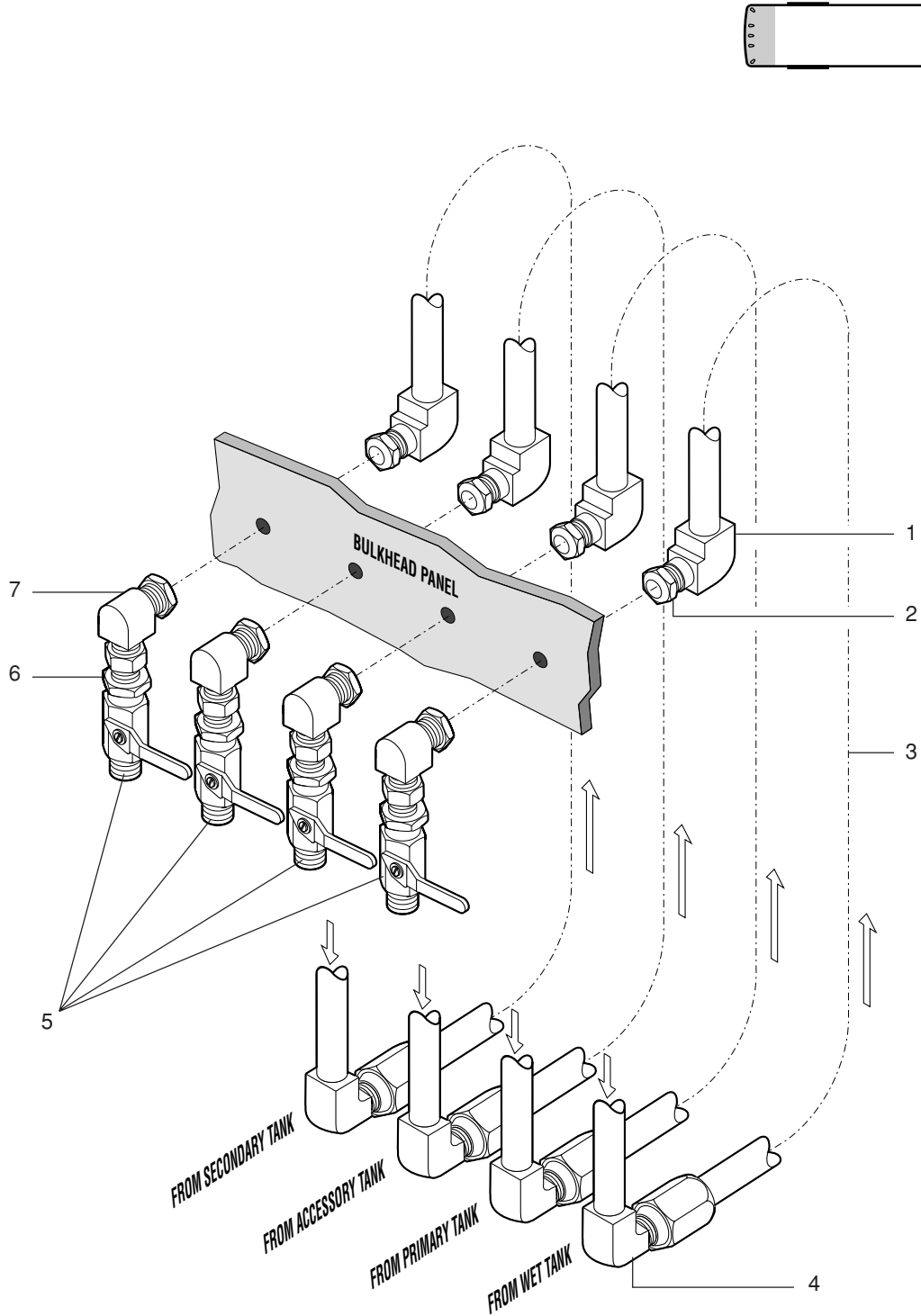


04-0172-0701B+(C)
04-002683
04-0172-0701B
04-0173-0701C

AIR TANK DRAIN VALVES

| Item | Part No. | Description | Qty |
|------|-----------------|---|-----|
| 1. | 04-38538-005 | ELBOW, 90° PUSH, 1/4 NPT X 3/8 T | 4 |
| 2. | 54-13093-005 | CONNECTOR, BULKHEAD 1/4 NPT | 4 |
| 3. | 56-14037-CTL | TUBING, NYLON .38 BLACK | 4 |
| 4. | 54-12935-005 | ELBOW, 90° 1/4 NPT X 3/8 T | 4 |
| 5. | 53-20873-000 | VALVE, SHUTOFF, 1/4 NPT | 4 |
| 6. | 54-12845-006 | NIPPLE, PIPE, CLOSE (SCH 40) | 4 |
| 7. | 54-12948-004 | ELBOW, 90° 1/4F X 1/4M BRASS | 4 |
| N/S | 54-12933-002 | CONNECTOR, FEMALE 1/4" X 1/4" FPT AIR BRAKE | 4 |
| N/S | 56-14036-027.00 | TUBING, NYLON .25 BLACK DRAIN VALVE EXTENSION | A/R |

AIR TANK DRAIN VALVES

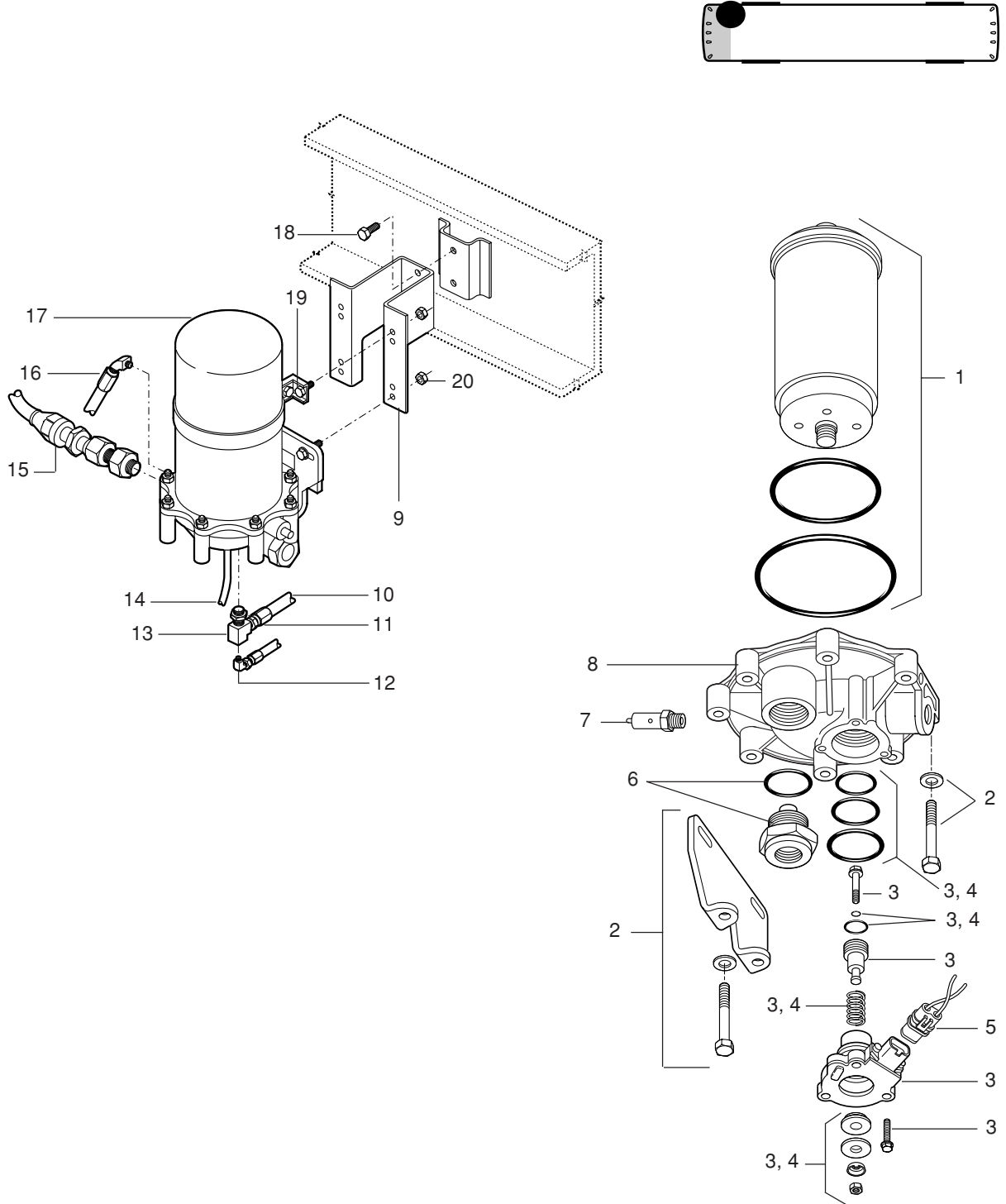


04-0175-0700A,B
04-000116
04-0175-0700A, B

AIR DRYER ASSEMBLY

| Item | Part No. | Description | Qty |
|------|--------------|---------------------------------------|-----|
| 1. | 82-10884-000 | AIR DRYER DESSICCANT CARTRIDGE KIT | 1 |
| 2. | 82-10884-005 | KIT, AD-9 MTG BRACKET ASM | 1 |
| 3. | 82-10884-002 | VALVE ASM, AIR DRYER PURGE, 24V | 1 |
| | 82-10884-001 | VALVE ASM, AIR DRYER PURGE, 12V | 1 |
| 4. | 82-10884-003 | AIR DRYER PURGE VALVE MAINT. KIT | 1 |
| 5. | 82-10884-007 | WIRE HARNESS AND CONNECTOR, AIR DRYER | 1 |
| | 50-24767-000 | CABLE ASM, AIR DRYER | 1 |
| 6. | 82-10884-004 | AIR DRYER CHECK VALVE MAINT. KIT | 1 |
| 7. | 82-10884-006 | VALVE, SAFETY, AIR DRYER | 1 |
| 8. | REF ONLY | DRYER BASE (NOT SOLD SEPARATELY) | 1 |
| 9. | 04-45407-000 | BRACKET, AIR DRYER | 1 |
| 10. | 56-14039-000 | TUBE, BLACK 5/8 | 1 |
| 11. | 54-12932-013 | FITTING, 5/8T X 1/2MPT | 1 |
| 12. | 54-12935-007 | ELBOW, 90° 1/2NPT X 3/8T | 1 |
| 13. | 54-12955-008 | TEE, STREET 1/2 NPT BRASS | 1 |
| 14. | 54-12961-010 | BUSHING, HEX 1/2FPT X 3/4MPT, BRASS | 1 |
| 15. | 54-13007-020 | FITTING, 45° ELBOW 3/4"NPT X #12 JIC | 1 |
| 16. | 54-12935-002 | ELBOW, 90° 1/4T X 1/4MPT BRASS | 1 |
| 17. | 53-24601-002 | DRYER, 24V AD-9 AIR | 1 |
| | 04-36704-000 | BRACKET, AIR DRYER | 1 |
| | 54-12935-002 | ELBOW 90° 1/4" X 1/4 MPT | 1 |
| 18. | 54-11324-016 | BOLT, 1/2" UNC X 4.5" GR.5 | 2 |
| | 54-12601-010 | FLATWASHER, 1/2" HARDENED | 4 |
| | 54-12540-009 | NUT, 1/2" UNC NYLON LOCK INSERT GR.5 | 2 |
| 19. | 54-11320-004 | BOLT, 3/8" UNC X 1.25" GR.5 | 4 |
| 20. | 54-12540-007 | NUT, 3/8" NYLON LOCK INSERT GR.5 | 4 |
| | 54-12600-008 | FLATWASHER, 3/8" | 8 |

AIR DRYER ASSEMBLY

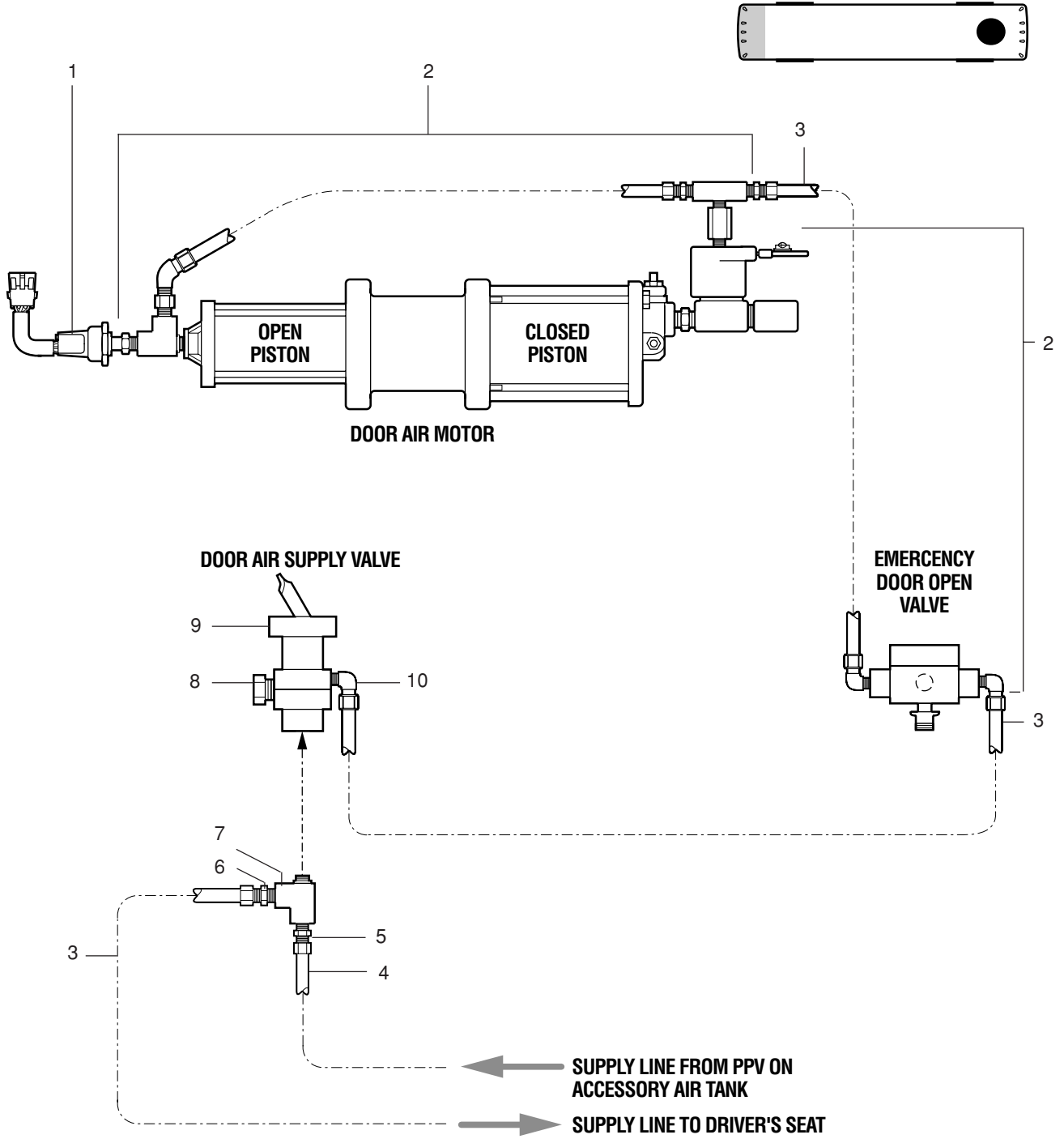


04-0180-0703A+(A)
 04-003170
 04-0180-0703A
 04-0185-0700A

DOOR CONTROL PIPING

| Item | Part No. | Description | Qty |
|------|--------------|---|-----|
| 1. | 51-23405-000 | SWITCH, EMERGENCY BRAKE PRESSURE | 1 |
| 2. | REF ONLY | MOTOR AND PIPING (SUPPLIED W/ DOOR ASM) | 1 |
| 3. | 56-14037-000 | TUBING, NYLON .38 BLACK | A/R |
| 4. | 56-14036-000 | TUBING, NYLON .25 BLACK | A/R |
| 5. | 54-12932-004 | FITTING, AIR 3/8 X 1/4MPT | 1 |
| 6. | 54-12932-001 | FITTING, AIR 1/8 X 1/4 MPT | 1 |
| 7. | 54-12955-002 | TEE, STREET 1/8 BRASS | 1 |
| 8. | 54-12957-002 | PLUG, 1/8NPT | 1 |
| 9. | 53-17469-000 | VALVE, AIR SUPPLY | 1 |
| 10. | 54-12935-004 | ELBOW, 90° 1/8 NPT X 3/8 | 1 |

DOOR CONTROL PIPING



04-0401-0701F,H
04-002042
04-0401-0701F, H

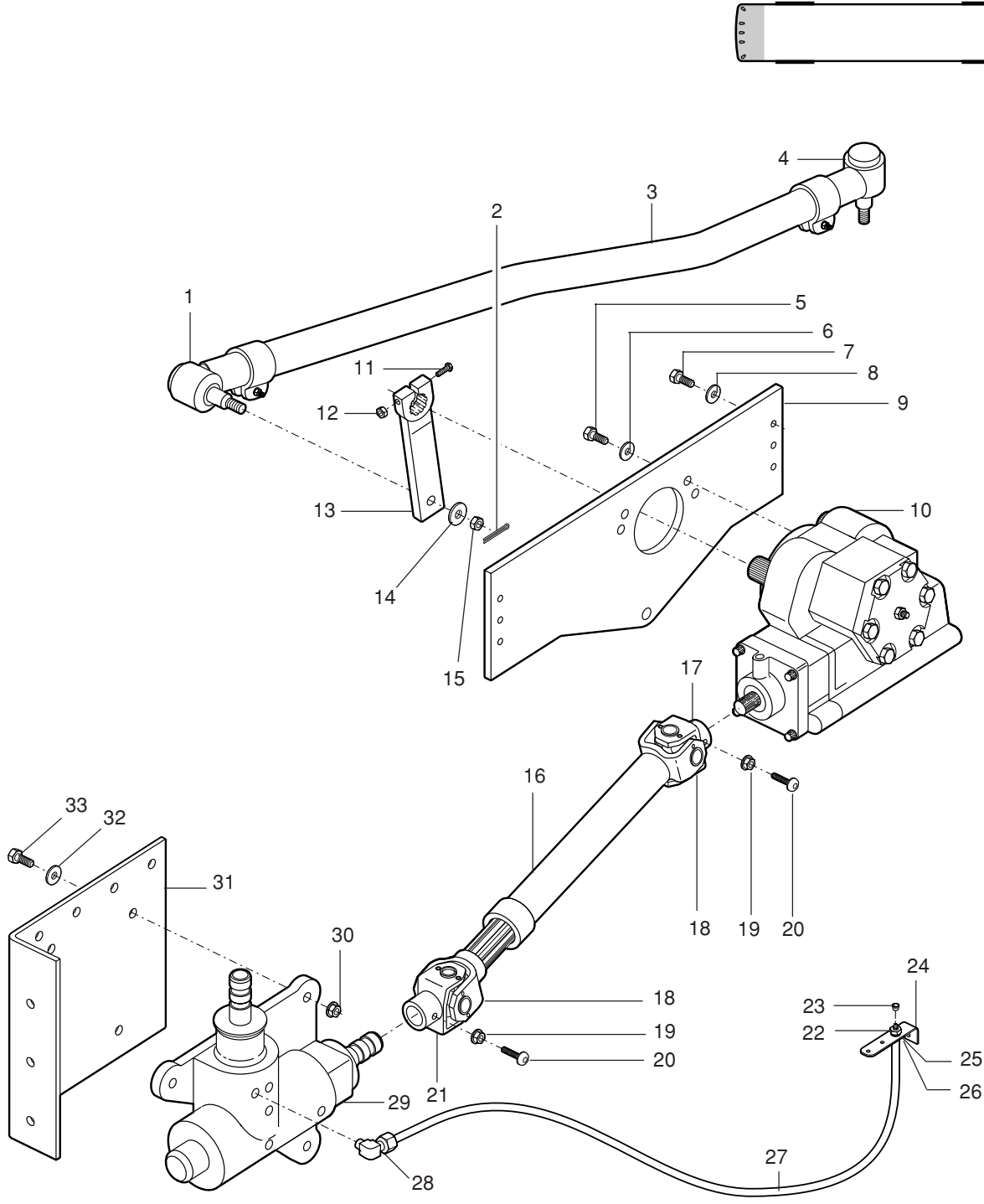
Section 5- Steering/Hydraulics

| | |
|------------------------------------|-----|
| Steering Gear Mounting | 216 |
| Steering Gear Assembly | 218 |
| Steering Mitre Box | 220 |
| Steering Column and Mounting | 222 |
| Steering Column Assembly | 224 |
| Power Steering Pump | 226 |
| Power Steering Piping | 228 |
| Hydraulic Fluid Reservoir | 230 |

STEERING GEAR MOUNTING

| Item | Part No. | Description | Qty |
|------|--------------|---|-----|
| 1. | 82-20993-000 | SOCKET END, RH THREAD | 1 |
| 2. | 54-13116-012 | PIN, COTTER 5/32X1.5 EXT PRONG | 2 |
| 3. | 05-35402-000 | DRAGLINK ASM | 1 |
| | 82-20991-000 | TUBE, DRAG LINK W/CLAMPS | 1 |
| | 82-20992-000 | CLAMP, DRAGLINK ENDS | 2 |
| 4. | 82-20994-000 | SOCKET END, LH THREAD | 1 |
| 5. | 54-11355-007 | BOLT, HXHD 3/4-16X2 GR.8 | 4 |
| 6. | 54-12601-013 | FLATWASHER, 3/4 HARD | 4 |
| 7. | 54-11349-006 | BOLT, FLANGE HD. 1/2"-20 UNF X 1.75" GR.8 | 6 |
| 8. | 54-12601-010 | FLATWASHER, 1/2 HARD FLAT | 6 |
| | 54-12550-009 | LOCKNUT, NYLOK 1/2-20 GR5 | 6 |
| 9. | 05-45365-000 | PLATE, STEERING GEAR MTG | 1 |
| 10. | 05-41048-000 | GEAR ASM, STEERING (SEE ALSO FOLLOWING PAGES) | 1 |
| | 54-11331-016 | BOLT, HXHD 3/4"-10 X 4.5 GR8 | 1 |
| | 54-12541-012 | LOCKNUT, NYLOK 3/4"-10 GR8 | 1 |
| | 54-12601-013 | FLATWASHER, 3/4" HARD FLAT | A/R |
| 11. | 54-11357-007 | BOLT 7/8"-14 X 2.0" GR8 | 1 |
| 12. | 54-12551-013 | LOCKNUT, 7/8"-14 UNF GR.8 | 1 |
| 13. | 05-37315-000 | ARM, PITMAN | 1 |
| 14. | 54-12601-014 | FLATWASHER, 7/8" HARDENED | A/R |
| 15. | 82-11148-000 | NUT, CASTLE 7/8"-14 UNF GR.8 | 1 |
| 16. | 05-37302-000 | SHAFT ASM, STEERING | 1 |
| 17. | 82-21004-000 | YOKE , STEERING | 1 |
| 18. | 82-20910-000 | U-JOINT | 2 |
| 19. | 54-12551-007 | LOCKNUT, NYLOK 3/8"-24 GR8 | 2 |
| 20. | 54-11345-006 | BOLT, HXHD 3/8"-24X1.75 GR8 | 2 |
| 21. | 82-21005-000 | YOKE, STEERING | 1 |
| 22. | 82-20527-000 | ZERK, REMOTE GREASE FITTING | 1 |
| 23. | 82-20539-000 | COVER, ZERK, GREASE FITTING | 1 |
| 24. | 06-40222-000 | BRACKET, FOR REMOTE GREASE ZERK | 1 |
| 25. | 54-13093-002 | CONN, BRASS FOR REMOTE GREASE ZERK | 1 |
| 26. | 54-12932-001 | CONN, MALE 1/8" MPT X 1/4" | 1 |
| 27. | 56-14049-000 | TUBING, NYLON .25 GRN | A/R |
| 28. | 54-12935-001 | ELBOW, 90° 1/8NPT X 1/4"T | 1 |
| 29. | 05-37281-000 | GEAR, STEERING MITER BOX (SEE ALSO FOLLOWING PAGES) | 1 |
| 30. | 54-12550-009 | LOCKNUT, NYLOK 1/2"-20 GR5 | 3 |
| 31. | 05-36667-000 | BRACKET, STEERING MITER BOX | 1 |
| 32. | 54-12601-010 | WASHER, 1/2" HARD FLAT | 7 |
| 33. | 54-11349-007 | BOLT, HEX HD. 1/2"-20 X 2.0" GR.8 | 4 |
| | 54-11349-006 | BOLT, FLANGE HD. 1/2"-20 UNF X 1.75" GR.8 | 3 |
| | 54-12550-009 | NUT, 1/2"-20 GR.5 | 3 |

STEERING GEAR MOUNTING

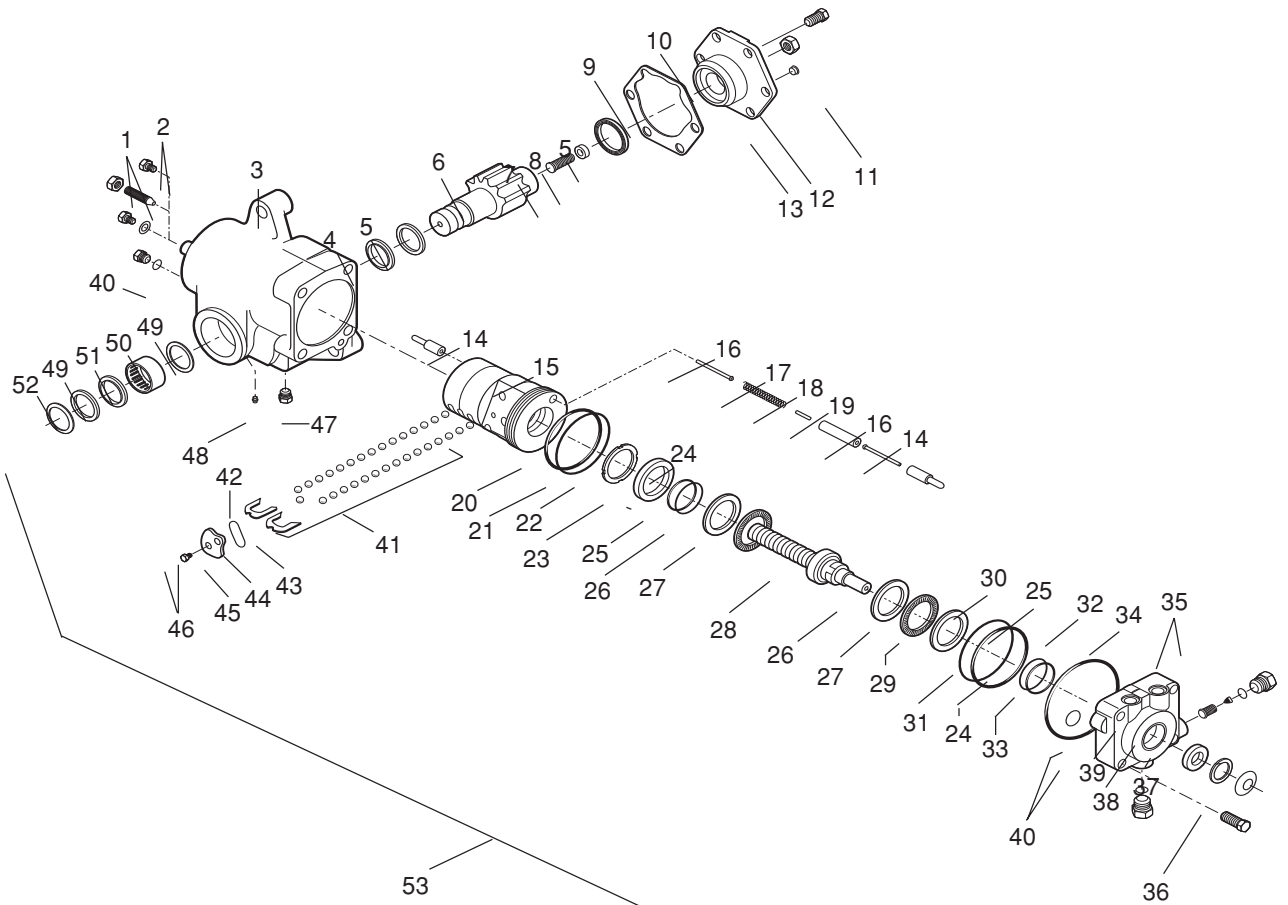
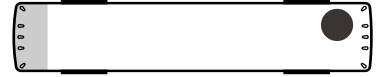


05-0006-0702A,C,D
05-003765
05-0006-0702A, C, D

STEERING GEAR ASSEMBLY

| Item | Part No. | Description | Qty |
|------|---------------|---|-----|
| 1. | 53-23592-000 | POPPET ADJ SCREW & JAM NUT KIT | 1 |
| 2. | 82-11656-003 | SCREW, FIXED STOP, STEERING GEAR | 1 |
| 3. | 82-11671-006 | HOUSING ASM, SERVICE, STEERING GEAR | 1 |
| 4. | 82-11671-000 | WASHER, SPACER, STEERING GEAR | 1 |
| 5. | 82-11671-001* | SEAL, OUTPUT, STEERING GEAR | *2 |
| 6. | 82-11671-007 | SECTOR SHAFT ASM, STEERING GEAR | 1 |
| 7. | 82-05682-000 | SCREW, ADJ SECTOR SHAFT, STEERING GEAR | 1 |
| 8. | 82-05799-000 | RETAINER, ADJ SCREW, STEERING GEAR | 1 |
| 9. | 82-00511-000* | GASKET, SIDE COVER, STEERING GEAR | 1 |
| 10. | 82-11671-008 | SIDE COVER ASM, SERVICE, STEERING GEAR | 1 |
| 11. | 82-11671-002 | BOLTS, SPECIAL, SIDE COVER, STEERING GEAR | 6 |
| 12. | 82-09650-003 | NUT, JAM, STEERING GEAR | 1 |
| 13. | 82-05786-000* | PLUG, VENT SIDE COVER, STEERING GEAR | 1 |
| 14. | 82-09672-005 | SLEEVE ASM, POPPET, STEERING GEAR | 2 |
| 15. | 82-11671-005 | RACK ASM, SERVICE, STEERING GEAR | 1 |
| 16. | 82-09672-004 | POPPET, STEERING GEAR | 2 |
| 17. | 82-09672-002 | SPRING, POPPET, STEERING GEAR | 1 |
| 18. | 82-09672-001 | ROD, SPACER, STEERING GEAR | 1 |
| 19. | 82-09672-003 | TUBE, PUSH, STEERING GEAR | 1 |
| 20. | 82-00509-000* | O-RING, BACK-UP RACK PISTON, STEERING GEAR | 1 |
| 21. | 82-05764-000* | RING, TEFLON SEAL, STEERING GEAR | 1 |
| 22. | 82-09678-005* | LOCKNUT, ADJ, STEERING GEAR | 1 |
| 23. | 82-09678-004 | BEARING, ADJUSTER, STEERING GEAR | 1 |
| 24. | 82-09678-003* | O-RING, STEERING GEAR | 2 |
| 25. | 82-09678-002* | RING, SEAL, STEERING GEAR | 2 |
| 26. | 82-09678-001 | WASHER, THRUST, THIN, STEERING GEAR | 1 |
| 27. | 82-09672-009 | BEARING, THRUST, STEERING GEAR | 2 |
| 28. | 82-11671-004 | WORM & VALVE HOUSING ASM, STEERING GEAR | 1 |
| 29. | 82-09672-008 | WASHER, THRUST, THICK, STEERING GEAR | 1 |
| 30. | 82-09678-008* | RING, SEAL, STEERING GEAR | 1 |
| 31. | 82-09678-007* | O-RING, VALVE HOUSING, STEERING GEAR | 1 |
| 32. | 82-00509-000* | O-RING, VALVE HOUSING, STEERING GEAR | 1 |
| 33. | 82-09681-005* | RING, SEAL, VALVE HOUSING, STEERING GEAR | 1 |
| 34. | 82-11671-003 | VALVE HOUSING ASM, STEERING GEAR | 1 |
| 35. | 82-09681-008 | KIT, RELIEF VALVE CAP & O-RING, STEERING GEAR | 1 |
| 36. | 82-09681-002 | BOLT, VALVE HOUSING, STEERING GEAR | 4 |
| 37. | 82-09672-006* | SEAL, DIRT & WATER, STEERING GEAR | 1 |
| 38. | 82-09681-001* | RING, RETAINING, STEERING GEAR | 1 |
| 39. | 82-09678-009* | SEAL, INPUT SHAFT, STEERING GEAR | 1 |
| 40. | 82-11656-004 | PORT PLUG & O-RING KIT, STEERING GEAR | 1 |
| 41. | 82-09653-001 | BALLS, RACK ASM, STEERING GEAR | A/R |
| 42. | 82-11656-006* | GUIDE, LH BALL RETURN, STEERING GEAR | 1 |
| 43. | 82-11656-005* | GUIDE, RH BALL RETURN, STEERING GEAR | 1 |
| 44. | 82-09653-003* | SEAL, CAP, STEERING GEAR | *1 |
| 45. | 82-09653-004 | CAP, BALL RETURN GUIDE, STEERING GEAR | 1 |
| 46. | 82-00476-000* | SCREW, TORX (CAP), STEERING GEAR | 1 |
| 47. | 82-09682-002 | PLUG, AUTO BLEED, STEERING GEAR | 1 |
| 48. | 82-09649-006 | FITTING, GREASE, STEERING GEAR | 1 |
| 49. | 82-11656-007 | RING, RETAINING, STEERING GEAR | 2 |
| 50. | 82-11656-008 | BEARING, ROLLER, STEERING GEAR | 1 |
| 51. | 82-11656-009 | SEAL, DIRT, STEERING GEAR | 1 |
| 52. | 82-11656-010* | SEAL, DIRT & WATER, STEERING GEAR | 1 |
| 53. | 05-41048-000 | GEAR ASM., TRW TAS65 - STEERING | 1 |

STEERING GEAR ASSEMBLY



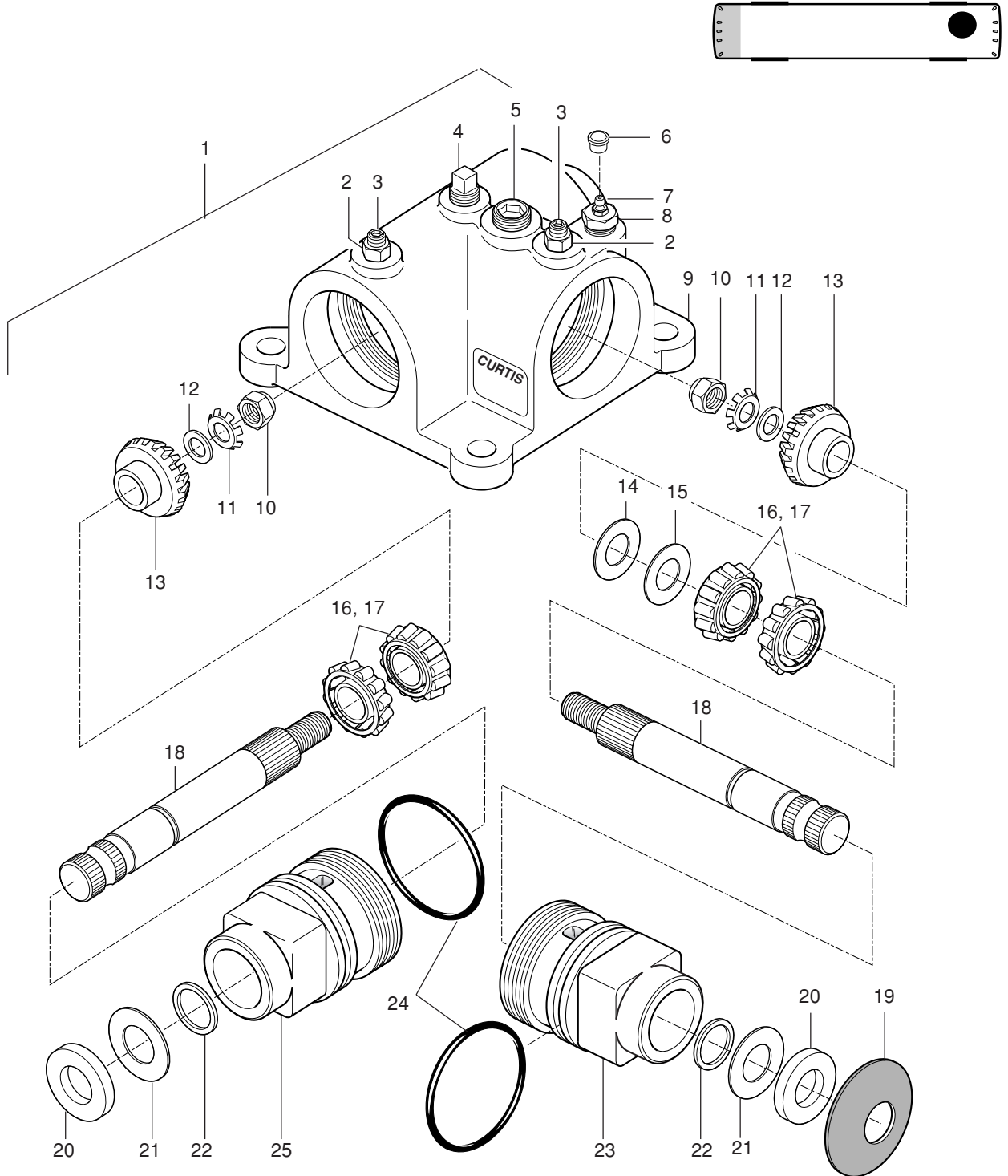
* INDICATES ITEMS ARE INCLUDED IN SEAL KIT 82-10431-000*

05-0006-0702A,C,D
05-000119
05-0006-0702A, C, D

STEERING MITRE BOX

| Item | Part No. | Description | Qty |
|------|--------------|---|-----|
| 1. | 05-37281-000 | BOX, STEERING GEAR MITRE | 1 |
| 2. | 82-20533-000 | LOCKNUT | 2 |
| 3. | 82-20532-000 | SCREW, SET | 2 |
| 4. | 82-20545-000 | PLUG, OIL | 1 |
| 5. | 82-20528-000 | PLUG, PIPE (VENTED) | 1 |
| 6. | REF. ONLY | COVER, (SEE REMOTE GREASE ZERK FITTING) | 1 |
| 7. | REF. ONLY | ZERK, GREASE (SEE REMOTE GREASE ZERK FITTING) | 1 |
| 8. | REF. ONLY | REDUCER (SEE REMOTE GREASE ZERK FITTING) | 1 |
| 9. | 82-20517-000 | HOUSING, MITRE BOX | 1 |
| 10. | 82-20529-000 | LOCKNUT | 2 |
| 11. | 82-20530-000 | LOCKWASHER | 2 |
| 12. | 82-20531-000 | WASHER | 2 |
| 13. | 82-20520-000 | GEAR, MITRE BOX | 2 |
| 14. | 82-20534-000 | RING, NILOS | 1 |
| 15. | 82-20525-000 | SHIM, .010 | 1 |
| 16. | 82-20522-000 | CONE, BEARING | 4 |
| 17. | 82-20521-000 | CUP, BEARING | 4 |
| 18. | 82-20523-000 | SHAFT, MITRE BOX | 2 |
| 19. | 82-20536-000 | UMBRELLA, MITRE BOX | 1 |
| 20. | 82-20524-000 | SEAL, CAP | 2 |
| 21. | 82-20537-000 | RING, RETAINING | 2 |
| 22. | 82-20535-000 | COLLAR, CAP | 2 |
| 23. | 82-20519-000 | CAP, MITRE BOX | 1 |
| 24. | 82-20538-000 | O-RING, CAP | 2 |
| 25. | 82-20518-000 | CAP, MITRE BOX | 1 |

STEERING MITRE BOX

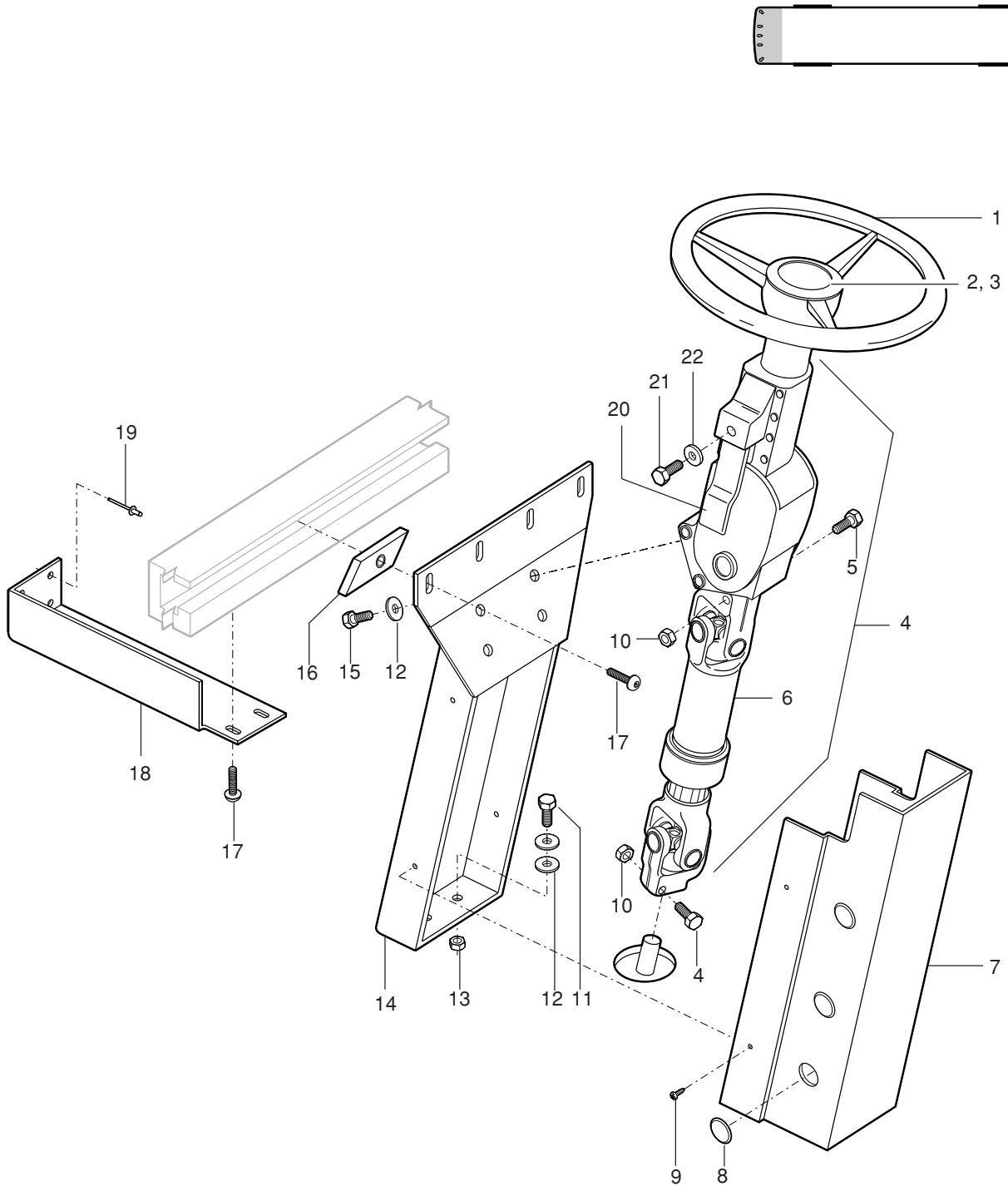


05-0006-0702A,C,D
05-002356
05-0006-0702A, C, D

STEERING COLUMN AND MOUNTING

| Item | Part No. | Description | Qty |
|------|--------------|---|-----|
| 1. | 53-09635-000 | WHEEL, STEERING PADDED | 1 |
| 2. | 53-02123-000 | KIT, HORN | 1 |
| 3. | 05-44349-000 | BUTTON, HORN | 1 |
| 4. | 53-21060-000 | COLUMN ASM, (REFER TO FOLLOWING PAGES) | 1 |
| 5. | 54-11345-006 | BOLT, HXHD 3/8-24 X 1.75 GR8 | 2 |
| 6. | 05-37322-000 | SHAFT, STEERING | 1 |
| 7. | 05-45366-000 | CLOSEOUT, STRG COLUMN | 1 |
| 8. | 55-10670-008 | PLUG, 1.25" HOLE | 3 |
| 9. | 54-13119-024 | SCREW, TRUSS HD #12 X 1.00 | 7 |
| 10. | 54-12550-007 | LOCKNUT, NYLOK 3/8-24 GR5 | 2 |
| 11. | 54-11320-004 | BOLT, HXHD 3/8-16 X 1.25 GR5 | 2 |
| 12. | 54-12601-008 | FLATWASHER, 3/8 HARD | 8 |
| 13. | 54-12540-007 | LOCKNUT, NYLOK 3/8-16 GR5 | 2 |
| 14. | 05-45367-000 | BRACKET ASM, STRG COLUMN (SEE ALSO FT. STRUCTURE) | 1 |
| 15. | 54-11320-002 | BOLT, HXHD 3/8-16 X 0.75 GR5 | 4 |
| 16. | 54-37358-000 | NUT PLATE, M8 | 6 |
| 17. | 54-37359-002 | BOLT, TORX BUTTON HD M8 X 20MM | 6 |
| 18. | 05-37300-000 | BRACE, STRG COLUMN | 1 |
| 19. | 54-10163-006 | RIVET, MONOBOLT | 4 |
| 20. | 45-23645-000 | HANDLE ASM, COLUMN ADJ | 1 |
| 21. | 54-11318-002 | BOLT, HXHD 5/16-18 X 0.75 GR5 | 1 |
| 22. | 54-12602-010 | LOCKWASHER, 5/16 | 1 |

STEERING COLUMN AND MOUNTING

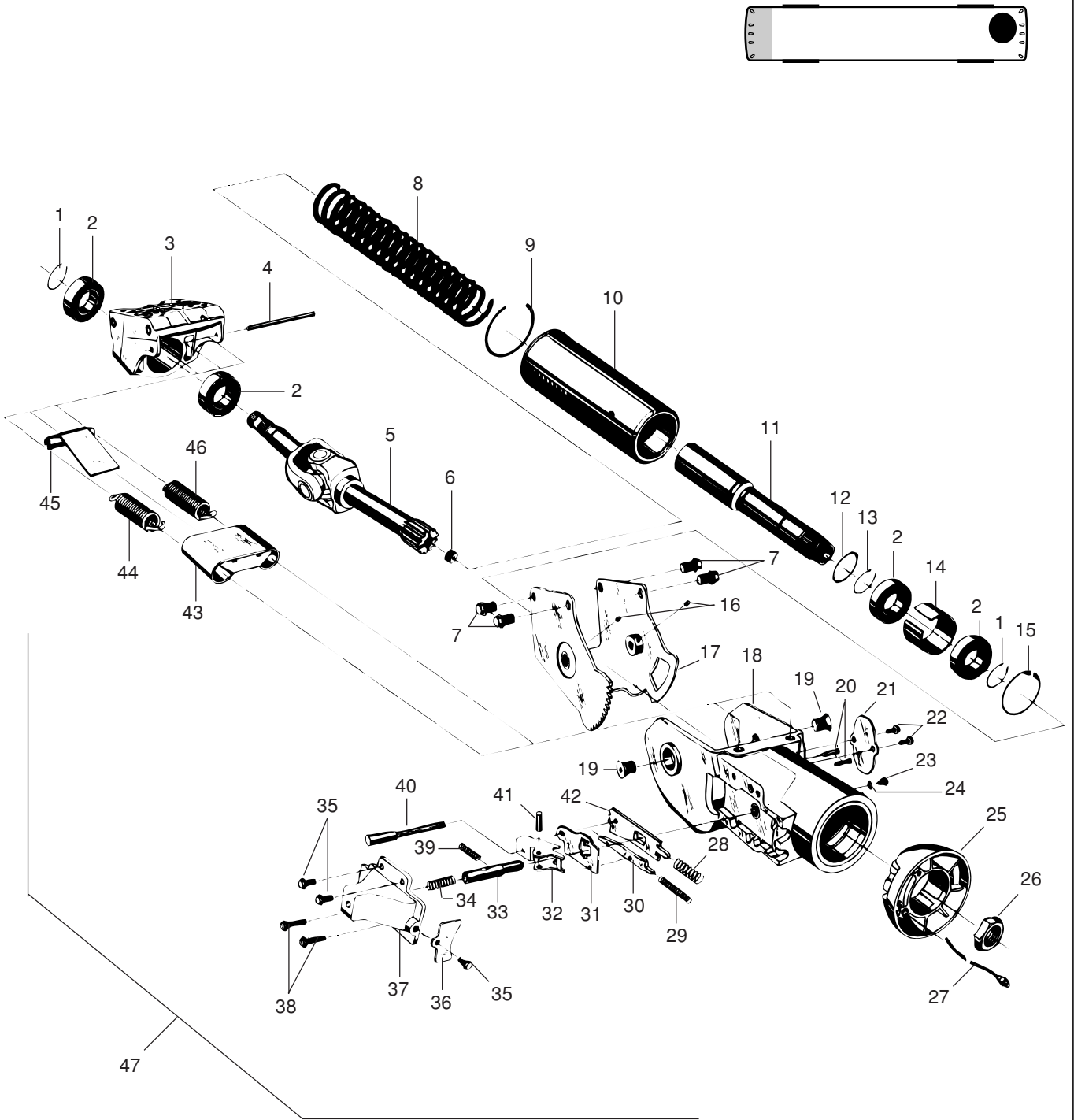


05-0051-0701A+D
05-001949
05-0051-0701A
05-0070-0700D

STEERING COLUMN ASSEMBLY

| Item | Part No. | Description | Qty |
|------|--------------|---|-----|
| 1. | 82-10907-002 | RING, RETAINING (BOWED) | 2 |
| 2. | 82-10493-000 | BEARING | 4 |
| 3. | 82-10907-000 | HOUSING, LOWER BEARING | 1 |
| 4. | 82-10910-006 | ROD, SPRING RETAINING | 1 |
| 5. | 82-14745 | BLOCK, UNIVERSAL JOINT BEARING | 1 |
| | 82-06170-002 | U-JOINT ASM | 1 |
| 6. | 82-10907-003 | PLUG, 1/8 27 DRY SEAL SOCHD PIPE | 1 |
| 7. | 82-10908-006 | SCREW, SELF TAPPING | 4 |
| 8. | 82-10907-008 | SPRING (EXTENDED) | 1 |
| 9. | 82-10910-004 | RING, RETAINING | 1 |
| 10. | 82-10907-007 | TUBE, JACKET | 1 |
| 11. | 82-14744 | WHEEL TUBE & SLEEVE ASM | 1 |
| | 82-14743 | SLEEVE, SPLINED | 1 |
| | 82-14742 | TUBE, WHEEL | 1 |
| 12. | 82-10907-005 | RING, RETAINING | 1 |
| 13. | 82-10907-006 | RING, RETAINING | 1 |
| 14. | 82-10907-004 | SPACER, BEARING | 1 |
| 15. | 82-08137-007 | RING, RETAINING | 1 |
| 16. | 82-10908-003 | SCREW, SOCHD SET 10-24 X 3/16 | 2 |
| 17. | 82-08137-005 | BRACKET, SUPT | 1 |
| 18. | 82-10908-000 | HOUSING ASM, W/ COLLET | 1 |
| 19. | 82-10569-000 | SCREW, PIVOT SOCHD 1/2-20 X 1.13 | 2 |
| 20. | 82-08137-009 | PIN, TRAVEL STOP | A/R |
| 21. | 82-10910-001 | COVER, STOP | 1 |
| 22. | 82-10910-002 | SCREW, HXHD ST 10-24 X 0.50 | 2 |
| 23. | 82-10909-008 | SCREW, STOP BUTTON HD 5/16-18 | 1 |
| 24. | 82-10909-009 | LOCKWASHER, INTERNAL TOOTH | 1 |
| 25. | 82-08137-008 | HOUSING ASM | 1 |
| 26. | 54-13108-000 | NUT, WHEEL 7/8-20 | 1 |
| 27. | 82-06170-001 | CONTACT ASM, BRUSH | 1 |
| 28. | 82-08137-003 | SPRING, LOCK BAR | 1 |
| 29. | 82-08137-004 | SPRING, WEDGELOCK | 1 |
| 30. | 82-08137-002 | WEDGELOCK | 1 |
| 31. | 82-08143-000 | PLATE, DISENGAGING | 1 |
| 32. | 82-08137-000 | ACTUATOR CAM ASM (ITEMS 33, 34, 40, & 42) | 1 |
| | 82-10909-001 | CAM, ACTUATOR | 1 |
| 33. | 82-10909-002 | LOCK-PIN, TELESCOPE | 1 |
| 34. | 82-10909-005 | HOUSING, SPRING-ACTUATOR | 1 |
| 35. | 82-10909-007 | SCREW, SELF-TAPPING 10-24 X 0.62 | A/R |
| 36. | 82-10909-006 | PLATE, SPRING COVER | 1 |
| 37. | 82-10908-007 | ACTUATOR ASM, HSG & BUSHING | 1 |
| 38. | 82-10910-005 | SCREW, SELF-TAPPING 10-24 X 0.88 | 1 |
| 39. | 82-10909-003 | SPRING, ANTI-RATTLE | 1 |
| 40. | 82-06170-000 | LEVER, TILT & TELESCOPE | 1 |
| 41. | 82-10909-004 | PIN, PIVOT | 1 |
| 42. | 82-08137-001 | BAR, LOCK | 1 |
| 43. | 82-10570-000 | COVER, UPPER SPRING | 1 |
| 44. | 82-10908-004 | SPRING, LH (EXTEND) | 1 |
| 45. | 82-10571-000 | COVER, LWR SPRING | 1 |
| 46. | 82-15564 | SPRING, RH GREEN (EXTEND) | 1 |
| 47. | 53-21060-000 | COLUMN ASM, TILT TELESCOPIC STRG | 1 |

STEERING COLUMN ASSEMBLY

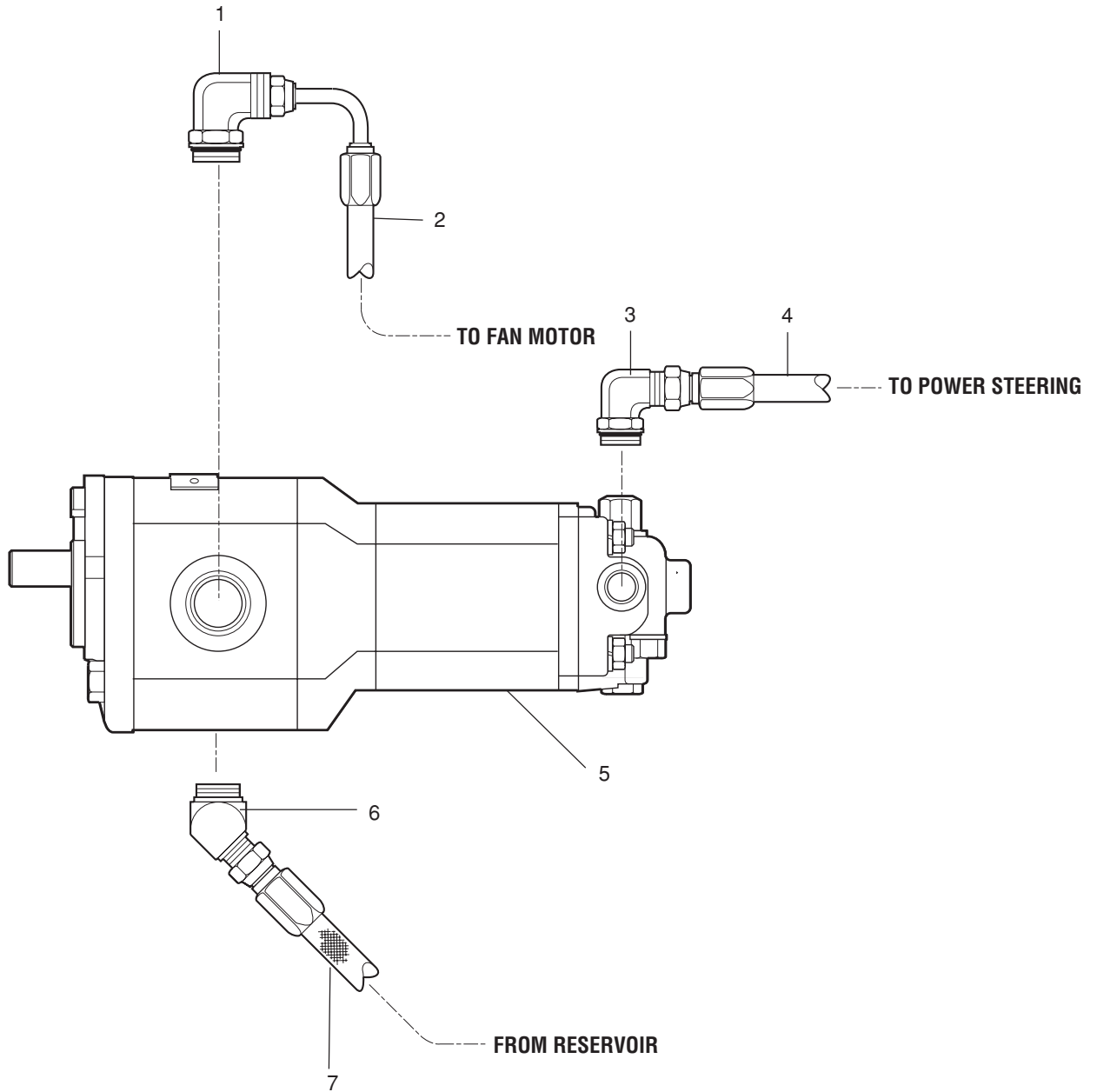
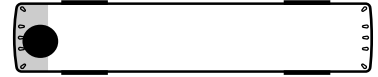


05-0051-0701A+D
 05-000122
 05-0051-0701A
 05-0070-0700D

POWER STEERING PUMP

| Item | Part No. | Description | Qty |
|------|-----------------|--|-----|
| 1. | 54-13063-019 | FITTING, ELBOW 90° 1-1/16" X #12 JIC (SUPPLY HOSE FITTING) | 1 |
| 2. | 46-12J6365-0630 | HOSE ASM, #12 (PUMP TO MOTOR ASM.) | 1 |
| 3. | 54-13063-010 | FITTING, ELBOW 90° 9/16"-18 X #8 JIC (TO POWER STEERING) | 1 |
| 4. | 46-08B1010-000 | HOSE ASM, #8 (PUMP TO POWER STEERING) | 1 |
| 5. | 05-42481-002 | PUMP, HYDRAULIC TANDEM | 1 |
| | 53-24928-000 | GASKET, HYDRAULIC PUMP | 1 |
| | 54-13112-009 | LOCKWASHER, M10 (PUMP MOUNTING) | 2 |
| | 54-13113-100 | BOLT, SOCKET HD. M10 X 1.5 X 30MM GR.12.9 BLK OXIDE | 2 |
| 6. | 54-13062-014 | FITTING, ELBOW 45° 1-5/8"-12 X #20 JIC | 1 |
| 7. | 46-20A1010-0290 | HOSE ASM, #20 (RESERVOIR SUPPLY TO PUMP) | 1 |
| N/S | 54-13059-043 | ADAPTER, O-RING #20, 37° | 1 |

POWER STEERING PUMP

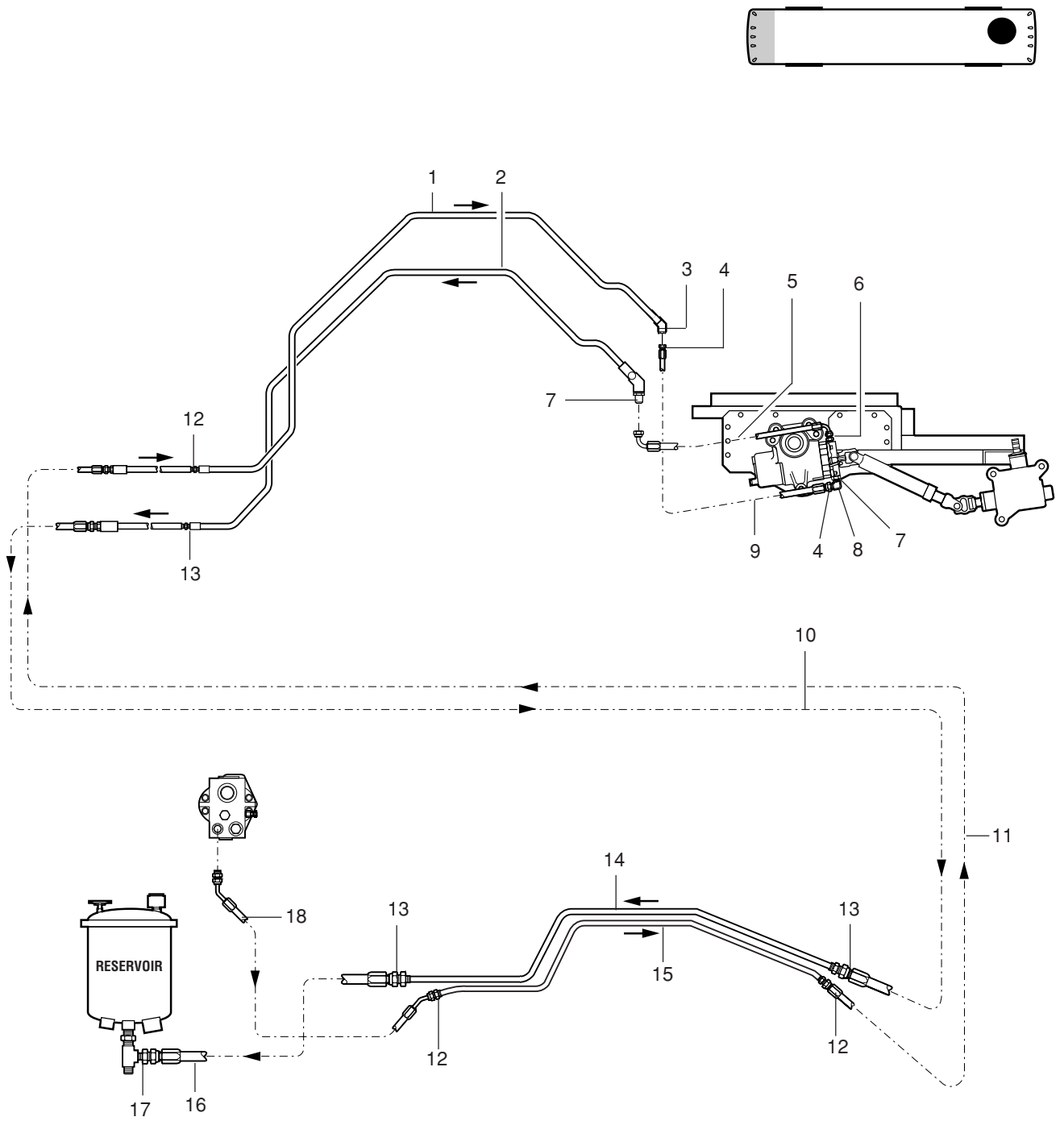


05-0100-0701C, D
05-004177
05-0100-0701C, D

POWER STEERING PIPING

| Item | PartNo. | Description | Qty |
|------|----------------|---|-----|
| 1. | 05-47848-000 | TUBE ASM P/S SUPPLY FRT | 1 |
| 2. | 05-47849-000 | TUBE ASM P/S RETURN FRT | 1 |
| 3. | 54-37750-000 | BULKHEAD UNION, 45° DOUBLE MALE 3/4"-16 JIC (# 8) | 1 |
| 4. | 54-37750-000 | BULKHEAD UNION, 45° DOUBLE MALE 3/4"-16 JIC (# 8) | 1 |
| 5. | 46-10A1414-000 | HOSE ASM, TEFLON #10 | A/R |
| | 54-13078-010 | FITTING, HOSE END #10 7/8-14 | 2 |
| | 56-12303-000 | HOSE, AIR | A/R |
| 6. | 54-13059-021 | ADAPTER, O-RING #10 X 3/4-16 | 1 |
| 7. | 54-37750-001 | UNION, BULKHEAD , 45° DOUBLE MALE 7/8"-14 JIC (#10) | 1 |
| | 54-13071-008 | TEE O-RING 37° | 1 |
| 8. | 54-13054-008 | NUT, CAP 3/4-16 JIC | 1 |
| 9. | 46-12F6363-000 | HOSE ASM, #12 | A/R |
| | 54-44086-012 | HOSE END, JIC 37° STR. #12 | 1 |
| | 54-44088-012 | HOSE END, 90° ELBOW JIC 37° #12 | 1 |
| | 56-25217-000 | HOSE, HYD HIGH PRESS #12 | A/R |
| 10. | 05-47886-000 | TUBE ASM P/S RETURN CNTR | 1 |
| 11. | 05-47885-000 | TUBE ASM P/S SUPPLY CNTR | 1 |
| | 54-15406-001 | CLAMP, PIPE 1/2" X 5/8" | 6 |
| | 05-47897-000 | SPACER, PIPE CLAMP | 6 |
| 12. | 54-13118-086 | UNION, #8 JIC FLARE-O W/"O"-RING - SUPPLY | 3 |
| 13. | 54-13118-087 | UNION, #10 JIC FLARE-O W/"O"-RING - RETURN | 3 |
| 14. | 05-47933-000 | TUBE ASM, P/S RETURN, REAR FRAME #10 | 1 |
| 15. | 05-47932-000 | TUBE ASM, P/S PRESS, REAR FRAME #8 | 1 |
| 16. | 46-10B1010-000 | HOSE ASM #10 | A/R |
| | 54-13073-010 | HOSE END, #10 X 3/4"-16JIC 37° | 2 |
| | 56-12303-000 | HOSE, BULK #10 FC300 | 4 |
| 17. | 54-13050-016 | REDUCER,#16 JIC X #10 JIC | 1 |
| 18. | 46-08B1010-000 | HOSE ASM, #8 | A/R |
| | 54-13073-008 | HOSE END, #8 X 3/4"-16JIC 37° | 2 |
| | 56-12302-000 | HOSE, BULK #8 FC300 | 4 |

POWER STEERING PIPING

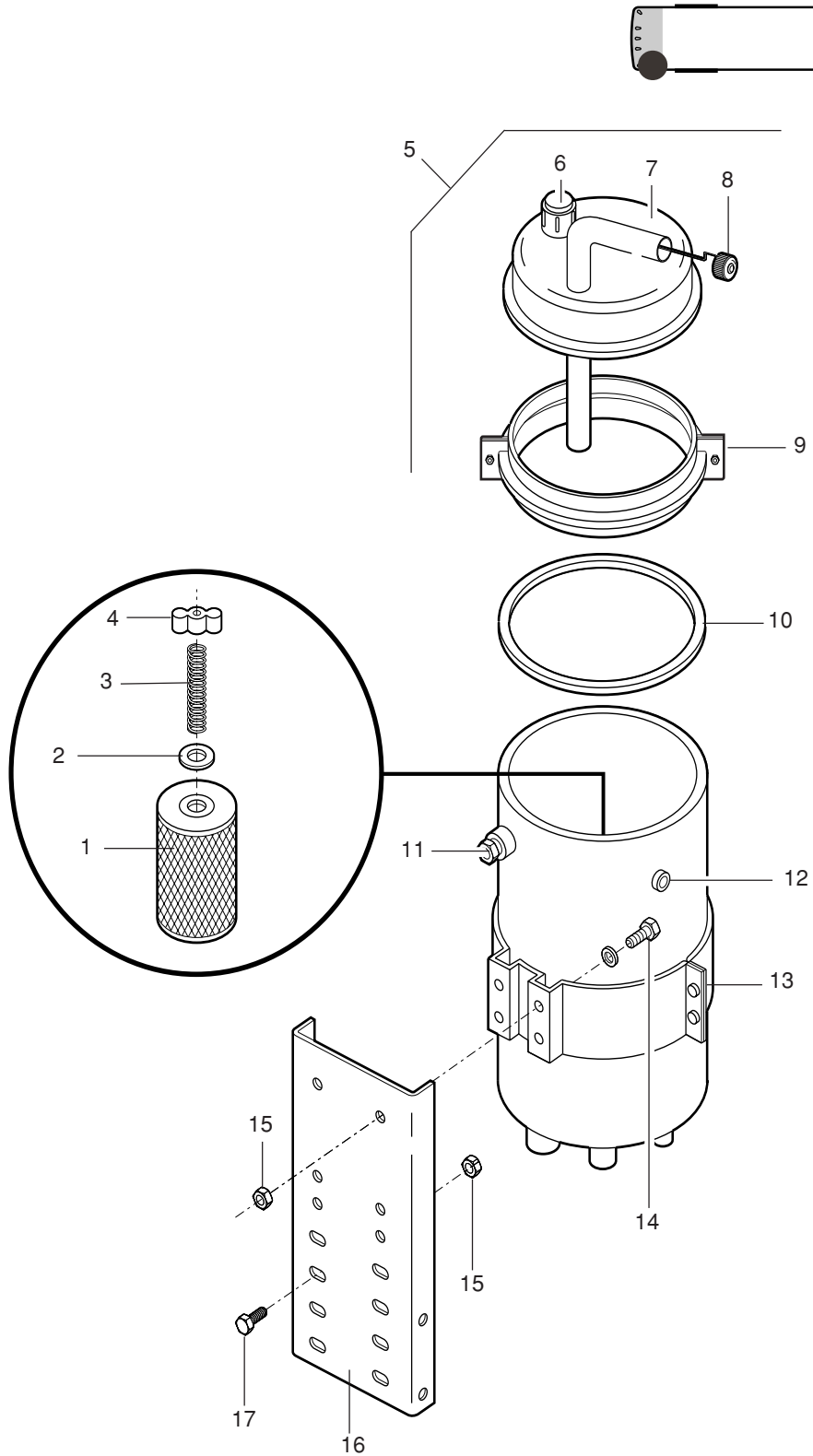


05-0110-
0700H+(0701B+0704C)
05-003509
05-0110-0700H
05-0125-0701B
05-0130-0704C

HYDRAULIC FLUID RESERVOIR

| Item | Part No. | Description | Qty |
|------|--------------|---------------------------------------|-----|
| 1. | 53-22412-002 | ELEMENT, HYD FLUID FILTER | 1 |
| 2. | 82-00536-003 | WASHER, RETAINER | 1 |
| 3. | 55-36628-000 | SPRING, ELEMENT RETAINER | 1 |
| 4. | 82-00536-001 | WINGNUT, RESERVOIR | 1 |
| 5. | 05-40111N000 | RESERVOIR ASM, HYDRAULIC OIL, 9 QUART | 1 |
| 6. | 53-22412-005 | BREATHER, HYD RES | 1 |
| 7. | 82-21143-000 | COVER, HYD RESERVOIR | 1 |
| | 05-39596-000 | BRACKET, DIPSTICK TUBE SUPPORT | 1 |
| | 55-28139-018 | CLAMP, 1.13" DIA. DIPSTICK TUBE | 1 |
| 8. | 82-21143-001 | DIPSTICK | 1 |
| 9. | 82-00025-000 | CLAMP, BAND | 1 |
| 10. | 53-15480-004 | GASKET, COVER | 1 |
| 11. | 54-13118-054 | PLUG | 1 |
| 12. | 53-46863-000 | PROBE, FLUID LEVEL SENSOR | 1 |
| 13. | 53-15480-005 | BRKT, HYD RES MTG | 1 |
| 14. | 54-11320-005 | BOLT, HXHD 3/8"-16 X 1.5 GR5 | 4 |
| 15. | 54-12540-007 | NUT, HXHD NYLOCK 3/8-16 GR5 | 8 |
| 16. | 40-25772-000 | BRKT, HYD RES MTG | 1 |
| 17. | 54-11320-003 | BOLT, HXHD 3/8"-16 X 1.0 GR5 | 4 |

HYDRAULIC FLUID RESERVOIR



05-0140-0700C,G
05-003132
05-0140-0700C, G

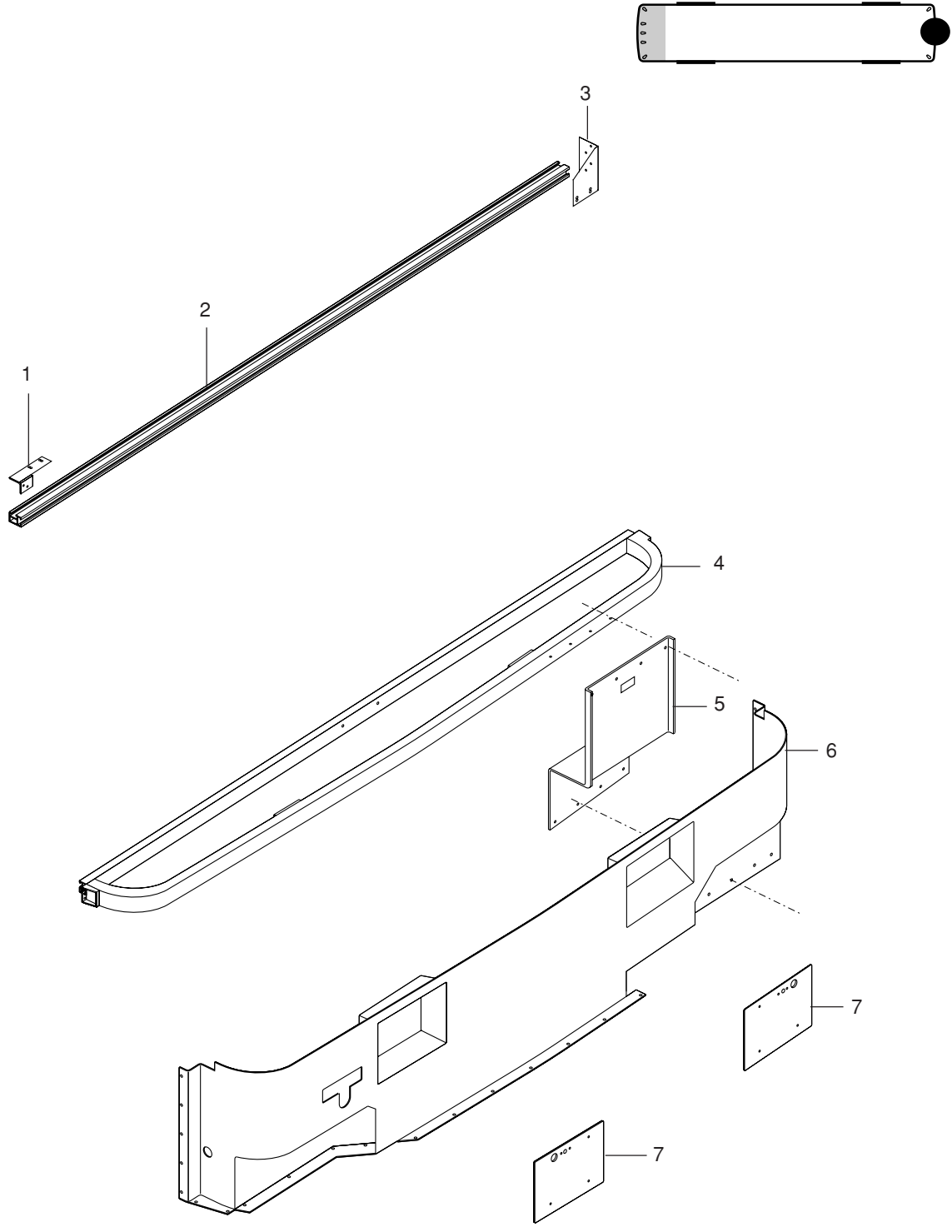
Section 6- Body/Windows/Ad Frames

| | |
|---|-----|
| Front Structure | 234 |
| LH Sidewall Framing-Front..... | 236 |
| LH Sidewall Framing-Rear | 238 |
| RH Sidewall Framing, Front | 240 |
| RH Sidewall Framing, Rear | 242 |
| Settee Structure & Insulation..... | 244 |
| Bulkhead Mounting..... | 246 |
| Rear Body Framing | 248 |
| Roof Framing..... | 250 |
| Flooring & Supports..... | 252 |
| Floor Hatch | 254 |
| Entrance Door Assembly | 256 |
| Entrance Door Baseplate Assembly | 260 |
| Entrance Door Motor Assembly | 262 |
| Panel: Entrance Door Control | 264 |
| Engine Door | 266 |
| Door Assembly: Exit | 268 |
| Baseplate & Pivot Assembly: Exit Door | 270 |
| Baseplate Assembly: Exit Door | 272 |
| Emergency Door Release Valve Box | 278 |
| Front Cap Assembly | 280 |
| Rear Cap | 282 |
| Rear Grille | 284 |
| Roof Skin & Hatches | 286 |
| Taillight Panels | 288 |
| Windshield..... | 290 |
| Side Window: 56" Non-Egress | 292 |
| Side Window: Destination Sign | 294 |
| Side Window: Driver's | 296 |
| Side Window: 34" Transom | 298 |
| Side Window: 32" Fixed | 300 |
| Side Window: 46" Non-Egress | 302 |
| Side Window: 46" Transom, Egress | 304 |
| Side window: 46" Stationary, Non-Egress | 306 |

FRONT STRUCTURE

| Item | Part No. | Description | Qty |
|------|-----------------|---|-----|
| 1. | 14-46342-000 | BRACKET, FRONT DESTINATION SIGN HEADER | 1 |
| | 54-37358-000 | NUT PLATE, COBOLT M8 | 8 |
| | 54-37359-002 | BOLT, BUTTON TORX, M8 X 20MM | 8 |
| 2. | 14-37424L084.13 | BEAM, EXTRUSION , TRANSVERSE | 1 |
| | 54-10163-017 | RIVET, MONOBOLT, 1/4" STL. (.080-.625 GRIP) | 64 |
| 3. | 14-47268-000 | BRACKET, FRONT DESTINATION SIGN | 1 |
| | 54-12600-008 | FLATWASHER, 3/8" | 2 |
| 4. | 14-45665-000 | HOOP, EXTRUDED, FRONT FRAME | 1 |
| | 14-45637-000 | HOOP, EXTRUDED , FRONT FRAME | 1 |
| 5. | 14-48520-000 | PLATE, REINFORCEMENT | 1 |
| | 54-10163-043 | RIVET | 8 |
| 6. | 14-45957M000 | PANEL, CLOSEOUT FRONT STRUCTURE | 1 |
| 7. | 20-44097-000 | PANEL, 9.17" X 13.36" WIPER COVER | 2 |
| | 20-44058-000 | GASKET, COVER PANEL, WIPER | 2 |
| | 54-13113-084 | SCREW, 5/16"-18 X 1.0" BUTTON HD. CAP | 8 |
| | 53-02195-016 | SEALANT, 221 BLACK | 1 |
| | 56-19323-001 | INSULATION 1.5" THICK | A/R |
| | 14-48623-000 | BRACKET, DEST. SIGN HEADER | 1 |

FRONT STRUCTURE

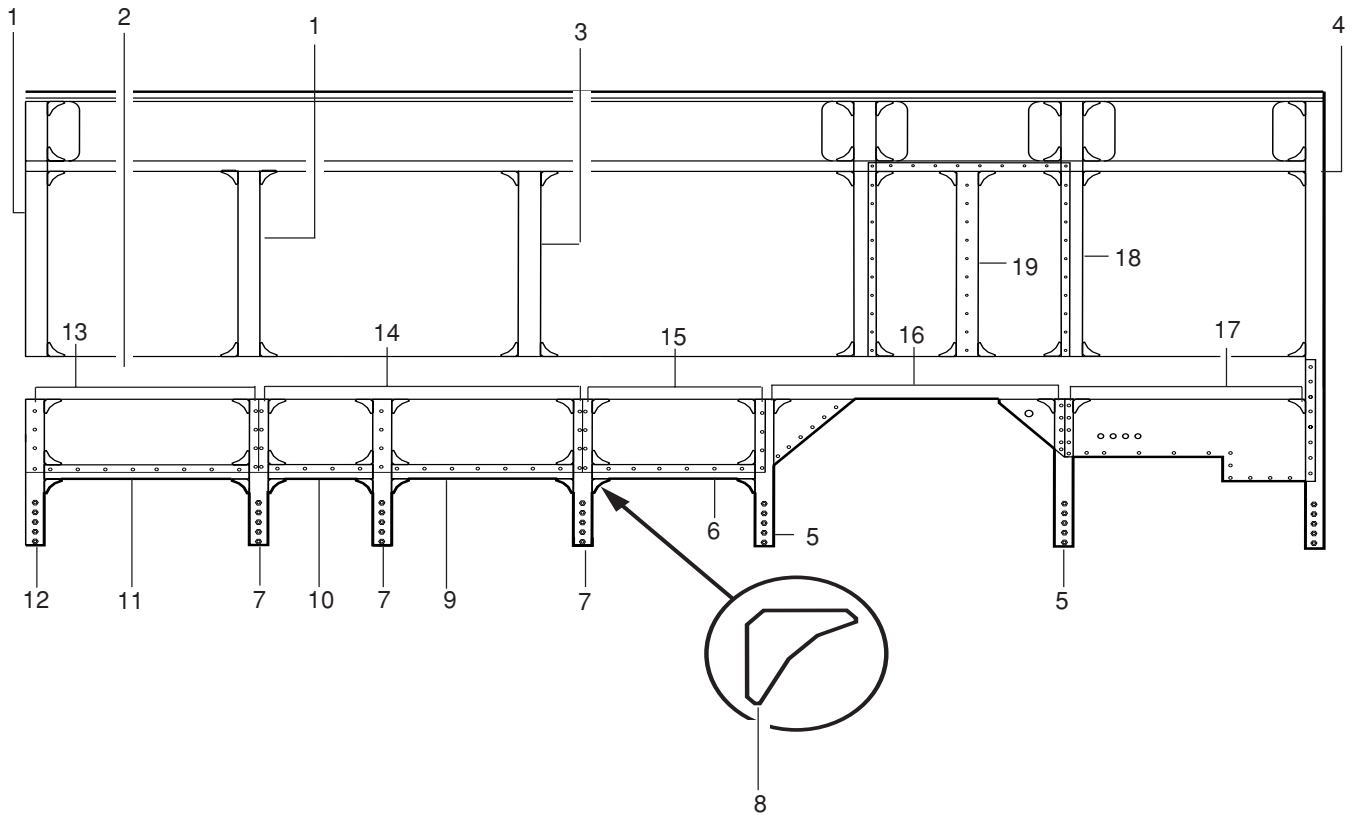


14-0001-0701D,E
14-003827
14-0001-0701D, E

LH SIDEWALL FRAMING-FRONT

| Item | Part No. | Description | Qty |
|------|-----------------|---|-----|
| 1. | 14-39430L053.23 | POST, VERTICAL WINDOW HOOP | 5 |
| 2. | 14-44054L409.00 | RAIL, LOWER WINDOW | 1 |
| 3. | 14-39430L039.00 | POST, VERTICAL WINDOW | 2 |
| 4. | 14-45237-000L | EXTRUSION, A-POST | 1 |
| 5. | 14-45242-002 | EXTRUSION, CHASSIS POST | 2 |
| 6. | 14-37417L043.29 | RAIL, LOWER HORIZONTAL | 1 |
| 7. | 14-45242-000 | EXTRUSION, CHASSIS POST | 3 |
| 8. | 54-43618-000 | GUSSET, LARGE COBOLT 4-BOLT 102 X 102 X 40 | 102 |
| 9. | 14-37417L032.57 | RAIL, LOWER HORIZONTAL | 1 |
| 10. | 14-37417L018.80 | RAIL, LOWER HORIZONTAL | 1 |
| 11. | 14-37417L036.66 | RAIL, LOWER | 1 |
| 12. | 14-45242-003 | EXTRUSION, CHASSIS POST | 4 |
| 13. | 14-45387-000 | PANEL, STRESS | 1 |
| 14. | 14-45388-000 | PANEL, STRESS | 1 |
| 15. | 14-45389-000L | PANEL, STRESS | 1 |
| 16. | 14-45390-000 | PANEL, STRESS | 1 |
| 17. | 14-45391-000 | PANEL, STRESS | 1 |
| 18. | 14-45392-000 | PANEL, STRESS | 1 |
| 19. | 14-48022L039.00 | POST, VERTICAL WINDOW | 1 |
| | 54-37359-001 | BOLT, BUTTON TORX HEAD M8 X 15MM | 424 |
| | 54-37358-000 | NUT PLATE, COBOLT M8 | 424 |
| | 54-10163-006 | RIVET, MONOBOLT, 1/4" STL. (.350-.625 GRIP) | A/R |
| | 54-10163-008 | RIVET, MONOBOLT, 1/4" STL. (.125-.475 GRIP) | A/R |
| | 54-10163-029 | RIVET, MONOBOLT 3/16" STL (.125-.331 GRIP) | A/R |
| | 54-10163-037 | RIVET, MONOBOLT 3/16" STL (.062-.437 GRIP) | A/R |
| | 56-19323-001 | INSULATION, 1.5 THK | A/R |

LH SIDEWALL FRAMING-FRONT



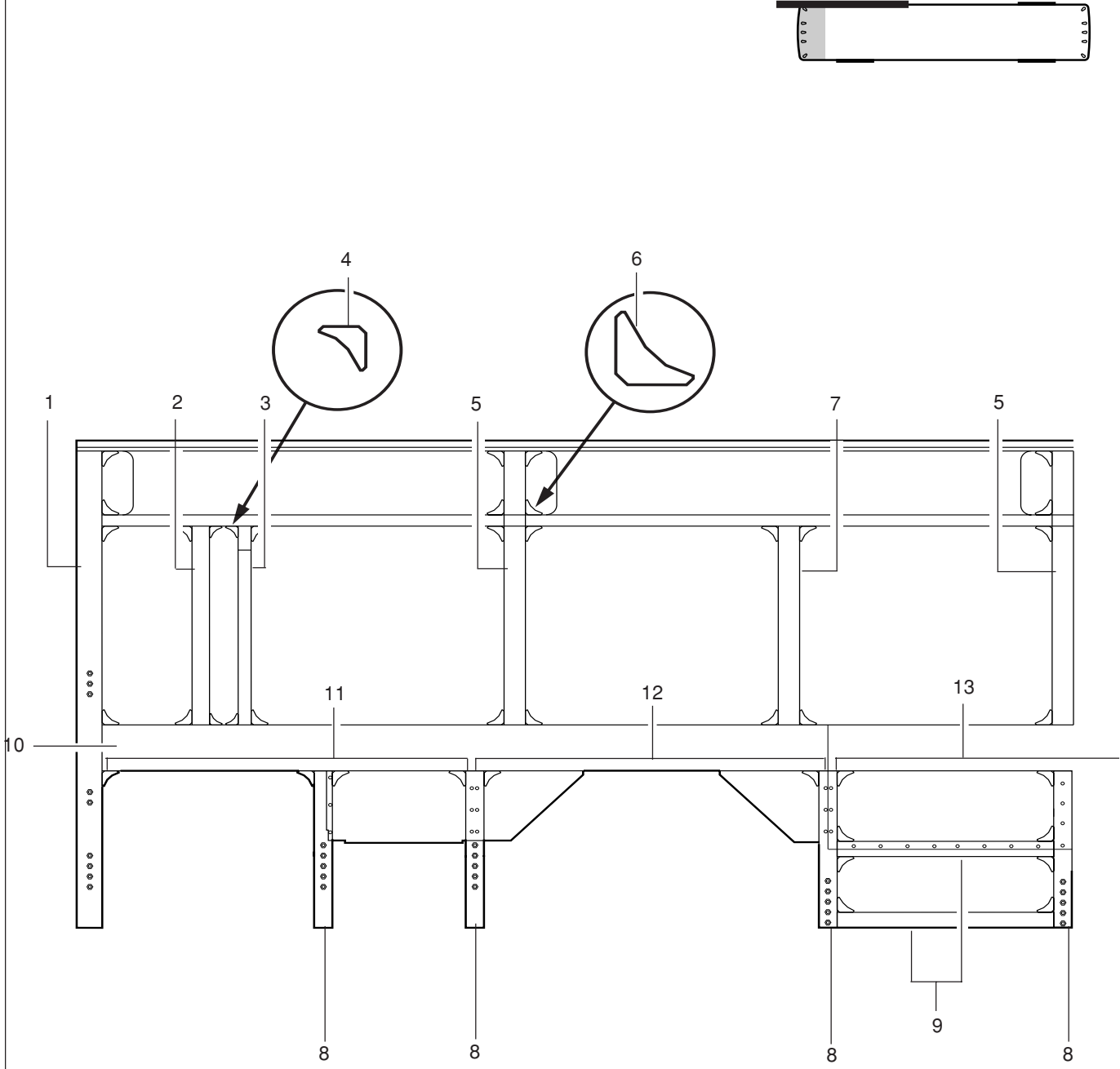
NOTE: VIEW IS FROM INSIDE LOOKING OUT.

14-0050-0707A,C
14-003832
14-0050-0707A, C

LH SIDEWALL FRAMING-REAR

| Item | Part No. | Description | Qty |
|------|-----------------|---|-----|
| 1. | 14-45241-000L | EXTRUSION, VERTICAL REAR | 1 |
| 2. | 14-37418L039.00 | POST, VERTICAL WINDOW REAR | 1 |
| 3. | 14-37417L039.00 | POST, VERTICAL WINDOW BULKHEAD | 1 |
| 4. | 54-43619-000 | GUSSET, COBOLT 2-BOLT | 8 |
| 5. | 14-39430L053.23 | POST, VERTICAL WINDOW HOOP | 5 |
| 6. | 54-43618-000 | GUSSET, COBOLT 4-BOLT 102 X 102 X 40 | 110 |
| 7. | 14-39430L039.00 | POST, VERTICAL WINDOW | 4 |
| 8. | 14-45242-003 | EXTRUSION, CHASSIS POST | 4 |
| 9. | 14-37417L039.84 | RAIL, LOWER HORIZONTAL | 2 |
| 10. | 14-44054L409.00 | RAIL, LOWER WINDOW | 1 |
| 11. | 14-45385-000 | PANEL, STRESS | 1 |
| 12. | 14-45386-000 | PANEL, STRESS | 1 |
| 13. | 14-45387-000 | PANEL, STRESS | 1 |
| | 54-37359-001 | BOLT, BUTTON TORX HEAD M8 X 15MM | 456 |
| | 54-37358-000 | NUT PLATE, COBOLT M8 | 456 |
| | 54-10163-006 | RIVET, MONOBOLT, 1/4" STL. (.350-.625 GRIP) | 29 |
| | 54-10163-008 | RIVET, MONOBOLT, 1/4" STL. (.125-.475 GRIP) | 15 |
| | 54-10163-029 | RIVET, MONOBOLT 3/16" STL (.125-.331 GRIP) | 489 |
| | 54-10163-037 | RIVET, MONOBOLT 3/16" STL (.062-.437 GRIP) | 15 |
| | 56-19323-001 | INSULATION, 1.5 THK | A/R |

LH SIDEWALL FRAMING-REAR



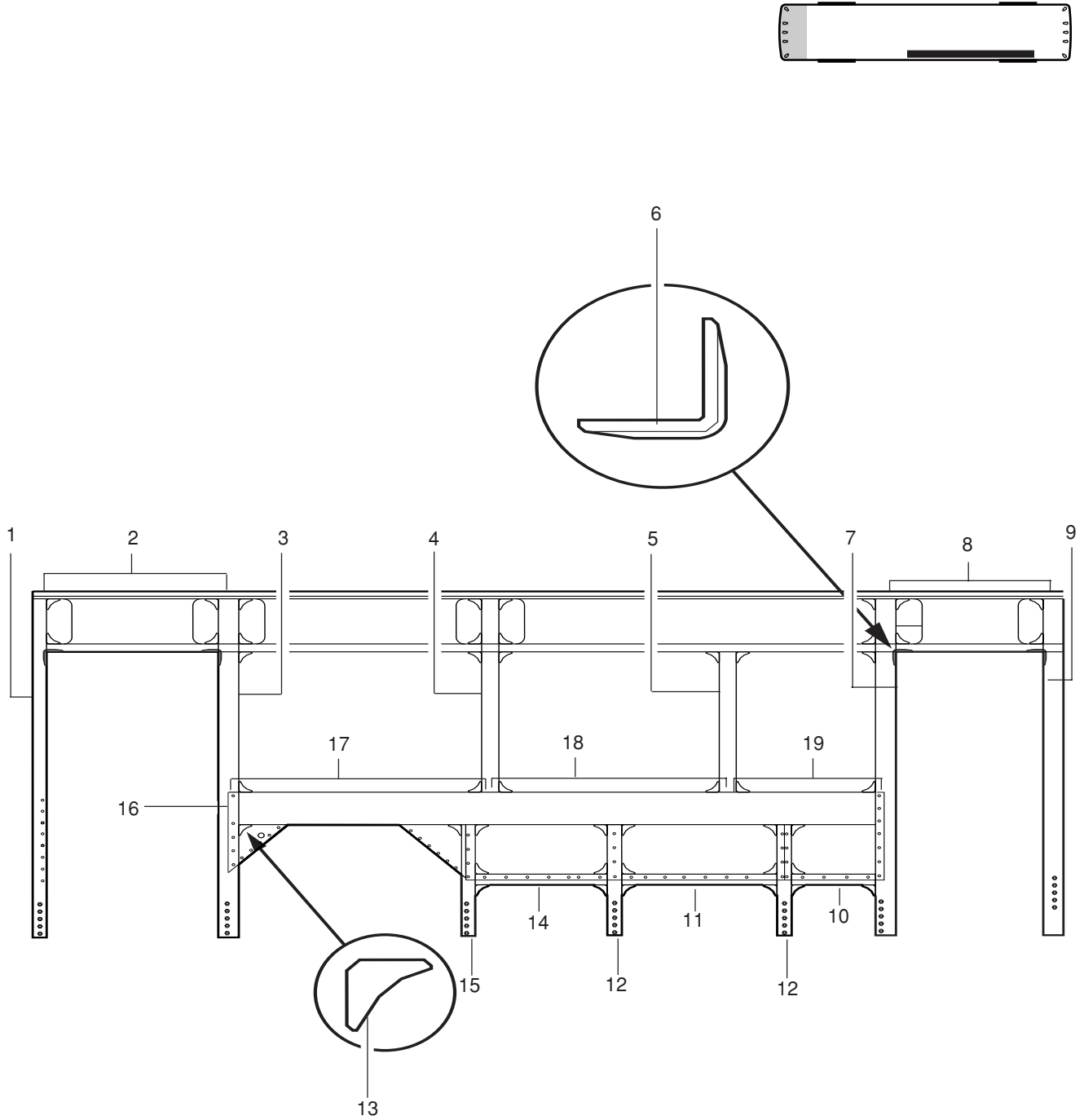
NOTE: VIEW IS FROM INSIDE LOOKING OUT.

14-0050-0707A,C
14-003832
14-0050-0707A, C

RH SIDEWALL FRAMING, FRONT

| Item | Part No. | Description | Qty |
|------|-----------------|--|-----|
| 1. | 14-45237-000R | EXTRUSION, A-POST | 1 |
| 2. | 14-47726-000 | PANEL, STRESS | 1 |
| 3. | 14-45238-000 | EXTRUSION, VERTICAL DOOR POST | 1 |
| 4. | 14-39430L053.23 | POST, VERTICAL WINDOW HOOP | 2 |
| 5. | 14-39430L039.00 | POST, VERTICAL WINDOW | 2 |
| 6. | 14-42582-000 | GUSSET, DOOR PORTAL FORGED STEEL | 4 |
| 7. | 14-45239-000 | EXTRUSION, VERTICAL DOOR | 1 |
| 8. | 14-39144-000 | PANEL, STRESS | 1 |
| 9. | 14-45240-000 | EXTRUSION, VERTICAL DOOR POST | 1 |
| 10. | 14-37417L018.58 | RAIL, LOWER HORIZONTAL | 1 |
| 11. | 14-37417L032.57 | RAIL, LOWER HORIZONTAL | 1 |
| 12. | 14-45242-000 | EXTRUSION, CHASSIS POST | 2 |
| 13. | 54-43618-000 | GUSSET, LARGE COBOLT, 4-BOLT | 86 |
| 14. | 14-37417L039.63 | RAIL, LOWER HORIZONTAL | 1 |
| 15. | 14-45242-002 | EXTRUSION, CHASSIS POST | 1 |
| 16. | 14-42530L150.07 | RAIL, LOWER WINDOW | 1 |
| 17. | 14-45396-000 | PANEL, STRESS | 1 |
| 18. | 14-45389-000R | PANEL, STRESS | 1 |
| 19. | 14-47723-000 | PANEL, STRESS | 1 |
| | 54-10163-005 | RIVET, MONOBOLT, 1/4" STL. (.080-.375 GRIP) | A/R |
| | 54-37358-000 | NUT PLATE, COBOLT M8 | A/R |
| | 54-37359-001 | BOLT, BUTTON TORX HEAD M8 X 15MM | A/R |
| | 54-10163-006 | RIVET, MONOBOLT, 1/4" STL. (.350-.625 GRIP) | A/R |
| | 54-10163-008 | RIVET, MONOBOLT, 1/4" STL. (.125-.475 GRIP) | A/R |
| | 54-10163-029 | RIVET, MONOBOLT, 3/16" STL. (.125-.331 GRIP) | A/R |
| | 54-10163-037 | RIVET, MONOBOLT 3/16" STL (.062-.437 GRIP) | A/R |
| | 56-19323-001 | INSULATION | A/R |

RH SIDEWALL FRAMING, FRONT



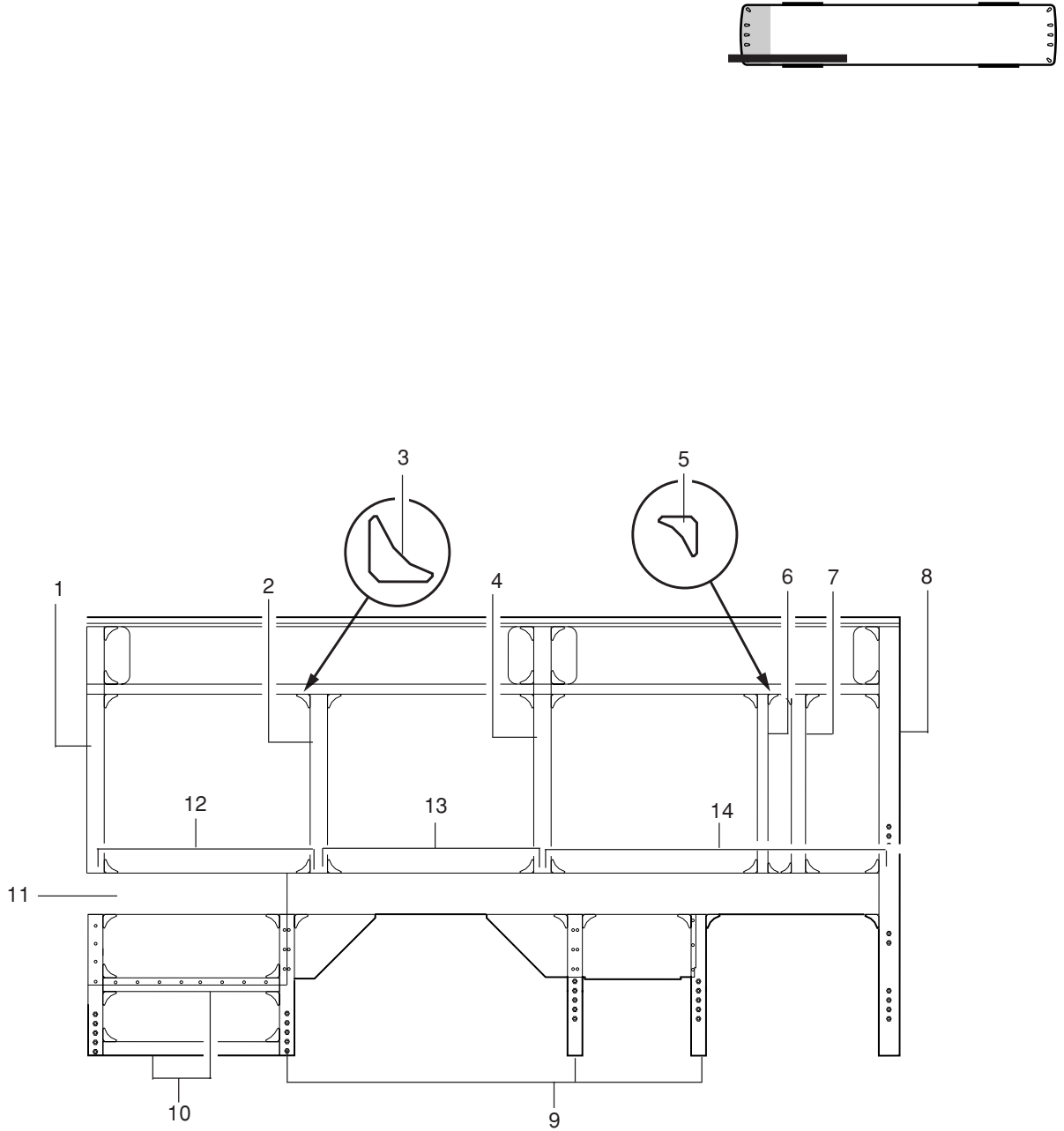
NOTE: VIEW IS FROM INSIDE LOOKING OUT.

14-0100-0708A,G
14-003833
14-0100-0708A., G

RH SIDEWALL FRAMING, REAR

| Item | Part No. | Description | Qty |
|------|-----------------|--|-----|
| 1. | 14-45240-000 | EXTRUSION, VERTICAL DOOR POST | 1 |
| 2. | 14-39430L039.00 | POST, VERTICAL WINDOW | 2 |
| 3. | 54-43618-000 | GUSSET, LARGE COBOLT, 4-BOLT 102 X 102 X 40MM - R120 | 86 |
| 4. | 14-39430L053.23 | POST, VERTICAL WINDOW HOOP | 2 |
| 5. | 54-43619-000 | GUSSET, SMALL COBOLT, 2 BOLT | 4 |
| 6. | 14-37418L039.00 | POST, VERTICAL WINDOW REAR | 1 |
| 7. | 14-37417L039.00 | POST, VERTICAL WINDOW BULKHEAD | 1 |
| 8. | 14-45241-000R | EXTRUSION, VERTICAL REAR | 1 |
| 9. | 14-45242-003 | EXTRUSION, CHASSIS POST | 3 |
| 10. | 14-37417L039.63 | RAIL, LOWER | 2 |
| 11. | 14-44055L182.51 | RAIL, LOWER WINDOW | 1 |
| 12. | 14-45394-000 | PANEL, STRESS | 1 |
| 13. | 14-45386-000 | PANEL, STRESS | 1 |
| 14. | 14-45393-000 | PANEL, STRESS | 1 |
| | 54-10163-005 | RIVET, MONOBOLT, 1/4" STL. (.080-.375 GRIP) | A/R |
| | 54-37358-000 | NUT PLATE, COBOLT M8 | A/R |
| | 54-37359-001 | BOLT, BUTTON TORX HEAD M8 X 15MM | A/R |
| | 54-10163-006 | RIVET, MONOBOLT, 1/4" STL. (.350-.625 GRIP) | A/R |
| | 54-10163-008 | RIVET, MONOBOLT, 1/4" STL. (.125-.475 GRIP) | A/R |
| | 54-10163-029 | RIVET, MONOBOLT, 3/16" STL. (.125-.331 GRIP) | A/R |
| | 54-10163-037 | RIVET, MONOBOLT 3/16" STL (.062-.437 GRIP) | A/R |

RH SIDEWALL FRAMING, REAR



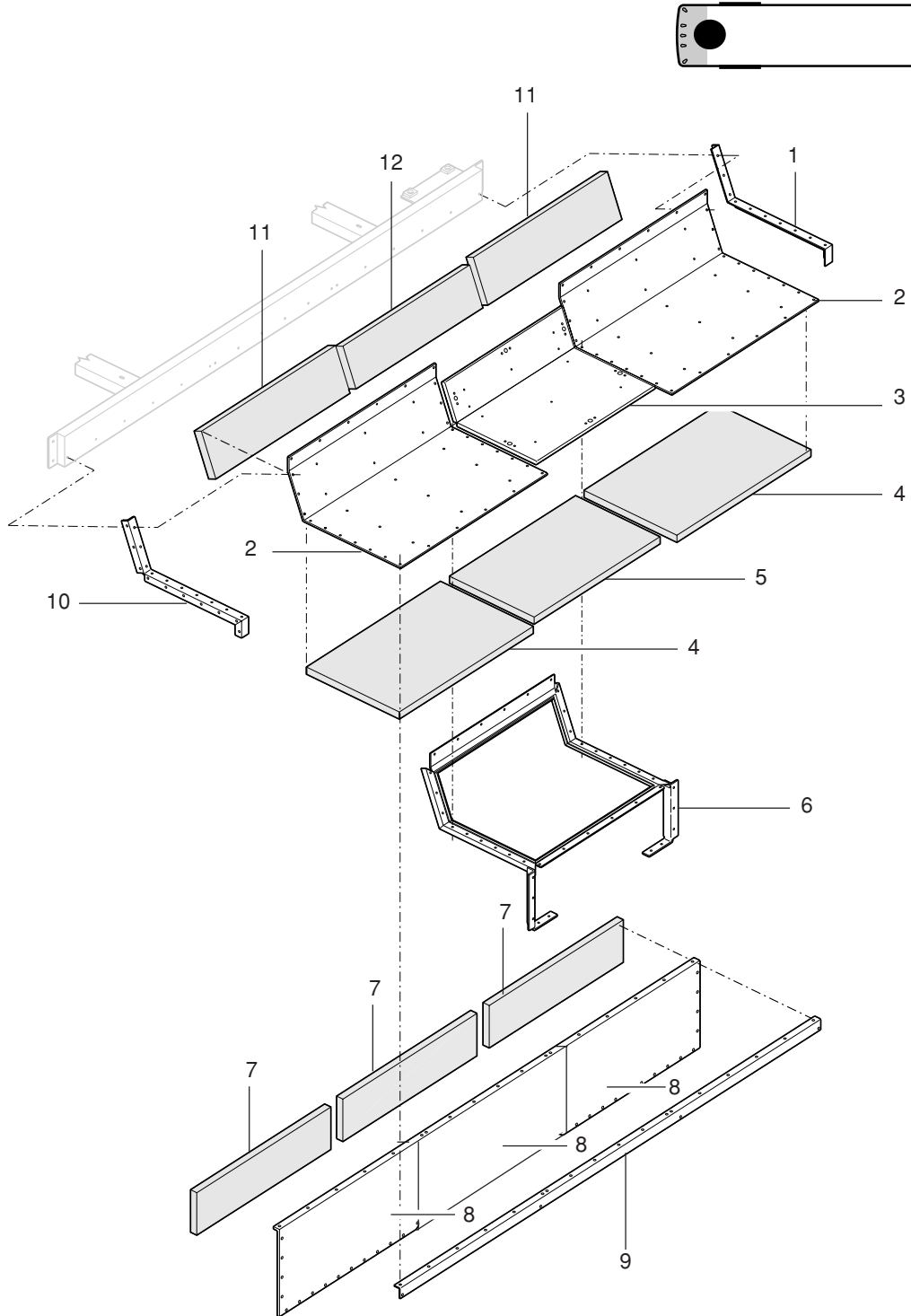
NOTE: VIEW IS FROM INSIDE LOOKING OUT.

14-0100-0708A,G
14-003896
14-0100-0708A., G

SETTEE STRUCTURE & INSULATION

| Item | Part No. | Description | Qty |
|------|---------------|----------------------------------|-----|
| 1. | 14-46459-000R | ANGLE, SETTEE FRAME | 1 |
| 2. | 14-46558-000 | CLOSEOUT, SETTEE SIDEWALL | 2 |
| 3. | 14-37898-000 | HATCH ASM, SETTEE | 1 |
| 4. | 14-48202-001 | INSUL, SETTEE SEAT PANEL | 2 |
| 5. | 14-49107-006 | INSUL, HATCH SEAT | A/R |
| | 14-48199-000 | RETAINER, INSULATION | 1 |
| | 14-48200-000 | RETAINER, INSULATION | 2 |
| 6. | 14-50961-000 | CHANNEL ASM, HATCH FRAME | 1 |
| 7. | 14-49107-003 | INSUL, SETTEE FRONT PANEL L/R | 2 |
| | 14-49107-007 | INSUL, SETTEE FRONT PANEL CENTER | 1 |
| 8. | 14-48201-000 | CLOSEOUT, SETTEE FRT | 3 |
| 9. | 14-48741-000 | ANGLE, SETTEE FRAME | 1 |
| 10. | 14-46459-000L | ANGLE, SETTEE FRAME | 1 |
| | 54-10163-008 | RIVET, MONOBOLT 1/4" | 12 |
| 11. | 14-49107-002 | INSUL, HATCH SEAT BACK CENTER | 2 |
| 12. | 14-49107-005 | INSUL, HATCH SEAT BACK CENTER | 1 |
| | 54-10163-037 | RIVET, MONOBOLT 3/16" | 78 |
| | 54-37358-000 | NUT PLATE, COBOLT M8 | 4 |
| | 54-37359-003 | BOLT, BUTTON TORX HEAD M8 X 25MM | 4 |
| | 14-49107-001 | INSUL, HATCH SEAT 19"X32" | A/R |

SETTEE STRUCTURE & INSULATION

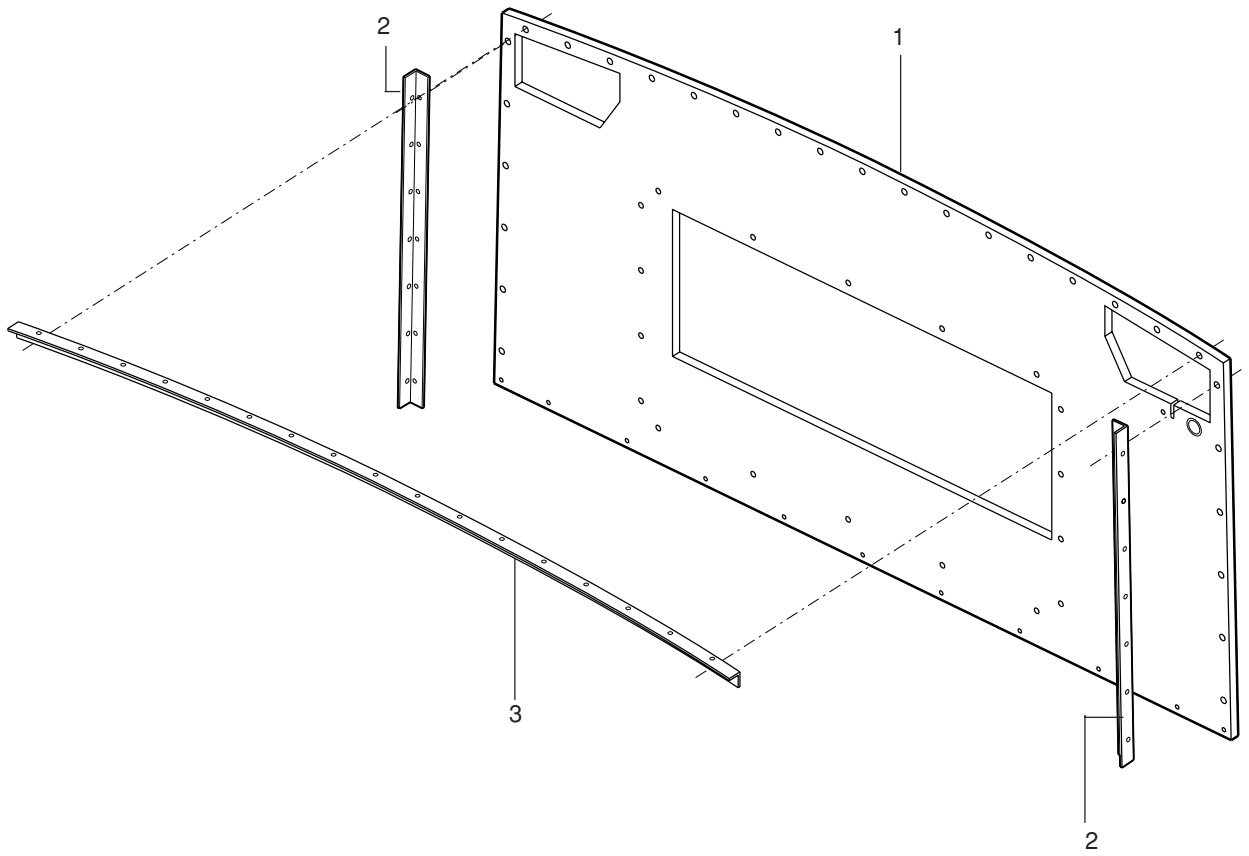
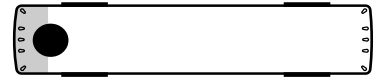


14-0151-0701D
14-000143
14-0151-0701D

BULKHEAD MOUNTING

| Item | Part No. | Description | Qty |
|------|-----------------|--|-----|
| 1. | 15-43055-000 | BULKHEAD, REAR | 1 |
| 2. | 14-36926-000 | ANGLE, BULKHEAD SIDE | 2 |
| 3. | 14-36925-000 | ANGLE, BULKHEAD TOP | 1 |
| | 54-10163-006 | RIVET, MONOBOLT | 65 |
| | 54-11316-005 | BOLT, HXHD 1/4-20 X 1-1/2, GR 5 | 11 |
| | 54-11321-005 | BOLT, HXHD 3/8-16 X 1-1/2, GR 8 | 6 |
| | 54-12540-005 | LOCKNUT, NYLOK 1/4-20, GR 5 | 11 |
| | 54-12540-007 | LOCKNUT, NYLOK 3/8-16, GR 5 | 27 |
| | 54-12541-007 | LOCKNUT, NYLOK 3/8-16, GR 8 | 6 |
| | 54-12600-006 | FLATWASHER, 1/4 | 22 |
| | 54-12601-008 | FLATWASHER, 3/8 HARD | 12 |
| | 54-13113-009 | CAPSCREW, HEX SOCKET, 3/8 X 1-1/16 X 1-1/2 | 27 |
| | 20-38188-006 | INSULATION | A/R |
| | 14-49107-004 | INSULATION | A/R |
| | 14-49107-008 | INSULATION | A/R |
| | 14-49107-009 | INSULATION | A/R |
| | 14-49107-010 | INSULATION | A/R |
| | 15-39633-001 | PANEL, BULKHEAD COVERING | 1 |
| | 40-32305-000 | RETAINER, INSULLATION | A/R |
| | 15-43668-000 | ANGLE TRIM, SETTEE | 1 |
| | 54-14288-07Z | SCREW, PHT #10 X 1.0" | 5 |
| | 15-44604L038.25 | TRIM, SETTEE ANGLE | 2 |

BULKHEAD MOUNTING

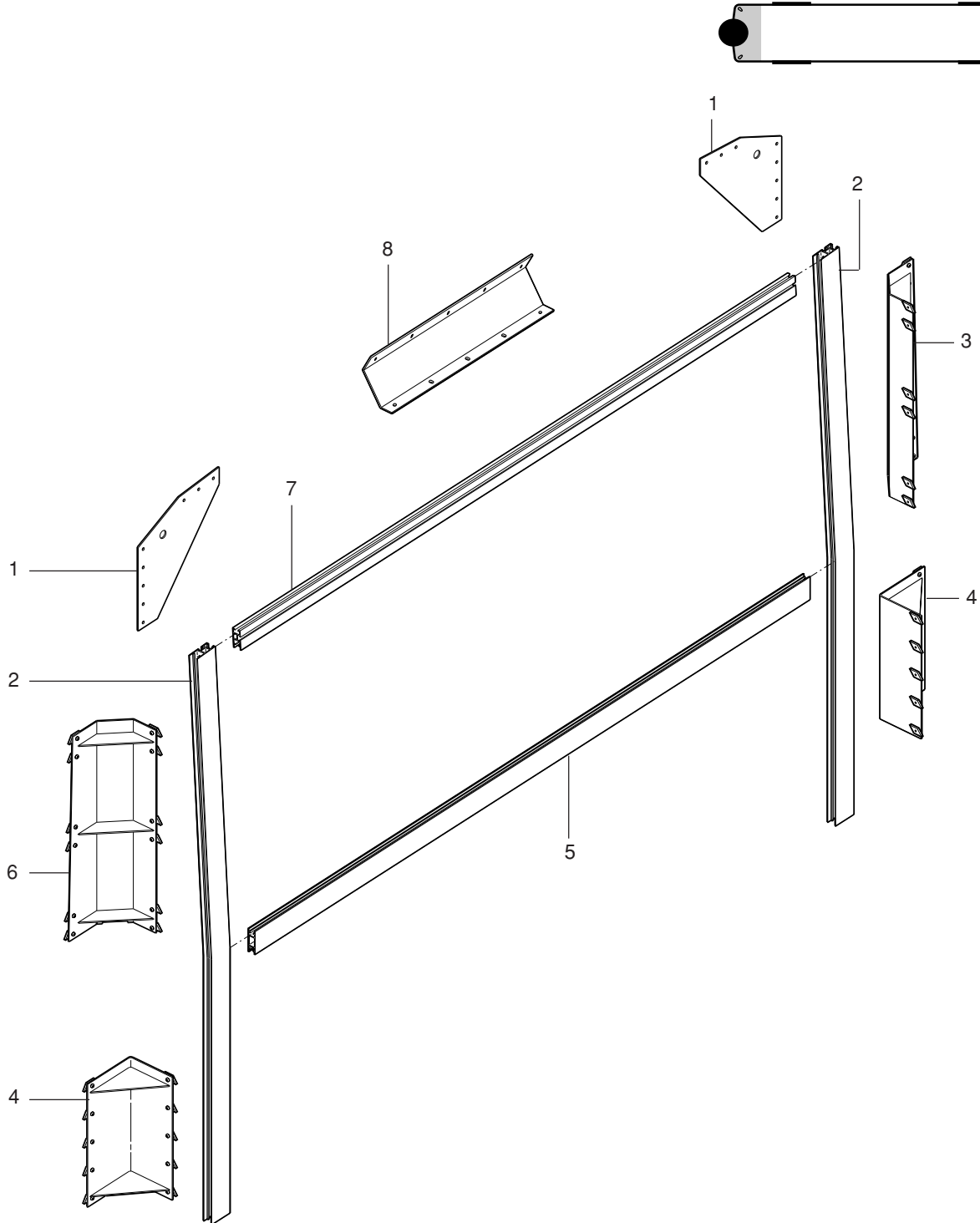


- 14-0155-0700D,G+(A+E)
- 14-000144
- 14-0155-0700D, G
- 15-0220-0702A
- 15-0225-0700E

REAR BODY FRAMING

| Item | Part No. | Description | Qty |
|------|---------------|---|-----|
| 1. | 14-36987-000 | GUSSET, CORNER UPR FRAME | 2 |
| 2. | 14-40187-000 | EXTRUSION, VERTICAL, FRAME | 2 |
| 3. | 14-36984-000R | BRACE, SIDE UPR FRAME | 1 |
| 4. | 14-36985-000 | BRACE, SIDE LWR FRAME | 2 |
| 5. | 14-41842-000 | EXTRUSION, RECESS WINDOW POST | 1 |
| 6. | 14-36984-000L | BRACE, SIDE UPR FRAME | 1 |
| 7. | 14-41843-000 | EXTRUSION, RR FRAME | 1 |
| 8. | 14-41841-000 | BRACE, CENTER TOP FRAME | 1 |
| | 54-43618-000 | GUSSET, COBOLT 4-BOLT FORGED 102 X 102 X R120 | 6 |
| | 54-37358-000 | NUT PLATE, COBOLT M8 | 94 |
| | 54-37359-001 | BOLT, BUTTON TORX HEAD M8 X 15MM | 94 |

REAR BODY FRAMING

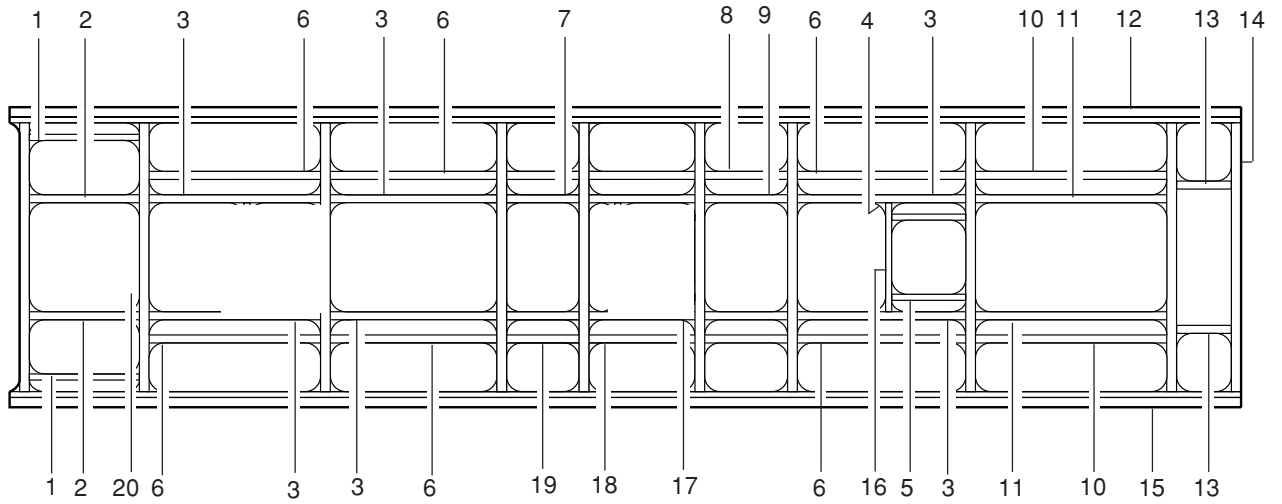
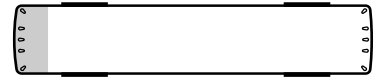


14-0160-0700D
14-003327
14-0160-0700D

ROOF FRAMING

| Item | Part No. | Description | Qty |
|------|-----------------|---------------------------------|-----|
| 1. | 14-37419L036.56 | CARLIN, ROOF FRONT | 2 |
| 2. | 14-37418L036.56 | CARLIN, ROOF | 2 |
| 3. | 14-37418L046.96 | CARLIN, ROOF | 6 |
| 4. | 54-43619-000 | GUSSET, COBOLT 2-BOLT | 30 |
| 5. | 14-37419L023.96 | FRAME, HATCH LONG | 2 |
| 6. | 14-42076L044.57 | CARLIN, ROOF LIGHT PANEL ATTACH | 6 |
| 7. | 14-37418L044.57 | CARLIN, ROOF | 2 |
| 8. | 14-42076L034.73 | CARLIN, ROOF LIGHT PANEL ATTACH | 2 |
| 9. | 14-37418L000 | RAIL, LOWER | 2 |
| 10. | 14-42076L054.15 | CARLIN, ROOF LIGHT PANEL ATTACH | 2 |
| 11. | 14-37418L054.15 | CARLIN, ROOF LIGHT PANEL ATTACH | 2 |
| 12. | 14-46619F006 | RAIL, ROOF RH MAIN EXTRUSION | 1 |
| 13. | 14-37418L017.99 | CARLIN, ROOF | 2 |
| 14. | 14-38465-000 | EXTRUSION, ROOF BOW REAR | 10 |
| 15. | 14-46619F007 | RAIL, ROOF LH MAIN EXTRUSION | 1 |
| 16. | 14-38467-000 | EXTRUSION, ROOF BOW | 1 |
| | 54-43618-000 | GUSSET, COBOLT 4-BOLT | 104 |
| 17. | 14-37418L034.73 | CARLIN, ROOF | 2 |
| 18. | 14-42076L034.73 | CARLIN, ROOF LIGHT PANEL | 2 |
| 19. | 14-42076L044.57 | CARLIN, ROOF LIGHT PANEL | 2 |
| | 15-40263N000 | PANEL, GROUND PLANE | 1 |
| 20. | 15-38213-000 | BRACKET, ATENNA MTG | 1 |
| | 54-37358-000 | NUT PLATE, COBOLT M8 | 484 |
| | 54-37359-001 | BOLT, BUTTON TORXHD M8 X 15MM | 484 |
| | 56-19323-001 | INSULATION 1.5" | A/R |

ROOF FRAMING

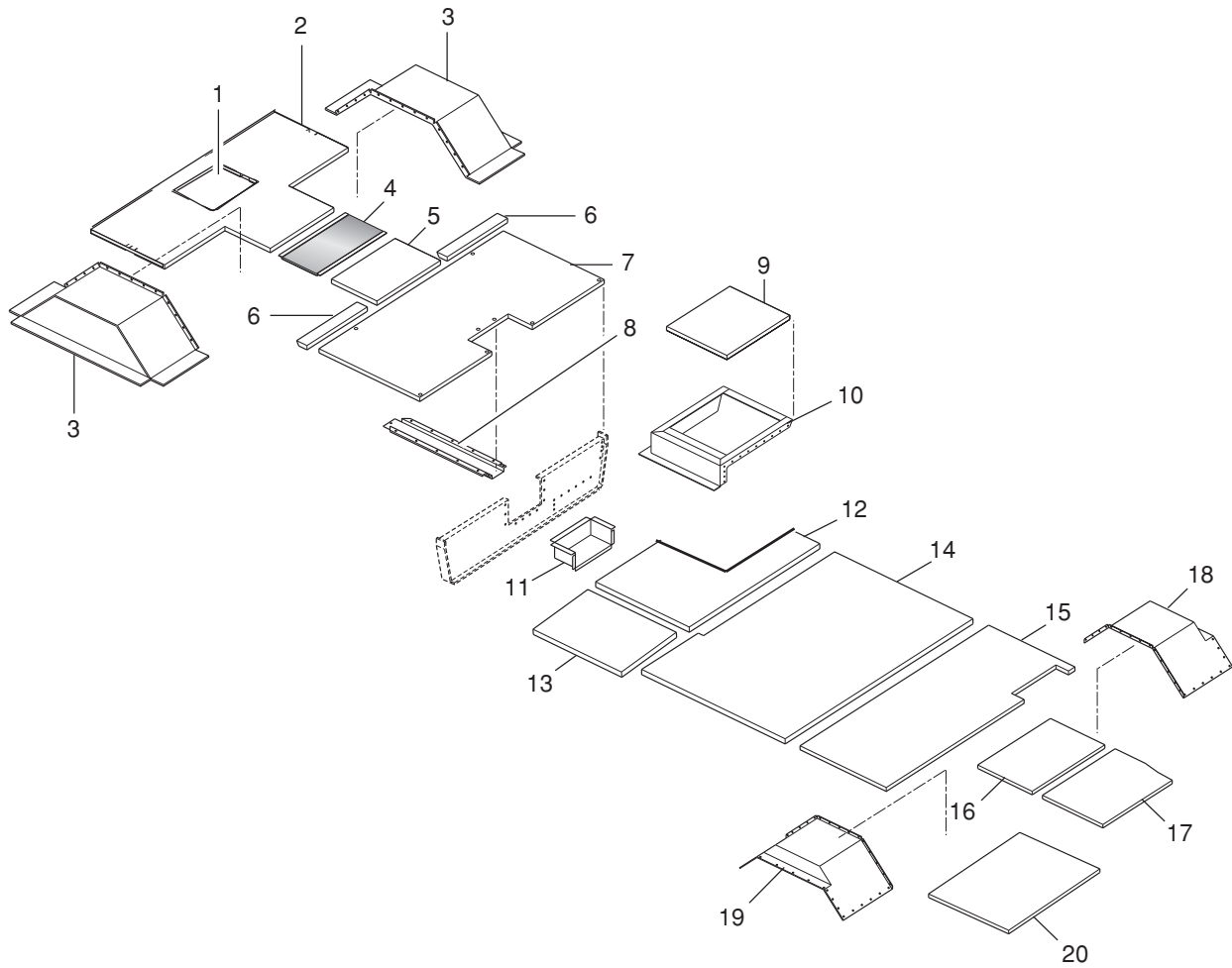


14-0200-0708A, G ,L(35')
14-002057
14-0200-0708A, G, L

FLOORING & SUPPORTS

| Item | Part No. | Description | Qty |
|------|-----------------|--|-----|
| 1. | 15-49590-000 | PANEL, HATCH COMPOSITE | 1 |
| 2. | 15-49593-000 | PANEL, COMPOSITE FLOORING | 1 |
| 3. | 06-36824-001 | WHEELHOUSE ASM., COVER | 2 |
| 4. | 14-47979-000 | PANEL ASM., INSULATED FLOOR 33.25" X 18.29" | 1 |
| 5. | 14-47839-000 | PANEL, PLYWOOD 33.12" X 19.52" | 1 |
| 6. | 14-45449-000 | PANEL-PLYWOOD FLOOR 5.36" X 30.86" | 2 |
| 7. | 14-47823-000 | PANEL, PLYWOOD 95.34" X 46.0" W/STEP CUTOUT 11.0" X 21.02" | 1 |
| | 15-46029-000 | TRACK MOUNTING, EXTRUDED SEAT | 2 |
| | 40-22900-027.50 | PLATE, TAPPING | 1 |
| | 54-13119-096 | SCREW, #14 X 3/4" FHCR TYPE "A" SSTL S | 24 |
| 8. | 14-47931-000 | SUPPORT, FLOOR | 1 |
| 9. | 14-48700-000 | PANEL, PLYWOOD 35.63" X 29.75" | 1 |
| 10. | 14-48667-000R | FRAME ASM., RISER | 1 |
| 11. | 06-46201-000 | STEP ASM., REAR | 1 |
| 12. | 14-48698-000 | PANEL, PLYWOOD 38.32" X 60.59" W/CUTOUT 32.91" X 8.44" | 1 |
| 13. | 14-47813-000 | PANEL, PLYWOOD 36.21" X 26.30" | 1 |
| 14. | 14-47800-000 | PANEL, PLYWOOD 58.78" X 87.19" | 1 |
| 15. | 14-47835-000 | PANEL, PLYWOOD 35.16 X 87.19" | 1 |
| 16. | 14-48118-000 | PANEL, PLYWOOD 36.45" X 21.0" | 1 |
| 17. | 14-48119-000 | PANEL, PLYWOOD 36.20" X 26.38" | 1 |
| 18. | 06-45346-000 | WHEELHOUSE ASM., COVER | 1 |
| 19. | 06-45347-000 | WHEELHOUSE ASM., COVER | 1 |
| 20. | 14-48863-000 | PANEL, PLYWOOD | 1 |
| | 54-10163-043 | RIVET, MONOBOLT, 1/4" SSTL (0.80-..625) | 2 |
| | 53-02195-015 | SEALANT, 221 WHITE | 1 |
| | 53-02195-020 | SEALANT, 252 | 1 |

FLOORING & SUPPORTS

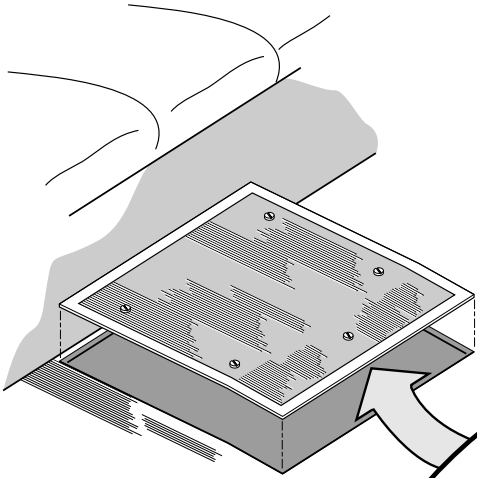


- 14-0301-0701A+(A+E+A+D+B)
- 14-003836
- 14-0301-0701A
- 14-0303-0701A
- 14-0350-0703E
- 14-0370-0703A
- 14-0371-0701D
- 14-0372-0702B

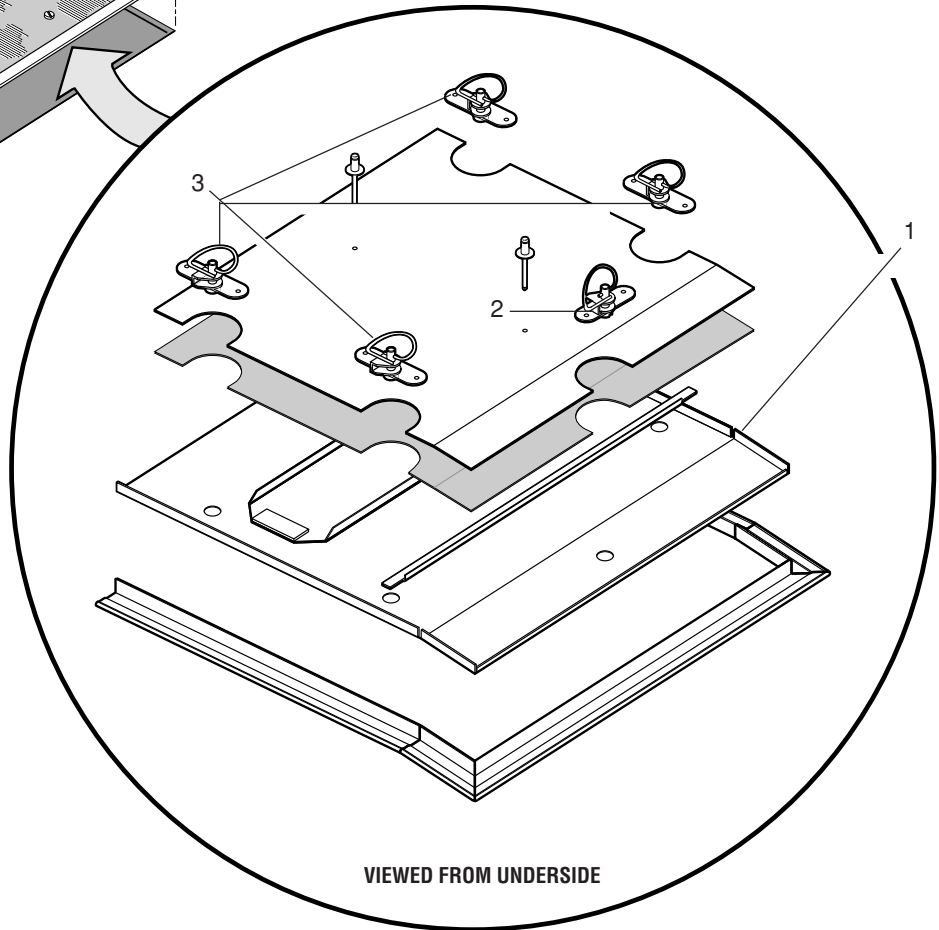
FLOOR HATCH

| Item | Part No. | Description | Qty |
|------|--------------|--------------------------------|-----|
| 1. | 15-49590-000 | PANEL, HATCH | 1 |
| 2. | 54-49255N000 | LATCH ASM, COMPRESSION LEVER | 1 |
| | 54-49256N000 | GASKET, COMPRESSION LEVER LOCK | 1 |
| 3. | 54-49598N000 | LATCH ASM, COMPRESSION SMALL | 4 |
| | 56-02111-017 | TAPE, FOAM, .18THK X .38 | A/R |

FLOOR HATCH



FRONT



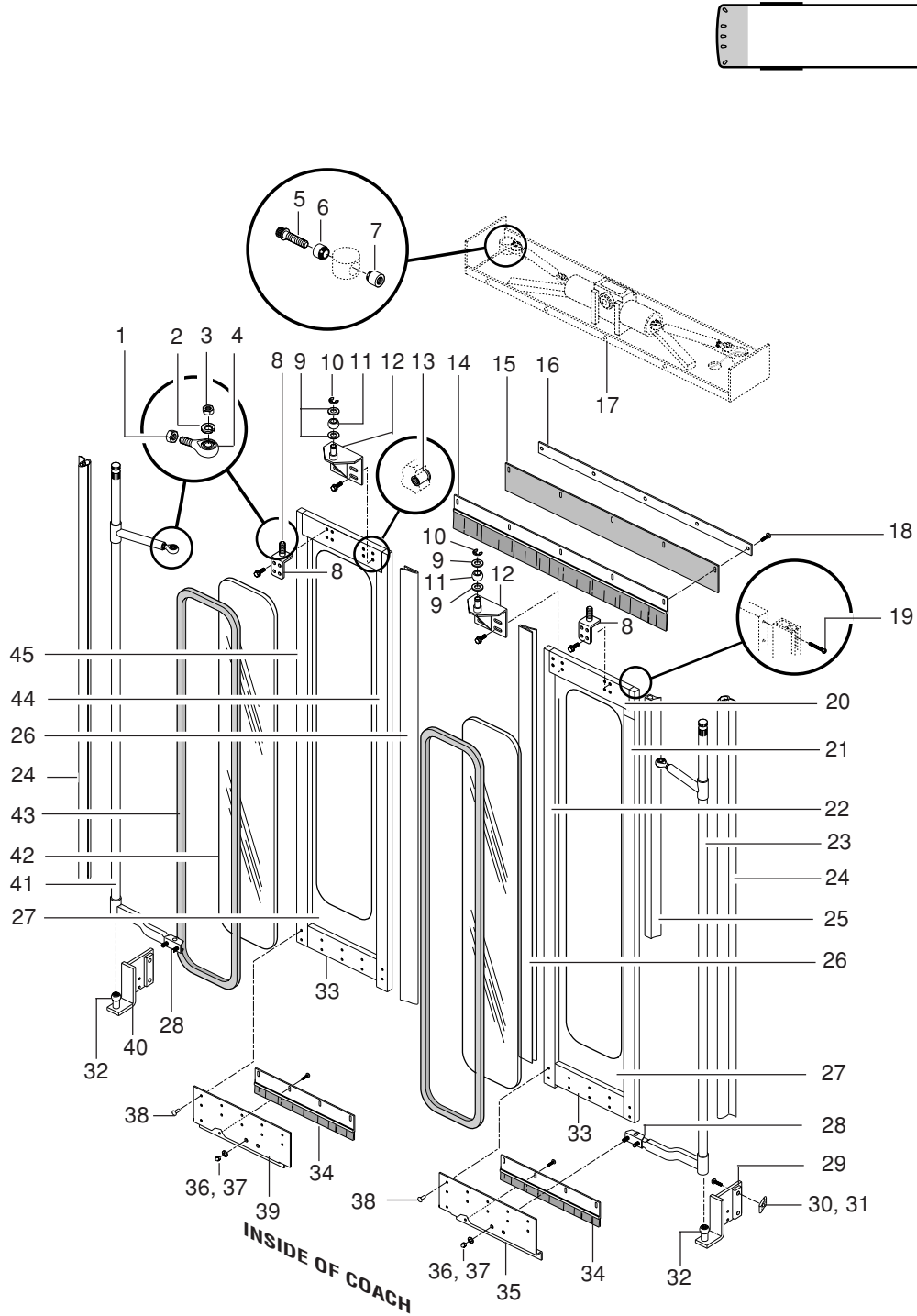
VIEWED FROM UNDERSIDE

14-0360-0701D
14-003141
14-0360-0701D

ENTRANCE DOOR ASSEMBLY

| Item | PartNo. | Description | Qty |
|--------------------------------|-----------------|--|-----|
| 1. | 54-12546-008 | LOCKNUT, HXHD7/16"-20 | 4 |
| 2. | 54-12602-011 | LOCKWASHER, 3/8" | 2 |
| 3. | 54-12546-007 | NUT, HXHD 3/8"-24 GR. 5 | 4 |
| 4. | 20-43569N000 | HEIM JOINT, MALE ROD END UPPER ARMS | 2 |
| 5. | 53-08005-005 | SCREW, 12-POINT FLANGED 3/8"-24 X 1.25" | 2 |
| 6. | 53-08005-004 | WEDGE, DOOR (UNTHREADED, SHORT) | 1 |
| 7. | 53-08005-003 | WEDGE, DOOR, (THREADED, LONG) | 1 |
| 8. | 82-27576-002 | BRACKET, UPPER TRACKING PIVOT W/O ROLLER | 2 |
| 9. | 20-43382-000 | SPACER, WASHER, DOOR ROLLER | 4 |
| 10. | 53-20948-003 | CIRCLIP, EXTERNAL RETAINING RING | 2 |
| 11. | 20-43337-000 | ROLLER BUSHING, UPPER TRACKING PIVOTS | 4 |
| 12. | 82-27576-001 | BRACKET ASM., W/ROLLER | 2 |
| 13. | 54-13104-024 | RIVNUT, 5/16"-18 .303-.125 | 20 |
| 14. | 20-45672-000 | BRUSH, DOOR SEAL | 1 |
| 15. | 20-45673-000 | SEAL, DOOR RUBBER | 1 |
| 16. | 20-44028-000 | PLATE, DOOR SEAL | 1 |
| 17. | 20-45582N000 | BASEPLATE ASM (REFER TO FOLLOWING PAGES) | 1 |
| 18. | 54-13111-014 | SCREW, #10-24 X .75" PAN HD. MACHINE | 5 |
| 19. | 54-13111-034 | SCREW, 1/4"-20 X 2.0" FILSTER HD. TORX TYPE "F" | 16 |
| 20. | 20-45669-000R | RAIL, DOOR FRAMING, UPPER HORIZONTAL RH DOOR | 1 |
| 21. | 20-45668-000R | RAIL, DOOR FRAMING, OUTER VERTICAL RH DOOR | 1 |
| 22. | 20-45668-001R | RAIL, DOOR FRAMING, INNER VERTICAL RH DOOR | 1 |
| 23. | 82-27576-011 | SHAFT & ARM ASM, RH | 1 |
| 24. | 20-44023L084.00 | EXTRUSION SEAL, BODY TO DOOR | 2 |
| | 20-47468L080.50 | EXTRUSION TRIM, RUBBER, "A"-POST (VERTICAL) | 2 |
| 25. | 45-11106-002 | EXTRUSION SEAL, RUBBER | 2 |
| 26. | 82-22027-000 | EDGE ASM., DOOR NOSE | 2 |
| 27. | 20-45677-000 | PANEL, DOOR SKIN | 2 |
| 28. | REF. ONLY | BRACKET, LOWER ARM PIVOT (SEE ITEMS 23 & 41) | 2 |
| 29. | 82-27576-009 | BRACKET ASM, LOWER DOOR PIVOT MOUNT RH, W/ROLLER | 1 |
| | 82-27576-007 | BRACKET, LOWER DOOR PIVOT MOUNT RH, LESS ROLLER | 1 |
| 30. | 54-37358-000 | NUTPLATE, COBOLT M8 | 4 |
| 31. | 54-37359-001 | BOLT, BUTTON TORX HEAD M8 X 15MM | 4 |
| 32. | 20-43540-000 | ROLLER BUSHING, DOOR SHAFT | 2 |
| 33. | 45-34320-012.69 | RAIL, DOOR FRAMING, LOWER HORIZONTAL RH DOOR | 2 |
| 34. | 20-45674-000 | SEAL ASM, BRUSH | 2 |
| 35. | 20-45670-000 | BRACKET, LOWER DOOR PIVOT RH | 1 |
| 36. | 54-12601-008 | FLATWASHER, 3/8" HARD | 4 |
| 37. | 54-13110-004 | NUT, 3/8"-16 CAP HIGH CROWN | 4 |
| 38. | 54-13111-002 | SCREW, #12-24 X .75" TORX SELF DRILL | 8 |
| 39. | 20-45670-000L | BRACKET, LOWER DOOR PIVOT LH | 1 |
| 40. | 82-27576-008 | BRACKET ASM, LOWER DOOR PIVOT MOUNT LH, W/ROLLER | 1 |
| | 82-27576-006 | BRACKET, LOWER DOOR PIVOT MOUNT LH, LESS ROLLER | 1 |
| (CONTINUED ON FOLLOWING PAGES) | | | |

ENTRANCE DOOR ASSEMBLY

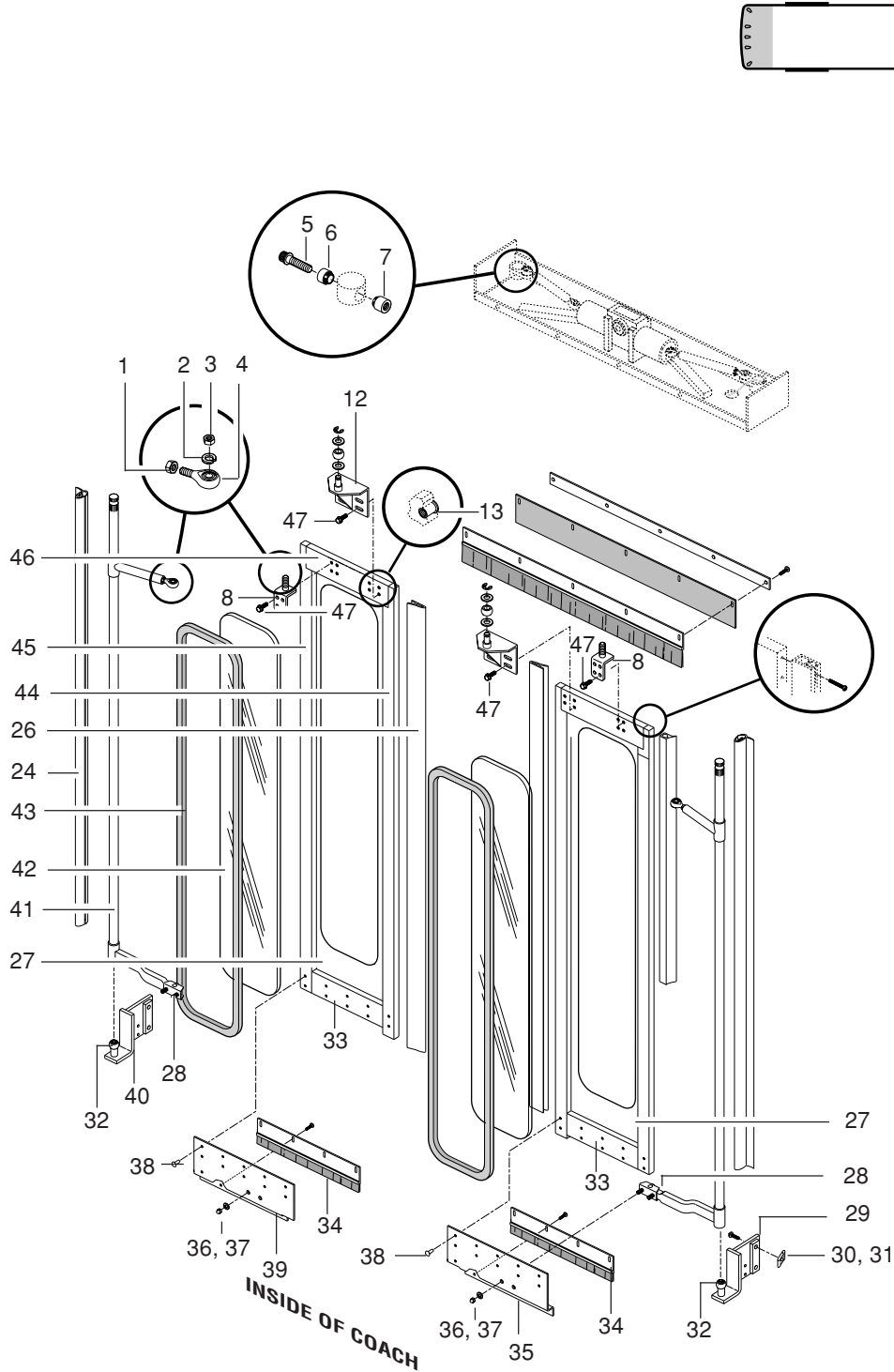


14-0400-0702A,B+(C)
 14-003845
 14-0400-0702A,B
 26-0250-0700C

ENTRANCE DOOR ASSEMBLY (CONTINUED)

| Item | Part No. | Description | Qty |
|---------------------------------|---------------|--|-----|
| (CONTINUED FROM PREVIOUS PAGES) | | | |
| 41. | 82-27576-010 | SHAFT & ARM ASM, LH | 1 |
| 42. | 20-40212-000 | GLAZING, 40" DOOR | 2 |
| 43. | 20-41952-000 | SEAL, GLAZING | A/R |
| 44. | 20-45668-001L | RAIL, DOOR FRAMING, INNER VERTICAL LH DOOR | 1 |
| 45. | 20-45668-000L | RAIL, DOOR FRAMING, OUTER VERTICAL LH DOOR | 1 |
| 46. | 20-45669-000L | RAIL, DOOR FRAMING, UPPER HORIZONTAL LH DOOR | 1 |
| 47. | 54-13119-094 | SCREW, 5/16"-18 X 1.0" HEX HD. WASHER | 20 |

ENTRANCE DOOR ASSEMBLY (CONTINUED)

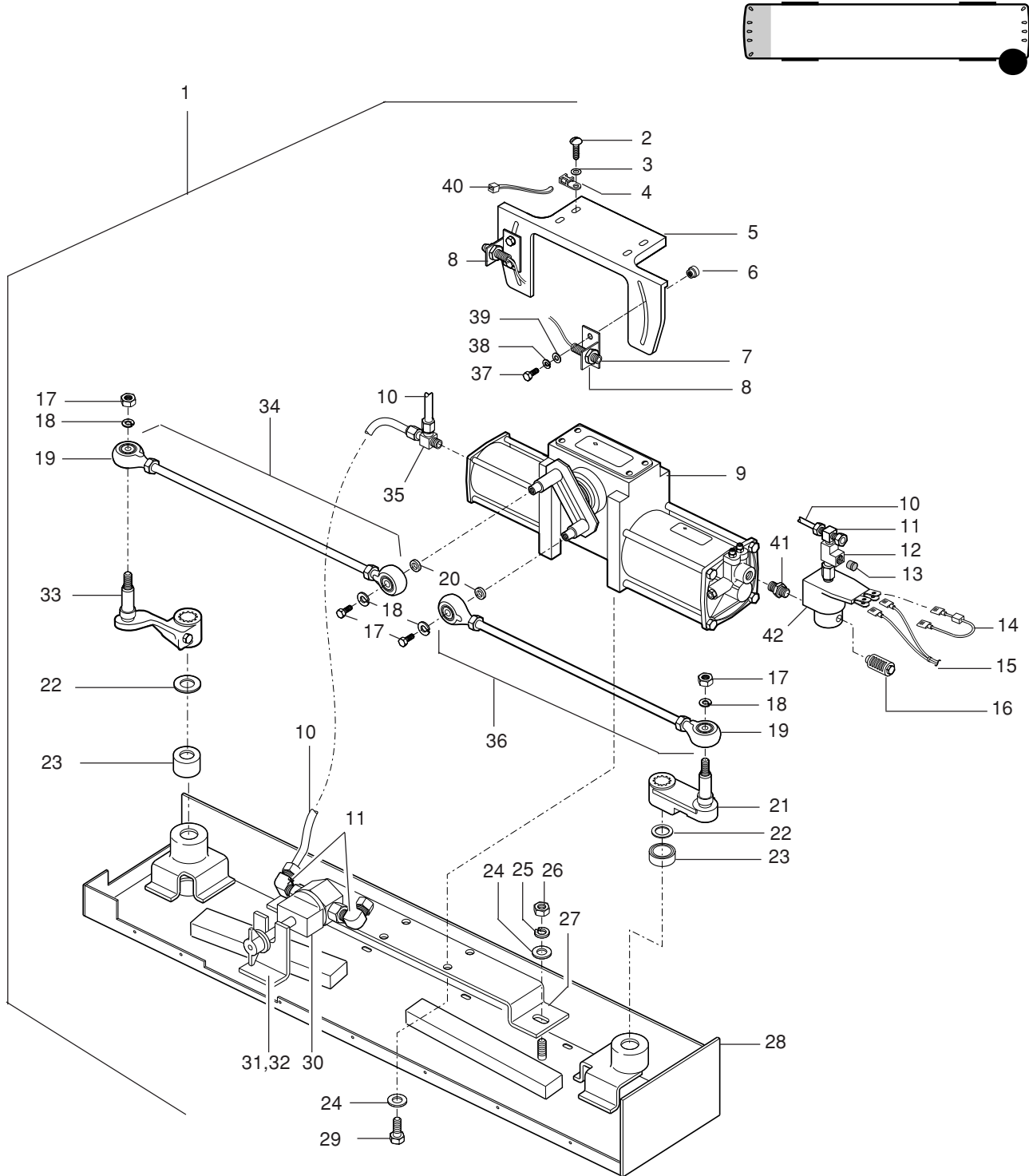


14-0400-0702A,B+(C)
14-003845
14-0400-0702A,B
26-0250-0700C

ENTRANCE DOOR BASEPLATE ASSEMBLY

| Item | PartNo. | Description | Qty |
|------|--------------|--|-----|
| 1. | 20-50802N000 | BASEPLATE, 40" SLIDE GLIDE W/PREWIRING | 1 |
| 2. | 82-12119-041 | SCREW, #8-32 X 1/2" | 4 |
| 3. | 82-12119-032 | FLATWASHER, #8-.375 OD X .032 THICK | 4 |
| 4. | 82-19614-020 | CLIP, HARNESS | 2 |
| 5. | 82-19618-003 | BRACKET, SWITCH | 1 |
| 6. | 82-19614-018 | PAD, TAPPING | 2 |
| 7. | 82-27807-007 | SENSOR, INDUCTIVE PROXIMITY | 2 |
| 8. | 82-19614-017 | BRACKET, SENSOR | 2 |
| 9. | 82-27807-001 | MOTOR, PNEUMATIC DOOR (REFER TO FOLLOWING PAGES) | 1 |
| 10. | 82-19614-007 | TUBING | A/R |
| 11. | 82-22351-000 | FITTING, 90° NYLON TUBE 3/8" BRASS | 3 |
| 12. | 82-22353-000 | FITTING, TEE 1/4" | 1 |
| 13. | 82-06164-001 | PROTECTOR, THREADED 1/4" | 1 |
| 14. | 82-00792-000 | RECTIFIER ASM | 1 |
| 15. | 82-22352-000 | LEAD ASM | 4 |
| 16. | 82-21587-000 | SILENCER, ENTRANCE DOOR | 1 |
| 17. | 82-12119-042 | SCREW, LOCKING TORQUE PATCH | 4 |
| 18. | 82-15831-007 | LOCKWASHER, SPECIAL 1/4" .109W X .062THK | 4 |
| 19. | 20-43569N000 | HEIM JOINT, MALE ROD END UPPER ARMS | 4 |
| 20. | 82-05831-008 | SPACER | 4 |
| 20. | 82-27807-003 | ROD ASM, CONNECTING ROD | 1 |
| 21. | 82-22350-000 | LEVER ASM, DOOR SHAFT, RH | 1 |
| 22. | 50-17745-003 | SPACER, LEVER | 2 |
| 23. | 50-17745-007 | BEARING, BALL | 2 |
| 24. | 82-19614-011 | WASHER PL 3/8" .813OD X .065 THICK | 8 |
| 25. | 82-15497-001 | LOCKWASHER, SPECIAL 3/8" .141 X .094 THICK | 4 |
| 26. | 82-12118-003 | NUT, HEX 3/8"-16 | 4 |
| 27. | 82-27807-006 | PLATE, ENGINE MOUNTING | 1 |
| 28. | 82-27807-000 | BASEPLATE, WELDED | 1 |
| 29. | 82-27807-008 | SCREW, LOCKING TORQUE PATCH | 4 |
| 30. | 82-27807-005 | VALVE ASM., EMERGENCY | 1 |
| 31. | 82-13212-008 | NUT, HEX KEPS 1/4"-20 | 2 |
| 32. | 82-27807-002 | WASHER PL 1/4" .562OD X .049 THICK | 2 |
| 33. | 82-27807-004 | LEVER ASM, DOOR SHAFT, LH | 1 |
| 34. | 82-21394-000 | ROD ASM, CONNECTING ROD LH | 1 |
| 35. | 82-19614-009 | FITTING, NYLON TUBE 3/8" MALE TEE BRASS | 1 |
| 36. | 82-22350-000 | ROD ASM, CONNECTING ROD RH | 1 |
| 37. | 82-19614-019 | SCREW, HXHD #4-40 X .38 | 4 |
| 38. | 82-10694-006 | LOCKWASHER, #4 | 4 |
| 39. | 82-10694-005 | FLATWASHER, #4 | 4 |
| 40. | 82-13212-007 | TIE, HARNESS | 4 |
| 41. | 82-12123-010 | FITTING, PIPE NIPPLE 1/4" BRASS | 1 |
| 42. | 82-09307-001 | VALVE, SOLENOID 3-WAY, 24V | 1 |

ENTRANCE DOOR BASEPLATE ASSEMBLY

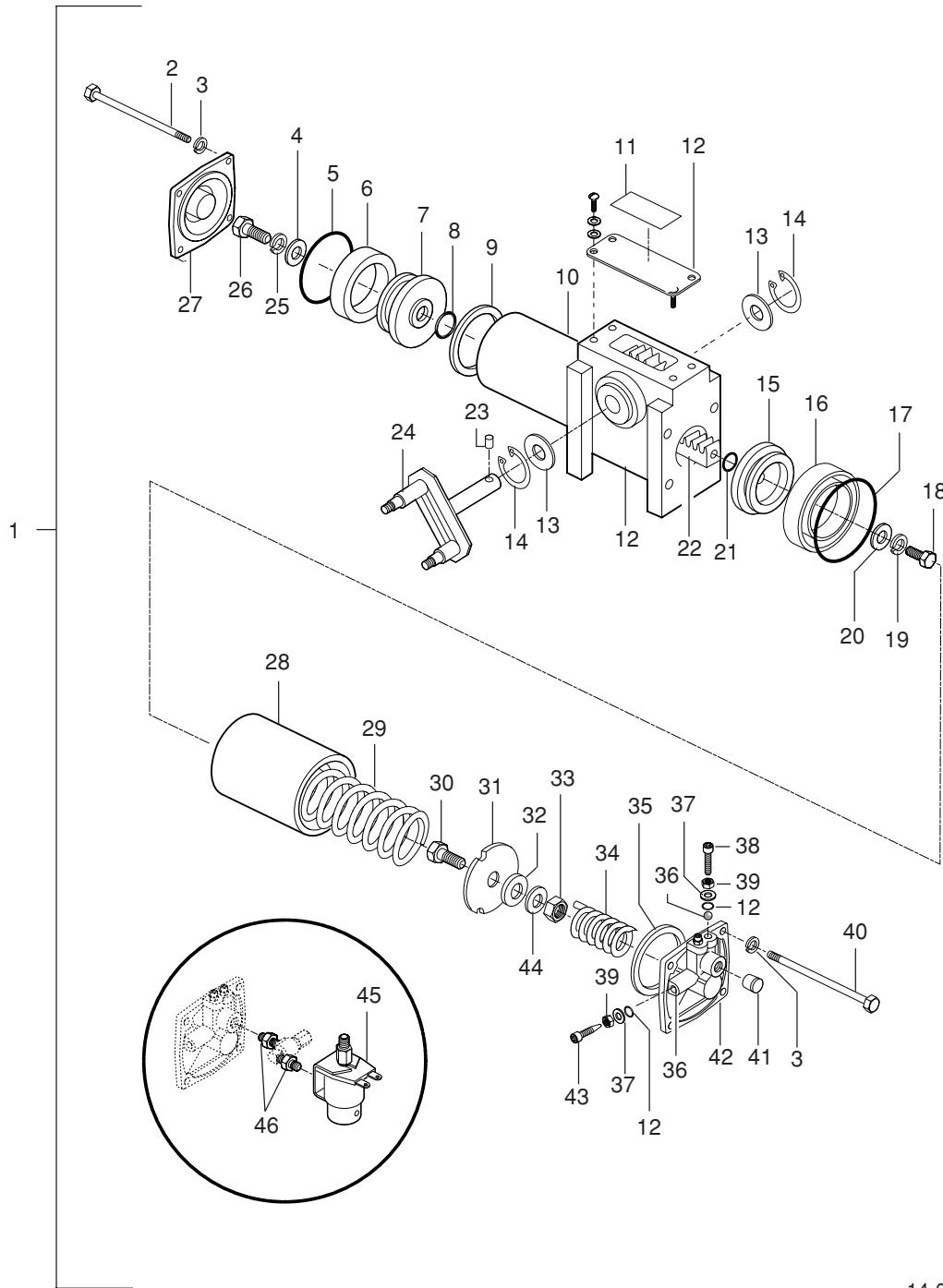


14-0400-0702A,B+(C)
14-003846
14-0400-0702A,B
26-0250-0700C

ENTRANCE DOOR MOTOR ASSEMBLY

| Item | PartNo. | Description | Qty |
|------|--------------|--|-----|
| 1. | 82-22347-000 | MOTOR ASM, DOOR (INCLUDES 1 THRU 46) | 1 |
| | 82-06164-006 | SUB ASM, MOTOR (EXCLUDES ITEMS 11, 13, 14, 23, 24, 45, 46) | 1 |
| 2. | 82-06164-010 | SCREW, SMALL CYLINDER | 4 |
| 3. | 82-06164-014 | LOCKWASHER, 1/4" | 8 |
| 4. | 82-06164-012 | FLATWASHER, 5/16" | 1 |
| 5. | 82-11965-000 | O-RING | 1 |
| 6. | 82-11966-000 | SEAL, SMALL U-TYPE | 1 |
| 7. | 82-06164-007 | PISTON, SMALL | 1 |
| 8. | 82-06165-005 | O-RING | 1 |
| 9. | 82-11964-000 | GASKET, SMALL CYLINDER | 1 |
| 10. | 82-07713-002 | CYLINDER, SMALL | 1 |
| 11. | 82-22355-000 | LABEL, ID | 1 |
| 12. | 82-06164-023 | HOUSING, DOOR MOTOR | 1 |
| 13. | 82-06164-004 | SPACER, END-PLAY | 4 |
| 14. | 82-06164-003 | RING, RETAINING EXT | 2 |
| 15. | 82-06165-008 | PISTON, LARGE | 1 |
| 16. | 82-11969-000 | SEAL, LARGE U-TYPE | 1 |
| 17. | 82-11968-000 | O-RING | 1 |
| 18. | 82-06164-028 | CAPSCREW, HXHD 3/8-16 X 1.00 | 1 |
| 19. | 82-15497-001 | LOCKWASHER, 3/8" | 1 |
| 20. | 82-06164-019 | WASHER, SPECIAL, 3/8" | 1 |
| 21. | 82-06164-008 | O-RING | 4 |
| 22. | 82-06164-000 | RACK | 1 |
| 23. | 82-06164-020 | PIN, SPIROL .312 X 1.88 | 1 |
| 24. | 82-22354-000 | GEAR & LEVER ASM | 1 |
| 25. | 82-12119-038 | LOCKWASHER, 5/16" | 1 |
| 26. | 82-12119-008 | CAPSCREW, HXHD 5/16-18 X 1.00 | 1 |
| 27. | 82-06164-002 | CAP, SMALL CYLINDER | 1 |
| 28. | 82-07713-001 | CYLINDER, LARGE | 1 |
| 29. | 82-06164-027 | SPRING, COMPRESSION | 1 |
| 30. | 82-06164-025 | CAPSCREW, HXHD 1/4-20 X 0.62 | 1 |
| 31. | 82-06175-006 | RETAINER | 1 |
| 32. | 82-06175-007 | SEAL, CUSHION | 1 |
| 33. | 82-06175-009 | LOCKNUT, HXHD 1/4-20 | 1 |
| 34. | 82-11963-000 | SPRING, HELICAL COMPRESSION | 1 |
| 35. | 82-11971-000 | GASKET, LARGE CYLINDER | 1 |
| 36. | 82-06160-008 | BALL, SSTL 3/16" | 1 |
| 37. | 82-12119-037 | FLATWASHER, 5/16" | 3 |
| 38. | 82-06176-006 | SCREW, SOCKETHD 5/16-24 | 2 |
| 39. | 82-06164-026 | JAMNUT, 5/16-24 | 3 |
| 40. | 82-06164-056 | SCREW, LARGE CYLINDER | 4 |
| 41. | 82-06164-001 | PROTECTOR, THREAD, 1/4 NPT | 2 |
| 42. | 82-06175-010 | CAP, LARGE CYLINDER | 1 |
| 43. | 82-06176-009 | SCREW, NEEDLE | 1 |
| 44. | 82-06175-008 | RETAINER, SPRING | 1 |
| 45. | 82-09307-001 | VALVE, SOLENOID 3-WAY, 24V | 1 |
| 46. | 82-12123-010 | FITTING, PIPE 1/4 BRASS | 2 |

ENTRANCE DOOR MOTOR ASSEMBLY

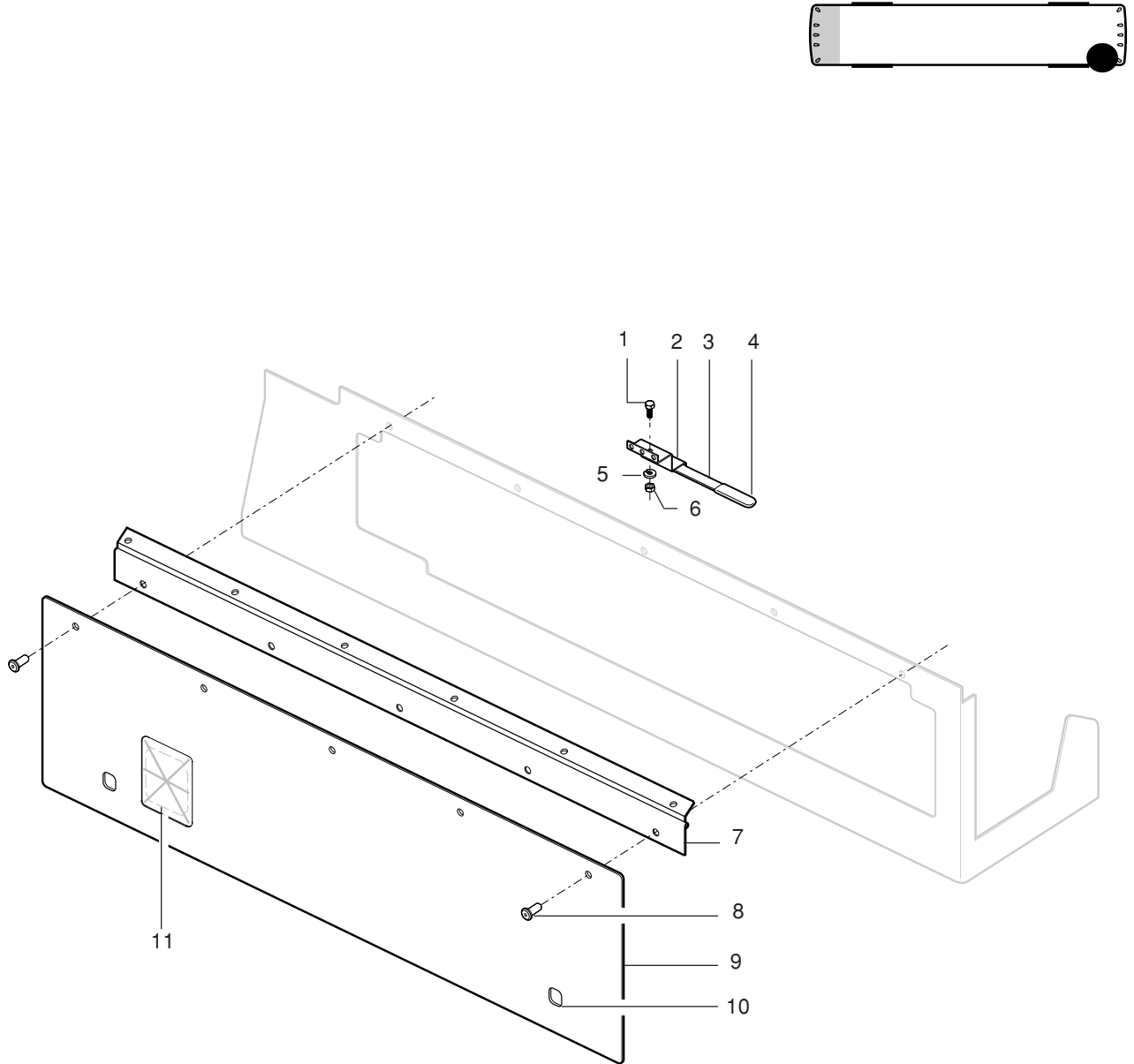


14-0400-0702A,B+(C)
14-002613
14-0400-0702A,B
26-0250-0700C

PANEL: ENTRANCE DOOR CONTROL

| Item | Part No. | Description | Qty |
|------|--------------|-----------------------------------|-----|
| 1. | 54-13113-040 | BOLT, HXHD 1/4-20X1 MACH SCR | 1 |
| 2. | 15-37011-000 | BRACKET, DOOR HANDLE MTG | 1 |
| 3. | 40-21418-000 | BAR, DOOR SUPT | 1 |
| 4. | 56-24926-002 | CAP, END PROTECTOR | 1 |
| 5. | 54-12600-006 | FLATWASHER, 1/4" | 3 |
| 6. | 54-37358-000 | NUT PLATE, COBOLT M8 | 1 |
| 7. | 18-45459-000 | HINGE, CLOSEOUT | 1 |
| 8. | 54-13111-001 | SCREW, #10-24X5/8 TORX SELF DR | 5 |
| 9. | 15-45705-000 | PANEL, DOOR DRIVE CLOSEOUT | 1 |
| 10. | 54-37647N000 | LATCH ASM-QUAD PANEL | 2 |
| 11. | 15-42508M001 | GLAZING, EMERGENCY VALVE BREAKOUT | 1 |
| | 54-14256-04B | SCREW, #6 X 0.50" TH TS | 4 |

PANEL: ENTRANCE DOOR CONTROL

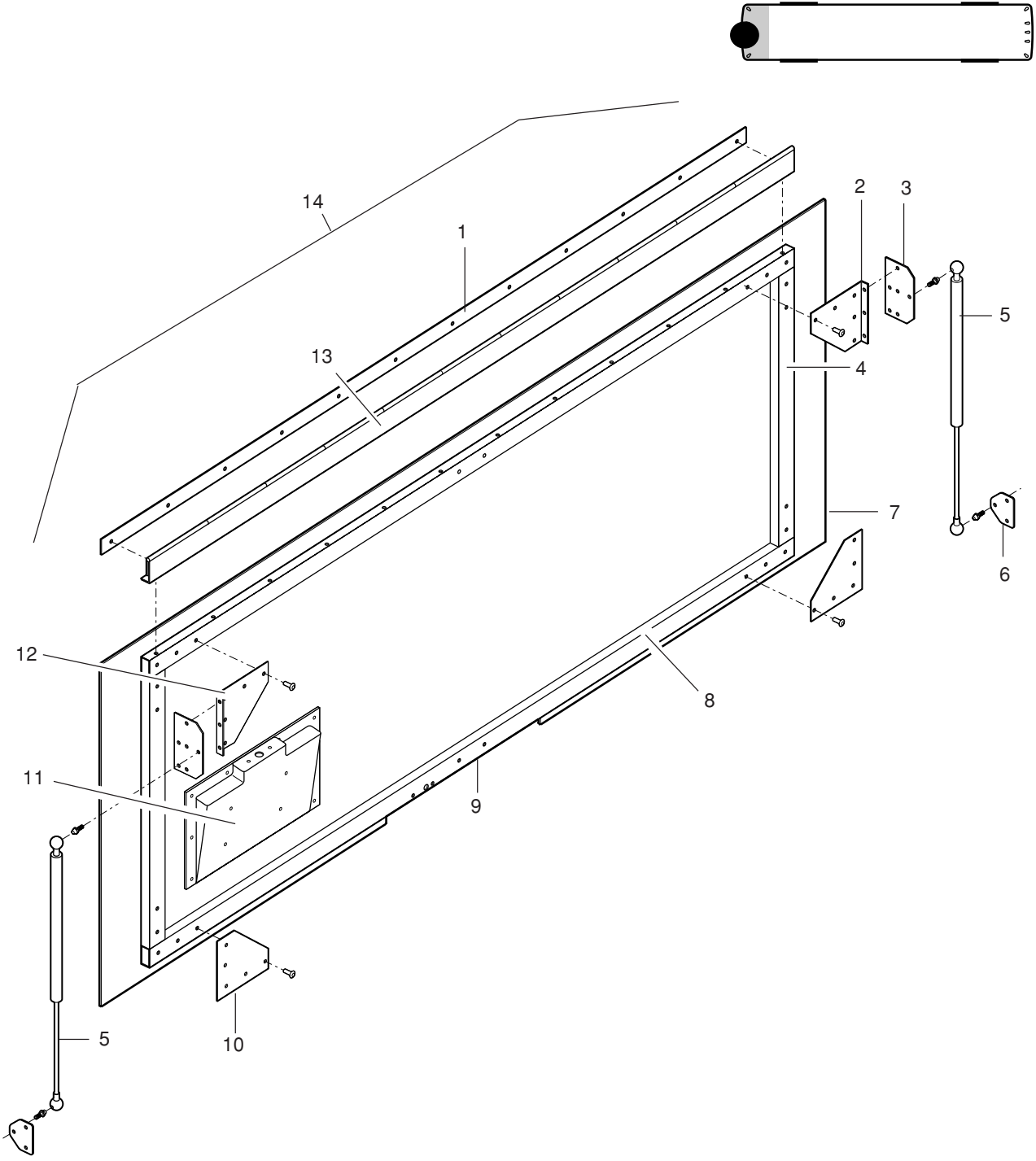


14-0403-0701A,G
14-002403
14-0403-0701A, G

ENGINE DOOR

| Item | Part No. | Description | Qty |
|------|---------------|--|-----|
| 1. | 20-41866-000 | HINGE ASM, REAR DOOR | 1 |
| | 54-10163-005 | RIVET, MONOBOLT | A/R |
| 2. | 20-40430-000R | BRACKET, GAS SPRING MTG | 1 |
| 3. | 20-40431-000 | PLATE, GAS SPRING ATTACH | 2 |
| 4. | 20-36772-000 | TUBE, VERT RR DOOR ENG | 2 |
| 5. | 53-02231-014 | SPRING ASM, GAS | 2 |
| | 54-33553-000 | STUD, GAS SPRING BALL | 4 |
| | 54-33554-000 | CLIP, GAS SPRING RETAINING | 4 |
| 6 | 20-36997-000 | BRACKET, GAS SPRING RR ENG/HVAC DOOR | 2 |
| 7. | 20-40547-000 | GUSSET-REAR DOOR | 2 |
| 8. | 20-40546-000 | TUBE, LOWER HORIZONTAL | 1 |
| 9. | 54-18740-000 | HANDLE, GRAB (NOT SHOWN) POSITION ONLY | 1 |
| | 54-13113-067 | BOLT, HEX 1/4-20X1 SSTL | 2 |
| | 54-13108-031 | NUT, 1/4-20 SSTL NYLOCK | 2 |
| 10. | 20-40547-000 | GUSSET-REAR DOOR | 2 |
| 11. | 20-48608-000 | HOUSING, LICENSE PLATE | 1 |
| 12. | 20-40430-000L | BRACKET, GAS SPRING MTG | 1 |
| 13. | 20-40433-000 | TUBE-HORIZONTAL UPPER | 1 |
| | 54-12540-006 | LOCKNUT, NYLOK 5/16-18 GR5 | 4 |
| | 54-37358-000 | NUT PLATE, COBOLT M8 | 4 |
| | 54-37359-001 | BOLT, BUTTON TORX HEAD M8 X 15MM | 4 |
| | 20-40524-000 | BRACKET, REAR DOOR BUMPER | 2 |
| | 54-12540-005 | LOCKNUT, NYLOK, 1/4-20 GR5 | 4 |
| | 54-12600-007 | FLATWASHER, 5/16 | 4 |
| | 54-14278-06Z | SCREW, 1/4-20 X .75 | 4 |
| | 54-38170N000 | BUMPER, RUBBER | 4 |
| | 20-48608-000 | HOUSING, LICENSE PLATE | |
| 14. | 20-49020F001 | DOOR ASM. ENGINE | 1 |

ENGINE DOOR

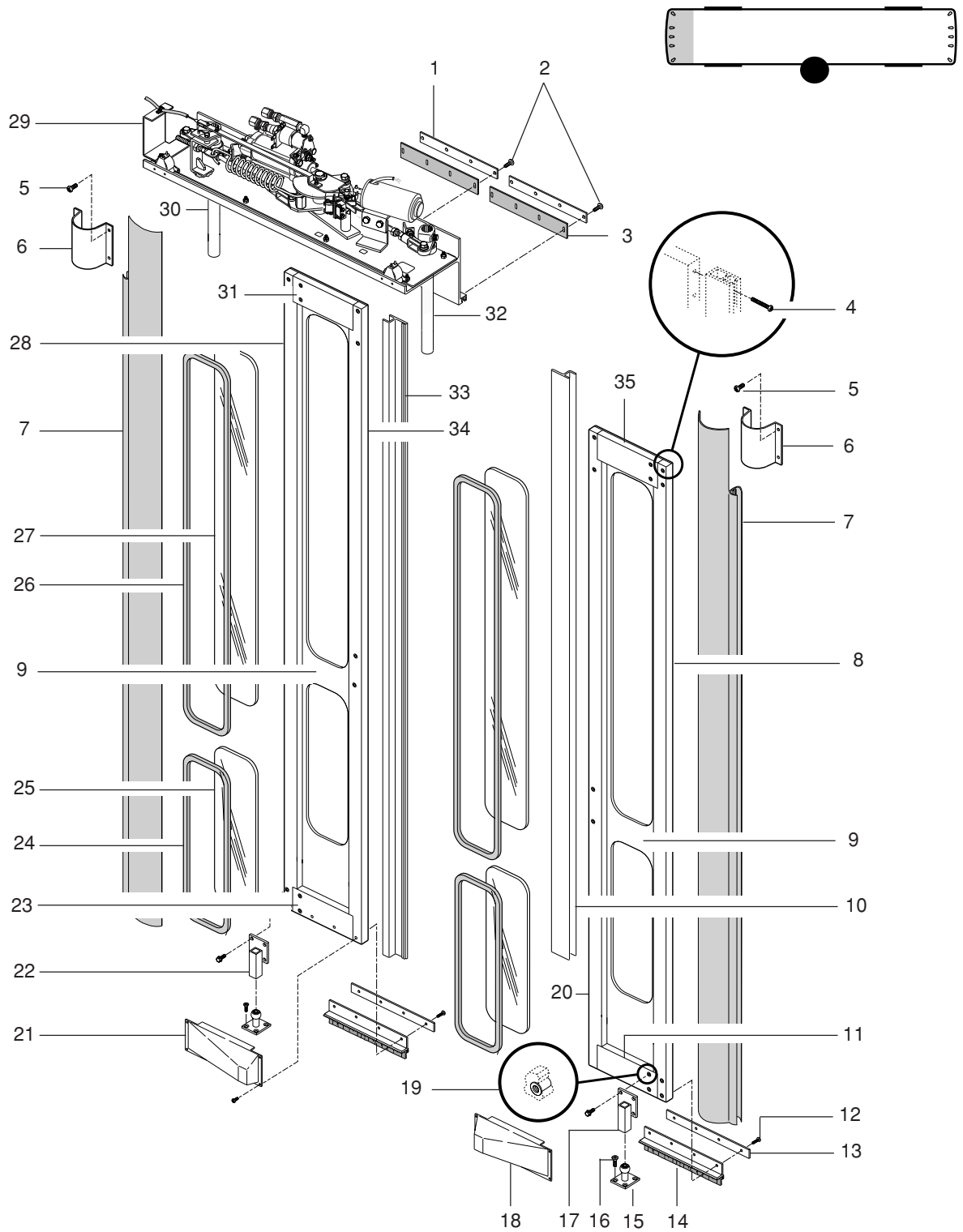


14-0405-0701A,C SSTL
14-002795
14-0405-0701A, C

DOOR ASSEMBLY: EXIT

| Item | PartNo. | Description | Qty |
|------|-----------------|---|-----|
| 1. | 20-44007-000 | PLATE, UPPER-DOOR SEAL | 1 |
| 2. | 54-30445-028 | SCREW, PHCRST, SSTL, #10-24 X .75" | 10 |
| 3. | 20-44008-000 | SEAL,-DOOR RUBBER | 1 |
| 4. | 54-13111-034 | SCREW, 1/4"-20 X 2.0" FIL HD TORX TYPE F | 16 |
| 5. | 54-13111-002 | SCREW, #12-24 X .75" FIL HD TORX | 28 |
| 6. | 20-40233-000 | CLOSEOUT,-DOOR RUBBER | 2 |
| 7. | 20-44022L085.50 | SEAL, DOOR RUBBER | 2 |
| 8. | 20-43373-001R | EXTRUSION, VERTICAL DOOR | 1 |
| 9. | 20-45093-000 | PANEL, DOOR | 2 |
| 10. | 82-22245-000 | EDGE ASM, SENSITIVE RH | 1 |
| 11. | 20-45095-000L | EXTRUSION, HORIZONTAL DOOR W/O SLOT | 1 |
| | 20-45095-000R | EXTRUSION, HORIZONTAL DOOR W/O SLOT | 1 |
| 12. | 54-13111-059 | SCREW, #12 X .75" PAN HDSTL / ZINC BLACK, CAMGRIP | 28 |
| 13. | 20-45101-000 | COVER, DOOR BRUSH | 2 |
| 14. | 20-45100-000 | BRUSH, DOOR SEAL | 2 |
| 15. | 82-22168-000 | PIVOT ASM, EXIT DOOR | 2 |
| 16. | 54-14264-07Z | SCREW, FLAT HD TS 1/4" X 1.0" | 8 |
| 17. | 20-45098-000R | BRACKET, PIVOT LOWER | 1 |
| | 54-13119-094 | SCREW, 5/16"-18 X 1.0" HXHD WASHER | 18 |
| 18. | 82-22249-000 | COVER, PIVOT ASM, RH | 1 |
| 19. | 54-13104-024 | RIVNUT, 5-16" (18 .030-.125) | 22 |
| 20. | 20-43373-000L | EXTRUSION, VERTICAL DOOR | 1 |
| 21. | 82-22265-000 | COVER, PIVOT ASM, LH | 1 |
| 22. | 20-45098-000L | BRACKET, PIVOT LOWER | 1 |
| 23. | 20-45099-000L | COVER, DOOR | 1 |
| | 20-45099-000R | COVER, DOOR | 1 |
| 24. | 20-45125-000 | SEAL, RUBBER 34"RR DOOR LOWER | 2 |
| 25. | 55-15095-048 | GLAZING, DOOR, S/GLASS @ 23-33% GRAY LOWER | 2 |
| 26. | 20-41952-000 | SEAL, GLAZING | 25 |
| 27. | 55-15095-047 | GLAZING, DOOR, S/GLASS @ 23-33% GRAY UPPER | 2 |
| 28. | 20-43373-001L | EXTRUSION, VERTICAL DOOR | 1 |
| 29. | 20-50803N000 | BASEPLATE ASM (PRE-WIRED) | 1 |
| 30. | 20-45096-000L | SHAFT ASM., RR DOOR | 1 |
| 31. | 20-45095-001R | EXTRUSION, HORIZONTAL DOOR W/ .75 SLOT | 1 |
| 32. | 20-45096-000R | SHAFT ASM., RR DOOR | 1 |
| 33. | 82-22264-000 | EDGE ASM, SENSITIVE, LH | 1 |
| 34. | 20-43373-000R | EXTRUSION, VERTICAL DOOR | 1 |
| 35. | 20-45095-001L | EXTRUSION, HORIZONTAL DOOR W/ .75 SLOT | 1 |
| | 15-38849L033.75 | CLOSEOUT, RR DOOR CONTROL COMPARTMENT | 1 |
| | 20-40906-000 | HANDLE, GRAB SSTL | 2 |
| | 54-13119-085 | SCREW, #10-24 X .50" TPH SSTL, ZINC | 40 |
| 35. | 20-45095-001R | RAIL, DOOR FRAMING, HEADER RIGHT | 1 |
| | 59-43797-000 | DECAL, "CAUTION STAND BACK FROM DOOR" | 1 |
| | 59-45926-000 | DECAL, CAUTION | 1 |

DOOR ASSEMBLY: EXIT

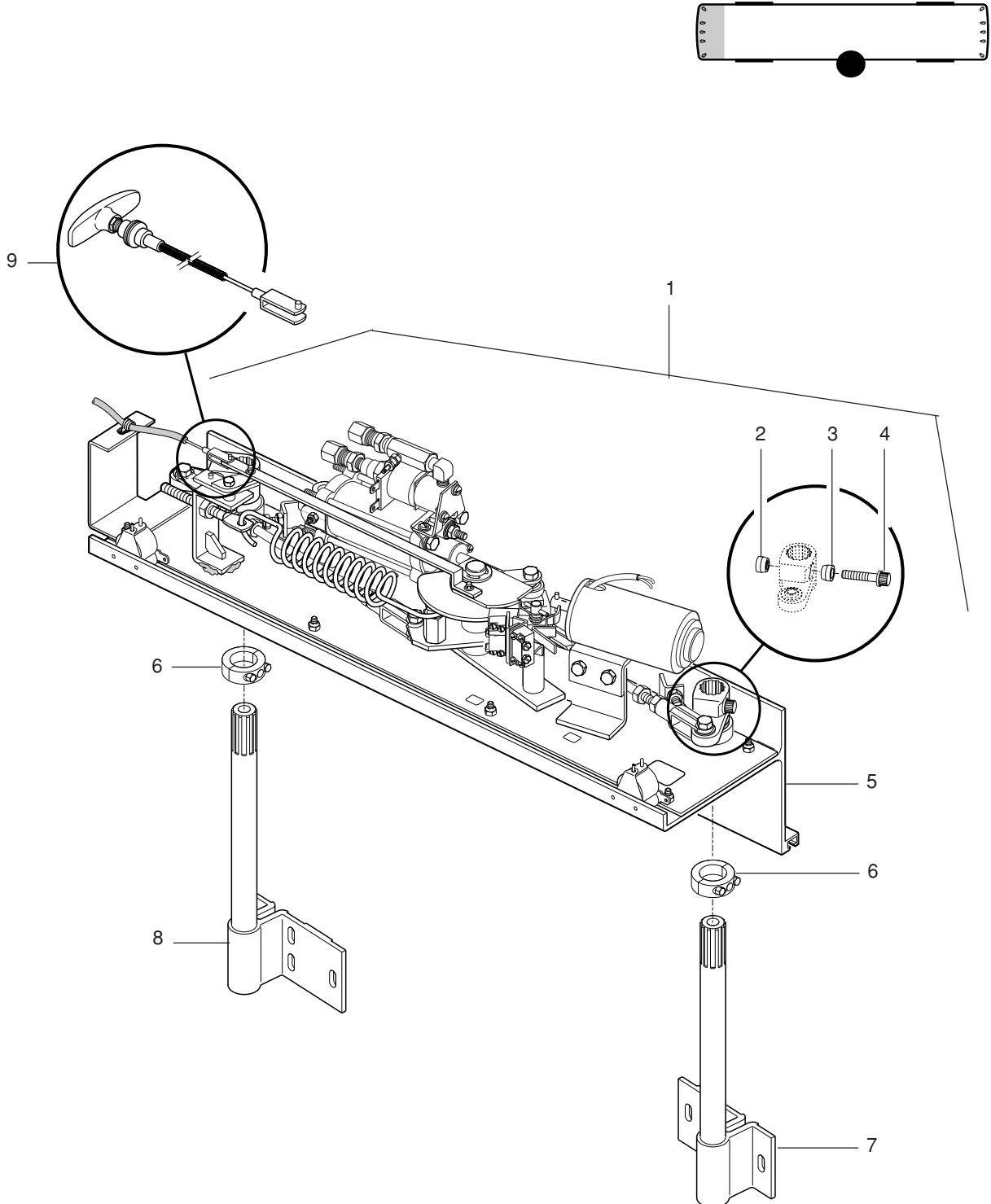


14-0410-0705B, L+(A+D)
 14-002624
 14-0410-0705B,L
 14-0411-0702A
 26-0255-0700D

BASEPLATE & PIVOT ASSEMBLY: EXIT DOOR

| Item | PartNo. | Description | Qty |
|------|---------------|---|-----|
| 1. | 20-50803N000 | BASEPLATE ASM (PRE-WIRED) | 1 |
| 2. | 53-08005-003 | WEDGE, PIVOT (THREADED LONG) | 2 |
| 3. | 53-08005-004 | WEDGE, PIVOT (UNTHREADED SHORT) | 2 |
| 4. | 53-08005-005 | SCREW, 12-PT FLANGE HD, 3/8"-24 X 1.25" | 2 |
| 5. | 82-27808-004 | BASE PLATE, WELDED | 1 |
| 6. | 82-22290-000 | COLLAR, CLAMP | 2 |
| 7. | 20-45096-000R | SHAFT ASM., RR DOOR | 1 |
| 8. | 20-45096-000L | SHAFT ASM., RR DOOR | 1 |
| 9. | 82-22267-000 | CABLE ASM, EMERGENCY | 1 |
| | 82-22268-000 | LABEL, ID | 1 |

BASEPLATE & PIVOT ASSEMBLY: EXIT DOOR

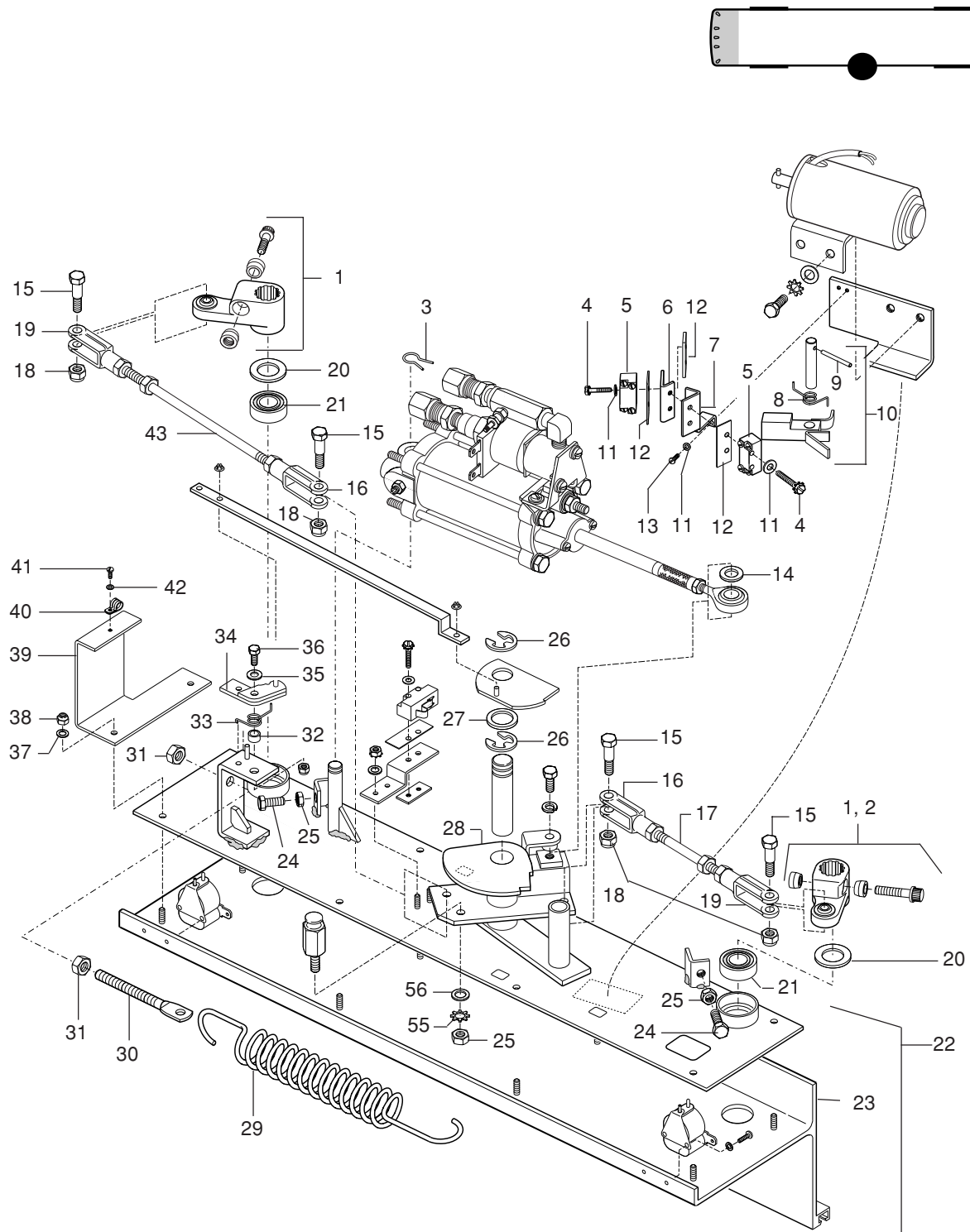


- 14-0410-0705B, L+(A+D)
- 14-002819
- 14-0410-0705B,L
- 14-0411-0702A
- 26-0255-0700D

BASEPLATE ASSEMBLY: EXIT DOOR

| Item | PartNo. | Description | Qty |
|------|--------------|---|-----|
| 1. | 82-11837-000 | ARM ASM, BASEPLATE | 2 |
| 2. | 82-13212-007 | TIE HARNESS, WHITE | 4 |
| 3. | 82-07944-000 | SPRING, RETAINER | 1 |
| 4. | 82-12119-017 | SCREW, PHILLIPS HD. SLT. SEM #6-32 X .31" | 14 |
| 5. | 51-25069-003 | SWITCH, SNAP ACTION MICRO | 2 |
| 6. | 82-12107-006 | PAD, TAPPING | 3 |
| 7. | 82-12109-000 | BRACKET, SWITCH MTG | 1 |
| 8. | 82-12107-002 | SPRING, PAWL | 1 |
| 9. | 82-12119-003 | PIN, ROLL .187 X 1-3/4 | 1 |
| 10. | 82-12107-001 | PAWL ASM, LOCK | 1 |
| 11. | 82-12119-018 | WASHER, #6-.375 OD X .028 THICK | 6 |
| 12. | 82-09291-000 | INSULATOR, SWITCH | 3 |
| 13. | 82-12119-010 | SCREW, HXHD. #6-32 X X 1.25" | 8 |
| 14. | 82-12107-005 | SPACER | 1 |
| 15. | 82-11440-000 | SCREW, SPECIAL | 4 |
| 16. | 82-09278-000 | YOKE END, LH | 2 |
| 17. | 82-22273-000 | ROD ASM, CONNECTING | 1 |
| 18. | 82-12120-001 | LOCKNUT, HXHD, 7/16-20 | 4 |
| 19. | 82-09277-000 | YOKE END, RH | 2 |
| 20. | 82-17745-003 | SPACER, LEVER | 2 |
| 21. | 50-17745-007 | BEARING, BALL | 2 |
| 22. | 82-27808-000 | BASE PLATE ASM, MTG | 1 |
| 23. | 82-27808-004 | BASE PLATE., (WELDED) | 1 |
| 24. | 82-12119-008 | SCREW, HXHD, 5/16-18 X 1 | 2 |
| 25. | 82-12119-009 | NUT, HEX 5/16-18 | 3 |
| 26. | 82-12107-003 | RING, RETAINING | 2 |
| 27. | 82-12107-007 | SPACER | 1 |
| 28. | 82-00534-000 | TEETER LEVER & CAM ASM | 1 |
| 29. | 82-09290-001 | SPRING, EXTENSION | 1 |
| 30. | 82-10808-000 | BOLT, EYE | 1 |
| 31. | 82-12119-011 | NUT, HEX 7/16-20 | 2 |
| 32. | 82-22276-000 | BEARING, FLANGE | 1 |
| 33. | 82-22277-000 | SPRING, PAWL | 1 |
| 34. | 82-22275-000 | HANDLE ASM, FOR EMERGENCY EXIT DOOR | 1 |
| 35. | 82-06164-012 | WASHER, 5/16-3/4 OD X .065 THICK | 1 |
| 36. | 82-12119-016 | SCREW, HXHD 5/16-24 X 1-1/4 | 1 |
| 37. | 82-06164-017 | WASHER, 5/16-.688 OD X .065 THICK | 8 |
| 38. | 82-22286-000 | LOCKNUT, HXHD 5/16-18 | 8 |
| 39. | 82-22283-000 | BRACKET, EMERGENCY | 1 |
| 40. | 82-22284-000 | CLAMP, LOOP INSULATED | 1 |
| 41. | 82-27808-003 | SCREW, PNHD #10-32 X .38 | 1 |
| 42. | 82-22285-000 | WASHER, #10-.375 OD X .032 THICK | 1 |
| 43. | 82-22274-000 | ROD ASM, CONNECTING | 1 |

BASEPLATE ASSEMBLY: EXIT DOOR

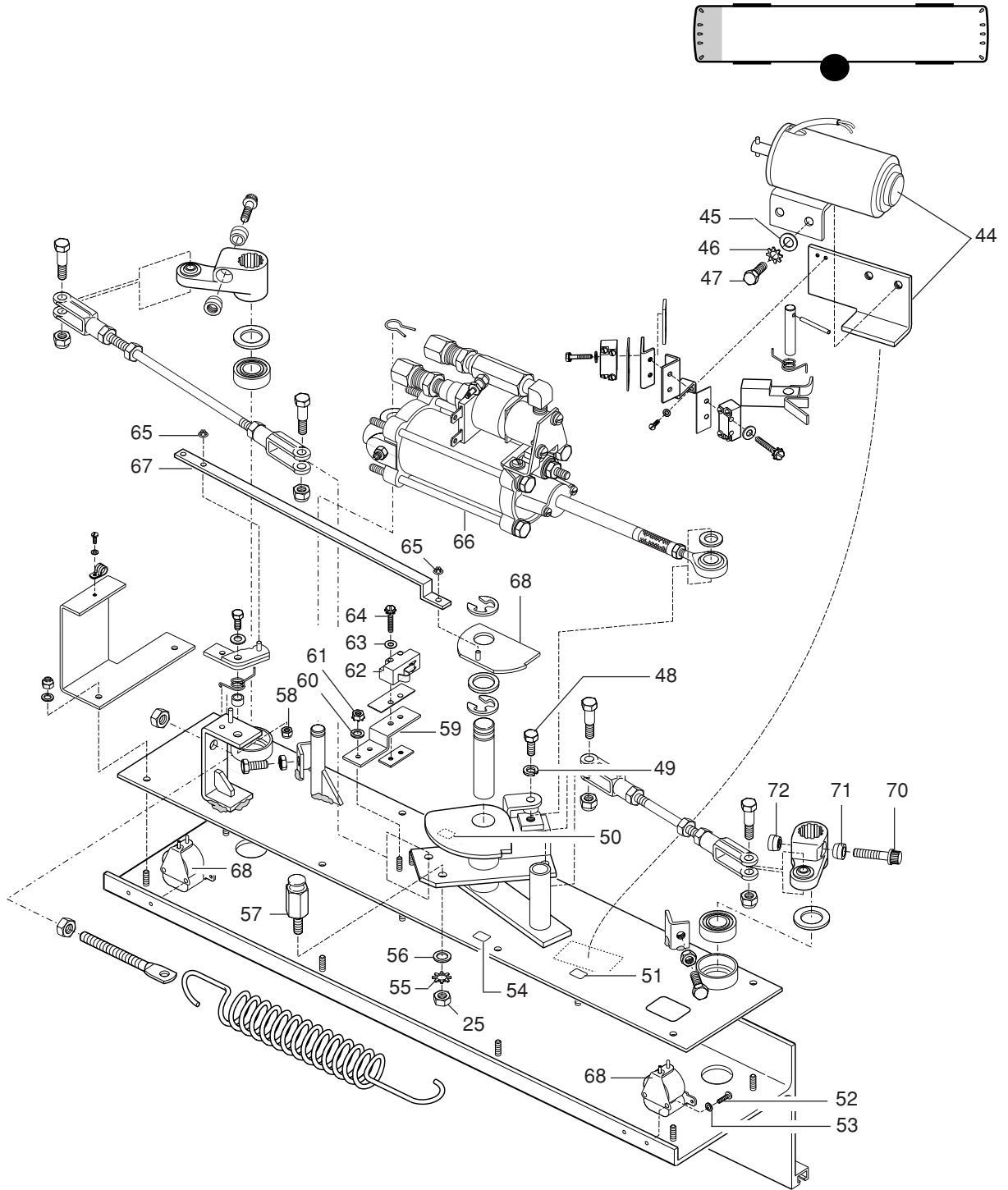


14-0410-0705B, L+(A+D)
 14-002622
 14-0410-0705B,L
 14-0411-0702A
 26-0255-0700D

BASEPLATE ASSEMBLY: EXIT DOOR (CONTINUED)

| Item | PartNo. | Description | Qty |
|------|--------------|--|-----|
| 44. | 82-09276-000 | SOLENOID & BRACKET ASM | 1 |
| 45. | 82-12119-013 | WASHER, 1/4"-3/4 OD X .065 THICK | 2 |
| 46. | 82-12119-012 | LOCKWASHER, 1/4" | 2 |
| 47. | 82-06164-025 | SCREW, HXHD 1/4"-20 X .62" | 2 |
| 48. | 82-12123-003 | SCREW, HEX HD. CAP 1/4"-20 X 1.38" | 1 |
| 49. | 82-06164-014 | LOCKWASHER, 1/4"-.109 WIDE X .062 THICK | 1 |
| 50. | 53-15469-009 | LABEL, ID (LS3) | 1 |
| 51. | 82-12121-001 | LABEL, ID (LS1) | 1 |
| 52. | 82-22282-000 | SCREW, PAN HD. SLT SEM IN #4-40 X .25" | 4 |
| 53. | 82-10694-005 | WASHER, PL #4-.281OD X .025THK | 4 |
| 54. | 82-12121-002 | LABEL, ID (LS2) | 1 |
| 55. | 82-12119-006 | LOCKWASHER, 5/16" | 1 |
| 56. | 82-12119-015 | WASHER, 5/16"-.875 OD X .083 THICK | 1 |
| 57. | 82-12107-004 | PIN, HEX SHAFT SPRING | 1 |
| 58. | 82-22279-000 | LOCKNUT, HX HD. 5/16"-24 | 1 |
| 59. | 82-01714-000 | BRACKET, SWITCH | 1 |
| 60. | 82-12119-007 | WASHER, PL NO. #6-.375 OD X .028THK. | 8 |
| 61. | 82-12119-010 | SCREW, HEX HD. #6-32 X 1.25" | 8 |
| 62. | 53-15469-005 | SWITCH, LEVER | 1 |
| 63. | 82-12119-032 | WASHER, #8-.375 OD X .032 THICK | 2 |
| 64. | 82-12123-004 | NUT, HEX HD. #8-32 | 2 |
| 66. | 82-12108-000 | CYLINDER ASM., BASEPLATE (SEE FOLLOWING PGS) | 1 |
| 65. | 82-12109-002 | PUSHNUT, FLAT ROD | 2 |
| 67. | 82-22278-000 | ROD, CONNECTING, TO EMERGENCY HANDLE | 1 |
| 68. | 82-22269-000 | CAM ASM, EMERGENCY | 1 |
| 69. | 82-09301-000 | SWITCH, PRESSURE WAVE | 2 |
| 70. | 53-08005-005 | SCREW, 12-POINT FLANGED 3/8"-24 X 1.25" | 2 |
| 71. | 53-08005-004 | WEDGE, DOOR (UNTHREADED, SHORT) | 2 |
| 72. | 53-08005-003 | WEDGE, DOOR (THREADED, LONG) | 2 |

BASEPLATE ASSEMBLY: EXIT DOOR (CONTINUED)

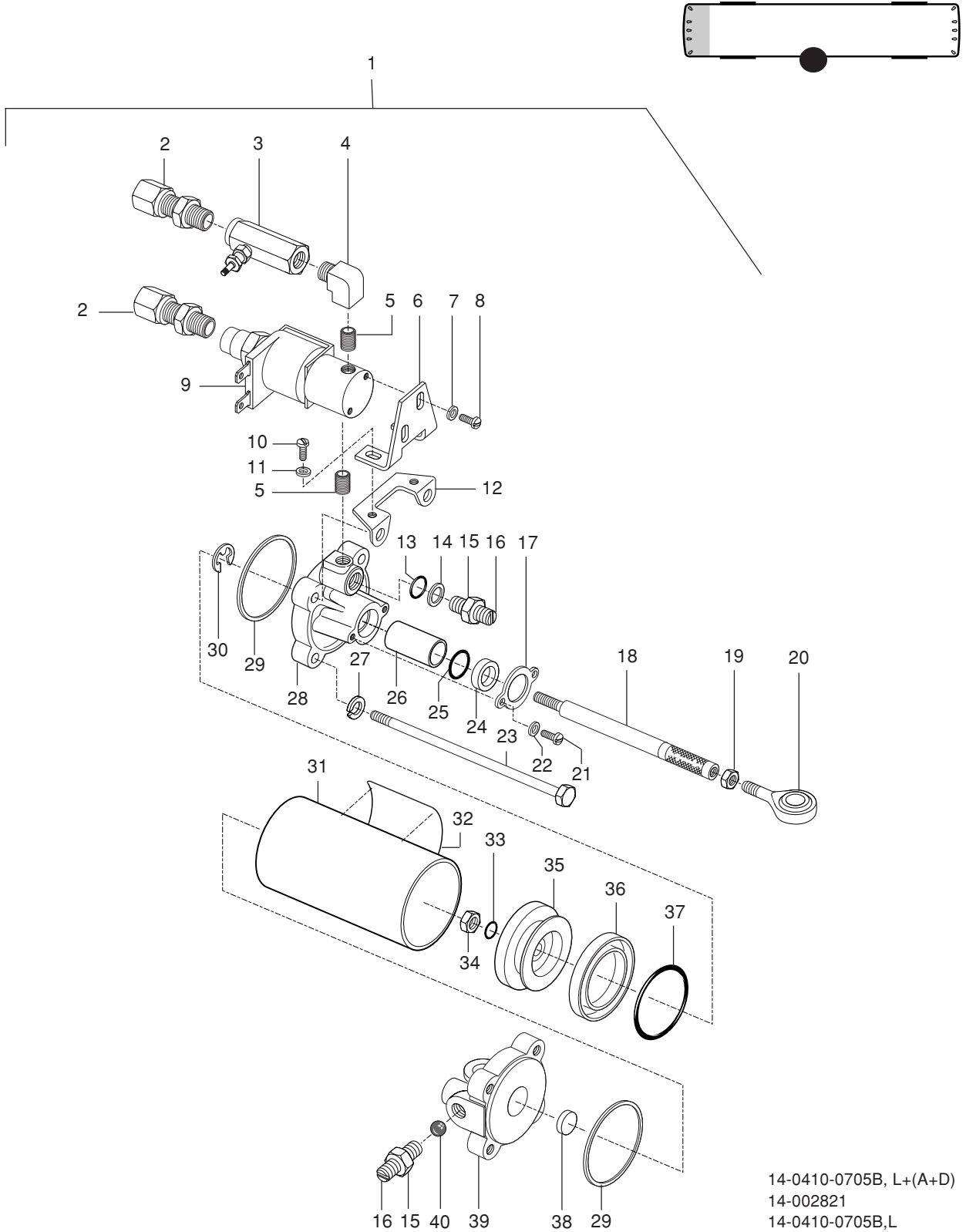


- 14-0410-0705B, L+(A+D)
- 14-002622
- 14-0410-0705B,L
- 14-0411-0702A
- 26-0255-0700D

CYLINDER ASSEMBLY

| Item | PartNo. | Description | Qty |
|------|--------------|---------------------------------|-----|
| 1. | 82-12108-000 | CYLINDER ASM, AIR DOOR OPERATOR | 1 |
| 2. | 82-12123-008 | FITTING, 3/8 TUBE | 2 |
| 3. | 82-12128-002 | VALVE, REAR DOOR CONTROL | 1 |
| 4. | 82-12123-005 | ELBOW, STR 1/8MPT BRASS | 1 |
| 5. | 82-12123-002 | NIPPLE, 1/8 MPT BRASS | 2 |
| 6. | 82-06161-003 | BRACKET, VALVE MTG | 1 |
| 7. | 82-12119-019 | FLATWASHER, #10 | 2 |
| 8. | 82-12119-033 | SCREW, PHD SLT 10-32 X 0.38 | 2 |
| 9. | 82-09260-000 | VALVE, DOOR | 1 |
| 10. | 82-12119-031 | SCREW, PHD SLT 8-32 X 0.31 | 2 |
| 11. | 82-12119-032 | FLATWASHER, #8 | 2 |
| 12. | 82-06161-004 | BRACKET, VALVE MTG | 1 |
| 13. | 82-06161-006 | O-RING | 1 |
| 14. | 82-06161-005 | SPACER | 1 |
| 15. | 82-12123-013 | JAMNUT, 1/4-28 | 2 |
| 16. | 82-12123-012 | SCREW, ADJ 1/4-28 X 0.75 | 2 |
| 17. | 82-06160-003 | PLATE, PISTON ROD | 1 |
| 18. | 82-10809-000 | ROD, PISTON | 1 |
| 19. | 82-12119-025 | NUT, HXHD 1/4-28 | 1 |
| 20. | 82-09286-000 | BEARING, ROD END | 1 |
| 21. | 82-12123-001 | SCREW, RDHD SLT 6-32 X 0.25 | 2 |
| 22. | 54-12602-005 | LOCKWASHER, #6 | 2 |
| 23. | 82-12119-034 | CAPSCREW, 1/4-20 X 6.00 | 4 |
| 24. | 82-06160-004 | RING, PACKING | 1 |
| 25. | 82-06160-005 | O-RING | 1 |
| 26. | 82-06160-006 | BUSHING | 1 |
| 27. | 82-06164-014 | LOCKWASHER, 1/4" | 6 |
| 28. | 82-10432-000 | CAP ASM, FRT | 1 |
| 29. | 82-11964-000 | GASKET, CYLINDER | 2 |
| 30. | 82-06161-009 | SNAPRING | 1 |
| 31. | 82-06162-002 | CYLINDER, SMALL | 1 |
| 32. | 82-22356-000 | LABEL, ID | 1 |
| 33. | 82-06162-003 | O-RING | 1 |
| 34. | 82-12119-029 | LOCKNUT, METAL 5/16-24 | 1 |
| 35. | 82-06162-004 | PISTON, SMALL | 1 |
| 36. | 82-11966-000 | SEAL, U-TYPE (SMALL) | 1 |
| 37. | 82-11965-000 | O-RING, CYLINDER | 1 |
| 38. | 82-06162-007 | BUMPER, PISTON | 1 |
| 39. | 82-12128-001 | CAP ASM, PIVOT END | 1 |
| 40. | 82-06160-008 | BALL, STEEL | 1 |

CYLINDER ASSEMBLY

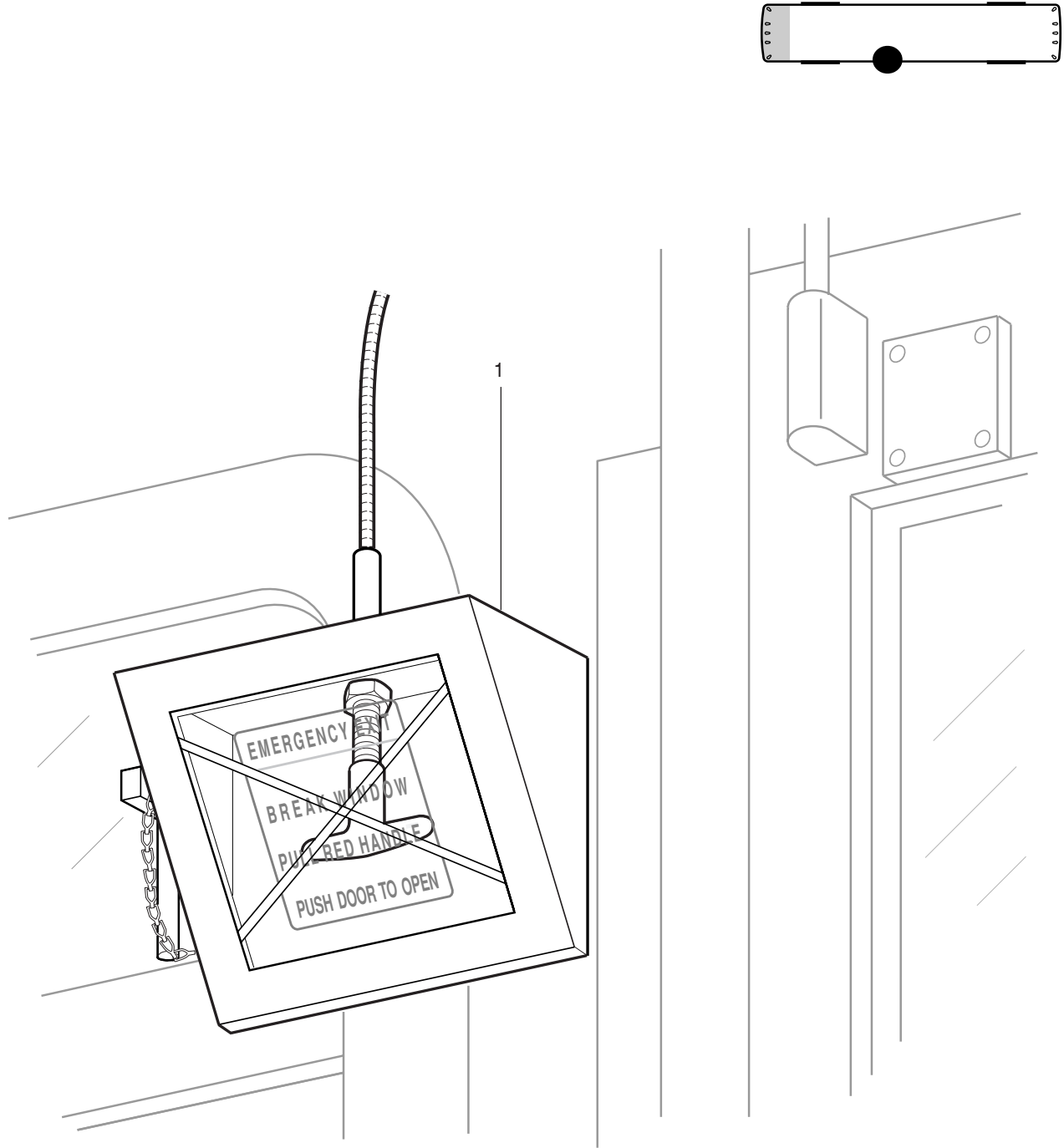


14-0410-0705B, L+(A+D)
 14-002821
 14-0410-0705B,L
 14-0411-0702A
 26-0255-0700D

EMERGENCY DOOR RELEASE VALVE BOX

| Item | PartNo. | Description | Qty |
|------|--------------|---|-----|
| 1. | 15-40603-000 | CLOSEOUT, EMERG DOOR RELEASE | 1 |
| | 15-40601-000 | BRACKET, EMERG, RELEASE MTG, RR DOOR | 1 |
| | 15-42508M001 | GLASS, EMERG BREAKOUT | 1 |
| | 54-12600-006 | WASHER, FLAT 1/4" | 3 |
| | 54-14256-04B | FH TS #6X1/2 | 4 |
| | 54-14284-04Z | SCREW, PHCRST 6-32X0.50 | 4 |
| | 59-43797-000 | DECAL, "CAUTION STAND BACK FROM DOOR" ENGLISH | 2 |
| | 59-43797-001 | DECAL, "CAUTION STAND BACK FROM DOOR" SPANISH | 2 |
| | 59-45926-000 | DECAL, "CAUTION" | 1 |

EMERGENCY DOOR RELEASE VALVE BOX

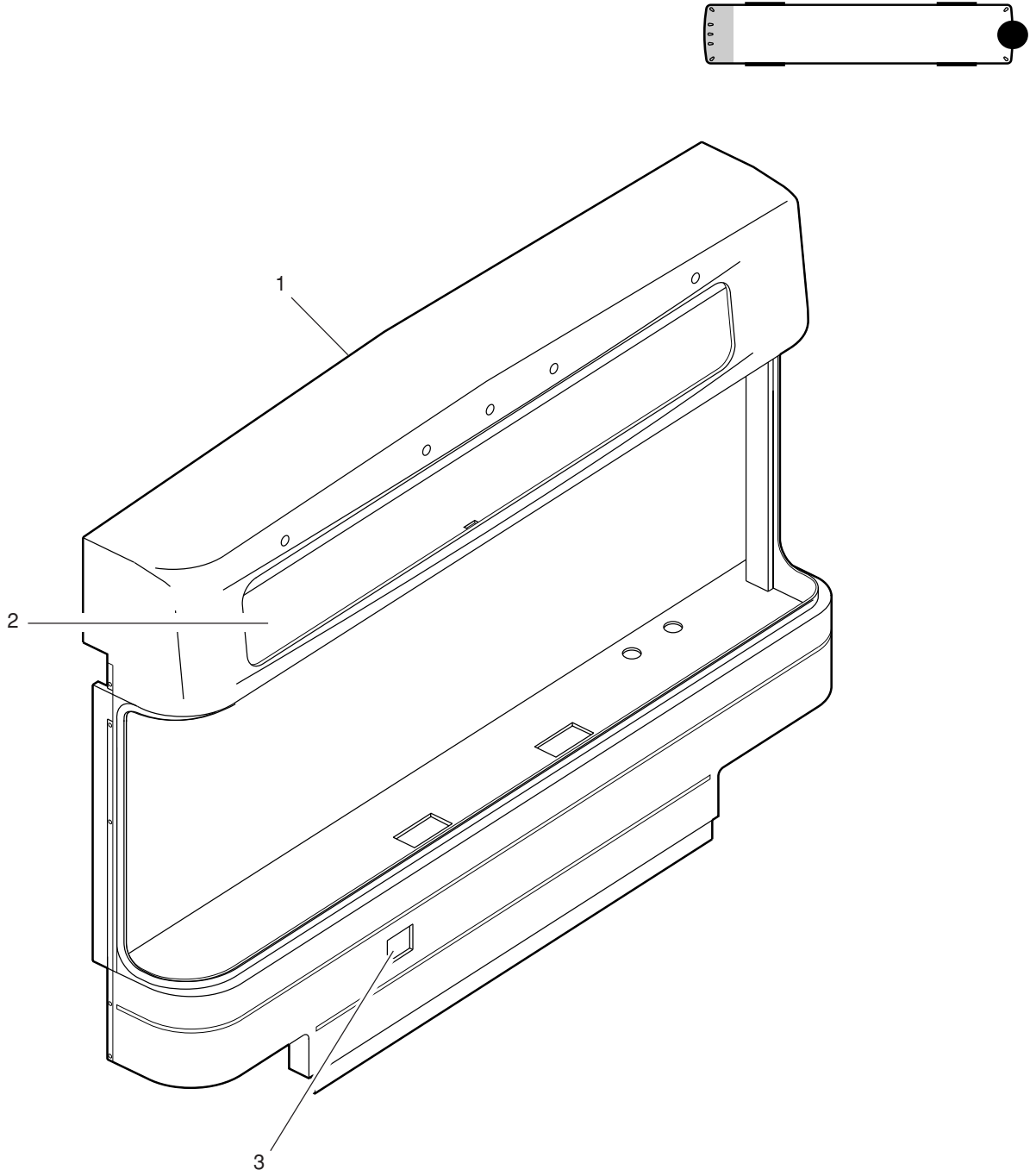


14-0410-0705D
14-001942
14-0410-0705D

FRONT CAP ASSEMBLY

| Item | Part No. | Description | Qty |
|------|--------------|--|-----|
| 1. | 20-49595M001 | CAP ASM, FRONT | 1 |
| | 54-33460-010 | INSERT, BLIND THREADED, 5/16-18 | 8 |
| | 53-02195-020 | ADHESIVES & SEALANT | A/R |
| 2. | 16-46375-001 | GLASS, (GLAZING), DESTINATION SIGN | 1 |
| | 56-28783-000 | SEAL, GLAZING | 1 |
| | 99-29987-000 | STRIP, LOCKING | 13 |
| | 53-02195-016 | SEALANT, 221 BLACK | 1 |
| 3. | 43-15310-000 | DOOR, W/S WASHER FILL | 1 |
| | 55-15286-000 | HINGE, WASHER BOTTLE | 1 |
| | 53-15338-000 | LATCH, SPRING WASHER DOOR | 1 |
| | 40-15329-000 | ANGLE, WASHER DOOR | 1 |
| | 54-07101-004 | RIVET, 3/16 | 8 |
| | 54-14278-07Z | SCREW, PH CR 1/4-20X1.0 | 10 |
| | 54-12605-002 | WASHER, FLAT FENDER 1/4 | 10 |
| | 54-12540-005 | NUT, HXHD NYLOCK 1/4-20 GR5 | 10 |
| | 54-13108-044 | LOCKNUT, 10-24 HEX FLANGE LOCKNUT SSTL | 12 |
| | 54-14288-09Z | SCREW, PHT #10X1/2 | 8 |

FRONT CAP ASSEMBLY

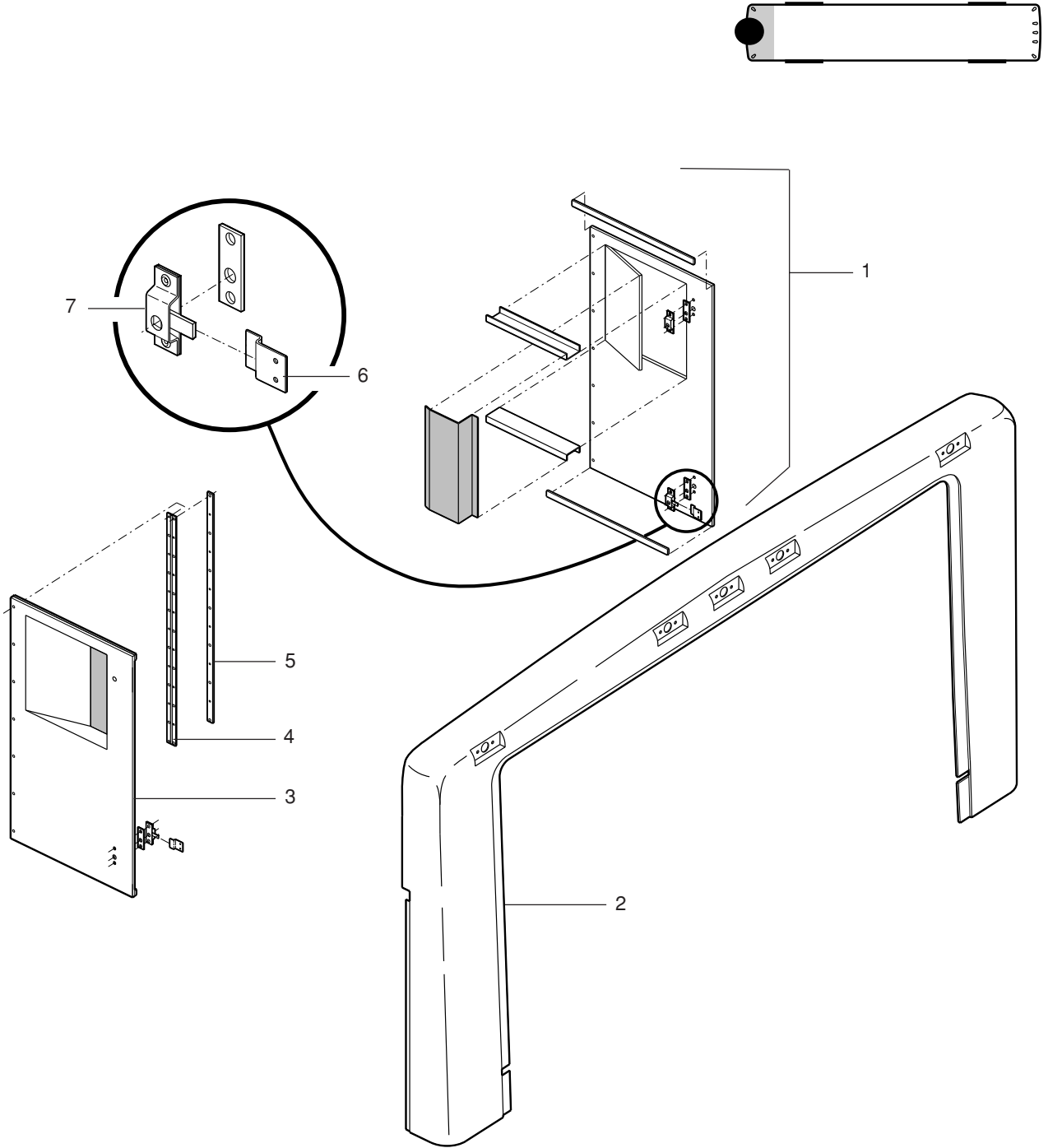


14-0450-0701B+(0704B)
14-003697
14-0450-0701B
26-0200-0704B

REAR CAP

| Item | Part No. | Description | Qty |
|------|---------------|------------------------------|-----|
| 1. | 20-48986-000R | PANEL ASM, RIGHT SIDE UPR RR | 1 |
| 2. | 20-36705M001 | CAP, RR | 1 |
| 3. | 20-48986-000L | PANEL ASM, LEFT SIDE UPR RR | 1 |
| 4. | 20-38155-000 | HINGE, PIANO RR PANEL | 2 |
| 6. | 20-38161-000 | BRACKET, DOOR LOCK | 4 |
| 5. | 20-38174-000 | SPACER, HINGE RR PANEL | 2 |
| 7. | 50-00019-000 | LOCK ASM, 5/16 SQ KEY | 4 |
| | 53-02195-020 | ADHESIVE & SEALANT | A/R |
| | 54-10163-001 | RIVET, MONOBOLT 3/16 | A/R |
| | 54-10163-032 | RIVET, MONOBOLT 1/4" | A/R |
| | 54-10163-037 | RIVET, MONOBOLT 3/16 | A/R |

REAR CAP

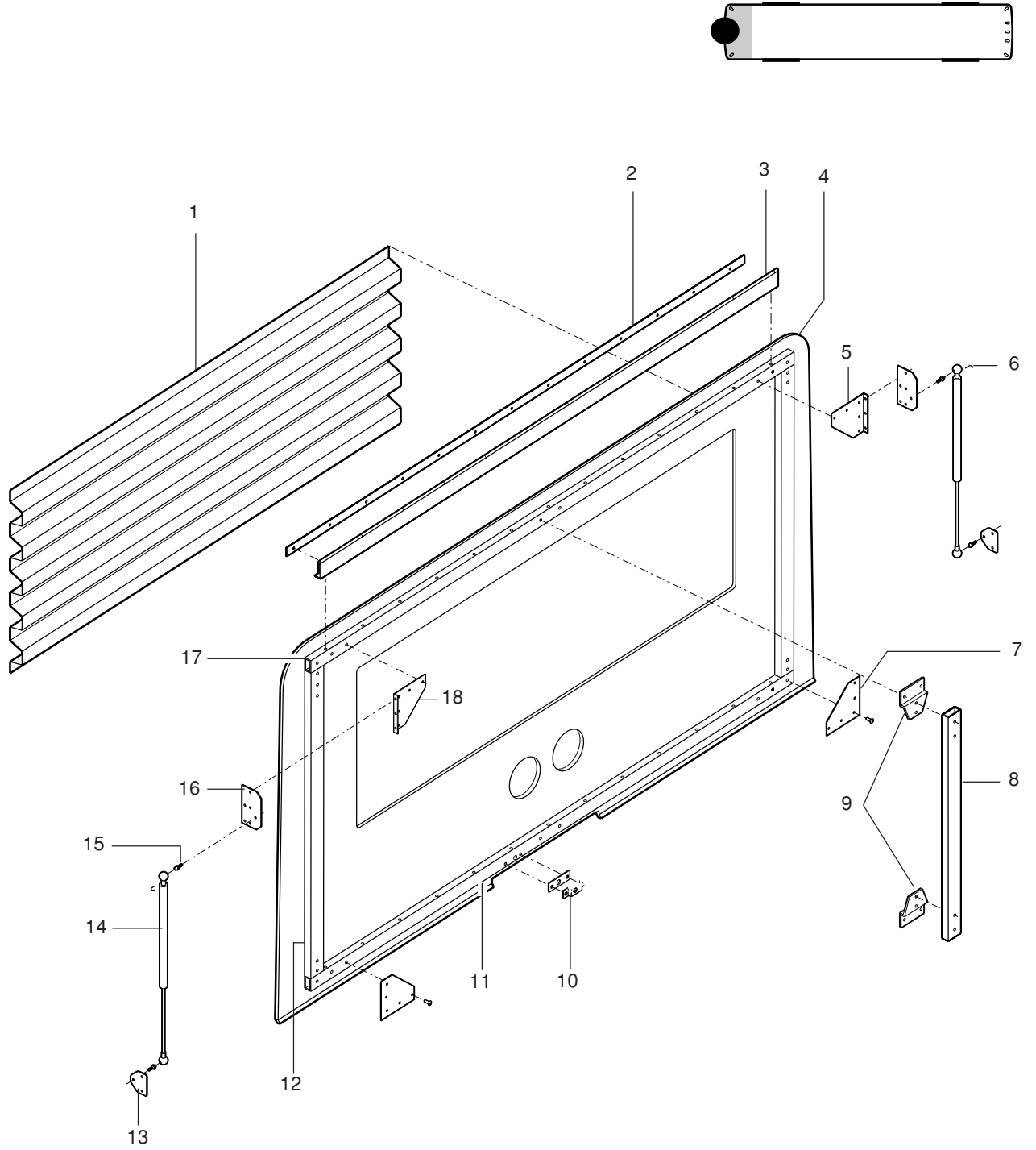


14-0500-0701B
14-000150
14-0500-0701B

REAR GRILLE

| Item | Part No. | Description | Qty |
|------|---------------|---------------------------------|-----|
| 1. | 20-36765-000 | SCREEN, HVAC DOOR RR | 1 |
| 2. | 20-36996-000 | SPACER, HINGE | A/R |
| 3. | 20-41866-000 | HINGE ASM, RR DOOR | 1 |
| 4. | 20-38741M021 | PANEL, RR DOOR | 1 |
| 5. | 20-40430-000L | BRACKET, GAS SPRING MTG | 1 |
| 6. | 54-33554-000 | CLIP, GAS SPRING RETAINING | 4 |
| 7. | 20-40547-000 | GUSSET, RR DOOR | 2 |
| 8. | 20-36774-000 | TUBE, VERTICAL CTR RR HVAC DOOR | 1 |
| 9. | 20-36767-000 | BRACKET, HVAC DOOR RR | 2 |
| 10. | 50-00019-000 | LOCK ASM, 5/16 SQ KEY | 1 |
| | 20-39589-000 | ANGLE, CATCH | 1 |
| | 53-00302-002 | GUIDE, ROPE | 2 |
| | 20-38856-000 | CHAIN, STEEL SASH | 1 |
| | 20-38859-000 | TUBING, HEAT SHRINK | 1 |
| 11. | 20-40546-000 | TUBE, HORIZONTAL LWR | 1 |
| 12. | 20-36773-000 | TUBE, VERTICAL RR HVAC DOOR | 2 |
| 13. | 20-36997-000 | BRACKET, GAS SPRING LWR | 2 |
| 14. | 53-02231-017 | SPRING ASM, GAS | 2 |
| | 54-07101-001 | RIVET, POP 3/16 OPEN END | 7 |
| | 54-10163-005 | RIVET, MONOBOLT | 55 |
| | 54-12540-006 | LOCKNUT, NYLOK 5/16-18 GR5 | 4 |
| 15. | 54-33553-000 | STUD, GAS SPRING BALL | 4 |
| 16. | 20-40513-000 | PLATE, GAS SPRING | 2 |
| 17. | 20-40433-000 | TUBE, HORIZONTAL UPR | 1 |
| 18. | 20-40430-000R | BRACKET, GAS SPRING MTG | 1 |
| | 54-37358-000 | NUT PLATE, COBOLT M8 | 4 |
| | 54-37359-001 | BOLT, BUTTON TORX HEAD M8 | 4 |
| | 54-38170N000 | BUMPER, RUBBER ENGINE/HVAC DOOR | 4 |
| | 20-40524-000 | BRACKET, REAR DOOR BUMPER | 2 |
| | 55-02306-000 | HOOK | 2 |

REAR GRILLE

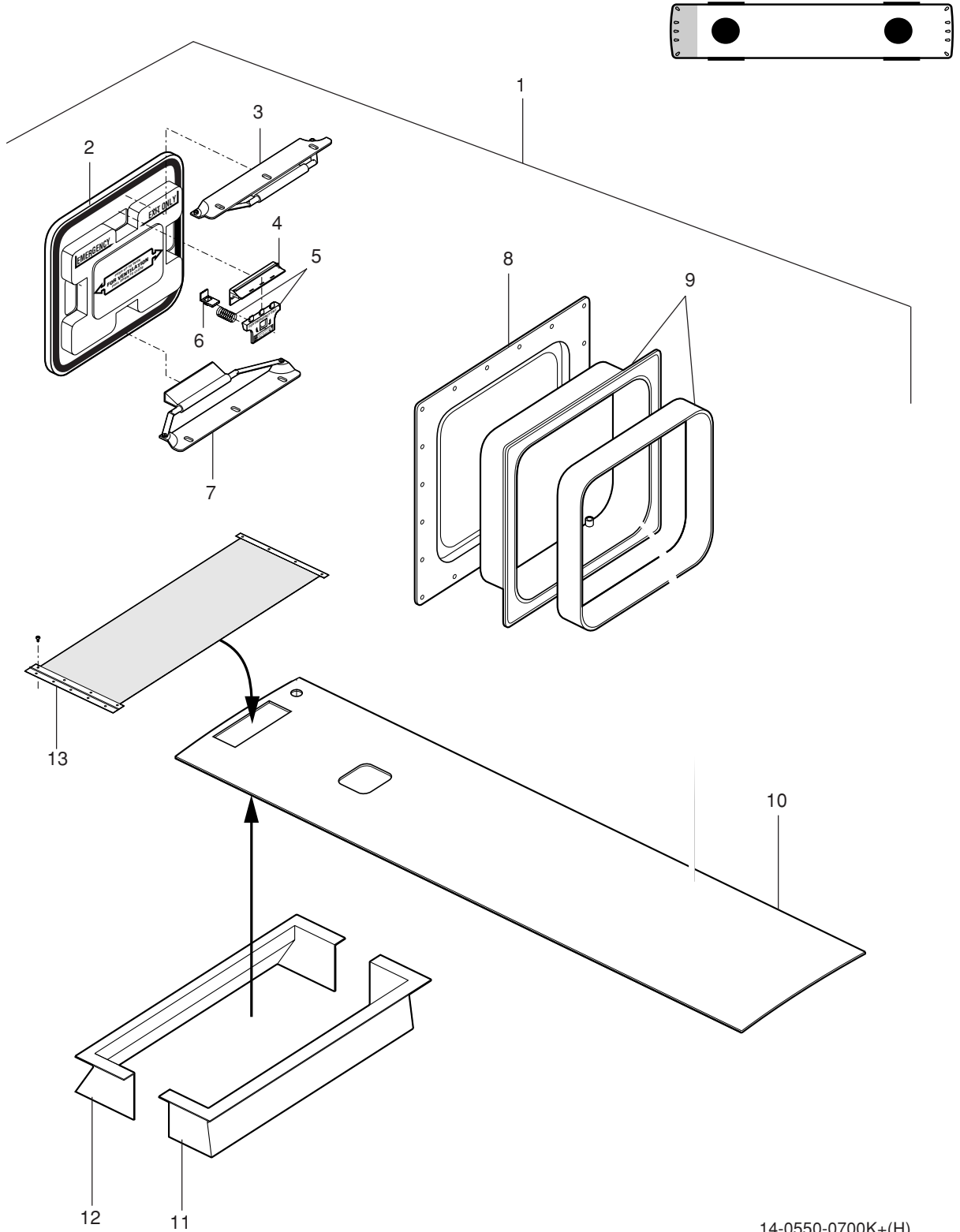


14-0501-0703N (w/2 Decel)
14-001845
14-0501-0703N

ROOF SKIN & HATCHES

| Item | Part No. | Description | Qty |
|------|-----------------|-------------------------------|-----|
| 1. | 55-08792-001 | HATCH, REAR ESCAPE | 1 |
| | 82-01445-000 | DECAL, EMERG HATCH | 1 |
| | 82-04463-000 | BOLT, SHOULDER | 4 |
| | 82-09148-000 | SPRING | 4 |
| 2. | 82-09155-000 | SEAL, HATCH RUBBER | 1 |
| | 59-46694N000 | DECAL, ESCAPE HATCH (SPANISH) | 1 |
| 3. | REF ONLY | HINGE (NOT SOLD SEPARATELY) | 1 |
| 4. | 82-09151-000 | HINGE, DOOR HALF | 1 |
| 5. | 82-09155-002 | HANDLE, HATCH RELEASE | 1 |
| 6. | 82-09152-000 | LATCH, SAFETY TAB | 1 |
| | 82-09153-000 | LINK ASM, W/PLUNGER | 4 |
| 7. | 82-09150-000 | HINGE, BODY HALF | 1 |
| 8. | 82-13851-000 | FRAME, MOUNTING | 1 |
| 9. | 82-13852-000 | MOLDING, INTERIOR TRIM | 1 |
| 10. | 20-40596L435.00 | SKIN, FIBERGLASS ROOF | 1 |
| 11. | 20-40936-000 | CLOSEOUT, CONDENSER FRT | 1 |
| 12. | 20-40937-000 | CLOSEOUT, CONDENSER RR | 1 |
| 13. | 20-41046-000 | SCREEN ASM, A/C CONDENSER | 1 |
| | 56-26610-003 | EXTRUSION, RUBBER | 1 |
| | 54-10163-023 | RIVET, MONOBOLT | 20 |
| | 54-13119-023 | SCREW,#10 X 3/4 PANHD CR REC | 34 |
| | 20-50948-000 | REINF, ROOF SHEET | 1 |
| | 20-50949-000 | REINF, ROOF SHEET | 1 |
| | 56-02111-007 | TAPE, FOAM 1' | A/R |
| | 56-02138-021 | TAPE, ADHESIVE 2" | A/R |

ROOF SKIN & HATCHES

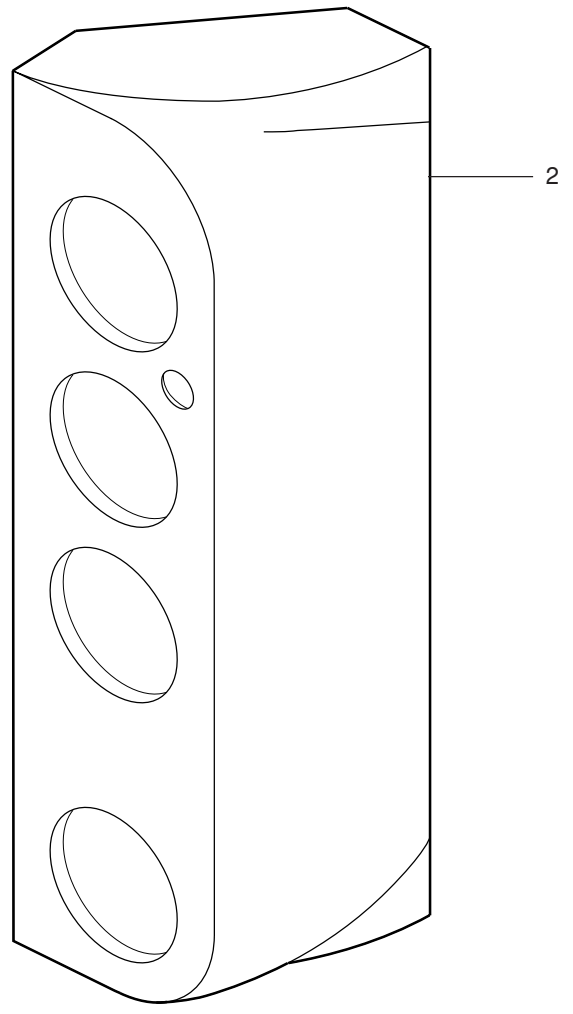
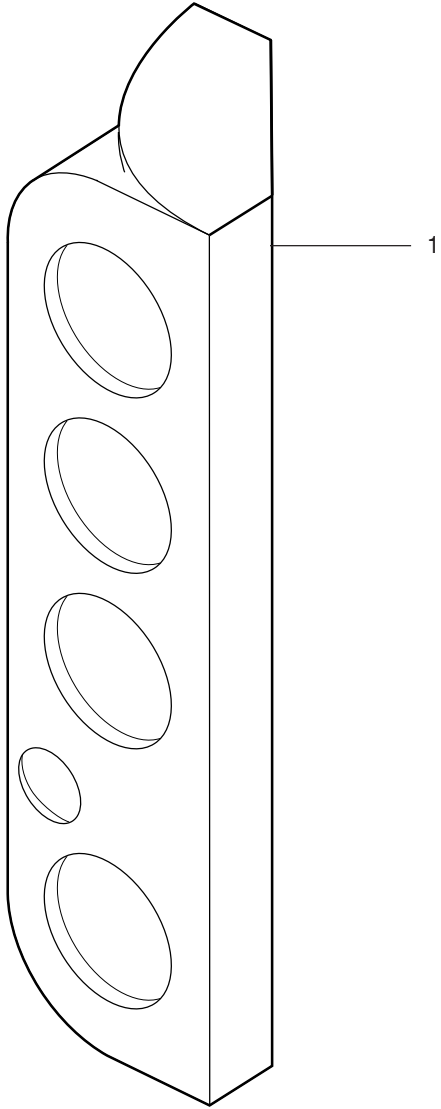
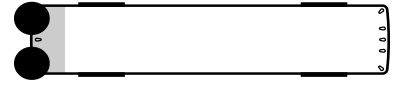


14-0550-0700K+(H)
14-000152
14-0550-0700K
14-0555-0700H

TAILLIGHT PANELS

| Item | Part No. | Description | Qty |
|------|---------------|---|-----|
| 1. | 20-47715M003L | PANEL, TAIL LIGHT LH | 1 |
| 2. | 20-47715M003R | PANEL, TAIL LIGHT RH | 1 |
| | 54-10163-037 | RIVET, MONOBOLT 3/16" STL. (.062-.437 GRIP) | 16 |

TAILLIGHT PANELS

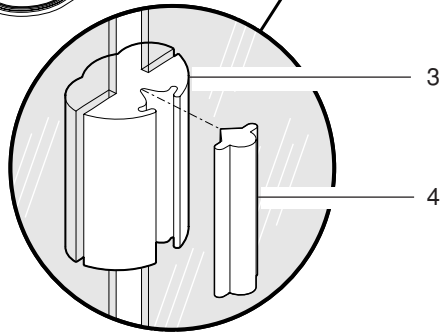
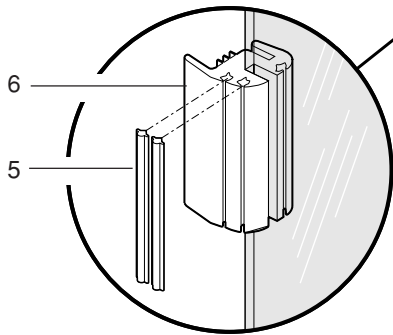
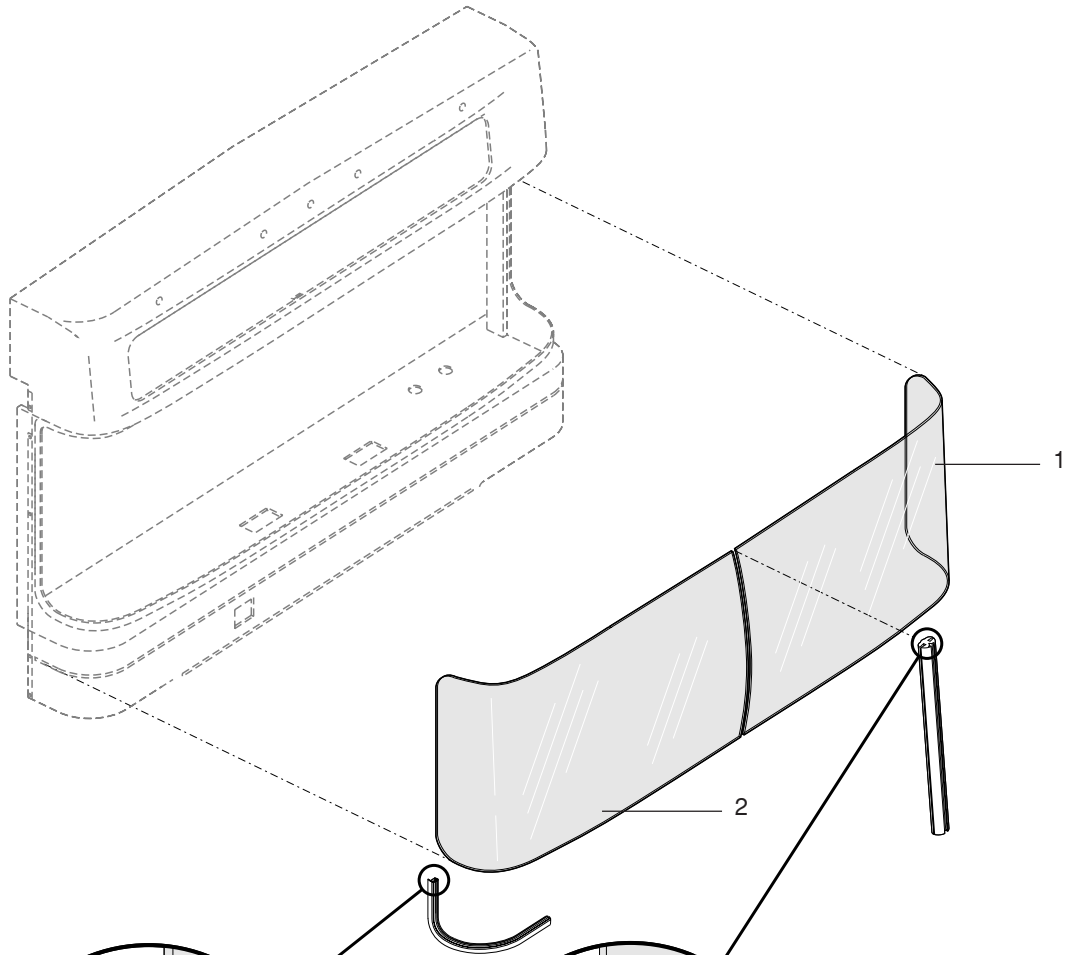


14-0726-0701C
14-001859
14-0726-0701C

WINDSHIELD

| Item | Part No. | Description | Qty |
|------|---------------|-------------------------------------|-----|
| 1. | 26-45474-001L | WINDSHIELD, BULGED LH W/ TINT BAND | 1 |
| 2. | 26-45474-000R | WINDSHIELD, BULGED RH W/O TINT BAND | 1 |
| 3. | 26-38333N000 | RUBBER, CENTER WINDSHIELD GLAZING | 1 |
| 4. | 99-29987-000 | STRIP, CENTER WINDSHIELD LOCKING | 1 |
| 5. | 56-00007-000 | STRIP, LOCKING | 1 |
| 6. | 26-45512-000 | SEAL, GLAZING | 1 |
| | 53-02195-016 | SEALANT,221 BLACK | A/R |

WINDSHIELD

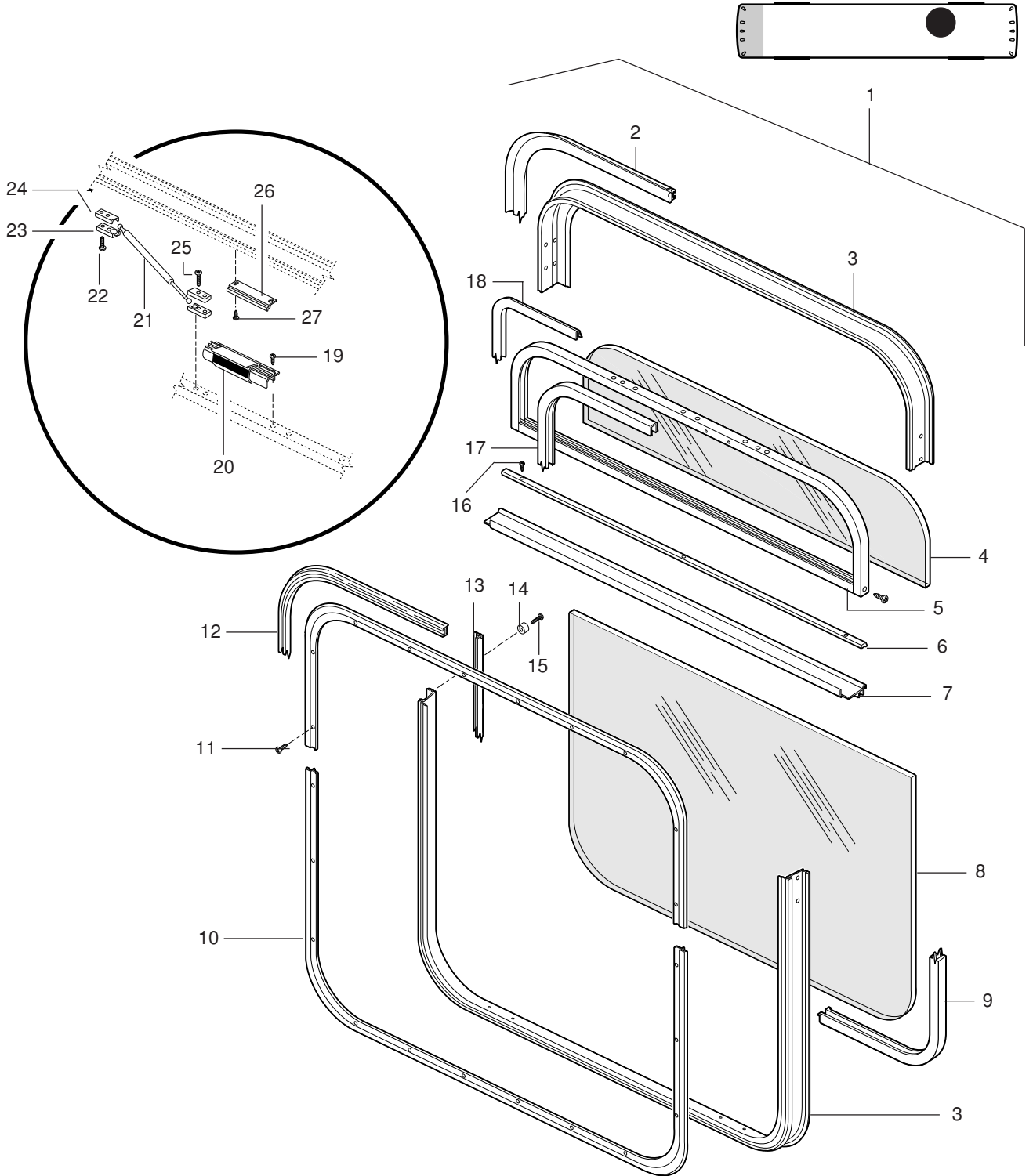


26-0001-0701A,D,E
26-003696
26-0001-0701A, D, E

SIDE WINDOW: 56" NON-EGRESS

| Item | Part No. | Description | Qty |
|------|--------------|-------------------------------|-----|
| 1. | 82-20088-403 | WINDOW ASM, 56" COMPLETE | 1 |
| 2. | 82-12159-010 | SEAL, OUTER MTG FRAME | A/R |
| 3. | 82-20088-003 | FRAME ASM, OUTER MTG | 1 |
| 4. | 82-12034-203 | GLAZING, TRANSOM | 1 |
| | 82-17530-002 | GUARD, GLAZING | 1 |
| 5. | 82-20088-803 | WINDOW ASM, 56" UPPER TRANSOM | 1 |
| 6. | 82-08905-000 | RETAINER, TRANSOM | 1 |
| 7. | 82-12043-006 | MULLION, HORIZONTAL | 1 |
| 8. | 82-20088-303 | GLAZING, STATIONARY | 1 |
| | 82-17531-001 | GUARD, GLAZING | 1 |
| 9. | 82-12043-007 | VINYL, GLAZING | A/R |
| 10. | 82-20088-004 | FRAME ASM, RETAINING | 1 |
| 11. | 82-01083-001 | SCREW, RETAINING FRAME | A/R |
| 12. | 82-12188-005 | SEAL, RETAINING FRAME | A/R |
| 13. | 82-20061-002 | SEAL, BODY | 1 |
| 14. | 82-04397-000 | BUMPER, RECESS | 2 |
| 15. | 82-12026-015 | SCREW, BUMPER | 2 |
| 16. | 82-12031-008 | SCREW, RETAINER | 3 |
| 17. | 82-12166-002 | VINYL, RETAINER | A/R |
| 18. | 82-12031-010 | SEAL, TRANSOM | A/R |
| 19. | 82-12031-005 | SCREW, PULL HANDLE | 4 |
| 20. | 82-12034-004 | HANDLE & LATCH ASM | 2 |
| 21. | 82-07688-000 | PLUNGER ASM | 1 |
| 22. | 82-12167-002 | SCREW, BALL SOCKET RETAINER | 2 |
| 23. | 82-20088-009 | RETAINER, BALL SOCKET, LH | 2 |
| 24. | 82-07631-000 | RETAINER, BALL SOCKET, RH | 2 |
| 25. | 82-20029-012 | SCREW, BALL SOCKET RETAINER | 2 |
| 26. | 82-00004-000 | STRIKER, LATCH | 1 |
| 27. | 82-12039-006 | SCREW, LATCH STRIKER | 2 |
| | 82-12031-013 | PLATE, TAPPING | A/R |

SIDE WINDOW: 56" NON-EGRESS

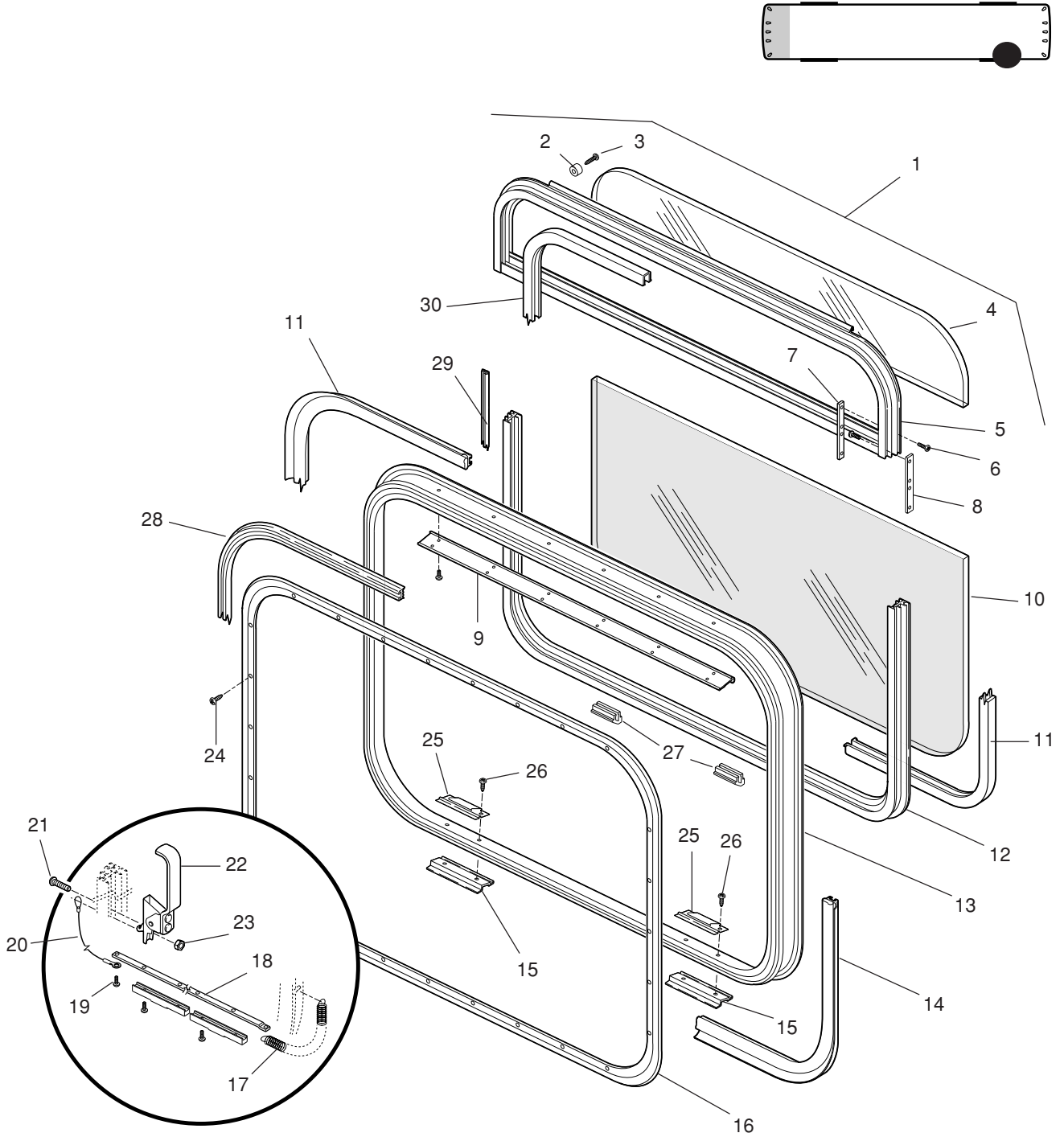


82-20088-403
26-002556
T1264-G3
82-20088-403

SIDE WINDOW: DESTINATION SIGN

| Item | Part No. | Description | Qty |
|-------------|-----------------|---|------------|
| 1. | 82-20089-403 | WINDOW ASM DESTINATION SIGN-COMLETE | 1 |
| | 82-12038-703 | EGRESS ASM (INCLUDES ITEMS 4, 5, 9, 10, 11, 12, 30) | 1 |
| 2. | 82-04397-000 | RECESS BUMPERS | A/R |
| 3. | 82-12026-015 | SCREW, RECESS BUMPERS | A/R |
| 4. | 82-12038-203 | GLAZING, UPPER STATIONARY | 1 |
| 5. | 82-12038-004 | FRAME HALF, UPPER | 1 |
| 6. | 82-12035-003 | SCREW, SPLICE PLATE | A/R |
| 7. | 82-12035-002 | SPLICE PLATE | A/R |
| 8. | 82-12035-001 | SPLICE PLATE | A/R |
| 9. | 82-12038-005 | HORIZONTAL MULLION RAIL | 1 |
| 10. | 82-12034-303 | GLAZING, LOWER STATIONARY | 1 |
| 11. | 82-20089-001 | VINYL, GLAZING, LWR STATIONARY | 1 |
| 12. | 82-12038-003 | FRAME ASM, EGRESS | 1 |
| 13. | 82-20030-008 | FRAME ASM, MTG | 1 |
| 14. | 82-12159-010 | SEAL, OUTER MOUNTING FRAME | A/R |
| 15. | 82-12027-006 | TAPPING BLOCK | A/R |
| 16. | 82-20087-004 | FRAME ASM, RETAINING | 1 |
| 17. | 82-00584-000 | SPRING, TIE BAR | 1 |
| | 82-04666-000 | SPRING PIN, SPACER & TIE BAR | A/R |
| 18. | 82-10851-001 | TIE BAR ASM | 1 |
| 19. | 82-00151-001 | SCREW, TIE BAR CABLE | A/R |
| 20. | 82-00151-000 | CABLE ASM, TIE BAR | 1 |
| 21. | 82-15471 | SCREW, EMERG RELEASE HANDLE | A/R |
| 22. | 82-07628-000 | HANDLE, EMERG RELEASE | 1 |
| 23. | 82-07628-004 | NUT, EMERG RELEASE HANDLE | A/R |
| 24. | 82-01083-001 | SCREW, RETAINING FRAME | 1 |
| 25. | 82-07626-000 | SPRING, RETENTION | A/R |
| 26. | 82-07626-001 | SCREW, RETENTION SPRING | A/R |
| 27. | 82-04665-000 | SPACER, EGRESS FRAME | A/R |
| 28. | 82-12188-005 | SEAL, RETAINING FRAME | A/R |
| 29. | 82-12030-010 | SEAL ASM, BODY | 1 |
| 30. | 82-12034-007 | VINYL, GLAZING, UPR STATIONARY | 1 |

SIDE WINDOW: DESTINATION SIGN

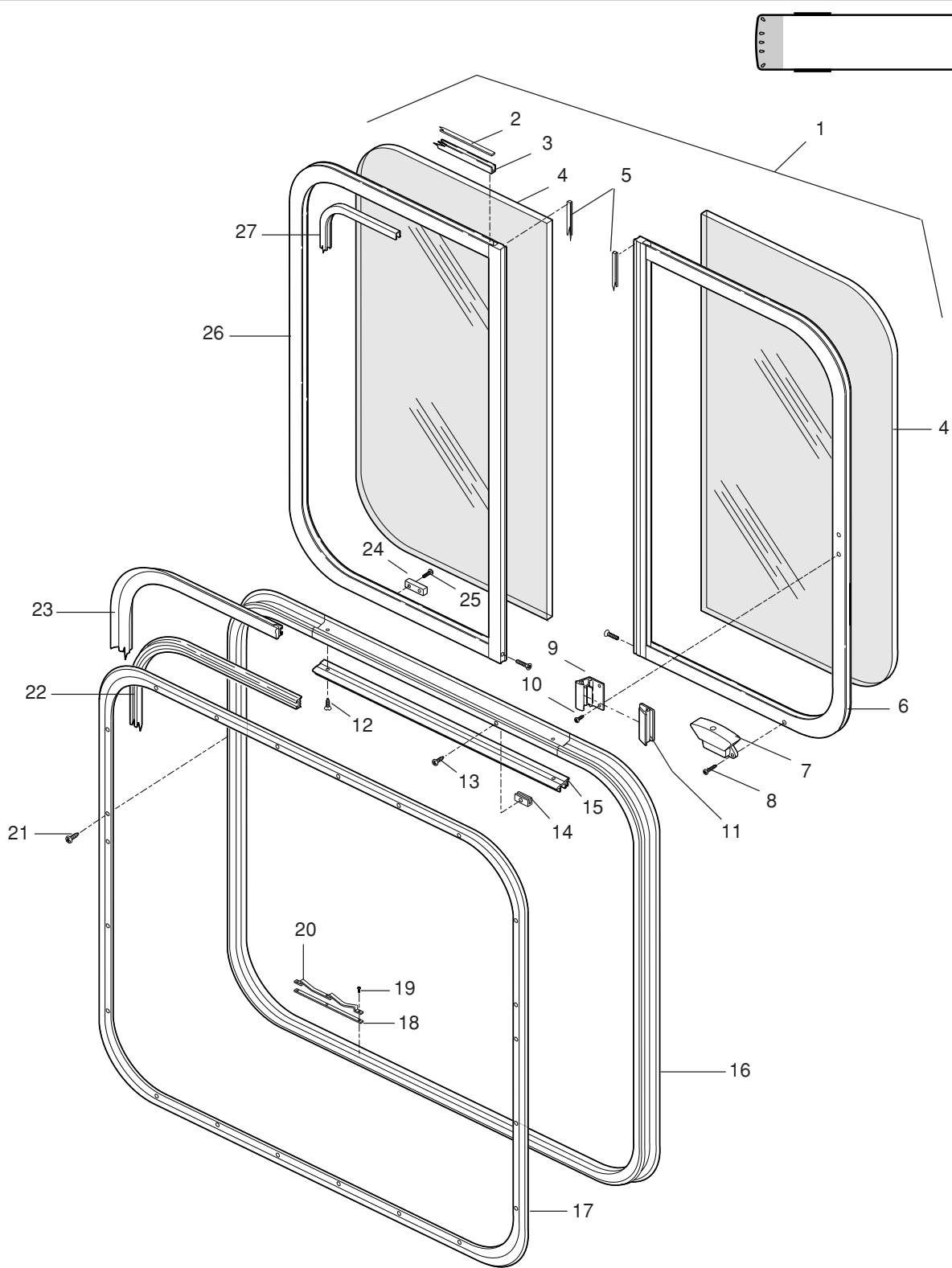


82-20089-403
26-001578
T1255-G3R
82-20089-403

SIDE WINDOW: DRIVER'S

| Item | Part No. | Description | Qty |
|------|--------------|---|-----|
| 1. | 82-22502-406 | WINDOW ASM, DRIVER'S (DUAL SLIDE) | 1 |
| | 82-12164-100 | HANDLE, PULL (INSIDE) | 1 |
| | 82-12164-101 | HANDLE, PULL (OUTSIDE) | 1 |
| 2. | 82-12026-014 | WEAR STRIPS, DRIVER'S WINDOW | A/R |
| 3. | 82-01967-000 | CHANNEL, RUN, DRIVER'S WINDOW | A/R |
| 4. | 82-20083-226 | GLAZING, DRIVER'S WINDOW | 2 |
| 5. | 82-12159-009 | WEATHERSTRIP, DRIVER'S WINDOW | A/R |
| 6. | 82-20083-005 | SLIDE ASM, DRIVER'S WINDOW, REAR | A/R |
| 7. | 82-18783-009 | LATCH, ROCKER, FRT SLIDE, DRIVER'S WINDOW | 1 |
| 8. | 82-00701-001 | SCREWS, DRIVER'S WINDOW ROCKER LATCH | A/R |
| 9. | 82-12026-100 | LATCH ASM, REAR SLIDE, DRIVER'S WINDOW | A/R |
| 10. | 82-12026-101 | SCREW, DRIVER'S WINDOW LATCH | A/R |
| 11. | 53-26599-000 | HANDLE, SLIDE, DRIVER'S WINDOW (OPTION) | A/R |
| 12. | 82-12170-007 | SCREW, REMOVABLE INSERT RAIL | A/R |
| 13. | 82-12026-013 | SCREW, SLIDE STOP, DRIVER'S WINDOW | A/R |
| 14. | 82-12170-006 | STOP, SLIDE, DRIVER'S WINDOW | 1 |
| 15. | 82-20083-010 | INSERT RAIL ASM, REMOVABLE | 1 |
| 16. | 82-22502-150 | FRAME, DRIVER WINDOW OTR | 1 |
| 17. | 82-20083-017 | RETAINER, DRIVER'S WINDOW FRAME | 1 |
| 18. | 82-12026-003 | SHIM, DRIVER'S WINDOW LOCK RACK | 1 |
| 19. | 82-20083-002 | SCREW, DRIVER'S WINDOW LOCK RACK | 2 |
| 20. | 82-12026-002 | LOCKRACK, DRIVER'S WINDOW | 1 |
| 21. | 82-01083-001 | SCREW, DRIVER'S WINDOW RETAINING FRAME | A/R |
| 22. | 82-12188-005 | SEAL, DRIVER'S WINDOW RETAINING FRAME | A/R |
| 23. | 82-12159-010 | SEAL, DRIVER'S WINDOW OUTER FRAM | A/R |
| 24. | 82-12026-016 | BLOCK, STOP, DRIVER'S WINDOW | 1 |
| 25. | 82-12026-015 | SCREW, STOP BLOCK, DRIVER'S WINDOW | 2 |
| 26. | 82-22502-004 | SLIDE ASM, DRIVER'S WINDOW, FRT | 1 |
| 27. | 82-18783-001 | GLAZING, VINYL, DRIVER'S WINDOW | A/R |

SIDE WINDOW: DRIVER'S

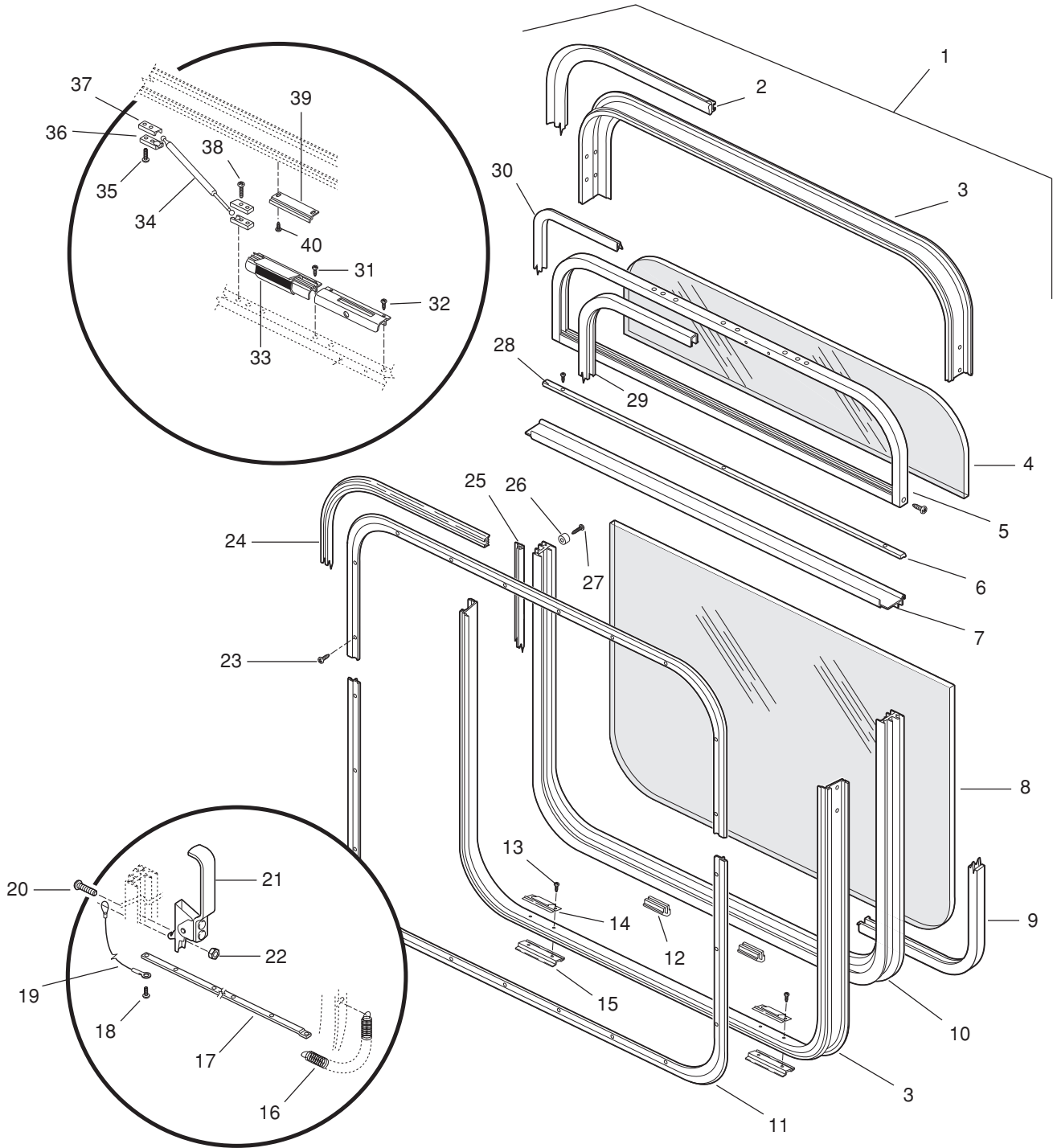
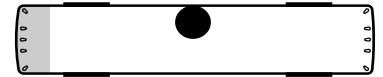


26-001580
T1345-F1L
82-22502-406

SIDE WINDOW: 34" TRANSOM

| Item | Part No. | Description | Qty |
|------|--------------|-----------------------------|-----|
| 1. | 82-24926-403 | WINDOW ASM, 34" COMPLETE | 1 |
| 2. | 82-12159-010 | SEAL, OUTER MTG FRAME | A/R |
| 3. | 82-24926-001 | FRAME ASM, OUTER MTG | 1 |
| 4. | 82-24926-203 | GLAZING, TRANSOM | 1 |
| 5. | 82-24926-803 | WINDOW ASM, TRANSOM | 1 |
| 6. | 82-24926-005 | RETAINER, TRANSOM | 1 |
| 7. | 82-24926-002 | MULLION, HORIZONTAL | 1 |
| 8. | 82-22494-303 | GLAZING, EGRESS | 1 |
| 9. | 82-22494-004 | VINYL, GLAZING | A/R |
| 10. | 82-24926-603 | EGRESS ASM | 1 |
| | 82-24926-006 | FRAME ASM, EGRESS | 1 |
| | 82-24926-003 | RAIL, HORIZONTAL TOP | 1 |
| 11. | 82-20082-002 | FRAME ASM, RETAINING | 1 |
| 12. | 82-04665-000 | BUMPER, FRAME | 1 |
| 13. | 82-07626-001 | SCREW, RETENTION SPRING | A/R |
| 14. | 82-07626-000 | SPRING, RETENTION | 1 |
| 15. | 82-12027-006 | BLOCK, TAPPING | 2 |
| 16. | 82-00584-000 | SPRING, TIE BAR | 1 |
| 17. | 82-22494-005 | TIE BAR ASM | 1 |
| 18. | 82-00151-001 | SCREW, TIE BAR CABLE | 1 |
| 19. | 82-22494-006 | CABLE ASM, TIE BAR | 1 |
| 20. | 82-15471-000 | SCREW, EMERG RELEASE HANDLE | 1 |
| 21. | 82-24958-002 | HANDLE, EMERG RELEASE | 1 |
| 22. | 82-07628-004 | NUT, EMERG RELEASE HANDLE | 1 |
| 23. | 82-01083-001 | SCREW, RETAINING FRAME | A/R |
| 24. | 82-01083-000 | SEAL, RETAINING FRAME | A/R |
| 25. | 82-12031-012 | SEAL, BODY | 1 |
| 26. | 82-04397-000 | BUMPER, RECESS | 2 |
| 27. | 82-12026-015 | SCREW, BUMPER | 2 |
| 28. | 82-12031-008 | SCREW, RETAINER | 3 |
| 29. | 82-24926-004 | VINYL, TRANSOM GLAZING | A/R |
| 30. | 82-22482-002 | SEAL, TRANSOM | A/R |
| 31. | 82-12026-013 | SCREW, LATCH | 2 |
| 32. | 82-12031-005 | SCREW, PULL HANDLE | 4 |
| 33. | 82-12031-004 | HANDLE & LATCH ASM | 2 |
| 34. | 82-07688-000 | PLUNGER ASM | 1 |
| 35. | 82-07631-001 | SCREW, BALL SOCKET RETAINER | 2 |
| 36. | 82-07631-000 | RETAINER, BALL SOCKET, LH | 2 |
| 37. | 82-07630-000 | RETAINER, BALL SOCKET, RH | 2 |
| 38. | 82-22482-001 | SCREW, BALL SOCKET RETAINER | 2 |
| 39. | 82-00004-000 | STRIKER, LATCH | 1 |
| 40. | 82-12026-013 | SCREW, LATCH STRIKER | 2 |
| N/S | 82-22482-003 | PLATE, TAPPING | A/R |

SIDE WINDOW: 34" TRANSOM

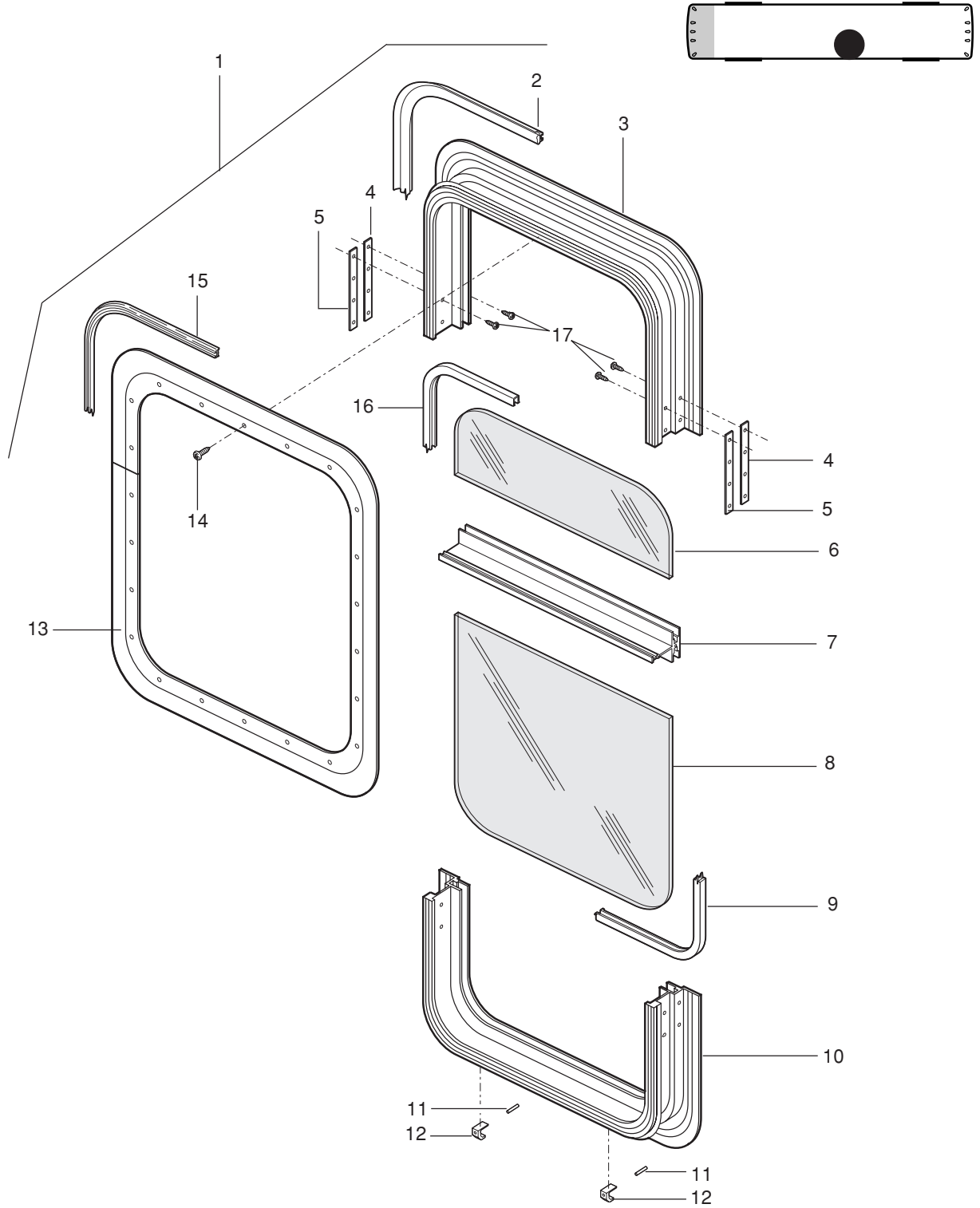


26-001573
T1523-G3
82-24926-403

SIDE WINDOW: 32" FIXED

| Item | Part No. | Description | Qty |
|------|--------------|--------------------------------|-----|
| 1. | 82-24942-403 | WINDOW ASM, 32" - COMPLETE | 1 |
| 2. | 82-12159-010 | SEAL, OUTER FRAME | A/R |
| 3. | 82-24942-150 | FRAME, UPPER HALF, OUTER | 1 |
| 4. | 82-22470-001 | SPLICE PLATE, INNER | 2 |
| 5. | 82-22473-001 | SPLICE PLATE, OUTER | 2 |
| 6. | 82-24942-203 | GLAZING, STATIONARY UPPER | 1 |
| 7. | 82-24942-001 | MULLION, HORIZONTAL RAIL | 1 |
| | 82-12036-002 | SCREW, HORIZONTAL MULLION RAIL | A/R |
| 8. | 82-24942-303 | GLAZING, STATIONARY, LOWER | 1 |
| 9. | 82-24942-003 | VINYL, GLAZING LOWER | 1 |
| 10. | 82-24942-151 | FRAME, LOWER HALF, OUTER | 1 |
| 11. | 82-04666-000 | PIN-SPACER BLOCK | A/R |
| 12. | 82-12035-005 | SPACER BLOCK | A/R |
| 13. | 82-24942-004 | FRAME ASM, RETAINING | A/R |
| 14. | 82-01083-001 | SCREW, RETAINING FRAME | A/R |
| 15. | 82-01083-000 | SEAL, RETAINING FRAME | A/R |
| 16. | 82-24942-002 | VINYL, GLAZING, UPPER | 1 |
| 17. | 82-18784-004 | SCREW, SPLICE PLATES | A/R |

SIDE WINDOW: 32" FIXED

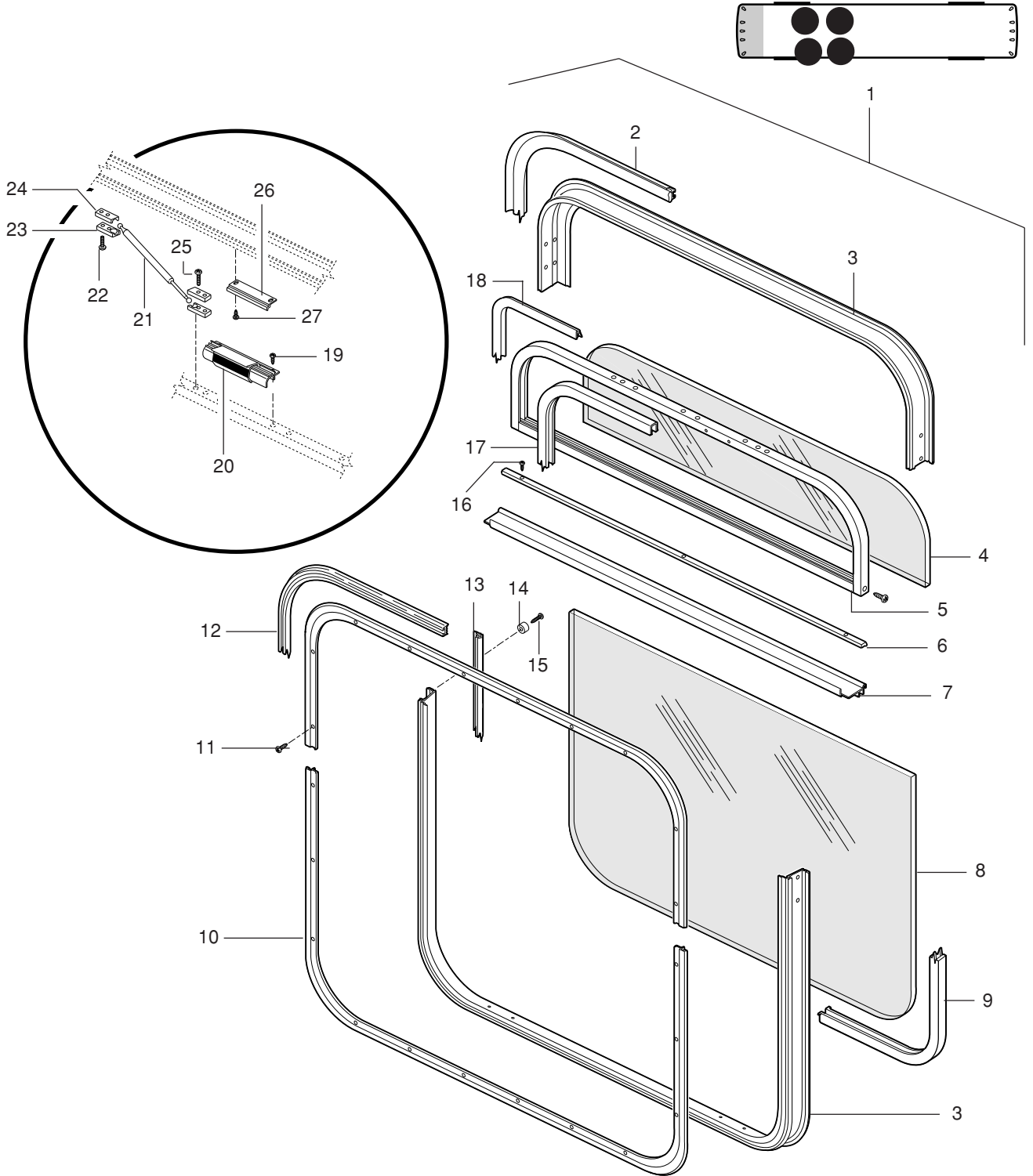


26-001572
T1525-G3
82-24942-403

SIDE WINDOW: 46" NON-EGRESS

| Item | Part No. | Description | Qty |
|------|--------------|--|-----|
| 1. | 82-24954-403 | WINDOW ASM, 46" COMPLETE | 1 |
| 2. | 82-12159-010 | SEAL, OUTER MTG FRAME | A/R |
| 3. | 82-24944-001 | FRAME ASM, 46" OUTER | 1 |
| | 82-22505-003 | PLATE, SPLICE | 4 |
| | 82-22505-005 | SCREW, SPLICE PLATE | 8 |
| 4. | 82-24944-203 | GLAZING, TRANSOM | 1 |
| 5. | 82-24954-803 | WINDOW ASM, 46", TRANSOM W/ HINGE (INCLD'S # 4 & 21) | 1 |
| 6. | 82-24944-005 | RETAINER, TRANSOM | 1 |
| 7. | 82-24944-002 | MULLION, HORIZONTAL | 1 |
| | 82-12036-002 | SCREW, MULLION | A/R |
| 8. | 82-24944-303 | GLAZING, STATIONARY | 1 |
| 9. | 82-24944-003 | VINYL, GLAZING | A/R |
| 10. | 82-24944-006 | FRAME ASM, RETAINING | 1 |
| 11. | 82-01083-001 | SCREW, RETAINING FRAME | A/R |
| 12. | 82-01083-000 | SEAL, RETAINING FRAME | A/R |
| 13. | 82-20061-002 | SEAL, BODY | 1 |
| 14. | 82-12026-013 | BUMPER, RECESS | 2 |
| 15. | 82-12039-002 | SCREW, BUMPER | 2 |
| 16. | 82-12031-008 | SCREW, RETAINER | 3 |
| 17. | 82-24944-004 | VINYL, TRANSOM GLAZING | A/R |
| 18. | 82-22482-002 | SEAL, TRANSOM | A/R |
| 19. | 82-12031-005 | SCREW, PULL HANDLE | 4 |
| 20. | 82-24885-001 | HANDLE & LATCH ASM | 2 |
| 21. | 82-07688-000 | PLUNGER ASM | 1 |
| 22. | 82-07630-001 | SCREW, BALL SOCKET RETAINER (OUTER FRAME) | 2 |
| 23. | 82-07631-000 | RETAINER, BALL SOCKET, LH | 2 |
| 24. | 82-07630-000 | RETAINER, BALL SOCKET, RH | 2 |
| 25. | 82-22482-001 | SCREW, BALL SOCKET RETAINER (TRANSOM FRAME) | 2 |
| 26. | 82-00004-000 | STRIKER, LATCH | 1 |
| 27. | 82-12026-013 | SCREW, LATCH STRIKER | 2 |
| | 82-22482-003 | PLATE, TAPPING | A/R |

SIDE WINDOW: 46" NON-EGRESS

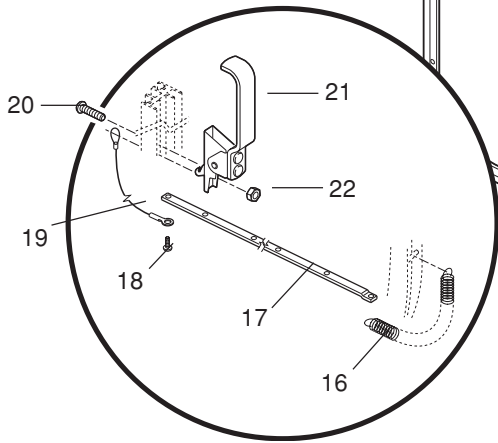
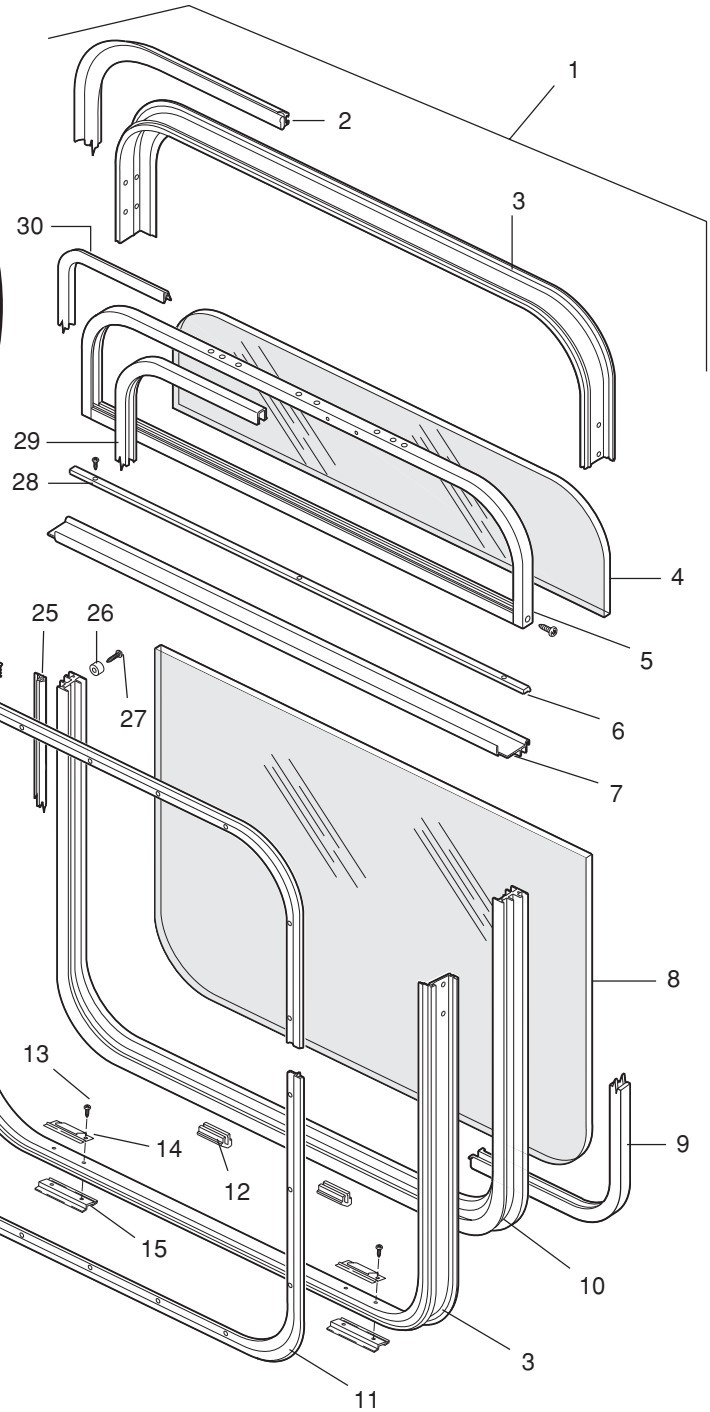
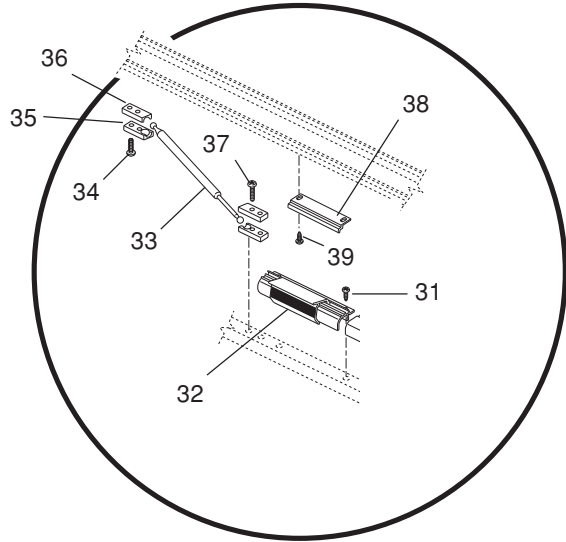


82-24954-403
26-002556
T1526-G3
82-24954-403

SIDE WINDOW: 46" TRANSOM, EGRESS

| Item | Part No. | Description | Qty |
|------|--------------|------------------------------|-----|
| 1. | 82-24955-403 | WINDOW ASM, 46" COMPLETE | 1 |
| 2. | 82-12159-010 | SEAL, OUTER MTG FRAME | A/R |
| 3. | 82-24955-001 | FRAME ASM, OUTER MTG | 1 |
| 4. | 82-24944-203 | GLAZING, TRANSOM | 1 |
| 5. | 82-24955-803 | FRAME ASM, 46" UPPER TRANSOM | 1 |
| 6. | 82-24955-008 | RETAINER, TRANSOM | 1 |
| 7. | 82-24955-002 | MULLION, HORIZONTAL | 1 |
| | 82-24955-004 | RAIL, HORIZONTAL TOP FRAME | 1 |
| 8. | 82-24955-303 | GLAZING, EGRESS | 1 |
| 9. | 82-24955-006 | VINYL, GLAZING | A/R |
| 10. | 82-24955-703 | EGRESS ASM | 1 |
| | 82-24955-003 | FRAME ASM, 46" EGRESS | 1 |
| 11. | 82-24955-009 | FRAME ASM, RETAINING | 1 |
| 12. | 82-04665-000 | BUMPER, FRAME | 1 |
| 13. | 82-07626-001 | SCREW, RETENTION SPRING | A/R |
| 14. | 82-07626-000 | SPRING, RETENTION | 1 |
| 15. | 82-12027-006 | BLOCK, TAPPING | 2 |
| 16. | 82-00584-000 | SPRING, TIE BAR | 1 |
| 17. | 82-24955-005 | TIE BAR ASM | 1 |
| 18. | 82-00151-001 | SCREW, TIE BAR CABLE | 1 |
| 19. | 82-12159-004 | CABLE ASM, TIE BAR | 1 |
| 20. | 82-15471-000 | SCREW, EMERG RELEASE HANDLE | 1 |
| 21. | 82-07628-000 | HANDLE, EMERG RELEASE, LH | 1 |
| 22. | 82-07628-004 | NUT, EMERG RELEASE HANDLE | 1 |
| 23. | 82-01083-001 | SCREW, RETAINING FRAME | A/R |
| 24. | 82-01083-000 | SEAL, RETAINING FRAME | A/R |
| 25. | 82-12031-012 | SEAL, BODY | 1 |
| 26. | 82-04397-000 | BUMPER, RECESS | 2 |
| 27. | 82-12026-015 | SCREW, BUMPER | 2 |
| 28. | 82-12031-008 | SCREW, RETAINER | 3 |
| 29. | 82-24955-007 | VINYL, TRANSOM GLAZING | A/R |
| 30. | 82-22482-002 | SEAL, TRANSOM | A/R |
| 31. | 82-12031-005 | SCREW, LATCH | 4 |
| 32. | 82-12031-004 | HANDLE & LATCH ASM | 2 |
| 33. | 82-07688-000 | PLUNGER ASM | 1 |
| 34. | 82-07630-001 | SCREW, BALL SOCKET RETAINER | 2 |
| 35. | 82-07631-000 | RETAINER, BALL SOCKET, LH | 2 |
| 36. | 82-07630-000 | RETAINER, BALL SOCKET, RH | 2 |
| 37. | 82-22482-001 | SCREW, BALL SOCKET RETAINER | 2 |
| 38. | 82-12031-002 | STRIKER, LATCH | 1 |
| 39. | 82-12039-006 | SCREW, LATCH STRIKER | 2 |
| | 82-22482-003 | PLATE, TAPPING | A/R |

SIDE WINDOW: 46" TRANSOM, EGRESS

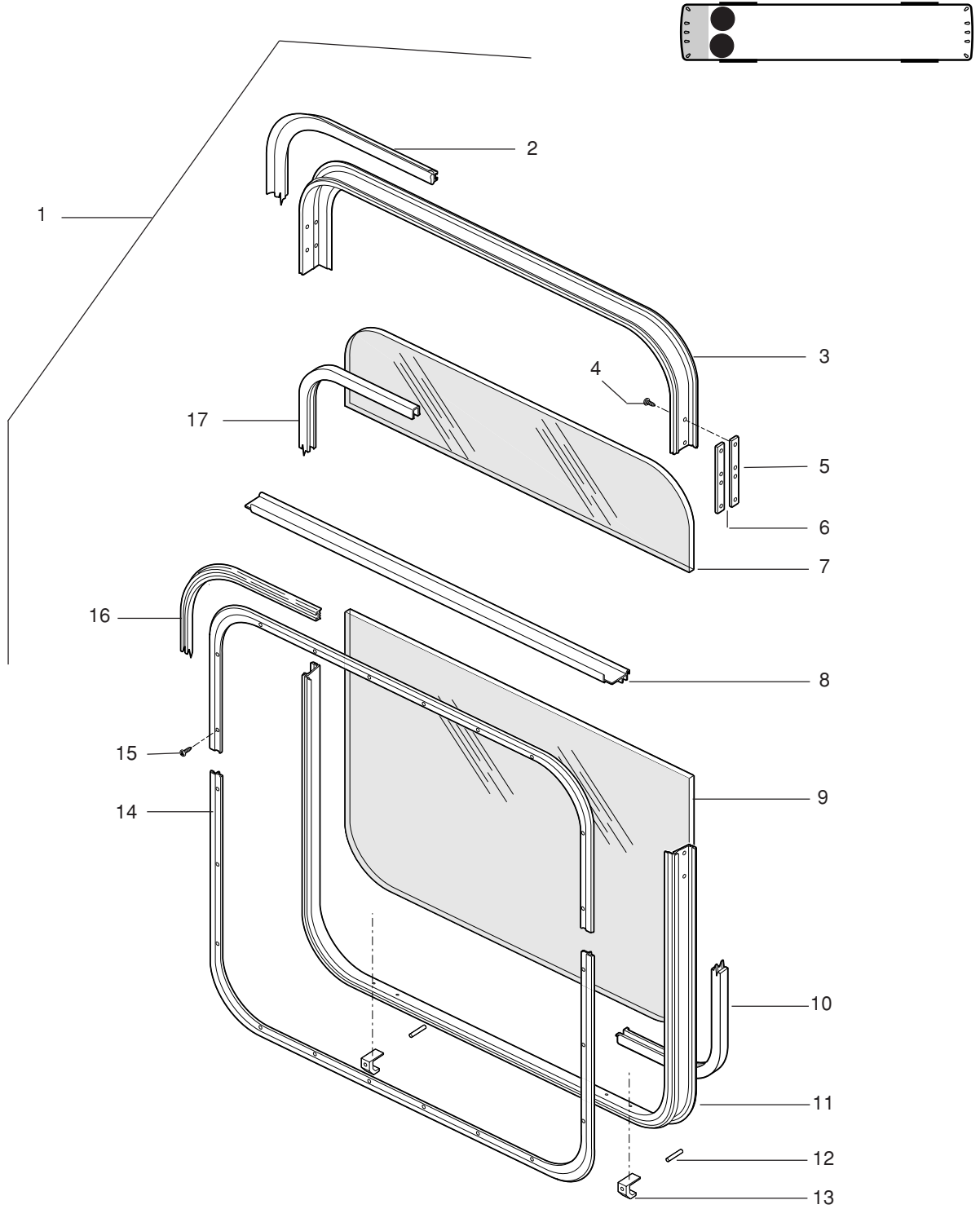


82-24955-403
26-001573
T1524-G3
82-24955-403

SIDE WINDOW: 46" STATIONARY, NON-EGRESS

| Item | Part No. | Description | Qty |
|------|--------------|---------------------------------|-----|
| 1. | 82-28514-403 | WINDOW ASM, 46" COMPLETE | 1 |
| 2. | 82-12159-010 | SEAL, OUTER MTG FRAME | A/R |
| 3. | 82-28514-001 | FRAME ASM, 46" OUTER MTG, UPPER | 1 |
| 4. | 82-18784-001 | SCREW, SPLICE PLATE | 8 |
| 5. | 82-22470-001 | PLATE, SPLICE | 2 |
| 6. | 82-22473-001 | PLATE, SPLICE | 2 |
| 7. | 82-28514-203 | GLAZING, 46" UPPER | 1 |
| 8. | 82-28514-003 | MULLION, 46" HORIZONTAL | 1 |
| | 82-20069-002 | SCREW, MULLION MTG | A/R |
| 9. | 82-28514-303 | GLAZING, 46" LOWER | 1 |
| 10. | 82-28514-006 | VINYL, 46" LOWER GLAZING | A/R |
| 11. | 82-28514-002 | FRAME ASM, 46" OUTER MTG, LOWER | 1 |
| 12. | 82-04666-000 | PIN, SPACER BLOCK | 2 |
| 13. | 82-28514-004 | BLOCK, SPACER | 2 |
| 14. | 82-24955-009 | FRAME ASM, 46" RETAINING | 1 |
| 15. | 82-01083-001 | SCREW, RETAINING FRAME | A/R |
| 16. | 82-01083-000 | SEAL, 46" RETAINING FRAME | A/R |
| 17. | 82-28514-005 | VINYL, 46" UPPER GLAZING | A/R |

SIDE WINDOW 46" STATIONARY, NON-EGRESS



26-002764
T1631-G3
82-28514-403

Notes • Notes • Notes • Notes • Notes • Notes • Notes • Notes • Notes • Notes

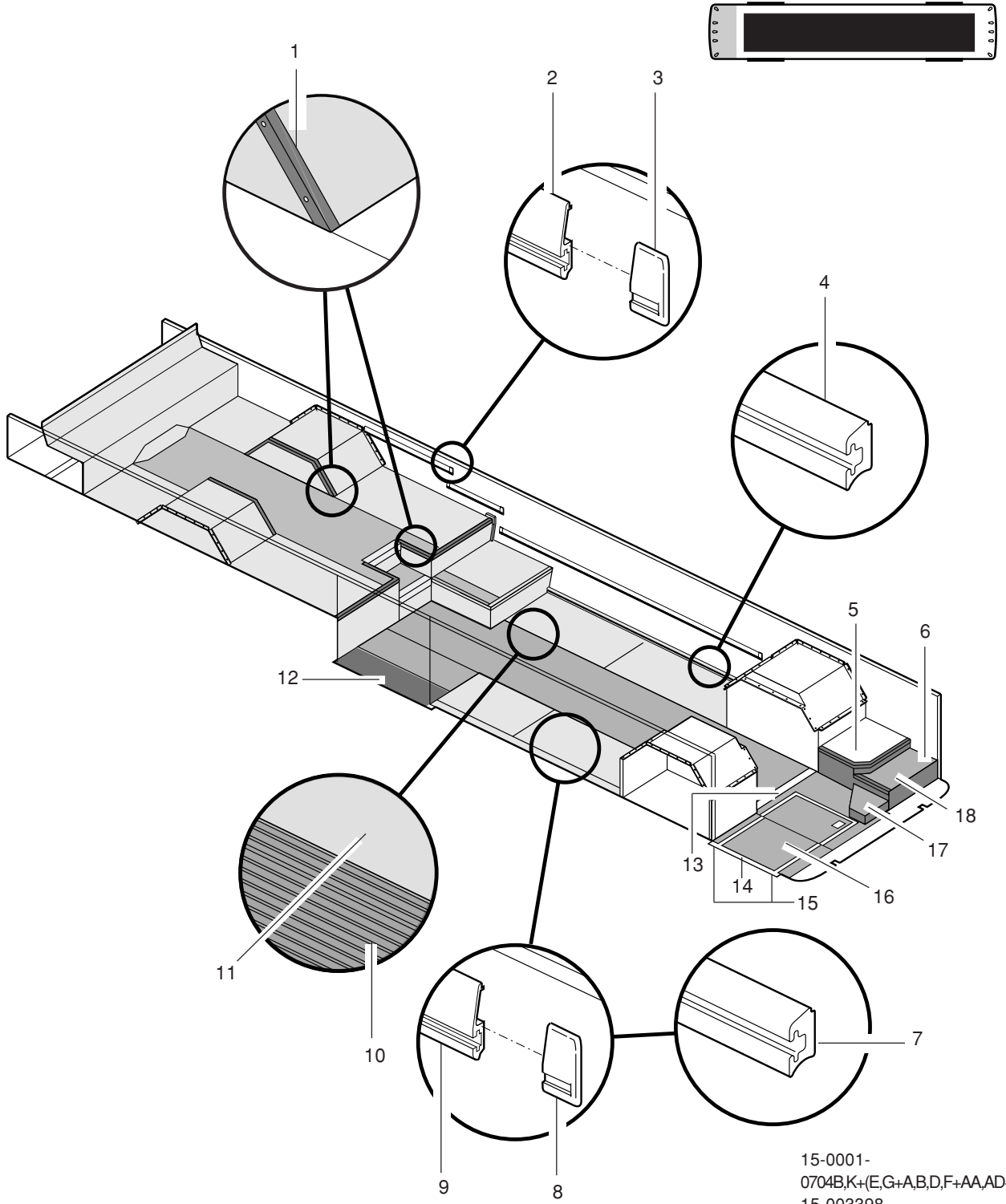
Section 7- Trim Panels

| | |
|---|-----|
| Flooring and Trim | 310 |
| Front Wheelhouse Closeouts | 312 |
| Sidewall Panels-Interior LH | 314 |
| Interior Sidewall Panels: RH 35' | 316 |
| Interior Roof Panels | 318 |
| A/C Return Air Grille | 320 |
| Ramp And Stepwell Trim | 322 |
| Driver's Barrier | 324 |
| Entrance Door Barrier | 326 |
| Exit Door Barrier | 328 |
| Grab rails, Ceiling Mounted: 35' | 330 |
| Grab Handle, Dash Mounted | 332 |
| Wheelchair Grabrail | 334 |
| Grab Handle, Entrance Door | 336 |
| Exit Door Grab Handles | 338 |
| Interior Mirrors | 340 |
| Driver's Seat..... | 342 |
| Driver's Seat Suspension | 344 |
| Stanchions, Vertical | 346 |
| Electrical Storage Box | 348 |
| Air Tank Closeout | 350 |
| Driver's Sunshades | 352 |
| Package Rack: Curbside | 354 |
| Farebox and Mounting | 356 |
| Coat Hook/Tie-Back | 358 |
| LH Exterior Mirror | 360 |
| Exterior Mirror, Curb Side | 362 |
| Mudflaps | 364 |
| Bike Rack w/Slide-in Standoff Bracket (Front) | 366 |
| LH Exterior Side Panels | 368 |
| Skirt Panel, Battery Box | 370 |
| Skirt Panel, Rear Wheel | 372 |
| Skirt Panel, Radiator Access | 374 |
| Exterior Panels: RH | 376 |
| Skirt Panel, Rear Wheel | 378 |
| Skirt Panel, Filter Access | 380 |
| Fender Flares | 382 |
| Exterior Trim | 384 |
| Front Bumper | 386 |
| Rear Bumper | 388 |
| Wiper, Motor and Arm | 390 |
| Windshield Washer Bottle Assembly | 392 |
| License Plate Holder | 394 |

FLOORING AND TRIM

| Item | Part No. | Description | Qty |
|------|-----------------|---|------------------------------------|
| 1. | 15-43025-000 | COVER, TRIM EDGE (END CUT 67° & 90° X 23.88" STREET SIDE) | 1 |
| | 15-43025-001 | COVER, TRIM EDGE (END CUT 45° & 67° X 23.39" STREET SIDE) | 1 |
| | 15-43025-002 | COVER, TRIM EDGE (END CUT 45° & 45° X 21.44" STREET SIDE) | 1 |
| | 15-43025-004 | COVER, TRIM EDGE (END CUT 45° & 45° X 21.43" CURB SIDE) | 1 |
| | 15-43025-005 | COVER, TRIM EDGE (END CUT 90° & 67° X 23.88" CURB SIDE) | 1 |
| | 15-43025-006 | COVER, TRIM EDGE (END CUT 68° & 45° X 23.39" CURB SIDE) | 1 |
| | 15-43025-007 | COVER, TRIM EDGE (END CUT 67° & 67° X 24.73" CURB SIDE) | 1 |
| | | 15-44603L000 | MOLDING, BLACK PLASTIC CORNER TRIM |
| | 15-48671L000 | MOLDING, YELLOW PLASTIC CORNER TRIM | A/R |
| 2. | 15-39796-000 | EXTRUSION, SEAT MTG,UPPER REAR, STREET SIDE | 1 |
| | 15-39897-000 | EXTRUSION, SEAT MTG,UPPER REAR, CURB SIDE | 1 |
| 3. | 15-39967-000L | CAP, RUBRAIL END LEFT | 2 |
| 4. | 15-50199-000 | EXTRUSION, SEAT RAIL, LOWER, STREET SIDE | 1 |
| | 15-40925-000L | CAP, SEAT RAIL END | 2 |
| 5. | 18-48612M002 | MAT, DRIVER'S PLATFORM | 1 |
| 6. | 18-47695-000 | MAT, DRIVER'S FLOOR | 1 |
| 7. | 15-47928-000 | EXTRUSION, SEAT RAIL, LOWER, CURB SIDE | 1 |
| | 15-40925-000R | CAP, SEAT RAIL END | 2 |
| 8. | 15-39967-000R | CAP, RUBRAIL END RIGHT | |
| | 15-39796-000 | EXTRUSION, SEAT MOUNTING | 2 |
| 10. | REF ONLY | FLOORING, RIBBED (REFER TO SPEC SHEET) | A/R |
| 11. | REF ONLY | FLOORING, SMOOTH (REFER TO SPEC SHEET) | A/R |
| 12. | 15-42880-000 | STEP NOSING, EXIT DOOR (WHITE) | 1 |
| 13. | 15-41751-001 | STANDEE LINE, (WHITE) | 1 |
| | 54-13111-043 | SCREW, #6-18 X .75" OVAL HEAD | 8 |
| 14. | 15-46192-002 | STEP NOSING, FT. DOOR (YELLOW) | 1 |
| | 54-13119-091 | SCREW, #6-32 X 3/16" FLAT PHILLIPS SSTL | 10 |
| 15. | 15-40455-012 | STEP NOSING, ENT. DOOR LH/RH (WHITE) | 2 |
| 16. | REF. ONLY | FLOORING, FOLD-OUT RAMP (SEE RAMP) | A/R |
| 17. | 18-46467F001 | PLATFORM ASM., FAREBOX MTG PEDESTAL | 1 |
| | 18-42168-000 | PLATE, FAREBOX PLATFORM ACCESS COVER | 1 |
| | 18-40145F001 | PLATFORM, ASM., FAREBOX MTG TOP PLATE | 1 |
| | 54-10163-039 | RIVET, MONOBOLT, 1/4" STL (.080-.625) | 6 |
| | 54-10163-036 | RIVET, MONOBOLT, 3/16 SSTL (.125-.331 GRIP) | 10 |
| | 40-32887-001 | PLATE, HEEL WEAR | 2 |
| 18. | 54-10163-003 | RIVET, MONOBOLT 3/16 (.218-.437 GRIP) | A/R |
| | 53-02195-016 | SEALANT, 221 BLACK WEARPLATE ATTACHMENT | A/R |
| | 15-38977L217.00 | MOLDING, FILLER | 1 |
| | 45-17477-216.00 | MOLDING, FILLER | 1 |
| | 15-48671L072.00 | MOLDING, CORNER TRIM STEPWELL, (SAFETY YELLOW) | 1 |
| | 15-48053-000 | ANGLE, STEP TRIM | 4 |
| | 54-10163-043 | RIVET, MONOBOLT, 1/4" STL (.080-.625) | 105 |
| | 59-13874-000 | DECAL, "PASSENGERS ARE NOT ..." | 1 |

FLOORING AND TRIM

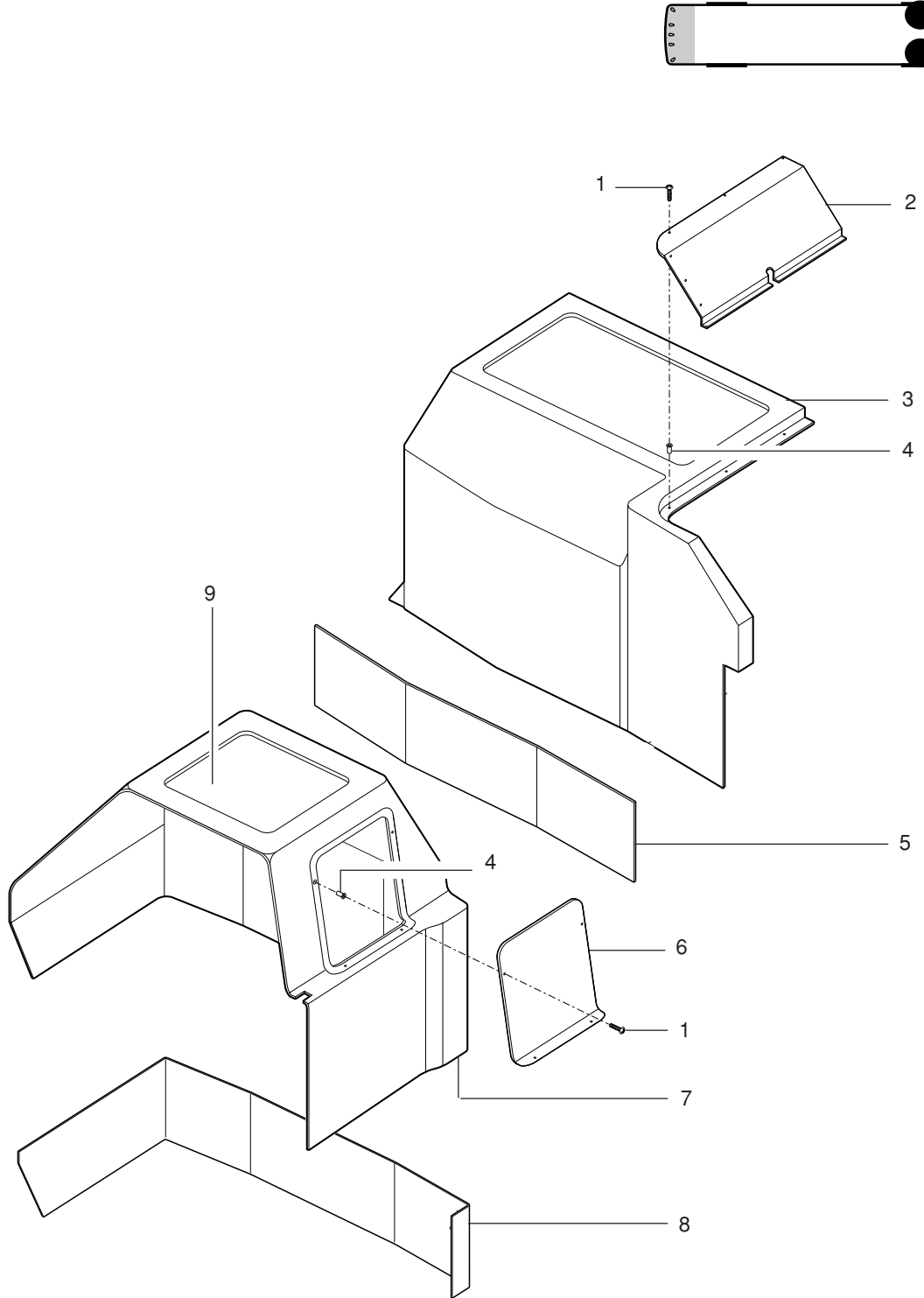


- 15-0001-
- 0704B,K+(E,G+A,B,D,F+AA,AD+H,Q)
- 15-003398
- 15-0001-0704B, K
- 15-0010-0700E, G
- 15-0011-0702A, B, D, F
- 15-0255-0701AA, AD
- 15-0855-0702H, Q

FRONT WHEELHOUSE CLOSEOUTS

| Item | Part No. | Description | Qty |
|------|-----------------|-------------------------------|-----|
| 1. | 54-14275-06B | SCREW, PHIL PANHD #10-32 | A/R |
| 2. | 15-49722C8508 | PANEL, WHEELWELL CLOSEOUT, LH | 2 |
| 3. | 15-49551C8508 | COVER, WHEELWELL LH | 1 |
| | 15-37850L018.00 | ANGLE, MOUNTING WHEELWELL | 1 |
| | 15-37850L037.15 | ANGLE, MOUNTING WHEELWELL | 1 |
| 4. | 54-33460-006 | INSERT, BLIND THREADED #10-32 | A/R |
| 5. | 15-47993-000 | PANEL, KICK SSTL | 1 |
| 6. | 15-49726C8508 | PLATE, CLOSEOUT | 2 |
| 7. | 15-49553C8508 | COVER, WHEELWELL RH | 1 |
| 8. | 15-47992-000 | PANEL, KICK SSTL | 1 |
| 9. | 15-37850L029.00 | ANGLE, WHEELWELL MTG | 2 |
| | 54-10163-005 | RIVET, MONOBOLT | 20 |
| N/S | 56-35802-000 | EXTRUSION, RUBBER | A/R |
| N/S | 56-02138-023 | TAPE, ADHESIVE MOUNTING | A/R |
| N/S | 15-48174-000 | CLOSEOUT, DOOR SHAFT | 1 |
| N/S | 54-10163-024 | RIVET MONOBOLLT | 48 |

FRONT WHEELHOUSE CLOSEOUTS

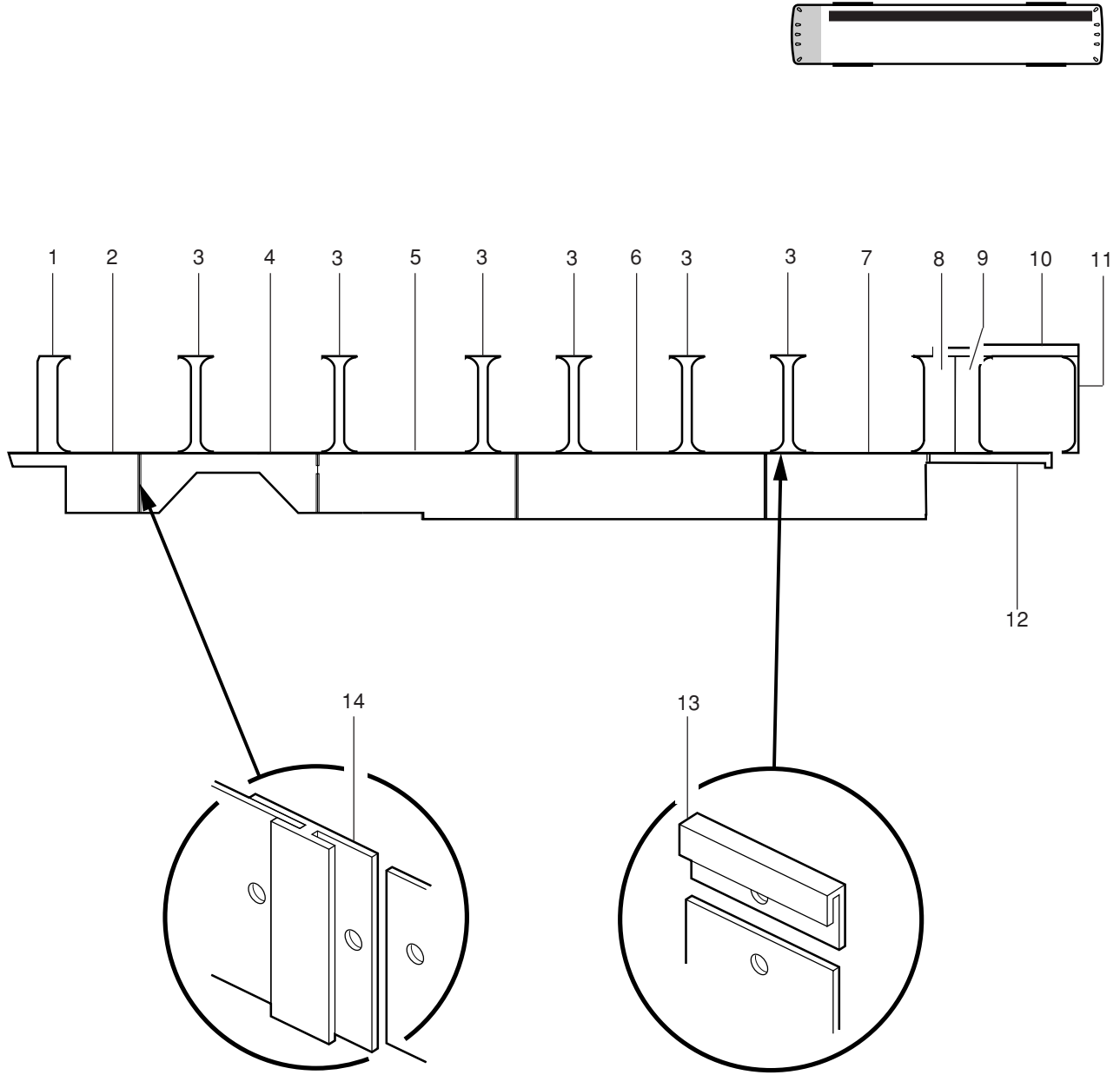


15-0030-0701J,M,N
15-002829
15-0030-0701J, M, N

SIDEWALL PANELS-INTERIOR LH

| Item | Part No. | Description | Qty |
|------|---------------|---|-----|
| 1. | 15-46734-000L | PANEL, SIDE INTERIOR REAR | 1 |
| 2. | 15-46735M000L | PANEL, INTERIOR, REAR | 1 |
| 3. | 15-41896-000 | PANEL, SIDE INTERIOR INTERMEDIATE | 6 |
| 4. | 15-41907-000 | PANEL, INTERIOR SIDEWALL, RR WHEELWELL | 1 |
| 5. | 15-45656-000 | PANEL, INTERIOR SIDEWALL, RR | 1 |
| 6. | 15-41914-009 | PANEL, INTERIOR SIDEWALL | 1 |
| 7. | 15-41914-012 | PANEL, INTERIOR SIDEWALL | 1 |
| 8. | 15-45645-000 | PANEL, SIDE INTERIOR B-POST LH | 1 |
| 9. | 15-41898-000R | PANEL, SIDE INTERIOR B-POST LH | 1 |
| 10. | 15-45646-000 | PANEL, SIDE INTERIOR, DRIVER'S | 1 |
| 11. | 15-41899-000L | PANEL, SIDE INTERIOR A-POST LH | 1 |
| 12. | 15-41925-000 | PANEL, INTERIOR SIDEWALL FRT WHEELWELL | 1 |
| 13. | 15-41274L000 | TRIM, CAP "J" MOLDING (CUT TO LENGTH) | A/R |
| 14. | 15-41001L000 | MOLDING, TRIM "H" MOLDING (CUT TO LENGTH) | A/R |

SIDEWALL PANELS-INTERIOR LH



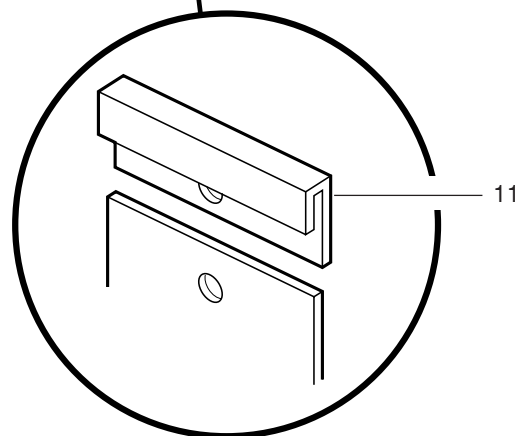
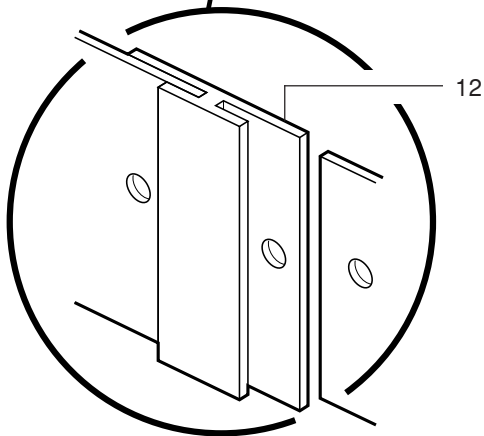
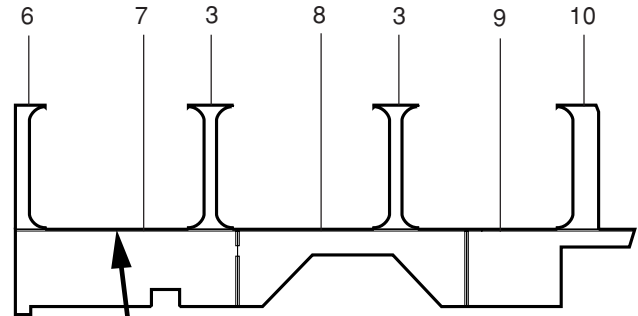
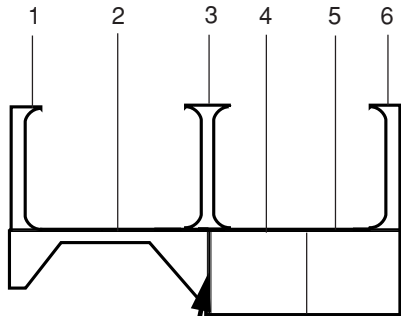
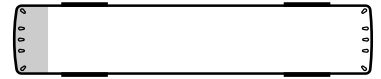
*SHOWN FROM INSIDE LOOKING OUT.

15-0052-0705A,E
15-003849
15-0052-0705A, E

INTERIOR SIDEWALL PANELS: RH 35'

| Item | Part No. | Description | Qty |
|------|---------------|------------------------------------|-----|
| 1. | 15-41900-000 | PANEL,SIDE INTERIOR REAR DOOR POST | 1 |
| | 15-45647-000 | PANEL,SIDE,INTERIOR AIR TANK | 1 |
| 2. | 15-41936-000 | PANEL, INTERIOR SIDEWALL | 1 |
| 3. | 15-41896-000 | PANEL,SIDE INTERIOR INTERMEDIATE | 1 |
| 4. | 15-41914-012 | PANEL,INTERIOR SIDEWALL | 2 |
| 5. | 15-41914-013 | PANEL,INTERIOR SIDEWALL | 1 |
| 6. | 15-41900-000 | PANEL,SIDE INTERIOR DOOR POST | 1 |
| 7. | 15-45650-000 | PANEL, INTERIOR SIDE WALL | 1 |
| 8. | 15-41907-000 | PANEL-INTERIOR SIDEWALL | 1 |
| 9. | 15-46735M001R | PANEL,INTERIOR RR | 1 |
| 10. | 15-46734-000R | PANEL,SIDE INTERIOR REAR | 1 |
| 11. | 15-41274L000 | TRIM-CAP, "J" MOLDING | A/R |
| 12. | 15-41001L000 | MOLDING-TRIM, "H" MOLDING | A/R |

INTERIOR SIDEWALL PANELS: RH 35'



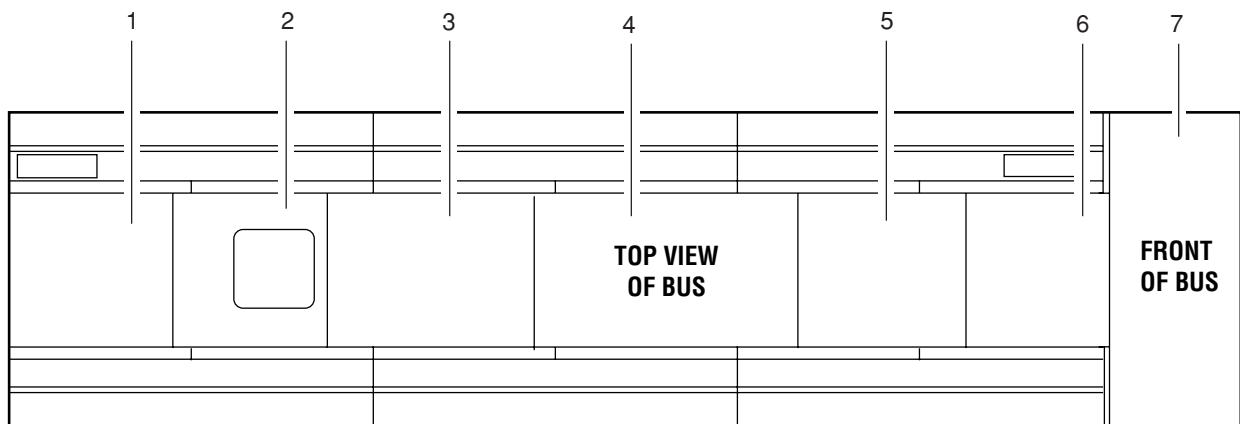
*SHOWN FROM INSIDE LOOKING OUT.

15-0102-0705B
15-001847
15-0102-0705B

INTERIOR ROOF PANELS

| Item | Part No. | Description | Qty |
|------|-----------------|--|-----|
| 1. | 15-44089-000 | PANEL, CEILING | 1 |
| 2. | 15-44090M001 | PANEL, CEILING | 1 |
| 3. | 15-44090M000 | PANEL, CEILING | 1 |
| 4. | 15-44119M000 | PANEL, CEILING | 1 |
| 5. | 15-44090M000 | PANEL, CEILING | 2 |
| 6. | 15-44092M000 | PANEL, CEILING | 1 |
| 7. | 15-37313-000 | PANEL, CEILING | 1 |
| | 54-13119-092 | SCREW, #10-24 X 1.25" PHILLIPS TRUSS HD. TAPTITE | A/R |
| | 54-13100-003 | SCREW, # 6 X .75" PAN HD. SHEETMETAL | A/R |
| | 54-42072-000 | SPACER, A/C DUCTING | A/R |
| | 56-02138-009 | TAPE, ADHESIVE, 1.0 | A/R |
| | 56-02138-022 | TAPE, ADHESIVE, .75 | A/R |
| | 45-36559-046.00 | RETAINER, TRIP STRIP | 5 |
| | 45-36560-053.00 | COVER, TRIM | 6 |
| | 14-37615-000 | SHEET, CLOSEOUT | 6 |
| | 14-37616-000 | SHEET, CLOSEOUT | 6 |
| | 15-37863L036.00 | PANEL, A/C DUCT | 2 |
| | 15-42329-000 | CLOSEOUT, A/C DUCT | 2 |
| | 15-37863L056.50 | PANEL, A/C DUCT | 2 |
| | 15-37863L085.37 | PANEL, A/C DUCT | 2 |
| | 15-37863L049.82 | PANEL, A/C DUCT | 6 |
| | 15-38816-000 | HANGER, A/C DUCT | 14 |
| | 15-38849L033.75 | CLOSEOUT, RR DOOR CONTROL COMP | 1 |

INTERIOR ROOF PANELS

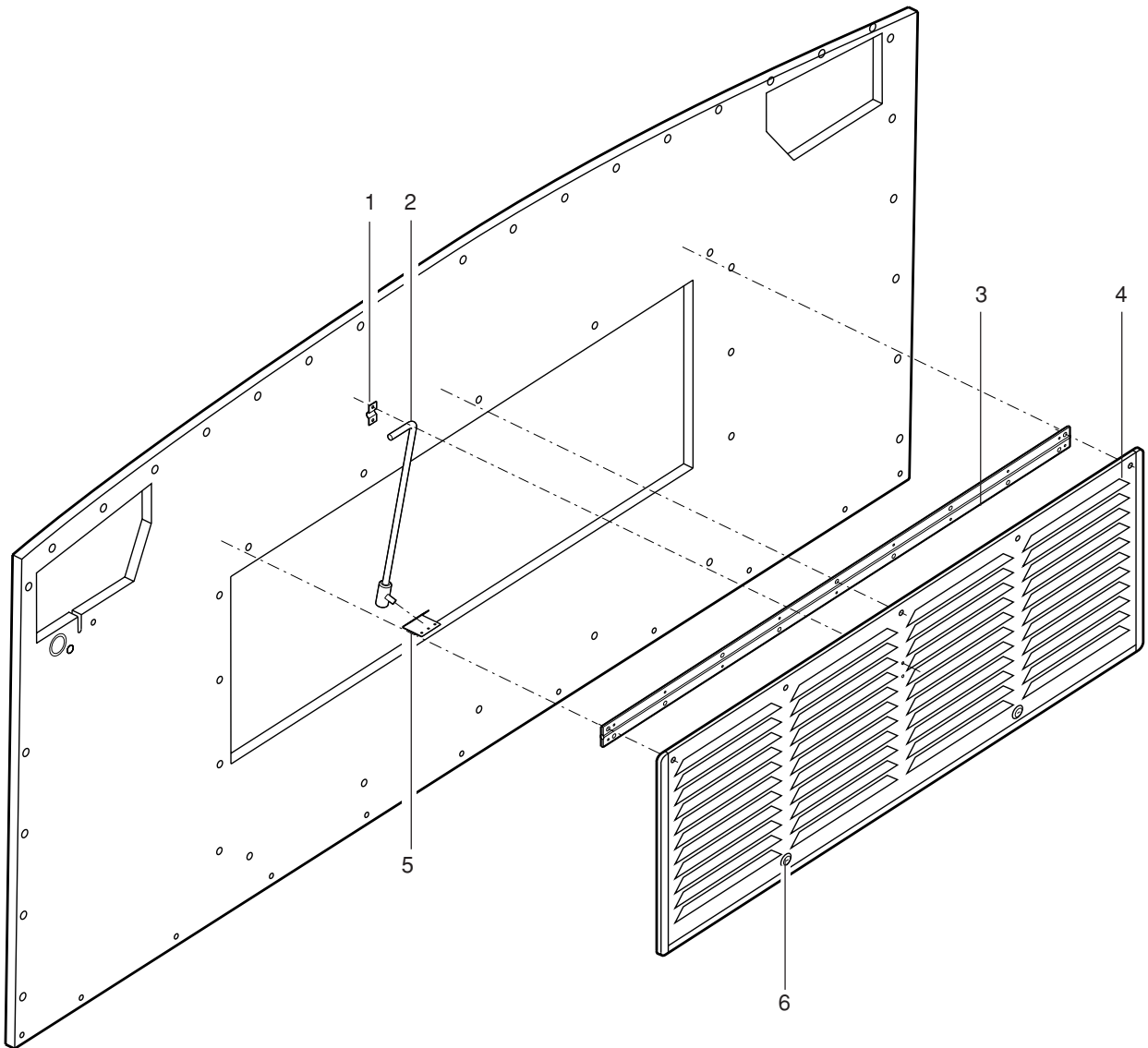


15-0150-0701C+(A,C)
15-000156
15-0150-0701C
15-0155-0708A, C

A/C RETURN AIR GRILLE

| Item | Part No. | Description | Qty |
|------|-----------------|--|-----|
| 1. | 40-11791-000 | BRACKET, DOOR SUPPORT | 1 |
| | 54-14284-05Z | SCREW, 6-32 X .062 | 5 |
| 2. | 40-11784-008 | ROD, GRILLE SUPPORT | 1 |
| | 15-42614-000 | BRACKET, PROP ROD SUPPORT | 2 |
| | 54-12550-005 | NUT, HXHD NYLOK 1/4-28, GR 5 | 1 |
| 3. | 15-37913-000 | HINGE, RETURN AIR GRILLE | 1 |
| | 54-07101-001 | RIVET, POP 3/16 OPEN END | 5 |
| | 54-13111-001 | SCREW, 10 X 5/8 TORX | 6 |
| 4. | 15-43097M003 | GRILL, A/C RETURN AIR W/COMPRESSION LOCK | 1 |
| 5. | 40-15299-000 | BRACKET, GRILLE SUPPORT ROD | 1 |
| 6. | 54-40032N000 | LATCH ASM, COMPRESSION SMALL | 2. |
| | 54-00064-001 | JOINT, BALL 1/4-28 | 2 |
| | 15-39633-001 | PANEL, BULKHEAD COVERING | 1 |
| | 15-44604L038.25 | TRIM, SETTEE ANGLE | 2 |
| | 15-43668-000 | ANGLE, SETTEE TRIM | 1 |
| | 54-14288-07Z | SCREW, PHT #10 X 1.0" | 5 |

A/C RETURN AIR GRILLE

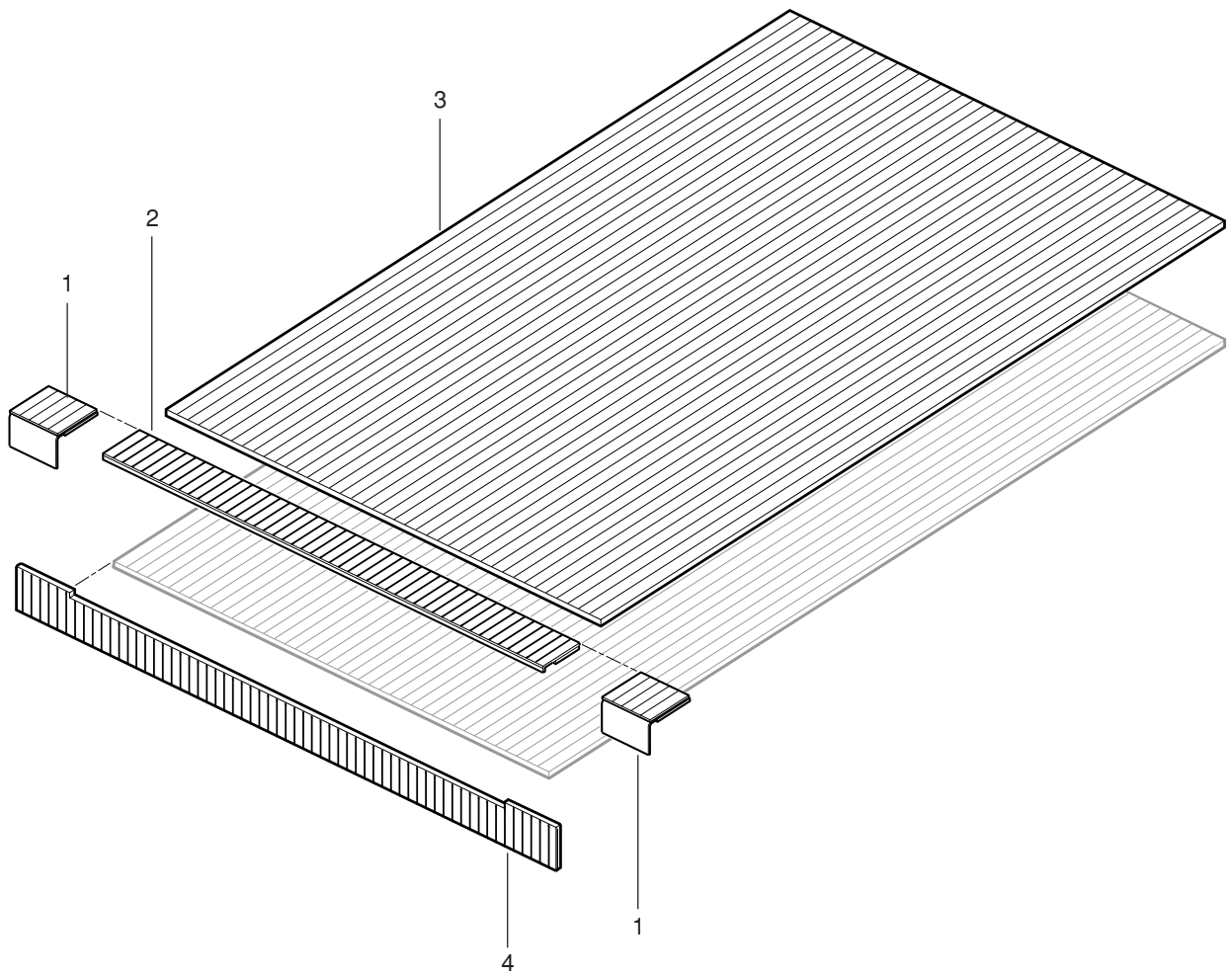
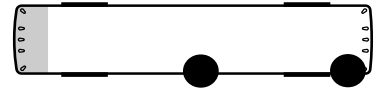


- 15-0200-0700F,H+(A+E)
- 15-001729
- 15-0200-0700F, H
- 15-0220-0702A
- 15-0225-0700E

RAMP AND STEPWELL TRIM

| Item | Part No. | Description | Qty |
|------|--------------|--|-----|
| 1. | 15-40455-012 | FLOORING, STEP NOSING, YELLOW (2.88" X 3.10") | 2 |
| 2. | 15-46192-002 | FLOORING, STEP NOSING, YELLOW (39.81" X 3.10") | 1 |
| 3. | REF. ONLY | FLOORING, NON-SKID ENTRANCE (MFG. SUPPLIED) | 1 |
| 4. | 15-46192-002 | FLOORING, STEP NOSING, YELLOW (39.8" X 34.12" X 2.61") | 1 |
| | 54-13119-091 | SCREW, #6-32 X 3/16 FLAT HD. | 12 |
| N/S | 15-42881-004 | FLOORING, ALTRO STEP NOSING (REAR EXIT DOOR) | 1 |
| | 54-13119-089 | SCREW, #6-32X3/4 | 11 |

RAMP AND STEPWELL TRIM

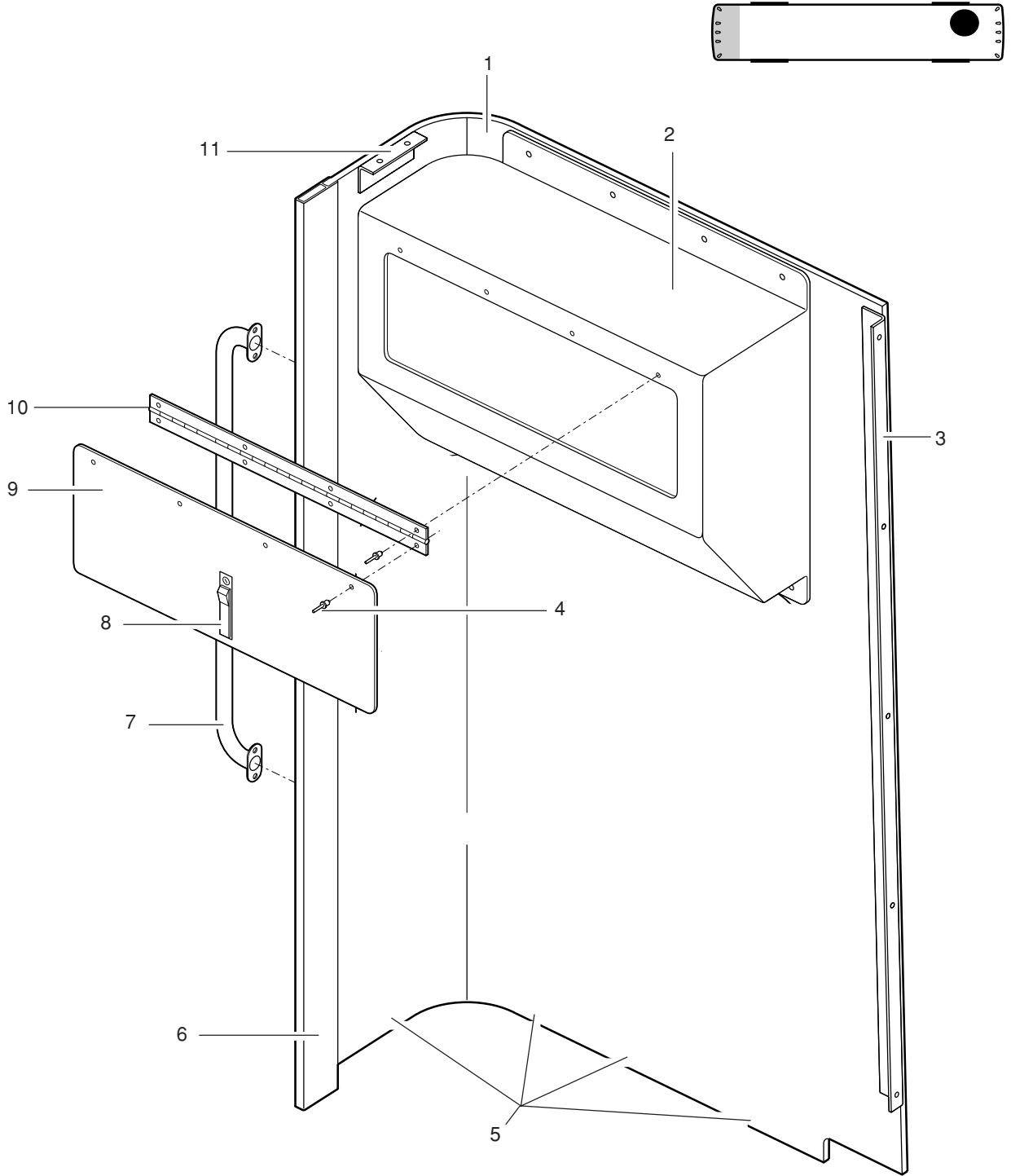


15-0255-0701AA,AD
15-003163
15-0255-0701AA,AD

DRIVER'S BARRIER

| Item | Part No. | Description | Qty |
|------|-----------------|--|-----|
| 1. | 18-48708-001 | BARRIER-DRIVER'S | 1 |
| 2. | 18-47568-000 | BOX, STORAGE/RADIO W/WRAP AROUND BARRIER | 1 |
| 3. | 18-39629-000 | ANGLE-BARRIER MTG | 1 |
| | 54-10163-005 | RIVET, MONOBOLT | 8 |
| | 54-13119-082 | SCREW, 1/4"-20 X 5/8 PNHD PHIL 400 SERIES | A/R |
| | 54-13110-002 | NUT, 1/4"-20 LOW CROWN | 12 |
| 4. | 54-10163-001 | RIVET, MONOBOLT | 10 |
| 5. | 54-14278-06B | SCREW, PH CR 1/4"-20X3/4 | 6 |
| | 54-33460-008 | INSERT, BLIND THREADED 1/4"-20 | 6 |
| | 56-26514-000 | WASHER, 1/4" | 6 |
| | 15-48753-000 | BRACKET ASM, LOWER BARRIER FORWARD SUPPORT | 1 |
| | 54-00094-003 | RIVET, BLIND 1/4" | 2 |
| 6. | 45-25543-049.62 | EDGE, ALUM. GUARD (BLACK ANODIZED) 3" X .75" | A/R |
| | 45-25560-049.62 | SEAL, RUBBER MATING TO ALUM. EXTRUSION | A/R |
| | 54-14274-07Z | SCREW, #10-24 X 1.0" PHCR | 2 |
| | 54-12540-003 | NUT, #10-24 NYLOCK | 2 |
| 7. | 18-41512-000 | HANDLE, GRAB (BLACK POWDER COAT) | 1 |
| | 54-13119-065 | SCREW, 1/4"-20X1-1/4 PHIL TRUSS HD | 4 |
| | 54-12602-009 | LOCKWASHER, 1/4 | 4 |
| | 54-13110-002 | NUT, 1/4"-20 LOW CROWN | 4 |
| 8. | 53-27218-000 | LATCH, ADJUSTABLE W/O KEY | 1 |
| 9. | 40-33528-004 | DOOR, STORAGE BOX W/HARTWELL LATCH W/O | 1 |
| 10. | 45-33531-000 | HINGE | 1 |
| 11. | 15-47460-000 | BRACKET, ANGLE-BARRIER SUPPORT | 1 |
| | 54-13119-082 | SCREW, 1/4"-20 X 5/8 PNHD PHIL 400 SERIES | 6 |
| | 54-13110-002 | NUT, 1/4"-20 LOW CROWN | 10 |
| | 56-02111-010 | TAPE, FOAM .12THK X .38W | 1 |

DRIVER'S BARRIER

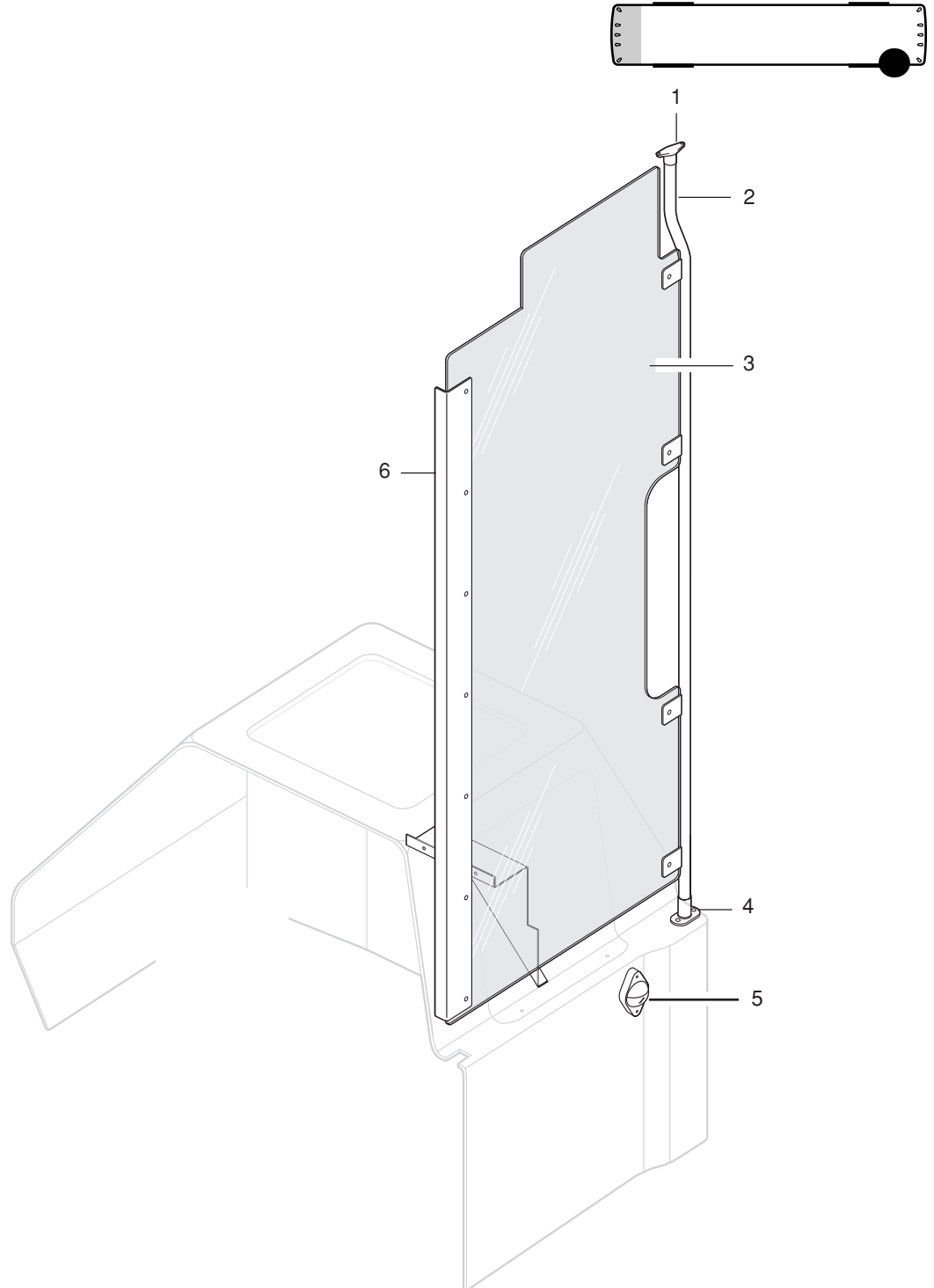


15-0300-0703A,H+(C,J)
15-001773
15-0300-0703A, H
15-0625-0707C, J

ENTRANCE DOOR BARRIER

| Item | Part No. | Description | Qty |
|------|--------------|--|-----|
| 1. | 15-47882-001 | FLANGE, FITTING (BLACK) | 1 |
| 2. | 15-47439-001 | TUBE ASM, STANCHION | 1 |
| 3. | 15-47438M001 | PANEL, ENTRANCE DOOR | 1 |
| | 54-12605-008 | FLATWASHER, FENDER 1/4 | 11 |
| | 54-13110-002 | NUT, 1/4-20 LOW CROWN | 11 |
| | 54-13119-003 | SCREW, #10-24 X 3/4 TAPTITE | 14 |
| | 54-14292-06Z | SCREW, 1/4 X 3/4 | 4 |
| 4. | 50-02142-000 | FITTING, STANCHION | 1 |
| 5 | 51-45116-000 | LAMP ASM., WITH SHIELD | 1 |
| | 54-15729-027 | BULB, DC BAYONET | 1 |
| | 54-10163-011 | RIVET, MONOBOLT, 3/16 AL.(.436-.562) | 2 |
| 6. | 15-39574F005 | BRACKET, MODESTY PANEL 6-HOLE "L" MTG. | 1 |
| | 15-39574F006 | BRACKET, MODESTY PANEL 2-HOLE "L" MTG. | 1 |
| | 54-00026-000 | SCREW, STANCHION | 1 |
| | 54-00027-000 | NUT, STANCHION | 1 |
| | 54-10163-005 | RIVET, MONOBOLT, 1/4" STL (.080-.375) | 2 |
| | 54-10163-027 | RIVET, MONOBOLT, 1/4" STL (.350-.625) | 2 |

ENTRANCE DOOR BARRIER

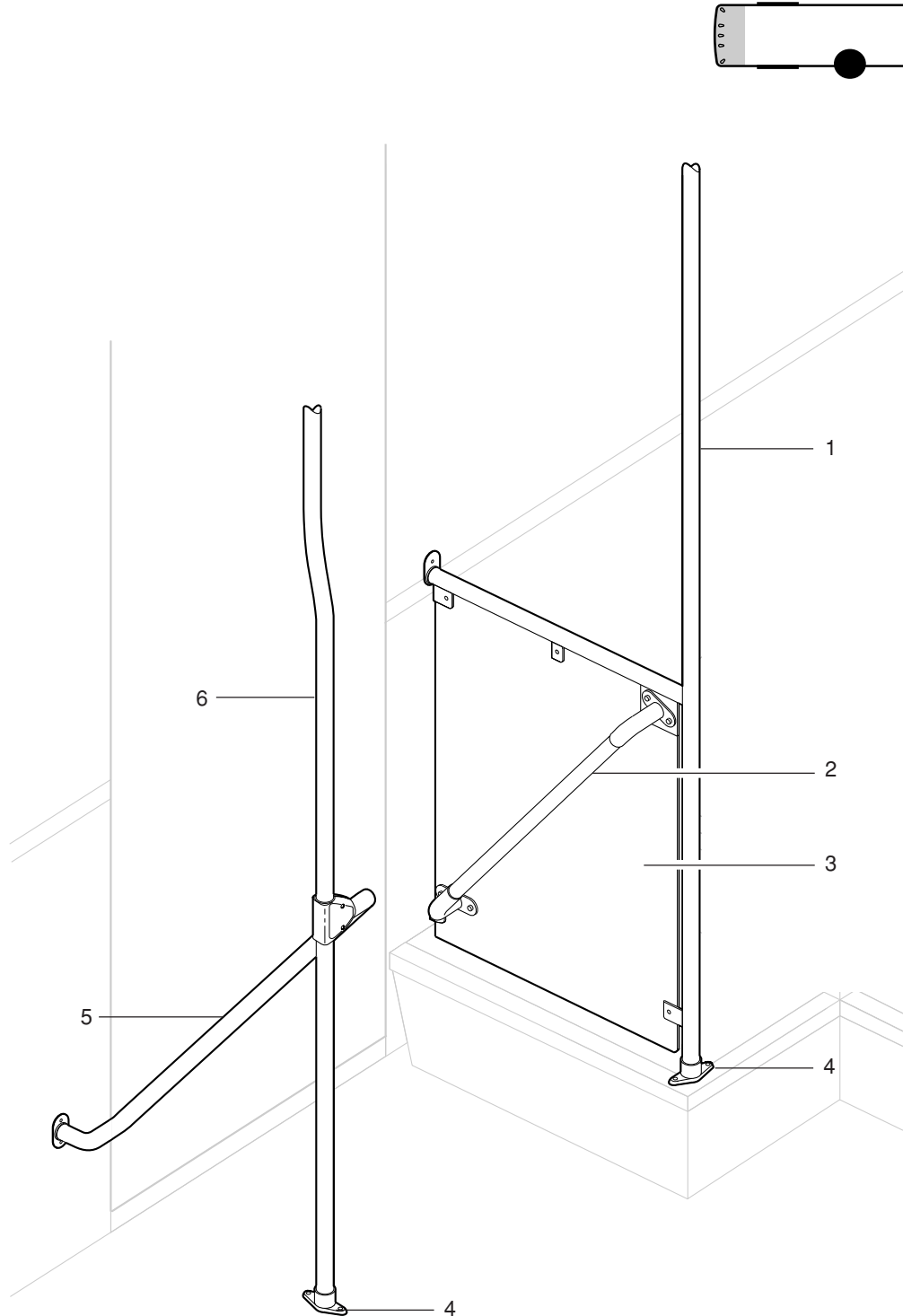


15-0302-0702D+0701L
15-004442
15-0302-0702D
13-0651-0701L

EXIT DOOR BARRIER

| Item | Part No. | Description | Qty |
|------|-----------------|---|-----|
| 1. | 15-48234M001 | TUBE ASM, RR MODESTY (YELLOW POWDER COATED) | 1 |
| | 15-39387N000 | STANCHION CUP W/ NUT SIDEWALL ATTACHMENT | 1 |
| | 15-46283-000 | BRACKET-STANCHION MTG. SIDEWALL ATTACHMENT | 1 |
| | 40-34891-000 | BRACKET, GRAB RAIL LOWER | 1 |
| 2. | 15-44598L036.00 | GRABRAIL, EXIT DOOR | 1 |
| 3. | 15-46286-000 | PANEL-RR LWR MODESTY | 1 |
| 4. | 15-47882-000 | FITTING, STANCHION, GREY | 4 |
| 5. | 15-42526-001 | GRABRAIL, YELLOW | 1 |
| | 50-02144-000 | FITTING, STANCHION SIDEWALL ATTACHMENT | 1 |
| | 54-00026-000 | SCREW, STANCHION | 1 |
| | 54-00027-000 | NUT, STANCHION | 1 |
| 6. | 15-48192-000 | TUBE, STANCHION, (YELLOW POWDER 5-COATED) | 1 |
| | 54-13119-054 | SCREW, 1/4"-20 X .625" SOCKET BUTTONHD | 3 |
| | 54-14292-10Z | SCREW, PHT. 1/4" X 1.75" | 2 |
| | 54-10163-032 | RIVET, MONOBOLT 1/4" STL (.080-.375 GRIP) | 2 |
| | 15-47883-000 | FITTING, STANCHION | 1 |
| | 54-13113-104 | BOLT, SPCL 1/4-20 X 1 HXHD | 1 |
| | 54-13112-030 | FLATWASHER 1/4 SSTL | 1 |
| | 54-43067-000 | RIVET, STRUCTURAL BLIND | 2 |
| | 54-43067-000 | RIVET, STRUCTURAL BLIND | 2 |

EXIT DOOR BARRIER

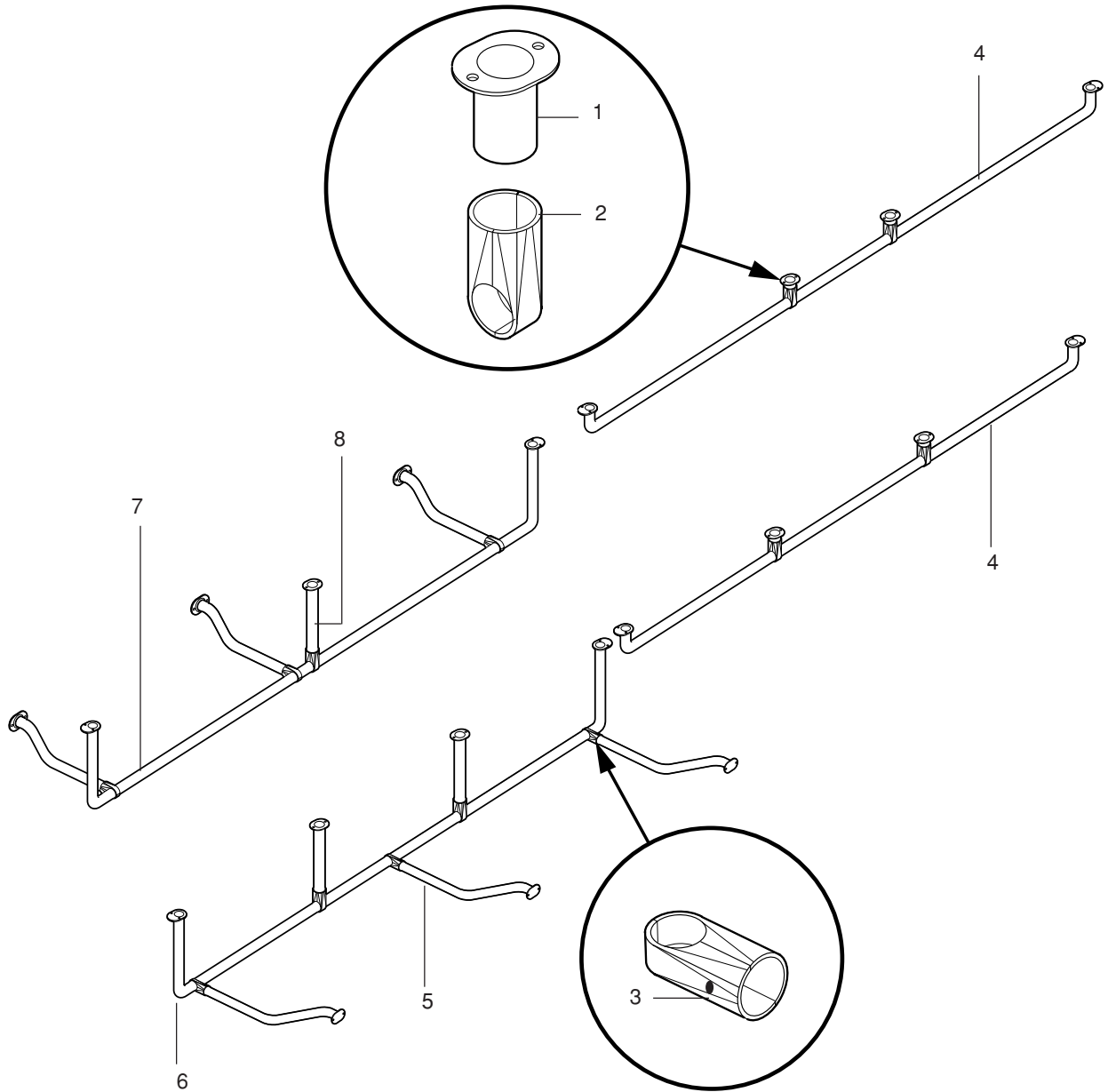


15-0303-0702B+(G,H+L)
15-002298
15-0303-0702B
15-0360-0700G, H
15-0570-0703L

GRAB RAILS, CEILING MOUNTED: 35'

| Item | Part No. | Description | Qty |
|------|-----------------|--|-----|
| 1. | 15-39896-000 | FITTING ASM, STANCHION CEILING | 5 |
| 2. | 15-47883-000 | FITTING, STANCHION, GREY | A/R |
| 4. | 15-39766L174.00 | TUBE ASM, STANCHION, OVERHEAD RAIL RR | 1 |
| | 15-39766L138.27 | TUBE ASM, STANCHION, OVERHEAD RAIL | 1 |
| 5. | 15-39899-000 | TUBE ASM, STANCHION, OVERHEAD SIDE | 6 |
| 6. | 15-39846L122.50 | TUBE ASM, STANCHION | 1 |
| 7. | 15-39846L95.71 | TUBE ASM, STANCHION, OVERHEAD RAIL, RH | 1 |
| 8. | 15-39898-000 | TUBE ASM, STANCHION, CEILING MTG | 2 |
| | 54-43067-000 | RIVET, STRUCTURAL | A/R |

GRAB RAILS, CEILING MOUNTED: 35'

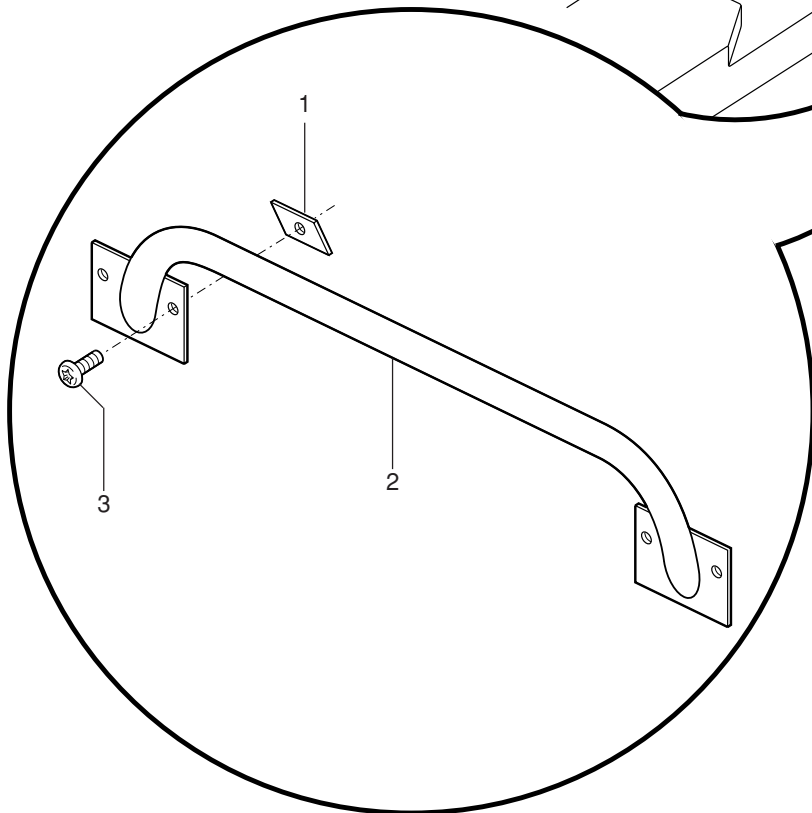
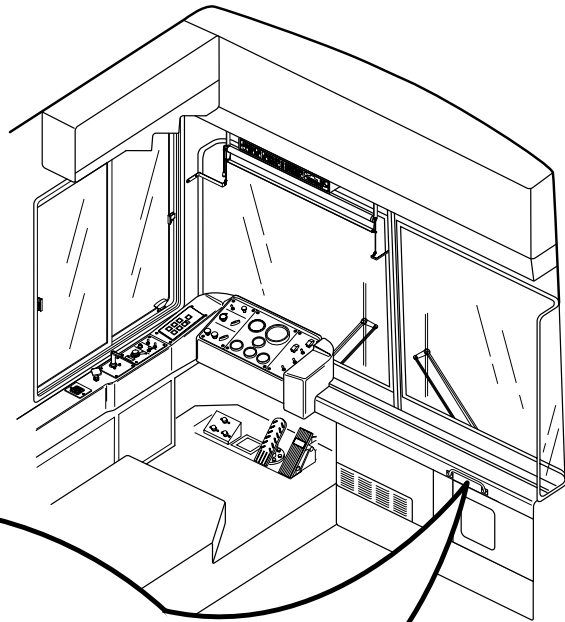
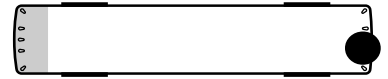


15-0350-0700L+(R) SSTL35'
15-001731
15-0350-0700L
15-0351-0700R

GRAB HANDLE, DASH MOUNTED

| Item | Part No. | Description | Qty |
|------|--------------|-------------------------------------|-----|
| 1. | 54-37358-000 | NUT PLATE, COBOLT M8 | 4 |
| 2. | 18-48794-000 | HANDLE, 18.65" GRAB (POWDER YELLOW) | 1 |
| 3. | 54-37359-001 | BOLT, BUTTON TORX HEAD, M8 X 15MM | 4 |

GRAB HANDLE, DASH MOUNTED

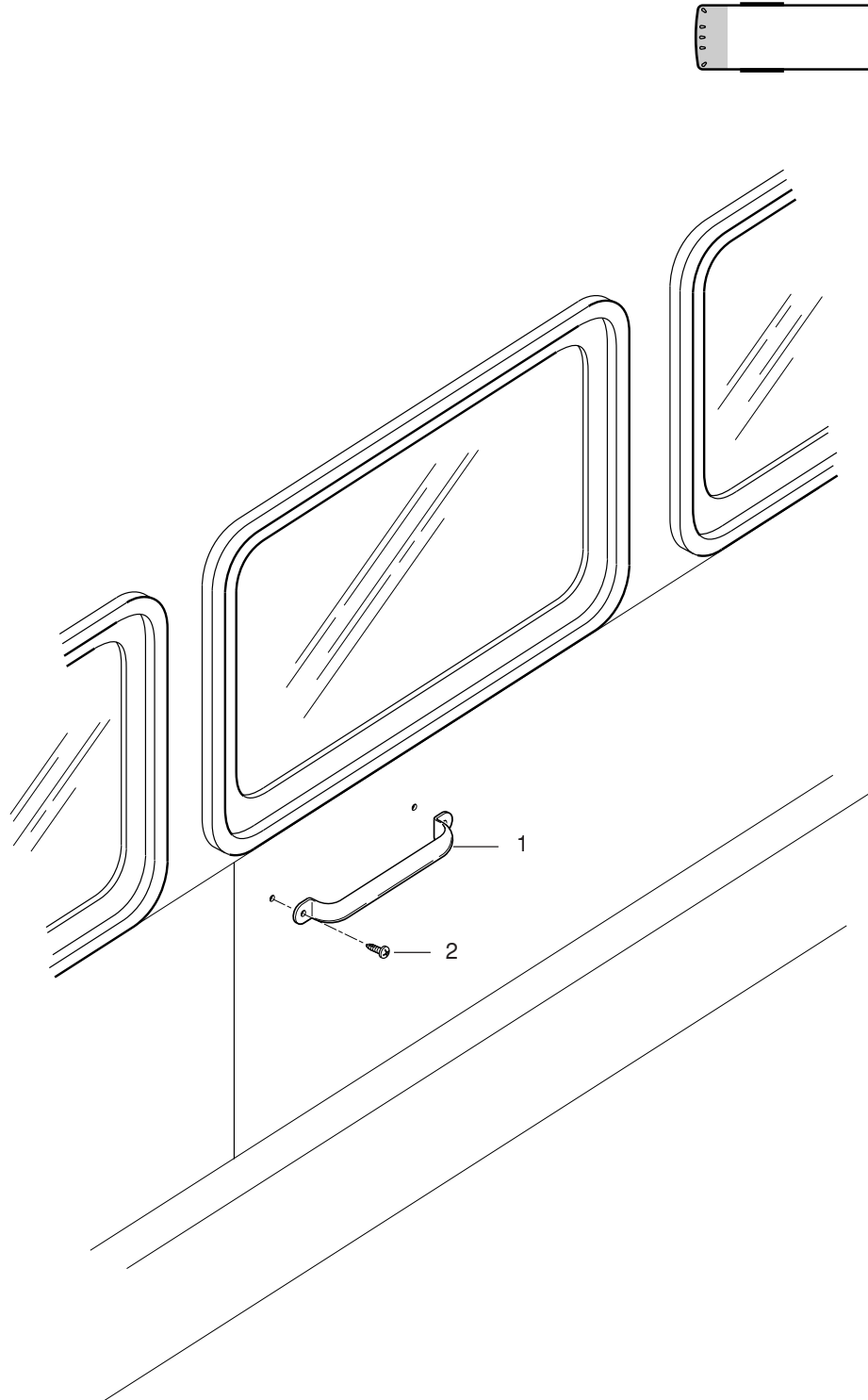


15-0356-0700F
15-001732
15-0356-0700F

WHEELCHAIR GRABRAIL

| Item | Part No. | Description | Qty |
|------|--------------|------------------|-----|
| 1. | 45-02137-006 | HANDLE, GRAB | 1 |
| 2. | 54-14292-07Z | SCREW, 1/4 X 1.0 | 4 |

WHEELCHAIR GRABRAIL

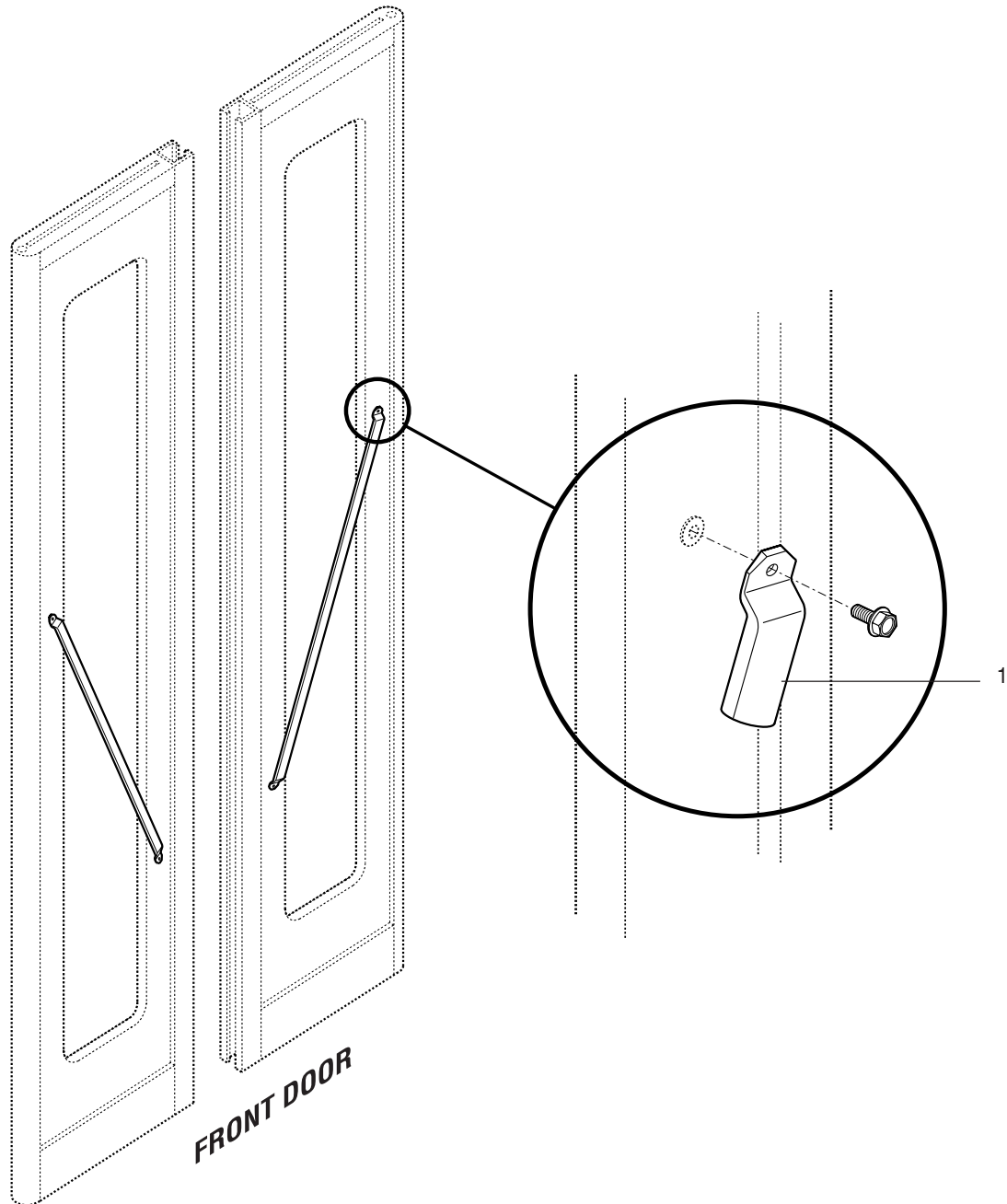
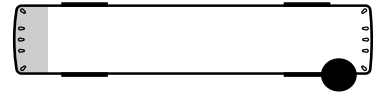


15-0361-0700,A
15-003248
15-0361-0700,A

GRAB HANDLE, ENTRANCE DOOR

| Item | Part No. | Description | Qty |
|------|--------------|---|-----|
| 1. | 20-41688-001 | HANDLE, FRONT DOOR (YELLOW POWDER FINISH) | 2 |
| | 54-00027-000 | NUT, STANCHION | 4 |
| | 54-13112-020 | FLATWASHER, 3/8 SSTL | 4 |
| | 54-00026-000 | SCREW, STANCHION | 4 |

GRAB HANDLE, ENTRANCE DOOR

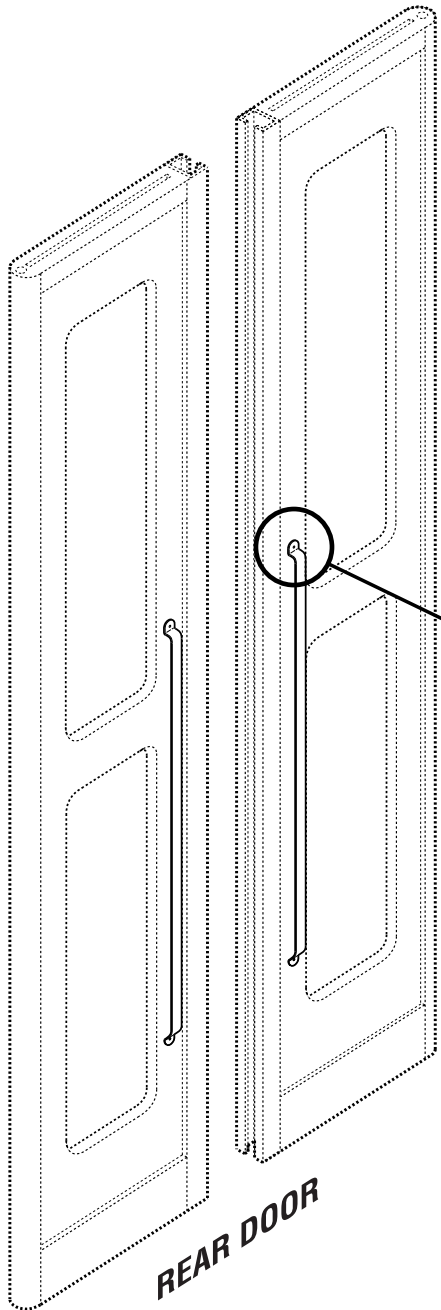
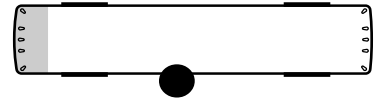


15-0400-0700G
15-001733
15-0400-0700G

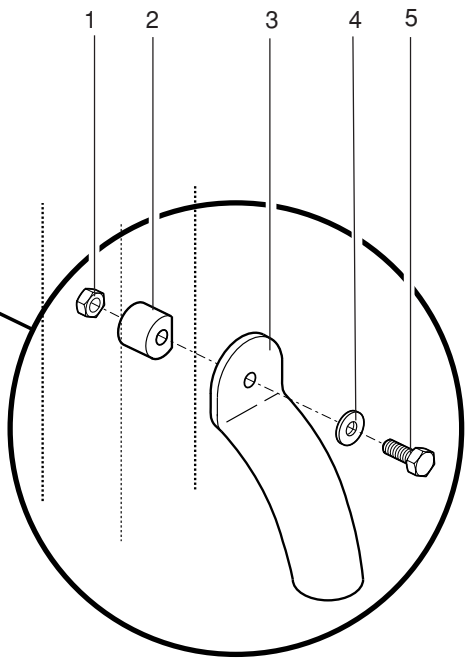
EXIT DOOR GRAB HANDLES

| Item | Part No. | Description | Qty |
|------|--------------|----------------------------------|-----|
| 1. | 54-00027-000 | NUT, STANCHION | 4 |
| 2. | 54-12600-008 | FLATWASHER, 3/8", | 2 |
| 3. | 15-49713-000 | HANDLE, GRAB 14.0" POWDER YELLOW | 2 |
| 4. | 54-13112-020 | FLATWASHER, SSTL 3/8" | 4 |
| 5. | 54-00026-000 | SCREW, STANCHION | 4 |

EXIT DOOR GRAB HANDLES



REAR DOOR

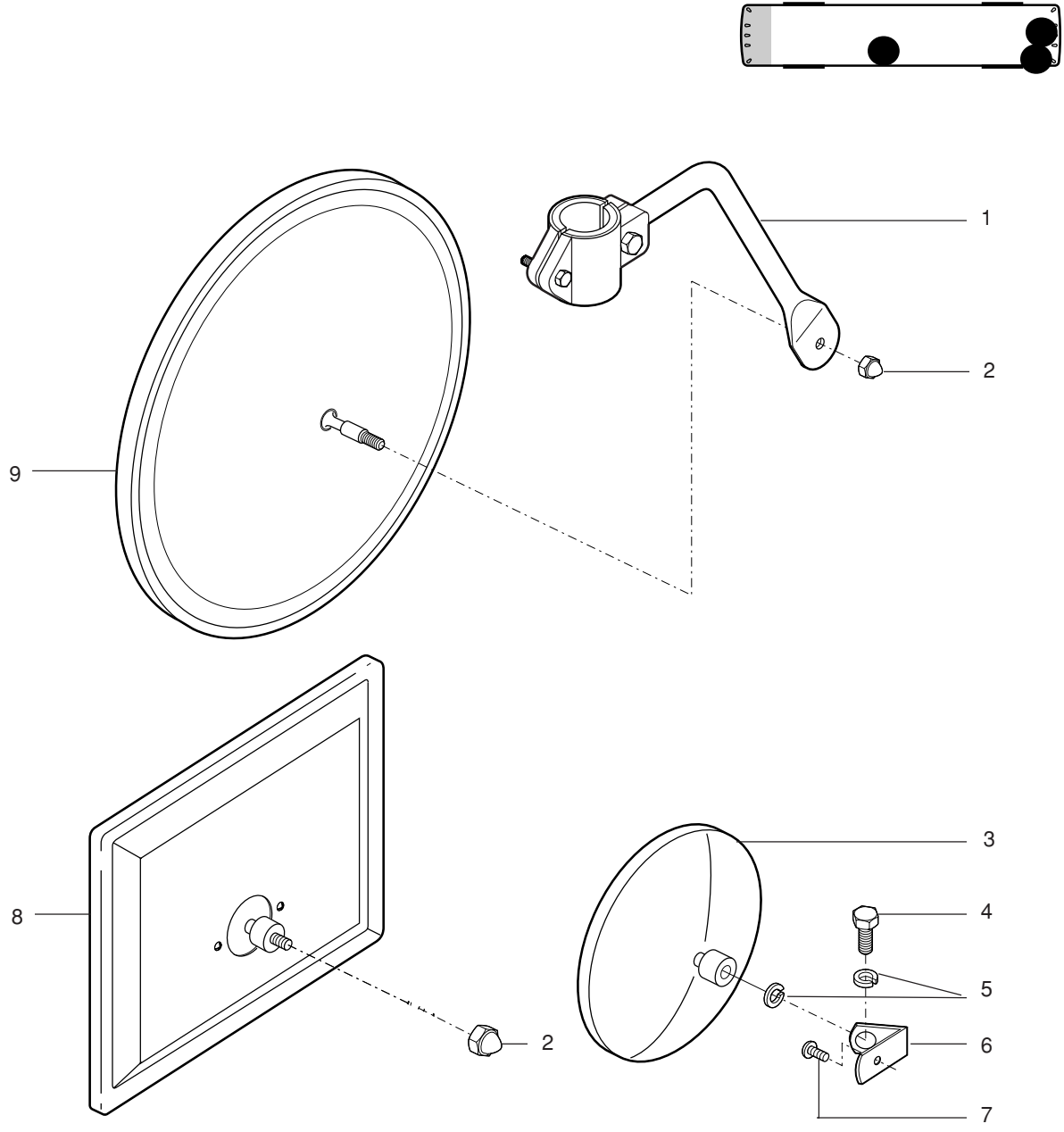


15-0410-0700J
15-000260
15-0410-0700J

INTERIOR MIRRORS

| Item | Part No. | Description | Qty |
|------|--------------|-------------------------------------|-----|
| 1. | 53-32336-000 | BRACKET, MIRROR MTG RR STEPWELL | 1 |
| 2. | 82-00117-000 | NUT, CROWN 3/8"-16 | 2 |
| 3. | 50-02104-007 | MIRROR, 6" ROUND | 1 |
| 4. | 54-13113-075 | BOLT, 1/4-20 X 3/4 | 1 |
| 5. | 54-13112-030 | LOCKWASHER, 3/8" | 2 |
| 6. | 18-48286-000 | BRACKET, INT. MIRROR MTG 4.5"X3.75" | 1 |
| 7. | 54-13113-075 | BOLT, 1/4-20 X 3/4 | 1 |
| 8. | 53-35868-000 | MIRROR ASM, CONVEX, 8.28" X 16" | 1 |
| 9. | 18-48286-001 | BRACKET, INT. MIRROR MTG | 1 |
| | 50-11574-002 | MIRROR, 12" CONVEX | 1 |
| | 54-14564-07Z | SCREW, HEX, 5/16X1 | 2 |
| | 54-13111-059 | SCREW, 12X3/4 | 4 |

INTERIOR MIRRORS

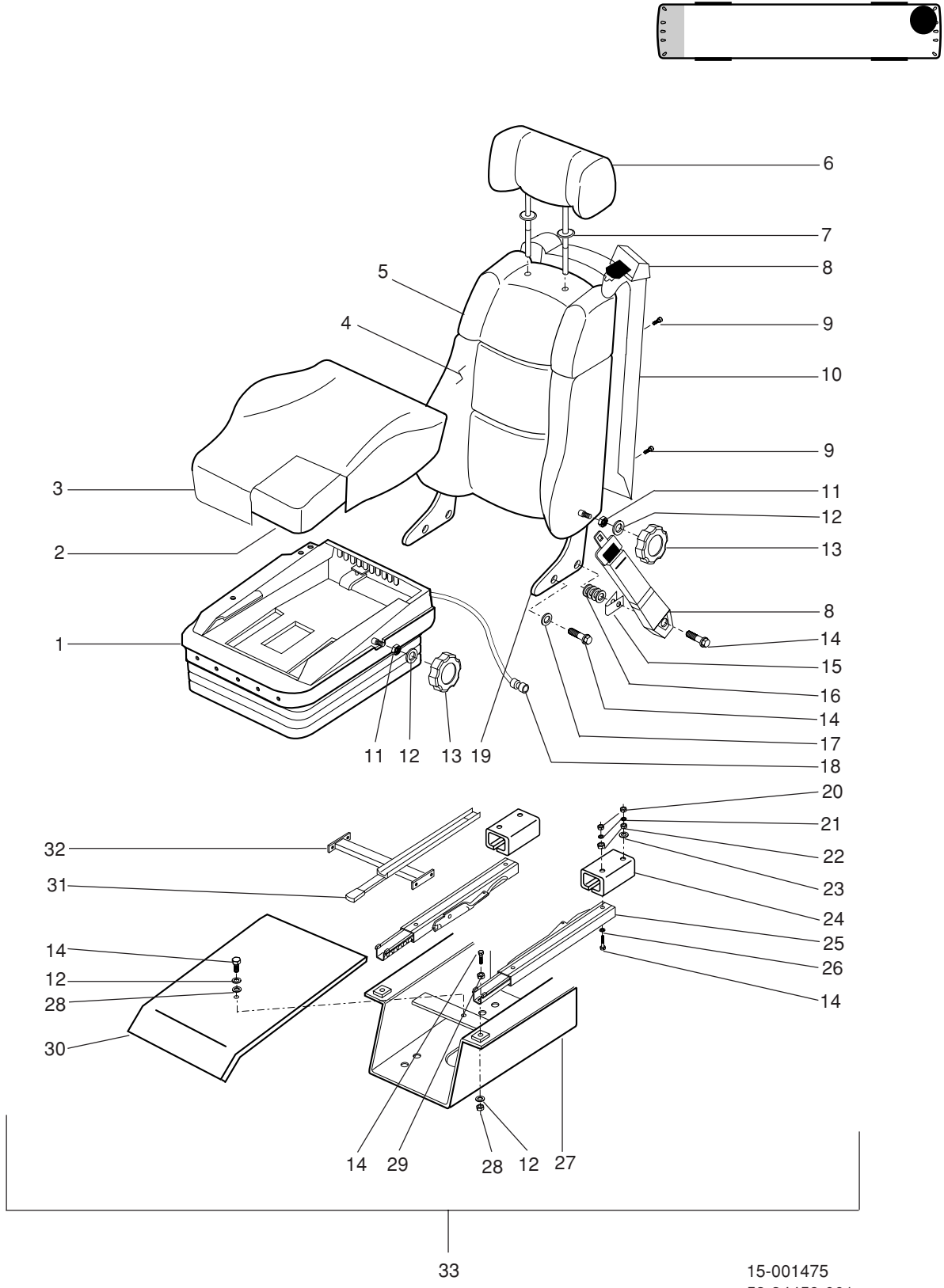


15-0451-0701A,D
15-002802
15-0451-0701A, D

DRIVER'S SEAT

| Item | Part No. | Description | Qty |
|------|----------------|---|-----|
| 1. | 82-16324 | SUSPENSION ASM, DRIVER SEAT (SEE FOLLOWING PGS) | 1 |
| 2. | 82-16350 | FOAM, CUSHION | 1 |
| 3. | 82-16351 | COVER, DRIVER SEAT CUSHION | 1 |
| 4. | 82-16319 | FOAM, BACK | 1 |
| 5. | 82-16320 | COVER, DRIVER SEAT BACK | 1 |
| 6. | 82-16323 | CUSHION, HEADREST | 1 |
| 7. | 82-16322 | FRAME, HEADREST | 1 |
| 8. | 82-16317 | SEATBELT ASM, 3 POINT | 1 |
| 9. | 82-16366 | SCREW, PHIL HD, 1/4"-20 X 3/4" | 4 |
| 10. | 82-16321 | SHELL, DRVR SEAT BACK | 1 |
| 11. | 82-16364 | JAMNUT, M10 X 1.5" | 2 |
| 12. | 82-16376 | LOCKWASHER | 13 |
| 13. | 82-16327 | KNOB, SEAT ADJ | 4 |
| 14. | 82-16373 | SCREW, HXH D | 6 |
| 15. | 82-16378 | TENSIONER, SPRING | 2 |
| 16. | 82-16375 | FLATWASHER | 13 |
| 17. | 82-16379 | LOCKWASHER | 2 |
| 18. | 82-16358 | CONNECTOR, AIR QUICK RELEASE | 1 |
| 19. | 82-16316 | FRAME ASM, DRIVER SEATBACK | 1 |
| 20. | 82-16381 | NUT, HXHD | 8 |
| 21. | 82-16382 | LOCKWASHER | 8 |
| 22. | 82-16383 | NUT, HXHD | 8 |
| 23. | 82-16374 | FLATWASHER | 2 |
| 24. | 82-16361 | BRKT, SLIDE REINF | 2 |
| 25. | 82-16348 | SLIDE ASM, SEAT | 2 |
| 26. | 82-16380 | LOCKWASHER | 2 |
| 27. | 82-16360 | BASE, DRIVER SEAT | 1 |
| 28. | 82-16363 | NUT, HXHD 5/16"-18 GR8 | 10 |
| 29. | 82-16365 | NUT, 3/8" PAL | 4 |
| 30. | 82-16362 | COVER, SEAT BASE | 1 |
| 31. | 82-16326 | COVER, HANDLE | 1 |
| 32. | 82-16349 | HANDLE, SLIDE RELEASE | 1 |
| 33. | 18-40561C73624 | SEAT ASM, COMPLETE (USSC) | 1 |

DRIVER'S SEAT

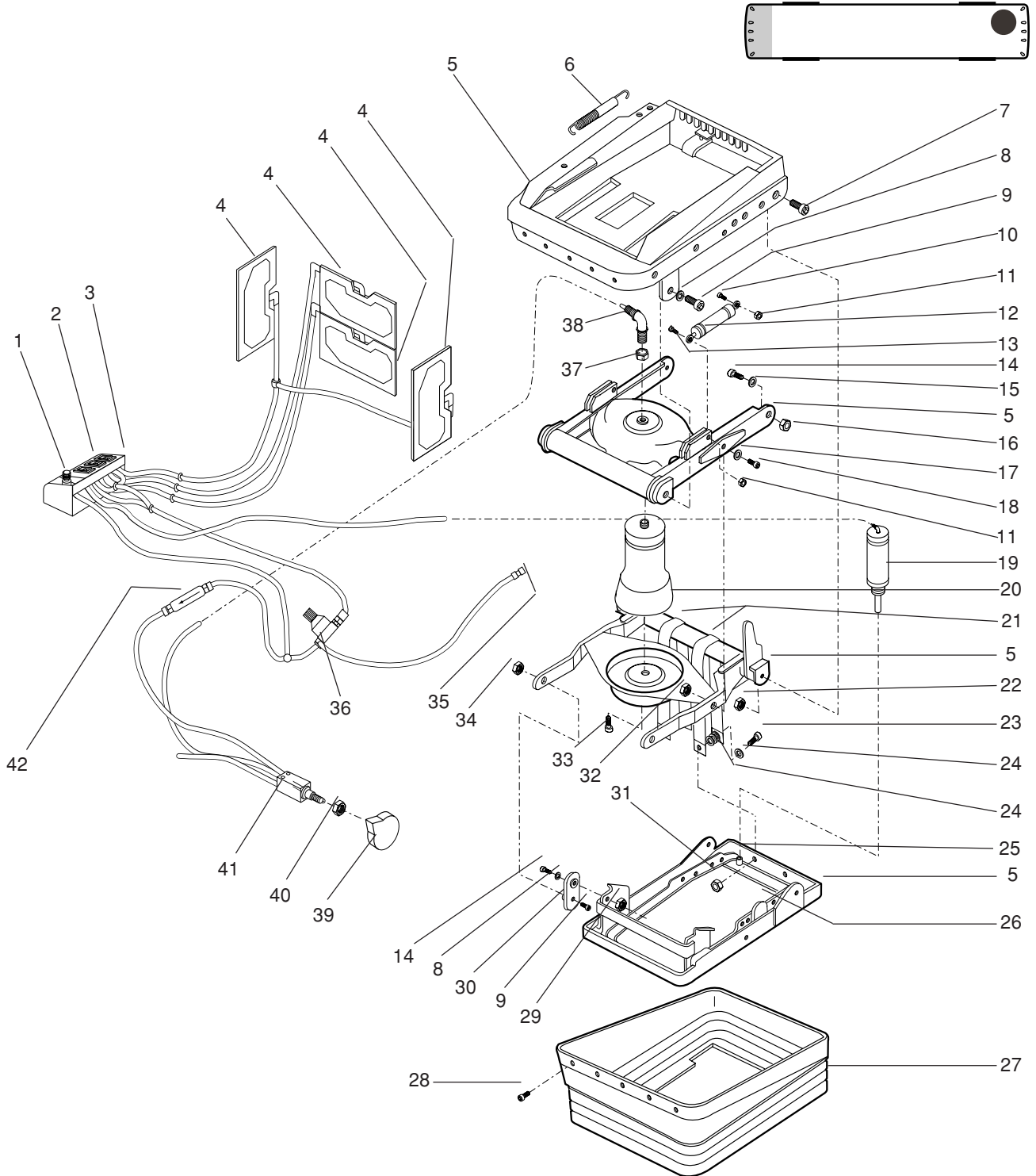


15-001475
53-34459-001

DRIVER'S SEAT SUSPENSION

| Item | Part No. | Description | Qty |
|------|--------------|---------------------------------|-----|
| 1. | 82-16356 | VALVE ASM, SLIDE RLS | 1 |
| 2. | 82-18859-000 | SWITCH, BOLSTER, DRIVER'S SEAT | 1 |
| | 82-18860-000 | SWITCH, LUMBAR, DRIVER'S SEAT | 2 |
| 3. | 82-16353 | BOX ASM, 3 SWITCH | 1 |
| 4. | 82-16318 | AIRBAG, LUMBAR/BOLSTER | 4 |
| 5. | 82-16324 | SUSPENSION ASM, DRIVER SEAT | 1 |
| 6. | 82-16325 | SPRING, EQUALIZER | 1 |
| 7. | 82-16337 | BOLT, RR BRG (NO PROFILE) | 2 |
| 8. | 82-16340 | FLATWASHER | 12 |
| 9. | 82-16336 | BOLT, SCISSOR BRG (LO PROFILE) | 6 |
| 10. | 82-16332 | SCREW, LWR SHOCK M8 X 40 | 1 |
| 11. | 82-16342 | LOCKNUT, M8 | 2 |
| 12. | 82-16330 | ABSORBER, SHOCK | 1 |
| 13. | 82-16331 | SCREW, UPR SHOCK M8 X 40 | 1 |
| 14. | 82-16338 | BOLT, SCISSOR BRG (HI PROFILE) | 4 |
| 15. | 82-16385 | LOCKWASHER | 4 |
| 16. | 82-16387 | NUT | 4 |
| 17. | 82-16345 | BUSHING, 18MM | 2 |
| 18. | 82-16335 | BOLT, SCISSOR BRG (CENTER) | 2 |
| 19. | 82-16357 | CYLINDER ASM, AIR SLIDE | 1 |
| 20. | 82-16343 | AIRBAG, SEAT SUSPENSION | 1 |
| 21. | 82-16352 | STRAP, 15" TETHER | 2 |
| 22. | 82-16388 | NUT | 2 |
| 23. | 82-16373 | SCREW, HXHD | 8 |
| 24. | 82-16376 | LOCKWASHER | 8 |
| 25. | 82-16392 | NUT | 1 |
| 26. | 82-16359 | BUMPER, RUBBER | 2 |
| 27. | 82-16346 | BELLOWS, SEAT BASE | 1 |
| 28. | 82-16347 | RIVET, BELLOWS | 30 |
| 29. | 82-16389 | NUT | 2 |
| 30. | 82-16344 | BUSHING, 12.5MM | 12 |
| 31. | 82-16390 | NUT | 2 |
| 32. | 82-16391 | NUT | 2 |
| 33. | 82-16339 | SCREW, AIRBAG BOTTOM (M10X16) | 1 |
| 34. | 82-16341 | LOCKNUT, M10 | 12 |
| 35. | 82-16358 | CONNECTOR, AIR QUICK RELEASE | 1 |
| 36. | 82-18875-000 | VALVE, LUMBAR AIR W/ AIR SLIDE | 1 |
| | 82-18876-000 | VLAVE, LUMBAR AIR W/O AIR SLIDE | 1 |
| 37. | 82-16334 | NUT, AIRBAG NIPPLE | 1 |
| 38. | 82-16333 | NIPPLE, AIRBAG INLET | 1 |
| 39. | 82-16329 | KNOB, AIR ADJ (10MM) | 2 |
| 40. | 82-16328 | NUT, BACKING (10MM) | 1 |
| 41. | 82-15359 | VALVE, AIR | 1 |
| 42. | 82-16355 | VALVE, AIR CHECK | 1 |

DRIVER'S SEAT SUSPENSION

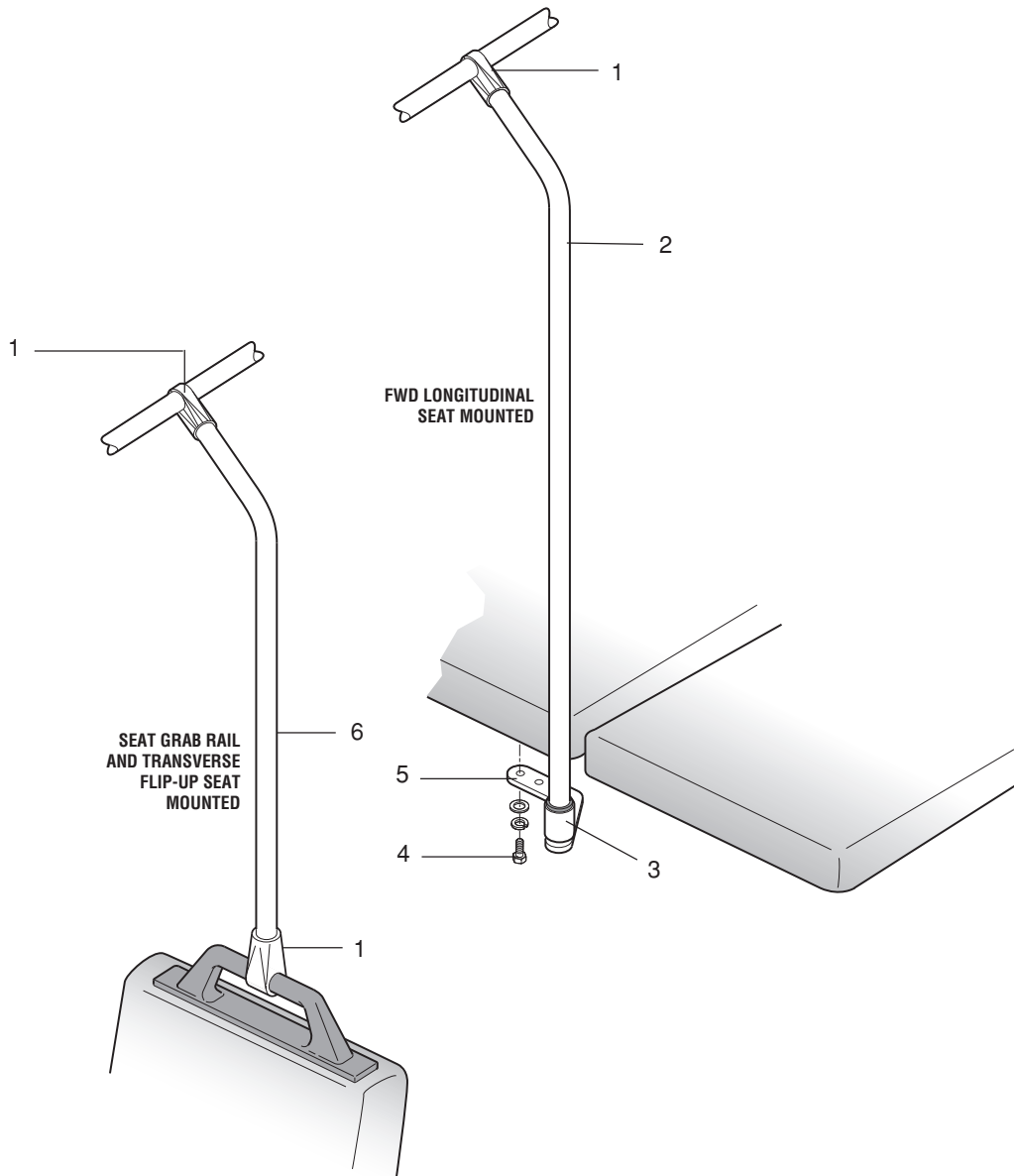


15-001476
53-34459-001

STANCHIONS, VERTICAL

| Item | Part No. | Description | Qty |
|------|-----------------|---|-----|
| 1. | 15-47883-000 | FITTING STANCHION "TEE" | 7 |
| 2. | 15-49394L056.42 | TUBE, STANCHION, W/LONGITUDINAL SEAT | 1 |
| 3. | 15-39387N000 | STANCHION CUP W/NUT | A/R |
| 4. | 54-13113-0104 | BOLT, HEX HD 1/4"-20 X 1.0" SSTL | A/R |
| | 54-12602-009 | LOCKWASHER, 1/4" | A/R |
| | 54-13112-030 | FLATWASHER, 1/4" SSTL | A/R |
| 5. | 82-28485-000 | BRACKET, VERTICAL STANCHION | A/R |
| 6. | 41-28188-030.50 | TUBE, STANCHION, W/2-PASS. TRANSVERSE SEATING | 1 |
| | 41-28188-030.64 | TUBE, STANCHION, W/2-PASS. TRANSVERSE SEATING | 1 |
| | 41-28188-40.13 | TUBE, STANCHION, W/2-PASS. TRANSVERSE SEATING | 1 |
| | 15-49399-031.90 | TUBE, STANCHION, W/2-PASS. TRANSVERSE SEATING | 1 |

STANCHIONS, VERTICAL

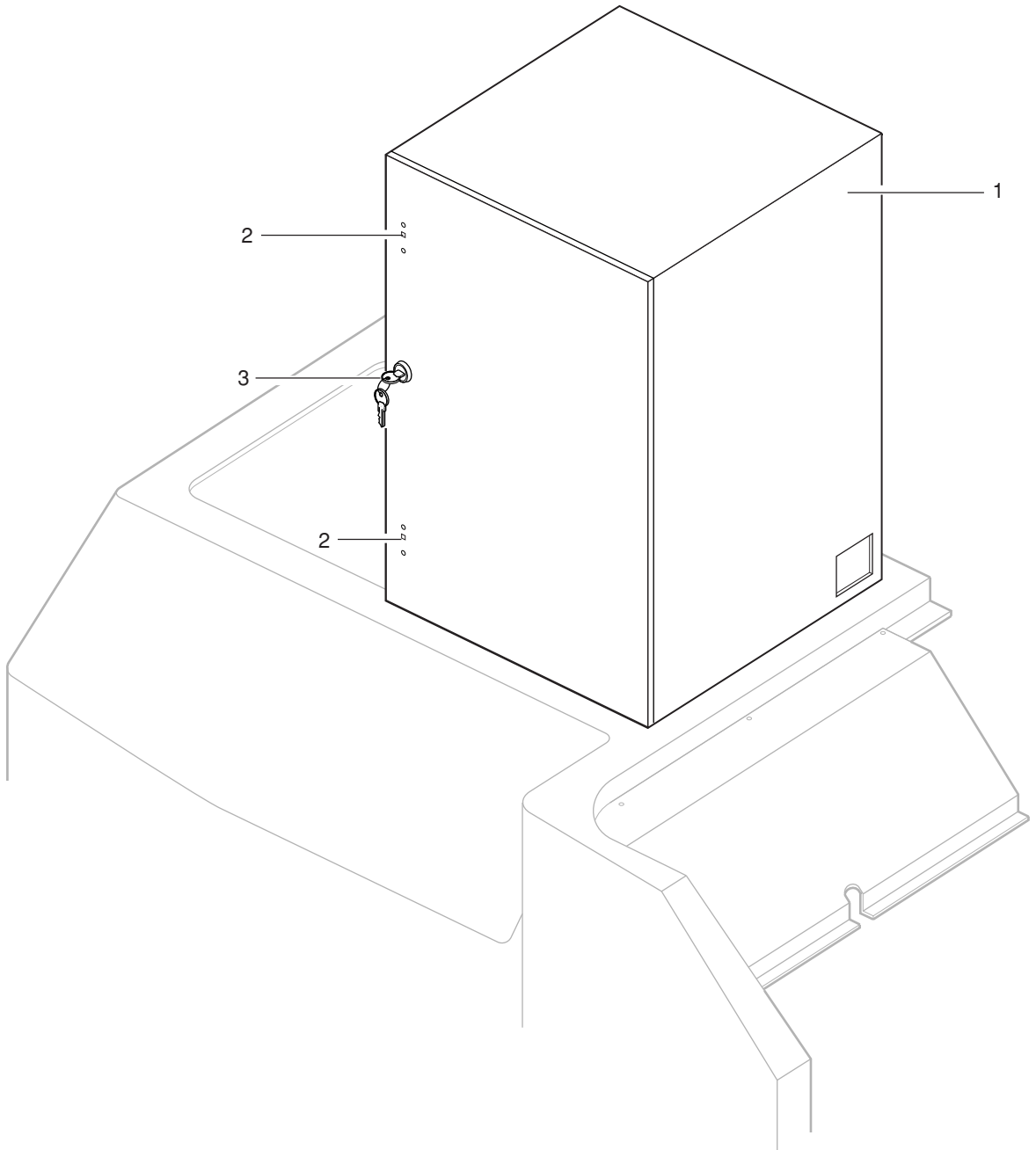


15-0570-0712A,B,D,E,F
15-004279
15-0570-0712A, B, D, E, F

ELECTRICAL STORAGE BOX

| Item | Part No. | Description | Qty |
|------|--------------|---|-----|
| 1. | 13-42920F009 | ENCLOSURE ASM, 44"H X 18.5"W X 20.0"D EQUIPMENT STORAGE | 1 |
| 2. | 50-00019-000 | LATCH, 5/16" SQUARE KEY | 2 |
| 3. | 53-15741-000 | LOCK ASM, BH010 | 1 |
| | 40-35677-002 | BRACKET, STANDOFF | 1 |
| | 54-12602-009 | LOCKWASHER, 1/4" | 4 |
| | 54-12605-008 | FLATWASHER, FENDER 1/4" | 4 |
| | 54-13110-002 | NUT, 1/4"-20 LOW CROWN | 4 |
| | 54-13119-065 | SCREW, 1/4"-20 X 1 1/4" PHIL TRUSS HD SSTL | 4 |
| | 54-14292-07Z | SCREW, PHT 1/4" X 1.0" | 2 |
| | 54-30440-078 | SCREW, PAN HD. SSTL 1/4"-20 X 5/8" | 4 |

ELECTRICAL STORAGE BOX

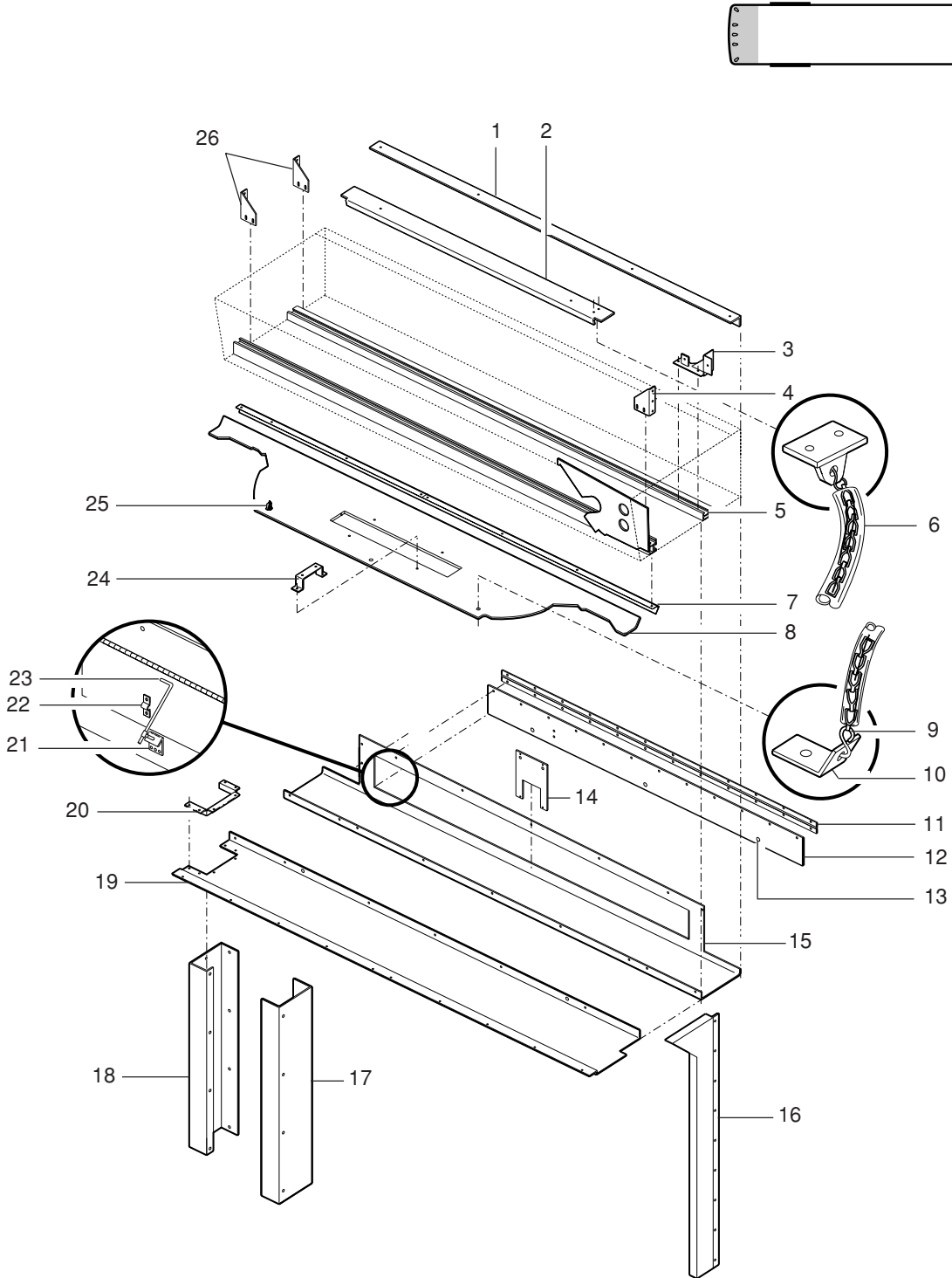


15-0625-73624
15-003570
15-0625-73624

AIR TANK CLOSEOUT

| Item | Part No. | Description | Qty |
|------|-----------------|---|-----|
| 1. | 15-45700-000 | ANGLE, AIR TANK CLOSEOUT MTG. 78.76" | 1 |
| 2. | 15-37658-000 | ANGLE, REINFORCEMENT 51.88" X 3.0" X 1.19 | 1 |
| | 15-45701-000 | ANGLE, CLOSEOUT 11.70" X 1.5" X 1.5" | |
| 3. | 14-45683-000 | BRACKET ASM., AIR TANK MTG. | 1 |
| | 14-45683-001 | BRACKET ASM., AIR TANK MTG. | 1 |
| 4. | 14-36732-000L | BRACKET, AIR TANK, LH | 1 |
| 5. | 14-37424L092.75 | EXTRUSION, TRANSVERSE BEAM | 2 |
| 6. | 15-38967-000 | STRAP, CHAIN | 1 |
| | 15-38966-000 | TUBING, HEAT SHRINK | 1 |
| 7. | 15-37002-000 | HINGE, AIR TANK CLOSEOUT | 1 |
| 8. | 15-37651M001 | CLOSEOUT, AIR TANK, REAR | 1 |
| | 54-38170N000 | BUMPER, RUBBER | 1 |
| | 56-02111-004 | TAPE, FOAM | 1 |
| | 53-00302-002 | GUIDE, ROPE | 1 |
| 9. | 55-02306-000 | HOOK, "S" | 2 |
| 10. | 15-38968-000 | ANGLE, DOOR STRAP | 1 |
| 11. | 15-39530-000 | HINGE, DOOR | 1 |
| 12. | 15-45697-000 | DOOR, AIR TANK ACCESS | 1 |
| | 40-25192-000 | BRACKET. TILT SWITCH MTG. | 1 |
| | 51-44983-000 | SWITCH, TILT ACTUATED | 1 |
| | 51-47926-000 | LAMP, ELECTRICAL COMPARTMENT | 1 |
| 13. | 54-37647N000 | LATCH ASM, QUAD PANEL | 2 |
| 14. | 15-39532-000 | BRACKET, CENTER SUPPORT | 1 |
| 15. | 15-45699M000 | CLOSEOUT, AIR TANK FRONT | 1 |
| | 15-45702-000 | BRACKET, CORNER CLOSEOUT | 1 |
| 16. | 15-48310M002 | CLOSEOUT, CABLE DUCT | 1 |
| | 15-48309-001 | BRACKET, CLOSEOUT MTG. | 1 |
| 17. | 15-49637-000 | CLOSEOUT, B-POST HARNESS COVER | 1 |
| 18. | 15-49638-000 | CLOSEOUT, HARNESS COVER | 1 |
| 19. | 15-45698-000 | CLOSEOUT, AIR TANK BOTTOM | 1 |
| 20. | 15-47906-000 | BRACKET, HARNESS COVER | 1 |
| 21. | 40-15299-000 | BRACKET, SUPPORT ROD | 1 |
| 22. | 40-11791-000 | BRACKET, DOOR SUPT | 1 |
| | 54-00064-001 | JOINT, BALL 1/4"-28 | 1 |
| | 54-12550-005 | LOCKNUT, NYLOK 1/4-28 GR5 | 2 |
| 23. | 40-11784-006 | ROD, DOOR SUPT | 1 |
| 24. | 15-37692-000 | BRACKET, DESTINATION SIGN MTG | 1 |
| 25. | 54-38112N000 | LATCH ASM, COMPRESSION | 3 |
| 26. | 14-36732-000R | BRACKET, AIR TANK, RH | 2 |
| | 15-39533-000 | STOP-DOOR | 1 |
| | 15-39534-001 | STOP-DOOR | 2 |
| | 54-13111-002 | SCREW #12-24X.75 TORX SELF DR | 26 |
| | 54-13119-024 | SCREW, #12X1.0 PHIL TRUSS HD | 11 |
| | 54-37358-000 | NUT PLATE, COBOLT M8 | 9 |
| | 54-37359-002 | BOLT, BUTTON TORX HEAD M8 X 20MM | 9 |
| | 15-40409-000 | CLAMP, TILLER | 2 |
| | 51-02118-000 | CORD, PASSENGER SIGNAL (CLEAR) | |
| | 54-12600-007 | FLATWASHER, 5/16" | 8 |
| | 15-48321-000 | PANEL, FIREWALL 7" X 80" | 1 |
| | 54-13119-093 | SCREW, #10-24 X 7/16" FLAT HD CR SSTL | 4 |

AIR TANK CLOSEOUT

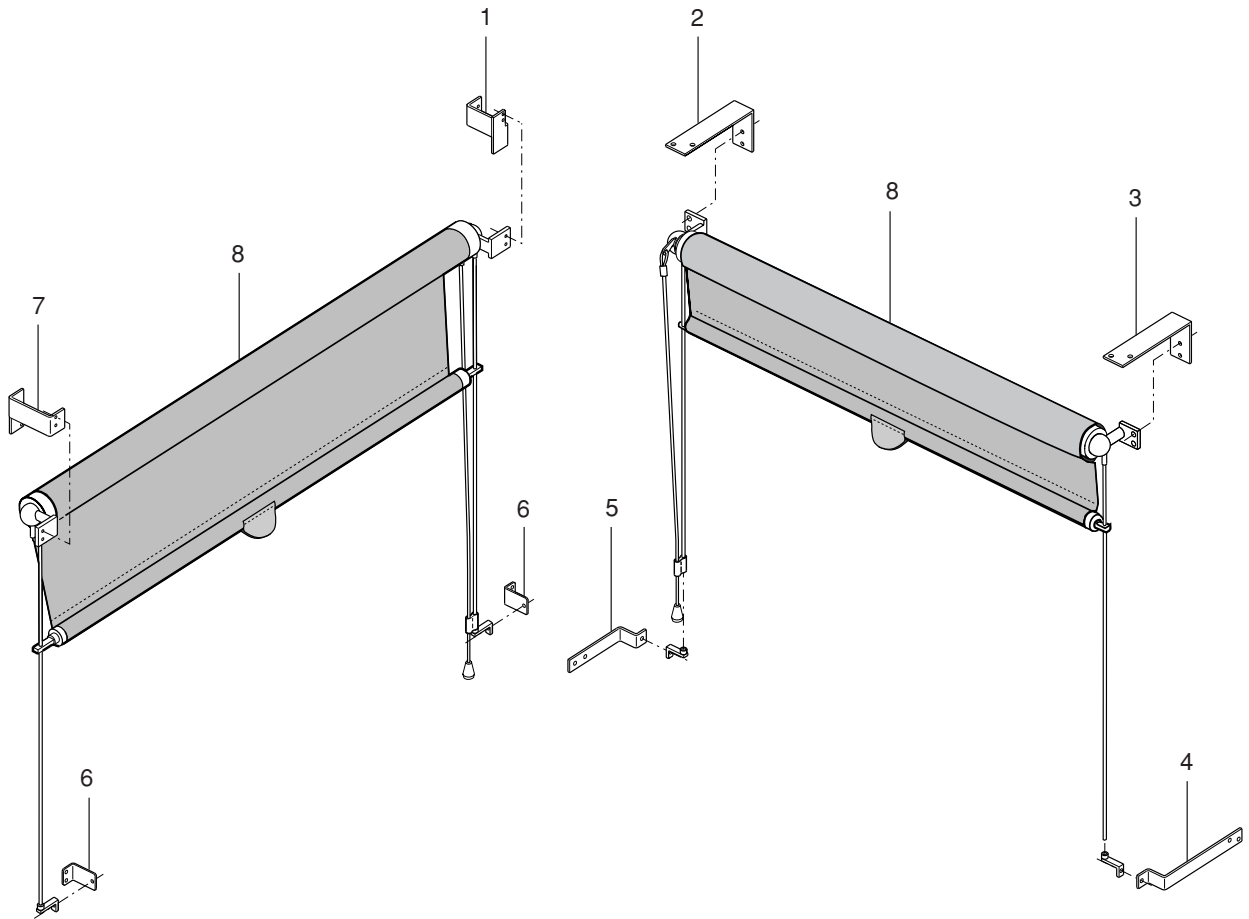
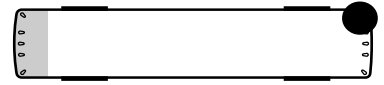


15-0630-0701A,AA,C,H
15-001735
15-0630-0701A, AA, C, H

DRIVER'S SUNSHADES

| Item | Part No. | Description | Qty |
|------|--------------|----------------------------------|-----|
| 1. | 18-39597-000 | BRACKET, SUNSHADE UPR | 1 |
| 2. | 18-48132-000 | BRACKET, SUNSHADE WINDSHIELD | 2 |
| 3. | 18-48131-000 | BRACKET, SUNSHADE | 2 |
| 4. | 18-48130-000 | BRACE, SUNSHADE, WINDSHIELD CTR | 1 |
| 5. | 18-48129-000 | BRACE, SUNSHADE, WINDSHIELD LEFT | 1 |
| 6. | 18-37892-000 | BRACKET, SIDE WINDOW, LWR | 1 |
| 7. | 18-39599-000 | BRACKET, SUNSHADE UPR | 1 |
| 8. | 18-37908-000 | SCREEN ASM, SHADE, HALF MESH | 2 |
| | 54-13108-032 | NUT, NYLOK, #10-24 | 12 |
| | 54-13119-003 | SCREW, #10-24 X 3/4 TAPTITE | 16 |
| | 54-30440-020 | SCREW, PANHD #10-24 X 5/8 | 12 |

DRIVER'S SUNSHADES

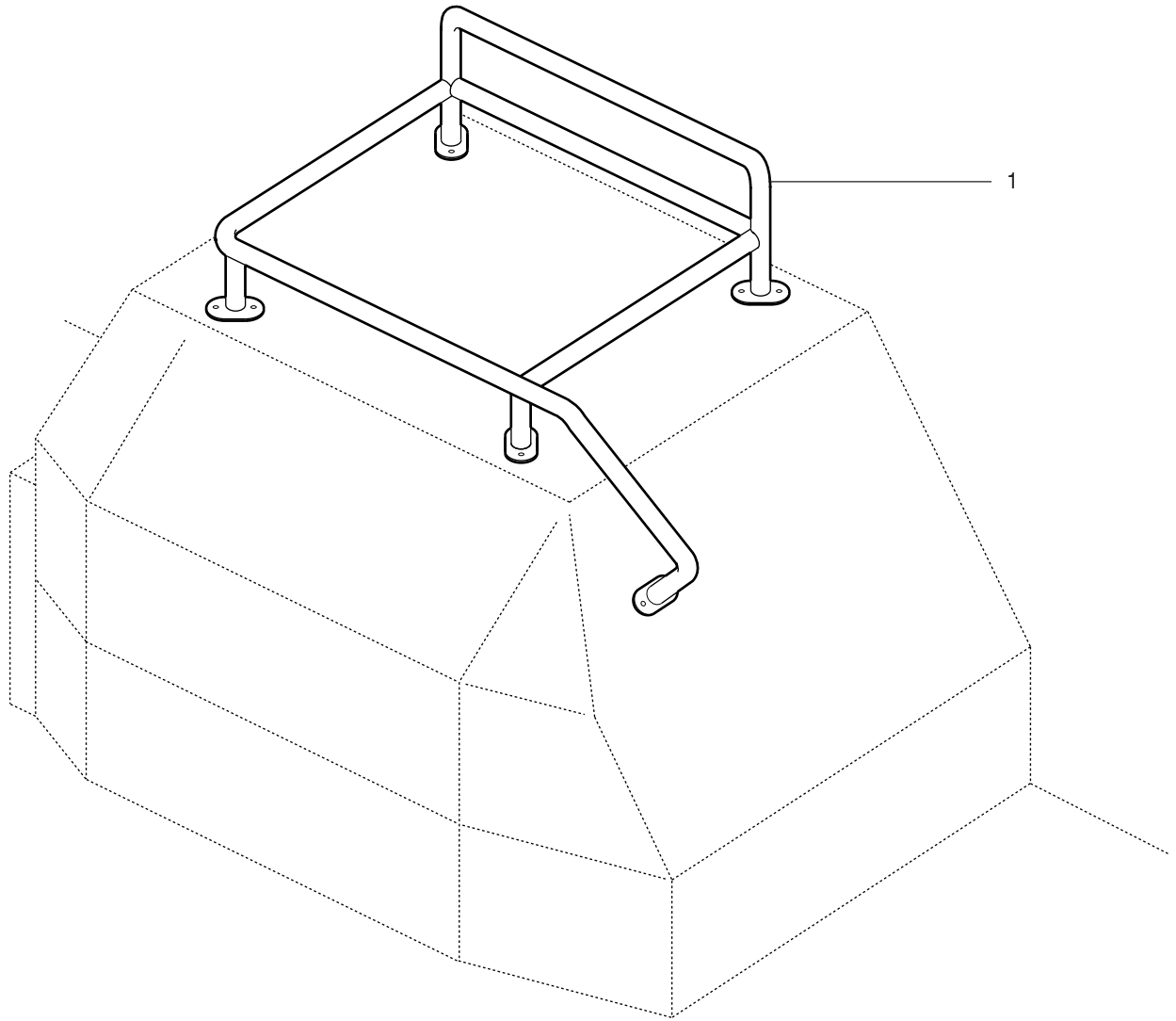
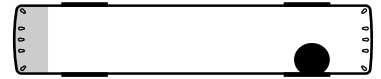


15-0650-0701A,B
15-000161
15-0650-0701A, B

PACKAGE RACK: CURBSIDE

| Item | Part No. | Description | Qty |
|------|--------------|--|-----|
| 1. | 15-48303-000 | TUBE ASM, PACKAGE RACK SSTL | 1 |
| | 50-02142-002 | FLANGE, FLOOR FITTING | 4 |
| | 54-00026-000 | SCREW, STANCHION | 4 |
| | 54-00027-000 | NUT, STANCHION | 4 |
| | 54-10163-005 | RIVET, MONOBOLT 1/4" STL. (.080-.375 GRIP) | 10 |

PACKAGE RACK: CURBSIDE

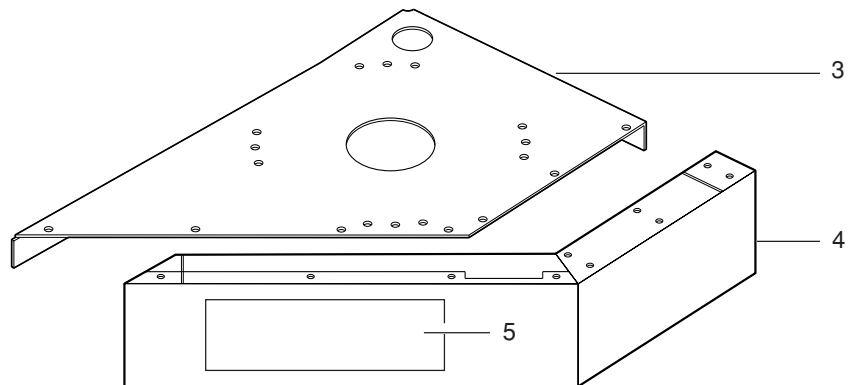
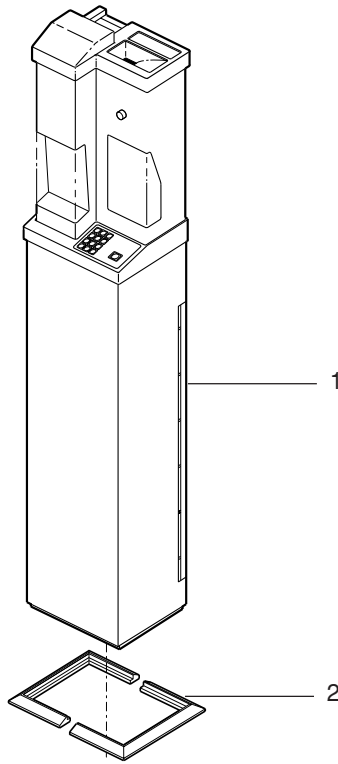
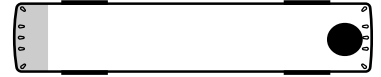


15-0700-0701B
15-001800
15-0700-0701B

FAREBOX AND MOUNTING

| Item | Part No. | Description | Qty |
|------|-----------------|---|-----|
| 1. | REF ONLY | FAREBOX ASM (SUPPLIED BY CUSTOMER) | 1 |
| 2. | REF ONLY | SEAL ASM, FAREBOX MTG | 2 |
| 3. | 18-40145F001 | PLATFORM, FAREBOX MTG | 1 |
| | 15-48671L072.00 | MOLDING, 88° CORNER EDGE TRIM "YELLOW" 1.26" X 1.5" | 1 |
| 4. | 18-46467F001 | PLATFORM ASM, FAREBOX MTG | 1 |
| 5. | 18-42168-000 | CLOSEOUT PLATE 10.25" X 5.5" | 1 |
| | 54-10163-036 | RIVET, MONOBOLT 3/16" SSTL (.125-.331) | 7 |
| | 54-10163-039 | RIVET, MONOBOLT 1/4" STL (.080-.625) | 6 |
| | 54-14284-02Z | SCREW, PHILLIPS CHROME #6-32 X .31" | 4 |

FAREBOX AND MOUNTING

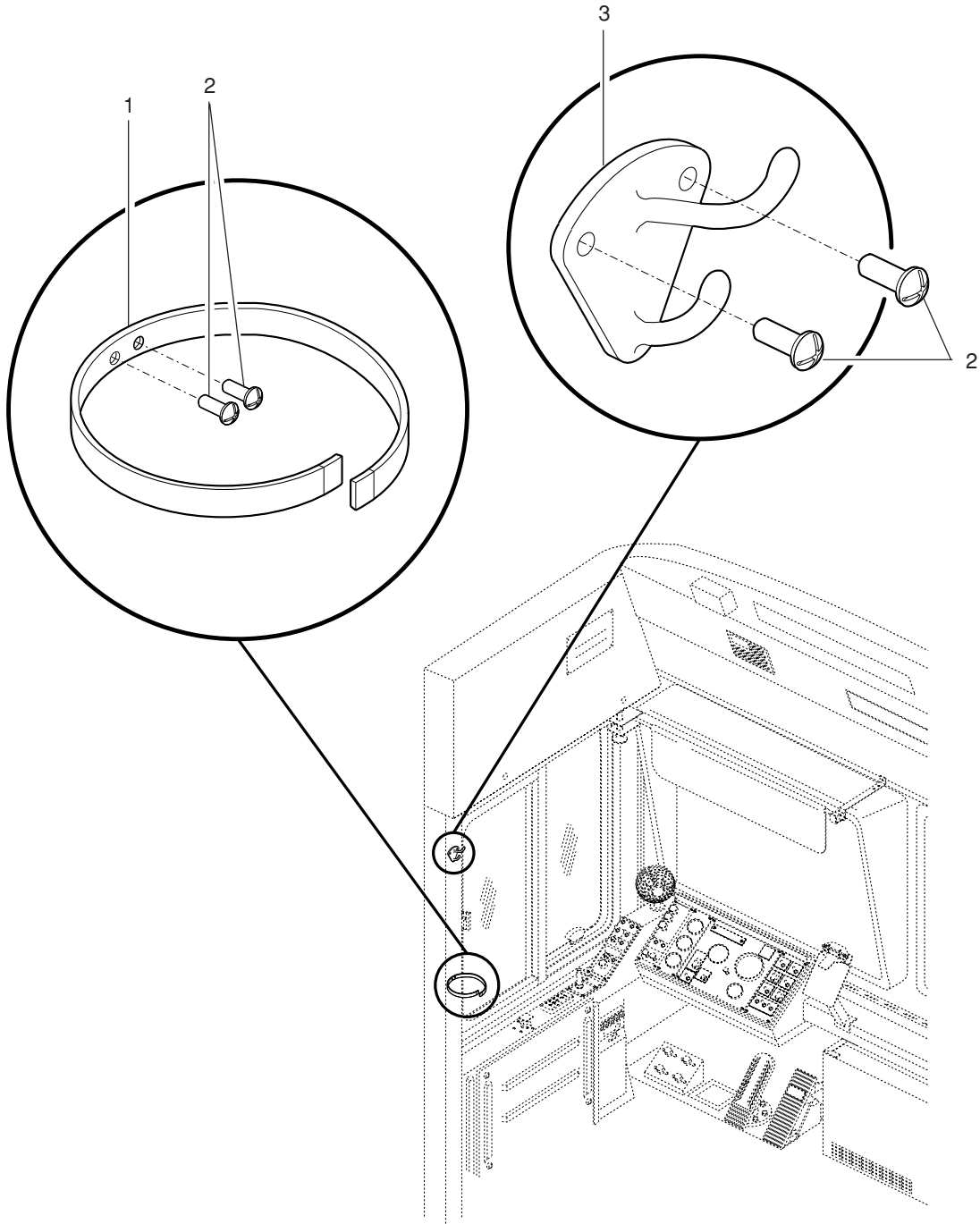
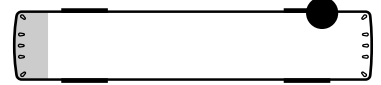


15-0855-0700H,Q
15-001799
15-0855-0700H,Q

COAT HOOK/TIE-BACK

| Item | Part No. | Description | Qty |
|------|-----------------|----------------------------|-----|
| 1. | 18-39137L021.00 | STRAP ASM, COAT TIE-DOWN | 1 |
| | 54-07101-005 | RIVET, POP, 3/16" OPEN END | 4 |
| 2. | 54-14286-04Z | SCREW, PH #8 X 1/2 | 4 |
| | 54-12540-002 | NUT, LOCK, NYLOK #8-32 GR5 | 4 |
| | 54-12600-003 | WASHER, FLAT #10 STD | 2 |
| 3. | 54-18652-004 | HOOK, COAT | 1 |

COAT HOOK/TIE BACK

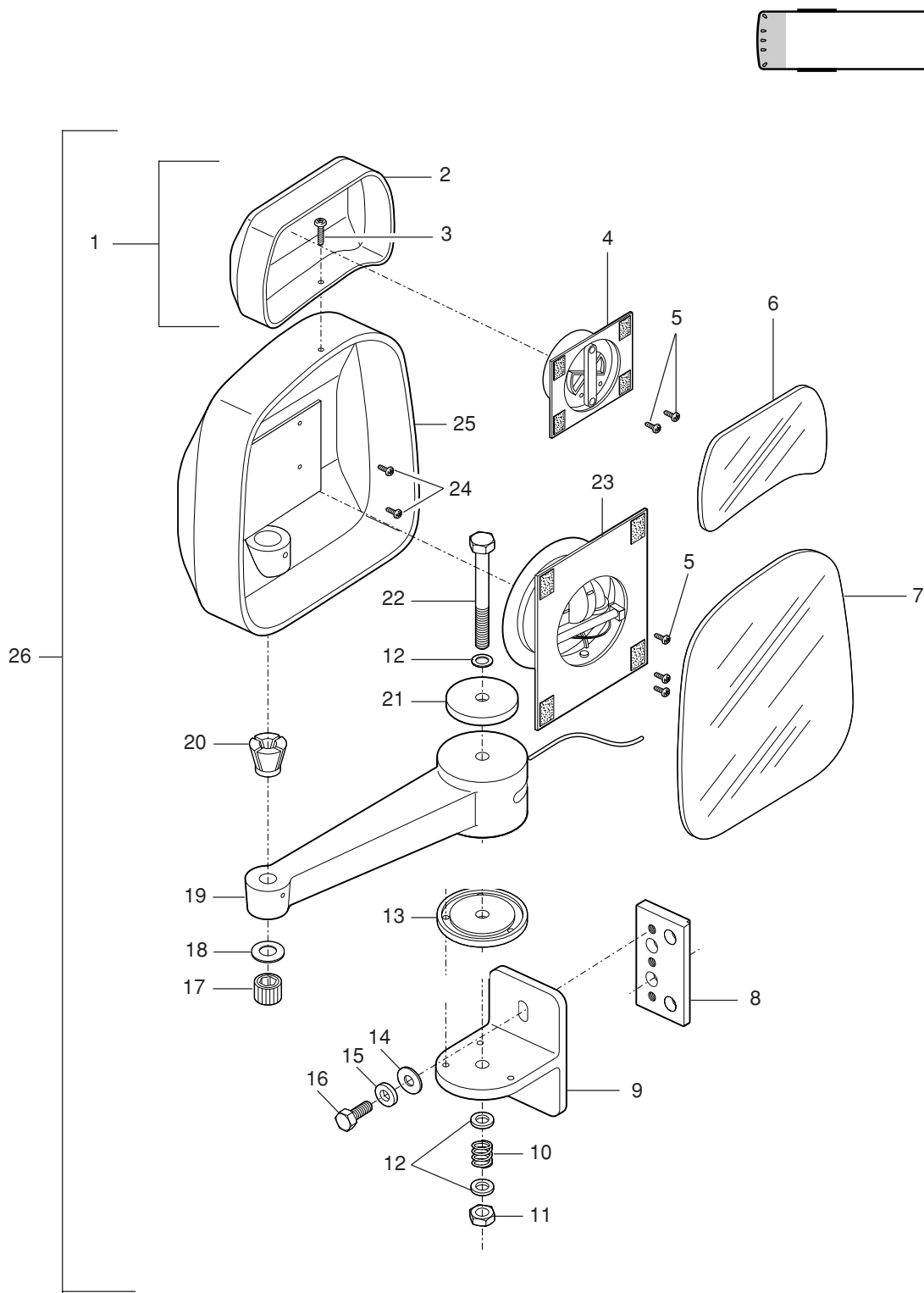


15-0901-0700B (coat hook/tie)
15-001992
15-0901-0700B

LH EXTERIOR MIRROR

| Item | Part No. | Description | Qty |
|------|--------------|----------------------------------|-----|
| 1. | 53-27817-030 | MIRROR, CONVEX | 2 |
| 2. | 82-21308-009 | HOUSING, CONVEX MIRROR | |
| 3. | 82-21308-005 | SCREW, ALLEN HD 1/4-20 X .375 | 2 |
| 4. | 82-13197-013 | MECHANISM, MANUAL ADJ | 1 |
| 5. | 82-16620 | SCREW, MTG | 7 |
| 6. | 82-21308-008 | GLAZING, 5 X 7 CONVEX | 1 |
| 7. | 82-21362-002 | GLAZING, FLAT 9 X 11 W/ LOCKRING | 1 |
| 8. | 40-14705-000 | SPACER | 2 |
| 9. | 53-25182-067 | BRACKET, MIRROR MTG | 1 |
| 10. | 82-20709-000 | SPRING, COMPRESSION 1" | 1 |
| 11. | 82-18665-000 | LOCKNUT, 1/2" NYLON | 1 |
| 12. | 82-18664-000 | FLATWASHER, 1/2" | 3 |
| 13. | 82-22849-003 | FLATWASHER | 1 |
| 14. | 54-12600-007 | FLATWASHER, 5/16 | 2 |
| 15. | 54-12602-010 | LOCKWASHER, 5/16 | 2 |
| 16. | 54-13119-011 | SCREW, PANHD CR REC MACH | 2 |
| 17. | 82-20360-000 | CAPSCREW, 3/8-24 | 1 |
| 18. | 82-17837-000 | LOCKWASHER, .375 | 1 |
| 19. | 53-25182-088 | ARM ASM, MIRROR MTG | 1 |
| | 82-20360-001 | SCREW, SET 1/4-20 X 3/8 | 1 |
| 20. | 82-20360-002 | COLLET, COATED | 1 |
| 21. | 82-20360-004 | CAP, MIRROR ARM | 1 |
| 22. | 82-21308-007 | BOLT, HXHD 1/2-13 X 5.50 SSTL | 1 |
| 23. | 82-21857-000 | MECHANISM, LG MANUAL ADJ | 1 |
| 24. | 82-22554-002 | SCREW, SET | 2 |
| 25. | 82-21308-002 | HOUSING, MIRROR | 1 |
| | 82-21308-003 | BALL/SHAFT, 1-1/4 | 1 |
| 26. | 53-25182-144 | MIRROR ASM, RS-08-UAL0911MFM CX | 1 |

LH EXTERIOR MIRROR

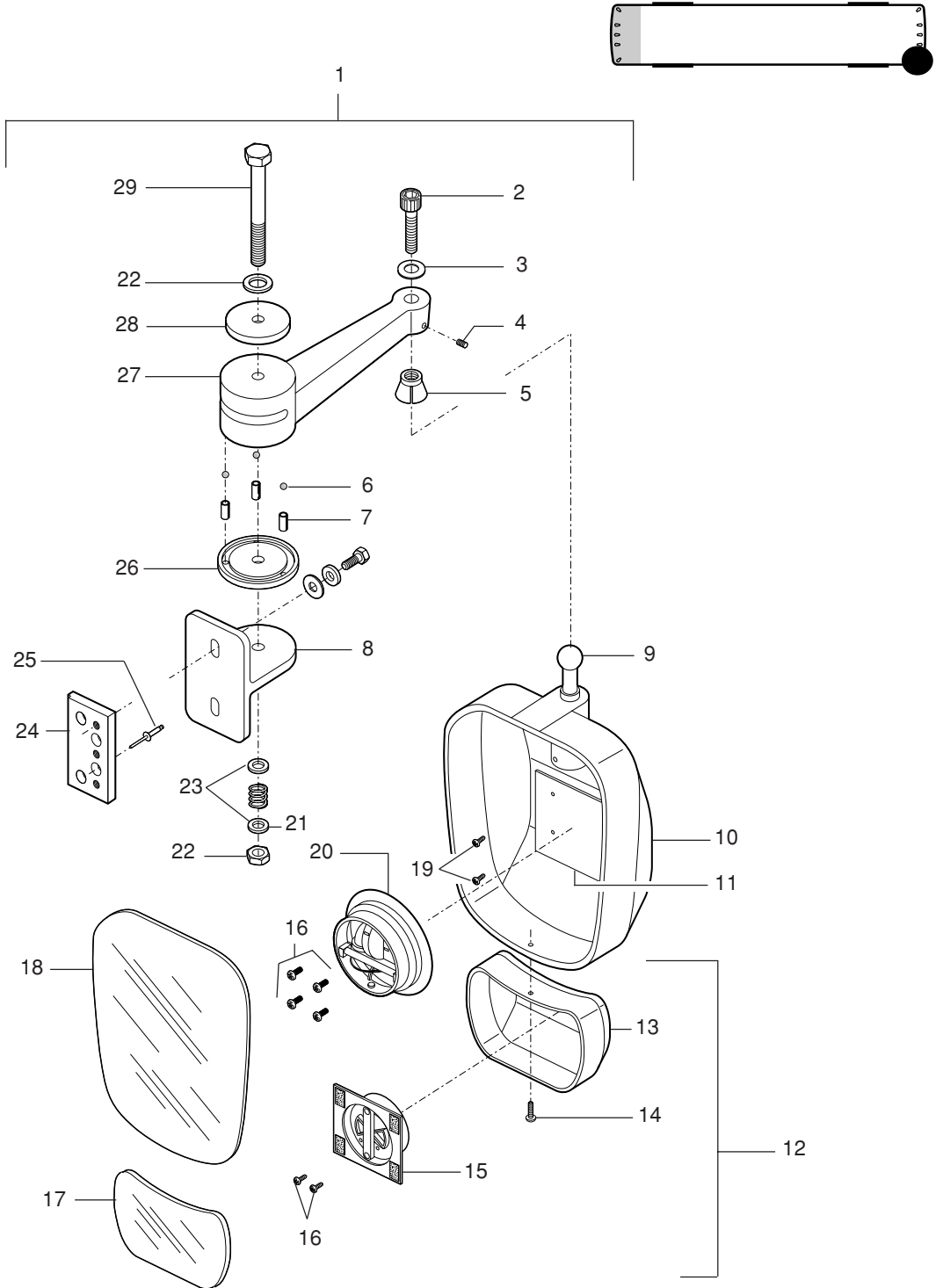


20-0003-0704A,S (144)
20-000184
20-0003-0704A, S

EXTERIOR MIRROR, CURB SIDE

| Item | Part No. | Description | Qty |
|------|--------------|---------------------------------|-----|
| 1. | 53-25182-206 | MIRROR ASM, EXTERIOR, RH | 1 |
| | 82-27597-000 | HEAD ASM, MIRROR 9 X 11 | 1 |
| 2. | 82-20360-000 | CAPSCREW, 3/8-24 | 1 |
| 3. | 82-17837-000 | LOCKWASHER, .375 | 1 |
| 4. | 82-20360-001 | SCREW, SET 1/4-20 X 3/8 | 1 |
| 5. | 82-20360-002 | COLLET, COATED | 1 |
| 6. | 82-19622-000 | BALL, CHROME, 1/2" | 3 |
| 7. | 82-20839-004 | PIN, ROLL, 1/8 X 9/16 | 3 |
| 8. | 82-21115-000 | BRACKET, MIRROR MTG | 1 |
| 9. | 82-21308-003 | BALL/SHAFT. 1-1/4 | 1 |
| 10. | 82-21308-002 | HOUSING, MIRROR | 1 |
| 11. | 82-27062-001 | PLATE, MIRROR MTG | 1 |
| 12. | 53-27817-030 | MIRROR, CONVEX | 2 |
| 13. | 82-21308-002 | HOUSING, CONVEX MIRROR | 1 |
| 14. | 82-21308-005 | SCREW, ALLEN HD 1/4-20 X .375 | 2 |
| 15. | 82-13197-013 | MOTOR, SMALL | 1 |
| 16. | 82-16620 | SCREW, MTG | 3 |
| 17. | 82-21308-008 | GLASS, CONVEX | 1 |
| 18. | 82-21362-002 | GLASS, REAR VIEW | 1 |
| 19. | 82-21308-004 | SCREW, SET 3/8 X 16 | 2 |
| 20. | 82-21857-000 | MOTOR, LARGE | 1 |
| 21. | 82-20709-000 | SPRING, COMPRESSION 1" | 1 |
| 22. | 82-18665-000 | LOCKNUT, 1/2" NYLON | 1 |
| 23. | 82-18664-000 | FLATWASHER, 1/2" | 3 |
| 24. | 20-37247-000 | BLOCK, MIRROR MTG | 2 |
| 25. | 54-10163-039 | RIVET, MONOBOLT | 8 |
| 26. | 82-21308-006 | BALL RACE, STEEL | 1 |
| 27. | 82-24625-000 | ARM, MIRROR 18" W/ BALL INDENTS | 1 |
| 28. | 82-20360-004 | CAP, MIRROR ARM | 1 |
| 29. | 82-21308-007 | BOLT, HXHD 1/2-13 X 5-1/2, SSTL | 1 |

EXTERIOR MIRROR, CURB SIDE

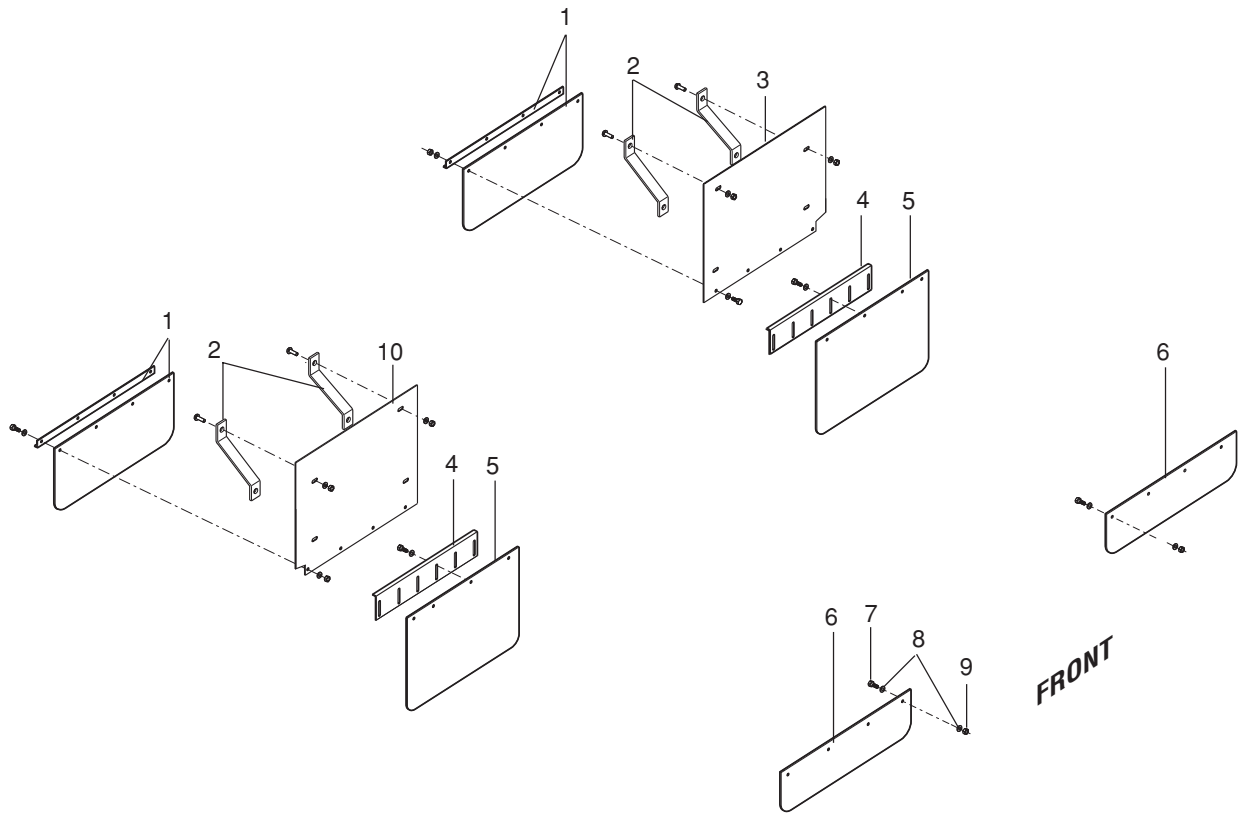


20-0004-706A,AU (206)
20-003852
20-0004-70A, AU

MUDFLAPS

| Item | Part No. | Description | Qty |
|------|---------------|-----------------------------------|-----|
| 1. | 06-49500-000 | MUDFLAP, REAR | 2 |
| | 06-49499-000 | REINFORCEMENT, MUD FLAP | 2 |
| 2. | 06-45379-000 | BRACKET, OUTER MUDFLAP MTG. | 4 |
| | 06-45380-000 | BRACKET, INNER MUDFLAP MTG. | 2 |
| | 11-45372-000L | BRACKET, REAR HCV MOUNTING | 1 |
| | 11-45372-000R | BRACKET, REAR HCV MOUNTING | 1 |
| | 54-13113-068 | BOLT, HXHD 3/8"-16 X 1.25" SSTL | 12 |
| | 54-13112-020 | FLATWASHER, 3/8 | 16 |
| | 54-13108-017 | NUT, 3/8-16 NYLOCK SSTL | 8 |
| 3. | 06-49501-000L | SHIELD, SPLASH | 1 |
| 4. | 40-35904-000 | RETAINER, MUD FLAP | 2 |
| 5. | 53-35906-002 | FLAP, MUD REAR AXLE FRONT | 2 |
| 6. | 06-36691-000 | FLAP, MUD FRONT AXLE | 2 |
| | 06-36693-000 | BRACKET, RETAINER | 2 |
| | 06-45384-000 | BRACKET, FRONT SPLASH SHIELD | 2 |
| 7. | 54-13113-068 | BOLT, 3/8"-16 UNC X 1.25" SSTL | 8 |
| 8. | 54-13112-020 | FLATWASHER, 3/8" SSTL | 16 |
| 9. | 54-13108-017 | NUT, 3/8"-16UNC NYLON INSERT SSTL | 8 |
| 10. | 06-49501-000R | SHIELD, SPLASH | 1 |

MUDFLAPS

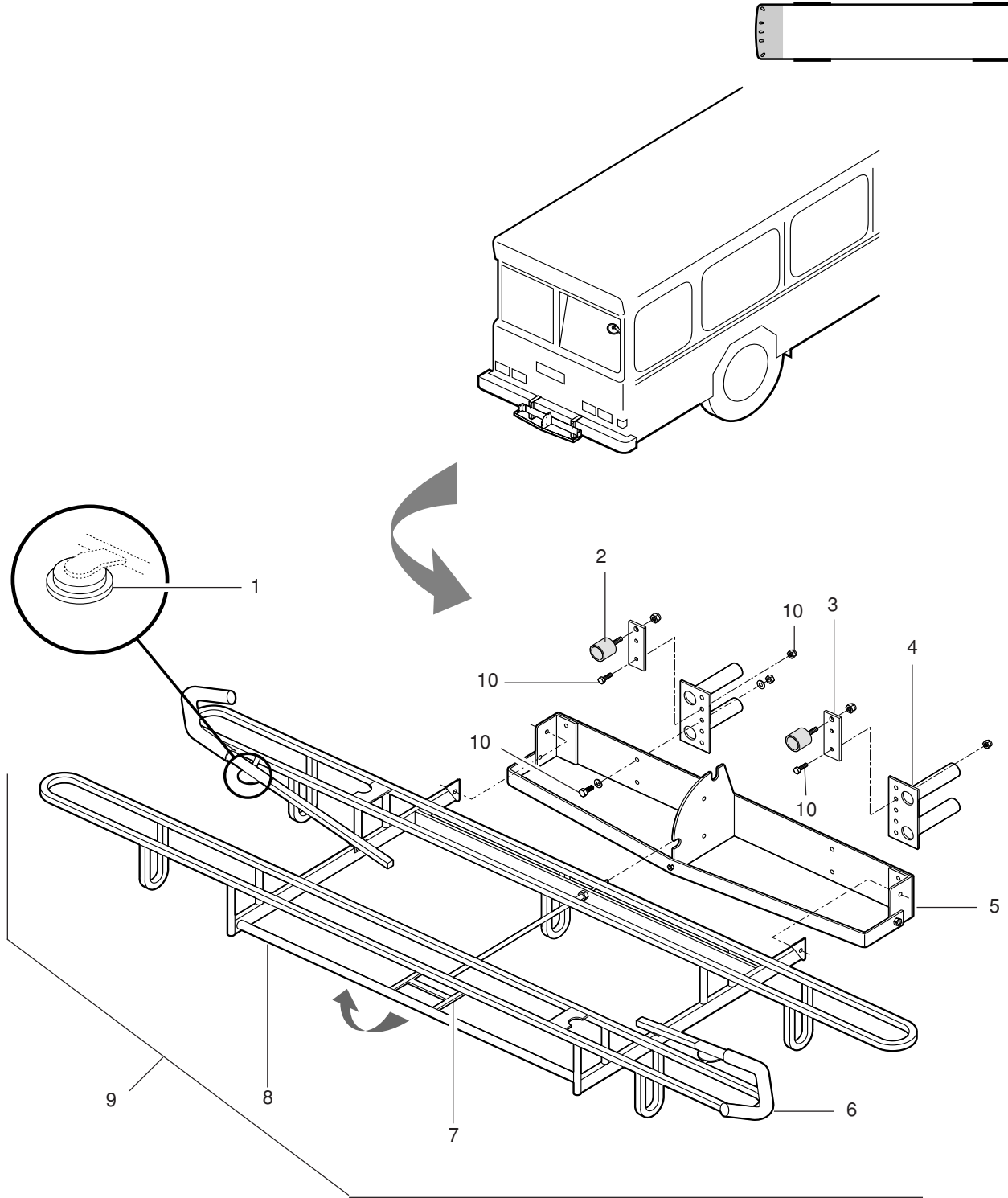


20-0050-0701E
20-004545
20-0050-0701E

BIKE RACK W/SLIDE-IN STANDOFF BRACKET (FRONT)

| Item | Part No. | Description | Qty |
|------|---------------|--|-----|
| 1. | 82-16158-000 | KIT, MAGNET | 2 |
| 2. | 82-19016-000 | KIT, BUSHING W /MTG HARDWARE | 2 |
| | 82-23533-000 | BUSHING | 2 |
| 3. | 40-36049-000 | BRACKET, BUSHING MTG | 2 |
| 4. | 53-35582-000N | BRACKET, SLIDE-IN STANDOFF W /O BUFFER | 2 |
| 5. | 53-46559N000 | PLATE ASM, PIVOT | 1 |
| 6. | 82-16160-000 | ARM, SUPPORT ASM | 2 |
| 7. | 82-16154-000 | HANDLE ASM, LATCH | 1 |
| | 82-16155-000 | PIN, LATCH | 1 |
| 8. | 82-16156-000 | BODY, BIKE RACK | 1 |
| 9. | 53-35484-000N | RACK ASM, BIKE (POWDER BLACK COAT) | 1 |
| 10. | 53-35397-000N | KIT, SLIDE-IN MTG (COUNTERSUNK BOLTS) | 1 |

BIKE RACK W/SLIDE-IN STANDOFF BRACKET (FRONT)

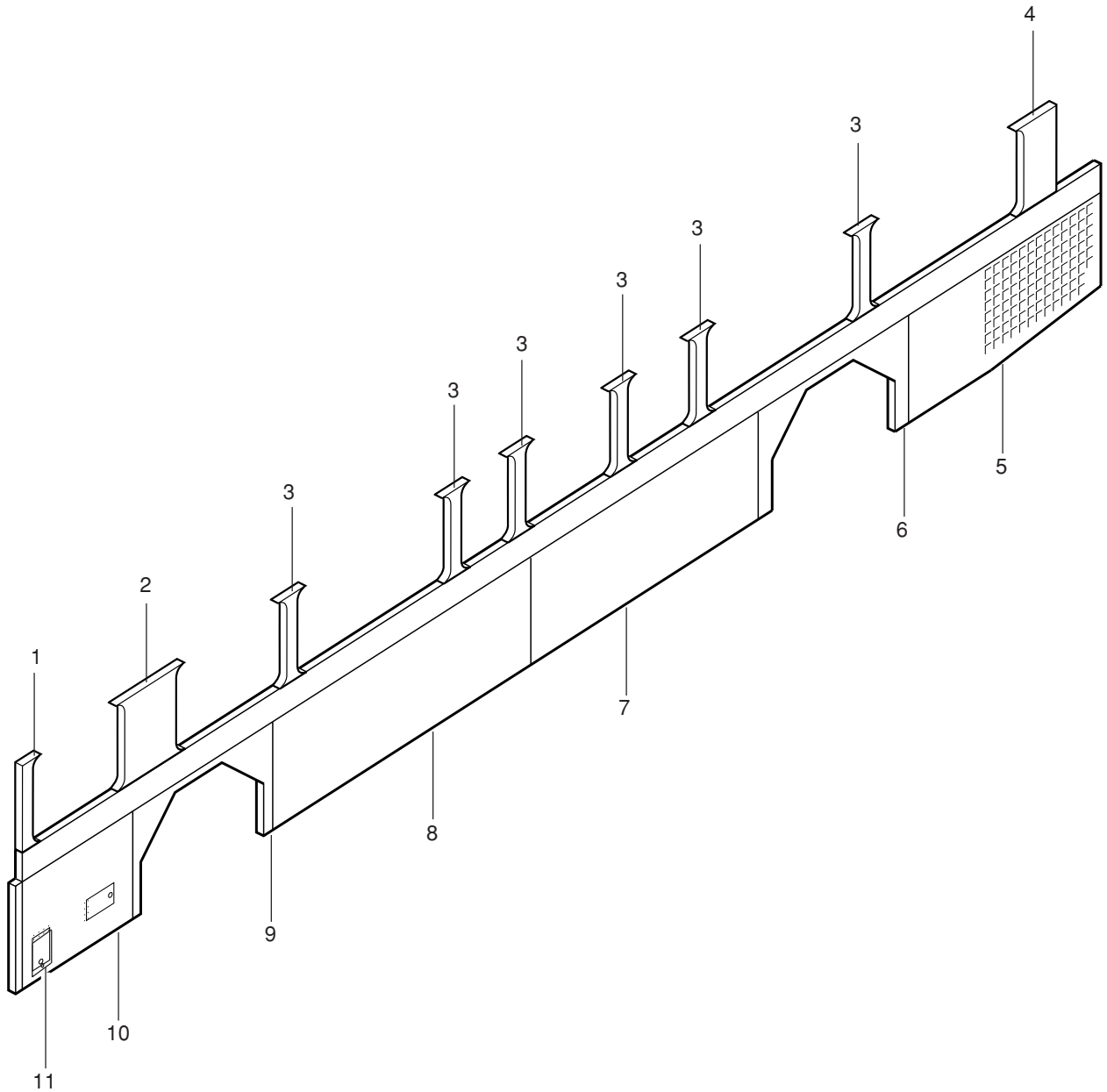


20-0100-0700B,L
 20-003001
 20-0100-0700B, L

LH EXTERIOR SIDE PANELS

| Item | PartNo. | Description | Qty |
|------|---------------|------------------------------------|-----|
| 1. | 20-45504-000 | CAP, WINDOW EXTERIOR | 1 |
| 2. | 20-45505-000 | CAP, WINDOW EXTERIOR | 1 |
| 3. | 20-41927-000 | CAP, WINDOW EXTERIOR | 4 |
| 4. | 20-42594-000 | CAP, WINDOW EXTERIOR | 1 |
| 5. | 20-48987M001 | PANEL, RADIATOR DOOR | 1 |
| 6. | 20-48998M001L | PANEL, REAR WHEELWELL, LH (HINGED) | 1 |
| 7. | 20-45491M001 | PANEL, EXTERIOR, LH | 1 |
| 8. | 20-47690M000 | PANEL, EXTERIOR, LH | 1 |
| 9. | 20-45493M001 | PANEL, FRONT WHEELWELL, LH (FIXED) | 1 |
| 10. | 20-48990M001 | PANEL, BATTERY BOX DOOR | 1 |
| 11. | 20-48991-000 | DOOR, BATTERY SWITCH ACCESS | 2 |

LH EXTERIOR SIDE PANELS

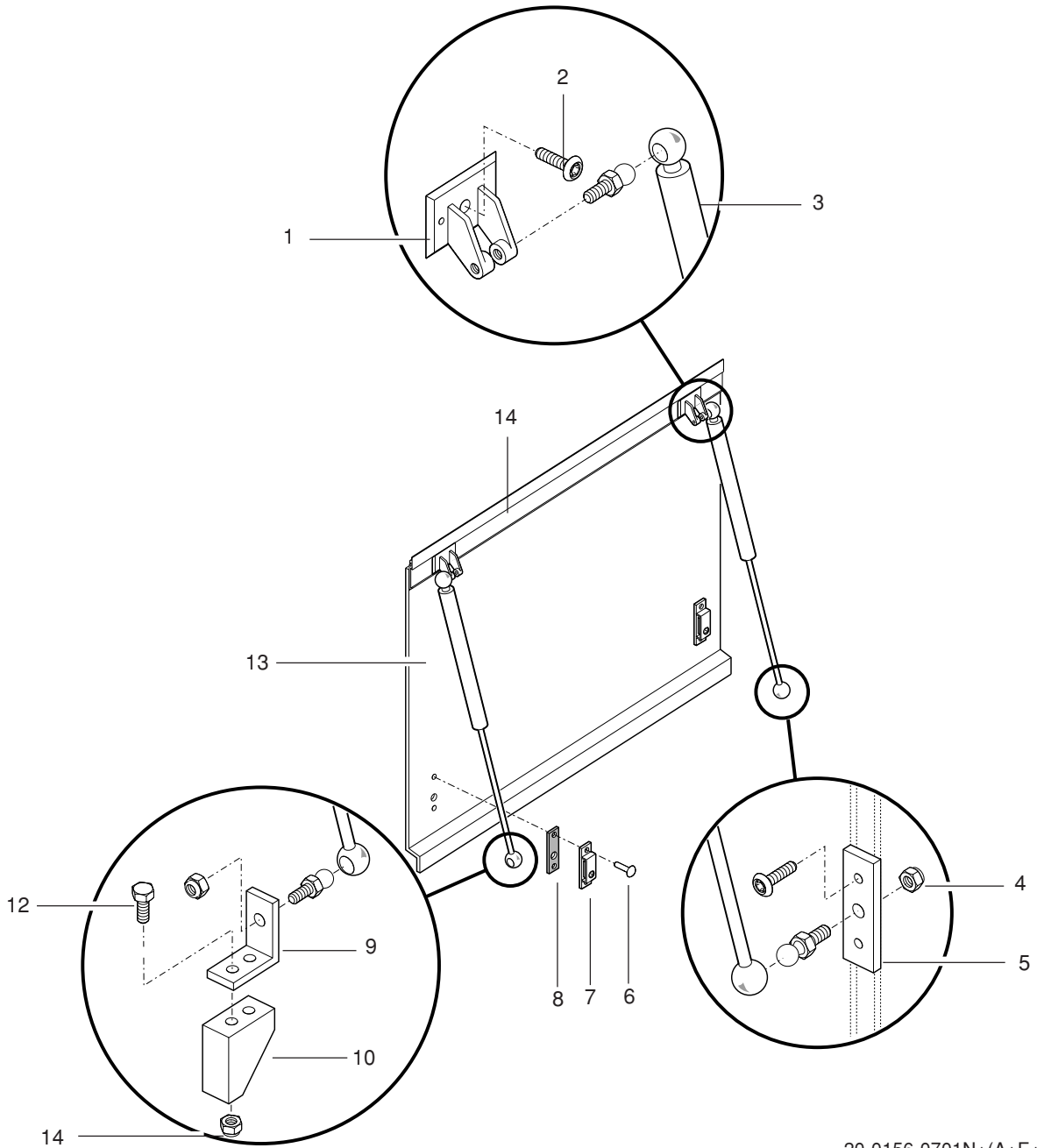
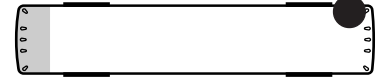


- 20-0156-0701N+(A+E+A,J+B)
- 20-003090
- 20-0156-0701N
- 20-0157-0708A
- 20-0158-0702E
- 20-0159-0701A, J
- 14-0600-0702B

SKIRT PANEL, BATTERY BOX

| Item | PartNo. | Description | Qty |
|------|--------------|------------------------------------|-----|
| 1. | 54-37362-000 | BRACKET, GAS SPRING MTG, UPR SKIRT | 2 |
| 2. | 54-37359-001 | BOLT,BUTTON TORX HEAD M8 X 15MM | 15 |
| 3. | 53-20347-007 | SPRING ASM,GAS | 2 |
| 4. | 54-12540-006 | NUT,HXHD NYLOCK 5/16-18 GR5 | 2 |
| 5. | 14-39613-000 | PLATE,GAS SPRING MTG | 1 |
| 6. | 54-10163-006 | RIVET,MONOBOLT | 4 |
| 7. | 50-00019-000 | LOCK ASM,5/16 SQ KEY 1/4 TURN | 2 |
| 8. | 40-00445-003 | PLATE,LOCK MTG | 2 |
| 9. | 54-37361-000 | BRACKET,GAS SPRING MTG,LWR | 1 |
| 10. | 20-38567-000 | BRACKET GAS SPRING MTG. | 2 |
| 11. | 54-12540-005 | NUT, HXHD NYLOCK 1/4-20 GR5 | 4 |
| 12. | 54-11316-002 | BOLT,HXHD 1/4-20X.75 GR5 | 4 |
| 13. | 20-48990M001 | PANEL,SKIRT,HINGED,BATTERY BOX | 1 |
| 14. | 20-37130-000 | ANGLE,DOOR LOCK HINGED SKIRT | 2 |
| | 54-37358-000 | NUT PLATE,COBOLT M8 | 14 |
| | 56-02111-002 | TAPE, FOAM .25" THICK X .50WIDE | A/R |
| N/S | 20-48991-000 | PANEL, ACCESS DOOR | 2 |
| N/S | 20-42065N000 | LATCH, ADJUSTABLE | 2 |

SKIRT PANEL, BATTERY BOX

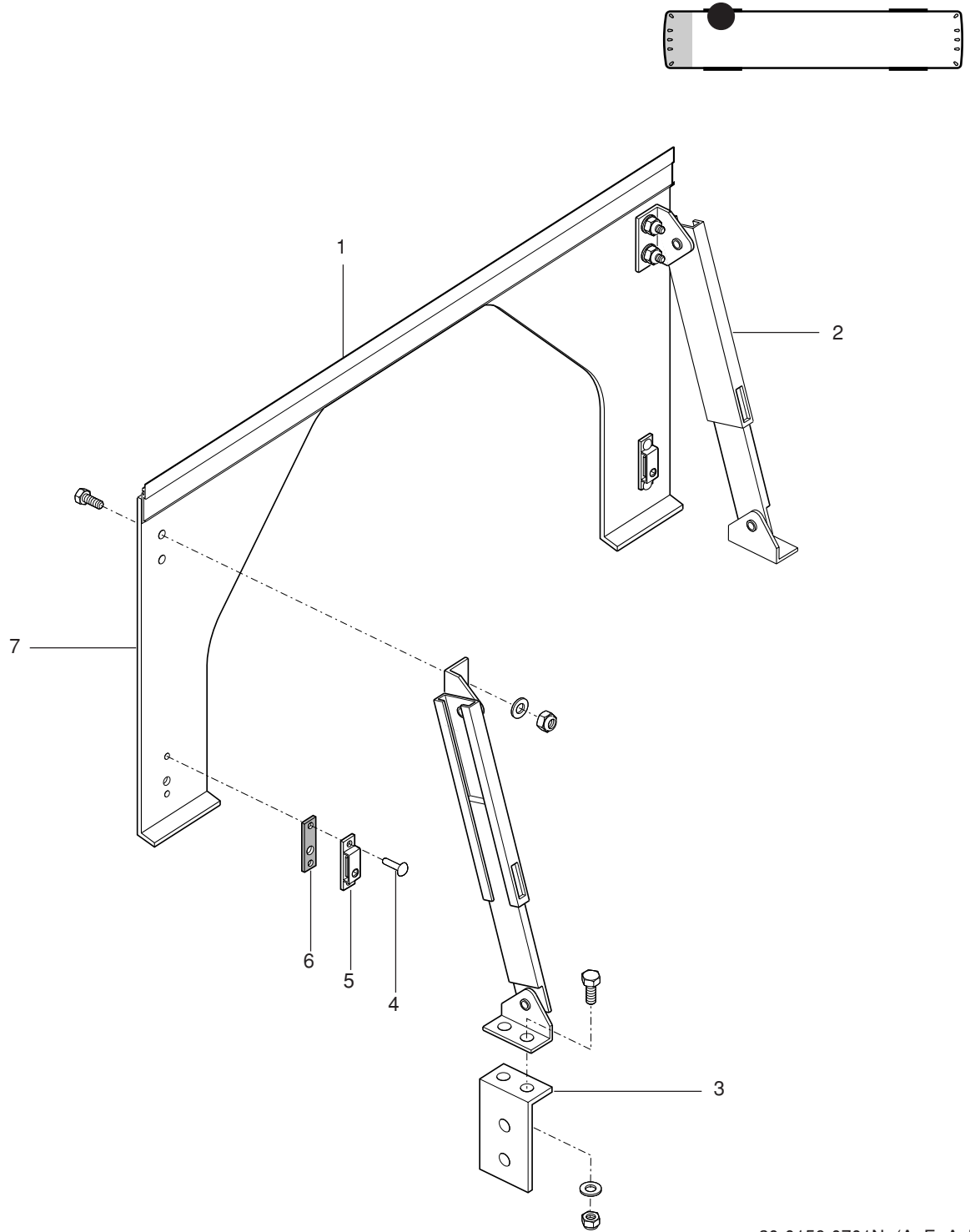


- 20-0156-0701N+(A+E+A,J+B)
- 20-003089
- 20-0156-0701N
- 20-0157-0708A
- 20-0158-0702E
- 20-0159-0701A, J
- 14-0600-0702B

SKIRT PANEL, REAR WHEEL

| Item | PartNo. | Description | Qty |
|------|---------------|---------------------------------|-----|
| 1. | 20-48400-000 | HINGE, SKIRT UPR | 2 |
| 2. | 53-29743-000 | PROP ASM,DOOR | 2 |
| 3. | 20-37130-000 | ANGLE, DOOR LOCK HINGED SKIRT | 2 |
| 4. | 54-10163-008 | RIVET,MONOBOLT | 4 |
| 5. | 50-00019-000 | LOCK ASM,5/16 SQ KEY 1/4 TURN | 2 |
| 6. | 40-00445-003 | PLATE,LOCK MTG | 2 |
| 7. | 20-48998M001L | PANEL,SKIRT,HINGED,REAR WHEEL | 1 |
| | 54-37358-000 | NUT PLATE,COBOLT M8 | 20 |
| | 54-37359-001 | BOLT,BUTTON TORX HEAD M8 X 15MM | 20 |

SKIRT PANEL, REAR WHEEL

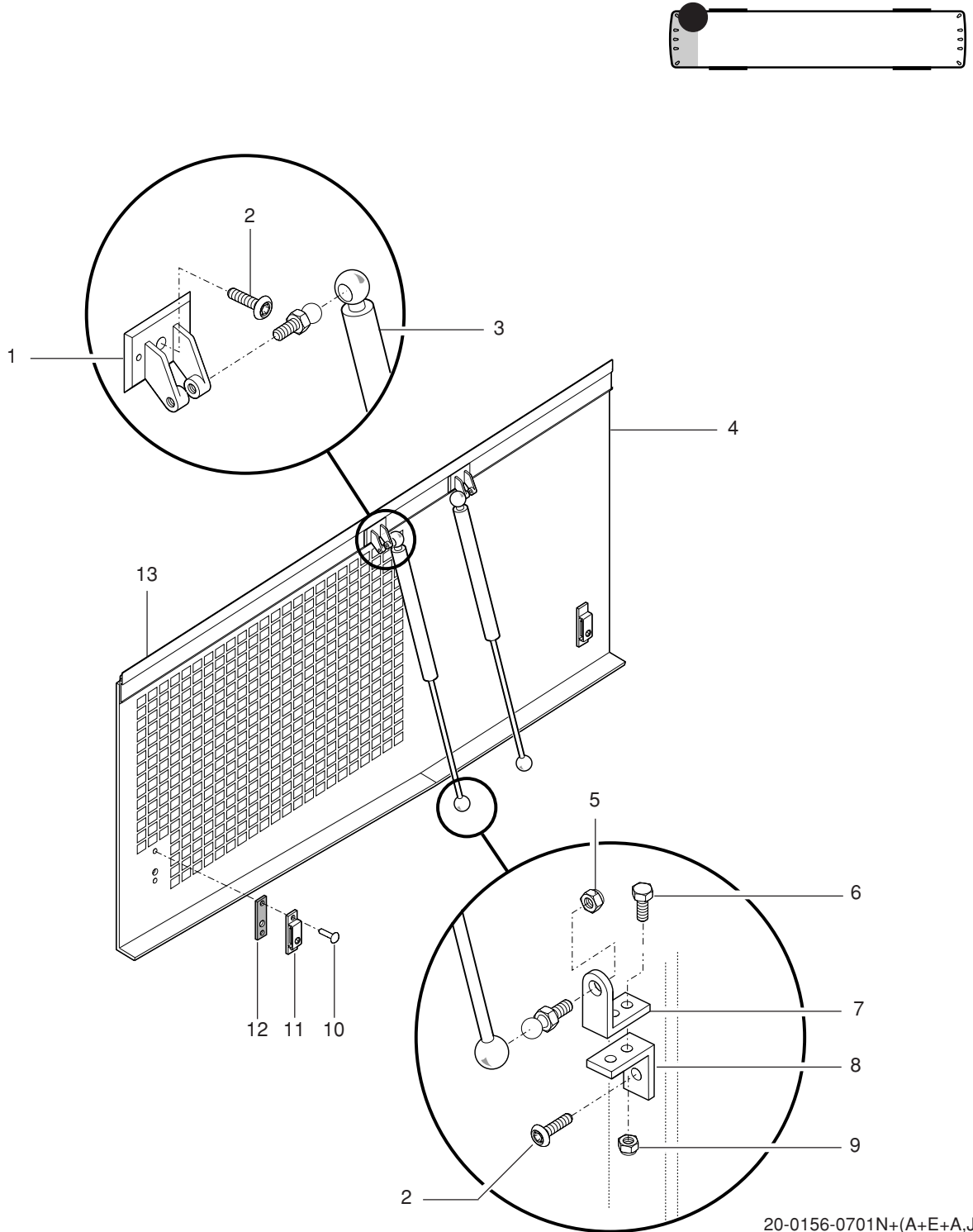


- 20-0156-0701N+(A+E+A,J+B)
- 20-002310
- 20-0156-0701N
- 20-0157-0708A
- 20-0158-0702E
- 20-0159-0701A, J
- 14-0600-0702B

SKIRT PANEL, RADIATOR ACCESS

| Item | PartNo. | Description | Qty |
|------|---------------|------------------------------------|-----|
| 1. | 54-37362-000 | BRACKET, GAS SPRING MTG, UPR SKIRT | 2 |
| 2. | 54-37359-001 | BOLT,BUTTON TORX HEAD M8 X 15MM | 19 |
| 3. | 53-20347-008 | SPRING ASM,GAS | 2 |
| 4. | 20-48987M001 | PANEL,SKIRT,HINGED RADIATOR | 1 |
| 5. | 54-12540-006 | NUT,HEX HD NYLOCK 5/16-18 GR5 | 2 |
| 6. | 54-11316-002 | BOLT,HXHD 1/4-20X.75 GR5 | 4 |
| 7. | 20-38567-000 | BRACKET, GAS SPRING MTG. | 2 |
| 8. | 54-37361-000 | BRACKET,GAS SPRING MTG,LWR,SKIRT | 2 |
| 9. | 54-12540-005 | NUT,HEX HD NYLOCK 1/4-20 GR5 | 4 |
| 10. | 54-10163-008 | RIVET,MONOBOLT | 4 |
| 11. | 50-00019-000 | LOCK ASM,5/16 SQ KEY 1/4 TURN | 2 |
| 12. | 40-00445-003 | PLATE,LOCK MTG | 2 |
| 13. | 20-48399-000L | HINGE,SKIRT UPPER | 1 |
| | 20-37130-000 | ANGLE,DOOR LOCK HINGED SKIRT | 2 |
| | 54-37358-000 | NUT PLATE,COBOLT M8 | 17 |
| | 53-02249-010 | PRIMER | 1 |

SKIRT PANEL, RADIATOR ACCESS

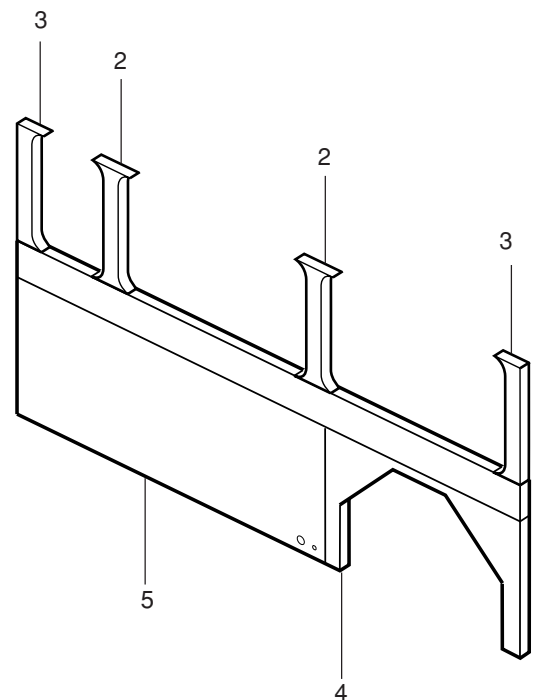
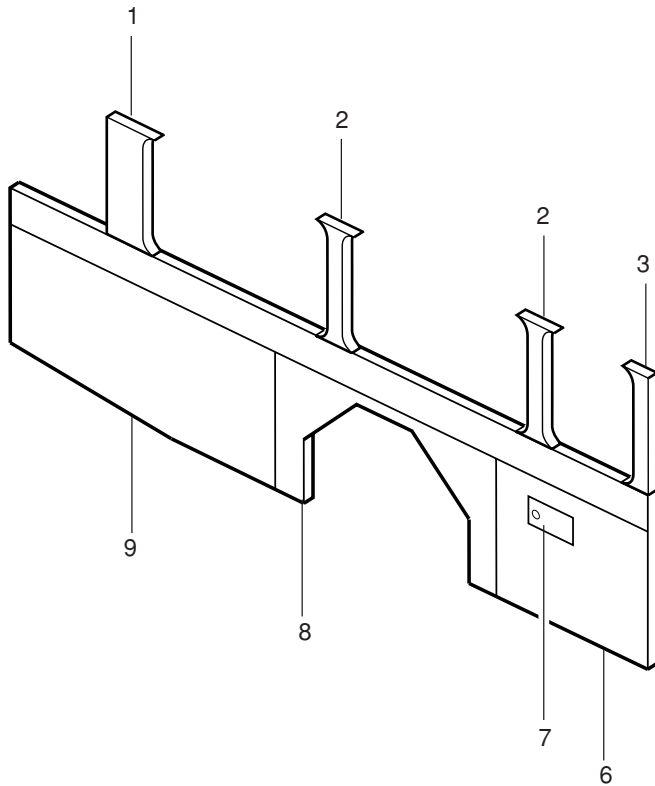


- 20-0156-0701N+(A+E+A,J+B)
- 20-002311
- 20-0156-0701N
- 20-0157-0708A
- 20-0158-0702E
- 20-0159-0701A, J
- 14-0600-0702B

EXTERIOR PANELS: RH

| Item | PartNo. | Description | Qty |
|------|-----------------|---|-----|
| 1. | 20-42594-000 | CAP, WINDOW EXTERIOR | 1 |
| 2. | 20-41927-000 | CAP, WINDOW EXTERIOR | 4 |
| 3. | 20-42593-000 | CAP, WINDOW EXTERIOR | 3 |
| 4. | 20-45483M001 | PANEL, FRONT WHEELWELL, RH | 1 |
| 5. | 20-47711M002 | PANEL, FIXED SKIRT 93.36" | 1 |
| | 20-37470L195.38 | EXTR, RUBBER SKIRT EDGE TRIM | 1 |
| | 20-45495M000 | BRACKET, SKIRT MTG | 4 |
| | 20-45495M001R | BRACKET, SKIRT MTG | 1 |
| 6. | 20-49017M000 | PANEL, FIXED SKIRT 45.31" W/ FUEL DOOR CUTOUT | 1 |
| 7. | 20-48985M000 | PANEL, ACCESS DOOR | 1 |
| | 20-42065N000 | LATCH, ADJUSTABLE | 1 |
| | 41-10761-002 | STOP, ACCESS DOOR 8.5" | 1 |
| | 53-02237-000 | SPRING, RETAINING | 1 |
| | 54-10163-037 | RIVET, MONOBOLT 3/16" STL | 7 |
| | 54-10163-006 | RIVET, MONOBOLT | 8 |
| 8. | 20-48998M001R | PANEL, REAR WHEELWELL, RH (HINGED) | 1 |
| 9. | 20-48994M001 | PANEL, SKIRT, HINGED ENGINE | 1 |
| | 56-02111-009 | TAPE, ADHESIVE .50" | A/R |
| | 56-02111-002 | TAPE, ADHESIVE .25" | A/R |
| | 54-11318-003 | BOLT, HXHD 5/16-18X1 GR5 | A/R |
| | 54-12600-007 | FLATWASHER, 5/16 | A/R |

EXTERIOR PANELS: RH

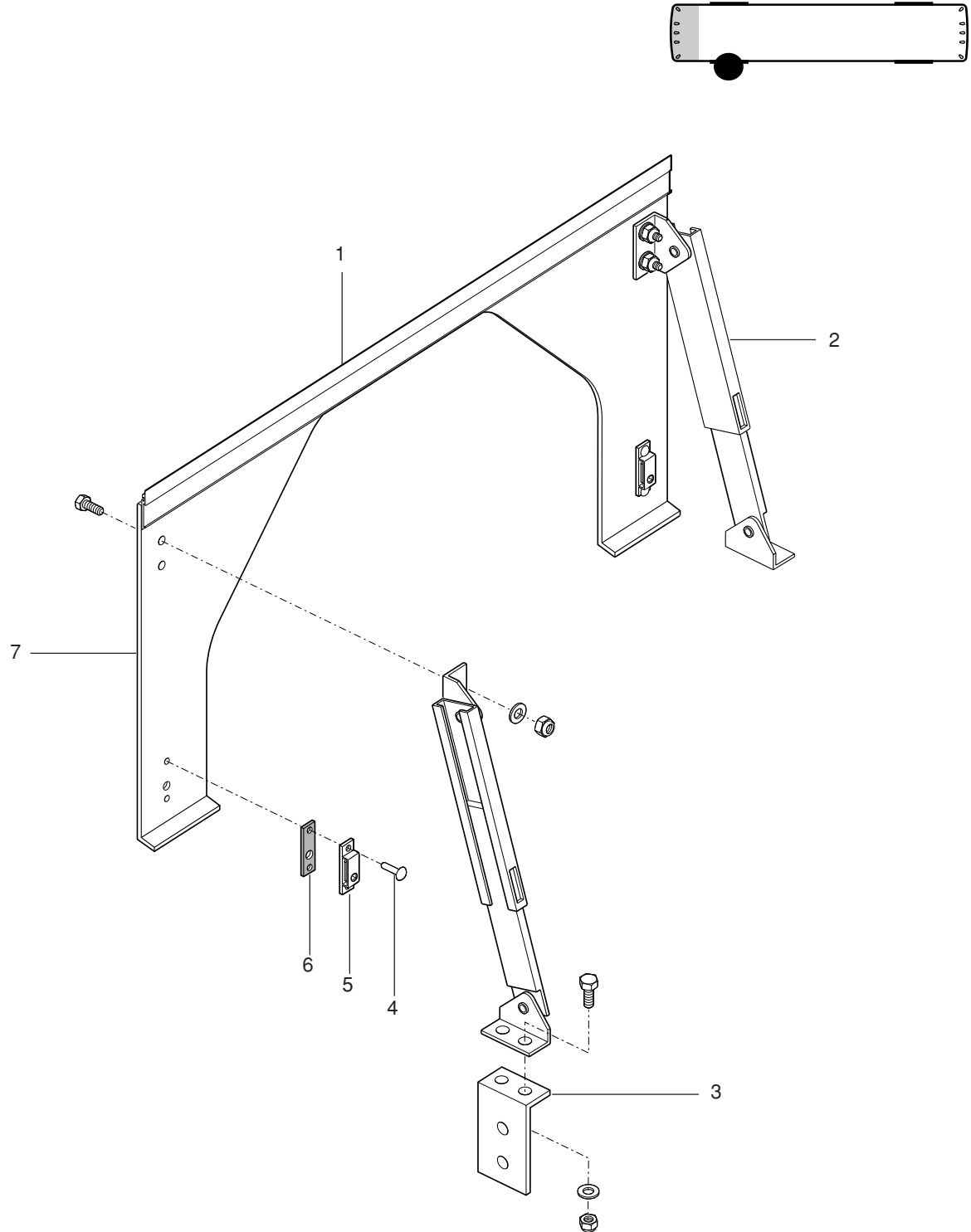


- 20-0207-0706K+(F+A,M+B,D,G)
- 20-002060
- 20-0207-0706K
- 20-0208-0702F
- 20-0209-0701A, M
- 14-0652-0702B, D, G

SKIRT PANEL, REAR WHEEL

| Item | PartNo. | Description | Qty |
|------|---------------|---------------------------------|-----|
| 1. | 20-48400-000 | HINGE, SKIRT HINGE | 1 |
| 2. | 53-29743-000 | PROP ASM,DOOR | 2 |
| 3. | 20-37130-000 | ANGLE, DOOR LOCK | 2 |
| 4. | 54-10163-039 | RIVET, MONOBOLT | 4 |
| 5. | 50-00019-000 | LOCK ASM,5/16 SQ KEY 1/4 TURN | 2 |
| 6. | 40-00445-003 | PLATE, LOCK MTG | 2 |
| 7. | 20-48998M001R | PANEL, SKIRT, HINGED,REAR WHEEL | 1 |
| | 54-37358-000 | NUT PLATE, COBOLT M8 | 14 |
| | 54-37359-001 | BOLT, BUTTON TRXHD M8 X 15MM | 14 |

SKIRT PANEL, REAR WHEEL

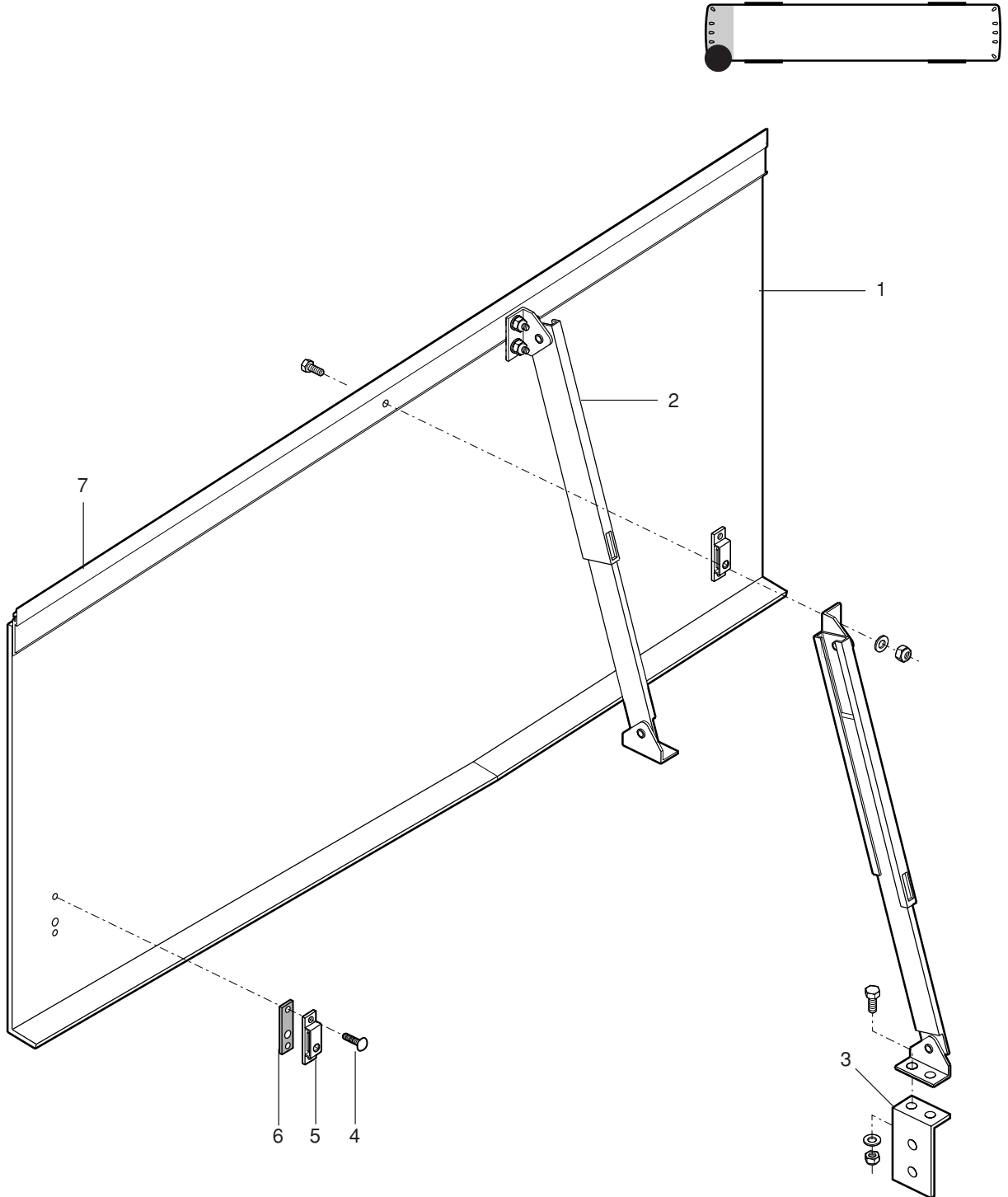


- 20-0207-0706K+(F+A,M+B,D,G)
- 20-002310
- 20-0207-0706K
- 20-0208-0702F
- 20-0209-0701A, M
- 14-0652-0702B, D, G

SKIRT PANEL, FILTER ACCESS

| Item | PartNo. | Description | Qty |
|------|---------------|--|-----|
| 1. | 20-48994M001 | PANEL, SKIRT, HINGED ENGINE | 1 |
| 2. | 53-29743-000 | PROP ASM., DOOR | 2 |
| 3. | 20-46930-000 | BRACKET, MECHANICAL SLIDE PROP | 2 |
| 4. | 54-10163-039 | RIVET, MONOBOLT | 13 |
| 5. | 50-00019-000 | LOCK ASM, 5/16 SQ KEY 1/4 TURN | 2 |
| 6. | 40-00445-003 | PLATE, LOCK MTG | 2 |
| 7. | 20-48399-000R | HINGE,SKIRT UPPER | 1 |
| | 20-37130-000 | ANGLE, DOOR LOCK HINGED SKIRT | 2 |
| | 54-37358-000 | NUT PLATE, COBOLT M8 | 8 |
| | 54-37359-001 | BOLT, BUTTON HD. TORX M8 X 15MM | 8 |
| | 54-12540-005 | NUT, HXHD NYLOCK 1/4-20 GR5 | 4 |
| | 54-11316-002 | BOLT, HXHD 1/4-20 X .75 GR5 | 4 |
| | 54-13119-064 | SCREW, 1/4"-20 X 1.0" PHILLIPS TRUSS HD. | 4 |
| | 56-02111-002 | TAPE, FOAM .25" THICK X .75" WIDE | A/R |
| | 56-02111-009 | TAPE, FOAM .50" THICK X .75" WIDE | A/R |
| | 56-23277-001 | SPACER | 4 |

SKIRT PANEL, FILTER ACCESS

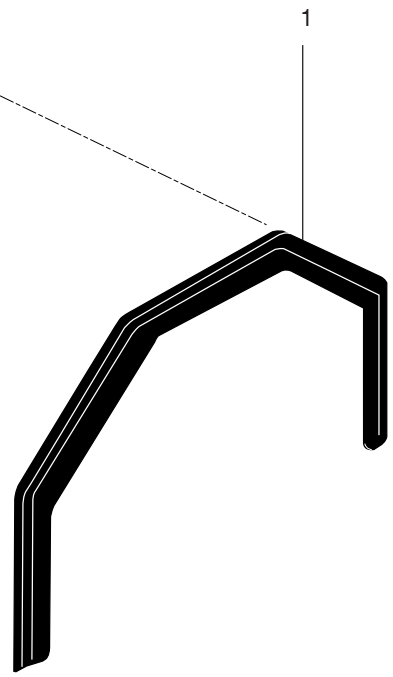
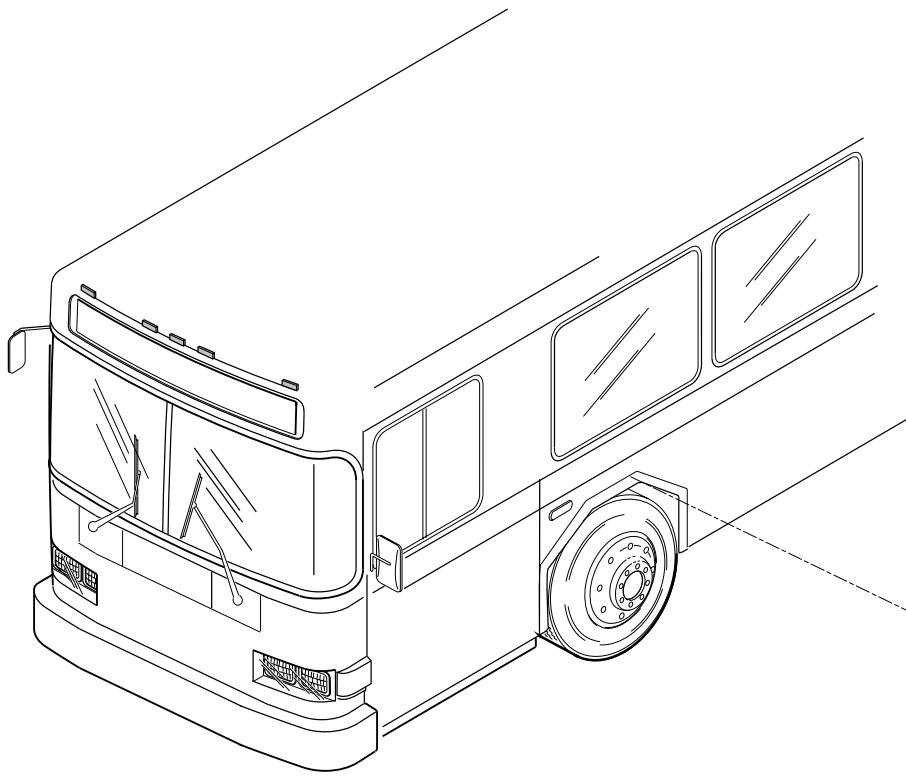
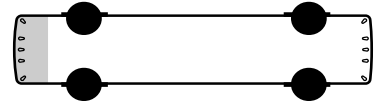


- 20-0207-0706K+(F+A,M+B,D,G)
- 20-003569
- 20-0207-0706K
- 20-0208-0702F
- 20-0209-0701A, M
- 14-0652-0702B, D, G

FENDER FLARES

| Item | Part No. | Description | Qty |
|------|--------------|--------------------------------------|-----|
| 1. | 50-35475-001 | FENDER & WHEELWELL W/ SSTL MTG STUDS | 4 |
| | 54-13108-003 | NUT, HIGH HEX 3/4"-16 GR8 | 68 |
| | 54-13112-030 | FLATWASHER, 1/4" SSTL | 68 |

FENDER FLARES

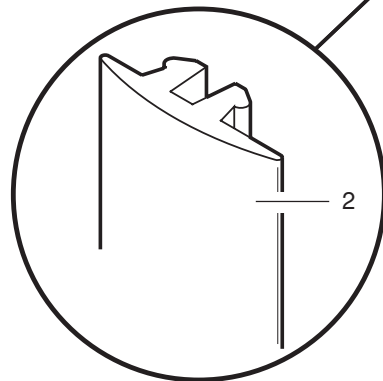
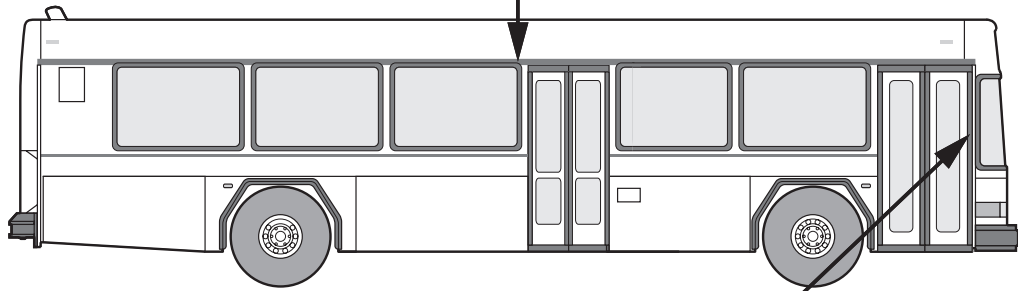
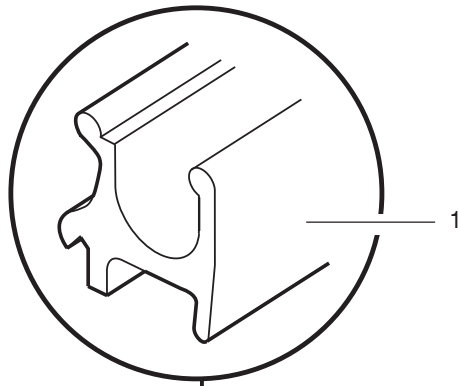


20-0300-0701B
20-000170
20-0300-0701B

EXTERIOR TRIM

| Item | Part No. | Description | Qty |
|------|-----------------|---|-----|
| 1. | 20-37467L412.82 | EXTRUSION, RAIN GUTTER, RUBBER | 2 |
| | 54-13119-100 | SCREW, YELLOW ZINC #6 X 1.25" | A/R |
| 2. | 20-47468L080.50 | TRIM, FRONT RUBBER, "A"-POST (VERTICAL) | 2 |
| | 20-44023L084.00 | DOOR SEAL, BODY TO DOOR | 2 |

EXTERIOR TRIM

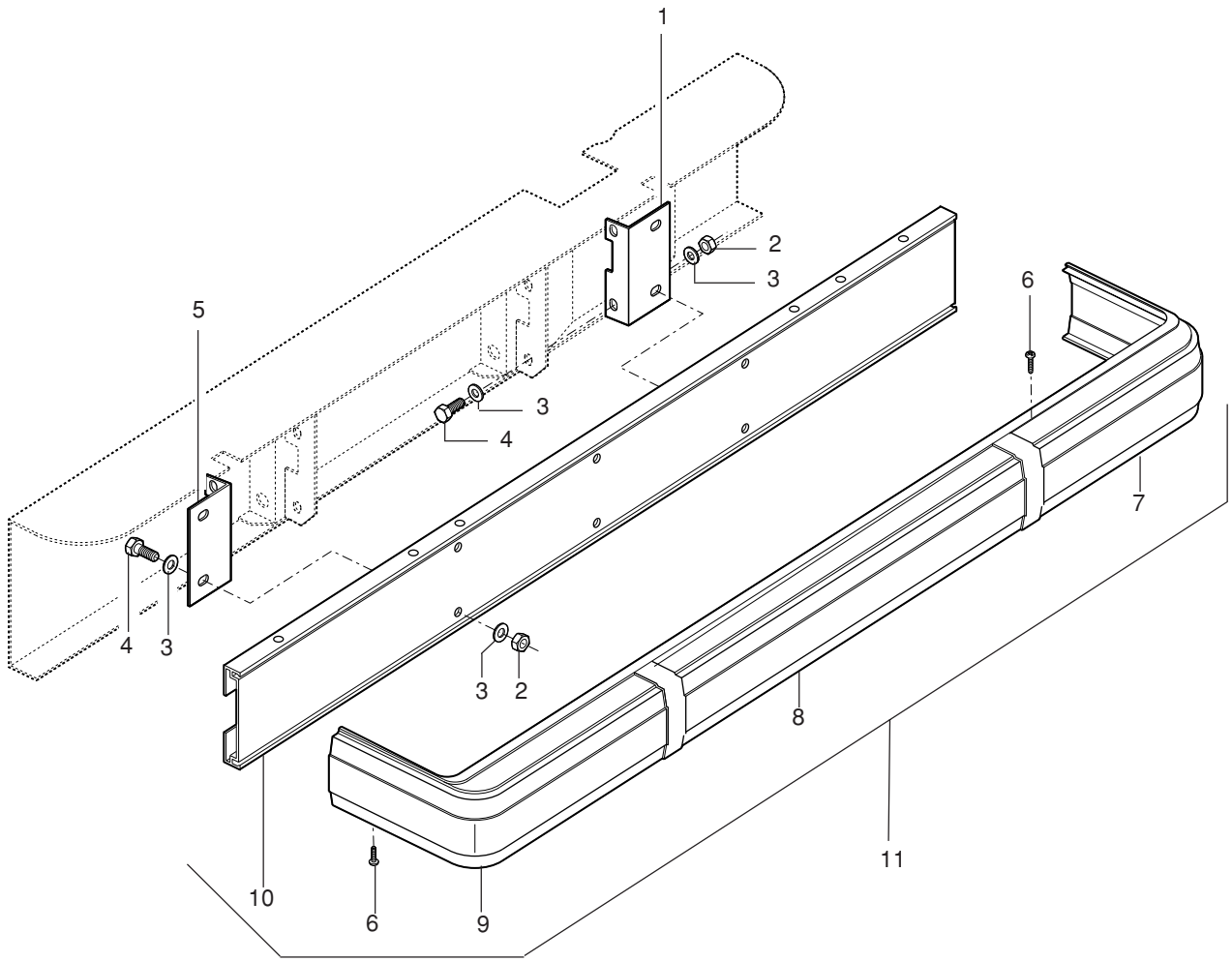
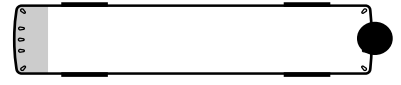


20-0306-0702B (35')
20-001740
20-0306-0702B

FRONT BUMPER

| Item | Part No. | Description | Qty |
|------|---------------|------------------------------|-----|
| 1. | 20-37166-000L | BRACKET, FRT BUMPER MTG, LH | 1 |
| 2. | 54-12559-009 | NUT, FLGHD 1/2-20 GR8 | 8 |
| 3. | 54-12601-010 | FLATWASHER, 1/2 | 16 |
| 4. | 54-13559-006 | BOLT, FLGHD 1/2-20X1.75 GR 8 | 8 |
| 5. | 20-37166-000R | BRACKET, FRT BUMPER MTG, RH | 1 |
| 6. | 82-21211-004 | CAPSCREW, 1/4-20X1.25 | 18 |
| 7. | 82-21211-003 | MODULE, FRT BUMPER, LH | 1 |
| 8. | 82-21211-001 | MODULE, FRT BUMPER, CENTER | 1 |
| 9. | 82-21211-002 | MODULE, FRT BUMPER, RH | 1 |
| 10. | 82-21211-000 | CHANNEL, FRT BUMPER MTG | 1 |
| 11. | 20-41047N000 | BUMPER ASM, FRONT | 1 |

FRONT BUMPER

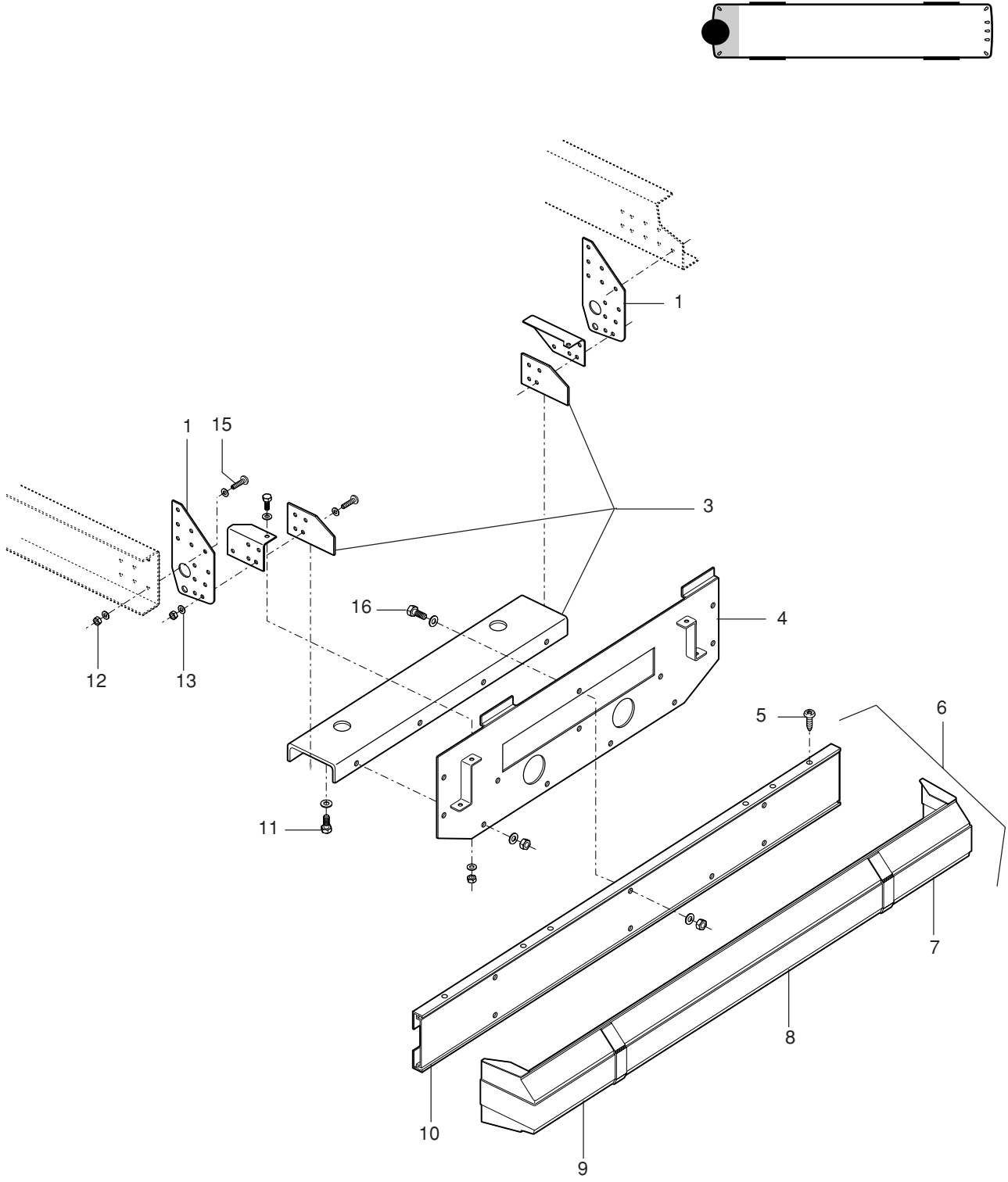


20-0400-0700B
20-000172
20-0400-0700B

REAR BUMPER

| Item | Part No. | Description | Qty |
|------|--------------|---|-----|
| 1. | 06-47511-000 | BRACKET PLATE ASM., TOW EYE CURB SIDE | 1 |
| | 06-47512-000 | BRACKET PLATE ASM., TOW EYE STREET SIDE | 1 |
| 3. | 01-47872-000 | CROSSMEMBER ASM, ISL ENGINE (SEE ENG. MOUNTING) | 1 |
| 4. | 06-45300-000 | BRACKET ASM., BUMPER MOUNTING | 1 |
| 5. | 82-04877-000 | RIVET, BUMPER, PLASTIC | 12 |
| 6. | 20-41108N000 | BUMPER ASM, REAR | 1 |
| 7. | 20-41131N000 | MODULE, END, RR BUMPER RH | 1 |
| 8. | 20-41132N000 | MODULE, CENTER, RR BUMPER | 1 |
| 9. | 20-41133N000 | MODULE, END, RR BUMPER LH | 1 |
| 10. | 20-41134N000 | CHANNEL, RR BUMPER EXTRUSION | 1 |
| 11. | 54-12559-009 | BOLT, HXHD, FLANGED, 1/2"-20 X 2.5" GR8 | 5 |
| 12. | 54-12555-009 | NUT, HXHD, FLANGED, 1/2"-20, GR8 | 10 |
| 13. | 54-12601-010 | FLATWASHER, 1/2" HARD | 10 |
| 15. | 54-13559-005 | BOLT, FLANGEHD, 1/2"-20 X 1.5", GR8 | 10 |
| | 54-12559-007 | BOLT, HXHD, FLANGED, 1/2"-20 X 2.0" GR8 | 4 |

REAR BUMPER

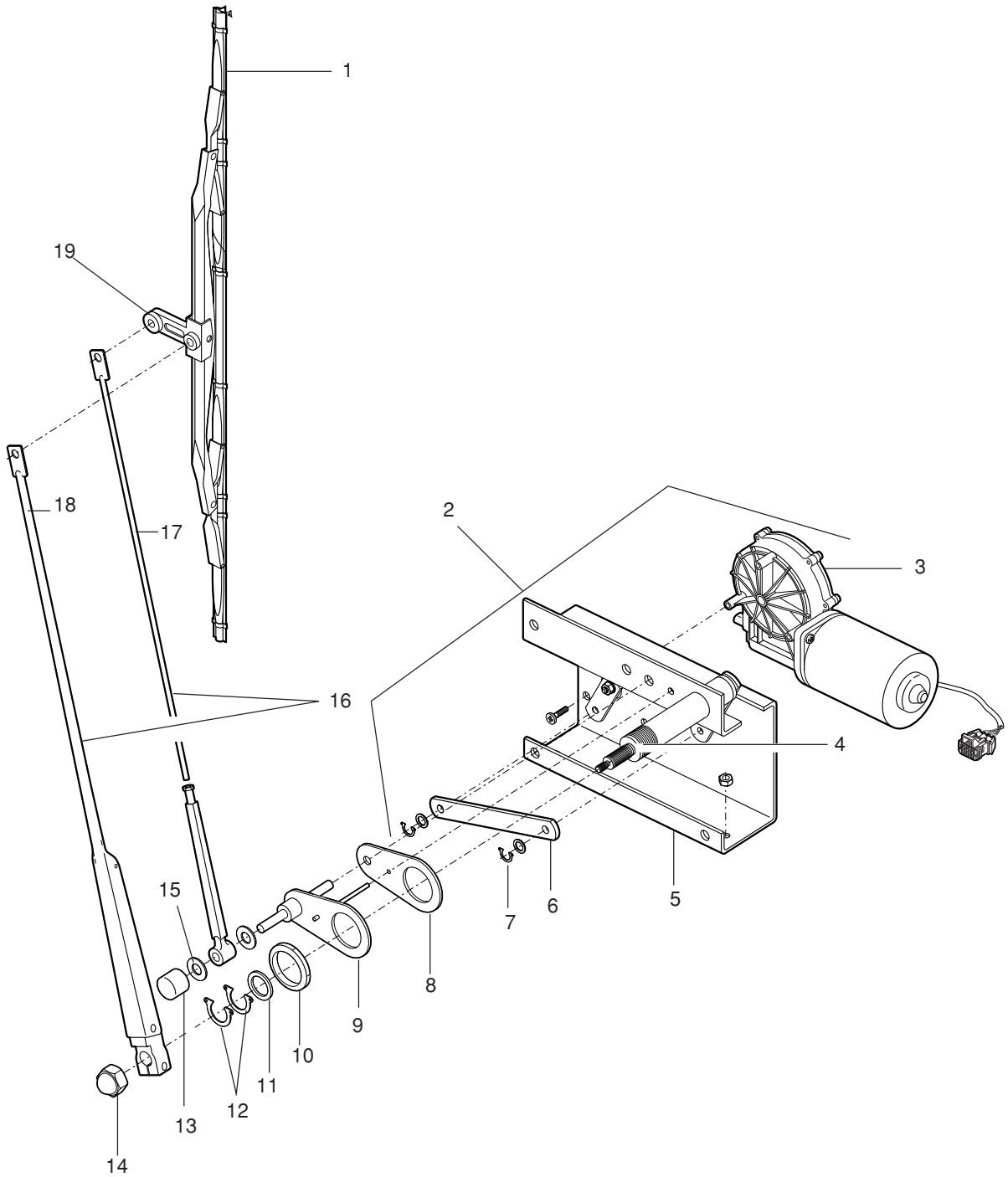
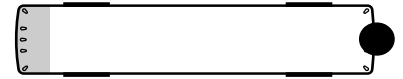


20-0402-0701A
20-000173
20-0402-0701A

WIPER, MOTOR AND ARM

| Item | Part No. | Description | Qty |
|------|---------------|--|-----|
| 1. | 53-47678N000 | BLADE, WIPER | 2 |
| | 82-27706-013 | INSERT KIT, WIPER BLADE REPLACEMENT | 2 |
| 2. | 18-47674N000 | MOTOR ASM, WIPER LH | 1 |
| | 18-47676N000 | MOTOR ASM, WIPER, RH | 1 |
| 3. | 82-20694-001 | MOTOR, WIPER W /GEAR REDUCTION L/R | 2 |
| | 82-27706-002 | LOCKNUT, GEAR REDUCTION OUT-PUT SHAFT | 2 |
| | 82-27706-005 | SCREW, MOTOR MOUNTING | 6 |
| | 82-27706-007 | CRANKSHAFT, DRIVE MOTOR | 2 |
| | 82-27706-012 | SPACER, MOTOR MOUNT | 2 |
| | 82-27706-010 | IDLER SHAFT ASM. | 2 |
| | 82-16422 | "O"-RING, IDLER SHAFT | 1 |
| 5. | 82-27706-004 | WASHER, WAVE (SPRING) AT IDLER SHAFT & MTG PLATE | 1 |
| | 82-27706-008 | BRACKET, WIPER MOTOR LH | 1 |
| | 82-27706-009 | BRACKET, WIPER MOTOR RH | 1 |
| 6. | 82-27706-006 | CONNECTING LINK | 2 |
| 7. | 82-08878-000 | E-CLIP, RETAINING RING | 4 |
| 8. | 53-35415-000N | GASKET, OUTER SPACER | 2 |
| 9. | 53-35409-000N | SPACER ASM, OUTER | 2 |
| 10. | 53-35414-000N | LOCKNUT, SPANNER | 2 |
| 11. | 82-21762-000 | WASHER, SPACER | 4 |
| 12. | 82-21761-000 | RING, RETAINER | 2 |
| 13. | 82-08883-000 | NUT, CAP | 2 |
| 14. | 82-27706-001 | NUT, ACORN | 2 |
| 15. | 82-08884-000 | WASHER | 2 |
| 16. | 53-47677N000 | ARM ASM, WIPER W /PANTOGRAPH | 2 |
| 17. | 82-07269-000 | IDLER ARM | 2 |
| 18. | 82-07252-000 | MAIN ARM | 2 |
| 19. | 82-27706-000 | SADDLE, WIPER BLADE PIVOT | 2 |
| | 82-27706-003 | SCREW, SADDLE LINK | 2 |
| | 82-11091-000 | LOCKNUT, SADDLE LINK | 2 |
| | 82-27706-011 | NOZZLE, WASHER /WIPER | 2 |
| | 20-44097-000 | PANEL, 9.17" X 13.36" WIPER COVER | 2 |
| | 20-44058-000 | GASKET, COVER PANEL, WIPER | 2 |
| | 54-13113-084 | SCREW, 5/16"-18 X 1.0" BUTTON HD. CAP | 8 |

WIPER, MOTOR AND ARM

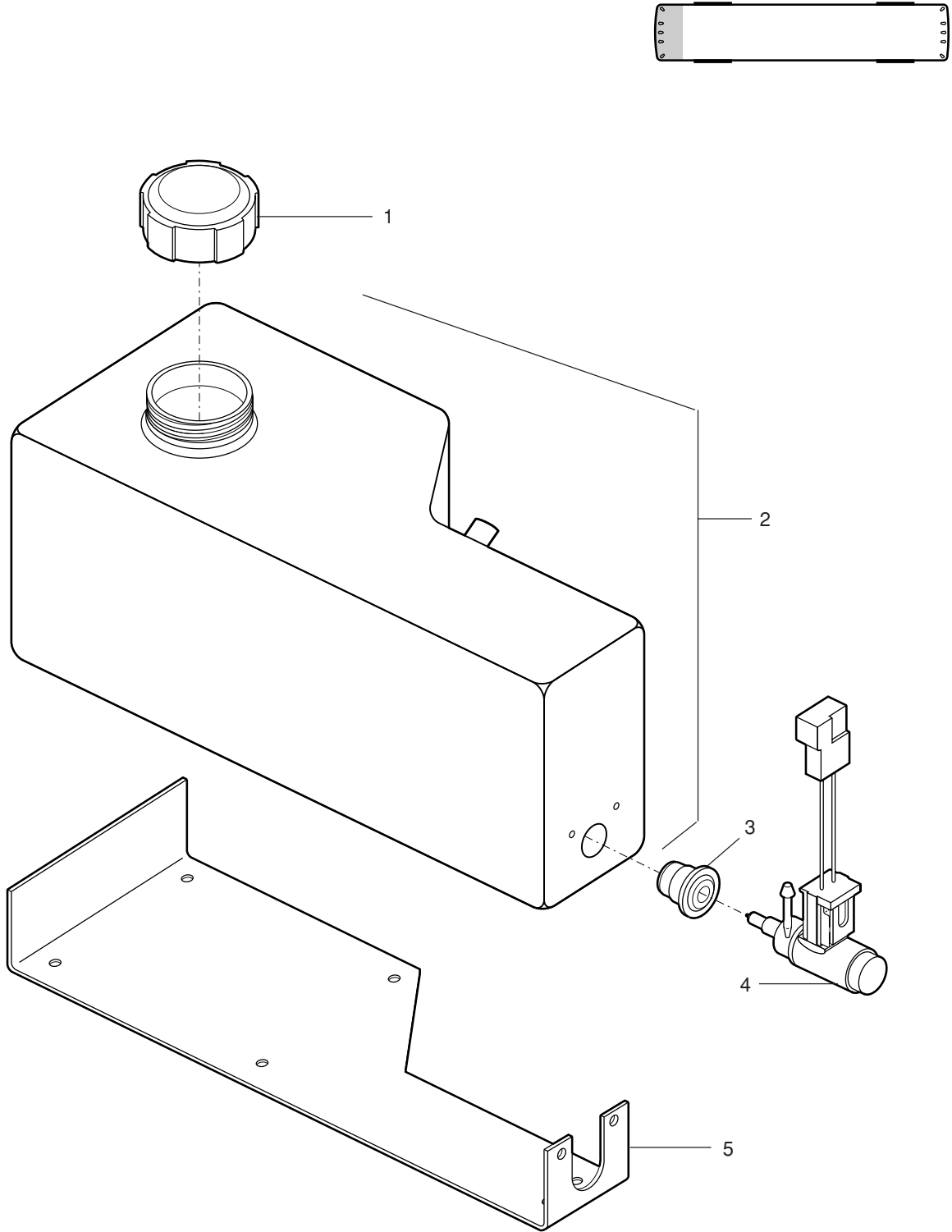


20-0450-0702B,D,E
20-000174
20-0450-0702B,D,E

WINDSHIELD WASHER BOTTLE ASSEMBLY

| Item | Part No. | Description | Qty |
|------|--------------|------------------------------------|-----|
| 1. | 18-48285N000 | CAP, WASHER BOTTLE | 1 |
| 2. | 18-47822-000 | BOTTLE, WASHER | 1 |
| 3. | 18-47826N000 | ADAPTER | 1 |
| 4. | 18-47825N000 | PUMP, WINDSHIELD WASHER | 1 |
| 5. | 18-47805-000 | BRACKET-WATER BOTTLE | 1 |
| | 54-12600-003 | FLATWASHER, #10 STD. | 3 |
| | 54-14230-004 | CAPSCREW HHD #10-24 X 1/2" GR.5 | 3 |
| | 54-10163-036 | RIVET, MONOBOLT 3/16" SSTL | 6 |
| | 18-39410-000 | TUBING, WASHER BOTTLE | 1 |
| | 55-15292-000 | DIPSTICK, ASM. | 1 |
| | 55-35300N000 | KIT, W/S WASHER BULKHEAD CONNECTOR | 2 |

WINDSHIELD WASHER BOTTLE ASSEMBLY

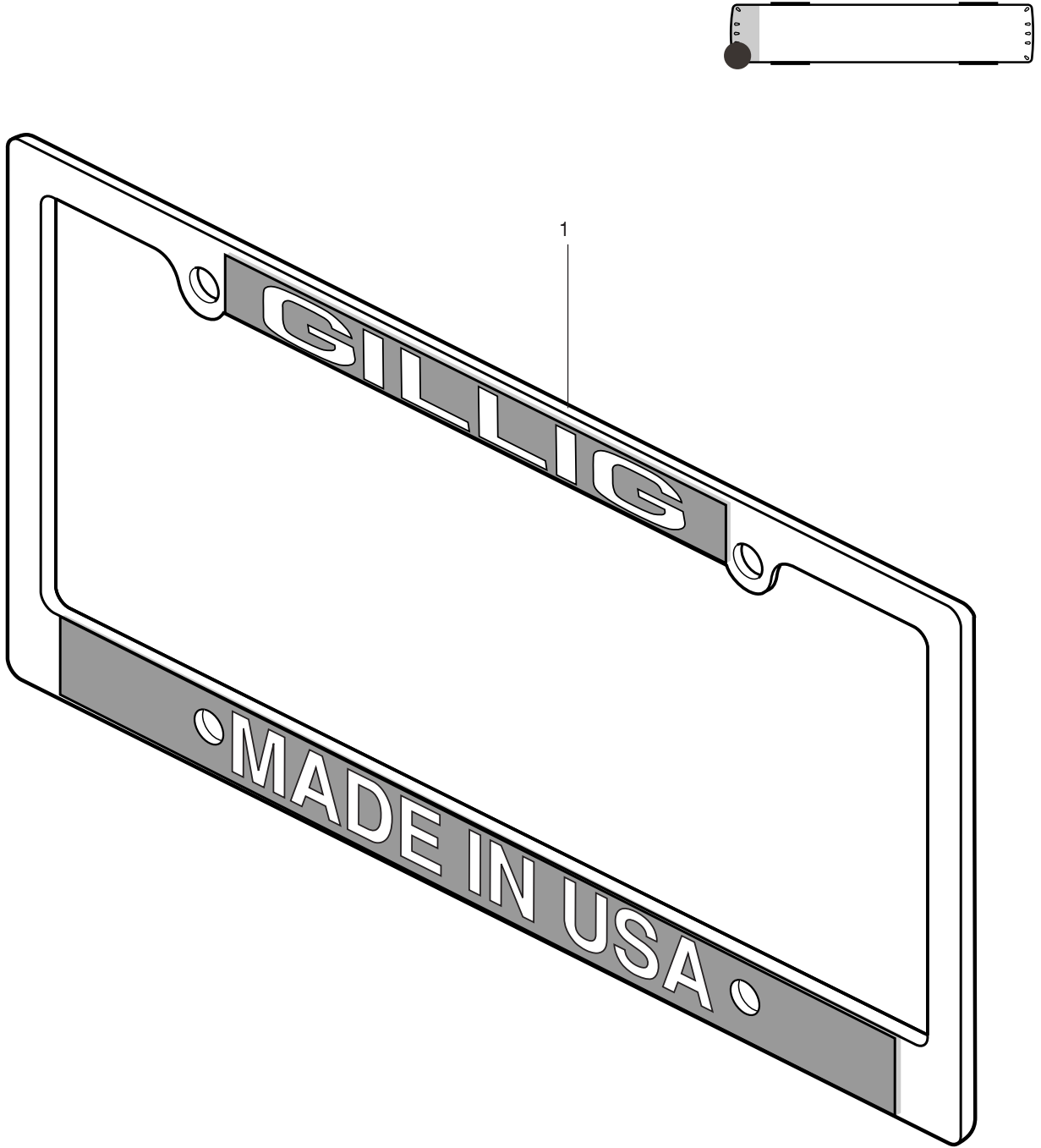


20-0450-0702B,D,E
20-003874
20-0450-0702B,D,E

LICENSE PLATE HOLDER

| Item | Part No. | Description | Qty |
|------|---|---|------------------|
| 1. | 55-00268-003 54-11316-067 56-13593-001 54-35613-000N | HOLDER, LICENSE PLATE BOLT, HXHD 1/4-20 X 1.00 SSTL WELLNUT, 1/4"-20 X 0.65" WASHER, NYLON | 1 4 4 4 |

LICENSE PLATE HOLDER



20-0600-0701C
20-003125
20-0600-0701C

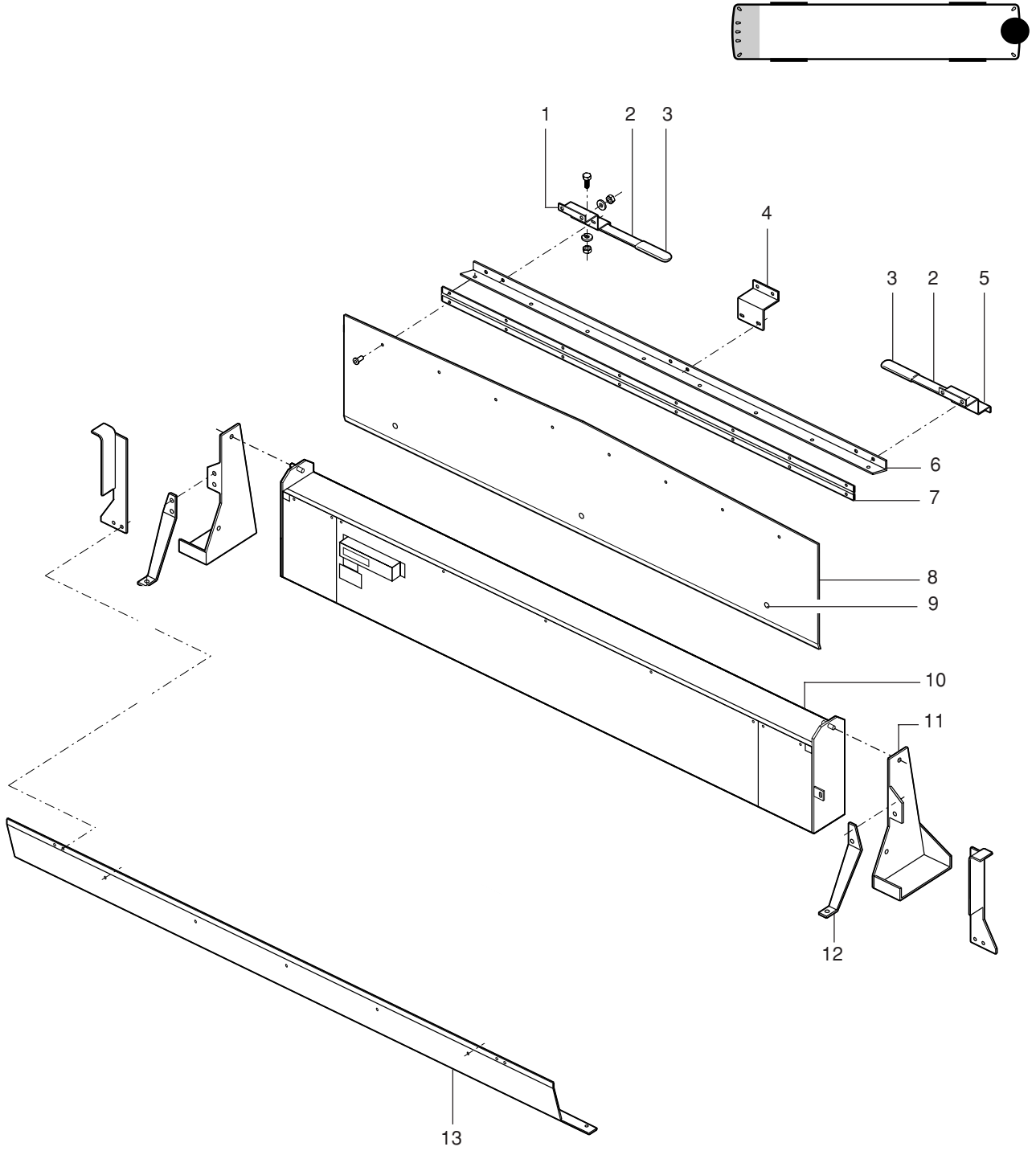
Section 8- Signs/Lift/Safety Equipment

| | |
|--|-----|
| Front Destination Sign Assembly | 398 |
| Side Destination Sign Streetside | 400 |
| Rear Run Sign | 402 |
| Entrance Door W/Lift-U Fold Out Ramp | 404 |
| Fire Extinguisher & Flare Kit..... | 406 |

FRONT DESTINATION SIGN ASSEMBLY

| Item | PartNo. | Description | Qty |
|-------------|-----------------|---|------------|
| 1. | 15-37007-000L | BRACKET, DEST SIGN, LH | 1 |
| 2. | 40-21418-000 | BAR, DOOR SUPT | 2 |
| | 15-44604L076.38 | TRIM, ANGLE | 1 |
| | 54-10163-025 | RIVET, MONOBOLT | 25 |
| | 56-02138-004 | TAPE, ADHESIVE .75W | A/R |
| 3. | 56-24926-002 | CAP, END PROTECTOR | 2 |
| | 54-37359-002 | BOLT, BUTTON TORX HEAD M8 X 20MM | 6 |
| 4. | 15-37006-000 | BRACKET, DEST SIGN | 1 |
| 5. | 15-37007-000R | BRACKET, DEST SIGN, RH | 1 |
| 6. | 15-37005-000 | BRACKET, DEST SIGN | 1 |
| 7. | 15-37008-000 | HINGE, DEST SIGN | 1 |
| 8. | 15-50370CXXXTX | DOOR, DEST SIGN | 1 |
| 9. | 54-39636N000 | LATCH ASM, QUAD PANEL | 3 |
| 10. | 16-43879N000 | SIGN ASM, FRONT DESTINATION | 1 |
| 11. | REF ONLY | BRACKET, DESTINATION SIGN | 1 |
| 12. | REF ONLY | BRACKET, MTG | 2 |
| 13. | 15-45653-000 | CLOSEOUT, DESTINATION SIGN | 1 |
| | 54-12536-005 | NUT, HXHD 1/4"-20 GR5 | 6 |
| | 54-12602-009 | LOCKWASHER 1/4" | 6 |
| | 54-12605-003 | FLATWASHER, FENDER 5/16" | 6 |
| | 54-37358-000 | NUT PLATE, COBOLT M8 | 10 |
| | 54-10163-036 | RIVET, MONOBOLT, 3/16" SSTL(.125-.331 GRIP) | 8 |
| | 54-10163-037 | RIVET, MONOBOLT, 3/16" STL(.062-.437 GRIP) | 9 |
| | 54-13100-003 | SCREW, #6 X 3/4" PAN HEAD SHEET METAL | 1 |
| | 54-37359-003 | BOLT, BUTTON TORX HEAD M8 X 25MM | 10 |
| | 16-47860N000 | BRACKET, DESTINATION SIGN MTG. | 1 |
| | 16-47861N000 | BRACKET, DESTINATION SIGN MTG. | 1 |
| | 16-47862N000 | BRACKET, DESTINATION SIGN MTG. | 1 |
| | 16-47863N000 | BRACKET, DESTINATION SIGN MTG. | 1 |
| | 16-47864N000 | BRACKET, DESTINATION SIGN MTG. | 1 |
| | 13-48862N000 | CABLE ASM., DESTINATION SIGN | 1 |

FRONT DESTINATION SIGN ASSEMBLY



- 16-0007-0701A+(A+F+G+B)
- 16-000163
- 16-0007-0701A
- 16-0009-0700A
- 16-0011-0701F
- 16-0028-0700G
- 15-0681-0701B

SIDE DESTINATION SIGN STREETSIDE

| Item | Part No. | Description | Qty |
|------|--------------|--|-----|
| 1. | 16-46826N000 | SIGN ASM, SIDE DEST 14 ROW X 108 COLUMN LED 56" WIDE | 1 |