



Corvettes are all we do.

Since 1977

www.zip-corvette.com

C2 | 1963-1967

Corvette Restoration & Restomod



C2 | 1963–1967

Corvette Restoration & Restomod



Major Sections

FRAME & CHASSIS	2	COOLING	116
SUSPENSION & DRIVELINE	4	ELECTRICAL	128
STEERING	20	INTERIOR	137
BRAKES	30	EXTERIOR TRIM	162
WHEELS & TIRES	44	HARDTOP & CONVERTIBLE	170
ENGINE	49	WEATHERSTRIP	174
EXHAUST	79	GARAGE & SHOP	177
TRANSMISSION & SHIFTER	84	CAR CARE PRODUCTS	178
FUEL	92	BOOKS & MANUALS	180
BODY & FIBERGLASS	96	APPAREL & ACCESSORIES	182

✓ RETAIL & WHOLESALE DISCOUNTS

RETAIL CUSTOMERS SAVE 10% ON EACH PURCHASE OF \$850 OR MORE. JOIN THE ZIP RESTORATION CLUB FOR DISCOUNTS ON ALL ORDERS FOR A FULL YEAR. WHOLESALE ACCOUNTS AVAILABLE FOR INSTALLERS & RESELLERS WORLDWIDE.

10% RESTORER'S DISCOUNT

HOW IT WORKS – Retail customers receive 10% savings on a minimum purchase of \$850.00 of any combination of parts and/or accessories from this catalog or Zip's Web store. Sorry, No Discount ("ND") items may be included in total value but are not eligible for discount. Offer applies to a single order only and some restrictions apply, call your Zip Products sales representative for details.



SHOWROOM • CATALOG • WEB • PHONE • MAIL • FAX

A.I.R. system	78	Car covers	177	Door hardware	106-111	Fuel flex hose	92
Accelerator pedal	60	Camshaft	63	Door panels	138-139	Fuel injection	54-55
Air cleaner	49-53	Capacitors	130	Driveshaft & slip yoke	19	Fuel pump & kits	92
Air condition	124-127	Carburetor	58	Drum brake components	30-31	Fuse & flasher kits	130
Alternator	56-57	Carburetor linkage	60	Dye, interior	137	Gauges	154-155
Antenna	162	Carpet	140-141	Electrical	128-133	Gas filters & brackets	93
Armrest, center	143	Chassis	2-3	Emblems	163	Gas lines	93
Automatic transmission	84	Choke & clean air tube	59	Engine gaskets	63	Gas door	94
Battery cables	132	Clock	157	Engine mounts	63	Gas tank	94-95
Battery tray	132	Clutch kits	90	Engine tune-up kit	72	Glass	168
Bellhousing	90	Clutch linkage	90-91	Exhaust components	79-83	Grill	165
Birdcage structure	97	Coil	71	Exhaust manifolds	83	Glove box	152
Blower motor	122, 126	Console	153	Exhaust pipes	80	Ground straps	131
Body lift kit	96	Convertible top	172-173	Exhaust tips & bezels	81	Half shafts	19
Body mounts	96-97	Courtesy light	150	Expansion tank	121	Hardtop & hardware	170-171
Body panels	98-102	Crankcase vent tube	49-53, 55	Exterior trim	166-167	Harmonic balancer	62
Body seal kits	175	Crankshaft pulley	62	Fan & fan belts	77	Headlights	134-135
Books	180	Dakota Digital	156	Fan shroud	119	Headliner	149, 171
Bolt-on wheels, replica	46	Dash components	150-151	Fiberglass	98-102	Headrest	143
Brake blocks & clips	39	Dash pad	150	Fiberglass repair materials	103	Heater hose & clamps	120
Brake fluid	33, 35	Deck lid	113	Firewall grommets & clips	101	Heater system & ducts	122-123
Brake lines	38-39	Defroster/heater box	122-123	Firewall insulation	151	Hood components	104-105
Brake packages	30, 32	Detroit Speed	14, 115, 135	FiTech fuel injection	55	Hood, fiberglass	98
Brake pedal	37	Differential	16-18	Flaming River steering	21	Horn	133
Bumpers & hardware	164	Disc brake components	32-35	Floor mats	140	Horn button	22-24
Calipers	32-33	Distributor	68-71	Frame	2-3	Hubcaps	45-46
Car care	178	Dome light & moldings	149	Fresh air vent	151	Idler arm	27



EASY ORDERING

PLACE YOUR ORDER WITH OUR KNOWLEDGEABLE STAFF, ONLINE OR VIA FAX. ZIP ACCEPTS VISA, MASTERCARD, AMERICAN EXPRESS, DISCOVER, PAYPAL AND PERSONAL CHECKS.

SATISFACTION GUARANTEED

IF YOU'RE NOT 100% SATISFIED WITH YOUR PURCHASE FOR ANY REASON, WE WILL PROMPTLY MAKE IT RIGHT. RETURNS ACCEPTED FOR ONE YEAR WITH NO RESTOCKING FEE.

SAME DAY SHIPPING

SAME DAY SHIPPING ON ALL IN STOCK ITEMS FOR ORDERS PLACED BY 3 P.M. EST. OVER 25,000 ITEMS IN STOCK AND READY FOR SHIPMENT. NO RUSH FEES AT ZIP!

BEST PRICE GUARANTEED

ZIP WORKS HARD TO MAKE CERTAIN OUR PRICES ARE COMPETITIVE – WE'LL MATCH ANY COMPETITOR'S PRICE ON THE SAME BRAND ITEM.

ONLINE PROMOTIONS

SIGN-UP TO RECEIVE ZIP'S ONLINE NEWSLETTER AND GET UP TO DATE INFORMATION ON NEW PARTS, PROMOTIONAL DISCOUNTS AND CORVETTE TECHNICAL INFORMATION.

ZIP GIFT CARDS

AVAILABLE FOR PURCHASE AND REDEEMABLE FOR ALL MERCHANDISE FROM ZIP'S CATALOGS OR WEB STORE.

www.zip-corvette.com • 1.800.962.9632

Idler pulley..... 62	Park brake components..... 40-43	Spark plugs & wires..... 72-73	Tie strap kits..... 130
Ignition 68-72	Park brake console..... 42, 143	Speaker 158-160	Timing chain & cover..... 62
Ignition shielding..... 74-75	Pinch welt..... 148	Speed nut kit..... 163	Tires..... 47
Ignition switch & lock..... 155	Power brake 37	Speedometer..... 155	Trailing arms..... 10-12
Inner skirt 100	Power steering..... 20, 28-29	Speedometer cable..... 157	Transistor ignition..... 70
Instrument cluster..... 154-156	Power window..... 110, 131	Speedometer-driven gear..... 87	Transmission..... 84-88
Intake manifold..... 61	Quarter panels, interior..... 148	Splash shields..... 100	Transmission mount..... 88
Interior packages..... 137	Radiator components..... 116-119	Springs, front..... 6	Turn signal switch..... 22-24
Interior screw sets..... 152	Radiator hoses..... 117	Spring, rear..... 9	Universal joints..... 19
Jack..... 48	Radiator shroud..... 119	Starter..... 63	Vacuum advance..... 70
Jack storage area..... 141	Radiator support..... 118	Steering box..... 26	Valve covers, bolts & decals..... 66-67
Kick panels..... 139	Radio & speaker..... 158-161	Steering column..... 22-25	Vent window..... 108-109
Knock-off wheels, replica..... 44	Rear blower assembly..... 148	Steering linkage..... 27	Vintage Air..... 123
License mount..... 164, 166	Rear window molding..... 169	Steering wheel..... 22-24	Voltage regulator..... 56, 131
Lights..... 136	Rivets..... 97	Steering conversions..... 20-21	Water pump..... 76
Light bulb kits..... 131	Ring & pinion..... 18	Stereo systems..... 158-159	Weatherstrip..... 174-176
Locks, door..... 106, 112	Rocker channels..... 97	Strut rod..... 8	Wheels..... 44-46
Locks set..... 112	Rocker moldings..... 167	Survivors..... 149	Wheel cylinders..... 31
Manuals..... 180	Seat belts..... 146-147	Suspension, front..... 4-7	Wheel bearings, front..... 7
Manual transmission..... 86-87	Seat..... 142-145	Suspension, performance..... 13-15	Wheel bearings, rear..... 12
Master cylinder..... 36	Shifter, automatic..... 85	Suspension, rear..... 8-12	Wilwood Brakes..... 35
Mirrors, inside..... 149	Shifter, manual..... 88-89	Suspension rebuild kits..... 4	Window channels..... 111
Mirrors, outside..... 167	Shifter tunnel insulation..... 100	Suspension tools..... 8, 10, 12, 19	Window regulator..... 110
MSD ignition components..... 71	Shock absorbers..... 7, 8, 13	Tachometer..... 154	Windshield moldings..... 168-169
Mufflers..... 81	Side exhaust..... 79	Tachometer cable..... 157	Windshield washer & wiper..... 114-115
Nose support..... 99, 165	Sill plates..... 139	Temperature sender..... 61	Wiring diagram..... 130
Oil pan, fill tube & dipstick..... 64-65	Spare tire..... 48	Thermostat housing..... 61	Wiring harnesses..... 128-129

Chassis Components

Frame Crossmembers

M-2770	63-67	#2 transmission crossmember (A)	469.99
M-2513	63-67	#3 differential front crossmember, includes differential front support (A)	429.99
M-2627	63-67	#3 crossmember differential support bracket, included on M-2513	69.99
M-2512	63-67	#4 crossmember, above rear axle (A)	309.99
SU-317	63-67	Rear end support crossmember, w/new cushions installed (A)	479.99
SU-609	63-67	Rear end support crossmember to frame mount bolts & washers (4 pcs) (A)	2.99
SU-350	65-67	Rear end support cushion receiver, welds to frame, receives mount bolt (A)	ea 39.99
M-244	63-67	Rear frame crossmember (A)	319.99



M-244

Factory Style Crossmember Cushions

4" diameter rubber cushion for mounting rear end crossmember to frame. Inserts into crossmember assembly. 2 per Corvette.

SU-7	63-67	Crossmember cushion (A)	54.99
SU-916	63-67	Crossmember cushions (pair) (A)	109.99
SU-609	63-67	Crossmember cushion mount hardware (4 pcs) (A)	2.99



SU-7

SU-916

SU-609

Delrin Crossmember Upgrade

Eliminates nearly all deflection. Excellent upgrade for street or track performance. Delrin bushings will raise the differential approximately 3/4" which provides a better halfshaft angle. Includes (2) Delrin crossmember cushions and differential front snubber cushion kit with lower Delrin bushing. Car set.



SU-1618	63-67	Delrin crossmember cushion upgrade	229.99
---------	-------	------------------------------------	--------

Crossmember Reinforcement

Eliminates rear crossmember flex by reinforcing factory differential crossmember cushions. Preventing separation of the differential cross member from the frame. Improving handling and consistency. Includes (2) black anodized aluminum reinforcements and hardware. Car set.



SU-1617	63-67	Crossmember reinforcement kit	69.99
---------	-------	-------------------------------	-------

Front Crossmember Repair

Designed by a fellow Corvette enthusiast, repair tool slides up inside front crossmember and gently pulls dented section out to its original shape. Requires no cutting, welding or heating.



TL-146	63-67	Front crossmember repair tool	169.99
--------	-------	-------------------------------	--------

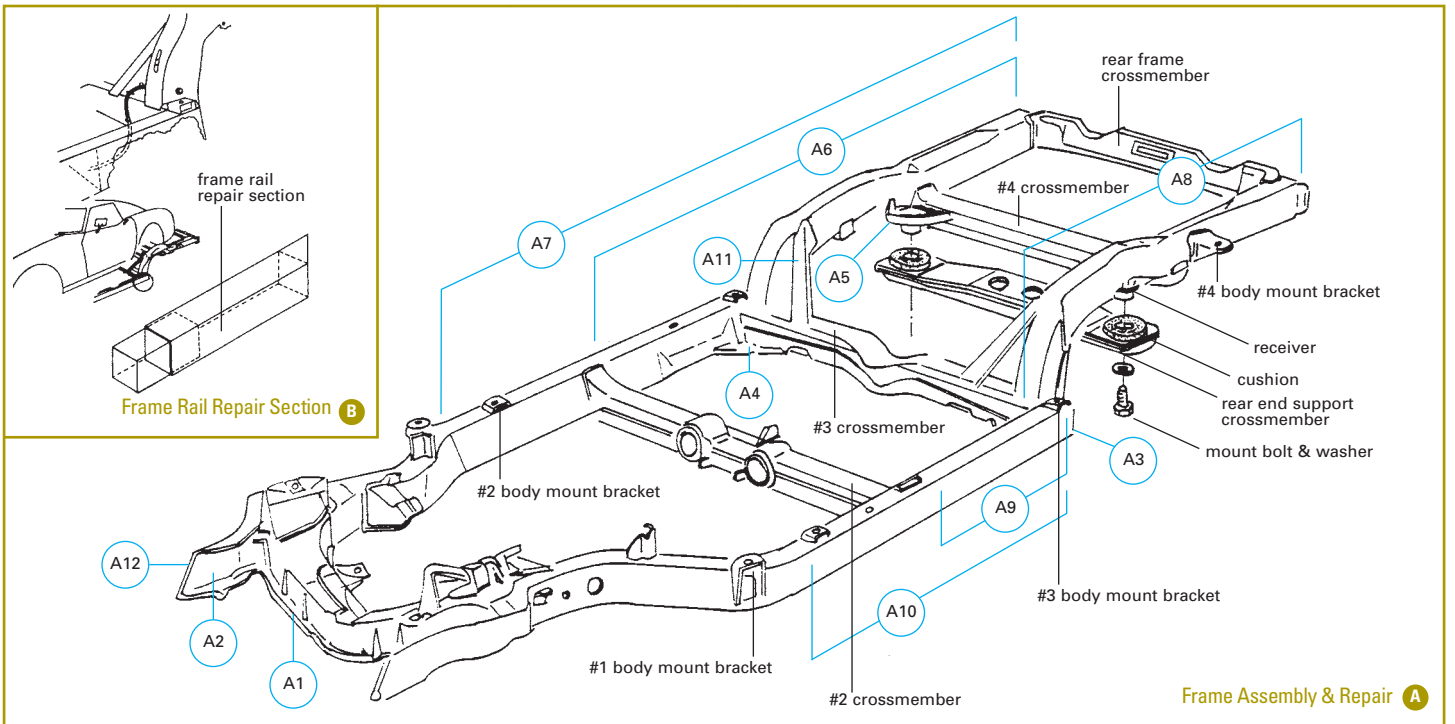
Asphalt-Based Chassis Paint

For the restorer who insists on authenticity, this is the same paint used on the Corvette assembly line for coating frames and other parts that required a blackout finish. From the original supplier. Note asphalt-based paint is susceptible to gasoline spills.



MG-114		Asphalt-based chassis paint, quart	19.99
--------	--	------------------------------------	-------

Note: Hazardous materials such as paint cannot be shipped outside of the continental USA, or by air freight to any destination.



Frame Stencil

MF-399	63	Chassis part number stencil (3819263)	14.99
MF-398	64E	Chassis part number stencil (3843361)	14.99
MF-510	64L	Chassis part number stencil (3864676)	14.99
MF-397	65	Chassis part number stencil (3871317)	14.99
MF-396	66E	Chassis part number stencil (387.1317)	14.99
MF-511	66L	Chassis part number stencil (387.1317 w/date code).....	18.99
MF-395	67	Chassis part number stencil (3900200)	14.99
MF-394	67	Chassis date stencil, specify date or serial number.....	12.99
MG-113	63-67	White stencil spray ink	12.99



Zip has many other frame-related repair components listed in their respective sections within this catalog – including shock mount brackets, brake line brackets, park brake cable brackets and motor mounts. Reference applicable sections for descriptions and availability.

Frame Repair

M-3280	63-67	#1 Crossmember lower repair (A1)	179.99
M-3847	63-67	#2 Crossmember lower repair, 4-speed (LH or RH).....	99.99
M-3845	63-67	#3 Crossmember lower repair, 7" long (LH or RH).....	42.99
<i>Note: Repair pieces include underside skin where jacking damage usually occurs.</i>			
M-3286	63-67	Front frame inner horn (LH or RH) (A2)	69.99
M-3973	63-67	Front frame outer horn (LH or RH) (A12)	59.99
M-3285	63-67	Frame rail end cap (A3)	ea 8.99
M-3715	63-67	Frame rail sleeve, 6", used for connecting frame rail repair sections.....	ea 39.99
M-3846	63-67	#3 Crossmember repair sleeve	ea 24.99
M-3042	64L	Frame rail lower gusset (LH or RH) (A4)	22.99
M-2395	65-67	Frame rail lower gusset (LH or RH) (A4)	22.99
M-2626	63-66	Frame rail upper gusset (LH or RH) (A5)	46.99
M-3584	67	Frame rail upper gusset (LH or RH) (A5)	49.99
M-3635	63-64	Rear frame kick-up assembly w/brackets (LH or RH) (A8).....	769.99
M-3636	65-67	Rear frame kick-up assembly w/brackets (LH or RH) (A8).....	769.99
M-3292	63-67	Rear frame kick-up rear reinforcement (LH or RH)	79.99

Frame Rail Repair

Corvette frames include factory drain holes, which often become plugged over time resulting in accelerated rot. Zip's frame rail repair sets include 23" or 48" inner and outer side rail sections, end cap, and 6" sleeve for sectioning frame. For lesser repairs, inner and outer side rail sections are also available individually.



M-297	63-64	Frame rail repair kit, 23" (LH or RH) (B)(A9).....	169.99
M-2621	63-64	Frame rail repair kit, 48" (LH or RH) (B)(A10).....	199.99
M-298	65-67	Frame rail repair kit, 23" (LH or RH) (B)(A9).....	169.99
M-2620	65-67	Frame rail repair kit, 48" (LH or RH) (B)(A10).....	199.99
M-3819	63-64	Outer side rail repair, 23" (LH or RH)	59.99
M-3816	63-64	Outer side rail repair, 48" (LH or RH)	74.99
M-3820	65-67	Outer side rail repair, 23" (LH or RH)	59.99
M-3817	65-67	Outer side rail repair, 48" (LH or RH)	74.99
M-3812	63-67	Inner side rail repair, 23" (LH or RH)	45.99
M-3813	63-67	Inner side rail repair, 48" (LH or RH)	74.99

Body Mount Frame Brackets

M-2918	63	#1 Body mount bracket (LH or RH) (A)	69.99
M-2920	64-67	#1 Body mount bracket (LH or RH) (A)	59.99
M-2514	63	#2 Body mount bracket, Conv. only (A)	ea 49.99
M-3637	64-67	#2 Body mount bracket, Conv. only (A)	ea 45.99
M-2515	63	#3 Body mount bracket (A)	ea 49.99
M-2516	64-67	#3 Body mount bracket (A)	ea 45.99
<i>Note: #2 and #3 body mount brackets include cage and nut.</i>			
M-3217	63	#4 Body mount bracket (A)	ea 47.99
M-2660	64-67	#4 Body mount bracket (A)	ea 46.99
M-3638	63-64	Inner body mount bracket w/cage & nut, mounts on #3 crossmember (LH or RH)	22.99
ZM-2511	63-67	Body mount square nuts (2)	8.99
M-3623	63-67	Body mount nut cage, #2 & #3 mount	ea 7.99



Chassis Restoration Kit

Includes custom frame stencil, white spray stencil ink, paint crayons for shim, frame and engine marks, 6-8 inspection paints, shim tape and technical bulletins. No Discount.

CR-200	63	Chassis restoration kit	119.99
CR-201	64	Chassis restoration kit	119.99
CR-202	65	Chassis restoration kit	119.99
CR-203	66	Chassis restoration kit	129.99
CR-204	67	Chassis restoration kit	144.99
M-3481	63-67	Chassis crayon marker set (4)	12.99

Note: Frame stencil requires car serial number and other information – call your Zip sales representative for details. Kit cannot be shipped by air.

(sample kit shown)



Zip Social    
Follow us on social media & stay connected! www.zip-corvette.com/social

Front Suspension

Front Suspension Rebuild Kit

Includes upper and lower ball joints, outer (only) tie rod ends, upper and lower control arm bushings, and a sway bar end links kit. All components include attaching hardware and rubber boots. Choose rubber or black polyurethane bushings.

SU-73	63-67	Front suspension kit, rubber	209.99
SU-361	63-67	Front suspension kit, polyurethane.....	259.99

SU-73



Visit us online: www.zip-corvette.com/susp1
How to rebuild front suspension & steering



Deluxe Front Suspension Rebuild Kit

Includes upper and lower ball joints, inner and outer tie rod ends, upper and lower control arm bushings, a sway bar end links kit and an idler arm. All components include attaching hardware and rubber boots. Choose rubber or black polyurethane bushings.

SU-502	63-67	Deluxe front suspension kit, rubber	249.99
SU-503	63-67	Deluxe front suspension kit, polyurethane	299.99

SU-503



Ball Joints Hardware Kit

The look of a factory set-up, without the hassle of setting rivets. The secret to Zip's ball joints hardware kit is OE-appearance rivets with threads – for a simple nut and washer installation. Includes rivets, nuts and washers for both sides.

BL-449	63-67	Upper ball joints hardware kit	16.99
BL-462	63-67	Lower ball joints hardware kit.....	16.99



Ball Joints

SU-1058	63-67	Ball joint dust boots, polyurethane, upper & lower (4 pcs).....	9.99
SU-728	63	Ball joint grease fittings, 90° (4).....	6.99
SU-727	64-67	Ball joint grease fittings, straight (4)	4.99
ZSU-68	63-67	Lower ball joint, replacement.....ea	26.99
SU-1014	63-67	Lower ball joint, reproduction.....ea	29.99
BL-481	63-67	Lower ball joint mount nut & washers (car set)	2.99
BL-482	63-67	Lower ball joint slotted nut & cotter pin (car set)	2.99
ZSU-577	63-67	Lower ball joint rivets (4)	3.99
ZSU-67	63-67	Upper ball joint, replacement	ea 29.99
SU-1015	63-67	Upper ball joint, reproduction	ea 37.99
SU-1032	63-67	Upper ball joint dust boot, rubber, reproduction.....ea	7.99
BL-483	63-67	Upper ball joint nut & cotter pin (car set).....	3.99
ZSU-576	63-67	Upper ball joint rivets (6)	3.99

ZSU-68

ZSU-67

SU-1015

SU-1014



Ball Joint Rivet Installation

Handy install aids hold ball joint and rivet in proper alignment, allowing you to neatly drive rivet into position. End result looks factory-original!



TL-152	63-67	Lower ball joint rivet fixture.....	54.99
TL-151	63-67	Upper ball joint rivet fixture.....	69.99
TL-153	63-67	Ball joint rivet air hammer tool.....	24.99

Visit us online: www.zip-corvette.com/susp2
Upper control arm bushing & ball joint install



Reproduction Front Suspension Kit

Designed for a "concours-level" restoration – features the most correct reproduction suspension components available. Includes upper and lower ball joints with rivets, correct "rubber" exposed upper control arm bushings, lower control arm bushings, "round design" shaft idler arm, a pair each of LH thread and RH thread tie rod ends, and correct "WB-2C" headmark bolts for sway bar end links.

SU-1135	63-67	Front suspension kit, reproduction	349.99
---------	-------	--	--------



SU-1135

Upper Control Arms

SU-739	63-67	Control arm (LH or RH) (A).....	149.99
SU-116	63-67	Control arm alignment shims, includes (16) 1/8", (8) 1/16" & (8) 1/32" (car set) (A).....	26.99
SU-763	63-64	Control arm bracket & shock upper mount, welds to frame (LH or RH) (A).....	104.99
SU-765	65-67	Control arm bracket & shock upper mount, welds to frame (LH or RH) (A).....	104.99
SU-995	63-67	Control arm bumper, mounts into frame (B).....	ea 6.99
SU-1128	63-66E	Control arm shaft, square design.....	ea 44.99
ZSU-506	63-67	Control arm shaft kit, includes shaft, bushings, retainers & nuts (per side) (A).....	54.99
SU-1118	66L-67	Control arm shaft, round design.....	ea 44.99
SU-339	63-67	Control arm shaft bushing (A).....	ea 5.49
SU-937	63-67	Control arm shaft bushing, correct reproduction w/exposed ends (A).....	ea 10.99
SU-347	63-67	Control arm shaft bushing retainers, includes bolts & washers (12 pcs) (A).....	24.99
SU-534	63-67	Control arm shaft studs (4) (A).....	12.99
SU-348	63-65	Control arm shaft stud nuts (4) (A).....	4.49
ZSU-349	66-67	Control arm shaft stud nuts (4) (A).....	3.99



Reproduction Control Arms

Reproduction upper and lower arms include correct-riveted ball joints, bushings, reproduction shafts and correct hardware. Lower control arms include frame bumpers. Available as individual arms or in complete set.

SU-1140	63	Lower control arm (LH or RH).....	459.99
SU-1141	64-67	Lower control arm (LH or RH).....	399.99
SU-1142	63-66E	Upper control arm, square shaft (LH or RH).....	299.99
SU-1143	66L-67	Upper control arm, round shaft (LH or RH).....	299.99
SU-1137	63	Upper & lower control arm set (car set).....	1,699.99
SU-1138	64-66E	Upper & lower control arm set (car set).....	1,699.99
SU-1139	66L-67	Upper & lower control arm set (car set).....	1,699.99

Lower Control Arms

SU-1144	63	Control arm, bare (LH or RH) (A).....	259.99
SU-735	64-67	Control arm, bare (LH or RH) (A).....	259.99
WS-4527	63-67	Control arm bumper (B).....	8.99
SU-611	63-67	Control arm bumper bolts, "Anchor" headmark & nuts (12 pcs) (B).....	5.99
SU-994	66	Control arm bumper spacers & hardware, 427 w/AC only.....	28.99
SU-1474	63-67	Control arm frame bracket (A).....	ea 56.99
SU-1475	63-67	Control arm frame bracket lower gusset.....	ea 44.99
SU-340	63-67	Control arm bushing (A).....	ea 7.99
SU-346	63-67	Control arm bushing retainers, includes bolts & washers (12 pcs) (A).....	22.99
SU-1330	63-65	Control arm rear mount bolts, shaft to frame bracket hardware (8 pcs) (A).....	10.99
SU-729	66-67	Control arm rear mount bolts, shaft to frame bracket, includes bolt, nut & serrated washer (6 pcs) (A).....	14.99
SU-608	63-67	Control arm front mount bolts, mounts shaft to frame nut plate (8 pcs) (A).....	6.99
SU-616	63-67	Control arm front mount nut plate, shaft to frame (2 per car) (A).....	ea 12.99
SU-1119	63-67	Control arm shaft, reproduction (per side) (A).....	54.99
SU-1322	63-67	Control arm shaft, replacement, includes bushings & retainers (A).....	ea 87.99

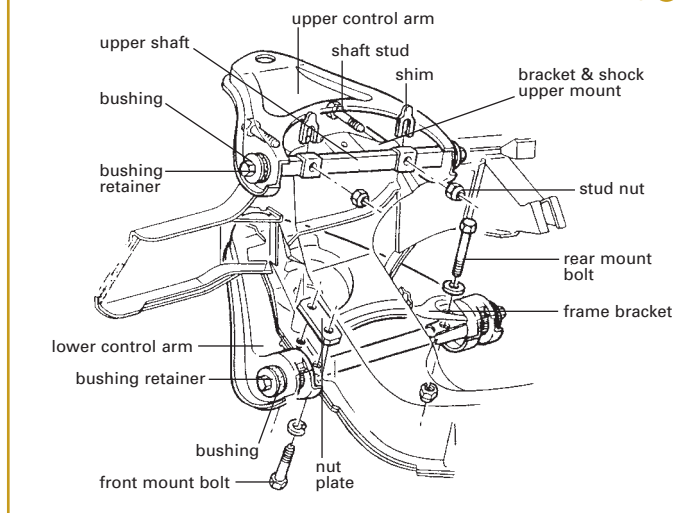
Polyurethane Bushings

Rubber bushings can rot, deform or simply wear-out. Poly replacements last virtually forever plus deliver improved response and handling. Graphite impregnated to prevent squeaks. Car set.



SU-309	63-67	Control arm bushings, polyurethane.....	92.99
--------	-------	---	-------

Control Arm Mounting (A)



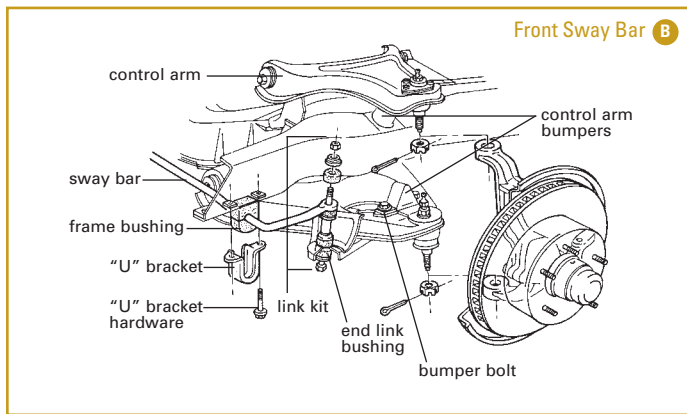
Front Suspension continued

Front Sway Bar

SU-1040	63-67	Sway bar, F41, 15/16", correct reproduction.....	129.99
MF-434	63-67	Sway bar decal, 327 STD.....	4.99
MF-433	65-67	Sway bar decal, 396/427 STD.....	4.99
MF-435	63-67	Sway bar decal, F40/F41/Z06/L88.....	4.99
WS-465BS	63-67	Sway bar frame bushing, 3/4" STD (B).....	ea 7.99
WS-465BH	63-67	Sway bar frame bushing, 15/16" F41 (B).....	ea 7.99
SU-341	63-67	Sway bar frame "U" bracket (B).....	ea 11.99
SU-615	63-67	Sway bar frame "U" bracket hardware (12 pcs) (B).....	5.99
ZWS-465	63-67	Sway bar end link kit, replacement (B).....	12.99
SU-634	63-67	Sway bar end link kit, "WB" headmark bolts (B).....	22.99
SU-635	63-67	Sway bar end link kit, "WB2C" headmark bolts (B).....	34.99
SU-1307	63-67	Sway bar end link kit, "RBW" headmark bolts (B).....	21.99

Note: Sway bar end link kits include new center bolts, bushings, spacer, washers and nuts. Connects sway bar to lower control arm.

SU-563	63-67	Sway bar end link bushings, rubber (B) (B).....	11.99
--------	-------	---	-------



Front Sway Bar Kit

Keeps your Corvette "flat" during spirited driving. Also a cost effective alternative if replacing a tired factory bar. Includes heavy-duty sway bar, stabilizer links, mount brackets and poly bushings.

SU-653	63-67	Front sway bar kit, 1".....	197.99
SU-1391	63-67	Front sway bar kit, 1 1/8".....	235.99
SU-652	63-67	Front sway bar kit, 1 1/4".....	275.99



SPC Adjustable Control Arms

SPC's adjustable upper control arms offer almost infinite adjustment of both camber and caster for maximum handling and performance. Upper a-arms include a steel cross shaft with OE style rubber pivot bushings and ball joint mounting plate. Sold in pairs.

SU-1461	63-67	SPC adjustable control arm.....	599.99
---------	-------	---------------------------------	--------



Polyurethane Bushings

Rubber bushings can rot, deform or simply wear-out. Poly replacements last virtually forever plus deliver quicker response along with more predictable handling. Graphite impregnated to prevent squeaks.

SU-308	63-67	Sway bar end link kit.....	24.99
SU-970	63-67	Sway bar end link bushings (8).....	12.99
SU-310	63-67	Sway bar frame bushings w/brackets, 3/4" (2).....	24.99
SU-311	63-67	Sway bar frame bushings w/brackets, 7/8" (2).....	24.99
SU-314	63-67	Sway bar frame bushings w/brackets, 1" (2).....	24.99



Coil Springs

SU-203	63	Coil springs, STD suspension (C).....	249.99
SU-204	64-67	Coil springs, 327 STD (16 1/2" tall) (C).....	149.99
SU-122	63-67	Coil springs, F-41 (12" tall) (C).....	249.99
SU-417	65-67	Coil springs, 396 & 427 w/o AC (C).....	209.99
SU-431	66-67	Coil springs, 427 w/AC (C).....	149.99
MF-271	64-67	Coil spring "ED" labels, STD (2) (C).....	5.99
MF-273	65-67	Coil spring "EA" labels, F-40/F-41/L88 (2) (C).....	5.99
MF-272	65-67	Coil spring "EB" labels, 396/427 (2) (C).....	5.99
MF-274	66-67	Coil spring "EF" labels, 427 w/AC (2) (C).....	5.99

Note: Coil springs are original GM or reproductions built with same height and spring rate as originals. Sold in pairs.



Replacement Springs

Fix your Corvette's sagging front end and spongy ride at the same time. Replacement coils deliver ride quality similar to factory F-41 suspension. Shorter but higher spring rate springs are easier to install – no need to use spring compressors – but do not affect correct ride height. Sold in pairs.

SU-660	63-67	Front springs, 327.....	119.99
SU-661	65-67	Front springs, 396 & 427.....	109.99



Restoration Poly Bushings

Designed for the enthusiast who wants the advantages of polyurethane (will not rot, deform, or wear-out; quicker steering and suspension response), but who also wants an OE appearance. Resto poly bushings feature a "matte" finish and mount using factory brackets when required.

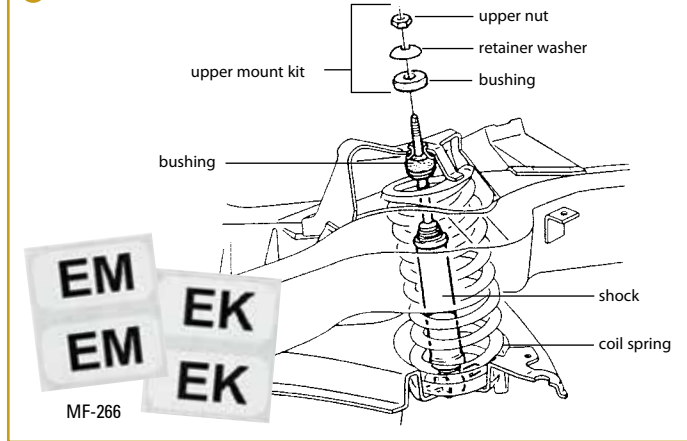
SU-1150	63-67	Front sway bar end link bushings (8).....	36.99
SU-1149	63-67	3/4" front sway bar frame bushings (2).....	32.99
SU-1148	63-67	15/16" F41 front sway bar frame bushings (2).....	32.99
SU-1147	63-67	Shock upper mount bushings (4).....	19.99



Shocks

SU-88F	63-67	Shock, Delco gas-charged (C).....	44.99
MF-266	63-67	Shock absorber decals, STD, includes (2) "EK" & (2) "EM" decals.....	5.99
MF-447	63-67	Shock absorber decals, STD, includes (2) "EL" & (2) "EM" decals.....	4.99
MF-267	63-67	Shock absorber decals, F41, includes (2) "EN" & (2) "EP" decals.....	4.99
SU-612	63-67	Shock lower mount bolts (4).....	4.99
SU-1657	63-64	Shock upper mount upper bushings, rubber (1 shock).....	6.99
SU-1192	65-67	Shock upper mount upper bushings, rubber (1 shock).....	8.99
SU-1657	63-67	Shock upper mount lower bushings, rubber (1 shock).....	6.99
SU-1147	63-67	Shock upper bushings, restoration poly (4 pcs - car set) (C)....	19.99
SU-996	63-67	Shock upper mount nuts (2) (C).....	1.49
SU-1661	63	Shock upper retainer washers, upper & lower (2) (C).....	7.99
SU-1662	64	Shock upper retainer washers, upper (2) (C).....	7.99
SU-1656	65-67	Shock upper retainer washers, upper (2) (C).....	7.99
SU-1662	64-67	Shock upper retainer washers, lower (2) (C).....	7.99

C Shock Mount



Replica Shock Package

Original style replica shocks for Corvettes with standard or heavy-duty suspension options. Oil filled 10/90 shock absorbers features 10% resistance on the down and 90% resistance on the way up. Designed just like your Corvette's original factory shocks. Car set.



SU-1534	63-67	STD replica shock package.....	689.99
SU-1535	63-67	F40/F41 replica shock package.....	889.99

Front Wheel Bearing Kit

Zip has made the job of replacing front wheel bearings easier by assembling a complete kit. Includes inner and outer bearings and inner seal.

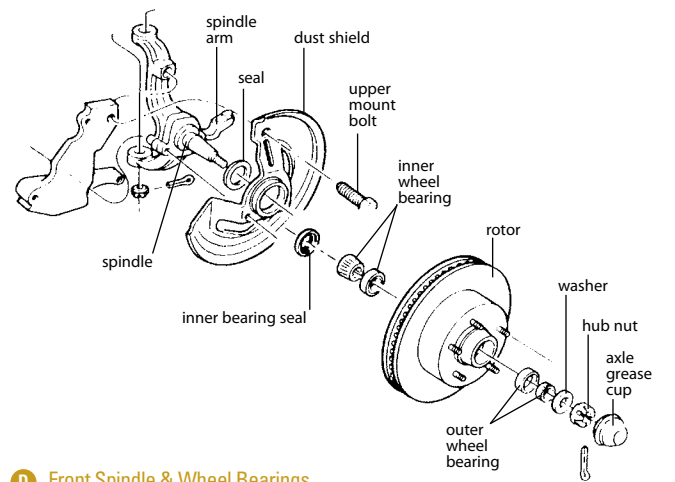


SU-644	63-67	Wheel bearing kit (per side).....	39.99
--------	-------	-----------------------------------	-------

Wheel Bearing Hub Assembly

Complete hub assembly includes OEM wheel studs, installed bearing races, inner bearing seal, spindle nut, cotter key and grease cap. Features corrosive-resistant zinc coating. Fits both LH or RH side.

SU-1488	63-67	Wheel bearing hub assembly.....	269.99
---------	-------	---------------------------------	--------



D Front Spindle & Wheel Bearings

Front Spindles

U-678	63-64	Spindle, reconditioned (D).....	169.99
U-121	65-67	Spindle, reconditioned (D).....	199.99
U-122	63-67	Spindle arm, steering, reconditioned (LH or RH) (D).....	79.99
SU-614	63-64	Spindle arm mount bolts w/nuts (4).....	6.99
SU-613	65-67	Spindle arm mount bolts w/nuts (4).....	6.99
SC-588	65-67	Spindle arm plugs (2), plugs unused tie rod end holes.....	11.99
SU-415	65-67	Spindle dust shield, replacement (LH or RH) (D).....	32.99
SU-1492	65-67	Spindle dust shield, correct, white cadmium w/ GM # (LH or RH) (D).....	89.99
SU-998	65-67	Spindle dust shield upper mount bolts (2) (D).....	15.99
ZSU-319	65-67	Spindle dust shield to spindle seals (2) (D).....	5.99
SU-561	63-67	Spindle hub nuts & cotter keys (car set) (D).....	6.99
SU-560	63-67	Spindle hub nut washer (D).....	ea 2.49



Wheel Bearings & Rotor

SU-380	63-67	Axle grease cups, w/dimple (2) (D).....	19.99
U-681	63-64	Hub, reconditioned.....	ea 129.99
U-677	65-67	Hub, reconditioned.....	ea 89.99
M-3041	63-67	Static collector, under grease cup.....	ea 19.99
SU-76	63-67	Inner wheel bearing (D).....	ea 14.99
SU-80	63-67	Inner wheel bearing seal (D).....	ea 16.99
SU-77	63-67	Outer wheel bearing (D).....	ea 14.99
DB-561	65-67	Rotor w/rivet holes (D).....	ea 69.99
DB-481	65-67	Rotor to hub rivets (10 pcs).....	7.99



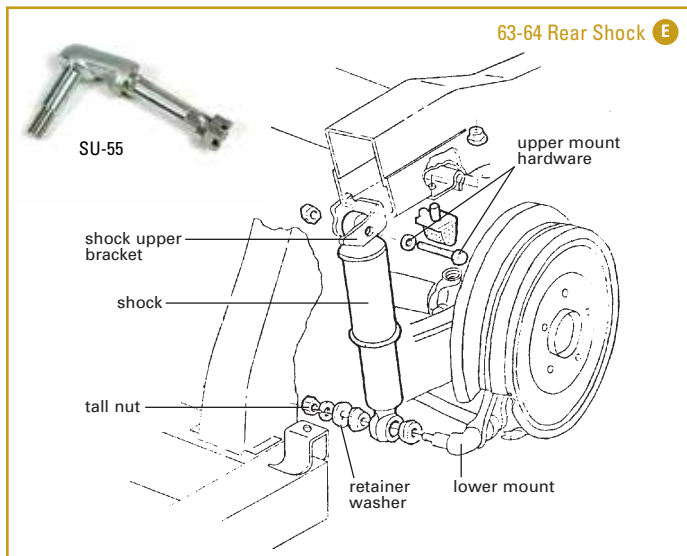
Visit us online: www.zip-corvette.com/susp5
How to replace & properly install front wheel bearings



Rear Suspension

Shocks & Shock Mounts

SU-88R	63-67	Shock, Delco gas-charged (E)	ea	44.99
SU-978	63-67	Shock lower bushings, rubber (car set)		18.99
SU-1146	63-67	Shock lower bushings, restoration poly (car set)		8.99
SU-117	63-67	Shock lower retainer set, includes nuts, retainers & washers (6 pcs - car set) (E)		7.99
SU-410	63-67	Shock upper bushings, rubber (4 per car) (F)	ea	1.99
SU-1193	63-67	Shock upper bushings & tube (6 pcs)		22.99
SU-620	63-67	Shock upper mount hardware (6 pcs) (E)		8.99
SU-619	63-67	Shock upper bracket, welds to frame (E)	ea	15.99
SU-55	63-67	Shock mount w/nut (LH or RH) (E)		46.99
SU-1653	63-67	Shock mount castle nuts & cotter pins (car set)		3.49
SU-60	63-67	Shock mount removal tool		19.99



HD Shock Mount Tool

Use heavy-duty "breaker" with air hammer to remove frozen shock mounts. Two sizes available: .401 or .498 shank.



SU-824	HD shock mount removal tool, .498 shank	56.99
SU-824A	HD shock mount removal tool, .401 shank	69.99

Rear Suspension Hardware Kit

All hardware needed to rebuild rear suspension: new strut rods and camber bolts, shock mounts, trailing arm mounts and shims, differential cushions, spring outer mounts and bolts, and half shaft bolts with locks.

SU-535	63-67	Rear suspension hardware kit	399.99
--------	-------	------------------------------	--------

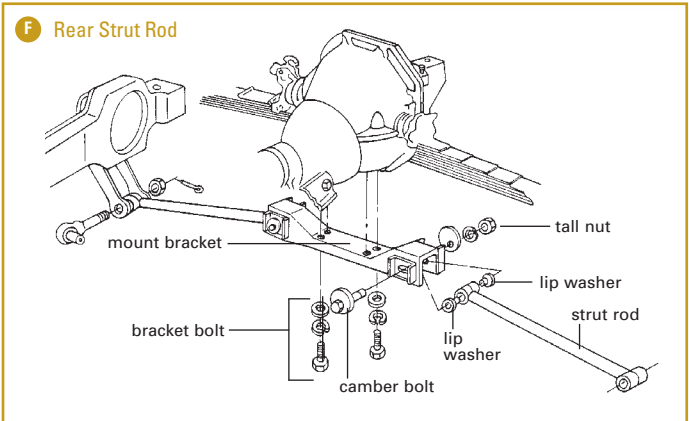


Strut Rods

ZSU-793	63-67	Strut rod, w/bushings, small design (F)	ea	52.99
WS-438	63-67	Strut rod bushings, rubber (4 per car)	ea	12.99
SU-387	63-67	Strut rod bushings, polyurethane, 1 1/4" (car set)		29.99
SU-388		Strut rod bushings, polyurethane, 1 3/8" (car set)		29.99

Note: Measure struts before ordering bushings, '63-67 strut rods use 1 1/4" bushings; later design struts use 1 3/8" bushings.

SU-1017	63-67	Strut rod bushing lip washer, correct size (4 per car) (F)		2.49
SU-1000	63-67	Strut rod camber adjusting bolt kit, correct, w/camber markings & dog point (2 sets per car) (F)	ea	24.99
SU-113	63-67	Strut rod camber adjusting bolt kit, replacement, (car set) (F)		26.99
SU-410	63-67	Strut rod camber bolt tall nut (F)	ea	1.99
U-107	63-67	Strut rod mount bracket, reconditioned		Call
BL-406	63-67	Strut rod mount bracket to differential hardware (4) (F)		5.99



Visit us online: www.zip-corvette.com/susp3
How to install new strut rods in your Corvette



Adjustable Strut Rods

Maintaining vertical tire alignment has a direct influence on tire wear. Adjustable struts allow greater control over suspension geometry by replacing camber bolts with threaded rod ends to accurately dial-in camber. Heavy-duty construction with polyurethane bushings. Car set.

ZSU-400	63-67	Adjustable strut rods	139.99
---------	-------	-----------------------	--------

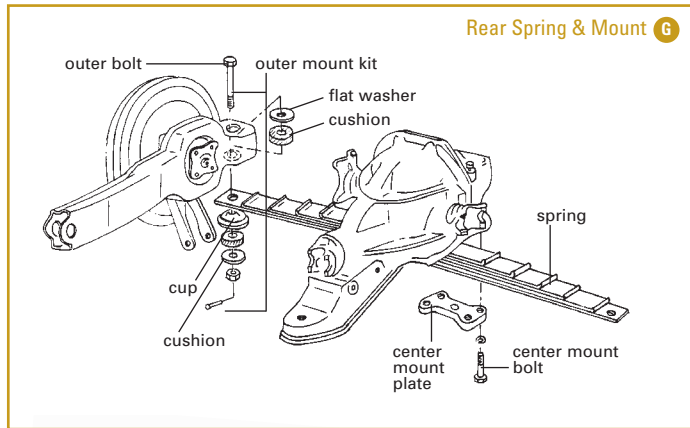


Rear Spring

ZSU-59	63-67	Spring, 7-leaf HD, replacement (G).....	Call
SU-1134	63-67	Spring, 7-leaf HD, reproduction w/scalloped ends & correct spring liners.....	349.99
ZSU-63	63-67	Spring, 9-leaf STD (G).....	Call
SU-1234	63-67	Spring, 9-leaf, reproduction w/scalloped ends & correct spring liners.....	369.99

Note: Check width of original spring before ordering. '63-67 springs are 2 1/4" wide.

SU-94	63-67	Spring center bolt w/nut, holds spring leaves together.....	6.99
SU-82	63-67	Spring center mount plate (G).....	19.99
SU-833	63-67	Spring center mounting bolts, 7-leaf spring, (4) 9/16" x 3 5/16", "WB" headmark, black phosphate (G).....	12.99
SU-832	63-67	Spring center mounting bolts, 9-leaf spring, (4) 9/16" x 3 9/16", "WB" headmark, black phosphate (G).....	12.99
SU-92	63-67	Spring liner, order (5) for 7-leaf spring & (7) for 9-leaf spring.....	ea 7.99
SU-1121	63-67	Spring liner kit, 7-piece.....	39.99
WS-454	63-67	Spring outer cushions, rubber (4) (G).....	11.99
SU-307	63-67	Spring outer cushions, poly (4) (G).....	18.99
SU-1491	63-66	Spring outer cushion cup, correct thin design, stake on trailing arm or spring leaf, 4 per car (G).....	ea 3.99
SU-430	67	Spring outer cushion cup, stake on trailing arm or spring leaf, 4 per car (G).....	ea 3.99
BL-683	63-67	Spring outer bolt w/correct castle nut.....	ea 9.99
SU-999	63-67	Spring outer bolt flat washer (4 per car) (G).....	ea 3.49
BL-484	63-67	Spring outer bolt nut & cotter pin (car set) (G).....	2.99



Restoration Poly Bushings

Designed for the enthusiast who wants the advantages of polyurethane (will not rot, deform, or wear-out; quicker steering and suspension response), but who also wants an OE appearance. Resto poly bushings feature a "matte" finish and mount using factory brackets when required.

SU-1151



SU-392

SU-392	63-67	Rear sway bar end link bushings, includes steel shell as original (4).....	99.99
SU-1152	63-67	9/16" rear sway bar frame bushings (2).....	32.99
SU-1146	63-67	Rear shock lower grommets (2).....	8.99
SU-1151	63-67	Rear spring outer cushions (4).....	34.99

Spring Outer Mount Kit

Includes correct length bolts with washers, nuts, (2) spring cups and cotter pins. Correct kits include original style bolt, reproduction castle nut and correct style cushion cups (63-66 = thin design). Replacement kits available with polyurethane cushions. 8" long bolts allow for additional ride height adjustment. Car set.

SU-1489	63-66	Spring outer mount kit, correct (G).....	42.99
SU-1490	67	Spring outer mount kit, correct (G).....	44.99
SU-555	63-67	Spring outer mount kit, polyurethane (G).....	49.99
SU-398	63-67	Spring outer mount kit, 8" adjustable, rubber.....	49.99
SU-1629	63-67	Spring outer mount kit, 8" adjustable, polyurethane.....	59.99



Fiberglass Rear Spring

Reduces unsprung weight, delivers an improved ride and won't wear out. Includes differential mount bolts, heat shield, and 7 1/4" adjustable outer spring bolts with rubber cushions.

SU-693	63-67	Fiberglass rear spring, 315 lb.	399.99
SU-694	63-67	Fiberglass rear spring, 340 lb.	399.99
SU-695	63-67	Fiberglass rear spring, 355 lb.	399.99



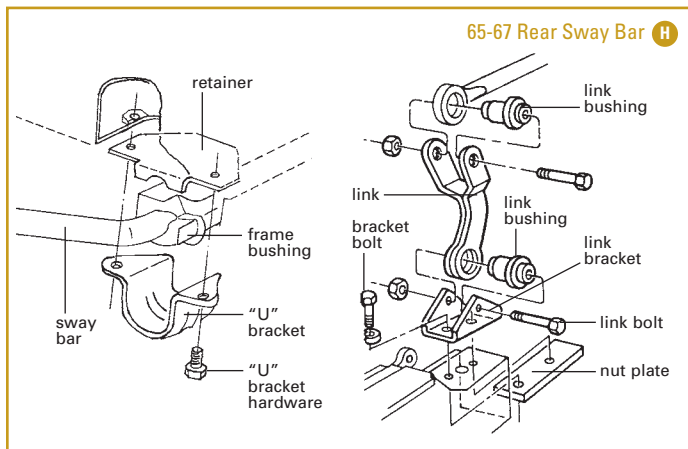
Visit us online: www.zip-corvette.com/susp3
How to replace your Corvette's rear leaf springs



Rear Suspension continued

Rear Sway Bar

SU-1001	65-67	Sway bar kit, 396 & 427, includes all hardware for installation.....	389.99
SU-516	65-67	Sway bar, 396 & 427, reproduction (H).....	219.99
SU-341	65-67	Sway bar frame "U" bracket (H).....	ea 11.99
SU-827	65-67	Sway bar frame "U" bracket hardware (8 pcs) (H).....	4.99
SU-345	65-67	Sway bar frame "U" bracket retainer (2 per car) (H).....	ea 8.99
SU-542	65-67	Sway bar frame bushing, rubber (H).....	ea 7.99
SU-312	65-67	Sway bar frame bushings, polyurethane w/mounting "U" brackets, 9/16" (2).....	24.99
SU-331	65-67	Sway bar rear link (2 per car) (H).....	ea 16.99
BL-351	65-67	Sway bar rear link & bushing bolts (8 pcs) (H).....	8.99
SU-330	65-67	Sway bar rear link bracket (H).....	ea 8.99
BL-352	65-67	Sway bar rear link bracket to nut plate bolts (8 pcs) (H).....	6.99
SU-541	65-67	Sway bar rear link bushings (4 per car) (H).....	ea 7.99
SU-138	65-67	Sway bar rear link nut plate (H).....	ea 8.99



Rear Sway Bar Kit

Keeps your Corvette "flat" during spirited driving. Also a cost effective alternative if replacing a tired factory bar. Includes heavy-duty sway bar, stabilizer links, mount brackets and poly bushings. Car set.

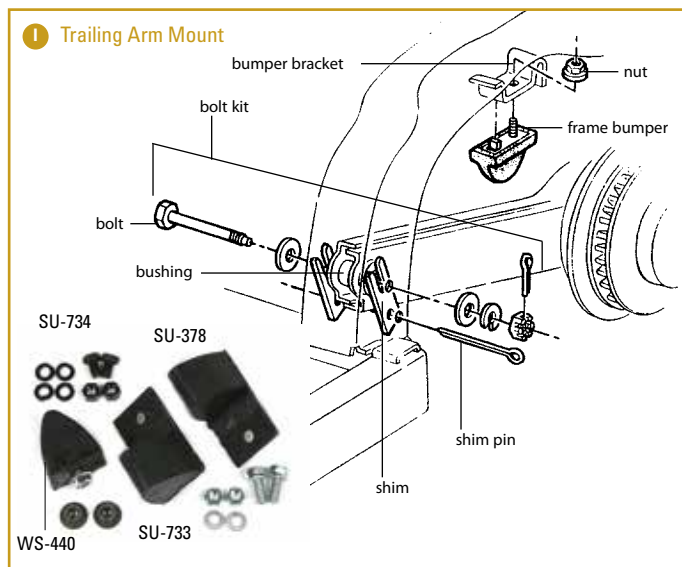
SU-651	63-67	Rear sway bar kit, 3/4".....	212.99
SU-650	63-67	Rear sway bar kit, 7/8".....	176.99



Trailing Arm Mount Kit

Includes steel bolt, stainless bushing sleeves, beveled washers, and slotted nut with cotter pin. Choose rubber or polyurethane bushings. Rubber bushing kit sold per side, polyurethane kit sold in car set.

SU-135	63-67	Trailing arm mount kit, rubber bushings (per side).....	44.99
SU-1002	63-67	Trailing arm mount kit, polyurethane bushings (car set).....	109.99



Trailing Arm Mount

SU-1335	63	Trailing arm bolts w/nuts & washers (car set).....	12.99
SU-90	64-67	Trailing arm bolt, washers, slotted nut & cotter key (per side) (I).....	9.99
SU-826	63-67	Trailing arm bolt, washer, beveled washer, slotted nut & cotter key, stainless (car set).....	59.99
SU-54	63-67	Trailing arm bushing (4 per car) (I).....	ea 9.99
SU-831	63-67	Trailing arm bushing kit, polyurethane bushings w/washers & sleeves (car set).....	79.99
SU-823	63-67	Trailing arm bushing sleeve, steel.....	ea 7.99
SU-87	63-67	Trailing arm bushing sleeve, stainless.....	ea 9.99
SU-134	63-67	Trailing arm bushing beveled washers (per side).....	5.99
SU-730	63	Trailing arm shim kit (car set) (I).....	69.99
SU-1639	64-67	Trailing arm shim kit, non-slotted, steel (car set) (I).....	69.99
SU-1028	64-67	Trailing arm shim kit, non-slotted, stainless (car set).....	64.99
SU-525	64-67	Trailing arm shim kit, slotted, includes 16 stainless shims: (4) 1/4", (4) 1/8" & (8) 1/32" (car set) (I).....	49.99

Note: Slotted trailing arm shims were introduced in 1970 to aid rear end alignment. Non-slotted shims are original design. Both designs can be used. Steel shims are available for an authentic restoration.

SU-368	64-67	Trailing arm shim pin, through frame (I).....	2.49
--------	-------	---	------



Rear Suspension Bumpers

SU-378	63-64	Trailing arm frame bumpers (2).....	57.99
WS-440	65-67	Trailing arm frame bumper (I).....	ea 10.99
SU-734	63-64	Trailing arm frame bumper hardware (8 pcs).....	4.99
SU-733	65-67	Trailing arm frame bumper nuts (2) (I).....	1.49
M-3290	63-64	Trailing arm frame bumper bracket.....	ea 49.99
M-3295	65-67	Trailing arm frame bumper bracket (LH or RH) (I).....	44.99

Bushing Installation Tool

Handy time saver compresses trailing arm bushings together, allowing you to stake sleeve for a quick installation.

TL-106	63-67	Trailing arm bushing installation tool.....	99.99
--------	-------	---	-------



Assembled Trailing Arms

Zip Products Rebuilt Drum Brake Trailing Arms

Return your rear suspension to as-new condition. Rebuild includes all-new bearings, bushings, seals, shims, spacer and dust shield. All other parts are fully reconditioned and reassembled to GM specifications. Also available with new wheel cylinders, brake shoes and shoe mounting hardware installed – call Zip for details.

SU-158 63-65 Rebuilt trailing arm (LH or RH).....**429.99**

Note: Trailing arms sold on exchange. Add \$375.00 refundable core charge per side if rebuildable cores do not accompany order.

Zip Products Rebuilt Disc Brake Trailing Arms

Assemblies are disassembled, inspected, cleaned and painted. Rebuild includes all-new bearings, bushings, seals, shims, spacer, dust shield, park brake shoes and stainless hardware and park brake backplate. NEW rotors are installed to eliminate rotor run-out. All other parts are fully reconditioned and reassembled to exact GM specifications.

SU-566 65-67 Rebuilt trailing arm w/NEW rotor (LH or RH).....**489.99**

Note: Trailing arms sold on exchange. Add \$375.00 refundable core charge per side if rebuildable cores do not accompany order.



SU-566

Zip Products ALL-NEW Disc Brake Trailing Arms

Ready-to-install complete assemblies are built to GM specifications using all-new parts including new trailing arm, spindle bearing support, caliper mount bracket, wheel bearings, bushings, seals, shims, spacer, rotor, dust shield, park brake shoes and stainless hardware and park brake backplate. Outright purchase, no core required.

SU-845 65-67 ALL-NEW trailing arm w/rotor (LH or RH).....**1,099.99**

Zip Products ALL-NEW Offset Disc Brake Trailing Arms

Bolt-on assemblies use all-new parts including 2" offset, heavy-duty trailing arm (1/4" jig-welded C-channel steel with gloss black powder coat finish), spindle bearing support, caliper mount bracket, wheel bearings, polyurethane bushings, seals, shims, spacer, rotor, dust shield, park brake shoes and stainless hardware and park brake backplate. Outright purchase, no core required.

SU-1591 65-67 ALL-NEW offset trailing arms w/rotors (car set).....**2,299.99**

CORE REFUNDS -Customer cores are thoroughly inspected to determine rebuildable condition. Trailing arm or wheel bearing assembly components judged to be non-rebuildable will incur a deduction from core refund. Note when submitting cores, do not include strut rod, shock mount or rotor.

Trailing Arms

New reproduction arms are powder coated for a durable, lasting finish. Includes installed bushing. Must drill holes for sway bar if applicable. Made in the USA. Sold each.



SU-646 63-64 Trailing arm, w/bushings (LH or RH).....**229.99**
 SU-118 65-67 Trailing arm, w/bushings (LH or RH).....**219.99**

Offset HD Trailing Arms

2" offset allows use of wider tires on stock rims, or upsize to "plus" size wheel/tire combinations. Includes heim joint pivot. Made in the USA. Pair.



SU-990 63-67 Offset heavy-duty trailing arms.....**729.99**

Zip Products Rebuilt Wheel Bearing Assemblies

Rebuild service includes disassembly, inspection and cleaning of entire unit, then installation of all-new bearings, bushings, seals, shims, spacer, dust shield, park brake shoes and stainless hardware and park brake backplate. NEW rotors eliminate rotor run-out. All other parts are reconditioned and reassembled to GM specifications. REVERSE BUILD (see note below).

SU-528 65-67 Rebuilt bearing w/NEW rotor (LH or RH).....**369.99**

Note: Wheel bearing assemblies sold on exchange. Add \$275.00 refundable core charge per side if rebuildable cores do not accompany order.



SU-528



SU-1050

Zip Products ALL-NEW Rear Wheel Bearing Assemblies

If you'd rather bolt all-new assemblies on instead of rebuilding your originals, Zip can fill the order. Ready-to-install complete assemblies are built to exact GM specifications using all-new parts. Outright purchase, no core required. REVERSE BUILD (see note below).

SU-1050 65-67 ALL-NEW bearing assembly (LH or RH).....**799.99**

Zip Wheel Bearings Set-Up

Tackling rear wheel bearings is not a recommended "do-it-yourself" project. Special tools and critical tolerances come into play, and a misstep here could prove disastrous down the road. There's a lot riding on the set-up being exact! Zip's skilled technicians have the expertise to do the job correctly and safely. All work is performed in-house and backed by our customer satisfaction guarantee. Let us handle the rebuild – you just enjoy cruising your Corvette. Worry-free.

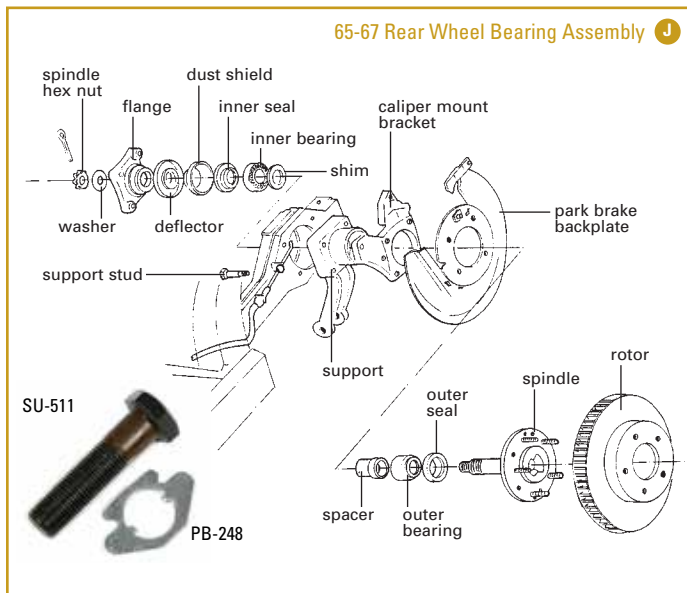
REVERSE BUILD- Wheel bearing assemblies are designed to bolt-on directly to your Corvette's trailing arm. By reversing the spindle support mounting studs, we can ship you a completely assembled and adjusted bearing assembly, including the park brake hardware and shoes. Eliminating several hours of labor upon installation.



Rear Suspension continued

Rear Spindles & Support

M-3072	63-65E	Spindle w/wheel studs, US Made.....ea	199.99
M-2203	65L-67	Spindle w/wheel studs, US Made (J).....ea	229.99
M-4232	65L-67	Spindle w/wheel studs, Imported.....ea	139.99
SU-334	63-67	Spindle flange, US Made (J).....ea	74.99
SU-1572	63-67	Spindle flange, Imported.....ea	49.99
BL-200	63-67	Spindle flange to half shaft bolts (8).....ea	18.99
BL-215	63-67	Spindle hex nut, slotted 3/4" (J).....ea	3.99
M-2950	63-67	Spindle washer (J).....ea	5.99
SU-1495	63-67	Spindle support, U.S. Made (LH or RH) (J).....ea	179.99
BL-328	63-64	Spindle support studs (4 per side) (J).....ea	9.99
BL-329	65-67	Spindle support studs (4 per side) (J).....ea	2.49
SF-721	63-67	Spindle support stud nuts/washers (16 pcs).....ea	4.99



Visit us online: www.zip-corvette.com/susp4
How to rebuild rear trailing arm & wheel bearings



Wheel Bearings & Rotors

M-231	63-67	Bearing greasing tool.....ea	12.99
SU-359	63-67	Bearing dust shield (2 per car) (J).....ea	4.99
SU-360	63-67	Bearing dust deflector (2 per car) (J).....ea	4.99
ZSU-642	63-67	Bearing inner seal (J).....ea	9.99
ZSU-641	63-67	Bearing outer seal (J).....ea	9.99
RB-203	63-67	Bearing spacer.....ea	16.99
SU-306	63-67	Bearing spacer & shim set, includes 2 spacers & 9 shims (car set) (J).....ea	56.99
DB-562	65-67	Rotor w/rivet holes (J).....ea	69.99
DB-481	63-67	Rotor rivets (10 pcs).....ea	7.99



Rear Wheel Bearings Kit

Zip has made the time consuming job of replacing rear wheel bearings a bit easier by assembling a complete kit. Includes inner and outer Timken bearings with inner and outer seals. Per side.

M-3899	63-67	Timken wheel bearings kit (J).....ea	46.99
--------	-------	--------------------------------------	-------



Caliper Brackets & Backplates

SU-335	65-67	Caliper mount bracket (LH or RH) (J).....ea	79.99
SU-412	65-67	Park brake backplate, silver (LH or RH) (J).....ea	39.99

Note: Park brake backplates include installed park brake anchor.

SU-511	65-67	Park brake backplate anchor bolt.....ea	6.99
SF-721	63-67	Park brake backplate mount hardware (16 pcs).....ea	4.99
PB-248	65-67	Park brake shoe guide plate, mounts on backplate.....ea	4.99

Rear Spindle Tools

Spindle Press

Use to press-out the most stubborn spindle easily and without risking damage to threads or end. Solid steel construction.

TL-121	Rear spindle press.....ea	259.99
--------	---------------------------	--------



Spindle Remover

Use to drive "frozen" spindle from carrier without damaging threads. Threads onto spindle and rests against shoulder.

SU-86	Rear spindle remover.....ea	18.99
-------	-----------------------------	-------



HD Spindle Knocker

Use this heavy-duty knocker with your air hammer for quick removal of "frozen" spindles. Available with .401 or .498 shank.

SU-825	HD spindle knocker, .401 shank.....ea	56.99
SU-825A	HD spindle knocker, .498 shank.....ea	56.99



Spindle Bearing Puller

Use to remove rear wheel bearing and race from trailing arm. Works equally well with rotor riveted in place or removed.

TL-117	Rear spindle bearing puller.....ea	189.99
--------	------------------------------------	--------



Spindle Installation Tool

Use to pull spindle and bearings into carrier without damaging bearings, threads or seals. No more pounding spindles into place!

TL-119	Rear spindle installation tool.....ea	109.99
--------	---------------------------------------	--------



Spindle Set-Up Tool

Use to check end play of new bearing assembly - aids in proper shim selection before installing spindle into bearing housing.

TL-118	Rear spindle set-up tool.....ea	102.99
--------	---------------------------------	--------



Performance Suspension

QA1 Shocks

The preeminent name in the performance shock industry. QA1's put you in complete control – on the street, and on the track. The choice of those whose choose the best. Dyno tested. Made in the USA.



Non-Adjustable

Non-adjustable, but every bit the performer. Smooth-look aircraft grade aluminum body with bright-anodized finish. Available individually or car set.

SU-1360	63-67	QA1 front non-adjustable shock	139.99
SU-1361	63-67	QA1 rear non-adjustable shock	139.99
SU-1381	63-67	QA1 non-adjustable shock package	559.99

Sport

Ideal for Corvette owners who want improved handling and performance without adjustability. Tuned with a firmer valve for pro-touring or autocross racing. Available individually or car set.

SU-1468	63-82	QA1 Sport front shock	144.99
SU-1469	63-82	QA1 Sport rear shock	144.99
SU-1470	63-82	QA1 Sport shock package	579.99

Single-Adjustable

Provides 18 levels of compression/rebound damping using a single, easy-reach twist knob. Lightweight forced aluminum body. Available individually or car set.

SU-1362	63-67	QA1 front single-adjustable shock	184.99
SU-1363	63-67	QA1 rear single-adjustable shock	184.99
SU-1378	63-67	QA1 single-adjustable shock package	739.99

Double-Adjustable

Double adjustable valving allows for independent, precise control of compression and rebound. The most accurate way to dial-in your Corvette's suspension.

SU-1364	63-67	QA1 front double-adjustable shock	274.99
SU-1365	63-67	QA1 rear double-adjustable shock	274.99
SU-1375	63-67	QA1 double-adjustable shock package	1,099.99



QA1 Coil-Over System

Gain full control over your Corvette's suspension and handling characteristics. Features QA1's lightweight aluminum body shock, available in single adjustable, double adjustable, or Drag "R" series 90/10 option. Perfect for fine tuning handling for the street, drag, road race or auto cross. Includes 2.5" springs available in a combination of spring rates to further enhance your suspension. Specify spring rate.

SU-1477	63-67	QA1 single adjustable front coil over system	629.99
SU-1478	63-67	QA1 double adjustable front coil over system	819.99
SU-1479	63-67	QA1 "Drag R" front coil over system	739.99

SU-919



KYB Gas-a-Just® Shock Absorbers

Gas-charged mono-tube shocks for the enthusiast who wants to enjoy performance handling at a reasonable price. Guaranteed not to fade. Limited lifetime warranty.

SU-205	63-67	KYB gas shock, front	54.99
SU-206	63-67	KYB gas shock, rear	54.99
SU-919	63-67	KYB gas shock package	199.99



Bilstein Shock Absorbers

If you're looking for maximum performance in a shock absorber, look no further than Bilstein. Mono-tube-design, gas-charged Bilsteins deliver precise, uncompromising performance on the street and at the track. Available in both heavy duty and sport design. Hardware included.

SU-807	63-67	Bilstein gas shock, front (HD)	99.99
SU-808	63-67	Bilstein gas shock, rear (HD)	109.99
SU-993	63-67	Bilstein gas shock package (HD)	409.99
SU-1408	63-67	Bilstein gas shock, front (Sport)	99.99
SU-1408	63-67	Bilstein gas shock, rear (Sport)	99.99
SU-1409	63-67	Bilstein gas shock package (Sport)	369.99

AC-Delco Shock Absorbers

Smooth-riding AC-Delco shocks are the perfect replacement for your factory hydraulic dampers. Lifetime warranty. Sold each or in car set.

SU-88F	63-67	Delco gas shock, front	44.99
SU-88R	63-67	Delco gas shock, rear	44.99
SU-536	63-67	Delco gas shock package	169.99



Detroit Speed SpeedRay Suspension

Transform your Corvette's factory frame for superior handling and ride quality. 100% bolt-on system or with a small amount of fabrication for a competition coil over option. Features DSE quick ratio rack & pinion, tuned coil-over shocks/springs, splined sway bar, aluminum spindle & wheel bearing assembly, upper & lower tubular control arms and offset mounting brackets to optimize suspension geometry and additional clearance for GenV LT engines. Available in your choice of shock option and coil over spring weight. No Discount.

Small Block or LS Conversion (550lb Springs)

SU-1515	63-67	SpeedRay front (bolt-in, non-adjustable).....	7,008.99
SU-1517	63-67	SpeedRay front (bolt-in, single-adjustable).....	7,505.99
SU-1516	63-67	SpeedRay front (bolt-in, double-adjustable).....	8,277.99
SU-1521	63-67	SpeedRay front (fabricated, non-adjustable).....	6,846.99
SU-1523	63-67	SpeedRay front (fabricated, single-adjustable).....	7,232.99
SU-1522	63-67	SpeedRay front (fabricated, double-adjustable).....	8,004.99
SU-1524	63-67	SpeedRay front (fabricated, double-adjustableremote).....	8,258.99



Big Block (650lb Springs)

SU-1512	63-67	SpeedRay front (bolt-in, non-adjustable).....	7,020.99
SU-1514	63-67	SpeedRay front (bolt-in, single-adjustable).....	7,515.99
SU-1513	63-67	SpeedRay front (bolt-in, double-adjustable).....	8,287.99
SU-1532	63-67	SpeedRay front (fabricated, non-adjustable).....	6,846.99
SU-1520	63-67	SpeedRay front (fabricated, single-adjustable).....	7,238.99
SU-1518	63-67	SpeedRay front (fabricated, double-adjustable).....	8,004.99
SU-1519	63-67	SpeedRay front (fabricated, double-adjustable remote).....	8,258.99



Detroit Speed Deca-Link Rear Suspension

Converts your Corvette's factory chassis to a modern CV axle shafts and hub bearing. Two-piece aluminum/steel cradle assembly allows for easy differential housing removal. Offset inboard to allow for additional tire clearance. DECALink IRS works with an original differential assembly. All suspension link lengths are adjustable, and the kit has adjustments for rear anti-squat geometry and roll center height. The suspension points are hard mounted to eliminate stock rubber mounted suspension deflection. Includes forged aluminum uprights, two-piece cast aluminum/steel cradle assembly, DSE/JRI coilover shocks/springs allow spring rate tuning and ride height adjustments. No Discount.

SU-1525	63-67	Deca-Link rear (non-adjustable, 17 spline).....	9,867.99
SU-1526	63-67	Deca-Link rear (single-adjustable, 17 spline).....	10,997.99
SU-1527	63-67	Deca-Link rear (double-adjustable, 17 spline).....	11,345.99



SPC Adjustable Control Arms

SPC's adjustable upper control arms offer almost infinite adjustment of both camber and caster for maximum handling and performance. Upper a-arms include a steel cross shaft with OE style rubber pivot bushings and ball joint mounting plate. Sold in pairs.

SU-1461	63-67	SPC adjustable control arm	599.99
---------	-------	----------------------------------	--------



ZipSocial    
Follow us on social media & stay connected! www.zip-corvette.com/social

Performance Suspension

Performance Suspension Upgrade

Designed to elevate your Corvette's handling to better-than-stock specs. Upgrade includes new 1" front and 3/4" rear sway bars, KYB Gas-a-Just® gas-charged shocks, upper and lower control arm bushings, tie rod ends, ball joints, an idler arm, trailing arm bushings, differential snubber cushion, adjustable strut rods, front coil springs and a 360 lb. fiberglass rear spring. Bushings are polyurethane. Available with or without front and rear springs. No Discount.

SU-657	63-67	Suspension package w/o springs.....	999.99
SU-656	63-67	Suspension package w/springs.....	1,399.99



SU-656

Contact a Zip Corvette sales representative for specially designed suspension packages. Zip can build a suspension specifically to your Corvette needs. Choose from a full selection of front & rear spring options, shock types (including adjustable QA1), sway bar packages and bushing combinations. Just give us a call – we'll help you transform your Corvette's suspension from grocery getter to track performer.

Performance Sway Bars Package

Front 1" and rear 3/4" diameter performance sway bars improve handling and cornering ability by significantly reducing body roll. Install with hand tools. Hardware and instructions included.

SU-654	63-67	Sway bars package (front & rear).....	409.99
--------	-------	---------------------------------------	--------



SU-654

"Total Suspension" Kit

Polyurethane bushings maximize suspension performance by delivering predictable response in all driving modes. "Total suspension" kit includes front sway bar links, ball joint and tie rod end boots, power steering ram bushings, transmission mount, front and rear control arm bushings, rear spring cushions, rear strut rod bushings, differential snubber cushions, and rear sway bar and end link bushings. Does not include front sway bar frame bushings.

SU-851	63-67	Polyurethane "Total Suspension" kit.....	299.99
--------	-------	--	--------



SU-851

Shark Bite™ Suspension

Impressive for its time, Corvette second generation suspension falls short when compared to current technology. So vault your classic into the present! Boasting improved geometry plus light weight control arms upgrade handling and cornering stability. Add companion coil-overs for tunable ride height and response. A-arms available as-cast (natural) and include shafts, bushings and ball joints. Spreader bar can adjust to greatly stiffen and re-align the front cross member/uprights. Coil-overs feature double adjustable (rebound and compression) Viking shocks. True bolt-on installs. No Discount.

SU-1508	63-67	Shark Bite aluminum upper control arms (car set).....	1,179.99
SU-1179	63-67	Shark Bite aluminum upper control arms w/performance ball joints (car set).....	1,459.99
SU-1465	63-67	Shark Bite aluminum lower control arms, w/shafts and ball joints (car set).....	2,799.99
SU-1180	63-67	Shark Bite front coil-over package (soft spring rate).....	1,099.99
SU-1302	63-67	Shark Bite front coil-over package (medium spring rate)....	1,099.99
SU-1303	63-67	Shark Bite front coil-over package (hard spring rate).....	1,099.99
SU-1509	63-67	Shark Bite front spreader bar (stock or tubular arms).....	159.99
SU-1510	63-67	Shark Bite front spreader bar (Shark Bite arms).....	159.99
SU-1183	63-67	Shark Bite rear coil-over package.....	2,599.99
SU-1183	63-67	Shark Bite rear coil-over package w/Shark Bite rear end cover.....	2,599.99
SU-1507	63-67	Shark Bite rear strut rod package.....	389.99
SU-1590	63-67	Shark Bite trailing arm brackets, for use with offset arms.....	309.99

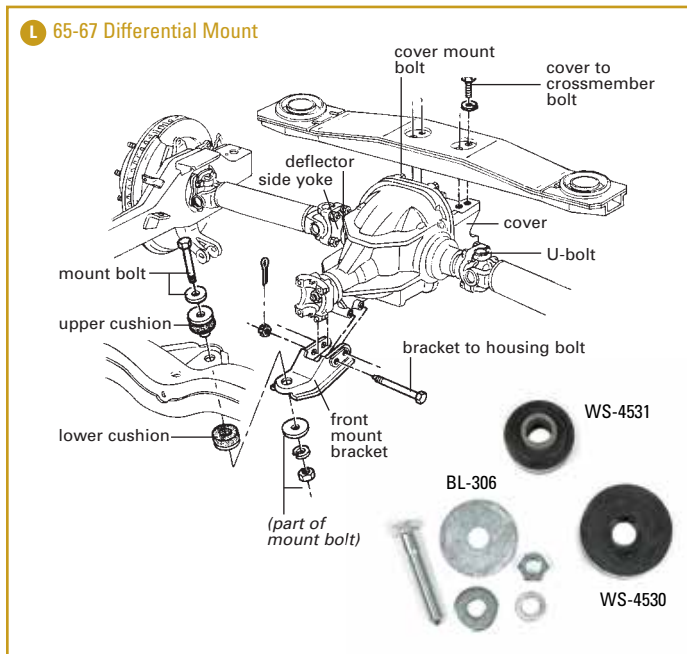


Differential

Differential Mount

U-675	63-64	Front mount bracket, reconditioned.....	79.99
U-668	65-67	Front mount bracket, reconditioned.....	59.99
BL-397	63-64	Front mount bracket to housing bolts, "WB" headmark w/washers & nuts (9 pcs)	9.99
BL-399	65-67	Front mount bracket to housing bolts "TR" headmark w/washers & nuts (6 pcs) (L)	16.99
WS-4530	63-67	Front mount bracket lower cushion (L)	ea 10.99
WS-4531	63-67	Front mount bracket upper cushion (L)	ea 9.99
SU-390	63-67	Front mount bracket cushions, upper & lower, polyurethane (car set) (L)	13.99
SU-1230	63-67	Front mount bracket cushions, upper & lower, restoration poly (car set) (L)	29.99
BL-306	63-67	Front mount bracket cushion center mount bolt w/washers & nut (L)	6.99

L 65-67 Differential Mount



Differential Rear Cover

SU-53	63-67	Cover, HD bolt reinforcements (L)	169.99
<i>Note: Verify spring width before ordering rear end cover – many times this part has been replaced with a universal application GM part. '63-67 Corvettes used a 2 1/4" wide rear spring; SU-53 will only work with 2 1/4" springs.</i>			
BL-405	63-67	Cover mount bolts w/washers, "double-circle" headmark w/lock washers (16 pcs)	12.99
SU-53A	63-67	Cover to housing gasket	5.99
BL-404	63-67	Cover to crossmember bolts & washers (8 pcs) (L)	6.99
SU-136	63-67	Cover vent	3.99



Differential Fill Plug & Tag

SU-589	63-64	Fill plug w/copper washer	18.99
SU-590	65-67	Fill plug	18.99
SU-1331	63-64	Fill plug copper washer	4.99
SU-618	63-64	Fill plug cork gasket	2.99
MF-400	63-64	Limited slip differential metal tag	10.99
SU-432	63	Metal identification tag, 3.08 ratio	6.99
SU-435	63	Metal identification tag, 3.36 ratio	6.99
SU-433	63	Metal identification tag, 3.55 ratio	6.99
SU-434	63	Metal identification tag, 3.70 ratio	6.99
SU-436	63	Metal identification tag, 4.11 ratio	6.99
SU-437	63	Metal identification tag, 4.56 ratio	6.99
MF-383	65	"Positraction" differential tag, red plastic	10.99
MF-280	66-67	"Positraction" differential tag, red plastic	11.99



Differential Side Yokes (Stub Axles)

SU-917	63-67	Side yoke (stub axle), new, HD (uses cap & bolts)	ea 139.99
SU-84	63-67	Side yoke (stub axle), new, STD (uses U-bolts)	ea 139.99
SU-133	63-67	Side yoke U-joint cap w/bolts, cast (HD yoke)	ea 12.99
SU-1464	63-67	Side yoke U-joint cap w/bolts, billet (HD yoke)	ea 19.99
SU-556	63-67	Side yoke cap bolts (HD yoke) (8)	11.99
SU-1029	63-67	Side yoke deflector, repairs side yoke	ea 3.99
SU-132	63-67	Side yoke U-bolt kit, includes (2) U-bolts w/hardware (STD yoke)	6.99
SU-96	63-67	Side yoke outer bearing	ea 14.99
SU-97	63-67	Side yoke outer bearing seal	ea 9.99
SU-1655	63-67	Side yoke retainer clips (car set)	4.99



Reconditioned Side Yokes

If your Corvette suffers from excessive tire wear or posi clutch "chatter," worn side yokes are most often the cause. Zip's reconditioned yokes are made of heat treated "through-hardened" steel to resist wear and eliminate need for frequent rear end alignments. Sold each.

SU-521	63-67	Side yoke (stub axle), STD	129.99
SU-557	63-67	Side yoke (stub axle), HD	129.99

Note: Side yokes sold on exchange. Add \$25.00 refundable core charge per side if rebuildable cores do not accompany order.

HD Forged Side Axle

Heavy duty forged differential side yokes designed to be the strongest available for your stock differential without having to radically change or modify your Corvette. Features solid billet u-joint caps and bolts. All US made.

SU-1593	63-67	HD forged side axle w/caps & bolts	339.99
---------	-------	--	--------



Zip Products Rebuilt Differential

Zip's rebuild service for '65-67 Corvette differentials works two ways: your original diff can be professionally refurbished, or, if you're in a "can't wait" situation, a \$500.00 core charge can be issued for a unit in stock and available for immediate shipment. Differentials are completely rebuilt and assembled and include a 3-YEAR UNLIMITED MILEAGE WARRANTY. Note warranty does not cover racing applications.



S-133 65-67 Rebuilt rear differential, same ratio..... **699.99**

Rebuilt Differential with NEW Gear Set

Whether you're looking for low-end grunt or high-speed cruising, Zip has the right differential. Here again we can rebuild your diff, or issue a \$500.00 core charge for an in-stock, already assembled unit. These differentials receive the same attention as all others – except here you can choose to have a NEW gear set installed. No Discount.

SU-1384	65-67	3.08 Rebuilt rear differential.....	999.99
SU-1385	65-67	3.36 Rebuilt rear differential.....	999.99
SU-1386	65-67	3.55 Rebuilt rear differential.....	999.99
SU-1387	65-67	3.70 Rebuilt rear differential.....	999.99
SU-1573	65-67	3.90 Rebuilt rear differential.....	999.99



"Extreme Performance" Rebuilt Differential

Looking for extreme performance but can't find a 4-series carrier? Zip has custom designed 4.11 and 4.33 gear sets to match-up to your '65-67 3-series carrier. Available outright or through Zip's differential rebuild service. Sold on exchange, \$500.00 core charge. No Discount.

SU-1388	65-67	4.11 Rebuilt rear differential.....	1,099.99
SU-1389	65-67	4.33 Rebuilt rear differential.....	1,099.99

Shark Bite Differential Cover

Cast aluminum differential cover features improved cooling and extra webbing for increased strength. Includes bosses to plumb an external cooler for extreme applications. Larger interior design for increased oil capacity. Weighs 50% less than OE factory cover! Available stock or Shark Bite upgrade.

SU-1505	63-67	Shark Bite differential cover (stock suspension).....	569.99
SU-1506	63-67	Shark Bite differential cover (Shark Bite suspension).....	609.99



CORE REFUNDS: Customer cores are thoroughly inspected to determine rebuildable condition. Differential components judged to be non-rebuildable will incur a deduction from core refund and include egg-shaped pinion shaft hole, cracked case, broken ring gear bolts and/or broken gears.

Zip Differential Rebuild

Your Corvette's diff is key to getting the power to the pavement. Its complex nature suggests a rebuild is best left to professionals, as a correct set-up will ensure clunks, whines or "bangs" never rear their head. Zip's skilled technicians inspect, clean and magnaflux each core, then reassemble it using all-new parts including bearings, races, seals, shims and a positraction clutch pack. All work is performed in-house and is backed by our customer satisfaction guarantee.



Zip diffs pushed Leighton Reese's Banner Engineering Corvette through three seasons of the SPEED World Challenge GT Series, plus two seasons of Rolex GT including the Rolex 24 At Daytona. We're confident you won't find a better built differential!



GM Gear Lube & Additive

GM's special formula gear lubricants work equally well in positraction and conventional rear ends both. Posi additive stops clutch "chatter" and clunking common to positraction clutch packs. Car requires 46 ounces of gear lube plus a single bottle of additive.

MG-59	GM/Delco gear lubricant, 32 oz.....	24.99
POSI	GM/Delco positraction additive, 4 oz.....	12.99



BG Lubricant & Additive

BG Ultra-Guard provides thermal stability, protection against wear, pitting and corrosion, improved seal performance and quieter operation. Available in 75w/90 for stock applications and HD 75w/140 for racing applications. LSII friction modifier ensures smooth and quiet operation of differential gears and posi clutch pack. Fortifies all GL-5 level gear lubricant additives while providing optimum surface protection. Corvette differentials require 46 ounces of gear lube plus 4 ounces of limited slip additive.

MG-212	BG 75w/90 synthetic gear lubricant, 32 oz.....	28.99
MG-211	BG HD 75w/140 synthetic gear lubricant, 32 oz.....	39.99
MG-213	BG LSII limited slip additive, 6 oz.....	17.99

Driven Racing

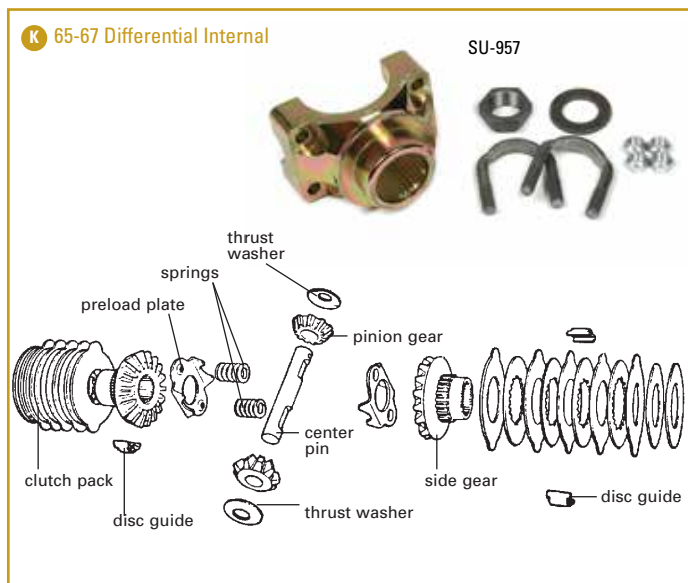
Next gen Driven Racing synthetic oil provides consistent limited slip differential performance. Competition proven formulation utilizes a proprietary additive package to reduce drag, resist foaming and maintain viscosity under extreme heat and load. Break-In oil allows gear teeth to break-in quickly while improving surface finish; by polishing the gear teeth, micro-pitting is eliminated improving gear durability.

MG-276	Driven Racing 75W-90 limited slip gear oil.....	21.99
MG-275	Driven Racing 80W-90 break-in gear oil.....	13.99

Differential continued

Differential Internal & Front Yoke

SU-1588	65-67	Carrier center pin (K)	29.99
SU-689	65-67	Carrier center pin lock bolt	49.99
SU-1049	65-67	Carrier center pin thrust washers (2) (K)	19.99
SU-686	65-67	Clutch disc guide (K)	ea 8.99
SU-692	63-66E	Crush sleeve, short style	11.99
SU-1246	66L-67	Crush sleeve	8.99
SU-1620	65-67	Front yoke w/deflector, w/nut & washer	119.99
SU-957	65-67	Front yoke w/deflector, billet replacement	229.99
SU-731	63-67	Front yoke deflector	12.99
SU-709	65-67	Front yoke pinion nut	7.99
SU-1194	65-67	Front yoke pinion nut washer	8.99
SU-95	63-67	Pinion seal	9.99
SU-1586	65-67	Spider gear set, includes both side & pinion gears, center pin & lock bolt	189.99



Clutch Spring & Preload Plate

New replacement differential clutch spring and preload plate kit. 400 lb. OE in all big-block cars, and small-block with HD differential.

SU-1585	65-67	Clutch spring & preload plate kit (400 lb)	99.99
---------	-------	--	-------



“Do-It-Yourself” Differential Rebuild

Rebuilding your differential yourself? Zip has everything you'll need. Bearing kits include all necessary parts for a complete reassembly including: pinion, side yoke and carrier bearings, races, seals, shims, crush collar and housing gasket. Also included is enough ring gear paint to properly determine your ring gear pattern and set-up. While you've got things apart, Zip recommends changing your carrier clutch plates.

SU-647	63-67	Differential bearing kit	149.99
SU-1587	65-67	Carrier clutch disc pack, carbon fiber (L)	149.99
MG-59		GM gear lubricant (2 per car)	ea 24.99
POSI		GM positraction additive (1 per car)	ea 12.99



Ring & Pinion Gears

Revive your factory rear, or upgrade for some newfound performance, with a fresh set of ring & pinion gears. Gears are matched sets to eliminate noise and whine. Replacement for '63-64.



SU-626	65-67	Ring & pinion gears, 3.08	424.99
SU-719	65-67	Ring & pinion gears, 3.36	424.99
SU-627	65-67	Ring & pinion gears, 3.55	409.99
SU-628	65-67	Ring & pinion gears, 3.70	319.99
SU-629	65-67	Ring & pinion gears, 3.90	349.99
SU-625	65-67	Ring & pinion gears, 4.11	489.99

Note: SU-625 4.11 gear set requires use of a 4-series carrier.

4.11 or 4:33 Gear Sets for 3-series Carrier

Zip Products has new 4.11 and 4.33 gear sets custom designed to work in your Corvette's factory 3-series carrier. Extra-thick ring gear eliminates need for spacers or other modifications.

SU-859	63-67	Ring & pinion gears, 4.11	399.99
SU-920	63-67	Ring & pinion gears, 4.33	469.99

Complete Positraction Carrier Unit

Cracked or busted positraction units are common for '65-67 Corvettes. Replace yours with a NEW Zip assembled unit. Includes carbon fiber clutches.



SU-1691	65-67	NEW assembled 3-series carrier	499.99
---------	-------	--------------------------------	--------



Driveshaft & Half Shafts

Driveshaft

SU-338	63-67	Driveshaft w/correct U-joints installed (M).....	189.99
SU-568	63-64	Driveshaft front slip yoke, 63 Borg-Warner 4-speed & 63-64 Automatic, 16 splines, includes hardware	159.99
SU-320	63L-67	Driveshaft front slip yoke, 63-Late-67 4-speed Muncie & 65-67 Automatic, 26 splines	119.99



Visit us online: www.zip-corvette.com/dtn2
Driveshaft reconditioning and u-joint replacement



U-Joints & Hardware

Corvettes left the assembly plant with non-greasable U-joints. Zip stocks correct originals, replacement U-joints with Zerk grease fittings, and heavy-duty U-joints without grease fittings. Sold individually.

Driveshaft

ZSU-108	63-67	Driveshaft U-joint (2 per car) (M).....	22.99
ZSU-108A	63-67	Driveshaft U-joint w/Zerk fitting (2 per car)	17.99
SU-1012	63-67	Driveshaft U-joint, heavy duty (2 per car)	26.99
SU-131	63-67	Driveshaft U-joint U-bolt kit (includes 2 U-bolts w/nuts) (M)	6.99

Half Shafts

ZSU-107	63-67	Half shaft U-joint (4 per car) (M).....	28.99
ZSU-107A	63-67	Half shaft U-joint w/Zerk fitting (4 per car)	22.99
SU-1011	63-67	Half shaft U-joint, heavy duty (4 per car).....	34.99
SU-132	63-67	Half shaft U-joint U-bolt kit, includes (2) U-bolts w/nuts (STD yoke) (2 per car).....	6.99
SU-133	63-67	Half shaft U-joint cap w/bolts, cast (HD yoke)..... ea	12.99
SU-1464	63-67	Half shaft U-joint cap w/bolts, billet (HD yoke)	ea 19.99
SU-556	63-67	Half shaft U-joint cap bolts (HD yoke) (8)	11.99

Visit us online: www.zip-corvette.com/dtn1
How to install u-joints into the half shaft assembly

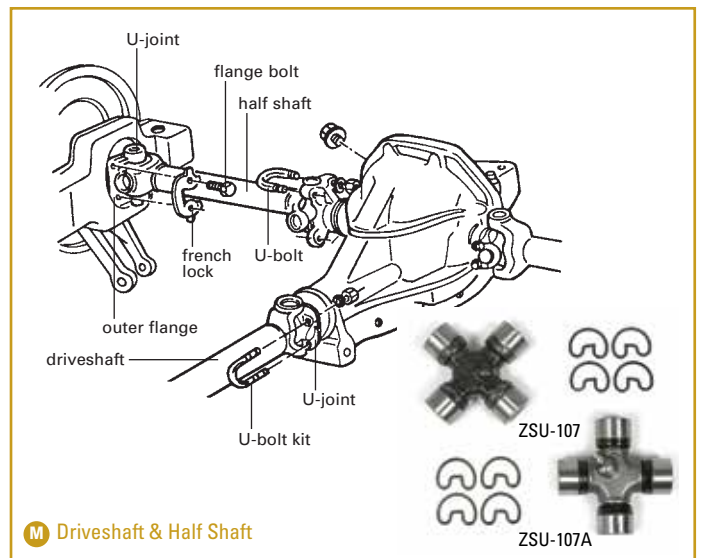


U-Joint Removal Tool

Allows easy, single-person removal of U-joint while protecting driveshaft and surrounding surfaces from cosmetic damage.



TL-129	U-joint removal tool.....	159.99
--------	---------------------------	--------



M Driveshaft & Half Shaft

Half Shafts

SU-129	63-67	Half shaft assembly, includes U-joints & outer flange (M).....	ea 199.99
SU-208	63-67	Half shaft outer flange (M)	ea 48.99
BL-200	63-67	Half shaft outer flange bolt set (8) (M)	18.99
M-3160	63-64	Half shaft outer flange bolt french locks, stainless (4) (M).....	19.99
M-272	65-67	Half shaft outer flange bolt french locks, stainless (4) (M).....	12.99
M-3861	65-67	Half shaft outer flange bolt french locks, steel (4)	9.99



Zip Resto Tip: U-Joints Replacement

Installing new U-joints in your Corvette can turn into a costly job. A simple \$30.00 repair could grow into the replacement of your entire driveshaft. For a no-hassle removal, you'll need a tool similar to Zip's U-Joint Removal Tool (part number TL-129), or a standard shop press. Begin by removing the retaining clips on the U-joint bearing caps. Support the underside of the yoke with a large socket (1 1/4") on the bed of the press, and then begin pressing the U-joint with a smaller socket or rod. Make sure the U-joint is square and all pressure is placed onto the bearing cap – this will help keep the yoke from absorbing the pressure and possibly damaging the driveshaft. Continue pressing the U-joint until it can go no further. Remove the cap you pressed out with a pair of pliers, then reverse the driveshaft and press the opposite cap in the same manner. Once out, you'll be able to remove the U-joint from the driveshaft.

To install the new U-joint, lightly sand the inside of the yoke to clean out any corrosion or burrs, then spray with WD-40 to make installation smoother. Begin installation of the new U-joint by removing one cap and pressing it halfway into the driveshaft yoke. Now place the U-joint inside the yoke and press the cap all the way in. Press the second cap into the yoke, being careful to align it with the U-joint. Then reinstall the spring clips and make sure they are fully seated into the groove. You're done!

Steering Conversions

Power Steering Conversion Kit

Includes all-new factory style components including; control valve, ram, hoses, brackets, power steering pump, pump pulley, pitman arm, relay rod and hardware. Drive belt and crank pulley must be purchased separately.

SC-327	63-67	Conversion kit, 327 Base motor.....	999.99
SC-328	63-67	Conversion kit, 327 Hi-Perf w/w/o F.I.	999.99
SC-329	66-67	Conversion kit, 427.....	1,199.99



SC-328

Borgeson Power Steering Conversion

True power steering for your 1963-1967 Corvette. Borgeson's steering conversion features a remanufactured Delphi 600 steering box designed to bolt to the factory mounting location. Kit includes power steering box, hoses, drag link or relay rod adapter and column coupler/rag joint connector. Everything needed to convert your Corvette's power assist to true power steering. Note: Column must be collapsed for installation. Frame reinforcement designed to reduce frame/box flex.

SC-848	63-66	Power steering conversion	799.99
SC-849	67	Power steering conversion	799.99
SC-907	63-67	Borgeson frame reinforcement.....	89.99



SC-848

Power Steering Add On

Borgeson & Steeriod power steering conversions are designed for Corvettes with factory power steering. This power steering upgrade is available for non-power steering Corvettes with the purchase of a power steering add-on kit. Kit includes power steering pump, pump pulley, engine mount brackets and mount hardware. Does not include crank pulley or drive belt as required per application.

SC-767	63-67	Power steering add-on kit, 68 327 base & 69-74 350 w/AC (steel pulley)	269.99
SC-768	63-67	Power steering add-on kit, 68 327 Hi-Perf & 69-74 350 w/o AC (cast pulley)	299.99
SC-769	66-67	Power steering add-on kit, 427.....	479.99

Steering Conversion

How much do you want to transform your Corvette's steering? Zip has multiple conversion systems available to make your "hard to steer" Corvette turn on a dime. Factory Corvette power steering was not really power steering – it was power assist. Zip's complete conversion packages include all factory style components. OE style power steering pump, valve and ram assemblies are ideal for the enthusiasts serious about originality. Borgeson conversions are available for those who want genuine power steering. Delphi 600 power steering gearboxes adapted to fit your Corvette's steering linkage system (some modification required). Steeroids rack & pinion systems bolt-on a rack system which can be used on both manual and power steering Corvettes. For those interested in the latest in steering technology – fully electric system utilizes an adjustable column electric motor for variable assist, just like the C7 Corvette.

Steeroids™ Conversion

Replace your Corvette's out of date recirculating ball steering with a Steeroids rack & pinion kit for improved feel, greater control and faster turns. Bolt-on install uses basic hand tools and requires no modifications. Kit includes brackets, tie rod ends and hardware. Available for manual or power steering. Zip recommends upgrading to power while everything is apart – add-on kit includes factory pump and brackets. Call for details. No Discount.

SC-743	63-66	Steeroids conversion, power, 327.....	2,299.99
SC-741	67	Steeroids conversion, power, 327.....	2,299.99
SC-742	65-66	Steeroids conversion, power, 396/427	2,299.99
SC-744	67	Steeroids conversion, power, 427.....	2,299.99
SC-746	63-66	Steeroids conversion, manual	2,299.99
SC-740	67	Steeroids conversion, manual	2,299.99
SC-902	63-67	LS engine Steeroids conversion hoses	199.99



SC-741

Electric Power Steering

Converts manual steering to a fully electric steering system – just like the C7 Corvette! Includes 40amp motor, prewired control module with adjustable potentiometer and all mounting hardware. Requires removal and cutting of original steering column. Once installed, electric motor is hidden under dash. Unit provides variable assist steering! No discount.

SC-880	63-66	Electric steering conversion.....	1,449.99
SC-885	67	Electric steering conversion.....	1,449.99



Flaming River Rack & Pinion Cradle

Update your mid-year Corvette's steering system with a Rack and Pinion Cradle System by Flaming River. Allows for improved horsepower, performance and handling. System bolts into existing original mounting locations with no suspension modification installation (column may need to be shortened). Provides more than 6" of travel for full turning radius. Complete rack & pinion kit includes hardware, universal joints, cradle system, quick ratio rack and pinion and complete step by step instructions.



SC-912

SC-912	63-67	Manual rack & pinion cradle kit	1,689.99
SC-913	63-66	Power rack & pinion cradle kit (use OE pump kit)	2,289.99
SC-914	67	Power rack & pinion cradle kit (use OE pump kit)	2,289.99
SC-915	63-67	Power rack & pinion cradle kit (use FR pump kit)	2,289.99



SC-912



SC-913

Flaming River Pump Kit

Designed to work with the Flaming River Rack & Pinion Cradle kit as a replacement for the stock steering pump. Kit includes: Power steering pump with V-belt pulley, mounting bracket and hardware, remote power steering reservoir and braided stainless hose kit.

SC-917	63-67	327 power steering pump kit	869.99
SC-916	65-67	396/427 power steering pump kit	869.99



All Flaming River steering columns are made from 304 grade stainless steel, in paintable mill finish OR polished to a high luster. They will never rust and are chemically clean and can be painted to match or highlight an interior color with only minor preparation. Proudly Made in USA.

Flaming River 63-66 Steering Column

All new steering column perfect for '63-66 Corvette applications. Plus get the added benefit of tilt steering to your early mid-year Corvette. Sleek design similar to original straight column including the 1 1/2" diameter tube. Designed to fit into the original dash mount. Features 3/4"-36 splined input shaft for connection to your factory column coupler. Available in black powdercoat or polished stainless steel for a truly custom look.

SC-927	63-66	Tilt steering column, black	989.99
SC-928	63-66	Tilt steering column, polished stainless	999.99



SC-927

SC-928

Flaming River 67 Steering Column

All new steering column for '67 Corvette with correct integrated dash mount bracket. Add the benefit of tilt steering allowing for more room behind the steering wheel. Original style design including the 1 1/2" diameter tube. Features 1"-48 splined input shaft for connection to your factory column coupler. Includes laser cut collapsible design for added safety. Available in black powdercoat, paintable mill stainless or polished stainless steel.

SC-924	67	Tilt Steering column, black	1,149.99
SC-925	67	Tilt steering column, mill stainless	1,089.99
SC-926	67	Tilt steering column, polished stainless	1,239.99



SC-925

SC-924

SC-926

Flaming River Hazard Kit

Allows for the addition of hazard light (4-way flasher) functionality. Connects directly to the 4-1/4" male connector on the wiring harness of Flaming River steering columns. Includes one female connector, 12V flasher, 15A fuse, and seven spare crimp terminals to plug in additional wires to the provided connector.

SC-920	63-67	Steering column hazard kit	132.99
--------	-------	----------------------------------	--------

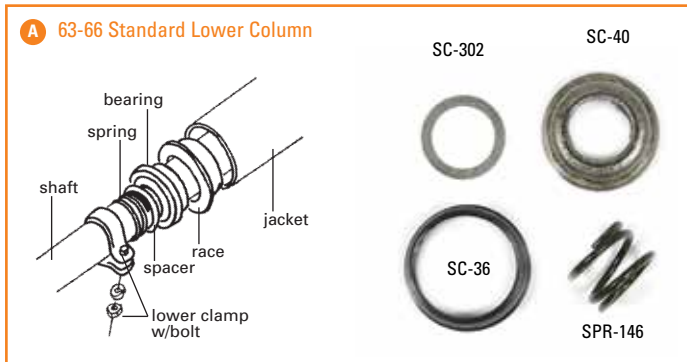


Steering Column

63-66 Standard Column

63-66 Lower Column

SC-40	63-66	Column lower bearing (A)	22.99
SC-36	63-66	Column lower bearing race (A)	10.99
SC-302	63-66	Column lower bearing spacer (A)	5.99
SPR-146	63-66	Column lower spring (A)	5.99



63-66 Shaft & Upper Column

SC-57	63-66	Column shaft (A)	89.99
SC-354	63-66	Column shaft lower clamp w/bolt (A)	14.99
SC-561	63	Column shaft jacket (tube)	99.99
SC-303	64-66	Column shaft jacket (tube) (A)	89.99
SC-353	64-66	Column shaft jacket upper retainer	19.99
SC-611	63	Column sleeve	8.99
ZSC-37	63	Column upper bearing, w/horn wire	24.99
SC-39	64-66	Column upper bearing	24.99



63-66 Steering Wheel & Hub

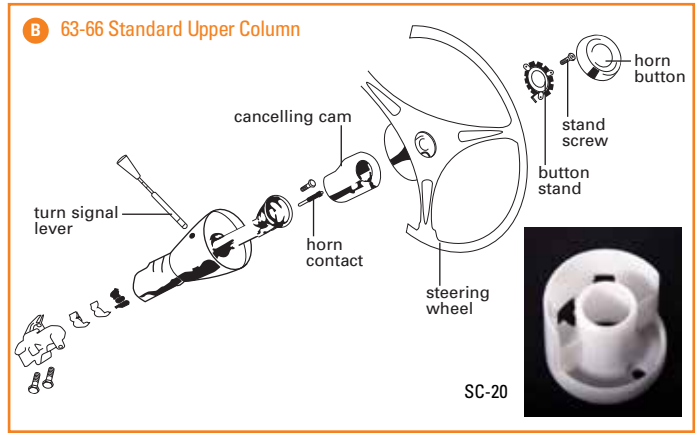
ZSC-351	63-66	Steering wheel mount screws (6)	2.99
SC-657	63-66	Steering wheel hub (B)	119.99
SC-956	63-66	Steering wheel hub nut & washer	1.99

63-66 Steering Wheel

Reproduction plastic wheel features OE-correct grain, finger grips and brushed stainless spokes. '63 wheel is available in authentic black, dark blue, red or saddle. Specify color. 64-66 rim is simulated walnut wood.



SC-720	63	Steering wheel	349.99
SC-760	64-66	Steering wheel	319.99



Visit us online: www.zip-corvette.com/str5
How to replace broken turn signal cancelling cam

63-66 Horn Button

SC-25	63-64	Horn button (B)	81.99
SC-27	65-66	Horn button (B)	79.99
SC-28	63-66	Horn button stand (B)	22.99
SC-590	63-66	Horn button stand repair rivets (3)	3.99
ZSC-346	63-66	Horn button stand screws (3) (B)	2.49
SC-34	63-66	Horn contact (brush), spring-loaded (B)	14.99



63-66 Turn Signal Components

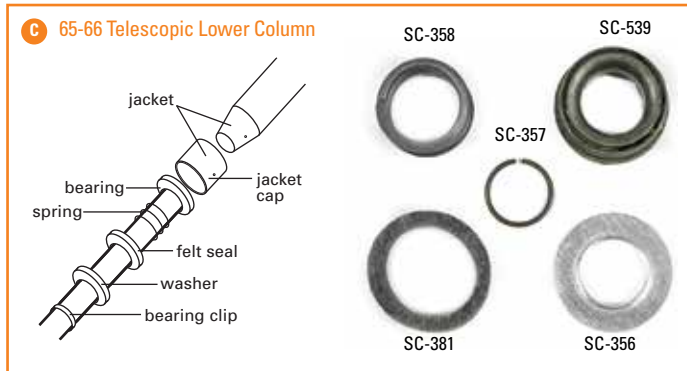
SC-30	63	Cancelling cam	18.99
SC-621	63	Cancelling cam attaching hardware	1.99
ES-316	63	Turn signal cable	49.99
SC-612	63	Turn signal cable mounting screw	.99
SC-31	63	Turn signal lever	26.99
SC-593	63	Turn signal housing lock wedge w/screw	8.99
SC-360	63	Turn signal cancelling ring, aluminum, includes flippers & spring	89.99
SC-361	63	Turn signal ring flippers & spring	27.99
SC-521	63	Turn signal ring pivot screw	9.99
SC-362	63	Turn signal roller	5.99
SC-363	63	Turn signal roller "W" spring	14.99
ES-328	63	Turn signal switch, electrical	59.99
SC-617	63	Turn signal switch screws (2)	.99
SC-20	64-66	Cancelling cam (B)	17.99
SC-621	64-66	Cancelling cam attaching hardware	1.99
MF-432	66	Traffic hazard switch warning tag	5.99
SC-32	64-66	Turn signal lever (B)	26.99
SC-623	64-66	Turn signal lever screw	.99
ES-209	64-66	Turn signal switch, includes upper column bearing	64.99
SC-567	64-66	Turn signal switch mount screws (3)	3.99
SF-751	64-66	Turn signal switch plug to column clip	16.99
SC-737	64-66	Turn signal switch wire protector w/pin	19.99



65-66 Telescopic Column

65-66 Lower Column

SC-539	65-66	Column lower bearing (C)	22.99
SC-357	65-66	Column lower bearing clip (C)	3.99
SC-381	65-66	Column lower bearing felt seal (C)	3.99
SC-356	65-66	Column lower bearing washer (C)	8.99
SC-358	65-66	Column lower spring (C)	10.99



65-66 Shaft & Upper Column

SC-763	65-66	Column shaft damper spring & spacer	7.99
SC-354	65-66	Column shaft lower clamp, w/bolt	14.99
SC-560	65-66	Column shaft jacket (tube), includes cap & bushings (C)	129.99
SC-539	65-66	Column upper bearing	22.99
SC-357	65-66	Column upper bearing clip	3.99
SC-444	65-66	Column upper spring (D)	5.99



65-66 Steering Wheel & Hub

SC-760	65-66	Steering wheel, plastic reproduction	319.99
ZSC-351	65-66	Steering wheel mount screws (6) (D)	2.99
SC-679	65-66	Steering wheel hub (D)	169.99
SC-344	65-66	Steering wheel hub nut & washer (D)	2.99

65-66 Turn Signal Components

SC-620	65-66	Cancelling cam (D)	33.99
MF-432	66	Traffic hazard switch warning tag	5.99
SC-32	65-66	Turn signal lever (D)	26.99
SC-623	65-66	Turn signal lever screw (D)	.99
ES-370	65-66	Turn signal switch	129.99
SC-957	65-66	Turn signal switch metal reinforcement plate	22.99
SC-567	65-66	Turn signal switch mount screws (3)	3.99

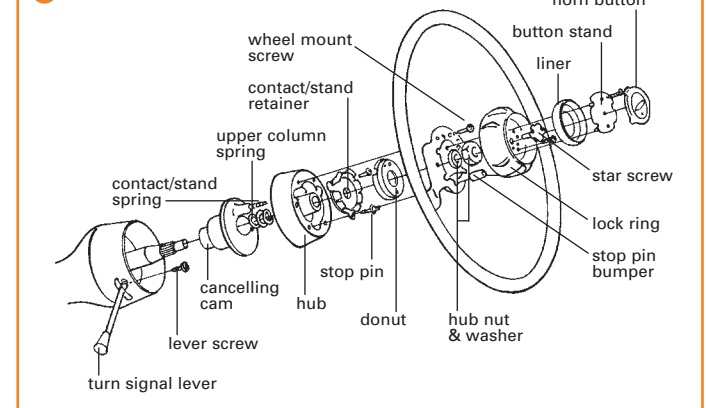


65-66 Horn Button

SC-21	65-66	Horn button (D)	102.99
SC-23	65-66	Horn button stand, aluminum (D)	18.99
SC-628	65-66	Horn button stand liner (D)	14.99
SC-627	65-66	Horn button stand screws (2)	1.99
SC-460	65-66	Horn contact/stand retainer (D)	22.99
SC-590	65-66	Horn contact/stand retainer repair rivets (3)	3.99
ZSC-346	65-66	Horn contact/stand screws (3)	2.49
SC-345	65-66	Horn contact/stand donut (D)	20.99
SC-717	65-66	Horn contact/stand spring (D)	5.99

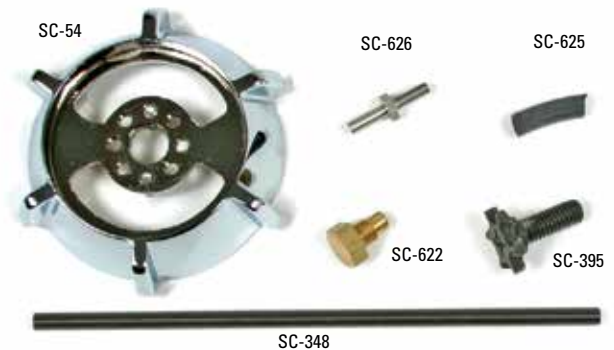


D 65-66 Telescopic Upper Column



65-66 Telescopic Control

SC-54	65-66	Tele lock ring, chrome (D)	89.99
ZSC-58	65-66	Tele lock ring center screws (2)	2.49
SC-395	65-66	Tele lock ring star screw (D)	19.99
SC-622	65-66	Tele stop brass bolt, on jacket	8.99
SC-626	65-66	Tele stop pin (D)	9.99
SC-625	65-66	Tele stop pin bumper (D)	1.99
SC-348	65-66	Tele stop rod	6.99



Hardwood Steering Wheel

Geniue hardwood upgrade over factory simulated plastic wood. Three-spoke design, sculpted finger indents, brushed spokes, 15" diameter. Use with OE hub and horn button. Includes shim for '67 application.



SC-882	63-67	Corso Feroce LT-15 steering wheel	340.99
--------	-------	-----------------------------------	--------

Steering Column continued

67 Standard or Telescopic Column

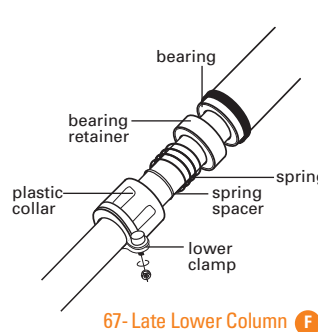
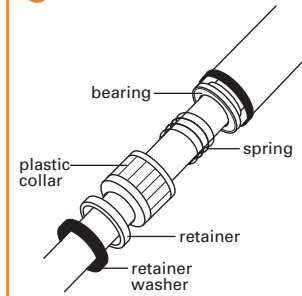
67 Lower Column Components

SC-417	67E	Column lower bearing, 1st design (E)	79.99
SC-713	67L	Column lower bearing, 2nd design (F)	59.99

Note: '67-Early lower bearing is stepped, '67-Late is straight. 1st design was used until approximately 3/67.

SC-722	67	Column lower bearing retainer & screws (F)	15.99
SPR-154	67	Column lower spring, STD & early Tele (E)	5.99
SPR-147	67	Column lower spring, late Tele (F)	5.99
SC-630	67E	Column lower spring plastic collar (E)	22.99
SC-326	67L	Column lower spring plastic collar, 1.45" long (F)	52.99
SC-352	67L	Column lower spring spacer, Tele (F)	6.99

E 67-Early Lower Column



67-Late Lower Column (F)

67 Shaft & Upper Column

SC-53	67	Column cover, 2-piece (paint to match)	99.99
SC-619	67	Column cover screws (2)	1.99
SC-614	67E	Column shaft lower retainer, 1" O.D. (E)	4.99
SC-613	67E	Column shaft lower retainer washer (E)	5.99
SC-355	67L	Column shaft lower clamp (F)	12.99
SC-539	67	Column upper bearing	22.99
SC-674	67	Column upper bearing wave washer, thrust washer & clip	9.99
SC-444	67	Column upper spring (G)	5.99



67 Steering Wheel & Hub

ZSC-351	67	Steering wheel mount screws (6)	2.99
SC-656	67	Steering wheel hub (G)	169.99
SC-344	67	Steering wheel hub nut & washer (G)	2.99

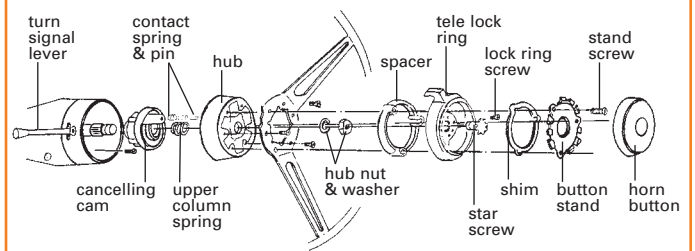


67 Steering Wheel

Zip's simulated walnut reproduction plastic wheel features OE-correct grain, finger grips and brushed stainless spokes.

SC-761	67	Plastic steering wheel, wood grain	319.99
--------	----	------------------------------------	--------

G 67 Telescopic Upper Column



67 Horn Button

SC-26	67	Horn button (G)	64.99
SC-29	67	Horn button stand, w/o Tele	22.99
SC-590	67	Horn button stand repair rivets (3)	3.99
ZSC-346	67	Horn button stand screws, w/o Tele (3)	2.49
SC-45	67	Horn button stand, w/Tele (G)	22.99
SC-347	67	Horn button stand shim, w/Tele (G)	4.99
SC-644	67	Horn button stand screws, w/Tele (3) (G)	3.49
SC-624	67	Horn button stand spacer, w/Tele (G)	15.99
ZSC-35	67	Horn button stand contact spring & pin (G)	5.99



67 Telescopic Components

SC-350	67	Tele stop rod	6.99
SC-396	67	Tele lock ring, chrome (G)	76.99
ZSC-58	67	Tele lock ring center screws (2) (G)	2.49
SC-395	67	Tele lock ring star screw (G)	19.99



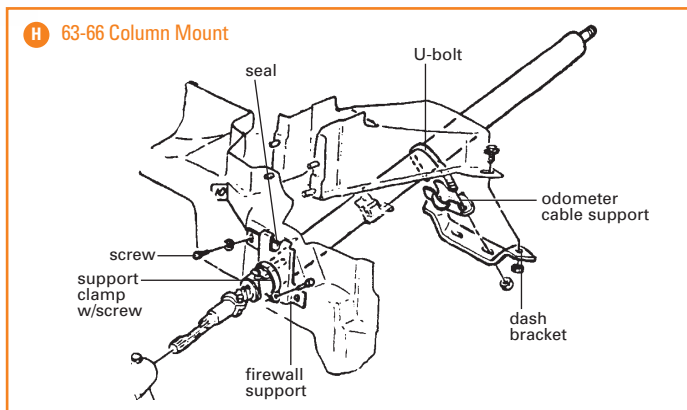
67 Turn Signal Components

SC-47	67	Cancelling cam, w/o Tele, includes horn contact (G)	35.99
SC-591	67	Cancelling cam, w/Tele, includes horn contact (G)	37.99
SC-556	67E	Traffic hazard knob "long"	16.99
SC-555	67L	Traffic hazard knob "short"	12.99
SC-61	67	Turn signal lever (G)	25.99
SC-364	67	Turn signal lever plastic shield	4.99
SC-659	67	Turn signal lever screw	.99
ES-210	67	Turn signal switch	84.99
SC-365	67	Turn signal switch plastic cover	6.99
SC-738	67	Turn signal switch wire protector	22.99
SC-762	67	Turn signal switch wire protector screws (2)	1.99



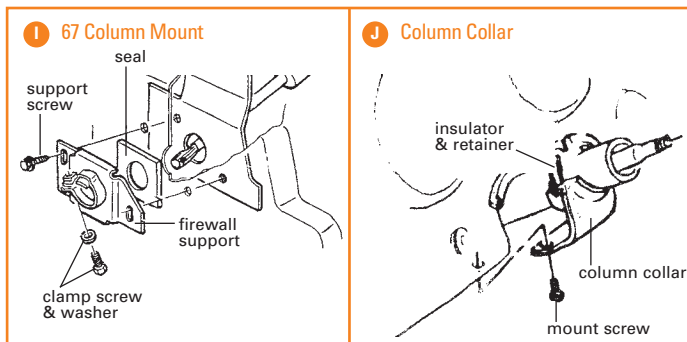
63-66 Column Mount Hardware

SC-399	63	Column to dash bracket (H).....	34.99
SC-400	64-66	Column to dash bracket, STD (H).....	34.99
SC-558	65-66	Column to dash bracket, Tele (H).....	32.99
SC-408	63-66	Column bracket U-bolt w/nuts (H).....	22.99
SC-401	63-66	Column dash bracket hardware, STD (4 pcs).....	3.99
SC-557	65-66	Column dash bracket hardware, Tele (6 pcs).....	4.99
M-3985	64-66	Column firewall outer reinforcement, rivets to firewall.....	64.99
SC-359	63-66	Column firewall support (H).....	28.99
SC-38	63-66	Column firewall support clamp w/screw (H).....	14.99
SC-616	63-66	Column firewall clamp screw & washer.....	3.49
ZWS-469	63-66	Column firewall support seal (H).....	5.99
SC-527	63-66	Column firewall support screws (2) (H).....	2.99
SC-402	63	Column/odometer cable support (H).....	34.99
SC-403	64-66	Column/odometer cable support (H).....	34.99
SC-661	63	Column upper collar, insulator & retainer (J).....	99.99
SC-662	64-66	Column upper collar, insulator & retainer (J).....	99.99
SC-723	63	Column collar insulator & retainer (J).....	14.99
SC-724	64-66	Column collar insulator & retainer (J).....	14.99
SF-637	63-66	Column collar mount screws (2) (J).....	1.99



67 Column Mount Hardware

SC-526	67	Column firewall support w/clamp (I).....	35.99
SC-615	67	Column firewall clamp screw & washer (I).....	1.99
ZWS-469	67	Column firewall support seal (I).....	5.99
SC-527	67	Column firewall support screws (2) (I).....	2.99
SC-732	67	Column to dash bracket screws & nuts (8 pcs).....	5.99
SC-629	67	Column mount bolts & washers (6 pcs).....	7.99
SC-663	67	Column upper collar, insulator & retainer.....	99.99
SC-724	67	Column collar insulator & retainer (J).....	14.99
SF-637	67	Column collar mount screws (2) (J).....	1.99



Steering Column Coupler

Attaches column shaft to steering box shaft. New reproduction couplers include cast iron flanges with part number, rag joint, joint retainers, ground strap, flange bolts and rivets. Assembled as original.

SC-59	63-66	Coupler, complete, STD column.....	149.99
SC-602	65-66	Coupler, complete, Tele column.....	149.99
SC-790	67	Coupler, complete, STD & Tele column.....	159.99
SC-862	67	Coupler, lower flange w/rag joint.....	44.99
SC-872	67	Coupler, lower flange w/rag joint (replacement).....	29.99
BL-334	63-67	Coupler bolt (2 per car), 12-point.....	ea 4.99
SC-766	65-66	Coupler rivets, w/Tele (2).....	6.69
SC-786	63-66	Coupler upper shaft flange.....	49.99
SC-411	67	Coupler upper shaft flange.....	69.99
SC-789	67	Coupler pin bumpers (2).....	16.99



Coupler Rebuild Kit

Zip's reproduction column coupler kit includes reinforced rubber rag joint, correct rivets and retainers for attaching to flange, OE-style locating pins, and ground strap.

SC-778	63-66	Coupler rebuild kit, reproduction, STD.....	59.99
SC-779	65-66	Coupler rebuild kit, reproduction, Tele.....	59.99
SC-780	67	Coupler rebuild kit, reproduction.....	59.99



Rag Joint Rebuild Kit

Rebuild your Corvette's steering column coupler with Zip's rag joint kit. Includes new coupling, guide pins and attaching bolts.

Note kit does not include original-style metal reinforced material.

ZSC-524	63-67	Coupler rag joint kit, replacement.....	16.99
---------	-------	---	-------

Billet-Joint Column Coupler

Eliminates factory column coupler. Billet-Joint is CNC machined from aircraft steel. Sealed needle bearing design will last ten times longer than standard universal joint. Nickel plating prevents rust.

SC-919	67	Billet-Joint column coupler.....	104.99
--------	----	----------------------------------	--------



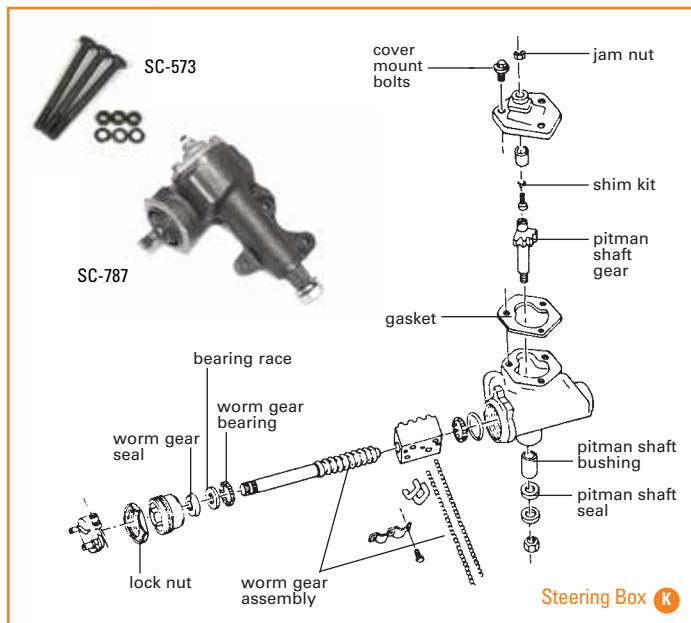
Steering Box

Steering Box & Mount

SC-787	63-67	Steering box, GM Saginaw reproduction	429.99
SC-573	63-67	Steering box to frame bolt kit (9 pcs)	14.99

Individual Rebuild Components

SC-694	63-67	Concave plug for end of steering box	1.99
SC-380	63-67	Cover gasket (K)	3.99
BL-715	63-67	Cover mount bolts (K)	4.99
ZSC-70	63-67	Jam nut for lash adjuster (K)99
SC-747	63-67	Pitman shaft bushing set (2 pcs) (K)	28.99
SC-76	63-67	Pitman shaft seal (K)	13.99
SC-72	63-67	Shim kit for lash adjuster (K)	7.99
SC-748	63-67	Worm gear bearing & race (2 per car) (K)	ea 20.99
SC-759	63-67	Worm gear recirculating balls (56)	14.99
SC-82	63-67	Worm gear seal (K)	8.99



Visit us online: www.zip-corvette.com/str2
How to rebuild steering box & proper set-up



Steering Box Rebuild Kit

Complete with all pitman shaft and worm gear components (bushings, seals, recirculating balls, etc.) needed to rebuild your Corvette's original box.

SC-638	63-67	Steering box rebuild kit	79.99
--------	-------	--------------------------------	-------



Steering Box Rebuild

Your original steering box can be returned to as-new condition, or, if you're in a hurry Zip has rebuilt boxes in stock. All are disassembled, cleaned and painted. Rebuild includes all-new bearings, races, seals and adjustment to OE specs. Additional costs apply if worm gear or pitman shaft gear is damaged. Add \$125.00 refundable core charge if rebuildable core does not accompany order.



SC-532	63-67	Steering box, rebuilt	219.99
--------	-------	-----------------------------	--------

Steering Box Lubricant

The most commonly overlooked "fluid" to replace when servicing your Corvette. Driven Racing Oil chassis grease is correct for use in all steering boxes. Screw-in fitting makes frequent greasings – to ensure longevity of box – quick and easy. Can be used on all chassis fittings including tie rods, ball joints and idler arms.

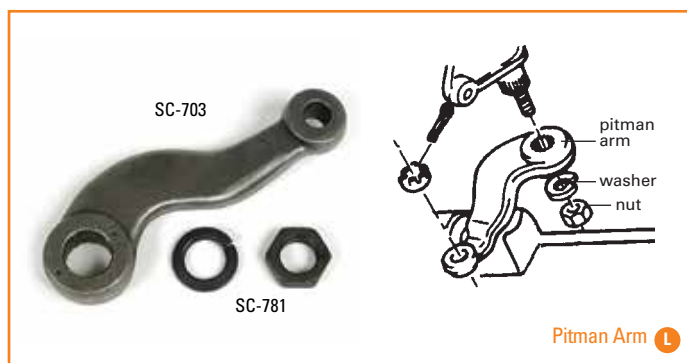
SC-908	63-67	Driven steering box/chassis grease (14oz cartridge)	19.99
SC-765	63-67	Steering box greasing tool	20.99



SC-765

Pitman Arm

SC-850	63-67	Pitman arm w/o PWR steering	69.99
SC-703	63-67	Pitman arm w/PWR steering (L)	59.99
SC-781	63-67	Pitman arm to box nut w/washer (L)	7.99
BL-212	63-67	Pitman arm to relay rod castle nut	1.99



Pitman Arm (L)

Steering Box Major Rebuild Kit

Complete steering box rebuild kit includes worm gear assembly, pitman shaft, shaft bushings, bearings and seals. Everything needed for a complete overhaul.

SC-936	63-67	Steering box major rebuild kit	349.99
--------	-------	--------------------------------------	--------

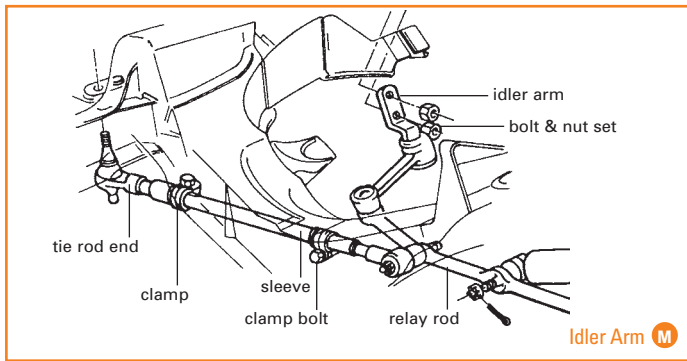


SC-936

Steering Linkage

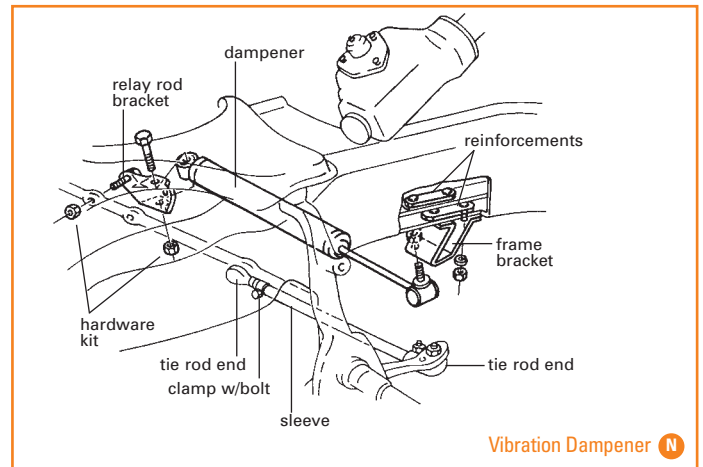
Idler Arm

SU-106	63-67	Idler arm, replacement (M)	49.99
SU-1024	63-67	Idler arm, correct reproduction (M)	59.99
SU-764	63-67	Idler arm bracket, welds to frame	16.99
SU-991	63-67	Idler arm boot	9.99
BL-398	63-67	Idler arm mount bolt & nut set (4 pcs) (M)	7.99
SU-621	63-67	Idler arm plastic & rubber bushings	4.99
BL-212	63-67	Idler arm to relay rod castle nut	1.99



Steering Dampener

SU-98	63-67	Vibration shock dampener, correct reproduction, includes hardware (N)	229.99
<i>Note: Fits all '63-67 non-power steering except '63-65 high-performance.</i>			
SC-321	63-67	Dampener to relay rod bracket (N)	29.99
SC-568	63-67	Dampener to relay rod bracket hardware, mounts dampener & bracket to rod (6 pcs) (N)	6.99
SC-320	63-67	Dampener to frame bracket (N)	29.99
SC-589	63-67	Dampener to frame bracket inner frame reinforcements w/nuts & washers (car set) (N)	11.99



Visit us online: www.zip-corvette.com/str3
Manual steering relay rod rebuild how to article



Non-Power Steering Relay Rod

SU-1458	63-67	Relay rod w/rebuilt ball stud assembly, 327	249.99
SU-1457	65-67	Relay rod w/rebuilt ball stud assembly, 396/427	249.99
SC-307*	63-67	Relay rod ball stud	22.99
BL-476	63-67	Relay rod ball stud nut & cotter pin	4.49
SC-305*	63-67	Relay rod ball stud seal	21.99
SC-530*	63-67	Relay rod ball stud seats (2)	26.99
SC-529*	63-67	Relay rod ball stud springs (2)	11.99
SC-306*	63-67	Relay rod clamp	13.99
SC-544*	63-67	Relay rod clamp hardware	3.99
SC-533*	63-67	Relay rod end plug	8.99
SC-634*	63-67	Relay rod end plug cotter pin	.99
SC-635*	63-67	Relay rod grease fitting	1.99
SC-725	63-67	Relay rod rebuild kit	109.99

*Included in SC-725 relay rod rebuild kit.



Power Steering Relay Rod

SC-771	63-67	Relay rod, correct .75" diameter (M)	149.99
--------	-------	--------------------------------------	--------



Tie Rod Ends & Tubes

ZSU-71	63-67	Tie rod end, RH thread (M)(N)	ea 22.99
ZSU-72	63-67	Tie rod end, LH thread (M)(N)	ea 22.99
SU-1133	63-67	Tie rod end, LH thread, reproduction (M)(N)	ea 24.99
SU-1132	63-67	Tie rod end, RH thread, reproduction (M)(N)	ea 24.99
<i>Note: Tie rod ends include boot, castle nut and cotter pin.</i>			
SU-1031	63-67	Tie rod end boot, rubber, reproduction	ea 5.99
SU-389	63-67	Tie rod end boot, polyurethane (2)	7.99
BL-211	63-67	Tie rod end castle nut	ea 1.99
SU-992	63-67	Tie rod end grease fitting kit (4 pcs)	3.99
SU-1041	63-67	Tie rod sleeve w/clamps & bolts, replacement (M)(N)	ea 19.99
SU-137	63-67	Tie rod sleeve w/clamps & bolts, correct clamps & "RSC" bolts (M)(N)	ea 34.99
SU-1511	63-67	Tie rod sleeves, heavy-duty w/jam nuts (car set)	44.99
SU-722	63-67	Tie rod sleeve clamp w/bolt & nut (M)(N)	ea 8.99
BL-461	63-67	Tie rod sleeve clamp bolts w/crimp nuts, "UR" headmark (8 pcs) (M)(N)	15.99
BL-643	63-67	Tie rod sleeve clamp bolts w/crimp nuts, "RSC" headmark (8 pcs) (M)(N)	6.99



Power Steering

Power Steering Pump

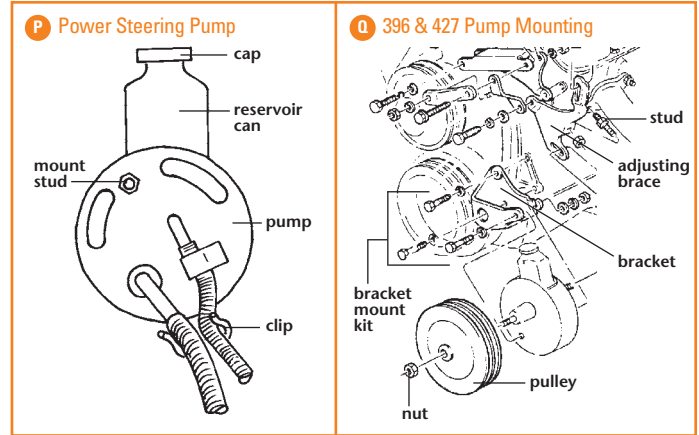
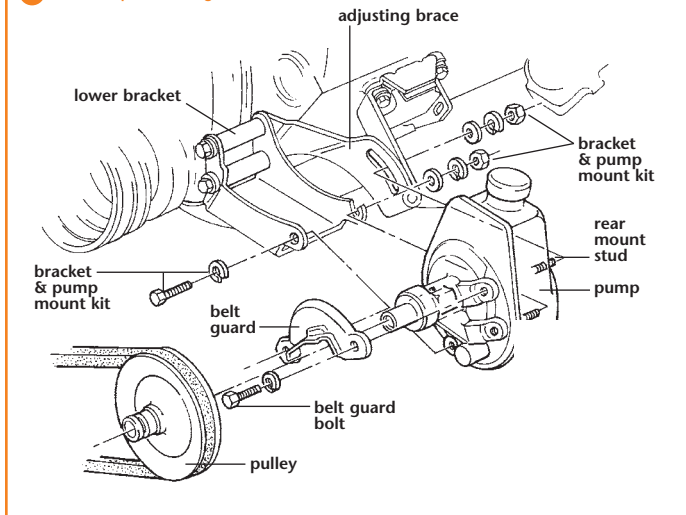
SC-886	63-67	Pump, new.....	169.99
SC-366	63-67	Pump, rebuilt (O)(P).....	119.99
<i>Note: Rebuilt power steering pump sold on exchange. Add \$90.00 refundable core charge if rebuildable core does not accompany order.</i>			
SC-439	63-67	Pump belt guard, 327 w/AC (O).....	18.99
SC-633	65-67	Pump belt guard attaching bolts (2) (O).....	2.99
SC-440	63-67	Pump rear mount studs w/hardware (8 pcs) (O)(P).....	14.99
SC-369	63-67	Pump reservoir cap, replacement (P).....	8.99
ZSC-563	63-67	Pump rebuild & seal kit, includes O-rings & shaft seal, w/instructions.....	11.99



327 Pump Mounting

SC-603	63-67	Pump adjusting brace (O).....	22.99
SC-726	63-65	Pump lower bracket & adjusting brace, fits all 327 except Sp. Hi-Perf (O).....	42.99
SC-398	63-67	Pump lower bracket & adjusting brace, fits 63-65 Sp. Hi-Perf & 66-67 327 (O).....	54.99
SC-652	63-65E	Pump & bracket mount kit, original bracket, replacement bolts (9 pcs) (O).....	5.99
SC-651	65L-67	Pump & bracket mount kit, replacement bolts (9 pcs) (O).....	6.99
SC-525	63-67	Pump & bracket mount kit, reproduction brackets, "TR" correct headmarks (12 pcs).....	11.99

327 Pump Mounting



396 & 427 Pump Mounting

M-2363	65-67	Pump adjusting brace (O).....	69.99
M-2452	65-67	Pump adjusting brace stud (O).....	4.99
M-2365	65-67	Pump bracket (O).....	52.99
SC-632	65-67	Pump bracket mount kit (6 pcs) (O).....	4.99
BL-375	65-67	Pump bracket & brace mount kit, includes hardware for power steering pump & alternator brackets (24 pcs).....	18.99
BL-646	65-67	Pump mount hardware kit (8 pcs).....	3.99

Alternator Brackets & Mount Kit

Adding power steering to your big-block and need all the associated alternator brackets for a "factory" installation? Complete kit includes all (5) brackets plus mount hardware and exhaust manifold stud. Car set.

M-3618	65-67	396 & 427 w/PS alternator brackets.....	229.99
--------	-------	---	--------



Power Steering Renew Kit

Corvettes are notorious for leaky power steering systems. Zip's kit replaces all pieces commonly responsible for fluid loss. 1-year warranty.

NEW Power Steering Renew Kit

Includes new valve, new ram (cylinder), and new USA-made hoses.

SC-594	63-67	327 NEW power steering renew kit.....	449.99
SC-597	65-67	396 & 427 NEW power steering renew kit.....	449.99

Rebuilt Power Steering Renew Kit

Includes rebuilt valve, rebuilt ram (cylinder), and new USA-made hoses.

SC-595	63-67	327 Rebuilt power steering renew kit.....	329.99
SC-596	65-67	396 & 427 Rebuilt power steering renew kit.....	329.99

Note: Rebuilt kits include a \$250.00 core charge refundable upon receipt of rebuildable valve and cylinder cores.



Visit us online: www.zip-corvette.com/str4
How to install a power steering valve, ram and hose set



Pump Pulley

SC-406	63-67	Pump pulley, base, steel, replacement (O).....	56.99
SC-764	63-67	Pump pulley, base, steel, GM license w/part #3770509.....	69.99
SC-407	65-67	Pump pulley, 327 w/Hi-Perf, cast iron.....	109.99
SC-404	65-67	Pump pulley, 396 & 427, double groove (O).....	124.99
SC-536	63-67	Pump pulley mount nut (O).....	2.49
SC-664	63-67	Pump pulley woodruff key.....	1.99



Power Steering Hoses

SC-581	63-67	Pump to valve pressure hose, 327.....	18.99
SC-583	65-67	Pump to valve pressure hose, 396 & 427.....	18.99
SC-580	63-67	Pump to valve return hose.....	18.99
SC-343	63-67	Pump to valve return hose clamp.....	2.99
SC-579	63-67	Valve to ram retract hose (R).....	18.99
SC-578	63-67	Valve to ram extend hose (R).....	18.99
M-2311	63-67	Hose retaining clip, holds pump hoses together (P)..... ea	6.99

Hose Set

Includes pump to valve pressure hose, pump to valve return hose, valve to ram retract hose, and valve to ram extend hose. Available in rubber or stainless steel. U.S. Made.

SC-50	63-67	Hose set, 4 hoses, 327.....	62.99
SC-52	65-67	Hose set, 4 hoses, 396 & 427.....	66.99
SC-820	63-67	Stainless hose set, 4 hoses, 327.....	229.99
SC-821	65-67	Stainless hose set, 4 hoses, 396/427.....	229.99

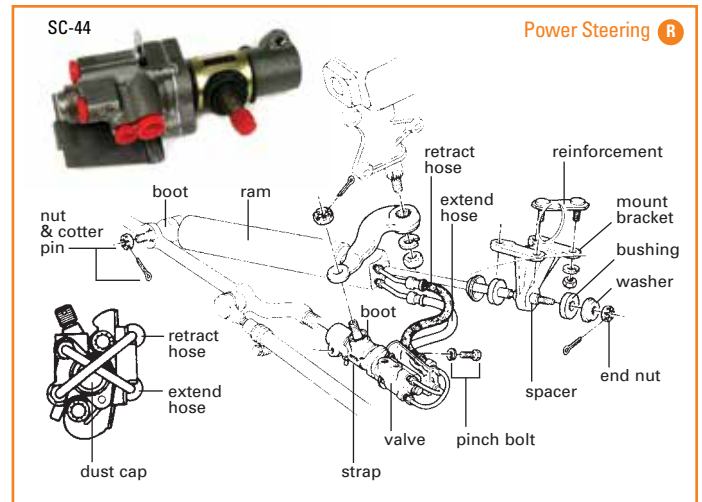


Power Steering Ram (Cylinder)

SU-91	63-67	Ram, new, US Made (R).....	229.99
SC-875	63-67	Ram, new, Imported.....	189.99
SC-577	63-67	Ram, rebuilt (R).....	139.99

Note: Rebuilt ram sold on exchange. Add \$100.00 refundable core charge if rebuildable core does not accompany order.

SC-810	63-67	Ram mount kit, includes rubber grommets, steel washers, spacer & castle nut.....	13.99
SC-837	63-67	Ram mount kit, includes poly grommets, steel washers & spacer.....	11.99
SC-308	63-67	Ram to frame mount bracket (R).....	39.99
SC-589	63-67	Ram to frame mount bracket inner reinforcements w/nuts (car set) (R).....	11.99
SC-311	63-67	Ram to frame bracket steel spacer (R).....	3.99
SU-973	63-67	Ram to frame bracket washers (2) (R).....	7.99
SC-753	63-67	Ram to frame bushings, rubber (2) (R).....	3.99
SU-1229	63-67	Ram to frame bushings, polyurethane (2) (R).....	18.99
BL-474	63-67	Ram to frame end nut & cotter pin (R).....	2.49
SC-727	63-67	Ram to relay rod stud boot (R).....	5.99
BL-475	63-67	Ram to relay rod nut & cotter pin (R).....	2.49



Power Steering Valve

SC-44	63-67	Valve, new (R).....	189.99
SC-576	63-67	Valve, rebuilt (R).....	129.99

Note: Rebuilt valve sold on exchange. Add \$150.00 refundable core charge if rebuildable core does not accompany order.

SC-427	63-67	Valve metal dust cap, end of valve (R).....	8.99
SC-546	63-67	Valve pinch bolt, attaches valve to rod (R).....	1.99
ZSU-839	63-67	Valve rubber boot.....	5.99
ZSU-840	63-67	Valve rubber boot aluminum strap.....	5.99
BL-476	63-67	Valve to pitman arm nut & cotter pin (R).....	4.49

Visit us online: www.zip-corvette.com/str5

How to rebuild power steering pump, valve and ram



Valve Rebuild Kits

ZSC-323 includes everything needed to rebuild leaking valve: seals, washers, O-rings, nut, strap and ball stud boot. If excessive wear is found, SC-522 ball stud kit includes seats and hardware for reassembly.

ZSC-323	63-67	Valve seal rebuild kit.....	22.99
SC-522	63-67	Valve ball stud & seat rebuild kit.....	54.99



Ram & Ball Stud Rebuild Kits

Ram (cylinder) kit includes all parts needed to rebuild/mount steering ram: seals, clips, grommets, dust cover, spacers and washer. SC-819 includes ball stud, retainer plates, springs, clips, O-rings and castle nut.

ZSC-324	63-67	Ram rebuild kit.....	14.99
SC-819	63-67	Ram ball stud rebuild kit.....	34.99



Drum Brake Hardware Package

All available hardware needed to rebuild your Corvette's drum brake system. Includes all premium quality components: front and rear brake shoes, front and rear rubber hoses, new front and rear wheel cylinders, shoe hold down hardware, shoe adjustment hardware and (1) quart DOT 3 brake fluid.

EB-214 63-65 Drum brake hardware package.....**349.99**

EB-214



Deluxe Drum Brake Hardware Package

If you're planning to go beyond the basic rebuild and replace all worn brake components, this is the package to choose. Includes everything in EB-214 plus a new replacement master cylinder and (4) brake drums.

EB-251	63	Deluxe drum brake hardware package, standard brakes.....	759.99
EB-250	63	Deluxe drum brake hardware package, w/power brakes.....	759.99
EB-243	64	Deluxe drum brake hardware package.....	759.99
EB-242	65	Deluxe drum brake hardware package.....	759.99

EB-242



Brake Fluid

DB-460 All Brake fluid, DOT 3, quart.....**8.99**

Disc Brake Conversion Kit

Have confidence in your brakes! Front brakes provide 70% of your Corvette's stopping power – convert your '63-64 front drums to later-style discs with Zip's conversion kit. Includes all required parts: (2) new stainless steel sleeved calipers, reconditioned front spindles and spindle arms, reconditioned caliper mount brackets, new rotors and bearings, and new caliper rubber hoses and dust shields. Zip recommends replacing ball joints at same time. No Discount.

DB-491 63-64 Disc brake conversion kit.....**1,299.99**

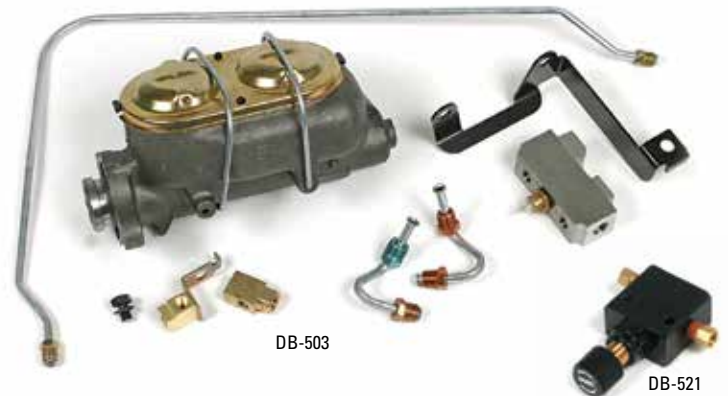
DB-491



GM installed a dual master cylinder in all '67 Corvettes as a safety feature. Get that same security in your older mid-year by installing a Zip conversion kit. '63-66 kit converts stock single reservoir to '67-style dual cylinder and includes new master cylinder, proportioning valve with bracket, brake lines and brake line blocks. Also available is a rear brakes adjustable proportioning valve.

DB-503	63-66	Dual master cylinder conversion kit.....	329.99
DB-521	63-67	Adjustable proportioning valve.....	49.99
F-672	63-64	Hood insert, converts 63-64 hood to accept power brake master cylinder.....	109.99

DB-503



DB-521

Motive POWER BLEEDER™

One-person bleeder flushes entire system without refilling. Requires no auxiliary air or power source. Hand pump reservoir has built-in pressure gauge for safe operation. 500 ml catch bottles have return nipple and lanyard to hang bottle near work area.



DB-637	63-64	Power brake bleeder.....	64.99
DB-636	65-67	Power brake bleeder (65-66 PWR & 67 all).....	84.99
DB-1228	63-67	Power brake bleeder, includes 3 adapters for 63-64, 65-66 PWR & 67-later Corvette master cylinders.....	119.99
DB-635	63-67	POWER BLEEDER catch bottles (2).....	22.99

Drum Brake Components

Drum Brake Shoes & Hardware

EB-207	63-65	Brake shoes, front axle set (A).....	44.99
EB-107	63-65	Brake shoes, rear axle set	44.99
EB-222	63-65	Brake shoe anchor pivot pin w/washer, front (A).....	ea 34.99
DB-1314	63-65	Brake shoe anchor pivot pin washer, front (A).....	ea 7.99
EB-223	63-65	Brake shoe anchor pivot pin w/hardware, rear.....	ea 24.99
EB-227	63-64	Brake shoe retainers (2) (A)	18.99
EB-203	63-65	Brake shoe hardware kit, front axle set, includes brake shoe return springs, adjusting springs & hold down kit (A).....	14.99
EB-204	63-65	Brake shoe hardware kit, rear axle set, includes brake shoe return springs, adjusting springs & hold down kit	12.99
EB-205	63-65	Brake shoe self-adjusting kit, LH	23.99
EB-206	63-65	Brake shoe self-adjusting kit, RH	23.99

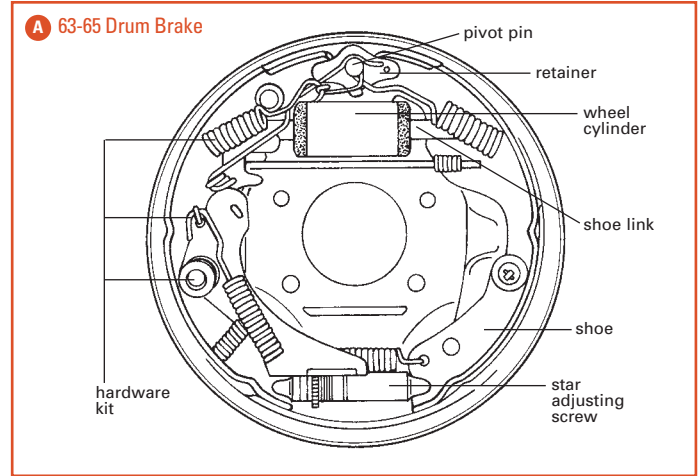
Note: Self-adjusting kits include adjusting lever, cable guide, override and return springs, adjusting screw and hole cover (2 per car).

EB-201	63-65	Star adjusting screw (LH or RH) (A)	ea 11.99
PB-263	63-65	Parking brake shoe lever w/pins & clips (6 pcs).....	69.99
PB-310	63-65	Parking brake shoe lever pins & clips (4 pcs)	11.99
EB-218	63-65	Parking brake shoe spreader bars (2)	32.99
EB-239	63-65	Parking brake shoe spreader bar springs (2)	10.99



Drums

EB-208	63-65	Drum, front.....	ea 79.99
EB-253	63-65	Drum w/anti-chatter spring, front	ea 109.99
EB-109	63-65	Drum, rear	ea 99.99
EB-254	63-65	Drum w/anti-chatter spring, rear.....	ea 109.99
EB-122	63-65	Drum anti-chatter coil spring, stainless	ea 18.99



Wheel Cylinders

EB-212	63-65	Wheel cylinder, left front (A).....	29.99
EB-211	63-65	Wheel cylinder, right front (A).....	29.99
EB-118	63-65	Wheel cylinder, left rear (A).....	16.99
EB-117	63-65	Wheel cylinder, right rear (A).....	16.99
EB-241	63-65	Wheel cylinder bleeder, front, original-style.....	ea 5.49
EB-236	63-65	Wheel cylinder bleeder, rear, original-style.....	ea 3.99
EB-226	63-65	Wheel cylinder bolts (4).....	6.99
EB-112	63-65	Wheel cylinder rebuild kit, front	ea 12.99
EB-256	63-65	Wheel cylinder rebuild kit w/pistons, front.....	ea 22.99
EB-113	63-65	Wheel cylinder rebuild kit, rear	ea 9.99
EB-257	63-65	Wheel cylinder rebuild kit w/pistons, rear	ea 22.99
EB-215	63-65	Wheel cylinder to shoe link (8 per car) (A)	ea 6.99



Z06 Brake

DB-1306	63-64	Brake cooling fan set	309.99
DB-1307	63-64	Brake cooling hole cover screws (56 pcs).....	19.99
DB-1316	63-64	Brake cooling scoops (Elephant Ears).....	449.99



Disc Brake

Rebuilt Delco Brake Calipers

Original Delco Moraine housings. Calipers are cleaned, inspected and rebuilt with stainless sleeves, then reassembled using all-new components including pistons (choose original-style or O-ring seal), springs, seals, bleeder screws and pad pins. O-ring design is best for Corvettes stored for long periods between use. Calipers are pressure tested for a leak-free installation. Limited lifetime warranty. Sold each.

DB-323	65-67	Rebuilt caliper w/original-style seal	109.99
DB-580	65-67	Rebuilt caliper w/O-ring seal.....	129.99

Note: Rebuilt calipers sold on exchange. Add \$80.00 per wheel refundable core charge if rebuildable cores do not accompany order.



NEW Delco Brake Calipers

New GM licensed Delco castings for a genuine factory look. Calipers are sleeved with stainless steel, assembled using all-new parts (choose original-style or O-ring seal), and pressure tested for a leak-free installation. Limited lifetime warranty. No core required. Sold each.

DB-556	65-67	NEW caliper w/original-style seal	209.99
DB-741	65-67	NEW caliper w/O-ring seal.....	209.99

Disc Brake Overhaul Kit

Includes: (4) stainless-sleeved calipers (rebuilt with original-style or O-ring seal, or NEW with original or O-ring seal) • caliper mount bolts • (8) pads with pins and keys • hose "U" clips and washers • trailing arm caliper lines • (1) quart DOT 3 fluid.

DB-323K	65-67	Brake overhaul kit, rebuilt calipers w/original seal	579.99
DB-598K	65-67	Brake overhaul kit, rebuilt calipers w/O-ring seal.....	649.99
DB-556K	65-67	Brake overhaul kit, NEW calipers w/original seal	969.99
DB-741K	65-67	Brake overhaul kit, NEW calipers w/O-ring seal.....	969.99

Note: Rebuilt calipers sold on exchange. Add \$80.00 per wheel refundable core charge if rebuildable cores do not accompany order.



DB-486



Deluxe Disc Brake Overhaul Kit

Includes: new master cylinder • (4) rotors • (4) stainless-sleeved calipers (rebuilt with original-style or O-ring seal, or NEW with original or O-ring seal) • caliper mount bolts • (8) pads with pins and keys • rubber hoses • hose "U" clips and washers • trailing arm caliper lines • (1) quart DOT 3 fluid.

DB-487	65-66	Deluxe brake kit, STD, rebuilt calipers w/original seal.....	999.99
DB-486	67	Deluxe brake kit, rebuilt calipers w/original seal	999.99
DB-645	65-66	Deluxe brake kit, STD, rebuilt calipers w/O-ring seal.....	1,079.99
DB-646	67	Deluxe brake kit, rebuilt calipers w/O-ring seal.....	1,079.99

Note: Rebuilt calipers sold on exchange. Add \$80.00 per wheel refundable core charge if rebuildable cores do not accompany order.

DB-648	65-66	Deluxe brake kit, STD, NEW calipers w/original seal.....	1,399.00
DB-649	67	Deluxe brake kit, NEW calipers w/original seal	1,399.00
DB-742	65-66	Deluxe brake kit, STD, NEW calipers w/O-ring seal.....	1,399.00
DB-743	67	Deluxe brake kit, NEW calipers w/O-ring seal.....	1,399.00

New Brake Caliper

New brake calipers without Delco Moraine casting. Features O-ring design caliper piston. Calipers do not include a stainless inner sleeve. Available individually or as part of the basic disc brake overhaul kit. No core charge.

DB-1124	65-67	NEW brake caliper	139.99
DB-1124K	65-67	NEW brake caliper overhaul kit.....	699.99

DB-1124K



Visit us online: www.zip-corvette.com/brk1
How to replace disc brake calipers and pads



Original-Style vs. O-Ring Seal

Lip seal piston seals were factory installed in mid-year era calipers, and if you're wanting to keep your Corvette 100% correct they are the way to go. However, be aware that prolonged inactivity and/or worn brake components are the enemy of the lip seal design. If you enjoy exercising your Corvette heartily, or, conversely, your pride and joy often sits for extended periods, O-ring seals are the better choice. Superior in design all-around, O-rings offer the best sealing possible.

Brake Pads & Caliper Mount

BL-491	65-67	Caliper mount bolts w/washers, correct headmark (car set)	18.99
DB-1292	65-67	Pads, ceramic, axle set	34.99
ZDB-322	65-67	Pads, organic, axle set	29.99
ZDB-456	65-67	Pads, semi-metallic, axle set	34.99
DB-24	65-67	Pad mount center pin	ea 2.49
DB-701	65-66E	Front caliper mount bracket (LH or RH)	59.99
DB-702	66L-67	Front caliper mount bracket (LH or RH)	59.99
SU-335	65-67	Rear caliper mount bracket (LH or RH)	79.99



GM Licensed Brake Pads

Reproduction GM Licensed brake pads. Soft organic compound riveted to brass backplates. Rivets feature Delco logo. Low metal content for extended rotor wear, squeak-free and low dusting.



DB-1189	65-67	Reproduction organic brake pads, axle set	39.99
---------	-------	---	-------

Caliper Clipper

Makes disc pad installation simple. Clipper holds pistons in compressed position to allow easy pad insertion. Single caliper requires pair of clippers. Sold individually.



DB-38	65-67	Caliper clipper	8.99
-------	-------	-----------------------	------

Pad Anti-Squeak Shims

Tough plastic "insulators" mount along the trailing edge of pad to stabilize the pad in the caliper – and thereby put a stop to annoying squeaks, squeals and vibration.



DB-542	65-67	Pad anti-squeak shims, set of 8 (car set)	16.99
--------	-------	---	-------

Speed Bleeder*

Allows one-person brake bleeding. Replaces OE bleeder screw with one-way check valve that allows fluid and air to pass then closes so air isn't sucked back into system between pedal pumps. Two pair required per car.



DB-512	65-67	Speed Bleeder (2)	14.99
--------	-------	-------------------------	-------

Rotors

DB-561	65-67	Rotor, front, w/rivet holes	ea 69.99
DB-562	65-67	Rotor, rear, w/rivet holes	ea 69.99
DB-481	65-67	Rotor rivets, front or rear rotor (10 pcs)	7.99

Visit us online: www.zip-corvette.com/brk2
How to replace brake rotors and wheel bearings



Caliper Rebuild

DB-338	65-67	Bleeder (6 per car)	ea 1.99
DB-611	65-67	Bleeder plugs for rear calipers (2)	1.99
ZDB-319	65-67	Caliper piston seal kit, front (per side)	14.99
ZDB-320	65-67	Caliper piston seal kit, rear (per side)	14.99
DB-1294	65-67	Caliper piston seal kit, high heat silicone, front (axle set)	34.99
DB-1295	65-67	Caliper piston seal kit, high heat silicone, rear (axle set)	34.99

Note: Caliper piston seal kit include piston lip seal, dust boot and fluid passage O-rings. Available in OE rubber or high heat silicone design.

DB-907	65-66	Piston w/insulator, front, 2nd design	ea 59.99
DB-908	65-66	Piston w/insulator, rear, 2nd design	ea 59.99
DB-909	67	Piston w/insulator, front, J56 option	ea 79.99
DB-910	67	Piston w/insulator, rear, J56 option	ea 79.99
DB-347	65-67	Piston, front, 2nd design	ea 7.99
DB-348	65-67	Piston, rear, 2nd design	ea 7.99
DB-591	65-67	Pistons, front, 2nd design, set of 8 (car set)	59.99
DB-592	65-67	Pistons, rear, 2nd design, set of 8 (car set)	59.99
DB-714	65-67	Piston spring, front, 2nd design	ea 1.99
DB-715	65-67	Piston spring, rear, 2nd design	ea 1.99



Caliper O-Ring Conversion Kit

Upgrade your Corvette's calipers from GM's lip seal design pistons to a much improved O-ring style. Includes O-ring pistons, O-rings, dust boots and caliper fluid seals. Fits 2nd design calipers. Available in OE rubber or high heat silicone design. Kit does one wheel.

DB-771	65-67	Front caliper conversion kit	49.99
DB-772	65-67	Rear caliper conversion kit	49.99
DB-1296	65-67	Front caliper conversion kit, high heat silicone	59.99
DB-1297	65-67	Rear caliper conversion kit, high heat silicone	59.99



J56 Brake Caliper

DB-1320	65-67	Front caliper dual pin set (car set)	19.99
---------	-------	--	-------



Brakes

Hawk Performance



Hawk Performance brake compounds provide advanced braking characteristics to enhance your driving experience. Unique compounds combine the safety and quality of Aerospace design partnered with the braking technology of Motorsports.

Hawk Talon Performance Rotors

Hawk Talon drilled and slotted rotors feature beveled holes for superior cooling under the most extreme conditions. Unique Hawk DTC curved slot design provides consistent contact between the rotor and pad while sweeping away gas and dust; the result is a high performance rotor that enables harder, more precise braking. Talon rotors feature Magni barrier coating to maintain corrosion resistance. Sold in pairs.

DB-1226	65-67	Hawk Talon front rotors	294.99
DB-1227	65-67	Hawk Talon rear rotors.....	259.99



DB-1226

Hawk Ceramic Brake Pads

Performance Ceramic is engineered to reduce brake noise, vibration and harshness; creating a quieter performing brake pad. Expect reduced brake pad wear, lower dust output levels and a rotor-friendly brake pad. Protection at its best for your Corvette's factory or custom alloy wheels! Sold in axle sets.

DB-1092	65-67	Hawk ceramic brake pads.....	138.99
---------	-------	------------------------------	--------



DB-1092

Hawk 5.0 Brake Pads

High Performance Street 5.0 is one step closer to giving you the greatest stopping power and pedal feel for your Corvette. Hawk's Ferro-Carbon compound provides advanced braking characteristics including shorter stopping distances, improved performance under heavy braking conditions and street car friendly characteristics. Sold in axle sets.

DB-1093	65-67	Hawk 5.0 brake pads	140.99
---------	-------	---------------------------	--------



DB-1093

POWERSTOP

Power Stop

From a simple set of replacement brake pads to slotted or cross-drilled rotors, Power Stop provides superior performance over your Corvette's stock brake components.

Z16 Evolution Ceramic Brake Pads

True ceramic compound engineered for low dust and extended rotor wear. Virtually noise free. Dual rubber backed shims offer six times noise reduction than plain steel shims. Sold in axle sets.

DB-1094	65-67	Power Stop Z16 Evolution brake pads.....	54.99
---------	-------	--	-------



DB-1094

Z26 Street Warrior Brake Pads

Designed for high performance street drivers who demand shorter stops. Z26 brake torque is consistently higher than OE pads with outstanding thermal stability. Z26 friction compound is a carbon fiber and ceramic hybrid that resists fade to 1500 degrees. Count on superior bite without dusty wheels. Sold in axle sets.

DB-1095	65-67	Power Stop Z26 Street Warrior brake pads.....	99.99
---------	-------	---	-------



DB-1095

Power Stop Drilled & Slotted Rotors

Superior braking + aggressive looks = win-win! Feature drilled holes for cooling and machined rounded slots to sweep away gasses and spent pad material. Mill balanced G3000 grade castings are silver zinc plated to resist rust. Sold in pairs.



DB-1096

DB-1096	65-67	Power Stop front rotors	219.99
DB-1097	65-67	Power Stop rear rotors.....	199.99

"1-Click" Brake Kits

Full car set of Power Stop's drilled and slotted rotors in combination with your choice of brake pad compounds. Z16 Evolution brake pads are an excellent choice for daily driver/spirited street use. Zip recommends Power Stop's Z26 Street Warrior carbon fiber and ceramic hybrid compound for drivers looking to shorten stops. Bigger bite, yet still sheds minimal dust. Car set.

DB-1098	65-67	Power Stop rotors w/Z16 Evolution pads.....	499.99
DB-1099	65-67	Power Stop rotors w/Z26 Street Warrior pads.....	559.99



DB-1098

Wilwood Brakes

Incredible stopping power – wrapped in stunning looks. Applying motorsports technology to street applications, Wilwood's big brakes are an ideal complement to suspension, wheel and tire upgrades.



Wilwood Brake Calipers

Update your D8 Corvette with legendary Wilwood stopping power. Direct bolt-on replacement for OE calipers. D8-4 forged billet aluminum 4-piston calipers feature stainless steel pistons and high-temp seals. Kits include Wilwood braided stainless hoses and BP-10 pads. (Fronts also available in 6 piston design). Available "raw" cast or powder coated black or red. May require 3/16" spacer. No Discount.

DB-850	65-67	Wilwood D8-4 front kit, natural.....	579.99
DB-853	65-67	Wilwood D8-4 front kit, black.....	739.99
DB-851	65-67	Wilwood D8-4 front kit, red.....	739.99
DB-979	65-67	Wilwood D8-6 front kit, natural.....	709.99
DB-981	65-67	Wilwood D8-6 front kit, black.....	862.99
DB-980	65-67	Wilwood D8-6 front kit, red.....	862.99
DB-849	65-67	Wilwood D8-4 rear kit, natural.....	579.99
DB-854	65-67	Wilwood D8-4 rear kit, black.....	739.99
DB-852	65-67	Wilwood D8-4 rear kit, red.....	739.99



Promatrix SRP Rotors

Wilwood's SRP rotors offer the high tech look and improved performance of a directional cross-drill and face slot pattern. The venting and cleaning action of the hole and slot pattern reduce pad glaze and minimize irregular pad build-up on the rotor faces, resulting in a smoother engagement feel at the pedal and consistent response from the pads. Rotors are precision machined to less than .001 tolerance for overall flatness, parallelism, and radial run-out on long grain carbon iron castings. Available in a black electro coat finish providing corrosion resistance.

DB-1102	65-67	Wilwood Promatrix SRP Rotors (car set).....	569.99
DB-1103	65-67	Wilwood Promatrix SRP Rotors (Black Electro Coated).....	172.99

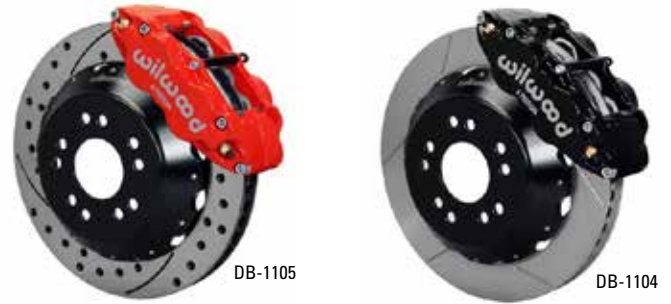


Wilwood Big Brake Kits

Unsurpassed braking capacity of the Forged Narrow Superlite caliper serves as the base of Wilwood's Corvette brake kit. Engineered for simplified installation and full compatibility with OE master cylinder output and factory spindle mount. Now you can increase your Corvette's brake capacity while complementing the style of custom wheel & tire packages. 2-piece rotors available in GT slotted or SRP drilled & slotted designs. Superlite calipers in your choice of powder coated black or red. Includes detailed instructions. No Discount.

Wilwood 6-Piston Superlite Front Brakes

DB-1104	65-67	Wilwood 13.06" front brake kit w/GT rotors.....	1,834.99
DB-1105	65-67	Wilwood 13.06" front brake kit w/SRP rotors.....	1,959.99
DB-1106	65-67	Wilwood 14" front brake kit w/GT rotors.....	1,993.99
DB-1107	65-67	Wilwood 14" front brake kit w/SRP rotors.....	2,118.99
DB-1195	65-67	Wilwood SL6 front stainless brake hoses (2).....	69.99



Wilwood 4-Piston Superlite Rear Brakes

DB-1108	65-67	Wilwood 13.06" rear brake kit w/GT rotors.....	1,822.99
DB-1109	65-67	Wilwood 13.06" rear brake kit w/SRP rotors.....	1,947.99
DB-1110	65-67	Wilwood 14" rear brake kit w/GT rotors.....	1,993.99
DB-1111	65-67	Wilwood 14" rear brake kit w/SRP rotors.....	2,118.99
DB-1194	65-67	Wilwood SL4 rear stainless brake hoses (2).....	69.99

Note: Wilwood 13" brake rotors require the use of 17" wheels; 14" rotors require 18" wheels. See information online for caliper & wheel dimensions.



Want the looks of a Wilwood brake kit without having to upgrade to custom 17" wheels? Consider Wilwood's factory D8-4 brake calipers and a set of SRP drilled & slotted rotors.

Wilwood Racing Brake Fluid

EXP 600 Plus has tested to 626°F with a wet boiling point of 417°F to withstand even the severe heat and pressure cycles of pro-level motorsports. Maintains firm pedal and consistent, quick response long after lesser blends have failed. Low viscosity.



DB-703	EXP 600 Plus brake fluid.....	22.99
--------	-------------------------------	-------

Master Cylinder

63 Master Cylinder

DB-883	63	Master cylinder, STD, reproduction (#5462389).....	239.99
DB-884	63	Master cylinder, PWR, reproduction (#5462389).....	239.99
DB-872	63	Master cylinder, STD, replacement	189.99
DB-873	63	Master cylinder, PWR, replacement.....	189.99
DB-874	63	Master cylinder cap kit, STD, includes cap, retainer, gasket & thumb screw.....	39.99
DB-875	63	Master cylinder cap kit, PWR, includes cap, retainer, gasket & hex screw	39.99
DB-530	63	Cap thumb screw, STD.....	16.99
DB-612	63	Cap hex screw, PWR.....	15.99
DB-34	63	Cap gasket.....	5.99



DB-883 DB-884 DB-886 DB-880

64 Master Cylinder

DB-886	64	Master cylinder, STD, reproduction (#5464264).....	229.99
DB-885	64	Master cylinder, PWR, reproduction (#5464264).....	229.99
DB-880	64	Master cylinder, replacement	179.99
DB-529	64	Master cylinder cap w/bail & diaphragm.....	34.99
DB-465	64	Cap diaphragm.....	12.99

65-66 Standard Master Cylinder

DB-887	65-66	Master cylinder, reproduction (#2225032).....	239.99
DB-879	65-66	Master cylinder, replacement.....	189.99
DB-354	65-66	Cap w/bails & diaphragm.....	34.99
DB-463	65-66	Cap diaphragm.....	14.99



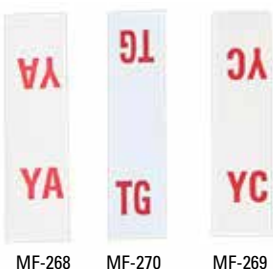
DB-887 DB-879 DB-789 DB-788

65-66 Power Master Cylinder

DB-789	65E	Master cylinder, reproduction, 3/16" line (#5467084).....	849.99
DB-788	65L-66	Master cylinder, reproduction, 1/4" line (#5467084).....	849.99
DB-869	65E	Master cylinder, reproduction, 3/16" line (dated) (ND).....	899.99
DB-870	65L-66	Master cylinder, reproduction, 1/4" line (dated) (ND).....	899.99
DB-36	65-66	Master cylinder cap, replacement.....	ea 18.99
DB-877	65-66	Master cylinder cap, correct off-white	ea 29.99
DB-1311	65-66	Master cylinder caps, NOS.....	49.99

Master Cylinder Decal

MF-268	67	Master cylinder bail decal "YA"	4.99
MF-269	67	Master cylinder bail decal "YC"	4.49
MF-270	67	Master cylinder bail decal "TG"	4.99



MF-268 MF-270 MF-269



Reproduction Master Cylinders

Available for all mid-year Corvettes, Zip's reproduction master cylinders feature GM licensed Delco casting with original-style casting numbers and correct cap. '63-64 power brake and '67 include bleeder valve(s) as original. Additionally, '67 master cylinders include "DC" stamped code and correct size bore for standard or J56 brake option.

67 Master Cylinder

DB-692	67	Master cylinder, reproduction (#5455509).....	259.99
DB-732	67	Master cylinder, J56, reproduction (#5460346).....	259.99
DB-1199	67	Master cylinder, replacement	159.99
DB-335	67	Master cylinder, replacement w/bleeders.....	159.99
DB-334	67	Cap w/bails & diaphragm, correct.....	27.99
DB-1221	67	Cap, replacement.....	10.99
DB-577	67	Cap w/bails, chrome replacement.....	34.99
DB-1305	67	Cap bails.....	7.99
ZDB-43	67	Cap diaphragm.....	8.99



DB-692 DB-732 DB-335

63-67 Master Cylinder Mounting

DB-533	63	Master cylinder to cowl hardware (8 pcs).....	2.99
DB-532	64-65	Master cylinder to cowl hardware (8 pcs).....	2.99
DB-882	66-67	Master cylinder to cowl hardware (6 pcs).....	3.99
DB-357	63-67	Master cylinder to cowl seal, STD (B).....	3.99
DB-516	63-67	Master cylinder to brake booster seal, PWR.....	4.99

Master Cylinder Rebuild

All parts needed to disassemble, hone the bore, and reassemble your Corvette's factory MC. Includes both primary and secondary piston assemblies, springs, retainers and internal seals.



DB-371

EB-210	63-64	Master cylinder rebuild kit.....	32.99
DB-366	65-66	Master cylinder rebuild kit, STD.....	32.99
DB-871	65-66	Master cylinder seal kit, PWR.....	26.99
DB-876	65-66	Master cylinder rebuild kit, PWR.....	54.99
DB-372	67	Master cylinder rebuild kit, STD & PWR	36.99
DB-1318	67	Master cylinder rebuild kit, J56.....	34.99
DB-613	63	Master cylinder bleeder screw, PWR.....	6.99
DB-614	64&67	Master cylinder bleeder screw, fits 64 w/PWR brakes & 67 All.....	ea 4.99

Chrome Master Cylinder

Chrome plated aluminum Corvette style master cylinder. Available in 1" for standard or power brake applications. Includes chrome plated master cylinder cap & gasket to complete installation.

DB-865	67	Chrome master cylinder, STD & PWR (1" bore).....	149.99
--------	----	--	--------

DB-865



Visit us online: www.zip-corvette.com/brk3
How to bench bleed your master cylinder



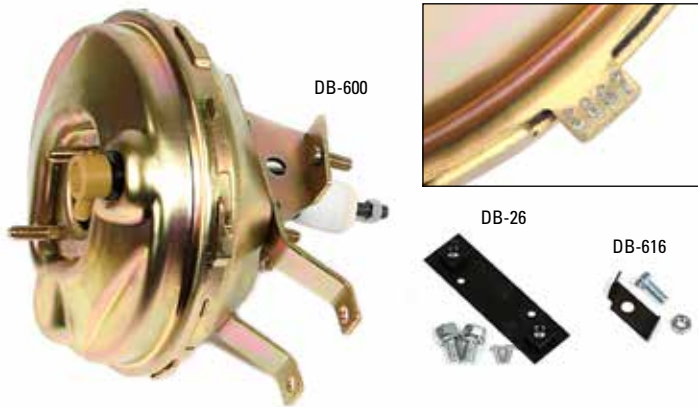
Power Brake Booster

Power Brake Booster

DB-862	64	Power brake booster (#4311).....	239.99
DB-911	65	Power brake booster (#7011).....	239.99
DB-600	66	Power brake booster (#7011).....	239.99
DB-868	66	Power brake booster (#7011) (dated).....	299.99
DB-863	67	Power brake booster (#5867).....	239.99
DB-861	67	Power brake booster (#5867) (dated).....	299.99

Note: Zip's '64-67 power brake boosters are correct in all details – including part number stamped on booster. Also available with factory-style Julian date.

DB-864	64-67	Power brake booster, chrome	299.99
DB-26	63-67	Booster mounting plate w/weld nuts, rivets & bolts	16.99
DB-615	63-67	Booster mount bolts, "anchor" headmark (2)	4.99



Booster Rebuild & Seals

DB-617	63-67	Booster internal foam bumper	3.99
DB-618	64-67	Booster front push pin, stainless	14.99
ZDB-375	63-67	Booster felt filter, rear	4.99
DB-619	63	Booster front metal cup & seal	29.99
DB-1317	63	Booster front seal, under metal cup	12.99
DB-377	64-67	Booster front seal, cup shape	15.99
DB-522	64-67	Booster rear plastic boot, booster to firewall, white	11.99
DB-1310	64-67	Booster rear plastic boot, booster to firewall, NOS	29.99
DB-1321	63	Booster rear rubber grommet	10.99
DB-1309	64-67	Booster rear rubber grommet	15.99
DB-620	63-67	Booster silencers (2)	5.99
DB-621	63-67	Booster silencer retainer clip99



Power Brake Vacuum

DB-1131	64-67	Booster vacuum check valve, off-white	12.99
DB-1132	64-67	Booster vacuum check valve, white	12.99
DB-1129	64-67	Booster vacuum check valve grommet	5.99
MF-463	67	Booster vacuum check valve label	5.99
DB-52	63	Booster vacuum hose bracket (intake).....	14.99
DB-623	63-67	Booster vacuum hose & clamps, replacement	8.99
ZHC-224	63-67	Booster vacuum hose clamps only (2)	1.99

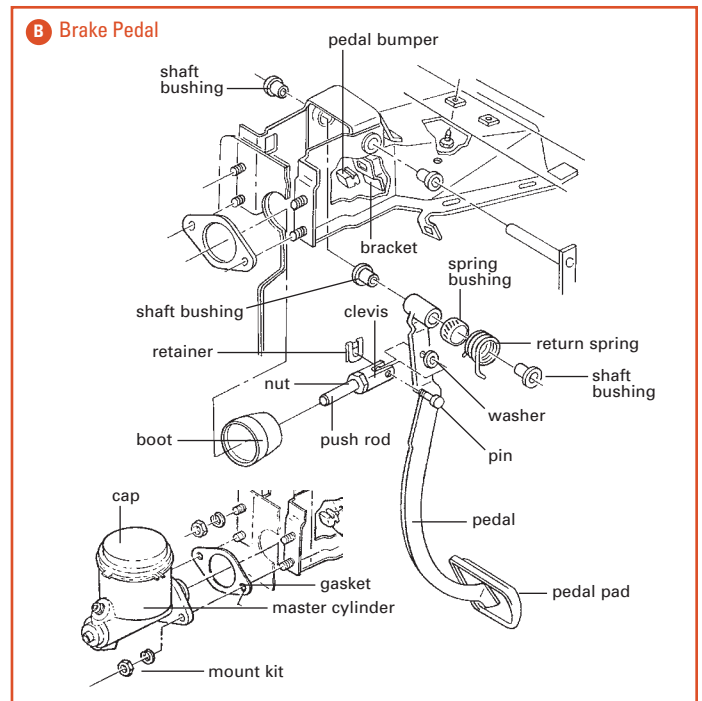
See page 61 for intake vacuum fittings



Brake Pedal Components

Brake Pedal

M-3240	63-66	Pedal, Manual (B).....	129.99
M-3241	63-66	Pedal, Automatic (B)	129.99
M-3242	67	Pedal, Manual (B).....	129.99
M-3243	67	Pedal, Automatic (B)	129.99
WS-405	63-67	Pedal return rubber bumper (B).....	4.99
CL-217	63-66	Pedal bumper & switch bracket, must weld into position (B)	25.99
SPR-116	63-66	Pedal return spring (B).....	6.99
SPR-117	67	Pedal return spring (B).....	6.99
DB-536	63-66	Pedal return spring bushing (B).....	4.99
DB-535	67	Pedal return spring bushing (B).....	3.99
M-3370	63-67	Pedal shaft, Automatic	18.99
CL-115	63-67	Pedal shaft retaining clip.....	4.99
M-2204	63-67	Pedal shaft bushings, brake & clutch (4) (B).....	6.99
ES-358	63-67	Stop light switch, replacement.....	9.99
ES-492	63-67	Stop light switch nuts (2).....	1.99
DB-616	63-67	Stop light switch striker w/hardware, PWR brakes	8.99
E-1109	63	Stop light switch capacitor #01960962	22.99
E-1111	64-67	Stop light switch capacitor	39.99
E-1110	64-67	Stop light switch capacitor mount screw	1.49



Brake Pedal Pad

WS-431	63-67	Pedal pad, STD, Manual (B).....	7.99
WS-432	63-67	Pedal pad, PWR, Manual (B).....	7.99
WS-433	63-67	Pedal pad, STD, Automatic (B).....	7.99
WS-434	63-67	Pedal pad, PWR, Automatic (B).....	7.99



Brake Pedal to Master Cylinder

DB-381	63-67	Push rod, STD (B).....	7.99
DB-475	63-67	Push rod boot, STD (B)	7.99
DB-382	63-67	Push rod clevis (B).....	18.99
DB-538	63-67	Push rod clevis nut (B).....	1.99
DB-478	63-67	Push rod clevis pin (B).....	5.99
DB-479	63-67	Push rod clevis pin retainer (B).....	3.99
DB-537	63-67	Push rod clevis pin washer (bowed) (B).....	2.99

Brake Lines

All lines are steel or stainless steel tubing with double inverted flares and are pressure tested to 2,000 psi. Lines are pre-bent to original shape; some have spiral armor as original.

Front Brake Lines

Z-309	63-67	Front crossover, left to right side (C)	42.99
Z-309SS	63-67	Front crossover, left to right side, stainless	54.99
Z-308	63-67	Left front, block to rubber hose (C)	15.99
Z-308SS	63-67	Left front, block to rubber hose, stainless	17.99

Brake Line Kit

All lines required for listed applications. Rubber hoses, blocks and clips are listed elsewhere in this section.

CZ-377	63-64	Full car set, steel, STD	179.99
CZ-377SS	63-64	Full car set, stainless, STD	209.99
CZ-382	63-64	Full car set, steel, PWR	179.99
CZ-382SS	63-64	Full car set, stainless, PWR	209.99
CZ-1247	63-64	Full car set, steel, Z06	169.99
CZ-1247SS	63-64	Full car set, stainless, Z06	199.99
CZ-387	65	Full car set, steel, STD	179.99
CZ-387SS	65	Full car set, stainless, STD	219.99
CZ-378	65	Full car set, steel, PWR	179.99
CZ-378SS	65	Full car set, stainless, PWR	219.99
CZ-383	66	Full car set, steel, STD	179.99
CZ-383SS	66	Full car set, stainless, STD	219.99
CZ-388	66	Full car set, steel, PWR	179.99
CZ-388SS	66	Full car set, stainless, PWR	219.99
CZ-384	67	Full car set, steel, STD	199.99
CZ-384SS	67	Full car set, stainless, STD	239.99
CZ-389	67	Full car set, steel, PWR	199.99
CZ-389SS	67	Full car set, stainless, PWR	239.99

Rear Caliper or Drum Brake Lines

Z-327	63-64	Rear drum line, RH	21.99
Z-327SS	63-64	Rear drum line, RH, stainless	24.99
Z-326	63-64	Rear drum line, LH	21.99
Z-326SS	63-64	Rear drum line, LH, stainless	24.99
Z-990	65-66	Rear caliper line w/o spiral armor, LH (C)	22.99
Z-990SS	65-66	Rear caliper line w/o spiral armor, LH, stainless	22.99
Z-991	65-66	Rear caliper line w/o spiral armor, RH (C)	22.99
Z-991SS	65-66	Rear caliper line w/o spiral armor, RH, stainless	24.99
Z-328	67	Rear caliper line w/spiral armor, LH (C)	16.99
Z-328SS	67	Rear caliper line w/spiral armor, LH, stainless	19.99
Z-329	67	Rear caliper line w/spiral armor, RH (C)	16.99

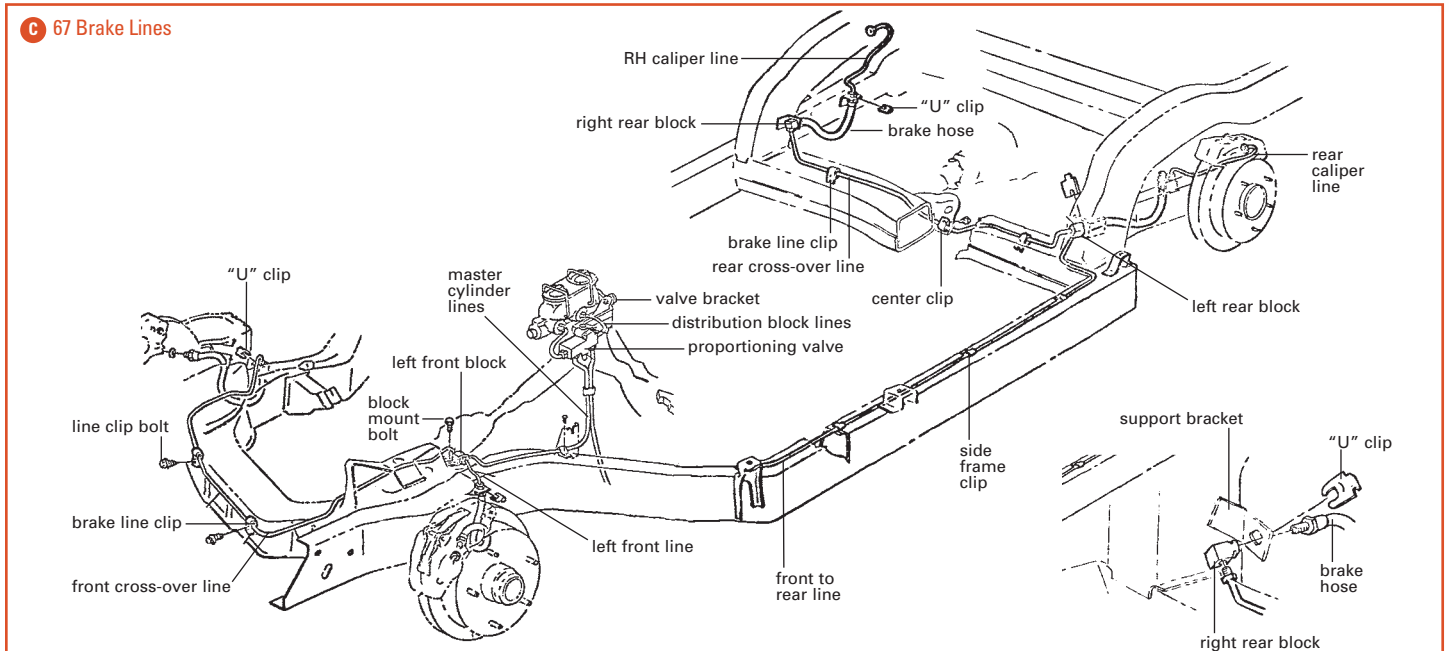
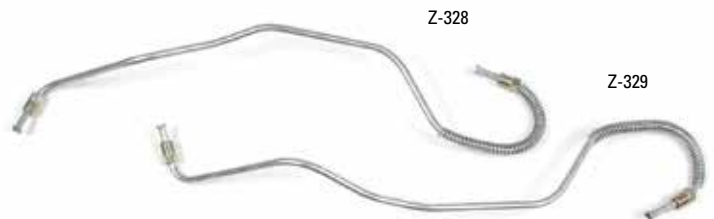
Z-329SS	67	Rear caliper line w/spiral armor, RH, stainless	19.99
Z-330	63-67	Rear crossover line (C)	26.99
Z-330SS	63-67	Rear crossover line, stainless	36.99

Front to Rear Brake Lines

Z-319	63-64	Front to rear, STD & PWR (C)	42.99
Z-319SS	63-64	Front to rear, STD & PWR, stainless	59.99
Z-319	65	Front to rear, STD (C)	42.99
Z-319SS	65	Front to rear, STD, stainless	59.99
Z-320	63-65	Front to rear, 63-64 Z06 & 65 PWR 3/16" (C)	42.99
Z-320SS	63-65	Front to rear, 63-64 Z06 & 65 PWR 3/16", stainless	56.99
Z-321	66	Front to rear, PWR 1/4" (C)	44.99
Z-321SS	66	Front to rear, PWR 1/4", stainless	56.99
Z-322	66	Front to rear, STD (C)	44.99
Z-322SS	66	Front to rear, STD, stainless	56.99
Z-324	67	Front to rear, STD (C)	44.99
Z-324SS	67	Front to rear, STD, stainless	56.99
Z-325	67	Front to rear, PWR (C)	44.99
Z-325SS	67	Front to rear, PWR, stainless	56.99

Master Cylinder Brake Lines

Z-310	63-64	Master cylinder line, STD (C)	26.99
Z-310SS	63-64	Master cylinder line, STD, stainless	32.99
Z-311	63-64	Master cylinder line, PWR (C)	27.99
Z-311SS	63-64	Master cylinder line, PWR, stainless	32.99
Z-313	63-65	Master cylinder line, 63-64 Z06 & 65 PWR 3/16" (C)	28.99
Z-313SS	63-65	Master cylinder line, 63-64 Z06 & 65 PWR 3/16", stainless	36.99
Z-312	65-66	Master cylinder line, STD (C)	26.99
Z-312SS	65-66	Master cylinder line, STD, stainless	32.99
Z-314	66	Master cylinder line, PWR 1/4" (C)	26.99
Z-314SS	66	Master cylinder line, PWR 1/4", stainless	32.99
Z-317	67	Master cylinder line, STD (C)	26.99
Z-317SS	67	Master cylinder line, STD, stainless	31.99
Z-318	67	Master cylinder line, PWR (C)	26.99
Z-318SS	67	Master cylinder line, PWR, stainless	32.99
Z-331	67	Master cylinder to distribution block lines (2) (C)	34.99
Z-331SS	67	Master cylinder to distribution block lines, stainless (2)	38.99



Brake Line Clips

DB-502	63-67	Brake line clip, green clip w/pin (2-4 per car) (C)	ea	10.99
ZDB-305	63-64	Brake line side frame clip (3 per car)	ea	4.99
ZDB-305	65	Brake line side frame clip, STD 3 per car & PWR 4 per car	ea	4.99
DB-628	66-67	Brake line side frame clip (5 per car) (C)	ea	1.99
DB-629	67	Brake line top rail clip, near cowl		1.99
DB-311	63-66E	Front crossover line clip (1 per car)		3.99
CZ-1235	66L-67	Front crossover line clips (2) (C)		2.99
BL-500	66L-67	Front crossover line clip bolts, "E" headmark (2)		2.99
DB-794	63-64	Master cylinder front & rear line clip, holds lines together, 63 Z06 & 64 J56		6.99
DB-329	65-67	Master cylinder front & rear line clip, holds lines together, 65-66 PWR & 67 All		8.99
DB-482	63-67	Rear crossover line center clip (C)	ea	4.99
BL-500	63-67	Rear crossover line clip bolts, "E" headmark (2)		2.99
DB-630	63-67	Brake line clip bolt (1-6 per car) (C)	ea	1.49



Reproduction Clips & Bolts Kit

100%-correct brake line clips are exact match in size, shape and finish to those installed at the Corvette assembly plant. Mounting bolts feature correct headmark and finish.

DB-625	63-65	Brake line clips & bolts kit, correct (9 clips/2 bolts)		49.99
DB-626	66	Brake line clips & bolts kit, correct (10 clips/6 bolts)		39.99
DB-627	67	Brake line clips & bolts kit, correct (11 clips/9 bolts)		36.99



Complete Brake Hose Kit

Original-style rubber hoses with "U" clips and copper washers. Same as factory installed on mid-year Corvettes. Made in the USA from Goodyear Rubber Company hose. Set of 4. DOT approved.

DB-543	63-67	Rubber brake hose set		59.99
--------	-------	-----------------------	--	-------



Brake Line Blocks

DB-301	63-64	Block, left front, STD & PWR		22.99
DB-301	65	Block, left front, STD		22.99
DB-310	65	Block, left front, PWR 3/16" & Z06		22.99
DB-303	66	Block, left front, STD		22.99
DB-302	66	Block, left front, PWR		24.99
DB-302	67	Block, left front, STD & PWR (C)		24.99
DB-308	63-65	Block, left rear, STD & PWR 3/16"		22.99
DB-316	66-67	Block, left rear (C)		22.99
DB-309	63-67	Block, right rear (C)		14.99
DB-630	63-67	Block mounting bolt (C)	ea	1.49
ZDB-40	63-67	Block "U" mount clip (2 per car) (C)	ea	.99
DB-847	63-67	Block "U" mount clip, correct (2 per car)	ea	3.99
DB-525	63-67	Block support bracket, left or right rear block, welds to frame kick-up (2) (C)		15.99



Proportioning Valve

DB-1237	67	Proportioning valve, reproduction (C)		109.99
DB-509	67	Proportioning valve, replacement (C)		79.99
DB-497	67	Proportioning valve bracket (C)		29.99
DB-566	67	Proportioning valve mounting bolt		2.49
DB-632	66	J56 valve bracket		79.99
DB-633	67	J56 valve bracket		69.99
BL-713	66	J56 valve mount bolt		1.99



Stainless Steel Brake Hoses

Braided stainless with teflon lining outlasts rubber – plus delivers a firmer pedal and shorter stopping distances. Sold in car set. DOT approved. Made in the USA.



DB-560	63-67	Brake hose set, stainless (4)		99.99
DB-899	63-67	Brake hose set, stainless (4), specify blue, red, yellow or graphite		139.99

Caliper & Wheel Cylinder Hoses

DB-1308	63-66	Brake hose, front, correct round fitting (2 per car) (C)	ea	24.99
ZDB-16	63-67	Brake hose, front (2 per car) (C)	ea	14.99
ZDB-17	63-67	Brake hose, rear (2 per car) (C)	ea	14.99
ZDB-40	63-67	Brake hose "U" clip (6 per car) (C)	ea	.99
DB-1244	63-67	Brake hose "U" clips (car set) (C)		6.99
DB-847	63-67	Brake hose "U" clip, correct (6 per car)	ea	3.99
DB-19	63-67	Brake hose copper washer (C)	ea	1.99
SU-1026	63-67	Brake hose front frame bracket, welds on	ea	10.99
SU-710	63-67	Brake hose trailing arm brackets, weld on (2)		19.99

Park Brake

63 Park Brake

Handle

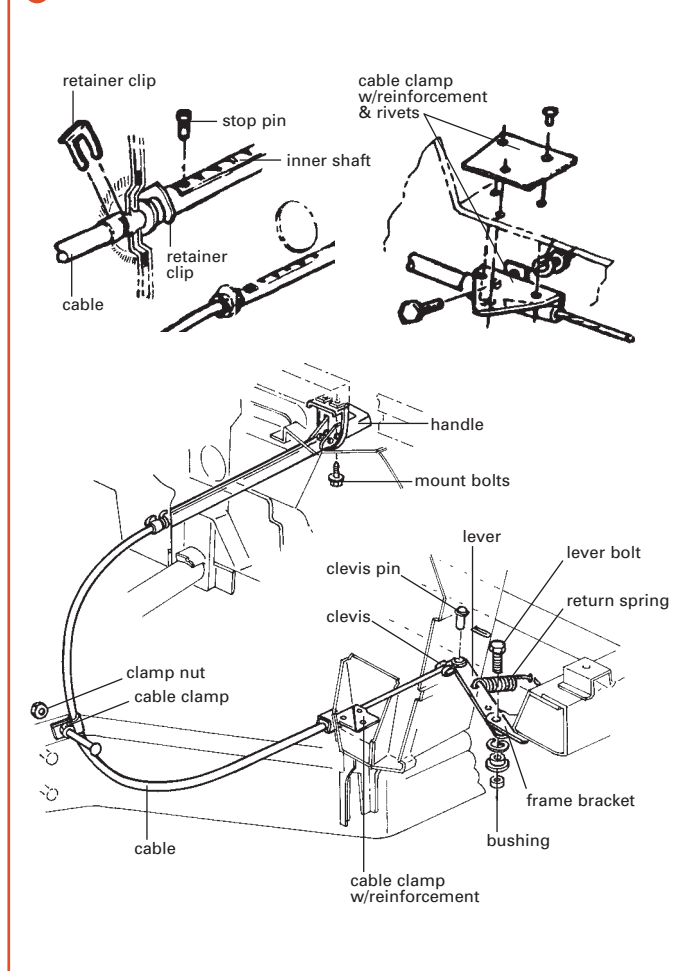
PB-247	63	Handle (D).....	39.99
PB-272	63	Handle attaching pin.....	4.49
PB-287	63	Handle inner shaft (D).....	49.99
PB-200	63	Handle bracket to dash mount bolts (2) (D).....	2.99
DB-49B	63	Handle pawls & spring kit.....	24.99
DB-50	63	Handle stop pin (D).....	6.99
PB-273	63	Park brake warning switch, mounts on handle shaft.....	79.99



Front Park Brake Cable

DB-44	63	Cable, front (D).....	59.99
PB-313	63	Cable clamp (D).....	1.99
PB-274	63	Cable clamp nut (D).....	.99
PB-216	63	Cable clamp w/reinforcement, rivets & hardware (D).....	24.99
PB-275	63	Cable firewall seal.....	5.99
PB-201	63	Cable retainer clip, inside car (D).....	3.99
PB-202	63	Cable retainer clips, underhood (2) (D).....	7.99
PB-227	63	Cable to lever clevis & clevis pin (D).....	11.99
PB-280	63	Cable clevis pin & cotter key only (D).....	2.99

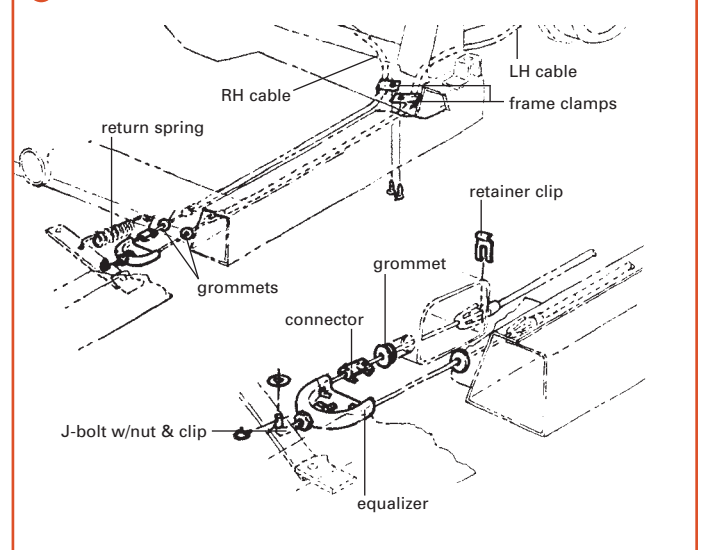
D 63 Front Park Brake Cable



Underbody Pivot & Lever

PB-205	63	Lever (D).....	22.99
PB-209	63	Lever bolt, washer & special nut (D).....	2.99
PB-229	63	Lever bushing (D).....	4.99
PB-206	63	Lever return spring (D)(E).....	5.99
PB-277	63	Lever frame bracket, welds to frame (D).....	18.99

E 63 Rear Park Brake Cable



Rear Park Brake Cables

PB-211	63	Cable, LH, correct case (E).....	52.99
PB-212	63	Cable, RH, correct case (E).....	62.99
PB-215	63	Cable frame clamps, (4) correct clamps w/screws (E).....	26.99
PB-214	63	Cable frame grommets, replacement (2) (E).....	2.99
PB-278	63	Cable frame crossmember retainer clips (4) (E).....	11.99
PB-213	63	Cable to cable connector (E).....	9.99
PB-208	63	Equalizer (E).....	30.99
PB-207	63	J-bolt w/nuts & retainer clip (E).....	16.99



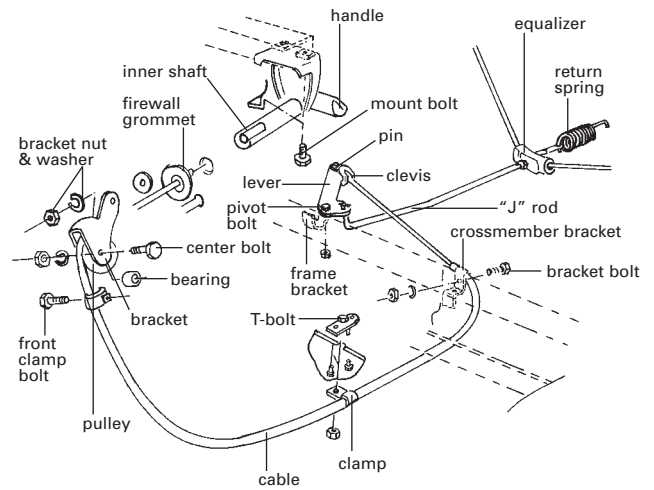
64-66 Front Park Brake

Handle

PB-257	64-66	Handle (F)	39.99
PB-272	64-66	Handle attaching pin.....	4.49
PB-259	64-66	Handle inner shaft w/notch (F)	54.99
PB-200	64-66	Handle bracket to dash mount bolts (2) (F).....	2.99
DB-49A	64-66	Handle pawls & spring kit	16.99
DB-51	64-66	Handle stop pin	6.99
ES-363	64-66	Park brake warning light switch	9.99

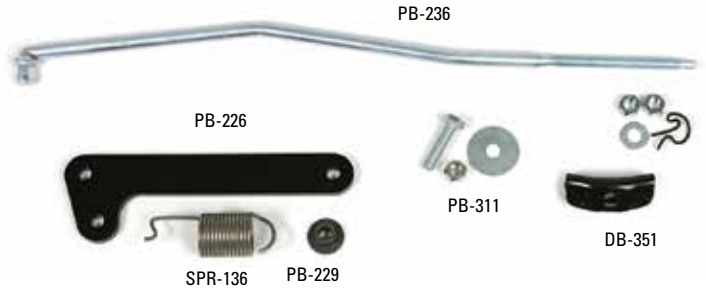


F 64-66 Front Park Brake



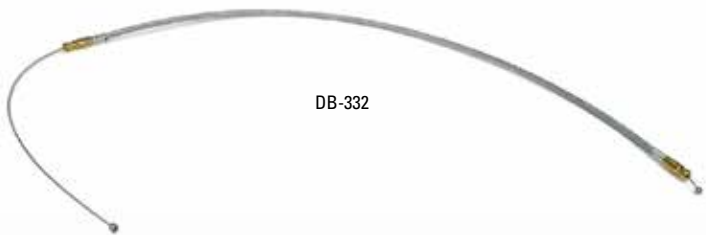
Park Brake Lever & Equalizer

PB-226	64-66E	Lever (F).....	19.99
PB-312	66L	Lever, 2nd design after April 66' production (F).....	22.99
PB-311	64-66	Lever pivot bolt & correct nut (3 pcs) (F).....	2.99
PB-229	64-66	Lever pivot bolt bushing.....	4.99
PB-264	64-66	Lever frame bracket, welds to frame (F).....	16.99
PB-236	64-66	Lever to equalizer "J" rod w/clip & nuts (F).....	42.99
DB-351	64-66	Equalizer, rear (F).....	8.99
SPR-136	64-66	Underbody return spring (F).....	6.99



Front Park Brake Cable

DB-332	64-66	Cable, front (F).....	52.99
PB-279	65L-66	Cable firewall grommet, after April 65 through 66 (F).....	1.99
PB-222	64-66	Cable front clamp bolt (F).....	ea 1.99
PB-223	64-66	Cable to underbody clamp T-bolt w/nut & rivets (F).....	7.99
PB-203	64-66	Cable T-bolt clamp, mounts to PB-223 (F).....	1.99
PB-265	64-66	Cable crossmember bracket, welds to back of transmission crossmember (F).....	16.99
PB-225	64-66	Cable crossmember bracket bolt & nut	1.99
PB-227	64-66	Cable to lever clevis & clevis pin (PB-280) (F).....	11.99
PB-280	64-66	Cable to lever clevis pin & clip only (F).....	2.99
PB-219	64-66	Pulley, nylon (F).....	15.99
PB-220	64-66	Pulley bearing (F).....	5.99
PB-221	64-66	Pulley center mount bolt w/nut (3 pcs) (F).....	1.99
PB-252	64-66	Pulley bracket (F).....	22.99
PB-218	64-66	Pulley bracket to firewall nuts & washers (4 pcs) (F).....	1.99
PB-217	64-66	Pulley bracket to firewall inner washers (2).....	.99



Front Cable Hardware



Park Brake Cables Kit

Zip's park brake cables kit for drum brake-equipped Corvettes includes reproduction stainless steel front, and LH and RH rear cables. Disc brake cables kit includes front and rear stainless cables (rear with stainless outer casing) with nylon guides and "Mickey Mouse" clips.

PB-288	64-65	Drum brake park brake cables kit.....	159.99
PB-289	65-66	Disc brake park brake cables kit.....	119.99

See page 43 for rear park brake cables, shoes and hardware



Park Brake continued

67 Front Park Brake

Handle

DB-1116	67E	Park brake handle assembly (H).....	212.99
DB-1115	67L	Park brake handle assembly (H).....	202.99
PB-303	67	Handle mounting bolts (2) (H).....	4.99
I-641	67	Handle plastic slide/seal.....	4.99
DB-1243	67	Handle stop pin.....	3.99
ES-472	67	Park brake warning switch.....	14.99



Reproduction Handle

Includes original-style handle with correct grip and tool needed for installation. Must use original floor bracket.



DB-643	67E	Reproduction handle kit.....	122.99
DB-644	67L	Reproduction handle kit.....	114.99

Park Brake Refinish

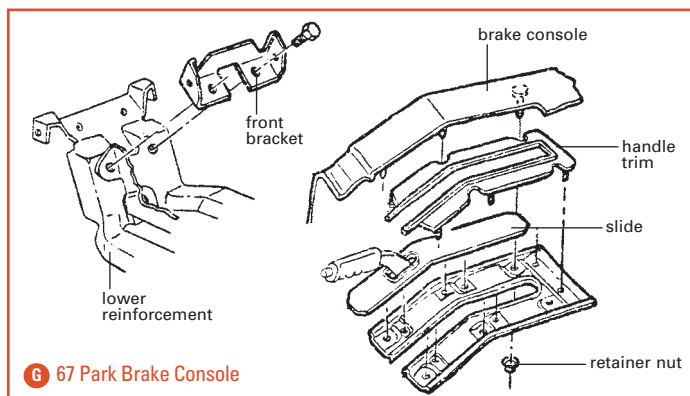
Includes new chrome strip and button bezel to refinish factory handles without removal. Includes instructions and adhesive.



I-2986	67	Park brake handle refinish kit.....	22.99
--------	----	-------------------------------------	-------

Park Brake Console

I-673A	67	Brake console, specify color.....	143.99
I-3247	67	Brake console handle trim (G).....	44.99
I-2252	67	Brake console handle trim reinforcement.....	49.99
I-1260	67	Brake console handle trim & reinforcement, installed (G).....	139.99
I-2057	67	Brake console front bracket (G).....	29.99
I-2714	67	Brake console front & seat belt retainer screws (4).....	2.49
I-1686	67	Brake console front screw J-nuts (4).....	2.99
I-2259	67	Brake console lower reinforcement.....	119.99
I-2217	67	Brake console rear reinforcement.....	82.99
I-1684	67	Brake console rear screws (2).....	4.99
I-1683	67	Brake console rear screw U-nuts (2).....	2.99
I-641	67	Brake console plastic slide (G).....	4.99
I-2732	67	Brake console plastic slide retainer nuts (10 pcs) (G).....	2.99



G 67 Park Brake Console

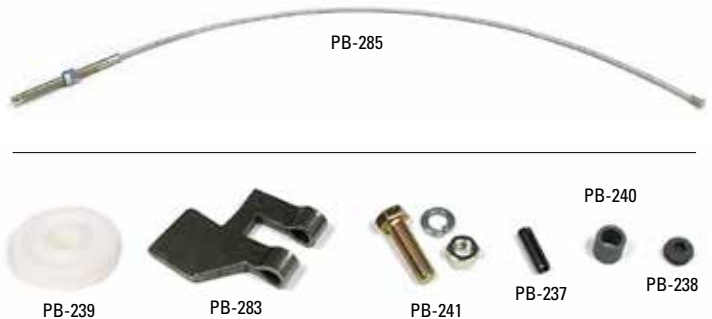
Park Brake Cables Kit

Zip's all-in-one park brake cables kit makes replacement a manageable task. Includes front and rear cables with nylon guides and clips.

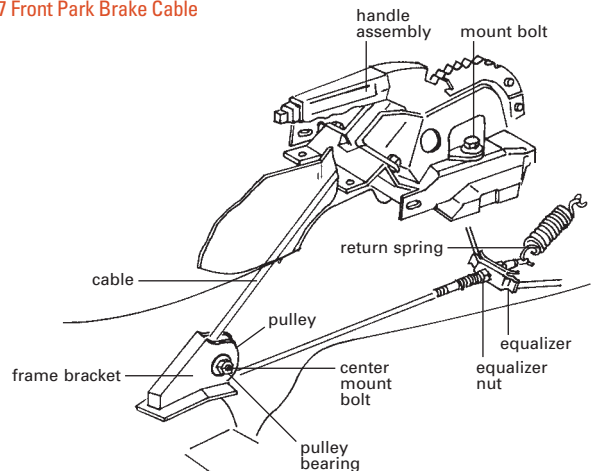
DB-634	67	Park brake cables kit.....	84.99
DB-707	67	Park brake cables kit, stainless.....	89.99

Park Brake Front Cable

PB-285	67	Cable, stainless (H).....	24.99
PB-282	67	Cable to equalizer nuts (2) (H).....	.99
PB-238	67	Cable floorboard grommet.....	5.99
PB-237	67	Cable to handle retainer pin.....	2.99
PB-239	67	Pulley, white plastic (H).....	10.99
PB-240	67	Pulley bearing (H).....	4.99
PB-314	67	Pulley center mount bolt w/nut (3 pcs) (H).....	4.99
PB-283	67	Pulley frame bracket, welds to frame (H).....	28.99



H 67 Front Park Brake Cable



Stainless Park Brake Rebuild Kit

Includes all major components needed to rebuild system: new stainless front and rear park brake cables, equalizer, pulley and bearing, pulley hardware, underbody return spring, (4) new stainless shoes and stainless shoe hold down hardware, shoe guide plates, spring installation tool and a console slide seal. Economy kit substitutes steel cables and steel shoes in place of stainless pieces.

DB-464	67	Park brake rebuild kit.....	249.99
DB-483	67	Economy park brake rebuild kit.....	189.99



64-67 Rear Park Brake Cables

Rear Park Brake Cables – Drum Brakes

PB-230	64-65	Cable, stainless steel, LH	49.99
PB-231	64-65	Cable, stainless steel, RH	49.99
PB-233	64-65	Cable frame brackets, welds to frame (2)	25.99
PB-278	64-65	Cable retainer clips (4)	11.99
PB-232	64-65	Cable trailing arm rear brackets (2)	22.99
PB-213	64-65	Cable to cable connector, LH to RH cables, holds cable together	9.99



Rear Park Brake Cable – Disc Brakes

PB-309	65-67	Cable dust boot, replacement (1)	ea 6.99
PB-267	65-67	Cable dust boots, correct (2) (1)	19.99
PB-232	65-67	Cable brackets, rear of trailing arm (2) (1)	22.99
PB-268	65-67	Cable brackets, front of trailing arm (2) (1)	15.99
PB-233	65-67	Cable frame brackets, welds to frame (2)	25.99
PB-278	65-66	Cable retainer clips (4)	11.99
ZDB-45	67	Cable "Mickey Mouse" clip, stainless (4 per car) (1)	ea 1.99
DB-466	65-67	Cable nylon guide (2 per car) (1)	ea 1.99
DB-351	65-67	Equalizer, rear cable (H)	8.99
SPR-136	65-67	Underbody return spring (H)	6.99



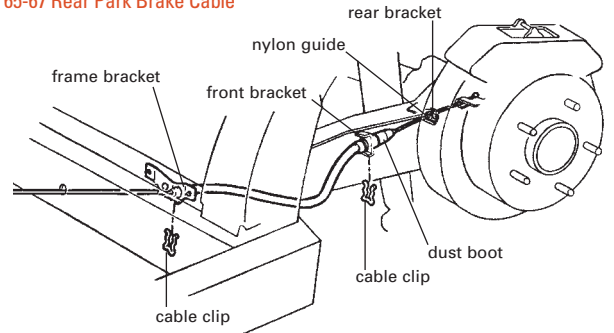
Rear Park Brake Cable

Zip has a cable to match the level of restoration you're going for. DB-46 is suitable for NCRS or Bloomington Gold judging – DB-557 is perfect for all other Corvettes.

DB-46	65-67	Rear park brake cable, stainless steel w/stainless outer sheath, includes (4) clips (ZDB-45)	49.99
DB-557	65-67	Rear park brake cable, stainless steel w/black outer sheath, includes (4) clips (ZDB-45)	59.99



65-67 Rear Park Brake Cable



Visit us online: www.zip-corvette.com/brk5
How to rebuild the '65-67 park brake system



65-67 Park Brake Shoes & Hardware

SU-412	65-67	Backplate (LH or RH), silver	39.99
<i>Note: Park brake backplates have mount anchor already installed.</i>			
SU-1057	65-67	Backplate anchor, mounts into backplate	12.99
SU-1654	65-67	Backplate anchor bolts	6.99
SF-721	63-67	Backplate mount hardware (16 pcs)	4.99
DB-18	65-67	Shoes, stainless (4)	59.99
DB-18A	65-67	Shoes, steel (4)	44.99
PB-248	65-67	Shoe guide plate, on backplate anchor	ea 4.99
PB-261	65-67	Shoe hold down spring (4 per car)	ea 2.49
ZPB-249	65-67	Shoe spring, lower, stainless	ea 3.99
ZPB-250	65-67	Shoe spring, upper, stainless	ea 4.99
ZPB-262	65-67	Shoe spring kit, includes upper, lower & hold down springs, all-stainless (8)	15.99
DB-48	65-67	Shoe spring installation tool, makes parking brake set-up fast and easy	8.99



Brake Shoes Hardware

Corvettes left the assembly plant with steel park brake shoes hardware. These springs and retainers deteriorate over time and often break – leaving you with a non-working brake. Zip's all-stainless hardware kit includes everything you'll need when replacing your original park brake shoes.

DB-14	65-67	Park brake shoe hardware kit	54.99
-------	-------	------------------------------------	-------



Wheels & Hubcaps

63-66 Replica Aluminum Knock-Off Wheels Set

The result of meticulous research supporting all-new tooling, these "original" design castings are the closest wheels available to true factory option knock-offs. Set includes (4) wheels with adapters, lug nuts, correct cones, spinners and lead hammer. No Discount.

H-795	63-64	Knock-off wheels set.....	2,499.99
H-796	65	Knock-off wheels set.....	2,499.99
H-797	66	Knock-off wheels set.....	2,499.99

'63-64 replica aluminum knock-offs have "raw cast" finish; '65-style have dark gray painted recesses with polished chrome cones; '66 have dark gray recesses with brushed chrome cones.



H-795



H-796



H-797



Direct Bolt-On Knock-Offs

Love the look of knock-offs, but want the security of a bolt-on wheel? Zip's direct bolt-on replica knock-offs are dead ringers for the real thing – but attach with a special lug nut instead of the spinner. Set includes (4) wheels, adapters, cones and spinners. No Discount.

H-798	63-64	Direct bolt-on knock-off wheel set.....	2,499.99
H-799	65	Direct bolt-on knock-off wheel set.....	2,499.99
H-800	66	Direct bolt-on knock-off wheel set.....	2,499.99

'63-64 replica aluminum knock-offs have "raw cast" finish; '65-style have dark gray painted recesses with polished chrome cones; '66 have dark gray recesses with brushed chrome cones.



H-798

Direct Bolt-On Knock-Off Wheel Components

H-469	63-64	Direct bolt-on knock-off wheel, replica.....	ea 454.99
H-470	65-66	Direct bolt-on knock-off wheel, replica.....	ea 454.99
H-474	63-66	Direct bolt-on knock-off wheel adapter (LH or RH).....	244.99

63-66 Knock-Off Wheel Components

H-333	63-64	Knock-off wheel, replica.....	ea 454.99
H-334	65-66	Knock-off wheel, replica.....	ea 454.99
H-331	63-66	Knock-off wheel adapter (LH or RH).....	114.99
H-215	63-65	Knock-off wheel cone, polished stainless.....	ea 38.99
H-216	66	Knock-off wheel cone, brushed stainless.....	ea 38.99
H-329	63-66	Knock-off wheel spinner (LH or RH).....	114.99
H-217	63-66	Knock-off wheel spinner cap.....	ea 19.99
H-317	63-66	Knock-off wheel spinner safety pins (5).....	8.99
TL-124	63-66	Knock-off wheel spinner cap removal tool.....	19.99
TR-57	63-64	Lead hammer, original-style.....	74.99
TR-161	65-66	Lead hammer, original-style.....	74.99

Note: '63-64 hammers have external weld, '65-66 hammers have internal weld.

TR-114	63-66	Lead hammer, great replacement, 5 lb.....	64.99
H-205	63-66	Lug nut (20 per car).....	ea 3.99
H-931	63-66	Lug nut set (20).....	53.99
H-339	63-66	Tire valve stems w/ correct "DILL 627" caps (5).....	10.99
H-338	63-66	Tire valve stem "DILL 627" caps (5).....	4.99
H-471	63-64	Wheel stud, 1.5".....	ea 1.99
H-229	65-66	Wheel stud, 1.75", replacement.....	ea 1.99
H-857	65-66	Wheel studs w/"TR" marking (5).....	7.99
MF-309	65-66	Aluminum wheel maintenance decal.....	4.99

TR-161



TL-124



H-331



H-329



H-216

63-66 Steel Wheels, Valve Stems & Studs

H-107	63-66	Lug nuts, 7/16".....	69
H-961	63-66	Lug nut set, 7/16" (20).....	12.99
H-339	63-64	Tire valve stems w/ correct "DILL 627" caps, 1.25" long (5).....	10.99
H-343	65-66	Tire valve stems w/ correct "DILL 627" caps, 2" long (5).....	10.99
H-338	63-66	Tire valve stem "DILL 627" caps (5).....	4.99
H-979	63-64	Wheel, steel, 15" x 5.5".....	189.99
H-980	63-64	Wheel, steel, 15" x 5.5" (set of 4).....	729.99
H-326	65-66	Wheel, steel, 15" x 5.5".....	189.99
H-917	65-66	Wheel, steel, 15" x 5.5" (set of 4).....	669.99

Note: '63-66 steel wheels are new correct reproduction '65-66 design – with nubs as original. Can be used as a replacement on '63-64 Corvettes.

H-112	63-66	Wheel lock kit (car set).....	22.99
H-471	63-64	Wheel stud, 1.5".....	1.99
H-229	65-66	Wheel stud, 1.75", replacement.....	1.99
H-857	65-66	Wheel studs w/"TR" marking (5).....	7.99



H-326



H-339

H-107 (5)

H-338

H-229 (5)

H-112

63 Hubcaps

H-429	63	Hubcap bar set w/screws (one wheel).....	ea	196.99
H-422	63	Hubcap bar (6 per wheel).....	ea	34.99
H-641	63	Hubcap bar screw set (one wheel).....		6.99
H-642	63	Hubcap spinners set, includes spinners, reinforcements & screws (car set).....		199.99
H-579	63	Hubcap spinners, set of 4.....		189.99
H-344	63	Hubcap spinner reinforcement.....	ea	7.99
H-342	63	Hubcap spinner screws (12).....		6.99



64 Hubcaps

H-643	64	Hubcap spinners set, includes spinners reinforcements & screws (car set).....		199.99
H-580	64	Hubcap spinners, set of 4.....		189.99
H-345	64	Hubcap spinner reinforcement.....	ea	7.99
H-392	64	Hubcap spinner screws (12).....		8.99



65 Hubcaps

H-644	65	Hubcap spinners set (car set).....		239.99
H-346	65	Hubcap spinner reinforcement.....	ea	7.99
H-342	65	Hubcap spinner screws (12).....		6.99
ZMG-97	65	Hubcap paint, dark gray metallic (12oz aerosol).....		11.99



66 Hubcaps

ZMG-97	66	Hubcap paint, dark gray metallic (12 oz aerosol).....		11.99
H-645	66	Hubcap spinners set, includes spinners, spacer, reinforcements & screws (car set).....		359.99
H-572	66	Hubcap spinners w/emblems, set of 4.....		239.99
H-210B	66	Hubcap spinner chrome spacer.....	ea	30.99
H-347	66	Hubcap spinner reinforcement.....	ea	7.99
H-341	66	Hubcap spinner screws (12).....		6.99



65 Reproduction Hubcaps

Authentic reproductions of the best-design caps Chevrolet ever put on a Corvette! Includes spinners and hardware. Set of 4.

H-596	65	Hubcap set w/spinners, new reproduction.....		699.99
-------	----	--	--	--------



Hubcap Spinner Emblems

Whether you're looking for spinner emblems with white or black upper corners, Zip has the correct ones for your Corvette. Individually or set of 4.

H-1046	65-66	Spinner emblem, white upper corner.....	ea	17.99
H-581	65-66	Spinner emblems, white upper corner (car set).....		79.99
H-1047	65-66	Spinner emblem, black upper corner.....	ea	19.99
H-582	65-66	Spinner emblems, black upper corner (car set).....		79.99



Wheel and Tire Packages

Wheels and tires, pre-mounted, balanced and ready for installation! Zip's inventory includes reproduction steel wheels, knock-off and direct bolt-on knock-off aluminum wheels. Plus, a full selection of reproduction tires in your choice of brand, sidewall style or radial. No Discount.

H-166	63-64	Steel wheel & tire package.....	starting at	1,699.99
H-162	65-66	Steel wheel & tire package.....	starting at	1,699.99
H-159	63-64	Knock-off wheel & tire package.....	starting at	3,299.99
H-167	63-64	Direct bolt knock off wheel & tire package.....	starting at	3,299.99
H-165	65	Knock-off wheel & tire package.....	starting at	3,299.99
H-164	65	Direct bolt knock off wheel & tire package.....	starting at	3,299.99
H-161	66	Knock-off wheel & tire package.....	starting at	3,299.99
H-163	66	Direct bolt knock off wheel & tire package.....	starting at	3,299.99



Zip Social    
Follow us on social media & stay connected! www.zip-corvette.com/social

Wheels & Hubcaps continued

67 Steel Wheels, Valve Stems & Studs

H-107	67	Lug nuts, 7/16".....	ea .69
H-961	67	Lug nut set, 7/16" (20)	12.99
ZMG-54	67	Rally wheel paint (12 oz. aerosol).....	11.99
H-339	67	Tire valve stems, w/caps (5)	10.99
H-338	67	Tire valve stem caps, reproduction (5).....	4.99
H-381	67	Wheel, 15"x 6" rally wheel	ea 139.99
H-112	67	Wheel lock kit (car set)	22.99
H-229	67	Wheel stud, replacement	ea 1.99
H-857	67	Wheel studs w/"TR" marking (5).....	7.99



67 Replica Bolt-On Wheels Set

The result of meticulous research supporting all-new tooling, these "original" design castings are the closest wheels available to true factory option bolt-ons. Set includes (4) wheels with lug nuts, center starburst, mounting clips and retainers. Does not include "Bow Tie" center cap, must purchase separately. No Discount.

H-794	67	Bolt-on aluminum wheel set.....	2,299.99
-------	----	---------------------------------	----------

67 Bolt-On Wheel Components

H-204A	67	Bolt-on aluminum wheel, replica.....	ea 459.99
H-204B	67	Bolt-on center starburst, w/o center cap	ea 114.99
H-385	67	Bolt-on center cap w/Bow Tie	ea 55.99
SF-901	67	Bolt-on center cap to starburst screws (16 pcs).....	5.99
H-204C	67	Bolt-on center retaining ring.....	ea 38.99
BL-712	67	Bolt-on center retaining ring bolts, "RBW" headmark (25).....	19.99
H-568	67	Bolt-on center retainer clips (4) (per wheel).....	18.99
SF-869	67	Bolt-on center retainer clip screws (32 pcs).....	8.99
H-107	67	Lug nut, 7/16"	ea .69
H-961	67	Lug nut set, 7/16" (20)	12.99
H-339	67	Tire valve stems w/caps (5)	10.99
H-338	67	Tire valve stem caps, reproduction (5).....	4.99
H-229	67	Wheel stud, replacement	ea 1.99
H-857	67	Wheel studs w/"TR" marking (5).....	7.99



Rally Wheels Package

Zip's complete rally wheels package includes (4) new steel wheels with original-style center caps, lug nuts and replacement trim rings.



H-679	67	Rally wheels package	799.99
-------	----	----------------------------	--------

Trim Rings & Center Caps

H-213	67	Rally wheel center cap, w/o ornament	ea 19.99
H-214	67	Rally wheel center cap ornament w/"Disc Brake" & Bow Tie	ea 28.99
SF-320	67	Rally wheel cap ornament screws, attach ornament to cap (4).....	ea 6.99
H-887	67	Trim ring, 15"x 6", stainless.....	ea 29.99
H-427	67	Trim ring set, 15"x 6", stainless.....	119.99
H-681	67	Trim ring clip, for original-style 4-clip trim ring.....	ea 11.99
MF-308	67	Wheel trim ring instruction decal.....	5.99



Rally Wheels Cap Set

Freshen-up your '67 Corvette with a new set of rally wheel center caps. Set includes 4 center caps with installed "Disc Brake" ornaments. GM licensed.

H-391	67	Rally wheel cap set, w/ornament.....	129.99
-------	----	--------------------------------------	--------



American Racing

Iconic styling for your mid-year Corvette- American Racing's Torque Thrust II wheels. One-piece cast aluminum design is available in fully polished or gray center section with a polished barrel. 15 x 6" provides perfect fitment for 1963-1967 Corvettes. Sold individually. Includes center cap. Call for more wheel options.

H-1057	63-67	Torque Thrust II wheel, polished.....	169.99
H-1058	63-67	Torque Thrust II wheel, gray center	139.99



Reproduction Tires

Cosmetically correct in every detail. '63-67 Corvettes came factory equipped with U.S. Royal, Firestone, Goodyear or B.F. Goodrich tires. Sold individually. No Discount.

U.S. Royal

H-495	63-64	6.70 x 15, blackwall	239.99
H-491	63-64	6.70 x 15, 1" whitewall	274.99

Firestone Deluxe Champion

H-493	63-64	6.70 x 15, blackwall	238.99
H-489	63-64	6.70 x 15, 1" whitewall	249.99
H-498	65-67	7.75 x 15, blackwall	268.99
H-504	65-66	7.75 x 15, gold line	361.99
H-506	67	7.75 x 15, red line	362.99
H-500	65-67	7.75 x 15, 5/8" whitewall	277.99
H-501	65-67	7.75 x 15, 7/8" whitewall	277.99

Goodyear Custom Super Cushion

H-750	63-64	6.70 x 15, blackwall	259.99
H-490	63-64	6.70 x 15, 1" whitewall	289.99
H-749	65	7.75 x 15, 7/8" whitewall	379.99
H-505	65-66	7.75 x 15, gold line	379.99
H-748	66-67	7.75 x 15, 5/8" whitewall	379.99
H-509	67	7.75 x 15, red line	379.99

Goodyear Speedway

H-885	67	7.75 x 15, Blue Streak	549.99
-------	----	------------------------	--------

B.F. Goodrich Silvertown

H-494	63-64	6.70 x 15, blackwall	231.99
H-492	63-64	6.70 x 15, 1" whitewall	254.99
H-497	65-67	7.75 x 15, blackwall	252.99
H-503	65-66	7.75 x 15, gold line	299.99
H-507	67	7.75 x 15, red line	321.99
H-496	65	7.75 x 15, 1" whitewall	267.99
H-502	66-67	7.75 x 15, 5/8" whitewall	267.99

Classic Radials

For the enthusiast who insists on a smooth ride and performance handling, Zip has American Classic 1" whitewall available in bias-look with narrow tread pattern and "pie crust" shoulder, American Classic 1" whitewall, B.F. Goodrich 3/8" gold line and red line polyester/steel radials with an aggressive all-season tread. See specific description online at www.zip-corvette.com. Sold each. No Discount.



H-1097	63-64	American Classic 670R15 bias look whitewall radial tire	288.99
H-746	63-67	American Classic 205/75R15 1" whitewall radial tire	201.99
H-430	65-66	B.F. Goodrich 205/75R15 gold line radial tire	336.99
H-432	67	B.F. Goodrich 205/75R15 red line radial tire	330.99

Tire Pressure Decal

MF-295	66	Tire pressure decal	4.99
MF-296	67	Tire pressure decal	4.99



MF-295



MF-296

H-495



U.S. Royal

H-489



Firestone Deluxe Champion

H-499



Goodyear Custom Super Cushion

H-505



Goodyear Custom Super Cushion

H-509



Goodyear Custom Super Cushion

H-502



B.F. Goodrich Silvertown

Wheel & Tire Packages

Wheels and tires, pre-mounted, balanced and ready for installation! Zip's inventory includes reproduction steel Rally wheels and Bolt-on aluminum wheels. Plus, a full selection of reproduction tires in your choice of brand, sidewall style or radial. No Discount.

H-160	67	Steel Rally wheel & tire package	starting at 1,419.99
H-158	67	Bolt-on aluminum wheel & tire package	starting at 3,199.99

Note: See page 45 for 1963-1966 wheel & tire packages.

Spare Tire Carrier & Jack

Jack Board & Compartment

TR-128	63-65	Jack bearing, Type I & II jacks	12.99
TR-127	66-67	Jack bearings, Type III jacks (3 pcs)	10.99
I-2715	63	Jack cover board, correct 36" x 15 3/4" (A)	44.99
I-2716	64	Jack cover board, correct 36" x 16" (A)	44.99
I-2717	65-67	Jack cover board, correct 35 1/2" x 16" (A)	44.99
I-636	63-67	Jack cover board finger chrome bezel	8.99
TR-76	63-64	Jack handle/lug wrench, no hole (A)	28.99
TR-75	65-66	Jack handle/lug wrench, 1-hole (A)	28.99
TR-56	67	Jack handle/lug wrench, 3-hole (A)	28.99
TR-87	65-67	Jack handle rubber grommet	4.49
TR-53	63-64	Jack hold-down spring, 1 hook	10.99
TR-54	65-67	Jack hold-down spring, 2 hooks (A)	8.99
TR-77	63-67	Jack hold-down spring brackets w/rivets (A)	16.99
TR-162	63-67	Jack hold-down spring bracket (4) rivets & (4) washers (A)	2.99



Spare Tire Lock Bolt

LK-211	63-64	Spare tire lock, w/original GM hex head keys (small cap, small drain hole) (B)	64.99
LK-372	65-66	Spare tire lock, w/original GM hex head keys (small cap, large drain hole)	72.99
LK-373	67	Spare tire lock, w/original GM round head keys (large cap, large drain hole)	72.99
TR-190	63E	Spare tire lock bolt, w/Armor headmark (B)	49.99
TR-191	63L-67	Spare tire lock bolt, 7" w/Armor headmark (B)	49.99
TR-192	65-67	Spare tire lock bolt, 8" w/Armor headmark (B)	49.99
TR-130	63-67	Spare tire lock bolt spacer	2.99
TR-110	63-67	Spare tire lock bolt roll pin (B)	.99
TR-131	63	Spare tire lock bracket (B)	14.99
TR-112	64-67	Spare tire lock bracket (B)	11.99
TR-111	63-67	Spare tire lock bracket nut (B)	5.99
TR-142	63-67	Spare tire lock bracket bolts, "TR" headmark (2) (B)	4.99
LK-327	63E	Spare tire lock bumper	4.99
WS-452	63-67	Spare tire lock cover (B)	9.99

See page 112 for keyed-alike, reproduction lock sets with spare tire lock

Spare Tire Carrier Lock Bolt

Includes spare tire lock bolt, mount bracket to frame, bracket nut and all required hardware. 7" bolt was used with standard tires; 8" bolt was used with gold or red line tires.



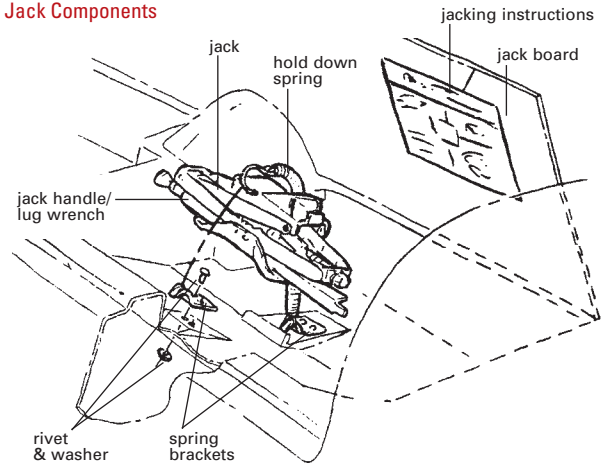
TR-129	63E	Spare tire lock bolt assembly	69.99
TR-52	63L-67	Spare tire lock bolt assembly, 7"	44.99
TR-52A	65-67	Spare tire lock bolt assembly, 8"	44.99

Spare Tire Carrier Assembly

Includes assembled fiberglass spare tire carrier with press-molded fiberglass upper tub, lower tray and pre-installed riveted v-strap support. Now you can fully replace your cracked, scuffed or broken assembly with a completely new carrier assembly available.

TR-198	63	Spare tire carrier assembly	699.99
TR-199	64-67	Spare tire carrier assembly	699.99

A Jack Components



Jack Instructions

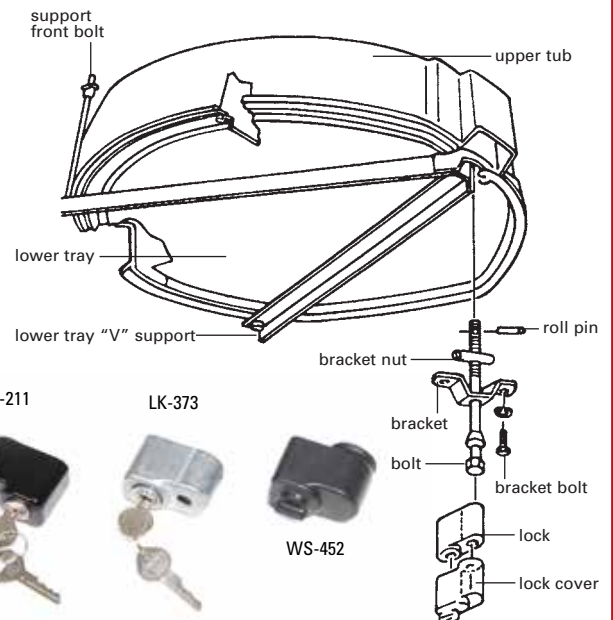
MF-302	63-66	Jacking instructions, STD (A)	4.99
MF-303	63-66	Jacking instructions, knock-off (A)	4.99
MF-423	63-66	Jacking instructions, N03 & STD (A)	10.99
MF-424	63-66	Jacking instructions, N03 & knock-off (A)	10.99
MF-304	67	Jacking instructions (A)	4.99

Spare Tire Carrier

TR-61	63-67	Spare tire lower tray (pm) (B)	349.99
F-732	63-67	Spare tire lower tray (IFP) (B)	229.99
TR-74	63	Spare tire lower tray "V" support (B)	89.99
TR-60	64-67	Spare tire lower tray "V" support (B)	79.99
TR-133	63-67	Spare tire lower tray "V" support rivets (6)	2.49
TR-62	63-67	Spare tire upper tub (63 replacement) (pm) (B)	469.99
TR-103	63-67	Spare tire upper tub to frame bolts & washers (8 pcs)	4.99
TR-50	63L-66	Spare tire support front bolt, 9 1/4", replacement (B)	ea 32.99
TR-203	63L-66	Spare tire support front bolt, 9 1/4" w/Armor head (B)	ea 35.99
TR-51	63-67	Spare tire support front bolt, 9 5/8", replacement (B)	ea 29.99
TR-204	63-67	Spare tire support front bolt, 9 5/8" w/Armor head (B)	ea 38.99
TR-51A	65-67	Spare tire support front bolt, 10 1/4" replacement (B)	ea 29.99
TR-205	63-67	Spare tire support front bolt, 10 1/4" w/Armor head (B)	ea 35.99
TR-132	63-67	Spare tire support front bolt washers (2)	1.49

Note: 9 1/4" spare tire bolt used on 63L-66 w/ steel wheels w/o gold lines; 9 5/8" used on 63E, 63-66 w/knock off & 67 w/standard tire; 10 1/4" used on 65-67 w/gold or redline tires.

B Spare Tire Carrier



Air Cleaner

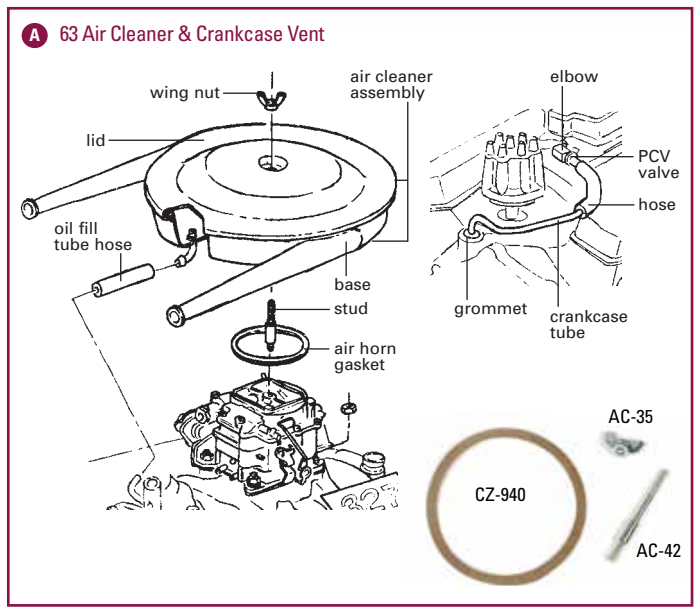
63 Air Cleaner & Crankcase Vent

Air Cleaner

AC-30	63	Air cleaner assembly, 250 & 300 hp w/o AC (A)	449.99
AC-107	63	Air cleaner assembly, 250 & 300 hp w/AC.....	529.99
AC-31	63	Air cleaner assembly, 340 hp.....	489.99

Note: Air cleaner assemblies include base, flame arrestor, filter element (filter and screen as applicable) and correct lid with silkscreen instructions.

AC-181	63	Air cleaner base, 250 & 300 hp w/o AC (A)	279.99
AC-182	63	Air cleaner base, 250 & 300 hp w/AC.....	359.99
AC-183	63	Air cleaner base, 340 hp	289.99
AC-29	63	Air cleaner lid, w/instructions (A).....	159.99
AC-35	63	Air cleaner lid wing nut, replacement (A).....	2.99
AC-242	63	Air cleaner lid wing nut, correct	6.99
AC-25F	63	Air filter, original-style foam	32.99
AC-22	63	Air filter, paper replacement	16.99
AC-25S	63	Air filter screen, use with original-style foam element.....	36.99
M-233C	63	Air cleaner to oil fill tube hose (A).....	6.99
CZ-940	63	Air horn gasket, WCFB & AFB (A).....	3.99
AC-42	63	Carburetor to air cleaner stud, AFB & WCFB (A).....	8.99
AC-43	63	Carburetor to air cleaner stud, 340 hp (A).....	6.99



Crankcase Vent Tube & PCV

M-3595	63	Crankcase vent tube (A).....	27.99
M-3596	63	Crankcase vent tube hose & grommet w/"GM" logo (A).....	13.99
M-2385	63	PCV valve, correct reproduction (A).....	49.99
M-3842	63	PCV valve carburetor straight adapter.....	6.99
M-3843	63	PCV valve 90° fitting	8.99
MF-438	63	PCV valve tag, CV-590.....	5.59
M-2381	63	PCV valve fitting w/PB (2 pcs).....	44.99
M-2382	63	PCV valve fitting w/AC (3 pcs).....	39.99
M-2383	63	PCV valve fitting w/PB & AC (2 pcs).....	69.99



10% RESTORER'S DISCOUNT

HOW IT WORKS – Retail customers receive 10% savings on a minimum purchase of \$850.00 of any combination of parts and/or accessories from this catalog or Zip's Web store. Sorry, No Discount ("ND") items may be included in total value but are not eligible for discount. Offer applies to a single order only and some restrictions apply, call your Zip Products sales representative for details.

Air Cleaner continued

64-65 327 Air Cleaner & Crankcase Vent

Air Cleaner

AC-32	64	Air cleaner assembly, 250 & 300 hp w/o AC (B)	489.99
AC-268	64L-65	Air cleaner assembly, 250 & 300 hp w/o AC (B)	449.99
AC-108	64-65	Air cleaner assembly, 250 & 300 hp w/AC	529.99
AC-33	64	Air cleaner assembly, 350 & 365 hp	489.99
AC-269	64L-65	Air cleaner assembly, 350 & 365 hp	489.99

Note: Air cleaner assemblies include base, flame arrestor, filter element – filter and screen as applicable – and correct lid with silk screen instructions. Early 64 models include red instructions; 64 late and 65 models feature black silk screen instructions.

AC-184	64-65	Air cleaner base, 250 & 300 hp w/o AC (B)	259.99
AC-185	64-65	Air cleaner base, 250 & 300 hp w/AC	359.99
AC-186	64-65	Air cleaner base, 350 & 365 hp	229.99
AC-38	64-65	Air cleaner base flame arrestor (B)	9.99
AC-29	64	Air cleaner lid w/red silk screen instructions (B)	159.99
AC-267	64L-65	Air cleaner lid w/black silk screen instructions (B)	159.99
AC-35	64-65	Air cleaner lid wing nut, replacement (B)	2.99
AC-242	64-65	Air cleaner lid wing nut, correct	6.99
AC-25F	64-65	Air filter, original-style foam	32.99
AC-22	64-65	Air filter, paper replacement	16.99
AC-25S	64-65	Air filter screen, use original-style	36.99
CZ-940	63-65	Air horn gasket, WCFB & AFB (B)	3.99
CZ-952	64-65	Air horn gasket, Holley	3.99
AC-42	64-65	Carburetor to air cleaner stud, AFB & WCFB (B)	8.99
AC-274	64-65	Carburetor to air cleaner stud, 350 & 365hp	7.99

65 396 Air Cleaner & Crankcase Vent

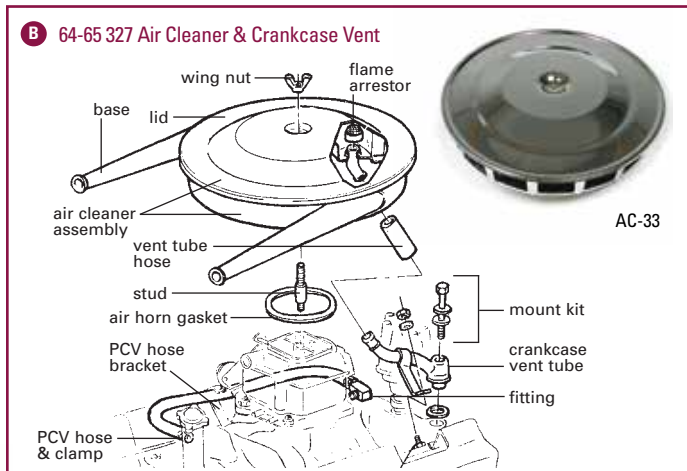
Air Cleaner

AC-53	65	Air cleaner assembly (C)	169.99
-------	----	--------------------------------	---------------

Note: Air cleaner assembly includes base, flame arrestor, replacement filter element and correct lid with silkscreen instructions.

AC-58	65	Air cleaner base (C)	94.99
AC-38	65	Air cleaner base flame arrestor (C)	9.99
AC-23	65	Air cleaner filter, Delco replacement (C)	12.99
AC-188	65	Air cleaner lid (black) (C)	89.99
AC-119	65	Air cleaner lid wing nut (black) (C)	5.99
CZ-952	65	Air horn gasket (C)	3.99
AC-43	65	Carburetor to air cleaner stud, Holley (C)	6.99

B 64-65 327 Air Cleaner & Crankcase Vent



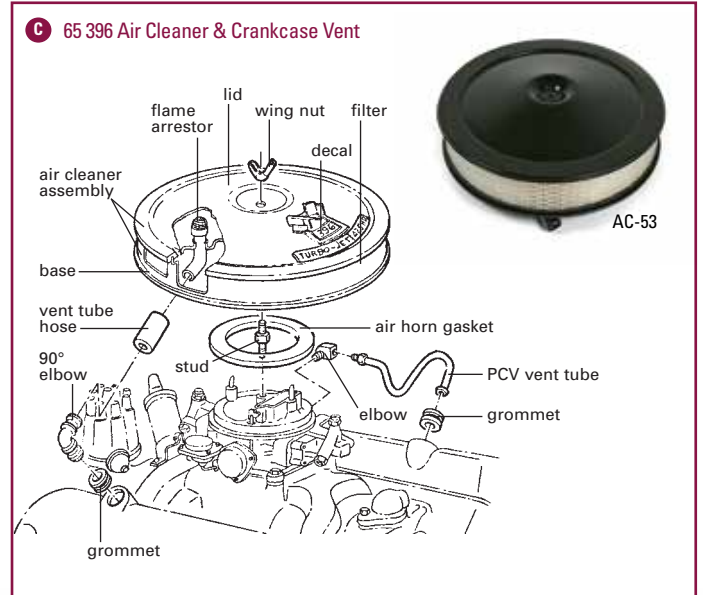
Crankcase Vent Tube

M-221	64-65	Crankcase vent tube, 250 & 300 hp (B)	59.99
M-222	64-65	Crankcase vent tube, 350 & 365 hp	59.99
SF-558	64-65	Crankcase vent tube mount kit, includes stud, bolt, washers & seal, 250 & 300 hp	10.99
SF-556	64-65	Crankcase vent tube mount kit, includes bolts, washers & seal, 350 & 365 hp (B)	6.99
M-233B	64-65	Crankcase vent tube hose (B)	7.99

PCV & Hose

ZM-2211	64-65	PCV hose & clamps (B)	8.99
M-237	64-65	PCV hose bracket, 250 & 300 hp (B)	19.99
M-283	64-65	Vacuum restriction fitting, WCFB & AFB (B)	28.99
M-2380	64-65	Vacuum restriction fitting, Holley	28.99

C 65 396 Air Cleaner & Crankcase Vent



Crankcase Vent Tube

AC-50	65	Crankcase vent 90° elbow, RH valve cover to air cleaner (C) ..	15.99
WS-494	65	Crankcase vent 90° elbow grommet (C)	3.99
M-233B	65	Crankcase vent tube hose (C)	7.99
M-265	65	PCV/crankcase vent tube (C)	31.99
WS-441	65	PCV/crankcase vent tube LH valve cover grommet (C)	26.99
M-2386	65	PCV elbow in carburetor (C)	8.99

Air Cleaner Lid Decal

MF-178	65	Air cleaner lid flag decal, "396" (C)	5.99
MF-180	65	Air cleaner lid "Turbo-Jet" decal, 425 hp (C)	5.99



66-67 327 Air Cleaner & Crankcase Vent

Air Cleaner

AC-55	66-67	Air cleaner assembly (D).....	179.99
AC-189	66-67	Air cleaner assembly, replacement (D).....	139.99
<i>Note: Air cleaner assemblies include base, flame arrester, replacement filter element and correct lid with silkscreen instructions.</i>			
AC-57	66-67	Air cleaner base (D).....	69.99
AC-190	66	Air cleaner base, w/A.I.R.....	134.99
AC-191	67	Air cleaner base, w/A.I.R.....	134.99
AC-38	66-67	Air cleaner base flame arrester (D).....	9.99
AC-23	66-67	Air cleaner filter, Delco replacement (D).....	12.99
AC-46	66-67	Air cleaner lid, w/silkscreen instructions (D).....	89.99
AC-88	66-67	Air cleaner lid, replacement (D).....	54.99
AC-35	66-67	Air cleaner lid wing nut, replacement (D).....	2.99
AC-242	66-67	Air cleaner lid wing nut, correct.....	6.99
CZ-952	66-67	Air horn gasket (D).....	3.99
AC-43	66-67	Carburetor to air cleaner stud (D).....	6.99

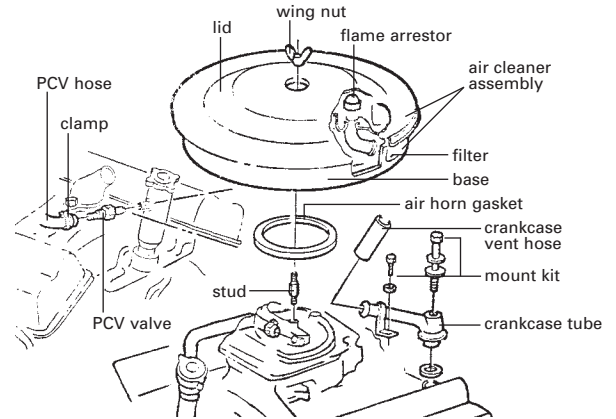


PCV Valve & Hose

M-2442	66-67	PCV valve (D).....	39.99
M-3836	66-67	PCV valve hose w/90° formed end (D).....	14.99
ZHC-333	66-67	PCV valve hose clamps (2) (D).....	1.99
M-237	66	PCV valve hose bracket, 300 hp.....	19.99



D 66-67 327 Air Cleaner & Crankcase Vent



Crankcase Vent Tube

M-249	66-67	Crankcase vent tube, 300 hp (D).....	59.99
M-222	66-67	Crankcase vent tube, 350 hp (D).....	59.99
SF-556	66-67	Crankcase vent tube mount kit, includes bolts, washers & seal (D).....	6.99
M-233B	66-67	Crankcase vent tube hose (D).....	7.99



Air Cleaner Lid Decal

MF-168	66-67	Air cleaner lid decal, 300 hp.....	4.99
MF-169	66-67	Air cleaner lid decal, 350 hp.....	4.99



Green Air Filter

Improve performance – go Green!
As in Green Filter USA. Green filter's precision pleat geometry traps 20% more contaminants while optimizing airflow into the engine. Special gray material simulates OE filter. Lifetime guarantee.



AC-229	66-67	Performance filter.....	59.99
AC-231		Air filter recharger kit, clear oil.....	18.99

ZipSocial    
Follow us on social media & stay connected! www.zip-corvette.com/social

Air Cleaner continued

66-67 427 1x4 Air Cleaner & Crankcase Vent

Air Cleaner

AC-51	66-67	Air cleaner assembly (E)	179.99
AC-151	66-67	Air cleaner assembly, replacement (E)	109.99

Note: Air cleaner assemblies include base, flame arrestor, replacement filter element and correct lid with silkscreen instructions.

AC-58	66-67	Air cleaner base (E)	94.99
AC-192	66-67	Air cleaner base, 390 hp w/A.I.R.	134.99
AC-38	66-67	Air cleaner base flame arrestor (E)	9.99
AC-23	66-67	Air cleaner filter, Delco replacement (E)	12.99
AC-46	66-67	Air cleaner lid, w/silkscreen instructions (E)	89.99
AC-88	66-67	Air cleaner lid, replacement (E)	54.99
AC-35	66-67	Air cleaner lid wing nut, replacement (E)	2.99
AC-242	66-67	Air cleaner lid wing nut, correct	6.99
CZ-952	66-67	Air horn gasket (E)	3.99
AC-43	66-67	Carburetor to air cleaner stud (E)	6.99



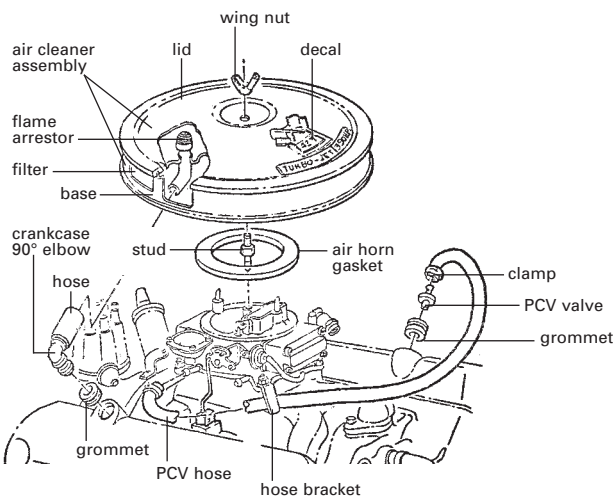
PCV & Crankcase Vent Tube

AC-50	66-67	Crankcase vent 90° elbow, RH valve cover to air cleaner (E)	15.99
WS-494	66-67	Crankcase vent 90° elbow grommet (E)	3.99
M-233B	66-67	Crankcase vent tube hose (E)	7.99
M-2389	66-67	PCV valve (E)	9.99
M-2300	66-67	PCV valve hose w/90° formed end (E)	15.99
ZHC-333	66-67	PCV valve hose clamps (2) (E)	1.99
M-3589	66-67	PCV valve hose bracket on carb, 390 hp (E)	16.99
M-3590	66-67	PCV valve hose bracket on intake, 390 hp	26.99
M-237	66	PCV valve hose bracket, 425 hp	19.99
WS-490	66-67	PCV valve grommet (E)	5.99
MF-121	66-67	PCV valve paper tag, 736	5.99

Air Cleaner Lid Decal

MF-177	66-67	Air cleaner lid flag decal, "427" (F)	5.99
MF-444	66E	Air cleaner lid "Turbo-Jet" decal, 450 hp	5.99
MF-180	65-66	Air cleaner lid "Turbo-Jet" decal, 425 hp	5.99
MF-521	66	Air cleaner lid "Turbo-Jet" decal, 400 hp	5.99
MF-181	66-67	Air cleaner lid "Turbo-Jet" decal, 390 hp (F)	5.99

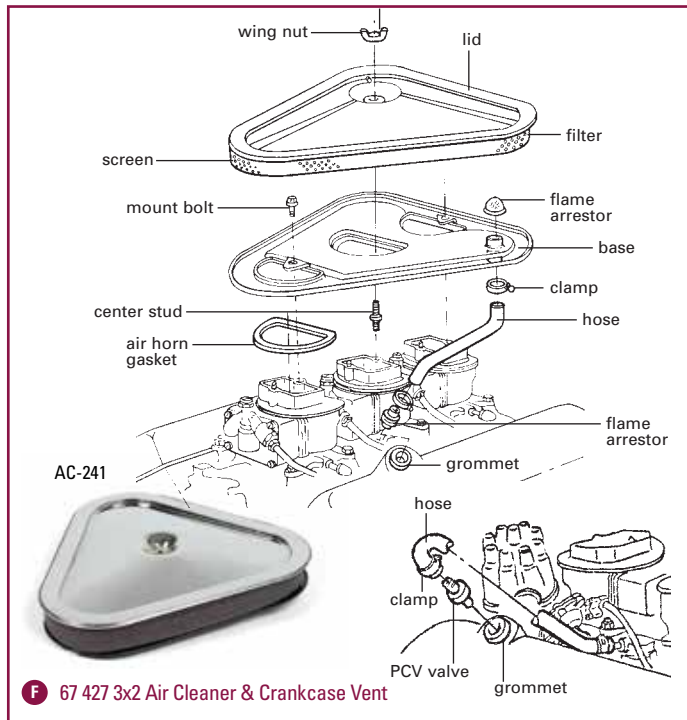
E 66-67 427 1x4 Air Cleaner & Crankcase Vent



67 427 3x2 Air Cleaner & Crankcase Vent

Air Cleaner

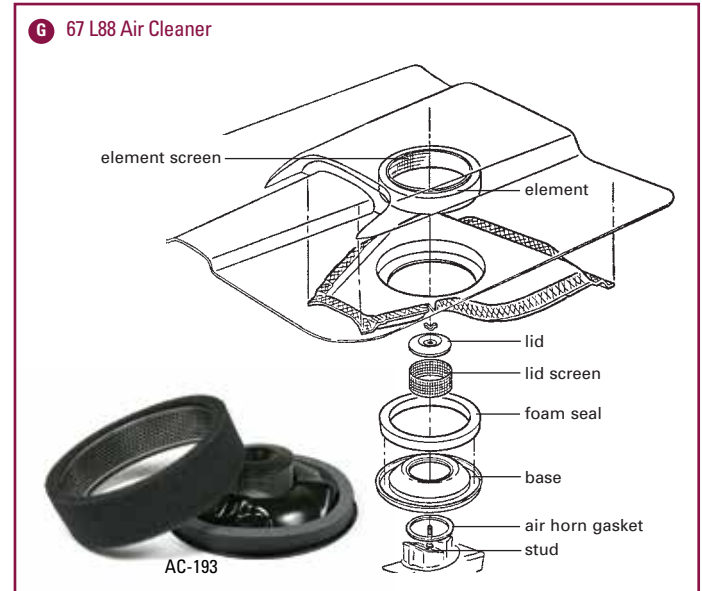
AC-241	67	Air cleaner assembly	449.99
AC-232	67	Air cleaner assembly, replacement	399.99
<i>Note: Assembly includes base, filter and correct lid with silkscreen instructions.</i>			
AC-84	67	Air cleaner base (F)	209.99
AC-275	67	Air cleaner base w/A.I.R (F)	299.99
AC-389	67	Air cleaner base to carburetor bolts (2) (F)	8.99
AC-38	67	Air cleaner base flame arrestor	9.99
AC-20	67	Air cleaner filter foam element (F)	29.99
AC-37	67	Air cleaner filter screen (F)	57.99
AC-83	67	Air cleaner lid, w/silkscreen (F)	199.99
AC-213	67	Air cleaner lid, replacement	124.99
AC-35	67	Air cleaner lid wing nut, replacement (F)	2.99
AC-242	67	Air cleaner lid wing nut, correct	6.99
CZ-941	67	Air horn gaskets (3) (F)	10.99
AC-40	67	Carburetor to air cleaner center stud (F)	8.99



67 L88 Air Cleaner & Crankcase Vent

Air Cleaner

AC-271	67	Air cleaner assembly	219.99
<i>Note: Air cleaner assembly includes base, lid, lid screen, foam element with screen and hood seal.</i>			
AC-56	67	Air cleaner base (G)	74.99
AC-66	67	Air cleaner lid, 5.5" diameter (G)	49.99
AC-67	67	Air cleaner lid screen, 5.5" diameter (G)	19.99
AC-35	67	Air cleaner lid wing nut (chrome)	2.99
AC-70	67	Air cleaner foam seal (G)	19.99
AC-68	67	Air cleaner foam element (in hood) (G)	22.99
AC-69	67	Air cleaner foam element screen (in hood) (G)	48.99
CZ-952	67	Air horn gasket (G)	3.99
AC-43	67	Carburetor to air cleaner stud (G)	6.99



PCV & Crankcase Vent Tube

AC-44	67	Air cleaner to LH valve cover hose (F)	16.99
AC-163	67	Air cleaner to LH valve cover hose clamps (2) (F)	8.99
AC-47	67	Flame arrestor, LH valve cover (F)	39.99
WS-494	67	Flame arrestor valve cover grommet (F)	3.99
M-2389	67	PCV valve (F)	9.99
AC-48	67	PCV valve to intake hose w/clamps (F)	11.99
ZHC-333	67	PCV valve hose clamps (2) (F)	1.99
WS-490	67	PCV valve grommet (F)	5.99
MF-121	67	PCV valve paper tag, 736	5.99



Air Cleaner Lid Decal

MF-175	67	Air cleaner lid decal, 400 hp	5.99
MF-176	67	Air cleaner lid decal, 435 hp	5.99

Crankcase Vent Tube

AC-194	67	Road draft tube	899.99
WS-494	67	Road draft tube grommet	3.99



Fuel Injection

Air Cleaner

AC-220	63E	Air cleaner assembly w/"S" tube (ND) (H).....	2,899.99
AC-219	63L-65	Air cleaner assembly w/"S" tube (ND) (H).....	2,899.99

Note: Steel reproduction Fuel Injection air cleaner assembly. Features improved design inner mesh element retainer and steel "S" tube.

AC-138	63-65	Air cleaner foam element	36.99
AC-195	63-65	Air cleaner mount plate & bolt set (H).....	14.99
AC-82	63-64	Air cleaner to air meter adapter hose, exact reproduction (65 replacement) (H)	99.99
HC-110M	63-65	Air cleaner hose clamps, correct pan head screws (2) (H).....	49.99
AC-196	63-65	Air cleaner "S" tube mount screws (4) (H).....	2.99
MF-187	63-65E	Air cleaner service instruction decal	5.99
MF-188	65L	Air cleaner service instruction decal	5.99

SERVICE INSTRUCTIONS

INSPECT FILTER ELEMENT EVERY 12,000 MILES. MORE OFTEN UNDER SEVERE DUST CONDITIONS TO CLEAN. REMOVE ELEMENT FROM SCREEN. REMOVE OIL AND DIRT BY WASHING ELEMENT. USE SUITABLE SOLVENT, SUCH AS KEROSENE.

— SQUEEZE ELEMENT DRY —
— SHIP IN S.A.E. TRAY ONLY —
— SQUEEZE TO REMOVE EXCESS OIL —

SERVICE WITH **AC TYPE A163C** FILTER ELEMENT
AC SPARK PLUG FLINT HIGH MADE IN U.S.A.

63-65 Fuel Injection Air Cleaner (H)

MF-187



Intake & Gaskets

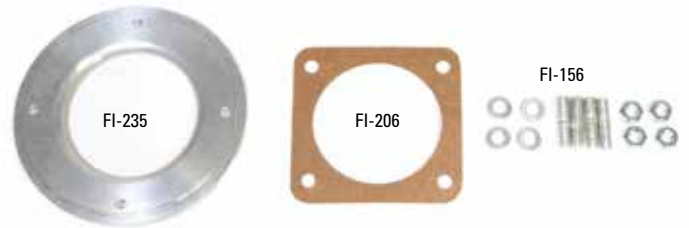
M-3131	63-65	Intake manifold gasket set	40.99
--------	-------	----------------------------------	-------

Note: Includes (2) side gaskets with heat riser, stainless block off plates, (1) front and (1) rear end seal, and (2) distributor gaskets. Correct dark color Koremetal material featuring the round tab not found on aftermarket gaskets. Includes solid block-off plates for heat riser passage.

M-3620	63-65	Intake manifold heat riser block-off plates (4).....	11.99
FI-199	63-65	Plenum to manifold base gaskets (4).....	19.99
FI-201	63-65	Plenum lid gasket.....	26.99

Air Meter

FI-235	63-65	Air meter piezometer ring	139.99
FI-206	63-65	Air meter to plenum gasket	4.99
AC-197	63-65	Air meter to adapter gasket (I).....	4.99
AC-198	63-65	Air meter to adapter mount screws (4) (I).....	3.99
FI-156	63-65	Air meter to plenum stud kit, w/nuts & washers	9.99



Fuel Injection Rebuild Kit

Includes all needed gaskets when reassembling F.I. unit, viton needle and seat, diaphragms, O-rings, screens and specifications.

FI-200	63-65	Fuel injection rebuild kit.....	259.99
--------	-------	---------------------------------	--------



Fuel Meter & Pump

FI-236	63-65	Anti-siphon valve	69.99
FI-171	63-65	Fuel filter inlet screen, fits in fuel meter under fitting.....	6.99
FI-197	63-65	Fuel meter heat shield	18.99
FI-231	63-65	Fuel meter main diaphragm w/disc (ND).....	59.99
FI-230	63-64E	Fuel meter main diaphragm cover (ND).....	259.99
FI-207	63-65	Fuel meter "T" fitting	16.99
FI-281	63-65	Fuel meter spill valve assembly.....	99.99
FI-132	63-65	Float lever, replacement brass lever for original float, attach and bend to achieve proper adjustment.....	20.99
CZ-819	63-65	Injector pump gear shaft & seal kit	49.99
TL-186	63-65	Injector pump gear shaft & seal install tool.....	12.99
FI-137	63-65	Injector pump drive pin, secures gear to pump shaft.....	7.99
FI-136	63-65	Injector pump to fuel meter gasket	34.99
FI-129	63-65	Injector pump drive cable, includes cable, nut, fiber washer, O-ring & flex shaft.....	79.99
FI-130	63-65	Injector pump drive cable inner flex shaft, 5 3/4" original shaft	28.99
FI-131	63-65	Injector pump drive cable inner flex shaft, 6 1/8" original shaft	28.99
FI-139	63-65	Injector pump drive cable knurled nut	32.99
FI-140	63-65	Injector pump drive cable O-ring & washer kit (3 pcs).....	7.99



Accelerator

SPR-105	63-65	Accelerator return spring.....	8.99
CZ-1093	63-65	Accelerator return spring bracket.....	18.99
FI-162	63-65	Bellcrank mount stud (standard).....	22.99
FI-163	63-65	Bellcrank mount stud (oversized).....	29.99
CZ-778	63-65	Throttle rod, lever to bellcrank.....	34.99
FI-262	63-65	Throttle rod installation kit.....	13.99
FI-261	63-65	Throttle rod double swivel rod.....	49.99
FI-213	63-65	Throttle rod hardware set, includes bushing, grommet, swivel, clip & cotter pin.....	9.99

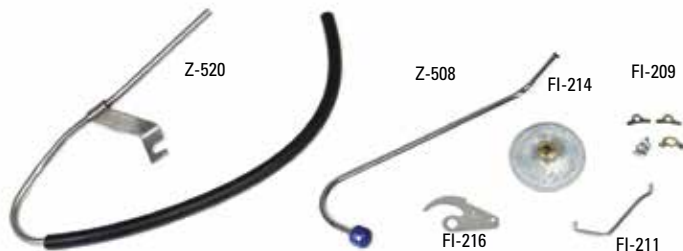


Nozzle & Spider Assembly

FI-277	63-65	Nozzle block.....	ea 109.99
FI-145	63-65	Nozzle block gaskets (4).....	17.99
FI-260	63-65	Nozzle block retainers (4).....	16.99
FI-148	63-65	Nozzle O-ring gaskets (8).....	21.99
FI-152	63-65	Spider copper nozzle line.....	ea 12.99
FI-153	63-65	Spider copper nozzle line nuts.....	ea 5.99
FI-154	63-65	Spider copper nozzle line ferrule.....	ea 4.99

Choke & Clean Air

FI-214	63-65	Choke cover (ND) (I).....	139.99
FI-209	63-65	Choke cover retainers w/screws, set of 3.....	18.99
FI-215	63-65	Choke seal kit, includes spring & nylon washers, stops vacuum leaks.....	14.99
FI-218	63-65	Choke shaft.....	84.99
FI-211	63-65	Choke rod.....	12.99
FI-210	63-65	Choke thermostat baffle plate.....	12.99
Z-508	63-65	Choke tube, chrome (I).....	19.99
Z-520	63-65	Clean air tube w/correct hose (I).....	39.99
FI-217	63-64E	Fast idle cam.....	34.99
FI-216	64L-65	Fast idle cam.....	34.99
FI-182	63-65	Fast idle cam screw.....	9.99

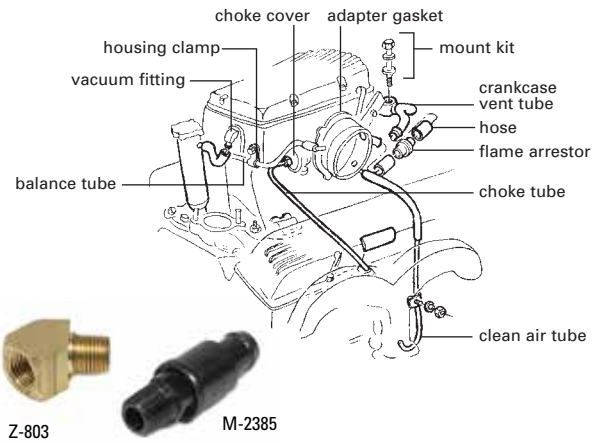


Balance Tubes & Hose Kit

FI-282	63-65	Air meter rubber elbow.....	12.99
FI-187	63-65	Hose kit, thin wall vacuum hose, includes seamed rubber elbow.....	49.99
FI-205	63-65	Fuel meter to adapter chrome tube (I).....	49.99
FI-204	63	Oil fill to adapter chrome tube.....	38.99
FI-202	63E	Tubes to plenum housing clamp (zinc).....	16.99
FI-203	63L	Tubes to plenum housing clamp (chrome).....	19.99



64-65 Fuel Injection



PCV System

M-2385	63-64E	PCV valve, reproduction (black).....	49.99
MF-438	63-64E	PCV valve paper tag, CV-590.....	5.59
Z-803	63-64E	PCV valve to plenum 45° fitting.....	6.99
M-3595	63-64E	PCV valve crankcase vent tube.....	27.99
M-3596	63-64E	PCV valve vent tube hose & grommet.....	13.99

Crankcase Vent

M-2220A	64-65	Crankcase vent tube (I).....	124.99
SF-556	64-65	Crankcase vent tube mount kit, includes bolts, washers, gasket & seals (I).....	6.99
AC-200	64-65	Crankcase vent tube or flame arrester hose (2 per car) (I).....	5.99
AC-47	64-65	Crankcase flame arrester (I).....	39.99



Plenum

FI-201	63-65	Plenum cover gasket.....	26.99
FI-212	63-65	Plenum cover screw washers (6).....	5.99
T-202	63-65	Plenum cover cross flags, F.I.....	71.99
M-2377	63-65	Plenum vacuum fitting, w/power brakes.....	29.99
M-2370	63-65	Plenum plug, w/o power brakes.....	12.99
CZ-1238	64-65	Vacuum restriction fitting, front of plenum to oil fill tube (I).....	25.99
M-2369	64-65	Vacuum advance fitting, side of plenum.....	26.99

FiTech Fuel Injection

Ditch the carb and advance into the EFI world with FiTech's bolt-on throttle body fuel injection system. The Go Street EFI system is ready to run WITHOUT programming. Simply bolt-on in place of your factory Holley or Q-Jet carb and the self-tuning system will eliminate cold start issues, hesitation, vapor lock and flooding problems. The more you drive; the more it adapts to your application. Note: Requires use of 58psi fuel pump. See www.zip-corvette.com for more information.



PM-859	63-67	FiTech Go Street 400hp fuel injection.....	869.99
PM-860	63-67	FiTech Go EFI 600hp fuel injection, black.....	999.99
PM-863	63-67	FiTech Go EFI 600hp fuel injection, aluminum.....	999.99
PM-861	63-67	FiTech Go Classic 650hp fuel injection.....	1,074.99



Alternator

Alternator

M-2907	63-65	Alternator, 55 amps.....	79.99
M-2908	63-67	Alternator, 42 amps.....	79.99
M-2907	66-67	Alternator, w/AC.....	79.99

Note: Alternators are Remy remanufactured units covered by a 1-year limited warranty. No core required.

E-1113	63-67	Alternator capacitor #01959455.....	23.99
M-2688	63-67	Alternator harness boot, replacement.....	3.99
M-3260	63-67	Alternator harness boot, correct "+".....	10.99
M-3593	63-67	Alternator harness plug.....	8.99
M-3612	63-67	Alternator terminal nut & lock washer.....	2.49



Plug-In Conversion Harness

E-797 allows you to use '69-85 SI series internally regulated alternator in place of OE externally regulated unit. E-1165 harness allows '84-99 CS series external fan/internally regulated alternator to be used as replacement for applicable factory alternator.



E-797	63-67	Alternator conversion harness (SI series).....	28.99
E-1165	63-67	Alternator conversion harness (CS series).....	39.99
E-1185	63-65	Alternator relocation harness, converts alternator to LH side.....	79.99

Complete Bracket & Mount Kit

Adding power steering to your big-block mid-year and need all the associated alternator brackets for a "factory" install? Complete kit includes (5) brackets plus mount hardware and exhaust manifold stud.

M-3618	65-67	396 & 427 w/PS alternator bracket kit (car set).....	229.99
--------	-------	--	--------



Alternator Pulley

M-3953	63-65	250/300 hp w/o AC (2 13/16" OD) (J).....	39.99
M-3594	64-65	250/300 hp w/AC (2 5/8" OD) (K).....	39.99
M-2445	63-65	340-375 hp (3 5/8" OD) (J).....	49.99
M-2447	64-65	365 hp w/AC (3 5/8" OD) (K).....	59.99
M-2693	65-67	350 hp w/AC (3" OD) (K).....	49.99
M-2447	65-67	350 hp w/o PS & AC (3 5/8" OD) (K).....	59.99
M-2447	65	396 (3 5/8" OD).....	59.99
M-2693	66-67	427 w/AC (3" OD).....	49.99
M-2694	66-67	427 w/AC & PS (3" OD).....	49.99
M-2445	66-67	427 w/PS (3 5/8" OD).....	49.99
M-2447	66-67	427 w/o PS & AC (3 5/8" OD).....	59.99
M-3565	63-67	Alternator pulley nut & washer (J)(K).....	7.99
M-3691	63	Alternator fan (J).....	39.99
M-3692	64-67	Alternator fan (J)(K).....	39.99
M-4332	66	Alternator fan & pulley, 300/350hp (reconditioned).....	59.99
M-3692	67	Alternator fan & pulley, 300hp w/AC (reconditioned).....	39.99



Visit us online: www.zip-corvette.com/eng1
How to remove, replace and test a new alternator



External Voltage Regulator

ES-319	63-67	Voltage regulator, new Delco.....	89.99
ES-491	63-67	Voltage regulator, replacement.....	89.99
BL-470	63-65	Voltage regulator mount screws, radiator support (6 pcs).....	3.99
BL-383	63L-67	Voltage regulator well nut & screw set (6 pcs).....	8.99

Note: '63-Early & 63-65 w/AC voltage regulator mounted on radiator support, '63-Late-67 regulator mounted on inner skirt.

SF-559	63-67	Voltage regulator plug & terminal (5 pcs).....	5.99
SF-565	63-67	Voltage regulator ground wire screw.....	1.49
E-1112	63-64	Voltage regulator capacitor #01960957.....	22.99
E-535	65-67	Voltage regulator capacitor #01964086.....	22.99
SF-566	63-67	Voltage regulator capacitor mount screw.....	1.49



Voltage Regulator Conversion

D-I-Y conversion designed to eliminate voltage regulator inconsistencies. Solid state circuit board fits under your Corvette's voltage regulator cover, eliminating mechanical movement plus keeping your voltage regulator looking original. Includes instructions.



ES-634	63-67	Voltage regulator conversion.....	59.99
--------	-------	-----------------------------------	-------

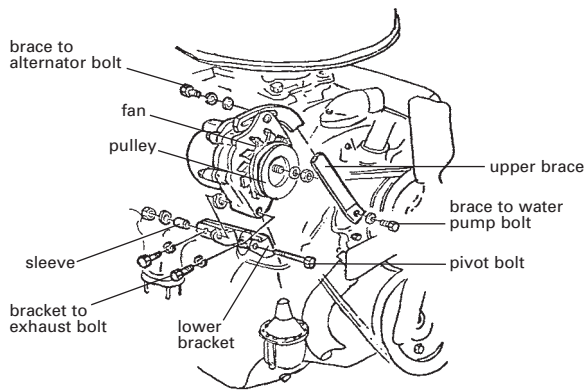
63 327 w/AC LH Alternator Mount

M-2295	63	Lower mount bracket, 327 w/AC	59.99
BL-464	63	Lower mount bracket to LH manifold bolts, w/AC (4 pcs)	6.99
BL-374	63	Pivot bolt w/washer & nut	8.99
M-3329	63	Pivot bolt mounting sleeve	4.99
M-3253	63	Upper brace, 327 w/AC	39.99
M-2244	63-65	Upper brace to alternator bolt, "WB" headmark	2.99

63-65 327 RH Alternator Mount

M-2296	63-65	Lower mount bracket, 327 w/o AC (J)	56.99
BL-700	63-65	Lower mount bracket to exhaust manifold bolts, "M" headmark, w/o AC (4 pcs) (J)	4.99
BL-374	63-65	Pivot bolt w/washer & nut (J)	8.99
M-3329	63-65	Pivot bolt mounting sleeve (J)	4.99
M-3615	63	Upper brace, 327 w/o AC (with V stamp) (J)	36.99
M-2228	64-65	Upper brace, 327 w/o AC (J)	29.99
BL-465	63-65	Upper brace to water pump bolt & washer, RH mount, w/o AC (J)	5.99
M-2244	63-65	Upper brace to alternator bolt, "WB" headmark (J)	2.99

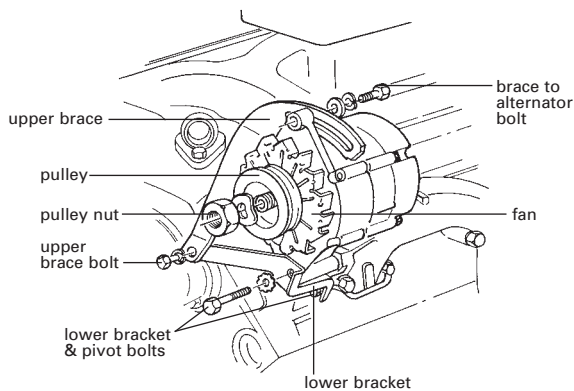
J 63-65 327 RH Alternator Mount



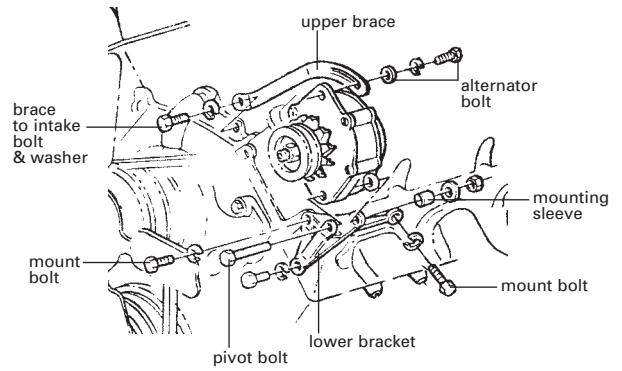
64-67 327 LH Alternator Mount

M-2297	64-65	Lower mount bracket, w/AC (K)	32.99
M-2297	66-67	Lower mount bracket (K)	32.99
M-2707	64-67	Lower mount bracket & pivot bolts (4 pcs) (K)	5.99
M-3164	64-65	Upper brace, 250/300 hp w/AC (K)	36.99
M-2263	64-65	Upper brace, 350/365 hp w/AC (K)	28.99
M-2263	66-67	Upper brace (K)	28.99
BL-466	64-67	Upper brace to water pump bolt & washer (K)	4.99
M-2244	64-67	Upper brace to alternator bolt, "WB" headmark (K)	2.99

K 64-67 327 LH Alternator Mount



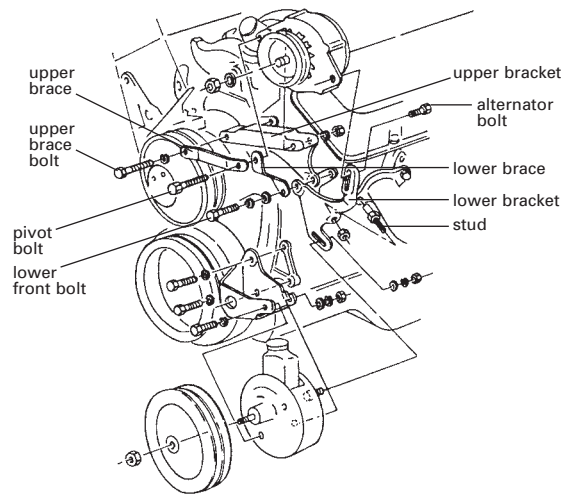
L 396 & 427 w/o PS Alternator Mount



65-67 396 & 427 w/o PS Alternator Mount

M-3616	65	Lower bracket, 396 (exact reproduction) (L)	Call
M-2299	66-67	Lower bracket w/sleeve, 427 (L)	189.99
M-3617	65-67	Lower bracket mount bolts, includes (3) "TR" headmark bolts w/hardware (L)	6.99
BL-374	65-67	Pivot bolt w/washer & nut (L)	8.99
M-3329	65-67	Pivot bolt mounting sleeve (L)	4.99
M-276	65-67	Upper brace (L)	28.99
BL-467	65-67	Upper brace to intake bolt & washer (L)	4.99
M-2244	65-67	Upper brace to alternator bolt, "WB" headmark (L)	2.99

M 396 & 427 w/PS Alternator Mount



65-67 396 & 427 w/PS Alternator Mount

M-2361	65-67	Lower brace (M)	16.99
M-2363	65-67	Lower bracket (M)	69.99
BL-468	65-67	Lower bracket to block front bolt & washer (M)	4.99
M-278	65-67	Upper brace (M)	18.99
M-2362	65-67	Upper bracket (M)	54.99
BL-469	65-67	Upper bracket or brace bolt & washer (2 per car) (M)	2.99
BL-373	65-67	Pivot bolt (M)	4.99
M-2244	65-67	Adjusting brace to alternator bolt, "WB" headmark (M)	2.99
M-2452	65-67	Adjusting brace to exhaust manifold stud (M)	4.99
BL-375	65-67	Bracket mount kit, includes all mount bolts (9), exhaust manifold stud & related hardware (24 pcs)	18.99

Carburetor

Carburetor Rebuild Service

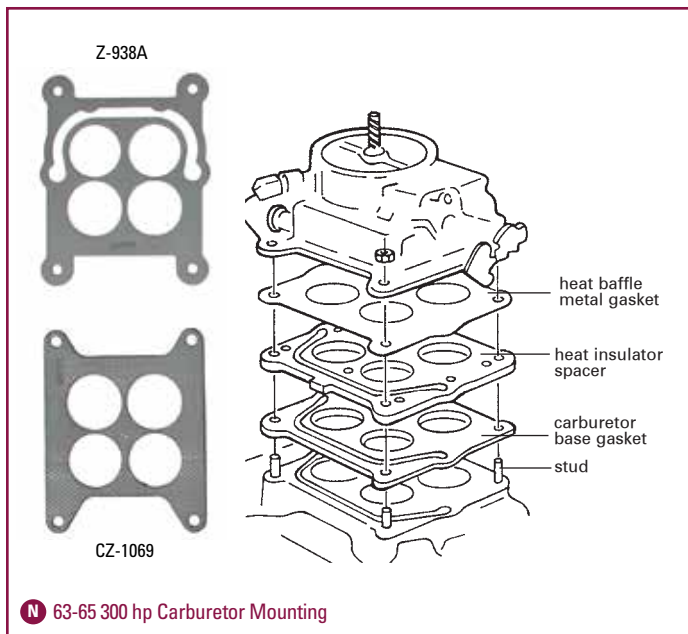
Professional rebuild of Rochester or Holley carburetor. Includes complete disassembly and re-plating. Carburetor body and base plate machined for straightness and then reassembled with all new small parts. Tested and flowed prior to delivery.



S-213	63-65	WCFB rebuild service.....	379.99
S-215	64-67	Holley rebuild service, single feed	369.99
S-216	65-67	Holley rebuild service, dual feed	379.99
S-217	67	Holley rebuild service, 3x2 set-up (car set)	1,299.99

Carburetor Mounting

Z-875	63-65	Base gasket, 250 hp WCFB.....	6.99
Z-938A	63-65	Base gasket, 300 hp AFB (N)	6.99
CZ-1069	63	Base gasket, 340 hp AFB	12.99
Z-954	64-67	Base gasket, 350 & 365 hp Holley w/aluminum intake	6.99
Z-880	65-67	Base gasket, Holley w/square plenum, 65-66 425 & 450 hp, 67 L88.....	6.99
Z-955	66-67	Base gasket, 300 & 390 hp Holley w/cast iron intake	8.99
CZ-939	67	Base gaskets, 3x2 (3)	10.99
CZ-942	63-65	Heat baffle metal gasket, 300 hp (N).....	11.99
CZ-943	63-65	Heat insulator spacer, 300 hp (N)	29.99
CZ-946	66-67	Heat baffle metal gasket, 300 & 390 hp	17.99
CZ-948	63-67	Carburetor mount stud & nut kit, fits WCFB, Holley & AFB except 300 hp	6.99
CZ-1021	63-65	Carburetor mount stud & nut kit, 300 hp (8 pcs) (N).....	7.99
CZ-1094	67	Carburetor mount stud, nut & bolt kit, 3x2 (22 pcs)	16.99
M-3580	63-67	Stud installation tool, 5/16" x 24 thread.....	6.69



Individual Carburetor Rebuild

CZ-1055	66-67	Choke pull-off, Holley, straight pipe.....	48.99
CZ-1233	66-67	Choke pull-off, Holley, curved pipe	59.99
CZ-1245	64-67	Fuel bowl slotted screws, Holley (4 short, 4 long)	18.99
CZ-1246	67	Fuel bowl slotted screws, Holley 3x2 (8 short, 4 long).....	26.99
CZ-1015	63-65	Fuel line inlet fitting, AFB 5/16"	11.99
CZ-950	65-67	Fuel line inlet fitting, Holley 5/16"	12.99
CZ-949	66-67	Fuel line inlet fitting, Holley 3/8"	12.99
CZ-1152	63-65	Fuel line inlet fitting filter screen, AFB	4.49
CZ-1012	63-67	Fuel line inlet fitting filter, WCFB & 66-67 Holley.....	4.99
CZ-1136	63-67	Fuel line inlet fitting gasket	2.99
CZ-1082	63-65	WCFB carburetor screw kit, includes (18) correct screws for refinishing outside of WCFB carburetor	26.99
CZ-1196	67	Vacuum diaphragm kit, includes base, cover, diaphragm and hardware	169.99
CZ-721	67	Vacuum diaphragm only, front or rear carburetor.....	49.99



CZ-721



CZ-1082



CZ-1055



CZ-1015

Carburetor Rebuild Kit

Includes all needed gaskets and hardware to completely disassemble and rebuild factory carburetor(s).

CZ-810	63-65	WCFB.....	42.99
CZ-811	63-65	AFB	42.99
CZ-812	64-65	Holley 350 & 365 hp.....	49.99
CZ-813	66	Holley 300, 350 & 390 hp	48.99
CZ-815	66	Holley 425 hp	49.99
CZ-816	67	Holley 300, 350 & 390 hp.....	44.99
CZ-818	67	Holley 400 & 435 hp, end.....	ea 38.99
CZ-818	67	Holley 400 & 435 hp, center	38.99



CZ-816

Holley Carburetor Master Rebuild Kits

The most complete & precise Corvette carburetor rebuild kit available. Not a generic kit but only the exact parts needed to rebuild a specific carburetor. Includes non-stick ethanol resistant gaskets, accelerator pump, needles and seats, power valve, plus the secondary diaphragm, hardware, brass sight plugs and detailed instructions.

CZ-1179	64-65	Holley rebuild kit, 350 & 365hp (#2818)	47.99
CZ-1180	65	Holley rebuild kit, 396/425hp (#3124).....	49.99
CZ-1181	66	Holley rebuild kit, 300 & 350hp (#3367)	39.99
CZ-1182	66	Holley rebuild kit, 390hp (#3370).....	39.99
CZ-1183	66	Holley rebuild kit, 427/425hp (#3247).....	47.99
CZ-1186	67	Holley rebuild kit, 300 & 350hp (#3810)	36.99
CZ-1187	67	Holley rebuild kit, 390hp (#3811).....	36.99
CZ-1188	67	Holley rebuild kit, 390hp w/A.I.R. (#3815).....	36.99
CZ-1184	67	Holley rebuild kit, 400/435hp end (#3659).....	ea 59.99
CZ-1185	67	Holley rebuild kit, 400/435hp center (#3660).....	36.99

Holley Carburetor

Holley "Double Pumper" carburetor with mechanical secondary. Perfect for the street or race applications. Can be used on 1963-1967 Corvettes when combined with Holley intake manifold.



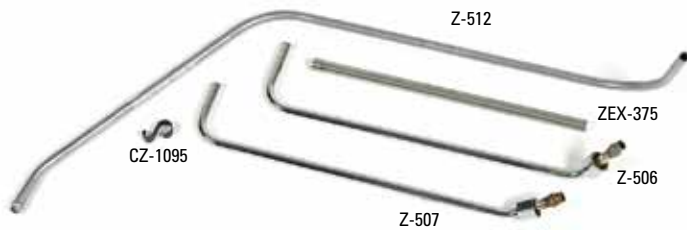
CZ-1212	63-67	Holley 4150 carburetor, 650cfm.....	678.99
CZ-1213	63-67	Holley 4150 carburetor, 750cfm.....	731.99

Choke & Clean Air

Choke Tube

Pre-bent steel tube for choke operation. Mounts from exhaust manifold to carburetor choke. Exact match to factory shape and chrome plated as applicable. Includes all necessary fittings.

Z-505	63-65	Choke tube, 250 hp WCFB (O).....	13.99
Z-505	63-65	Choke tube, 300 hp AFB (O).....	13.99
Z-506	63	Choke tube, 340 hp AFB, chrome (O).....	27.99
Z-507	64-65	Choke tube, 350 & 365 hp Holley, chrome.....	24.99
Z-512	65	Choke tube, 396.....	32.99
CZ-1095	65	Choke tube clip, 396.....	16.99
CZ-553	65	Choke tube loom, 396.....	11.99
ZEX-375	63-65	Exhaust manifold internal choke tube, located in RH exhaust manifold, All small-blocks except F.I. (O).....	12.99



Choke Housing

CZ-997	63-65	AFB choke housing cover w/fitting (O).....	44.99
CZ-1089	63-65	AFB choke housing mounting screws (3).....	3.99
CZ-1091	63-65	AFB choke housing rod w/clip.....	11.99
CZ-999	63-65	WCFB choke housing cover w/fitting (O).....	44.99
CZ-1088	63-65	WCFB choke housing mounting screws (6 pcs).....	3.99
CZ-1090	63-65	WCFB choke housing rod w/clip.....	11.99
CZ-1085*	63-65	Choke housing cover gasket.....	3.99
CZ-1086*	63-65	Choke housing cover retaining ring.....	9.99
CZ-1087*	63-65	Choke housing cover retaining screws (3 pcs).....	3.99
CZ-1043*	63-65	Choke housing internal slotted plate.....	12.99
CZ-1041*	63-65	Choke housing internal thermal spring.....	17.99
CZ-560*	63-65	Choke housing internal zinc disk w/coil spring & retainers.....	59.99
CZ-1207	64-65	Choke housing & thermostat, 350, 365 & 425hp.....	49.99
CZ-1165	64-65	Choke cover retainers & screws, 350 & 365 hp (6 pcs).....	12.99
CZ-1166	65	Choke cover screws, 396 (3 pcs).....	3.99

*Fits both AFB and WCFB carburetors.

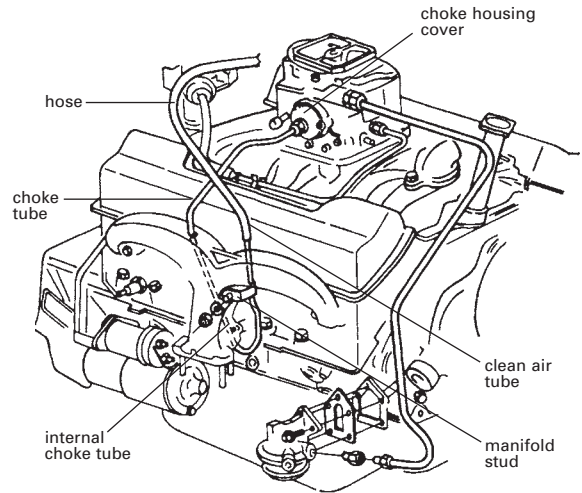
AFB Choke Housing



WCFB Choke Housing



63-65 Choke & Clean Air Tube



Clean Air Tube

Mounts from beneath exhaust manifold to top of engine near valve cover. Rubber hose connects tube to carburetor air horn or air cleaner as applicable.

Z-520	63	Carburetor engines w/hose (O).....	39.99
Z-520	63-65	F.I. engines w/hose.....	39.99
Z-521	64-65	Carburetor engines w/hose (O).....	34.99
CZ-522	65	396 clean air tube w/hose.....	29.99
Z-982	63-65	Clean air tube hose, 13" hose w/ribs (O).....	3.99
Z-523	63-65	Exhaust manifold stud, replaces center exhaust manifold stud, for use with Z-520, includes nut & star washer (O).....	6.99



Choke Rod, Spring & Cover

Z-511	66-67	Choke rod, 300 hp.....	8.99
Z-509	66-67	Choke rod, 350 hp.....	8.99
Z-514	66	Choke rod, 390 hp.....	8.99
Z-515	66	Choke rod, 425 hp.....	8.99
CZ-544	67	Choke rod, 390 hp.....	8.99
Z-510	67	Choke rod, 400 & 435 hp.....	8.99
Z-517	66-67	Choke rod clip.....	1.99
Z-519	66-67	Choke coil spring.....	24.99
CZ-518	66-67	Choke coil spring cover.....	7.99
Z-519A	66-67	Choke coil spring mount screw.....	.99



Carburetor Linkage

CZ-770	63-65	Accelerator rod, 327 (P)	19.99
CZ-760	66-67	Accelerator rod, 327 (P)	19.99
CZ-765	66-67	Accelerator rod, 390 hp (66 All & 67 w/4-speed)	32.99
CZ-761	65	Accelerator rod, 425 hp	29.99
CZ-762	66	Accelerator rod, 425 hp	32.99
CZ-713	67	Accelerator rod, 400 & 435 hp w/4-speed	34.99
CZ-1096	67	Accelerator rod, 390 hp w/Automatic	34.99
CZ-1097	67	Accelerator rod, 400 hp w/Automatic	34.99
CZ-764	63-67	Accelerator rod adjusting swivel (P)	7.99
Z-874	63-67	Accelerator rod clip	1.99
CZ-786	63-67	Accelerator rod plastic sleeve & grommet set (4 pcs) (P)	4.99
CZ-1157	66-67	Automatic kickdown upper rod carburetor stud	11.99
CZ-700	67	Carburetor linkage kit, 3x2, complete linkage kit w/rods, clips, adjuster sleeves, pivot bolt & bushings	49.99
CZ-751	63-67	Return spring, 327 except 63 340 hp & 67 Automatic (black) (P)	6.99
CZ-750	63	Return spring, 340 hp (white)	8.99
Z-752	65-67	Return spring, 396 & 427 (black)	6.99
SPR-106	67	Return springs, 327 Automatic (yellow) (2)	11.99
CZ-1178	63-67	Return spring bracket, 327 (steel)	10.99
CZ-753	63-67	Return spring bracket, 327 (stainless) (P)	9.99
CZ-1177	65-67	Return spring bracket, 396/427 (steel)	10.99
CZ-754	65-67	Return spring bracket, 396 & 427 (stainless)	9.99

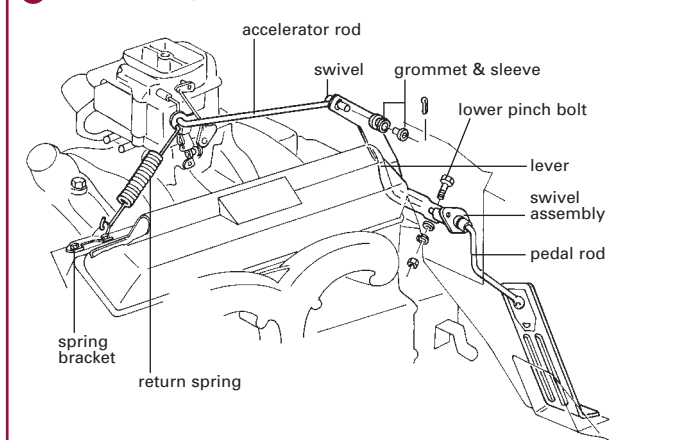
327 Carburetor Linkage



396 & 427 Carburetor Linkage



P Carburetor Linkage & Accelerator



Accelerator Pedal Components

Accelerator Lever

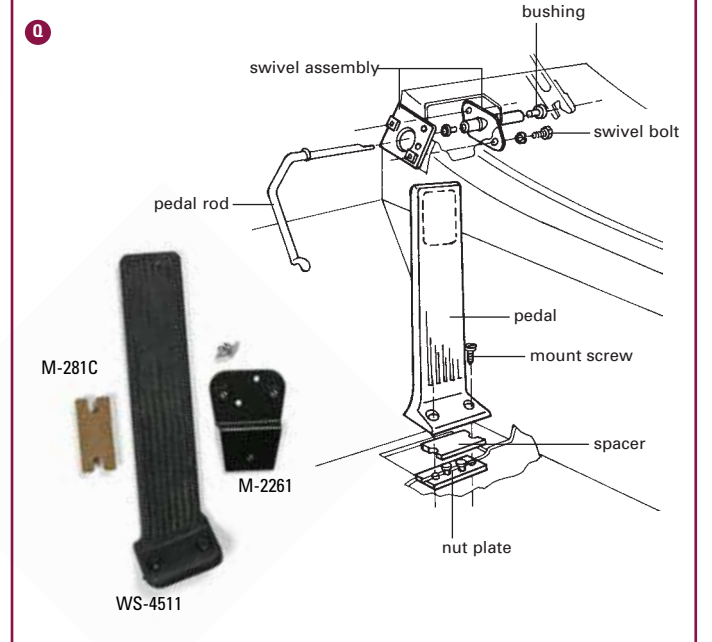
CZ-783	63	Accelerator lever (P)	44.99
CZ-782	64-65	Accelerator lever, 327 except 300 hp (P)	44.99
CZ-781	64-65	Accelerator lever, 300 hp (P)	44.99
CZ-780	65-67	Accelerator lever, 65 396, 66 390 & 425 hp w/4-speed	44.99
CZ-780	66-67	Accelerator lever, 327 (P)	44.99
CZ-784	67	Accelerator lever, 427 w/4-speed	44.99
M-2618	63-67	Accelerator lever lower pinch bolt w/hardware, "TR" headmark (P)	2.99



Accelerator Pedal Rod & Swivel

M-281	63-67	Accelerator pedal swivel assembly, includes swivel, reinforcement, bushings & bolts (Q)(P)	36.99
M-3619	63-67	Accelerator pedal swivel bolts & washers (4 pcs) (Q)	2.99
CL-167	63	Accelerator pedal rod (Q)(P)	59.99
CL-168	64-67	Accelerator pedal rod (Q)(P)	59.99
CL-172	63-67	Accelerator pedal rod bushings (2) (Q)	3.99

Accelerator Pedal



Accelerator Pedal

WS-400	63-67	Accelerator pedal, good reproduction (Q)	14.99
WS-4511	63-67	Accelerator pedal, exact reproduction (Q)	21.99
<i>Note: Accelerator pedals include anti-squeak shim already installed.</i>			
WS-4509	63-67	Accelerator pedal anti-squeak shim	3.99
ZWS-400A	63-67	Accelerator pedal mount screws (2) (Q)	1.99
M-2261	63-67	Accelerator pedal mount spacer (Q)	6.99
M-290	63	Accelerator pedal nut plate w/rivets (Q)	10.99
M-281C	64-67	Accelerator pedal nut plate w/rivets (Q)	10.99

Intake Manifold

Intake Manifold Bolts & Canister

BL-100	63	Intake manifold bolt set, 250 hp, "AP" bolts, zinc (12).....	18.99
BL-458	63	Intake manifold bolts & stud, (11) "AP" bolts & (1) stud.....	20.99
BL-304	63-67	Intake manifold bolts, 327, "TR" bolts, zinc (12).....	16.99
BL-202	63-67	Intake manifold bolts, 327, "M" bolts, black (12).....	19.99
BL-343	65-67	Intake manifold bolts, 396 & 427, "A" bolts, zinc (16).....	22.99
BL-203	65-67	Intake manifold bolts, 396 & 427, "M" bolts, zinc (16).....	24.99
BL-693	65-67	Intake manifold bolts, 396 & 427, "M" bolts, black (16).....	24.99
BL-303	65-67	Intake manifold bolts, 396 & 427, "FP" bolts, zinc (16).....	22.99
BL-459	63-67	Intake manifold bolt washers, protects aluminum intake manifold from bolt head (not used by GM) (12).....	6.99
SF-718	63-67	Intake manifold underpan rivets (5).....	4.49



Intake Manifold Vacuum Fittings

M-2373	64	w/PB & AC, 4-speed or Automatic (4 pcs).....	69.99
M-2371	64	w/AT or w/AC (2 pcs).....	32.99
M-2223C	64-67	w/PB.....	21.99
M-2223B	64L-67	w/AC or Automatic.....	21.99
M-2223A	64-67	w/AC & Automatic (except 3x2).....	23.99
M-3621	67	w/AC & Automatic (3x2).....	22.99
M-2223D	64L-67	w/PB & AC or Automatic (except 3x2).....	24.99
M-2375	67	w/PB & AC or Automatic (3x2).....	24.99
M-2223E	64-67	w/PB & AC & Automatic (except 3x2).....	24.99
M-2374	67	w/PB & AC & Automatic (3x2).....	24.99
M-2376	64-67	Plug, intake vacuum hole.....	3.99

See page 55 for fuel injection intake fittings

Holly Street Dominator

Great replacement intake manifold similar in design to the 70-72 LT1 Corvette. Must use Holley carburetor and 14" air cleaner base.

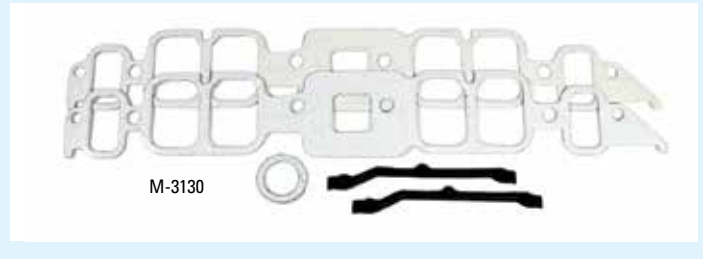
M-4141	68-81	Holley Street Dominator intake manifold.....	209.99
--------	-------	--	--------



Intake Manifold Gaskets

Made from correct "Koremetal" material. Gaskets feature "round tab" ends as original (not found on aftermarket gaskets). '63-65 fuel injection set includes block-off plates for heat riser passage.

M-3132	63-67	Intake gaskets, 327 w/carburetor.....	36.99
M-3131	63-65	Intake gaskets, F.I.....	40.99
M-3130	65-67	Intake gaskets, 396 & 427 w/square ports.....	34.99
M-3129	66-67	Intake gaskets, 427 w/round ports.....	34.99
M-3620	63-65	Intake heat riser block-off plates (4).....	11.99



Thermostat Housing

M-196	63-67	Thermostat, 180°.....	9.99
M-3476	63-67	Thermostat, 160°.....	9.99
M-3025	63-67	Thermostat housing, cast iron, correct #3827369, 63-65 250 & 300 hp, 65 396, 66-67 350 hp & 67 L88.....	109.99
M-2357	63-65	Thermostat housing, cast iron, correct #3827370, 340, 350, 360, 365 & 375 hp.....	99.99
M-3024	66-67	Thermostat housing, aluminum, correct #3877660, 66-67 300 hp & 427 All w/o L88.....	56.99
M-224	66-67	Thermostat housing, replacement for aluminum housing, 66-67 300 hp & 427 All w/o L88.....	16.99
M-2301	65-67	Thermostat housing spacer, aluminum, 396, L88 & 427 w/A.I.R.....	29.99
M-2794	63-67	Thermostat housing gasket.....	1.99
BL-222	63-65	Thermostat housing studs w/nuts, Hi-Perf & F.I.....	9.99
BL-362	63-67	Thermostat housing bolts, cast iron housing, "TR" headmark (2).....	6.99
BL-363	65-67	Thermostat housing bolts, 396 & L88, "TR" headmark (2).....	8.99
BL-716	65-67	Thermostat housing bolts, 427 w/A.I.R., "TR" headmark (2).....	12.99
BL-364	66-67	Thermostat housing bolts, aluminum housing, "TR" & "WB" headmark (2).....	6.99



Temperature Sender

M-3511	63-67	Temperature sender, correct including "Delco" stamp and properly calibrated.....	28.99
E-498	63-67	Temperature wire kit, includes green wire, end clip, plug & insulation.....	6.99
ZM-146	63-67	Temperature wire insulation.....	4.99
M-239	63-67	Temperature wire insulation clips, aluminum valve covers (2).....	9.99
M-3415	63-67	Temperature wire insulation clips, weld to steel valve cover (2).....	7.99

Timing Chain & Harmonic Balancer

Harmonic Balancer

M-3597	63-67	Crankshaft woodruff key, for balancer & timing chain.....	3.99
M-3873	63-67	Balancer, 250 & 300 hp, reconditioned original	199.99
M-2712	63-67	Balancer, 250 & 300 hp, replacement.....	79.99
M-2720	63-67	Balancer, 327 Hi-Perf, w/correct reinforcement ribs (fins)....	429.99
M-2716	66-67	Balancer, 300 hp.....	169.99
M-2714	65-67	Balancer, 396 & 427 Hi-Perf, replacement	144.99
M-3934	65-67	Balancer, 65 396/425 hp, 67 427 Hi-Perf including L88 & ZL1, GM #3879623	249.99
M-2715	66-67	Balancer, 390 & 400 hp.....	144.99
BL-601	63-67	Balancer bolt & washer, "Delta" headmark, 327	10.99
BL-389	65-67	Balancer bolt & washer, "Delta" headmark, 427	9.99



Harmonic Balancer Repair

Sleeve repairs groove worn in balancer by the timing cover oil seal. M-3570 rebuild kit includes specially molded rubber cushions and rivets for rebuilding GM #3760584. Requires use of a shop press capable of 8,000 lbs. pressure, and an air chisel for staking rivets.

M-2335	63-67	Harmonic balancer sleeve, 327	11.99
M-2334	65-67	Harmonic balancer sleeve, 396 & 427.....	42.99
M-3570	63-65	Harmonic balancer rebuild kit, includes 2 rubber cushions & 6 rivets, to rebuild GM #3760584	52.99

ATI Super Damper[®] Harmonic Balancer

OE dampers are optimally tuned to fit a narrow band of "perceived" normal driving conditions and generally do not perform well outside of those limits. ATI's Super Damper can handle any performance scenario to better protect your engine. Black zinc chromate finish with laser engraved timing marks. Tunable and rebuildable.

Direct replacement for factory unit. See individual specs online: www.zip-corvette.com.



PM-745	63-67	Super Damper, 327 w/hydraulic lifters.....	299.99
PM-757	63-67	Super Damper, 327 w/solid lifters.....	359.99
PM-758	65-67	Super Damper, 396 & 427	340.99

Crankshaft Pulley

M-2757	63-67	Crank pulley, 250 & 300 hp (double).....	69.99
M-2969	63-67	Crank pulley, Hi-Perf & FI (double) (#987)	159.99
M-2969	63-67	Crank pulley, Hi-Perf & FI, service replacement (double) (#553).....	159.99
M-2970	63-67	Crank pulley, 327 w/AC (double) (#838)	169.99
M-2753	66-67	Crank pulley, 300 hp (single).....	69.99
M-2754	65-67E	Crank pulley, 396 & 427, cast iron (GM # 3863108 on outer rim).....	229.99
M-4159	67L	Crank pulley, 427, cast iron (GM# 3863108 on center hub) ...	209.99
BL-387	63-67	Crank pulley mount bolts, 327, "E" headmark (3).....	9.99
BL-463	63-67	Crank pulley mount bolts, 327, "S" headmark (3)	8.99
BL-414	63-67	Crank pulley mount bolts, 327 Sp. Hi-Perf (3).....	6.99
BL-336	65-67	Crank pulley mount bolts, 396 & 427, "TR" headmark (3).....	6.99
M-2755	63-67	Power steering add-on pulley, 327	69.99
M-3388	63-67	Power steering add-on pulley, 327 deep groove	109.99



Timing Cover

TC-125	63-67	Timing cover, 327 w/o 8" balancer	74.99
TC-124	63-65	Timing cover, 327 w/8" balancer	74.99
TC-106	65-66	Timing cover, 65 396 & 66 425 hp.....	89.99
TC-123	66-67	Timing cover, 350 hp	74.99
TC-107	66	Timing cover, 390 & 400 hp.....	89.99
TC-108	67	Timing cover, 390 & 400 hp.....	89.99
TC-109	67	Timing cover, 435 hp & L88	89.99
BL-316	63-67	Timing cover bolts, 327 (10).....	9.99
BL-310	65-67	Timing cover bolts, 396 & 427 (10).....	9.99
TC-122	63-67	Timing cover dowel pins (2)	3.49
TC-100	63-67	Timing cover gasket set, 327	19.99
TC-101	65-67	Timing cover gasket set, 427	23.99

Note: Timing cover gasket sets include front balancer oil seal, lower seal, cover gasket, and thermostat, water pump and fuel pump gaskets.

TC-115	63-67	Timing cover tab, 250 & 300 hp.....	12.99
TC-128	63	Timing cover tab, 340-360 hp	12.99
TC-116	64-65	Timing cover tab, 350-375 hp	12.99
TC-127	66-67	Timing cover tab, 350 hp.....	12.99
TC-117	65-66	Timing cover tab, 425 hp.....	12.99
TC-118	66	Timing cover tab, 390 & 400 hp.....	12.99
TC-119	67	Timing cover tab, 390 & 400 hp.....	12.99
TC-120	67	Timing cover tab, 430 & 435 hp.....	12.99



Timing Chain & Gear

M-2355	63-66	Timing gear set, 327	69.99
M-2356	67	Timing gear set, 327	29.99
EN-153	65-67	Timing gear set, 396 & 427.....	49.99

Idler Pulley

M-256	63E	Idler pulley assembly, 327 w/Sp. Hi-Perf, includes zinc pulley & bracket	132.99
M-257	63L-65	Idler pulley assembly, 327 w/Sp. Hi-Perf, includes black pulley & bracket.....	132.99
M-4273	63-65	Idler pulley bearing, repairs pulley assembly	84.99
M-158B	63-65	Idler pulley mount adjusting stud & nut	15.99
BL-473	63-65	Idler pulley bracket mount bolt & washer	2.49



Engine Mounts

M-2234	63-67	Engine mount, correct original-style.....	ea	19.99
ZM-2988	63-67	Engine mount, replacement.....	ea	14.99
M-3732	63-67	Engine mount, polyurethane.....	ea	54.99
M-2494	63-67	Engine mount shim, 427 w/AC.....	ea	11.99
BL-327	63-67	Engine mount to block bolts, "E" bolts, black (6).....		12.99
BL-394	63-67	Engine mount to block bolts, "Anchor" bolts, zinc (6).....		12.99
BL-326	63-67	Engine mount to frame bolt set, replacement bolts (8 pcs).....		5.99
BL-393	63-65	Engine mount to frame bolt set, "UR" bolts (8 pcs).....		18.99
BL-528	66-67	Engine mount to frame bolt set, "F" bolts (8 pcs).....		12.99
M-3289	63-67	Engine mount frame bracket, welds on (LH or RH).....		119.99
M-3625	63-67	Engine mount ground strap (2 per car).....	ea	6.99



LS Conversion Engine Mounts

G Force adjustable engine mounts allow for installation of LS engines in early model Corvettes. Designed to position the bellhousing in the factory location. Sold in pairs. Includes hardware.

M-4219	63-67	LS conversion engine mounts.....		159.99
--------	-------	----------------------------------	--	--------



Camshaft & Lifters

EN-143	63	Camshaft, solid lifters "097" design.....		219.99
EN-142	63-67	Camshaft, 327/250 & 300 hp, hydraulic lifters.....		99.99
EN-145	64-65	Camshaft, 327/365 & 375 hp, solid lifters "30-30" design.....		149.99
EN-166	65-67	Camshaft, 327/350 hp, hydraulic lifters.....		109.99
EN-148	65-67	Camshaft, 425 hp & 435 hp, solid lifters.....		139.99
EN-149	66-67	Camshaft, 390 & 400 hp, hydraulic lifters.....		179.99
EN-148	67	Camshaft, 430 hp, solid lifters.....		139.99
EN-151	63-67	Hydraulic valve lifter set (16).....		99.99
EN-152	63-67	Solid valve lifter set (16).....		99.99



Camshafts are designed to factory OE specifications. Full specs including OE number, lift, duration, timing and center line degrees can be found at www.zip-corvette.com

Engine Gaskets & Plugs

M-4336	63-67	Cylinder head mount bolts, 327, replacement (34).....		49.99
BL-644	65-67	Cylinder head mount bolts, 396/427, "M" headmark (32).....		79.99
EN-157	63-67	Small square head front plug.....	ea	3.99
EN-156	65-67	Lower side block hex drain plugs (2).....		14.99
M-3830	65	Under fuel pump block plug, 396.....		9.99
M-3831	66-67	Under fuel pump block plug, 427.....		3.99
M-3598	63-67	Freeze plugs, 327, 1 5/8" cup (6 per car).....	ea	4.99
M-3599	65-67	Freeze plugs, 396 & 427, 1 3/4" cup (8 per car).....	ea	4.99

Note: Freeze plugs are correct reproductions without size indicator.

EN-100	63-67	Engine gasket set, full engine, 327.....		109.99
EN-103	65-67	Engine gasket set, full engine, 396 & 427.....		159.99

Note: Engine gasket sets include intake manifold, distributor and thermostat gaskets, head gaskets, valve stem seals, timing cover, water pump and fuel pump gaskets, exhaust manifold gaskets, oil pan and oil pan drain gaskets, oil pump shaft retainer and rear main bearing.

Starter

Remanufactured Starter

Rebuilt units covered by a 1-year limited warranty. Sold outright with no core required.

M-2912	63-67	Starter, 327.....		109.99
M-3373	65-67	Starter, 396 or L88.....		99.99
M-2910	66-67	Starter, 427.....		109.99



Starter Mount & Solenoid

BL-378	63-67	Starter bolts, 327, 396 or L88 (2).....		9.99
BL-379	66-67	Starter bolts, 427 (2).....		9.99
BL-380	63-67	Starter bolt shim kit (5).....		5.99
M-2404	63	Starter brace.....		14.99
M-2407	64-67	Starter brace, 327.....		13.99
M-2405	65-67	Starter brace, 396 or L88.....		19.99
M-2246	66-67	Starter brace, 427.....		12.99
BL-409	63-67	Starter brace bolt.....		1.49
M-3265	63-67	Starter brace nut.....		.99
M-3261	63-67	Starter solenoid, replacement.....		44.99
M-280	64-67	Starter solenoid shield, 327.....		11.99
M-3267	64-67	Starter solenoid shield screw.....		.99
M-3266	63-67	Starter solenoid nuts & lock washers (12 pcs).....		2.99
M-3165	66-67	Starter solenoid battery cable clip, 427.....		16.99



Starter Heat Shield

Wrap your Corvette's starter in this ceramic cloth-like insulation to help eliminate hard starts due to "heat soak" from the exhaust system. 7" x 24"; trim to exact length needed.



X-1701	Starter heat shield.....	29.99
--------	--------------------------	-------



ZipSocial    
Follow us on social media & stay connected! www.zip-corvette.com/social

Oil Pan & Filter

Oil Pan

OP-165	63-67	Oil pan, 100% correct 4-qt. reproduction, w/hydraulic lifters & steering dampener or power steering	329.99
OP-144	63-67	Pan, HD replacement w/LH dipstick, includes drain plug, w/o gaskets, use OP-151 pick-up & screen	89.99
OP-110	65-67	Pan, w/reinforcements & baffle, 396 & 427, does not include gaskets (GM issue)	249.99
OP-146	63-65	Pan baffle, 327 w/solid lifters	39.99
OP-158	63-65	Pan baffle stud, 327 w/solid lifters (5 per car)	ea 24.99
OP-159	65-67	Pan baffle, 396 & 427	24.99
OP-160	65-67	Pan baffle stud, 396 & 427 (4 per car)	ea 22.99
BL-318	63-67	Pan mount bolts, 327, "L" & "E" headmarks (18)	20.99
BL-317	65-67	Pan mount bolts, 396 & 427, "L" headmark (23)	20.99
OP-113	63-67	Pan gasket set, 327 (GM issue)	29.99
OP-114	65-67	Pan gasket set, 396 & 427 (GM issue)	24.99
OP-137	65-67	Pan reinforcement set, 396 & 427 (4)	24.99
OP-147	63-67	Drain plug w/gasket (correct "A" large head)	12.99
OP-201	63-67	Drain plug w/gasket, magnetic (correct "A" large head)	18.99
OP-200	63-67	Drain plug w/gasket, replacement	5.99
TL-107	63-67	Drain plug, rubber, use when drain plug hole is stripped	9.99
OP-149	63-67	Drain plug gasket, white plastic	1.99
OP-194	63-67	Drain plug gasket, metal/rubber	2.99



OP-165

OP-147



OP-144

OP-146

OP-158 (2)

ZDDPlus™ Oil Additive

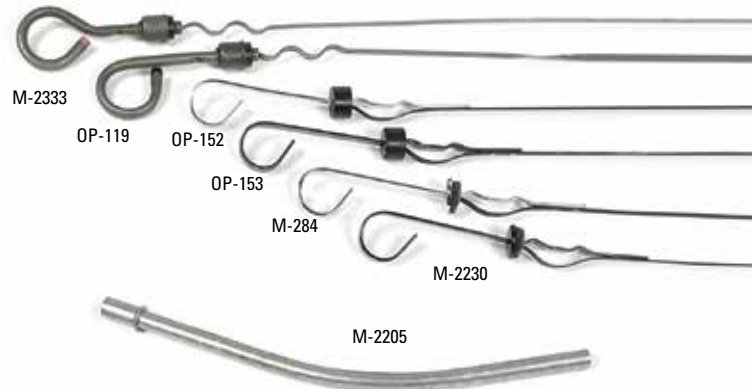
Today's oils are largely missing the key ingredient critical to a flat tappet engine's survival: zinc dialkyl dithiophosphate (ZDDP). ZDDPlus additive creates a protective film on cam and lifter contact points to prevent premature – and often catastrophic – wear. One bottle per 5 quarts at every oil change ensures your Corvette has the right amounts of protective zinc and phosphorus in the oil.



M-3835	ZDDPlus oil additive, 4 oz.	9.99
--------	----------------------------------	-------------

Oil Dipstick & Tube

M-2230	63	Dipstick, 250 & 300 hp, replacement (black)	26.99
OP-190	63	Dipstick, 250 & 300 hp, correct w/embossed - debossed blade (black)	59.99
M-284	63	Dipstick, Hi-Perf, replacement (chrome)	29.99
OP-191	63	Dipstick, Hi-Perf, correct w/embossed - debossed blade (chrome)	79.99
OP-153	64	Dipstick, hp (black)	24.99
OP-152	64	Dipstick, Hi-Perf (chrome)	29.99
OP-176	65	Dipstick, 250 & 300hp (black)	24.99
OP-119	66-67	Dipstick, 66 300 hp & 67 All, replacement, natural finish w/black button	24.99
OP-175	65-66	Dipstick, 327 Hi-Perf (chrome), can be used as chrome replacement for 67 327	27.99
M-2333	65-67	Dipstick, 396 & 427, replacement w/pink button	18.99
M-3575	63-67	Dipstick lower guide tube, 327	11.99
M-1127	63-64	Dipstick upper guide tube	11.99
OP-177	63-64	Dipstick upper guide tube, chrome replacement	11.99
M-2205	65-67	Dipstick upper guide tube, 327	11.99
OP-178	65-67	Dipstick upper guide tube, 327, chrome replacement	11.99
M-2332	65-67	Dipstick upper guide tube, 396 & 427	24.99



Reproduction Dipstick

100% correct reproduction dipstick features correct finish and button color and includes new handle without dimple.

OP-157	65-66	Dipstick, 250 & 300 hp (unplated)	49.99
OP-154	65-66	Dipstick, Hi-Perf (chrome)	49.99
OP-157	67	Dipstick, 300 & 350 hp (unplated)	49.99
OP-155	65-67	Dipstick, 396 & 427	49.99



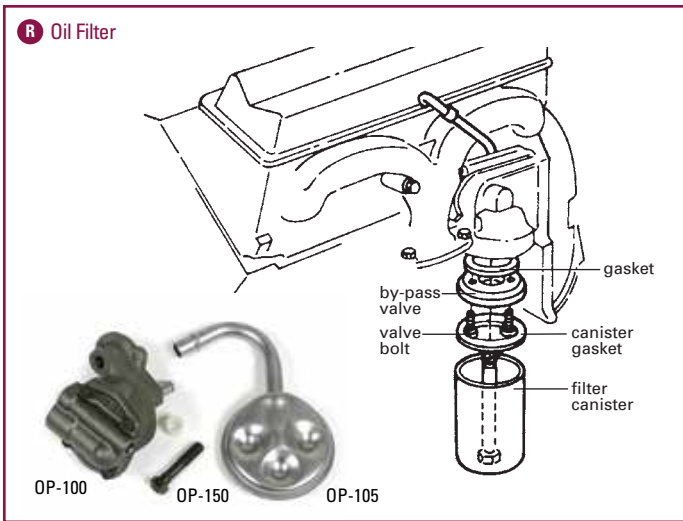
Dipstick Repair Kit

Recondition your Corvette's OE dipstick with a new rubber boot and correct color button. Small-block engines used a black button, big-block engines used a pink or salmon-colored button.



M-3626	65-67	Dipstick repair kit, 327	14.99
M-3627	65-67	Dipstick repair kit, 396 & 427	14.99

R Oil Filter



Oil Pump

OP-100	63-67	Oil pump, 327 w/hydraulic cam.....	69.99
OP-101	63-65	Oil pump, 327 Hi-Perf w/solid lifters.....	99.99
OP-104	65-67	Oil pump, 396/425 hp, 427/435 hp & L88.....	119.99
OP-102	66-67	Oil pump, 427 w/o Hi-Perf.....	99.99
OP-150	63-67	Oil pump mount bolt, 327.....	4.49
OP-167	65-67	Oil pump mount bolt, 396/427.....	2.99
OP-151	63-67	Oil pump pick-up & screen, replacement pan.....	24.99
OP-105	63-67	Oil pump pick-up & screen, 327.....	29.99
OP-106	65-67	Oil pump pick-up & screen, 396 & 427.....	48.99
OP-174	65-67	Oil pump pick-up & screen, 396 & 427, replacement.....	22.99

Oil Filter Conversion Kit

Dump that messy canister and spin-on a standard PF-25 filter instead. Includes bolts, spacer and gaskets. Must order filter and by-pass valve separately.



OP-115	63-67	Filter conversion kit.....	44.99
--------	-------	----------------------------	-------

Oil Filter

OP-122	63-67	Filter by-pass valve w/gasket (R).....	51.99
OP-125	63-67	Filter by-pass valve bolts (2) (R).....	2.99
OP-145	63-67	Filter by-pass valve gasket (R).....	5.00
M-179	63-67	Filter canister w/silkscreen (PF-141) (R).....	109.99
M-179A	63-67	Filter canister element w/gasket (PF-141).....	14.99
M-3609	63-67	Filter canister gasket (R).....	5.99
OP-173	63-67	Filter canister repair kit, includes copper, rubber & steel washers, inner tube & retainer clip.....	18.99
MF-288	63-67	Oil canister decal (PF-141).....	4.99



Oil Fill Tube & Cap

M-2307	63	Fill tube, 250 & 300 hp, black.....	25.99
M-2202	63	Fill tube, 340 hp, chrome.....	29.99
M-2604	63	Fill tube, F.I., chrome.....	29.99
M-275	64-65	Fill tube, 250 & 300 hp.....	24.99
M-274	64-65	Fill tube, 350-375 hp, chrome.....	29.99
M-2308	66-67	Fill tube, 300 hp, black.....	26.99
M-277	66-67	Fill tube, 350 hp, chrome.....	31.99
M-3610	63E	Fill tube cap, black.....	9.99
M-4345	63E	Fill tube cap, unplated.....	9.99
M-201	63-65	Fill tube cap, chrome.....	22.99
M-2302	66-67	Fill tube cap, 300 hp, black.....	22.99
M-2240	66-67	Fill tube cap, 350 hp, chrome.....	19.99
M-3611	63-65	Fill tube cap cork gasket w/hole.....	3.99
M-3608	65-67	Valve cover oil cap, 396 & 427, replacement w/"S" rivet in cap.....	24.99
M-2336	65-67	Valve cover oil cap, 396 & 427, correct black reproduction w/"S" rivet in cap.....	29.99



Oil Line Kit

Small-diameter copper plated steel tube as OE. Fits from block fitting to gauge. Includes compression fittings and block fitting.

Z-842	63-65	Oil pressure tube kit, F.I., (5) fittings & tube.....	36.99
CZ-1239	63-65	Oil pressure tube kit w/prebent pressure line, F.I.....	49.99
OP-187	63-65	Oil pressure tube only, F.I. (copper plated steel).....	45.99
Z-841	63-67	Oil pressure line kit, 327 (copper replacement).....	9.99
CZ-1109	63-67	Oil pressure line kit, 327 (copper plated steel).....	15.99
CZ-1240	63-67	Oil pressure line kit, 327 (copper plated steel, prebent).....	24.99
Z-840	65-67	Oil pressure line kit, 427 (copper plated steel).....	15.99
CZ-1020	65-67	Oil pressure line kit, 427, (copper plated steel line w/prebent special coil).....	24.99
CZ-1241	63-67	Oil pressure line compression fittings & adapter (3 pc).....	6.99
M-2983	63-67	Oil line block fitting, 327.....	4.49
M-2983	65-67	Oil line block fitting, 427, screws into adapter fitting.....	4.49
M-3068	65-67	Oil line block adapter fitting, 425-435 hp (bushing).....	5.99
M-3628	67	Oil line block elbow, 427 w/Automatic.....	8.99
M-2213	63-67	Oil pressure line grommet, 2-hole.....	6.99
M-4160	63-67	Oil pressure line grommet, w/AC, 4-hole.....	6.99
M-3629	65-67	Block plug, 396 & 427, located near oil pressure line fitting in block.....	6.99



Valve Covers

327 Valve Covers

Valve Covers

M-162	63-67	Aluminum valve cover, includes GM casting flaw.....ea	89.99
VC-309	63-67	Aluminum valve cover, high quality reproduction w/o casting flaw.....ea	169.99
VC-308	63-66	Steel valve covers, painted (pair).....	139.99
VC-307	63-66	Steel valve covers, chrome (pair).....	169.99
VC-323	67	Steel valve covers (pair).....	159.99



Zip Resto Tip: Aluminum Valve Covers

With the valve covers removed from the engine, rinse them with water and spray with a degreasing solution such as Simple Green. Let the solution set for about 5 minutes and then scrub the covers with a firm-bristled brush to remove all traces of oil and grime. Thoroughly rinse and allow to dry completely before continuing. Once dry, lightly mist dull aluminum paint onto the covers with one or two passes. After applying the light coating, pour half a pint of lacquer thinner into a steel or glass container and spray the thinner with the aluminum paint. With a small brush (1/2" recommended) in hand, wet the brush in the thinner/paint solution and brush the covers. Work the surface until the desired look is reached. The thinner will evaporate and the paint will be left in the pores of the aluminum, making your valve covers look new again. If the covers look as if they have been painted, then too much paint was applied and you will need to brush-on more lacquer thinner. If oily stains can be seen, reapply a heavier coating of aluminum paint and continue with the application steps.

VC-309



M-162

Flaw Detail

VC-323



VC-308



VC-307



MF-120



MF-124

MF-128



MF-116

MF-118



MF-109



MF-108



MF-113

Valve Cover Decals

MF-107	63-65	Valve cover decals, 250 hp, mylar replacement (2).....	9.99
MF-514	63-65	Valve cover decals, 250 hp, water soluble (2).....	9.99
MF-108	63-65	Valve cover decals, 300 hp, mylar replacement (2).....	9.99
MF-515	63-65	Valve cover decals, 300 hp, water soluble (2).....	9.99
MF-109	63	Valve cover decals, 340 hp, mylar replacement (2).....	9.99
MF-516	63	Valve cover decals, 340 hp, water soluble (2).....	9.99
MF-111	65-66	Valve cover decals, 350 hp, mylar replacement (2).....	9.99
MF-518	65-66	Valve cover decals, 350 hp, water soluble (2).....	9.99
MF-110	63	Valve cover decals, 360 hp, mylar replacement (2).....	9.99
MF-517	63	Valve cover decals, 360 hp, water soluble (2).....	9.99
MF-112	64-65	Valve cover decals, 365 hp, mylar replacement (2).....	9.99
MF-519	64-65	Valve cover decals, 365 hp, water soluble (2).....	9.99
MF-113	64-65	Valve cover decals, 375 hp, mylar replacement (2).....	9.99
MF-520	64-65	Valve cover decals, 375 hp, water soluble (2).....	9.99
MF-116	63	Valve cover "Turbo-fire" emblem (2).....	12.99
MF-117	63-66E	Valve cover "Turbo-fire" emblem (2).....	9.99
MF-118	66L	Valve cover "Turbo-fire" emblem, 300 hp (2).....	9.99
MF-120	67	Flint #1 emblem.....	5.99
MF-122	66-67	Valve cover code "HE", 300 hp Manual.....	4.49
MF-123	66-67	Valve cover code "HH", 300 hp.....	4.49
MF-124	66-67	Valve cover code "HO", 300 hp.....	4.49
MF-125	66-67	Valve cover code "HR", 300 hp.....	4.49
MF-126	66-67	Valve cover code "HT", 350 hp.....	4.49
MF-127	66-67	Valve cover code "HD", 350 hp.....	4.49
MF-128	66-67	Valve cover code "HP", 350 hp.....	4.49
MF-129	66-67	Valve cover code "KH", 350 hp.....	4.49

Valve Cover Mount

ZMFB-76	63E	Aluminum cover bolts, phillips head (8).....	5.99
MFB-83	63L-67	Aluminum cover bolts, "M" headmark (8).....	10.99
ZMFB-78	63E	Steel cover bolts, phillips head (8).....	4.99
MFB-91	63-66	Steel cover bolts, "RBW" headmark (8).....	9.99
MFB-85	67	Steel cover bolts, "RBW" headmark (8).....	9.99
MFB-92	67	Steel cover bolts, 300hp, "TR" headmark (8).....	8.99
MFB-87	63-65	Steel cover bolt reinforcements (8).....	9.99
MFB-88	66-67	Steel cover bolt reinforcements (8).....	8.99
ZM-162A	63-67	Valve cover gasket set, cork (pair).....	14.99
M-3250	63-67	Valve cover gasket set, rubber (pair).....	24.99

MFB-83



MFB-87

MFB-85



MFB-91



MFB-88

396 & 427 Valve Covers

Valve Covers

VC-207	65-67	Valve covers, 396 & 427, includes PB slant & drippers, chrome replacement (pair).....	99.99
VC-315	65-67	Valve covers, 396 & 427, includes PB slant & drippers, unpainted replacement (pair).....	99.99
VC-204*	65-66	Valve covers, 396 & 427 w/o AC (pair).....	409.99
VC-203*	66	Valve covers, 427 w/AC (pair).....	429.99
VC-202*	67	Valve covers, 427 (pair).....	409.99
VC-303*	67	Valve covers, 427 L89, chrome (pair).....	529.99

*High-quality reproduction covers designed to meet judging standards. Include drippers, correct spot welds and power brake slants as original. Sold in pairs.



VC-315



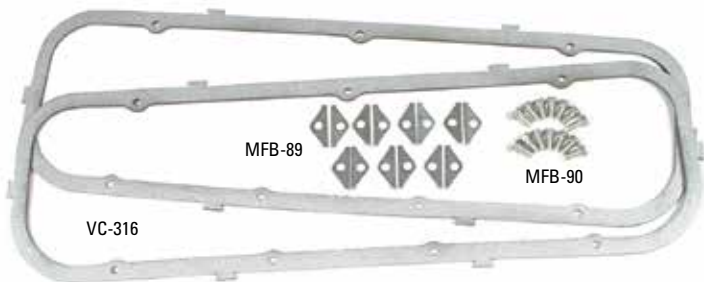
VC-207



VC-202

Valve Cover Mount

MFB-90	65-66	Valve cover bolts, "RBW" headmark (14).....	12.99
MFB-86	67	Valve cover bolts, "RBW" & "SBC" headmark (14).....	16.99
MFB-93	67	Valve cover bolts, w/AC, "RBW" & "SBC" headmark (14).....	16.99
MFB-84	67	Valve cover bolts, "TR" headmark (14).....	15.99
MFB-94	67	Valve cover bolts, radio delete, "RBW" headmark (14).....	13.99
MFB-89	65-67	Valve cover bolt reinforcements (14).....	16.99
VC-314	65-67	Valve cover gaskets, rubber (pair).....	26.99
VC-316	65-67	Valve cover gaskets, cork w/sealant (pair).....	22.99



MFB-89

MFB-90

VC-316

Valve Cover Grommets

WS-441	65	LH valve cover grommet.....	26.99
WS-494	65	RH valve cover grommet.....	3.99
WS-494	66-67	1x4 RH valve cover grommet.....	3.99
WS-490	66-67	1x4 LH PCV valve grommet.....	5.99
WS-494	67	3x2 LH valve cover grommet.....	3.99
WS-490	67	3x2 RH PCV valve grommet.....	5.99
M-3608	65-67	Valve cover oil cap, correct black replacement w/"S" rivet in cap.....	24.99
M-3608	65-67	Valve cover oil cap, correct black reproduction w/"S" rivet in cap.....	24.99



M-3608

WS-490

WS-441

M-2336

WS-494

Valve Cover Decals

MF-119	67	Tonawanda #1 decal.....	5.99
MF-121	66-67	PCV valve paper tag.....	5.99
MF-130	66-67	Valve cover code "IL", 390 hp.....	4.49
MF-131	66-67	Valve cover code "IM", 390 hp.....	4.49
MF-132	66-67	Valve cover code "IQ", 390 hp.....	4.49
MF-133	66-67	Valve cover code "IR", 390 hp.....	4.49
MF-134	66	Valve cover code "IP", 425 hp.....	4.49
MF-135	66	Valve cover code "IK", 425 hp.....	4.49
MF-136	67	Valve cover code "JC", 400 hp.....	4.49
MF-137	67	Valve cover code "JF", 400 hp.....	4.49
MF-138	67	Valve cover code "JD", 400 hp.....	4.49
MF-139	67	Valve cover code "JG", 400 hp.....	4.49
MF-140	67	Valve cover code "JE", 435 hp.....	4.49
MF-141	67	Valve cover code "JA", 435 hp.....	4.49
MF-142	67	Valve cover code "IU", 435 hp.....	4.49
MF-143	67	Valve cover code "JH", 435 hp.....	4.49
MF-144	67	Valve cover code "IT", 430 hp.....	4.49



MF-138

MF-130

MF-143

MF-135

MF-121

MF-119

396 & 427 Spark Plug Wire Supports

IS-355	65-66	Plastic wire support set (4).....	11.99
IS-356	67	Plastic wire support set (4).....	11.99
IS-226A	65-67	Plastic wire support, 4-wire w/stand.....	ea 2.99
IS-226B	65-67	Plastic wire support, 4-wire w/o stand.....	ea 2.99
IS-226C	65-67	Plastic wire support, 2-wire w/stand.....	ea 2.99
IS-226D	65-66	Plastic wire support, 3+1 w/stand.....	ea 3.99



IS-356

IS-355



Distributor & Ignition

Distributor

M-199	63-67	Distributor, tach drive, single point w/vacuum advance, 327 base motor.....	599.99
M-199H	63-67	Distributor, tach drive, single point w/vacuum advance, Hi-Perf.....	599.99
M-3198	64-67	Distributor, T.I.....	1,099.99
M-2341	63-67	Distributor base gasket.....	2.99
M-2496	63-67	Hold down w/bolt, wire-style.....	14.99
M-3046	63-67	Hold down w/bolt, flat.....	11.99



Rebuilt Tach Drive Distributor

Rebuild includes complete disassembly, installation of new housing bushings, line boring to original tolerances and re-assembly with new hardened mainshaft, lower gear, improved cross shaft gear and ignition points. Zip can even convert your Corvette's distributor to a full electronic ignition set-up using Pertronix's Ignitor III set-up.

S-143	63-67	Rebuilt distributor, base motor.....	399.99
S-144	63-67	Rebuilt distributor, Hi-perf.....	399.99
S-232	64-67	Rebuilt distributor, transistor ignition.....	759.99
M-3933	63-67	Rebuilt distributor w/Pertronix III, base motor.....	489.99
M-3932	63-67	Rebuilt distributor w/Pertronix III, Hi-Perf.....	489.99

Note: Distributors sold on exchange. Add \$200 refundable core charge if rebuildable core does not accompany order.



HEI Tach Drive Distributor

Keep your factory tach – and get the performance of no-points HEI. Note: cap will not fit under OE shielding. Requires 13.7 volts. Pigtail connects HEI coil to original harness. Requires HEI spark plug wires.

M-3790	63-67	HEI tach drive distributor.....	119.99
E-1115	63-67	HEI coil wiring harness pigtail.....	13.99



Dragon Fire Pro Series Electronic Distributor

Electronic Distributor with mechanical tach drive and yet small enough to fit under the factory ignition shielding. Features a magnetic pickup and module, which means it can be used with just an ignition coil - no need for an expensive or distracting aftermarket ignition box. Zip recommends a Flame-Thrower III ignition coil. Female cp allows for use of stock spark plug wires.

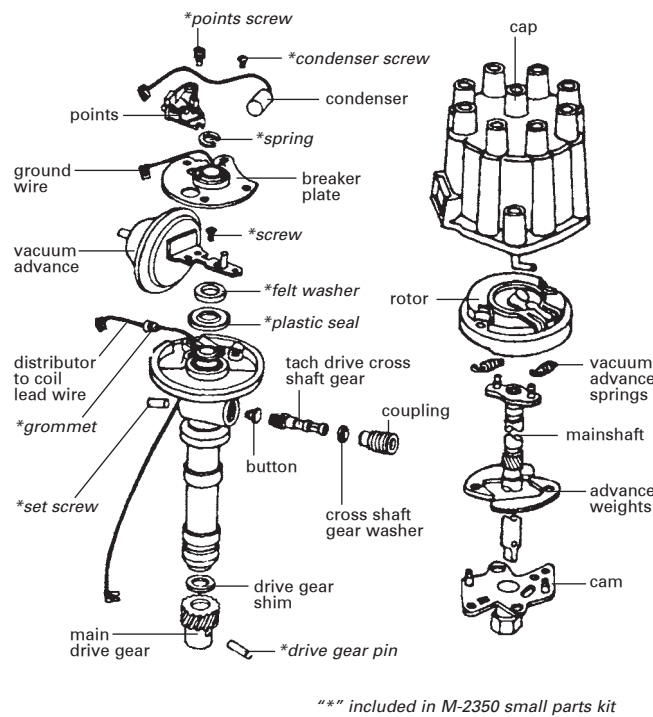
M-4311	63-67	Pro Series electronic distributor, black.....	159.99
M-4312	63-67	Pro Series electronic distributor, red.....	159.99

Internal Rebuild Components

M-3202	63-67	Breaker plate (S).....	36.99
M-3600	63-67	Breaker plate ground wire only (S).....	9.99
M-3709	63-67	Cap, "Delco Remy" reproduction, correct material w/aluminum contacts.....	49.99
M-3442	63-67	Cap, single window, replacement (S).....	24.99
M-286	63-65	Cap, F.I., short tower.....	34.99
M-1136	63-67	Condenser, inside distributor (S).....	9.99
E-1133	63-67	Condenser, inside distributor (correct) (S).....	24.99
SF-560	63-67	Condenser screw & washer (S).....	1.49
M-2340	63-67	Distributor to coil lead wire (S).....	12.99
M-3601	63-67	Distributor to coil lead wire grommet (S).....	3.99
M-216	63-67	Mainshaft, base motor (S).....	64.99
M-2984	63-67	Mainshaft, Hi-Perf (S).....	64.99
M-4056	63-67	Mainshaft cam (S).....	38.99
M-3602	63-67	Mainshaft cam lubricating wick & retainer.....	10.99
M-3604	63-67	Mainshaft felt seal (S).....	2.99
M-3603	63-67	Mainshaft top rubber sleeve.....	2.49
M-2347	63-67	Main drive gear (on bottom) (S).....	22.99
M-3605	63-67	Main drive gear attaching pin (S).....	.99
M-2351	63-67	Main drive gear shim pack (6) (S).....	7.99
M-1134	63-67	Points (S).....	24.99
SF-561	63-67	Points attaching screws (2) (S).....	1.99
M-1135	63-67	Rotor, reproduction (S).....	13.99
M-2350	63-67	Small parts kit, includes points screws, condenser screw, vacuum advance screws, breaker plate retention spring, felt washer, plastic seal, main drive gear pin & lead wire grommet (S).....	16.99
M-3448	63-67	Tach drive cross shaft gear (improved) (S).....	34.99
M-3447	63-67	Tach drive cross shaft gear washer (S).....	2.49
M-2544	63-67	Tach drive cross shaft gear button, plastic (S).....	2.99
M-215	63-67	Tach drive cross shaft gear brass coupling (S).....	16.99
M-4023	63-67	Upper plastic seal, cup shaped.....	3.99
M-2342	63-67	Vacuum advance, base motor (S).....	28.99
M-2352	63-67	Vacuum advance, Hi-Perf (S).....	29.99
SF-562	63-67	Vacuum advance mount hardware (4 pcs) (S).....	1.49
M-3606	63-67	Vacuum advance spring & weight kit, includes new weights & springs (S).....	15.99



S Tach Drive Distributor

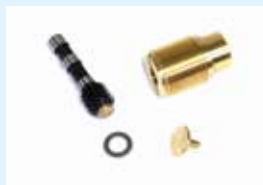


Visit us online: www.zip-corvette.com/eng3
Replacing the tach drive gear and coupling



Gear Replacement Kit

Mid-year Corvettes are known for stripping tach drive cross shaft gears. Kit includes improved tach gear, brass button, washer and brass coupling. Stainless Dura-Last coupler/gear kit includes "roller" bearing to eliminate potential wear.



M-4069	63-67	Tach drive gear replacement kit.....	52.99
M-4216	68-74	Stainless Dura-Last coupler & gear kit.....	84.99

Distributor Rebuild

Over time, the mainshaft wears the soft brass bushings in the distributor housing and begins to "wobble" – the likely culprit behind persistent drive gear problems. Fresh upper and lower bushings will have your distributor performing like new.



M-3444	63-67	Mainshaft lower bushing.....	8.99
M-3443	63-67	Mainshaft upper bushing.....	12.99
M-253	63-67	Mainshaft bushing installation tool.....	9.99

Identification

M-3183	63-67	Identification band, specify year, engine & date needed.....	34.99
MG-186	63-67	Identification band dye.....	8.99



Ignitor Electronic Ignition

Enjoy the benefits of High Energy ignition while keeping your Corvette "all-original" underhood – all components fit inside the distributor cap for a truly stealth install.

Ignitor replaces points and condenser with an electronic module for quick starts, better fuel economy, longer plug life and more horsepower. Ignitor II senses coil current and adjusts dwell up-down using a micro controller. The result? Constant peak energy over the entire rpm range. Ignitor III delivers "box ignition" performance – without the box! Five times more spark energy than points, plus a user-set rev limiter. All kits are compatible with stock coil, or for more juice add a Flame-Thrower™ coil and matching plug wires at same time. See expanded descriptions of Ignitor ignition components online at www.zip-corvette.com.



E-540	63-67	Ignitor conversion kit.....	99.99
E-823	63-67	Ignitor II conversion kit.....	139.99
E-1108	63-67	Ignitor III conversion kit.....	159.99

Note: See page 71 for Flame-Thrower ignition coils and page 72 for Flame Thrower spark plug wires.

Visit us online: www.zip-corvette.com/eng4
How to convert to a Pertronix electronic ignition



Distributor Upgrades

M-1112	63-67	Tach drive gear set screw, eliminates excessive end play in tach gear.....	99
TL-101	63-67	Set screw tap guide insert tool (R).....	10.99
TL-102	63-67	Set screw threaded drill guide.....	13.99
M-2782	63-67	Tach cable adapter, 90° w/grease fittings (prevents broken cables).....	49.99



F.I. Distributor Parts

M-286	63-65	Cap, short tower.....	34.99
FI-223	63-65	Cross shaft.....	69.99
FI-224	63-65	Drive coupler.....	99.99
FI-208	63-65	Mounting spacer.....	31.99
FI-225	63-65	Mounting spacer gaskets (2).....	8.99
FI-220	63-65	Tach coupler.....	55.99
FI-219	63-65	Rebuild kit (15 pcs).....	79.99



Distributor & Ignition continued

Transistor Ignition Distributor

M-3198	64-67	T.I. distributor	1,099.99
M-2341	63-67	T.I. distributor base gasket	2.99
M-3182	64-67	T.I. pick-up coil	229.99
E-1167	64-67	T.I. pick-up coil connector	8.99
M-3622	64-67	T.I. pick-up coil washer	3.99
M-3181	64-67	T.I. pole piece	149.99
M-3601	63-67	Distributor to coil lead wire grommet	3.99



Transistor Ignition Amplifier

M-3624	64-67	Amplifier, new reproduction w/solid state electronics	399.99
SF-567	64-67	Amplifier rear cover screw set, yellow (6)	4.99
SF-568	65	Amplifier mount screws	3.99
SF-569	66-67	Amplifier mount bolts & nuts	6.99
SF-570	66-67	Radiator shroud ground screw	1.49
MF-264	64-67	Amplifier sticker, T.I. ignition	4.99



T.I. Amplifier Module

Upgraded circuit board delivers instant hot or cold starts and over 25,000 volts up to 9,000 rpm. Simple to install – requires no changes to wiring and module is hidden inside amp housing to keep your Corvette looking all-original. Solid-state circuitry generates double the coil primary voltage of the factory unit for up to 10% more secondary available voltage with the stock coil.



E-499	64-67	Solid-state transistor ignition module	199.99
-------	-------	--	--------

Transistor Ignition Harness

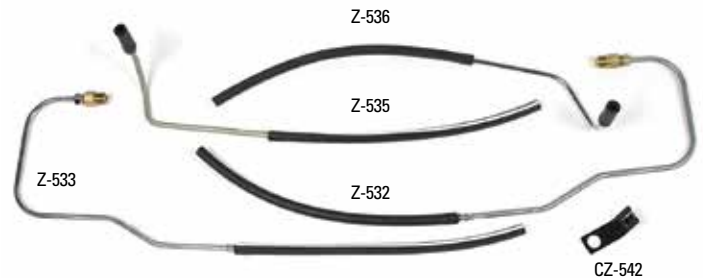
E-860	64-67	Transistor ignition amplifier extension harness, wiring coming out of amplifier	44.99
E-607	65	Transistor ignition amplifier ground wire, cars w/AC	14.99
E-861	65	Transistor ignition voltage regulator adapter harness	44.99
E-536	64-65	Transistor ignition wiring harness	164.99
E-537	66-67	Transistor ignition wiring harness	164.99
SF-572	66-67	Transistor ignition harness clip & screw, mounts under LH hood latch	3.49
E-862	64-65	Transistor ignition conversion kit	11.99
E-863	66-67	Transistor ignition conversion kit	11.99

Note: T.I. conversion kits include terminals and connectors same as used by factory to convert engine and dash harnesses to accept transistor ignition. Appropriate kit is included with E-536, E-1089, E-1090 and E-537 harnesses.

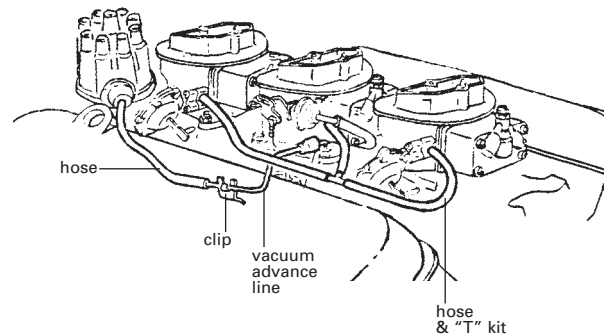
Vacuum Advance Line

Z-992	63-64E	Vacuum advance line, 250 & 300 hp	22.99
Z-532	64L-65	Vacuum advance line, 250 & 300 hp	22.99
Z-541	63	Vacuum advance line, F.I.	29.99
Z-533	63	Vacuum advance line, 340 hp (chrome)	28.99
Z-534	64-65	Vacuum advance line, 350 & 365 hp (chrome)	28.99
Z-540	65	Vacuum advance line, 425 hp	22.99
Z-535	66-67	Vacuum advance line, 300 hp	22.99
Z-536	66-67	Vacuum advance line, 350 hp (chrome)	28.99
Z-537	66-67	Vacuum advance line, 390 & 425 hp	22.99
Z-538	67	Vacuum advance line, 400 & 435 hp (chrome) (T)	28.99
CZ-1164	63	Vacuum advance line clip, F.I.	12.99
CZ-542	63-67	Vacuum advance line clip (T)	6.99
CZ-1236	63	Vacuum advance line fitting, 90 degree	4.99
Z-988	63-67	Vacuum advance line hose, 9" hose w/white stripe (T)	3.99
Z-722	67	Vacuum hose & "T" kit, 3x2 (T)	8.99

Note: Vacuum advance lines include correct white-striped hoses.



T 3x2 Vacuum Advance Line & Hoses



Correct Vacuum Advance

Exact reproduction of original-equipment vacuum advance. Features correct shape, color and embossed part number.

M-3230	63-67	Vacuum advance #201, 63 All, 64 250 & 300 hp and 65-67 425 & 435 hp	49.99
M-3231	64-67	Vacuum advance #236, 64-67 350 & 370 hp and 65 250 & 375 hp	49.99
M-3233	66-67	Vacuum advance #355, 66-67 300 hp	49.99
M-3233	66-67E	Vacuum advance #355, 390 & 400 hp	49.99
M-3232	67L	Vacuum advance #360, 390 & 400 hp	49.99
M-3234	67	Vacuum advance #373, L88	69.99
SF-562	63-67	Vacuum advance mount hardware (4 pcs)	1.49



Ignition Coil

Ballast Resistor

M-3472	63-67	Ballast resistor, 63-64 250 & 300 hp, 65-67 All except T.I. ignition	31.99
M-3471	63-65	Ballast resistor, F.I. & Hi-Perf (black dot)	31.99
SF-357	63-67	Ballast resistor mount screw & washer	1.49



Ignition Coil

M-2338	63-67	Coil, STD ignition (Delco replacement) (U)	29.99
M-2328	64-67	Coil, T.I. ignition (replacement)	99.99
MF-263	64-67	Coil decal, T.I. ignition	4.49
ES-542	63-65	Coil capacitor #1960958	22.99
ES-541	66-67	Coil capacitor #1960958	22.99
E-484	66-67	Coil capacitor, 390 hp #1947452	22.99
SF-571	63-67	Coil capacitor mount screw99
M-3256	63-67	Coil terminal nuts, washers & retainer (6 pcs)	10.99
IS-321	65-67	Coil bracket w/pinch screw, 396 & 427 w/o 3x2	19.99
IS-328	67	Coil bracket w/pinch screw, 427 w/3x2	22.99
BL-708	65-67	Coil bracket mount bolts, 396 & 427, "RBW" headmark (2)	4.99
SF-563	65-67	Coil bracket pinch screw, 396 & 427	1.99
IS-203	63-67	Coil/distributor shield RH bracket, 327 (U)	26.99
SF-419	63-67	Coil bracket pinch screw & washer, 327	1.99

Visit us online: www.zip-corvette.com/eng5
How to replace an ignition coil



Correct Part Number Coil

New reproduction coils licensed by GM. Embossed with original part number and features Delco Remy logo on tower. Available in standard and transistor ignition. For NCRS or Bloomington judging, call your Zip sales representative for information.



M-3117	63-64	Ignition coil #1115091, STD	89.99
M-3084	63-64	Ignition coil #1115087, STD	89.99
M-3901	64	Ignition coil #1115176, transistor	139.99
M-3902	65E	Ignition coil #1115203, transistor	139.99
M-3087	65-66	Ignition coil #1115210, transistor	139.99
M-3088	65-67	Ignition coil #1115202, STD	89.99
M-3089	65-67	Ignition coil #1115207, transistor	139.99
M-3729	66	Ignition coil #1115232, STD	89.99
M-3730	66	Ignition coil #1115231, transistor	139.99
M-3090	66	Ignition coil #1115261, transistor	139.99
M-3092	67	Ignition coil #1115264, STD	89.99
M-3093	67	Ignition coil #1115263, transistor	139.99

Flame-Thrower Ignition Coil

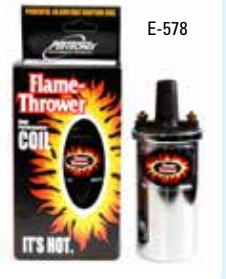
The Flame Thrower Coil by Pertronix is the perfect coil to go with an Ignitor breakerless ignition. Gain even more performance with 40,000 volts; allowing for larger spark plug gaps, smoother response and added fuel economy.

Flame-Thrower II- Designed for the Ignitor II ignition conversion. Low resistance of 0.6 Ohm and improved turns ratio provides even more performance- 45,000 volts.

Flame-Thrower III- Designed for the Ignitor III ignition conversion. Low resistance of 0.32 Ohm and improved turns ratio provides even more performance- 45,000 volts while charging faster at high RPMs. Rapid charge time means maximum spark energy sustained.

Oil filled coils offer great heat control for street driven Corvettes, epoxy filled provides superior winding support for high vibration environments. Available in black or chrome.

E-578	63-67	Flame-Thrower coil (epoxy)	56.99
E-1204	63-67	Flame-Thrower coil (oil)	42.99
E-1205	63-67	Flame-Thrower coil, chrome (oil)	44.99
E-1208	63-67	Flame-Thrower II coil (epoxy)	62.99
E-1207	63-67	Flame-Thrower II coil (oil)	48.99
E-1206	63-67	Flame-Thrower II coil, chrome (oil)	49.99
E-1209	63-67	Flame-Thrower III coil	49.99
E-1210	63-67	Flame-Thrower III coil, chrome	62.99



MSD Pro-Billet Distributor

Accurate magnetic pick-up, oversized shaft, and billet aluminum housing are just a few of the MSD advantages. Inside the billet distributor housing, a sealed ball bearing and long sintered bushing guide a 0.500" steel shaft for high rpm accuracy. Adjustable mechanical advance allows you to custom tailor timing curve. Must use MSD ignition box to complete your ignition upgrade.

PM-876	63-67	Pro Billet, black	363.99
PM-877	63-67	Pro Billet, red	351.99
PM-878	63-67	Pro Billet w/internal module & advance, black	452.99
PM-878	63-67	Pro Billet w/internal module & advance, red	452.99
M-4234	63-67	Pro Billet w/tach drive & advance	582.99



MSD Blaster 2 Ignition Coil

Designed for improved spark output- Special 100:1 windings provide maximum build-up of voltage! Oil filled metal canister and durable alkyd tower with brass primary terminals.

PM-883	63-67	Blaster 2 ignition coil, black	66.99
PM-882	63-67	Blaster 2 ignition coil, red	66.99

MSD Ignition Control

Microprocessor controlled, capacitive discharge ignition that multi sparks up to 3,000 RPM (single spark over 3,000 rpm) providing easy starts, a clean, smooth idle and quick throttle response by optimizing your engine's efficiency.

PM-881	63-67	Digital 6A ignition control box, black	291.99
PM-880	63-67	Digital 6A ignition control box, red	291.99



Spark Plugs

AC-Delco Spark Plugs

Insist on the best – genuine AC-Delco. Current production plugs are designed expressly for Corvettes to minimize radio interference. Order by application or check owner's manual for correct number. Sold each.

M-3001	63-67	Spark plug, 327 base motor (R45S)	2.99
M-2999	63-67	Spark plug, 327 Hi-Perf (R43).....	2.99
M-3003	65-67	Spark plug, 396 & 427 (R43XLS).....	2.99



M-2999



M-3001 M-2999

Reproduction AC-Delco Spark Plugs

New reproduction AC-Delco "small-block" plugs with correct green stripes and dimples as original. Set of 8 in reproduction Fire Ring boxes.

M-4003	63-67	Spark plugs, #43.....	64.99
M-4064	63-67	Spark plugs, #43S	64.99
M-4004	63-67	Spark plugs, #44.....	64.99
M-4065	63-67	Spark plugs, #44S	64.99
M-4002	63-67	Spark plugs, #45.....	64.99
M-4066	63-67	Spark plugs, #45S	64.99



M-4004



M-4004

M-4065

Ignition Rebuild Kit

Includes all-new distributor cap, single points, rotor, condenser and spark plug wires. Note: kit does not fit fuel injection Corvettes.

M-3019	63-67	Ignition rebuild kit, standard ignition	119.99
--------	-------	---	--------



Spark Plug Wires

Packard Spark Plug Wires

Built from original Packard Industries tooling, correct-length replacement wires feature correct Delcote II composition, authentic boots, and stainless steel terminals. Made in the USA.

M-3907	63-67	Spark plug wires, 327 (U).....	54.99
--------	-------	--------------------------------	-------



M-3907

Flame-Thrower™ Spark Plug Wires

M-3457

Pertronix Flame-Thrower spark plug wires provide yet another improvement for your Corvette's ignition system. Silicone jacketed wire sets feature rubber inner insulation for superior heat resistance with few arcing and voltage leaks. Fiberglass reinforced braid adds strength yet maintains flexibility. Low 500ohm per foot resistance. 7mm designed for small block applications; 8mm for big block.



M-3457	68-74	Flame-Thrower 7mm spark plug wires, 327/350.....	59.99
M-3456	68-74	Flame-Thrower 7mm spark plug wires, 427/454.....	59.99

MSD Super Conductor Spark Plug Wires

MSD's 8.5mm universal wire sets feature plug terminal and boot installed with the other end open. Distributor cap boots, terminals and Mini-Stripper-Crimper tool included- everything you need for a custom installation. Specify red or black.



M-4283	63-67	Spark plug wire set (90° plug boot).....	143.99
M-4284	63-67	Spark plug wire set (multi-angle plug boot)	143.99

Dragon Fire Sport Spark Plug Wires

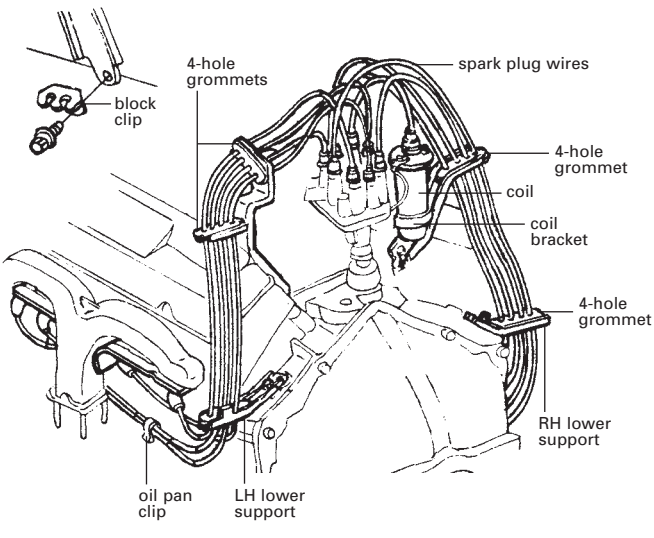
Dragon Fire Universal "Cut to Fit" 8.5mm spark plug wires with either 90° angle or 180° straight end boots. Designed to fit all Corvette applications including both HEI style (male) or factory style (female) distributor caps. 150 ohms per foot is possible with these spiral wound Kevlar core silicone jacketed wires. Brass Terminals. Available in red, black or with hi-temp ceramic boots in black. Car set.

M-4304	63-67	Dragon Fire Sport spark plug wires, 90° (red or black)	74.99
M-4305	63-67	Dragon Fire Sport spark plug wires, 180° (red or black)	74.99
M-4306	63-67	Dragon Fire Sport spark plug wires w/ceramic boots, 90°.....	139.99
M-4307	63-67	Dragon Fire Sport spark plug wires w/ceramic boots, 180°.....	139.99

M-4304



U Spark Plug Wires



Reproduction Spark Plug Wires

OE-style wires include correct script, date code and spark plug end boots. Wires are dated 1st or 3rd quarter; specify year of car and VIN number. 396 and 427 with factory radio had braided wires; big-block cars built radio delete used wires without braided covering. Car set.

E-554	63-67	Spark plug wires, 327 (dated) (U)	74.99
E-555	63-65	Spark plug wires, F.I. (dated)	89.99
IS-209	65-66	Spark plug wires, 396 & 427, braided (undated), w/valve cover clips	159.99
IS-218	67	Spark plug wires, 427, braided (undated), w/valve cover bolt attachment	159.99
E-556	65-67	Spark plug wires, 396 & 427, braided (dated)	169.99
E-557	65-67	Spark plug wires, 396 & 427, w/o radio, unbraided (dated)	74.99
M-4281	67	Spark plug wires, 427 L88	109.99

Note: Refer to chart below for recommended dating for '63-67. Serial numbers shown are the last five digits of the serial/VIN number – which corresponds to the assembly line build sequence.

Year	Serial#	Date
1963	00001 thru 09814	03-Q-62
	09815 thru 21513	1-Q-63
1964	00001 thru 12322	3-Q-63
	12323 thru 22229	1-Q-64
1965	00001 thru 11059	3-Q-64
	11060 thru 23564	1-Q-65
1966	00001 thru 15283	3-Q-65
	15284 thru 27720	1-Q-66
1967	00001 thru 12264	3-Q-66
	12265 thru 22940	1-Q-67

(sample date)



327 Spark Plug Wires Grommets & Clips

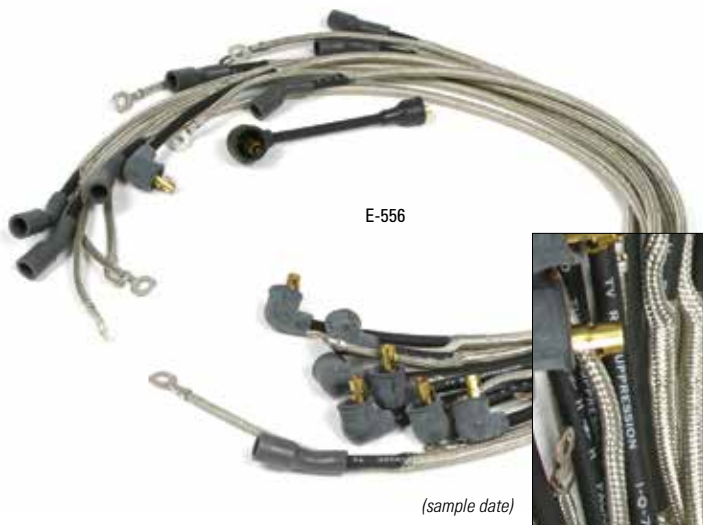
IS-109	63-67	Plug wire 4-hole in-line grommet (U)	ea 2.99
IS-231	63-67	Spark plug wire to block clip (U)	ea 3.99
IS-232	63-67	Spark plug wire to oil pan clip (U)	ea 3.99
IS-111	63-67	Spark plug wire lower support, LH (U)	16.99
IS-388	63-64	Spark plug wire lower support, RH (U)	16.99
IS-349	65-67	Spark plug wire lower support, RH (U)	14.99

Note: '63-64 right-hand plug wire lower support has 4 holes on one side, '65-67 has 2 holes on each side.



396 & 427 Spark Plug Wires Grommets & Clips

SF-573	65-67	Plug wire to top shield support grounding nuts (2)	2.49
IS-207B	65-67	Plug wire 4-hole square grommet	ea 2.99
IS-355	65-66	Plastic wire support set (4)	11.99
IS-356	67	Plastic wire support set (4)	11.99
IS-226A	65-67	Plastic wire support, 4-wire w/stand	ea 2.99
IS-226B	65-67	Plastic wire support, 4-wire w/o stand	ea 2.99
IS-226C	65-67	Plastic wire support, 2-wire w/stand	ea 2.99
IS-226D	65-66	Plastic wire support, 3+1 w/stand	ea 3.99



Ignition Shielding

327 Engine

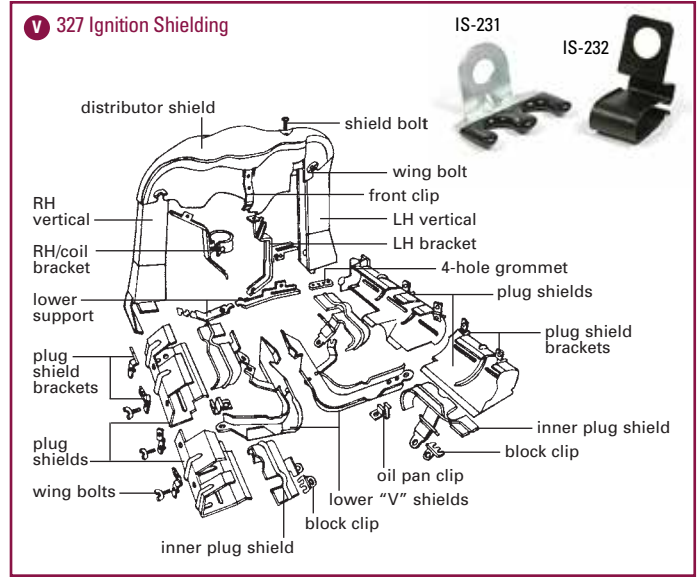
Distributor Top Shield

IS-205A	63E	Distributor shield w/front clip	229.99
IS-205B	63L	Distributor shield w/front clip	229.99
IS-205C	64-65E	Distributor shield w/front clip (V)	229.99
IS-205E	65L	Distributor shield w/front clip (V)	234.99
IS-205D	66-67	Distributor shield w/front clip (V)	229.99
IS-117	63-67	Distributor shield bolt, "E" headmark (V)	1.99
IS-202	63-66E	Distributor shield LH bracket (V)	26.99
IS-392	66L-67	Distributor shield LH bracket, fits 66-Late w/Automatic & 67 All (V)	22.99
IS-203	63-67	Distributor shield RH/coil bracket (V)	26.99
SF-419	63-67	Coil bracket screw & washer	1.99

Note: If your top shield is in otherwise good condition but the insulator needs replacing, Zip has replacement insulators and correct rivets.

IS-357	63	Top shield insulator	5.99
IS-359	64-67	Top shield insulator, 327	5.99
IS-358	63-64	Top shield insulator rivets (3)	2.99
IS-361	65-67	Top shield insulator rivets (2)	4.99

IS-205C



Inner Plug Shields & Lower "V" Wire Shields

IS-212	63-67	Lower "V" wire shield (LH or RH) (V)	69.99
IS-220	63-67	Inner plug shield, left front (V)	10.99
IS-221	63-67	Inner plug shield, left rear (V)	10.99
IS-221	63-67	Inner plug shield, right front (V)	10.99
IS-220	63-67	Inner plug shield, right rear (V)	10.99
IS-381	63-67	Inner plug shield set (4)	29.99
IS-365	63-67	Inner plug shield & lower "V" mount bolts, also mounts rear wire supports (6) (V)	6.99

Grounding Clips

Attach to distributor shield – front clip includes rivets; rear clip installs into holes on distributor shield.



IS-396	63E	Front clip w/rivets	12.99
IS-397	63L-64	Front clip w/rivets (V)	12.99
IS-398	65	Front clip w/rivets (V)	12.99
IS-399	66-67	Front clip w/rivets (V)	12.99
SF-876	66-67	Front clip rivets & washers (4 pcs)	1.99
IS-229	63-67	Rear ground clip, w/carburetor	16.99
IS-230	63-65	Rear ground clip, w/F.I.	21.99

Vertical Shields

IS-331	63	Vertical shield, LH (w/indent)	49.99
IS-210	64-67	Vertical shield, LH (V)	44.99
IS-211	63-67	Vertical shield, RH (V)	46.99
IS-387	63-67	Vertical shield lower J-nut	1.99
IS-111	63-67	Vertical shield lower support, LH (V)	16.99
IS-388	63-64	Vertical shield lower support, RH (V)	16.99
IS-349	65-67	Vertical shield lower support, RH (V)	14.99

Note: '63-64 right-hand plug wire lower support has 4 holes on one side, '65-67 has 2 holes on each side.



Outer Plug Shields

IS-214	63-65	Plug shield, left front (V)	49.99
IS-324	66-67	Plug shield, left front (V)	49.99
IS-325	63-65	Plug shield, left rear (V)	49.99
IS-215	66-67	Plug shield, left rear (V)	49.99
IS-200	63	Plug shield, right	59.99
IS-228	64-65	Plug shield, right front (V)	49.99
IS-326	66-67	Plug shield, right front (V)	49.99
IS-217	64-65	Plug shield, right rear (V)	49.99
IS-327	66-67	Plug shield, right rear (V)	49.99
IS-106	63	Plug shield RH "L" bracket (2 per car)	ea 5.59
IS-377	63	Plug shield brackets, LH, correct (4)	18.99
IS-372	64-67	Plug shield outer bracket (V)	ea 6.99
IS-373	64-67	Plug shield inner rear bracket (V)	ea 6.99
IS-374	64-67	Plug shield inner front bracket (V)	ea 6.99
IS-371	64-67	Plug shield bracket set (8)	38.99

Plug Wire Clips, Grommets & Wing Bolts

IS-231	63-67	Plug wire clip on block (V)	ea 3.99
IS-232	63-67	Plug wire clip on oil pan (V)	ea 3.99
IS-109	63-67	Plug wire 4-hole inline grommet (V)	ea 2.99
IS-421	63-67	Wing bolts, correct shape, chrome (4) (V)	6.99



396 & 427 Engine

Distributor Top Shield

IS-208A	65	Distributor surround lower w/clip (W).....	Call
IS-208B	66	Distributor surround lower w/clip (W).....	149.99
IS-208C	67	Distributor surround lower w/clip, 1x4	149.99
IS-208D	67	Distributor surround lower w/clip, 3x2	149.99
IS-233	65-67	Distributor surround lower rear grommet (W).....	2.99
IS-219	65-67	Distributor surround top (W).....	99.99
IS-395	65-67	Distributor cover LH bracket (W)	22.99
IS-393	65	Distributor cover RH bracket (W).....	22.99
IS-394	66-67	Distributor cover RH bracket (W).....	22.99
SF-573	65-67	Distributor cover bracket spark plug wire grounding nuts (2)	2.49

Note: If your top shield is in otherwise good condition but the insulator needs replacing, Zip has replacement insulators and correct rivets.

IS-360	65-67	Top shield insulator, 427	6.99
IS-361	65-67	Top shield insulator rivets (2).....	4.99

IS-208C



Grounding Clip

Attaches to distributor shield – includes correct rivets for attaching to shield.

IS-403	65-66	Front clip w/rivets (W)	12.99
IS-404	67	Front clip w/rivets, 1x4	12.99
IS-405	67	Front clip w/rivets, 3x2	18.99
SF-876	65-67	Front clip rivets & washers (4 pcs)	1.99

IS-405



Plug Tube Shields

IS-383	65-66	Plug tube shield (W).....	ea 12.99
IS-227	65-66	Plug tube shields (8).....	89.99
BL-701	65-66	Plug tube shield "E" bolts & washers (16 pcs) (W).....	11.99

Small-Block Shielding Kit

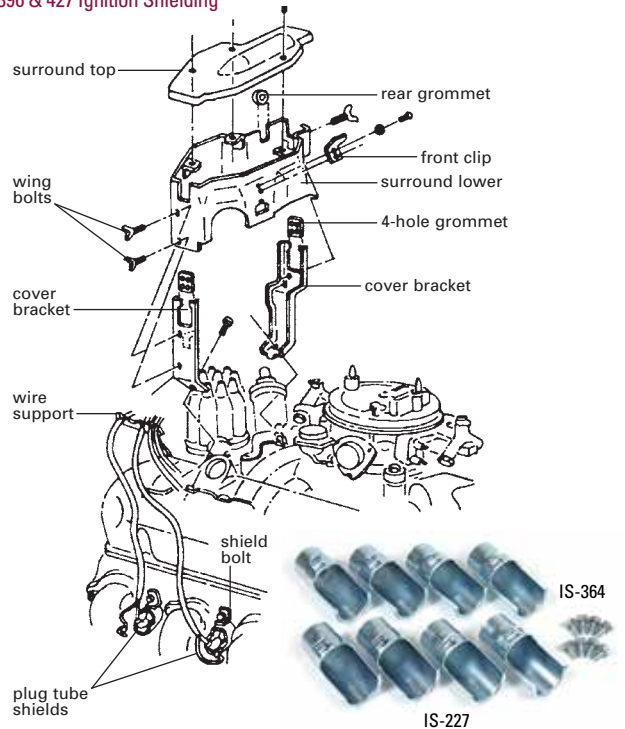
Includes all outer plug shields, brackets, grommets and wing bolts to fasten shields to engine block. Deluxe add-on kit includes inner plug heat shields and lower "V" wire shields.

IS-337	63E	Ignition shield set, 327.....	629.99
IS-338	63L	Ignition shield set, 327.....	629.99
IS-339	64	Ignition shield set, 327.....	629.99
IS-354	65	Ignition shield set, 327.....	629.99
IS-340	66-67	Ignition shield set, 327.....	629.99
IS-400	63-67	Deluxe add-on kit.....	169.99

IS-354



W 396 & 427 Ignition Shielding



Plug Wire Grommets, Supports & Wing Bolts

IS-207B	65-67	Plug wire 4-hole square grommet (W).....	ea 2.99
IS-355	65-66	Plastic wire support set (4)	11.99
IS-356	67	Plastic wire support set (4)	11.99
IS-226A	65-67	Plastic wire support, 4-wire w/stand	ea 2.99
IS-226B	65-67	Plastic wire support, 4-wire w/o stand	ea 2.99
IS-226C	65-67	Plastic wire support, 2-wire w/stand	ea 2.99
IS-226D	65-66	Plastic wire support, 3+1 w/stand (W).....	ea 3.99
IS-421	63-67	Wing bolts, correct shape, chrome (4) (V).....	6.99



Big-Block Shielding Kit

Includes distributor surround lower and top shields, brackets, surround grommet, plug wire grommets and wing bolts.

IS-341	65	Ignition shield set, 396.....	Call
IS-342	66	Ignition shield set, 427.....	269.99
IS-343	67	Ignition shield set, 427 1x4	269.99
IS-344	67	Ignition shield set, 427 3x2.....	269.99

IS-343



Water Pump

Water Pump

WP-100	63-67	Water pump, 327, new	89.99
WP-113	63-65	Water pump, 250 & 300 hp, rebuilt original w/part #608.....	189.99
WP-134	63E	Water pump, 340-360 hp, new reproduction w/part #3782609.....	359.99
WP-114	63L-65	Water pump, 340-375 hp, rebuilt original w/part #326	249.99
WP-102	65-67	Water pump, 396 & 427, new.....	99.99
WP-138	63-67	Water pump shaft ceramic seal, 327.....	9.99
WP-139	65-67	Water pump shaft ceramic seal, 396 & 427	9.99
WP-123	63-67	Water pump backplate hex screws, 63-67 327 & 66-67 427 (6)	9.99
WP-124	65	Water pump backplate slotted screws, 396 (6).....	5.99



Visit us online: www.zip-corvette.com/eng6
How to install the Corvette water pump



Water Pump Rebuild Kit

Includes gaskets, bearing, shaft, stamped backplate, hub flange, pump impeller, and all required hardware to rebuild original pump. Rebuild requires use of a small shop press.

WP-148	63-67	Water pump rebuild kit, 327	59.99
WP-147	65-67	Water pump rebuild kit, 396 & 427	69.99



Visit us online: www.zip-corvette.com/eng7
How to rebuild your Corvette's water pump



Water Pump Mount

BL-652	63-65	Water pump mount bolts w/idler stud (4 pcs).....	15.99
BL-337	63-67	Water pump mount bolts, 327 w/o AC (4 pcs)	8.99
BL-366	64-67	Water pump mount bolts, 327 w/AC (4 pcs)	13.99
BL-365	65-67	Water pump mount bolt & stud set, 396 & 427 (4 pcs).....	12.99
ZWP-109	63-67	Water pump cork gaskets, 327 (3 pcs).....	7.99
ZWP-110	65-67	Water pump cork gaskets, 396 & 427 (3 pcs).....	7.99
BL-209	65-67	Water pump upper RH stud, 396 & 427.....	5.99



Water Pump Pulley

M-2971	63-65	327 w/o AC #356 (double)	189.99
M-2759	64-65	250 & 300 hp w/AC #680 (double).....	169.99
M-2760	63-67	340-375 hp #245, correct (double).....	349.99
M-4288	63-67	340-375 hp #245, reproduction (double).....	89.99
M-2761	64-67	350 & 365 hp w/AC, 66-67 300 & 350 hp w/AC, #419 (double)	189.99
M-2968	65	350 hp w/PS w/o AC #846 (single).....	99.99
M-2758	66-67	300 hp #995 (single).....	49.99
WP-104	65-67E	396 & 427 w/o AC #480 (double).....	149.99
WP-151	65-67E	396 & 427 w/o AC #480 CV (double).....	84.99
WP-107	67L	427 w/o AC #656 (double)	109.99
WP-106	66-67	427 w/AC #372, replacement (triple)	219.99
M-2974	66-67	327 & 427 w/A.I.R. water pump add-on pulley for smog pump (single).....	109.99
M-2460	63-67	Water pump pulley reinforcement.....	5.99



Water Pump By-Pass Hose

WS-500	63-67	By-pass hose, 327	9.99
WS-501	65-67	By-pass hose, 396 & 427	9.99
WS-4571	66-67	By-pass hose, 427 w/A.I.R.	11.99
M-3542	63-67	By-pass hose clamps, 327 (2)	11.99
HC-614	65-67	By-pass hose clamps, 396 & 427 (2).....	8.99
M-150	63-67	By-pass hose intake fitting, 327	8.99
M-200	63-67	By-pass hose 87° water pump fitting, 327	23.99
M-4026	63-67	By-pass hose 87° water pump fitting, 327, w/"CP" logo.....	33.99
M-2579	65-67	By-pass hose pipe, 396 & 427, press-in (2 per car).....	ea 6.99
M-3630	66-67	By-pass hose elbow, 427 w/A.I.R.	39.99

Note: '63-67 327 with Hi-Perf and all 396 and 427 Corvettes came from factory with water pump by-pass hoses from water pump to intake manifold.



Heater Hose Fittings

M-2218	63-67	Water pump heater hose fitting, w/o AC	8.99
M-2599	63-67	Water pump heater hose fitting, 327 w/AC	12.99
M-3651	66-67	Water pump heater hose fitting, 427 w/AC	6.99
M-3536	63-67	Heater hose fitting adapter, 3/4" to 1/2" NPT.....	11.99
M-3652	63-67	Intake or water pump heater delete plug.....	4.99

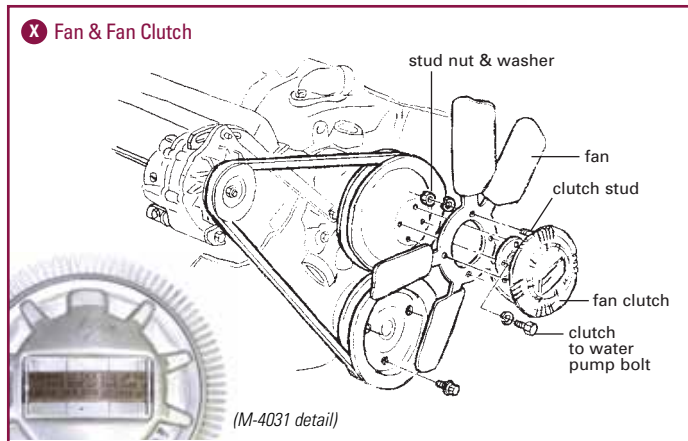


Fan & Fan Clutch

Fan

M-3942	63-64E	Fan, 327 w/o AC, 5 blades (correct)	249.99
M-3944	63-64E	Fan, 327 w/AC, 5 blades (correct)	249.99
M-3946	64-65	Fan, 327 w/AC, 7 blades (correct)	249.99
M-3945	64L-67	Fan, 327 w/o AC, 5 blades (correct)	229.99
M-3947	66-67	Fan, 327 w/AC, 5 blades (correct)	229.99
M-3948	65	Fan, 396, 5 blades (correct)	249.99
M-3949	66-67	Fan, 427, 5 blades (correct)	229.99
M-2422	66-67	Fan, 427, 5 blades (replacement)	199.99

Note: Correct reproduction fans include correct diameter and pitch for application, stampings on center, and correct round or flat head rivets as original. See expanded descriptions of fans online at www.zip-corvette.com.



Fan Clutch

M-2795	63-67	Fan clutch, replacement thermostatic	49.99
M-4329	63-67	Fan clutch, reproduction "Eaton" style	159.99
M-3781	63-67	Fan clutch eliminator, replaces fan clutch with solid mount, includes hardware for fan & water pump mount	71.99
BL-425	63-67	Fan clutch to water pump bolts & washers, "TR" headmark (8 pcs) (X)	8.99
BL-423	63-67	Fan clutch to water pump bolts & washers, "WB" headmark (8 pcs) (X)	8.99
M-2600	63-67	Fan to clutch studs (4) (X)	7.99
M-3579	63-67	Fan to clutch stud nut & washers (8 pcs) (X)	2.49
M-3580	63-67	Stud installation tool, 5/16 x 24, for use when installing studs into fan clutch	6.69

Reproduction Fan Clutch

Reproduction 68-70 Corvette fan clutch. 2 5/16" water pump hub; features original "bar" style thermostat. Modern internal design includes seals with greater leak resistance; ball bearings ensure no "wobble." Smooth operation at high RPM levels. Thermostatic design is fully engaged at 165 degrees for maximum cooling efficiency. Includes "CJ" or "CK" stamp as original.



M-4031	63-67	Fan clutch, 327 w/"CJ" stamp	159.99
M-4032	65-67	Fan clutch, 396 & 427 w/"CK" stamp	159.99

Fan Belts

63 Fan Belts

FB-213	63	Generator, 250 & 300 hp (#3759221)	36.99
FB-214	63	Generator, 340 & 360 hp (#3843162)	35.99
FB-217	63	Air condition (#3840397)	39.99
FB-216	63	Power steering (#3759224)	29.99
FB-215	63	Water pump/Idler, 340 & 360 hp (#3843164)	30.99

64-65 Fan Belts

FB-218	64-65	Generator, 250 & 300 hp w/o AC (#3847701)	35.99
FB-222	64-65	Generator, 250 hp w/AC (#3798498)	37.99
FB-223	64-65	Generator, 300 hp w/AC (#3847710)	34.99
FB-224	64-65	Generator, 350 & 365 hp w/AC (#3847702)	34.99
FB-225	65	Generator, 350 hp w/o AC (#3871257)	35.99
FB-219	64	Generator, 365 hp w/o AC (#3847707)	35.99
FB-220	65	Generator, 365 hp w/o AC (#3871257)	35.99
FB-221	64-65	Generator, 375 hp (#3843162)	35.99
FB-231	64-65E	Air condition (#3847705)	39.99

Note: FB-231 was used before February '65.

FB-232	65L	Air condition (#3849085)	39.99
FB-229	64	Power steering (#3848263)	29.99
FB-230	65	Power steering (#3874424)	29.99
FB-226	64	Water pump/Idler, 365 hp (#3845643)	30.99
FB-227	65	Water pump/Idler, 350 & 365 hp (#3871258)	30.99
FB-228	64-65	Water pump/Idler, 375 hp (#3843164)	30.99

65 396 Fan Belts

FB-233	65	Generator, w/o PS (#3863103)	36.99
FB-235	65	Generator, w/PS (#3878243)	28.99
FB-237	65	Power steering (#3878244)	32.99
FB-234	65	Water pump, w/o PS, long version (#3837810)	29.99
FB-236	65	Water pump, w/PS, short version (#3837810)	29.99

66-67 327 Fan Belts

FB-238	66-67	Generator, 300 hp w/o AC (#3847710)	34.99
FB-239	66-67	Generator, 350 hp w/o AC (#3861946)	37.99
FB-240	66-67	Generator, 300 & 350 hp w/AC (#3861946)	37.99
FB-241	66-67	Generator, 350 hp w/PS & w/o AC (#3861946)	37.99
FB-242	66-67	Generator, 300 & 350 hp w/A.I.R. (#3847710)	34.99
FB-243	66-67	Air condition, 300 & 350 hp w/o PS (#3847705)	39.99
FB-244	66-67	Air condition, 300 & 350 hp w/PS (#3880858)	39.99
FB-246	66-67	Power steering, 300 hp (#3874424)	29.99
FB-245	66-67	Power steering, 350 hp w/o AC (#3861936)	32.99
FB-246	66-67	Power steering, 350 hp w/AC (#3874424)	29.99
FB-247	66-67	Smog pump, 300 hp w/o AC (#3883248)	32.99
FB-248	66-67	Smog pump, 350 hp w/o AC (#3883250)	29.99
FB-249	66-67	Smog pump, 300 hp w/AC (#3883252)	28.99
FB-250	66-67	Smog pump, 350 hp w/PS (#3883250)	29.99
FB-252	66-67	Smog pump, 350 hp w/AC (#3850803)	28.99
FB-251	66-67	Smog pump, 350 hp w/AC & PS (#3883252)	28.99
FB-456	66-67	Water pump, 350 hp, short 33 5/8" version (#3837810)	29.99
FB-253	66-67	Water pump, 350 hp, long 34 3/8" version (#3837810)	29.99

66-67 427 Fan Belts

FB-254	66-67	Generator, w/o AC & PS (#3882814)	36.99
FB-256	66-67	Generator, w/PS (#3878243)	28.99
FB-255	66-67	Generator, w/AC (#3889378)	35.99
FB-257	66-67	Generator, w/AC & PS (#3883979)	28.99
FB-262	66-67	Air condition (#3889376)	34.99
FB-260	66-67	Power steering, w/o AC (#3878244)	32.99
FB-261	66-67	Power steering, w/AC (#3889380)	31.99
FB-263	66-67	Smog pump, w/o AC (#3882832)	29.99
FB-264	66	Smog pump, w/AC (#3889382)	39.99
FB-265	67	Smog pump, w/AC (#3861966)	39.99
FB-258	66-67	Water pump, w/o AC (#3837810)	29.99
FB-259	66-67	Water pump, w/AC (#3889374)	28.99

Correct Fan Belts from Zip Products

If you're looking to gain valuable judging points or just want to keep your Corvette "all-original," Zip's OE-replica cloth-wrapped fan belts are the most authentic available. Feature correct molded-in part numbers and logos. Made in USA. GM licensed.

A.I.R. Components

327 A.I.R. System

EH-525	66-67	Exhaust manifold injector pipes, correct reproduction (car set) (Y)	289.99
EH-342	66-67	Injector pipe manifold extension, fits inside exhaust manifold.....ea	13.99
EH-546	66-67	Injector pipe manifold extension set (8)	67.99
BL-472	66-67	Pulley to pump mount bolts, "Delta" headmark (3 per car).....	1.99
EH-322	66-67	Pump mount bracket (Y).....	84.99
EH-512	66	Pump inlet molded hose #3884590 (Y).....	32.99
EH-513	66-67	Pump outlet to LH check valve hose, #3884579 (Y).....	32.99
EH-514	66-67	Pump outlet to RH check valve hose, #3884578 (Y).....	32.99
EH-516	66	Fuel mixture air control hose, #3884591 (Y).....	32.99
EH-515	67	Fuel mixture air control hose, #3903366 (Y).....	29.99

A.I.R. System Hose Clamps

Kit includes correct size and style clamps to install A.I.R. hoses.

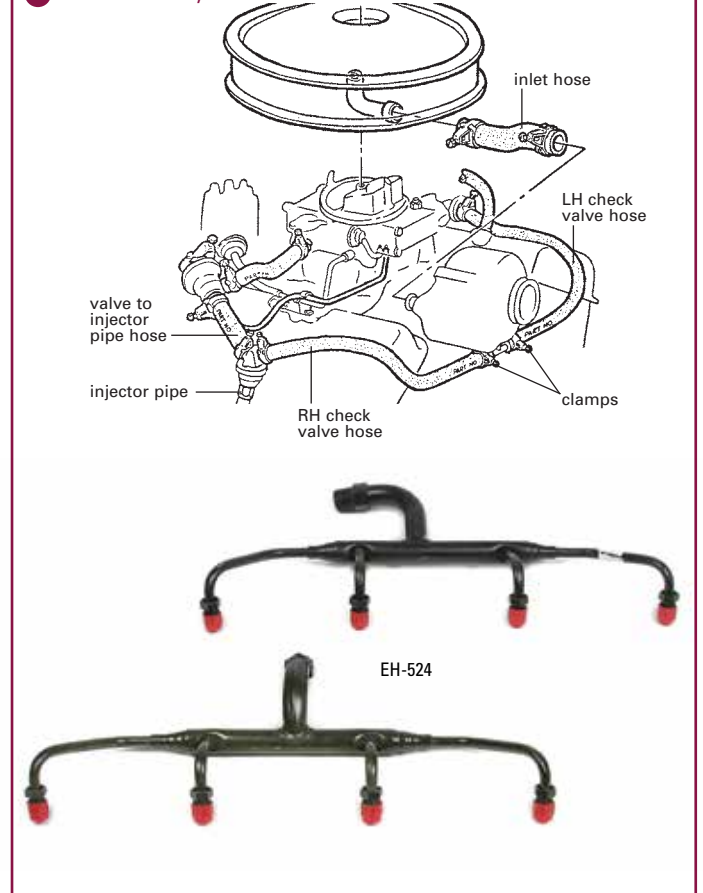
ZHC-601	66-67	A.I.R. system hose clamps, 327	29.99
ZHC-601	66	A.I.R. system hose clamps, 427	29.99
ZHC-602	67	A.I.R. system hose clamps, 427 1x4	28.99
ZHC-603	67	A.I.R. system hose clamps, 427 3x2	36.99



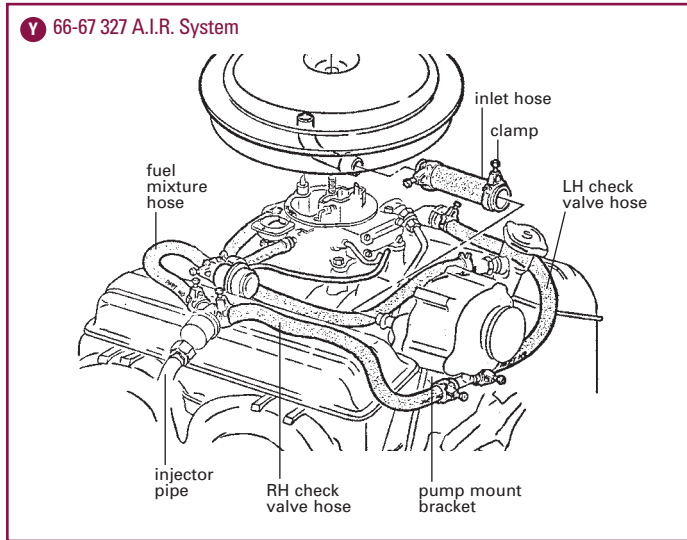
427 A.I.R. System

EH-524	66-67	Exhaust manifold injector pipes, correct reproduction (car set) (Z).....	289.99
EH-342	66-67	Injector pipe manifold extension, fits inside exhaust manifold.....ea	13.99
EH-547	66-67	Injector pipe manifold extension set (8)	67.99
BL-647	65-67	Pulley to pump mount bolts, "RBW" headmark (3)	5.59
BL-373	66-67	Pump mount pivot bolt	4.99
EH-476	66-67	Pump inlet molded hose, 390 hp #3884655 (Z).....	30.99
EH-517	66-67	Pump inlet molded hose, 400/435 hp #3902344	42.99
EH-518	66-67	Pump outlet to LH check valve hose, #3889381 (Z).....	29.99
EH-519	66-67	Pump outlet to RH check valve hose, #3889356 (Z).....	32.99
EH-475	67	Valve to injector pipe check valve hose, straight #3902348 (Z).....	38.99

66-67 427 A.I.R. System



66-67 327 A.I.R. System



10%

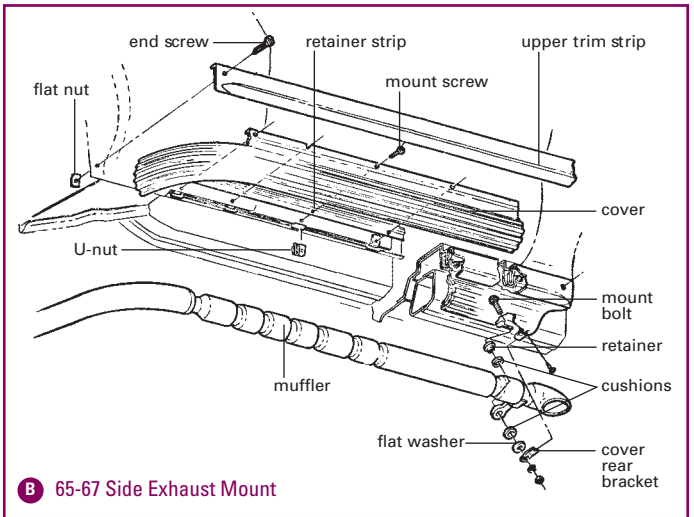
RESTORER'S DISCOUNT

HOW IT WORKS – Retail customers receive 10% savings on a minimum purchase of \$850.00 of any combination of parts and/or accessories from this catalog or Zip's Web store. Sorry, No Discount ("ND") items may be included in total value but are not eligible for discount. Offer applies to a single order only and some restrictions apply, call your Zip Products sales representative for details.

Side Exhaust

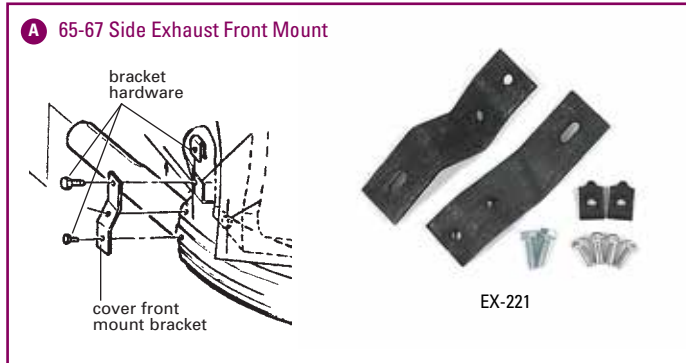
Side Exhaust Covers

EX-766	65-67	Covers, new reproductions (pair) (ND) (B)	1,399.99
PFG-348	65-67	Cover internal front fiberglass insulator (LH or RH)	109.99
PFG-347	65-67	Cover internal rear fiberglass insulator (LH or RH)	219.99
EX-221	65-67	Cover front mount brackets w/hardware, includes screws, U-nuts & rivets (car set) (A)	16.99
EX-235	65-67	Cover rear mount bracket (2 per car) (B)	ea 8.99
EX-684	65-67	Cover rear mount bracket to cover screws (2)	2.99
ZSF-360	65-67	Cover mount screws (12) (B)	6.99
SF-850	65-67	Cover mount U-nuts, correct "M" logo & square nut (14) (B)	64.99
ET-208	65-67	Cover upper retainer strip (B)	ea 16.99
SF-881	65-67	Cover upper retainer strip screws, correct (12 pcs)	7.99
SF-538	65-67	Cover upper retainer strip screw u-nuts (12 pcs)	4.99
EX-213	65-67	Cover upper trim strips (pair) (B)	229.99
ZSF-359	65-67	Cover upper trim end screws & flat nuts (8 pcs) (B)	3.99



B 65-67 Side Exhaust Mount

A 65-67 Side Exhaust Front Mount



Side Exhaust Covers Package

Zip's all-in-one package includes new reproduction covers, upper trim strips, front and rear cover brackets, cover mount screws and U-nuts, and trim strip screws and flat nuts. Car set.

EX-685	65-67	Side exhaust cover & trim set (ND)	1,599.99
--------	-------	------------------------------------	----------



Side Exhaust Package

Completely replaces poor-condition original components – or add the coveted looks and sound of factory side exhaust to any mid-year Corvette. Includes aluminized or stainless mufflers, trim moldings, new reproduction covers, and all mounting hardware. No Discount.

Aluminized Muffler System

EX-516	63-67	Side exhaust package, 327, 2"	2,349.99
EX-517	63-65	Side exhaust package, 327, 2 1/2"	2,349.99
EX-515	65-67	Side exhaust package, 396/427	2,349.99

Stainless Muffler System

EX-691	63-67	Side exhaust package, 327, 2"	2,899.99
EX-692	63-65	Side exhaust package, 327, 2 1/2"	2,899.99
EX-693	65-67	Side exhaust package, 396/427	2,899.99

Prefer carbon steel mufflers or new "original" sound? Zip can build the side exhaust package you want – call your sales representative for details.

Carbon Steel vs. Aluminized vs. Stainless

Carbon Steel – The closest-to-OE reproductions available. Jig-welded carbon steel header pipes with an aluminized steel 2.75" chambered section as original, and correct 2.75" chrome plated tips.

Aluminized – An excellent choice for those wanting a "factory" muffler – but much longer life than carbon steel. Jig-welded aluminized steel header pipes with an aluminized chambered section and 2.75" polished stainless tips for lasting looks.

Stainless – Delivers near-forever performance. Jig-welded 304 stainless steel header pipes with a stainless steel (inside and out) chambered section and 2.75" polished tips.

For true "original" sound, carbon steel and aluminized mufflers are now available with redesigned (correct perforations) inner baffle tubes that are exact replicas of factory pipes. 2-piece clampable design reduces freight costs associated with welded head pipe.

Side Exhaust Mufflers

EX-622	63-67	Mufflers, 327, 2", aluminized (B)	659.99
EX-623	63-65	Mufflers, 327, 2 1/2", aluminized (B)	659.99
EX-621	65-67	Mufflers, 396/427, aluminized (B)	659.99
EX-2118	63-67	Mufflers, 327, 2", aluminized, "original" sound	889.99
EX-2117	63-65	Mufflers, 327, 2 1/2", aluminized, "original" sound	889.99
EX-2119	65-67	Mufflers, 396/427, aluminized, "original" sound	889.99
EX-2121	63-67	Mufflers, 327, 2", carbon steel, "original" sound	1,039.99
EX-2120	63-65	Mufflers, 327, 2 1/2", carbon steel, "original" sound	1,039.99
EX-2122	65-67	Mufflers, 396/427, carbon steel, "original" sound	1,039.99
EX-625	63-67	Mufflers, 327, 2", stainless (B)	1,179.99
EX-626	63-65	Mufflers, 327, 2 1/2", stainless (B)	1,179.99
EX-624	65-67	Mufflers, 396/427, stainless (B)	1,179.99

Clampable Side Exhaust Mufflers

EX-2350	63-67	Mufflers, 327, 2", aluminized (B)	689.99
EX-2352	63-65	Mufflers, 327, 2 1/2", aluminized (B)	689.99
EX-2351	65-67	Mufflers, 396/427, aluminized (B)	689.99

Side Exhaust Muffler Mount

EX-687	65-67	Muffler mount carriage bolt & hardware, correct (6 pcs) (B)	5.99
EX-688	65-67	Muffler mount cushion (B)	ea 5.99
EX-689	65-67	Muffler mount cushion retainer (B)	ea 10.99
EX-690	65-67	Muffler mount large flat washers (2) (B)	5.99
EX-207	65-67	Muffler mount kit, includes carriage bolts, spacers, cushions, sleeves, cover rear mount brackets & hardware (car set)	59.99



Exhaust System

Exhaust Pipes & Mufflers System

Complete aluminized exhaust system that looks, fits and sounds like original factory components. Includes pipes, mufflers, flanges, clamps and donut gaskets. While you've got everything apart, Zip recommends replacing the exhaust hangers at the same time. Car set.

EX-1013	63	327 Base motor or Automatic, 2"	499.99
EX-1014	63	327 Hi-Perf, 2 1/2"	519.99
EX-1015	64-67	327 Base motor or Automatic, 2"	499.99
EX-1016	64-65	327 Hi-Perf, 2 1/2"	519.99
EX-1018	66-67	327 4-speed, 2" to 2 1/2"	519.99
EX-1019	65-67	396 & 427 4-speed, 2 1/2"	519.99
EX-1017	66-67	427 Automatic, 2 1/2"	519.99

EX-1013



Hanger Completion Kit

For best results, install new exhaust using Zip's all-in-one hanger kit. Includes front hanger bracket, pipe clamps and rear muffler hangers with mounting hardware.



EX-694	63	Hanger completion kit, 2"	239.99
EX-695	64-67	Hanger completion kit, 2"	59.99
EX-696	63	Hanger completion kit, 2 1/2"	239.99
EX-697	64-67	Hanger completion kit, 2 1/2"	59.99

Welded Exhaust Pipes & Mufflers System

Factory exhaust for '63-67 had the secondary pipe welded to the muffler. Note: this OE-style welded system is not the factory optional high performance "off road" exhaust. Hangers not included. Car set.

EX-1013W	63	327 Base motor or Automatic, 2"	519.99
EX-1014W	63	327 4-speed & Hi-Perf, 2 1/2"	539.99
EX-1015W	64-67	327 Base motor or Automatic, 2"	529.99
EX-1016W	64-65	327 4-speed & Hi-Perf, 2 1/2"	559.99
EX-1018W	66-67	327 4-speed, 2" to 2 1/2"	569.99
EX-1019W	65-67	396 & 427 4-speed, 2 1/2"	549.99
EX-1017W	66-67	427 Automatic, 2 1/2"	549.99

Aluminized Exhaust Pipe Set

Precision fabricated of 14-gauge (.070 wall) aluminized tubing for long life and an exact fit. 2"-to-2 1/2" header pipes include installed manifold flanges; 2 1/2" pipes have correct flat spots as applicable. 4-piece pipe set includes pre-installed donut sleeves and gaskets. Car set.



EX-2009

EX-2003	63	327 Automatic or Manual, 2"	249.99
EX-2005	63	327 Manual, 2 1/2"	259.99
EX-2000	64-67	327 Base motor or Automatic, 2"	249.99
EX-2008	64-65	327 Manual, 2 1/2"	259.99
EX-2009	66-67	327 Manual, 2" to 2 1/2"	279.99
EX-2010	65-67	396 & 427 Manual	259.99
EX-2011	66-67	427 Automatic	259.99

Doug's Headers Side Mount Exhaust

Doug's Headers side mount headers deliver the most aggressive style and performance. Manufactured in heavy 16-gauge tubing with thick 3/8" flanges with machined sealing beads for both long lasting and leak-free performance. Side tubes slip directly over collector. Replaceable mufflers available in hi-flow glass pack (loudest max flow), glass pack and reverse flow (quieter). Headers and side tubes available in hi-temp black, chrome, metallic ceramic coated or polished stainless.



EX-2365	63-67	327/350 Side mount headers, metallic ceramic	1,049.99
EX-2366	63-67	327/350 Side mount headers, hi-temp black	719.99
EX-2367	63-67	327/350 Side mount headers, chrome	1,189.99
EX-2368	63-67	327/350 Side mount headers, polished stainless	1,479.99
EX-2369	65-67	427/454 Side mount headers, metallic ceramic	1,159.99
EX-2370	65-67	427/454 Side mount headers, hi-temp black	819.99
EX-2371	65-67	427/454 Side mount headers, chrome	1,419.99
EX-2372	65-67	427/454 Side mount headers, polished stainless	1,509.99
EX-2373	63-67	Side mount side tubes, metallic ceramic	419.99
EX-2374	63-67	Side mount side tubes, hi-temp black	299.99
EX-2375	63-67	Side mount side tubes, chrome	469.99
EX-2376	63-67	Side mount side tubes, polished stainless	539.99
EX-2377	63-67	Side mount slip-in hi-flow glass pack mufflers	299.99
EX-2378	63-67	Side mount slip-in glass pack mufflers	239.99



Tight Tuck Performance Header

Perfect for the Vette Rod or stock application. Tight Tuck headers hug the side of your small block, allowing for clearance between the frame rails without interfering with stock engine mounts. 16-gauge metallic ceramic coated. Fits D-Port heads including ZZ4 and ZZ383 crate engines. Complete with gaskets and header bolts.



EX-992	63-67	327/350 Tight tuck headers	479.99
--------	-------	----------------------------	--------

Header Pipe Systems

4-piece pipe set connects from Tight Tuck headers to mufflers. For use with stock or Magnaflow performance mufflers. Car set.

EX-993	64-67	4-speed Tight Tuck header pipe set	259.99
--------	-------	------------------------------------	--------

Header Mount Bracket

Problem solved! Mount brackets custom designed for use when installing headers. Allows for alternator or compressor to be in factory location.

M-4143	63-67	AC compressor mount header bracket	35.99
M-4144	63-67	Alternator mount header bracket, LH side	69.99
M-4145	63-67	Alternator mount header bracket, RH side	69.99



Muffler & Exhaust Tips

Aluminized Muffler

Exact replica of factory-original muffler in appearance, fit and sound. Features aluminized case, end caps and 14-gauge (.70 wall) inlet and outlet pipes. Hand-jigged and MIG welded for a precise fit. Uses single mount bracket for installation as original. Zip Products 3-YEAR LIMITED WARRANTY AGAINST CORROSION. Note warranty does not cover damage due to out-of-time backfires. Sold in pairs.

EX-949	63-67	Mufflers w/2" inlet (pair) (C)	249.99
EX-950	63-67	Mufflers w/2 1/2" inlet (pair) (C)	249.99



Magnaflow Mufflers

More power and the signature Magnaflow rumble for your C2 Corvette! Magnaflow's aluminized, straight through design mufflers custom fitted for your C2 Corvette. Magnaflow performance mufflers don't include chambers, baffles or louvers to restrict exhaust flow; the result is improved performance, reduced backpressure, extended durability and a smooth exhaust tone that is sure to turn the heads. Sold in pairs. Designed to connect to factory exhaust pipes.

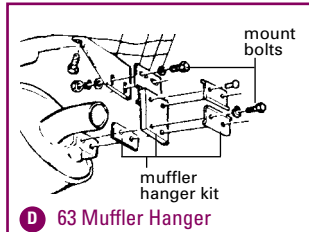
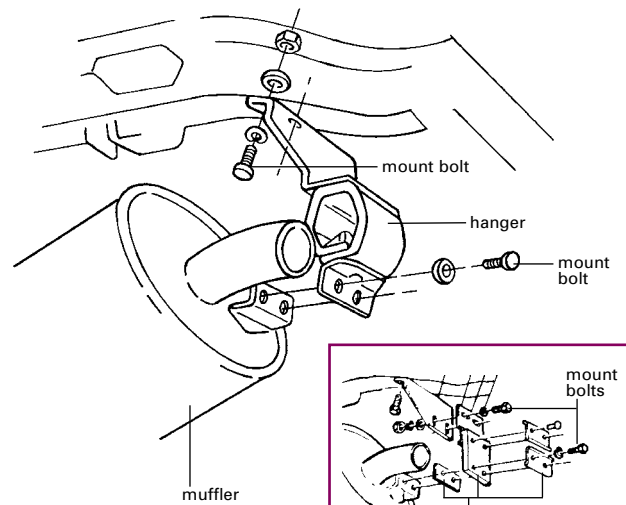
EX-995	63-67	2" Magnaflow mufflers (pair)	309.99
EX-982	63-67	2 1/2" Magnaflow mufflers (pair)	319.99

Rear Exhaust Tips & Bezels

EX-379	63	Rear exhaust bezels, stainless (pair) (E)	Call
EX-373	63	Rear exhaust bezel heat shields (pair) (E)	99.99
EX-380	64-65	Rear exhaust bezels, stainless (pair)	229.99
ZSF-335	63-65	Rear exhaust bezel mount screws w/U-nuts (12 pcs)	5.99
EX-215	66-67	Rear exhaust bezel (LH or RH)	69.99
SF-506	66-67	Rear exhaust bezel speed nuts (6)	2.99
EX-214	63-67	Rear exhaust tips, replacement, stainless (pair) (E)	44.99
EX-511	63-67	Rear exhaust tips, reproduction w/seam & no part number, magnetic stainless (pair) (E)	59.99
EX-224	63-67	Rear exhaust tip clamp, 2" stainless (E)	ea 11.99
EX-226	63-67	Rear exhaust tip clamp, 2" guillotine (E)	ea 4.99



C 64-67 Muffler Hanger



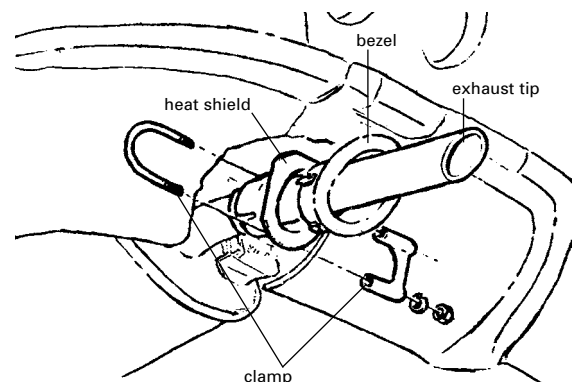
D 63 Muffler Hanger

Muffler Hangers

EX-203	63	Muffler hanger kit, complete w/frame brackets (car set) (D)	89.99
EX-567	63	Muffler hanger ground strap	ea 7.99
BL-485	63	Muffler hanger mount bolts, "WB" headmark, w/washers & nuts (44 pcs) (D)	9.99
EX-206	64-67	Muffler hanger kit, complete w/mount bolts to muffler & frame (car set) (C)	36.99
BL-486	64-67	Muffler hanger mount bolts, "WB" headmark, w/washers & nuts (28 pcs) (C)	8.99



E Tailpipe & Shield



Stock Components

Front Exhaust Pipe Hangers

EX-239	63	Front hanger bracket w/clamps, 2" pipes (F).....	149.99
EX-240	63	Front hanger bracket w/clamps, 2 1/2" pipes (F).....	149.99

Note: '63 front hanger brackets include pipe clamps.

EX-2126	63	Front hanger bracket rebuild kit, includes rubber straps, brackets & rivets	39.99
EX-393	64-67	Front hanger bracket, 2" pipes (G).....	28.99
EX-205	64-67	Front hanger bracket, 2 1/2" pipes (G).....	28.99
EX-513	65-67	Front hanger transmission spacer (for side exhaust cars).....	6.99
EX-568	63-67	Front hanger bracket ground strap (2 per car).....	ea 5.99



Exhaust Pipe & Muffler Clamps

EX-224	63-67	Clamp, 2" stainless, guillotine (G).....	ea 11.99
EX-225	63-67	Clamp, 2 1/2" stainless, guillotine (G).....	ea 11.99
EX-226	63-67	Clamp, 2" guillotine (G).....	ea 4.99
EX-227	63-67	Clamp, 2 1/2" guillotine (G).....	ea 4.99
EX-973	63-67	Clamp, 2 1/2" Torca Accuseal.....	ea 9.99



Visit us online: www.zip-corvette.com/exh2
How to detail your Corvette's exhaust manifolds



VHT FlameProof™

Heat resistant, silica-ceramic spray coating withstands temperatures to 2,000°F. Ideal for exhaust manifolds. Cured matte finish has look of cast iron.

ZMG-72	VHT FlameProof coating	17.99
--------	------------------------------	-------

Note: Hazardous and/or aerosol materials such as paint cannot be shipped by air.

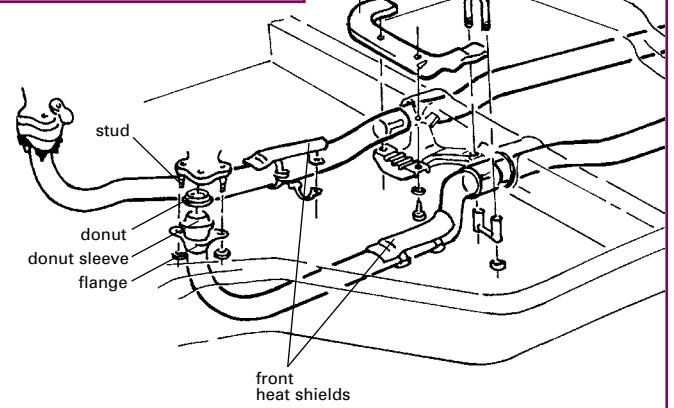
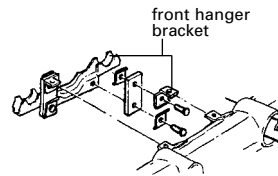


Calyx Manifold Dressing

The ultimate cleaner/polish to keep your exhaust manifolds "concourse" perfect. No need to remove manifolds, simply brush away loose dirt and rust, apply Calyx cream, then polish to a natural silver luster. Non-toxic.

MG-69	Calyx manifold dressing.....	18.99
-------	------------------------------	-------

F 63 Front Exhaust Hanger



G 64-67 Front Exhaust Hanger

Exhaust Pipe Heat Shields

EX-208	63-64	Front exhaust pipe heat shield & strap set, 2" (G).....	64.99
EX-236	63	Front exhaust pipe heat shield & strap set, 2 1/2" (G).....	79.99
EX-237	64-65	Front exhaust pipe heat shield & strap set, 2 1/2" (G).....	64.99
EX-201	65-67	Front exhaust pipe heat shield & strap set, 2" (G).....	64.99
EX-238	66-67	Front exhaust pipe heat shield & strap set, 2 1/2" (G).....	64.99

Note: Front exhaust pipe heat shields include mounting straps and screws.

EX-563	63-67	Front exhaust pipe heat shields hardware, (2) straps & (4) screws	22.99
EX-373	63	Rear exhaust panel/bezel heat shields (pair).....	99.99



Exhaust/Header Wrap

Common knowledge says heat is the enemy of power. Composite wrap reduces underhood temps up to 50% plus promotes increased exhaust flow. Sold in 2" x 50' roll. Tan withstands 1200°F direct and 2000°F intermittent heat, titanium 1800°F/2500°F. Hi-Temp silicone spray coating penetrates to seal, protect and prolong the life of tan wrap.

For HD titanium, "bare" (no spray) is recommended. 304 stainless steel ties secure wrap to pipes/collectors for a clean, finished look.

EX-2127	Exhaust/header wrap, tan, 2" x 50'.....	49.99
EX-2128	Exhaust/header wrap, titanium, 2" x 50'.....	56.99
EX-2129	Stainless locking ties, 8" (set of 8).....	14.99
EX-2130	Stainless locking ties, 14" (set of 4).....	8.99
TL-176	Stainless locking tie tool	5.99
EX-2131	Hi-Temp silicone coating, 12 oz. aerosol	10.99

Note: Aerosol materials such as silicone coating cannot be shipped by air.



327 Exhaust Manifolds

EX-369	63	Manifold, 2", LH (#3749965)	359.99
EX-370	63-65	Manifold, 2", RH (#3750556)	359.99
EX-371L	63	Manifold, 2 1/2", LH (#3797901)	359.99
EX-457	64-65	Manifold, 2 1/2", LH, 300, 350 & 365 hp (#3846563)	359.99
EX-417	63-65	Manifold, 2 1/2", LH w/F.I., w/choke tube (#3797942)	379.99
EX-371R	63-65	Manifold, 2 1/2", RH, w/choke tube (#3797902)	379.99
EX-418	64-65	Manifold, 2 1/2", RH w/AC	379.99
EX-564R	64-65	Manifold, 2 1/2", RH w/F.I. (#3797902)	359.99
EX-2065	65	Manifold, 2", RH w/AC & Automatic (#3747042)	379.99
EX-461	66-67	Manifold, 2", LH, w/o A.I.R. (#3872765)	379.99
EX-701	66-67	Manifold, 2", LH, w/A.I.R. (#3872765)	379.99
EX-702	66-67	Manifold, 2", RH, w/o A.I.R. (#3747042)	359.99
ZEX-375	63-65	Manifold choke tube	12.99

Note: Exhaust manifolds with original part number are new correct reproductions featuring cast GM logo and part number. GM licensed.



Replacement Exhaust Manifolds

A good alternative to more costly reproductions. Replacement manifolds are functionally correct but not cosmetically identical to OE or reproduction manifolds. May include A.I.R. holes w/plugs.

EX-703	63	Manifold, 327, 2", LH	99.99
EX-705	64-65	Manifold, 327, 2", LH	179.99
EX-646	63-65	Manifold, 327, 2 1/2", LH	99.99
EX-647	63-65	Manifold, 327, 2 1/2", RH	99.99
EX-705	66-67	Manifold, 327, 2", LH	179.99
EX-706	66-67	Manifold, 327, 2", RH	149.99
EX-723	66-67	Manifold, 427, LH	189.99
EX-724	66-67	Manifold, 427, RH	189.99



396 or 427 Exhaust Manifolds

EX-708	65	Manifold, LH (#3856301)	609.99
EX-709	65	Manifold, RH (#3856302)	609.99
EX-710	65	Manifolds, LH & RH (car set)	1,199.99
EX-368	66-67	Manifold, LH, w/o A.I.R. holes (#3880827)	489.99
EX-367	66-67	Manifold, RH, w/o A.I.R. holes (#3880828)	489.99
EX-711	66-67	Manifolds, LH & RH, w/o A.I.R. holes (car set)	949.99
EX-382	66-67	Manifold, LH, w/A.I.R. holes (#3880827)	559.99
EX-381	66-67	Manifold, RH, w/A.I.R. holes (#3880828)	559.99
EX-712	66-67	Manifolds, LH & RH, w/A.I.R. holes (car set)	989.99

Note: Exhaust manifolds with original part number are new correct reproductions featuring cast GM logo and part number. GM licensed.



Exhaust Manifold Bolts

EX-769	66-67	Manifold A.I.R. hole plugs (4)	8.99
BL-205A	63	Manifold bolt set, 327 (12 pcs)	26.99
BL-205A	64-65	Manifold bolt set, 327 w/F.I. (12 pcs)	26.99
BL-205C	64-67	Manifold bolt set, 327 w/o AC (12 pcs)	22.99
BL-205D	64-67	Manifold bolt & stud set, 327 w/AC (12 pcs)	32.99
BL-205E	65-67	Manifold bolt set, 396 & 427 w/o AC (16 pcs)	26.99
BL-205F	66-67	Manifold bolt & stud set, 427 w/AC (16 pcs)	34.99
BL-205G	65-67	Manifold bolt set, 427 w/PS (16 pcs)	32.99
BL-307	66-67	Manifold bolt & stud set, 427 w/AC & PS (16 pcs)	36.99

Note: Manifold bolts include studs for mounting air conditioning brackets.

EX-218	63	Manifold bolt french locks, 327, stainless (4)	15.99
EX-713	63	Manifold bolt french locks, 327, steel (4)	14.99
EX-219	64-65	Manifold bolt french locks, 327, stainless (4)	15.99
EX-714	64-65	Manifold bolt french locks, 327, steel (4)	14.99
EX-220	66-67	Manifold bolt french locks, 327, stainless (4)	15.99
EX-715	66-67	Manifold bolt french locks, 327, steel (4)	14.99
EX-217	65-67	Manifold bolt french locks, 396 & 427, stainless	15.99
EX-716	65-67	Manifold bolt french locks, 396 & 427, steel (4)	14.99
BL-206	63-67	Manifold bolt washers (8)	8.99

Note: Washers were used at exhaust manifold end flanges only. Not using these washers could allow bolts to bottom-out, thereby causing manifold to leak.

EX-565	63-67	Manifold gasket set, 327	19.99
EX-566	65-67	Manifold gasket set, 396 & 427	24.99

Note: Exhaust manifold gaskets were not originally used on Corvettes.



Exhaust Manifold to Pipe Hardware

EX-2113	63-67	Manifold studs w/correct "crimp" nuts (12 pcs)	16.99
ZEX-113	63-67	Manifold studs w/brass nuts (12 pcs)	14.99
EX-112	63-67	Manifold studs, stainless w/steel nuts (12 pcs) (G)	29.99
EX-570	63-67	Manifold stud nuts, correct top lock (6)	8.99
EX-119	63-67	Manifold-to-pipe donut, 2" (G)	ea 2.99
EX-122	63-67	Manifold-to-pipe donut, 2 1/2" (G)	ea 2.99
EX-572	63-67	Manifold-to-pipe donut sleeve, 2" (G)	ea 8.99
EX-573	63-67	Manifold-to-pipe donut sleeve, 2 1/2" (G)	ea 8.99
EX-222	63-67	Pipe-to-manifold flange, 2" (G)	ea 5.99
EX-223	63-67	Pipe-to-manifold flange, 2 1/2" (G)	ea 6.99



Heat Riser & Spacer

EX-116	63-67	Heat riser, 2"	64.99
EX-117	63-67	Heat riser, 2 1/2"	67.99
M-173	63-67	Manifold spacer, 2"	45.99
M-174	63-67	Manifold spacer, 63-65 F.I. & 67 L88, 2 1/2"	49.99
EX-121	63-67	Heat riser/spacer to manifold gasket, 2"	ea 3.99
EX-120	63-67	Heat riser/spacer to manifold gasket, 2 1/2"	ea 3.99

Note: Manifold spacer can be used in place of heat riser.

Automatic Transmission

Transmission Kickdown Linkage

CZ-734	63-67	Kickdown bellcrank assembly (B)	69.99
CZ-735	63-67	Kickdown lower rod, 327 (B)	44.99
CZ-736	66-67	Kickdown lower rod, 427 (B)	44.99
CZ-730	63-65	Kickdown upper rod, 250 hp (B)	48.99
CZ-732	63-65	Kickdown upper rod, 300 hp (B)	48.99
CZ-731	66-67	Kickdown upper rod, 327 (B)	44.99
TM-125	66-67	Kickdown upper rod, 390 hp (2 pcs)	99.99
TM-126	67	Kickdown upper rod, 400 hp (2 pcs)	99.99
CZ-733	63-67	Kickdown upper rod swivel (B)	12.99
CZ-1157	66-67	Kickdown upper rod carburetor stud	11.99
TM-328	66-67	Kickdown linkage metal & rubber shield	179.99

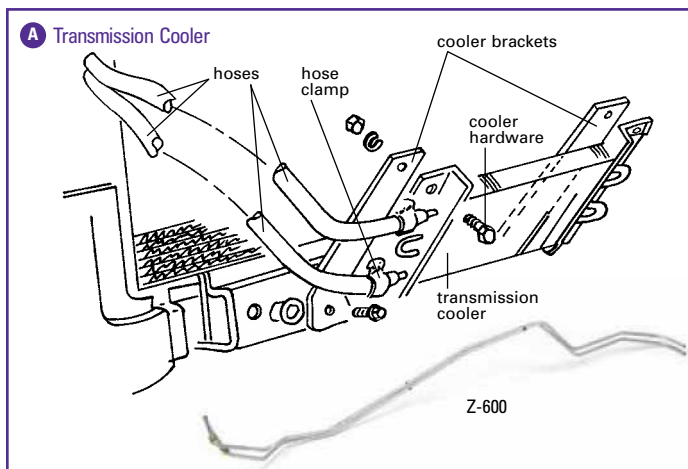


Flex Plate & Mount

BL-690	63-67	Flex plate to crank mount bolts, correct (6)	13.99
CL-156	63-67	Flex plate under pan, plastic replacement	49.99
TM-283	63-67	Flex plate under pan screws (4 pcs)	5.99
TM-284	63-67	Engine to transmission mount bolts (12 pcs)	7.99

Transmission Cooler

M-3254	63-67	Transmission cooler, 327, replacement (A)	109.99
M-2504	63-65	Transmission cooler brackets (2) (A)	19.99
M-2505	66-67	Transmission cooler brackets (2) (A)	19.99
M-3154	63-67	Transmission cooler hardware, mounts cooler brackets to support, 327 (16 pcs) (A)	9.99
Z-600	63-67	Transmission cooler lines w/clips, 327 & 66-67 427	59.99
Z-600-SS	63-67	Transmission cooler lines w/clips, 327 & 66-67 427, stainless	89.99
CZ-1038	63-67	Transmission cooler line clips, holds steel lines together (3)	6.99
CZ-1098	63-67	Transmission cooler line clamps & screws to frame crossmember (4 pcs)	4.99
TM-124	63-67	Transmission cooler hoses, 327 (2) (A)	19.99
TM-123	66-67	Transmission cooler hoses, 427 (2) (A)	19.99
HC-225M	63-67	Transmission cooler hose clamps (4) (A)	24.99
Z-601	66-67	Transmission cooler radiator pipe, inserts into radiator tanks, 427 (2 per car)	ea 14.99



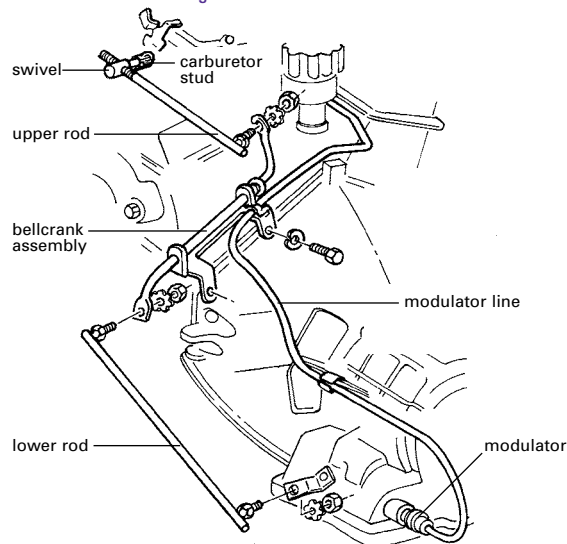
Automatic Rebuild Kit

Includes everything needed to return transmission to original level of performance: gaskets, bushings, seals, washers, clutch discs, O-rings, clutch brake band and filter kit.



TM-177	63-67	Powerglide transmission kit	219.99
--------	-------	-----------------------------------	--------

B Automatic Transmission Linkage



Transmission Modulator

TM-289	63-67	Transmission modulator (B)	29.99
TM-285	63-67	Transmission modulator gasket	3.99
CZ-1039	64-65	Transmission modulator line, stainless (B)	59.99
TM-326	63-65	Modulator line clips, to case & crank (2)	7.99
TM-327	66	Modulator line clips, to case & crank (2)	7.99
TM-290	67	Modulator line clip to dipstick tube	8.99

Transmission Fluid & Filter

TM-314	63-67	Transmission drain plug & seal	12.99
TM-337	63-67	Transmission drain plug & seal, magnetic	18.99
M-2550	63-67	Transmission filter & pan gasket	16.99
TM-113	63-66E	Transmission fluid dipstick, 327	54.99
TM-116	66L-67	Transmission fluid dipstick, 327	54.99
TM-115	66E	Transmission fluid dipstick, 427	54.99
TM-117	66L-67	Transmission fluid dipstick, 427	54.99

Note: Fluid dipsticks through April '66 included a full handle, '66-Late dipsticks included a short handle.

TM-114	63-67	Transmission fluid fill tube, 327 & 427	34.99
TM-286	63-67	Transmission fluid fill tube O-ring	4.99
TM-287	63-67	Transmission pan screws (14)	20.99



Converter Lock-Up Switch

Perfect for late-model transmission swap into '63-67 Corvette – enables torque converter to lock-up (overdrive) without need for auxiliary computer or toggle switch. Installs externally on 700R4 or 200R4 automatic. Includes fuse, fuse holder, pressure switch, wiring and complete installation instructions.



ES-577	63-67	Torque converter lock-up update switch	92.99
--------	-------	--	-------



Automatic Shifter

Shifter

ST-220	63	Shifter w/knob	309.99
ST-478	64	Shifter w/knob	319.99
ST-339	65-67	Shifter w/knob (C)	359.99
ST-392	63-64	Shifter mount bolts (6 pcs)	4.99
ST-393	65-67	Shifter mount screws (3) (C)	2.99
ST-203	63	Shift knob, black	9.99
ST-479	64	Shift knob, chrome	44.99
ST-382	65-67	Shift knob, black reproduction (C)	16.99
ST-618	65-67	Shift knob, chrome replacement (C)	19.99
ST-434	65E	Shift knob push button (C)	16.99
ST-383	65L-67	Shift knob push button, chrome (C)	10.99
SPR-142	65-67	Shift knob push button spring (C)	4.99



Shift Boot & Slide Seal

WS-4487	63	Shifter boot	54.99
WS-4534	64	Shifter upper boot & seal	71.99
ST-206	65-67	Shifter upper slide seal	9.99
WS-486	65-67	Shifter lower boot (C)	84.99
ST-376	63	Shifter boot retainer	29.99
ST-377	63	Shifter boot retainer nut plate w/rivets, underbody	34.99
ST-231	64-67	Shifter boot retainer (C)	17.99
ST-338	64-67	Shifter boot retainer nut plate w/rivets, mounts underbody (C)	29.99
ST-329	63-67	Shifter boot retainer screws (11) (C)	8.99



Shift Linkage

ST-227	63-64	Linkage set, includes rod, clevis & nut	49.99
ST-390	65-67	Linkage set, includes rod, clevis & nut	59.99
ST-416	65-67	Linkage to shifter rubber grommet	14.99

Auto Shifter Knob Kit

Includes new reproduction shift knob, push button and spring. Available in factory black plastic or custom chrome plated.

ST-617	65L-67	Shifter knob kit, black plastic	26.99
ST-619	65-67	Shifter knob kit, chrome	24.99



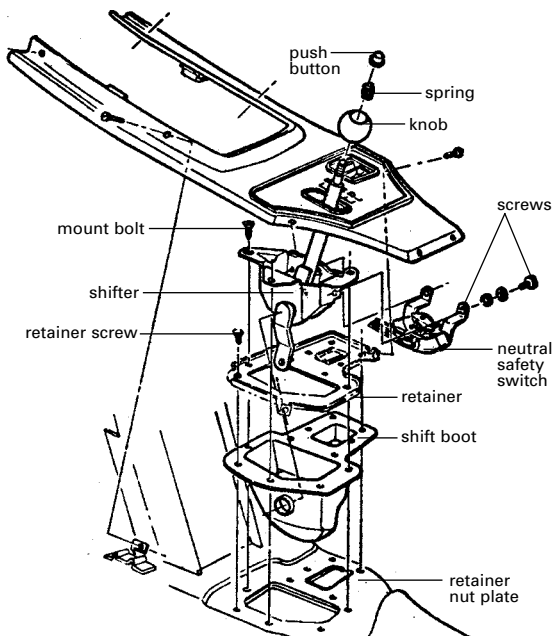
Shiftworks "Smoothie" Automatic Shifter

Custom shifter designed for transmission upgrades while maintaining factory look. Includes shift handle and factory style shift knob. Fits floor exactly like the original shifter, using the original rubber shift boot. Includes transmission shift lever, adjustable linkage rod with ball joints, optional shifter arm offset and transmission specific shifter detents. Neutral safety/back up light switch installed and ready to wire.

ST-600	63-64	Automatic shifter assembly (Powerglide)	439.99
ST-601	63-64	Automatic shifter assembly (3 or 4spd Auto)	439.99
ST-604	63-64	Automatic shifter assembly (Electronic 6spd auto)	439.99
ST-605	65-67	Automatic shifter assembly (Powerglide)	479.99
ST-607	65-67	Automatic shifter assembly (3 or 4spd Auto)	479.99
ST-609	65-67	Automatic shifter assembly (Electronic 6spd auto)	479.99



65-67 Automatic Shifter



Neutral Safety Switch

ES-488	63-64	Neutral safety switch hardware	7.99
ES-489	63-64	Neutral safety switch rod/swivel	16.99
ES-369	65-67	Neutral safety/back-up light switch (C)	229.99
SF-574	65-67	Neutral safety/back-up switch screws (2) (C)	2.99
I-1061	65-67	Neutral safety/back-up switch wiring "S" clip, holds wire under console	9.99



ZipSocial    
Follow us on social media & stay connected! www.zip-corvette.com/social

Manual Transmission

Transmission Rebuild & Seals

TM-215	63-65E	Transmission rebuild small parts kit, 7/8" countershaft	29.99
TM-216	65L-67	Transmission rebuild small parts kit, 1" countershaft	64.99
ZTM-144	63	Transmission seal kit, Borg-Warner	15.99
ZTM-145	63L-67	Transmission seal kit, Muncie	12.99
TM-182	63	Transmission shift lever seal, Borg-Warner	ea 8.99
TM-134	63-67	Transmission shift lever seal	ea 6.99

4-speed Transmission Rebuild Kit

Everything you'll need to return your 4-speed transmission to its original level of performance is included in Zip's complete rebuild kit: new gaskets, snap rings, washers, needle bearings, front and rear bearings, rear seal, brass synchronizer rings, countershaft and a small parts kit. Note: rebuild kit not available for M22 Muncie.

TM-119	63L-65E	Muncie, with LH speedo gear	279.99
TM-120	65L-67	Muncie, with RH speedo gear	289.99



Correct Part Number Transmission Tag

TM-292	63E	Borg-Warner transmission tag, specify transmission number	29.99
TM-185	63L-67	Muncie transmission tag, specify year & transmission number	27.99

Gears

TM-237	64-67	1st gear, 36 teeth (D16)	109.99
TM-238	66-67	1st gear, 36 teeth, M22 only (E16)	199.99
TM-232	64-67	2nd gear, 30 teeth (D12)	99.99
TM-233	66-67	2nd gear, M22 only (D12)	199.99
TM-230	63-67	3rd gear, 27 teeth (D11)	89.99
TM-231	66-67	3rd gear, M22 only (D11)	199.99
TM-243	63-67	Idler gear front washer (D19)	9.99
TM-244	66-67	Idler gear, front, M22 only	129.99
TM-245	63-67	Idler gear, rear (D20)	79.99
TM-207	63E	Gear shift fork, Borg-Warner (2 per transmission) (D21)	ea 34.99
TM-252	63L-67	Gear shift fork, Muncie (2 per transmission) (D21)	ea 42.99



Synchronizers

TM-227	63-67	Synchronizer clutch sliding sleeve (D9)	48.99
TM-228	64-65	Synchronizer ring (4 per car) (D10)	ea 15.99
TM-229	66-67	Synchronizer ring (4 per car) (D10)	ea 15.99
TM-236	63-67	Synchro assembly w/rings (1-2 gear) (D15)	139.99
TM-234	63-67	Synchro assembly w/rings (3-4 gear) (D13)	129.99
TM-235	63-67	Synchro key (3) & spring (2) kit (2 per car) (D14)	10.99

Cluster Assemblies & Countershaft

TM-246	64-65	Cluster, 7/8" hole, 2.56 ratio, 29-22-19-17 teeth (D22)	269.99
TM-247	66-67	Cluster, 15/16" hole, 2.52 ratio, 25-22-19-17 teeth (D22)	219.99
TM-249	66-67	Cluster, 15/16" hole, 2.20 ratio, M22 only, 27-22-19-17 teeth (D22)	329.99
TM-248	66-67	Cluster, 15/16" hole, 2.20 ratio, 27-22-19-17 teeth (D22)	229.99
TM-250	64-65	Countershaft, 7/8" diameter (D1)	28.99
TM-251	66-67	Countershaft, 15/16" diameter (D1)	24.99



Mainshaft

TM-212	64-67	Mainshaft rear bearing (D6)	24.99
TM-240	63-67	Mainshaft reverse sliding gear (D17)	94.99
TM-226	63-67	Mainshaft roller & cage set (D3)	28.99



Front Input Shaft & Bearing

TM-224	64-65	Front input shaft (10 spline x 24 teeth) (D2)	159.99
TM-223	64-67	Front input shaft (10 spline x 26 teeth) (D2)	144.99
TM-225	66-67	Front input shaft (10 spline x 21 teeth) (D2)	149.99
TM-214	63L-67	Front input shaft retainer nut (D5)	12.99
TM-209	63L	Front input shaft bearing, Muncie	36.99
TM-210	64-67	Front input shaft bearing (D4)	59.99
TM-211	64-67	Front input shaft bearing retainer (D8)	29.99
TM-218	64-67	Front input shaft bearing retainer bolts	5.99
TM-217	64-67	Front input shaft bearing retainer french locks	11.99



Tailshaft Housing

TM-241	63-67	Tailshaft housing bushing	9.99
TM-213	63-67	Transmission rear bushing (D18)	4.99
TM-131	63-67	Transmission rear seal, 63 Borg-Warner & 63-67 Muncie (D7)	8.99

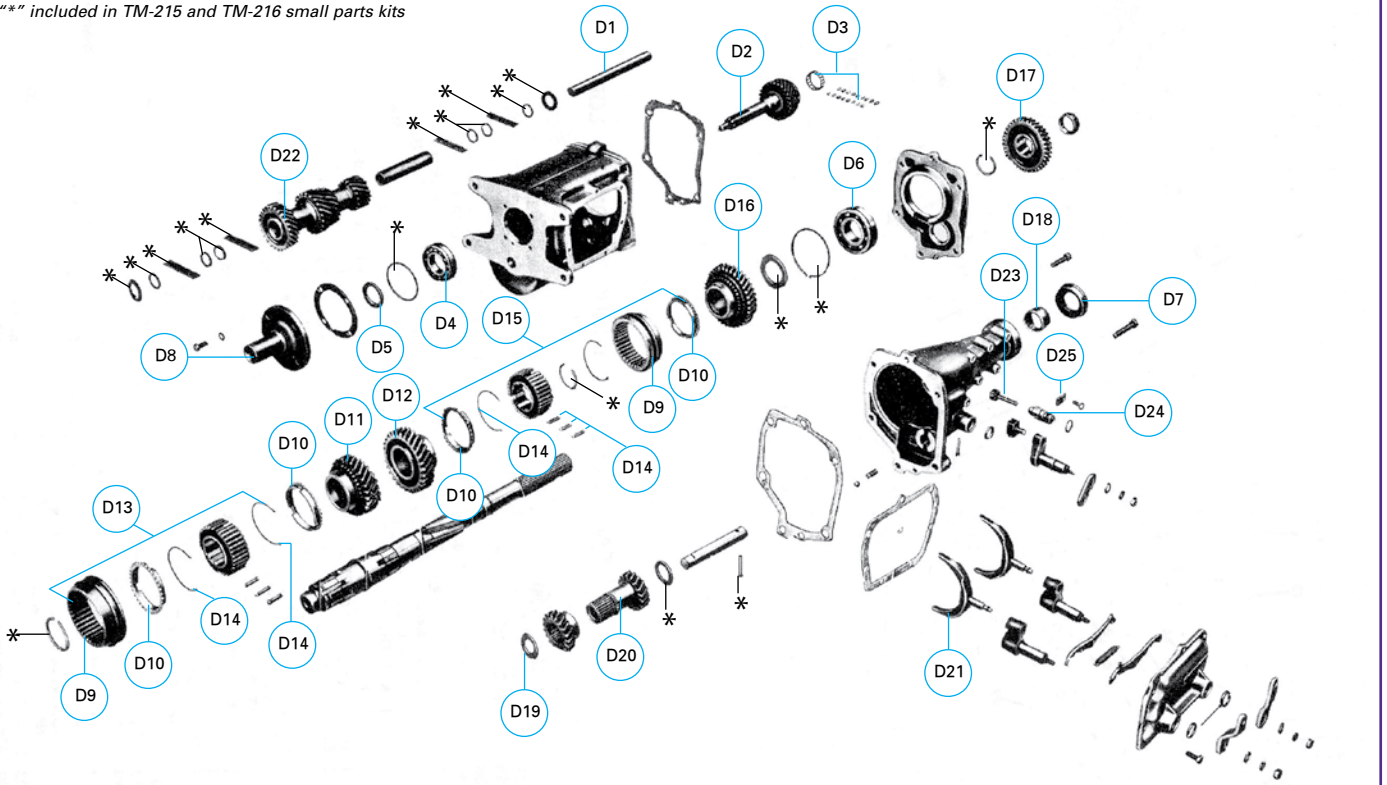
Manual Transmission Rebuild Service

If the thought of tackling your Corvette's "stick" gearbox is a bit too intimidating – have Zip do it! Transmission is completely disassembled, cleaned, and thoroughly inspected. Case is restored to factory finish. Rebuild includes all-new bearings, syncros, bushings and seals. Additional costs may be incurred depending on condition of gears and cluster assembly (parts not replaced during standard service). 1-year unlimited mileage warranty. Sold on exchange only. No Discount.

S-192	63-67	Manual transmission rebuild service	899.99
-------	-------	-------------------------------------	--------

D 4-Speed Transmission Components

"*" included in TM-215 and TM-216 small parts kits



Speedometer Driven Gear

Gear

Part#	Teeth	Color	
TM-152	18	Brown (D23)	14.99
TM-153	19	Natural (D23)	14.99
TM-154	20	Blue (D23)	14.99
TM-155	21	Red (D23)	14.99
TM-156	22	Green (D23)	14.99
TM-157	22	Silver (D23)	14.99
TM-158	23	Black (D23)	14.99
TM-159	24	Yellow (D23)	14.99
TM-160	25	Orange (D23)	18.99



TM-156 TM-159 TM-152 TM-160 TM-154 TM-155



Gear Components

TM-291	63-67	Speedometer steel drive gear, 3.08 to 3.55 ratio	49.99
TM-353	63-67	Speedometer steel drive gear, 3.70 to 4.11 ratio	49.99
TM-147	63-67	Gear sleeve w/o-ring seal (D24)	18.99
TM-151	63-67	Gear sleeve O-ring seal	2.99
TM-150	63-67	Gear sleeve retainer w/bolt (D25)	5.99
BL-510	63-67	Gear sleeve retainer bolt	1.99

See page 154 for speedometer cable

Tremec TKX Conversion

Upgrade original 3 or 4-speed Corvette to a Tremec manual transmission - perfect for those who desire improved performance, increased drivability while maintaining the stock look and feel. Available in close or wide ratio, TKX 5-speed or Magnum 6-speed options. Includes Tremec transmission with custom designed PerfectFit side-mount shifter, custom transmission cross-member bracket, speedometer cable/adaptor, console shift pattern, reverse light adapter and dynamically balanced driveshaft with quick release slip yoke and u-joints. Handle sold separately. No Discount.

TM-406	63-67	TKX 500 5-speed transmission conversion (wide ratio)	4,099.99
TM-407	63-67	TKX 600 5-speed transmission conversion (close ratio)	3,999.99
TM-428	63-67	Magnum 6-speed-transmission conversion	7,199.99
TM-398	63-67	Bolt-on PerfectFit shifter handle	89.99

Note: Contact Zip for more information on transmission ratios and application details. See page 90 for automatic to manual conversion packages.



Hydraulic Clutch

Get rid of your factory heavy clutch pedal with a new hydraulic clutch actuator kit. High quality Wilwood master cylinder with remote reservoir actuates a HD concentric slave cylinder/throw-out bearing. Kit includes stainless hose and firewall mount bracket. Rated for 7,000rpms. Use TKO or Muncie trans.



TM-414	68-82	Hydraulic clutch kit	679.99
--------	-------	----------------------	--------

Shifter

63-67 3-speed Shifter

Shifter

ST-127	63	Shifter w/knob	359.99
ST-392	63	Shifter mount bolts (6 pcs).....	4.99
ST-212	66L-67	Shifter mount bracket	49.99
ST-391	66-67	Shifter mount bracket bolts (5 pcs).....	3.99
ST-203	63	Shift knob, black.....	9.99
ST-302	64-67	Shift knob, chrome.....	17.99

Shifter Boot

WS-4487	63	Shifter boot	54.99
WS-444	64-67	Shifter boot	19.99
ST-376	63	Shifter boot retainer	29.99
ST-377	63	Shifter boot retainer nut plate w/rivets, mount underbody	34.99
ST-231	64-67	Shifter boot retainer	17.99
ST-338	64-67	Shifter boot retainer nut plate w/rivets, mounts underbody	29.99
ST-329	63-67	Shifter boot retainer screws (11).....	8.99

Shifter Linkage

ST-103	63	Linkage set, w/rods & hardware, no levers	84.99
ST-419	63	Transmission lever, reverse to 1st	42.99
ST-418	63	Transmission lever, 2nd to 3rd	42.99
ST-514	63-67	Linkage clevis pin	ea 2.49
ZST-129	63-67	Linkage clevis pin wire "G" clip.....	ea 1.49

OE-style Shifter Shaft

Your Corvette can look all-original even if you've upgraded to an aftermarket shifter for improved performance.

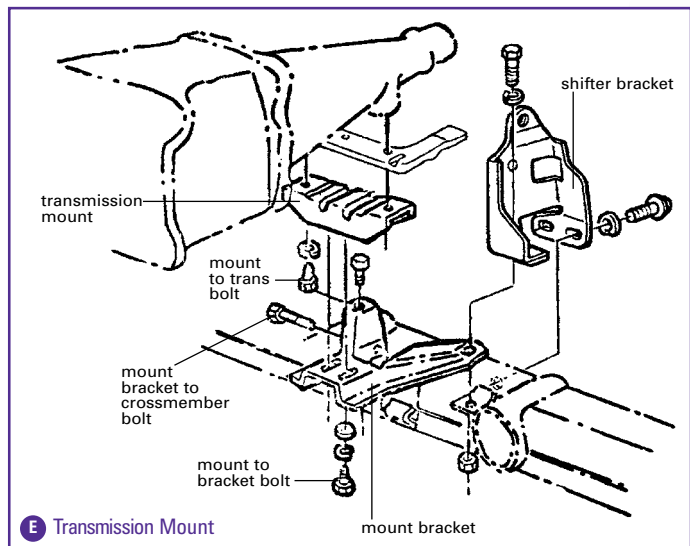
Exact replica of OE shaft includes a non-functional "reverse lockout" T-handle. Fits Hurst or Mr. Gasket shifters that use 2-bolt-design shaft. Includes correct color shift ball.



ST-345	63	Shifter shaft	109.99
ST-327	64-67	Shifter shaft	89.99

Transmission Mount

WS-459	63-67	Transmission mount (63 replacement) (E).....	14.99
TM-302	63-67	Transmission mount, polyurethane, (63 replacement).....	42.99
BL-330	63-67	Transmission mount to transmission & mount to bracket bolts, "WB" headmark w/washers (10 pcs) (E).....	7.99
M-3043	63-67	Mount bracket (E).....	49.99
BL-370	63-67	Mount bracket to crossmember hardware, manual transmission, correct bolts & nuts (7 pcs) (E).....	6.99
BL-645	63-67	Mount bracket to crossmember hardware, automatic transmission, correct bolts & nuts (8 pcs).....	5.99
M-3834	63-67	Mount bracket frame brackets, weld onto crossmember (2)	22.99



63 4-speed Shifter

63 Manual Shifter

ST-200	63	Shifter w/knob	509.99
ST-392	63	Shifter mount bolts & washers (6 pcs)	4.99
ST-203	63	Shift knob, black.....	9.99



Shifter Repair

ST-105	63	Shifter anti-rattle spring	11.99
ST-105A	63	Shifter anti-rattle spring lower bracket.....	8.99
ST-510	63	Shifter lever control pin, repairs bottom of shifter shaft at levers.....	2.99
ST-136	63	T-handle lock-out w/spring, cable, stop & replacement cover rivet	74.99
ST-468	63	T-handle side cover	52.99
ST-469	63	T-handle side cover rivet.....	1.99

Shifter Boot

WS-443	63	Shifter boot	44.99
ST-376	63	Shifter boot retainer	29.99
ST-377	63	Shifter boot retainer nut plate w/rivets, mount underbody	34.99
ST-329	63	Shifter boot retainer screws (11).....	8.99

Shifter Linkage

ST-325	63	Linkage set, Borg-Warner	129.99
ST-202A	63	Linkage set, Muncie.....	129.99
ST-404	63	Linkage adjustment gauge block	9.99
ST-514	63	Linkage clevis pin	ea 2.49
ST-636	63	Linkage clevis pin wire "G" clips (5).....	4.99
ST-480	63	Transmission lever, 1st to 2nd, Borg-Warner	19.99
ST-481	63	Transmission lever, 3rd to 4th, Borg-Warner	19.99
ST-482	63	Transmission lever, reverse, Borg-Warner.....	19.99



4-speed Shifter & Linkage Kit

Features a fully-assembled shifter complete with knob plus all required linkage components. Includes levers, swivels, clevis and clips.

ST-407	63	Shifter & linkage kit, Borg-Warner	599.99
ST-408	63	Shifter & linkage kit, Muncie.....	599.99
ST-409	64-67	Shifter & linkage kit.....	329.99



64-67 4-speed Shifter

Shifter

ST-209	64-67	Shifter w/knob (F)	259.99
ST-201	64-66E	Shifter mount plate w/mount screws	22.99
ST-417	64-66E	Shifter mount plate screws only (3)	3.99
ST-212	66L-67	Shifter mount bracket	49.99
ST-391	66-67	Shifter mount bracket bolts (5 pcs)	3.99
ST-394	64-67	Shifter mount bolts (2)	2.99
ST-302	64-67	Shift knob, chrome (F)	17.99



Shifter Repair

ST-222	64-67	T-handle w/lock-out rod & bushings	26.99
ST-224	64-67	T-handle bushings (2) (included in ST-222)	3.99
ST-214	64-67	T-handle reverse lock-out rod	5.99
ST-226	64-67	T-handle reverse lock-out spring	4.99

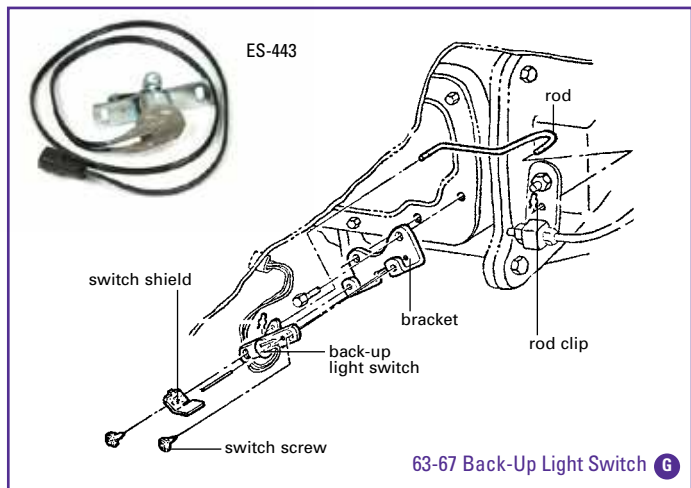
Shifter Boot

WS-444	64-67	Shifter boot	19.99
ST-231	64-67	Shifter boot retainer	17.99
ST-338	64-67	Shifter boot retainer nut plate w/rivets, underbody	29.99
ST-329	64-67	Shifter boot retainer screws (11)	8.99

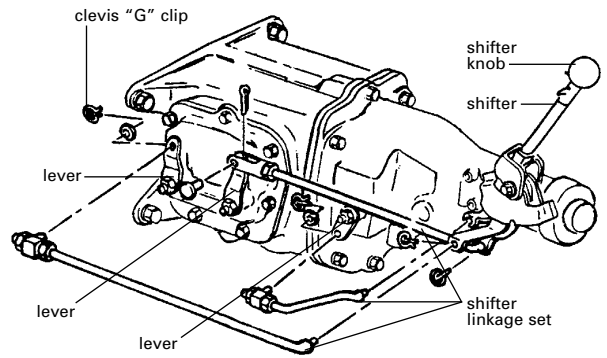


Back-Up Light Switch Components

ES-443	63-67	Back-up light switch, reproduction (G)	69.99
ST-229	64-67	Back-up light switch bracket (G)	12.99
ST-225	64-67	Back-up light switch rod w/clips (G)	7.99
ST-487	64-67	Back-up light switch rod clips (2) (G)	.99
ST-334	64-67	Back-up light switch screws & washers (4 pcs) (G)	2.99
ST-230	64-67	Back-up light switch shield (G)	9.99



F 64-67 4-speed Shifter



4-speed Shifter Rebuild Kit

Includes everything needed to return your "sloppy" factory 4-speed shifter to crisp performance: new T-handle with rod, interlocks, springs, shafts, hardware, a new shift ball and instructions.



ST-378	64-67	Shifter rebuild kit	59.99
--------	-------	---------------------	-------

Visit us online: www.zip-corvette.com/trn2
How to rebuild worn out manual shifters



Shifter Linkage

ST-210	64-67	Linkage set (F)	79.99
ST-406	64-67	Linkage adjusting tool	2.99
ST-536	64-67	Linkage rod, 1st to 2nd	18.99
ST-537	64-67	Linkage rod, 3rd to 4th	18.99
ST-535	64-67	Linkage rod, reverse	18.99
ST-539	64-67	Linkage rod clevis, 1st to 2nd	10.99
ST-541	64-67	Linkage rod clevis bowed washer, 1st to 2nd	1.49
ST-514	64-67	Linkage clevis pin w/cotter pin	ea 2.49
ST-636	64-67	Linkage clevis pin wire "G" clips (5) (F)	4.99
ST-540	64-67	Linkage rod jam nut	ea 2.49
ST-538	64-67	Linkage rod swivel, 3rd to 4th	8.99
ST-534	64-67	Linkage rod swivel, reverse	8.99
ST-542	64-67	Linkage rod swivel washers (2)	1.29
ST-483	64-67	Transmission lever, 1st to 2nd (F)	12.99
ST-484	64-67	Transmission lever, 3rd to 4th (F)	12.99
ST-485	64-67	Transmission lever, reverse (F)	12.99
ST-486	64-67	Transmission lever mount nuts (3)	1.99



ZipSocial    
Follow us on social media & stay connected! www.zip-corvette.com/social

Clutch Linkage & Pedal

Bellhousing

CL-227	66-67	Bellhousing, #3899621, new reproduction, includes casting number & GM logo, use w/11" clutch, GM licensed	229.99
TM-416	63-67	Bellhousing, LS/LT conversion, 11" clutch	329.99
BL-204	63-67	Bellhousing to block bolts, "M" headmark (6)	10.99
CL-117	63-67	Bellhousing front inspection cover, used on cars w/10.4" clutch, 3 1/4" hole	24.99
CL-233	63-67	Bellhousing front inspection cover, used on cars w/10.4" clutch, 3 1/4" hole, correct reproduction	29.99
CL-154	66-67	Bellhousing front inspection cover, used on cars w/11" clutch, 2 7/8" hole	29.99
CL-170	63-66	Bellhousing front cover slotted bolts (6)	4.99
CL-171	67	Bellhousing front cover hex bolts (4)	7.99
CL-174	63-67	Bellhousing to transmission bolts, "TR" headmark, zinc plated (4)	9.99

CL-227



casting detail



CL-117

CL-154

Flywheel

TM-344	63-67	Flywheel, 10.4" clutch, cast iron, (153 tooth)	119.99
TM-345	63-67	Flywheel, 10.4" clutch, billet steel, SFI certified (153 tooth)	419.99
TM-140	66-67	Flywheel, 11" clutch	109.99
TM-415	63-67	Flywheel, LS conversion w/11" clutch	369.99
TM-296	63-67	Flywheel ring gear, 10.4" clutch (12" ID)	59.99
TM-297	66-67	Flywheel ring gear, 10.4" or 11" clutch (13.25" ID)	31.99
BL-412	63-67	Flywheel to crank bolts (6)	9.99
CL-186	63-67	Pressure plate to flywheel bolts w/washers (6)	9.99
CL-198	63-67	Flywheel pilot bushing	13.99
TM-336	63-67	Flywheel pilot bearing, roller	14.99

TM-140



CL-198

BL-412

Fork Components

CL-100	63	Fork (H)	114.99
CL-101	64-67	Fork (H)	94.99
CL-175	63-67	Fork repair kit, includes throw-out bearing clip w/rivet	20.99
CL-102	63-65	Fork to bellhousing ball stud, 1 1/5" long (H)	9.99
CL-248	66-67	Fork to bellhousing ball stud, 1 3/8" long (H)	9.99
WS-4611	63-67	Fork bellhousing rubber boot (GM) (H)	18.99
ZWS-404	63-67	Fork bellhousing rubber boot (H)	10.99
M-299	63	Fork push rod (H)	34.99
CL-105	64-66	Fork push rod, 327 (H)	18.99
CL-106	65-67	Fork push rod, 65-66 396 & 427, 67 All (H)	18.99
CL-118	63	Push rod anti-rattle spring	5.99
M-4341	64-67	Push rod anti-rattle springs (H)	7.99
CL-104	64-67	Push rod to fork attaching pin (H)	2.99
ZST-129	63-67	Push rod to cross shaft wire "G" clip (H)	ea 1.49
CL-162	63-67	Throw-out bearing (H)	29.99



Automatic Conversion

Everything needed to convert factory automatic Corvette to a manual transmission; including the new Tremec 5-speed conversions. Kit includes the "621" bellhousing, factory clutch kit, steel flywheel, cross-shaft, frame brackets and pedal assembly. Plus all the hardware needed to complete the install.

TM-399	63-65	Auto to manual conversion package, 327	899.99
TM-400	65-66	Auto to manual conversion package, 396/427	899.99
TM-401	66	Auto to manual conversion package, 327	899.99
TM-402	67	Auto to manual conversion package	899.99

TM-399



Clutch Kit

Multi-finger replacement for original 3-finger-style clutch plate. Includes disc, pressure plate, throw-out bearing, pilot bushing and one-time-use plastic alignment tool.



TM-107	63-67	10.4" diameter, 10 splines	159.99
TM-105	66-67	11" diameter, 10 splines	179.99



Cross Shaft

M-2324	63-65	Cross shaft, 327 (H)	79.99
M-2325	65-67	Cross shaft, 396 & 427 (H)	79.99
M-3313	66-67	Cross shaft, 327 (H)	79.99
M-3162	63-67	Cross shaft grease fitting	1.99
M-3161	63-67	Cross shaft grease fitting red cap	2.49
ZCL-109	63-67	Cross shaft ball stud felt washer (2 per car) (H)	ea 1.99
CL-107	63-67	Engine side ball stud w/seal (H)	12.99
CL-187	63-67	Engine side ball stud rubber seal (H)	3.99
CL-111	63-67	Frame ball stud (H)	8.99
CL-205	63-67	Frame ball stud bracket, welds on (H)	22.99
CL-114	63-67	Frame ball stud lock washer (H)	3.99
CL-191	63-67	Frame ball stud lock washer nut (H)	.99
CL-113	63-67	Frame ball stud spring (H)	2.99
CL-110	63-67	Frame ball stud plastic seat (2 per car) (H)	ea 2.99

Cross Shaft Rebuild Kit

All parts needed to completely disassemble and rebuild original cross shaft. Includes engine side ball stud with seal, frame ball stud, pair each of felt washers and plastic seats, grease fitting and cap and hardware.



CL-218	63-67	Cross shaft rebuild kit	36.99
--------	-------	-------------------------	-------

Clutch Push Rods (Spherical Rod Ends)

Introduce your Corvette's 4-speed to modern-day technology: infinite adjustment, solid feel, smooth clutch operation – and maintenance-free durability (self-cleaning Teflon® lined links never need lubrication). Kit includes clutch-to-cross shaft push rod, cross shaft-to-clutch fork push rod and all necessary hardware and fasteners.

M-3976	63-67	Clutch push rods w/spherical rod ends	159.99
--------	-------	---------------------------------------	--------



Cross Shaft Return

M-2233	63-67	Cross shaft return spring (H)	6.99
CL-119	63-66	Return spring firewall bracket	10.99
CL-120	67	Return spring firewall bracket	8.99



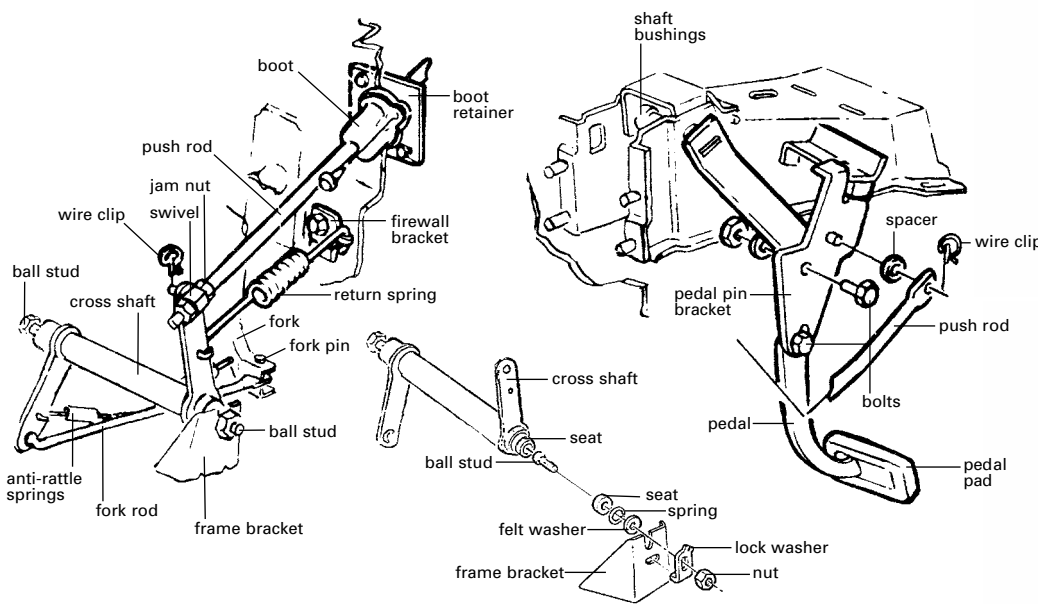
Pedal Components

M-2331	63-66	Pedal assembly w/rubber pad, does not include pin bracket, use M-2264 or CL-131 (H)	89.99
M-2264	63-66	Pedal pin bracket, 327	29.99
CL-131	65-66	Pedal pin bracket, 396 & 427	29.99
CL-193	63-66	Pedal pin bracket to pedal bolts (6 pcs)	3.99
M-2364	67	Pedal assembly w/rubber pad, includes pin bracket (H)	99.99
M-2265	67	Pedal pin bracket, welds to pedal	26.99
M-3239	63-67	Pedal shaft, weld-on repair (H)	19.99
M-2204	63-67	Pedal shaft bushings, brake & clutch (4) (H)	6.99
CL-115	63-67	Pedal shaft retaining clip (H)	ea 4.99
WS-405	63-67	Pedal return bumper	4.99
WS-431	63-67	Pedal rubber pad (H)	7.99

Pedal Push Rod Components

ZWS-406	63-65E	Firewall boot, 2-hole	9.99
ZWS-407	65L-67	Firewall boot, 3-hole (H)	12.99
WS-406B	63-65E	Firewall boot retainer w/screws	8.99
M-2241	65L-67	Firewall boot reinforcement w/rivets & boot screws	8.99
CL-197	65L-67	Firewall boot screws (3) (H)	2.49
M-2242	63-67	Firewall hole plug, Automatic	1.49
M-4348	63-67	Firewall hole plug, above push rod hole	1.49
M-2954	63-65	Pedal to cross shaft push rod, 327 (H)	27.99
M-2326	65-67	Pedal to cross shaft push rod, 65 396 & 66-67 327 or 427 (H)	26.99
CL-194	64-67	Push rod to pedal bracket spacer (H)	2.99
ZST-129	63-67	Push rod to pedal bracket wire "G" clip (H)	ea 1.49
CL-116	63-67	Push rod swivel (H)	7.99
CL-169	63-67	Push rod swivel jam nuts (2) (H)	1.49
CL-249	63-67	Push rod swivel to cross shaft wire "G" clips (2) (H)	1.99

H Clutch Linkage



Fuel Pump

Correct Appearance Fuel Pump

New or rebuilt OE-style pump with "AC" cast into top or side of main body as originally manufactured. Correct die cast or steel crimp design includes original GM part number stamped in casting.

CZ-405	63	Rebuilt original #4657	189.99
CZ-405	64-66	Rebuilt original #4657, 250 & 300 hp	189.99
CZ-439	64-66	64-65 Hi-Perf & 66 350 hp, # "40083"	269.99
CZ-442	65E	396-Early, # "40248"	329.99
CZ-429	65L-66E	396-Late & 427, # "40366"	289.99
CZ-425	66L	427, # "40366"	319.99

Note: '65-66-Early 396/427 fuel pumps use a round lower fitting; '66-Late uses a square fitting. "Early" pumps were used until approximately 1-66.

CZ-440	67	327, # "40433"	279.99
CZ-1208	67E	427, # "40482", square inlet	329.99
CZ-426	67L	427, # "40482", round tube inlet	269.99



CZ-405



CZ-405 casting detail



CZ-429



CZ-426

Replacement Fuel Pump

New replacement pump has overall appearance of a factory-original unit but no "AC" casting.

CZ-438	63	All	49.99
CZ-438	64-66	250 & 300 hp	49.99
CZ-420	64-66	64-65 Hi-Perf & 66 350 hp	69.99
CZ-420	66	327	69.99
CZ-422	67	327	34.99
Z-423	67	427	49.99



CZ-438

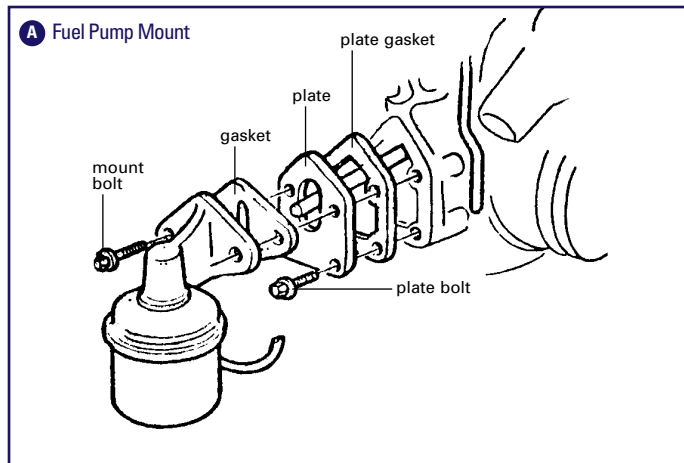


CZ-422

Fuel Pump Mounting Hardware

BL-355	63-66	Fuel pump mount bolts, 327 (2) (A)	4.99
BL-357	67	Fuel pump mount bolts, 327 (2) (A)	5.99
BL-691	67	Fuel pump mount bolts, 327, 9/16" hex (2) (A)	5.99
BL-356	65-67	Fuel pump mount bolts, 396 & 427 (2) (A)	4.99
CZ-1054	63-67	Fuel pump gasket (A)	2.99
CZ-1027	63-67	Fuel pump plate, 327 (A)	10.99
CZ-1022	63-67	Fuel pump plate bolts, 327 (2) (A)	3.99
CZ-1026	63-67	Fuel pump plate gasket (A)	2.99
CZ-436	63-67	Fuel pump push rod, mounts inside engine (A)	12.99

Note: Fuel pump bolts are original-style and include correct headmark.



Fuel Pump Rebuild Kit

Includes all internal parts required to rebuild original AC pump. Must reuse old top, bottom and rocker arm.

CZ-1210	63-66	Fuel pump rebuild kit, #4657	69.99
CZ-1211	64-66	Fuel pump rebuild kit, #40083	69.99



CZ-1210

Fuel Pump Flex Hose

Connects frame fuel line to fuel pump. Includes correct clamps.

Z-872	63	Frame line to fuel pump hose w/clamps	14.99
Z-806	64-67	Frame line to fuel pump hose w/clamps (C)	5.99
Z-141	63-66	Frame line to fuel pump pipe w/90° fitting, 63 All & 64-66 250 & 300 hp	14.99
CZ-1011	64-66	Frame line to fuel pump fitting, 64-65 w/Hi-Perf & F.I. & 66 350 hp	12.99
CZ-1195	67	Frame line to fuel pump fitting, 327	9.99
CZ-1228	63-66	Fuel pump to carburetor line fitting, 90°	4.99



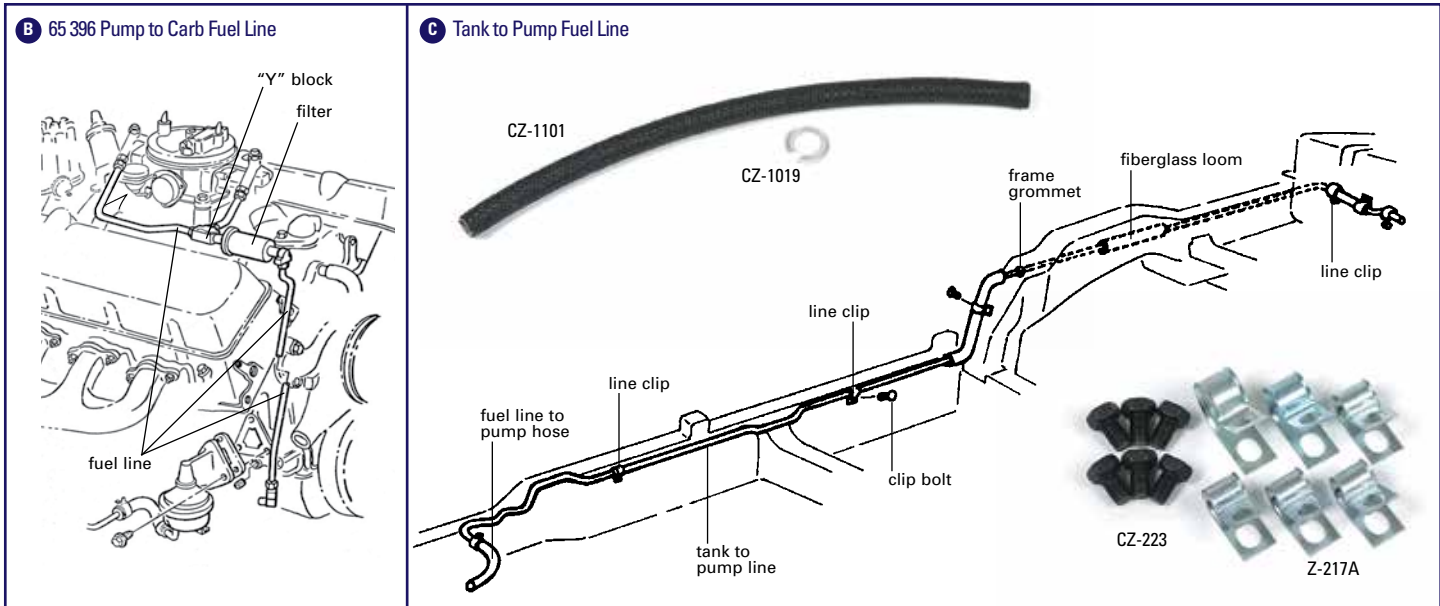
Z-806

CZ-1011

Z-141



Follow us on social media & stay connected! www.zip-corvette.com/social



Fuel Lines

Fuel Lines – Pump to Carb

OE-style pump to carb (and fuel injection) lines are steel or stainless steel tubing with double inverted flares and steel nuts. Lines are pre-bent to match exact shape of originals; some are also chrome plated as originally manufactured (see listing for descriptions).

Z-142	63-65	250 hp fuel line kit	34.99
CZ-142SS	63-65	250 hp fuel line kit, stainless	44.99
Z-114	63-65	300 hp fuel line kit	49.99
CZ-114SS	63-65	300 hp fuel line kit, stainless	64.99
Z-116	63	340 hp fuel line kit, chrome	99.99
CZ-116SS	63	340 hp fuel line kit, stainless	39.99
Z-120	63-65	F.I. fuel line kit, chrome	89.99
CZ-120SS	63-65	F.I. fuel line kit, stainless	44.99
Z-118	64-65	350 & 365 hp fuel line kit, chrome	89.99
CZ-118SS	64-65	350 & 365 hp fuel line kit, stainless	39.99
Z-121A	65	425 hp 3-piece fuel line kit w/o block (B)	59.99
CZ-121SS	65	425 hp 3-piece fuel line kit w/o block, stainless	64.99
CZ-145	65	425 hp fuel line "Y" block (B)	38.99
Z-122	66	300 hp fuel line kit, chrome	59.99
CZ-122SS	66	300 hp fuel line kit, stainless	32.99
Z-123	66	350 hp fuel line kit, chrome	59.99
CZ-123SS	66	350 hp fuel line kit, stainless	32.99
Z-124	66	390 hp fuel line	44.99
CZ-124SS	66	390 hp fuel line, stainless	48.99
Z-143	66	425 hp 3-piece fuel line kit w/o block	38.99
CZ-143SS	66	425 hp 3-piece fuel line kit w/o block, stainless	69.99
CZ-144	66	425 hp fuel line "Y" block	34.99
Z-126	67	300 hp fuel line	42.99
CZ-126SS	67	300 hp fuel line, stainless	46.99
Z-127	67	350 hp fuel line	42.99
CZ-127SS	67	350 hp fuel line, stainless	46.99
Z-129	67	390 hp fuel line	49.99
CZ-129SS	67	390 hp fuel line, stainless	52.99
Z-130	67	400 & 435 hp 5-piece fuel line kit w/blocks	99.99
CZ-130SS	67	400 & 435 hp 5-piece fuel line kit w/blocks, stainless	109.99
Z-137	67	L88 3-piece fuel line kit w/block	79.99
Z-137SS	67	L88 3-piece fuel line kit w/o block, stainless	89.99
CZ-144	67	L88 fuel line "Y" block	34.99

Note: Zip's fuel lines come complete with all correct fittings necessary to install lines from fuel pump to carburetor(s).

Fuel Lines – Tank to Pump

OE-style 3/8" diameter tank to fuel pump steel or stainless steel lines include armor protector and fiberglass loom where applicable. Shipped UPS.

Z-217	63-67	Gas tank to pump, 327 (C)	74.99
Z-217SS	63-67	Gas tank to pump, 327, stainless (C)	89.99
Z-217BB	65-67	Gas tank to pump, 396 & 427 (C)	74.99
Z-217BSS	65-67	Gas tank to pump, 396 & 427, stainless (C)	89.99
Z-217A	63-67	Gas tank to pump line clips (6) (C)	10.99
CZ-223	63-67	Gas tank to pump line clip bolts (6) (C)	6.99
CZ-1019	63-67	Gas tank to pump line frame grommet (C)	2.99
CZ-1101	63-67	Gas tank to pump line fiberglass loom (C)	7.99



Fuel Filter

CZ-1012	63-67	Carburetor inlet fuel filter, AFB, WCFB & Holley, bronze	4.99
CZ-705	63-65	GF90 filter, black painted finish w/white lettering, All 327 except 250 hp	46.99
CZ-1100	65	GF416 filter (B)	69.99
CZ-708	63-65	GF90 filter bracket, plain steel, 300 hp, includes screw & mount stud	20.99
CZ-709	63-65	GF90 filter bracket, chrome steel, 340, 350, 360, 365 & 375 hp, includes screw & mount stud	24.99
CZ-1162	63-65	Fuel filter bracket mount stud, nut & washer (3 pcs)	8.99
CZ-1163	63-65	Fuel filter pinch screw	9.99

Fuel System Hose Clamp Kit

Includes required number of frame line hose clamps and/or fuel filter hoses clamps, as applicable. Car set.



HC-225M	63-64	327 w/Carter carburetor or F.I. (4 pcs)	24.99
ZHC-502	64	327 w/Holley carburetor (8 pcs)	12.99
ZHC-503	65	327 w/Carter carburetor or F.I. (6 pcs)	5.99
ZHC-504	65	327 & 396 w/Holley carburetor (8 pcs)	5.99
ZHC-505	66-67	327 & 427 w/o 3x2 (6 pcs)	5.99
ZHC-506	67	427 w/3x2 (8 pcs)	9.99



Gas Tank

Gas Door

GT-244	63E	Door assembly, roller style	232.99
GT-20	63L	Door assembly (D)	129.99
GT-25	64	Door assembly (D)	124.99
GT-26	65	Door assembly (D)	124.99
GT-27	66	Door assembly, black upper LH flag (D)	124.99
GT-346	66	Door assembly, white upper LH flag (D)	127.99
GT-21	67	Door assembly (paint to match) (D)	184.99
GT-339	63E	Door roller only	5.99
GT-105	63E	Door roller & bracket	18.99
GT-338	63-67	Door latch screw, original-style	2.99
GT-248	63E	Door bezel, roller door	49.99
GT-34	63L-67	Door bezel, Conv., correct (D)	39.99
GT-249	63L-67	Door bezel, Coupe, correct (D)	39.99
ZSF-338	63-67	Door bezel & lid screws w/J-nuts (8 pcs) (D)	4.99



Gas Door Emblem Repair Kit

New reproduction emblem repairs original gas door assembly. Easy install – simply drill out rivets and replace emblem. Attaches with included, specially designed screws.

GT-298	63E	Door emblem repair kit, w/"roller" door	57.99
GT-22	63L	Door emblem repair kit	57.99
GT-28	64	Door emblem repair kit	57.99
GT-29	65	Door emblem repair kit	57.99
GT-36	66	Door emblem repair kit, black upper LH flag	57.99
GT-345	66	Door emblem repair kit, white upper LH flag	57.99
GT-272	67	Door emblem repair kit, primer	86.99
SF-782	63-67	Gas door emblem repair screws (6)	2.49



Gas Tank, Cap & Filler Neck

GT-321	63-67	Gas tank, reproduction	269.99
GT-378	63-67	Gas tank, reproduction (no logo)	199.99

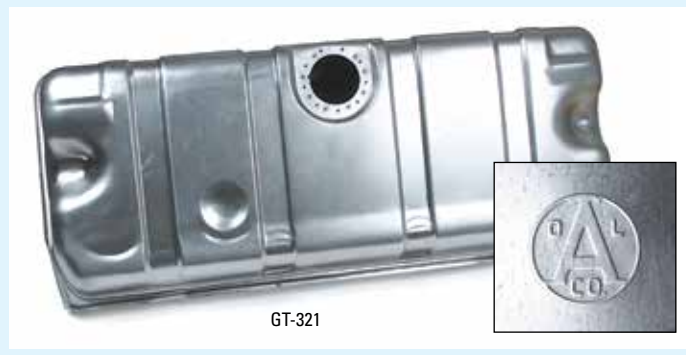
Note: Gas tanks include filler neck gasket, neck screws, sending unit cam and O-ring.

GT-35	63-67	Gas cap, vented, reproduction (D)	49.99
X-206-2	63-67	Gas cap, locking	37.99
ZGT-251	63-67	Gas cap gasket, rubber	3.99
GT-352	63-67	Gas cap gasket, correct fiberboard	3.99
X-3833	63-67	Gas filler guard, rubber protector	7.99
GT-296	63-67	Filler neck, Conv. (D)	89.99
GT-295	63-67	Filler neck, Coupe (D)	89.99
WS-420	63-67	Filler neck boot seal (D)	19.99
SF-339	63-67	Filler neck screw set (9)	11.99
ZGT-240	63-67	Filler neck to tank cork gasket (D)	4.99



Correct Reproduction Gas Tanks

Zip's reproduction tanks match the factory unit in shape, indents, welds, connections and internals. Rust-resistant .032" Ni-Terne steel – twice leak tested to ensure total satisfaction and performance. Available with or without authentic "O.L. Anderson" stamped logo as original.



N03 – 36 Gallon Tank Components

GT-334	63-67	Filler neck to housing screws (5)	6.99
ZGT-246	63-67	Sending unit gasket	4.99
SF-482	63-67	Sending unit screws (5)	5.99
GT-335	63-67	Tank cover screws set (30 pcs)	32.99
GT-332	63-67	Tank cover U-nuts (16 pcs)	12.99
GT-333	63-67	Tank cover nut plates & rivets (24 pcs)	32.99
GT-336	63-67	Tank lower brass "T" & elbow (5 pcs)	69.99



EFI Gas Tank

Easy conversion to fuel injection, allows for use of GPA series fuel pump. Original 18 gallon tank with recessed sender & pump connections for a no-modification install. Features include galvanized steel construction, powder coated silver finish, 4.3 liter internal fuel tray and 5-bolt sending unit mount which can be used with a variety of aftermarket senders.

GT-422	63-67	EFI fuel tank	319.99
GT-423	63-67	Gas tank sending unit (use with original gauges)	159.99
GT-421	63-67	EFI fuel pump module, in tank design	219.99



Stainless Steel Gas Tank

Hand fabricated from high-grade materials. Features inner baffles to keep fuel from sloshing. Pressure tested to ensure leak-free installation. Includes stainless mounting straps. LS version includes 58psi internal fuel pump and pick-up assembly. Call for information on throttle body or tune port injection models. No Discount.

GT-375	63-67	Stainless steel gas tank w/straps	889.99
GT-449	63-67	Stainless steel gas tank w/straps, LS conversion	1,279.99

Gas Tank Overflow Hose

GT-265	63-67	Overflow hose (D)	8.99
GT-264	63-67	Overflow hose nipple (D)	3.99
GT-307	63-64	Overflow hose white T-shaped strap	2.49
GT-308	65-67	Overflow hose black T-shaped strap	2.49
SPR-150	63-67	Overflow hose support spring (D)	7.99

Overflow Hose Kit

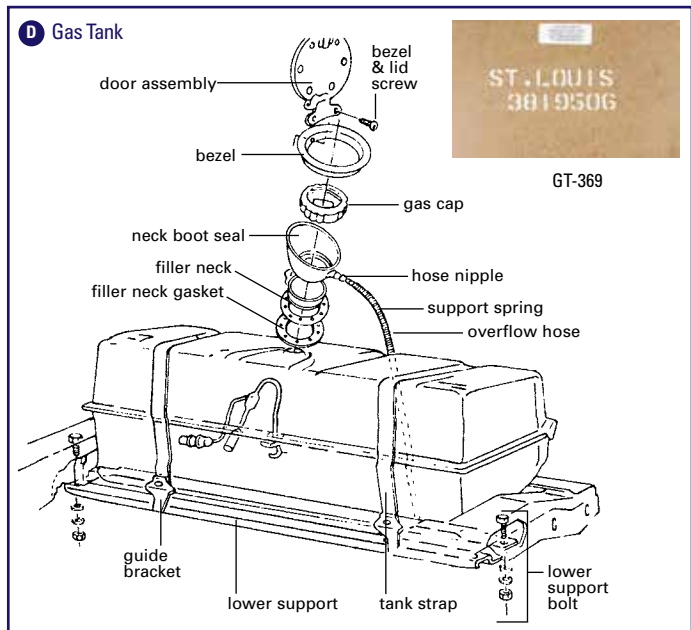
Zip's complete kit replaces your missing fuel system overflow hose. Includes hose, nipple and correct colored strap. '64-67 kits include support spring.



WS-4401	63	Overflow hose kit, w/nipple & strap	14.99
WS-4402	64	Overflow hose kit, w/nipple, spring & strap	19.99
WS-4403	65-67	Overflow hose kit, w/nipple, spring & strap	19.99

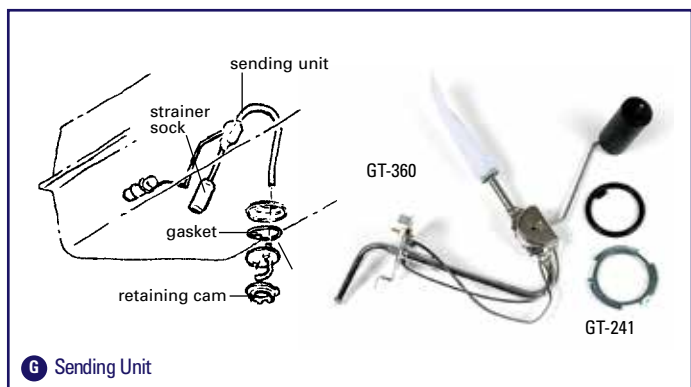
Gas Tank Stencil

GT-369	63-67	Gas tank stencil	12.99
MG-116	63-66	Gas tank stencil spray ink, black	12.99
MG-113	67	Gas tank stencil spray ink, white	12.99



Sending Unit

GT-360	63-67	Sending unit w/o-ring & strainer sock (G)	79.99
GT-247	63-67	Sending unit o-ring gasket (G)	3.99
GT-241	63-67	Sending unit retaining cam (G)	4.99
GT-245	63-67	Sending unit strainer sock (G)	9.99



Gas Tank Mounting

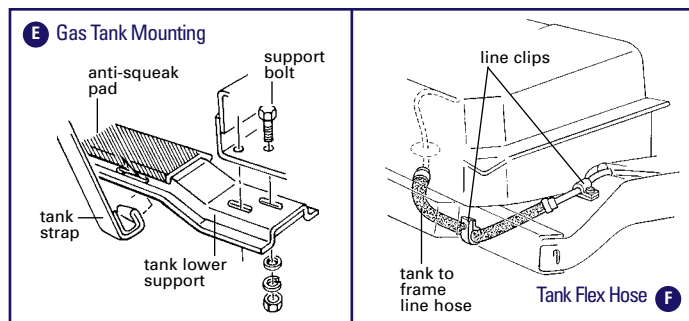
M-3469	63	Tank lower support (D)(E)	189.99
M-3470	64-67	Tank lower support (D)(E)	179.99
BL-583	63-67	Tank lower support bolts, "TR" headmark (16 pcs) (D)(E)	6.99
ZGT-242	63-67	Tank lower support anti-squeak pads (2) (E)	6.99
GT-239	63-67	Tank straps, w/correct folded ends (pair) (D)(E)	32.99
ZGT-257	63-67	Tank strap anti-squeak pads (2)	6.99
GT-40	63-67	Tank strap guide brackets (2) (D)	16.99
BL-219	63-67	Tank strap guide bracket bolt & nut set (10 pcs)	6.99

Tank Installation Kit

Everything needed for typical installation. Includes filler neck screws, gas tank straps with anti-squeak pads, strap bolts and tank lower support anti-squeak pads.



GT-370	63-67	Gas tank installation kit	54.99
--------	-------	---------------------------	-------



Holley EFI Tank Unit w/Fuel Pump

Allows for conversion to EFI without changing fuel tank. Includes new 255lph fuel pump and fuel level sending unit designed to be installed into your Corvette's factory fuel tank. Fuel pressure regulated internally, preset at 58psi. No return line required. Designed to be used with factory fuel gauge.



GT-465	63-67	Holley EFI sending unit & fuel pump	413.99
--------	-------	-------------------------------------	--------

Visit us online: www.zip-corvette.com/fuel1

How to replace a 63-67 gas tank sending unit



Gas Tank Flex Hose

Connects frame fuel line to gas tank. Includes correct clamps.

GT-347	63-67	Tank to frame line hose w/clamps, NO3 (3 hoses)	19.99
GT-270	63	Tank to frame line hose w/clamps	8.99
ZGT-271	64-67	Tank to frame line hose w/clamps (F)	5.99

Sending Unit Removal Tool

Makes quick work of sending unit cam removal and install. No more hammers, screwdrivers or busted knuckles!



TL-120	63-67	Gas tank sending unit tool	24.99
--------	-------	----------------------------	-------

Body Mount

Body Mount Kit

All needed bolts, bushings, washers, spacers, shims and hardware to mount body to chassis. Bolts have correct "WB" headmark.

M-226	63	Body mount kit, Coupe or Conv.....	89.99
M-3800	64	Body mount kit, Coupe.....	119.99
M-3801	64	Body mount kit, Conv.....	119.99

Note: '64 mount kits do not include pieces for inward mount – Corvettes built after 4-21-64 require M-3040 "add-on" kit.

M-229	65-67	Body mount kit, Coupe.....	109.99
M-230	65-67	Body mount kit, Conv.....	109.99
M-3040	64L	Body mount "add-on" kit, inward mounts (used after 4/21/64 build date) (B).....	29.99



Replacement Body Mount Kit

All needed bolts, bushings, washers, spacers, shims and hardware to mount body to chassis. Replacement-style bolts. '64 kits include pieces for inward body mount found in Corvettes built after 4-21-64.

M-4033	63	Body mount kit.....	84.99
M-4034	64	Body mount kit, Conv.....	109.99
M-4035	64	Body mount kit, Coupe.....	109.99
M-4036	65-67	Body mount kit, Conv.....	104.99
M-4037	65-67	Body mount kit, Coupe.....	104.99

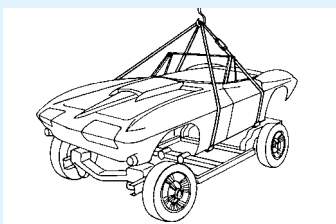
Body Mount Cushions & Nut

M-2565	63	Body mount rear rubber cushions (2).....	16.99
M-4275	64-67	Body mount lower & upper cushion (4-6 per car)..... ea	15.99
SU-385	64-67	Body mount cushions, Coupe, polyurethane (car set).....	54.99
SU-1131	64-67	Body mount cushions, Conv., polyurethane (car set).....	74.99
ZM-2511	63-67	Body mount square nut (C)..... ea	8.99
M-2510	63-67	Body mount nut cage w/rivets, #4 (C)..... ea	9.99
M-225	63-67	Body mount square metal shim (A)(B)..... ea	2.99
M-3661	63-67	Body mount U-shaped shim (A)(B)..... ea	2.99

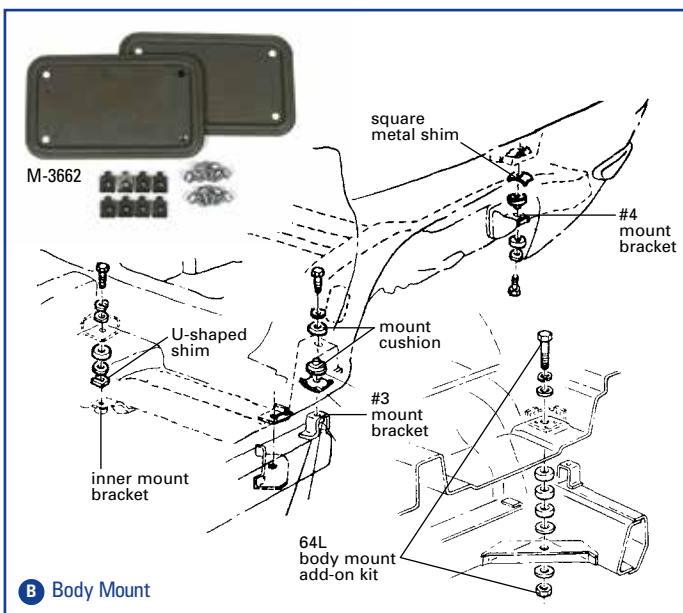
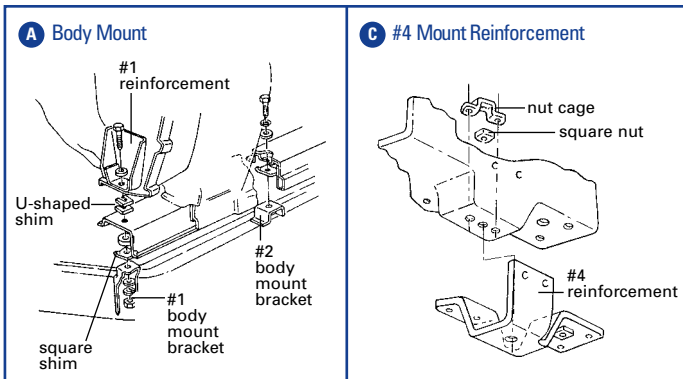


Body Lift Kit

Caution! Makeshift lifting methods can result in costly damage to your Corvette's fiberglass body. "Sling" straps secure to the steel support structure under the door sills. Requires 12' ceiling height to clear chassis. Instructions included.



ZM-293	63-67	Body lift kit.....	79.99
--------	-------	--------------------	-------



Body Mount Brackets & Access

M-2918	63	#1 Body mount bracket (LH or RH) (A).....	69.99
M-2920	64-67	#1 Body mount bracket (LH or RH) (A).....	59.99
M-2514	63	#2 Body mount bracket, Conv. only (A)..... ea	49.99
M-3637	64-67	#2 Body mount bracket, Conv. only (A)..... ea	45.99
M-2515	63	#3 Body mount bracket (B)..... ea	49.99
M-2516	64-67	#3 Body mount bracket (B)..... ea	45.99

Note: #2 and #3 body mount brackets include cage and nut.

M-3662	63-67	#3 Mount access plates w/screws & U-nuts (car set).....	22.99
M-2310	63-67	#3 Mount access plate..... ea	9.99
BL-421	63-67	#3 Mount access plate screws (8).....	8.99
BL-422	63-67	#3 Mount access plate U-nuts (8).....	4.99
WW-293	63-67	#3 Mount access plate strip caulk.....	6.99
M-3217	63	#4 Body mount bracket (B)..... ea	47.99
M-2660	64-67	#4 Body mount bracket (B)..... ea	46.99
M-3638	63-64	Inner body mount bracket w/cage & nut, mounts on #3 crossmember (LH or RH) (B).....	22.99
ZM-2511	63-67	Body mount square nut (C)..... ea	8.99
M-3623	63-67	Body mount nut cage (weld-on)..... ea	7.99



Body Mount Reinforcements

M-3053	63-67	Body mount #1 reinforcement, rivets to cowl (A).....	ea	25.99
M-3052	63-67	Body mount #1 reinforcement backplate w/rivets.....	ea	12.99
M-2506	63	Body mount #4 reinforcement, Coupe or Conv. (LH or RH) (C).....		36.99
M-2507	64-67	Body mount #4 reinforcement, Coupe (LH or RH) (C).....		36.99
M-2508	64	Body mount #4 reinforcement, Conv. (LH or RH) (C).....		36.99
M-2509	65-67	Body mount #4 reinforcement, Conv. (LH or RH) (C).....		36.99



Body Assembly Rivets

Correct rivets used in complete body assembly and attachment of body reinforcements. Large flat head rivet is correct soft aluminum with concentric rings on underside of head.

SF-885	Countersunk aluminum rivet, 3/16" dia x 1/2" long (50 pcs).....	8.99
M-3663	Flat head aluminum rivet, 3/16" dia x 3/8" long (50 pcs).....	8.99
SF-884	Flat head aluminum rivet, 3/16" dia x 3/8" long (100 pcs).....	16.99
ZM-2682	Flat head aluminum rivet, 3/16" dia x 5/8" long (50 pcs).....	8.99
SF-892	Flat head aluminum rivet, 3/16" dia x 5/8" long (100 pcs).....	16.99
SF-886	Pan head aluminum rivet, 1/8" x 5/16" long (50 pcs).....	8.99
SF-887	Pan head aluminum rivet, 3/16" x 7/16" long (50 pcs).....	8.99
SF-889	Semi-tubular steel rivet, 9/64" x 1/8" long (50 pcs).....	12.99
SF-888	Semi-tubular steel rivet, 9/64" x 5/16" long (50 pcs).....	12.99

Rivet Setting Tools

TL-189	Rivet setting tool, 1/8" aluminum rivet.....	33.99
TL-188	Rivet setting tool, 3/16" aluminum rivet.....	33.99



Body Rivet Setting Tool

Designed for mid-year Corvettes, this handy tool simplifies the job of installing body rivets. Includes bucking bar with dual cut-outs – one designed for corner rivets – and a double-ended setter featuring one end for standard rivets and the other for rivets that use a reinforcing #10 washer.



TL-148	63-67	Body rivet setting tool.....	49.99
--------	-------	------------------------------	-------

Birdcage Structure

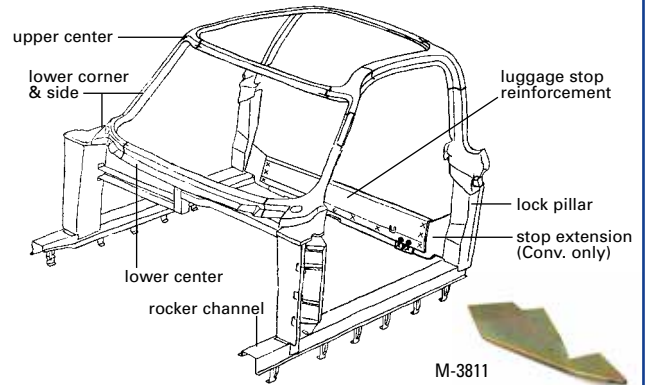
Windshield Frame

M-3802	63-67	Center lower outer steel (D).....	254.99
M-3803	63-67	Center lower inner steel (D).....	299.99
M-3804	63-67	Center upper outer steel (D).....	119.99
M-3805	63-67	Center upper inner steel (D).....	159.99
M-3826*	63-67	Center upper assembly (D).....	299.99
M-3827*	63-67	Center lower assembly (D).....	599.99

*Assemblies include inner and outer steel correctly spot welded together.

M-3806	63-67	Lower corner/side outer steel (LH or RH) (D).....	269.99
M-3807	63-67	Lower corner/side inner steel (LH or RH) (D).....	124.99
M-3871	63-67	Upper corner inner steel (LH or RH), Conv.	189.99
M-3870	63-67	Upper corner outer steel (LH or RH), Conv.	199.99

D Birdcage Structure



Rocker Channel

M-3283	63-67	Rocker channel (LH or RH) (D).....	184.99
M-3282	63-67	Rocker channel sleeve, fits inside existing rocker channel (LH or RH).....	129.99

See page 167 for rocker molding brackets

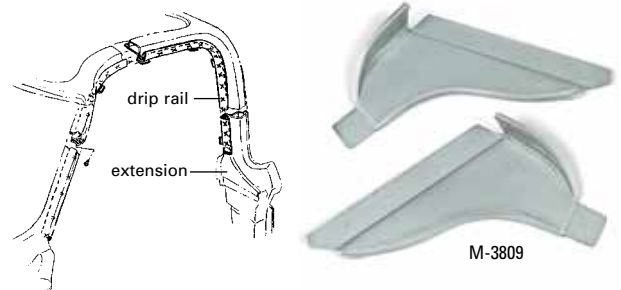
Body Lock Pillar

M-3281	63-67	Body lock rear pillar, Conv. (LH or RH) (D).....	234.99
M-3294	63-67	Body lock rear pillar, Coupe (LH or RH) (D).....	199.99

Luggage Stop & Rear Reinforcement

M-3811	63-67	Luggage stop extension, Conv. (LH or RH) (D).....	82.99
I-1056	63	Luggage stop metal reinforcement (D).....	59.99
I-1057	64-66	Luggage stop metal reinforcement (D).....	59.99
I-1058	67	Luggage stop metal reinforcement (D).....	59.99
M-4300	63-67	Rear underbody reinforcement, front of gas tank.....	19.99

E Coupe Drip Rails



Coupe Drip Rails (Gutters)

M-3809	63-67	Rear lower drip rail gutter reinforcements (pair) (E).....	209.99
M-3810	63-67	Drip rails (gutters) (pair) (E).....	609.99
M-3848	63-67	Drip rails & lower gutter reinforcements (car set).....	879.99

Pre-Assembled Press Molded Front End

Multi-piece front end is put together using correct color and finish press molded panels. Includes installed header bar and bonding strips, installed headlight end reinforcements, and inner skirts. Panels and reinforcements are jig-aligned and assembled using correct OE-style rivets and bonding adhesives. Prepaid only. Ships truck freight collect (\$120.00 crate fee). No Discount.

PFG-398	63	Pre-assembled front end, white	7,299.99
PFG-399	63	Pre-assembled front end, gray	7,299.99
PFG-400	64	Pre-assembled front end, white	6,999.99
PFG-401	64	Pre-assembled front end, gray	6,999.99
PFG-402	65	Pre-assembled front end, white	6,999.99
PFG-403	65	Pre-assembled front end, gray	6,999.99
PFG-404	66	Pre-assembled front end, gray	6,999.99
PFG-405	67	Pre-assembled front end, black	6,999.99



Pre-Assembled Press Molded Front End

Press Molded vs. Hand Laid

Press molded panels "(pm)" are pressure-formed in matched molds as original, creating an exceptionally strong part smooth on both sides. Hand laid panels "(hl)" are built by layering fiberglass mat and resin into a single mold. The result is a high-strength part of uniform thickness with a smooth surface on the outside only. To help keep your Corvette as original as possible, Zip offers as many press molded pieces as are available. Before starting any repair or restoration, consider using press molded panels – the extra money spent now for "correctness" will make your Corvette more valuable in the long run.

Complete 1-Piece Front End

Hand laid, 1-piece front ends reduce restoration time and ensure seamless body lines. High-quality construction results in a ripple free finish. Includes installed headlamp reinforcement bars as original. Predrilled and precut for grills, moldings and emblems. Prepaid only. Ships truck freight collect (\$35.00 crate fee). No Discount.

HFG-032	63-64	1-piece stock front end, door-to-door	1,999.99
HFG-041	65-66	1-piece stock front end, door-to-door	1,999.99
HFG-051	67	1-piece stock front end, door-to-door	1,999.99

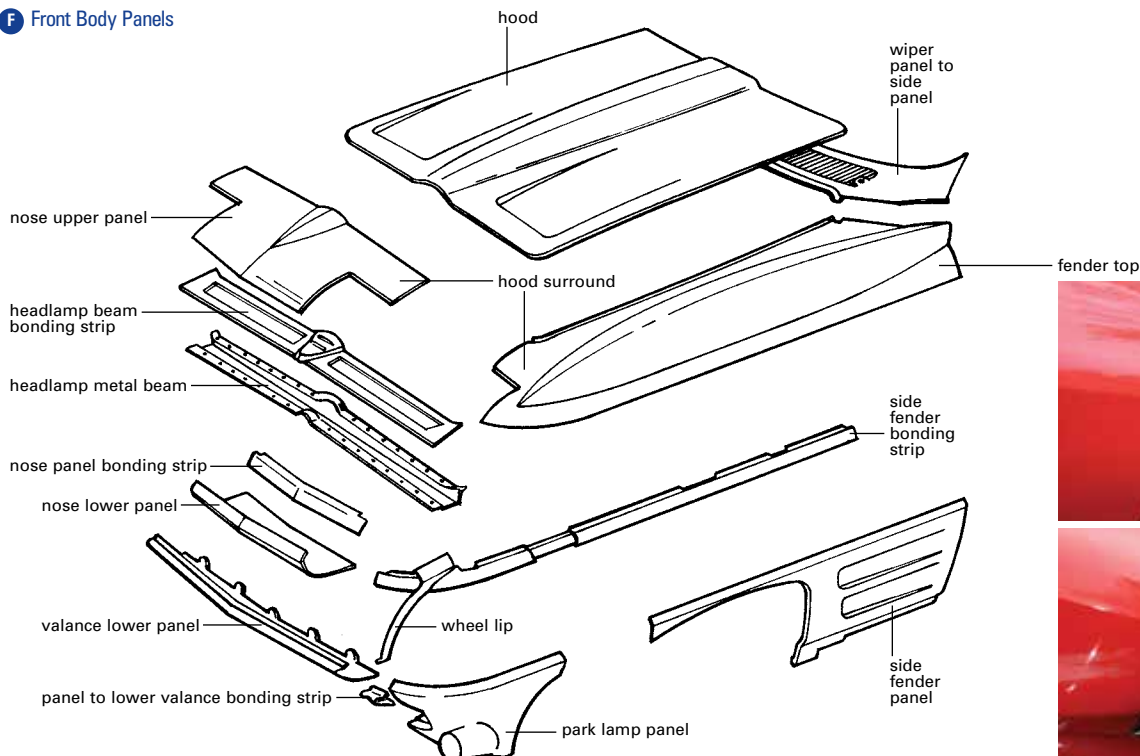
As a cost savings option, Zip offers 1-piece front ends for "driver" cars. Be aware there is a drawback to this approach: the resale value of your Corvette is likely to be lower than had you installed correct press molded panels. While cost and labor will be more expensive than going with a 1-piece, it will still be less than the probable loss suffered at the day of sale. For the highest quality product with the greatest resale potential, Zip recommends installing press molded panels or a pre-assembled press molded front end.

Hood

PFG-033	63	Hood (pm) (ND) (F)	truck 1,699.99
PFG-034	64	Hood (pm) (ND) (F)	truck 1,699.99
PFG-478	65	Hood, 327 (no emblem holes) (pm) (ND) (F)	truck 1,699.99
PFG-479	66	Hood, 327 (pm) (ND) (F)	truck 1,699.99
PFG-480	67	Hood, 327 (pm) (ND) (F)	truck 1,699.99
PFG-035	65	Hood, 396 (no emblem holes) (pm) (ND) (F)	truck 1,699.99
PFG-036	66	Hood, 427 (pm) (ND) (F)	truck 1,699.99
PFG-037	67	Hood, 427 w/insert reinforcement (pm) (ND) (F)	truck 1,699.99
F-621	67	Hood L88 fresh air chamber	189.99
F-575	63-67	Hood, 67-style 427 (hl) (ND)	truck 839.99



F Front Body Panels



Body Panels

All panels are press molded "(pm)" except those marked "(hl)" for hand laid. Available in correct colors: '63 off-white, '64-65 light gray, '66 dark gray and '67 black. Specify year when ordering.

Hood Surround, Fender Tops, Front Panels & Bonding Strips

PFG-215	63-67	Fender top panel (LH or RH) (pm) (F)	639.99
PFG-200	63-67	Hood surround (pm) (ND) (F)	truck 1,599.99
M-2634	63-67	Hood surround reinforcement metal beam only (F)	119.99
PFG-201	63-67	Hood surround reinforcement bonding strip (pm) (F)	129.99
SF-890	63-67	Hood surround reinforcement rivets (22)	5.99
F-672	63-64	Hood insert, converts 63-64 hood to accept 65-67 dual master cylinder	109.99
HDL-432	63-67	Headlight side metal inner reinforcement (LH or RH) (G)	34.99
HDL-433	63-67	Headlight side metal outer reinforcement (LH or RH)	34.99
BL-695	63-67	Headlight side metal reinforcement to metal beam mount bolts, "E" headmark (8)	6.99
PFG-390	63-66	Headlight side inner reinforcement w/ riveted fiberglass bonding strip (LH or RH) (pm) (G)	114.99
PFG-391	63-66	Headlight side outer reinforcement w/ riveted fiberglass bonding strip (LH or RH) (pm) (G)	114.99
PFG-504	67	Headlight side inner reinforcement w/ riveted fiberglass bonding strip (LH or RH) (pm) (G)	114.99
PFG-505	67	Headlight side outer reinforcement w/ riveted fiberglass bonding strip (LH or RH) (pm) (G)	114.99
PFG-202	63-67	Nose upper panel (pm) (F)	379.99
PFG-383	63-67	Nose lower panel (pm) (F)	169.99
PFG-203	63-67	Nose panel to hood surround bonding strip (F)	99.99
PFG-206	63-64	Park lamp panel (LH or RH) (pm) (F)	369.99
PFG-226	65-67	Park lamp panel (LH or RH) (pm) (F)	279.99
PFG-205	63-67	Park lamp panel to lower valance bonding strip (LH or RH) (F)	59.99
PFG-204	63-64	Valance lower panel (pm) (F)	349.99
PFG-227	65-67	Valance lower panel (pm) (F)	349.99
PFG-207	63-67	Wheel opening lip (LH or RH) (pm) (F)	99.99
PFG-216	63-67	Wiper panel (F)	209.99
PFG-338	63-67	Wiper panel to side panel (pm) (F)	419.99

M-2634



PFG-227



PFG-383

PFG-390



PFG-226

Side Fender Panels

PFG-209	63-64	Side fender panel (LH or RH) (pm)	389.99
PFG-231	65-66	Side fender panel (LH or RH) (pm) (F)	389.99
PFG-232	67	Side fender panel (LH or RH) (pm) (F)	389.99
PFG-208	63-67	Side fender panel to hood surround bonding strip (LH or RH) (F)	149.99
PFG-210	63-67	Side fender panel front tips, used to repair fender panel when removing side exhaust (LH or RH)	79.99



PFG-231

Front Fender Flare Repair

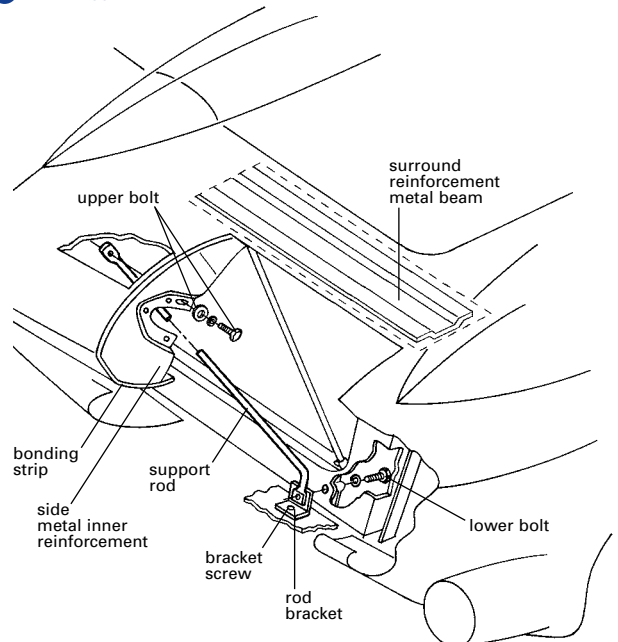
Press molded panels return front wheelwell to correct factory profile.

PFG-447	63-67	Fender panel front extension, repairs front of fender panel, 21" (LH or RH) (pm)	129.99
PFG-448	63-67	Fender flare repair panel, 25" long, repairs 3" above body line (LH or RH)	189.99
PFG-449	63-67	Fender flare repair panel, complete repair from park amp panel to bottom of fender panel (LH or RH) (hl)	239.99

Nose Support Rods

M-4226	63-65	Front end support rods (2) (G)	39.99
M-3642	63-65	Front end support rod bracket (G)	ea 8.99
M-4227	66-67	Front end support rods (2) (G)	39.99
M-3643	66-67	Front end support rod bracket (G)	ea 8.99
BL-478	63-67	Front end support rod lower bolts w/washers, "RSC" headmark (4 pcs) (G)	4.99
BL-479	63-67	Front end support rod upper bolts w/washers, "WB" headmark (6 pcs) (G)	2.99
BL-480	63-67	Front end support rod bracket screws (2) (G)	2.99

G Nose Support Rods



Body Panels continued

Inner Skirts

PFG-450	63	Inner fender skirt (LH or RH) (pm) (H)	529.99
PFG-451	64	Inner fender skirt (LH or RH) (pm) (H)	529.99
PFG-452	65	Inner fender skirt (LH or RH) (pm) (H)	529.99
PFG-453	66	Inner fender skirt (LH or RH) (pm) (H)	529.99
PFG-470	67	Inner fender skirt (LH or RH) (pm) (H)	529.99
PFG-454	63	Inner fender skirt to fender front bonding strips (LH or RH) (pm)	64.99
PFG-455	63	Inner fender skirt to fender rear bonding strips (LH or RH) (pm)	64.99
WS-4478	64-67	Inner fender skirt upper front seals (car set) (H)	9.99
WS-4477	64-67	Inner fender skirt upper rear seals (car set) (H)	9.99
WS-467	63-67	Inner fender skirt lower seals (car set) (H)	9.99
ZSF-475	63-67	Fender skirt seal staples, stainless (25) (H)	5.99



PFG-453



WS-4477

WS-4478

WS-467

PRESS MOLDED VS. HAND LAID

Press molded panels "pm" are pressure-formed in matched molds as original, creating an exceptionally strong part smooth on both sides. Hand laid panels "hl" are built by layering fiberglass mat and resin into a single mold. The result is a high-strength part of uniform thickness with a smooth surface on the outside only. To help keep your Corvette as original as possible, Zip offers as many press molded pieces as are available. Before starting any repair or restoration, consider using press molded panels – the extra money spent now for "correctness" will make your Corvette more valuable in the long run.

Underbody Insulation

OE-style "blanket" fits under shifter tunnel to effectively shield interior compartment from excess heat generated by transmission.

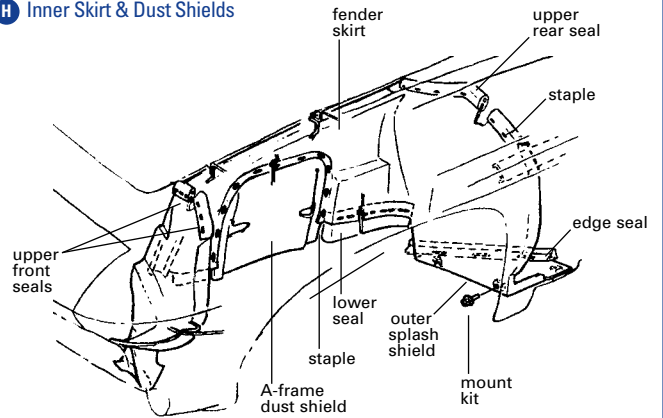
ZM-255	63-67	Underbody tunnel insulation	49.99
M-255A	63-67	Underbody insulation clip (4 per car)	ea 2.49
M-4291	63-67	Underbody insulation (4) clip & (8) rivet kit	9.99



ZM-255

M-4291

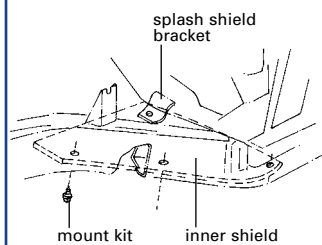
H Inner Skirt & Dust Shields



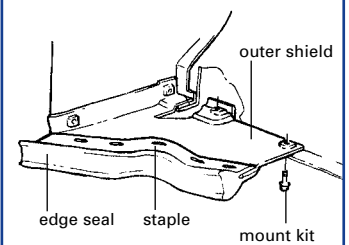
Splash Shields & Dust Shields

SU-417	63-66	A-frame dust shields w/staples (car set) (H)	16.99
WS-417A	67	A-frame dust shields w/staples (car set) (H)	16.99
SU-1060	64-67	Inner splash shield, LH (I)	24.99
SU-1062	64-67	Inner splash shield, RH, 327 (I)	24.99
SU-1061	65-67	Inner splash shield, RH, 396/427 (I)	24.99
M-281C	64-67	Inner splash shield bracket, LH (also used as accelerator nut plate) (I)	10.99
SU-419	64-67	Inner splash shield bracket, RH	10.99
SF-880	64-67	Inner splash shield mount kit, correct (8 pcs) (I)	9.99
SU-1328	63E	Outer splash shield, LH (until April 63)	59.99
SU-328	63-67	Outer splash shield (LH or RH) (H)(J)	ea 39.99
WS-468	63-67	Outer splash shield edge seals (2) (J)	10.99
ZSF-323	63-67	Outer splash shield mount kit (8 pcs) (J)	6.99
ZSF-475	63-67	Staples, used on A-frame dust shields or splash pan edge seals, stainless (25) (J)	5.99

I 64-67 Inner Splash Shield



J 63-67 Outer Splash Shield



SU-1060

SU-1061

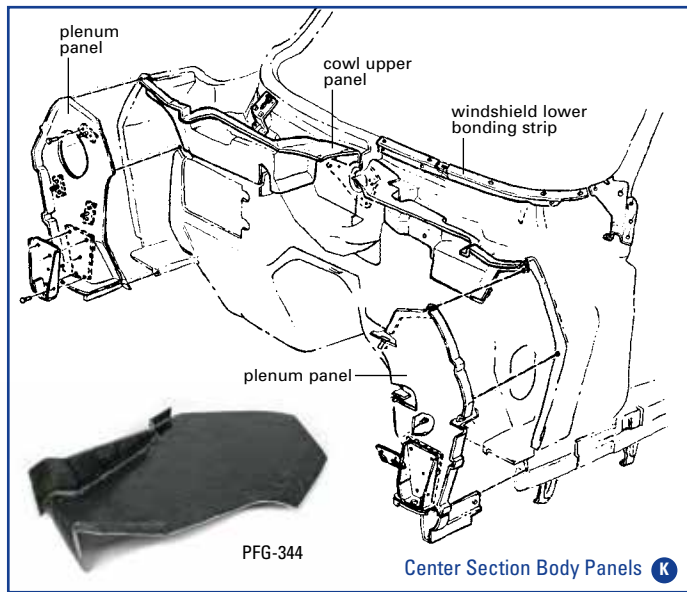
SU-1062

M-281C

SU-419

Cowl & Firewall

PFG-350	63-67	Cowl, upper, surround glues to cowl (pm) (K)	449.99
PFG-494	63-67	Cowl to hinge pillar bonding strip (pm)	ea 89.99
PFG-495	63-67	Cowl to surround bonding strip (pm)	ea 89.99
PFG-346	63-64	Plenum panel (LH or RH) (hl) (K)	119.99
PFG-345	65-66	Plenum panel (LH or RH) (hl) (K)	119.99
PFG-344	67	Plenum panel (LH or RH) (hl) (K)	119.99
PFG-456	63-67	Windshield lower bonding strip (LH or RH) (pm) (K)	109.99



Center Section Body Panels (K)

Floorboard Panels

HFG-536	63-67	Rear floorboard panel (hl) (ND)	truck 1,099.99
PFG-458	63-67	Rear U-joint tunnel floorboard panel (pm)	299.99
PFG-459	63-67	Shifter tunnel floorboard panel (pm)	329.99

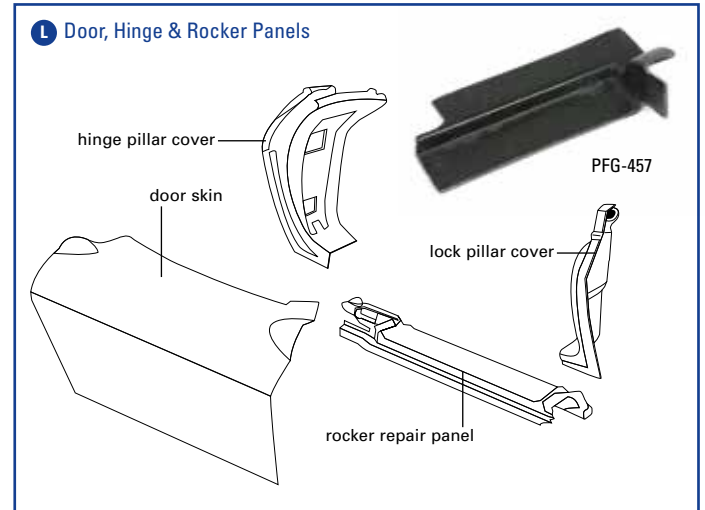
Firewall Grommets & Clips

M-2213	63-67	Firewall grommet, oil line, 2-hole	6.99
M-4160	63-67	Firewall grommet, oil line w/AC, 4-hole	6.99
M-3302	63-64	Firewall grommet, speedo & tach cable, 1-hole	6.99
M-2212	65-67	Firewall grommet, speedo & tach cable, 2-hole, 4-speed	5.99
M-3302	65-67	Firewall grommet, speedo & tach cable, 1-hole, 3-speed & Automatic	6.99
M-2242	63-67	Firewall hole plug, clutch push rod hole, Automatic	1.49
M-4348	63-67	Firewall hole plug, above clutch push rod	1.49
M-2492	63-67	Firewall wire loom clips, w/AC, includes fasteners (21 clips)	36.99
M-2493	63-67	Firewall wire loom clips, w/o AC, includes fasteners (14 clips)	22.99
M-3674	63-67	Speedometer/tachometer cable install tool, 1-hole grommet	10.99



Hinge & Rocker Panels

PFG-481	63-67	Front hinge pillar cover (LH or RH) (pm) (L)	349.99
PFG-457	63-67	Rocker sill panel front extension (LH or RH) (pm)	79.99
PFG-503	63-67	Rocker sill panel, complete (LH or RH) (L)	429.99
HFG-535	63-67	Rocker sill panel repair (LH or RH) (hl) (L)	249.99



Convertible Door

HFG-537	63-64E	Door skin (LH or RH) (hl) (L)	539.99
HFG-538	64L-67	Door skin (LH or RH) (hl) (L)	539.99
PFG-343	63-67	Door lock pillar cover (LH or RH) (pm) (L)	229.99

Coupe Door

HFG-539	64L-67	Door skin (LH or RH) (hl) (L)	619.99
PFG-342	63-67	Door lock pillar cover (LH or RH) (pm) (L)	219.99

Coupe Windshield Post & Roof

PFG-486	63-67	Coupe windshield post bonding strip (LH or RH) (pm)	89.99
PFG-487	63-67	Coupe windshield post (LH or RH) (pm)	89.99
PFG-488	63-67	Coupe roof front corner bonding strip (LH or RH) (pm)	89.99
PFG-489	63-67	Coupe roof rear corner bonding strip (LH or RH) (pm)	89.99
PFG-490	63-67	Coupe rear post bonding strip (LH or RH) (pm)	89.99
PFG-491	63-67	Coupe roof panel side bonding strip (pm)	ea 89.99
PFG-492	63-67	Coupe roof panel front center bonding strip (pm)	89.99
PFG-493	63-67	Coupe roof panel rear center bonding strip (pm)	89.99

Body Panels continued

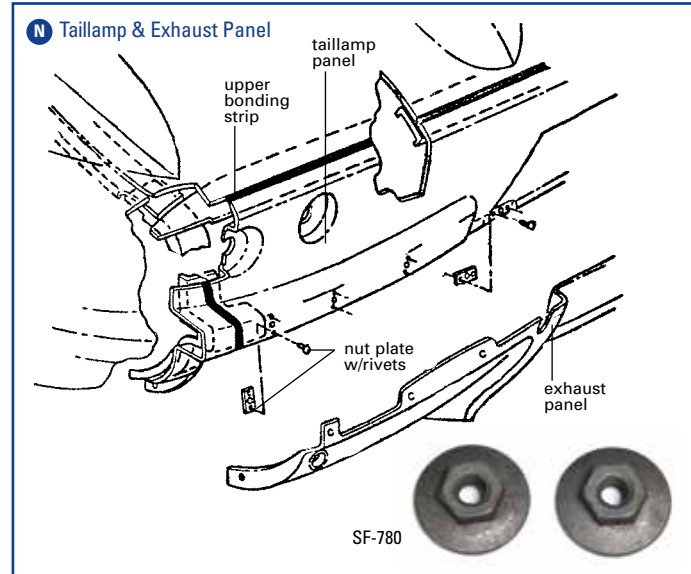
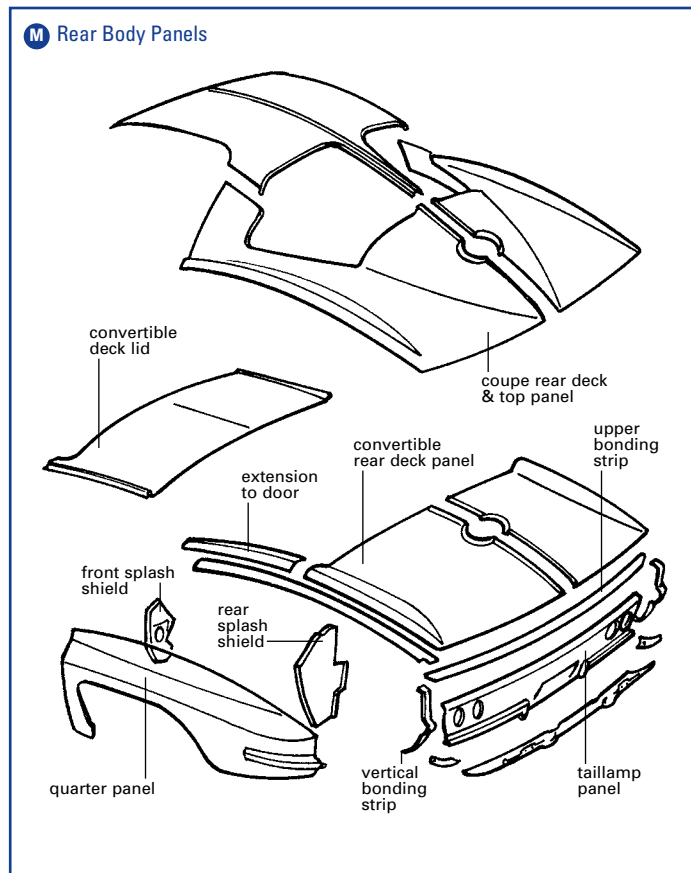
Rear Deck Panel

PFG-217	63-67	Conv. rear deck panel with extensions to door (pm) (ND) (M).....truck	1,199.99
PFG-408	63-67	Conv. rear deck panel to door extensions (LH or RH) (pm) (M).....	102.99
PFG-460	63-67	Conv. rear deck hinge reinforcement (pm).....	349.99
PFG-218	64-67	Coupe rear deck & top panel, windshield to taillights (pm) (ND) (M).....truck	1,999.99
HFG-540	64-67	Coupe rear deck & top panel, windshield to taillights (hl) (ND) (M).....truck	1,299.99
PFG-462	64-67	Coupe rear deck panel, does not include top (pm) (ND).....	1,499.99
PFG-463	63-67	Coupe rear window reinforcement (pm).....	299.99

Taillamp Panel

PFG-485	67	Back-up lamp area on taillamp panel.....	99.99
PFG-221	63-66	Taillamp panel (pm) (M)(N).....	529.99
PFG-222	67	Taillamp panel (pm) (M)(N).....	529.99
PFG-220	63-66	Taillamp panel upper bonding strip (pm) (M)(N).....	114.99
PFG-467	67	Taillamp panel upper bonding strip (pm) (M)(N).....	114.99

M Rear Body Panels



Exhaust Panel

PFG-077	63	Exhaust panel w/bonding strips installed, undercar exhaust (pm).....	489.99
PFG-468	63	Exhaust panel bonding strips (LH or RH).....	49.99
PFG-078	64-65	Exhaust panel w/exhaust bezel flanges installed, undercar exhaust (pm).....	489.99
PFG-469	64-65	Exhaust panel bezel flanges (LH or RH).....	71.99
PFG-079	66-67	Exhaust panel, undercar exhaust (pm) (N).....	389.99
PFG-083	64-67	Exhaust panel, side exhaust (pm) (N).....	389.99
BL-201	63-67	Exhaust panel screws, "ELH" headmark (8).....	12.99
BL-403	63-67	Exhaust panel end bolts & nuts (4 pcs).....	4.99
SF-780	63-67	Exhaust panel end nuts, correct large flange (2).....	5.99
M-2781	63-67	Exhaust panel nut plates w/rivets (car set) (N).....	32.99

Rear Quarter Panels

PFG-225	63-67	Quarter panel (LH or RH) (pm) (M).....	549.99
PFG-349	63-67	Quarter panel front splash shield (LH or RH) (pm) (M).....	114.99
PFG-224	63-67	Quarter panel rear splash shield (LH or RH) (pm) (M).....	114.99
PFG-219	63-67	Quarter panel upper bonding strip (LH or RH) (M).....	122.99
PFG-464	63	Quarter panel to taillamp panel vertical bonding strip (LH or RH) (M).....	114.99
PFG-223	64-67	Quarter panel to taillamp panel vertical bonding strip (LH or RH) (M).....	114.99
PFG-211	63-67	Quarter panel front tips, used to repair quarter panel when removing side exhaust (LH or RH).....	79.99

Rear Fender Flare Repair

Fiberglass repair panels return rear wheelwell to correct factory profile.

PFG-465	63-67	Fender flare repair panel, 25" long, repairs 3" above body line (LH or RH) (pm).....	189.99
PFG-466	63-67	Fender flare repair panel, repairs entire quarter panel from front to rear (LH or RH) (hl).....	239.99





R-940



R-937



R-938



R-939



R-936



MG-246

Fiberglass Repair Materials

Most fiberglass repair materials have a recommended shelf life of approximately three (3) months. Note hazardous and/or aerosol products such as paint and fiberglass cannot be shipped outside of the continental USA, or by air freight to any destination.

Spray Gelcoat

Seals loose or exposed fiberglass strands in non-SMC panels – plus Spray Gelcoat’s unmatched sealing qualities prevent body filler from bleeding through to ruin your perfect paint! Hardener included.

- R-918 Spray Gelcoat, gallon.....122.99
- R-917 Spray Gelcoat, quart.....34.99

Body Repair Guides

Be it poor panel fit, seams showing or past collision damage, the fact is most Corvettes exhibit body issues of some sort. Ray J. Shiro shares his 30+ years experience in fiberglass repair in step-by-step CD guides for do-it-yourself enthusiasts and pros alike. Packed with repair/replace photos and illustrations. Volume 1 includes front body, headlight assembly, body seam repair, bonding strips and panel splicing techniques. Volume 2 covers panel and bonding strip removal, reinforcement splicing and body restoration.



- B-657 Body Repair CD, 1963-67, Vol. 1: Front-to-Cowl44.99
- B-658 Body Repair CD, 1963-67, Vol. 2: Rear Body44.99

SMC Fiberglass Resin

Superior adhesion on SMC and fiberglass panels. Polyester-based resin formulated to use with fiberglass mat, cloth and tape. Waterproof and impact resistant. Cures to a sandable surface much faster than regular fiberglass resin. White cream hardener included.

- MG-246 SMC fiberglass resin, quart.....89.99

Fiberglass Resin

Heavy, thixotropic formula that will not run or sag. Cures to a non-tacky surface. Can be filled, sanded or drilled. Liquid hardener included.

- R-940 Fiberglass resin, quart.....29.99

SMC Panel Adhesive

Polyester adhesive strong enough to bond small SMC panels or repair all fiberglass surfaces. May be reinforced with fiberglass mat. Superior moisture resistance and lasting strength. Blue cream hardener included.

- R-936 SMC panel adhesive, quart.....49.99

Fiberglass “Chrome-A-Lite” Body Filler

Gold colored, high quality, lightweight body filler with smooth texture providing easy application, excellent adhesion and superb featheredge. Blue crème hardener included.

- R-937 Chrome-A-Lite body filler, quart.....19.99

Fiberglass Reinforced Body Filler

Best known for its bridging capabilities in rebuilding shattered fiberglass. Formulated with long strands of chopped fiberglass, double strength of standard fillers. Blue cream hardener included.

- R-938 Fiberglass reinforced body filler, quart.....44.99

Vette Panel Adhesive/Body Filler

Polyester body filler for fiberglass panels. Prevents repair mapping on seam lines over fiberglass repairs. Not for use on SMC panels. Blue cream hardener included.

- R-939 Fiberglass reinforced body filler, quart.....79.99

3M 08115 Panel Bonding Adhesive

Two-part epoxy used to bond steel, aluminum, SMC and traditional fiberglass body panels. 200 ml cartridge designed to be used with applicator.

- R-941 3M 08115 panel bonding adhesive, 200 ml64.99
- R-942 Adhesive dispenser tool59.99

Q-Bond Adhesive Repair Kit

Ultra-strong adhesive. Includes filling powders to be used as thickening agents. Will bond just about anything. 10 second drying time. Can be grinded, filed, sanded and painted. Includes (2) .35oz bottles.

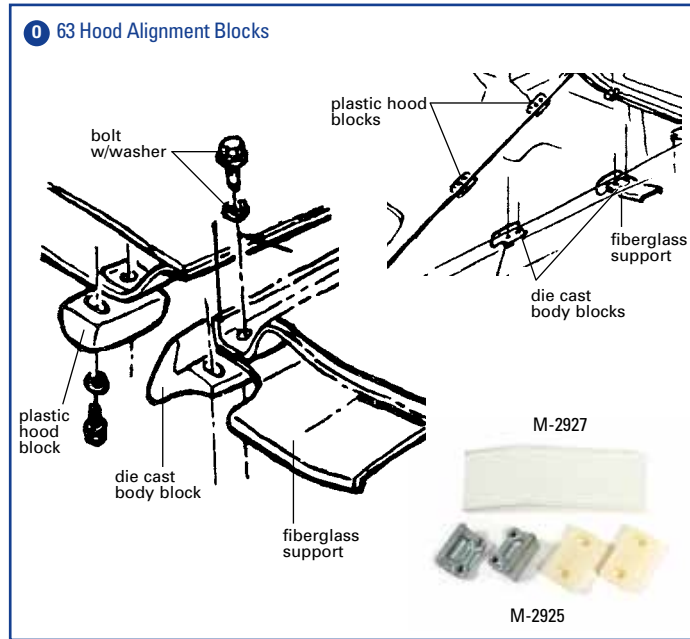
- MG-247 Q-Bond adhesive repair kit.....14.99



Hood Components

Alignment Blocks

M-2925	63	Alignment block set, includes 2 die cast blocks, 2 plastic blocks & bolts	104.99
M-2924	63	Alignment plastic blocks (on hood) (2) (O)	36.99
M-3665	63	Alignment die cast blocks (on body) (2) (O)	94.99
BL-410	63	Alignment block bolts w/washers, "EL" headmark (16 pcs) (O)	25.99
M-2927	63	Alignment block fiberglass support (LH or RH) (O)	59.99



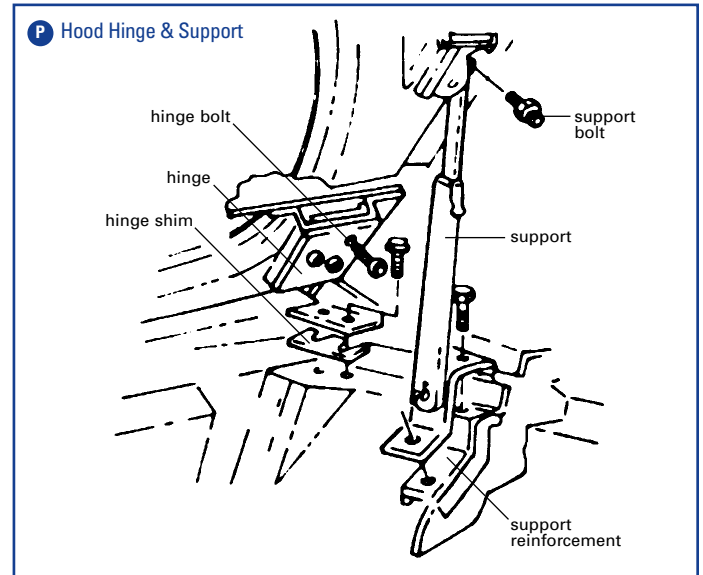
Hood Support

M-2249	63-67	Support (P)	44.99
M-4335	63-67	Support inner hood nut plate w/rivets	20.99
BL-308	63-67	Support mount bolts, correct (4) (P)	6.99
M-2251	63-67	Support reinforcement w/rivets (P)	13.99
M-3528	63-67	Support repair kit, includes semi-tubular rivet and 4-tanged spring washer	7.99
M-3673	63-67	Support pin, prevents hood closing in wind	10.99



Hood Hinge

M-2229	63-67	Hinge (LH or RH) (P)	34.99
ZBL-342	63-67	Hinge bolts (10) (P)	10.99
M-3587	63-67	Hood hinge repair kit, includes (1) rivet & special 4-tanged spring washer	ea 7.99
M-2289	63-67	Hinge & radiator support reinforcement w/rivets (LH or RH)	19.99
SF-622	63-67	Hinge & radiator support reinforcement attaching bolts (4)	4.99
M-2491	63-67	Hinge shim, 1/16" thick (P)	3.99
M-2490	63-67	Hinge shim, 1/32" thick (P)	3.99



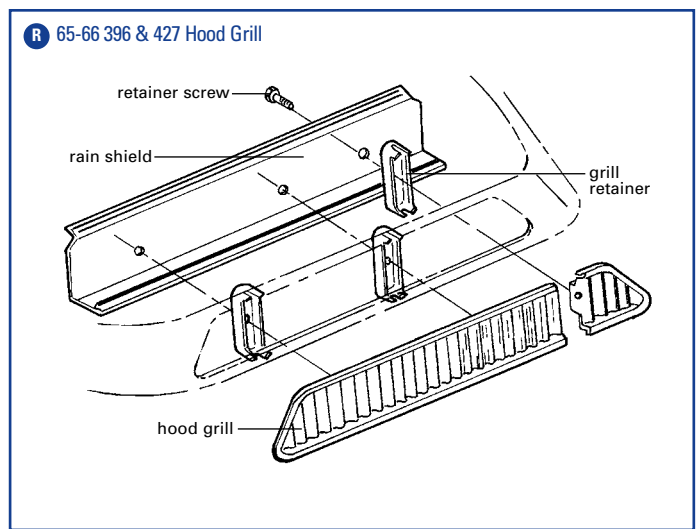
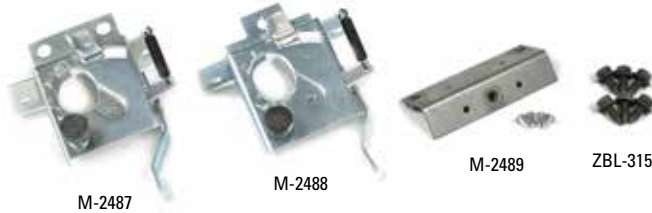
Interior Release Cable & Handle

M-2368	63-66	Release cable, includes handle, cable & mount bracket, w/o AC (Q)	74.99
M-254A	63-66	Release cable, includes handle, cable & mount bracket, w/AC	109.99
M-4340	63-66	Release cable, includes handle & cable, w/AC	69.99
M-2276	67	Release cable, includes handle, cable & mount bracket	36.99
M-2306	63-66	Release cable bracket, w/o AC (Q)	22.99
M-2709	63-66	Release cable bracket, w/AC	29.99
M-3588	63-67	Release cable brass stop w/screws, double-sided, includes (2) screws (Q)	ea 7.99
WS-496	63-67	Release cable firewall grommet (Q)	2.49
ZSF-395	63-66	Release cable mount screws (2) (Q)	2.99
ZSF-396	67	Release cable mount screws (2)	1.49
M-3320	63-66	Release cable nut plate, w/AC	10.99
M-279	63-67	Release cable to fresh air vent cable clip	6.99
M-2989	63-66	Release handle, does not include cable (Q)	26.99



Female Lock & Firewall Release

TL-179	63-67	Alignment tool, aids intallation alignment.....	26.99
M-2487	63-64	Female lock assembly (LH or RH) (Q).....	69.99
M-2488	65-67	Female lock assembly (LH or RH) (Q).....	69.99
ZBL-315	63-67	Female lock mount bolts (6) (Q).....	6.99
M-2489	63-67	Female lock mount plate w/rivets (Q).....	ea 14.99
SF-623	63-67	Female lock mount plate rivets (8) (Q).....	2.99
SPR-132	63-67	Female lock tension springs (2) (Q).....	8.99
WS-4515	63-67	Bumper cap, correct (2) (Q).....	3.99
M-282	63-67	Bumper adjusting screws w/nuts (car set) (Q).....	5.99
M-2275	63-67	Left-to-right release cable (Q).....	8.99
M-4282	63-67	Left-to-right cable brass stops w/screws (2) (Q).....	7.99
M-4342	63-67	Left-to-right cable firewall clips & rivets (car set) (Q).....	5.99

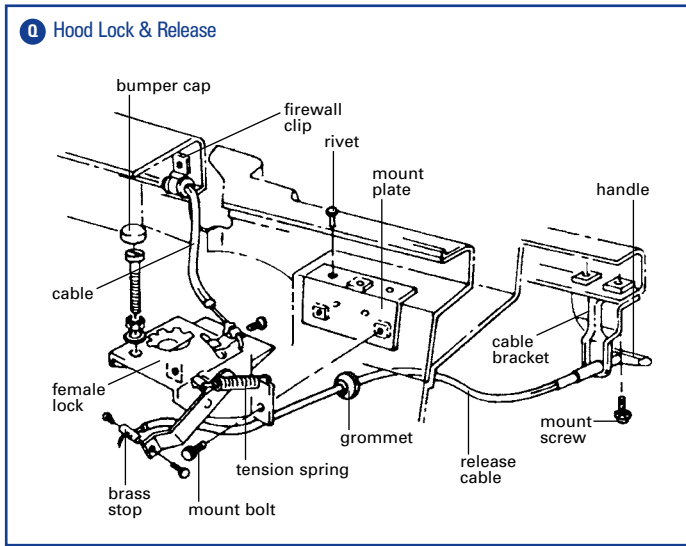


Exterior Trim

ET-370	63	Hood grills (car set).....	559.99
ET-51	65-66	Hood side grill, 396 & 427 (LH or RH) (R).....	59.99
ET-56	65-66	Hood side grill rain shields (2) (R).....	28.99
ET-418	65-66	Hood side grill retainers (6) (R).....	18.99
ET-419	65-66	Hood side grill retainer screws (6) (R).....	8.99
T-212	67	Hood emblems, "4-2-7" (6 numbers).....	32.99
T-487	67	Hood emblems, "4-2-7", GM licensed (per side).....	34.99
SF-670	67	Hood emblem speed nut set (12).....	2.99
ET-50	67	Hood insert, 427.....	129.99
SF-521	67	Hood insert & emblem mount hardware (25 pcs).....	7.99
ET-50B	67	Hood insert fiberglass reinforcement.....	94.99



Q Hood Lock & Release



Male Lock & Pop-up Assembly

M-2221	63-67	Male lock/pop-up assemblies, includes pin, spring, retainer & seat (car set).....	59.99
M-3321	63-67	Male lock bolt/pin.....	ea 12.99
SPR-131	63-67	Male lock spring.....	ea 5.99
M-3167	63-67	Male lock spring upper retainer.....	ea 5.99
M-3166	63-67	Male lock spring lower seat.....	ea 8.99



427 Hood Stencil Kit

Helpful guide as to correct layout and stripe spacing when repainting '67 big-block hood stinger. Includes instructions.

T-215	67	Stinger stencil kit.....	79.99
-------	----	--------------------------	-------



Individual Hood Numerals

Make your own "factory" emblems for 327, 350, 383, 502, 572 – or whatever! Chrome plated die cast metal with red, black or white painted recess. Attach with self-adhesive tape. 1 3/8" x 5/8". Sold each.

T-478	"0" individual numeral.....	22.99
T-479	"2" individual numeral.....	22.99
T-480	"3" individual numeral.....	22.99
T-481	"4" individual numeral.....	22.99
T-482	"5" individual numeral.....	22.99
T-483	"6" individual numeral.....	22.99
T-484	"7" individual numeral.....	22.99
T-485	"8" individual numeral.....	22.99
T-486	"9" individual numeral.....	22.99



Door Hardware

Courtesy Light Switches

ES-363	63E	Courtesy lamp switch, door jamb, 5/16-18.....	ea	9.99
ES-214	63L-67	Courtesy lamp switch, door jamb, 3/8-24 (replacement)...	ea	10.99
ES-657	63L-67	Courtesy lamp switch, door jamb, 3/8-24 (MB stamp).....	ea	12.99

Convertible Door Alignment Wedges

DR-586	63-67	Door alignment wedge set, includes 2 plastic wedges, 2 metal wedges, shims & screws.....	49.99
DR-703	63-67	Door plastic wedges on body, Conv. (2).....	24.99
DR-389	63-67	Door metal wedges on door, Conv. (2).....	19.99
SF-400	63-67	Door wedge screw set (4) (2 sets per car).....	3.99
CT-80	63-67	Door wedge shim.....	ea 3.99

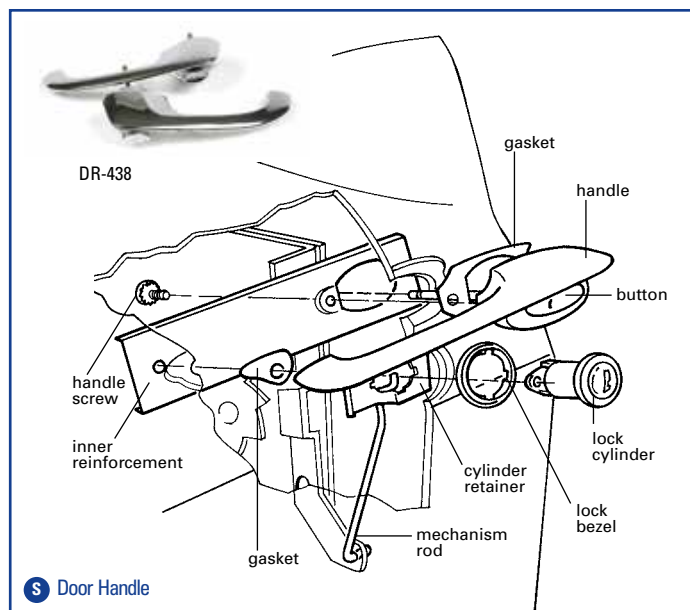


Door Handles

DR-437	63-64E	Handle set, GM Licensed (S).....	96.99
DR-438	64L-67	Handle set, GM Licensed (S).....	101.99

Note: Exterior handle sets include handles, buttons, gaskets and hardware.
 '63-64-Early included pad on door, '64-Late-67 were flat.

DR-37	63-67	Handle buttons, spring, retainer & O-ring seals (pair) (S).....	24.99
DR-693	63-67	Handle button O-ring seals (2).....	2.99
SPR-121	63-67	Handle button springs only (2).....	6.99
ZWS-411	63-64E	Handle mount gasket set (4 pcs) (S).....	5.99
ZWS-463	64L-67	Handle mount gasket set (4 pcs) (S).....	5.99
SF-614	63-67	Handle mount screws (4) (S).....	3.99
DR-23	63-64E	Handle inner metal reinforcements (2) (S).....	17.99
DR-22	64L-67	Handle inner metal reinforcements (2) (S).....	14.99
X-1747	63-67	Handle scratch guards, specify clear or black (car set).....	6.99



Door Locks

LK-360	63-66	Door lock set w/original-style "Briggs & Stratton" hex keys.....	54.99
LK-361	67	Door lock set w/original-style "A" groove hex keys.....	49.99
LK-112	63-67	Door lock bezel (S).....	ea 9.99
ZWS-669	63-67	Door lock gaskets (2).....	2.99
LK-207	63-67	Door lock pawl.....	ea 6.99
ZLK-304	63	Door lock pawl retainer (2).....	2.99
LK-331	63-66	Door lock cylinder retainer clips (2) (S).....	20.99
LK-406	67	Door lock cylinder retainer clips (2) (S).....	4.99
DR-323	63-67	Door lock to mechanism rod (LH or RH) (S).....	8.99
DR-760	63-67	Door lock rod to latch mechanism clips (2).....	2.49
LK-108S	63-66	Key, hex head replacement w/ GM logo.....	ea 2.99
LK-345	63-66	Key, hex head Briggs & GM logo, includes "R" trademark.....	ea 6.99
LK-347	67	Key, hex head Briggs & GM logo, "A".....	ea 9.99

See page 112 for keyed-alike, reproduction lock sets with correct keys



Inner Door Access Plates

DR-335	63-65	Access plate, front, small (LH or RH).....	21.99
DR-338	63-65	Access plate, rear, large (LH or RH).....	24.99
DR-339	63-65	Access plate screws & U-nuts (24 pcs).....	7.99
WW-293	63-65	Access plate strip caulk.....	6.99



"GM Mark of Excellence"

Emblems mount on '67 door ends above latch. Embossed aluminum. Pair.

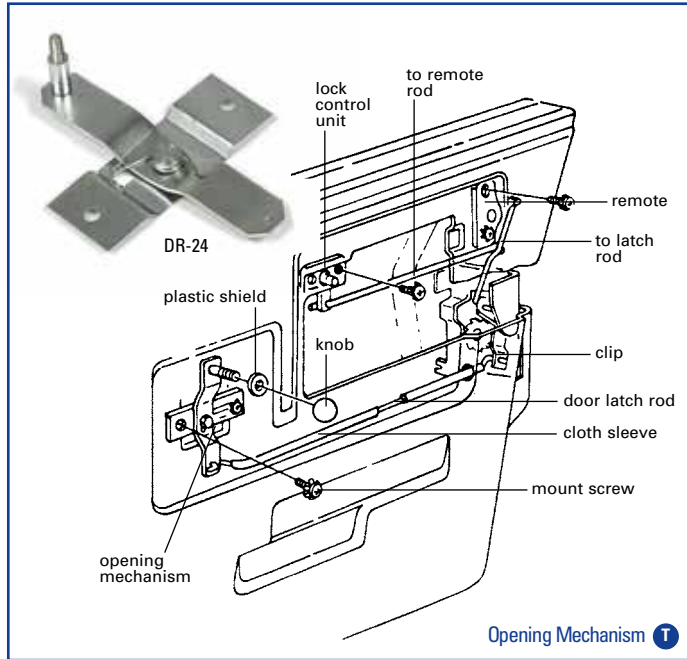


MF-262	67	GM Mark of Excellence, end of door.....	12.99
--------	----	---	-------



Opening Mechanism

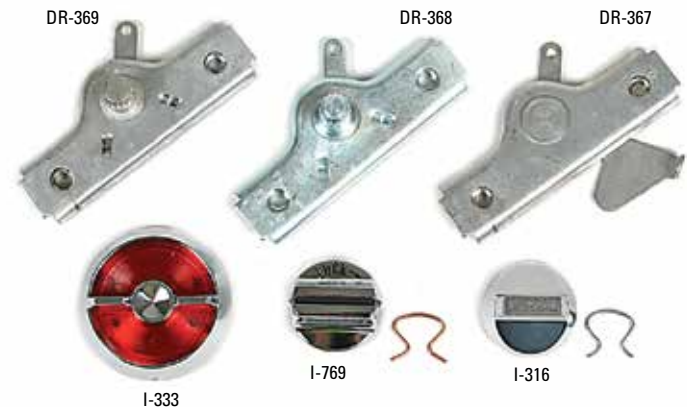
DR-24	63-67	Opening mechanism w/spring (LH or RH) (T)	29.99
I-622	63	Opening mechanism black knob (2) (T)	8.99
I-633	64-67	Opening mechanism chrome knob, metal (2) (T)	29.99
DR-38	63-67	Opening mechanism mount screws (4) (T)	3.99
DR-39	63-67	Opening mechanism plastic shields (2) (T)	4.99
DR-25	63-67	Opening mechanism return springs (2)	4.99
DR-36	63-67	Opening mechanism to door latch mechanism horizontal rod (T)	ea 12.99
DR-325	63-67	Opening mechanism rod cloth sleeve (T)	ea 6.99
ZDR-322	63-67	Opening mechanism rod to latch mechanism clip (T)	1.99



Opening Mechanism **T**

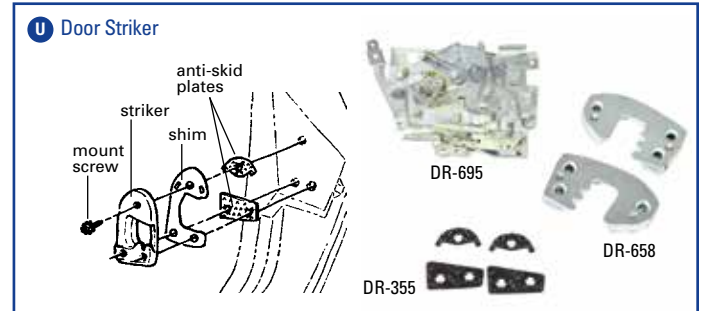
Lock Knobs & Lock Control Rods

DR-369	63-66	Lock control unit w/lock knob shaft	ea 34.99
DR-368	67	Lock control unit w/lock knob shaft (T)	ea 34.99
DR-367	67	Lock control remote, connect lock knob rod to latch mechanism rod (T)	ea 34.99
DR-470	63-67	Lock control mount screws (4), 63-66 1 set & 67 2 sets	4.99
DR-416	63-67	Lock control to latch mechanism rod (T)	ea 9.99
ZDR-322	63-67	Lock control rod to latch mechanism clip	ea 1.99
DR-324	67	Lock control to remote rod (T)	ea 12.99
I-317	63-64	Lock knobs & reflector set, includes hardware (car set)	88.99
I-333	63-64	Lock knob	ea 29.99
I-316	65-66	Lock knob	ea 16.99
I-769	67	Lock knob	ea 31.99
I-323	63-64	Lock knob plastic backplate, grey	ea 2.49
I-2983	63-64	Lock knob plastic backplates, ivory (2)	8.99
I-322	65-67	Lock knob plastic backplate	ea 1.99
ZDR-35	63-67	Lock knob attaching clip	ea 1.49



Door Latch Mechanism & Strikers

DR-695	63-66	Latch mechanism (LH or RH)	109.99
DR-696	63-66	Latch mechanisms (car set)	219.99
DR-574	63-67	Latch mechanism large spring (LH or RH)	5.99
DR-41	63-67	Latch mechanism mount screws, mounts to rear of door (8)	9.99
DR-658	63-67	Strikers (car set) (U)	104.99
DR-355	63-67	Striker anti-skid plates (4) (U)	32.99
DR-40	63-67	Striker mount screws, replacement (6) (U)	11.99
DR-357	63-67	Striker shim, 1/16" thick (U)	ea 8.99
DR-356	63-67	Striker shim, 1/8" thick (U)	ea 8.99



Door Latch Repair Kit

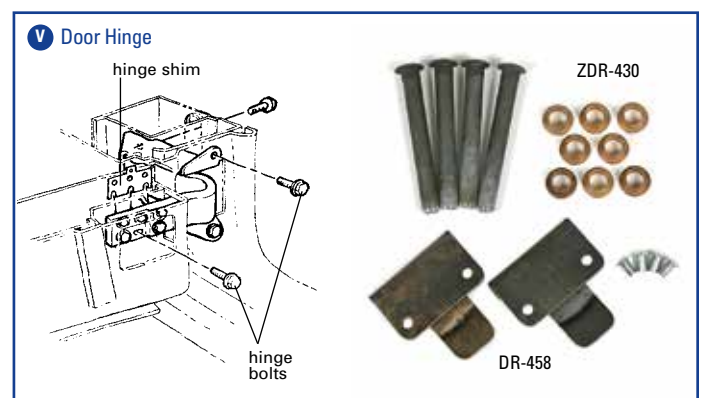
Includes pair each of large and small springs, bushings, hardware and install instructions. Fixes most latch issues commonly found in mid-year Corvettes – especially not being able to open door from the inside.

DR-342	63-66	Door latch mechanism repair kit (does both doors)	36.99
DR-343	67	Door latch mechanism repair kit (does both doors)	39.99



Door Hinges

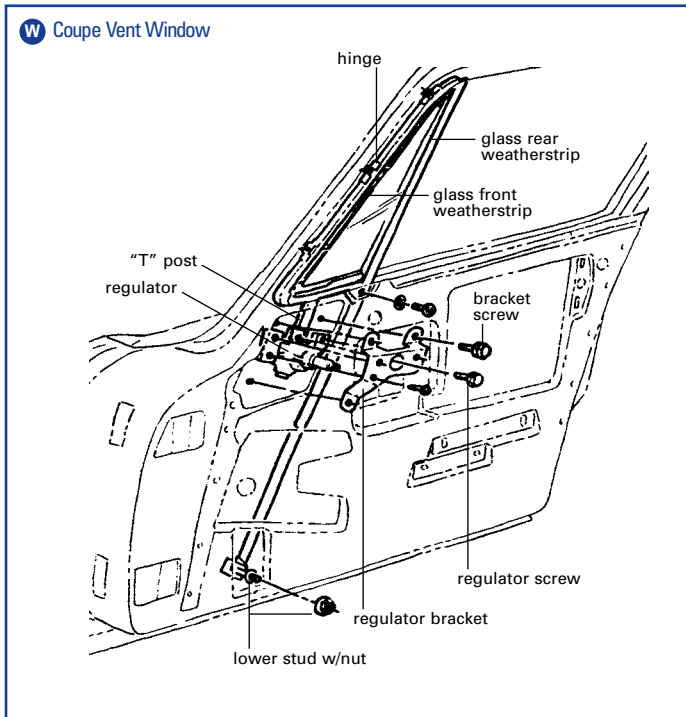
ZDR-430	63-67	Hinge pin & bushing set (4 correct-length pins & 8 bushings)	18.99
ZDR-319	63-67	Hinge pin bushing	ea 1.49
M-3238	63-67	Hinge mount bolt set (40 pcs) (V)	49.99
BL-555	63-67	Hinge to pillar mount bolts (8) (V)	8.99
DR-334	63-67	Hinge shim, 1/16" thick (V)	ea 3.99
DR-458	63-67	Hinge striker spring w/rivets, mounts to hinge, holds door open (one hinge - 2 springs)	22.99



Door Hardware continued

Coupe Vent Window Frame & Glass

DR-340	63-67	Glass to frame mounting grip strips (2)	8.99
WS-513	63-67	Glass front weatherstrip (LH or RH) (W)	56.99
WS-514	63-67	Glass rear weatherstrip (LH or RH) (W)	27.99
DR-532	63-67	Glass stainless inner molding (LH or RH)	64.99
DR-530	63-67	Glass stainless outer molding (LH or RH)	64.99
DR-692	63-67	Vent window door hinge cradle rivets (4)	.99
DR-353	63-67	Vent window hinge (LH or RH)	9.99
DR-354	63-67	Vent window hinge pivot rivet, stainless	ea 1.99
DR-468	63-67	Vent window frame "T" post, includes rivets (LH or RH) (W)	22.99
SF-615	63-67	Vent window frame "T" post rivets (4)	.99
SF-616	63-67	Vent window frame "T" post to regulator bolts (2)	4.99
DR-492	63-67	Vent window frame/channel lower studs & nuts (4 pcs) (W)	26.99
DR-536	63-67	Vent window frame mount screws (10 pcs)	4.99
DR-534	63-67	Vent window to door mount screws & washers (4 pcs)	2.99
DR-50	63-64	Vent window regulator (LH or RH) (W)	189.99
DR-545	65-67	Vent window regulator (LH or RH) (W)	189.99
DR-489	63-67	Vent window regulator screws & washers (12 pcs) (W)	5.99
DR-466	63-67	Vent window regulator bracket (LH or RH) (W)	16.99
DR-490	63-67	Vent window regulator bracket screws (6 pcs) (W)	5.99



Regulator Repair Gear

If your vent window crank spins but the window never opens, a little restoration is in order. Kit includes gear, clutch head screws, bolt, lock washer and instructions. Per side.



DR-762	63-67	Vent window regulator gear repair kit	39.99
--------	-------	---------------------------------------	-------

Vent Window Cranks

DR-58	63-64	Vent window crank w/knob	ea 15.99
DR-59	65-66	Vent window crank w/knob	ea 16.99
DR-714	67	Vent window cranks w/knob, specify color (pair)	64.99
ZI-928	63-67	Vent window crank foam seals, behind door panel (2)	4.99
I-323	63-67	Vent window crank plastic backplate, grey	ea 2.49
I-2983	63-67	Vent window crank plastic backplates, ivory (2)	8.99



10%

RESTORER'S DISCOUNT

HOW IT WORKS – Retail customers receive 10% savings on a minimum purchase of \$850.00 of any combination of parts and/or accessories from this catalog or Zip's Web store. Sorry, No Discount ("ND") items may be included in total value but are not eligible for discount. Offer applies to a single order only and some restrictions apply, call your Zip Products sales representative for details.



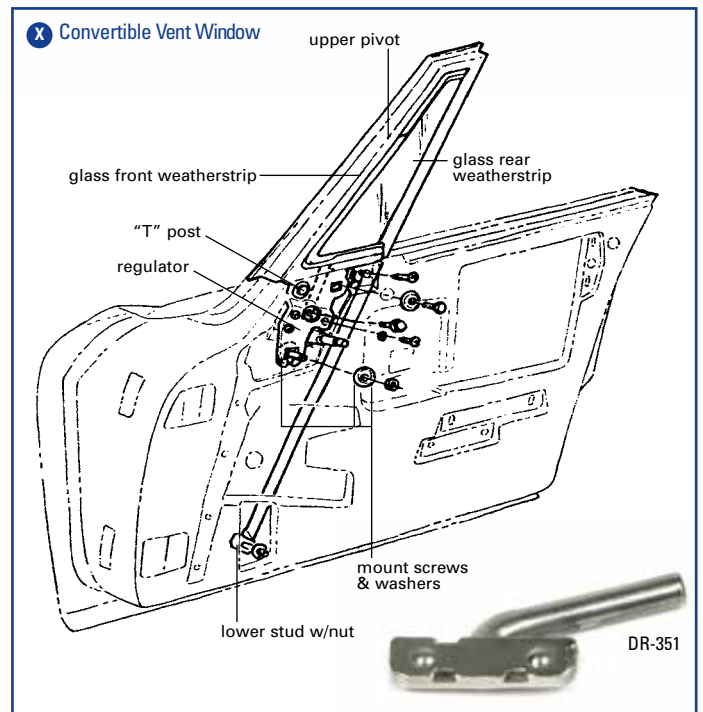
Convertible Vent Window Frame & Glass

DR-340	63-67	Glass to frame mounting grip strips (2)	8.99
WS-412A	63-67	Glass front weatherstrip (LH or RH) (X)	58.99
WS-780	63-67	Glass rear weatherstrip (LH or RH) (X)	27.99
DR-532	63-67	Glass stainless inner molding (LH or RH)	64.99
DR-530	63-67	Glass stainless outer molding (LH or RH)	64.99
DR-351	63-67	Vent window upper pivot, brushed stainless (LH or RH) (X)	38.99
DR-723	63-67	Vent window frame assembly, die cast triple chrome plated (LH or RH)	399.99
DR-469	63-67	Vent window frame "T" post w/rivets (LH or RH) (X)	22.99
SF-615	63-67	Vent window frame "T" post rivets (4)	.99
SF-616	63-67	Vent window frame "T" post to regulator screws (2)	4.99
DR-492	63-67	Vent window frame/channel lower studs & nuts (4 pcs) (X)	26.99
DR-486	63-67	Vent window to door mounting screws & washers (18 pcs) (X)	36.99
DR-576	63-67	Vent window mounting studs, included in DR-486 mount kit (2 pcs)	14.99
DR-545	63-64	Vent window regulator (LH or RH) (X)	189.99
DR-544	65-67	Vent window regulator (LH or RH) (X)	189.99
DR-488	63-67	Vent window regulator screws & washers (12 pcs)	5.99



Window Cranks

DR-32	63-64	Window crank w/knob	ea	15.99
DR-33	65-66	Window crank w/knob	ea	16.99
DR-713	67	Window cranks w/knob, specify color (pair)		64.99
DR-328	67	Window crank w/black knob, replacement	ea	14.99
DR-728	67	Window crank w/clear knob, replacement	ea	9.99
ZDR-35	63-67	Window crank attaching clip	ea	1.49
I-323	63-67	Window crank plastic backplate, grey	ea	2.49
I-2983	63-67	Window crank plastic backplates, ivory (2)		8.99
ZI-929	63-67	Window crank foam seals, mounts behind door panel	(2)	4.99
I-808	63-64	Window crank stainless spacers (2)		79.99
I-881	65-67	Window crank stainless spacers (2)		79.99



Door Hardware continued

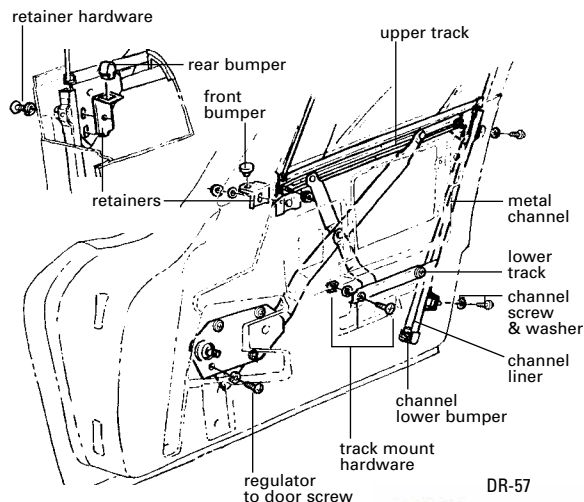
Power Window Motor

ES-573	67	Power window circuit breaker, 40 amp	22.99
DR-21	63-67	Power window conduits (2)	154.99
DR-467	63-67	Power window conduit screws & nuts (8 pcs)	2.99
DR-645	63-67	Power window motor, RH, Type 3	79.99
DR-644	63-67	Power window motor, LH, Type 3	79.99
E-852	63-67	Power window motor conversion harness, adapts Type 3 motor to 63-67 harness	ea 18.99
SF-552	63-67	Power window motor mount screws (6 pcs)	5.59
DR-501	63-67	Power window motor gear	36.99
DR-508	63-67	Power window motor gear bushing, mounts into regulator	ea 9.99

See page 131 for power window switch and electrical components



Window Glass



Window Glass Mounting & Stops

DR-341	63-67	Door glass to lower channel mounting grip strips (2)	8.99
DR-476	64-67	Door glass rear channel lower bumper (Y)	2.49
WS-461	63-67	Door glass upper stop, Conv.	ea 7.99
WS-4536	63-67	Door glass upper stop mount screws, Conv. (2)	1.99
DR-482	63-67	Door glass front stop bumper, Conv. (Y)	ea 2.99
DR-483	63-67	Door glass rear stop bumper, Conv. (Y)	ea 5.99
DR-481	63-67	Door glass front stop retainer, Conv. (Y)	ea 12.99
DR-480	63-67	Door glass rear stop retainer, Conv. (Y)	ea 12.99
DR-484	63-67	Door glass stop retainer hardware, Conv. (6 pcs) (Y)	3.99

DR-341



Power Window Conversion Kit

Prefer a finger touch to a manual workout? Kit includes new switches, wiring harness, conduits, regulators, motors and mount hardware. Note: window crank hole must be plugged – or consider upgrading your Corvette's door panels at the same time. No Discount.

DR-547	63-67	Power window conversion kit.....	699.99
--------	-------	----------------------------------	--------



Window Regulators

DR-662	63-67	Window regulators, manual (pair).....	202.99
DR-663	63-67	Window regulators, power window (pair).....	202.99
DR-581	63-67	Window regulator coil spring (PW & STD).....	ea 22.99
DR-57	63-67	Window regulator rollers (12).....	19.99
DR-478	63-67	Window regulator to door screws (8) (Y).....	7.99
DR-417	63-67	Window regulator lower roller track (Y).....	ea 20.99
DR-418	63-67	Window regulator upper roller track (Y).....	ea 24.99
DR-477	63-67	Window regulator track mount hardware (16 pcs) (Y)	5.99
DR-673	63-67	Manual window regulator crank housing.....	ea 14.99
DR-674	63-67	Manual window regulator crank housing spring.....	ea 7.99
DR-516	63-67	Manual window regulator gear, w/bushing	ea 28.99
DR-507	63-67	Power window regulator gear, stainless.....	ea 27.99
DR-577	63-67	Power window regulator rivet, mounts lift arms to main bracket.....	ea 9.99

DR-662



DR-663



DR-516

DR-507

DR-577

DR-581

Coupe Window Channels & Liners

WS-764	63-67	Window channel front liner, w/holes & hardware, curved as original (car set) (Z).....	59.99
SF-621	63-67	Window channel front liner rivets (4).....	2.99
DR-473	63L-67	Window rear metal channel (LH or RH) (Z).....	79.99
DR-475	63-67	Window rear metal channel screw & washer kit (10 pcs).....	4.99
WS-4770	63	Window rear metal channel lower liners (2).....	10.99
WS-4574	63	Window rear & upper channel liner, correct bead, pre-bent w/clips & metal corner reinforcement (car set) (Z).....	199.99
WS-770	64-67	Window rear & upper channel liner, correct bead, pre-bent w/clips (car set) (Z).....	134.99
WS-4575	63-67	Window rear & upper channel liner clips (16).....	15.99
WS-4576	64-67	Window channel liner lower screws (2).....	1.49
WS-766	63	Window channel rear corner metal reinforcements (2).....	29.99
DR-649	64-67	Window channel rear corner stainless trim w/fuzzy (LH or RH).....	39.99
WS-767	64-67	Window channel to inner window seal rear corner repair kit, 1" fuzzy w/rivets.....	ea 8.99

Convertible Window Channels & Liners

WS-765	63-67	Window channel front liner, w/holes & hardware, curved as original (car set).....	59.99
SF-621	63-67	Window channel front liner rivets (4).....	2.99
DR-472	64-67	Window rear metal channel (LH or RH) (Y).....	79.99
DR-475	63-67	Window rear metal channel screw & washer kit (10 pcs) (Y)....	4.99
WS-4770	63-67	Window rear metal channel liners (2) (Y).....	10.99

ZWS-4770

WS-765

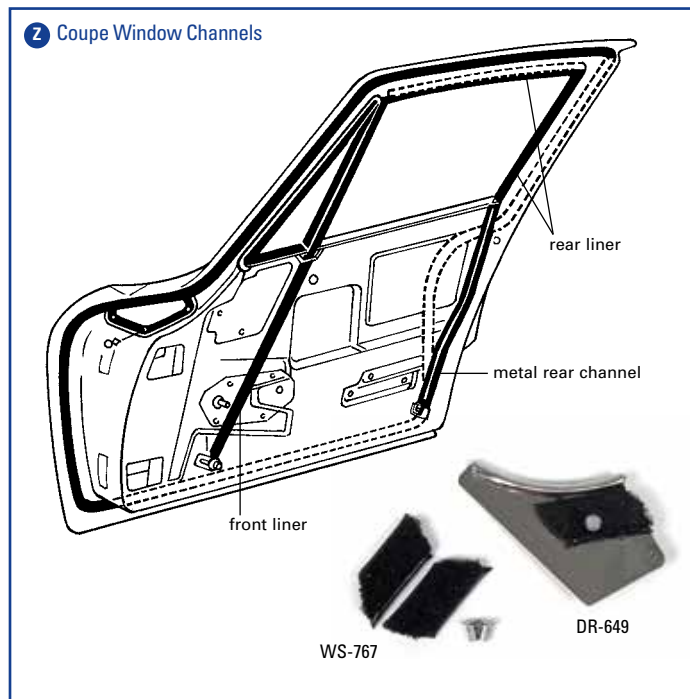
DR-472

Window Seals & Reveal Moldings

DR-701	63-67	Door reveal outer moldings, Conv. (2).....	174.99
DR-705	64-67	Door reveal outer moldings, Coupe (2).....	174.99
SF-898	63-67	Door reveal outer molding screws, correct #6 head (12).....	5.99
WS-416	63-67	Window inner seal felts, Conv. (2).....	44.99
WS-518	63-67	Window inner seal felts, Coupe (2).....	44.99
ZSF-475	63-67	Window inner seal felt staples (25).....	5.99
WS-4648	63	Window outer seals, Conv. (2).....	32.99
WS-4649	63	Window outer seals, Coupe (2).....	32.99
WS-4634	64	Window outer seals, Conv. (staple on) (2).....	27.99
WS-4635	65	Window outer seals, Conv. (rivet on) (2).....	27.99
WS-4636	64	Window outer seals, Coupe (staple on) (2).....	27.99
WS-4633	65-67	Window outer seals, Coupe (rivet on) (2).....	27.99
SF-753	64	Window outer seal staples (10).....	2.99
SF-606	65-67	Window outer seal rivets (6).....	2.99

WS-416

WS-4635



Locks

Zip's lock sets are the most-correct available for '63-67 Corvettes. Door sets feature concours-correct notched face and dimpled shutter as original. Locks include "knock out" NOS or reproduction keys.

Ignition Lock Cylinder

LK-353	63-64	Ignition lock cylinder w/keys	34.99
LK-354	65	Ignition lock cylinder w/keys	34.99
LK-355	66	Ignition lock cylinder w/keys	22.99
LK-356	67	Ignition lock cylinder w/keys	34.99



Door Locks

Include installed pawls. '63-66 hex keys have Briggs & Stratton markings and "®" GM logo as original; '67 hex keys are "A" groove with GM logo.

LK-360	63-66	Door lock cylinders w/pawl and key.....	54.99
LK-361	67	Door lock cylinders w/pawl and key.....	49.99

Glove Box

LK-202	63	Glove box lock cylinder	32.99
LK-205	64-66	Glove box lock cylinder	34.99
LK-205A	67	Glove box lock cylinder	36.99



Spare Tire Lock

OE-style reproduction lock has correct size key cap and diameter drain hole. '63-66 include hex keys with Briggs & Stratton markings and "®" GM logo; '67 round keys are "B" groove with GM logo.

LK-211	63-64	Spare tire lock (small cap, small hole).....	64.99
LK-372	65-66	Spare tire lock (small cap, large hole).....	72.99
LK-373	67	Spare tire lock (large cap, large hole).....	72.99

Glove Box & Spare Tire Set

Includes glove box case/bezel and reproduction spare tire lock. Perfect if ignition and door locks have already been replaced and you now want to add correct glove box and spare tire locks. Note: '65-67 glove box and spare tire locks were the only locks GM keyed alike with round key.

LK-369	65-66	Glove box & spare tire lock (round key).....	84.99
LK-370	67	Glove box & spare tire lock (round key).....	84.99



Ignition & Door Lock Set

Keyed-alike sets include original-style ignition lock cylinder and door locks with installed pawls. Correct hex keys – '63-66 have Briggs & Stratton markings and "®" GM logo as original; '67 keys are "A" groove with GM logo.

LK-204A	63-64	Ignition & door locks set.....	79.99
LK-204B	65	Ignition & door locks set.....	79.99
LK-338	66	Ignition & door locks set.....	72.99
LK-339	67	Ignition & door locks set.....	79.99



Complete Matched Set

Keyed-alike matched sets include ignition lock cylinder, door locks with installed pawls, and glove box case/bezel. Correct hex and round keys feature Briggs & Stratton markings, "®" GM logo and "A" and "B" grooves as applicable.

LK-203A	63	Complete lock set (hex keys only).....	119.99
LK-341	64	Complete lock set (hex keys only).....	119.99
LK-203B	65	Complete lock set (hex keys only).....	119.99
LK-343	65	Complete lock set (hex & round keys)	119.99
LK-342	66	Complete lock set (hex & round keys)	119.99
LK-203C	67	Complete lock set (hex & round keys)	119.99

Deluxe Matched Set

Deluxe sets add reproduction spare tire lock to ignition, door and glove box locks. Keyed-alike hex and round "knock out" keys feature Briggs & Stratton markings, "®" GM logo, and "A" and "B" grooves as applicable.



LK-363	63	Deluxe lock set (hex keys only).....	169.99
LK-364	64	Deluxe lock set (hex keys only).....	169.99
LK-365	65	Deluxe lock set (hex keys only).....	169.99
LK-366	65	Deluxe lock set (hex & round keys).....	169.99
LK-367	66	Deluxe lock set (hex & round keys).....	169.99
LK-368	67	Deluxe lock set (hex & round keys).....	169.99

Keys

All '63-64 Corvettes use hex keys for all locks (ignition, doors, glove box and spare tire). Mid-production '65 through '67 glove box and spare tire locks use round keys. Blanks are available in correct "knock out" style with Briggs & Stratton markings and "®" GM logo as original, or as replacement with GM logo only. Sold individually.

LK-345	63-66	Hex key, Briggs & Stratton & GM logo w/"®" trademark.....	6.99
LK-108S	63-66	Hex key, replacement w/GM logo only	2.99
LK-346	65-66	Round key, Briggs & Stratton & GM logo	6.99
LK-108R	65-66	Round key, replacement w/GM logo only	2.99
LK-347	67	Hex key, Briggs & Stratton & GM logo w/"A" groove	9.99
LK-348	67	Round key, Briggs & Stratton & GM logo w/"B" groove.....	9.99
MF-391	67	Key envelope.....	5.99

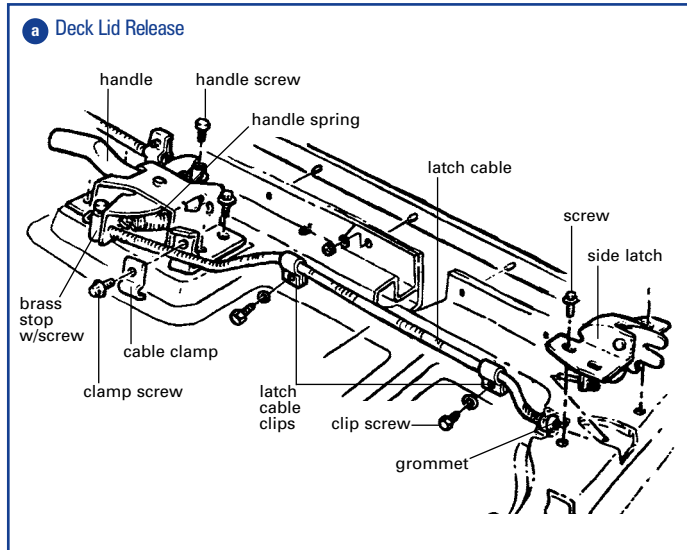


ZipSocial    
Follow us on social media & stay connected! www.zip-corvette.com/social

Deck Lid

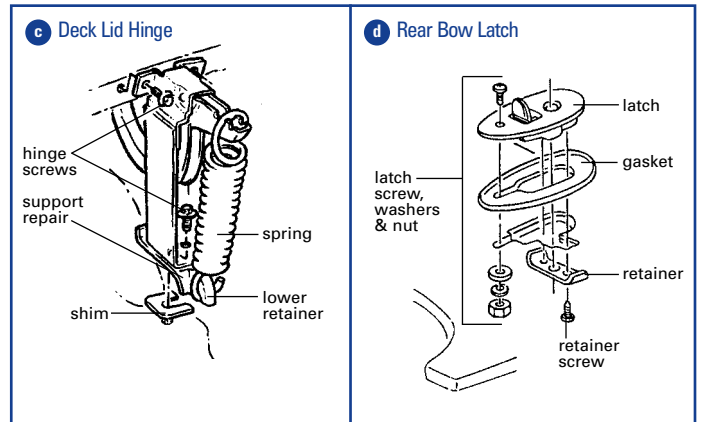
Release Handle & Cables

CT-221	63-67	Deck lid release handle (a).....	69.99
ZSF-399	63-67	Deck lid release handle screws (4) (a).....	4.99
SPR-151	63-67	Deck lid release handle spring (a).....	5.99
CT-355	63-67	Deck lid latch cable (2 per car) (a).....	9.99
M-4282	63-67	Deck lid latch cable brass stops w/screws (2) (a).....	7.99
M-3667	63-67	Deck lid latch cable clamps, mounts cable to release latch (2) (a).....	10.99
SF-624	63-67	Deck lid latch cable clamp screws (2) (a).....	2.99
M-2610	63-67	Deck lid latch cable clips (4) (a).....	5.99
SF-625	63-67	Deck lid latch cable clips screws (4) (a).....	3.99
M-3668	63-67	Deck lid latch cable grommets (2) (a).....	1.99



Hinge

CT-317	63-67	Deck lid hinge support lower & side repair piece, includes lower hook (c).....	ea 49.99
CT-206	63-67	Deck lid hinge shim, 1/16" thick (c).....	ea 1.99
CT-47	63-67	Deck lid hinge spring (c).....	ea 10.99
CT-318	63-67	Deck lid hinge spring lower hooks (2) (c).....	28.99
SF-741	63-67	Deck lid upper & lower hinge screws, includes (8) "E" headmark small bolts & (2) large bolts.....	10.99
ZCT-69	63-67	Deck lid upper & lower hinge mount screws, "E" headmark (6) (c).....	6.99



Deck Lid Protector

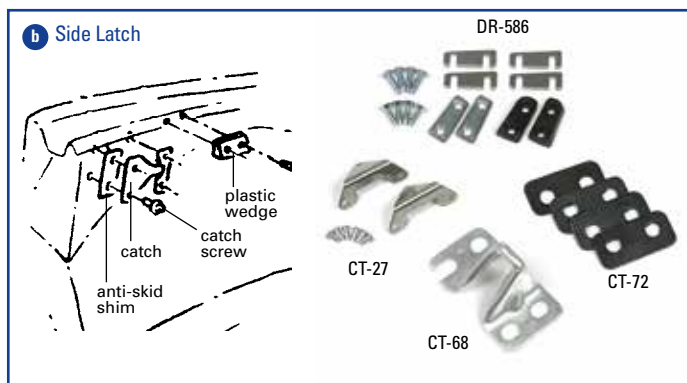
Clear film protector is die cut to fit contour of rear deck lid to protect your Corvette's paint from damage caused by contact with the soft top or auxiliary hardtop. Simple stick-on/peel-off static cling installation.



X-411	63-67	Deck lid protector, soft top.....	27.99
X-412	63-67	Deck lid protector, hardtop.....	27.99

Side Latch & Striker

CT-68	63-67	Deck lid catch, mounts on body (b).....	ea 22.99
CT-67	63-67	Deck lid catch screws, correct head (8) (b).....	11.99
CT-72	63-67	Deck lid catch anti-skid shims (4) (b).....	22.99
CT-27	63-67	Deck lid catch striker plates w/rivets (2).....	18.99
CT-52	63-67	Deck lid side latch (2 per car) (a).....	ea 69.99
ZCT-69	63-67	Deck lid side latch screws (6) (a).....	6.99



Convertible Top Rear Bow Latch

CT-327	63-67	Rear bow latch, GM licensed.....	ea 119.99
CT-20	63-67	Rear bow latch, imported (d).....	ea 94.99
CT-388	63-67	Rear latch repair plastic bushings (2).....	24.99
ZWS-451	63-67	Rear bow latch gaskets (2) (d).....	4.99
ZCT-46	63-67	Rear bow latch screws, washers & nuts (8 pcs) (d).....	5.99
CT-268	63-67	Rear bow latch underbody retainer (d).....	ea 9.99
CT-269	63-67	Rear bow latch underbody retainer screws (4) (d).....	3.99



Hardtop Ferrel

HT-487	63-67	Deck lid bezels (2).....	10.99
HT-385	63-67	Deck lid bezel rubber washers (2).....	1.99
ZHT-307	63-67	Deck lid bezel plug, used to plug deck lid bezels when hardtop is not in use.....	ea 2.99

Deck Lid Trim Strip

I-304	63-64	Deck lid trim strip w/hardware.....	121.99
I-306	65-67	Deck lid trim strip w/hardware.....	100.99

Note: Specify year and color for deck lid trim strips.

SF-626	63-64	Deck lid trim strip hardware (original trim) (22 pcs).....	8.99
SF-627	65-67	Deck lid trim strip hardware (original trim) (18 pcs).....	8.99
SF-628	63-64	Deck lid trim strip hardware (reproduction trim) (22 pcs).....	6.99
SF-629	65-67	Deck lid trim strip hardware (reproduction trim) (18 pcs).....	6.99

Alignment Wedges

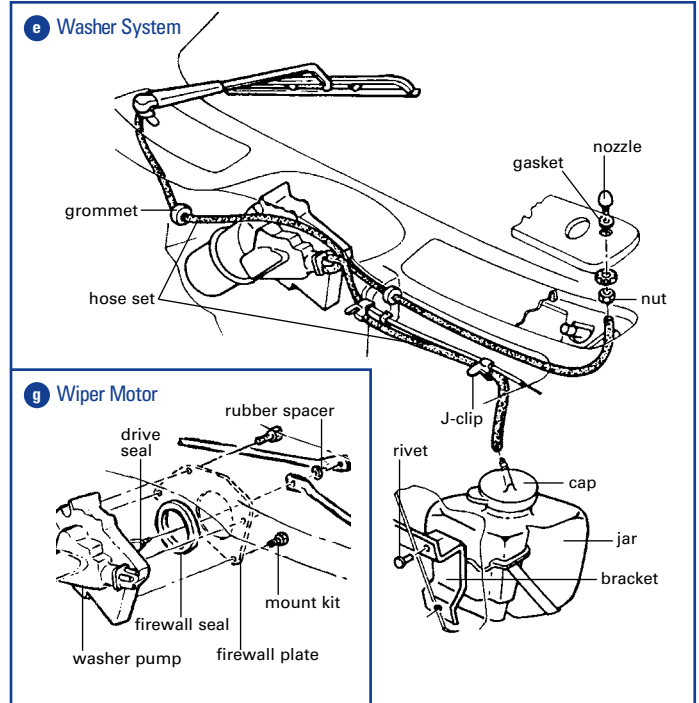
DR-586	63-67	Deck lid alignment wedge set, includes 2 plastic wedges, 2 metal wedges, shims & screws.....	49.99
DR-703	63-67	Deck lid plastic wedges on body, Conv. (2).....	24.99
DR-389	63-67	Deck lid metal wedges on deck lid, Conv. (2).....	19.99
SF-400	63-67	Deck lid wedge screws (4).....	3.99
CT-80	63-67	Deck lid wedge shim.....	3.99

Windshield Washer & Wiper

Washer Jar (Non AC)

M-292	63-67	Washer jar (e).....	12.99
M-3782	63-67	Washer jar kit, includes replacement jar, cap, filter & pick-up hose.....	18.99
M-242A	63-67	Washer jar bracket, correct reproduction (e).....	26.99
WW-300	63-67	Washer jar bracket rivets (3) (e).....	.99
WW-282	63-67	Washer jar cap (e).....	5.99
WW-281	63-67	Washer jar filter (nylon screen).....	5.99
WW-330	63-67	Washer jar filter (brass screen).....	14.99
WW-355	63-67	Washer jar filter brass insert screen.....	2.99
WW-348	63-67	Washer jar pick-up hose.....	1.99

M-292



Washer Hoses

ZWS-481	63-67	Washer hose set w/grommets, w/AC.....	18.99
ZWS-481B	63-67	Washer hose set w/grommets, w/o AC (e).....	18.99
WW-292	63-67	Washer hose firewall J-clip (e).....	ea 2.99
WW-231	66-67	Washer hose LH hood latch clip.....	ea 4.99
WW-462	63-67	Washer hose grommets (e).....	2.49

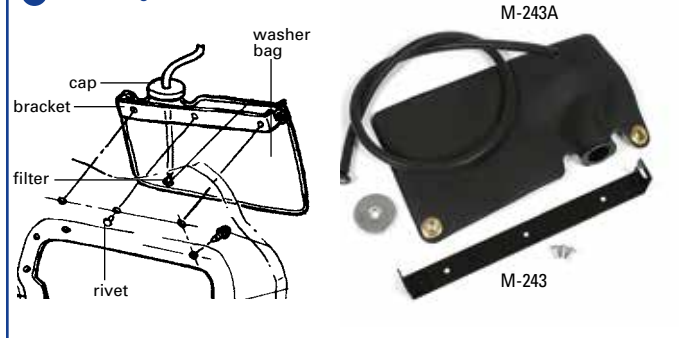
Washer Pump & Nozzles

ET-533	63-67	Windshield washer grill (LH or RH).....	69.99
ET-545	63-67	Windshield washer grill, chrome (LH or RH).....	109.99
SF-873	63-67	Windshield washer grill screws & u-nuts (16 pcs).....	5.99
ET-53	63-67	Washer nozzle, w/nut, replacement (2 per car) (e).....	ea 13.99
ZWS-460	63-67	Washer nozzle gaskets (2) (e).....	1.99
SF-575	63-67	Washer nozzle nuts & washers (4 pcs) (e).....	1.99
WW-296	63-67	Washer pump plug fiber cover.....	5.99
WW-407	63-67	Washer pump valve kit w/seals (off-white) (g).....	22.99
WW-455	63-67	Washer pump valve kit w/seals (white) (g).....	14.99
WW-305	63-67	Washer pump internal repair bellows & spring seat.....	19.99

Washer Bag (AC or 396)

M-243A	63-66	Washer bag w/cap (f).....	64.99
M-2206	67	Washer bag w/cap (f).....	69.99
M-243	63-67	Washer bag bracket w/rivets (f).....	14.99
M-3669	63-67	Washer bag bracket rivets (3) (f).....	1.49
WW-276	63-67	Washer bag cap (f).....	6.99
WW-281	63-67	Washer jar filter (nylon screen) (f).....	5.99
WW-330	63-67	Washer jar filter (brass screen) (f).....	14.99
WW-355	63-67	Washer bag filter brass insert screen.....	2.99
WW-348	63-67	Washer bag pick-up hose.....	1.99

f Washer Bag



Visit us online: www.zip-corvette.com/body6
How to repair a broken washer pump valve



Reproduction Washer Nozzles

Correct reproductions with adjustable outlet as original. These nozzles will satisfy the most thorough of judges! Car set includes gaskets, star washers and nuts.



WW-329	63-67	Windshield washer nozzles.....	79.99
--------	-------	--------------------------------	-------

Wiper Switch & Electrical

ES-202	63-64	Wiper switch.....	49.99
ES-203	65-66	Wiper switch.....	59.99
ES-361	67	Wiper switch.....	59.99
E-1132	63-66	Wiper switch plug & terminals.....	5.99
D-638	63-64	Wiper/washer knob w/push button	29.99
D-560	65	Wiper knob.....	23.99
D-397	66	Wiper knob.....	23.99
D-398	67	Wiper knob.....	24.99
D-399	63-67	Wiper switch nut	7.99



Detroit Speed Windshield Wiper Conversion

The performance and convenience of a late model wiper system in a package designed to easily and cleanly mount in your mid-year Corvette. DSE Corvette electric wiper kit contains a low profile, seven-speed wiper motor with 5 delays, low speed, and high speed, rotary switch, adapter plate, and wiring harness. CNC adapter plate mounts the wiper motor to the stock firewall bolt pattern and requires no permanent modifications. Wiring harness uses factory wiper grommet opening and requires no cutting of the factory harness. Add-on washer pump kit allows for complete wiper system upgrade.

WW-429	63-67	DSE Selecta-Speed wiper conversion	634.99
WW-432	63-67	DSE Selecta-Speed washer pump kit.....	54.99



Wiper Motor

WW-312	63-67	Wiper motor mount bushing (4 per car).....	ea 6.99
WW-454	63-67	Wiper motor firewall mount plate (g).....	19.99
ZWW-232	63-67	Wiper motor firewall seal (g).....	3.99
WW-295	63-67	Wiper motor ground wire terminal.....	4.99
WW-280	63-67	Wiper motor rear drive seal (g).....	7.99
WW-278	63-67	Wiper motor rear lever	20.99
WW-294	63-67	Wiper motor lever to rod flange nut	1.49
WW-297	63-67	Wiper motor lever to rod rubber spacer (g).....	3.99
WW-268	63-67	Wiper motor lever to rod retainer.....	3.99
WW-279	63-67	Wiper motor & pivot arm mount screws (10 pcs) (g).....	6.99



Reproduction Wiper Arms

Don't get caught with balky wipers! '63-65 reproduction arms are bright stainless with chrome base. '66-67 have correct satin finish. Arms include adjustment screw as original. Sold in pairs.

WW-362	63-65	Reproduction wiper arms, bright finish	199.99
WW-363	66-67	Reproduction wiper arms, satin finish.....	199.99



Wiper Arm Removal Tool

Removes wiper arms quickly – without potentially damaging paint due to a “whoops!” screwdriver. Simply place over arm, squeeze and lift.



TL-110	63-67	Wiper arm removal tool.....	8.99
--------	-------	-----------------------------	------

Wiper Arms

WW-318	63-67	Wiper arms, bright finish, replacement (pair).....	69.99
WW-453	63-67	Wiper arms, satin finish, replacement (pair).....	69.99
WW-317	63-67	Wiper arm head w/blade, bright finish (pair).....	39.99
WW-450	63-67	Wiper arm head w/blade, satin finish (pair).....	39.99
WW-267	63-67	Wiper blade refills, replacement (2)	11.99
WW-411	63-65	Wiper blade refills, correct w/raised “dots” (2)	46.99
WW-380	65-67	Wiper blade refills, correct w/raised “lines” (2)	49.99
WW-279	63-67	Wiper transmission to body screws & washers (20 pcs).....	6.99
WW-293	63-67	Wiper transmission to firewall caulk.....	6.99
WW-226	63-67	Wiper transmission shaft plastic covers (2).....	12.99



Wiper Arm & Blade Set

Replacement wiper arms and blades package. Everything you need to replace those bent or worn wiper arms. Available in both bright finish or satin finish as original. Car set.

WW-451	63-65	Wiper arm & blade package (bright finish).....	99.99
WW-452	66-67	Wiper arm & blade package (satin finish)	99.99



ZipSocial    
Follow us on social media & stay connected! www.zip-corvette.com/social

Radiator

Exact Reproduction Aluminum Radiator

Features OE-design core, tank and top and bottom plates. Correct in every detail. Includes stamped GM part number and date code for your Corvette. Furnace brazed for leak-free performance. Specify year of car and serial number. Specific date code available – call for details. Made in the USA. Prepaid only.

RA-217	63-64	Aluminum reproduction radiator, 327	1,299.99
RA-124	65-67	Aluminum reproduction radiator, 327	1,299.99
RA-218	65E	Aluminum reproduction radiator, 396 (#3005936)	1,499.99
RA-125	65-67	Aluminum reproduction radiator, 65 396 & 67 L88 (#3007436)	1,499.99



RA-124



RA-176

427 Reproduction Harrison Radiator

100% correct copper/brass radiator for 427 Corvettes. Includes four row copper core, press formed brass tanks with full-rib pattern, embossed "Fill Cold" and "Harrison" lettering, and "MK" tag with GM part number 3008567 as original. Made in the USA.

RA-173	66	Harrison reproduction radiator, 427	1,499.99
RA-176	67	Harrison reproduction radiator, 427	1,499.99

Radiator Cap & Drain Cock

M-2210	66-67	Radiator cap, 427 (RC15/15#)	38.99
M-184	63-67	Radiator drain cock, aluminum	18.99
M-3055	63-67	Radiator drain cock, brass	5.99
M-3309	66	Radiator drain hex plug, aluminum, 327	7.99
M-3644	66	Radiator drain hex plug, brass, 427	4.99
ZM-1119	66-67	Overflow hose, 427	7.99
M-2497	66-67	Overflow hose plastic straps, 427 (2)	2.99

See page 121 for expansion tank cap



M-2210



M-184



M-3055



M-3309



M-3644

Visit us online: www.zip-corvette.com/clg1
How to replace the radiator in a 63-67 Corvette



Replacement Copper/Brass Radiator

Cool your Corvette with a new radiator made of copper and brass for efficient cooling. Replacement radiator fits into factory supports without any modifications to car – drop-in installation.

M-2258	63-67	Radiator, 327	549.99
RA-118	66-67	Radiator, 427	489.99



M-2258



RA-118

Replacement Aluminum Radiator

Better cooling, yet "same" cost as copper/brass? Zip's USA-made replacement aluminum radiators prove that yes, you can indeed have it all! From the shop of one of the industry's premier suppliers comes a replacement radiator that offers the performance you expect – without the price tag usually attached to custom built aluminum. Twin tube core design more than doubles cooling capacity by increasing the tube-to-fin contact area. Furnace brazed and epoxy free. To maintain originality, Zip recommends painting radiator black or Black Ice coated.

RA-226	63-67	Aluminum radiator, 327	489.99
RA-342	63-67	Aluminum radiator, 327, Black Ice	619.99
RA-227	66-67	Aluminum radiator, 427	489.99
RA-343	66-67	Aluminum radiator, 427, Black Ice	619.99
RA-225	66-67	Aluminum radiator, 427 w/trans cooler	489.99
RA-344	66-67	Aluminum radiator, 427 w/trans cooler, Black Ice	619.99



RA-226



RA-225

Inspection Stamps & Radiator Decals

M-2291	63-67	Inspection stamp kit, "16 CT"	29.99
M-2293	67	Inspection stamp kit, L88, "06A MG"	36.99
MF-243	63-67	Radiator green number "3"	3.49
MF-506	63-67	Radiator & inspection tank numbers "3" & "8" (car set)	3.99
MF-250	63	Radiator Harrison foil metal plate	16.99
MF-248	63-67	Radiator Harrison foil decal	5.99
MF-461	66-67	Radiator Harrison metal tag (#3008566)	15.99
MF-462	66-67	Radiator Harrison metal tag (#3008567)	15.99



MF-250



MF-243



MF-248



Direct Fit® Radiators

Direct Fit® Aluminum Radiator

Like the name says, our radiators are designed to bolt right in – no ifs, ands or buts. Every Direct Fit radiator is made in the USA and begins life as a double-row core furnace brazed for strength and accuracy. Press formed end tanks are meticulously TIG welded by real craftsmen to ensure leak-free performance and knockout looks. Epoxy free. Have a work of art under your hood!

RA-297	63-67	Direct Fit radiator, 327	889.99
RA-298	63-67	Direct Fit radiator, 327 w/transmission cooler	989.99
RA-299	65	Direct Fit radiator, 396 20" core.....	889.99
RA-300	66-67	Direct Fit radiator, 427 4-speed	889.99
RA-301	66-67	Direct Fit radiator, 427 w/transmission cooler	989.99
RA-299	67	Direct Fit aluminum radiator, L88	889.99



RA-157



RA-203

Direct Fit Finish

Direct Fit aluminum radiators are available in multiple finishes. Natural aluminum finish is standard. OE-style epoxy Black Ice coating provides factory look-alike without affecting cooling performance. Specify finish when ordering. Black Ice coated = +\$60.00.

Direct Fit® Radiator & SPAL Fan Combo

It's simple science: less engine heat = more power. Satisfy the most severe cooling demands by "bulletproofing" your Direct Fit radiator with pre-mounted, single or dual SPAL electric fans. Trick combo replaces factory shroud and engine fan while increasing cooling an additional 10-15%. Includes required fuses, relays and wiring.

RA-277	63-67	Direct Fit & fan, 327	1,264.99
RA-278	63-67	Direct Fit & fan, 327 w/transmission cooler	1,364.99
RA-333	63-67	Direct Fit & fan, 396.....	1,264.99
RA-279	66-67	Direct Fit & dual fans, 427	1,439.99
RA-280	66-67	Direct Fit & dual fans, 427 w/transmission cooler.....	1,539.99

Upgrade your '66-67 small-block, no-AC 18" aluminum radiator to a 427-style 24" core design for maximum capacity and efficiency. Radiator and dual fans combo includes mounting pins on bottom to eliminate need to replace radiator support.

RA-289	63-65	Direct Fit & fan, 427-style, 4-speed.....	1,439.99
RA-290	63-65	Direct Fit & fan, 427-style, Automatic.....	1,539.99
RA-291	66-67	Direct Fit & fan, 427-style, 4-speed.....	1,439.99
RA-292	66-67	Direct Fit & fan, 427-style, Automatic.....	1,539.99

Direct Fit HP & LS Conversion Radiators

Need more cooling capacity? Or swapping out your original small block with an LS engine? Zip has Direct Fit radiators available for your application needs. Direct Fit HP radiators feature a 2.75" core with (2) 1.25" internal cooling tubes, effectively increasing cooling capacity by another 35%. Direct Fit radiators are also available for LS conversions, featuring inlet & outlet ports on the passenger side, steam line connections, end tank temp switches and 16" SPAL cooling fans. Contact a Zip salesperson for more information on Direct Fit HP or LS Conversion radiators.

Radiator Hoses

Correct Part Number Lower Radiator Hose

Includes GM part number, logo and markings as original. Designed for use with OE-style radiators. GM licensed.

M-2287	63-65	Lower, 327 #3832170.....	44.99
M-2281	65&67	Lower, 396 & 67 L88 #3876782	41.99
M-3037	66-67	Lower, 327 #3887155.....	38.99
M-3036	66-67	Lower, 427 #3882826.....	38.99



M-3037

Correct Part Number Upper Radiator Hose

Includes GM part number, logo and markings as original. Designed for use with OE-style radiators. GM licensed.

M-2419	63-65	Upper, 250 & 300 hp w/o AC #3827366.....	32.99
M-2955	63-65	Upper, 250 & 300 hp w/AC #3833016	39.99
M-2420	63-65	Upper, 340, 350, 360, 365 & 375 hp #3827368	34.99
M-3034	66-67	Upper, 327/300 hp #3887154.....	32.99
M-3033	66-67	Upper, 327/350 hp #3887156.....	34.99
M-3645	65	Upper, 396 1st design #3873842.....	42.99
M-2418	65&67	Upper, 396 2nd design & 67 L88, #3879680.....	42.99
M-2417	66-67	Upper, 427 #3906615.....	39.99



M-2420

M-2419

M-2417

M-3033

Replacement Radiator Hose

M-4151	63-65	Lower, 327.....	49.99
M-4060	66-67	Lower, 327.....	34.99
M-4152	66-67	Lower, 427.....	44.99
M-4153	63-65	Upper, 327 w/o AC.....	16.99
M-4154	63-65	Upper, 327 Hi-Perf or Fl.....	28.99
M-4155	66-67	Upper, 327/300hp.....	28.99

Radiator Hose Clamps

Original-style "tower" clamps as used by the assembly plant to install radiator hoses. Also available with date code as original. Clamps are dated 2nd or 4th quarter; specify year of car and VIN number.



ZHC-435	63-67	Lower radiator hose clamps, 2 5/16" (2)	8.99
HC-625	63-67	Lower radiator hose clamp, 2 5/16" (dated).....	ea 6.99
ZHC-436	63-67	Upper radiator hose clamps, 2 1/16" (2)	8.99
HC-626	63-67	Upper radiator hose clamp, 2 1/16" (dated).....	ea 6.99

Dewitt Radiator Coolant

Specifically formulated all-season coolant/antifreeze for high performance automotive engines. Patented low silicate corrosion protection prevents rust and corrosion in modern performance engines. Advanced additive package contains special anti-foam agents to reduce water pump cavitation and increase cooling capacity. Gallon.

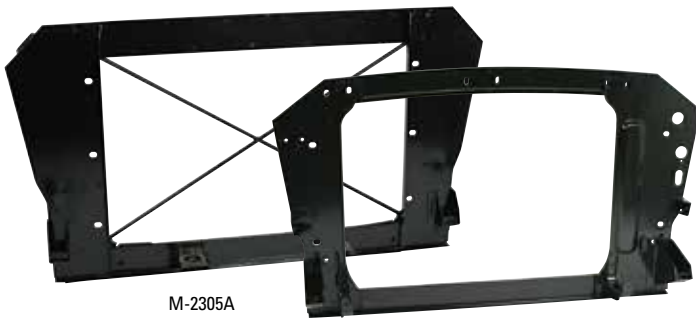


MG-271	Dewitt High Performance Coolant.....	33.99
--------	--------------------------------------	--------------

Radiator Support & Mounting

Radiator Support

M-2305A	63	Radiator support, w/o AC (A)	559.99
M-2305B	63	Radiator support, w/AC (A)	579.99
M-2305C	63	Radiator support, w/F.I. (A)	799.99
M-2305D	64-65	Radiator support, 327 w/o AC (A)	489.99
M-2305E	64-65	Radiator support, 327 w/AC (A)	549.99
M-2305F	64-65	Radiator support, 327 w/F.I. (A)	799.99
M-2305G	65	Radiator support, 396	799.99
M-2305H	66-67	Radiator support, 327 w/o AC (A)	499.99
M-2305I	66-67	Radiator support, 327 w/AC (A)	499.99
M-2305J	66-67	Radiator support, 427 w/o AC	499.99
M-2305K	66-67	Radiator support, 427 w/AC	499.99
M-4231	67	Radiator support, 427 L88	709.99



M-2305A

M-2305K

Radiator Support Repair

M-3257	63-65	Radiator support cross rods, w/o AC (2) (A)	20.99
M-3258	66-67	Radiator support cross rods, w/o AC (2) (A)	20.99
M-3646	63-65	Radiator support cross rod lower straps (2)	24.99

Note: Radiator support cross rods weld to radiator support.

M-3389	63-65	Radiator support lower repair, 63-65 327 & 65 396	129.99
M-3390	66-67	Radiator support lower repair, 327	129.99
M-3647	66-67	Radiator support lower repair, 427	62.99
M-3259	66-67	Radiator support lower bracket & reinforcement, 427, repairs missing or rusted lower radiator cushion bracket (car set)	36.99



M-3390

M-3647

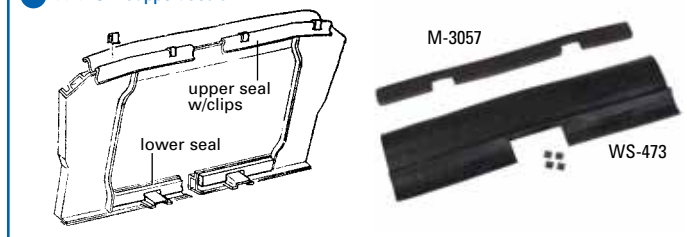
M-3259

Radiator Support Seals

Help to prevent overheating by properly sealing radiator to core supports. Die cut from correct materials and include pressure sensitive adhesive as correct.

ZWS-474	66-67	Support lower seal, 327 w/AC (B)	12.99
ZWS-475	66-67	Support side & lower seals, 427 w/AC (3 pcs)	12.99
WS-435	65	Support upper seal, 396	14.99
WS-473	66-67	Support upper seal w/clips, 327 w/AC (B)	44.99
WS-4524	66-67	Support upper seal w/clips, 427 w/AC	44.99

B 66-67 327 Support Seals



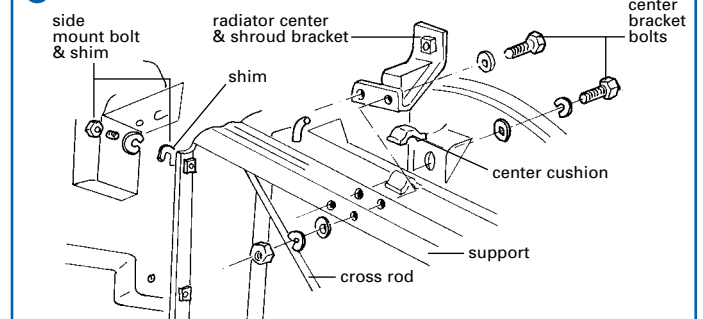
M-3057

WS-473

Radiator Support Mounting

M-3302	63-67	Radiator support grommet 63-65 =1 per car, 66-67 =2 per car for AC fitting through support	ea 6.99
BL-705	63-67	Radiator support side mount bolt kit, includes (4) "WB" headmark bolts & washers (A)	4.99
M-2500	63-67	Radiator support to frame bolts, includes (2) large "WB" headmark bolts & washers (6 pcs)	7.99
M-3648	63-67	Radiator support to frame shim, 1/16"	ea 1.49
ZM-2511	63-67	Radiator support large square mount nut	ea 8.99
M-2289	63-67	Radiator support/hood hinge side inner skirt reinforcement (LH or RH)	19.99
SF-622	63-67	Radiator support/hood hinge hardware (8 pcs)	4.99

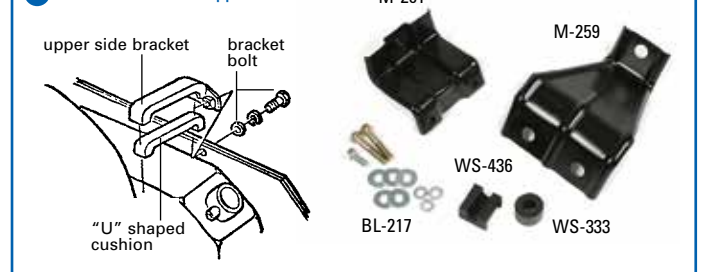
A Radiator Support & Mount



327, 396, L88 Radiator Mount to Support

M-259	63-65	Radiator center & shroud bracket, 327 (A)	34.99
M-260	65	Radiator center & shroud bracket, 396	34.99
M-261	66-67	Radiator center & shroud bracket, 327 (A)	29.99
M-260	67	Radiator center & shroud bracket, L88	34.99
BL-216	63-65	Radiator center bracket bolts, 327 (9 pcs) (A)	5.99
BL-217	66-67	Radiator center bracket bolts, 327 (9 pcs) (A)	7.99
BL-218	65&67	Radiator center bracket bolts, 396 & L88 (14 pcs)	5.99
WS-4768	63-67	Radiator lower round cushions	4.99
WS-4624	63-67	Radiator lower round cushion, (restoration poly) (2 per car)	ea 12.99
WS-436	63-67	Radiator upper center cushion (A)	4.99

C Radiator Mount to Support



M-261

M-259

WS-436

BL-217

WS-333

427 Radiator Mount to Support

M-3057	66-67	Radiator upper side bracket (LH or RH) (C)	22.99
M-3058	66-67	Radiator upper side bracket hardware, includes "RSC" bolts, (4) thick washers, (4) thin washers & lock washers (C)	16.99
BL-487	66L-67	Radiator upper side bracket bolt tubes (2)	9.99
WS-498	66-67	Radiator "U" shaped rubber cushion (C)	4.99
WS-4586	66-67	Radiator "U" shaped rubber cushion (4) (C)	18.99
RA-240	66-67	Radiator cushion, custom designed for Direct Fit radiator	5.99

M-3057

BL-487

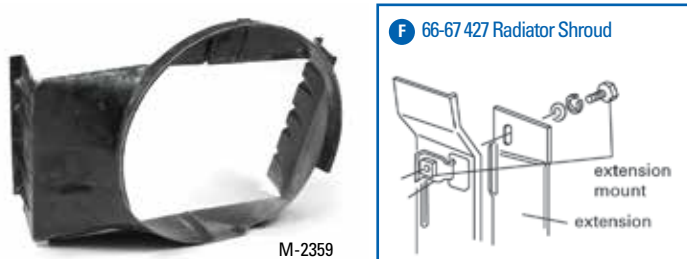
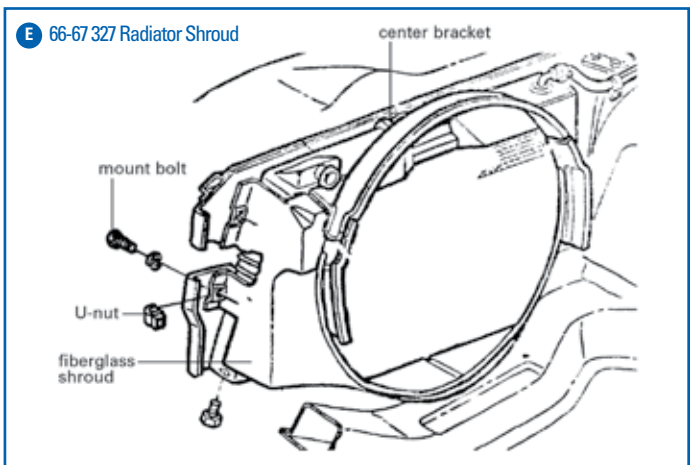
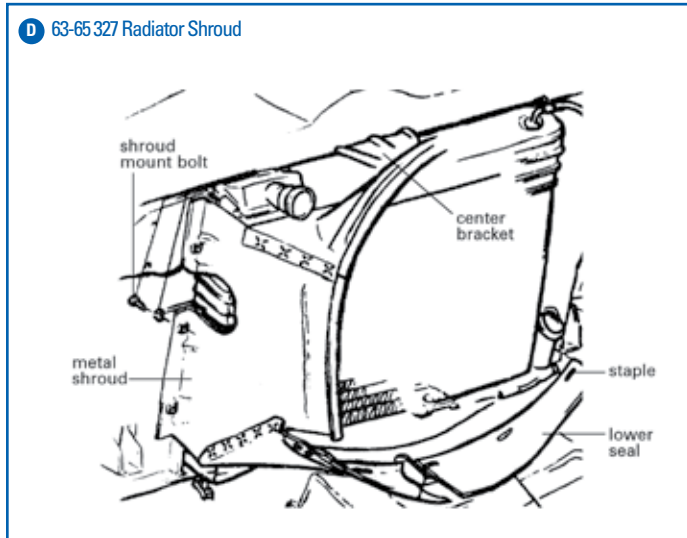
M-3058

WS-498

Radiator Shroud

63-65 327 Radiator Shroud

M-2225	63-65	Shroud, metal (D)	419.99
M-259	63-65	Shroud center bracket, 327 (D)	34.99
BL-216	63-65	Shroud center bracket bolts, 327 (9 pcs)	5.99
BL-407	63-65	Shroud mount to support bolts w/washers, "WB" headmark (6) (D)	6.99
WS-466	63-65	Shroud lower seal w/staples (D)	12.99
SF-753	63-65	Shroud lower seal staples (10) (D)	2.99



65 396 or 67 L88 Radiator Shroud

M-2359	65	Shroud, 396, fiberglass	499.99
M-2499	65	Shroud mount to support U-nuts (6)	5.49
BL-407	65	Shroud mount to support bolts w/washers, "WB" headmark (12 pcs)	6.99
M-260	65&67	Shroud center bracket, 396 or L88	34.99
BL-218	65&67	Shroud center bracket bolts, 396 or L88 (14 pcs)	5.99
WS-466	65	Shroud lower seal w/staples, 396 (D)	12.99
SF-753	65	Shroud lower seal staples (10) (D)	2.99

66-67 327 Radiator Shroud

M-2473	66-67	Shroud, fiberglass (E)	499.99
M-2474	66-67	Shroud extension, w/AC	119.99
M-2501	66-67	Shroud extension to shroud screws w/U-nuts (8 pcs)	5.99
BL-408	66-67	Shroud mount to support bolts w/washers, "WB" headmark (8 pcs) (E)	5.99
M-2498	66-67	Shroud mount to support U-nuts (4) (E)	4.99
M-261	66-67	Shroud center bracket (E)	29.99
BL-217	66-67	Shroud center bracket bolts (9 pcs)	7.99

66-67 427 Radiator Shroud

M-2360	66-67	Shroud, fiberglass	499.99
M-2475	66-67	Shroud extension, w/AC (F)	149.99
M-2501	66-67	Shroud extension to shroud screws w/U-nuts (8 pcs) (E)	5.99
BL-408	66-67	Shroud mount to support bolts w/washers, "WB" headmark (8 pcs)	5.99
M-2498	66-67	Shroud mount to support U-nuts (4)	4.99
M-262	66-67	Shroud center bracket	29.99
BL-217	66-67	Shroud center bracket bolts (9 pcs)	7.99
ZS-209	66-67	Shroud to radiator upper seal, w/AC	7.99
MF-244	66-67	Shroud label set, "DF" (3 pcs)	3.99
MF-244	66-67	Shroud label set, 427 w/AC, "DF" (4 pcs)	3.99

SPAL Fan Kit

Fits original equipment, existing Direct Fit, or other aftermarket aluminum radiators. RA-197 single fan fits '63-67 small-block aluminum radiator and replaces OE shroud and fan. RA-196 fits all radiators; use as a "supplement" to factory set-up when radiator core is larger than 23" wide. Kits include wiring harness and mount brackets.



RA-197	63-67	SPAL 16" electric fan	379.99
RA-196	66-67	SPAL 16" electric fan	379.99

SPAL Brushless Fan w/Custom Shroud

Custom electric cooling fan package with SPAL brushless 17" diameter fan and injection molded shroud designed from heat resistant polymer. Package includes variable temperature sensor, fan harness, jumper harness and instructions. Easily trim shroud (features molded cut lines) to fit core sizes between 22.5" to 27.5"



PM-857	66-67	SPAL 17" brushless electric fan w/shroud	749.99
--------	-------	--	--------

Reproduction Fan Shrouds

Zip's reproduction fiberglass fan shrouds are 3 individual pieces glued together and feature a semi-gloss black gel coat as original.

ZipSocial    
 Follow us on social media & stay connected! www.zip-corvette.com/social

Heater Hoses

Heater Hose Kit

M-2521	63-67	Heater hose kit, ribbed hoses, 3/4" hose w/red "GM" logo, & 5/8" hose w/white "GM" logo (G).....	49.99
M-4328	63-67	Heater hose kit, ribbed hoses, 3/4" hose w/o logo, & 5/8" hose w/white "GM" logo (G).....	36.99
M-3540	63-67	Heater hose kit, 3/4" & 5/8" ribbed hoses w/o logo (G).....	32.99
M-2309	63-67	Heater hose kit, 3/4" & 5/8" hoses w/o ribs or logo (G).....	16.99
M-207	63-67	Heater hose "T" fitting, to expansions tank (G).....	12.99
HC-636	63-67	Heater hose "T" fitting to tank hose clamps (G).....	10.99
M-4337	63-67	Heater hose "T" fitting heater delete rubber cap.....	5.99
M-270	64-66E	Heater hose air condition pipe (G).....	28.99



M-2521

Heater Hose Fittings

M-149	63-67	Intake heater hose fitting.....	12.99
M-2218	63-67	Water pump heater hose fitting, w/o AC.....	8.99
M-2599	63-67	Water pump heater hose fitting, 327 w/AC.....	12.99
M-3651	66-67	Water pump heater hose fitting, 427 w/AC.....	6.99
M-3536	63-67	Heater hose fitting adapter, 3/4" to 1/2" NPT.....	11.99
M-3652	63-67	Intake or water pump heater delete plug.....	ea 4.99



M-2218 M-2599 M-149 M-3651 M-3536

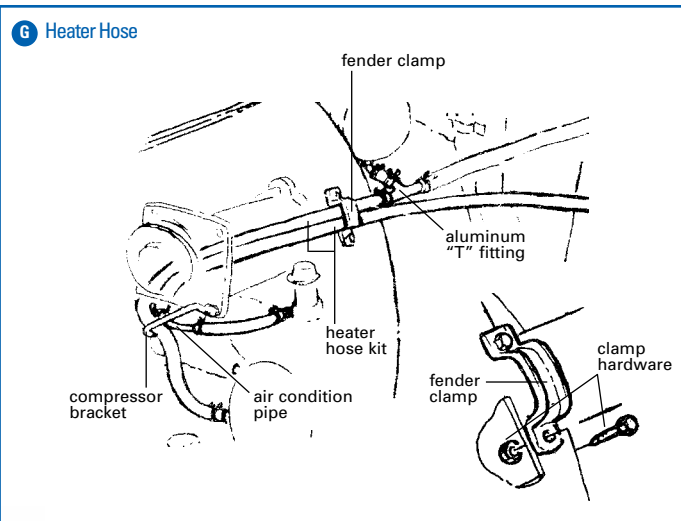
Heater Hose Clamps

Kits include all the correct size and style clamps required to install heater hoses. Use in combination with other cooling system hose clamps, including: radiator, water pump bypass and expansion tank overflow hose.

ZHC-637	63-67	327 w/o AC heater hose clamp kit.....	19.99
ZHC-638	63-66E	327 w/AC heater hose clamp kit.....	27.99
ZHC-639	66L-67	327 w/AC heater hose clamp kit.....	24.99
ZHC-637	65	396 heater hose clamp kit.....	19.99
ZHC-640	66-67	427 w/o AC heater hose clamp kit.....	5.99
ZHC-641	66-67	427 w/AC heater hose clamp kit.....	8.99



HC-638



M-4289

Heater Hose Brackets

AH-222	63	AC compressor heater hose bracket.....	16.99
AH-205	64-67	AC compressor heater hose bracket, 327 (G).....	24.99
BL-477	63-67	AC compressor heater hose bracket upper mount hardware, 327 (3 pcs).....	2.49
BL-490	63-67	AC compressor heater hose bracket lower mount hardware (3 pcs).....	5.99
M-2303	66-67	AC compressor heater hose retainer, 427 w/AC.....	99.99
M-3308	66-67	AC compressor heater hose retainer bolt, 427 w/AC, use with M-2303.....	1.49
M-3163	63-65	Alternator brace hose clamp w/twist.....	16.99
M-3307	63-65	Alternator brace hose clamp attaching bolt, use with M-3163.....	1.49
M-241-1	63-67	Fender heater hose clamp w/hardware, 327 w/AC (2 per car) (G).....	ea 10.99
M-241-1	65-67	Fender heater hose clamp w/hardware, 427 (G).....	ea 10.99
M-241-1	66-67	Fender heater hose clamp w/hardware, 427 w/AC (2 per car) (G).....	ea 10.99
M-3413	63-67	Fender heater hose clamp hardware (4pcs) (G).....	2.99
M-4289	63	Heater hose aluminum tie straps (2).....	5.99
M-291	64-67	Heater hose retainers, holds hoses together (2).....	8.99

See page 130 for heater hose plastic tie strap kits

Heater Hose Clamps

M-3547	63-67	Heater hose clamps, 5/8" spring type (2).....	2.99
M-3548	63-67	Heater hose clamps, 3/4" spring type (2).....	2.99

Expansion Tank

Expansion Tank & Cap

M-2232	63-67	Expansion tank (I).....	264.99
M-2208	63-65	Expansion tank cap (RC307/13#), 2/61-8/63 & 65 396 (I).....	38.99
M-2396	64-67	Expansion tank cap (AC307/13#), 327 w/o AC (I).....	38.99
M-2209	66-67	Expansion tank cap (RC26/15#), 327 w/AC.....	38.99
M-320	63-67	Expansion tank cap, replacement (I).....	18.99



Dated Expansion Tank

Reproduction Harrison aluminum tank features correct date code. All dates available – most common were “C” (March), “J” (September) or “M” (December). ‘63-64 tank has “pressed-in” tubes as original; ‘64-67 has original-style welded tubes.



M-2985	63-64	Expansion tank, dated reproduction (I).....	299.99
M-2986	64-67	Expansion tank, dated reproduction (I).....	299.99

Custom Black Ice Expansion Tank

Original style aluminum expansion tank with Black Ice coating for a truly spectacular custom look. Perfect for the restomod or custom engine compartment.



M-4316	63-67	Black ice expansion tank	314.99
--------	-------	--------------------------------	--------

Visit us online: www.zip-corvette.com/clg1
How to replace the expansion tank in a 63-67 Corvette

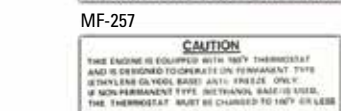
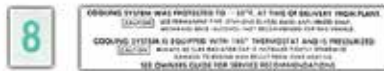


Expansion Tank Decals

MF-260	65&67	Coolant instruction, 396 & L88.....	6.99
MF-256	63-64E	Cooling system caution.....	4.99
MF-258	64L-65	Cooling system caution.....	4.99
MF-242	63-67	Expansion tank green number “8”.....	3.49
MF-506	63-67	Inspection tank & radiator numbers “3” & “8” (car set).....	3.99
MF-257	63	Expansion tank caution.....	4.99



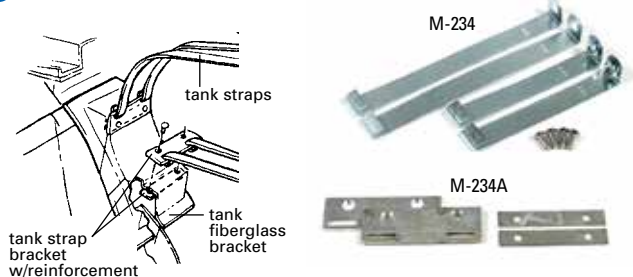
MF-260



63 Expansion Tank Mounting

M-2612	63	Expansion tank fiberglass bracket (H).....	114.99
M-234	63	Expansion tank straps (2) (H)	28.99
M-234A	63	Expansion tank strap metal bracket & reinforcement w/mount hardware (H).....	19.99
M-235B	63	Expansion tank strap bolts, “EL” headmark (2)	3.99

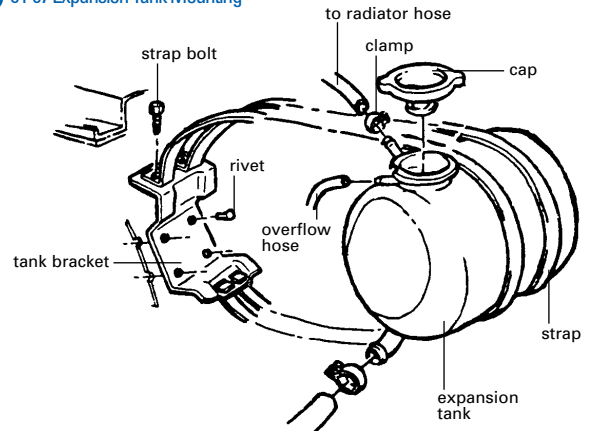
H 63 Expansion Tank Mounting



64-67 Expansion Tank Mounting

M-235A	64-67	Expansion tank bracket (I).....	14.99
M-3314	64-67	Expansion tank bracket mount rivets (4) (I).....	1.99
M-235	64-67	Expansion tank straps (2) (I).....	11.99
M-235B	63-67	Expansion tank strap bolts, “EL” headmark (2) (I)	3.99

I 64-67 Expansion Tank Mounting



Expansion Tank Hoses

M-2271	63-67	Expansion tank to radiator hose, w/correct “GM” logo (I).....	19.99
M-3316	63-67	Expansion tank to radiator hose clamps, replacement (2) (I)	4.99
HC-635	63-67	Expansion tank to radiator hose clamps, Whittek (I).....	ea 8.99
E-787	63-67	Expansion tank to radiator hose tie strap, push-in style.....	ea 2.49
M-207	63-67	Expansion tank heater “T” (I).....	12.99
HC-636	63-67	Expansion tank heater “T” hose clamps, correct (2)	10.99
M-4337	63-67	Expansion tank heater “T” heater delete rubber cap.....	5.99
ZM-1119	63-67	Expansion tank overflow hose (I).....	7.99

See page 130 for expansion tank & heater hose tie strap kits

M-2271



Heater System (Non-AC)

Heater Box

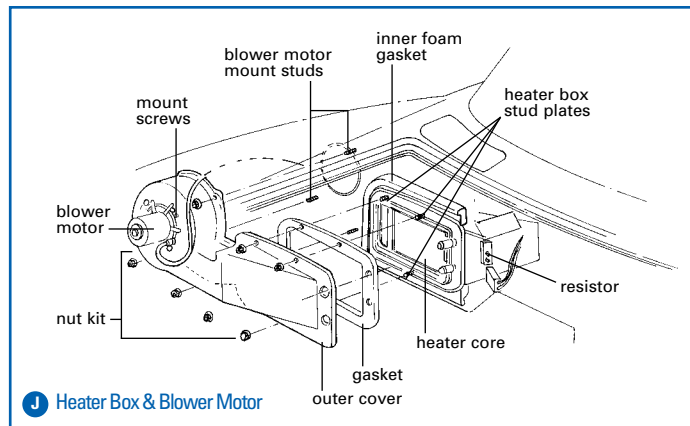
M-3731	63-67	Heater inner fiberglass box, does not include inner metal structure	499.99
M-4185	63-67	Heater inner box metal kit, metal structure for inner heater box, includes all metal, doors, valves	389.99
ZM-3116	63-67	Heater inner box gray foam gasket (J)	19.99
M-3142	63	Heater box outer cover (J)	449.99
M-2215	64-67	Heater box outer cover, includes steel inner reinforcements as original (J)	444.99
M-4347	63-67	Heater box outer cover metal plate, ring & mount rivets	49.99
M-4027	63-67	Heater box outer cover gasket (J)	ea 8.99
BL-648	63-67	Heater box outer cover flanged nut kit (9 pcs) (J)	4.99
M-3151	63-67	Heater box mount stud plates w/rivets, mounts outer box through firewall to inner box, includes (4) studs & rivets (J)	18.99
M-3653	63-67	Heater box blower motor mount stud plates w/rivets, includes (3) studs & rivets (J)	18.99



M-3731



M-4185



J Heater Box & Blower Motor

Heater Box Rebuild Kit

Eliminates air drafts and improves efficiency of heat system. Includes all seals to completely disassemble and reseal box, including blower motor gasket, outer heater box cover (2), heater core tube seals, inner heater box foam seal, and inner heater box duct seals. Precision die cut from correct materials.



ZWS-478

ZWS-478	63-67	Heater box rebuild kit, w/o AC (9 pcs)	44.99
TL-165	63-67	Aero-Rivet tool	89.99
TL-154	63-67	Rivet setting tool	39.99
TL-178	63-67	Tubular rivet setting tool	12.99

Heater Delete

M-3655	63-67	Heater delete plates (2)	209.99
M-3656	63-67	Heater delete plate gasket set	32.99
M-3657	63-67	Heater delete plate screws (11 pcs)	9.99
M-4337	63-67	Heater hose "T" fitting heater delete rubber cap	5.99

Heater Core

M-2274	63-67	Heater core (J)	129.99
M-3158	63-67	Heater core mount plate	89.99
M-3156	63-67	Heater core straps (2)	22.99
M-3155	63-67	Heater core strap screws (4)	1.99
M-3658	63-67	Heater core tube gaskets (2)	3.99



Blower Motor

M-2250	63-67	Blower motor (J)	39.99
M-3455	63-67	Blower motor w/fan assembly (J)	69.99
E-1186	63	Blower motor conversion harness	18.99
ZM-3115	63-67	Blower motor gasket	9.99
M-3159	63-67	Blower motor mount screws & ground terminal (6pcs) (J)	6.99
M-2631	63-67	Blower motor fan	29.99
M-4331	63	Blower motor fan retainer	1.29
BL-427	64-67	Blower motor fan nut99
E-486	64-67	Blower motor capacitor, replacement	69.99
MF-253	63	Blower motor inspection decals #309D (2)	5.59
MF-254	64-67	Blower motor inspection decals #369H (2)	4.99
M-4022	63E	Blower motor resistor (clip type)	29.99
M-4187	63L-67	Blower motor resistor	24.99
AH-412	63L-67	Blower motor resistor screws (2)	1.99
M-3654	63-67	Blower motor resistor harness repair plug	5.99



M-2250



M-2631



E-1186



E-486



M-4022



M-4187



M-3654

ZipSocial    
Follow us on social media & stay connected! www.zip-corvette.com/social

Heater Ducts

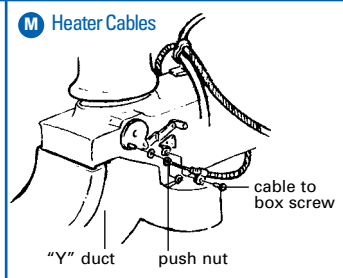
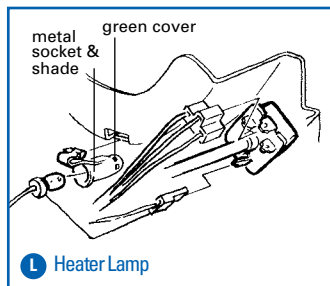
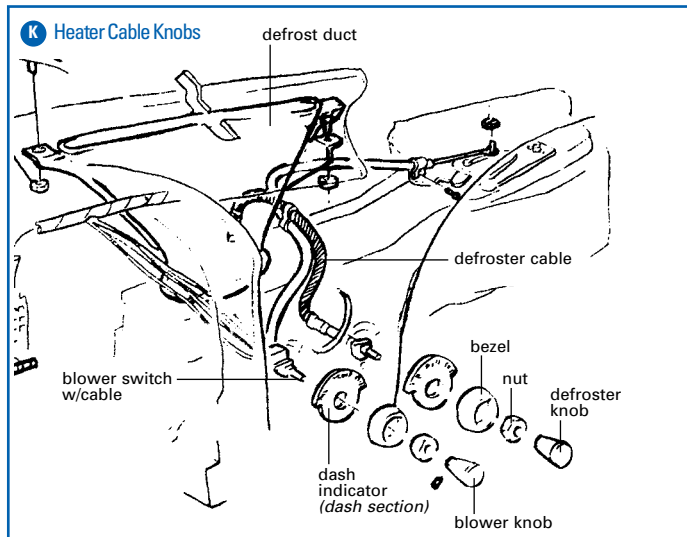
AH-259	64-67	Heater box lower "Y" duct, replacement (M).....	189.99
SF-518	63-67	Heater box lower "Y" duct screws (2).....	2.99
AH-260	63-67	Heater/defroster duct, replacement (K).....	144.99

Heater Cables

D-836	63-67	Defroster cable (RH knob) (K).....	59.99
D-835	63-65	Heater blower switch w/cable (LH knob) (K).....	129.99
D-834	66-67	Heater blower switch w/cable (LH knob) (K).....	129.99
SF-520	63-67	Heater cable to box screws (2) (M).....	1.99
SF-803	63-67	Heater cable & vent cable push nuts (5) (M).....	1.99
D-612	64-67	Heater lamp metal socket & shade (L).....	26.99
D-784	65-67	Heater lamp socket green cover (L).....	6.99
D-396	63-67	Heater cable nut (2 per car) (K).....	ea 7.99

Heater Cables Knobs

D-390	63-64	Heater knob, blower (set screw) (K).....	ea 24.99
D-391	63-64	Heater knob, defroster (screw-on) (K).....	ea 23.99
D-564	65	Heater knob, blower (set screw) (K).....	ea 23.99
D-563	65	Heater knob, defroster (screw-on) (K).....	ea 23.99
D-392	66	Heater knob, blower (set screw) (K).....	ea 23.99
D-393	66	Heater knob, defroster (screw-on) (K).....	ea 23.99
D-394	67	Heater knob, blower (set screw) (K).....	ea 23.99
D-395	67	Heater knob, defroster (screw-on) (K).....	ea 23.99
D-670	64-65	Heater knob bezels, dull finish (2) (K).....	26.99
D-671	66-67	Heater knob bezels, bright finish (2) (K).....	29.99



Vintage Air For Classic Corvettes!

No debate, "cool cruising" in a classic Corvette is one of life's more fun events – except when it's a sweltering summer day. Achieve true coolness with Zip's complete Vintage Air Gen IV SureFit™ air condition system. At its heart is fully electronic operation, meaning no balky cables or vacuum controls. Fly-by-wire servos piggyback off original thumb wheels to provide variable blower fan speed and just-right air temperature blending. Factory-look install requires no fabrication or new holes drilled in dash or firewall. Best of all, even if your '63-67 Corvette was optioned with AC, a SureFit retrofit outperforms the old technology OE design in every way. A chill in the air never felt so good!

Includes evaporator kit plus condenser and drier package. Evaporator kit comes complete with all mounting brackets, hardware, louvers, duct hose, wiring harness and installation instructions. No Discount.

AH-538	63-65	Vintage Air Gen IV air condition system (non-AC car).....	1,769.99
AH-536	66	Vintage Air Gen IV air condition system (non-AC car).....	1,769.99
AH-535	63-66	Vintage Air Gen IV air condition system (car w/factory AC).....	1,769.99
AH-540	67	Vintage Air Gen IV air condition system (non-AC car).....	1,769.99
AH-541	67	Vintage Air Gen IV air condition system (car w/factory AC).....	1,769.99
E-1185	63-65	Alternator relocation harness, relocates alternator to LH side.....	79.99
E-1184	63-65	Engine wiring harness, relocates alternator, voltage regulator and horn relay to LH side.....	209.99



Visit us online: www.zip-corvette.com/int13
Restoring the 64-67 center dash & console



Air Condition

Compressor

AH-223	63-67	Compressor, remanufactured, A6 w/clutch & pulley (O).....	369.99
AH-224	63-67	Compressor, new, A6 w/clutch & pulley.....	429.99
AH-581	63-67	Clutch electric shut-off switch, reproduction (V).....	49.99
AH-253	63-67	Clutch electric shut-off switch, replacement (V).....	42.99

Note: Compressor clutch shut-off switch mounts on heater box behind glove box.

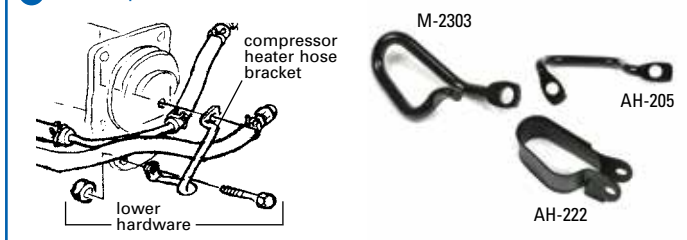
AH-441	63-67	Clutch switch screws (2).....	1.99
--------	-------	-------------------------------	------



Compressor Inspection & Decals

M-2294	63-67	Compressor inspection stamp kit, "OK FINAL TEST".....	29.99
MF-388	63-65	Compressor warning decal.....	5.99
MF-328	64-65	Compressor Frigidaire decal.....	6.69
MF-329	66	Compressor Frigidaire decal.....	6.69
MF-332	67	Compressor Frigidaire decal.....	6.69

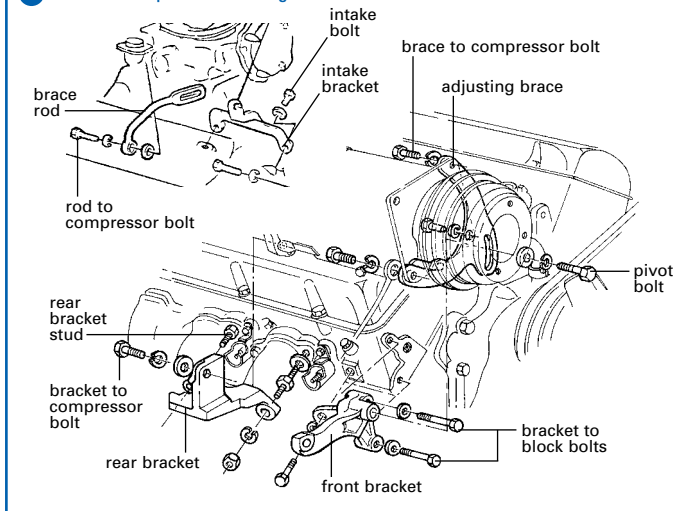
64-67 Compressor Hose Bracket



Compressor Heater Hose Bracket

AH-222	63	Compressor heater hose bracket.....	16.99
AH-205	64-67	Compressor heater hose bracket, 327 (N).....	24.99
BL-477	63-67	Compressor heater hose bracket upper mount hardware, 327 (3 pcs).....	1.99
BL-490	63-67	AC compressor heater hose bracket lower mount hardware, 327 (3 pcs) (N).....	4.99
M-2303	66-67	Compressor heater hose retainer, 427 w/AC.....	99.99
M-3308	66-67	Compressor heater hose retainer bolt, 427 w/AC, use with M-2303.....	1.49

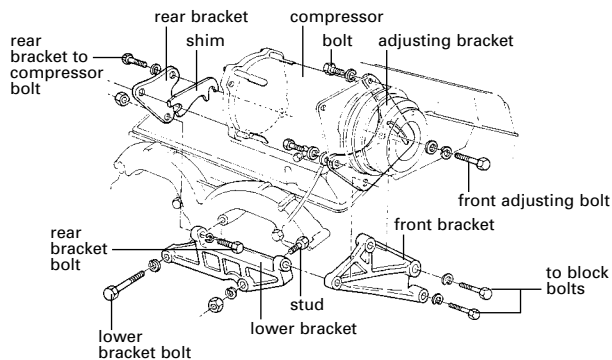
66-67 427 Compressor Mounting



327 Compressor Mounting

AH-226	64-67	Compressor adjusting bracket (P).....	46.99
AH-419	64-67	Compressor adjusting bracket to compressor bolts (2) (P).....	7.99
AH-442	64-67	Compressor adjusting bracket front bolt & washer (3 pcs) (P).....	2.99
AH-229	65-67	Compressor front bracket (P).....	89.99
AH-403	64-67	Compressor front bracket to block bolts, "TR" headmark (4 pcs) (P).....	8.99
AH-230	65-67	Compressor lower bracket (P).....	99.99
AH-401	64-67	Compressor lower bracket front exhaust manifold stud w/washer & nut (3 pcs) (P).....	9.99
AH-400	64-67	Compressor lower bracket rear bolt (P).....	ea 5.99
AH-225	64-67	Compressor rear bracket (P).....	19.99
AH-382	64-67	Compressor rear bracket shim (1-4 per car) (P).....	ea 4.99
AH-402	64-67	Compressor rear bracket to lower bracket bolt (P).....	4.49
AH-399	64-67	Compressor rear bracket to compressor bolts (6 pcs) (P).....	5.99

64-67 327 Compressor Mounting



327 Compressor Brackets

Complete kit includes front adjusting brace, front lower bracket, lower mount bracket, rear bracket and shim, and mounting hardware.

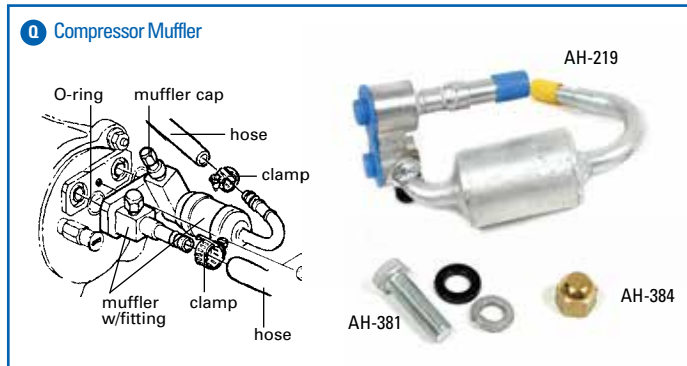
AH-424	64-67	A6 327 compressor mounting bracket kit, includes mount hardware.....	259.99
AH-423	64-67	Compressor mounting hardware kit, replacement bolts & shim (25 pcs).....	24.99
BL-649	64-67	Compressor mounting hardware kit, original headmarkings (26 pcs).....	22.99

427 Compressor Mounting

AH-231	66-67	Compressor adjusting brace (O).....	42.99
AH-398	66-67	Compressor adjusting brace pivot bolt (3 pcs) (O).....	2.99
AH-397	66-67	Compressor adjusting brace to compressor bolts, "TR" headmark (6 pcs) (O).....	11.99
BL-650	66-67	Compressor bracket to block bolts, original headmarkings (32 pcs).....	24.99
AH-227	66-67	Compressor front bracket (O).....	99.99
AH-396	66-67	Compressor front bracket to block bolts (6 pcs) (O).....	6.99
AH-228	66-67	Compressor rear bracket (O).....	92.99
AH-395	66-67	Compressor rear bracket to exhaust manifold studs w/washers & nuts (8 pcs) (O).....	13.99
AH-394	66-67	Compressor rear bracket to compressor bolts (3 pcs) (O).....	3.99
M-271	66-67	Compressor rear brace rod (O).....	48.99
M-2260	66-67	Compressor rear brace rod intake bracket, cast iron (O).....	79.99
M-2602	66-67	Compressor rod bracket intake bolts & washers, "TR" headmark (2) (O).....	8.99
AH-393	66-67	Compressor rod to bracket bolt, lock washer & nut, "TR" headmark (3 pcs).....	4.99
AH-392	66-67	Compressor rod to compressor bolt, lock washer & nut (3 pcs) (O).....	6.99

Muffler, Hoses & Seals

AH-407	63-67	AC system O-ring kit, works with R-12 or R-134a (12 pcs) (Q)(T)	9.99
AH-218	63-64E	Compressor muffler, 327 (Q)	149.99
AH-221	64L-65	Compressor muffler, 327 (Q)	149.99
AH-219	66-67	Compressor muffler, 327 (Q)	149.99
AH-422	66E	Compressor muffler, 427 (2 fittings) (Q)	149.99
AH-219	66L-67	Compressor muffler, 427 (1 fitting) (Q)	149.99
AH-381	63-67	Compressor muffler hardware (3 pcs)	3.99
AH-384	63-67	Compressor muffler cap, brass (Q)	ea 11.99
AH-583	63-67	Hose set, reproduction (3 pcs) (Q)	129.99
AH-207	63-67	Hose set, replacement w/o logo (3 pcs) (Q)	79.99
AH-206	63-67	Hose clamp set (6) (Q)	12.99

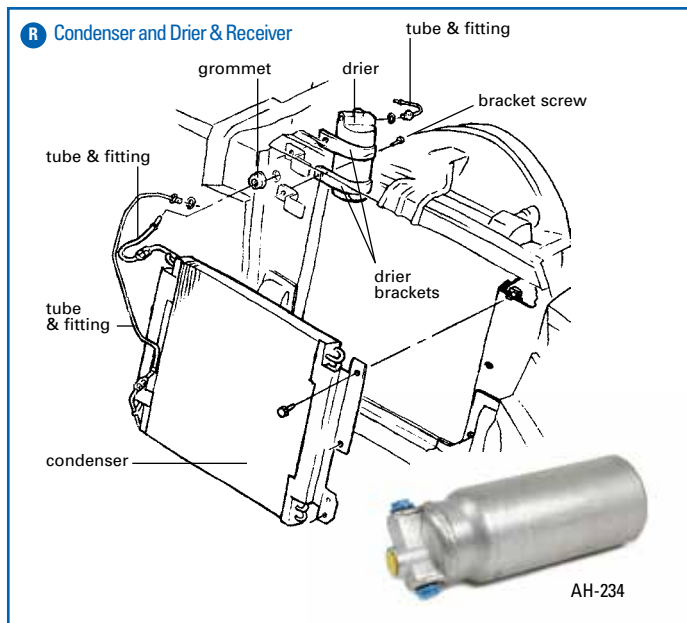


Condenser

AH-252	63-65	Condenser (R)	359.99
AH-251	66-67	Condenser (R)	359.99
AH-208	63-66	Condenser to drier tube & fitting (R)	36.99
AH-211	63-65	Condenser to hose tube & fitting (R)	39.99
AH-212	66E	Condenser to hose tube & fitting	39.99
AH-213	66L-67	Condenser to hose tube & fitting	39.99

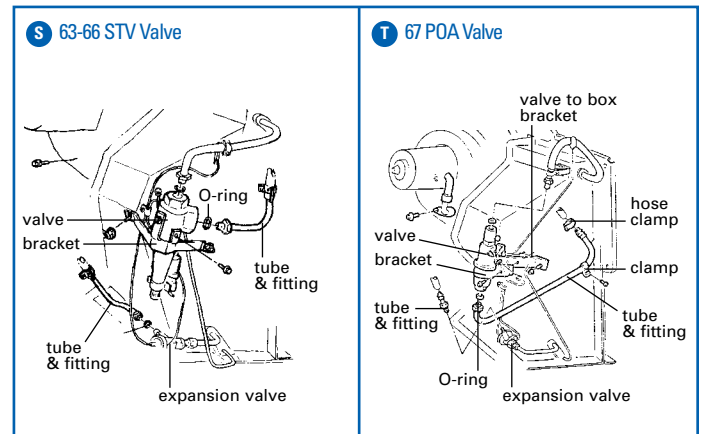
Drier & Receiver Assembly

AH-234	63-67	Receiver drier (R)	79.99
AH-235	63-67	Receiver drier brackets (2) (R)	18.99
AH-417	63-67	Receiver drier bracket screws (R)	1.99
AH-209	63-65	Drier to hose tube & fitting (R)	34.99
AH-210	66-67	Drier to hose tube & fitting	39.99
M-3302	63-67	Radiator support grommet (63-65 = 1 per car; 66-67 = 2 per car), for AC fitting through support (R)	ea 6.99



Expansion, STV & POA Valve

AH-236	63-67	Expansion valve, replacement (S)(T)	49.99
AH-443	63-67	Expansion valve, reproduction w/curled sensor bulb (S)(T)	79.99
AH-566	63-67	Expansion valve, reproduction w/straight sensor bulb (S)(T)	72.99
AH-214	63-65	Expansion valve to hose tube & fitting, 90° fitting (S)	36.99
AH-215	66-67	Expansion valve to hose tube & fitting, straight fitting (T)	44.99
AH-524	63-67	Expansion valve tube tie strap & screw	3.99
AH-444	67	POA valve bracket to evaporator box (T)	28.99
AH-445	67	POA valve bracket to valve (T)	28.99
AH-217	67	POA valve to hose tube & fitting (T)	39.99
AH-446	67	POA valve to hose tube clamp & screw (T)	2.99
AH-447	63-66	STV valve bracket (S)	84.99
AH-525	63-67	STV valve bracket hardware (4 pcs)	2.99
AH-216	63-66	STV valve to hose tube & fitting (S)	42.99
AH-585	63-66	STV valve to evaporator tube clamp & screw	3.99
AH-383	63-67	STV/POA valve aluminum caps	ea 10.99



STV Valve Update Kit

Puts an end to sticking valve or bad diaphragm by converting factory valve to more reliable cycling clutch system. Delivers improved AC performance yet maintains original appearance underhood.



AH-408	63-66	STV valve update kit	89.99
--------	-------	----------------------------	-------

POA Valve Update Kit

Converts factory POA valve to more reliable cycling clutch system. Delivers improved AC performance. New deluxe billet design emulates appearance of original POA valve.



AH-409	67	POA valve update kit, R-12	104.99
AH-409A	67	POA valve update kit, R-134a	99.99
AH-579	67	Deluxe POA valve update kit, R-12 & R-134a	219.99

Window Decals & Instructions

MF-313	63E	AC instruction decal	8.99
MF-466	63L	AC instruction decal	8.99
MF-312	63	AC instruction card	8.99
MF-311	63-65	AC window decal	5.99
MF-310	66	AC window decal	5.99



MF-313

MF-310

MF-311

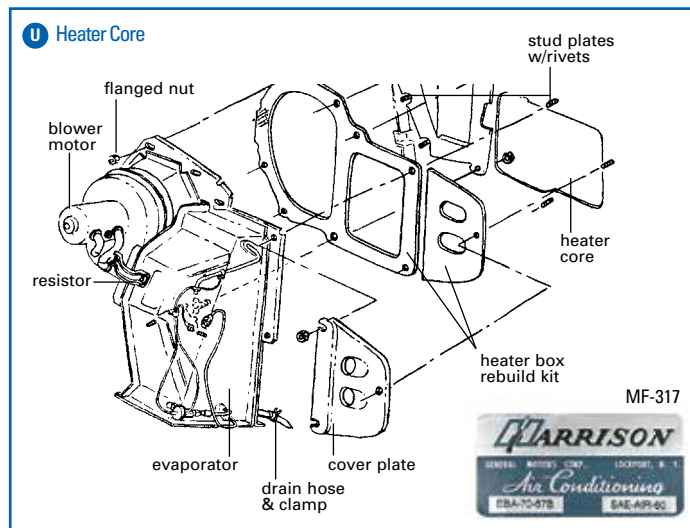
Air Condition continued

Evaporator

AH-248	63-65	Evaporator core (U)	329.99
AH-247	66	Evaporator core (U)	329.99
AH-246	67	Evaporator core (U)	329.99
SF-694	63-67	Evaporator core screw set (8 pcs)	4.99

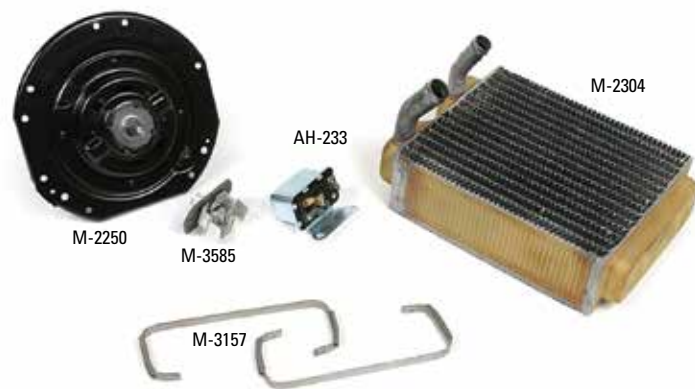
Evaporator Case (Outer Heater Box)

AH-448	63-67	Evaporator drain hose & clamps (U)	10.99
AH-449	63-67	Evaporator box screw set (38 pcs)	15.99
M-3153	63-67	Heater cover plate, mounts on firewall (U)	59.99
MF-315	65	Heat exchanger decal	7.99
MF-316	66	Heat exchanger decal	7.99
MF-317	67	Heat exchanger decal	7.99
M-3659	63-67	Outer heater box/blower motor mount (4) stud plates w/ (8) rivets (U)	29.99
BL-648	63-67	Outer heater box cover flange nut set (9) (U) (V)	4.99



Heater Core

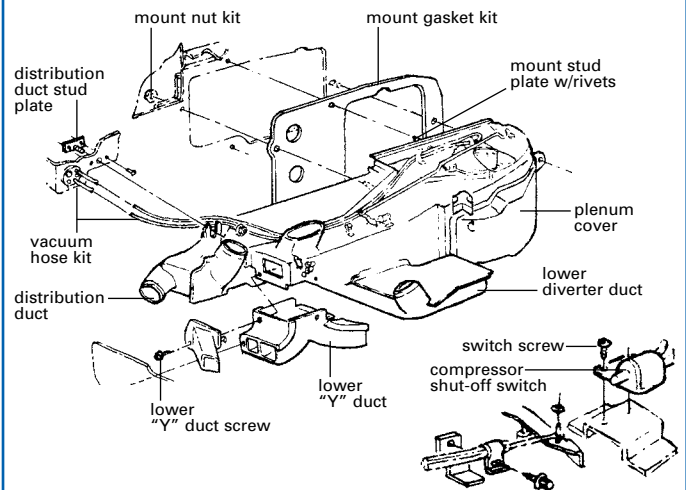
M-2304	63-67	Heater core (U)	109.99
M-3660	63-67	Heater core mount plate	129.99
M-3157	63-67	Heater core straps (2)	24.99
M-3155	63-67	Heater core strap screws (4)	1.99



Blower Motor

M-2250	63-67	Blower motor (U)	39.99
M-3455	63-67	Blower motor w/plastic fan, replacement (U)	69.99
M-2631	63-67	Blower motor fan (metal)	29.99
BL-427	63-67	Blower motor fan nut	.99
AH-233	63-67	Blower motor relay	18.99
M-4189	63E	Blower motor resistor (U)	24.99
M-3585	63L-67	Blower motor resistor (U)	22.99
M-3586	63-67	Blower motor resistor gasket	3.99
SF-555	63-67	Blower motor relay & resistor screws (4)	2.99

V Inner Heater & AC Box



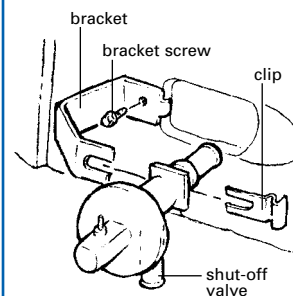
Inner Heater & AC Box

M-3150	63-67	AC/heater box mount (2) stud plates w/rivets (V)	10.99
AH-450	63-67	AC/heater box mount gasket kit, included w/ZWS-480 seal kit (V)	14.99
SF-613	63-67	AC/heater cables to heater box screws (4)	2.99
AH-259	63-67	Center console lower "Y" duct (V)	189.99
SF-518	63-67	Center console lower "Y" duct screws (V)	2.99
AH-253	63-67	Compressor clutch electric shut-off switch, on heater box behind glove box (V)	42.99
AH-441	63-67	Compressor clutch switch screws (2) (V)	1.99
AH-452	63-67	Distribution duct (V)	189.99
AH-414	63-67	Distribution duct stud plate w/rivets, mounts from engine side through firewall (V)	ea 6.99
AH-453	63-67	Distribution duct screws (14)	7.99
AH-260	63-67	Defroster upper duct	144.99
AH-258	63-67	Lower diverter duct (V)	139.99
AH-454	63-67	Lower diverter duct extension screws (8)	6.99
AH-455	63-67	Plenum cover (V)	74.99
AH-456	63-67	Plenum cover screws (12 pcs)	9.99

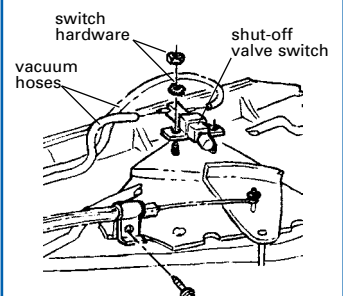
Water Shut-Off Valve

AH-237	63-67	Water shut-off valve, replacement (W)	56.99
AH-238	63-67	Water shut-off valve bracket (W)	14.99
AH-239	63-67	Water shut-off valve bracket clip (W)	6.99
AH-240	63-67	Water shut-off valve bracket screw (W)	1.49
AH-202	63-67	Water shut off valve vacuum switch, replacement (X)	79.99
AH-460	63-67	Water shut-off valve switch hardware (4 pcs) (X)	1.99

W Water Shut-Off Valve



X Water Shut-Off Valve Switch

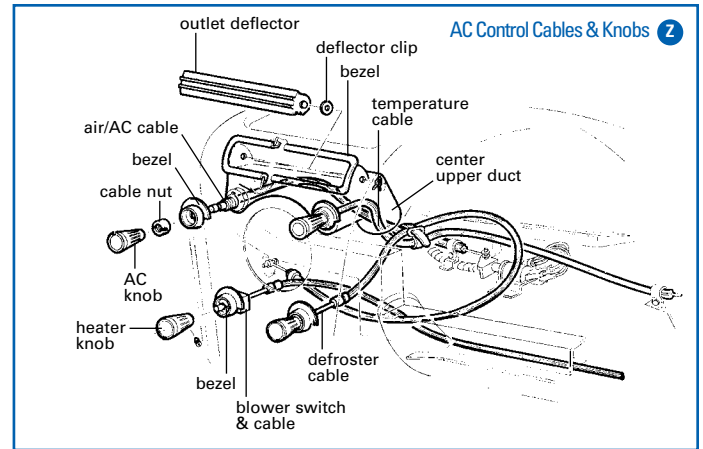
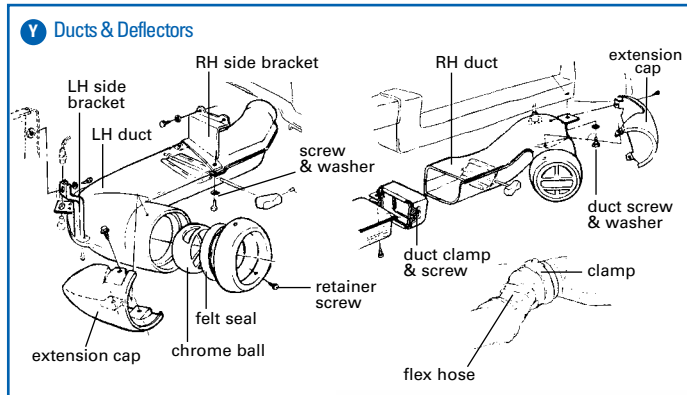


Ducts & Deflectors

AH-432	63-67	Center upper air duct (Z)	199.99
AH-493	63-67	Center upper air outlet bezel (Z)	129.99
AH-386	63-67	Center upper air outlet deflector (Z)	119.99
AH-385	63-67	Center upper air outlet deflector clips (2) (Z)	1.99
AH-439	63-66	LH duct, replacement (no flapper) (Y)	239.99
AH-440	67	LH duct, replacement (no flapper) (Y)	249.99
AH-587	63-66	LH duct extension cap & screw (Y)	39.99
AH-245	63-67	LH duct left side bracket (Y)	22.99
AH-244	63-66	LH duct right side bracket (Y)	38.99
AH-243	67	LH duct right side bracket (Y)	32.99
AH-438	63-67	RH duct, replacement (no flapper) (Y)	199.99
AH-526	63-67	RH duct bracket	17.99
AH-586	63-67	RH duct extension cap & screw (Y)	39.99
AH-242	63-67	RH duct clamp & screw (Y)	39.99
AH-457	63-67	RH duct clamp screw (Y)	.99
AH-203	63-67	Duct flex hose (3 pcs) (Y)	39.99
HC-222M	63-67	Duct flex hose clamps (Y)	10.99
AH-415	63-67	Duct screws & washers (8 pcs) (Y)	3.99
AH-458	63-67	Duct chrome ball, die cast metal (2 per car) (Y)	ea 69.99
AH-580	63-67	Duct chrome ball, plastic replacement (2 per car) (Y)	ea 22.99
AH-461	63-67	Duct chrome ball retainer screws (4) (Y)	2.99
AH-413	63-67	Duct chrome ball felt seals (4) (Y)	6.99

Air Condition Control Cables

D-838	63-67	Air/AC cable (upper LH knob) (Z)	71.99
D-837	63-67	Temperature cable (upper RH knob) (Z)	71.99
D-840	63-65	Blower switch w/air inlet cable (lower LH knob) (Z)	129.99
D-839	66-67	Blower switch w/air inlet cable (lower LH knob)	129.99
D-841	65-67	Defroster cable (lower RH knob) (Z)	61.99
SF-803	63-67	AC/Heater cable push nuts (5)	1.99
D-741	63-67	Heater/AC lamp metal socket & shade (set of 3)	69.99
D-784	65-67	Heater/AC lamp socket green cover (3 per car)	ea 6.99
D-396	63-67	Heater cable nut (4 per car) (Z)	ea 7.99



Heater & Air Condition Knobs

D-390	63-64	Heater knob, blower (set screw) (Z)	ea 24.99
D-391	63-64	Heater/AC knob, defroster & AC (screw on) (Z)	ea 23.99
D-564	65	Heater knob, blower (set screw)	ea 23.99
D-563	65	Heater/AC knob, defroster & AC (screw on)	ea 23.99
D-392	66	Heater knob, blower (set screw)	ea 23.99
D-393	66	Heater/AC knob, defroster & AC (screw on)	ea 23.99
D-394	67	Heater knob, blower (set screw)	ea 23.99
D-395	67	Heater/AC knob, defroster & AC (screw on)	ea 23.99
D-670	64-65	Heater/AC knob bezels, dull finish (Z)	26.99
D-671	66-67	Heater/AC knob bezels, bright finish	29.99



AC or Heater Control Vacuum Hose Kit

Includes all correct colored vacuum hoses needed to replace every hose in system. Hoses mount to side of console control panel and route to duct actuators, water shut off valves and vacuum source.

ZAH-200	63-67	AC vacuum hose kit, w/AC (V)(X)	24.99
---------	-------	---------------------------------	-------

AC/Heater Box Rebuild Kit

Eliminates annoying air drafts and improves efficiency of the heat and AC systems. Includes all seals necessary to completely disassemble and reseal heater and AC ductwork. Precision die cut from correct materials.



ZWS-480	63-67	AC/heater box rebuild kit (U)(V)	69.99
TL-165	63-67	Aero-Rivet tool	89.99
TL-154	63-67	Rivet setting tool	39.99
TL-178	63-67	Tubular rivet setting tool	12.99

HURRICANE® For Classic Corvettes!

If your mid-year rolled off the assembly line without factory AC, here's the way to cruise cool. Old Air's cold air kit replaces the heater/defroster with a compact new unit that mounts behind the glove box to keep your car's interior looking stock. Custom switches piggyback off original heater controls so no new holes need to be drilled in dash or console. OE-style reproduction ductwork completes an installation that truly has a "factory finished" appearance. Cruise in cool comfort!

Kit includes rebuilt A6 compressor with mount brackets, drier/receiver, condenser with factory brackets, air condition and heater hoses, new battery tray, replica AC air vents, install hardware and instructions. Some applications may require additional-cost purchase of driver side exhaust manifold, alternator brackets, and/or double-groove crank and water pump pulleys. Specify R-12 or R-134a refrigerant. No Discount.

AH-254	63-66	Old Air Products HURRICANE air condition system	1,689.99
AH-255	67	Old Air Products HURRICANE air condition system	1,689.99



Wiring Harnesses

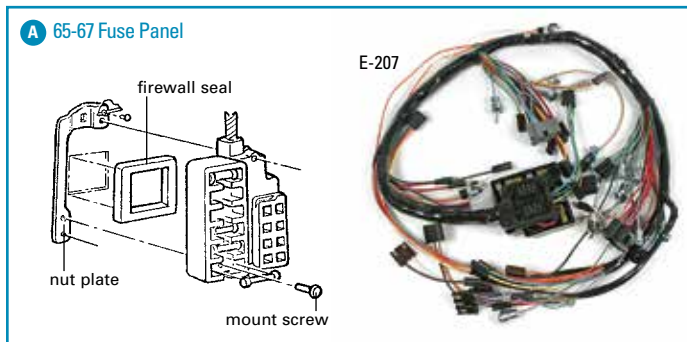
Instrument & Dash Harness

E-207	63	Dash harness w/fuse block, w/back-up light.....	609.99
E-207A	63	Dash harness w/fuse block, w/o back-up light.....	609.99
E-246	64	Dash harness w/fuse block, w/back-up light.....	609.99
E-246A	64	Dash harness w/fuse block, w/o back-up light.....	609.99
E-249	65	Dash harness w/fuse block, w/back-up light.....	609.99
E-249A	65	Dash harness w/fuse block, w/o back-up light.....	609.99
E-250	66	Dash harness w/fuse block, w/back-up light.....	609.99
E-209	67	Dash harness.....	609.99

Note: Dash harnesses include fuse block.

E-1251	63-67	Dash harness light repair, 1-wire metal housing.....	ea 5.99
E-1252	63-67	Dash harness light repair, 1-wire plastic housing.....	ea 5.99
E-1253	63-67	Dash harness light repair, 2-wire plastic housing.....	ea 18.99
E-1264	63-66	Dash harness to lighter fused jumper wire, fused protectin or use with replacement lighter (round post terminal).....	21.99
ZWS-476	63-67	Fuse block firewall seal (A).....	3.99
E-544	63-67	Fuse block mount nut plate, w/rivets (A).....	14.99
E-545	63-67	Fuse block mount screws (2) (A).....	2.49
E-433	64-67	Heater & AC control panel harness.....	26.99
E-1123	63	Radio power lead w/connector.....	33.99
E-1124	64-67	Radio power lead w/connector.....	33.99
E-1127	63	Speaker to radio harnesses w/plugs, AM radio (2).....	18.99
E-326	63-67	Radio to speaker harnesses, AM/FM radio (2).....	14.99
E-864	65-66	Power antenna switch harness, connects switch to dash harness.....	18.99
SF-744	67	Speed warning buzzer screws (2).....	1.99
E-206	67	Speed warning harness.....	26.99
E-784	67	Speed warning harness clips, "S" (2).....	8.99
E-865	63	Tachometer over-rev warning harness, early cars with L76 or L84 engine.....	22.99

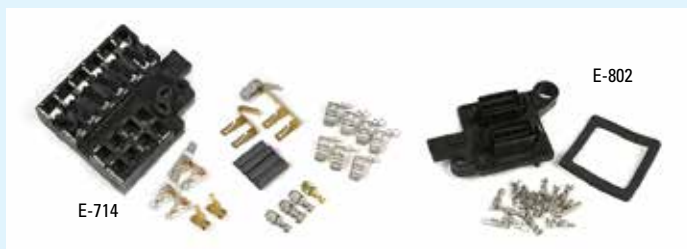
See page 130 for complete fuse and flasher kit



Fuse Block Repair Kit

Includes fuse block, buss bars and fuse clips. Bulkhead repair kit includes connector that attaches to backside of fuse block, terminals and gasket.

E-713	63	Fuse block repair kit.....	139.99
E-714	64-66	Fuse block repair kit.....	139.99
E-715	67	Fuse block repair kit.....	139.99
E-802	63-67	Fuse block bulkhead repair kit.....	139.99



Harnesses Required to Complete Installation

- 1 = Headlight bucket extension harness
- 4 = Fuse panel harness
- 14 = Voltage regulator jumper harness
- 18 = Distributor to coil lead wire

Power Window Harness

E-463	63-66	Power window harness.....	154.99
E-464	67	Power window harness.....	167.99
E-852	63-67	Power window motor conversion harness, adapts Type 3 motor to 63-67 harness.....	ea 18.99
E-866	63-67	Power window switch repair pigtails, includes pigtail for both LH & RH switch.....	39.99

Headlight & Forward Lamp Harness

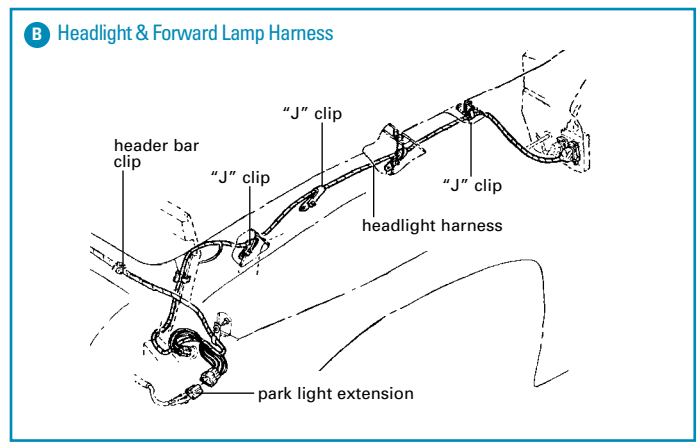
E-497	63	Headlight, firewall plug forward (1).....	199.99
E-201	64-65	Headlight, firewall plug forward (1) (B).....	199.99
E-213	66	Headlight harness, includes ignition (1).....	414.99
E-214	67	Headlight harness, includes ignition (1).....	419.99
E-226	63E	Headlight bucket extensions, fiberglass buckets (2).....	72.99
E-200	63-67	Headlight bucket extensions, metal buckets (2).....	52.99

Note: Headlight bucket extensions are not included with headlight harnesses.

E-820	63-66	Park light harness extensions (2) (B).....	67.99
E-821	67	Park light harness extensions (2).....	67.99

Note: Park light harness extensions include wiring, correct molded connectors, tubing and park light sockets.

E-412	63-67	Wiring harness header bar clips (4) (B).....	29.99
-------	-------	--	-------



Transistor Ignition

E-860	64-67	Transistor ignition amplifier extension harness, wiring coming out of amplifier.....	44.99
E-607	65	Transistor ignition amplifier ground wire, cars w/AC.....	14.99
E-861	65	Transistor ignition voltage regulator adapter harness.....	44.99
E-536	64-65	Transistor ignition main wiring harness.....	164.99
E-537	66-67	Transistor ignition main wiring harness.....	164.99
SF-572	66-67	Transistor ignition harness clip & screw, mounts under LH hood latch.....	3.49
E-862	64-65	Transistor ignition conversion kit.....	11.99
E-863	66-67	Transistor ignition conversion kit.....	11.99

Note: T.I. conversion kit includes terminals, connectors and instructions as used by factory to convert engine and dash harness to accept transistor ignition. Applicable kit is included with E-536 and E-537 harnesses.

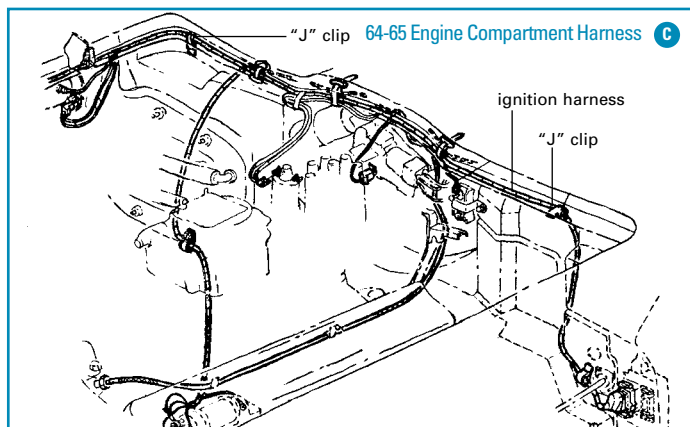
Air Condition Harness

E-203	63	Air condition, includes ignition.....	254.99
E-204	64-65	Air condition, includes ignition.....	254.99
E-378	66	Air condition.....	149.99
E-379	67	Air condition.....	149.99
E-436	63	Air condition compressor ground.....	14.99
E-435	64-67	Air condition compressor ground.....	14.99
E-432	66-67	Air condition condenser ground.....	14.99

ZipSocial
 Follow us on social media & stay connected! www.zip-corvette.com/social

Engine Compartment Harness

M-2688	63-67	Alternator harness boot.....	3.99
M-3260	63-67	Alternator harness boot, correct "+".....	10.99
M-2340	63-67	Distributor to coil lead wire.....	12.99
E-454	64-65	F.I. fuel solenoid bypass lead, included with F.I. harness.....	16.99
E-1184	63-65	Engine wiring harness, non-original harness relocates alternator, voltage regulator & horn relay to LH side for aftermarket air condition system.....	209.99
E-337	63	Ignition, 327 w/o AC (18).....	209.99
E-203	63	Ignition, w/AC harness (18).....	254.99
E-210	64-65	Ignition, 327 w/o AC or F.I. (14,18) (C).....	209.99
E-211	64-65	Ignition, F.I. Manual (14,18).....	219.99
E-204	64-65	Ignition, w/AC harness (14,18).....	254.99
E-212	65	Ignition, 396 (14,18).....	209.99
E-213	66	Ignition, includes headlight harness (1,18).....	414.99
E-214	67	Ignition, includes headlight harness (1,18).....	419.99
E-455	64-65	Voltage regulator ground wire.....	14.99



Rear Light Harness

E-234	63	Rear harness, w/back-up (D).....	259.99
E-235	63	Rear harness, w/o back-up (D).....	259.99
E-236	64	Rear harness, Conv., w/back-up (D).....	259.99
E-237	64	Rear harness, Conv., w/o back-up (D).....	259.99
E-238	64	Rear harness, Coupe, w/back-up (D).....	259.99
E-239	64	Rear harness, Coupe, w/o back-up (D).....	259.99
E-240	65	Rear harness, Conv., w/back-up (D).....	259.99
E-241	65	Rear harness, Conv., w/o back-up (D).....	259.99
E-242	65	Rear harness, Coupe, w/back-up (D).....	259.99
E-243	65	Rear harness, Coupe, w/o back-up (D).....	259.99
E-244	66	Rear harness (D).....	259.99
E-245	67	Rear harness (D).....	259.99
E-543	63-67	Rear harness clips (3) (D).....	5.99
E-399	63-67	Rear harness taillight pigtail (D).....	ea 16.99
E-506	63-67	Rear harness back-up light pigtail (D).....	ea 16.99

Fuel Tank Sender Harness

E-867	63	Fuel tank sender harness, 36-gallon.....	56.99
E-868	64	Fuel tank sender harness, 36-gallon.....	56.99
E-869	65E	Fuel tank sender harness, 36-gallon.....	56.99
E-870	65L-67	Fuel tank sender harness, 36-gallon.....	56.99

Note: Sender harness is included with rear harness on standard tank Corvettes.

Custom Wire Harness

Custom installs, LS conversions and highly optioned Corvettes are all possible with today's street and restor-rod builders. Hence the reason the Custom Series wire harness package was created – to reduce build time while providing foresight, engineering and flexibility. Complete harness package covers from headlight to tail light and everything in between. Call for more information. No Discount.



E-1233	63-67	Custom wire harness package.....	1,299.99
ES-661	63-67	Custom wire harness courtesy light delay module.....	79.99
E-1257	63-67	Custom wire harness rear blower motor harness.....	57.99

Plug-In Conversion Harness

E-797 allows you to use '69-85 SI series internally regulated alternator in place of OE externally regulated unit. E-1165 harness allows '84-99 CS series external fan/internally regulated alternator to be used as replacement for OE externally regulated unit.

E-797



E-797	63-67	Alternator conversion harness (SI series).....	28.99
E-1165	63-67	Alternator conversion harness (CS series).....	39.99
E-1185	63-65	Alternator relocation harness, relocates alternator to LH side.....	79.99

Wiring Harness Packages

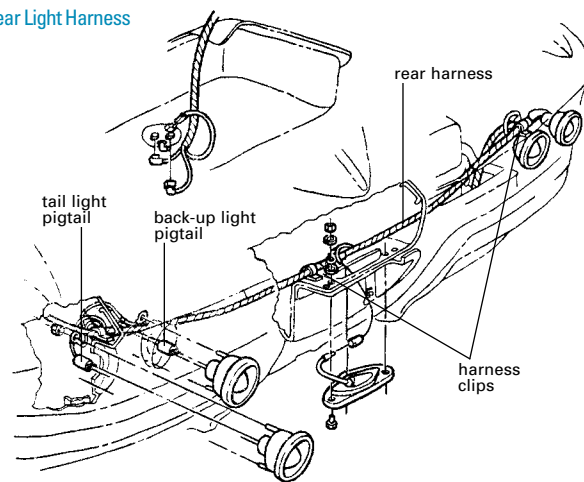
Zip's "one box" harness packages eliminate electrical gremlins that often plague Corvettes due to faulty or missing wiring. Includes dash harness, engine harness, headlight and rear harnesses, and a laminated wiring diagram. '63-65 packages do not fit F.I. or air condition. '66-67 are applicable for both 327 and 427 engine, and will work for AC-equipped cars with purchase of additional harnesses. No Discount.

E-766	63	Harness package, w/back-up.....	1,199.99
E-765	63	Harness package, w/o back-up.....	1,199.99
E-769	64	Harness package, Conv. w/back-up.....	1,199.99
E-770	64	Harness package, Conv. w/o back-up.....	1,199.99
E-767	64	Harness package, Coupe w/back-up.....	1,199.99
E-768	64	Harness package, Coupe w/o back-up.....	1,199.99
E-1135	65	Harness package, 327 Conv. w/back-up.....	1,199.99
E-772	65	Harness package, 327 Conv. w/o back-up.....	1,199.99
E-773	65	Harness package, 327 Coupe w/back-up.....	1,199.99
E-774	65	Harness package, 327 Coupe w/o back-up.....	1,199.99
E-1020	65	Harness package, 396 Conv. w/back-up.....	1,199.99
E-1021	65	Harness package, 396 Conv. w/o back-up.....	1,199.99
E-1018	65	Harness package, 396 Coupe w/back-up.....	1,199.99
E-1019	65	Harness package, 396 Coupe w/o back-up.....	1,199.99
E-775	66	Harness package.....	1,199.99
E-776	67	Harness package.....	1,199.99

E-775



D Rear Light Harness



Capacitors & Relays

AH-233	63-67	AC blower motor relay	18.99
E-1113	63-67	Alternator capacitor (#1959455)	23.99
E-874	63-67	Ammeter gauge capacitor, replacement.....	15.99
E-1177	63-67	Ammeter gauge capacitor (#1960959)	19.99
E-486	64-67	Blower motor capacitor, replacement.....	69.99
E-248	63-67	Coil capacitor, replacement	19.99
ES-542	63-65	Coil capacitor (#1960958)	22.99
ES-541	66-67	Coil capacitor (#1960958)	22.99
E-484	66-67	Coil capacitor, 390 hp (#1947452).....	22.99
SF-571	63-67	Coil capacitor mount screw99
E-1114	63	Turn signal flasher capacitor (prior to January 63) (#1960961)	24.99
E-876	63-67	Turn signal flasher capacitor (#3839756).....	49.99
E-1109	63	Park brake alarm capacitor (#1960962)	22.99
E-877	64-67	Park brake alarm capacitor w/plastic clip	39.99
E-878	63-67	Ignition switch capacitor, replacement	15.99
E-1109	63	Stop light switch capacitor (#1960962)	22.99
E-1111	64-67	Stop light switch capacitor (#3854624).....	39.99
E-1110	64-67	Stop light switch capacitor mount screw	1.49
E-1112	63-64	Voltage regulator capacitor (#1960957)	22.99
E-535	65-67	Voltage regulator capacitor (#1964086)	22.99
SF-566	63-67	Voltage regulator capacitor mount screw	1.49
ES-521	63-67	Flasher, turn signal, replacement.....	9.99
E-1322	63	Flasher, turn signal w/back-up, correct spades.....	24.99
E-1321	64-65	Flasher, turn signal, NOS TS323 yellow metal, No DOT	29.99
E-1320	64-65	Flasher, turn signal, NOS TS323 yellow metal, DOT	8.99
E-1319	66	Flasher, turn signal, NOS TS224 blue plastic, No DOT.....	19.99
E-1323	67	Flasher, turn signal, NOS TS323 yellow plastic, No DOT.....	29.99
ES-383	66-67	Flasher, traffic hazard, replacement.....	6.99
ES-521	63-67	Flasher, turn signal, replacement.....	9.99
D-142	63-67	Flasher mount bracket w/screw	14.99

Note: AM radio "noise" suppression capacitors are correct reproductions including stamped part number as original.



Original-Style Fuse Kit

Original factory fuses were color coded to identify amperage. Includes set of (8) correct for each model year.

E-779	63	Original-style fuse kit (8 pcs)	19.99
E-780	64	Original-style fuse kit (8 pcs)	19.99
E-781	65	Original-style fuse kit (8 pcs)	19.99
E-782	66	Original-style fuse kit (8 pcs)	19.99
E-783	67	Original-style fuse kit (8 pcs)	22.99

Fuse & Flasher Kit

If you're installing a new dash harness, or just want to have extras in-hand in case of trouble on the road, Zip's kit includes all the required fuses and flashers you'll need - plus a spare fuse of each amperage, an additional flasher and a fuse puller.

E-534	63	Fuse & flasher kit (15 pcs).....	21.99
E-573	64-66	Fuse & flasher kit (15 pcs).....	21.99
E-533	67	Fuse & flasher kit (16 pcs).....	21.99



Tie Strap Kit

Includes correct tie straps to properly route and secure engine compartment wiring harnesses, washer hoses, heater hoses and cables.



E-224	63-64	Tie strap kit (14 pcs).....	19.99
E-225	65-67	Tie strap kit, 327 (14 pcs)	19.99
E-251	65-67	Tie strap kit, 396 & 427 (16 pcs)	19.99

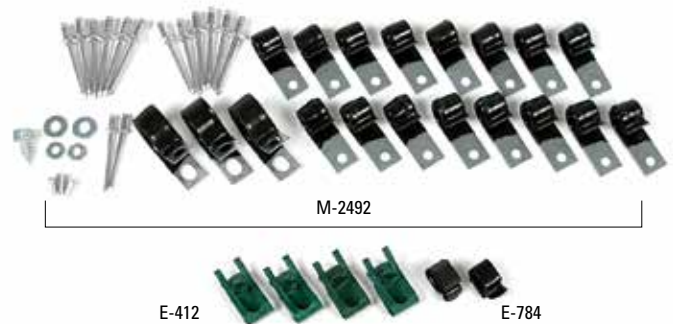
Tie Straps

E-788	63-67	Wire tie strap, 5" T-shaped, white	ea 2.49
E-785	63-67	Wire tie strap, 5" T-shaped, black	ea 2.49
E-787	63-67	Wire tie strap, push-in style	ea 2.49
E-786	63-67	Wire tie strap, 7" black.....	ea 2.99



Wiring Harness Tape & Clips

E-1225	63-67	Wire harness tape, .75" OE non-stick	20.99
E-1224	63-67	Wire harness tape, 1" OE non-stick	20.99
E-132	63-67	Wire harness tape, 1.25" OE non-stick	8.99
E-1227	63-67	Wire harness tape, 1" hi-temp adhesive.....	59.99
E-1226	63-67	Wire harness tape, 1.25" cotton adhesive	22.99
E-412	63-67	Header bar harness clips (4) (B).....	29.99
E-543	63-67	Rear wiring harness clip set (3) (D).....	5.99
E-784	67	Speed warning harness clips, "S" (2).....	8.99
E-871	63-67	Underhood wiring harness J-clip, rubber coated	ea 2.99
M-2493	63-67	Underhood wiring harness J-clip set w/fasteners, w/o AC (14 clips) (B)(C)	22.99
M-2492	63-67	Underhood wiring harness J-clip set w/fasteners, w/AC (19 clips) (B)(C)	36.99
E-778	63-65	Wire harness clip set, "S" clips, (6) small & (5) large for park lamp, horn wire, under dash & rear harness	24.99
E-777	66-67	Wire harness clip set, "S" clips, (3) small & (5) large for park lamp, horn wire, under dash & rear harness	22.99



Wiring Diagram

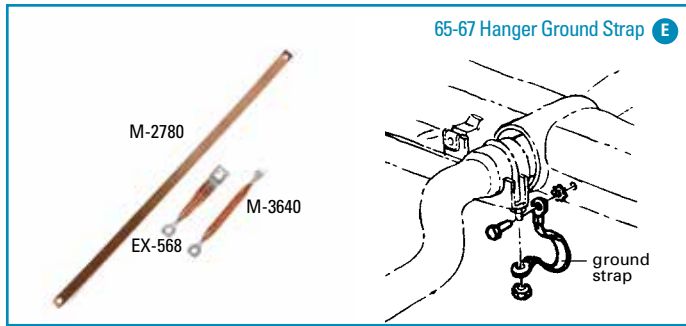
A must-have for Corvette owners who like to work on their cars. Helpful reference when replacing a harness, or use to trace individual wires when diagnosing electrical shorts. 17" x 22" laminated.



E-407	63	Wiring diagram	13.99
E-408	64	Wiring diagram	13.99
E-409	65	Wiring diagram	13.99
E-410	66	Wiring diagram	13.99
E-411	67	Wiring diagram	13.99

Ground Straps

M-3639	63-67	Accelerator ground strap	6.99
M-2780	63-67	Antenna ground strap	6.99
M-3263	63-67	Antenna ground strap bolt & washer	1.99
M-3640	63-67	Body to frame ground strap	8.99
M-3625	63-67	Engine mount ground strap	6.99
EX-568	65-67	Exhaust hanger ground strap (2 per car) (E)	ea 5.99



Ground Strap Kit

Includes all required straps to properly ground antenna, motor mounts, exhaust, sill plates and accelerator.



M-208	63	Ground strap kit	27.99
M-209	64-67	Ground strap kit	24.99
M-210	65-67	Ground strap kit w/side exhaust	18.99
M-2495	63-67	Ground strap hardware	6.99

Headlight Electrical

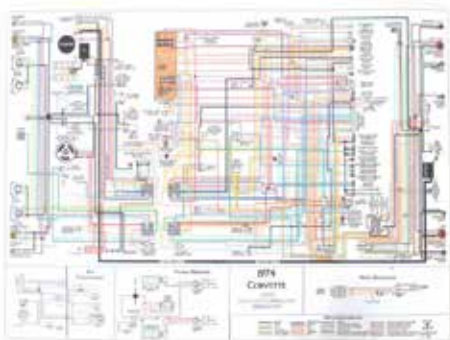
E-569	63-66	Headlight circuit breaker w/nuts	12.99
ES-573	67	Headlight circuit breaker	22.99
E-568	63-66	Circuit breaker mount clip	14.99
I-1694	63-67	Circuit breaker nuts & washers (4 pcs)	1.49
I-1695	67	Circuit breaker mount screws (2)	1.49



Color Wiring Diagram

Full color wiring diagram designed to make tracing those hard to identify wires even easier. Every wire in its own correct color. Produced from original factory service manual. Available in laminated 11x17" or 18x24". Specify year.

E-1305	68-81	11x17" color wiring diagram	18.99
E-1308	68-74	18x24" color wiring diagram	29.99



Power Window Electrical

E-569	63-66	Power window circuit breaker w/nuts	12.99
ES-573	67	Power window circuit breaker	22.99
E-568	63-66	Circuit breaker mount clip	14.99
I-1694	63-67	Circuit breaker nuts & washers (4 pcs)	1.49
I-1695	67	Circuit breaker mount screws (2)	1.49
ES-504	67	Power window motor relay	29.99
I-1693	67	Power window motor relay mount screws (2)	1.49
I-670	63-67	Power window switch	99.99
I-1682	63	Power window switch screws & spacers (6 pcs)	8.99
I-1681	64-67	Power window switch screws (2)	2.49
E-866	63-67	Power window switch repair pigtails, includes pigtail for both LH & RH switch	39.99
I-1802	63-67	Power window switch cup w/retainers	44.99
I-1680	63-67	Power window switch cup mount plate, rivets & screws	9.99



Voltage Regulator

ES-319	63-67	Voltage regulator, new Delco	89.99
ES-491	63-67	Voltage regulator, replacement	89.99
ES-634	63-67	Voltage regulator electronic conversion	59.99
BL-470	63-65	Voltage regulator mount screws, radiator support (6 pcs)	3.99
BL-383	63L-67	Voltage regulator well nuts & mount hardware (6 pcs)	8.99

Note: '63-Early & 63-65 w/AC voltage regulator is mounted on radiator support, '63-Late-67 is mounted on inner skirt.

SF-559	63-67	Voltage regulator plug & terminals (5 pcs)	5.99
SF-565	63-67	Voltage regulator ground wire screw	1.49
E-1112	63-64	Voltage regulator capacitor #01960957	22.99
E-535	65-67	Voltage regulator capacitor #01964086	22.99
SF-566	63-67	Voltage regulator capacitor mount screw	1.49



Light Bulb Kit

Includes all bulbs needed to restore interior and exterior lighting, headlights excluded. Also includes guidelines on location of each bulb.

L-427	63	Light bulb kit (31 pcs)	25.99
L-428	64	Light bulb kit (33 pcs)	26.99
L-429	65-66	Light bulb kit (36 pcs)	26.99
L-430	67	Light bulb kit (36 pcs)	26.99

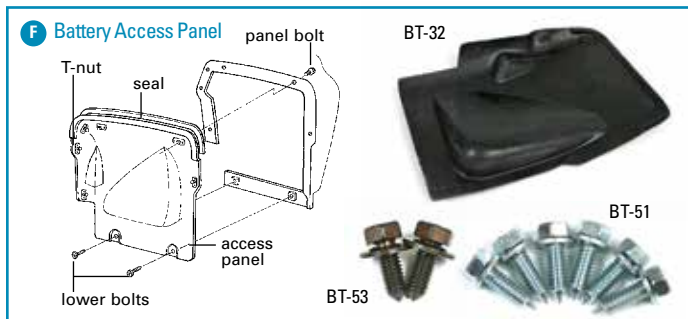
Note: All bulbs also available individually – call for details and pricing.



Battery Tray

Battery Access Panel

BT-32	63-67	Access panel, w/AC or 396 (F).....	129.99
BT-62	63-67	Access panel, w/AC or 396, includes installed "T" nuts	189.99
BT-51	63-67	Access panel bolts, "Anchor" headmark (6 pcs) (F).....	14.99
BL-698	63-67	Access panel mount T-nuts & rivets (F)	15.99
BT-33	63-67	Access panel mount kit, w/T-nuts, rivets & correct headmark bolts (F).....	28.99
BT-53	63-67	Access panel lower bolts, "E" headmark (2) (F)	3.99
ZWS-471	63-67	Access panel seal (F)	6.99



63-66 w/o AC Battery Tray Components

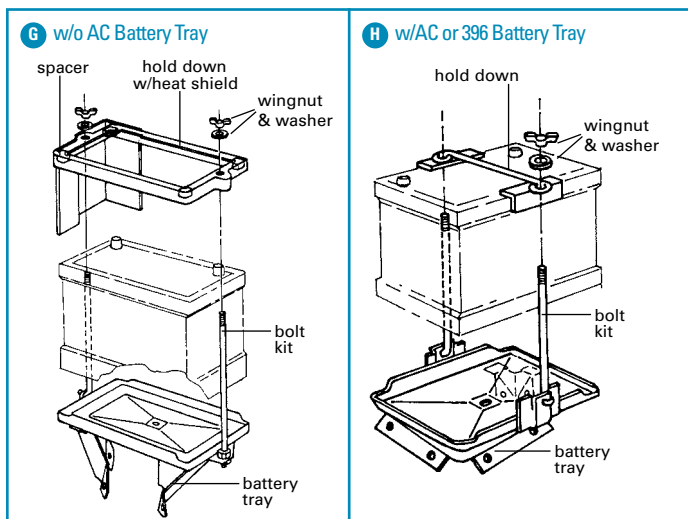
BT-20	63-65	Battery tray (G).....	69.99
BT-34	66	Battery tray (G).....	89.99
ZBL-319	63-66	Battery tray mount bolts & washers (8 pcs).....	8.99
BT-52	63E	Hold down w/heat shield (G).....	42.99
BT-21	63L-66	Hold down w/heat shield (G).....	32.99

Note: '63 battery hold down changed approximately 2/2/63.

BT-31	63-66	Hold down bolt kit (8 pcs) (G).....	11.99
BL-699	63-66	Hold down bolt wingnut & washer kit (4pcs) (G).....	3.49
ZWS-102	63-66	Hold down rubber spacers (4) (G)	3.99

67 w/o AC Battery Tray Components

BT-24	67	Battery tray	89.99
ZBL-319	67	Battery tray mount bolts & washers (8pcs)	8.99
BT-26	67	Heat shield.....	28.99
BT-25	67	Hold down clamp	4.99
BT-43	67	Hold down clamp bolt.....	2.49



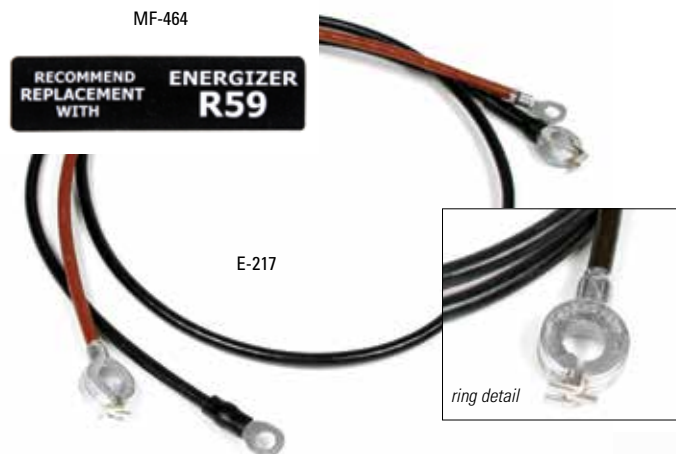
63-67 w/AC or 396 Battery Tray Components

BT-22	63-67	Battery tray (H).....	89.99
BL-711	63-65E	Battery tray mount bolt & washers (12 pcs).....	8.99
BL-320	65L-67	Battery tray mount bolt & washers (12 pcs).....	10.99
BT-23	63-67	Hold down, replacement (H)	11.99
BT-45	63-67	Hold down, correct loops (H).....	24.99
BT-15	63-67	Hold down j-bolt kit (6 pcs) (H)	11.99
BL-699	63-67	Hold down j-bolt wingnut & washer kit (4 pcs) (H)	3.49

Battery Cables

Factory-correct reproduction cables include original markings and "spring ring" cast head with spring steel insert. Sold in pairs.

E-223	63-65	Battery cables, 327 w/o AC.....	126.99
E-481	63	Battery cables, 327 w/AC.....	126.99
E-217	64-65	Battery cables, 327 w/AC.....	126.99
E-217	65	Battery cables, 396	126.99
E-220	66-67	Battery cables, 327 w/o AC.....	126.99
E-221	66-67	Battery cables, 427 w/o AC.....	126.99
E-218	66-67	Battery cables, 327 or 427 w/AC.....	126.99
BT-35	63-67	Battery cable strap, holds cable to battery hold down	ea 2.99
ZE-227	63-67	Battery post felts	ea 1.99
MF-464	67	Battery "Recommend ~ R59" black label	8.99



Battery Disconnect Switch

"Turns off" slow drains on your battery to ensure you get maximum cranking power at every start-up. Attaches to negative post. Fused jumper wire provides 5 amps for clock, radio, etc.



E-501	Battery disconnect, top post.....	11.99
E-1260	Battery disconnect jumper wire	7.99

Battery Tray Kit

All components needed to replace your damaged or missing battery tray. Includes correct tray, hold down, bolts, felts, spacers and mount kit.

BT-48	63-65	Battery tray kit, w/o AC.....	109.99
BT-47	66	Battery tray kit, w/o AC	119.99
BT-49	67	Battery tray kit, w/o AC	109.99
BT-50	63-67	Battery tray kit, w/AC or 396.....	119.99



Battery Butler™

Keep your Corvette's battery at full charge during storage with the Battery Butler. "Floating" circuitry and regulated output voltage means no overcharging. Simply plug it in and never have a dead battery again!



E-859	Battery Butler "float" charger.....	19.99
-------	-------------------------------------	-------

Horn

M-2437	63-67	Horn, "F" note (low), Delco	59.99
M-2438	63-67	Horn, "A" note (high), Delco	59.99
M-2439	63-67	Horn, "D" note (low), Delco	64.99
M-3939	63-67	Horn, low note, replacement	24.99
M-3940	63-67	Horn, high note, replacement	24.99

Note: Horns listed above are plastic replacements and do not look original.

M-3701	63-67	Horns, replacement metal horns, low & high note (2)	122.99
M-3063	63-67	Horn bracket, original horn	9.99
M-3274	63-67	RH w/AC horn mounting bracket w/rivets	12.99
SF-535	63-67	RH w/AC horn mount ground screw	1.99
SF-504	63-65	Horn mount bolts, "WB" headmark (2)	2.99
SF-580	66-67	Horn mount bolts, "L" headmark (2)	1.99
M-3169	63-65	Horn wiring radiator support clips (5)	8.99
M-3168	66-67	Horn wiring radiator support clips (2)	6.99
ES-321	63-65	Horn relay	59.99
ES-322	66-67	Horn relay	44.99
SF-537	63-67	Horn relay mounting screw	1.49
SF-536	63-65	Horn relay harness plug	2.99



Reproduction Horns

Feature Delco Remy logo and part number. Correct shape and attached mounting bracket as original. Set includes (1) high and (1) low note horn.

M-4199	63	Reproduction horns	179.99
M-3677	64-67	Reproduction horns	159.99



Visit us online: www.zip-corvette.com/elc1
How to disassemble & rebuild original horns



Horn Repair Kit

M-2392	63	Horn repair kit	24.99
M-2393	64-67	Horn repair kit	24.99

Note: Horn repair kit includes rivets, gaskets and instructions to repair and refinish one pair of horns.



Headlight Electrical

E-569	63-66	Headlight circuit breaker w/nuts	12.99
ES-573	67	Headlight circuit breaker	22.99
E-568	63-66	Circuit breaker mount clip	14.99
I-1694	63-67	Circuit breaker nuts & washers (4 pcs)	1.49
I-1695	67	Circuit breaker mount screws (2)	1.49



Headlight Bucket Wiring Harness

E-226	63E	Headlight bucket extensions, fiberglass buckets (2)	72.99
E-200	63L-67	Headlight bucket extensions, metal buckets (2)	52.99
E-1314	63-67	Headlight bucket extension connectors, bucket side (2)	7.99
E-1250	63-67	Headlight bucket extension connectors, main harness (2)	7.99



Headlight Switch

ES-213	63-67	Bucket open/close switch	108.99
E-528	63-67	Bucket switch harness repair w/plug	22.99
ZSF-398	63-67	Bucket switch mount screws (2)	2.49
ES-104	63-67	Dimmer switch	14.99
ES-470	63-67	Dimmer switch mount plate w/rivets	7.99
ES-471	63-67	Dimmer switch mount screws (2)	1.99
ES-529	63-67	Dimmer switch repair plug & terminals	4.99
M-273	63-67	Headlight motor limit switch	ea 10.99
SF-351	63-67	Headlight motor limit switch screws (4 pcs)	3.99
ES-100	63	Headlight switch, on/off	29.99
ES-201	64-67	Headlight switch, on/off	22.99
D-382	63	Headlight switch knob & rod	29.99
D-441	64	Headlight switch knob & rod	35.99
D-565	65	Headlight switch knob & rod	29.99
D-383	66	Headlight switch knob & rod	29.99
D-384	67	Headlight switch knob & rod	29.99
D-385	63-67	Headlight switch nut	14.99



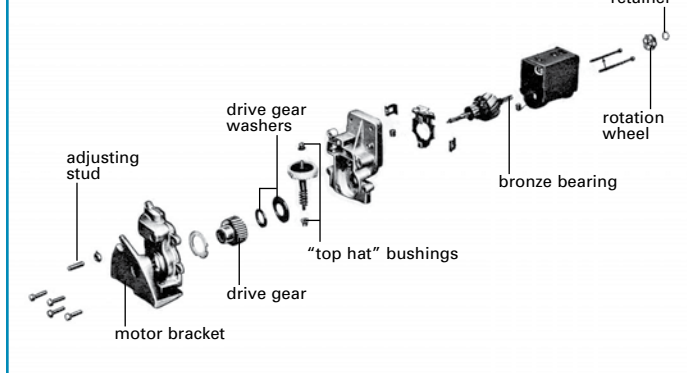
Headlights

Headlight Motors

M-3082	63-67	Motor bracket (LH or RH) (J)(I)	84.99
HDL-414	63-67	Motor bracket plastic "hat" bushings (2) (J)	4.99
HDL-343	63-67	Motor to bracket screws (4)	3.99
M-273	63-67	Motor limit switch (J)	ea 10.99
SF-351	63-67	Motor limit switch screws (4)	3.99
M-219A	63-67	Motor mount kit, includes brackets, bushings, bracket to motor screws & bushing to header bar screws (car set) (J)	28.99
HDL-322	63-67	Motor mount bracket (J)	ea 6.99
HDL-280	63-67	Motor to mount bracket screws/washers (4 pcs)	2.99
HDL-239	63-67	Motor mount rubber bushing (J)	ea 5.99
HDL-330	63-67	Motor mount rubber bushing screws (2) (J)	4.99
M-2876	63-67	Motor mount stud (J)	ea 7.99
HDL-290	63-67	Motor mount stud clips (2)	2.99
M-2255	63-67	Motor stop, aluminum "Y" (J)	ea 42.99
SF-514	63-67	Motor stop adjusting screws (4)	5.99
HDL-256	63-67	Motor stop mount pinch screws (2)	1.99



1 Headlight Motor



Headlight Motor Internal Rebuild

HDL-299	63-67	Motor bronze bearing (I)	ea 7.99
HDL-300	63-67	Motor bronze bearing retainer spring	ea 7.99
HDL-301	63-67	Motor bronze bearing spring retainer	ea 6.99
HDL-231	63-67	Motor drive gear (I)	ea 24.99
HDL-297	63-67	Motor drive gear nylon washer (I)	ea 4.99
HDL-298	63-67	Motor drive gear metal washers, includes 1 curved and 1 flat washer (I)	6.99
HDL-324	63-67	Motor gear "top hat" bushings (2) (I)	10.99

Note: Components listed above are required for a single motor.

M-2483	63-67	Motor rotation wheel (I)	ea 6.99
M-2484	63-67	Motor rotation wheel retainers (2) (I)	1.49



Reproduction Headlight Motors

If your headlight motors are missing major pieces or are gone altogether, Zip's new reproductions are a great alternative to expensive NOS units or scarce rebuildable swap meet motors. Sold each.



M-3675	63-67	Headlight motor (LH or RH)	349.99
--------	-------	----------------------------	--------

Headlight Motor Rebuild

Each motor is completely disassembled, cleaned and rebuilt to factory specifications. Call for complete details. Sold each.

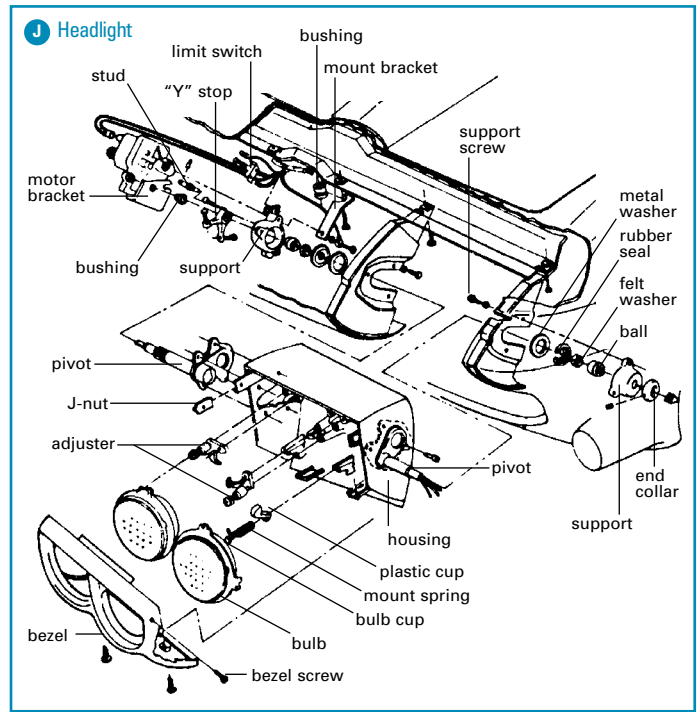
S-132	63-67	Headlight motor service (LH or RH)	199.99
-------	-------	------------------------------------	--------

Headlight Bezels

HDL-200	63-67	Bezel (LH or RH) (J)	109.99
ZSF-350	63E	Bezel screw set, fiberglass buckets (8)	3.99
SF-516	63L	Bezel screw set, metal buckets (8)	4.99
SF-213	64-67	Bezel screw set (8) (J)	4.99
SF-515	63L-67	Bezel screw J-nuts (4) (J)	3.99

63-Early Fiberglass Bucket Components

HDL-286	63E	Capsule pod screws, fiberglass buckets (8)	4.99
HDL-287	63E	Headlight bucket fiberglass skins (hl)	ea 94.99



Reproduction T-3 Headlamp Bulbs

Improved design for brightness and longer life. Correct in every detail, including original "T3" and GUIDE markings. Built using GM blueprints. GM licensed. Car set.



L-441	63-67	Reproduction T-3 headlight bulbs (4)	139.99
-------	-------	--------------------------------------	--------

LED Headlight Bulbs

Super cool LED with white LED position bar or RetroBright LED in Classis (3000K) or Modern (5700K) Can be used for low or high beam application. Plugs directly into harness. Sold each.



HDL-409	63-67	LED headlight bulb w/light bar	269.99
HDL-434	63-67	RetroBright LED headlight bulb (3000K)	179.99
HDL-435	63-67	RetroBright LED headlight bulb (5700K)	179.99

Headlight Bulbs & Mounting

HDL-228	63-67	Bulb, low beam, halogen (J)	ea	12.99
HDL-384	63-67	Bulb, low beam, original style (no T3 logo)	ea	12.99
HDL-227	63-67	Bulb, high beam, halogen (J)	ea	12.99
HDL-383	63-67	Bulb, high beam, original style (no T3 logo)	ea	12.99
HDL-262	63-67	Bulb cup, inner bulb (code B) (J)	ea	16.99
HDL-260	63-67	Bulb cup, outer bulb (code A) (J)	ea	16.99
HDL-387	63	Bulb retaining ring, stainless (2-tab)	ea	9.99
HDL-247	64-67	Bulb retaining ring, stainless (3-tab)	ea	9.99
SF-896	63-67	Bulb retaining ring screw set, correct slotted (12)		7.99
M-3641	63-67	Capsule plastic adjuster & adjuster screws (16 pcs) (J)		14.99
SF-578	63-67	Capsule adjuster screws, correct 1" (8)		7.99
SF-579	63-67	Capsule plastic adjuster & mount spring screws (20)		9.99
HDL-393	63	Capsule mount spring, offset type	ea	2.49
HDL-436	63-67	Capsule mount springs, straight type (4) (J)		8.99
M-2222	63-67	Capsule mount spring plastic cups (4) (J)		6.99



Headlight Housings, Pivots & Supports

HDL-202	63-67	Housing (LH or RH) (J)		249.99
HDL-289	63-67	Housing hole plastic plugs (4)		2.99
HDL-204	64-67	Housing inner pivot (LH or RH) (J)		76.99
HDL-206	63-67	Housing outer pivot (LH or RH) (J)		76.99
ZSF-344	64-67	Housing pivot mount screws (16)		10.99
M-268	63-67	Pivot balls, nylon replacement (4) (J)		42.99
HDL-258	63-67	Pivot ball, brass & steel (J)	ea	10.99
M-294	63-67	Pivot ball rubber seal (4) (J)		12.99
M-295	63-67	Pivot ball felt washers (4) (J)		4.99
M-2217	63-67	Pivot ball metal washer (J)	ea	3.99
HDL-213	63-67	Pivot ball retainer kit, includes M-294, M-295 & (4) M-2217		26.99
HDL-212	63-67	Pivot end collar w/screw (2 per car) (J)	ea	7.99
HDL-257	63-67	Pivot end collar set screw	ea	.99
HDL-209	63-67	Pivot inner support (LH or RH) (J)		56.99
HDL-211	63-67	Pivot outer support (2 per car) (J)		54.99
M-2224	63-67	Pivot support screws (12) (J)		15.99



Bulb Replacement Kit

Zip's everything-you'll-need kit includes mount cups, capsule tension springs, capsule adjusters, retainer rings and screw set.

HDL-321	63-67	Bulb replacement kit		119.99
---------	-------	----------------------	--	--------



Visit us online: www.zip-corvette.com/elc5
Replacing headlight pivots & installing new motors



Complete Headlight Housings Package

Zip's all-in-one package provides everything needed to repair or replace your mid-year's headlight assemblies. Includes buckets, bezels (metal reproduction), cups, pivots, support, rings, mounting hardware and adjusters. Does not include new headlight motors.

HDL-348	63-67	Headlight housings package (ND)		1,399.99
M-3675	63-67	New headlight motor (LH or RH)		349.99



Detroit Speed Headlight Conversion

DSE Electric Headlight Door Kit replaces the stock electric actuated system to operate the headlight doors more reliably, smoother and in sync. Kit includes everything you need for installation including two electric actuators, a control module, harness, mounting brackets, and hardware. Eliminates the problematic factory "roll" switch on the console as the control module will automatically actuate when the headlamps are turned on/off. No modification required.

HDL-411	63-67	DSE Electric headlight conversion kit		634.99
---------	-------	---------------------------------------	--	--------



Lights

License Plate Light

L-203	63-67	License light assembly, complete w/socket, lens & wire	132.99
ZWS-4428	63-67	License light body gasket	5.99
L-203A	63-67	License light lens, correct reproduction	14.99
ZWS-366	63-67	License light lens gasket, white	4.99
L-457	63-67	License light lens screws, correct twist shank phillips (2)	3.99
ZSF-329	63-67	License light mount hardware (12 pcs).....	3.99



63-66 Back-Up Lights

L-209	63-66	Back-up light assembly (LH or RH).....	84.99
E-506	63-66	Back-up light harness repair wire & plug	16.99
E-561	63-67	Back-up light harness accordion boot	13.99
L-207	63-66	Back-up lens.....	8.99
ZL-353	63-67	Back-up lens felt wicks, prevents moisture build up (4).....	5.99
ZSF-328	63-66	Back-up lens screws (2)	1.49
ZWS-455	63-66	Back-up light body gaskets (4).....	8.99
ZWS-456	63-66	Back-up light lens gaskets (4).....	8.99
SF-531	63-66	Back-up light mounting nuts.....	2.99



67 Back-Up Lights

L-204	67	Back-up lens w/screws (car set).....	81.99
ZWS-495	67	Back-up lens gaskets, white (2).....	4.99
SF-525	67	Back-up lens screws (4)	4.99
SF-532	67	Back-up light housing nuts (4)	1.99

LED Lights

Super-bright LED assemblies offer quicker "light-up" and heightened visibility over OE bulbs. Plug-in install requires no modifications. LEDs draw less current than standard incandescent bulbs, resulting in fast-flashing signals. Zip recommends L-546 flasher to restore correct operation of turn signal indicators.



L-600	63-67	LED park light lens (amber).....	ea 39.99
L-601	63-67	LED park light lens (clear)	ea 39.99
L-560	63-67	LED taillight lens & bulb	ea 35.99
L-561	63-66	LED back-up light lens & bulb.....	ea 46.99
L-557	67	LED back-up light lens & bulb (LH or RH)	ea 49.99
L-583	63-67	LED taillight lens w/gaskets (car set).....	129.99
L-584	63-66	LED taillight & back-up light lens w/gaskets (car set)	179.99
L-546	63-67	LED flasher	14.99
L-570	63-67	LED load resistor (50 watt - 6ohm)	11.99

Park Lights

L-200	63-67	Park light assembly, complete (amber).....	ea 99.99
L-599	63-67	Park light assembly, complete (clear).....	ea 134.99
SF-581	63-67	Park light assembly nut & washers (8 pcs).....	2.99
E-820	63-66	Park light harness repair extensions w/socket (pair)	67.99
E-821	67	Park light harness repair extensions w/socket (pair)	67.99
L-201	63-67	Park light lens, amber	ea 12.49
L-554	63-67	Park light lens, clear (export model)	ea 12.99
ZWS-430	63-67	Park light lens gaskets (2).....	4.99
SF-907	63-67	Park light lens screws, correct (4).....	4.99
L-200A	63-67	Park light retainer.....	ea 10.99



Taillights

L-444	63-67	Taillight assembly, outer (LH or RH).....	84.99
L-445	63-67	Taillight assembly, inner (LH or RH)	84.99
E-399	63-67	Taillight harness repair wire & plug	ea 16.99
E-561	63-67	Taillight harness accordion boot.....	ea 13.99
L-206	63-67	Taillight lens	ea 10.99
ZL-353	63-67	Taillight lens felt wicks, prevents moisture build up (4).....	5.99
SF-875	63-67	Taillight lens screws, correct (8 pcs).....	6.99
ZWS-455	63-67	Taillight body gaskets (4)	8.99
ZWS-456	63-67	Taillight lens gaskets (4)	8.99
SF-531	63-67	Taillight mounting nuts (4)	2.99

Bulbs

L-361	63-67	#1156 back-up light bulb.....	ea 1.99
L-608	63-67	#1156 LED back-up light bulb - 2 watt	ea 24.99
L-360	63-67	#1157 taillight/park light bulb	ea 1.49
L-624	63-67	#1157 LED taillight/park light bulb, white.....	ea 12.99
L-625	63-67	#1157 LED taillight/park light bulb, red.....	ea 12.99
L-609	63-67	#1157 LED taillight/park light bulb , Superbright white.....	ea 24.99
L-610	63-67	#1157 LED taillight/park light bulb , Superbright red.....	ea 24.99
L-359	63-67	#90 license light bulb.....	2.99

Taillight Sets

Get a "showroom-fresh" look with a new set of taillights. Zip's complete assemblies include lenses, housings, sockets, bulbs and hardware. Also available fully assembled with LED lens. GM Licensed. Car set.



L-447	63-67	Taillight set.....	309.99
L-446	63-66	Taillight & back-up light set.....	309.99
L-618	63-67	LED taillight set.....	339.99
L-619	63-66	LED Taillight & back-up light set.....	359.99

Visit us online: www.zip-corvette.com/elc6

How to install a new set of mid-year Corvette taillights





The best paint and shiniest chrome quickly lose luster when masking a worn interior. The cure? **Build your own interior package and save 10%! A same-order purchase of carpet, door panels and seat covers triggers our Restorer's Discount** – and once there the more dollars spent mean the more dollars saved. From molded to cast to painted to polished, Zip stocks all manner of correct components to return your Corvette's interior to assembly line new!

Add to your interior package and continue to save!

Door pulls and armrests • Sill plates • Kick panels • Carpet underlayment • Reproduction floor mats • Jack cover board • Firewall insulation • Seat foam • Seat backs and seat tracks • Quarter panels • Center armrest • Headrests • Park brake console • Seat belts • Headliner • Dome light • Mirror • Sunvisors • Glove box • Ash tray • Lower shifter console • Clock • Dash pad • Dash indicators • Radio knobs and speaker • Radio side panels • Small gauges • Speedometer • Tachometer • Switches.

10% OFF RESTORER'S DISCOUNT

HOW IT WORKS – Retail customers receive 10% savings on a minimum purchase of \$850.00 of any combination of parts and/or accessories from this catalog or Zip's Web store. Sorry, No Discount ("ND") items may be included in total value but are not eligible for discount. Offer applies to a single order only and some restrictions apply, call for details.

Interior Dye

Restore or change the color of your Corvette's interior. Vinyl dye flexes with the surface it's applied to and will not crack, peel or rub off. Permanently adheres to carpet, door panels, seat covers, dash pads, fiberglass, plastic, metal and hard rubber with proper prep. Specify year and factory interior color.

DYE63	Interior dye, 12 oz. aerosol	26.99
DYE163	Interior dye, quart	92.99

Adhesion Promoter

The "secret weapon" pros use to make interior dye really stick. Spray dye on top of a fresh coat of adhesion promoter to chemically bond dye to panel. Proper prep makes the difference! 11 oz. aerosol.

MG-98	Adhesion promoter	12.99
-------	-------------------------	-------

Visit us online: www.zip-corvette.com/int1
Tips & techniques for dyeing plastic & vinyl parts



Door Panels

63-64 Door Panels

With or without upper metal supports installed. Door panels with upper supports include installed inner window seals. Both styles include installed carpet trim on bottom. Transfer trim from existing panels. Specify color. Sold in pairs.

I-332	63-64	Door panels, w/o upper metal.....	363.99
I-771	63-64	Door panels, w/upper metal, Conv.....	507.99
I-772	63-64	Door panels, w/upper metal, Coupe.....	507.99



63-64 Deluxe Door Panel

63-64 Deluxe Door Panels

Complete including installed upper metal supports, inner window seals, "hockey stick" trim, reflectors, lock knobs and door opening bezels. Specify color. White or silver panels specify carpet color. Available in upgraded leather for RestoMod or custom application. Sold in pairs.

I-452	63-64	Deluxe door panels, Conv.....	893.99
I-453	63-64	Deluxe door panels, Coupe.....	893.99
I-3220	63-64	Leather deluxe door panels, Conv.....	1,444.99
I-3221	63-64	Leather deluxe door panels, Coupe.....	1,444.99

63-64 Door Panel Armrest

I-2012	63-64	Armrest pads w/covers installed (2).....	69.99
ZSF-364	63-64	Armrest pad to base screw set (4).....	2.99
ZI-773	63-64	Armrest chrome base.....	ea 24.99
I-208	63-64	Armrest vinyl covers, specify color (2).....	13.99
SF-846	63-64	Armrest to door mount screws (4).....	5.99
I-1276	63-66	Armrest screw to door nut plate.....	ea 8.99



63-64 Armrest Assembly

Complete assembled armrest ready to install. Includes padded armrest mounted to chrome base. Sold in pairs. Specify color.

I-3010	63-64	Armrest assemblies.....	109.99
--------	-------	-------------------------	---------------



63-64 Door Panel Hardware

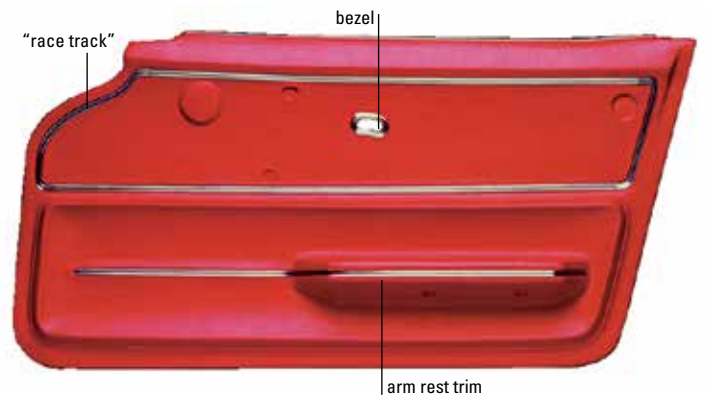
I-320	63-64	Door open knob bezels (2).....	19.99
ZSF-208	63-64	Door panel screws (20).....	5.99
SF-534	63-64	Door panel screw flush washers, replacement (20).....	9.99
I-1432	63-64	Door panel screw flush washers, correct "deep" eyelet (20).....	13.99
I-809	63-64	Door panel "hockey stick" trims (car set).....	229.99
I-317	63-64	Lock knobs & reflector set, includes hardware (car set).....	88.99
I-2019	63-64	Lock knob & reflector lens set (8).....	18.99
I-333	63-64	Lock knob w/reflector.....	ea 29.99
I-323	63-64	Lock knob plastic backplate, gray.....	ea 2.49
I-2983	63-64	Lock knob plastic backplates, ivory (2).....	8.99
ZDR-35	63-64	Lock knob attaching clip.....	ea 1.49
I-2020	63-64	Reflector w/retainer.....	ea 37.99
SF-631	63-64	Reflector "winged" speed nut set (4).....	7.99
DR-578	63-64	Vapor barriers, paper, behind door panels (2).....	29.99
DR-47	63-64	Vapor barriers, plastic, behind door panels (2).....	26.99



65-67 Door Panel

With upper metal support and inner window seal installed. Transfer trim from existing panels. Specify color. Sold each.

I-262	65-66	Door panel, Conv. (LH or RH).....	413.99
I-261	65-66	Door panel, Coupe (LH or RH).....	413.99
I-264	67	Door panel, Conv. (LH or RH).....	413.99
I-263	67	Door panel, Coupe (LH or RH).....	413.99



65-67 Deluxe Door Panel

65-67 Deluxe Original-Style Door Panel

Complete including installed upper metal support, inner window seal, armrest trim, "race track" chrome and bezel. Specify color. Sold each.

I-292	65-66	Door panel, Conv. (LH or RH).....	584.99
I-291	65-66	Door panel, Coupe (LH or RH).....	584.99
I-265	67	Door panel, Conv. (LH or RH).....	584.99
I-266	67	Door panel, Coupe (LH or RH).....	584.99

Visit us online: www.zip-corvette.com/int14
Removing & installing new 63-67 door panels



63-67 Door Panel Upper Window Felts

WS-416	63-66	Window seal felts, Conv. (2)	44.99
WS-4678	67	Window seal felts, Conv. (2)	44.99
WS-518	63-67	Window seal felts, Coupe (2)	44.99
ZSF-475	63-67	Window seal felt staples (25)	5.99



Screw Hole Repair

A quick, easy and permanent fix for stripped-out mounting holes in fiberglass. Center metal plate over hole, rivet in place – then simply drill a new mounting hole in the plate. Car set.

I-1331	63-64	Door panel screw repair kit (12 plates)	24.99
I-958	65-67	Door panel screw repair kit (10 plates)	22.99



65-67 Door Panel Hardware

SF-847	65-67	Armrest/panel mount screws & washers (8 pcs)	4.99
I-1709	65-67	Armrest screw to door nut plate	ea 8.99
I-302	65-67	Armrest chrome trim strip	ea 33.99
I-321	65-67	Door open knob bezels (2)	19.99
I-303	65-67	Door panel clip set (10)	39.99
ZSF-367	65-67	Door panel clip screw set (10)	2.99
SF-533	67	Door panel screw & washer set (4 pcs)	2.99
I-302A	65-67	Door panel race track chrome trim strips (car set)	232.99
I-420	65	Door pulls, specify color (2)	19.99
I-315	66-67	Door pull, chrome (LH or RH)	ea 59.99
SF-632	65	Door pull screws, black (4)	3.99
SF-895	66-67	Door pull screws, chrome (4)	4.99
I-1676	65	Door pull T-nuts (4) & rivets (8)	10.99
I-1677	66-67	Door pull reinforcements (2) & rivets (4)	22.99
I-316	65-66	Lock knob	ea 16.99
I-769	67	Lock knob	ea 31.99
I-322	65-67	Lock knob plastic backplate	ea 1.99
ZDR-35	63-67	Lock knob attaching clip	ea 1.49
DR-578	65-67	Vapor barriers, paper, behind door panel (2)	29.99
DR-47	65-67	Vapor barriers, plastic, behind door panels (2)	26.99



Sill & Wire Cover Plates

I-2497	63-64	Sill plates, 4-hole, 13-rib, GM licensed (pair)	63.99
I-2677	63-64	Sill plates, 4-hole, 13-rib (pair)	44.99
I-2498	65-66	Sill plates, 6-hole, 13-rib, GM licensed (pair)	57.99
I-2678	65-66	Sill plates, 6-hole, 13-rib (pair)	44.99
I-2511	67	Sill plates, 32-rib, GM licensed (pair)	73.99
I-2960	67	Sill plates, 32-rib (pair)	49.99
ZI-645A	63-64	Sill plate mount screws (8)	3.99
ZI-638A	65-67	Sill plate mount screws (12)	5.99
WS-4556	63-67	Sill plugs, Coupe, fills hole under sill plate (2)	3.79
I-693	63-64	Wire cover/carpet support plates (2)	36.99
I-694	65-67	Wire cover/carpet support plates (2)	36.99
I-868	63-67	Wire cover plate clip (14 per car)	ea 8.99
I-869	63-67	Wire cover plate clip rivets (14)	3.99



Kick Panels

I-697	63-64	Kick panel boards w/windlace (2)	48.99
I-677	65-67	Kick panel boards w/windlace (2)	48.99
I-2021	63-64	Kick panel boards w/windlace & carpet installed (2)	83.99
I-2022	65-67	Kick panel boards w/windlace & carpet installed (2)	83.99

Note: Kick panels are ABS plastic with installed windlace. Specify color. Car set.

I-753	63-64	Kick panel carpets, specify color (2)	29.99
I-754	65-67	Kick panel carpets, specify color (2)	29.99
I-683	63-64	Kick panel metal trim strips (2)	19.99
I-684	65-67	Kick panel metal trim strips (2)	19.99

Note: Trim strips must be painted to match original interior color.

I-676A	63-64	Kick panel screws, original-style (14)	15.99
I-676B	65-66	Kick panel screws, original-style (12)	14.99
I-676C	67	Kick panel screws, original-style (12)	14.99

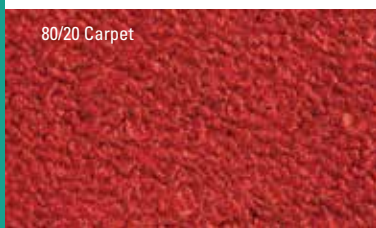


Carpet

63-64 Carpet Sets

80/20 loop (80% rayon/20% nylon) correct for '63-64 Corvettes. Carpet is cut, sewn, then mounted to original-style foam backing or replacement poly backing. Includes dimmer switch grommet, heel pads and correct binding. Note for early '63 cars, carpet will need to be cut and bound for tool tray area.

I-557	63	Full carpet set, foam backing, Coupe	539.99
I-558	63	Full carpet set, foam backing, Conv.	539.99
I-583	64	Full carpet set, foam backing, Coupe	539.99
I-582	64	Full carpet set, foam backing, Conv.	539.99
I-559	63	Full carpet set, poly backing, Coupe	399.99
I-560	63	Full carpet set, poly backing, Conv.	399.99
I-585	64	Full carpet set, poly backing, Coupe	399.99
I-584	64	Full carpet set, poly backing, Conv.	399.99
I-531	63-64	Front carpet set only, poly backing	239.99
I-753	63-64	Kick panel carpets (car set).....	29.99



63-64 Coupe

65-67 Coupe



65-67 Carpet Sets

80/20 loop (80% rayon/20% nylon) correct for '65-67 Corvettes. Carpet is press molded and mounted to original-style poly backing. Includes dimmer switch grommet, heel pads and correct binding.

I-561	65	Full carpet set, Coupe	389.99
I-2988	66	Full carpet set, Coupe	389.99
I-546	67	Full carpet set, Coupe	399.99
I-562	65-66	Full carpet set, Conv.	389.99
I-547	67	Full carpet set, Conv.	389.99
I-509	65-66	Front carpet set	209.99
I-545	67	Front carpet set	209.99
I-563	65-67	Rear carpet set, Coupe	249.99
I-564	65-67	Rear carpet set, Conv.	249.99
I-754	65-67	Kick panel carpets (car set).....	29.99
I-2023	65-67	Jute backing set (goes under carpet)	34.99

Visit us online: www.zip-corvette.com/int14

How to freshen up your Corvette's interior with new carpet



Hardware

I-1381	63-67	Dimmer switch grommet, rubber reproduction	18.99
I-3292	63-67	Dimmer switch grommet, plastic replacement	2.49
ZWS-418	63-67	Floor pan plugs (6 pcs)	5.99
WS-4556	63-67	Door sill plugs, Coupe (2).....	3.79
MG-55		Spray adhesive.....	24.99

Floor Mats

Original-Style Floor Mats

Protect your carpet with reproduction floor mats. Vinyl available in clear or black as original. GM Licensed. Sold in pairs.

I-512C	63-67	Clear vinyl floor mats	79.99
I-512B	63-67	Black vinyl floor mats.....	34.99

Carpeted Floor Mats

Carpeted mats match original carpet color and texture. Feature no-slip backing to keep them in place. Available plain, with an embossed CORVETTE emblem or add flair with a GM Licensed embroidered emblem. Heavyweight nylon threads plus workmanship ensure these mats will deliver lasting color and durability. Sold in pairs.

I-2639	63-67	Carpeted floor mats (plain)	74.99
I-537	63-67	Carpeted floor mats w/embossed emblem	109.99
I-1656	63-67	Carpeted floor mats w/embroidered "Corvette"	109.99
I-1727	63-67	Carpeted floor mats w/embroidered "Sting Ray"	109.99



Lloyd Protector Mats

RubberTite mats feature hundreds of tiny "cups" to hold spills and rain drips. Nib backing keeps mats securely in place. RubberTite available in black, gray, tan or clear. Floor mats sold in pairs.

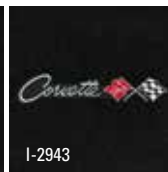
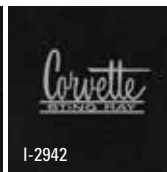
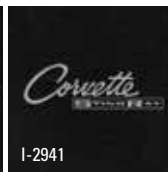


I-2840	63-67	RubberTite floor mats.....	84.99
--------	-------	----------------------------	-------

Lloyd Ultimat Floor Mats

The finest Corvette floor mats available! Custom designed and manufactured for C2 Corvettes- features early style "Corvette" script in your choice of colors. Features include DuPont Nylon Yarn for good looks & rugged performance, inconspicuous nylon binding that will never unravel and Tractionbac slip resistant rubber backings. Sold in pairs.

I-2944	63-67	Lloyd Ultimat floor mats w/Cross Flag emblem	149.99
I-2941	63-67	Lloyd Ultimat floor mats w/Corvette Sting Ray (63-65 style).	149.99
I-2942	63-67	Lloyd Ultimat floor mats w/Corvette Sting Ray (66-67 style).	149.99
I-2943	63-67	Lloyd Ultimat floor mats w/Corvette (side logo).....	149.99



Carpet Underlayment

Protect your investment in new carpet by replacing your Corvette's carpet underlayment at the same time. Zip's pre-cut pieces are an exact match to OE materials: layered insulation for heat resistance bonded to a flexible rubber compound for durability.

I-1632	63-67	Front only carpet underlayment, Coupe.....	99.99
I-2010	63-67	Front only carpet underlayment, Conv.....	99.99
I-1633	63-67	Full car carpet underlayment, Coupe.....	134.99
I-2011	63-67	Full car carpet underlayment, Conv.....	139.99



AcoustiSHIELD

AcoustiSHIELD's pre-cut carpet and floor pan insulation kits will insulate and control noise, vibration and heat. Stage 1 features Dynamat Xtreme sound dampening pads strategically located to reduce noise and vibration. Stage 2 features high-tech HeatShield absorber/barrier insulation which is bonded to the floor pan- providing sound deadening and insulation from radiant heat penetration. Easy-to-follow installation instructions- all pieces are die cut and labeled. Floor panel kit covers area under front carpet and seats.

I-2779	63-67	Conv floor panel insulation.....	259.99
I-2817	63-67	Conv rear floor insulation.....	159.99
I-2778	63-67	Coupe floor panel insulation.....	259.99
I-2816	63-67	Coupe rear floor insulation.....	159.99

FlatLine Barrier Insulation

Designed to insulate your Corvette's interior compartment from both heat and sound. Lightweight pre-cut insulation includes self-adhesive to install directly to your floor panels, door structure, rear cargo area and coupe roof panel. Available in individual sections or as a complete car set. Includes illustrated diagram, perfect for the do-it-yourselfer.



I-3258	63-67	Door FlatLine Barrier insulation kit.....	69.99
I-3256	63-67	Floor panel FlatLine Barrier insulation kit.....	159.99
I-3257	63-67	Rear cargo FlatLine Barrier insulation kit, coupe.....	129.99
I-3259	63-67	Roof panel FlatLine Barrier insulation kit, coupe.....	69.99
I-3260	63-67	Full car FlatLine Barrier insulation kit, coupe.....	329.99
I-3261	63-67	Full car FlatLine Barrier insulation kit, conv.....	289.99



Jack Storage & Compartment

Jack Cover & Rear Storage Area

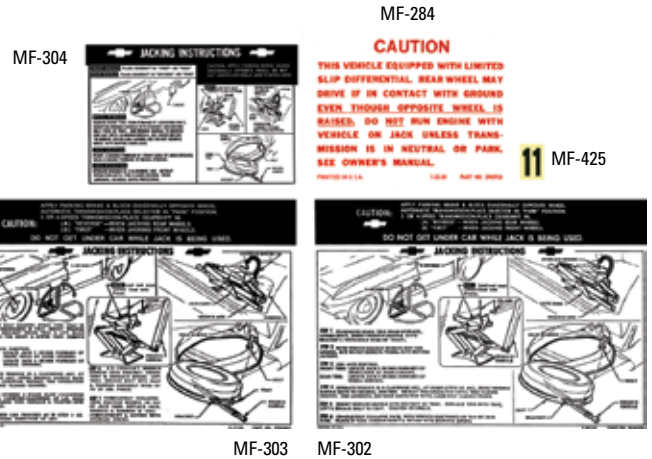
I-623	63-67	Jack cover board, replacement.....	24.99
I-2715	63	Jack cover board, correct 36"x 15 3/4".....	44.99
I-2716	64	Jack cover board, correct 36"x 16".....	44.99
I-2717	65-67	Jack cover board, correct 35 1/2"x 16".....	44.99
I-636	63-67	Jack cover board finger chrome bezel.....	8.99
I-1056	63	Luggage stop, metal behind seats.....	59.99
I-1057	64-66	Luggage stop, metal behind seats.....	59.99
I-1058	67	Luggage stop, metal behind seats.....	59.99
SF-639	63-67	Luggage stop rivets (11).....	3.99
M-3811	63-67	Luggage stop extension, Conv.....	82.99

See page 48 for jack and jack components



Jack Area Decals

MF-284	63-67	Positraction decal, back of jack board.....	4.99
MF-425	65-67	Jack board carpet inspection number decal.....	3.99
MF-302	63-66	Jacking instructions, STD.....	4.99
MF-303	63-66	Jacking instructions, knock-off.....	4.99
MF-423	63-66	Jacking instructions, NO3 & STD.....	10.99
MF-424	63-66	Jacking instructions, NO3 & knock-off.....	10.99
MF-304	67	Jacking instructions.....	4.99



Dynamat Xtreme Custom Cut

The highest efficiency sound deadening material available. Aluminum layer is moldable and conforms to all interior surfaces. Extra-sticky butyl layer is designed to convert energy effectively stopping unwanted noise and vibration. Available in custom cut versions for floor, door, coupe rear cargo and roof areas.

I-3003	63-67	Dynamat Xtreme floor kit.....	289.99
I-3002	63-67	Dynamat Xtreme door kit.....	169.99
I-3005	63-67	Dynamat Xtreme coupe rear kit.....	249.99
I-3004	63-67	Dynamat Xtreme coupe roof kit.....	94.99





63 Seat Covers



64 Seat Covers



65 Seat Covers



66 Seat Covers



67 Seat Covers

Seat Covers

Original-Style Seat Covers

Reproduction vinyl or leather covers feature correct grain, pattern and colors for specific model years. Specify color. Car set.

I-170	63	Seat covers, vinyl.....	473.99
I-171	63	Seat covers, leather.....	804.99
I-172	64	Seat covers, vinyl.....	473.99
I-173	64	Seat covers, leather.....	804.99
I-174	65	Seat covers, vinyl.....	496.99
I-175	65	Seat covers, leather.....	804.99
I-176	66	Seat covers, vinyl.....	496.99
I-177	66	Seat covers, leather.....	804.99
I-178	67	Seat covers, vinyl.....	623.99
I-179	67	Seat covers, leather.....	849.99

Assembled Seat Burlap

Skip the chore of threading wires through burlap when installing new seat covers. Zip's burlap/wires set includes (4) individual burlap pieces with wires already installed.



I-1764	63-67	Seat foam burlap covers w/wires (car set).....	105.99
--------	-------	--	--------

Seat Covers Installation

I-149	63-64	Seat cover installation kit.....	32.99
I-150	65	Seat cover installation kit.....	32.99
I-151	66	Seat cover installation kit.....	36.99
I-152	67	Seat cover installation kit.....	36.99

Note: Installation kits include all the hooks, "S" clips, wires and hog rings needed to completely install new seat covers. Car set.

I-2240	63-67	Seat cover installation "S" clips (18 per seat)..... ea	.99
I-1667	63-67	Seat cover hog rings (25) (D).....	2.99
TL-143	63-67	Seat cover hog ring pliers, economy.....	7.99
TL-142	63-67	Seat cover hog ring pliers, spring-loaded.....	21.99
TL-157	63-67	Seat cover clip installation tool.....	10.99



Corrugated Seat Wires

Authentic reproductions of corrugated wires that serve to hold the seat seams down and keep the loop wires in a fixed position to prevent rub-through to the seat covers. Include all wires needed for pair of seats. Retaining tab strips are also for '63-64 Corvettes to pull seat covers together at bottom of seat backs. Car set.



I-2750	63-64	Seat back retaining tab spike strip..... ea	10.99
I-2612	63-64	Corrugated seat wire kit (6 pcs).....	33.99
I-2613	65	Corrugated seat wire kit (4 pcs).....	47.99
I-2614	66	Corrugated seat wire kit (4 pcs).....	34.99
I-2615	67	Corrugated seat wire kit (2 pcs).....	22.99

Seat Foam

I-123-63	63	Seat foam (car set) (D).....	253.99
I-123-64	64	Seat foam (car set) (D).....	253.99
I-123-65	65	Seat foam (car set) (D).....	253.99
I-123-66	66	Seat foam (car set) (D).....	253.99
I-123-67	67	Seat foam (car set) (D).....	253.99



I-123-63



I-123-65

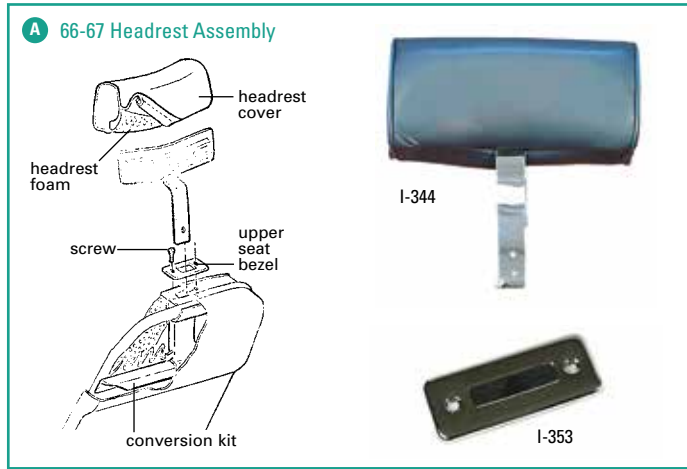
10% RESTORER'S DISCOUNT

HOW IT WORKS – Retail customers receive 10% savings on a minimum purchase of \$850.00 of any combination of parts and/or accessories from this catalog or Zip's Web store. Sorry, No Discount ("ND") items may be included in total value but are not eligible for discount. Offer applies to a single order only and some restrictions apply, call your Zip Products sales representative for details.

66-67 Headrest Assemblies

Choose complete assemblies ready to install, or replacement covers and foam only for a do-it-yourself rebuild. Specify color. Sold in pairs.

I-343	66	Headrest assemblies, leather (A)	396.99
I-344	67	Headrest assemblies, leather (A)	396.99
I-345	66	Headrest assemblies, vinyl (A)	375.99
I-346	67	Headrest assemblies, vinyl (A)	375.99
I-349	66	Headrest covers, leather (A)	145.99
I-350	67	Headrest covers, leather (A)	145.99
I-347	66	Headrest covers, vinyl (A)	113.99
I-348	67	Headrest covers, vinyl (A)	113.99
I-341	66	Headrest foam cushions (A)	47.99
I-342	67	Headrest foam cushions (A)	47.99
I-353	66-67	Headrest upper seat bezel w/rubber (A)	ea 24.99
I-352	66-67	Headrest upper seat bezel screws (4) (A)	2.99



Headrest Conversion Kit

Converts your non-headrest seats to accept OE-style headrests. Includes all components inside seat. Does not include upper seat bezels. Car set.

I-351	66-67	Headrest conversion kit (B)	342.99
-------	-------	-----------------------------	--------

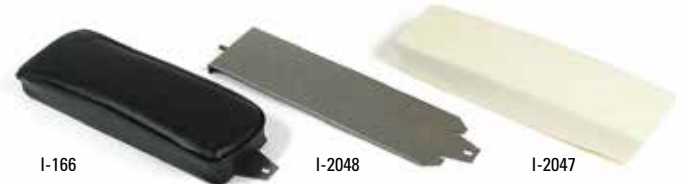


Center Armrest

63-66 Center Armrest Assembly

Includes metal support and foam cushion; choose vinyl or leather cover. Covers only also available. Specify color.

I-166	63-64	Armrest assembly, vinyl	121.99
I-168	65-66	Armrest assembly, vinyl	121.99
I-169	63-66	Armrest assembly, leather	132.99
I-216	63-64	Armrest cover, vinyl	39.99
I-217	63-64	Armrest cover, leather	70.99
I-218	65-66	Armrest cover, vinyl	39.99
I-219	65-66	Armrest cover, leather	70.99
I-2047	63-66	Armrest foam	27.99
I-2048	63-66	Armrest metal base	27.99
I-1689	63-66	Armrest mounting screw w/washer	2.99



67 Center Armrest "T" Cushion

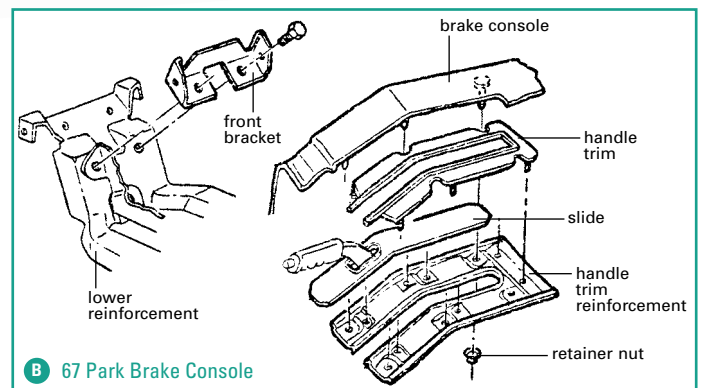
Get some welcome elbow relief! Choose vinyl or leather (leather has vinyl side panels) – both match correct seat cover pattern for model year. All original colors available.

I-251	67	"T" cushion, vinyl	94.99
I-252	67	"T" cushion, leather	86.99

67 Park Brake Console

I-673A	67	Brake console, specify color	143.99
I-1260	67	Brake console handle trim (B)	139.99
I-2252	67	Brake console handle trim reinforcement (B)	49.99
I-2057	67	Brake console front bracket (B)	29.99
I-2714	67	Brake console front & seat belt retainer screws (4)	2.49
I-1686	67	Brake console front screw J-nuts (4)	2.99
I-2259	67	Brake console lower reinforcement (B)	119.99
I-2217	67	Brake console rear reinforcement	82.99
I-1684	67	Brake console rear screws (2)	4.99
I-1683	67	Brake console rear screw U-nuts (2)	2.99
I-641	67	Brake console plastic slide (B)	4.99
I-2732	67	Brake console plastic slide retainer nuts (10 pcs) (B)	2.99

See page 42-43 for park brake handle and cable components.



B 67 Park Brake Console

Seat

Seat Back & Vents

I-2039	63-64	Seat back cardboard	ea	12.99
I-249	65-66	Seat back w/vent screen (C)	ea	81.99
I-250	67	Seat back w/vent screen (C)	ea	81.99
I-2040	65-66	Deluxe seat back w/vent screen & upper trim installed (C)	ea	101.99
I-2041	67	Deluxe seat back w/vent screen & upper trim installed (C)	ea	101.99

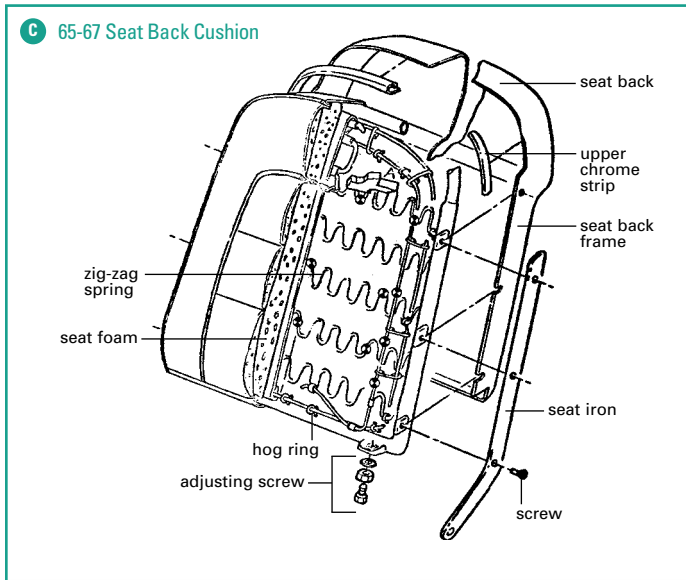
Note: '65-67 seat backs are an ABS substrate with a colored, vacuum-formed vinyl covering. All original colors with correct grain available. Specify color.

I-138	65-67	Seat back vent screens (2)	ea	6.99
I-107B	65-67	Seat back upper chrome trim strip (C)	ea	26.99

Seat Hinge & Adjustment

I-130B	63-66	Seat back adjusting screw, chrome slotted screw w/chrome jamb nut & washer (4 per car) (C)	ea	4.99
I-3304	63-66	Seat back adjusting screws, chrome slotted screw w/chrome jamb nut & washer (car set) (C)		16.99
I-130	63-66	Seat bottom bumpers, plastic (4)		8.99
I-959	67	Seat back & bottom bumpers, (2) plastic & (2) metal (car set)		15.99
SF-904	63-64E	Seat bottom bumper screws (4)		2.99
ZSF-461	64L-67	Seat bottom bumper screws (4)		2.49
I-130A	63-67	Seat hinge pivot screw	ea	3.99
I-3291	63-67	Seat hinge pivot screws (4)		12.99
I-1261	63-67	Seat hinge pivot screw spacers (4)		5.99
I-2698	63-66	Seat hinge chrome irons, 63-64 replacement (4) (C)		207.99
I-2699	67	Seat hinge chrome irons (4) (C)		207.99
I-137	63-67	Seat hinge iron mount screws (12) (C)		12.99

C 65-67 Seat Back Cushion

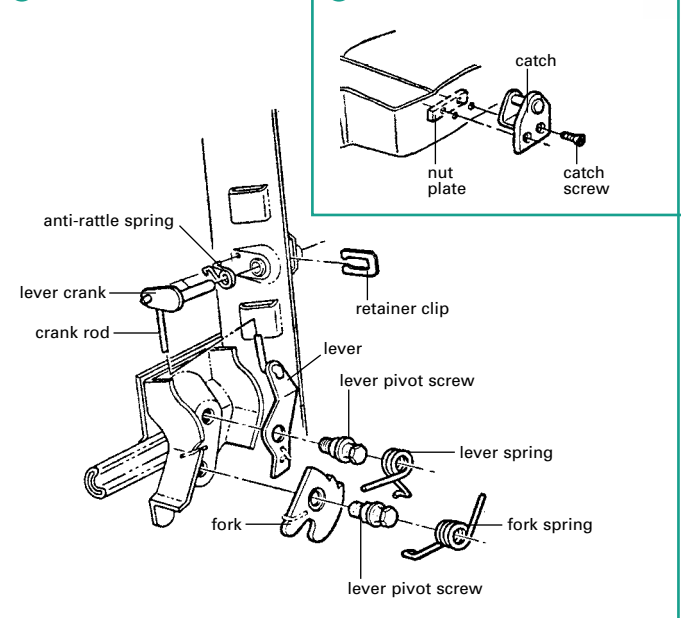


67 Seat Catch Components

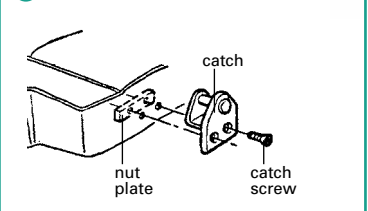
I-1093	67	Seat back release knob	ea	29.99
I-1447	67	Seat back latch fork (D)	ea	19.99
I-1455	67	Seat back latch fork spring (D)	ea	5.99
I-1452	67	Seat back lever anti-rattle spring (D)	ea	6.99
I-1450	67	Seat back lever crank (D)	ea	22.99
I-1449	67	Seat back crank rod (D)	ea	12.99
I-1448	67	Seat back catch lever (D)	ea	11.99
I-1700	67	Seat back catch washers (2)		5.99
I-1456	67	Seat bottom catch (E)	ea	36.99
I-1457	67	Seat bottom catch screws (4) (E)		4.99
I-1446	67	Seat bottom catch screw nut plate (E)	ea	8.99
I-1453	67	Seat catch lever pivot screw (D)	ea	10.99
I-1454	67	Seat catch lever spring (D)	ea	5.99
I-1451	67	Seat handle crank retainer clip (D)	ea	6.99



D 67 Seat Back Lock

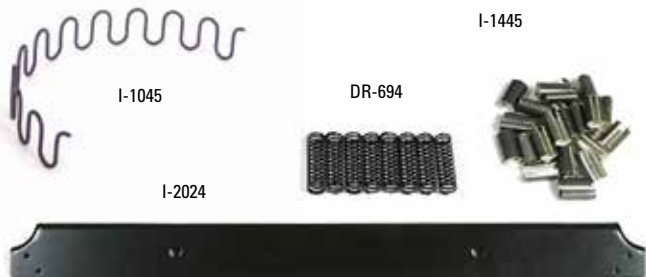


E 67 Seat Catch



Seat Frame Repair

I-1045	63-67	Seat frame "zig-zag" spring, replacement (C)	ea	5.99
TL-190	63-67	Seat "zig-zag" spring bending tools (2)		46.99
DR-694	63-67	Seat "zig-zag" spring to frame coil springs (8).....		14.99
I-1445	63-67	Seat "zig-zag" spring clips to seat wire (30).....		8.99
TL-193	63-67	Seat "zig-zag" spring clip pliers		49.99
I-2024	63-67	Lower seat frame repair section, replaces rear crossmember on seat frame.....	ea	19.99

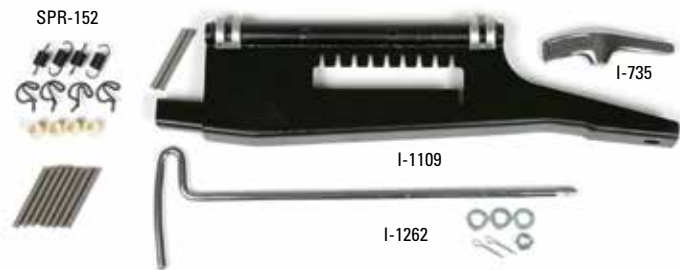
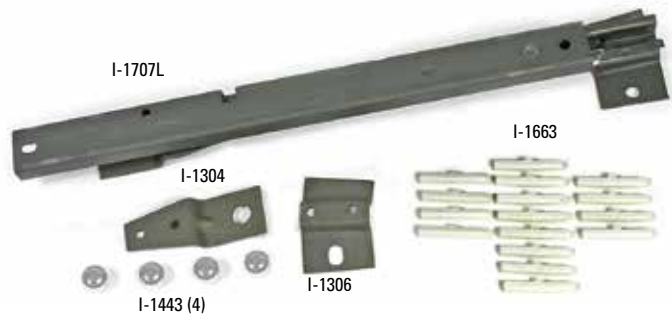


67 Seat Track & Mounting

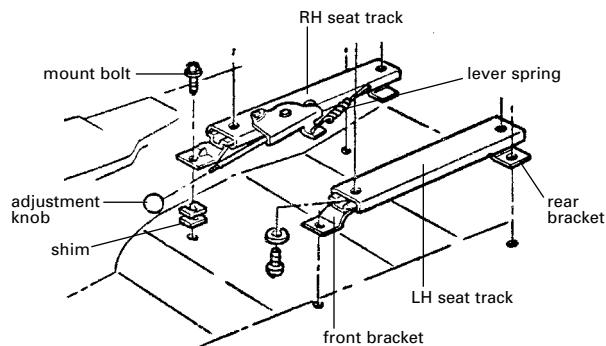
I-633	67	Seat adjustment knobs, chrome (2) (F)		29.99
SPR-135	67	Seat adjustment lever springs (2) (F)		11.99
I-1707L	67	Seat track, LH (F)	ea	129.99
I-1707R	67	Seat track w/adjustment lever, RH (F).....	ea	179.99
ZSF-219	67	Seat track to floor mount bolts (8) (F)		8.99
I-1699	67	Seat track to floor shim, 1/8" thick (F).....	ea	1.49
I-1206	63-67	Seat shim cloth bag		4.99
I-1304	67	Seat track front bracket (4 per car) (F)	ea	19.99
I-870	67	Seat track front underbody nut plate.....	ea	36.99
I-1698	67	Seat track front underbody nut plate rivets (12).....		3.99
I-1305	67	Seat track rear bracket, LH track (F)	ea	19.99
I-1306	67	Seat track rear bracket, RH track (F)	ea	19.99
I-873	67	Seat track rear underbody nut plate	ea	14.99
I-2045	67	Seat track rear nut plate rivets (4).....		1.49
I-1663	67	Seat track plastic bushings (16).....		36.99
I-2046	67	Seat track plastic bushing (16 per car)	ea	4.99
I-1443	67	Seat track roller wheel (8 per car)	ea	4.99
I-1697	67	Seat track screw & lockwasher set (8 pcs)		9.99

63-66 Seat Track & Mounting

I-1262	63	Seat adjustment handle.....	ea	36.99
I-735	64-66	Seat adjustment handle.....	ea	24.99
SPR-153	63	Seat adjustment lever springs (6 pcs)		22.99
SPR-152	64-66	Seat adjustment lever springs & bushings (12 pcs)		22.99
I-1696	63	Seat height adjuster mount screws & washers (24 pcs).....		7.99
I-1109	64-66	Seat track (LH or RH) (2 per car)	ea	189.99
ZSF-218	63-66	Seat track to floor mount bolts (12)		12.99
I-1699	64-66	Seat track to floor shim, 1/8" thick.....	ea	1.49
I-1206	63-66	Seat shim cloth bag		4.99
I-872	63	Seat track front underbody nut plate.....	ea	36.99
I-871	64-66	Seat track front underbody nut plate.....	ea	36.99
I-1698	63-66	Seat track front underbody nut plate rivets (12).....		3.99
I-875	63-66	Seat track rear anchor plate, inside car under carpet (2 per seat).....	ea	6.99
I-3072	63	Seat track rear mount bracket (LH or RH).....		129.99
I-1302	64-66	Seat track rear hold down bracket, LH track, welds on	ea	19.99
I-1303	64-66	Seat track rear hold down bracket, RH track, welds on.....	ea	19.99
I-129	63-66	Seat track rear "U" brackets (4 per car)	ea	5.99
I-874	63-66	Seat track rear underbody nut plate	ea	14.99
I-2044	63-66	Seat track rear nut plate rivets (8).....		2.49
I-2477	64-66	Seat track retainers & screws (car set)		22.99
I-3290	63	Seat track rear pinch welt (car set)		10.99
SF-899	63	Seat track rivets (16 pcs)		5.99
I-1218	63-66	Seat track spring bushings (8)		17.99



F 67 Seat Track & Mounting



10% RESTORER'S DISCOUNT

HOW IT WORKS – Retail customers receive 10% savings on a minimum purchase of \$850.00 of any combination of parts and/or accessories from this catalog or Zip's Web store. Sorry, No Discount ("ND") items may be included in total value but are not eligible for discount. Offer applies to a single order only and some restrictions apply, call your Zip Products sales representative for details.

Seat Belts

63 Seat Belts

Similar in appearance to original Irving Air Chute belts. Aluminum lift-latch buckle with satin face and metal-to-metal contact. Feature correct color webbing in original 3-panel design. Attachment to floor is handled through sewn, OE-style anchor plates. Specify color. Car set.

I-2567 63 Reproduction seat belts 129.99



I-2567

63 Replacement Belts

Not "OE" in appearance or mounting, but a cost saving alternative to reproduction belts. Close resemblance to Air Chute but with non-original webbing and chrome buckle. Specify black, red, saddle or silver. Includes mount hardware.

ZI-146 63 Replacement seat belts 59.99

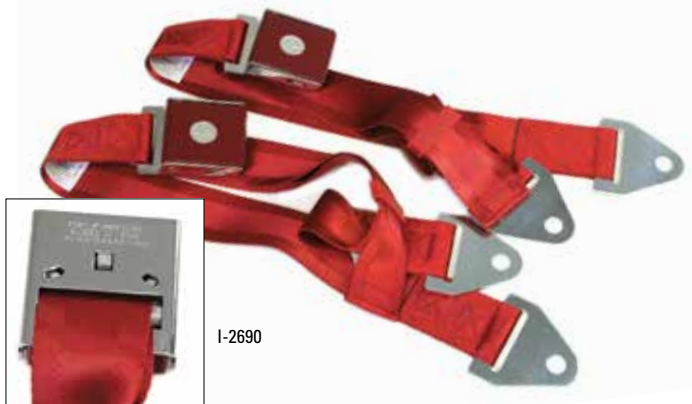


64 Seat Belts

Feature factory-style, cast lift-latch buckle with "Bow Tie" Chevrolet emblem. "Irving Air Chute" and model information stamped on back of buckle as original. Correct 3-panel webbing available in black, red, silver, saddle and dark blue. Note '64 belts do not utilize seat belt pockets and retractors as in later mid-year Corvettes.

I-2690 64 Reproduction seat belts 379.99

All seat belts offered by Zip are sewn, assembled and tested in the USA under stringent Federal Motor Vehicle Safety Standards (FMVSS) guidelines to ensure you cruise safe – and secure.



I-2690

65-66E Seat Belts

Feature factory-style, cast lift-latch buckle with "Bow Tie" Chevrolet emblem. "Irving Air Chute" and model information stamped on back of buckle as original. Correct 3-panel webbing available in black, red, silver, bright blue, green, maroon, saddle and dark blue. Note '65-66-Early belts utilize seat belt pockets and retractors. Car set.

I-2692 65-66E Reproduction seat belts, w/pockets & retractors 479.99



I-2692



64-67 Seat Belt Retractors & Warning Tags

I-136 65-66E Belt retractor, correct ea 29.99
 I-2049 65-66E Belt retractors, replacement wire (2) 28.99
 I-624 64-66 Belt buckle Bow Tie disk decals (2) 9.99
 MF-504 66-67 Shoulder harness belt buckle warning labels (2) 12.99
 MF-508 65-66 Belt retractor installation instruction tags, orange tag w/wire ea 6.99



MF-508

I-2049

I-136

64-66E Replacement Belts

Similar in appearance to original belts, including correct color 7-panel webbing and matched buckle with "Bow Tie" disk decal. I-2691 are replacement for '64 but can be used in '65-66-Early Corvettes if pockets and retractors (I-2430) are not desired. All applications require I-2434 replacement bracket – belts will not mount to factory console storage bracket. Specify black, red, green, bright blue, saddle or silver. Car set.

I-2691 64 Replacement seat belts 159.99
 I-2430 65-66E Replacement seat belts, w/pockets & retractors 289.99
 I-2434 64-66E Storage bracket, replacement-style belts 28.99



I-2691

I-2430

66L-67 Seat Belts

OE-style '66-Late-67 belt set. Features replacement buckles with GM logo and lap belts with retractor. Designed to fit same as factory belts, using new technology retractors. 3-panel webbing as original. Most Corvette colors available. Specify color. Car set.

I-2564 66L-67 Seat belts w/retractors, replacement329.99



I-2564

Seat Belts Hardware

Correct reproduction belt mounting hardware. '63-64 use two pair of I-2503 bolts. '66-67 Corvettes use one pair of bolts and I-2504 nuts for lap belts. '66-67 with shoulder harnesses require single pair of bolts for harness installation.



I-2503

I-2504

I-2503 63-67 Seat belt bolts (2)..... 13.99
I-2504 65-69 Seat belt inner mount nuts (2) 3.99

65-67 Belt Boots & Storage Pockets

I-131A 65-66E Belt storage pockets, black (2)..... 39.99
I-131B 65-66E Belt storage pockets, bright blue or red (2) 52.99
I-131D 65-66E Belt storage pockets, saddle or dark green (2)..... 52.99
I-131E 66L-67 Belt storage pockets, black (2)..... 41.99
I-131F 66L-67 Belt storage pockets, bright blue or red (2) 52.99
I-131C 66L-67 Belt storage pockets, 66 medium saddle, dark green or teal (2)..... 52.99
I-936 66-67 Shoulder harness twin storage pockets, black (2)..... 27.99
I-2051 66-67 Shoulder harness twin storage pockets, red, blue or medium saddle (2)..... 32.99
I-935 66-67 Shoulder harness belt boots, black (2) 35.99
I-2052 66-67 Shoulder harness belt boots, red, blue or medium saddle (2)..... 45.99



I-131A

I-131E

Center Storage Brackets

I-134 65-66E Center storage bracket, no holes..... 29.99
I-135 66L Center storage bracket, w/holes 29.99
I-2053 67E Center storage bracket, no holes..... 44.99
I-145 67L Center storage bracket, w/holes 44.99
ZSF-372 65-66 Center storage bracket screws (2)..... 1.99
I-2714 67 Center storage bracket & brake console screws (4 pcs) 2.49



I-145

I-2053

I-135

I-134



Underbody Reinforcements & Cables

I-1777 63 Underbody reinforcement, outer LH 32.99
I-1787 63 Underbody reinforcement, outer RH 32.99
I-1238 63-64 Underbody reinforcement, inner LH 32.99
I-1237 63-64 Underbody reinforcement, inner RH 32.99
I-1226 65-67 Underbody reinforcement, inner (LH or RH)..... 32.99
I-1227 65-67 Underbody reinforcement, outer (LH or RH) 32.99
I-1267 66-67 Shoulder harness underbody reinforcement (LH or RH) 43.99
I-814 65-67 Underbody cable assemblies w/hardware (car set)..... 119.99
I-1230 65-67 Underbody center cable 34.99
I-1229 65-67 Underbody outer cable 48.99
I-815 65-67 Underbody cable hardware (14 pcs) 6.99
M-3833 65-66E Underbody cable clamp, welds to crossmember 23.99
M-3832 66L-67 Underbody cable clamp, welds to crossmember 23.99



I-1226

I-1227

I-814

Seat Belts Reinforcements

All underbody reinforcements required for anchoring seat belts set. Includes inner and outer reinforcements. Car set of 4.



I-2056

I-2054 63 Underbody reinforcements 119.99
I-2055 64 Underbody reinforcements 119.99
I-2056 65-67 Underbody reinforcements 119.99

3-Point Seat Belts

3-point seat belt conversion systems are designed to increase security within your Corvette. Systems feature a single web sensitive retractor, color matched or OE-style push button, 7-panel webbing in several factory colors, and a full hardware kit with instructions for mounting. Car set.

I-2686 63-67 3-point seat belts w/lift buckle 219.99
I-2687 63-67 3-point seat belts w/GM push button 299.99



Quarter Panels & Pinch Welt

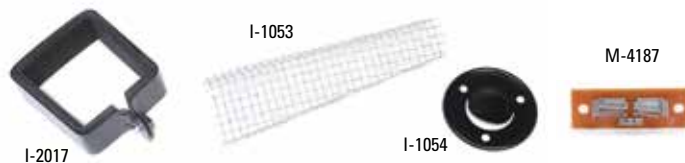
Pinch Welt

I-312	63	Pinch welt, specify color (2)	24.99
I-1076	63	Pinch welt caps, Conv., w/hardware (car set)	109.99
I-879	63E	Pinch welt cap, Coupe, 2-hole, used prior to May 63 (LH or RH)	34.99
I-2062	63L	Pinch welt cap, Coupe, 1-hole, used after May 63 (LH or RH)	34.99
D-893	64-67	Pinch welt caps (2) (G)	109.99
I-1075	63	Pinch welt cap screw & barrel nuts, Conv. (4 pcs)	6.99
SF-362	63-67	Pinch welt cap screws, Coupe (4)	4.99

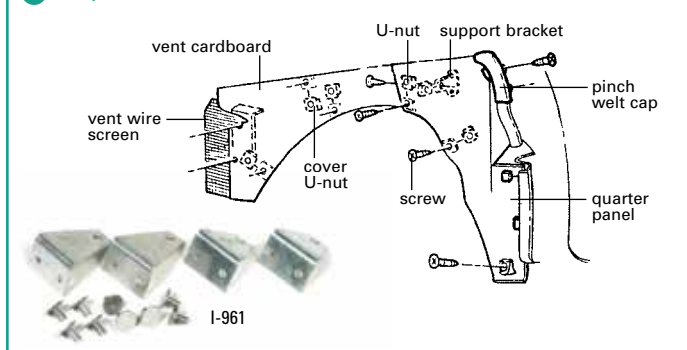


64-65 Coupe Rear Blower

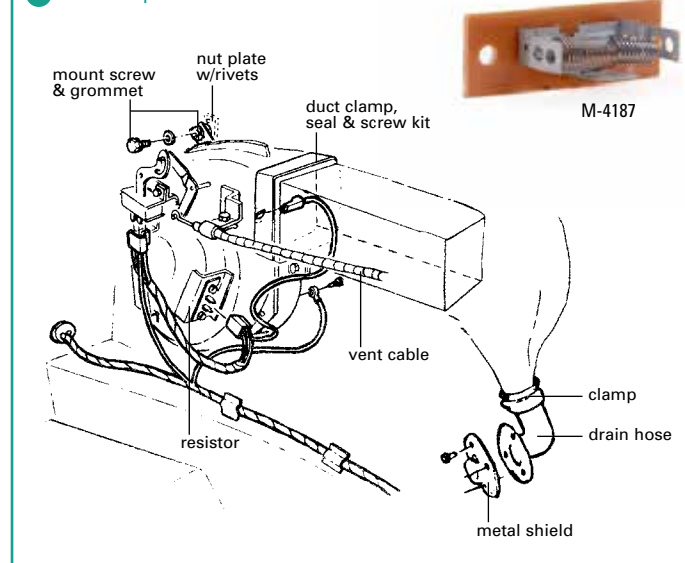
I-2422	64-65	Rear blower drain hose, correct reproduction (I)	46.99
I-2016	64-65	Rear blower drain hose, replacement (I)	29.99
I-1177	64-65	Rear blower drain hose clamp (I)	5.99
I-1054	64-65	Rear blower drain metal shield (I)	22.99
I-1055	64-65	Rear blower drain shield hardware (6 pcs)	4.99
I-801	65	Rear blower knob	12.99
I-2017	64-65	Rear blower housing to duct clamp, seal & screw kit (I)	24.99
I-1175	64-65	Rear blower motor mount screws & grommets (6 pcs) (I)	18.99
I-1424	64-65	Rear blower motor mount nut plates & rivets (use with I-1175) (I)	14.99
I-2018	64	Rear blower vent cable, Coupe, w/o AC (I)	138.99
I-2074	64	Rear blower vent cable, Coupe, w/AC (I)	161.99
I-1668	65	Rear blower vent cable, Coupe, w/o AC (I)	138.99
I-1669	65	Rear blower vent cable, Coupe, w/AC (I)	161.99
M-4187	64-65	Rear blower resistor (J)	24.99
AH-412	64-65	Rear blower resistor screws (2)	1.99
M-3654	64-65	Rear blower resistor repair plug	5.99



G Coupe Quarter & Rear Blower Vent



I 64-65 Coupe Rear Blower



Coupe Quarter Panels

I-330	63	Quarter panels, w/o PWR vent (2) (G)	121.99
I-1083	64	Quarter panels, w/PWR vent (2) (G)	122.99
I-1084	65	Quarter panels, w/PWR vent (2) (G)	122.99
I-331	65-67	Quarter panels (2) (G)	121.99

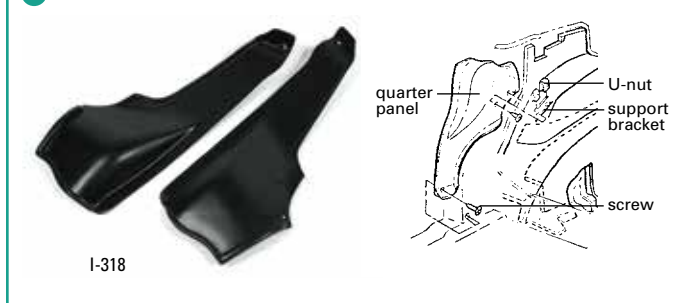
Note: Specify color for quarter panels.

I-961	63	Quarter panel support brackets w/rivets (car set)	24.99
I-962	64-65	Quarter panel support brackets w/rivets (car set) (G)	29.99
I-961	66-67	Quarter panel support brackets w/rivets (car set)	24.99
I-1263	63-67	Quarter panel to dome panel clips (4)	22.99
I-965	63-67	Quarter panel U-nut set (5) (G)	3.99
ZSF-386	63-67	Quarter panel screws (6) (G)	3.99

Convertible Quarter Panels

I-318	63-67	Quarter panels, ABS, specify color (2) (H)	143.99
I-1715	63-67	Quarter panels, fiberglass, paint to match (2) (H)	239.99
I-960	63-67	Quarter panel support brackets w/rivets (car set) (H)	24.99
I-877	63-67	Quarter panel bumpers (6)	4.99
SF-384	63-67	Quarter panel U-nut set (4) (H)	3.99
ZSF-385	63-67	Quarter panel screws, replacement (6 pcs) (H)	4.99
SF-742	63-64	Quarter panel hardware, correct (6 pcs) (H)	6.99
SF-743	65-67	Quarter panel hardware, correct (8 pcs) (H)	6.99

H Convertible Quarter Panels



Rear Blower Vent Cardboard

I-1176	64-65	Rear blower vent cardboard cover, attaches to backside of carpet (H)	18.99
SF-611	64-65	Rear blower vent cover screws & washers (12 pcs) (H)	4.49
SF-612	64-65	Rear blower vent cover U-nuts (4) (H)	1.99
I-1053	64-65	Rear blower vent wire screen (H)	18.99



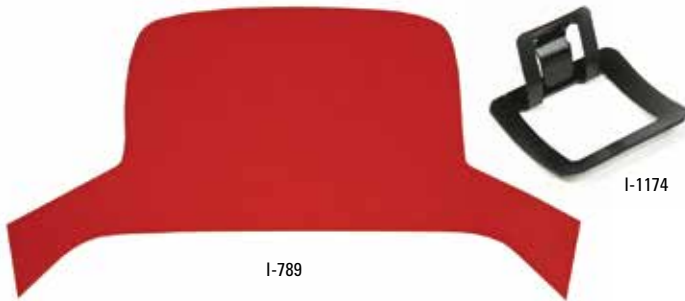
ZipSocial    
Follow us on social media & stay connected! www.zip-corvette.com/social

Headliner, Dome Light & Coupe Rear

Headliner

'63-65 hardtop headliners are cloth covered as original; '66-67 are correct grain vinyl bonded to a rigid plastic backing – with a layer of foam between the vinyl and backing. '67 has molded sunvisor recesses. Coupe headliners are all vinyl, with '66-67 only having the foam center. '67 coupe has molded recesses.

I-789	63-64	Hardtop headliner, specify color	209.99
I-830	65	Hardtop headliner, specify color	209.99
I-835	66-67	Hardtop headliner, specify color	253.99
HT-381	63-67	Hardtop headliner inner molding screws (23)	7.99
I-820	63-64	Coupe headliner, specify color	253.99
I-810	65	Coupe headliner, specify color	253.99
I-790	66	Coupe headliner, specify color	253.99
I-791	67	Coupe headliner, specify color	253.99
I-2362	64-67	Coupe headliner moldings (2)	99.99
I-1174	64-67	Coupe headliner molding over door clip (2 per car).....ea	10.99
ZSF-217	63-67	Halo panel screws & washers (12 pcs)	4.99



Visit us online: www.zip-corvette.com/int14
Installing a new headliner in your mid-year coupe



Dome Light

I-1425	63-67	Dome light assembly, includes housing, lens, bulb & socket (GM licensed) (K).....	51.99
I-2499	63-67	Dome light assembly, includes housing, lens, bulb & socket (imported) (K).....	44.99
L-359	63-67	Dome light bulb.....	2.99
I-1162	63-67	Dome light housing (w/o socket).....	38.99
ZI-1280	63-67	Dome light housing screws & U-nuts (4 pcs).....	1.99
I-667	63-67	Dome light lens.....	8.99
E-882	63-67	Dome light socket.....	12.99



Coupe Rear Moldings

I-818	64-67	Rear window inner plastic trim (LH or RH) (paint to match) (J).....	58.99
ZSF-223	63	Rear window inner trim & headliner molding screws (32).....	7.99
ZSF-207	64-67	Rear window inner trim screws (14) (J).....	4.49
I-1312	63	Rear split window vinyl set, covers split window bar & between window edge and wheel wells (set of 3).....	23.99
I-1311	63-64	Rear window vinyl, specify color.....	23.99
I-1310	65-67	Rear window vinyl, specify color (J).....	23.99

Note: Rear window vinyl covers upper portion of rear deck at base of rear window.

Sunvisors

I-328	63-64	Sunvisors, Conv., specify color (pair)	139.99
I-328	63	Sunvisors, Coupe, specify color (pair).....	139.99
I-329	64	Sunvisors, Coupe, specify color (pair).....	139.99
I-324	65-66	Sunvisors, Conv., specify color (pair)	139.99
I-326	65-66	Sunvisors, Coupe, specify color (pair).....	139.99
I-2985	67	Sunvisors, Conv., specify color (pair)	139.99
I-2984	67	Sunvisors, Coupe, specify color (pair).....	129.99
I-212	63-67	Sunvisor hardware mount kit, replacement (car set)	15.99
I-2718	63-67	Sunvisor hardware mount kit, correct (car set)	23.99
ZSF-108	63-67	Sunvisor support mount screws (4)	2.99
TL-139	63-67	Sunvisor nut screwdriver tip.....	8.99

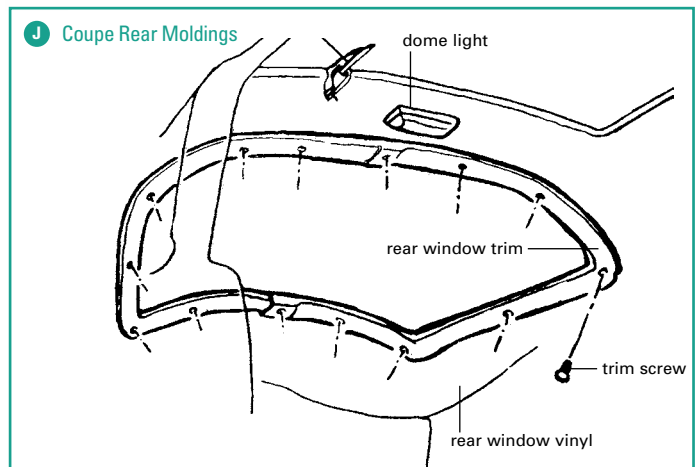


Inside Mirror

MR-210	63-66	Inside mirror	34.99
MR-337	67	Inside mirror, reproduction, w/Day-Night.....	79.99
MR-349	67	Inside mirror, replacement, w/Day-Night.....	49.99

Note: '67 reproduction mirrors include "Guide" and "Made in the USA" stamped in housing; MR-349 replacement mirror does not.

MR-350	67	Inside mirror glass, Day-Night.....	24.99
MR-208	63-66	Inside mirror bracket w/pivot screw.....	66.99
MR-207	67	Inside mirror bracket w/pivot screw.....	67.99
MR-343	67	Inside mirror bracket cover, specify black or paint to match....	44.99
ZSF-216	63-67	Inside mirror bracket to windshield frame mount screws (2).....	1.99
MR-361	63-67	Inside mirror pivot bushing.....	2.99
MR-213	63-67	Inside mirror pivot screw, mounts mirror to bracket	1.99



Dash & Windshield Molding

Courtesy & Heater Light

I-1279	63-67	Courtesy light bracket w/screw (1-3 per car)	ea	10.99
I-2058	63-67	Courtesy light LH bracket w/AC		10.99
I-2059	63-67	Courtesy light RH bracket w/AC		10.99
L-359	63-67	Courtesy light bulb	ea	2.99
E-882	63-67	Courtesy light socket	ea	12.99
I-1704	63-67	Courtesy light bracket screws (3)		2.99
D-612	64-67	Heater lamp metal socket & shade		26.99
D-741	64-67	Heater/AC lamp metal socket & shade (set of 3)		69.99
D-784	65-67	Heater/AC lamp socket green cover		6.99



Dash Pad & Mounting

I-1765	63-67	Dash to windshield frame bolts & U-nuts (10)		26.99
BL-309	63-67	Dash to windshield frame screws (10)		22.99
I-2060	63-64	Dash center cover, specify color		220.99
I-821	63-67	Dash pad clips (28 per car)	ea	3.49
I-2553	63-67	Dash pad clip set (14)		29.99
I-3288	63-67	Dash pad clip set (28)		54.99
D-408	63-67	Dash pad to door jamb rivet kit, black aluminum rivets (10)		4.99
SF-740	63-67	Dash pad nut & washer set		1.49
D-200	63-64E	Grab bar insert, 4-hole, specify color		11.99
D-210	64L-66	Grab bar insert, 6-hole, specify color		11.99
ZSF-224	63-64	Grab bar insert mount screws (4)		1.99
ZSF-225	64-66	Grab bar insert mount screws (6)		1.99



Dash Indicators

D-214	63	Dash indicators, w/AC (set of 6)		269.99
D-215	63	Dash indicators, w/o AC (set of 4)		99.99
D-216	64	Dash indicators, w/o AC (set of 4)		14.99
D-217	64	Dash indicators, w/AC (set of 6)		20.99
D-201	65-67	Dash indicators, w/AC (set of 6)		14.99
D-202	65-67	Dash indicators, w/o AC (set of 4)		11.99



Dash Pad

Reproduction pads feature correct grain with exact thickness as original pad. '63-64 grain is Seville, '65-67 is Madrid. RH pad includes grab bar insert. Specify factory color.



I-1772	63-64	Dash pad, specify color (LH or RH)		661.99
I-783	65-66	Dash pad, specify color (LH or RH)		675.99
I-784	67	Dash pad, specify color (LH or RH)		675.99

Heater Knob & Bezel

D-396	63-67	Heater cable nut (2-4 per car)	ea	7.99
D-390	63-64	Heater knob, fan (set screw)	ea	24.99
D-391	63-64	Heater knob, defroster & AC (screw-on)	ea	23.99
D-564	65	Heater knob, fan (set screw)	ea	23.99
D-563	65	Heater knob, defroster & AC (screw-on)	ea	23.99
D-392	66	Heater knob, fan (set screw)	ea	23.99
D-393	66	Heater knob, defroster & AC (screw-on)	ea	23.99
D-394	67	Heater knob, fan (set screw)	ea	23.99
D-395	67	Heater knob, defroster & AC (screw-on)	ea	23.99
D-670	64-65	Heater knob bezels, dull finish (2)		26.99
D-671	66-67	Heater knob bezels, bright finish (2)		29.99



Visit us online: www.zip-corvette.com/int13

How to give your 63-67 Corvette center console a makeover



Under Dash Rods

I-2282	63-67	Under dash lower brace		22.99
I-2281	63-67	Under dash upper brace		22.99
I-2283	63-67	Under dash brace hardware (5 pcs)		8.99
D-977	63-67	Under dash support rod lower bracket, rivets to firewall		12.99



Inner Windshield Moldings

I-3069	63-67	Windshield lower molding		229.99
I-765	63-67	Windshield lower molding retainers (4)		46.99
I-1278	63-67	Windshield lower molding end retainers w/screws (car set)		14.99
ZSF-215	63-67	Windshield inner molding screws, Coupe (18)		4.99
ZSF-463	63-67	Windshield inner molding screws, Conv. (12)		3.99



Fresh Air Cables

D-574	63-64	Fresh air vent cable w/knob & bracket (LH or RH)	ea	91.99
D-574.L	63	Fresh air vent cable w/knob & bracket, LH side w/AC		91.99
D-786	64	Fresh air vent cable w/knob & bracket, LH side w/AC		94.99
D-575	65-66	Fresh air vent cable w/knob & bracket (LH or RH)	ea	89.99
D-787	65-66	Fresh air vent cable w/knob & bracket, LH side w/AC		89.99

Note: LH cables are different for air condition versus non-AC cars. RH cables are the same for either application.

I-1439	67	Fresh air vent cable (LH or RH) (K)	ea	47.99
SF-634	63-64	Fresh air vent cable to dash screws (2)		1.99
SF-635	65-66	Fresh air vent cable to dash screws (2)		1.99
M-279	63-67	Fresh air vent cable (LH) to hood cable retaining clip		6.99
D-1197	63-66	Fresh air vent cable (RH) to heater cable retaining clip		4.99
I-801	65-66	Fresh air vent knob	ea	12.99
D-388	67	Fresh air vent knob (K)	ea	20.99

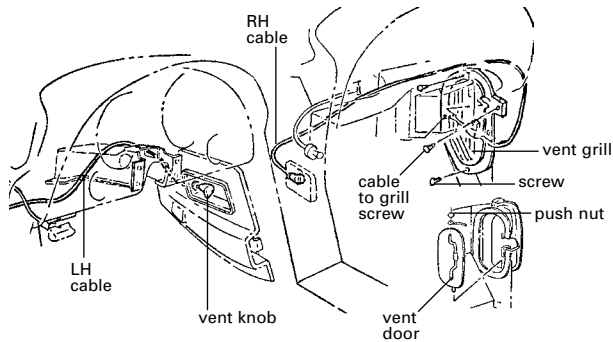
Firewall Insulation

Fiberboard-backed insulation mounts to interior compartment side of firewall (behind dash). Individual pieces are precision cut and molded to fit specific applications. I-748 interior sound deadener is die cut sheet insulation and mounts above firewall insulation.

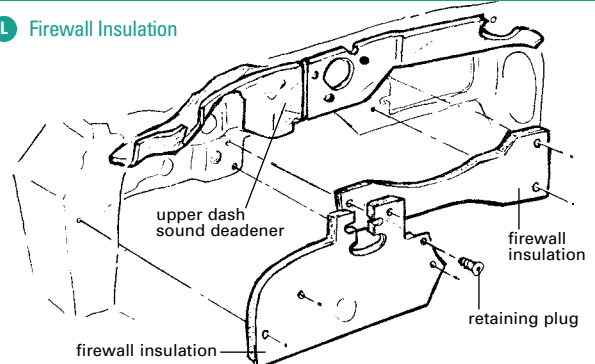
M-2259	63E	Firewall insulation set w/fasteners (L)		229.99
M-2259A	63L-64	Firewall insulation set w/fasteners (L)		229.99
M-2259B	65-66	Firewall insulation set w/fasteners (L)		229.99
M-2259C	67	Firewall insulation set w/fasteners (L)		229.99
M-4303	63-67	Firewall insulation heater delete insert (L)		49.99
M-4201	63-67	Insulation retaining plugs, correct "M" logo (L)	ea	2.99
I-687	63-67	Insulation retaining plugs, replacement (7 pcs) (L)		12.99
TL-147	63-67	Insulation retaining plug installation tool		8.99
I-748	63-67	Upper dash sound deadener set, fits above firewall insulation (L)		59.99

Note: '63-Early firewall insulation does not surround fuse box - '63-Late-64 insulation does surround fuse box area.

K 67 Fresh Air Cables



L Firewall Insulation



Fresh Air Vent Cables

Replace your balky or frozen vent cables with a new pair of Zip's reproduction cables. Include knobs and brackets. Car set.

D-598	63-64	Fresh air vent cables, non-AC		161.99
D-848	65-66	Fresh air vent cables, non-AC		159.99

Fresh Air Grill & Door

D-887	63-67	Fresh air vent cable (RH) w/AC grill bracket		15.99
D-739	63-67	Fresh air vent cable to grill screws (2) (K)		1.99
SF-803	63-67	Fresh air vent cable to door push nuts (5) (K)		1.99
I-1060	63-66	Fresh air vent door (metal) w/seal	ea	49.99
I-1059	67	Fresh air vent door (metal) w/seal (K)	ea	49.99
ZWS-470	63-67	Fresh air vent door seal kit, includes rivets for door reassembly (car set)		12.99
TL-154	63-67	Small rivet tool		39.99
TL-165	63-67	Aero-Rivet tool		89.99
I-797	63-67	Fresh air vent plastic grill (LH or RH) (K)	ea	44.99
I-1703	63-67	Fresh air vent plastic grill, RH w/AC (K)		99.99
I-866	63-67	Fresh air vent grill screws (6) (K)		2.99
D-888	63-67	Fresh air vent grill stud plate		9.99



See page 141 for carpet underlayment, heat barrier kits, AcoustiShield insulation and custom cut Dynamat Xtreme sound deadeners.

Replacement Insulation

ABS plastic with an embossed grain and fiberglass insulation. Scuff, scratch and moisture resistant. Excellent alternative to potential repeat replacement of fiberboard insulation.

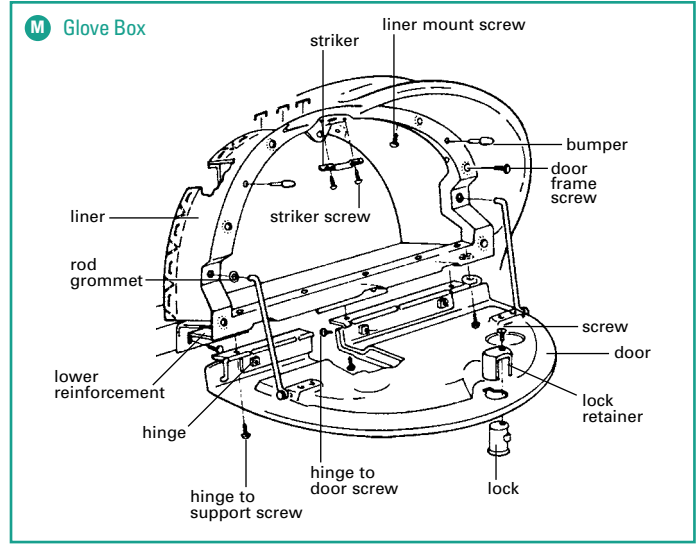
M-3778	63-67	Replacement firewall insulation		259.99
--------	-------	---------------------------------------	--	--------



Glove Box

Complete Door Assembly

D-1046	63	Glove box door front only.....	489.99
D-221	63	Door, complete (M).....	599.99
D-243	64-65	Door, complete (M).....	479.99
D-213	66-67	Door, complete (M).....	479.99



Door Repair Kit

Includes precut and punched aluminum face plate with special mounting screws and assembly instructions.



D-203	64-65	Door aluminum repair kit.....	44.99
D-613	66-67	Door aluminum repair kit.....	44.99
D-225	64-65	Glove box door emblem.....	47.99
D-226	66-67	Glove box door emblem.....	49.99

Hinge & Lower Reinforcement

D-637	63E	Door lower reinforcement (M).....	36.99
D-636	63L-64E	Door lower reinforcement (M).....	42.99
D-635	64L-67	Door lower reinforcement (M).....	36.99
WS-421	63-67	Door rod grommets (2) (M).....	4.49
ZWS-464	63-67	Door rubber bumpers (2) (M).....	4.99
I-1219	63-67	Hinge w/spring (M).....	44.99
SF-633	63	Hinge to door screws & washers (6 pcs).....	2.99
SF-489	64-67	Hinge to door screws & washers (6 pcs) (M).....	3.99
SF-492	63-67	Hinge & support screws (7 pcs) (M).....	4.99
SF-493	63-67	Hinge spring screw & washer.....	1.99
D-221B	63	Hinge reinforcement, prevents lower door from cracking (63 only).....	10.99

Interior Screw Set

Includes approximately 90% of all screws needed when undertaking a full-on interior restoration. Correct size and finish fasteners are marked for specific use.

ZSF-226	63	Coupe (170 pcs).....	44.99
ZSF-227	63	Convertible (130 pcs).....	44.99
ZSF-228	64	Coupe (153 pcs).....	44.99
ZSF-229	64	Convertible (121 pcs).....	44.99
ZSF-230	65-66	Coupe (127 pcs).....	39.99
ZSF-231	65-66	Convertible (111 pcs).....	39.99
ZSF-232	67	Coupe (121 pcs).....	39.99
ZSF-233	67	Convertible (109 pcs).....	39.99

See www.zip-corvette.com for screw set contents



Lock & Striker

LK-202	63	Lock w/case & key (M).....	32.99
LK-205	64-66	Lock w/case & key (M).....	34.99
LK-205A	67	Lock w/case & key (M).....	36.99
LK-328	63	Lock retainer.....	14.99
LK-330	64-67	Lock retainer (M).....	14.99
LK-329	63-67	Lock retainer screw (M).....	1.49
D-224	63-67	Striker (lock latch) (M).....	9.99
SF-490	63-67	Striker mount screws (2) (M).....	2.49

See page 112 for keyed-alike, reproduction lock sets including ignition, door, glove box and spare tire



Interior Liner & Light

SF-491	63-67	Door frame mount screws (6) (M).....	9.99
SF-513	63-67	Door frame screw U-nuts, replacement (6).....	5.99
D-1084	63-67	Door frame screw U-nuts, correct "square" nut (6).....	24.99
ZD-206A	63-67	Liner assembly, includes J-nuts (M).....	26.99
ZD-206C	63-67	Liner mount screws (9) (M).....	6.99
D-1008	63E	Light switch w/socket & harness terminal.....	18.99

Note: '63-Early glove box light switch does not use metal shield.

D-218	63L-67	Light switch w/socket & harness terminal.....	18.99
E-1324	63-67	Light switch harness terminal only.....	4.99
L-362	63-67	Light bulb.....	1.49
I-867	63L-67	Light bulb metal shield.....	10.99



Glove Box Decal & Bag

MF-295	66	Tire pressure decal.....	4.99
MF-296	67	Tire pressure decal.....	4.99
I-1206	63-67	Glove box cloth bag.....	4.99



Console Ash Tray

I-2765	63	Ash tray	19.99
I-625B	64-67	Ash tray (O)	12.99
I-1688	64-67	Ash tray door w/knob staked on	24.99
I-1089	63-67	Ash tray door slides (2)	14.99
I-625	63-67	Ash tray knob, original style rivet on (O)	12.99
I-3300	63-67	Ash tray knob, screw-on replacement (O)	11.99

63 Lower Shifter Console

I-1405	63	Console w/o PWR windows	1,099.99
I-1406	63	Console w/PWR windows	1,099.99
I-1671	63	Console side extensions (car set)	789.99
I-1080	63	Console "horseshoe" molding	122.99
ZI-698	63	Console mount screws (17)	4.99
ZSF-355	63	Console mount screw U-nuts (17)	5.99
I-1067	63	Console rear bracket w/rivets & nut plate (car set)	18.99
I-964	63	Console side brackets w/rivets (car set)	19.99
ST-375	63	Shift pattern, Automatic	19.99
ST-374	63	Shift pattern, 4-speed	19.99



Power Window Switch

I-670	63-67	Power window switch (N)	99.99
I-1682	63	Power window switch screws & spacers (6 pcs) (N)	8.99
I-1681	64-67	Power window switch screws (2)	2.49
E-866	63-67	Power window switch repair pigtail, includes pigtail for both LH & RH switch	39.99
I-1802	63-67	Power window switch cup (N)	44.99
I-1680	63-67	Power window switch cup mount plate, rivets & screws (N)	9.99

Visit us online: www.zip-corvette.com/int13
64-67 Corvette shifter console makeover



Console Protection & Cup Holder

Clear plastic console covers include two cup holders to secure your favorite beverage plus a storage area for keys or wallet- all while the clear finish allows your factory shifter console to show through. Available for Corvettes w/o power windows.



X-3754	63-67	Console cup holder w/o PW	59.99
--------	-------	---------------------------	-------

Console Repair

Is your Corvette's console brightwork looking a little worse for wear? Give it a facelift with Zip's repair kit. Includes precut shifter surround, ash tray door with knob and shift pattern plate.



ST-204	64	Console repair kit, Automatic	44.99
ST-205	65-67	Console repair kit, Automatic	59.99
ST-349	64-67	Console repair kit, 3-speed	44.99
ST-207	64-67	Console repair kit, 4-speed	44.99

64-67 Lower Shifter Console

I-2243	64	Console, Automatic, specify color (O)	Call
I-2245	64-66	Console, 4-speed, specify color (O)	Call
I-2244	67	Console, 4-speed, specify color (O)	Call

Note: Specify with or without power windows on shifter console.

ZI-642	64-67	Console mount screws (8) (O)	2.99
ZSF-356	64-67	Console mount screw U-nuts (4) (O)	2.99
I-1066	64-67	Console rear bracket w/rivets & nut plate (car set) (O)	18.99
I-964	64-67	Console side brackets w/rivets (car set) (O)	19.99
I-3296	65-67	Console surround plate, Automatic, includes shift pattern	24.99
I-3289	64-67	Console surround plate, 4-speed	22.99
SF-354	64-67	Radio side panel clips, mount to console (2)	15.99
ST-439	64	Shift pattern, Automatic	14.99
ST-386	64-67	Shift pattern, 3-speed	12.99
ST-388	64-67	Shift pattern, 4-speed	9.99

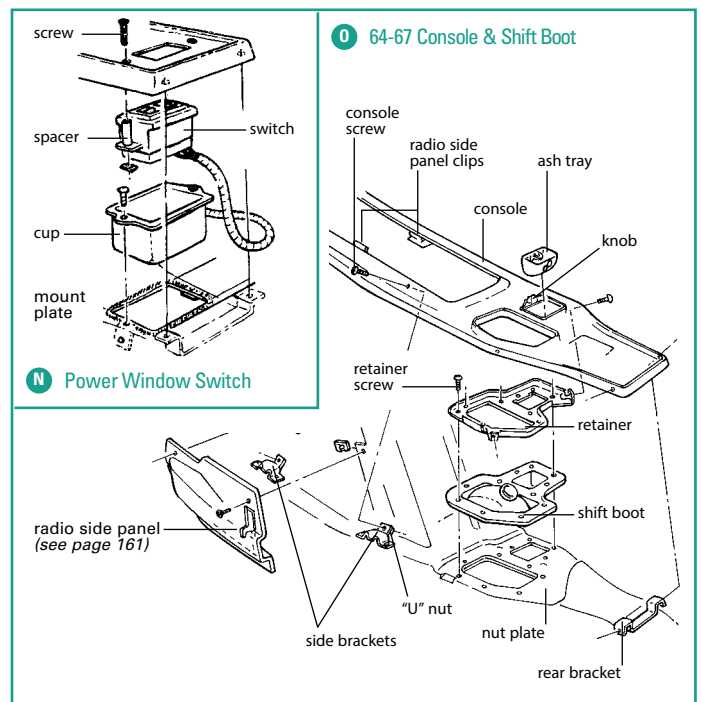
See page 85 & 88 for mid-year shift boots and retainers.



Transmission Conversion Shift Patterns

Factory style shift patterns for upgraded transmission conversions.

ST-583	63-64	Auto shift pattern (3-speed auto)	39.99
ST-584	63-64	Auto shift pattern (4-speed auto)	39.99
ST-585	65-67	Auto shifter console plate (3-speed auto)	54.99
ST-586	65-67	Auto shifter console plate (4-speed auto)	54.99
ST-623	63-67	5-speed shift pattern (Tremec)	29.99
ST-624	63-67	6-speed shift pattern (Magnum)	34.99



Instrument Cluster & Gauges

Instrument Cluster Mount & Column Bezel

SF-205	63-67	Instrument cluster mount screws, correct (5).....	5.99
D-409	63-67	Instrument cluster U-nuts, correct "square" nut (5).....	22.99
MF-436	65-67	Cluster backplate horsepower indicator sticker.....	5.99
ZMG-53	63-64	Cluster bezel frost silver, aerosol.....	7.99
D-454	63-67	Fluorescent orange needle paint.....	ea 6.99
D-892	63-67	Ground terminal.....	4.99
D-912	63-67	Speedometer/tachometer frame to housing gasket.....	ea 2.99
D-1055	63-67	Speedometer/tachometer mount grommet.....	ea 1.99
D-1056	63-67	Speedometer/tachometer mount screw, correct.....	ea 3.29
SF-576	63-67	Rear backplate screw & pal nut set (21 pcs).....	8.99

Odometer

D-865	63-67	Odometer metal drive gear.....	12.99
D-1195	63-67	Odometer metal drive gear set (3-piece).....	59.99
D-828	63-67	Odometer wheels.....	49.99
D-557	63-64E	Odometer reset cable & casing, aluminum body.....	49.99
D-703	64L-67	Odometer reset cable & casing, brass body.....	49.99
D-668	63-67	Odometer reset cable flat nut.....	7.99
WS-453	63-67	Odometer reset knob.....	2.99
D-793	63-67	Trip odometer wheels.....	49.99
D-487	63-67	Trip odometer lens.....	15.99
D-833	63-67	Trip odometer lens gasket.....	4.99



Tachometer

D-677	65-67	5300 rpm tachometer face.....	29.99
D-443	65-67	5300 rpm tachometer.....	189.99
D-678	65-67	6000 rpm tachometer face.....	29.99
D-453	65-67	6000 rpm tachometer.....	189.99
D-679	65-67	6500 rpm tachometer face.....	29.99
D-241	65-67	6500 rpm tachometer.....	189.99
D-222	63	Tachometer lens, plastic.....	19.99
D-211	64-67	Tachometer lens, glass.....	10.99
D-230	63-64	Tachometer needle.....	29.99
D-242	65-67	Tachometer needle.....	26.99
D-1205	63-67	Tachometer face mount screws (4).....	2.99
D-975	63	Tachometer warning buzzer.....	34.99



Electronic Tachometer Conversion

Keep your Corvette's factory tachometer face even with a high energy electronic ignition distributor (no tach drive) or a complete LS engine conversion. Simple 3-wire installation. Instructions and hardware are included.

Signal generator allows for bench calibration of electronic tachometers.



D-1017	65-57	Electronic tachometer conversion.....	159.99
TL-182	65-57	Electronic tachometer signal generator.....	49.99

Electronic Tachometers

Reproduction tachometers with pre-installed electronic conversions. Fully assembled tachs are calibrated and ready for installation. Maintains original look- perfect for high-energy ignition or LS conversion.



D-1068	65-67	5300 rpm electronic tachometer.....	279.99
D-1069	65-67	6000 rpm electronic tachometer.....	279.99
D-1070	65-67	6500 rpm electronic tachometer.....	279.99

Gauge Kit

Update your '63-67 instrument cluster with a fresh set of reproduction small gauges. Zip recommends installing cluster lens kit (below) at same time.

Choose 60 or 80 lbs. oil gauge as applicable. GM licensed.



D-880	63	Small gauge kit w/60 lbs. oil.....	299.99
D-881	63	Small gauge kit w/80 lbs. oil.....	299.99
D-882	64	Small gauge kit w/80 lbs. oil.....	299.99
D-795	65	Small gauge kit w/60 lbs. oil.....	299.99
D-796	65	Small gauge kit w/80 lbs. oil.....	299.99
D-797	66-67	Small gauge kit w/60 lbs. oil.....	299.99
D-798	66-67	Small gauge kit w/80 lbs. oil.....	299.99

Small Gauges

D-859	63	Ammeter gauge.....	89.99
D-860	64	Ammeter gauge.....	89.99
D-235	65-67	Ammeter gauge.....	89.99
E-874	63-67	Ammeter gauge capacitor.....	15.99
D-861	63	Fuel gauge.....	89.99
D-862	64	Fuel gauge.....	89.99
D-239	65-67	Fuel gauge.....	89.99
D-854	63	Oil gauge, 60 lbs.....	89.99
D-855	63	Oil gauge, 80 lbs.....	89.99
D-856	64	Oil gauge, 80 lbs.....	89.99
D-752	65-67	Oil gauge, 60 lbs.....	89.99
D-753	65-67	Oil gauge, 80 lbs.....	89.99
D-890	63-67	Oil pressure gauge mount screws (2).....	1.49
D-857	63	Temperature gauge.....	89.99
D-858	64	Temperature gauge.....	89.99
D-750	65	Temperature gauge.....	89.99
D-751	66-67	Temperature gauge.....	89.99
D-1204	63-67	Harness terminals & hardware, ammeter or temperature.....	8.99
D-648	63	Small gauge lens kit, plastic (4 pcs).....	32.99
D-212	64-67	Small gauge lens, glass.....	10.99
D-889	63-67	Small gauge mounting reinforcements (3).....	15.99
D-1114	63-64	Small gauge needle.....	ea 12.99
SF-638	63-67	Small gauge face mount rivets (10).....	2.99



Voltmeter

If you're dropping in a late model or LS series engine in your Corvette- then you'd like to have a voltmeter gauge instead of the factory ammeter gauge. Our voltmeter gauges are designed to emulate the factory gauges, including correct face, letter style and color.



D-1010	65-67	Voltmeter.....	89.99
--------	-------	----------------	-------

Cluster Lens Kit

Includes all lenses to refurbish gauge cluster. Zip recommends installing our lens gasket set at the same time.



D-728	63	Cluster instrument lens kit (8 pcs).....	91.99
D-794	64-67	Cluster instrument lens kit (7 pcs).....	69.99
D-639	63-67	Lens gasket set (23 pcs).....	12.99

Speedometer

D-680	65-67	Speedometer face.....	31.99
D-1205	65-67	Speedometer face mount screws (4).....	2.99
D-222	63	Speedometer lens, plastic.....	19.99
D-211	64-67	Speedometer lens, glass.....	10.99
D-230	63-64	Speedometer needle.....	29.99
D-242	65-67	Speedometer needle.....	26.99
D-975	67	Speed warning buzzer.....	34.99
D-891	67	Speed warning knob.....	35.99



Speedometer Conversion

Electronic conversion kit to be utilized with your factory Corvette speedometer face. Whether you are installing a complete LS engine conversion or just want to run an electronic transmission in your mid-year Corvette- now you can run your factory speedometer without having a drive cable. Includes a fully programmable electronic trip odometer!

D-1054	65-67	Electronic speedometer conversion.....	249.99
--------	-------	--	--------

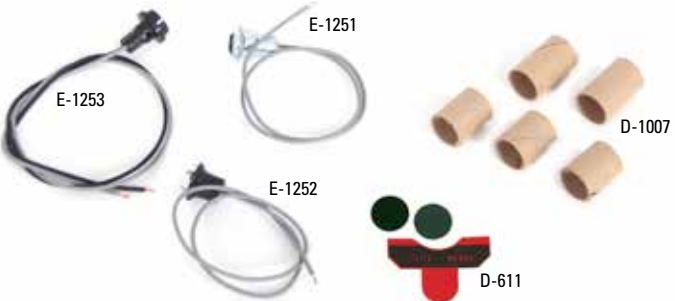
Headlight Switch & Knob

ES-100	63	Headlight switch, on/off.....	29.99
ES-201	64-67	Headlight switch, on/off.....	22.99
D-382	63	Headlight knob & rod.....	29.99
D-441	64	Headlight knob & rod.....	35.99
D-565	65	Headlight knob & rod.....	29.99
D-383	66	Headlight knob & rod.....	29.99
D-384	67	Headlight knob & rod.....	29.99
D-385	63-67	Headlight switch nut.....	14.99



Instrument Cluster Filters & Bulbs

D-611	63-67	Cluster filter set, 2 green turn signal arrows, 1 red "Head" & "Brake" (3 pcs).....	23.99
L-331	63-67	Hi-beam indicator bulb.....	ea 1.99
E-1251	63-67	Dash harness light repair, 1-wire metal housing.....	ea 5.99
E-1252	63-67	Dash harness light repair, 1-wire plastic housing.....	ea 5.99
E-1253	63-67	Dash harness light repair, 2-wire plastic housing.....	ea 18.99
L-329	63-67	Instrument panel light bulb.....	ea 1.99
D-1007	63-67	Instrument panel light bulb cardboard tubes (5).....	6.99
D-1162	64-67	Instrument panel light bulb cardboard tube seals (3).....	18.99
L-328	63-67	Park brake & headlight warning flasher bulb.....	ea 6.99
L-329	63-67	Turn signal indicator bulb.....	ea 1.99



Ignition Switch

LK-353	63-64	Ignition lock cylinder w/GM hex key.....	34.99
LK-354	65	Ignition lock cylinder w/GM hex key.....	34.99
LK-355	66	Ignition lock cylinder w/GM hex key.....	22.99
LK-356	67	Ignition lock cylinder w/GM "A" groove square key.....	34.99
ES-212	63-64	Ignition switch, replacement.....	29.99
ES-205	65	Ignition switch.....	Call
ES-659	66-67	Ignition switch, correct w/light housing.....	99.99
ES-206	66-67	Ignition switch, replacement.....	39.99
I-2251	63-65	Ignition switch nut.....	14.99
LK-210	66-67	Ignition switch nut.....	12.99
TL-144	63-65	Ignition switch nut wrench.....	9.99
TL-149	66-67	Ignition switch nut wrench.....	9.99
ES-547	63-64	Ignition switch lamp screw.....	1.49
E-878	63-67	Ignition switch capacitor, replacement.....	15.99

See page 112 for keyed-alike, reproduction lock sets including ignition, door, glove box and spare tire



Cigarette Lighter

L-331	63-67	Lighter bulb.....	1.99
D-514	63-67	Lighter bulb shield.....	12.99
D-381	63-67	Lighter element only.....	9.99
D-1059	63-67	Lighter housing.....	22.99
D-478	63-67	Lighter housing retainer.....	14.99
D-520	63-64	Lighter knob w/element.....	33.99
D-562	65	Lighter knob w/element.....	31.99
D-378	66	Lighter knob w/element.....	31.99
D-379	67	Lighter knob w/element.....	31.99



Visit us online: www.zip-corvette.com/int14
Restoring the 63-67 Corvette instrument cluster



Wiper Switch & Knob

ES-202	63-64	Wiper switch.....	49.99
ES-203	65-66	Wiper switch.....	59.99
ES-361	67	Wiper switch.....	59.99
E-1132	63-66	Wiper switch plug & terminals.....	5.99
D-638	63-64	Wiper/washer knob w/push button.....	29.99
D-560	65	Wiper knob.....	23.99
D-397	66	Wiper knob.....	23.99
D-398	67	Wiper knob.....	24.99
D-399	63-67	Wiper switch nut.....	7.99





Dakota Digital RTX Instrument Gauge Package

RTX series is the latest from Dakota Digital, focused on retaining the stock mid-year Corvette look without sacrificing the late-model functionality. Every effort has been put forth to incorporate original style elements regarding layout, face styling and indicators. A casual glance may dismiss these as OE gauges but once you hit the switch and the LED backlighting comes on in your favorite color scheme, all doubts will be removed! CNC machined housings are filled with electronics designed and built in-house, high-definition TFT message centers can be fully configured to display just about any piece of information needed. Central control box makes installation and setup as easy as possible. Direct fit system installs in your Corvette's factory gauge cluster bezel (not included).

D-1136	63	RTX gauge cluster package	1,800.99
D-1137	63	RTX gauge cluster package (metric)	1,800.99
D-1142	63	RTX clock	261.99
D-1138	64	RTX gauge cluster package	1,800.99
D-1139	64	RTX gauge cluster package (metric)	1,800.99
D-1143	64	RTX clock	261.99
D-1140	65-67	RTX gauge cluster package	1,800.99
D-1141	65-67	RTX gauge cluster package (metric)	1,800.99
D-1144	65-67	RTX clock	261.99



Dakota Digital HDX Instrument Gauge Package

Fully customizable, direct fit instrument system designed to install into your mid-year Corvette's factory gauge cluster bezel. Available in black or silver alloy gauge-face styling, user select illumination colors for the gauge readings and needles, as well full-color TFT message center for additional information. Calibration and personal settings manipulated with the built-in, capacitive-touch buttons, or the available Bluetooth app devices. Specifications can be found online. Gauge cluster bezel not included.

D-1124	63-67	HDX gauge cluster package	1,705.99
D-1125	63-67	HDX gauge cluster package (metric)	1,705.99
D-1126	63-67	HDX clock	247.99



Dakota Digital VHX Instrument Gauge Package

VHX system fits directly into the stock instrument housing without modification, adding a wealth of features and information to your Corvette's dash panel. Features include fully lit needles, backlit faces, and highly visible LCD message centers. Available in carbon fiber, black or silver alloy face with red, white or blue illumination. Specifications can be found online. Gauge cluster bezel not included.



D-1127	63-67	VHX gauge cluster package	1,325.99
D-1128	63-67	VHX gauge cluster package (metric)	1,325.99
D-1129	63-67	VHX clock	194.99



Clock

Clock Repair & Mount

D-883	65-67	Clock face.....	39.99
D-885	65-67	Clock hands kit w/hub	48.99
D-351	63-64	Clock face outer bezel, silver/chrome	49.99
D-352	65-67	Clock face outer bezel, black/chrome.....	49.99
D-733	63-67	Clock harness plug.....	4.99
D-205	63-67	Clock knob.....	9.99
D-204	63-67	Clock lens.....	16.99



Visit us online: www.zip-corvette.com/int16
Modern time keeping with a quartz conversion



Clock Rebuild Kit

Includes new quartz movement with all required hardware and comprehensive instructions. Installation requires a small screwdriver, pliers and basic mechanical aptitude. 1-year guarantee.



D-410	63-67	Clock rebuild kit, quartz	109.99
-------	-------	---------------------------------	--------

NEW Reproduction Clock

Complete assembly, all-new throughout. Features quartz internals for accuracy and original-style hands and cosmetics. Outright purchase, no core required.



D-884	65-67	Clock, new reproduction	349.99
-------	-------	-------------------------------	--------

Speedometer Calibrator

Simple and cost efficient way to operate your stock mechanical speedometer with a transmission equipped with a vehicle speed sensor. Calibrator is designed to pick up electronic speedometer signal and will operate the cable driven speedometer to the corresponding speed.



PM-598	63-67	Speedometer calibrator	369.99
--------	-------	------------------------------	--------

Speedometer & Tachometer Cables

Speedometer & Tachometer Cables

M-3194	63-64	Speedometer cable (56" gray case).....	25.99
M-139	65-67	Speedometer cable, 4-speed (71" black case)	28.99
M-2949	65-67	Speedometer cable, Automatic or 3-speed (60" black case) ...	27.99
M-3188	63-64	Tachometer cable (gray case)	22.99
M-3189	64	Tachometer cable (ivory case).....	37.99
M-217	65-67	Tachometer cable (black case), replacement for 63-64.....	19.99

See page 87 for speedometer driven gear



Firewall Grommets & Clips

M-3302	63-64	Speedometer & tach cable firewall grommet, 1-hole (2 per car)	ea 6.99
M-2212	65-67	Speedometer & tach cable firewall grommet, 4-speed, 2-hole.....	5.99
M-3302	65-67	Speedometer & tach cable firewall grommet, 3-speed & Automatic, 1-hole (2 per car)	ea 6.99
M-3674	63-67	Firewall grommet 1-hole installation tool	10.99
E-871	63-67	Cable rubber coated firewall clip, rivets to firewall	2.99

Cable Repair Kit

An alternative to replacing an otherwise good condition speedometer or tach cable that has a broken tip. Includes new inner steel cable, tip and install tool. Cut to length.

M-2941	63-67	Cable repair kit.....	15.99
--------	-------	-----------------------	-------



Cable Drive Adapter

90° adapter reduces chance of premature cable failure caused by excessive sharp bends in factory speedometer cable. Does not affect accuracy of speedometer.

M-2782	63-67	Cable drive adapter.....	49.99
--------	-------	--------------------------	-------



Stereo System Components

AM/FM Bluetooth Repro Radio

Yesterday's look - today's technology - exactly what you get with these AM/FM stereo Bluetooth radios. Perfectly designed to match the factory look; features reproduction face, buttons, knobs and indicators. Behind the original appearance is the latest digital tech including 45 watts per channel, accessible controls for bass, treble, balance and fade plus Bluetooth, iPod, MP3 and/or Satellite radio. High-quality radio without compromising the look of your Corvette's original dash.

XR-217	63-64	AM/FM Bluetooth radio.....	869.99
XR-218	65	AM/FM Bluetooth radio.....	869.99
XR-219	66	AM/FM Bluetooth radio.....	869.99
XR-220	67	AM/FM Bluetooth radio.....	869.99



XR-220

XR-218

XR-217

KHE Bluetooth Series

The perfect mix of "old school" looks and "new school" technology. Forget loose cassettes or CDs - just stream your music from your favorite device with Bluetooth functionality. Chrome surround with raised buttons and digital indicator. Digital AM/FM tuner with 6AM/6FM presets plus seek/auto scan, manual up/down tuning and power antenna lead. Separate bass and treble controls, fader, dual AUX inputs, clock and blue-backlit LCD illumination. iPod or MP3 Player USB input and mini SD card reader on front.



XR-191	63-67	KHE-100 Bluetooth series (100 watts- 25 x 4).....	289.99
XR-178	63-67	KHE-300 Bluetooth series (200 watts- 50 x 4).....	319.99

Stereo Speakers

Put some kick in your Corvette! Dual 4" speakers fit factory dash location with no modifications. Go full-stealth by adding a KHE-300 or 100 series radio with hidden USB port. 30 watts.

XR-110	63-67	Stereo speaker assembly, w/o AC.....	49.99
XR-122	63-67	Stereo speaker assembly, w/AC.....	49.99



XR-110

Kenwood Speaker

Custom dual 4" pre-wired 1963-1967 Corvette stereo speaker; features 4" 2-way Kenwood speakers capable of 300 watts. Correct ohm rating for aftermarket radio. Designed to install in original area.

XR-210	63-67	Kenwood stereo speaker, w/o AC.....	109.99
XR-211	63-67	Kenwood stereo speaker, w/ AC.....	109.99



XR-210

Kick Panels & Speakers

ABS black plastic panels with integrated 4" Kenwood 2-way speakers designed to handle 100 watts. Custom Autosound kick panels feature 4" x 6" coaxial 2-way, 140 watt speakers. Looks like factory option! Paint to match.

XR-156	63-67	Kick panels w/mounted speakers.....	169.99
XR-250	63-67	Custom Autosound Kick panels w/mounted speakers.....	159.99



Noise Suppression Kit

If your stereo buzzes or whines when the engine is running, the culprit could be the alternator. Zip's kit suppresses sound distortion due to engine interference.



XR-123	63-67	Noise suppression kit.....	32.99
--------	-------	----------------------------	--------------

Bluetooth Radio Amplifier

Bluetooth amplifier can be used with or without a radio- simply connect your 2 or 4 speaker system directly to the amplifier and all our music is at the touch of your fingers through your mobile device. When connected to your Corvette's radio you'll have access to all your normal radio functions, once Bluetooth is enabled, the internal sensor mutes the output from the radio and converts to your streamed audio. Small enough (5" x 5" x 2") to be hidden anywhere - keep your factory radio for its aesthetics and hide behind the dash Bluetooth Amplifier for your musical enjoyment.



XR-212		Bluetooth radio amplifier.....	189.99
--------	--	--------------------------------	---------------

Custom Autosound

USA-230 AM/FM Radio

An excellent choice when looking for a more affordable radio without sacrificing quality electronics and a classic stereo look. Designed to fit the stock dash without any modifications. AM/FM stereo with 200 watts (4x50) power, 4 Channel RCA pre-outs, digital display with electronic tuner, 16 station pre-sets and a 4-way fader. Features auxiliary input which can connect to iPods, iPhones, satellite radio tuners or any other device with a headphone jack. Includes bezel with Corvette script.

XR-232 63-67 USA-230 AM/FM Stereo **219.99**



USA-630 AM/FM Radio

Designed to provide the best in audio technology wrapped in a classic look. Fits dash without any modifications. Boasts modern USB input for flash drives to playback MP3/WMA song files and a dock for your iPod. When connected to these devices the radio's digital display will show artist, song, album titles and allow song navigation through the radio. Specifications includes 300 watts peak power plus four RCA pre-outs, Auxiliary inputs for satellite radio tuners or iPhones. Electronic tuning & volume control, loudness compensation, 4-way fader, separate bass & treble, balance, 16 pre-sets (12FM/4AM), USA/Euro tuner and power antenna lead. Compatible with our optional BLUKIT adapter.

XR-231 63-67 USA-630 AM/FM Stereo w/USB port **289.99**

BLUKIT Adapter

Wireless interface for Custom Autosound CD controller radios (USA-630). Plugs into CD changer port of your Custom Autosound radio and gives you the ability to hands free calling from your Bluetooth capable phone. Also listen to music stored on your A2DP enabled Bluetooth device. BLUKIT adapter features CD changer port on the control box.

XR-234 63-67 BLUKIT Bluetooth Adapter **109.99**



USA-740 Bluetooth AM/FM Stereo

Built-in Bluetooth (microphone included), answer calls and stream music from your Bluetooth capable phone or compatible device. 300-watt peak power plus Hi 4volt, 4channel RCA Pre-outs and a Subwoofer RCA pre-out for additional amplifiers. USB input allows you to plug in a USB flash drive for playback of MP3/WMA/FLAC/WAV song files. Front mini jack auxiliary audio input and a rear RCA auxiliary audio input provide versatility for options like satellite radio, iPod or portable player. User selectable multiple LCD color choices with LCD dimmer control. The AM/FM RDS tuner shows station, song and artist on the LCD display. Other features include: 25 presets (15FM/10AM) w/autostore function, Direct CD-I Control, Separate Bass/Mid/Treble control, Loudness compensation, Fader & balance, USA/EUR/JAP/RUS Tuner capability and power antenna lead.

XR-230 63-67 USA-740 Bluetooth AM/FM Stereo **379.99**



Soundbar

Great sound solution for mid-year Corvette coupe. Designed to fit the rear horizontal panel. Only 3" deep divided into two sections with six speakers. Feature two 4" speakers, two mid-range and two tweeters. Capable of handling 200 watts power!

XR-233 63-67 Custom Autosound Soundbar **169.99**



10% RESTORER'S DISCOUNT

HOW IT WORKS – Retail customers receive 10% savings on a minimum purchase of \$850.00 of any combination of parts and/or accessories from this catalog or Zip's Web store. Sorry, No Discount ("ND") items may be included in total value but are not eligible for discount. Offer applies to a single order only and some restrictions apply, call your Zip Products sales representative for details.

ZipSocial    
Follow us on social media & stay connected! www.zip-corvette.com/social

Radio & Speaker

Radio Mount & Electrical

D-354	63-67	Radio bezel (P).....	18.99
D-735	63-67	Radio bracket & rivets (rivets to dash) (P)	12.99
D-736	63-67	Radio bracket to radio screw (P).....	2.99
D-634	63-67	Radio bumper (P).....	1.99
E-1123	63	Radio power lead w/connector.....	33.99
E-1124	64-67	Radio power lead w/connector.....	33.99



Radio Knob

D-377	63-64	Radio knob (AM/FM – set screw) (P).....	ea 24.99
D-561	65	Radio knob (P).....	ea 24.99
D-376	66	Radio knob (P).....	ea 26.99
D-375	67	Radio knob (P).....	ea 26.99
D-633	63-67	Radio knob nuts (2) (P).....	3.99
D-737	63-67	Radio knob nut washers (2) (P).....	1.49
D-355	63-65	Radio tone knob & spacer, nickel (2) (P).....	22.99
D-356	66-67	Radio tone knob & spacer, chrome (2) (P).....	22.99



Radio Knob & Spacer Kit

Fits factory Corvette radio. Includes pair of radio knobs, tuning knob and spacer, and knob nuts and washers.

D-789	63-64	Radio knob & spacer kit.....	74.99
D-790	65	Radio knob & spacer kit.....	74.99
D-791	66	Radio knob & spacer kit.....	74.99
D-792	67	Radio knob & spacer kit.....	74.99

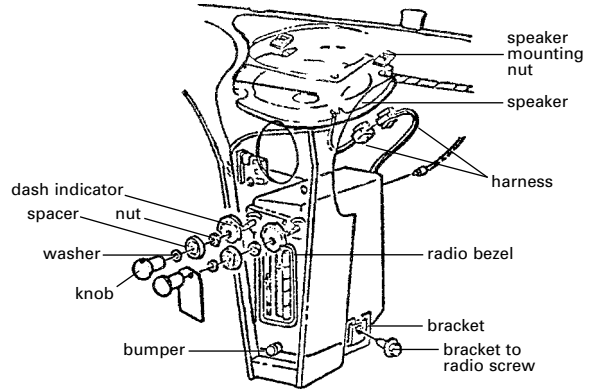


Radio Knob Indicators

D-214	63	Dash indicators, w/AC (set of 6).....	269.99
D-215	63	Dash indicators, w/o AC (set of 4) (P).....	99.99
D-729	63	Dash indicators, radio only (2) (P).....	45.99
D-217	64	Dash indicators, w/AC (set of 6).....	20.99
D-216	64	Dash indicators, w/o AC (set of 4) (P).....	14.99
D-201	65-67	Dash indicators, w/AC (set of 6).....	14.99
D-202	65-67	Dash indicators, w/o AC (set of 4) (P).....	11.99

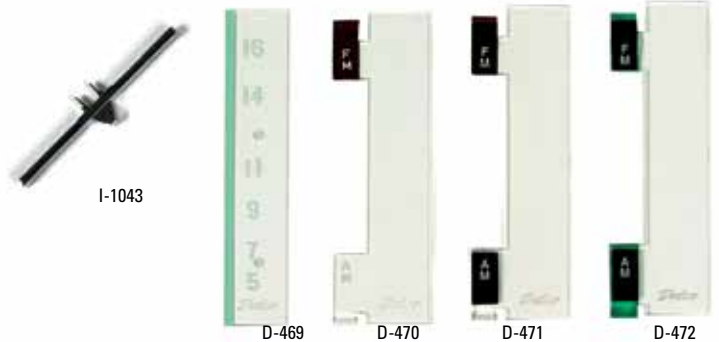


Radio & Speaker



Radio Lens

D-469	63	Radio lens, "Wonderbar".....	35.99
D-470	63-64	Radio lens.....	33.99
D-471	65	Radio lens.....	33.99
D-472	66-67	Radio lens.....	35.99
I-1043	63-67	Radio selector bar, AM/FM.....	26.99



Speaker

I-637	63-67	Speaker w/transformer, replacement (P).....	49.99
I-1702	63-67	Speaker mount bolts & flat nuts (6 pcs).....	2.99
I-1065	63-67	Speaker grill screen (P).....	94.99
ZSF-382	63-67	Speaker & grill mounting nuts (6) (P).....	3.99
E-1127	63	Speaker to radio harness w/plugs, AM radio (2).....	18.99
E-326	63-67	Speaker to radio harness w/plugs (P).....	14.99
I-1701	63-67	Speaker plug & terminal set (6 pcs).....	6.99



ZipSocial
Follow us on social media & stay connected! www.zip-corvette.com/social

OE-style 8-10 ohm Speaker

Reproduction 10 ohm speakers trump original Delco units in every way. High-energy NEO magnet outperforms factory ceramic magnet for heightened bass and treble response. Custom wound load coil matches electrical characteristics of Delco OE speaker. Made in the USA.

D-962 63-67 Speaker w/transformer, 8-10ohm..... **89.99**



Radio Face Kit

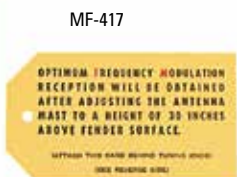
Zip's kit restores exterior of original factory radio to correct OE appearance. Includes new chrome face plate with lens, selector bar and (5) push buttons.

D-553 63L-64 Radio face kit (AM/FM) **139.99**
 D-554 65 Radio face kit **139.99**
 D-555 66-67 Radio face kit **139.99**



Radio Instructions

MF-420 63E FM radio hang card (March-April) **6.99**
 MF-419 63L FM radio hang card (April-June) **6.99**
 MF-417 64-65 FM radio hang antenna card (slit)..... **6.99**
 MF-418 65-66 FM radio hang antenna card (no slit)..... **6.99**
 MF-294 67 FM radio hang antenna card..... **6.99**
 MF-290 63E "Wonderbar" radio instruction sheet **5.99**
 MF-415 63 AM/FM radio instruction sheet (#7285127) **6.99**
 MF-416 63L-64 AM/FM radio instruction sheet (#7286857) **6.99**
 MF-291 65-67 AM/FM radio instruction sheet (#7285127) **4.99**
 MF-422 63 AM/FM pocket radio guide (after 10/15/62)..... **8.99**
 MF-421 64 AM/FM pocket radio guide..... **8.99**
 MF-292 65 AM/FM pocket radio guide..... **8.99**



Radio Side Panels

I-903 63 Radio side panel, LH (pm) **114.99**
 I-904 64-66 Radio side panel, LH (pm) (L) **114.99**
 I-906 67 Radio side panel, LH (pm) (L) **114.99**
 I-905 63-66 Radio side panel, RH (pm)..... **114.99**
 I-907 67 Radio side panel, RH, w/o AC (pm) **114.99**
 I-905 67 Radio side panel, RH, w/AC (pm) **114.99**

Note: Reproduction '63-67 side panels are press molded fiberglass – must paint to match interior color.

SF-354 64-67 Radio side panel clips, on console (2)..... **15.99**
 SF-865 63-67 Radio side panel screws, correct original style (4)..... **5.99**
 I-1705 63-67 Radio side panel U-nuts (4)..... **2.99**
 D-142 63-67 Emergency flasher bracket & screw, attaches to radio side panel **14.99**



ABS Radio Side Panels

Economical alternative to correct press molded panels. ABS panels arrive painted and ready to install. Specify interior color. Sold each.

I-1736 63 ABS radio side panel, LH **86.99**
 I-1737 64-66 ABS radio side panel, LH **86.99**
 I-1740 67 ABS radio side panel, LH **86.99**
 I-1739 63-66 ABS radio side panel, RH **86.99**
 I-1738 67 ABS radio side panel, RH, w/o AC **86.99**
 I-1739 67 ABS radio side panel, RH, w/AC **86.99**

Visit us online: www.zip-corvette.com/int12
 Restoring the exterior of your Corvette's radio



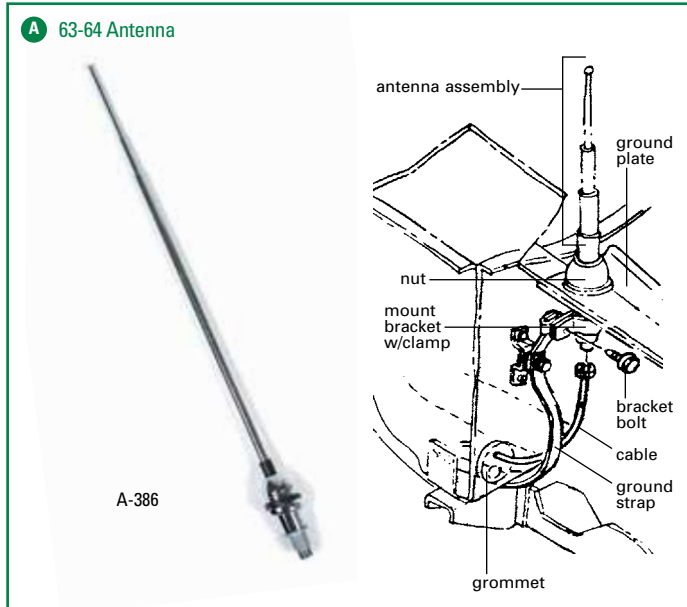
10% RESTORER'S DISCOUNT

HOW IT WORKS – Retail customers receive 10% savings on a minimum purchase of \$850.00 of any combination of parts and/or accessories from this catalog or Zip's Web store. Sorry, No Discount ("ND") items may be included in total value but are not eligible for discount. Offer applies to a single order only and some restrictions apply, call your Zip Products sales representative for details.

Antenna

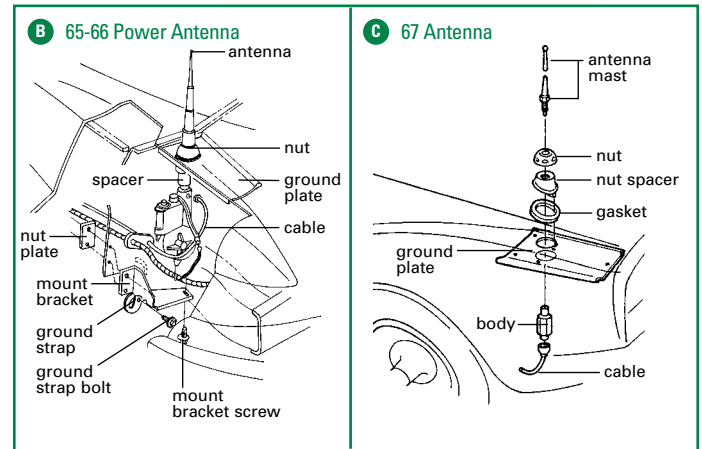
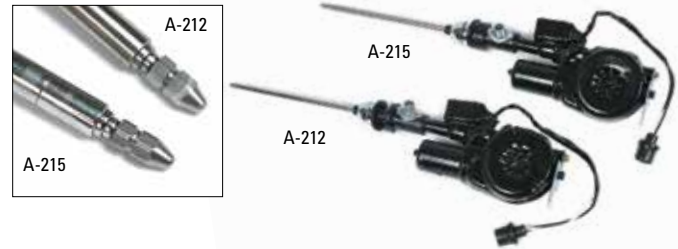
63-64 Antenna

A-386	63-64	Antenna assembly less cable & plate, correct w/Bowtie logo, includes gasket, nut & spacer, GM licensed (A).....	69.99
A-209	63-64	Ground plate w/reinforcement (A).....	27.99
A-362	63E	Reinforcement, AM radio only.....	11.99
WS-402	63-64	Gasket.....	2.49
A-303	63-64	Mount brackets w/clamp, screws & nuts (A).....	19.99
A-340	63-64	Mount bracket bolt & washer (4 pcs) (A).....	1.99
A-201	63-64	Nut (A).....	6.99
TL-150	63-64	Nut spanner wrench.....	9.99
A-202	63-64	Nut spacer.....	6.99
A-204	63-64	Underbody spacer.....	11.99



65-66 Power Antenna

A-212	65-66	Antenna, replacement (B).....	209.99
A-215	65-66	Antenna, "concours" replacement (B).....	229.99
E-1187	65-66	Antenna motor repair harness, wiring exiting the power antenna & connecting to body harness.....	21.99
A-209	65-66	Ground plate w/reinforcement (B).....	27.99
WS-402	63-66	Gasket.....	2.49
A-304	65-66	Mount bracket (B).....	24.99
A-306	65-66	Mount bracket nut plate (B).....	10.99
A-305	65-66	Mount bracket screws (6 pcs) (B).....	2.99
A-208	65-66	Nut (B).....	7.99
A-202	65-66	Nut spacer.....	6.99
A-204	65-66	Underbody spacer (B).....	11.99
A-324	65-66	Up/down switch, new reproduction.....	119.99
ZSF-397	65-66	Up/down switch screws & nuts.....	2.49
ES-505	65-66	Up/down switch repair plug & pigtail.....	10.99



67 Antenna

A-339	67	Antenna assembly w/cable.....	109.99
-------	----	-------------------------------	--------

Note: '67 antenna assembly includes all hardware to replace broken or missing antenna, including correct mast, mount spacer, mount nut, body and cable. Underbody mount plate and ground strap sold separately.

A-206	67	Antenna body (C).....	19.99
A-210	67	Ground plate w/reinforcement (C).....	27.99
WS-402	67	Gasket (C).....	2.49
A-378	67	Mast & nut, correct reproduction (C).....	28.99
A-389	67	Mast shipping cap, red cap fits over antenna body.....	2.49
A-208	67	Nut (C).....	7.99
A-202	67	Nut spacer (C).....	6.99



Power Antenna Conversion Harness

Allows owners of '63-64 and '67 Corvettes to install a '65-66 power antenna – without cutting any wiring. Designed to be used with factory power antenna switch. Switch and antenna sold separately.

E-1189	63-67	Antenna conversion harness.....	79.99
--------	-------	---------------------------------	-------

Cables & Ground Strap

A-338	63-66	Cable, w/correct serrated nut (A).....	30.99
A-214	67	Cable (C).....	42.99
A-332	63-67	Cable underdash "S" clips (2).....	8.99
M-2213	63-67	Cable & rear harness grommet (A).....	6.99
M-2780	63-67	Ground strap (A)(B).....	6.99
M-3263	63-67	Ground strap bolt & washer (A).....	1.99

Emblems

63 Emblems

GT-298	63E	Fuel door emblem.....	57.99
GT-22	63L	Fuel door emblem.....	57.99
GT-244	63E	Fuel door emblem assembly, roller type.....	232.99
GT-20	63L	Fuel door emblem assembly.....	129.99
T-200	63	Nose emblem.....	62.99
T-213	63	Rear script, "Corvette", "show quality".....	70.99
T-120	63E	Side cross flags, thin design (pair).....	49.99
T-386	63L	Side cross flags w/dark red flag (pair).....	79.99
T-457	63L	Side cross flags w/orange flag (pair).....	112.99

Note: '63-Early side cross flags mounting pegs are 1 3/16"; '63-Late are 2 1/16".

T-201	63	Side emblem, "FUEL INJECTION" (pair).....	96.99
-------	----	---	-------



64 Emblems

GT-28	64	Fuel door emblem.....	57.99
GT-25	64	Fuel door emblem assembly.....	124.99
T-200	64	Nose emblem.....	62.99
T-213	64	Rear script, "Corvette", "show quality".....	70.99
T-386	64	Side cross flags w/dark red flag (pair).....	79.99
T-457	64	Side cross flags w/orange flag (pair).....	112.99
T-201	64	Side emblem, "FUEL INJECTION" (pair).....	96.99



Visit us online: www.zip-corvette.com/ext3
Installing a new mid-year Corvette rear script



Emblem Speed Nut Kit

Includes all nuts needed to fit emblems, nameplates, moldings, side spears, hood grills, scoops and numerals, bezels, taillights, parking and side marker lamps, and firewall heater/AC box, as applicable.

ZSF-200	63	Speed nut kit (53 pcs).....	8.99
ZSF-201	64	Speed nut kit (35 pcs).....	8.99
ZSF-202	65	Speed nut kit (40 pcs).....	8.99
ZSF-203	66	Speed nut kit (48 pcs).....	8.99
ZSF-204	67	Speed nut kit (45 pcs).....	8.99

65 Emblems

GT-29	65	Fuel door emblem.....	57.99
GT-26	65	Fuel door emblem assembly.....	124.99
T-205	65	Nose emblem, correct w/orange/red flag.....	59.99
T-213	65	Rear script, "Corvette", "show quality".....	70.99
T-386	65	Side cross flags w/dark red flag.....	79.99
T-457	65	Side cross flags w/orange flag (pair).....	112.99
T-381	65	Side emblems, "FUEL INJECTION" (pair).....	86.99
T-214	65	Side emblems, "396 Turbo-Jet" w/ dark red flag (pair).....	107.99
T-477	65	Side emblems, "396 Turbo-Jet" w/orange flag (pair).....	114.99



66 Emblems

GT-36	66	Fuel door emblem.....	57.99
GT-345	66	Fuel door emblem, white upper corner.....	57.99
GT-27	66	Fuel door emblem assembly.....	124.99
GT-346	66	Fuel door emblem assembly, white upper corner.....	127.99
T-207	66	Hood script, "Corvette".....	129.99
T-398	66	Nose emblem w/dark red flag.....	49.99
T-207	66	Rear script, "Corvette".....	129.99
T-386	66	Side cross flags w/dark red flag (pair).....	79.99
T-457	66	Side cross flags w/orange flag (pair).....	112.99
T-210	66	Side emblem, "427 Turbo-Jet" (each).....	ea 44.99



67 Emblems

GT-272	67	Fuel door emblem (paint to match).....	86.99
GT-21	67	Fuel door emblem assembly (paint to match).....	184.99
T-212	67	Hood emblems, "4-2-7" (car set).....	32.99
T-487	67	Hood emblems, "4-2-7", GM licensed (per side).....	34.99
SF-670	67	Hood emblem speed nut set (12 pcs).....	2.99
T-206	67	Nose emblem (dark red).....	49.99
T-448	67	Nose emblem (orange-red).....	78.99
T-207	67	Rear script, "Corvette".....	129.99

See page 105 for individual hood numbers



427 Hood Stencil Kit

Helpful guide as to correct layout and stripe spacing when repainting your '67 big-block's hood stinger. Includes instructions.

T-215	67	Stinger stencil kit.....	79.99
-------	----	--------------------------	-------

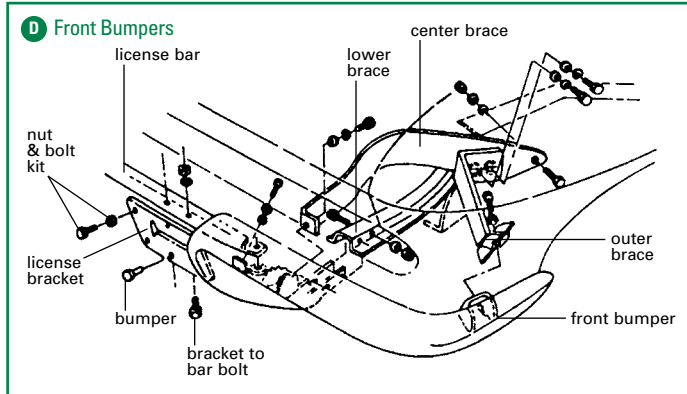


Bumpers & Hardware

Front Bumpers

BU-201	63-67	Front bumper, GM licensed (LH or RH) (D).....	679.99
BU-532	63-67	Front bumper set w/hardware, reproduction (D).....	899.99
BU-209	63-67	Front bumper lower brace (LH or RH) (D).....	79.99
BU-315	63-67	Front bumper lower brace bolt spacers (4).....	11.99
BU-210	63	Front bumper center brace (LH or RH) (D).....	62.99
BU-475	64	Front bumper center brace (LH or RH) (D).....	56.99
BU-211	65-67	Front bumper center brace (LH or RH) (D).....	56.99
BU-449	63	Front bumper outer brace (LH or RH) (D).....	44.99
BU-218	64-67	Front bumper outer brace (LH or RH) (D).....	39.99

Note: '63-only bumper braces are correct "thick" design as original.



Bumper & Brace Bolt Kits

Include correct "WB" or "M" headmark bolts, washers, and both zinc and black nuts for mounting bumpers and braces to frame. Per NCRS judging guidelines zinc plated (use 5/8" wrench) is correct for '63-67-Early; black plated (11/16" wrench) is correct for '67-Late. Kits do not include bolt spacers. Nuts also available as 24-piece set.

BU-205	63-67	Bumper & brace mount bolt kit, front.....	39.99
BU-206	63-67	Bumper & brace mount bolt kit, rear.....	39.99
BL-641	63-67E	Bumper mount nuts, correct zinc plated (24 pcs).....	8.99
BL-642	67L	Bumper mount nuts, correct black plated (24 pcs).....	6.99



Front License Mount

BU-203	63-67	License bar (D).....	39.99
BL-696	66-67	License bar mount hardware, "M" headmark (12 pcs).....	6.99
BU-221	63-65	License bracket, correct, w/SP logo(D).....	22.99
BU-204	66-67	License bracket, correct, w/SP logo (D).....	22.99
BU-447	66-67	License bracket, 427 w/Automatic & AC.....	79.99
BU-448	66-67	License bracket hardware, for BU-447.....	6.99
BL-651	63-67	License bracket to bar bolts (6 pcs) (D).....	4.99
BU-350	63-67	License plate frame, stainless.....	ea 18.99
BU-509	63-65	License plate bolt, nut & bumper kit, correct (D).....	4.99
BU-510	66-67	License plate bolt, nut & bumper kit, correct (D).....	4.99
I-1206	63-67	License plate nut & bolt kit storage bag.....	4.99
WS-483	63-67	License plate rubber bumper (D).....	ea 2.49

See page 166 for rear license mount

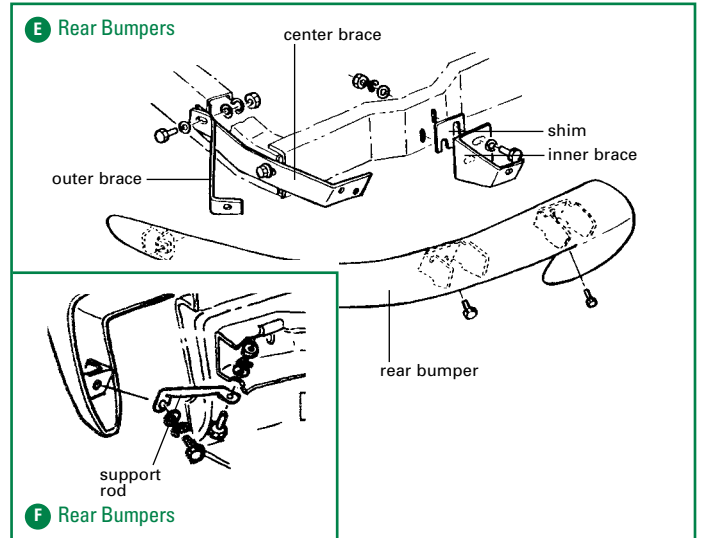


Rear Bumpers

BU-202	63-67	Rear bumper, GM licensed (LH or RH) (E).....	679.99
BU-533	63-67	Rear bumper set w/hardware, reproduction (D).....	899.99
BU-450	63	Rear bumper center brace (LH or RH) (E).....	42.99
BU-343	64-67	Rear bumper center brace (LH or RH) (E).....	24.99
BU-484	63	Rear bumper inner brace (LH or RH).....	39.99
BU-342	64-67	Rear bumper inner brace (LH or RH) (E).....	26.99
BU-485	63	Rear bumper outer brace (LH or RH).....	32.99
BU-341	64-67	Rear bumper outer brace (LH or RH) (E).....	24.99

Note: '63-only bumper braces are correct "thick" design as original.

BU-314	63-67	Rear bumper shims (E).....	ea 4.99
BU-511	63-67	Rear bumper support rods (2) (F).....	19.99



Bumper-Body "Paint Savers"

Rubber gaskets fit between bumpers and car body. Not originally used on Corvettes – but a great way to protect costly paint jobs!

BU-490	63-67	Bumper-body paint savers (12 pcs).....	9.99
--------	-------	--	------



Bumper Package

Get that "4-corner shine" once again with a set of reproduction bumpers. GM license includes correct bolt kit; imported reproduction includes replacement hardware. Car set. No Discount.

BU-458	63-67	Bumper set, GM Licensed, full car.....	2,449.99
BU-498	63-67	Bumper set, imported reproduction, full car.....	1,699.99



Grill Components

63-64 Grill

GR-203	63-64	Grill.....	499.99
GR-359	63-64	Grill bracket (2 per car).....	ea 6.99
SF-583	63-64	Grill bracket rivets (4).....	1.49
SF-584	63E	Grill bracket U-nuts (2).....	1.49
SF-585	63-64	Grill bracket J-nuts (2).....	1.99
SF-586	63E	Grill mount screws (12).....	6.99
SF-587	63E	Grill mount screw U-nuts (10).....	4.99
GR-334	63L-64	Grill mount screws (12).....	9.99
GR-347	63L-64	Grill mount U-nuts, replacement (10).....	8.99
D-1085	63L-64	Grill mount U-nuts, correct "square" nut (10).....	42.99
GR-361	63-64	Grill lower molding set, center & outer moldings (3 pcs).....	204.99
SF-878	63-64	Grill lower molding screws (6 pcs).....	3.99
SF-872	63-64	Grill lower molding screw u-nuts (6 pcs).....	2.99
GR-381	63-64	Grill lower molding clip (5 per car).....	ea 4.99
SF-879	63-64	Grill lower molding clip screws & rivets (16 pcs).....	5.99
GR-213	63-64	Grill lower center & corner molding clips, screws & U-nuts (car set) (G).....	26.99

Grill Mount Kit

Includes (2) brackets, bracket rivets, J-nuts, mount screws and mount screw U-nuts for mounting new grill. Car set.



GR-206	63-64	Grill mount kit.....	26.99
--------	-------	----------------------	-------

65 Grill

GR-214	65	Grill.....	819.99
GR-360	65	Grill bracket (4 per car) (H).....	ea 6.99
SF-588	65	Grill bracket rivets (8) (H).....	3.99
SF-589	65	Grill bracket J-nuts (4) (H).....	3.99
GR-335	65	Grill mount screws (6) (H).....	5.99
SF-849	65	Grill mount center U-nuts, correct "square" nut (2).....	8.99
GR-208	65	Grill center support rod (H).....	22.99
SF-591	65	Grill center support to header bar bolt (H).....	.99
SF-592	65	Grill center support lower mount screw.....	3.99

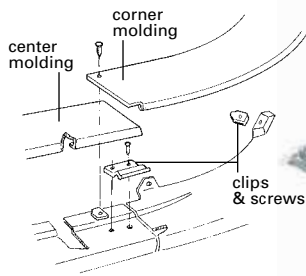
GR-214

GR-201

GR-203



G 63-64 Grill

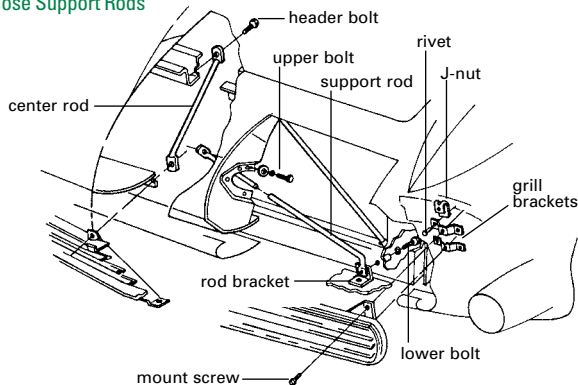


GR-213

Nose Support Rods

M-4226	63-65	Front end support rods (2).....	39.99
M-3642	63-65	Front end support rod bracket.....	ea 8.99
M-4227	66-67	Front end support rods (2) (H).....	39.99
M-3643	66-67	Front end support rod bracket (H).....	ea 8.99
BL-478	63-67	Front end support rod lower bolts w/washers, "RSC" headmark (2) (H).....	4.99
BL-479	63-67	Front end support rod upper bolts w/washers, "WB" headmark (2) (H).....	2.99
BL-480	63-67	Front end support rod bracket screws (2).....	2.99

H Nose Support Rods



Grill Mount Kit

Includes (4) brackets, bracket rivets, bracket J-nuts, mount screws and center J-nut for mounting grill. Car set.

GR-207	65-67	Grill mount kit.....	29.99
--------	-------	----------------------	-------



66-67 Grill

GR-201	66-67	Grill.....	679.99
GR-212	66-67	Grill auxiliary brackets w/rivets (car set).....	22.99
SF-874	66-67	Grill auxiliary brackets rivets (4).....	1.99
GR-360	66-67	Grill bracket (4 per car) (H).....	ea 6.99
SF-588	66-67	Grill bracket rivets (8) (H).....	3.99
SF-589	66-67	Grill bracket J-nuts (4) (H).....	3.99
GR-335	66-67	Grill mount screws (6) (H).....	5.99
SF-848	66-67	Grill mount center U-nut, correct "square" nut.....	4.99
GR-209	66-67	Grill center support rod (H).....	20.99
SF-591	66-67	Grill center support to header bar bolt (H).....	.99

GR-212

GR-360 (4)



SF-589

SF-588



Exterior Trim & Moldings

64-65 Coupe Side Vents

ET-393	64-65	Coupe side vent grill hardware (6 pcs)	2.99
ET-508	64-65	Coupe side vent grill set w/hardware (car set)	399.99

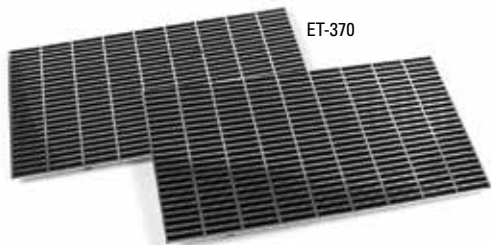


ET-508



Hood Grills & Inserts

ET-370	63	Hood grills (car set)	559.99
ET-51	65-66	Hood insert, 396 & 427 (LH or RH) (I)	59.99
ET-56	65-66	Hood insert rain shields (2) (I)	28.99
ET-418	65-66	Hood insert retainer set (6) (I)	18.99
ET-419	65-66	Hood insert retainer screws (6) (I)	8.99
ET-50	67	Hood insert, 427	129.99
SF-521	67	Hood insert & emblem mount hardware (25 pcs)	7.99
ET-50B	67	Hood insert fiberglass reinforcement	94.99
ET-533	63-67	Windshield air intake grill (LH or RH)	69.99
ET-545	63-67	Windshield air intake grill, chrome (LH or RH)	109.99
SF-873	63-67	Windshield air intake grill screws & u-nuts, correct (16 pcs)	5.99



ET-370



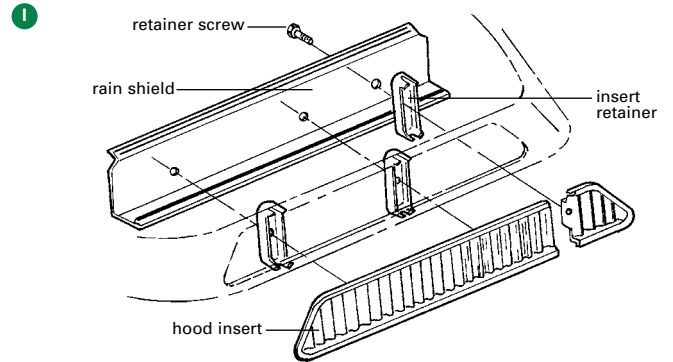
ET-50



ET-50B



65-66 396 & 427 Hood Insert



ET-56

ET-418

ET-51

Rear License Mount

ET-200	63-67	License bezel, GM licensed	104.99
ET-602	63-67	License bezel, imported	99.99
ZSF-214	63-67	License bezel screws (4)	2.99
SF-582	63-67	License bezel mount plastic nuts (4)	3.99
BU-350	63-67	License plate frame, stainless	ea 18.99
BU-512	63-65	License plate bolt, nut & bumper kit, correct (D)	4.99
BU-513	66-67	License plate bolt, nut & bumper kit, correct (D)	4.99
I-1206	63-67	License plate nut & bolt kit storage bag	4.99
WS-4581	63-67	License plate rubber bumper	ea 2.49



License Plate Frame

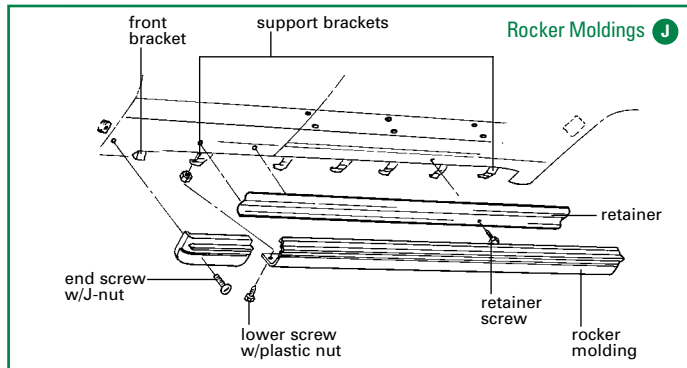
Factory-style clip-on stainless frame as originally supplied with your Corvette. Plate shown for reference only – not included.

BU-350	63-67	License plate frame	18.99
--------	-------	---------------------------	-------



Rocker Moldings

ET-323	63-67	Rocker molding front bracket, rivets to fender tips (LH or RH) (J).....	9.99
ET-423	63-67	Rocker molding front bracket rivets (4 pcs).....	1.99
ET-404	63-65	Rocker molding support front bracket, welds to rocker sill (LH or RH).....	18.99
ET-469	63-67	Rocker molding support bracket, welds to rocker, removed for side exhaust, 63-65 = 10; 66-67 = 6 per car (J).....ea	10.99
SF-863	63-65E	Rocker molding lower screws, correct (14 pcs) (J).....	11.99
SF-867	65L	Rocker molding lower screws, correct (14 pcs) (J).....	9.99
SF-868	66-67	Rocker molding lower screws, correct (8 pcs) (J).....	6.99
SF-882	63-65	Rocker molding lower screw plastic insert nuts (14 pcs) (J).....	7.99
SF-883	66-67	Rocker molding lower screw plastic insert nuts (8 pcs) (J).....	4.99
ZSF-334	63-67	Rocker molding end screws w/J-nuts (8 pcs) (J).....	3.99
ET-208	63-67	Rocker molding retainer (J).....ea	16.99
SF-881	63-67	Rocker molding retainer screws, correct (12) (J).....	7.99
SF-538	63-67	Rocker molding retainer screw u-nuts (12) (J).....	4.99



Outside Mirror

SF-877	63E	Outside mirror bracket screws, long base (2).....	1.49
ZSF-474	63L-67	Outside mirror bracket screws (2).....	1.99
MR-209	63E	Outside mirror gasket, long base.....	7.99
ZWS-130	63L-67	Outside mirror gasket, rubber.....	2.99
MR-386	63L-67	Outside mirror gasket, correct tan fiber.....	2.99
MR-202B	63E	Outside mirror mount bracket kit, long base.....	11.99
ZMR-339	63L-67	Outside mirror mount bracket kit, short base.....	12.99

Note: Mirror mount kits include mount bracket, gasket and hardware.

MR-387	63E	Outside mirror to bracket screw.....	1.49
ZMR-103	63L-67	Outside mirror to bracket screw.....	3.49
MR-205	63E	Inner door reinforcement nut plate.....	14.99
MR-206	63L-67	Inner door reinforcement nut plate.....	10.99
SF-604	63-67	Inner door reinforcement nut plate rivets (2).....	.99
X-3138	63-67	"Objects in Mirror Are Losing" mirror decal, 3" x 1/2".....ea	5.99



Reproduction Rocker Moldings

Forget about dented originals at the swap meet – Zip's reproduction rocker moldings make your Corvette look showroom fresh! Sold in pairs.

ET-202	63	Rocker moldings (J).....	395.99
ET-203	64	Rocker moldings (J).....	549.99
ET-204	65	Rocker moldings (J).....	395.99
ET-205	66	Rocker moldings (J).....	395.99
ET-206	67	Rocker moldings (J).....	329.99



Complete Outside Mirror

Restore your Corvette to original condition with Zip's correct reproduction mirrors. Includes mount kit with hardware for installation. 63-66 mirrors feature snap ring mirror retainer and die cast "Bow Tie"; original '67 mirrors did not have the "Bow Tie". Matching passenger side mirrors are available for custom applications.

MR-202	63E	Outside mirror, long base design w/"Bow Tie" (imported).....	59.99
MR-201	63L-67E	Outside mirror w/"Bow Tie" (imported).....	69.99
MR-390	63L-67E	Outside mirror w/"Bow Tie" (US-made).....	94.99
MR-356	63L-67E	Outside mirror, RH side, snap ring design w/"Bow Tie" (US-made).....	94.99
MR-214	67L	Outside mirror, snap ring design (US-made).....	81.99
MR-398	67L	Outside mirror, RH, snap ring design (US-made).....	71.99



Windshield & Body Glass

Available undated or with correct date coding and logo as original.
 Manufactured to original specifications for correct thickness and size.
 Shipped factory direct (cost does not include shipping charges). Specify
 left or right, clear or shaded glass, and serial number when dated.
 No Discount.

GL-352	63-67	Door glass, Conv.	ea	239.99
GL-321	63-67	Door glass, Conv. (undated)	ea	159.99
GL-353	63-67	Door glass, Coupe	ea	239.99
GL-322	63-67	Door glass, Coupe (undated)	ea	159.99
DR-341	63-67	Door glass to lower channel mounting grip strips (2)		8.99
HT-304	63-67	Hardtop rear window, plexiglass		349.99

Note: Hardtop rear window requires \$30.00 shipping and crating charge.

GL-356	63	Rear window, Coupe (LH or RH)		379.99
GL-345	63	Rear window, Coupe (LH or RH) (undated)		279.99
GL-357	64-67	Rear window, Coupe	truck	399.99
GL-317	64-67	Rear window, Coupe (undated)	truck	329.99
ET-318	64-67	Rear window setting rubber spacers (12) (L)		7.99
GL-354	63-67	Vent glass, Conv.	ea	189.99
GL-318	63-67	Vent glass, Conv. (undated)	ea	89.99
GL-355	63-67	Vent glass, Coupe	ea	189.99
GL-319	63-67	Vent glass, Coupe (undated)	ea	89.99
DR-340	63-67	Vent glass to frame mounting grip strips (2)		8.99
GL-351	63-67	Windshield	truck	429.99
GL-320	63-67	Windshield (undated)	truck	249.99

Cool custom glass for your mid-year Corvette "Vette Rod"! Zip has available undated factory style glass in a custom gray tint designed for a contemporary look. Contact a Zip sales representative for more information and pricing.

Glass Installation Kit

Includes cutting wire, setting blocks, glass primer and enough butyl tape to seal windshield or coupe rear glass.
 Note: rear window requires additional glass setting blocks.



ZET-398	63-67	Glass installation kit		39.99
---------	-------	------------------------	--	-------

Window Sticker

MF-359	63-65	Window sticker		5.99
MF-360	66-67	Window sticker		5.99



MF-359



MF-360

63 Coupe Windshield Moldings

ET-414	63	Windshield lower molding		Call
ET-627	63	Windshield upper molding		799.99
ET-620	63	Lower molding clip, narrow, extra long (18 per car)	ea	6.99
SF-870	63	Side molding door jamb screws (8)		6.99
ET-58	63	Side molding lower clips (2)		22.99
ET-621	63	Upper & lower molding clip, wide, extra long (6 per car)	ea	6.99
ET-54	63	Upper & lower molding clips, original style (24)		189.99

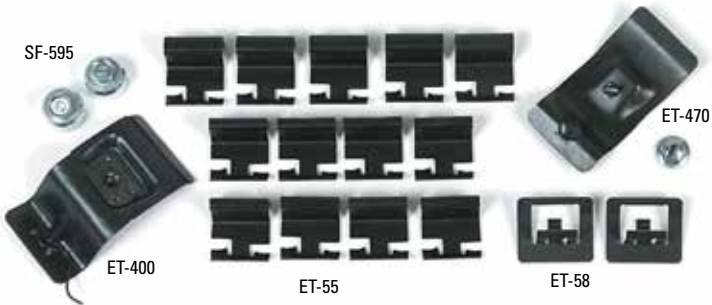


ET-54



63 Convertible Windshield Moldings

ET-414	63	Windshield lower molding		Call
ET-348	63	Windshield upper molding		174.99
ET-620	63	Lower molding clip, narrow, extra long (9 per car)	ea	6.99
ET-621	63	Lower molding clip, wide, extra long (4 per car)	ea	6.99
ET-55	63	Lower molding clips, original style (13)		99.99
SF-870	63	Side molding door jamb screws (8)		6.99
ET-58	63	Side molding lower clips (2)		22.99
ET-400	63	Side molding upper retainer (2 per car)	ea	12.99
SF-595	63	Side molding upper retainer screw & spacer set (2 of each)		12.99
ET-470	63	Upper molding retainer w/nut (6 per car)	ea	11.99
SF-598	63	Upper molding retainer nut set (6)		2.99
SF-599	63	Upper molding screws (2)		2.49



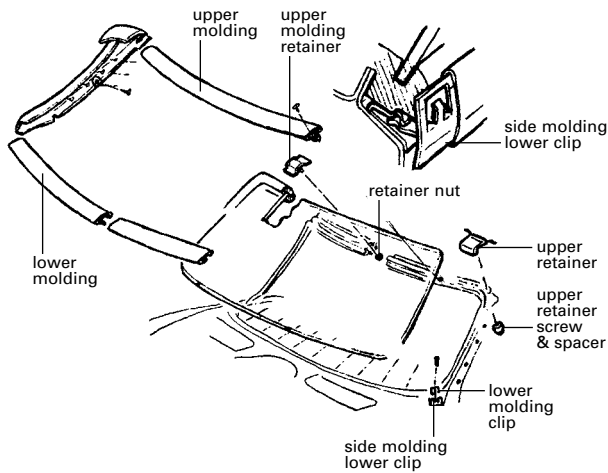
Windshield Date Codes

Original '63-67 Corvette glass was manufactured by LOF and features an etched Safety "LOF" Plate logo. Each logo includes a specifications rating (AS-1 or AS-2 depending on glass placement) and the production date in a 2-letter designation. The first letter designates the month of production and the second letter designates the year of production. Glass was produced approximately four (4) months in advance of the car's final build date. Example: LA = March 1966

Month (1st letter)		Year (2nd letter)	
January = N	May = J	September = A	1963 = C
February = X	June = I	October = Y	1964 = G
March = L	July = U	November = C	1965 = J
April = G	August = T	December = V	1966 = A
			1967 = Z

In addition to the Safety "LOF" Plate logo, other etched designations exist depending on whether the glass was of clear, shaded or tinted (Soft-Ray) construction. Glass was either laminated or solid tempered depending upon location and featured an "M" code, which is the manufacturer's code.

K 64-67 Convertible Windshield Moldings



64-67 Convertible Windshield Moldings

ET-415	64-67	Windshield lower molding (K)	239.99
ET-348	64-67	Windshield upper molding (K)	174.99
ZET-201	64-67	Lower molding clips (11 per car) (K)	ea 2.99
ET-391	64-67	Lower molding clip screws (11)	2.99
ET-58	64-67	Side molding lower clips (2) (K)	22.99
ET-400	64-67	Side molding upper retainer (2 per car) (K)	ea 12.99
SF-595	64-67	Side molding upper retainer screw & spacer set (2 of each) (K)	12.99
ET-470	64-67	Upper molding retainer w/nut (6 per car) (K)	ea 11.99
SF-598	64-67	Upper molding retainer nut set (6) (K)	2.99
SF-599	64-67	Upper molding screws (2)	2.49



Moldings Clips & Screws

All clips and screws needed to install windshield moldings on convertible. Includes lower molding clips with screws, side molding lower clips, side molding upper retainers with screw and spacer, and upper molding retainers with nuts. Car set.

ET-471	63	Conv. deluxe moldings clips & screws set	209.99
ET-472	64-67	Conv. deluxe moldings clips & screws set	159.99



64-67 Coupe Windshield Moldings

ET-341	64-67	Windshield lower & side molding (LH or RH)	159.99
ET-340	64-67	Windshield upper center molding	149.99
ET-207	64-67	Windshield upper corner molding	49.99
ZET-201	64-67	Upper & lower molding clips (23 per car)	2.99
ET-473	64-67	Upper corner molding clip (2 per car)	9.99
ET-417	64-67	Molding clip set (23 small & 2 corner)	69.99
ET-390	64-67	Molding clip screws (27)	5.99



ET-417



ET-390

63 Coupe Rear Window Moldings

ET-209	63	Molding clip (26 per car)	ea 7.99
ET-476	63	Molding clip set (26)	169.99
ET-622	63	Molding clip, 1/32" longer (26 per car)	ea 7.99
ET-623	63	Molding clip set, 1/32" longer (26)	199.99
ET-600	63	Rear window molding, lower (LH or RH)	ea 549.99
ET-599	63	Rear window molding, side	ea 549.99
ET-604	63	Rear window molding, upper (LH or RH)	549.99
ET-596	63	Rear window corner molding, front	ea 219.99
ET-598	63	Rear window corner molding, rear inner	ea 219.99
ET-597	63	Rear window corner molding, rear outer	ea 219.99

63 Rear Window Molding Set

Full set of 1963 Corvette rear window moldings including mount clips. All new reproduction of hard-to-find split window moldings. Available individually or as 12-piece car set.

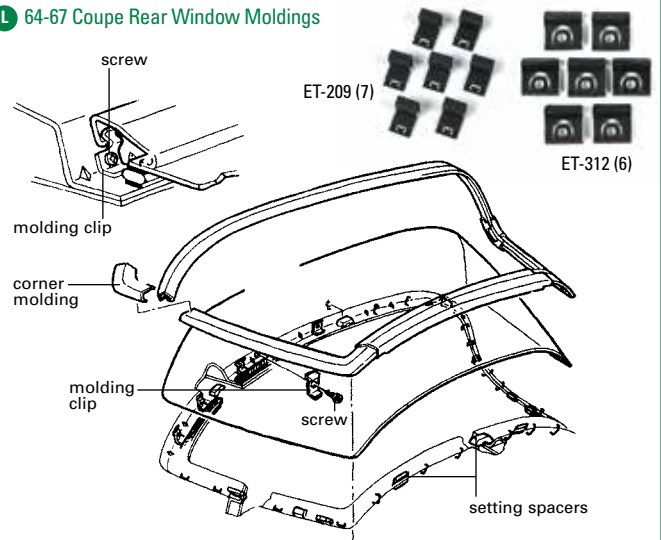


ET-603	63	Rear window moldings (ND)	3,499.99
--------	----	---------------------------	----------

64-67 Coupe Rear Window Moldings

ET-318	64-67	Glass setting spacers (12)	7.99
ET-312	64-67	Molding clips (24 per car) (L)	ea 1.99
ET-477	64-67	Molding clip set (24) (L)	26.99
ET-392	64-67	Molding clip screws (24) (L)	6.99
ET-475	64-67	Rear window corner molding (2 per car) (L)	ea 45.99

L 64-67 Coupe Rear Window Moldings



Hardtop

Front Latch & Guide Pin

HT-368	63-67	Front guide pins (2).....	38.99
HT-382	63-67	Front guide pin screws w/washers (4 pcs).....	2.99
CT-21	63-67	Front guide pin bushings (2).....	5.99
CT-22	63-67	Front latch (LH or RH).....	119.99
SF-393	63-67	Front latch screws w/washers (4).....	6.99
CT-50	63-67	Front latch strikers (pair).....	39.99
SF-393	63-67	Front latch striker screws (4).....	6.99



Side Hardtop Mounting

HT-306	63-67	Side mounting brackets, weld on (2) (A).....	27.99
HT-105	63-67	Side securing bolt (A).....	ea 4.99
HT-106	63-67	Side securing bolt anchor (A).....	ea 5.99
HT-111	63-67	Side securing bolt anchor jam nuts (2) (A).....	1.49
HT-373	63-67	Side securing bolt anchor gaskets (2).....	1.99



Hardtop Wrench

Correct reproduction of original wrench supplied with Corvettes that left the assembly plant with an installed hardtop.



TL-112	63-67	Hardtop wrench, correct reproduction.....	37.99
I-1206	63-67	Hardtop wrench bag.....	4.99

Hardtop Vinyl

Levant OE non-padded black vinyl with double raised seams. Correct material for 1963-1967 Corvette factory auxiliary hardtop. Adheres with contact adhesive.

HT-464	63-67	Hardtop black vinyl.....	239.99
--------	-------	--------------------------	--------

Hardtop Storage

Easy-to-use aluminum cart with casters to store hardtop when not in use. Fully protect with 1-piece dust resistant flannel cover.

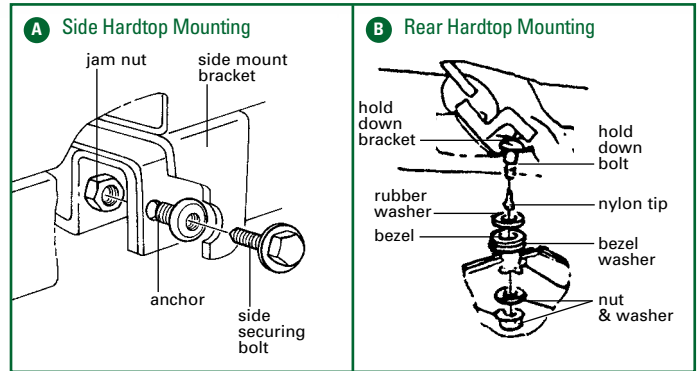


HT-470		Hardtop storage cart.....	177.99
CC-78		Hardtop cover, flannel lined.....	48.99



Rear Hardtop Mounting

HT-487	63-67	Deck lid bezels (B).....	10.99
HT-383	63-67	Deck lid bezel rubber washers (2) (B).....	1.99
ZHT-307	63-67	Deck lid bezel plug, used to plug deck lid bezels when hardtop is not in use.....	ea 2.99
HT-348	63-67	Rear hold down bracket w/rivets, rivets to inside of hardtop (LH or RH) (B).....	26.99
SF-903	63-67	Rear hold down bracket rivets (6).....	2.49
HT-200	63-67	Rear hold down bolts (2) (B).....	6.99
HT-384	63-67	Rear hold down bolt nuts & washers (4 pcs) (B).....	1.99
HT-200A	63-67	Rear hold down bolt nylon tips (2) (B).....	5.99
HT-385	63-67	Rear hold down bolt rubber washers (2) (B).....	1.99
HT-347	63-67	Rear hold down bolt spring retainer, mounts inside rear hold down bracket, must remove bracket to install.....	ea 14.99



Hardtop Mount Kit

Includes deck lid bezels, rear hold down bolts, side securing bolts, side anchors with jam nuts and all related hardware and gaskets. Car set.

HT-207	63-67	Hardtop mounting kit.....	39.99
--------	-------	---------------------------	-------



Rear Window Plexiglass

HT-304 63-67 Rear window plexiglass, dated (ND) **349.99**

Note: Hardtop rear window requires \$30.00 shipping and crating charge.

WS-424 63-67 Rear window weatherstrip **52.99**

HT-327 64-67 Rear window special screw & nut, mounts through rear window (2 pair per car) (C)(D) **15.99**

TL-185 64-67 Rear window special screw & nut spanner tool **9.99**

HT-378 64-67 Rear window special screw outer reinforcements (2) (C)(D) **12.99**

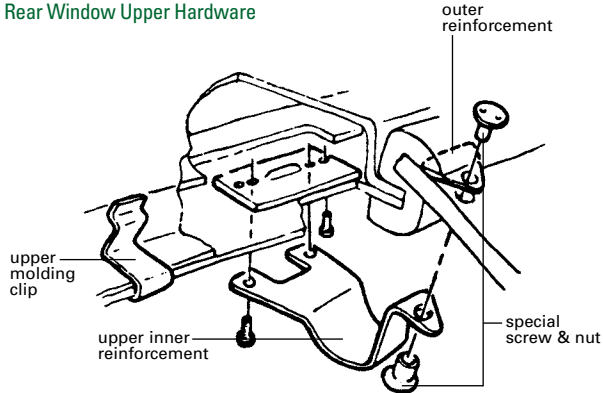
HT-379 64-67 Rear window lower inner reinforcement (D) **22.99**

HT-380 64-67 Rear window upper inner reinforcement (C) **20.99**

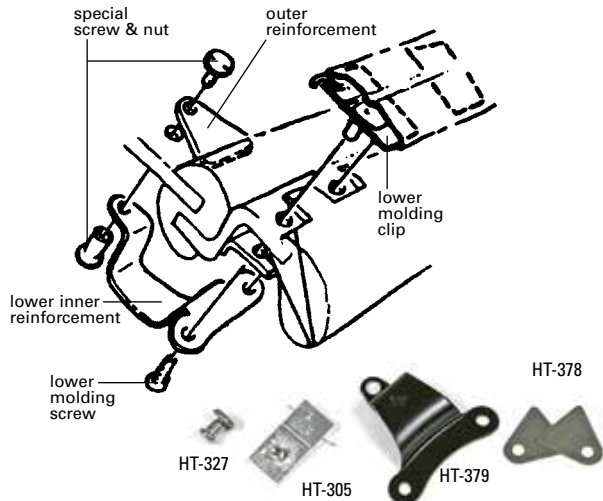
Dated glass includes correct manufacturer's logo and date code. Specify build date or serial number and model year. Dated glass is not returnable.



C Rear Window Upper Hardware



D Rear Window Lower Hardware



Hardtop Exterior Molding Clips & Hardware

SF-509 63-67 Front molding screws (11) **3.99**

SF-610 63-67 Side outer molding screws (6) **2.99**

HT-305 63-67 Rear window lower molding clip (10 per car) (D) ea **11.99**

HT-374 63-67 Rear window lower molding clips (10) (D) **129.99**

HT-362 63-67 Rear window lower molding & weatherstrip screws (10) (D) **7.99**

HT-375 63-67 Rear window upper molding clip (12 per car) (C) ea **9.99**

HT-376 63-67 Rear window upper molding clips (12) (C) **109.99**

Headliner & Interior Molding

'63-65 headliners are cloth covered as original; '66-67 are correct grain vinyl bonded to a rigid plastic backing – with a layer of foam between the vinyl and backing. '67 has molded sunvisor recesses.

I-789 63-64 Headliner, specify color **209.99**

I-830 65 Headliner, specify color **209.99**

I-835 66-67 Headliner, specify color **253.99**

HT-381 63-67 Headliner inner molding screws (23) **7.99**



Hardtop Repair Kit

Includes dated rear window, original-style headliner, header weatherstrip retainer clips, rear molding retainer clips, rear upper molding retainer clips, and screws. Specify year, VIN number and headliner color.

HT-359 63-65 Hardtop repair kit **729.99**

HT-360 66-67 Hardtop repair kit **729.99**

Note: Glass is manufactured to original specifications with correct dates and logos. Rear window requires \$30.00 shipping and crating charge. Prepaid only.

Hardtop Weatherstrip

WS-422 63-67 Hardtop header outer weatherstrip (E) **23.99**

HT-301 63-67 Hardtop header outer clip (13 per car) ea **4.99**

HT-377 63-67 Hardtop header outer clips (13) **59.99**

WS-423 63-67 Hardtop header inner weatherstrip (E) **16.99**

WS-4404 63-67 Hardtop header extension & side rail horizontal weatherstrip (LH or RH) (E) **66.99**

WS-675 63-67 Hardtop side rear vertical (LH or RH) (E) **52.99**

WS-425 63-67 Hardtop rear bow weatherstrip **37.99**

WS-4408 63-67 Hardtop rear bow side extension (LH or RH) **33.99**

WS-424 63-67 Hardtop back window weatherstrip **52.99**

HT-362 63-67 Rear window lower molding & weatherstrip screws (10) **7.99**

ZSF-234 63-67 Hardtop weatherstrip screws (36) **7.99**

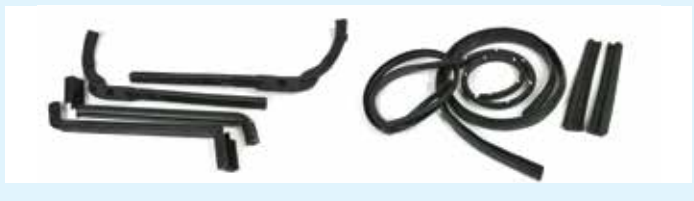
WS-4643 63-67 Hardtop weatherstrip fastener set (51 pcs) **15.99**

Hardtop Weatherstrip Kit

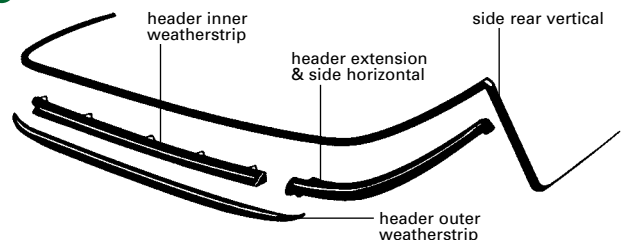
Includes headers, header extensions, rear verticals and extensions, and rear bow. Deluxe kit includes mount hardware. Rear window weatherstrip not included. Made in USA.

WS-4433 63-67 Hardtop weatherstrip kit (9 pcs) **349.99**

WS-4739 63-67 Deluxe hardtop weatherstrip kit (9 pcs) **379.99**



E Hardtop Weatherstrip



Convertible Top

Convertible Top Package

Includes all-new assembled frame with new vinyl, pads, straps, latches, weatherstrip and hardware. Fit frame to car before installing top, latches and weatherstrip. Black, white or tan. No Discount.

CT-75	63-65E	Convertible top complete.....	3,299.99
CT-398	63-65E	Convertible top complete (dated)	3,399.99
CT-396	65L-67	Convertible top complete.....	3,299.99
CT-397	65L-67	Convertible top complete (dated)	3,399.99

Convertible Top Kit

Reproduction convertible top matches factory original in fit, finish and appearance. OE-style 36 oz. Haartz Pinpoint vinyl with heat sealed clear plastic window, window stamp and washing instructions tag as original. Specify black, white or tan. Contemporary Haartz 3-layer Stayfast cloth upgrade features sewn plastic window. Black, tan or dark blue. Kits include deluxe pads, rear bow straps and finish strips with trim tips.

CT-204	63-67	Convertible top kit, vinyl	429.99
CT-334	63-67	Convertible top kit, vinyl (dated)	559.99
CT-385	63-67	Convertible top kit, Stayfast cloth	589.99
MF-279	63-67	Convertible top rear window tag	4.99

Dated top includes correct manufacturer's logo and date code in stamp. Specify build date or serial number and model year. Dated tops are not returnable.



Convertible Top & Frame Restoration

Return your mid-year's soft top to original condition. Zip's convertible top restoration kit uses correct, OE-style hardware and includes a new top, stainless rear window trim tips, a frame hardware rebuild kit, deluxe pads and straps, tack strip material, weatherstrip and related hardware. Specify black, white or tan top.

CT-109	63-67	Soft top restoration kit.....	699.99
CT-336	63-67	Soft top restoration kit, white (dated)	799.99
CT-346	63-67	Soft top restoration kit, black (dated).....	799.99
CT-352	63-67	Soft top restoration kit, tan (dated)	799.99

RaggTopp® Cleaner & Protectant

Exclusively for vinyl and fabric convertible tops, no-bleach cleaner lifts the toughest stains. Safe for paint, chrome, rubber and plastic. Low pH, friendly to the environment and biodegradable. Protectant is an effective UV-blocking "shield" repelling dust, water and mildew.



MG-235	RaggTopp vinyl/fabric top cleaner.....	19.99
MG-236	RaggTopp vinyl top protectant.....	19.99
MG-237	RaggTopp fabric top protectant.....	24.99
MG-233	RaggTopp vinyl top cleaner & protectant kit.....	36.99
MG-234	RaggTopp fabric top cleaner & protectant kit	39.99

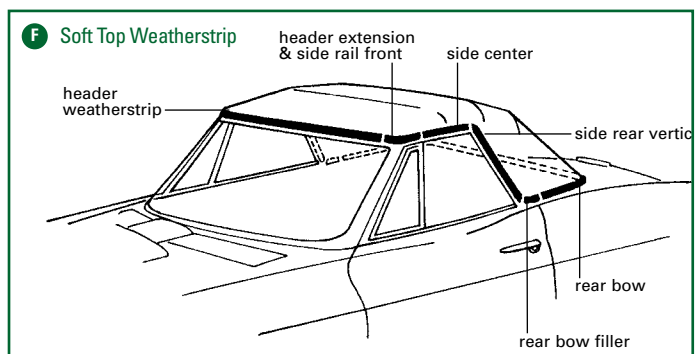
Convertible Top Installation

CT-77	63-67	Convertible top deluxe pads (car set)	69.99
CT-277	63-67	Convertible top pad to frame hardware (16 pcs).....	5.99
CT-59	63-67	Convertible top rear window trim tips, "spearhead," stainless w/screws (car set)	14.99
CT-45B	63-67	Rear window straps, black (2)	20.99
CT-311	63-67	Rear window strap retainers w/screws (car set).....	16.99
ZCT-54	63-67	Tack strip material, replacement vinyl (car set).....	22.99
CT-266	63-67	Tack strip material, correct fiberboard (car set).....	59.99

Soft Top Weatherstrip Kit

Includes header, header extensions, side rails, lower fillers and rear bow. Deluxe kits include mount hardware and rear bow cord. Made in USA.

WS-4430	63-67	Soft top weatherstrip kit (10 pcs)	279.99
WS-4740	63-67	Deluxe soft top weatherstrip kit (10 pcs)	289.99



Soft Top Weatherstrip

WS-423	63-67	Soft top header weatherstrip (F).....	16.99
WS-446	63-67	Soft top header extension & side rail front weatherstrip (LH or RH) (F).....	52.99
WS-200	63-67	Soft top header extension fasteners (4)	4.99
WS-447	63-67	Soft top side center weatherstrip (F)(G).....	26.99
WS-448	63-67	Soft top side rear vertical (LH or RH) (F)(G).....	31.99
WS-450	63-67	Soft top rear bow weatherstrip (F)	24.99
WS-449	63-67	Soft top rear bow filler extensions (LH or RH) (F)(G).....	22.99
CT-217	63-67	Soft top rear bow hold-in cord.....	5.99
ZSF-235	63-67	Soft top weatherstrip fasteners (54) (G).....	12.99

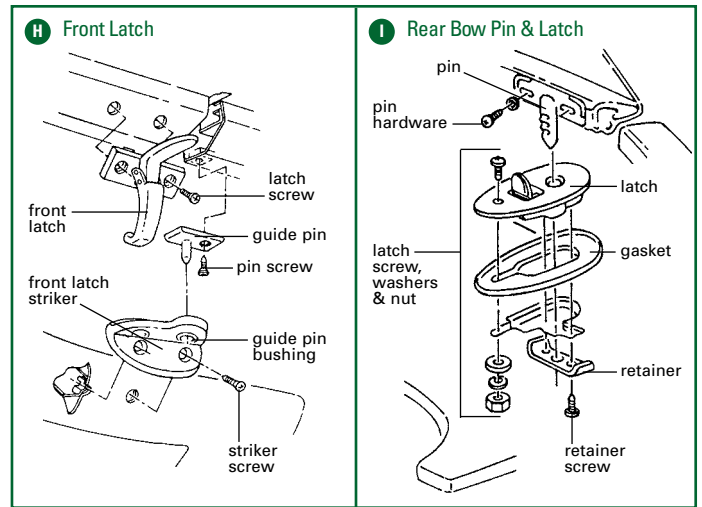
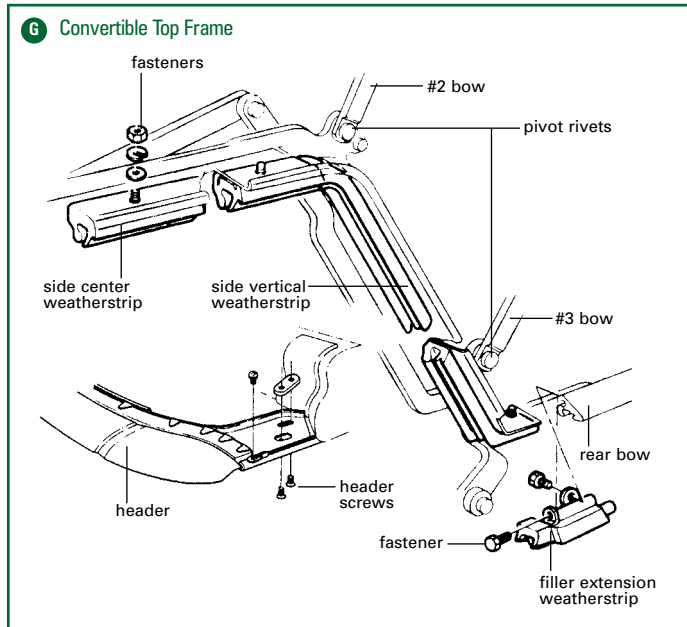


Convertible Top Frame

CT-209	63-65E	Frame, assembled (round #1 bow).....	2,499.99
CT-395	65L-67	Frame, assembled (rectangular #1 bow).....	2,499.99
CT-371	63-67	Frame to body mount bolts w/washers, correct (4).....	11.99

Convertible Top Frame Repair

CT-251	63-67	Frame bow pivot rivet (G).....	ea 7.99
CT-48	63-67	Front header metal bow (G).....	499.99
CT-312	63-67	Front header bow screws (4 pcs) (G).....	7.99
CT-313	63-67	#1 Frame metal bow.....	229.99
CT-314	63-67	#2 Frame metal bow (G).....	229.99
CT-315	63-67	#3 Frame metal bow w/tack strip (G).....	349.99
CT-252	63-67	Rear metal bow (G).....	389.99
CT-316	63-67	Rear metal bow screws (4).....	8.99



Front Latch & Guide Pins

CT-24	63-67	Front guide pins (2) (H).....	19.99
CT-21	63-67	Front guide pin bushings (2) (H).....	5.99
SF-404	63-67	Front guide pin screws w/washers (4 pcs) (H).....	2.99
CT-22	63-67	Front latch (LH or RH) (H).....	ea 119.99
SF-393	63-67	Front latch screws w/washers (4) (H).....	6.99
CT-50	63-67	Front latch strikers (2) (H).....	39.99
SF-393	63-67	Front latch striker screws (4) (H).....	6.99



Rear Bow Pin & Latch

CT-23	63-67	Rear bow pin (LH or RH) (I).....	34.99
SF-321	63-67	Rear bow pin hardware (8 pcs) (I).....	5.99
CT-327	63-67	Rear latch, US Made reproduction (I).....	ea 119.99
CT-20	63-67	Rear latch, imported reproduction (I).....	ea 94.99
CT-388	63-67	Rear latch repair plastic bushings (2).....	24.99
ZWS-451	63-67	Rear latch gaskets, rubber (I).....	4.99
CT-400	64-67	Rear latch gaskets, original style plastic (I).....	6.99
ZCT-46	63-67	Rear latch screws, washers & nuts (8pcs) (I).....	5.99
CT-268	63-67	Rear latch underbody retainer (I).....	ea 9.99
CT-269	63-67	Rear latch underbody retainer screws (4) (I).....	3.99



Soft Top Frame Screw Kit

Includes all screws needed to rebuild your Corvette's soft top frame.

CT-113	63-67	Soft top frame screw kit.....	49.99
--------	-------	-------------------------------	-------



Deck Lid Protector

Clear film protector is die cut to fit contour of rear deck lid to protect your Corvette's paint from damage caused by contact with the soft top or auxiliary hardtop. Simple stick-on/peel-off static cling installation.



X-411	63-67	Deck lid protector, soft top.....	27.99
X-412	63-67	Deck lid protector, hardtop.....	27.99

Weatherstrip

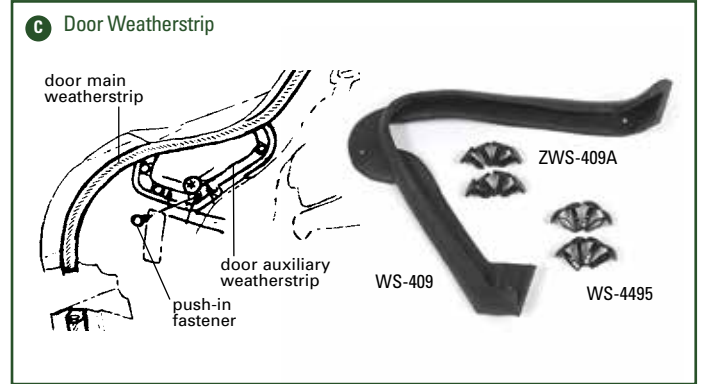
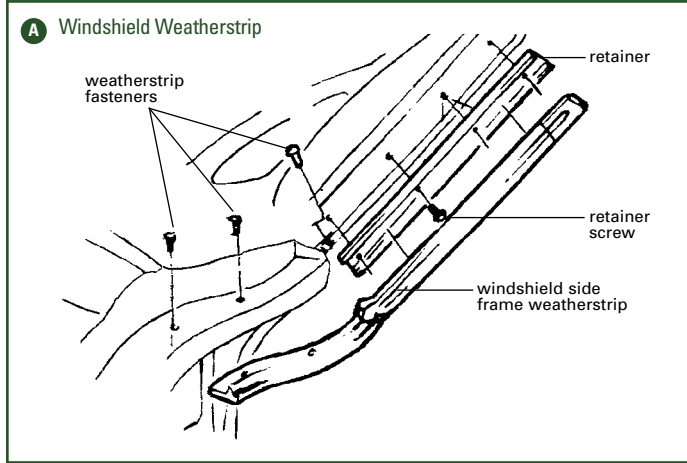
Convertible Weatherstrip

Body Weatherstrip

WS-457	63-67	Deck lid.....	34.99
WS-428	63-67	Hood ledge (B).....	9.99
WS-4573	67	Hood ledge weatherstrip pins (2)	2.49
WS-426	63-67	Windshield side a & hinge pillar weatherstrip (LH or RH) (A).....	44.99
SF-458	63-67	Windshield side frame & hinge pillar weatherstrip mount hardware (8 pcs) (A).....	6.99
WS-763	63-67	Windshield side frame weatherstrip retainer, stainless (A).....	ea 39.99
ZSF-210	63-67	Windshield side frame weatherstrip retainer attaching screws (8) (A).....	4.99
WS-462	63-67	Windshield channel & weatherstrip.....	79.99

Door Weatherstrip

WS-4503	63	Door auxiliary (LH or RH) (C)	22.99
WS-409	64-67	Door auxiliary (LH or RH) (C)	22.99
ZWS-409A	63-66	Door auxiliary push-in fasteners (8) (C)	4.99
WS-4495	67	Door auxiliary push-in fasteners (8) (C)	8.99
WS-410	63-67	Door main (LH or RH) (B)(C).....	56.99
SF-605	63-67	Door main weatherstrip end screws (4)	4.49
WS-412A	63-67	Door vent window front (LH or RH) (B)	58.99
WS-780	63-67	Door vent window rear (LH or RH) (B).....	27.99
WS-4648	63	Window outer seals, Conv. (2).....	32.99
WS-4649	63	Window outer seals, Coupe (2)	32.99
WS-4634	64	Door window outer seals (2) (staple on).....	27.99
WS-4635	65-67	Door window outer seals (2) (rivet on)	27.99
SF-753	64	Door window outer seal staples (10).....	2.99
SF-606	65-67	Door window outer seal rivets (6)	2.99
SF-898	63-67	Door window outer seal trim screws, correct (12).....	5.99



Convertible Body Weatherstrip Kit

Includes all weatherstrips attached to body: hood ledge, windshield posts with hinge pillars, door mains, door auxiliaries and deck lid. Deluxe kits include door ventilator (front & rear) and weatherstrip mount hardware. Made in USA.

WS-4501	63	Body weatherstrip kit (8 pcs)	269.99
WS-4733	63	Deluxe body weatherstrip kit (12 pcs).....	429.99
WS-4463	64-67	Body weatherstrip kit (8 pcs)	269.99
WS-4735	64-66	Deluxe body weatherstrip kit (12 pcs).....	439.99
WS-4736	67	Deluxe body weatherstrip kit (12 pcs).....	439.99

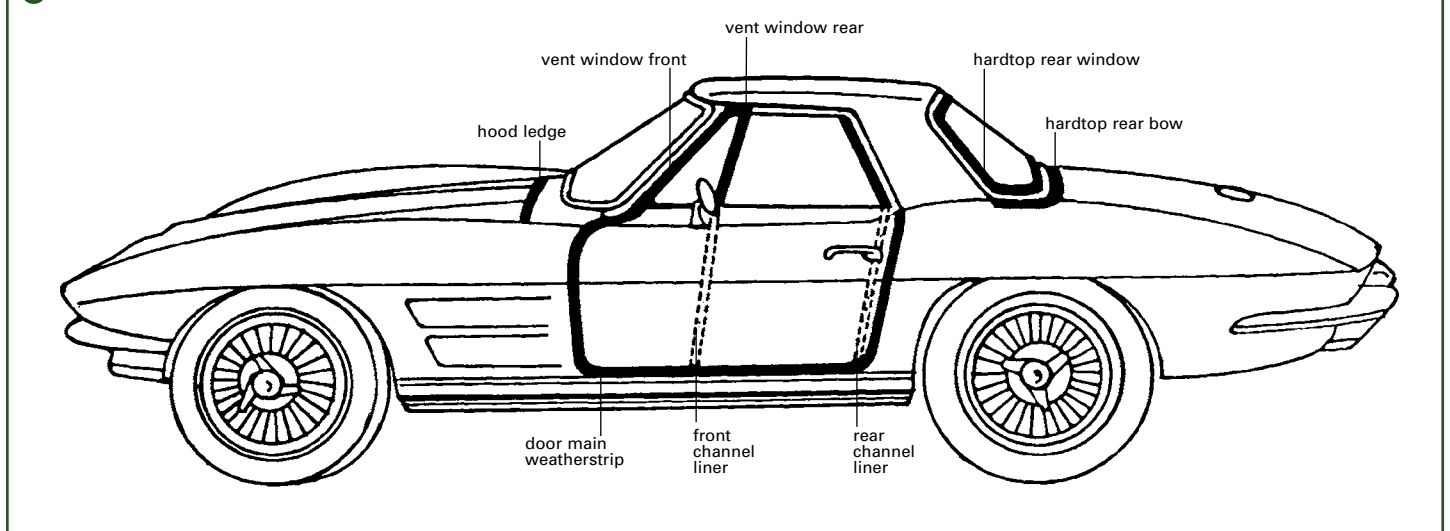
Window Channels & Liners

WS-765	63-67	Window channel front liner, w/holes & hardware, curved as original (car set) (B).....	59.99
SF-621	63-67	Window channel front liner rivets (4).....	2.99
DR-472	64-67	Window rear metal channel (LH or RH).....	79.99
DR-475	63-67	Window rear metal channel screw & washer kit (10 pcs).....	4.99
WS-4770	63-67	Window rear metal channel liners (2) (B).....	10.99

Rubber Weatherstrip Is Not All The Same!

Because fit, feel, and formulation of rubber weatherstrip can vary greatly among manufacturers, know that Zip offers only the absolute highest quality pieces made. Settle for nothing less than the best!

B Convertible Weatherstrip



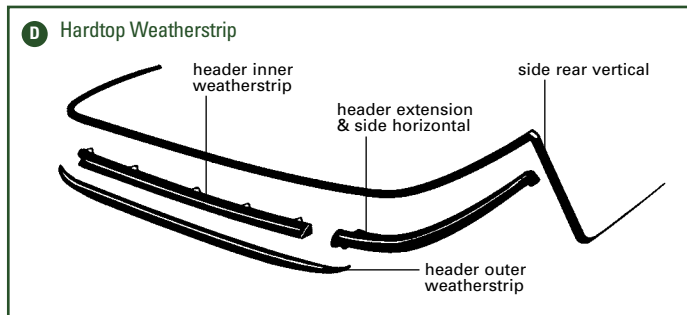
Hardtop Weatherstrip

WS-422	63-67	Hardtop header outer weatherstrip (D)	23.99
HT-301	63-67	Hardtop header outer clip (13 per car)	ea 4.99
HT-377	63-67	Hardtop header outer clips (13)	59.99
WS-423	63-67	Hardtop header inner weatherstrip (D)	16.99
WS-4404	63-67	Hardtop header extension & side rail horizontal weatherstrip (LH or RH) (D)	66.99
WS-675	63-67	Hardtop side rear vertical (LH or RH) (B)(D)	52.99
WS-425	63-67	Hardtop rear bow weatherstrip (B)	37.99
WS-4408	63-67	Hardtop rear bow side extension (LH or RH)	33.99
WS-424	63-67	Hardtop back window weatherstrip (B)	52.99
HT-362	63-67	Rear window lower molding & weatherstrip screws (10)	7.99
ZSF-234	63-67	Hardtop weatherstrip screws (36)	7.99
WS-4643	63-67	Hardtop weatherstrip fastener set (51 pcs)	15.99

Hardtop Weatherstrip Kit

Includes headers, header extensions, rear verticals and extensions, and rear bow. Deluxe kits include mount hardware. Rear window weatherstrip not included. Made in USA.

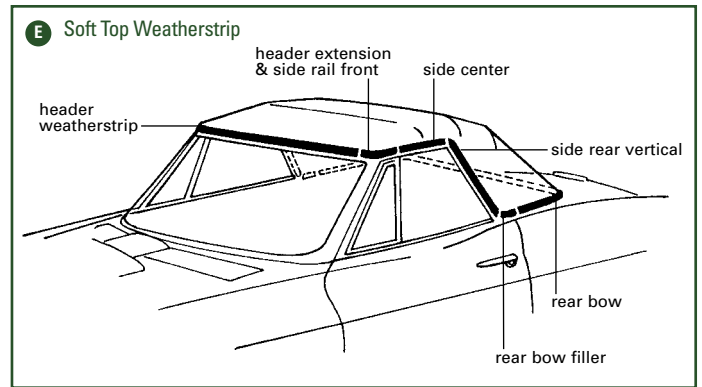
WS-4433	63-67	Hardtop weatherstrip kit (9 pcs)	349.99
WS-4739	63-67	Deluxe hardtop weatherstrip kit (9 pcs)	379.99



Body Seal Kit

Includes all seals commonly replaced after a repaint: headlamp pivot felts, washer nozzles, mirror, door handles, door lock cylinders, taillight bodies and lenses, back-up lamp bodies and lenses, park lamp lenses, license lens, deck lid locks and antenna. Die cut from correct materials. Correct for convertible or coupe.

ZWS-4417	63-64	Body seal kit (27 pcs)	26.99
ZWS-4418	65-66	Body seal kit (27 pcs)	26.99
ZWS-4419	67	Body seal kit (29 pcs)	29.99



Soft Top Weatherstrip

WS-423	63-67	Soft top header weatherstrip (E)	16.99
WS-446	63-67	Soft top header extension & side rail front weatherstrip (LH or RH) (E)	52.99
WS-200	63-67	Soft top header extension fasteners (4)	4.99
WS-447	63-67	Soft top side center weatherstrip (E)	ea 26.99
WS-448	63-67	Soft top side rear vertical (LH or RH) (E)	31.99
WS-450	63-67	Soft top rear bow weatherstrip (E)	24.99
WS-449	63-67	Soft top rear bow filler extensions (LH or RH) (E)	22.99
CT-217	63-67	Soft top rear bow hold-in cord	5.99
ZWS-451	63-67	Soft top rear latch gaskets, rubber (2)	4.99
CT-400	64-67	Soft top rear latch gaskets, original style plastic (2)	6.99
ZSF-235	63-67	Soft top weatherstrip fasteners (54)	12.99

Soft Top Weatherstrip Kit

Includes header, header extensions, side rails, lower fillers and rear bow. Deluxe kit includes mount hardware and rear bow cord. Made in USA.

WS-4430	63-67	Soft top weatherstrip kit (10 pcs)	279.99
WS-4740	63-67	Deluxe soft top weatherstrip kit (10 pcs)	289.99



Adhesives & Cleaners

3M adhesive cleaner quickly dissolves weatherstrip adhesive, wax, grease, tar and more. Black or yellow adhesive (GM used yellow originally) bonds all types of weatherstrip to painted and unpainted metal. Silicone conditioner restores weatherstrip to "new black" look – and protects fresh weatherstrip against dry rot and cracking.



WS-08008	3M Adhesive, 5 oz. tube, black	12.99
WS-08001	3M Adhesive, 5 oz. tube, yellow	10.99
WS-4483	3M Adhesive cleaner, 15oz aerosol	22.99
WS-4605	Weatherstrip silicone conditioner	16.99

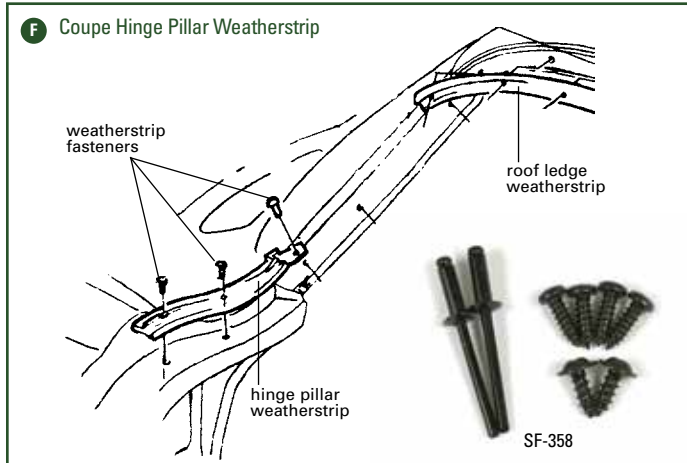
ZipSocial    
Follow us on social media & stay connected! www.zip-corvette.com/social

Weatherstrip continued

Coupe Weatherstrip

Body Weatherstrip

WS-524	63-67	Hinge pillar weatherstrip (LH or RH) (F).....	24.99
SF-358	63-67	Hinge pillar weatherstrip mount screws (6) & rivets (2) (F).....	4.99
WS-428	63-67	Hood ledge.....	9.99
WS-4573	67	Hood ledge weatherstrip pins (2).....	2.49
WS-555	63-67	Roof ledge above door weatherstrip (LH or RH) (F).....	68.99
SF-607	63	Roof ledge weatherstrip screws (14) (F).....	11.99
SF-608	64-67	Roof ledge weatherstrip screws (14) (F).....	9.99
WS-537	63	Rear window glass channel & weatherstrip (LH or RH).....	69.99
WS-552	63-67	Windshield channel & weatherstrip.....	56.99



Coupe Body Weatherstrip Kit

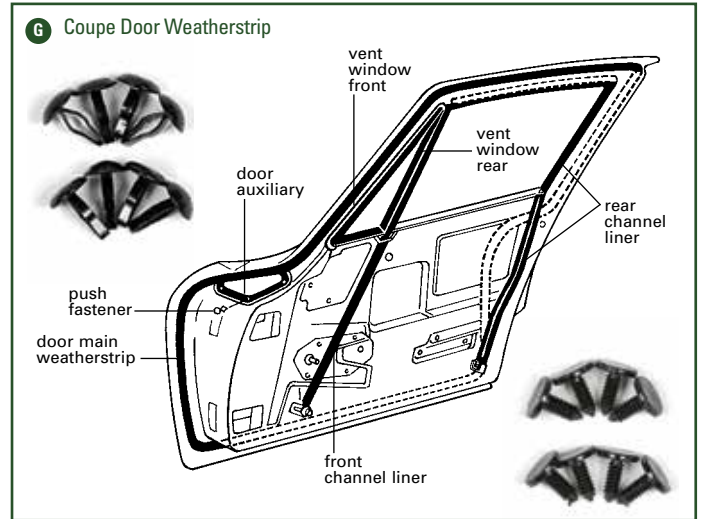
Coupe body kit includes hood ledge, hinge pillar, door mains, door auxiliaries and roof ledge above door. Deluxe kits include door ventilator (front & rear) and weatherstrip mount hardware. Made in USA.

WS-4502	63	Body weatherstrip kit (9 pcs).....	269.99
WS-4734	63	Deluxe body weatherstrip kit (13 pcs).....	419.99
WS-4464	64-67	Body weatherstrip kit (9 pcs).....	269.99
WS-4737	64-66	Deluxe body weatherstrip kit (13 pcs).....	429.99
WS-4738	67	Deluxe body weatherstrip kit (13 pcs).....	429.99



Coupe Window Channels & Liners

WS-764	63-67	Window channel front liner, w/holes & hardware, curved as original (car set) (G).....	59.99
SF-621	63-67	Window channel front liner rivets (4).....	2.99
DR-473	63L-67	Window rear metal channel (LH or RH).....	79.99
DR-475	63-67	Window rear metal channel screw & washer kit (10 pcs).....	4.99
WS-4770	63	Window rear channel lower liners (2).....	10.99
WS-4574	63	Window rear & upper channel liner, correct bead, pre-bent w/clips & metal corner reinforcement installed (car set) (G).....	199.99
WS-770	64-67	Window rear & upper channel liner, correct bead, pre-bent w/clips (car set) (G).....	134.99
WS-4575	63-67	Window rear & upper channel liner clips (16).....	15.99
WS-4576	64-67	Window channel liner lower screws (2).....	1.49
WS-766	63	Window channel rear corner metal reinforcements (2).....	29.99
WS-767	64-67	Window channel to inner window seal rear corner repair kit, 1" fuzzy w/rivets.....	ea 8.99



Door Weatherstrip

WS-4503	63	Door auxiliary (LH or RH) (G).....	22.99
WS-409	64-67	Door auxiliary (LH or RH) (G).....	22.99
ZWS-409A	63-66	Door auxiliary push-in fasteners (8) (G).....	4.99
WS-4495	67	Door auxiliary push-in fasteners (8) (G).....	8.99
WS-512	63-67	Door main, w/molded rear corner (LH or RH) (G).....	28.99
WS-513	63-67	Door vent window, front (LH or RH) (G).....	56.99
WS-514	63-67	Door vent window, rear (LH or RH) (G).....	27.99
WS-4636	64	Door window outer seals (2) (staple on).....	27.99
WS-4633	65-67	Door window outer seals (2) (rivet on).....	27.99
SF-753	64	Door window outer seal staples (10).....	2.99
SF-606	65-67	Door window outer seal rivets (6).....	2.99
SF-898	63-67	Door window outer seal trim screws, correct (12).....	5.99

Glass Installation Kit

Includes cutting wire, setting blocks, glass primer and enough butyl tape to seal coupe rear glass. Note: rear window requires additional glass setting blocks.



ZET-398	64-67	Glass installation kit.....	39.99
ET-318	64-67	Glass setting spacers (12).....	7.99

ZipSocial    
Follow us on social media & stay connected! www.zip-corvette.com/social

Protection

NOAH™ Cover

Lightweight, 4-layer NOAH fabric is one of the most proven cover materials available. Highly water resistant, breathable and UV treated. Indoor or outdoor. Includes grommets. Gray only. From Covercraft.

CC-69 63-67 NOAH cover 299.99



Max-Tech Cover

4-layer protection that's easy on the wallet. Not waterproof, but Max-Tech fabric does breathe so trapped water can evaporate. Gray only. Includes mirror pockets, cable with lock and storage bag.

CC-60 63-67 Max-Tech cover 99.99



Premium Flannel Cover

Excellent dust barrier for garage-kept Corvettes. Moisture resistant poly/cotton outer layer is fully lined with soft flannel to pamper the finest paint. Includes grommets. Tan only. Storage bag included.

C19TF 63-67 Flannel cover 169.99



Covercraft Fleece Satin Cover

Perfect cover for your indoor kept C2 Corvette. Super soft, thick inner fleece liner with a satin exterior which is as smooth as the paint finish on your Corvette! Polyester outer shell and super soft white fleece to pamper your Corvette's paint. Custom cut to follow the curves, breathable material prevents moisture vapor and heat buildup, while offering excellent protection.

CC-153 63-67 Fleece Satin indoor car cover Call



Covercraft Form-Fit

Luxurious body hugging polyester with Spandex features a cotton inner lining for absolute beauty in curves. Highly breathable and machine washable. Available in black, charcoal, dark blue, silver-gray, hunter green or bright red. Includes matching storage bag.

CC-152 63-67 Covercraft Form-Fit indoor cover 467.99



Black Onyx Satin

Polyester blend includes Lycra/Spandex to make the perfect combination of a Stain-like exterior with a luxuriously soft underside. Front and rear hems, mirror pockets and generation specific pattern makes for a sleek, form fitting look.

CC-180 63-67 Black Onyx stain indoor cover 149.99



Cleartastic Paint Protection.

Ultra-thin film protects lower body from road rash where it's needed most: the chip-prone area behind the rear wheels. Precut static cling pieces fits flush against paint to create a virtually invisible barrier. Reusable- just peel off/press on. 2 piece set.



X-822 63-67 Cleartastic Film 39.99

Ferguson Design Covers

Designed by Corvette enthusiast. Manufactured of high-grade, fire retardant water-proof vinyl with soft denim backing. Cockpit cover provides sun protection when the hardtop or soft top is down. Soft Top Hat Cover protects soft top and interior when the soft top is in up position. Coupe Sunjacket is perfect for covering your mid-year coupe when you don't want to carry a full car cover.

X-3966 63-67 Ferguson conv Cockpit cover 209.99

X-3972 63-67 Ferguson conv Soft Top Hat cover 219.99

X-3977 63-67 Ferguson coupe Sunjacket cover 234.99





Flag Caddie

Show your patriotism at the next cruise-in, car show or parade. Mounts to convertible top strikers on windshield frame. Includes LH and RH flag mount and flags. 16" x 9"

X-1256	63-67	Flag Caddie, conv.....	49.99
X-1255		Replacement flags, pair.....	14.99

Ferguson Fender Apron

Same materials as cockpit cover – designed to protect fender top and nose panel from show judging or when providing heavy mechanical work in the engine compartment. Cheap insurance against the costly repair of a scratched fender.

X-3984	63-67	Ferguson fender apron.....	289.99
--------	-------	----------------------------	--------



Coverking Windshield Sun Shield

Custom cut and patterned to fit mid-year Corvettes. Roll-up design stores easily. 3-layer design insulates against heat, reduces interior temperature and reflects harmful UV-rays protecting dash and interior from fading and damage. Includes C2 logo.



X-4057	63-67	Coverking roll-up Sun Shield.....	59.99
--------	-------	-----------------------------------	-------

License Plate Frame

Chrome plated brass license frame with engraved C2 Corvette script and emblem. 2-hole design. Includes chrome plate screw covers.



X-2072	63-67	Corvette license plate frame.....	39.99
X-2075	63-67	Stingray license plate frame.....	39.99

Travel Buddy

Give you mid-year Corvette something it's badly missing – a drink holder! Travel Buddy drink holder install in literally seconds; simply fitting up under the upper console trim plate. Perfect for cups, cans, and bottles – available in single or dual cup design.



X-4037	63-67	Travel Buddy drink holder.....	39.99
X-4038	63-67	Travel Buddy 2 drink holder.....	49.99

Towels

Microfiber drying towel is ultra-absorbent waffle weave, dye-free white. Polishing towel is ideal for removing polishes and Detail Spray.

MG-142		Microfiber drying towel, 36" x 24".....	14.99
MG-144		Microfiber polishing towel, 24" x 16".....	8.99
MG-180		Microfiber polishing towels, 3-pack.....	19.99



Waxes & Sprays

Detail Spray removes light dust and smudges between washings, excellent as clay bar lubricant. Brilliant Glaze adds an ultra-high gloss to any surface (not a wax). A blend of polymers, resins and natural Carnauba; Buttery Wax delivers knock-out reflection, gloss and depth! Revive Hand Polish is one step solution for paint that needs that little something extra to bring back shine.

MG-123	Adam's Detail Spray, 16 oz.....	12.99
MG-124	Adam's Detail Spray, gallon refill.....	44.99
MG-134	Adam's Brilliant Glaze, 16 oz.....	24.99
MG-131	Adam's Buttery Wax, 16 oz.....	19.99
MG-127	Adam's Revive Hand Polish, 16 oz.....	19.99

Cleaners

Car Shampoo makes big suds, rinses streak-free. Wheel Cleaner is safe for polished, chrome, powder coat and painted finishes. All-Purpose Cleaner cuts grease, brake dust and tar; use to clean machine buffing pads and microfiber applicator pads. No-ammonia Glass Cleaner leaves glass streak free. Use Leather & Interior Cleaner to deep clean leather, vinyl and plastic and Carpet & Upholstery Cleaner is non-foaming, yet makes dirt and stains disappear from interior.

MG-121	Adam's Car Shampoo, 16 oz.....	9.99
MG-122	Adam's Car Shampoo, gallon refill.....	39.99
MG-240	Adam's Wheel Cleaner, 16 oz.....	14.99
MG-256	Adam's Wheel Cleaner, gallon refill.....	59.99
MG-176	Adam's All-Purpose Cleaner, 16 oz.....	10.99
MG-164	Adam's Glass Cleaner, 16 oz.....	12.99
MG-165	Adam's Glass Cleaner, gallon refill.....	39.99
MG-179	Adam's Leather & Interior Cleaner, 16 oz.....	14.99
MG-138	Adam's Carpet & Upholstery Cleaner, 16 oz.....	10.99



Dressings

UV-blocking Leather Conditioner is a rich cream that leaves leather soft and nourished. In & Out Detail Spray keep ABS pieces like-new. Super V.R.T. preserves and protects vinyl, plastic and rubber with "dry" satin finish- use sponge applicator. Undercarriage Spray turns chassis and wheelwells satin black and virtually invisible.

MG-133	Adam's Leather Conditioner, 16 oz.....	29.99
MG-140	Adam's In & Out Detail Spray.....	14.99
MG-125	Adam's Super V.R.T. vinyl, rubber & tire dressing, 16 oz.....	24.99
MG-166	Adam's Undercarriage Spray, 16 oz.....	12.99
MG-167	Adam's Undercarriage Spray, gallon refill.....	39.99



Front End Cover

Ultimate protection for your mid-year Corvette. Designed to protect the entire front end, from the cowl to the grill. The cost of this product is less than the cost of one small paint repair. Fender Gripper products are not affected by motor oil, grease, transmission fluid, brake fluid, carb cleaner or even lacquer thinner. Custom designed for a perfect fit. Features a screen printed 63-67 Corvette emblem.



X-2201 Fender Gripper front end cover.....203.99

Motive POWER BLEEDER™

One-person bleeder flushes entire system without refilling. Requires no auxiliary air or power source. Hand pump reservoir has built-in pressure gauge for safe operation. 500 ml catch bottles have return nipple and lanyard to hang bottle near work area.



DB-637 63-64 Power brake bleeder 64.99
 DB-636 65-67 Power brake bleeder (65-66 PWR & 67 all)..... 84.99
 DB-1228 63-67 Power brake bleeder, includes 3 adapters for 63-64, 65-66 PWR & 67-later Corvette master cylinders 119.99
 DB-635 63-67 POWER BLEEDER catch bottles (2) 22.99

Race Ramps

Unlike steel ramps, which are very heavy (not to mention rust immediately) and plastic ramps that are not stable- Race Ramps are light weight and strong, perfect for lifting or loading your Corvette or any other vehicle. Providing "rock-solid" stability in the garage, driveway or car show under any surface condition including epoxy coated floors or unstable sand and rocks. Race Ramp products eliminate the risks of skidding, slipping, sinking or crushing under pressure; that's a recipe for worry free maintenance or hauling. Manufactured of high-density urethane foam and proudly made in the USA.



40" Race Ramps

10" wide- 40" long lift ramps can hold up to 6000lbs, and each ramp weighs less than 10lbs! Custom designed low ride-height high performance vehicles, providing 7" of lift with a 16.7 degree incline. Perfect for stock mid-year Corvette. Includes hand straps for carrying or storage. Sold in pairs.

X-3598 40" Race Ramps (7" lift) 200.99

56" Race Ramps

12" wide- 56" long lift ramps can hold up to 6000lbs, and each ramp weighs less than 10lbs! Custom designed low ride-height high performance vehicles, providing 8" of lift with a 10.8 degree incline. Perfect for lowered mid-year Corvette. Includes hand straps for carrying or storage. Sold in pairs.

X-1706 56" Race Ramps (8" lift) 301.99

Zip has a full selection of Race Ramp trailer accessories available for Corvette owners. Products include lightweight Trailer Steps for easy entry and exit, Trailer Mates for increasing tie down height inside your trailer and Trailer Side Kicks that can either protect your Corvette during loading or make changing flat tires on the side of the road a breeze. Contact a Zip salesperson or go online for more information.

2-Piece Race Ramps

Need additional access to the under-side of your Corvette when lifted? The 2-piece design is perfect for you! Simply drive up the ramp, and once your Corvette is firmly chocked in place; remove the sloped section for complete access for oil changes, detailing or accessing suspension components. Available in multiple lengths depending on the ride-height of your Corvette. 14" wide. Sold in pairs.

X-2307 56" 2-piece Race Ramps (8" Lift).....337.99
 X-2308 67" 2-piece Race Ramps (10" Lift).....469.99



Wheel Chocks

Provides extra security in any working environment- keeping your Corvette right where it is supposed to be. Made from solid rubber composite; allows them to be used on any surface including the ground (concrete, driveway or panted surfaces) or directly on your Race Ramps. 6" x 4" x 5" wide- weighing 3 pounds each. Sold in set of 4. Put a set in the garage and keep a set in the trailer.

X-2188 Race Ramp wheel chocks 75.99

Flatstoppers

Flatstoppers were designed to keep your Corvette's tires from flat spotting during long periods of storage. Flat spots are particularly troublesome for Corvettes with original style bias ply tires. Simply drive-on to the Flatstopper; your tires will settle into the pad's concave depression and they'll be cradled in their own radius. Flatstoppers do not conduct heat or cold to your tires from changing floor temperatures. Eliminates the hassle of jack stands during storage. 14" wide. Set of 4.

X-2185 Race Ramps 14" Flatstoppers.....323.99



Trailer Ramps

Need a little more lift to make sure your car trailer loads correctly? Race Ramps Trailer Ramps allow low ride-height Corvettes a little less hassle while loading and you can be certain your front end will not get damaged in the process. Available in multiple heights depending on loading requirements.

X-3615 4" Trailer ramps (46" long x 14" wide).....349.99
 X-3616 6" Trailer ramps (46" long x 14" wide).....360.99
 X-3617 7" Trailer ramps (74" long x 14" wide).....501.99

Fender Gripper Fender Mat

No-slip cushioned pad protects paint from belt buckles and dropped tools. Washable and resistant to oil, grease, coolant, thinner, brake fluid and similar. Black with screen printed '63-67 logo. 22" x 34". GM licensed.

X-2208 Fender Gripper mat.....29.99



Corvette Reference

Owners Manual

Reprint of the original owners manual included with every new Corvette. Contains specific operating instructions and maintenance schedules for individual model year. Specify year.

B-202	63-67	Owners manual.....	13.99
B-204	63-66E	Owners manual bag.....	5.99
B-204B	66L-67	Owners manual bag.....	5.99

Showroom Brochures

Quality reprints of the original showroom brochures Chevrolet used to sell the Corvette. A great addition to any enthusiast's library – every collector should have one! '53- 74 available. Specify year of car when ordering.

B-106	Showroom brochure.....	11.99
-------	------------------------	-------



NCRS Pocket Spec Guide

Quick-reference encyclopedia of basic Corvette information to help you verify the originality of vintage Corvettes. Subjects covered include engine, transmission and axle identification codes, body and trim combinations, production totals, build dates, original prices and more.

B-453	NCRS Pocket Spec Guide, 1953-67.....	19.99
B-454	NCRS Pocket Spec Guide, 1968-82.....	19.99

Corvette Illustrated Encyclopedia

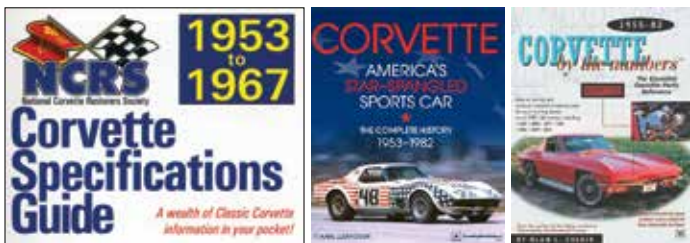
A comprehensive "A-to-Z" guide to the Corvette – encompassing terminology, places and names from throughout the Corvette's fifty year history. Includes appendices listing year-by-year specifications, Corvette suppliers and services, and Corvette enthusiast magazines. Written to appeal to everyone from the novice to the NCRS veteran.

B-583	Corvette Illustrated Encyclopedia.....	49.99
-------	--	-------

Corvette – America's Star-Spangled Sports Car

Get behind the scenes during the early decades of Corvette design, engineering, brand development and racing competition. Automotive historian Karl Ludvigsen weaves together technical examinations and up-close compelling stories of Corvette's golden age. 784 pages, 989 photos.

B-734	Corvette – America's Star-Spangled Sports Car.....	29.99
-------	--	-------



Corvette by the Numbers™

Incorporating materials from GM archives, author Alan Colvin has compiled the most authoritative reference available for finding, decoding and verifying the correct part and casting numbers of every engine and drivetrain component for '55-82 Corvettes. Loaded with photographs, blueprints, technical bulletins and build sheets. Also includes information on Delco radios, glass codes and yearly model changes.

B-517	Corvette by the Numbers.....	74.99
-------	------------------------------	-------

NCRS Judging Manual

If you're preparing for NCRS-level judging, or just want to know how your Corvette would have looked rolling off the assembly line, this is the guide to have. Exhaustive research details correct part numbers, casting numbers, finishes and more. All-new format with codes, bulletins and color photos. Zip offers the most-current NCRS manuals, including expanded editions as available. No Discount.

B-695	63-64	NCRS Judging Manual.....	89.99
B-696	65	NCRS Judging Manual.....	64.99
B-697	66	NCRS Judging Manual.....	89.99
B-698	67	NCRS Judging Manual.....	89.99



Corvette 427 – Practical Restoration of a '67 Roadster

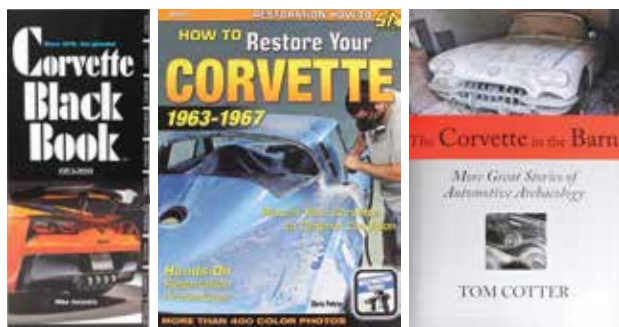
Automotive writer and amateur restorer Don Sherman's engaging tale of his two-year journey down the sometimes bumpy road to returning an abused Corvette to showroom condition. Follow along as Sherman chronicles what worked, what didn't work – and what almost worked. Covers every aspect of a ground-up resto, from finding the perfect project car to knowing when to consult the pros.

B-516	Practical Restoration of a '67 Roadster.....	49.99
-------	--	-------

Corvette Black Book Deluxe Edition

A pocket-size fact book brimming with valuable production figures, year-specific facts, RPO descriptions, exterior paint codes, interior choices and more. An absolute must to have along when checking out that "dream" Corvette for purchase! NEW EDITION.

B-400	Corvette Black Book Deluxe Edition.....	22.99
-------	---	-------



How to Restore Your Corvette: 1963-1967

Whether you're planning a home garage resto of your mid-year, or simply want to see how a pro would tackle the job, noted Corvette expert and author Chris Petris has penned the definitive blueprint. This literal guide takes a real-world look at all facets of the restoration process, including engine and driveline, body/paint, interior, suspension, brakes, chassis and steering.

B-710	How to Restore Your Corvette: 1963-1967.....	39.99
-------	--	-------

The Corvette in the Barn

A "fantasy" collection of true, often amazing, stories and essays about what every enthusiast dreams to find: the lost Corvette. Relive the discovery of unusual and desirable cars of all makes and models, long-forgotten in all manner of locations from barns, to junkyards, to farmer's fields. These are the stories that fuel the imagination!

B-676	The Corvette in the Barn.....	25.99
-------	-------------------------------	-------

Assembly Manual

100%-accurate reprint of original build instructions used on the Corvette assembly line. Manual is broken into major groups (body, doors, engine, etc.) and features detailed illustrations showing how components were assembled. CD covers all 63-67. Specify individual year for bound printed manual.

B-632	63-67	Assembly manuals CD	29.99
B-201	63-67	Assembly manual, specify year	28.99

Service Manuals

Reprints of the original shop manuals available over the counter from Chevrolet dealers. Cover basic operating systems and how to disassemble and rebuild many components. Includes wiring diagrams. Great reference for the do-it-yourselfer! Available on CD and as bound printed book. Print version for '64 and '65 must order B-211 plus the appropriate supplement.

B-609	63-65	Service manual CD	29.99
B-211	63	Service manual	27.99
B-207	64	Service manual – supplement	16.99
B-208	65	Service manual – supplement	16.99
B-610	66	Service manual CD	29.99
B-209	66	Service manual	27.99
B-611	67	Service manual CD	29.99
B-210	67	Service manual	27.99



Body Repair Guides

Be it poor panel fit, seams showing or past collision damage, the fact is most Corvettes exhibit body issues of some sort. Ray J. Shiro shares his 30+ years experience in fiberglass repair in step-by-step CD guides for do-it-yourself enthusiasts and pros alike. Packed with repair/replace photos and illustrations. Volume 1 includes front body, headlight assembly, body seam repair, bonding strips and panel splicing techniques. Volume 2 covers panel and bonding strip removal, reinforcement splicing and body restoration.

B-657	Body Repair CD, 1963-67, Vol. 1: Front-to-Cowl	44.99
B-658	Body Repair CD, 1963-67, Vol. 2: Rear Body	44.99

Zora Arkus-Duntov – the Legend Behind Corvette

The story of how a gifted engineer bucked bureaucratic backwardness to turn the Corvette into a real sports car – and himself into a legend in the process. Author Jerry Burton takes the reader inside the mind of this remarkable man many call the godfather of the Corvette. Illustrated with never before seen photos, blueprints and archival documents.

B-519	Zora Arkus-Duntov – the Legend	39.99
-------	--------------------------------------	-------

Lighted Wall Clock

14" diameter wall clock. Features backlit Lexan lens with ABS housing. Battery powered quartz movement. Available with over 25 different images.

X-2884	Wall clock	159.99
X-2885	Wall clock	159.99
X-2886	Wall clock	159.99



OGIO Duffel Bags

Perfect multisport duffels with zipper accessory pockets and adjustable shoulder strap. Big Dome measures 12" x 24" x 9".

X-3545	OGIO Big Dome duffel bag, fire red/black	59.99
--------	--	-------

OGIO Stingray Cooler

Holds 18-24 12 oz. cans of your favorite beverage. Padded shoulder strap, collapsible dual side beverage/accessory holster. 11" x 11.5" x 8.5"

X-3546	OGIO Stingray cooler, fire red or black	59.99
--------	---	-------

OGIO Computer Messenger Bag

Features drop-in laptop sleeve, padded shoulder strap and molded rubber handle. Front face pocket with embroidered logo. 14" x 17" x 5"

X-3548	OGIO computer messenger bag, petrol (gray) or blue	89.99
--------	--	-------



Metal Signs

Liven up the walls of your garage or memorabilia room with Corvette high-definition laser cut metal sign. Heavy 14 gauge steel sign, features three-dimensional full-color image. Rustproof signs can be installed indoor, outdoor and even in harsh environments; includes holes for installation. Made in USA.

X-2707	63-64 Nose emblem metal sign (26" x 19")	74.99
X-2720	63-65 Stingray metal sign (32" x 10")	74.99
X-2659	63-65 Stingray metal sign (18" x 6")	44.99
X-2708	65 Nose emblem metal sign (28" x 17")	74.99
X-2721	66 Sting Ray metal sign (24" x 13")	74.99





VW- 1572

VW- 1571

VW-1573

VW- 1569

T-Shirts

Ring spun 50/50 cotton/polyester blend with heather finish. VW-1572 and VW-1573 are 2-side with CORVETTE script on back. M-2XL (2XL +\$2.00).

- VW-1569 C7 Stingray t-shirt, gray..... 19.99
- VW-1571 C7 cross flags t-shirt, red..... 19.99
- VW-1572 C7 Stingray t-shirt, red or midnight blue..... 19.99
- VW-1573 C7 Stingray "vertical" t-shirt, black (charcoal) or royal blue..... 19.99

American Corvette Tee

Bold and beautiful! Full color display of C1 Corvettes with "Old Glory" in the background on rear. Left chest includes C1 emblem. Red. Specify M-3XL. (2XL + \$1.00, 3XL + \$2.00)

- VW-1680 T-shirt..... 18.99

A Born Legend Tee

Trio of solid-axle Corvettes making the statement everyone already knows. A Born Legend! Full color rear design & C1 emblem on left chest. Charcoal Heather. Specify M-3XL. (2XL + \$1.00, 3XL + \$2.00)

- VW-1679 T-shirt..... 18.99

Grand Sport American Corvette

Full color display of C7 Corvette Grand Sports on rear. C7 Stingray flags on left chest. Blue. Specify M-3XL. (2XL + \$1.00, 3XL + \$2.00)

- VW-1681 T-shirt..... 19.99



VW-1681

VW-1679

VW-1680



Corvette Vintage Tee

Cool vintage look t-shirts. Ring spun cotton and athletic fit with vintage Corvette graphics. M-3XL (2XL +\$3.00; 3XL +\$5.00).

- VW-1684 Corvette American Legend tee, Seafoam green..... 22.99
- VW-1725 Corvette American Sports Car tee, Heather blue..... 19.99
- VW-1724 Corvette by Chevrolet tee, Heather red..... 19.99
- VW-1708 Corvette Time Flies tee, Heather blue..... 18.99

VW-1708

VW-1725



VW-1684

VW-1724

Stingray Flight Jacket

Nylon flight jacket features military styling, knit collar, cuffs and waistband. American flag patch on sleeve; orange lining. Embroidered C7 flags. M-3XL (2XL or 3XL +\$10.00).

- VW-1615 Stingray flight jacket..... 149.99

Under Armour Qualifier Quarter Zip

Soft and durable circular knit with brushed interior, signature moisture transport system wicks sweat, reflective 1/4 zip for visibility, contrast fabric overlays on sleeves and collar, rolled forward shoulder seams. 100% polyester. C7 emblem. Royal, navy, black, graphite or red; M-3XL (2XL or 3XL +\$5.00).

- VW-1689 Under Armour Qualifier quarter zip jacket..... 84.99



VW-1615

VW-1689



Sting Ray Cap

Cotton twill with embroidered silver Sting Ray emblem on crown. Brass rear closure. Black.

VW-1009 Sting Ray cap 16.99

"Heritage" Cap

Stone cotton twill with stitched Sting Ray logo, accents and black under bill. Velcro closure.

VW-1290 "Heritage" cap 24.99

CORVETTE Cap

Low profile styling with stitched cross flags and accent white sandwich brim. Slide closure.

VW-975 CORVETTE cap 19.99



Embossed Street Sign

An address easy to remember! Authentic in look and heft. Stamped heavy gauge steel with baked enamel finish. 32" x 6"

X-2690 Corvette Drive street sign 32.99
 X-2689 Z06 Corvette Drive street sign 32.99

Drinkware

2-tone (gloss/matte) Modelo coffee mug holds 16 ounces. Maui Gripper is double-wall stainless steel with swivel-lock lid, holds 14 ounces. Double wall insulated thermal Ascent bottle holds 25oz. Mixing glass features Stingray emblem with CORVETTE script, holds 16 ounces.

X-3100 Modelo cross flags coffee mug, black 18.99
 X-3101 Maui Gripper cross flags tumbler, red, black or stainless 21.99
 X-3767 Stingray mixing glass 9.99



Rimless Sunglasses

Ultra lightweight TR90 frames with smoke flash lenses. Accepts Rx prescription lenses. Features cross flags on temple, script on lens.

X-3390 CORVETTE rimless sunglasses, gloss black 99.99
 X-3391 CORVETTE rimless sunglasses, carbon fiber 99.99



Wraparound Sunglasses

Ultra lightweight TR90 wraparound frame with smoke flash lenses. Accepts Rx prescription lenses. Cross flags on temple, script on lens.

X-3392 CORVETTE wraparound sunglasses, gloss black 99.99

Sunglasses

X-1931 has classic-design metal frame; X-2600 is polycarbonate frame. Smoke flash lenses. Etched CORVETTE script on lens.

X-1931 Metal frame sunglasses, gunmetal 49.99
 X-2600 CORVETTE sunglasses, silver or white 59.99



Full Frame Sunglasses

Rx capable TR-90 full frame sunglasses smoke flash mirror lenses. Available in silver mirage or carbon fiber. Includes microfiber carrying bag and GM licensed logo.

X-4044 C7 Corvette full frame sunglasses, carbon fiber 99.99
 X-4046 C7 Corvette full frame sunglasses, silver mirage 99.99
 X-4043 C7 Z06 Corvette full frame sunglasses, carbon fiber 99.99
 X-4045 C7 Z06 Corvette full frame sunglasses, silver mirage 99.99



Lapel Pins

3D die cast pin with highly detailed chrome finish. Cross flags = 1 1/8". Stingray "fender badge" = 1 1/2". Clutch back attachment.

X-3180 C7 cross flags lapel pin 5.99
 X-3179 C7 Stingray emblem lapel pin 5.99



POLICIES & SHIPPING - Zip Products

We're proud that orders placed by 3:00 p.m. EST ship that same day on in-stock items! Packages ship UPS Ground unless otherwise requested or unavailable due to location or size and weight of parts. Expected delivery is 1-6 business days within the continental USA. Please provide complete street address to ensure delivery. Saturdays, Sundays and holidays are not included in UPS delivery times.

SHIPPING CHARGES - Shipping charges are most precisely calculated by shipment type, order weight and destination. Customers will be notified of shipping charges prior to order shipment. Please call or go online for shipping charge quotes if desired.

UPS AIR SERVICES- UPS provides all guaranteed Air services for Zip Products unless specified by the customer. Available services include Next Day Air, 2nd Day Air, and 3 Day Select. All charges are based on weight or dimensional weight (whichever is greater) and shipment destination. Saturday service is available on Next Day Air shipments only.

TRUCK SERVICES- Some parts in our catalog are too large to be shipped by UPS. These parts are noted in the catalog as "truck". Truck shipments are required to be prepaid for the total parts cost plus freight charges by check, money order or credit card. The customer is responsible for being at provided shipping address to accept parts.

OTHER SHIPPING SERVICES- Zip Products also uses the services of FedEx and the U.S. Postal Service. Orders must be paid by credit card, Pay Pal or prepaid check. All FedEx continental USA services are available. Packages sent through the Post Office are sent First Class Priority.

ZIP INTERNATIONAL- From single parts to everything needed for a complete restoration, Zip ships Corvette parts the world over. International orders are processed within 24 hours of receipt and delivered via UPS, Postal Service or your own freight forwarder. Please specify shipping method preferred. If not specified, orders will be shipped by the best method as determined by Zip Products. Charges are based on actual weight or dimensional weight according to the size of the entire shipment, whichever is greater. Payment is accepted by credit card, Pay Pal or bank draft. Shipping charges do not include any customs or duty fees and may not include brokerage fees. Quotes will be provided for total cost of order, if required due to payment method.

- **Canada:** Orders must include full address with city and province. All orders are shipped UPS Ground or Air unless otherwise specified or UPS is unable to deliver to your location. To better serve our customers, Zip is recognized as a non-resident importer, a status that allows us to collect all duties, taxes and brokerage fees at the time your order is processed. This arrangement means you know the exact cost to have parts delivered to your door – no hidden costs for your shipments!
- **PUERTO RICO, HAWAII & ALASKA:** All Puerto Rico and Hawaii orders can be sent UPS Ground, Next Day Air, 2nd Day Air, or through the Post Office. Please specify shipping method preferred.
- **A.P.O., F.P.O.:** All orders going to these addresses must be sent by the Post Office.
- **VIRGIN ISLANDS, GUAM:** All orders going to these locations can be shipped via UPS Express or the Post Office. Please specify shipping method preferred.

MAIL-IN ORDERS- Customers placing orders by mail and paying by personal check, money order or certified funds can go online or call for shipping charge quote. Shipping charges are most precisely calculated by order weight and destination. Download order forms at www.zip-corvette.com.

LIABILITY DISCLAIMER- Zip Products is not responsible for any damage, injury, loss or any other charges, caused by delays or incurred in the replacement of any defective items. Zip's liability is limited to the replacement and the shipping cost of defective items only. Improper installation, damage or injury resulting from the use of items sold by Zip Products are the purchaser's responsibility. Due to changes in the Corvette industry, part numbers, specifications, prices and availability of parts can change. Consequently, there may be times when parts are discontinued or prices increased. Changes may also occasionally occur in our policies and terms. Call Zip during regular business hours for up-to-date information.

CHEVROLET, the Chevrolet emblem, CORVETTE, Corvette emblems, GM and AC-Delco are trademarks of General Motors Corporation.

©2021 Zip Products, Inc. All rights reserved. No part of this publication may be reproduced without the prior written consent of Zip Products. Content is based on information believed to be reliable, but cannot be guaranteed. Printed in the USA.

"NO HASSLE" GUARANTEE- Since 1977, Zip Products has supplied parts and accessories to Corvette enthusiasts the world over. Then as now, packed into every shipment is our unparalleled commitment to customer service. Here at Zip, we believe a happy customer is a repeat customer. If you're not completely satisfied with any product for any reason, we'll promptly refund or exchange any purchase within 30 days.

LOW PRICE GUARANTEE- Zip works hard to make certain our prices are competitive. That said, it's possible you may find "cheaper" merchandise elsewhere. If it is the same brand part or accessory offered for a lower price by another supplier, we'll match their published price. Price must appear in a current magazine advertisement, Web site or catalog to qualify. Don't sacrifice quality and customer service for the sake of a few dollars – call Zip!

RETAIL DISCOUNTS- Retail customers receive a 10% discount on each minimum purchase of \$850 on any combination of parts and/or accessories, excluding (ND) items. Call or visit online for more information.

WHOLESALE ACCOUNTS- Zip provides Corvette parts to more than 3000 wholesale accounts around the globe. Multi-line discount programs are designed for the installer or reseller. Contact a salesperson for specific details. Proof of business required.

"NO DISCOUNT"- An (ND) designation beside a part, group of parts or price indicates that "No Discount" is available on that part or group of parts.

BACKORDERS- Over 96% of orders ship complete; however, backorders do occasionally occur. Most ship within 10 business days. For longer delays, our policy is to ship orders up to 30 days old. Past 30 days we'll call for authorization first. If you wish to cancel a backorder, please notify Zip as soon as possible.

ITEM SHORTAGES- Inspect merchandise immediately upon receipt of order. Notify Zip of any shortages or discrepancies in your order within seven (7) days from shipment date. No claims allowed after seven (7) days.

DAMAGED PARTS- All parts shipped are insured for the amount of purchase. Should your order arrive damaged or missing merchandise, immediately notify the carrier (UPS, truck freight company, etc.) and Zip. Keep all shipping materials (box, packing, etc.) intact until an inspection can be made by the carrier.

CORE REFUNDS- Customers who have purchased a product sold on an exchange basis and had a core deposit applied must return the required rebuildable core within 30 days from the date of shipment. A copy of the original invoice must accompany the return. Failure to return cores within 30 days may result in a reduction or loss of the core deposit. Return freight for cores is the responsibility of the customer.

RETURNS & EXCHANGES- Zip includes a return form on the back of each invoice for your convenience. If you have questions or concerns regarding a return or exchange, call to speak to your Zip sales representative. Returns are eligible for one (1) year without a restocking fee. Return shipping is the responsibility of the customer. C.O.D. return packages are not accepted. The customer is responsible for returning parts in the same condition they were received, with proper packaging and insurance to cover the value of parts being returned. Canadian and international customers, call for authorization to return parts.

SALES TAX- Zip is required by state law to collect and remit sales tax on purchases made and shipped to a variety of states. These requirements are based on the specific regulation of the state. Tax is based on delivery destination and may include freight charges. More information about sales tax collection can be found at: <https://www.zip-corvette.com/tax.html>.

IN-STORE SHOPPING- Zip has thousands of parts and accessories available for immediate pick-up at our showroom counter. Call before you come and we'll have your order waiting. Showroom hours are 8:30 a.m. to 5:30 p.m. EST Monday-Friday and 10 to 3 Saturdays. When traveling in the Richmond, Virginia area, visit Zip Products in Mechanicsville. We're just east of downtown Richmond, and only a quick drive off interstates I-64, I-95 or I-295.

Zip has over 25,000 part & accessories in stock and ready to ship!

www.zip-corvette.com

EASY ORDERING

PLACE YOUR ORDER WITH OUR KNOWLEDGEABLE STAFF, ONLINE OR VIA FAX. ZIP ACCEPTS VISA, MASTERCARD, AMERICAN EXPRESS, DISCOVER, PAYPAL AND PERSONAL CHECKS.

SATISFACTION GUARANTEED

IF YOU'RE NOT 100% SATISFIED WITH YOUR PURCHASE FOR ANY REASON, WE WILL PROMPTLY MAKE IT RIGHT. RETURNS ACCEPTED FOR ONE YEAR WITH NO RESTOCKING FEE.

SAME DAY SHIPPING

SAME DAY SHIPPING ON ALL IN STOCK ITEMS FOR ORDERS PLACED BY 3 P.M. EST. OVER 25,000 ITEMS IN STOCK AND READY FOR SHIPMENT. NO RUSH FEES AT ZIP!

BEST PRICE GUARANTEED

ZIP WORKS HARD TO MAKE CERTAIN OUR PRICES ARE COMPETITIVE – WE'LL MATCH ANY COMPETITOR'S PRICE ON THE SAME BRAND ITEM.

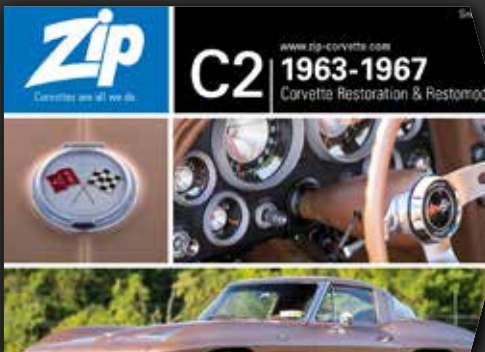
ONLINE PROMOTIONS

SIGN-UP TO RECEIVE ZIP'S ONLINE NEWSLETTER AND GET UP TO DATE INFORMATION ON NEW PARTS, PROMOTIONAL DISCOUNTS AND CORVETTE TECHNICAL INFORMATION.



www.zip-corvette.com • 1.800.962.9632

PLACE YOUR ORDER BY 3P.M. EST & ENJOY SAME DAY SHIPPING ON OVER 25,000 STOCKED ITEMS!



Zip Products
8067 Fast Lane
Mechanicsville VA 23111



Corvettes are all we do.

OUR BUSINESS HOURS

MONDAY-THURSDAY:
8:30 A.M. – 8 P.M. EST
FRIDAY 8:30 A.M. – 5:30 P.M.
SATURDAY 10 A.M. – 3 P.M.

Visit our showroom to place an
Catalog, Web, Phone, Mail or Fax Order

WEB ORDERS

ORDER ONLINE THROUGH
ZIP'S SECURE WEB SITE AT:
WWW.ZIP-CORVETTE.COM

CALL TOLL-FREE

1-800-962-9632

OUTSIDE THE U.S. PLEASE
CALL 804-746-2290

VISIT OUR SHOWROOM

8067 FAST LANE
MECHANICSVILLE, VA 23111

FAX ORDERS

DOWNLOAD ORDER FORMS
AT WWW.ZIP-CORVETTE.COM
FAX ORDERS TO 804-730-7043



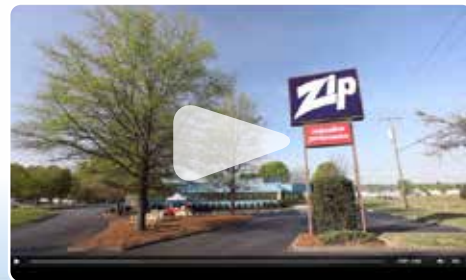
Meet Zip Products!

It has been said a company's true value is in its people – and never have those words been better illustrated than here at Zip. You'll find under our roof a staff boasting more than one hundred years of collective Corvette knowledge, with many having been with us for a decade or longer.

Impressive? Yes, but the real beneficiary is you: our customer. We're committed to providing the best customer service, best parts and best Corvette experience possible. Every day. See for yourself what "Corvettes are all we do" really means!



Established in 1977, Zip Corvette has proven to be an industry leader for both restoration and performance Corvette parts. See for yourself – we are real people, selling real parts, in real time. Visit www.zip-corvette.com/about



©2022 ZIP PRODUCTS, INC. ALL RIGHTS RESERVED.   
ZIP HAS OVER 25,000 PARTS AND ACCESSORIES IN STOCK & READY TO SHIP!