



Demand the original.

Axle Components | Driveshaft Components | Repair Kits

Axle Components

OE Quality Driveline Components

Designed for GM Products





Demand the original.

Axle Components | Driveshaft Components | Repair Kits

Only original equipment quality components are guaranteed to meet the same specifications as the parts they replace. AAM components mean performance to the vehicle manufacturer's standards.

Reliable

AAM products are designed for long-term reliability.

Durable

Advanced processes ensure AAM products withstand the high usage demand of all applications.

Quality

AAM products are manufactured to the highest-quality standards that customers demand.

Performance

AAM products are engineered, manufactured and validated to meet OEM specifications and ensure ultimate performance.



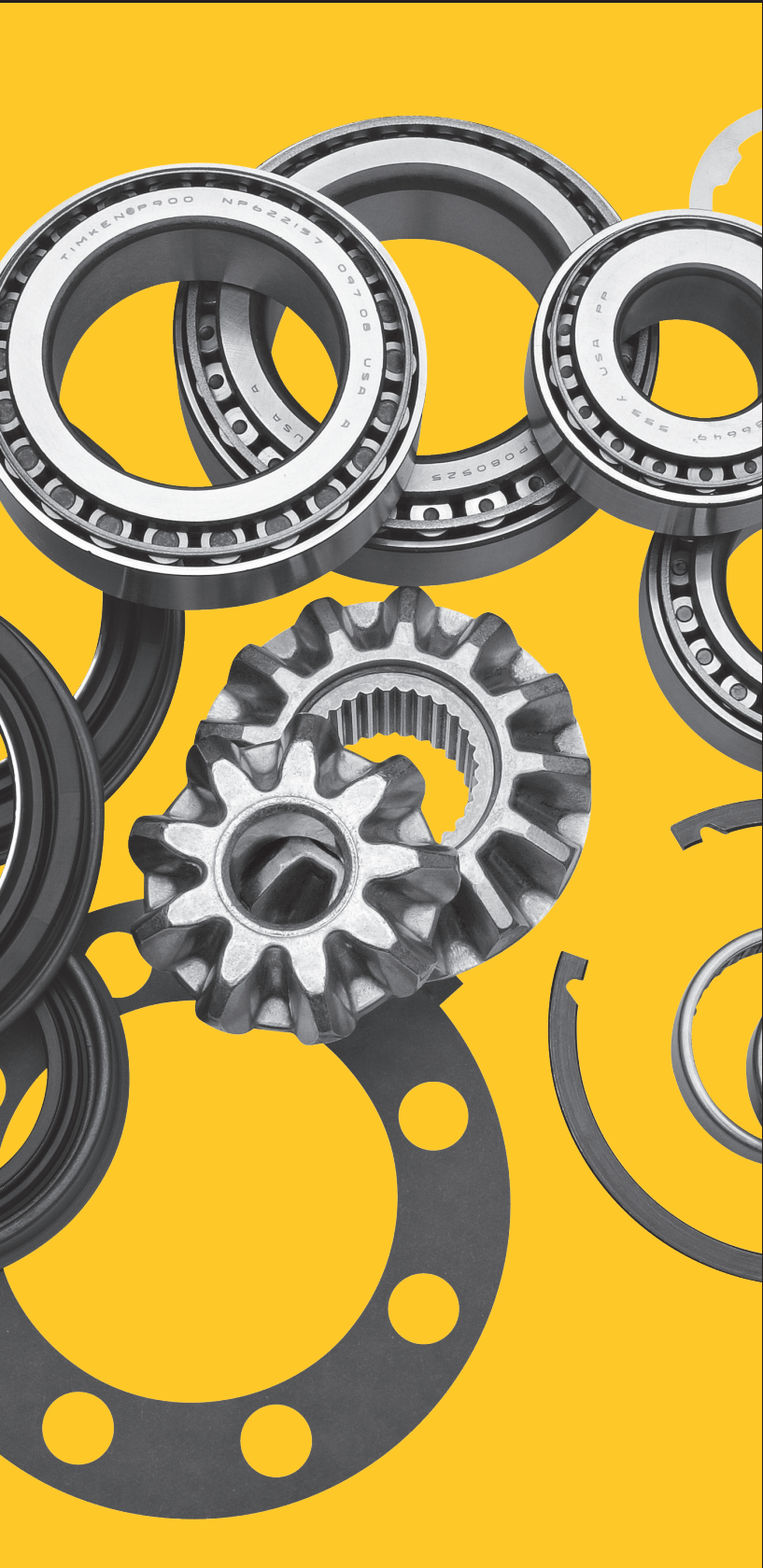


TABLE OF CONTENTS

OE Quality Replacement Parts
Designed for GM Products:

AAM 7.25" Front Axle IFS Clamshell	4 – 7
AAM 7.25" Front Axle IOP Clamshell	8 – 11
AAM 7.6" Front Axle IFS Salisbury	12 – 17
AAM 8.25" Front Axle IFS Clamshell	18 – 25
AAM 9.25" Front Axle IFS Clamshell	26 – 29
AAM 9.25" Front Axle IFS Salisbury	30 – 33
AAM 7.6" Rear Axle Salisbury (10-Bolt)	34 – 37
AAM 8.0" Rear Axle Salisbury (10-Bolt)	38 – 41
AAM 8.6" Rear Axle Salisbury (10-Bolt)	42 – 47
AAM 9.5" Rear Axle Salisbury (14-Bolt)	48 – 51
AAM 9.5" Rear Axle Salisbury (12-Bolt)	52 – 53
AAM 9.76" Rear Axle Salisbury (12-Bolt)	54 – 55
AAM 10.5" Rear Axle Salisbury (14-Bolt)	56 – 59
AAM 11.5" Rear Axle Salisbury (14-Bolt)	60 – 64
AAM 195mm Rear Axle RDM	66 – 67
AAM 218mm Rear Axle RDM	68 – 69
AAM 250mm Rear Axle RDM	70 – 71
Vehicle Reference Guide	72
Warranty	73
Safety Information	74
Notes	75



Demand the original.

Axle Components | Driveshaft Components | Repair Kits

SUMMARY CHART

OEM	Make	Model	Year	Platform	Front Axles					
					GM	GM	GM	GM	GM	GM
					7.25" IFS Clamshell	7.25" IOP Clamshell	7.6" IFS Salisbury	8.25" IFS Clamshell	9.25" IFS Clamshell	9.25" IFS Salisbury
GM	Chevrolet GMC Oldsmobile	Blazer - S10 Jimmy Bravada	1996-2001	GMT 330	7.25" IFS Clamshell					
GM	Chevrolet GMC Oldsmobile Buick SAAB Isuzu	Trailblazer Envoy Bravada Rainier SAAB 9-7X Ascender	2002-2009 2002-2009 2002-2004 2004-2007 2005-2009 2003-2007	GMT 360 GMT 370		7.25" IOP Clamshell				
GM	Chevrolet GMC	Colorado Canyon	2004-2012	GMT 355			7.6" IFS Salisbury			
GM	Hummer	H3 H3T	2006-2010 2009-2010	GMT 345 GMT 745			7.6" IFS Salisbury			
GM	Hummer	H2	2003-2009	H2					9.25" IFS Clamshell	
GM	Chevrolet GMC	Astro, Safari	1995-2005	GMT 760	7.25" IFS Clamshell					
GM	Chevrolet GMC	Savana (Cargo/Passenger) Express (Cargo/Passenger) Full-Size Van 100/1500 Series	1997+	GMT 610	7.25" IFS Clamshell					
GM	Chevrolet GMC	Savana (Cargo/Passenger) Express (Cargo/Passenger) Full-Size Van 200/2500 Series and 300/3550 Series	1997+	GMT 610	7.25" IFS Clamshell					
GM	Chevrolet Cadillac	Avalanche Escalade EXT	2001-2006 2007-2013	GMT 805 GMT 940				8.25" IFS Clamshell	9.25" IFS Clamshell GMT 800	9.25" IFS Salisbury GMT 900
GM	Chevrolet GMC	Silverado - Cheyenne Sierra Full-Size Pickup Truck 100/1500	1999-2006 2007-2013	GMT 800 GMT 900				8.25" IFS Clamshell		
GM	Chevrolet GMC	Silverado, Sierra Full-Size Pickup Truck 200/2500 HD	1999-2006 2007-2013	GMT 800 GMT 900					9.25" IFS Clamshell GMT 800	9.25" IFS Salisbury GMT 900
GM	Chevrolet GMC	Silverado, Sierra Full-Size Pickup Truck 300/3500 HD WT	1999-2006 2007-2013	GMT 800 GMT 900					9.25" IFS Clamshell GMT 800	9.25" IFS Salisbury GMT 900
GM	Chevrolet GMC	Silverado Sierra - Sierra Denali Light Duty Pickup (15 Series)	2014+	K2XX				8.25" IFS Clamshell		
GM	Chevrolet GMC	Silverado Sierra - Sierra Denali Light-Duty Pickup (25 Series / 35 Series)	2014+	K2XX						9.25" IFS Salisbury
GM	Chevrolet GMC Cadillac	Tahoe - Sonora - Suburban Yukon - Yukon XL Escalade - Escalade ESV Full-Size Utility 100/1500	1992-1999 2000-2006 2007-2013	GMT 400 GMT 800 GMT 900				8.25" IFS Clamshell		
GM	Chevrolet GMC Cadillac	Suburban, Yukon XL Escalade ESV Full-Size Utility 200/2500	1992-1999 2000-2006 2007-2013	GMT 400 GMT 800 GMT 900					9.25" IFS Clamshell GMT 800	9.25" IFS Salisbury GMT 900
GM	Chevrolet GMC Cadillac	Suburban, Yukon XL Escalade ESV Full-Size Utility 300/3500	1992-1999 2000-2006 2007-2013	GMT 400 GMT 800 GMT 900					9.25" IFS Clamshell GMT 800	9.25" IFS Salisbury GMT 900
GM	Chevrolet GMC Cadillac	Tahoe, Suburban Yukon, Yukon Denali, Yukon XL, Yukon XL Denali, Escalade, Escalade ESV Sport Utility Vehicles (15 Series)	2014+	K2XX				8.25" IFS Clamshell		

SUMMARY CHART

OEM	Make	Model	Year	Platform	Rear Axles								RDM				
					GM	GM	GM	GM	GM	GM	GM	GM	GM	GM	GM		
					7.6" 10-Bolt Salisbury	8.0" 10-Bolt Salisbury	8.6" 10-Bolt Salisbury	9.5" 14-Bolt Salisbury	9.5" 12-Bolt Salisbury	9.76" 12-Bolt Salisbury	10.5" 14-Bolt Salisbury	11.5" 14-Bolt Salisbury	195 mm RDM	218 mm RDM	250 mm RDM		
GM	Chevrolet Pontiac	Camaro Firebird	1993-2002	F Body	7.6" 10-Bolt Salisbury												
GM	Chevrolet GMC Oldsmobile	Blazer - S10 Jimmy Bravada	1996-2001	GMT 330	7.6" 10-Bolt Salisbury												
GM	Chevrolet GMC Oldsmobile Buick SAAB Isuzu	Trailblazer Envoy Bravada Rainier SAAB 9-7X Ascender	2002-2009 2002-2009 2002-2004 2004-2007 2005-2009 2003-2007	GMT 360 GMT 370	7.6" 10-Bolt Salisbury	8.0" 10-Bolt Salisbury	8.6" 10-Bolt Salisbury										
GM	Chevrolet GMC	Colorado Canyon	2004-2012	GMT 355		8.0" 10-Bolt Salisbury	8.6" 10-Bolt Salisbury										
GM	Hummer	H3 H3T	2006-2010 2009-2010	GMT 345 GMT 745			8.6" 10-Bolt Salisbury										
GM	Hummer	H2	2003-2009	H2				9.5" 14-Bolt Salisbury									
GM	Chevrolet GMC	Astro, Safari	1995-2005	GMT 760	7.6" 10-Bolt Salisbury												
GM	Chevrolet GMC	Savana (Cargo/Passenger) Express (Cargo/Passenger) Full-Size Van 100/1500 Series	1997+	GMT 610			8.6" 10-Bolt Salisbury										
GM	Chevrolet GMC	Savana (Cargo/Passenger) Express (Cargo/Passenger) Full-Size Van 200/2500 Series and 300/3550 Series	1997+	GMT 610				9.5" 14-Bolt Salisbury			10.5" 14-Bolt Salisbury						
GM	Chevrolet Cadillac	Avalanche Escalade EXT	2001-2006 2007-2013	GMT 805 GMT 940			8.6" 10-Bolt Salisbury				10.5" 14-Bolt Salisbury						
GM	Chevrolet GMC	Silverado - Cheyenne, Sierra, Full-Size Pickup Truck 100/1500	1999-2006 2007-2013	GMT 800 GMT 900			8.6" 10-Bolt Salisbury										
GM	Chevrolet GMC	Silverado, Sierra, Full-Size Pickup Truck 200/2500 HD	1999-2006 2007-2013	GMT 800 GMT 900				9.5" 14-Bolt Salisbury			10.5" 14-Bolt Salisbury	11.5" 14-Bolt Salisbury					
GM	Chevrolet GMC	Silverado, Sierra, Full-Size Pickup Truck 300/3500 HD WT	1999-2006 2007-2013	GMT 800 GMT 900							10.5" 14-Bolt Salisbury	11.5" 14-Bolt Salisbury					
GM	Chevrolet GMC	Silverado, Sierra - Sierra Denali Light Duty Pickup (15 Series)	2014+	K2XX			8.6" 10-Bolt Salisbury 4.3L V6		9.5" 12-Bolt Salisbury 5.3L V8	9.76" 12-Bolt Salisbury 6.2L V8							
GM	Chevrolet GMC	Silverado, Sierra - Sierra Denali Light-Duty Pickup (25 Series / 35 Series)	2014+	K2XX								11.5" 14-Bolt Salisbury					
GM	Chevrolet GMC Cadillac	Tahoe - Sonora - Suburban Yukon - Yukon XL Escalade - Escalade ESV Full-Size Utility 100/1500	1992-1999 2000-2006 2007-2013	GMT 400 GMT 800 GMT 900			8.6" 10-Bolt Salisbury	9.5" 14-Bolt Salisbury									
GM	Chevrolet GMC Cadillac	Suburban, Yukon XL Escalade ESV Full-Size Utility 200/2500	1992-1999 2000-2006 2007-2013	GMT 400 GMT 800 GMT 900				9.5" 14-Bolt Salisbury			10.5" 14-Bolt Salisbury	11.5" 14-Bolt Salisbury					
GM	Chevrolet GMC Cadillac	Suburban, Yukon XL Escalade ESV Full-Size Utility 300/3500	1992-1999 2000-2006 2007-2013	GMT 400 GMT 800 GMT 900							10.5" 14-Bolt Salisbury	11.5" 14-Bolt Salisbury					
GM	Chevrolet GMC Cadillac	Tahoe, Suburban, Yukon, Yukon Denali, Yukon XL, Yukon XL Denali, Escalade, Escalade ESV, Sport Utility Vehicles (15 Series)	2014+	K2XX					9.5" 12-Bolt Salisbury 5.3L V8	9.76" 12-Bolt Salisbury 6.2L V8							
GM	Chevrolet	Camaro	2010-2015	Zeta									195 mm V6	218 mm V8	250 mm ZL1		

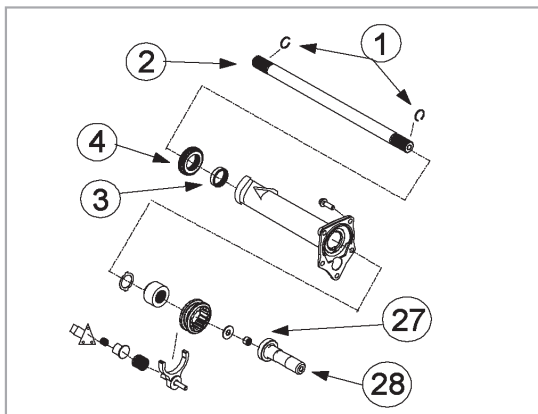
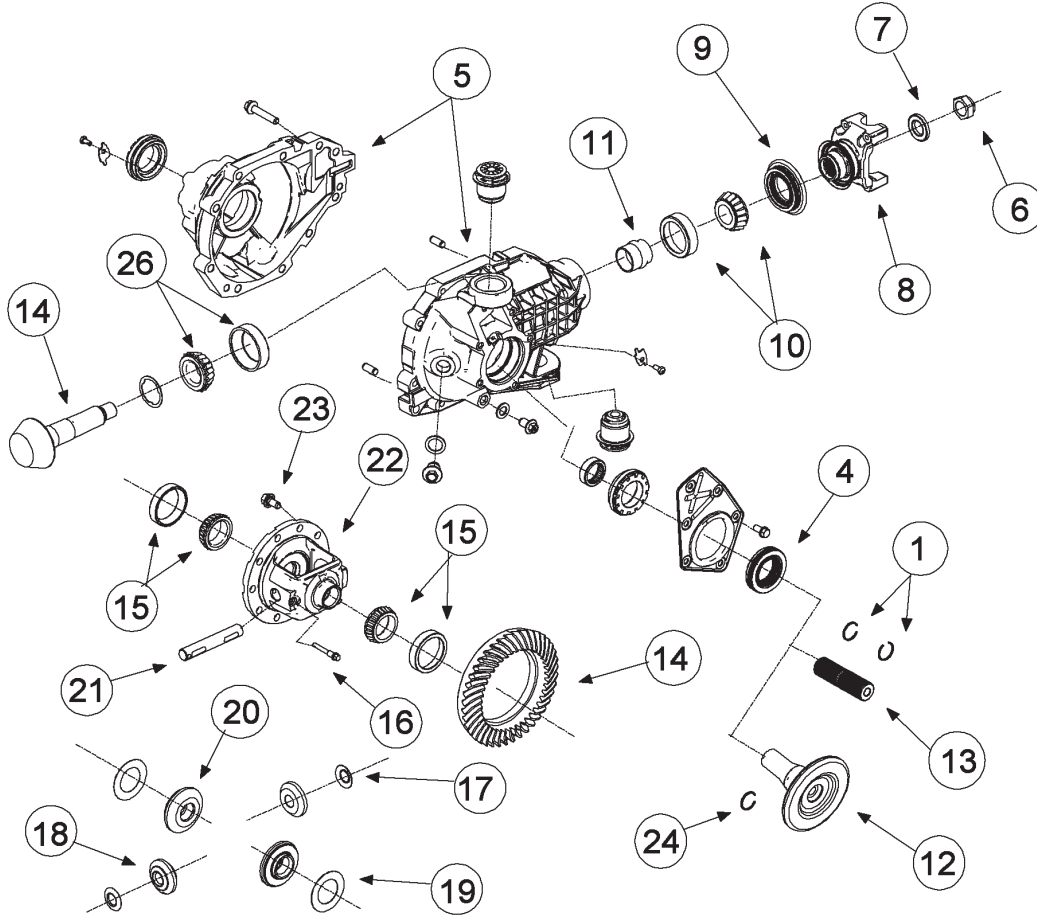


Demand the original.

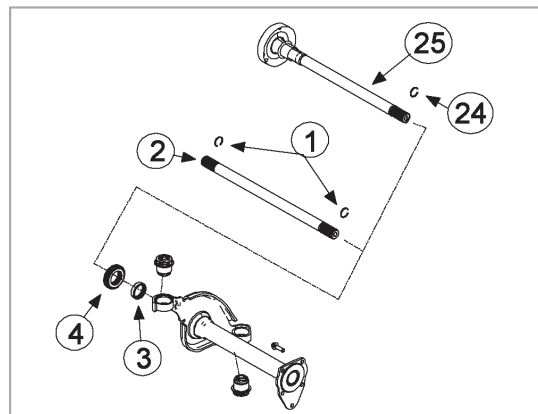
Axle Components | Driveshaft Components | Repair Kits

AAM 7.25" IFS Clamshell

GM 7.25" Front Axle



4WD



AWD

VEHICLE REFERENCE GUIDE

- T TRUCK - 4-WHEEL-DRIVE MID-SIZE PICK-UPS AND BLAZERS
- L VAN - ALL-WHEEL-DRIVE VAN (ASTRO, SAFARI)
- G VAN - FULL-SIZE VAN (ALSO GMT-600), EXPRESS/SAVANA

ILL #	AAM PART NUMBER	OE PART NUMBER	DESCRIPTION	REQ	USAGE	MODEL YEAR
1	74001989	14041989	SNAP RING	4	T;L	2003+
2	74023318	26053318	AXLE SHAFT RH (342 MM; 26 TOOTH)	1	T	1997+
2	40015957		AXLE SHAFT LH (108.66 MM 26 TOOTH)	1	G	2003+
3	74003326	26053326	ROLLER BEARING ASM	2	T;L;ZR2;G	1983+
4	40007630	12471586	OUTPUT SEAL	2	T;L;ZR2;G	1997+
5			CARRIER ALUMINUM HOUSING (WITHOUT INTERNALS)		FOR REFERENCE ONLY	
6	74003762	9783762	PREVAILING TORQUE PINION NUT	1	T;L;ZR2;G	1983+
7	74007900	517900	PINION NUT WASHER	1	T;L;ZR2;G	1983+
8	74004459	26044459	PINION FLANGE (PILOTED)	1	L	1988+
8	74009582	14039582	PINION YOKE (1315) 27 SPLINE	1	T	1997+
8	40016660	12479305	PINION YOKE (1344/3R) 27 SPLINE	1	G	1983+
9	40006689	12471523	PINION SEAL	1	T;L;ZR2;G	1983+
10	74007784	9417784	SMALL PINION BEARING ASM (CUP & CONE)	1	T;L;ZR2;G	1983+
11	74007898	3974898	COLLAPSIBLE SPACER	1	T;L;ZR2;G	1983+
14	74019760	26039760	RING & PINION GEARSET (3:08 RATIO)	1	T;L;ZR2;G	1983+
14	40030826	88967129	RING & PINION GEARSET (3:42 RATIO)	1	T;L;ZR2;G	1983+
14	40030830	88967127	RING & PINION GEARSET (3:73 RATIO)	1	T;L;ZR2;G	1983+
15	26046759		DIFFERENTIAL BEARING ASM (CUP & CONE)	2	T;L;ZR2;G	1983+
16-21	74046137		DIFFERENTIAL GEAR KIT	1	T;L;ZR2;G	1983+
22	14039596		DIFFERENTIAL OPEN CASE (WITHOUT INTERNALS) 3.23 RATIO AND HIGHER	1	T;L;ZR2;G	1983+
22	46002013		DIFFERENTIAL OPEN CASE ASSEMBLY (WITH INTERNALS) 3.23 RATIO AND HIGHER	1	T;L;ZR2;G	1983+
23	74996135	14056135	SERRATED RING GEAR BOLT W/ ADHESIVE	10	T;L;ZR2;G	1983+
24	74001989	14041989	SNAP RING	2	G	1997+
26	74009879	9439879	LARGE PINION BEARING ASM (CUP & CONE)	1	T;L;ZR2;G	1983+



Demand the original.

Axle Components | Driveshaft Components | Repair Kits

AAM 7.25" IFS Clamshell

74010001 7.25" FRONT IFS - MASTER INSTALL KIT

S10, Sonoma, Blazer, Jimmy, Bravada, Astro, Safari, Savana, Express

MODEL YEAR 1997 to Current

AAM PART #	O.E. PART #	DESCRIPTION	QTY
11503877		ADJUSTER BOLT	2
40007963		INSPECTION PLATE ASM	1
40006689	12471523	PINION SEAL	1
74007900	517900	PINION NUT WASHER	1
40007630	12471586	OUTPUT SEAL	1
74003326	26053326	ROLLER BEARING ASM	2
11508164		COVER SCREW	6
26036438		DIFF SHIFTER SEAL	1
74001989	14041989	SNAP RING	4
26057278		ADJUSTER LOCK	2
		SHIM	17
74007898	3974898	COLLAPSIBLE SPACER	1
	14056165	TUBE BOLT W/ WASHER	5
74003762	9783762	PREVAILING TORQUE PINION NUT	1
74996135	14056135	SERRATED RING GEAR BOLT W/ ADHESIVE	10
	14039587	PINION SEAL	1
40006689	12471523	PINION SEAL	1
14045736		CARRIER BOLT W/ WASHER & ADHESIVE	10

74067003 7.25" FRONT IFS - MASTER BEARING KIT

S10, Sonoma, Blazer, Jimmy, Bravada, Astro, Safari

MODEL YEAR 1983 to Current

AAM PART #	O.E. PART #	DESCRIPTION	QTY
	9417785	PINION TAIL BEARING ROLLER	1
	9439880	PINION HEAD BEARING ROLLER	1
	9413429	PINION BEARING RACE	1
	9417786	PINION BEARING RACE	1
74003762	9783762	PREVAILING TORQUE PINION NUT	1
74007900	517900	PINION NUT WASHER	1
74007898	3974898	COLLAPSIBLE SPACER	1
	26043881	DIFF BEARING ROLLER	2
	46002006	PINION SEAL	1
	26046760	DIFF BEARING RACE	2

GM 7.25" Front Axle

74046137 7.25" FRONT IFS/ FRONT IOP-26 TOOTH - DIFFERENTIAL GEAR KIT

S10, Sonoma, Blazer, Jimmy, Bravada, Safari, Astro, Savana, Express

MODEL YEAR 1983 to Current

AAM PART #	O.E. PART #	DESCRIPTION	QTY
		SIDE GEAR	2
		PINION SHAFT	1
		SIDE THRUST WASHER	2
		PINION THRUST WASHER	2
		PINION GEAR	2
		PINION SHAFT LOCK SCREW	1

74020002 7.25" FRONT IFS - PINION SEAL KIT

S10, Sonoma, Blazer, Jimmy, Bravada, Astro, Safari

MODEL YEAR 2002 to 2009

AAM PART #	O.E. PART #	DESCRIPTION	QTY
74007900	517900	PINION NUT WASHER	1
	14039587	PINION SEAL	1
74007898	3974898	COLLAPSIBLE SPACER	1
74003762	9783762	PREVAILING TORQUE PINION NUT	1

74020003 7.25" FRONT IFS - PINION SEAL KIT

Savana, Express

MODEL YEAR 1986 to 2004

AAM PART #	O.E. PART #	DESCRIPTION	QTY
40006690		PINION SEAL SLEEVE	1
14039587		PINION SEAL	1
74007898	3974898	COLLAPSIBLE SPACER	1
74003762	9783762	PREVAILING TORQUE PINION NUT	1
74007900	517900	PINION NUT WASHER	1

**74050002 7.25" FRONT IFS -
OUTPUT SHAFT SEAL KIT**

*S10, Sonoma, Blazer, Jimmy, Bravada,
Astro, Safari, Savana, Express*

MODEL YEAR 1997 to Current

AAM PART #	O.E. PART #	DESCRIPTION	QTY
	14056165	TUBE BOLT W/ WASHER	5
74001989	14041989	SNAP RING	4
74003326	26053326	ROLLER BEARING ASM	2
40007630	12471586	OUTPUT SEAL	2
40007963		INSPECTION PLATE ASM	1
	11508164	COVER SCREW	6

**74080003 7.25" FRONT IFS -
DISCONNECT SHIFTER KIT**

S10, Sonoma, Blazer, Jimmy, Bravada

MODEL YEAR 1997 to 2004

AAM PART #	O.E. PART #	DESCRIPTION	QTY
14012601		RETURN SPRING	1
14042604		SHIFTER FORK	1
14042606		SPRING, DIFF SHIFTER	1
14056165		TUBE BOLT	5
26030270		THRUST WASHER	1
26030271		THRUST WASHER, DIFF CARRIER	1
26036092		SHIFTER SLEEVE	1
26036438		DIFFERENTIAL SHIFTER SEAL	1
26039765		I/O SHAFT ASM	1
26046333		THRUST WASHER, DIFFERENTIAL	1
26047584		CONNECTOR, DIFF CARRIER	1
40005765		SHIFTER HOUSING	1

NOTES

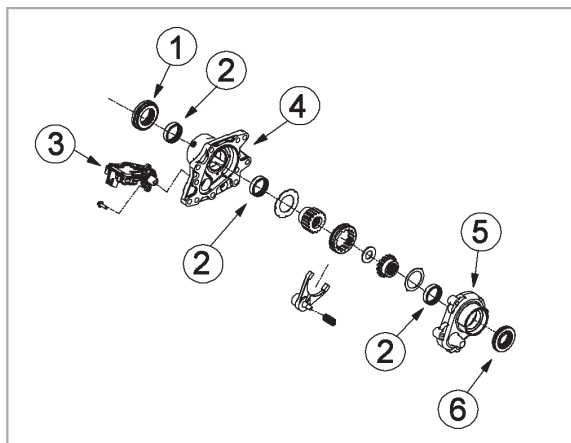
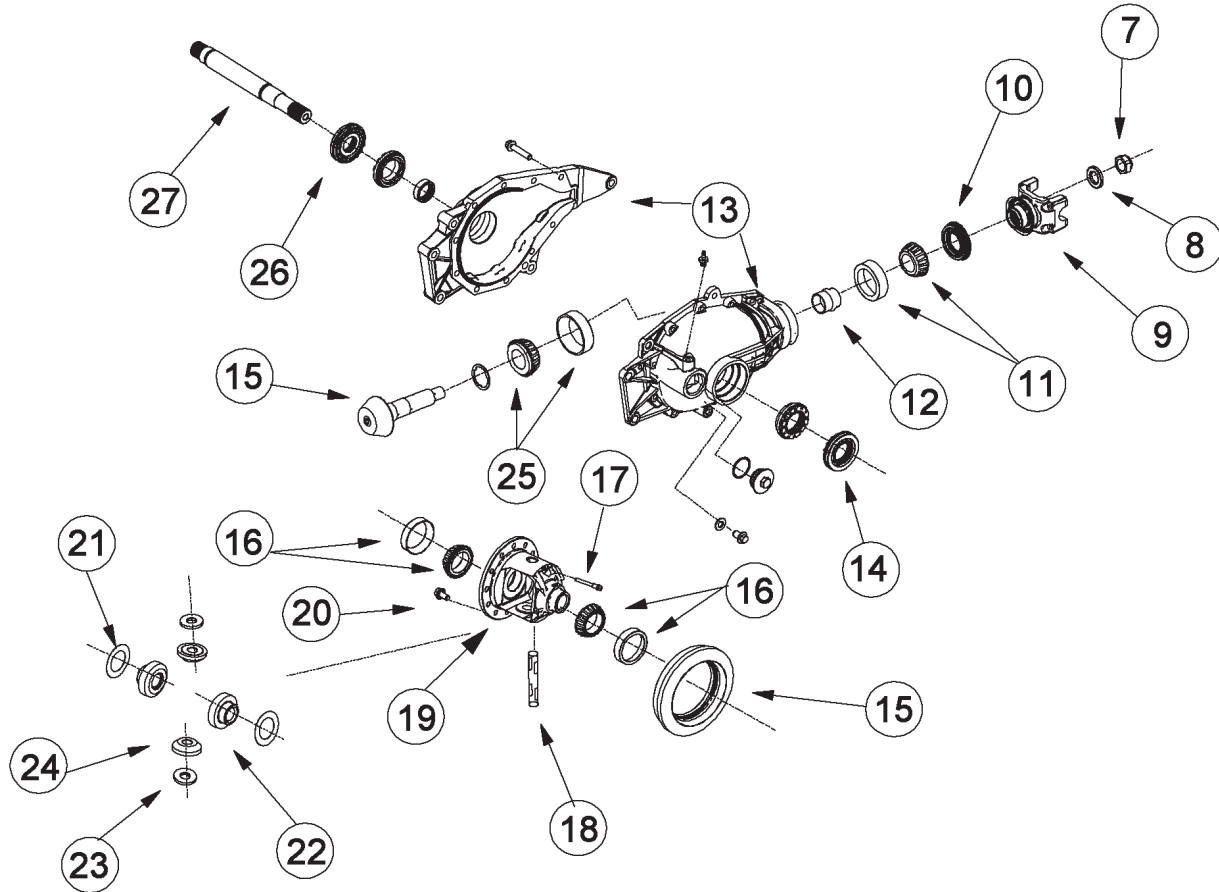


Demand the original.

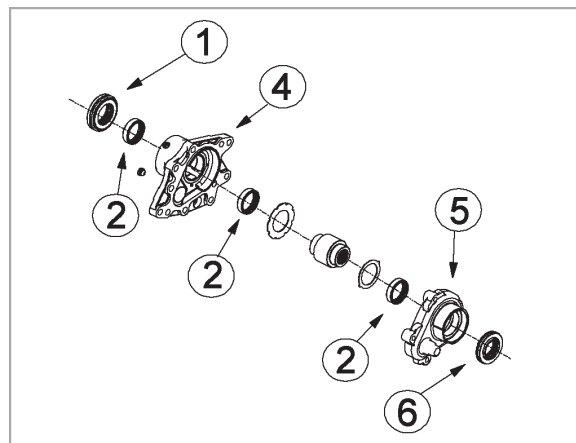
Axle Components | Driveshaft Components | Repair Kits

AAM 7.25" IOP Clamshell

GM 7.25" Front Axle



4WD



AWD

VEHICLE REFERENCE GUIDE

S, T	TRUCK - GMT360, GMT370
G	VAN - FULL-SIZE VAN (ALSO GMT-600), EXPRESS/SAVANA

ILL #	AAM PART NUMBER	OE PART NUMBER	DESCRIPTION	REQ	USAGE	MODEL YEAR
1	40024349	12479302	DISCONNECT SEAL	1	4WD&AWD	2001+
2	74003326	26053326	ROLLER BEARING ASM	3	4WD&AWD	2001+
3	46003022	12471631	ACTUATOR	1	4WD	2001+
4	46004105	12479081	RH DISCONNECT HOUSING	1	4WD	2001+
4	46004107	12479197	DISCONNECT HOUSING RH - MACH AWD	1	4WD	2003+
5	46003103	12471633	LH DISCONNECT HOUSING	1	4WD&AWD	2001+
6	40038875	15801507	OUTPUT SEAL	1	4WD&AWD	2001+
7	74003762	9783762	PREVAILING TORQUE PINION NUT	1	4WD&AWD	2001+
8	74007900	517900	PINION NUT WASHER	1	4WD&AWD	2001+
9	14039582		PINION YOKE (1315 U-JOINT ; 4 FOOTED)	1	4WD&AWD	2001+
10	46002006	12471614	PINION SEAL	1	4WD&AWD	2001+
11	74007784	9417784	SMALL PINION BEARING ASM (CUP & CONE)	1	4WD&AWD	2001+
12	74004898	3974898	COLLAPSIBLE SPACER	1	4WD&AWD	2001+
13			CARRIER ALUMINUM HOUSING (WITHOUT INTERNALS)		FOR REFERENCE ONLY	
14	40050495	19257296	OUTPUT SEAL	1	4WD&AWD	2001+
15	40030826	88967129	RING & PINION GEARSET (3:42 RATIO)	1	4WD&AWD	2001+
15	40030830	88967127	RING & PINION GEARSET (3:73 RATIO)	1	4WD&AWD	2001+
17	AVAILABLE IN KIT ONLY		PINION SHAFT LOCK SCREW	1	4WD&AWD	2001+
18	AVAILABLE IN KIT ONLY		PINION SHAFT	1	4WD&AWD	2001+
19	14039596		DIFFERENTIAL OPEN CASE (WITHOUT INTERNALS) 3.42 RATIO AND HIGHER	1	4WD&AWD	2001+
19	46002013		DIFFERENTIAL OPEN CASE ASSEMBLY (WITH INTERNALS) 3.42 RATIO AND HIGHER	1	4WD&AWD	2001+
20	74996135	14056135	SERRATED RING GEAR BOLT W/ ADHESIVE	10	4WD&AWD	2001+
21	AVAILABLE IN KIT ONLY		SIDE THRUST WASHER	2	4WD&AWD	2001+
22	AVAILABLE IN KIT ONLY		SIDE GEAR	2	4WD&AWD	2001+
23	AVAILABLE IN KIT ONLY		PINION THRUST WASHER	2	4WD&AWD	2001+
24	AVAILABLE IN KIT ONLY		PINON GEAR	2	4WD&AWD	2001+
25	74009879	9439879	LARGE PINION BEARING ASM (CUP & CONE)	1	4WD&AWD	2001+
26	46002024	12471617	OUTPUT SEAL	1	4WD&AWD	2001+
27	40016604	12479125	INTERMEDIATE SHAFT (26 TOOTH) (311 MM)	1	4WD&AWD	2001+



Demand the original.

Axle Components | Driveshaft Components | Repair Kits

AAM 7.25" IOP Clamshell

74010002 7.25" FRONT IFS - IOP - MASTER INSTALL KIT

Trailblazer, Envoy, Rainier, Bravada

MODEL YEAR 2002 to 2009

AAM PART #	O.E. PART #	DESCRIPTION	QTY
74996135	14056135	SERRATED RING GEAR BOLT W/ ADHESIVE	10
46002024	12471617	OUTPUT SEAL	2
74007900	517900	PINION NUT WASHER	1
46002006		PINION SEAL	1
74003326	26053326	ROLLER BEARING ASM	1
74004898	3974898	COLLAPSIBLE SPACER	1
		PINION SHIM	17
	15588383	DRAIN PLUG WASHER	1
74003326	26053326	ROLLER BEARING ASM	1
74003762	9783762	PREVAILING TORQUE PINION NUT	1
	14045736	CARRIER BOLT W/ WASHER & ADHESIVE	10

74067003 7.25" FRONT IFS - MASTER BEARING KIT

S10, Sonoma, Blazer, Jimmy, Bravada, Astro, Safari

MODEL YEAR 1983 to Current

AAM PART #	O.E. PART #	DESCRIPTION	QTY
	9417785	PINION TAIL BEARING ROLLER	1
	9439880	PINION HEAD BEARING ROLLER	1
	9413429	PINION BEARING RACE	1
	9417786	PINION BEARING RACE	1
74003762	9783762	PREVAILING TORQUE PINION NUT	1
74007900	517900	PINION NUT WASHER	1
74007898	3974898	COLLAPSIBLE SPACER	1
	26043881	DIFF BEARING ROLLER	2
	46002006	PINION SEAL	1
	26046760	DIFF BEARING RACE	2

GM 7.25" Front Axle

74046137 7.25" FRONT IFS/FRONT IOP-26 TOOTH - DIFFERENTIAL GEAR KIT

S10, Sonoma, Blazer, Jimmy, Bravada, Safari, Astro, Savana, Express

MODEL YEAR 1983 to Current

AAM PART #	O.E. PART #	DESCRIPTION	QTY
		SIDE GEAR	2
		PINION SHAFT	1
		SIDE THRUST WASHER	2
		PINION THRUST WASHER	2
		PINION GEAR	2
		PINION SHAFT LOCK SCREW	1

74020001 7.25" FRONT IFS - IOP - PINION SEAL KIT

Trailblazer, Envoy, Rainier, Bravada

MODEL YEAR 2002 to 2009

AAM PART #	O.E. PART #	DESCRIPTION	QTY
46002006	12471614	PINION SEAL	1
74004898	3974898	COLLAPSIBLE SPACER	1
74003762	9783762	PREVAILING TORQUE PINION NUT	1
74007900	517900	PINION NUT WASHER	1

74050001 7.25" FRONT IFS - IOP - OUTPUT SHAFT SEAL KIT

Trailblazer, Envoy, Rainier, Bravada

MODEL YEAR 2002 to 2009

AAM PART #	O.E. PART #	DESCRIPTION	QTY
26053326		DIFF OUTPUT SHAFT BEARING ASM	1
40050495		OUTPUT SEAL - LH	1
26066885		DIFF OUTPUT SHAFT BEARING ASM	1
46002024		OUTPUT SEAL - RH	1

**74080001 7.25" FRONT GM - AWD IOP
DISCONNECT SHIFTER KIT**

Trailblazer, Envoy, Rainier, Bravada

MODEL YEAR 2002 to 2009

AAM PART #	O.E. PART #	DESCRIPTION	QTY
14056165		TUBE BOLT W/ WASHER	4
26053326		ROLLER BEARING ASM	3
40007449		DISCONNECT WASHER	1
40024349		DISCONNECT SEAL	1
40038875	15801507	OUTPUT SEAL	1
46002026		PROTECTOR SHIPPING CAP RH	0
46002035		PROTECTOR CAP	0
46003010		THRUST WASHER	1
46003020		PLUG AWD	1
46003103		LH DISCONNECT HOUSING	1
46004099		COUPLER SHAFT	1
46004107		DISCONNECT HOUSING RH - MACH AWD	1

**74080002 7.25" FRONT IFS- 4WD IOP -
DISCONNECT SHIFTER KIT**

Trailblazer, Envoy, Bravada, Rainier

MODEL YEAR 2002 to 2009

AAM PART #	O.E. PART #	DESCRIPTION	QTY
11513762		BOLT	2
14056165		BOLT & WASHER ASM	4
26036092		SLEEVE, DIFFERENTIAL	1
26053326		BRG ASM, DIFF O/P SHAFT	3
40007449		WASHER, DISCONNECT LH	1
40017109		FORK, SHIFTER	1
40024349		SEAL, ASSY DISCONNECT	1
40038875		SHIFTER FORK	1
46003009		SEAL, OUTPUT	1
46003010		RETURN SPRING, SHIFTER FORK	1
46003014		WASHER, THRUST	1
46003015		CONNECTOR, DIFF. SHAFT	1
46003017		CONNECTOR, O/P SHAFT	1
46003022		THRUST WASHER, CONNECTOR	1
46003103		ACTUATOR, DISCONNECT	1
46003015		DISCONNECT HOUSING, LH (MACH)	1
46004105		DISCONNECT HOUSING (RH-MACH)	1

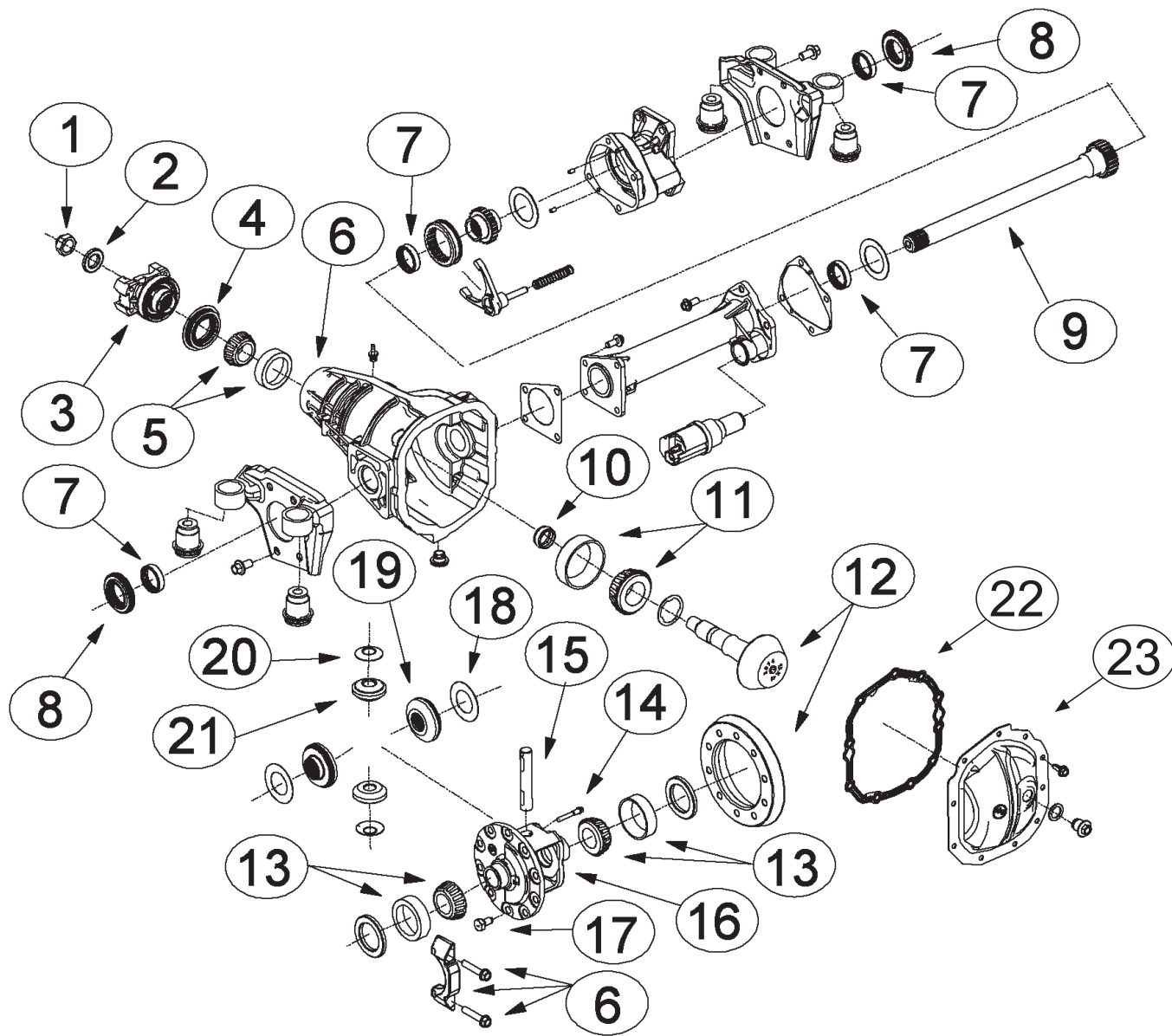


Demand the original.

Axle Components | Driveshaft Components | Repair Kits

AAM 7.6" IFS Salisbury

GM 7.6" FRONT AXLE



VEHICLE REFERENCE GUIDE

S, T TRUCK - GMT345, GMT355

ILL #	AAM PART NUMBER	OE PART NUMBER	DESCRIPTION	REQ	USAGE	MODEL YEAR
1	74003762	9783762	PREVAILING TORQUE PINION NUT	1	4WD	2004+
2	74007900	517900	PINION NUT WASHER	1	4WD	2004+
3	40035125		PINION YOKE (1315 SERIES)	1	4WD	2004+
4	40024218	12479267	PINION SEAL	1	4WD	2004+
5	74007784	9417784	SMALL PINION BEARING ASM (CUP & CONE)	1	4WD	2004+
6			CARRIER HOUSING		FOR REFERENCE ONLY	
7	74003326	26053326	ROLLER BEARING ASM	4	4WD	2004+
8	40037764	15286593	OUTPUT SHAFT SEAL	2	4WD	2004+
9	40065837	19210911	INTERMEDIATE SHAFT (412 MM)	1	4WD	2004+
10	74005792	9785792	COLLAPSIBLE SPACER	1	4WD	2004+
11	74000042	22510042	LARGE PINION BEARING (CUP & CONE)	1	4WD	2004+
12	40022978	12479298	RING & PINION GEARSET (3.42 RATIO)	1	4WD	2004+
12	40020428	12479238	RING & PINION GEARSET (3.73 RATIO)	1	4WD	2004+
12	40020431	15920600	RING & PINION GEARSET (4.10 RATIO)	1	4WD	2004+
12	40028609	10360972	RING & PINION SET (4.56 RATIO)	1	AWD & 4WD	2006+
13	74000095	9420095	DIFF. CASE BEARING ASM (CUP & CONE)	2	4WD	2004+
14	AVAILABLE IN KIT ONLY		PINION SHAFT LOCK SCREW	1	4WD	2004+
15	AVAILABLE IN KIT ONLY		PINION SHAFT	1	4WD	2004+
16	40041441		DIFFERENTIAL OPEN CASE (WITHOUT INTERNALS)	1	AWD & 4WD	2004+
16	40041442		DIFFERENTIAL OPEN CASE ASSEMBLY (WITH INTERNALS)	1	AWD & 4WD	2004+
17	40061033	11610549	SERRATED RING GEAR BOLT W/ ADHESIVE	10	4WD	2004+
18	AVAILABLE IN KIT ONLY		SIDE THRUST WASHER	2	4WD	2004+
19	AVAILABLE IN KIT ONLY		SIDE GEAR	2	4WD	2004+
20	AVAILABLE IN KIT ONLY		PINION THRUST WASHER	2	4WD	2004+
21	AVAILABLE IN KIT ONLY		PINION GEAR	2	4WD	2004+
22	40014817	12474249	RUBBER OVER METAL COVERPAN GASKET	1	AWD & 4WD	2004+
23	40014583	12479247	COVERPAN	1	AWD & 4WD	2004+



Demand the original.

Axle Components | Driveshaft Components | Repair Kits

AAM 7.6" IFS Salisbury

7401004 7.6" FRONT IFS - MASTER INSTALL KIT H3, H3T, Colorado, Canyon

MODEL YEAR 2003 to Current

AAM PART #	O.E. PART #	DESCRIPTION	QTY
		SIDE SHIM	32
40007959		BOLT W/ ADHESIVE	8
40014912		TUBE GASKET	1
40002169		COVERPAN BOLT W/ ADHESIVE	10
74005792	9785792	COLLAPSIBLE SPACER	1
40014817	12474249	RUBBER OVER METAL COVERPAN GASKET	1
40065831		THRUST SPACER	1
40006690		PINION SEAL SLEEVE	1
40037764		OUTPUT SEAL	2
74007900	517900	PINION NUT WASHER	1
40007601		MAGNETIC FILL/DRAIN PLUG	1
40014913		DISCONNECT HOUSING GASKET	1
		PINION SHIM	31
74003762	9783762	PREVAILING TORQUE PINION NUT	1
40061033	11610549	SERRATED RING GEAR BOLT W/ ADHESIVE	10
40036375		BOLT W/ WASHER & ADHESIVE	8
74003326	26053326	ROLLER BEARING ASM	3

74067006 7.6" FRONT/REAR - MASTER BEARING KIT

Colorado, Canyon, Camaro, Firebird, Astro, Safari,
S10, Sonoma, Blazer, Jimmy, Bravada, H3, H3T

MODEL YEAR Front: 2003 to Current, Rear: 1982 to Current

AAM PART #	O.E. PART #	DESCRIPTION	QTY
	22510042	PINION HEAD BEARING ASM (CUP & CONE)	1
	9417785	PINION TAIL BEARING ROLLER	1
	9417786	PINION TAIL BEARING RACE	1
74003762	9783762	PREVAILING TORQUE PINION NUT	1
74007900	517900	PINION NUT WASHER	1
74005792	9785792	COLLAPSIBLE SPACER	1
	457233	DIFF BEARING ROLLER	2
74000095	9420096	DIFF BEARING RACE	2
	40006689	PINION SEAL	1

GM 7.6" FRONT AXLE

74043199 7.6" FRONT IFS - 28 TOOTH - DIFFERENTIAL GEAR KIT Colorado, Canyon, H3, H3T

MODEL YEAR 2004 to Current

AAM PART #	O.E. PART #	DESCRIPTION	QTY
		SIDE GEAR	2
		SIDE THRUST WASHER	2
		PINION SHAFT LOCK SCREW	1
		PINION SHAFT	1
		PINION GEAR	2
		PINION THRUST WASHER	2

74020004 7.6" FRONT IFS - PINION SEAL KIT H3, H3T, Colorado, Canyon

MODEL YEAR 2003 to 2012

AAM PART #	O.E. PART #	DESCRIPTION	QTY
40024218	12479267	PINION SEAL	1
74003762	9783762	PREVAILING TORQUE PINION NUT	1
74005792	9785792	COLLAPSIBLE SPACER	1
40006690		PINION SEAL SLEEVE	1
74007900	517900	PINION NUT WASHER	1

74050003 7.6" FRONT IFS - OUTPUT SHAFT SEAL KIT H3, H3T, Colorado, Canyon

MODEL YEAR 2003 to 2012

AAM PART #	O.E. PART #	DESCRIPTION	QTY
74003326	26053326	ROLLER BEARING ASM	2
40037764		OUTPUT SEAL	2

**74030001 7.6" FRONT IFS -
COVERPAN KIT**

H3, H3T, Colorado, Canyon

MODEL YEAR 2004 to Current

AAM PART #	O.E. PART #	DESCRIPTION	QTY
40014583	12479247	COVERPAN	1
40014817	12474249	RUBBER OVER METAL COVERPAN GASKET	1
40002169		COVERPAN BOLT W/ ADHESIVE	10
40007601		MAGNETIC FILL/DRAIN PLUG	1

**74080004 7.6" FRONT IFS - 4WD
DISCONNECT SHIFTER KIT**

Colorado, Canyon

MODEL YEAR 2003 to Current

AAM PART #	O.E. PART #	DESCRIPTION	QTY
40014912		TUBE GASKET	1
40036375		BOLT W/ WASHER & ADHESIVE	8
74003326	26053326	ROLLER BEARING ASM	2
40007944		SHIFTER FORK	1
40007941		CONNECTOR GEAR	1
40007945		RETURN SPRING	1
40037764		OUTPUT SEAL	1
40065837	19210911	INTERMEDIATE SHAFT	1
40007173		ACTUATOR	1
40007946		WASHER	2
40007940		DISCONNECT SLEEVE	1
40014913		DISCONNECT HOUSING GASKET	1
40007959		BOLT W/ ADHESIVE	4

**74080005 7.6" FRONT IFS - AWD
DISCONNECT SHIFTER KIT**

H3, H3T

MODEL YEAR 2005 to 2010

AAM PART #	O.E. PART #	DESCRIPTION	QTY
40037764		OUTPUT SEAL	1
40007959		BOLT W/ ADHESIVE	4
40036375		BOLT W/ WASHER & ADHESIVE	8
74003326	26053326	ROLLER BEARING ASM	1
40045261	12479254	INTERMEDIATE SHAFT	1
7401873	15521873	ROLLER BEARING ASM	1
46003010		THRUST WASHER	2
40019428		OUTPUT GASKET	1
40014912		TUBE GASKET	1
40017351		OUTPUT SHAFT COUPLER	1



Demand the original.

Axle Components | Driveshaft Components | Repair Kits

AAM 7.6" IFS Salisbury

7401004 7.6" FRONT IFS - MASTER INSTALL KIT H3, H3T, Colorado, Canyon

MODEL YEAR 2003 to Current

AAM PART #	O.E. PART #	DESCRIPTION	QTY
		SIDE SHIM	32
40007959		BOLT W/ ADHESIVE	8
40014912		TUBE GASKET	1
40002169		COVERPAN BOLT W/ ADHESIVE	10
74005792	9785792	COLLAPSIBLE SPACER	1
40014817	12474249	RUBBER OVER METAL COVERPAN GASKET	1
40065831		THRUST SPACER	1
40006690		PINION SEAL SLEEVE	1
40037764		OUTPUT SEAL	2
74007900	517900	PINION NUT WASHER	1
40007601		MAGNETIC FILL/DRAIN PLUG	1
40014913		DISCONNECT HOUSING GASKET	1
		PINION SHIM	31
74003762	9783762	PREVAILING TORQUE PINION NUT	1
40061033	11610549	SERRATED RING GEAR BOLT W/ ADHESIVE	10
40036375		BOLT W/ WASHER & ADHESIVE	8
74003326	26053326	ROLLER BEARING ASM	3

74067006 7.6" FRONT/REAR - MASTER BEARING KIT

Colorado, Canyon, Camaro, Firebird, Astro, Safari,
S10, Sonoma, Blazer, Jimmy, Bravada, H3, H3T

MODEL YEAR Front: 2003 to Current, Rear: 1982 to Current

AAM PART #	O.E. PART #	DESCRIPTION	QTY
	22510042	PINION HEAD BEARING ASM (CUP & CONE)	1
	9417785	PINION TAIL BEARING ROLLER	1
	9417786	PINION TAIL BEARING RACE	1
74003762	9783762	PREVAILING TORQUE PINION NUT	1
74007900	517900	PINION NUT WASHER	1
74005792	9785792	COLLAPSIBLE SPACER	1
	457233	DIFF BEARING ROLLER	2
74000095	9420096	DIFF BEARING RACE	2
	40006689	PINION SEAL	1

GM 7.6" FRONT AXLE

74043199 7.6" FRONT IFS - 28 TOOTH - DIFFERENTIAL GEAR KIT Colorado, Canyon, H3, H3T

MODEL YEAR 2004 to Current

AAM PART #	O.E. PART #	DESCRIPTION	QTY
		SIDE GEAR	2
		SIDE THRUST WASHER	2
		PINION SHAFT LOCK SCREW	1
		PINION SHAFT	1
		PINION GEAR	2
		PINION THRUST WASHER	2

74020004 7.6" FRONT IFS - PINION SEAL KIT H3, H3T, Colorado, Canyon

MODEL YEAR 2003 to 2012

AAM PART #	O.E. PART #	DESCRIPTION	QTY
40024218	12479267	PINION SEAL	1
74003762	9783762	PREVAILING TORQUE PINION NUT	1
74005792	9785792	COLLAPSIBLE SPACER	1
40006690		PINION SEAL SLEEVE	1
74007900	517900	PINION NUT WASHER	1

74050003 7.6" FRONT IFS - OUTPUT SHAFT SEAL KIT H3, H3T, Colorado, Canyon

MODEL YEAR 2003 to 2012

AAM PART #	O.E. PART #	DESCRIPTION	QTY
74003326	26053326	ROLLER BEARING ASM	2
40037764		OUTPUT SEAL	2

**74030001 7.6" FRONT IFS -
COVERPAN KIT**

H3, H3T, Colorado, Canyon

MODEL YEAR 2004 to Current

AAM PART #	O.E. PART #	DESCRIPTION	QTY
40014583	12479247	COVERPAN	1
40014817	12474249	RUBBER OVER METAL COVERPAN GASKET	1
40002169		COVERPAN BOLT W/ ADHESIVE	10
40007601		MAGNETIC FILL/DRAIN PLUG	1

**74080004 7.6" FRONT IFS -
DISCONNECT SHIFTER KIT**

Colorado, Canyon

MODEL YEAR 2003 to Current

AAM PART #	O.E. PART #	DESCRIPTION	QTY
40014912		TUBE GASKET	1
40036375		BOLT W/ WASHER & ADHESIVE	8
74003326	26053326	ROLLER BEARING ASM	2
40007944		SHIFTER FORK	1
40007941		CONNECTOR GEAR	1
40007945		RETURN SPRING	1
40037764		OUTPUT SEAL	1
40065837	19210911	INTERMEDIATE SHAFT	1
40007173		ACTUATOR	1
40007946		WASHER	2
40007940		DISCONNECT SLEEVE	1
40014913		DISCONNECT HOUSING GASKET	1
40007959		BOLT W/ ADHESIVE	4

**74080005 7.6" FRONT IFS -
DISCONNECT SHIFTER KIT**

H3, H3T

MODEL YEAR 2005 to 2010

AAM PART #	O.E. PART #	DESCRIPTION	QTY
40037764		OUTPUT SEAL	1
40007959		BOLT W/ ADHESIVE	4
40036375		BOLT W/ WASHER & ADHESIVE	8
74003326	26053326	ROLLER BEARING ASM	1
40045261	12479254	INTERMEDIATE SHAFT	1
7401873	15521873	ROLLER BEARING ASM	1
46003010		THRUST WASHER	2
40019428		OUTPUT GASKET	1
40014912		TUBE GASKET	1
40017351		OUTPUT SHAFT COUPLER	1

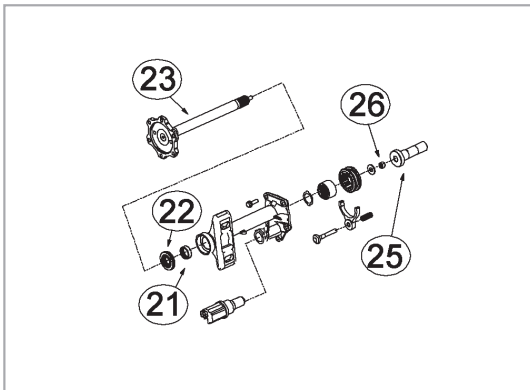
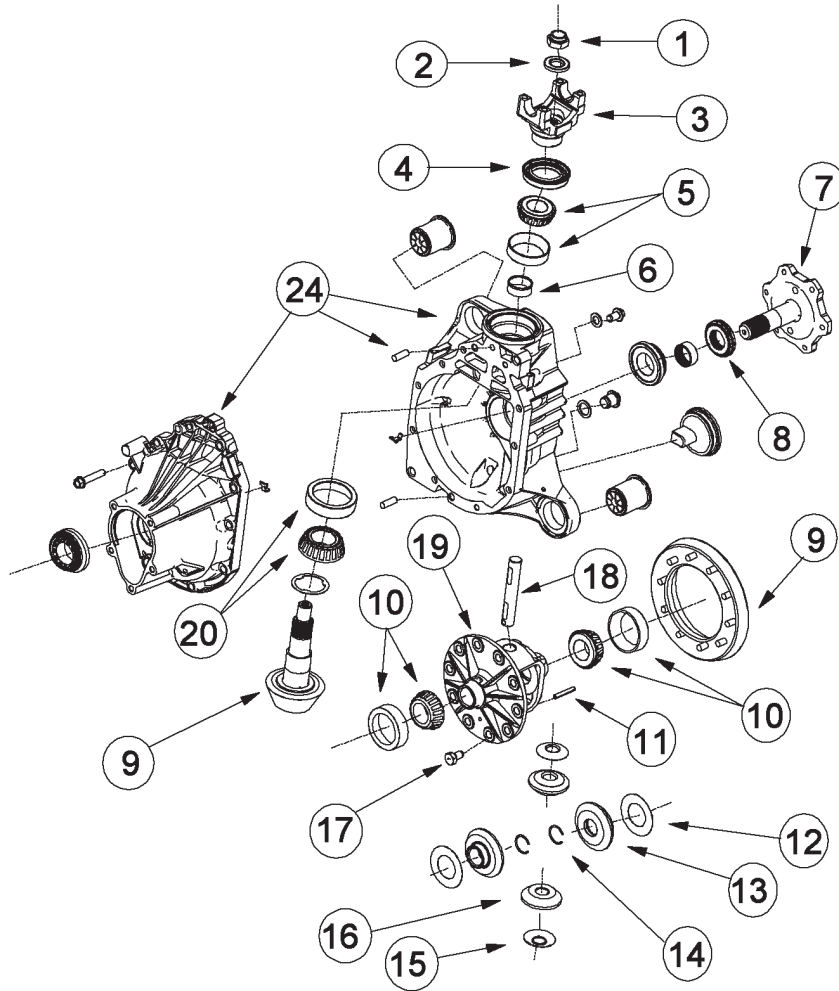


Demand the original.

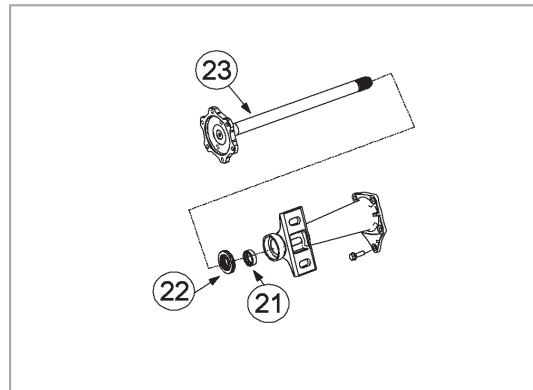
Axle Components | Driveshaft Components | Repair Kits

AAM 8.25" IFS Clamshell

GM 8.25" FRONT AXLE



4WD



AWD

VEHICLE REFERENCE GUIDE

C, K TRUCK - GMT800

ILL #	AAM PART NUMBER	OE PART NUMBER	DESCRIPTION	REQ	USAGE	MODEL YEAR
1	74003762	9783762	PREVAILING TORQUE PINION NUT	1	4WD & AWD	1988+
2	74007900	517900	PINION NUT WASHER	1	4WD & AWD	1988+
3	40025925	88967027	PINION YOKE (1344 UJT; 4 FOOTED)	1	4WD & AWD	1988+
4	40007712	12471590	PINION SEAL	1	4WD & AWD	1997+
5	74003427	9413427	SMALL PINION BEARING ASM (CUP & CONE)	1	4WD & AWD	1988+
5	40030015	20997051	SMALL PINION YOKE BEARING ASM (CUP & CONE)	1	4WD & AWD	1988+
6	40010355		COLLAPSIBLE SPACER	1	4WD & AWD	1988+
7	74028813	26058813	AXLE SHAFT - LEFT HAND (129 MM; 28 TOOTH; 6 BOLT)	1	4WD & AWD	1997+
8	40038875	15801507	OUTPUT SEAL	2	4WD & AWD	1997+
9	40093539	22744042	RING & PINION GEARSET (3.08 RATIO)	2	4WD & AWD	1988+
9	40125343		RING & PINION GEARSET (3.23 RATIO)	1	4WD & AWD	2014+
9	40093541	19257736	RING & PINION GEARSET (3.42 RATIO)	2	4WD	1988+
9	40093540	19257737	RING & PINION GEARSET (3.73 RATIO)	2	4WD & AWD	1988+
9	40095196		RING & PINION GEARSET (4.10 RATIO)	1	4WD & AWD	2007+
10	74000095	9420095	DIFF. CASE BEARING ASM (CUP & CONE)	2	4WD & AWD	1988+
10	40053556	20997053	DIFF. CASE BEARING ASM (CUP & CONE)(KOYO)	2	4WD & AWD	1988+
11	AVAILABLE IN KIT ONLY		PINION SHAFT LOCK PIN	1	4WD & AWD	1988+
12	AVAILABLE IN KIT ONLY		SIDE THRUST WASHER	2	4WD & AWD	1988+
13	AVAILABLE IN KIT ONLY		SIDE GEAR	2	4WD & AWD	1988+
14	74006600	26056600	AXLE SHAFT RETAINING RING	2	4WD & AWD	1988+
15	AVAILABLE IN KIT ONLY		PINION THRUST WASHER	2	4WD & AWD	1988+
16	AVAILABLE IN KIT ONLY		PINION GEAR	2	4WD & AWD	1988+
17	40061033	14066913	RING GEAR BOLT	10	4WD & AWD	1988+
18	AVAILABLE IN KIT ONLY		PINION SHAFT	1	4WD & AWD	1988+
19	26018131	15801501	DIFFERENTIAL OPEN CASE (WITHOUT INTERNALS) 3.42 RATIO AND HIGHER	1	4WD & AWD	1988+
19	40038013		DIFFERENTIAL OPEN CASE ASSEMBLY (WITH INTERNALS) 3.08, 3.23 RATIO	1	4WD GMT900	1988+
19	26067130		DIFFERENTIAL OPEN CASE ASSEMBLY (WITH INTERNALS) 3.42 RATIO AND HIGHER	1	4WD GMT 800/900	1988+
20	74008356	9418356	SMALL PINION BEARING ASM (CUP & CONE)	1	4WD & AWD	1988+
20	40081330	20997052	LARGE PINION BEARING ASM (CUP & CONE)(KOYO)	1	4WD & AWD	1988+
21	74006885	26066885	ROLLER BEARING ASM	1	4WD & AWD	1988+
22	40038875	15801507	OUTPUT SEAL	2	4WD & AWD	1997+
23	74028832	26058832	AXLE SHAFT - RIGHT HAND (392 MM; 28 TOOTH; 6 BOLT)	1	4WD GMT800	1997-2003
23	40037800	19153230	AXLE SHAFT - RIGHT HAND (392 MM, 28 TOOTH; 6 BOLT)	1	4WD GMT800	2004+
24			CARRIER HOUSING		FOR REFERENCE ONLY	
25	40029249		INNER OUTPUT SHAFT ASM	1	4WD & AWD	2007+
26		26041516	ROLLER BEARING ASM I/O	1	4WD	1988+
27			TUBE		4WD	1999-2007
28			TUBE		AWD	2001-2007



Demand the original.

Axle Components | Driveshaft Components | Repair Kits

AAM 8.25" IFS Clamshell

74010006 8.25" FRONT IFS - MASTER INSTALL KIT

Sierra, Silverado, Silverado SS, Tahoe, Yukon, Escalade, Denali, Avalanche, Suburban

MODEL YEAR 1997 to Current

AAM PART #	O.E. PART #	DESCRIPTION	QTY
40007712	12471590	PINION SEAL	1
74003762	9783762	PREVAILING TORQUE PINION NUT	1
74006885	26066885	ROLLER BEARING ASM	1
40032881		DIFFERENTIAL ADJUSTER LOCK	2
46002081		FILL PLUG/DRAIN PLUG WASHER	2
74007900	517900	PINION NUT WASHER	1
	15588312	DIFFERENTIAL ADJUSTER LOCK	2
	26036835	TUBE BOLT W/ WASHER & ADHESIVE	5
40035410		CARRIER GASKET	1
40035411		TUBE GASKET	1
15588383		DRAIN PLUG WASHER	1
40023211		SNAP RING	1
40010355		COLLAPSIBLE SPACER	1
40038875	15801507	OUTPUT SEAL	2
		OUTPUT SHIM	20
		PINION SHIM	32
	26041516	ROLLER BEARING ASM I/O	1
40026655		VENT CONNECTOR	1
40061033		SERRATED RING GEAR BOLT W/ ADHESIVE	10
	14045736	CARRIER BOLT W/ WASHER & ADHESIVE	10
	26041515	ROLLER BEARING ASM	2

GM 8.25" FRONT AXLE

74067004 8.25" FRONT IFS - MASTER BEARING KIT

Silverado, Sierra, Yukon, Denali, Suburban, Escalade, Avalanche

MODEL YEAR 1988 to Current

AAM PART #	O.E. PART #	DESCRIPTION	QTY
	9418357	PINION HEAD BEARING ROLLER	1
	9418358	PINION HEAD BEARING RACE	1
	40030016	PINION TAIL BEARING ROLLER	1
	40030017	PINION TAIL BEARING RACE	1
74003762	9783762	PREVAILING TORQUE PINION NUT	1
74007900	517900	PINION NUT WASHER	1
74004726	40010355	COLLAPSIBLE SPACER	1
	9420096	DIFF BEARING RACE	2
	457233	DIFF BEARING ROLLER	2
	40007712	PINION SEAL	1

74045936 8.25" FRONT IFS - 28 TOOTH - DIFFERENTIAL GEAR KIT

Silverado, Sierra, Yukon, Denali, Suburban, Escalade, Avalanche

MODEL YEAR 1988 to Current

AAM PART #	O.E. PART #	DESCRIPTION	QTY
		PINION GEAR	2
		SIDE THRUST WASHER	2
		SIDE GEAR	2
		PINION SHAFT	1
		PINION SHAFT LOCK PIN	1
		PINION THRUST WASHER	2

**74020006 8.25" FRONT IFS -
PINION SEAL KIT**

Silverado, Sierra, Tahoe, Yukon,
Escalade, Suburban, Avalanche

MODEL YEAR 1999 to Current

AAM PART #	O.E. PART #	DESCRIPTION	QTY
40007712	12471590	PINION SEAL	1
40010355	1234726	COLLAPSIBLE SPACER	1
74003762	9783762	PREVAILING TORQUE PINION NUT	1
74007900	517900	PINION NUT WASHER	1

**74050004 8.25" FRONT IFS -
OUTPUT SHAFT SEAL KIT**

Sierra, Silverado, Tahoe,
Yukon, Escalade, Suburban

MODEL YEAR 1997 to Current

AAM PART #	O.E. PART #	DESCRIPTION	QTY
40038875	15801507	OUTPUT SEAL	2
	26041516	ROLLER BEARING ASM I/O	1
40035411		TUBE GASKET	1
	26036835	TUBE BOLT W/ WASHER & ADHESIVE	5
	26041515	ROLLER BEARING ASM	2
74006885	26066885	ROLLER BEARING ASM	1

**74080006 8.25" FRONT IFS -
DISCONNECT SHIFTER KIT**

Sierra, Silverado, Suburban,
Yukon, Denali, Avalanche

MODEL YEAR 1998 to 2006

AAM PART #	O.E. PART #	DESCRIPTION	QTY
40007547		SHIFTER FORK	1
	15588371	RETURN SPRING	1
40029249	19121908	I/O AXLE SHAFT	1
		WASHER	20
40007173		ACTUATOR	1
	26036835	TUBE BOLT W/ WASHER & ADHESIVE	5
	26059268	CONNECTOR GEAR	1
	26066886	OUTPUT SHAFT WASHER	1

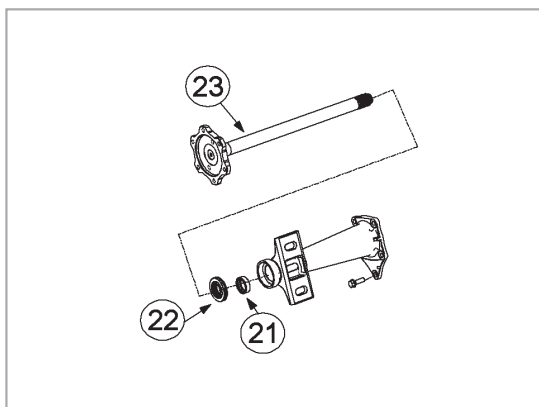
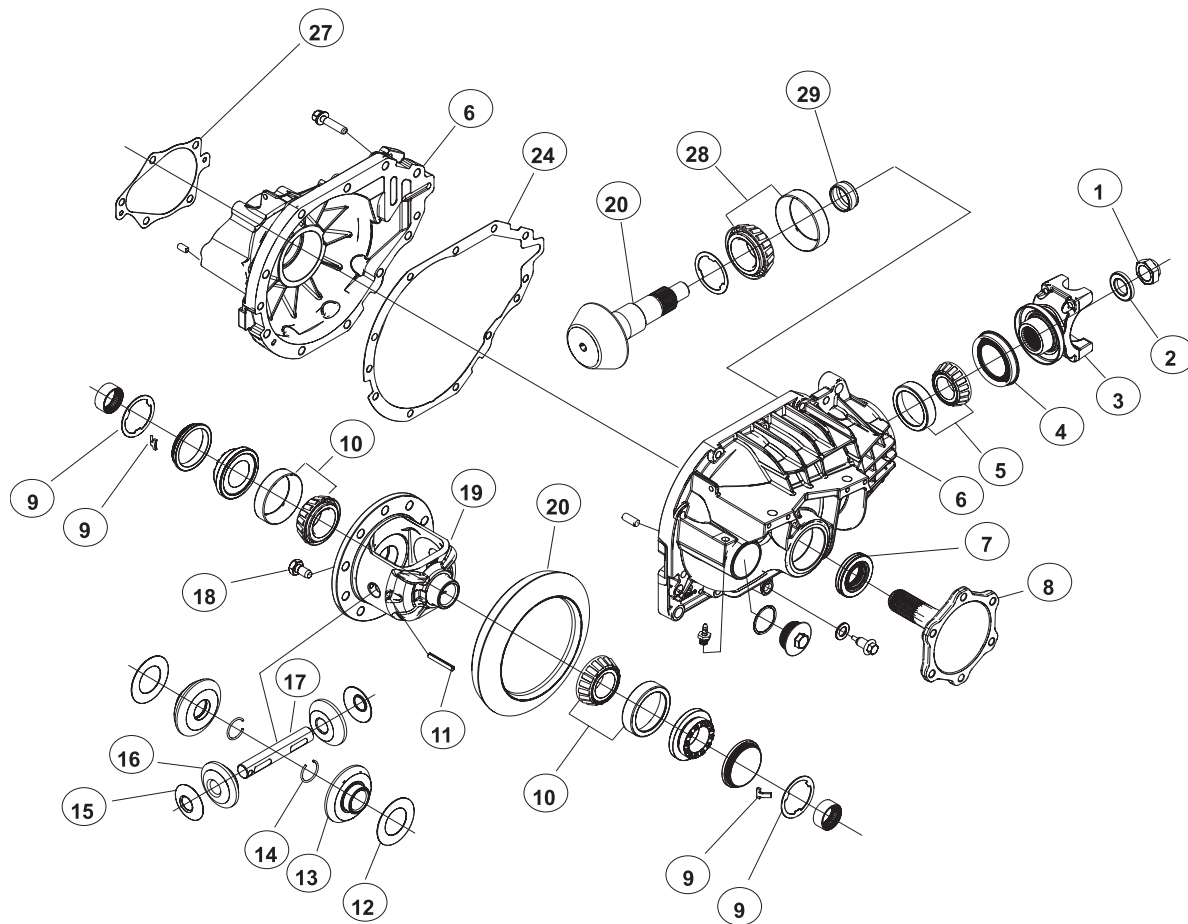


Demand the original.

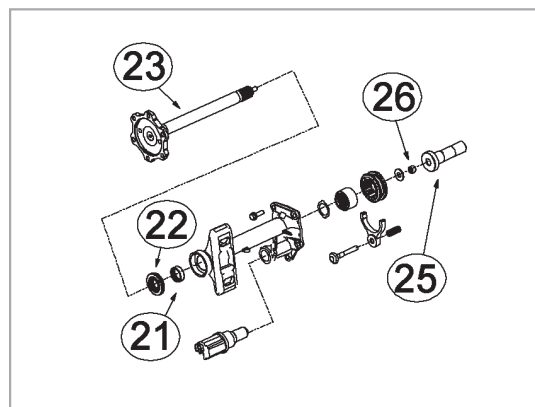
Axle Components | Driveshaft Components | Repair Kits

AAM 8.25" IFS Clamshell

GM 8.25" FRONT AXLE



AWD



4WD

VEHICLE REFERENCE GUIDE

C, K TRUCK - GMT900

ILL #	AAM PART NUMBER	OE PART NUMBER	DESCRIPTION	REQ	USAGE	MODEL YEAR
1	74003762	9783762	PREVAILING TORQUE PINION NUT	1	4WD & AWD	2007+
2	74007900	517900	PINION NUT WASHER	1	4WD & AWD	2007+
3	40025925	88967027	PINION YOKE (1344 UJT; 4 FOOTED)	1	4WD & AWD	2007+
4	40007712	12471590	PINION SEAL	1	4WD & AWD	2007+
5	74003427	9413427	SMALL PINION BEARING ASM (CUP & CONE)	1	4WD & AWD	2007+
5	40030015	20997051	SMALL PINION YOKE BEARING ASM (CUP & CONE)	1	4WD & AWD	2007+
6	825HSGASMKIT		CARRIER HOUSING			2007+
7	40038875	15801507	OUTPUT SEAL	2	4WD & AWD	2007+
8	26058813		OUTPUT SHAFT - LEFT HAND (128.5 MM)	1	4WD & AWD	1988-2011
8	40104064		OUTPUT SHAFT - LEFT HAND (128.5 MM)	1	4WD & AWD	2012+
9	74008312	15588312	DIFFERENTIAL ADJUSTER LOCK	2	4WD & AWD	2007+
9	40133900		DIFFERENTIAL ADJUSTER LOCK	2	4WD & AWD	2008+
10	74000095	9420095	DIFF. CASE BEARING ASM (CUP & CONE)	2	4WD & AWD	2007+
10	40053556	20997053	DIFF. CASE BEARING ASM (CUP & CONE)(KOYO)	2	4WD & AWD	2007+
11	AVAILABLE IN KIT ONLY		PINION SHAFT LOCK PIN	1	4WD & AWD	2007+
12	AVAILABLE IN KIT ONLY		SIDE THRUST WASHER	2	4WD & AWD	2007+
13	AVAILABLE IN KIT ONLY		SIDE GEAR	2	4WD & AWD	2007+
14	40023211		AXLE SHAFT RETAINING RING	2	4WD & AWD	2007+
15	AVAILABLE IN KIT ONLY		PINION THRUST WASHER	2	4WD & AWD	2007+
16	AVAILABLE IN KIT ONLY		PINION GEAR	2	4WD & AWD	2007+
17	AVAILABLE IN KIT ONLY		PINION SHAFT	1	4WD & AWD	2007+
18	40061033		RING GEAR BOLT	10	4WD & AWD	2007+
19	26018131	15801501	DIFFERENTIAL OPEN CASE (WITHOUT INTERNALS) 3.42 RATIO AND HIGHER	1	4WD & AWD	1988+
19	40038013		DIFFERENTIAL OPEN CASE ASSEMBLY (WITH INTERNALS) 3.08, 3.23 RATIO	1	4WD GMT900	1988+
19	26067130		DIFFERENTIAL OPEN CASE ASSEMBLY (WITH INTERNALS) 3.42 RATIO AND HIGHER	1	4WD GMT 800/900	1988+
20	40093539	22744042	RING & PINION GEARSET (3.08 RATIO)	1	4WD	2007+
20	40125343		RING & PINION GEARSET (3.23 RATIO)	1	4WD & AWD	2014+
20	40093541	19257736	RING & PINION GEARSET (3.42 RATIO)	1	4WD & AWD	2007+
20	40093540	19257737	RING & PINION GEARSET (3.73 RATIO)	1	4WD	2007+
20	40095196		RING & PINION GEARSET (4.10 RATIO)	1	4WD & AWD	2007+
21	74006885	26066885	ROLLER BEARING ASM	1	4WD & AWD	2007+
22	40038875	15801507	OUTPUT SEAL	2	4WD & AWD	2007-2013
22	40089228		OUTPUT SEAL	1	4WD & AWD	2007-2013
23	40038845	15801499	AXLE SHAFT - RIGHT HAND (379 MM)	1	4WD	2007-2013
23	40038846	15801498	AXLE SHAFT - RIGHT HAND (491 MM)	1	AWD	2007+
23	22780163		AXLE SHAFT - RIGHT HAND (491 MM)	1	4WD	2012+
23	40134063		AXLE SHAFT - RIGHT HAND (379 MM)	1	AWD	2012+
24	40035410	15270969	CARRIER GASKET	1	4WD & AWD	2007+
26	26041516		ROLLER BEARING ASM I/O	1	4WD	2007+
27	40035411		TUBE GASKET	1	4WD & AWD	2007+
28	74008356	9418256	LARGE PINION BEARING ASM (CUP & CONE)	1	4WD & AWD	2007+
28	40081330	20997052	LARGE PINION BEARING ASM (CUP & CONE)(KOYO)	1	4WD & AWD	2007+
29	40010355	12479162	COLLAPSIBLE SPACER	1	4WD & AWD	2007+
30	40022906		TUBE	1	4WD	2007-2013
31	40024248		TUBE	1	AWD	2007-2013



Demand the original.

Axle Components | Driveshaft Components | Repair Kits

AAM 8.25" IFS Clamshell

74010006 8.25" FRONT IFS - MASTER INSTALL KIT

Sierra, Silverado, Silverado SS, Tahoe, Yukon, Escalade, Denali, Avalanche, Suburban

MODEL YEAR 1997 to Current

AAM PART #	O.E. PART #	DESCRIPTION	QTY
40007712	12471590	PINION SEAL	1
74003762	9783762	PREVAILING TORQUE PINION NUT	1
74006885	26066885	ROLLER BEARING ASM	1
	15588312	DIFFERENTIAL ADJUSTER LOCK	2
46002081		FILL PLUG/DRAIN PLUG WASHER	2
74007900	517900	PINION NUT WASHER	1
40133900		DIFFERENTIAL ADJUSTER LOCK	2
	26036835	TUBE BOLT W/ WASHER & ADHESIVE	5
70035411	15270970	TUBE GASKET	1
40035410	15270969	CARRIER GASKET	1
15588383		DRAIN PLUG WASHER	1
40023211		SNAP RING	1
40010355	12479162	COLLAPSIBLE SPACER	1
40038875	15801507	OUTPUT SEAL	2
		OUTPUT SHIM	20
		PINION SHIM	32
	26041516	ROLLER BEARING ASM I/O	1
40026655		VENT CONNECTOR	1
40061033		SERRATED RING GEAR BOLT W/ ADHESIVE	10
	14045736	CARRIER BOLT W/ WASHER & ADHESIVE	10
	26041515	ROLLER BEARING ASM	2

GM 8.25" FRONT AXLE

74067004 8.25" FRONT IFS - MASTER BEARING KIT

Silverado, Sierra, Yukon, Denali, Suburban, Escalade, Avalanche

MODEL YEAR 1988 to Current

AAM PART #	O.E. PART #	DESCRIPTION	QTY
	9418357	PINION HEAD BEARING ROLLER	1
	9418358	PINION HEAD BEARING RACE	1
	40030016	PINION TAIL BEARING ROLLER	1
	40030017	PINION TAIL BEARING RACE	1
74003762	9783762	PREVAILING TORQUE PINION NUT	1
74007900	517900	PINION NUT WASHER	1
74004726	40010355	COLLAPSIBLE SPACER	1
	9420096	DIFF BEARING RACE	2
	457233	DIFF BEARING ROLLER	2
	40007712	PINION SEAL	1

74045936 8.25" FRONT IFS - 28 TOOTH - DIFFERENTIAL GEAR KIT

Silverado, Sierra, Yukon, Denali, Suburban, Escalade, Avalanche

MODEL YEAR 1988 to Current

AAM PART #	O.E. PART #	DESCRIPTION	QTY
		PINION GEAR	2
		SIDE THRUST WASHER	2
		SIDE GEAR	2
		PINION SHAFT	1
		PINION SHAFT LOCK PIN	1
		PINION THRUST WASHER	2

74020006 8.25" FRONT IFS - PINION SEAL KIT

Silverado, Sierra, Tahoe, Yukon, Escalade, Suburban, Avalanche

MODEL YEAR 1999 to Current

AAM PART #	O.E. PART #	DESCRIPTION	QTY
40007712	12471590	PINION SEAL	1
40010355	12479162	COLLAPSIBLE SPACER	1
74003762	9783762	PREVAILING TORQUE PINION NUT	1
74007900	517900	PINION NUT WASHER	1

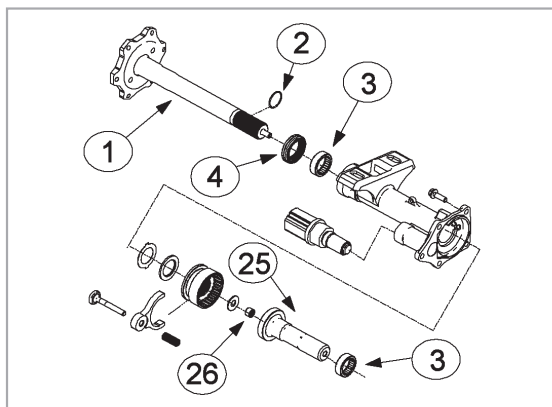
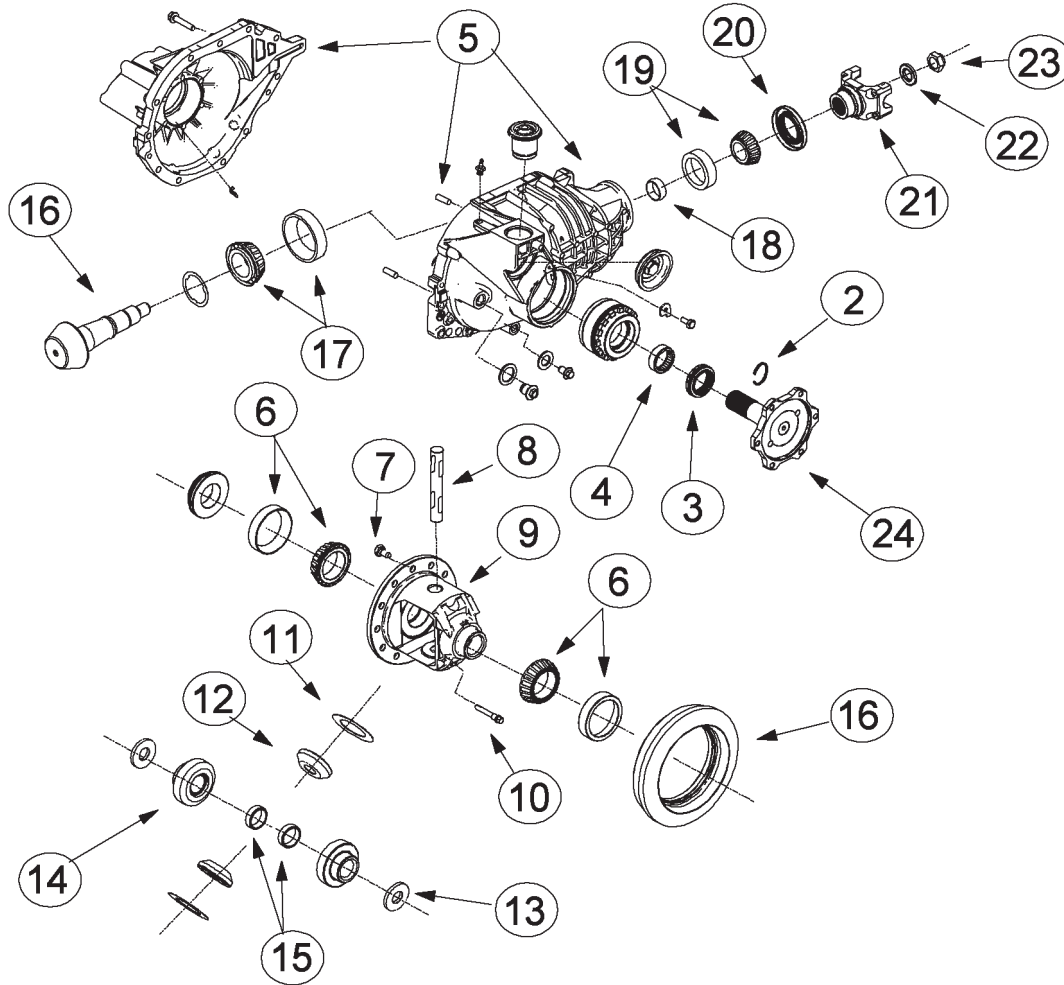


Demand the original.

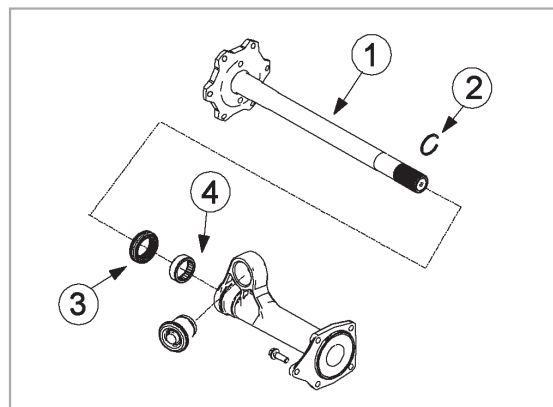
Axle Components | Driveshaft Components | Repair Kits

AAM 9.25" IFS Clamshell

GM 9.25" FRONT AXLE



4WD



AWD

VEHICLE REFERENCE GUIDE

- C TRUCK - 2-WHEEL-DRIVE FULL-SIZE TRUCK & UTILITY
- K TRUCK - 4-WHEEL-DRIVE FULL-SIZE TRUCK & UTILITY GMT800/900

ILL #	AAM PART NUMBER	OE PART NUMBER	DESCRIPTION	REQ	USAGE	MODEL YEAR
1	40057073	19206697	AXLE SHAFT (517 MM; 33 TOOTH; 6 BOLT) <i>NOTE: can service 1997-2008 if used with internal gear kit 74040363</i>	1	AWD	2008+
1	40039201	15801500	AXLE SHAFT (357 MM; 33 TOOTH; 6 BOLT) RH	1	4WD	1999+
2	74001878	15521878	AXLE SHAFT RETAINING RING	2	4WD	1988+
3	40051283	19169124	OUTPUT SEAL	2	4WD & AWD	1997+
4	74001873	15521873	ROLLER BEARING ASM	2	4WD & AWD	1998+
5			CARRIER HOUSING		FOR REFERENCE ONLY	
6	74005123	11505123	DIFF. CASE BEARING ASM (CUP & CONE)	2	4WD & AWD	1988+
7	74002703	14012703	RING GEAR BOLT W/ ADHESIVE	12	4WD & AWD	1988+
8	AVAILABLE IN KIT ONLY		PINION SHAFT	1	4WD & AWD	1988+
9	74032695	14012695	DIFFERENTIAL OPEN CASE (WITHOUT INTERNALS)	1	4WD & AWD	1988+
9	40035046		DIFFERENTIAL OPEN CASE ASSEMBLY (WITH INTERNALS)	1	GMT800/ 900/H2	2005+
10	AVAILABLE IN KIT ONLY		PINION SHAFT LOCK SCREW	1	4WD & AWD	1988+
11	AVAILABLE IN KIT ONLY		PINION THRUST WASHER	2	4WD & AWD	1988+
12	AVAILABLE IN KIT ONLY		PINION GEAR	2	4WD & AWD	1988+
13	AVAILABLE IN KIT ONLY		SIDE THRUST WASHER	2	4WD & AWD	1988+
14	AVAILABLE IN KIT ONLY		SIDE GEAR	2	4WD & AWD	1988-2007
14	AVAILABLE IN KIT ONLY		SIDE GEAR	2	4WD & AWD	2008+
15	AVAILABLE IN KIT ONLY		SIDE GEAR SPACER	2	4WD & AWD	1988+
16	40140594		RING & PINION GEARSET (3.42 RATIO)	1	4WD	1988+
16	40058536		RING & PINION GEARSET (3.73 RATIO)	1	4WD	1988+
16	40072307		RING & PINION GEARSET (4.10 RATIO)	1	4WD & AWD	1988+
16	40024878		RING & PINION GEARSET (4.56 RATIO)	1	4WD	1988+
17	74007108	457108	LARGE PINION BEARING (CUP & CONE)	1	4WD & AWD	1988+
18	74002691	14012691	COLLAPSIBLE SPACER	1	4WD & AWD	1988+
19	74007781	9417781	SMALL PINION BEARING ASM (CUP & CONE)	1	4WD & AWD	1988+
20	40007712	12471590	PINION SEAL	1	4WD & AWD	1997+
21	40025925	88967027	PINION YOKE (1344 UJT; 4 FOOTED)	1	4WD & AWD	1988+
22	74007900	517900	PINION NUT WASHER	1	4WD & AWD	1988+
23	74003762	9783762	PREVAILING TORQUE PINION NUT	1	4WD & AWD	1988+
24	40057071		OUTPUT SHAFT (148 MM; 33 TOOTH; 6 BOLT) LH <i>NOTE: can service 1997-2008 if used with internal gear kit 74040363</i>	1	GMT 900/H2	2009+
25	40029252		INNER OUTPUT SHAFT ASM	1	4WD	1988+
26	26041516		INNER OUTPUT SHAFT BEARING ASM	1	4WD	1988+
	40015035		DIFF CARRIER BEARING ADJUSTER ASSY	1	GMT 900/H2	2003-2010
	26059458		DIFF BEARING ADJUSTER	1	4WD & AWD	2008+



Demand the original.

Axle Components | Driveshaft Components | Repair Kits

AAM 9.25" IFS Clamshell

74010011 9.25" FRONT CLAMSHELL - MASTER INSTALL KIT

Sierra, Silverado, Suburban, Yukon XL, Avalanche, H2
MODEL YEAR 1999 to Current

AAM PART #	O.E. PART #	DESCRIPTION	QTY
40051283	19169124	OUTPUT SEAL	2
40040610		SNAP RING	2
40026655		VENT CONNECTOR	1
	26036835	TUBE BOLT W/ WASHER & ADHESIVE	5
	26041516	ROLLER BEARING ASM I/O	1
	15521875	DIFFERENTIAL ADJUSTER LOCK	1
		OUTPUT SHAFT SHIM	20
	14045736	CARRIER BOLT W/ WASHER & ADHESIVE	11
		PINION SHIM	18
	26058815	DRAIN PLUG W/ MAGNET	1
	15521875	DIFFERENTIAL ADJUSTER LOCK	1
74002691	14012691	COLLAPSIBLE SPACER	1
40051849		THRUST WASHER	1
	14042602	FILL/DRAIN PLUG WASHER	1
74003762	9783762	PREVAILING TORQUE PINION NUT	1
74002703	14012703	RING GEAR BOLT W/ ADHESIVE	12
	26031703	SNAP RING	1
	15521872	SNAP RING	1
	11503877	ADJUSTER BOLT	1
	15530296	ROLLER BEARING ASM I/O	1
40007712		PINION SEAL	1
	476753	FILL PLUG	1
46002040		VENT CONNECTOR - H2 ONLY	1
40027570		VIEW PLUG ASSEMBLY	1
7401873	15521873	ROLLER BEARING ASM	2
	360570	DOWEL PIN	2
	11503963	ADJUSTER BOLT LOCK WASHER	1
74007900	517900	PINION NUT WASHER	1
	14042602	FILL/DRAIN PLUG WASHER	1

GM 9.25" FRONT AXLE

74067005 9.25" FRONT CLAMSHELL - MASTER BEARING KIT

Silverado, Sierra, Yukon XL, Suburban, Avalanche
MODEL YEAR 1988 to 2011

AAM PART #	O.E. PART #	DESCRIPTION	QTY
	454459	PINION HEAD BEARING ROLLER	1
	457258	PINION HEAD BEARING RACE	1
	9417782	PINION TAIL BEARING ROLLER	1
	9417783	PINION TAIL BEARING RACE	1
74003762	9783762	PREVAILING TORQUE PINION NUT	1
74007900	517900	PINION NUT WASHER	1
74002691	14012691	COLLAPSIBLE SPACER	1
	11505124	DIFF BEARING ROLLER	2
	11505125	DIFF BEARING RACE	2
	26064029	PINION SEAL	1

**Note: GM 9.25" IFS use Pinion Seal 40007712 - order separately*

74047037 9.25" FRONT CLAMSHELL - 33 TOOTH - DIFFERENTIAL GEAR KIT

Sierra, Silverado, Suburban, Yukon XL, Avalanche, H2 2500
MODEL YEAR 1988 to 2006

AAM PART #	O.E. PART #	DESCRIPTION	QTY
		PINION GEAR	2
		PINION THRUST WASHER	2
		SIDE GEAR	2
		PINION SHAFT	1
		SIDE THRUST WASHER	2
		PINION SHAFT LOCK SCREW	1

74020008 9.25" FRONT CLAMSHELL - PINION SEAL KIT

Sierra, Silverado, Suburban, Yukon XL, Avalanche, H2
MODEL YEAR 1999 to Current

AAM PART #	O.E. PART #	DESCRIPTION	QTY
40007712		PINION SEAL	1
74002691	14012691	COLLAPSIBLE SPACER	1
74003762	9783762	PREVAILING TORQUE PINION NUT	1
74007900	517900	PINION NUT WASHER	1

**74050005 9.25" FRONT CLAMSHELL -
OUTPUT SHAFT SEAL KIT**

Sierra, Silverado, Suburban, Yukon XL, Avalanche, H2
MODEL YEAR 1997 to Current

AAM PART #	O.E. PART #	DESCRIPTION	QTY
40051283	19169124	OUTPUT SEAL	2
7401873	15521873	ROLLER BEARING ASM	2
	26036835	TUBE BOLT W/ WASHER & ADHESIVE	5
	26041516	ROLLER BEARING ASM I/O	1
40040610		SNAP RING	1
	15530296	ROLLER BEARING ASM I/O	1
	26031703	SNAP RING	1
40051849		THRUST WASHER	1

**74080008 9.25" FRONT CLAMSHELL -
DISCONNECT SHIFTER KIT**

Sierra, Silverado, Suburban, Yukon XL, Avalanche
MODEL YEAR 2001 to Current

AAM PART #	O.E. PART #	DESCRIPTION	QTY
	26036835	TUBE BOLT W/ WASHER & ADHESIVE	5
40029252		I/O AXLE SHAFT	1
	26041516	ROLLER BEARING ASM I/O	1
40007547		SHIFTER FORK	1
40007173		ACTUATOR	1
		WASHER	20
	15588371	RETURN SPRING	1
40058706		DISCONNECT SLEEVE	1
	26031703	SNAP RING	2
40051849		THRUST WASHER	1
	15530296	ROLLER BEARING ASM I/O	1

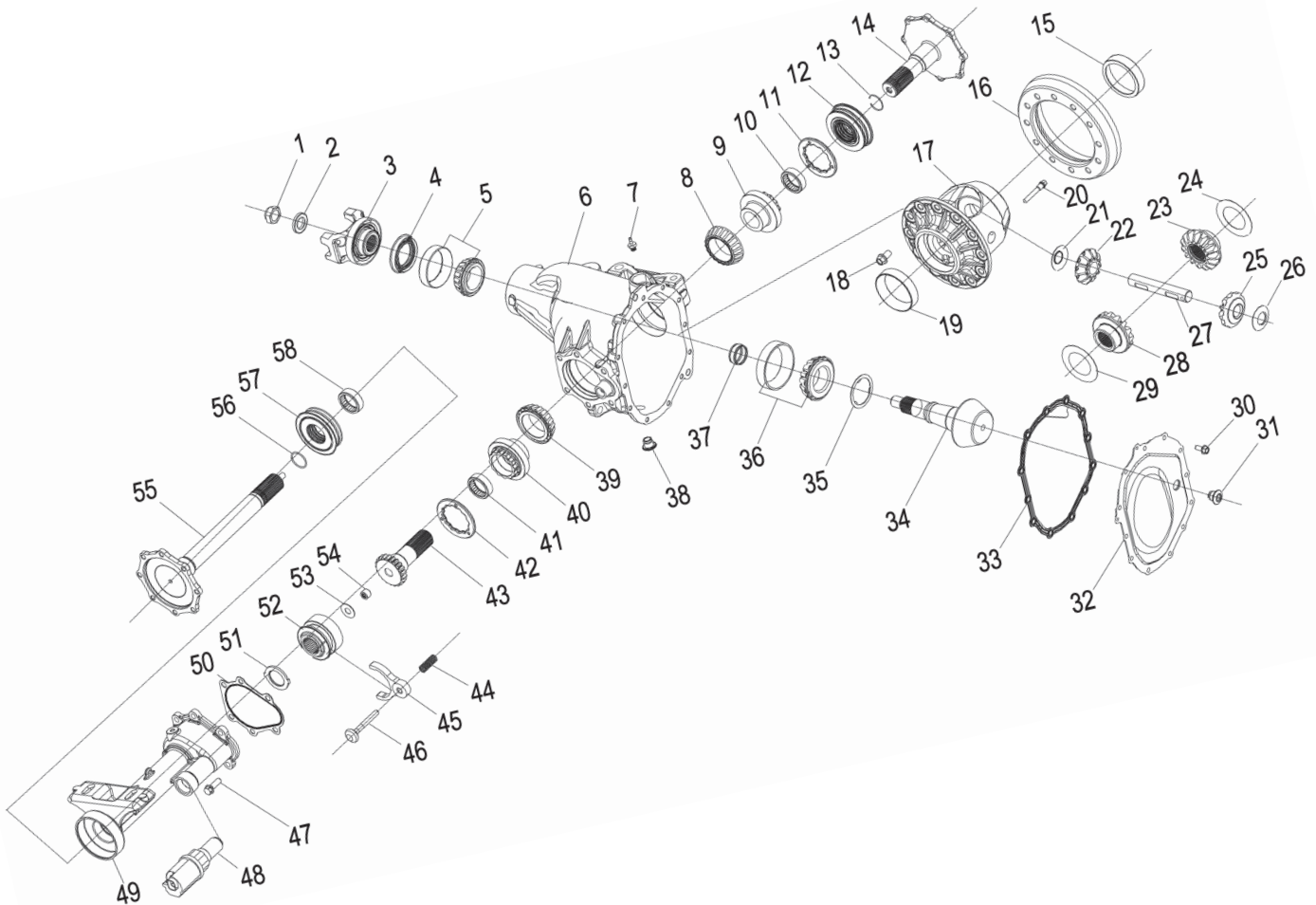


Demand the original.

Axle Components | Driveshaft Components | Repair Kits

AAM 9.25" IFS Salisbury

GM 9.25" FRONT AXLE



VEHICLE REFERENCE GUIDE

- C TRUCK - 2-WHEEL-DRIVE FULL-SIZE TRUCK & UTILITY
- K TRUCK - 4-WHEEL-DRIVE FULL-SIZE TRUCK & UTILITY

ILL #	AAM PART NUMBER	OE PART NUMBER	DESCRIPTION	REQ	USAGE	MODEL YEAR
1	74003762	9783762	PREVAILING TORQUE PINION NUT	1		
2	74007900	517900	PINION NUT WASHER	1		
3	40025925	88967027	PINION YOKE (1344 UJT 4 FOOTED)	1		
4	40007712	12471590	PINION SEAL	1		
5	74007781	9417781	SMALL PINION BEARING ASM (CUP & CONE)	1		
6			CARRIER HOUSING			
14	40058310		OUTPUT SHAFT LH	1	GMT 900	2011+
17	40058275		DIFFERENTIAL OPEN CASE (WITHOUT INTERNALS)	1	GMT 900	2011+
17	40058274		DIFFERENTIAL OPEN CASE ASSEMBLY (WITH INTERNALS)	1	GMT 900	2011+
18	74002703	14012703	RING GEAR BOLT W/ ADHESIVE	12		
20	AVAILABLE IN KIT ONLY		PINION SHAFT LOCK SCREW	1		
27	AVAILABLE IN KIT ONLY		SIDE GEAR	1		
36	40051147	20768576	LARGE PINION BEARING (CUP & CONE)	1		
37	74002691	14012691	COLLAPSIBLE SPACER	1		
43	40058285	20768560	IO SHAFT	1	GMT 900	2011+
55	40058313		OUTPUT SHAFT RH	1	GMT 900	2011+
58	7401873	15521873	ROLLER BEARING ASM	2		
10 41	7401873	15521873	ROLLER BEARING ASM	1		
12 57	40127950		OUTPUT SEAL	2		
13 56	40040610	25931953	SNAP RING	2		
16 34	40140594		RING & PINION GEARSET (3.42 RATIO; 2 CUT)	1	GMT 900	2011+
16 34	40058536		RING & PINION GEARSET (3.73 RATIO; 2 CUT)	1	GMT 900	2011+
16 34	40024878		RING & PINION GEARSET (4.10 RATIO; 2 CUT)	1	GMT 900	2011+
16 34	40024848		RING & PINION GEARSET (4.56 RATIO; 2 CUT)	1	GMT 900	2011+
21 26	AVAILABLE IN KIT ONLY		SIDE GEAR	2		
22 25	AVAILABLE IN KIT ONLY		SIDE GEAR	2		
24 29	AVAILABLE IN KIT ONLY		SIDE GEAR	2		
28 23	AVAILABLE IN KIT ONLY		SIDE GEAR	2		
8 15 19 39	74005123	11505123	DIFF. CASE BEARING ASM (CUP & CONE)	2		
11 42	40058278		LOCK RING	1		2011+
9 40	40058282		DIFF BEARING ADJUSTER	1		2011+
	AVAILABLE IN KIT ONLY		SIDE GEAR	2		
	AVAILABLE IN KIT ONLY		SIDE GEAR SPACER	2		



Demand the original.

Axle Components | Driveshaft Components | Repair Kits

AAM 9.25" IFS Salisbury

74010010 9.25" FRONT SALISBURY - MASTER INSTALL KIT

Sierra, Silverado 2500/3500

MODEL YEAR 2010 to Current

AAM PART #	O.E. PART #	DESCRIPTION	QTY
40007712	12471590	PINION SEAL	1
74007900	517900	PINION NUT WASHER	1
	26036835	TUBE BOLT W/ WASHER & ADHESIVE	6
40058296		RUBBER OVER METAL COVERPAN GASKET	1
40058298		OUTPUT SEAL	2
74002703	14012703	RING GEAR BOLT W/ ADHESIVE	12
40051849		THRUST WASHER	1
		PINION SHIM	18
40039752		FILL PLUG	2
		OUTPUT SHIM	20
40002169		COVERPAN BOLT W/ ADHESIVE	12
40058278		LOCK RING	2
7401873	15521873	ROLLER BEARING ASM	3
	26041516	ROLLER BEARING ASM I/O	1
74003762	9783762	PREVAILING TORQUE PINION NUT	1
74002691	14012691	COLLAPSIBLE SPACER	1
40058297		TUBE GASKET	1
46002040		VENT CONNECTOR	1
40040610		SNAP RING	2

74067005 9.25" FRONT SALISBURY - MASTER BEARING KIT

Silverado, Sierra, Yukon XL, Suburban, Avalanche

MODEL YEAR 1988+

AAM PART #	O.E. PART #	DESCRIPTION	QTY
	454459	PINION HEAD BEARING ROLLER	1
	457258	PINION HEAD BEARING RACE	1
	9417782	PINION TAIL BEARING ROLLER	1
	9417783	PINION TAIL BEARING RACE	1
74003762	9783762	PREVAILING TORQUE PINION NUT	1
74007900	517900	PINION NUT WASHER	1
74002691	14012691	COLLAPSIBLE SPACER	1
	11505124	DIFF BEARING ROLLER	2
	11505125	DIFF BEARING RACE	2
	26064029	PINION SEAL	1

*Note: GM 9.25" IFS use Pinion Seal 40007712 - order separately

GM 9.25" FRONT AXLE

74020008 9.25" FRONT SALISBURY - PINION SEAL KIT

Sierra, Silverado, Suburban, Yukon XL, Avalanche, H2

MODEL YEAR 1999 to Current

AAM PART #	O.E. PART #	DESCRIPTION	QTY
40007712	12471590	PINION SEAL	1
74002691	14012691	COLLAPSIBLE SPACER	1
74003762	9783762	PREVAILING TORQUE PINION NUT	1
74007900	517900	PINION NUT WASHER	1

74050006 9.25" FRONT SALISBURY - OUTPUT SHAFT SEAL KIT

Sierra, Silverado

MODEL YEAR 1997 to Current

AAM PART #	O.E. PART #	DESCRIPTION	QTY
40058298	20768559	OUTPUT SEAL	2
40051849		THRUST WASHER	1
	26031703	SNAP RING	2
7401873	15521873	ROLLER BEARING ASM	3
40058297		TUBE GASKET	1
	26036835	TUBE BOLT W/ WASHER & ADHESIVE	6
	26041516	ROLLER BEARING ASM I/O	1
40040610		SNAP RING	1

**74030008 9.25" FRONT SALISBURY -
COVERPAN KIT**

Sierra, Silverado

MODEL YEAR 2010 to Current

AAM PART #	O.E. PART #	DESCRIPTION	QTY
40058288		COVERPAN	1
40058296		RUBBER OVER METAL COVERPAN GASKET	1
40002169		COVERPAN BOLT W/ ADHESIVE	12
40039752		FILL PLUG	1

**74080009 9.25" FRONT SALISBURY -
DISCONNECT SHIFTER KIT**

Sierra, Silverado

MODEL YEAR 2011 to Current

AAM PART #	O.E. PART #	DESCRIPTION	QTY
40058297		TUBE GASKET	1
	26036835	TUBE BOLT W/ WASHER & ADHESIVE	6
	15588371	RETURN SPRING	1
40051849		THRUST WASHER	1
7401873	15521873	ROLLER BEARING ASM	1
	26041516	ROLLER BEARING ASM I/O	1
40007173		ACTUATOR	1
40058706		DISCONNECT SLEEVE	1
40058285		IO SHAFT	1
26031703		SNAP RING	1
40007547		SHIFTER FORK	1
		WASHER	20

**74040363 9.25" FRONT CLAMSHELL -
DIFFERENTIAL GEAR KIT
9.25" FRONT SALISBURY
9.50" REAR 14 BOLT -33 TOOTH**

*Sierra, Silverado, Savana, Express, Suburban,
Yukon, Avalanche, H2, SSR, Trailblazer SS*

MODEL YEARS

2007

2010 to Current

1981 to Current

AAM PART #	O.E. PART #	DESCRIPTION	QTY
		PINION GEAR	2
		PINION WASHER	2
		SIDE GEAR	2
		PINION SHAFT	1
		SIDE GEAR WASHER	2
		PINION SHAFT LOCK SCREW	1

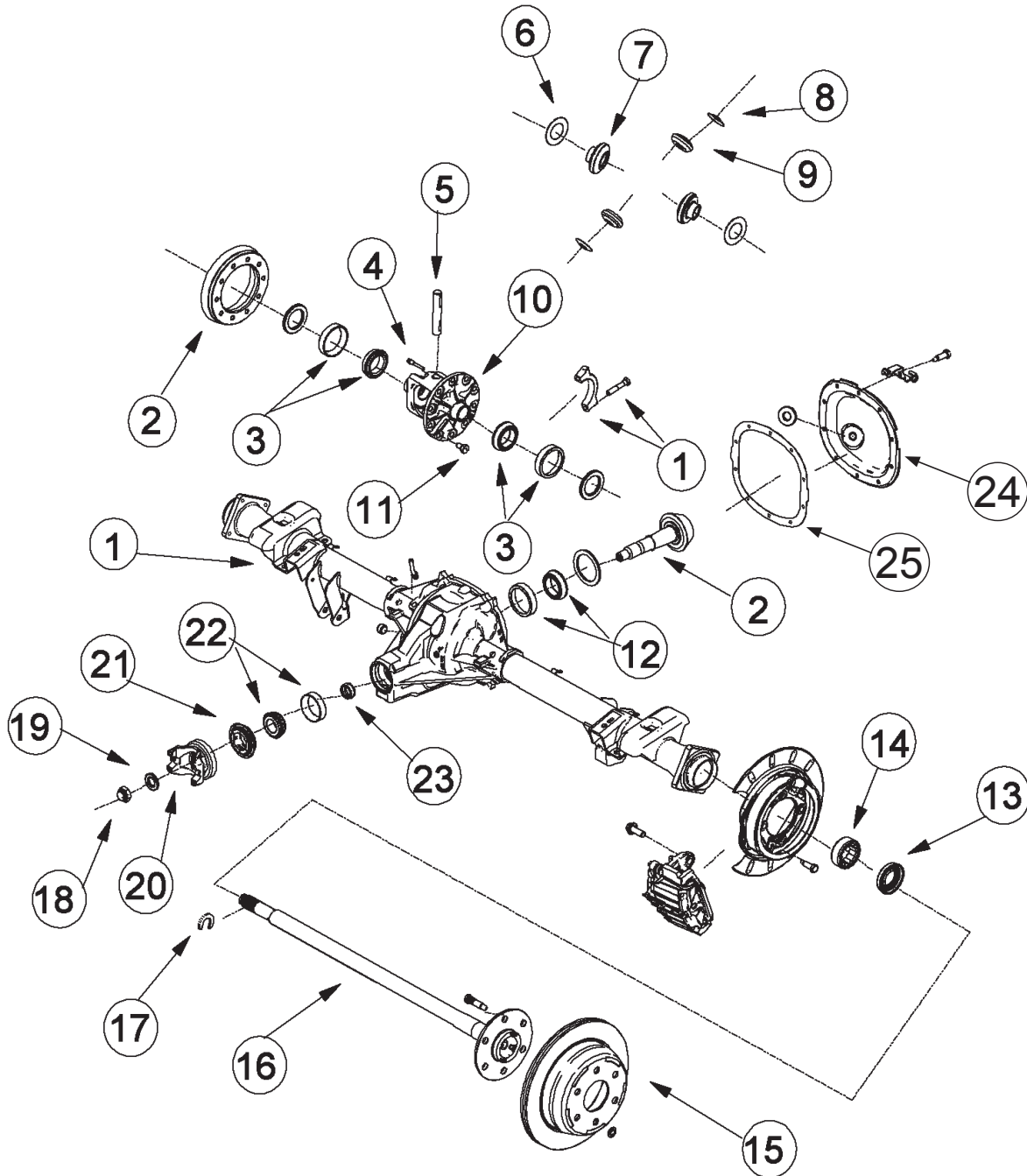


Demand the original.

Axle Components | Driveshaft Components | Repair Kits

AAM 7.6" Salisbury (10-Bolt)

GM 7.6" REAR AXLE



VEHICLE REFERENCE GUIDE

S	TRUCK - 2-WHEEL-DRIVE MID-SIZE PICKUPS AND BLAZERS - POSTAL TRUCKS 1982-1985
T	TRUCK - 4-WHEEL-DRIVE MID-SIZE PICKUPS AND BLAZERS
M	VAN - 2-WHEEL-DRIVE VAN (ASTRO, SAFARI)
L	VAN - ALL-WHEEL-DRIVE VAN (ASTRO, SAFARI)
F	CAR - CAMARO, FIREBIRD

ILL #	AAM PART NUMBER	OE PART NUMBER	DESCRIPTION	REQ	USAGE	MODEL YEAR
1			AXLE HOUSING		FOR REFERENCE ONLY	
2	40022978	12479298	RING & PINION GEARSET (3.42 RATIO; 2 CUT)	1	F,S;T;POSTAL	1991-1993;1995+
2	40020428	12479239	RING & PINION GEARSET (3.73 RATIO; 2 CUT)	1	S;T;M;L	1982+
2	40020431	12479240	RING & PINION GEARSET (4.10 RATIO; 2 CUT)	1	S;T;M;L	1982+
3	AVAILABLE IN KIT ONLY		DIFF. CASE BEARING ASM (CUP & CONE)	2	S;T;M;L;POSTAL	1982+
4	AVAILABLE IN KIT ONLY		PINION SHAFT LOCK SCREW	1	S;T;M;L;POSTAL	1982+
5	AVAILABLE IN KIT ONLY		PINION SHAFT	1	S;T;M;L	1982+
6	AVAILABLE IN KIT ONLY		SIDE THRUST WASHER	2	S;T;M;L	1988+
7	AVAILABLE IN KIT ONLY		SIDE GEAR	2	S;T;M;L	1988+
8	AVAILABLE IN KIT ONLY		PINION THRUST WASHER	2	S;T;M;L	1988+
9	AVAILABLE IN KIT ONLY		PINION GEAR	2	S;T;M;L	1988+
10	74033477	26033477	DIFFERENTIAL OPEN CASE (WITHOUT INTERNALS)	1	F,S;T;M;L	1985+
10	74038615	26058615	DIFFERENTIAL OPEN CASE ASSEMBLY (WITH INTERNALS), 3.23 RATIO+	1	F,S;T;M;L	1985+
11	40061033		SERRATED RING GEAR BOLT W/ ADHESIVE	10	S;T;M;L;POSTAL	1982+
12			LARGE PINION BEARING ASM (CUP & CONE)	1	S;T;M;L;POSTAL	1982+
13	40001710		OUTPUT SEAL	2	S;T;M;L	1988+
14	40008157		ROLLER BEARING ASM	2	M;L	2002+
15			ROTOR	2	M;L	2003+
15			ROTOR	2	S;T	1997+
16	74029972	26059972	AXLE SHAFT WITH EXCITER RING & BOLTS (809 MM; 28 TOOTH; 5 BOLT; DISC)	2	F	1992-2002
16	74026760	26016760	AXLE SHAFT (788 MM; 28 TOOTH; 5 BOLT; DRUM; 2WD)	2	POSTAL	1990-1995
16	26058696		AXLE SHAFT (671MM; 28 TOOTH; 5 BOLT; 2WD & 4WD) LH/RH	2	S;T	1998-2003
16	26059962		AXLE SHAFT (809MM; 28 TOOTH;; 5 BOLT) LH/RH	2	F CAR	1998-2002
16	26063146		AXLE SHAFT (812MM; 28 TOOTH;; 5 BOLT)	2	F CAR	1993-97
17	74004171	344171	AXLE C LOCK	2	S;T;M;L;POSTAL	1982+
18	74003762	9783762	PREVAILING TORQUE PINION NUT	1	S;T;M;L;POSTAL	1982+
19	74007900	517900	PINION NUT WASHER	1	S;T;M;L;POSTAL	1982+
20	40016324	12479331	PINION YOKE (1344 U-JOINT; 4 FOOTED)	1	S;T;M;L	2000+
21	40006689		PINION SEAL	1	S;T;M;L	1982+
22			SMALL PINION BEARING ASM (CUP & CONE)	1	S;T;M;L	1982+
23	9785792		COLLAPSIBLE SPACER	1	S;T;M;L	1982+
24	40004968		COVERPAN	1	S;T;M;L;POSTAL	1975-2001
25	26016661		COVER PAN GASKET	1	S;T;M;L;POSTAL	1975-2005



Demand the original.

Axle Components | Driveshaft Components | Repair Kits

AAM 7.6" Salisbury (10-Bolt)

74010003 7.6" REAR 10 BOLT - MASTER INSTALL KIT

S10, Sonoma, Astro, Safari, Camaro, Firebird, Trans AM

MODEL YEAR 2000 to Current

AAM PART #	O.E. PART #	DESCRIPTION	QTY
26029137		SEAL ASM - F-CAR '93 - '02	2
26029139		SEAL ASM - M/L DISC '03 - '05	2
40001710		OUTPUT SEAL	2
26011061		SEAL ASM - S/T '92 - '04	2
517900		PINION NUT WASHER	1
26016661		COVERPAN GASKET	1
74003762	9783762	PREVAILING TORQUE PINION NUT	1
74004171	344171	AXLE C LOCK	2
40061033		SERRATED RING GEAR BOLT W/ ADHESIVE	10
9785792		COLLAPSIBLE SPACER	1
563592		COVERPAN BOLT	10
3858700		SPECIAL COVERPAN BOLT	1
40006690		PINION SEAL SLEEVE	1
40006689		PINION SEAL	1
		SIDE SHIM	31
		PINION SHIM	31

74067006 7.6" FRONT/REAR - MASTER BEARING KIT

Colorado, Canyon, Camaro, Firebird, Astro, Safari, S10, Sonoma, Blazer, Jimmy, Bravada, H3, H3T

MODEL YEAR Front: 2003 to Current, Rear: 1982 to Current

AAM PART #	O.E. PART #	DESCRIPTION	QTY
	22510042	PINION HEAD BEARING ASM (CUP & CONE)	1
	9417785	PINION TAIL BEARING ROLLER	1
	9417786	PINION TAIL BEARING RACE	1
74003762	9783762	PREVAILING TORQUE PINION NUT	1
74007900	517900	PINION NUT WASHER	1
74005792	9785792	COLLAPSIBLE SPACER	1
	457233	DIFF BEARING ROLLER	2
74000095	9420096	DIFF BEARING RACE	2
	40006689	PINION SEAL	1

GM 7.6" REAR AXLE

74042550 7.6" REAR 10 BOLT-28 TOOTH - DIFFERENTIAL GEAR KIT

Camaro, Firebird, Astro, Safari, S10, Sonoma, Blazer, Jimmy, Bravada

MODEL YEAR 1989 to 2004

AAM PART #	O.E. PART #	DESCRIPTION	QTY
		PINION GEAR	2
		SIDE THRUST WASHER	2
		SIDE GEAR	2
		PINION SHAFT	1
		PINION THRUST WASHER	2
		PINION SHAFT SCREW	1

74020005 7.6" REAR 10 BOLT - PINION SEAL KIT

Camaro, Firebird, Trans-AM, S10, Sonoma, Blazer, Jimmy, Bravada, Astro, Safari, Colorado, Canyon

MODEL YEAR 2000 to Current

AAM PART #	O.E. PART #	DESCRIPTION	QTY
40006689		PINION SEAL	1
40006690		PINION SEAL SLEEVE	1
9785792		COLLAPSIBLE SPACER	1
9785792		PINION NUT	1
74007900	517900	PINION NUT WASHER	1

**74030002 7.6" REAR 10 BOLT -
COVERPAN KIT**

*Camaro, Firebird, Astro, Safari, S10,
Sonoma, Jimmy, Blazer, Bravada*

MODEL YEAR 1993 to 2002

AAM PART #	O.E. PART #	DESCRIPTION	QTY
3858700		SPECIAL COVERPAN BOLT	2
26016661		COVERPAN GASKET	1
563592		COVERPAN BOLT	10
40004968		COVERPAN	1

**74050010 7.6" REAR -
OUTPUT SHAFT SEAL KIT**

Astro, Safari (Late)

MODEL YEAR 2002 to Current

AAM PART #	O.E. PART #	DESCRIPTION	QTY
40001710		OUTPUT SEAL	2
40016199		TONE RING	2
40008157		ROLLER BEARING ASM	2
74004171	344171	AXLE C LOCK	2

**74050007 GM 7.60 REAR -
WHEEL END KIT**

Camaro, Firebird, Trans-Am

MODEL YEAR 1992 - 2002

AAM PART #	O.E. PART #	DESCRIPTION	QTY
344171		C-LOCKS	2
26029139		OUTPUT SEAL	2
40010075		WHEEL BEARING	2

**74050008 GM 7.60 REAR -
WHEEL END KIT**

Astro, Safari (early)

MODEL YEAR 1990 - 2002

AAM PART #	O.E. PART #	DESCRIPTION	QTY
344171		C-LOCKS	2
26011061		OUTPUT SEAL	2
40011045		WHEEL BEARING	2

**74050009 GM 7.60 REAR -
WHEEL END KIT**

S10, Sonoma, Blazer, Jimmy, Bravada

MODEL YEAR 1992 - 2004

AAM PART #	O.E. PART #	DESCRIPTION	QTY
344171		C-LOCKS	2
26029137		OUTPUT SEAL	2
40010075		WHEEL BEARING	2

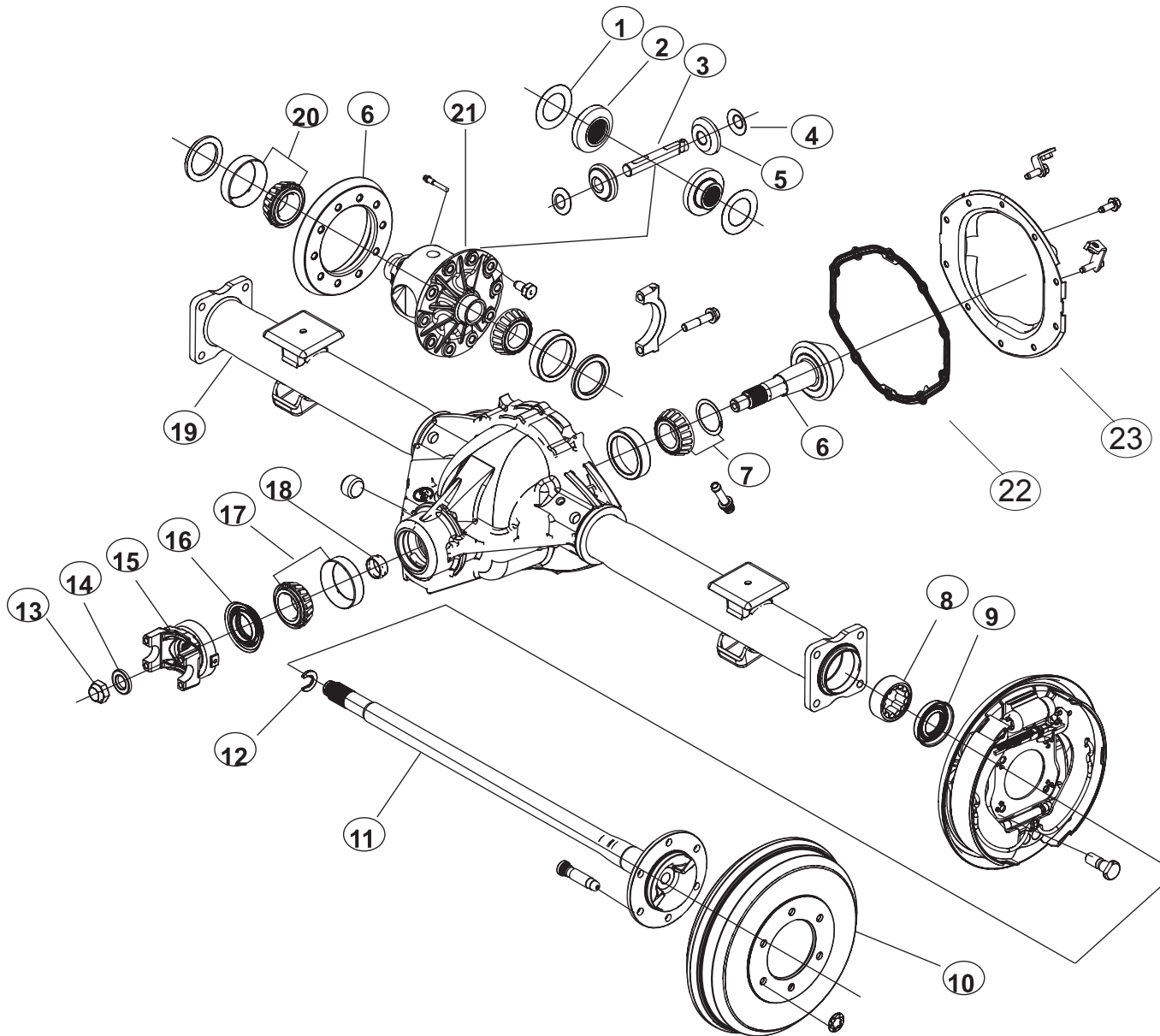


Demand the original.

Axle Components | Driveshaft Components | Repair Kits

AAM 8.0" Salisbury (10-Bolt)

GM 8.0" REAR AXLE



VEHICLE REFERENCE GUIDE

- S TRUCK - 2-WHEEL-DRIVE MID-SIZE PICKUPS AND BLAZERS - POSTAL TRUCKS 1982-1985
- T TRUCK - 4-WHEEL-DRIVE MID-SIZE PICKUPS AND BLAZERS

ILL #	AAM PART NUMBER	OE PART NUMBER	DESCRIPTION	REQ	USAGE	MODEL YEAR
1	AVAILABLE IN KIT ONLY		SIDE GEAR THRUST WASHER	2	ST	2004+
2	AVAILABLE IN KIT ONLY		SIDE GEAR	2	ST	2004+
3	AVAILABLE IN KIT ONLY		PINION SHAFT	1	ST	2004+
3	AVAILABLE IN KIT ONLY		PINION SHAFT LOCK SCREW			
4	AVAILABLE IN KIT ONLY		PINION GEAR THRUST WASHER	2	ST	2004+
5	AVAILABLE IN KIT ONLY		PINION GEAR	2	ST	2004+
6	40001438	12471429	RING & PINION GEARSET (4.10 RATIO; 2 CUT)	1	ST	2004+
6	40001437	12471428	RING & PINION GEARSET (3.73 RATIO; 2 CUT)	1	ST	2004+
7	74003758	26053758	LARGE PINION BEARING ASM (CUP & CONE)	1	ST	2004+
8	40008157	12479031	ROLLER BEARING ASM	2	ST	2004+
9			AXLE SHAFT SEAL	2	ST	2004+
10			DRUM	2	ST	2004+
11	40016434	19133409	AXLE SHAFT - LEFT HAND (846 MM 28 TOOTH; 6 BOLT)	1	GMT 360	2002+
11	40016435	19133410	AXLE SHAFT - RIGHT HAND (798 MM 28 TOOTH; 6 BOLT)	1	GMT 360	2002+
11	40012448	12479336	AXLE SHAFT - RIGHT HAND (757 MM; 28 TOOTH; 6 BOLT; DRUM)	1	ST	2004+
11	40016448		AXLE SHAFT W/ STUDS - RIGHT HAND (798 MM 28 TOOTH; 6 BOLT)	1	GMT 360	2004+
11	40045614	19208248	AXLE SHAFT - RIGHT HAND (768 MM 28 TOOTH; 6 BOLT) 4X4	1	GMT 355	2008+
12	74004171	344171	AXLE C LOCK	2	ST	2004+
13	74003762	9783762	PREVAILING TORQUE PINION NUT	1	ST	2004+
14	74007900	517900	PINION NUT WASHER	1	ST	2004+
15	40016324	12479331	PINION YOKE (1344 U-JOINT; 4 FOOTED)	1	ST	2004+
16	40006689	12471523	PINION SEAL	1	ST	2004+
17	74007784	9417784	SMALL PINION BEARING ASM (CUP & CONE)	1	ST	2004+
18	74005792	9785792	COLLAPSIBLE SPACER	1	ST	2004+
19			AXLE HOUSING		FOR REFERENCE ONLY	
20	74002361	26062361	DIFF. CASE BEARING ASM (CUP & CONE)	2	ST	2004+
21	40004296	12479021	DIFFERENTIAL OPEN CASE (WITHOUT INTERNALS)	1	ST	2004+
22	40004267	12479020	RUBBER OVER METAL COVERPAN GASKET	1	ST	2002+
23	40051710	19177715	COVERPAN	1	ST	2002+



Demand the original.

Axle Components | Driveshaft Components | Repair Kits

AAM 8.0" Salisbury (10-Bolt)

74010005 8.0" REAR 10 BOLT - MASTER INSTALL KIT

Colorado, Canyon, Trailblazer, Envoy, Rainier, Bravada

MODEL YEAR 2002 to Current

AAM PART #	O.E. PART #	DESCRIPTION	QTY
		SIDE SHIM	32
40061033		SERRATED RING GEAR BOLT W/ ADHESIVE	10
40002169		COVERPAN BOLT W/ ADHESIVE	10
40004267	12479020	RUBBER OVER METAL COVERPAN GASKET	1
40006690		PINION SEAL SLEEVE	1
		PINION SHIM	31
40001710		OUTPUT SEAL	2
40006689	12471523	PINION SEAL	1
74005792	9785792	COLLAPSIBLE SPACER	1
40060238		SPECIAL COVERPAN BOLT	1
74007900	517900	PINION NUT WASHER	2
74003762	9783762	PREVAILING TORQUE PINION NUT	1
74004171	344171	AXLE C LOCK	2

74067013 8.0" REAR 10 BOLT - MASTER BEARING KIT

Trailblazer, Envoy, Rainier, Bravada, Colorado, Canyon

MODEL YEAR 2002 to Current

AAM PART #	O.E. PART #	DESCRIPTION	QTY
	26061095	DIFF BEARING ROLLER	2
	26061096	DIFF BEARING RACE	2
74003762	9783762	PREVAILING TORQUE PINION NUT	1
74007900	517900	PINION NUT WASHER	1
	40006689	PINION SEAL	1
74005792	9785792	COLLAPSIBLE SPACER	1
	260553760	PINION HEAD BEARING ROLLER	1
	26053759	PINION HEAD BEARING RACE	1

GM 8.0" REAR AXLE

74046651 8.0" REAR 10 BOLT -28 TOOTH - DIFFERENTIAL GEAR KIT

Trailblazer, Envoy, Rainier, Bravada, Colorado, Canyon

MODEL YEAR 2004 to Current

AAM PART #	O.E. PART #	DESCRIPTION	QTY
		SIDE GEAR	2
		PINION THRUST WASHER	2
		PINION GEAR	2
		PINION SHAFT	1
		PINION SHAFT LOCK SCREW	1
		SIDE THRUST WASHER	2

74020005 8.0" 10 BOLT REAR - PINION SEAL KIT

Colorado, Canyon, Trailblazer, Envoy, Rainier, Bravada

MODEL YEAR 2000 to Current

AAM PART #	O.E. PART #	DESCRIPTION	QTY
40006689	12471523	PINION SEAL	1
74003762	9783762	PREVAILING TORQUE PINION NUT	1
74005792	9785792	COLLAPSIBLE SPACER	1
74003762	9783762	PREVAILING TORQUE PINION NUT	1
74007900	517900	PINION NUT WASHER	1

74050010 8.0" REAR - OUTPUT SHAFT SEAL KIT

Colorado, Canyon, Trailblazer, Envoy, Rainier, Bravada

MODEL YEAR 2002 to Current

AAM PART #	O.E. PART #	DESCRIPTION	QTY
40001710	12471686	OUTPUT SEAL	2
40016199		STONE RING	2
40008157	12479031	ROLLER BEARING ASM	2
74004171	344171	AXLE C LOCK	2

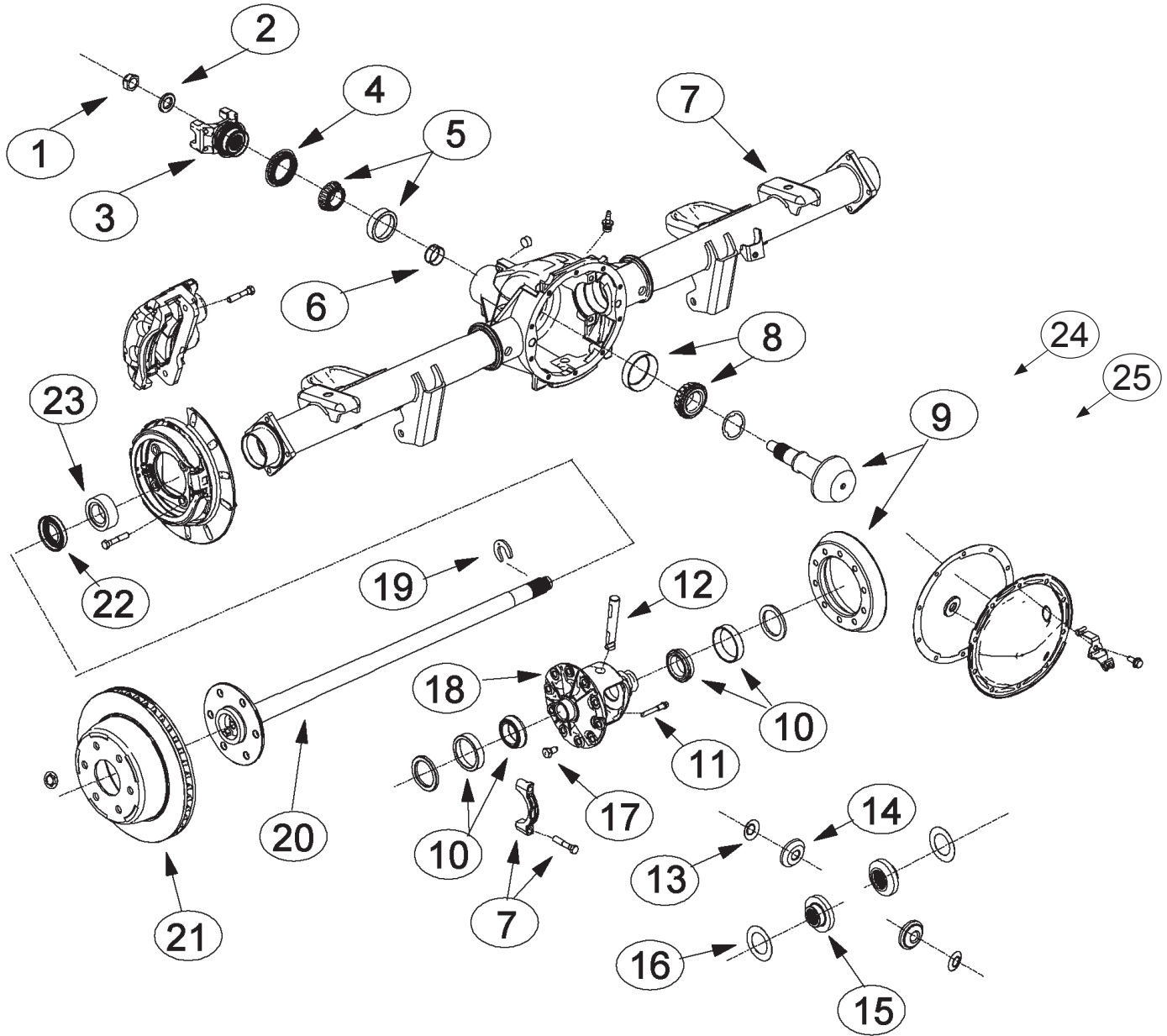


Demand the original.

Axle Components | Driveshaft Components | Repair Kits

AAM 8.6" Salisbury (10-Bolt)

GM 8.6" REAR AXLE



VEHICLE REFERENCE GUIDE

C	TRUCK - 2-WHEEL-DRIVE FULL-SIZE TRUCK & UTILITY
K	TRUCK - 4-WHEEL-DRIVE FULL-SIZE TRUCK & UTILITY
R	TRUCK - "C" PICKUP (PRIOR TO '87)
S	TRUCK - 2-WHEEL-DRIVE MID-SIZE PICK-UPS AND BLAZERS - POSTAL TRUCKS 1982-1985
T	TRUCK - 4-WHEEL-DRIVE MID-SIZE PICK-UPS AND BLAZERS
G	FULL-SIZE VAN (ALSO GMT-600), EXPRESS/SAVANA
V	TRUCK - "C" PICKUP - 4WD (PRIOR TO '87)
B	CAR - CAPRICE, IMPALA, OLDSMOBILE, CUSTOM CRUISER

ILL #	AAM PART NUMBER	OE PART NUMBER	DESCRIPTION	REQ	USAGE	MODEL YEAR
1	74003762	9783762	PREVAILING TORQUE PINION NUT	1	C;K;R;V;S;T;G; B;D	1982+
2	74007900	517900	PINION NUT WASHER	1	C;K;R;V;S;T;G; B;D	1982+
3	40090474		PINION YOKE (1355 UJT; 4 FOOTED) WITHOUT SLEEVE	1	C;K;G	2009+
3	40029412	19207445	PINION YOKE (1344 U-JOINT; 4 FOOTED)	1	GMT355	2009+
4	74004028	26064028	PINION SEAL	1	C;K;R;V;S;T;G; B;D	1982+
4	74004029	26064029	PINION SEAL	1	C;K;G; GMT355	2009+
5	40030015	15286376	SMALL PINION YOKE BEARING ASM (CUP & CONE)	1	C;K;R;V;S;T;G; B;D	1982-2008
5	40048057	25824252	SMALL PINION YOKE BEARING ASM (CUP & CONE)	1	C;K;G; GMT355	2009+
6	40010355	12479162	COLLAPSIBLE SPACER	1	C;K;R;V;S;T;G; B;D	1982+
7			AXLE HOUSING		FOR REFERENCE ONLY	
8	40027030	15286375	LARGE PINION BEARING ASM (CUP & CONE)	1	C;K;R;V;S;T;G; B;D	1982-2008
8	40048051	25824251	LARGE PINION BEARING ASM (CUP & CONE)	1	C;K;G; GMT355	2009+
9	40127810		RING & PINION GEARSET (3.08 RATIO)	1	C;K;R;V;S;T;G;B;D GMT355/360	1980+
9	40108742		RING & PINION GEARSET (3.23 RATIO)	1	C;K;R;V;S;T;G;B;D GMT355/360	1986+
9	40053029		RING & PINION GEARSET (3.42 RATIO)(ABS)	1	C;K;R;V;S;T;G;B;D GMT355/360	1980+
9	26066706		RING & PINION GEARSET (3.73 RATIO)(ABS)		C;K;R;V;S;T;G;B;D GMT355/360	1980+
9	40053031		RING & PINION GEARSET (4.10 RATIO)(ABS)	1	C;K;R;V;S;T;G;B;D GMT355/360	1980+
9	40053802	25980264	RING & PINION GEARSET (4.56 RATIO)	1	HUMMER H3	2007-2010
10	74002361	26062361	DIFF. CASE BEARING ASM (CUP & CONE)	2	R;V;C;K;G;S;T	1988+
10	74000095	9420095	DIFF. CASE BEARING ASM (CUP & CONE)	2	R;V;C;K;G;S;T	1982-2003
10	40048054	25824250	DIFF. CASE BEARING ASM (CUP & CONE)	2	C;K;G	1999+
11-16			DIFFERENTIAL GEAR KIT			
17	40061033	11610549	SERRATED RING GEAR BOLT W/ ADHESIVE	1	C;K;R;V;S;T;G	1982+



Demand the original.

Axle Components | Driveshaft Components | Repair Kits

AAM 8.6" Salisbury (10-Bolt)

GM 8.6" REAR AXLE

ILL #	AAM PART NUMBER	OE PART NUMBER	DESCRIPTION	REQ	USAGE	MODEL YEAR
18	74030481	26010481	DIFFERENTIAL OPEN CASE (WITHOUT INTERNALS) 28 TOOTH	1	C;K;R;V;S;T;G	1982-1999
18	40048044	19244836	DIFFERENTIAL OPEN CASE ASSEMBLY (WITH INTERNALS)	1	C;K;G; GMT355	2000+
18	40135974		TRACRITE GT LIMITED SLIP DIFF CASE ASM W/ HELICAL GEARS			2000+
19	74003322	3833322	AXLE C LOCK	2	C;K;R;V;S;T;G; B;D	1982+
20	26042818		AXLE SHAFT - L/R (846 MM, 30 TOOTH; 5 BOLT)		G	1986-1988
20	14042690		AXLE SHAFT L/R (846 MM, 28 TOOTH)		G	1975-1989
20	74020415	26010415M	AXLE SHAFT (797 MM; 30 TOOTH; 5 BOLT; DRUM)	2	C	1988-1991
20	74023313	26013313	AXLE SHAFT (846 MM; 30 TOOTH; 5 BOLT; DRUM)	2	G	1988-1995
20	40016171	12479285	AXLE SHAFT (853 MM; 30 TOOTH; 6 BOLT; DRUM)	2	C;K	2006+
20	40019701	15286380	AXLE SHAFT (866 MM; 30 TOOTH; 6 BOLT; DISC)	2	C/K	2007+
20	40019702		AXLE SHAFT W/STUDS L/R (866 MM; 30 TOOTH)	1	GMT900	2006+
20	40040544		AXLE SHAFT W/STUDS (854 MM; 30 TOOTH, 6 BOLT)	1	GMT345	2006+
20	40032788	19133412	AXLE SHAFT - LEFT HAND (841 MM; 30 TOOTH; 6 BOLT; DISC)	1	GMT370,S;T/GMT368,SSR	2002+
20	40032789	19133413	AXLE SHAFT -RIGHT HAND (803 MM; 30 TOOTH; 6 BOLT; DISC)	1	GMT370,S;T/GMT368,SSR	2002+
	74020146	26010416M	AXLE SHAFT (839 MM; 30 TOOTH, 6 BOLT)	1	C;K	1989+
20	74020417	26010417M	AXLE SHAFT (808 MM; 30 TOOTH; 5 BOLT; DRUM)	1	C;K	1992-1998
20	40052047	19207447	AXLE SHAFT ASM-RIGHT HAND (731.69 MM; 30 TOOTH; 6 BOLT; DRUM)	1	GMT355	2008+
21			DRUM & ROTOR		FOR REFERENCE ONLY	
22	40001710	12471686	OUTPUT SEAL	2	C;K;S;T;G	1988+
22	40005967		RUBBER OVER METAL COVERPAN GASKET			2014+
23	40008157	12479031	ROLLER BEARING ASM	2	C;K;S;T;G	1988+
23	40106100		COVERPAN			2014+
24	40026737	15807693	COVERPAN GASKET	1	C;K;R;V;S;T;G	1982+
24	40018901	15860607	RUBBER OVER METAL COVERPAN GASKET	1	C/K	2009+
25	40026278	15286381	COVERPAN	1	C;K;R;V;S;T;G	1982+
25	40039162	25824253	COVERPAN	1	C/K	2009+

**74010008 8.6" REAR 10 BOLT -
MASTER INSTALL KIT**

Sierra, Silverado, Silverado SS, Tahoe, Yukon, Escalade,
Avalanche, Suburban, H3, H3T, Savana, Express, SSR, S10,
Sonoma, Blazer, Jimmy, Bravada, Saab 9-7X

MODEL YEAR 1998 to Current

AAM PART #	O.E. PART #	DESCRIPTION	QTY
74003322	3833322	AXLE C LOCK	2
40018901		RUBBER OVER METAL COVERPAN GASKET	2
40060238		SPECIAL COVERPAN BOLT	2
74004028	26064028	PINION SEAL	1
		SIDE SHIM	10
		PINION SHIM	31
	26060975	PINION SEAL SLEEVE	1
74004029	26064029	PINION SEAL	1
40007601		MAGNETIC FILL/DRAIN PLUG	1
40061033	11610549	SERRATED RING GEAR BOLT W/ ADHESIVE	10
74007900	517900	PINION NUT WASHER	1
74003762	9783762	PREVAILING TORQUE PINION NUT	1
40010355	12479162	COLLAPSIBLE SPACER	1
40001710	12471686	OUTPUT SEAL	2
40002169		COVERPAN BOLT W/ ADHESIVE	10

**74067007 8.6" REAR 10 BOLT -
MASTER BEARING KIT**

S10, Sonoma, Blazer, Jimmy, Bravada, Silverado,
Sierra, Suburban, Savana, Express

MODEL YEAR 1982 to 1998

AAM PART #	O.E. PART #	DESCRIPTION	QTY
	40027032	PINION HEAD BEARING ROLLER	1
	40027031	PINION HEAD BEARING RACE	1
	40030017	PINION TAIL BEARING ROLLER	1
	40030016	PINION TAIL BEARING RACE	1
74003762	9783762	PREVAILING TORQUE PINION NUT	1
74007900	517900	PINION NUT WASHER	1
	40010355	COLLAPSIBLE SPACER	1
	40053557	DIFF BEARING ROLLER	2
40053558		DIFF BEARING RACE	2
	26064028	PINION SEAL	1

**74067008 8.6" REAR 10 BOLT -
MASTER BEARING KIT**

Silverado, Sierra, Yukon, Denali, Suburban,
Escalade, Avalanche, H3, H3T

MODEL YEAR 1999 to 2008
Except 98-03 Highwider and Full Size Van

AAM PART #	O.E. PART #	DESCRIPTION	QTY
	40027032	PINION HEAD BEARING ROLLER	1
	40027031	PINION HEAD BEARING RACE	1
	40030017	PINION TAIL BEARING ROLLER	1
	40030016	PINION TAIL BEARING RACE	1
74003762	9783762	PREVAILING TORQUE PINION NUT	1
74007900	517900	PINION NUT WASHER	1
	40010355	COLLAPSIBLE SPACER	1
	26061095	DIFF BEARING ROLLER	2
74000095	26061096	DIFF BEARING RACE	2
	26064028	PINION SEAL	1

**74067016 8.6" ENHANCED
MASTER BEARING KIT**

S10, Sonoma, Blazer, Jimmy, Bravada, Silverado,
Sierra, Yukon, Tahoe, Suburban, Escalade,
Denali, Savana, Express, H3, H3T

MODEL YEAR 2009+

AAM PART #	O.E. PART #	DESCRIPTION	QTY
	40055216	DIFF BEARING ROLLER	2
	40055217	DIFF BEARING RACE	2
	40048060	PINION HEAD BEARING ROLLER	1
	40048058	PINION TAIL BEARING RACE	1
	40048052	PINION BEARING ROLLER	1
	40048053	TAPERED RACE BEARING	1
	40010355	COLLAPSIBLE SPACER	1
	517900	PINION NUT WASHER	1
	9783762	PREVAILING TORQUE PINION NUT	1

**74040887 8.6" REAR 10 BOLT-
30 TOOTH - DIFFERENTIAL GEAR KIT**

S10, Sonoma, Blazer, Jimmy, Bravada, Silverado,
Sierra, Yukon, Tahoe, Suburban, Escalade,
Denali, Savana, Express, H3, H3T

MODEL YEAR 2009 to Current

AAM PART #	O.E. PART #	DESCRIPTION	QTY
		PINION GEAR	2
		SIDE THRUST WASHER	2
		SIDE GEAR	2
		PINION SHAFT	1
		PINION THRUST WASHER	2
		PINION SHAFT LOCK SCREW	1



Demand the original.

Axle Components | Driveshaft Components | Repair Kits

AAM 8.6" Salisbury (10-Bolt)

74047014 8.6" REAR 10 BOLT - 30 TOOTH - DIFFERENTIAL GEAR KIT

S10, Sonoma, Blazer, Jimmy, Bravada, Silverado, Sierra, Yukon, Suburban, Escalade, Savana, Express, Caprice, G-Van 1500

MODEL YEAR 1999 - Mid 2000 (Large Hub)

AAM PART #	O.E. PART #	DESCRIPTION	QTY
		SIDE GEAR	2
		SIDE THRUST WASHER	2
		PINION SHAFT LOCK SCREW	1
		PINION GEAR	2
		PINION THRUST WASHER	2
		PINION SHAFT	1

74040441 8.6" REAR 10 BOLT - 30 TOOTH - DIFFERENTIAL GEAR KIT

S10, Sonoma, Blazer, Jimmy, Bravada, Silverado, Sierra, Yukon, Suburban, Escalade, Savana, Express, Caprice, G-Van 1500

MODEL YEAR 1990 - 1998 (Small Hub)

AAM PART #	O.E. PART #	DESCRIPTION	QTY
		PINION GEAR	2
		SIDE THRUST WASHER	2
		SIDE GEAR	2
		PINION SHAFT	1
		PINION THRUST WASHER	2
		PINION SHAFT LOCK SCREW	1

74046964 8.6" REAR 10 BOLT - 28 TOOTH - DIFFERENTIAL GEAR KIT

S10, Sonoma, Blazer, Jimmy, Bravada, Silverado, Sierra, Yukon, Suburban, Escalade, Savana, Express, Caprice, G-Van 1500

MODEL YEAR 1982 - 1989 (Small Hub)

AAM PART #	O.E. PART #	DESCRIPTION	QTY
		PINION GEAR	2
		THRUST WASHER	2
		SIDE GEAR	2
		PINION SHAFT	1
		PINION THRUST WASHER	2
		PINION SHAFT LOCK SCREW	1

GM 8.6" REAR AXLE

74047015 8.6" REAR 10 BOLT-30 TOOTH - DIFFERENTIAL GEAR KIT

S10, Sonoma, Blazer, Jimmy, Bravada, Silverado, Sierra, Yukon, Tahoe, Suburban, Escalade, Denali, Savana, Express, H3, H3T

MODEL YEAR Mid 2000 - 2008 (Large Hub)

AAM PART #	O.E. PART #	DESCRIPTION	QTY
		PINION GEAR	2
		SIDE THRUST WASHER	2
		SIDE GEAR	2
		PINION SHAFT	1
		PINION THRUST WASHER	2
		PINION SHAFT LOCK SCREW	1

74020007 8.6" REAR 10 BOLT - PINION SEAL KIT

Silverado, Sierra, Yukon, Avalanche, Escalade, Jimmy, Bravada, Express, Suburban, Colorado, Canyon, H3, Trailblazer, Envoy, S10, Rainier, Blazer, Jimmy, Savana, Express, Tahoe, Astro, Sonoma, Safari

MODEL YEAR Mid 1998 to Current

AAM PART #	O.E. PART #	DESCRIPTION	QTY
74004028	26064028	PINION SEAL	1
74003762	9783762	PREVAILING TORQUE PINION NUT	1
74007900	517900	PINION NUT WASHER	1
40010355	12479162	COLLAPSIBLE SPACER	1
74004029	26064029	PINION SEAL	1
	26060975	PINION SEAL SLEEVE	1

74070008 8.6" REAR 10 BOLT - OUTPUT SHAFT SEAL KIT

Sierra, Silverado, Tahoe, Yukon, Escalade, Suburban, H3, H3T, Savana, Express

MODEL YEAR Mid 1998 to Current

AAM PART #	O.E. PART #	DESCRIPTION	QTY
40001710	12471686	OUTPUT SEAL	1
40008157		ROLLER BEARING ASM	1
74003322	3833322	AXLE C LOCK	1

**74030005 8.6" REAR 10 BOLT -
COVERPAN KIT**

Trailblazer, Envoy (Extended Version)

MODEL YEAR 2002 to 2009

AAM PART #	O.E. PART #	DESCRIPTION	QTY
40027020		COVERPAN	1
40004267		RUBBER OVER METAL COVERPAN GASKET	1
40002169		COVERPAN BOLT W/ ADHESIVE	10

**74030006 8.6" REAR 10 BOLT -
COVERPAN KIT**

H3, H3T, Colorado, Canyon

MODEL YEAR 2004 to Current

AAM PART #	O.E. PART #	DESCRIPTION	QTY
40045940		COVERPAN	1
40018901		RUBBER OVER METAL COVERPAN GASKET	1
40002169		COVERPAN BOLT W/ ADHESIVE	10
40060238		SPECIAL COVERPAN BOLT	2
40007601		MAGNETIC FILL/DRAIN PLUG	1

**74030007 8.6" REAR 10 BOLT -
COVERPAN KIT**

Sierra, Silverado, Yukon, Tahoe, Escalade, Avalanche,
Savana, Express, S10, Sonoma, Blazer, Jimmy, Bravada

MODEL YEAR 1998 to Current

AAM PART #	O.E. PART #	DESCRIPTION	QTY
40039162		COVERPAN	1
40018901		RUBBER OVER METAL COVERPAN GASKET	1
40002169		COVERPAN BOLT W/ ADHESIVE	10
40007601		MAGNETIC FILL/DRAIN PLUG	1

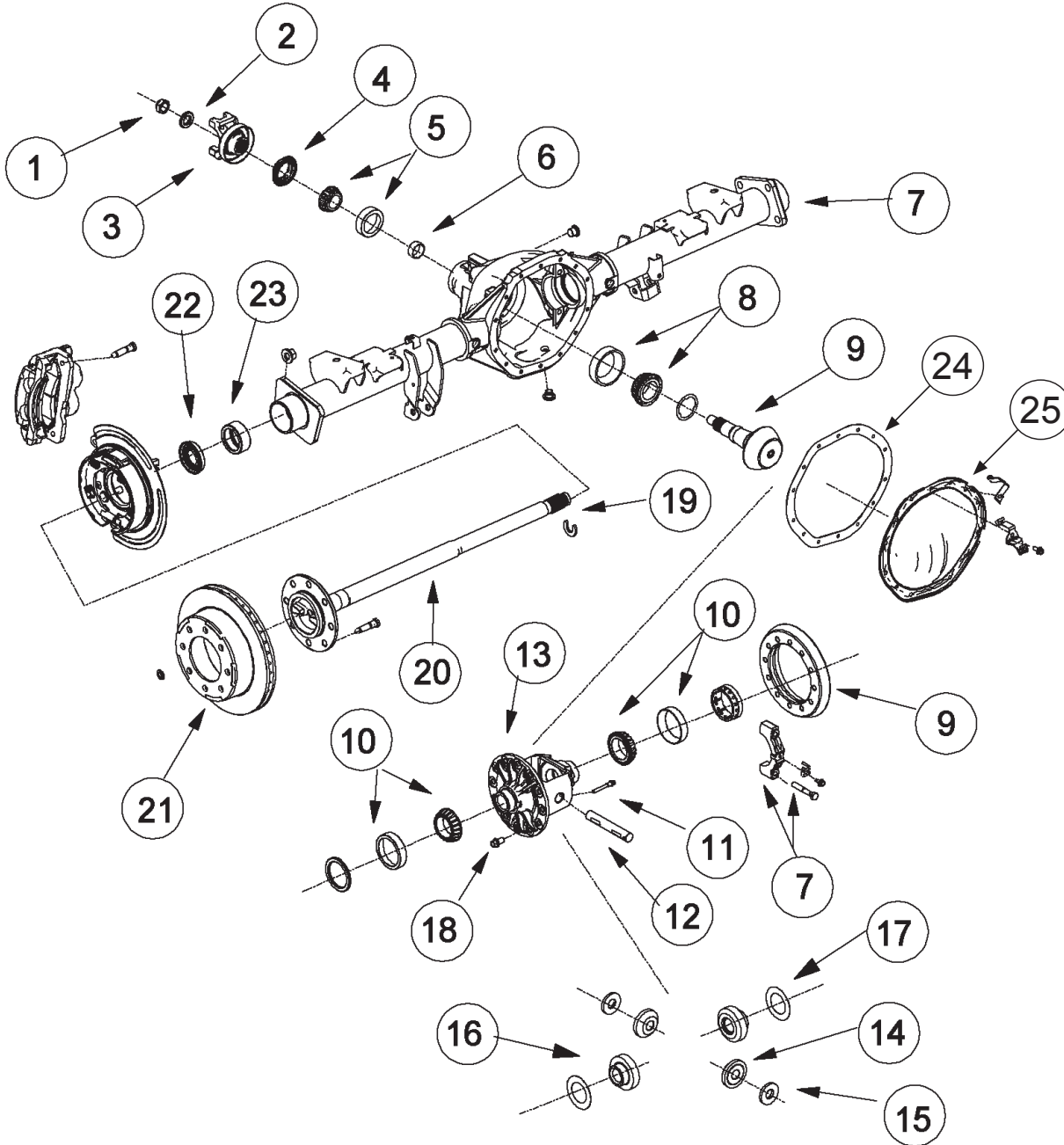


Demand the original.

Axle Components | Driveshaft Components | Repair Kits

AAM 9.5" Salisbury (14-Bolt)

GM 9.5" REAR AXLE



VEHICLE REFERENCE GUIDE

- C TRUCK - 2-WHEEL-DRIVE FULL-SIZE TRUCK & UTILITY
- K TRUCK - 4-WHEEL-DRIVE FULL-SIZE TRUCK & UTILITY
- G FULL-SIZE VAN (ALSO GMT-600), EXPRESS/SAVANA

ILL #	AAM PART NUMBER	OE PART NUMBER	DESCRIPTION	REQ	USAGE	MODEL YEAR
1	74003762	9783762	PREVAILING TORQUE PINION NUT	1	C;K;G	1982-2013
2	74007900	517900	PINION NUT WASHER	1	C;K;G	1982-2013
3	40055350	19256396	PINION YOKE (1415 U-JOINT; 4 FOOTED)	1	C;K;G	2010-2013
3	26060881		PINION YOKE (1355 UJT 4 FOOTED)	1	C;K	2005-2013
4	74007029	26064029	PINION SEAL	1	C;K;G	1997-2013
5	74007781	9417781	SMALL PINION BEARING ASM (CUP & CONE)	1	C;K;G	1982-2013
6	74002691	14012691	COLLAPSIBLE SPACER	1	C;K;G	1981-2013
7			AXLE HOUSING		FOR REFERENCE ONLY	
8	74007108	457108	LARGE PINION BEARING ASM (CUP & CONE)	1	C;K;G	1982-2013
9	40165737	20914868	RING & PINION GEARSET (3.42 RATIO)	1	C;K;G	1982-2013
9	40033264	88965785	RING & PINION GEARSET (3.73 RATIO)	1	C;K;G	1982-2013
9	40033637	88967094	RING & PINION GEARSET (4.10 RATIO)	1	C;K;G	1982-2013
10	74005123	11505123	DIFF. CASE BEARING ASM (CUP & CONE)	2	C;K;G	1981-2013
11	AVAILABLE IN KIT ONLY		PINION SHAFT LOCK SCREW	1	C;K;G	1981-2013
12	AVAILABLE IN KIT ONLY		PINION SHAFT	1	C;K;G	1981-2013
13	74032695	14012695	DIFFERENTIAL OPEN CASE (WITHOUT INTERNALS)	1	C;K;G	1981-2013
	40035046		DIFFERENTIAL OPEN CASE ASSEMBLY (WITH INTERNALS)	1	800/900/H2/610HD	2005-2013
14	AVAILABLE IN KIT ONLY		PINION GEAR	2	C;K;G	1981-2013
15	AVAILABLE IN KIT ONLY		PINION THRUST WASHER	2	C;K;G	1981-2013
16	AVAILABLE IN KIT ONLY		SIDE GEAR	2	C;K;G	1981-2013
17	AVAILABLE IN KIT ONLY		SIDE THRUST WASHER	2	C;K;G	1981-2013
18	74002703	14012703	RING GEAR BOLT W/ ADHESIVE	12	C;K;G	1981-2013
19	74002746	14012746	AXLE C LOCK	2	C;K;G	1981+
20	74020414	26060414	AXLE SHAFT (846 MM; 33 TOOTH; 8 BOLT; DISC)	2	C;K	1999-2013
21			DRUM & ROTOR		FOR REFERENCE ONLY	
22	74007167	26057167	AXLE SHAFT SEAL	2	C;K;G	1982-2013
23	74009561	9439561	ROLLER BEARING ASM	2	C;K;G	1982-2013
24	26063649	26063649	COVERPAN GASKET	1	C;K;G	1998-2013
25	40039024	15807699	COVERPAN	1	C;K;G	2005-2013
25	26067253	26067253	COVERPAN	1	C;K;G	1982-2004



Demand the original.

Axle Components | Driveshaft Components | Repair Kits

AAM 9.5" Salisbury (14-Bolt)

74010012 9.5" REAR 14 BOLT - MASTER INSTALL KIT

Trailblazer SS, SSR, Savana, Express, Sierra, Silverado, Silverado SS, Yukon, Tahoe, Escalade, Suburban, H2

MODEL YEAR 1997 to Current

AAM PART #	O.E. PART #	DESCRIPTION	QTY
74003762	9783762	PREVAILING TORQUE PINION NUT	1
40012333		RUBBER OVER METAL COVERPAN GASKET	1
26063649	26063649	RUBBER OVER METAL COVERPAN GASKET	1
74007900	517900	PINION NUT WASHER	1
40007601		MAGNETIC FILL/DRAIN PLUG	1
40051815		AXLE SEAL	2
40001710		OUTPUT SEAL	2
	26060975	PINION SEAL SLEEVE	1
74002703	14012703	RING GEAR BOLT W/ ADHESIVE	12
40002169		COVERPAN BOLT W/ ADHESIVE	14
74002746	14012746	AXLE C LOCK	2
26064029		PINION SEAL	1
40000977		FILL PLUG - H2 ONLY	1
74002691	14012691	COLLAPSIBLE SPACER	1
		SIDE SHIM	24
		PINION SHIM	18

74067005 9.25" FRONT CLAMSHELL - MASTER BEARING KIT

Silverado, Sierra, Yukon XL, Suburban, Avalanche

MODEL YEAR 1988 to 2011

AAM PART #	O.E. PART #	DESCRIPTION	QTY
	454459	PINION HEAD BEARING ROLLER	1
	457258	PINION HEAD BEARING RACE	1
	9417782	PINION TAIL BEARING ROLLER	1
	9417783	PINION TAIL BEARING RACE	1
74003762	9783762	PREVAILING TORQUE PINION NUT	1
74007900	517900	PINION NUT WASHER	1
74002691	14012691	COLLAPSIBLE SPACER	1
	11505124	DIFF BEARING ROLLER	2
	11505125	DIFF BEARING RACE	2
	26064029	PINION SEAL	1

*Note: GM 9.5" Use Pinion Seal 26064029 - order separately

GM 9.5" REAR AXLE

74020010 9.5" REAR 14 BOLT - PINION SEAL KIT

Silverado, Sierra, Yukon, Avalanche, Escalade, Jimmy, Bravada, Express, Suburban, Colorado, Canyon, H3, Trailblazer, Envoy, S10, Rainier, Blazer, Jimmy, Savana, Express, Tahoe, Astro, Sonoma, Safari

MODEL YEAR 1998 to Current

AAM PART #	O.E. PART #	DESCRIPTION	QTY
74007029	26064029	PINION SEAL	1
74007900	517900	PINION NUT WASHER	1
74003762	9783762	PREVAILING TORQUE PINION NUT	1
74002691	14012691	COLLAPSIBLE SPACER	1
	26060975	PINION SEAL SLEEVE	1

74050012 9.5" REAR 14 BOLT - OUTPUT SHAFT SEAL KIT

Tahoe, Yukon, Escalade, Trailblazer SS w/ VSES

MODEL YEAR 2003 to 2006, Trailblazer SS: 2006 to 2009

AAM PART #	O.E. PART #	DESCRIPTION	QTY
	14012746	AXLE C LOCK	2
	40001710	OUTPUT SEAL	2
	40008157	ROLLER BEARING ASM	2
	40016199	TONE RING	2

74050013 9.5" REAR 14 BOLT - OUTPUT SHAFT SEAL KIT

Sierra, Silverado, Tahoe, Yukon, Escalade, Suburban w/ VSES

MODEL YEAR 2007 to Current

AAM PART #	O.E. PART #	DESCRIPTION	QTY	
	40008157	ROLLER BEARING ASM	2	
	40001710	OUTPUT SEAL	2	
	40030759	EXCITER RING	2	
	74002746	14012746	AXLE C LOCK	2

**74050014 9.5" REAR 14 BOLT -
OUTPUT SHAFT SEAL KIT**

Silverado SS, SSR w/o VSES
MODEL YEAR 2005 to 2006

AAM PART #	O.E. PART #	DESCRIPTION	QTY
40001710		OUTPUT SEAL	2
40008157		ROLLER BEARING ASM	2
74002746	14012746	AXLE C LOCK	2

**74050015 9.5" REAR -
OUTPUT SHAFT SEAL KIT**

H2, Savana, Express, Sierra, Silverado,
Yukon XL, Suburban, Avalanche
MODEL YEAR 1997 to Current

AAM PART #	O.E. PART #	DESCRIPTION	QTY
74009561	9439561	ROLLER BEARING ASM	2
74002746	14012746	AXLE C LOCK	2
40001710		OUTPUT SEAL	2

**74047037 9.5" FRONT CLAMSHELL -
33 TOOTH - DIFFERENTIAL GEAR KIT**

Sierra, Silverado, Suburban, Yukon XL, Avalanche, H2
MODEL YEAR 1988 to 2006

AAM PART #	O.E. PART #	DESCRIPTION	QTY
		PINION GEAR	2
		PINION THRUST WASHER	2
		SIDE GEAR	2
		PINION SHAFT	1
		SIDE THRUST WASHER	2
		PINION SHAFT LOCK SCREW	1

**74030010 9.5" REAR 14 BOLT -
COVERPAN KIT**

H2
MODEL YEAR 2003 to 2009

AAM PART #	O.E. PART #	DESCRIPTION	QTY
40007601		MAGNETIC FILL/DRAIN PLUG	1
40012333		RUBBER OVER METAL COVERPAN GASKET	1
40022474	15807699	COVERPAN	1
40002169		COVERPAN BOLT W/ ADHESIVE	14

**74030011 9.5" REAR 14 BOLT -
COVERPAN KIT**

Trailblazer SS, SSR, Savana, Express, Sierra, Silverado,
Silverado SS, Yukon, Tahoe, Escalade, Avalanche, Suburban
MODEL YEAR 1998 to Current

AAM PART #	O.E. PART #	DESCRIPTION	QTY
40039024	15807699	COVERPAN	1
26063649		COVERPAN GASKET	1
40002169		COVERPAN BOLT W/ ADHESIVE	14
40007601		MAGNETIC FILL/DRAIN PLUG	1

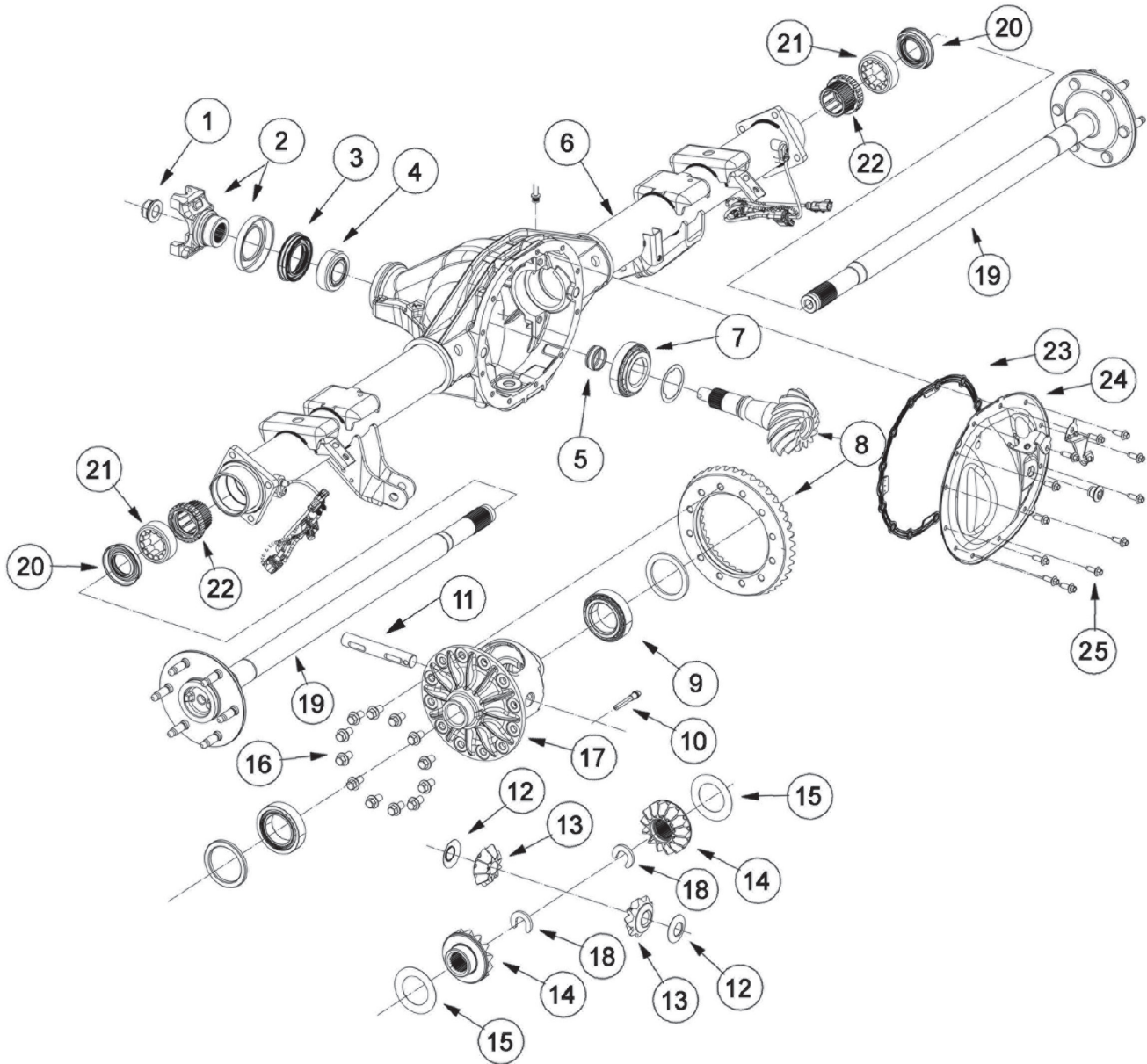


Demand the original.

Axle Components | Driveshaft Components | Repair Kits

AAM 9.5" Salisbury (12-Bolt)

GM 9.5" REAR AXLE



VEHICLE REFERENCE GUIDE

LIGHT DUTY PICKUP (15 SERIES) 5.3L V8 ENGINE

CHEVROLET: SILVERADO (REG CAB: 6.5' & 8.0' BOX; EXT CAB: 6.5' BOX, CREW CAB 5.8' & 6.5' BOX)

GMC: SIERRA (REG CAB: 6.5' & 8.0' BOX; EXT CAB: 6.5' BOX, CREW CAB 5.8' BOX), SIERRA DENALI (CREW CAB 5.8' & 6.5' BOX)

SPORT UTILITY VEHICLES (15 SERIES) 5.3L V8 ENGINE

CHEVROLET: TAHOE, SUBURBAN

GMC: YUKON, YUKON XL

ILL #	AAM PART NUMBER	OE PART NUMBER	DESCRIPTION	REQ	USAGE	MODEL YEAR
1	40037574	92230391	PINION NUT	1		2014 +
2	40087159	23114034	1355 PINION YOKE (SUV)	1		2014 +
2	40088785	22954188	1415 PINION YOKE (P/U)	1		2014 +
3	40088808	22943111	PINION SEAL	1		2014 +
4	40038907	22943108	PINION TAIL BEARING ASSY (CUP & CONE)	1		2014 +
5	40099601	22943114	CRUSH SLEEVE (COLLAPSIBLE SPACER)	1		2014 +
6			AXLE HOUSING		FOR REFERENCE ONLY	
7	40051302	22943106	PINION HEAD BEARING ASSY (CUP & CONE)	1		2014 +
1, 3, 5, 8	95K2308GEARKIT		RING & PINION GEAR KIT (3.08 RATIO)	1		2014 +
1, 3, 5, 8	95K2342GEARKIT		RING & PINION GEAR KIT (3.42 RATIO)	1		2014 +
1, 3, 5, 8	95K2410GEARKIT		RING & PINION GEAR KIT (4.10 RATIO)	1		2014 +
9	40081078	22786619	DIFF. CASE BEARING ASM (CUP & CONE)	2		2014 +
16	40064367	11546991	RING GEAR BOLTS	12		2014 +
17	40090727	22943115	DIFFERENTIAL CASE WITH INTERNAL GEARS - 3.23 RATIO AND LOWER	1		2014 +
17	40090728	22943116	DIFFERENTIAL CASE WITH INTERNAL GEARS - 3.42 RATIO AND HIGHER	1		2014 +
18	14012746		AXLE C LOCK	2		1986 +
19	40103091		AXLE SHAFT - LH / RH (PICK UP ONLY)	2		2014 +
19	40103092		AXLE SHAFT - LH / RH (SUV ONLY)	2		2014 +
20	40001710	12471686	WHEEL BEARING SEAL	2		1998 +
21	40008157	12479031	WHEEL BEARING	2		2002 +
22	40030759	15286384	ABS EXCITER RING	2		2007 +
23	40088005	22943110	COVER PAN GASKET	1		2014 +
24	40089652	22951487	COVER PAN	1		2014 +
25	40089728	11546347	COVER PAN BOLTS	12		2014 +
1, 3, 4, 5, 7, 9	74067020		MASTER BEARING KIT			2014 +

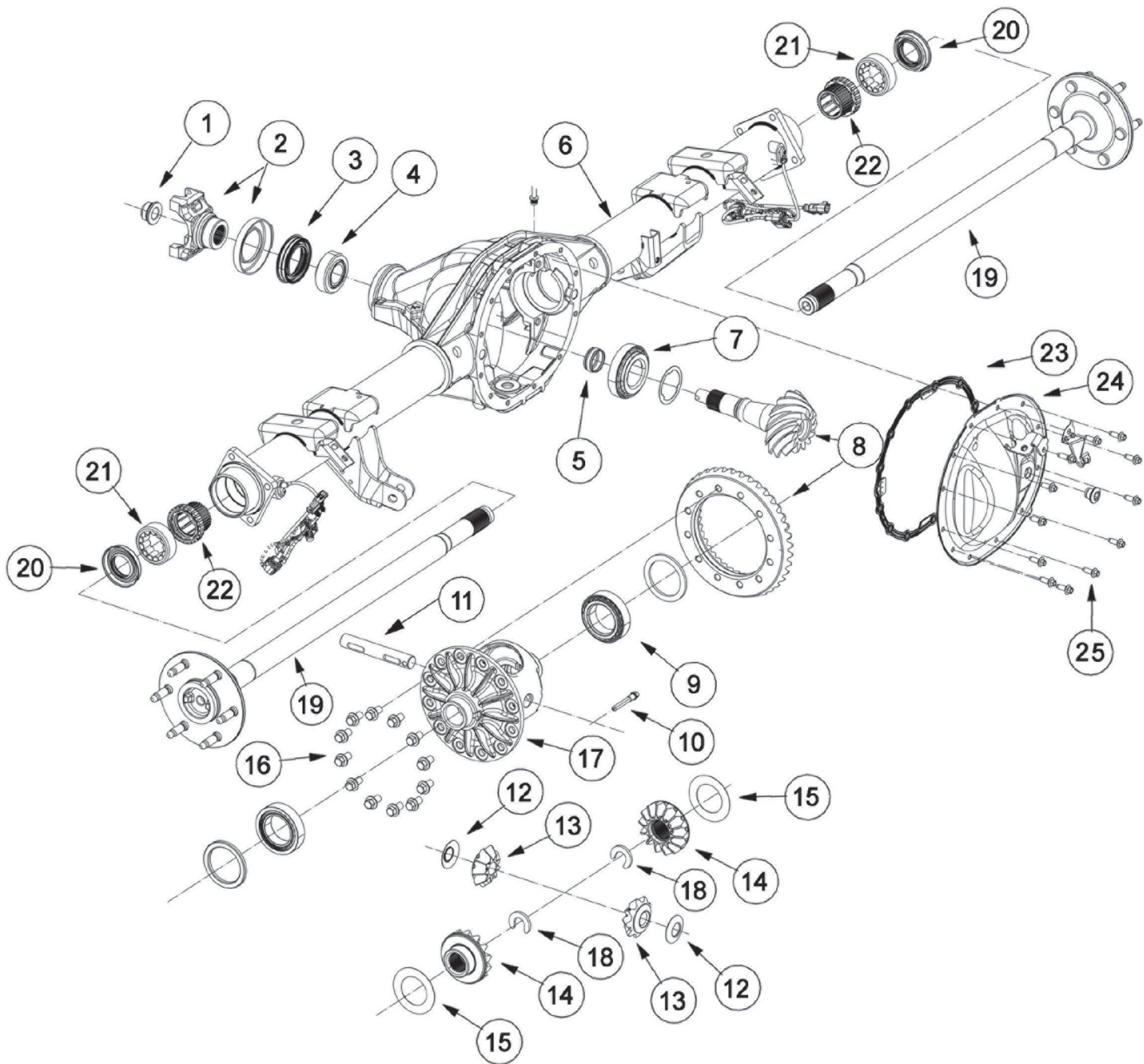


Demand the original.

Axle Components | Driveshaft Components | Repair Kits

AAM 9.76" Salisbury (12-Bolt)

GM 9.76" REAR AXLE



VEHICLE REFERENCE GUIDE

LIGHT DUTY PICKUP (15 SERIES) 6.2L V8 ENGINE

CHEVROLET SILVERADO (EXT CAB: 6.5' BOX, CREW CAB 5.8' & 6.5' BOX)

GMC: SIERRA (EXT CAB: 6.5' BOX, CREW CAB 5.8' BOX), SIERRA DENALI (CREW CAB 5.8' & 6.5' BOX)

SPORT UTILITY VEHICLES (15 SERIES) 6.2L V8 ENGINE

CHEVROLET: SUBURBAN

GMC: YUKON, YUKON DENALI, YUKON XL, YUKON XL DENALI

CADILLAC: ESCALADE, ESCALADE ESV

ILL #	AAM PART NUMBER	OE PART NUMBER	DESCRIPTION	REQ	MODEL YEAR
1	40037574	92230391	PINION NUT	1	2014 +
2	40087159	23114034	1355 PINION YOKE (SUV)	1	2014 +
2	40088785	22954188	1415 PINION YOKE (P/U)	1	2014 +
3	40088808	22943111	PINION SEAL	1	2014 +
4	40053553	22943109	PINION TAIL BEARING ASSY (CUP & CONE)	1	2014 +
5	40088807	23169731	CRUSH SLEEVE (COLLAPSIBLE SPACER)	1	2014 +
6			AXLE HOUSING		FOR REFERENCE ONLY
7	40089231	22943107	PINION HEAD BEARING ASSY (CUP & CONE)	1	2014 +
1, 3, 5, 8	976K2323GEARKIT		RING & PINION GEAR KIT (3.23 RATIO)	1	2015 +
1, 3, 5, 8	976K2342GEARKIT		RING & PINION GEAR KIT (3.42 RATIO)	1	2014 +
1, 3, 5, 8	976K2373GEARKIT		RING & PINION GEAR KIT (3.73 RATIO)	1	2014 +
9	40081078	22786619	DIFF. CASE BEARING ASM (CUP & CONE)	2	2014 +
16	40064367	11546991	RING GEAR BOLTS	12	2014 +
17	40090727	22943115	DIFFERENTIAL CASE WITH INTERNAL GEARS - 3.23 RATIO AND LOWER	1	2014 +
17	40090728	22943116	DIFFERENTIAL CASE WITH INTERNAL GEARS - 3.42 RATIO AND HIGHER	1	2014 +
18	14012746		AXLE C LOCK	2	1986 +
19	40103091		AXLE SHAFT - LH / RH (PICK UP ONLY)	2	2014 +
19	40103092		AXLE SHAFT - LH / RH (SUV ONLY)	2	2014 +
20	40001710	12471686	WHEEL BEARING SEAL	2	1998 +
21	40008157	12479031	WHEEL BEARING	2	2002 +
22	40030759	15286384	ABS EXCITER RING	2	2007 +
23	40088005	22943110	COVER PAN GASKET	1	2014 +
24	40089652	22951487	COVER PAN	1	2014 +
25	40089728	11546347	COVER PAN BOLTS	12	2014 +
1, 3, 4, 5, 7, 9	74067021		MASTER BEARING KIT		2014 +

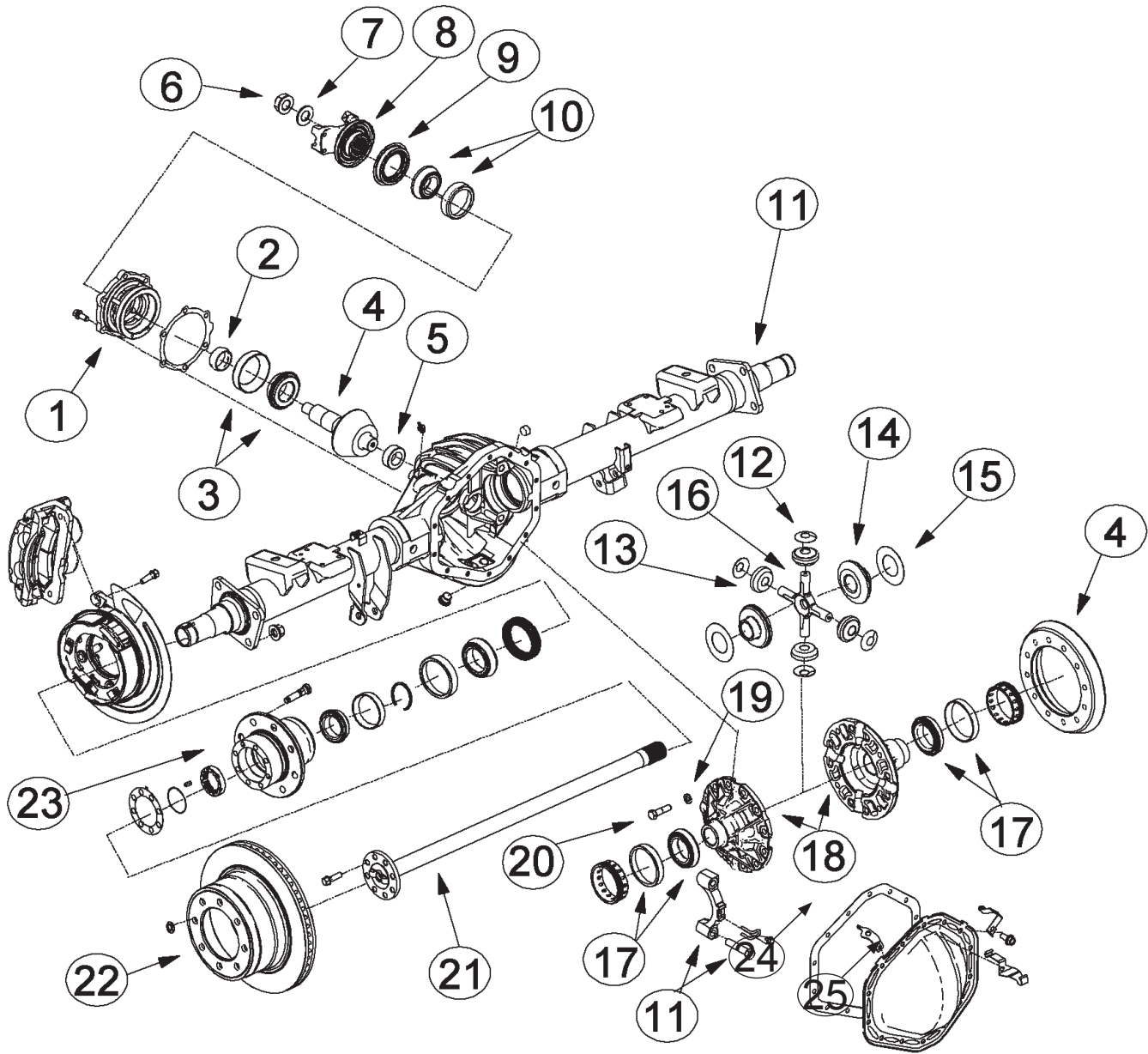


Demand the original.

Axle Components | Driveshaft Components | Repair Kits

AAM 10.5" Salisbury (14-Bolt)

GM 10.5" REAR AXLE



VEHICLE REFERENCE GUIDE

P	TRUCK - LIGHT-DUTY COMMERCIAL TRUCK, MINI-MOTORHOME
C	TRUCK - 2-WHEEL-DRIVE FULL-SIZE TRUCK & UTILITY
K	TRUCK - 4-WHEEL-DRIVE FULL-SIZE TRUCK & UTILITY
R	TRUCK - "C" PICKUP (PRIOR TO '87)
G	FULL-SIZE VAN (ALSO GMT-600), EXPRESS/SAVANA
V	TRUCK - "C" PICKUP - 4WD (PRIOR TO '87)
WCC	WORKHORSE CUSTOM CHASSIS

ILL #	AAM PART NUMBER	OE PART NUMBER	DESCRIPTION	REQ	USAGE	MODEL YEAR
1	74001704	26061404	PINION BEARING RETAINER	1	P;C;K;R;V;G;WCC	1997+
2	74008741	26008741	COLLAPSIBLE SPACER	1	P;C;K;R;V;G;WCC	1975+
3	74003882	26043882	LARGE PINION BEARING ASM (CUP & CONE)	1	P;C;K;R;V;G;WCC	1996+
4	74015280	26055280	RING & PINION GEARSET (3.42 RATIO)	1	C;K;R;V;G	1987+
4	40058731	19210695	RING & PINION GEARSET (3.73 RATIO)	1	C;K;R;V;G	1982+
4	40070463	20920669	RING & PINION GEARSET (4.10 RATIO)	1	P;C;K;R;V;G;WCC	1982+
4	74015283	26055283	RING & PINION GEARSET (5.13 RATIO)	1	P;C;K;R;V;G;WCC	1982+
5	74001870	7451870	PILOT BEARING ASM	1	P;C;K;R;V;G;WCC	1975+
6	74002844	15552844	PINION NUT	1	P;C;K;R;V;G;WCC	1979+
7	74002845	15552845	PINION NUT WASHER	1	P;C;K;R;V;G;WCC	1979+
8	74004017	26064017	PINION YOKE (1410 UJT; 4 FOOTED)	1	P;C;K;G;WCC	1997+
8	40065702	19210699	PINION YOKE (1485 UJT; 4 FOOTED)	1	G	2010+
8	26060884		PINION YOKE (1415 UJT; 4 FOOTED)	1	P;C;K;R;V;G;WCC	1975+
9	74004030	26064030	TRIPLE LIP PINION SEAL	1	P;C;K;R;V;G;WCC	1997+
10	74008356	9418356	SMALL PINION BEARING ASM (CUP & CONE)	1	P;C;K;R;V;G;WCC	1975+
11			AXLE HOUSING		FOR REFERENCE ONLY	
12	AVAILABLE IN KIT ONLY		PINION THRUST WASHER	4	P;C;K;R;V;G;WCC	1985+
13	AVAILABLE IN KIT ONLY		PINION GEAR	4	P;C;K;R;V;G;WCC	1985+
14	AVAILABLE IN KIT ONLY		DIFF SIDE THRUST WASHER	2	P;C;K;R;V;G;WCC	1985+
15	AVAILABLE IN KIT ONLY		SIDE THRUST WASHER	2	P;C;K;R;V;G;WCC	1985+
16	AVAILABLE IN KIT ONLY		PINION SPIDER	1	P;C;K;R;V;G;WCC	1975+
17	74006881	9436881	DIFF. CASE BEARING ASM (CUP & CONE)	1	P;C;K;R;V;G;WCC	1979+
18	74037357	26067357	DIFFERENTIAL CASE & COVER (WITHOUT INTERNALS; RATIOS 4.10 AND DOWN)	1	P;C;K;R;V;G;WCC	1975+
20	40019659	12479387	RING GEAR BOLT (RATIOS 4.56 AND UP)	12	P;C;K;R;V;G;WCC	1975+
20	40019486	12479386	RING GEAR BOLT (RATIOS 4.10 AND DOWN)	12	P;C;K;R;V;G;WCC	1975+
21	40000096	12471329	AXLE SHAFT - RIGHT HAND (991 MM; 30 TOOTH; 8 BOLT; DISC; 2WD & 4WD)	1	C;K	1999+
21	40054780	19210692	AXLE SHAFT - LEFT HAND (861 MM; 30 TOOTH; 8 BOLT; DISC; 2WD)	1	G	2010+
21	40054781	19210693	AXLE SHAFT - RIGHT HAND (1002 MM; 30 TOOTH; 8 BOLT; DISC; 2WD)	1	G	2010+
21	40059203	19210697	AXLE SHAFT - LEFT HAND (945 MM; 30 TOOTH; 8 BOLT; DISC; 2WD)	1	G	2010+
21	40059202	19210696	AXLE SHAFT - RIGHT HAND (1087 MM; 30 TOOTH; 8 BOLT; DISC; 2WD)	1	G	2010+
21	40052094	20920666	AXLE SHAFT - LEFT HAND (1009 MM; 30 TOOTH; 8 BOLT; DISC; 2WD)	1	G	2010+
21	40052092	20920667	AXLE SHAFT - RIGHT HAND (868 MM; 30 TOOTH; 8 BOLT; DISC; 2WD)	1	G	2010+
21	26020040	74020040	AXLE SHAFT - RIGHT HAND (932 MM; 30 TOOTH; 8 BOLT)	1	C;K	1992+



Demand the original.

Axle Components | Driveshaft Components | Repair Kits

AAM 10.5" Salisbury (14-Bolt)

GM 10.5" REAR AXLE

ILL #	AAM PART NUMBER	OE PART NUMBER	DESCRIPTION	REQ	USAGE	MODEL YEAR
22			ROTOR		FOR REFERENCE ONLY	
23			SINGLE WHEEL HUB (WITHOUT INTERNALS)		FOR REFERENCE ONLY	
23			HUB ASM WITH EXCITER		FOR REFERENCE ONLY	
24	26067040	26067040	COVERPAN	1	P;C;K;R;V;G;WCC	1982+
24	40064561	19210710	COVERPAN	1	G	2010+
25	26067159	26067159	COVERPAN GASKET	1	P;C;K;R;V;G;WCC	1982+

74010014 10.5" 2PC - MASTER INSTALL KIT

Sierra, Silverado, Suburban, Yukon, Avalanche, Savana, Express

MODEL YEAR 1998 to Current

AAM PART #	O.E. PART #	DESCRIPTION	QTY
40023476		WHEEL BOLT W/ ADHESIVE	16
26067159	26067159	COVERPAN GASKET	1
40000014		HUB GASKET	2
40051851		HUB GASKET - SINGLE & DUAL	2
	26060977	PINION SEAL SLEEVE	1
	444788	DRAIN PLUG	1
40019486	12479386	RING GEAR BOLT	12
74008741	26008741	COLLAPSIBLE SPACER	1
74002844	15552844	PINION NUT	1
		PINION RETAINER SHIM	1
74004030	26064030	TRIPLE LIP PINION SEAL	1
74002845	15552845	PINION NUT WASHER	1
40003251		FILL PLUG ASM	1
40041239		SPECIAL COVERPAN BOLT	2
40018119		PINION RETAINER BOLT	6
40002169		COVERPAN BOLT W/ ADHESIVE	14

74067009 10.5" REAR 14 BOLT - MASTER BEARING KIT

Sierra, Silverado, Suburban, Yukon XL, Avalanche, Savana, Express

MODEL YEAR 1998 to Current

AAM PART #	O.E. PART #	DESCRIPTION	QTY
	26043883	PINION HEAD BEARING ROLLER	1
	26053884	PINION HEAD BEARING RACE	1
	9418357	PINION TAIL BEARING ROLLER	1
	9418358	PINION TAIL BEARING RACE	1
74002844	15552844	PINION NUT	1
	7451870	PILOT BEARING	1
74002845	15552845	PINION NUT WASHER	1
74008741	26008741	COLLAPSIBLE SPACER	1
	9436882	DIFF BEARING ROLLER	2
74006881	142223	DIFF BEARING RACE	2
	26064030	PINION SEAL	1

74040917 10.5" REAR 14 BOLT - 30 TOOTH - DIFFERENTIAL GEAR KIT

Sierra, Silverado, Savana, Express, Suburban, Yukon XL, Avalanche

MODEL YEAR 1985 to Current

AAM PART #	O.E. PART #	DESCRIPTION	QTY
		PINION GEAR	4
		PINION SPIDER	1
		SIDE THRUST WASHER	2
		PINION THRUST WASHER	4
		SIDE GEAR	2

74020011 10.5" REAR 14 BOLT - PINION SEAL KIT

Silverado, Sierra, Yukon, Avalanche, Escalade, Jimmy, Bravada, Express, Suburban, Colorado, Canyon, H3, Trailblazer, Envoy, S10, Rainier, Blazer, Jimmy, Savana, Express, Tahoe, Astro, Sonoma, Safari
MODEL YEAR 1998 to Current

AAM PART #	O.E. PART #	DESCRIPTION	QTY
74004030	26064030	TRIPLE LIP PINION SEAL	1
74002844	15552844	PINION NUT	1
74002845	15552845	PINION NUT WASHER	1
74008741	26008741	COLLAPSIBLE SPACER	1
74002845	15552845	PINION NUT WASHER	1

74030012 10.5" REAR 14 BOLT - COVERPAN KIT

Suburban, Yukon XL, Avalanche, Sierra, Silverado, Savana, Express (With SRW Only)
MODEL YEAR 2000 to Current

AAM PART #	O.E. PART #	DESCRIPTION	QTY
26067040	26067040	COVERPAN	1
26067159	26067159	COVERPAN GASKET	1
40002169		COVERPAN BOLT W/ ADHESIVE	14
40041239		SPECIAL COVERPAN BOLT	2

74030013 10.5" REAR 14 BOLT - COVERPAN KIT

Savana, Express (With DRW Only)
MODEL YEAR 2010 to Current

AAM PART #	O.E. PART #	DESCRIPTION	QTY
40064561	19210710	COVERPAN	1
26067159	26067159	COVERPAN GASKET	1
40002169		COVERPAN BOLT W/ ADHESIVE	14

74030014 10.5" REAR 14 BOLT - COVERPAN KIT

Sierra, Silverado
MODEL YEAR 2011 to Current

AAM PART #	O.E. PART #	DESCRIPTION	QTY
40060164		COVERPAN	1
26067159	26067159	COVERPAN GASKET	1
40002169		COVERPAN BOLT W/ ADHESIVE	12
40041239		SPECIAL COVERPAN BOLT	2

74070001 10.5" REAR SINGLE WHEEL - WHEEL END KIT

Savana, Express, Sierra, Silverado
MODEL YEAR 2001 to Current

AAM PART #	O.E. PART #	DESCRIPTION	QTY
9428909		OUTER WHEEL END BEARING	1
9428539		OUTER WHEEL END RACE	1
142223		INNER WHEEL END RACE	1
9436882		INNER WHEEL END BEARING	1
15823962		HUB SEAL	2
40012104		WHEEL BOLT W/ ADHESIVE	16
341509		HUB NUT	2
40036934		HUB NUT LOCK	2
15702309		RETAINING RING - OUTER BEARING	2
341511		RETAINING RING - HUB	2
40000014		HUB GASKET	2

74070002 10.5" REAR DUAL WHEEL - WHEEL END KIT

Savana, Express
MODEL YEAR 2011 to Current

AAM PART #	O.E. PART #	DESCRIPTION	QTY
40005768		INNER WHEEL END RACE	1
40005767		INNER WHEEL END BEARING	1
40005772		OUTER WHEEL END BEARING	1
40005773		OUTER WHEEL END RACE	1
15823962		HUB SEAL	2
15702309		RETAINING RING - OUTER BEARING	4
40012104		WHEEL BOLT W/ ADHESIVE	16
40000014		HUB GASKET	2
40036934		HUB NUT LOCK	2
341509		HUB NUT	2
341511		RETAINING RING - HUB	2

74070003 10.5" REAR SINGLE WHEEL - WHEEL END KIT

Sierra, Silverado
MODEL YEAR 2011 to Current

AAM PART #	O.E. PART #	DESCRIPTION	QTY
40059216		INNER WHEEL END RACE	1
40059217		INNER WHEEL END BEARING	1
40059215		OUTER WHEEL END BEARING	1
40059214		OUTER WHEEL END RACE	1
20889025		HUB SEAL	2
25855293		RETAINING RING - OUTER BEARING	4
40023476		WHEEL BOLT W/ ADHESIVE	16
40051851		HUB GASKET - SINGLE & DUAL	2
40082234		HUB NUT LOCK	2
40091019		HUB NUT	2
40096297		HUB NUT SNAP RING	2

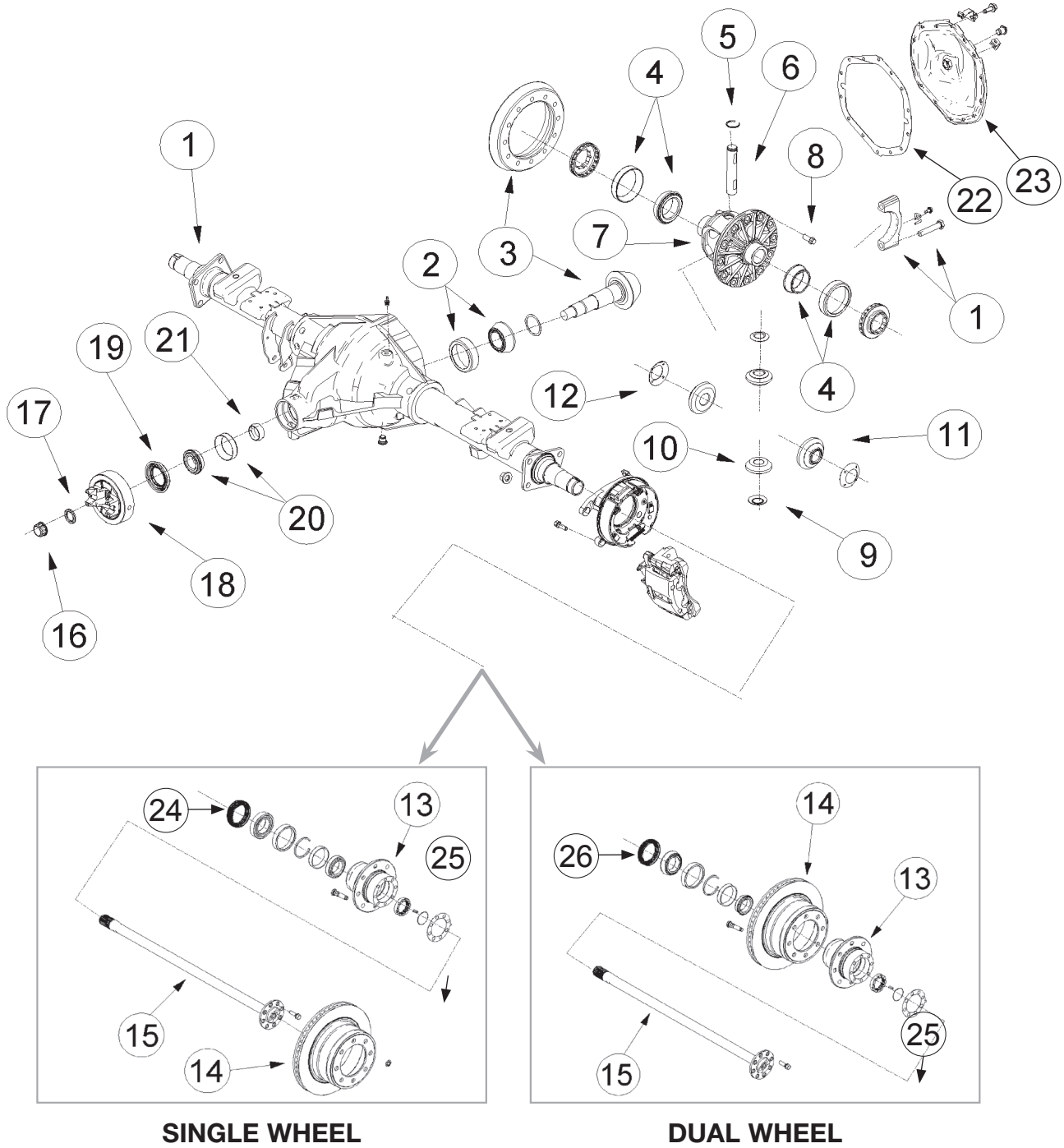


Demand the original.

Axle Components | Driveshaft Components | Repair Kits

AAM 11.5" Salisbury (14-Bolt)

GM 11.5" REAR AXLE



SINGLE WHEEL

DUAL WHEEL

VEHICLE REFERENCE GUIDE

C	TRUCK - 2-WHEEL-DRIVE FULL-SIZE TRUCK & UTILITY
K	TRUCK - 4-WHEEL-DRIVE FULL-SIZE TRUCK & UTILITY
G	FULL-SIZE VAN (ALSO GMT-600), EXPRESS/SAVANA
WCC	WORKHORSE CUSTOM CHASSIS

ILL #	AAM PART NUMBER	OE PART NUMBER	DESCRIPTION	REQ	USAGE	MODEL YEAR
1			AXLE HOUSING		FOR REFERENCE ONLY	
2	74004500	26064500	LARGE PINION BEARING ASM (CUP & CONE)	1	C;K;WCC	2001+
3	40101174		RING & PINION GEARSET (3.42 RATIO)			
3	40101173		RING & PINION GEARSET (3.73 RATIO)	1	C;K	2001+
3	40094550		RING & PINION GEARSET (4.10 RATIO)	1	C;K	2001+
3	40030646		RING & PINION GEARSET (5.13 RATIO)	1		
4	74004499	26064499	DIFF. CASE BEARING ASM (CUP & CONE)	1	C;K;WCC	2001+
5	AVAILABLE IN KIT ONLY		SNAP RING	1	C;K;WCC	2001+
6	AVAILABLE IN KIT ONLY		PINION SHAFT	1	C;K;WCC	2001+
7	40146894		DIFFERENTIAL OPEN CASE ASSEMBLY (WITH INTERNALS)	1	C;K	2001+
7	40099548		HELICAL LIMITED SLIP DIFF ASSEMBLY - TRACRITE GT (NOT PRODUCTION BUT WILL FIT GM AXLE)	1	C;K	2001+
8	40022812	26064505	RING GEAR BOLT W/ ADHESIVE	12	C;K;WCC	2001+
9	AVAILABLE IN KIT ONLY		PINION THRUST WASHER	2	C;K;WCC	2001+
10	AVAILABLE IN KIT ONLY		PINION GEAR	2	C;K;WCC	2001+
11	AVAILABLE IN KIT ONLY		SIDE GEAR	2	C;K;WCC	2001+
12	AVAILABLE IN KIT ONLY		SIDE THRUST WASHER	2	C;K;WCC	2001+
13			SINGLE/DUAL WHEEL HUB (WITHOUT INTERNALS)		FOR REFERENCE ONLY	
14			SINGLE/DUAL WHEEL HUB & ROTOR ASSEMBLY		FOR REFERENCE ONLY	
15	40042353	15898643	AXLE SHAFT (913 MM; 30 TOOTH; 8 BOLT; DUAL WHEEL; DISC; 2WD)	2	C;K;G	2008+
15	40051861	20920665	AXLE SHAFT (947 MM; 30 TOOTH; 8 BOLT; DUAL WHEEL DISC; 2WD & 4WD)	2	C;K	2010+
15	40051863	20920663	AXLE SHAFT (1023 MM; 30 TOOTH; 8 BOLT; DUAL WHEEL DISC; 2WD & 4WD)	2	C;K	2010+
15	40051859	20920662	AXLE SHAFT (932 MM; 30 TOOTH; 8 BOLT; DUAL WHEEL DISC; 2WD & 4WD)	2	C;K	2010+
15	40003201		AXLE SHAFT SW (913MM; 30 TOOTH; 8 BOLT) LH/RH	2	C,K	2000+
15	40003202		AXLE SHAFT DW (1019MM; 30 TOOTH; 8 BOLT) LH/RH	2	C,K	1999- 2002
15	40003204		AXLE SHAFT DW (918MM; 30 TOOTH; 8 BOLT) LH/RH	2	C,K	1999- 2002
16	40003027	12471484	PINION NUT	1	C;K;WCC	2001+
17	40003255	12471485	PINION NUT WASHER	1	C;K;WCC	2001+
18	40082168	22754165	PINION YOKE (1485 U-JOINT; 4 FOOTED)	1	C;K	2011+
18	26060884		PINION YOKE - REGULAR WITHOUT DAMPER 1415			
19	74004030	26064030	TRIPLE LIP PINION SEAL	1	C;K;WCC	2001+
20	74008356	9418356	SMALL PINION BEARING ASM (CUP & CONE)	1	C;K;WCC	2001+
21	40011051	12471647	COLLAPSIBLE SPACER	1	C;K;WCC	2001+



Demand the original.

Axle Components | Driveshaft Components | Repair Kits

AAM 11.5" Salisbury (14-Bolt)

GM 11.5" REAR AXLE

ILL #	AAM PART NUMBER	OE PART NUMBER	DESCRIPTION	REQ	USAGE	MODEL YEAR
22	40005967		RUBBER OVER METAL COVERPAN GASKET	1	C;K	2014+
22	40001357	12471447	COVERPAN GASKET	1	C;K	2001-2013
23	40106100		COVERPAN	1	C;K	2014+
23	40087967	20984339	COVERPAN	1	C;K	2001-2013
24	15823962	15823962	HUB SEAL	2	C;K	2001+
25	40000014	12473128	HUB GASKET	2	C;K	2001+
25	40051851	20920620	HUB GASKET - SINGLE & DUAL	2	C;K	2011+
26	15823962	15823962	HUB SEAL	2	C;K	2001+
26	20889025	20889025	HUB SEAL	2	C;K	2011+

74010015 11.5" REAR 14 BOLT - MASTER INSTALL KIT

Sierra, Silverado

MODEL YEAR 2001 to 2010

AAM PART #	O.E. PART #	DESCRIPTION	QTY
40003251		FILL PLUG ASM	1
40001357	12471447	RUBBER OVER METAL COVERPAN GASKET	1
40000014	12473128	HUB GASKET	2
40011051	12471647	COLLAPSIBLE SPACER	1
74004505	26064505	RING GEAR BOLT W/ ADHESIVE	12
40003027	12471484	PINION NUT	1
74004030	26064030	TRIPLE LIP PINION SEAL	1
40023476		WHEEL BOLT W/ ADHESIVE	16
40003255		PINION NUT WASHER	1
74003244	14042602	FILL/DRAIN PLUG WASHER	1
	26060977	PINION SEAL SLEEVE	1
	476753	FILL PLUG	1
40002169		COVERPAN BOLT W/ ADHESIVE	14
		PINION SHIM	18

74010016 11.5" REAR 14 BOLT - MASTER INSTALL KIT

Sierra, Silverado

MODEL YEAR 2011 to Current

AAM PART #	O.E. PART #	DESCRIPTION	QTY
	26060977	PINION SEAL SLEEVE	1
40005967		RUBBER OVER METAL COVERPAN GASKET	1
40001357	12471447	RUBBER OVER METAL COVERPAN GASKET	1
		PINION SHIM	18
40022812	26064505	RING GEAR BOLT W/ ADHESIVE	14
40023476		WHEEL BOLT W/ ADHESIVE	16
40042937		FILL/DRAIN PLUG	1
40007601		MAGNETIC FILL/DRAIN PLUG	1
40051851	20920620	HUB GASKET - SINGLE & DUAL	4
40011051	12471647	COLLAPSIBLE SPACER	2
40041239		SPECIAL COVERPAN BOLT	2
40020764		HEX BOLT W/ ADHESIVE	16
40003027	12471484	PINION NUT	1
74004030	26064030	TRIPLE LIP PINION SEAL	2
40003255	12471485	PINION NUT WASHER	1
40002169		COVERPAN BOLT W/ ADHESIVE	14

**74067018 11.5" REAR 14 BOLT -
MASTER BEARING KIT**

Sierra, Silverado

MODEL YEAR 2011 to Current

AAM PART #	O.E. PART #	DESCRIPTION	QTY
40016979		DIFFERENTIAL BEARING ASM (CUP & CONE)	2
40003027		PINION NUT	1
40003255		PINION NUT WASHER	1
40011051		COLLAPSIBLE SPACER	1
40090049		PINION TAIL BEARING ROLLER	1
40090051		PINION TAIL TAPERED RACE	1
09418357		ROLLER ASM, BRG	1
26064030		PINION SEAL	1
09418358		PINION TAIL BEARING RACE	1

**74067011 11.5" REAR 14 BOLT -
MASTER BEARING KIT**

Sierra, Silverado

MODEL YEAR 2001 to 2010

AAM PART #	O.E. PART #	DESCRIPTION	QTY
	26064500	PINION HEAD BEARING ASM (CUP & CONE)	1
	9418357	PINION TAIL BEARING ROLLER	1
	9418358	PINION TAIL BEARING RACE	1
	26064030	PINION SEAL	1
74003027	40003027	PINION NUT	1
74003244	40003255	PINION NUT WASHER	1
74001051	40011051	COLLAPSIBLE SPACER	1
74004499	40016979	DIFFERENTIAL BEARING ASM (CUP & CONE)	2

**74020013 11.5" REAR 14 BOLT -
PINION SEAL KIT**

Sierra, Silverado

MODEL YEAR 2001 to Current

AAM PART #	O.E. PART #	DESCRIPTION	QTY
74004030	26064030	TRIPLE LIP PINION SEAL	1
40003255	12471485	PINION NUT WASHER	1
40011051	12471647	COLLAPSIBLE SPACER	1
40003027	12471484	PINION NUT	1
26060977		PINION SEAL SLEEVE	1

**74045615 11.5" REAR 14 BOLT -
30 TOOTH - DIFFERENTIAL GEAR KIT**

Sierra, Silverado

MODEL YEAR 2001 to 2006

AAM PART #	O.E. PART #	DESCRIPTION	QTY
		PINION GEAR	2
		SIDE THRUST WASHER	2
		SIDE GEAR	2
		PINION SHAFT	1
		PINION THRUST WASHER	2
		SNAP RING	1

**Note: 46mm Side Gear Hub*

**74046293 11.5" REAR 14 BOLT -
30 TOOTH - DIFFERENTIAL GEAR KIT**

Sierra, Silverado

MODEL YEAR 2007 to 2010

AAM PART #	O.E. PART #	DESCRIPTION	QTY
		PINION GEAR	2
		SIDE THRUST WASHER	2
		SIDE GEAR	2
		PINION SHAFT	1
		PINION THRUST WASHER	2
		SNAP RING	1

**Note: 52mm Side Gear Hub*

**74030018 11.5" REAR 14 BOLT -
COVERPAN KIT**

Sierra, Silverado

MODEL YEAR 2001 to Current

AAM PART #	O.E. PART #	DESCRIPTION	QTY
40087967	20984339	COVERPAN	1
40001357	12471447	RUBBER OVER METAL COVERPAN GASKET	1
40041239		SPECIAL COVERPAN BOLT	2
40002169		COVERPAN BOLT W/ ADHESIVE	14
40042937		FILL/DRAIN PLUG	1



Demand the original.

Axle Components | Driveshaft Components | Repair Kits

AAM 11.5" Salisbury (14-Bolt)

GM 11.5" REAR AXLE

74070001 11.5" REAR SINGLE WHEEL - WHEEL END KIT

Savana, Express, Sierra, Silverado
MODEL YEAR 2001 to Current

AAM PART #	O.E. PART #	DESCRIPTION	QTY
9428909		OUTER WHEEL END BEARING	1
9428539		OUTER WHEEL END RACE	1
9436882		INNER WHEEL END BEARING	1
142223		INNER WHEEL END RACE	1
15823962		HUB SEAL	2
40012104		WHEEL BOLT W/ ADHESIVE	16
341509		HUB NUT	2
40036934		HUB NUT LOCK	2
15702309		RETAINING RING - OUTER BEARING	2
341511		RETAINING RING - HUB	2
40000014		HUB GASKET	2

74070003 11.5" REAR SINGLE WHEEL - WHEEL END KIT

Sierra, Silverado
MODEL YEAR 2011 to Current

AAM PART #	O.E. PART #	DESCRIPTION	QTY
40059216		INNER WHEEL END RACE	1
40059217		INNER WHEEL END BEARING	1
40059215		OUTER WHEEL END BEARING	1
40059214		OUTER WHEEL END RACE	1
20889025		HUB SEAL	2
25855293		RETAINING RING - OUTER BEARING	4
40023476		WHEEL BOLT W/ ADHESIVE	16
40051851		HUB GASKET - SINGLE & DUAL	2
40082234		HUB NUT LOCK	2
40091019		HUB NUT	2
40096297		HUB NUT SNAP RING	2

74070002 11.5" REAR DUAL WHEEL - WHEEL END KIT

Sierra, Silverado
MODEL YEAR 2001 to 2010

AAM PART #	O.E. PART #	DESCRIPTION	QTY
40005768		INNER WHEEL END RACE	1
40005767		INNER WHEEL END BEARING	1
40005772		OUTER WHEEL END BEARING	1
40005773		OUTER WHEEL END RACE	1
15823962		HUB SEAL	2
15702309		RETAINING RING - OUTER BEARING	4
40012104		WHEEL BOLT W/ ADHESIVE	16
40000014		HUB GASKET	2
40036934		HUB NUT LOCK	2
341509		HUB NUT	2
341511		RETAINING RING - HUB	2

74070004 11.5" REAR DUAL WHEEL - WHEEL END KIT

Sierra, Silverado
MODEL YEAR 2011 to Current

AAM PART #	O.E. PART #	DESCRIPTION	QTY
40059214		OUTER WHEEL END RACE	1
40059215		OUTER WHEEL END BEARING	1
40059217		INNER WHEEL END BEARING	1
40059216		INNER WHEEL END RACE	1
40051851		HUB GASKET - SINGLE & DUAL	2
20889025		HUB SEAL	2
40082234		HUB NUT LOCK	2
15012506		ROTOR BOLT W/ WASHER & ADHESIVE	16
40096297		HUB NUT SNAP RING	2
40091019		HUB NUT	2
40023476		WHEEL BOLT W/ ADHESIVE	16



Demand the original.

Axle Components | Driveshaft Components | Repair Kits

AAM 195mm RDM

GM 195mm Rear Axle

AAM PART NUMBER	OE PART NUMBER	AAM RING & PINION GEARSETS	REQ	USAGE	MODEL YEAR
40047233		RING & PINION GEARSET 2:92 RATIO	1	CAMARO	2010-2015
40047243		RING & PINION GEARSET 3:27 RATIO	1	CAMARO	2010-2015

AAM PART NUMBER	OE PART NUMBER	AAM DIFF CASES	REQ	USAGE	MODEL YEAR
40047323		2.92 RATIO, DIFF CASE ASM WITH INTERNAL GEARS	1	CAMARO	2010-2015
40047446		3:27 RATIO, DIFF CASE ASM WITH INTERNAL GEARS	1	CAMARO	2010-2015

AAM PART NUMBER	OE PART NUMBER	AAM COMPONENTS	REQ	USAGE	MODEL YEAR
40037574		PINION NUT	1	CAMARO	2010-2015
40007898		RING GEAR BOLT	10	CAMARO	2010-2015
40047372		PINION FLANGE ASM	1	CAMARO	2010-2015
40053351		PINION SEAL	1	CAMARO	2010-2015
40047374		OUPUT SEAL	2	CAMARO	2010-2015
9785792		PINION BEARING SPACER	1	CAMARO	2010-2015

AAM PART NUMBER	OE PART NUMBER	AAM COMPONENTS - DIFFERENTIAL BEARING SHIMS	THICKNESS	I.D.	O.D.
3894702		DIFFERENTIAL BEARING SHIM	.224 IN	1.9 IN	2.85 IN
3894703		DIFFERENTIAL BEARING SHIM	.226 IN	1.9 IN	2.85 IN
3894704		DIFFERENTIAL BEARING SHIM	.228 IN	1.9 IN	2.85 IN
3894705		DIFFERENTIAL BEARING SHIM	.230 IN	1.9 IN	2.85 IN
3894706		DIFFERENTIAL BEARING SHIM	.232 IN	1.9 IN	2.85 IN
3894707		DIFFERENTIAL BEARING SHIM	.234 IN	1.9 IN	2.85 IN
3894708		DIFFERENTIAL BEARING SHIM	.236 IN	1.9 IN	2.85 IN
3894709		DIFFERENTIAL BEARING SHIM	.238 IN	1.9 IN	2.85 IN
3894710		DIFFERENTIAL BEARING SHIM	.240 IN	1.9 IN	2.85 IN
3894711		DIFFERENTIAL BEARING SHIM	.242 IN	1.9 IN	2.85 IN
3894712		DIFFERENTIAL BEARING SHIM	.244 IN	1.9 IN	2.85 IN
3894713		DIFFERENTIAL BEARING SHIM	.246 IN	1.9 IN	2.85 IN
3894714		DIFFERENTIAL BEARING SHIM	.248 IN	1.9 IN	2.85 IN
3894715		DIFFERENTIAL BEARING SHIM	.250 IN	1.9 IN	2.85 IN
3894716		DIFFERENTIAL BEARING SHIM	.252 IN	1.9 IN	2.85 IN

*Note: Differential Bearing Shims sold in quantities of 5

VEHICLE REFERENCE GUIDE

ZETA CAMARO 2010-2015

AAM PART NUMBER	OE PART NUMBER	AAM COMPONENTS - PINION DEPTH SHIMS	THICKNESS	I.D.	O.D.
551596		PINION BEARING SHIM	.025 IN	1.5 IN	1.7 IN
551597		PINION BEARING SHIM	.026 IN	1.5 IN	1.7 IN
551598		PINION BEARING SHIM	.027 IN	1.5 IN	1.7 IN
551599		PINION BEARING SHIM	.028 IN	1.5 IN	1.7 IN
551600		PINION BEARING SHIM	.029 IN	1.5 IN	1.7 IN
551601		PINION BEARING SHIM	.030 IN	1.5 IN	1.7 IN
551602		PINION BEARING SHIM	.031 IN	1.5 IN	1.7 IN
551603		PINION BEARING SHIM	.032 IN	1.5 IN	1.7 IN
551604		PINION BEARING SHIM	.033 IN	1.5 IN	1.7 IN
551605		PINION BEARING SHIM	.034 IN	1.5 IN	1.7 IN
551606		PINION BEARING SHIM	.035 IN	1.5 IN	1.7 IN
551607		PINION BEARING SHIM	.036 IN	1.5 IN	1.7 IN
551608		PINION BEARING SHIM	.037 IN	1.5 IN	1.7 IN
551609		PINION BEARING SHIM	.038 IN	1.5 IN	1.7 IN
551610		PINION BEARING SHIM	.039 IN	1.5 IN	1.7 IN
551611		PINION BEARING SHIM	.040 IN	1.5 IN	1.7 IN
551612		PINION BEARING SHIM	.041 IN	1.5 IN	1.7 IN

**Note: Pinion Depth Shims sold in quantities of 5*

**74010035 195MM REAR AXLE
MASTER INSTALL KIT**
V6 Camaro
MODEL YEAR 2010-2015

AAM PART #	O.E. PART #	DESCRIPTION	QTY
9785792		COLLAPSIBLE SPACER	1
40007898		SPECIAL RING GEAR BOLT	10
40033325		COVERPAN BOLT	10
40037574		PINION NUT	1
40039752		FILL/DRAIN PLUG	2
40047373		RUBBER OVER METAL GASKET	1
40047374		OUTPUT SEAL	2
40053351		PINION SEAL	1
40066428		VENT HOSE CONNECTOR	1
VARIOUS		DIFFERENTIAL BEARING SHIMS	VARIOUS
VARIOUS		PINION BEARING SHIMS	VARIOUS

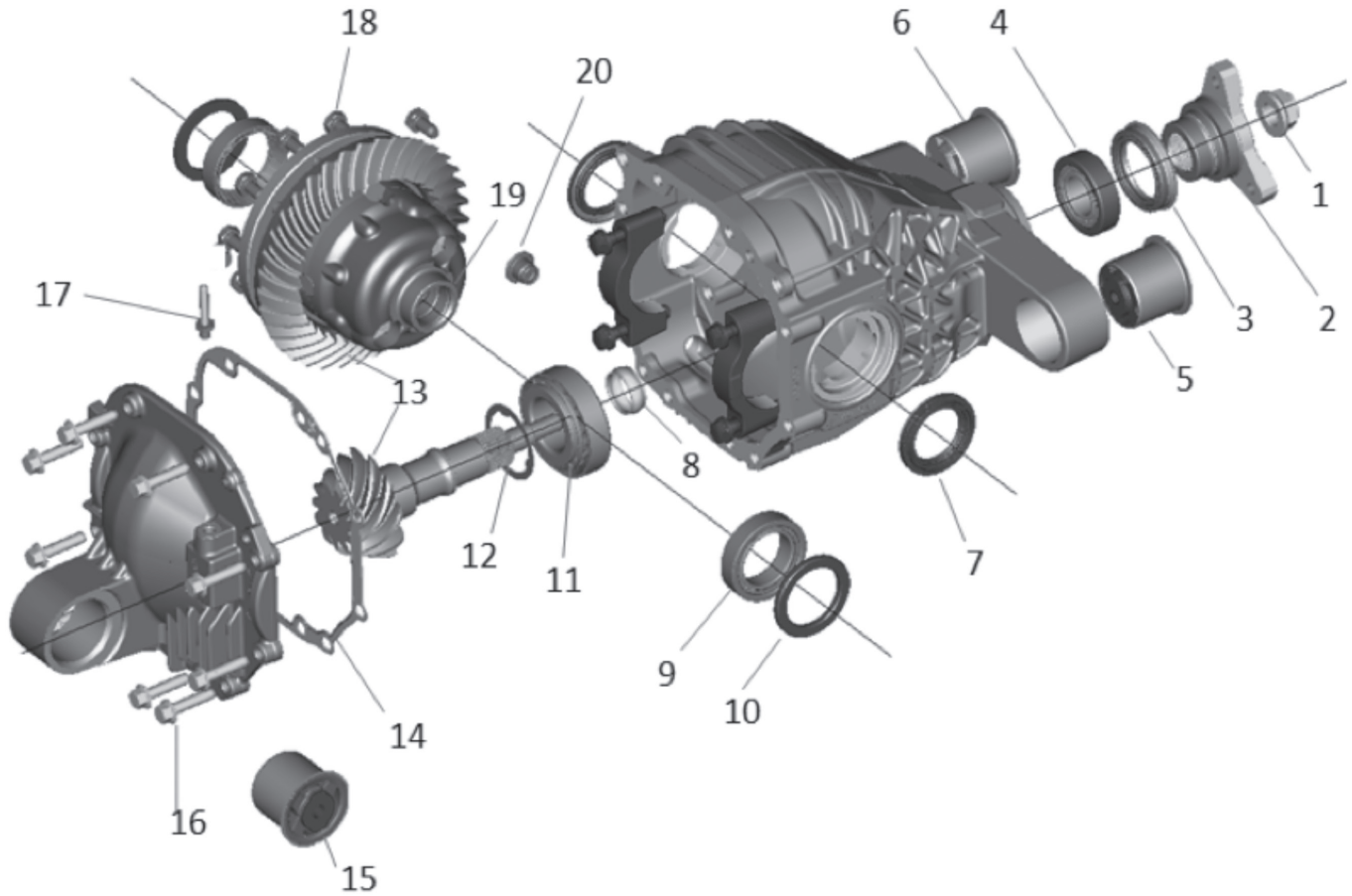


Demand the original.

Axle Components | Driveshaft Components | Repair Kits

AAM 218mm RDM

GM 218mm Rear Axle



VEHICLE REFERENCE GUIDE

ZETA CAMARO 2010-2015

ILL #	AAM PART NUMBER	OE PART NUMBER	DESCRIPTION	REQ	USAGE	MODEL YEAR
1	40037574		NUT, PINION	1	CAMARO	2010-2015
2	40081311		FLANGE ASM, PINION	1	CAMARO	2010-2015
3	40053191		SEAL, PINION	1	CAMARO	2010-2015
4	40057334		BEARING ASM, TAPERED	1	CAMARO	2010-2015
5	40040045		BUSHING, ISOLATION	1	CAMARO	2010-2015
6	40040044		BUSHING, ISOLATION	1	CAMARO	2010-2015
7	40037575		SEAL, OUTPUT	2	CAMARO	2010-2015
8	14012691		SPACER, PINION BEARING	1	CAMARO	2010-2015
9	40040071		BEARING ASM, TAPERED	2	CAMARO	2010-2015
10			PART OF INSTALL KIT 74010007	2	CAMARO	2010-2015
11	40038906		BEARING ASM, TAPERED	1	CAMARO	2010-2015
12			PART OF INSTALL KIT 74010007	1	CAMARO	2010-2015
13	40037661		RING & PINION GEARSET (3.27 RATIO)	1	CAMARO	2010-2015
13	40037664		RING & PINION GEARSET (3.45 RATIO)	1	CAMARO	2010-2015
13	40098654		RING & PINION GEARSET (3.91 RATIO)	1	CAMARO	2010-2015
14	40040049		GASKET	1	CAMARO	2010-2015
15	40040046		BUSHING	1	CAMARO	2010-2015
16	40033325		BOLT, COVERPAN	10	CAMARO	2010-2015
17	40066428		CONNECTOR, VENT HOSE	1	CAMARO	2010-2015
18	40007898		BOLT, SPECIAL RING GEAR	10	CAMARO	2010-2015
19	40053855		TRACRITE PC - DIFFERENTIAL ASM, LIMITED SLIP	1	CAMARO	2010-2015
20	40039752		PLUG, FILL/DRAIN	2	CAMARO	2010-2015

74010007 218 MM (8.6) GM REAR - MASTER INSTALL KIT

Camaro

MODEL YEAR 2010-2015

AAM PART #	O.E. PART #	DESCRIPTION	QTY
40053191		PINION SEAL	1
40037574		PINION NUT	1
14012691		COLLAPSIBLE SPACER	1
40061033		SERRATED RING GEAR BOLT W/ ADHESIVE	10
40040049		COVERPAN GASKET	1
40033325		COVERPAN BOLT	10
40037575		OUTPUT SEAL	2
14012708		ASSORTED PINION BEARING SHIMS	18
40032996		ASSORTED DIFFERENTIAL BEARING SHIMS	62
40040299		ASSORTED SHIMS	14
40039752		FILL PLUG	2
40066428		VENT CONNECTOR	1

74050017 218 MM (8.6) GM REAR - OUTPUT SEAL KIT

Camaro

MODEL YEAR 2010-2015

AAM PART #	O.E. PART #	DESCRIPTION	QTY
40037575		OUTPUT SEAL	2

74020014 218 MM (8.6) GM REAR - PINION SEAL KIT

Camaro

MODEL YEAR 2010-2015

AAM PART #	O.E. PART #	DESCRIPTION	QTY
14012691		SPACER - PINION BEARING	1
40037574		PINION NUT	1
40053191		PINION SEAL	1

74060018 218 MM (8.6) GM REAR - MASTER BEARING KIT

Camaro

MODEL YEAR 2010-2015

AAM PART #	O.E. PART #	DESCRIPTION	QTY
40038945		TAPERED CONE BEARING	1
40038946		TAPERED RACE BEARING	1
40040072		TAPERED RACE BEARING	2
40040073		TAPERED CONE BEARING	2
40057337		TAPERED CONE BEARING	1
40057338		TAPERED RACE BEARING	1
40053191		PINION SEAL	1

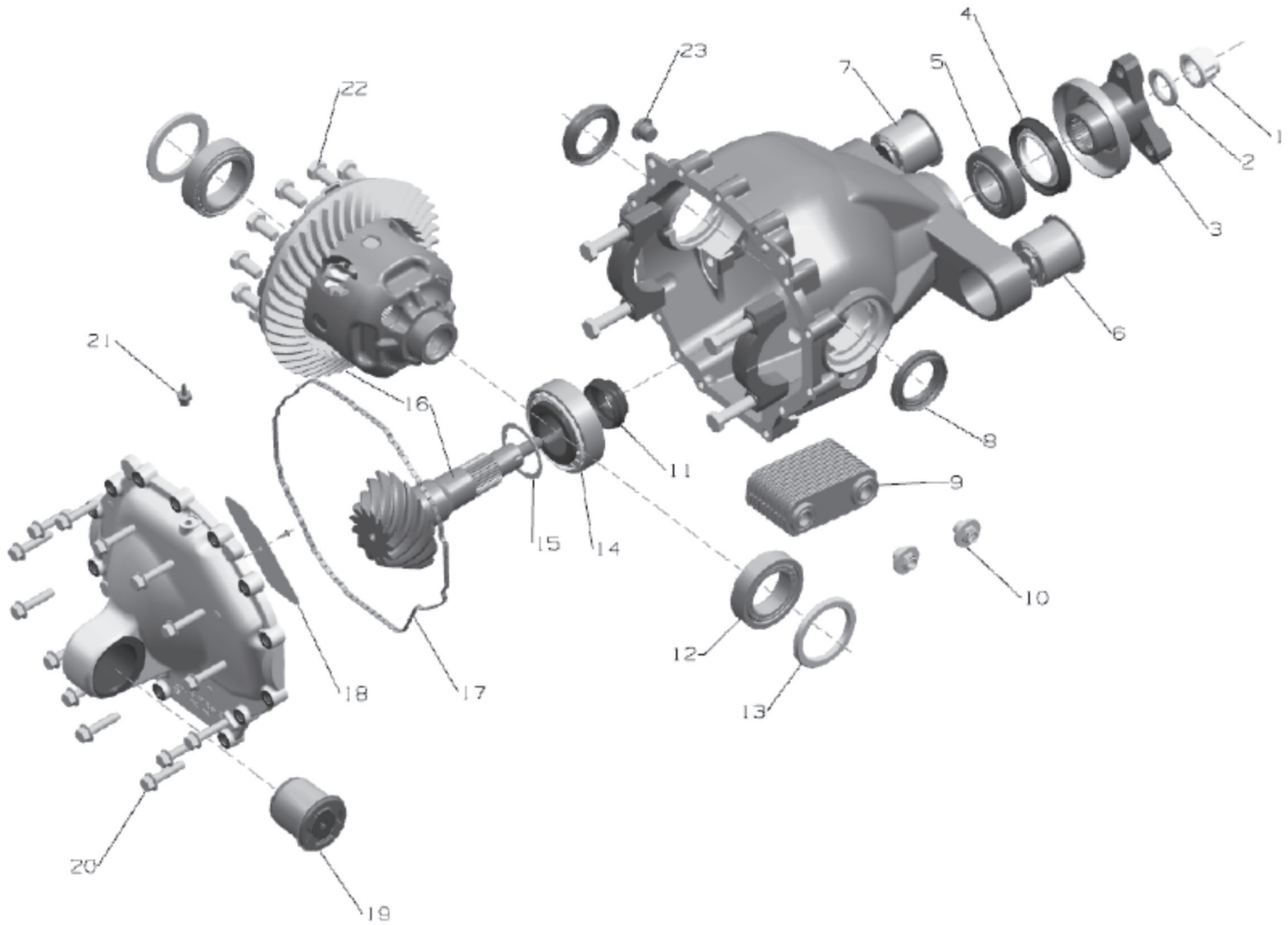


Demand the original.

Axle Components | Driveshaft Components | Repair Kits

AAM 250mm RDM

GM 250mm Rear Axle



VEHICLE REFERENCE GUIDE

ZETA CAMARO 2013+

AAM PART NUMBER	OE PART NUMBER	AAM RING & PINION GEARSETS	REQ	USAGE	MODEL YEAR
40090948		RING & PINION GEARSET 3:23 RATIO	1	CAMARO	2013+
40090947		RING & PINION GEARSET 3:73 RATIO	1	CAMARO	2013+

AAM PART NUMBER	OE PART NUMBER	AAM DIFF CASES	REQ	USAGE	MODEL YEAR
40104505	20964029	TRACRITE PC – DIFFERENTIAL ASM, LIMITED SLIP	1	CAMARO	2013+

AAM PART NUMBER	OE PART NUMBER	AAM COMPONENTS	REQ	USAGE	MODEL YEAR
40085863		PINION NUT	1	CAMARO	2013+
40071720		RING GEAR BOLT (M 14 X 1.5)	12	CAMARO	2013+
40088189		PINION FLANGE ASM	1	CAMARO	2013+
40069319		PINION SEAL	1	CAMARO	2013+
40088197		UNITIZED OUPUT SEAL	2	CAMARO	2013+
40090638		PINION BEARING SPACER	1	CAMARO	2013+

**74010036 GM 250MM CAMARO
MASTER INSTALL KIT**

Camaro ZL1

MODEL YEAR 2013+

AAM PART #	O.E. PART #	DESCRIPTION	QTY
40033325		COVERPAN BOLT	14
40060604		FILL/DRAIN PLUG	1
40069319		SEAL, PINION	1
40071720		RING GEAR BOLT, M14 X 1.5	12
40085863		PINION NUT	1
40066428		VENT HOSE CONNECTOR	1
40088193		RUBBER OVER METAL COVER GASKET	1
40088197		OUTPUT SEAL ASM	2
40090638		COLLAPSIBLE SPACER	1
40000294		CONE, BEARING	1
40000295		CUP, BEARING	1
40081079		BEARING, TAPERED CONE	2
40081080		BEARING, TAPERED RACE	2
40081331		BEARING, TAPERED CONE	1
40081332		BEARING, TAPERED RACE	1



Demand the original.

Axle Components | Driveshaft Components | Repair Kits

Vehicle Reference Guide

PASSENGER CARS

B-CAR	Caprice, Impala, Oldsmobile Custom Cruiser
C-CAR	Deville, Electra, Olds 98, Park Avenue
D-CAR	Fleetwood
D-LIMO	Cadillac, Limousine
F-CAR	Firebird, Camaro

VANS

G-VAN	Full-Size Van (also GMT-600), Express/Savana Full-Size Van (also GMT-600), Express/Savana
L-VAN	All-Wheel-Drive Van (Astro, Safari)
M-VAN	2-Wheel-Drive Van (Astro, Safari)

TRUCKS

BRAV	Bravada
C-TRUCK	4-Wheel-Drive Full-Size Truck & Utility
GMT-368	SSR
DODGE RAM	2003+
H2	Hummer
H3	Hummer GMT-345
GMT400	2- & 4-Wheel-Drive Full-Size Truck 1998-2000, Pickup Silverado, Sierra
GMT800	3- & 4-Wheel-Drive Full-Size Truck & Utility Beginning Year 2000, Silverado, Sierra
K-TRUCK	4-Wheel-Drive Full-Size Truck & Utility
• 1/2 Ton	Also Referenced As C/K 10 Or C/K 1500
• 3/4 Ton	Also Referenced As C/K 20 Or C/K 2500
• 1 Ton	Also Referenced As C/K 30 Or C/K 3500
WCC	Workhorse Custom Chassis

S/K TRUCK PLATFORMS

GMT-325	Pickup
GMT-330	Utilities
GMT-355	Pickup
GMT-360	Utilities
GMT-370	Utilities
TJ	Jeep Rubicon

C/K TRUCK PLATFORMS

GMT-400	Pickup Silverado, Sierra
GMT-420	Utilities Escalade/Denali/Tahoe/Yukon
GMT-430	Utilities Suburban/Yukon XL
GMT-800	Pickup Silverado, Sierra
GMT-820	Utilities Escalade/Denali/Tahoe/Yukon
GMT-830	Utilities Suburban/Yukon XL
MH	Motorhome
P-TRUCK	Light-Duty Commercial Truck, Mini-Motorhome
R-TRUCK	"C" Pickup (prior to '87)
S-TRUCK	2-Wheel-Drive Mid-Size Pickups and Blazers – Postal Trucks 1982-1985
T-TRUCK	4-Wheel-Drive Mid-Size Pickups and Blazers
V-TRUCK	"C" Pickup - 4WD (prior to '87)

Warranty

AAM warrants its products to be free from defects in workmanship and materials for a period of one (1) year (or such shorter period to be consistent with the period of warranty provided to Company by the manufacturer or seller of the product to Company) from the date of shipment to distributor when such parts are used on vehicles, the specifications of which have been approved by Company's Engineering Department. This limited warranty shall not be applicable when damage was caused by accident, abuse, improper maintenance, repair or improper installation. Company's liability under such warranty shall be limited to, at Company's option, repairing, replacing or giving credit for any products which, upon inspection by Company, are found by Company to have been defective in workmanship or materials. In no event will Company be liable for consequential, indirect, special or incidental damages.

In the event that Company decides to repair or replace any product, distributor will arrange for the delivery of the defective products to the Company's premises. In the event that the product is found by the Company to be defective, the Company shall bear the cost of such delivery.

OTHER THAN WARRANTY OF TITLE, THE AFORESAID WARRANTY IS IN LIEU OF ALL OTHER WARRANTIES, EXPRESSED OR IMPLIED, UNDER WHATEVER THEORY, AND COMPANY EXPRESSLY DISCLAIMS ANY WARRANTY OF MERCHANTABILITY OR FITNESS FOR A PARTICULAR PURPOSE.



Demand the original.

Axle Components | Driveshaft Components | Repair Kits

Safety Information



Warning – Failure to follow these instructions could affect vehicle performance and/or safety and result in personal injury or death.

- **Do not convert or alter American Axle & Manufacturing axles except in accordance with vehicle manufacturer's instructions.**

American Axle & Manufacturing axles are designed to meet OE vehicle manufacturers' design and performance specifications. Improper conversion or alteration of these axles can damage the axles and/or other vehicle systems. Contact the OE manufacturer for specific directions and guidelines.

- **Do not change axle gear ratios on vehicles with anti-lock braking systems except in accordance with the vehicle manufacturer's instructions.**

Vehicles with anti-lock braking systems may utilize sensors and tone rings with the axle housing to ensure the functioning of the anti-lock brakes. Improperly changing the axle ratios may defeat the anti-lock braking system. If changing axle ratios will require changing the location of the tone ring on the ring gear flange to the location of the sensor in the axle housing, contact the OE manufacturer for specific directions and guidelines.

- **Do not reuse or substitute ring gear bolts.**

If you reuse a ring gear bolt or substitute an inferior-quality bolt, the bolt may loosen or back out of its threaded hole, causing severe damage to the axle gears and other components and possibly resulting in a sudden "locking up" of the axle and loss of control of the vehicle. Always use new bolts specifically recommended for the application and install bolts using proper tools and torquing to the proper specifications.



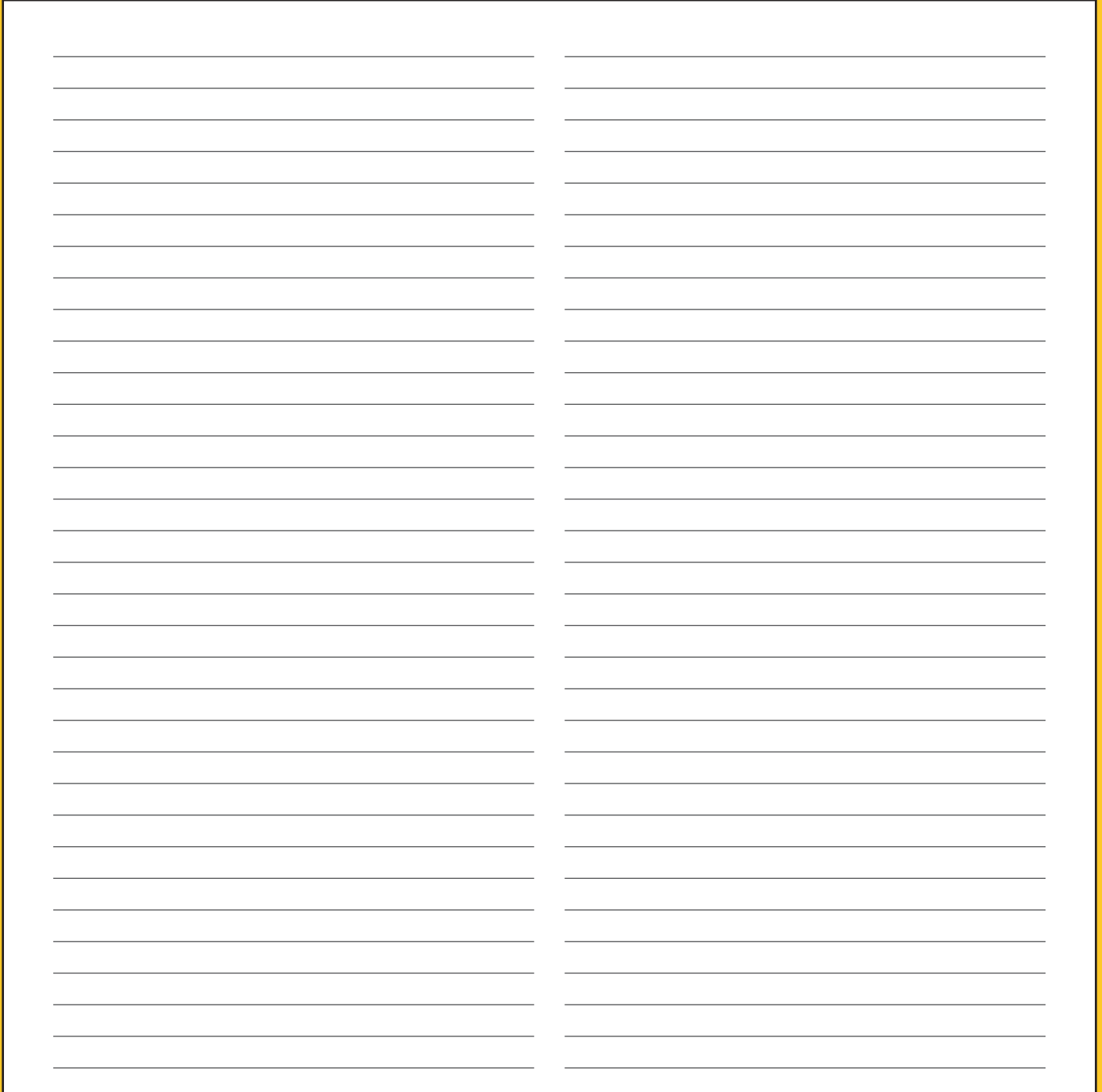
CAUTION – Use of non-American Axle & Manufacturing parts may result in product failure and personal injury.

American Axle & Manufacturing axles are designed for each model vehicle and manufactured and tested for safety and best performance. Replacement parts from other manufacturers may not be made to AAM's rigid quality standards. To be sure you're getting AAM quality, always use genuine AAM parts.



This symbol warns of possible personal injury.

Notes



A large white rectangular area with horizontal lines for writing, resembling a notebook page. It is divided into two columns by a vertical line down the center. Each column contains 25 horizontal lines, providing a structured space for notes.



Demand the original.

Axle Components | Driveshaft Components | Repair Kits

Notes

A large white rectangular area with a thin black border, designed for handwritten notes. It contains two vertical columns of horizontal lines, each column consisting of 24 lines.



Demand the original.

Axle Components | Driveshaft Components | Repair Kits

**Visit www.DemandAAM.com to locate
an AAM distributor in your area.**