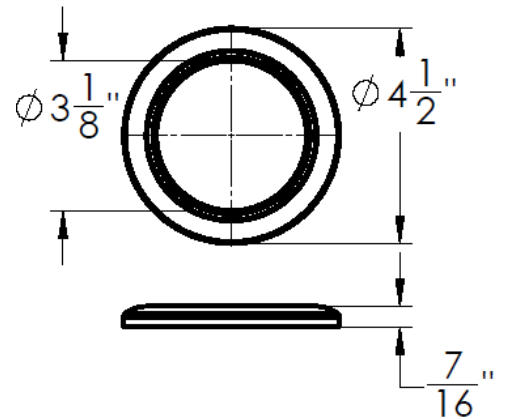
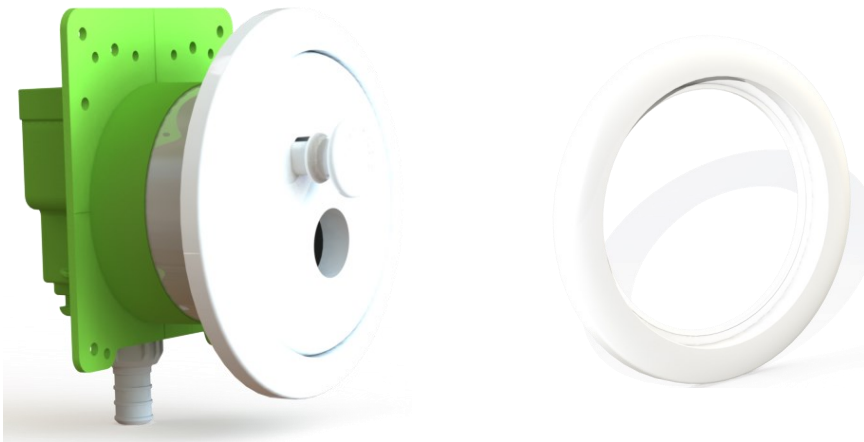
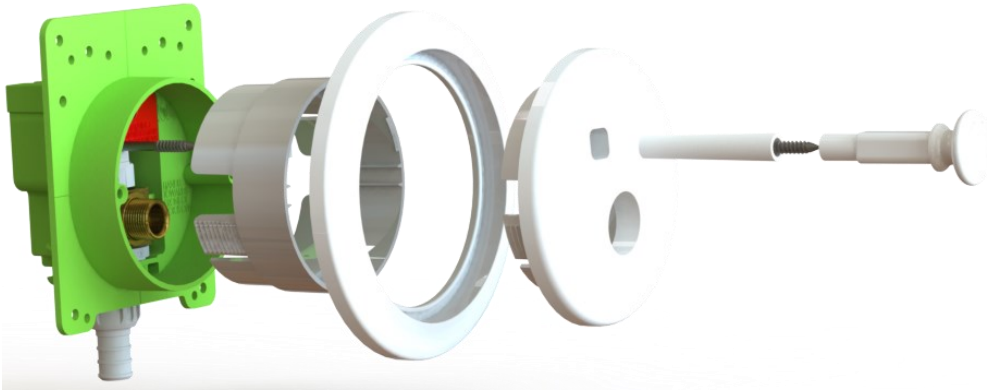
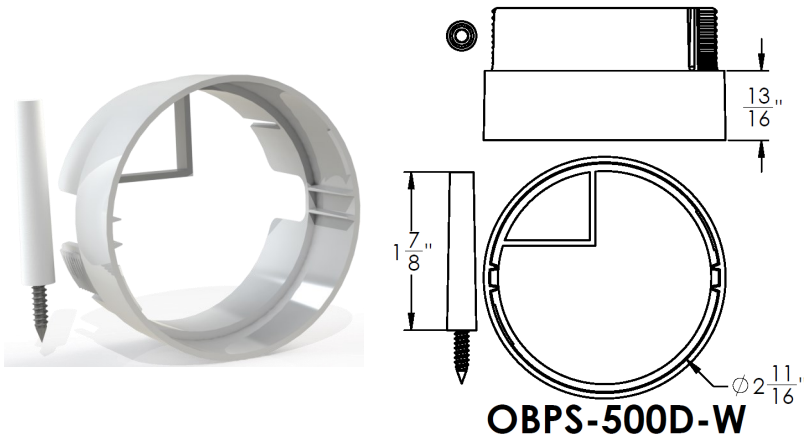


PULL STOP BOX™ Accessories Specification Sheet



P-06923



3689 Arrowhead Drive, Carson City, NV 89706
 Phone: (800) 854-3215 | Fax: (800) 243-1777
 E-mail: sales@lspproducts.com | Website: www.lspproducts.com
 Content matter is subject to change at any time. It is the user's
 responsibility to ensure the most updated revisions are obtained.
 SP/SH (11/19) Rev 1

Product Submittal	
Job Name:	
Date:	
Part Number	Quantity
Architect:	
Contractor:	



Uses

- For deep installations with multiple layers of drywall or a cabinet back, please use OBPS-500D-W as an escutcheon/handle extension
- When the drywall is not accurately cut and you need a larger escutcheon, use P-06923 “Goof proof” OD escutcheon extension
- For side by side installations, use P-06930 dual escutcheon extension
- When you need a dual outlet for a dishwasher or other application, use PSB Tee P-06735
- For assistance in tightening nuts, us PSB tools. (do not overtighten)



3689 Arrowhead Drive, Carson City, NV 89706
 Phone: (800) 854-3215 | Fax: (800) 243-1777
 E-mail: sales@lspproducts.com | Website: www.lspproducts.com
 Content matter is subject to change at any time. It is the user's responsibility to ensure the most updated revisions are obtained.
 SP/SH (11/19) Rev 1

**PULL STOP BOX™
 Accessories
 Specification Sheet**

ACCESSORIES/REPLACEMENT PARTS	
P-06923	Escutcheon Extension - Can be used with any trim kit to cover any excessively large holes in the drywall up to 4.5" diameter hole. MUST BE USED WITH AN EXISTING TRIM KIT
P-06930	Dual Escutcheon Extension - For side by side installations. Can be used with any 2 trim kits to cover any excessively large holes in the drywall up to 4.5" diameter hole. MUST BE USED WITH EXISTING TRIM KITS
P-06878-LL	3/8" Compression, 1/4 Turn Replacement Valve, Lead Free
OBPS-500D-W	Escutcheon depth Extension Kit, .8" additional depth for cabinet backs and/or for more than two layers of drywall
P-06926	Extension rod for PSB handle for deep installations
OBPS-TOOL-1	Tee Shaped Wrench, for 3/8" Comp Nut Wrench, Stamped
OBPS-TOOL-3	Heavy Duty Tee Shaped Wrench, for 3/8" Comp Nut Wrench, Forged
P-06735	Tee Splitter, Female 3/8" Comp X 2X Male 3/8" Comp for Dishwasher and hot water applications
AUXILIARY FIXTURING	
P-1078-18	18" Straight HYCO bar
P-1078-26	26" Straight HYCO bar
P-1090	Boss Bar™ - 10" to 18" adjustable sliding bracket
P-1093	Boss Bar™ - 13" to 24" adjustable sliding bracket

Product Submittal	
Job Name:	
Date:	
Part Number	Quantity
Architect:	
Contractor:	