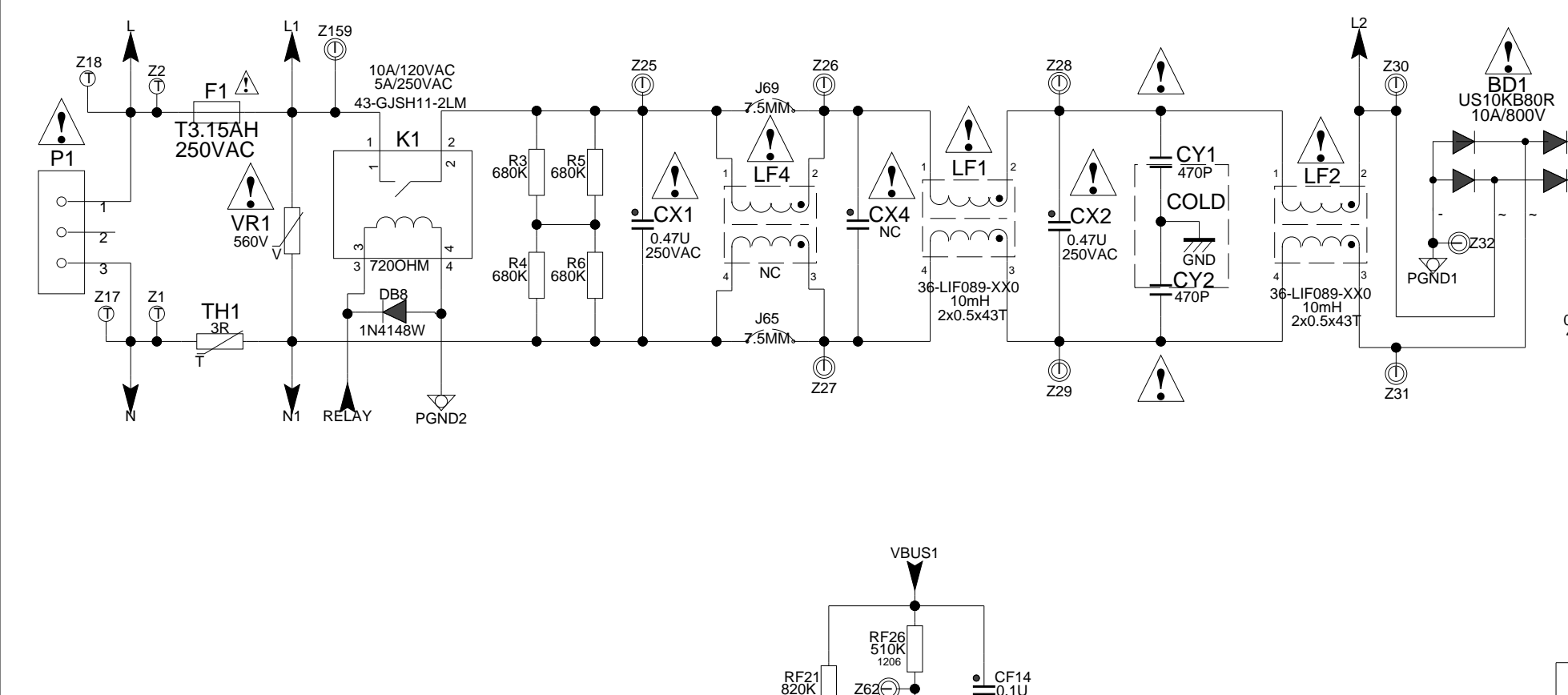
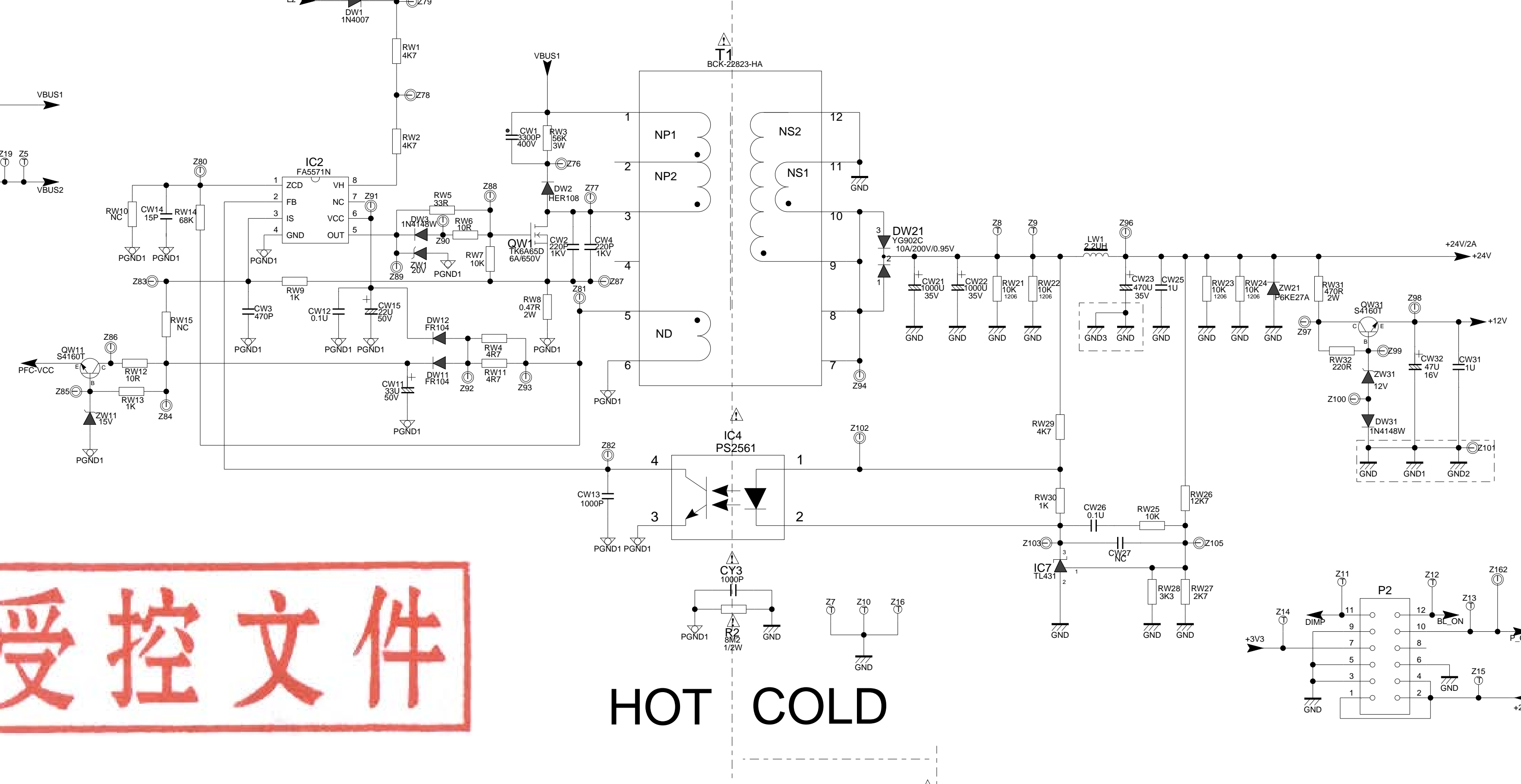


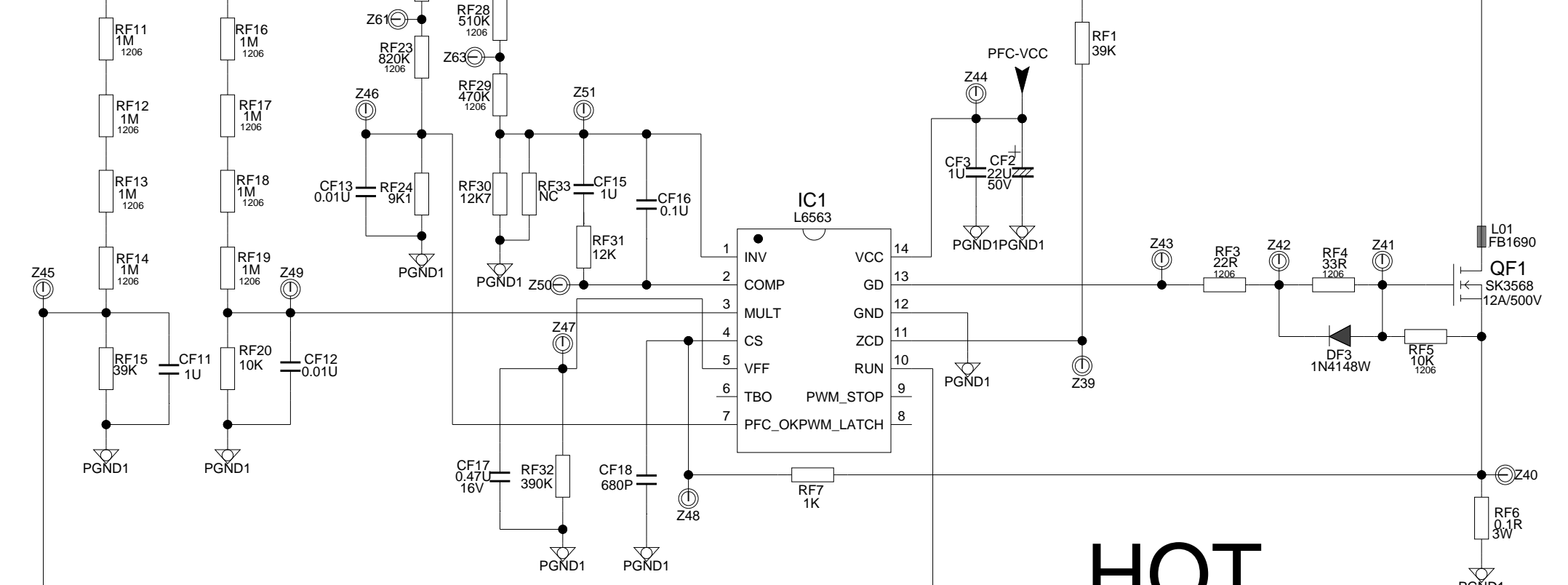
AC Filter Section



PWM Section (FA5571)



PFC Section (L6563)



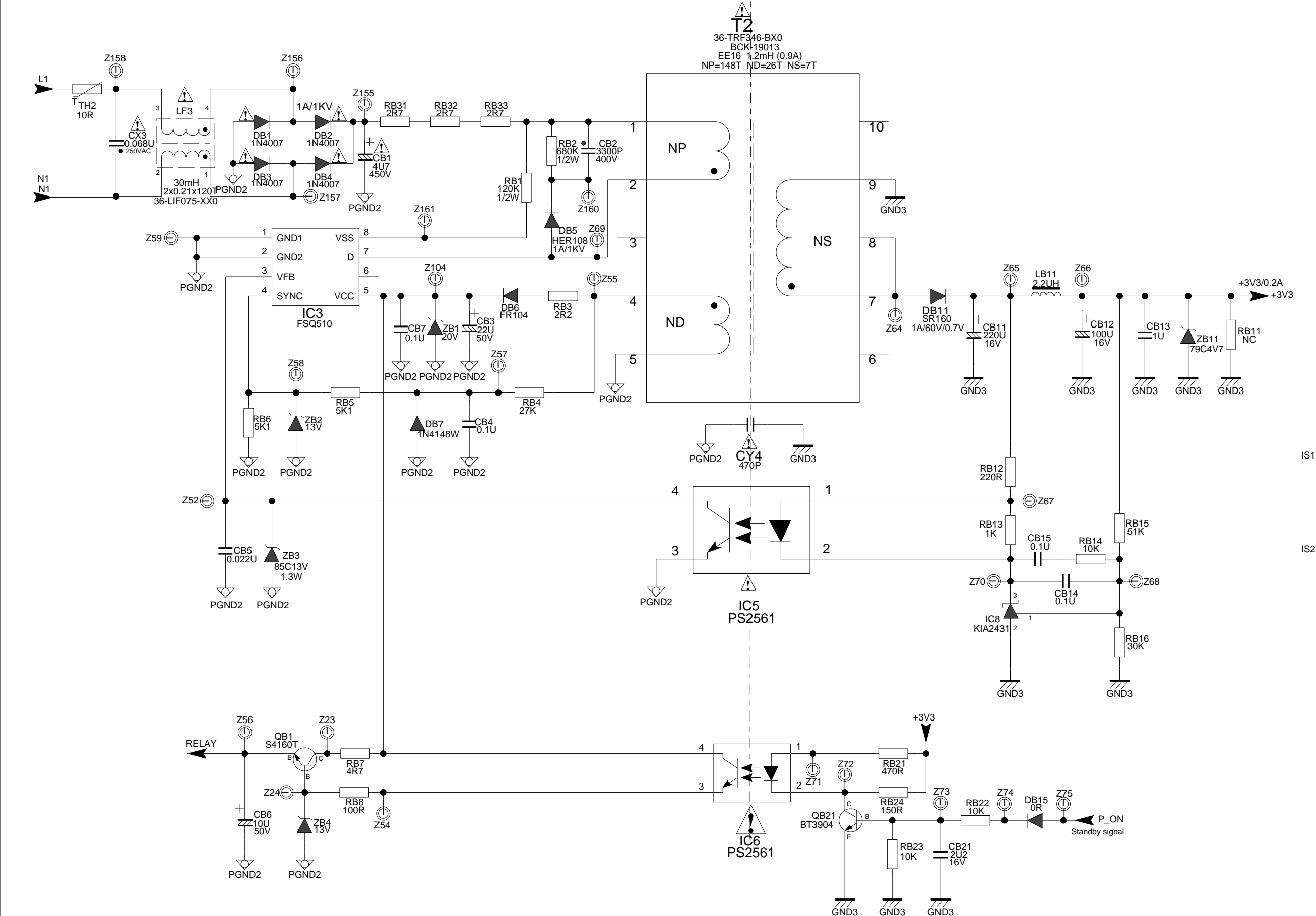
受控文件

HOT COLD

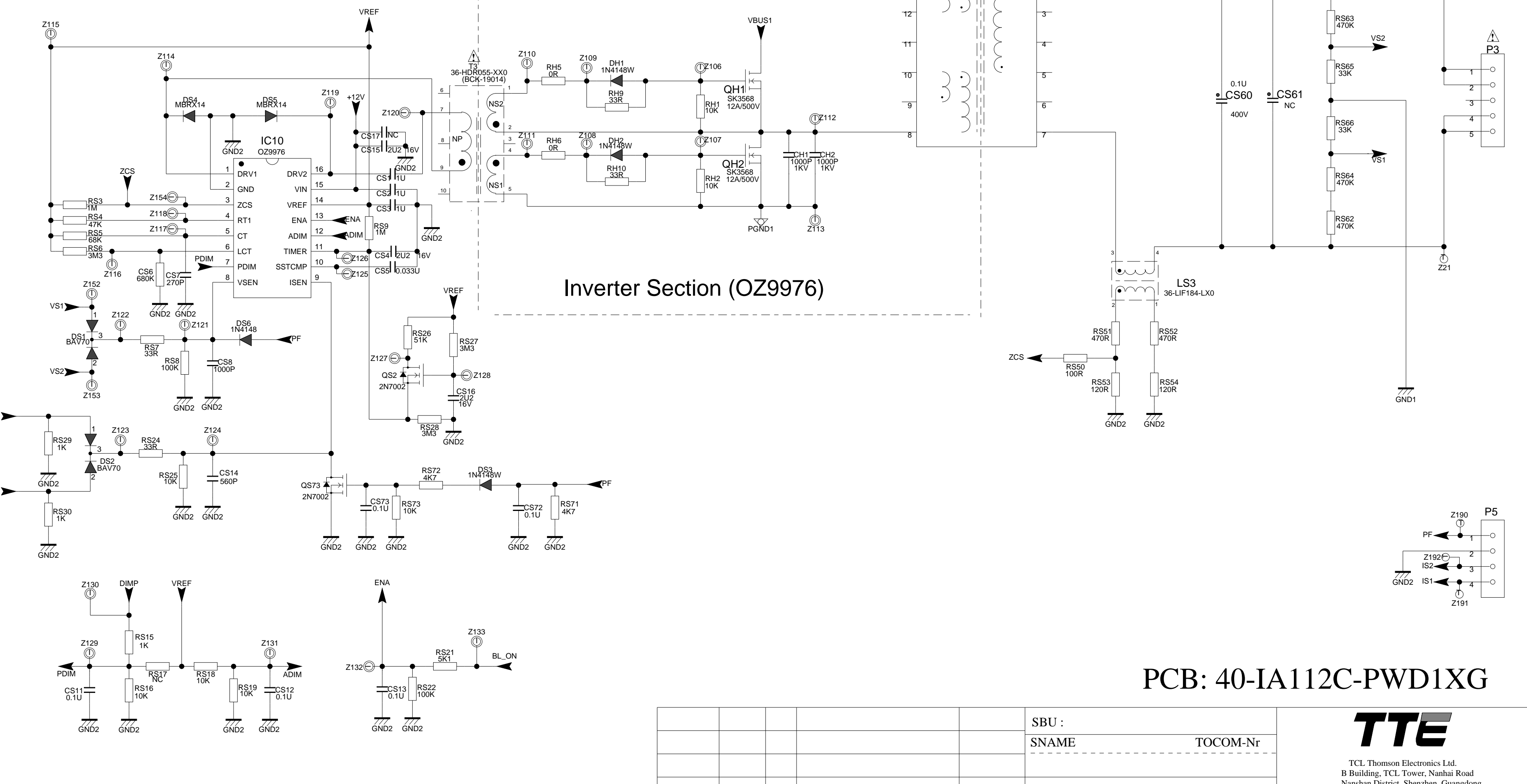
HOT

COLD

Stand-by Section (FSQ510)



Inverter Section (OZ9976)



PCB: 40-IA112C-PWD1XG

Index-Lab				DATE	NAME	DESCRIPTION	Last modif
SBU :				SNAME TOCOM-Nr			
DESIGNATION				DRAWN			
ON: BY:				CHECKED			
PAGE:				OF :			

Last saved : 2010-05-24

TTE TCL Thomson Electronics Ltd. B Building, TCL Tower, Nanhai Road Nanshan District, Shenzhen, Guangdong Tel +86-755-3331xxxx Fax +86-755-3331xxxx