



Perrin & Rowe® Exposed Shower Package

ROHL Perrin & Rowe® Bath

U.KIT3L (Lever Handles)

U.KIT3X (Cross Handles)

FEATURES

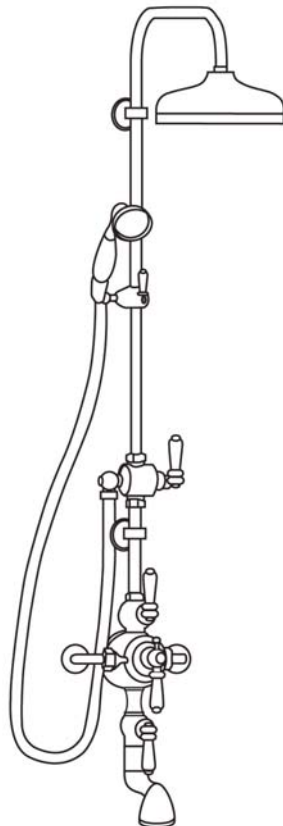
- Shower package components:
 - U.3552L or U.3556X - Exposed Therm Mixer
 - U.5373 - Diverter, Handshower, & Parking Bracket
 - U.5381 - 63" Riser
 - U.5205 - 8" Showerhead

COLORS/FINISHES

- Polished Chrome
- Polished Nickel
- Satin Nickel
- English Bronze
- Inca Brass

WARRANTY

- See individual component specs for warranty





Exposed Wall Mounted Thermostatic Tub/Shower Mixer with Lever Handles

ROHL Perrin & Rowe Bath

U.3552L

FEATURES

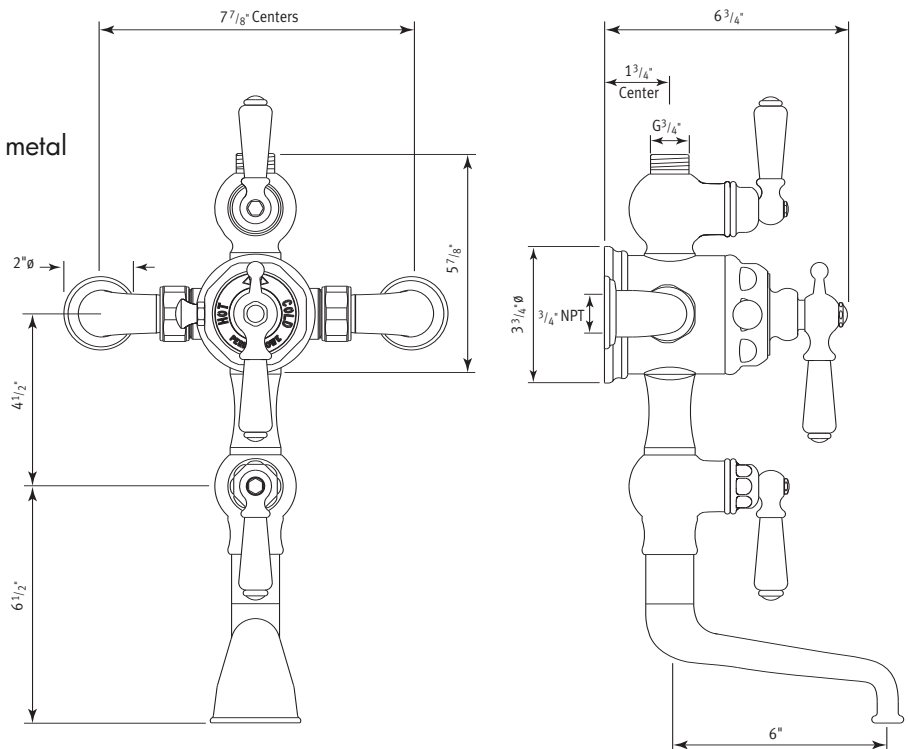
- Tub spout with 1/4-turn volume control pre-mounted
- Inlets 7 7/8" center-to-center
- Inlets 3/4" female NPT
- Inlets fitted with non return valves and strainers
- True 3/4" inlets and waterways for high output
- CNC machined from solid brass bar stock—not cast
- Exposed thermostatic valve
- Volume control
- 14-16 GPM
- Includes both porcelain and metal lever inserts

FINISHES

- Polished Chrome
- Polished Nickel
- Satin Nickel
- Inca Brass
- English Bronze

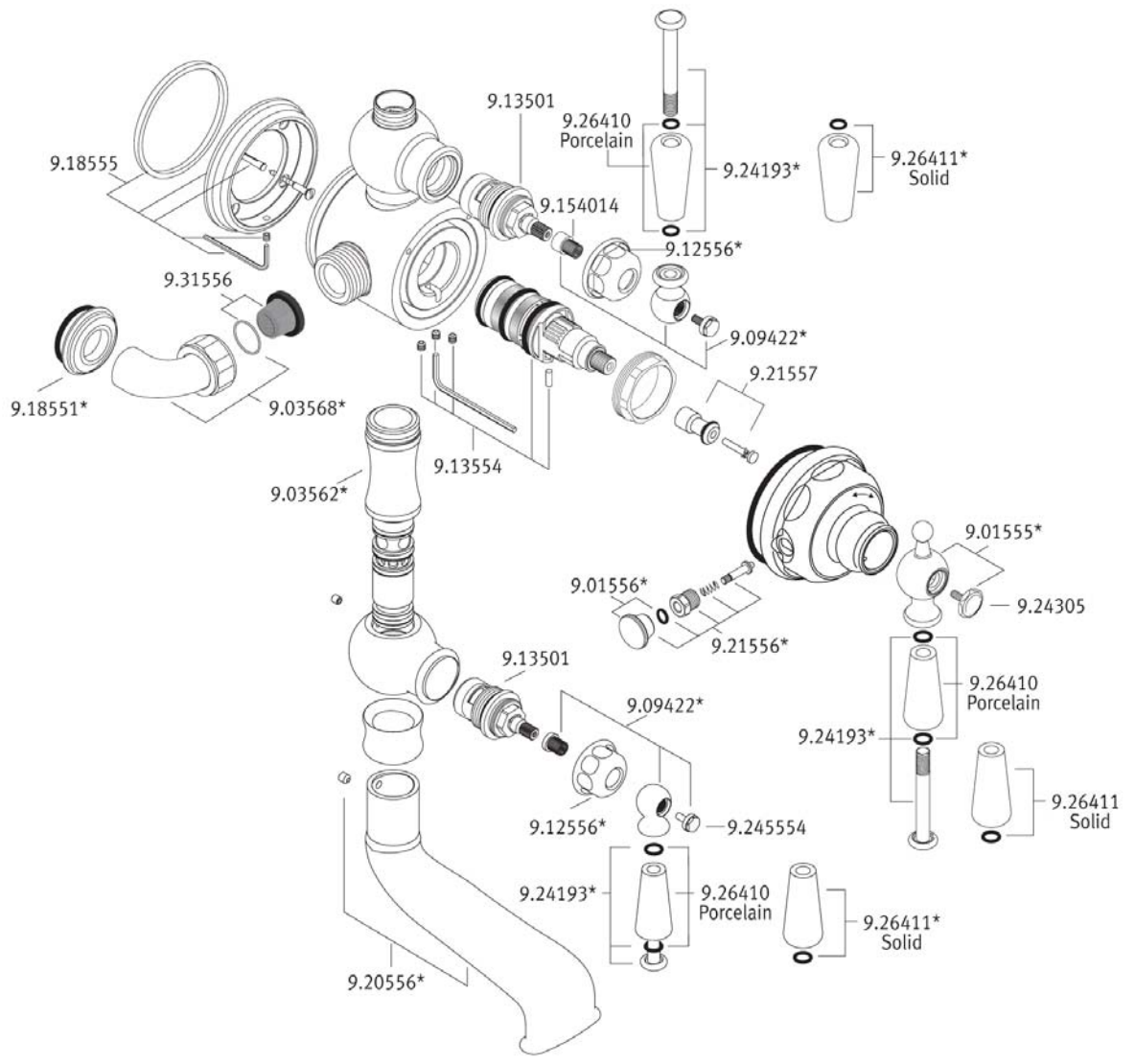
WARRANTY

- Limited Lifetime



U.3552L Spare Parts

Where * Indicated Specify Color.





Riser Diverter Kit Including U.5383 And U.5394

ROHL Perrin & Rowe Bath

U.5373 (Porcelain levers and Handshower) U.5373LS (Metal levers and handshower)

FEATURES

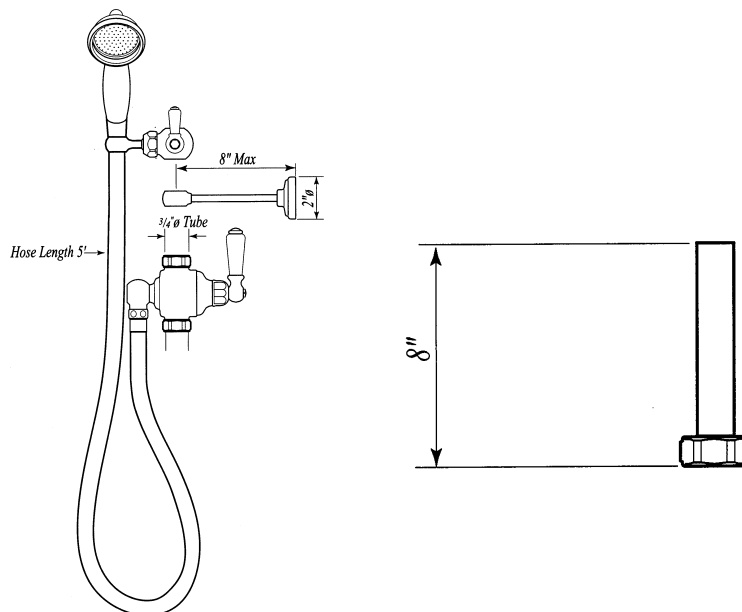
- 8" riser outlet and riser diverter package for exposed thermostatic shower package or exposed tub/shower valve packages
- 60" hose

COLORS/FINISHES

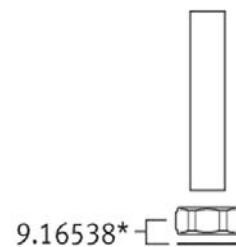
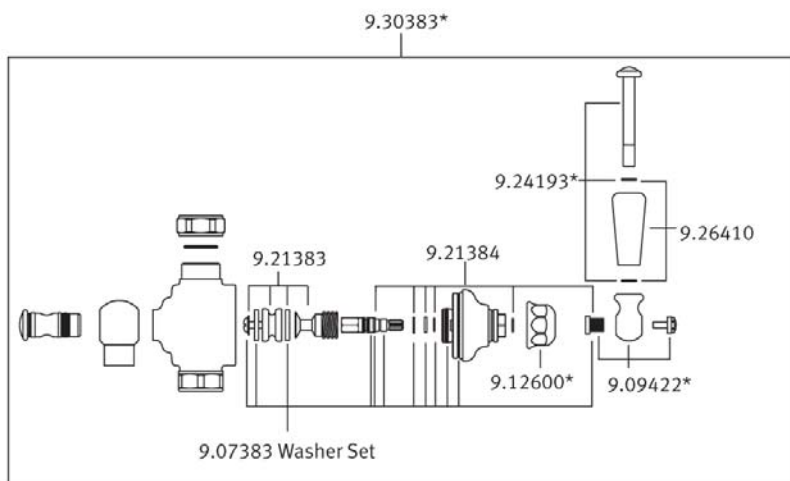
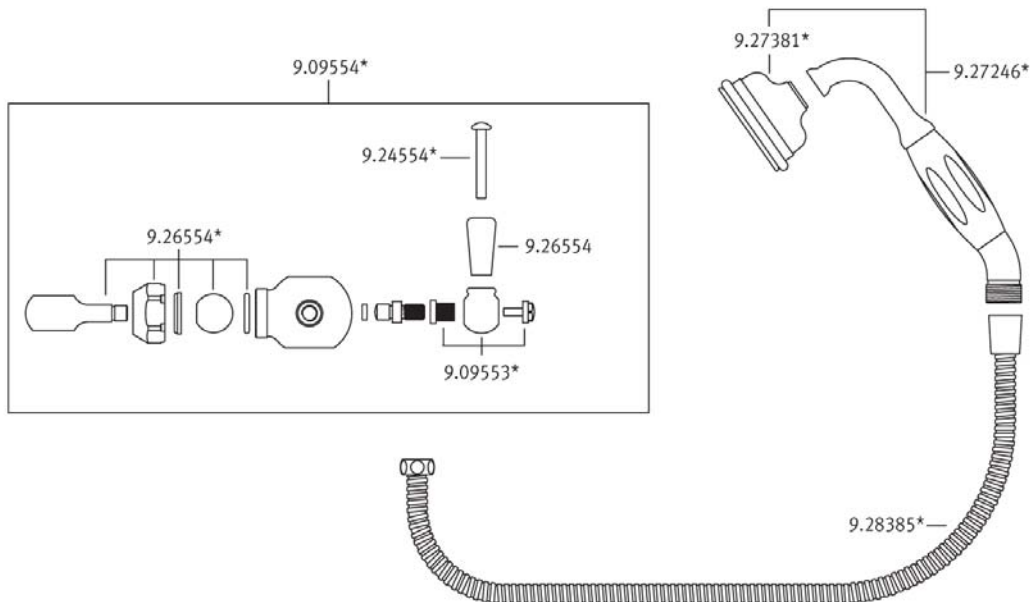
- Polished Chrome
- Polished Nickel
- Satin Nickel
- English Bronze
- Inca Brass

WARRANTY

- Limited Lifetime



U.5373 Spare Parts



Specification



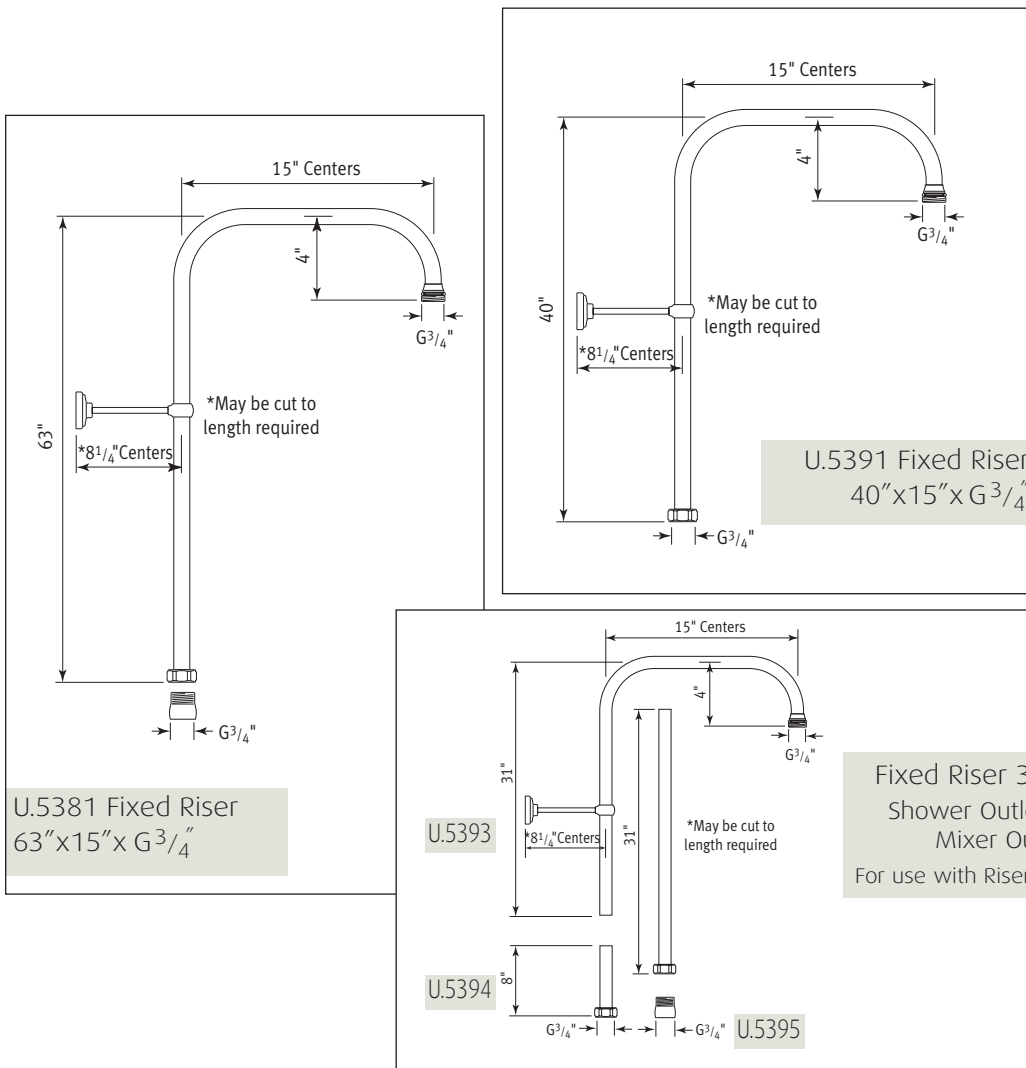
U.5381 • U.5391 • U.5393/4/5

Fixed Riser - 63"x15"x G^{3/4}" - 40"x15"x G^{3/4}" - 31"x15"x G^{3/4}"
 Shower Outlet, Tub/Shower Mixer Outlet Connector



Finishes

- Polished Chrome
- Polished Nickel
- Satin Nickel
- Inca Brass
- Polished Chrome/Inca Brass
- Satin Nickel/Inca Brass
- Polished Nickel/Inca Brass



Packed Weight:

- U.5381 3.2Kg / 7lbs
- U.5391 1.9Kg / 4lbs
- U.5393 1.8Kg / 4lbs
- U.5394 0.2Kg / 1/2lbs
- U.5395 0.5Kg / 1lbs

Temp Range:

- Min 1°C / 34°F
- Max 85°C / 185°F

Recommended working pressure:

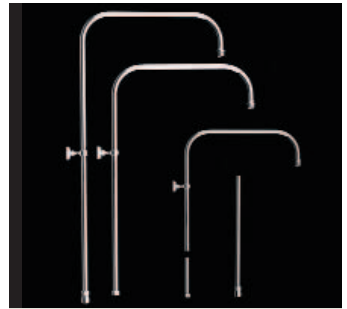
- Min 1 bar / 15psi
- Max 5 bar / 75 psi

Specification



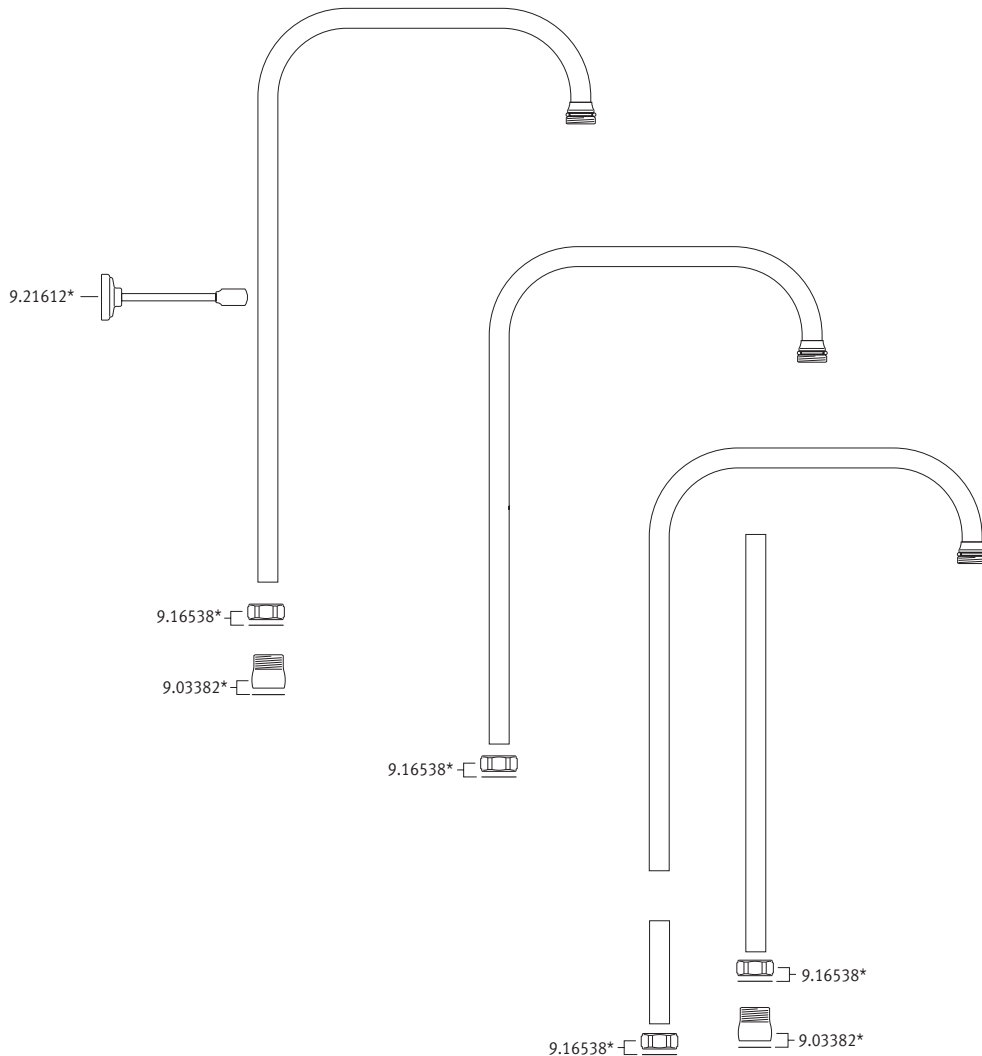
U.5381 • U.5391 • U.5393/4/5

Fixed Riser - 63"x15"x G³/₄" - 40"x15"x G³/₄" - 31"x15"x G³/₄"
Shower Outlet, Tub/Shower Mixer Outlet Connector



Parts Breakdown

Where * Indicated Specify Color.





8" Showerhead

ROHL Perrin & Rowe® Bath

U.5205

FEATURES

- Large 8" diameter faceplate
- Single function rain spray pattern
- Body constructed of brass
- 3/4" NPSM connection

COLORS/FINISHES

- Polished Chrome
- Polished Nickel
- Satin Nickel
- Inca Brass
- English Bronze

WARRANTY

- Two years on manufacturer defects

