

www.electroney.cn 



LLC MAKER ELECTRONEY CHARGER

High-end electric mobility charger manufacturer

GUANGZHOU ELECTRONEY CORPORATION

OUR PATH



01 36V2A

E-scooter/E-bike Charger

MODEL:C80

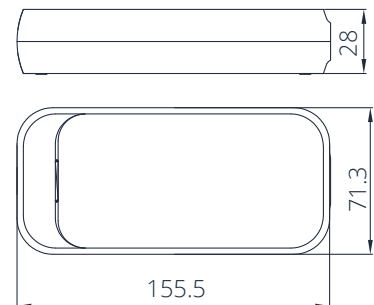


UL62368-1, TUV EN62368-1, EN55032 /EN55035 FCC PART 15B, J62368-1(2020), J55032(H29):J3000(H25), EN60335-2-29.

FEATURE

- ▶ Charger for Li-Ion batteries(lithium iron, lithium manganese and Li-NiCoMn)
- ▶ **AC input range:** 90VAC~264VAC 50/60HZ, 2.0A
- ▶ **Efficiency:** >89% @230VAC 100% Load
- ▶ **Protections:** Short circuit/Over voltage/Over power/reverse polarity/No spark
- ▶ **Operating temperature:** -20~40°C(-4°F~104°F)
- ▶ Fanless design, cooling by free convection
- ▶ Fully enclosed plastic case
- ▶ **Weight:** 0.38kg

SIZE



Model list

Model	Rated output voltage(VDC)	Rated output current(A)	Max.output power(W)
C80-VxxxAyy	12.0-16.8	1.0-4.0	67.2
	24.0-29.4	1.0-3.0	88.2
	36.0-42.0	1.0-2.0	84.0
	48.0-54.6	1.0-1.5	81.9

Note:

"xxx"=120-168 or 240-294 or 360-420 or 480-546stands for rated output voltage 12.0-16.8VDC or 24.0-29.4 VDC or 36.0-42.0VDC or 48.0-54.6VDC with step of 0.1V;
 "yy"=10-40 stands for rated output current 1.0-4.0A with step of 0.1A.

02 48V2A E-Bike/Cargo Charger

MODEL:C120

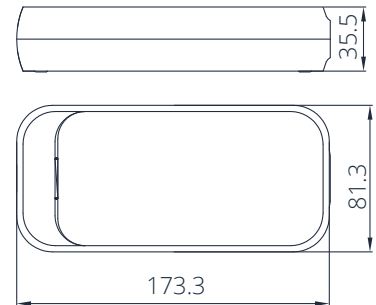


UL62368-1, TUV EN62368-1, EN55032 /EN55035 FCC PART 15B, J62368-1(2020), J55032(H29):J3000(H25), EN60335-2-29.

FEATURE

- ▶ Charger for Li-Ion batteries(lithium iron, lithium manganese and Li-NiCoMn)
- ▶ **AC input range:** 90VAC~264VAC 50/60HZ, 2.5A
- ▶ **Efficiency:** >89% @230VAC 100% Load
- ▶ **Protections:** Short circuit/Over voltage/Over power/reverse polarity/No spark
- ▶ **Operating temperature:** -20~40°C(-4°F~104°F)
- ▶ Fanless design, cooling by free convection
- ▶ Fully enclosed plastic case ▶ **Weight:** 0.5kg

SIZE



Model list

Model	Rated output voltage(VDC)	Rated output current(A)	Max.output power(W)
C120-VxxxAyy	12.0-16.8	1.0-5.0	84.0
	24.0-29.4	1.0-4.0	117.6
	36.0-43.8	1.0-3.0	131.4
	48.0-54.6	1.0-2.0	109.2
	60.0-84.0	1.0-1.5	126.0

Note:

"xxx"=252-294 or 420-438 or 480-546 or 600-840 stands for rated output voltage 25.2-29.4VDC or 42.0-43.8 VDC or 48.0-54.6VDC or 60.0-84.0VDC with step of 0.1V;

"yy"=10-50 stands for rated output current 1.0-5.0A with step of 0.1A.

03 48V3A Digital Power Charger

MODEL:C150

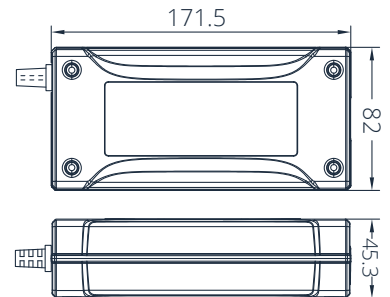


UL62368-1, TUV EN62368-1, EN55032 / EN55035 FCC PART 15B, J62368-1(2020), J55032(H29):J3000(H25), EN60335-2-29.

FEATURE

- ▶ Charger for Li-Ion batteries(lithium iron, lithium manganese and Li-NiCoMn)
- ▶ **AC input range:** 90VAC~264VAC 50/60HZ, 2.0A
- ▶ **Efficiency:** Maximum up to 94% @230VAC 100% Load
- ▶ **Protections:** Short circuit/Over voltage/Over power/reverse polarity/No spark
- ▶ **Operating temperature:** -20~40°C(-4°F~104°F)
- ▶ Fanless design, cooling by free convection
- ▶ Built-In Active PFC, PF>0.9@220VAC
- ▶ Fully enclosed plastic case
- ▶ **Weight:** 0.8kg

SIZE



Model list			
Model	Rated output voltage(VDC)	Rated output current(A)	Max.output power(W)
C150-VxxxAyy	12.0-16.8	1.0-6.0	100.8
	24.0-29.4	1.0-5.0	147.0
	36.0-42.0	1.0-4.0	168.0
	42.1-43.8	1.0-3.5	153.3
	48.0-54.6	1.0-3.0	163.8
	60.0-73.0	1.0-2.0	146.0

Note:
 "xxx"=120-168 or 240-294 or 360-438 or 480-546 or 600-730 stands for rated output voltage 12.0-16.8VDC or 24.0-29.4 VDC or 36.0-43.8VDC or 48.0-54.6 VDC or 60.0-73.0VDC with step of 0.1V;
 "yy"=10-60 stands for rated output current 1.0-6.0A with step of 0.1A.

04 36V2A

E-scooter/E-bike Intelligent Charger

MODEL:XT8

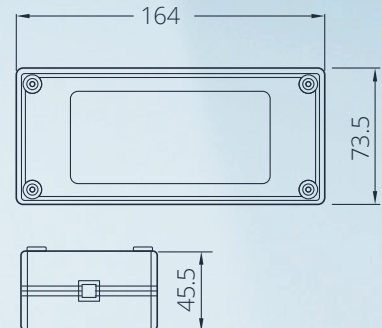


UL 62368-1:2014 Ed.2, EN60335-1:2012/A2:2019, EN60335-2-29:2004/A11:2018, EN62233:2018, AfPS GS 2019:01 PAK fcc part 15B Class B per section 15.107, EN55014-1, EN55014-2, EN IEC 61000-3-2 and EN 61000-3-3

FEATURE

- ▶ Charger for Li-Ion batteries(lithium iron, lithium manganese and Li-NiCoMn) and lead-acid batteries(flooded, Gel and AGM)
- ▶ **AC input range:** 90VAC~264VAC 45~65HZ
- ▶ **Efficiency:** ≥89% ▶ **Weight:** 0.5kg ▶ Fully enclosed plastic case
- ▶ **Protections:** Short circuit/Over voltage/Over power/Over temperature /reverse polarity/No spark
- ▶ **Operating temperature:** -20~40°C(-4°F~104°F)
- ▶ MCU embedded intelligent control
- ▶ Fanless design, cooling by free convection

SIZE



Model	Nominal voltage(V)	Maximum charging voltage(V)	Maximum charging current(A)	Max.output power(W)
XT8V420A020	36	42	2	84
XT8V292A025	24	29.2	2.5	73
XT8V294A025	24	29.4	2.5	73.5

05 48V2.2A

E-Bike/Cargo Intelligent Charger

MODEL:XT12

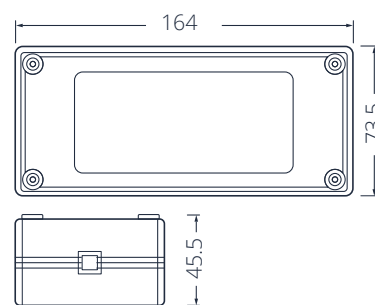


UL 62368-1:2014 Ed.2, EN60335-1:2012/A2:2019, EN60335-2-29:2004/A11:2018, EN62233:2018, AfPS GS 2019:01PAK fcc part 15B Class B per section 15.107, EN55014-1, EN55014-2, EN IEC 61000-3-2 and EN 61000-3-3

FEATURE

- ▶ Charger for Li-Ion batteries(lithium iron, lithium manganese and Li-NiCoMn) and lead-acid batteries(flooded, Gel and AGM)
- ▶ **AC input range:** 90VAC~264VAC 45~65HZ
- ▶ **Protections:** Short circuit/Over voltage/Over power/Over temperature /reverse polarity/No spark
- ▶ **Operating temperature:** -20~40°C(-4°F~104°F) ▶ **Efficiency:** ≥90%
- ▶ MCU embedded intelligent control ▶ Fully enclosed plastic case
- ▶ Fanless design, cooling by free convection ▶ **Weight:** 0.6kg
- ▶ Built-In Active PFC, PF>0.9@220VAC

SIZE

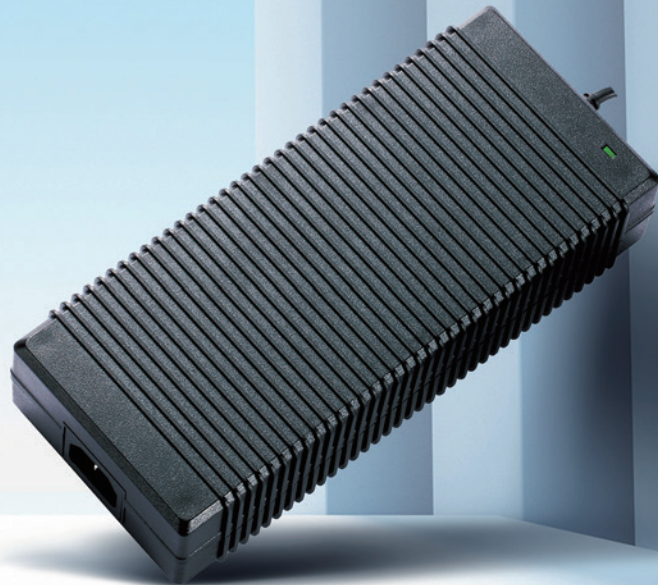


Model	Nominal voltage(V)	Maximum charging voltage(V)	Maximum charging current(A)	Max.output power(W)
XT12V292A035	24	29.2	3.5	102.2
XT12V294A035	24	29.4	3.5	102.9
XT12V420A030	36	42	3	126
XT12V438A030	36	43.8	3	131.4
XT12V546A022	48	54.6	2.2	120.1
XT12V584A022	48	58.4	2.2	128.4
XT12V588A022	48	58.8	2.2	129.3

06 48V6A

E-Bike/Cargo Intelligent Charger

MODEL:XT36

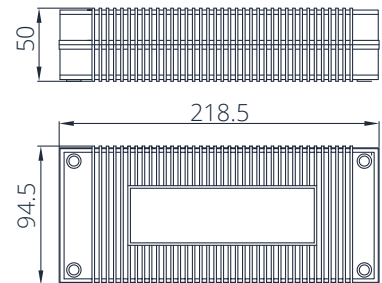


UL 62368-1:2014 Ed.2, EN60335-1:2012/A2:2019, EN60335-2-29:2004/A11:2018, EN62233:2018, AfPS GS 2019:01PAK
fcc part 15B Class B per section 15.107, EN55014-1, EN55014-2, EN IEC 61000-3-2 and EN 61000-3-3

FEATURE

- ▶ Charger for Li-Ion batteries(lithium iron, lithium manganese and Li-NiCoMn) and lead-acid batteries(flooded, Gel and AGM)
- ▶ **AC input range:** 90VAC~264VAC 45~65HZ ▶ **Efficiency:** ≥90%
- ▶ **Protections:** Short circuit/Over voltage/Over power/Over temperature /reverse polarity/No spark
- ▶ **Operating temperature:** -20~40°C(-4°F~104°F) ▶ **Weight:** 1.3kg
- ▶ MCU embedded intelligent control ▶ Built-In Active PFC, PF>0.9@220VAC
- ▶ Fully enclosed plastic case ▶ Fanless design, cooling by free convection

SIZE



Model	Nominal voltage (V)	Maximum charging voltage(V)	Output Current @100-120Vac(A)	Output Current @200-240Vac(A)	Max.output power(W)
XT36V292A100	24	29.2	0.1-8.0	0.1-10	292
XT36V294A100	24	29.4	0.1-8.0	0.1-10	294
XT36V420A080	36	42	0.1-6.0	0.1-8.0	336
XT36V438A080	36	43.8	0.1-6.0	0.1-8.0	350.4
XT36V546A070	48	54.6	0.1-4.0	0.1-6.0	327.6
XT36V584A070	48	58.4	0.1-4.0	0.1-6.0	350.4
XT36V588A070	48	58.8	0.1-4.0	0.1-6.0	352.8
XT36V672A050	60	67.2	0.1-3.7	0.1-5.0	336
XT36V714A050	60	71.4	0.1-3.7	0.1-5.0	357
XT36V840A045	72	84	0.1-3.2	0.1-4.5	378

07 48V6A 300W Intelligent Charger

MODEL:XT30

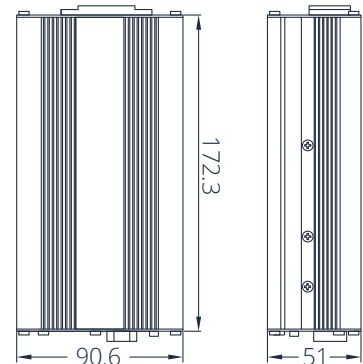


UL62368-1, TUV EN62368-1, EN55032 /EN55035 FCC PART 15B, J62368-1(2020), J55032(H29):J3000(H25).

FEATURE

- ▶ Charger for Li-Ion batteries(lithium iron, lithium manganese and Li-NiCoMn) and lead-acid batteries(flooded, Gel and AGM)
- ▶ **AC input range:** 90VAC~264VAC 45~65HZ
- ▶ **Efficiency:** ≥90% ▶ **Weight:** 1.1kg ▶ Aluminum shell case
- ▶ **Protections:** Short circuit/Over voltage/Over power/Over temperature /reverse polarity/No spark
- ▶ **Operating temperature:** -20~40°C(-4°F~104°F) ▶ Cooling by fan
- ▶ MCU embedded intelligent control ▶ Optional with OLED display
- ▶ Built-In Active PFC, PF>0.9@220VAC

SIZE



Model	Nominal voltage(V)	Maximum charging voltage(V)	Maximum charging current(A)	Max.output power(W)
XT30V292A080	24	29.2	8~10	292
XT30V294A100	24	29.4	8~10	294
XT30V420A070	36	42	6~7	294
XT30V546A060	48	54.6	5~6	327.6
XT30V584A050	48	58.4	4~5	292
XT30V588A050	48	58.8	4~5	294
XT30V672A040	60	67.2	3~4	268.8
XT30V714A040	60	71.4	3~4	285.6
XT30V730A040	60	73	3~4	292
XT30V840A040	72	84	3~4	336

08 48V8~12A 480W~714W Charger

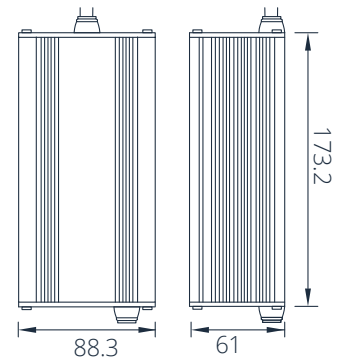
MODEL:C600M



FEATURE

- ▶ Charger for Li-Ion batteries(lithium iron, lithium manganese and Li-NiCoMn) and lead-acid batteries(flooded, Gel and AGM)
- ▶ **AC input range:** 90VAC~132VAC / 200VAC~264VAC 45~65HZ
- ▶ **Efficiency:** ≥90% ▶ **Weight:** 1.2kg ▶ Aluminum shell case
- ▶ **Protections:** Short circuit/Over voltage/Over power/Over temperature /reverse polarity/No spark
- ▶ **Operating temperature:** -20~40°C(-4°F~104°F) ▶ Cooling by fan
- ▶ MCU embedded intelligent control ▶ Optional with OLED display

SIZE

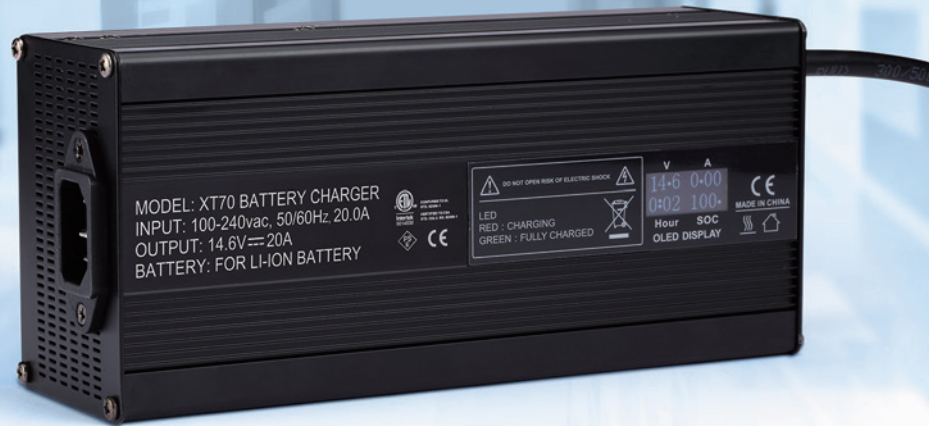


Model	Nominal voltage(V)	Maximum charging voltage(V)	Maximum charging current(A)	Max.output power(W)
C600MV126A250	12	12.6	20-25	315
C600MV144A250	12	14.4	20-25	360
C600MV146A250	12	14.6	20-25	365
C600MV168A250	12	16.8	20-25	420
C600MV292A180	24	29.2	15-18	525.6
C600MV294A180	24	29.4	15-18	529.2
C600MV420A130	36	42	10-13	546
C600MV438A130	36	43.8	10-13	569.4
C600MV546A120	48	54.6	8-12	655.2
C600MV584A120	48	58.4	8-12	700.8
C600MV588A120	48	58.8	8-12	705.6
C600MV672A100	60	67.2	6-10	672
C600MV714A100	60	71.4	6-10	714
C600MV840A080	72	84	5-8	672

09 48V10A

600W Intelligent charger

MODEL:XT70

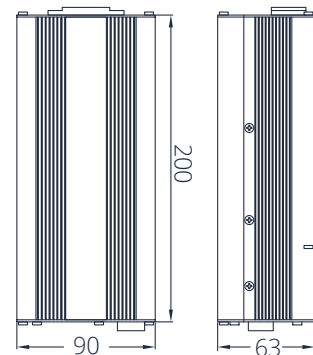


UL62368-1, TUV EN62368-1, EN55032 /EN55035 FCC PART 15B, J62368-1(2020), J55032(H29); J3000(H25).

FEATURE

- ▶ Charger for Li-Ion batteries(lithium iron, lithium manganese and Li-NiCoMn) and lead-acid batteries(flooded, Gel and AGM)
- ▶ **AC input range:** 90VAC~264VAC 45~65HZ
- ▶ **Efficiency:** ≥90% ▶ **Weight:** 1.3kg ▶ Aluminum shell case
- ▶ **Protections:** Short circuit/Over voltage/Over power/Over temperature /reverse polarity/No spark
- ▶ **Operating temperature:** -20~40°C(-4°F~104°F)
- ▶ MCU embedded intelligent control ▶ Cooling by fan
- ▶ Built-In Active PFC, PF>0.9@220VAC ▶ Optional with OLED display
- ▶ Support CAN2.0B and RS-485 Communication Interface

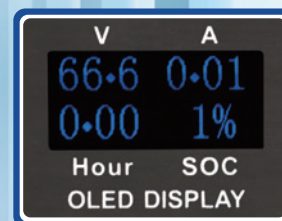
SIZE



Model	Nominal voltage (V)	Maximum charging voltage(V)	Maximum charging current(A)	Max.output power(W)
XT70V252A100	24	25.2	10~15	382.5
XT70V292A150 (PSE)	24	29.2	10~15	438
XT70V294A150 (PSE)	24	29.4	10~15	441
XT70V420A100	36	42	8~10	420
XT70V504A100	48	50.4	8~10	504
XT70V546A100 (PSE)	48	54.6	8~10	546
XT70V584A090	48	58.4	7~9	525.6
XT70V588A090	48	58.8	7~9	529.2
XT70V630A070	48	63	6~7	441
XT70V672A070	60	67.2	5~7	470.4
XT70V714A070	60	71.4	5~7	499.8
XT70V840A060 (PSE)	72	84	5~6	504

10 48V15A

800W Intelligent charger



MODEL:XT80



CB



FCC



CE

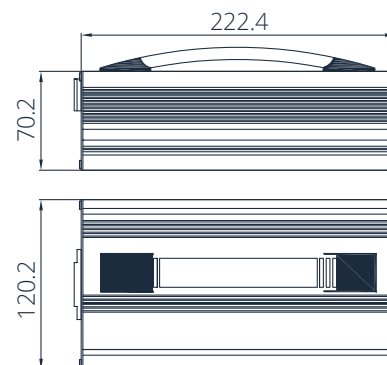
RoHS

UL62368-1, TUV EN62368-1, EN55032 /EN55035 FCC PART 15B, J62368-1(2020), J55032(H29); J3000(H25).

FEATURE

- ▶ Charger for Li-Ion batteries(lithium iron, lithium manganese and Li-NiCoMn) and lead-acid batteries(flooded, Gel and AGM)
- ▶ **AC input range:** 90VAC~264VAC 45~65HZ
- ▶ **Efficiency:** ≥90% ▶ **Weight:** 2.5kg ▶ Aluminum shell case
- ▶ **Protections:** Short circuit/Over voltage/Over power/Over temperature /reverse polarity/No spark
- ▶ **Operating temperature:** -20~40°C(-4°F~104°F)
- ▶ MCU embedded intelligent control ▶ Cooling by fan
- ▶ Built-In Active PFC, PF>0.9@220VAC ▶ Optional with OLED display
- ▶ Support CAN2.0B and RS-485 Communication Interface

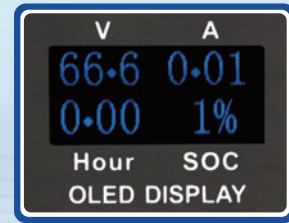
SIZE



Model	Nominal voltage(V)	Maximum charging voltage(V)	Maximum charging current(A)	Max.output power(W)
XT80V126A300	12	12.6	30	378
XT80V144A300	12	14.4	30	432
XT80V146A300	12	14.6	30	438
XT80V168A300	12	16.8	30	504
XT80V292A250	24	29.2	25	730
XT80V294A250	24	29.4	25	735
XT80V420A180	36	42	18	756
XT80V438A150	36	43.8	15	657
XT80V546A150	48	54.6	15	819
XT80V584A130	48	58.4	10-13	759.2
XT80V588A130	48	58.8	10-13	764.4

11 134.4V7A

1000W Intelligent charger



MODEL:XT120

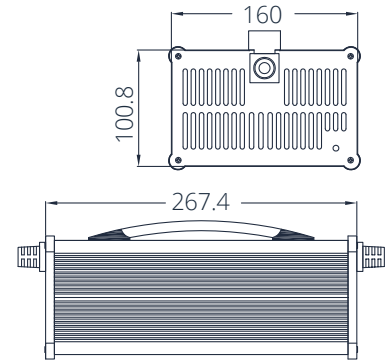


UL62368-1, TUV EN62368-1, EN55032 /EN55035 FCC PART 15B, J62368-1(2020), J55032(H29); J3000(H25).

FEATURE

- ▶ Charger for Li-Ion batteries(lithium iron, lithium manganese and Li-NiCoMn) and lead-acid batteries(flooded, Gel and AGM)
- ▶ **AC input range:** 90VAC~264VAC 45~65HZ
- ▶ **Efficiency:** ≥90% ▶ **Weight:** 3.0kg ▶ Aluminum shell case
- ▶ **Protections:** Short circuit/Over voltage/Over power/Over temperature /reverse polarity/No spark
- ▶ **Operating temperature:** -20~40°C(-4°F~104°F)
- ▶ MCU embedded intelligent control ▶ Cooling by fan
- ▶ Built-In Active PFC, PF>0.9@220VAC ▶ Optional with OLED display

SIZE



Model	Nominal voltage(V)	Maximum charging voltage(V)	Maximum charging current(A)	Max.output power(W)
XT120V0630A150	60	63	15	945
XT120V0672A150	60	67.2	15	1008
XT120V0714A150	60	71.4	15	1071
XT120V0840A130	72	84	13	1092
XT120V1092A070	84	109.2	8	873.6
XT120V1134A070	96	113.4	8	907.2
XT120V1176A070	96	117.6	8	940.8
XT120V1218A070	96	121.8	7	852.6
XT120V1260A070	96	126	7	882
XT120V1302A070	96	130.2	7	911.4
XT120V1344A070	96	134.4	7	940.8

12 84V15A, 71.4V15A

KC/KCC Certificate Intelligent Charger

MODEL:C1500

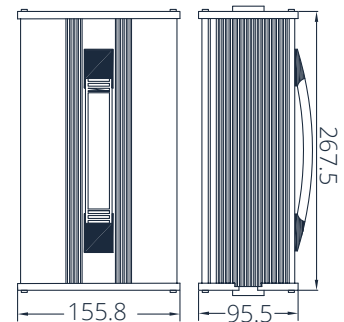


UL62368-1, TUV EN62368-1,
EN55032 /EN55035 FCC PART 15B

FEATURE

- ▶ Charger for Li-Ion batteries(lithium iron, lithium manganese and Li-NiCoMn) and lead-acid batteries(flooded, Gel and AGM)
- ▶ **AC input range:** 200VAC-240VAC 50HZ
- ▶ **Efficiency:** ≥90% ▶ **Weight:** 3.0kg ▶ Aluminum shell case
- ▶ **Protections:** Short circuit/Over voltage/Over power/Over temperature /reverse polarity/No spark
- ▶ **Operating temperature:** -25~40°C(-13°F~104°F) ▶ Cooling by fan
- ▶ MCU embedded intelligent control ▶ OLED display
- ▶ Support CAN2.0B and RS-485 Communication Interface

SIZE



Model	Nominal voltage(V)	Maximum charging voltage(V)	Maximum charging current(A)	Max.output power(W)
C1500-C60V15A	60	71.4	15	1071
C1500-C84V15A	72	84	15	1260

13

48V30A
1800W Intelligent Charger

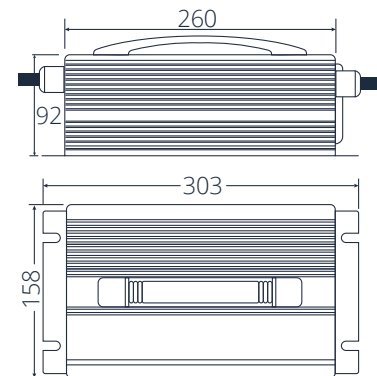
MODEL:S2500



FEATURE

- ▶ Charger for Li-Ion batteries(lithium iron, lithium manganese and Li-NiCoMn) and lead-acid batteries(flooded, Gel and AGM)
- ▶ **AC input range:** 90VAC~264VAC 45~65HZ ▶ Aluminum shell case
- ▶ **Weight:** 3.5kg ▶ MCU embedded intelligent control
- ▶ **Protections:** Short circuit/Over voltage/Over power/Over temperature /reverse polarity/No spark
- ▶ **Operating temperature:** -20~40°C(-4°F~104°F) ▶ **Efficiency:** ≥90%
- ▶ Cooling by fan ▶ Built-In Active PFC, PF>0.9@220VAC
- ▶ Support CAN2.0B and RS-485 Communication Interface

SIZE



Model	Nominal voltage (V)	Maximum charging voltage(V)	Output Current @100-120Vac(A)	Output Current @200-240Vac(A)	Max.output power(W)
S2500V126A500	12	12.6	25	50	630
S2500V144A500	12	14.4	25	50	720
S2500V146A500	12	14.6	25	50	730
S2500V168A500	12	16.8	25	50	840
S2500V292A500	24	29.2	25	50	1460
S2500V294A500	24	29.4	25	50	1470
S2500V420A400	36	42	20	40	1680
S2500V438A400	36	43.8	20	40	1752
S2500V546A300	48	54.6	15	30	1638
S2500V584A300	48	58.4	15	30	1752
S2500V588A300	48	58.8	15	30	1764
S2500V672A250	60	67.2	15	25	1680
S2500V714A250	60	71.4	15	25	1785
S2500V84A200	72	84	10	20	1680

14 84V10A
840W Intelligent charger

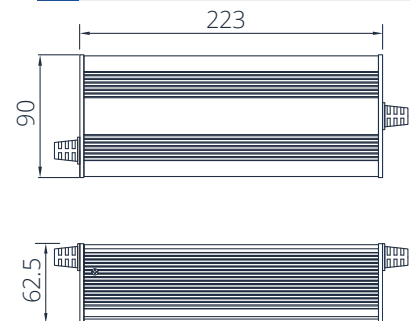
MODEL:C700P



FEATURE

- ▶ Charger for Li-Ion batteries(lithium iron, lithium manganese and Li-NiCoMn) and lead-acid batteries(flooded, Gel and AGM)
- ▶ **AC input range:** 90~264VAC 47-63Hz
- ▶ **Efficiency:** >90%@230VAC ▶ Aluminum shell case
- ▶ **Protections:** Short circuit/Over voltage/Over power/Over temperature /reverse polarity/No spark
- ▶ **Operating temperature:** -20~45°C(-4°F~113°F) ▶ Cooling by fan
- ▶ Built-In Active PFC, PF>0.9@220VAC

SIZE



Model	Nominal voltage (V)	Maximum charging voltage(V)	Output Current @100-120Vac(A)	Output Current @200-240Vac(A)	Max.output power(W)
C700PV840A100	72	84	6.7	10	840

15 54.6V5A
273W Intelligent charger

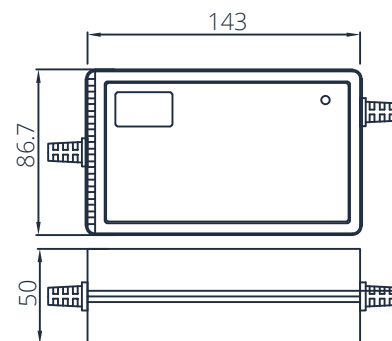
MODEL:C250XGB



FEATURE

- ▶ Charger for Li-Ion batteries(lithium iron, lithium manganese and Li-NiCoMn) and lead-acid batteries(flooded, Gel and AGM)
- ▶ **AC input range:** 200~240VAC 50Hz
- ▶ **Efficiency:** >90%@220VAC
- ▶ **Protections:** Short circuit/Over voltage/Over power/Over temperature /reverse polarity/No spark
- ▶ **Operating temperature:** -25~40°C(-13°F~104°F)
- ▶ Cooling by fan ▶ Plastic shell

SIZE



Model	Nominal voltage(V)	Maximum charging voltage(V)	Maximum charging current(A)	Max.output power(W)
C250XGBV546A500	48	54.6	5	273
C250XGBV882A300	72	88.2	3	264.5
C250XGBV740A360	60	74	3.6	266.4

16 71.4V10A
714W Intelligent charger

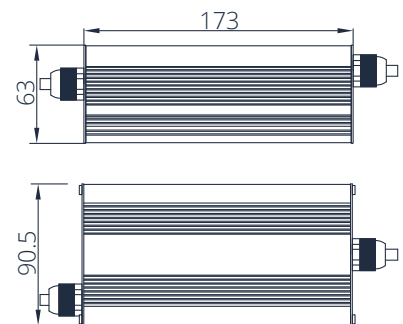
MODEL:C600XGB



FEATURE

- ▶ Charger for Li-Ion batteries(lithium iron, lithium manganese and Li-NiCoMn) and lead-acid batteries(flooded, Gel and AGM)
- ▶ **AC input range:** 200~240VAC 50Hz
- ▶ **Efficiency:** >90%@220VAC ▶ Aluminum shell case
- ▶ **Protections:** Short circuit/Over voltage/Over power/Over temperature /reverse polarity/No spark
- ▶ **Operating temperature:** -25~45°C(-13°F~113°F)
- ▶ Cooling by fan

SIZE



Model	Nominal voltage(V)	Maximum charging voltage(V)	Maximum charging current(A)	Max.output power(W)
C600XGBV546A120	48	54.6	12	655.2
C600XGBV588A120	48	58.8	12	705.6
C600XGBV674A100	60	67.4	10	674
C600XGBV714A100	60	71.4	10	714

17

84V30A

2520W Intelligent charger

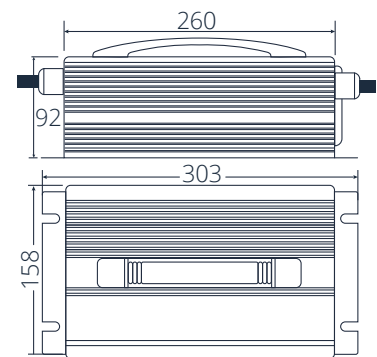
MODEL:C2500P



FEATURE

- ▶ Charger for Li-Ion batteries(lithium iron, lithium manganese and Li-NiCoMn) and lead-acid batteries(flooded, Gel and AGM)
- ▶ **AC input range:** 100~240VAC 47-63Hz ▶ Cooling by fan
- ▶ **Efficiency:** >92% min.@200VAC ▶ Aluminum shell case
- ▶ **Protections:** Short circuit/Over voltage/Over power/Over temperature /reverse polarity/No spark
- ▶ **Operating temperature:** -25~45°C(-13°F~113°F)
- ▶ MCU embedded intelligent control ▶ Built-In Active PFC, PF>0.9@220VAC
- ▶ Support CAN2.0B and RS-485 Communication Interface

SIZE



Model	Nominal voltage(V)	Maximum charging voltage(V)	Maximum charging current(A)	Max.output power(W)
C2500PV294A600	24	29.4	60	1764
C2500PV546A400	48	54.6	40	2184
C2500PV588A400	48	58.8	40	2352
C2500PV588A350	60	67.2	35	2352
C2500PV588A350	60	71.4	35	2499
C2500PV840A300	72	84	30	2520

18

48V5A

Electric scooter smart charger

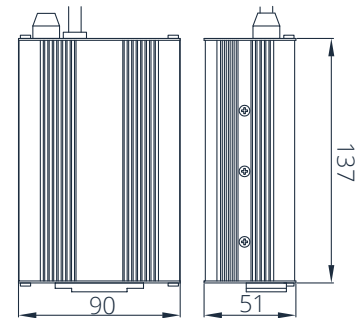
MODEL:C300M



FEATURE

- ▶ Charger for Li-Ion batteries(lithium iron, lithium manganese and Li-NiCoMn) and lead-acid batteries(flooded, Gel and AGM)
- ▶ **AC input range:** 90VAC~132VAC / 200VAC~264VAC 45~65HZ
- ▶ **Efficiency:** ≥90% ▶ **Weight:** 0.9kg ▶ Aluminum shell case
- ▶ **Protections:** Short circuit/Over voltage/Over power/Over temperature /reverse polarity/No spark
- ▶ **Operating temperature:** -20~40°C(-4°F~104°F) ▶ Cooling by fan
- ▶ MCU embedded intelligent control ▶ Optional with OLED display

SIZE



Model	Nominal voltage(V)	Maximum charging voltage(V)	Maximum charging current(A)	Max.output power(W)
C300MV126A150	12	12.6	15	189
C300MV144A150	12	14.4	15	216
C300MV146A150	12	14.6	15	219
C300MV168A150	12	16.8	15	252
C300MV292A100	24	29.2	9-10	292
C300MV294A100	24	29.4	9-10	294
C300MV420A060	36	42	6	252
C300MV438A060	36	43.8	6	262.8
C300MV546A050	48	54.6	5	273
C300MV584A050	48	58.4	5	292
C300MV588A050	48	58.8	5	294
C300MV672A040	60	67.2	3-4	268.8
C300MV714A040	60	71.4	3-4	285.6
C300MV73A040	60	73	3-4	292
C300MV84A030	72	84	3	252

19 48V18~20A
1200W Intelligent charger

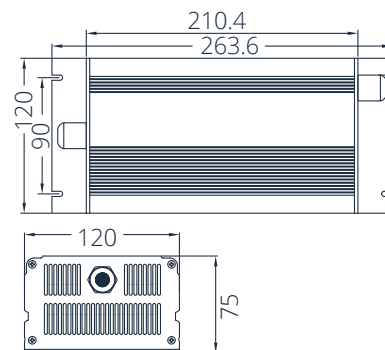
MODEL:C1200



FEATURE

- ▶ Charger for Li-Ion batteries(lithium iron, lithium manganese and Li-NiCoMn) and lead-acid batteries(flooded, Gel and AGM)
- ▶ **AC input range:** 90VAC~132VAC / 200VAC~264VAC 45~65HZ
- ▶ **Efficiency:** ≥90% ▶ **Weight:** 2.5kg ▶ Aluminum shell case
- ▶ **Protections:** Short circuit/Over voltage/Over power/Over temperature /reverse polarity/No spark
- ▶ **Operating temperature:** -20~40°C(-4°F~104°F) ▶ Cooling by fan
- ▶ MCU embedded intelligent control ▶ Optional with OLED display
- ▶ Support CAN2.0B and RS-485 Communication Interface

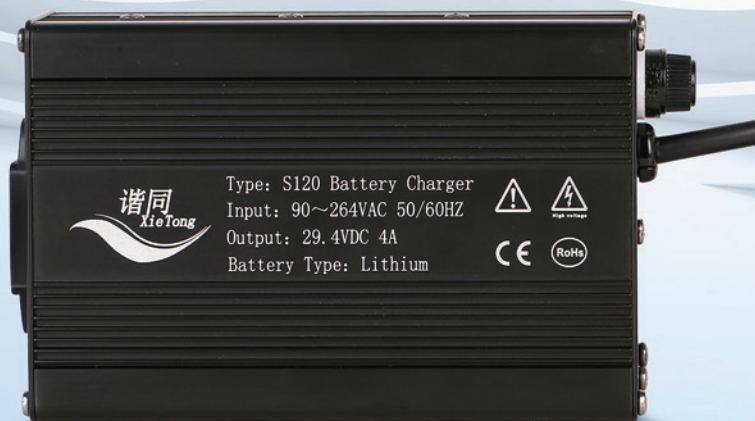
SIZE



Model	Nominal voltage(V)	Maximum charging voltage(V)	Maximum charging current(A)	Max.output power(W)
C1200V126A400	12	12.6	35-40	504
C1200V144A400	12	14.4	35-40	576
C1200V146A400	12	14.6	35-40	584
C1200V168A400	12	16.8	35-40	672
C1200V292A300	24	29.2	25-30	876
C1200V294A300	24	29.4	25-30	882
C1200V420A250	36	42	20-25	1050
C1200V438A250	36	43.8	20-25	1095
C1200V546A200	48	54.6	18-20	1092
C1200V584A200	48	58.4	18-20	1168
C1200V588A200	48	58.8	18-20	1176
C1200V672A150	60	67.2	13-15	1008
C1200V714A150	60	71.4	13-15	1071
C1200V84A130	72	84	10-13	1092
C1200V1008A100	84	100.8	9-10	1008

20 48V2~3A
Electric bike charger

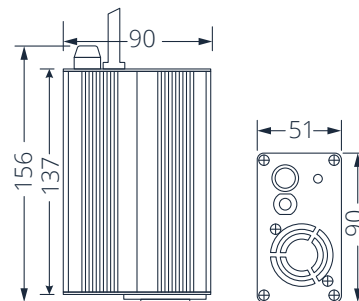
MODEL:S120



FEATURE

- ▶ Charger for Li-Ion batteries(lithium iron, lithium manganese and Li-NiCoMn) and lead-acid batteries(flooded, Gel and AGM)
- ▶ **AC input range:** 90VAC~264VAC 45~65HZ
- ▶ **Efficiency:** ≥88% ▶ **Weight:** 0.8kg ▶ Aluminum shell case
- ▶ **Protections:** short circuit / over voltage / over current /reverse polarity / over temperature
- ▶ **Operating temperature:** -20~40°C(-4°F~104°F)
- ▶ Cooling by fan

SIZE



Model	Nominal voltage(V)	Maximum charging voltage(V)	Maximum charging current(A)	Max.output power(W)
S120V126A050	12	12.6	4-5	63
S120V144A050	12	14.4	4-5	72
S120V146A050	12	14.6	4-5	73
S120V168A050	12	16.8	4-5	84
S120V292A040	24	29.2	3-4	116.8
S120V294A040	24	29.4	3-4	117.6
S120V420A040	36	42	2.5-4	168
S120V438A040	36	43.8	2.5-4	175.2
S120V546A030	48	54.6	2-3	163.8
S120V584A030	48	58.4	2-3	175.2
S120V588A030	48	58.8	2-3	176.4
S120V672A020	60	67.2	1.5-2	134.4
S120V714A020	60	71.4	1.5-2	142.8

21

48V8~12A

480W~714 Intelligent Charger

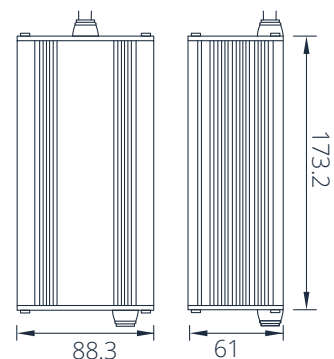
MODEL:C600D



FEATURE

- ▶ Charger for Li-Ion batteries(lithium iron, lithium manganese and Li-NiCoMn) and lead-acid batteries(flooded, Gel and AGM)
- ▶ **AC input range:** 90VAC~132VAC / 200VAC~264VAC 45~65HZ
- ▶ **Efficiency:** ≥90% ▶ **Weight:** 1.2kg ▶ Aluminum shell case
- ▶ **Protections:** short circuit / over voltage / over current /reverse polarity / over temperature
- ▶ **Operating temperature:** -20~40°C(-4°F~104°F) ▶ Cooling by fan
- ▶ MCU embedded intelligent control
- ▶ Support CAN2.0B and RS-485 Communication Interface

SIZE



Model	Nominal voltage(V)	Maximum charging voltage(V)	Maximum charging current(A)	Max.output power(W)
C600DV126A250	12	12.6	20-25	315
C600DV144A250	12	14.4	20-25	360
C600DV146A250	12	14.6	20-25	365
C600DV168A250	12	16.8	20-25	420
C600DV292A180	24	29.2	15-18	525.6
C600DV294A180	24	29.4	15-18	529.2
C600DV420A130	36	42	10-13	546
C600DV438A130	36	43.8	10-13	569.4
C600DV546A120	48	54.6	8-12	655.2
C600DV584A120	48	58.4	8-12	700.8
C600DV588A120	48	58.8	8-12	705.6
C600DV672A100	60	67.2	6-10	672
C600DV714A100	60	71.4	6-10	714
C600DV84A080	72	84	5-8	672

22 57.4V9.8A
562.52W Intelligent charger

MODEL:XT80
Charger for charging cabinet

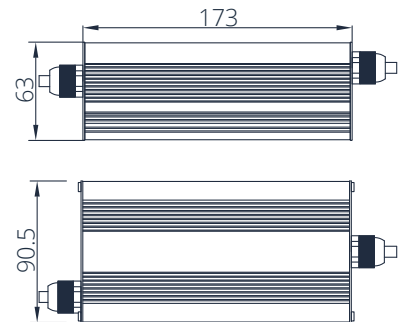


UL62368-1, TUV EN62368-1, EN55032 /EN55035 FCC PART 15B, J62368-1(2020), J55032(H29); J3000(H25).

FEATURE

- ▶ Charger for Li-Ion batteries(lithium iron, lithium manganese and Li-NiCoMn) and lead-acid batteries(flooded, Gel and AGM)
- ▶ **AC input range:** 100~240VAC 47~63Hz ▶ Cooling by fan
- ▶ **Efficiency:** >90% min.@200VAC ▶ Aluminum shell case
- ▶ **Protections:** Short circuit/Over voltage/Over power/Over temperature /reverse polarity/No spark
- ▶ **Operating temperature:** -25~45°C(-13°F~113°F)
- ▶ MCU embedded intelligent control ▶ Built-In Active PFC, PF>0.9@220VAC
- ▶ Support CAN2.0B and RS-485 Communication Interface

SIZE



Model	Nominal voltage(V)	Maximum charging voltage(V)	Maximum charging current(A)	Max.output power(W)
XT80V574A098	50.4	57.4	9.8	562.5

DC PLUG

01



02



03



04



05



06



07



08



09



10



11



12



13



14



15



16



17



18



19



20



DC PLUG

21



22



23



24



25



26



27



28



29



30



31



32



33



34



DC plugs are not limited to the picture above

▶▶ Please contact us for further information

Charger Datasheet

Model	Input Voltage (VAC)	Nominal Voltage&Charge current							CAN 485	Dimension (mm)
		12V	24V	36V	48V	60V	72V	84V		
C80	90-264	1-4A	1-3A	1-2A	1-1.5A					155.5*71.3*28
C120	90-264	1-5A	1-4A	1-3A	1-2A	1-1.5A	1-1.5A			173.3*81.3*35.5
C150	90-264	1-6A	1-5A	1-4A	1-3A	1-2A	1-2A			171.5*81.3*35.5
XT12	90-264		3.5A	3A	2.2A	2A				164*73*45
XT36	90-264		8-10A	6-8A	5-7A	4-5A	3-4A			215*90*46
S120 120W	90-264	5A	4A	2.5A	2A	1.5A	1.2A	1A		137*90*51
S120 160W	90-264	5A	5A	4A	3A	2A	1.5A			137*90*63
XT30	90-264	15A	8-10A	6-7A	4-5A	3-4A	3-4A			172.3*90.6*51
C700P	90-264						10A			173*90*51
C250XGB	200-240				5A	3A	3.6A			143*86.7*50
C600XGB	200-240				12A	10A				173*63*90.5
C2500P	100-240		60A	40A			30A		✓	260*158*92
C600M	200-264	25A	18A	13A	10A	8A	6.5A	5.5A		173.2*88.3*61
	100-132	25A	18A	12A	9A	7.5A	6A	5A		
C1200	200-264	40A	25A	25A	20A	15A	13A	12A	✓	264*120*89
	100-132	40A	25A	22A	18A	13A	11A	10A	✓	
S2500	200-264	50A	50A	40A	30A	25A	21A	18A	✓	303*154*95.4
	100-132	25A	25A	20A	15A	13.5A	11A	12A	✓	
C1500	180-264				15A	15A	15A		✓	267*156*95.4
XT120	90-264					15A	13A	7A	✓	267*159*95.4
C600D	90-264	25A	18A	13A	12A	10A	8A		✓	173.2*88.3*61
XT70	90-264		10-15A	7-10A	7-10A	5-7A	5-6A		✓	197*89*63
XT80	90-264	30A	25A	18A	15A				✓	222.4*70*120

LLC MAKER, ELECTRONY CHARGER

HIGH-END ELECTRIC MOBILITY CHARGER MANUFACTURER

[20230313]

HEADQUARTERS:

GUANGZHOU ELECTRONY CORPORATION

- ▶ **Address:** 2nd Floor, #3 DaLi Road, Baiyun District, Guangzhou, China, 510540
- ▶ **Tel:** +(86)20- 87232823
- ▶ **Fax:** +(86)20- 87232823
- ▶ **Mobile:** +(86)13318818991 (WeChat/WhatsApp)
- ▶ **Contact person:** Jack Xie
- ▶ **Website:** www.electrony.cn
- ▶ **Email:** admin@electrony.cn

OFFICE IN EUROPE, FRANKFURT, GERMANY

- ▶ **Mobile:** +49 1745259519
- ▶ **Email:** shuangsun@electrony.cn
- ▶ **Contact person:** Kris Sun

R&D Center:

SHENZHEN SHUNTN CORPORATION

- ▶ **Address:** 208W, Floor A2, JinBoLong Industry Park, #1 HuaYun Road, YuCui Community, LongHua Street,

Longhua District, Shenzhen, Guangdong, China

FACTORY:

GUANGDONG ECITYPOWER CORPORATION

- ▶ **Address:** Building 39, Zhong Nan Gao Ke Xin Hui Rong Chuang Zhi Mei Industry Valley, #44 Xin Hang Road,

Siqian Town, Xinhui District, Jiangmen City, Guangdong, China