

ROTAPULS

Incremental encoders

series

I65 • IT65

- Encoder robusto para aplicaciones industriales
- Hasta 10000 imp/vuelta (real)
- Opción de trabajo a temperaturas elevadas
- Circuito de salida universal TTL/HTL 5-30V



I65



IT65

ENVIROMENTAL SPECIFICATIONS

Shock:	100 g, 6 ms (acc. to MIL STD 202F)
Vibrations:	10 g, 5-2000 Hz (acc. to MIL STD 202F)
Operating temperature range:	-20°C + 70°C (-4°F + 158°F)
Storage temperature range:	-20°C + 80°C (-4°F + 176°F) (98% R.H. without condensation)
Protection:	IP65
Options:	<ul style="list-style-type: none"> • Operating temperature range: -40°C + 100°C (-40°F + 212°F) • IP66 Protection shaft end (torque 2,5 Ncm and 3000 rpm max.)

MECHANICAL SPECIFICATIONS

Dimensions:	see drawing
Shaft:	Ø 6, 8, 9.52, 10, 12 mm
Shaft loading (axial and radial):	100 N max.
Shaft rotational speed:	6000 rpm max.
Starting torque at 20°C:	≤ 1,5 Ncm (typical)
Moment of inertia:	~ 50 gcm ²
Bearings life:	400x10 ⁶ rev. min. (10 ⁸ rev. min. with 20 N shaft loading max)
Weight:	~ 0,3 kg (10,6 oz)

ELECTRICAL SPECIFICATIONS

STD pulse rate:	2-4-5-6-10-12-15-16-18-20-24-25-30-35-36-39
(other PPR upon request)	40-45-50-60-64-70-80-90-100-120-122 125-127-142-150-180-200-216-236-240 250-254-256-267-270-300-314-360-375 400-410-433-435-471-500-512-600-625 628-635-720-750-784-800-875-900-946 1000-1024-1068-1099-1200-1250-1270 1440-1500-1800-2000-2048-2250-2400-2500 3000-3600-4000-4096-5000-6000-9000-10000
Power supply:	+5V±5%, +10V +30V, +5V +30V
Output circuits:	NPN o.c., PNP o.c., Push-Pull, Line Driver, PP/LD
Output current (per channel):	40 mA max.
Output frequency:	100 kHz max.
Input current:	70 mA max.
Protection:	against inversion of polarity (except +5V version) outputs are protected against short-circuit (except Line Driver version)
Optoelectronic life:	100.000 hrs min.
Option:	• Output frequency up to 300 kHz max.

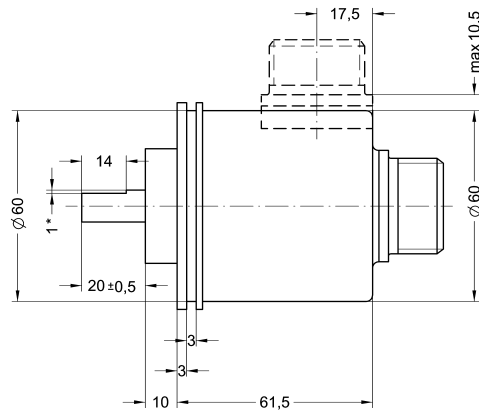
MATERIALS

Flange:	non corroding
Housing:	non corroding
Bearings:	ABEC 5
Shaft:	stainless steel, non-magnetic
Light source:	GaAl diodes

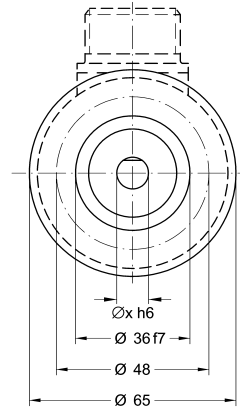
ACCESSORIES

E7MLS:	7 pin MIL mating connector
E10MLS:	10 pin MIL mating connector
PAN/PGF:	flexible couplings
LKM-386:	fixing clamps

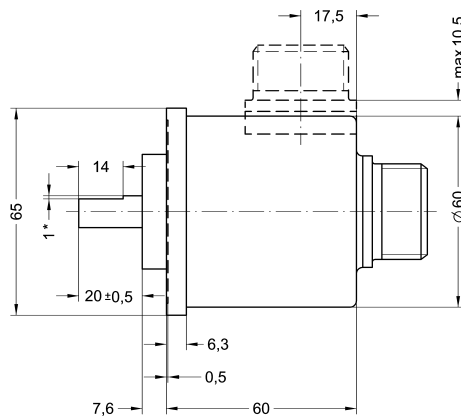
Specifications subject to changes without prior notice



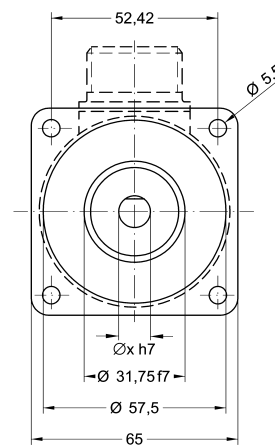
* = 0,5mm with Ø6 shaft



I65



* = 0,5mm with Ø6 shaft



IT65

ORDERING CODE

ADDITIONAL CODE (indicate only if necessary)

XXXX - X - XXXX X

X X X X

X X X X X

SERIES

I65 - IT65

OUTPUT CIRCUITS

- NPN o.c. N
- PNP o.c. P
- Push-Pull Y
- Line Driver AD26LS31 or eqv. L
- PP/LD universal circuit H

PULSE RATE (PPR)

See electrical specifications

OUTPUT SIGNALS CONFIGURATION

- Bidirectional B
- Bidirectional with index pulse Z

SHAFT DIAMETER

- B 6 mm
- C 8 mm
- D 9.52 mm / 3/8"
- E 10 mm
- F 12 mm

ELECTRICAL CONNECTIONS

- N Normal output F 5 wires cable, 1m. (3.3 ft)
- D 7 pin IP65 MIL connector
- C Complementary outputs U 8 wires cable, 1m. (3.3 ft)
- P 10 pin IP65 MIL connector

see on page 59-60

SUPPLY VOLTAGE VS OUTPUT CIRCUIT

- +5V±5% (L output circuit) 1
- +10V± +30V (N, P and Y output circuits) 2
- +5V±+30V (PP/LD universal circuit) 4

Cable length on request
Lx Ex.: L4 = 4 m (13.2 ft)
L7 = 7 m (23.0 ft)

K Operating temperature range:
-40°C + 100°C (-40°F +212°F)

W Output frequency up to 300 kHz

Q IP66 Protection shaft side

R Side mount cable or connector