

Lifestyle[®] 135 SoundTouch[®] home entertainment system

System Level Packaging Information



Contents


Product Overview	2
Safety Information	3
Electrostatic Discharge Sensitive (ESDS) Device Handling	3
Part List Notes	4
Main Packaging List	5
Figure 1. Main Packaging View	5
Essentials Kit Packaging List	6
Figure 2. Essentials Packaging View	6
Console Packaging List	7
Figure 3. Console Packaging	7
Line Cord Kit	8
Revision History	9

Product Overview

The Lifestyle® 135 SoundTouch® home entertainment system includes a control console, Acoustimass® module, Soundbar, SoundTouch™ wireless adapter and a universal remote control.

The SoundTouch series II wireless adaptor adds Wireless N 5 GHz and Bluetooth connectivity.

SAFETY INFORMATION

1. Parts that have special safety characteristics are identified by the  symbol on schematics or by special notes on the parts list. Use only replacement parts that have critical characteristics recommended by the manufacturer.
2. Refer to HI-POT testing procedures located in the product's service manual.

ELECTROSTATIC DISCHARGE SENSITIVE (ESDS) DEVICE HANDLING


This unit contains ESDS devices. We recommend the following precautions when repairing, replacing or transporting ESDS devices:

- Perform work at an electrically grounded work station.
- Wear wrist straps that connect to the station or heel straps that connect to conductive floor mats.
- Avoid touching the leads or contacts of ESDS devices or PC boards even if properly grounded. Handle boards by the edges only.
- Transport or store ESDS devices in ESD protective bags, bins, or totes. Do not insert unprotected devices into materials such as plastic, polystyrene foam, clear plastic bags, bubble wrap or plastic trays.

CAUTION: THE BOSE® LIFESTYLE® 135 SOUNDTOUCH® HOME ENTERTAINMENT SYSTEM CONTAINS NO USER SERVICEABLE PARTS. TO PREVENT WARRANTY INFRACTIONS, REFER SERVICING TO WARRANTY SERVICE STATIONS OR FACTORY SERVICE.

PROPRIETARY INFORMATION
THIS DOCUMENT CONTAINS PROPRIETARY INFORMATION OF
BOSE CORPORATION WHICH IS BEING FURNISHED ONLY FOR
THE PURPOSE OF SERVICING THE IDENTIFIED BOSE PRODUCT
BY AN AUTHORIZED SERVICE CENTER, AND SHALL NOT BE RE-
PRODUCED OR USED FOR ANY OTHER PURPOSE.

Part List Notes

1. The individual parts located on the PCBs are listed in the Electrical Part List.
2. This part is referenced for informational purposes only. It is not stocked as a repair part. Refer to the next higher assembly for a replacement part.
3.  This part is critical for safety purposes. Failure to use a substitute replacement with the same safety characteristics as the recommended replacement part might create shock, fire and/or other hazards.

Main Packaging List

Item Number	Description	Material Number	Qty	Variant	Note
1	PACKING, FOAM, EPS, SOUND BAR, CENTER	343647-0010	1		
2	BAG, FOAM-FILM, PE 39.75X8.00	343773-0010	1		
3	PACKING, FOAM, EPS, SOUND BAR, END CAP	343645-0010	2		
4	SUB ASSY, ARRAY, LIFESTYLE 135, NON-EU SUBASSY, ARRAY, LIFESTYLE 135, EU/UK	328040-005S 328040-006S	1	NON-EU EU/UK	
5	LINE CORD KIT, LIFESTYLE 135	-	1		
6	ESSENTIAL KIT, LIFESTYLE 135	-	1		
7	BASS MODULE ASSY, LS 135, BLK	329009-002S	1		
8	BAG, FOAM-FILM, 24.00 X 18.50 X 0.03	343826-0010	1		
9	PACKING, FOAM, EPS, BASS BOX	352950-0010	2		
10	CONSOLE ASSY,V35 H,L,US,SVCE CONSOLE ASSY,V35 H,L,EU,UK,SVCE CONSOLE ASSY,V35 H,L,JP,SVCE CONSOLE ASSY,V35 H,L,APAC,SVCE	722696-111S 722696-211S 722696-311S 722696-511S	1	US EU/UK JP AP	
11	PACKING, D/C FILLER, OD 21.25X15.25X5.38	343829-0010	1		
12	CARTON, RSC, 275DW, 997X392X416	363691-0030	1		
-	LETTER, COMMITMENT	343108-0010	1		
-	GUIDE, SETUP, ST, LS, 135, IV, AST GUIDE, SETUP, ST, LS, 135, IV, APAC GUIDE, SETUP, ST, LS, 135, IV, EUR GUIDE, SETUP, ST, LS, 135, IV, JPN	744560-0010 744562-0010 744561-0010 744563-0010	1		

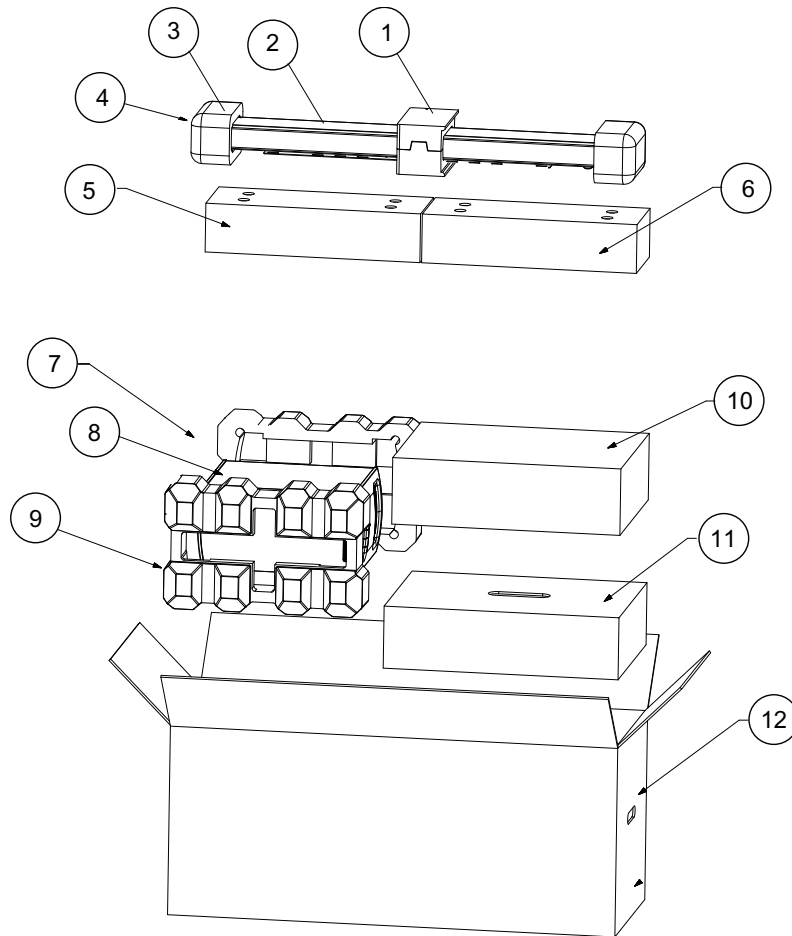


Figure 1. Main Packaging View

Essentials Kit Packaging List

Item Number	Description	Material Number	Qty	Variant	Note
1	KIT,ADAPTIQ HEADSET	307702-001	1		
2	CABLE ASSY, IR DONGLE, 3 EMITTER	324714-1010	1		
3	LIT KIT, LIFESTYLE 135 III - GUIDE, OPER, ST, LS525/535, SIII, AST - GUIDE, OPER, ST, LS525/535, SIII, EUR - GUIDE, OPER, ST, LS525/535, SIII, APAC - GUIDE, OPER, ST, LS525/535, SIII, JPN - BUMPER, RECESSED, FOOT, .88" - GLOBAL WARRANTY CARD, 1 YR. - DRIVE, FLASH, USB, 4GB - CONTACT SHEET,GLOBAL,WHTH - BAG, POLY, 14.38x9.87x2 mil	- 744569-0010 744570-0010 744571-0010 744572-0010 142839 324486-0010 353201-0020 744032-0010 103351	1 1 1 1 1 1 1 1 1	US EU APAC JP	
4	ANTENNA, FM, DIPOLE, W/BALUN	373329-0010	1		
5	CABLE, RCA, 6 FT	185931-101	1		
6	KIT, CLOTH, CLEANING	349854-0010	1		
7	KIT, EXT FOOT	347376-0010	1		
8	PACKING, TRAY, PULP	363695-0010	1		
9	SDTCH II WIRELESS ADAPTER,CH 1-11 SNDTCH II WIRELESS ADAPTER,JP SDTCH II WIRELESS ADAPTER,CH 1-11,TW SNDTCH II WIRELESS ADAPTER,CH 1-13 SNDTCH II WIRELESS ADAPTER,EU	738854-0110 738854-0130 738854-0140 738854-0100 738854-0180	1	US JP TW AP EU	
10	CARTON, DC, 18.06X6.69X4.25IN	363696-0010	1		
-	CABLE, SIGNAL, USB-M/USB-A, M, 6FT, W/FERRITE	629216-0010	1		
-	ANTENNA, DIPOLE, FM, PAL CONN	374402-0010	1	EU	
-	CABLE, FIBER OPTICAL, 3.5mm OD	629769-0010	1	EU	

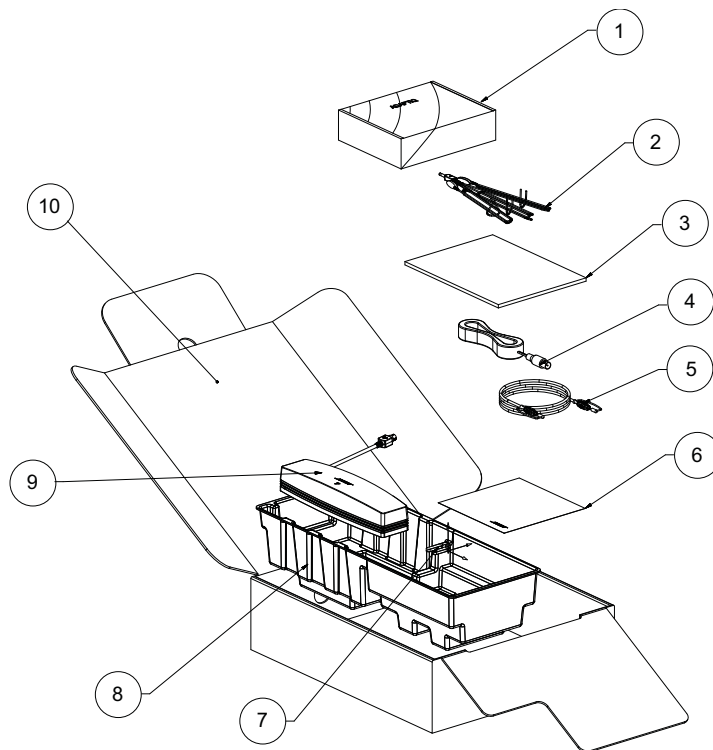




Figure 2. Essentials Packaging View

Console Packaging List

Item Number	Description	Material Number	Qty	Variant	Note
1	CABLE, HDMI, 19POS, 2M, BLACK	326853-0110	1		
2	PWR SUPPLY, EXT, UNVSL, 2.92A, 12V, 35W, BLK	353811-0010	1		3 
3	KIT, SUB-ASSY, BATTERY, AA, 4PK - BATTERY, AA SIZE, SINGLE - BAG, POLY, 3X3.5	- 263269-001 194392	1 4 1		3 
4	PACKING, TRAY, PULP, LS-V CONSOLE	319197-0010	1		
5	PACKING, TRAY, PULP, LS-V CONSOLE	319199-0010	1		
6	CARTON, 200, B, KW, 20.25 X 14.94 X 5.88	343652-0010	1		
7	CARTON, DC, 175 E, 9.50X2.25X1.81	363693-0010	1		
8	PACKING, INSERT	363694-0010	1		
9	REMOTE, RF , USA/EU REMOTE, RF, AP/JP (ALL LANGUAGES)	354079-0050 354079-0060	1	US/EU AP/JP	

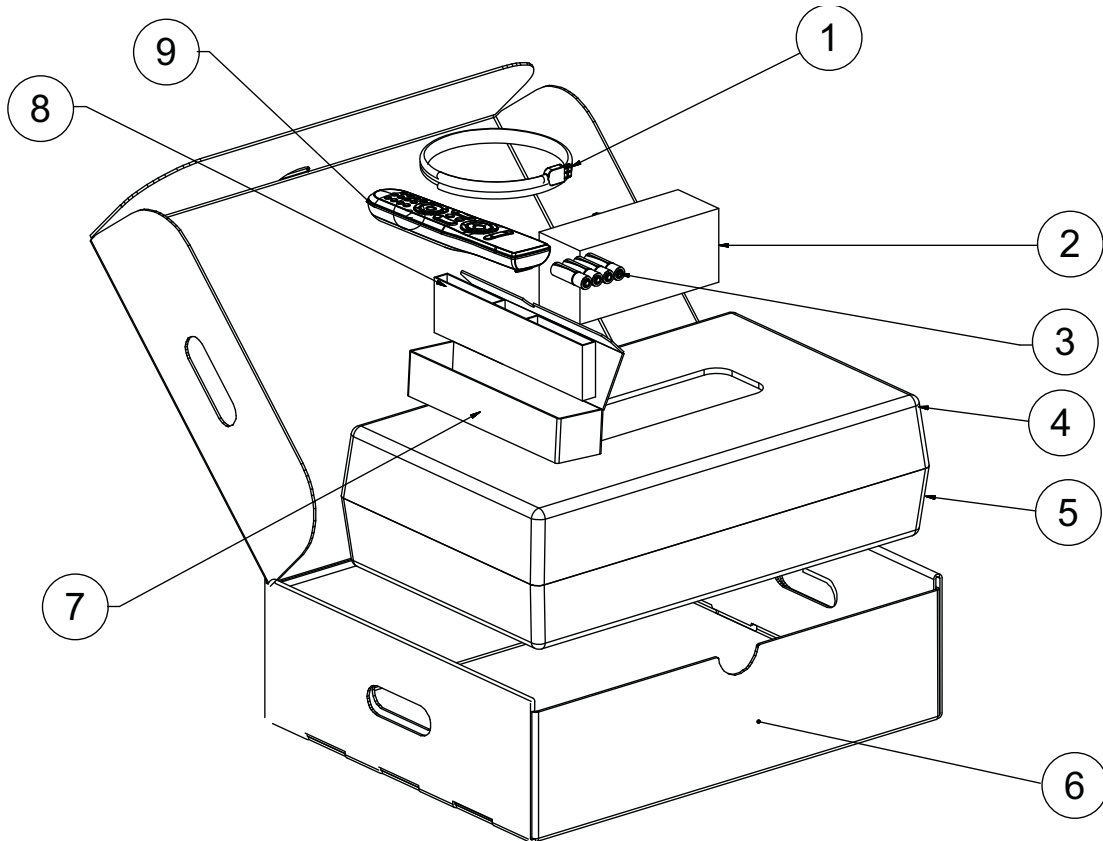


Figure 3. Console Packaging

Line Cord Kit

Description	Material Number	Qty	Variation	Note
ANTENNA ASSY,AM,CD20	199824-002	1		
LINE CORD,120V,NON-POL,DET,BLK,1500	279101-1310	3	US	3
LINE CORD,220V,EUR,DET,BLK,1500	280135-1310	3	EU,AP	
LINE CORD,100V,JPN,DET,BLK,1500	280136-1310	3	JP	
LINE CORD,230V,UKS,DET,BLK,1500	280138-1310	3	UK,AP	
LINE CORD,240V,AUS,DET,BLK,150	284243-1310	3	AUS	
LINE CORD, 230V,KOREA,BLK,1500mm	311668-1310	3	KOREA	
LINE CORD,110V,TAIWAN,BSMI,DET,1525mm	329792-1310	3	TAIWAN	
CABLE ASSY,SIGNAL,DIN-9,BLACK,9144mm	302580-1001	1		
CARTON,DC,12.88X16X4.25IN,CORD KIT	345522-0010	1		

Revision History

DATE	REV	ECN	Description
09/2015	00		Initial Release

Specifications and Features Subject to Change Without Notice

BOSE®
Better sound through research®

Bose Corporation
The Mountain
Framingham Massachusetts USA 01701
P/N 738518-SM REV. 00 09/2015 (H)
<http://serviceops.bose.com>