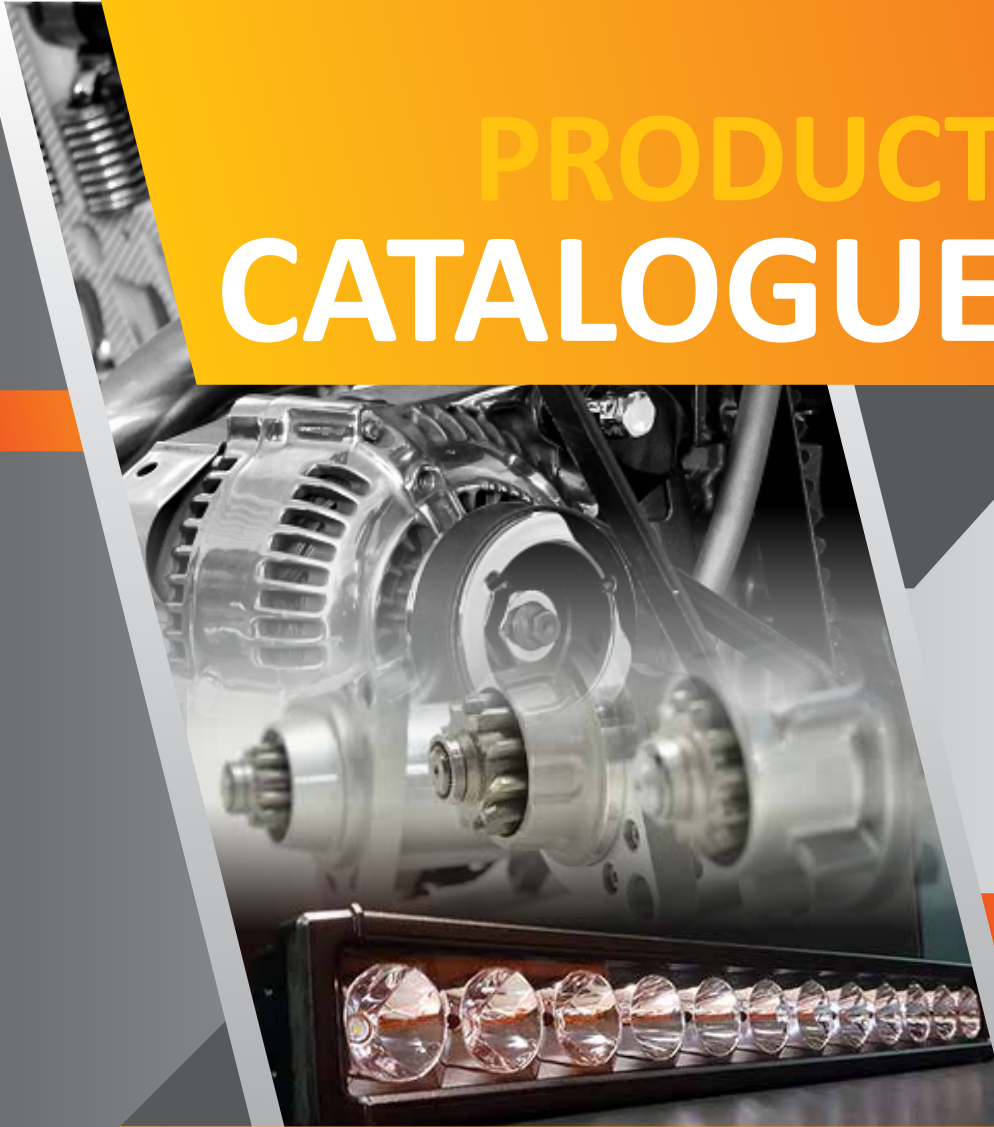




# PRODUCT CATALOGUE















☎ (012) 023 1149 🌐 [www.rgtgroup.co.za](http://www.rgtgroup.co.za)





# CONTENTS

	<b>Alternators .....</b>	<b>1</b>
	<b>Compressor &amp; Air Products .....</b>	<b>29</b>
	<b>Battery Chargers .....</b>	<b>33</b>
	<b>Battery Boosters .....</b>	<b>39</b>
	<b>Car Batteries .....</b>	<b>41</b>
	<b>Deep Cycle Batteries .....</b>	<b>55</b>
	<b>Commercial Car Batteries .....</b>	<b>61</b>
	<b>Compressors .....</b>	<b>67</b>
	<b>Cooling Fans &amp; Clutches .....</b>	<b>77</b>
	<b>Inverters .....</b>	<b>83</b>
	<b>Battery Jump Starters .....</b>	<b>93</b>
	<b>Startes .....</b>	<b>97</b>





OE NO. HT0156 RGT 00364 PL4  
9-GROOVE PULLEY



OE NO. 0124655008 RGT 1277 ALT  
ALTERNATOR 24V 110A NCB2 VOLVO  
B12B/FH12



OE NO. 16902097 RGT 77901 RCT  
RECTIFIER 12V JOHN DEERE



OE NO. 1197311090 RGT 1006 REG  
REGULATOR 12V 32MM SLIP RING



OE NO. 0124315033 RGT 1287 ALT  
ALTERNATOR 12V 80A TOYOTA HI-  
LUX 2.5L D4D 4 PIN 7 GROOVE



OE NO. 0124655008 RGT 1277 ALT  
ALTERNATOR 24V 110A NCB2 VOLVO  
B121B FH12



OE NO. 0120469116 RGT 1269 ALT  
ALTERNATOR 24V 80A NLI MERC  
ACCROSS 9 GROOVE



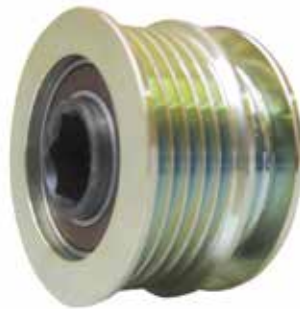
OE NO. 0120468093 RGT 1084 ALT  
ALTERNATOR 24V 80A VOLVO FH/  
FL SERIES



OE NO. 9190067018 RGT 1036 REG  
REGULATOR 12V LUNCH BOX WITH  
2 PIN PLUG



OE NO. 0001557318 RGT 1001 PUL  
PULLEY MERCEDES DOUBLE PULLEY



OE NO. 1126601556 RGT 1065 PUL  
PULLEY VOLKSWAGEN POLO / SEAT



OE NO. F00M147722 RGT 1100 PUL  
PULLEY VOLKSWAGEN 5 X GROOVE CLUTCH



OE NO. 1126601512 RGT 71070 PUL  
PULLEY MERCEDES VITO SSANYONG



OE NO. F00M991061 RGT 11061 PUL  
PULLEY VOLVO 6 GROOVE CWKH



OE NO. 1126601102 RGT 1126 PUL  
PULLEY 8 GROOVE MERCEDES



OE NO. 1197311003 RGT 1003 REG  
REGULATOR 12V WITH RESISTOR  
28MM



OE NO. 1197311212 RGT 1013 REG  
REGULATOR 12V IR/IF NO RESISTOR  
A CIRCUIT



OE NO. 9123335002 RGT 1104 ALT  
ALTERNATOR 12V 90A KL MERCEDES



OE NO. 0124655008 RGT 1277 ALT

ALTERNATOR 24V 110A NCB2 VOLVO B12 F12



OE NO. 0120468143 RGT 1030 ALT

ALTERNATOR 24V 100A NL1 ACTOS / ATECO



OE NO. 0120469116 RGT 1269 ALT

ALTERNATOR 24V 80 A MERC ACT-COS



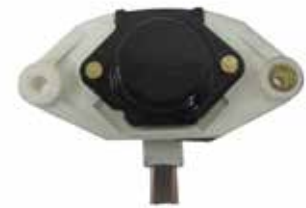
OE NO. 1127320541 RGT 1042 RLT

RECTIFIER 3POST MAN/ADE



OE NO. 2619 RGT 2619 ALT

ALTERNATOR 33SI 12V 134 AMP DELCO



OE NO. 1197311300 RGT 1086 REG

REGULATOR 24V 28MM HINO/SCANIS A-CIRCUIT



OE NO. F00M145247 RGT 1068 REG

REGULATOR 12 KCBI NLBI / NLBL MERC / VW



OE NO. 1124035261 RGT 400205 RT

ROTOR MERC ACROS



OE NO. A5547 RGT 2900 BDEA

BRACKET DE C600-SERIES ROUND PLUG





OE NO. 10491242 RGT 10491242 STA  
3SSI/34SI STATOR



OE NO. RK5007 RGT 2621 KST  
KIT 24V BRUSHES REPAIR



OE NO. 23848 RGT 23848 RK  
DELCO-TYPE 50MT REPAIR KIT 24 V FULL



OE NO. 1103165 RGT 1102922 ALT  
ALTERNATOR 12V 72A 1051 CHEV-ROLET



OE NO. ALT0002 RGT 2002 ALT  
ALTERNATOR 12V 10SI



OE NO. 1971521 RGT 2002 BHA  
BRUSH HOLDER 10S1/12S1/27S1



OE NO. 8600000 RGT 2046 ALT  
ALTERNATOR 12V 11SI CASESKID STEER



OE NO. 1105451 RGT 2007 ALT  
ALTERNATOR 12V 108A 17S1 IR/EF JOHN DEER



OE NO. 1988976 RGT 2606 RLT  
DELCO-TYPE 17S1/21S1/22S1/23S1/33S1/ RECTIFIER





OE NO. 1117042 RGT 2620 ALT  
ALTERNATOR 24V 45A 20S1 BRUSH-LESS



OE NO. 0120488294 RGT 1554 ALT  
ALTERNATOR 24V 45A K1 KOMATSU DOZER



OE NO. 1894490 RGT 2645 STA  
STATOR 12V 60A 20S1



OE NO. 1117916 RGT 2627 ALT  
ALTERNATOR 12V 145A 21S1 INTERNATIONAL FORD CUMMINS



OE NO. 10467269 RGT 2602 BLEA  
BRACKET LE/SRE 21S1



OE NO. 10470688 RGT 2678 STA  
STATOR 24V 21S1 50-70A 108MM



OE NO. 19020302 RGT 2615 ALT  
ALTERNATOR 12V 130A 22S1 VOLVO CUMMINS



OE NO. 19020382 RGT 2629 ALT  
ALTERNATOR 24V 70A 22S1 CUMMINS



OE NO. 19011019 RGT 2645 ALT  
ALTERNATOR 24V 70A/15A 23S1



**OE NO. 11204138** RGT 7955 ALT

ALTERNATOR 12V 95A JCB / 2CX /  
BLX / 4CX



**OE NO. 1117805** RGT 2631 ALT

ALTERNATOR 24V 75A 30SI



**OE NO. 10459199** RGT 2022 ALT

ALTERNATOR 24V 100A 34SI 24AD-  
MOUNT BRUSHLESS CATERPILLAR



**OE NO. 0124555017** RGT 1183 ALT

ALTERNATOR 24V 80A NCBI VOLVO  
8 GROOVE FM9 F#16



**OE NO. 9120690079** RGT 1134 ALT

ALTERNATOR 24V 27A K1 ADE 80MM  
FOOT NO PULLEY



**OE NO. 26215686** RGT 262156 UC

LUCAS 3SA23 REGULATOR 2SA23



**OE NO. 0120484027** RGT 1266 ALT

ALTERNATOR 12V 120A K1 JOHN  
DEERE



**OE NO. BLD3314GH** RGT 9705 ALT

ALTERNATOR 24V 140A CATERPIL-  
LAR / CUMMINS



**OE NO. 0120400699** RGT 1172 ALT

ALTERNATOR 24V 27A K1 MERCEDES



OE NO. 270607870071 RGT 6055 ALT

ALTERNATOR 12V 50A PIN TOYOTA FORKLIFT DIESEL 7 SERIES



OE NO. 19011177 RGT 2750 ALT

ALTERNATOR 12V 135A 3451 PAD MOUNT



OE NO. 02148510013 RGT 9811 ALT

ALTERNATOR 24V 30A TOYOTA HINO / DYNA WITH PUMP



OE NO. 270402192A RGT 9812 ALT

ALTERNATOR 24V 50A TOYOTA HINO 2 GROOVE



OE NO. AL13N271 RGT 0003 ALT

ALTERNATOR 12V 60A A13N A590 ROUND UNDERGROUND



OE NO. 2542927A RGT 0077 ALT

ALTERNATOR 12V 80A NISSAN MICRA 4 X GROOVE



OE NO. 1127320753 RGT 2361 REC

RECTIFIER N1/N1L



OE NO. 022503689B RGT 3089 ALT

ALTERNATOR 24V 25A NISSAN CABSTAR ED33 DIESEL



OE NO. 231000T002 RGT 3090 ALT

ALTERNATOR 24V 35A NISSAN CABSTAR WITH PUMP



OE NO. 119020900 RGT 2659 ALT

ALTERNATOR 12V 145A 24SI PAD MOUNT



OE NO. 10510452 RGT 2609 ROT

ROTOR 24V 70A 24SI



OE NO. 1117069 RGT 2625 ALT

ALTERNATOR 24V 75A 25SI BRUSH-LESS NO PULLEY



OE NO. 1852726 RGT 2609 BdEA

BRACKET DE 25SI / 26SI / 30SI



OE NO. 1971670 RGT 2601 DPP

D10DE PLATE POSITIVE 25SI / 26SI



OE NO. 19010000 RGT 2650 ALT

ALTERNATOR 24V 75A 2651 OPEN CIRCUIT PROTECTED



OE NO. 1100080 RGT 2602 ALT

ALTERNATOR 12V 80A 27SI TYPE 200 HEACY DUTY



OE NO. 16350129 RGT 77902 STA

STATOR 12V 95A RENAULT / AGRI-CULTURE



OE NO. 1852630 RGT 2603 BCEA

BRACKET CE/SRE2751: 200 SERIES





OE NO. 2310004D00 RGT 3098 ALT

ALTERNATOR 24V 40A NISSAN UD90 WITH PUMP



OE NO. 8944017932 RGT 3021 ALT

ALTERNATOR 12V 50A KB 280 DT TURBO



OE NO. LR250708E RGT 3122 ALT

ALTERNATOR 24V 50A ISUZU NPR300 7 GROOVE



OE NO. 270405060A RGT 3097 ALT

ALTERNATOR 12V 55A TOYOTA 2.2L 2.4L DIESEL DOUBLE PULLEY



OE NO. 23100VJ210 RGT 3028 ALT

ALTERNATOR 12V 70A NISSAN HARD BODY 2.4L PETROL



OE NO. L170G4330 RGT 3008 BHA

BRUSH HOLDER 12V POEL 1.7L DIESEL 2 PIN



OE NO. 66202088 RGT 4028 REG

REGULATOR 12V A51281 MAZDA SENTRA NISSAN PATH



OE NO. 85C3029Z RGT 9732 ALT

ALTERNATOR 24V 175A 85C UNIVERSAL



OE NO. BLD2308 RGT 9727 ALT

ALTERNATOR 125V 160A BRUSHLESS



OE NO. 801818 RGT 2619 STA  
STATOR 12V 24V 65A / 80A 2751



OE NO. 0120489315 RGT 1080 ALT  
BOSCH-TYPE K1 ALTERNATOR - 55 A



OE NO. 10497825 RGT 2643 STA  
STATOR 30S1 12V-24V



OE NO. F00M133224 RGT 1050RLT  
RECTIFIER ACTROS/BELL/SCANIA  
CUMMINS



OE NO. 19020401 RGT 2614 REG  
REGULATOR 12V 31S1 IR/EF



OE NO. 10459142 RGT 2656 ALT  
ALTERNATOR 12V 135A 33S1 / CAT-  
ERPILLAR / CUMMINS VOLVO



OE NO. 19011180 RGT 2655 ALT  
ALTERNATOR 24V 100A 33SI



OE NO. 10491185 RGT 2610 BC  
BRACKET DE 3351 / 3451



OE NO. 0124655007 RGT 1247 ALT  
ALTERNATOR 24V 100A NCB2 8  
GROOVE PULLEY





OE NO. 2706031100 RGT 6160 ALT

ALTERNATOR 12V 130A TOYOTA RAV4



OE NO. 1042103710 RGT 6130 ALT

ALTERNATOR 12V 150A LAND ROVER DISCOVERY



OE NO. 2704054060 RGT 6020 ALT

ALTERNATOR 12V 50A TOYOTA 2.4L 2.8L DIESEL WITH PUMP



OE NO. 2704054210 RGT 6053 ALT

ALTERNATOR 12V 70A TOYOTA HILUX 2.4L / 2.8L D/PULLY



OE NO. 1012112770 RGT 6058 ALT

ALTERNATOR 12V 55A CAT SKID STEER



OE NO. 1012118340 RGT 6078 ALT

ALTERNATOR 24V 95A CATERPILLAR / DIOR DOZER



OE NO. 1042104281 RGT 6156 ALT

ALTERNATOR 12V 130A TOYOTA QUANTUM 2.7L VVTI



OE NO. 90210401170 RGT 6004 PL

PULLEY JEEP / CHERY



OE NO. 0210401070 RGT 6104 PL

PULLEY TOYOTA 7 GROOVE





OE NO. 022303604B RGT 4004

ALTERNATOR 12V 55A A5123 UNIVERSAL



OE NO. TA000A64201 RGT 8716 ALT

ALTERNATOR 12V 75A HYUNDAI H100 2.6L DIESEL WITH PUMP



OE NO. AD165432 RGT 8717 ALT

ALTERNATOR 12V 60A KIA K2700 2004 - 1 GROOVE



OE NO. A2TN52832J RGT 5054 ALT

ALTERNATOR 24V 25A MITSUBISHI 4D34 MOTOR WITH PUMP



OE NO. ATTA0477A RGT 5015 ALT

ALTERNATOR 12V 50A NISSAN FORKLIFE NEW HOLLAND L-R GROOVE



OE NO. 23100VK010 RGT 3050 ALT

ALTERNATOR 12V 90A NISSAN NAVARA / HARDBODY 2.5DCI DIESEL



OE NO. A3T07399 RGT 5128 ALT

ALTERNATOR 12V 90A MITSUBISHI L300 2.5L DIESEL 2 PIN



OE NO. 8980134623 RGT 8824 ALT

ALTERNATOR 24V 60A ISUZU FRR



OE NO. f00ma45236 RGT 1108 REG

REGULATOR 12V NCBI BMW 325-350 E46 E36







OE NO. A2T12771 RE T5137 ALT

MITSUBISHI-TYPE ALTERNATOR - 55 A



OE NO. A2TA6099 RGT 5999 ALT

ALTERNATOR 12V 70A FORD/  
MADZA 2.5L DIESEL



OE NO. LR180761 RGT 5037 ALT

ALTERNATOR 12V 80A NISSAN  
HARDBODY 2.0L



OE NO. A3T07399 RGT 5128 ALT

ALTERNATOR 12V 90A MITSUBISHI  
L300 2.5L DIESEL



OE NO. 9120690207 RGT 1057 ALT

ALTERNATOR 12V 55A K1 MITSUBI-  
SHI L300 FORD



OE NO. A866X20472 GRT 5030 REG

REGULATOR 12V FORD/MAZDA 2.0L  
2.5LV 2.5 DIESEL



OE NO. 35126 RGT 2613 REG

REGULATOR 12V 21S1/22S1  
WEBBED TERMINAL



OE NO. 0350000390 RGT 8812 ALT

ALTERNATOR 24V 35A KOMATSU  
D65E/PC 300 PL400



OE NO. 0350004000 RGT 8814 ALT

ALTERNATOR 24V 40A / HINO DIE-  
SEL 2 GROOVE 12H00



OE NO. 0120460131 RGT 1048 ALT

ALTERNATOR 24V 65A N1 SCANIA  
TOI TRUCKS



OE NO. 0120400688 RGT 1141 ALT

ALTERNATOR 24V 27A K1 MERC  
DE4T2 TRUCK



OE NO. 10483415 RGT 2611 BDE

BRACKET DE 34S1 PAD MONO



OE NO. 0120469001 RGT 1086 ALT

ALTERNATOR 24V 55A NI MERC



OE NO. A3TB5099 RGT 5130 ALT

ALTERNATOR 12V 90A NISSAN  
NAVARA H/BODY 2.5 DI DIESEL



OE NO. 0124655006 RGT 1332 ALT

ALTERNATOR 24V 100A DAF  
8-GROOVE



OE NO. 0120689512 RGT 1142 ALT

ALTERNATOR 24V 95A TI BUS



OE NO.1002114100 RGT 6039 ALT

ALTERNATOR 24V 20A TOYOTA  
FORKLIFT



OE NO. 8600017 RGT 2698 ALT

ALTERNATOR 24V 70A 24S1 CUM-  
MINS ENGINE





OE NO. 1117900 RGT 2624 ALT

ALTERNATOR 24V 70A 21S1



OE NO. LR180513B RGT 3038 ALT

ALTERNATOR 12V 80A 15424 2.5L  
3.0L DIESEL WITH PUMP



OE NO. LT150421 RGT 3032 ALT

ALTERNATOR 12V 50A 15424 KB250  
KB280 DIESEL WITH PUMP



OE NO. 8971443921 RGT 3035 ALT

ALTERNATOR 240V 50A 15424 FTR/  
NPR 4HJ1



OE NO. LR190763 RGT 3068 ALT

ALTERNATOR 12V 90A 15424 3.0L  
DIESEL



OE NO. 8SC3009ZA RGT 0583 ALT

ALTERNATOR 24V 175A SC 175  
HEAVY DUTY EARTH MOVINGS



OE NO. 11203396 RGT 7916 ALT

ALTERNATOR 24V 55A DEUTZ/KHD



OE NO. 66021155 RGT 4004 ALT

ALTERNATOR 12V 55S AS123 UNI-  
VERSAL



OE NO. 8600310 RGT 2699 ALT

ALTERNATOR 12V 160A 24S1 HP





OE NO. HN8090 RGT 2006 PUL

PULLEY DELCO25SI CATERPILLAR /  
FIAT / JOHN DEERE



OE NO. HT-0027 RGT 0027 HT

2-GROOVE PULLEY



OE NO. HT-2094 RGT 2094HT PUL

2-GROOVE PULLEY (BOSCH/CAT/  
NIKKO)



OE NO. 8X7805 RGT 8804 PUL

3-GROOVE PULLEY CATERPILLAR  
8MM



OE NO. HT-4008 RGT 4008HT PUL

3-GROOVE PULLEY (CAT D300E)



OE NO. HT-0094 RGT 0094HT PUL

5-GROOVE PULLEY



OE NO. 720110750 RGT 6106 PUL

PULLEY HYUNDAI 6X GROOVE



OE NO. 2546952 RGT 0005 PUL

PULLEY RENAULT SCENIC 6 GROOVE



OE NO.2602881 RGT 010T PUL

PULLEY RENAULT / NISSAN 7  
GROOVE CLUTCH







OE NO. 22310000ZOA RGT 9816 ALT

ALTERNATOR 24V 60A NISSAN UD440



OE NO. 0124655001 RGT 1145 ALT

ALTERNATOR 24V 100A NCB2 BELL B40 MERCEDES



OE NO. 0120468093 RGT 1084 ALT

ALTERNATOR 24V 80A NI VOLVO FH/FL SERIES



OE NO. SG12V029 RGT 0103 ALT

ALTERNATOR 12V 120A BMW



OE NO. F00M145256 RGT 1050 REG

24V 80A / 100A IR/IF 5 PIN REGULATOR MERCEDES



OE NO. F00M 145247 RGT 1068 REG

REGULATOR 12V KCB1 / MBI



OE NO. F00M145231 RGT 1073 REG

REGULATOR GCB2; KCB1/2; MERCEDES FIAT



OE NO. F00M145220 RGT 1101 REG

REGULATOR 12V FIAT LACIA / ALFA ROMEO



OE NO. 0192053025 RGT 1025 REG

REGULATOR 24V TRYLECID BOX 3 HOLE



OE NO. 83452 RGT 4006G RCT  
RECTIFIER 26ACR



OE NO. 26021117 RGT 4041 ALT  
ALTERNATOR 12V 65A 35A23 TATA  
207 TELCOLINE 1.9 DIESEL



OE NO. 66201570 RGT 4015 RCT  
RECTIFIER AS123



OE NO. 26021253 RGT 4032 ALT  
ALTERNATOR 12V 55A TATA 4X4  
713C



OE NO. 83166 RGT 4003 RLT  
LUCAS-TYPE 21ACR/17ACR RECTI-  
FIER



OE NO. 65261017157A RGT 2013 ALT  
ALTERNATOR 24V 80A TATA NEXUS  
3434 / 5544 / 3439 DAEWOO



OE NO. 1260007040 RGT 6022 REG  
REGULATOR 12V TOYOTA FORKLIFT  
8PIN IR/IF



OE NO. 26021326 RGT 4052 ALT  
ALTERNATOR 12V 75A SA28 TATA  
INDICA 4 GROOVE



OE NO. A13N271 RGT 0003 ALT  
ALTERNATOR 12V 60A A13N / AS90  
UNDERGROUND





OE NO. 1894460 RGT 2624 REG

REGULATOR 24V 20S1, 27S1, 30S1 2 PIN



OE NO. LR220401 RGT 3099 ALT

ALTERNATOR 24V 25A 15421 NKR 2.5L 2.8L 3 PIN



OE NO. 1260002190 RGT 6041 REG

REGULATOR 12V TOYOTA QUANTUM 2.5L DIESEL HONDA



OE NO. A866X05272 RGT 5026 REG

REGULATOR HYUNDAI ACCENT 12V PAJERO



OE NO. AF175353 RGT 8720 ALT

ALTERNATOR 12V 75A KIA 2700 2.7L DIESEL



OE NO. HT-0037 RGT 0037 PL

2 GROOVE PULLEY



OE NO. A866X35472 RGT 5029 REG

REGULATOR 12V MAZDA / KIA 24MM



OE NO. A866T05470 RGT 5025 REG

REGULATOR 12V FORD LASER METEOR 1300 / 1500



OE NO. A866T00470 RGT 5006 REG

REGULATOR 12V MAZDA 626 FORD COURIER





OE NO. 2655703 RGT 0009 PUL

PULLEY HYUNDAI / KIA



OE NO. 593290 RGT 0007 REG

REGULATOR 12V RENAULT MEGANE/ LAGUNA / SCERIZ



OE NO. 593338 RGT 0010 REG

REGULATOR 12V 2-DIN MINI AMD



OE NO. 592802 RGT 0012 REG

REGULATOR 12V BMW/RENAULT 2 PIN



OE NO. 2541406 RGT 0008 REG

REGULATOR 12V FIAT/AUDI



OE NO. ALT 0017 RGT 0017 ALT

ALTERNATOR 12V 90A SG9B M/BENZ H60



OE NO. 0120468107 RGT 1199 ALT

ALTERNATOR 24V 80A N1 DAF / MAN / IVECO



OE NO. XS6110300BD RGT 8902 ALT

ALTERNATOR 12V 100A IR/IF FIAT



OE NO. 2015001001 RGT 8908 ALT

ALTERNATOR 12V 90A FORD FIESTA KOLA







OE NO. F00M145247 RGT 1068 REG

REGULATOR VOLKSWAGEN



OE NO. F00M145296 RGT 1104 REG

REGULATOR 12V VOLKSWAGEN  
GOLF / V / AUDI A3



OE NO. F00M145305 RGT 1075 REG

REGULATOR 12V KCBI / E4 TOYOTA



OE NO. 1117916 RGT 2627 ALT

ALTERNATOR 12V 145A 21SI



OE NO. 1117900 RGT 2624 ALT

ALTERNATOR 24V 70A 21SI



OE NO. 10459590 RGT 2658 ALT

ALTERNATOR 24V 100A 30SI NEGA-  
TIVE GROUND CUMMINS



OE NO. 1117805 RGT 2631 ALT

ALTERNATOR 24V 75A 30SI



OE NO. 12738N RGT 12738 NALT

ALTERNATOR 24V 70A IVECO NCBI



OE NO. 1012118400 RGT 6063 ALT

ALTERNATOR 24V 95A CATERPILLAR  
PAD MOUND BRUSHES



OE NO. 0124555018 RGT 1626130 ALT

BOSCH-TYPE HD8L ALTERNATOR



OE NO. 0120484027 RGT 1266 ALT

ALTERNATOR 12V 120A K1 JOHN DEERE



OE NO. 1260000920 RGT 6011B REG

REGULATOR 12V 1SUZU KB250D / KB280D INTERNAL WITH ROUND PLUG



OE NO. L260002540 RGT 6065G REG

REGULATOR 24V 95A BRUSHLESS CATERPILLAR



OE NO. 1266000150 RGT 6107 REG

REGULATOR 12V TOYOTA LEXUS QUANTUM





RGT 1810 BL

WALL MOUNT BRACKET SPI6/SPI10  
- SCHUMACHER CHARGER



RGT 1874 BL

WALL MOUNT BRACKET  
SPI1024/15/1224 - SCHUMACHER  
CHARGER



RGT 1879 BL

BUSBAR TO CHARGE SIX BATTERIES  
- SCHUMACHER CHARGER



RGT 1870 BL

SWITCH 12V/OFF/24V - SCHU-  
MACHER CHARGER



RGT 1882 BL

CABLE W/FUSE 2GA RED 75IN CLAM  
- SCHUMACHER CHARGER



RGT 1873 BL

CABLE 2GA BLACK 76IN T915 CLAM  
- SCHUMACHER CHARGER



RGT 1871 BL

310900 - HYBRID 12V-900A -SCHU-  
MACHER CHARGER



RGT 1872 BL

760005 - SOS 24V / 1200CA -SCHU-  
MACHER CHARGER



RGT 1877 BL

760008 - SOS 12 / 24 -1600 / 800CA  
-SCHUMACHER CHARGER



RGT 1521 BL

760010 – SOS PORTABLE 12 / 24 / 28V-1200CA -SCHUMACHER CHARGER



RGT 1522 BL

761001 – SOS 12 / 24V-1400 / 700CA -SCHUMACHER CHARGER



RGT 1524 BL

761006 – SOS 12 / 24V-1600 / 800CA -SCHUMACHER CHARGER



RGT 1523 BL

860000 – SOS 6 / 12V-1700 / 850CA -SCHUMACHER CHARGER



RGT 9989 BL4

860003 – SOS 12V / 1200CA -SCHUMACHER CHARGER



RGT 9990 BL4

860011 – SOS 6V-850CA -SCHUMACHER CHARGER



RGT 1525 BL

861001 – MICRO 12V / 700CA -SCHUMACHER CHARGER



RGT 1526 BL

861002 – MICRO 12V / 800CA -SCHUMACHER CHARGER



RGT 1527 BL

861003 – MICRO 12V / 700CA MOTO -SCHUMACHER CHARGER



RGT 1566 BL

861007 – SOS 12V / 1600CA -SCHUMACHER CHARGER



RGT 1567 BL

861011 – MICRO 12V / 1000CA -SCHUMACHER CHARGER



RGT 1568 BL

861040 – MINI 12V / 440CA MOTO -SCHUMACHER CHARGER



RGT 1569 BL

861044 – MINI 12V / 440CA -SCHUMACHER CHARGER



RGT 1596 BL670

960001 – MOBILE 12 / 24V-6400 / 3200CA -SCHUMACHER CHARGER



RGT 1549 BL

960002 – MOBILE 24V / 1600CA -SCHUMACHER CHARGER



RGT 1582 BL

960010 – SOS MOBILE 12 / 24 / 28V-3200CA -SCHUMACHER CHARGER ADD TO QUOTE



RGT 1572 BL

960011 – SOS MOBILE 12 / 24 / 28V-1600CA -SCHUMACHER CHARGER



RGT 1573 BL

INC 100 – BATTERY SUPPORT UNIT 100A -SCHUMACHER CHARGER



RGT 1596 BL

SPI 1 – SPI 6 / 12V-1A -SCHUMACHER CHARGER



RGT 1497 BL

SPI 10 – SPI 12V-10A -SCHUMACHER CHARGER



RGT 1492 BL

SPI 10-24 – SPI 24V-10A -SCHUMACHER CHARGER



RGT 1544 BL

SPI 1224 – SPI 12V-15A / 10A -SCHUMACHER CHARGER



RGT 1545 BL

SPI 15 – SPI 12V-15A -SCHUMACHER CHARGER



RGT 1546 BL

SPI 2 – SPI 6V / 12V-2A – SCHUMACHER CHARGER



RGT 1547 BL

SPI 3 – SPI 12V-3A -SCHUMACHER CHARGER



RGT 1548 BL

SPI 6 – SPI 12V-6A -SCHUMACHER CHARGER



RGT 1551 BL

SCI 90 – SCI90- 6 / 12V-90A BATTERY CHARG -SCHUMACHER CHARGER/ BATTERY-TESTER/JUMP STARTER





RGT 1596 BL

MAXLI 10 AMP 6/12V SMART BATTERY CHARGER



RGT 1596 BL

MAXLI 4AMP 6/12V SMART BATTERY CHARGER





RGT 1510 BS

PBI 200 – BOOSTER 12V



RGT 1520 BS

PBI 201 – BOOSTER 12 / 24V



RGT 1520 BS

GT JUMPSPOWER 1500AMP 12V –  
USB OUTPUT BOOSTER



RGT 1518 BS

GTS JUMPSPOWER 2000AMP 12V –  
USB OUTPUT BOOSTER  
ADD TO QUOTE



RGT 1530 BS

P7-ST-25 – START TRUCK 12/24V  
6200/3100AMP BOOSTER



RGT 1542 BS

C7-ST-1224 – PROCAP BOOSTER  
12/24V 18000/9000AMP







RGT 646 EF BT

646EFB-CS 62AH 550CCA +RH B13 L2  
EFB CARBON SERIES



RGT 621 F BT

621EFB-CS 65AH 630CCA +RH B1 D23  
EFB CARBON SERIES



RGT 639 EF BT

639EFB-CS 70AH 630CCA +RH B5 D26  
EFB CARBON SERIES



RGT 651 EF BT

651EFB-CS 75AH 720CCA +RH B13 B4  
LB3 EFB CARBON SERIES



RGT 650 EF BT

650EFB-CS 100AH 800CCA +RH B1  
D31 EFB CARBON SERIES



RGT 652 EF BT

652EFB-CS 77AH 750CCA +RH B13 L3  
EFB CARBON SERIES



RGT 659 EF BT

659EFB-CS 80AH 750CCA +RH B13  
LB4 EFB CARBON SERIES



RGT 646 AGM BT

646AGM-CS 60AH 680CCA +RH B13  
L2 AGM CARBON SERIES



RGT 652 AGM BT

652AGM-CS 70AH 760CCA +RH B13  
L3 AGM CARBON SERIES



RGT 646 EF BT

646EFB-CS 62AH 550CCA +RH B13 L2  
EFB CARBON SERIES



RGT 621 F BT

621EFB-CS 65AH 630CCA +RH B1 D23  
EFB CARBON SERIES



RGT 639 EF BT

639EFB-CS 70AH 630CCA +RH B5 D26  
EFB CARBON SERIES



RGT 651 EF BT

651EFB-CS 75AH 720CCA +RH B13 B4  
LB3 EFB CARBON SERIES



RGT 650 EF BT

650EFB-CS 100AH 800CCA +RH B1  
D31 EFB CARBON SERIES



RGT 652 EF BT

652EFB-CS 77AH 750CCA +RH B13 L3  
EFB CARBON SERIES



RGT 659 EF BT

659EFB-CS 80AH 750CCA +RH B13  
LB4 EFB CARBON SERIES



RGT 646 AGM BT

646AGM-CS 60AH 680CCA +RH B13  
L2 AGM CARBON SERIES



RGT 652 AGM BT

652AGM-CS 70AH 760CCA +RH B13  
L3 AGM CARBON SERIES



**RGT 628 P BT**

**628P 45AH 350CCA +RH LB2 SMF EXTREME**



**RGT 630 40A BT**

**630P 40AH 330CCA +LH NS40 SMF EXTREME**



**RGT 631 P BT**

**631P 40AH 330CCA +RH NS40 SMF EXTREME**



**RGT 634 P BT**

**634P 40AH 330CCA +LH NS40 SMF EXTREME**



**RGT 634 P 40A BT**

**634P 40AH 330CCA +LH NS40 SMF EXTREME**



**RGT 63642 BT**

**636P 42AH 330CCA +RH NS40 SMF EXTREME**



**RGT 638 60A BT D23**

**638P 60AH 500CCA +LH D23 SMF EXTREME**



**RGT 638 P BT 60A**

**638PS 60AH 480CCA +LH XTREME**



**RGT 646 B13 62A**

**646AGM 62AH 640CCA +RH B13 L2 AGM**



**RGT 639 PS BT**

**639PS 60AH 480CCA +RH XTREME**



**RGT 668 FB 80A BT**

**668EFB 80AH 800CCA +RH B13 L4  
EFB START STOP**



**RGT 645 P BT**

**645P – XTREME PREMIUM**



**RGT 646 P BT**

**646P 62AH 450CCA +RH L2 SMF  
EXTREME**



**RGT 647 PBT**

**647P 60AH 470CCA +RH LB3 SMF  
EXTREME**



**RGT 649 P BT**

**649P 70AH 500CCA +RH JISD23 SMF  
EXTREME**



**RGT 652 AGM 90A BT**

**658AGM 90AH 940CCA +RH B13 L5  
AGM**



**RGT 668 80A BT B13**

**668AGM 80AH 900CCA +RH B13 L4  
AGM START STOP**



**RGT 651 P BT**

**651P 65AH 520CCA +RH LB3 SMF  
EXTREME**





RGT 652 P BT

652P 66AH 550CCA +RH L3 SMF  
EXTREME



RGT 652 PS7A BT

652PS 75AH 620CCA +RH L3 SMF  
EXTREME



RGT 652 B13 70A BT

652AGM 70AH 800CCA +RH B13 L3  
AGM START STOP



RGT 657 P BT

657P 66AH 550CCA +LH L3 SMF  
EXTREME



RGT 657 7AH EF BT

657PS 75AH 620CCA +LH L3 SMF  
EXTREME



RGT 658 P BT

658P 90AH 700CCA +RH L5 SMF  
EXTREME



RGT 663 P BT

663P - XTREME PREMIUM



RGT 668 P8A BT

668P 80AH 650CCA +RH L4 SMF  
EXTREME



RGT 669 BT 60A

669P 80AH 650CCA +LH L4 SMF  
EXTREME



RGT 646 EF BT

616P 36AH 260CCA +RH JISB19 SMF EXTREME



RGT 621 F BT

654P 75AH 630CCA +RH PD SMF EXTREME



RGT 639 EF BT

31-1001US 120AH 900CCA CENTRE STUD GRP31 SMF ULTRA START



RGT 651 EF BT

646USH 65AH 640CCA +RH B13 L2 SMF ULTRA START



RGT 650 EF BT

622USH 50AH 420CCA +LH B1 D26 SMF ULTRA START



RGT 652 EF BT

628USH 50AH 500CCA +RH B13 B4 LB2 SMF ULTRA START



RGT 659 EF BT

630US 40AH 340CCA +LH B0 B24 SMF ULTRA START



RGT 646 AGM BT

631US 40AH 340CCA +RH B0 B24 SMF ULTRA START



RGT 652 AGM BT

634US 40AH 340CCA +LH B0 B24 SMF ULTRA START



RGT 628 US 45A BT

635US 45AH 440CCA +LH B13 B4 LB2  
SMF ULTRA START



RGT 637 US6A BT

636US 45AH 350CCA +RH B0 B24  
SMF ULTRA START



RGT 638 USAH D23

612US 50AH 460CCA +RH B13 L1  
SMF ULTRA START



RGT 638 USH BT D26

615US 36AH 320CCA +LH B1 NS40  
SMF ULTRA START



RGT 639 USAH BT D23

616US 36AH 320CCA +RH B1 NS40  
SMF ULTRA START



RGT 639 USH 60A D26

618US 42AH 400CCA +RH B13 B4 LB1  
SMF ULTRA START



RGT 643 BT 62A

621US 50AH 420CCA +RH B1 D23  
SMF ULTRA START



RGT 645 USBT B13

621USH 50AH 420CCA +RH B1 D26  
SMF ULTRA START



RGT 646 B13 BT

622US 50AH 420CCA +LH B1 D23  
SMF ULTRA START







**RGT 647 USBB BT**

647US 63AH 600CCA +RH B13 B4 LB3  
SMF ULTRA START



**RGT 650 D31 70A**

650US 70AH 580CCA +LH B1 D31  
SMF ULTRA START



**RGT 651US BT**

651US 66AH 650CCA +RH B13 B4 LB3  
SMF ULTRA START



**RGT 652 BT 66AH**

652US 66AH 630CCA +RH B13 L3  
SMF ULTRA START



**RGT 72AH 652 BT**

652USH 72AH 680CCA +RH B13 L3  
SMF ULTRA START



**RGT 652 USX BT**

652USX 75AH 730CCA +RH B13 L3  
SMF ULTRA START



**RGT 652 SXX BT US**

652USXX – PROBE ULTRA START



**RGT 653 BT 75A**

653US 75AH 730CCA +LH B13 L3 SMF  
ULTRA START



**RGT 656 BI US BT**

656US 70AH 580CCA +RH B1 D31  
SMF ULTRA START



RGT 65745 BT US 66A

657US 66AH 630CCA +LH B13 L3 SMF ULTRA START



RGT 657 USH BT 72A

657USH 72AH 680CCA +LH B13 L3 SMF ULTRA START



RGT 657USX-US

657USX – PROBE ULTRA START



RGT 658 B13 UT BT

658US 95AH 860CCA +RH B13 L5 SMF ULTRA START



RGT 659 BT 80A

659US 80AH 720CCA +RH B13 B4 LB4 SMF ULTRA START



RGT 663 BT 95A

663US 95AH 860CCA +RH B13 L5 SMF ULTRA START



RGT 668 BT 45 80A

668US 85AH 800CCA +RH B13 L4 SMF ULTRA START



RGT 669 BT 85A US

669US 85AH 800CCA +LH B13 L4 SMF ULTRA START



RGT 612 BTES 50A

612ES 50AH 460CCA +RH B13 L1 MF EXTRA START



**RGT 618 B4 BT**

618ES 42AH 400CCA +RH B13 B4 LB1  
MF EXTRA START



**RGT 628 ES BT**

628ES 45AH 360CCA +RH B13 B4 LB2  
MF EXTRA START



**RGT 635ES A4 BT**

635ES 45AH 440CCA +LH B13 B4 LB2  
MF EXTRA START



**RGT 637 CS 62AH 45 BT**

637ES 62AH 580CCA +LH B13 L2 MF  
EXTRA START



**RGT 643 ES BT L12**

643ES 55AH 540CCA +LH B13 L2 MF  
EXTRA START



**RGT 645 B13 ES**

645ES 55AH 540CCA +LH B13 L2 MF  
EXTRA START



**RGT 646 ESB13 L2 BT**

646ES 55AH 480CCA +RH B13 L2 MF  
EXTRA START



**RGT 647 BT ES**

647ES 63AH 600CCA +RH B13 B4 LB3  
MF EXTRA START



**RGT 651 B13 BT**

651ES 66AH 650CCA +RH B13 B4 LB3  
MF EXTRA START



**RGT 652 B 66AES**

652ES 66AH 740CCA +RH B13 L3 MF  
EXTRA START



**RGT 652 BTES 72A**

652ESH 72AH 740CCA +RH B13 L3 MF  
EXTRA START



**RGT 653 75A BT**

653ES 75AH 730CCA +LH B13 L3 MF  
EXTRA START



**RGT 654 ESES BT**

654ES 80AH 770CCA +RH B13 B4 LB3  
MF EXTRA START



**RGT 65 TES BT 66A**

657ES 66AH 630CCA +LH B13 L3 MF  
EXTRA START



**RGT 657 SH BT B13**

657ESH 72AH 680CCA +LH B13 L3 MF  
EXTRA START



**RGT 659 ESHL5 88A**

659ES 88AH 800CCA +LH B13 L5 MF  
EXTRA START



**RGT 663 BT 88AL5**

663ES 88AH 800CCA +RH B13 L5 MF  
EXTRA START



**RGT 669 ES B744**

669ES 80AH 760CCA +LH B13 L4 MF  
EXTRA START



**RGT 646 CCA BT**

**646EFB 62AH 640CCA +RH B13 L2  
EFB START STOP**



**RGT 652 FB 70A BT**

**652EFB 70AH 740CCA +RH B13 L3  
EFB START STOP**







RGT 065 D10

95502 – SEMI TRACTION SERIES



RGT 065 D13

95602 – SEMI TRACTION SERIES



RGT 065 D16

95751 – SEMI TRACTION SERIES



RGT 065 D11

95752 – SEMI TRACTION SERIES



RGT 065 D14

95804 – SEMI TRACTION SERIES



RGT 065 D17

96002 – SEMI TRACTION SERIES



RGT 065 D12

96151 – SEMI TRACTION SERIES



RGT 065 D15

96351 – SEMI TRACTION SERIES



RGT 065 D18

96701 – SEMI TRACTION SERIES





RGT 065 D28

12AGM28 – BATTERY AGM VRLA  
DEEP CYCLE 28AH 12V



RGT 065 D31

12AGM40 – BATTERY AGM VRLA  
DEEP CYCLE 40AH 12V



RGT 065 D34

12AGM7.2 – BATTERY AGM VRLA  
DEEP CYCLE 7.2AH 12V



RGT 065 D29

12AGM75 – BATTERY AGM VRLA  
DEEP CYCLE 75AH 12V



RGT 065 D32

12AGM9 – BATTERY AGM VRLA  
DEEP CYCLE 9AH 12V



RGT 065 D35

24AGM3.5 – BATTERY AGM VRLA  
DEEP CYCLE 3.5AH 24V



RGT 065 D30

6AGM4.5 – BATTERY AGM VRLA  
DEEP CYCLE 4.5AH 6V



RGT 065 D33

OPC100-12 – BATTERY OMNIPOWER  
CARBON 100AH 12V



RGT 065 D36

OPC150-12 – BATTERY OMNIPOWER  
CARBON BATTERY 150AH 12V



RGT 065 D37

OPC200-12 – BATTERY OMNIPOWER  
CARBON 200AH 12V



RGT 065 D40

OPC65-12 – BATTERY OMNIPOWER  
CARBON 65AH 12V



RGT 065 D43

1150HC – DEEP CYCLE SOLAR



RGT 065 D38

220AH SCREW +RH SMF EXTREME  
DEEP CYCLE



RGT 065 D41

12GEL100 – DEEP CYCLE SOLAR



RGT 065 D44

12GEL200 – DEEP CYCLE SOLAR



RGT 065 D39

110AH CENTRE SCREW +RH SMF  
EXTREME DEEP CYCLE



RGT 065 D42

MP 24DC – DEEP CYCLE



RGT 065 D45

MP 27DC – DEEP CYCLE





RGT 065 D46

MP 305 – DEEP CYCLE



RGT 065 D48

MP 31DC – DEEP CYCLE



RGT 065 D50

MP6V 225AH +RH DUAL GC2 DC  
MONOLITH



RGT 065 D47

MP 6V US – DEEP CYCLE



RGT 065 D49

MP 8V US – DEEP CYCLE



RGT 065 D51

MP GC12 – DEEP CYCLE





**RGT 110AH BT**

31-1000CT 110AH 800CCA CENTRE  
GR31 SMF EXTREME PLUS



**RGT 1001CT BT**

31-1001CT 105AH 800CCA CENTRE  
GR31 SMF EXTREME PLUS



**RGT 1150 BT 100AH**

1150P 100AH 700CCA CENTRE GR31  
SMF EXTREME PLUS



**RGT 1150 BT 105 AH**

1150PS 105AH 750CCA CENTRE GR31  
SMF EXTREME PLUS



**RGT 1151P BT 95A**

1151P 95AH 700CCA CENTRE GR31  
SMF EXTREME PLUS



**RGT 695 BT**

695SDX – AUTOMOTIVE



**RGT 1151PS BT 105A**

1151PS 105AH 750CCA CENTRE GR31  
SMF EXTREME PLUS



**RGT 671PE 90A BT**

671PE 90AH 700CCA +LH D31 SMF  
EXTREME



**RGT 671PS BT**

671PS – XTREME PREMIUM + XHD  
SMF





RGT 692PS BT

692PS 150AH 1000CCA +LH 4D SMF  
EXTREME PLUS



RGT 696PS BT

696PS 180AH 1000CCA +LH 4D SMF  
EXTREME PLUS



RGT 698PS BT

698PS 180AH 1000CCA +RH 4D SMF  
EXTREME PLUS



RGT 1001US BT

31-1001US 120AH 900CCA CENTRE  
STUD GRP31 SMF ULTRA START



RGT 682SH 125 BT

682USH 125AH 900CCA +RH B0 A  
SMF ULTRA START



RGT 683USH BT

683USH 125AH 900CCA +LH B0 A  
SMF ULTRA START



RGT 1151US BT

1151US 100AH 750CCA CENTRE  
STUD GRP31 SMF ULTRA START



RGT 1151USH BT

1151USH 105AH 800CCA CENTRE  
STUD GRP31 SMF ULTRA START



RGT 1000US BT 31

31-1000US 120AH 900CCA CENTRE  
SREW GRP31 SMF ULTRA START





RGT 671USPE BT

671USPE – PROBE ULTRA START



RGT 674US BT

674USPE – PROBE ULTRA START



RGT 688US BT

688US 200AH 1300CCA +RH B0 C  
SMF ULTRA START



RGT 688USH BT

688USH 230AH 1400CCA +RH B0 C  
SMF ULTRA START



RGT 689US BT

689US 143AH 1000CCA +LH B0 B  
SMF ULTRA START



RGT 690US BT

690US 143AH 1000CCA +RH B0 B  
SMF ULTRA START



RGT 692US BT

692US 150AH 1050CCA +LH B0 B  
SMF ULTRA START



RGT 696US BT

696US 180AH 1250CCA +LH B0 B  
SMF ULTRA START



RGT 671ES BT 90A

671ES 90AH 680CCA +LH B0 B1 MF  
EXTRA START



RGT 690ES BT 135A

690ES 135AH 900CCA +RH B0 B MF  
EXTRA START



RGT 696ES BT 180A

696ES 180AH 1250CCA +LH B0 B MF  
EXTRA START



RGT 688 EF BT

688EFB 225AH 1250CCA +RH B0 C  
EFB



RGT 695 BT23

695EFB 235AH 1350CCA +LH B0 C  
EFB



RGT 696 BT 1250

696EFB 185AH 1250CCA +LH B0 B  
EFB



RGT 698 BT 180A

698EFB 180AH 1250CCA +RH B0 B  
EFB START STOP



RGT 686 AGM BT

686AGM 140AH 1000CCA +LH B0 A  
AGM START STOP



RGT 695 AG BT

695AGM 220AH 1550CCA +LH B0 C  
AGM



RGT 688AG BT

688AGM 170AH 1200CCA +RH B0 C  
AGM START STOP





RGT 40COM85

RGT AIR 5,5KW BLOCK & FLYWHEEL



RGT 40COM86

RGT AIR 2,2KW 150LT BELT DRIVEN  
PISTON COMPRESSOR 8BAR 230V  
-RGT AIR COMPRESSOR



RGT 40COM87

RGT AIR 2,2KW 100LT BELT DRIVEN  
PISTON COMPRESSOR 8BAR 230V  
-RGT AIR COMPRESSOR



RGT 40COM89

RGT AIR 1,5KW 24LT DIRECT DRIVEN  
PISTON COMPRESSOR 8BAR 230V  
-RGT AIR COMPRESSOR



RGT 40COM88

RGT AIR 1,5KW 50LT DIRECT DRIVEN  
PISTON COMPRESSOR 8BAR 230V  
-RGT AIR COMPRESSOR



RGT 40COM92

RGT AIR 1,5KW BLOCK & FLYWHEEL  
-RGT AIR COMPRESSOR



RGT 40COM91

RGT AIR 7,5KW BLOCK & FLYWHEEL  
-RGT AIR COMPRESSOR



RGT 40COM92

RGT AIR 7,5KW 500LT BELT DRIVEN  
PISTON COMPRESSOR 12,5B 380V  
-RGT AIR COMPRESSOR



RGT 40COM93

RGT AIR 5,5KW 300LT BELT DRIVEN  
PISTON COMPRESSOR 12,5BAR 380V  
-RGT AIR COMPRESSOR



**RGT 40COM8**

**RGTAIR 4KW 300LT BELT DRIVEN  
PISTON COMPRESSOR 8BAR 230V  
-RGT AIR COMPRESSOR**



**RGT 40COM9**

**RGT AIR 2,2KW 200LT BELT DRIVEN  
PISTON COMPRESSOR 8BAR 230V  
-RGT AIR COMPRESSOR**



**RGT 40COM10**

**RGT AIR 2,2KW BLOCK & FLYWHEEL  
-RGT AIR COMPRESSOR**



**RGT 21CC9**

**RGT AIR REFRIGERANT AIR DRYER  
42,3 CFM / 220V / R407**



**RGT 21CC7**

**RGT AIR REFRIGERANT AIR DRYER  
70,6 CFM / 220V / R407**



**RGT 21CC9**

**RGT AIR REFRIGERANT AIR DRYER  
134 CFM / 220V / R407**



**RGT 21CC10**

**RGT AIR REFRIGERANT AIR DRYER  
211,8 CFM / 220V / R407**



**RGT 21CC11**

**RGT AIR REFRIGERANT AIR DRYER  
353,1 CFM / 220V / R407**



**RGT 21CC12**

**RGT AIR REFRIGERANT AIR DRYER  
423,7 CFM / 220V / R407**





RGT 21CC1

PROBEAIR REFRIGERANT AIR DRYER  
565 CFM / 220V / R407



RGT 21CC2

PROBEAIR REFRIGERANT AIR DRYER  
706,2 CFM / 380V / R407



RGT 21CC3

PROBEAIR REFRIGERANT AIR DRYER  
865,2 CFM / 380V / R407



RGT 21CC4

RGT AIR REFRIGERANT AIR DRYER  
1059,4 CFM / 380V / R407



RGT 21CC5

RGT AIR REFRIGERANT AIR DRYER  
1236 CFM / 380V / R407



RGT 21CC6

RGT AIR REFRIGERANT AIR DRYER  
1589,1 CFM / 380V / R407



RGT 23FL60

AIR FILTER ELEMENT 7,5HP 10HP



RGT 21CC8

RGT AIR ROTARY SCREW COMPRES-  
SOR BD 7,5 KW / 8 BAR / 39 CFM /  
380V / DRYER / 300L



RGT 23FL59

AIR FILTER ELEMENT 15HP 20HP



RGT 21CC13

RGT AIR ROTARY SCREW COMPRESSOR BD 11 KW / 8 BAR / 53 CFM / 380V / DRYER / 500L



RGT 23FL48

AIR FILTER ELEMENT 30HP 40HP



RGT 21CC14

RGT AIR ROTARY SCREW COMPRESSOR BD 15 KW / 8 BAR / 81 CFM / 380V / DRYER / 500L



RGT 23FL51

AIR FILTER ELEMENT 50HP 60HP



RGT 21CC15

RGT AIR SCREW COMPRESSOR 7,5 KW / 8 BAR / 39 CFM / 380V



RGT 23FL49

AIR FILTER ELEMENT 75HP 100HP



RGT 21CC17

RGT AIR SCREW COMPRESSOR 11 KW / 8 BAR / 53 CFM / 380V



RGT 23FL50

OIL FILTER ELEMENT 7,5HP 10HP



RGT 21CC16

RGT AIR SCREW COMPRESSOR 15 KW / 8 BAR / 81 CFM / 380V



RGT 23FL62

OIL FILTER ELEMENT 15HP 20HP



RGT 21CC93

RGT AIR SCREW COMPRESSOR 22  
KW / 8 BAR / 127 CFM / 380V



RGT 23FL61

OIL FILTER ELEMENT 30HP TO 60HP



RGT 21CC90

RGT AIR SCREW COMPRESSOR 30  
KW / 8 BAR / 174 CFM / 380V



RGT 21FL64

OIL FILTER ELEMENT 75HP TO 350HP



RGT 21CC91

RGT AIR SCREW COMPRESSOR 37  
KW / 8 BAR / 219 CFM / 380V



RGT 23FL66

AIR / OIL SEPARATOR ELEMENT  
7,5HP 10HP



RGT 22CC92

RGT AIR SCREW COMPRESSOR 45  
KW / 8 BAR / 247 CFM / 380V



RGT 23FL65

AIR / OIL SEPARATOR ELEMENT  
15HP TO 30HP





RGT 90EN48

AIR END COMPLETE BD 30HP 40HP  
8B



RGT 90EN49

AIR END COMPLETE BD 50HP 60HP  
8B



RGT 90EN41

AIR END COMPLETE BD 75HP 8B



RGT 90EN13

AIR END COMPLETE BD 100HP 8B



RGT 90EN14

AIR END COMPLETE DD 40HP 8B



RGT 90EN15

AIR END COMPLETE DD 100HP 8B



RGT 90EN16

MINIMUM PRESSURE VALVE PAHB-  
10A / 15A / 20A



RGT 90EN17

MINIMUM PRESSURE VALVE PAHB /  
PAHD-30A / 40A



RGT 90EN18

MINIMUM PRESSURE VALVE PAHB /  
PAHD-50A / 60A





RGT 90EN19

MINIMUM PRESSURE VALVE PAHB / PAHD-75A / 100A



RGT 80GL14

OIL SIGHT GLASS 175MM



RGT 8051468

PRESSURE SENSOR PAHB AND PAHD RANGE



RGT 8051498

TEMP SENSOR PAHB AND PAHD RANGE



RGT 23FL40

AIR / OIL SEPARATOR ELEMENT 120HP 150HP



RGT 23FL41

AIR / OIL SEPARATOR ELEMENT 175HP 200HP



RGT 34FL42

AIR FILTER ELEMENT 150HP 175HP



RGT 849719V

INTAKE VALVE SUCTION REGULATOR (PAHB-10A)



RGT 148VBXHI

SUCTION BOX COMPLETE WITH SOLENOID 15HP 20HP



RGT 14BSM4

SUCTION BOX COMPLETE WITH SOLENOID 30HP 40HP



RGT BN142VB

SUCTION BOX COMPLETE WITH SOLENOID 50HP 60HP



RGT 142914V

SUCTION BOX COMPLETE WITH SOLENOID 75HP 100HP



RGT 1871910BL

SUCTION BOX COMPLETE WITH SOLENOID 120HP



RGT 142FN2

COOLING FAN 10HP 380V



RGT 142FN3

COOLING FAN 15HP 20HP 380V



RGT 148FN4

COOLING FAN 30HP 40HP 380V



RGT 148FN5

COOLING FAN 50HP 60HP 380V



RGT 148FN6

COOLING FAN 75HP 100HP 380V



RGT 3090 JM

55.5 WH MAH JUMP STARTER – SCHUMACHER JUMP STARTER



RGT 3023 JM

800A LITHIUM JUMP STARTER – SCHUMACHER JUMP STARTER



RGT 3022 JM

37 WH LITHIUM JUMP STARTER – SCHUMACHER JUMP STARTER



RGT 3024 JM

22.2 WH LITHIUM JUMP STARTER – SCHUMACHER JUMP STARTER



RGT 3025 JM

HYBRID 12V-1200A JUMP STARTER – SCHUMACHER JUMP STARTER



RGT 3026 JM

VEHICLE STATION 12V/24V DC PPS – SCHUMACHER JUMP STARTER



RGT 3027 JM

SCI 90 – SCI90- 6 / 12V-90A BATTERY CHARG -SCHUMACHER CHARGER/ BATTERY-TESTER/JUMP STARTER



RGT 3028 JM

PBI 174 – BOOSTER PACK 12V – SCHUMACHER JUMP STARTER



RGT 3029 JM

PBI 175 – BOOSTER PACK 12/24V – SCHUMACHER JUMP STARTER



RGT 3048 JM

SL1 – LITHIUM JUMP STARTER 12V  
RED FUEL



RGT 3049 JM

SL2 – LITHIUM JUMP STARTER 12V  
RED FUEL



RGT 3041 JM

520003 AC OR DC – PROPULS 12V  
/ 1200CA -SCHUMACHER JUMP  
STARTER



RGT 3042 JM

520005 AC OR DC – PROPULS 24V  
/ 1200CA -SCHUMACHER JUMP  
STARTER



RGT 3043 JM

PROPULSTATION  
12/24V-2400/1200CA – SCHUMACH-  
ER JUMP STARTER



RGT 3044 JM

521002 AC OR DC – PROPULS 12V  
/ 800CA -SCHUMACHER JUMP  
STARTER



RGT 3045 JM

MOBILE BOOSTER  
12/24V-3200/1600CA – SCHUMACH-  
ER JUMP STARTER



RGT 3046 JM

560001 AC – PPS MOBILE 12 / 24V-  
6400 / 3200CA -SCHUMACHER JUMP  
STARTER



RGT 3098 JM

560002 AC – PPS MOBILE 24V /  
1600CA -SCHUMACHER JUMP  
STARTER





RGT 3051 JM

960000 – MOBILE BOOSTER 12 / 24V-3200 / 1600CA -SCHUMACHER JUMP STARTER



RGT 3052 JM

DSR108 – 12V 450A SUPER CAP JUMP STARTER -SCHUMACHER JUMP STARTER



RGT 3053 JM

DSR109 – 12V 800A SUPER CAP JUMP STARTER -SCHUMACHER JUMP STARTER



RGT 3082 JM

1200MAH LITHIUM JUMP STARTER – SCHUMACHER JUMP STARTER



RGT 3081 JM

SL65 – LITHIUM JUMP STARTER 12V RED FUEL MOTORCYCLE -SCHUMACHER JUMP STARTER



RGT 3083 JM

SL66 – POWERSPORTS JUMP STARTER CABLE -SCHUMACHER JUMP STARTER



RGT 22CC40

OIL COOLER 10HP 13B



RGT 22CC41

OIL COOLER 15HP 20HP 13B



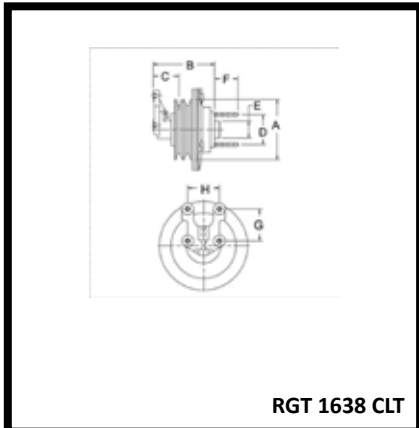
RGT 22CC43

OIL COOLER 30HP 40HP 13B



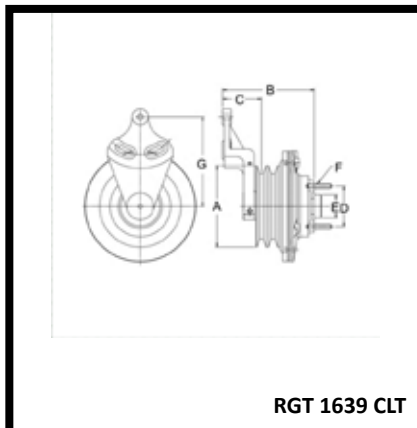






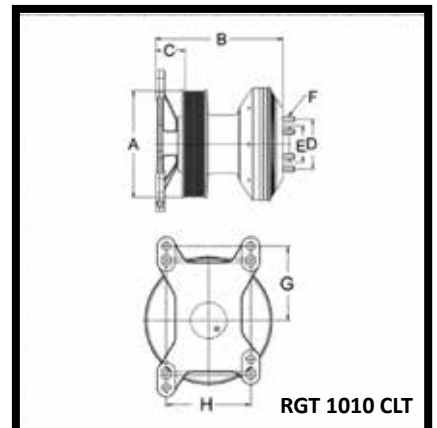
RGT 1638 CLT

793016 – CLUTCH FAN -HORTON AIR CLUTCH/HUB



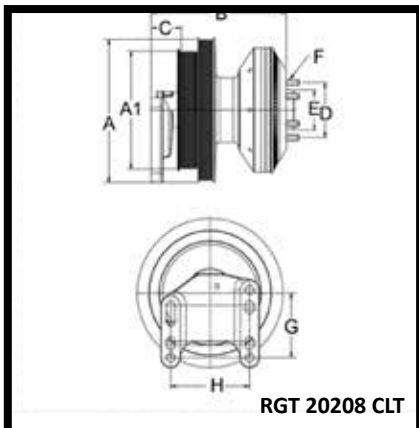
RGT 1639 CLT

793016 – CLUTCH FAN -HORTON AIR CLUTCH/HUB



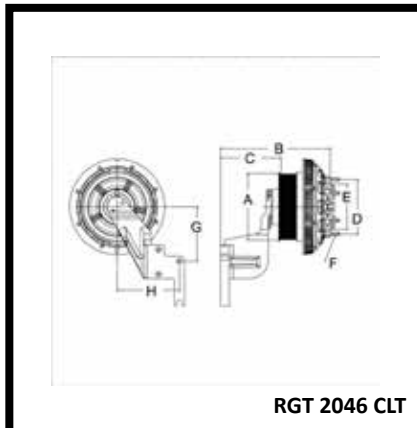
RGT 1010 CLT

79A5064 – CLUTCH FAN – HORTON AIR CLUTCH/HUB



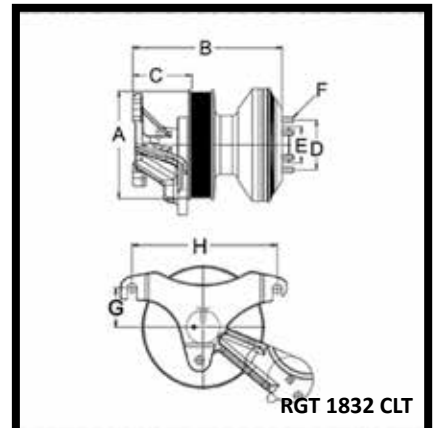
RGT 20208 CLT

79A5074 – CLUTCH FAN – HORTON AIR CLUTCH/HUB



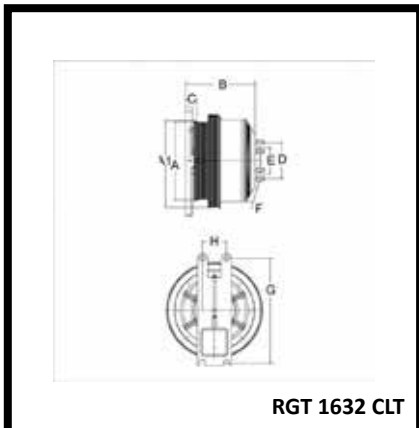
RGT 2046 CLT

79A5088-2 – CLUTCH FAN 2 SPEED – HORTON AIR CLUTCH/HUB



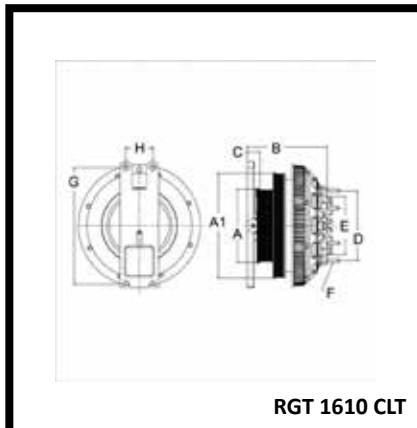
RGT 1832 CLT

79A5223 – CLUTCH FAN – HORTON AIR CLUTCH/HUB



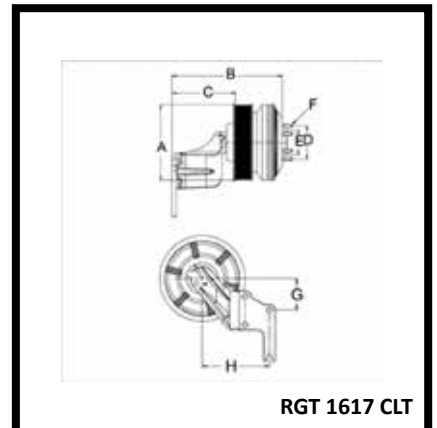
RGT 1632 CLT

BT HEAVY INDUSTRIAL SERIES 5 A 79A5223 – CLUTCH FAN – HORTON AIR CLUTCH/HUB LED



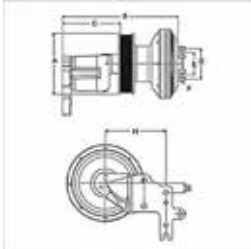
RGT 1610 CLT

79A5223 – CLUTCH FAN – HORTON AIR CLUTCH/HUB



RGT 1617 CLT

79A5324 – CLUTCH FAN – HORTON AIR CLUTCH/HUB



RGT 1884 CLT

79A5512 – CLUTCH FAN – HORTON  
AIR CLUTCH/HUB



RGT 1889 CLT

702300006044 – HORTON AIR  
CLUTCH/HUB



RGT 1897 CLT

KIT DOUBLE BEARING KYSOR



RGT 1946 CLT

702300006042 – HORTON AIR  
CLUTCH/HUB



RGT 2046 CLT

702300006042 – HORTON AIR  
CLUTCH/HUB



RGT 2049 CLT

702300003082 – HORTON AIR  
CLUTCH/HUB



RGT 1849 CLT

MAJOR REPAIR KIT HTS



RGT 1999 CLT

702300003132 – HORTON AIR  
CLUTCH/HUB



RGT 2041 CLT

702300003132 – HORTON AIR  
CLUTCH/HUB



RGT 9991 CLT

702300003086 – HORTON AIR CLUTCH/HUB



RGT 9992 CLT

V



RGT 9993CLT

702300003094 – HORTON AIR CLUTCH/HUB



RGT 8886 CLT

KIT 2 SPEED CONV W/O BEARING



RGT 8555 CLT

702300003099 – HORTON AIR CLUTCH/HUB



RGT 11115 CLT

702300003099 – HORTON AIR CLUTCH/HUB



RGT 2224 CLT

702300004020 – HORTON AIR CLUTCH/HUB



RGT 2221 CLT

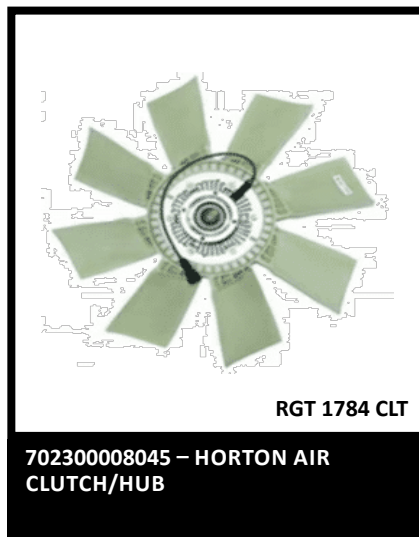
BEARING KIT DM TO DMA CONV



RGT 6618 CLT

702300004037 – HORTON AIR CLUTCH/HUB







RGT 1766 CLT

702300002082 – HORTON AIR  
CLUTCH/HUB



RGT 1689 CLT

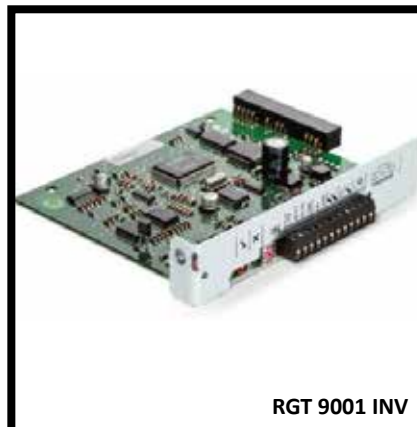
702300002061 – HORTON AIR  
CLUTCH/HUB





RGT 9000 INV

ACCESSORIES – AMBIENT TEMP SENSOR



RGT 9001 INV

ACCESSORIES – CURRENT TRANSFORMERS – 250A



RGT 9002 INV

ACCESSORIES – IRRADIATION SENSOR



RGT 9003 INV

ACCESSORIES – MODULE TEMP SENSOR



RGT 9004 INV

ACCESSORIES – SENSOR BOX



RGT 9005 INV

ACCESSORIES – SENSOR CARD RETROFIT



RGT 9006 INV

ACCESSORIES – SMART CT METER – THREE PHASE – 5KA (REQUIRES CT'S)



RGT 9007 INV

ACCESSORIES – SMART METER – SINGLE PHASE – TS 100A-1



RGT 9008 INV

ACCESSORIES – SMART METER – THREE PHASE – TS 65-A-3



RGT 9009 INV

ACCESSORIES – SPLIT CORE CURRENT TRANSFORMERS – 250A



RGT 9010 INV

ACCESSORIES – WIND SPEED SENSOR



RGT 9011 INV

FOX-HV-2600 | HIGH VOLTAGE LITHIUM BATTERY 2.6KWH 48V CAN&485



RGT 9012 INV

FOXESS-6KW-1P | FOXESS 6KW SINGLE PHASE HYBRID INVERTER AIO W/O BATTERY



RGT 9013 INV

FOXESS-6KW-3P | FOXESS 6KW SINGLE PHASE HYBRID INVERTER AIO W/O BATTERY



RGT 9014 INV

GENSET SOLUTIONS – CS 1PH 150-1000KVA 3PH (55MM)



RGT 9015 INV

GENSET SOLUTIONS – CS 1PH 150-1400KVA 3PH (80MM)



RGT 9016 INV

GENSET SOLUTIONS – CURRENT CONVERTER MC3-250A (26MM EA)



RGT 9017 INV

GENSET SOLUTIONS – GENSET METER EXTENSION





RGT 9018 INV

GENSET SOLUTIONS – PV SYSTEM CONTROLLER



RGT 9019 INV

HYBRID SYSTEMS – DC OVP TYPE 1+2 – MULTISTRING FOR PRIMO GEN24



RGT 9020 INV

HYBRID SYSTEMS – DC OVP TYPE 1+2 – MULTISTRING FOR PRIMO GEN24



RGT 9021 INV

HYBRID SYSTEMS – PRIMO GEN24 3.0 PLUS



RGT 9022 INV

HYBRID SYSTEMS – PRIMO GEN24 5.0 PLUS



RGT 9023 INV

HYBRID SYSTEMS – SYMO GEN24 10.0 PLUS



RGT 9024 INV

HYBRID SYSTEMS – SYMO GEN24 6.0 PLUS



RGT 9025 INV

HYBRID SYSTEMS – SYMO GEN24 8.0 PLUS



RGT 9026 INV

SINGLE PHASE INVERTERS – DC OVP TYPE 1+2 – MULTISTRING FOR PRIMO



RGT 9027 INV

SINGLE PHASE INVERTERS – PRIMO  
3.0-1, 2 MPPT, WEB SERVER & WLAN



RGT 9028 INV

SINGLE PHASE INVERTERS – PRIMO  
3.6-1, 2 MPPT, WEB SERVER & WLAN



RGT 9029 INV

SINGLE PHASE INVERTERS – PRIMO  
4.6-1, 2 MPPT, WEB SERVER & WLAN



RGT 9030 INV

SINGLE PHASE INVERTERS – PRIMO  
5.0-1, 2 MPPT, WEB SERVER & WLAN



RGT 9031 INV

SINGLE PHASE INVERTERS – PRIMO  
6.0-1, 2 MPPT, WEB SERVER & WLAN



RGT 9032 INV

SINGLE PHASE INVERTERS – PRIMO  
8.2-1, 2 MPPT, WEB SERVER & WLAN



RGT 9033 INV

TAURO ACCESSORIES – LOCKING  
SHEET DC DISCONNECTORS



RGT 9034 INV

TAURO ACCESSORIES – MOUNTING  
HANDLES



RGT 9035 INV

TAURO ACCESSORIES – PROTECTIVE  
HOSE AC CABLE



RGT 9036 INV

TAURO ACCESSORIES – SPD TYPE 1+2 RETROFIT



RGT 9037 INV

TAURO ACCESSORIES – SPD TYPE 2 ECO RETROFIT



RGT 9038 INV

TAURO COMMERCIAL INVERTER – TAURO 50-3-P



RGT 9039 INV

TAURO COMMERCIAL INVERTER – TAURO ECO 100-3-P



RGT 9040 INV

TAURO COMMERCIAL INVERTER – TAURO ECO 50-3-P



RGT 9041 INV

THREE PHASE INVERTERS – 6 X DC PLUG +- PAIR MC4



RGT 9042 INV

THREE PHASE INVERTERS – 6 X DC PLUG +- PAIR MC4



RGT 9043 INV

THREE PHASE INVERTERS – DATA-MANAGER 2.0 BOX + POWER SUPPLY



RGT 9044 INV

THREE PHASE INVERTERS – DATA-MANAGER CARD RETROFIT FOR SYMO/ECO



RGT 9045 INV

THREE PHASE INVERTERS – DATA-MANAGER CARD RETROFIT FOR SYMO/ECO (DM)



RGT 9046 INV

THREE PHASE INVERTERS – DATA-MANAGER CARD RETROFIT FOR SYMO/ECO (DM)



RGT 9047 INV

THREE PHASE INVERTERS – DC CONNECTOR KIT 10-27KVA (UP TO 25MM2)



RGT 9048 INV

THREE PHASE INVERTERS – DC CONNECTOR KIT 10-27KVA (UP TO 35MM2)



RGT 9049 INV

THREE PHASE INVERTERS – DC OVP TYPE 1+2 – MULTISTRING FOR SYMO 10-20KW



RGT 9050 INV

THREE PHASE INVERTERS – DC OVP TYPE 1+2 – SINGLE STRING FOR ECO 27KW



RGT 9051 INV

THREE PHASE INVERTERS – DC OVP TYPE 2 – MULTISTRING FOR SYMO 10-20KW



RGT 9052 INV

THREE PHASE INVERTERS – DC OVP TYPE 2 – SINGLE STRING FOR ECO 27KW



RGT 9053 INV

THREE PHASE INVERTERS – ECO 27.0-3-S, 1 MPPT, LITE



RGT 9054 INV

THREE PHASE INVERTERS – ECO  
27.0-3-S, 1 MPPT, WEB SERVER &  
WLAN



RGT 9055 INV

THREE PHASE INVERTERS – FRONI-  
US OHM PILOT



RGT 9056 INV

THREE PHASE INVERTERS – FUSES 6  
X 15A DC+ / FUSE BOLTS



RGT 9057 INV

THREE PHASE INVERTERS – SYMO  
10.0-3-M, 2 MPPT, WEB SERVER &  
WLAN



RGT 9058 INV

THREE PHASE INVERTERS – SYMO  
12.5-3-M, 2 MPPT, WEB SERVER &  
WLAN



RGT 9059 INV

THREE PHASE INVERTERS – SYMO  
15.0-3-M, 2 MPPT, LITE



RGT 9060 INV

THREE PHASE INVERTERS – SYMO  
15.0-3-M, 2 MPPT, WEB SERVER &  
WLAN



RGT 9061 INV

THREE PHASE INVERTERS – SYMO  
20.0-3-M, 2 MPPT, LITE



RGT 9062 INV

THREE PHASE INVERTERS – SYMO  
20.0-3-M, 2 MPPT, WEB SERVER &  
WLAN





RGT 9063 INV

THREE PHASE INVERTERS – SYMO 3.0-3, 2 MPPT, WEB SERVER & WLAN



RGT 9064 INV

THREE PHASE INVERTERS – SYMO 6.0-3, 2 MPPT, WEB SERVER & WLAN



RGT 9065 INV

THREE PHASE INVERTERS – SYMO 8.2-3-M, 2 MPPT, WEB SERVER & WLAN



RGT 9066 INV

EP20-R1000W



RGT 9067 INV

EP20-T1500W



RGT 9068 INV

EP-20-T2000W – PROBE ENERGY -48V 2000W PURE SINEWAVE INVERTER & CHARGER



RGT 9069 INV

INV-48V-5KW-ANYGR-AX | PHOCOS ANY GRID – 48V 5KW HYBRID INVERTER-PARALLEL X 9 (INCL CARD)



RGT 9070 INV

PH18-5KW-PLUS



RGT 9071 INV

INV3000VA24VDC-H



**RGT 9072 INV**  
INV5000VA48VDC-H



**RGT 9073 INV**  
INV5000KING48VDC-H



**RGT 9074 INV**  
WIFI MODULE 5KVA



**RGT 9075 INV**  
INV-1440-MEC | MERCER 24V  
2400VA 1440W MODIFIED SINE-  
WAVE INVERTER & CHARGER



**RGT 9076 INV**  
INV-48V-12KW-HYBR-3P | DEYE  
12KW 3P HYBRID INVERTER VOC :  
500V (48V) CT & WIFI INCL



**RGT 9077 INV**  
INV-48V-5KW-HYBR-SE | DEYE 5KW  
HYBRID INVERTER VOC : 500V (48V)  
CT & WIFI INCL



**RGT 9078 INV**  
INV-48V-8KW-HYBR-SE | DEYE 8KW  
HYBRID INVERTER VOC : 500V (48V)  
CT & WIFI INCL



**RGT 9079 INV**  
INV-720-MEC | MERCER 12V 1200VA  
720W MODIFIED SINEWAVE IN-  
VERTER & CHARGER



**RGT 9080 INV**  
TELE1000+ – TELE1000 -12V 1000VA  
850W MODIFIED SINEWAVE IN-  
VERTER & CHARGER



RGT 9081 INV

INV-850-SOL | SCHNIEDER 12V  
850VA PURE SINEWAVE + BUILT IN  
MPPT CHARGER



RGT 9082 INV

900VA 12V SINEWAVE INVERTER



RGT 9083 INV

INV-1500-SOL | SCHNIEDER 24V  
1500VA PURE SINEWAVE + BUILT IN  
MPPT CHARGER



RGT 9084 INV

2 0KVA 36V SINE WAVE INVERTER



RGT 9085 INV

INV2500VA36VDC LUMINOUS –  
36V 2500VA 2KW PURE SINEWAVE  
INVERTER & CHARGER 1P



RGT 9086 INV

3.5KVA 48V SINE WAVE INVERTER



RGT 9087 INV

5KVA 96V SINE WAVE INVERTER  
ADD TO QUOTE



RGT 9088 INV

7.5KVA 120V SINE WAVE INVERTER



RGT 9089 INV

10KVA 180V SINE WAVE INVERTER



RGT 3090 JM

55.5 WH MAH JUMP STARTER –  
SCHUMACHER JUMP STARTER



RGT 3023 JM

800A LITHIUM JUMP STARTER –  
SCHUMACHER JUMP STARTER



RGT 3022 JM

37 WH LITHIUM JUMP STARTER –  
SCHUMACHER JUMP STARTER



RGT 3024 JM

22.2 WH LITHIUM JUMP STARTER –  
SCHUMACHER JUMP STARTER



RGT 3025 JM

HYBRID 12V-1200A JUMP STARTER –  
SCHUMACHER JUMP STARTER



RGT 3026 JM

VEHICLE STATION 12V/24V DC PPS –  
SCHUMACHER JUMP STARTER



RGT 3027 JM

SCI 90 – SCI90- 6 / 12V-90A BATTERY  
CHARG -SCHUMACHER CHARGER/  
BATTERY-TESTER/JUMP STARTER



RGT 3028 JM

PBI 174 – BOOSTER PACK 12V –  
SCHUMACHER JUMP STARTER



RGT 3029 JM

PBI 175 – BOOSTER PACK 12/24V –  
SCHUMACHER JUMP STARTER



**RGT 3048 JM**

**SL1 – LITHIUM JUMP STARTER 12V RED FUEL**



**RGT 3049 JM**

**SL2 – LITHIUM JUMP STARTER 12V RED FUEL**



**RGT 3041 JM**

**520003 AC OR DC – PROPULS 12V / 1200CA -SCHUMACHER JUMP STARTER**



**RGT 3042 JM**

**520005 AC OR DC – PROPULS 24V / 1200CA -SCHUMACHER JUMP STARTER**



**RGT 3043 JM**

**PROPULSTATION 12/24V-2400/1200CA – SCHUMACHER JUMP STARTER**



**RGT 3044 JM**

**521002 AC OR DC – PROPULS 12V / 800CA -SCHUMACHER JUMP STARTER**



**RGT 3045 JM**

**MOBILE BOOSTER 12/24V-3200/1600CA – SCHUMACHER JUMP STARTER**



**RGT 3046 JM**

**560001 AC – PPS MOBILE 12 / 24V-6400 / 3200CA -SCHUMACHER JUMP STARTER**



**RGT 3098 JM**

**560002 AC – PPS MOBILE 24V / 1600CA -SCHUMACHER JUMP STARTER**





RGT 3051 JM

960000 – MOBILE BOOSTER 12 / 24V-3200 / 1600CA -SCHUMACHER JUMP STARTER



RGT 3052 JM

DSR108 – 12V 450A SUPER CAP JUMP STARTE -SCHUMACHER JUMP STARTER



RGT 3053 JM

DSR109 – 12V 800A SUPER CAP JUMP STARTE -SCHUMACHER JUMP STARTER



RGT 3082 JM

1200MAH LITHIUM JUMP STARTER – SCHUMACHER JUMP STARTER



RGT 3081 JM

SL65 – LITHIUM JUMP STARTER 12V RED FUEL MOTORCYCLE -SCHUMACHER JUMP STARTER



RGT 3083 JM

SL66 – POWERSPORTS JUMP STARTER CABLE -SCHUMACHER JUMP STARTER





OE NO. 0001231005 RGT 1175 STR  
BOSCH EV STARTER



OE NO. 0001330012 RGT1617 STR  
BOSCH HEF 109-L STARTER



OE NO. 1115595 RGT SOL2642S  
SOLENOID 24V 3T MT 42MT / 3 HOLE



OE NO. 0001368055 RGT 1055 STR  
BOSCH JF STARTER



OE NO. 2656 STR RLT  
STR 24V 11T 39MT



OE NO. 80331402015 RGT1015 SOL  
BOSCH-TYPE JD/JF SOLENOID 24 V ADE/DEUTZ



OE NO. 0331303006 RGT 1020 SOL  
BOSCH-TYPE SOLENOID 12 V 3 HOLE



OE NO. 1006209449 RGT 1027 DRV  
BOSCH-TYPE DRIVE (BMW/MITSUBISHI/ MAZDA/MERCEDES BENZ/ TOYOTA)



OE NO. 1006209424 RGT 1099 DRV  
BOSCH-TYPE DRIVE (GOLF/JETTA/ BEETLE 1.3/1.6)





OE NO. 2280007550 RGT 6160 STR  
STR 24V 10T 5.5KW IVECO



OE NO. 2810056040 RGT 6024 STR  
STR 12V 11T TOYOTA DYNA



OE NO. 228006560 RGT 6461 STR  
STR 24V 11T JOHN DEERE



OE NO. 2280002120 RGT 6055G STR  
STR 12V TOYOTA 2.5 DIESEL



OE NO. 10478998 RGT 2642 STR  
STR 24V 11T 42MT 4 HOLE



OE NO. 03555020050 RGT 9805 STR  
STR 24V 11T TOYOTA DYNA



OE NO. 03656020018 RGT 9210 STR  
STR 24V 11T HINO



OE NO. 2330097510 RGT 9853 STR  
STR 24V 11T UD 430



OE NO. 03555020110 RGT 9870  
STR 24V 11T UD60





OE NO. 1985237

RLT

BTMT FORK



OE NO. 1115667

RGT 2610 NSOL

SOLENOID 24V 42MT WITH PLUNG-  
ER



OE NO. 1115664

RGT 2609 SOL

SOLENOID 12V 42MT WITH PLUNG-  
ER



OE NO. 10511408

RGT 5023 SOL

SOLENOID 12V 39MT SECOND



OE NO. 0331303006

RGT 1020 SOL

SOLENOID 12V V/W AUDI DIESEL



OE NO. SRK966

RGT 11245 UC

REPAIR KIT



OE NO. 10461052

RGT 2617A STR

STR 12V 117 42MT 4 HOLE



OE NO. 8200435

RGT 2654 STR

STR 24V 12T 39MT



OE NO. 0001230006

RGT 1110

STR 12V 9T EV 30KW DEUTZ



OE NO. 2004125078 RGT 1050 FCS  
FIELD COIL 24V KB SHORT



OE NO. 0331101006 RGT 1080 SO  
SOLENOID 24V KB



OE NO. 24059 RGT X001G SOL  
SOLENOID 12V BODY MOUNT



OE NO. 0331303147 RGT 1065 SOL  
SOLENOID 12V LONG PUSH VW



OE NO. 1115593 RGT 2643 SOL  
SOLENOID 12V 3T MT / 42MT



OE NO. 0001231002 RGT 1205 STR  
STR 24V 9T EV 4.0KW MERCEDES



OE NO. 9001699006 RGT SKR25BR  
KIT 12V BRUSHES K571025



OE NO. F004A94007 RGT 1351 STR  
STR 12V 9T TOYOTA HILUX VVTI



OE NO. 2616 SOL RGT 2616 SOL  
SOLENOID 24V 40MT / 50MT





OE NO. F004A94008 RGT 1246 STR  
STR 12V 97 TOYOTA HILUX 2.5



OE NO. 2313058501 RGT 1050 BEA  
HITACHI/MITSUBISHI/AS128/B10-50D CE BEARING



OE NO. 2331243000 RGT 3088 DRV  
DRIVE 9T NISSAN 2.5L / 2.6 DIESEL



OE NO. M371X60171 RGT 5002 SOL  
SOLENOID 12V PLGR NISSAN / MAZ-DA B2600



OE NO. 5114705A RGT 3151 STR  
STR 12V 9T NISSAN



OE NO. 525501 RGT 3019 STR  
STR 24V 11T ISUZU



OE NO. 0001417025 RGT 1100 STR  
STR 24V 11T KD FORD CARGO / DEUTZ



OE NO. BR57904 RGT 7904 BRS  
BRUSH 24V MERCEDES



OE NO. 7936 STR RGT 7936 STR  
STR 12V 11T JCB







OE NO. 0001231013 RGT 1244 STR

STR 24V 11T EV DAF 4.5KW



OE NO. F00M145296 RGT 1334 STR

STR 24V 11T 4.0KW SEUTZ/KHD



OE NO. 10001410109 RGT 1151 STR

STR 24V 11T KB SAMIL / IVECO / BELL 513 -M EXTRA LONG



OE NO. 0001231017 RGT 1348 STR

STR 24V 10T EV DAF EF65



OE NO. 0001372003 RGT 1362 STR

STR 24V 11T IE 6.2KW DAF



OE NO. 0001340501 RGT 1403 STR

STR 24V 11T HEPIO 9MP MTU



OE NO. 0001368055 RGT 1055 STR

STR 24V 9T JF MERCEDES



OE NO.0001367059 RGT 1068 STR

STR 12V 9T JF ADE 352 AND JOHN DEERE



OE NO. 1f004a94008 RGT 1246 STR

STR 12V 9T TOYOTA HILUX 2.5L / 3.0L DIESEL D4D - 900T



OE NO. M002T7 RGT 5100 STR

STR 24V 11T NISSAN CABSTAR DIESEL - FD46



OE NO. 0001107411 RGT 1195 STR

STR 9T 12V DW ALFA ROMEO 147 / FIAT 1.6 / 1.8L



OE NO. M191T68471 RGT 5007 DRV

DRV 10T MITSUBISHI COH 2.5L DIESEL DSGR



OE NO. M191T12171 RGTB 5082 DRV

DRIVE 10T NISSAN / MAZDA / FORD WITH COUPLING - 8 SPLINE



OE NO. M372X10171 RGT 5015 SOL

SEL 24V MITSUBISHI CANTER / FORKLIFT



OE NO. M8T60071A RGT 5012 STR

STR 24V 5.0KW MITSUBISHI



OE NO. M8T60372 RGT 5051 STR

STR 24V 10T CATERPILLAR DP40



OE NO. M9760171 RGT 5119 STR

STR 24V 11T KATO / FURUKAWA



OE NO. M8T60871 RGT 5192 STR

STR 24V 10T 5.0KW CAT



OE NO. 0001410041 RGT 1052 STR  
STR 24V 9T KB CRADLE MOUNT  
-LONG



OE NO. 19011501 RGT 2013 STR  
STR 24V 12T 7.5KW 39MT



OE NO. 1107582 RGT 2610 STR  
STR 12V 10T 22MT TK-SERUES



OE NO. 10478998 RGT 2642 STR  
STR 24V 11T 42MT 4-POLE



OE NO. 10479339 RGT 2652 STR  
STR 24V 11T 50MT CAT



OE NO. 512107 RGT 3023 STR  
STR 12V 9T NISSAN 2.3L / 2.5L / 2.7L  
DIESEL



OE NO. SI3555A RGT 3152 STR  
STR 12V 9T ISUZU DMAX 2.5L . 3.0L  
DIESEL



OE NO. 11131375 RGT 7930 STR  
STR 12V 10T 4.2KW JOHN DEERE /  
BOBCAT



OE NO. 66925170 RGT 4050 STR  
STR 12V 10T 50MG RIGHT HAND





OE NO. 26024055A RGT 4043 STR  
STR 24V 10T 7M14 TATA 1518 TRUCK



OE NO. 66925089 RGT 4105 STR  
STR 12V 10T 2.8KW M50G / M127 L/H



OE NO. 66925090 RGT 4031 TVS STR  
STR 12V 10T M50 35M127 MASSEY FERGUSON



OE NO. 54269213 RGT 4080 DRV  
DRV 9T M50G MULTI-SPLINE SLOW



OE NO. 54247187 RGT 4073 DRV  
DRV 10T M50 MULTI-SPLINE LOW



OE NO. 60600024 RGT 4063 DRV  
DRV 10T M50 MUIE-SPLINE FAST



OE NO. 66241622 RGT 4042 DRV  
DRV 9T 590 FOR D/ TOYOTA / MAZDA 3000



OE NO. FC59009 RGT 9009 FCS  
FIELD COIL 12V PERKINS



OE NO. DRV9016 RGT 9016 DRV  
DRIVE 10T PERKINS / JCB







OE NO. 0231000430 RGT 8812 ARM

ARM 24V KOMATSU 10-SPLINE  
21-SEGMENTS L=212MM OD=74MM



OE NO.0231000231 RGT 8805 ARM

ARM 24V KOMATSU 9-SPLINE  
KD785-3 7.5KW



OE NO. 0231000261 RGT 8806 ARM

ARM 24V ISUZU OSGR 11-SPLINE



OE NO. 0001510017 RGT 111 STR

STR 24V 11T OB100 SAMIL 100 TIP-  
PER / VOLVO 100 UTZ 9.0KW



OE NO. 2695121H RGT 4135 STR

STR 12V 9T 2M14 TATA 207 1.9L



OE NO. GBS524P512L RGT 4108 STR

STR 24V 9T BS 5 TATA BUS 713



OE NO. 7233200060 RGT 8801 FRK

FORK 7.5KW OSGR L=19MM



OE NO. SDI35010501X9 RGT 9812 SOL

SOL 24V KOMATSU 2-HOLE ROUND



OE NO. 135017601 RGT 9817 STR

SOL 24V TOYOTA DYNA



**OE NO. 2810026080 RGT 6010 STR**

STR 12V 9T TOYOTA COROLLA REAR  
WHEEL DRIVE 1.4L / 1.6L / 1.8L 86  
74MM



**OE NO. 2330095000ND RGT 6.76 STR**

STR 24V 11T OSGR UG780 LK40/  
UD41 - NIPPOM PLACEMENT



**OE NO. 2280008540 RGT 6164 STR**

STR 12V 9T TOYOTA YARIS 1.5L



**OE NO. 76458 RGT 4044 SOL**

SOL 12V M45G OLD TYPE WITH  
EARS



**OE NO. 2801154380 RGT 6065 DRV**

DRV 10T TOYOTA HILUX 2.8L



**OE NO. 1012302821 RGT 4022 STR**

DRV 8T 590 ISUZU TOYOTA 2Y / 3Y  
/ 4Y



**OE NO. 1250902 RGT 0119 STR**

STR 12V 8T HYUNDAI I10/20



**OE NO. 0123036127G RGT 4127 STR**

STR 12V 9T 35M127 TATA 7135 6CYL-  
INDER NARROW HOLES



**OE NO. 269251135M RGT 4122 STR**

STR 12V 9T M4 5G TATA 509M 4-CYL-  
INDER



OE NO. 0471003420 RGT 8825 SOL

SOLENOID 24 V KOMATSU OSGR  
STARTER 3 HOLE LARGE



OE NO. 0240003060 RGT 8832 STR

STA 24V 10T KOMATSU WA120-3A  
FRONT END LOADER



OE NO. 6008133650 RGT 5104 STR

STR 24V 13T KOMATSU 5.5KW



OE NO. 6008139512 RGT 6008139512

STR 11KW 11T KOMATSU



OE NO. 1811510470 RGT 8808 SOL

SOL 24V ISUZU KOMATSU MITSUB-  
ISHI



OE NO. 0230007161 RGT 8806 STR

STR 24V 11T KOMATSU



OE NO. 0283009541 RGT 6089 DRV

DRV 10T CW TOYOTA COROLLA FOR-  
TUNER / HILUX



OE NO. 0536607120 RGT 6002 PLU

OLU ISUZU KB DIESEL REDUCTION  
GEAR



OE NO. M002T78681 RGT 5100 STR

STR 24V 11T NISSAN CABSTAR DIE-  
SEL - FD46





OE NO. 1006209695 RGT 1140 DRV

DRV 11T DW TOYOTA COROLLA 1.4I / 1.6L 16V HATCH LIFT BACK E11 1999 ???



OE NO. 1006209821 RGT 1148 DRV

DRV 9T TOYOTA HILUX 3.0L 10-SPLINE - CW



OE NO. 1006209634 RGT 1123 DRV

DRV 9T PMGR BMW 316/318/320/325 (E36) 520/525



OE NO. 0001107077 RGT 1293 STR

STR 12V DW OPEL ASTRA / VECTRA / ZAPIRA - 1.8L



OE NO. 9003334039 RGT 1108 ARM

ARM 24V EV PLGR DAF/IVECO / MAN



OE NO. 6033AD0061 RGT 1013 DRV

DRV 11T EV KHD/DEUTZ - 16 - SLINE



OE NO. 0331402001 RGT 1052 SOL

SOL 12V JD / JF / IF 3-HOLE MOUNT



OE NO. 200400518 RGT 1060 ARM

ARM 24V KB FKB SHORT MERC / DAF



OE NO. 1280002450 RGT 6550 STR

STR 24V 11T ISUZU FVR900 / FTR800 5.5KW





**OE NO. 63280040**      **RGT 9017 STR**  
STR 12V 10T MASSEY FERGUSON / JCB-PERKINS ENGINE



**OE NO. 9001699042**      **RGT 1009 KST**  
KIT 24V BUSHES AND BRUSHES



**OE NO. 11130627**      **RGT 7925 STR**  
STR 24V 9T 4.0KW VOLVO F610



**OE NO. ???**      **RGT 9850 STR**  
STR 24V 11T TOYOTA DYNA JOSED ENGINE



**OE NO. 2006209499**      **RGT 1075 DRV**  
DRV 10T JD LARGE FULL-SPLINE



**OE NO. STR7934**      **RGT 7934 STR**  
STR 12V 9T 4.0KW DEUTZ / KHD



**OE NO. 11130704**      **RGT 7918 STR**  
STR 12V 9T CAST FIAT / IVECO/ NEW HOLLAND



**OE NO. 0001360037**      **RGT 1013 STR**  
STR 24V 9T JD AOE MERC



**OE NO. M62957**      **RGT 8708 STR**  
STR 12V 8T HYUNDAI / TUCSON / SONATA / SANTA FE 2.2L V6





OE NO. 1006209404 RGT 1010 DRV

DRV 9T EF/GF AUDI MERC 240D  
300D



OE NO. 1006209585 RGT 1056 DRV

DRV 9T DW VW CARAVELLE 1.6L;  
1.8L



OE NO. 11006209678 RGT 113 DRV

DRV 10T MERC / SPRINTER /26.5MM  
OD



OE NO. 6033AD0130 RGT 1051 BHS

BHS 24V EV PLGR KHD/MERC /  
VOLVO









☎ (012) 023 1149 🌐 [www.rgtgroup.co.za](http://www.rgtgroup.co.za)