



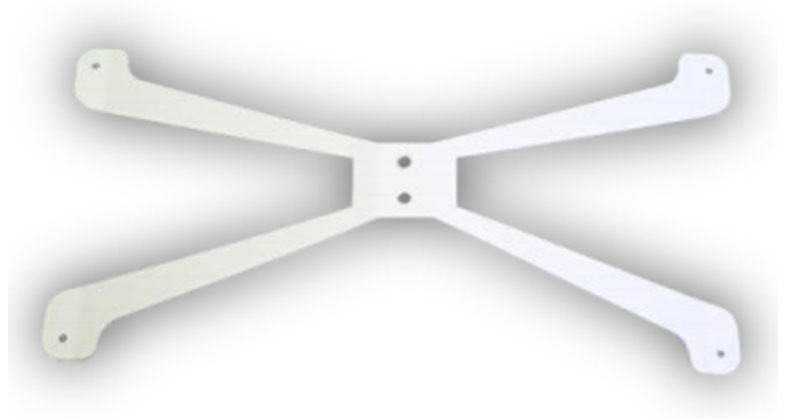
P12

ANTENNA HOLDER

The Vulcan RFID™ p12 Antenna Holder is designed specifically for the Vulcan RFID™ p12 UHF RFID Antenna. With its thin and easy to mount profile, the Vulcan RFID™ p12 Antenna Holder offers a new level of comfort in areas previously difficult to accommodate an antenna.

Key benefits to the Vulcan RFID™ p12 Antenna Holder include:

- Thing Design
- Very Light
- Easy to Mount
- Reduces Time and Cost of Installation



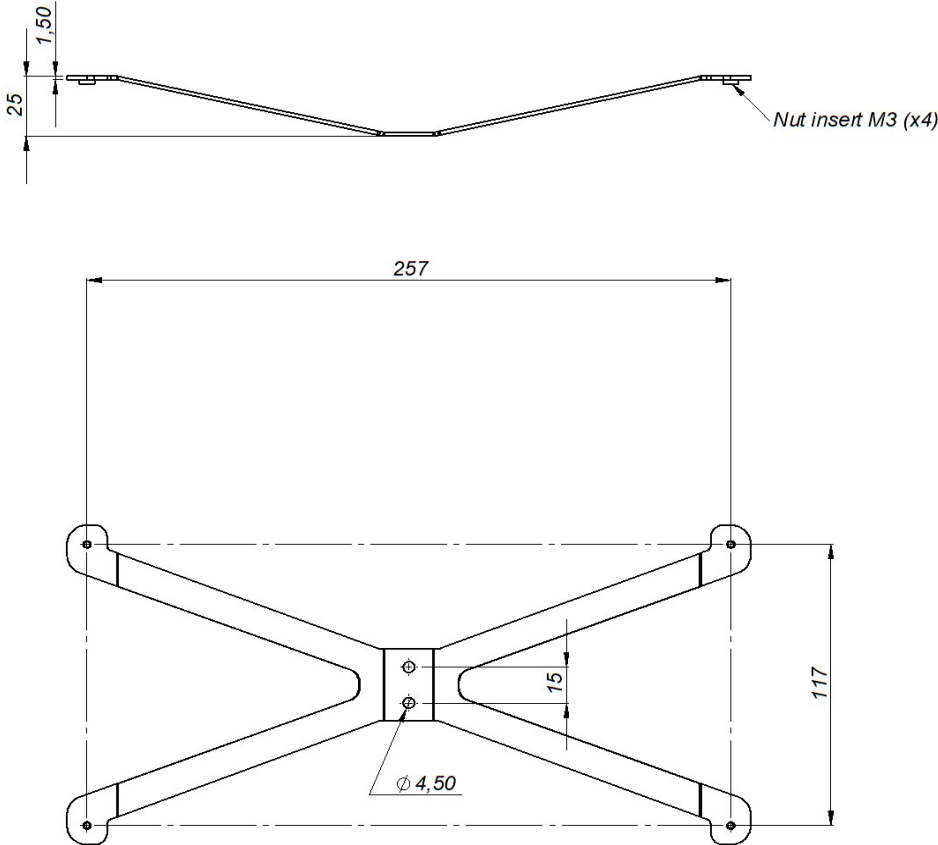


Specifications

MECHANICAL	Color:	Grey
	Weight:	0.034 kg (0.075 lbs)

Diagrams

Mechanical Specifications (in Millimeters)





Accessories & Compatible Products

Vulcan RFID™



VUL-ADAN-p12US-FLSMA-200	VUL-ADAN-p12EU-FLSMA-200
VUL-ADAN-p12US-FRSMA-200	VUL-ADAN-p12EU-FRSMA-200
VUL-ADAN-p12US-ELSMA-200	VUL-ADAN-p12EU-ELSMA-200

About Vulcan RFID™ Products

Vulcan RFID™ offers a broad range of innovative RFID antennas, RFID inlays, custom RFID tags, and accessories suited for a wide variety of industries and applications. With an extensive portfolio, Vulcan RFID™ products are manufactured to withstand environments ranging from mild to extreme. All Vulcan RFID™ products are thoroughly tested and built on a name you can trust. Vulcan RFID™ products enable you to reach and sustain high levels of performance with your UHF or NFC frequency application.



Inside USA
1 (888) 238-1155

Outside USA
1 (205) 383-2244

info@atlasRFIDstore.com
 www.atlasRFIDstore.com