

# rhino-hide® 49 Series Male and Female Connectors

## 49M (Male) and 49F (Female) Series



### Application

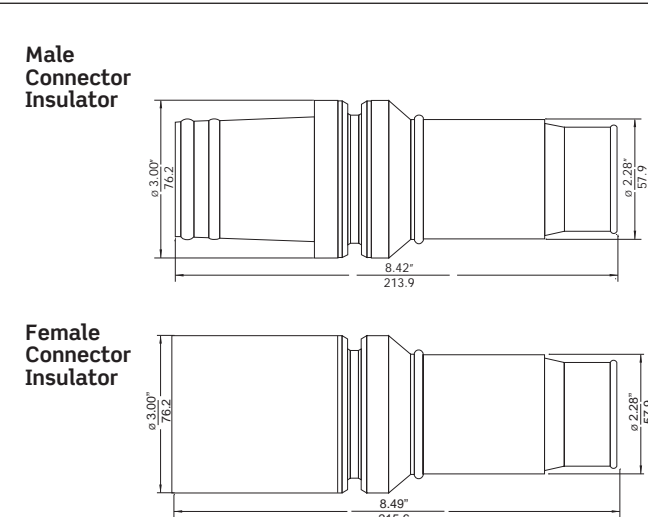
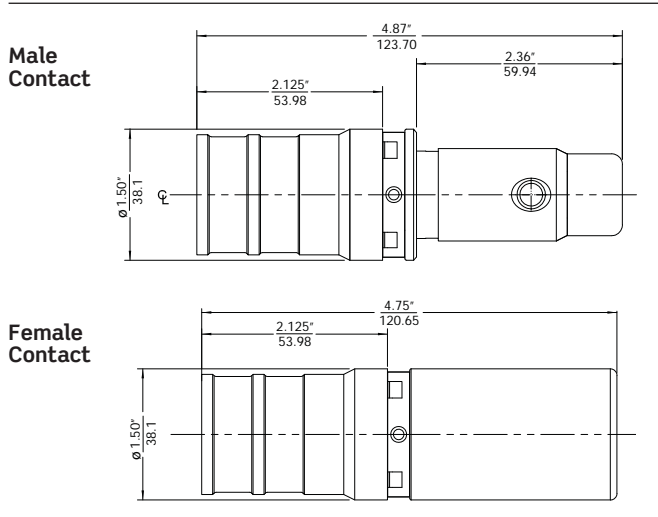
These devices are suitable for high-amperage AC or DC loads. Typical uses are for power delivery on off-shore and land-based oil and gas rigs. Rhino-hide devices are used by SCR drive manufacturers and top drive manufacturers to distribute power from the SCR to mud pumps and top drives.

Material Specifications	
Component	Description
Connector Insulator	Santoprene™* thermoplastic vulcanizate (TPV)
Male Contact	Silver-plated high conductivity copper alloy. Tip is over-plated with gold.
Female Contact	Silver-plated high conductivity copper alloy.
Connector Retention Ring	Anodized Aluminum
Cable Clamp	Stainless Steel
Dust Cap	Santoprene™* thermoplastic vulcanizate (TPV)
Electrical Specifications	
Electrical	
Maximum Working Voltage:	1,000 Volts AC or DC
Amperage	Up to 1,135 Amps
Connector Termination:	Crimp or Solder

Ampacity Ratings @ Ambient 40°C (104°F)		
Cable Size	90°C (194°F)	125°C (257°F)
313 MCM	513 AMPS	636 AMPS
444 MCM	642 AMPS	796 AMPS
535 MCM	724 AMPS	898 AMPS
646 MCM	814 AMPS	1,009 AMPS
777 MCM	916 AMPS	1,135 AMPS

Environmental Specifications	
Recyclability	No-lead added Santoprene™ thermoplastic vulcanizate (TPV) is fully recyclable
Minimum and Maximum Continuous Use Temperatures	From -60°C to 135°C (-76°F to 275°F)

Standards and Certifications	
	Rhino-hide 49 Series single pole connectors are cURus Recognized Components eligible for sales in Canada and the US. They meet the requirements of UL standard 486 AB for Wire Connectors. They are also in compliance with the essential health and safety requirements of the European Union Low-Voltage Directive (2006/95/EC).



### Leviton Manufacturing Co., Inc.

201 N Service Rd, Melville, NY 11747 Telephone: 1-800-323-8920 • FAX: 1-800-832-9538 Tech Line (8:30AM-7:30PM E.S.T. Monday-Friday): 1-800-824-3005 www.leviton.com © 2009 Leviton Manufacturing Co., Inc. All rights reserved. Subject to change without notice.

\*Santoprene is a registered trademark of Exxon Mobil. Rhino-hide is a registered trademark of Leviton Manufacturing Co.

rhino-hide® 49M (Male) and 49F (Female) Connectors

# rhino-hide® 49 Series Male and Female Connectors

## 49M (Male) and 49F (Female) Series

rhino-hide® 49M (Male) and 49F (Female) Connectors

### Specifications

Rhino-hide 49 Series single pole connectors are CE Certified and cURus Recognized Components engineered to exceptional standards for high-amperage power delivery on land-based and offshore oil and gas rigs.

### Features and Benefits

- Ideal for replacement; connectors mate with other manufacturers' high-amperage single pole connectors and receptacles for fast, easy change-out.
- UV stable, Santoprene™ TPV insulators resist fading and cracking for greater service life.
- Contacts machined from high conductivity copper alloy and silver-plated for corrosion resistance and superior conductivity.
- Color-coded, metal in-line coupler prevents separation of connectors.
- Attach stripped cable to male or female contact with standard crimp tools.
- Color-coded connector insulator for quick, visual identification of circuit and phase connections.

### Ordering Information

Complete connector includes: male or female contact, Santoprene™ thermoplastic vulcanizate (TPV ) insulator and dustcap. Replacement connector housings and replacement contacts may be ordered separately.

Complete Male Connector by Cable Size					
Color	313 MCM Cable	444 MCM Cable	535 MCM Cable	646 MCM Cable	777 MCM Cable
Black	49M31-E	49M44-E	49M53-E	49M64-E	49M77-E
White	49M31-W	49M44-W	49M53-W	49M64-W	49M77-W
Red	49M31-R	49M44-R	49M53-R	49M64-R	49M77-R
Blue	49M31-B	49M44-B	49M53-B	49M64-B	49M77-B
Green	49M31-G	49M44-G	49M53-G	49M64-G	49M77-G
Yellow	49M31-Y	49M44-Y	49M53-Y	49M64-Y	49M77-Y
Orange	49M31-O	49M44-O	49M53-O	49M64-O	49M77-O
Brown	49M31-H	49M44-H	49M53-H	49M64-H	49M77-H
Purple	-----	49M44-P	49M53-P	-----	-----
Gray	49M31-GY	49M44-GY	-----	49M64-GY	49M77-GY
Complete Female Connector by Cable Size					
Color	313 MCM Cable	444 MCM Cable	535 MCM Cable	646 MCM Cable	777 MCM Cable
Black	49F31-E	49F44-E	49F53-E	49F64-E	49F77-E
White	49F31-W	49F44-W	49F53-W	49F64-W	49F77-W
Red	49F31-R	49F44-R	49F53-R	49F64-R	49F77-R
Blue	49F31-B	49F44-B	49F53-B	49F64-B	49F77-B
Green	49F31-G	49F44-G	49F53-G	49F64-G	49F77-G
Yellow	49F31-Y	49F44-Y	49F53-Y	49F64-Y	49F77-Y
Orange	49F31-O	49F44-O	49F53-O	49F64-O	49F77-O
Brown	49F31-H	49F44-H	49F53-H	49F64-H	49F77-H
Purple	-----	-----	49F53-P	-----	49F77-P
Gray	-----	49F44-GY	49F53-GY	49F64-GY	49F77-GY
Replacement Connector Insulators			Replacement Contacts		
Color	Male Housing	Female Housing	Cable Size	Male Contact	Female Contact
Black	49MSL-E	49FSL-E	313 MCM	49M31-C	49F31-C
White	49MSL-W	49FSL-W	444 MCM	49M44-C	49F44-C
Red	49MSL-R	49FSL-R	535 MCM	49M53-C	49F53-C
Blue	49MSL-B	49FSL-B	646 MCM	49M64-C	49F64-C
Green	49MSL-G	49FSL-G	777 MCM	49M77-C	49F77-C
Yellow	49MSL-Y	49FSL-Y			
Orange	49MSL-O	49FSL-O			
Brown	49MSL-H	49FSL-H			
Purple	49MSL-P	49FSL-P			
Gray	49MSL-GY	49FSL-GY			



### Leviton Manufacturing Co., Inc.

201 N Service Rd, Melville, NY 11747 Telephone: 1-800-323-8920 • FAX: 1-800-832-9538 Tech Line (8:30AM-7:30PM E.S.T. Monday-Friday): 1-800-824-3005 www.leviton.com © 2009 Leviton Manufacturing Co., Inc. All rights reserved. Subject to change without notice.