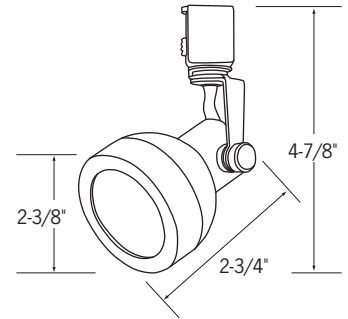
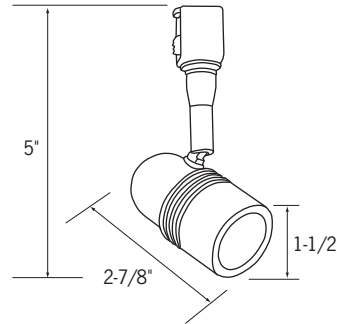
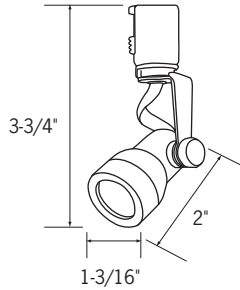
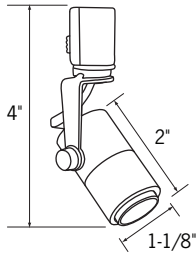


**Specifications/Features**

The Symphony low voltage fixture collection is crafted from high quality materials. The small scale of the Symphony track system allows layouts to be hidden away or seen with stylish fixture designs that enhance the space. Fixtures use Halogen lamps, are rated for 12V or 24V operation, are cULus

listed for dry locations and carry Con-Tech's one year full replacement warranty (from date of purchase). See specific fixtures for lamp type, voltage restrictions and maximum wattage. Lamps sold separately. Fixtures are available in Black (B), White (P) and Silver (S).



**LED Bullet**

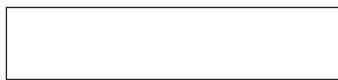
Adjustable lens: 17° - 45°. Review minimum wattage requirements of transformer being used.  
Lamp: 5W LED



**MCT-3LEDC-(B, P, S)** - Cool White (6650K)  
**MCT-3LEDW-(B, P, S)** - Warm White (3000K)

**MR8 Enclosed Bullet, Single Yoke Assembly**

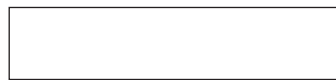
Lamp: 35W max., MR8 FG, GU4 base



**MCT-2108-(B, P, S)**

**MR11 Enclosed Bullet, Center Stem**

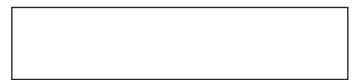
Lamp: 35W max., MR11, GU4 base  
Lens Size: 1-11/32"



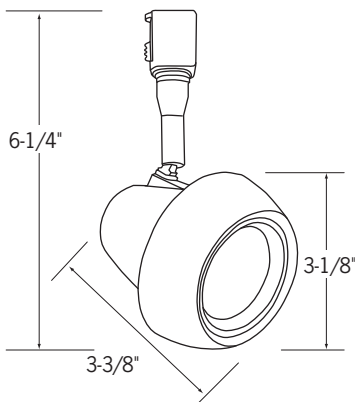
**MCT-2111-(B, P, S)**

**MR16 Enclosed Bullet, Single Yoke Assembly\***

Lamp: 50W max., MR16, GU5.3 base  
Lens Size: 2"



**MCT-2116-(B, P, S)**

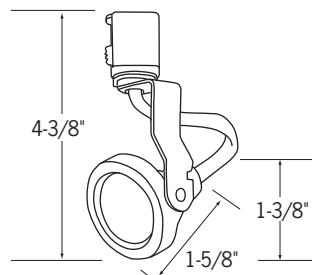


**Drama**

Lamp: 50W max., MR16, GU5.3 base  
Lens Size: 2"



**MCT-5116-(B, P, S)\***

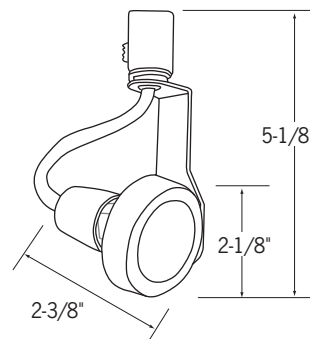


**MR11 Gimbal Single Offset Side Yoke**

Lamp: 35W max., MR11, GU4 base  
Lens Size: 1-11/32"



**MCT-8111-(B, P, S)**

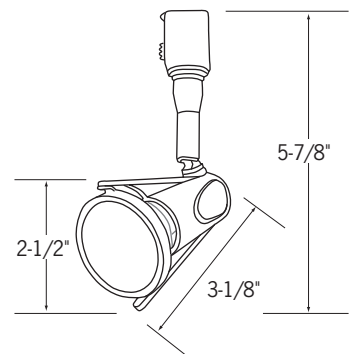


**MR16 Gimbal Single Offset Side Yoke**

Lamp: 50W max., MR16, GU5.3 base  
Lens Size: 2"



**MCT-8116-(B, P, S)\***



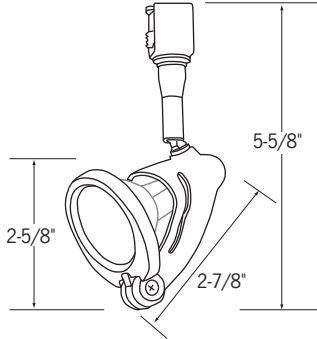
**Crescendo**

Lamp: 50W max., MR16, GU5.3 base  
Lens Size: 2"



**MCT-8316-(B, P, S)\***

\*On fixtures designed for use with MR16 lamps, Con-Tech Lighting provides a clear, tempered safety glass. This safety glass should only be used with open MR16 lamps, and not used with MR16 lamps that contain an integral glass lens. This safety glass should be removed if use of MR16 with front glass is required.

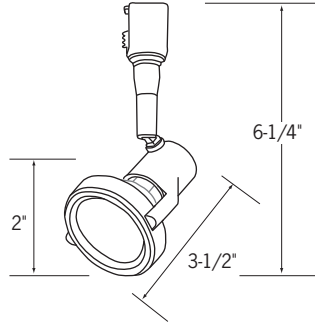


**Allegro\***

Lamp: 50W max., MR16, GU5.3 base  
Lens Size: 2"



**MCT-8416-(B, P, S)**

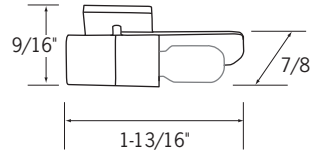


**Cadence\***

Lamp: 50W max., MR16, GU5.3 base  
Lens Size: 1-7/8"



**MCT-9816-(B, P, S)**

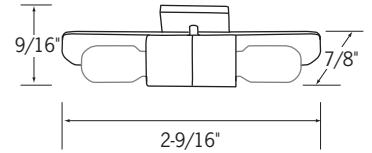


**Single Wedge Base Lampholder,  
Polished Aluminum Reflector**

Lamp: 10W max., Xenon T3-1/4,  
wedge base



**MCT-101-(B, P, S)**

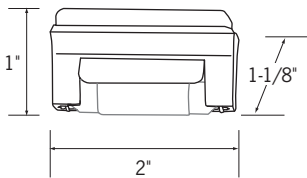


**Double Wedge Base Lampholder,  
Polished Aluminum Reflector**

Lamp: (2) 10W max., Xenon T3-1/4,  
wedge base

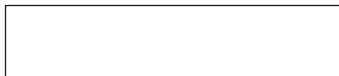


**MCT-102-(B, P, S)**

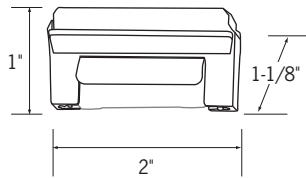


**Festoon Fixture with  
Adjustable Reflector**

Symmetrical light distribution.  
Lamp: 10W max., T3-1/4 Festoon,  
S8-5/8 base or 0.48W LED  
Festoon, S8-5/8 base

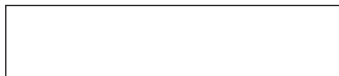


**MCT-201-(B, P, S)**

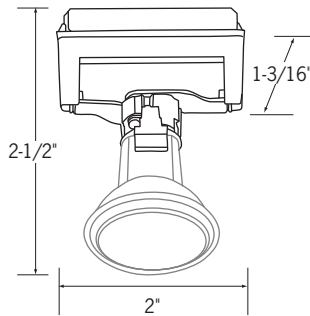


**Rigid Loop Fixture with  
Adjustable Reflector**

Symmetrical light distribution.  
Lamp: 10W max., T3-1/4,  
Rigid loop base

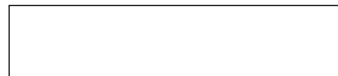


**MCT-301-(B, P, S)**

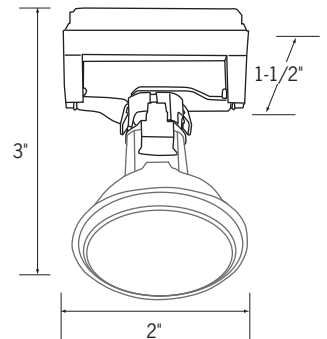


**Adjustable MR8/MR11 Fixture**

Lamp: 35W Max. MR8 FG or  
MR11 FG, GU4 base

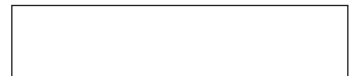


**MCT-401-(B, P, S)**



**Adjustable MR16 Fixture\***

Lamp: 35W max., MR16 FG,  
GU5.3 base



**MCT-501-(B, P, S)**

\*On fixtures designed for use with MR16 lamps, Con-Tech Lighting provides a clear, tempered safety glass. This safety glass should only be used with open MR16 lamps, and not used with MR16 lamps that contain an integral glass lens. This safety glass should be removed if use of MR16 with front glass is required.