

PlasTech – Solus Swivel Casters

PlasTech Solus Low Height

| Type | Wheel Dia. | Load Capacity | Bearing | Wheel Type | Stem Size | Weight | Part Number |
|------------------|------------|---------------|---------|-------------------|-----------|----------|---------------------------|
| Swivel | 4" | 176 lbs. | Ball | Gray Polyurethane | M10 x 8 | 1.0 lbs. | 42-4534-404-130-0001-0800 |
| Swivel | 4" | 176 lbs. | Roller | Gray Polyurethane | M10 x 8 | 0.8 lbs. | 42-4534-401-130-0001-0800 |
| Swivel | 5" | 220 lbs. | Ball | Gray Polyurethane | M12 x 15 | 1.7 lbs. | 42-5534-404-032-0001-0805 |
| Swivel | 5" | 220 lbs. | Roller | Gray Polyurethane | M12 x 15 | 1.5 lbs. | 42-5534-401-032-0001-0805 |
| Total Lock | 5" | 220 lbs. | Ball | Gray Polyurethane | M12 x 15 | 1.0 lbs. | 42-5532-404-032-2001-0805 |
| Total Lock | 5" | 220 lbs. | Roller | Gray Polyurethane | M12 x 15 | 0.8 lbs. | 42-5532-401-032-2001-0805 |
| Directional Lock | 5" | 220 lbs. | Ball | Gray Polyurethane | M12 x 15 | 1.7 lbs. | 42-5533-404-032-0001-0805 |
| Directional Lock | 5" | 220 lbs. | Roller | Gray Polyurethane | M12 x 15 | 1.5 lbs. | 42-5533-401-032-0001-0805 |



PlasTech Solus Standard Height

| Type | Wheel Dia. | Load Capacity | Bearing | Wheel Type | Stem Size | Weight | Part Number |
|------------------|------------|---------------|---------|-------------------|-----------|----------|---------------------------|
| Swivel | 4" | 176 lbs. | Ball | Gray Polyurethane | M10 x 15 | 1.0 lbs. | 42-4504-404-064-0001-0805 |
| Swivel | 4" | 176 lbs. | Roller | Gray Polyurethane | M10 x 15 | 0.8 lbs. | 42-4504-401-064-0001-0805 |
| Swivel | 5" | 220 lbs. | Ball | Gray Polyurethane | M12 x 20 | 1.7 lbs. | 42-5504-404-007-0001-0805 |
| Swivel | 5" | 220 lbs. | Roller | Gray Polyurethane | M12 x 20 | 1.5 lbs. | 42-5504-401-007-0001-0805 |
| Total Lock | 4" | 176 lbs. | Ball | Gray Polyurethane | M10 x 15 | 1.2 lbs. | 42-4502-404-064-2001-0805 |
| Total Lock | 4" | 176 lbs. | Roller | Gray Polyurethane | M10 x 15 | 1.0 lbs. | 42-4502-401-064-2001-0805 |
| Total Lock | 5" | 220 lbs. | Ball | Gray Polyurethane | M12 x 20 | 2.0 lbs. | 42-5502-404-007-2001-0805 |
| Total Lock | 5" | 220 lbs. | Roller | Gray Polyurethane | M12 x 20 | 1.8 lbs. | 42-5502-401-007-2001-0805 |
| Directional Lock | 5" | 220 lbs. | Ball | Gray Polyurethane | M12 x 20 | 2.0 lbs. | 42-5503-404-007-5001-0805 |
| Directional Lock | 5" | 220 lbs. | Roller | Gray Polyurethane | M12 x 20 | 1.8 lbs. | 42-5503-401-007-5001-0805 |



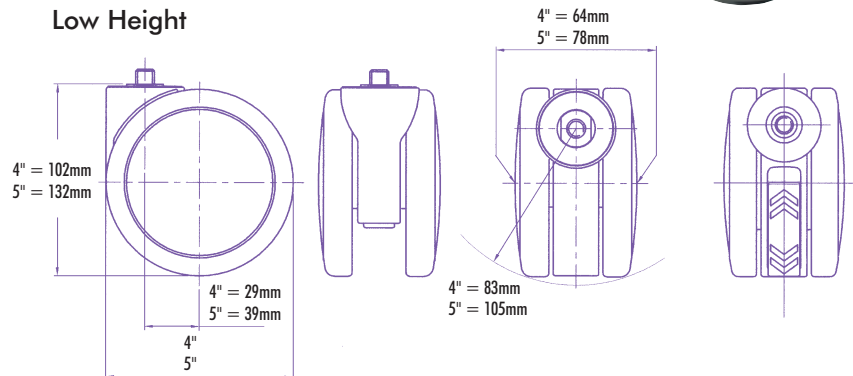
Standard Finish: Body - White RAL 9003; Polyurethane Tires - Gray RAL 7005

Options

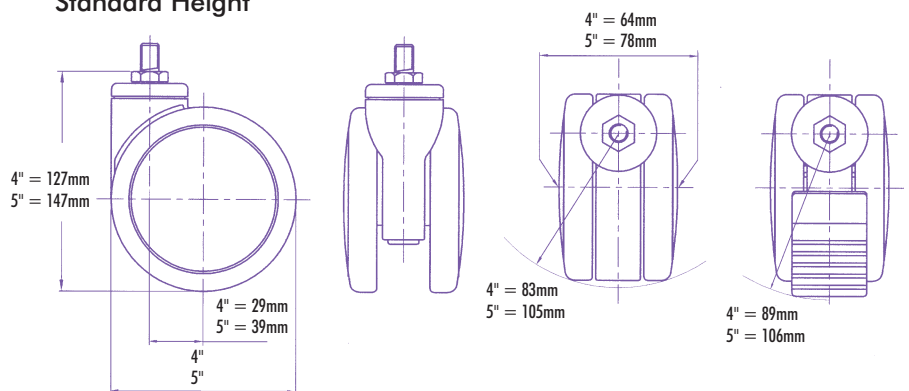
(Consult Factory)

- Alternative mounting stem and thread size
- Washable versions with durable plastic bearings and stainless steel ball bearing, pin and axle.
- Self-colored, scratch-resistant thermoplastic parts to complement equipment
- Alternative tire material and hardness
- Removable wheels

Low Height



Standard Height



Consult factory for English/Imperial ordering dimensions and quantities.



PlasTech – Solus Swivel Casters

PlasTech Solus Low Height

| Type | Wheel Dia. | Load Capacity | Bearing | Wheel Type | Stem Size | Weight | Part Number |
|--------|------------|---------------|---------|-------------------|-----------|----------|---------------------------|
| Swivel | 4" | 220 lbs. | Ball | Gray Polyurethane | M10 x 8 | 1.1 lbs. | 43-4534-404-192-0112-0805 |

PlasTech Solus Standard Height

| Type | Wheel Dia. | Load Capacity | Bearing | Wheel Type | Stem Size | Weight | Part Number |
|-------------|------------|---------------|---------|-------------------|-----------|----------|---------------------------|
| Swivel | 4" | 220 lbs. | Ball | Gray Polyurethane | M12 x 20 | 1.1 lbs. | 43-4504-404-193-0112-0805 |
| Wheel Brake | 4" | 220 lbs. | Ball | Gray Polyurethane | M12 x 20 | 1.2 lbs. | 43-4501-404-193-2112-0805 |

Standard Finish: Gray Body/Gray Tires - Contact factory for RAL/custom colors.

Features

- Designed for medical and hospital equipment, promotional display units, catering appliances, home and office furniture, and distribution trolleys
- Constructed of high-performance thermoplastics
- 25% greater load capacity than standard PlasTech casters
- Labyrinth caster assembly protects the axis and bearing from ingress of moisture, dirt, grit, and other contaminants
- Removable wheels for cleaning
- Wheel brake model tested in accordance with BSEN12530 to a minimum of 390N

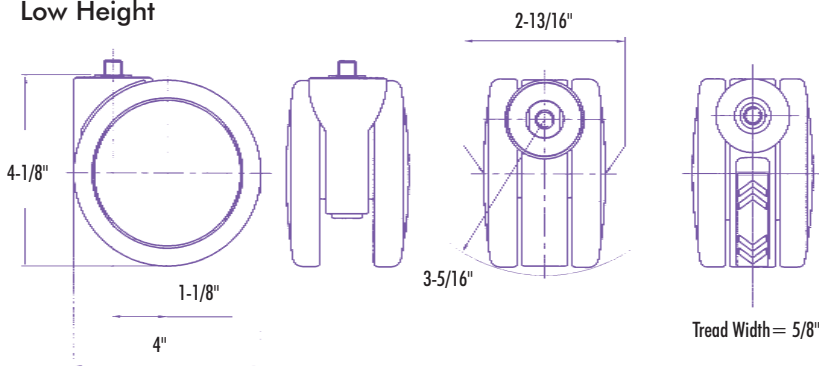
Options

(Consult Factory)

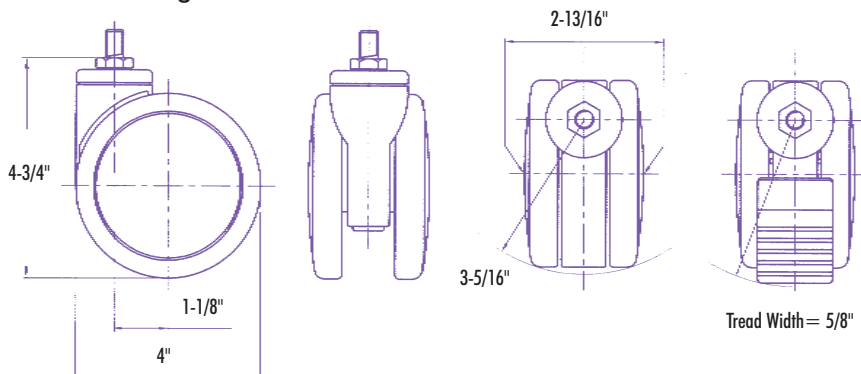
- Alternative mounting stem and thread size
- Self-colored, scratch-resistant thermoplastic parts to complement equipment
- Alternative tire material and hardness



Low Height



Standard Height



The Revvo Caster Company, Inc.

2420 North America Drive
West Seneca, NY 14224

In Canada:

P.O. Box 236
Fort Erie, ON L2A 5M9

Phone: 716-675-9609

Fax: 716-677-2363

E-Mail: info@revvocaster.com

A COLSON ASSOCIATE

Call Toll-Free 1-888-883-3596 or Visit www.RevvoCaster.com

