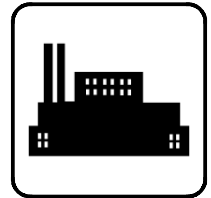


# Service Parts

Engine



Engine Model:

**KG2204 2.2L**

Generator Models:

24/30RCL/RCLA

38RCLB/RCLC

25-36CCL

**KOHLER®**

TP-6904 10/21d

# Table of Contents

<b>Description</b>	<b>Page</b>
Introduction .....	3
Number System Significance .....	3
Illustrations .....	3
How to Find Part Numbers .....	3
1: Cylinder Head Assembly (Part 1) .....	4
2: Cylinder Head Assembly (Part 2) .....	5
3: Cylinder Block Assembly (Part 1) .....	6
4: Cylinder Block Assembly (Part 2) .....	7
5: Crankshaft Assembly .....	8
6: Camshaft Assembly .....	9
7: Oil Pump, Oil Strainer and Oil Pan .....	10
8: Oil Dipstick and Oil Filter .....	11
9: Intake System .....	12
10: Exhaust System .....	13
11: Cooling System (Part 1) .....	14
12: Cooling System (Part 2) .....	15
13: Starter and Alternator .....	16
14: Electrical System .....	17
15: Engine Sensors .....	18
16: Fuel System .....	20

# Introduction

This manual lists service replacement parts for Kohler KG2204 engines.

Information in this publication represents data available at the time of print. Kohler Co. reserves the right to change this publication and the products represented without notice and without any obligation or liability whatsoever.

This manual includes the following main sections:

**Table of Contents.** Lists the sections of the manual.

**Introduction (and other information sections).** Contains introductory material about part numbers, illustrations, and hardware.

**Group Parts Lists.** List the part numbers of parts in the groups.

## Numbering System Significance

This manual uses the following numbering systems:

**Model.** The product identification number located on the nameplate. Engines break down into groups.

**Group Number.** A unique number representing a parts group needed to assemble a generator set function. For example, Group 5 is the Crankshaft Assembly group.

**Part Number.** The part number identifies an individual assembly, subassembly, component, or accessory kit.

## Illustrations

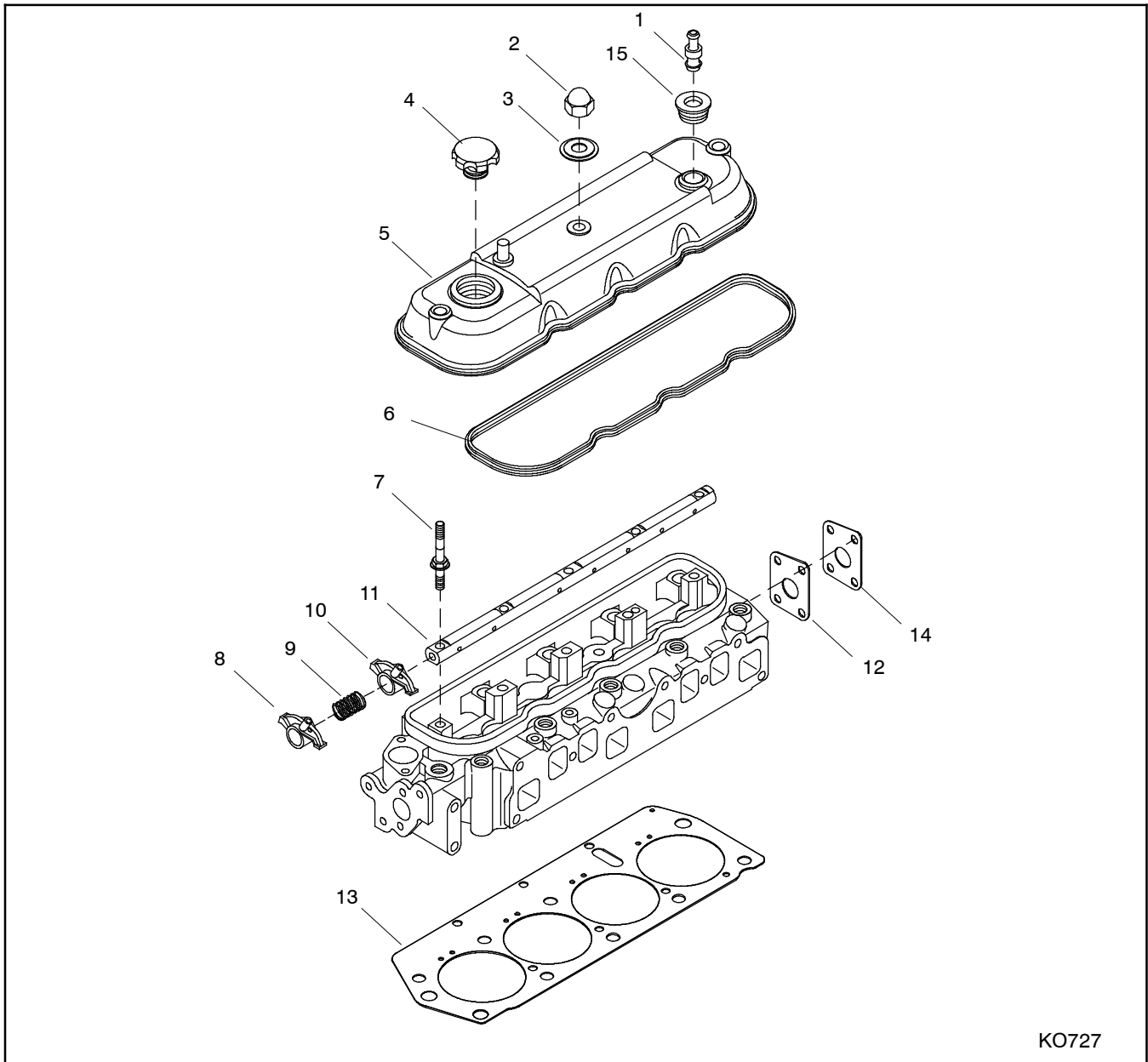
Illustrations (or exploded-view drawings) best representing the widest range of variations accompany most groups in this manual. Illustrations do not depict all details and may not show all parts. Do not substitute illustrations for assembly or disassembly.

## How to Find Part Numbers

Use the following steps to locate a service replacement part.

1. Locate the nameplate to **identify the model number**.
2. **Page forward to locate the group** or find the appropriate page in the Table of Contents.
3. **Find the part on the illustration** and note the item number of the part or **find the part description in the parts list**.

# 1: Cylinder Head Assembly (Part 1)

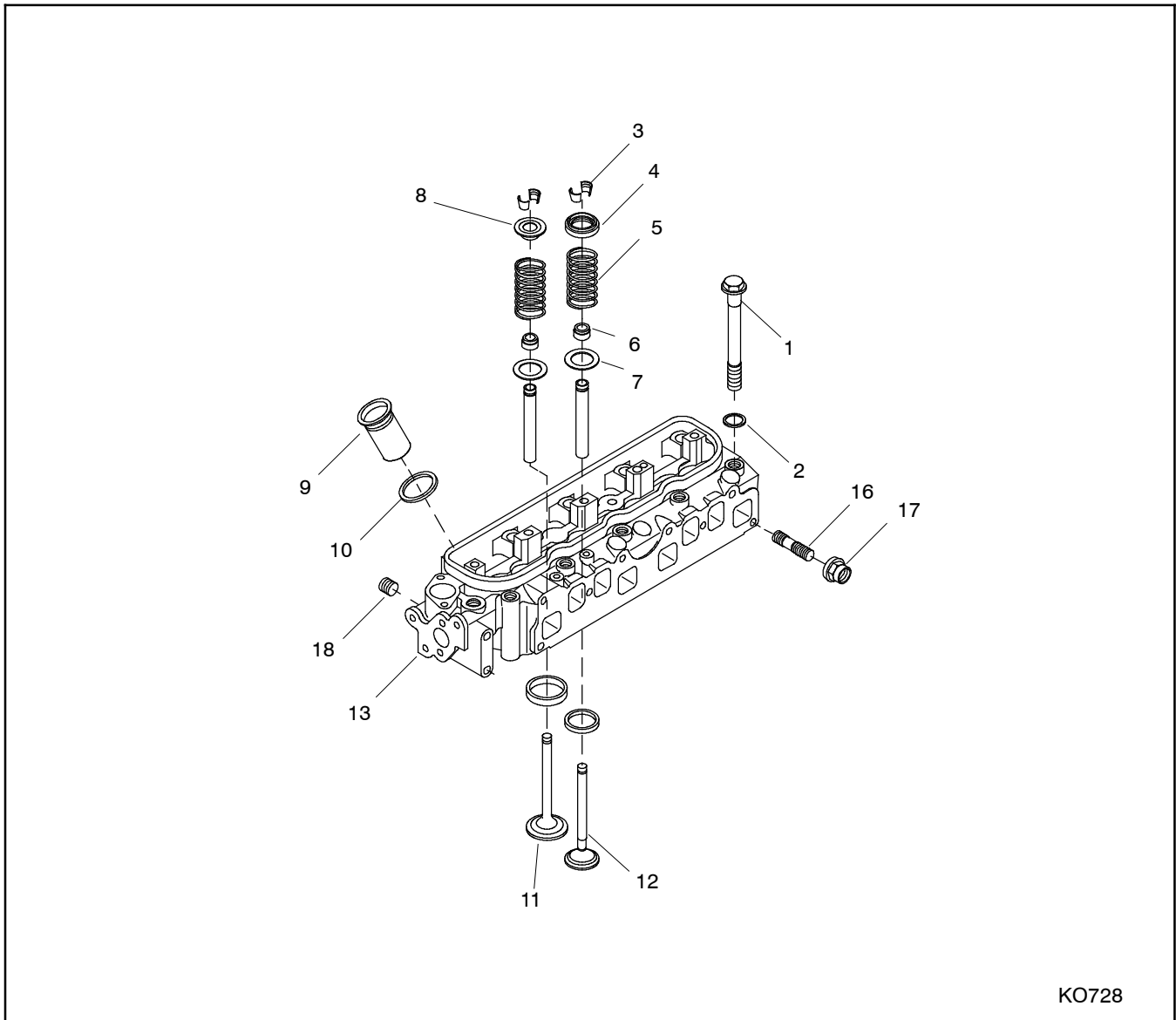


KO727

Item	Part No.	Description	Qty.
1	GM92627	Valve, PCV	1
2	GM92642	Nut, Acorn	3
3	GM92643	Washer, Valve Cover Sealing	3
4	GM92641	Cap, Oil Filler	1
5	GM92629	Cover, Valve	1
6	-	Gasket, Valve Cover (order item 5)	1
7	GM92640	Bolt, Rocker Arm Shaft	3
8	GM92637	Rocker Arm (No Lobe)	4
9	GM92638	Spring, Rocker Arm Shaft	4
10	GM92639	Rocker Arm (with lobe)	4
11	GM92631	Rocker Arm Shaft	1
11	GM92632	Stud (M8 x 25) (not shown)	2
12	GM92635	Gasket, Cylinder Head Rear Block Off Plate	1
13	GM92636	Gasket, Cylinder Head	1
14	GM92633	Cylinder Head Rear Block Off Plate	1
14	GM92634	Bolt, Hex Head (M8 x 14) (not shown)	4
15	GM92628	Seal, PCV Valve	1

**Note:** Item 1 (PCV valve) is available for non turbo engines only.

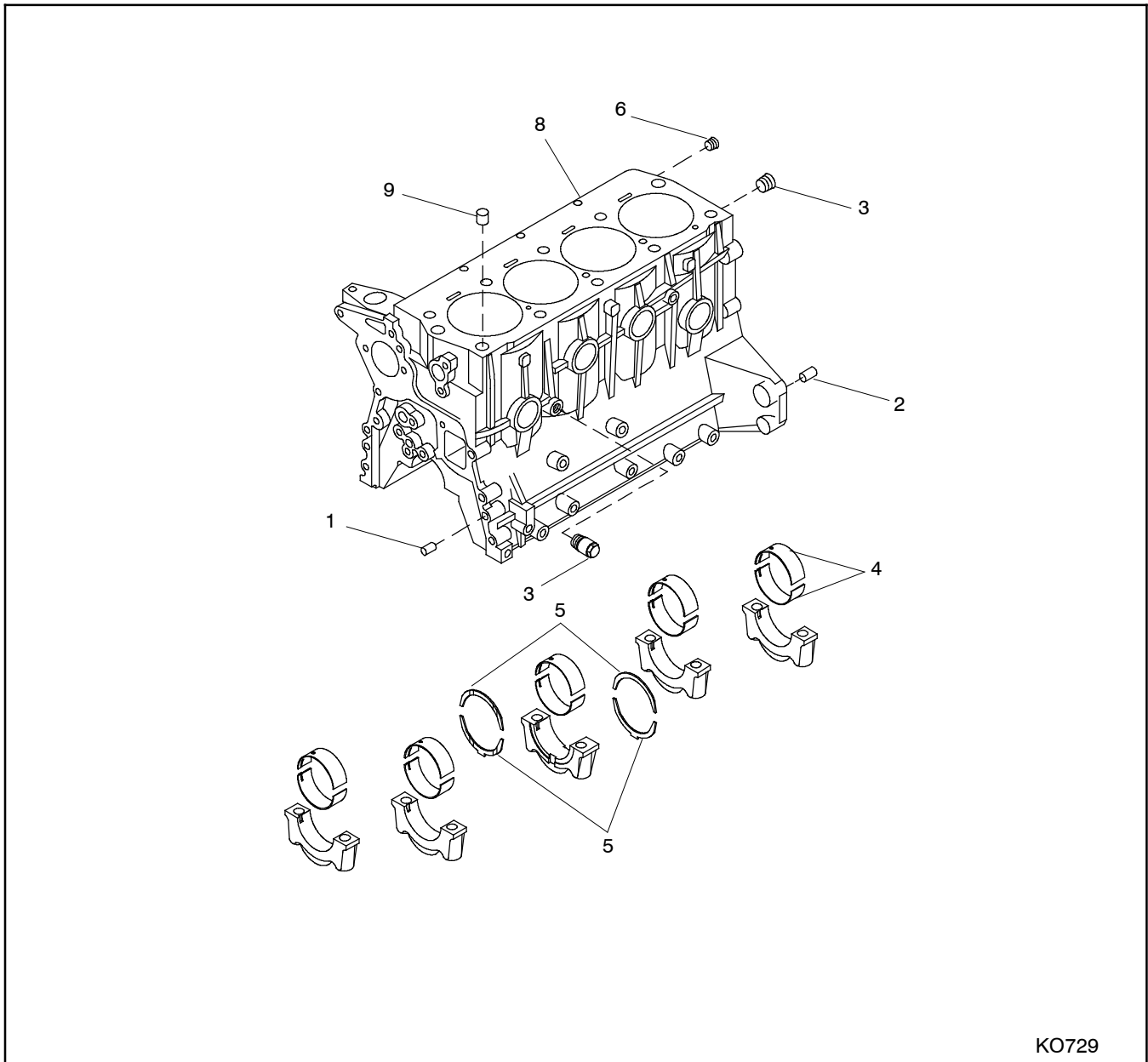
## 2: Cylinder Head Assembly (Part 2)



KO728

Item	Part No.	Description	Qty.
1	GM92645	Bolt, Cylinder Head	10
2	GM92646	Washer, Cylinder Head	10
3	GM92660	Keeper, Valve	16
4	GM92661	Cap, Exhaust Valve Spring	4
5	GM92662	Spring, Valve	8
6	GM92663	Seal, Valve	8
7	GM92664	Seat, Valve Spring	8
8	GM92659	Cap, Intake Valve Spring	4
9	GM92658	Sleeve, Spark Plug	4
10	GM92657	Seal, Spark Plug Sleeve	4
11	GM92650	Valve, Intake	4
12	GM92649	Valve, Exhaust	4
13	GM92653	Head, Cylinder (includes valve seats)	1
13	GM92654	Bracket, Clip (not shown)	1
13	GM92655	Pin, round (B8 x 14) (not shown)	2
16	GM92647	Stud, Manifold	8
17	GM92648	Nut w/Washer	8
18	GM92656	Plug, Oil galley (3/8 in. NPT)	1

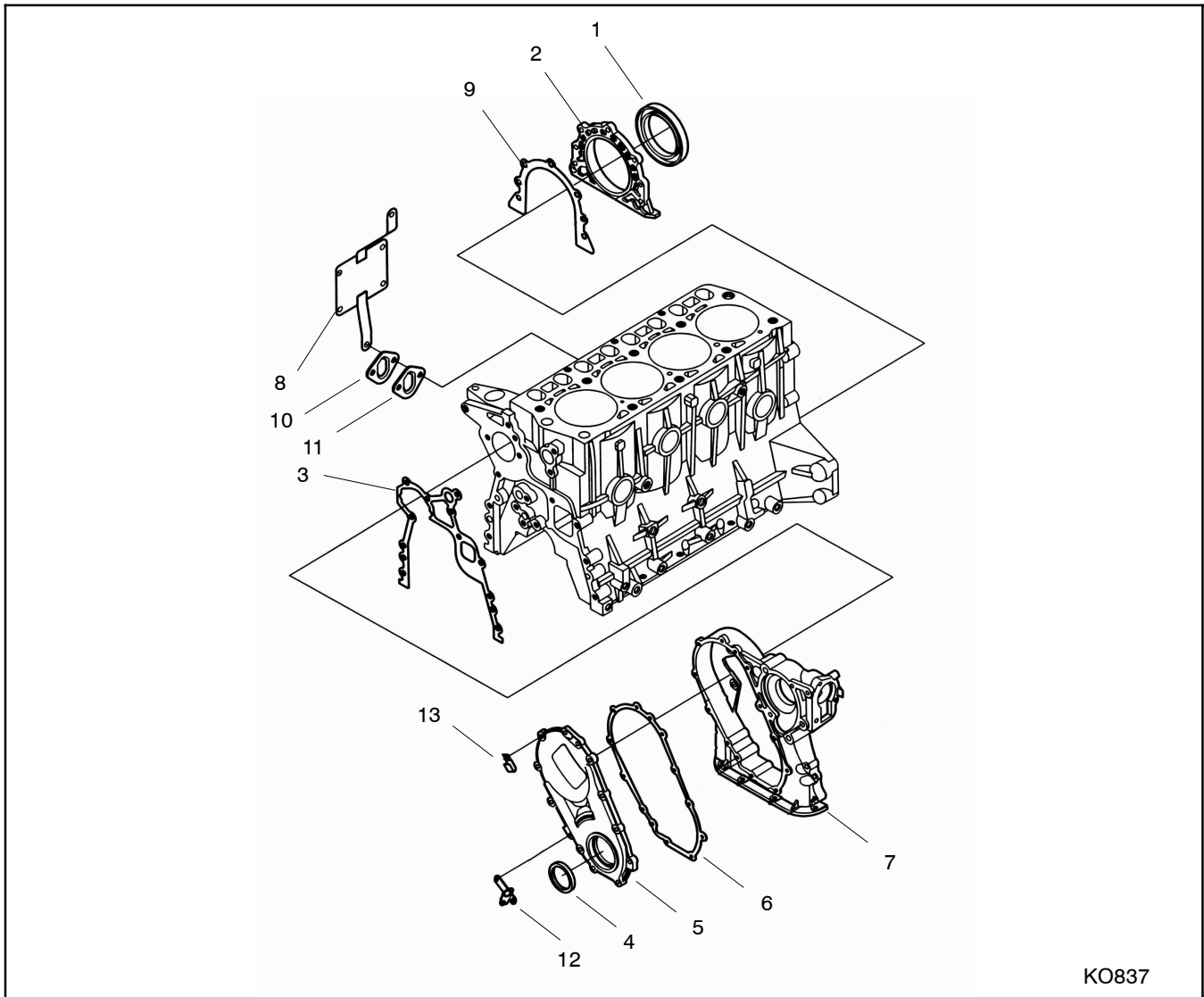
### 3: Cylinder Block Assembly (Part 1)



KO729

Item	Part No.	Description	Qty.
1	GM92671	Pin, Locating (B8 x 18)	4
2	GM92666	Pin, Locating (B10 x 22)	2
3	GM92656	Plug, Oil galley (3/8 in. NPT)	2
4	GM94350	Main Bearing Shell Kit	5
5	GM94351	Thurst Plate Kit	2
6	GM92665	Plug (1/8 in. NPT)	3
8	GM92673	Cylinder Block	1
9	GM92672	Pin, Dowel	2

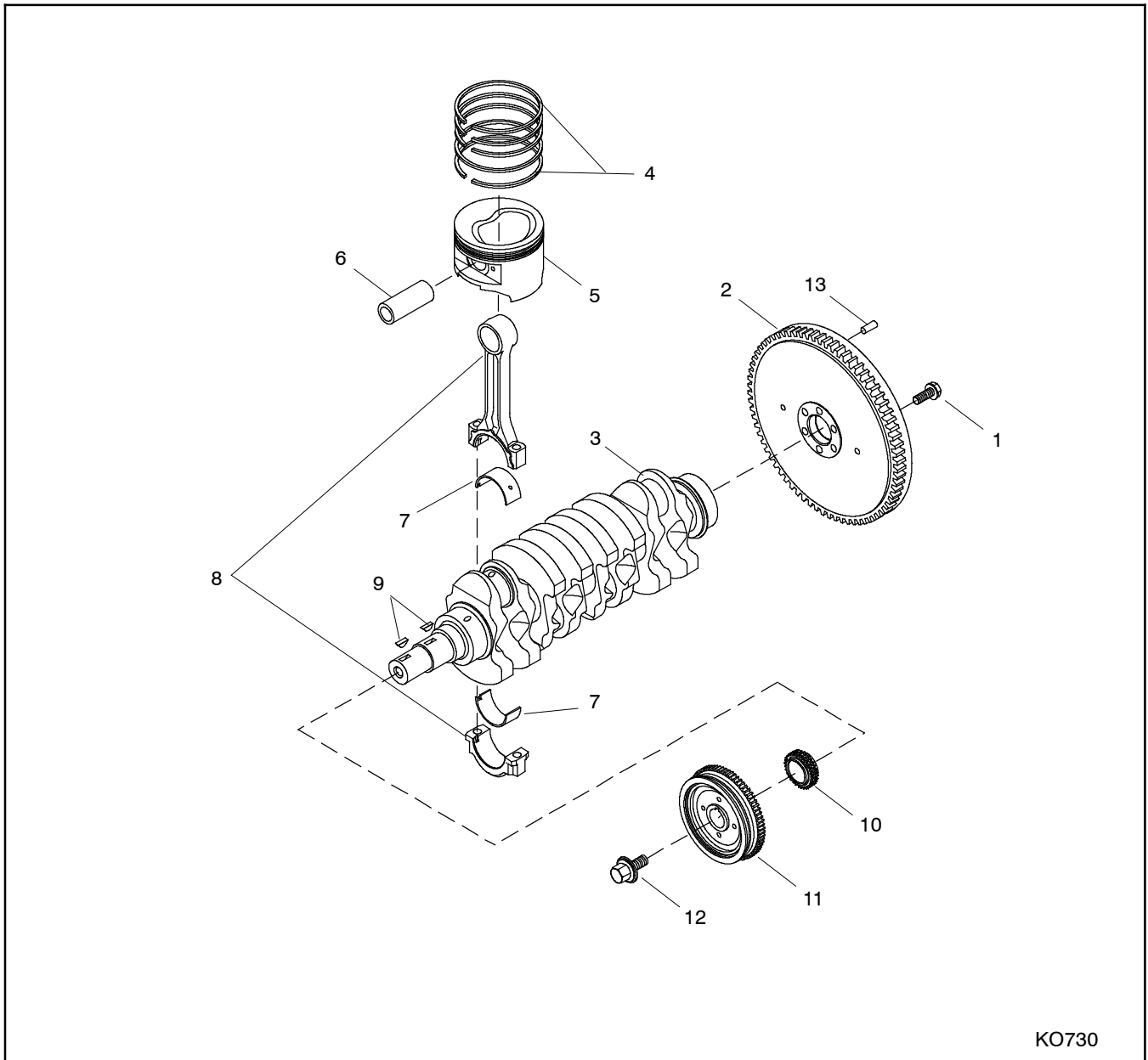
## 4: Cylinder Block Assembly (Part 2)



KO837

Item	Part No.	Description	Qty.
1	GM92674	Oil Seal, Crankshaft Rear	1
2	GM92691	Plate, Oil Seal Closure	1
2	GM92692	Bolt, Hex Head w/Washer (M8 x 22) (not shown)	5
3	GM92684	Gasket, Timing Chain Housing	1
4	GM92681	Oil Seal, Timing Chain Cover	1
5	GM92678	Cover, Timing Chain Cover	1
5	GM92679	Pin, Round (B6 x 16) (not shown)	2
5	GM92795	Bolt, Hex Head w/Washer (M6 x 20) (not shown)	6
5	GM92680	Bolt, Hex Head w/Washer (M6 x 25) (not shown)	5
6	GM92677	Gasket, Timing Chain Housing	1
7	GM92675	Housing, Timing Chain	1
7	GM92676	Bolt, Hex Head w/Washer (M8 x 16) (not shown)	3
7	GM92757	Bolt, Hex Head w/Washer (M8 x 30) (not shown)	4
8	GM92688	Bracket, Ignition Coil	1
8	GM92725	Bolt, Hex Head w/Washer (M8 x 20) (not shown)	1
9	GM92690	Gasket, Rear Oil Seal Closure	1
10	GM92686	Cover, Fuel Pump	1
10	GM92676	Bolt, Hex Head w/Washer (M8 x 16) (not shown)	1
10	GM92725	Bolt, Hex Head w/Washer (M8 x 20) (not shown)	1
11	GM92685	Gasket, Fuel Pump Cover	1
12	GM92683	Bracket, Speed Sensor	1
13	GM92682	Clip, Speed Sensor Harness	3

# 5: Crankshaft Assembly

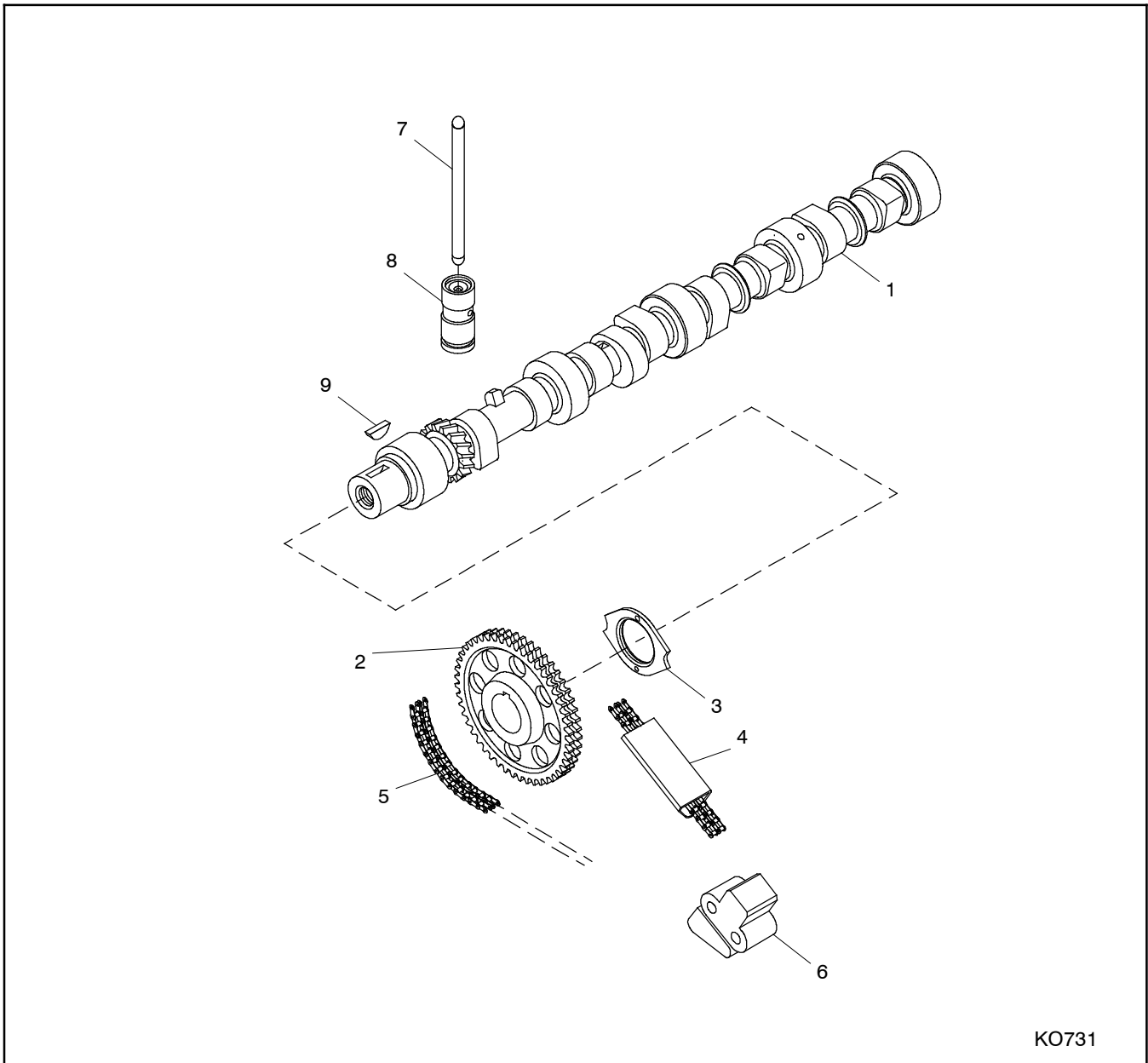


KO730

Item	Part No.	Description	Qty.
1	GM92701	Bolt, Flywheel	6
2	GM92699	Flywheel w/ Ring Gear	1
3	GM92698	Crank Shaft	1
4	GM94352	Piston Ring Kit	4
5	GM92696	Piston	4
6	GM92707	Pin, Piston	4
7	GM92697	Bearing, Rod (Std)	4
8	GM92705	Rod, Connecting	4
9	GM92706	Key, Wooddruff (5x7.5x19)	2
10	GM92702	Gear, Crankshaft Timing	1
11	GM92703	Pulley & Damper Set, Crankshaft	1
12	GM92704	Bolt, Crankshaft Pulley	1
13	GM92700	Pin, Locating (B8 x 22)	3



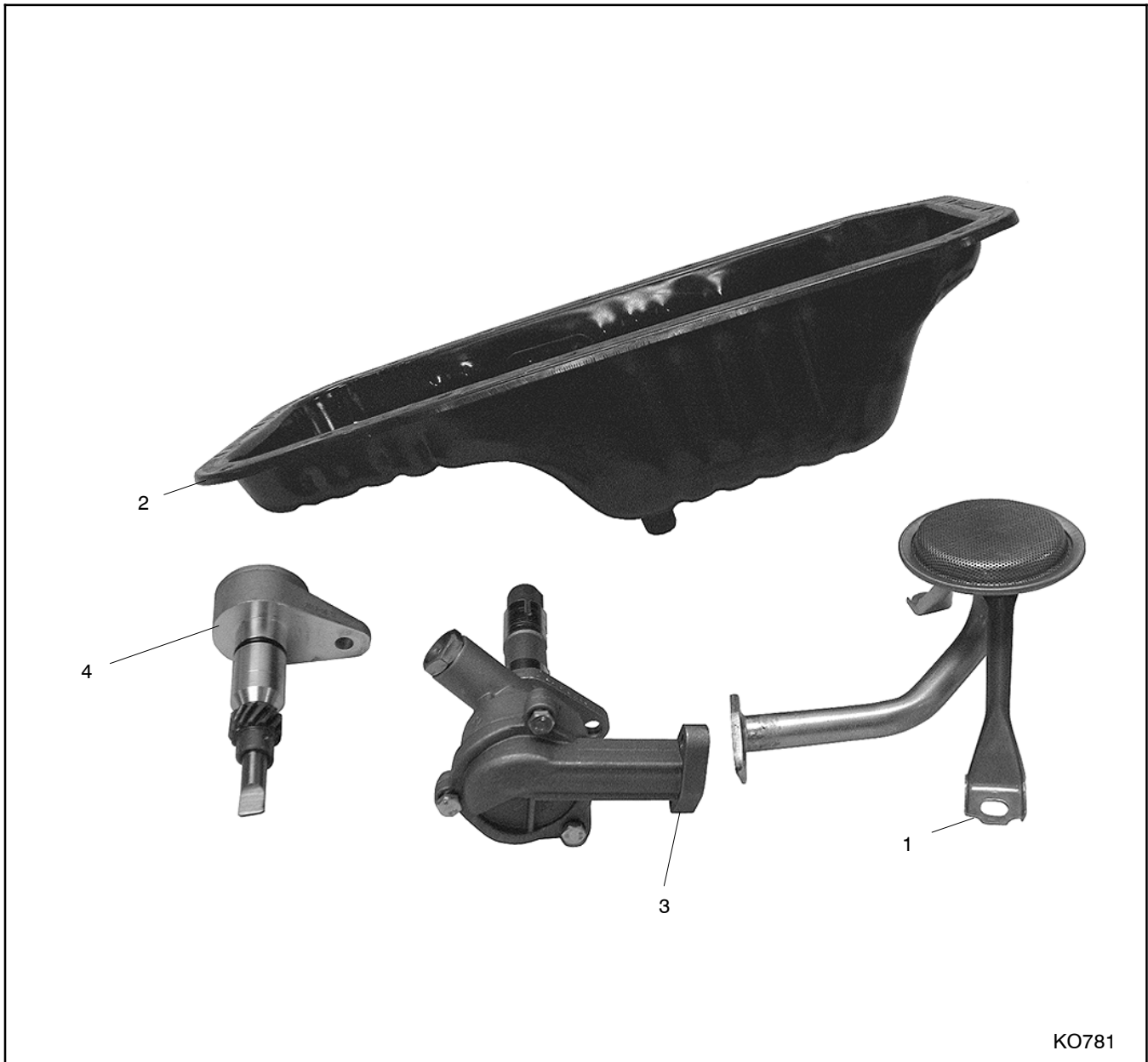
## 6: Camshaft Assembly



KO731

Item	Part No.	Description	Qty.
1	GM92710	Camshaft	1
1	GM92711	Bolt, Camshaft (not shown)	1
1	GM92712	Washer, Plain (not shown)	1
1	GM92713	Washer, Lock (not shown)	1
2	GM92721	Gear, Camshaft Timing	1
3	GM92714	Thrust Plate, Camshaft	1
3	GM92676	Bolt, Hex Head w/Washer (M8 x 16) (not shown)	2
4	GM92716	Damper, Timing Chain (Set)	1
4	GM92717	Bolt, Hex Head w/Washer (M8 x 16) (not shown)	2
5	GM92720	Chain, Timing	1
6	GM92718	Tensioner, Timing Chain Set	1
6	GM92719	Bolt, Hex Head w/Washer (M8 x 40) (not shown)	2
7	GM92708	Rod, Push	8
8	GM92709	Lifter, Hydraulic	8
9	GM92722	Key, Woodruff (5x7.5x19)	1

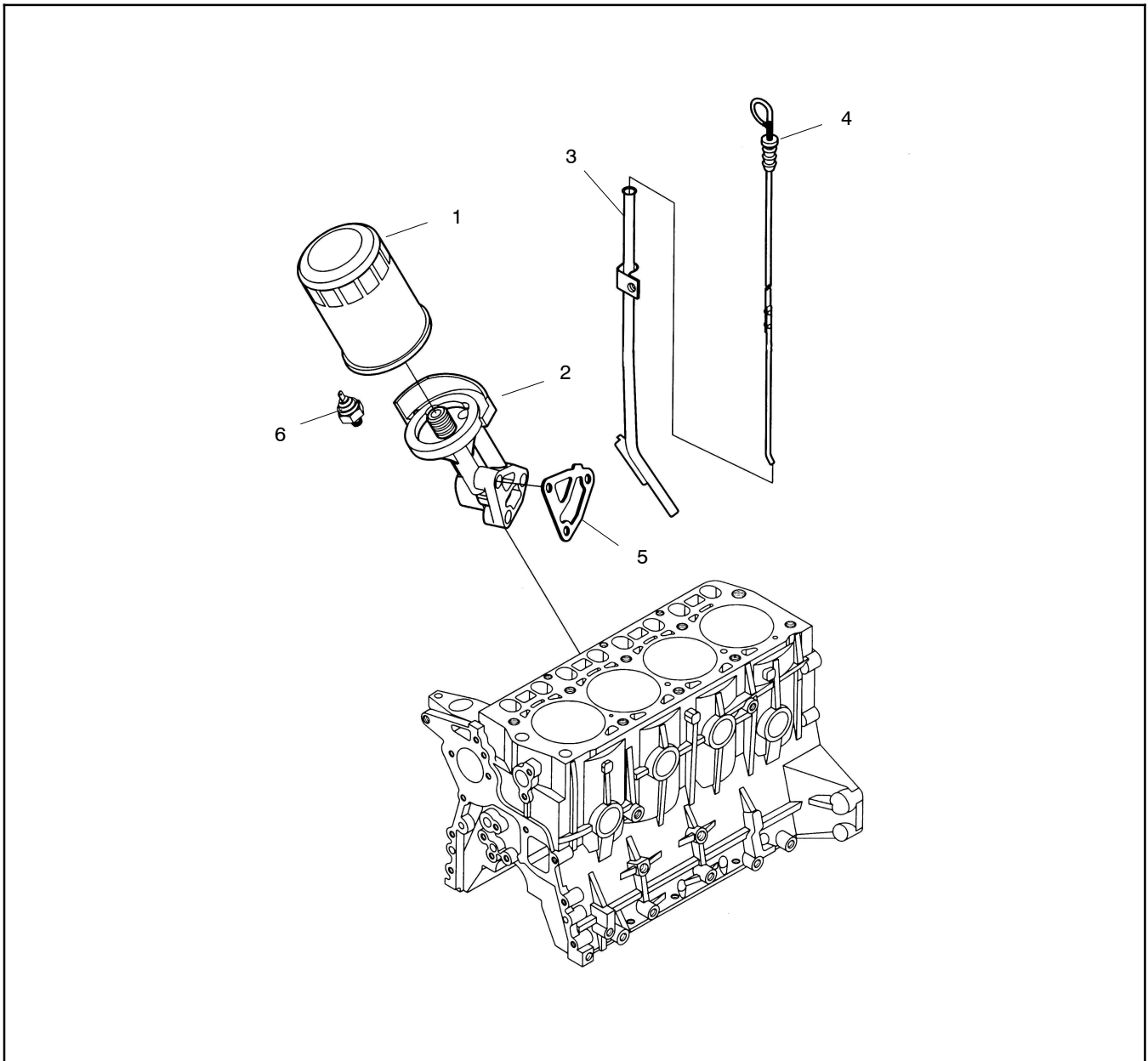
## 7: Oil Pump, Oil Strainer and Oil Pan



KO781

Item	Part No.	Description	Qty.
1	GM92723	Strainer, Oil Assembly	1
1	GM92724	Gasket, Oil Strainer (not shown)	1
1	GM92676	Bolt, Hex Head Assembly w/Washer (M8 x 16) (Strainer- Engine Block) (not shown)	2
1	GM92725	Bolt, Hex Head Assembly w/Washer (M8 x 20) (Oil Pump- Strainer) (not shown)	2
2	GM92726	Pan, Oil	1
2	GM92728	Bolt, Hex Head (M8 x 14) (not shown)	16
2	GM92729	Washer, Lock (not shown)	2
2	GM92730	Washer, Flat (not shown)	2
2	GM92731	Nut, Hex Type 1 (M8) (not shown)	2
3	GM92732	Pump, Oil Assembly	1
3	GM92733	Bolt, Hex Head Assembly w/Washer (M8 x 25) (Oil Pump- Engine Block) (not shown)	1
4	GM92734	Shaft, Oil Pump Drive	1
4	GM92733	Bolt, Hex Head w/Washer (M8 x 25) (not shown)	1

## 8: Oil Dipstick and Oil Filter

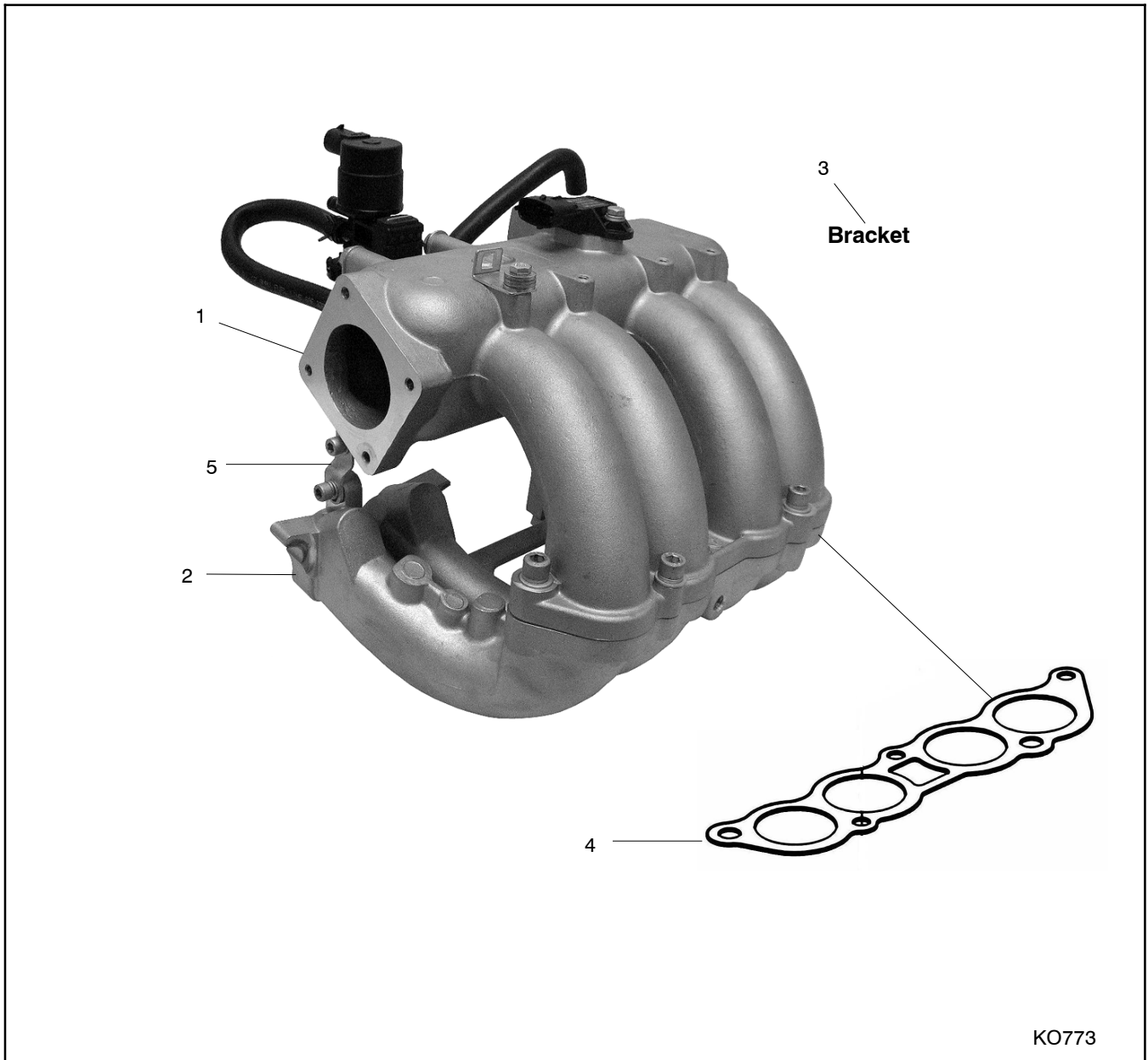


Item	Part No.	Description	Qty.
1	GM91639	Filter, Oil	1
2	GM92738	Adapter, Oil Filter	1
2	GM92739	Bolt, Hex Head (M8 x 35) (not shown)	3
3	GM92740	Tube, Dipstick Assembly	1
3	GM92741	Nut, Hex Type 1 (M6) (not shown)	1
4	GM92735	Dipstick, Oil	1
5	GM92736	Gasket, Oil Filter Adapter	1
6	GM92737	Switch, Oil Pressure	1

See below table for recommended Kohler Genuine Oil.

Part Number	Description
GM103159	Oil, Synthetic Quart 5W30 (Case of 12)
GM103161	Oil, Synthetic 5 Gallon Pail 5W30
GM103162	Oil, Synthetic 55 Gallon Drum 5W30
GM103163	Oil, Synthetic 275 Gallon Tote 5W30

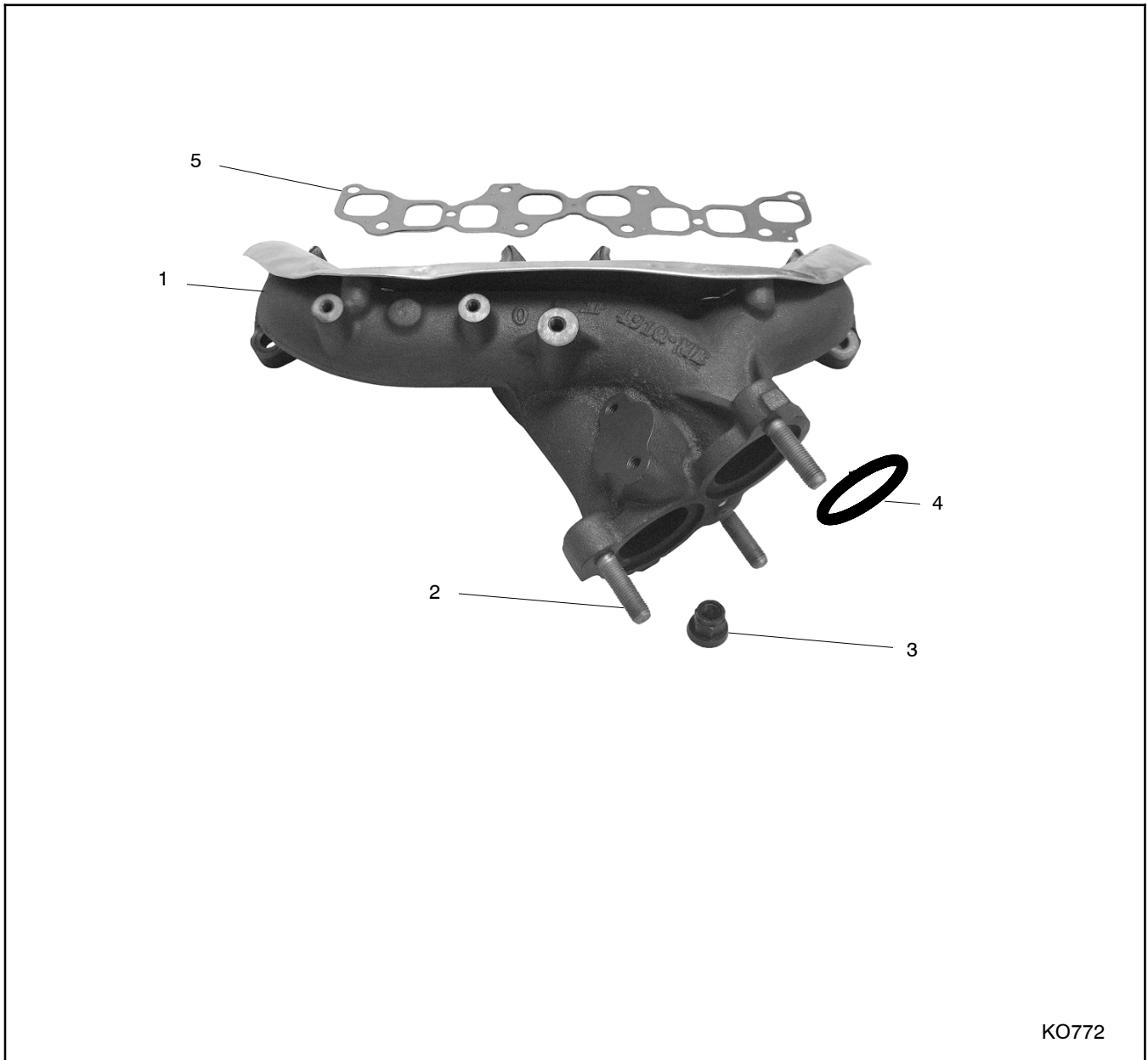
## 9: Intake System



KO773

Item	Part No.	Description	Qty.
1	GM92742	Intake Manifold, Upper	1
1	GM92743	Gasket, Throttle Body (not shown)	1
2	GM92746	Intake Manifold, Lower	1
2	GM92747	Clip (not shown)	2
2	GM92748	Screw, Socket Head Cap (not shown)	3
3	GM92744	Bracket, Manifold (not shown)	1
3	GM92676	Bolt, Hex Head w/Washer (M8 x 16) (not shown)	2
4	GM92745	Gasket Set, Intake	1
5	GM92749	Bracket, Intake	1
5	GM92750	Screw, Socket Head Cap (M6 x 16) (not shown)	2

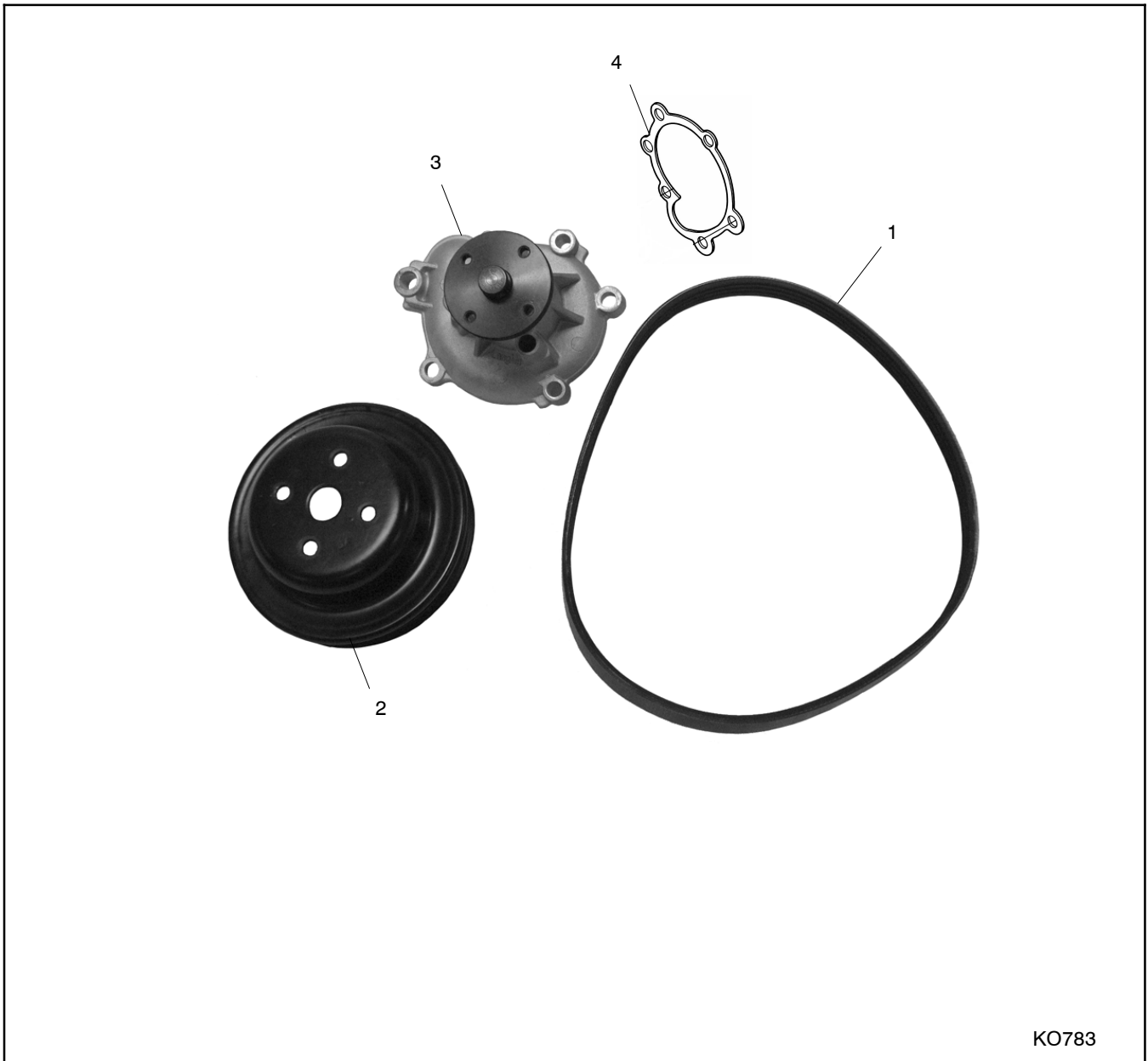
# 10: Exhaust System



KO772

Item	Part No.	Description	Qty.
1	GM92752	Manifold, Exhaust	1
2	GM92647	Stud, Intake/Exhaust Manifold	3
3	GM92648	Nut w/Washer Intake/Exhaust Manifold	3
4	GM92753	Gasket, Exhaust Manifold Outlet	2
5	GM92751	Gasket, Intake/Exhaust Manifolds	1

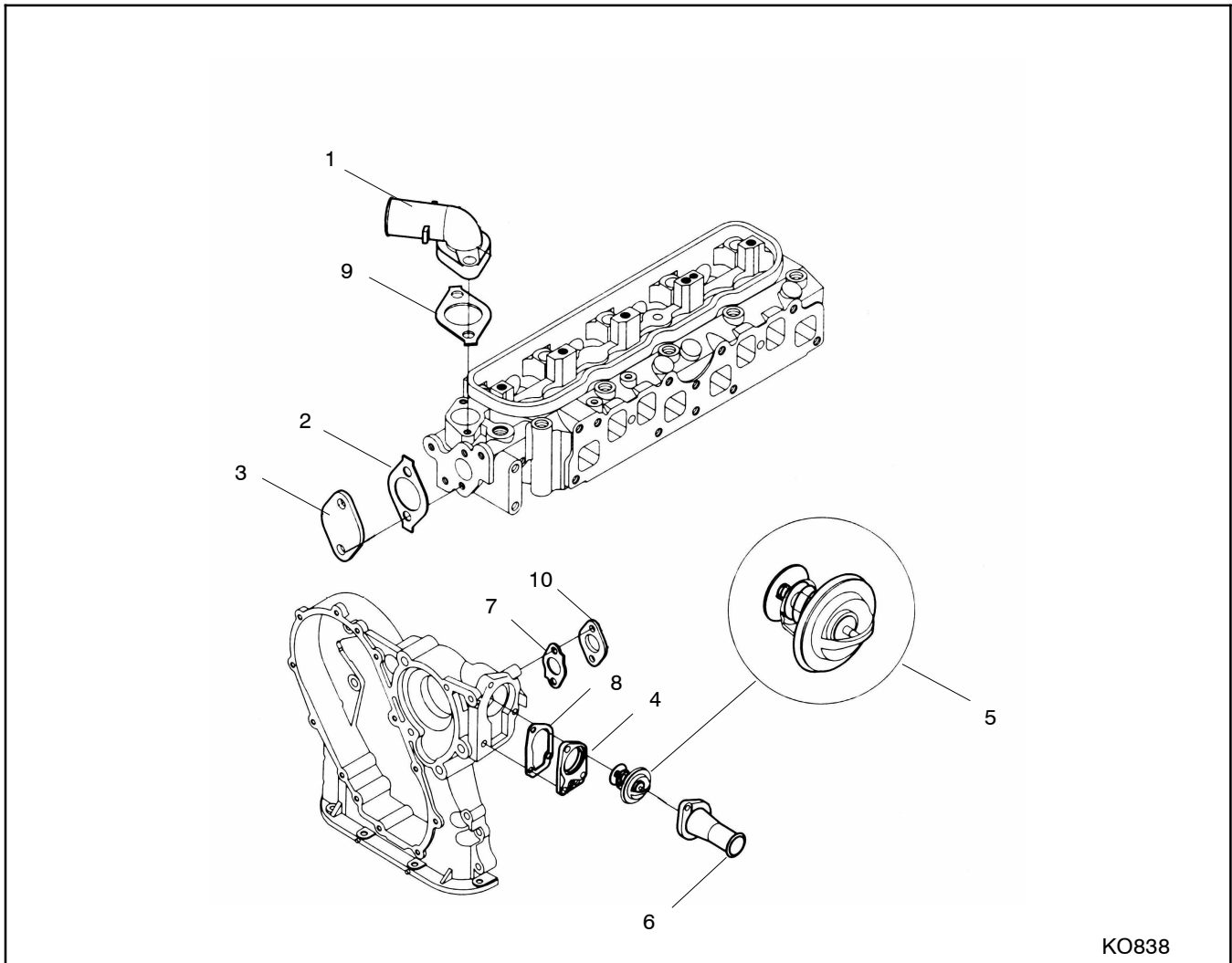
# 11: Cooling System (Part 1)



KO783

Item	Part No.	Description	Qty.
1	GM92754	Belt, Drive	1
2	GM92760	Pulley, Drive Belt	1
2	GM92761	Bolt, Hex Head w/Washer (M6 x 16) (not shown)	4
3	GM92756	Water Pump Assembly	1
3	GM92757	Bolt, Hex Head w/Washer (M8 x 30) (not shown)	2
3	GM92758	Bolt, Hex Head w/Washer (M8 x 65) (not shown)	2
3	GM92729	Washer, Lock (not shown)	1
3	GM92730	Washer, Flat (not shown)	1
3	GM92731	Nut, Hex (M8) (not shown)	1
3	GM92759	Stud (M8 x 60) (not shown)	1
4	-	Gasket, Water Pump (order water pump)	1

## 12: Cooling System (Part 2)



KO838

Item	Part No.	Description	Qty.
1	GM92773	Coolant Inlet Connector	1
1	GM92757	Bolt, Hex Head w/Washer (M8 x 30) (not shown)	2
2	GM92771	Gasket, Cylinder Head Block Off Plate	1
3	GM92770	Plate, Cylinder Head Coolant Block Off	1
3	GM92725	Bolt, Hex Head w/Washer (M8 x 20) (not shown)	2
4	GM92765	Housing, Thermostat	1
4	GM92689	Bolt, Hex Head w/Washer (M8 x 20) (not shown)	1
5	GM92762	Thermostat	1
6	GM92763	Cover, Thermostat Housing	1
6	GM92764	Stud (M8 x 30) (not shown)	2
6	GM92729	Washer, Lock (not shown)	2
6	GM92730	Washer, Flat (not shown)	2
6	GM92731	Nut, Hex (M8) (not shown)	2
7	GM92769	Gasket, Coolant Bypass Cover	1
8	GM92766	Gasket, Thermostat Housing	1
9	GM92772	Gasket, Inlet Connector	1
10	GM92767	Plate, Cooling Sys. Bypass Closure	1
10	GM92768	Stud (M8 x 20) (not shown)	2
10	GM92731	Nut, Hex Type 1 (M8) (not shown)	2

# 13: Starter and Alternator

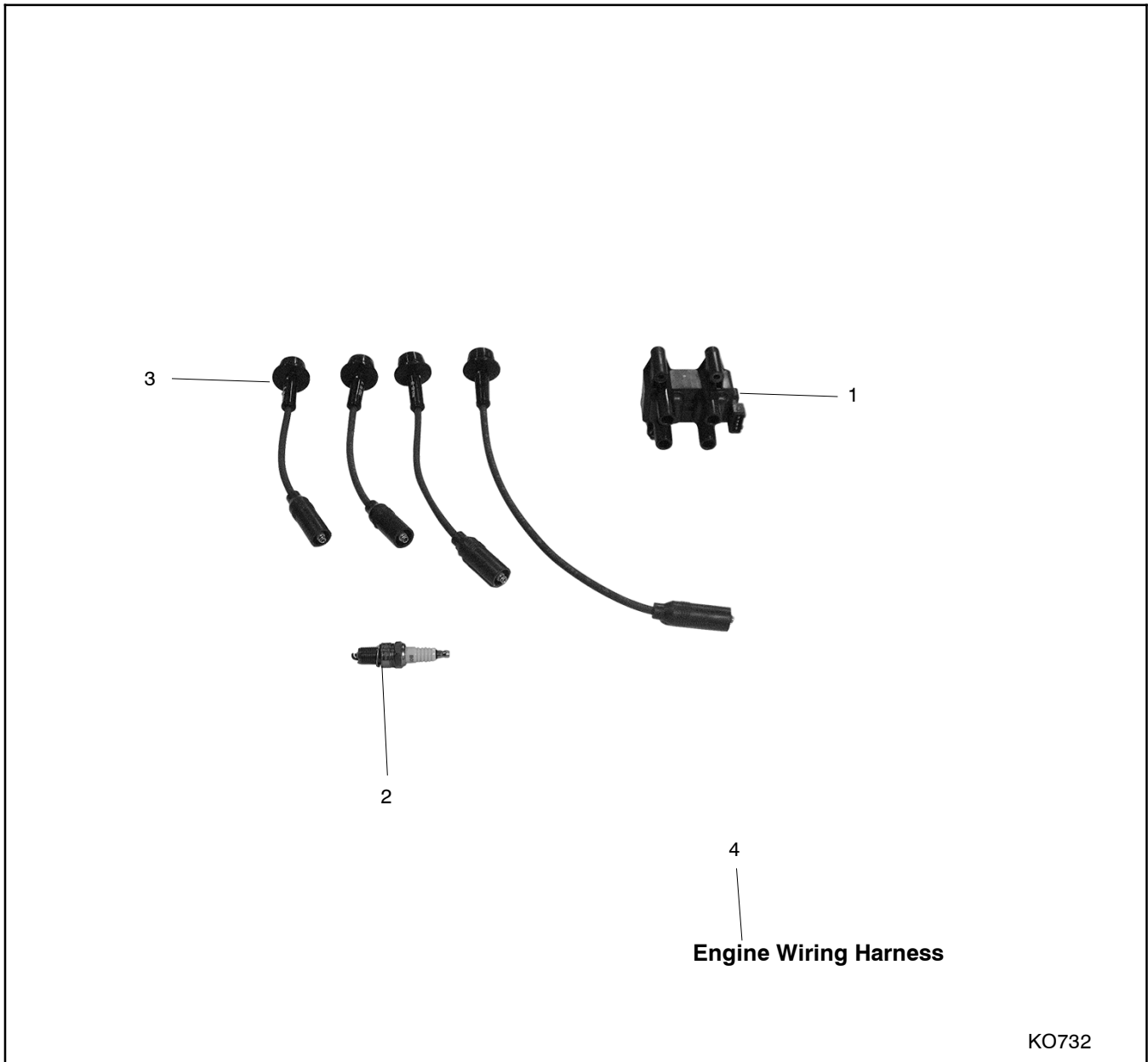


KO726

Item	Part No.	Description	Qty.
1	GM92774	Starter Assembly	1
2	GM92782	Bracket, Alternator Adjustment	1
2	GM92783	Bolt, Hex Head w/Washer (M8 x 25) (not shown)	1
2	GM92784	Bolt, Hex Head w/Washer (M10x1.25x75) (not shown)	1
3	GM92775	Alternator, Battery Charging	1
3	GM92776	Nut, Hex Type 1 (M10) (not shown)	1
3	GM92777	Washer, Flat (not shown)	1
3	GM92778	Washer, Lock (not shown)	1
4	GM92779	Bracket, Alternator	1
4	GM92780	Bolt, Hex Head w/Washer (M10 x 120) (not shown)	1
4	GM92781	Bolt, Hex Head Assembly w/Washer (M10x1.25x35) (Alternator- Engine Block) (not shown)	2



# 14: Electrical System, 24RCL/RCLA



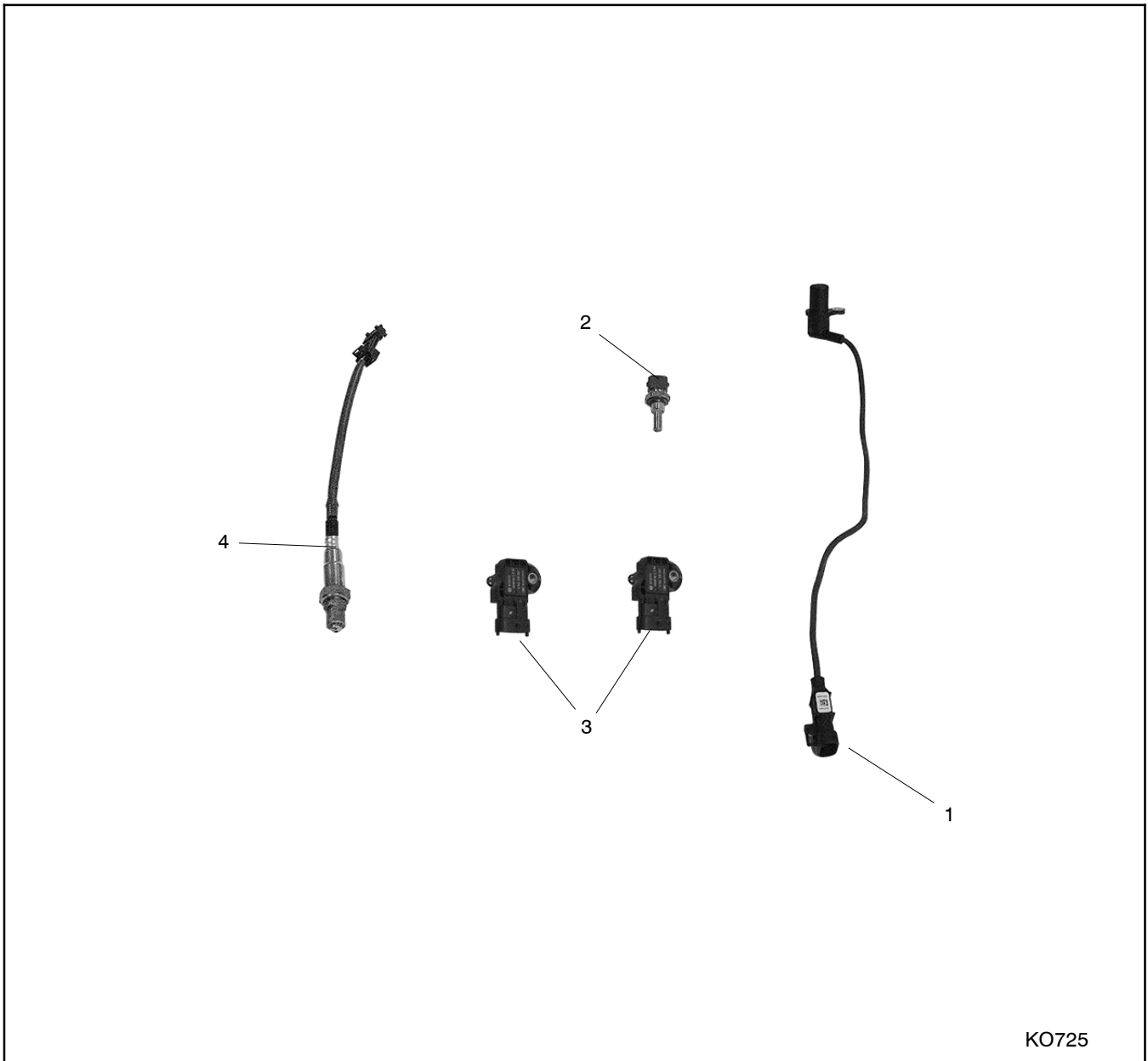
KO732

## 24RCL/RCLA

Item	Part No.	Description	Qty.
1	GM92786	Coil, Ignition	1
1	GM92787	Bolt, Hex Head w/Washer (M6 x 50) (not shown)	4
1	GM92788	Washer, Flat (not shown)	4
1	GM92741	Nut, Hex Type 1 (M6) (not shown)	4
2	GM92785	Plug, Spark	4
3	GM92789	Wire Set, Ignition	1 set
4	GM102985	Harness, Engine Wiring	1

See 16: Fuel System and Miscellaneous on page 24 for Model 30RCL/RCLA, 38RCLB/RCLC, 25-36CCL

# 15: Engine Sensors



KO725

## 24RCL/RCLA

Item	Part No.	Description	Qty.
1	GM92796	Sensor, Speed (Crankshaft position)	1
1	GM92797	Bolt, Hex Head w/Washer (M6 x 12) (not shown)	1
2	GM92790	Sensor, Coolant Temperature	1
3	GM92794	Sensor, TMAP (24RCL)	1
3	GM92795	Bolt, Hex Head w/Washer (M6 x 20) (not shown)	1
4	GM103031	Sensor, Oxygen (HEGO)	1

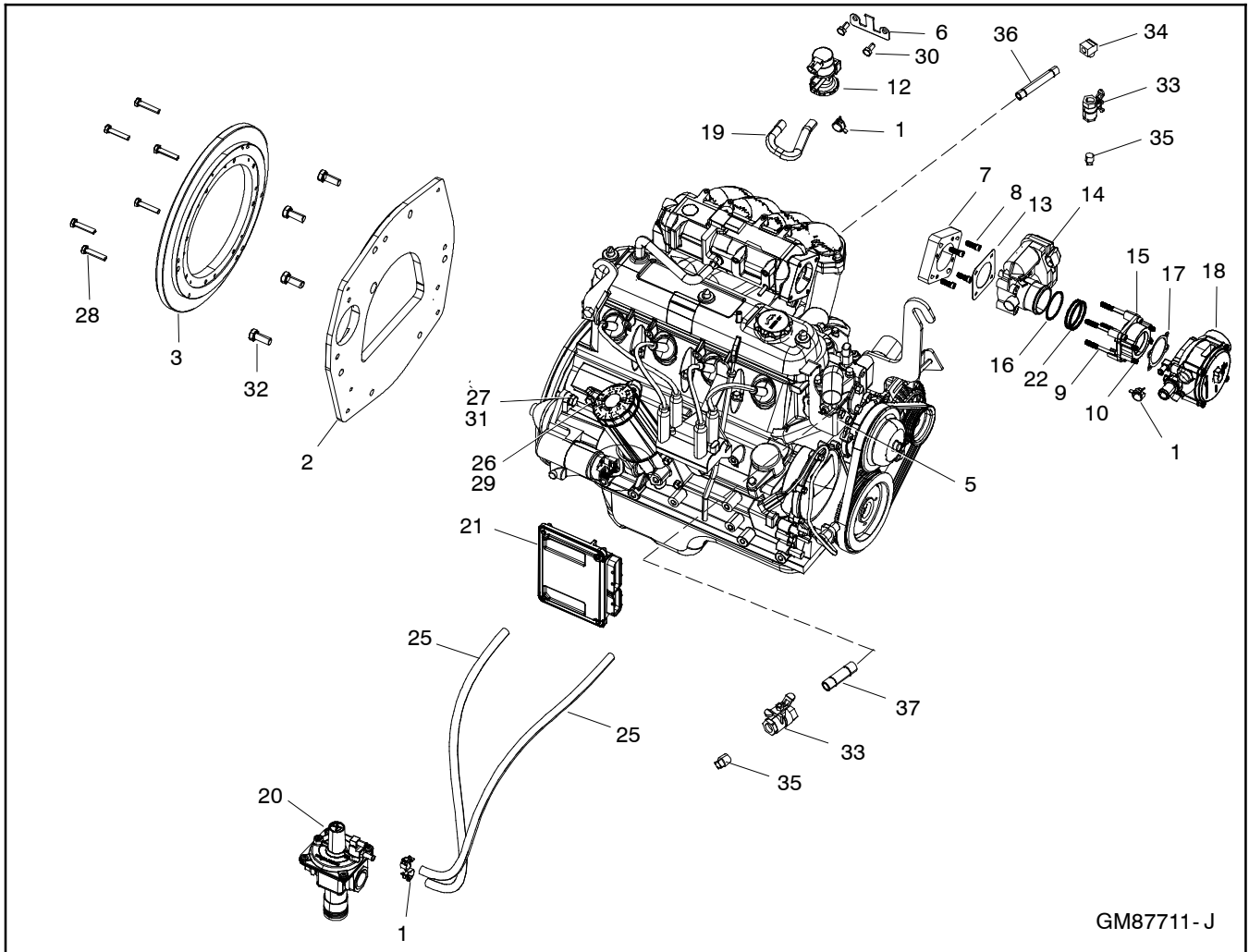
## 30RCL/RCLA, 38RCLB/RCLC, 25-36CCL

Item	Part No.	Description	Qty.
1	GM92796	Sensor, Speed (Crankshaft position)	1
1	GM92797	Bolt, Hex Head w/Washer (M6 x 12) (not shown)	1
2	GM92790	Sensor, Coolant Temperature	1
3	GM96253	Sensor, TMAP (30RCL/38RCLB)	2
3	GM92795	Bolt, Hex Head w/Washer (M6 x 20) (not shown)	1
4	GM103031	Sensor, Oxygen (HEGO)	1



# 16: Fuel System and Miscellaneous, 24RCL

Generator set specifications GM92044-GA1 and GM92044-GA2 only.

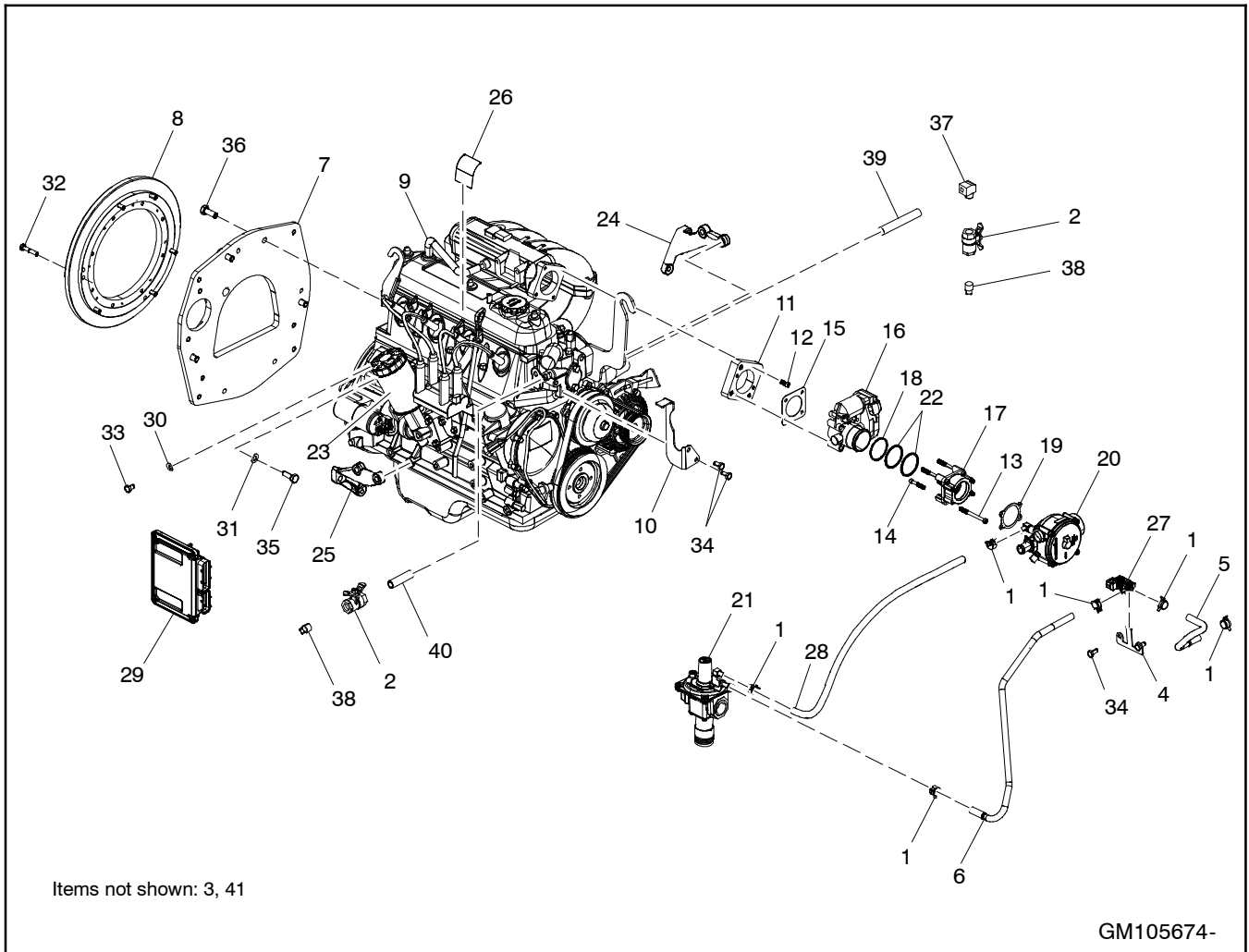


# 16: Fuel System and Miscellaneous, 24RCL

Generator set specifications GM92044-GA1 and GM92044-GA2 only.

Item	Part No.	Description	Qty.
1	31805003409	Clamp, Spring	4
2	GM87271	Backplate, 2.2L, 4D ALT.	1
3	GM87291	Adapter, Flywheel, 2.2L, 4D ATL.	1
5	GM87911	Fuel Hose Bracket	1
6	GM87912	Bracket, Fuel Control	1
7	GM87915	Adapter, ETB to Intake Manifold	1
8	GM88181	Socket Head Cap Screw (M6 x 1 x 20)	4
9	GM88182	Socket Head Cap Screw (M6 x 1 x 75)	4
10	GM88183	Socket Head Cap Screw (#12- 24 x 1.5 in.)	4
12	GM88379	Valve, Fuel Control	1
13	GM88380	Gasket, ETB	1
14	GM88381	Body, Elect. Throttle	1
15	GM88382	Adapter, Mixer	1
16	GM88384	O- Ring	1
17	GM88385	Gasket, Mixer	1
18	GM88386	Mixer	1
19	GM88408	Hose, Fuel Control to Intake Manifold	1
20	GM88424	Regulator, Dual Fuel	1
21	GM99135	ECM	1
22	GM89155	Ring, Quad	2
25	GM97005- 1	Hose, 2.2L N/A DFR Vac.	2
26	M125A- 08- 80	Washer, Plain 8.4 ID x 16.0 OD	1
27	M125A- 10- 80	Washer, Plain 10.5 ID x 20.0 OD	2
28	M931- 08040- 82	Screw, Hex Cap	6
29	M933- 08012- 60	Screw, Hex Cap	1
30	M933- 08016- 60	Screw, Hex Cap (M8 x 16)	4
31	M961- 10030- 60	Screw, Hex Cap	2
32	M961- 12030- 82	Screw, Hex Cap	4
33	GM100183	Valve, shutoff (3/8- 18 NPT)	2
34	S- 404	Elbow, street (90° x 3/8 in. NPTF)	1
35	X- 75- 10	Plug, pipe (3/8 in. NPTF)	2
36	X- 204- 21	Pipe (3/8 in. NPT x 4.5 in.)	1
37	X- 204- 24	Pipe (3/8 in. NPT x 2.5 in.)	1

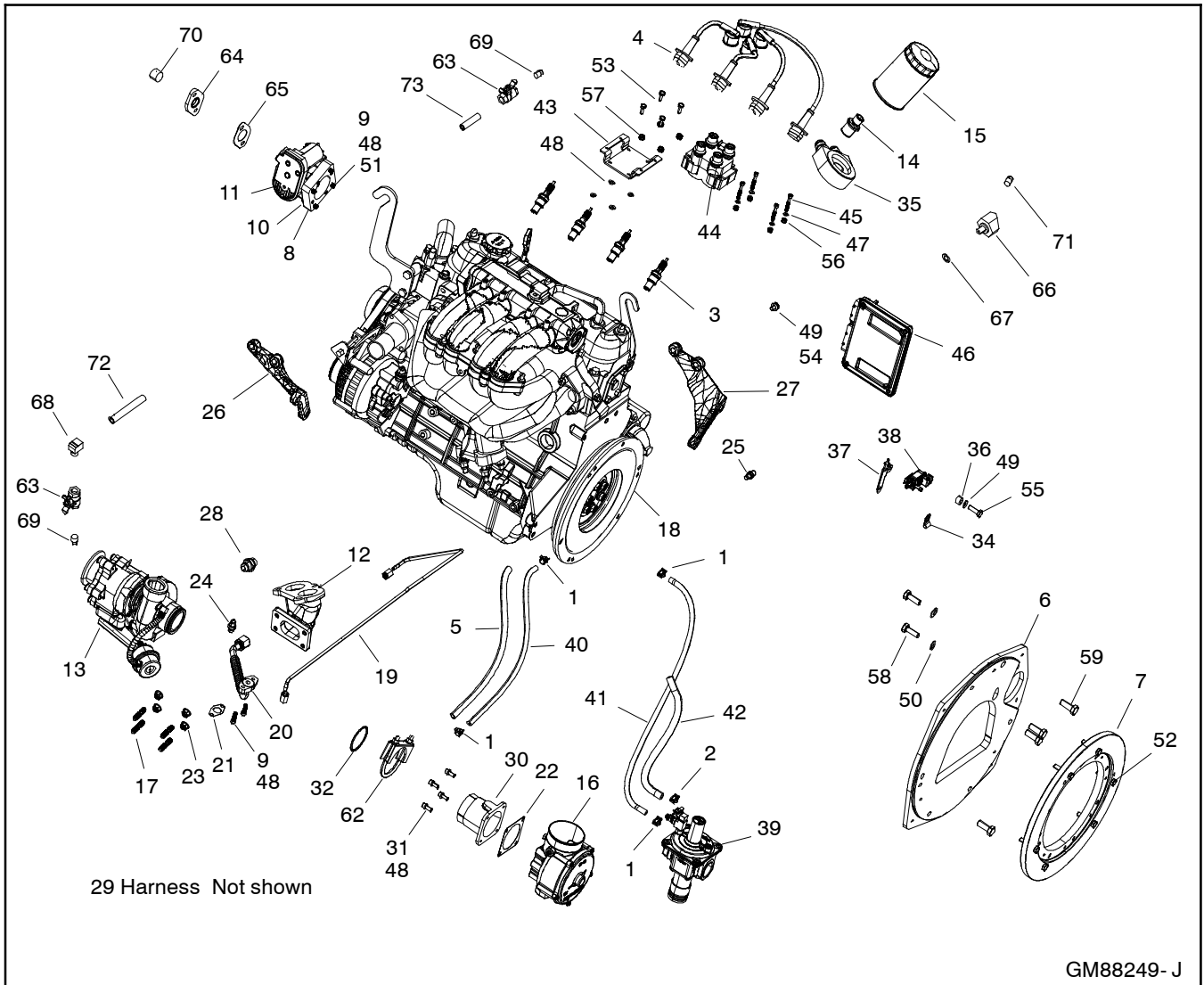
# 16: Fuel System and Miscellaneous, 24RCL/RCLA



# 16: Fuel System and Miscellaneous, 24RCL/RCLA

Item	Part No.	Description	Qty.
1	31805003409	Clamp, Spring	6
2	GM100183	Valve, Shutoff (3/8- 18 NPT)	2
3	GM105630	Harness, Engine, 2.2L N/A	1
4	GM105671	Bracket, Fuel Controller	1
5	GM105672	Hose, Fuel Control Valve	1
6	GM105673	Hose, Fuel VAC	1
7	GM87271	Backplate, 2.2L, 4D ALT	1
8	GM87291	Adapter, Flywheel, 2.2L,4D ALT	1
9	GM87719	Engine, GW 2.2L, Long Block	1
10	GM87911	Bracket, Fuel Hose Support	1
11	GM87915	Adapter, ETB To Intake Manifold	1
12	GM88181	Shcs, M6 x 1 x 20 mm	4
13	GM88182	Shcs, M6 x 1 x75 mm	4
14	GM88183	Shcs, #12- 24 x 1.5 in. Lg	4
15	GM88380	Gasket, ETB	1
16	GM88381	Body, Elec. Throttle Assy.	1
17	GM88382	Adapter, Mixer	1
18	GM88384	O- Ring	1
19	GM88385	Gasket, Mixer	1
20	GM88386	Mixer, ERC	1
21	GM88424	Dual Fuel Regulator, ERC	1
22	GM89155	Ring, Quad	2
23	GM91639	Filter, 2.2L Oil	1
24	GM93257	Bracket, Support LH	1
25	GM93258	Bracket, Support RH	1
26	GM93951	Nameplate	1
27	GM96916	Fuel Control Valve, 2.2L Turbo, ERC	1
28	GM97005- 1	Hose, 2.2L N/A DFR VAC.	1
29	GM99135	ECM, 2.2L N/A. ERC	1
30	M125A- 08- 80	Washer, Plain 8.4 ID x 16 OD	1
31	M125A- 10- 80	Washer, Plain 10.5 ID x 20 OD	2
32	M931- 08040- 82	Screw, Hex Cap	6
33	M933- 08012- 60	Screw, Hex Cap	1
34	M933- 08016- 60	Screw, Hex Cap	4
35	M961- 10030- 60	Screw, Hex Cap	2
36	M961- 12030- 82	Screw, Hex Cap	4
37	S- 404	Elbow, Street (90° x 3/8 in. NPTF) + Vibra	1
38	X- 75- 10	Plug, Pipe (3/8 in. NPTF)	2
39	X- 204- 21	Pipe (3/8 in. NPT x 4.5 in.)	1
40	X- 204- 24	Pipe (3/8 in. NPT x 2.5 in.)	1
41	X- 468- 6	Cable Tie	8

# 16: Fuel System and Miscellaneous, 30RCL/RCLA, 38RCLB/RCLC, 25- 36CCL





# 16: Fuel System and Miscellaneous, 30RCL/RCLA, 38RCLB/RCLC, 25- 36CCL

Item	Part No.	Description	Qty.
1	31805003406	Clamp, 3/16" Hose Spring	4
2	31805003409	Clamp, 5/16" Hose Spring	1
3	GM100158	Spark Plug, 2.2L Turbo	4
4	GM100159	Wires, 2.2L Turbo Spark Plug (Set)	1
5	GM100842-1	Sleeve, Heat Shield	1
6	GM87271	Backplate, 2.2L, 4D Alt.	1
7	GM87291	Adapter, Flywheel, 2.2L, 4D Alt.	1
8	GM87915	Adapter, Electronic Throttle Body (ETB) to intake	1
9	GM88181	Screw( M6x1.0x20mm)	6
10	GM88380	Gasket - ETB to ETB Adapter	1
11	GM88381	Electronic Throttle Body	1
12	GM89357	Adapter, Turbo - Turbo to Exhaust Manifold	1
13	GM91526	Turbo, 2.2L	1
14	GM91634	Stand-off, GW 2.2L Oil Cooler Adapter	1
15	GM91639	Filter, 2.2L Oil	1
16	GM92444	Mixer	1
17	GM92445	Stud, M8 x 11 x 23 - Turbo to Turbo Adapter	4
18	GM92452	Engine,GW2.2,Turbocharge	1
19	GM92453	Line, Turbo Oil Feed	1
20	GM92454	Line, Turbo Oil Return	1
21	GM92857	Gasket, Turbo Oil Return Flange	1
22	GM92860	Gasket - Mixer	1
23	GM92865	Nut, M8 x 1.25 Flange - Turbo to Turbo Adapter	4
24	GM93013	Fitting, M12 to JIC -4 37 Deg.	1
25	GM93014	Fitting, 1/8" NPT to JIC -4 37 Deg.	1
26	GM93257	Bracket, Support LH	1
27	GM93258	Bracket, Support RH	1
28	GM93269	Fitting, M18 to JIC -8 37 Deg.	1
29	GM93423	Harness, GW2.2L Turbo Wiring	1
30	GM93581	Adapter, Mixer to Turbo Compressor Inlet	1
31	GM93625	Screw, Hex Cap,1/4-20 x .625 Lg	4
32	GM93840	Gasket - O-Ring - Mixer Adapter to Turbo	1
34	GM94511	P-Clip, 2.2L Turbo Oil Feed Line	1
35	GM94791	Adapter, GW 2.2L Oil Cooler	1
36	GM95141	Spacer, 2.2L Turbo Oil Feed Line	1
37	GM96915	Bracket - 2.2L Turbo Fuel Controller	1
38	GM96916	Fuel Control Valve (FCV)	1
39	GM96918	Dual Fuel Regulator (DFR)	1
40	GM96919-1	Hose, 2.2L Turbo FCV to Mixer Vacuum	1
41	GM96919-2	Hose, 2.2L Turbo FCV to DFR Vacuum	1
42	GM97005-2	Hose, 2.2L Turbo DFR Breather	1
43	GM98908	Bracket - 2.2L Turbo Coil Mounting	1
44	GM98963	Coil, 2.2L Turbo Standard 4 Tower	1
45	GM99039	Fasteners - SHCS	4
46	GM99136	ECM, 2.2L Turbo	1
50	M125-10-80	Washer, Plain	2
47	M125A-05-80	Washer, Plain	8
48	M125A-06-80	Washer, Plain	14
49	M125A-08-80	Washer, Plain 8.4 ID x 16.0 OD	4
51	M912-06050-92	Screw, Hex Cap M6 x 1.00 x 50 Lg.	4
52	M931-08040-82	Screw, Hex Cap M8 x 1.25 x 40Lg.	6
53	M933-06016-60	Screw, Hex Cap	4
54	M933-08012-60	Screw, Hex Cap (Ground Bolt for harness)	1
55	M933-08025-60	Screw, Hex Cap (FCV Bracket Mounting Bolts)	1
56	M934-05-50	Nut, Hex 5mm	4
57	M934-06-64	Nut, Hex 6mm	4
58	M961-10030-60	Screw, Hex Cap	2
59	M961-12030-82	Screw, Hex Cap	4
62	X-722-2	Clamp, muffler, 2.62 in.	1
	GM92855	Gasket, Turbine Inlet (not shown)	1
63	GM100183	Valve, shutoff (3/8- 18 NPT)	2
64	GM103699	Plate, temperature sender	1
65	GM103710	Gasket, temperature sender	1
66	GM104358	Adapter, oil pressure	1
67	S- 368	Washer, plain	1
68	S- 404	Elbow, street (90° x 3/8 in. NPTF) + Vibra	1
69	X- 75- 10	Plug, pipe (3/8 in. NPTF)	2
70	X- 75- 3	Plug, pipe (1/2 in. NPTF)	1
71	X- 75- 4	Plug, pipe (1/8 in. NPTF)	1
72	X- 204- 21	Pipe (3/8 in. NPT x 4.5 in.)	1
73	X- 204- 24	Pipe (3/8 in. NPT x 2.5 in.)	1





**TP-6904 10/21d**

© 2014 Kohler Co. All rights reserved.

**KOHLER®**

KOHLER CO., Kohler, Wisconsin 53044  
Phone 920-457-4441, Fax 920-459-1646  
For the nearest sales/service outlet in the  
US and Canada, phone 1-800-544-2444  
[KOHLERPower.com](http://KOHLERPower.com)