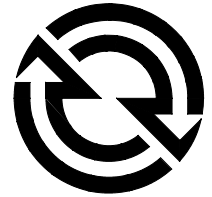


Engine Parts

DETROIT DIESEL



Diesel Engine

Generator Models:

2500 kW

Engine Model:

20V 4000 G23

20V 4000 G43

Printed in Germany

© 2006 Copyright MTU Friedrichshafen GmbH

Diese Veröffentlichung einschließlich aller ihrer Teile ist urheberrechtlich geschützt. Jede Verwertung oder Nutzung bedarf der vorherigen schriftlichen Zustimmung der MTU Friedrichshafen GmbH. Das gilt insbesondere für Vervielfältigung, Verbreitung, Bearbeitung, Übersetzung, Mikroverfilmungen und die Einspeicherung und / oder Verarbeitung in elektronischen Systemen, einschließlich Datenbanken und Online-Diensten.

Das Handbuch ist zur Vermeidung von Störungen oder Schäden beim Betrieb zu beachten und daher vom Betreiber dem jeweiligen Wartungs- und Bedienungspersonal zur Verfügung zu stellen.
Änderungen bleiben vorbehalten.

Printed in Germany

© 2006 Copyright MTU Friedrichshafen GmbH

This Publication is protected by copyright and may not be used in any way whether in whole or in part without the prior written permission of MTU Friedrichshafen GmbH. This restriction also applies to copyright, distribution, translation, microfilming and storage or processing on electronic systems including data bases and online services.

This handbook is provided for use by maintenance and operating personnel in order to avoid malfunctions or damage during operation. Subject to alterations and amendments.

Imprimé en Allemagne

© 2006 Copyright MTU Friedrichshafen GmbH

Tout droit réservé pour cet ouvrage dans son intégralité. Toute utilisation ou exploitation requiert au préalable l'accord écrit de MTU Friedrichshafen GmbH. Ceci s'applique notamment à la reproduction, la diffusion, la modification, la traduction, l'archivage sur microfiches, la mémorisation et / ou le traitement sur des systèmes électroniques, y compris les bases de données et les services en ligne.

Le manuel devra être observé en vue d'éviter des incidents ou des endommagements pendant le service. Aussi recommandons-nous à l'exploitant de le mettre à la disposition du personnel chargé de l'entretien et de la conduite.

Modifications réservées.

Impreso en Alemania

© 2006 Copyright MTU Friedrichshafen GmbH

Esta publicación se encuentra protegida, en toda su extensión, por los derechos de autor. Cualquier utilización de la misma, así como su reproducción, difusión, transformación, traducción, microfilmación, grabación y/o procesamiento en sistemas electrónicos, entre los que se incluyen bancos de datos y servicios en línea, precisa de la autorización previa de MTU Friedrichshafen GmbH.

El manual debe tenerse presente para evitar fallos o daños durante el servicio, y, por dicho motivo, el usuario debe ponerlo a disposición del personal de mantenimiento y de servicio.

Nos reservamos el derecho de introducir modificaciones.

Stampato in Germania

© 2006 Copyright MTU Friedrichshafen GmbH

Questa pubblicazione è protetta dal diritto d'autore in tutte le sue parti. Ciascun impiego o utilizzo, con particolare riguardo alla riproduzione, alla diffusione, alla modifica, alla traduzione, all'archiviazione in microfilm e alla memorizzazione o all'elaborazione in sistemi elettronici, comprese banche dati e servizi on line, deve essere espressamente autorizzato per iscritto dalla MTU Friedrichshafen GmbH.

Il manuale va consultato per evitare anomalie o guasti durante il servizio, per cui va messo a disposizione dall'utente al personale addetto alla manutenzione e alla condotta.

Con riserva di modifiche.

Impresso na Alemanha

© 2006 Copyright MTU Friedrichshafen GmbH

A presente publicação, inclusive todas as suas partes, está protegida pelo direito autoral. Qualquer aproveitamento ou uso exige a autorização prévia e por escrito da MTU Friedrichshafen GmbH. Isto diz respeito em particular à reprodução, divulgação, tratamento, tradução, microfilmagem, e a memorização e/ou processamento em sistemas eletrônicos, inclusive bancos de dados e serviços on-line.

Para evitar falhas ou danos durante a operação, os dizeres do manual devem ser respeitados. Quem explora o equipamento economicamente consequentemente deve colocá-lo à disposição do respetivo pessoal da conservação, e à disposição dos operadores.

Salvo alterações.

Preface

This catalog is published for parts requisitioning purposes and provides assistance in engine disassembly and reassembly. It contains a complete list of all engine components, including those which are not available as replacement parts.

Catalog Arrangement

- The catalog is subdivided into functional groups to aid in locating the individual parts.
- The applicable group designation and group number, known as equipment grouping code (EGC), appear in the page heading.

Illustrations

- The page heading includes a five-digit illustrated table number and, in the second section, an additional illustration registration number.

Explanation of Columns

- **C/N (Callout No.):** Provides a cross-reference from illustration to text section. Non-illustrated parts are indicated by the suffix „Z“ after the C/N.
- **Order No.:** This is the number valid for ordering the associated part.
- **Designation:** In addition to the precise part name, this column provides indication as to whether it is a single part, or an element of an assembly or functional group. An indented designation indicates the part concerned is included in the previous less or non-indented designation.
- **Q/U (Quantity in Unit):** This column indicates the quantity of this part required for the functional group. Qty. „0“ indicates part is replaced by an SA or KW part or that it is a repair stage component.
- **U/M (Unit of Measure):** The 2-character codes indicate: EA = each, KG = Kilogramm, MR = Meter, RL = Roll, SE = Set.
- **FN (Footnote):** Provides additional parts information. For clarification of footnote symbols, see Page 2.
- **Supplementary Designation:** This column contains additional information, such as applicable standards, subcontractor designations etc.
- **Item No.:** This is the line identification number within the parts group.
- **Remarks:** This column is intended for supplementary information.

Amendments Service

Part No. Changes and amendments which occur after publication of the catalog will not be published. We therefore recommend updating of the catalog part numbers by the end user. This information is provided, for instance, in order confirmations and/or on equipment labels.

Cross-reference List

A cross-reference list is published in association with this catalog which provides a consecutively numbered reference to all parts listed in the catalog and their location on/in the engine. The list appears at the end of the catalog.

Footnote Symbols Identification

- A** Index footnote
- AA** See separate manual
- AB** Supplied as a complete assembly. Repair by manufacturer only.
- AC** No part number assigned. State illustration table number, callout number, designation and catalog number when ordering.
- AD** Quantity referenced to one unit.
- E** Magnetically treated part or assembly (stamped "K", not to be confused with Group "K"). Storage, transportation, assembly and repair are governed by special regulations.
- EM** Emission-relevant parts.
In the case of all marine engines with IMO certification it should be noted that identification number of the emission-relevant parts on the engine must agree with the details given in the technical file.
Give the EM code also when ordering with the order No., e.g. 535 030 04 17 **EM**.
- K** Following reasons require ordering of complete parts group:
- KA** Part machined jointly with other components
- KB** Inseparable connection
- KC** Machining on group assembly
- KD** Group balancing required
- KE** Individual parts not obtainable through the parts supply system
- KF** Replacement part will be assigned a different part number
- KG** Available separately, but also included in parts kit
- M** Parts having different repair sizes.
Dimensions are listed in the Tolerances and Wear Limits List.
- NB** As required
- P** Bought-out components
- S** Welded - Parts welded together to form an assembly
Component parts are not listed as they are not included in the parts supply system
- SA** Component part of a welded assembly obtainable through the parts supply system. Replacement requires welding or brazing
- SB** Group of parts which are welded or bolted together.
- U** Part whose dimensions are determined on assembly.
- UA** Indicate dimensions when ordering
- UB** Supplied as a complete set only
- UC** Part requires shaping/bending on assembly
- WW** Optional
- X)**
- Y)** Symbols used for footnotes appearing on the catalog page.
- Z)**

Ordering Procedure

The following information is essential for replacement order processing:

- Engine model and serial number (see engine name plate)
- Number of Parts Catalog (see catalog front page)
- Illustration table number
- Callout number
- Quantity and designation
- Order number

When ordering replacement parts for ancillary equipment such as injection pumps, fuel pumps, etc., indicate both model and part number of the ancillaries.

Phone orders should be confirmed in writing to prevent errors.

Ordering Scheme

Engine model ...	Engine serial No. ...	Parts catalog No. ...			
Illust. Table No.	Callout No.	Qty	Designation	Part No.	
075 05	25	20	Injector	X52407500004	
183 05	450	5	Oil Filter	0031845301	

Factory Repairs

Parts shipped to MTU for repair should have an engine serial number identification (tag or label, for example).

Exchange Components (Reman)

Exchange components are parts overhauled by the manufacturer, providing the same properties with regard to service life and quality as new parts.

Components which are included in the reman exchange procedure are marked by the following letters added before the item number:

for instance:

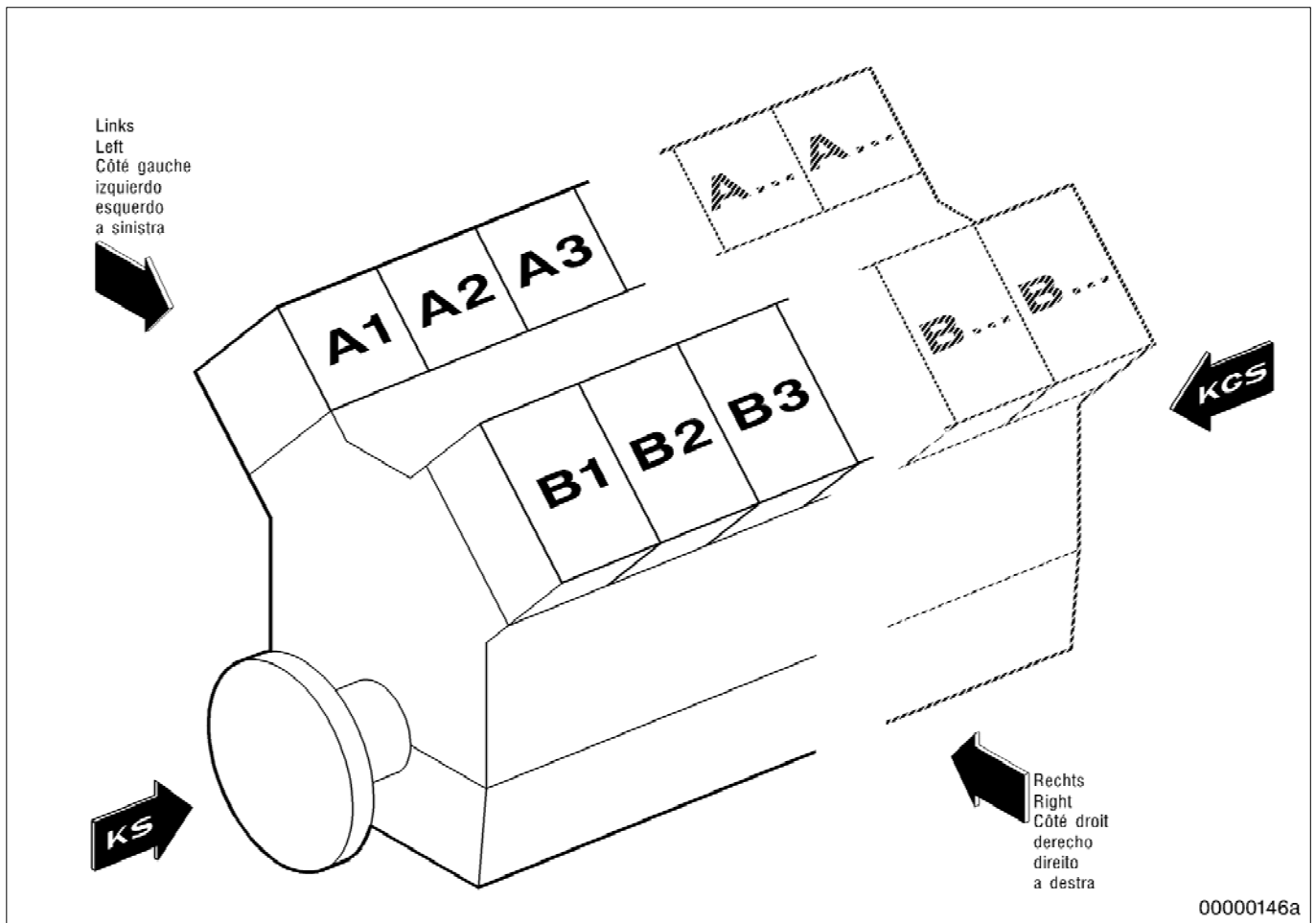
- E** 524 010 3520 = **new component in exchange procedure**
- R** 524 010 3520 = **reman component in exchange procedure**
- C** 524 010 3520 = **used part (core)**

Exchange Procedure

With the introduction of exchange components, the so-called core deposit will also be charged for new parts. The core deposit will be indicated separately on the invoice and the respective value will be credited upon return of reusable components.

For further information refer to Service Information 01/S0028.

Engine Side And Cylinder Designations



Engine sides are always designated as viewed from driving end.

The left bank of cylinders is marked „A” and the right bank „B” (according to DIN ISO 1204).

The cylinders of each bank are numbered consecutively, starting with No. 1 at the drive end.

Numbering of other engine components is also from the drive end, starting with No. 1.

Designations and Abbreviations

Driving end	=	KS
Free end	=	KGS
Left side		
Right side		
Upper side		
Lower side		
Turbocharger	=	ATL

TYP/MODEL: 20V4000G43
SERIENNUMMER/
SERIAL NO: 20V4000G43

DIESELMOTOR
DIESEL ENGINE

FG/FGS:
STUECKLISTE/ 20V4000G43
BOM: 20V4000G43

FG	FG-BENENNUNG	FG-DESIGNATION
004	SCHILDER, HILFSSTOFFE	LABELS AND MISCELLANEOUS MATERIALS
011	KURBELGEHAEUSE	CRANKCASE
014	KURBELGEHAEUSE UNTERTEIL	OIL PAN
015	MOTOR-, TRIEBWERKSAUFHAENGUNG	ENGINE MOUNTING
016	ABSCHLUSSGEHAEUSE, KS UND KGS	END HOUSING, MAIN PTO END AND AUX PTO END
018	KURBELGEHAEUSE-ENTLUEFTUNG	CRANKCASE BREATHER
021	RAEDERKASTEN, KS	GEARCASE, MAIN PTO END
024	RAEDERKASTEN KGS	GEARCASE, AUX PTO END
030	TRIEBWERK	RUNNING GEAR
031	KURBELWELLE MIT LAGER	CRANKSHAFT
032	KURBELWELLE, ABTRIEB KS	CRANKSHAFT SUPPORT BEARINGS, MAIN PTO END
035	KURBELWELLE ABTRIEB KGS	CRANKSHAFT, PTO, AUX PTO END
036	TRANSPORTSICHERUNG DER KURBELWELLE	CRANKSHAFT TRANSPORTATION LOCKING DEVICE
037	KOLBEN	PISTON
038	PLEUELSTANGE	CONROD
040	ZYLINDERKOPF	CYLINDER HEAD
042	ZYLINDERKOPF, ANBAUTEILE	CYLINDER HEAD ATTACHENTS
051	NOCKENWELLE	CAMSHAFT
055	VENTILANTRIEB	VALVE DRIVE
073	EINSPRITZPUMPE / HOCHDRUCKPUMPE	INJECTION PUMP / HP PUMP
075	EINSPRITZVENTIL / INJEKTOR	FUEL INJECTOR
077	EINSPRITZLEITUNG / HOCHDRUCKLEITUNG	HP FUEL LINE / HP LINE
080	KRAFTSTOFFSYSTEM (NIEDERDRUCK; AUCH FÜR GASMOTOREN)	L.P. FUEL SYSTEM; (ALSO GAS ENGINES)
081	KRAFTSTOFFLEITUNGEN VOR KRAFTSTOFFPUMPE	FUEL PIPEWORK BEFORE DELIVERY PUMP
082	KRAFTSTOFF-FUEHRUNG VON PUMPE BIS FILTER	PIPEWORK BETWEEN DELIVERY PUMP AND FILTER
083	KRAFTSTOFF-FILTER	FUEL FILTER
086	LECKKRAFTSTOFF-FUEHRUNG	LEAK-OFF FUEL LINE
101	ABGASTURBOLADER, ALLGEMEIN ODER HOCHDRUCKLADER	TURBOCHARGER (H.P)
110	LADELUFTKUEHLUNG	CHARGE-AIR COOLING
121	LUFTFILTER	AIR FILTER
123	LUFTANSAUGUNG	AIR SYSTEM
124	LUFTFUEHRUNG ZU DEN ZYLINDERN	AIR SUPPLY TO CYLINDERS
125	LUFTFUEHRUNG VOM ATL ZU DEN LLK	AIR SYSTEM, TURBOCHARGER - INTERCOOLER
141	ABGASFUEHRUNG NACH ZYLINDERKOPF	EXHAUST SYSTEM, CYLINDER HEAD - EXH. MANIFOLD
143	TRAEGERGEHAEUSE	CARRIER HOUSING
145	ABGASFUEHRUNG NACH ATL	EXHAUST SYSTEM, TURBOCHARGER - BELLOWS
146	ABGASFUEHRUNG NACH MOTOR (EXTERN)	EXHAUST SYSTEM AFTER ENGINE

TYP/MODEL: 20V4000G43
SERIENNUMMER/
SERIAL NO: 20V4000G43

DIESELMOTOR
DIESEL ENGINE

FG/FGS:
STUECKLISTE/ 20V4000G43
BOM: 20V4000G43

FG	FG-BENENNUNG	FG-DESIGNATION
171	DRUCKLUFTANLASSUNG, UEBER ZYLINDER	AIR STARTING, RIGHT SIDE
172	ELEKTRISCHE ANLASSUNG	ELECTRIC STARTING
173	DRUCKLUFTSTARTER	AIR STARTER
180	SCHMIEROELSYSTEM, SCHMIEROELKREISLAUF	LUBRICATING OIL SYSTEM
181	SCHMIEROELPUMPE MIT ANTRIEB	LUBE OIL PUMP AND DRIVE
183	OELAUFBEREITUNG	OIL FILTRATION/COOLING
188	ANSCHLUESSE FUER MOTOROELVERSORGUNG	CONNECTIONS FOR ENGINE OIL SUPPLY
189	OELNIVEAUPUMPE	OIL REPLENISHMENT PUMP
202	KUEHLWASSERKREISLAUF ALLG., GGF. HOCHTEMPERATURKREISLAUF	HIGH-TEMPERATURE CIRCUIT
203	NIEDERTEMPERATURKREISLAUF	LOW-TEMPERATURE CIRCUIT
206	WASSERFUEHRUNG MIT TEMPERATURREGLER	COOLANT PIPEWORK WITH THERMOSTAT
207	ROHWASSERPUMPE MIT ANSCHLUESSEN	RAW WATER PUMP WITH CONNECTIONS
213	LICHTMASCHINE	GENERATOR
230	LAGERUNG / ABSTUETZUNG	MOUNTING SYSTEM
231	MOTORLAGERUNG	ENGINE MOUNTING
300	ZUBEHOER	ACCESSORIES
369	LUFTVERSORGUNGSSYSTEM	AIR SUPPLY SYSTEM
500	UEBERWACHUNGS-, STEUER.- U. REGELUNGSEINR., ALLG. ELEK. EINR	MONITORING AND CONTROL SYSTEM, GENERAL ELECTRICAL EQUIPMENT
507	VERKABELUNG, ALLGEMEIN, FUER MOTOR / GETRIEBE / AGGREGAT	GENERAL WIRING, ENGINE/GEARBOX/PLANT
508	ZUBEHOER FUER MOTORREGLER (ELEKTR.) / STEUERUNGSEINRICHTUNG	ENGINE GOVERNOR (ELECTRONIC) CONTROL SYSTEM
511	ALARMANLAGE	ALARM SYSTEM
515	DRUCK-/TEMPERATUR-UEBERWACHUNGSEINRICHTUNG (AUSSER ABGAS)	PRESSURE/TEMPERATURE MONITORING SYSTEMS (EXCL. EXHAUST GAS)
521	STROMVERSORGUNG (KLEINSPANNUNG)	POWER SUPPLY (LOW VOLTAGE)
533	SIMULATIONS- UND TRAININGSEINRICHTUNGEN	SIMULATION AND TRAINING SYSTEM
535	PRUEF- UND WARTUNGSEINRICHTUNGEN	TEST AND MAINTENANCE EQUIPMENT

TYP/MODEL: 20V4000G43
SERIENNUMMER/
SERIAL NO: 20V4000G43

SCHILDER, HILFSSTOFFE
LABELS AND MISCELLANEOUS MATERIALS

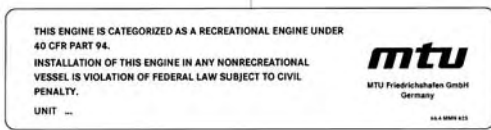
FG/FGS: 004
STUECKLISTE/
BOM:

FUNKTIONSGRUPPE/GROUP NUMBER (FG)
GRUPPENNAME/GROUP NAME
STÜCKLISTENNR/BOM NO.

004
SCHILD
PLATE
000.00899



00400053a



004
EM-EPA TIER 1/2 LABEL GENSET ENGINE
EM-EPA TIER 1/2 LABEL GENSET ENGINE
X00014482

00400079b



004
TYPSCCHILD
NAMEPLATE
X00027331



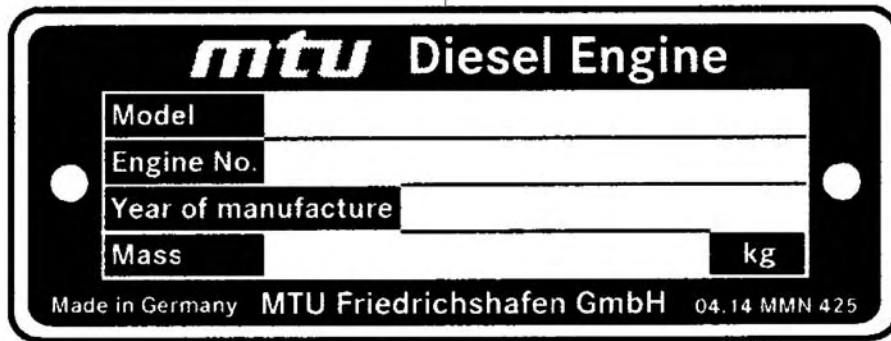
00400086a

TYP/MODEL: 20V4000G43
 SERIENNUMMER/
 SERIAL NO: 20V4000G43

TYPSCILD
 NAMEPLATE

FG/FGS: 004 05
 STUECKLISTE/
 BOM: X00027331

100



200



00400086a

POS. ITEM	BESTELLNR. PART NO.	BENENNUNG DESIGNATION	STO QTY.	EINHEIT UNIT	ABMESSUNGEN DIMENSIONS	NORM STANDARD
100	700425000169	SCHILD PLATE	1	ST PC	04.14	MMN425
200	700425000170	SCHILD PLATE	1	ST PC	04.15	MMN425

TYP/MODEL: 20V4000G43
SERIENNUMMER/
SERIAL NO: 20V4000G43

EM-EPA TIER 1/2 LABEL GENSET ENGINE
EM-EPA TIER 1/2 LABEL GENSET ENGINE

FG/FGS: 004 05
STUECKLISTE/
BOM: X00014482

100

THIS ENGINE IS CATEGORIZED AS A RECREATIONAL ENGINE UNDER
40 CFR PART 94.

INSTALLATION OF THIS ENGINE IN ANY NONRECREATIONAL
VESSEL IS VIOLATION OF FEDERAL LAW SUBJECT TO CIVIL
PENALTY.

UNIT ...

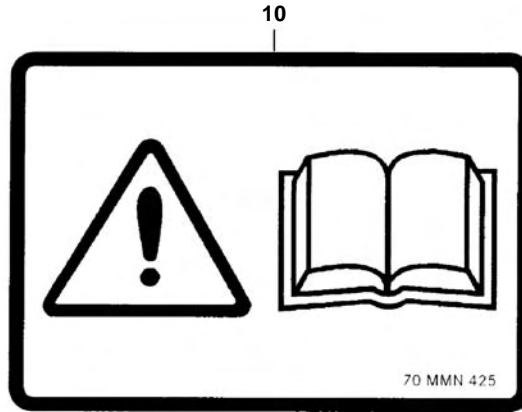
mtu

MTU Friedrichshafen GmbH
Germany

66.4 MMN 425

00400079b

POS. ITEM	BESTELNR. PART NO.	BENENNUNG DESIGNATION	STO QTY.	EINHEIT UNIT	ABMESSUNGEN DIMENSIONS	NORM STANDARD
100	700425000161	SCHILD PLATE	1	ST PC	66.3	MMN425



00400053a

POS. ITEM	BESTELLNR. PART NO.	BENENNUNG DESIGNATION	STO QTY.	EINHEIT UNIT	ABMESSUNGEN DIMENSIONS	NORM STANDARD
10	700425000155	SCHILD PLATE	1	ST PC	70	MMN425

TYP/MODEL: 20V4000G43
SERIENNUMMER/
SERIAL NO: 20V4000G43

SCHILD
PLATE

FG/FGS:
STUECKLISTE/
BOM: 700425000161

50

THIS ENGINE IS CATEGORIZED AS A RECREATIONAL ENGINE UNDER
40 CFR PART 94.

INSTALLATION OF THIS ENGINE IN ANY NONRECREATIONAL
VESSEL IS VIOLATION OF FEDERAL LAW SUBJECT TO CIVIL
PENALTY.

UNIT ...

mtu

MTU Friedrichshafen GmbH
Germany

66.4 MMN 425

04000080b

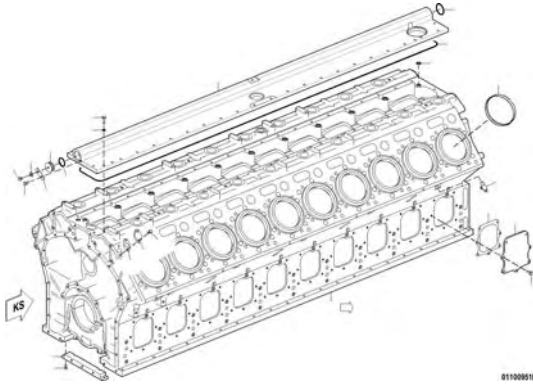
POS. ITEM	BESTELLNR. PART NO.	BENENNUNG DESIGNATION	STO QTY.	EINHEIT UNIT	ABMESSUNGEN DIMENSIONS	NORM STANDARD
50	X00023912	BEZEICHNUNGSSCHILD SELBSTKLEBEND IDENTIFICATION PLATE SELF-ADHESIVE	1	ST PC	37X148X0,089	MMN425

TYP/MODEL: 20V4000G43
SERIENNUMMER/
SERIAL NO: 20V4000G43

KURBELGEHAEUSE
CRANKCASE

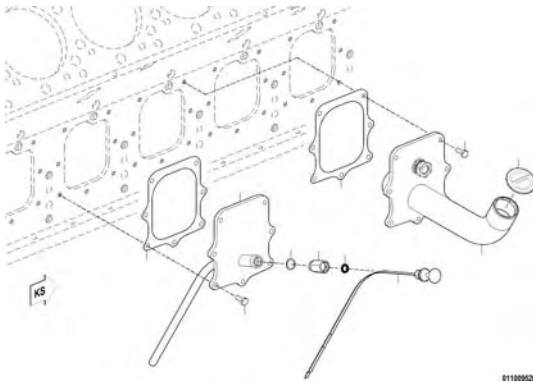
FG/FGS: 011
STUECKLISTE/
BOM:

FUNKTIONSGRUPPE/GROUP NUMBER (FG)
GRUPPENNAME/GROUP NAME
STÜCKLISTENR/BOM NO.



011
KURBELGEHAEUSE
CRANKCASE
X00030264

01100010



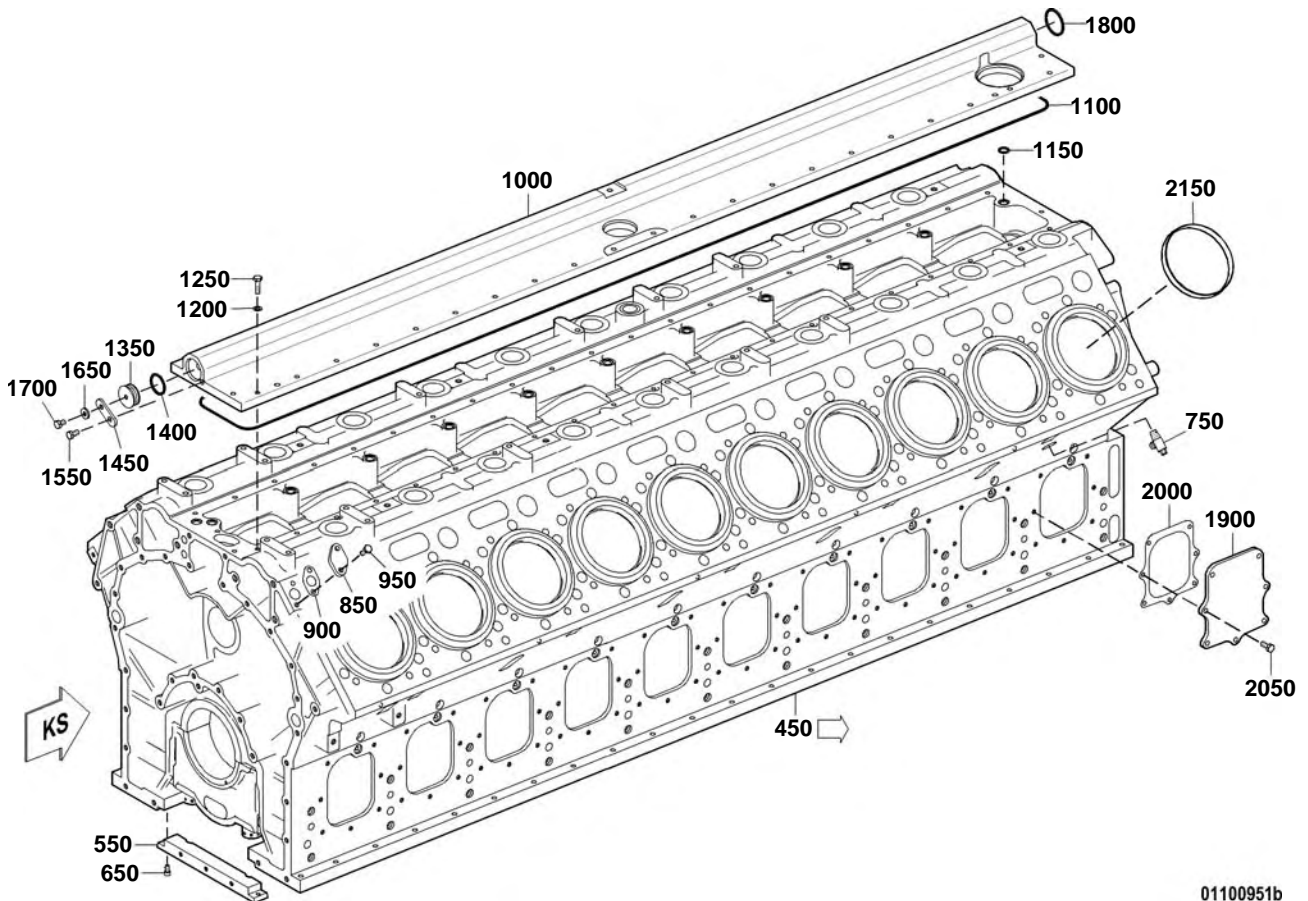
011
SCHAULOCHDECKEL FUER OELMESSSTAB
INSPECT PORT COVER FOR OIL DIPSTICK
XS528010.00008

01100020

TYP/MODEL: 20V4000G43
 SERIENNUMMER/
 SERIAL NO: 20V4000G43

KURBELGEHAEUSE
 CRANKCASE

FG/FGS: 011 05
 STUECKLISTE/
 BOM: X00030264



01100951b

POS. ITEM	BESTELLN. PART NO.	BENENNUNG DESIGNATION	STO QTY.	EINHEIT UNIT	FN FN	ABMESSUNGEN DIMENSIONS	NORM STANDARD
450	X00028720	KURBELGEHAEUSE FUER 20V CRANKCASE FOR 20V	1	ST PC			
550	5240110440	LEISTE STRIP	1	ST PC			
650	000912008115	ZYLINDERSCHRAUBE SCREW	2	ST PC		M 8 X 16	DIN912
750	0049976736	ABLASSVENTIL DRAIN VALVE	2	ST PC			
850	5240110045	FLANSCH FLANGE	2	ST PC			
900	5501871280	DICHTBEILAGE GASKET	2	ST PC			
950	00000003021	SECHSKANTSCHRAUBE SCREW	4	ST PC		M 10 X 25	ISO4017
1000	X00007644	KURBELGEH-DECKEL CRANKCASE COVER	1	ST PC			
1100	5289970045	O-RING O-RING	1	ST PC		1657X5	
1150	700429018005	O-RING O-RING	13	ST PC		18 X 4	MMN429

TYP/MODEL: 20V4000G43
SERIENNUMMER/
SERIAL NO: 20V4000G43

KURBELGEHAEUSE
CRANKCASE

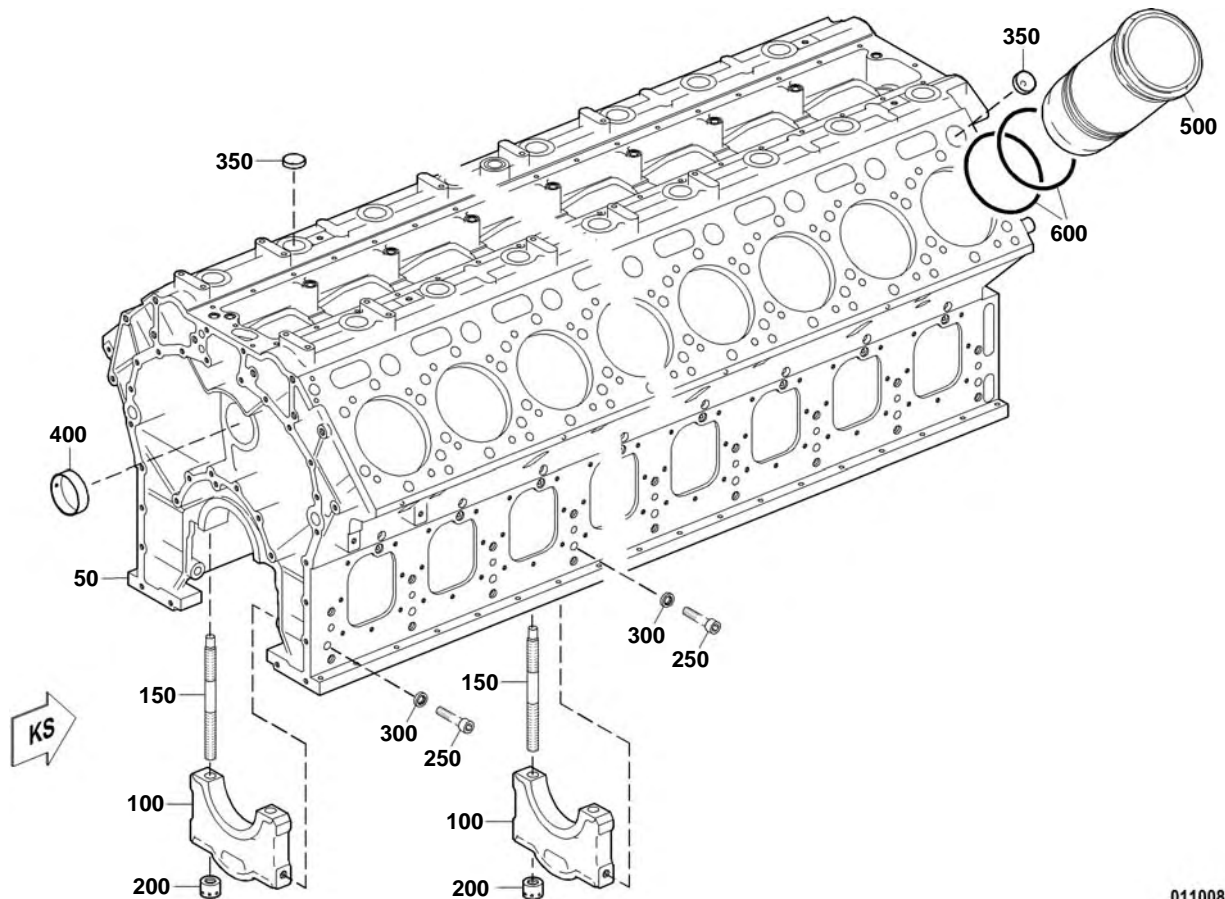
FG/FGS: 011 05
STUECKLISTE/ X00030264
BOM: X00030264

POS. ITEM	BESTELLNR. PART NO.	BENENNUNG DESIGNATION	STO QTY.	EINHEIT UNIT	FN FN	ABMESSUNGEN DIMENSIONS	NORM STANDARD
1200	000125010524	SCHEIBE WASHER	34	ST PC		A 10,5	DIN125
1250	000933010093	SECHSKANTSCHRAUBE SCREW	34	ST PC		M 10 X 35	DIN933
1350	735084050000	VERSCHLUSSSTOPFEN PLUG	1	ST PC		50	MTN5084
1400	700429042000	O-RING O-RING	1	ST PC		42 X 5	MMN429
1450	5249950059	LASCHE STRAP	1	ST PC			
1550	000933010089	SECHSKANTSCHRAUBE SCREW	1	ST PC		M 10 X 20	DIN933
1650	007349010002	SCHEIBE WASHER	1	ST PC		10,5	DIN7349
1700	000933010198	SECHSKANTSCHRAUBE SCREW	1	ST PC		M 10 X 16	DIN933
1800	700429055001	O-RING O-RING	1	ST PC		55 X 5	MMN429
1900	5240110732	SCHAULOCHDECKEL INSPECT PORT COVER	9	ST PC	NN		
2000	5240111380	DICHTBEILAGE GASKET	9	ST PC			
2050	000933010035	SECHSKANTSCHRAUBE SCREW	63	ST PC		M 10 X 25	DIN933
2150	5240110259	ABSTREIFRING SCRAPER RING	20	ST PC			

TYP/MODEL: 20V4000G43
 SERIENNUMMER/
 SERIAL NO: 20V4000G43

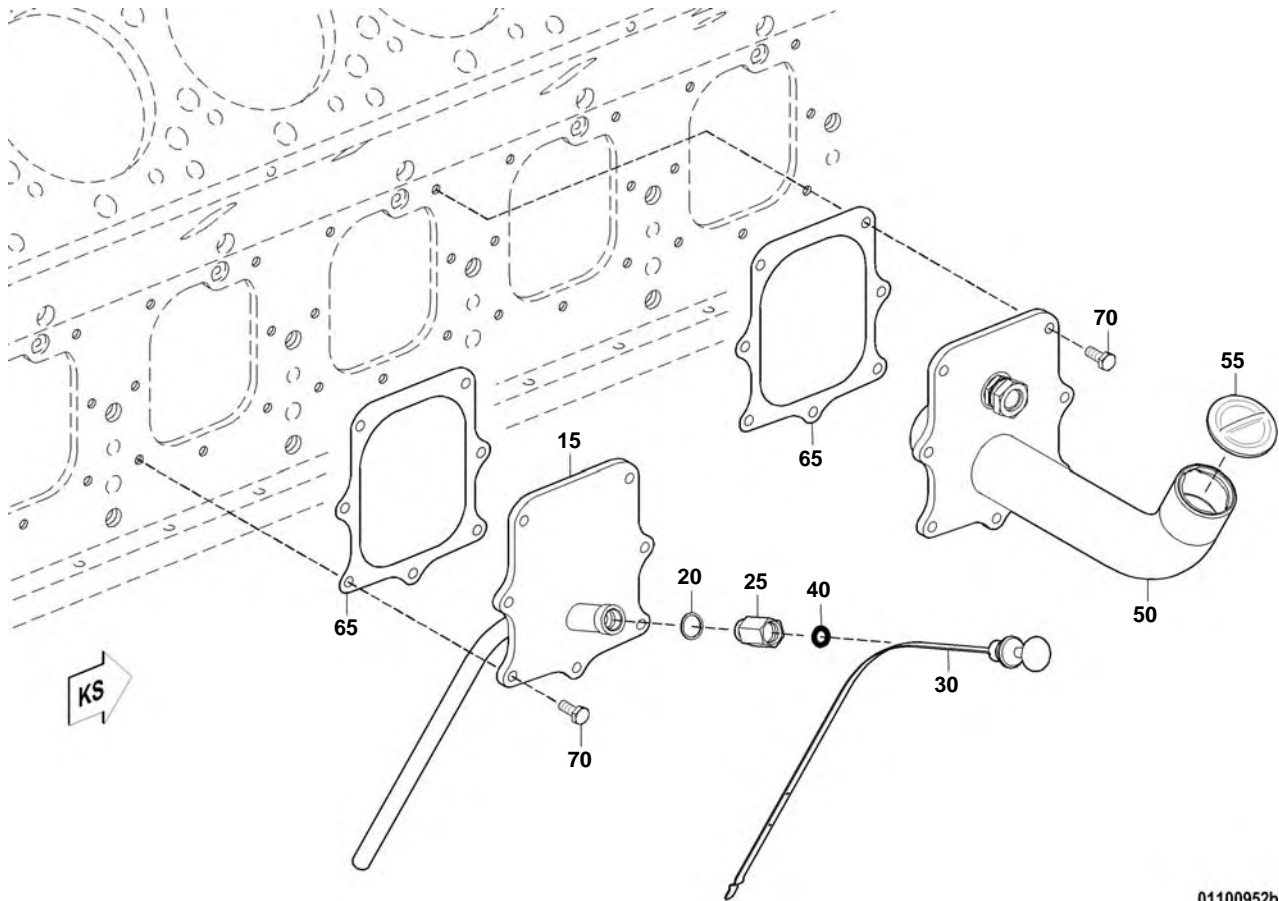
KURBELGEHAEUSE FUER 20V
 CRANKCASE FOR 20V

FG/FGS:
 STUECKLISTE/
 BOM: X00028720



01100854c

POS. ITEM	BESTELLN. PART NO.	BENENNUNG DESIGNATION	STO QTY.	EINHEIT UNIT	FN FN	ABMESSUNGEN DIMENSIONS	NORM STANDARD
50	X00028699	KURBELGEHAEUSE CRANKCASE	1	ST PC			
100	5240110111	KW-LAGERDECKEL CRANKSHAFT BRG CAP	11	ST PC			
150	5240110570	STIFTSCHRAUBE STUD	22	ST PC			
200	5240110172	MUTTER NUT	22	ST PC			
250	000912018008	ZYLINDERSCHRAUBE SCREW	22	ST PC		M 18 X180	DIN912
300	700521018201	SCHEIBE WASHER	22	ST PC		18,2	MMN521
350	5249970020	VERSCHLUSSDECKEL COVER	40	ST PC			
400	5240510110	NOCKENWELLENLAGER STUFE 0-0 CAMSHAFT BEARING SIZE 0-0	11	ST PC	M		
500	X00027830	ZYLINDERLAUFBUCHSE STUFE 0 CYLINDER LINER SIZE 0	20	ST PC	NN		
600	5550110259	DICHTRING SEALING RING	40	ST PC			



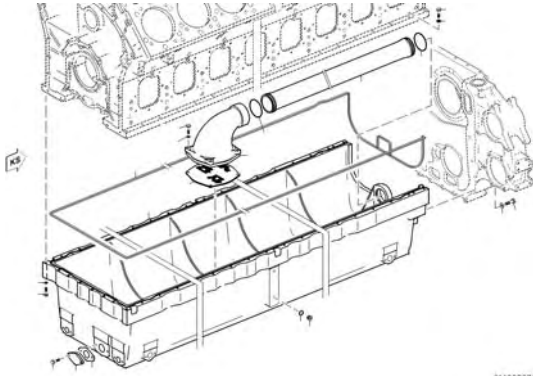
POS. ITEM	BESTELLNR. PART NO.	BENENNUNG DESIGNATION	STO QTY.	EINHEIT UNIT	FN FN	ABMESSUNGEN DIMENSIONS	NORM STANDARD
15	5240100266	FUEHRUNGSROHR GUIDE TUBE	1	ST PC	SB		
20	007603022102	DICHTRING SEALING RING	1	ST PC		A 22 X 27	DIN7603
25	8800180770	SCHRAUBSTUTZEN SCREW-FITTING UNION	1	ST PC			
30	5240101672	OELMESSSTAB OIL DIPSTICK	1	ST PC	NN		
40	700429012002	O-RING O-RING	1	ST PC		12 X 5	MMN429
50	X52601100004	OELEINFUELLSTUTZEN OIL FILLER NECK	1	ST PC	SB		
55	0000181802	DECKEL COVER	1	ST PC			
65	5240111380	DICHTBEILAGE GASKET	2	ST PC			
70	000933010035	SECHSKANTSCHRAUBE SCREW	14	ST PC		M 10 X 25	DIN933

TYP/MODEL: 20V4000G43
SERIENNUMMER/
SERIAL NO: 20V4000G43

KURBELGEHAEUSE UNTERTEIL
OIL PAN

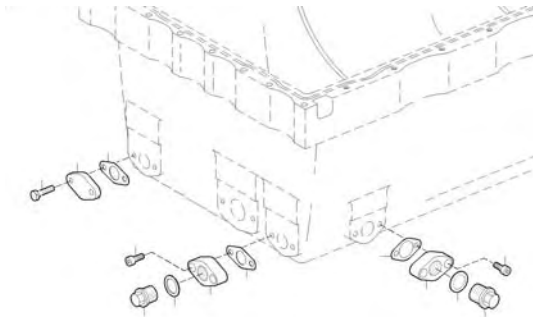
FG/FGS: 014
STUECKLISTE/
BOM:

FUNKTIONSGRUPPE/GROUP NUMBER (FG)
GRUPPENNAME/GROUP NAME
STÜCKLISTENNR/BOM NO.



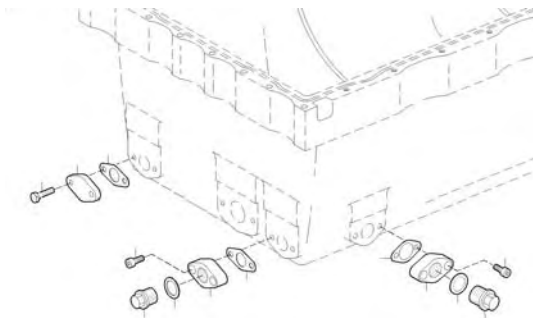
014
OELWANNE
OIL PAN
010.00170

01400037a



014
VERSCHLUSSTEILE FUER OELWANNE
SEAL ELEM. FOR OIL PAN
X00030756

0140005a



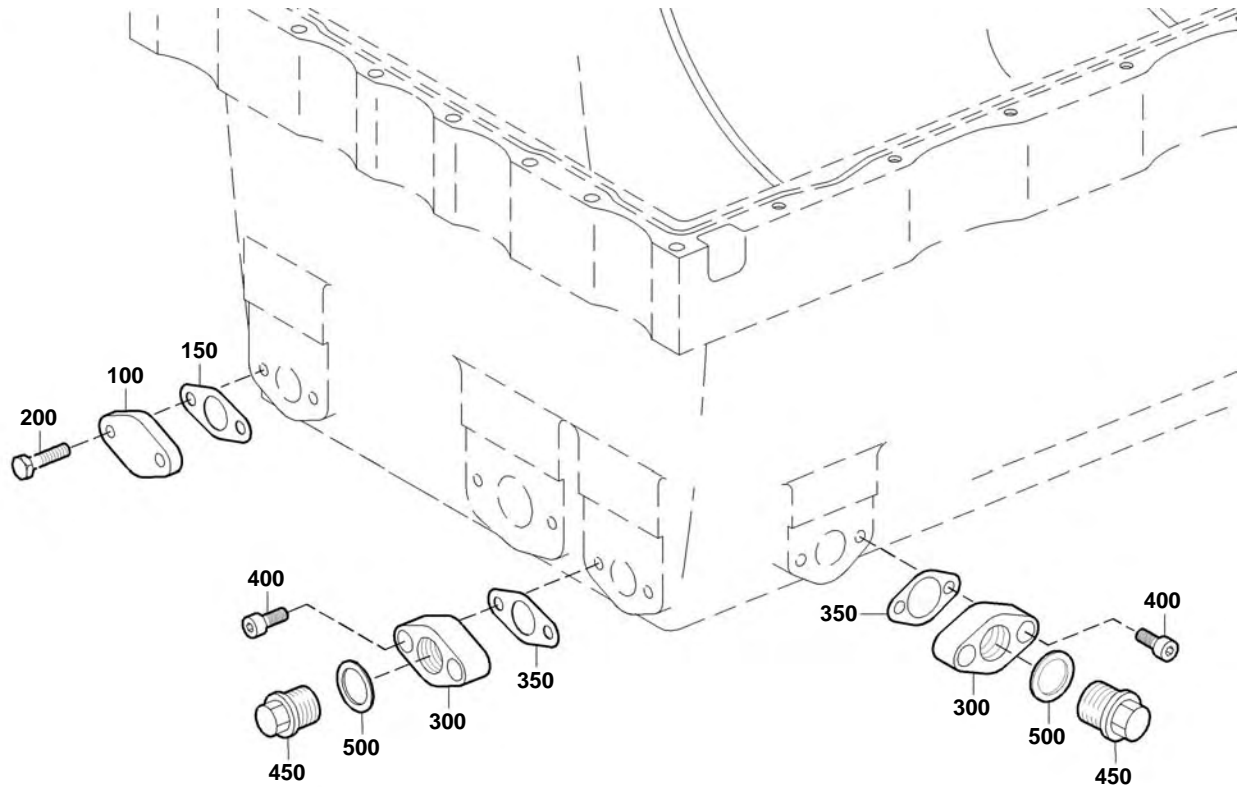
014
VERSCHLUSSTEILE FUER OELWANNE
SEAL ELEM. FOR OIL PAN
X00044536

0140005a

TYP/MODEL: 20V4000G43
 SERIENNUMMER/
 SERIAL NO: 20V4000G43

VERSCHLUSSTEILE FUER OELWANNE
 SEAL ELEM. FOR OIL PAN

FG/FGS: 014 05
 STUECKLISTE/
 BOM: X00030756



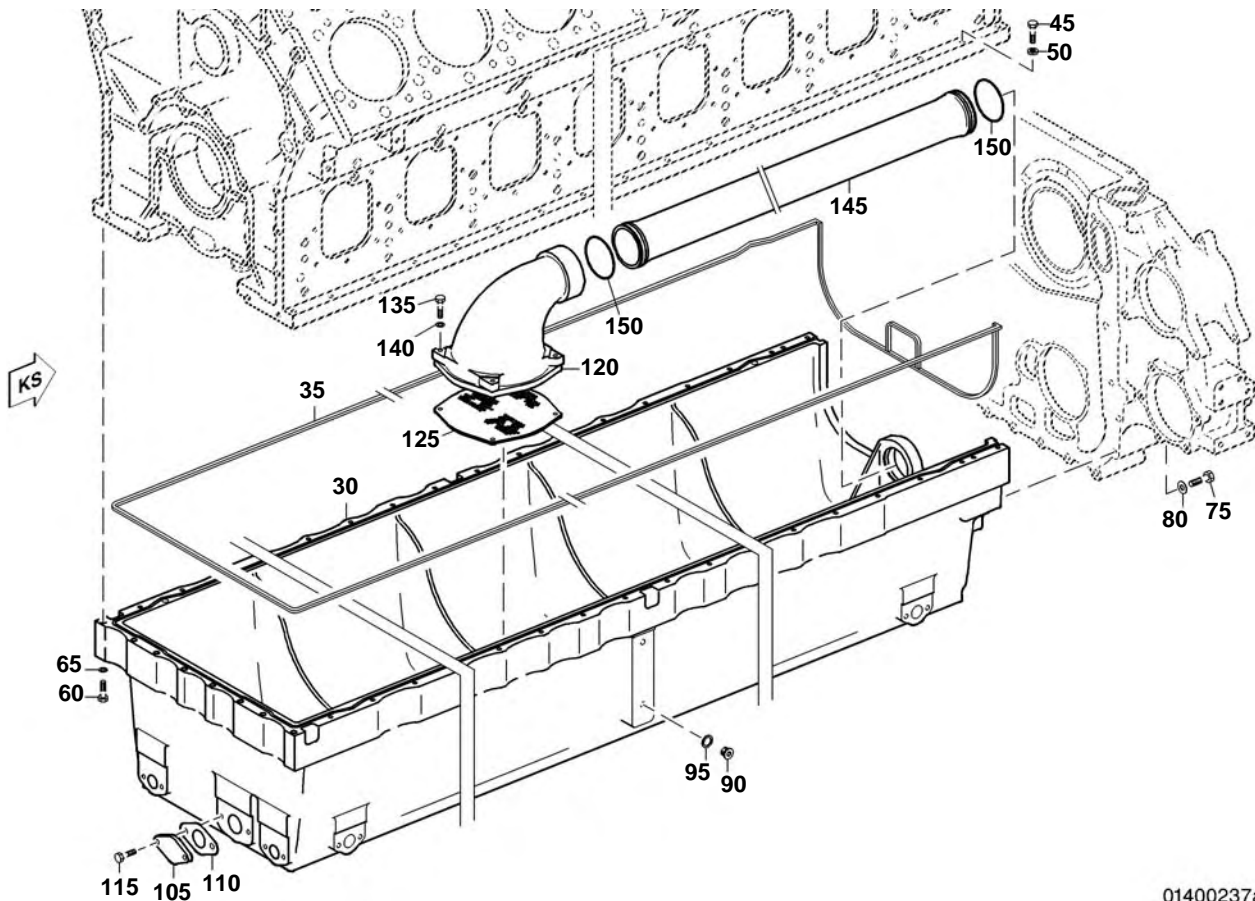
01400853a

POS. ITEM	BESTELLN. PART NO.	BENENNUNG DESIGNATION	STO QTY.	EINHEIT UNIT	ABMESSUNGEN DIMENSIONS	NORM STANDARD
100	X00018638	FLANSCH FLANGE	7	ST PC		
150	5602030280	DICHTBEILAGE GASKET	7	ST PC		
200	000933010180	SECHSKANTSCHRAUBE SCREW	14	ST PC	M 10 X 28	DIN933
300	5500140145	FLANSCH FLANGE	3	ST PC		
350	5602030280	DICHTBEILAGE GASKET	3	ST PC		
400	000912010065	ZYLINDERSCHRAUBE SCREW	6	ST PC	M 10 X 25	DIN912
450	5379970030	VERSCHLUSSSCHRAUBE PLUG	3	ST PC		
500	007603030101	DICHTRING SEALING RING	3	ST PC	A 30 X 36	DIN7603

TYP/MODEL: 20V4000G43
 SERIENNUMMER/
 SERIAL NO: 20V4000G43

OELWANNE
 OIL PAN

FG/FGS: 014 05
 STUECKLISTE/
 BOM: 010.00170



01400237a

POS. ITEM	BESTELNR. PART NO.	BENENNUNG DESIGNATION	STO QTY.	EINHEIT UNIT	FN FN	ABMESSUNGEN DIMENSIONS	NORM STANDARD
30	5280140002	OELWANNE OIL PAN	1	ST PC			
35	5289870035	GUMMIPROFIL PROFILE RUBBER	1	ST PC			
45	000933010095	SECHSKANTSCHRAUBE SCREW	44	ST PC		M 10 X 50	DIN933
50	735151010100	SCHEIBE WASHER	44	ST PC		A 10,5	MTN5151
60	000931010315	SECHSKANTSCHRAUBE SCREW	8	ST PC		M 10 X100	DIN931
65	000125010524	SCHEIBE WASHER	8	ST PC		A 10,5	DIN125
75	000931012176	SECHSKANTSCHRAUBE SCREW	10	ST PC		M 12 X150	DIN931
80	007349013002	SCHEIBE WASHER	10	ST PC		13	DIN7349
90	000908012003	VERSCHLUSSSCHRAUBE PLUG	2	ST PC		M 12 X 1,5	DIN908
95	007603012111	DICHTRING SEALING RING	2	ST PC		A 12 X 15,5	DIN7603

TYP/MODEL: 20V4000G43
SERIENNUMMER/
SERIAL NO: 20V4000G43

OELWANNE
OIL PAN

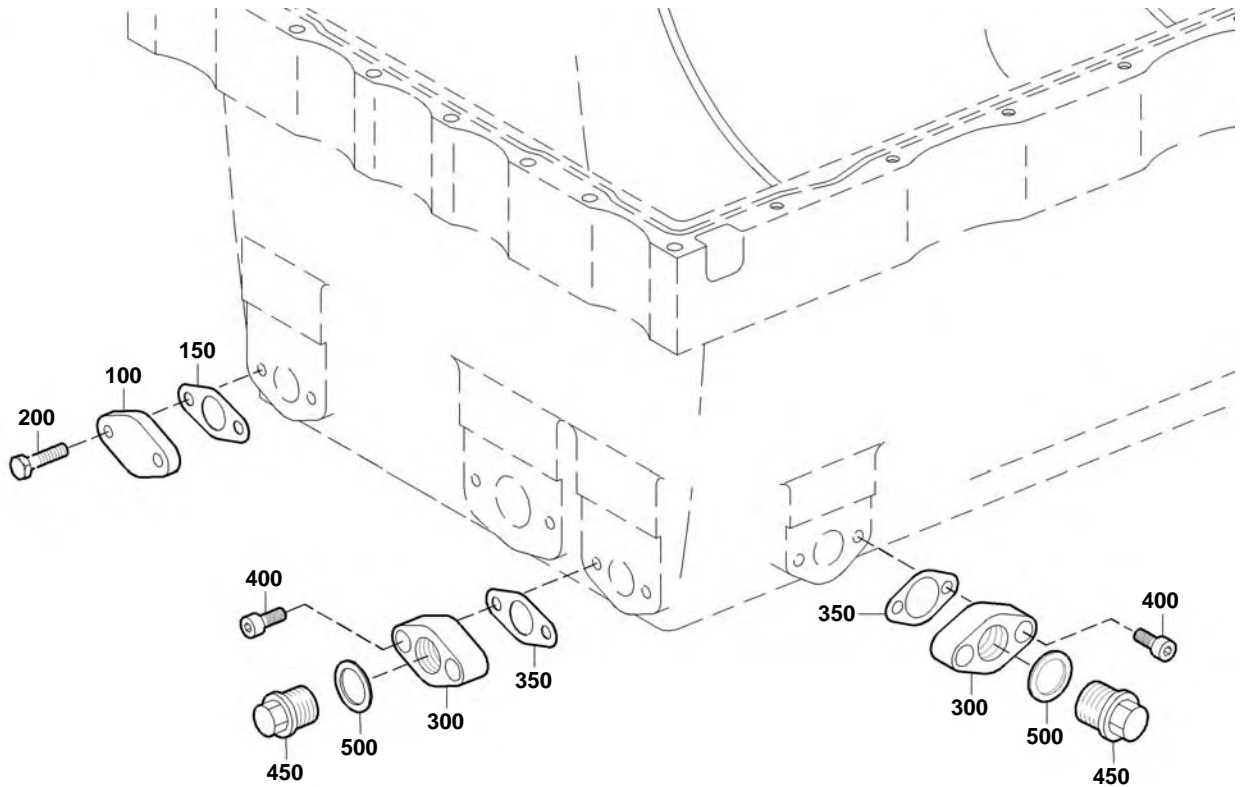
FG/FGS: 014 05
STUECKLISTE/ 010.00170
BOM: 010.00170

POS. ITEM	BESTELLNR. PART NO.	BENENNUNG DESIGNATION	STO QTY.	EINHEIT UNIT	FN FN	ABMESSUNGEN DIMENSIONS	NORM STANDARD
105	5240140033	DECKEL COVER	1	ST PC			
110	5240140080	DICHTBEILAGE GASKET	1	ST PC			
115	000933010035	SECHSKANTSCHRAUBE SCREW	2	ST PC		M 10 X 25	DIN933
120	5281860001	SAUGKORB SUCTION BASKET	1	ST PC			
125	5281860004	SIEB STRAINER	1	ST PC			
135	304017008087	SECHSKANTSCHRAUBE SCREW	4	ST PC		M 8 X 50	ISO4017
140	000125008427	SCHEIBE WASHER	4	ST PC		A 8,4	DIN125
145	5281800020	STECKROHR PLUG-IN PIPE	1	ST PC	SB		
150	700429085002	O-RING O-RING	2	ST PC		85 X 6	MMN429

TYP/MODEL: 20V4000G43
 SERIENNUMMER/
 SERIAL NO: 20V4000G43

VERSCHLUSSTEILE FUER OELWANNE
 SEAL ELEM. FOR OIL PAN

FG/FGS: 014 05
 STUECKLISTE/
 BOM: X00044536



01400853a

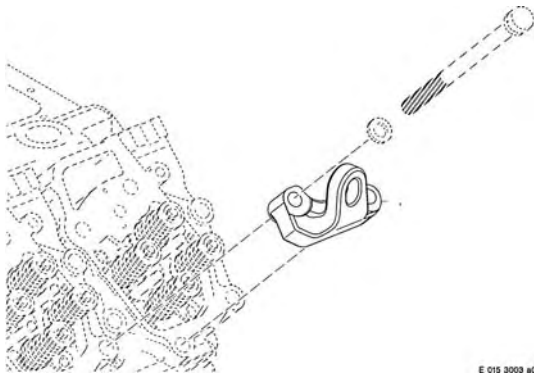
POS. ITEM	BESTELLN. PART NO.	BENENNUNG DESIGNATION	STO QTY.	EINHEIT UNIT	ABMESSUNGEN DIMENSIONS	NORM STANDARD
100	X00018638	FLANSCH FLANGE	5	ST PC		
150	5602030280	DICHTBEILAGE GASKET	5	ST PC		
200	000933010180	SECHSKANTSCHRAUBE SCREW	10	ST PC	M 10 X 28	DIN933
300	5500140145	FLANSCH FLANGE	3	ST PC		
350	5602030280	DICHTBEILAGE GASKET	3	ST PC		
400	000912010065	ZYLINDERSCHRAUBE SCREW	6	ST PC	M 10 X 25	DIN912
450	5379970030	VERSCHLUSSSCHRAUBE PLUG	3	ST PC		
500	007603030101	DICHTRING SEALING RING	3	ST PC	A 30 X 36	DIN7603

TYP/MODEL: 20V4000G43
SERIENNUMMER/
SERIAL NO: 20V4000G43

MOTOR-, TRIEBWERKSAUFHAENGUNG
ENGINE MOUNTING

FG/FGS: 015
STUECKLISTE/
BOM:

FUNKTIONSGRUPPE/GROUP NUMBER (FG)
GRUPPENNAME/GROUP NAME
STÜCKLISTENR/BOM NO.



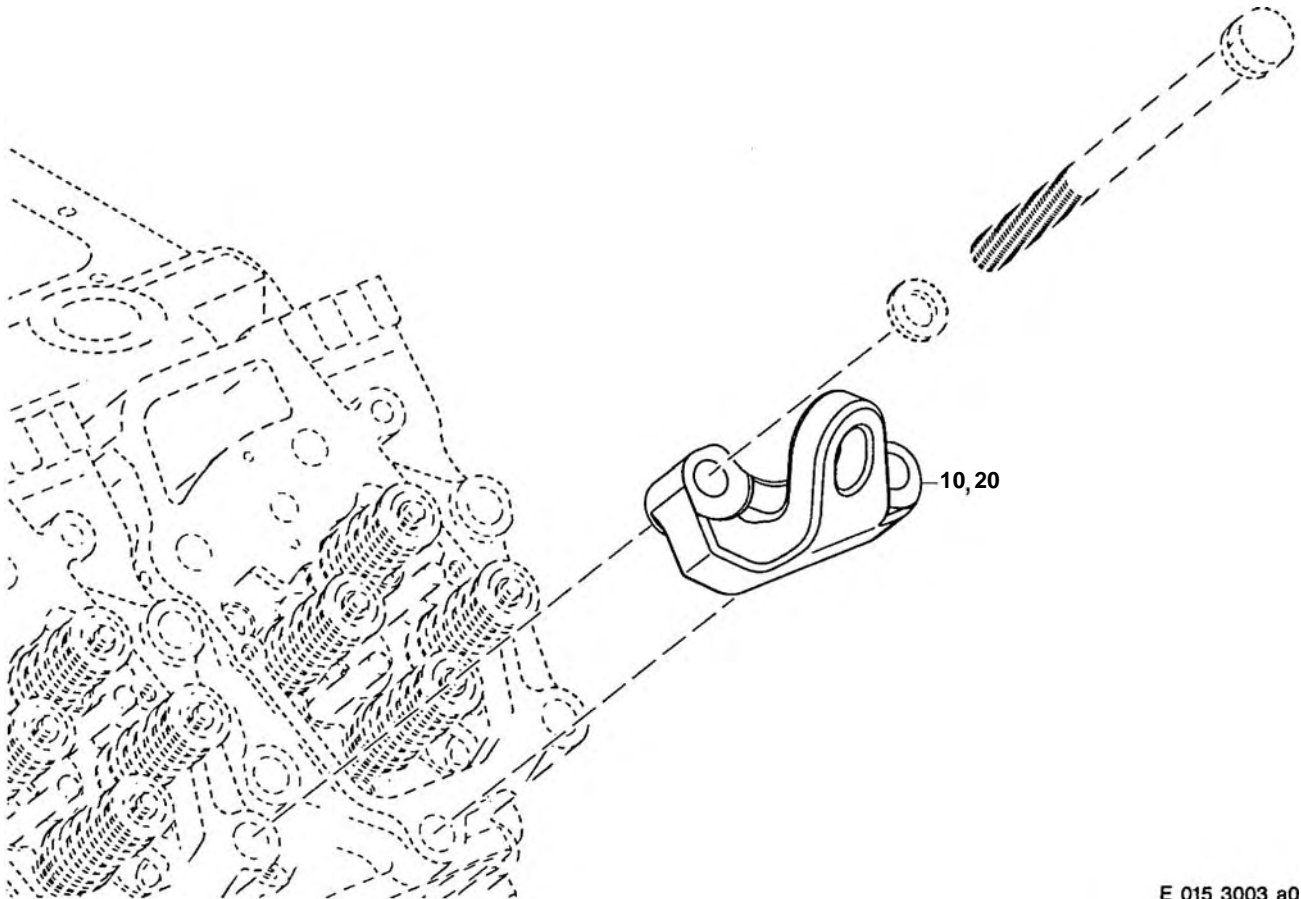
015
MOTORAUFGAENGUNG
ENGINE MOUNTING
010.00131

E 015 3009 ad

TYP/MODEL: 20V4000G43
SERIENNUMMER/
SERIAL NO: 20V4000G43

MOTORAUFHAENGUNG
ENGINE MOUNTING

FG/FGS: 015 05
STUECKLISTE/
BOM: 010.00131



E 015 3003 a0

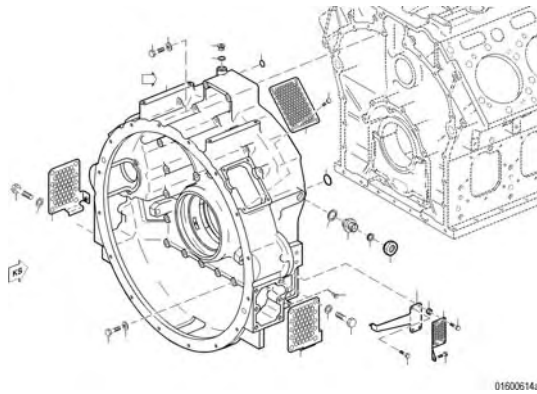
POS. ITEM	BESTELNR. PART NO.	BENENNUNG DESIGNATION	STO QTY.	EINHEIT UNIT
10	5242230341	AUFHAENGESE LIFTING EYE	2	ST PC
20	5242230341	AUFHAENGESE LIFTING EYE	2	ST PC

TYP/MODEL: 20V4000G43
SERIENNUMMER/
SERIAL NO: 20V4000G43

ABSCHLUSSGEHAEUSE, KS UND KGS
END HOUSING, MAIN PTO END AND AUX PTO END

FG/FGS: 016
STUECKLISTE/
BOM:

FUNKTIONSGRUPPE/GROUP NUMBER (FG)
GRUPPENNAME/GROUP NAME
STÜCKLISTENR/BOM NO.

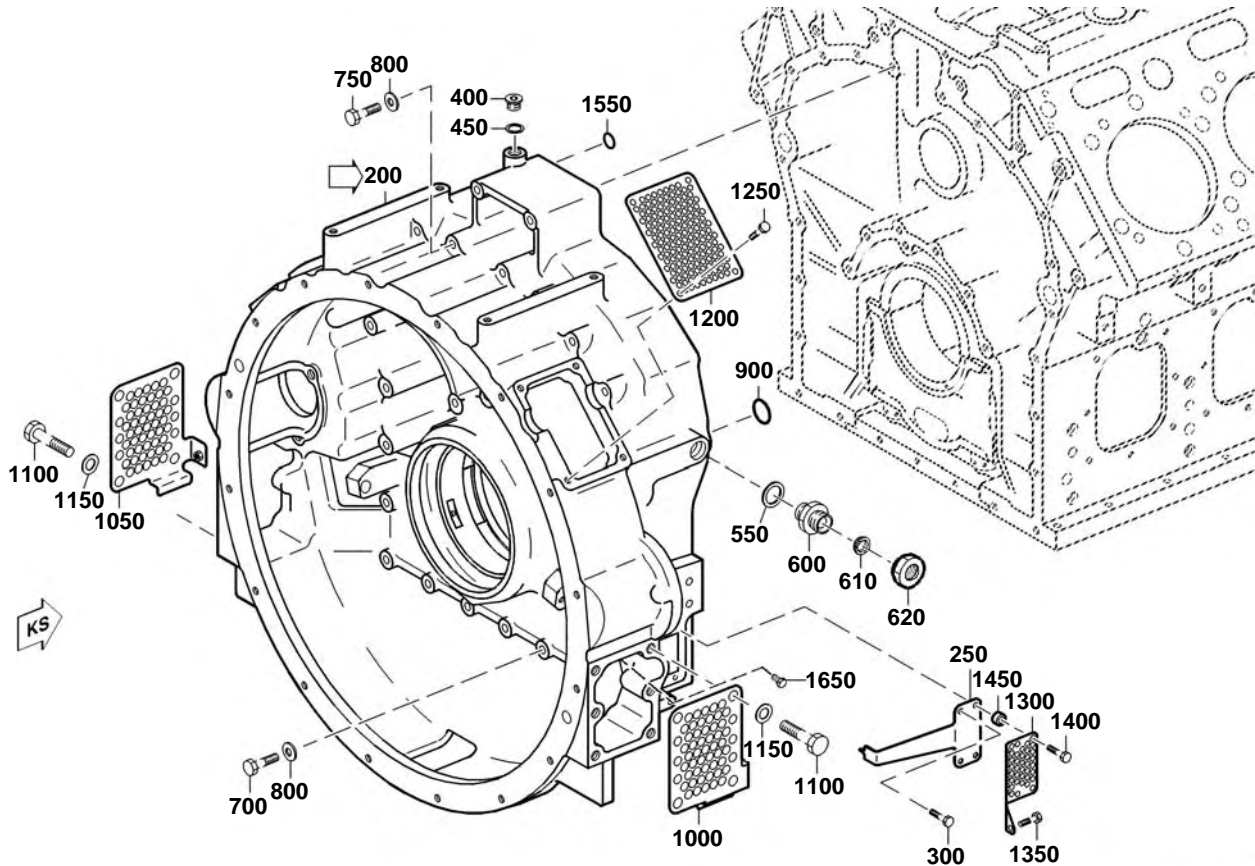


016
SCHWUNGRADGEHAEUSE
FLYWHEEL HOUSING
X00019264

TYP/MODEL: 20V4000G43
 SERIENNUMMER/
 SERIAL NO: 20V4000G43

SCHWUNGRADGEHAEUSE
 FLYWHEEL HOUSING

FG/FGS: 016 30
 STUECKLISTE/
 BOM: X00019264



01600614a

POS. ITEM	BESTELLNR. PART NO.	BENENNUNG DESIGNATION	STO QTY.	EINHEIT UNIT	FN FN	ABMESSUNGEN DIMENSIONS	NORM STANDARD
200	X00021778	SCHWUNGRADGEHAEUSE FLYWHEEL HOUSING	1	ST PC			
250	5280150031	TOTPUNKTANZEIGER DEAD-CENTER INDICATR	1	ST PC			
300	304017008077	SECHSKANTSCHRAUBE SCREW	2	ST PC		M 8 X 16	ISO4017
400	000908026005	VERSCHLUSSSCHRAUBE PLUG	1	ST PC		M 26 X 1,5	DIN908
450	007603026104	DICHTRING SEALING RING	1	ST PC		A 26 X 31	DIN7603
550	007603030101	DICHTRING SEALING RING	2	ST PC		A 30 X 36	DIN7603
600	915007020001	UEBERGANGSSTUTZEN ADAPTOR	2	ST PC		20 / 16 (M30X1,5/M26X1,5)	N15007
610	915005016000	VERSCHLUSSKEGEL SEALING CONE	2	ST PC		18	MBN15005
620	915001016004	MUTTER UNION NUT	2	ST PC		16 M 26 X 1,5	N15001
700	000931012215	SECHSKANTSCHRAUBE SCREW	23	ST PC		M 12 X150	DIN931

TYP/MODEL: 20V4000G43
 SERIENNUMMER/
 SERIAL NO: 20V4000G43

SCHWUNGRADGEHAEUSE
 FLYWHEEL HOUSING

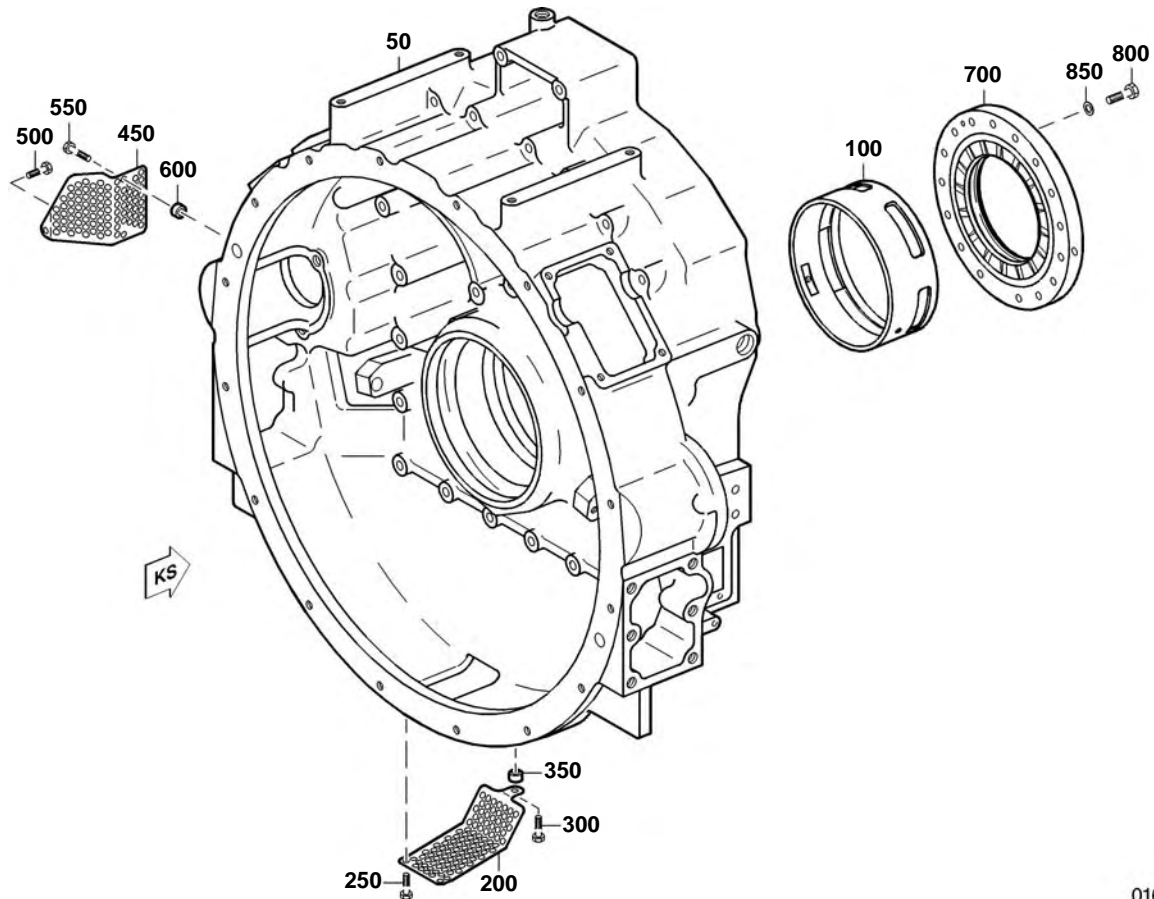
FG/FGS: 016 30
 STUECKLISTE/ X00019264
 BOM: X00019264

POS. ITEM	BESTELLNR. PART NO.	BENENNUNG DESIGNATION	STO QTY.	EINHEIT UNIT	FN FN	ABMESSUNGEN DIMENSIONS	NORM STANDARD
750	000931012106	SECHSKANTSCHRAUBE SCREW	8	ST PC		M 12 X200	DIN931
800	006796012100	SPANNSCHEIBE CONICL SPRING WASHER	31	ST PC		12	DIN6796
900	700429033001	O-RING O-RING	2	ST PC		33 X 5	MMN429
1000	5240100267	SCHUTZBLECH RECHTS GUARD PLATE RIGHT	1	ST PC	NN		
1050	5240100367	SCHUTZBLECH LINKS GUARD PLATE LEFT	1	ST PC	NN		
1100	000933016003	SECHSKANTSCHRAUBE SCREW	8	ST PC		M 16 X 25	DIN933
1150	000125017014	SCHEIBE WASHER	8	ST PC		A 17	DIN125
1200	X00021753	SCHUTZBLECH GUARD PLATE	2	ST PC			
1250	304017008076	SECHSKANTSCHRAUBE SCREW	8	ST PC		M 8 X 12	ISO4017
1300	5240140515	SCHUTZBLECH GUARD PLATE	1	ST PC			
1350	304017008076	SECHSKANTSCHRAUBE SCREW	1	ST PC		M 8 X 12	ISO4017
1400	304017008081	SECHSKANTSCHRAUBE SCREW	2	ST PC		M 8 X 25	ISO4017
1450	5511530050	ABSTANDBUCHSE SPACER BUSHING	2	ST PC	NN		
1550	700429020003	O-RING O-RING	2	ST PC		20 X 4	MMN429
1650	304017008077	SECHSKANTSCHRAUBE SCREW	1	ST PC		M 8 X 16	ISO4017

TYP/MODEL: 20V4000G43
 SERIENNUMMER/
 SERIAL NO: 20V4000G43

SCHWUNGRADGEHAEUSE
 FLYWHEEL HOUSING

FG/FGS:
 STUECKLISTE/
 BOM: X00021778



01600178a

POS.	BESTELLNR.	BENENNUNG	STO	EINHEIT	FN	ABMESSUNGEN	NORM
ITEM	PART NO.	DESIGNATION	QTY.	UNIT	FN	DIMENSIONS	STANDARD
50	X00021780	SCHWUNGRADGEHAEUSE FLYWHEEL HOUSING	1	ST PC			
100	5240332730	KURBELWELLENLAGER ANTRIEBSSEITE (KS) CRANKSHAFT BEARING DRIVING END (KS)	1	ST PC			
200	5240100467	SCHUTZBLECH UNTEN GUARD PLATE BOTTOM	1	ST PC			
250	304017008076	SECHSKANTSCHRAUBE SCREW	2	ST PC		M 8 X 12	ISO4017
300	304017008081	SECHSKANTSCHRAUBE SCREW	1	ST PC		M 8 X 25	ISO4017
350	5511530050	ABSTANDBUCHSE SPACER BUSHING	1	ST PC	NN		
450	5240140615	SCHUTZBLECH GUARD PLATE	1	ST PC			
500	304017008076	SECHSKANTSCHRAUBE SCREW	1	ST PC		M 8 X 12	ISO4017
550	304017008081	SECHSKANTSCHRAUBE SCREW	2	ST PC		M 8 X 25	ISO4017

TYP/MODEL: 20V4000G43
SERIENNUMMER/
SERIAL NO: 20V4000G43

SCHWUNGRADGEHAEUSE
FLYWHEEL HOUSING

FG/FGS:
STUECKLISTE/ X00021778
BOM: X00021778

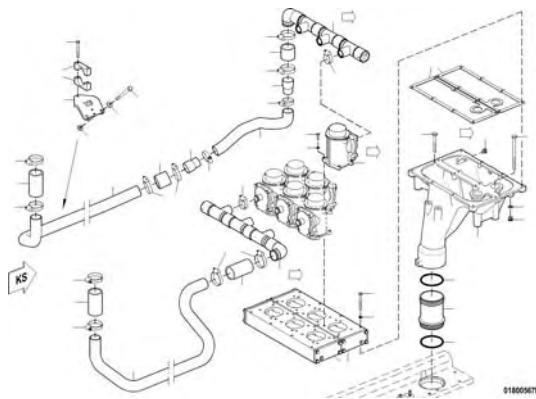
POS.	BESTELLNR.	BENENNUNG	STO	EINHEIT	FN	ABMESSUNGEN	NORM
ITEM	PART NO.	DESIGNATION	QTY.	UNIT	FN	DIMENSIONS	STANDARD
600	5511530050	ABSTANDBUCHSE SPACER BUSHING	2	ST PC	NN		
700	5280330362	AXIALSCHEIBE THRUST WASHER	1	ST PC			
800	000931010105	SECHSKANTSCHRAUBE SCREW	16	ST PC		M 10 X 60	DIN931
850	000125010524	SCHEIBE WASHER	16	ST PC		A 10,5	DIN125

TYP/MODEL: 20V4000G43
SERIENNUMMER/
SERIAL NO: 20V4000G43

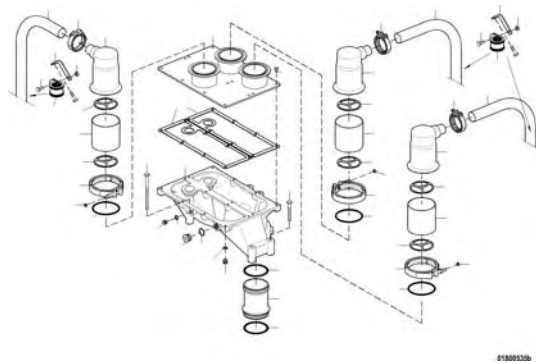
KURBELGEHAEUSE-ENTLUEFTUNG
CRANKCASE BREATHER

FG/FGS: 018
STUECKLISTE/
BOM:

FUNKTIONSGRUPPE/GROUP NUMBER (FG)
GRUPPENNAME/GROUP NAME
STÜCKLISTENR/BOM NO.



018
KURB-GEH-ENTLUEFTUNG
CRANKCASE BREATHER
XS528010.00005

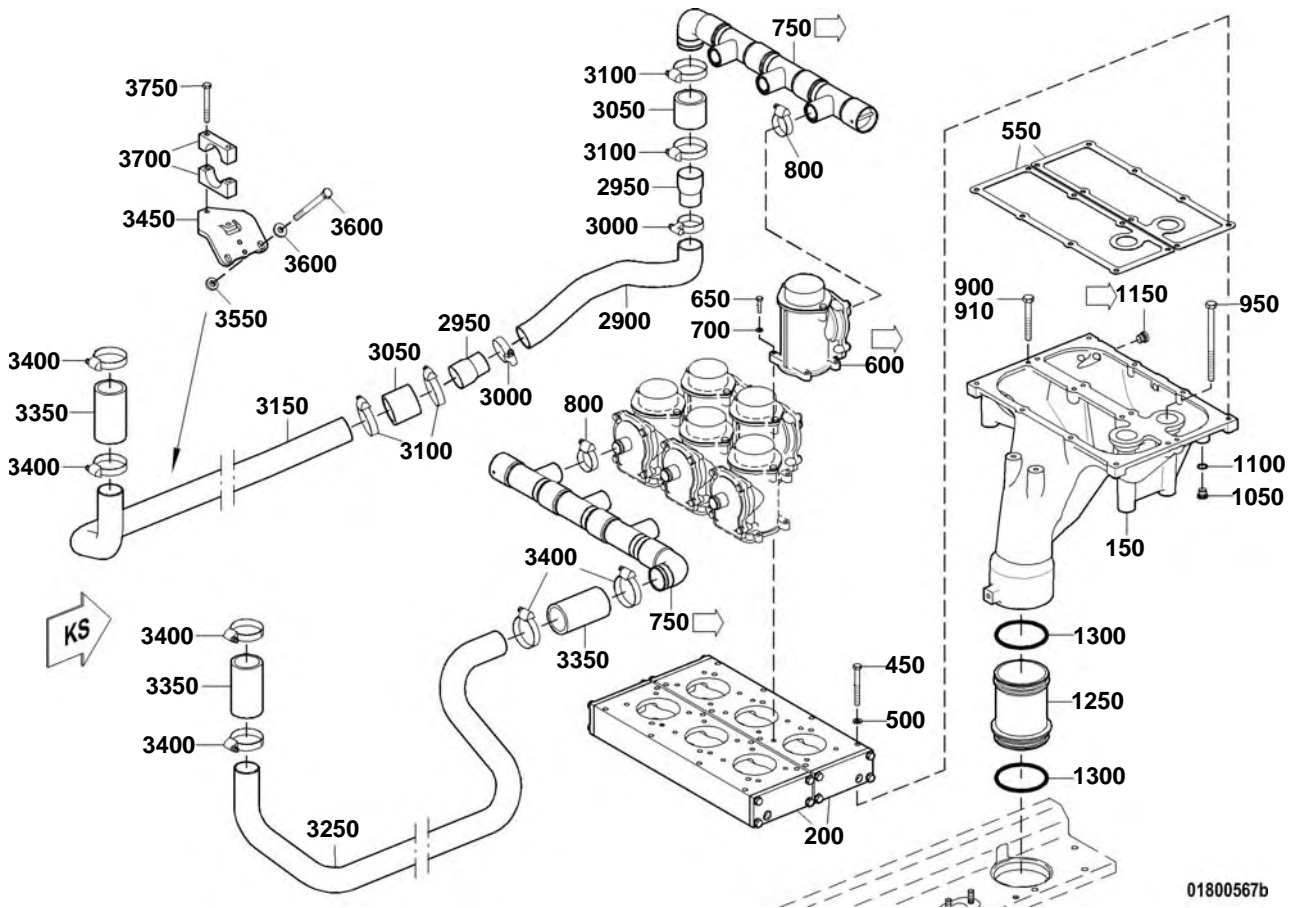


018
KURB-GEH-ENTLUEFTUNG OFFENE AUSFUEHRUNG
CRANKCASE BREATHER OPEN VERSION
X00028148

TYP/MODEL: 20V4000G43
SERIENNUMMER/
SERIAL NO: 20V4000G43

KURB-GEH-ENTLUEFTUNG
CRANKCASE BREATHER

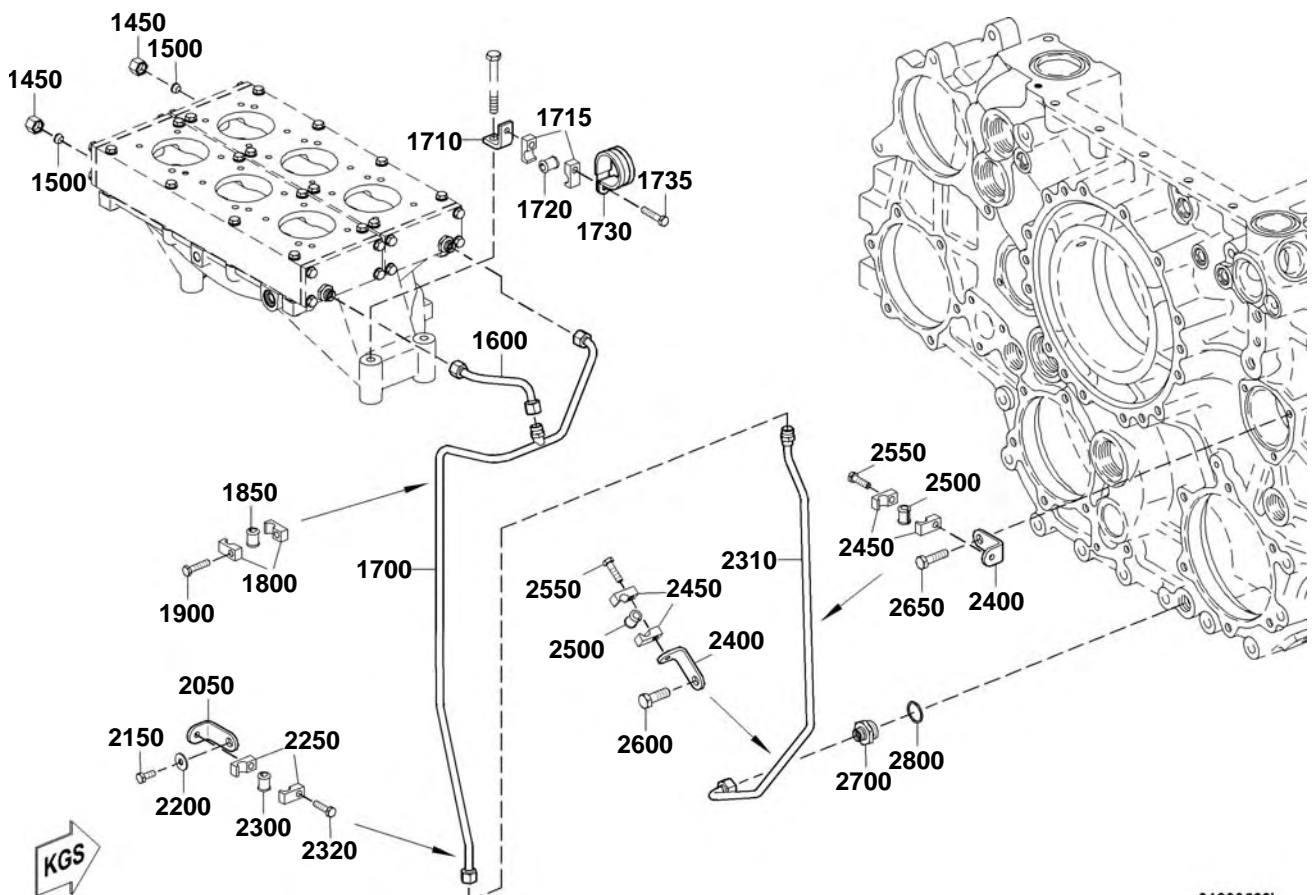
FG/FGS: 018 10
STUECKLISTE/
BOM: XS528010.00005



TYP/MODEL: 20V4000G43
SERIENNUMMER/
SERIAL NO: 20V4000G43

KURB-GEH-ENTLUEFTUNG
CRANKCASE BREATHER

FG/FGS: 018 10
STUECKLISTE/
BOM: XS528010.00005



POS.	BESTELLNR.	BENENNUNG	STO	EINHEIT	FN	ABMESSUNGEN	NORM
ITEM	PART NO.	DESIGNATION	QTY.	UNIT	FN	DIMENSIONS	STANDARD
150	X00001942	ENTLUEFTUNGSGEHAEUSE VENT HOUSING	1	ST PC			
200	X00004127	TRAEGER FUER OELABSCHIEDER SUPPORT F OIL SEPARATOR	2	ST PC			
450	000933008171	SECHSKANTSCHRAUBE SCREW	16	ST PC		M 8 X 75	DIN933
500	000125008427	SCHEIBE WASHER	16	ST PC		A 8,4	DIN125
550	X00004135	DICHTBEILAGE GASKET	2	ST PC			
600	0000187135	OELABSCHIEDER OIL SEPARATOR	6	ST PC	P		
650	304017006063	SECHSKANTSCHRAUBE SCREW	24	ST PC		M 6 X 25	ISO4017
700	000125006431	SCHEIBE WASHER	24	ST PC		A 6,4	DIN125
750	X00004140	SAMMELROHR FUER KURBELGEHAEUSE MANIFOLD FOR CRANKCASE	1	ST PC			
800	000000000668	SCHELLE CLAMP	6	ST PC		25- 40X13-SW8-W3	MBN10223
900	000931010239	SECHSKANTSCHRAUBE SCREW	1	ST PC		M 10 X 80	DIN931
910	000931010296	SECHSKANTSCHRAUBE SCREW	1	ST PC		M 10 X 85	DIN931
950	000931010332	SECHSKANTSCHRAUBE SCREW	2	ST PC		M 10 X150	DIN931
1050	000908014001	VERSCHLUSSSCHRAUBE PLUG	3	ST PC		M 14 X 1,5	DIN908
1100	007603014102	DICHTRING SEALING RING	3	ST PC		A 14 X 18	DIN7603
1150	735210014000	VERSCHLUSSSCHRAUBE PLUG	1	ST PC		M 14 X 1,5	MTN5210
1250	X00003083	STECKROHR PLUG-IN PIPE	1	ST PC			EN10220
1300	700429085002	O-RING O-RING	2	ST PC		85 X 6	MMN429
1450	915001008003	MUTTER NUT	2	ST PC		8 M 16 X 1,5	N15001
1500	915005008001	VERSCHLUSSKEGEL SEALING CONE	2	ST PC		10	MBN15005
1600	X52601800020	OELLEITUNG OIL LINE	1	ST PC	SB		
1700	X52601800019	OELLEITUNG OIL LINE	1	ST PC	SB		

TYP/MODEL: 20V4000G43
 SERIENNUMMER/
 SERIAL NO: 20V4000G43

KURB-GEH-ENTLUEFTUNG
 CRANKCASE BREATHER

FG/FGS: 018 10
 STUECKLISTE/ XS528010.00005
 BOM: XS528010.00005

POS. BESTELLN.R.	BENENNUNG	STO	EINHEIT	FN	ABMESSUNGEN	NORM
ITEM PART NO.	DESIGNATION	QTY.	UNIT	FN	DIMENSIONS	STANDARD
1710 5551870640	HALTER RETAINER	1	ST PC	NN		
1715 700325015100	ROHRKLEMMENHAELFTE PIPE HALF-CLAMP	2	ST PC		1/1 D 9 - 15	MMN325
1720 700327010000	TUELLE GROMMET	1	ST PC		10	MMN327
1730 916016045200	SCHELLE CLAMP	1	ST PC		BRSGU 45/20	N16016
1735 304017008085	SECHSKANTSCHRAUBE SCREW	1	ST PC		M 8 X 40	ISO4017
1800 700325015100	ROHRKLEMMENHAELFTE PIPE HALF-CLAMP	2	ST PC		1/1 D 9 - 15	MMN325
1850 700327010000	TUELLE GROMMET	1	ST PC		10	MMN327
1900 304017008084	SECHSKANTSCHRAUBE SCREW	1	ST PC		M 8 X 35	ISO4017
2050 5315461043	HALTER RETAINER	1	ST PC			
2150 304017008079	SECHSKANTSCHRAUBE SCREW	1	ST PC		M 8 X 20	ISO4017
2200 009021008204	SCHEIBE WASHER	1	ST PC		8,4	DIN9021
2250 700325015100	ROHRKLEMMENHAELFTE PIPE HALF-CLAMP	2	ST PC		1/1 D 9 - 15	MMN325
2300 700327010000	TUELLE GROMMET	1	ST PC		10	MMN327
2310 X00026673	OELLEITUNG OIL LINE	1	ST PC	SB		
2320 304017008083	SECHSKANTSCHRAUBE SCREW	1	ST PC		M 8 X 30	ISO4017
2400 5315461043	HALTER RETAINER	2	ST PC			
2450 700325015100	ROHRKLEMMENHAELFTE PIPE HALF-CLAMP	4	ST PC		1/1 D 9 - 15	MMN325
2500 700327010000	TUELLE GROMMET	2	ST PC		10	MMN327
2550 304017008083	SECHSKANTSCHRAUBE SCREW	2	ST PC		M 8 X 30	ISO4017
2600 000000003381	SECHSKANTSCHRAUBE SCREW	1	ST PC		M 12 X 35	ISO4017
2650 000000001039	SECHSKANTSCHRAUBE SCREW	1	ST PC		M 10 X 40	ISO4017

TYP/MODEL: 20V4000G43
 SERIENNUMMER/
 SERIAL NO: 20V4000G43

KURB-GEH-ENTLUEFTUNG
 CRANKCASE BREATHER

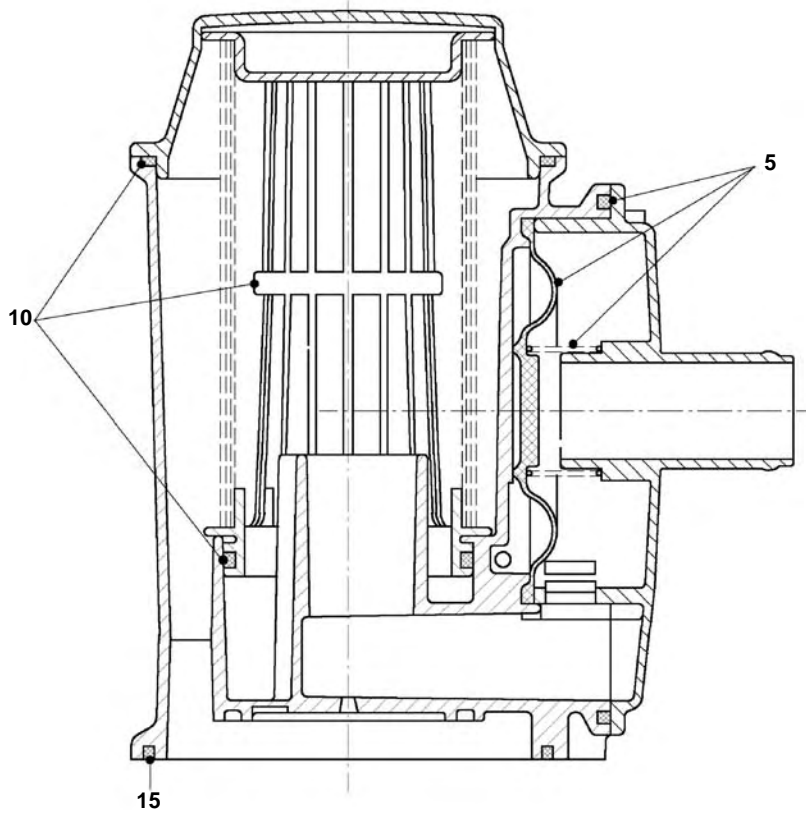
FG/FGS: 018 10
 STUECKLISTE/ XS528010.00005
 BOM: XS528010.00005

POS. BESTELLNR. ITEM PART NO.	BENENNUNG DESIGNATION	STO QTY.	EINHEIT UNIT	FN FN	ABMESSUNGEN DIMENSIONS	NORM STANDARD
2750 915007016000	UEBERGANGSSTUTZEN REDUCTION UNION	1	ST PC		16 / 10 (M26X1, 5/M18X1,5)	N15007
2800 007603026104	DICHTRING SEALING RING	1	ST PC		A 26 X 31	DIN7603
2900 X00020424	SCHLAUCH HOSE	1	ST PC		38,1 X 480	
2950 X00006660	REDUZIERSTUECK REDUCER	2	ST PC	SB		
3000 000000000670	SHELLE CLAMP	2	ST PC		35- 50X13-SW8-W3	MBN10223
3050 700368045010	GUMMIMUFFE RUBBER SLEEVE	2	ST PC		45 X 50	MMN368
3100 000000000672	SHELLE CLAMP	4	ST PC		50- 70X13-SW8-W3	MBN10223
3150 X52801800032	ENTLUEFTUNGSLEITUNG VENT LINE	1	ST PC			
3250 X52801800031	ENTLUEFTUNGSLEITUNG VENT LINE	1	ST PC			
3350 700368045003	GUMMIMUFFE RUBBER SLEEVE	3	ST PC		45 X 100	MMN368
3400 000000000672	SHELLE CLAMP	6	ST PC		50- 70X13-SW8-W3	MBN10223
3450 5280180140	HALTER F.KURB-GEH ENTLUEFT RETAINER F/CRANKCASE VENTILA	6	ST PC			
3550 735151010100	SCHEIBE WASHER	12	ST PC		A 10,5	MTN5151
3600 000000001465	SECHSKANTSCHRAUBE SCREW	12	ST PC		M 10 X120	ISO4014
3650 007349010002	SCHEIBE WASHER	12	ST PC		10,5	DIN7349
3700 700325045100	ROHRKLEMMENHAELFTE PIPE CLAMP HALF	16	ST PC		1/2 D 9 - 45	MMN325
3750 304014008029	SECHSKANTSCHRAUBE SCREW	16	ST PC		M 8 X 70	ISO4014

TYP/MODEL: 20V4000G43
 SERIENNUMMER/
 SERIAL NO: 20V4000G43

OELABSCHIEDER
 OIL SEPARATOR

FG/FGS:
 STUECKLISTE/
 BOM: 0000187135



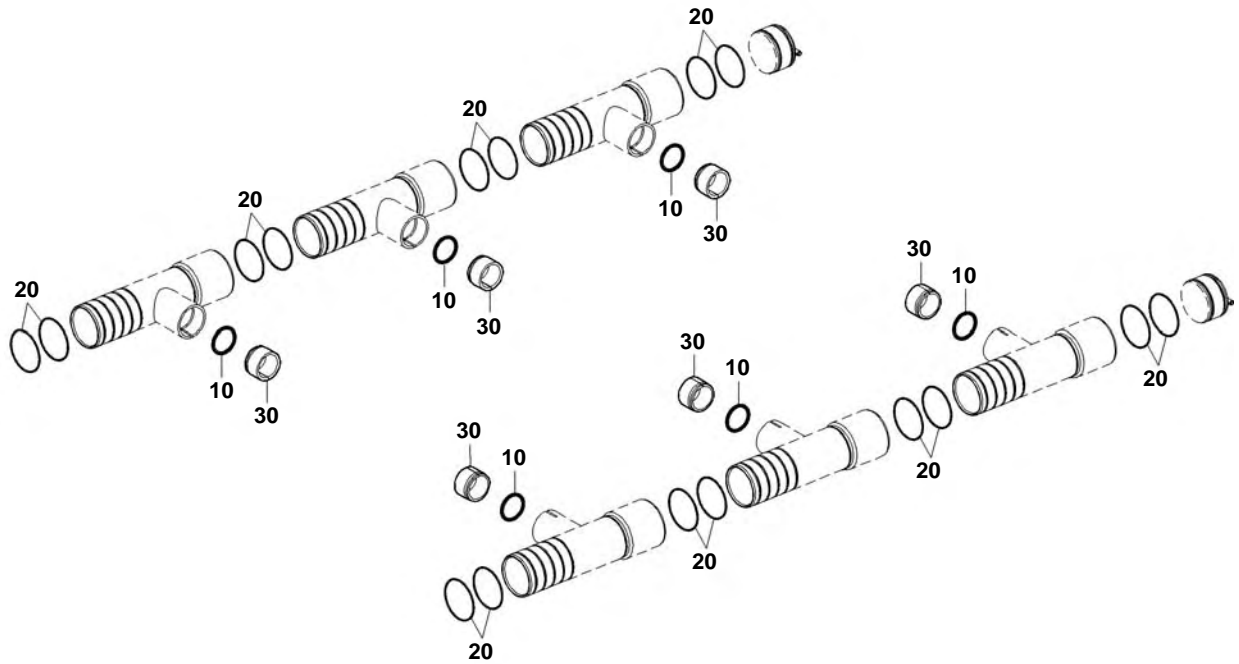
01800024a

POS. ITEM	BESTELLNR. PART NO.	BENENNUNG DESIGNATION	STO QTY.	EINHEIT UNIT	FN FN	ABMESSUNGEN DIMENSIONS
5	5410180233	LU MEMBRANE OELABSCH MEMBRANE	1	ST PC	UB	
10	5410100080	EINSATZ INSERT	1	ST PC		FILTEREINSATZ ÖLABSCHEIDER
15	0000180680	DICHTBEILAGE GASKET	1	ST PC		

TYP/MODEL: 20V4000G43
 SERIENNUMMER/
 SERIAL NO: 20V4000G43

SAMMELROHR FUER KURBELGEHAEUSE
 MANIFOLD FOR CRANKCASE

FG/FGS:
 STUECKLISTE/
 BOM: X00004140



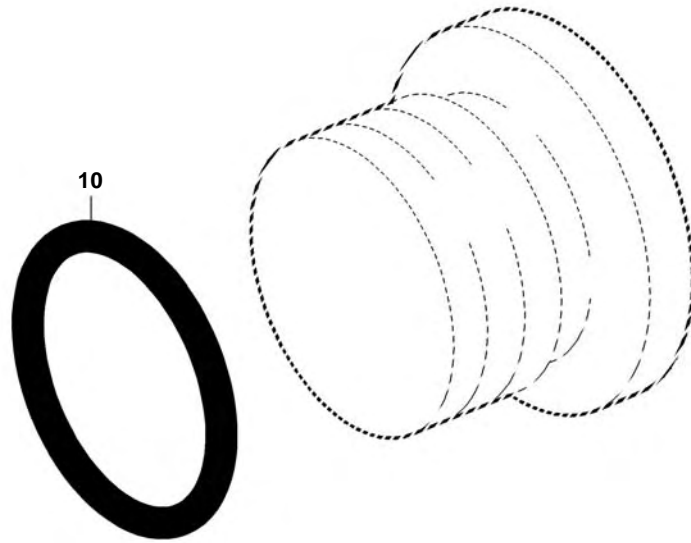
01800526b

POS. ITEM	BESTELLNR. PART NO.	BENENNUNG DESIGNATION	STO QTY.	EINHEIT UNIT	ABMESSUNGEN DIMENSIONS	NORM STANDARD
10	700429024004	O-RING O-RING	6	ST PC	24 X 3	MMN429
20	700429042004	O-RING O-RING	16	ST PC	42 X 1,5	MMN429
30	X00043095	AUSGLEICHSRING COMPENSATING RING	6	ST PC		

TYP/MODEL: 20V4000G43
SERIENNUMMER/
SERIAL NO: 20V4000G43

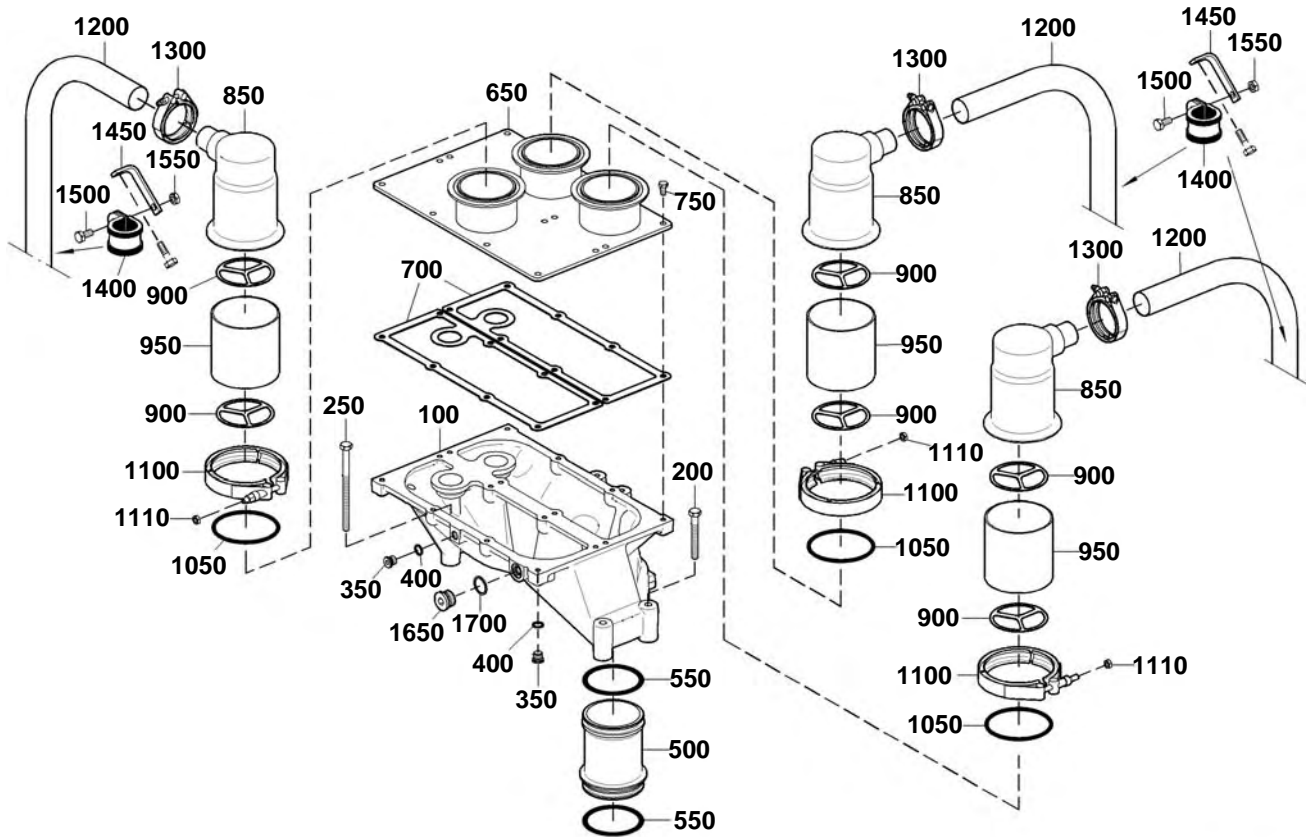
VERSCHLUSSSCHRAUBE
PLUG

FG/FGS:
STUECKLISTE/
BOM: 735210014000



E0005821a0

POS. ITEM	BESTELLNR. PART NO.	BENENNUNG DESIGNATION	STO QTY.	EINHEIT UNIT	ABMESSUNGEN DIMENSIONS	NORM STANDARD
10	735221011000	O-RING O-RING	1	ST PC	11,3 X 2,2 - M14X1,5	MTN5221



01800535b

POS. ITEM	BESTELLN. PART NO.	BENENNUNG DESIGNATION	STO QTY.	EINHEIT UNIT	ABMESSUNGEN DIMENSIONS	NORM STANDARD
100	X00001942	ENTLUEFTUNGSGEHAEUSE VENT HOUSING	1	ST PC		
200	000931010239	SECHSKANTSCHRAUBE SCREW	2	ST PC	M 10 X 80	DIN931
250	000931010332	SECHSKANTSCHRAUBE SCREW	2	ST PC	M 10 X 150	DIN931
350	000908014001	VERSCHLUSSSCHRAUBE PLUG	3	ST PC	M 14 X 1,5	DIN908
400	007603014102	DICHTRING SEALING RING	3	ST PC	A 14 X 18	DIN7603
500	X00003083	STECKROHR PLUG-IN PIPE	1	ST PC		EN10220
550	700429085002	O-RING O-RING	2	ST PC	85 X 6	MMN429
650	X00028116	ABDECKPLATTE COVER PLATE	1	ST PC		
700	X00004135	DICHTBEILAGE GASKET	2	ST PC		
750	00000003182	SECHSKANTSCHRAUBE SCREW	16	ST PC	M 8 X 16	ISO4017

TYP/MODEL: 20V4000G43

KURB-GEH-ENTLUEFTUNG OFFENE
AUSFUEHRUNG

FG/FGS: 018 12

SERIENNUMMER/

CRANKCASE BREATHER OPEN VERSION

STUECKLISTE/ X00028148

SERIAL NO: 20V4000G43

BOM: X00028148

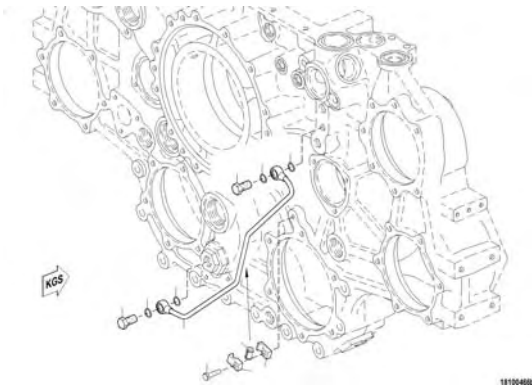
POS. ITEM	BESTELLNR. PART NO.	BENENNUNG DESIGNATION	STO QTY.	EINHEIT UNIT	ABMESSUNGEN DIMENSIONS	NORM STANDARD
850	23540716	HAUBE COVER	3	ST PC		
900	23540754	HALTER RETAINER	6	ST PC		
950	23540758	LUFTFILTER AIR FILTER	3	ST PC		
1050	700429100001	O-RING O-RING	3	ST PC	100 X 4	MMN429
1100	23550785	SCHELLE CLAMP	3	ST PC		
1110	23519095	SECHSKANTMUTTER HEX NUT	3	ST PC		
1200	23540714	SCHLAUCH HOSE	2	ST PC	38.1X1778.0	
1300	05104958	SCHELLE CLAMP	2	ST PC		
1400	02419764	SCHELLE CLAMP	2	ST PC	1,75	
1450	05176400	HALTER RETAINER	2	ST PC		
1500	000933010089	SECHSKANTSCHRAUBE SCREW	2	ST PC	M 10 X 20	DIN933
1550	11506101	MUTTER NUT	2	ST PC	M10	
1650	000908026005	VERSCHLUSSSCHRAUBE PLUG	1	ST PC	M 26 X 1,5	DIN908
1700	007603026104	DICHTRING SEALING RING	1	ST PC	A 26 X 31	DIN7603

TYP/MODEL: 20V4000G43
SERIENNUMMER/
SERIAL NO: 20V4000G43

RAEDERKASTEN, KS
GEARCASE, MAIN PTO END

FG/FGS: 021
STUECKLISTE/
BOM:

FUNKTIONSGRUPPE/GROUP NUMBER (FG)
GRUPPENNAME/GROUP NAME
STÜCKLISTENR/BOM NO.

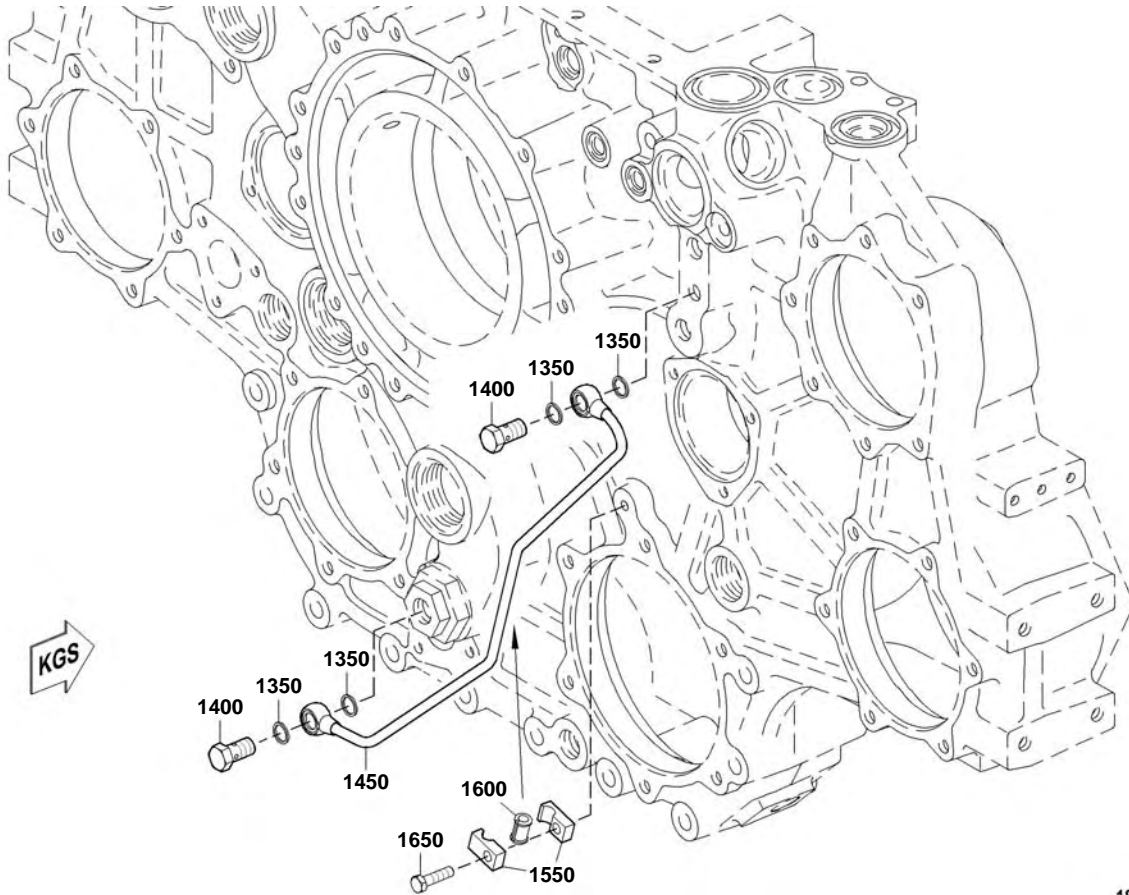


021
RAEDERKASTEN
GEAR CASE
X00019252

TYP/MODEL: 20V4000G43
SERIENNUMMER/
SERIAL NO: 20V4000G43

RAEDERKASTEN
GEAR CASE

FG/FGS: 021 05
STUECKLISTE/
BOM: X00019252

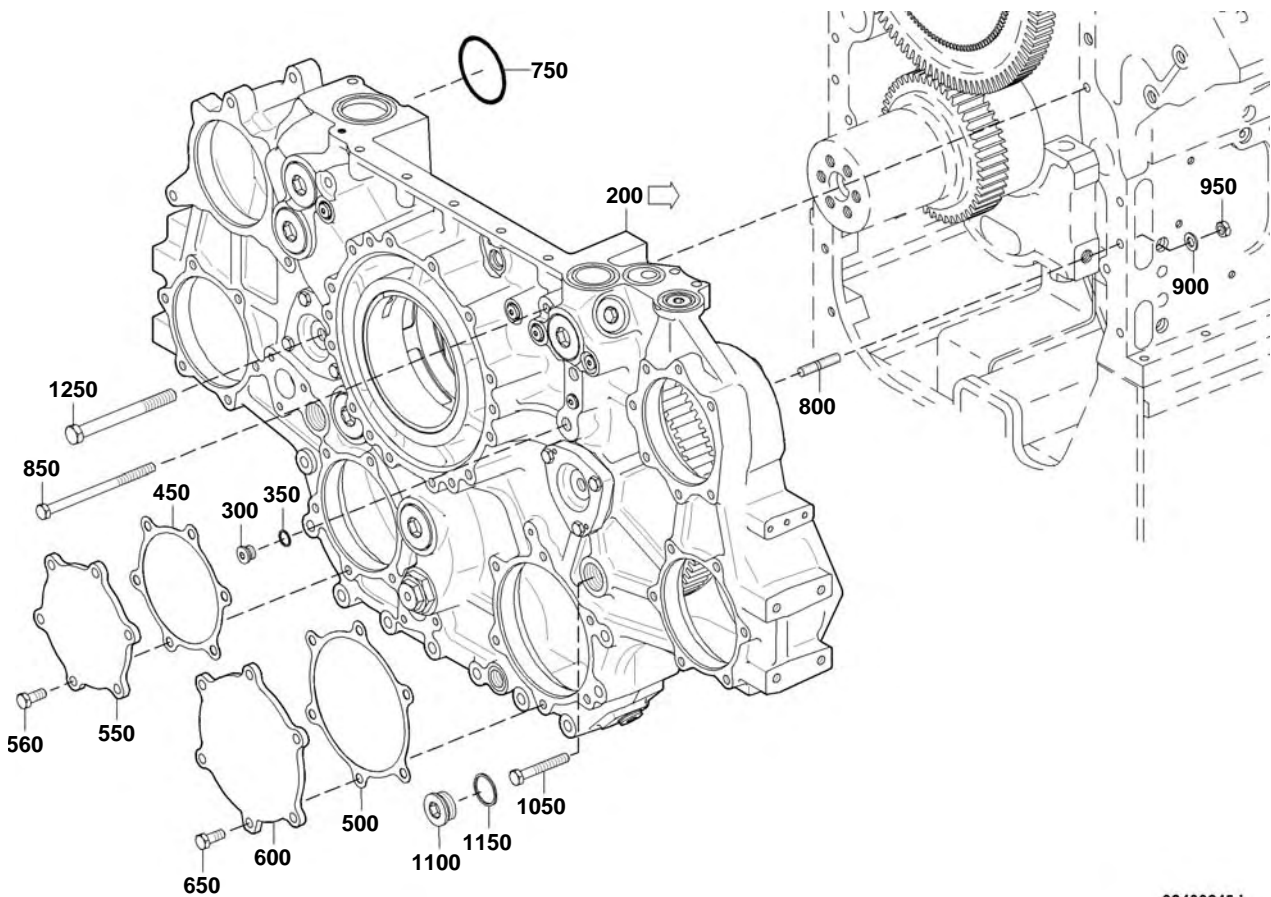


18100466b

TYP/MODEL: 20V4000G43
SERIENNUMMER/
SERIAL NO: 20V4000G43

RAEDERKASTEN
GEAR CASE

FG/FGS: 021 05
STUECKLISTE/
BOM: X00019252



02400245d

POS. ITEM	BESTELLNR. PART NO.	BENENNUNG DESIGNATION	STO QTY.	EINHEIT UNIT	FN FN	ABMESSUNGEN DIMENSIONS	NORM STANDARD
200	X00010383	GERAETETRAEGER EQUIPMENT RACK	1	ST PC			
300	000908018002	VERSCHLUSSSCHRAUBE PLUG	1	ST PC		M 18 X 1,5	DIN908
350	007603018101	DICHTRING SEALING RING	1	ST PC		A 18 X 22	DIN7603
450	5241880080	DICHTBEILAGE GASKET	1	ST PC		1X250X250	
500	5281880080	DICHTBEILAGE GASKET	1	ST PC			
550	5241880102	DECKEL COVER	1	ST PC			
560	000933012056	SECHSKANTSCHRAUBE SCREW	6	ST PC		M 12 X 30	DIN933
600	5281880102	DECKEL COVER	1	ST PC			
650	000933012056	SECHSKANTSCHRAUBE SCREW	6	ST PC		M 12 X 30	DIN933
750	700429083000	O-RING O-RING	2	ST PC		83 X 5	MMN429
800	000939012023	STIFTSCHRAUBE STUD	6	ST PC		M 12 X 30	DIN939
850	000931012203	SECHSKANTSCHRAUBE SCREW	2	ST PC		M 12 X170	DIN931
900	000125013012	SCHEIBE WASHER	6	ST PC		A 13	DIN125
950	000934012008	SECHSKANTMUTTER HEX NUT	6	ST PC		M 12	DIN934
1050	000933012047	SECHSKANTSCHRAUBE SCREW	2	ST PC		M 12 X 80	DIN933
1100	000908038000	VERSCHLUSSSCHRAUBE PLUG	2	ST PC		M 38 X 1,5	DIN908
1150	007603038101	DICHTRING SEALING RING	2	ST PC		A 38 X 44	DIN7603
1250	000931016068	SECHSKANTSCHRAUBE SCREW	2	ST PC		M 16 X160	DIN931
1350	007603014102	DICHTRING SEALING RING	4	ST PC		A 14 X 18	DIN7603
1400	700223006000	HOHLSCHRAUBE BANJO SCREW	2	ST PC		A 8	MMN223
1450	5281800519	OELLEITUNG OIL LINE	1	ST PC	SB		
1550	700325012100	ROHRKLEMMENHAELFTE PIPE CLAMP HALF	2	ST PC		1/1 D 9 - 12	MMN325
1600	700327008000	TUELLE GROMMET	1	ST PC		8	MMN327

TYP/MODEL: 20V4000G43
SERIENNUMMER/
SERIAL NO: 20V4000G43

RAEDERKASTEN
GEAR CASE

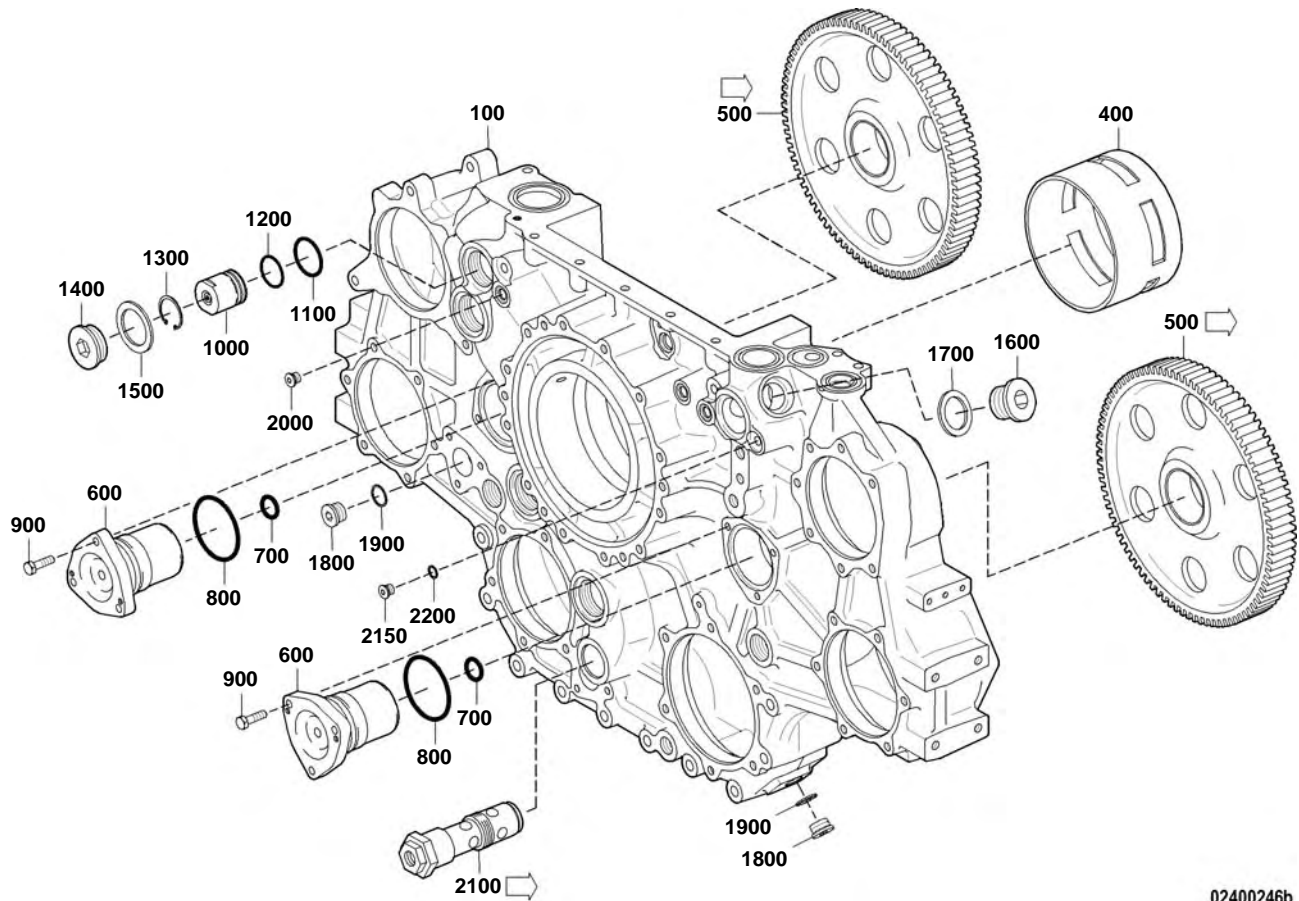
FG/FGS: 021 05
STUECKLISTE/ X00019252
BOM: X00019252

POS. ITEM	BESTELLNR. PART NO.	BENENNUNG DESIGNATION	STO QTY.	EINHEIT UNIT	FN FN	ABMESSUNGEN DIMENSIONS	NORM STANDARD
1650	304017008083	SECHSKANTSCHRAUBE SCREW	1	ST PC		M 8 X 30	ISO4017

TYP/MODEL: 20V4000G43
 SERIENNUMMER/
 SERIAL NO: 20V4000G43

GERAETETRAEGER
 EQUIPMENT RACK

FG/FGS:
 STUECKLISTE/
 BOM: X00010383



02400246b

POS.	BESTELNR.	BENENNUNG	STO	EINHEIT	FN	ABMESSUNGEN	NORM
ITEM	PART NO.	DESIGNATION	QTY.	UNIT	FN	DIMENSIONS	STANDARD
100	X00009994	GERAETETRAEGER EQUIPMENT RACK	1	ST PC			
400	5240332630	KURBELWELLENLAGER KUPPLUNGSGEGENSEITE CRANKSHAFT BEARING AUX PTO END	1	ST PC			
500	5240500705	ZWISCHENRAD IDLER GEAR	2	ST PC			
600	5240150417	ACHSE AXLE	2	ST PC			
700	700429024000	O-RING O-RING	2	ST PC		24 X 5	MMN429
800	700429083000	O-RING O-RING	2	ST PC		83 X 5	MMN429
900	000933010093	SECHSKANTSCHRAUBE SCREW	6	ST PC		M 10 X 35	DIN933
1000	5241800015	DRUCKVENTIL DELIVERY VALVE	2	ST PC	NN		
1100	700429048000	O-RING O-RING	2	ST PC		48 X 4	MMN429

TYP/MODEL: 20V4000G43
 SERIENNUMMER/
 SERIAL NO: 20V4000G43

GERAETETRAEGER
 EQUIPMENT RACK

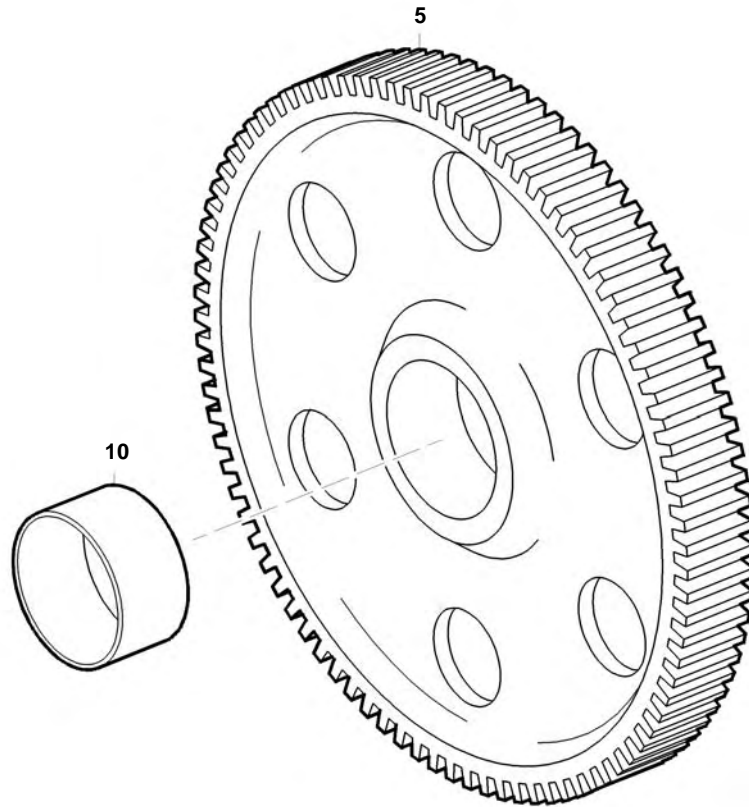
FG/FGS:
 STUECKLISTE/ X00010383
 BOM: X00010383

POS. BESTELLNR.	BENENNUNG	STO	EINHEIT	FN	ABMESSUNGEN	NORM
ITEM PART NO.	DESIGNATION	QTY.	UNIT	FN	DIMENSIONS	STANDARD
1200 700429040000	O-RING O-RING	2	ST PC		40 X 3	MMN429
1300 000472048000	SICHERUNGSRING SNAP RING	2	ST PC		48 X 1,75	DIN472
1400 000908052003	VERSCHLUSSSCHRAUBE PLUG	5	ST PC		M 52 X 1,5	DIN908
1500 007603052101	DICHTRING SEALING RING	5	ST PC		A 52 X 60	DIN7603
1600 000908038000	VERSCHLUSSSCHRAUBE PLUG	2	ST PC		M 38 X 1,5	DIN908
1700 007603038101	DICHTRING SEALING RING	2	ST PC		A 38 X 44	DIN7603
1800 000908026005	VERSCHLUSSSCHRAUBE PLUG	4	ST PC		M 26 X 1,5	DIN908
1900 007603026104	DICHTRING SEALING RING	4	ST PC		A 26 X 31	DIN7603
2000 735210014000	VERSCHLUSSSCHRAUBE PLUG	3	ST PC		M 14 X 1,5	MTN5210
2100 0001800015	DRUCKMINDERVENTIL PRESS REDUCING VALVE	1	ST PC			
2150 000908014001	VERSCHLUSSSCHRAUBE PLUG	1	ST PC		M 14 X 1,5	DIN908
2200 007603014102	DICHTRING SEALING RING	1	ST PC		A 14 X 18	DIN7603

TYP/MODEL: 20V4000G43
SERIENNUMMER/
SERIAL NO: 20V4000G43

ZWISCHENRAD
IDLER GEAR

FG/FGS:
STUECKLISTE/
BOM: 5240500705



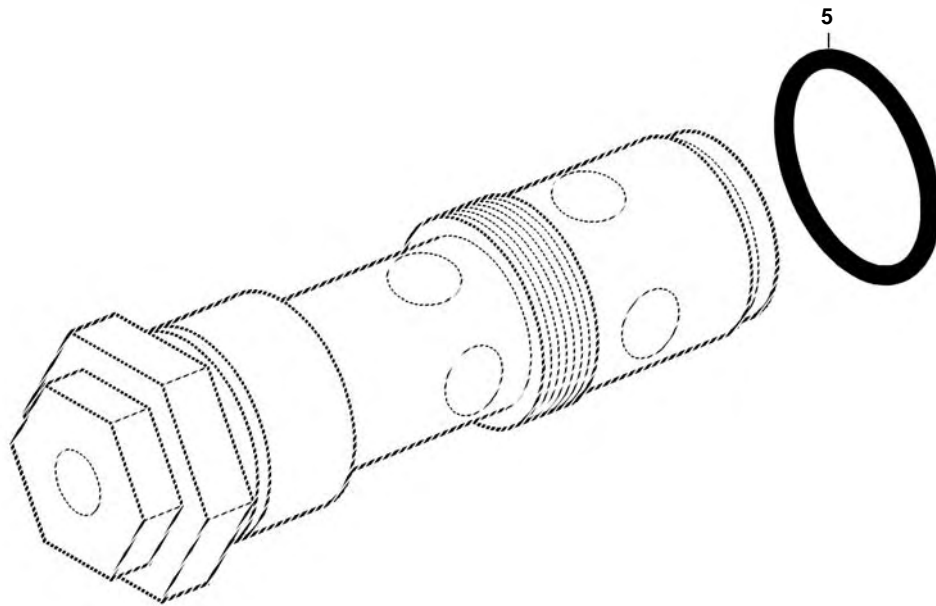
E0005811a1

POS. ITEM	BESTELNR. PART NO.	BENENNUNG DESIGNATION	STO QTY.	EINHEIT UNIT
5	5240521002	ZWISCHENRAD IDLER GEAR	1	ST PC
10	0029923501	BUCHSE BUSHING	1	ST PC

TYP/MODEL: 20V4000G43
SERIENNUMMER/
SERIAL NO: 20V4000G43

DRUCKMINDERVENTIL
PRESS REDUCING VALVE

FG/FGS:
STUECKLISTE/
BOM: 0001800015



024K0009a

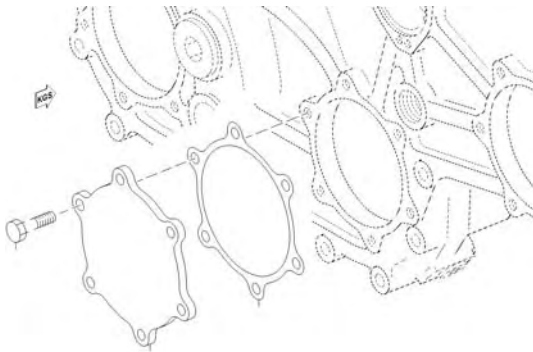
POS. ITEM	BESTELLNR. PART NO.	BENENNUNG DESIGNATION	STO QTY.	EINHEIT UNIT	ABMESSUNGEN DIMENSIONS	NORM STANDARD
5	700429037000	O-RING O-RING	1	ST PC	37,7 X 3,53	MMN429

TYP/MODEL: 20V4000G43
SERIENNUMMER/
SERIAL NO: 20V4000G43

RAEDERKASTEN KGS
GEARCASE, AUX PTO END

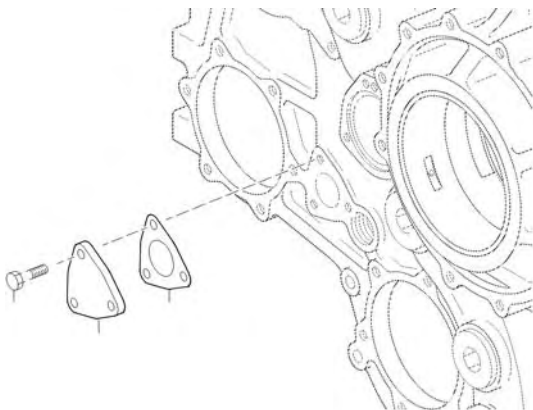
FG/FGS: 024
STUECKLISTE/
BOM:

FUNKTIONSGRUPPE/GROUP NUMBER (FG)
GRUPPENNAME/GROUP NAME
STÜCKLISTENR/BOM NO.



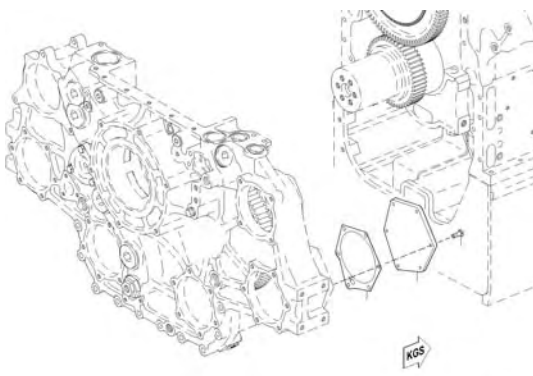
024
DECKEL FUER LICHTMASCHINE
COVER FOR GENERATOR
020.00004

E0243004a0



024
VERSCHLUSSTEILE FUER VORSCHMIERUNG
SEAL ELEM. FOR OIL PRIMING
020.00056

02400030a



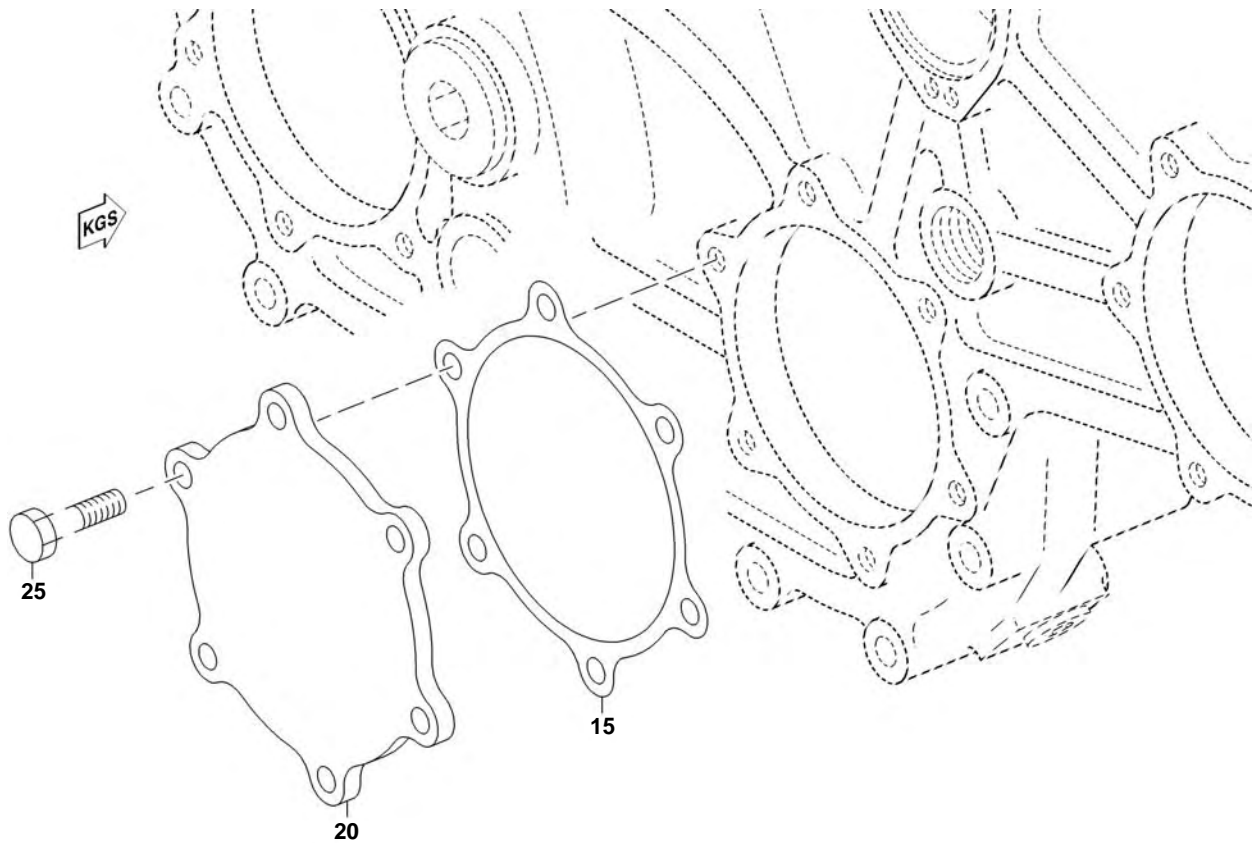
024
DECKEL FUER KOMPRESSOR DDC
COVER FOR DDC COMPRESSOR
020.00060

E2400112a

TYP/MODEL: 20V4000G43
 SERIENNUMMER/
 SERIAL NO: 20V4000G43

DECKEL FUER LICHTMASCHINE
 COVER FOR GENERATOR

FG/FGS: 024 05
 STUECKLISTE/
 BOM: 020.00004



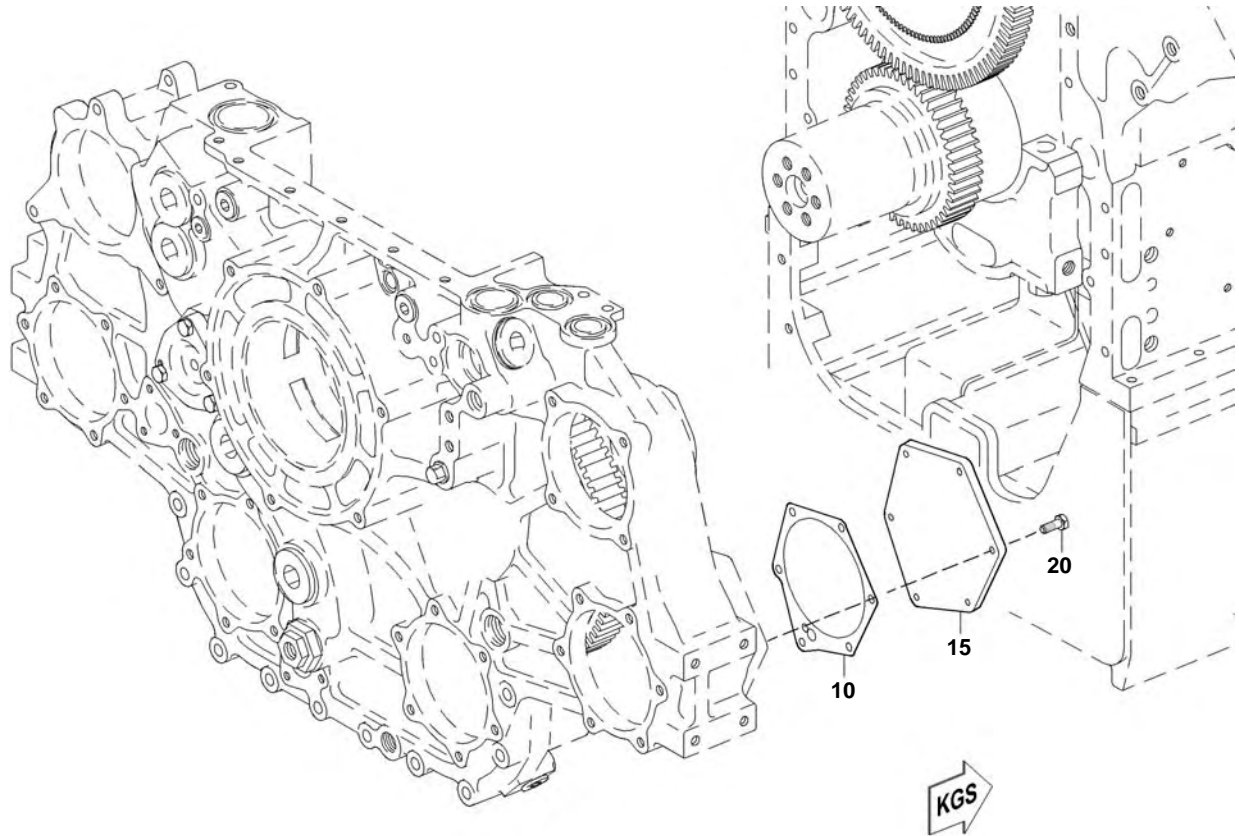
E0243034a0

POS. ITEM	BESTELNR. PART NO.	BENENNUNG DESIGNATION	STO QTY.	EINHEIT UNIT	ABMESSUNGEN DIMENSIONS	NORM STANDARD
15	5241880080	DICHTBEILAGE GASKET	1	ST PC	1X250X250	
20	5241880102	DECKEL COVER	1	ST PC		
25	000933012056	SECHSKANTSCHRAUBE SCREW	6	ST PC	M 12 X 30	DIN933

TYP/MODEL: 20V4000G43
 SERIENNUMMER/
 SERIAL NO: 20V4000G43

DECKEL FUER KOMPRESSOR DDC
 COVER FOR DDC COMPRESSOR

FG/FGS: 024 05
 STUECKLISTE/
 BOM: 020.00060



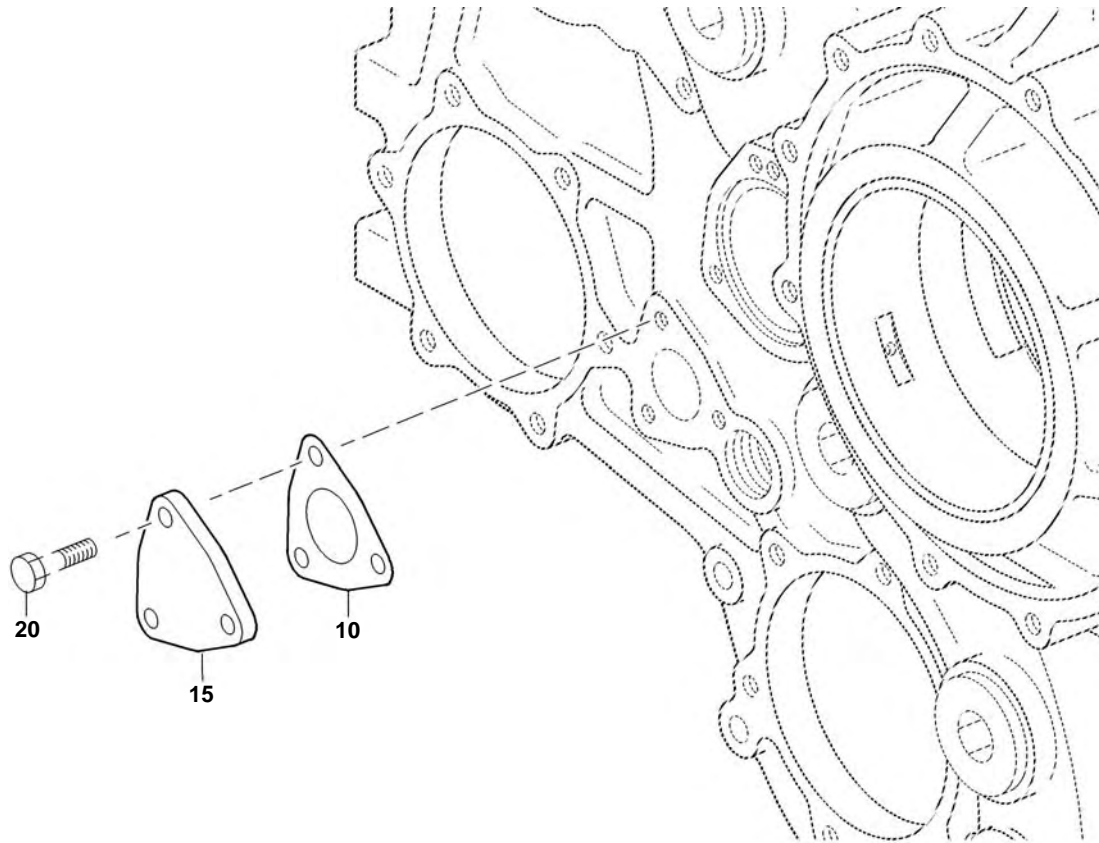
02400112a

POS. ITEM	BESTELNR. PART NO.	BENENNUNG DESIGNATION	STO QTY.	EINHEIT UNIT	ABMESSUNGEN DIMENSIONS	NORM STANDARD
10	5360520080	DICHTBEILAGE GASKET	1	ST PC		
15	5241880502	DECKEL COVER	1	ST PC		
20	000933010035	SECHSKANTSCHRAUBE SCREW	6	ST PC	M 10 X 25	DIN933

TYP/MODEL: 20V4000G43
 SERIENNUMMER/
 SERIAL NO: 20V4000G43

VERSCHLUSSTEILE FUER VORSCHMIERUNG
 SEAL ELEM. FOR OIL PRIMING

FG/FGS: 024 05
 STUECKLISTE/
 BOM: 020.00056



02400030a

POS. ITEM	BESTELNR. PART NO.	BENENNUNG DESIGNATION	STO QTY.	EINHEIT UNIT	ABMESSUNGEN DIMENSIONS	NORM STANDARD
10	5241880180	DICHTBEILAGE GASKET	2	ST PC	1X120X120	
15	5241880202	DECKEL COVER	2	ST PC		
20	000933010035	SECHSKANTSCHRAUBE SCREW	6	ST PC	M 10 X 25	DIN933

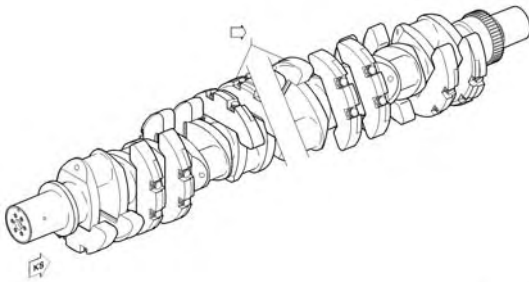
TYP/MODEL: 20V4000G43
SERIENNUMMER/
SERIAL NO: 20V4000G43

TRIEBWERK
RUNNING GEAR

FG/FGS: 030
STUECKLISTE/
BOM:

FUNKTIONSGRUPPE/GROUP NUMBER (FG)
GRUPPENNAME/GROUP NAME
STÜCKLISTENR/BOM NO.

030
KURBELWELLE
CRANKSHAFT
X00039437

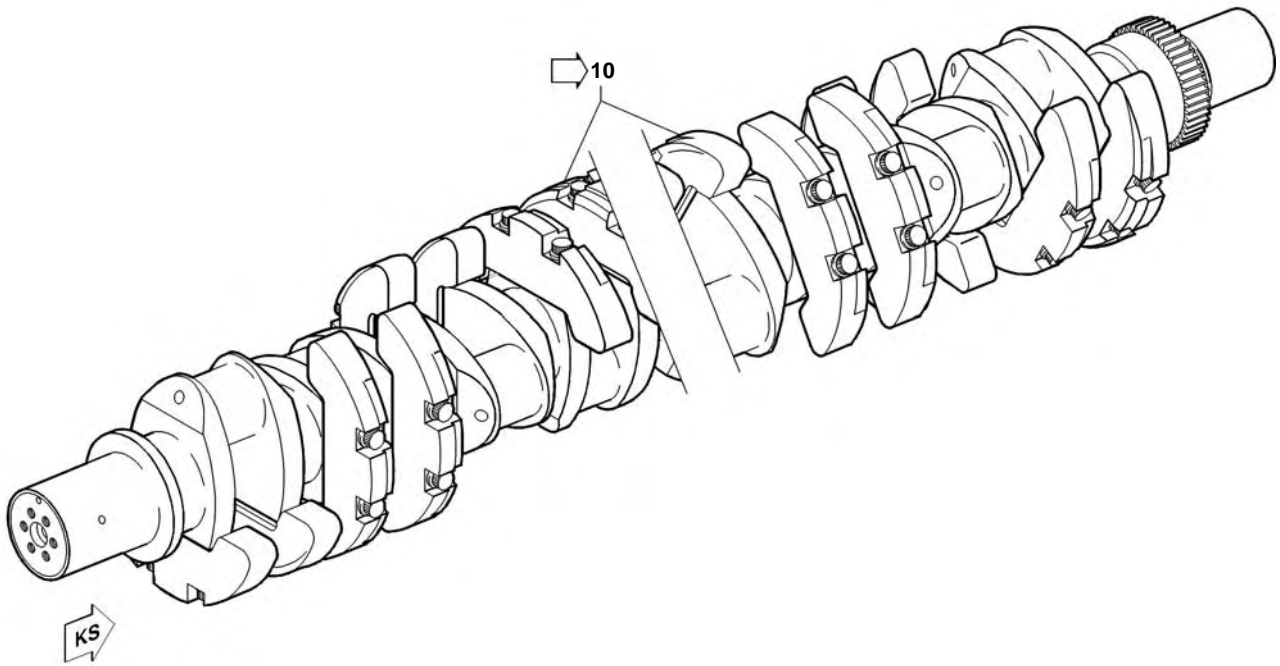


03100135a

TYP/MODEL: 20V4000G43
SERIENNUMMER/
SERIAL NO: 20V4000G43

KURBELWELLE
CRANKSHAFT

FG/FGS: 030 00
STUECKLISTE/
BOM: X00039437



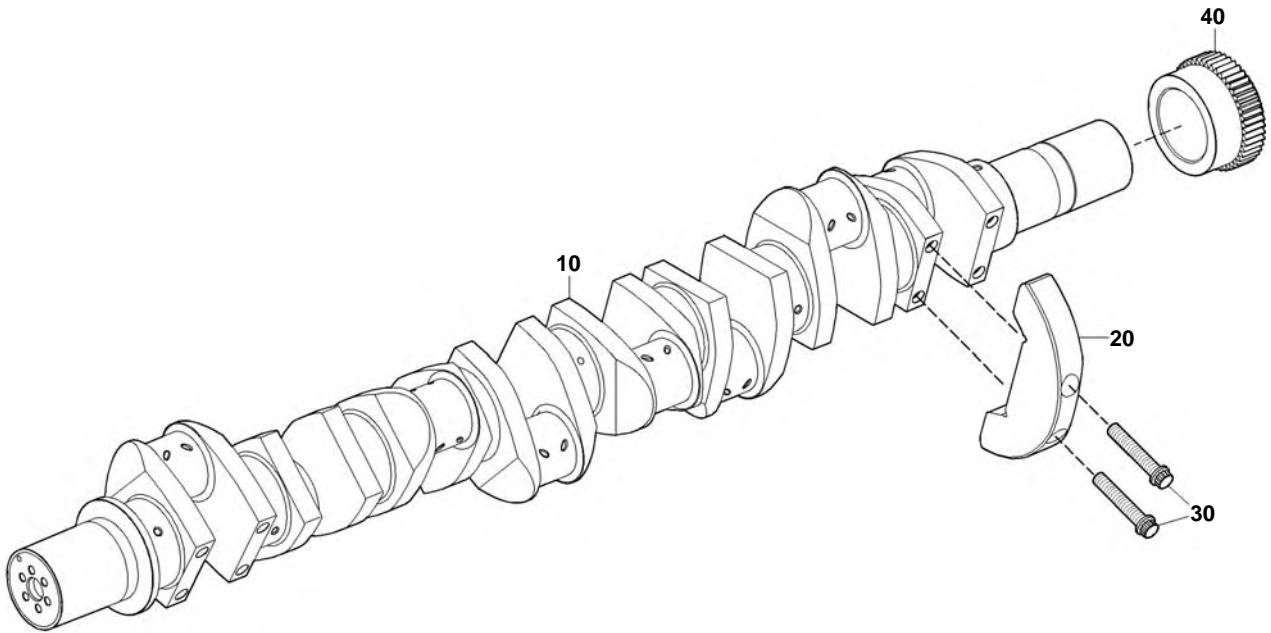
03100135a

POS. ITEM	BESTELLNR. PART NO.	BENENNUNG DESIGNATION	STO QTY.	EINHEIT UNIT
10	X59603100001	KURBELWELLE CRANKSHAFT	1	ST PC

TYP/MODEL: 20V4000G43
 SERIENNUMMER/
 SERIAL NO: 20V4000G43

KURBELWELLE
 CRANKSHAFT

FG/FGS:
 STUECKLISTE/
 BOM: X5960310001



03100396c

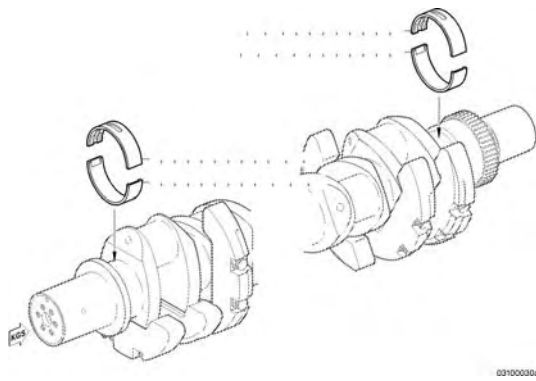
POS. ITEM	BESTELLNR. PART NO.	BENENNUNG DESIGNATION	STO QTY.	EINHEIT UNIT	NORM STANDARD
10	X00039295	KURBELWELLE CRANKSHAFT	1	ST PC	
20	X5280310003	GEGENGEWICHT COUNTERWEIGHT	20	ST PC	
30	5240310171	SCHRAUBE SCREW	40	ST PC	
40	5240520503	KURBELWELLENRAD CRANKSHAFT GEAR	1	ST PC	MMN396.2

TYP/MODEL: 20V4000G43
SERIENNUMMER/
SERIAL NO: 20V4000G43

KURBELWELLE MIT LAGER
CRANKSHAFT

FG/FGS: 031
STUECKLISTE/
BOM:

FUNKTIONSGRUPPE/GROUP NUMBER (FG)
GRUPPENNAME/GROUP NAME
STÜCKLISTENR/BOM NO.

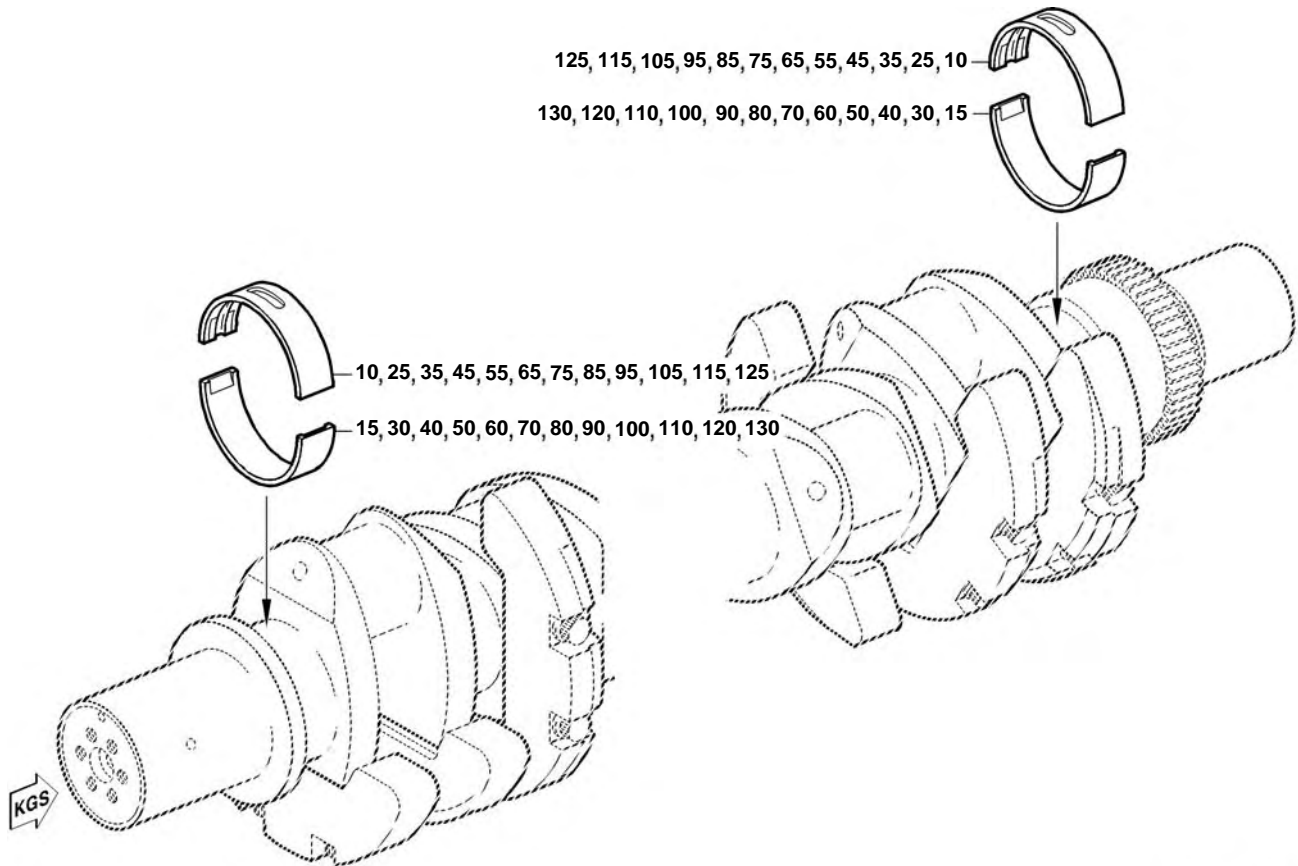


031
HAUPTLAGER
MAIN BEARING
030.00661

TYP/MODEL: 20V4000G43
 SERIENNUMMER/
 SERIAL NO: 20V4000G43

HAUPTLAGER
 MAIN BEARING

FG/FGS: 031 10
 STUECKLISTE/
 BOM: 030.00661



03100030a

POS. ITEM	BESTELNR. PART NO.	BENENNUNG DESIGNATION	STO QTY.	EINHEIT UNIT	FN FN
10	5240336101	KURBELWELLENLAGER OBERE HAELFTE CRANKSHAFT BEARING UPPER HALF	11	ST PC	
15	5240336602	KURBELWELLENLAGER UNTERE HAELFTE CRANKSHAFT BEARING LOWER HALF	11	ST PC	
25	5240336201	KURBELWELLENLAGER STUFE 0-1 CRANKSHAFT BEARING SIZE 0-1	1	ST PC	M
30	5240336702	KURBELWELLENLAGER STUFE 0-1 CRANKSHAFT BEARING SIZE 0-1	1	ST PC	M
35	5240336301	KURBELWELLENLAGER STUFE 0-2 CRANKSHAFT BEARING SIZE 0-2	1	ST PC	M
40	5240336802	KURBELWELLENLAGER STUFE 0-2 CRANKSHAFT BEARING SIZE 0-2	1	ST PC	M
45	5240336401	KURBELWELLENLAGER STUFE 0-3 CRANKSHAFT BEARING SIZE 0-3	1	ST PC	M
50	5240336902	KURBELWELLENLAGER STUFE 0-3 CRANKSHAFT BEARING SIZE 0-3	1	ST PC	M
55	5240336501	KURBELWELLENLAGER STUFE 1-0 CRANKSHAFT BEARING SIZE 1-0	1	ST PC	M
60	5240337002	KURBELWELLENLAGER STUFE 1-0 CRANKSHAFT BEARING SIZE 1-0	1	ST PC	M

TYP/MODEL: 20V4000G43
SERIENNUMMER/
SERIAL NO: 20V4000G43

HAUPTLAGER
MAIN BEARING

FG/FGS: 031 10
STUECKLISTE/ 030.00661
BOM: 030.00661

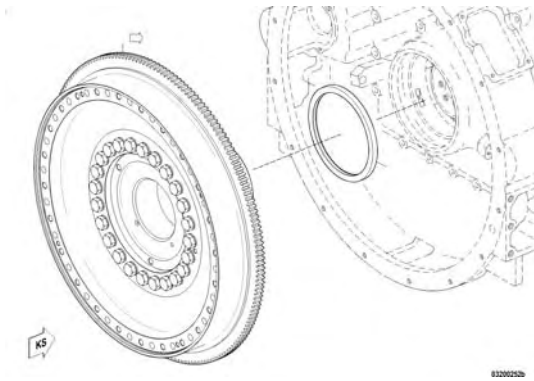
POS. ITEM	BESTELLNR. PART NO.	BENENNUNG DESIGNATION	STO QTY.	EINHEIT UNIT	FN FN
65	5240336601	KURBELWELLENLAGER STUFE 1-1 CRANKSHAFT BEARING SIZE 1-1	1	ST PC	M
70	5240337102	KURBELWELLENLAGER STUFE 1-1 CRANKSHAFT BEARING SIZE 1-1	1	ST PC	M
75	5240336701	KURBELWELLENLAGER STUFE 1-2 CRANKSHAFT BEARING SIZE 1-2	1	ST PC	M
80	5240337202	KURBELWELLENLAGER STUFE 1-2 CRANKSHAFT BEARING SIZE 1-2	1	ST PC	M
85	5240336801	KURBELWELLENLAGER STUFE 1-3 CRANKSHAFT BEARING SIZE 1-3	1	ST PC	M
90	5240337302	KURBELWELLENLAGER STUFE 1-3 CRANKSHAFT BEARING SIZE 1-3	1	ST PC	M
95	5240336901	KURBELWELLENLAGER STUFE 2-0 CRANKSHAFT BEARING SIZE 2-0	1	ST PC	M
100	5240337402	KURBELWELLENLAGER STUFE 2-0 CRANKSHAFT BEARING SIZE 2-0	1	ST PC	M
105	5240337001	KURBELWELLENLAGER STUFE 2-1 CRANKSHAFT BEARING SIZE 2-1	1	ST PC	M
110	5240337502	KURBELWELLENLAGER STUFE 2-1 CRANKSHAFT BEARING SIZE 2-1	1	ST PC	M
115	5240337101	KURBELWELLENLAGER STUFE 2-2 CRANKSHAFT BEARING SIZE 2-2	1	ST PC	M
120	5240337602	KURBELWELLENLAGER STUFE 2-2 CRANKSHAFT BEARING SIZE 2-2	1	ST PC	M
125	5240337201	KURBELWELLENLAGER STUFE 2-3 CRANKSHAFT BEARING SIZE 2-3	1	ST PC	M
130	5240337702	KURBELWELLENLAGER STUFE 2-3 CRANKSHAFT BEARING SIZE 2-3	1	ST PC	M

TYP/MODEL: 20V4000G43
SERIENNUMMER/
SERIAL NO: 20V4000G43

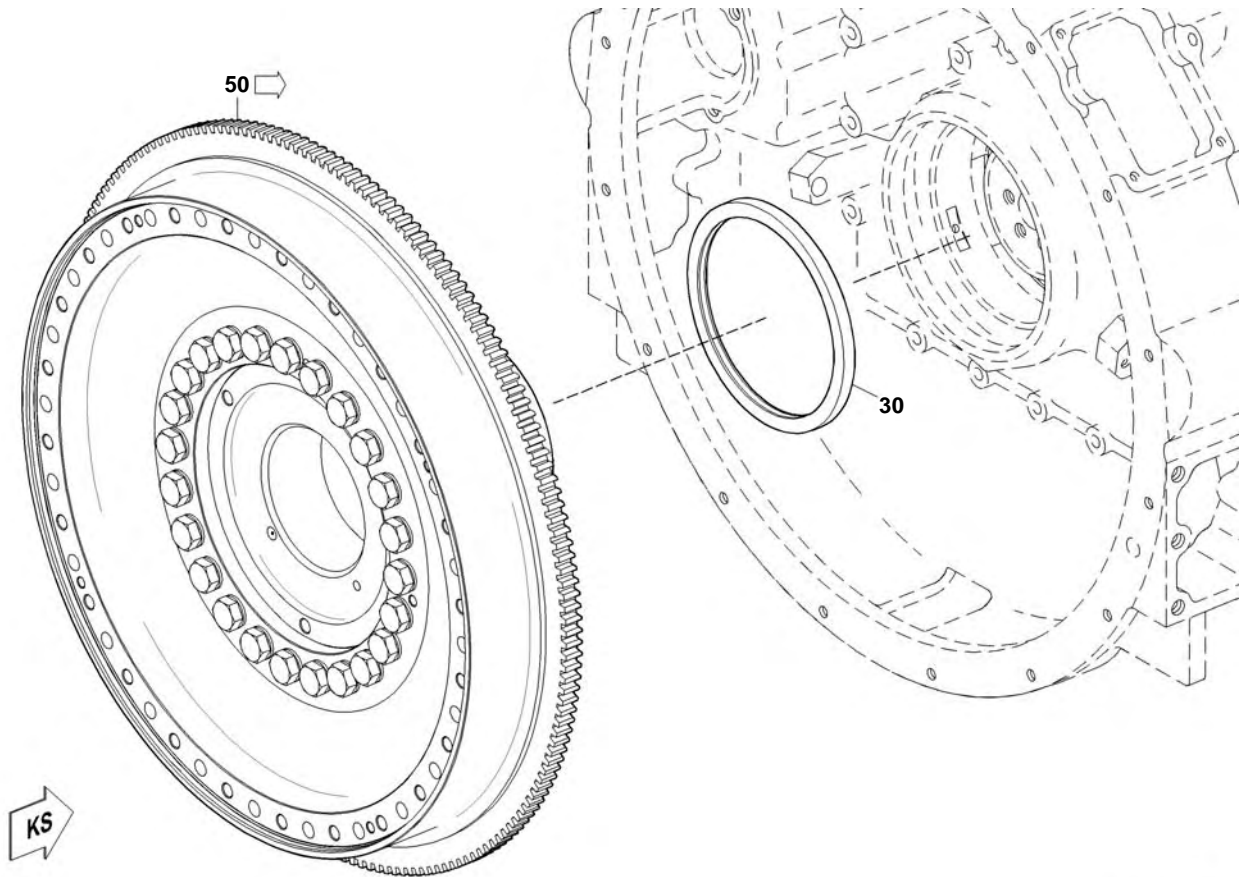
KURBELWELLE, ABTRIEB KS
CRANKSHAFT SUPPORT BEARINGS, MAIN PTO END

FG/FGS: 032
STUECKLISTE/
BOM:

FUNKTIONSGRUPPE/GROUP NUMBER (FG)
GRUPPENNAME/GROUP NAME
STÜCKLISTENR/BOM NO.



032
SCHWUNGRAD ZWEITEILIG
FLYWHEEL TWO-PIECE
X00019536



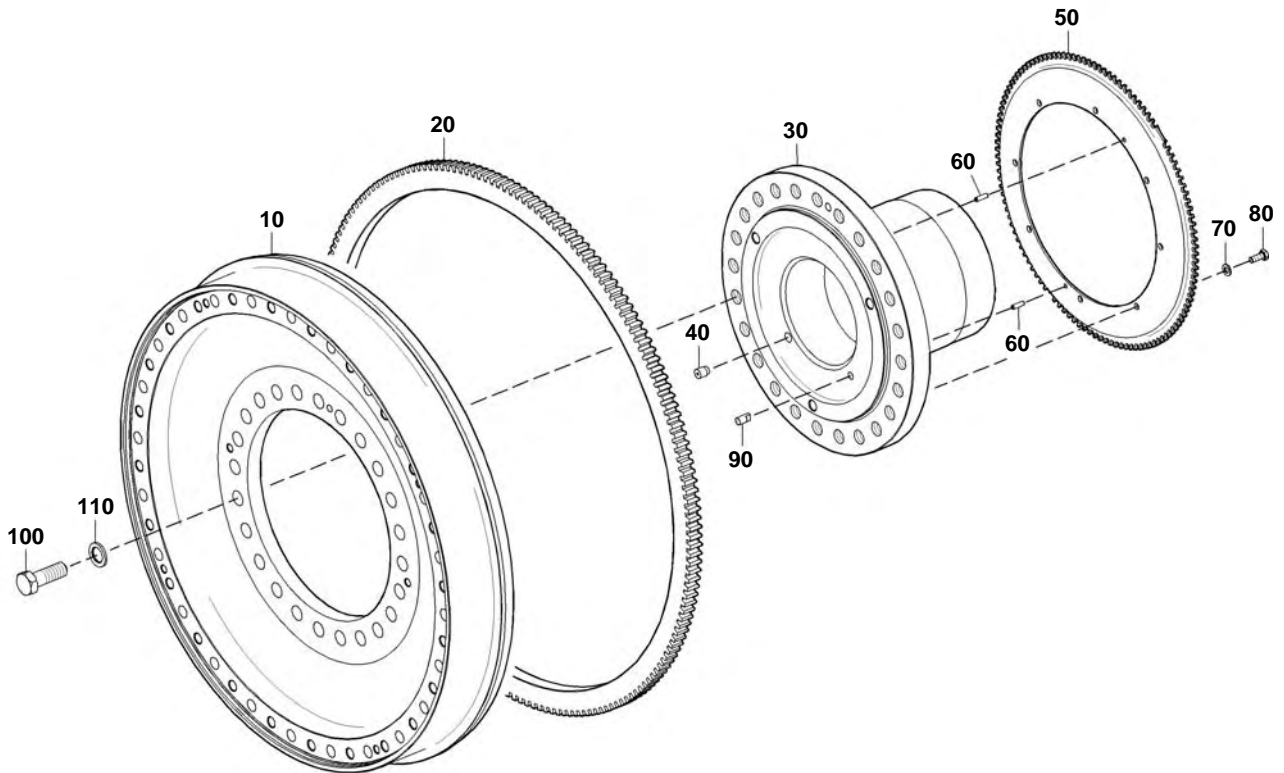
03200252b

POS. ITEM	BESTELLNR. PART NO.	BENENNUNG DESIGNATION	STO QTY.	EINHEIT UNIT	ABMESSUNGEN DIMENSIONS
30	0219976647	RADIALWL-DICHTRING RADIAL-LIP SHFT SEAL	1	ST PC	DM 210
50	X52603200007	SCHWUNGRAD FLYWHEEL	1	ST PC	

TYP/MODEL: 20V4000G43
 SERIENNUMMER/
 SERIAL NO: 20V4000G43

SCHWUNGRAD
 FLYWHEEL

FG/FGS:
 STUECKLISTE/
 BOM: X52603200007



03200253b

POS. ITEM	BESTELLNR. PART NO.	BENENNUNG DESIGNATION	STO QTY.	EINHEIT UNIT	FN FN	ABMESSUNGEN DIMENSIONS	NORM STANDARD
10	X00041899	SCHWUNGRAD FLYWHEEL	1	ST PC			
20	5240320705	ZAHNKRANZ RING GEAR	1	ST PC			
30	X52603200006	MITNEHMERFLANSCH PTO FLANGE	1	ST PC			
40	5769970219	GEWINDESTIFT GRUB SCREW	1	ST PC	NN		
50	5240311148	MESSRAD AN KURBELWELLE METERING WHEEL ON CRANKSHAFT	1	ST PC			
60	001481006004	SPANNSTIFT SPRING PIN	2	ST PC		6 X 20 - N	ISO8752
70	000125008427	SCHEIBE WASHER	8	ST PC		A 8,4	DIN125
80	304017008079	SECHSKANTSCHRAUBE SCREW	8	ST PC		M 8 X 20	ISO4017
90	8809970210	ZYLINDERSTIFT DOWEL PIN	1	ST PC	NN		
100	000000003976	SECHSKANTSCHRAUBE SCREW	24	ST PC		M 20 X 55	ISO4017

TYP/MODEL: 20V4000G43
SERIENNUMMER/
SERIAL NO: 20V4000G43

SCHWUNGRAD
FLYWHEEL

FG/FGS:
STUECKLISTE/ X52603200007
BOM: X52603200007

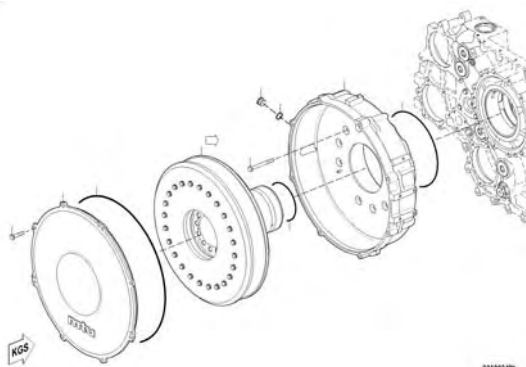
POS.	BESTELLNR.	BENENNUNG	STO	EINHEIT	FN	ABMESSUNGEN	NORM
ITEM	PART NO.	DESIGNATION	QTY.	UNIT	FN	DIMENSIONS	STANDARD
110	200433021000	SCHEIBE WASHER	24	ST PC		21	DIN433

TYP/MODEL: 20V4000G43
SERIENNUMMER/
SERIAL NO: 20V4000G43

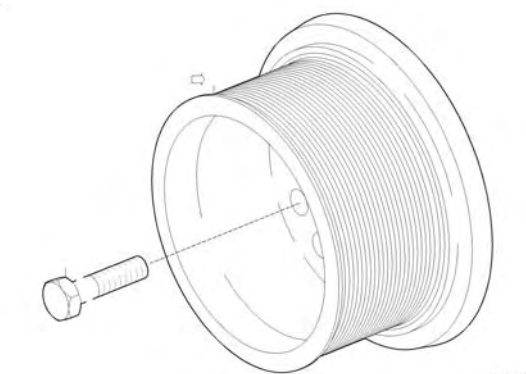
KURBELWELLE ABTRIEB KGS
CRANKSHAFT, PTO, AUX PTO END

FG/FGS: 035
STUECKLISTE/
BOM:

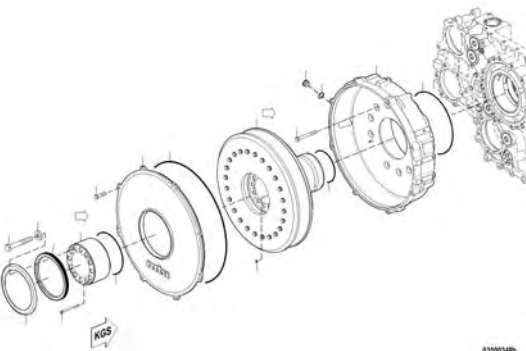
FUNKTIONSGRUPPE/GROUP NUMBER (FG)
GRUPPENNAME/GROUP NAME
STÜCKLISTENNR/BOM NO.



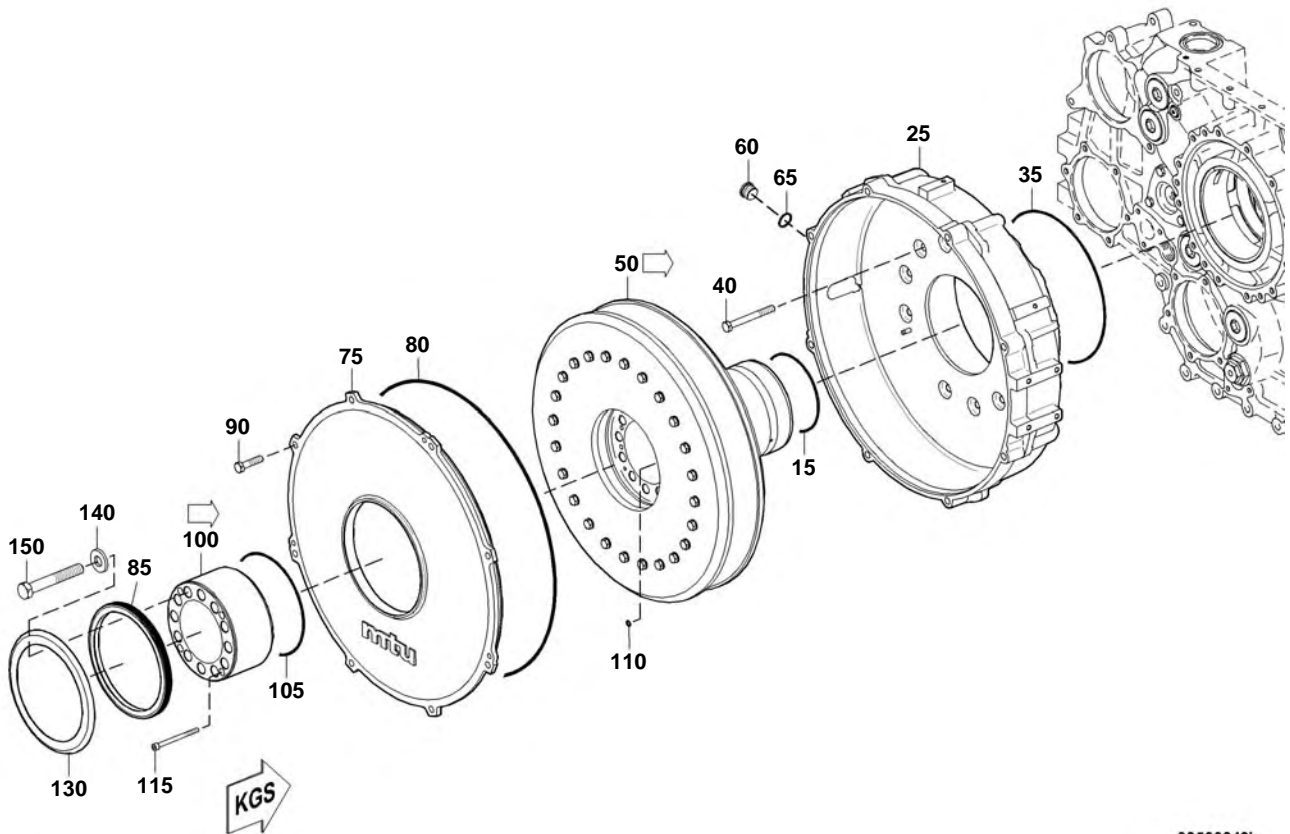
035
SCHWINGUNGSDAEMPFER OHNE NEBENABTRIEB
VIBRATION DAMPER WITHOUT AUX. PTO
X00022366



035
RIEMENSCHLEIBE
BELT PULLEY
X00039375



035
SCHWINGUNGSDAEMPFER MIT NEBENABTRIEB
VIBRATION DAMPER WITH AUX. PTO
XS528030.00004



POS. ITEM	BESTELLNR. PART NO.	BENENNUNG DESIGNATION	STO QTY.	EINHEIT UNIT	ABMESSUNGEN DIMENSIONS	NORM STANDARD
15	700429150000	O-RING O-RING	1	ST PC	150 X 4	MMN429
25	X00034289	SCHWIG-DAEM-GEHAEUSE VIBRATION DAMPER HSG	1	ST PC		
35	700429290000	O-RING O-RING	1	ST PC	290 X 4	MMN429
40	000931012180	SECHSKANTSCHRAUBE SCREW	11	ST PC	M 12 X110	DIN931
50	5280350000	SCHWINGUNGSDAEMPFER VIBRATION DAMPER	1	ST PC		
60	000908026005	VERSCHLUSSSCHRAUBE PLUG	1	ST PC	M 26 X 1,5	DIN908
65	007603026106	DICHTRING SEALING RING	1	ST PC	A 26 X 31	DIN7603
75	5280350233	DECKEL FUER ABTRIEB KGS COVER FOR FREE END PTO	1	ST PC		
80	700429557000	O-RING O-RING	1	ST PC	557,58X 5,33	MMN429
85	0219976547	RADIALWL-DICHTRING RADIAL-LIP SHFT SEAL	1	ST PC	DM200	

TYP/MODEL: 20V4000G43

SCHWINGUNGSDAEMPFER MIT
NEBENABTRIEB

FG/FGS: 035

05

SERIENNUMMER/

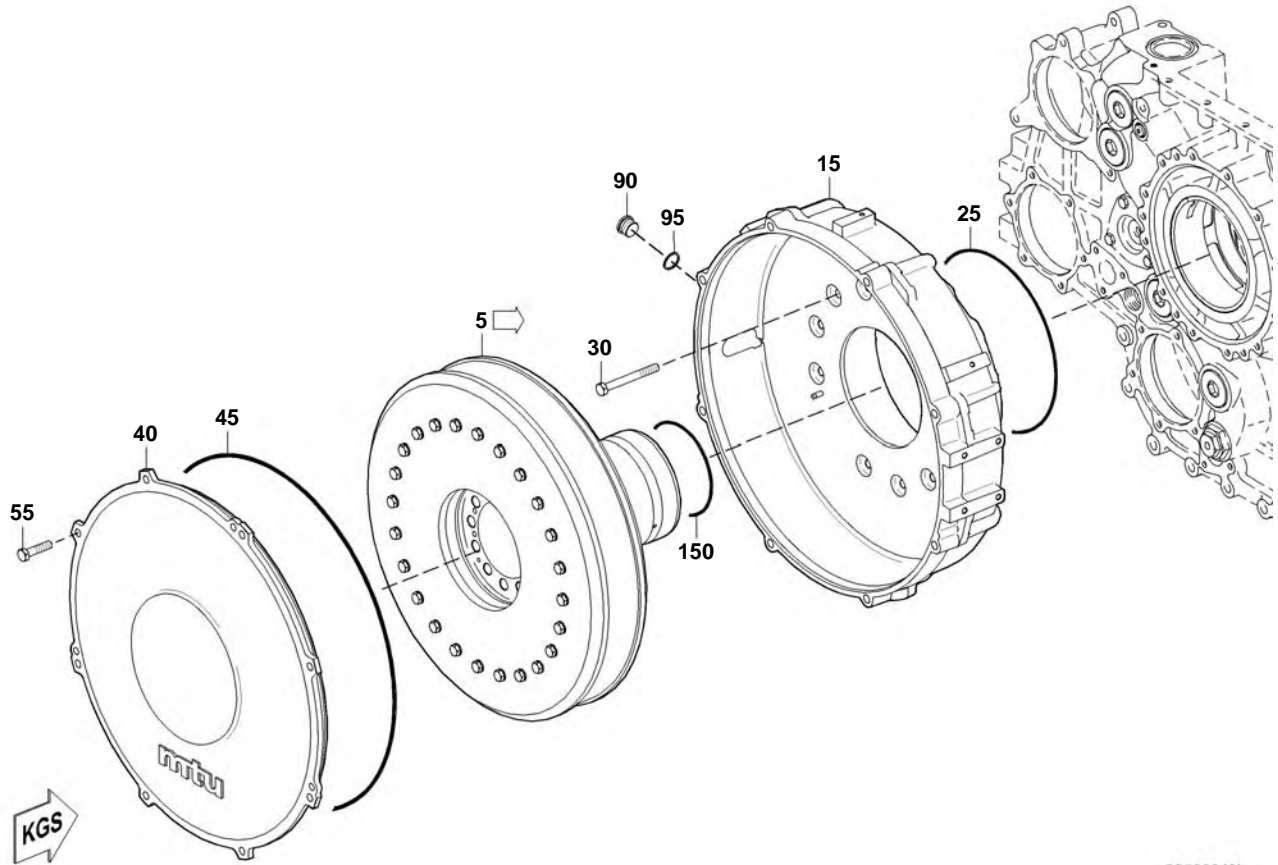
VIBRATION DAMPER WITH AUX. PTO

STUECKLISTE/ XS528030.00004

SERIAL NO: 20V4000G43

BOM: XS528030.00004

POS. ITEM	BESTELNR. PART NO.	BENENNUNG DESIGNATION	STO QTY.	EINHEIT UNIT	ABMESSUNGEN DIMENSIONS	NORM STANDARD
90	000933012051	SECHSKANTSCHRAUBE SCREW	8	ST PC	M 12 X 50	DIN933
100	5280300274	FLANSCH FUER ABTRIEB KGS FLANGE FOR FREE END PTO	1	ST PC		
105	700429200002	O-RING O-RING	1	ST PC	200 X 4	MMN429
110	700429008001	O-RING O-RING	1	ST PC	8 X 2	MMN429
115	000912008042	ZYLINDERSCHRAUBE SCREW	4	ST PC	M 8 X100	DIN912
130	5262370165	SCHUTZBLECH GUARD PLATE	1	ST PC		
140	206796020000	SPANNSCHEIBE CONICL SPRING WASHER	3	ST PC	20	DIN6796
150	000931020026	SECHSKANTSCHRAUBE SCREW	3	ST PC	M 20 X130	DIN931



03500349b

POS. ITEM	BESTELLN. PART NO.	BENENNUNG DESIGNATION	STO QTY.	EINHEIT UNIT	ABMESSUNGEN DIMENSIONS	NORM STANDARD
5	5280350000	SCHWINGUNGSDAEMPFER VIBRATION DAMPER	1	ST PC		
15	5280350822	GEHAEUSE HOUSING	1	ST PC		
	X00034289	SCHWG-DAEM-GEHAEUSE VIBRATION DAMPER HSG	1	ST PC		
25	700429290000	O-RING O-RING	1	ST PC	290 X 4	MMN429
30	000931012180	SECHSKANTSCHRAUBE SCREW	11	ST PC	M 12 X110	DIN931
40	5280350133	DECKEL COVER	1	ST PC		
45	700429557000	O-RING O-RING	1	ST PC	557,58X 5,33	MMN429
55	000933012051	SECHSKANTSCHRAUBE SCREW	8	ST PC	M 12 X 50	DIN933
90	000908026005	VERSCHLUSSSCHRAUBE PLUG	1	ST PC	M 26 X 1,5	DIN908
95	007603026106	DICHTRING SEALING RING	1	ST PC	A 26 X 31	DIN7603

TYP/MODEL: 20V4000G43

SCHWINGUNGSDAEMPFER OHNE
NEBENABTRIEB

FG/FGS: 035 05

SERIENNUMMER/

VIBRATION DAMPER WITHOUT AUX. PTO

STUECKLISTE/ X00022366

SERIAL NO: 20V4000G43

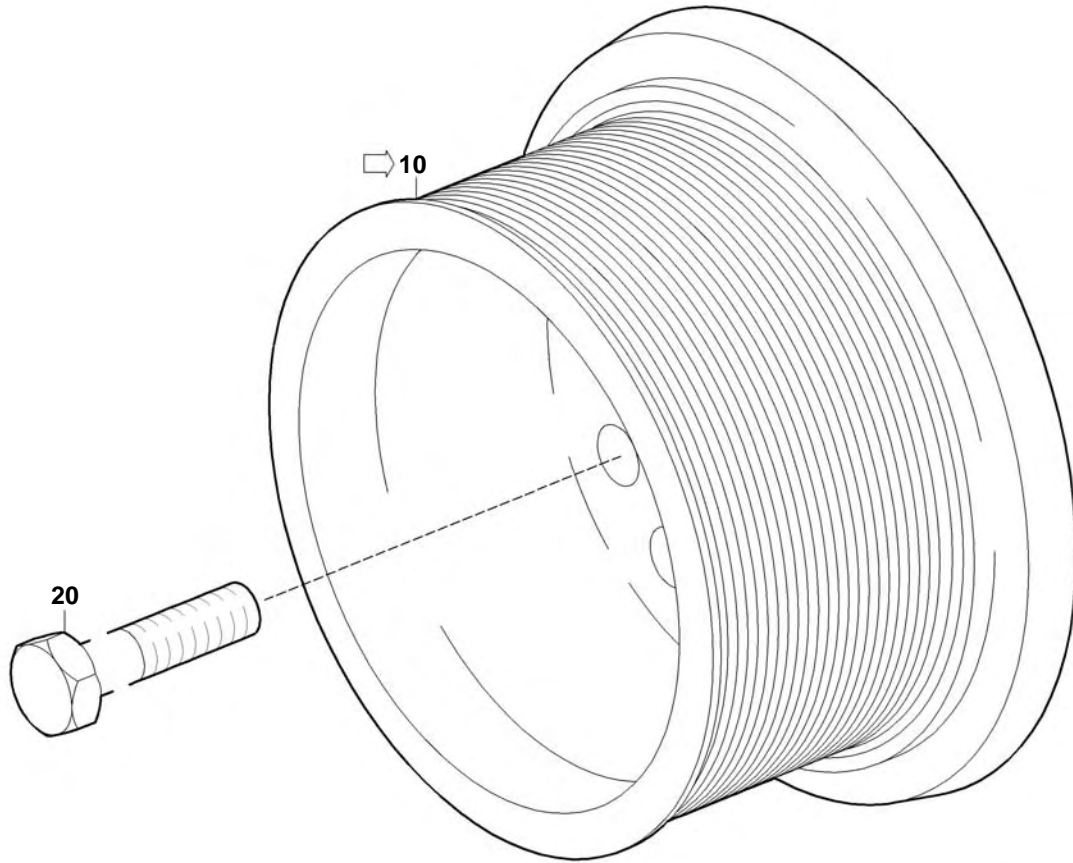
BOM: X00022366

POS. ITEM	BESTELNR. PART NO.	BENENNUNG DESIGNATION	STO QTY.	EINHEIT UNIT	ABMESSUNGEN DIMENSIONS	NORM STANDARD
150	700429150000	O-RING	1	ST	150 X 4	MMN429
		O-RING		PC		

TYP/MODEL: 20V4000G43
SERIENNUMMER/
SERIAL NO: 20V4000G43

RIEMENSCHLEIBE
BELT PULLEY

FG/FGS: 035 05
STUECKLISTE/
BOM: X00039375



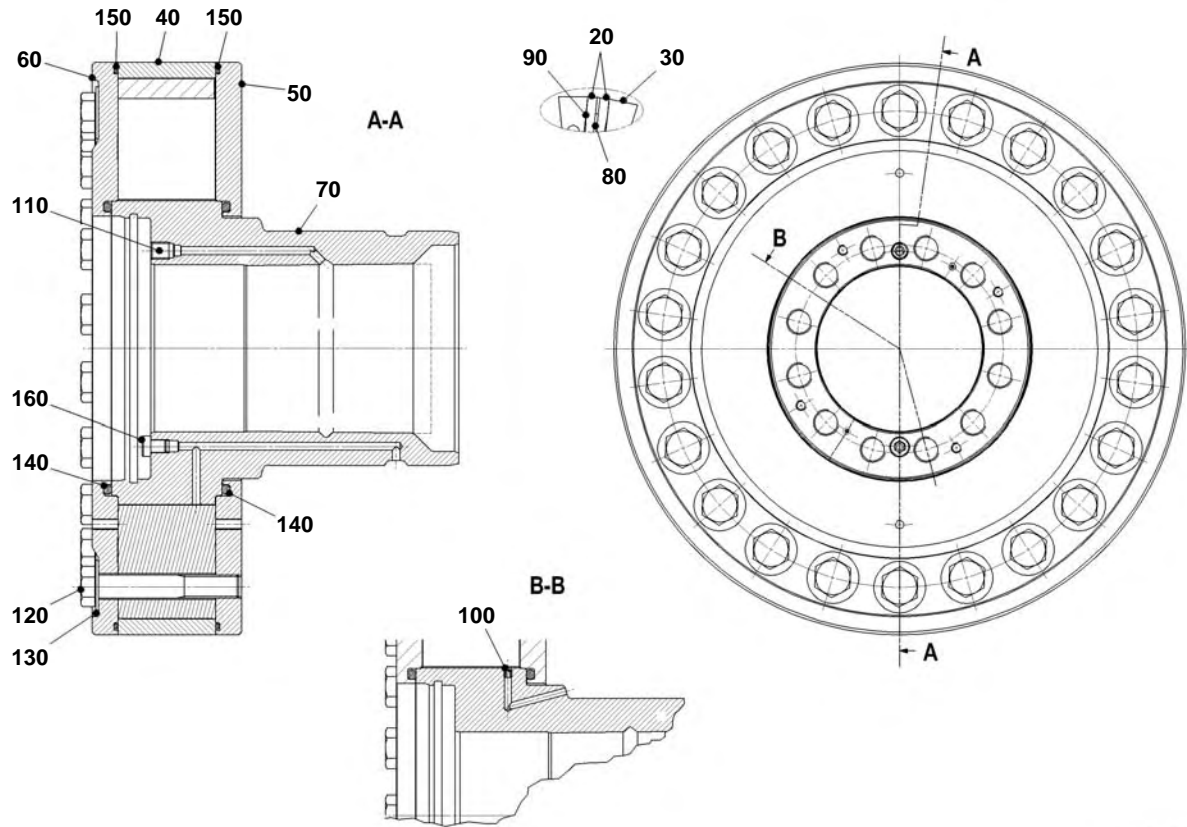
03500324a

POS. ITEM	BESTELLNR. PART NO.	BENENNUNG DESIGNATION	STO QTY.	EINHEIT UNIT	FN FN	ABMESSUNGEN DIMENSIONS	NORM STANDARD
10	X00037029	RIEMENSCHLEIBE BELT PULLEY	1	ST PC	NN		
20	000931020009	SECHSKANTSCHRAUBE SCREW	12	ST PC		M 20 X150	DIN931

TYP/MODEL: 20V4000G43
 SERIENNUMMER/
 SERIAL NO: 20V4000G43

SCHWINGUNGSDAEMPFER
 VIBRATION DAMPER

FG/FGS:
 STUECKLISTE/
 BOM: 5280350000



03500320c

POS. ITEM	BESTELLNR. PART NO.	BENENNUNG DESIGNATION	STO QTY.	EINHEIT UNIT	FN FN	ABMESSUNGEN DIMENSIONS	NORM STANDARD
20	Z=G3 06642	FEDERPAKET SPRING PACK	24	ST PC	AC		
30	Z=G3 06643	ZWISCHENSTUECK INTERMEDIATE MEMBER	24	ST PC	AC		
40	X00025769	SPANNRING CLAMPING RING	1	ST PC			
50	X00025770	FLANSCH FLANGE	1	ST PC			
60	X00025771	SEITENPLATTE SIDE PLATE	1	ST PC			
70	X00025772	INNENSTERN INNER STAR	1	ST PC			
80	X00025773	BEILAGE SHIM	24	ST PC			
90	Z=73X25X0.2	BEILAGE SHIM	1	ST PC	AC		
100	X00025775	OELDUESE OIL NOZZLE	4	ST PC		M6-Ø2.8	
110	Z=VSTI M-ED	NIPPEL NIPPLE	1	ST PC	AC	M 10 X 1	

TYP/MODEL: 20V4000G43
SERIENNUMMER/
SERIAL NO: 20V4000G43

SCHWINGUNGSDAEMPFER
VIBRATION DAMPER

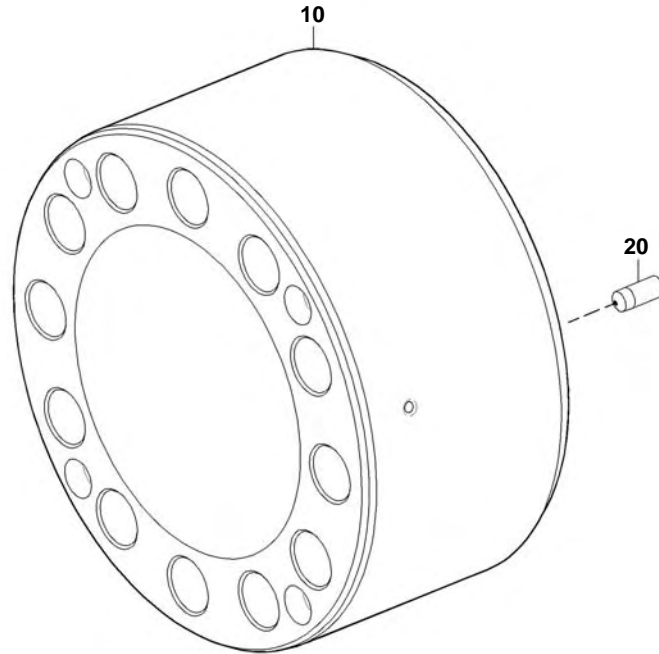
FG/FGS:
STUECKLISTE/ 5280350000
BOM: 5280350000

POS. ITEM	BESTELLNR. PART NO.	BENENNUNG DESIGNATION	STO QTY.	EINHEIT UNIT	FN FN	ABMESSUNGEN DIMENSIONS	NORM STANDARD
120	000931010154	SECHSKANTSCHRAUBE SCREW	24	ST PC		M 10 X110	DIN931
130	8699930063	TELLERFEDER DISHED WASHER	24	ST PC		22 X 11 X 1,2	
140	8699970418	DICHTRING SEALING RING	2	ST PC		208 X 7	
150	8699970419	DICHTRING SEALING RING	2	ST PC		545 X 4	
160	X00025466	STOPFEN PLUG	5	ST PC		DICHTSTOPFEN 6	

TYP/MODEL: 20V4000G43
SERIENNUMMER/
SERIAL NO: 20V4000G43

FLANSCH FUER ABTRIEB KGS
FLANGE FOR FREE END PTO

FG/FGS:
STUECKLISTE/
BOM: 5280300274



03500302b

POS. ITEM	BESTELLNR. PART NO.	BENENNUNG DESIGNATION	STO QTY.	EINHEIT UNIT
10	5280310745	FLANSCH FUER ABTRIEB KGS FLANGE FOR FREE END PTO	1	ST PC
20	5280310023	OELDUESE OIL NOZZLE	1	ST PC

TYP/MODEL: 20V4000G43
SERIENNUMMER/
SERIAL NO: 20V4000G43

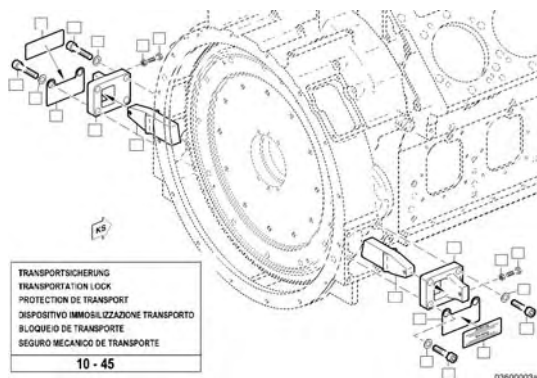
TRANSPORTSICHERUNG DER KURBELWELLE
CRANKSHAFT TRANSPORTATION LOCKING DEVICE

FG/FGS: 036
STUECKLISTE/
BOM:

FUNKTIONSGRUPPE/GROUP NUMBER (FG)

GRUPPENNAME/GROUP NAME

STÜCKLISTENR/BOM NO.

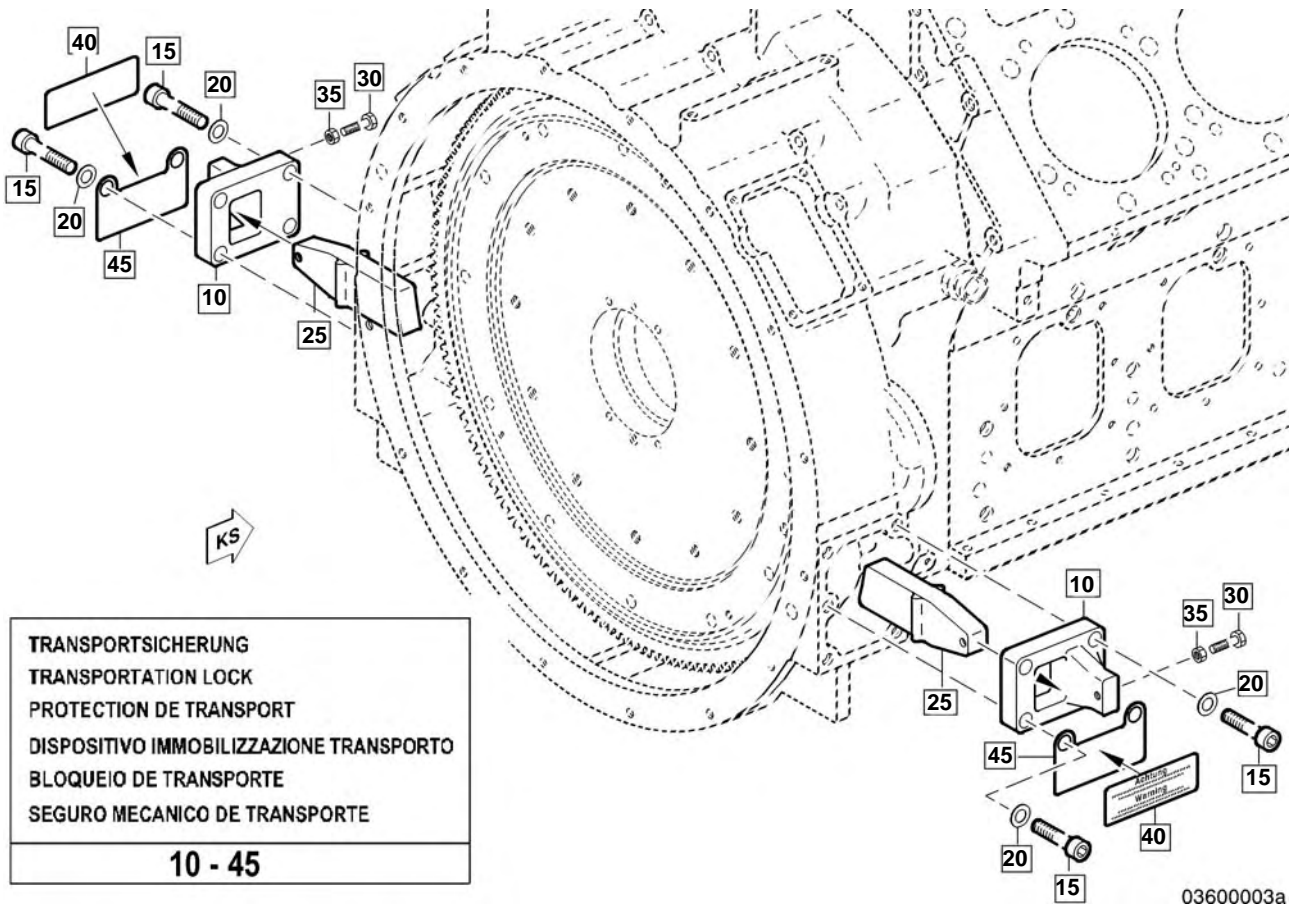


036
TRANSPORTSICHERUNG
TRANSPORTATION LOCK
030.00160

TYP/MODEL: 20V4000G43
 SERIENNUMMER/
 SERIAL NO: 20V4000G43

TRANSPORTSICHERUNG
 TRANSPORTATION LOCK

FG/FGS: 036 05
 STUECKLISTE/
 BOM: 030.00160



TRANSPORTSICHERUNG
 TRANSPORTATION LOCK
 PROTECTION DE TRANSPORT
 DISPOSITIVO IMMOBILIZZAZIONE TRASPORTO
 BLOQUEIO DE TRANSPORTE
 SEGURO MECANICO DE TRANSPORTE

10 - 45

03600003a

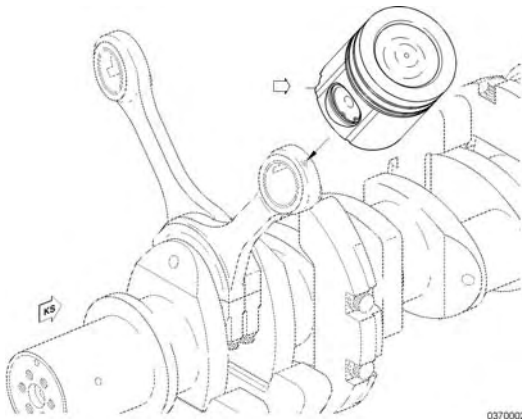
POS. ITEM	BESTELLN. PART NO.	BENENNUNG DESIGNATION	STO QTY.	EINHEIT UNIT	ABMESSUNGEN DIMENSIONS	NORM STANDARD
10	5242370435	PLATTE PLATE	2	ST PC		
15	000912016045	ZYLINDERSCHRAUBE SCREW	8	ST PC	M 16 X 55	DIN912
20	000125017014	SCHEIBE WASHER	8	ST PC	A 17	DIN125
25	5242370940	HALTER RETAINER	2	ST PC		
30	000933010144	SECHSKANTSCHRAUBE SCREW	2	ST PC	M 10 X 60	DIN933
35	000934010007	SECHSKANTMUTTER HEX NUT	2	ST PC	M 10	DIN934

TYP/MODEL: 20V4000G43
SERIENNUMMER/
SERIAL NO: 20V4000G43

KOLBEN
PISTON

FG/FGS: 037
STUECKLISTE/
BOM:

FUNKTIONSGRUPPE/GROUP NUMBER (FG)
GRUPPENNAME/GROUP NAME
STÜCKLISTENR/BOM NO.

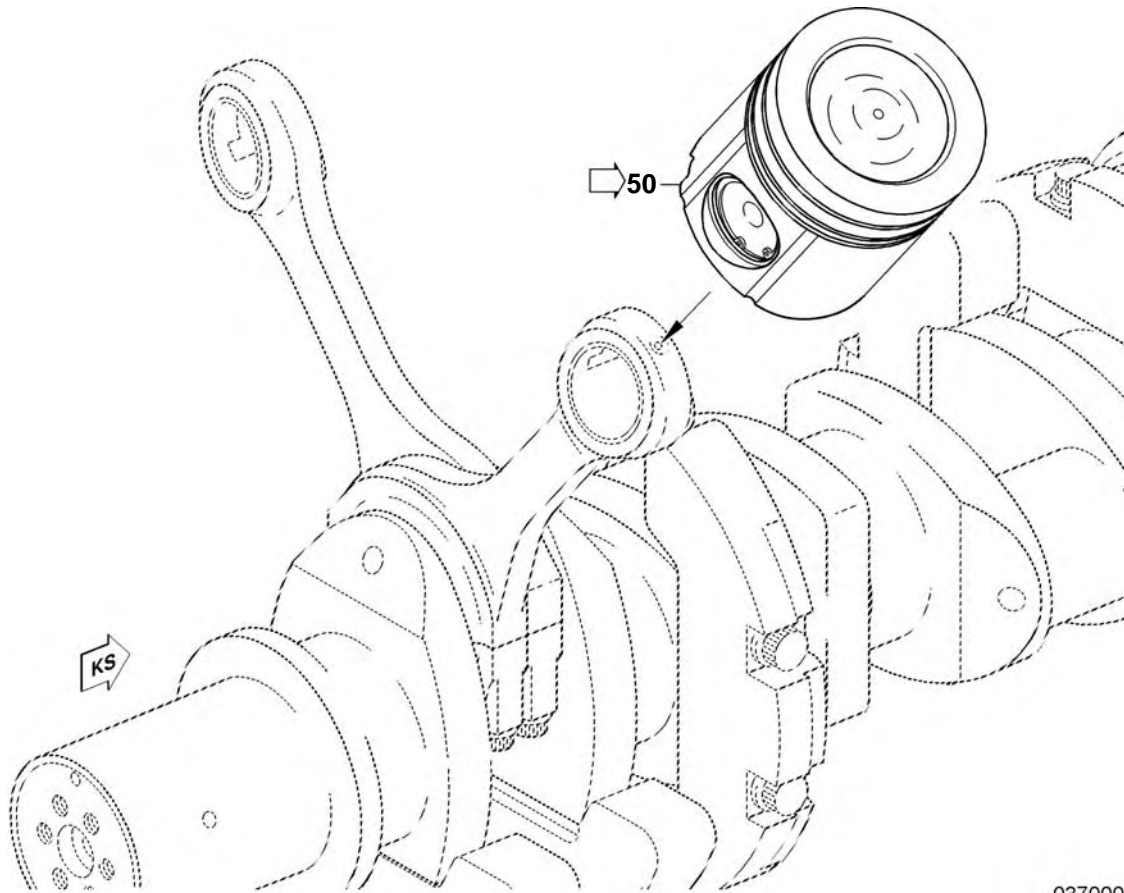


037
KOLBEN FUER 20V
PISTON FOR 20V
X00043445

TYP/MODEL: 20V4000G43
SERIENNUMMER/
SERIAL NO: 20V4000G43

KOLBEN FUER 20V
PISTON FOR 20V

FG/FGS: 037 05
STUECKLISTE/
BOM: X00043445



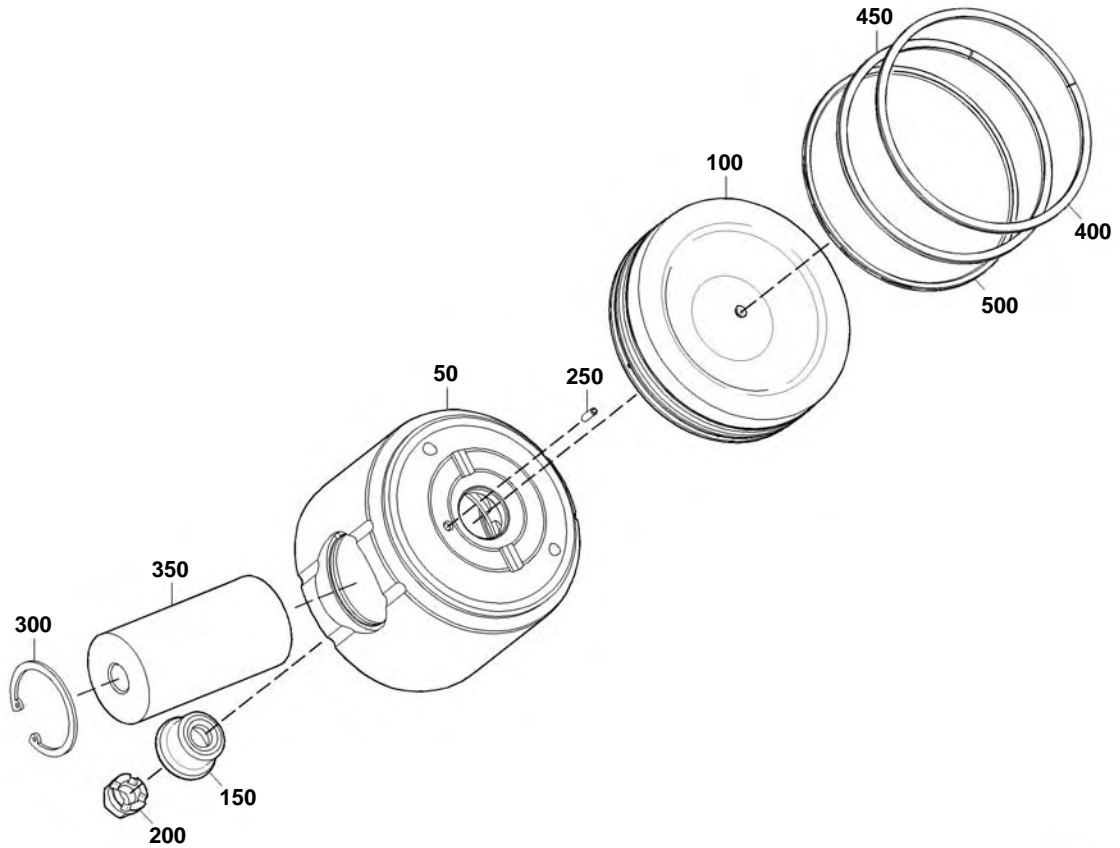
03700027b

POS. ITEM	BESTELNR. PART NO.	BENENNUNG DESIGNATION	STO QTY.	EINHEIT UNIT
50	X00028069	KOLBEN PISTON	20	ST PC

TYP/MODEL: 20V4000G43
 SERIENNUMMER/
 SERIAL NO: 20V4000G43

KOLBEN
 PISTON

FG/FGS: 037 05
 STUECKLISTE/
 BOM: X00028069



03700361b

POS. ITEM	BESTELLN. PART NO.	BENENNUNG DESIGNATION	STO QTY.	EINHEIT UNIT	ABMESSUNGEN DIMENSIONS	NORM STANDARD
50	X00039381	KOLBENSCHAFT PISTON SKIRT	1	ST PC		
100	X00039382	KOLBENBODEN PISTON CROWN	1	ST PC		
150	X00039430	DEHNHUELSE EXPANSION SLEEVE	1	ST PC		
200	X00039431	KOLBENMUTTER PISTON NUT	1	ST PC		
250	001481005017	SPANNSTIFT SPRING PIN	1	ST PC	5 X 16 - N	ISO8752
300	000472068000	SICHERUNGSRING SNAP RING	2	ST PC	68 X 2,5	DIN472
350	5240370120	KOLBENBOLZEN PISTON PIN	1	ST PC		
400	X00009806	RECHTECKRING RECTANGLR-SECT RING	1	ST PC		
450	0090375019	MINUTENRING TAPER FACE COMP RING	1	ST PC		
500	0120373618	OELABSTREIFRING OIL CONTROL RING	1	ST PC		

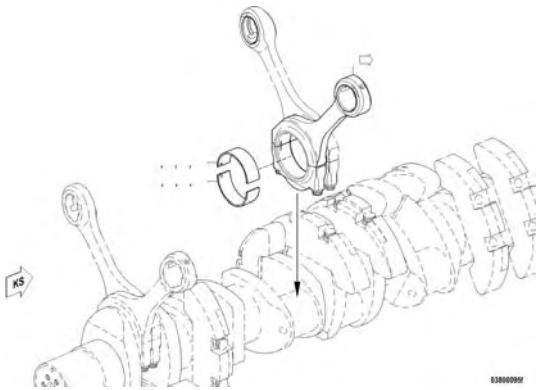
TYP/MODEL: 20V4000G43
SERIENNUMMER/
SERIAL NO: 20V4000G43

PLEUELSTANGE
CONROD

FG/FGS: 038
STUECKLISTE/
BOM:

FUNKTIONSGRUPPE/GROUP NUMBER (FG)
GRUPPENNAME/GROUP NAME
STÜCKLISTENR/BOM NO.

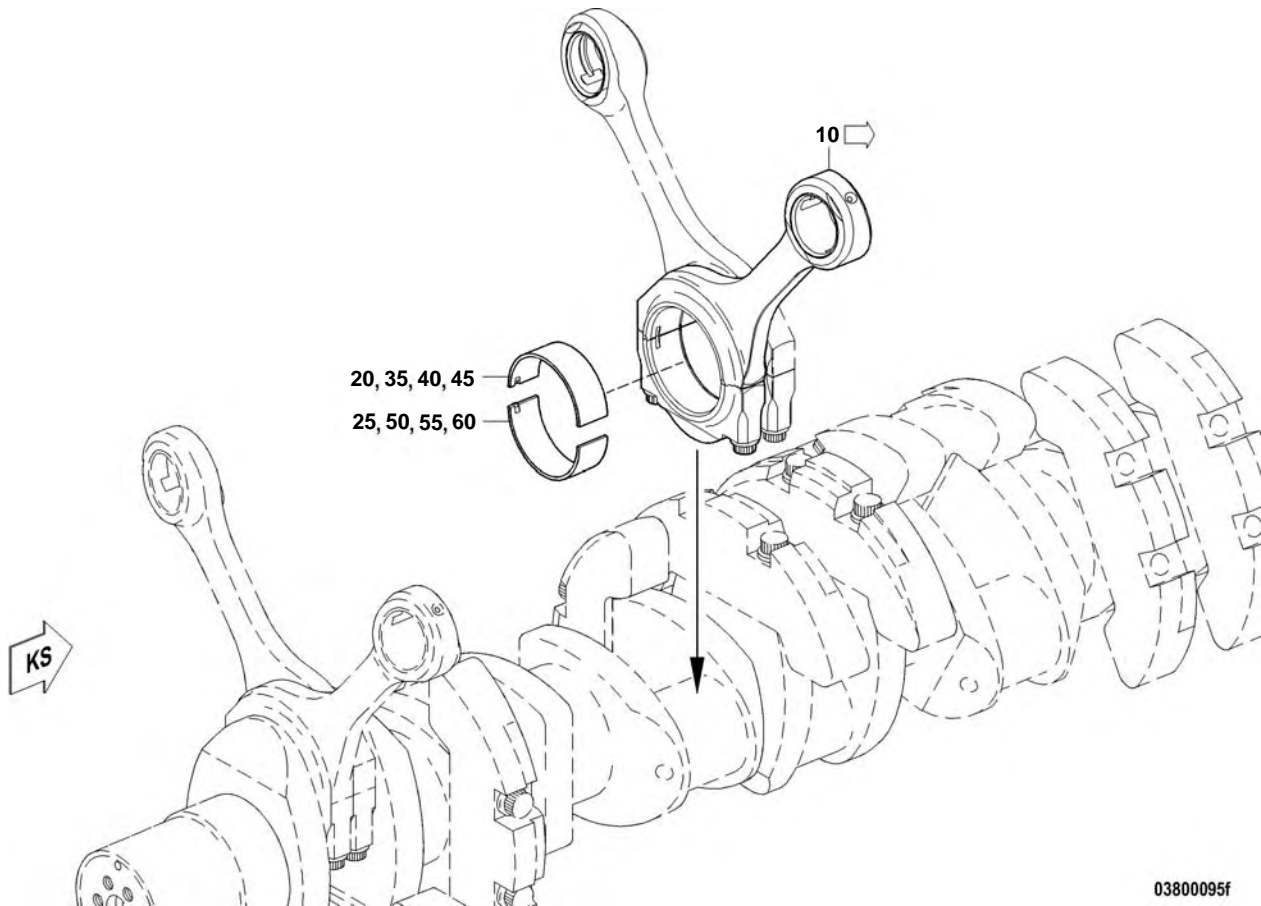
038
PLEUEL MIT LAGER
CONROD W/BEARING
X00043177



TYP/MODEL: 20V4000G43
 SERIENNUMMER/
 SERIAL NO: 20V4000G43

PLEUEL MIT LAGER
 CONROD W/BEARING

FG/FGS: 038 05
 STUECKLISTE/
 BOM: X00043177

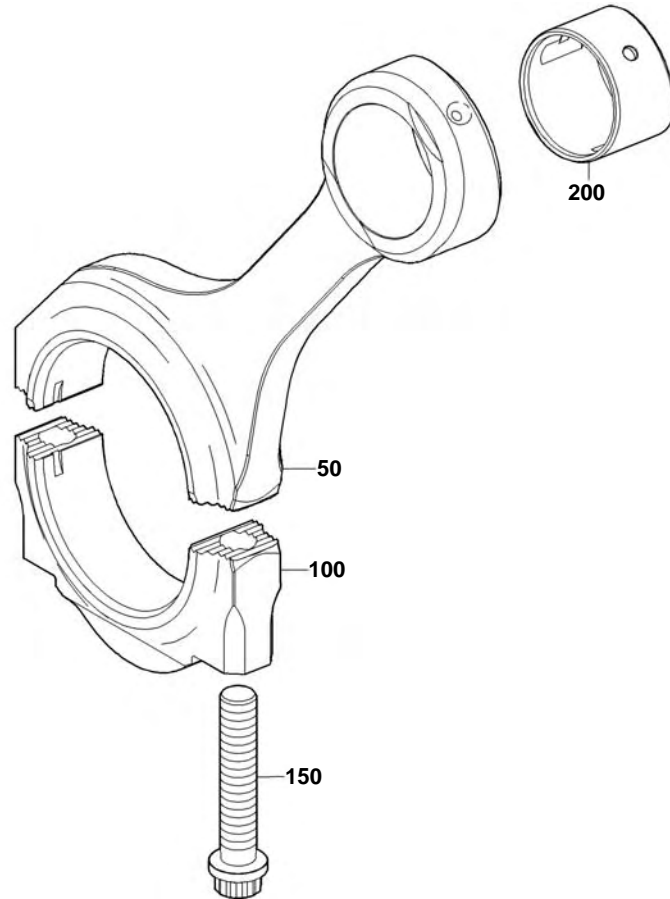


POS. ITEM	BESTELLNR. PART NO.	BENENNUNG DESIGNATION	STO QTY.	EINHEIT UNIT	FN FN
10	X00040057/42	PLEUELSTANGE CONROD	20	ST PC	
20	5240384110	PLEUELLAGER OBERE HAELFTE CONROD BEARING UPPER HALF	20	ST PC	
25	X00040714	PLEUELLAGER STUFE 0-0 CONROD BEARING SIZE 0-0	20	ST PC	
35	5240384210	PLEUELLAGER STUFE 0-1 CONROD BEARING SIZE 0-1	1	ST PC	M
40	5240384310	PLEUELLAGER STUFE 0-2 CONROD BEARING SIZE 0-2	1	ST PC	M
45	5240384410	PLEUELLAGER STUFE 0-3 CONROD BEARING SIZE 0-3	1	ST PC	M
50	X00040715	PLEUELLAGER STUFE 0-1 CONROD BEARING SIZE 0-1	1	ST PC	M
55	X00040717	PLEUELLAGER STUFE 0-2 CONROD BEARING SIZE 0-2	1	ST PC	M
60	X00040718	PLEUELLAGER STUFE 0-3 CONROD BEARING SIZE 0-3	1	ST PC	M

TYP/MODEL: 20V4000G43
 SERIENNUMMER/
 SERIAL NO: 20V4000G43

PLEUELSTANGE
 CONROD

FG/FGS:
 STUECKLISTE/
 BOM: X00040057/42



03800045c

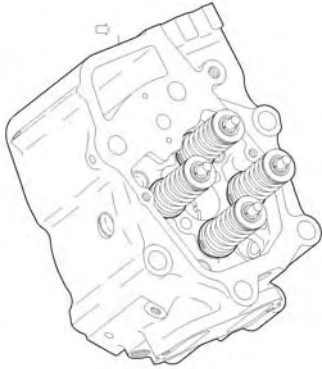
POS. ITEM	BESTELNR. PART NO.	BENENNUNG DESIGNATION	STO QTY.	EINHEIT UNIT	FN FN
50	X00040058/42	PLEUELSTANGE CONROD	1	ST PC	
100	X00040059	PLEUELDECKEL CONROD CAP	1	ST PC	M
150	5240380471	PLEUELSCHRAUBE CONROD BOLT	2	ST PC	
200	5240382550	PLEUELBUCHSE STUFE 0 CONROD BUSHING SIZE 0	1	ST PC	M

TYP/MODEL: 20V4000G43
SERIENNUMMER/
SERIAL NO: 20V4000G43

ZYLINDERKOPF
CYLINDER HEAD

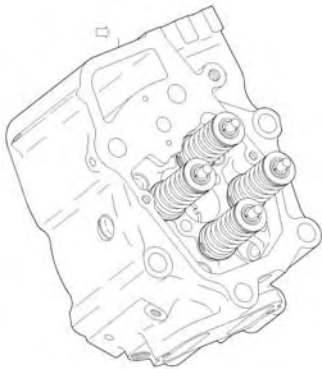
FG/FGS: 040
STUECKLISTE/
BOM:

FUNKTIONSGRUPPE/GROUP NUMBER (FG)
GRUPPENNAME/GROUP NAME
STÜCKLISTENR/BOM NO.



040
ZYLINDERKOPF FUER 20V
CYLINDER HEAD FOR 20V
X00040127

04100094



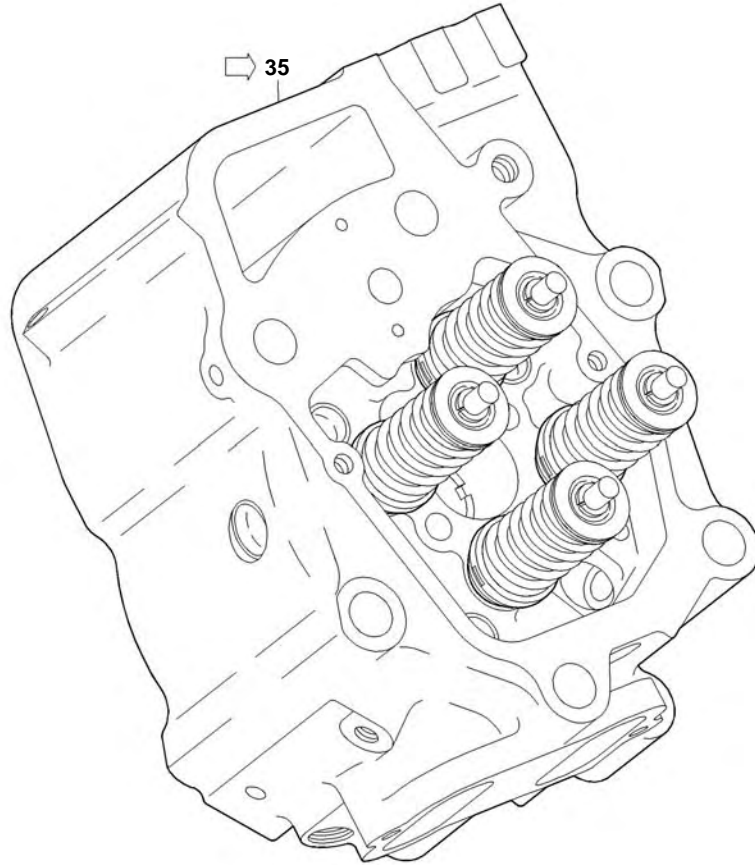
040
ZYLINDERKOPF
CYLINDER HEAD
XS528040.00004

04100094

TYP/MODEL: 20V4000G43
SERIENNUMMER/
SERIAL NO: 20V4000G43

ZYLINDERKOPF
CYLINDER HEAD

FG/FGS: 040 00
STUECKLISTE/
BOM: XS528040.00004

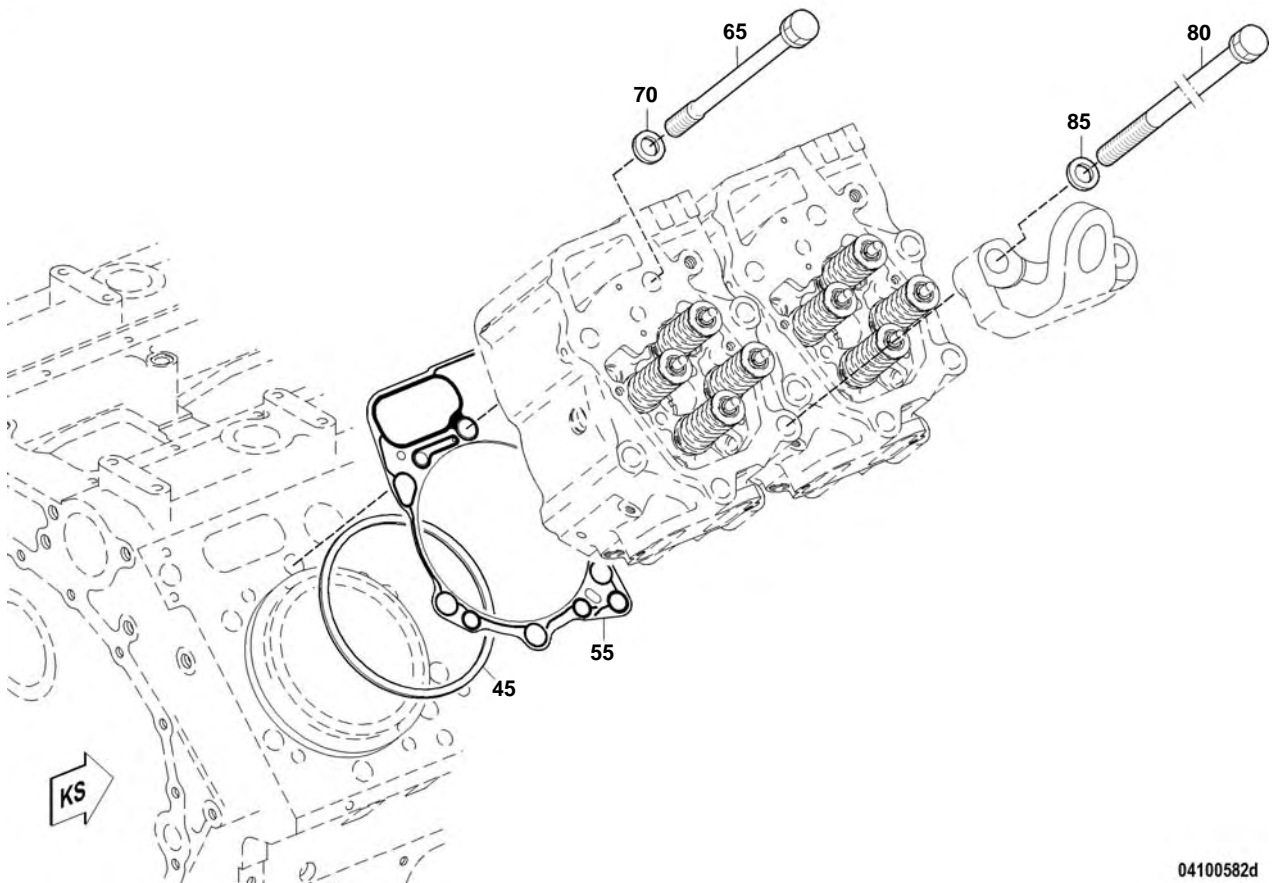


04100099e

TYP/MODEL: 20V4000G43
SERIENNUMMER/
SERIAL NO: 20V4000G43

ZYLINDERKOPF
CYLINDER HEAD

FG/FGS: 040 00
STUECKLISTE/
BOM: XS528040.00004



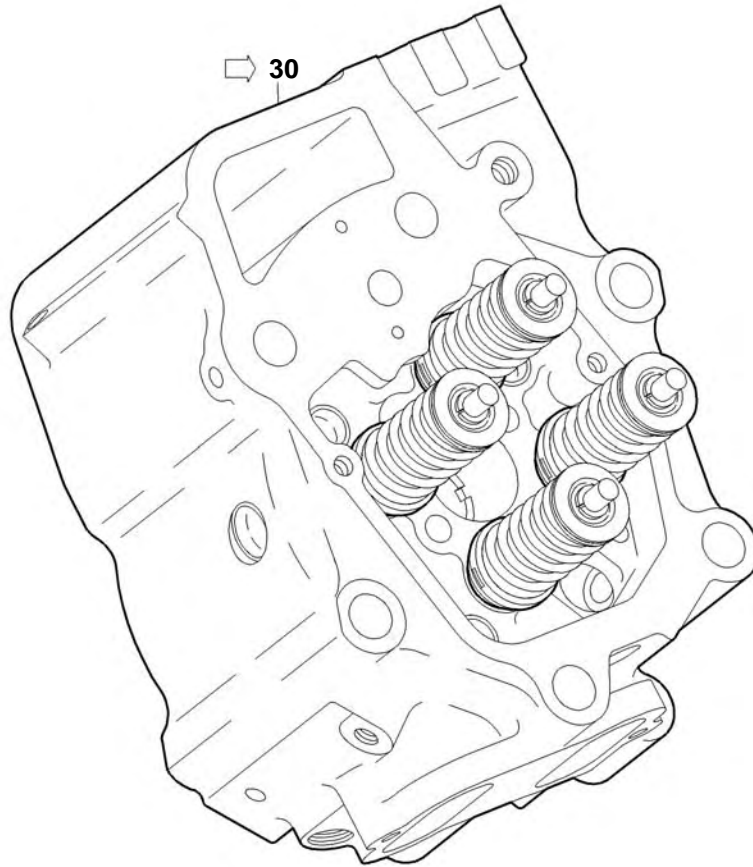
04100582d

POS. ITEM	BESTELLNR. PART NO.	BENENNUNG DESIGNATION	STO QTY.	EINHEIT UNIT	FN FN	ABMESSUNGEN DIMENSIONS
35	X52404100008	ZYLINDERKOPF MIT VENTILEN CYLINDER HEAD W/VALVES	20	ST PC		
45	5240160319	DICHTRING STUFE 0 SEALING RING SIZE 0	20	ST PC		
55	5240161680	DICHTBEILAGE GASKET	20	ST PC		
65	5249900701	SCHRAUBE SCREW	112	ST PC		
70	5240110062	DRUCKSCHEIBE THRUST WASHER	112	ST PC	NN	
80	5240160069	ZYLINDERKOPFSCHRAUBE SCREW	8	ST PC		M22X2X333
85	5240110062	DRUCKSCHEIBE THRUST WASHER	8	ST PC	NN	

TYP/MODEL: 20V4000G43
SERIENNUMMER/
SERIAL NO: 20V4000G43

ZYLINDERKOPF FUER 20V
CYLINDER HEAD FOR 20V

FG/FGS: 040 00
STUECKLISTE/
BOM: X00040127

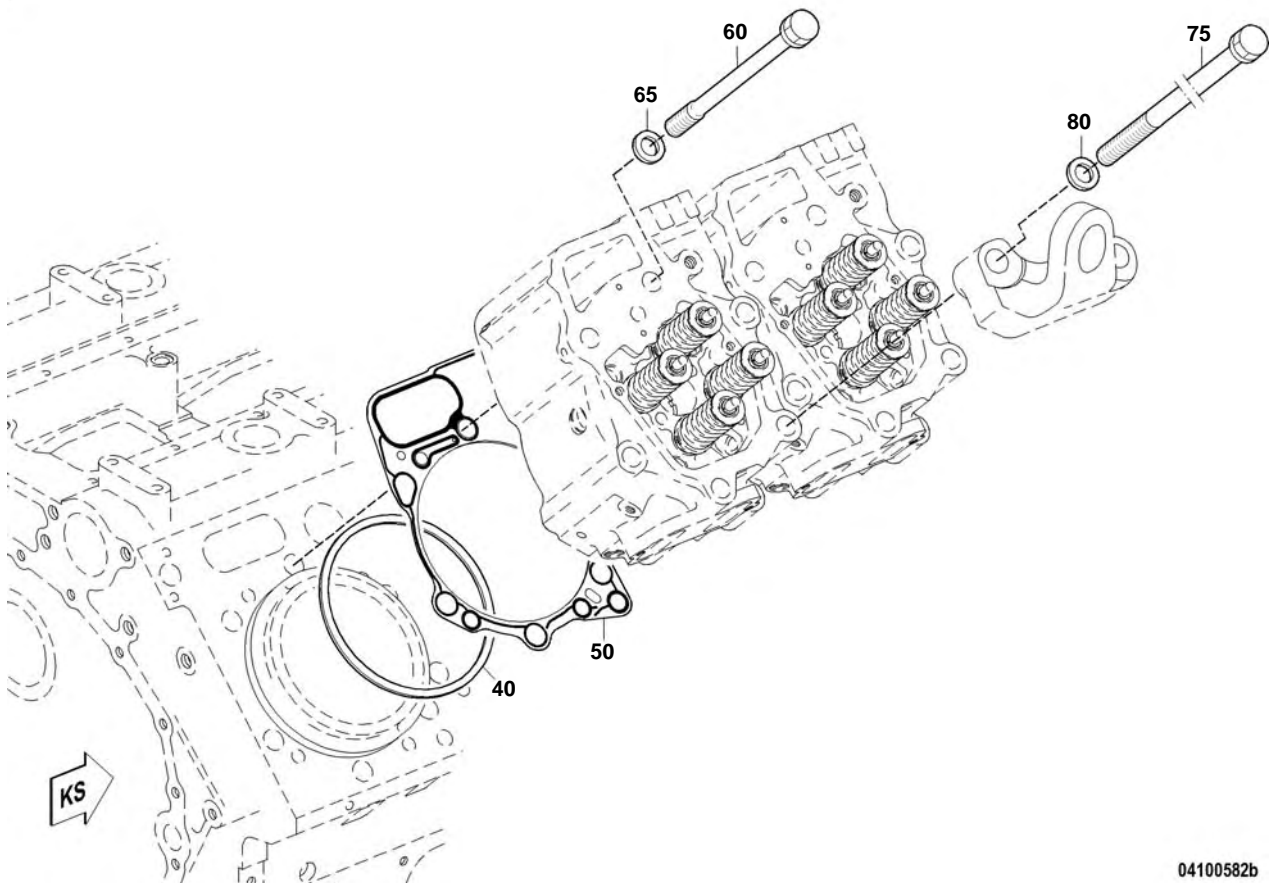


04100099d

TYP/MODEL: 20V4000G43
SERIENNUMMER/
SERIAL NO: 20V4000G43

ZYLINDERKOPF FUER 20V
CYLINDER HEAD FOR 20V

FG/FGS: 040 00
STUECKLISTE/
BOM: X00040127



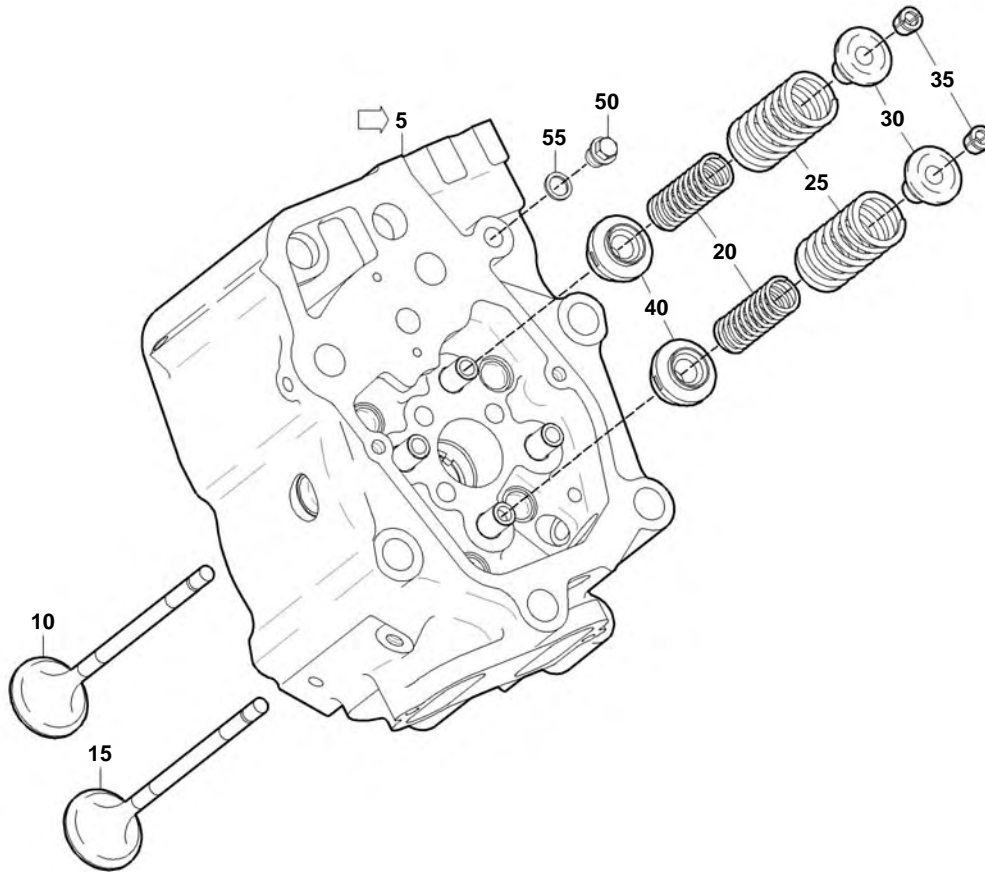
04100582b

POS. ITEM	BESTELLNR. PART NO.	BENENNUNG DESIGNATION	STO QTY.	EINHEIT UNIT	FN FN	ABMESSUNGEN DIMENSIONS
30	X52404100011	ZYLINDERKOPF MIT VENTILEN CYLINDER HEAD W/VALVES	20	ST PC		
40	5240160319	DICHTRING STUFE 0 SEALING RING SIZE 0	20	ST PC		
50	5240161580	DICHTBEILAGE FUER ZYLINDERKOPF GASKET FOR CYLINDER HEAD	20	ST PC		
60	5249900701	SCHRAUBE SCREW	112	ST PC		
65	5240110062	DRUCKSCHEIBE THRUST WASHER	112	ST PC	NN	
75	5240160069	ZYLINDERKOPFSCHRAUBE SCREW	8	ST PC		M22X2X333
80	5240110062	DRUCKSCHEIBE THRUST WASHER	8	ST PC	NN	

TYP/MODEL: 20V4000G43
 SERIENNUMMER/
 SERIAL NO: 20V4000G43

ZYLINDERKOPF MIT VENTILEN
 CYLINDER HEAD W/VALVES

FG/FGS:
 STUECKLISTE/
 BOM: X52404100008



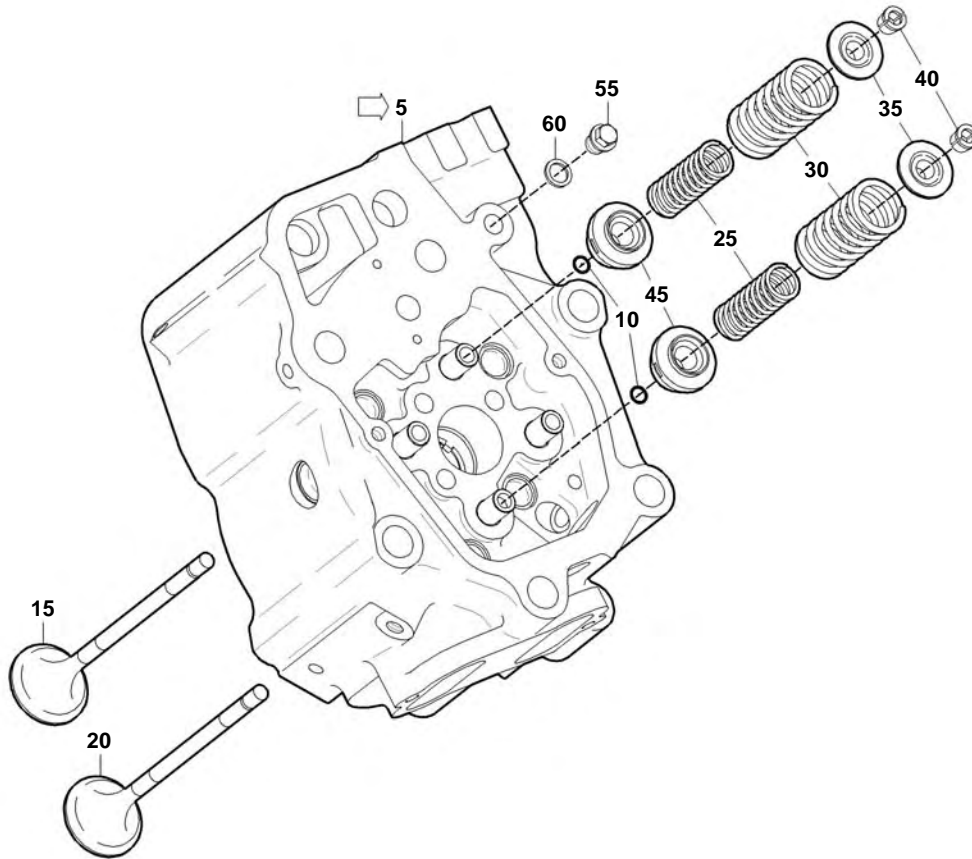
04100561e

POS. ITEM	BESTELLNR. PART NO.	BENENNUNG DESIGNATION	STO QTY.	EINHEIT UNIT	FN FN	ABMESSUNGEN DIMENSIONS	NORM STANDARD
5	X52404100007	ZYLINDERKOPF M.VENTILFUEHRUNGEN CYLINDER HEAD W/VALVE GUIDES	1	ST PC			
10	5240530805	AUSLASSVENTIL EXHAUST VALVE	2	ST PC			
15	X00025995	EINLASSVENTIL INLET VALVE	2	ST PC			
20	5240530122	VENTILFEDER INNEN VALVE SPRING INNER	4	ST PC			
25	5240530120	VENTILFEDER AUSSEN VALVE SPRING OUTER	4	ST PC			
30	5240530125	FEDERTELLER SPRING RETAINER	4	ST PC	NN		
35	0000530926	VENTILKEGELSTUECK VALVE COLLET	8	ST PC			
40	0000534335	VENT-DREHVORRICHTUNG VALVE ROTATOR	4	ST PC			
50	000910014004	VERSCHLUSSSCHRAUBE PLUG	1	ST PC		M 14 X 1,5	DIN910
55	007603014102	DICHTRING SEALING RING	1	ST PC		A 14 X 18	DIN7603

TYP/MODEL: 20V4000G43
 SERIENNUMMER/
 SERIAL NO: 20V4000G43

ZYLINDERKOPF MIT VENTILEN
 CYLINDER HEAD W/VALVES

FG/FGS:
 STUECKLISTE/
 BOM: X52404100011



04100575a

POS. ITEM	BESTELLN. PART NO.	BENENNUNG DESIGNATION	STO QTY.	EINHEIT UNIT	FN FN	ABMESSUNGEN DIMENSIONS	NORM STANDARD
5	X52404100010	ZYLINDERKOPF M.VENT-SCHAFTABDICH CYLINDER HEAD W. VALVE STEM SEAL	1	ST PC			
10	700429010004	O-RING O-RING	4	ST PC		10,78X 1,82	MMN429
15	5240530805	AUSLASSVENTIL EXHAUST VALVE	2	ST PC			
20	X00025995	EINLASSVENTIL INLET VALVE	2	ST PC			
25	5240530122	VENTILFEDER INNEN VALVE SPRING INNER	4	ST PC			
30	5240530120	VENTILFEDER AUSSEN VALVE SPRING OUTER	4	ST PC			
35	5240530125	FEDERTELLER SPRING RETAINER	4	ST PC	NN		
40	0000530926	VENTILKEGELSTUECK VALVE COLLET	8	ST PC			
45	0000534335	VENT-DREHVORRICHTUNG VALVE ROTATOR	4	ST PC			
55	000910014004	VERSCHLUSSSCHRAUBE PLUG	1	ST PC		M 14 X 1,5	DIN910

TYP/MODEL: 20V4000G43
SERIENNUMMER/
SERIAL NO: 20V4000G43

ZYLINDERKOPF MIT VENTILEN
CYLINDER HEAD W/VALVES

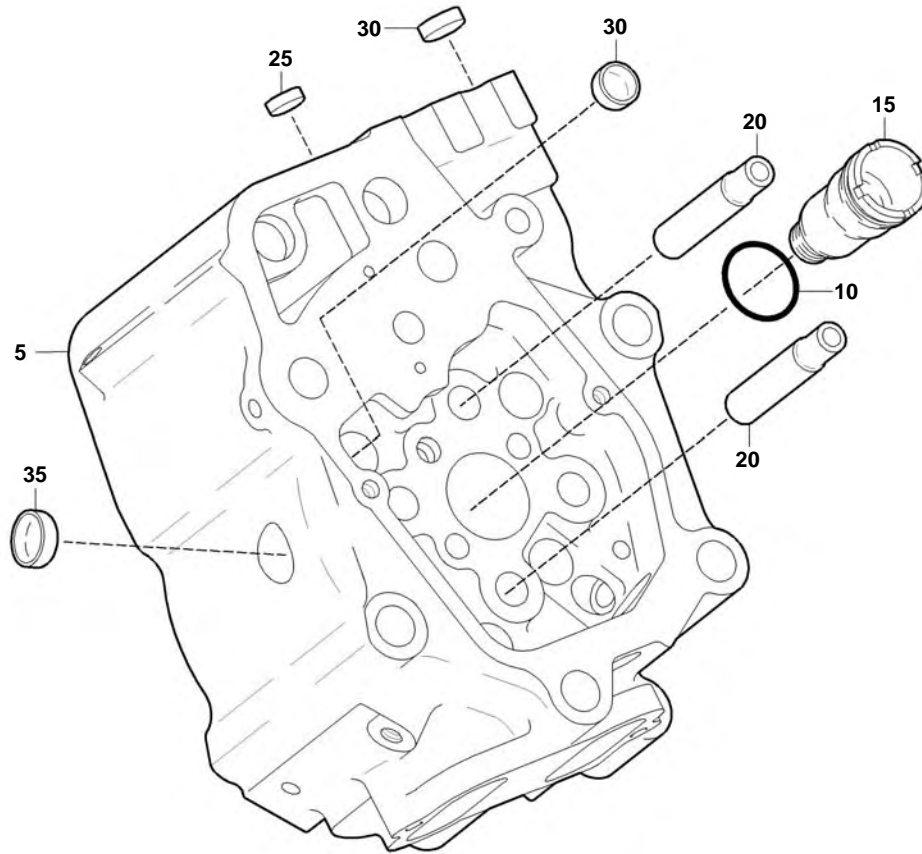
FG/FGS:
STUECKLISTE/ X52404100011
BOM: X52404100011

POS.	BESTELLNR.	BENENNUNG	STO	EINHEIT	FN	ABMESSUNGEN	NORM
ITEM	PART NO.	DESIGNATION	QTY.	UNIT	FN	DIMENSIONS	STANDARD
60	007603014102	DICHTRING	1	ST		A 14 X 18	DIN7603
		SEALING RING		PC			

TYP/MODEL: 20V4000G43
 SERIENNUMMER/
 SERIAL NO: 20V4000G43

ZYLINDERKOPF M. VENT-SCHAFTABDICHT
 CYLINDER HEAD W. VALVE STEM SEAL

FG/FGS:
 STUECKLISTE/
 BOM: X52404100010



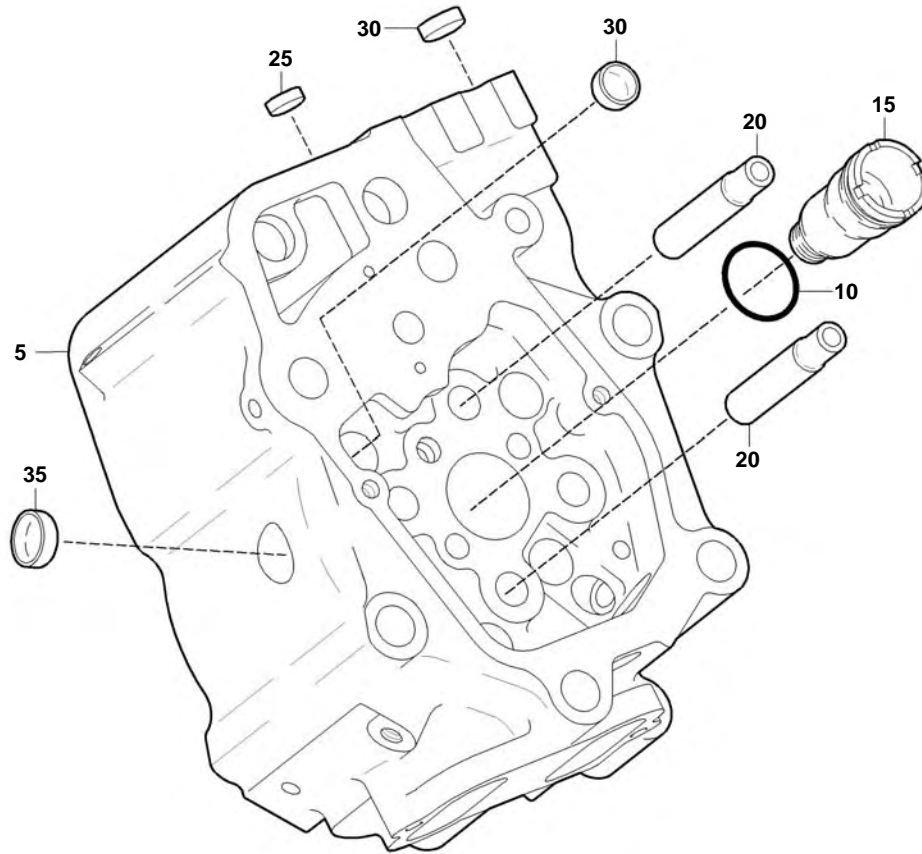
04100576a

POS. ITEM	BESTELLN. PART NO.	BENENNUNG DESIGNATION	STO QTY.	EINHEIT UNIT	ABMESSUNGEN DIMENSIONS	NORM STANDARD
5	X52404100006	ZYLINDERKOPF CYLINDER HEAD	1	ST PC		
10	700429039000	O-RING O-RING	1	ST PC	39,2 X 3	MMN429
15	5240160153	HUELSE SLEEVE	1	ST PC		
20	5260530029	VENTILFUEHRUNG VALVE GUIDE	4	ST PC		
25	5550160633	VERSCHLUSSDECKEL COVER	1	ST PC	D20	
30	5800160033	VERSCHLUSSDECKEL COVER	4	ST PC	D24	
35	5240160233	VERSCHLUSSDECKEL COVER	5	ST PC	D30	

TYP/MODEL: 20V4000G43
 SERIENNUMMER/
 SERIAL NO: 20V4000G43

ZYLINDERKOPF M. VENTILFUEHRUNGEN
 CYLINDER HEAD W/VALVE GUIDES

FG/FGS:
 STUECKLISTE/
 BOM: X52404100007



04100576a

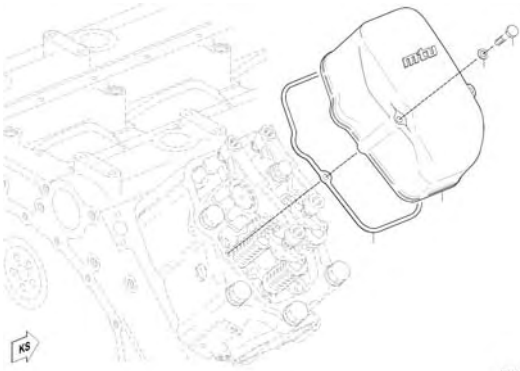
POS. ITEM	BESTELLNR. PART NO.	BENENNUNG DESIGNATION	STO QTY.	EINHEIT UNIT	FN FN	ABMESSUNGEN DIMENSIONS	NORM STANDARD
5	X52404100006	ZYLINDERKOPF CYLINDER HEAD	1	ST PC			
10	700429039000	O-RING O-RING	1	ST PC		39,2 X 3	MMN429
15	5240160153	HUELSE SLEEVE	1	ST PC			
20	(5240530530)	VENTILFUEHRUNG VALVE GUIDE	4	ST PC	KE		
25	5550160633	VERSCHLUSSDECKEL COVER	1	ST PC		D20	
30	5800160033	VERSCHLUSSDECKEL COVER	4	ST PC		D24	
35	5240160233	VERSCHLUSSDECKEL COVER	5	ST PC		D30	

TYP/MODEL: 20V4000G43
SERIENNUMMER/
SERIAL NO: 20V4000G43

ZYLINDERKOPF, ANBAUTEILE
CYLINDER HEAD ATTACHMENTS

FG/FGS: 042
STUECKLISTE/
BOM:

FUNKTIONSGRUPPE/GROUP NUMBER (FG)
GRUPPENNAME/GROUP NAME
STÜCKLISTENR/BOM NO.



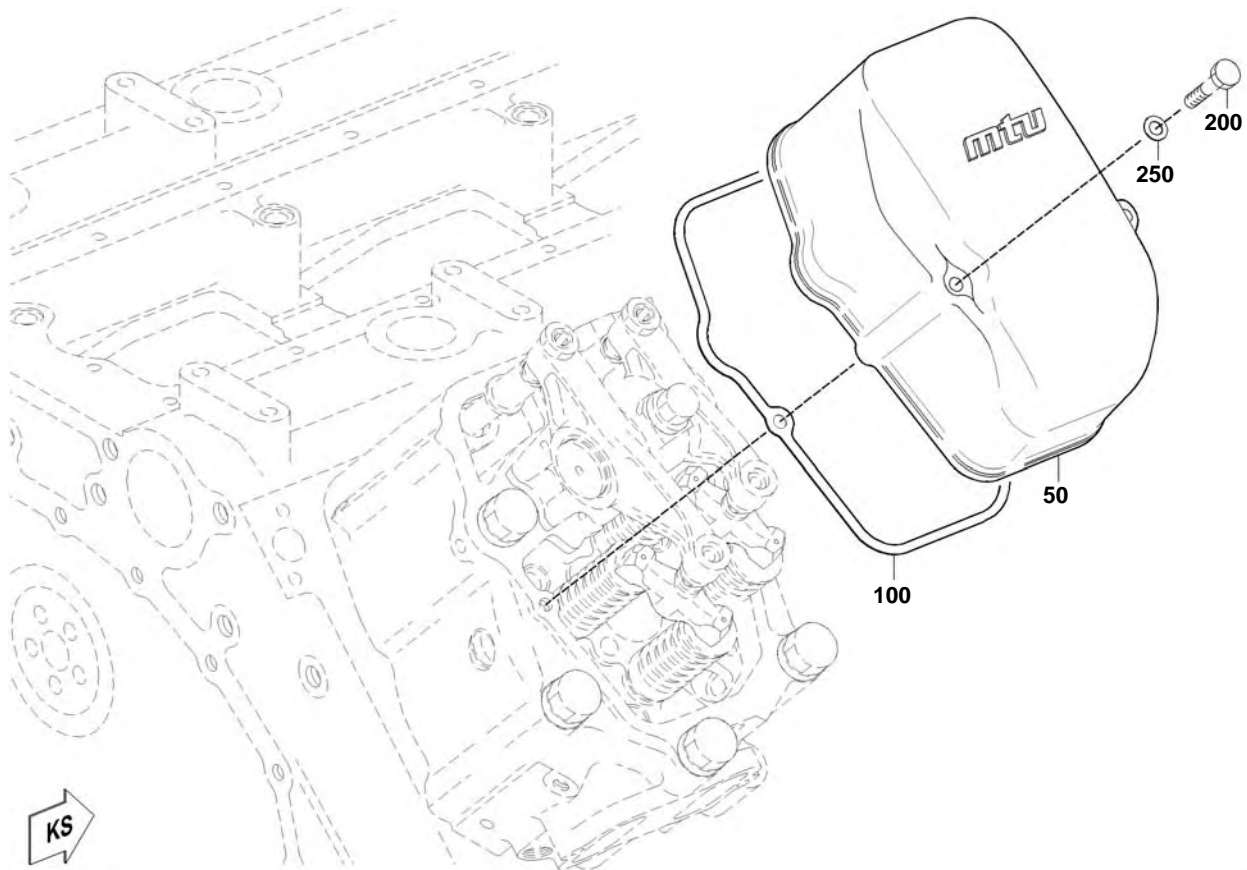
042
ZYLINDERKOPFHAUBE FUER 20V
CYLINDER HEAD COVER FOR 20V
X00030269

05000181c

TYP/MODEL: 20V4000G43
 SERIENNUMMER/
 SERIAL NO: 20V4000G43

ZYLINDERKOPFHAUBE FUER 20V
 CYLINDER HEAD COVER FOR 20V

FG/FGS: 042 05
 STUECKLISTE/
 BOM: X00030269



05500181c

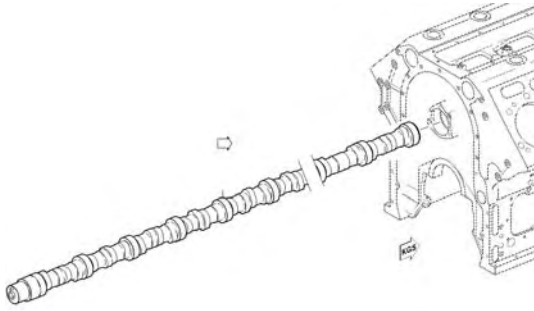
POS. ITEM	BESTELLN. PART NO.	BENENNUNG DESIGNATION	STO QTY.	EINHEIT UNIT	ABMESSUNGEN DIMENSIONS	NORM STANDARD
50	5240161305	ZYLINDERKOPFHAUBE CYLINDER HEAD COVER	20	ST PC		
100	700429256000	O-RING O-RING	20	ST PC	256 X 4	MMN429
200	000931010332	SECHSKANTSCHRAUBE SCREW	40	ST PC	M 10 X150	DIN931
250	000125010524	SCHEIBE WASHER	40	ST PC	A 10,5	DIN125

TYP/MODEL: 20V4000G43
SERIENNUMMER/
SERIAL NO: 20V4000G43

NOCKENWELLE
CAMSHAFT

FG/FGS: 051
STUECKLISTE/
BOM:

FUNKTIONSGRUPPE/GROUP NUMBER (FG)
GRUPPENNAME/GROUP NAME
STÜCKLISTENR/BOM NO.



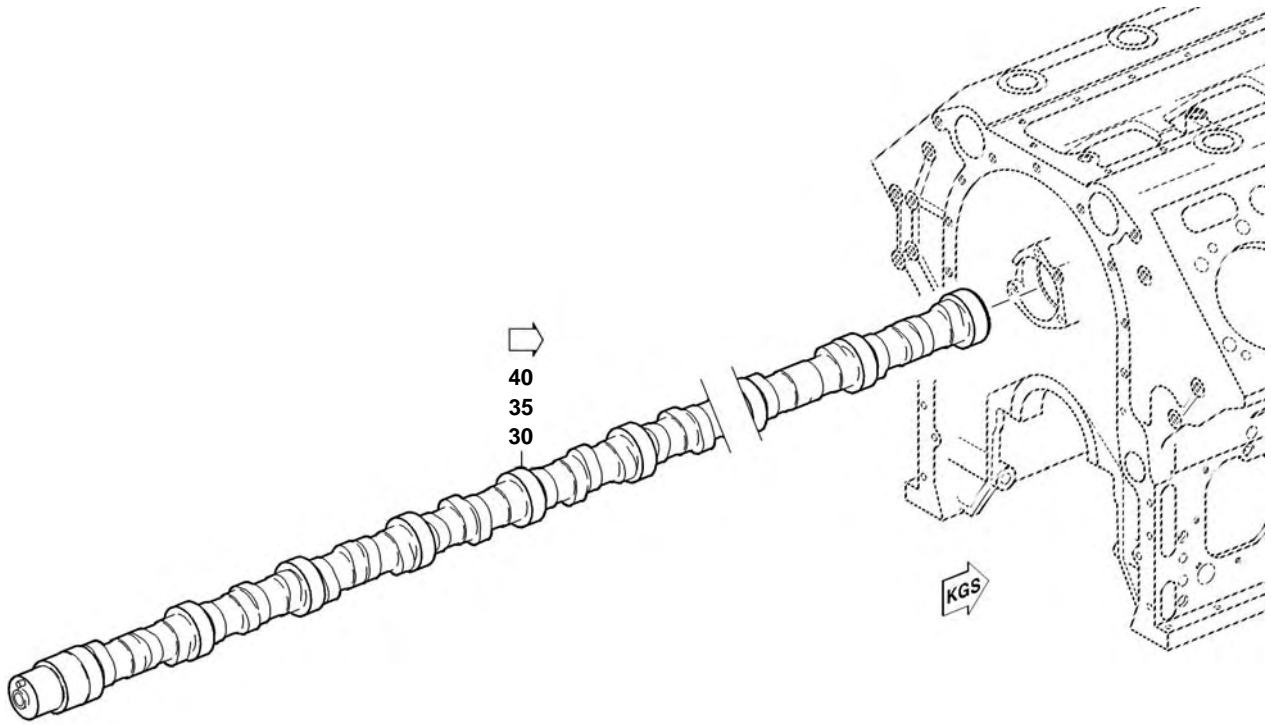
051
NOCKENWELLE
CAMSHAFT
050.00036

051000036

TYP/MODEL: 20V4000G43
SERIENNUMMER/
SERIAL NO: 20V4000G43

NOCKENWELLE
CAMSHAFT

FG/FGS: 051 05
STUECKLISTE/
BOM: 050.00036

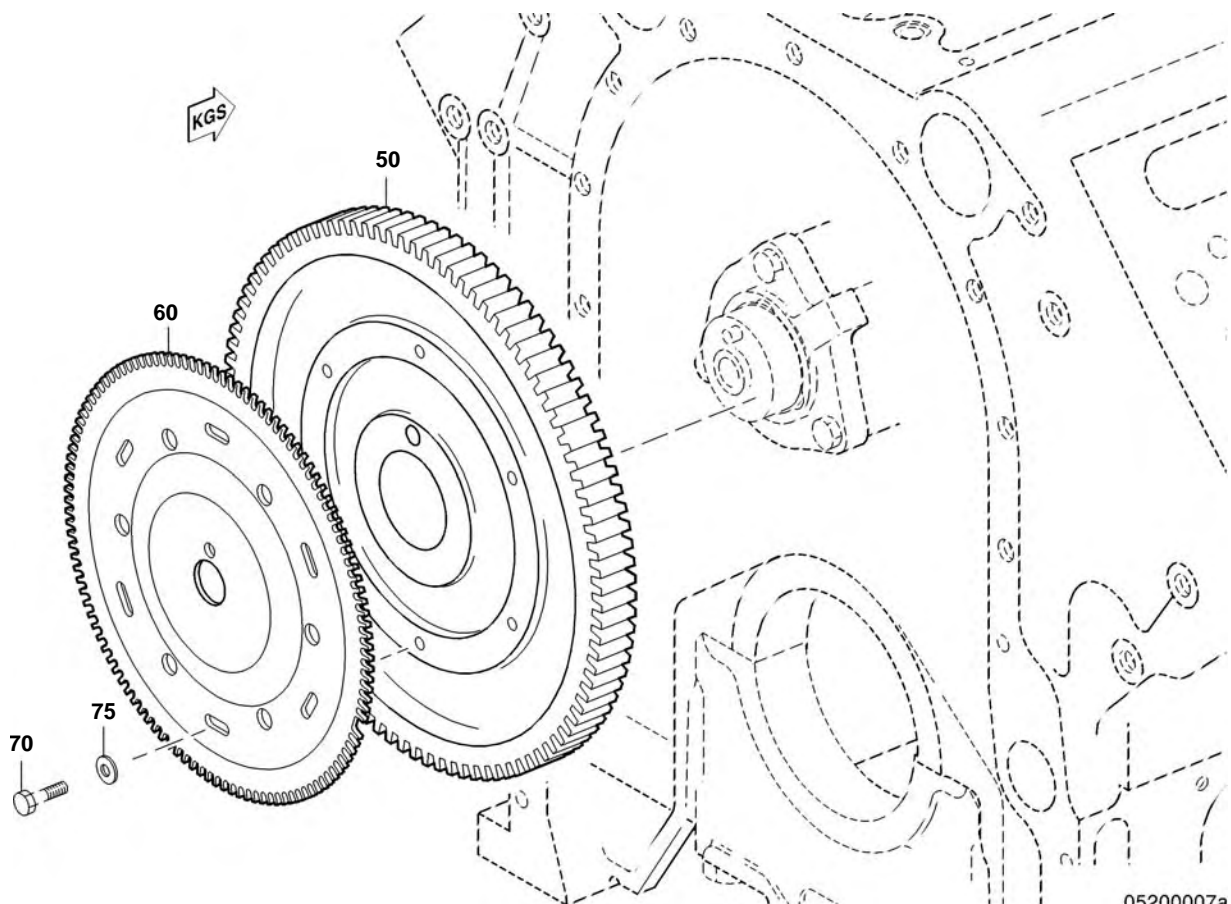


0510009a

TYP/MODEL: 20V4000G43
SERIENNUMMER/
SERIAL NO: 20V4000G43

NOCKENWELLE
CAMSHAFT

FG/FGS: 051 05
STUECKLISTE/
BOM: 050.00036

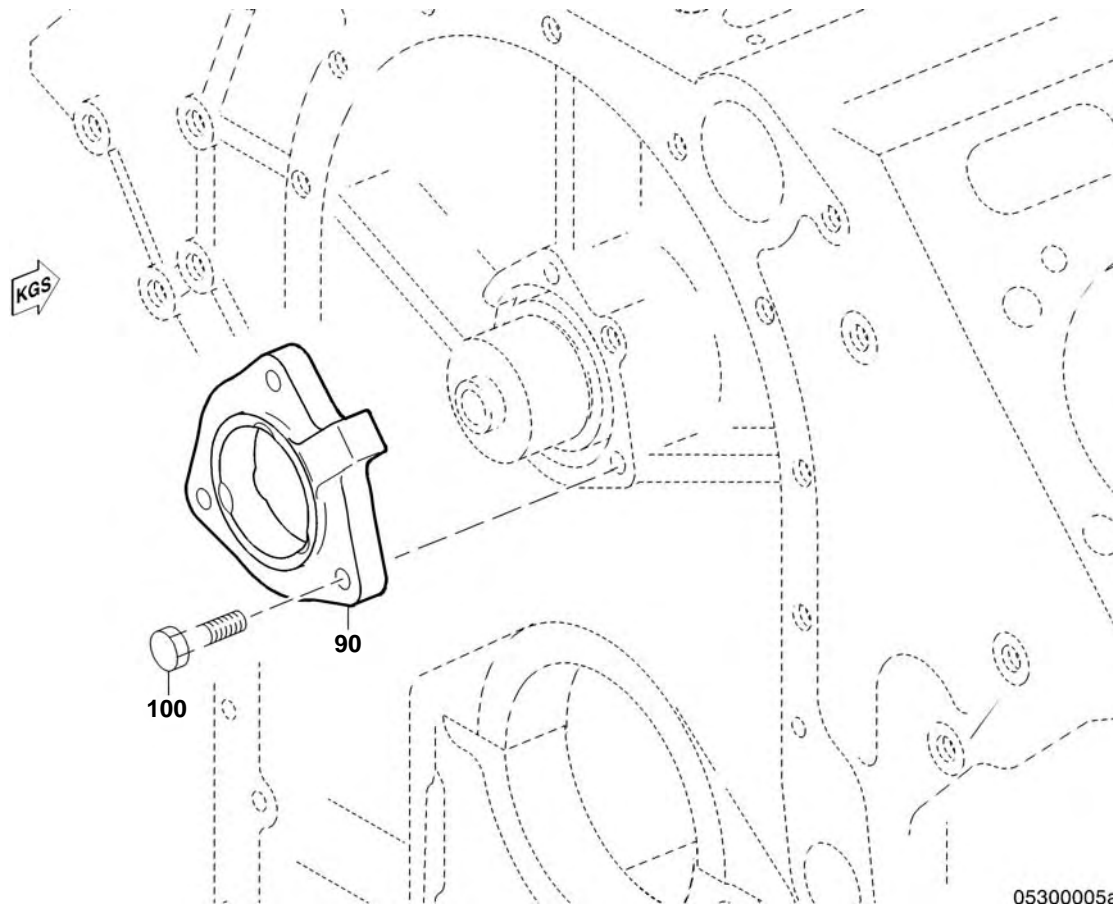


0520007a

TYP/MODEL: 20V4000G43
SERIENNUMMER/
SERIAL NO: 20V4000G43

NOCKENWELLE
CAMSHAFT

FG/FGS: 051 05
STUECKLISTE/
BOM: 050.00036

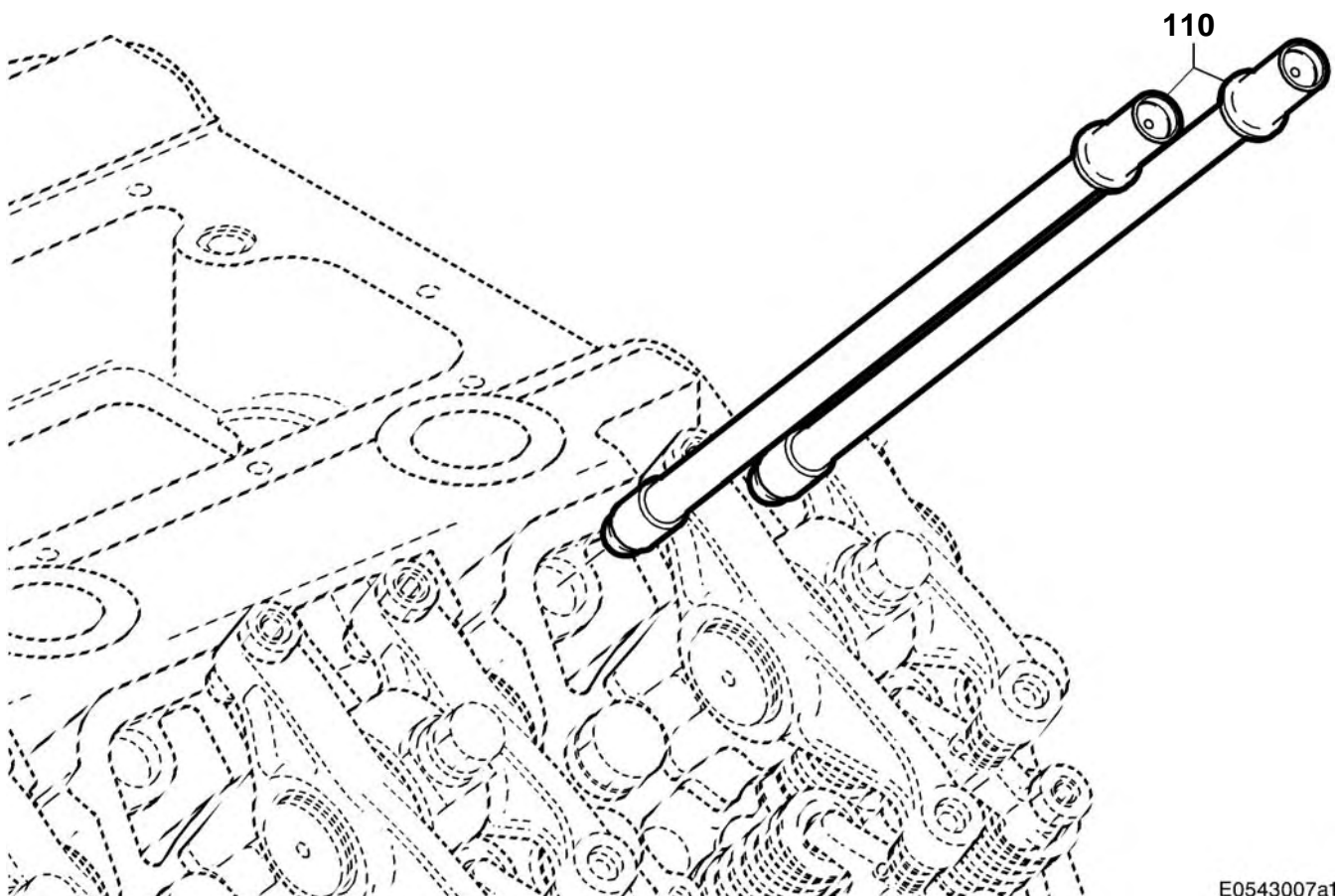


05300005a

TYP/MODEL: 20V4000G43
SERIENNUMMER/
SERIAL NO: 20V4000G43

NOCKENWELLE
CAMSHAFT

FG/FGS: 051 05
STUECKLISTE/
BOM: 050.00036



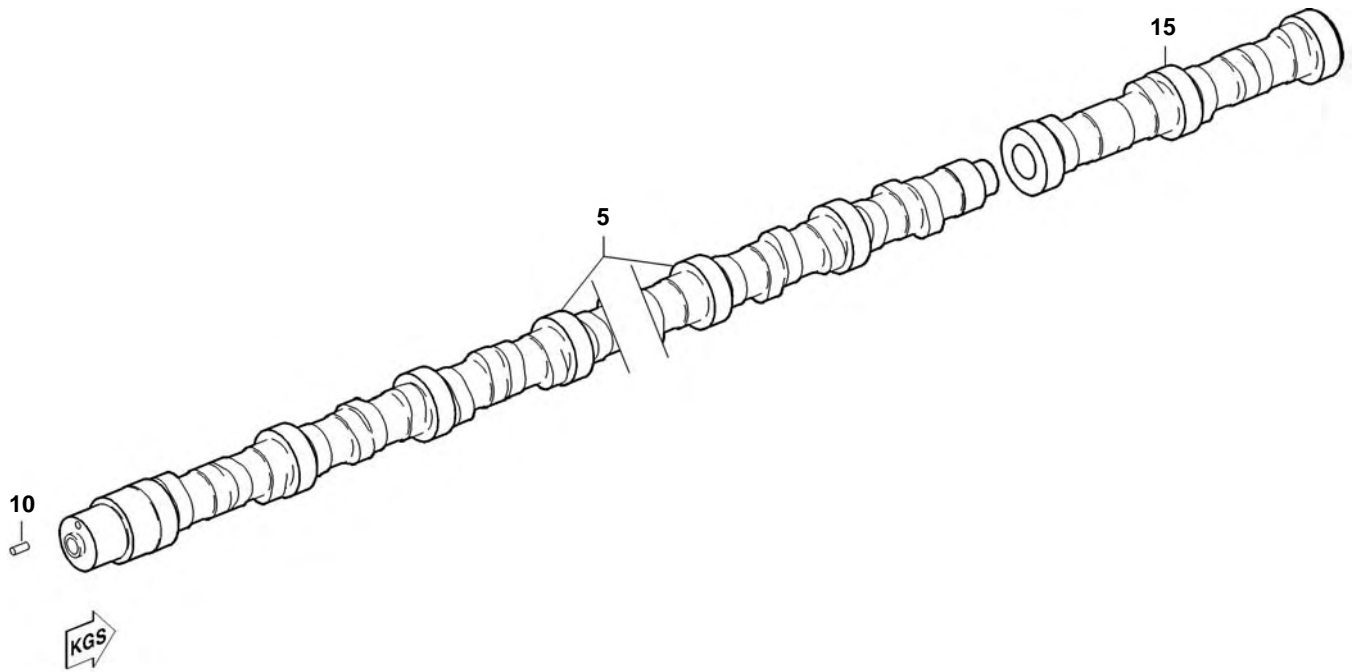
E0543007a1

POS.	BESTELNR.	BENENNUNG	STO	EINHEIT	FN	ABMESSUNGEN	NORM
ITEM	PART NO.	DESIGNATION	QTY.	UNIT	FN	DIMENSIONS	STANDARD
30	5280500101	NOCKENWELLE CAMSHAFT	1	ST PC			
35	E5280500101	NOCKENWELLE CAMSHAFT	1	ST PC	MN		
50	X00019152	NOCKENWELLENRAD CAMSHAFT GEAR	1	ST PC			
60	5280520048	MESSRAD METERING WHEEL	1	ST PC			
70	304017008085	SECHSKANTSCHRAUBE SCREW	6	ST PC		M 8 X 40	ISO4017
75	007349008002	SCHEIBE WASHER	6	ST PC		8,4	DIN7349
90	5280500044	AXIALLAGERFLANSCH FUER NOCKENWELLE THRUST BEARING FLANG FOR CAMSHAFT	1	ST PC	NN		
100	000933012051	SECHSKANTSCHRAUBE SCREW	3	ST PC		M 12 X 50	DIN933
110	5240500930	STOESSELSTANGE PUSHROD	40	ST PC			

TYP/MODEL: 20V4000G43
SERIENNUMMER/
SERIAL NO: 20V4000G43

NOCKENWELLE
CAMSHAFT

FG/FGS:
STUECKLISTE/
BOM: 5280500101



05100010a

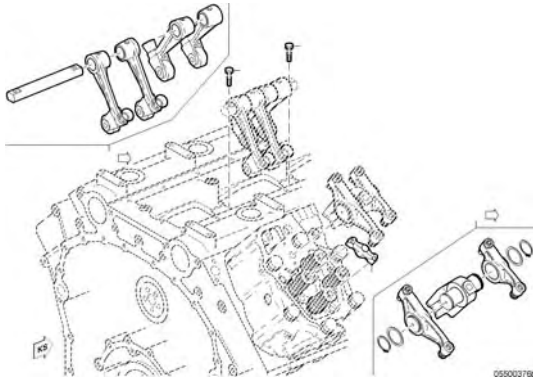
POS. ITEM	BESTELLNR. PART NO.	BENENNUNG DESIGNATION	STO QTY.	EINHEIT UNIT	FN FN	ABMESSUNGEN DIMENSIONS	NORM STANDARD
5	5280510201	NOCKENWELLE FREIE SEITE CAMSHAFT FREE END	1	ST PC	NN		
10	00007010124	ZYLINDERSTIFT DOWEL PIN	1	ST PC		10 M6 X 20	DIN7
15	5280510101	NOCKENWELLE ANTRIEBSSEITE CAMSHAFT DRIVING END	1	ST PC	EMN		

TYP/MODEL: 20V4000G43
SERIENNUMMER/
SERIAL NO: 20V4000G43

VENTILANTRIEB
VALVE DRIVE

FG/FGS: 055
STUECKLISTE/
BOM:

FUNKTIONSGRUPPE/GROUP NUMBER (FG)
GRUPPENNAME/GROUP NAME
STÜCKLISTENR/BOM NO.

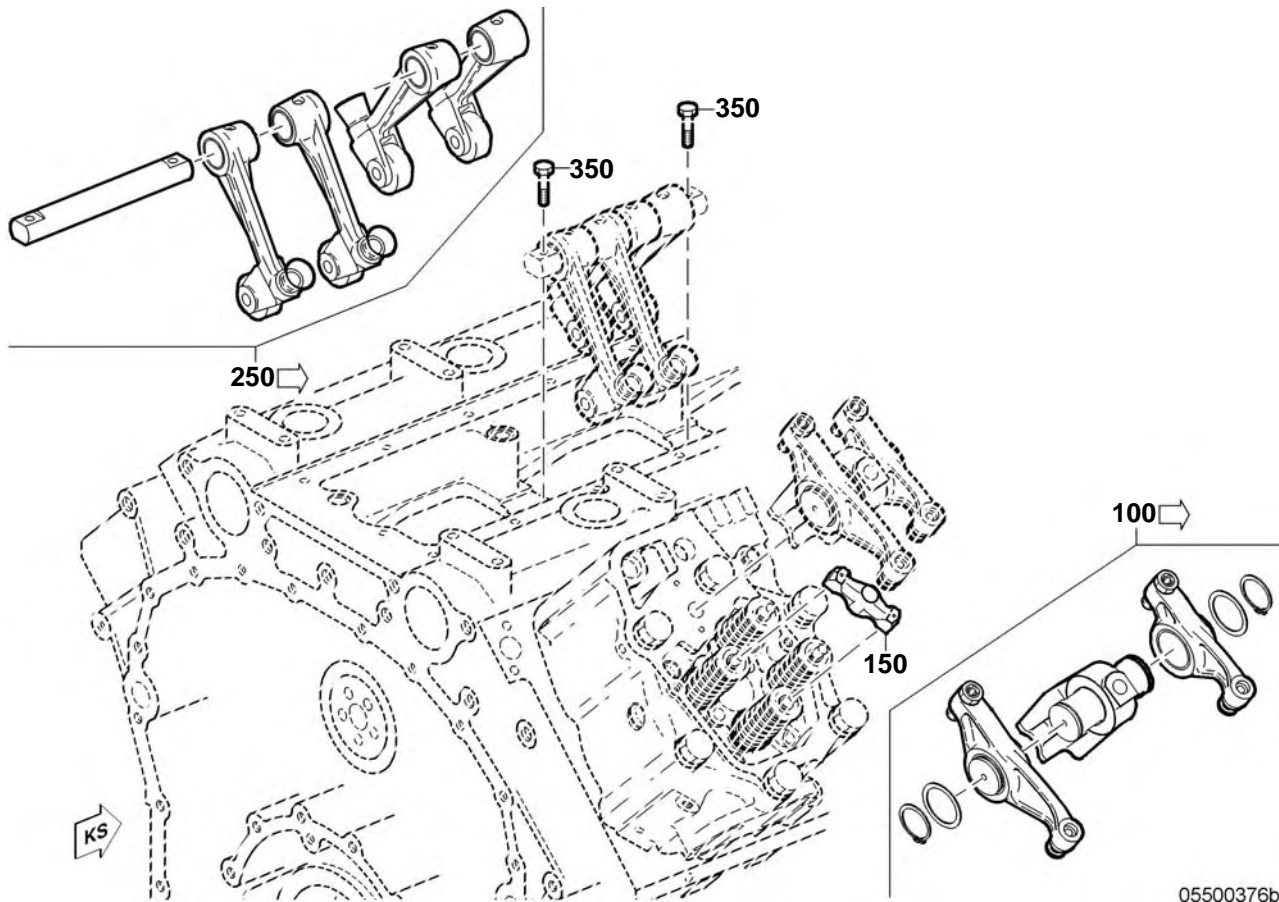


055
VENTILSTEUERUNG FUER 20V
VALVE GEAR FOR 20V
X00030268

TYP/MODEL: 20V4000G43
 SERIENNUMMER/
 SERIAL NO: 20V4000G43

VENTILSTEUERUNG FUER 20V
 VALVE GEAR FOR 20V

FG/FGS: 055 05
 STUECKLISTE/
 BOM: X00030268

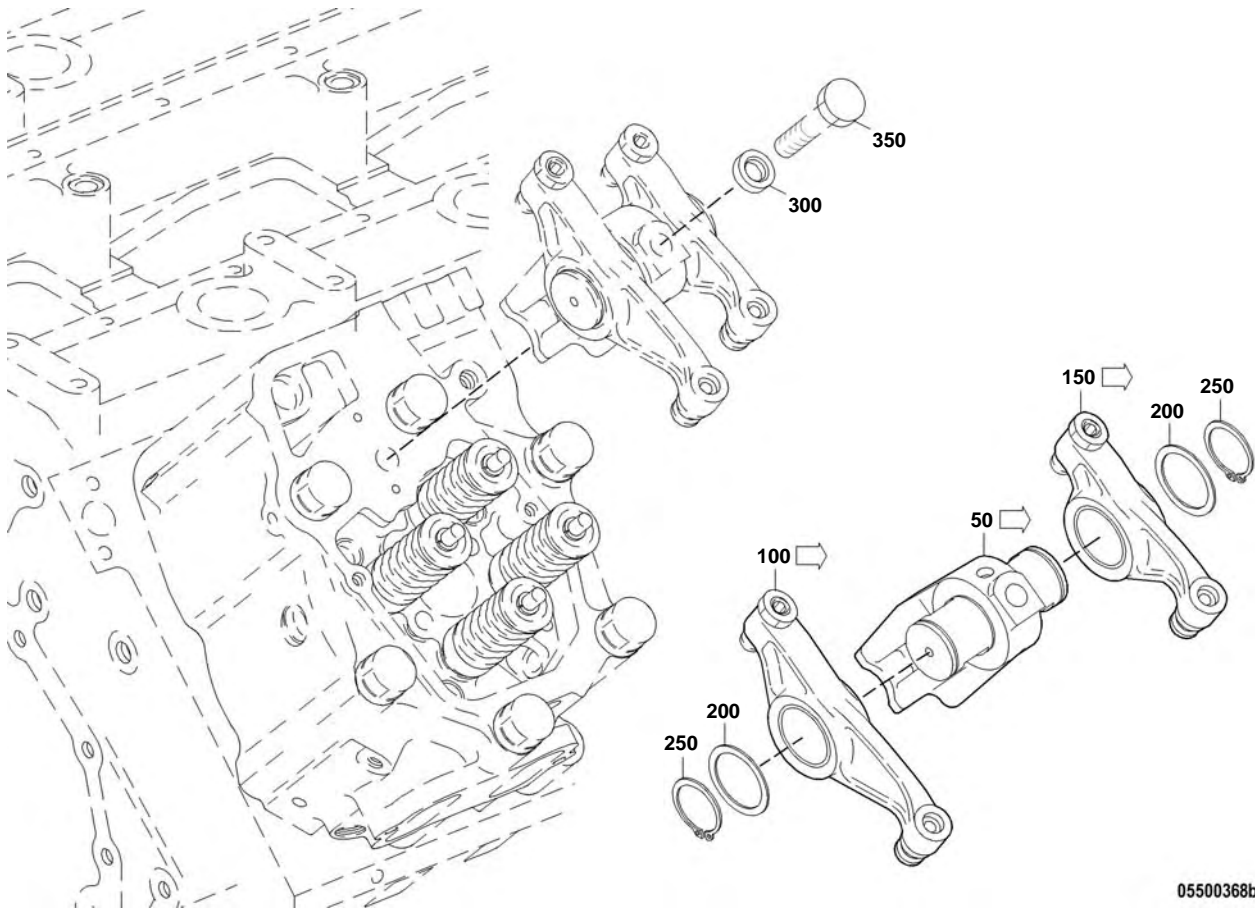


POS. ITEM	BESTELLN. PART NO.	BENENNUNG DESIGNATION	STO QTY.	EINHEIT UNIT	ABMESSUNGEN DIMENSIONS	NORM STANDARD
100	X00018636	KIPPHEBEL ROCKER ARM	20	ST PC		
150	5240551106	VENTILBRUECKE VALVE BRIDGE	40	ST PC		
250	5240502335	SCHWINGHEBEL SWING FOLL.	10	ST PC		
350	000933010194	SECHSKANTSCHRAUBE SCREW	20	ST PC	M 10 X 40	DIN933

TYP/MODEL: 20V4000G43
 SERIENNUMMER/
 SERIAL NO: 20V4000G43

KIPPHEBEL
 ROCKER ARM

FG/FGS:
 STUECKLISTE/
 BOM: X00018636



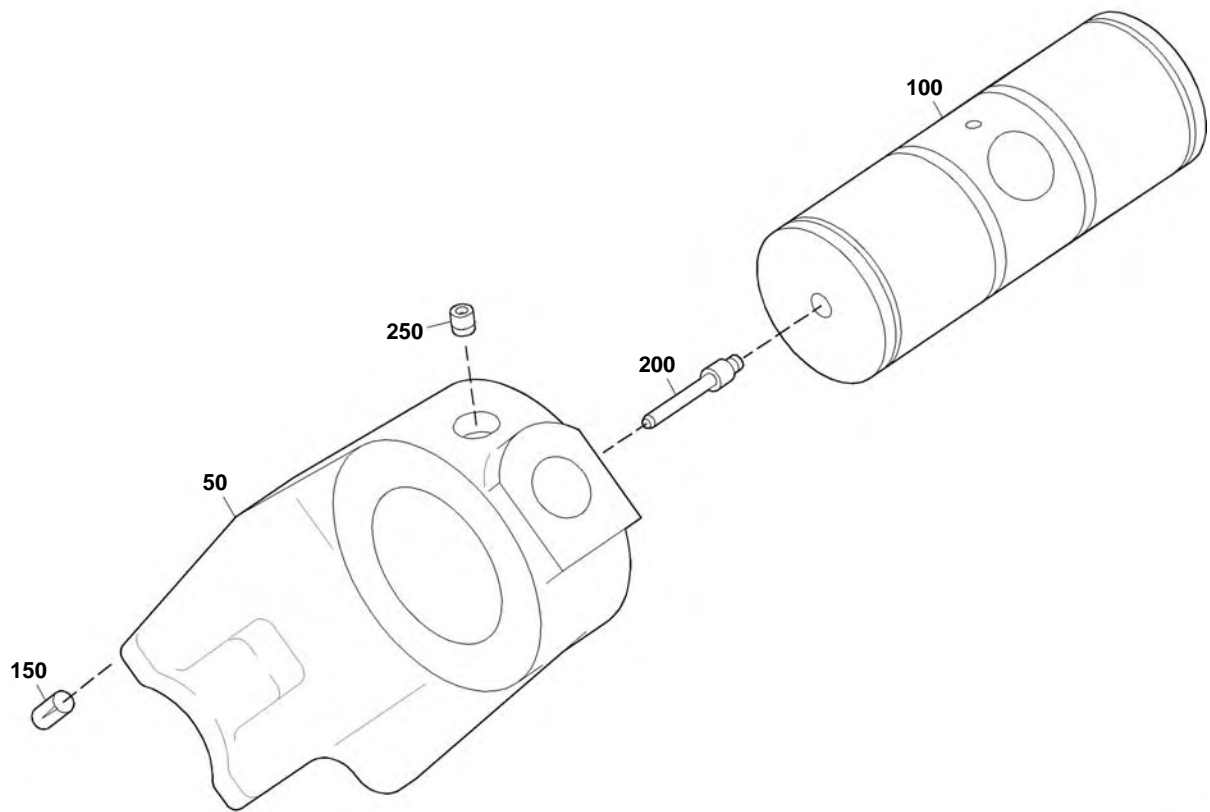
05500368b

POS. ITEM	BESTELLNR. PART NO.	BENENNUNG DESIGNATION	STO QTY.	EINHEIT UNIT	ABMESSUNGEN DIMENSIONS	NORM STANDARD
50	X00018621	KIPPHEBELBOCK ROCKER SHAFT SUPPORT	1	ST PC		
100	5240500933	KIPPHEBEL EINLASS ROCKER ARM INLET	1	ST PC		
150	5240500434	KIPPHEBEL AUSLASS ROCKER ARM EXHAUST	1	ST PC		
200	200988045000	PASSSCHEIBE ADJUSTING WASHER	2	ST PC	45 X 55 X 1,5	DIN988
250	000471045000	SICHERUNGSRING SNAP RING	2	ST PC	45 X 1,75	DIN471
300	700521016200	SCHEIBE WASHER	1	ST PC	16,2	MMN521
350	000931016091	SECHSKANTSCHRAUBE SCREW	1	ST PC	M 16 X180	DIN931

TYP/MODEL: 20V4000G43
SERIENNUMMER/
SERIAL NO: 20V4000G43

KIPPHEBELBOCK
ROCKER SHAFT SUPPORT

FG/FGS:
STUECKLISTE/
BOM: X00018621



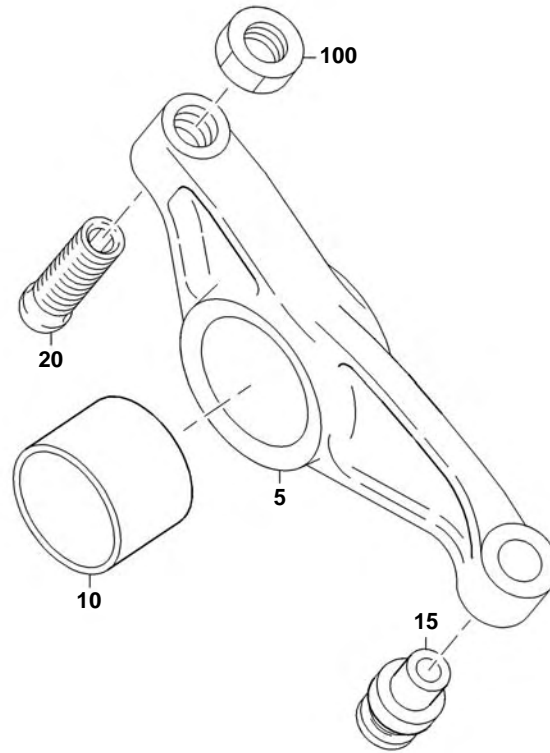
05500369b

POS. ITEM	BESTELLNR. PART NO.	BENENNUNG DESIGNATION	STO QTY.	EINHEIT UNIT	ABMESSUNGEN DIMENSIONS	NORM STANDARD
50	X00018622	KIPPHEBELBOCK ROCKER SHAFT SUPPORT	1	ST PC		
100	5240550705	KIPPHEBELACHSE ROCKER SHAFT	1	ST PC		
150	001474006000	KERBSTIFT GROOVED PIN	2	ST PC	6 X 12	DIN1474
200	735073007000	DICHTSTOPFEN PLUG	1	ST PC	7	MTN5073
250	X00018633	OELSPRITZDUESE OIL SPRAY NOZZLE	1	ST PC		

TYP/MODEL: 20V4000G43
 SERIENNUMMER/
 SERIAL NO: 20V4000G43

KIPPEBEL EINLASS
 ROCKER ARM INLET

FG/FGS:
 STUECKLISTE/
 BOM: 5240500933



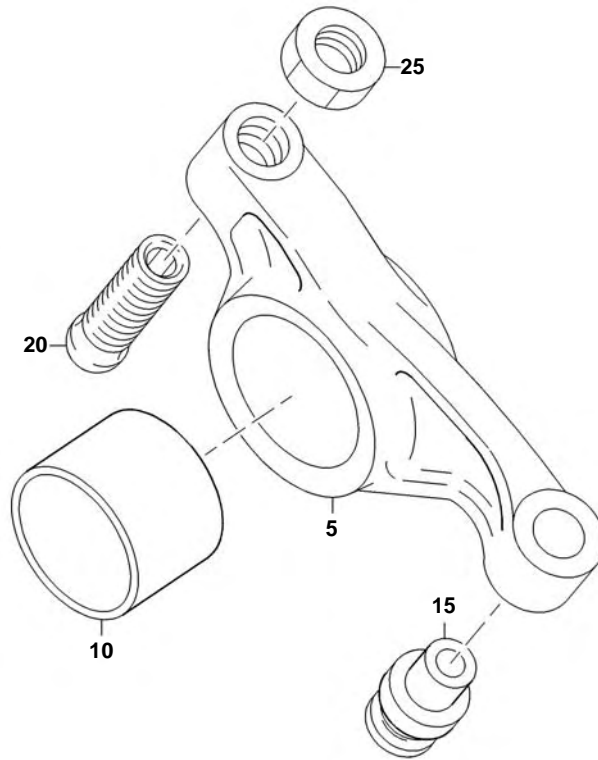
E0005513b1

POS. ITEM	BESTELLNR. PART NO.	BENENNUNG DESIGNATION	STO QTY.	EINHEIT UNIT	ABMESSUNGEN DIMENSIONS	NORM STANDARD
5	5240550801	KIPPEBEL EINLASS ROCKER ARM INLET	1	ST PC		
10	5240550550	BUCHSE BUSHING	1	ST PC		
15	5240500145	DRUCKSTUECK THRUST MEMBER	1	ST PC		
20	5240550320	EINSTELLSCHRAUBE ADJUSTING SCREW	1	ST PC		
100	000439016201	SECHSKANTMUTTER HEX NUT	1	ST PC	B M 16 X 1,5	DIN439

TYP/MODEL: 20V4000G43
 SERIENNUMMER/
 SERIAL NO: 20V4000G43

KIPPHEBEL AUSLASS
 ROCKER ARM EXHAUST

FG/FGS:
 STUECKLISTE/
 BOM: 5240500434



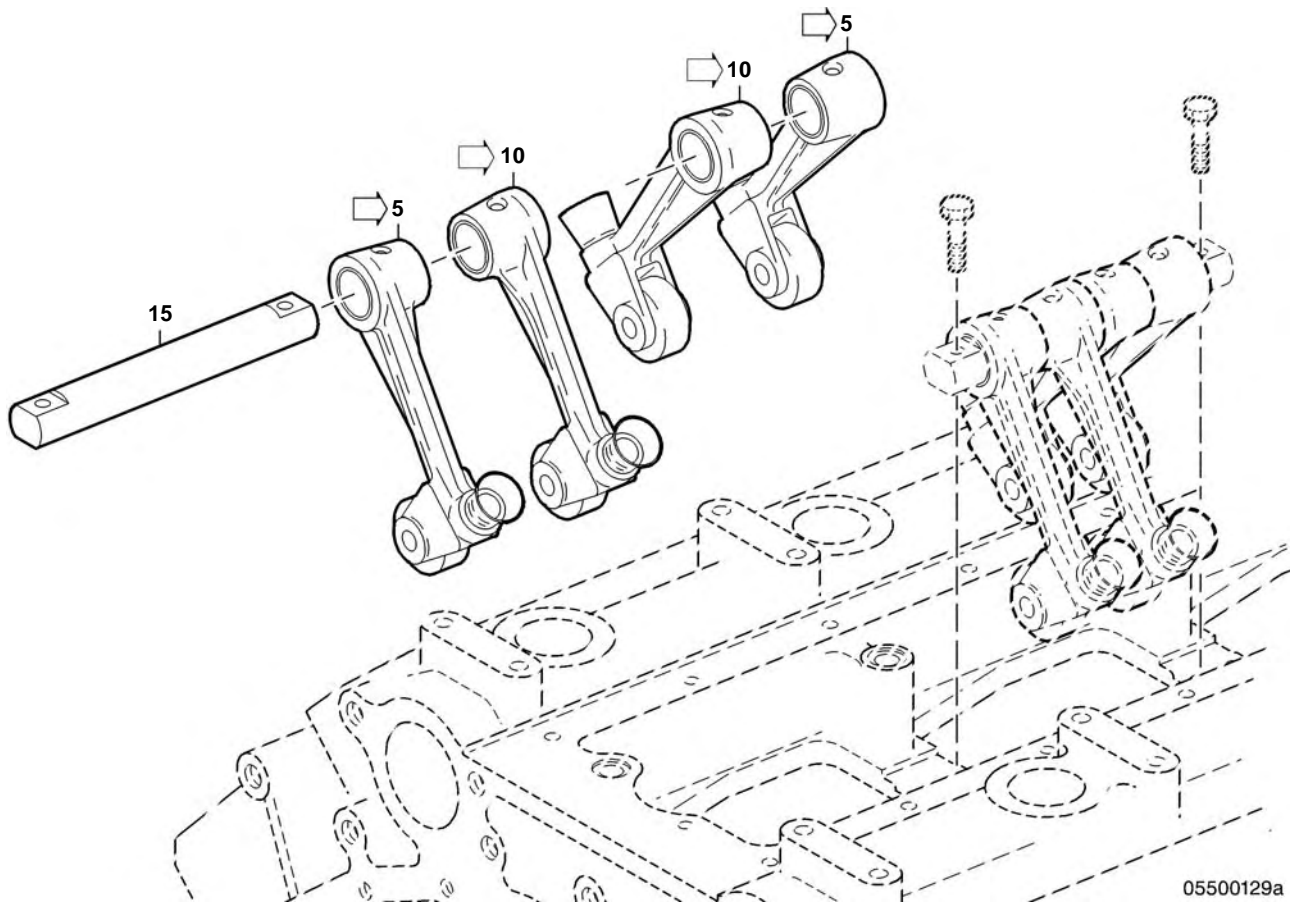
E0005514b1

POS. ITEM	BESTELLN. PART NO.	BENENNUNG DESIGNATION	STO QTY.	EINHEIT UNIT	ABMESSUNGEN DIMENSIONS	NORM STANDARD
5	5240550203	KIPPHEBEL AUSLASS ROCKER ARM EXHAUST	1	ST PC		
10	5240550550	BUCHSE BUSHING	1	ST PC		
15	5240500145	DRUCKSTUECK THRUST MEMBER	1	ST PC		
20	5240550320	EINSTELLSCHRAUBE ADJUSTING SCREW	1	ST PC		
25	000439016201	SECHSKANTMUTTER HEX NUT	1	ST PC	B M 16 X 1,5	DIN439

TYP/MODEL: 20V4000G43
 SERIENNUMMER/
 SERIAL NO: 20V4000G43

SCHWINGHEBEL
 SWING FOLL.

FG/FGS:
 STUECKLISTE/
 BOM: 5240502335

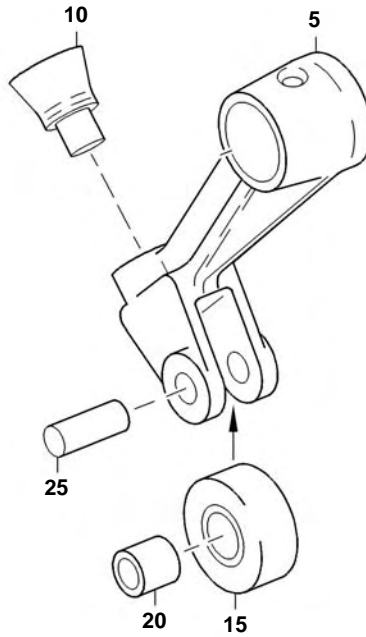


POS. ITEM	BESTELNR. PART NO.	BENENNUNG DESIGNATION	STO QTY.	EINHEIT UNIT
5	5240502135	SCHWINGHEBEL EINLASS SWING FOLL. INLET	2	ST PC
10	5240502235	SCHWINGHEBEL AUSLASS SWING FOLL. EXHAUST	2	ST PC
15	5240550505	SCHWINGHEBELACHSE ROCKER SHAFT	1	ST PC

TYP/MODEL: 20V4000G43
 SERIENNUMMER/
 SERIAL NO: 20V4000G43

SCHWINGHEBEL EINLASS
 SWING FOLL. INLET

FG/FGS:
 STUECKLISTE/
 BOM: 5240502135



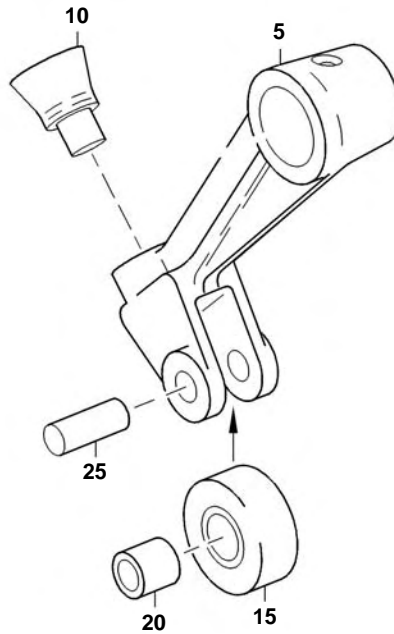
05500114a

POS. ITEM	BESTELLNR. PART NO.	BENENNUNG DESIGNATION	STO QTY.	EINHEIT UNIT	FN FN	ABMESSUNGEN DIMENSIONS
5	5240550501	SCHWINGHEBEL SWING FOLL.	1	ST PC		
10	5240550524	KUGELPFANNE BALL SOCKET	1	ST PC		
15	(5240550018)	ROLLE ROLLER	1	ST PC	KE	100 CR 6
20	(5240550650)	BUCHSE BUSHING	1	ST PC	KE	
25	(5550540174)	BOLZEN PIN	1	ST PC	KE	

TYP/MODEL: 20V4000G43
 SERIENNUMMER/
 SERIAL NO: 20V4000G43

SCHWINGHEBEL AUSLASS
 SWING FOLL. EXHAUST

FG/FGS:
 STUECKLISTE/
 BOM: 5240502235



05500113a

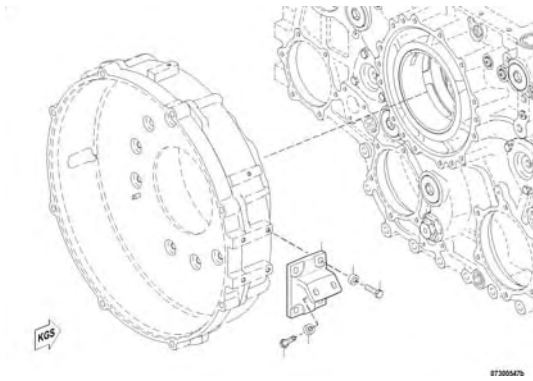
POS. ITEM	BESTELNR. PART NO.	BENENNUNG DESIGNATION	STO QTY.	EINHEIT UNIT	FN FN	ABMESSUNGEN DIMENSIONS
5	5240550601	SCHWINGHEBEL SWING FOLL.	1	ST PC		
10	5240550524	KUGELPFANNE BALL SOCKET	1	ST PC		
15	(5240550018)	ROLLE ROLLER	1	ST PC	KE	100 CR 6
20	(5240550650)	BUCHSE BUSHING	1	ST PC	KE	
25	(5550540174)	BOLZEN PIN	1	ST PC	KE	

TYP/MODEL: 20V4000G43
SERIENNUMMER/
SERIAL NO: 20V4000G43

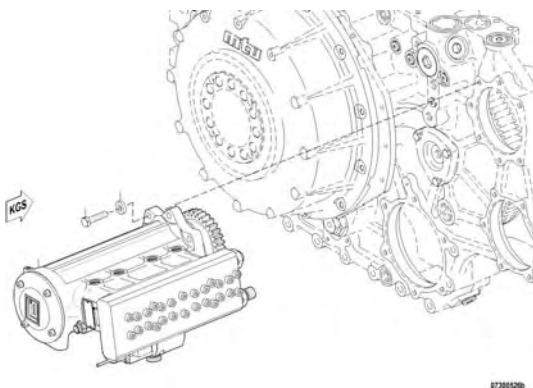
EINSPRITZPUMPE / HOCHDRUCKPUMPE
INJECTION PUMP / HP PUMP

FG/FGS: 073
STUECKLISTE/
BOM:

FUNKTIONSGRUPPE/GROUP NUMBER (FG)
GRUPPENNAME/GROUP NAME
STÜCKLISTENR/BOM NO.



073
HALTERUNG FUER HOCHDRUCKPUMPE
RETAINER FOR HP PUMP
X00023386

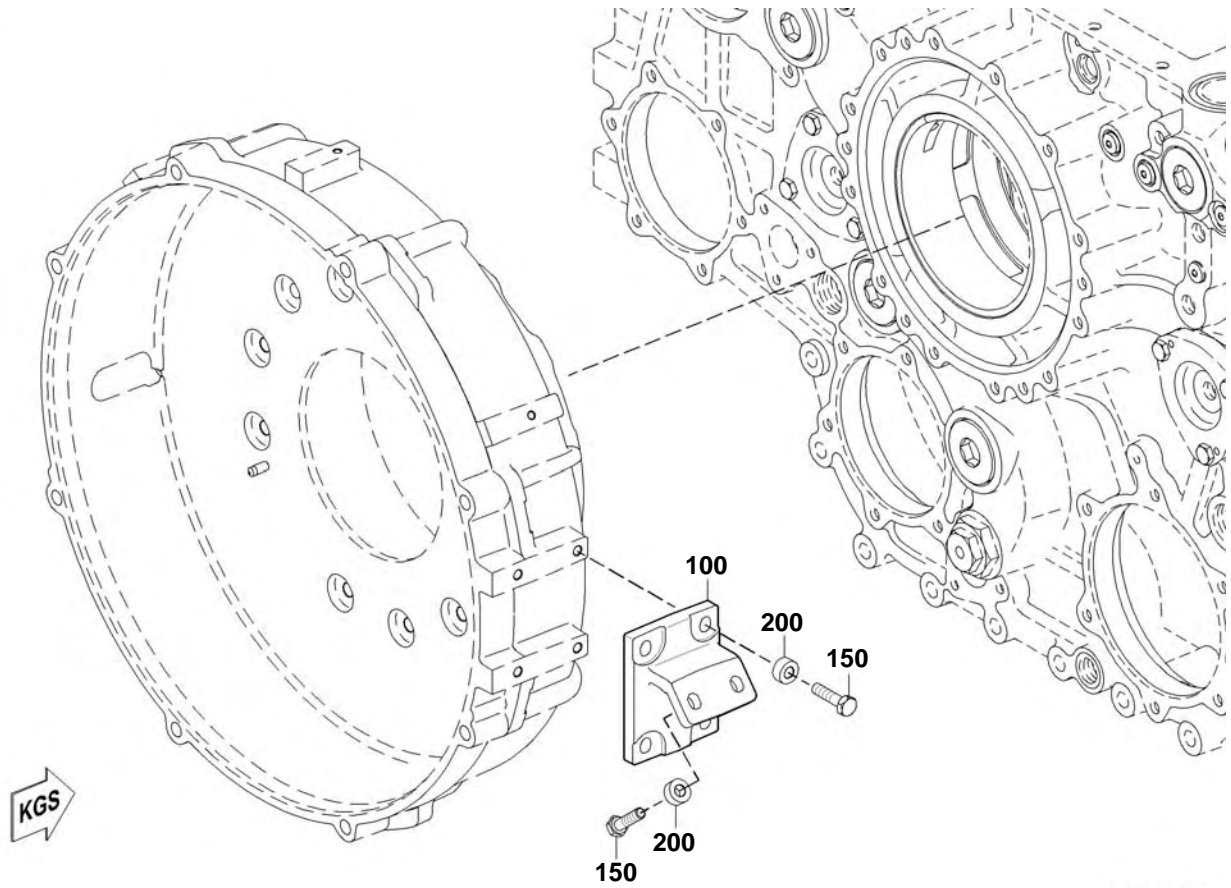


073
HOCHDRUCKPUMPE
HP PUMP
XS527070.00002

TYP/MODEL: 20V4000G43
 SERIENNUMMER/
 SERIAL NO: 20V4000G43

HALTERUNG FUER HOCHDRUCKPUMPE
 RETAINER FOR HP PUMP

FG/FGS: 073 05
 STUECKLISTE/
 BOM: X00023386



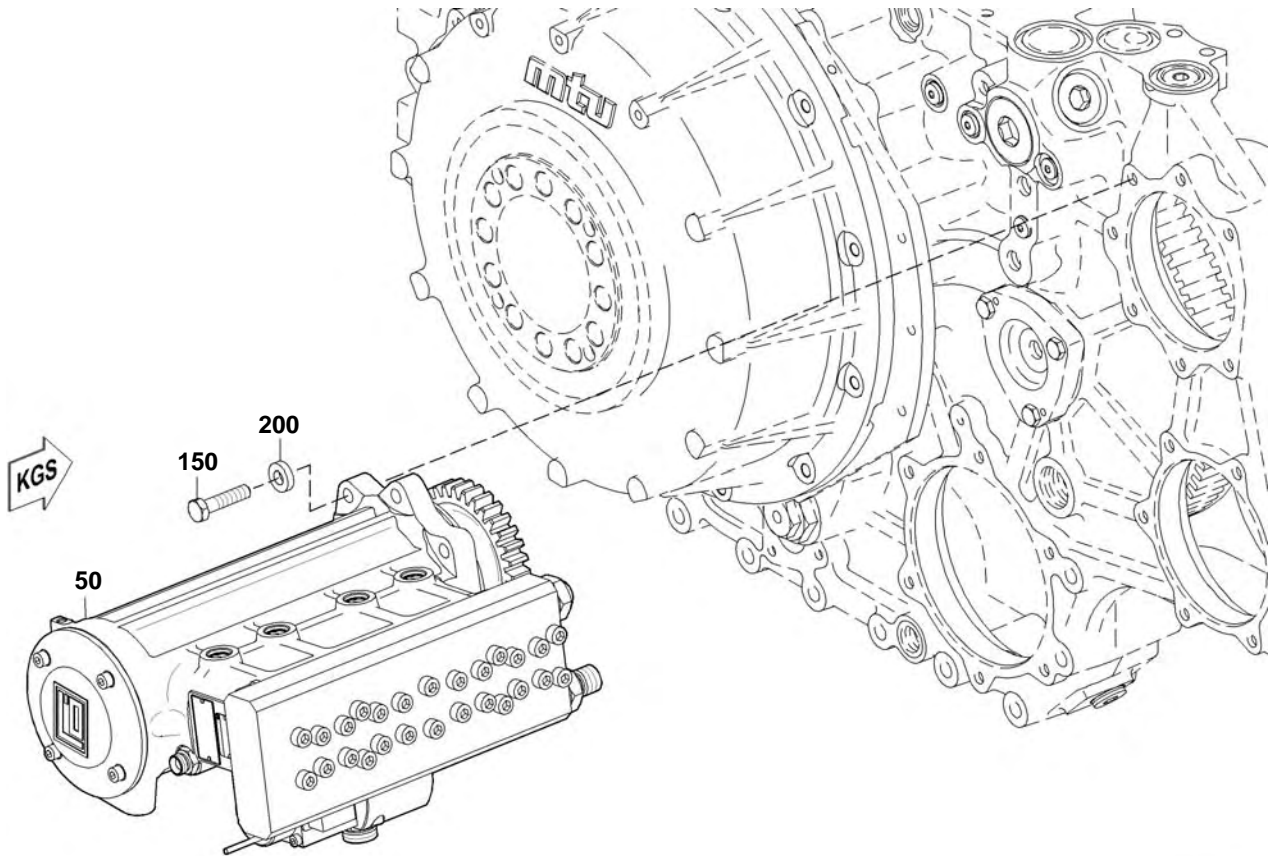
07300547b

POS. ITEM	BESTELNR. PART NO.	BENENNUNG DESIGNATION	STO QTY.	EINHEIT UNIT	ABMESSUNGEN DIMENSIONS	NORM STANDARD
100	X00022214	HALTER RETAINER	1	ST PC		
150	000933010094	SECHSKANTSCHRAUBE SCREW	6	ST PC	M 10 X 40	DIN933
200	735151010200	SCHEIBE WASHER	6	ST PC	B 10,5	MTN5151

TYP/MODEL: 20V4000G43
 SERIENNUMMER/
 SERIAL NO: 20V4000G43

HOCHDRUCKPUMPE
 HP PUMP

FG/FGS: 073 05
 STUECKLISTE/
 BOM: XS527070.00002



07300526b

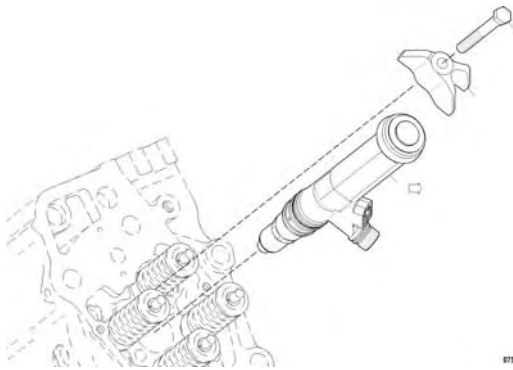
POS. ITEM	BESTELNR. PART NO.	BENENNUNG DESIGNATION	STO QTY.	EINHEIT UNIT	ABMESSUNGEN DIMENSIONS	NORM STANDARD
50	X52707300001	HOCHDRUCKPUMPE HP PUMP	1	ST PC		
150	304017012018	SECHSKANTSCHRAUBE SCREW	7	ST PC	M 12 X 50	ISO4017
200	735151012100	SCHEIBE WASHER	6	ST PC	A 12,5	MTN5151

TYP/MODEL: 20V4000G43
SERIENNUMMER/
SERIAL NO: 20V4000G43

EINSPRITZVENTIL / INJEKTOR
FUEL INJECTOR

FG/FGS: 075
STUECKLISTE/
BOM:

FUNKTIONSGRUPPE/GROUP NUMBER (FG)
GRUPPENNAME/GROUP NAME
STÜCKLISTENR/BOM NO.



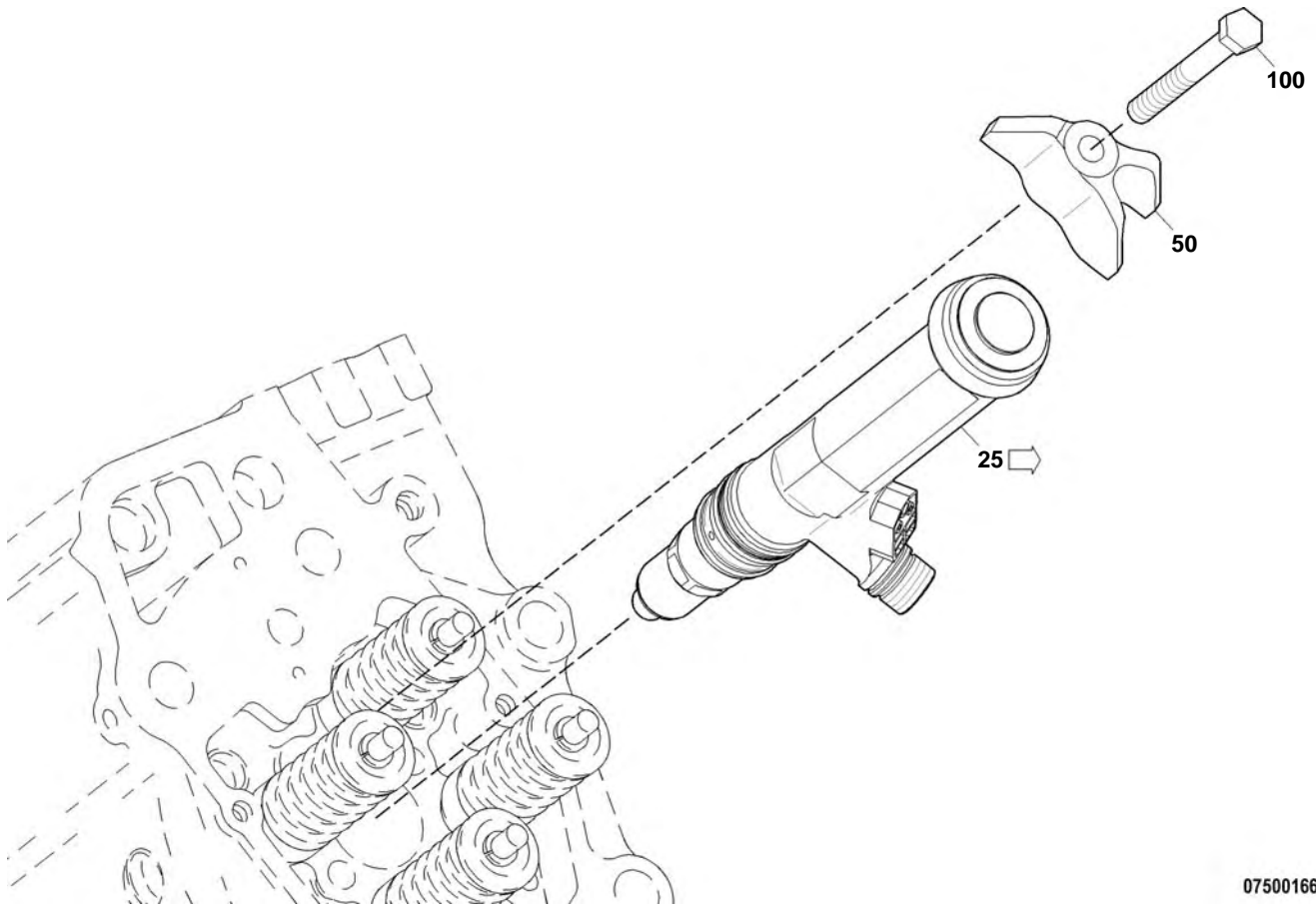
075
EINSPRITZVENTIL
INJECTOR
XS528070.00001

07500100c

TYP/MODEL: 20V4000G43
SERIENNUMMER/
SERIAL NO: 20V4000G43

EINSPRITZVENTIL
INJECTOR

FG/FGS: 075 05
STUECKLISTE/
BOM: XS528070.00001

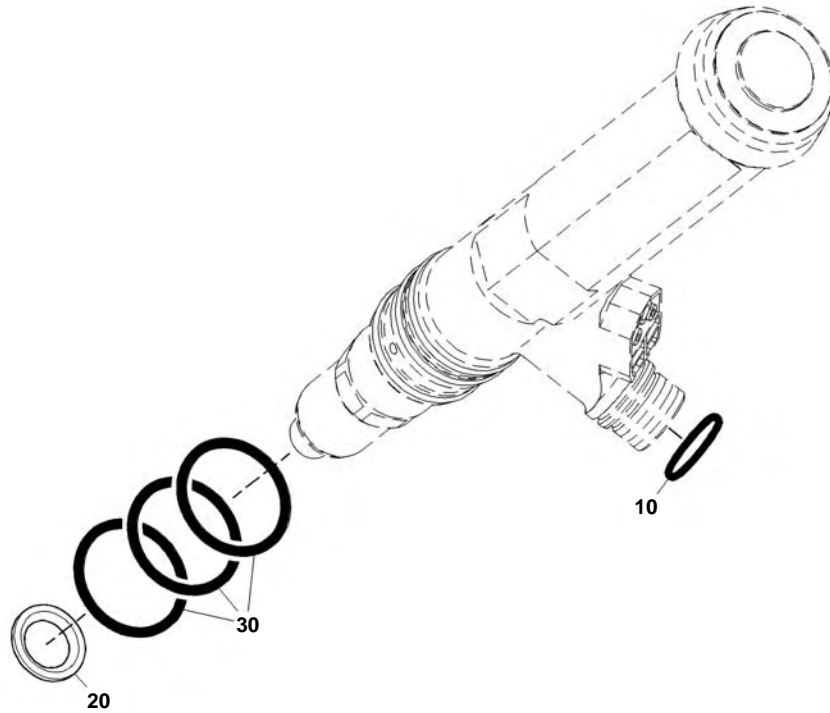


POS. ITEM	BESTELNR. PART NO.	BENENNUNG DESIGNATION	STO QTY.	EINHEIT UNIT	ABMESSUNGEN DIMENSIONS
25	X52407500004	EINSPRITZVENTIL INJECTOR	20	ST PC	
50	5240780535	SPANNBRIDE HOLD-DOWN CLAMP	20	ST PC	
100	5249902101	SECHSKANTSCHRAUBE SCREW	20	ST PC	M12X100

TYP/MODEL: 20V4000G43
 SERIENNUMMER/
 SERIAL NO: 20V4000G43

EINSPRITZVENTIL
 INJECTOR

FG/FGS:
 STUECKLISTE/
 BOM: X52407500004



07500167b

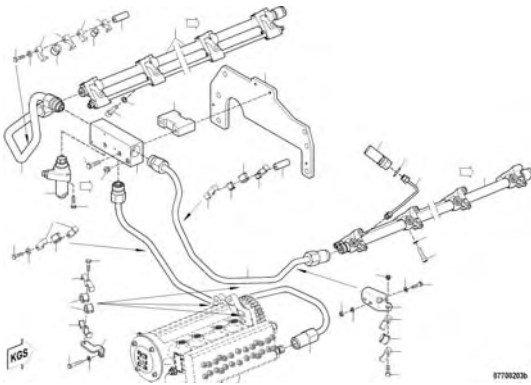
POS. ITEM	BESTELLN. PART NO.	BENENNUNG DESIGNATION	STO QTY.	EINHEIT UNIT	ABMESSUNGEN DIMENSIONS	NORM STANDARD
10	700429021001	O-RING O-RING	1	ST PC	21 X 2	MMN429
20	0000160119	DICHTRING SEALING RING	1	ST PC		
30	700429038003	O-RING O-RING	3	ST PC	38,5 X 3,7	MMN429

TYP/MODEL: 20V4000G43
SERIENNUMMER/
SERIAL NO: 20V4000G43

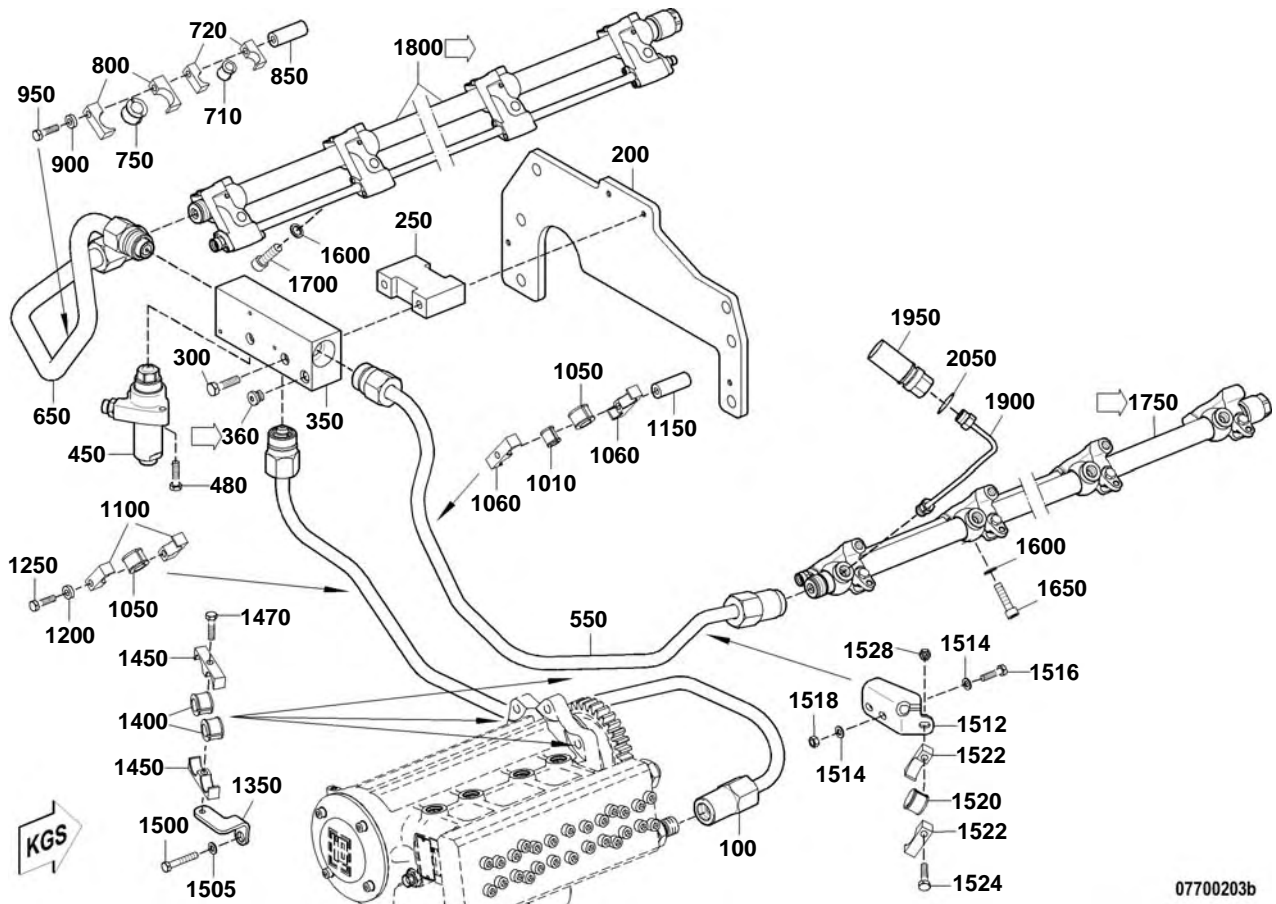
EINSPRITZLEITUNG / HOCHDRUCKLEITUNG
HP FUEL LINE / HP LINE

FG/FGS: 077
STUECKLISTE/
BOM:

FUNKTIONSGRUPPE/GROUP NUMBER (FG)
GRUPPENNAME/GROUP NAME
STÜCKLISTENR/BOM NO.



077
HOCHDRUCKLEITUNG EINWANDIG
HP LINE SINGLE-WALL
X00028879



POS. ITEM	BESTELLNR. PART NO.	BENENNUNG DESIGNATION	STO QTY.	EINHEIT UNIT	FN FN	ABMESSUNGEN DIMENSIONS	NORM STANDARD
100	X00018223	KST-HOCHDRUCKLEITUNG EINWANDIG LINKS HP FUEL LINE SINGLE-WALLED, LEFT	1	ST PC	AB		
200	X00041397	PLATTE PLATE	1	ST PC			
250	X52407700012	ZWISCHENPLATTE INTERMEDIATE PLATE	1	ST PC			
300	000000003062	SECHSKANTSCHRAUBE SCREW	2	ST PC		M 10 X130	ISO4014
350	X59407800002	KRAFTSTOFFVERTEILER EINWANDIG FUEL DISTRIBUTOR SINGLE-WALL	1	ST PC			
360	735210014000	VERSCHLUSSSCHRAUBE PLUG	1	ST PC		M 14 X 1,5	MTN5210
450	X00034967	UEBERDRUCKVENTIL FUER 16V/20V PRESS RELIEF VALVE FOR 16V/20V	1	ST PC			
480	304017008091	SECHSKANTSCHRAUBE SCREW	2	ST PC		M 8 X 55	ISO4017
550	X00027842	KST-HOCHDRUCKLEITUNG EINWANDIG LINKS HP FUEL LINE SINGLE-WALLED, LEFT	1	ST PC			

TYP/MODEL: 20V4000G43
SERIENNUMMER/
SERIAL NO: 20V4000G43

HOCHDRUCKLEITUNG EINWANDIG
HP LINE SINGLE-WALL

FG/FGS: 077 05
STUECKLISTE/ X00028879
BOM: X00028879

POS.	BESTELLNR.	BENENNUNG	STO	EINHEIT	FN	ABMESSUNGEN	NORM
ITEM	PART NO.	DESIGNATION	QTY.	UNIT	FN	DIMENSIONS	STANDARD
650	5240702133	HOCHDRUCKLEITUNG EINWANDIG HP LINE SINGLE-WALL	1	ST PC	AB		
710	700327012000	TUELLE GROMMET	1	ST PC		12	MMN327
720	700325018100	ROHRKLEMMENHAELFTE PIPE CLAMP HALF	2	ST PC		1/1 D 9 - 18	MMN325
750	X00008172	TUELLE GROMMET	1	ST PC			
800	700325028100	ROHRKLEMMENHAELFTE PIPE CLAMP HALF	2	ST PC		1/1 D 9 - 28	MMN325
850	X00022410	ABSTANDROHR F.HOCHDRUCKLEITUNG SPACER TUBE FOR HP LINE	1	ST PC			
900	735151008100	SCHEIBE WASHER	1	ST PC		A 8,4	MTN5151
950	000931008152	SECHSKANTSCHRAUBE SCREW	1	ST PC		M 8 X140	DIN931
1010	700327012000	TUELLE GROMMET	1	ST PC		12	MMN327
1050	X00008172	TUELLE GROMMET	2	ST PC			
1060	5809951468	ROHRKLEMMENHAELFTE PIPE HALF-CLAMP	2	ST PC			
1100	700325028100	ROHRKLEMMENHAELFTE PIPE CLAMP HALF	2	ST PC		1/1 D 9 - 28	MMN325
1150	X00022410	ABSTANDROHR F.HOCHDRUCKLEITUNG SPACER TUBE FOR HP LINE	1	ST PC			
1200	735151008100	SCHEIBE WASHER	1	ST PC		A 8,4	MTN5151
1250	000931008152	SECHSKANTSCHRAUBE SCREW	1	ST PC		M 8 X140	DIN931
1350	X00014083	HALTER AN EINSPRITZPUMPE RETAINER ON INJECTION PUMP	1	ST PC			
1400	X00008172	TUELLE GROMMET	2	ST PC			
1450	700325028102	ROHRKLEMMENHAELFTE PIPE CLAMP HALF	2	ST PC		2/1 D 9 - 28	MMN325
1470	304017008087	SECHSKANTSCHRAUBE SCREW	1	ST PC		M 8 X 50	ISO4017
1500	304017008087	SECHSKANTSCHRAUBE SCREW	1	ST PC		M 8 X 50	ISO4017
1505	000125008427	SCHEIBE WASHER	1	ST PC		A 8,4	DIN125

TYP/MODEL: 20V4000G43
 SERIENNUMMER/
 SERIAL NO: 20V4000G43

HOCHDRUCKLEITUNG EINWANDIG
 HP LINE SINGLE-WALL

FG/FGS: 077 05
 STUECKLISTE/ X00028879
 BOM: X00028879

POS.	BESTELLNR.	BENENNUNG	STO	EINHEIT	FN	ABMESSUNGEN	NORM
ITEM	PART NO.	DESIGNATION	QTY.	UNIT	FN	DIMENSIONS	STANDARD
1512	X00038760	HALTER F.HOCHDRUCKLEITUNG RETAINER FOR HP LINE	1	ST PC			
1514	007349008002	SCHEIBE WASHER	3	ST PC		8,4	DIN7349
1516	304017008081	SECHSKANTSCHRAUBE SCREW	2	ST PC		M 8 X 25	ISO4017
1518	304032008014	SECHSKANTMUTTER HEX NUT	2	ST PC		M 8	ISO4032
1520	X00008172	TUELLE GROMMET	1	ST PC			
1522	700325028100	ROHRKLEMMENHAELFTE PIPE CLAMP HALF	2	ST PC		1/1 D 9 - 28	MMN325
1524	304017008088	SECHSKANTSCHRAUBE SCREW	1	ST PC		M 8 X 55	ISO4017
1528	304032008014	SECHSKANTMUTTER HEX NUT	1	ST PC		M 8	ISO4032
1600	200433010500	SCHEIBE WASHER	20	ST PC		10,5	DIN433
1650	000912010014	ZYLINDERSCHRAUBE SCREW	10	ST PC		M 10 X 40	DIN912
1700	000912010057	ZYLINDERSCHRAUBE SCREW	10	ST PC		M 10 X 45	DIN912
1750	X00028864	HOCHDRUCKSPEICHER EINWANDIG LINKS HP ACCUMULATOR SINGLE-WALLED,LEFT	1	ST PC			
1800	X00028865	HOCHDRUCKSPEICHER EINWANDIG RECHTS HP ACCUMULATOR SINGLE-WALLED,RIGHT	1	ST PC			
1900	5240701733	KRAFTSTOFFLEITUNG EINWANDIG FUEL LINE SINGLE-WALL	20	ST PC			
1950	X00019544	ADAPTER ADAPTER	20	ST PC			
2050	700429024000	O-RING O-RING	20	ST PC		24 X 5	MMN429

TYP/MODEL: 20V4000G43

KRAFTSTOFFSYSTEM (NIEDERDRUCK; AUCH FÜR
GASMOTOREN)

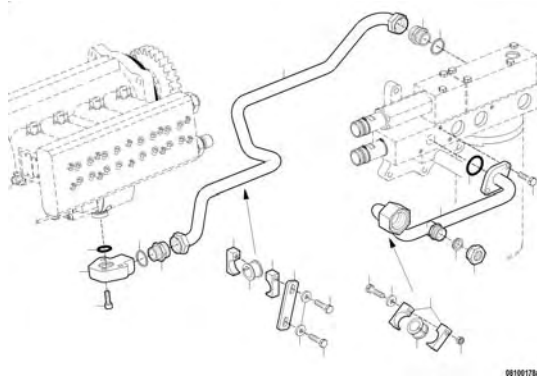
FG/FGS: 080

SERIENNUMMER/
SERIAL NO: 20V4000G43

L.P. FUEL SYSTEM; (ALSO GAS ENGINES)

STUECKLISTE/
BOM:

FUNKTIONSGRUPPE/GROUP NUMBER (FG)
GRUPPENNAME/GROUP NAME
STÜCKLISTENR/BOM NO.

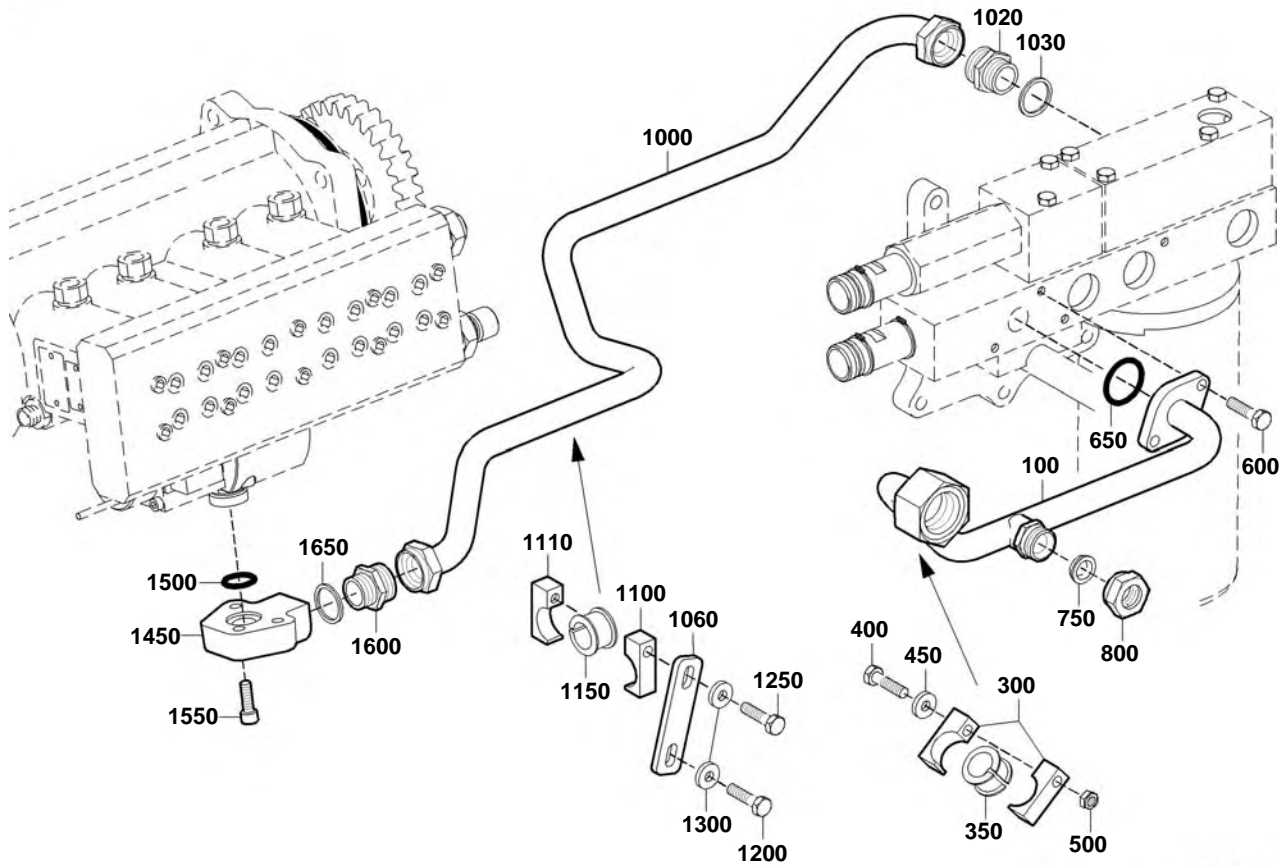


080
KRAFTSTOFFLEITUNG
FUEL LINE
X00032068

TYP/MODEL: 20V4000G43
 SERIENNUMMER/
 SERIAL NO: 20V4000G43

KRAFTSTOFFLEITUNG
 FUEL LINE

FG/FGS: 080 00
 STUECKLISTE/
 BOM: X00032068



08100178a

POS. ITEM	BESTELLNR. PART NO.	BENENNUNG DESIGNATION	STO QTY.	EINHEIT UNIT	FN FN	ABMESSUNGEN DIMENSIONS	NORM STANDARD
100	X00040960	KST-ZULAUFLEITUNG FUEL SUPPLY LINE	1	ST PC	SB		
300	700325028100	ROHRKLEMMENHAELFTE PIPE CLAMP HALF	2	ST PC		1/1 D 9 - 28	MMN325
350	700327022000	TUELLE GROMMET	1	ST PC		22	MMN327
400	304017008088	SECHSKANTSCHRAUBE SCREW	1	ST PC		M 8 X 55	ISO4017
450	007349008002	SCHEIBE WASHER	1	ST PC		8,4	DIN7349
500	304032008014	SECHSKANTMUTTER HEX NUT	1	ST PC		M 8	ISO4032
600	304017008079	SECHSKANTSCHRAUBE SCREW	2	ST PC		M 8 X 20	ISO4017
650	700429032003	O-RING O-RING	1	ST PC		32 X 4	MMN429
750	915005016000	VERSCHLUSSKEGEL SEALING CONE	1	ST PC		18	MBN15005
800	915001016004	MUTTER UNION NUT	1	ST PC		16 M 26 X 1,5	N15001

TYP/MODEL: 20V4000G43
 SERIENNUMMER/
 SERIAL NO: 20V4000G43

KRAFTSTOFFLEITUNG
 FUEL LINE

FG/FGS: 080 00
 STUECKLISTE/ X00032068
 BOM: X00032068

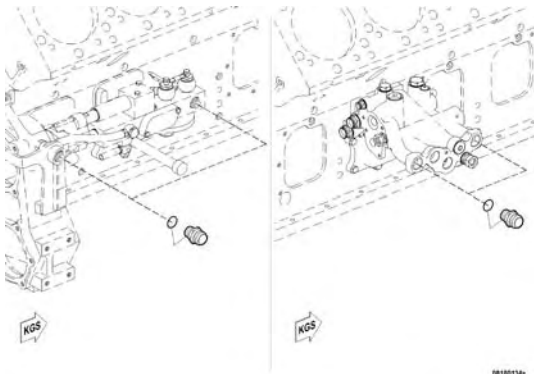
POS. ITEM	BESTELLNR. PART NO.	BENENNUNG DESIGNATION	STO QTY.	EINHEIT UNIT	FN FN	ABMESSUNGEN DIMENSIONS	NORM STANDARD
1000	X00040962	KST-ZULAUFLEITUNG FUEL SUPPLY LINE	1	ST PC	SB		
1020	915013020002	STUTZEN UNION	1	ST PC		20	N15013
1030	007603026104	DICHTRING SEALING RING	1	ST PC		A 26 X 31	DIN7603
1060	X00040872	HALTER RETAINER	1	ST PC			
1100	700325028100	ROHRKLEMMENHAELFTE PIPE CLAMP HALF	1	ST PC		1/1 D 9 - 28	MMN325
1110	700325028200	ROHRKLEMMENHAELFTE PIPE CLAMP HALF	1	ST PC		1/1 G 8 - 28	MMN325
1150	700327022000	TUELLE GROMMET	1	ST PC		22	MMN327
1200	304017008081	SECHSKANTSCHRAUBE SCREW	1	ST PC		M 8 X 25	ISO4017
1250	304017008085	SECHSKANTSCHRAUBE SCREW	1	ST PC		M 8 X 40	ISO4017
1300	007349008002	SCHEIBE WASHER	2	ST PC		8,4	DIN7349
1450	X00032042	ANSCHLUSSSTUECK CONNECTING PIECE	1	ST PC			
1500	700429020003	O-RING O-RING	1	ST PC		20 X 4	MMN429
1550	000912008014	ZYLINDERSCHRAUBE SCREW	3	ST PC		M 8 X 25	DIN912
1600	915013020002	STUTZEN UNION	1	ST PC		20	N15013
1650	007603026101	DICHTRING SEALING RING	1	ST PC		A 26 X 32	DIN7603

TYP/MODEL: 20V4000G43
SERIENNUMMER/
SERIAL NO: 20V4000G43

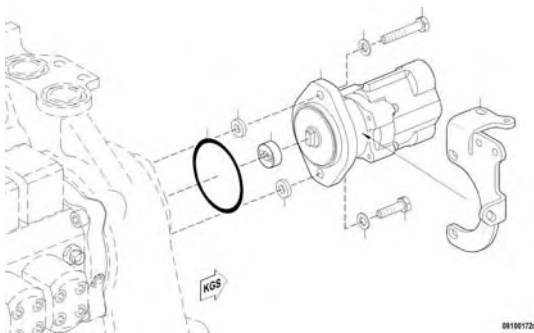
KRAFTSTOFFLEITUNGEN VOR KRAFTSTOFFPUMPE
FUEL PIPEWORK BEFORE DELIVERY PUMP

FG/FGS: 081
STUECKLISTE/
BOM:

FUNKTIONSGRUPPE/GROUP NUMBER (FG)
GRUPPENNAME/GROUP NAME
STÜCKLISTENR/BOM NO.



081
ANSCHLUSSTEILE F.KRAFTSTOFFLEITUNG
CONNECTING HARDWARE FOR FUEL LINE
080.00129

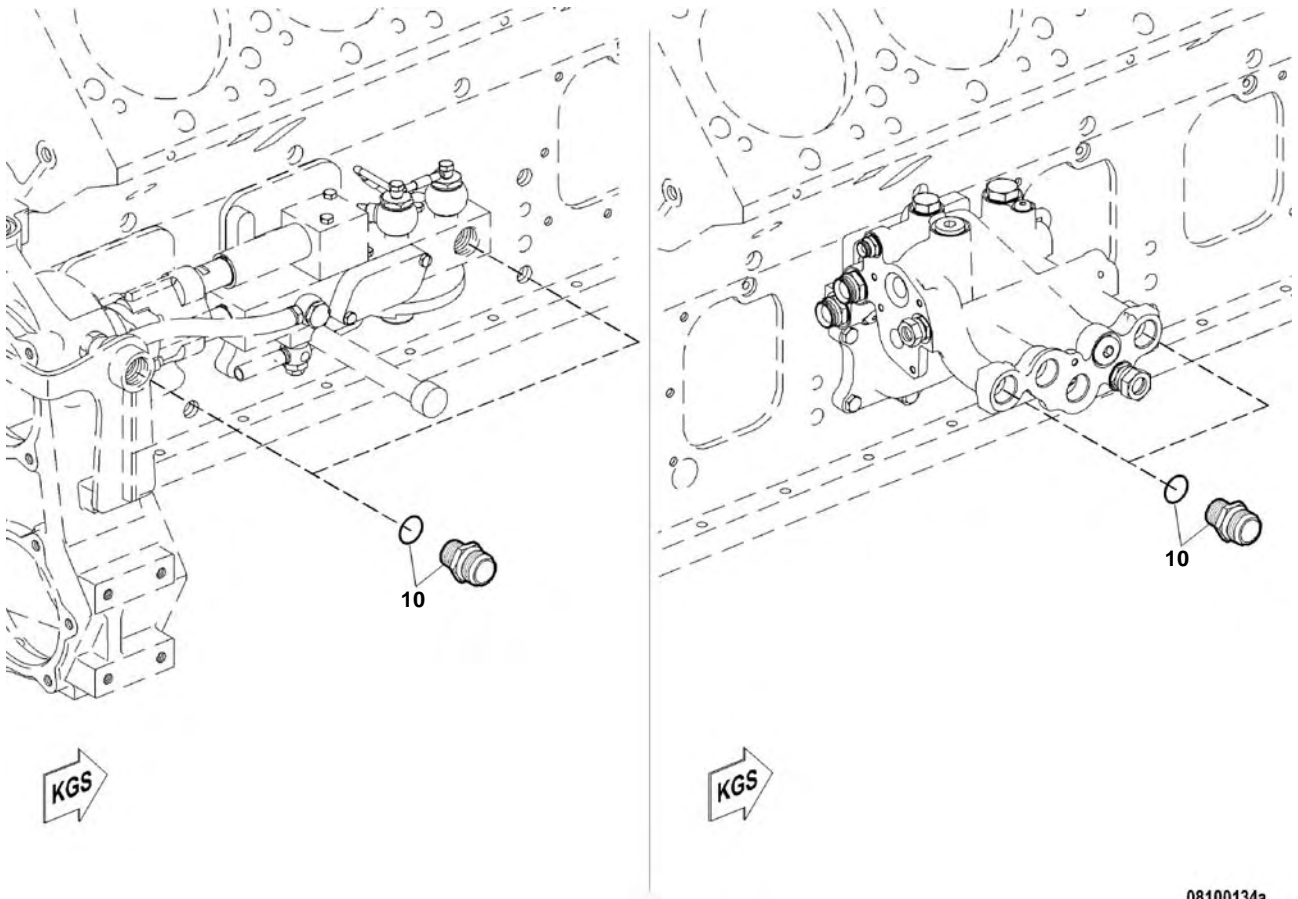


081
KRAFTSTOFFPUMPE NIEDERDRUCK
FUEL PUMP LOW PRESSURE
X00040005

TYP/MODEL: 20V4000G43
 SERIENNUMMER/
 SERIAL NO: 20V4000G43

ANSCHLUSSTEILE F.KRAFTSTOFFLEITUNG
 CONNECTING HARDWARE FOR FUEL LINE

FG/FGS: 081 05
 STUECKLISTE/
 BOM: 080.00129



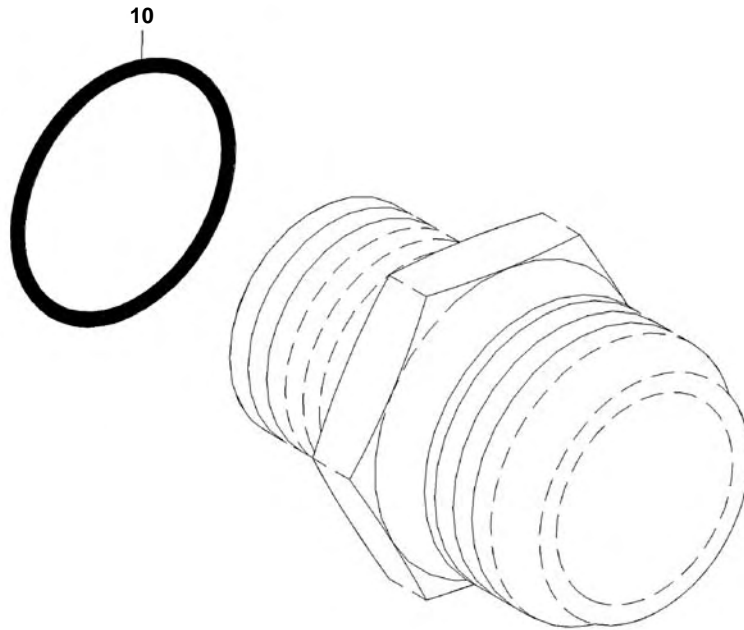
08100134a

POS. ITEM	BESTELLNR. PART NO.	BENENNUNG DESIGNATION	STO QTY.	EINHEIT UNIT	ABMESSUNGEN DIMENSIONS	NORM STANDARD
10	735186016000	VERSCHRAUBUNG UNION	2	ST PC	16M33X2	MTN5186

TYP/MODEL: 20V4000G43
SERIENNUMMER/
SERIAL NO: 20V4000G43

VERSCHRAUBUNG
UNION

FG/FGS:
STUECKLISTE/
BOM: 735186016000



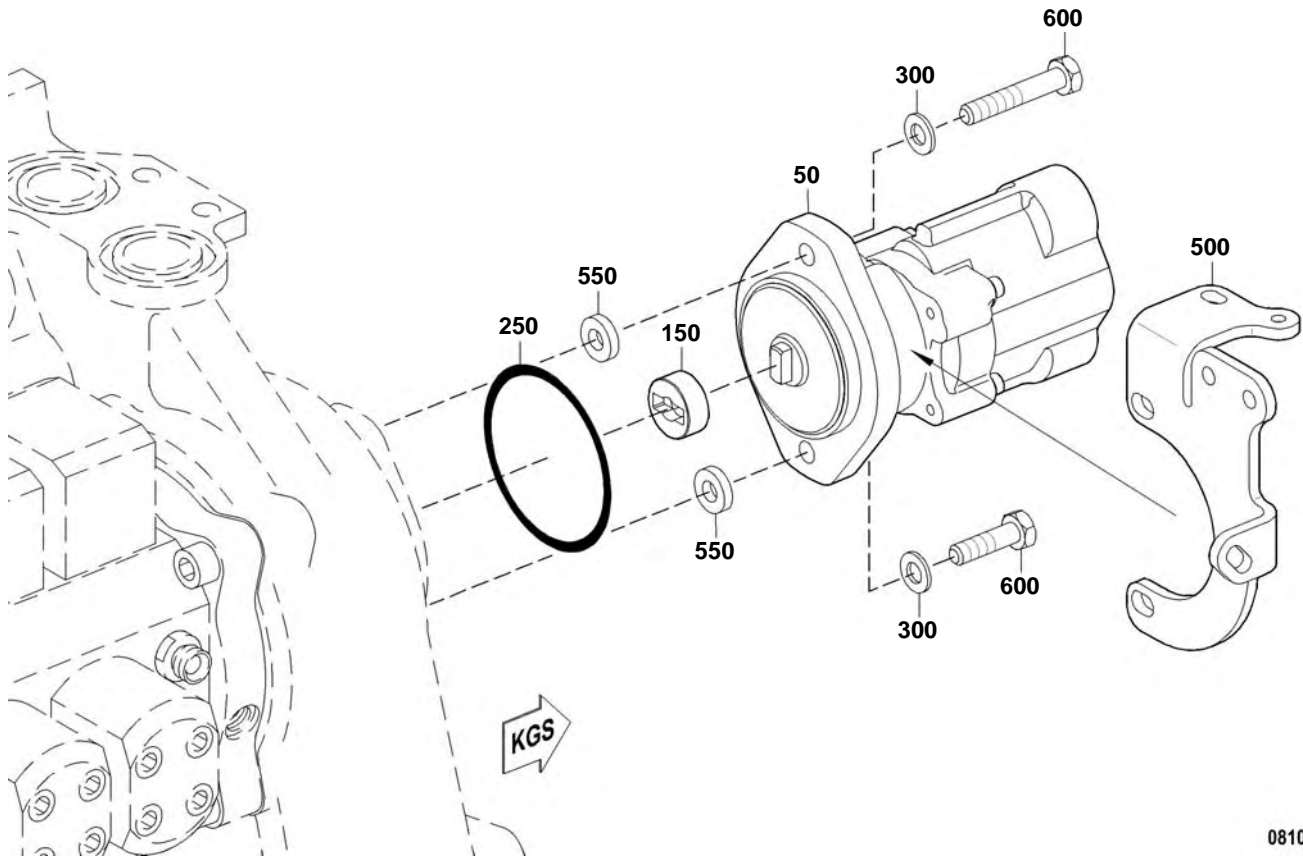
08100126a

POS. ITEM	BESTELLNR. PART NO.	BENENNUNG DESIGNATION	STO QTY.	EINHEIT UNIT	ABMESSUNGEN DIMENSIONS	NORM STANDARD
10	735221029000	O-RING O-RING	1	ST PC	29,6 X 2,9 - M33X2	MTN5221

TYP/MODEL: 20V4000G43
 SERIENNUMMER/
 SERIAL NO: 20V4000G43

KRAFTSTOFFPUMPE NIEDERDRUCK
 FUEL PUMP LOW PRESSURE

FG/FGS: 081 10
 STUECKLISTE/
 BOM: X00040005



08100172d

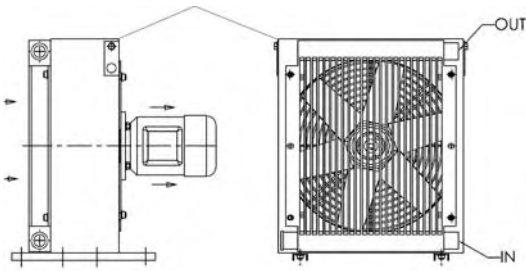
POS. ITEM	BESTELLNR. PART NO.	BENENNUNG DESIGNATION	STO QTY.	EINHEIT UNIT	ABMESSUNGEN DIMENSIONS	NORM STANDARD
50	X00010945	KST-FOERDERPUMPE FUEL DELIVERY PUMP	1	ST PC		
150	0000910124	KUPPLUNGSSTUECK LINK	1	ST PC		
250	700429083000	O-RING O-RING	1	ST PC	83 X 5	MMN429
300	735151010100	SCHEIBE WASHER	2	ST PC	A 10,5	MTN5151
500	X00044448	HALTER RETAINER	1	ST PC		
550	735151010100	SCHEIBE WASHER	2	ST PC	A 10,5	MTN5151
600	000933010116	SECHSKANTSCHRAUBE SCREW	2	ST PC	M 10 X 45	DIN933

TYP/MODEL: 20V4000G43
SERIENNUMMER/
SERIAL NO: 20V4000G43

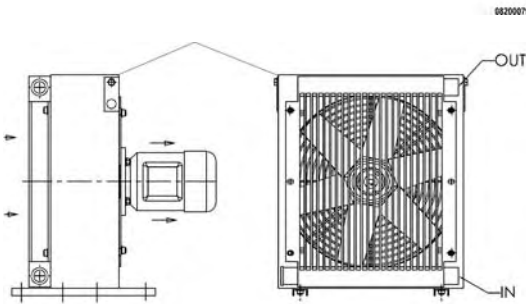
KRAFTSTOFF-FUEHRUNG VON PUMPE BIS FILTER
PIPEWORK BETWEEN DELIVERY PUMP AND FILTER

FG/FGS: 082
STUECKLISTE/
BOM:

FUNKTIONSGRUPPE/GROUP NUMBER (FG)
GRUPPENNAME/GROUP NAME
STÜCKLISTENR/BOM NO.



082
KRAFTSTOFFKUEHLER
FUEL COOLER
080.00183



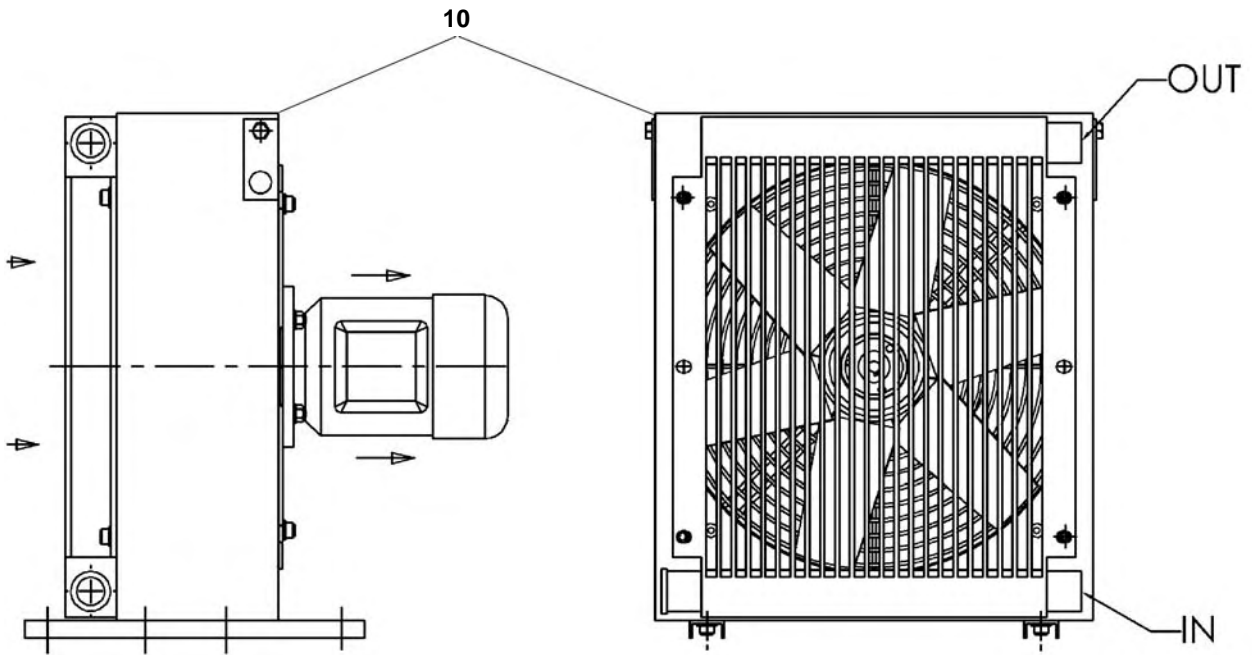
08200079a
082
KRAFTSTOFFKUEHLER
FUEL COOLER
080.00182

08200079a

TYP/MODEL: 20V4000G43
 SERIENNUMMER/
 SERIAL NO: 20V4000G43

KRAFTSTOFFKUEHLER
 FUEL COOLER

FG/FGS: 082 00
 STUECKLISTE/
 BOM: 080.00183



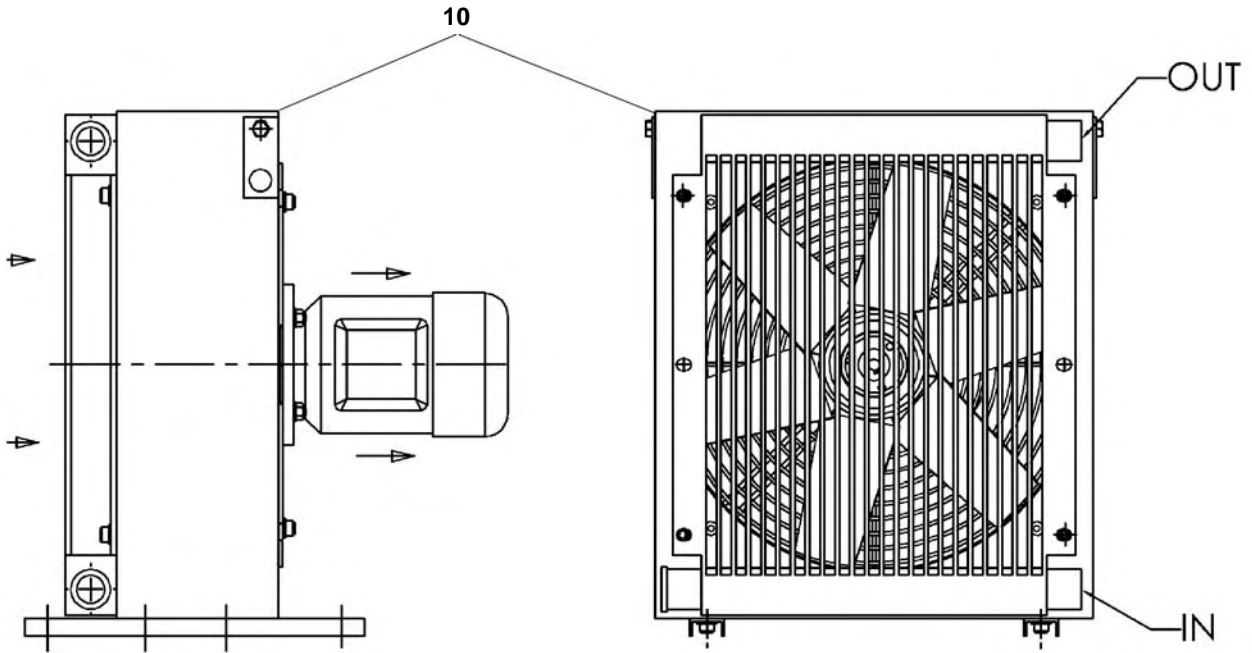
08200079a

POS. ITEM	BESTELNR. PART NO.	BENENNUNG DESIGNATION	STO QTY.	EINHEIT UNIT	FN FN
10	0000701679	KRAFTSTOFFKUEHLER FUEL COOLER	1	ST PC	NN

TYP/MODEL: 20V4000G43
 SERIENNUMMER/
 SERIAL NO: 20V4000G43

KRAFTSTOFFKUEHLER
 FUEL COOLER

FG/FGS: 082 15
 STUECKLISTE/
 BOM: 080.00182



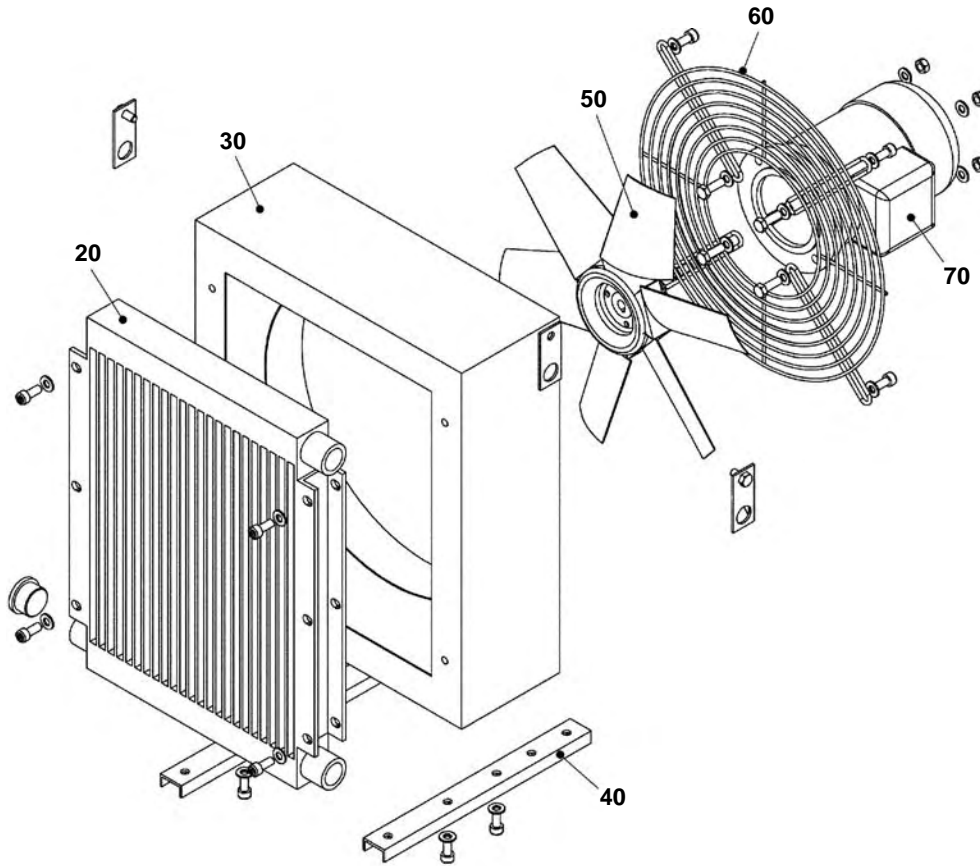
08200079a

POS. ITEM	BESTELLNR. PART NO.	BENENNUNG DESIGNATION	STO QTY.	EINHEIT UNIT
10	0000701579	KRAFTSTOFFKUEHLER FUEL COOLER	1	ST PC

TYP/MODEL: 20V4000G43
 SERIENNUMMER/
 SERIAL NO: 20V4000G43

KRAFTSTOFFKUEHLER
 FUEL COOLER

FG/FGS:
 STUECKLISTE/
 BOM: 000701579



08200138b

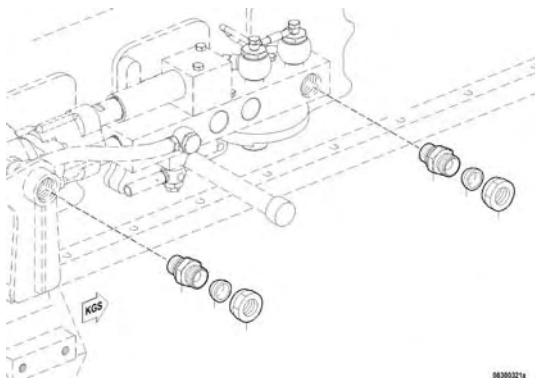
POS. ITEM	BESTELLNR. PART NO.	BENENNUNG DESIGNATION	STO QTY.	EINHEIT UNIT
20	XP5270880009	KUEHLER COOLER	1	ST PC
30	XP5270880010	GEHAEUSE HOUSING	1	ST PC
40	XP5270880011	FUSS FOOT	2	ST PC
50	XP5270880012	VENTILATOR FAN	1	ST PC
60	XP5270880013	SCHUTZGITTER PROTECTIVE GRILL	1	ST PC
70	XP5270880014	ELEKTROMOTOR ELECTRIC MOTOR	1	ST PC

TYP/MODEL: 20V4000G43
SERIENNUMMER/
SERIAL NO: 20V4000G43

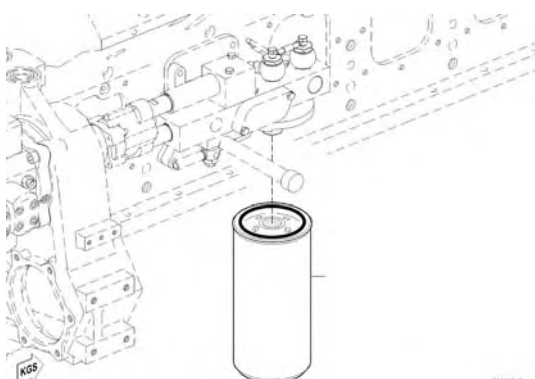
KRAFTSTOFF-FILTER
FUEL FILTER

FG/FGS: 083
STUECKLISTE/
BOM:

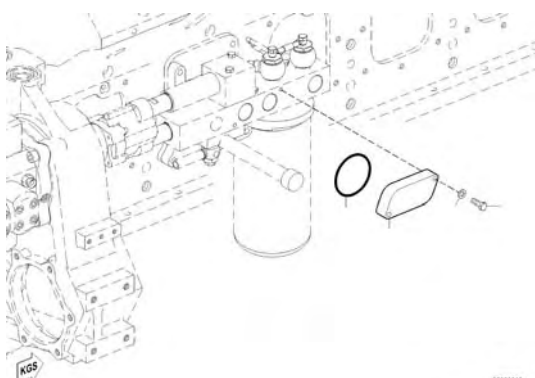
FUNKTIONSGRUPPE/GROUP NUMBER (FG)
GRUPPENNAME/GROUP NAME
STÜCKLISTENNR/BOM NO.



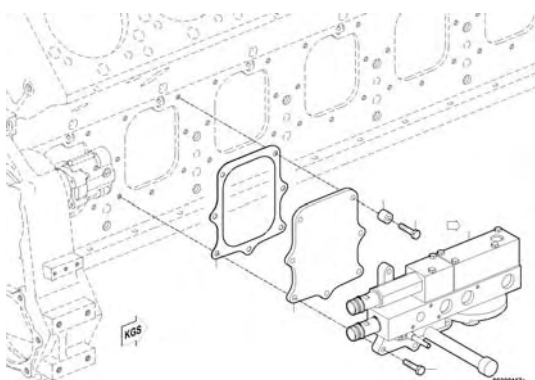
083
ANSCHLUSSTEILE F.KRAFTSTOFFLEITUNG
CONNECTING HARDWARE FOR FUEL LINE
080.00130



083
KST-WECHSELFILTER
EASY-CHANGE FILTER
080.00314



083
VERSCHLUSSTEILE F.KRAFTSTOFFFILTER
SEAL ELEM. FOR FUEL FILTER
080.00316



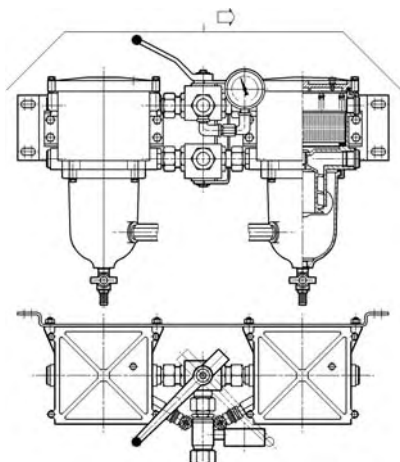
083
FILTERKOPF F.KRAFTSTOFFSYSTEM
FILTER HEAD FOR FUEL SYSTEM
X00032050

TYP/MODEL: 20V4000G43
SERIENNUMMER/
SERIAL NO: 20V4000G43

KRAFTSTOFF-FILTER
FUEL FILTER

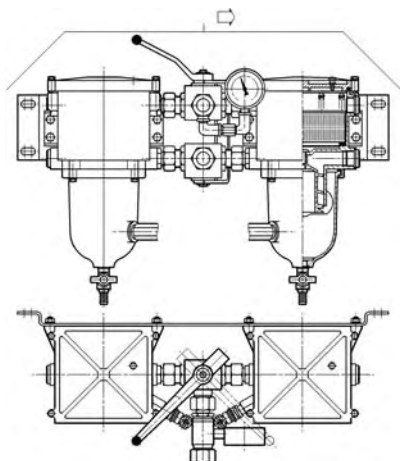
FG/FGS: 083
STUECKLISTE/
BOM:

FUNKTIONSGRUPPE/GROUP NUMBER (FG)
GRUPPENNAME/GROUP NAME
STÜCKLISTENR/BOM NO.



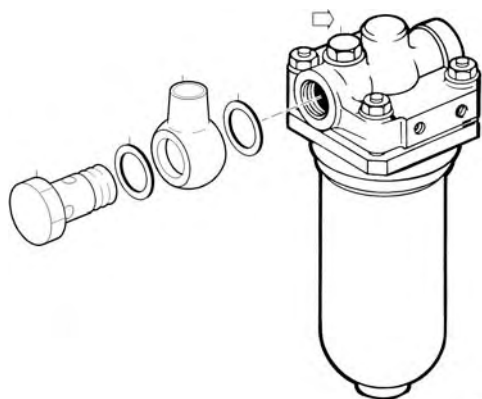
083
KRAFTSTOFFVORFILTER
FUEL PREFILTER
080.00037

08300031a



083
KRAFTSTOFFVORFILTER
FUEL PREFILTER
080.00038

08300031a



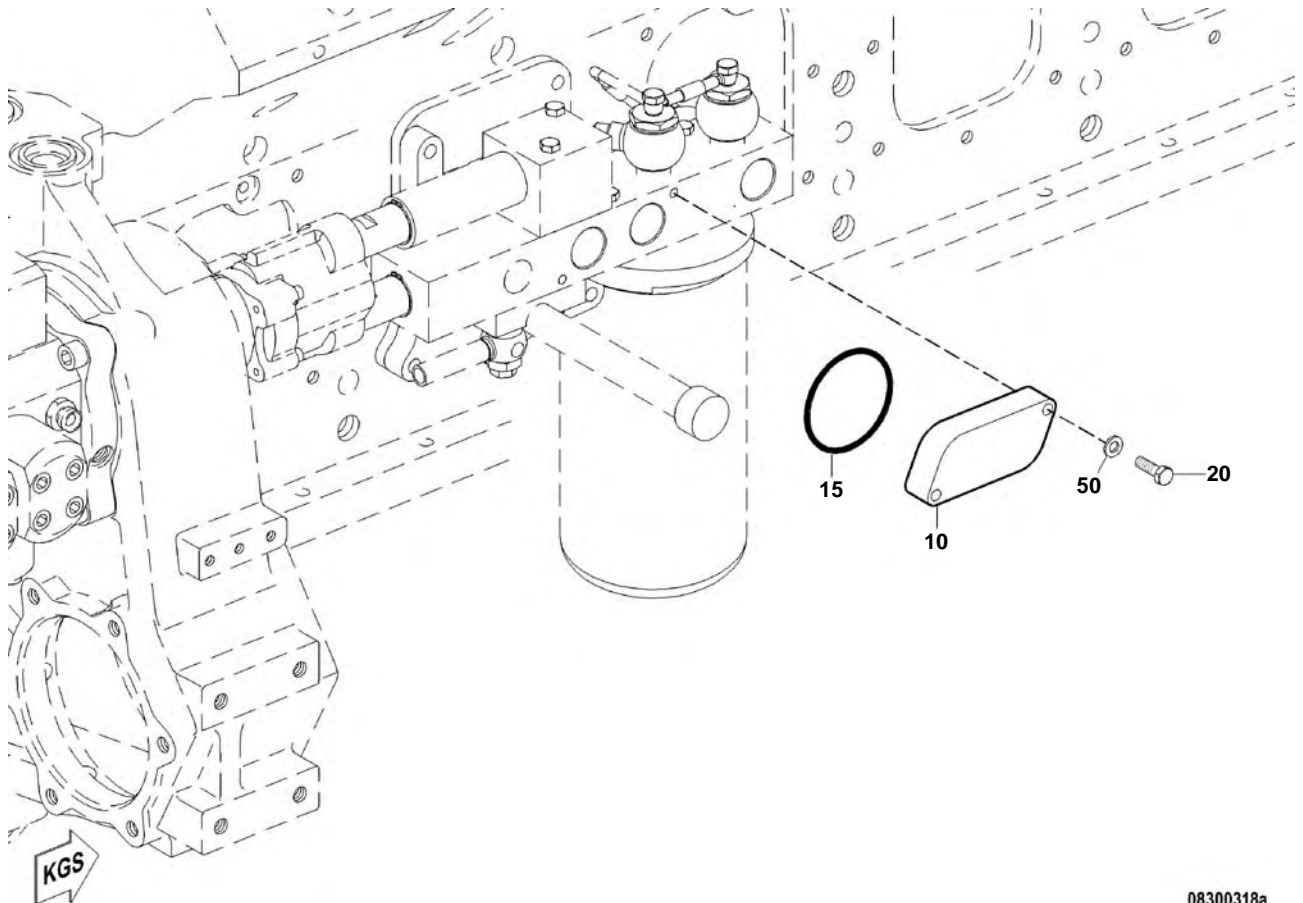
083
KRAFTSTOFFVORFILTER MIT ANBAUTEILEN
FUEL PREFILTER W/ATTACHING HARDWAR
080.00050

E0833023a0

TYP/MODEL: 20V4000G43
 SERIENNUMMER/
 SERIAL NO: 20V4000G43

VERSCHLUSSTEILE F. KRAFTSTOFFFILTER
 SEAL ELEM. FOR FUEL FILTER

FG/FGS: 083 05
 STUECKLISTE/
 BOM: 080.00316

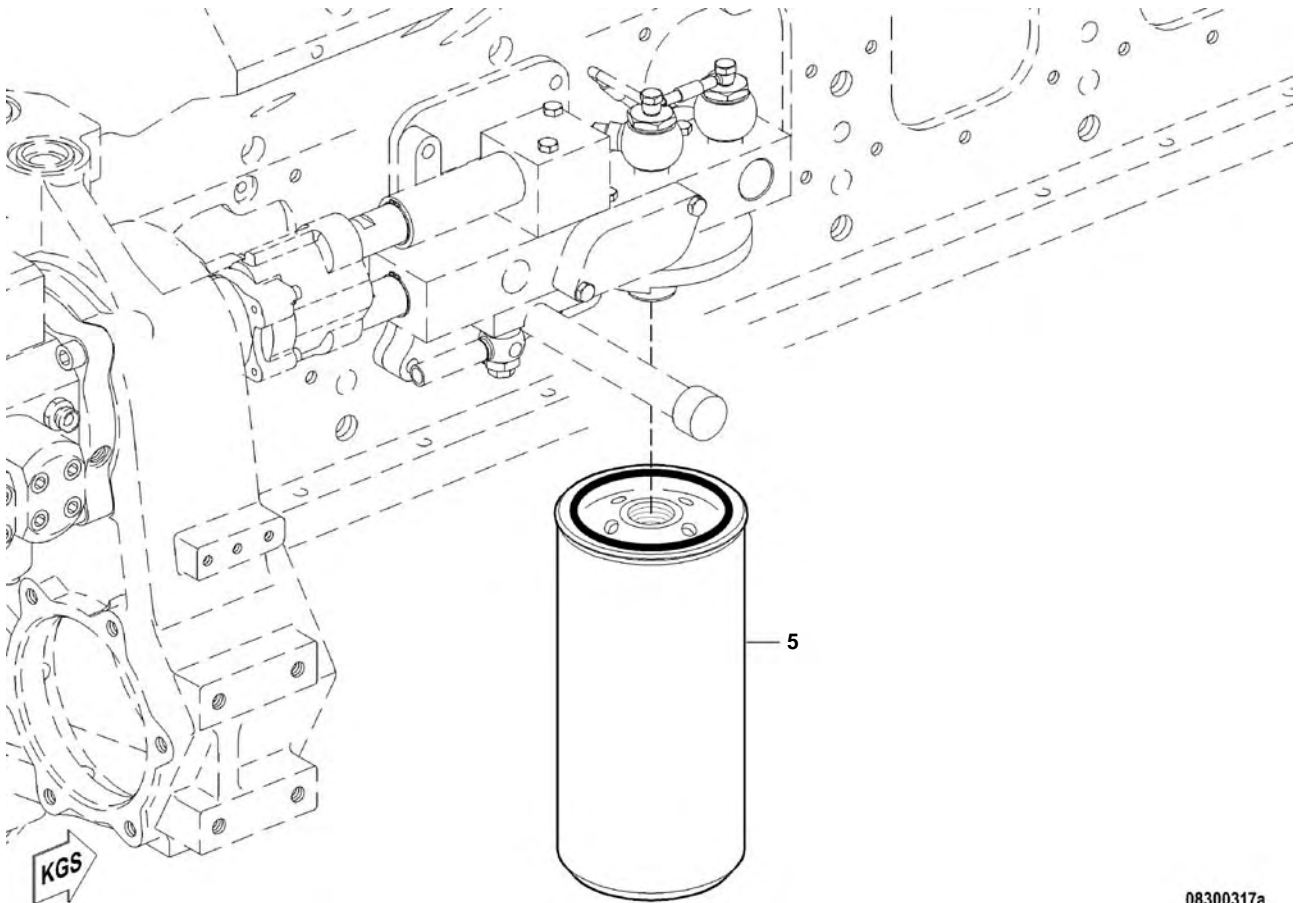


POS. ITEM	BESTELLN. PART NO.	BENENNUNG DESIGNATION	STO QTY.	EINHEIT UNIT	ABMESSUNGEN DIMENSIONS	NORM STANDARD
10	5240920124	KRUEMMER ELBOW	1	ST PC		
15	700429074000	O-RING O-RING	1	ST PC	74 X 4	MMN429
20	304017008084	SECHSKANTSCHRAUBE SCREW	2	ST PC	M 8 X 35	ISO4017
50	000125008427	SCHEIBE WASHER	2	ST PC	A 8,4	DIN125

TYP/MODEL: 20V4000G43
SERIENNUMMER/
SERIAL NO: 20V4000G43

KST-WECHSELFILTER
EASY-CHANGE FILTER

FG/FGS: 083 05
STUECKLISTE/
BOM: 080.00314



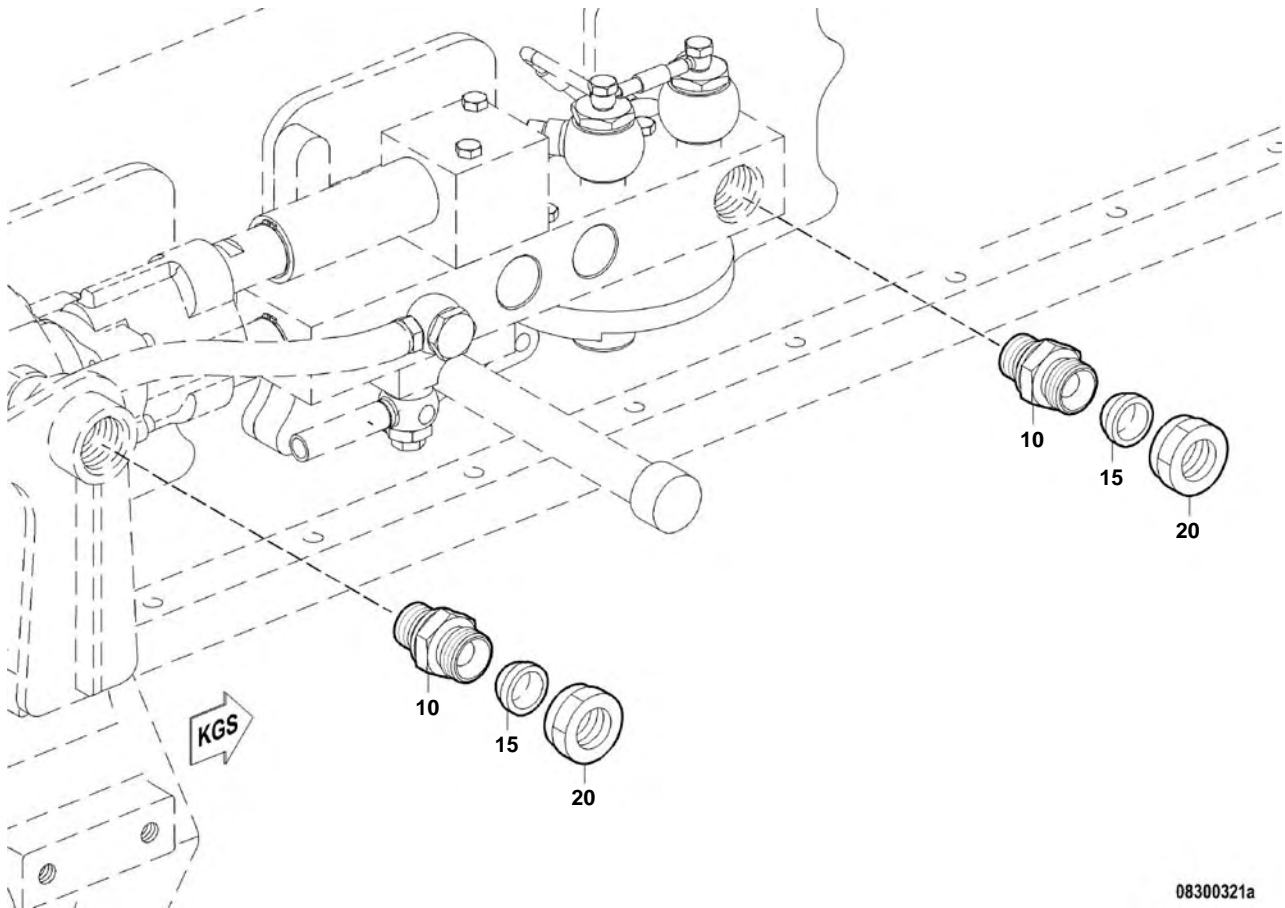
08300317a

POS. ITEM	BESTELNR. PART NO.	BENENNUNG DESIGNATION	STO QTY.	EINHEIT UNIT
5	0020922101	KST-WECHSELFILTER EASY-CHANGE FILTER	1	ST PC

TYP/MODEL: 20V4000G43
 SERIENNUMMER/
 SERIAL NO: 20V4000G43

ANSCHLUSSTEILE F.KRAFTSTOFFLEITUNG
 CONNECTING HARDWARE FOR FUEL LINE

FG/FGS: 083 05
 STUECKLISTE/
 BOM: 080.00130

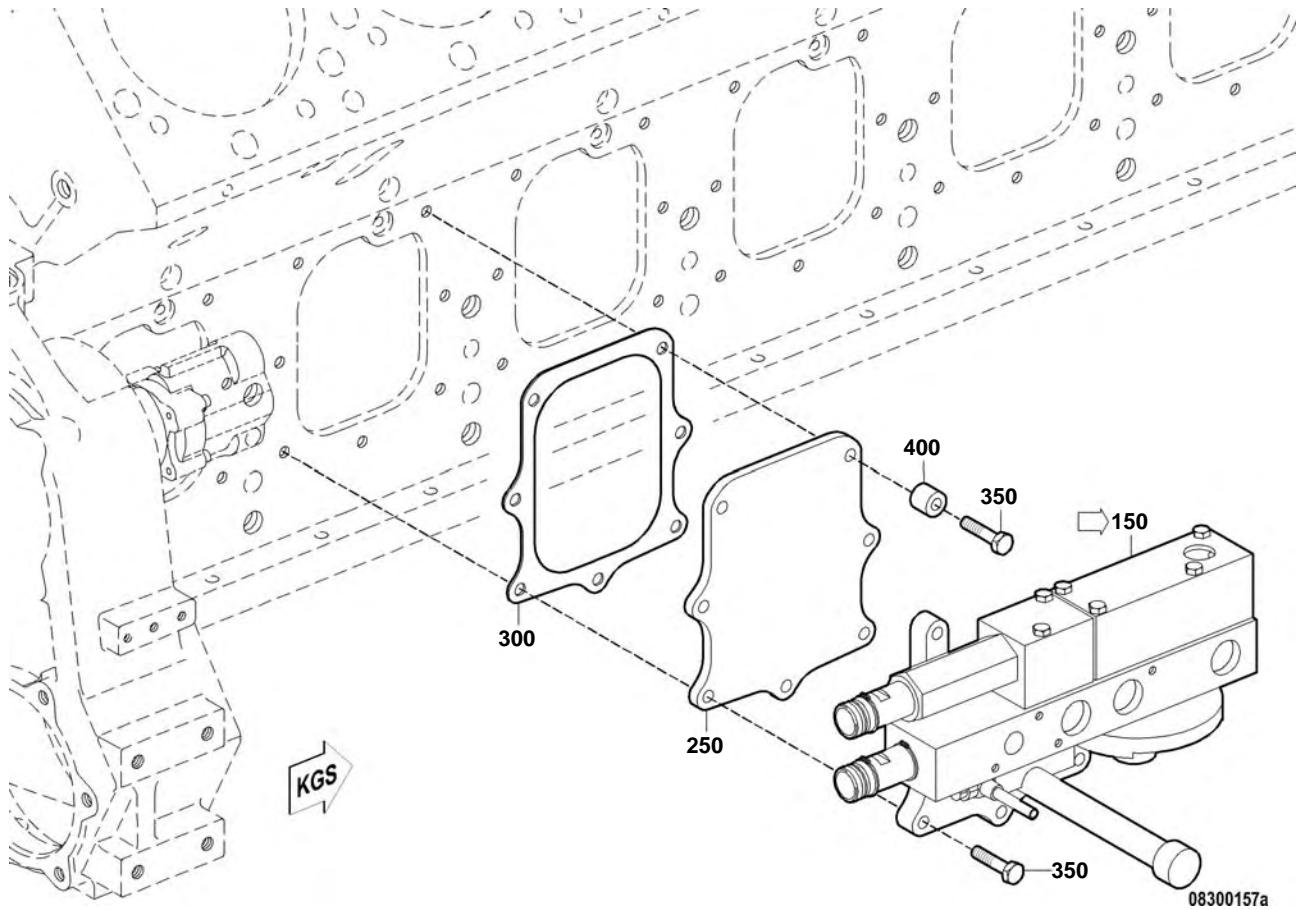


POS. ITEM	BESTELLNR. PART NO.	BENENNUNG DESIGNATION	STO QTY.	EINHEIT UNIT	ABMESSUNGEN DIMENSIONS	NORM STANDARD
10	735211022001	VERSCHRAUBUNG UNION	1	ST PC	22M 33 X 2	MTN5211
15	915003020202	KUGELBUCHSE BALL-TYPE UNION	1	ST PC	B2 -22	MBN15003
20	915001020003	MUTTER NUT	1	ST PC	20 M 30 X 1,5	N15001

TYP/MODEL: 20V4000G43
 SERIENNUMMER/
 SERIAL NO: 20V4000G43

FILTERKOPF F.KRAFTSTOFFSYSTEM
 FILTER HEAD FOR FUEL SYSTEM

FG/FGS: 083 05
 STUECKLISTE/
 BOM: X00032050

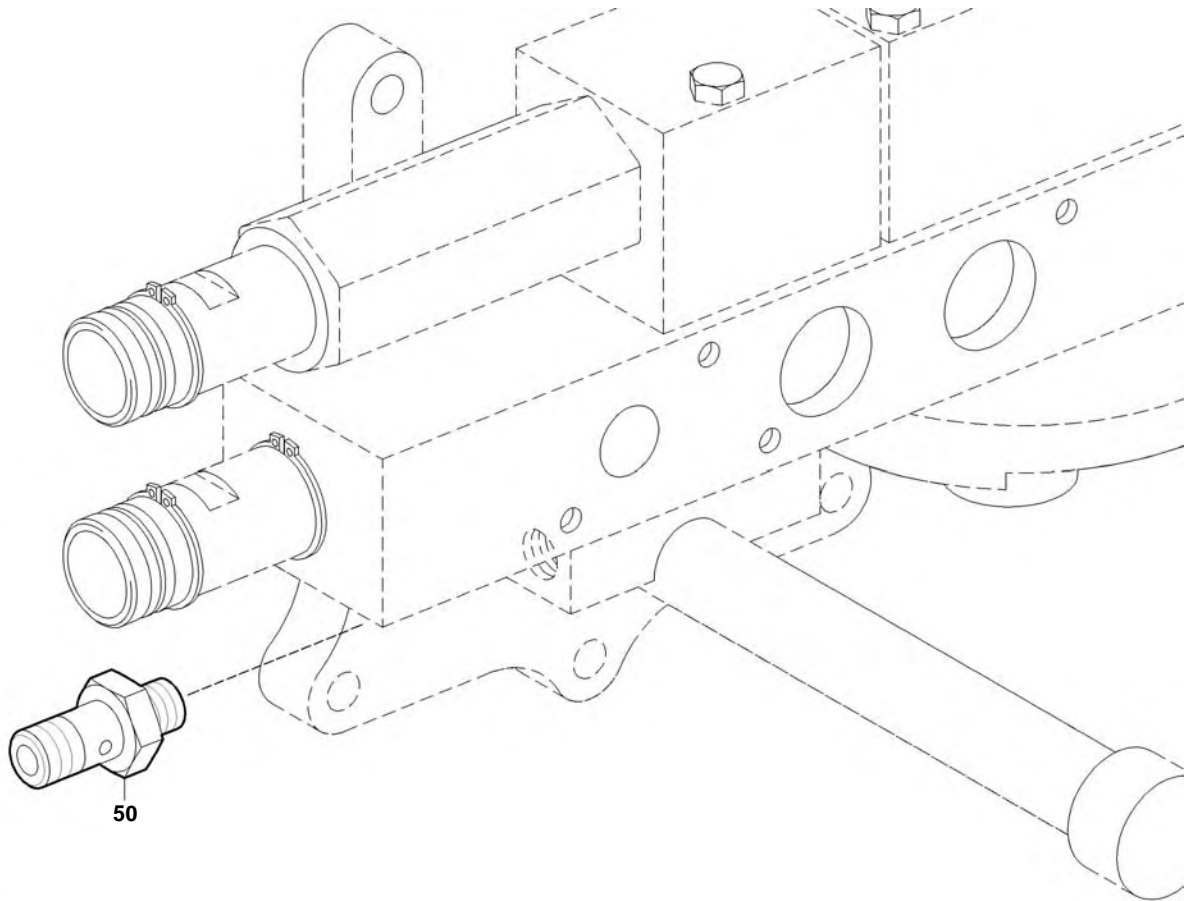


POS. ITEM	BESTELLNR. PART NO.	BENENNUNG DESIGNATION	STO QTY.	EINHEIT UNIT	FN FN	ABMESSUNGEN DIMENSIONS	NORM STANDARD
150	X52608300013	FILTERKOPF FUER KRAFTSTOFF FILTER HEAD FOR FUEL	1	ST PC			
250	5240110732	SCHAULOCHDECKEL INSPECT PORT COVER	1	ST PC	NN		
300	5240111380	DICHTBEILAGE GASKET	1	ST PC			
350	000933010116	SECHSKANTSCHRAUBE SCREW	7	ST PC		M 10 X 45	DIN933
400	5561870453	ABSTANDHUELSE SPACER SLEEVE	1	ST PC			

TYP/MODEL: 20V4000G43
SERIENNUMMER/
SERIAL NO: 20V4000G43

FILTERKOPF FUER KRAFTSTOFF
FILTER HEAD FOR FUEL

FG/FGS:
STUECKLISTE/
BOM: X52608300013



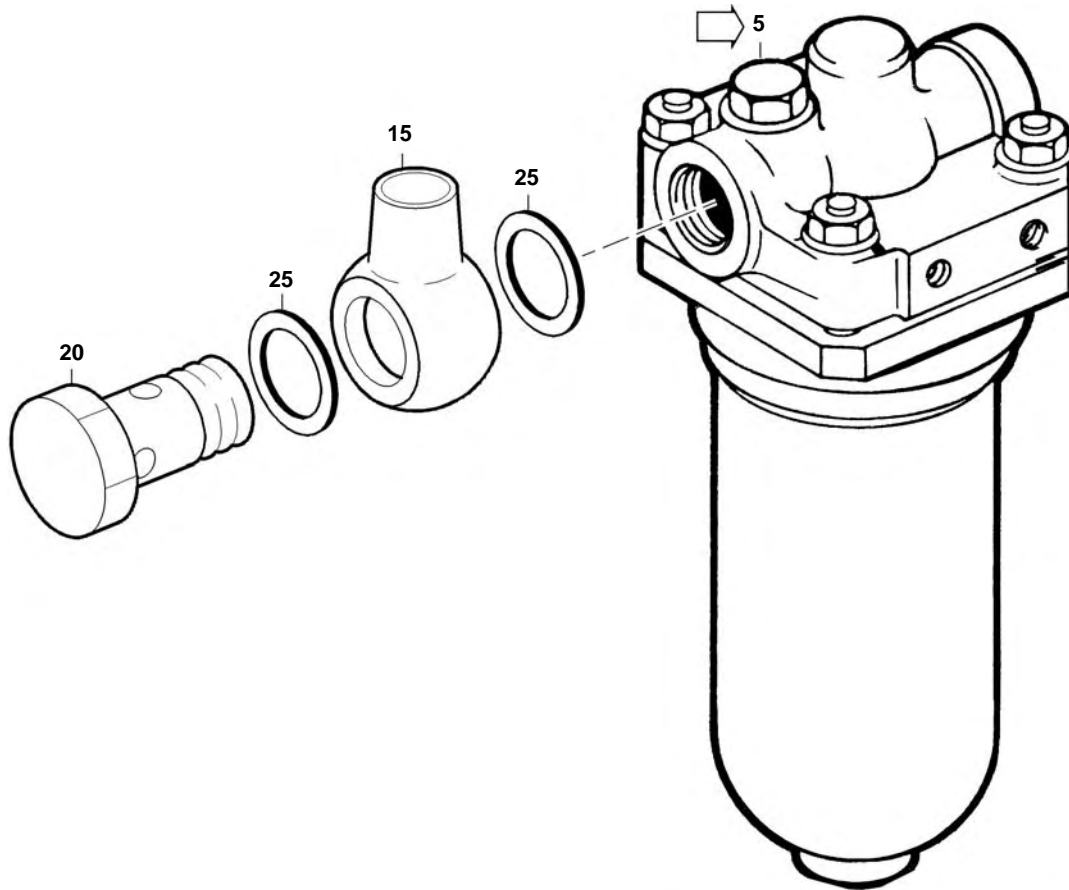
08300158a

POS. ITEM	BESTELLNR. PART NO.	BENENNUNG DESIGNATION	STO QTY.	EINHEIT UNIT
50	X52408200016	HOHLSCHRAUBSTUTZEN BANJO UNION	1	ST PC

TYP/MODEL: 20V4000G43
 SERIENNUMMER/
 SERIAL NO: 20V4000G43

KRAFTSTOFFVORFILTER MIT ANBAUTEILEN
 FUEL PREFILTER W/ATTACHING HARDWAR

FG/FGS: 083 10
 STUECKLISTE/
 BOM: 080.00050



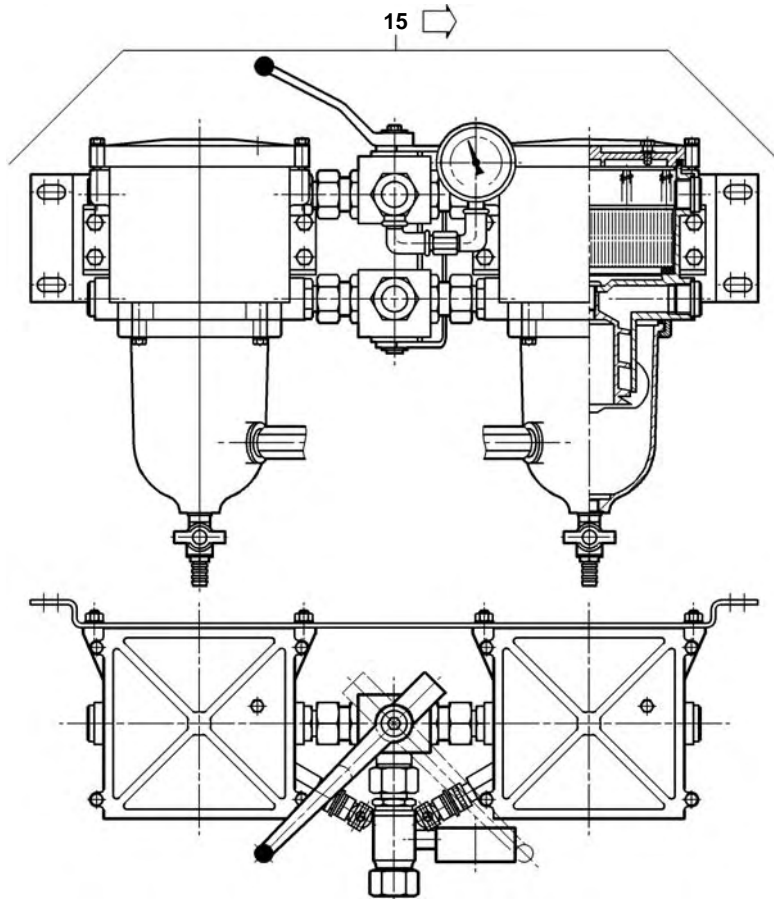
E0833023a0

POS. ITEM	BESTELLNR. PART NO.	BENENNUNG DESIGNATION	STO QTY.	EINHEIT UNIT	FN FN	ABMESSUNGEN DIMENSIONS	NORM STANDARD
5	0010928301	KRAFTSTOFFVORFILTER FUEL PREFILTER	1	ST PC	P		
15	700222016000	RINGSTUECK BANJO UNION	2	ST PC		18	MMN222
20	700223016000	HOHLSCHRAUBE BANJO SCREW	2	ST PC		A 18	MMN223
25	007603026104	DICHTRING SEALING RING	4	ST PC		A 26 X 31	DIN7603

TYP/MODEL: 20V4000G43
 SERIENNUMMER/
 SERIAL NO: 20V4000G43

KRAFTSTOFFVORFILTER
 FUEL PREFILTER

FG/FGS: 083 10
 STUECKLISTE/
 BOM: 080.00038



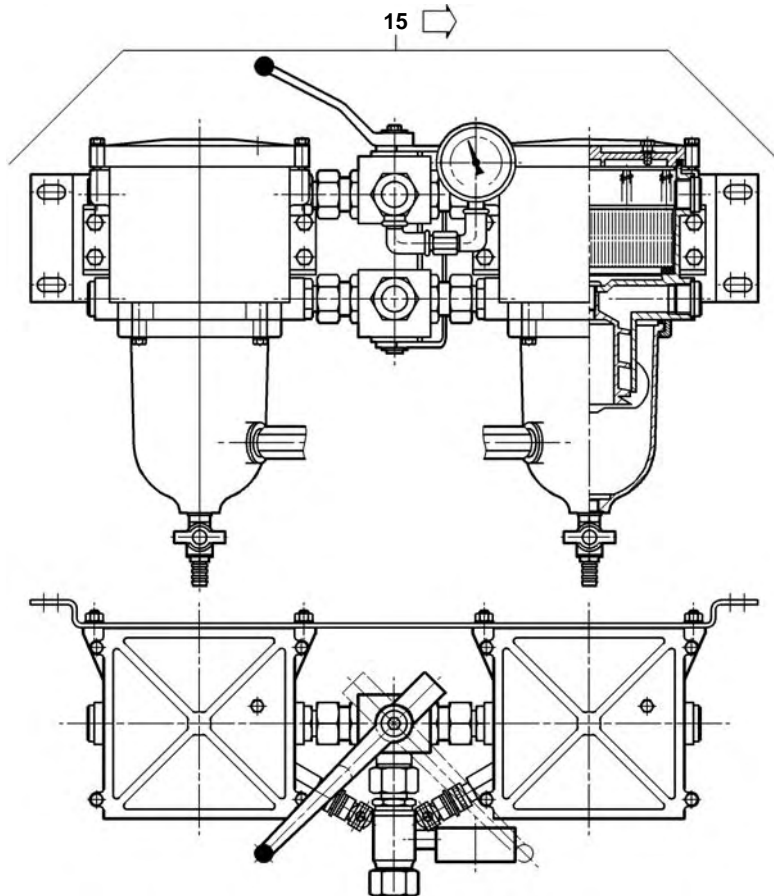
08300031a

POS. ITEM	BESTELNR. PART NO.	BENENNUNG DESIGNATION	STO QTY.	EINHEIT UNIT	FN FN
15	0010928801	KRAFTSTOFFVORFILTER FUEL PREFILTER	1	ST PC	P

TYP/MODEL: 20V4000G43
SERIENNUMMER/
SERIAL NO: 20V4000G43

KRAFTSTOFFVORFILTER
FUEL PREFILTER

FG/FGS: 083 10
STUECKLISTE/
BOM: 080.00037



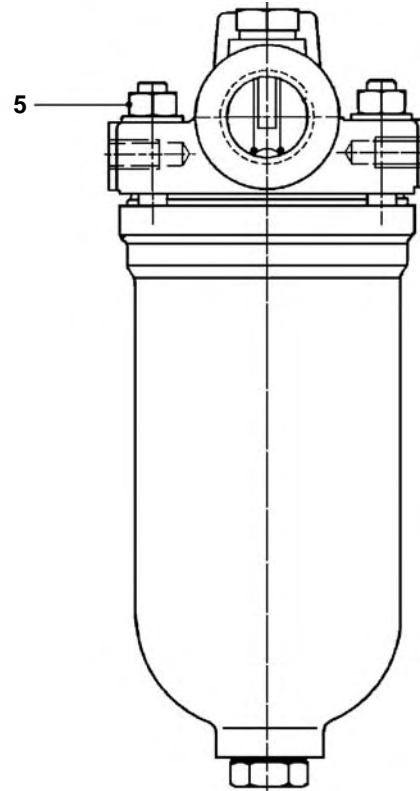
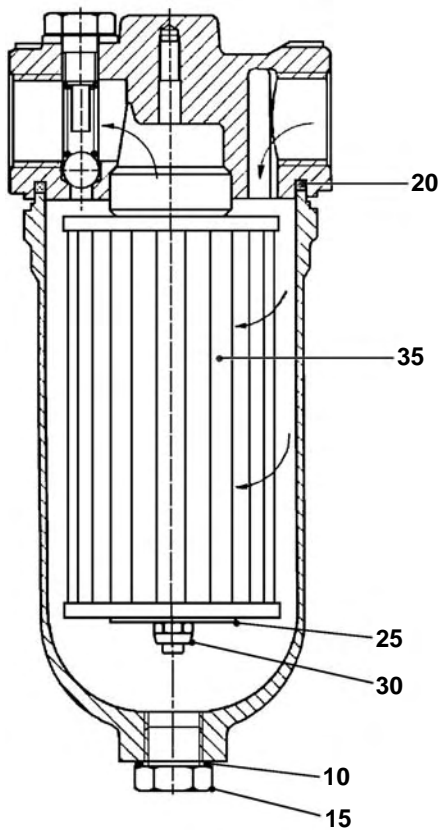
08300031a

POS. ITEM	BESTELNR. PART NO.	BENENNUNG DESIGNATION	STO QTY.	EINHEIT UNIT	FN FN
15	0010928701	KRAFTSTOFFVORFILTER FUEL PREFILTER	1	ST PC	P

TYP/MODEL: 20V4000G43
 SERIENNUMMER/
 SERIAL NO: 20V4000G43

KRAFTSTOFFVORFILTER
 FUEL PREFILTER

FG/FGS:
 STUECKLISTE/
 BOM: 0010928301



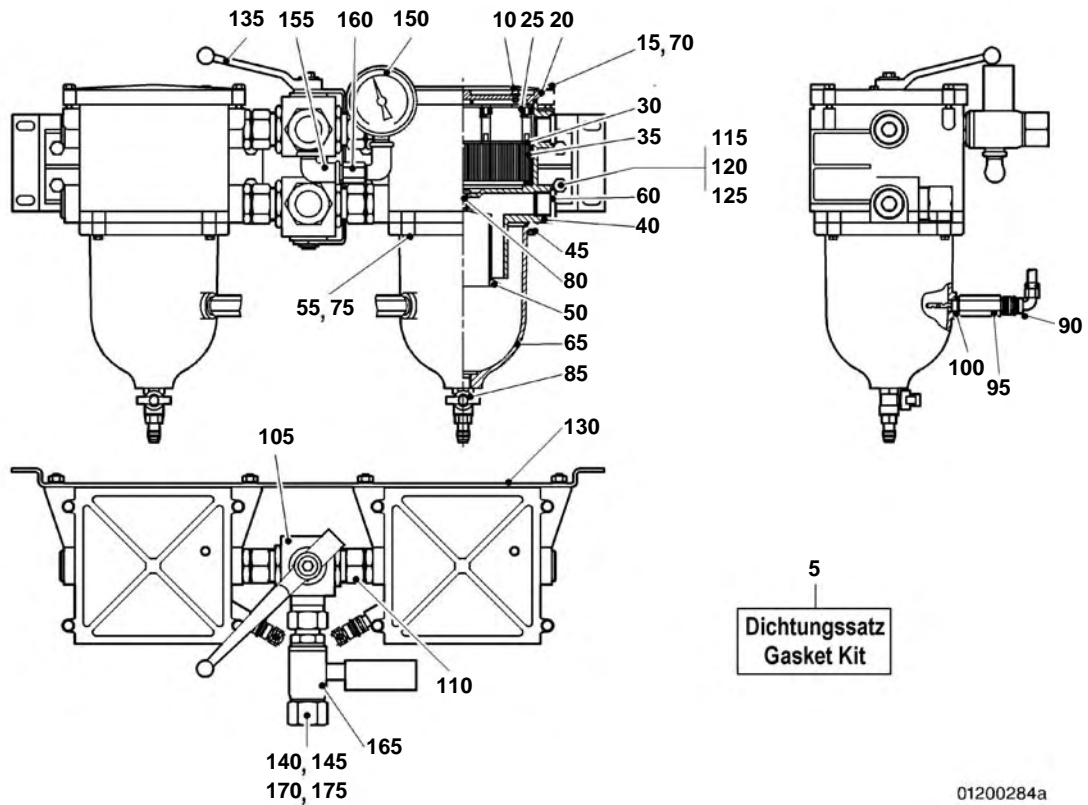
08300313a

POS. ITEM	BESTELLNR. PART NO.	BENENNUNG DESIGNATION	STO QTY.	EINHEIT UNIT	FN FN	ABMESSUNGEN DIMENSIONS	NORM STANDARD
5	000934008008	SECHSKANTMUTTER HEX NUT	4	ST PC		M 8	DIN934
10	007603021100	DICHTRING SEALING RING	1	ST PC	M	A 21 X 26	DIN7603
15	8699970502	VERSCHLUSSSCHRAUBE PLUG	1	ST PC			
20	8699970171	DICHTRING SEALING RING	1	ST PC			
25	Z=62 300 23 311	SCHEIBE WASHER	1	ST PC	AC		
30	200980006000	SECHSKANTMUTTER HEX NUT	1	ST PC		V M 6	DIN980
35	8690920029	FILTEREINSATZ FILTER ELEMENT	1	ST PC			

TYP/MODEL: 20V4000G43
 SERIENNUMMER/
 SERIAL NO: 20V4000G43

KRAFTSTOFFVORFILTER
 FUEL PREFILTER

FG/FGS:
 STUECKLISTE/
 BOM: 0010928801



01200284a

POS. ITEM	BESTELLNR. PART NO.	BENENNUNG DESIGNATION	STO QTY.	EINHEIT UNIT	FN FN	ABMESSUNGEN DIMENSIONS	NORM STANDARD
5	8695860572	DICHTUNGSSATZ GASKET KIT	2	ST PC			
10	8690920043	SCHRAUBE SCREW	2	ST PC			
15	Z=30404	SCHRAUBE SCREW	8	ST PC	AC	M8 X 40	DIN933
20	8690920046	DECKEL COVER	2	ST PC			
25	8699930053	SPANNFEDER TENSION SPRING	24	ST PC			
30	8690920040	FEDERKASSETTE SPRING CASSETTE	4	ST PC			
35	0000925105	FILTEREINSATZ FILTER ELEMENT	2	ST PC		30 MY	
40	Z=30434	GEHAEUSE HOUSING	2	ST PC	AC		
45	Z=30446	HALTER RETAINER	2	ST PC	AC		
50	Z=30438	OELZENTRIFUGE CENTRIFUGE	2	ST PC	AC		

TYP/MODEL: 20V4000G43
SERIENNUMMER/
SERIAL NO: 20V4000G43

KRAFTSTOFFVORFILTER
FUEL PREFILTER

FG/FGS:
STUECKLISTE/ 0010928801
BOM: 0010928801

POS. ITEM	BESTELLNR. PART NO.	BENENNUNG DESIGNATION	STO QTY.	EINHEIT UNIT	FN FN	ABMESSUNGEN DIMENSIONS	NORM STANDARD
55	304017006065	SECHSKANTSCHRAUBE SCREW	8	ST PC		M 6 X 30	ISO4017
60	Z=30445	STOPFEN PLUG	4	ST PC	AC		
65	8690920037	AUFFANGWANNE COLLECTING TROUGH	2	ST PC		MIT GEW. ANSCHL.FUER SONDE	
70	000125008427	SCHEIBE WASHER	8	ST PC		A 8,4	DIN125
75	000125006431	SCHEIBE WASHER	8	ST PC		A 6,4	DIN125
80	Z=30560	SCHRAUBE SCREW	2	ST PC	AC	M10 X 16	DIN7984
85	8690920038	HAHN COCK	2	ST PC			
90	0005316785	STECKER MALE CONNECTOR	2	ST PC	NN	GR.10SL 3POL BUCHSE AWG16	
95	0005353703	NIVEAUWAECHTER LEVEL MONITOR	2	ST PC	AB	M18X1,5; L=124; ET=50; 9-36VDC	
100	007603018104	DICHTRING SEALING RING	2	ST PC		A 18 X 24	DIN7603
105	Z=30467	KUGELHAHN BALL COCK	1	ST PC	NN		
110	Z=30468	VERSCHRAUBUNG UNION	4	ST PC	AC		
115	000933010035	SECHSKANTSCHRAUBE SCREW	8	ST PC		M 10 X 25	DIN933
120	000125010524	SCHEIBE WASHER	16	ST PC		A 10,5	DIN125
125	Z=30178	MUTTER NUT	8	ST PC	AC	M10	DIN982
130	Z=30470	PLATTE PLATE	1	ST PC	AC		
135	8690920060	HALTER RETAINER	1	ST PC			
140	Z=30340	UEBERWURFMUTTER UNION NUT	2	ST PC	AC		
145	Z=30341	SCHNEIDRING CUTTING RING	2	ST PC	AC		
150	8690920024	VAKUUMMETER VACUUM GAUGE	1	ST PC			
155	Z=30368	WINKEL BRACKET	2	ST PC	AC		

TYP/MODEL: 20V4000G43
SERIENNUMMER/
SERIAL NO: 20V4000G43

KRAFTSTOFFVORFILTER
FUEL PREFILTER

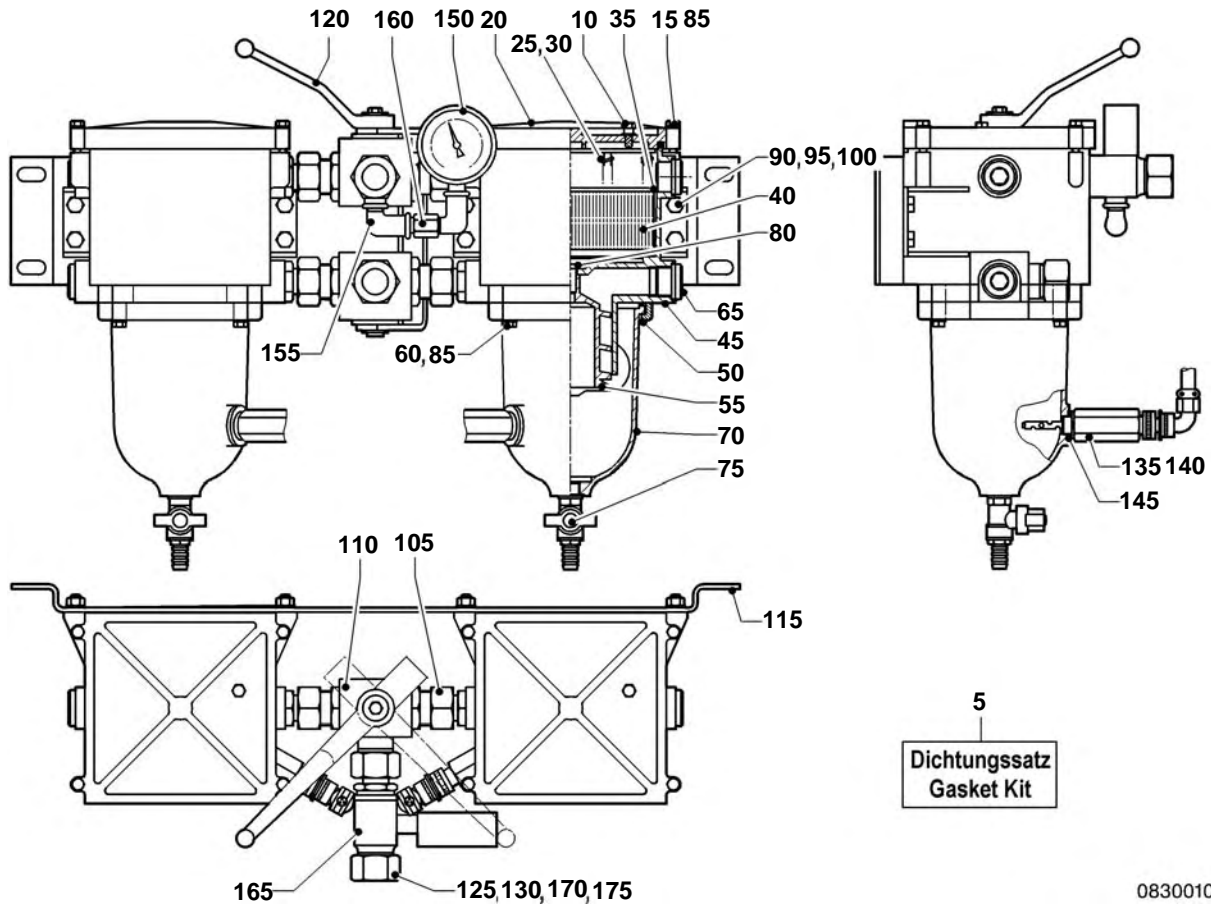
FG/FGS:
STUECKLISTE/ 0010928801
BOM: 0010928801

POS. ITEM	BESTELLNR. PART NO.	BENENNUNG DESIGNATION	STO QTY.	EINHEIT UNIT	FN FN	ABMESSUNGEN DIMENSIONS	NORM STANDARD
160	Z=30383	MUFFE SLEEVE	1	ST PC	AC		
165	Z=30385	ADAPTER ADAPTER	1	ST PC	AC		
170	Z=30281	UEBERWURFMUTTER UNION NUT	2	ST PC	AC		
175	Z=30280	DICHTKEGEL SEALING CONE	2	ST PC	AC		

TYP/MODEL: 20V4000G43
 SERIENNUMMER/
 SERIAL NO: 20V4000G43

KRAFTSTOFFVORFILTER
 FUEL PREFILTER

FG/FGS:
 STUECKLISTE/
 BOM: 0010928701



08300109a

POS. ITEM	BESTELLNR. PART NO.	BENENNUNG DESIGNATION	STO QTY.	EINHEIT UNIT	FN FN	ABMESSUNGEN DIMENSIONS	NORM STANDARD
5	8695860571	DICHTUNGSSATZ GASKET KIT	2	ST PC			
10	8690920043	SCHRAUBE SCREW	2	ST PC			
15	Z=30452	SCHRAUBE SCREW	8	ST PC	AC		
20	8690920061	DECKEL COVER	2	ST PC			
30	X00031325	FEDERELEMENT RESILIENT ELEMENT	24	ST PC			
40	0000925005	FILTEREINSATZ FILTER ELEMENT	2	ST PC		30µ	
45	Z=30428	GEHAEUSE HOUSING	2	ST PC	AC		
50	Z=30575	HALTER RETAINER	2	ST PC	AC		
55	Z=30429	OELZENTRIFUGE CENTRIFUGAL OIL FLTR	2	ST PC	AC		
60	304017006065	SECHSKANTSCHRAUBE SCREW	8	ST PC		M 6 X 30	ISO4017

TYP/MODEL: 20V4000G43
 SERIENNUMMER/
 SERIAL NO: 20V4000G43

KRAFTSTOFFVORFILTER
 FUEL PREFILTER

FG/FGS:
 STUECKLISTE/ 0010928701
 BOM: 0010928701

POS. ITEM	BESTELLNR. PART NO.	BENENNUNG DESIGNATION	STO QTY.	EINHEIT UNIT	FN FN	ABMESSUNGEN DIMENSIONS	NORM STANDARD
65	Z=30705	VERSCHLUSSSCHRAUBE PLUG	4	ST PC	AC		
70	Z=30983	GEHAEUSE HOUSING	2	ST PC	AC	MIT GEWINDE FUER SONDE	
75	8690920054	HAHN COCK	2	ST PC			
80	Z=30560	SCHRAUBE SCREW	2	ST PC	AC	M10 X 16	DIN7984
85	000125006431	SCHEIBE WASHER	16	ST PC		A 6,4	DIN125
90	000125008427	SCHEIBE WASHER	16	ST PC		A 8,4	DIN125
95	Z=30022	MUTTER NUT	8	ST PC	AC	M8	DIN985
100	Z=30488	SCHRAUBE SCREW	8	ST PC	AC		
105	Z=30464	VERSCHRAUBUNG UNION	4	ST PC	AC		
110	8699970291	KUGELHAHN BALL COCK	1	ST PC			
115	Z=30466	MONTAGEPLATTE MOUNTING PLATE	1	ST PC	AC		
120	8690920059	HALTER RETAINER	1	ST PC			
125	Z=30338	UEBERWURFMUTTER UNION NUT	2	ST PC	AC		
130	Z=30339	SCHNEIDRING CUTTING RING	2	ST PC	AC		
135	0005316785	STECKER MALE CONNECTOR	2	ST PC	NN	GR.10SL 3POL BUCHSE AWG16	
140	0005353703	NIVEAUWAECHTER LEVEL MONITOR	2	ST PC	AB	M18X1,5; L=124; ET=50; 9-36VDC	
145	007603018104	DICHTRING SEALING RING	2	ST PC		A 18 X 24	DIN7603
150	8690920024	VAKUUMMETER VACUUM GAUGE	1	ST PC			
155	Z=30368	WINKEL BRACKET	2	ST PC	AC		
160	Z=30383	MUFFE SLEEVE	1	ST PC	AC		
165	Z=30384	ADAPTER ADAPTER	1	ST PC	AC		

TYP/MODEL: 20V4000G43
SERIENNUMMER/
SERIAL NO: 20V4000G43

KRAFTSTOFFVORFILTER
FUEL PREFILTER

FG/FGS:
STUECKLISTE/ 0010928701
BOM: 0010928701

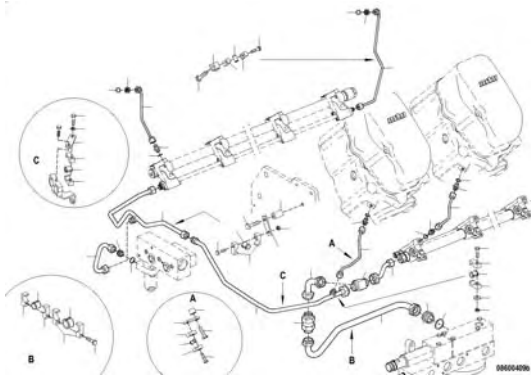
POS.	BESTELLNR.	BENENNUNG	STO	EINHEIT	FN	ABMESSUNGEN	NORM
ITEM	PART NO.	DESIGNATION	QTY.	UNIT	FN	DIMENSIONS	STANDARD
170	Z=30279	UEBERWURFMUTTER UNION NUT	2	ST PC	AC		
175	Z=30278	DICHTKEGEL SEALING CONE	2	ST PC	AC		
180	X00031303	HAHNSCHLUESSEL PLUG KEY	1	ST PC		SW 14	

TYP/MODEL: 20V4000G43
SERIENNUMMER/
SERIAL NO: 20V4000G43

LECKKRAFTSTOFF-FUEHRUNG
LEAK-OFF FUEL LINE

FG/FGS: 086
STUECKLISTE/
BOM:

FUNKTIONSGRUPPE/GROUP NUMBER (FG)
GRUPPENNAME/GROUP NAME
STÜCKLISTENR/BOM NO.

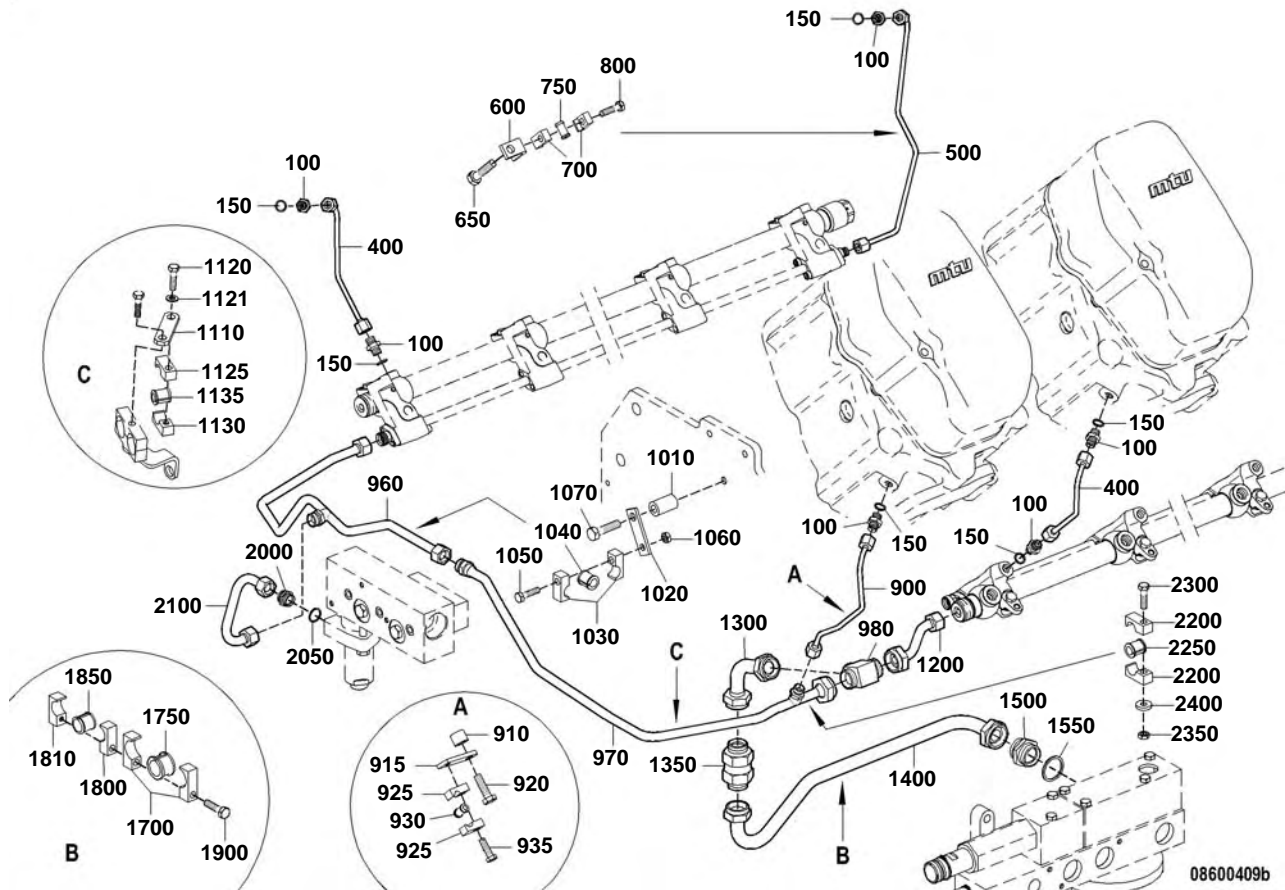


086
KST-RUECKFUEHRUNG FUER 20V
FUEL RETURN FOR 20V
X00028665

TYP/MODEL: 20V4000G43
 SERIENNUMMER/
 SERIAL NO: 20V4000G43

KST-RUECKFUEHRUNG FUER 20V
 FUEL RETURN FOR 20V

FG/FGS: 086 05
 STUECKLISTE/
 BOM: X00028665



POS. ITEM	BESTELLN. PART NO.	BENENNUNG DESIGNATION	STO QTY.	EINHEIT UNIT	FN FN	ABMESSUNGEN DIMENSIONS	NORM STANDARD
100	915006004002	DOPPELSTUTZEN UNION	38	ST PC		4	N15006
150	007603012111	DICHTRING SEALING RING	38	ST PC		A 12 X 15,5	DIN7603
400	X00034974	KST-RUECKLAUFLEITUNG FUEL RETURN LINE	18	ST PC		SB	
500	X00004215	KST-RUECKLAUFLEITUNG RECHTS FUEL RETURN LINE RIGHT	1	ST PC		SB	
600	5551870640	HALTER RETAINER	1	ST PC		NN	
650	000933010089	SECHSKANTSCHRAUBE SCREW	1	ST PC		M 10 X 20	DIN933
700	700325010100	ROHRKLEMMENHAELFTE PIPE CLAMP HALF	2	ST PC		1/1 D 9 - 10	MMN325
750	700327006000	TUELLE GROMMET	1	ST PC		6	MMN327
800	304017008083	SECHSKANTSCHRAUBE SCREW	1	ST PC		M 8 X 30	ISO4017
900	X00040965	KST-RUECKLAUFLEITUNG LINKS FUEL RETURN LINE LEFT	1	ST PC		SB	

TYP/MODEL: 20V4000G43
 SERIENNUMMER/
 SERIAL NO: 20V4000G43

KST-RUECKFUEHRUNG FUER 20V
 FUEL RETURN FOR 20V

FG/FGS: 086 05
 STUECKLISTE/ X00028665
 BOM: X00028665

POS.	BESTELLNR.	BENENNUNG	STO	EINHEIT	FN	ABMESSUNGEN	NORM
ITEM	PART NO.	DESIGNATION	QTY.	UNIT	FN	DIMENSIONS	STANDARD
910	5511531550	ABSTANDBUCHSE SPACER BUSHING	1	ST PC			
915	135M55009/1	HALTER RETAINER	1	ST PC			
920	000933010092	SECHSKANTSCHRAUBE SCREW	1	ST PC		M 10 X 30	DIN933
925	700325010100	ROHRKLEMMENHAELFTE PIPE CLAMP HALF	2	ST PC		1/1 D 9 - 10	MMN325
930	700327006000	TUELLE GROMMET	1	ST PC		6	MMN327
935	304017008083	SECHSKANTSCHRAUBE SCREW	1	ST PC		M 8 X 30	ISO4017
960	X00035929	KST-RUECKLAUFLEITUNG FUEL RETURN LINE	1	ST PC	SB		
970	X00040963	KST-RUECKLAUFLEITUNG FUEL RETURN LINE	1	ST PC	SB		
980	5569970274	T-STUECK TEE	1	ST PC			
1010	5900140253	ABSTANDROHR SPACER TUBE	1	ST PC			
1020	5500784541	HALTER RETAINER	1	ST PC			
1030	700325018100	ROHRKLEMMENHAELFTE PIPE CLAMP HALF	2	ST PC		1/1 D 9 - 18	MMN325
1040	700327012000	TUELLE GROMMET	1	ST PC		12	MMN327
1050	304017008085	SECHSKANTSCHRAUBE SCREW	1	ST PC		M 8 X 40	ISO4017
1060	304032008014	SECHSKANTMUTTER HEX NUT	1	ST PC		M 8	ISO4032
1070	304017008087	SECHSKANTSCHRAUBE SCREW	1	ST PC		M 8 X 50	ISO4017
1110	5840983726	LASCHE STRAP	1	ST PC			
1120	304017008084	SECHSKANTSCHRAUBE SCREW	1	ST PC		M 8 X 35	ISO4017
1121	000125008427	SCHEIBE WASHER	1	ST PC		A 8,4	DIN125
1125	700325018100	ROHRKLEMMENHAELFTE PIPE CLAMP HALF	1	ST PC		1/1 D 9 - 18	MMN325
1130	700325018200	ROHRKLEMMENHAELFTE PIPE CLAMP HALF	1	ST PC		1/1 G 8 - 18	MMN325

TYP/MODEL: 20V4000G43
 SERIENNUMMER/
 SERIAL NO: 20V4000G43

KST-RUECKFUEHRUNG FUER 20V
 FUEL RETURN FOR 20V

FG/FGS: 086 05
 STUECKLISTE/ X00028665
 BOM: X00028665

POS.	BESTELLNR.	BENENNUNG	STO	EINHEIT	FN	ABMESSUNGEN	NORM
ITEM	PART NO.	DESIGNATION	QTY.	UNIT	FN	DIMENSIONS	STANDARD
1135	700327012000	TUELLE GROMMET	1	ST PC		12	MMN327
1200	X00040958	KST-RUECKLAUFLEITUNG FUEL RETURN LINE	1	ST PC	SB		
1300	X00040964	KST-RUECKLAUFLEITUNG FUEL RETURN LINE	1	ST PC	SB		
1350	735080018204	RUECKSCHLAGVENTIL NON-RETURN VALVE	1	ST PC		RHDK 18-L 1	MTN5080
1400	X00040959	KST-RUECKLAUFLEITUNG FUEL RETURN LINE	1	ST PC	SB		
1500	915013020002	STUTZEN UNION	1	ST PC		20	N15013
1550	007603026104	DICHTRING SEALING RING	1	ST PC		A 26 X 31	DIN7603
1700	700325028100	ROHRKLEMMENHAELFTE PIPE CLAMP HALF	2	ST PC		1/1 D 9 - 28	MMN325
1750	700327022000	TUELLE GROMMET	1	ST PC		22	MMN327
1800	700325022100	ROHRKLEMMENHAELFTE PIPE HALF-CLAMP	1	ST PC		1/1 D 9 - 22	MMN325
1810	700325022200	ROHRKLEMMENHAELFTE PIPE HALF-CLAMP	1	ST PC		1/1 G 8 - 22	MMN325
1850	700327018000	TUELLE GROMMET	1	ST PC		18	MMN327
1900	304017008090	SECHSKANTSCHRAUBE SCREW	1	ST PC		M 8 X 70	ISO4017
2000	915007010001	UEBERGANGSSTUTZEN REDUCTION UNION	1	ST PC		10 / 8 (M18X1,5/M16X1,5)	N15007
2050	007603016105	DICHTRING SEALING RING	1	ST PC		A 16 X 20	DIN7603
2100	X00004208	KST-RUECKLAUFLEITUNG FUEL RETURN LINE	1	ST PC	SB		
2200	700325018100	ROHRKLEMMENHAELFTE PIPE CLAMP HALF	2	ST PC		1/1 D 9 - 18	MMN325
2250	700327012000	TUELLE GROMMET	1	ST PC		12	MMN327
2300	304017008087	SECHSKANTSCHRAUBE SCREW	1	ST PC		M 8 X 50	ISO4017
2350	304032008014	SECHSKANTMUTTER HEX NUT	1	ST PC		M 8	ISO4032
2400	007349008002	SCHEIBE WASHER	1	ST PC		8,4	DIN7349

TYP/MODEL: 20V4000G43

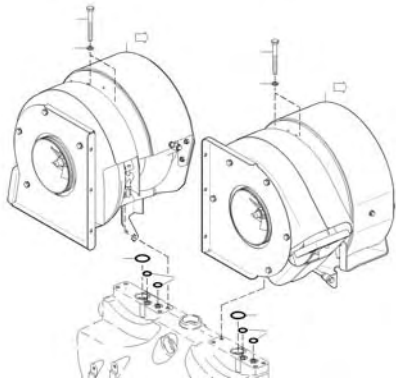
ABGASTURBOLADER, ALLGEMEIN ODER
HOCHDRUCKLADER
TURBOCHARGER (H.P)

FG/FGS: 101

SERIENNUMMER/
SERIAL NO: 20V4000G43

STUECKLISTE/
BOM:

FUNKTIONSGRUPPE/GROUP NUMBER (FG)
GRUPPENNAME/GROUP NAME
STÜCKLISTENR/BOM NO.



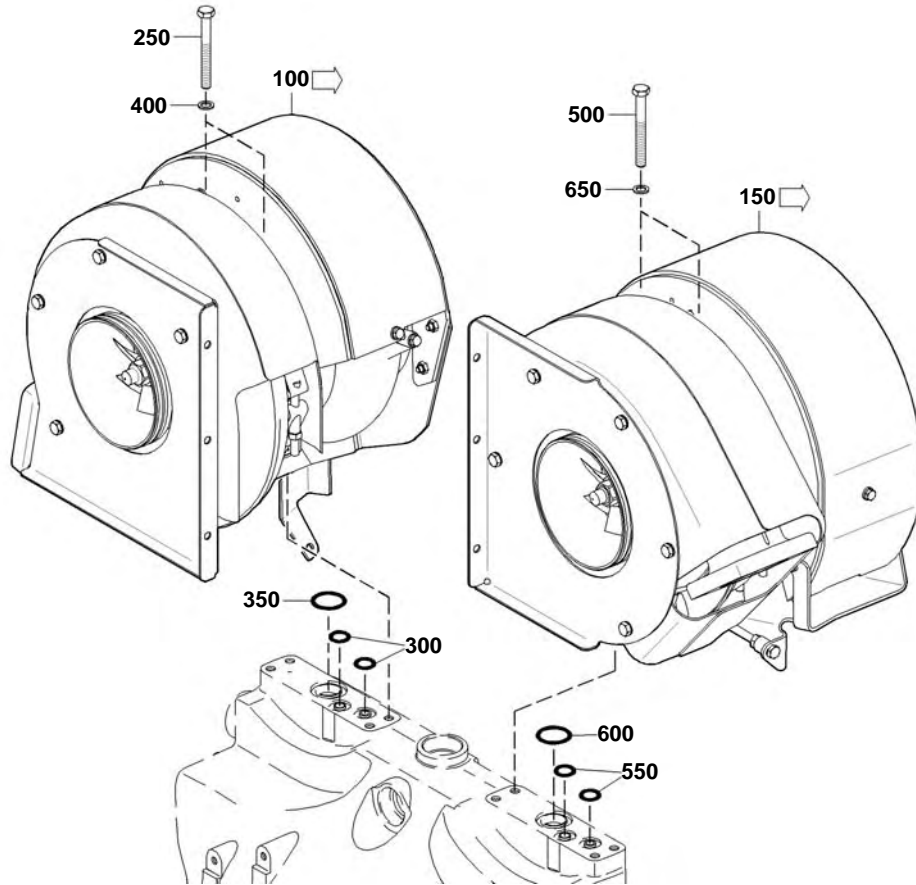
101
ABGASTURBOLADER
EXHAUST TURBOCHARGER
XS528100.00012

12100010b

TYP/MODEL: 20V4000G43
 SERIENNUMMER/
 SERIAL NO: 20V4000G43

ABGASTURBOLADER
 EXHAUST TURBOCHARGER

FG/FGS: 101 01
 STUECKLISTE/
 BOM: XS528100.00012



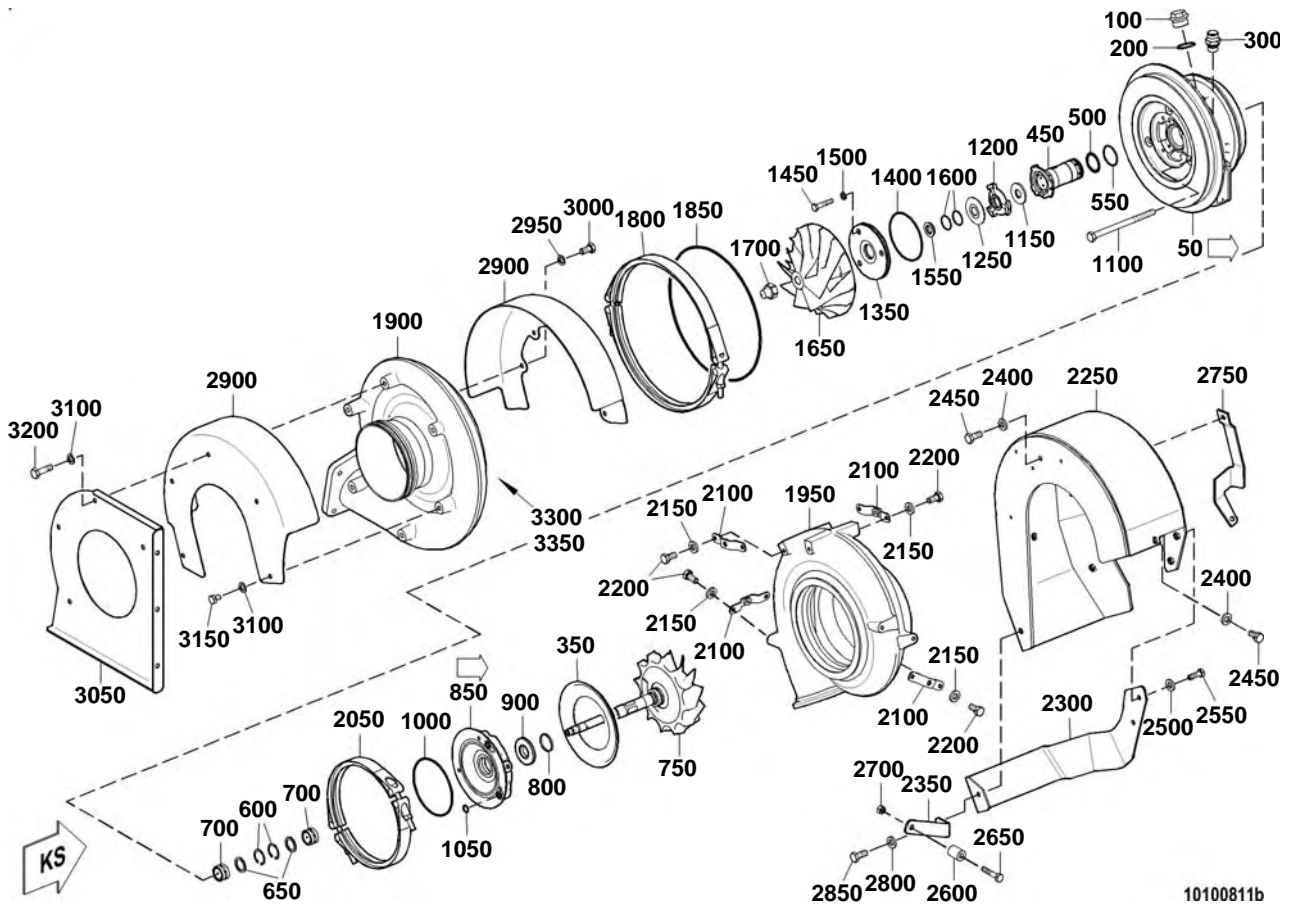
10100810b

POS. ITEM	BESTELLNR. PART NO.	BENENNUNG DESIGNATION	STO QTY.	EINHEIT UNIT	ABMESSUNGEN DIMENSIONS	NORM STANDARD
100	X52810100038	ABGASTURBOLADER LINKE SEITE EXHAUST TURBOCHARGER LEFT SIDE	1	ST PC		
150	X52810100039	ABGASTURBOLADER RECHTE SEITE EXHAUST TURBOCHARGER RIGHT SIDE	1	ST PC		
250	000000002967	SECHSKANTSCHRAUBE SCREW	4	ST PC	M 12 X105	ISO4017
300	700429018004	O-RING O-RING	2	ST PC	18 X 5	MMN429
350	700429036001	O-RING O-RING	1	ST PC	36 X 5	MMN429
400	200433013000	SCHEIBE WASHER	4	ST PC	13	DIN433
500	000000002967	SECHSKANTSCHRAUBE SCREW	4	ST PC	M 12 X105	ISO4017
550	700429018004	O-RING O-RING	2	ST PC	18 X 5	MMN429
600	700429036001	O-RING O-RING	1	ST PC	36 X 5	MMN429
650	200433013000	SCHEIBE WASHER	4	ST PC	13	DIN433

TYP/MODEL: 20V4000G43
 SERIENNUMMER/
 SERIAL NO: 20V4000G43

ABGASTURBOLADER LINKE SEITE
 EXHAUST TURBOCHARGER LEFT SIDE

FG/FGS:
 STUECKLISTE/
 BOM: X52810100038



POS. ITEM	BESTELLNR. PART NO.	BENENNUNG DESIGNATION	STO QTY.	EINHEIT UNIT	FN FN	ABMESSUNGEN DIMENSIONS	NORM STANDARD
50	X00035304	LAGERGEHAEUSE BEARING HOUSING	1	ST PC			
100	007604022200	VERSCHLUSSSCHRAUBE PLUG	1	ST PC		C M 22 X 1,5	DIN7604
200	007603022103	DICHTRING SEALING RING	1	ST PC		A 22 X 27	DIN7603
300	735211010000	VERSCHRAUBUNG UNION	1	ST PC	P	10M 14 X 1,5	MTN5211
350	X00035302	STRAHLSCHEIBE HEAT SHIELD	1	ST PC			
450	X00020737	LAGERKOERPER BEARING BODY	1	ST PC			
500	700429038002	O-RING O-RING	1	ST PC		38 X 2	MMN429
550	700294042002	O-RING O-RING	1	ST PC		42 X 2,75	MMN294
600	5119940041	SICHERUNGSRING SNAP RING	2	ST PC		34 X 1,5	DIN472
650	5110250052	SCHEIBE WASHER	2	ST PC			

TYP/MODEL: 20V4000G43
 SERIENNUMMER/
 SERIAL NO: 20V4000G43

ABGASTURBOLADER LINKE SEITE
 EXHAUST TURBOCHARGER LEFT SIDE

FG/FGS:
 STUECKLISTE/ X52810100038
 BOM: X52810100038

POS. ITEM	BESTELLNR. PART NO.	BENENNUNG DESIGNATION	STO QTY.	EINHEIT UNIT	FN FN	ABMESSUNGEN DIMENSIONS	NORM STANDARD
700	X00016599	LAGERBUCHSE BEARING BUSHING	2	ST PC			
750	5110804920	TURBINENRAD TURBINE WHEEL	1	ST PC	EMN		
800	5110850560	KOLBENRING PISTON RING	1	ST PC			
850	5110800502	GEHAEUSEDECKEL HOUSING COVER	1	ST PC			
900	5110251976	SCHEIBE WASHER	1	ST PC			
1000	700429126001	O-RING O-RING	1	ST PC		126 X 4	MMN429
1050	700429013002	O-RING O-RING	2	ST PC		13 X 2,5	MMN429
1100	000931008257	SECHSKANTSCHRAUBE SCREW	3	ST PC		M 8 X115	DIN931
1150	X00010427	SCHEIBE WASHER	1	ST PC			
1200	5110200612	AXIALLAGER THRUST BEARING	1	ST PC			
1250	X00010428	SCHEIBE WASHER	1	ST PC			
1350	5110250241	HALTERING RETAINING RING	1	ST PC			
1400	700429105001	O-RING O-RING	1	ST PC		105 X 3,5	MMN429
1450	304017006064	SECHSKANTSCHRAUBE SCREW	3	ST PC		M 6 X 30	ISO4017
1500	200433006400	SCHEIBE WASHER	3	ST PC		6,4	DIN433
1550	X00010426	RINGTRAEGER RING CARRIER	1	ST PC			
1600	5100850060	KOLBENRING PISTON RING	2	ST PC			
1650	5110250902	VERDICTERRAD COMPRESSOR WHEEL	1	ST PC			
1700	X00018161	MUTTER NUT	1	ST PC			
1800	X00025973	KLEMMSCHELLE CLAMP	1	ST PC			
1850	700429300000	O-RING O-RING	1	ST PC		300 X 5	MMN429

TYP/MODEL: 20V4000G43
 SERIENNUMMER/
 SERIAL NO: 20V4000G43

ABGASTURBOLADER LINKE SEITE
 EXHAUST TURBOCHARGER LEFT SIDE

FG/FGS:
 STUECKLISTE/ X52810100038
 BOM: X52810100038

POS. ITEM	BESTELLNR. PART NO.	BENENNUNG DESIGNATION	STO QTY.	EINHEIT UNIT	FN FN	ABMESSUNGEN DIMENSIONS	NORM STANDARD
1900	X00010795	VERDICHTERGEHAEUSE COMPRESSOR HOUSING	1	ST PC			
1950	X52810100033	TURBINENGEHAEUSE TURBINE HOUSING	1	ST PC			
2050	X00033227	V-BAND-SCHELLE VEE-BELT CLAMP	1	ST PC			
2100	5280200040	HALTER RETAINER	4	ST PC	SB		
2150	5379900140	SCHEIBE WASHER	8	ST PC			
2200	200933008008	SECHSKANTSCHRAUBE SCREW	8	ST PC		M 8 X 16	DIN933
2250	5280201483	ABSCHIRMUNG HEAT SHIELD	1	ST PC			
2300	5280210883	ABSCHIRMUNG HEAT SHIELD	1	ST PC			
2350	X00008588	ABSCHIRMUNG HEAT SHIELD	1	ST PC			
2400	5379900140	SCHEIBE WASHER	6	ST PC			
2450	200933008016	SECHSKANTSCHRAUBE SCREW	6	ST PC		M 8 X 25	DIN933
2500	5379900140	SCHEIBE WASHER	1	ST PC			
2550	304017008081	SECHSKANTSCHRAUBE SCREW	1	ST PC		M 8 X 25	ISO4017
2600	5681420253	ABSTANDHUELSE SPACER SLEEVE	1	ST PC			
2650	00000002921	SECHSKANTSCHRAUBE SCREW	1	ST PC		M 10 X 50	ISO4017
2700	00000003187	SECHSKANTMUTTER HEX NUT	1	ST PC		M 10	ISO4032
2750	X00008587	HALTER RETAINER	1	ST PC			
2800	5379900140	SCHEIBE WASHER	1	ST PC			
2850	200933008016	SECHSKANTSCHRAUBE SCREW	1	ST PC		M 8 X 25	DIN933
2900	X00014379	ABSCHIRMHAUBE HEAT CAP	1	ST PC			
2950	200433008400	SCHEIBE WASHER	5	ST PC		8,4	DIN433

TYP/MODEL: 20V4000G43
SERIENNUMMER/
SERIAL NO: 20V4000G43

ABGASTURBOLADER LINKE SEITE
EXHAUST TURBOCHARGER LEFT SIDE

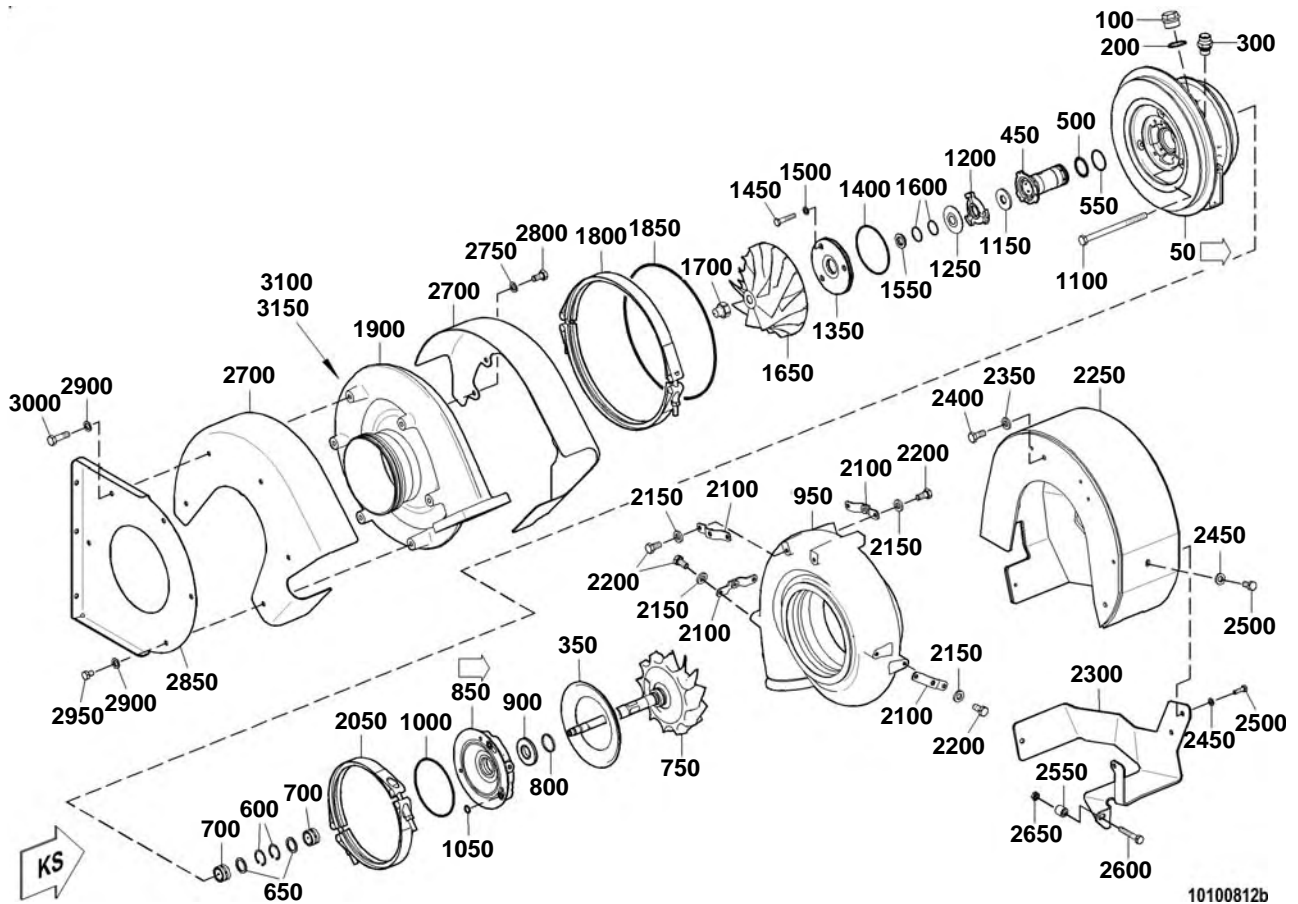
FG/FGS:
STUECKLISTE/ X52810100038
BOM: X52810100038

POS. ITEM	BESTELLNR. PART NO.	BENENNUNG DESIGNATION	STO QTY.	EINHEIT UNIT	FN FN	ABMESSUNGEN DIMENSIONS	NORM STANDARD
3000	304017008076	SECHSKANTSCHRAUBE SCREW	5	ST PC		M 8 X 12	ISO4017
3050	X00014381	ABSCHIRMBLECH HEAT SHIELD	1	ST PC			
3100	200433010500	SCHEIBE WASHER	5	ST PC		10,5	DIN433
3150	000933010198	SECHSKANTSCHRAUBE SCREW	2	ST PC		M 10 X 16	DIN933
3200	000000003326	SECHSKANTSCHRAUBE SCREW	3	ST PC		M 10 X 35	ISO4017
3300	700425000049	SCHILD PLATE	1	ST PC		39	MMN425
3350	001476003017	KERBNAGEL GROOVED PIN	2	ST PC		3 X 8	DIN1476

TYP/MODEL: 20V4000G43
 SERIENNUMMER/
 SERIAL NO: 20V4000G43

ABGASTURBOLADER RECHTE SEITE
 EXHAUST TURBOCHARGER RIGHT SIDE

FG/FGS:
 STUECKLISTE/
 BOM: X52810100039



POS. ITEM	BESTELLNR. PART NO.	BENENNUNG DESIGNATION	STO QTY.	EINHEIT UNIT	FN FN	ABMESSUNGEN DIMENSIONS	NORM STANDARD
50	X00035304	LAGERGEHAEUSE BEARING HOUSING	1	ST PC			
100	007604022200	VERSCHLUSSSCHRAUBE PLUG	1	ST PC		C M 22 X 1,5	DIN7604
200	007603022103	DICHTRING SEALING RING	1	ST PC		A 22 X 27	DIN7603
300	735211010000	VERSCHRAUBUNG UNION	1	ST PC	P	10M 14 X 1,5	MTN5211
350	X00035302	STRAHLSCHEIBE HEAT SHIELD	1	ST PC			
450	X00020737	LAGERKOERPER BEARING BODY	1	ST PC			
500	700429038002	O-RING O-RING	1	ST PC		38 X 2	MMN429
550	700294042002	O-RING O-RING	1	ST PC		42 X 2,75	MMN294
600	5119940041	SICHERUNGSRING SNAP RING	2	ST PC		34 X 1,5	DIN472
650	5110250052	SCHEIBE WASHER	2	ST PC			

TYP/MODEL: 20V4000G43
 SERIENNUMMER/
 SERIAL NO: 20V4000G43

ABGASTURBOLADER RECHTE SEITE
 EXHAUST TURBOCHARGER RIGHT SIDE

FG/FGS:
 STUECKLISTE/ X52810100039
 BOM: X52810100039

POS. ITEM	BESTELLNR. PART NO.	BENENNUNG DESIGNATION	STO QTY.	EINHEIT UNIT	FN FN	ABMESSUNGEN DIMENSIONS	NORM STANDARD
700	X00016599	LAGERBUCHSE BEARING BUSHING	2	ST PC			
750	5110804920	TURBINENRAD TURBINE WHEEL	1	ST PC	EMN		
800	5110850560	KOLBENRING PISTON RING	1	ST PC			
850	5110800502	GEHAEUSEDECKEL HOUSING COVER	1	ST PC			
900	5110251976	SCHEIBE WASHER	1	ST PC			
1000	700429126001	O-RING O-RING	1	ST PC		126 X 4	MMN429
1050	700429013002	O-RING O-RING	2	ST PC		13 X 2,5	MMN429
1100	000931008257	SECHSKANTSCHRAUBE SCREW	3	ST PC		M 8 X115	DIN931
1150	X00010427	SCHEIBE WASHER	1	ST PC			
1200	5110200612	AXIALLAGER THRUST BEARING	1	ST PC			
1250	X00010428	SCHEIBE WASHER	1	ST PC			
1350	5110250241	HALTERING RETAINING RING	1	ST PC			
1400	700429105001	O-RING O-RING	1	ST PC		105 X 3,5	MMN429
1450	304017006064	SECHSKANTSCHRAUBE SCREW	3	ST PC		M 6 X 30	ISO4017
1500	200433006400	SCHEIBE WASHER	3	ST PC		6,4	DIN433
1550	X00010426	RINGTRAEGER RING CARRIER	1	ST PC			
1600	5100850060	KOLBENRING PISTON RING	2	ST PC			
1650	5110250902	VERDICTERRAD COMPRESSOR WHEEL	1	ST PC			
1700	X00018161	MUTTER NUT	1	ST PC			
1800	X00025973	KLEMMSCHELLE CLAMP	1	ST PC			
1850	700429300000	O-RING O-RING	1	ST PC		300 X 5	MMN429

TYP/MODEL: 20V4000G43
 SERIENNUMMER/
 SERIAL NO: 20V4000G43

ABGASTURBOLADER RECHTE SEITE
 EXHAUST TURBOCHARGER RIGHT SIDE

FG/FGS:
 STUECKLISTE/ X52810100039
 BOM: X52810100039

POS. ITEM	BESTELLNR. PART NO.	BENENNUNG DESIGNATION	STO QTY.	EINHEIT UNIT	FN FN	ABMESSUNGEN DIMENSIONS	NORM STANDARD
1900	X00010795	VERDICHTERGEHAEUSE COMPRESSOR HOUSING	1	ST PC			
1950	X52810100033	TURBINENGEHAEUSE TURBINE HOUSING	1	ST PC			
2050	X00033227	V-BAND-SCHELLE VEE-BELT CLAMP	1	ST PC			
2100	5280200040	HALTER RETAINER	4	ST PC	SB		
2150	5379900140	SCHEIBE WASHER	8	ST PC			
2200	200933008008	SECHSKANTSCHRAUBE SCREW	8	ST PC		M 8 X 16	DIN933
2250	5280201583	ABSCHIRMUNG HEAT SHIELD	1	ST PC			
2300	5280211283	ABSCHIRMUNG HEAT SHIELD	1	ST PC			
2350	5379900140	SCHEIBE WASHER	4	ST PC			
2400	200933008016	SECHSKANTSCHRAUBE SCREW	4	ST PC		M 8 X 25	DIN933
2450	5379900140	SCHEIBE WASHER	4	ST PC			
2500	200933008016	SECHSKANTSCHRAUBE SCREW	4	ST PC		M 8 X 25	DIN933
2550	5241872353	ABSTANDROHR SPACER TUBE	1	ST PC			
2600	00000000906	SECHSKANTSCHRAUBE SCREW	1	ST PC		M 10 X 80	ISO4017
2650	000000003187	SECHSKANTMUTTER HEX NUT	1	ST PC		M 10	ISO4032
2700	X00014380	ABSCHIRMHAUBE HEAT CAP	1	ST PC			
2750	200433008400	SCHEIBE WASHER	5	ST PC		8,4	DIN433
2800	304017008076	SECHSKANTSCHRAUBE SCREW	5	ST PC		M 8 X 12	ISO4017
2850	X00014387	ABSCHIRMBLECH HEAT SHIELD	1	ST PC			
2900	200433010500	SCHEIBE WASHER	5	ST PC		10,5	DIN433
2950	000000001042	SECHSKANTSCHRAUBE SCREW	2	ST PC		M 10 X 50	ISO4017

TYP/MODEL: 20V4000G43
SERIENNUMMER/
SERIAL NO: 20V4000G43

ABGASTURBOLADER RECHTE SEITE
EXHAUST TURBOCHARGER RIGHT SIDE

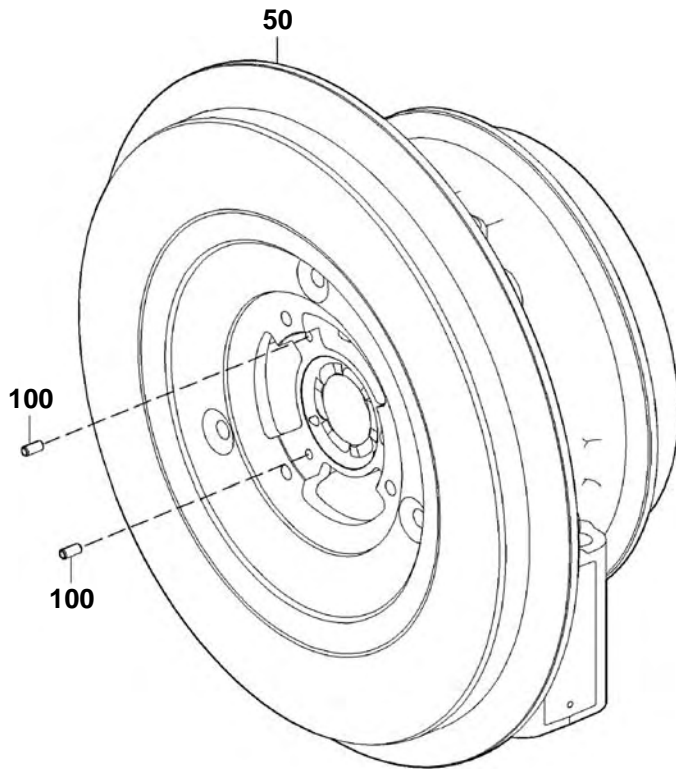
FG/FGS:
STUECKLISTE/ X52810100039
BOM: X52810100039

POS. ITEM	BESTELLNR. PART NO.	BENENNUNG DESIGNATION	STO QTY.	EINHEIT UNIT	FN FN	ABMESSUNGEN DIMENSIONS	NORM STANDARD
3000	000000001464	SECHSKANTSCHRAUBE SCREW	3	ST PC		M 10 X 30	ISO4017
3100	700425000049	SCHILD PLATE	1	ST PC		39	MMN425
3150	001476003017	KERBNAGEL GROOVED PIN	2	ST PC		3 X 8	DIN1476

TYP/MODEL: 20V4000G43
 SERIENNUMMER/
 SERIAL NO: 20V4000G43

LAGERGEHAEUSE
 BEARING HOUSING

FG/FGS:
 STUECKLISTE/
 BOM: X00035304



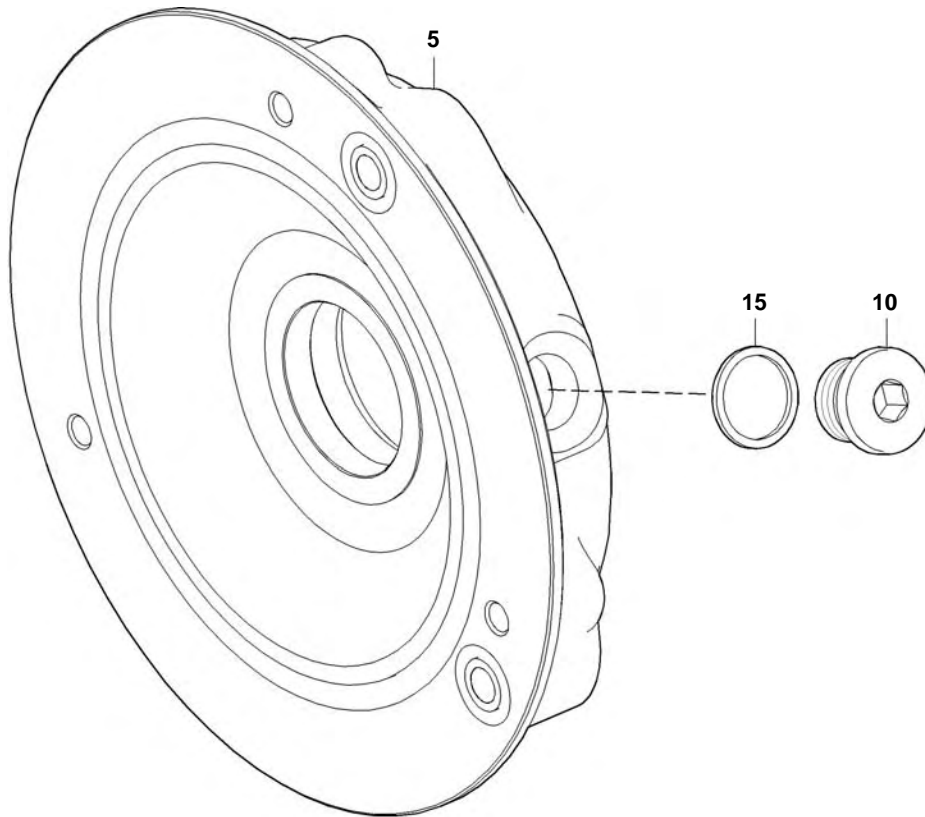
10100084a

POS. ITEM	BESTELLNR. PART NO.	BENENNUNG DESIGNATION	STO QTY.	EINHEIT UNIT	ABMESSUNGEN DIMENSIONS	NORM STANDARD
50	X00035303	LAGERGEHAEUSE BEARING HOUSING	1	ST PC		
100	001481004000	SPANNSTIFT SPRING PIN	2	ST PC	4 X 10 - N	ISO8752
150	000007008113	ZYLINDERSTIFT DOWEL PIN	3	ST PC	8 M6 X 10	DIN7

TYP/MODEL: 20V4000G43
SERIENNUMMER/
SERIAL NO: 20V4000G43

GEHAUSEDECKEL
HOUSING COVER

FG/FGS:
STUECKLISTE/
BOM: 5110800502



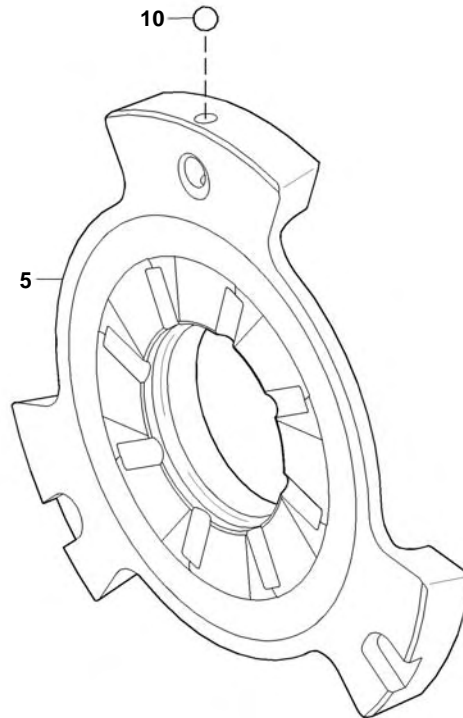
10100703a

POS. ITEM	BESTELNR. PART NO.	BENENNUNG DESIGNATION	STO QTY.	EINHEIT UNIT	ABMESSUNGEN DIMENSIONS	NORM STANDARD
5	5110821502	GEHAUSEDECKEL HOUSING COVER	1	ST PC		
10	000908018002	VERSCHLUSSSCHRAUBE PLUG	5	ST PC	M 18 X 1,5	DIN908
15	007603018101	DICHTRING SEALING RING	5	ST PC	A 18 X 22	DIN7603

TYP/MODEL: 20V4000G43
SERIENNUMMER/
SERIAL NO: 20V4000G43

AXIALLAGER
THRUST BEARING

FG/FGS:
STUECKLISTE/
BOM: 5110200612



10100714b

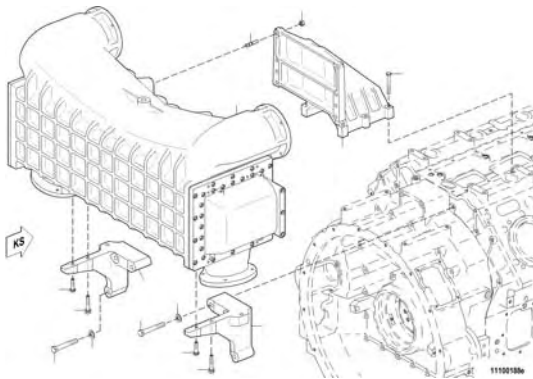
POS. ITEM	BESTELLNR. PART NO.	BENENNUNG DESIGNATION	STO QTY.	EINHEIT UNIT	ABMESSUNGEN DIMENSIONS	NORM STANDARD
5	5110250612	AXIALLAGER THRUST BEARING	1	ST PC		
10	005401303000	KUGEL BALL	1	ST PC	3G20	DIN5401

TYP/MODEL: 20V4000G43
SERIENNUMMER/
SERIAL NO: 20V4000G43

LADELUFTKUEHLUNG
CHARGE-AIR COOLING

FG/FGS: 110
STUECKLISTE/
BOM:

FUNKTIONSGRUPPE/GROUP NUMBER (FG)
GRUPPENNAME/GROUP NAME
STÜCKLISTENR/BOM NO.

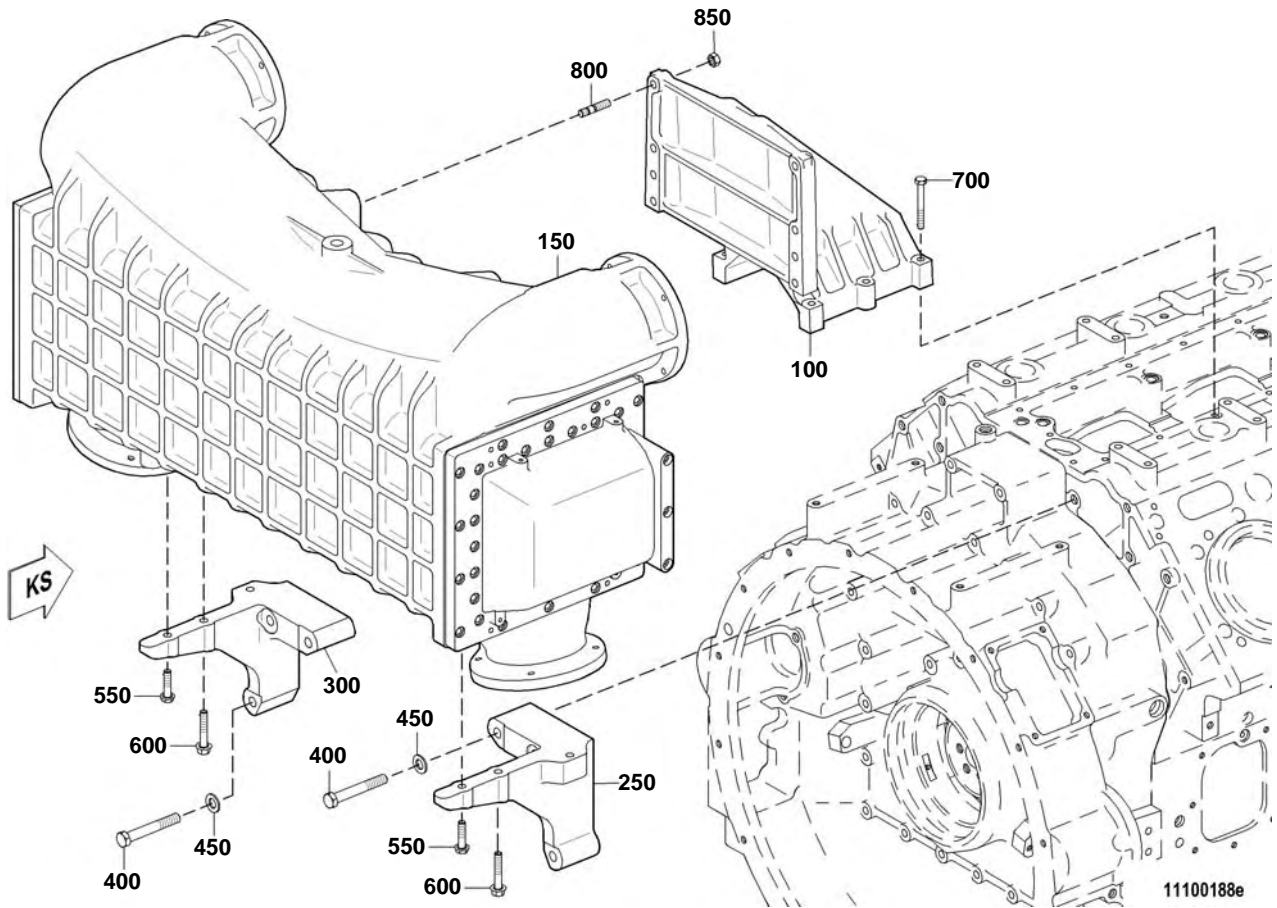


110
LADELUFTKUEHLER
INTERCOOLER
X00030284

TYP/MODEL: 20V4000G43
SERIENNUMMER/
SERIAL NO: 20V4000G43

LADELUFTKUEHLER
INTERCOOLER

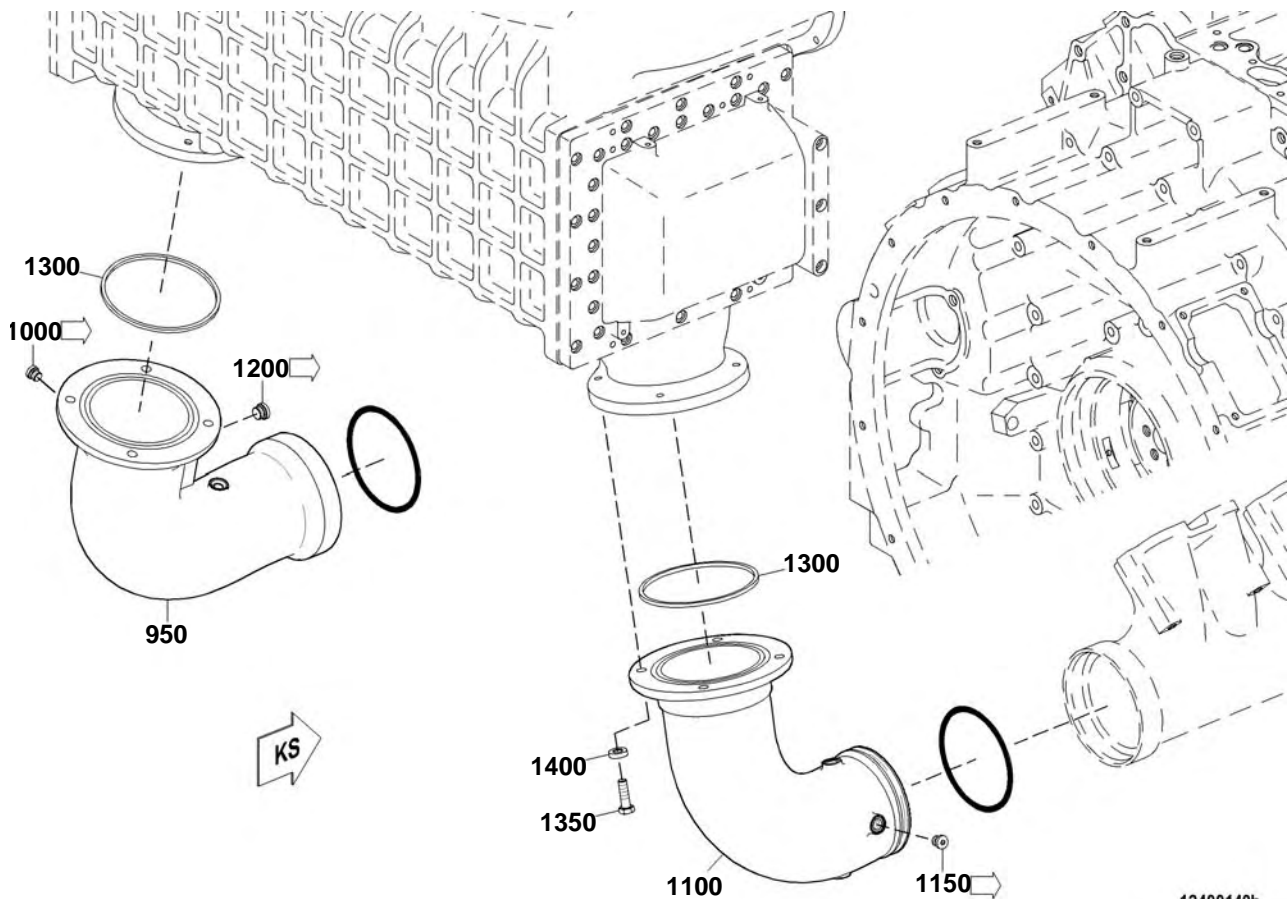
FG/FGS: 110 00
STUECKLISTE/
BOM: X00030284



TYP/MODEL: 20V4000G43
SERIENNUMMER/
SERIAL NO: 20V4000G43

LADELUFTKUEHLER
INTERCOOLER

FG/FGS: 110 00
STUECKLISTE/
BOM: X00030284

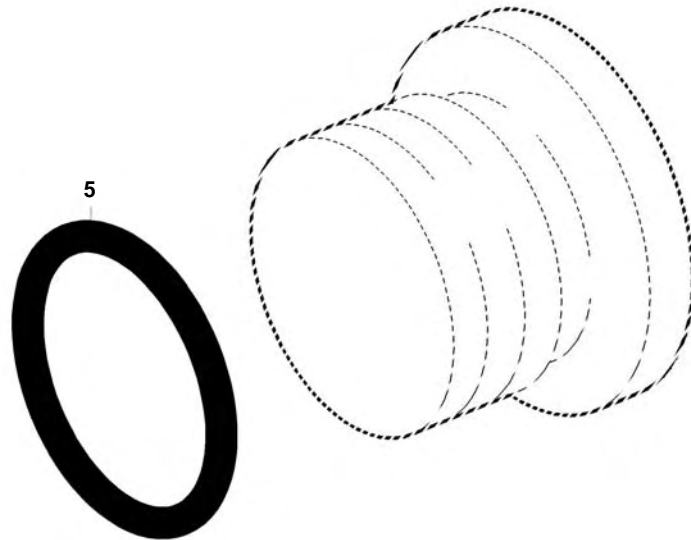


POS. ITEM	BESTELLNR. PART NO.	BENENNUNG DESIGNATION	STO QTY.	EINHEIT UNIT	FN FN	ABMESSUNGEN DIMENSIONS	NORM STANDARD
100	X00026830	TRAEGER SUPPORT	1	ST PC			
150	X00032874	LADELUFTKUEHLER INTERCOOLER	1	ST PC	AB		
	X00002938	LADELUFTKUEHLER INTERCOOLER	1	ST PC			
250	5240980730	KONSOLE BRACKET	1	ST PC			
300	5240980830	KONSOLE BRACKET	1	ST PC			
400	5269900101	SCHRAUBE SCREW	6	ST PC		M 16 X 110	
450	5249900140	SCHEIBE WASHER	6	ST PC			
550	5249901901	SECHSKANTSCHRAUBE SCREW	2	ST PC			
600	5249900304	SECHSKANTSCHRAUBE SCREW	4	ST PC		M12 X 65	
700	000931010296	SECHSKANTSCHRAUBE SCREW	6	ST PC		M 10 X 85	DIN931
800	000939012031	STIFTSCHRAUBE STUD	8	ST PC		M 12 X 45	DIN939
850	000934012008	SECHSKANTMUTTER HEX NUT	8	ST PC		M 12	DIN934
950	5240983015	KRUEMMER ELBOW	1	ST PC			
1000	735210014000	VERSCHLUSSSCHRAUBE PLUG	1	ST PC		M 14 X 1,5	MTN5210
1100	5240983115	KRUEMMER ELBOW	1	ST PC			
1150	735210014000	VERSCHLUSSSCHRAUBE PLUG	2	ST PC		M 14 X 1,5	MTN5210
1200	5319971132	VERSCHLUSSSCHRAUBE PLUG	1	ST PC		M18X1.5	
1300	5269970045	RUNDDICHTRING O-RING	2	ST PC			
1350	000933012071	SECHSKANTSCHRAUBE SCREW	8	ST PC		M 12 X 40	DIN933
1400	735151012100	SCHEIBE WASHER	8	ST PC		A 12,5	MTN5151

TYP/MODEL: 20V4000G43
SERIENNUMMER/
SERIAL NO: 20V4000G43

VERSCHLUSSCHRAUBE
PLUG

FG/FGS:
STUECKLISTE/
BOM: 5319971132



E0005821a0

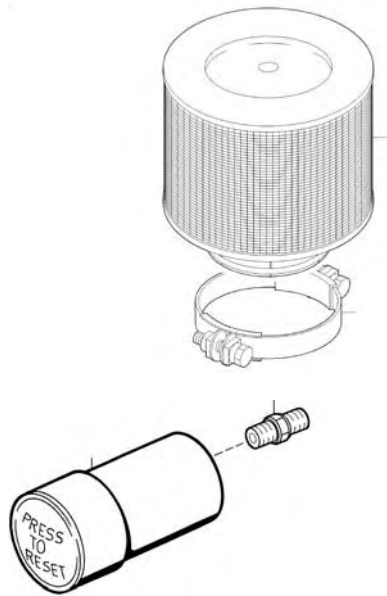
POS. ITEM	BESTELLNR. PART NO.	BENENNUNG DESIGNATION	STO QTY.	EINHEIT UNIT	ABMESSUNGEN DIMENSIONS
5	0005333080	RUNDDICHTRING F.SENSOREN AM MOTOR O-RING FOR ON-ENGINE SENSO	1	ST PC	15,3X2,2; 70 SHORE

TYP/MODEL: 20V4000G43
SERIENNUMMER/
SERIAL NO: 20V4000G43

LUFTFILTER
AIR FILTER

FG/FGS: 121
STUECKLISTE/
BOM:

FUNKTIONSGRUPPE/GROUP NUMBER (FG)
GRUPPENNAME/GROUP NAME
STÜCKLISTENR/BOM NO.



121
LUFTFILTER
AIR FILTER
120.00311

12100041a

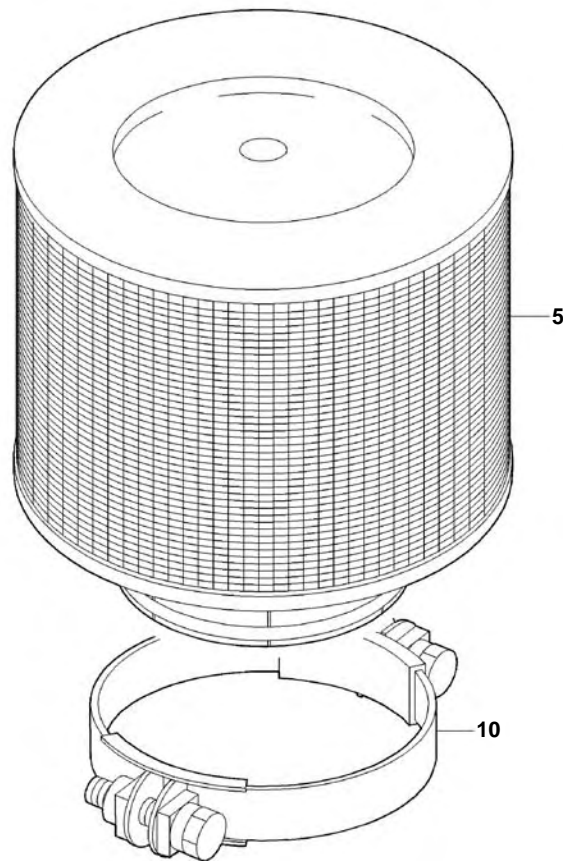
121
UNTERDRUCKANZEIGER
CONTAM INDICATOR
X00027355

12100019c

TYP/MODEL: 20V4000G43
SERIENNUMMER/
SERIAL NO: 20V4000G43

LUFTFILTER
AIR FILTER

FG/FGS: 121 05
STUECKLISTE/
BOM: 120.00311



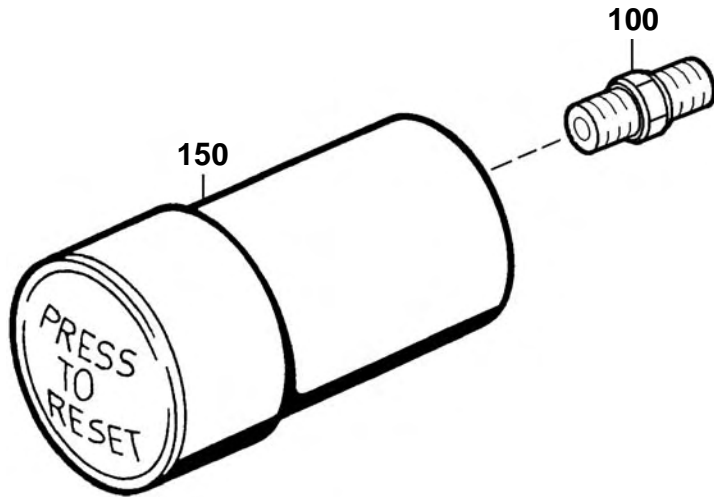
12100043a

POS. ITEM	BESTELLNR. PART NO.	BENENNUNG DESIGNATION	STO QTY.	EINHEIT UNIT	ABMESSUNGEN DIMENSIONS	NORM STANDARD
5	0180947102	LUFTFILTER AIR FILTER	2	ST PC		
10	900288260000	SCHELLE CLAMP	2	ST PC	S 260/25X1,25 SK 2T	N288A

TYP/MODEL: 20V4000G43
SERIENNUMMER/
SERIAL NO: 20V4000G43

UNTERDRUCKANZEIGER
CONTAM INDICATOR

FG/FGS: 121 05
STUECKLISTE/
BOM: X00027355



12100019c

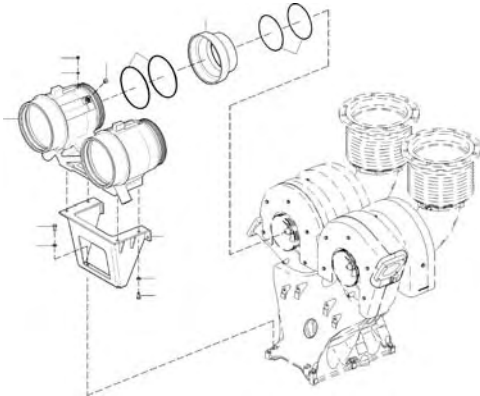
POS. ITEM	BESTELLNR. PART NO.	BENENNUNG DESIGNATION	STO QTY.	EINHEIT UNIT
100	0009973375	NIPPEL NIPPLE	2	ST PC
150	0000943268	UNTERDRUCKANZEIGER CONTAM INDICATOR	2	ST PC

TYP/MODEL: 20V4000G43
SERIENNUMMER/
SERIAL NO: 20V4000G43

LUFTANSAUGUNG
AIR SYSTEM

FG/FGS: 123
STUECKLISTE/
BOM:

FUNKTIONSGRUPPE/GROUP NUMBER (FG)
GRUPPENNAME/GROUP NAME
STÜCKLISTENR/BOM NO.

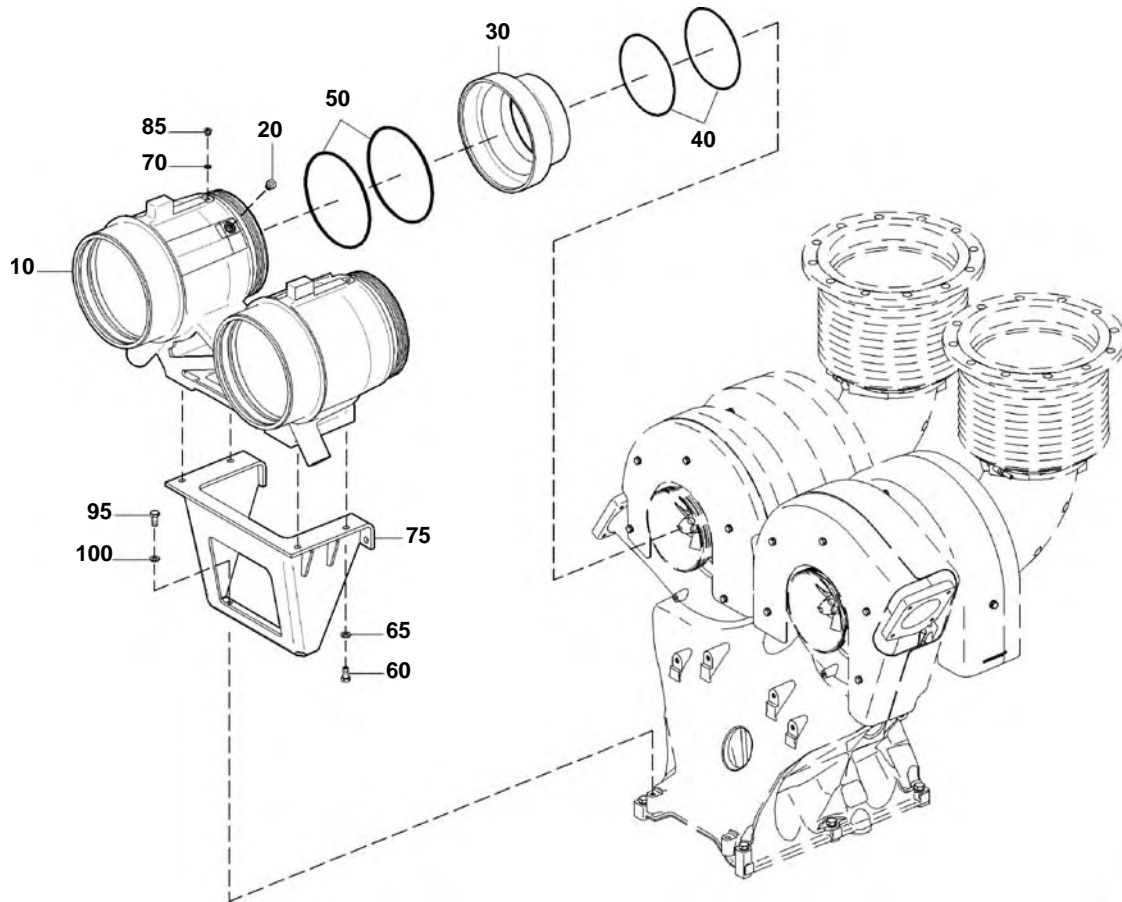


123
ANSAUGGEHAEUSE F.LUFTANSAUGUNG KS
INTAKE HOUSING F.AIR INTAKE, KS
120.00091

TYP/MODEL: 20V4000G43
 SERIENNUMMER/
 SERIAL NO: 20V4000G43

ANSAUGGEHAEUSE F.LUFTANSAUGUNG KS
 INTAKE HOUSING F.AIR INTAKE, KS

FG/FGS: 123 05
 STUECKLISTE/
 BOM: 120.00091



12300051a

POS. ITEM	BESTELLNR. PART NO.	BENENNUNG DESIGNATION	STO QTY.	EINHEIT UNIT	FN FN	ABMESSUNGEN DIMENSIONS	NORM STANDARD
10	5280900117	ANSAUGGEHAEUSE INTAKE HOUSING	1	ST PC	NN		
20	735210014000	VERSCHLUSSSCHRAUBE PLUG	1	ST PC		M 14 X 1,5	MTN5210
30	5280980053	STECKROHR PLUG-IN PIPE	2	ST PC			
40	700429170000	O-RING O-RING	4	ST PC		170 X 4	MMN429
50	700429200001	O-RING O-RING	4	ST PC		200 X 5	MMN429
60	000933010026	SECHSKANTSCHRAUBE SCREW	4	ST PC		M 10 X 22	DIN933
65	000125010524	SCHEIBE WASHER	4	ST PC		A 10,5	DIN125
70	007603010110	DICHTRING SEALING RING	2	ST PC		A 10 X 13,5	DIN7603
75	5280900140	TRAEGER FUER ANSAUGGEHAEUSE SUPPORT FOR INTAKE HOUSING	1	ST PC	NN		
85	000908010002	VERSCHLUSSSCHRAUBE PLUG	2	ST PC		M 10 X 1	DIN908

TYP/MODEL: 20V4000G43
SERIENNUMMER/
SERIAL NO: 20V4000G43

ANSAUGGEHAEUSE F.LUFTANSAUGUNG KS
INTAKE HOUSING F.AIR INTAKE, KS

FG/FGS: 123 05
STUECKLISTE/ 120.00091
BOM: 120.00091

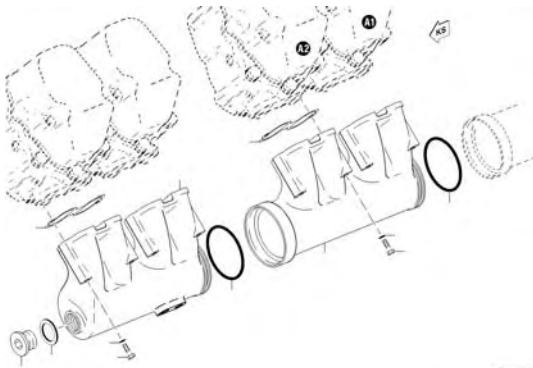
POS. ITEM	BESTELLNR. PART NO.	BENENNUNG DESIGNATION	STO QTY.	EINHEIT UNIT	FN FN	ABMESSUNGEN DIMENSIONS	NORM STANDARD
95	000933010026	SECHSKANTSCHRAUBE SCREW	4	ST PC		M 10 X 22	DIN933
100	000125010524	SCHEIBE WASHER	4	ST PC		A 10,5	DIN125

TYP/MODEL: 20V4000G43
SERIENNUMMER/
SERIAL NO: 20V4000G43

LUFTFUEHRUNG ZU DEN ZYLINDERN
AIR SUPPLY TO CYLINDERS

FG/FGS: 124
STUECKLISTE/
BOM:

FUNKTIONSGRUPPE/GROUP NUMBER (FG)
GRUPPENNAME/GROUP NAME
STÜCKLISTENR/BOM NO.



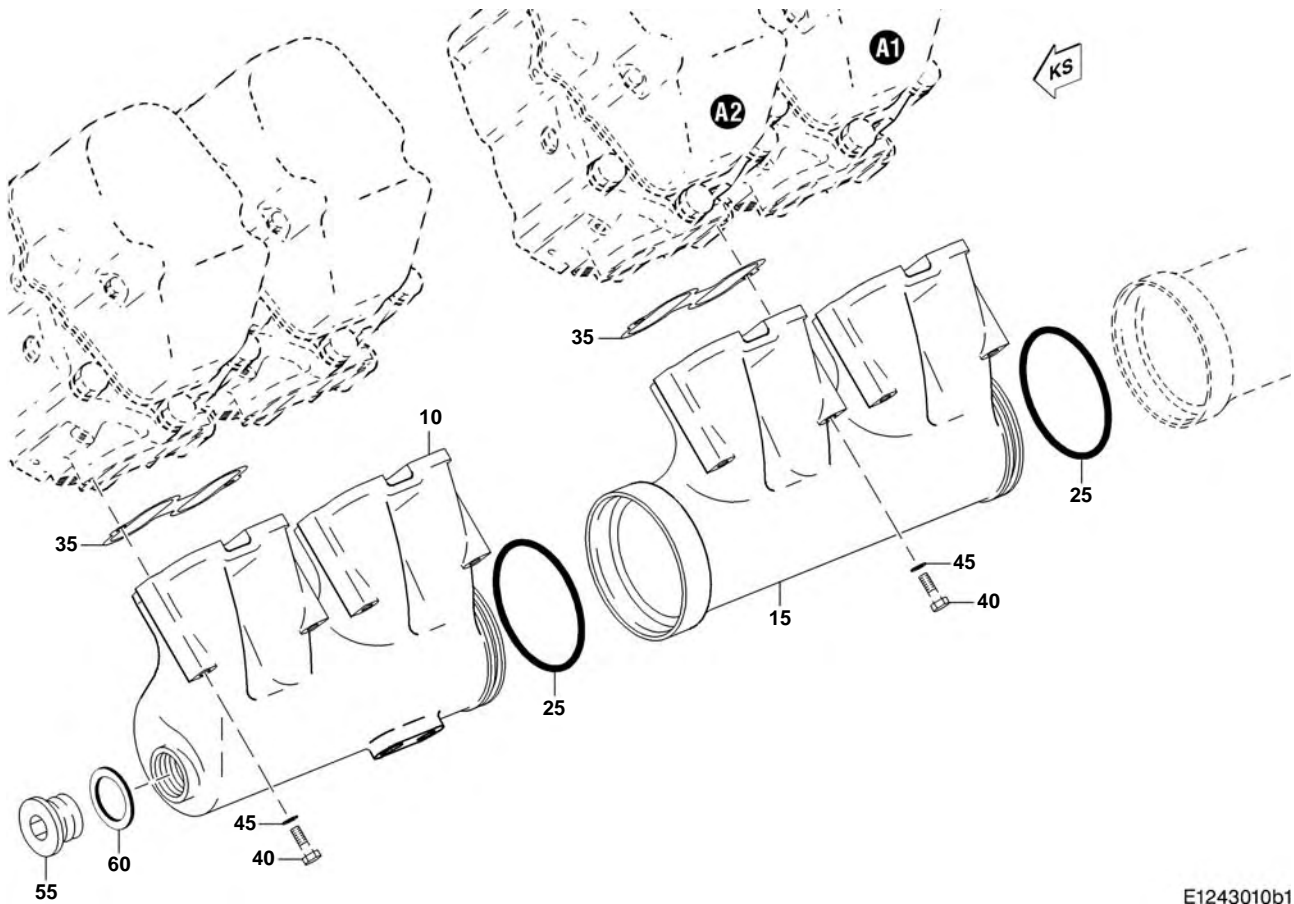
124
LUFTFUEHRUNG
AIR PIPING
120.00089

E124301001

TYP/MODEL: 20V4000G43
SERIENNUMMER/
SERIAL NO: 20V4000G43

LUFTFUEHRUNG
AIR PIPING

FG/FGS: 124 05
STUECKLISTE/
BOM: 120.00089

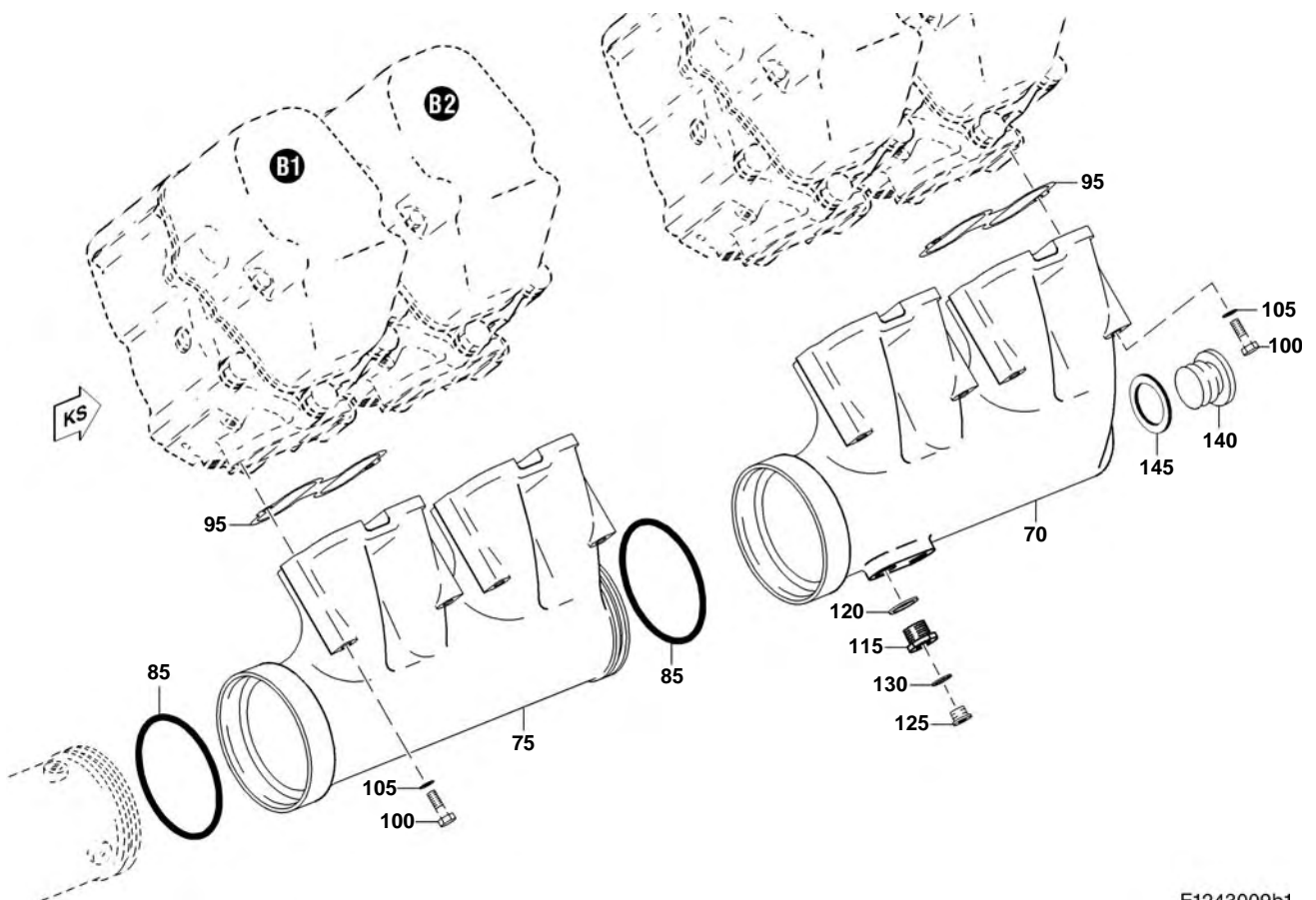


E1243010b1

TYP/MODEL: 20V4000G43
SERIENNUMMER/
SERIAL NO: 20V4000G43

LUFTFUEHRUNG
AIR PIPING

FG/FGS: 124 05
STUECKLISTE/
BOM: 120.00089



E1243009b1

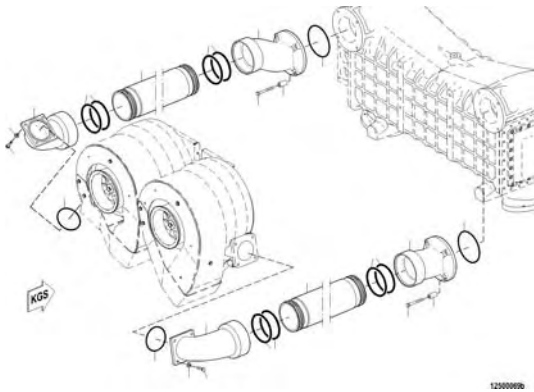
POS. ITEM	BESTELLNR. PART NO.	BENENNUNG DESIGNATION	STO QTY.	EINHEIT UNIT	FN FN	ABMESSUNGEN DIMENSIONS	NORM STANDARD
10	5240981407	LADELUFTROHR ENDSTUECK LI SEITE CHARGE-AIR PIPE END MEMBER, LEFT	1	ST PC	NN		
15	5240980907	LADELUFTROHR CHARGE-AIR PIPE	4	ST PC	NN		
25	700429140000	O-RING O-RING	5	ST PC		140 X 8	MMN429
35	5240980680	DICHTBEILAGE GASKET	10	ST PC			
40	000931010345	SECHSKANTSCHRAUBE SCREW	20	ST PC		M 10 X140	DIN931
45	000125010524	SCHEIBE WASHER	10	ST PC		A 10,5	DIN125
55	000908052003	VERSCHLUSSSCHRAUBE PLUG	1	ST PC		M 52 X 1,5	DIN908
60	007603052101	DICHTRING SEALING RING	1	ST PC		A 52 X 60	DIN7603
70	5240981107	LADELUFTROHR ENDSTUECK RE SEITE CHARGE-AIR PIPE END MEMBER, RIGHT	1	ST PC	NN		
75	5240980907	LADELUFTROHR CHARGE-AIR PIPE	4	ST PC	NN		
85	700429140000	O-RING O-RING	5	ST PC		140 X 8	MMN429
95	5240980680	DICHTBEILAGE GASKET	10	ST PC			
100	000931010345	SECHSKANTSCHRAUBE SCREW	20	ST PC		M 10 X140	DIN931
105	000125010524	SCHEIBE WASHER	10	ST PC		A 10,5	DIN125
115	700354014003	GEWINDEBUCHSE THREADED BUSHING	2	ST PC		M 14 X 1,5	MMN354
120	007603022102	DICHTRING SEALING RING	2	ST PC		A 22 X 27	DIN7603
125	000908014001	VERSCHLUSSSCHRAUBE PLUG	2	ST PC		M 14 X 1,5	DIN908
130	007603014102	DICHTRING SEALING RING	2	ST PC		A 14 X 18	DIN7603
140	000908052003	VERSCHLUSSSCHRAUBE PLUG	1	ST PC		M 52 X 1,5	DIN908
145	007603052101	DICHTRING SEALING RING	1	ST PC		A 52 X 60	DIN7603

TYP/MODEL: 20V4000G43
SERIENNUMMER/
SERIAL NO: 20V4000G43

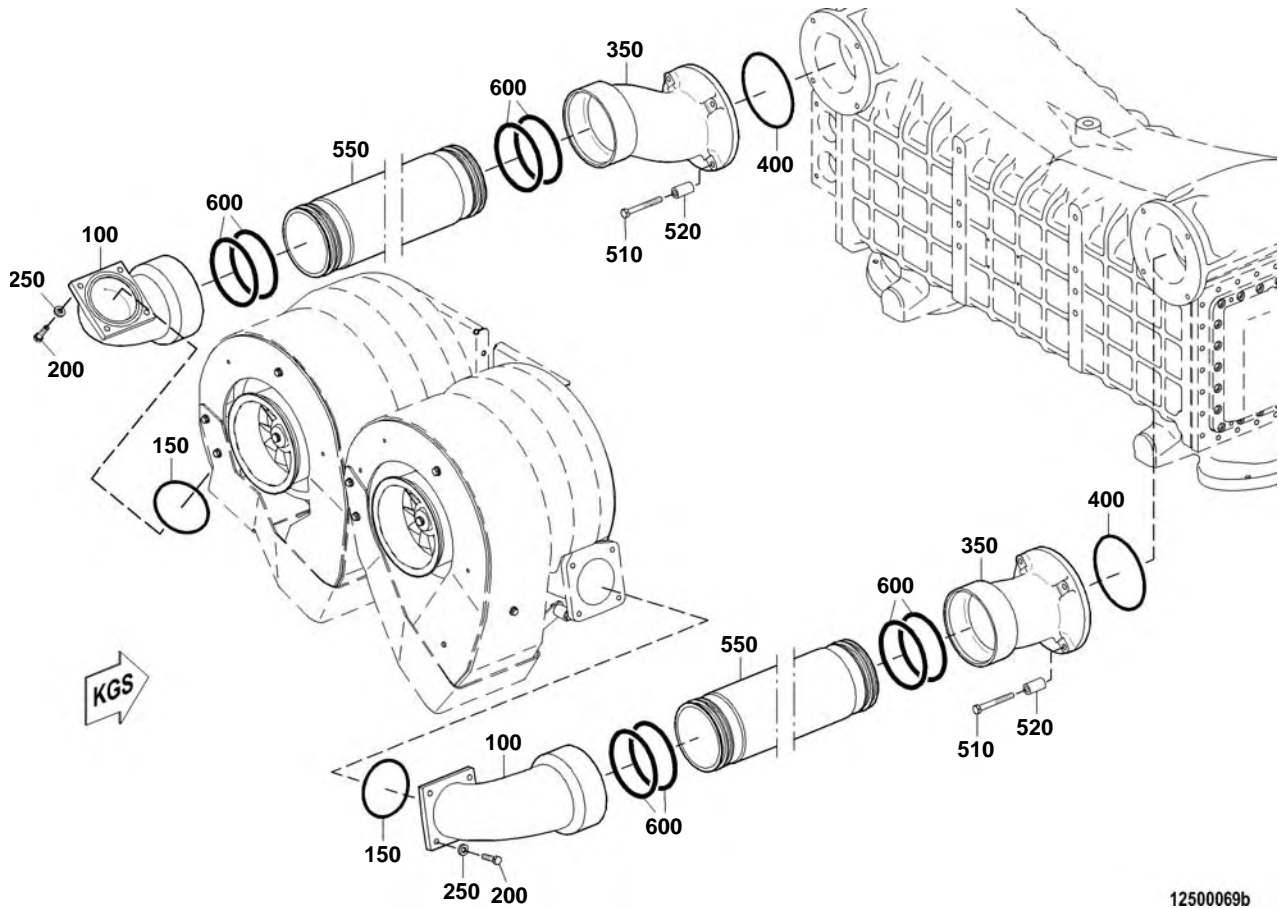
LUFTFUEHRUNG VOM ATL ZU DEN LLK
AIR SYSTEM, TURBOCHARGER - INTERCOOLER

FG/FGS: 125
STUECKLISTE/
BOM:

FUNKTIONSGRUPPE/GROUP NUMBER (FG)
GRUPPENNAME/GROUP NAME
STÜCKLISTENR/BOM NO.



125
LUFTFUEHRUNG VOR LADELUFTKUEHLER
AIR PIPING BEFORE INTERCOOLER
X00030282



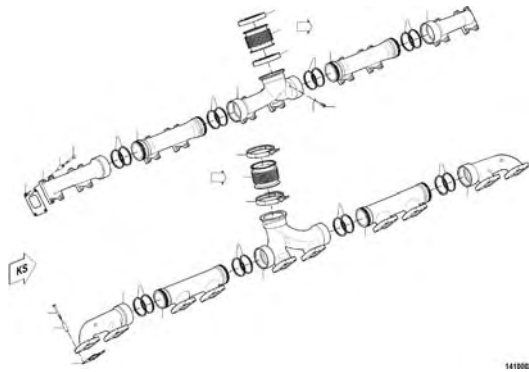
POS. ITEM	BESTELLN. PART NO.	BENENNUNG DESIGNATION	STO QTY.	EINHEIT UNIT	ABMESSUNGEN DIMENSIONS	NORM STANDARD
100	5280980515	KRUEMMER ELBOW	2	ST PC		
150	0289975248	RUNDDICHTRING O-RING	2	ST PC		
200	00000001039	SECHSKANTSCHRAUBE SCREW	8	ST PC	M 10 X 40	ISO4017
250	735151010100	SCHEIBE WASHER	8	ST PC	A 10,5	MTN5151
350	X00007697	KRUEMMER ELBOW	2	ST PC		
400	0299976848	DICHTRING SEALING RING	2	ST PC		
510	000931010122	SECHSKANTSCHRAUBE SCREW	8	ST PC	M 10 X 75	DIN931
520	5241870853	ABSTANDHUELSE SPACER SLEEVE	8	ST PC		
550	X00009592	VERBINDUNGSROHR CONNECTING PIPE	2	ST PC		
600	0259979048	RUNDDICHTRING O-RING	8	ST PC		

TYP/MODEL: 20V4000G43
SERIENNUMMER/
SERIAL NO: 20V4000G43

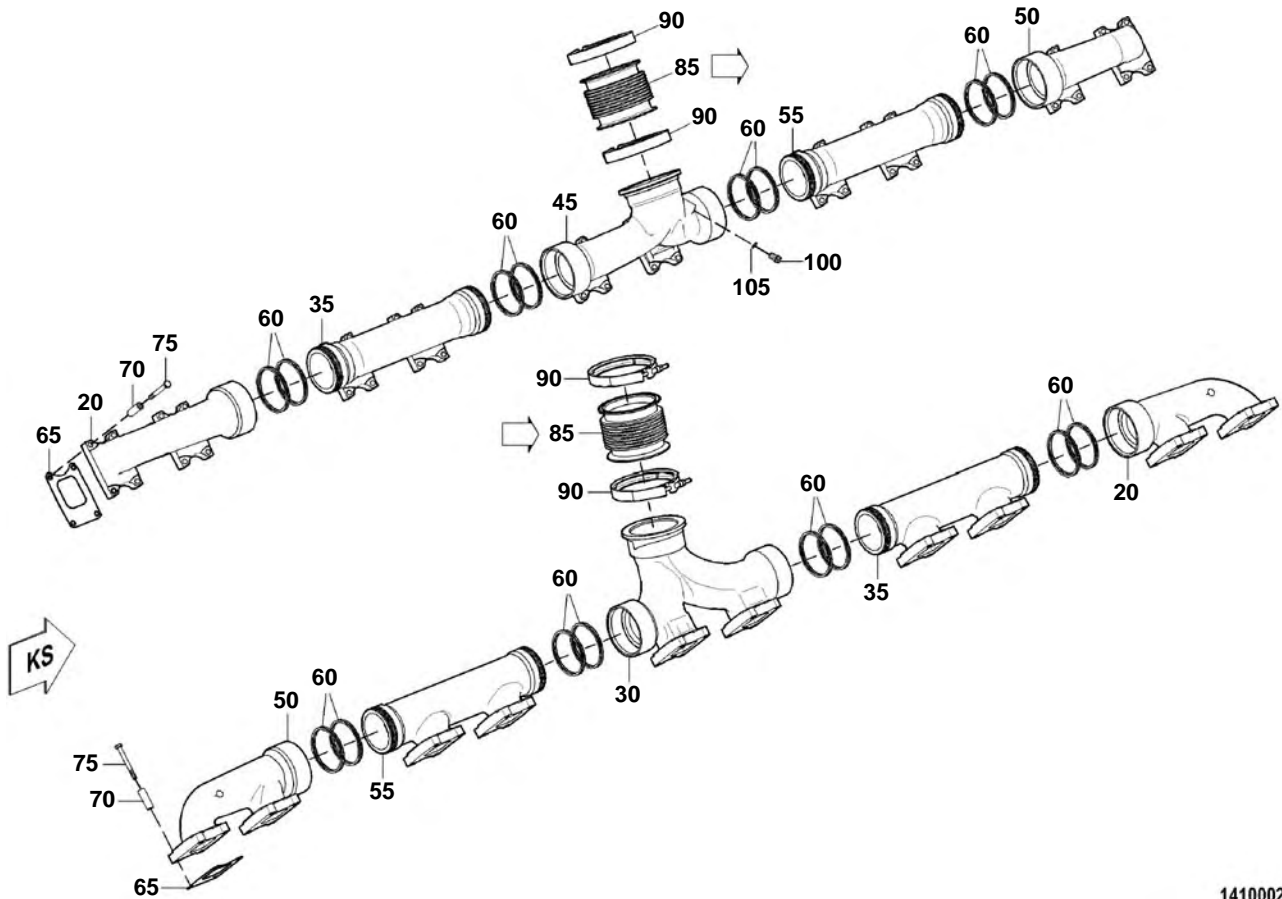
ABGASFUEHRUNG NACH ZYLINDERKOPF
EXHAUST SYSTEM, CYLINDER HEAD - EXH. MANIFOLD

FG/FGS: 141
STUECKLISTE/
BOM:

FUNKTIONSGRUPPE/GROUP NUMBER (FG)
GRUPPENNAME/GROUP NAME
STÜCKLISTENR/BOM NO.



141
ABGASFUEHRUNG F.LUFTANSAUGUNG KS
EXHAUST SYSTEM F.AIR INTAKE, KS
140.00104



14100024a

POS. ITEM	BESTELLN. PART NO.	BENENNUNG DESIGNATION	STO QTY.	EINHEIT UNIT	ABMESSUNGEN DIMENSIONS	NORM STANDARD
20	5281421304	ABGASROHR EXHAUST PIPE	2	ST PC		
30	5281421404	ABGASROHR EXHAUST PIPE	1	ST PC		
35	5281421504	ABGASROHR EXHAUST PIPE	2	ST PC		
45	5281421604	ABGASROHR EXHAUST PIPE	1	ST PC		
50	5281421704	ABGASROHR EXHAUST PIPE	2	ST PC		
55	5281421804	ABGASROHR EXHAUST PIPE	2	ST PC		
60	0001426857	LAMELLENRING LAMELLAR RING	32	ST PC		
65	5241420580	DICHTBEILAGE GASKET	20	ST PC		
70	5281420153	HUELSE SLEEVE	80	ST PC		
75	000931010237	SECHSKANTSCHRAUBE SCREW	80	ST PC	M 10 X 90	DIN931

TYP/MODEL: 20V4000G43
SERIENNUMMER/
SERIAL NO: 20V4000G43

ABGASFUEHRUNG F.LUFTANSAUGUNG KS
EXHAUST SYSTEM F.AIR INTAKE, KS

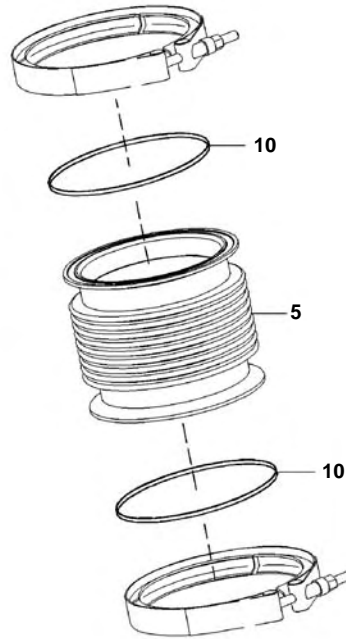
FG/FGS: 141 10
STUECKLISTE/ 140.00104
BOM: 140.00104

POS. ITEM	BESTELLNR. PART NO.	BENENNUNG DESIGNATION	STO QTY.	EINHEIT UNIT	ABMESSUNGEN DIMENSIONS	NORM STANDARD
85	5281400382	KOMPENSATOR BELLOWS	2	ST PC		
90	X00007118	V-BAND-SHELLE VEE-BELT CLAMP	4	ST PC		
100	000910014004	VERSCHLUSSSCHRAUBE PLUG	2	ST PC	M 14 X 1,5	DIN910
105	007603014103	DICHTRING SEALING RING	2	ST PC	A 14 X 18	DIN7603

TYP/MODEL: 20V4000G43
SERIENNUMMER/
SERIAL NO: 20V4000G43

KOMPENSATOR
BELLOWS

FG/FGS:
STUECKLISTE/
BOM: 5281400382



14100026a

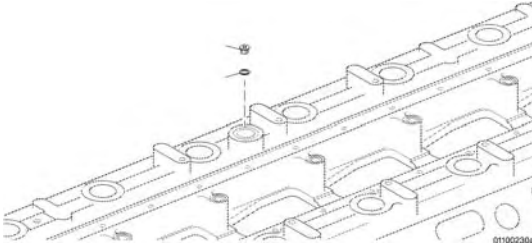
POS. ITEM	BESTELLNR. PART NO.	BENENNUNG DESIGNATION	STO QTY.	EINHEIT UNIT	FN FN
5	(5281420259)	KOMPENSATOR BELLOWS	1	ST PC	KE
10	0001426457	DICHTRING SEALING RING	2	ST PC	

TYP/MODEL: 20V4000G43
SERIENNUMMER/
SERIAL NO: 20V4000G43

TRAEGERGEHAEUSE
CARRIER HOUSING

FG/FGS: 143
STUECKLISTE/
BOM:

FUNKTIONSGRUPPE/GROUP NUMBER (FG)
GRUPPENNAME/GROUP NAME
STÜCKLISTENR/BOM NO.

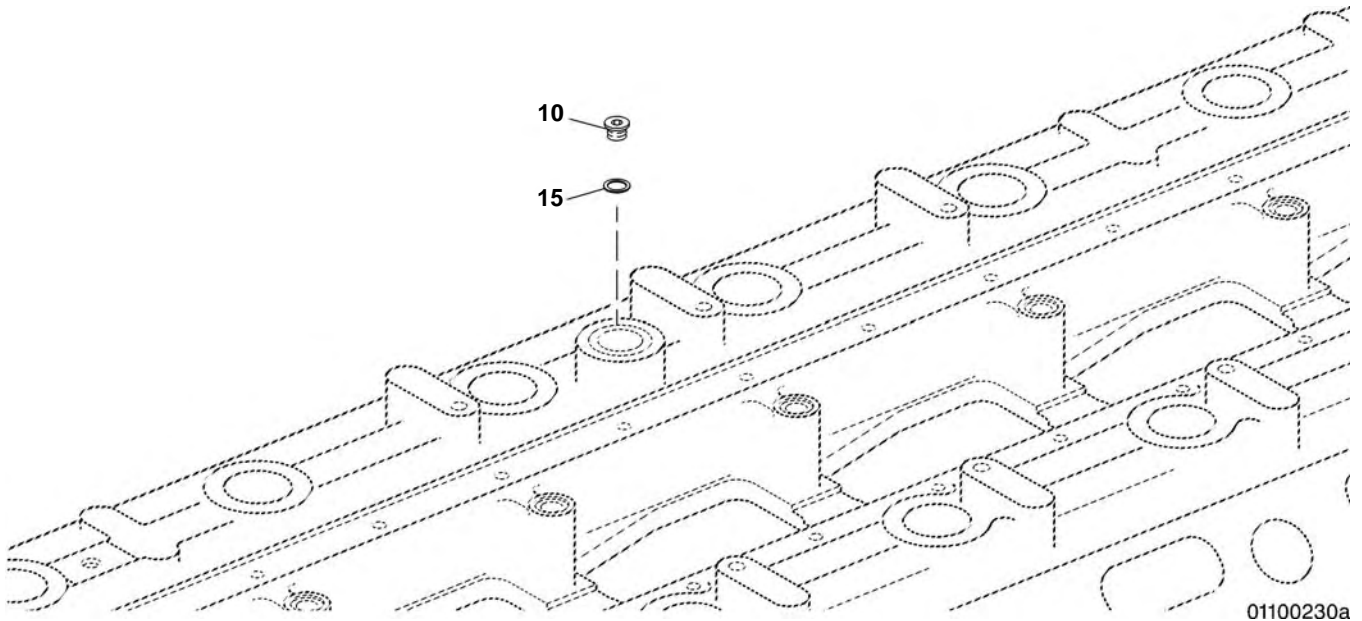


143
TRAEGERGEHAEUSE F.LUFTANSAUGUNG KS
CARRIER HOUSING F.AIR INTAKE, KS
100.00176

TYP/MODEL: 20V4000G43
SERIENNUMMER/
SERIAL NO: 20V4000G43

TRAEGERGEHAEUSE F.LUFTANSAUGUNG KS
CARRIER HOUSING F.AIR INTAKE, KS

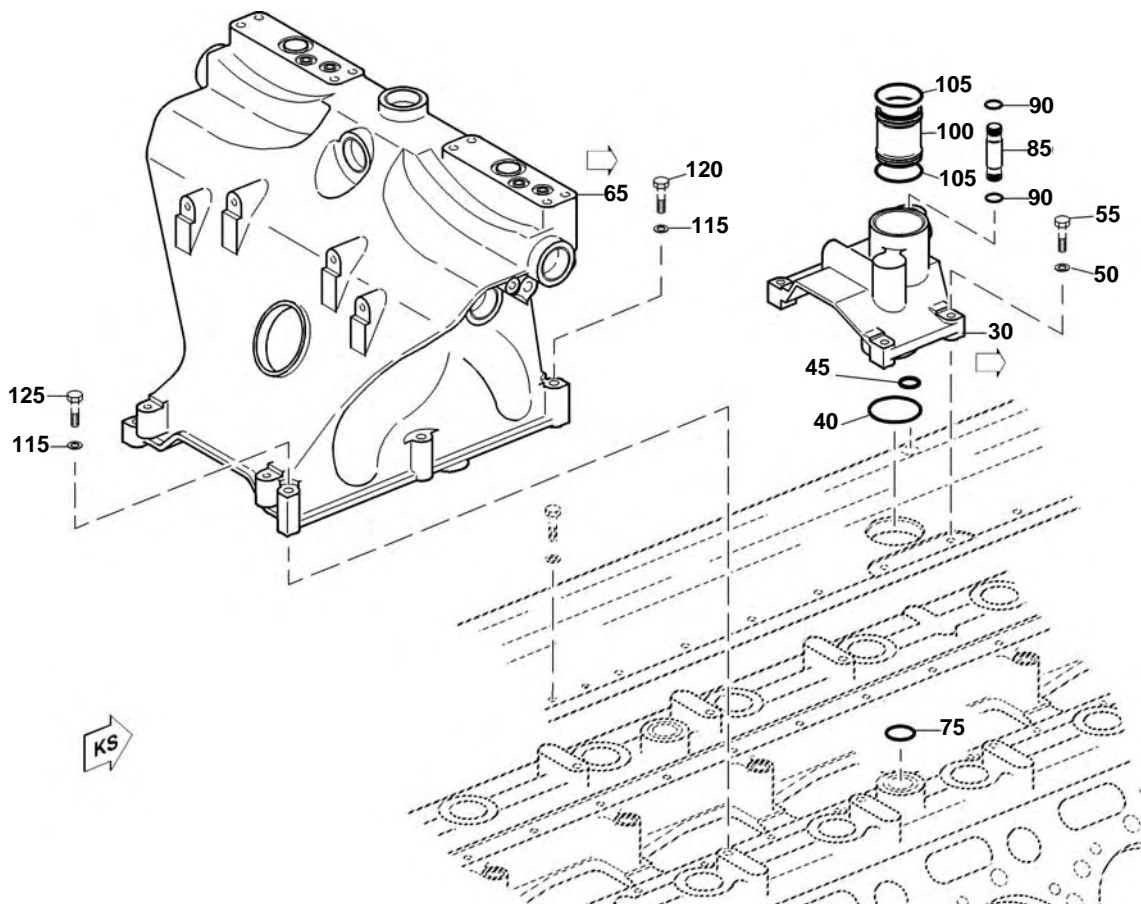
FG/FGS: 143 05
STUECKLISTE/
BOM: 100.00176



TYP/MODEL: 20V4000G43
SERIENNUMMER/
SERIAL NO: 20V4000G43

TRAEGERGEHAEUSE F.LUFTANSAUGUNG KS
CARRIER HOUSING F.AIR INTAKE, KS

FG/FGS: 143 05
STUECKLISTE/
BOM: 100.00176

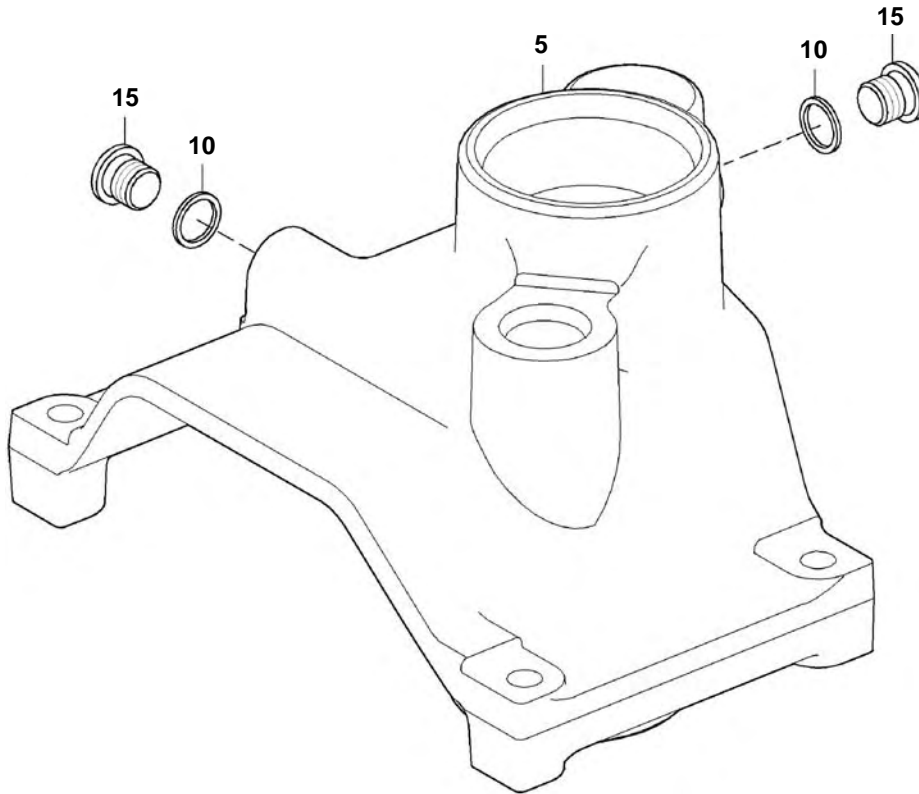


POS. ITEM	BESTELLNR. PART NO.	BENENNUNG DESIGNATION	STO QTY.	EINHEIT UNIT	ABMESSUNGEN DIMENSIONS	NORM STANDARD
10	000908014001	VERSCHLUSSSCHRAUBE PLUG	1	ST PC	M 14 X 1,5	DIN908
15	007603014102	DICHTRING SEALING RING	1	ST PC	A 14 X 18	DIN7603
30	5281400240	KONSOLE BRACKET	1	ST PC		
40	700429065001	O-RING O-RING	1	ST PC	65 X 5	MMN429
45	700429020004	O-RING O-RING	1	ST PC	20 X 6	MMN429
50	000125010524	SCHEIBE WASHER	4	ST PC	A 10,5	DIN125
55	000933010155	SECHSKANTSCHRAUBE SCREW	4	ST PC	M 10 X 70	DIN933
65	5281400040	TRAEGER SUPPORT	1	ST PC		
75	700429033001	O-RING O-RING	1	ST PC	33 X 5	MMN429
85	735078015000	STECKROHR PLUG-IN PIPE	1	ST PC	15 X 80	MTN5078-1
90	700429018005	O-RING O-RING	2	ST PC	18 X 4	MMN429
100	735078050009	STECKROHR PLUG-IN PIPE	1	ST PC	50 X 75	MTN5078-1
105	700429057001	O-RING O-RING	2	ST PC	57 X 5	MMN429
115	000125013012	SCHEIBE WASHER	6	ST PC	A 13	DIN125
120	000933012050	SECHSKANTSCHRAUBE SCREW	4	ST PC	M 12 X 55	DIN933
125	000933012047	SECHSKANTSCHRAUBE SCREW	2	ST PC	M 12 X 80	DIN933

TYP/MODEL: 20V4000G43
SERIENNUMMER/
SERIAL NO: 20V4000G43

KONSOLE
BRACKET

FG/FGS:
STUECKLISTE/
BOM: 5281400240



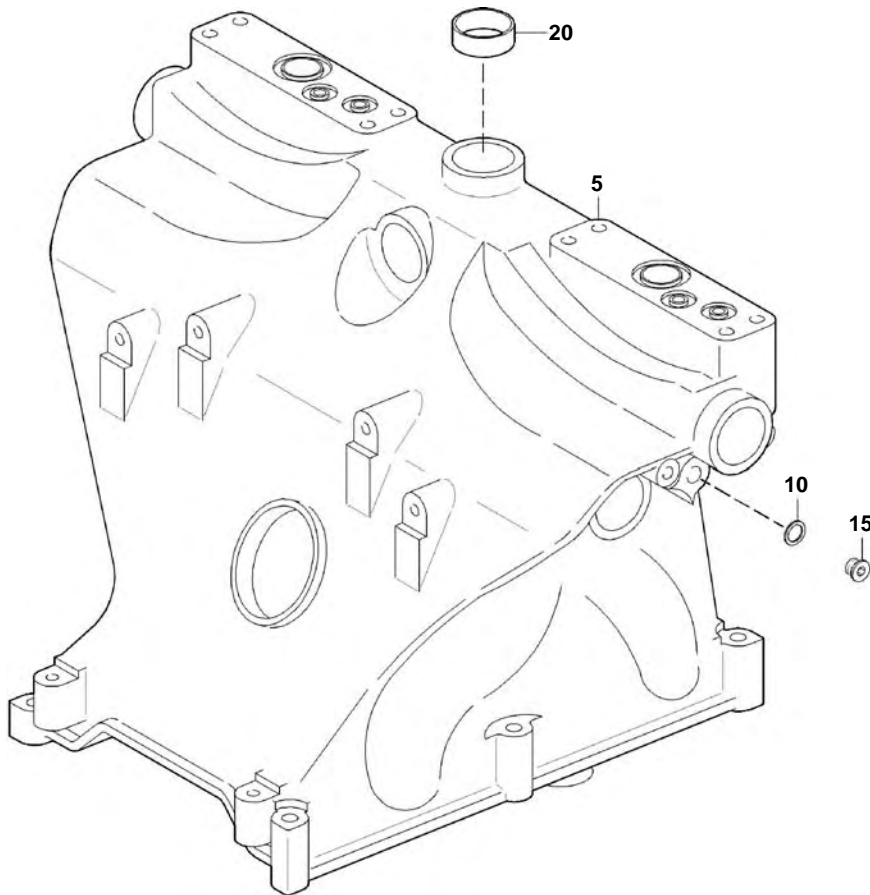
14300011a

POS. ITEM	BESTELNR. PART NO.	BENENNUNG DESIGNATION	STO QTY.	EINHEIT UNIT	ABMESSUNGEN DIMENSIONS	NORM STANDARD
5	5281420040	KONSOLE BRACKET	1	ST PC		
10	007603014102	DICHTRING SEALING RING	1	ST PC	A 14 X 18	DIN7603
15	000908014001	VERSCHLUSSSCHRAUBE PLUG	1	ST PC	M 14 X 1,5	DIN908

TYP/MODEL: 20V4000G43
 SERIENNUMMER/
 SERIAL NO: 20V4000G43

TRAEGER
 SUPPORT

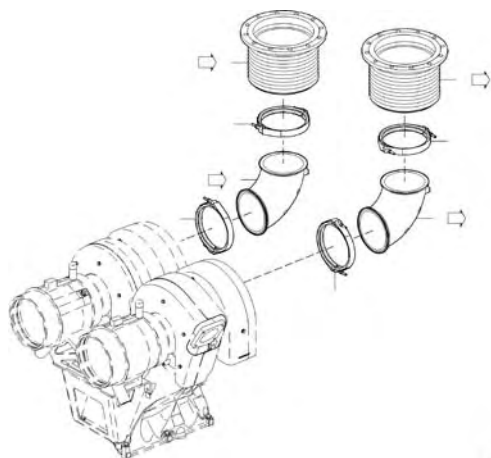
FG/FGS:
 STUECKLISTE/
 BOM: 5281400040



14300051a

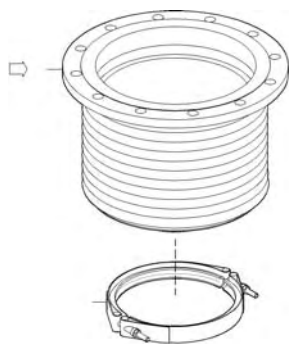
POS. ITEM	BESTELNR. PART NO.	BENENNUNG DESIGNATION	STO QTY.	EINHEIT UNIT	FN FN	ABMESSUNGEN DIMENSIONS	NORM STANDARD
5	(5281420140)	TRAEGER SUPPORT	1	ST PC	KE		
10	007603014102	DICHTRING SEALING RING	4	ST PC		A 14 X 18	DIN7603
15	000908014001	VERSCHLUSSSCHRAUBE PLUG	4	ST PC		M 14 X 1,5	DIN908
20	5249970020	VERSCHLUSSDECKEL COVER	8	ST PC			

FUNKTIONSGRUPPE/GROUP NUMBER (FG)
GRUPPENNAME/GROUP NAME
STÜCKLISTENR/BOM NO.



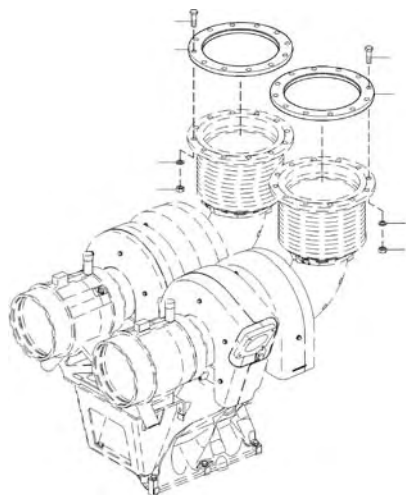
145
ABGASKRUEMMER F.LUFTANSAUGUNG KS
EXHAUST ELBOW F.AIR INTAKE, KS
140.00091

14500014



145
KOMPENSATOR F.LUFTANSAUGUNG KS
BELLOWS F.AIR INTAKE, KS
140.00092

14500070b



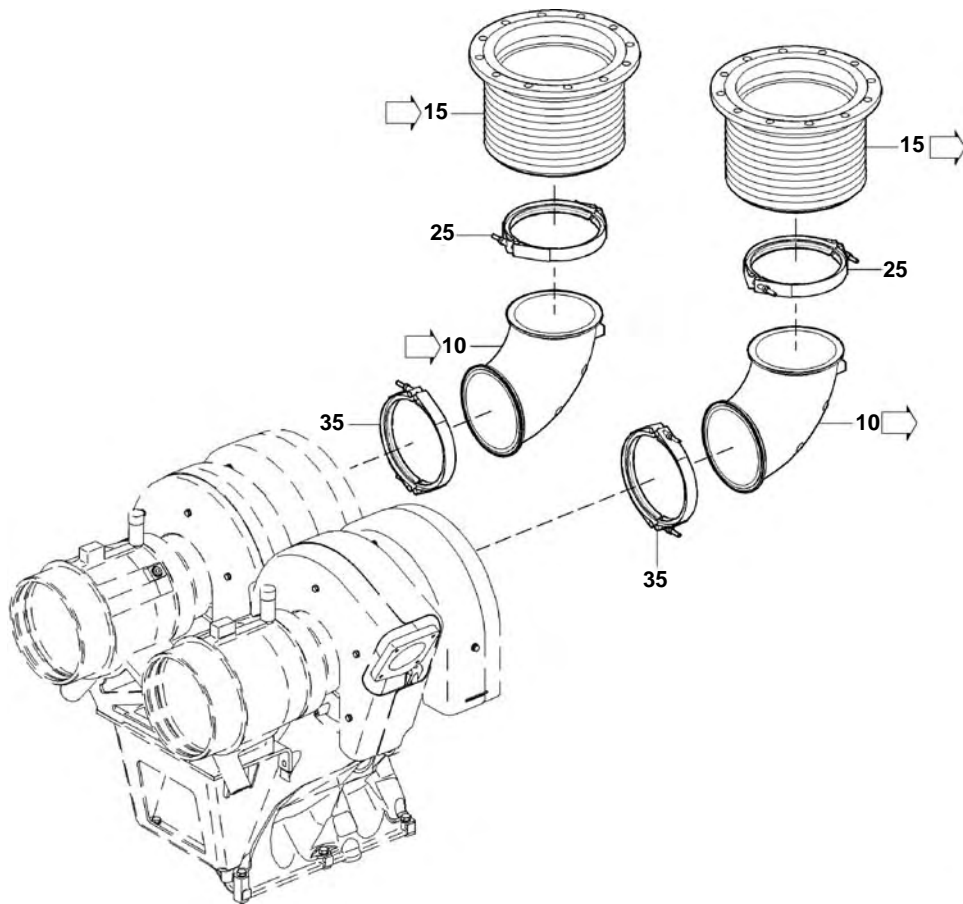
145
FLANSCH FUER KOMPENSATOR
FLANGE FOR BELLOWS
140.00158

14500013a

TYP/MODEL: 20V4000G43
 SERIENNUMMER/
 SERIAL NO: 20V4000G43

ABGASKRUEMMER F.LUFTANSAUGUNG KS
 EXHAUST ELBOW F.AIR INTAKE, KS

FG/FGS: 145 05
 STUECKLISTE/
 BOM: 140.00091



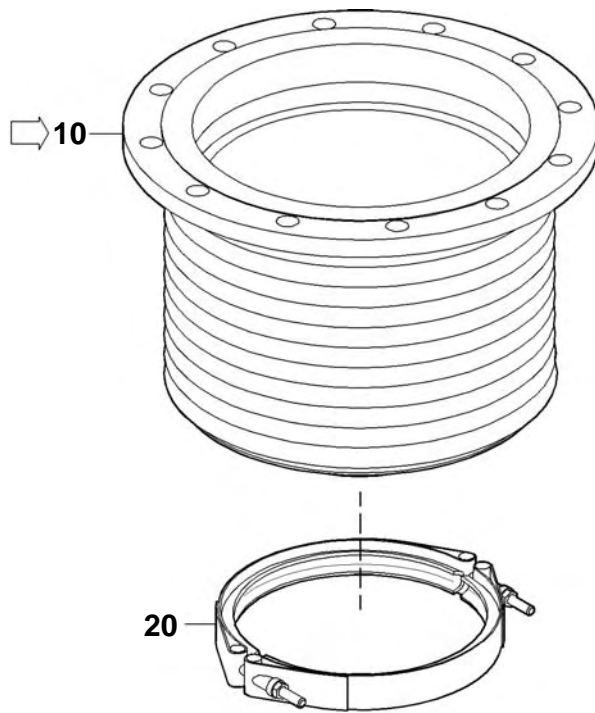
14500014a

POS. ITEM	BESTELNR. PART NO.	BENENNUNG DESIGNATION	STO QTY.	EINHEIT UNIT
10	5281400209	ABGASKRUEMMER EXHAUST ELBOW	2	ST PC
15	0024900265	KOMPENSATOR BELLOWS	2	ST PC
25	X00025972	KLEMMSCHELLE CLAMP	2	ST PC
35	X00025972	KLEMMSCHELLE CLAMP	2	ST PC

TYP/MODEL: 20V4000G43
 SERIENNUMMER/
 SERIAL NO: 20V4000G43

KOMPENSATOR F.LUFTANSAUGUNG KS
 BELLOWS F.AIR INTAKE, KS

FG/FGS: 145 05
 STUECKLISTE/
 BOM: 140.00092



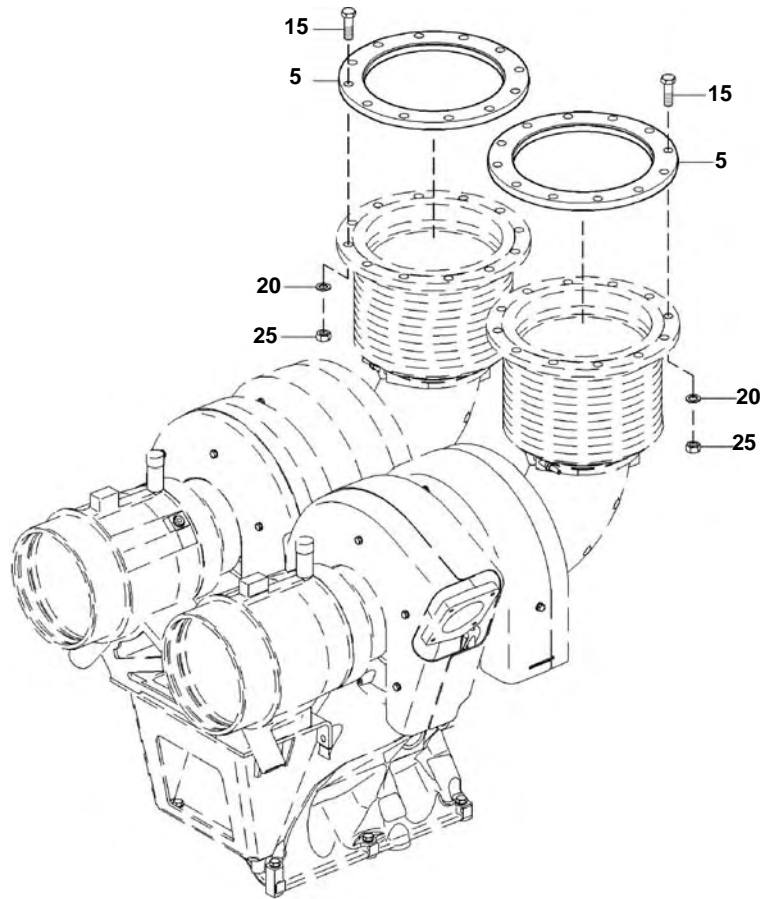
14500070b

POS. ITEM	BESTELNR. PART NO.	BENENNUNG DESIGNATION	STO QTY.	EINHEIT UNIT
10	0024900265	KOMPENSATOR BELLOWS	2	ST PC
20	X00025972	KLEMMSCHELLE CLAMP	2	ST PC

TYP/MODEL: 20V4000G43
 SERIENNUMMER/
 SERIAL NO: 20V4000G43

FLANSCH FUER KOMPENSATOR
 FLANGE FOR BELLOWS

FG/FGS: 145 05
 STUECKLISTE/
 BOM: 140.00158



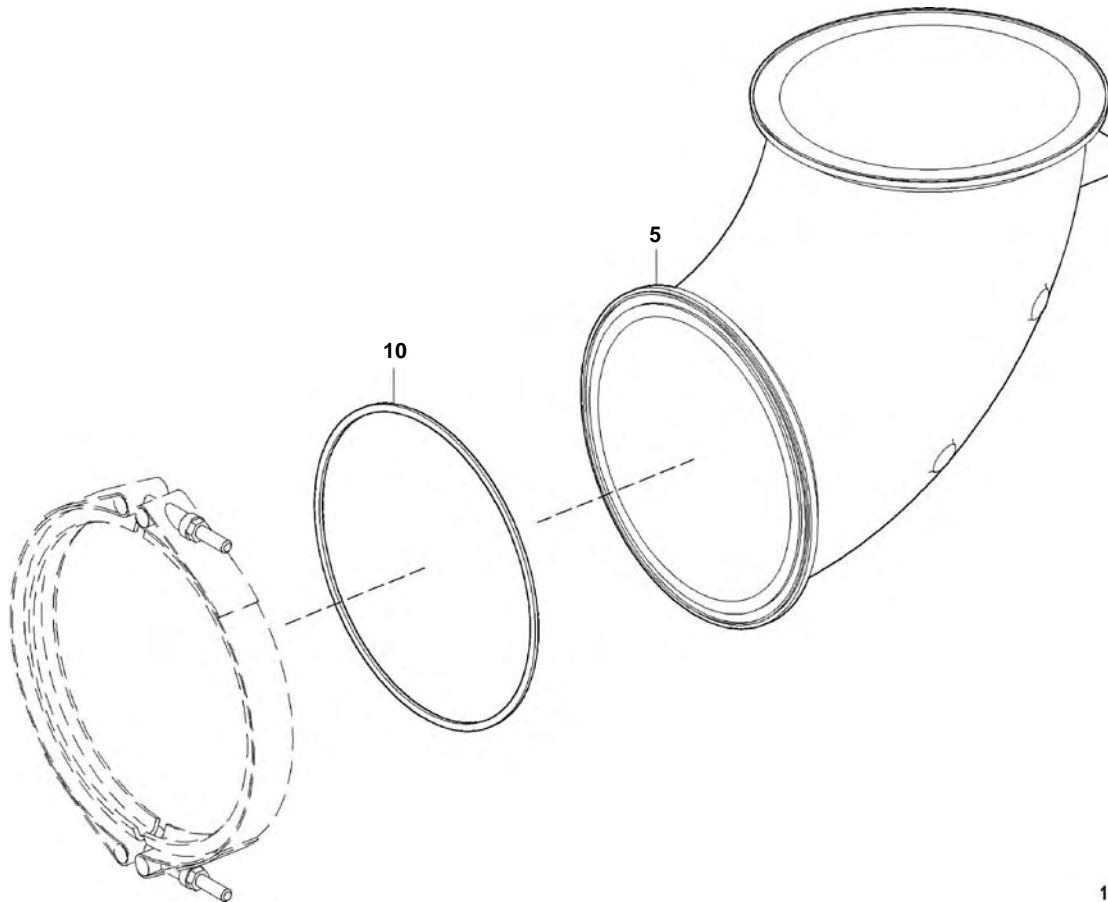
14500013a

POS. ITEM	BESTELNR. PART NO.	BENENNUNG DESIGNATION	STO QTY.	EINHEIT UNIT	ABMESSUNGEN DIMENSIONS	NORM STANDARD
5	0004920645	FLANSCH FUER KOMPENSATOR FLANGE FOR BELLOWS	2	ST PC		
15	200933016008	SECHSKANTSCHRAUBE SCREW	24	ST PC	M 16 X 50	DIN933
20	200433017000	SCHEIBE WASHER	24	ST PC	17	DIN433
25	200934016001	SECHSKANTMUTTER HEX NUT	24	ST PC	M 16	DIN934

TYP/MODEL: 20V4000G43
SERIENNUMMER/
SERIAL NO: 20V4000G43

ABGASKRUEMMER
EXHAUST ELBOW

FG/FGS:
STUECKLISTE/
BOM: 5281400209



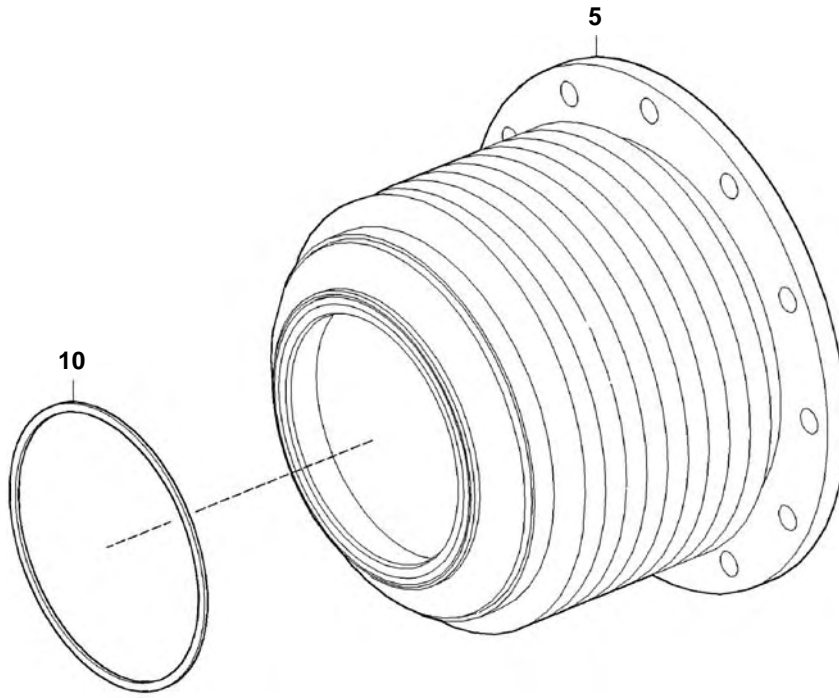
14500040a

POS. ITEM	BESTELLNR. PART NO.	BENENNUNG DESIGNATION	STO QTY.	EINHEIT UNIT	FN FN
5	(5281420001)	ABGASKRUEMMER EXHAUST ELBOW	1	ST PC	KE
10	0249978447	DICHTRING SEALING RING	1	ST PC	

TYP/MODEL: 20V4000G43
SERIENNUMMER/
SERIAL NO: 20V4000G43

KOMPENSATOR
BELLOWS

FG/FGS:
STUECKLISTE/
BOM: 0024900265



14500038a

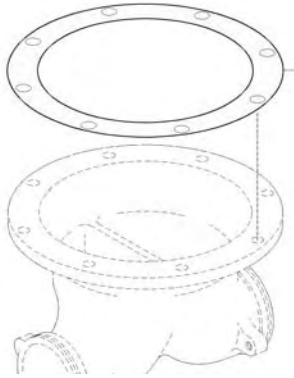
POS. ITEM	BESTELLNR. PART NO.	BENENNUNG DESIGNATION	STO QTY.	EINHEIT UNIT	FN FN
5	(0011421259)	KOMPENSATOR BELLOWS	1	ST PC	KE
10	0249978447	DICHTRING SEALING RING	1	ST PC	

TYP/MODEL: 20V4000G43
SERIENNUMMER/
SERIAL NO: 20V4000G43

ABGASFUEHRUNG NACH MOTOR (EXTERN)
EXHAUST SYSTEM AFTER ENGINE

FG/FGS: 146
STUECKLISTE/
BOM:

FUNKTIONSGRUPPE/GROUP NUMBER (FG)
GRUPPENNAME/GROUP NAME
STÜCKLISTENR/BOM NO.



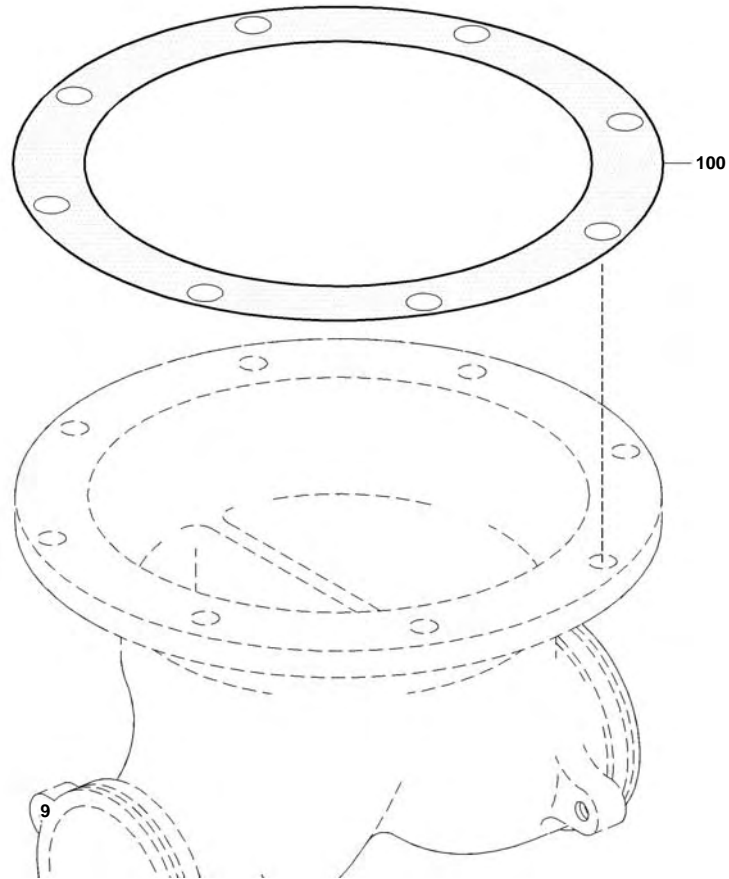
146
DICHTBEILAGE F.ABGASKOMPENSATOR
GASKET FOR EXH PIPE BELLOW
XS526140.00004

14600020b

TYP/MODEL: 20V4000G43
SERIENNUMMER/
SERIAL NO: 20V4000G43

DICHTBEILAGE F.ABGASKOMPENSATOR
GASKET FOR EXH PIPE BELLOW

FG/FGS: 146 05
STUECKLISTE/
BOM: XS526140.00004



14600020b

POS. ITEM	BESTELLNR. PART NO.	BENENNUNG DESIGNATION	STO QTY.	EINHEIT UNIT	NORM STANDARD
100	5241420780	DICHTBEILAGE GASKET	4	ST PC	MTL5042C

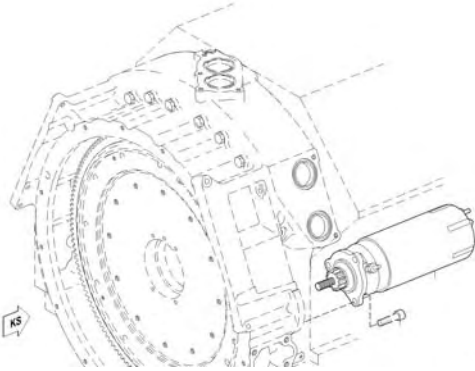
TYP/MODEL: 20V4000G43
SERIENNUMMER/
SERIAL NO: 20V4000G43

DRUCKLUFTANLASSUNG, UEBER ZYLINDER
AIR STARTING, RIGHT SIDE

FG/FGS: 171
STUECKLISTE/
BOM:

FUNKTIONSGRUPPE/GROUP NUMBER (FG)
GRUPPENNAME/GROUP NAME
STÜCKLISTENR/BOM NO.

171
STARTER RECHTS
STARTER RIGHT
X00025112

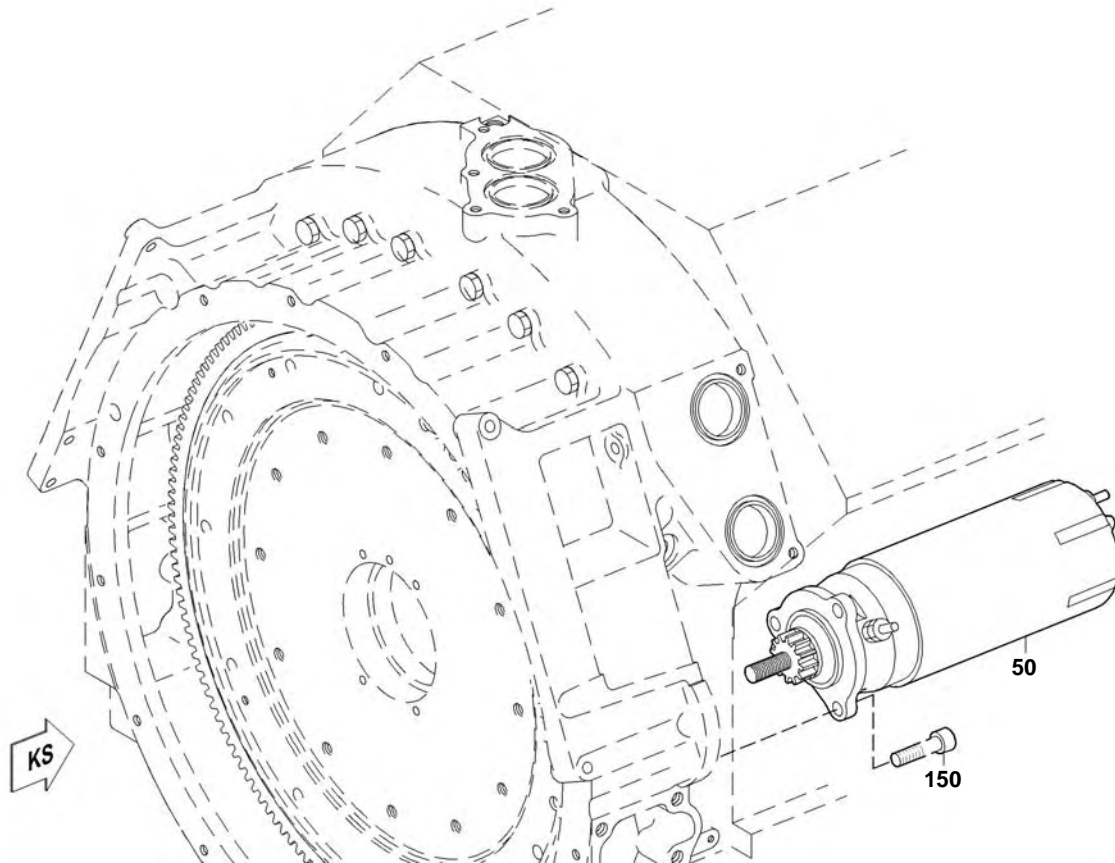


17209146a

TYP/MODEL: 20V4000G43
SERIENNUMMER/
SERIAL NO: 20V4000G43

STARTER RECHTS
STARTER RIGHT

FG/FGS: 171 05
STUECKLISTE/
BOM: X00025112



17200146a

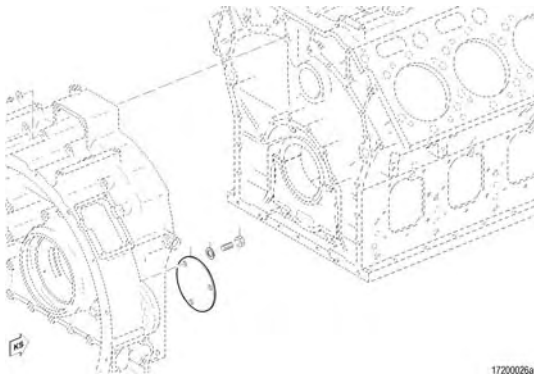
POS. ITEM	BESTELLNR. PART NO.	BENENNUNG DESIGNATION	STO QTY.	EINHEIT UNIT	ABMESSUNGEN DIMENSIONS	NORM STANDARD
50	X00002307	STARTER STARTER	1	ST PC		
150	000912016002	ZYLINDERSCHRAUBE SCREW	3	ST PC	M 16 X 40	DIN912

TYP/MODEL: 20V4000G43
SERIENNUMMER/
SERIAL NO: 20V4000G43

ELEKTRISCHE ANLASSUNG
ELECTRIC STARTING

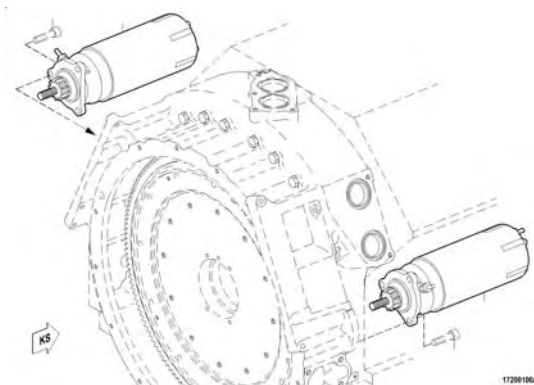
FG/FGS: 172
STUECKLISTE/
BOM:

FUNKTIONSGRUPPE/GROUP NUMBER (FG)
GRUPPENNAME/GROUP NAME
STÜCKLISTENNR/BOM NO.



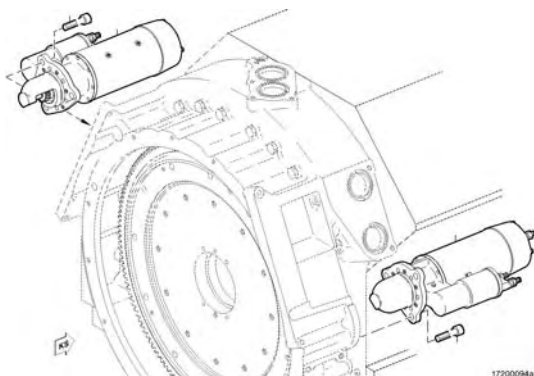
172
SCHUTZBLECH
GUARD PLATE
170.00016

17200026a



172
STARTER RECHTS/LINKS
STARTER CW/CCW ROTATION
X00018810

17200106a



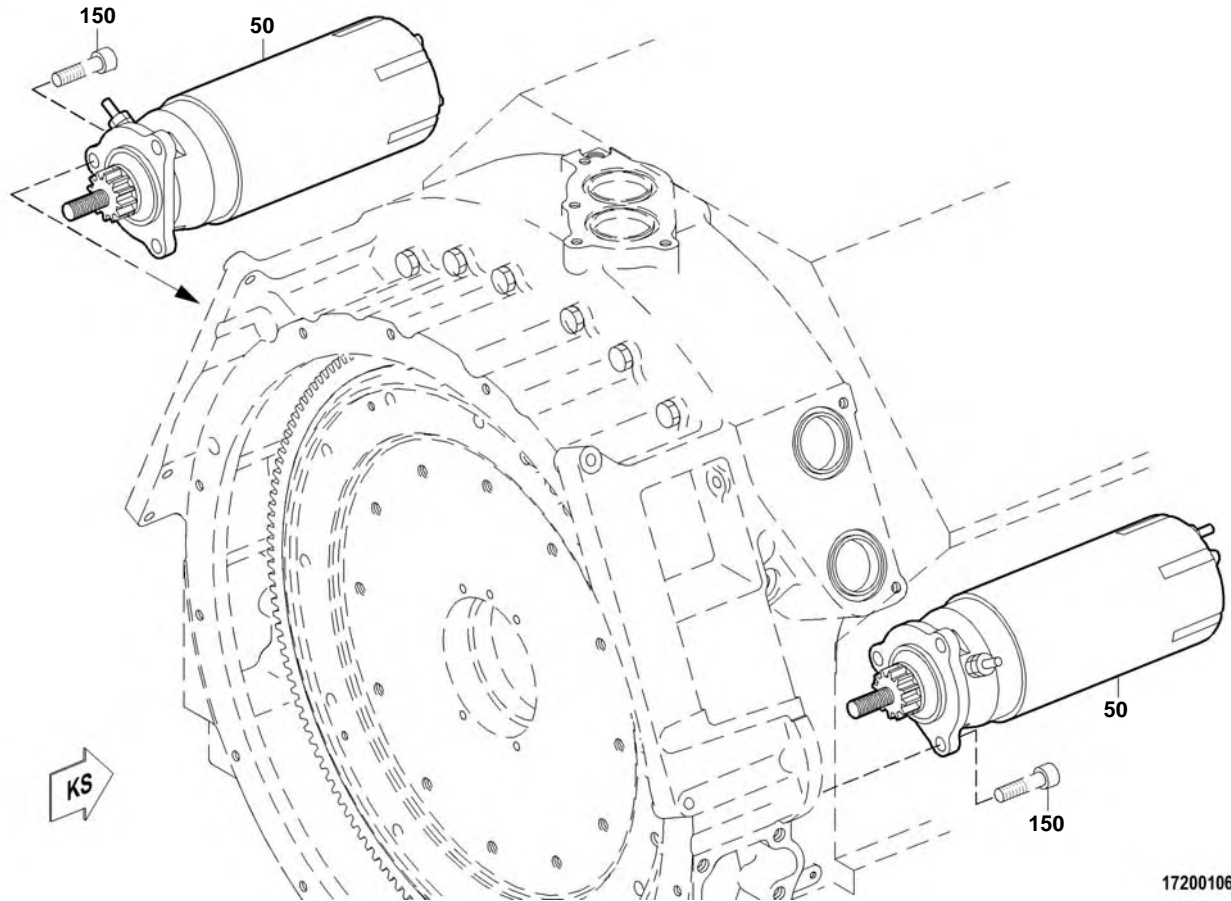
172
STARTER ELEKTRISCH
STARTER ELECTRIC
X00023167

17200094a

TYP/MODEL: 20V4000G43
 SERIENNUMMER/
 SERIAL NO: 20V4000G43

STARTER RECHTS/LINKS
 STARTER CW/CCW ROTATION

FG/FGS: 172 05
 STUECKLISTE/
 BOM: X00018810

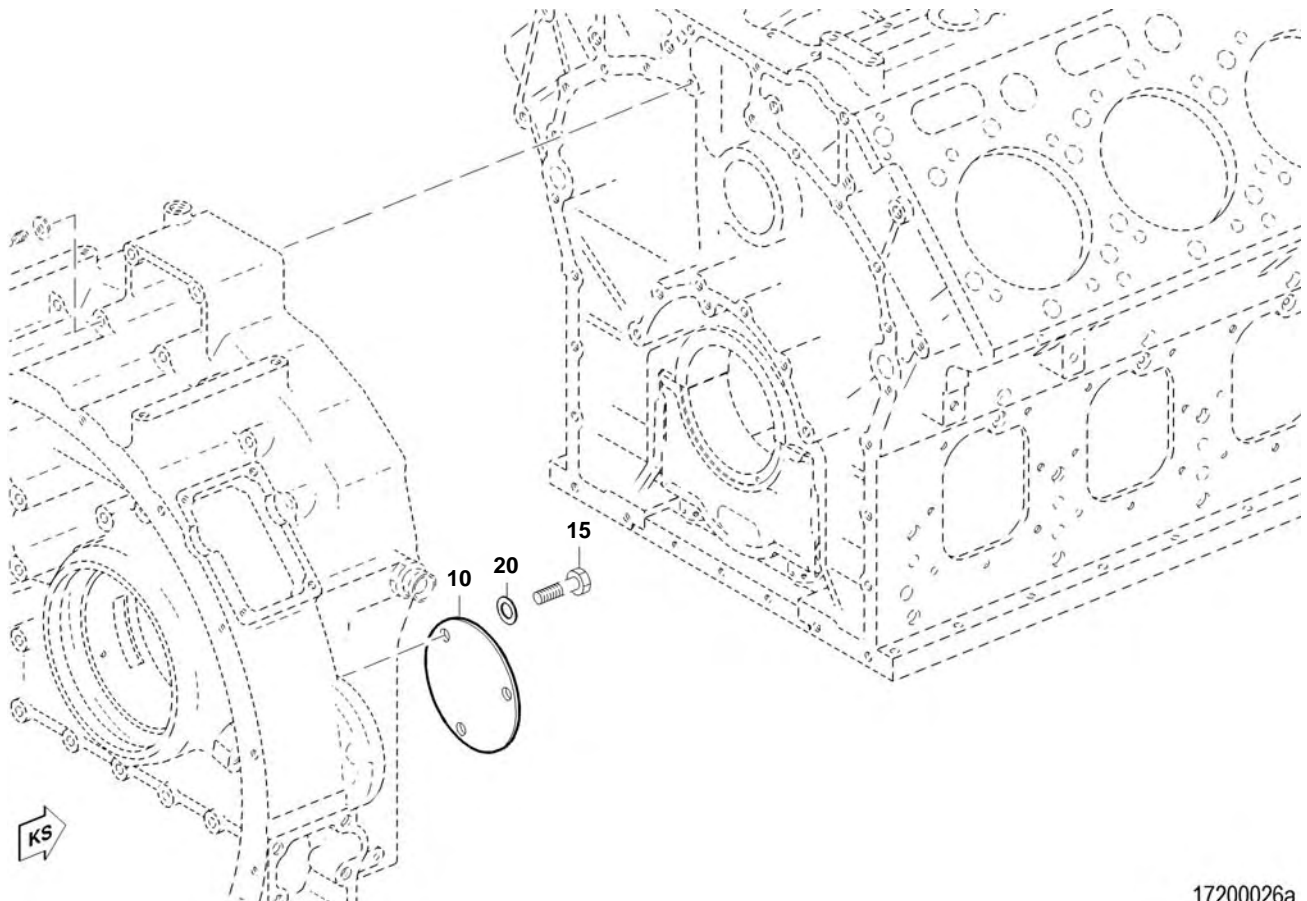


POS. ITEM	BESTELLNR. PART NO.	BENENNUNG DESIGNATION	STO QTY.	EINHEIT UNIT	ABMESSUNGEN DIMENSIONS	NORM STANDARD
50	X00002307	STARTER STARTER	2	ST PC		
150	000912016002	ZYLINDERSCHRAUBE SCREW	6	ST PC	M 16 X 40	DIN912

TYP/MODEL: 20V4000G43
 SERIENNUMMER/
 SERIAL NO: 20V4000G43

SCHUTZBLECH
 GUARD PLATE

FG/FGS: 172 05
 STUECKLISTE/
 BOM: 170.00016



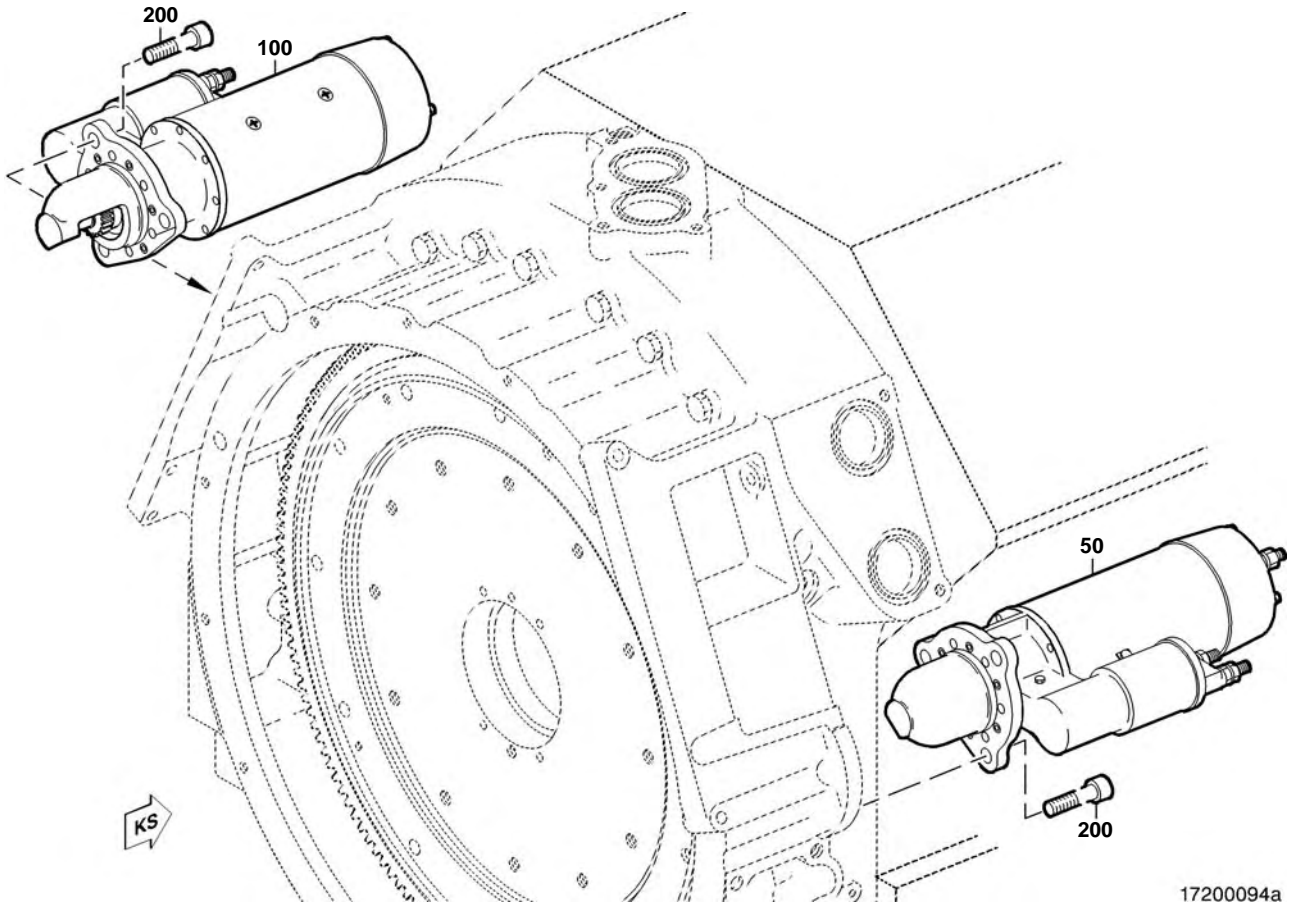
17200026a

POS. ITEM	BESTELNR. PART NO.	BENENNUNG DESIGNATION	STO QTY.	EINHEIT UNIT	ABMESSUNGEN DIMENSIONS	NORM STANDARD
10	5240140815	SCHUTZBLECH GUARD PLATE	1	ST PC		
15	000933016001	SECHSKANTSCHRAUBE SCREW	3	ST PC	M 16 X 20	DIN933
20	000125017014	SCHEIBE WASHER	3	ST PC	A 17	DIN125

TYP/MODEL: 20V4000G43
 SERIENNUMMER/
 SERIAL NO: 20V4000G43

STARTER ELEKTRISCH
 STARTER ELECTRIC

FG/FGS: 172 05
 STUECKLISTE/
 BOM: X00023167

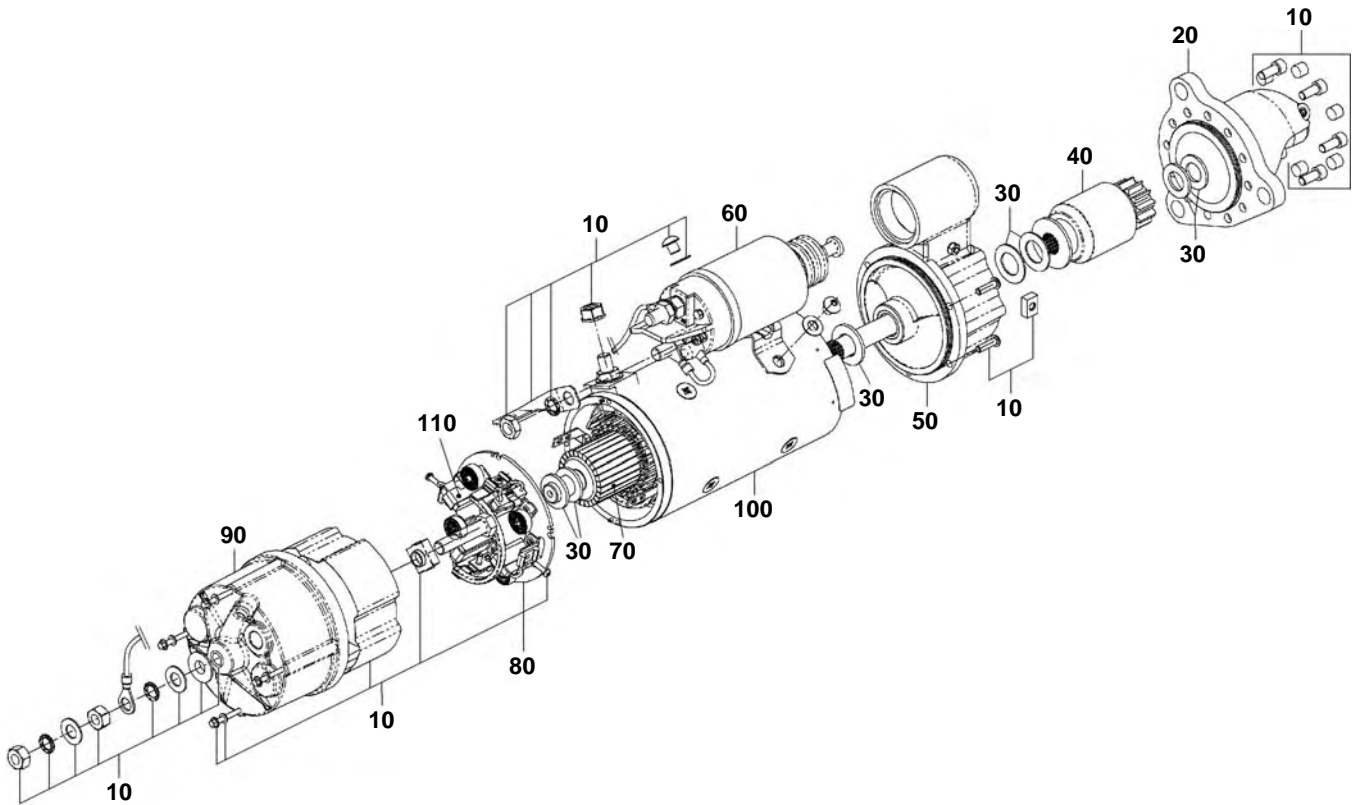


POS. ITEM	BESTELLNR. PART NO.	BENENNUNG DESIGNATION	STO QTY.	EINHEIT UNIT	ABMESSUNGEN DIMENSIONS	NORM STANDARD
50	X00001906	STARTER STARTER	1	ST PC		
100	X00001910	STARTER STARTER	1	ST PC		
200	000912016002	ZYLINDERSCHRAUBE SCREW	6	ST PC	M 16 X 40	DIN912

TYP/MODEL: 20V4000G43
 SERIENNUMMER/
 SERIAL NO: 20V4000G43

STARTER
 STARTER

FG/FGS:
 STUECKLISTE/
 BOM: X00001906



17200120a

POS. ITEM	BESTELNR. PART NO.	BENENNUNG DESIGNATION	STO QTY.	EINHEIT UNIT	FN FN
10	X00038607	BEFESTIGUNGSTEILE SECURING COMPONENTS	1	ST PC	NN
20	X00038707	ANTRIEBSLAGER DRIVE-END BEARING	1	ST PC	
30	X00038616	DRUCKSCHEIBE THRUST WASHER	1	ST PC	NN
40	X00038711	GETRIEBE GEARBOX	1	ST PC	AC
50	X00038715	GEHAEUSE HOUSING	1	ST PC	AC
60	X00038713	EINRUECKRELAIS ENGAGEMENT RELAY	1	ST PC	
70	X00038718	MOTOR ENGINE	1	ST PC	AC
80	X00038719	BUERSTENHALTER BRUSH HOLDER	1	ST PC	AC
90	X00038720	GEHAEUSE HOUSING	1	ST PC	AC
100	X00038721	GEHAEUSE HOUSING	1	ST PC	AC

TYP/MODEL: 20V4000G43
SERIENNUMMER/
SERIAL NO: 20V4000G43

STARTER
STARTER

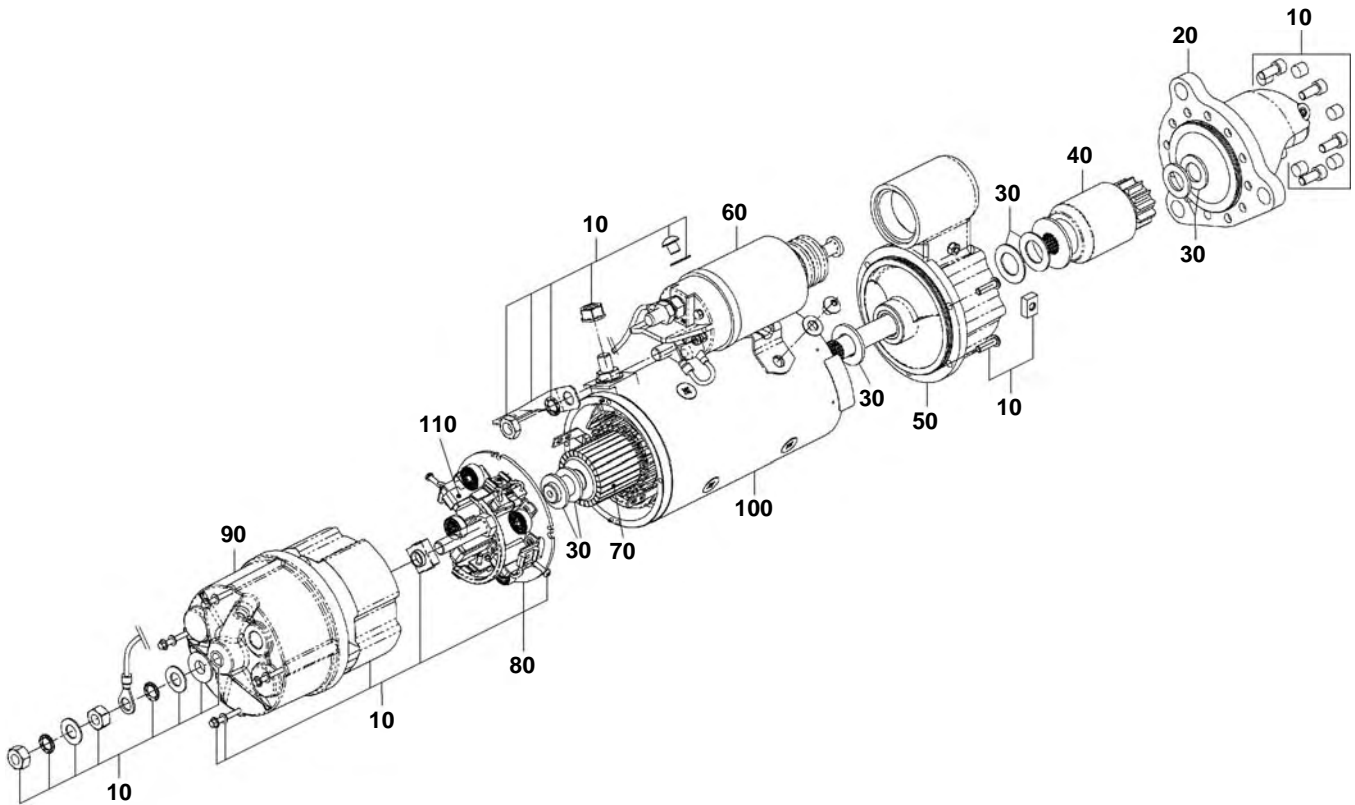
FG/FGS:
STUECKLISTE/ X00001906
BOM: X00001906

POS. ITEM	BESTELLNR. PART NO.	BENENNUNG DESIGNATION	STO QTY.	EINHEIT UNIT	FN FN
110	X00038722	BUERSTE BRUSH	4	ST PC	

TYP/MODEL: 20V4000G43
 SERIENNUMMER/
 SERIAL NO: 20V4000G43

STARTER
 STARTER

FG/FGS:
 STUECKLISTE/
 BOM: X00001910



17200120a

POS. ITEM	BESTELNR. PART NO.	BENENNUNG DESIGNATION	STO QTY.	EINHEIT UNIT	FN FN
10	X00038611	BEFESTIGUNGSTEILE SECURING COMPONENTS	1	ST PC	NN
20	X00038706	ANTRIEBSLAGER DRIVE-END BEARING	1	ST PC	
30	X00038616	DRUCKSCHEIBE THRUST WASHER	1	ST PC	NN
40	X00038711	GETRIEBE GEARBOX	1	ST PC	AC
50	X00038716	GEHAEUSE HOUSING	1	ST PC	AC
60	X00038713	EINRUECKRELAIS ENGAGEMENT RELAY	1	ST PC	
70	X00038718	MOTOR ENGINE	1	ST PC	AC
80	X00038719	BUERSTENHALTER BRUSH HOLDER	1	ST PC	AC
90	X00038720	GEHAEUSE HOUSING	1	ST PC	AC
100	X00038721	GEHAEUSE HOUSING	1	ST PC	AC

TYP/MODEL: 20V4000G43
SERIENNUMMER/
SERIAL NO: 20V4000G43

STARTER
STARTER

FG/FGS:
STUECKLISTE/ X00001910
BOM: X00001910

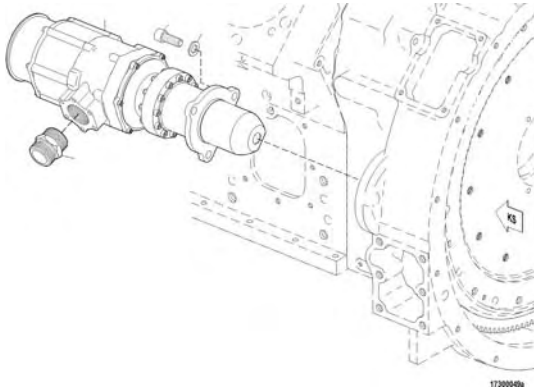
POS. ITEM	BESTELLNR. PART NO.	BENENNUNG DESIGNATION	STO QTY.	EINHEIT UNIT	FN FN
110	X00038722	BUERSTE BRUSH	4	ST PC	

TYP/MODEL: 20V4000G43
SERIENNUMMER/
SERIAL NO: 20V4000G43

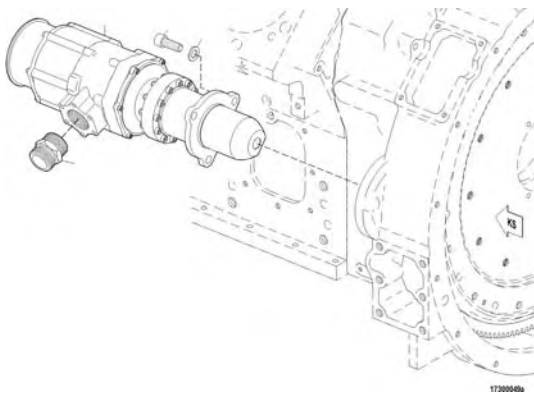
DRUCKLUFTSTARTER
AIR STARTER

FG/FGS: 173
STUECKLISTE/
BOM:

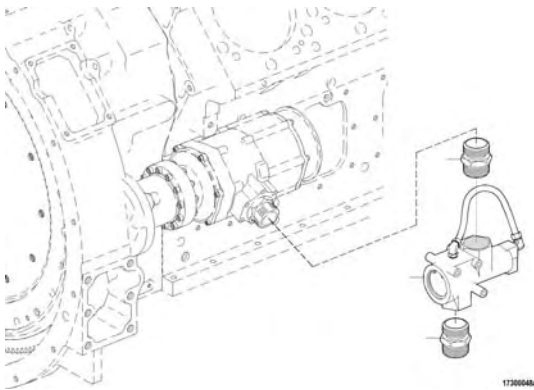
FUNKTIONSGRUPPE/GROUP NUMBER (FG)
GRUPPENNAME/GROUP NAME
STÜCKLISTENR/BOM NO.



173
STARTER
STARTER
X00027234



173
STARTER FUER DRUCKLUFT
STARTER FOR COMPRESSED AIR
170.00142

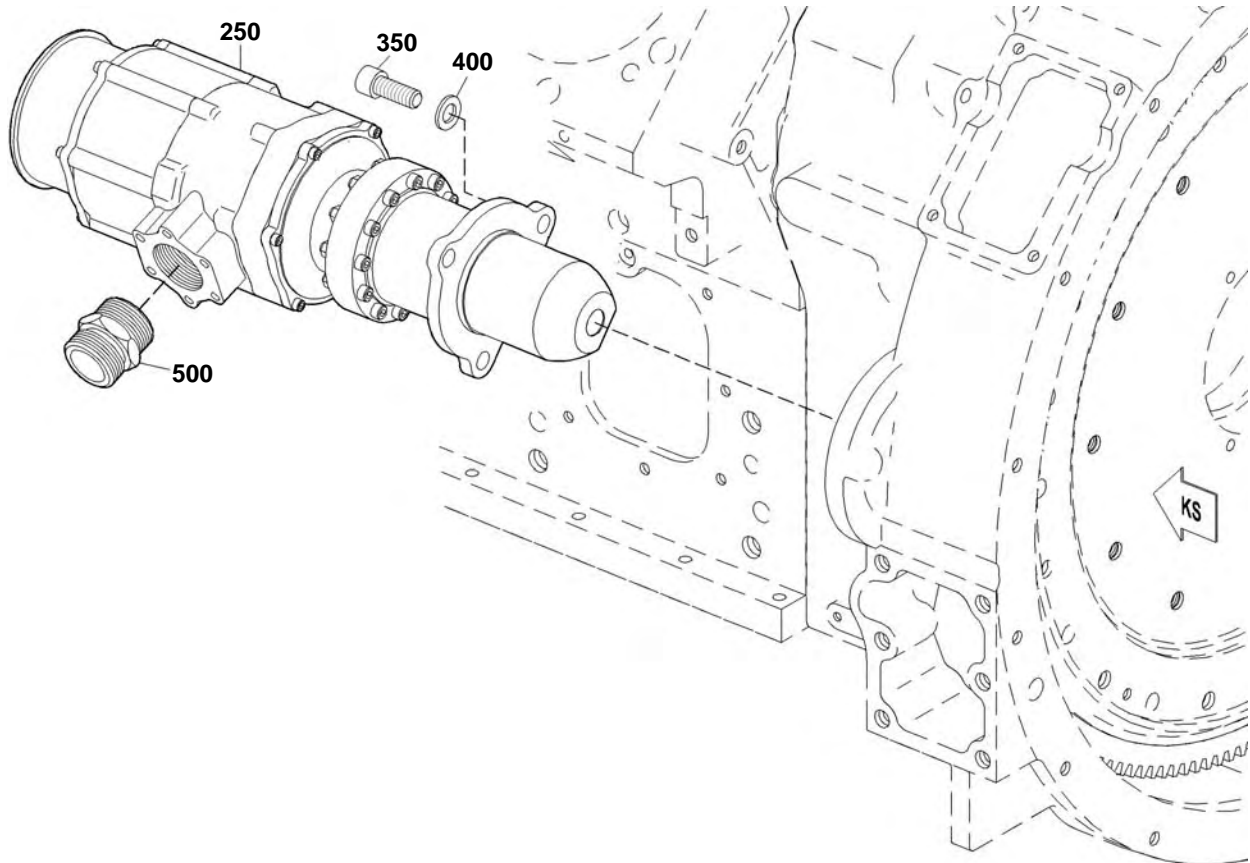


173
ANSCHLUSSTEILE F.DRUCKL-ANLASSUNG
CONNECTING HARDWARE FOR AIR START
170.00143

TYP/MODEL: 20V4000G43
SERIENNUMMER/
SERIAL NO: 20V4000G43

STARTER
STARTER

FG/FGS: 173 00
STUECKLISTE/
BOM: X00027234

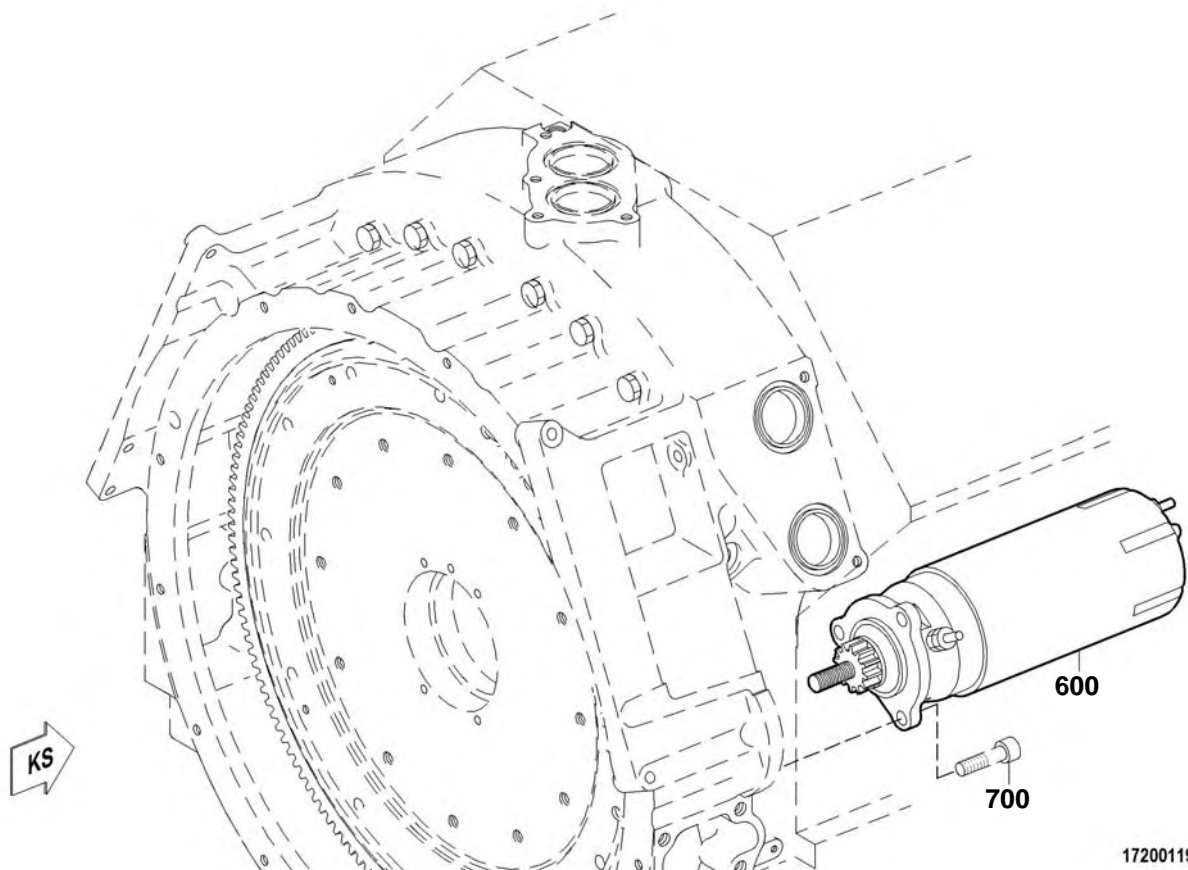


17300049a

TYP/MODEL: 20V4000G43
SERIENNUMMER/
SERIAL NO: 20V4000G43

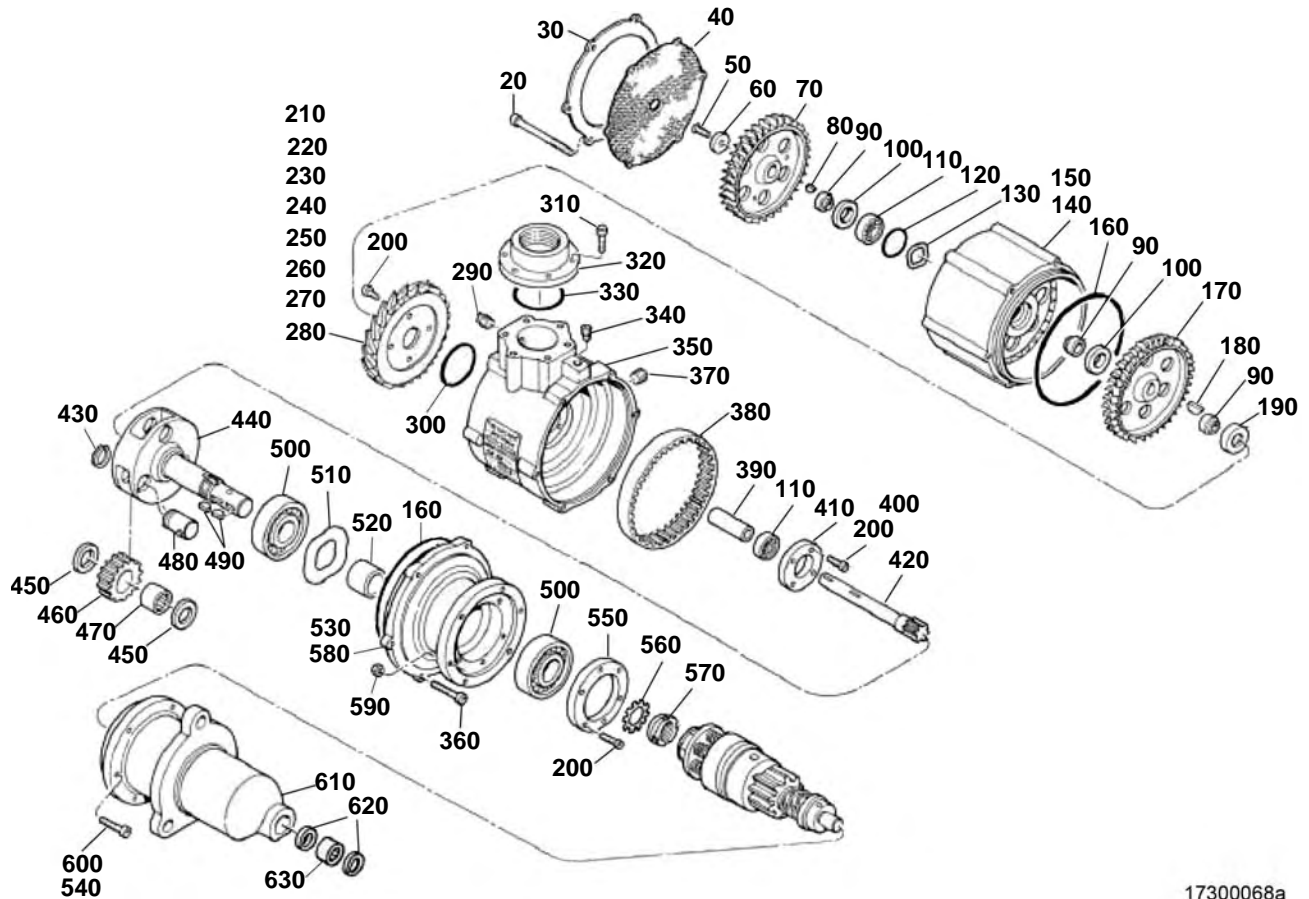
STARTER
STARTER

FG/FGS: 173 00
STUECKLISTE/
BOM: X00027234



17200119a

POS. ITEM	BESTELNR. PART NO.	BENENNUNG DESIGNATION	STO QTY.	EINHEIT UNIT	ABMESSUNGEN DIMENSIONS	NORM STANDARD
250	5281700040	DRUCKLUFTANLASSER LINKS AIR STARTER LEFT	1	ST PC		
350	000912016002	ZYLINDERSCHRAUBE SCREW	3	ST PC	M 16 X 40	DIN912
400	200433017000	SCHEIBE WASHER	3	ST PC	17	DIN433
500	0019971871	UEBERGANGSSTUTZEN REDUCTION UNION	1	ST PC		
600	X00002307	STARTER STARTER	1	ST PC		
700	000912016002	ZYLINDERSCHRAUBE SCREW	3	ST PC	M 16 X 40	DIN912



17300068a

POS. ITEM	BESTELLN. PART NO.	BENENNUNG DESIGNATION	STO QTY.	EINHEIT UNIT
20	XP52717300014	SCHRAUBE SCREW	6	ST PC
30	XP52717300015	RING RING	1	ST PC
40	XP52717300016	SCHEIBE WASHER	6	ST PC
50	XP52717300017	SCHRAUBE SCREW	1	ST PC
60	XP52717300018	SCHEIBE WASHER	1	ST PC
70	XP52717300019	ROTOR ROTOR	1	ST PC
80	XP52717300020	STIFTSCHRAUBE STUD	1	ST PC
90	XP52717300001	DICHTRING SEALING RING	3	ST PC
100	XP52717300002	DICHTPROFIL SEALING STRIP	2	ST PC
110	XP52717300062	RILLENKUGELLAGER GROOVED BALL BEARING	2	ST PC

TYP/MODEL: 20V4000G43
SERIENNUMMER/
SERIAL NO: 20V4000G43

DRUCKLUFTANLASSER LINKS
AIR STARTER LEFT

FG/FGS:
STUECKLISTE/ 5281700040
BOM: 5281700040

POS. ITEM	BESTELLNR. PART NO.	BENENNUNG DESIGNATION	STO QTY.	EINHEIT UNIT
120	XP52717300063	O-RING O-RING	1	ST PC
130	XP52717300003	SCHEIBE WASHER	1	ST PC
140	XP52717300021	DUESENRING NOZZLE RING	1	ST PC
150	XP52717300022	DUESENRING NOZZLE RING	1	ST PC
160	XP52717300004	O-RING O-RING	1	ST PC
170	XP52717300023	ROTOR ROTOR	1	ST PC
180	XP52717300024	STIFTSCHRAUBE STUD	1	ST PC
190	XP52717300007	DICHTPROFIL SEALING STRIP	1	ST PC
200	XP52717300025	SCHRAUBE SCREW	14	ST PC
210	XP52717300026	DUESE NOZZLE	1	ST PC
220	XP52717300027	DUESE NOZZLE	1	ST PC
230	XP52717300028	DUESE NOZZLE	1	ST PC
240	XP52717300029	DUESE NOZZLE	1	ST PC
250	XP52717300030	DUESE NOZZLE	1	ST PC
260	XP52717300031	DUESE NOZZLE	1	ST PC
270	XP52717300032	DUESE NOZZLE	1	ST PC
280	XP52717300033	DUESE NOZZLE	1	ST PC
290	XP52717300034	STOPFEN PLUG	1	ST PC
300	XP52717300005	O-RING O-RING	1	ST PC
310	XP52717300035	SCHRAUBE SCREW	6	ST PC
320	XP52717300036	EINLAUFRING INLET RING	1	ST PC

TYP/MODEL: 20V4000G43
SERIENNUMMER/
SERIAL NO: 20V4000G43

DRUCKLUFTANLASSER LINKS
AIR STARTER LEFT

FG/FGS:
STUECKLISTE/ 5281700040
BOM: 5281700040

POS. ITEM	BESTELLN. PART NO.	BENENNUNG DESIGNATION	STO QTY.	EINHEIT UNIT
330	XP52717300006	O-RING O-RING	1	ST PC
340	XP52717300038	ZUBEHOERSATZ SET OF ACCESSORIES	1	ST PC
350	XP52717300039	GEHAEUSE HOUSING	1	ST PC
360	XP52717300040	SCHRAUBE SCREW	6	ST PC
370	XP52717300041	STOPFEN PLUG	1	ST PC
380	XP52717300042	RING RING	1	ST PC
390	XP52717300043	RILLENKUGELLAGER GROOVED BALL BEARING	1	ST PC
400	XP52717300044	SCHRAUBE SCREW	4	ST PC
410	XP52717300045	SCHEIBE WASHER	1	ST PC
420	XP52717300046	BOLZEN PIN	1	ST PC
430	XP52717300008	KLEMMRING CLAMPING RING	3	ST PC
440	XP52717300047	PLANETENGETRIEBE PLANETARY GEARING	1	ST PC
450	XP52717300048	SCHEIBE WASHER	6	ST PC
460	XP52717300049	ZAHNRAD GEAR	3	ST PC
470	XP52717300009	NADELLAGER NEEDLE BEARING	3	ST PC
480	XP52717300050	BOLZEN PIN	3	ST PC
490	XP52717300051	KEIL KEY	2	ST PC
500	XP52717300010	RILLENKUGELLAGER GROOVED BALL BEARING	2	ST PC
510	XP52717300011	SCHEIBE WASHER	1	ST PC
520	XP52717300052	RILLENKUGELLAGER GROOVED BALL BEARING	1	ST PC
530	XP52717300053	GETRIEBEGEHAUSE GEARBOX HOUSING	1	ST PC

TYP/MODEL: 20V4000G43
SERIENNUMMER/
SERIAL NO: 20V4000G43

DRUCKLUFTANLASSER LINKS
AIR STARTER LEFT

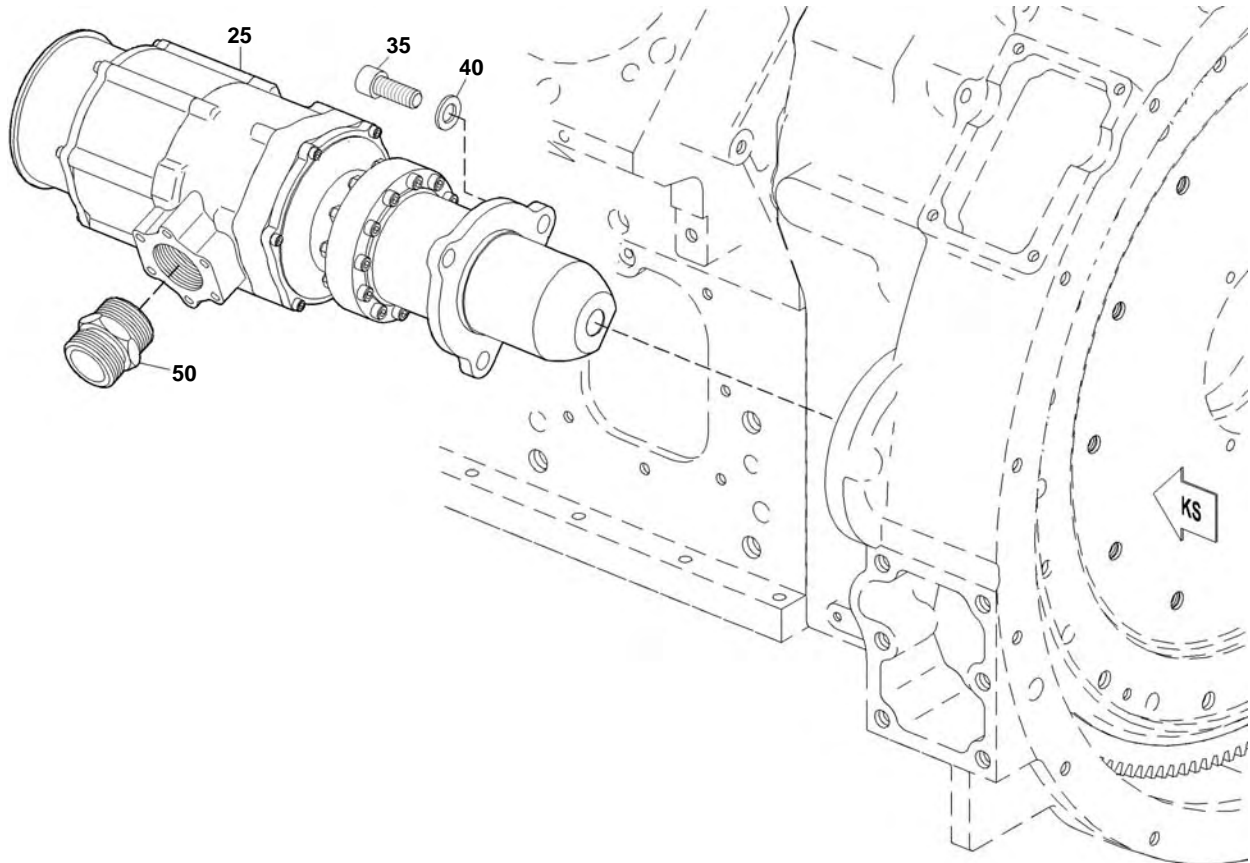
FG/FGS:
STUECKLISTE/ 5281700040
BOM: 5281700040

POS. ITEM	BESTELLNR. PART NO.	BENENNUNG DESIGNATION	STO QTY.	EINHEIT UNIT
540	XP52717300054	SCHRAUBE SCREW	6	ST PC
550	XP52717300055	PLATTE PLATE	1	ST PC
560	XP52717300056	SCHEIBE WASHER	1	ST PC
570	XP52717300059	HALTER RETAINER	1	ST PC
580	XP52717300060	GETRIEBEGEHAEUSE GEARBOX HOUSING	1	ST PC
590	XP52717300061	FIXIERSTIFT LOCATING PIN	6	ST PC
600	XP52717300058	SCHRAUBE SCREW	6	ST PC
610	XP52717300057	FUEHRUNGSBUCHSE GUIDE BUSHING	1	ST PC
620	XP52717300012	DICHTPROFIL SEALING STRIP	1	ST PC
630	XP52717300013	NADELLAGER NEEDLE BEARING	1	ST PC

TYP/MODEL: 20V4000G43
 SERIENNUMMER/
 SERIAL NO: 20V4000G43

STARTER FUER DRUCKLUFT
 STARTER FOR COMPRESSED AIR

FG/FGS: 173 05
 STUECKLISTE/
 BOM: 170.00142



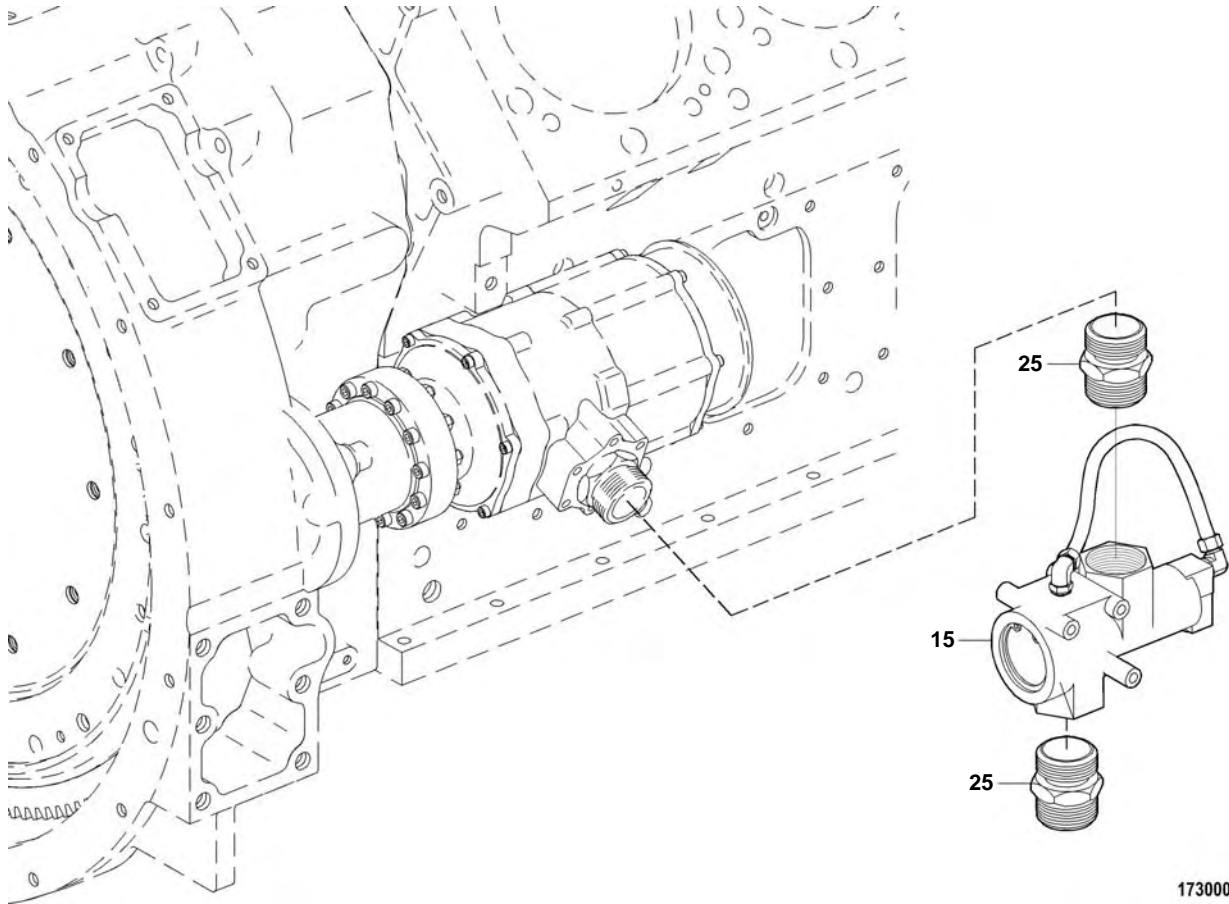
17300049a

POS. ITEM	BESTELLNR. PART NO.	BENENNUNG DESIGNATION	STO QTY.	EINHEIT UNIT	ABMESSUNGEN DIMENSIONS	NORM STANDARD
25	5281700040	DRUCKLUFTANLASSER LINKS AIR STARTER LEFT	1	ST PC		
35	000912016002	ZYLINDERSCHRAUBE SCREW	3	ST PC	M 16 X 40	DIN912
40	200433017000	SCHEIBE WASHER	3	ST PC	17	DIN433
50	0019971871	UEBERGANGSSTUTZEN REDUCTION UNION	1	ST PC		

TYP/MODEL: 20V4000G43
 SERIENNUMMER/
 SERIAL NO: 20V4000G43

ANSCHLUSSTEILE F.DRUCKKL-ANLASSUNG
 CONNECTING HARDWARE FOR AIR START

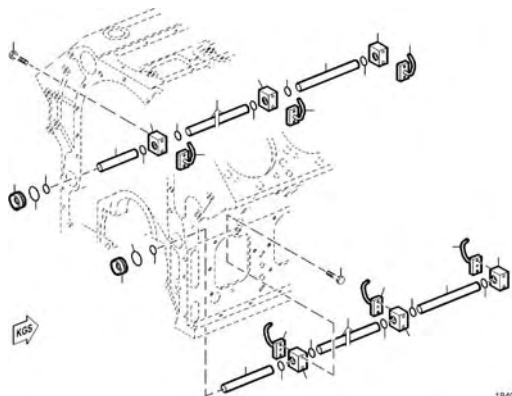
FG/FGS: 173 10
 STUECKLISTE/
 BOM: 170.00143



17300048a

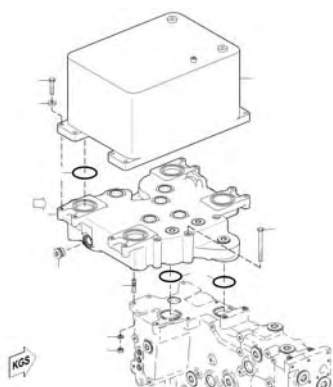
POS. ITEM	BESTELNR. PART NO.	BENENNUNG DESIGNATION	STO QTY.	EINHEIT UNIT
15	5281700102	ANLASSVENTIL STARTING VALVE	1	ST PC
25	0019971871	UEBERGANGSSTUTZEN REDUCTION UNION	2	ST PC

FUNKTIONSGRUPPE/GROUP NUMBER (FG)
GRUPPENNAME/GROUP NAME
STÜCKLISTENNR/BOM NO.



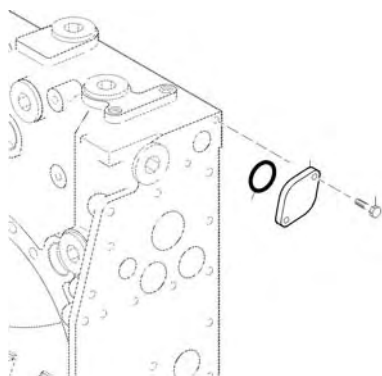
180
OELFUEHRUNG GRUNDUMFANG
OIL SYSTEM BASIC SCOPE
X00030271

19400124d



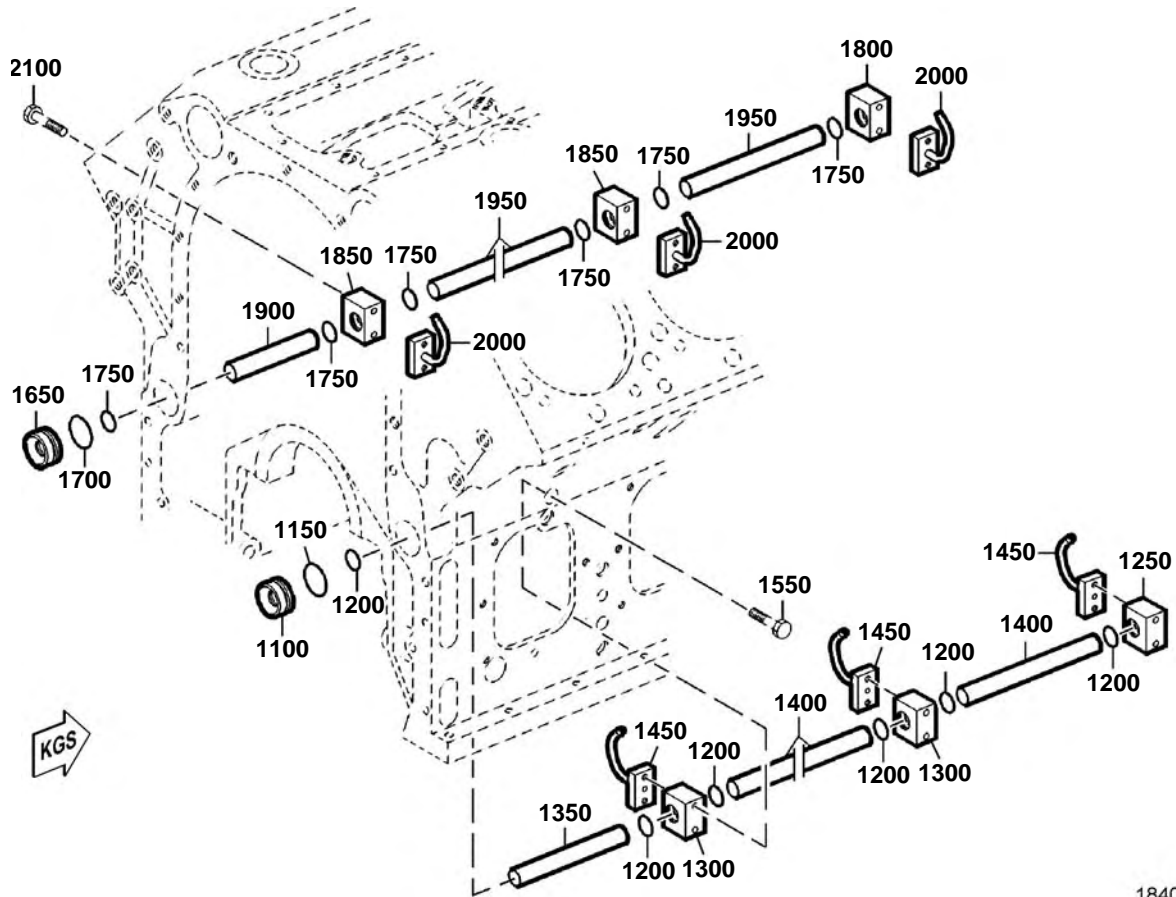
180
OELKUEHLER
OIL COOLER
X00019312

183M72b



180
VERSCHLUSSTEILE F.W-FUEHR-GHAEUSE
SEAL ELEM. F/COOLANT DISTR. HS
180.00268

18000054a



18400124d

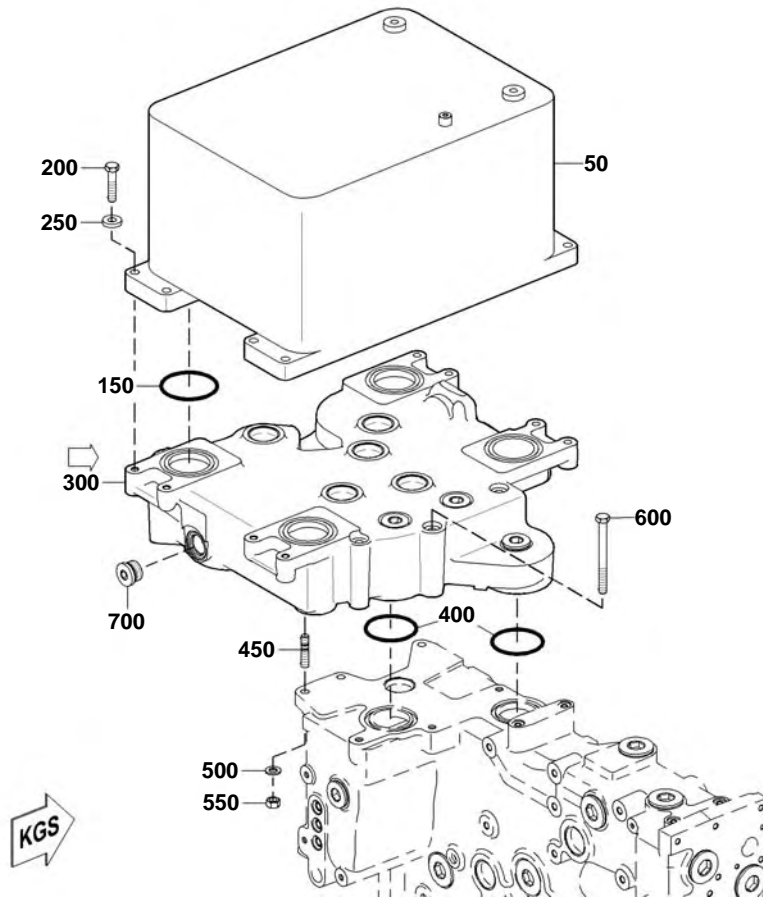
POS. ITEM	BESTELLNR. PART NO.	BENENNUNG DESIGNATION	STO QTY.	EINHEIT UNIT	FN FN	ABMESSUNGEN DIMENSIONS	NORM STANDARD
1100	5241870276	SCHEIBE WASHER	1	ST PC	NN		
1150	700429041000	O-RING O-RING	1	ST PC		41 X 4	MMN429
1200	700429024002	O-RING O-RING	20	ST PC		24 X 4	MMN429
1250	X00033646	HALTER RETAINER	1	ST PC			
1300	X00033645	HALTER RETAINER	9	ST PC			
1350	5241870401	ROHR PIPE	1	ST PC	NN		
1400	5241870101	ROHR PIPE	9	ST PC	NN		
1450	X00033644	OELSPRITZDUESE OIL SPRAY NOZZLE	10	ST PC			
1550	304014008032	SECHSKANTSCHRAUBE SCREW	20	ST PC		M 8 X 80	ISO4014
1650	5241870276	SCHEIBE WASHER	1	ST PC	NN		

TYP/MODEL: 20V4000G43
SERIENNUMMER/
SERIAL NO: 20V4000G43

OELFUEHRUNG GRUNDUMFANG
OIL SYSTEM BASIC SCOPE

FG/FGS: 180 00
STUECKLISTE/ X00030271
BOM: X00030271

POS. ITEM	BESTELLNR. PART NO.	BENENNUNG DESIGNATION	STO QTY.	EINHEIT UNIT	FN FN	ABMESSUNGEN DIMENSIONS	NORM STANDARD
1700	700429041000	O-RING O-RING	1	ST PC		41 X 4	MMN429
1750	700429024002	O-RING O-RING	20	ST PC		24 X 4	MMN429
1800	X00033646	HALTER RETAINER	1	ST PC			
1850	X00033645	HALTER RETAINER	9	ST PC			
1900	5241870201	ROHR PIPE	1	ST PC			
1950	5241870101	ROHR PIPE	9	ST PC	NN		
2000	X00033644	OELSPRITZDUESE OIL SPRAY NOZZLE	10	ST PC			
2100	304014008032	SECHSKANTSCHRAUBE SCREW	20	ST PC		M 8 X 80	ISO4014



18300721b

POS. ITEM	BESTELLNR. PART NO.	BENENNUNG DESIGNATION	STO QTY.	EINHEIT UNIT	ABMESSUNGEN DIMENSIONS	NORM STANDARD
50	X00005421	OELKUEHLER OIL COOLER	1	ST PC		
150	700429083000	O-RING O-RING	4	ST PC	83 X 5	MMN429
200	000000003926	SECHSKANTSCHRAUBE SCREW	8	ST PC	M 12 X 55	ISO4017
250	007349013002	SCHEIBE WASHER	6	ST PC	13	DIN7349
300	X00043698	OELFUEHRUNGSGEHAEUSE OIL. DISTR. HOUSING	1	ST PC		
400	700429075001	O-RING O-RING	2	ST PC	75 X 5	MMN429
450	000939012061	STIFTSCHRAUBE STUD	3	ST PC	M 12 X 40	DIN939
500	000125013012	SCHEIBE WASHER	3	ST PC	A 13	DIN125
550	000934012008	SECHSKANTMUTTER HEX NUT	3	ST PC	M 12	DIN934
600	000931012091	SECHSKANTSCHRAUBE SCREW	3	ST PC	M 12 X130	DIN931

TYP/MODEL: 20V4000G43
SERIENNUMMER/
SERIAL NO: 20V4000G43

OELKUEHLER
OIL COOLER

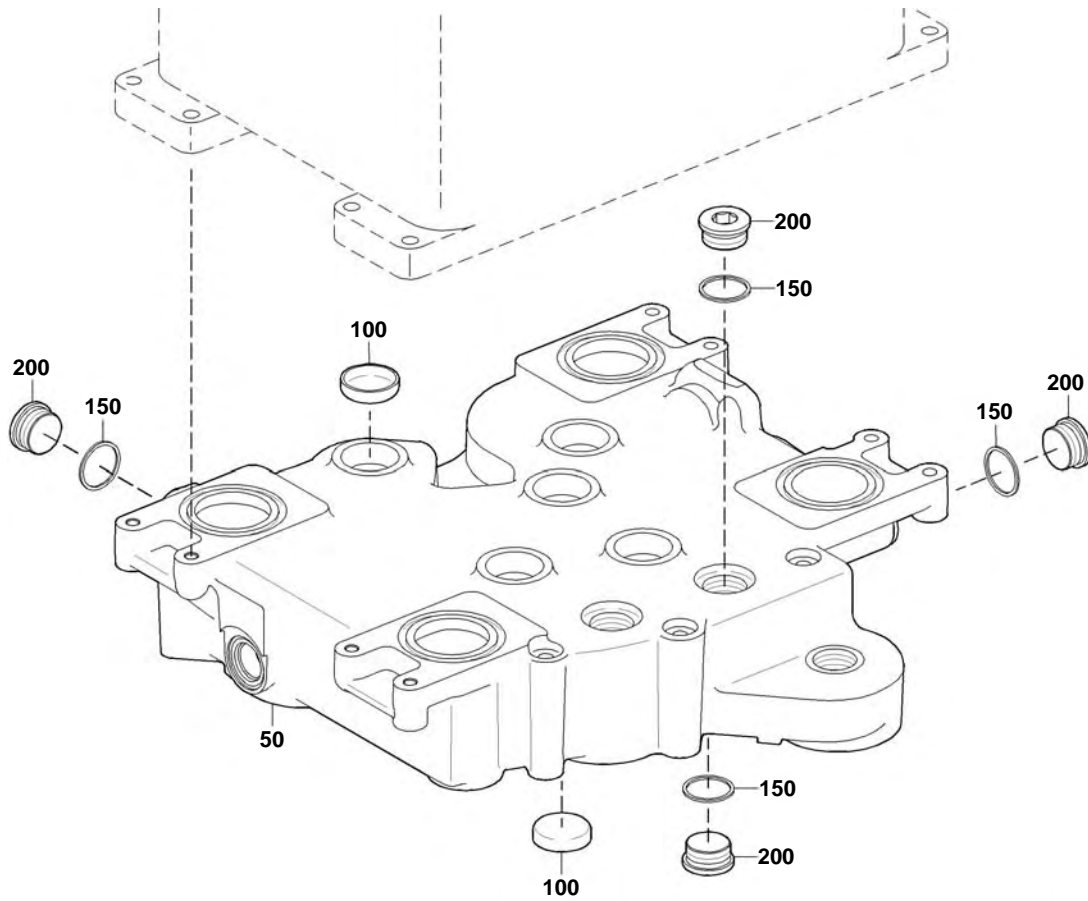
FG/FGS: 180 05
STUECKLISTE/ X00019312
BOM: X00019312

POS. ITEM	BESTELNR. PART NO.	BENENNUNG DESIGNATION	STO QTY.	EINHEIT UNIT	ABMESSUNGEN DIMENSIONS	NORM STANDARD
700	735210033000	VERSCHLUSSSCHRAUBE PLUG	2	ST PC	M 33 X 2	MTN5210

TYP/MODEL: 20V4000G43
 SERIENNUMMER/
 SERIAL NO: 20V4000G43

OELFUEHRUNGSGEHAEUSE
 OIL. DISTR. HOUSING

FG/FGS:
 STUECKLISTE/
 BOM: X00043698



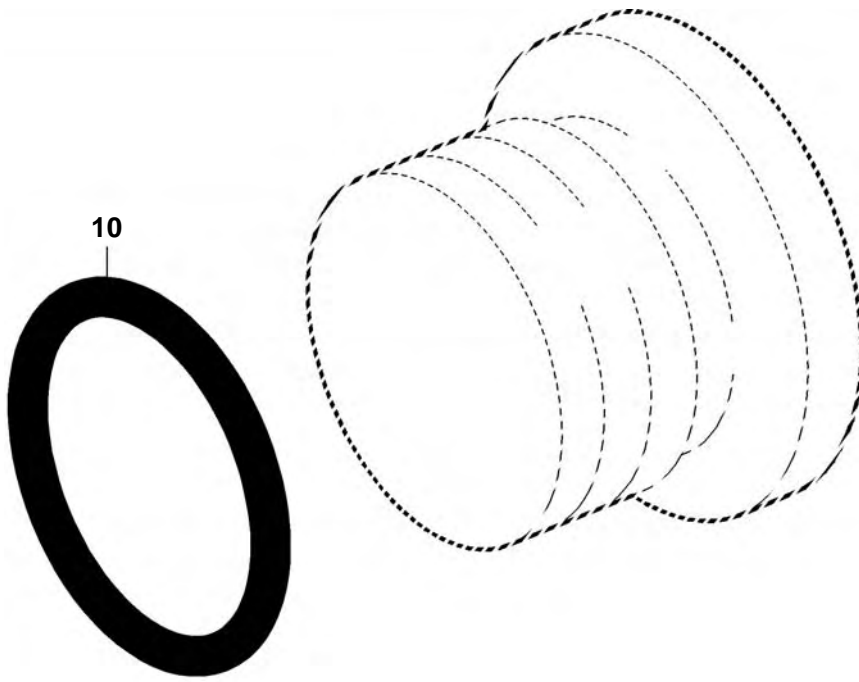
18000234b

POS. ITEM	BESTELNR. PART NO.	BENENNUNG DESIGNATION	STO QTY.	EINHEIT UNIT	ABMESSUNGEN DIMENSIONS	NORM STANDARD
50	X00043682	OELFUEHRUNGSGEHAEUSE OIL. DISTR. HOUSING	1	ST PC		
100	5249970020	VERSCHLUSSDECKEL COVER	9	ST PC		
150	007603038101	DICHTRING SEALING RING	7	ST PC	A 38 X 44	DIN7603
200	000908038000	VERSCHLUSSSCHRAUBE PLUG	7	ST PC	M 38 X 1,5	DIN908

TYP/MODEL: 20V4000G43
SERIENNUMMER/
SERIAL NO: 20V4000G43

VERSCHLUSSCHRAUBE
PLUG

FG/FGS:
STUECKLISTE/
BOM: 735210033000



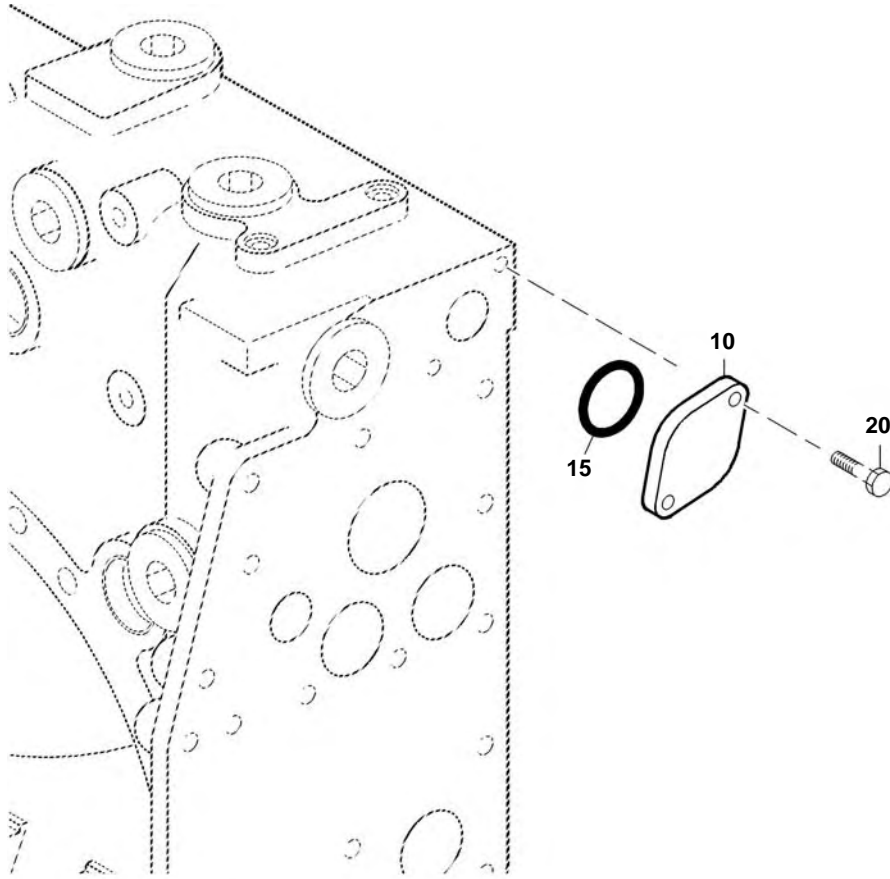
E0005821a0

POS. ITEM	BESTELLNR. PART NO.	BENENNUNG DESIGNATION	STO QTY.	EINHEIT UNIT	ABMESSUNGEN DIMENSIONS	NORM STANDARD
10	735221029000	O-RING O-RING	1	ST PC	29,6 X 2,9 - M33X2	MTN5221

TYP/MODEL: 20V4000G43
 SERIENNUMMER/
 SERIAL NO: 20V4000G43

VERSCHLUSSTEILE F.W-FUEHR-GEHAEUSE
 SEAL ELEM. F/COOLANT DISTR. HS

FG/FGS: 180 12
 STUECKLISTE/
 BOM: 180.00268



18000054a

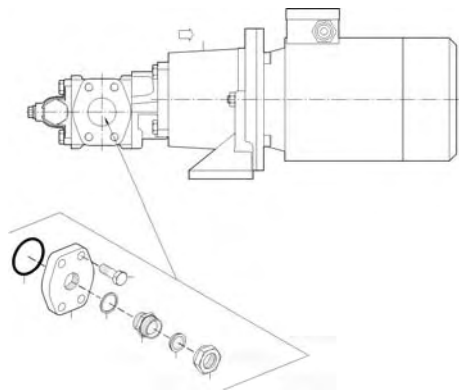
POS. ITEM	BESTELNR. PART NO.	BENENNUNG DESIGNATION	STO QTY.	EINHEIT UNIT	ABMESSUNGEN DIMENSIONS	NORM STANDARD
10	5281840509	FLANSCH FLANGE	1	ST PC		
15	700429042002	O-RING O-RING	1	ST PC	42 X 4	MMN429
20	304017008081	SECHSKANTSCHRAUBE SCREW	2	ST PC	M 8 X 25	ISO4017

TYP/MODEL: 20V4000G43
SERIENNUMMER/
SERIAL NO: 20V4000G43

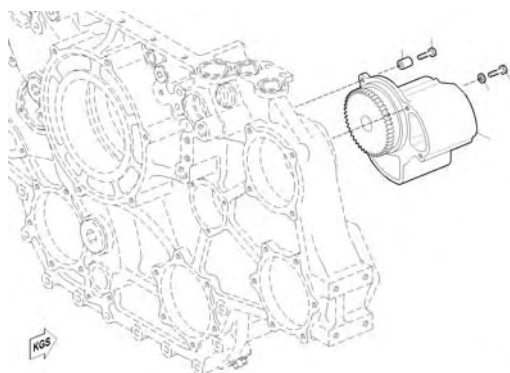
SCHMIEROELPUMPE MIT ANTRIEB
LUBE OIL PUMP AND DRIVE

FG/FGS: 181
STUECKLISTE/
BOM:

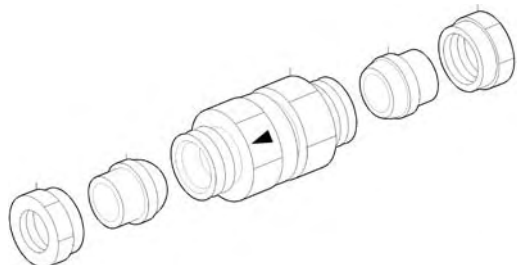
FUNKTIONSGRUPPE/GROUP NUMBER (FG)
GRUPPENNAME/GROUP NAME
STÜCKLISTENNR/BOM NO.



181
SCHMIEROELVORPUMPE FUER DREHSTROM
OIL PRIMING PUMP FUER DREHSTROM
X00012072



181
OELPUMPE
OIL PUMP
XS528180.00011

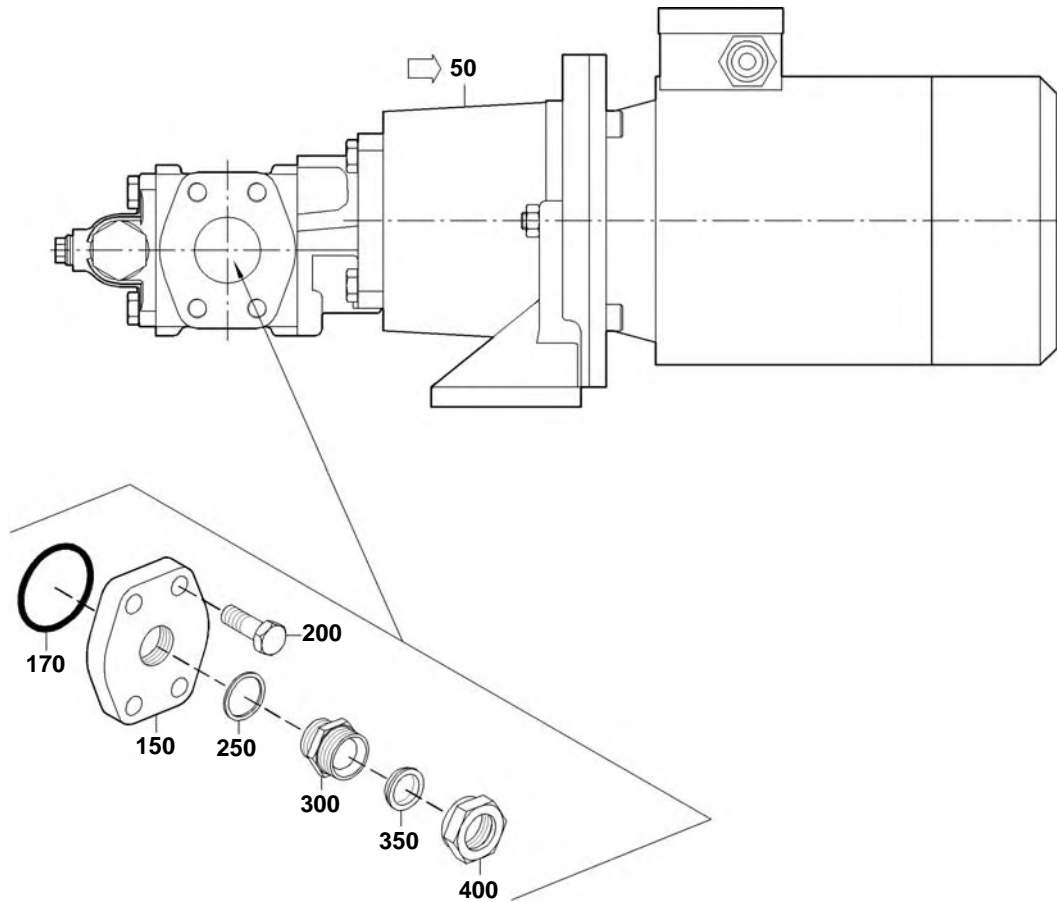


181
RUECKSCHLAGVENTIL F.VORSCHMIERPUMPE
NON-RETURN VALVE FOR OIL PRIMING PUM
180.00443

TYP/MODEL: 20V4000G43
 SERIENNUMMER/
 SERIAL NO: 20V4000G43

SCHMIEROELVORPUMPE FUER DREHSTROM
 OIL PRIMING PUMP FUER DREHSTROM

FG/FGS: 181 05
 STUECKLISTE/
 BOM: X00012072



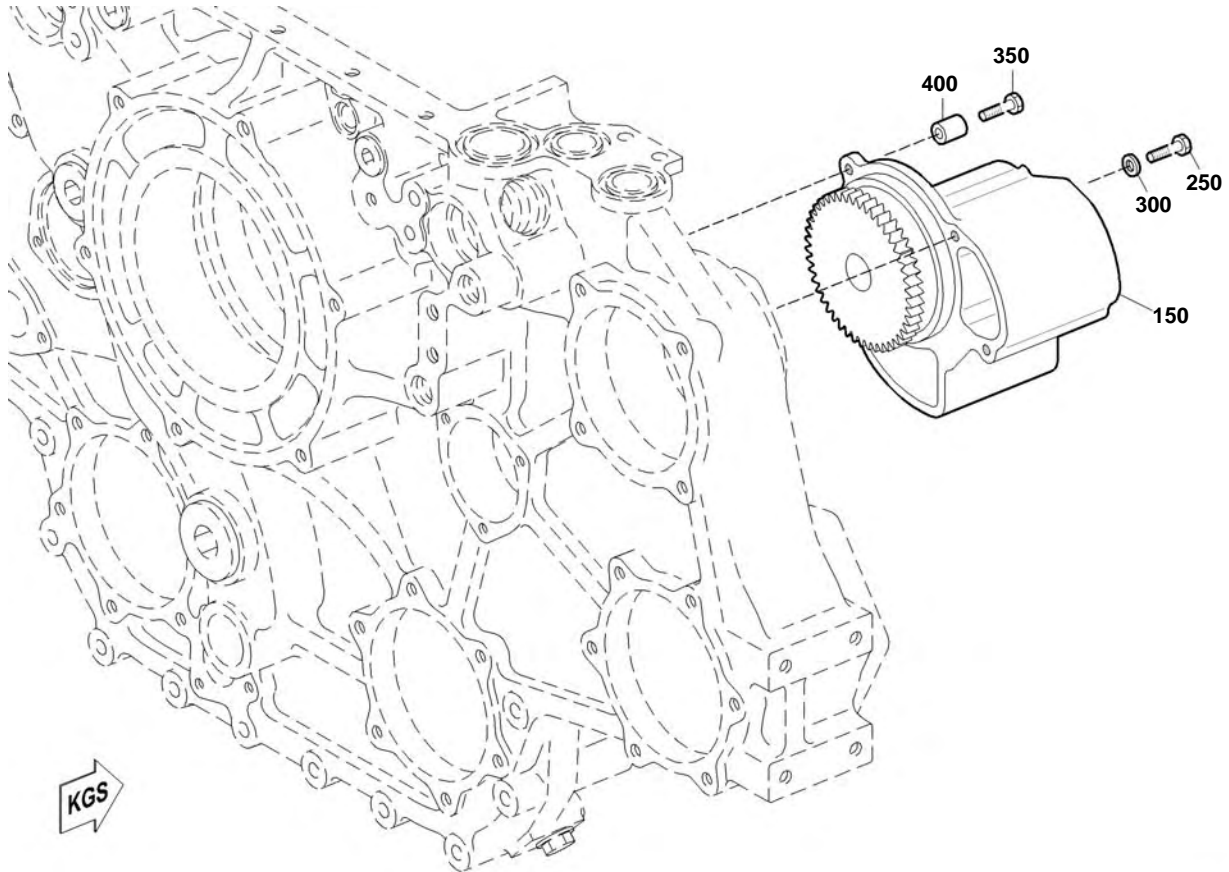
18100493b

POS. ITEM	BESTELLNR. PART NO.	BENENNUNG DESIGNATION	STO QTY.	EINHEIT UNIT	ABMESSUNGEN DIMENSIONS	NORM STANDARD
50	X00009145	ZAHNRADPUMPE GEAR PUMP	1	ST PC	TKZ.2-0211-419062	
150	X00012344	FLANSCH FUER VOROELPUMPE FLANGE FOR OIL PRIMING PUM	2	ST PC		
170	700429050005	O-RING O-RING	2	ST PC	50 X 3,5	MMN429
200	000000003381	SECHSKANTSCHRAUBE SCREW	8	ST PC	M 12 X 35	ISO4017
250	007603026104	DICHTRING SEALING RING	2	ST PC	A 26 X 31	DIN7603
300	915013020002	STUTZEN UNION	2	ST PC	20	N15013
350	915005020001	VERSCHLUSSKEGEL SEALING CONE	2	ST PC	22	MBN15005
400	915001020003	MUTTER NUT	2	ST PC	20 M 30 X 1,5	N15001

TYP/MODEL: 20V4000G43
 SERIENNUMMER/
 SERIAL NO: 20V4000G43

OELPUMPE
 OIL PUMP

FG/FGS: 181 05
 STUECKLISTE/
 BOM: XS528180.00011



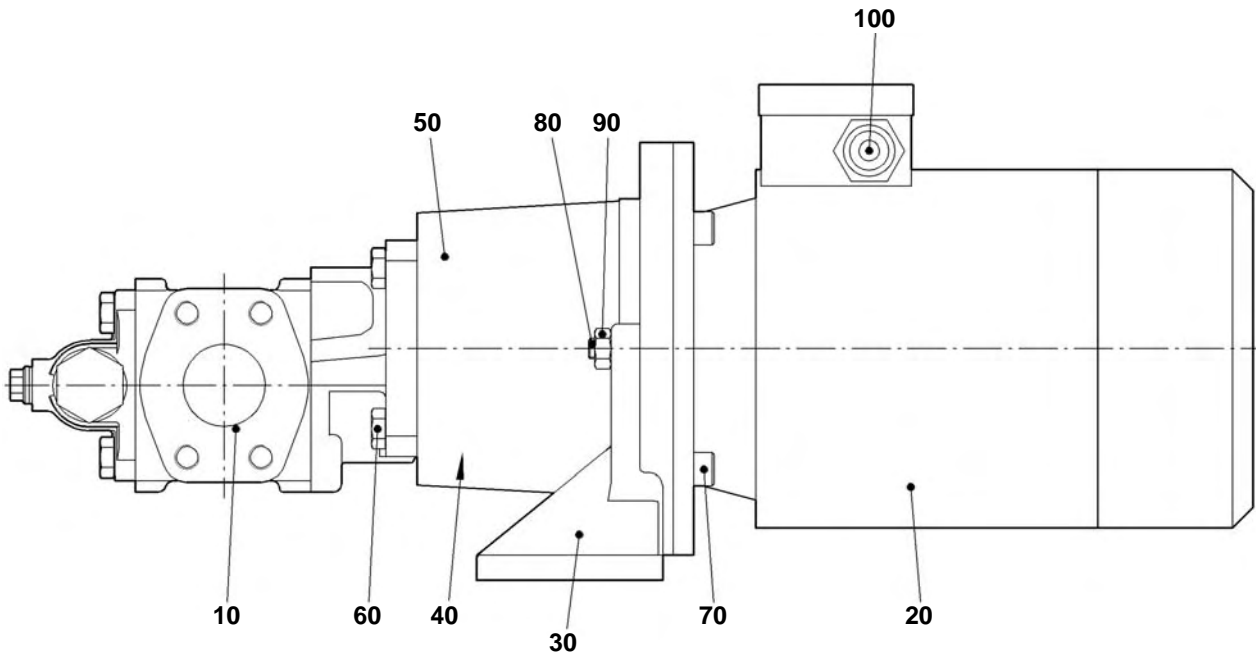
18100316a

POS. ITEM	BESTELNR. PART NO.	BENENNUNG DESIGNATION	STO QTY.	EINHEIT UNIT	FN FN	ABMESSUNGEN DIMENSIONS	NORM STANDARD
150	0021805701	OELPUMPE OIL PUMP	1	ST PC	P		
250	304014010015	SECHSKANTSCHRAUBE SCREW	3	ST PC		M 10 X140	ISO4014
300	735151010200	SCHEIBE WASHER	3	ST PC		B 10,5	MTN5151
350	304017010051	SECHSKANTSCHRAUBE SCREW	1	ST PC		M 10 X 60	ISO4017
400	5241871853	ABSTANDHUELSE SPACER SLEEVE	1	ST PC			

TYP/MODEL: 20V4000G43
 SERIENNUMMER/
 SERIAL NO: 20V4000G43

ZAHNRADPUMPE
 GEAR PUMP

FG/FGS:
 STUECKLISTE/
 BOM: X00009145



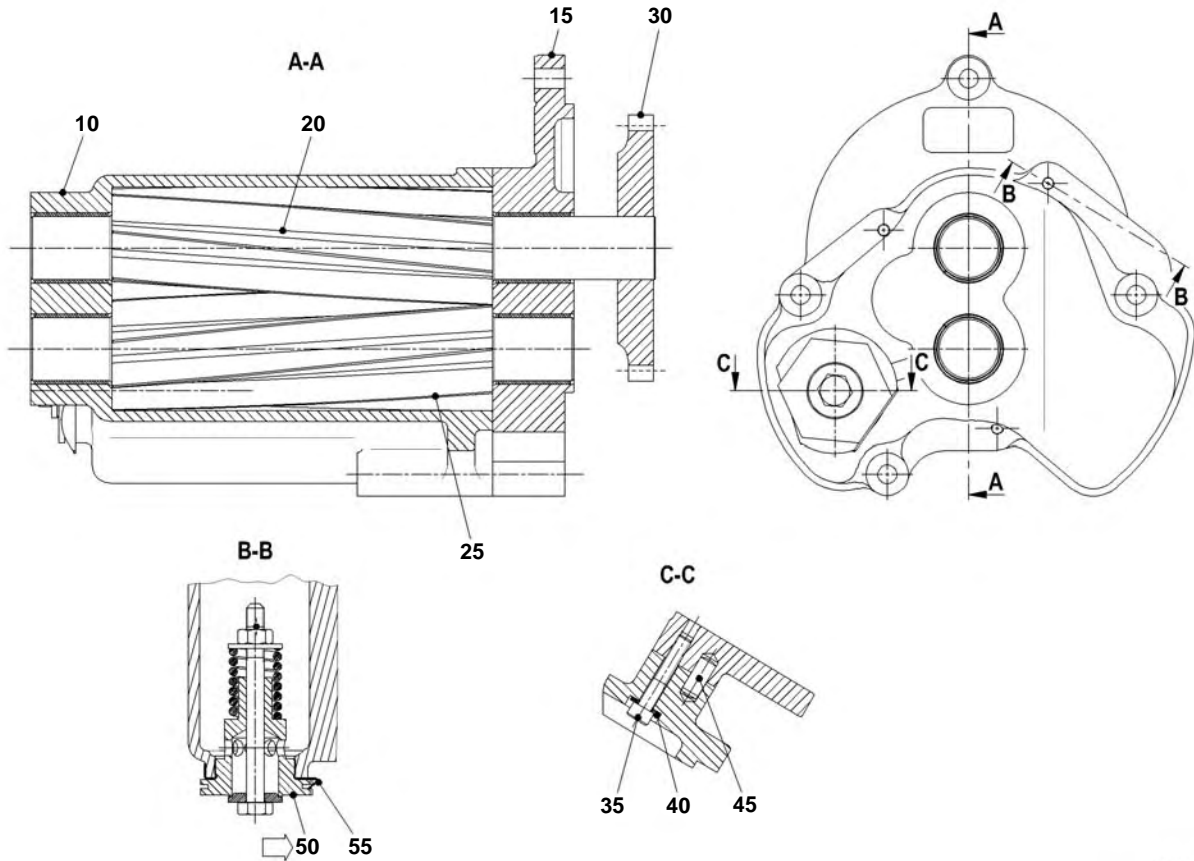
18100494b

POS. ITEM	BESTELLNR. PART NO.	BENENNUNG DESIGNATION	STO QTY.	EINHEIT UNIT	FN FN	ABMESSUNGEN DIMENSIONS	NORM STANDARD
10	X00027092	ZAHNRADPUMPE GEAR PUMP	1	ST PC			
20	X00027093	ELEKTROMOTOR ELECTRIC MOTOR	1	ST PC			
30	X00027098	TRAEGER SUPPORT	1	ST PC			
40	8492500001	KUPPLUNG COUPLING	1	ST PC		SIEHE INT. VERMERK	
50	(Z=407778)	TRAEGER SUPPORT	1	ST PC	KE		
60	000933010092	SECHSKANTSCHRAUBE SCREW	4	ST PC		M 10 X 30	DIN933
70	000933010092	SECHSKANTSCHRAUBE SCREW	4	ST PC		M 10 X 30	DIN933
80	000912010038	ZYLINDERSCHRAUBE SCREW	3	ST PC		M 10 X 30	DIN912
90	000934010005	SECHSKANTMUTTER HEX NUT	3	ST PC		M 10	DIN934
100	X00027102	KABELVERSCHRAUBUNG CABLE GLAND	1	ST PC			

TYP/MODEL: 20V4000G43
 SERIENNUMMER/
 SERIAL NO: 20V4000G43

OELPUMPE
 OIL PUMP

FG/FGS:
 STUECKLISTE/
 BOM: 0021805701



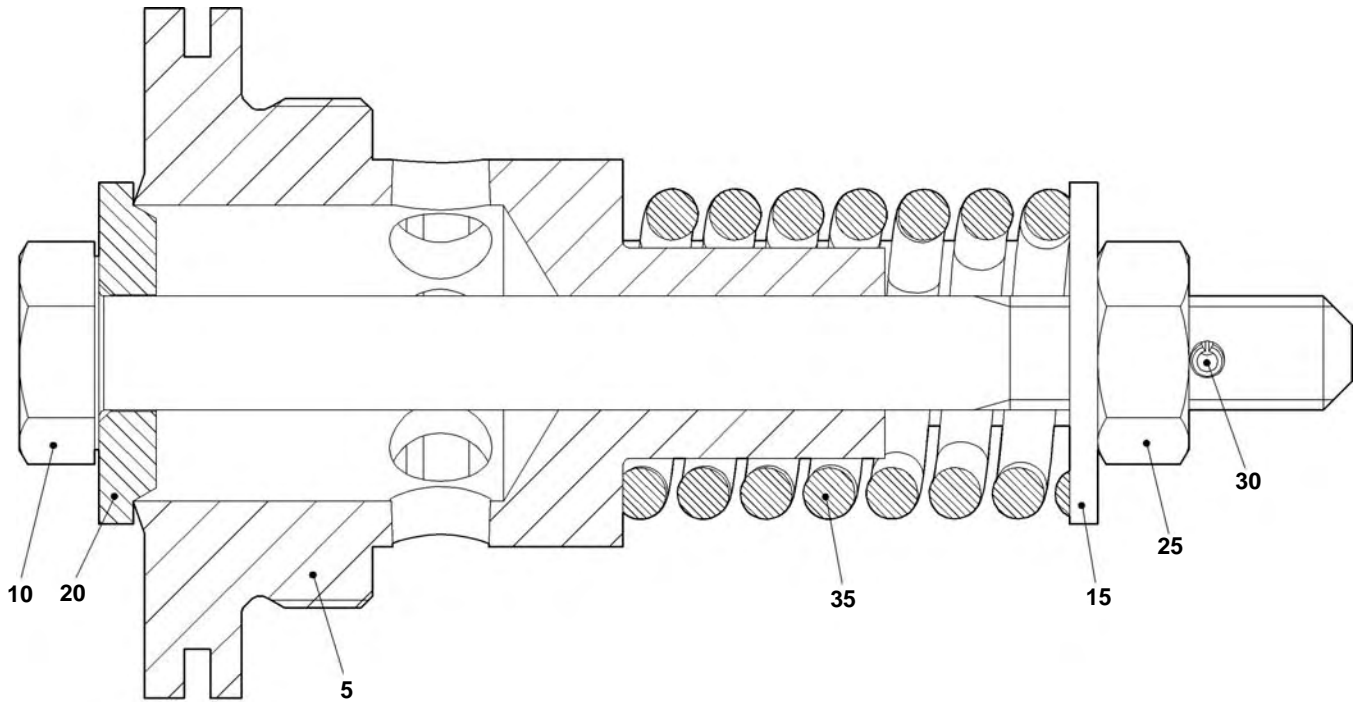
18100458b

POS. ITEM	BESTELLNR. PART NO.	BENENNUNG DESIGNATION	STO QTY.	EINHEIT UNIT	FN FN	ABMESSUNGEN DIMENSIONS	NORM STANDARD
10	(Z=411922)	GEHAEUSE HOUSING	1	ST PC	KE		
15	Z=404824	DECKEL COVER	1	ST PC	AC		
20	Z=404878	WELLE SHAFT	1	ST PC	AC	16MNCRS5V	
25	Z=404879	ACHSE AXLE	1	ST PC	AC	-----	
30	Z=404880	ZAHNRAD GEAR	1	ST PC	AC		
35	000912008072	ZYLINDERSCHRAUBE SCREW	3	ST PC		M 8 X 45	DIN912
40	206796008000	SPANNSCHEIBE SPRING WASHER	3	ST PC		8	DIN6796
45	000007010130	ZYLINDERSTIFT DOWEL PIN	2	ST PC		10 M6 X 24	DIN7
50	Z=413549	VENTIL VALVE	1	ST PC	AC		
55	Z=409853	SCHEIBE WASHER	1	ST PC	AC		

TYP/MODEL: 20V4000G43
 SERIENNUMMER/
 SERIAL NO: 20V4000G43

VENTIL
 VALVE

FG/FGS:
 STUECKLISTE/
 BOM: Z=413549



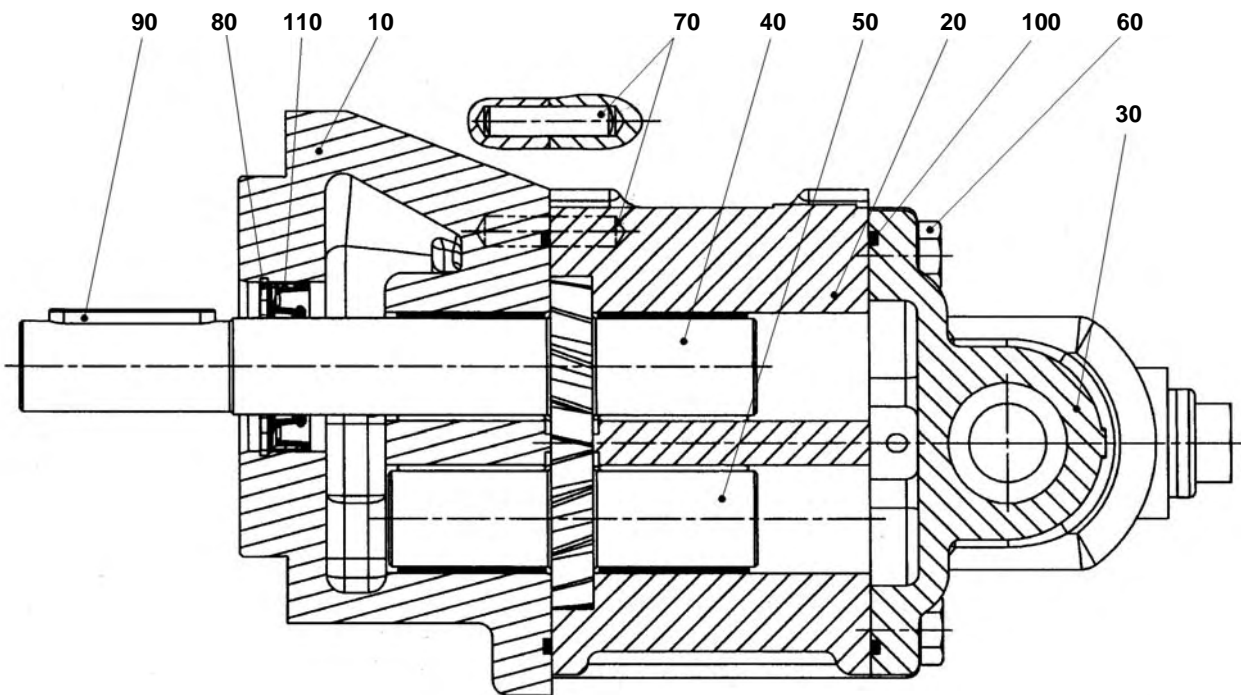
18100278a

POS. ITEM	BESTELLNR. PART NO.	BENENNUNG DESIGNATION	STO QTY.	EINHEIT UNIT	FN FN	ABMESSUNGEN DIMENSIONS	NORM STANDARD
5	Z=176215-2	VENTILSITZ VALVE SEAT	1	ST PC	AC		
10	Z=176566-8	SCHRAUBE SCREW	1	ST PC	AC	M 10 X 110 -D3	
15	Z=252593-9	SCHEIBE WASHER	1	ST PC	AC	10,5	
20	Z=406207	SCHEIBE WASHER	1	ST PC	AC	D 10,2 X D30 X 5	
25	000934010007	SECHSKANTMUTTER HEX NUT	1	ST PC		M 10	DIN934
30	Z=253613-4	SPANNSTIFT SPRING PIN	1	ST PC	AC	3 X 16	DIN1481
35	Z=256397-1	DRUCKFEDER PRESSURE SPRING	1	ST PC	AC		DIN17224

TYP/MODEL: 20V4000G43
 SERIENNUMMER/
 SERIAL NO: 20V4000G43

ZAHNRADPUMPE
 GEAR PUMP

FG/FGS:
 STUECKLISTE/
 BOM: X00027092



18100343a

POS. ITEM	BESTELLN. PART NO.	BENENNUNG DESIGNATION	STO QTY.	EINHEIT UNIT	FN FN	ABMESSUNGEN DIMENSIONS	NORM STANDARD
10	(Z=185998-2)	DECKEL COVER	1	ST PC	KE		
20	X00027103	RAEDERGEHAEUSE GEARCASE	1	ST PC			
30	X00027110	DRUCKBEGRENZ-VENTIL PR. LIM VV	1	ST PC			
40	X00027112	ANTRIEBSWELLE DRIVE SHAFT	1	ST PC			
50	X00027113	LAUFRADACHSE IMPELLER SHAFT	1	ST PC			
60	000931010292	SECHSKANTSCHRAUBE SCREW	4	ST PC		M 10 X110	DIN931
70	000007006105	ZYLINDERSTIFT DOWEL PIN	2	ST PC		6 M6 X 24	DIN7
80	000472032000	SICHERUNGSRING SNAP RING	1	ST PC		32 X 1,2	DIN472
90	006885006031	PASSFEDER KEY	1	ST PC		A 6 X 6 X 32	DIN6885
100	8499970910	O-RING O-RING	2	ST PC		75,87X2,62	

TYP/MODEL: 20V4000G43
SERIENNUMMER/
SERIAL NO: 20V4000G43

ZAHNRADPUMPE
GEAR PUMP

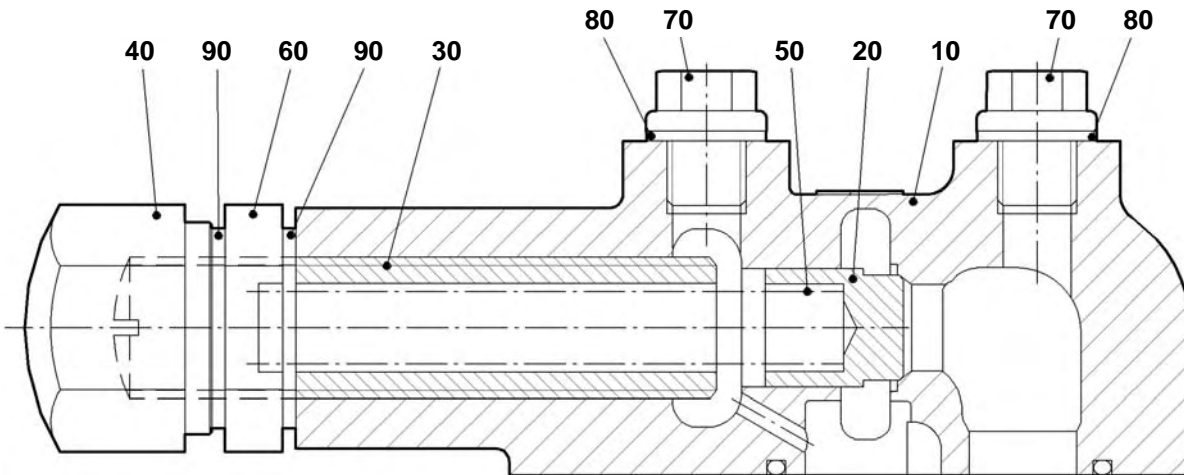
FG/FGS:
STUECKLISTE/ X00027092
BOM: X00027092

POS. ITEM	BESTELLNR. PART NO.	BENENNUNG DESIGNATION	STO QTY.	EINHEIT UNIT	FN FN	ABMESSUNGEN DIMENSIONS	NORM STANDARD
110	8499970920	WELLENDICHTRING SHAFT SEAL	1	ST PC		22X32X7	

TYP/MODEL: 20V4000G43
 SERIENNUMMER/
 SERIAL NO: 20V4000G43

DRUCKBEGRENZ-VENTIL
 PR. LIM VV

FG/FGS:
 STUECKLISTE/
 BOM: X00027110



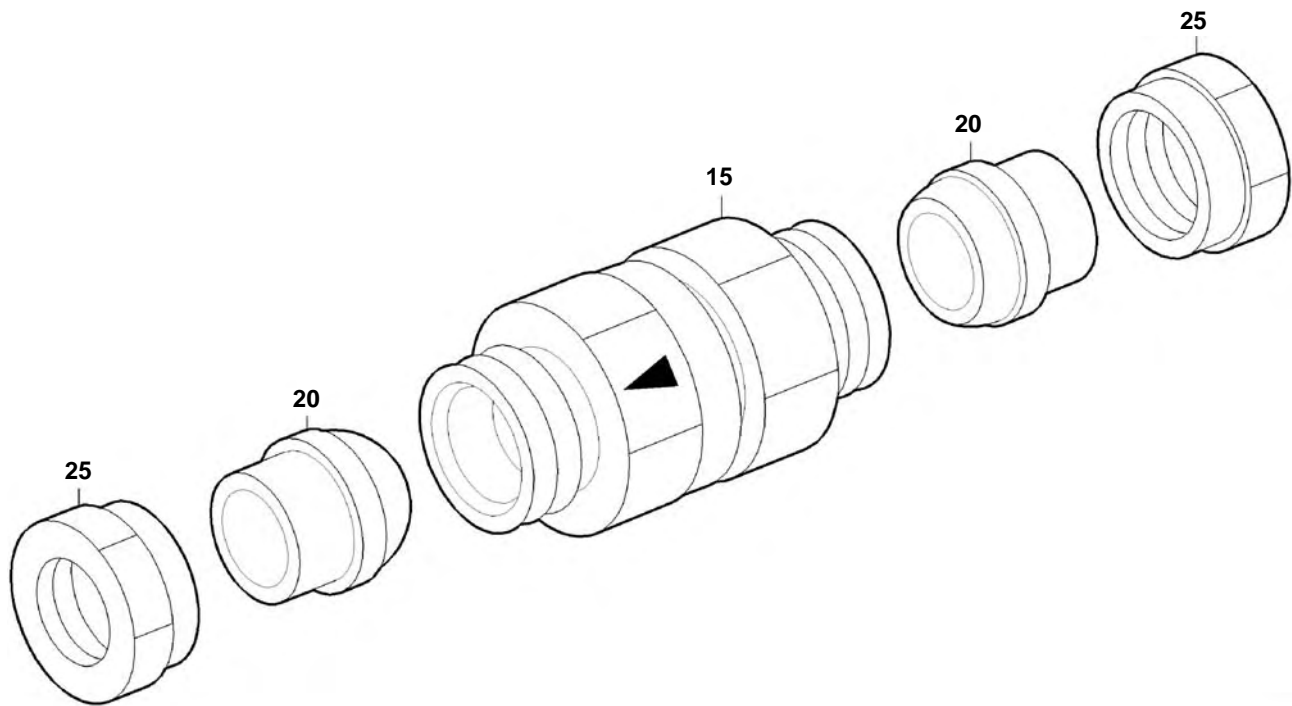
18100342a

POS. ITEM	BESTELLNR. PART NO.	BENENNUNG DESIGNATION	STO QTY.	EINHEIT UNIT	FN FN	ABMESSUNGEN DIMENSIONS	NORM STANDARD
10	(Z=169703-6)	DECKEL COVER	1	ST PC	KE		
20	X00027114	KOLBEN PISTON	1	ST PC			
30	Z=161900-6	SPINDEL SPINDLE	1	ST PC	AC		
40	8490910060	HUTMUTTER CAP NUT	1	ST PC			
50	X00027115	DRUCKFEDER PRESSURE SPRING	1	ST PC			
60	Z=252424-7	MUTTER NUT	1	ST PC	AC		DIN431BG5/8-14H
70	000910999015	VERSCHLUSSSCHRAUBE PLUG	2	ST PC		G 1/4 A	DIN910
80	007603014102	DICHTRING SEALING RING	2	ST PC		A 14 X 18	DIN7603
90	007603025101	DICHTRING SEALING RING	2	ST PC		A 25 X 30	DIN7603

TYP/MODEL: 20V4000G43
 SERIENNUMMER/
 SERIAL NO: 20V4000G43

RUECKSCHLAGVENTIL F.VORSCHMIERPUMPE
 NON-RETURN VALVE FOR OIL PRIMING PUM

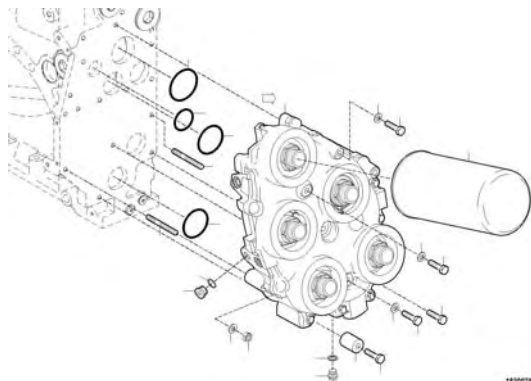
FG/FGS: 181 25
 STUECKLISTE/
 BOM: 180.00443



18100211a

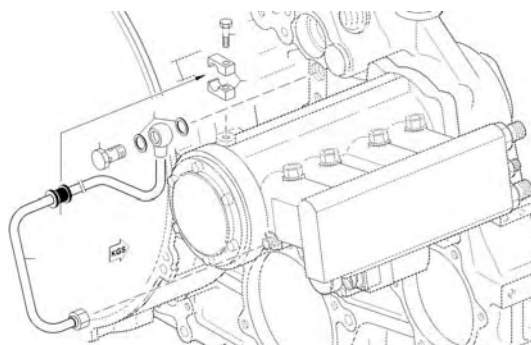
POS. ITEM	BESTELLNR. PART NO.	BENENNUNG DESIGNATION	STO QTY.	EINHEIT UNIT	ABMESSUNGEN DIMENSIONS	NORM STANDARD
15	735080022201	RUECKSCHLAGVENTIL NON-RETURN VALVE	1	ST PC	RHDK 22-L 0,5	MTN5080
20	915003020202	KUGELBUCHSE BALL-TYPE UNION	2	ST PC	B2 -22	MBN15003
25	915001020003	MUTTER NUT	2	ST PC	20 M 30 X 1,5	N15001

FUNKTIONSGRUPPE/GROUP NUMBER (FG)
GRUPPENNAME/GROUP NAME
STÜCKLISTENNR/BOM NO.



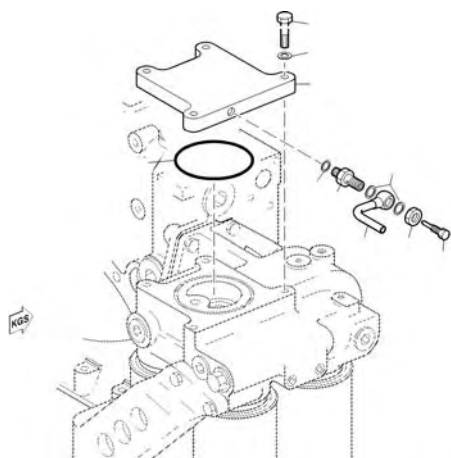
183
OELFILTER SCHRAEG
OIL FILTER INCLINED
XS526180.00001

18300754a



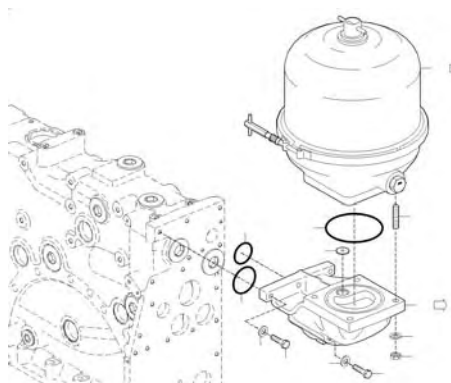
183
OELVERSORGUNG FUER HOCHDRUCKPUMPE
OIL SUPPLY FOR HP PUMP
180.00150

18300099a



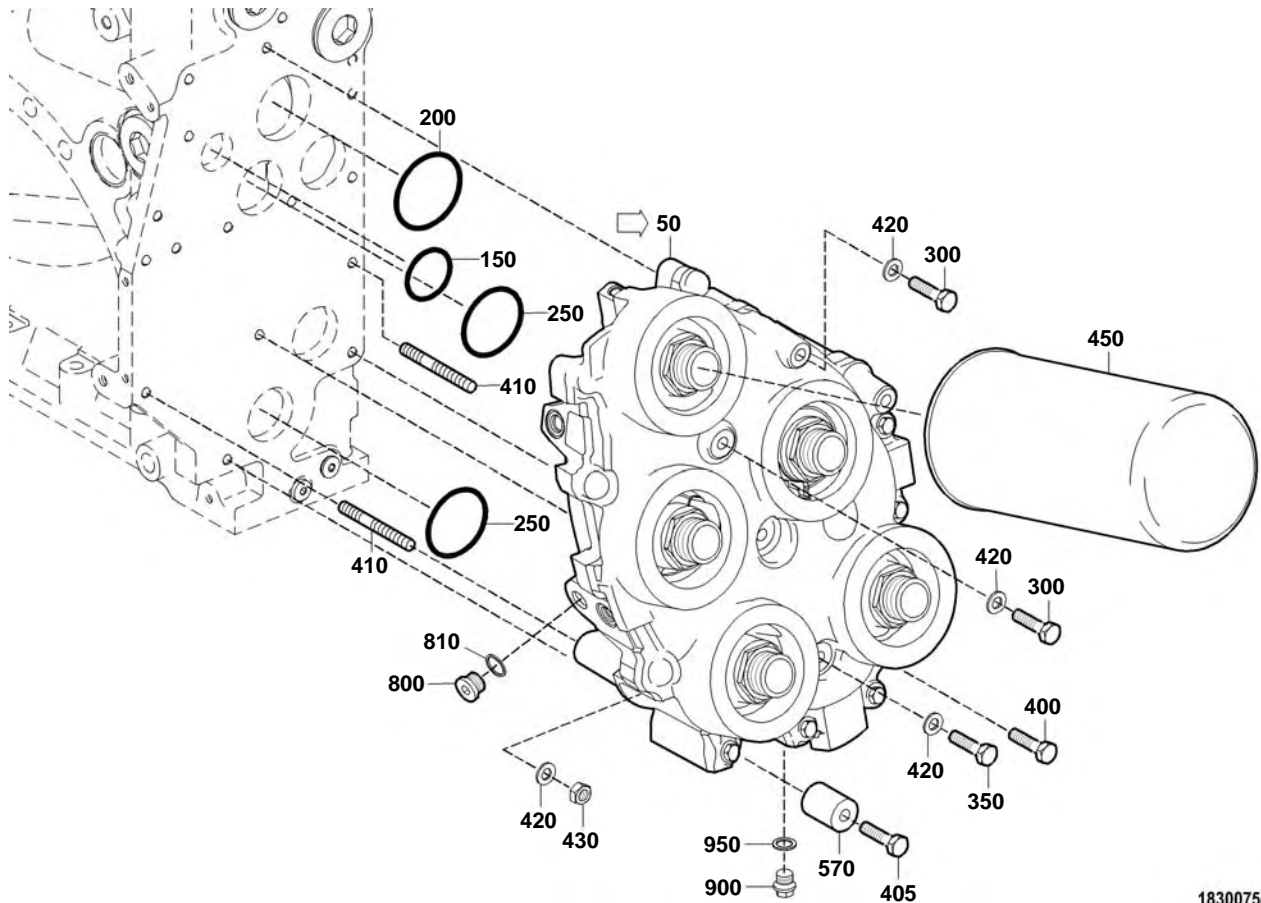
183
DECKEL FUER OELZENTRIFUGE
COVER F/CENTRIF OIL FILTE
180.00227

18300102a



183
OELZENTRIFUGE
CENTRIFUGAL OIL FLTR
XS528180.00004

18300750b



18300755a

POS. ITEM	BESTELLNR. PART NO.	BENENNUNG DESIGNATION	STO QTY.	EINHEIT UNIT	FN FN	ABMESSUNGEN DIMENSIONS	NORM STANDARD
50	X00026922	OELFILTERGEHAEUSE OIL FILTER HOUSING	1	ST PC			
150	700429042002	O-RING O-RING	1	ST PC		42 X 4	MMN429
200	700429065000	O-RING O-RING	1	ST PC		65 X 4	MMN429
250	700429058001	O-RING O-RING	4	ST PC		58 X 4	MMN429
300	000931010345	SECHSKANTSCHRAUBE SCREW	5	ST PC		M 10 X140	DIN931
350	000931010278	SECHSKANTSCHRAUBE SCREW	1	ST PC		M 10 X170	DIN931
400	000931010315	SECHSKANTSCHRAUBE SCREW	1	ST PC		M 10 X100	DIN931
405	000933010150	SECHSKANTSCHRAUBE SCREW	1	ST PC		M 10 X 55	DIN933
410	000939010070	STIFTSCHRAUBE STUD	2	ST PC		M 10 X 90	DIN939
420	000125010524	SCHEIBE WASHER	10	ST PC		A 10,5	DIN125

TYP/MODEL: 20V4000G43
SERIENNUMMER/
SERIAL NO: 20V4000G43

OELFILTER SCHRAEG
OIL FILTER INCLINED

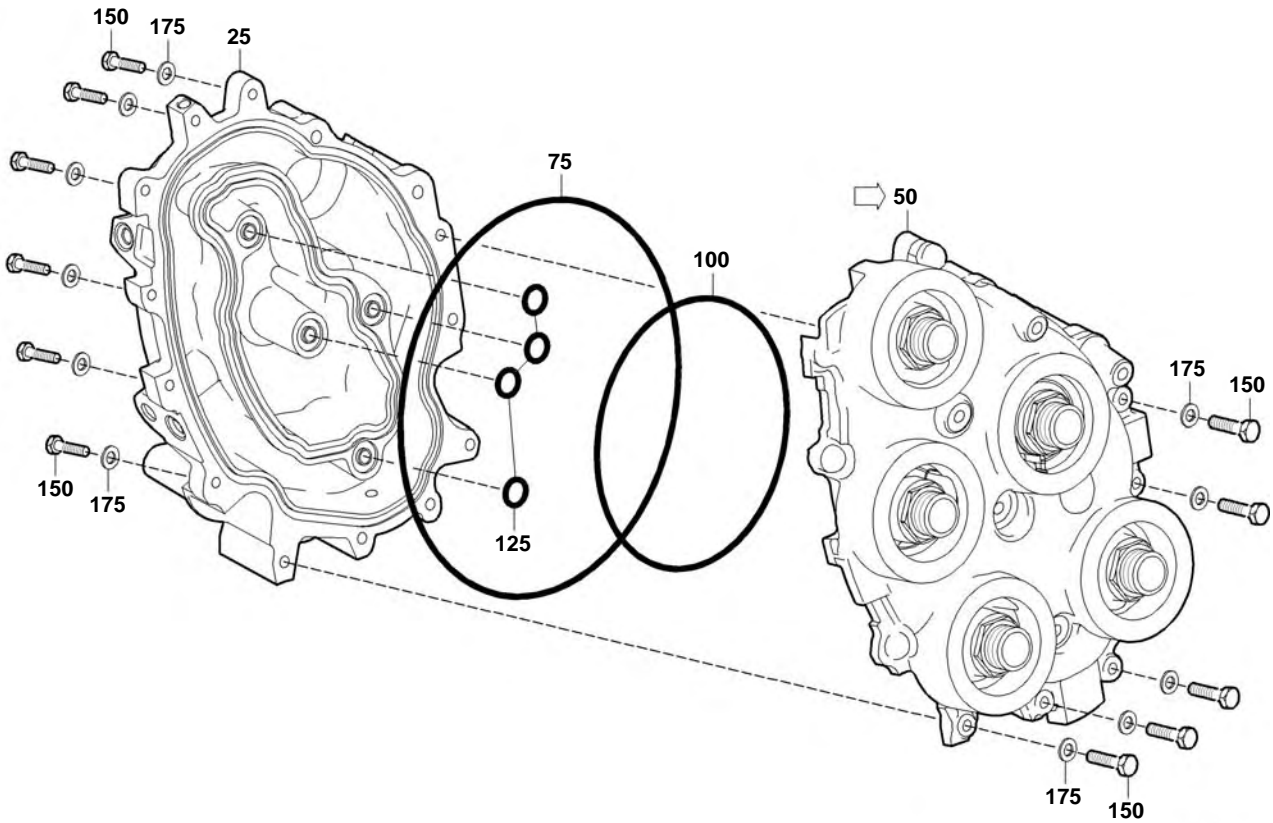
FG/FGS: 183 05
STUECKLISTE/ XS526180.00001
BOM: XS526180.00001

POS. ITEM	BESTELLNR. PART NO.	BENENNUNG DESIGNATION	STO QTY.	EINHEIT UNIT	FN FN	ABMESSUNGEN DIMENSIONS	NORM STANDARD
430	000934010005	SECHSKANTMUTTER HEX NUT	2	ST PC		M 10	DIN934
450	0031845301	OELFILTER OIL FILTER	5	ST PC	AB		
570	X00034564	ABSTANDHUELSE SPACER SLEEVE	1	ST PC			
800	000908018002	VERSCHLUSSSCHRAUBE PLUG	1	ST PC		M 18 X 1,5	DIN908
810	007603018101	DICHTRING SEALING RING	1	ST PC		A 18 X 22	DIN7603
900	000910014004	VERSCHLUSSSCHRAUBE PLUG	2	ST PC		M 14 X 1,5	DIN910
950	007603014102	DICHTRING SEALING RING	2	ST PC		A 14 X 18	DIN7603

TYP/MODEL: 20V4000G43
 SERIENNUMMER/
 SERIAL NO: 20V4000G43

OELFILTERGEHAEUSE
 OIL FILTER HOUSING

FG/FGS:
 STUECKLISTE/
 BOM: X00026922



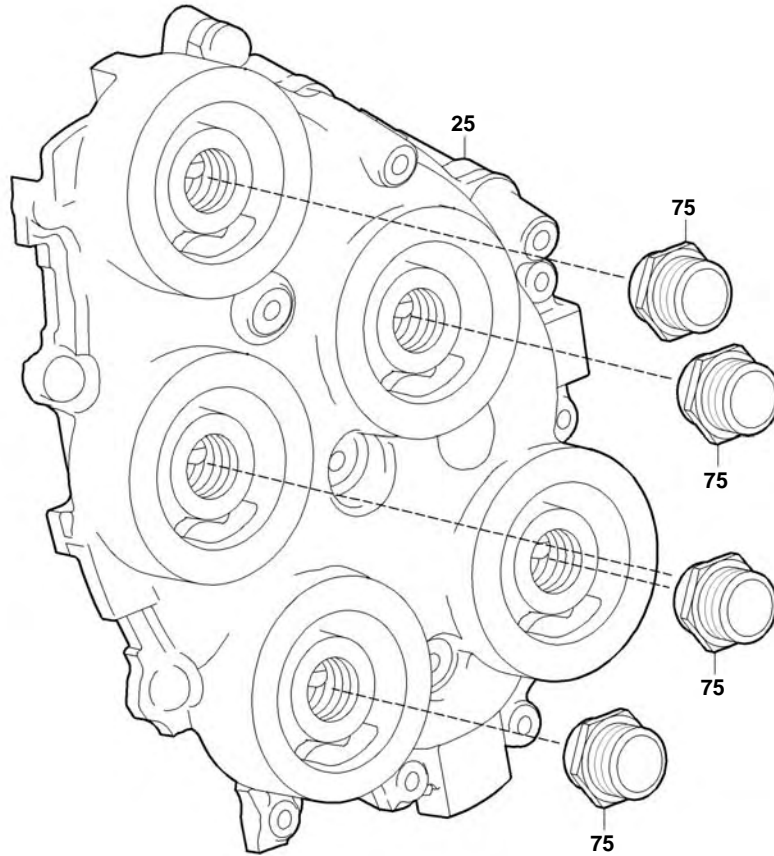
18300756a

POS. ITEM	BESTELLN. PART NO.	BENENNUNG DESIGNATION	STO QTY.	EINHEIT UNIT	FN FN	ABMESSUNGEN DIMENSIONS	NORM STANDARD
25	X00030681	OELFILTERGEHAEUSE OIL FILTER HOUSING	1	ST PC	NN		
50	X00026925	OELFILTERGEHAEUSE OIL FILTER HOUSING	1	ST PC			
75	700429340000	O-RING O-RING	1	ST PC		340 X 5	MMN429
100	700429230000	O-RING O-RING	1	ST PC		230 X 5	MMN429
125	700429018004	O-RING O-RING	4	ST PC		18 X 5	MMN429
150	000931008049	SECHSKANTSCHRAUBE SCREW	12	ST PC		M 8 X 35	DIN931
175	000125008427	SCHEIBE WASHER	12	ST PC		A 8,4	DIN125

TYP/MODEL: 20V4000G43
 SERIENNUMMER/
 SERIAL NO: 20V4000G43

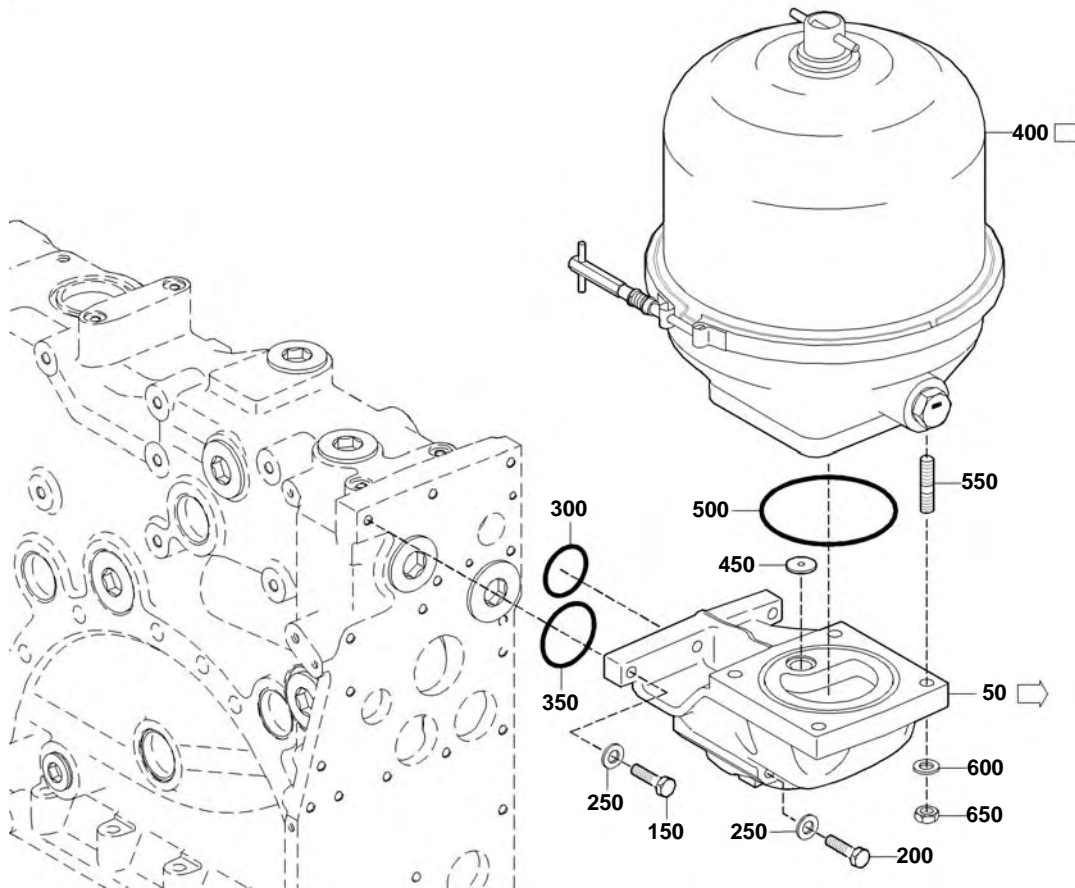
OELFILTERGEHAEUSE
 OIL FILTER HOUSING

FG/FGS:
 STUECKLISTE/
 BOM: X00026925



1830075a

POS. ITEM	BESTELLNR. PART NO.	BENENNUNG DESIGNATION	STO QTY.	EINHEIT UNIT
25	X00026195	FILTERTRAEGER FILTER BASE	1	ST PC
75	0009973675	DOPPELNIPPEL FUER OELFILTER DOUBLE NIPPLE FOR OIL FILTER	5	ST PC



18300758b

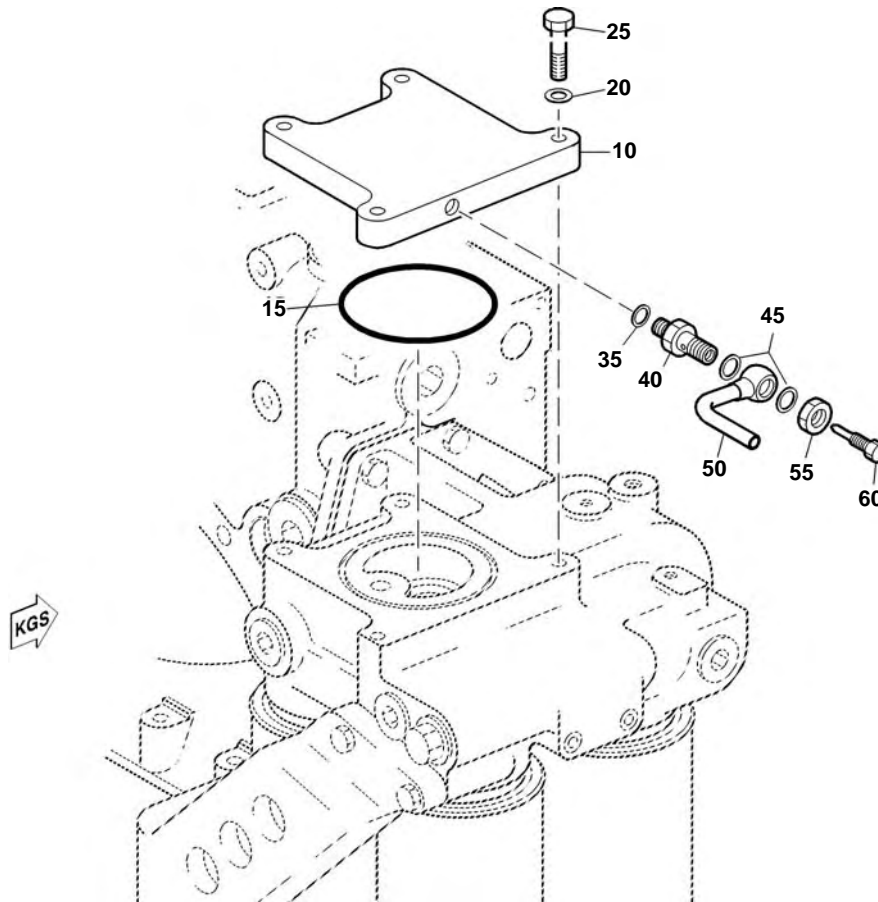
POS. ITEM	BESTELLN. PART NO.	BENENNUNG DESIGNATION	STO QTY.	EINHEIT UNIT	ABMESSUNGEN DIMENSIONS	NORM STANDARD
50	X00040880	TRAEGER FUER OELZENTRIFUGE SUPPORT F/CENTRIF OIL FILTE	1	ST PC		
150	00000001039	SECHSKANTSCHRAUBE SCREW	4	ST PC	M 10 X 40	ISO4017
200	00000001041	SECHSKANTSCHRAUBE SCREW	2	ST PC	M 10 X140	ISO4014
250	000125010524	SCHEIBE WASHER	6	ST PC	A 10,5	DIN125
300	700429045001	O-RING O-RING	1	ST PC	45 X 4	MMN429
350	700429058001	O-RING O-RING	1	ST PC	58 X 4	MMN429
400	23540432	OELZENTRIFUGE CENTRIFUGAL OIL FLTR	1	ST PC		
450	X00034695	BLENDE RESTRICTOR	1	ST PC		
500	700429120000	O-RING O-RING	1	ST PC	120 X 4	MMN429
550	000835012017	STIFTSCHRAUBE STUD	4	ST PC	M 12 X 40	DIN835

TYP/MODEL: 20V4000G43
SERIENNUMMER/
SERIAL NO: 20V4000G43

OELZENTRIFUGE
CENTRIFUGAL OIL FLTR

FG/FGS: 183 10
STUECKLISTE/ XS528180.00004
BOM: XS528180.00004

POS. ITEM	BESTELLNR. PART NO.	BENENNUNG DESIGNATION	STO QTY.	EINHEIT UNIT	ABMESSUNGEN DIMENSIONS	NORM STANDARD
600	000125013012	SCHEIBE WASHER	4	ST PC	A 13	DIN125
650	000934012008	SECHSKANTMUTTER HEX NUT	4	ST PC	M 12	DIN934



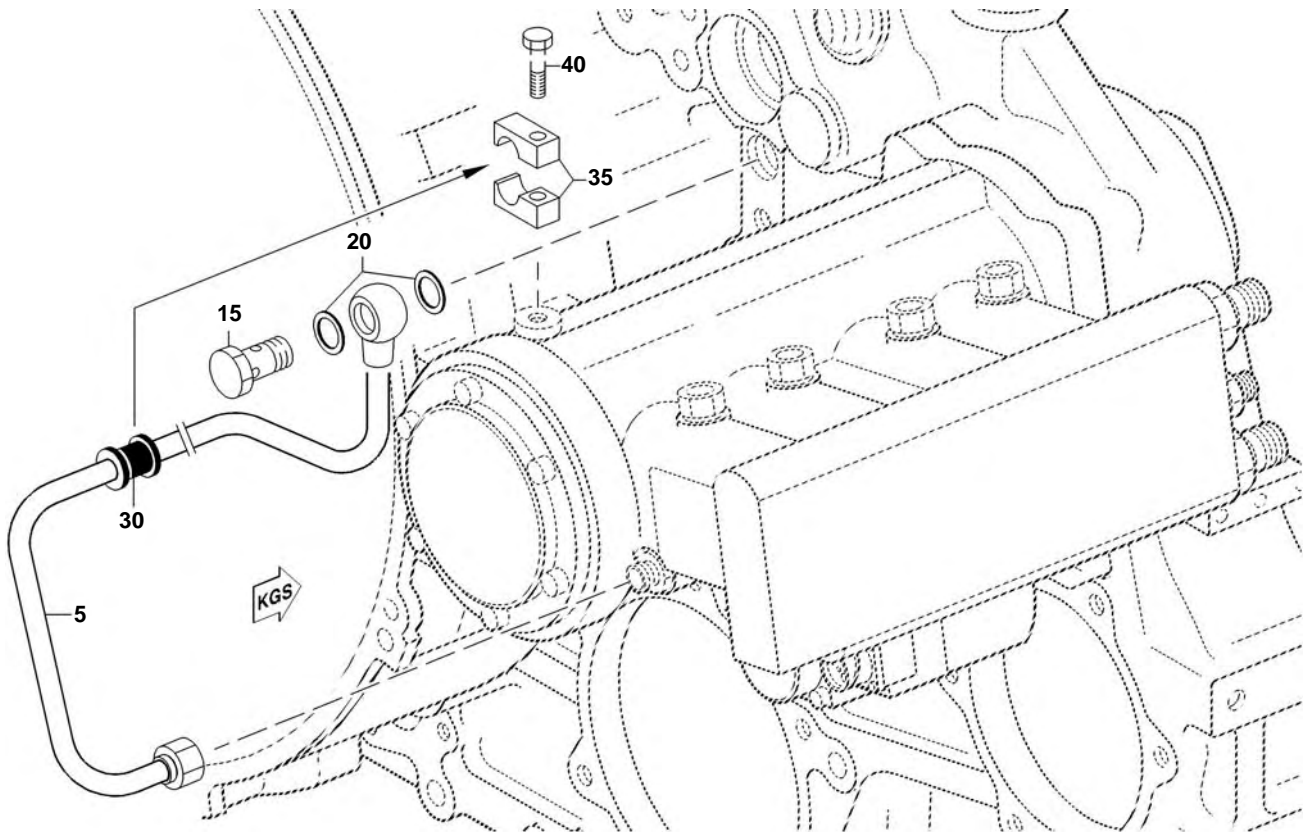
18300102a

POS. ITEM	BESTELLN. PART NO.	BENENNUNG DESIGNATION	STO QTY.	EINHEIT UNIT	FN FN	ABMESSUNGEN DIMENSIONS	NORM STANDARD
10	5241840409	FLANSCH FLANGE	1	ST PC			
15	700429122001	O-RING O-RING	1	ST PC		122 X 3,75	MMN429
20	000125013012	SCHEIBE WASHER	4	ST PC		A 13	DIN125
25	000933012051	SECHSKANTSCHRAUBE SCREW	4	ST PC		M 12 X 50	DIN933
35	007603014102	DICHTRING SEALING RING	1	ST PC		A 14 X 18	DIN7603
40	5849972672	STUTZEN UNION	1	ST PC	NN		
45	007603016105	DICHTRING SEALING RING	2	ST PC		A 16 X 20	DIN7603
50	5241802019	OELLEITUNG OIL LINE	1	ST PC	SB		
55	000439016200	SECHSKANTMUTTER HEX NUT	1	ST PC		B M 16	DIN439
60	5849900615	SCHRAUBE SCREW	1	ST PC			

TYP/MODEL: 20V4000G43
 SERIENNUMMER/
 SERIAL NO: 20V4000G43

OELVERSORGUNG FUER HOCHDRUCKPUMPE
 OIL SUPPLY FOR HP PUMP

FG/FGS: 183 10
 STUECKLISTE/
 BOM: 180.00150



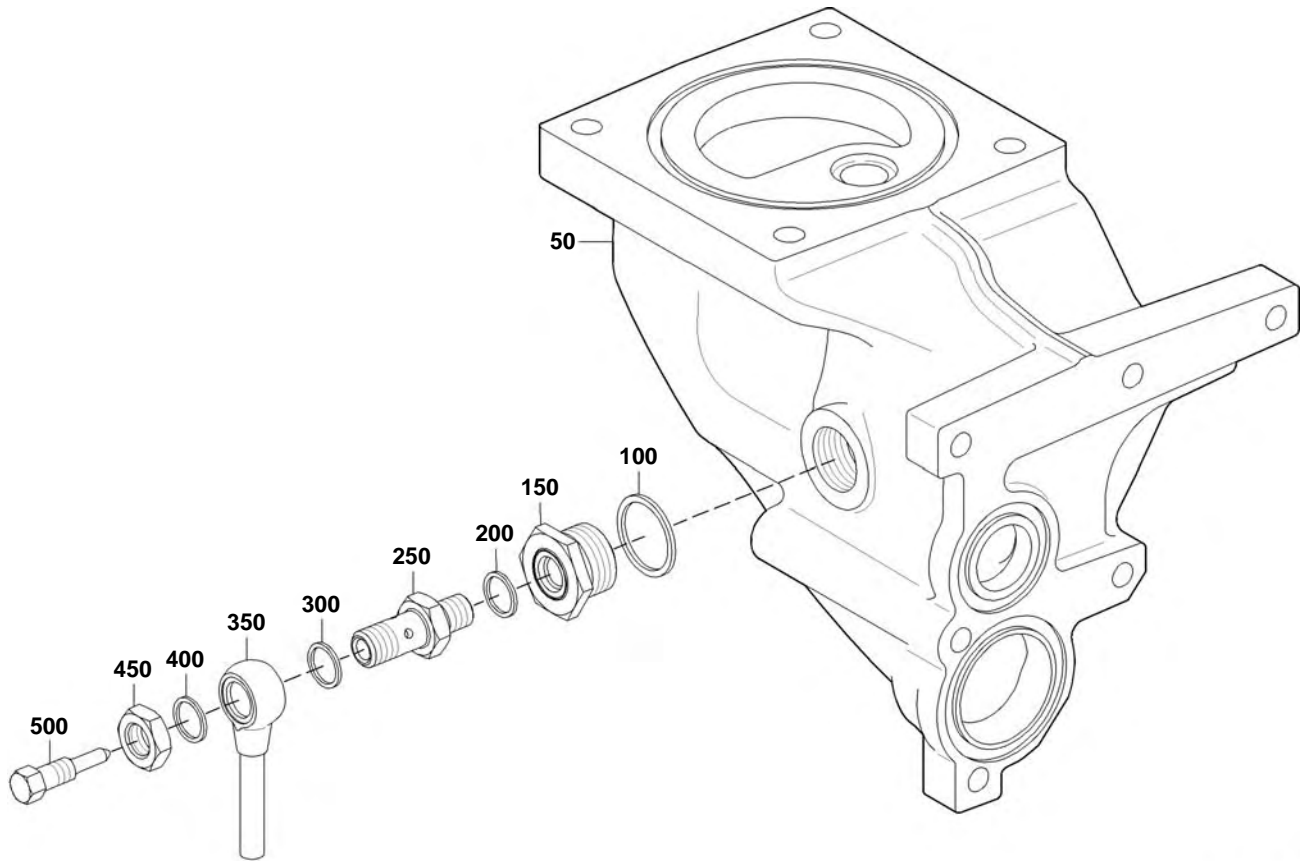
18300099a

POS. ITEM	BESTELNR. PART NO.	BENENNUNG DESIGNATION	STO QTY.	EINHEIT UNIT	FN FN	ABMESSUNGEN DIMENSIONS	NORM STANDARD
5	5281800319	OELLEITUNG OIL LINE	1	ST PC	NN		
15	700223010000	HOHLSCHRAUBE BANJO SCREW	1	ST PC		A 12	MMN223
20	007603018101	DICHTRING SEALING RING	2	ST PC		A 18 X 22	DIN7603
30	700327012000	TUELLE GROMMET	1	ST PC		12	MMN327
35	700325018100	ROHRKLEMMENHAELFTE PIPE CLAMP HALF	2	ST PC		1/1 D 9 - 18	MMN325
40	304017008085	SECHSKANTSCHRAUBE SCREW	1	ST PC		M 8 X 40	ISO4017

TYP/MODEL: 20V4000G43
 SERIENNUMMER/
 SERIAL NO: 20V4000G43

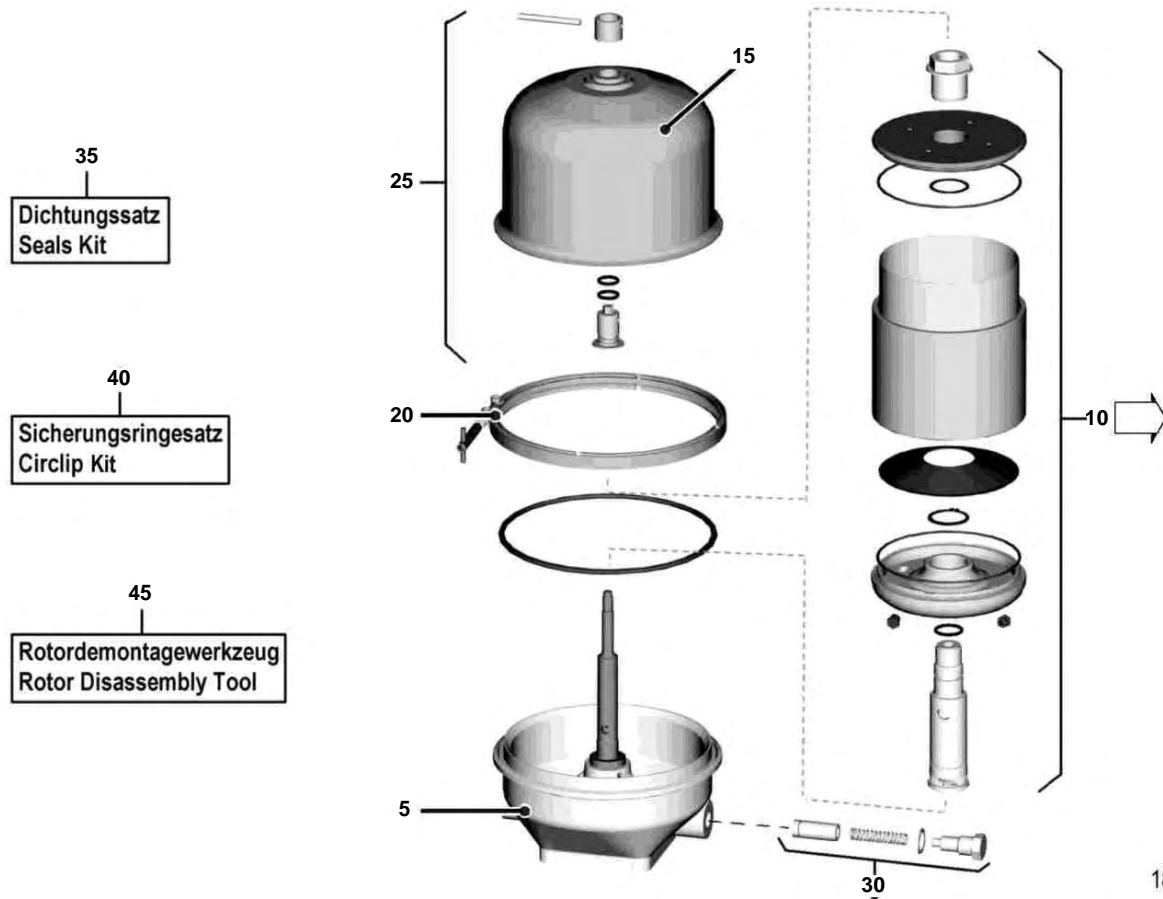
TRAEGER FUER OELZENTRIFUGE
 SUPPORT F/CENTRIF OIL FILTE

FG/FGS:
 STUECKLISTE/
 BOM: X00040880

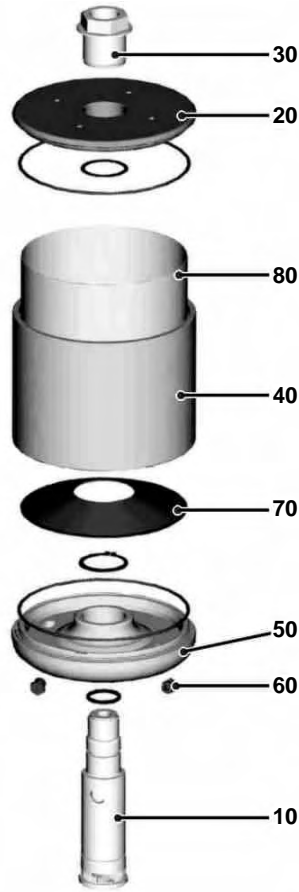


18300768b

POS. ITEM	BESTELLNR. PART NO.	BENENNUNG DESIGNATION	STO QTY.	EINHEIT UNIT	FN FN	ABMESSUNGEN DIMENSIONS	NORM STANDARD
50	X00034856	TRAEGER SUPPORT	1	ST PC			
100	007603030101	DICHTRING SEALING RING	1	ST PC		A 30 X 36	DIN7603
150	5369970116	GEWINDEBUCHSE THREADED BUSHING	1	ST PC			
200	007603016105	DICHTRING SEALING RING	1	ST PC		A 16 X 20	DIN7603
250	5849972672	STUTZEN UNION	1	ST PC	NN		
300	007603016105	DICHTRING SEALING RING	1	ST PC		A 16 X 20	DIN7603
350	5840700280	ENTLUEFTUNGSLEITUNG VENT LINE	1	ST PC	SB		
400	007603016105	DICHTRING SEALING RING	1	ST PC		A 16 X 20	DIN7603
450	000439016200	SECHSKANTMUTTER HEX NUT	1	ST PC		B M 16	DIN439
500	5849900615	SCHRAUBE SCREW	1	ST PC			



POS. ITEM	BESTELNR. PART NO.	BENENNUNG DESIGNATION	STO QTY.	EINHEIT UNIT
5	23540454	GEHAEUSEUNTERTEIL BODY ASSEMBLY	1	ST PC
10	23540455	ROTOR ROTOR ASSEMBLY	1	ST PC
15	23540466	ABDECKHAUBE COVER ASSEMBLY	1	ST PC
20	23540469	SPANNBAND BAND CLAMP	1	ST PC
25	23540468	ERSATZTEILSATZ DECKEL COVER NUT FIXING KIT	1	ST PC
30	23540470	NACHSTROEMVENTIL SUPPL. FEED VALVE	1	ST PC
35	23540471	DICHTUNGSSATZ SEALS KIT	1	ST PC
40	23540460	SICHERUNGSRINGESATZ CIRCLIP KIT	1	ST PC
45	23540434	ROTORDEMONTAGE ROTOR DISASSEMBLY	1	ST PC



183K00008

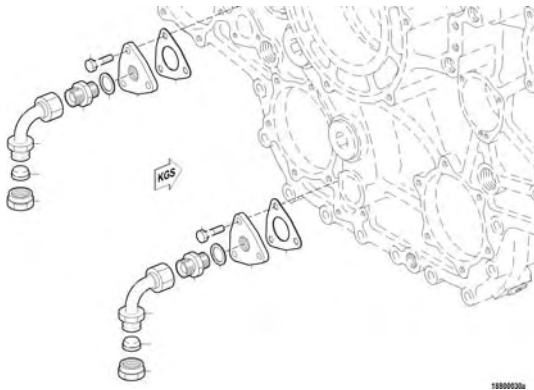
POS. ITEM	BESTELLNR. PART NO.	BENENNUNG DESIGNATION	STO QTY.	EINHEIT UNIT	ABMESSUNGEN DIMENSIONS
10	23540463	LAGERHUELSE BEARING TUBE	1	ST PC	
20	25640456	ROTORDECKEL ROTOR COVER	1	ST PC	
30	23540461	RAENDELMUTTER ROTOR COVER NUT	1	ST PC	
40	23540457	STECKROHR ROTOR TUBE	1	ST PC	
50	23540458	ROTORUNTERBAU ROTOR BASE	1	ST PC	
60	23540459	DUESE NOZZLE	2	ST PC	
70	23540464	KONUS SEPARATION CONE	1	ST PC	
80	23540465	PAPIEREINSATZ PAPER ELEMENT	1	ST PC	1 ST. GLEICH 1 PAPIERSTREIFEN

TYP/MODEL: 20V4000G43
SERIENNUMMER/
SERIAL NO: 20V4000G43

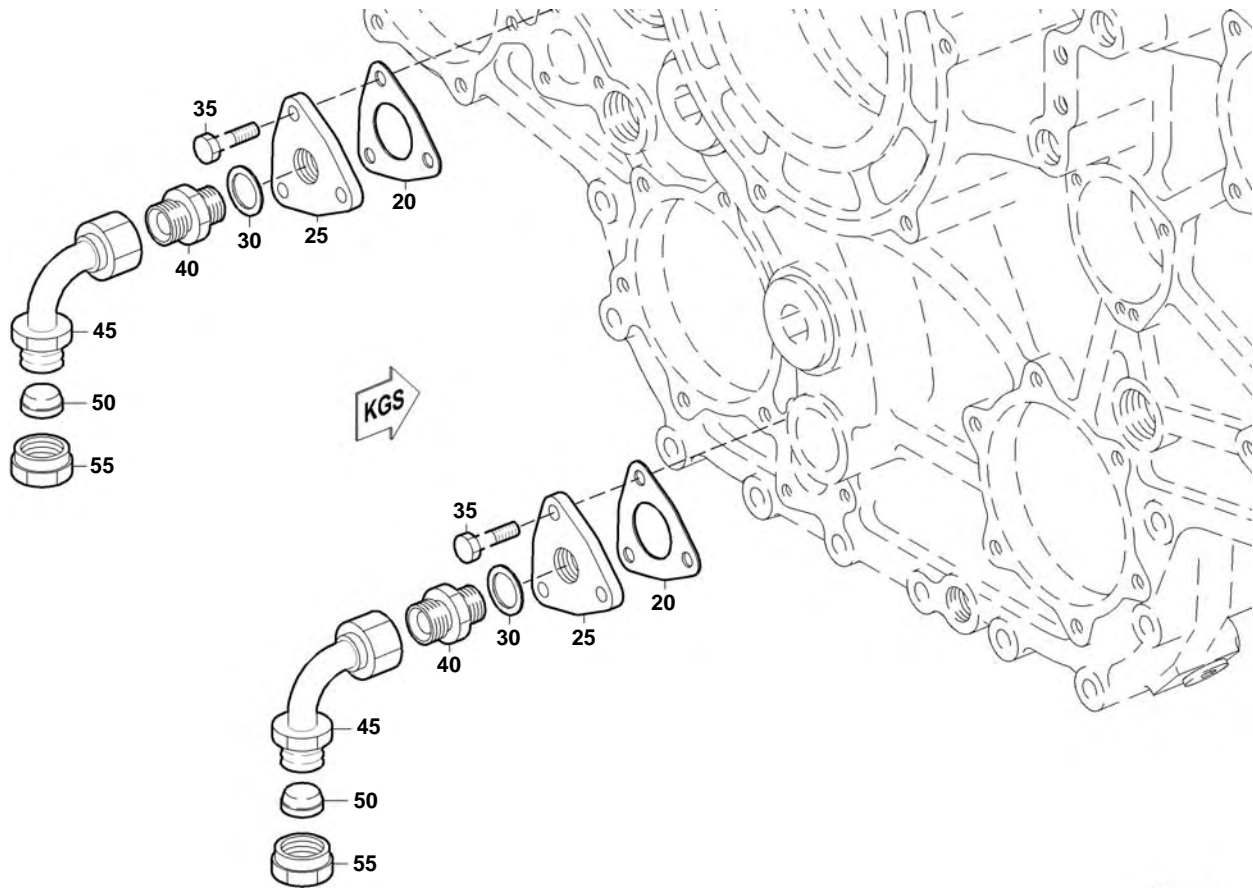
ANSCHLUESSE FUER MOTOROELVERSORGUNG
CONNECTIONS FOR ENGINE OIL SUPPLY

FG/FGS: 188
STUECKLISTE/
BOM:

FUNKTIONSGRUPPE/GROUP NUMBER (FG)
GRUPPENNAME/GROUP NAME
STÜCKLISTENR/BOM NO.



188
ANSCHLUESSE F.SCHM-OELVORPUMPEN
CONNECTIONS FOR OIL PRIMING PPS
180.00038



18800030a

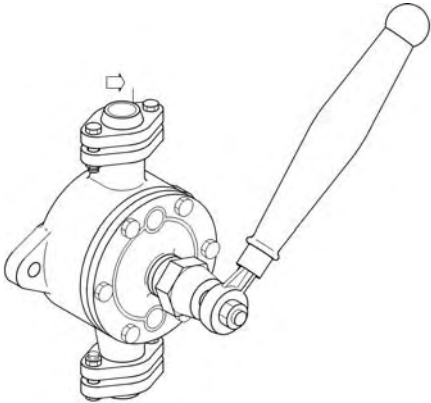
POS. ITEM	BESTELLNR. PART NO.	BENENNUNG DESIGNATION	STO QTY.	EINHEIT UNIT	ABMESSUNGEN DIMENSIONS	NORM STANDARD
20	5241880180	DICHTBEILAGE GASKET	2	ST PC	1X120X120	
25	5241880702	DECKEL COVER	2	ST PC		
30	007603026104	DICHTRING SEALING RING	2	ST PC	A 26 X 31	DIN7603
35	000933010035	SECHSKANTSCHRAUBE SCREW	6	ST PC	M 10 X 25	DIN933
40	915013020002	STUTZEN UNION	2	ST PC	20	N15013
45	700160000020	ROHRKRUEMMER PIPE ELBOW	2	ST PC	KR 20	MMN160
50	915005020001	VERSCHLUSSKEGEL SEALING CONE	2	ST PC	22	MBN15005
55	915001020003	MUTTER NUT	2	ST PC	20 M 30 X 1,5	N15001

TYP/MODEL: 20V4000G43
SERIENNUMMER/
SERIAL NO: 20V4000G43

OELNIVEAUPUMPE
OIL REPLENISHMENT PUMP

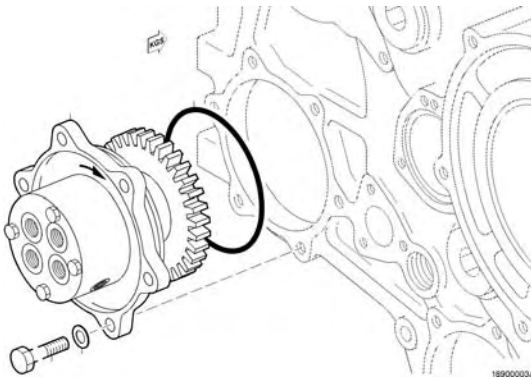
FG/FGS: 189
STUECKLISTE/
BOM:

FUNKTIONSGRUPPE/GROUP NUMBER (FG)
GRUPPENNAME/GROUP NAME
STÜCKLISTENR/BOM NO.



189
HANDFLUEGELPUMPE
SEMIROTARY HAND PUMP
180.00060

18900008a



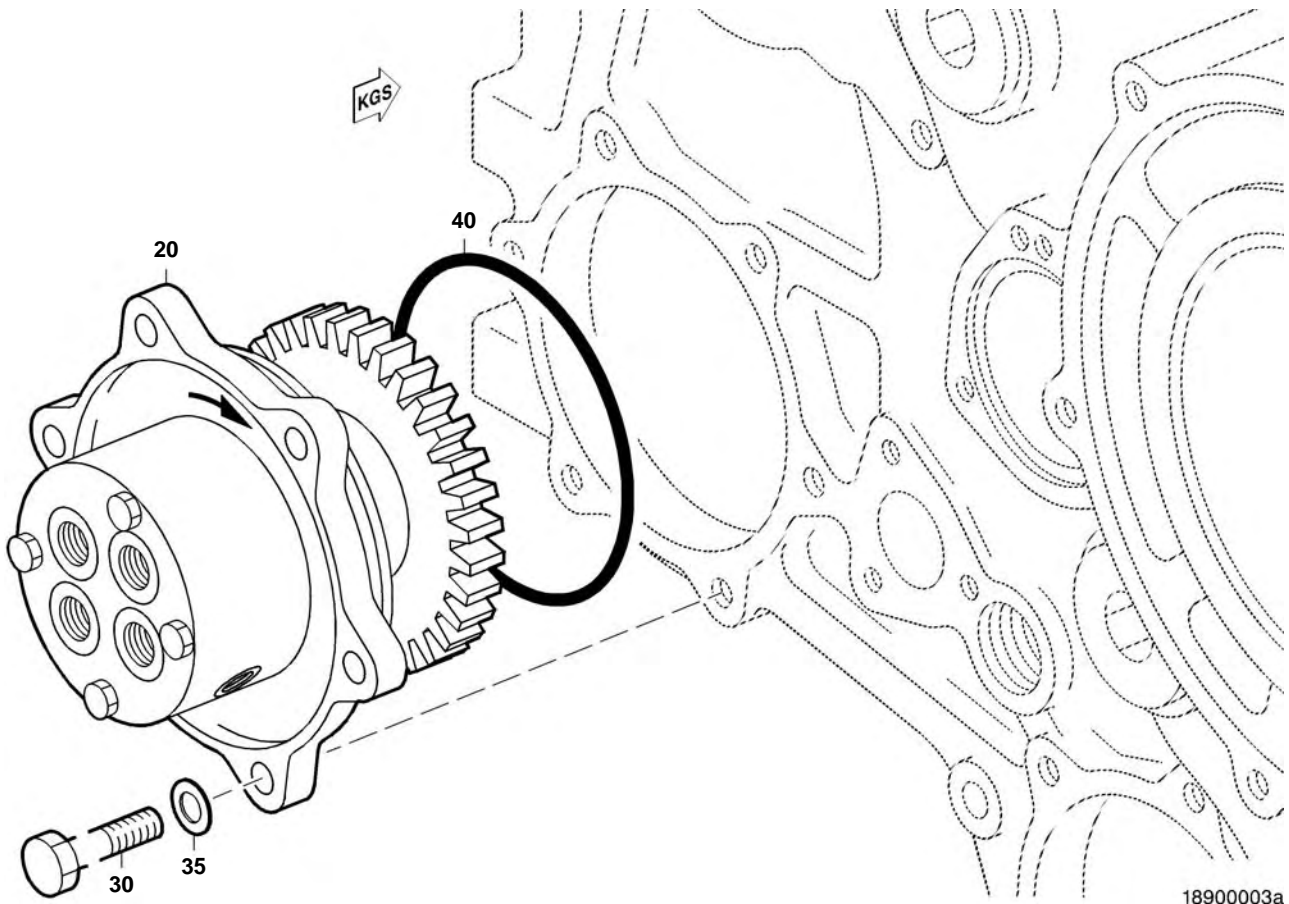
189
OELNACHFUELLUNG
OIL REPLENISHMENT
180.00073

18900003a

TYP/MODEL: 20V4000G43
SERIENNUMMER/
SERIAL NO: 20V4000G43

OELNACHFUELLUNG
OIL REPLENISHMENT

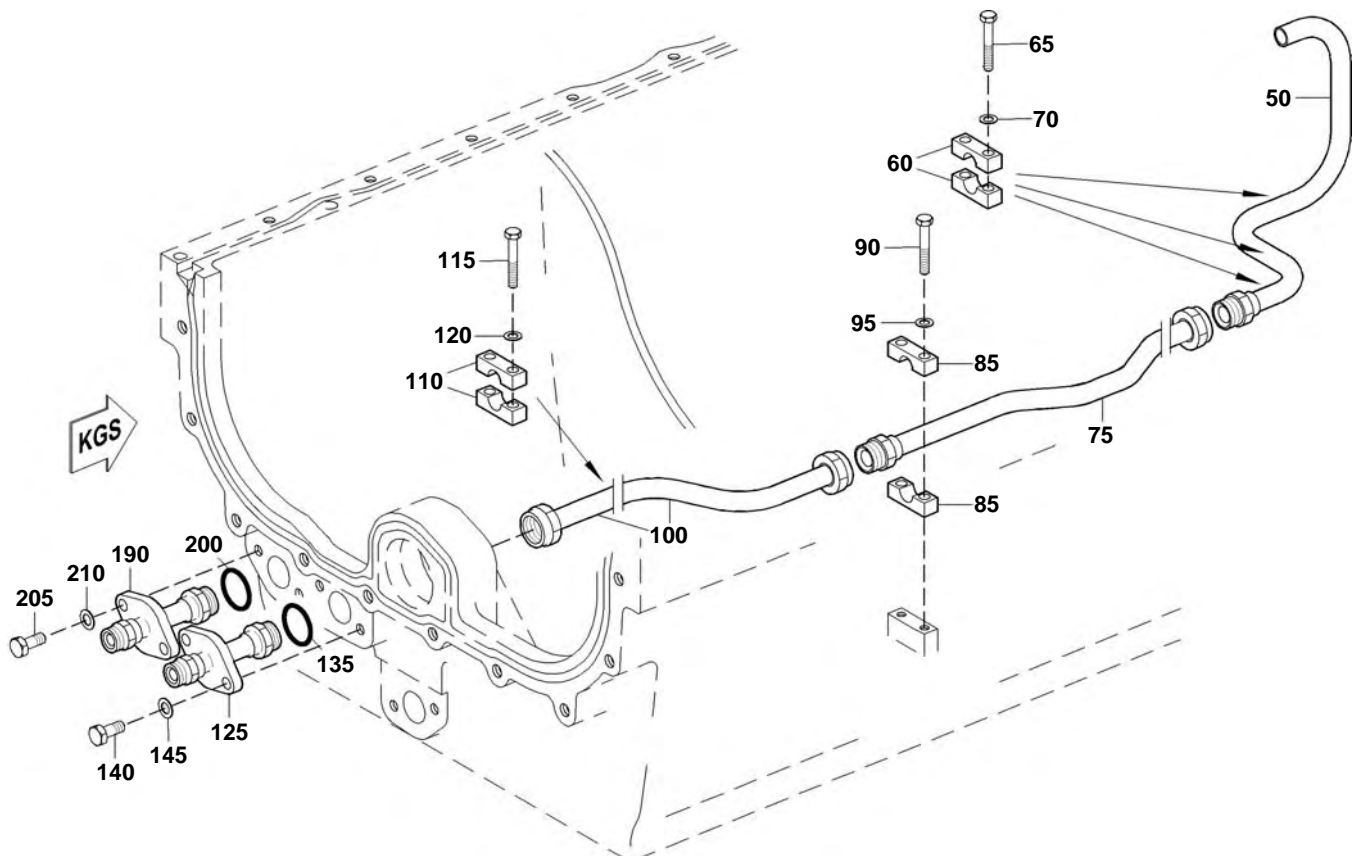
FG/FGS: 189 05
STUECKLISTE/
BOM: 180.00073



TYP/MODEL: 20V4000G43
SERIENNUMMER/
SERIAL NO: 20V4000G43

OELNACHFUELLUNG
OIL REPLENISHMENT

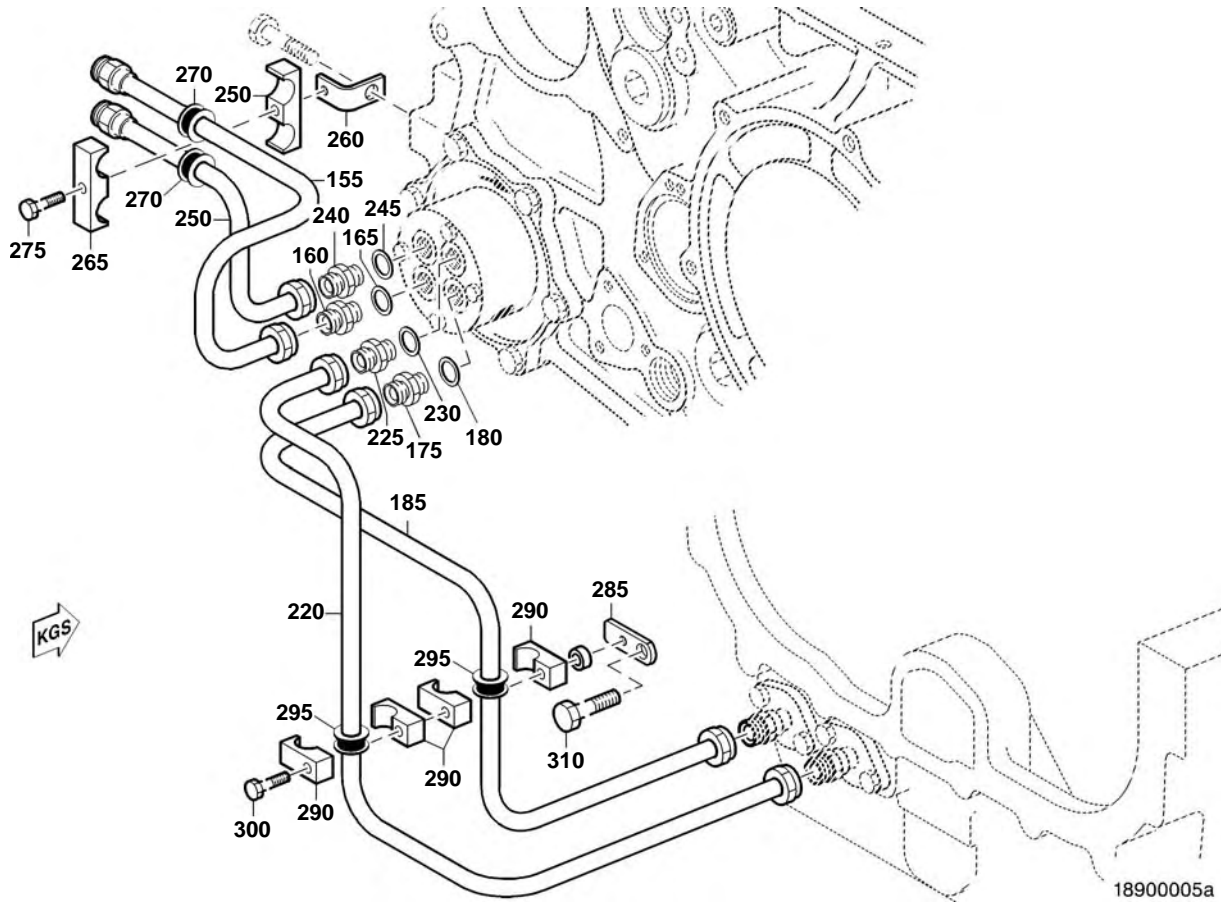
FG/FGS: 189 05
STUECKLISTE/
BOM: 180.00073



TYP/MODEL: 20V4000G43
SERIENNUMMER/
SERIAL NO: 20V4000G43

OELNACHFUELLUNG
OIL REPLENISHMENT

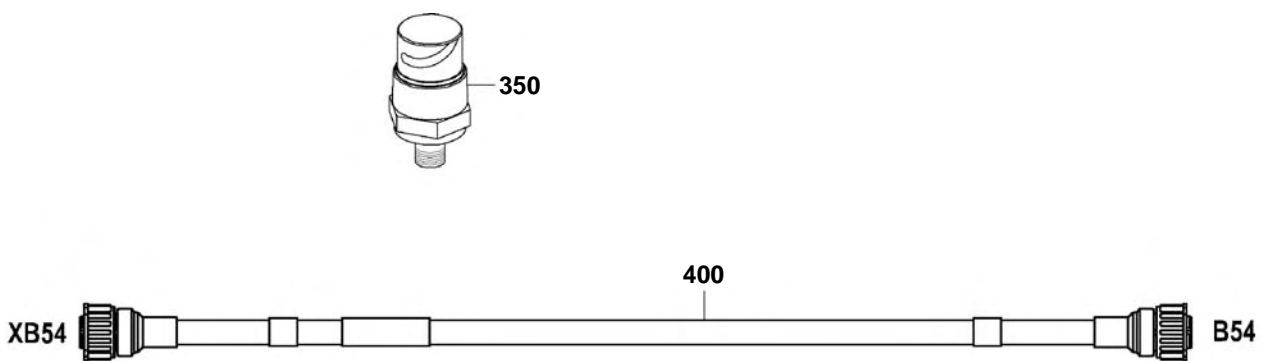
FG/FGS: 189 05
STUECKLISTE/
BOM: 180.00073



TYP/MODEL: 20V4000G43
SERIENNUMMER/
SERIAL NO: 20V4000G43

OELNACHFUELLUNG
OIL REPLENISHMENT

FG/FGS: 189 05
STUECKLISTE/
BOM: 180.00073



POS.	BESTELLNR.	BENENNUNG	STO	EINHEIT	FN	ABMESSUNGEN	NORM
ITEM	PART NO.	DESIGNATION	QTY.	UNIT	FN	DIMENSIONS	STANDARD
20	5241800001	ZAHNRADPUMPE F.OELNACHFUELLUNG GEAR PUMP FOR OIL REPLENISHMN	1	ST PC			
30	000933012077	SECHSKANTSCHRAUBE SCREW	6	ST PC		M 12 X 35	DIN933
35	000125013012	SCHEIBE WASHER	6	ST PC		A 13	DIN125
40	700429135000	O-RING O-RING	1	ST PC		135 X 5	MMN429
50	5271800219	OELLEITUNG OIL LINE	1	ST PC	SB		
60	700325018102	ROHRKLEMMENHAELFTE PIPE CLAMP HALF	6	ST PC		1/2 D 9 - 18	MMN325
65	304017008087	SECHSKANTSCHRAUBE SCREW	6	ST PC		M 8 X 50	ISO4017
70	000125008427	SCHEIBE WASHER	6	ST PC		A 8,4	DIN125
75	5241801419	OELLEITUNG OIL LINE	1	ST PC	SB		
85	700325018102	ROHRKLEMMENHAELFTE PIPE CLAMP HALF	2	ST PC		1/2 D 9 - 18	MMN325
90	304017008087	SECHSKANTSCHRAUBE SCREW	2	ST PC		M 8 X 50	ISO4017
95	000125008427	SCHEIBE WASHER	2	ST PC		A 8,4	DIN125
100	5241801319	OELLEITUNG OIL LINE	1	ST PC	SB		
110	700325018102	ROHRKLEMMENHAELFTE PIPE CLAMP HALF	2	ST PC		1/2 D 9 - 18	MMN325
115	304017008087	SECHSKANTSCHRAUBE SCREW	2	ST PC		M 8 X 50	ISO4017
120	000125008427	SCHEIBE WASHER	2	ST PC		A 8,4	DIN125
125	5241800239	FLANSCH FLANGE	1	ST PC	NN		
135	700429033000	O-RING O-RING	1	ST PC		33 X 3,5	MMN429
140	000933010180	SECHSKANTSCHRAUBE SCREW	2	ST PC		M 10 X 28	DIN933
145	000125010524	SCHEIBE WASHER	2	ST PC		A 10,5	DIN125
155	5241804820	OELLEITUNG OIL LINE	1	ST PC	SB		
160	915013013002	STUTZEN ADAPTOR	1	ST PC		13	N15013

TYP/MODEL: 20V4000G43
 SERIENNUMMER/
 SERIAL NO: 20V4000G43

OELNACHFUELLUNG
 OIL REPLENISHMENT

FG/FGS: 189 05
 STUECKLISTE/ 180.00073
 BOM: 180.00073

POS.	BESTELLN.R.	BENENNUNG	STO	EINHEIT	FN	ABMESSUNGEN	NORM
ITEM	PART NO.	DESIGNATION	QTY.	UNIT	FN	DIMENSIONS	STANDARD
165	007603018101	DICHTRING SEALING RING	1	ST PC		A 18 X 22	DIN7603
175	915013013002	STUTZEN ADAPTOR	1	ST PC		13	N15013
180	007603018101	DICHTRING SEALING RING	1	ST PC		A 18 X 22	DIN7603
185	X00039767	OELLEITUNG OIL LINE	1	ST PC	SB		
190	5241800239	FLANSCH FLANGE	1	ST PC	NN		
200	700429033000	O-RING O-RING	1	ST PC		33 X 3,5	MMN429
205	000933010180	SECHSKANTSCHRAUBE SCREW	2	ST PC		M 10 X 28	DIN933
210	000125010524	SCHEIBE WASHER	2	ST PC		A 10,5	DIN125
220	X00039766	OELLEITUNG OIL LINE	1	ST PC	SB		
225	915013013002	STUTZEN ADAPTOR	1	ST PC		13	N15013
230	007603018101	DICHTRING SEALING RING	1	ST PC		A 18 X 22	DIN7603
240	915013013002	STUTZEN ADAPTOR	1	ST PC		13	N15013
245	007603018101	DICHTRING SEALING RING	1	ST PC		A 18 X 22	DIN7603
250	5241803320	OELLEITUNG OIL LINE	1	ST PC	SB		
260	5801533240	HALTER RETAINER	1	ST PC			
265	700325022104	ROHRKLEMMENHAELFTE PIPE CLAMP HALF	2	ST PC		2/1 D 9 - 22	MMN325
270	700327015000	TUELLE GROMMET	2	ST PC		15	MMN327
275	000931008061	SECHSKANTSCHRAUBE SCREW	1	ST PC		M 8 X 40	DIN931
285	5621532340	HALTER RETAINER	1	ST PC	NN		
290	700325022100	ROHRKLEMMENHAELFTE PIPE HALF-CLAMP	4	ST PC		1/1 D 9 - 22	MMN325
295	700327015000	TUELLE GROMMET	2	ST PC		15	MMN327

TYP/MODEL: 20V4000G43
SERIENNUMMER/
SERIAL NO: 20V4000G43

OELNACHFUELLUNG
OIL REPLENISHMENT

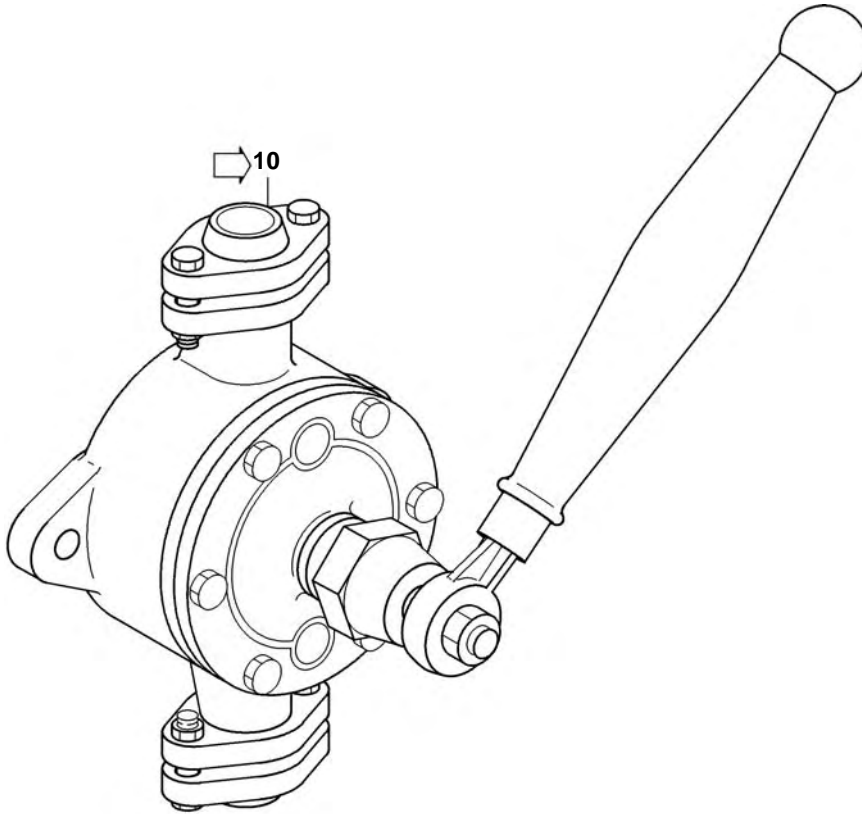
FG/FGS: 189 05
STUECKLISTE/ 180.00073
BOM: 180.00073

POS.	BESTELLNR.	BENENNUNG	STO	EINHEIT	FN	ABMESSUNGEN	NORM
ITEM	PART NO.	DESIGNATION	QTY.	UNIT	FN	DIMENSIONS	STANDARD
300	304014008032	SECHSKANTSCHRAUBE SCREW	1	ST PC		M 8 X 80	ISO4014
310	000933012071	SECHSKANTSCHRAUBE SCREW	1	ST PC		M 12 X 40	DIN933
350	0045358831	DRUCKAUFNEHMER PRESSURE SENSOR	1	ST PC	AB	M14X1,5; SW=27; 0-6BAR_RELATIV;	
400	5005309236	KABEL MIT STECKER CABLE W/MALE CONNECTOR	1	ST PC	AB	L= 0,6M	

TYP/MODEL: 20V4000G43
SERIENNUMMER/
SERIAL NO: 20V4000G43

HANDFLUEGELPUMPE
SEMIROTARY HAND PUMP

FG/FGS: 189 05
STUECKLISTE/
BOM: 180.00060



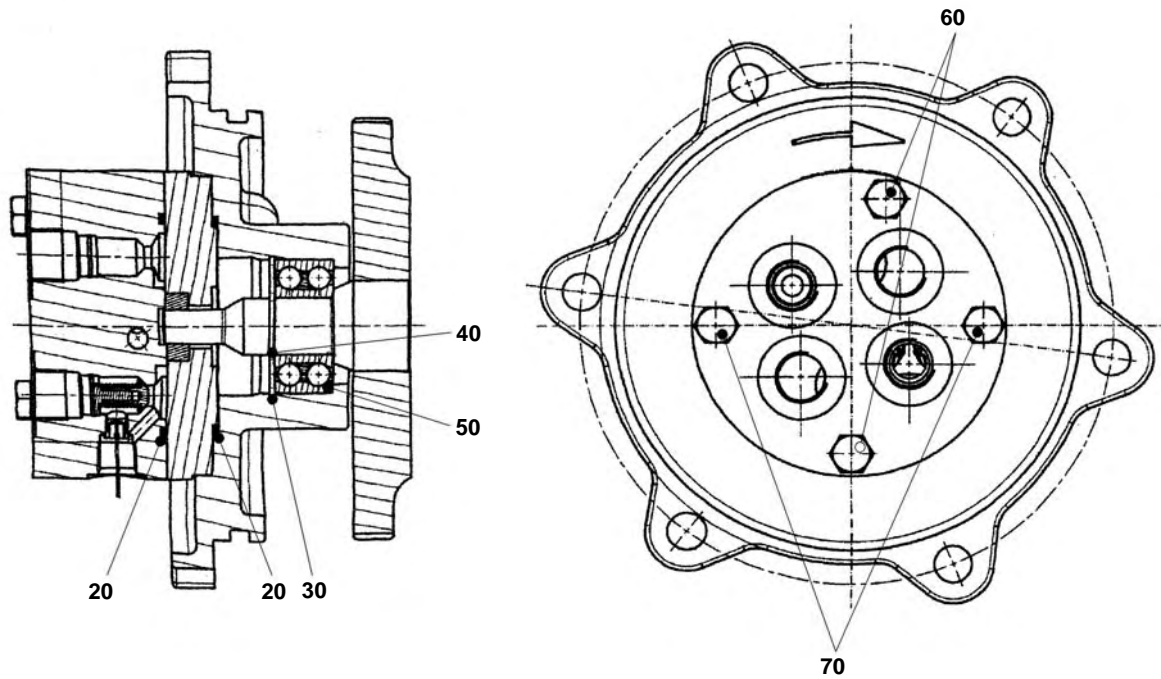
18900008a

POS. ITEM	BESTELNR. PART NO.	BENENNUNG DESIGNATION	STO QTY.	EINHEIT UNIT	FN FN
10	0001812498	HANDFLUEGELPUMPE SEMIROTARY HAND PUMP	1	ST PC	P

TYP/MODEL: 20V4000G43
 SERIENNUMMER/
 SERIAL NO: 20V4000G43

ZAHNRADPUMPE F.OELNACHFUELLUNG
 GEAR PUMP FOR OIL REPLENISHMN

FG/FGS:
 STUECKLISTE/
 BOM: 5241800001



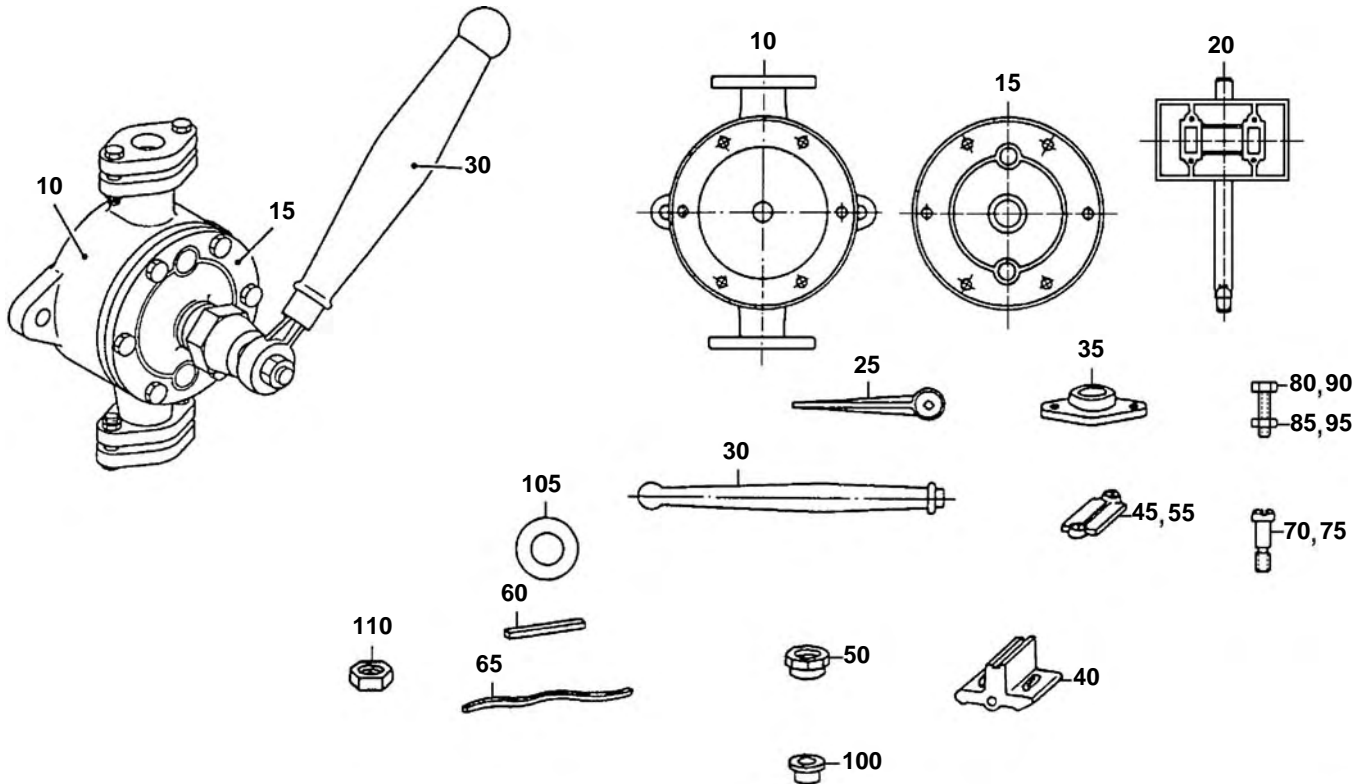
18900047a

POS. ITEM	BESTELLNR. PART NO.	BENENNUNG DESIGNATION	STO QTY.	EINHEIT UNIT	ABMESSUNGEN DIMENSIONS	NORM STANDARD
20	X00041632	O-RING O-RING	2	ST PC		
30	000472047000	SICHERUNGSRING SNAP RING	1	ST PC	47 X 1,75	DIN472
40	000471020000	SICHERUNGSRING SNAP RING	1	ST PC	20 X 1,2	DIN471
50	200628032001	SCHRAEGKUGELLAGER ANGULAR-CONTACT BALL BRG	1	ST PC	3204	DIN628
60	000933008242	SECHSKANTSCHRAUBE SCREW	2	ST PC	M 8 X 65	DIN933
70	000931008241	SECHSKANTSCHRAUBE SCREW	2	ST PC	M 8 X 75	DIN931

TYP/MODEL: 20V4000G43
 SERIENNUMMER/
 SERIAL NO: 20V4000G43

HANDFLUEGELPUMPE
 SEMIROTARY HAND PUMP

FG/FGS:
 STUECKLISTE/
 BOM: 0001812498



ET15 002305

POS. ITEM	BESTELLNR. PART NO.	BENENNUNG DESIGNATION	STO QTY.	EINHEIT UNIT	FN FN	ABMESSUNGEN DIMENSIONS	NORM STANDARD
10	(Z=2.201 028)	GEHAEUSE HOUSING	1	ST PC	KE		
15	(Z=2.201 029)	DECKEL COVER	1	ST PC	KE		
20	Z=152003	FLUEGEL VANE	1	ST PC	AC		
25	Z=2.201 031	STIFT PIN	1	ST PC	AC		
30	8691810014	HEBEL LEVER	1	ST PC			
35	Z=R1"-IG	FLANSCH FLANGE	2	ST PC	AC		
40	Z=152004	VENTILSITZ VALVE SEAT	1	ST PC	AC		
45	8691810007	PLATTE PLATE	2	ST PC		47,3 X 14,7 GR.1	
50	Z=2.201 035	UEBERWURFMUTTER UNION NUT	1	ST PC	AC		
55	8691810008	PLATTE PLATE	2	ST PC		52,8 X 18,2 GR.2	

TYP/MODEL: 20V4000G43
 SERIENNUMMER/
 SERIAL NO: 20V4000G43

HANDFLUEGELPUMPE
 SEMIROTARY HAND PUMP

FG/FGS:
 STUECKLISTE/ 0001812498
 BOM: 0001812498

POS. ITEM	BESTELLNR. PART NO.	BENENNUNG DESIGNATION	STO QTY.	EINHEIT UNIT	FN FN	ABMESSUNGEN DIMENSIONS	NORM STANDARD
60	8699970175	DICHTBEILAGE GASKET	1	ST PC		6 X 7	
65	8699970176	STOPFBUCHSE COMPRESSION GLAND	1	ST PC		4 X 4 X 68	
70	Z=M 5 X 25	SCHRAUBE SCREW	4	ST PC	AC		
75	Z=M 5 X 25	SCHRAUBE SCREW	4	ST PC	AC		
80	304017008081	SECHSKANTSCHRAUBE SCREW	6	ST PC		M 8 X 25	ISO4017
85	000934008008	SECHSKANTMUTTER HEX NUT	6	ST PC		M 8	DIN934
90	000933010093	SECHSKANTSCHRAUBE SCREW	4	ST PC		M 10 X 35	DIN933
95	000934010007	SECHSKANTMUTTER HEX NUT	4	ST PC		M 10	DIN934
100	Z=151009	STOPFBUCHSE COMPRESSION GLAND	1	ST PC	AC	GROESSE 0-2	
105	40201	DICHTUNGSMASSE SEALANT	1	ST PC		HYLOMAR M	
110	000934010005	SECHSKANTMUTTER HEX NUT	1	ST PC		M 10	DIN934

TYP/MODEL: 20V4000G43

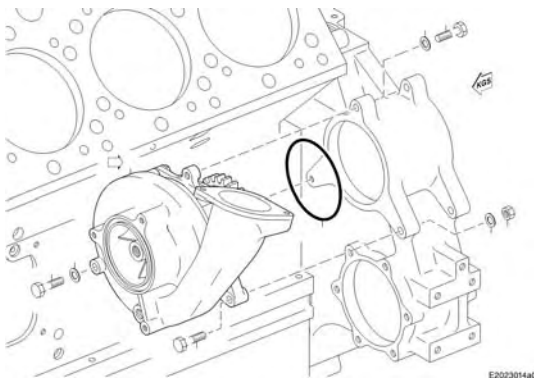
KUEHLWASSERKREISLAUF ALLG., GGF.
HOCHTEMPERATURKREISLAUF
HIGH-TEMPERATURE CIRCUIT

FG/FGS: 202

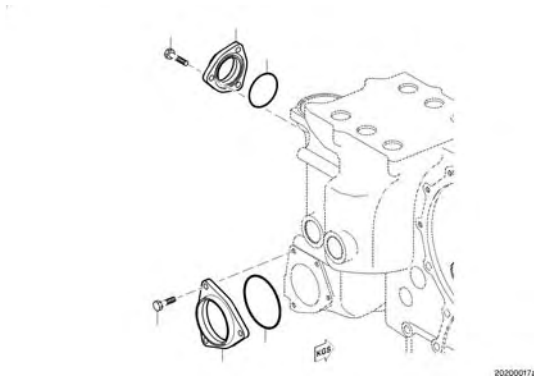
SERIENNUMMER/
SERIAL NO: 20V4000G43

STUECKLISTE/
BOM:

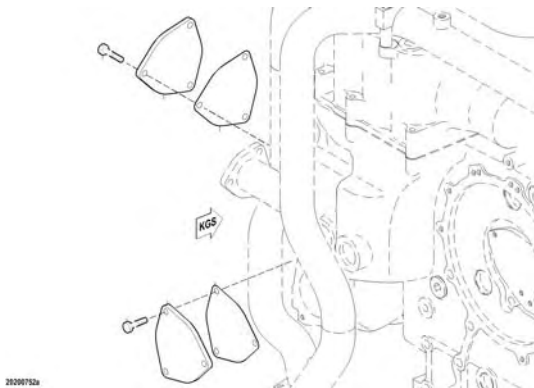
FUNKTIONSGRUPPE/GROUP NUMBER (FG)
GRUPPENNAME/GROUP NAME
STÜCKLISTENNR/BOM NO.



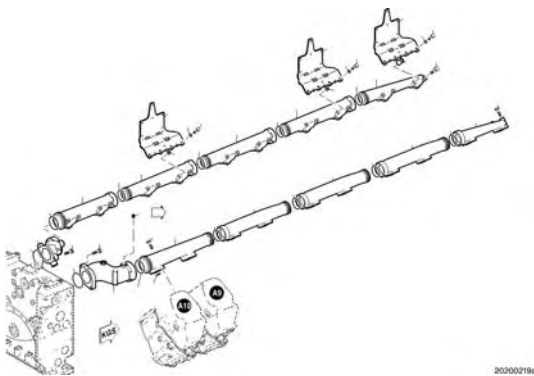
202
WASSERPUMPE HT-KREISLAUF
COOLANT PUMP HIGH-TEMP CIRCUIT
X00011161



202
ANSCHLUSSTEILE
CONNECTING HARDWARE
200.00081



202
VERSCHLUSSDECKEL FUER KUEHLWASSER
COVER FOR COOLANT
X00021784



202
KUEHLWASSERLEITUNG NACH ZYLINDERKOPF
COOLANT LINE AFTER CYLINDER HEAD
200.00249

TYP/MODEL: 20V4000G43

KUEHLWASSERKREISLAUF ALLG., GGF.

FG/FGS: 202

SERIENNUMMER/
SERIAL NO: 20V4000G43

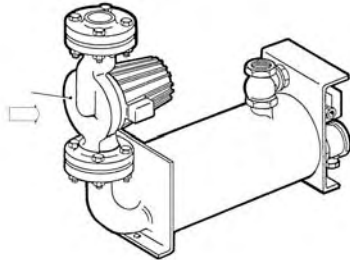
HOCHTEMPERATURKREISLAUF
HIGH-TEMPERATURE CIRCUIT

STUECKLISTE/
BOM:

FUNKTIONSGRUPPE/GROUP NUMBER (FG)

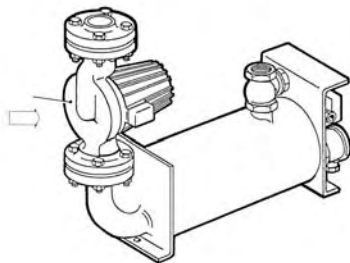
GRUPPENNAME/GROUP NAME

STÜCKLISTENNR/BOM NO.



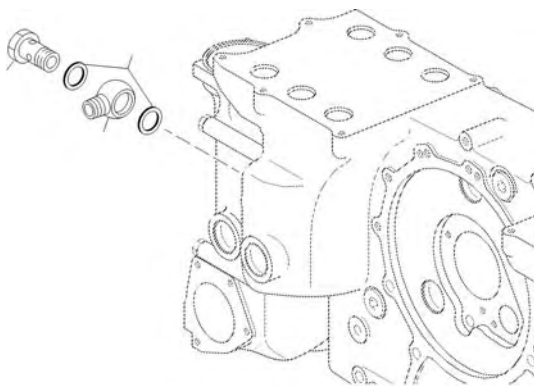
20000231a

202
VORWAERMGERAET
PREHEATER
200.00238



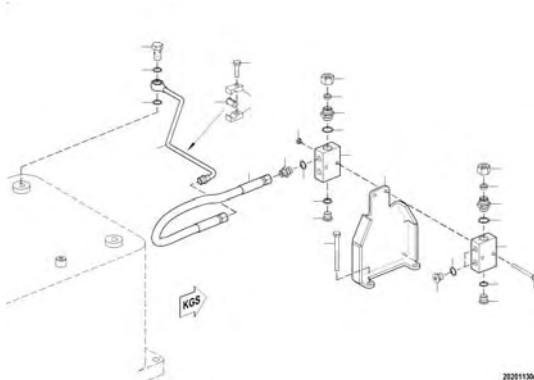
20000231b

202
VORWAERMGERAET
PREHEATER
200.00239



20200235a

202
ANSCHLUSSTEILE FUER VORWAERMGERAET
CONNECTING HARDWARE F. PREHEATER UNIT
200.00388



20201130a

202
KUEHLW-ENTLUEFTUNG NT/HT-KREISLAUF
COOLANT VENT LT/HT SYSTEM
X00030279

TYP/MODEL: 20V4000G43

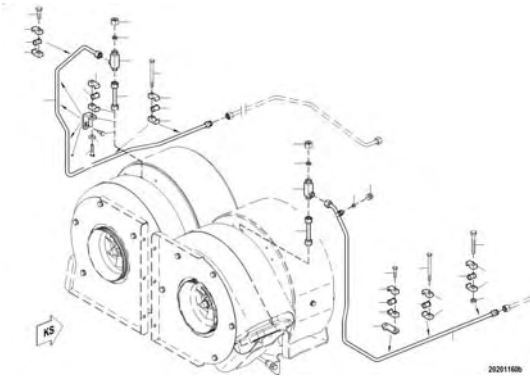
KUEHLWASSERKREISLAUF ALLG., GGF.
HOCHTEMPERATURKREISLAUF
HIGH-TEMPERATURE CIRCUIT

FG/FGS: 202

SERIENNUMMER/
SERIAL NO: 20V4000G43

STUECKLISTE/
BOM:

FUNKTIONSGRUPPE/GROUP NUMBER (FG)
GRUPPENNAME/GROUP NAME
STÜCKLISTENR/BOM NO.

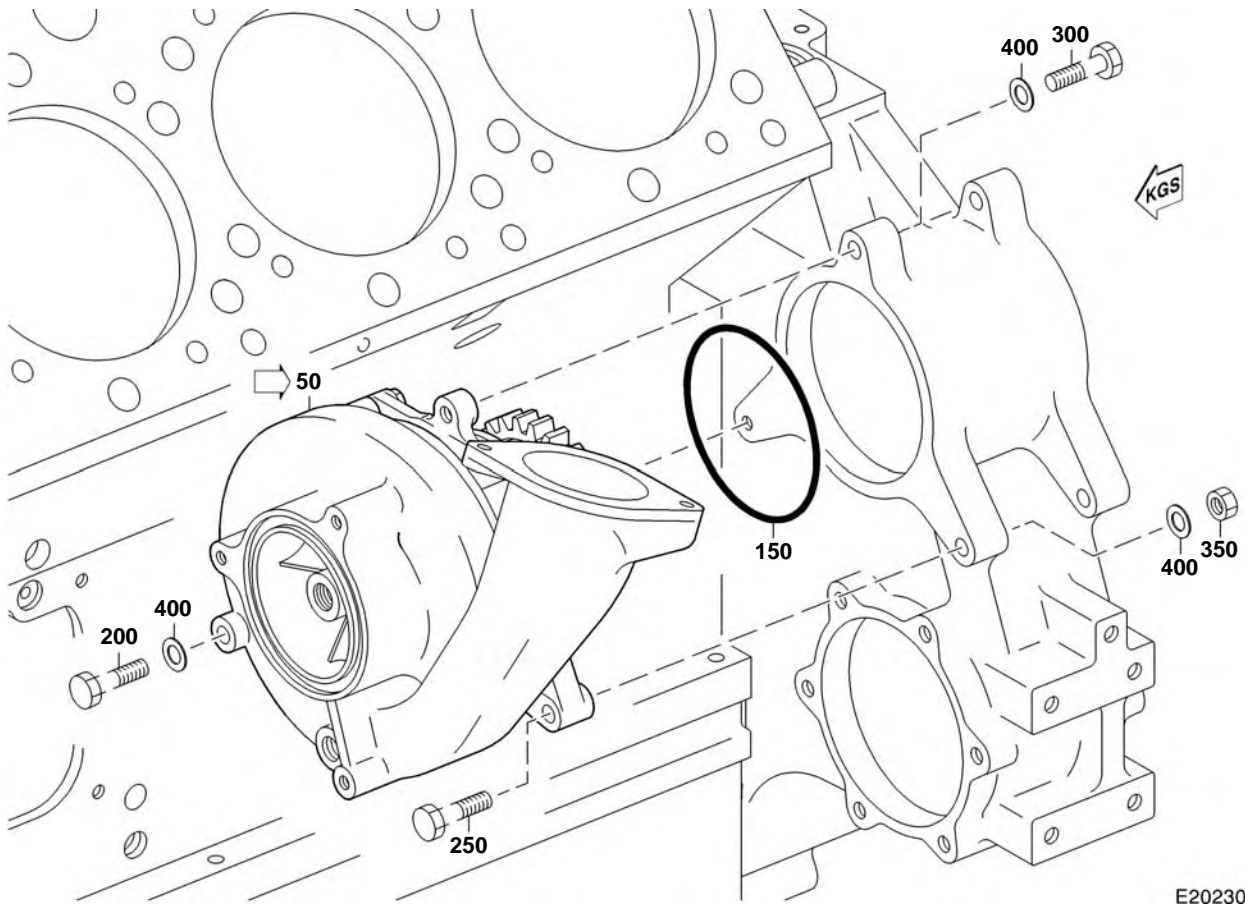


202
KUEHLW-RUECKL-LTG F.ABGASTURBOLADER
COOLANT RETURN LINE F/TURBOCHARGER
X00030280

TYP/MODEL: 20V4000G43
SERIENNUMMER/
SERIAL NO: 20V4000G43

WASSERPUMPE HT-KREISLAUF
COOLANT PUMP HIGH-TEMP CIRCUIT

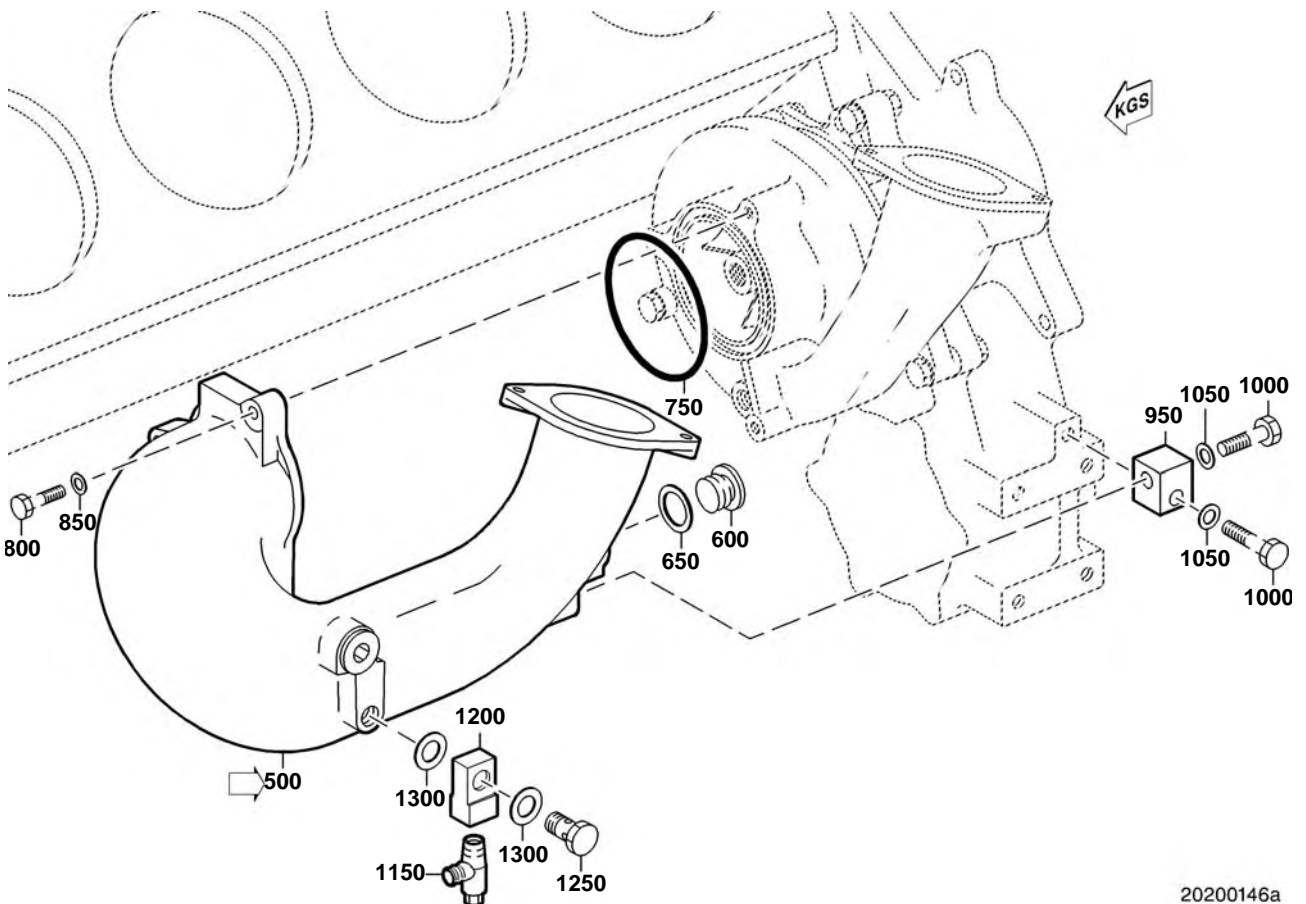
FG/FGS: 202 05
STUECKLISTE/
BOM: X00011161



TYP/MODEL: 20V4000G43
SERIENNUMMER/
SERIAL NO: 20V4000G43

WASSERPUMPE HT-KREISLAUF
COOLANT PUMP HIGH-TEMP CIRCUIT

FG/FGS: 202 05
STUECKLISTE/
BOM: X00011161

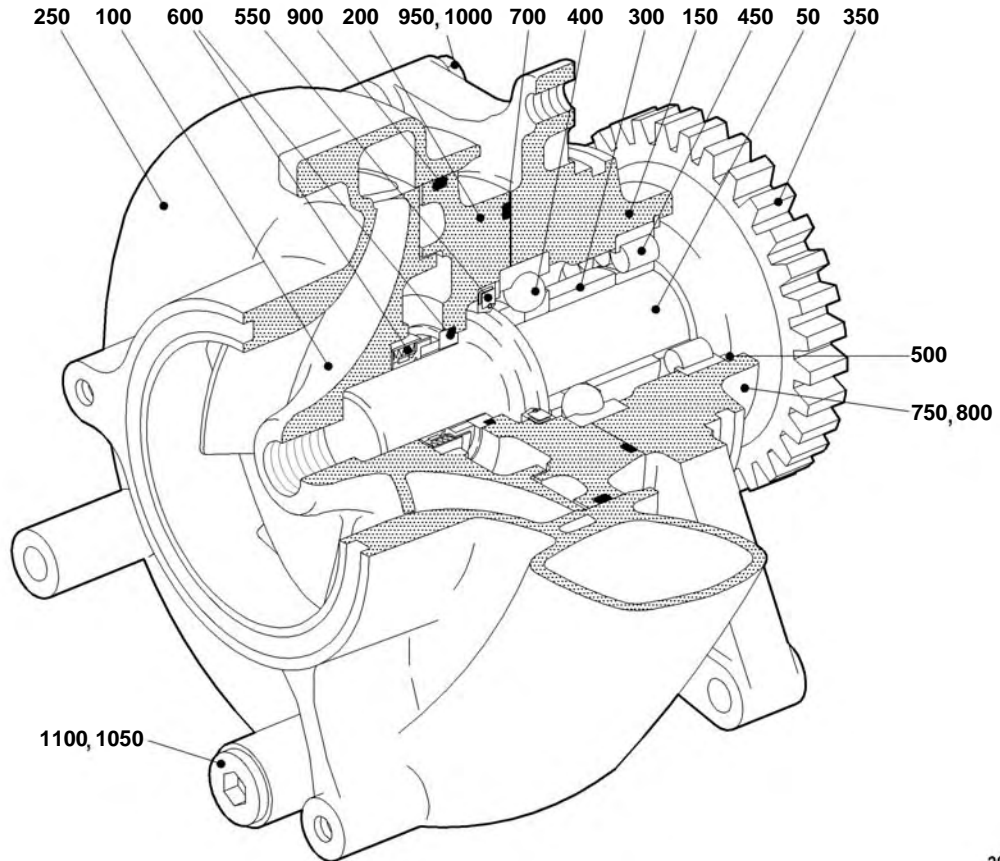


POS. ITEM	BESTELLNR. PART NO.	BENENNUNG DESIGNATION	STO QTY.	EINHEIT UNIT	FN FN	ABMESSUNGEN DIMENSIONS	NORM STANDARD
50	X00008647	WASSERPUMPE HT-KREISLAUF COOLANT PUMP HIGH-TEMP CIRCUIT	1	ST PC			
150	700429130003	O-RING O-RING	1	ST PC		130 X 5	MMN429
200	000931012176	SECHSKANTSCHRAUBE SCREW	1	ST PC		M 12 X150	DIN931
250	000933012040	SECHSKANTSCHRAUBE SCREW	1	ST PC		M 12 X 75	DIN933
300	000933012051	SECHSKANTSCHRAUBE SCREW	1	ST PC		M 12 X 50	DIN933
350	000934012008	SECHSKANTMUTTER HEX NUT	1	ST PC		M 12	DIN934
400	000125013012	SCHEIBE WASHER	3	ST PC		A 13	DIN125
500	5242001118	KRUEMMER ELBOW	1	ST PC			
600	000908030002	VERSCHLUSSSCHRAUBE PLUG	1	ST PC		M 30 X 1,5	DIN908
650	007603030101	DICHTRING SEALING RING	1	ST PC		A 30 X 36	DIN7603
750	700429120002	O-RING O-RING	1	ST PC		120 X 6	MMN429
800	000933010094	SECHSKANTSCHRAUBE SCREW	3	ST PC		M 10 X 40	DIN933
850	000125010524	SCHEIBE WASHER	3	ST PC		A 10,5	DIN125
950	5242030340	HALTER RETAINER	1	ST PC	NN		
1000	000933012051	SECHSKANTSCHRAUBE SCREW	2	ST PC		M 12 X 50	DIN933
1050	000125013012	SCHEIBE WASHER	2	ST PC		A 13	DIN125
1150	0049976736	ABLASSVENTIL DRAIN VALVE	1	ST PC			
1200	5242000184	ANSCHLUSSSTUECK CONNECTING PIECE	1	ST PC			
1250	700223010000	HOHLSCHRAUBE BANJO SCREW	1	ST PC		A 12	MMN223
1300	007603018101	DICHTRING SEALING RING	2	ST PC		A 18 X 22	DIN7603

TYP/MODEL: 20V4000G43
 SERIENNUMMER/
 SERIAL NO: 20V4000G43

WASSERPUMPE HT-KREISLAUF
 COOLANT PUMP HIGH-TEMP CIRCUIT

FG/FGS:
 STUECKLISTE/
 BOM: X00008647



20201150a

POS. ITEM	BESTELLNR. PART NO.	BENENNUNG DESIGNATION	STO QTY.	EINHEIT UNIT	ABMESSUNGEN DIMENSIONS	NORM STANDARD
50	5272010805	WASSERPUMPENWELLE COOLANT PUMP SHAFT	1	ST PC		
100	X00008653	LAUFRAD IMPELLER	1	ST PC		
150	5272010010	LAGERGEHAEUSE BEARING HOUSING	1	ST PC		
200	X00008652	DICHTRINGHALTER SEAL CARRIER	1	ST PC		
250	X00030047	SPIRALGEHAEUSE FUER WASSERPUMPE VOLUTE FOR COOLANT PUMP	1	ST PC		
300	5272010153	ABSTANDHUELSE SPACER SLEEVE	1	ST PC		
350	X00021750	ZAHNRAD GEAR	1	ST PC		
400	200628103006	SCHRAEGKUGELLAGER ANGLR-CONT BALL BRG	1	ST PC	QJ308	DIN628
450	705100502035	ZYLINDERROLLENLAGER CYL ROLLER BEARING	1	ST PC	NU208	DIN5412
500	000472080000	SICHERUNGSRING SNAP RING	1	ST PC	80 X 2,5	DIN472

TYP/MODEL: 20V4000G43
SERIENNUMMER/
SERIAL NO: 20V4000G43

WASSERPUMPE HT-KREISLAUF
COOLANT PUMP HIGH-TEMP CIRCUIT

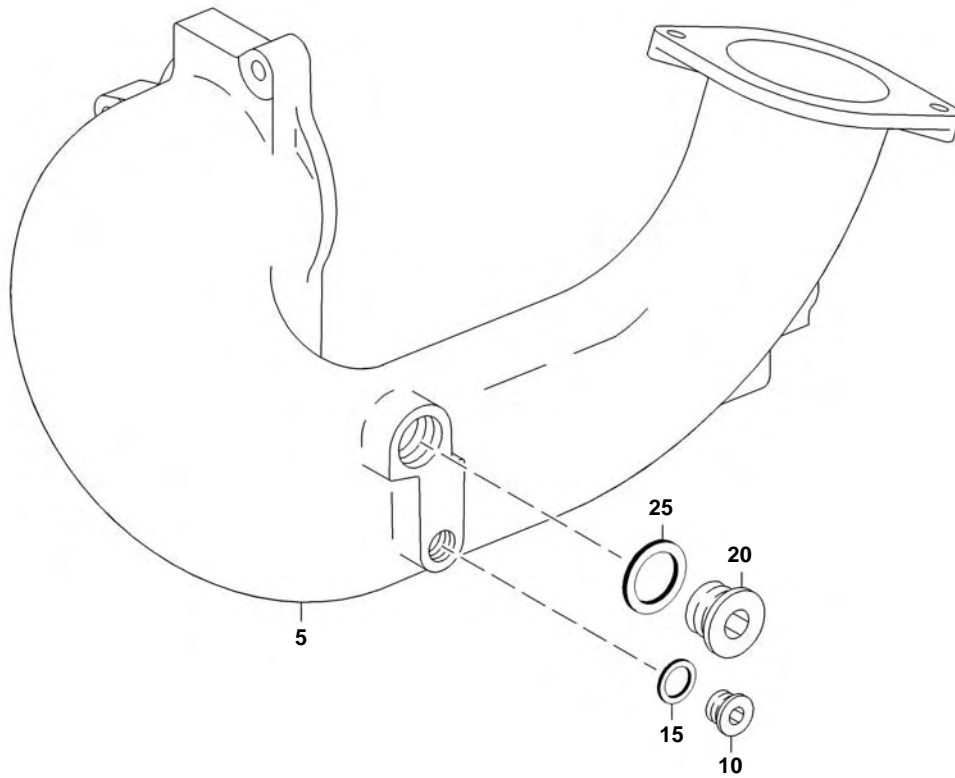
FG/FGS:
STUECKLISTE/ X00008647
BOM: X00008647

POS. ITEM	BESTELLNR. PART NO.	BENENNUNG DESIGNATION	STO QTY.	EINHEIT UNIT	ABMESSUNGEN DIMENSIONS	NORM STANDARD
550	700386050002	WELLENDICHTRING SHAFT SEAL	1	ST PC	A 50 X 72 X 8	MMN386
600	0012012519	GLEITRINGDICHTUNG ROTARY SEAL	1	ST PC		
700	700429135000	O-RING O-RING	1	ST PC	135 X 5	MMN429
750	000931008241	SECHSKANTSCHRAUBE SCREW	4	ST PC	M 8 X 75	DIN931
800	000125008427	SCHEIBE WASHER	4	ST PC	A 8,4	DIN125
900	700429172000	O-RING O-RING	1	ST PC	172 X 5	MMN429
950	000933010093	SECHSKANTSCHRAUBE SCREW	4	ST PC	M 10 X 35	DIN933
1000	000125010524	SCHEIBE WASHER	4	ST PC	A 10,5	DIN125
1050	007603018101	DICHTRING SEALING RING	1	ST PC	A 18 X 22	DIN7603
1100	000908018002	VERSCHLUSSSCHRAUBE PLUG	1	ST PC	M 18 X 1,5	DIN908

TYP/MODEL: 20V4000G43
 SERIENNUMMER/
 SERIAL NO: 20V4000G43

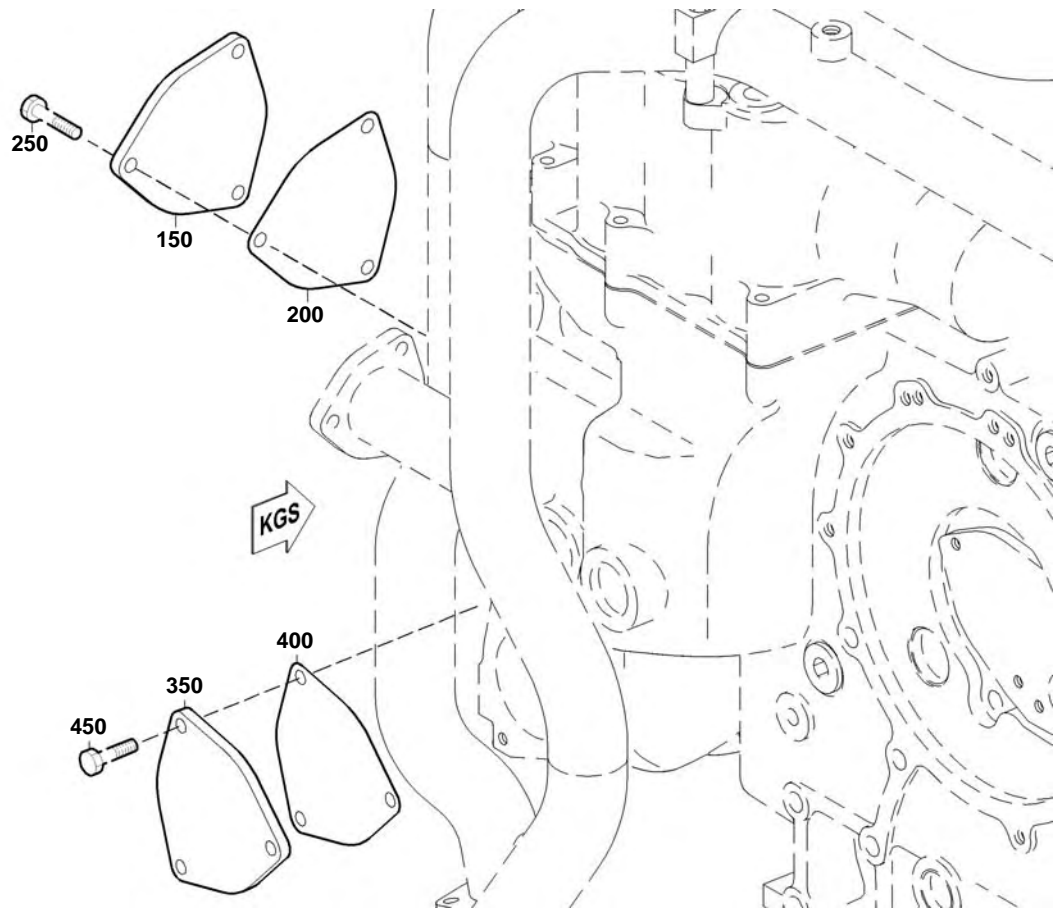
KRUEMMER
 ELBOW

FG/FGS:
 STUECKLISTE/
 BOM: 5242001118



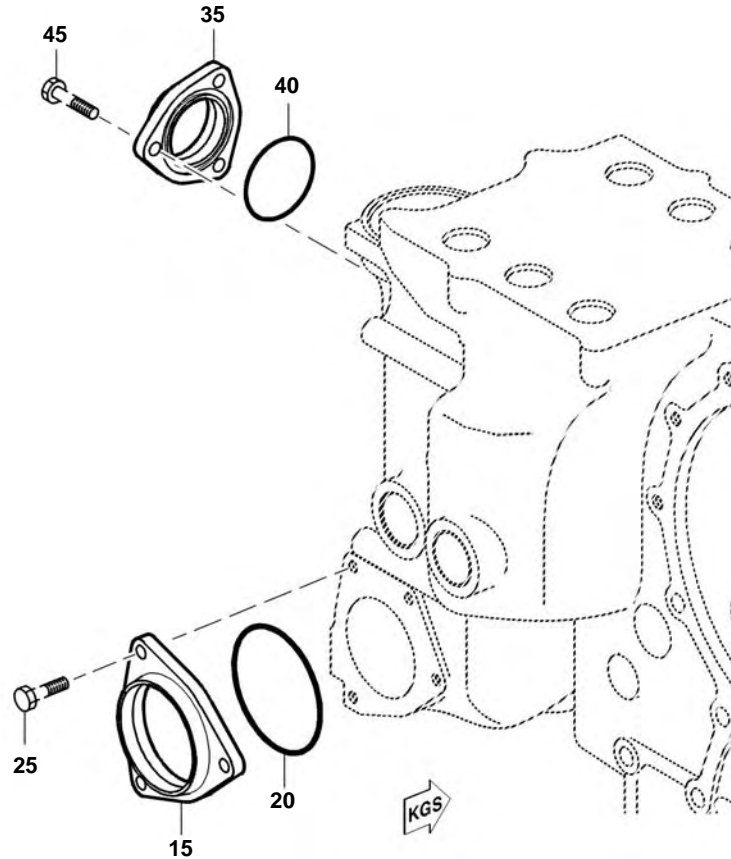
E0005720a0

POS. ITEM	BESTELNR. PART NO.	BENENNUNG DESIGNATION	STO QTY.	EINHEIT UNIT	ABMESSUNGEN DIMENSIONS	NORM STANDARD
5	5242032122	KRUEMMER ELBOW	1	ST PC		
10	000908018002	VERSCHLUSSSCHRAUBE PLUG	1	ST PC	M 18 X 1,5	DIN908
15	007603018101	DICHTRING SEALING RING	1	ST PC	A 18 X 22	DIN7603
20	000908030002	VERSCHLUSSSCHRAUBE PLUG	1	ST PC	M 30 X 1,5	DIN908
25	007603030101	DICHTRING SEALING RING	1	ST PC	A 30 X 36	DIN7603



20200752a

POS. ITEM	BESTELLN. PART NO.	BENENNUNG DESIGNATION	STO QTY.	EINHEIT UNIT	ABMESSUNGEN DIMENSIONS	NORM STANDARD
150	X00021527	BLINDFLANSCH BLIND FLANGE	1	ST PC		
200	X00021730	DICHTBEILAGE GASKET	1	ST PC		
250	00000003021	SECHSKANTSCHRAUBE SCREW	3	ST PC	M 10 X 25	ISO4017
350	X00021527	BLINDFLANSCH BLIND FLANGE	1	ST PC		
400	X00021730	DICHTBEILAGE GASKET	1	ST PC		
450	00000003021	SECHSKANTSCHRAUBE SCREW	3	ST PC	M 10 X 25	ISO4017



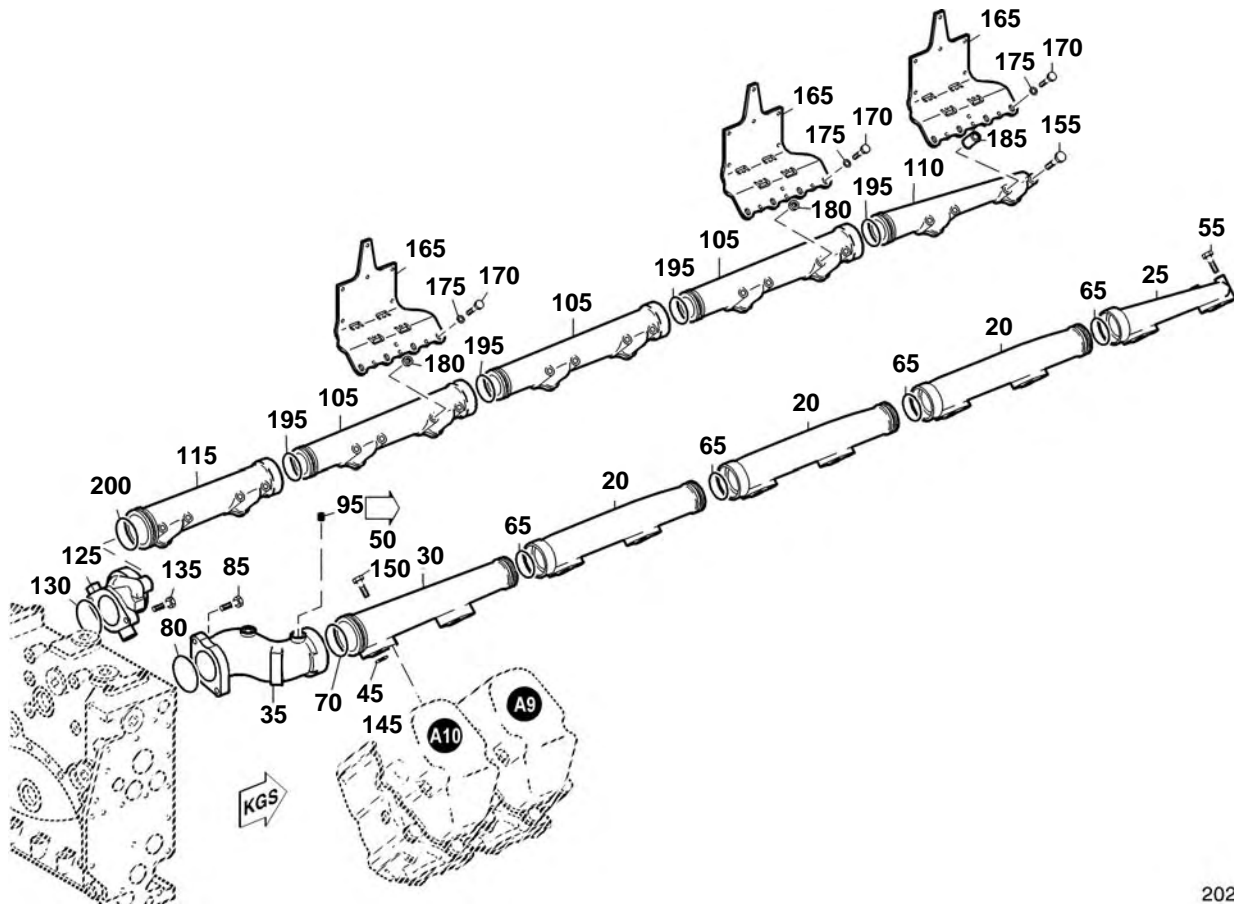
20200017a

POS. ITEM	BESTELLN. PART NO.	BENENNUNG DESIGNATION	STO QTY.	EINHEIT UNIT	ABMESSUNGEN DIMENSIONS	NORM STANDARD
15	5242030739	FLANSCH FLANGE	1	ST PC		
20	700429108000	O-RING O-RING	1	ST PC	108 X 5	MMN429
25	000933010035	SECHSKANTSCHRAUBE SCREW	3	ST PC	M 10 X 25	DIN933
35	5242030739	FLANSCH FLANGE	1	ST PC		
40	700429108000	O-RING O-RING	1	ST PC	108 X 5	MMN429
45	000933010035	SECHSKANTSCHRAUBE SCREW	3	ST PC	M 10 X 25	DIN933

TYP/MODEL: 20V4000G43
 SERIENNUMMER/
 SERIAL NO: 20V4000G43

KUEHLWASSERLEITUNG NACH ZYLINDERKOPF
 COOLANT LINE AFTER CYLINDER HEAD

FG/FGS: 202 20
 STUECKLISTE/
 BOM: 200.00249



20200219a

POS. ITEM	BESTELLNR. PART NO.	BENENNUNG DESIGNATION	STO QTY.	EINHEIT UNIT	FN FN	ABMESSUNGEN DIMENSIONS	NORM STANDARD
20	5242032101	SAMMELROHR MANIFOLD	3	ST PC	SB		
25	5242032401	SAMMELROHR MANIFOLD	1	ST PC	SB		
30	5242032301	SAMMELROHR MANIFOLD	1	ST PC	SB		
35	5282030208	ANSCHLUSSSTUECK CONNECTING PIECE	1	ST PC			
45	700429024000	O-RING O-RING	10	ST PC		24 X 5	MMN429
50	000931010315	SECHSKANTSCHRAUBE SCREW	8	ST PC		M 10 X100	DIN931
55	000931010283	SECHSKANTSCHRAUBE SCREW	4	ST PC		M 10 X 75	DIN931
65	700429058002	O-RING O-RING	4	ST PC		58 X 8	MMN429
70	700429085002	O-RING O-RING	1	ST PC		85 X 6	MMN429
80	700429083000	O-RING O-RING	1	ST PC		83 X 5	MMN429

TYP/MODEL: 20V4000G43
 SERIENNUMMER/
 SERIAL NO: 20V4000G43

KUEHLWASSERLEITUNG NACH ZYLINDERKOPF
 COOLANT LINE AFTER CYLINDER HEAD

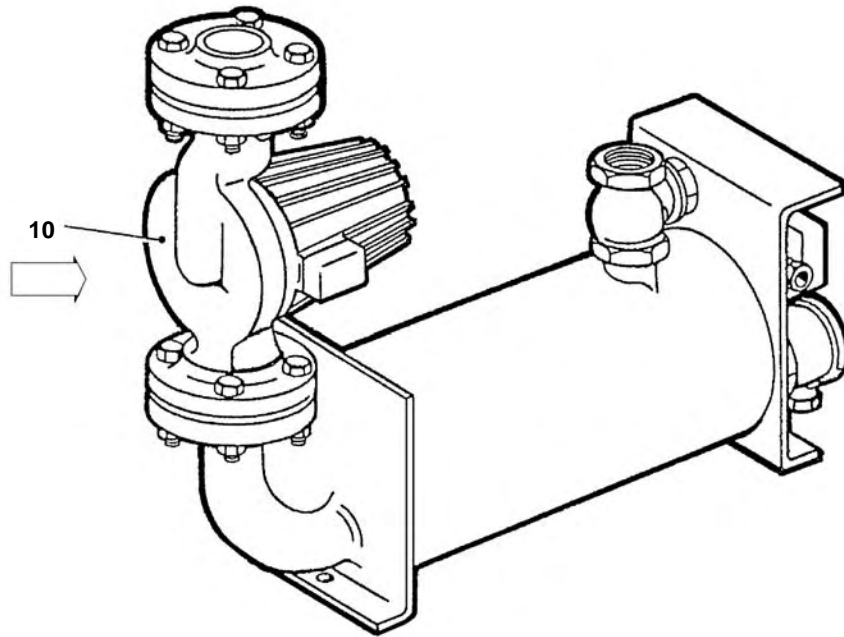
FG/FGS: 202 20
 STUECKLISTE/ 200.00249
 BOM: 200.00249

POS. ITEM	BESTELLN. PART NO.	BENENNUNG DESIGNATION	STO QTY.	EINHEIT UNIT	FN FN	ABMESSUNGEN DIMENSIONS	NORM STANDARD
85	000933010094	SECHSKANTSCHRAUBE SCREW	2	ST PC		M 10 X 40	DIN933
95	735210014000	VERSCHLUSSSCHRAUBE PLUG	1	ST PC		M 14 X 1,5	MTN5210
105	5242032101	SAMMELROHR MANIFOLD	3	ST PC	SB		
110	5242032201	SAMMELROHR MANIFOLD	1	ST PC	SB		
115	5242032001	SAMMELROHR MANIFOLD	1	ST PC	SB		
125	5282030308	ANSCHLUSSSTUECK CONNECTING PIECE	1	ST PC			
130	700429083000	O-RING O-RING	1	ST PC		83 X 5	MMN429
135	000933010094	SECHSKANTSCHRAUBE SCREW	2	ST PC		M 10 X 40	DIN933
145	700429024000	O-RING O-RING	10	ST PC		24 X 5	MMN429
150	000931010315	SECHSKANTSCHRAUBE SCREW	6	ST PC		M 10 X100	DIN931
155	000931010283	SECHSKANTSCHRAUBE SCREW	1	ST PC		M 10 X 75	DIN931
165	5282030840	HALTER RETAINER	3	ST PC			
170	000000001465	SECHSKANTSCHRAUBE SCREW	9	ST PC		M 10 X120	ISO4014
175	007349010002	SCHEIBE WASHER	9	ST PC		10,5	DIN7349
180	735151010100	SCHEIBE WASHER	6	ST PC		A 10,5	MTN5151
185	28200750053/0	ABSTANDBUCHSE SPACER BUSHING	3	ST PC			
195	700429058002	O-RING O-RING	4	ST PC		58 X 8	MMN429
200	700429085002	O-RING O-RING	1	ST PC		85 X 6	MMN429

TYP/MODEL: 20V4000G43
SERIENNUMMER/
SERIAL NO: 20V4000G43

VORWAERMGERAET
PREHEATER

FG/FGS: 202 40
STUECKLISTE/
BOM: 200.00238



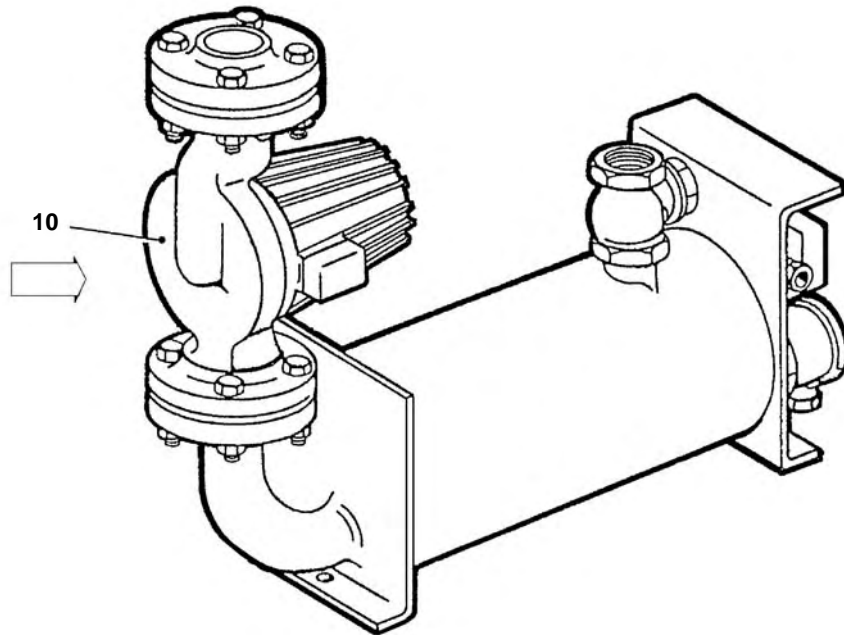
20200231a

POS. ITEM	BESTELLNR. PART NO.	BENENNUNG DESIGNATION	STO QTY.	EINHEIT UNIT	FN FN
10	0002037996	VORWAERMAGGREGAT PREHEATING UNIT	1	ST PC	P

TYP/MODEL: 20V4000G43
SERIENNUMMER/
SERIAL NO: 20V4000G43

VORWAERMGERAET
PREHEATER

FG/FGS: 202 40
STUECKLISTE/
BOM: 200.00239



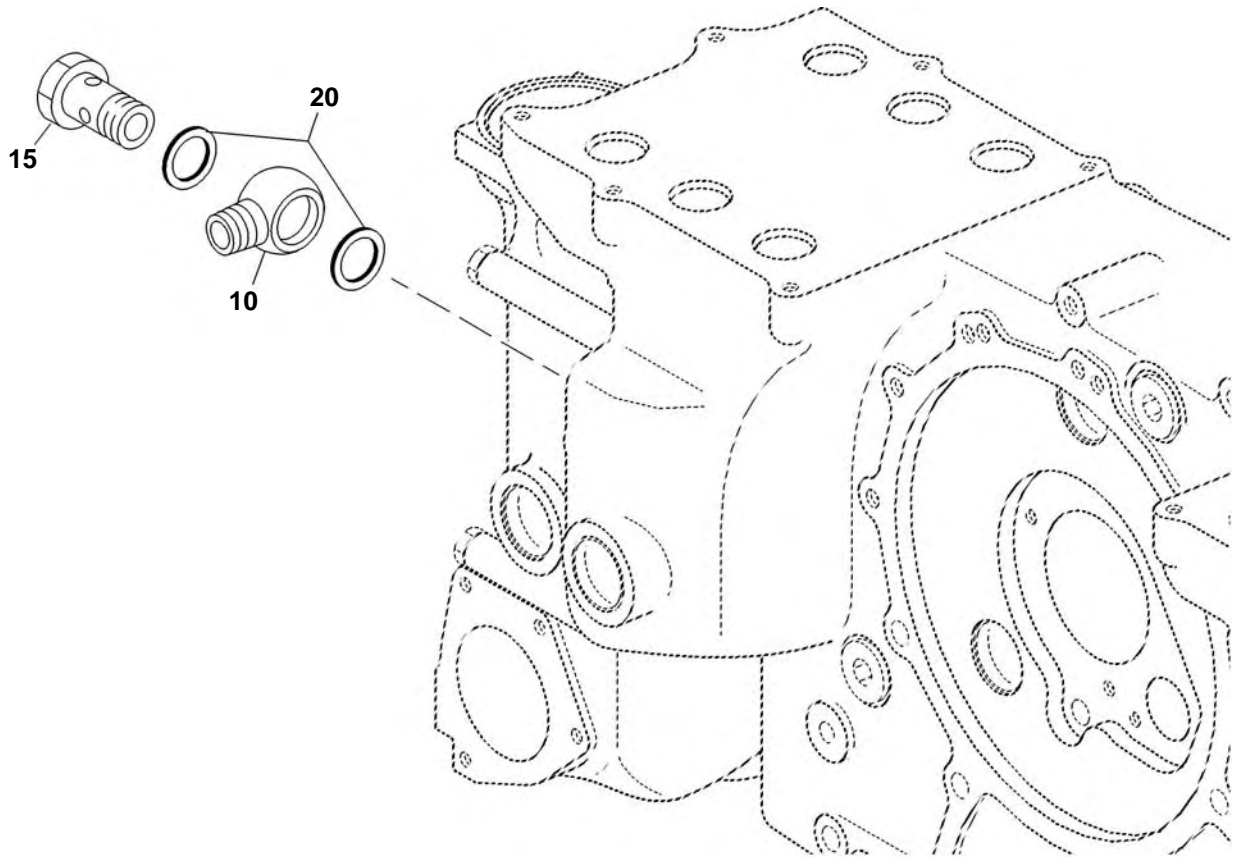
20200231b

POS. ITEM	BESTELNR. PART NO.	BENENNUNG DESIGNATION	STO QTY.	EINHEIT UNIT	FN FN
10	0002039996	VORWAERMAGGREGAT PREHEATING UNIT	1	ST PC	P

TYP/MODEL: 20V4000G43
 SERIENNUMMER/
 SERIAL NO: 20V4000G43

ANSCHLUSSTEILE FUER VORWAERMGERAET
 CONNECTING HARDWARE F. PREHEATER UNIT

FG/FGS: 202 40
 STUECKLISTE/
 BOM: 200.00388



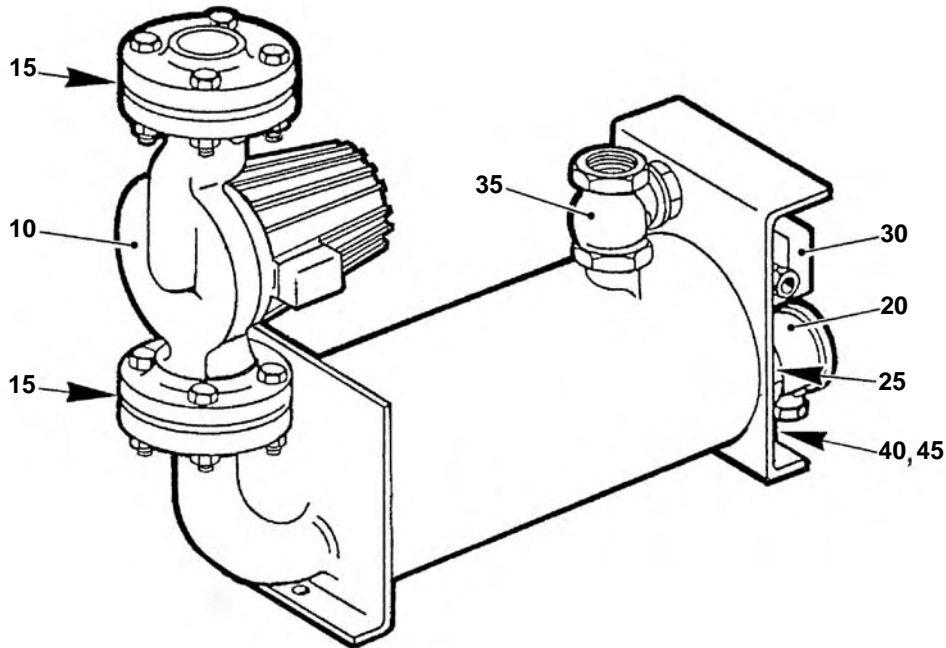
20200235a

POS. ITEM	BESTELLNR. PART NO.	BENENNUNG DESIGNATION	STO QTY.	EINHEIT UNIT	ABMESSUNGEN DIMENSIONS	NORM STANDARD
10	735214028000	RINGSTUTZEN UNION	1	ST PC	28	MTN5214
15	700223020000	HOHLSCHRAUBE BANJO SCREW	1	ST PC	A 22	MMN223
20	007603030101	DICHTRING SEALING RING	1	ST PC	A 30 X 36	DIN7603

TYP/MODEL: 20V4000G43
 SERIENNUMMER/
 SERIAL NO: 20V4000G43

VORWAERMAGGREGAT
 PREHEATING UNIT

FG/FGS:
 STUECKLISTE/
 BOM: 0002037996



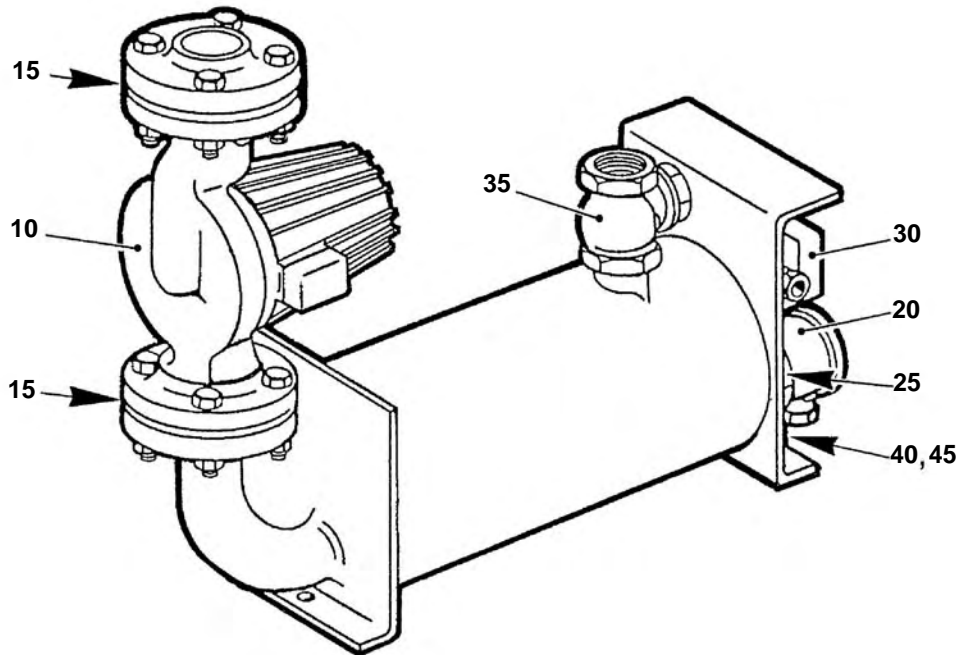
14 B15700

POS. ITEM	BESTELLNR. PART NO.	BENENNUNG DESIGNATION	STO QTY.	EINHEIT UNIT	FN FN	ABMESSUNGEN DIMENSIONS	NORM STANDARD
10	8692030031	PUMPE PUMP	1	ST PC	AB	S40/60 - 50/60HZ IP55	
15	202690040000	DICHTUNG GASKET	2	ST PC		40 ND 6	DIN2690
20	8692030500	EINSCHR-HEIZKOERPER SCREW-IN HEATER	2	ST PC		400 V3 50/60 HZ GUELT.	
25	8692030074	DICHTUNG GASKET	2	ST PC		55 X 48 X 2,5	
30	8692030640	TEMPERATURREGLER THERMOSTAT	1	ST PC	AB	QUATRATISCHE FORM	
35	8692030540	RUECKSCHLAGKLAPPE NON-RETURN FLAP	1	ST PC		G1 1/4"	
40	007604030101	VERSCHLUSSSCHRAUBE PLUG	1	ST PC		A M 30 X 1,5	DIN7604
45	207603030300	DICHTRING SEALING RING	1	ST PC		C 30 X 36	DIN7603

TYP/MODEL: 20V4000G43
 SERIENNUMMER/
 SERIAL NO: 20V4000G43

VORWAERMAGGREGAT
 PREHEATING UNIT

FG/FGS:
 STUECKLISTE/
 BOM: 0002039996



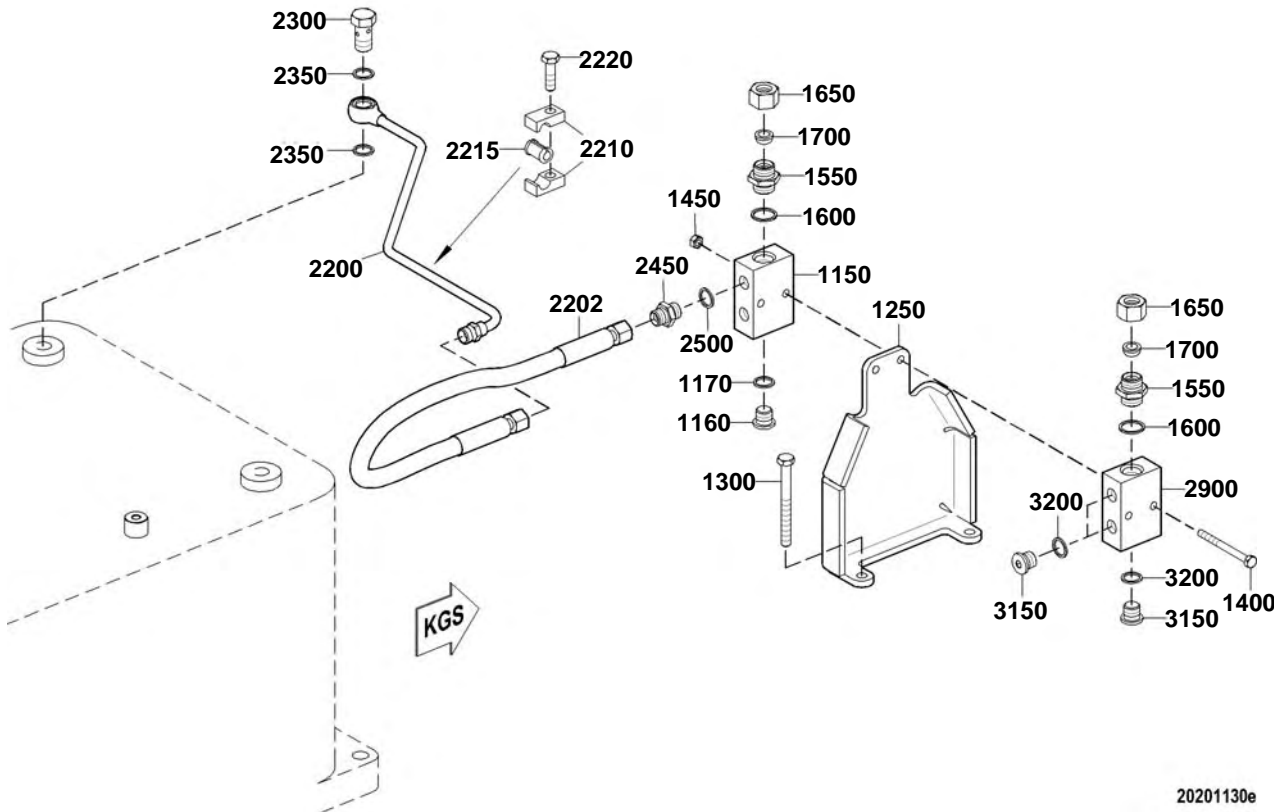
14 047508

POS. ITEM	BESTELLNR. PART NO.	BENENNUNG DESIGNATION	STO QTY.	EINHEIT UNIT	FN FN	ABMESSUNGEN DIMENSIONS	NORM STANDARD
10	8692030031	PUMPE PUMP	1	ST PC	AB	S40/60 - 50/60HZ IP55	
15	202690040000	DICHTUNG GASKET	2	ST PC		40 ND 6	DIN2690
20	8692030066	EINSCHR-HEIZKOERPER SCREW-IN HEATER	2	ST PC		254/440 V	
25	8692030074	DICHTUNG GASKET	2	ST PC		55 X 48 X 2,5	
30	8692030640	TEMPERATURREGLER THERMOSTAT	1	ST PC	AB	QUATRATISCHE FORM	
35	8692030540	RUECKSCHLAGKLAPPE NON-RETURN FLAP	1	ST PC		G1 1/4"	
40	007604030101	VERSCHLUSSSCHRAUBE PLUG	1	ST PC		A M 30 X 1,5	DIN7604
45	007603030101	DICHTRING SEALING RING	1	ST PC		A 30 X 36	DIN7603

TYP/MODEL: 20V4000G43
SERIENNUMMER/
SERIAL NO: 20V4000G43

KUEHLW-ENTLUEFTUNG NT/HT-KREISLAUF
COOLANT VENT LT/HT SYSTEM

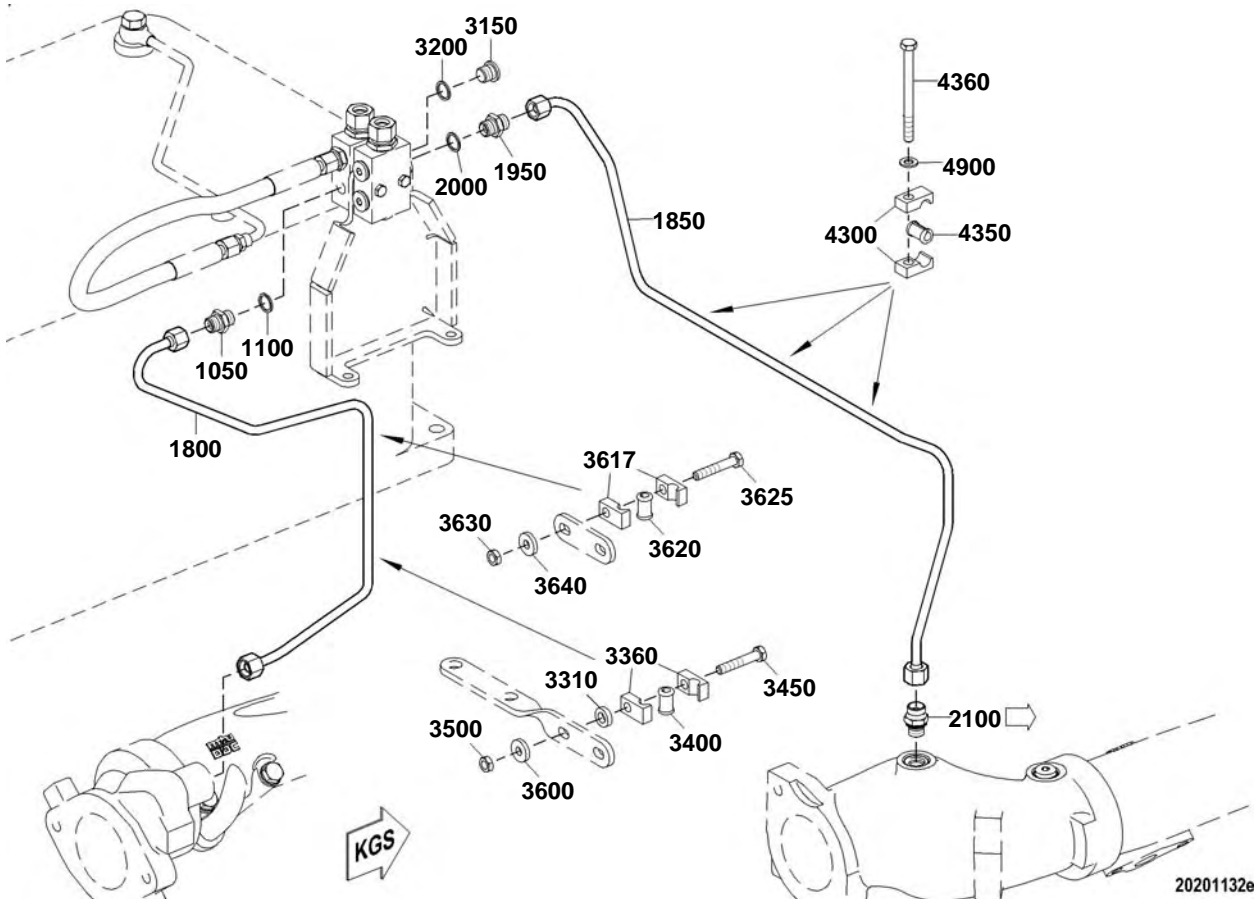
FG/FGS: 202 65
STUECKLISTE/
BOM: X00030279



TYP/MODEL: 20V4000G43
SERIENNUMMER/
SERIAL NO: 20V4000G43

KUEHLW-ENTLUEFTUNG NT/HT-KREISLAUF
COOLANT VENT LT/HT SYSTEM

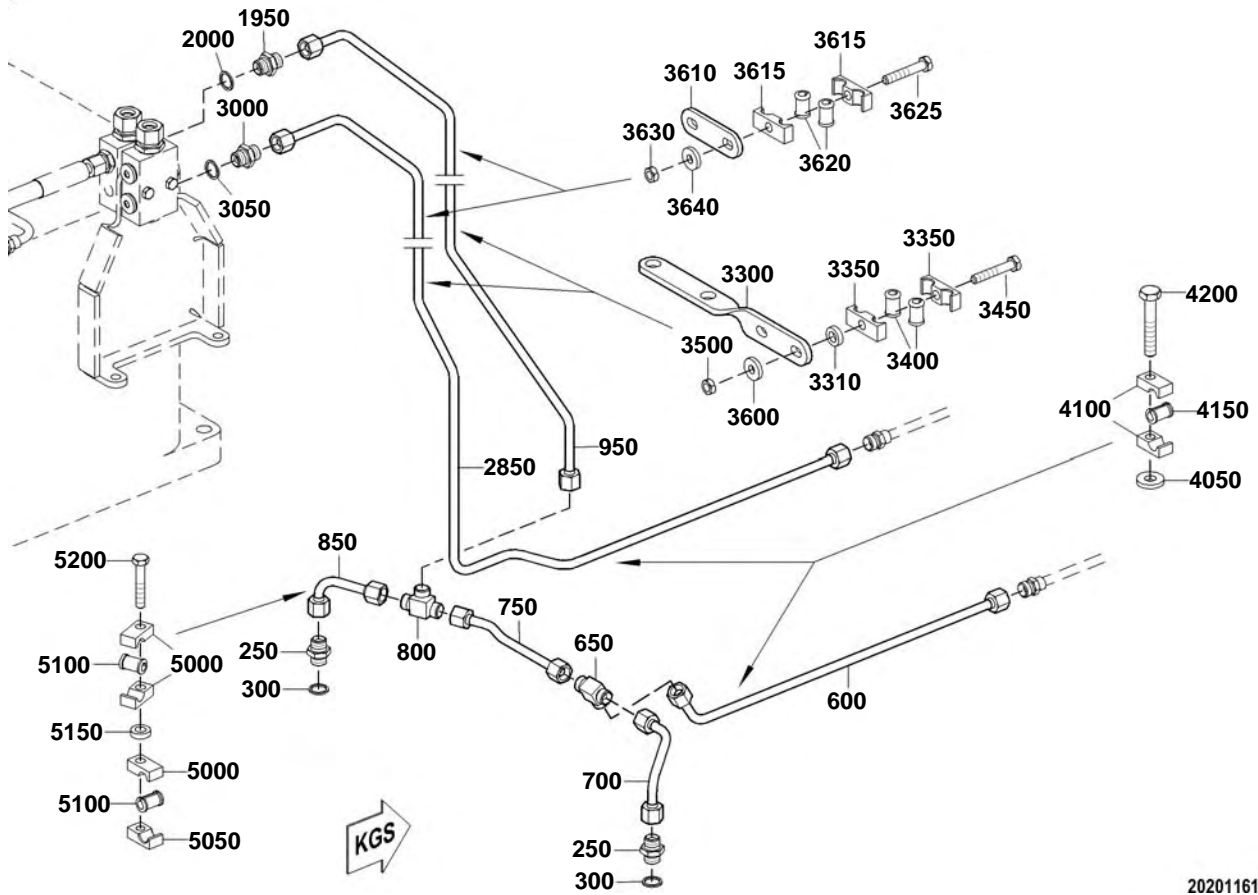
FG/FGS: 202 65
STUECKLISTE/
BOM: X00030279



TYP/MODEL: 20V4000G43
SERIENNUMMER/
SERIAL NO: 20V4000G43

KUEHLW-ENTLUEFTUNG NT/HT-KREISLAUF
COOLANT VENT LT/HT SYSTEM

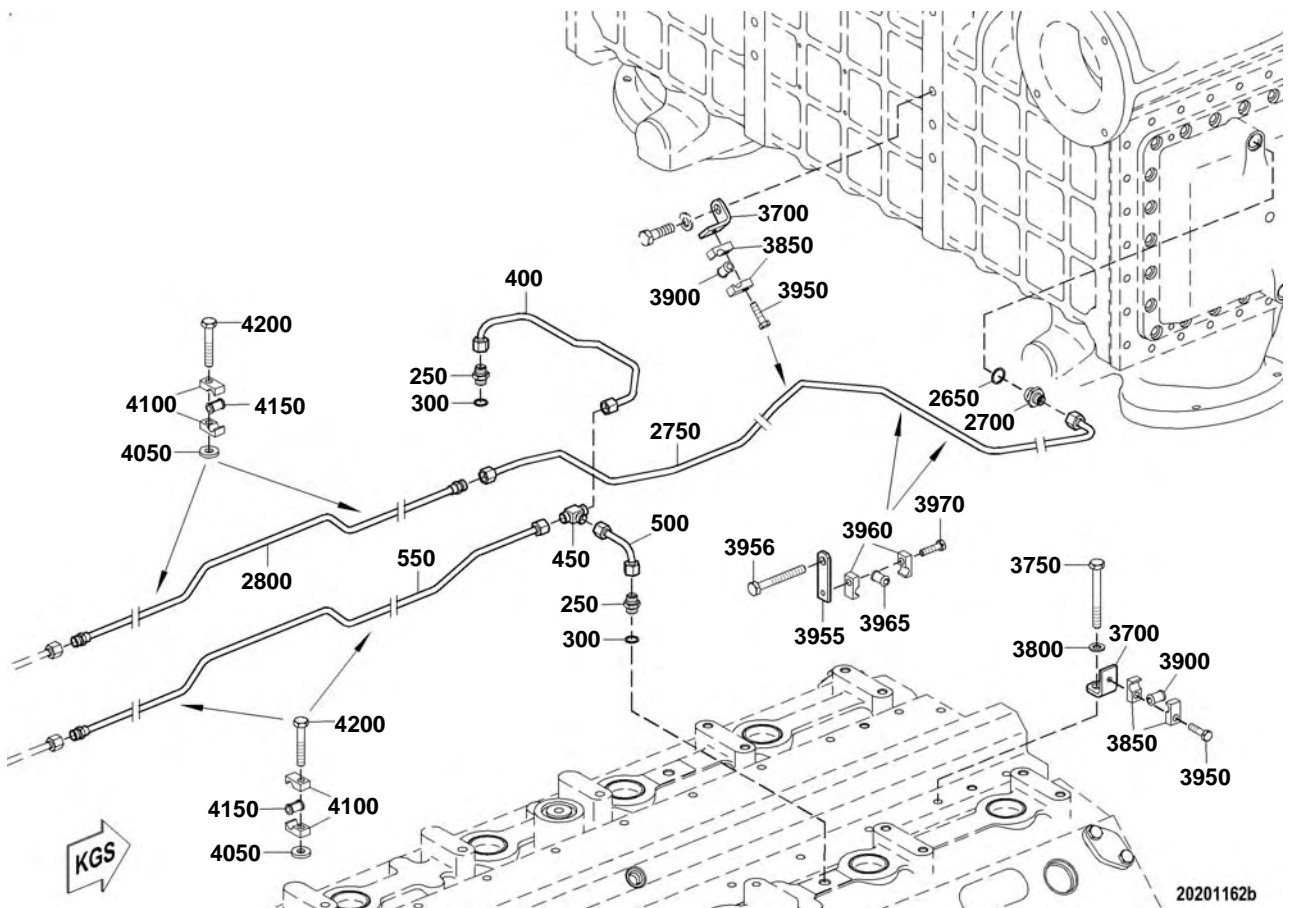
FG/FGS: 202 65
STUECKLISTE/
BOM: X00030279



TYP/MODEL: 20V4000G43
SERIENNUMMER/
SERIAL NO: 20V4000G43

KUEHLW-ENTLUEFTUNG NT/HT-KREISLAUF
COOLANT VENT LT/HT SYSTEM

FG/FGS: 202 65
STUECKLISTE/
BOM: X00030279



POS.	BESTELLNR.	BENENNUNG	STO	EINHEIT	FN	ABMESSUNGEN	NORM
ITEM	PART NO.	DESIGNATION	QTY.	UNIT	FN	DIMENSIONS	STANDARD
250	915006006000	DOPPELSTUTZEN UNION	4	ST PC		6	N15006
300	007603014102	DICHTRING SEALING RING	4	ST PC		A 14 X 18	DIN7603
400	5282000458	ENTLUEFTUNGSLEITUNG FUER KUEHLWASSER VENT LINE FOR COOLANT	1	ST PC	NN		
450	5569970574	T-STUECK TEE	1	ST PC	NN		
500	5282000658	ENTLUEFTUNGSLEITUNG FUER KUEHLWASSER VENT LINE FOR COOLANT	1	ST PC	NN		
550	5282000058	ENTLUEFTUNGSLEITUNG FUER KUEHLWASSER VENT LINE FOR COOLANT	1	ST PC	NN		
600	5282000158	ENTLUEFTUNGSLEITUNG FUER KUEHLWASSER VENT LINE FOR COOLANT	1	ST PC	NN		
650	5569970574	T-STUECK TEE	1	ST PC	NN		
700	5282000258	ENTLUEFTUNGSLEITUNG FUER KUEHLWASSER VENT LINE FOR COOLANT	1	ST PC	NN		
750	X00015980	ENTLUEFTUNGSLEITUNG VENT LINE	1	ST PC	SB		
800	5569970574	T-STUECK TEE	1	ST PC	NN		
850	5282000658	ENTLUEFTUNGSLEITUNG FUER KUEHLWASSER VENT LINE FOR COOLANT	1	ST PC	NN		
950	X00040696	ENTLUEFTUNGSLEITUNG VENT LINE	1	ST PC	SB		
1050	5249972672	STUTZEN UNION	1	ST PC			
1100	007603014102	DICHTRING SEALING RING	1	ST PC		A 14 X 18	DIN7603
1150	5240780045	VERTEILERSTUECK DISTRIBUTOR	1	ST PC			
1160	000908014001	VERSCHLUSSSCHRAUBE PLUG	1	ST PC		M 14 X 1,5	DIN908
1170	007603014102	DICHTRING SEALING RING	1	ST PC		A 14 X 18	DIN7603
1250	X00013039	HALTER RETAINER	1	ST PC			
1300	000933008103	SECHSKANTSCHRAUBE SCREW	2	ST PC		M 8 X 80	DIN933
1400	000931006087	SECHSKANTSCHRAUBE SCREW	2	ST PC		M 6 X 65	DIN931

TYP/MODEL: 20V4000G43
 SERIENNUMMER/
 SERIAL NO: 20V4000G43

KUEHLW-ENTLUEFTUNG NT/HT-KREISLAUF
 COOLANT VENT LT/HT SYSTEM

FG/FGS: 202 65
 STUECKLISTE/ X00030279
 BOM: X00030279

POS. BESTELNR. ITEM PART NO.	BENENNUNG DESIGNATION	STO QTY.	EINHEIT UNIT	FN FN	ABMESSUNGEN DIMENSIONS	NORM STANDARD
1450 000934006006	SECHSKANTMUTTER HEX NUT	2	ST PC		M 6	DIN934
1550 915006010002	DOPPELSTUTZEN UNION	2	ST PC		10	N15006
1600 007603018101	DICHTRING SEALING RING	2	ST PC		A 18 X 22	DIN7603
1650 915001010004	MUTTER NUT	2	ST PC		10 M 18 X 1,5	N15001
1700 915005010000	VERSCHLUSSKEGEL SEALING CONE	2	ST PC		12	MBN15005
1800 X52820200080	ENTLUEFTUNGSLEITUNG VENT LINE	1	ST PC	SB		
1850 X00040693	ENTLUEFTUNGSLEITUNG VENT LINE	1	ST PC	SB		
1950 5249972672	STUTZEN UNION	2	ST PC			
2000 007603014102	DICHTRING SEALING RING	2	ST PC		A 14 X 18	DIN7603
2100 735211010000	VERSCHRAUBUNG UNION	2	ST PC	P	10M 14 X 1,5	MTN5211
2200 X00030274	ENTLUEFTUNGSLEITUNG VENT LINE	1	ST PC	SB		
2202 735038006103	SCHLAUCHLEITUNG HOSE	1	ST PC		1SN 6 CC 500	MTN5038
2210 700325012100	ROHRKLEMMENHAELFTE PIPE CLAMP HALF	2	ST PC		1/1 D 9 - 12	MMN325
2215 700327008000	TUELLE GROMMET	1	ST PC		8	MMN327
2220 000933008116	SECHSKANTSCHRAUBE SCREW	1	ST PC		M 8 X 28	DIN933
2300 700223006000	HOHLSCHRAUBE BANJO SCREW	1	ST PC		A 8	MMN223
2350 007603014102	DICHTRING SEALING RING	2	ST PC		A 14 X 18	DIN7603
2450 5249972672	STUTZEN UNION	1	ST PC			
2500 007603014102	DICHTRING SEALING RING	1	ST PC		A 14 X 18	DIN7603
2650 915007010001	UEBERGANGSSTUTZEN REDUCTION UNION	1	ST PC		10 / 8 (M18X1, 5/M16X1,5)	N15007
2700 007603018104	DICHTRING SEALING RING	1	ST PC		A 18 X 24	DIN7603

TYP/MODEL: 20V4000G43
 SERIENNUMMER/
 SERIAL NO: 20V4000G43

KUEHLW-ENTLUEFTUNG NT/HT-KREISLAUF
 COOLANT VENT LT/HT SYSTEM

FG/FGS: 202 65
 STUECKLISTE/ X00030279
 BOM: X00030279

POS. BESTELLNR.	BENENNUNG	STO	EINHEIT	FN	ABMESSUNGEN	NORM
ITEM PART NO.	DESIGNATION	QTY.	UNIT	FN	DIMENSIONS	STANDARD
2750 X00030641	ENTLUEFTUNGSLEITUNG VENT LINE	1	ST PC	SB		
2800 5282001158	ENTLUEFTUNGSLEITUNG FUER KUEHLWASSER VENT LINE FOR COOLANT	1	ST PC	NN		
2850 X00041825	ENTLUEFTUNGSLEITUNG VENT LINE	1	ST PC	SB		
2900 5240780045	VERTEILERSTUECK DISTRIBUTOR	1	ST PC			
3000 915006006000	DOPPELSTUTZEN UNION	1	ST PC		6	N15006
3050 007603014102	DICHTRING SEALING RING	1	ST PC		A 14 X 18	DIN7603
3150 000908014001	VERSCHLUSSSCHRAUBE PLUG	4	ST PC		M 14 X 1,5	DIN908
3200 007603014102	DICHTRING SEALING RING	4	ST PC		A 14 X 18	DIN7603
3300 X00013438	HALTER RETAINER	1	ST PC			
3310 5511532050	ABSTANDBUCHSE SPACER BUSHING	2	ST PC			
3350 700325012104	ROHRKLEMMENHAELFTE PIPE CLAMP HALF	2	ST PC		2/1 D 9 - 12	MMN325
3360 700325012100	ROHRKLEMMENHAELFTE PIPE CLAMP HALF	2	ST PC		1/1 D 9 - 12	MMN325
3400 700327008000	TUELLE GROMMET	3	ST PC		8	MMN327
3450 304017008086	SECHSKANTSCHRAUBE SCREW	2	ST PC		M 8 X 45	ISO4017
3500 000934008008	SECHSKANTMUTTER HEX NUT	2	ST PC		M 8	DIN934
3600 007349008002	SCHEIBE WASHER	2	ST PC		8,4	DIN7349
3610 X00040132	HALTER RETAINER	1	ST PC			
3615 700325012104	ROHRKLEMMENHAELFTE PIPE CLAMP HALF	2	ST PC		2/1 D 9 - 12	MMN325
3617 700325012100	ROHRKLEMMENHAELFTE PIPE CLAMP HALF	2	ST PC		1/1 D 9 - 12	MMN325
3620 700327008000	TUELLE GROMMET	3	ST PC		8	MMN327
3625 304017008085	SECHSKANTSCHRAUBE SCREW	2	ST PC		M 8 X 40	ISO4017

TYP/MODEL: 20V4000G43
SERIENNUMMER/
SERIAL NO: 20V4000G43

KUEHLW-ENTLUEFTUNG NT/HT-KREISLAUF
COOLANT VENT LT/HT SYSTEM

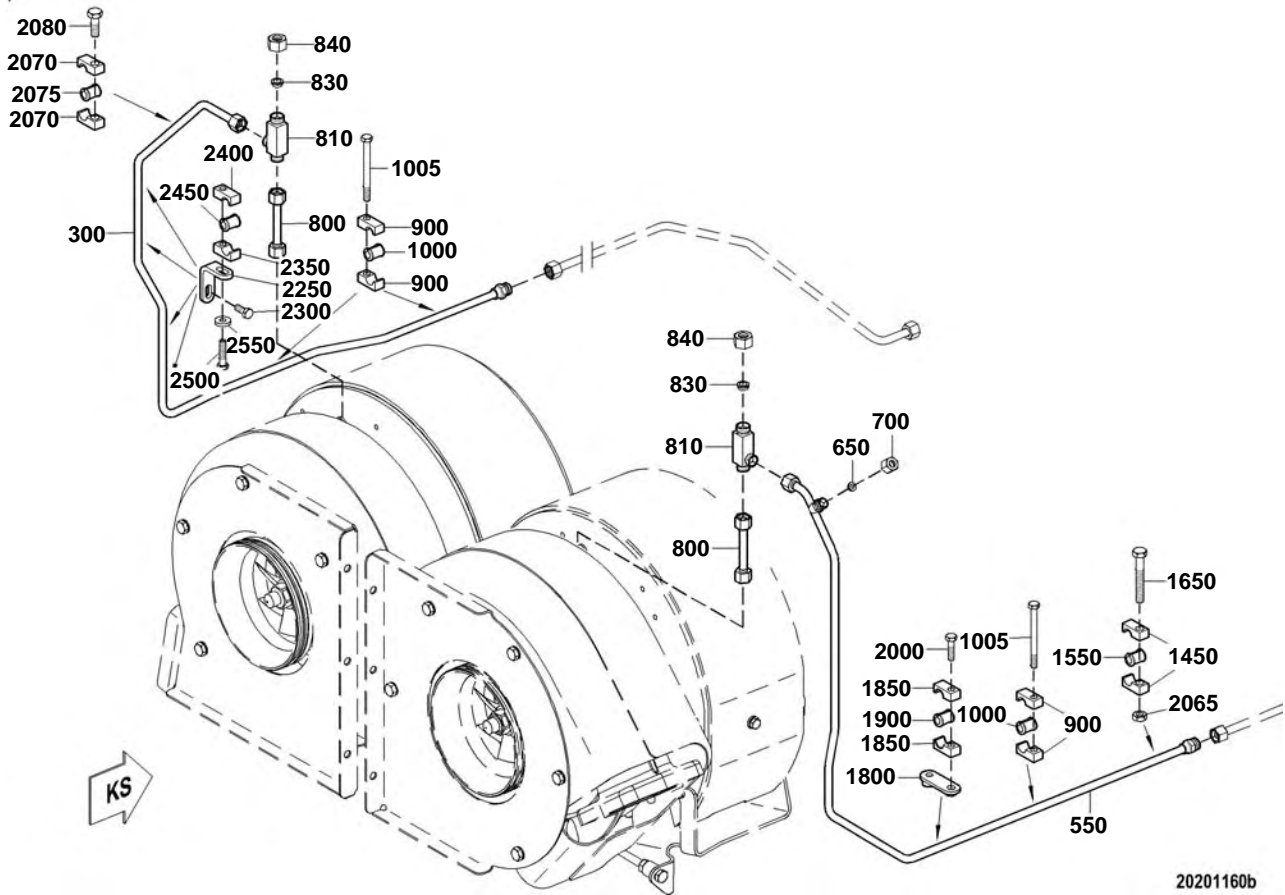
FG/FGS: 202 65
STUECKLISTE/ X00030279
BOM: X00030279

POS.	BESTELLNR.	BENENNUNG	STO	EINHEIT	FN	ABMESSUNGEN	NORM
ITEM	PART NO.	DESIGNATION	QTY.	UNIT	FN	DIMENSIONS	STANDARD
3630	000934008008	SECHSKANTMUTTER HEX NUT	2	ST PC		M 8	DIN934
3640	007349008002	SCHEIBE WASHER	2	ST PC		8,4	DIN7349
3700	5612033740	HALTER RETAINER	2	ST PC	NN		
3750	000931010237	SECHSKANTSCHRAUBE SCREW	1	ST PC		M 10 X 90	DIN931
3800	000125010524	SCHEIBE WASHER	1	ST PC		A 10,5	DIN125
3850	700325012100	ROHRKLEMMENHAELFTE PIPE CLAMP HALF	4	ST PC		1/1 D 9 - 12	MMN325
3900	700327008000	TUELLE GROMMET	2	ST PC		8	MMN327
3950	304017008083	SECHSKANTSCHRAUBE SCREW	2	ST PC		M 8 X 30	ISO4017
3955	8202033143	HALTER RETAINER	2	ST PC	NN		
3956	000931010127	SECHSKANTSCHRAUBE SCREW	2	ST PC		M 10 X 80	DIN931
3960	700325012100	ROHRKLEMMENHAELFTE PIPE CLAMP HALF	4	ST PC		1/1 D 9 - 12	MMN325
3965	700327008000	TUELLE GROMMET	2	ST PC		8	MMN327
3970	304017008083	SECHSKANTSCHRAUBE SCREW	2	ST PC		M 8 X 30	ISO4017
4050	007349010001	SCHEIBE WASHER	11	ST PC		10,5	DIN7349
4100	700325012111	ROHRKLEMMENHAELFTE PIPE CLAMP HALF	22	ST PC		1/1 D11 - 12	MMN325
4150	700327008000	TUELLE GROMMET	11	ST PC		8	MMN327
4200	000933010144	SECHSKANTSCHRAUBE SCREW	11	ST PC		M 10 X 60	DIN933
4300	700325012100	ROHRKLEMMENHAELFTE PIPE CLAMP HALF	6	ST PC		1/1 D 9 - 12	MMN325
4350	700327008000	TUELLE GROMMET	3	ST PC		8	MMN327
4360	000931008209	SECHSKANTSCHRAUBE SCREW	3	ST PC		M 8 X 95	DIN931
4900	000125008427	SCHEIBE WASHER	3	ST PC		A 8,4	DIN125

TYP/MODEL: 20V4000G43
SERIENNUMMER/
SERIAL NO: 20V4000G43

KUEHLW-RUECKL-LTG F.ABGASTURBOLADER
COOLANT RETURN LINE F/TURBOCHARGER

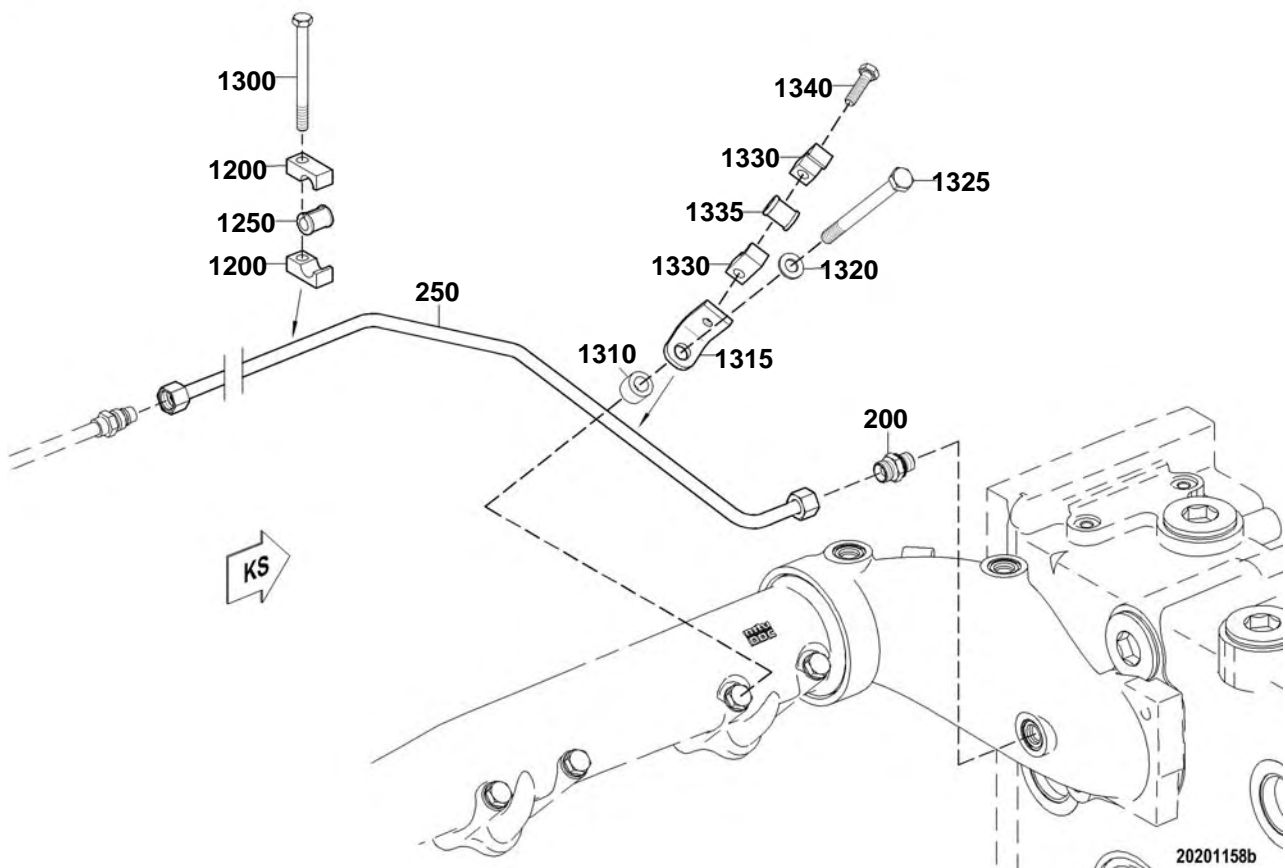
FG/FGS: 202 80
STUECKLISTE/
BOM: X00030280

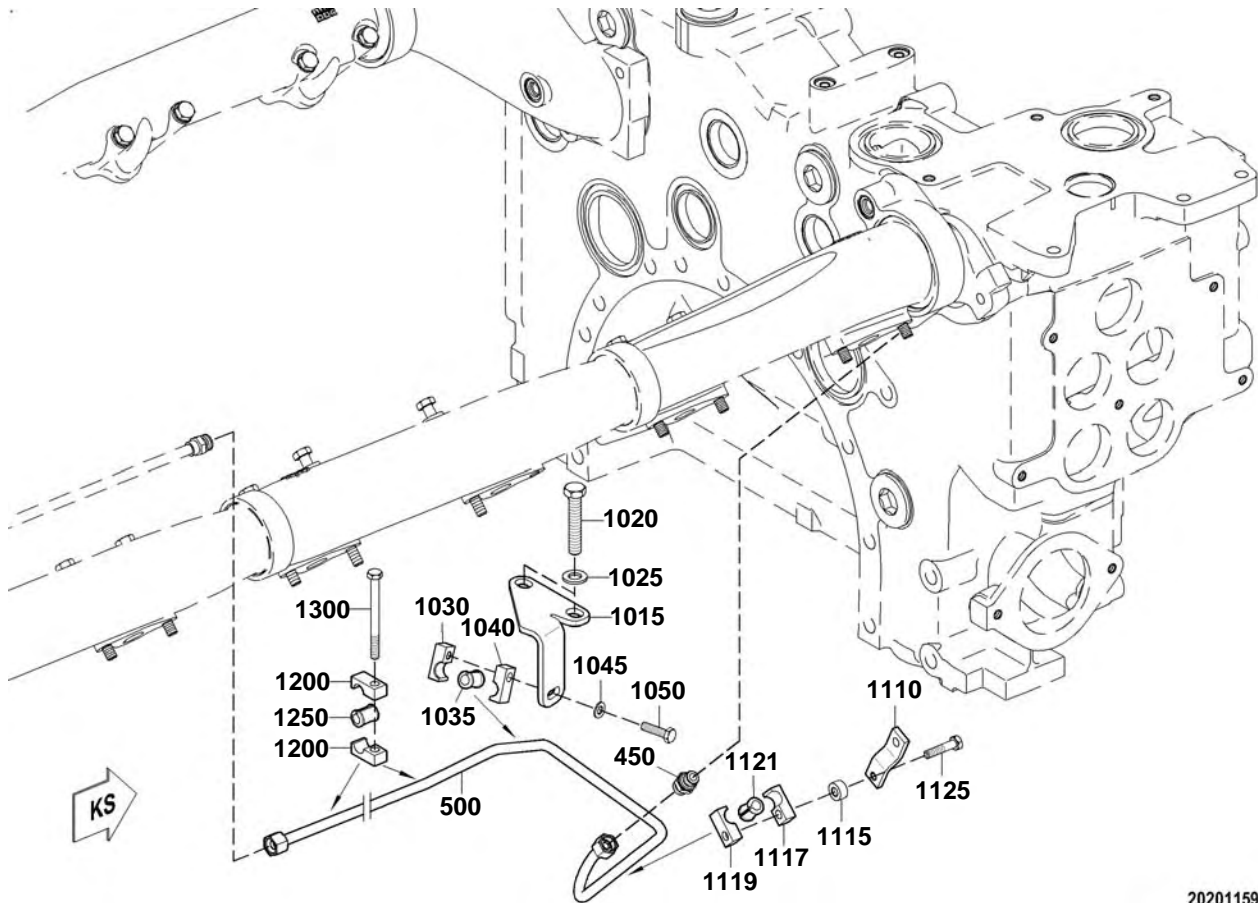


TYP/MODEL: 20V4000G43
SERIENNUMMER/
SERIAL NO: 20V4000G43

KUEHLW-RUECKL-LTG F.ABGASTURBOLADER
COOLANT RETURN LINE F/TURBOCHARGER

FG/FGS: 202 80
STUECKLISTE/
BOM: X00030280





20201159b

POS. ITEM	BESTELLNR. PART NO.	BENENNUNG DESIGNATION	STO QTY.	EINHEIT UNIT	FN FN	ABMESSUNGEN DIMENSIONS	NORM STANDARD
200	735211010000	VERSCHRAUBUNG UNION	1	ST PC	P	10M 14 X 1,5	MTN5211
250	X00030630	KUEHLWASSERLEITUNG COOLANT LINE	1	ST PC	SB		
300	X00012712	KUEHLWASSERLEITUNG COOLANT LINE	1	ST PC	NN		
450	735211010000	VERSCHRAUBUNG UNION	1	ST PC	P	10M 14 X 1,5	MTN5211
550	X00012713	KUEHLWASSERLEITUNG COOLANT LINE	1	ST PC	NN		
650	915005006000	VERSCHLUSSKEGEL SEALING CONE	1	ST PC		8	MBN15005
700	915001006003	MUTTER NUT	1	ST PC		6 M 14 X 1,5	N15001
800	5282001858	KUEHLWASSERLEITUNG COOLANT LINE	2	ST PC	SB		
810	X52899100007	T-STUECK MIT BLENDE TEE WITH BAFFLE	2	ST PC			
830	915005010000	VERSCHLUSSKEGEL SEALING CONE	2	ST PC		12	MBN15005

TYP/MODEL: 20V4000G43
 SERIENNUMMER/
 SERIAL NO: 20V4000G43

KUEHLW-RUECKL-LTG F.ABGASTURBOLADER
 COOLANT RETURN LINE F/TURBOCHARGER

FG/FGS: 202 80
 STUECKLISTE/ X00030280
 BOM: X00030280

POS. ITEM	BESTELNR. PART NO.	BENENNUNG DESIGNATION	STO QTY.	EINHEIT UNIT	FN FN	ABMESSUNGEN DIMENSIONS	NORM STANDARD
840	915001010004	MUTTER NUT	2	ST PC		10 M 18 X 1,5	N15001
900	700325015100	ROHRKLEMMENHAELFTE PIPE HALF-CLAMP	6	ST PC		1/1 D 9 - 15	MMN325
1000	700327010000	TUELLE GROMMET	3	ST PC		10	MMN327
1005	000931008207	SECHSKANTSCHRAUBE SCREW	3	ST PC		M 8 X 90	DIN931
1015	X00040630	HALTER RETAINER	1	ST PC			
1020	000000003917	SECHSKANTSCHRAUBE SCREW	2	ST PC		M 12 X 65	ISO4017
1025	000125013012	SCHEIBE WASHER	2	ST PC		A 13	DIN125
1030	700325015100	ROHRKLEMMENHAELFTE PIPE HALF-CLAMP	1	ST PC		1/1 D 9 - 15	MMN325
1035	700325015200	ROHRKLEMMENHAELFTE PIPE CLAMP HALF	1	ST PC		1/1 G 8 - 15	MMN325
1040	700327010000	TUELLE GROMMET	1	ST PC		10	MMN327
1045	735151008100	SCHEIBE WASHER	1	ST PC		A 8,4	MTN5151
1050	304017008084	SECHSKANTSCHRAUBE SCREW	1	ST PC		M 8 X 35	ISO4017
1110	5500750240	HALTER RETAINER	1	ST PC	NN		
1115	735151008200	SCHEIBE WASHER	1	ST PC		B 8,4	MTN5151
1117	700325015200	ROHRKLEMMENHAELFTE PIPE CLAMP HALF	1	ST PC		1/1 G 8 - 15	MMN325
1119	700325015100	ROHRKLEMMENHAELFTE PIPE HALF-CLAMP	1	ST PC		1/1 D 9 - 15	MMN325
1121	700327010000	TUELLE GROMMET	1	ST PC		10	MMN327
1125	304017008084	SECHSKANTSCHRAUBE SCREW	1	ST PC		M 8 X 35	ISO4017
1200	700325015100	ROHRKLEMMENHAELFTE PIPE HALF-CLAMP	6	ST PC		1/1 D 9 - 15	MMN325
1250	700327010000	TUELLE GROMMET	3	ST PC		10	MMN327
1300	000931008207	SECHSKANTSCHRAUBE SCREW	3	ST PC		M 8 X 90	DIN931

TYP/MODEL: 20V4000G43
 SERIENNUMMER/
 SERIAL NO: 20V4000G43

KUEHLW-RUECKL-LTG F.ABGASTURBOLADER
 COOLANT RETURN LINE F/TURBOCHARGER

FG/FGS: 202 80
 STUECKLISTE/ X00030280
 BOM: X00030280

POS. ITEM	BESTELLNR. PART NO.	BENENNUNG DESIGNATION	STO QTY.	EINHEIT UNIT	FN FN	ABMESSUNGEN DIMENSIONS	NORM STANDARD
1310	5599920601	ABSTANDBUCHSE SPACER BUSHING	1	ST PC			
1315	5612033740	HALTER RETAINER	1	ST PC	NN		
1320	000125010524	SCHEIBE WASHER	1	ST PC		A 10,5	DIN125
1325	000931010247	SECHSKANTSCHRAUBE SCREW	1	ST PC		M 10 X120	DIN931
1330	700325015100	ROHRKLEMMENHAELFTE PIPE HALF-CLAMP	2	ST PC		1/1 D 9 - 15	MMN325
1335	700327010000	TUELLE GROMMET	1	ST PC		10	MMN327
1340	304017008083	SECHSKANTSCHRAUBE SCREW	1	ST PC		M 8 X 30	ISO4017
1450	700325015110	ROHRKLEMMENHAELFTE PIPE CLAMP HALF	2	ST PC		1/1 D11 - 15	MMN325
1550	700327010000	TUELLE GROMMET	1	ST PC		10	MMN327
1650	000931010236	SECHSKANTSCHRAUBE SCREW	2	ST PC		M 10 X 70	DIN931
1800	X00018512	HALTER RETAINER	1	ST PC			
1850	700325015100	ROHRKLEMMENHAELFTE PIPE HALF-CLAMP	2	ST PC		1/1 D 9 - 15	MMN325
1900	700327010000	TUELLE GROMMET	1	ST PC		10	MMN327
2000	304017008083	SECHSKANTSCHRAUBE SCREW	1	ST PC		M 8 X 30	ISO4017
2050	304017008081	SECHSKANTSCHRAUBE SCREW	1	ST PC		M 8 X 25	ISO4017
2065	5561870453	ABSTANDHUELSE SPACER SLEEVE	1	ST PC			
2070	700325015100	ROHRKLEMMENHAELFTE PIPE HALF-CLAMP	2	ST PC		1/1 D 9 - 15	MMN325
2075	700327010000	TUELLE GROMMET	1	ST PC		10	MMN327
2080	000933010092	SECHSKANTSCHRAUBE SCREW	1	ST PC		M 10 X 30	DIN933
2250	X00006907	HALTER RETAINER	4	ST PC			
2300	304017008079	SECHSKANTSCHRAUBE SCREW	4	ST PC		M 8 X 20	ISO4017

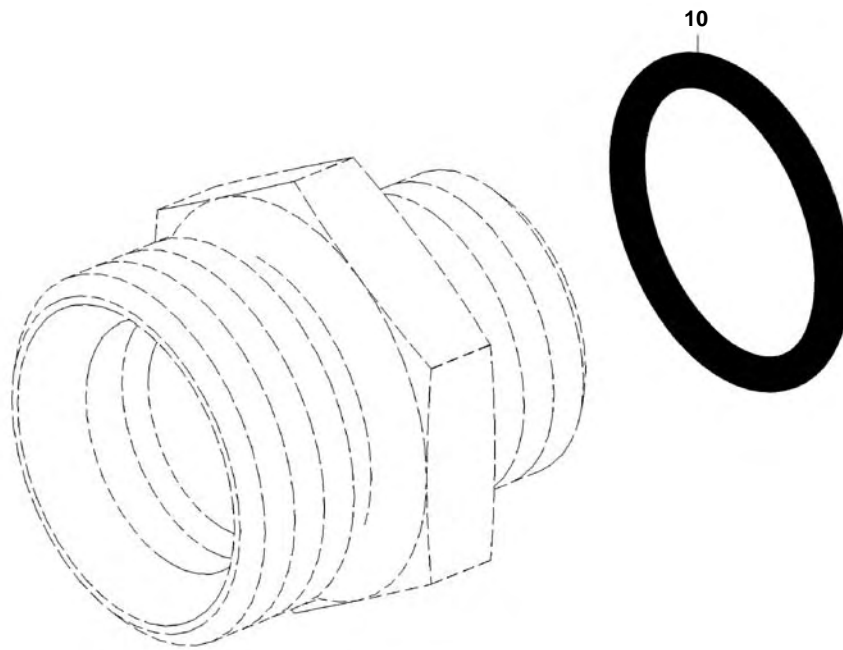
TYP/MODEL: 20V4000G43 KUEHLW-RUECKL-LTG F.ABGASTURBOLADER FG/FGS: 202 80
 SERIENNUMMER/ COOLANT RETURN LINE F/TURBOCHARGER STUECKLISTE/ X00030280
 SERIAL NO: 20V4000G43 BOM: X00030280

POS. ITEM	BESTELLNR. PART NO.	BENENNUNG DESIGNATION	STO QTY.	EINHEIT UNIT	FN FN	ABMESSUNGEN DIMENSIONS	NORM STANDARD
2350	700325015100	ROHRKLEMMENHAELFTE PIPE HALF-CLAMP	4	ST PC		1/1 D 9 - 15	MMN325
2400	700325015200	ROHRKLEMMENHAELFTE PIPE CLAMP HALF	4	ST PC		1/1 G 8 - 15	MMN325
2450	700327010000	TUELLE GROMMET	4	ST PC		10	MMN327
2500	304017008084	SECHSKANTSCHRAUBE SCREW	4	ST PC		M 8 X 35	ISO4017
2550	007349008002	SCHEIBE WASHER	8	ST PC		8,4	DIN7349
	X00016148	KUEHLWASSERLEITUNG COOLANT LINE	1	ST PC	SB		

TYP/MODEL: 20V4000G43
SERIENNUMMER/
SERIAL NO: 20V4000G43

VERSCHRAUBUNG
UNION

FG/FGS:
STUECKLISTE/
BOM: 735211010000



08600232a

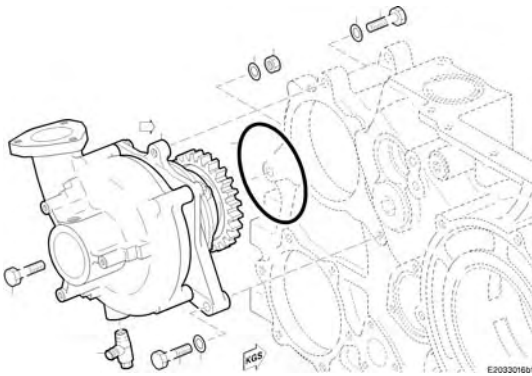
POS. ITEM	BESTELNR. PART NO.	BENENNUNG DESIGNATION	STO QTY.	EINHEIT UNIT	ABMESSUNGEN DIMENSIONS	NORM STANDARD
10	735221011000	O-RING O-RING	1	ST PC	11,3 X 2,2 - M14X1,5	MTN5221

TYP/MODEL: 20V4000G43
SERIENNUMMER/
SERIAL NO: 20V4000G43

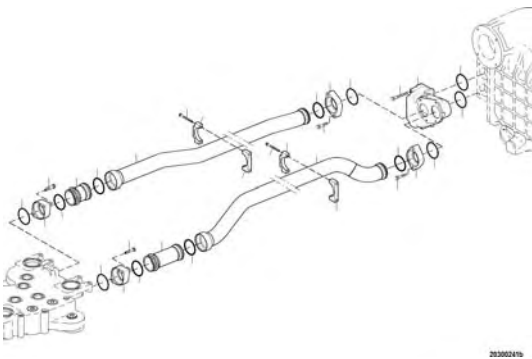
NIEDERTEMPERATURKREISLAUF
LOW-TEMPERATURE CIRCUIT

FG/FGS: 203
STUECKLISTE/
BOM:

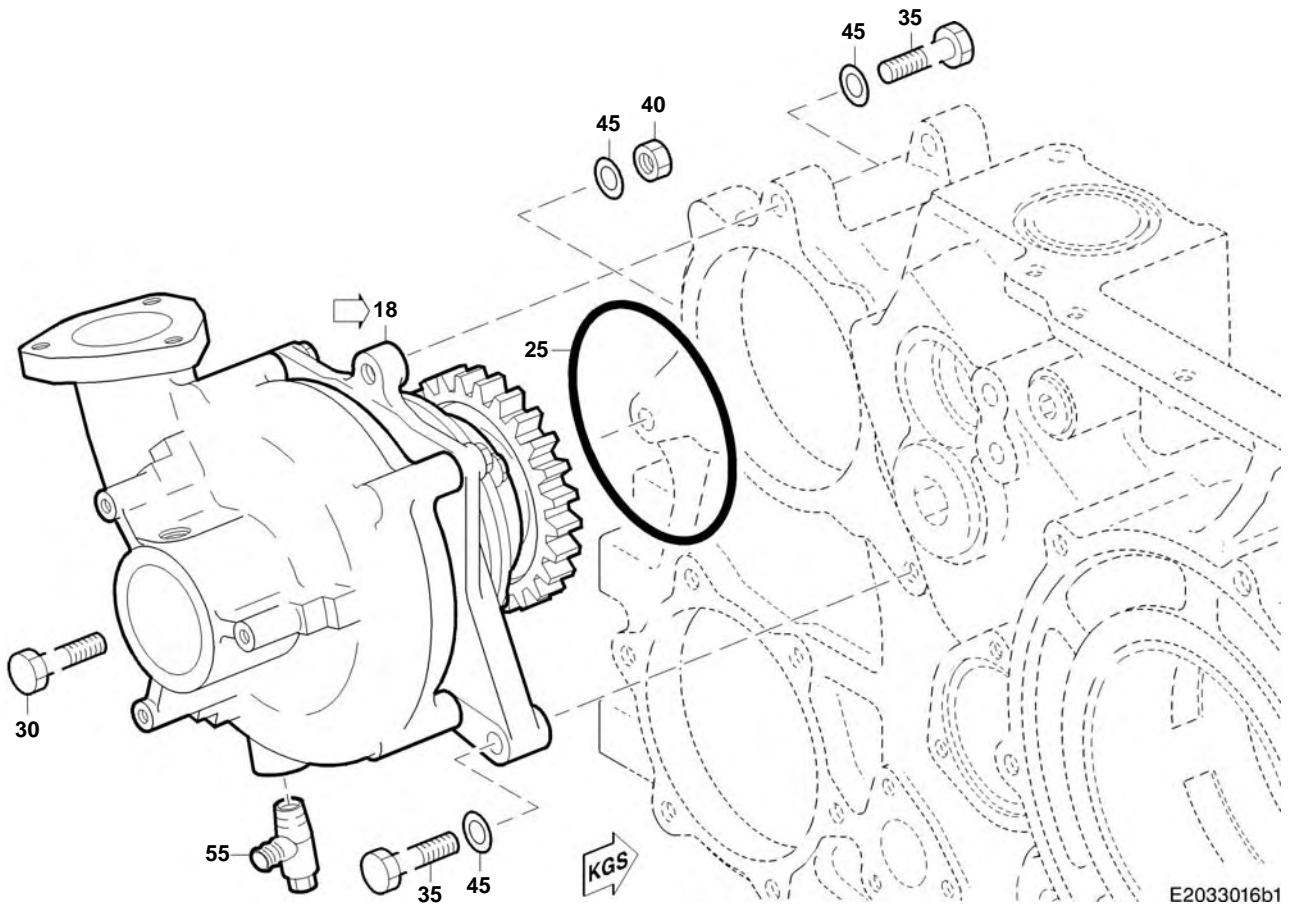
FUNKTIONSGRUPPE/GROUP NUMBER (FG)
GRUPPENNAME/GROUP NAME
STÜCKLISTENR/BOM NO.



203
WASSERPUMPE NT-WASSERKREISLAUF
COOLANT PUMP
200.00321



203
KUEHLWASSERFUEHRUNG NT-KREISLAUF
COOLANT DUCTING LT CIRCUIT
X00030276

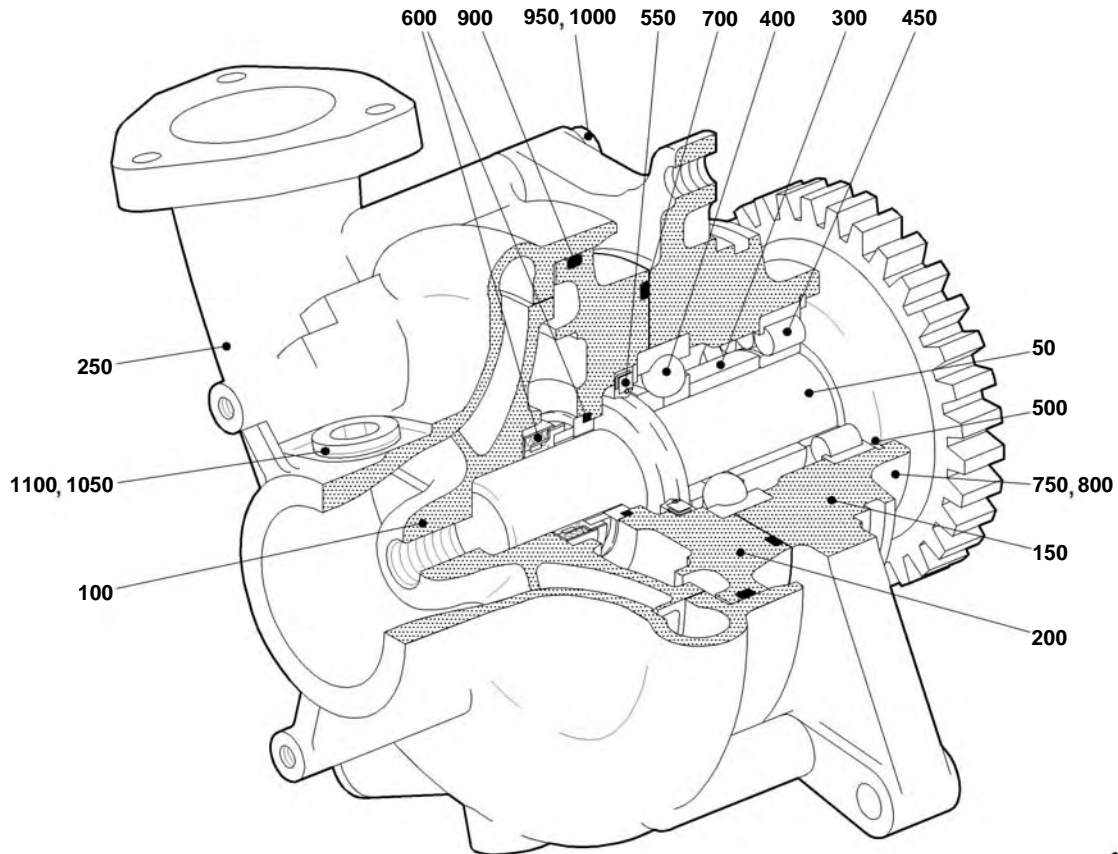


POS. ITEM	BESTELLNR. PART NO.	BENENNUNG DESIGNATION	STO QTY.	EINHEIT UNIT	ABMESSUNGEN DIMENSIONS	NORM STANDARD
18	X00008649	WASSERPUMPE NT-KREISLAUF COOLANT PUMP LOW-TEMP CIRCUIT	1	ST PC		
25	700429130003	O-RING O-RING	1	ST PC	130 X 5	MMN429
30	000931012143	SECHSKANTSCHRAUBE SCREW	1	ST PC	M 12 X 70	DIN931
35	000933012051	SECHSKANTSCHRAUBE SCREW	2	ST PC	M 12 X 50	DIN933
40	000934012008	SECHSKANTMUTTER HEX NUT	1	ST PC	M 12	DIN934
45	000125013012	SCHEIBE WASHER	3	ST PC	A 13	DIN125
55	0049976736	ABLASSVENTIL DRAIN VALVE	1	ST PC		

TYP/MODEL: 20V4000G43
 SERIENNUMMER/
 SERIAL NO: 20V4000G43

WASSERPUMPE NT-KREISLAUF
 COOLANT PUMP LOW-TEMP CIRCUIT

FG/FGS:
 STUECKLISTE/
 BOM: X00008649



20201156a

POS. ITEM	BESTELLNR. PART NO.	BENENNUNG DESIGNATION	STO QTY.	EINHEIT UNIT	ABMESSUNGEN DIMENSIONS	NORM STANDARD
50	5272010805	WASSERPUMPENWELLE COOLANT PUMP SHAFT	1	ST PC		
100	X00008657	LAUFRAD F.MOTORWASSERPUMPE IMPELLER F/ENGINE COOLANT PM	1	ST PC		
150	5272010010	LAGERGEHAEUSE BEARING HOUSING	1	ST PC		
200	X00008652	DICHTRINGHALTER SEAL CARRIER	1	ST PC		
250	X00008656	SPIRALGEHAEUSE NT-KREISLAUF VOLUTE LT CIRCUIT	1	ST PC		
300	5272010153	ABSTANDHUELSE SPACER SLEEVE	1	ST PC		
350	X00021750	ZAHNRAD GEAR	1	ST PC		
400	200628103006	SCHRAEGKUGELLAGER ANGLR-CONT BALL BRG	1	ST PC	QJ308	DIN628
450	705100502035	ZYLINDERROLLENLAGER CYL ROLLER BEARING	1	ST PC	NU208	DIN5412
500	000472080000	SICHERUNGSRING SNAP RING	1	ST PC	80 X 2,5	DIN472

TYP/MODEL: 20V4000G43
SERIENNUMMER/
SERIAL NO: 20V4000G43

WASSERPUMPE NT-KREISLAUF
COOLANT PUMP LOW-TEMP CIRCUIT

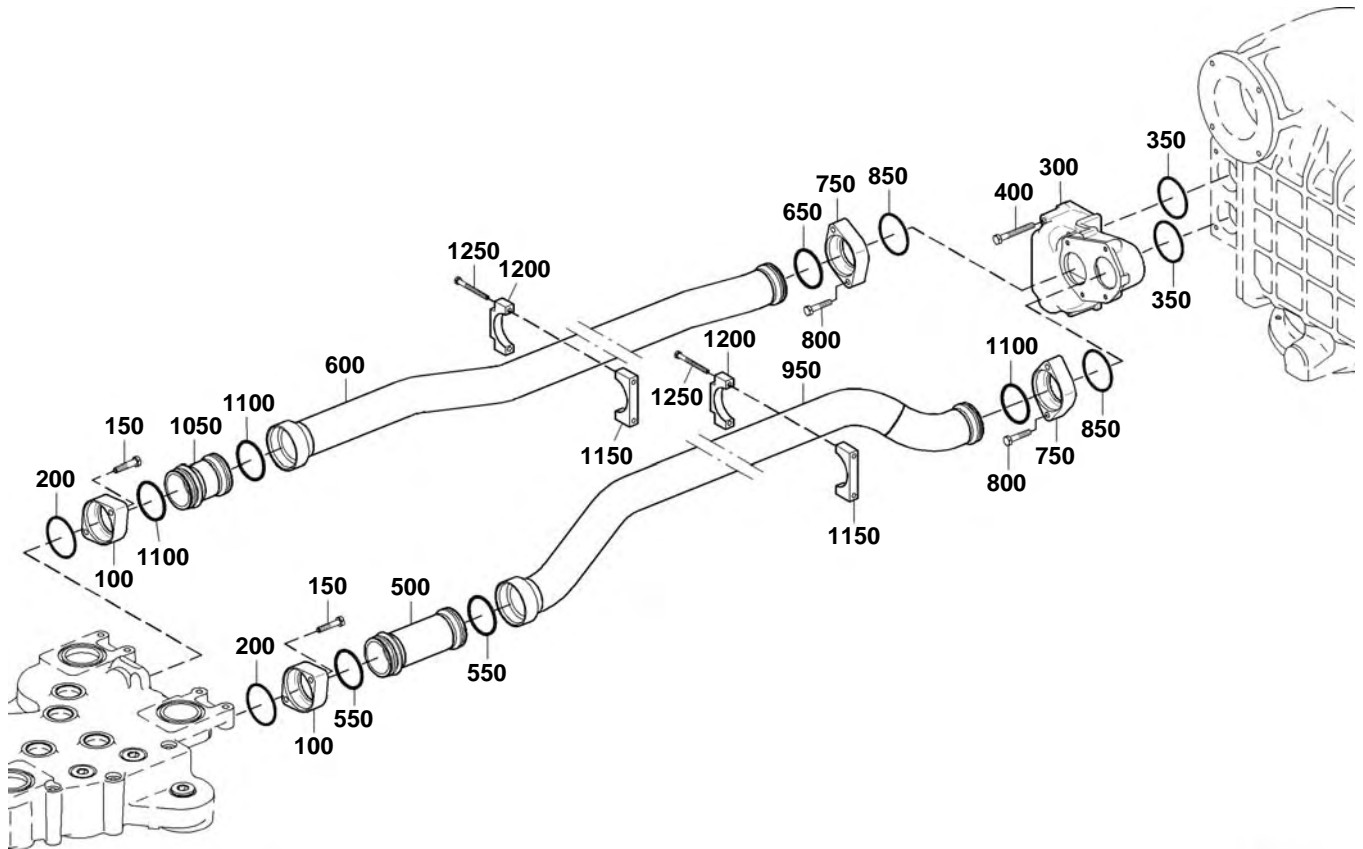
FG/FGS:
STUECKLISTE/ X00008649
BOM: X00008649

POS. ITEM	BESTELLN. PART NO.	BENENNUNG DESIGNATION	STO QTY.	EINHEIT UNIT	ABMESSUNGEN DIMENSIONS	NORM STANDARD
550	700386050002	WELLENDICHTRING SHAFT SEAL	1	ST PC	A 50 X 72 X 8	MMN386
600	0012012519	GLEITRINGDICHTUNG ROTARY SEAL	1	ST PC		
700	700429135000	O-RING O-RING	1	ST PC	135 X 5	MMN429
750	000931008241	SECHSKANTSCHRAUBE SCREW	4	ST PC	M 8 X 75	DIN931
800	000125008427	SCHEIBE WASHER	4	ST PC	A 8,4	DIN125
900	700429172000	O-RING O-RING	1	ST PC	172 X 5	MMN429
950	000933010093	SECHSKANTSCHRAUBE SCREW	4	ST PC	M 10 X 35	DIN933
1000	000125010524	SCHEIBE WASHER	4	ST PC	A 10,5	DIN125
1050	007603018101	DICHTRING SEALING RING	2	ST PC	A 18 X 22	DIN7603
1100	000908018002	VERSCHLUSSSCHRAUBE PLUG	2	ST PC	M 18 X 1,5	DIN908

TYP/MODEL: 20V4000G43
 SERIENNUMMER/
 SERIAL NO: 20V4000G43

KUEHLWASSERFUEHRUNG NT-KREISLAUF
 COOLANT DUCTING LT CIRCUIT

FG/FGS: 203 25
 STUECKLISTE/
 BOM: X00030276



20300241b

POS. ITEM	BESTELLNR. PART NO.	BENENNUNG DESIGNATION	STO QTY.	EINHEIT UNIT	FN FN	ABMESSUNGEN DIMENSIONS	NORM STANDARD
100	5262030439	VORSCHWEISSFLANSCH WELDING-NECK FLANGE	2	ST PC			
150	000000001042	SECHSKANTSCHRAUBE SCREW	4	ST PC		M 10 X 50	ISO4017
200	700429076000	O-RING O-RING	2	ST PC		76 X 4	MMN429
300	5262030222	DOPPELKRUEMMER TWIN ELBOW	1	ST PC			
350	700429076000	O-RING O-RING	2	ST PC		76 X 4	MMN429
400	000931010296	SECHSKANTSCHRAUBE SCREW	4	ST PC		M 10 X 85	DIN931
500	5282000251	ROHRLEITUNG PIPE	1	ST PC	SB		
550	700429070000	O-RING O-RING	2	ST PC		70 X 5	MMN429
600	X00006865	KUEHLW-ZULAUFLEITUNG COOLANT FEED LINE	1	ST PC	SB		
650	700429070000	O-RING O-RING	1	ST PC		70 X 5	MMN429

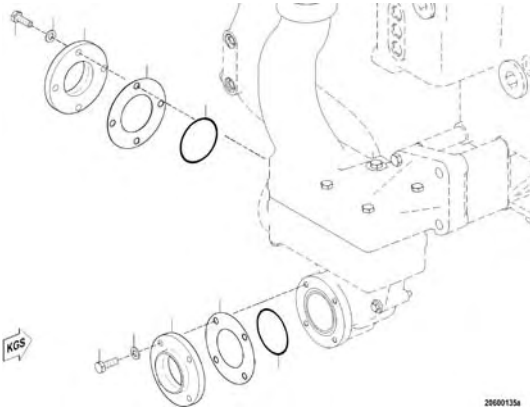
TYP/MODEL: 20V4000G43
 SERIENNUMMER/
 SERIAL NO: 20V4000G43

KUEHLWASSERFUEHRUNG NT-KREISLAUF
 COOLANT DUCTING LT CIRCUIT

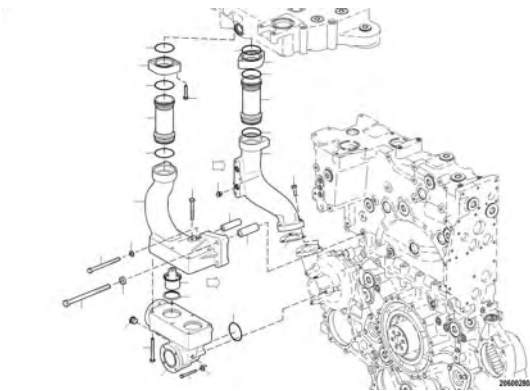
FG/FGS: 203 25
 STUECKLISTE/ X00030276
 BOM: X00030276

POS. ITEM	BESTELLNR. PART NO.	BENENNUNG DESIGNATION	STO QTY.	EINHEIT UNIT	FN FN	ABMESSUNGEN DIMENSIONS	NORM STANDARD
750	5262030439	VORSCHWEISSFLANSCH WELDING-NECK FLANGE	2	ST PC			
800	000000001042	SECHSKANTSCHRAUBE SCREW	4	ST PC		M 10 X 50	ISO4017
850	700429076000	O-RING O-RING	2	ST PC		76 X 4	MMN429
950	X00006867	KUEHLW-RUECKL-LTG COOLANT RETURN LINE	1	ST PC	SB		
1000	700429070000	O-RING O-RING	1	ST PC		70 X 5	MMN429
1050	5282000151	ROHRLEITUNG PIPE	1	ST PC	SB		
1100	700429070000	O-RING O-RING	2	ST PC		70 X 5	MMN429
1150	700346070201	ROHRKLEMMENHAELFTE PIPE CLAMP HALF	6	ST PC		BD 9 - 70	MMN346
1200	700346070101	ROHRKLEMMENHAELFTE PIPE CLAMP HALF	6	ST PC		AD 9 - 70	MMN346
1250	000931008189	SECHSKANTSCHRAUBE SCREW	12	ST PC		M 8 X 85	DIN931

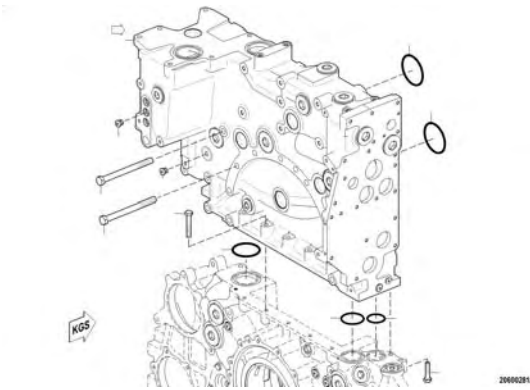
FUNKTIONSGRUPPE/GROUP NUMBER (FG)
GRUPPENNAME/GROUP NAME
STÜCKLISTENNR/BOM NO.



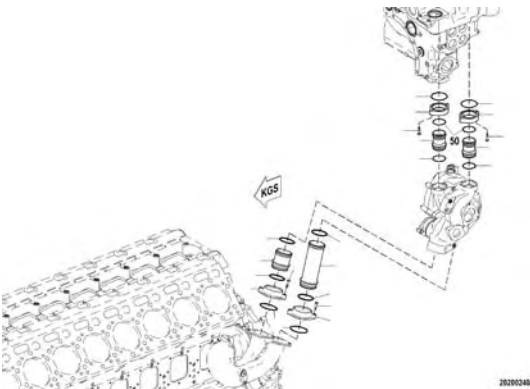
206
ANSCHLUSSTEILE NT-KREISLAUF
CONNECTING HARDWARE LT CIRCUIT
200.00254



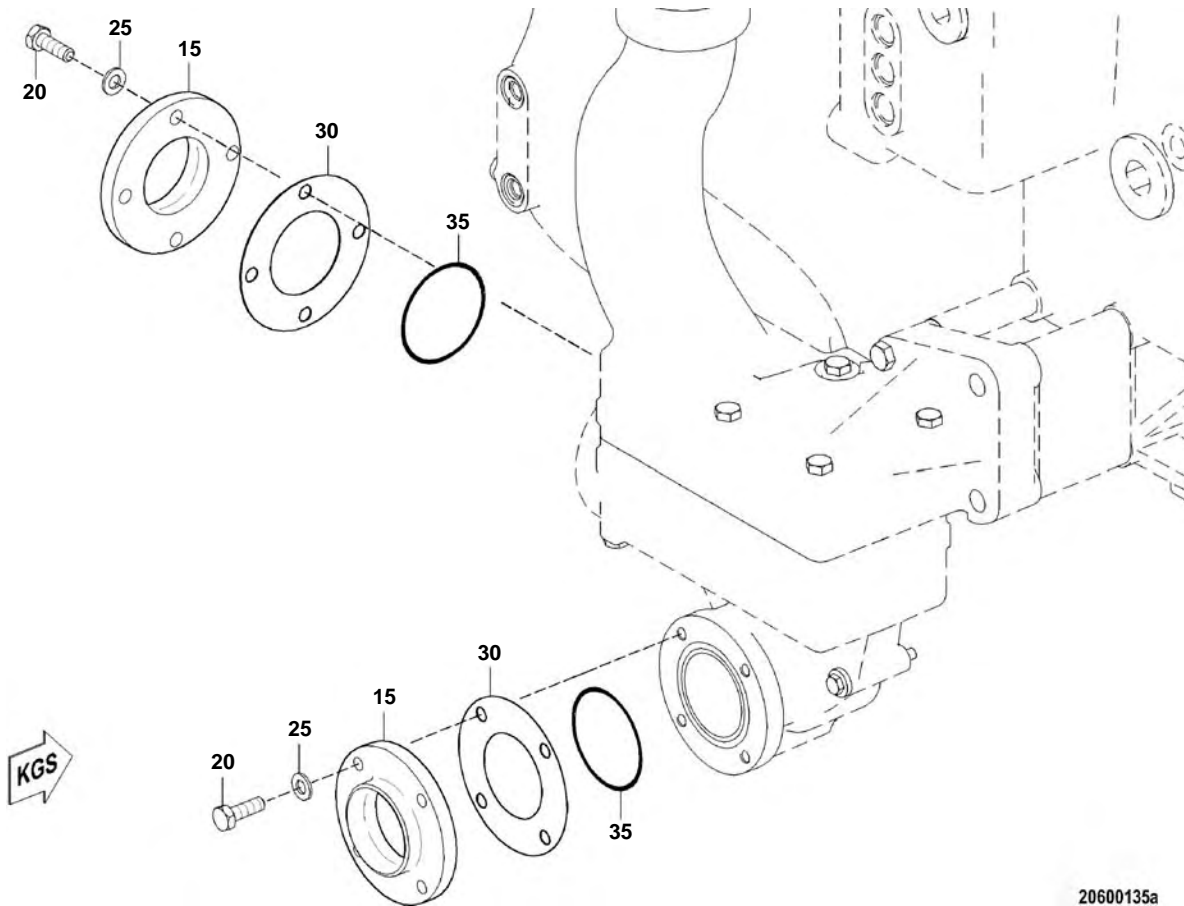
206
THERMOSTATGEHAEUSE NT-KREISLAUF
THERMOSTAT HOUSING LT CIRCUIT
X00022898



206
WASSERFUEHR-GEHAEUSE
COOLANT DISTRIB HSG
X00022899



206
THERMOSTATGEHAEUSE HT-WASSERKREISLAUF
THERMOSTAT HOUSING
200.00248



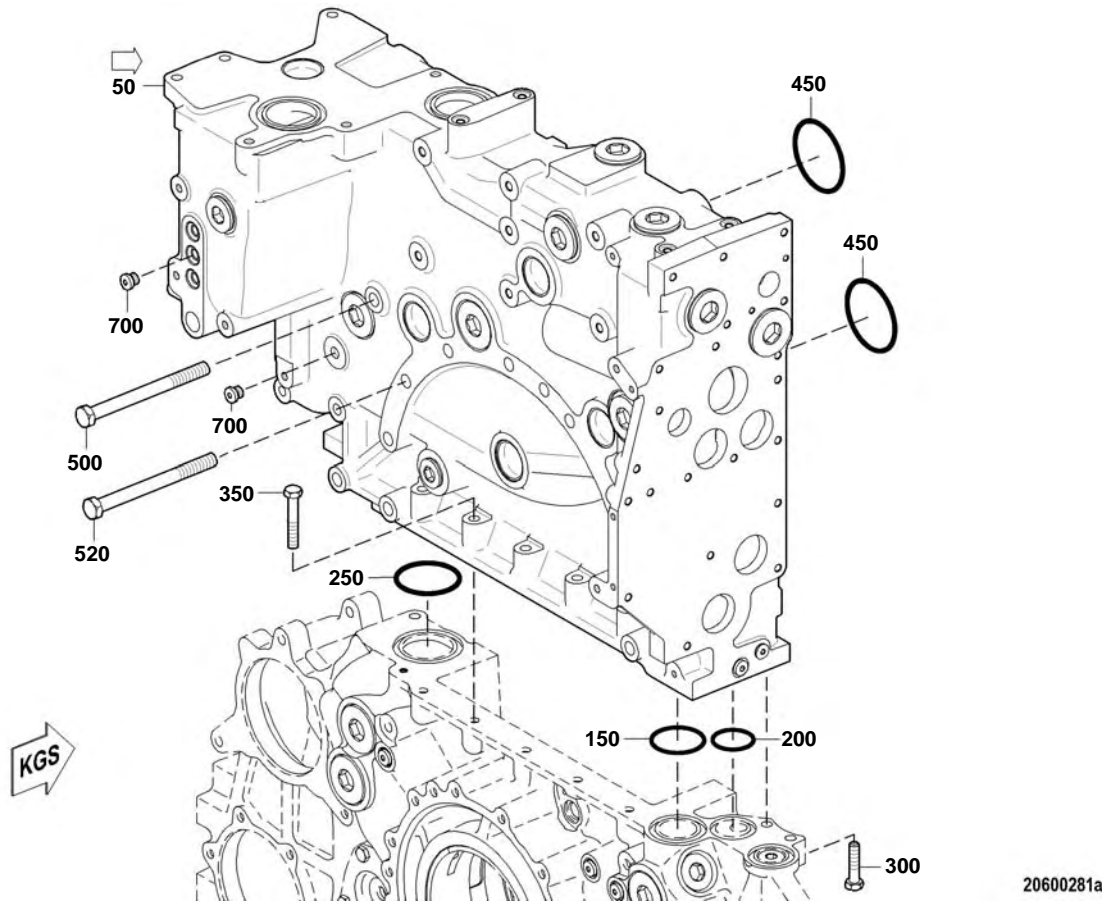
20600135a

POS. ITEM	BESTELLN. PART NO.	BENENNUNG DESIGNATION	STO QTY.	EINHEIT UNIT	ABMESSUNGEN DIMENSIONS	NORM STANDARD
15	5262030039	VORSCHWEISSFLANSCH WELDING-NECK FLANGE	2	ST PC		
20	000933010092	SECHSKANTSCHRAUBE SCREW	8	ST PC	M 10 X 30	DIN933
25	000125010524	SCHEIBE WASHER	8	ST PC	A 10,5	DIN125
30	5242030780	DICHTBEILAGE GASKET	2	ST PC		
35	700429072000	O-RING O-RING	2	ST PC	72 X 3	MMN429

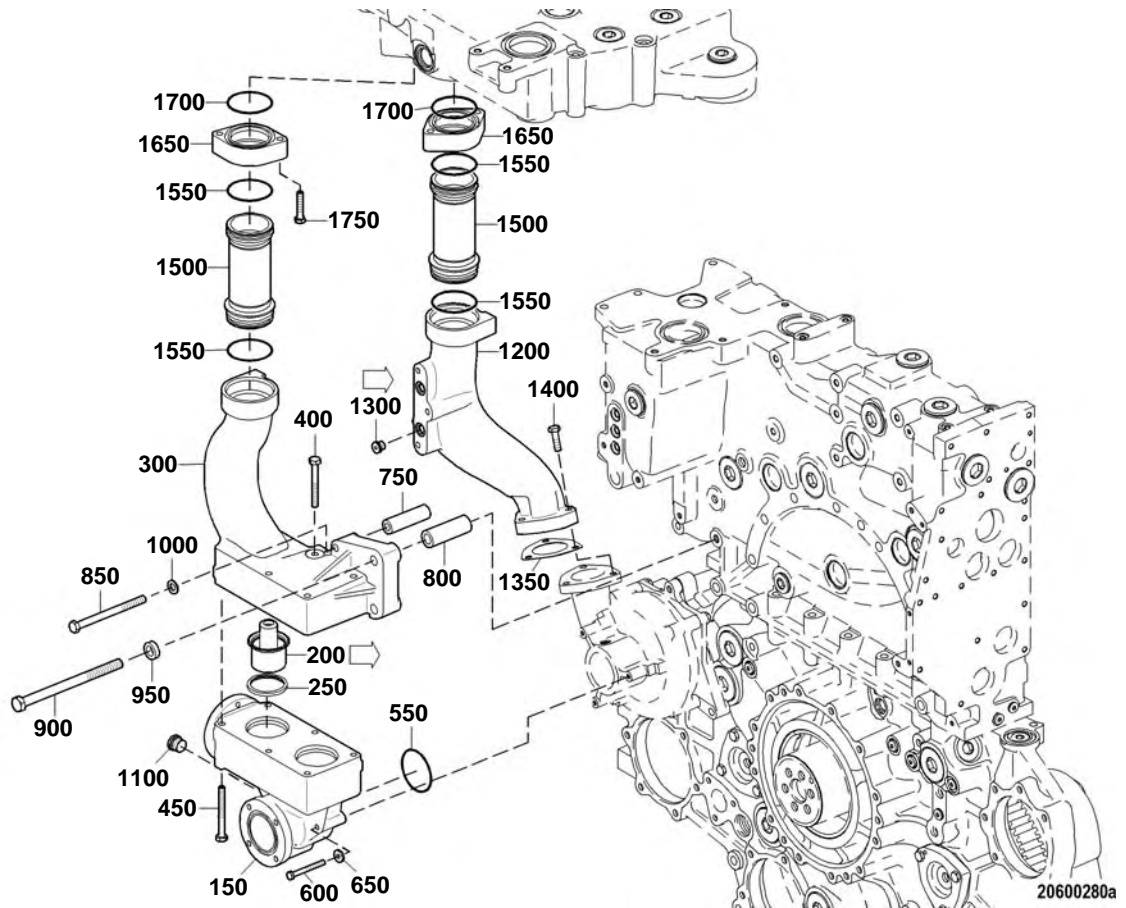
TYP/MODEL: 20V4000G43
 SERIENNUMMER/
 SERIAL NO: 20V4000G43

WASSERFUEHR-GEHAEUSE
 COOLANT DISTRIB HSG

FG/FGS: 206 05
 STUECKLISTE/
 BOM: X00022899



POS. ITEM	BESTELNR. PART NO.	BENENNUNG DESIGNATION	STO QTY.	EINHEIT UNIT	ABMESSUNGEN DIMENSIONS	NORM STANDARD
50	X00025020	WASSERFUEHR-GEHAEUSE COOLANT DISTRIB HSG	1	ST PC		
150	700429055001	O-RING O-RING	1	ST PC	55 X 5	MMN429
200	700429042000	O-RING O-RING	1	ST PC	42 X 5	MMN429
250	700429070000	O-RING O-RING	1	ST PC	70 X 5	MMN429
300	000933012051	SECHSKANTSCHRAUBE SCREW	2	ST PC	M 12 X 50	DIN933
350	000931012143	SECHSKANTSCHRAUBE SCREW	5	ST PC	M 12 X 70	DIN931
450	700429083000	O-RING O-RING	2	ST PC	83 X 5	MMN429
500	000931016125	SECHSKANTSCHRAUBE SCREW	6	ST PC	M 16 X 180	DIN931
520	00000003324	SECHSKANTSCHRAUBE SCREW	6	ST PC	M 16 X 190	ISO4014
700	735210014000	VERSCHLUSSSCHRAUBE PLUG	5	ST PC	M 14 X 1,5	MTN5210



POS. ITEM	BESTELLNR. PART NO.	BENENNUNG DESIGNATION	STO QTY.	EINHEIT UNIT	FN FN	ABMESSUNGEN DIMENSIONS	NORM STANDARD
150	5282030573	THERMOSTATGEHAEUSE THERMOSTAT HOUSING	1	ST PC			
200	0052031575	THERMOSTATEINSATZ THERMAL ACTUATOR	2	ST PC			
250	5132155	ABDICHRING SEAL RING	2	ST PC			
300	5282030273	THERMOSTATGEHAEUSE THERMOSTAT HOUSING	1	ST PC			
400	000931010296	SECHSKANTSCHRAUBE SCREW	4	ST PC		M 10 X 85	DIN931
450	000931010229	SECHSKANTSCHRAUBE SCREW	2	ST PC		M 10 X 95	DIN931
550	700429072000	O-RING O-RING	1	ST PC		72 X 3	MMN429
600	304017008090	SECHSKANTSCHRAUBE SCREW	3	ST PC		M 8 X 70	ISO4017
650	007349008002	SCHEIBE WASHER	3	ST PC		8,4	DIN7349
750	5282030653	ABSTANDROHR SPACER TUBE	1	ST PC			

TYP/MODEL: 20V4000G43
 SERIENNUMMER/
 SERIAL NO: 20V4000G43

THERMOSTATGEHAEUSE NT-KREISLAUF
 THERMOSTAT HOUSING LT CIRCUIT

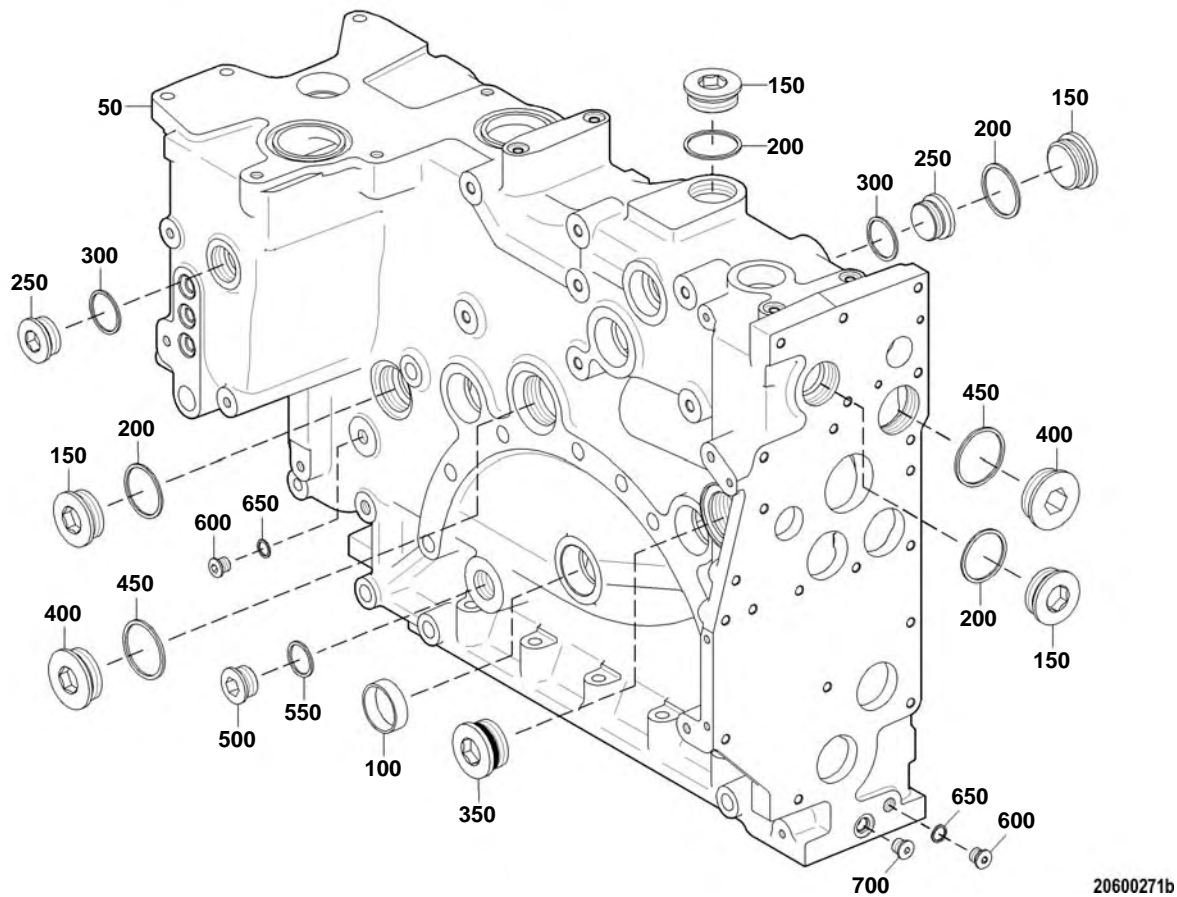
FG/FGS: 206 05
 STUECKLISTE/ X00022898
 BOM: X00022898

POS. ITEM	BESTELLNR. PART NO.	BENENNUNG DESIGNATION	STO QTY.	EINHEIT UNIT	FN FN	ABMESSUNGEN DIMENSIONS	NORM STANDARD
800	X00020527	ABSTANDHUELSE SPACER SLEEVE	2	ST PC			
850	000931012176	SECHSKANTSCHRAUBE SCREW	1	ST PC		M 12 X150	DIN931
900	5249900812	SECHSKANTSCHRAUBE SCREW	2	ST PC		M16X319	
950	207989018200	SCHEIBE WASHER	2	ST PC		A 16	DIN7989
1000	000125013012	SCHEIBE WASHER	1	ST PC		A 13	DIN125
1100	5319970832	VERSCHLUSSSCHRAUBE PLUG	1	ST PC		M22X1.5	
1200	X00028045	KUEHLWASSERKRUEMMER COOLANT ELBOW	1	ST PC			
1300	735210014000	VERSCHLUSSSCHRAUBE PLUG	1	ST PC		M 14 X 1,5	MTN5210
1350	5272030080	DICHTBEILAGE GASKET	1	ST PC			
1400	000933010094	SECHSKANTSCHRAUBE SCREW	3	ST PC		M 10 X 40	DIN933
1500	5262003251	ROHRLEITUNG PIPE	2	ST PC	NN		
1550	700429070000	O-RING O-RING	4	ST PC		70 X 5	MMN429
1650	5262030439	VORSCHWEISSFLANSCH WELDING-NECK FLANGE	2	ST PC			
1700	700429076000	O-RING O-RING	2	ST PC		76 X 4	MMN429
1750	000933010116	SECHSKANTSCHRAUBE SCREW	4	ST PC		M 10 X 45	DIN933

TYP/MODEL: 20V4000G43
 SERIENNUMMER/
 SERIAL NO: 20V4000G43

WASSERFUEHR-GEHAEUSE
 COOLANT DISTRIB HSG

FG/FGS:
 STUECKLISTE/
 BOM: X00025020



20600271b

POS. ITEM	BESTELLNR. PART NO.	BENENNUNG DESIGNATION	STO QTY.	EINHEIT UNIT	ABMESSUNGEN DIMENSIONS	NORM STANDARD
50	X00025019	WASSERFUEHR-GEHAEUSE COOLANT DISTRIB HSG	1	ST PC		
100	5249970020	VERSCHLUSSDECKEL COVER	8	ST PC		
150	000908048004	VERSCHLUSSSCHRAUBE PLUG	8	ST PC	M 48 X 1,5	DIN908
200	007603048101	DICHTRING SEALING RING	8	ST PC	A 48 X 55	DIN7603
250	000908038000	VERSCHLUSSSCHRAUBE PLUG	3	ST PC	M 38 X 1,5	DIN908
300	007603038101	DICHTRING SEALING RING	3	ST PC	A 38 X 44	DIN7603
350	735210048000	VERSCHLUSSSCHRAUBE PLUG	1	ST PC	M 48 X 2	MTN5210
400	000908052003	VERSCHLUSSSCHRAUBE PLUG	2	ST PC	M 52 X 1,5	DIN908
450	007603052101	DICHTRING SEALING RING	2	ST PC	A 52 X 60	DIN7603
500	000908030002	VERSCHLUSSSCHRAUBE PLUG	1	ST PC	M 30 X 1,5	DIN908

TYP/MODEL: 20V4000G43
SERIENNUMMER/
SERIAL NO: 20V4000G43

WASSERFUEHR-GEHAEUSE
COOLANT DISTRIB HSG

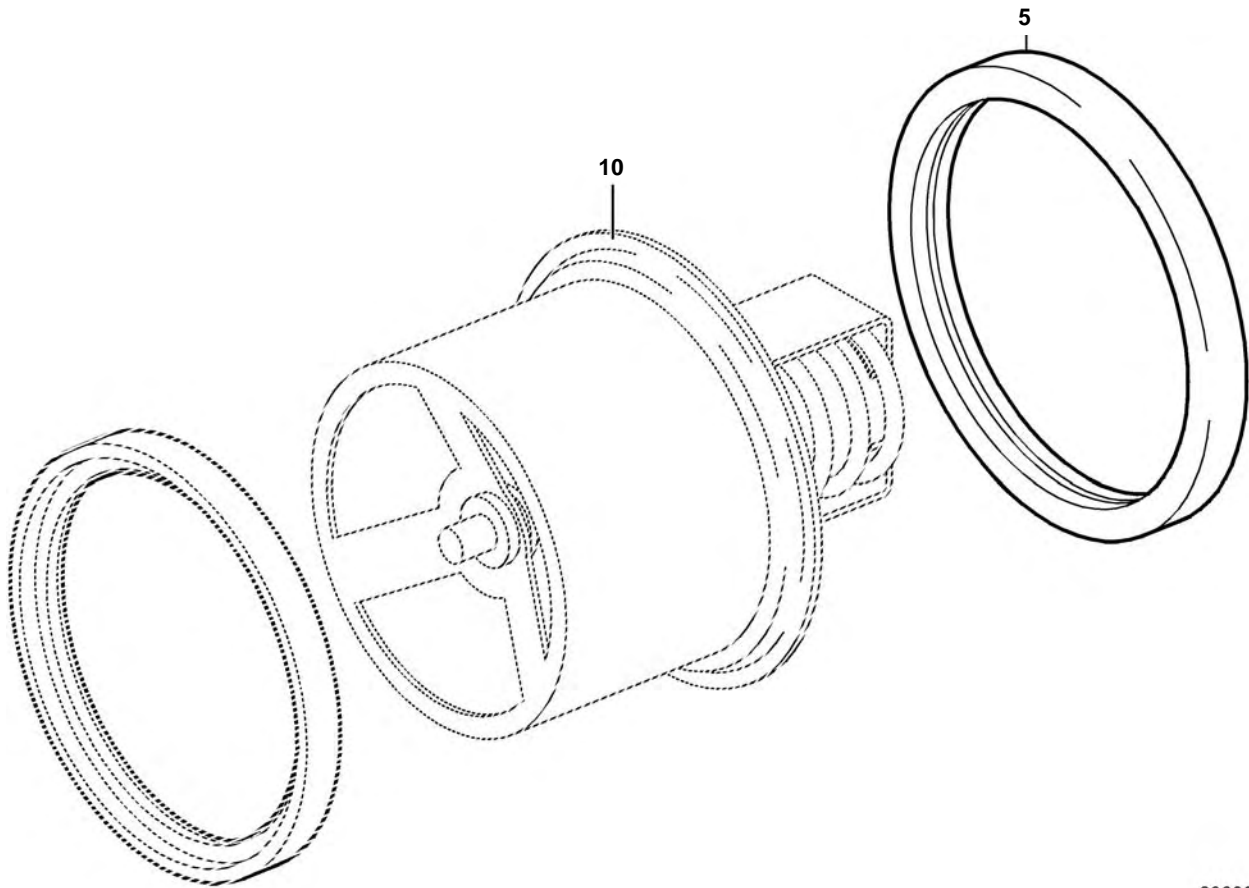
FG/FGS:
STUECKLISTE/ X00025020
BOM: X00025020

POS. ITEM	BESTELNR. PART NO.	BENENNUNG DESIGNATION	STO QTY.	EINHEIT UNIT	ABMESSUNGEN DIMENSIONS	NORM STANDARD
550	007603030101	DICHTRING SEALING RING	1	ST PC	A 30 X 36	DIN7603
600	000908014001	VERSCHLUSSSCHRAUBE PLUG	1	ST PC	M 14 X 1,5	DIN908
650	007603014102	DICHTRING SEALING RING	1	ST PC	A 14 X 18	DIN7603
700	735210014000	VERSCHLUSSSCHRAUBE PLUG	1	ST PC	M 14 X 1,5	MTN5210

TYP/MODEL: 20V4000G43
SERIENNUMMER/
SERIAL NO: 20V4000G43

THERMOSTATEINSATZ
THERMAL ACTUATOR

FG/FGS:
STUECKLISTE/
BOM: 0052031575



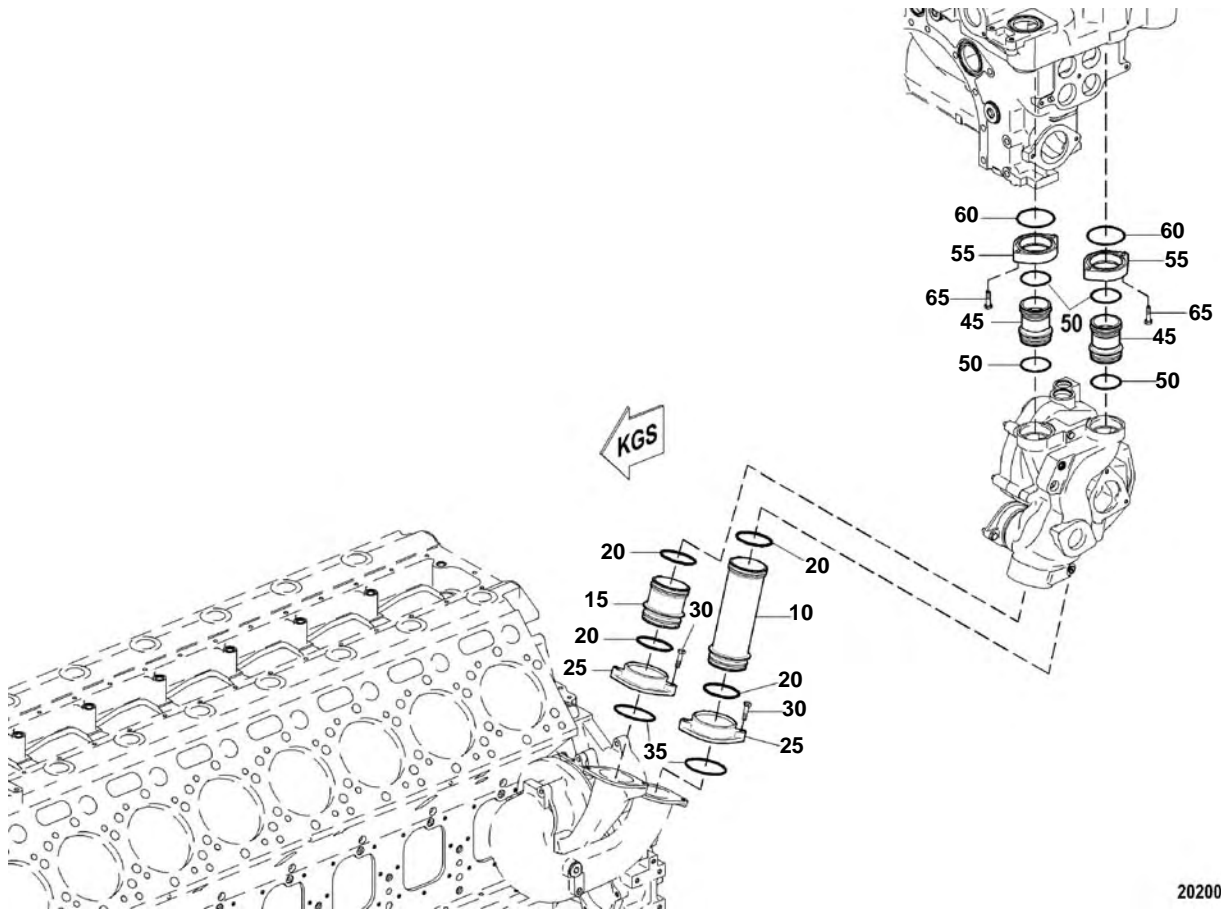
20600095a

POS. ITEM	BESTELLNR. PART NO.	BENENNUNG DESIGNATION	STO QTY.	EINHEIT UNIT	FN FN	ABMESSUNGEN DIMENSIONS
5	8692030147	DICHTBEILAGE GASKET	1	ST PC		VITON
10	(0662030073)	GEHAEUSE HOUSING	1	ST PC	KE	

TYP/MODEL: 20V4000G43
SERIENNUMMER/
SERIAL NO: 20V4000G43

THERMOSTATGEHAEUSE HT-WASSERKREISLAUF
THERMOSTAT HOUSING

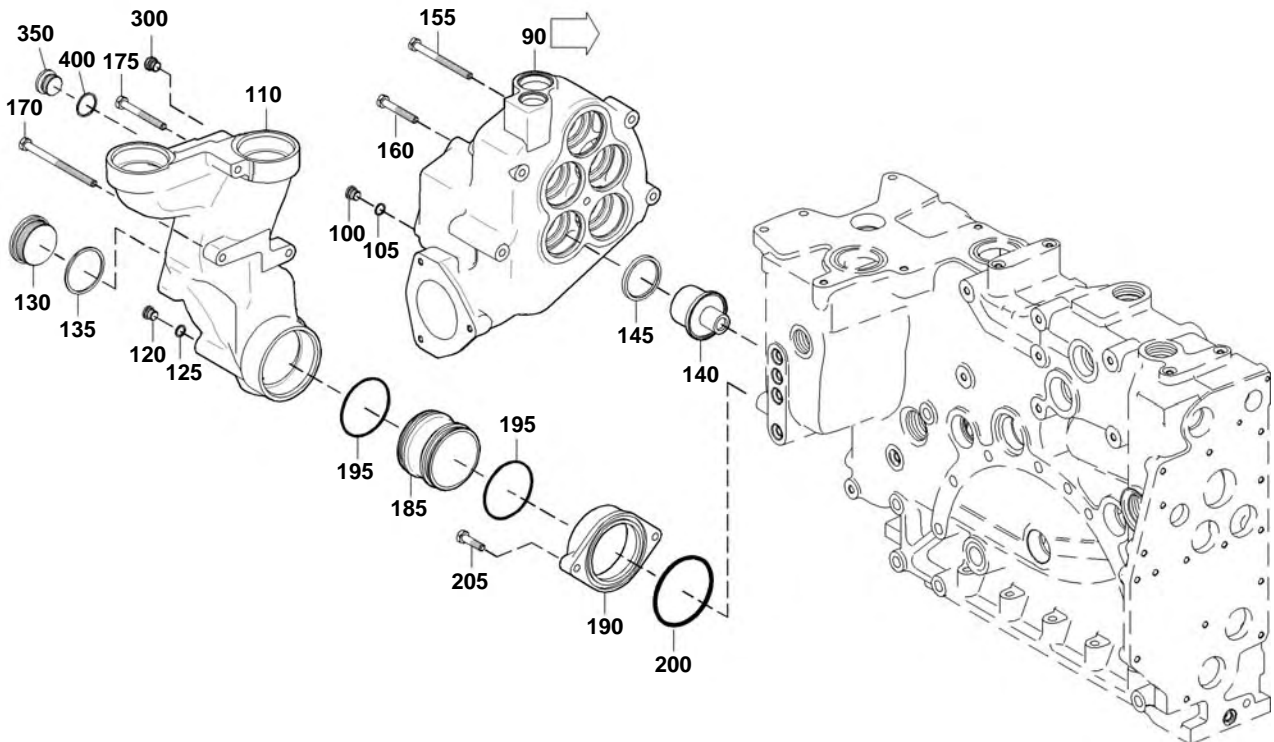
FG/FGS: 206 15
STUECKLISTE/
BOM: 200.00248



TYP/MODEL: 20V4000G43
SERIENNUMMER/
SERIAL NO: 20V4000G43

THERMOSTATGEHAEUSE HT-WASSERKREISLAUF
THERMOSTAT HOUSING

FG/FGS: 206 15
STUECKLISTE/
BOM: 200.00248



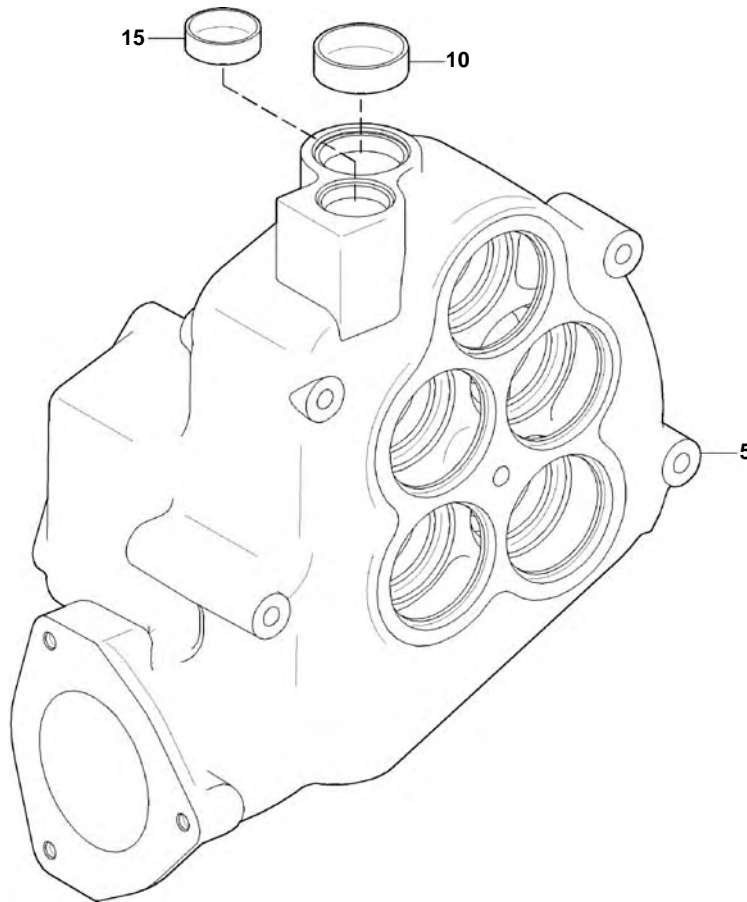
POS. ITEM	BESTELLNR. PART NO.	BENENNUNG DESIGNATION	STO QTY.	EINHEIT UNIT	FN FN	ABMESSUNGEN DIMENSIONS	NORM STANDARD
10	5282030053	STECKROHR PLUG-IN PIPE	1	ST PC			
15	5282030153	STECKROHR PLUG-IN PIPE	1	ST PC			
20	700429085002	O-RING O-RING	4	ST PC		85 X 6	MMN429
25	5242030139	FLANSCH FLANGE	2	ST PC	NN		
30	000933010094	SECHSKANTSCHRAUBE SCREW	4	ST PC		M 10 X 40	DIN933
35	700429100000	O-RING O-RING	2	ST PC		100 X 5	MMN429
45	5282000151	ROHRLEITUNG PIPE	2	ST PC	SB		
50	700429070000	O-RING O-RING	4	ST PC		70 X 5	MMN429
55	5282030039	FLANSCH FLANGE	2	ST PC			
60	700429090000	O-RING O-RING	2	ST PC		90 X 5	MMN429
65	000933010094	SECHSKANTSCHRAUBE SCREW	4	ST PC		M 10 X 40	DIN933
90	5282000316	THERMOSTATGEHAEUSE THERMOSTAT HOUSING	1	ST PC			
100	000908014001	VERSCHLUSSSCHRAUBE PLUG	1	ST PC		M 14 X 1,5	DIN908
105	007603014102	DICHTRING SEALING RING	1	ST PC		A 14 X 18	DIN7603
110	X00036954	DOPPELKRUEMMER TWIN ELBOW	1	ST PC			
120	000908014001	VERSCHLUSSSCHRAUBE PLUG	1	ST PC		M 14 X 1,5	DIN908
125	007603014102	DICHTRING SEALING RING	1	ST PC		A 14 X 18	DIN7603
130	000908064000	VERSCHLUSSSCHRAUBE PLUG	1	ST PC		M 64 X 2	DIN908
135	007603064100	DICHTRING SEALING RING	1	ST PC		A 64 X 72	DIN7603
140	0052031875	THERMOSTATEINSATZ THERMAL ACTUATOR	5	ST PC			
145	5132155	ABDICHTRING SEAL RING	5	ST PC			
155	000931010247	SECHSKANTSCHRAUBE SCREW	2	ST PC		M 10 X120	DIN931
160	000931010236	SECHSKANTSCHRAUBE SCREW	1	ST PC		M 10 X 70	DIN931

POS. ITEM	BESTELLNR. PART NO.	BENENNUNG DESIGNATION	STO QTY.	EINHEIT UNIT	FN FN	ABMESSUNGEN DIMENSIONS	NORM STANDARD
170	000931010332	SECHSKANTSCHRAUBE SCREW	2	ST PC		M 10 X150	DIN931
175	000931010237	SECHSKANTSCHRAUBE SCREW	1	ST PC		M 10 X 90	DIN931
185	5242032053	STECKROHR PLUG-IN PIPE	1	ST PC			
190	5242030139	FLANSCH FLANGE	1	ST PC	NN		
195	700429085002	O-RING O-RING	2	ST PC		85 X 6	MMN429
200	700429100000	O-RING O-RING	1	ST PC		100 X 5	MMN429
205	000933010094	SECHSKANTSCHRAUBE SCREW	2	ST PC		M 10 X 40	DIN933
300	735210014000	VERSCHLUSSSCHRAUBE PLUG	2	ST PC		M 14 X 1,5	MTN5210
350	000908030002	VERSCHLUSSSCHRAUBE PLUG	1	ST PC		M 30 X 1,5	DIN908
400	007603030101	DICHTRING SEALING RING	1	ST PC		A 30 X 36	DIN7603

TYP/MODEL: 20V4000G43
SERIENNUMMER/
SERIAL NO: 20V4000G43

THERMOSTATGEHAEUSE
THERMOSTAT HOUSING

FG/FGS:
STUECKLISTE/
BOM: 5282000316



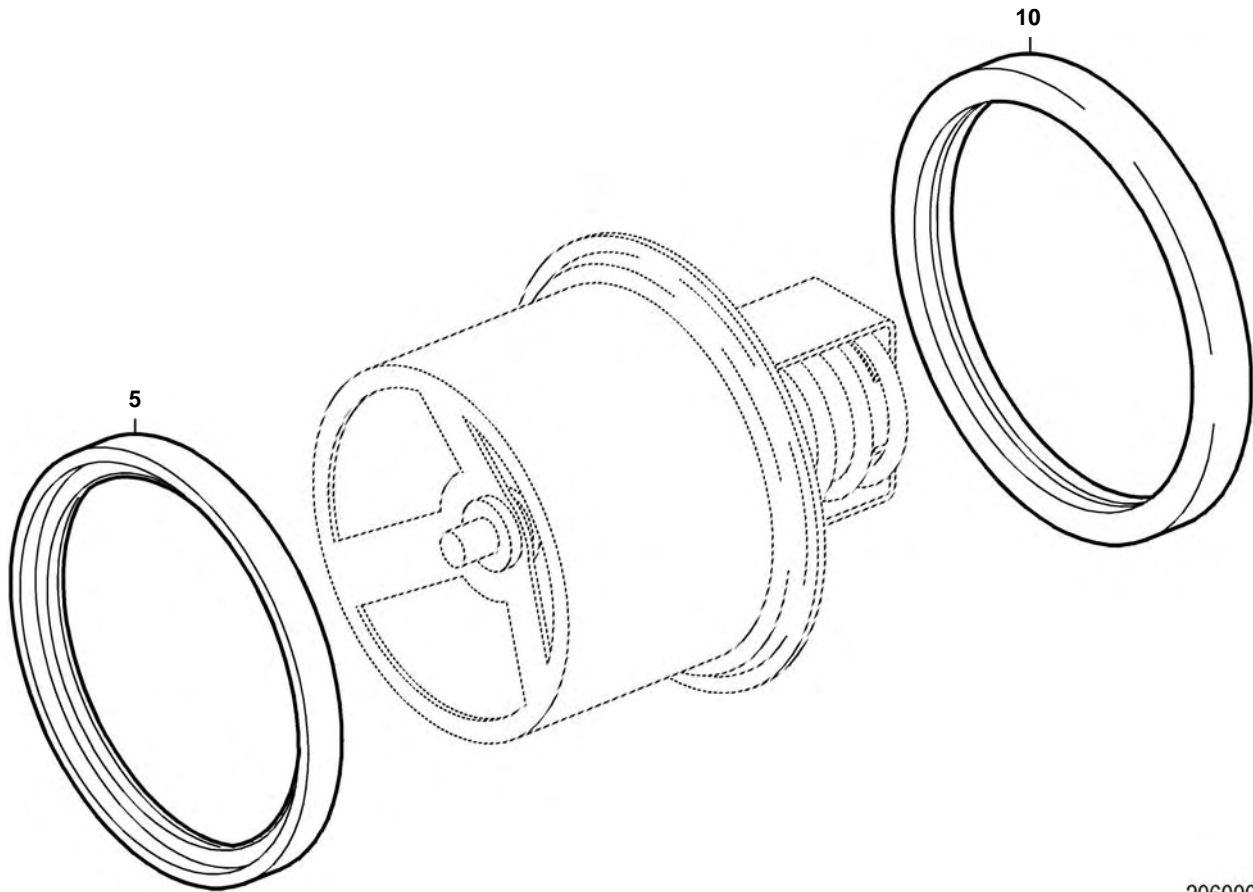
20600134a

POS. ITEM	BESTELLNR. PART NO.	BENENNUNG DESIGNATION	STO QTY.	EINHEIT UNIT
5	5282030373	THERMOSTATGEHAEUSE THERMOSTAT HOUSING	1	ST PC
10	5249970020	VERSCHLUSSDECKEL COVER	1	ST PC
15	5370160233	VERSCHLUSSDECKEL COVER	1	ST PC

TYP/MODEL: 20V4000G43
SERIENNUMMER/
SERIAL NO: 20V4000G43

THERMOSTATEINSATZ
THERMAL ACTUATOR

FG/FGS:
STUECKLISTE/
BOM: 0052031875



20600038a

POS. ITEM	BESTELLNR. PART NO.	BENENNUNG DESIGNATION	STO QTY.	EINHEIT UNIT	ABMESSUNGEN DIMENSIONS
5	0002034480	DICHTRING SEALING RING	1	ST PC	57,76X67,5X6,4
10	8692030147	DICHTBEILAGE GASKET	1	ST PC	VITON

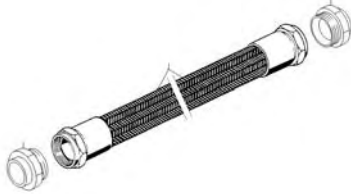
TYP/MODEL: 20V4000G43
SERIENNUMMER/
SERIAL NO: 20V4000G43

ROHWASSERPUMPE MIT ANSCHLUESSEN
RAW WATER PUMP WITH CONNECTIONS

FG/FGS: 207
STUECKLISTE/
BOM:

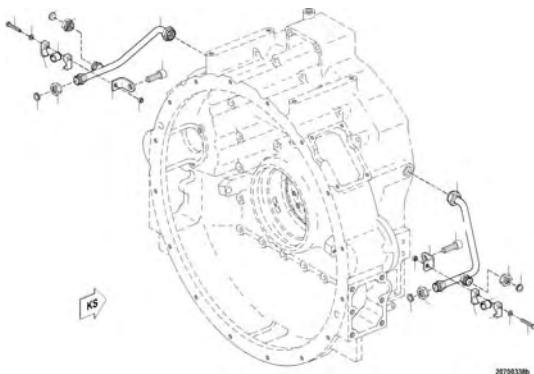
FUNKTIONSGRUPPE/GROUP NUMBER (FG)
GRUPPENNAME/GROUP NAME
STÜCKLISTENR/BOM NO.

207
SCHLAUCHLEITUNG
HOSE
200.00028



E207301a0

207
VORWAERMLEITUNG
PREHEATING LINE
X00019054

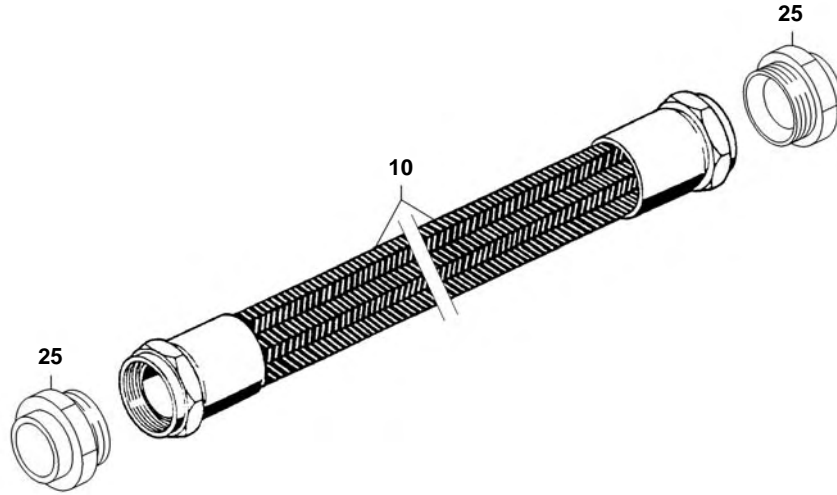


207003000

TYP/MODEL: 20V4000G43
SERIENNUMMER/
SERIAL NO: 20V4000G43

SCHLAUCHLEITUNG
HOSE

FG/FGS: 207 05
STUECKLISTE/
BOM: 200.00028



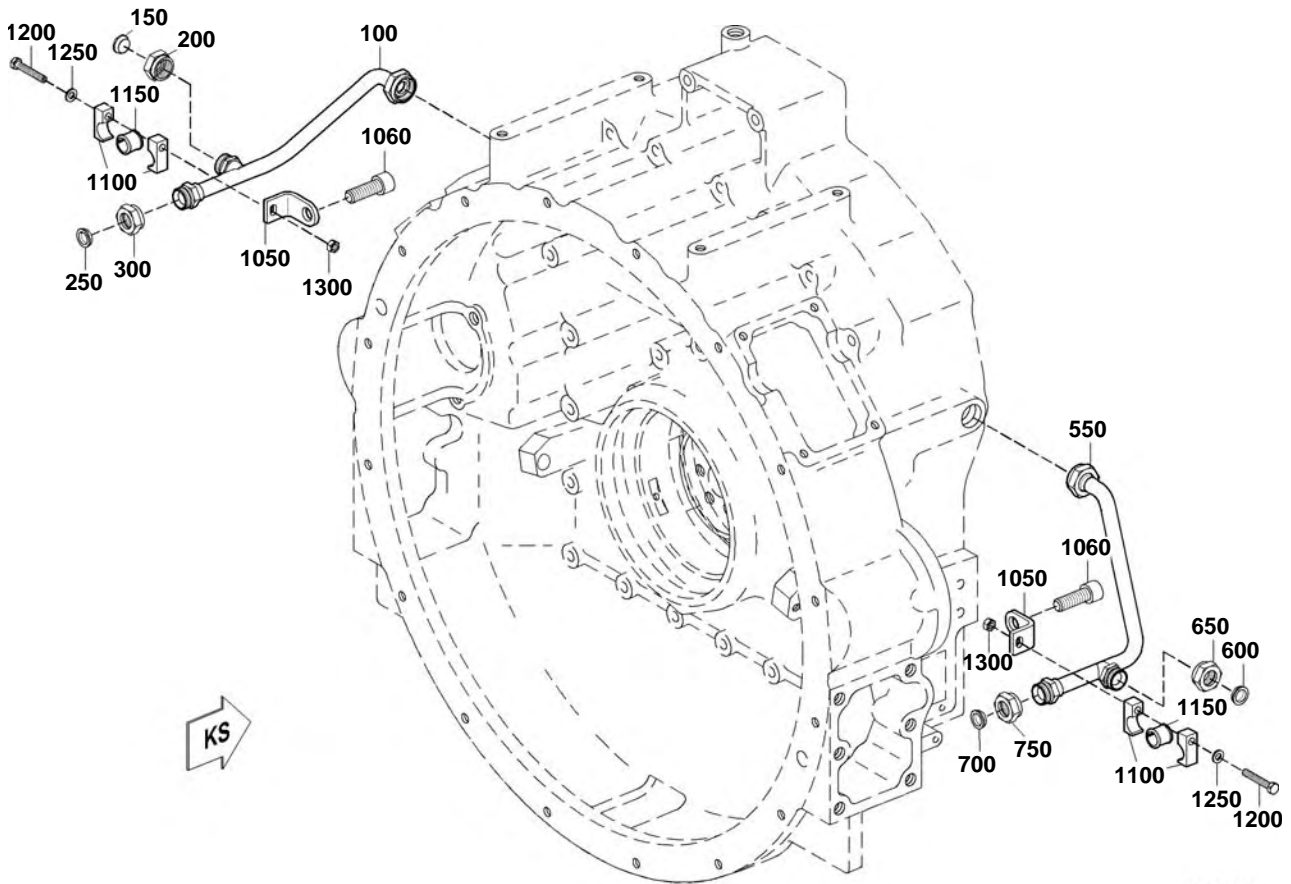
E2073011a0

POS. ITEM	BESTELNR. PART NO.	BENENNUNG DESIGNATION	STO QTY.	EINHEIT UNIT	FN FN	ABMESSUNGEN DIMENSIONS	NORM STANDARD
10	735038020104	SCHLAUCHLEITUNG HOSE	1	ST PC		1SN 20 CC 400	MTN5038
25	718363220003	STUTZEN UNION	2	ST PC	NN	22/M 30 X 1,5	MMN18363.2

TYP/MODEL: 20V4000G43
 SERIENNUMMER/
 SERIAL NO: 20V4000G43

VORWAERMLEITUNG
 PREHEATING LINE

FG/FGS: 207 05
 STUECKLISTE/
 BOM: X00019054



20700338b

POS. ITEM	BESTELLNR. PART NO.	BENENNUNG DESIGNATION	STO QTY.	EINHEIT UNIT	FN FN	ABMESSUNGEN DIMENSIONS	NORM STANDARD
100	5242002352	ROHRLEITUNG PIPE	1	ST PC	SB		
150	915005020001	VERSCHLUSSKEGEL SEALING CONE	1	ST PC		22	MBN15005
200	915001020003	MUTTER NUT	1	ST PC		20 M 30 X 1,5	N15001
250	915005016002	VERSCHLUSSKEGEL SEALING CONE	1	ST PC		18	MBN15005
300	915001016004	MUTTER UNION NUT	1	ST PC		16 M 26 X 1,5	N15001
550	5242002052	ROHRLEITUNG PIPE	1	ST PC	SB		
600	915005020001	VERSCHLUSSKEGEL SEALING CONE	1	ST PC		22	MBN15005
650	915001020003	MUTTER NUT	1	ST PC		20 M 30 X 1,5	N15001
700	915005016002	VERSCHLUSSKEGEL SEALING CONE	1	ST PC		18	MBN15005
750	915001016004	MUTTER UNION NUT	1	ST PC		16 M 26 X 1,5	N15001

TYP/MODEL: 20V4000G43
SERIENNUMMER/
SERIAL NO: 20V4000G43

VORWAERMLEITUNG
PREHEATING LINE

FG/FGS: 207 05
STUECKLISTE/ X00019054
BOM: X00019054

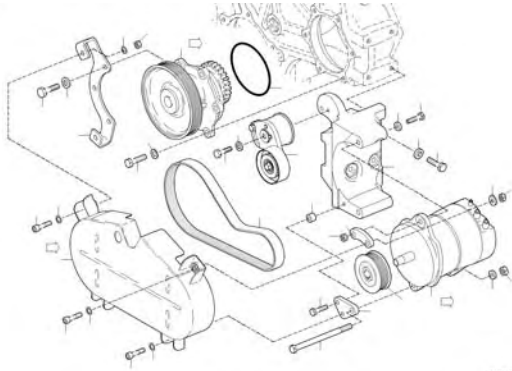
POS. ITEM	BESTELLNR. PART NO.	BENENNUNG DESIGNATION	STO QTY.	EINHEIT UNIT	FN FN	ABMESSUNGEN DIMENSIONS	NORM STANDARD
1050	5242032840	HALTER RETAINER	2	ST PC			
1060	000912016004	ZYLINDERSCHRAUBE SCREW	2	ST PC		M 16 X 45	DIN912
1100	700325022100	ROHRKLEMMENHAELFTE PIPE HALF-CLAMP	4	ST PC		1/1 D 9 - 22	MMN325
1150	700327018000	TUELLE GROMMET	2	ST PC		18	MMN327
1200	304017008087	SECHSKANTSCHRAUBE SCREW	2	ST PC		M 8 X 50	ISO4017
1250	007349008002	SCHEIBE WASHER	2	ST PC		8,4	DIN7349
1300	000934008008	SECHSKANTMUTTER HEX NUT	2	ST PC		M 8	DIN934

TYP/MODEL: 20V4000G43
SERIENNUMMER/
SERIAL NO: 20V4000G43

LICHTMASCHINE
GENERATOR

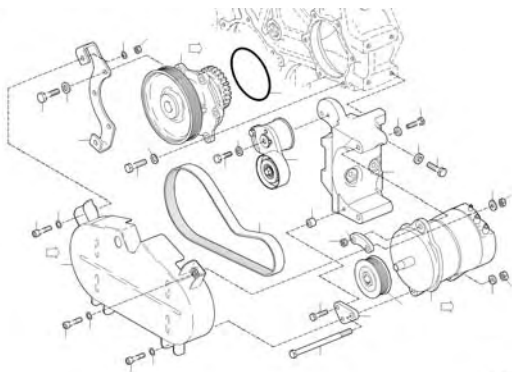
FG/FGS: 213
STUECKLISTE/
BOM:

FUNKTIONSGRUPPE/GROUP NUMBER (FG)
GRUPPENNAME/GROUP NAME
STÜCKLISTENNR/BOM NO.



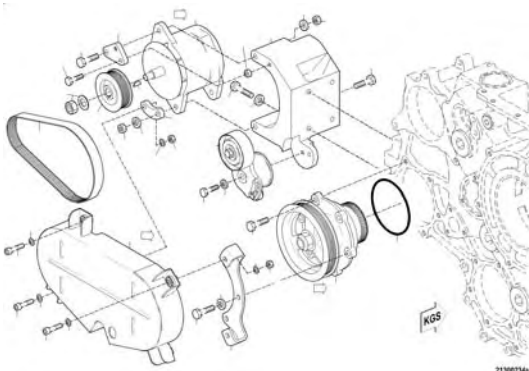
21300236a

213
GENERATOR ISOLIERT
ALTERNATOR INSULATED
X00038323



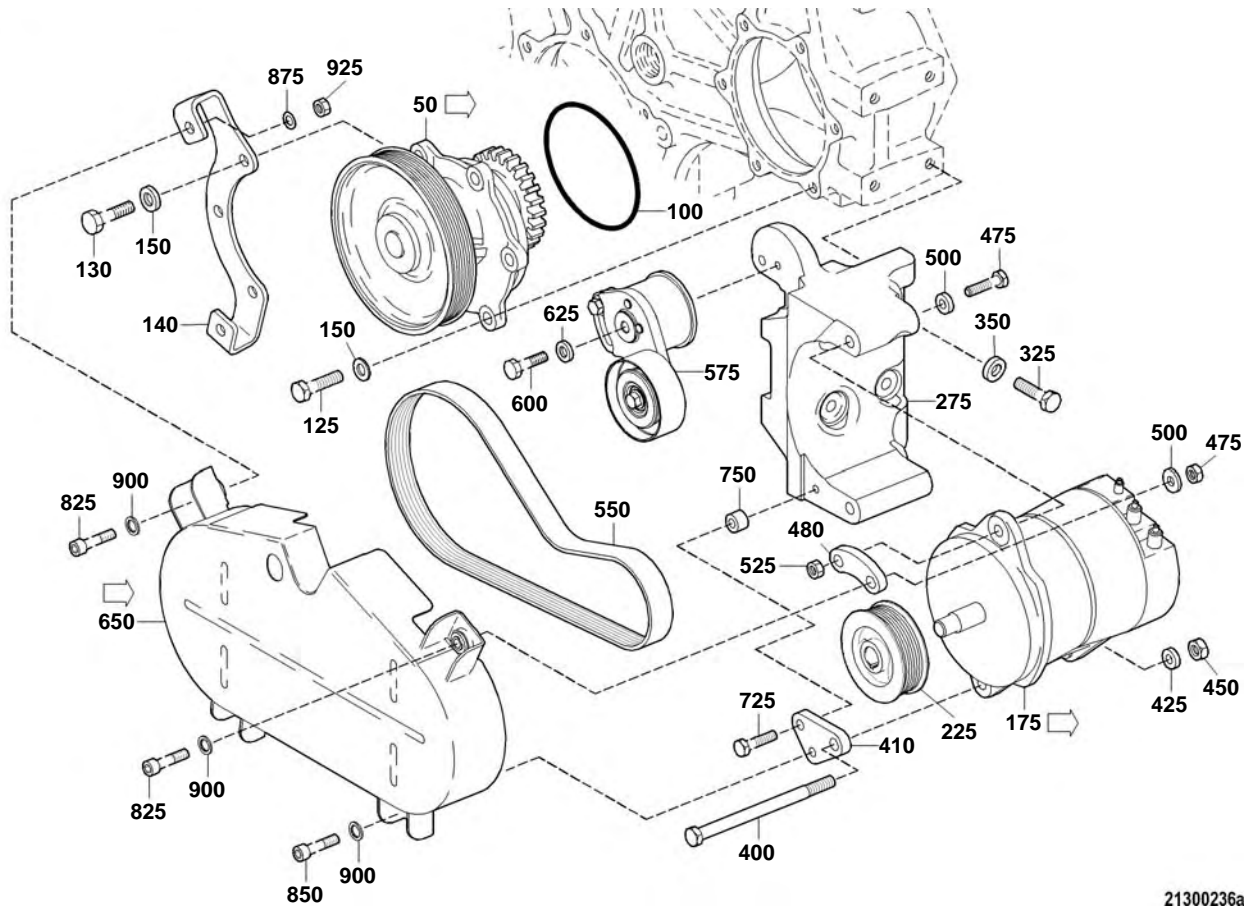
21300236a

213
GENERATOR ISOLIERT
ALTERNATOR INSULATED
X00038324



21300236a

213
GENERATOR RECHTE SEITE
ALTERNATOR RIGHT SIDE
X00043336



21300236a

POS. ITEM	BESTELLNR. PART NO.	BENENNUNG DESIGNATION	STO QTY.	Einheit UNIT	ABMESSUNGEN DIMENSIONS	NORM STANDARD
50	X00039864	ANTRIEB DRIVE	1	ST PC		
100	700429135000	O-RING O-RING	1	ST PC	135 X 5	MMN429
125	000933012071	SECHSKANTSCHRAUBE SCREW	3	ST PC	M 12 X 40	DIN933
130	000933012093	SECHSKANTSCHRAUBE SCREW	3	ST PC	M 12 X 45	DIN933
140	X00041634	HALTER RETAINER	1	ST PC		
150	735151012100	SCHEIBE WASHER	6	ST PC	A 12,5	MTN5151
175	19010182	LICHTMASCHINE GENERATOR	1	ST PC	US 21 SI 24V 70A	
225	5241550015	RIEMENSCHLEIBE BELT PULLEY	1	ST PC		
275	X52721300003	HALTER RETAINER	1	ST PC		
325	000933012101	SECHSKANTSCHRAUBE SCREW	4	ST PC	M 12 X 70	DIN933

TYP/MODEL: 20V4000G43
 SERIENNUMMER/
 SERIAL NO: 20V4000G43

GENERATOR ISOLIERT
 ALTERNATOR INSULATED

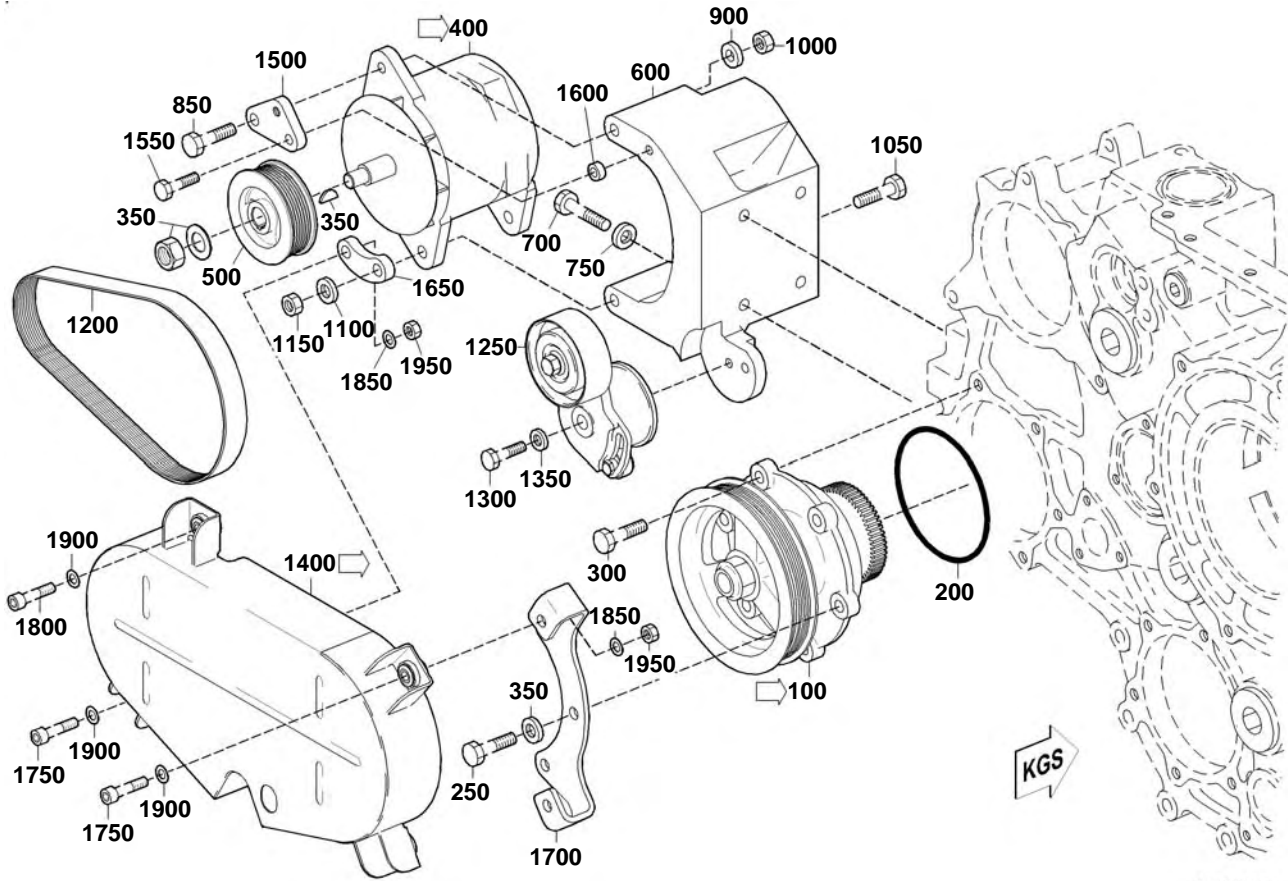
FG/FGS: 213 05
 STUECKLISTE/ X00038324
 BOM: X00038324

POS. ITEM	BESTELLNR. PART NO.	BENENNUNG DESIGNATION	STO QTY.	EINHEIT UNIT	ABMESSUNGEN DIMENSIONS	NORM STANDARD
350	735151012100	SCHEIBE WASHER	4	ST PC	A 12,5	MTN5151
400	5249903101	SECHSKANTSCHRAUBE SCREW	1	ST PC		
410	X00037544	HALTER RETAINER	1	ST PC		
425	5249901140	SCHEIBE WASHER	1	ST PC		
450	000934012008	SECHSKANTMUTTER HEX NUT	1	ST PC	M 12	DIN934
475	X00037153	SECHSKANTSCHRAUBE SCREW	1	ST PC		
480	X00020941	HALTER RETAINER	1	ST PC		
500	5249901040	SCHEIBE WASHER	1	ST PC		
525	X00037178	SECHSKANTMUTTER HEX NUT	1	ST PC		
550	X00042954	KEILRIPPENRIEMEN V-RIBBED BELT	1	ST PC		
575	23540876	RIEMENSPANNER V-BELT TENSIONER	1	ST PC		
600	000931010137	SECHSKANTSCHRAUBE SCREW	1	ST PC	M 10 X 85	DIN931
625	735151010100	SCHEIBE WASHER	1	ST PC	A 10,5	MTN5151
650	X00037749	SCHUTZHAUBE FUER GENERATOR PROTECTIVE COVER FOR ALTERNATOR	1	ST PC		
725	000000001039	SECHSKANTSCHRAUBE SCREW	1	ST PC	M 10 X 40	ISO4017
750	X00037545	ABSTANDHUELSE SPACER SLEEVE	1	ST PC		
825	000912010016	ZYLINDERSCHRAUBE SCREW	3	ST PC	M 10 X 50	DIN912
850	000912010064	ZYLINDERSCHRAUBE SCREW	1	ST PC	M 10 X 40	DIN912
875	007349010002	SCHEIBE WASHER	3	ST PC	10,5	DIN7349
900	200433010501	SCHEIBE WASHER	4	ST PC	10,5	DIN433
925	000934010005	SECHSKANTMUTTER HEX NUT	3	ST PC	M 10	DIN934

TYP/MODEL: 20V4000G43
 SERIENNUMMER/
 SERIAL NO: 20V4000G43

GENERATOR RECHTE SEITE
 ALTERNATOR RIGHT SIDE

FG/FGS: 213 05
 STUECKLISTE/
 BOM: X00043336



21300234a

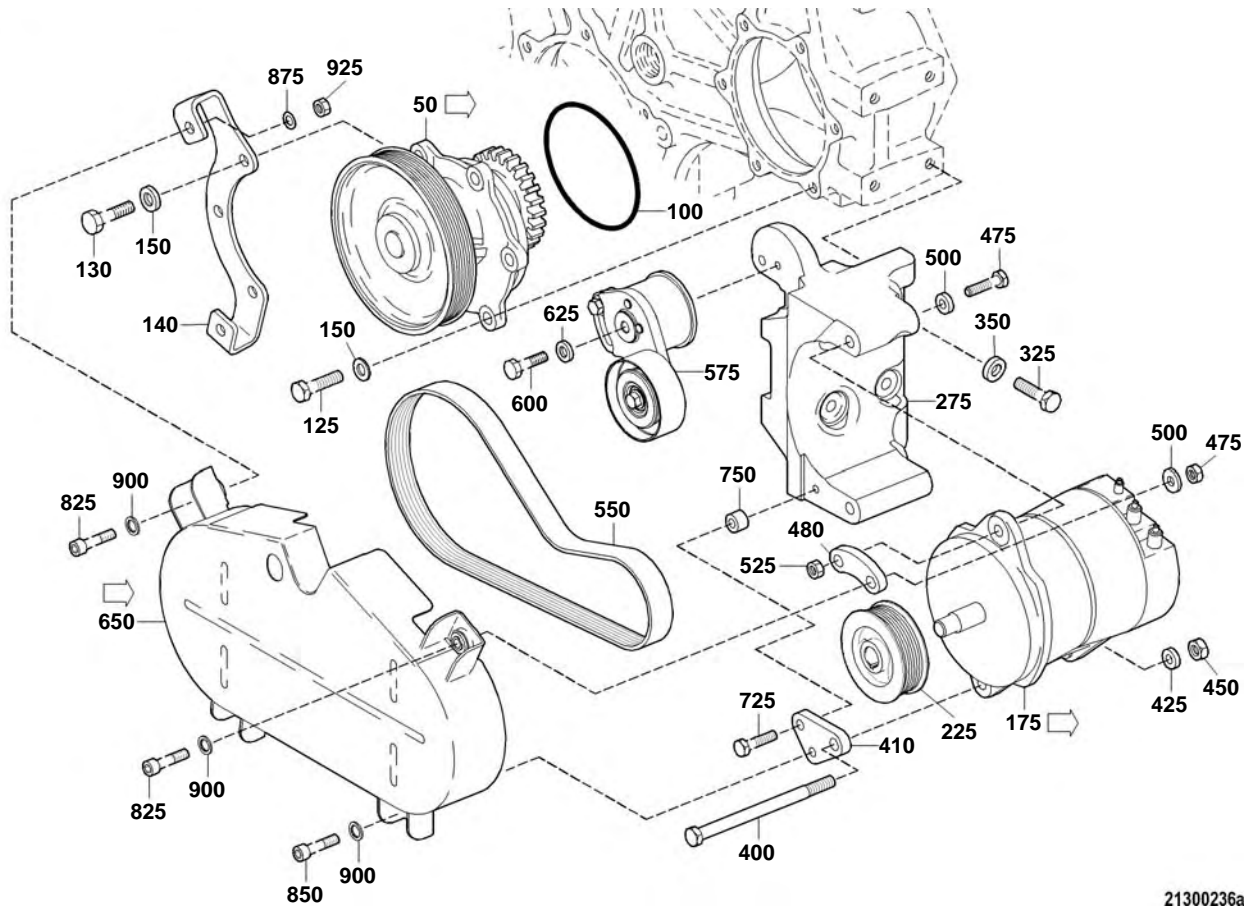
POS. ITEM	BESTELLN. PART NO.	BENENNUNG DESIGNATION	STO QTY.	EINHEIT UNIT	ABMESSUNGEN DIMENSIONS	NORM STANDARD
100	X00039864	ANTRIEB DRIVE	1	ST PC		
200	700429135000	O-RING O-RING	1	ST PC	135 X 5	MMN429
250	000933012093	SECHSKANTSCHRAUBE SCREW	3	ST PC	M 12 X 45	DIN933
300	000933012071	SECHSKANTSCHRAUBE SCREW	3	ST PC	M 12 X 40	DIN933
350	735151012100	SCHEIBE WASHER	3	ST PC	A 12,5	MTN5151
400	X00005848	GENERATOR ALTERNATOR	1	ST PC	24V/100A ISOLIERT	
500	5241550015	RIEMENSCHIEBE BELT PULLEY	1	ST PC		
600	X52721300003	HALTER RETAINER	1	ST PC		
700	000933012101	SECHSKANTSCHRAUBE SCREW	4	ST PC	M 12 X 70	DIN933
750	735151012100	SCHEIBE WASHER	4	ST PC	A 12,5	MTN5151

TYP/MODEL: 20V4000G43
 SERIENNUMMER/
 SERIAL NO: 20V4000G43

GENERATOR RECHTE SEITE
 ALTERNATOR RIGHT SIDE

FG/FGS: 213 05
 STUECKLISTE/ X00043336
 BOM: X00043336

POS. ITEM	BESTELLNR. PART NO.	BENENNUNG DESIGNATION	STO QTY.	EINHEIT UNIT	ABMESSUNGEN DIMENSIONS	NORM STANDARD
850	5249903101	SECHSKANTSCHRAUBE SCREW	1	ST PC		
900	5249901140	SCHEIBE WASHER	1	ST PC		
1000	000934012008	SECHSKANTMUTTER HEX NUT	1	ST PC	M 12	DIN934
1050	X00037153	SECHSKANTSCHRAUBE SCREW	1	ST PC		
1100	5249901040	SCHEIBE WASHER	1	ST PC		
1150	X00037178	SECHSKANTMUTTER HEX NUT	1	ST PC		
1200	X00042954	KEILRIPPENRIEMEN V-RIBBED BELT	1	ST PC		
1250	23540876	RIEMENSPANNER V-BELT TENSIONER	1	ST PC		
1300	000931010137	SECHSKANTSCHRAUBE SCREW	1	ST PC	M 10 X 85	DIN931
1350	735151010100	SCHEIBE WASHER	1	ST PC	A 10,5	MTN5151
1400	X00041357	SCHUTZHAUBE FUER GENERATOR PROTECTIVE COVER FOR ALTERNATOR	1	ST PC		
1500	X00037544	HALTER RETAINER	1	ST PC		
1550	000000001039	SECHSKANTSCHRAUBE SCREW	1	ST PC	M 10 X 40	ISO4017
1600	X00037545	ABSTANDHUELSE SPACER SLEEVE	1	ST PC		
1650	X00020941	HALTER RETAINER	1	ST PC		
1700	X00020934	HALTER RETAINER	1	ST PC		
1750	000912010016	ZYLINDERSCHRAUBE SCREW	3	ST PC	M 10 X 50	DIN912
1800	000912010064	ZYLINDERSCHRAUBE SCREW	1	ST PC	M 10 X 40	DIN912
1850	007349010002	SCHEIBE WASHER	3	ST PC	10,5	DIN7349
1900	200433010501	SCHEIBE WASHER	4	ST PC	10,5	DIN433
1950	000934010005	SECHSKANTMUTTER HEX NUT	3	ST PC	M 10	DIN934



21300236a

POS. ITEM	BESTELLNR. PART NO.	BENENNUNG DESIGNATION	STO QTY.	EINHEIT UNIT	ABMESSUNGEN DIMENSIONS	NORM STANDARD
50	X00039864	ANTRIEB DRIVE	1	ST PC		
100	700429135000	O-RING O-RING	1	ST PC	135 X 5	MMN429
125	000933012071	SECHSKANTSCHRAUBE SCREW	3	ST PC	M 12 X 40	DIN933
130	000933012093	SECHSKANTSCHRAUBE SCREW	3	ST PC	M 12 X 45	DIN933
140	X00041634	HALTER RETAINER	1	ST PC		
150	735151012100	SCHEIBE WASHER	6	ST PC	A 12,5	MTN5151
175	X00005848	GENERATOR ALTERNATOR	1	ST PC	24V/100A ISOLIERT	
225	5241550015	RIEMENSCHLEIBE BELT PULLEY	1	ST PC		
275	X52721300003	HALTER RETAINER	1	ST PC		
325	000933012101	SECHSKANTSCHRAUBE SCREW	4	ST PC	M 12 X 70	DIN933

TYP/MODEL: 20V4000G43
 SERIENNUMMER/
 SERIAL NO: 20V4000G43

GENERATOR ISOLIERT
 ALTERNATOR INSULATED

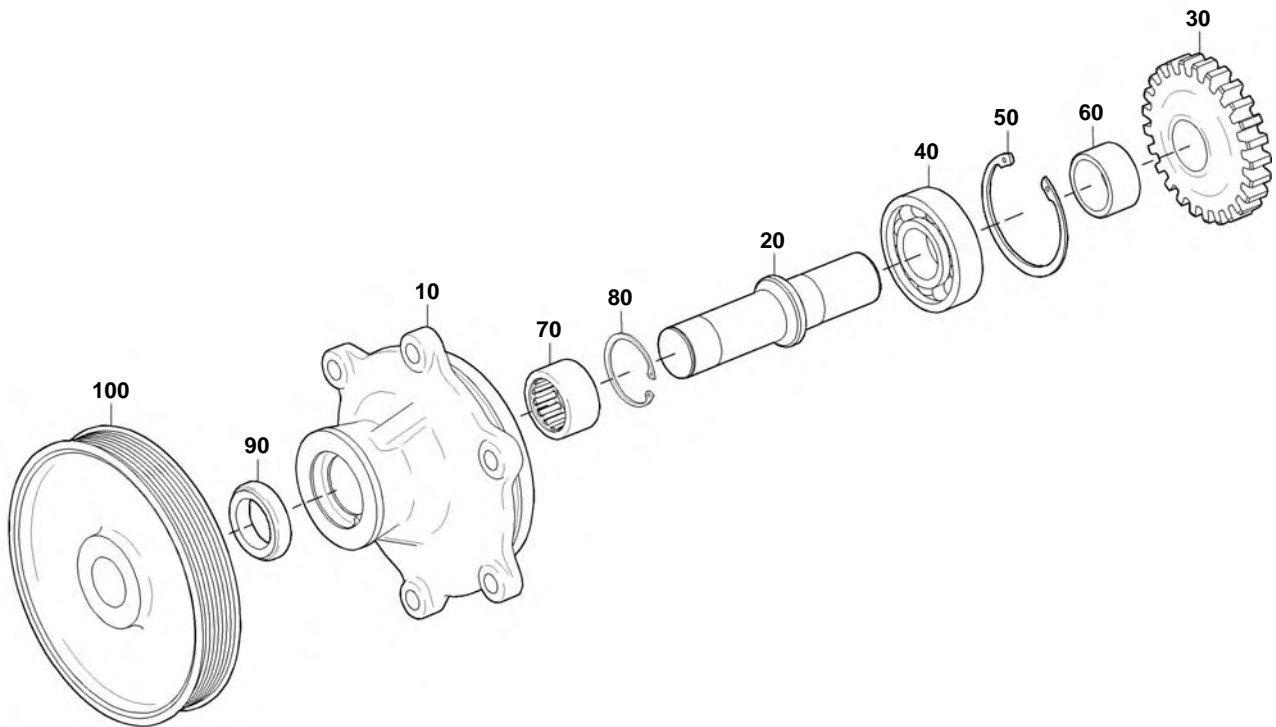
FG/FGS: 213 05
 STUECKLISTE/ X00038323
 BOM: X00038323

POS. ITEM	BESTELLNR. PART NO.	BENENNUNG DESIGNATION	STO QTY.	EINHEIT UNIT	ABMESSUNGEN DIMENSIONS	NORM STANDARD
350	735151012100	SCHEIBE WASHER	4	ST PC	A 12,5	MTN5151
400	5249903101	SECHSKANTSCHRAUBE SCREW	1	ST PC		
410	X00037544	HALTER RETAINER	1	ST PC		
425	5249901140	SCHEIBE WASHER	1	ST PC		
450	000934012008	SECHSKANTMUTTER HEX NUT	1	ST PC	M 12	DIN934
475	X00037153	SECHSKANTSCHRAUBE SCREW	1	ST PC		
480	X00020941	HALTER RETAINER	1	ST PC		
500	5249901040	SCHEIBE WASHER	1	ST PC		
525	X00037178	SECHSKANTMUTTER HEX NUT	1	ST PC		
550	X00042954	KEILRIPPENRIEMEN V-RIBBED BELT	1	ST PC		
575	23540876	RIEMENSPANNER V-BELT TENSIONER	1	ST PC		
600	000931010137	SECHSKANTSCHRAUBE SCREW	1	ST PC	M 10 X 85	DIN931
625	735151010100	SCHEIBE WASHER	1	ST PC	A 10,5	MTN5151
650	X00037749	SCHUTZHAUBE FUER GENERATOR PROTECTIVE COVER FOR ALTERNATOR	1	ST PC		
725	000000001039	SECHSKANTSCHRAUBE SCREW	1	ST PC	M 10 X 40	ISO4017
750	X00037545	ABSTANDHUELSE SPACER SLEEVE	1	ST PC		
825	000912010016	ZYLINDERSCHRAUBE SCREW	3	ST PC	M 10 X 50	DIN912
850	000912010064	ZYLINDERSCHRAUBE SCREW	1	ST PC	M 10 X 40	DIN912
875	007349010002	SCHEIBE WASHER	3	ST PC	10,5	DIN7349
900	200433010501	SCHEIBE WASHER	4	ST PC	10,5	DIN433
925	000934010005	SECHSKANTMUTTER HEX NUT	3	ST PC	M 10	DIN934

TYP/MODEL: 20V4000G43
 SERIENNUMMER/
 SERIAL NO: 20V4000G43

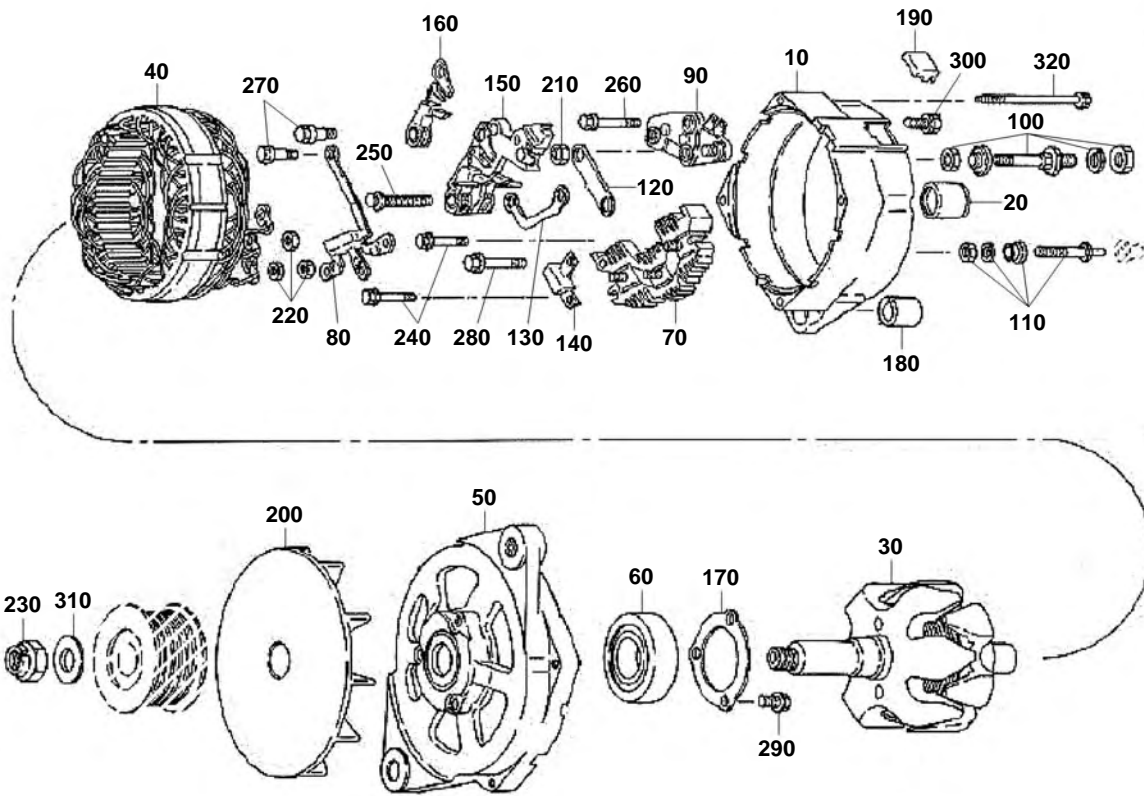
ANTRIEB
 DRIVE

FG/FGS:
 STUECKLISTE/
 BOM: X00039864



25900054b

POS. ITEM	BESTELNR. PART NO.	BENENNUNG DESIGNATION	STO QTY.	EINHEIT UNIT	ABMESSUNGEN DIMENSIONS	NORM STANDARD
10	23540902	GEHAEUSE HOUSING	1	ST PC		
20	X00039865	WELLE FUER ANTRIEB SHAFT FOR DRIVE	1	ST PC		
30	X00018270	ZAHNRAD FUER ANTRIEB GEAR FOR DRIVE	1	ST PC		
40	200625906334	RILLENKUGELLAGER GROOVED BALL BEARING	1	ST PC	6307 MAC4	DIN625
50	23509204	SICHERUNGSRING SNAP RING	1	ST PC		
60	X00018267	ABSTANDHUELSE FUER ANTRIEB SPACER SLEEVE FOR DRIVE	1	ST PC		
70	23511745	NEEDLE ROLL.BEARING NEEDLE ROLL.BEARING	1	ST PC		
80	23511746	SICHERUNGSRING SNAP RING	1	ST PC		
90	23523995	DICHTRING SEALING RING	1	ST PC		
100	X00036694	RIEMENSCHIEBE FUER ANTRIEB BELT PULLEY FOR DRIVE	1	ST PC		



21300245a

POS. ITEM	BESTELNR. PART NO.	BENENNUNG DESIGNATION	STO QTY.	EINHEIT UNIT	FN FN
10	X00014714	GEHAEUSE HOUSING	1	ST PC	
20	X00014730	ROLLENLAGER ROLLER BEARING	1	ST PC	
30	X00014731	LAEUFER ROTOR	1	ST PC	
40	X00014734	STATOR STATOR	1	ST PC	
50	X00014736	RAHMEN FRAME	1	ST PC	
60	8699810064	ZYLINDERROLLENLAGER CYL ROLLER BEARING	1	ST PC	
70	X00015010	GLEICHRICHTER RECTIFIER	1	ST PC	
80	X00015017	DIODE DIODE	1	ST PC	
90	8691540063	REGLER GOVERNOR	1	ST PC	
100	X00015022	STECKER MALE CONNECTOR	1	ST PC	

TYP/MODEL: 20V4000G43
 SERIENNUMMER/
 SERIAL NO: 20V4000G43

LICHTMASCHINE
 GENERATOR

FG/FGS:
 STUECKLISTE/ 19010182
 BOM: 19010182

POS. ITEM	BESTELLNR. PART NO.	BENENNUNG DESIGNATION	STO QTY.	EINHEIT UNIT	FN FN
110	X00015024	KLEMME TERMINAL	1	ST PC	
120	X00015028	KLEMME TERMINAL	1	ST PC	
130	X00015041	ANSCHLUSSLEITUNG CONNECTION LINE	1	ST PC	
140	X00015043	GLEICHRICHTER RECTIFIER	1	ST PC	
150	X00015045	PLATTE PLATE	1	ST PC	
160	X00015046	PLATTE PLATE	1	ST PC	
170	X00015047	DICHTUNG GASKET	1	ST PC	
180	8691540074	BUCHSE BUSHING	1	ST PC	
190	X00015049	DECKEL COVER	1	ST PC	
200	X00015052	LUEFTER FAN	1	ST PC	
210	Z=1851808	MUTTER NUT	1	ST PC	AC
220	X00015080	MUTTER NUT	3	ST PC	
230	X00015082	MUTTER NUT	1	ST PC	
240	Z=1894458	SCHRAUBE SCREW	2	ST PC	AC
250	X00015086	SCHRAUBE SCREW	1	ST PC	
260	Z=1894458	SCHRAUBE SCREW	1	ST PC	AC
270	X00015106	SCHRAUBE SCREW	2	ST PC	
280	X00015109	SCHRAUBE SCREW	1	ST PC	
290	Z=1894641	SCHRAUBE SCREW	3	ST PC	AC
300	X00015110	SCHRAUBE SCREW	1	ST PC	
310	Z=1905406	SCHEIBE WASHER	1	ST PC	AC

TYP/MODEL: 20V4000G43
SERIENNUMMER/
SERIAL NO: 20V4000G43

LICHTMASCHINE
GENERATOR

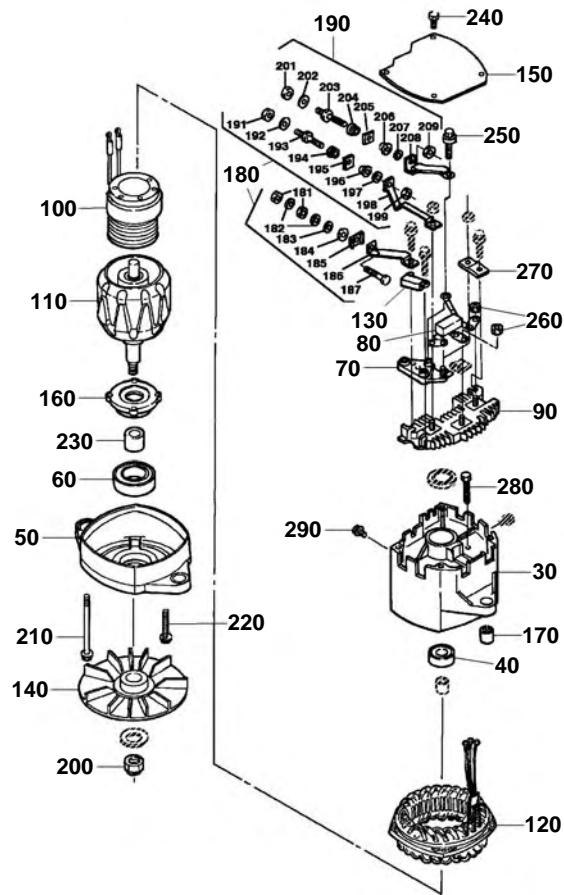
FG/FGS:
STUECKLISTE/ 19010182
BOM: 19010182

POS. ITEM	BESTELLNR. PART NO.	BENENNUNG DESIGNATION	STO QTY.	EINHEIT UNIT	FN FN
320	X00015112	STIFTSCHRAUBE STUD	1	ST PC	

TYP/MODEL: 20V4000G43
 SERIENNUMMER/
 SERIAL NO: 20V4000G43

GENERATOR
 ALTERNATOR

FG/FGS:
 STUECKLISTE/
 BOM: X00005848



Pos. 180	181, 182, 183, 184, 185, 186, 187, 191, 192, 193, 194, 195, 196, 197, 198, 199,
Pos. 190	201, 202, 203, 204, 205, 206, 207, 208, 209

21300237a

POS. ITEM	BESTELLN. PART NO.	BENENNUNG DESIGNATION	STO QTY.	EINHEIT UNIT	FN FN
30	(X00043876)	GEHAEUSE HOUSING	1	ST PC	KE
40	8699810062	ROLLENLAGER ROLLER BEARING	1	ST PC	
50	(X00043877)	RAHMEN FRAME	1	ST PC	KE
60	8699810064	ZYLINDERROLLENLAGER CYL ROLLER BEARING	1	ST PC	
70	8691540063	REGLER GOVERNOR	1	ST PC	
80	X00044012	DIODE DIODE	1	ST PC	
90	X00044013	GLEICHRICHTER RECTIFIER	1	ST PC	
100	X00044015	SPULE COIL	1	ST PC	
110	8691540061	ANKER,ELEKTRISCH ARMATURE	1	ST PC	
120	X00044017	STATOR STATOR	1	ST PC	

TYP/MODEL: 20V4000G43
 SERIENNUMMER/
 SERIAL NO: 20V4000G43

GENERATOR
 ALTERNATOR

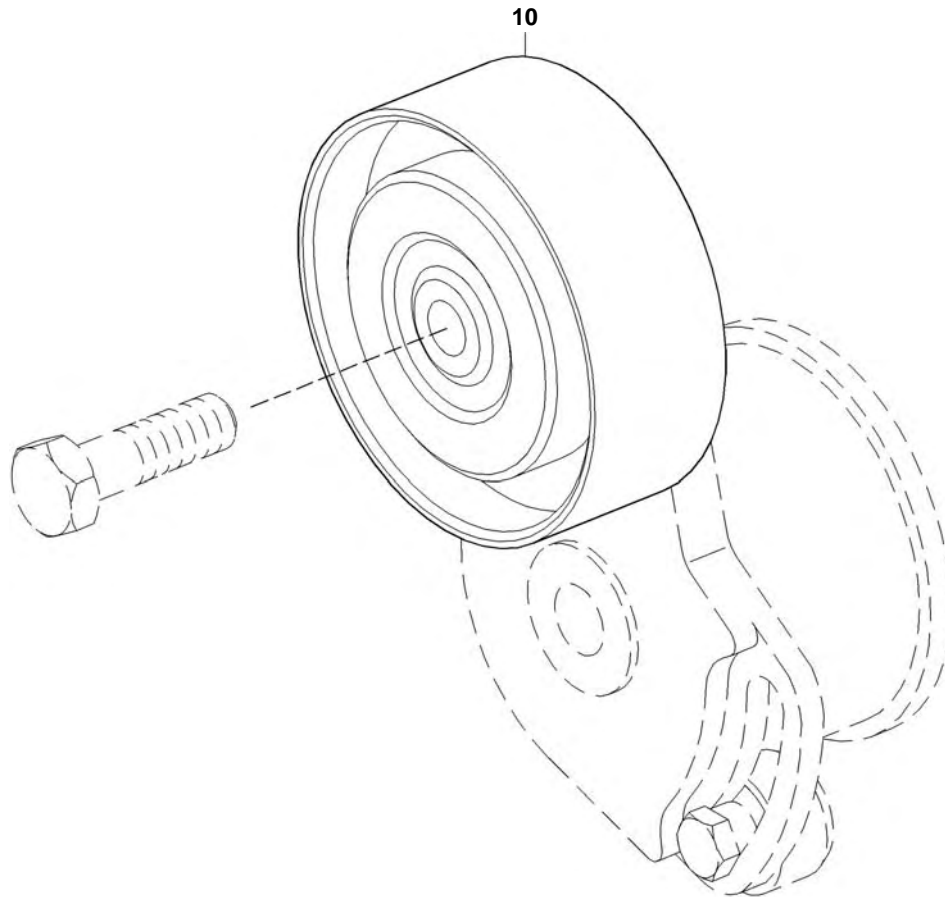
FG/FGS:
 STUECKLISTE/ X00005848
 BOM: X00005848

POS. ITEM	BESTELLNR. PART NO.	BENENNUNG DESIGNATION	STO QTY.	EINHEIT UNIT	FN FN
130	X00044025	KONDENSATOR CAPACITOR	1	ST PC	
140	8691540073	LUEFTERRAD FAN WHEEL	1	ST PC	
150	X00044027	ABDECKUNG COVER	1	ST PC	
160	8691540072	BUCHSE BUSHING	1	ST PC	
170	8691540074	BUCHSE BUSHING	1	ST PC	
180	X00044039	ERSATZTEILSATZ SPARE PARTS KIT	1	ST PC	
190	X00044041	ERSATZTEILSATZ SPARE PARTS KIT	1	ST PC	
200	X00044010	MUTTER NUT	1	ST PC	
210	X00043909	DRUCKSCHRAUBE THRUST SCREW	4	ST PC	
220	Z=10497222	SCHRAUBE SCREW	4	ST PC	AC
230	X00043881	BUND COLLAR	1	ST PC	
240	Z=1894641	SCHRAUBE SCREW	4	ST PC	AC
250	Z=1976061	SCHRAUBE SCREW	2	ST PC	AC
260	Z=1851808	MUTTER NUT	4	ST PC	AC
270	X00043883	STECKER MALE CONNECTOR	1	ST PC	
280	Z=1968945	SCHRAUBE SCREW	4	ST PC	AC
290	Z=1965472	SCHEIBE WASHER	1	ST PC	AC

TYP/MODEL: 20V4000G43
SERIENNUMMER/
SERIAL NO: 20V4000G43

RIEMENSPANNER
V-BELT TENSIONER

FG/FGS:
STUECKLISTE/
BOM: 23540876



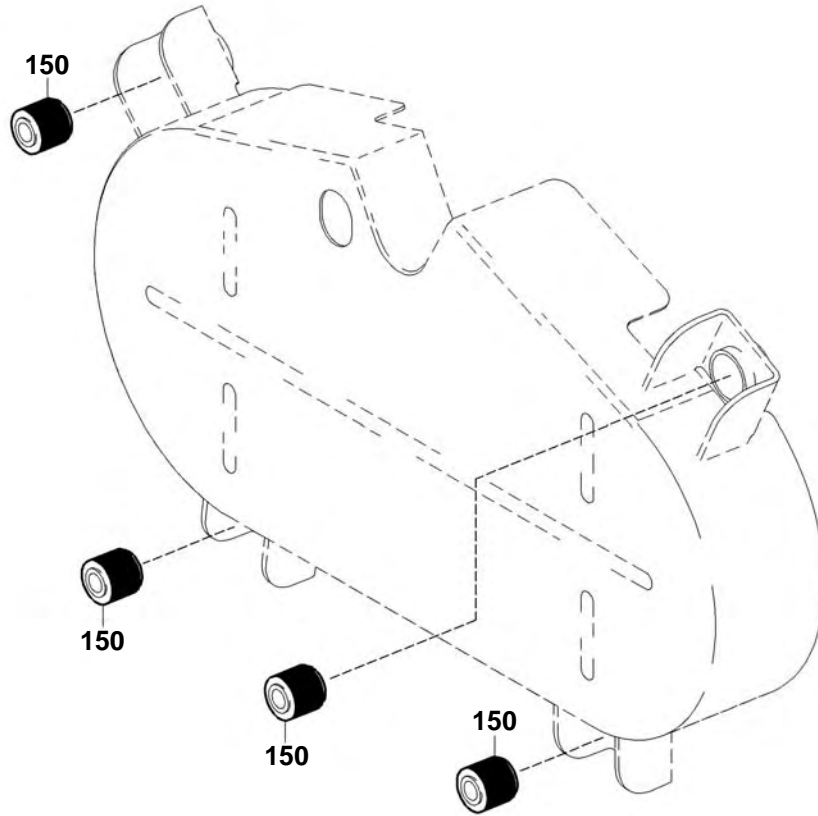
21300154b

POS. ITEM	BESTELLNR. PART NO.	BENENNUNG DESIGNATION	STO QTY.	EINHEIT UNIT
10	23540404	RIEMENSPANNROLLE BELT TENSION ROLLER	1	ST PC

TYP/MODEL: 20V4000G43
SERIENNUMMER/
SERIAL NO: 20V4000G43

SCHUTZHAUBE FUER GENERATOR
PROTECTIVE COVER FOR ALTERNATOR

FG/FGS:
STUECKLISTE/
BOM: X00037749



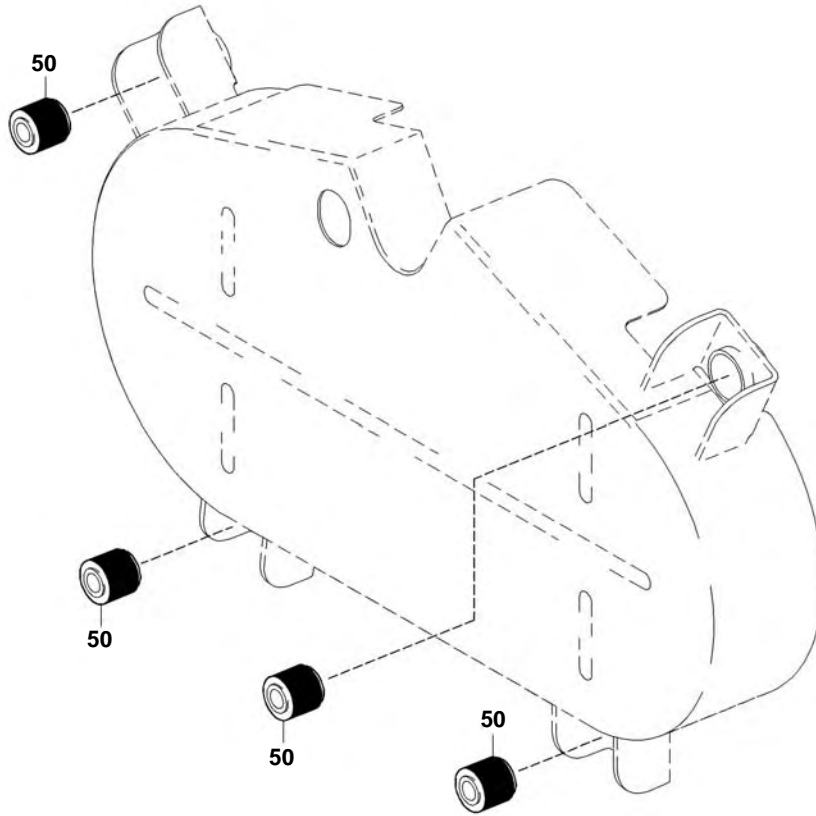
21300235a

POS. ITEM	BESTELLNR. PART NO.	BENENNUNG DESIGNATION	STO QTY.	EINHEIT UNIT
150	3521550650	SILENTBLOCK RUBBER SHOCK MOUNT	4	ST PC

TYP/MODEL: 20V4000G43
SERIENNUMMER/
SERIAL NO: 20V4000G43

SCHUTZHAUBE FUER GENERATOR
PROTECTIVE COVER FOR ALTERNATOR

FG/FGS:
STUECKLISTE/
BOM: X00041357



21300235c

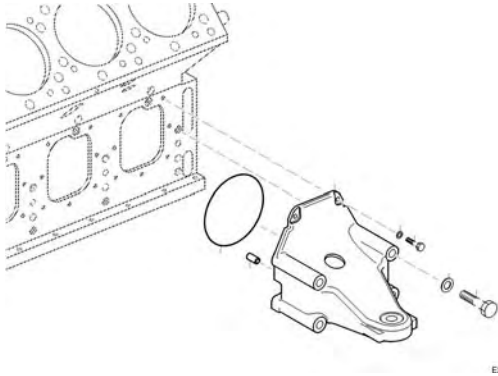
POS. ITEM	BESTELLNR. PART NO.	BENENNUNG DESIGNATION	STO QTY.	EINHEIT UNIT
50	3521550650	SILENTBLOCK RUBBER SHOCK MOUNT	4	ST PC

TYP/MODEL: 20V4000G43
SERIENNUMMER/
SERIAL NO: 20V4000G43

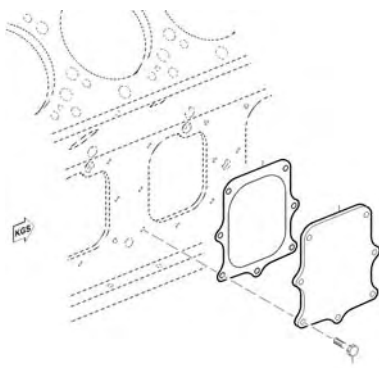
LAGERUNG / ABSTUETZUNG
MOUNTING SYSTEM

FG/FGS: 230
STUECKLISTE/
BOM:

FUNKTIONSGRUPPE/GROUP NUMBER (FG)
GRUPPENNAME/GROUP NAME
STÜCKLISTENR/BOM NO.



230
MOTORTRAEGER MIT SCHAULOCHDECKEL
MOUNTING BRACKET WITH INSP.PORT COV.
230.00087

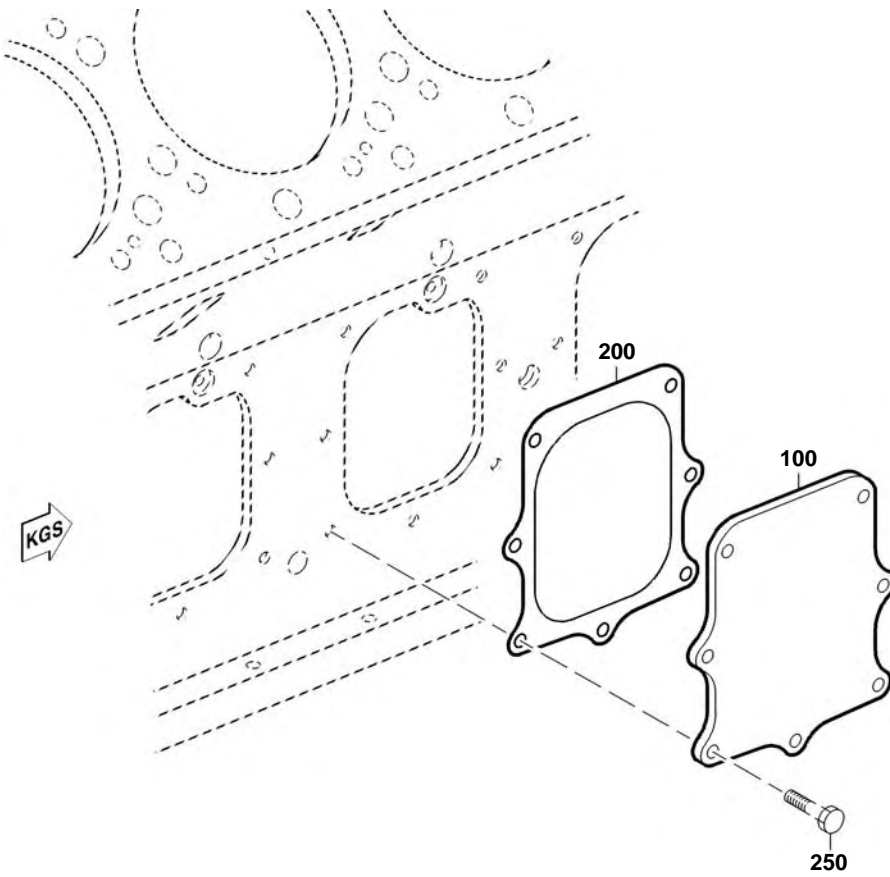


230
MOTORTRAEGER MIT SCHAULOCHDECKEL
MOUNTING BRACKET WITH INSP.PORT COV.
XS528230.00004

TYP/MODEL: 20V4000G43
SERIENNUMMER/
SERIAL NO: 20V4000G43

MOTORTRAEGER MIT SCHAULOHCHDECKEL
MOUNTING BRACKET WITH INSP.PORT COV.

FG/FGS: 230 00
STUECKLISTE/
BOM: XS528230.00004

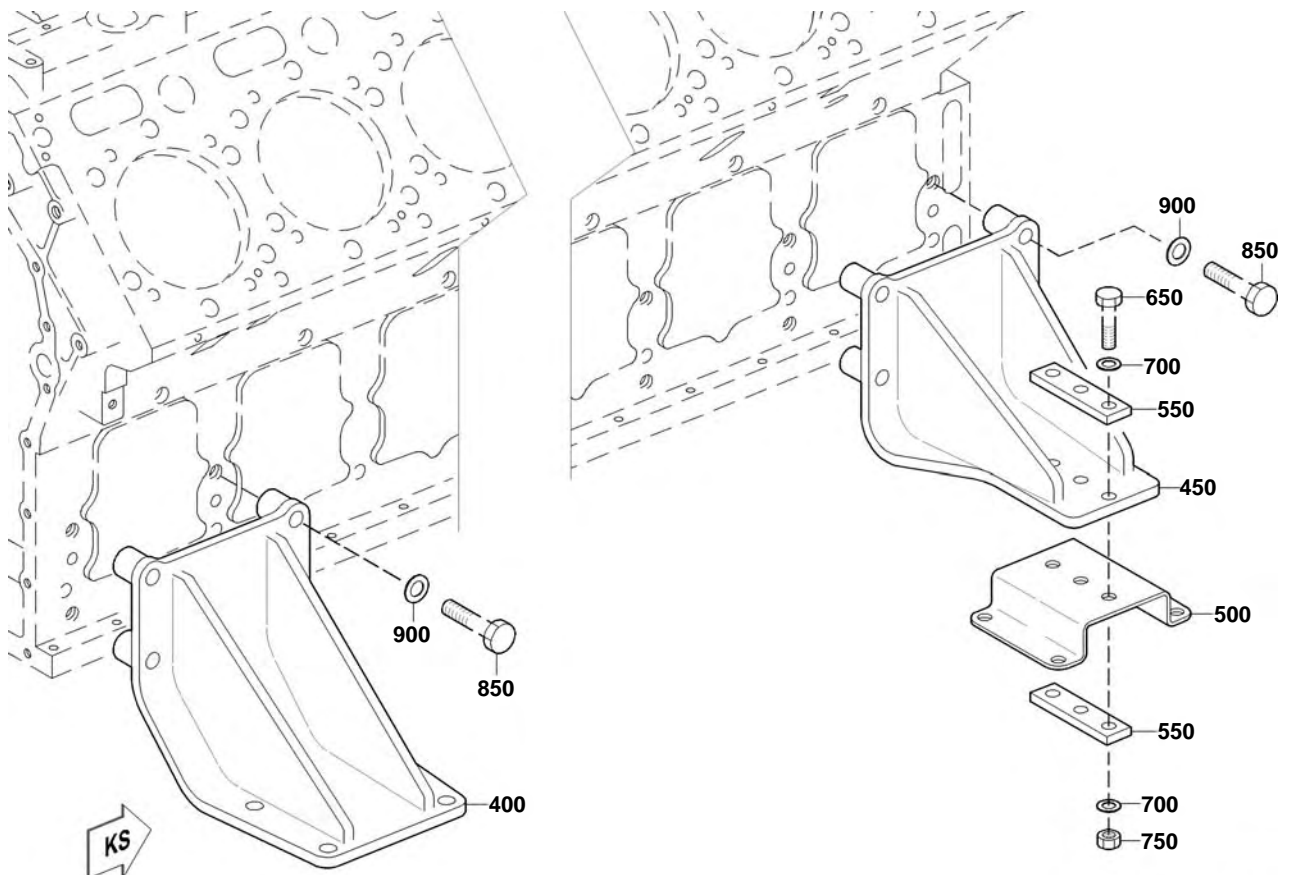


01100233j

TYP/MODEL: 20V4000G43
SERIENNUMMER/
SERIAL NO: 20V4000G43

MOTORTRAEGER MIT SCHAULOHCHDECKEL
MOUNTING BRACKET WITH INSP.PORT COV.

FG/FGS: 230 00
STUECKLISTE/
BOM: XS528230.00004



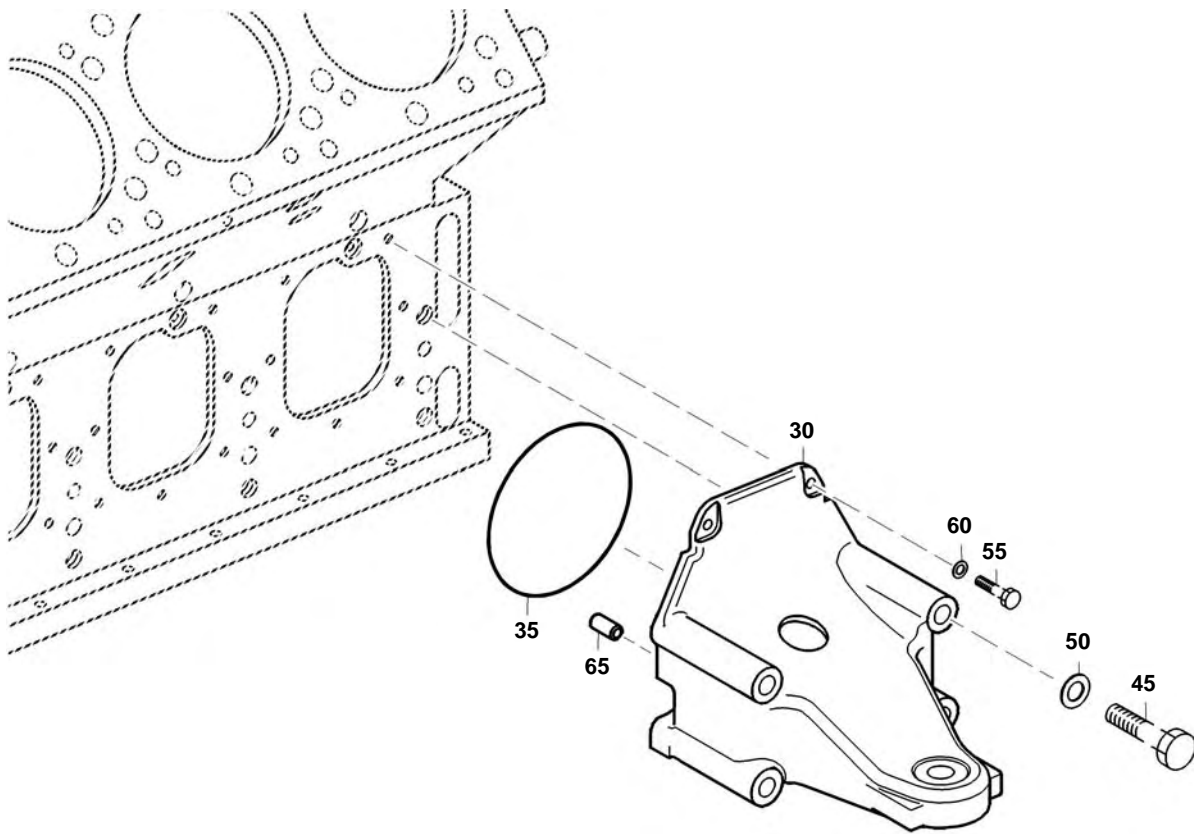
23100166c

POS.	BESTELLNR.	BENENNUNG	STO	EINHEIT	FN	ABMESSUNGEN	NORM
ITEM	PART NO.	DESIGNATION	QTY.	UNIT	FN	DIMENSIONS	STANDARD
100	5240110732	SCHAULOCHDECKEL INSPECT PORT COVER	6	ST PC	NN		
200	5240111380	DICHTBEILAGE GASKET	6	ST PC			
250	000933010035	SECHSKANTSCHRAUBE SCREW	42	ST PC		M 10 X 25	DIN933
400	X00035625	MOTORTRAEGER ANTRIEBSSEITE (KS) MOUNTING BRACKET DRIVING END (KS)	2	ST PC			
450	X00035626	MOTORTRAEGER FREIE SEITE (KGS) MOUNTING BRACKET AUX PTO END (KGS)	2	ST PC			
500	5242370641	KONSOLE BRACKET	2	ST PC			
550	5242370235	PLATTE PLATE	4	ST PC			
650	000931016126	SECHSKANTSCHRAUBE SCREW	6	ST PC		M 16 X 65	DIN931
700	200433017000	SCHEIBE WASHER	12	ST PC		17	DIN433
750	000934016006	SECHSKANTMUTTER HEX NUT	6	ST PC		M 16	DIN934
850	000931020050	SECHSKANTSCHRAUBE SCREW	16	ST PC		M 20 X100	DIN931
900	200433021000	SCHEIBE WASHER	16	ST PC		21	DIN433

TYP/MODEL: 20V4000G43
SERIENNUMMER/
SERIAL NO: 20V4000G43

MOTORTRAEGER MIT SCHAULOCHDECKEL
MOUNTING BRACKET WITH INSP.PORT COV.

FG/FGS: 230 00
STUECKLISTE/
BOM: 230.00087

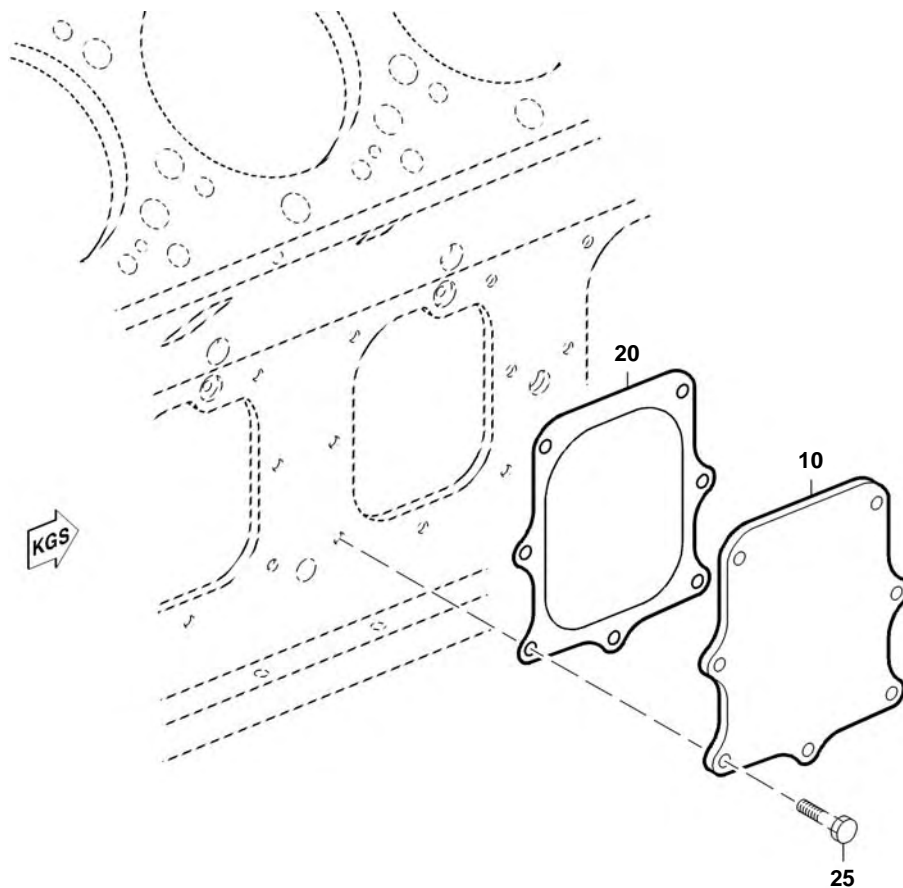


E2313013a1

TYP/MODEL: 20V4000G43
SERIENNUMMER/
SERIAL NO: 20V4000G43

MOTORTRAEGER MIT SCHAULOCHDECKEL
MOUNTING BRACKET WITH INSP.PORT COV.

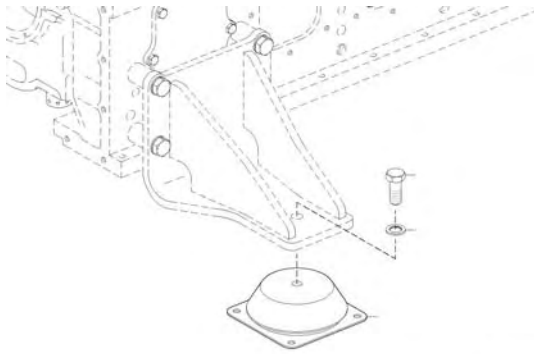
FG/FGS: 230 00
STUECKLISTE/
BOM: 230.00087



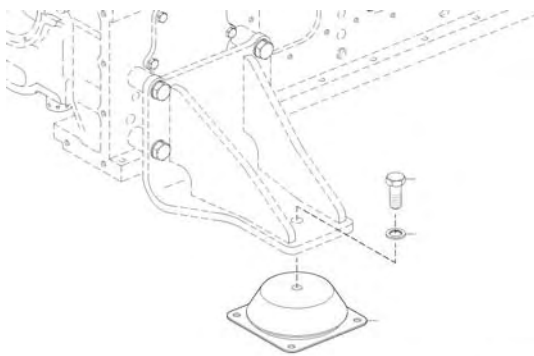
01100233a

POS. ITEM	BESTELNR. PART NO.	BENENNUNG DESIGNATION	STO QTY.	EINHEIT UNIT	FN FN	ABMESSUNGEN DIMENSIONS	NORM STANDARD
10	5240110732	SCHAULOCHDECKEL INSPECT PORT COVER	2	ST PC	NN		
20	5240111380	DICHTBEILAGE GASKET	2	ST PC			
25	000933010035	SECHSKANTSCHRAUBE SCREW	14	ST PC		M 10 X 25	DIN933
30	5242370202	MOTORTRAEGER MOUNTING BRACKET	4	ST PC			
35	700429192000	O-RING O-RING	4	ST PC		192 X 4	MMN429
45	200933020004	SECHSKANTSCHRAUBE SCREW	16	ST PC		M 20 X200 AK	DIN933
50	200433021000	SCHEIBE WASHER	16	ST PC		21	DIN433
55	000933010180	SECHSKANTSCHRAUBE SCREW	8	ST PC		M 10 X 28	DIN933
60	000125010524	SCHEIBE WASHER	8	ST PC		A 10,5	DIN125
65	000007016104	ZYLINDERSTIFT DOWEL PIN	8	ST PC		16 M6 X 32	DIN7

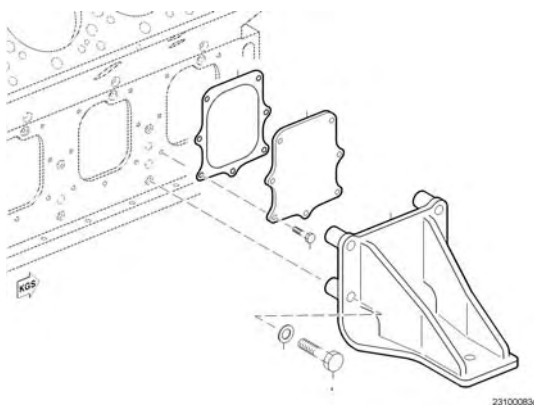
FUNKTIONSGRUPPE/GROUP NUMBER (FG)
GRUPPENNAME/GROUP NAME
STÜCKLISTENNR/BOM NO.



231
DAEMPFUNGLAGER
RUBBER MOUNT
X00027351



231
DAEMPFUNGLAGER
RUBBER MOUNT
X00035585

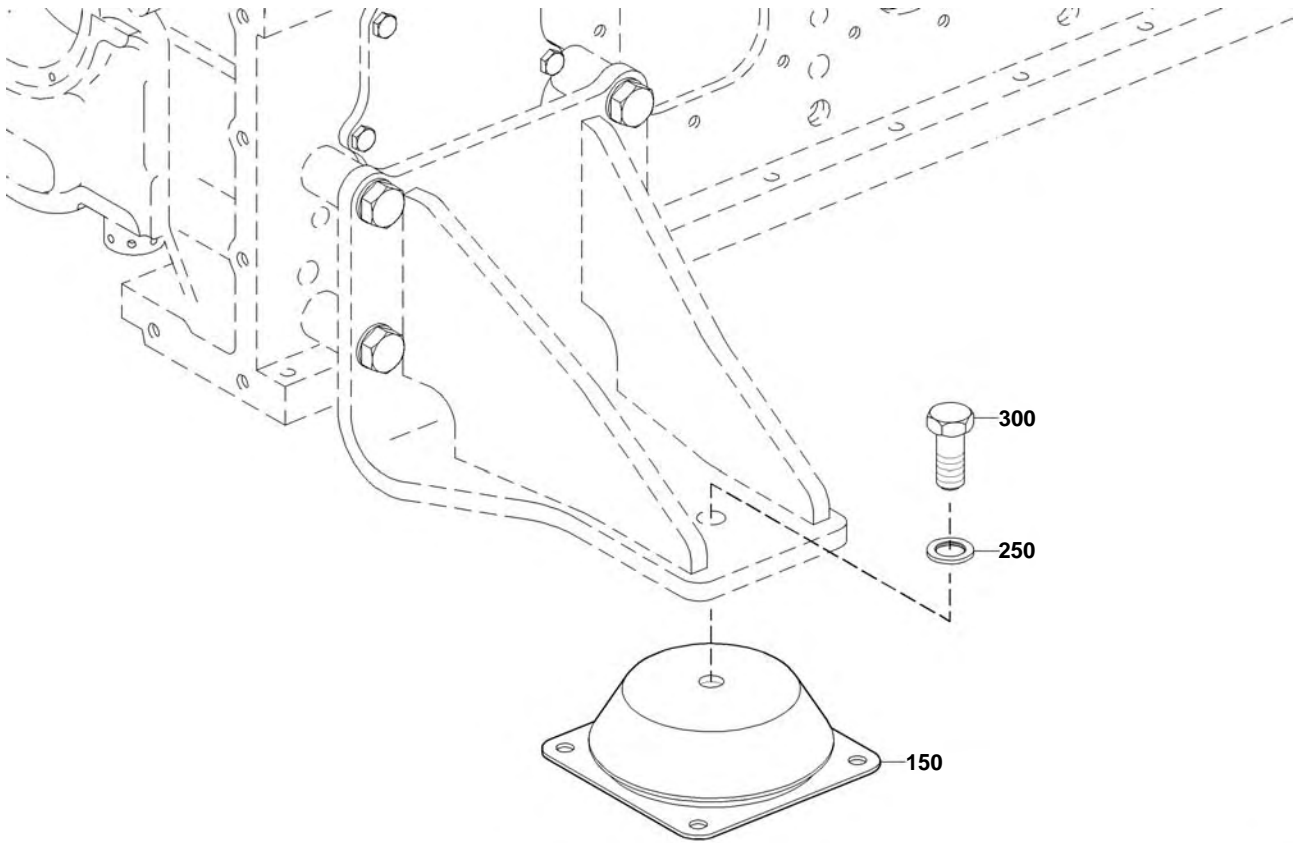


231
MOTORTRAEGER
MOUNTING BRACKET
XS528230.00005

TYP/MODEL: 20V4000G43
 SERIENNUMMER/
 SERIAL NO: 20V4000G43

DAEMPFUNGLAGER
 RUBBER MOUNT

FG/FGS: 231 00
 STUECKLISTE/
 BOM: X00035585



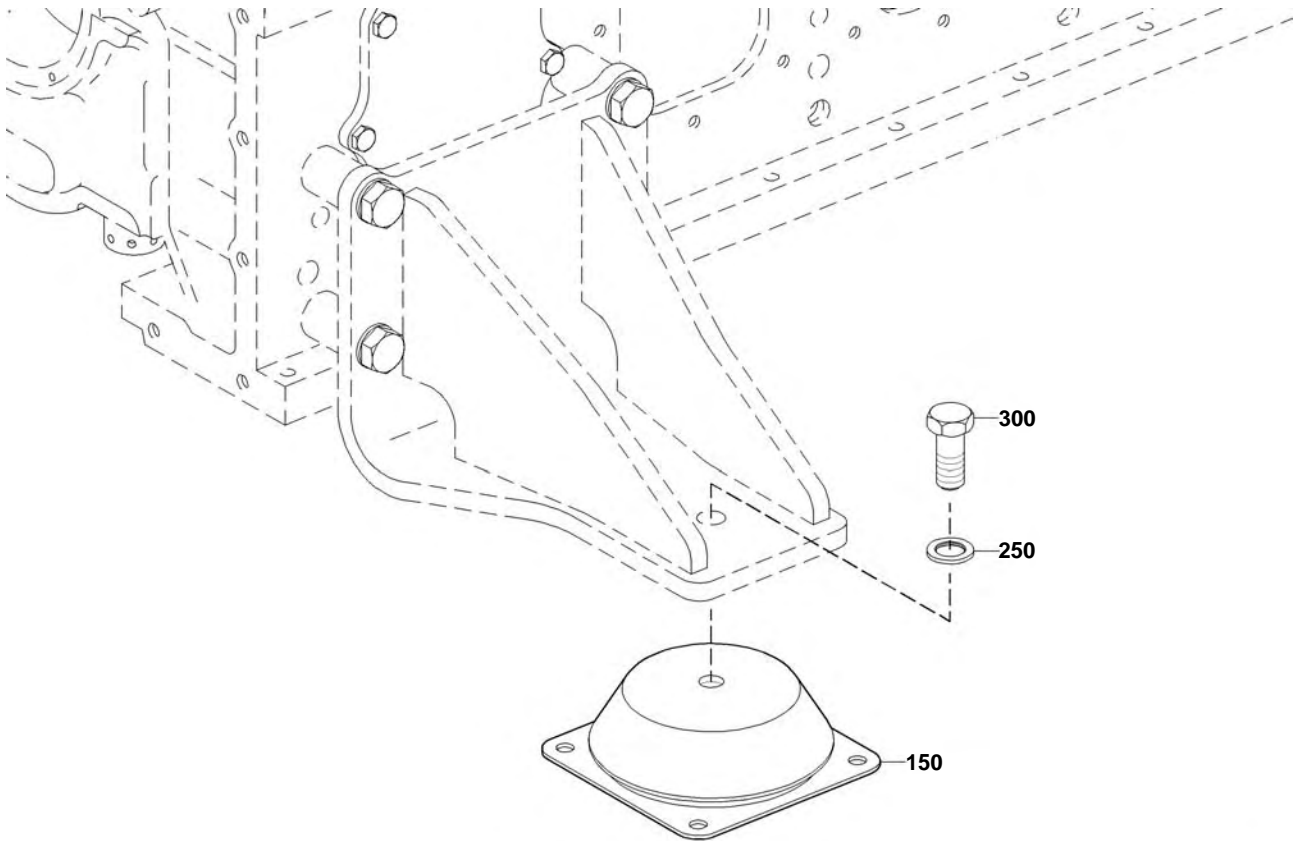
23100290b

POS. ITEM	BESTELNR. PART NO.	BENENNUNG DESIGNATION	STO QTY.	EINHEIT UNIT	ABMESSUNGEN DIMENSIONS	NORM STANDARD
150	0022379012	DAEMPFUNGLAGER RUBBER MOUNT	2	ST PC	65° SHORE	
250	200433021000	SCHEIBE WASHER	2	ST PC	21	DIN433
300	000933020009	SECHSKANTSCHRAUBE SCREW	2	ST PC	M 20 X 45	DIN933

TYP/MODEL: 20V4000G43
 SERIENNUMMER/
 SERIAL NO: 20V4000G43

DAEMPFUNGLAGER
 RUBBER MOUNT

FG/FGS: 231 00
 STUECKLISTE/
 BOM: X00027351



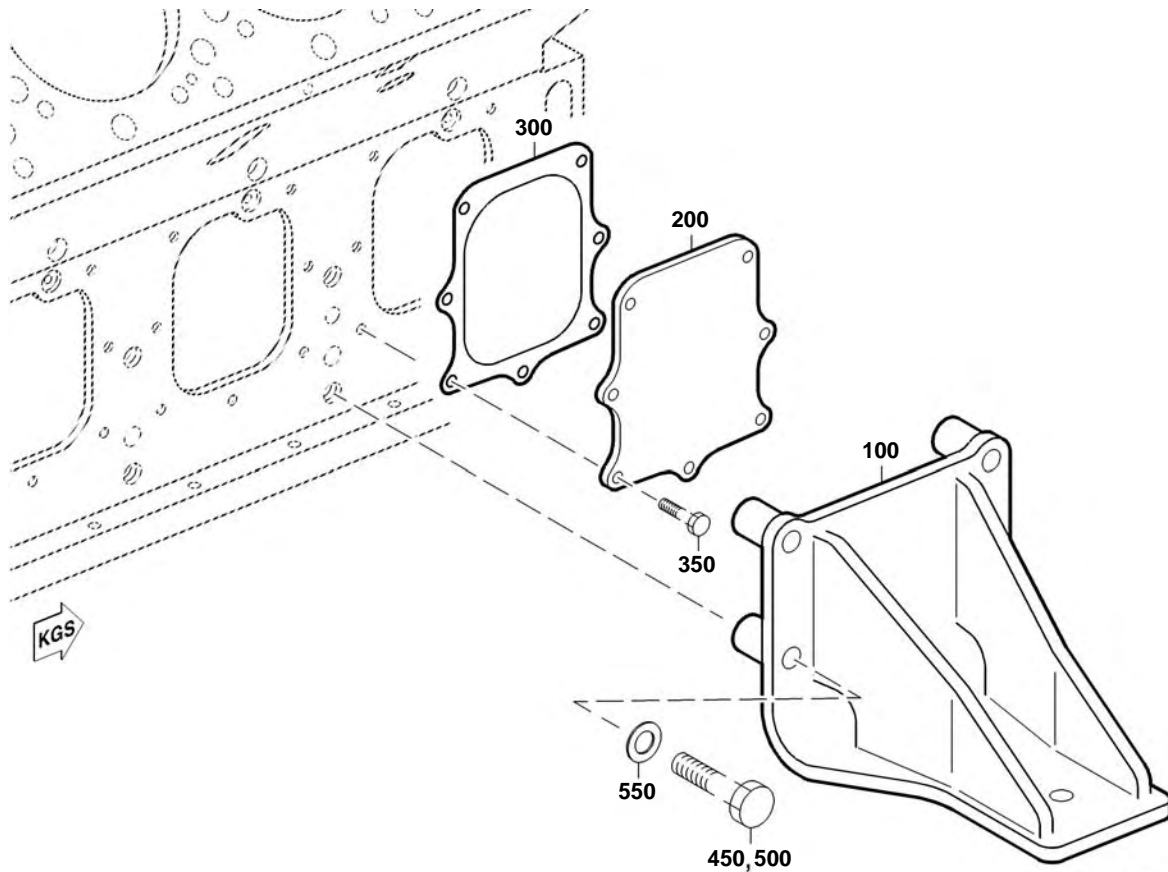
23100290b

POS. ITEM	BESTELNR. PART NO.	BENENNUNG DESIGNATION	STO QTY.	EINHEIT UNIT	ABMESSUNGEN DIMENSIONS	NORM STANDARD
150	0022379012	DAEMPFUNGLAGER RUBBER MOUNT	4	ST PC	65° SHORE	
250	200433021000	SCHEIBE WASHER	4	ST PC	21	DIN433
300	000933020009	SECHSKANTSCHRAUBE SCREW	4	ST PC	M 20 X 45	DIN933

TYP/MODEL: 20V4000G43
 SERIENNUMMER/
 SERIAL NO: 20V4000G43

MOTORTRAEGER
 MOUNTING BRACKET

FG/FGS: 231 05
 STUECKLISTE/
 BOM: XS528230.00005



23100083c

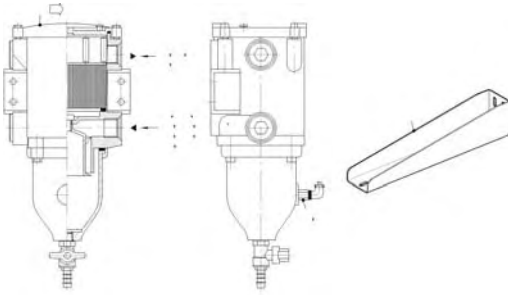
POS. ITEM	BESTELLNR. PART NO.	BENENNUNG DESIGNATION	STO QTY.	EINHEIT UNIT	FN FN	ABMESSUNGEN DIMENSIONS	NORM STANDARD
100	5242370741	MOTORTRAEGER MOUNTING BRACKET	4	ST PC			
200	5240110732	SCHAULOCHDECKEL INSPECT PORT COVER	6	ST PC	NN		
300	5240111380	DICHTBEILAGE GASKET	6	ST PC			
350	000933010035	SECHSKANTSCHRAUBE SCREW	42	ST PC		M 10 X 25	DIN933
450	000000001469	SECHSKANTSCHRAUBE SCREW	8	ST PC		M 20 X200	ISO4014
500	000000003950	SECHSKANTSCHRAUBE SCREW	8	ST PC		M 20 X100	ISO4017
550	200433021000	SCHEIBE WASHER	16	ST PC		21	DIN433

TYP/MODEL: 20V4000G43
SERIENNUMMER/
SERIAL NO: 20V4000G43

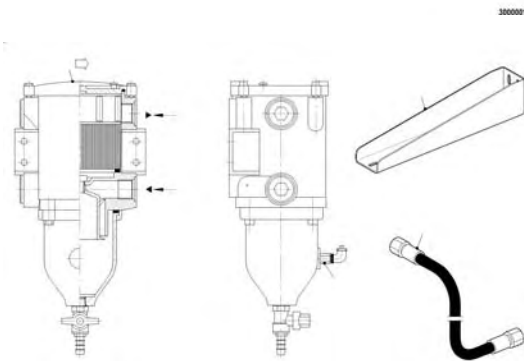
ZUBEHOER
ACCESSORIES

FG/FGS: 300
STUECKLISTE/
BOM:

FUNKTIONSGRUPPE/GROUP NUMBER (FG)
GRUPPENNAME/GROUP NAME
STÜCKLISTENR/BOM NO.



300
KRAFTSTOFFVORFILTER M.WASSERABSCHIEDER
FUEL PREFILTER W/WATER SEPARATOR
X00025362

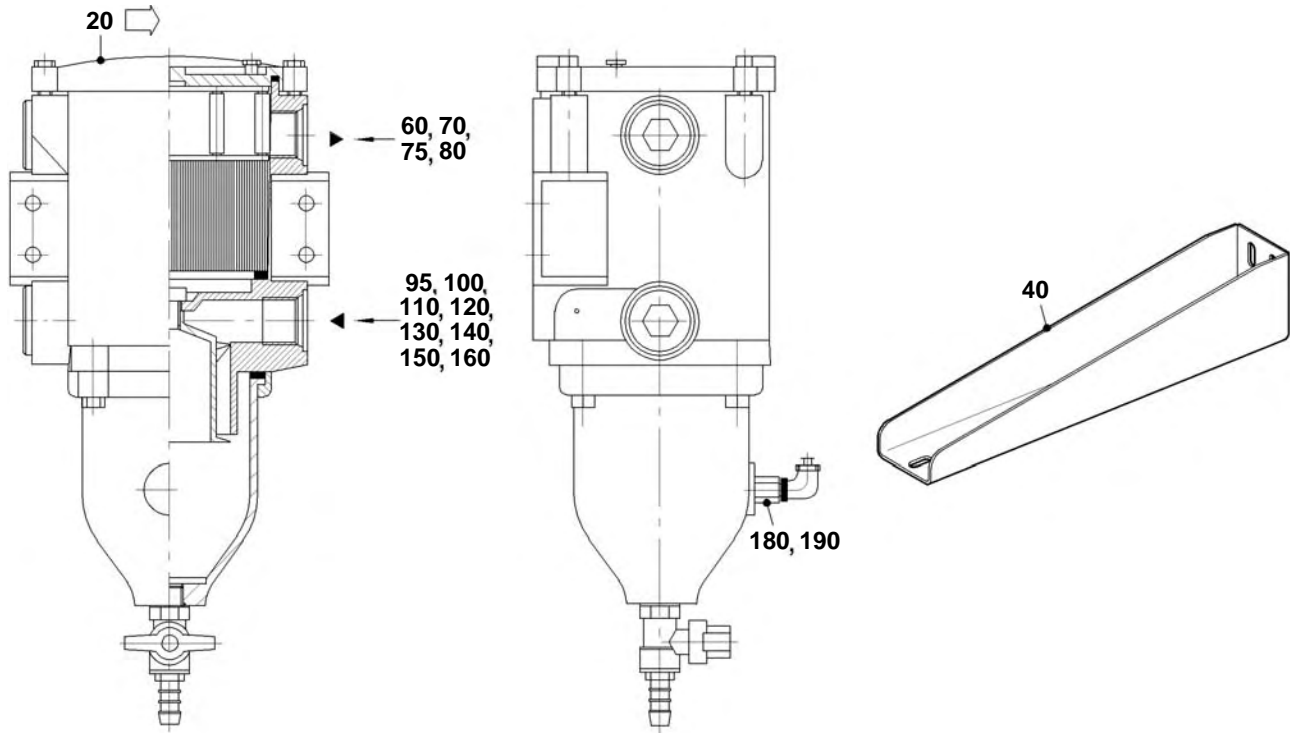


300
KRAFTSTOFFVORFILTER M.WASSERABSCHIEDER
FUEL PREFILTER W/WATER SEPARATOR
X00025380

TYP/MODEL: 20V4000G43
 SERIENNUMMER/
 SERIAL NO: 20V4000G43

KRAFTSTOFFVORFILTER M.WASSERABSCHIEDER
 FUEL PREFILTER W/WATER SEPARATOR

FG/FGS: 300 00
 STUECKLISTE/
 BOM: X00025362



30000011a

POS. ITEM	BESTELLNR. PART NO.	BENENNUNG DESIGNATION	STO QTY.	EINHEIT UNIT	FN FN	ABMESSUNGEN DIMENSIONS	NORM STANDARD
20	5244700090	KRAFTSTOFFFILTER F.W-NIV-KST-VORFIL FUEL FILTER F.WAT.LEV.FUEL PREF	1	ST PC		B200 X T165 X H385	
40	X00009117	HALTEBLECH RETAINER PLATE	1	ST PC			
60	915007020001	UEBERGANGSSTUTZEN ADAPTOR	1	ST PC		20 / 16 (M30X1, 5/M26X1,5)	N15007
70	007603026104	DICHTRING SEALING RING	1	ST PC		A 26 X 31	DIN7603
75	735211022001	VERSCHRAUBUNG UNION	1	ST PC		22M 33 X 2	MTN5211
80	700160000020	ROHRKRUEMMER PIPE ELBOW	1	ST PC		KR 20	MMN160
95	735211022001	VERSCHRAUBUNG UNION	1	ST PC		22M 33 X 2	MTN5211
100	915007020001	UEBERGANGSSTUTZEN ADAPTOR	1	ST PC		20 / 16 (M30X1, 5/M26X1,5)	N15007

TYP/MODEL: 20V4000G43

KRAFTSTOFFVORFILTER

FG/FGS: 300 00

M.WASSERABSCHIEDER

SERIENNUMMER/

FUEL PREFILTER W/WATER SEPARATOR

STUECKLISTE/ X00025362

SERIAL NO: 20V4000G43

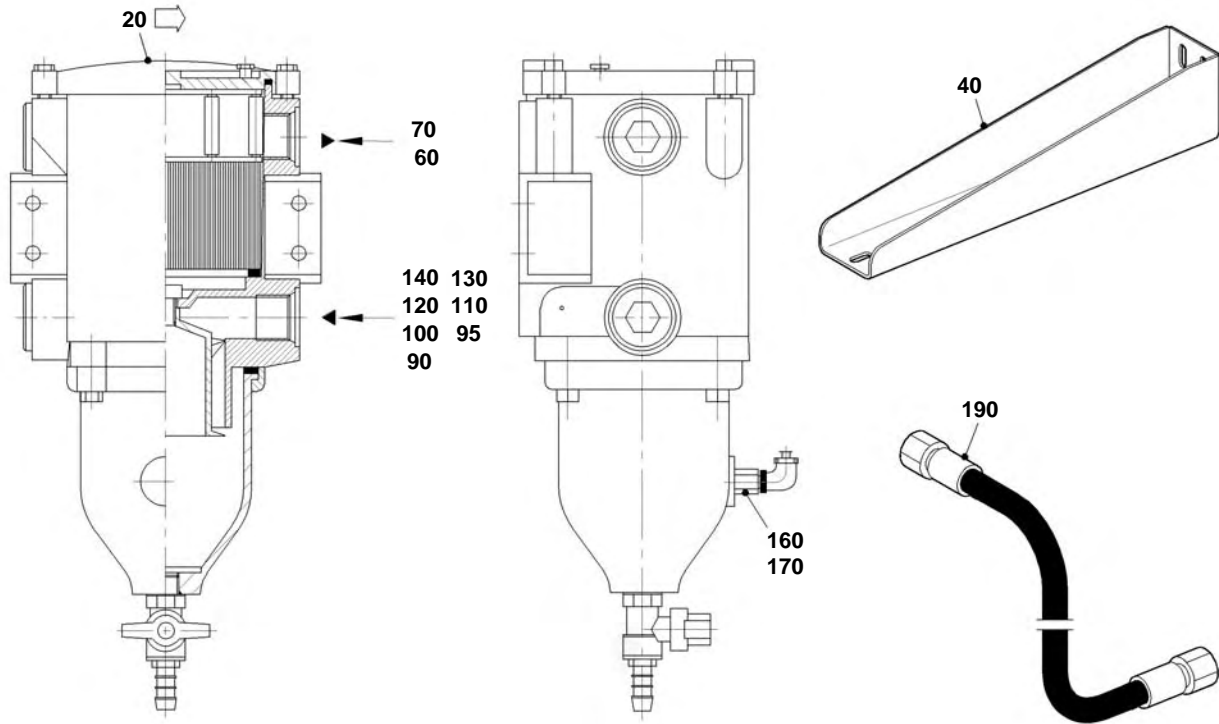
BOM: X00025362

POS. ITEM	BESTELLNR. PART NO.	BENENNUNG DESIGNATION	STO QTY.	EINHEIT UNIT	FN FN	ABMESSUNGEN DIMENSIONS	NORM STANDARD
110	007603026104	DICHTRING SEALING RING	1	ST PC		A 26 X 31	DIN7603
120	915003020202	KUGELBUCHSE BALL-TYPE UNION	2	ST PC		B2 -22	MBN15003
130	915001020003	MUTTER NUT	2	ST PC		20 M 30 X 1,5	N15001
140	42186	MUFFENSCHIEBER SLIDE VALVE	1	ST PC		DN 20 (3/4") ND 16	
150	700419999001	SCHRAUBSTUTZEN SCREW-FITTING UNION	2	ST PC		22 G 3/4 A	MMN419
160	007603026101	DICHTRING SEALING RING	1	ST PC		A 26 X 32	DIN7603
180	0005316685	STECKER MALE CONNECTOR	1	ST PC	NN	GR.10SL 3POL BUCHSE AWG16	
190	0005315082	SCHRUMPPFORMTEIL SHRINK SLEEVE	1	ST PC	MN	F.GR.10-12, GEWINKELT	

TYP/MODEL: 20V4000G43
 SERIENNUMMER/
 SERIAL NO: 20V4000G43

KRAFTSTOFFVORFILTER M.WASSERABSCHIEDER
 FUEL PREFILTER W/WATER SEPARATOR

FG/FGS: 300 00
 STUECKLISTE/
 BOM: X00025380



30000022a

POS. ITEM	BESTELLNR. PART NO.	BENENNUNG DESIGNATION	STO QTY.	EINHEIT UNIT	FN FN	ABMESSUNGEN DIMENSIONS	NORM STANDARD
20	5274700090	KRAFTSTOFFFILTER F.W-NIV-KST-VORFIL FUEL FILTER F.WAT.LEV.FUEL PREF	1	ST PC		B290 X T211 X H480	
40	X00009117	HALTEBLECH RETAINER PLATE	1	ST PC			
60	735211022001	VERSCHRAUBUNG UNION	2	ST PC		22M 33 X 2	MTN5211
70	700160000020	ROHRKRUEMMER PIPE ELBOW	1	ST PC		KR 20	MMN160
90	735211022001	VERSCHRAUBUNG UNION	2	ST PC		22M 33 X 2	MTN5211
95	0023912760297149	ROHR PIPE	1	M M		22 X 2	EN10305-1
100	915003020202	KUGELBUCHSE BALL-TYPE UNION	2	ST PC		B2 -22	MBN15003
110	915001020003	MUTTER NUT	2	ST PC		20 M 30 X 1,5	N15001
120	42186	MUFFENSCHIEBER SLIDE VALVE	1	ST PC		DN 20 (3/4") ND 16	

TYP/MODEL: 20V4000G43

KRAFTSTOFFVORFILTER

FG/FGS: 300 00

M.WASSERABSCHIEDER

SERIENNUMMER/

FUEL PREFILTER W/WATER SEPARATOR

STUECKLISTE/ X00025380

SERIAL NO: 20V4000G43

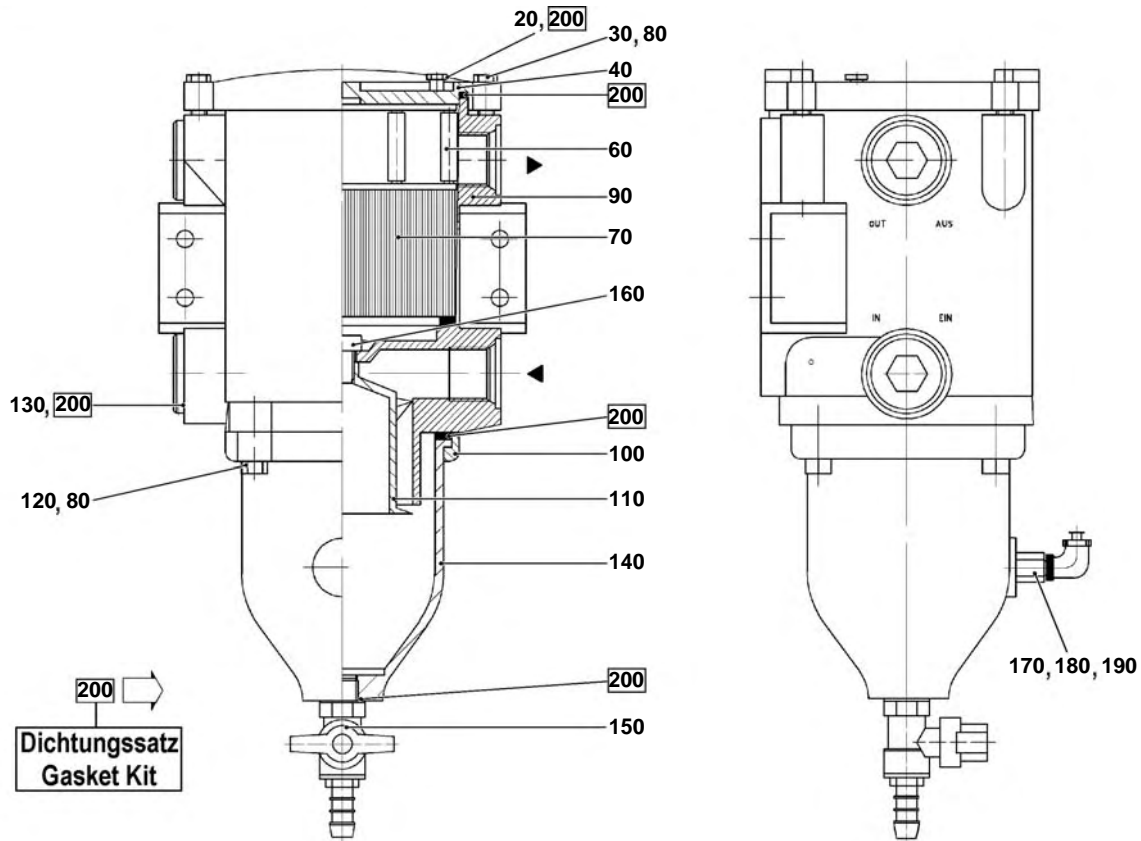
BOM: X00025380

POS.	BESTELLNR.	BENENNUNG	STO	EINHEIT	FN	ABMESSUNGEN	NORM
ITEM	PART NO.	DESIGNATION	QTY.	UNIT	FN	DIMENSIONS	STANDARD
130	700419999001	SCHRAUBSTUTZEN SCREW-FITTING UNION	2	ST		22 G 3/4 A	MMN419
140	007603026101	DICHTRING SEALING RING	2	ST		A 26 X 32	DIN7603
160	0005316685	STECKER MALE CONNECTOR	1	ST	NN	GR.10SL 3POL BUCHSE AWG16	
170	0005315082	SCHRUMPPFORMTEIL SHRINK SLEEVE	1	ST	MN	F.GR.10-12, GEWINKELT	
190	735038020104	SCHLAUCHLEITUNG HOSE	2	ST		1SN 20 CC 400	MTN5038

TYP/MODEL: 20V4000G43
 SERIENNUMMER/
 SERIAL NO: 20V4000G43

KRAFTSTOFFFILTER F.W-NIV-KST-VORFIL
 FUEL FILTER F.WAT.LEV.FUEL PREF

FG/FGS:
 STUECKLISTE/
 BOM: 5244700090



08300333a

POS. ITEM	BESTELLNR. PART NO.	BENENNUNG DESIGNATION	STO QTY.	EINHEIT UNIT	FN FN	ABMESSUNGEN DIMENSIONS	NORM STANDARD
20	8690920043	SCHRAUBE SCREW	1	ST PC			
30	Z=30452	SCHRAUBE SCREW	4	ST PC	AC		
40	8690920061	DECKEL COVER	1	ST PC			
60	X00031325	FEDERELEMENT RESILIENT ELEMENT	1	ST PC			
70	0000925005	FILTEREINSATZ FILTER ELEMENT	1	ST PC		30µ	
80	000125006431	SCHEIBE WASHER	8	ST PC		A 6,4	DIN125
90	Z=30428	GEHAEUSE HOUSING	1	ST PC	AC		
100	Z=30575	HALTER RETAINER	1	ST PC	AC		
110	Z=30429	OELZENTRIFUGE CENTRIFUGAL OIL FLTR	1	ST PC	AC		
120	304017006065	SECHSKANTSCHRAUBE SCREW	4	ST PC		M 6 X 30	ISO4017

TYP/MODEL: 20V4000G43
SERIENNUMMER/
SERIAL NO: 20V4000G43

KRAFTSTOFFILTER F.W-NIV-KST-VORFIL
FUEL FILTER F.WAT.LEV.FUEL PREF

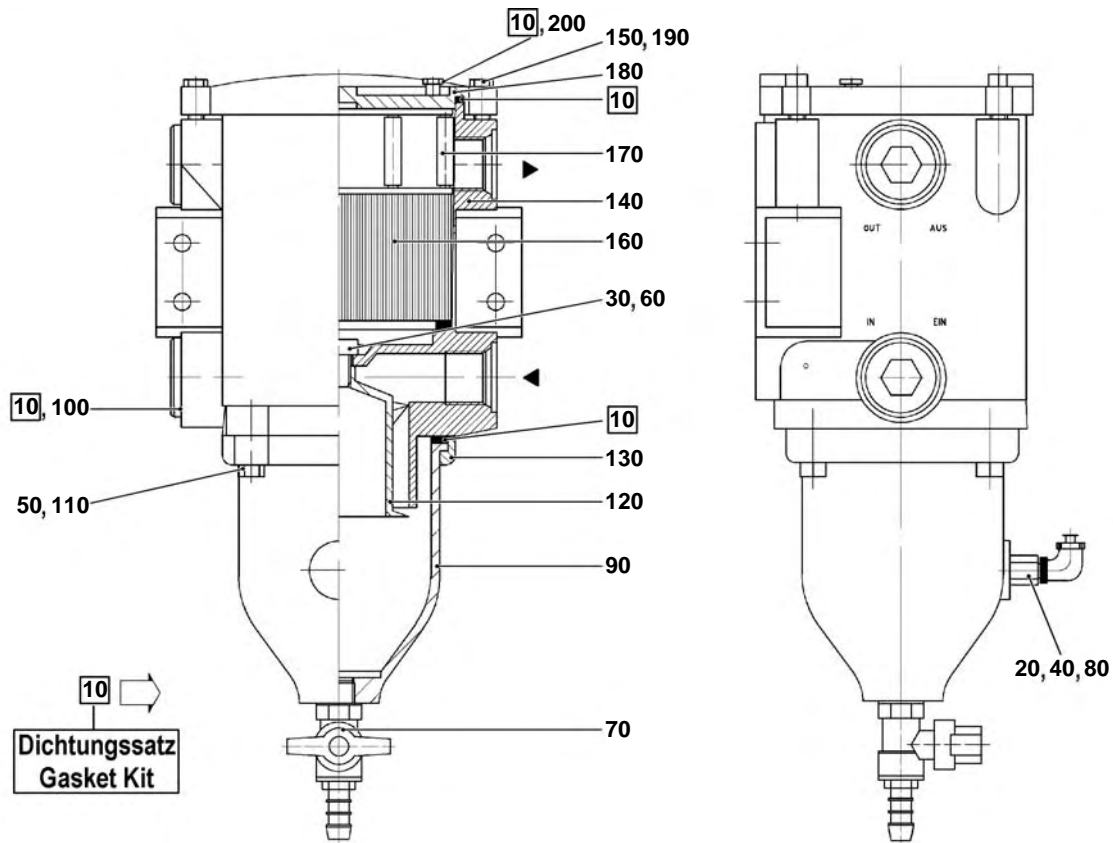
FG/FGS:
STUECKLISTE/ 5244700090
BOM: 5244700090

POS. ITEM	BESTELLNR. PART NO.	BENENNUNG DESIGNATION	STO QTY.	EINHEIT UNIT	FN FN	ABMESSUNGEN DIMENSIONS	NORM STANDARD
130	000908026005	VERSCHLUSSSCHRAUBE PLUG	2	ST PC		M 26 X 1,5	DIN908
140	Z=30983	GEHAEUSE HOUSING	1	ST PC	AC	MIT GEWINDE FUER SONDE	
150	8690920054	HAHN COCK	1	ST PC			
160	Z=30560	SCHRAUBE SCREW	1	ST PC	AC	M10 X 16	DIN7984
170	X00027177	WASSERSTANDANZEIGER COOL LEVEL DISPLAY	1	ST PC			
180	8490920200	DICHTBEILAGE GASKET	1	ST PC			
190	8690920027	STECKER MALE CONNECTOR	1	ST PC			
200	8695860571	DICHTUNGSSATZ GASKET KIT	1	ST PC			

TYP/MODEL: 20V4000G43
 SERIENNUMMER/
 SERIAL NO: 20V4000G43

KRAFTSTOFFILTER F.W-NIV-KST-VORFIL
 FUEL FILTER F.WAT.LEV.FUEL PREF

FG/FGS:
 STUECKLISTE/
 BOM: 5274700090



08300333a

POS. ITEM	BESTELLN. PART NO.	BENENNUNG DESIGNATION	STO QTY.	EINHEIT UNIT	FN FN	ABMESSUNGEN DIMENSIONS	NORM STANDARD
10	8695860572	DICHTUNGSSATZ GASKET KIT	1	ST PC			
20	0005316785	STECKER MALE CONNECTOR	1	ST PC	NN	GR.10SL 3POL BUCHSE AWG16	
30	X00029071	SICHERUNGSSCHEIBE LOCKWASHER	1	ST PC	AC	M10	
40	X00027177	WASSERSTANDANZEIGER COOL LEVEL DISPLAY	1	ST PC			
50	000125006431	SCHEIBE WASHER	4	ST PC		A 6,4	DIN125
60	X00038018	ZYLINDERSCHRAUBE SCREW	1	ST PC		M10X16	DIN 7984
70	8690920038	HAHN COCK	1	ST PC			
80	8490920200	DICHTBEILAGE GASKET	1	ST PC			
90	8690920037	AUFFANGWANNE COLLECTING TROUGH	1	ST PC		MIT GEW. ANSCHL.FUER SONDE	
100	Z=30445	STOPFEN PLUG	2	ST PC	AC		

TYP/MODEL: 20V4000G43
SERIENNUMMER/
SERIAL NO: 20V4000G43

KRAFTSTOFFFILTER F.W-NIV-KST-VORFIL
FUEL FILTER F.WAT.LEV.FUEL PREF

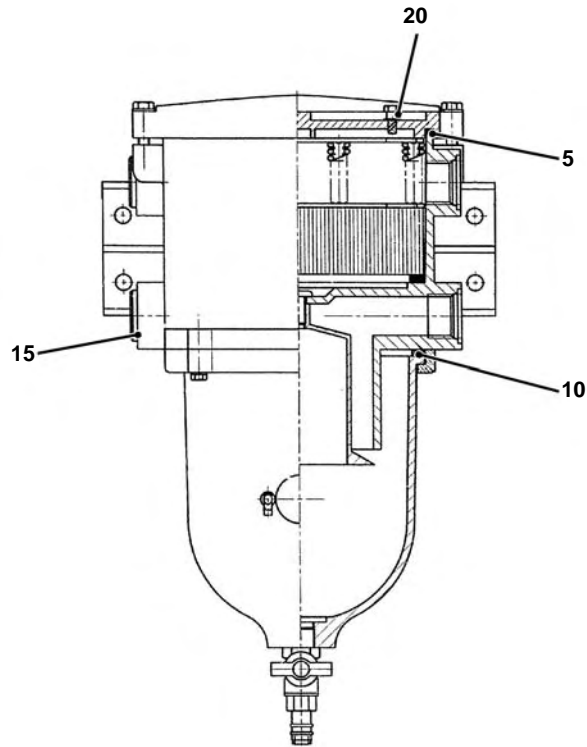
FG/FGS:
STUECKLISTE/ 5274700090
BOM: 5274700090

POS. ITEM	BESTELLNR. PART NO.	BENENNUNG DESIGNATION	STO QTY.	EINHEIT UNIT	FN FN	ABMESSUNGEN DIMENSIONS	NORM STANDARD
110	304017006065	SECHSKANTSCHRAUBE SCREW	4	ST PC		M 6 X 30	ISO4017
120	Z=30438	OELZENTRIFUGE CENTRIFUGE	1	ST PC	AC		
130	Z=30446	HALTER RETAINER	1	ST PC	AC		
140	Z=30434	GEHAEUSE HOUSING	1	ST PC	AC		
150	000125008427	SCHEIBE WASHER	4	ST PC		A 8,4	DIN125
160	0000925105	FILTEREINSATZ FILTER ELEMENT	1	ST PC		30 MY	
170	8690920040	FEDERKASSETTE SPRING CASSETTE	1	ST PC			
180	8690920046	DECKEL COVER	1	ST PC			
190	Z=30404	SCHRAUBE SCREW	4	ST PC	AC	M8 X 40	DIN933
200	8690920043	SCHRAUBE SCREW	1	ST PC			

TYP/MODEL: 20V4000G43
 SERIENNUMMER/
 SERIAL NO: 20V4000G43

DICHTUNGSSATZ
 GASKET KIT

FG/FGS:
 STUECKLISTE/
 BOM: 8695860572



083K0094a

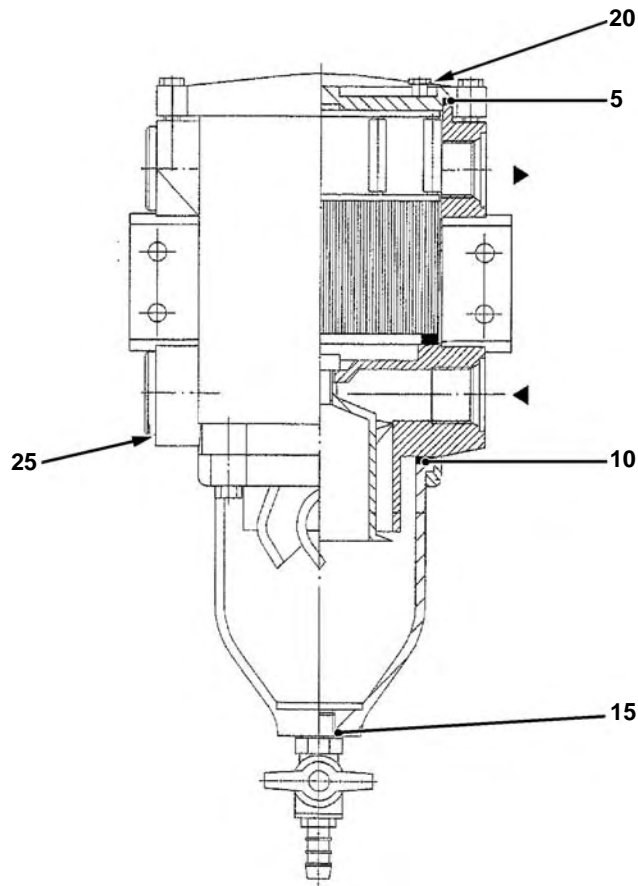
POS. ITEM	BESTELNR. PART NO.	BENENNUNG DESIGNATION	STO QTY.	EINHEIT UNIT	FN FN	ABMESSUNGEN DIMENSIONS
5	8690920032	DICHTBEILAGE GASKET	1	ST PC		202 X 188 X 6
10	8690920033	DICHTBEILAGE GASKET	1	ST PC		183 X 170 X 4
15	8690920039	DICHTBEILAGE GASKET	2	ST PC		
20	8699970254	DICHTRING SEALING RING	1	ST PC	UB	U 6,2 X 9,2 X 1

TYP/MODEL: 20V4000G43
 SERIENNUMMER/
 SERIAL NO: 20V4000G43

DICHTUNGSSATZ
 GASKET KIT

FG/FGS:
 STUECKLISTE/
 BOM: 8695860571

5 - 25
 Teilesatz
 Parts set
 Jeu de pièces
 Juego de piezas
 Jogo de peças



08300077a

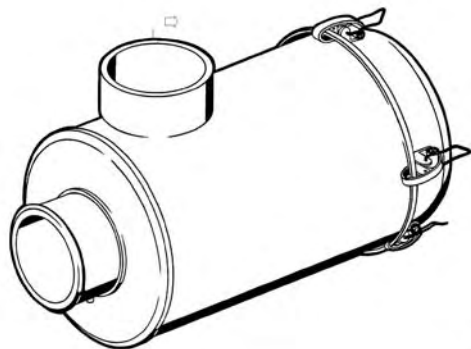
POS. ITEM	BESTELLNR. PART NO.	BENENNUNG DESIGNATION	STO QTY.	EINHEIT UNIT	FN FN	ABMESSUNGEN DIMENSIONS
5	8499970067	DICHTBEILAGE GASKET	1	ST PC		
10	8690920052	DICHTBEILAGE GASKET	1	ST PC		PERBUNAN SUB.
15	8690920053	DICHTBEILAGE GASKET	1	ST PC		
20	8699970254	DICHTRING SEALING RING	1	ST PC	UB	U 6,2 X 9,2 X 1
25	8690920051	DICHTBEILAGE GASKET	2	ST PC		

TYP/MODEL: 20V4000G43
SERIENNUMMER/
SERIAL NO: 20V4000G43

LUFTVERSORGUNGSSYSTEM
AIR SUPPLY SYSTEM

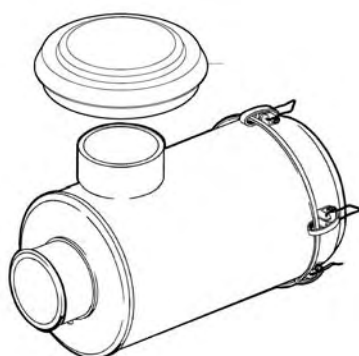
FG/FGS: 369
STUECKLISTE/
BOM:

FUNKTIONSGRUPPE/GROUP NUMBER (FG)
GRUPPENNAME/GROUP NAME
STÜCKLISTENNR/BOM NO.



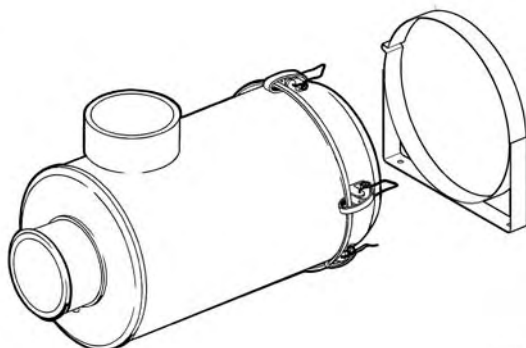
369
LUFTFILTER MIT GEHAEUSE
AIR FILTER W/HOUSING
X00023512

12100206a



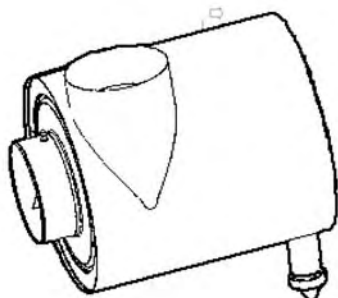
369
REGENKAPPE FUER LUFTFILTER
SHROUD F. AIR FILTER
X00024696

12100206a



369
HALTER FUER LUFTFILTER
RETAINER FOR AIR FILTER
X00024699

12100206a



369
LUFTFILTER MIT GEHAEUSE
AIR FILTER W/HOUSING
X00026858

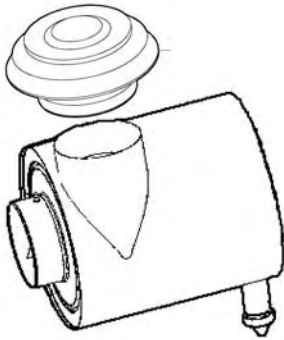
12100206a

TYP/MODEL: 20V4000G43
SERIENNUMMER/
SERIAL NO: 20V4000G43

LUFTVERSORGUNGSSYSTEM
AIR SUPPLY SYSTEM

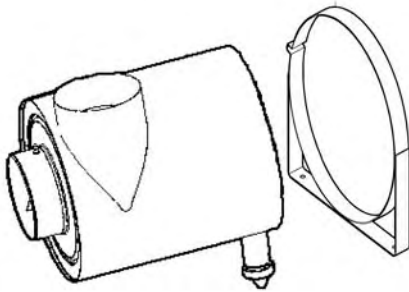
FG/FGS: 369
STUECKLISTE/
BOM:

FUNKTIONSGRUPPE/GROUP NUMBER (FG)
GRUPPENNAME/GROUP NAME
STÜCKLISTENR/BOM NO.



369
REGENKAPPE FUER LUFTFILTER
RAIN CAP FOR AIR FILTER
X00026860

1210021a



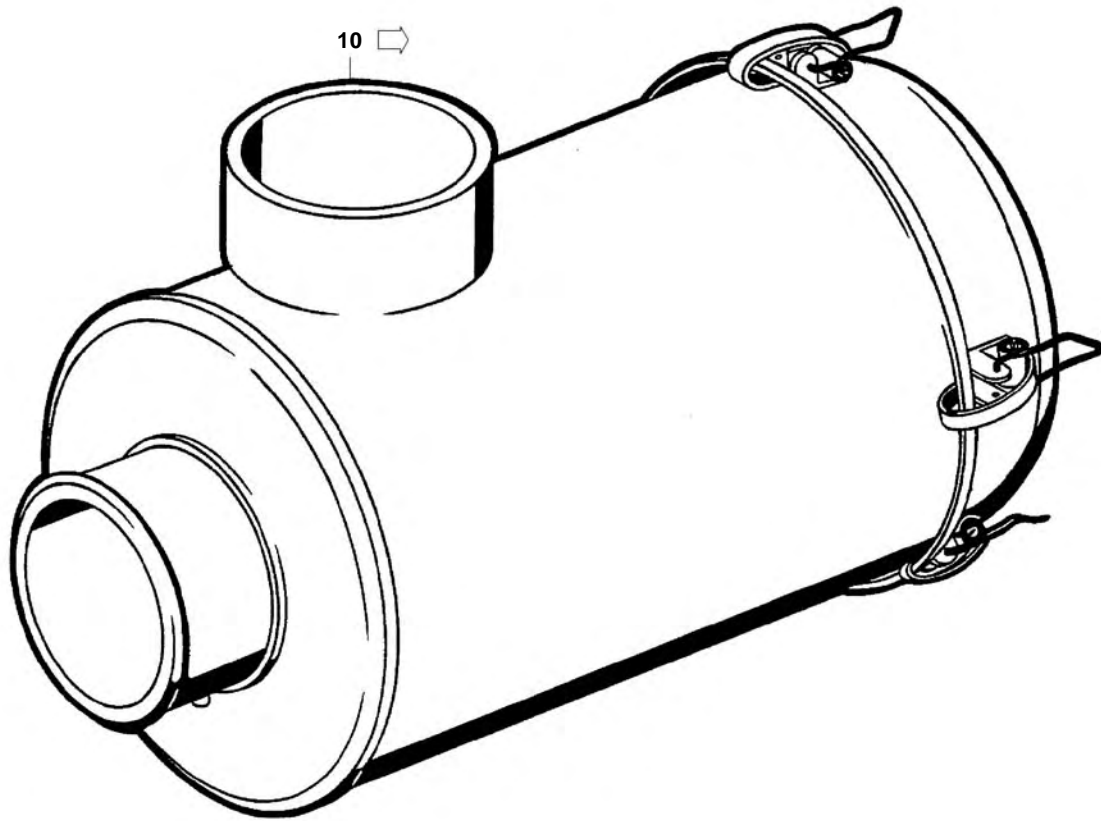
369
HALTER FUER LUFTFILTER
RETAINER FOR AIR FILTER
X00026862

1210021a

TYP/MODEL: 20V4000G43
SERIENNUMMER/
SERIAL NO: 20V4000G43

LUFTFILTER MIT GEHAEUSE
AIR FILTER W/HOUSING

FG/FGS: 369 25
STUECKLISTE/
BOM: X00023512



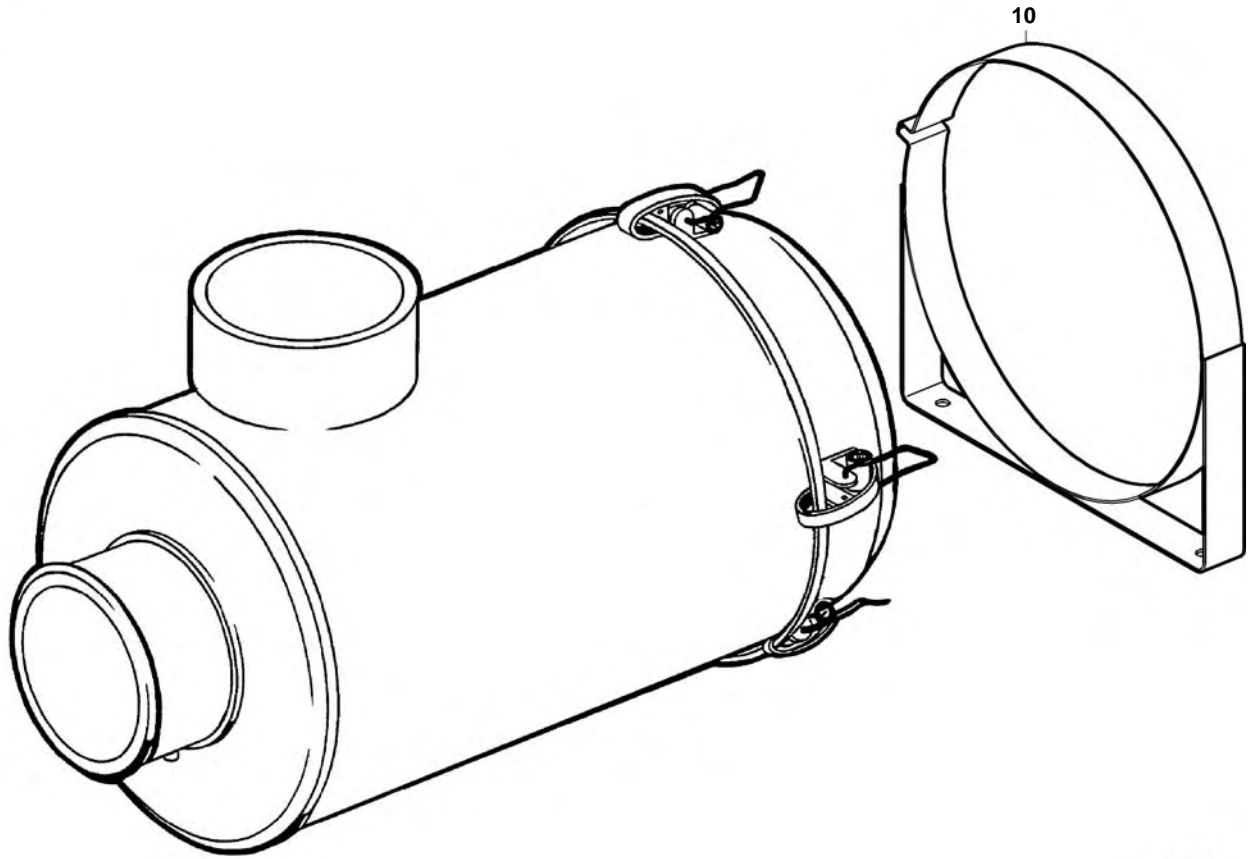
12100206a

POS. ITEM	BESTELLNR. PART NO.	BENENNUNG DESIGNATION	STO QTY.	EINHEIT UNIT	ABMESSUNGEN DIMENSIONS
10	X00020441	LUFTFILTER AIR FILTER	1	ST PC	DN 200

TYP/MODEL: 20V4000G43
SERIENNUMMER/
SERIAL NO: 20V4000G43

HALTER FUER LUFTFILTER
RETAINER FOR AIR FILTER

FG/FGS: 369 25
STUECKLISTE/
BOM: X00024699



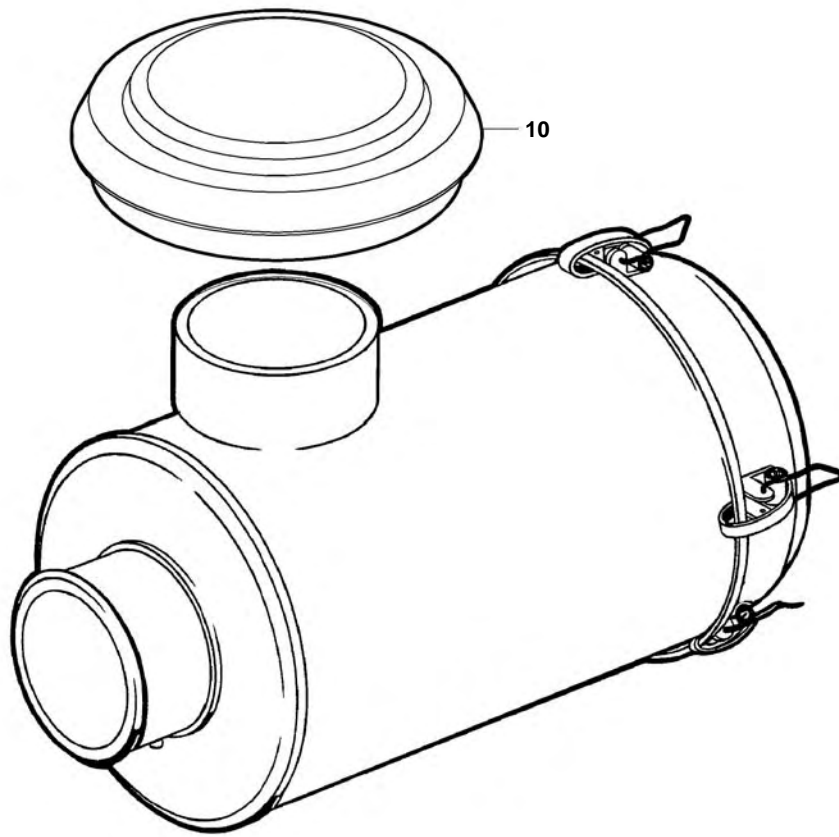
12100209a

POS. ITEM	BESTELLNR. PART NO.	BENENNUNG DESIGNATION	STO QTY.	EINHEIT UNIT
10	X00023803	HALTER FUER LUFTFILTER RETAINER FOR AIR FILTER	1	ST PC

TYP/MODEL: 20V4000G43
SERIENNUMMER/
SERIAL NO: 20V4000G43

REGENKAPPE FUER LUFTFILTER
SHROUD F. AIR FILTER

FG/FGS: 369 25
STUECKLISTE/
BOM: X00024696



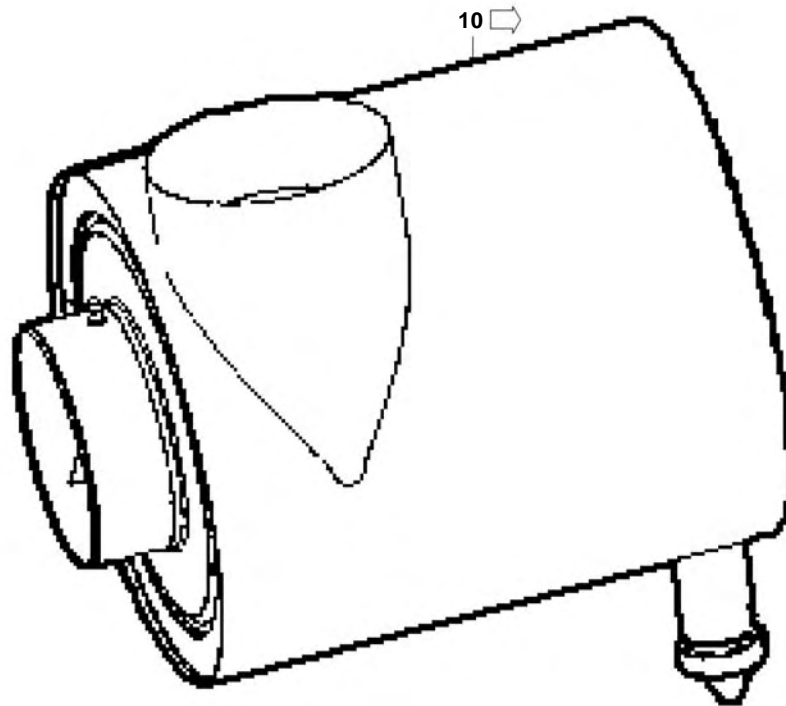
12100208a

POS. ITEM	BESTELLNR. PART NO.	BENENNUNG DESIGNATION	STO QTY.	EINHEIT UNIT
10	X00023857	REGENKAPPE FUER LUFTFILTER RAIN SHROUD F. AIR FILTER	1	ST PC

TYP/MODEL: 20V4000G43
SERIENNUMMER/
SERIAL NO: 20V4000G43

LUFTFILTER MIT GEHAEUSE
AIR FILTER W/HOUSING

FG/FGS: 369 25
STUECKLISTE/
BOM: X00026858



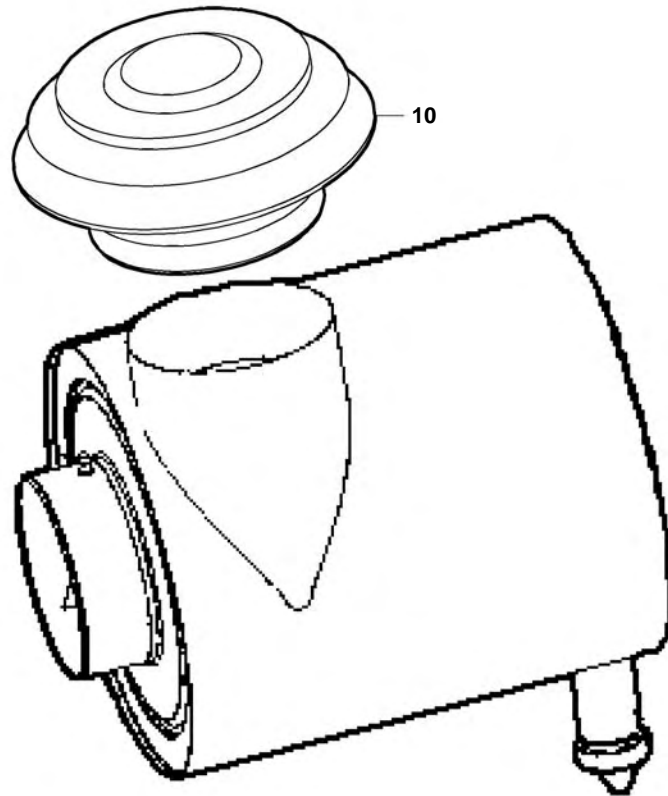
12100210a

POS. ITEM	BESTELNR. PART NO.	BENENNUNG DESIGNATION	STO QTY.	EINHEIT UNIT
10	X00024740	LUFTFILTER AIR FILTER	1	ST PC

TYP/MODEL: 20V4000G43
SERIENNUMMER/
SERIAL NO: 20V4000G43

REGENKAPPE FUER LUFTFILTER
RAIN CAP FOR AIR FILTER

FG/FGS: 369 25
STUECKLISTE/
BOM: X00026860



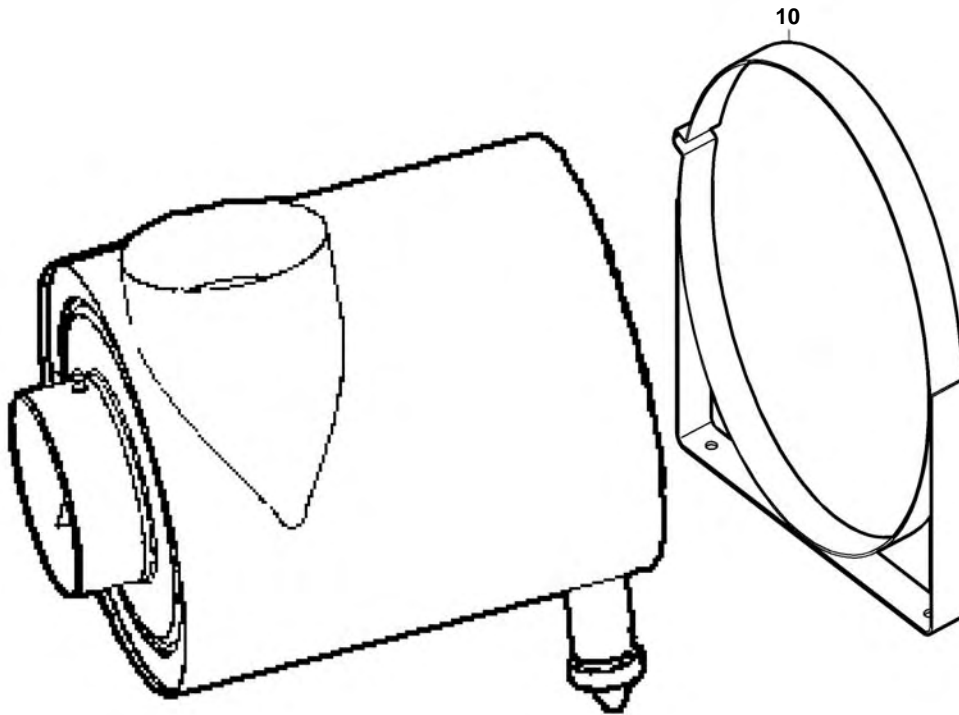
12100212a

POS. ITEM	BESTELLNR. PART NO.	BENENNUNG DESIGNATION	STO QTY.	EINHEIT UNIT
10	X00024742	REGENKAPPE FUER LUFTFILTER RAIN SHROUD F. AIR FILTER	1	ST PC

TYP/MODEL: 20V4000G43
SERIENNUMMER/
SERIAL NO: 20V4000G43

HALTER FUER LUFTFILTER
RETAINER FOR AIR FILTER

FG/FGS: 369 25
STUECKLISTE/
BOM: X00026862



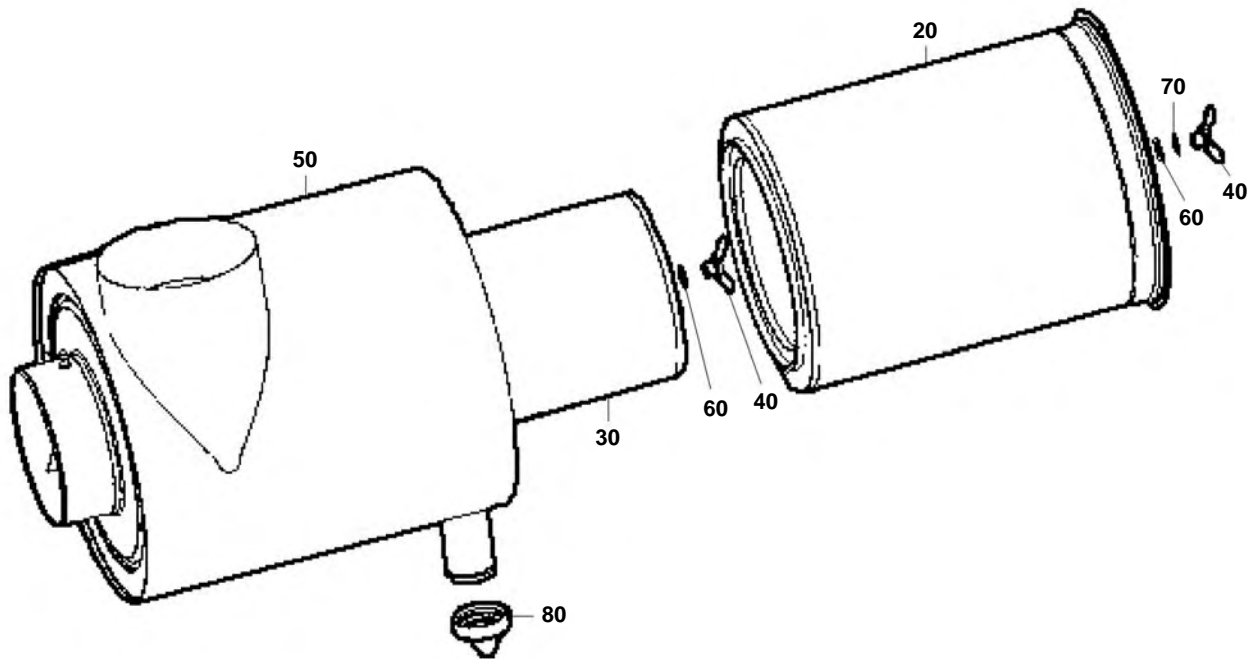
12100213a

POS. ITEM	BESTELLNR. PART NO.	BENENNUNG DESIGNATION	STO QTY.	EINHEIT UNIT
10	X00024744	HALTER FUER LUFTFILTER RETAINER FOR AIR FILTER	1	ST PC

TYP/MODEL: 20V4000G43
 SERIENNUMMER/
 SERIAL NO: 20V4000G43

LUFTFILTER
 AIR FILTER

FG/FGS:
 STUECKLISTE/
 BOM: X00024740



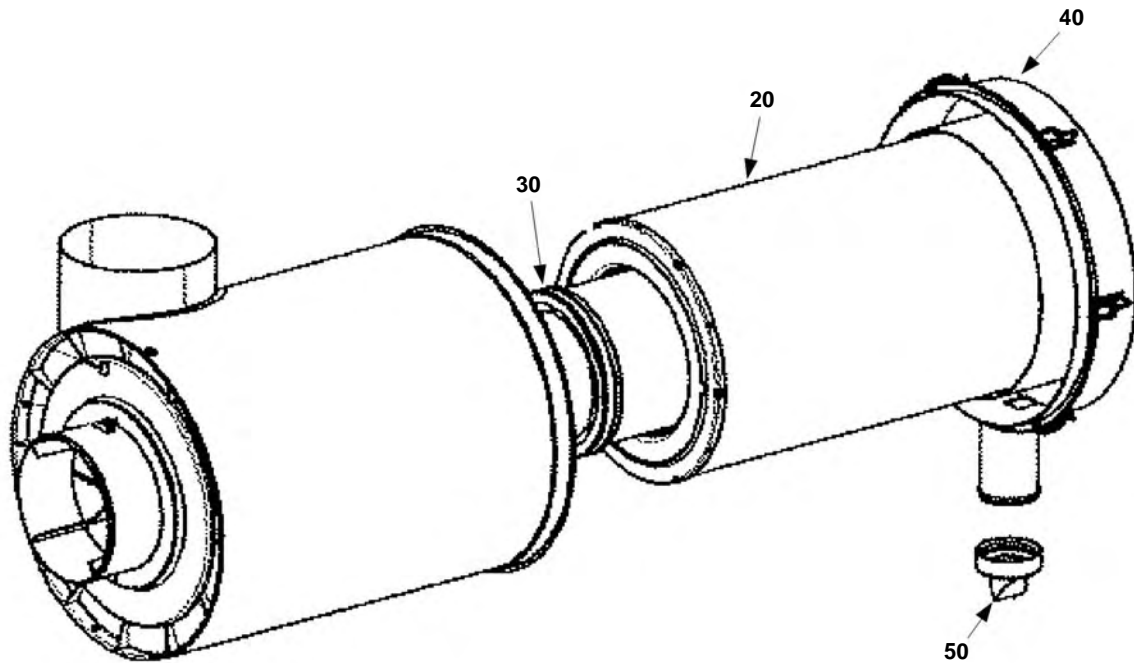
12100211a

POS. ITEM	BESTELLNR. PART NO.	BENENNUNG DESIGNATION	STO QTY.	EINHEIT UNIT	FN FN
20	XP52712100002	FILTEREINSATZ FILTER ELEMENT	1	ST PC	
30	XP52712100003	FILTERELEMENT FILTER ELEMENT	1	ST PC	
40	Z=P11-6175	MUTTER NUT	2	ST PC	AC
50	(XP52712100001)	SCHUTZHAUBE PROTECTIVE COVER	1	ST PC	KE
60	8690940060	DICHTUNG GASKET	2	ST PC	
70	8690940070	KLEMMRING CLAMPING RING	1	ST PC	
80	XP52712100004	UEBERDRUCKVENTIL PRESS RELIEF VALVE	1	ST PC	

TYP/MODEL: 20V4000G43
 SERIENNUMMER/
 SERIAL NO: 20V4000G43

LUFTFILTER
 AIR FILTER

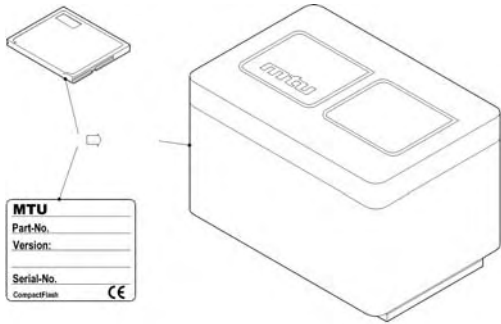
FG/FGS:
 STUECKLISTE/
 BOM: X00020441



12100207a

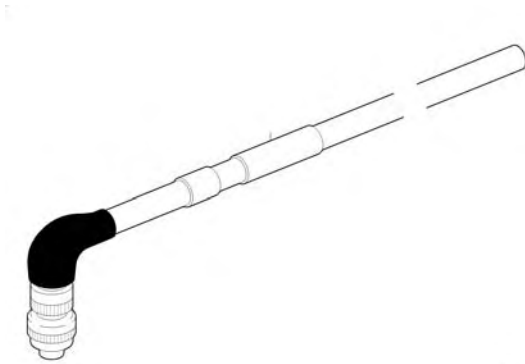
POS. ITEM	BESTELNR. PART NO.	BENENNUNG DESIGNATION	STO QTY.	EINHEIT UNIT
20	XP52712100005	FILTEREINSATZ FILTER ELEMENT	1	ST PC
30	XP52712100006	FILTERELEMENT FILTER ELEMENT	1	ST PC
40	XP52712100007	LUFTFILTERGEH-DECKEL AIR FILTER COVER	1	ST PC
50	XP52712100004	UEBERDRUCKVENTIL PRESS RELIEF VALVE	1	ST PC

FUNKTIONSGRUPPE/GROUP NUMBER (FG)
GRUPPENNAME/GROUP NAME
 STÜCKLISTENNR/BOM NO.



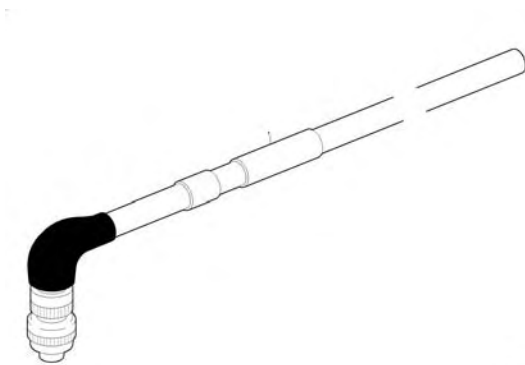
500
SOFTWARE FUER ELEKTRONIK
SOFTWARE FOR ELECTRONICS
 XS00E500.00015

50000405a



500
VERBINDUNGSKABEL F.KRAFTSTOFFILTER
CONNECTING CABLE FOR FUEL FILTER
 XS00E500.00019

50000514a



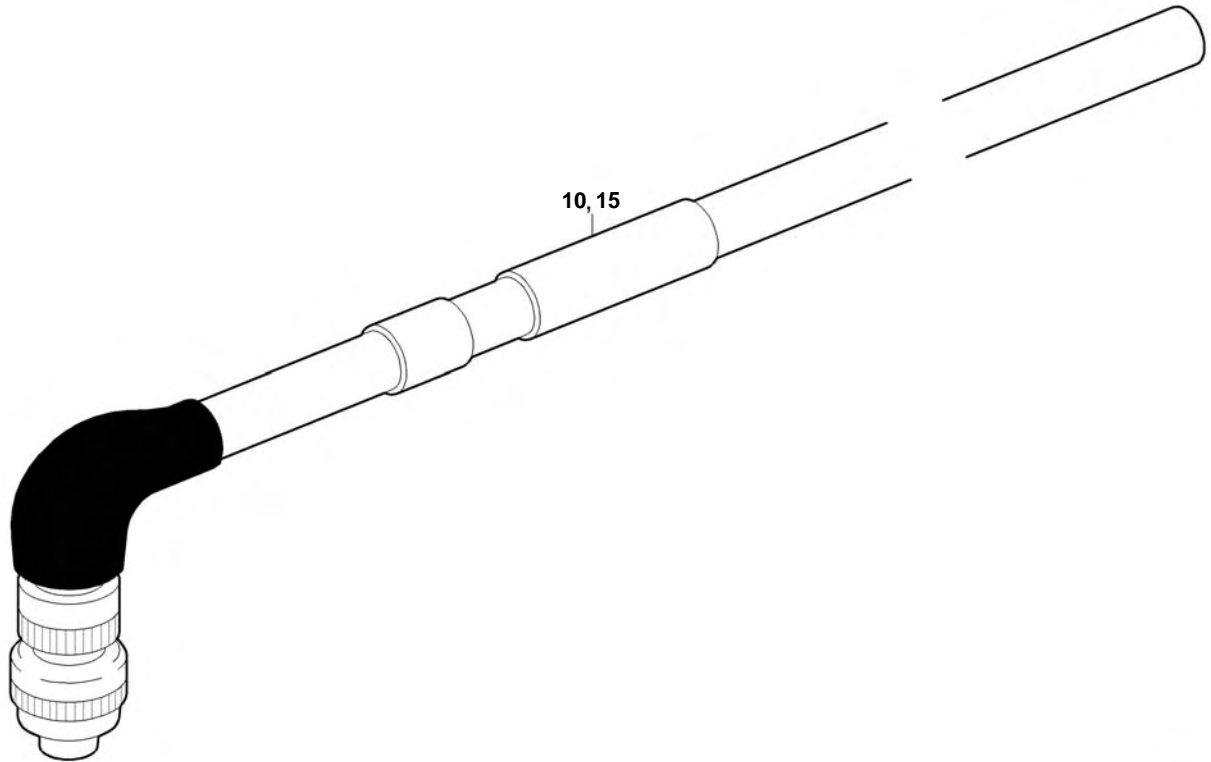
500
VERBINDUNGSKABEL F.KRAFTSTOFFILTER
CONNECTING CABLE FOR FUEL FILTER
 XS00E500.00020

50000514a

TYP/MODEL: 20V4000G43
SERIENNUMMER/
SERIAL NO: 20V4000G43

VERBINDUNGSKABEL F.KRAFTSTOFFFILTER
CONNECTING CABLE FOR FUEL FILTER

FG/FGS: 500 00
STUECKLISTE/
BOM: XS00E500.00020



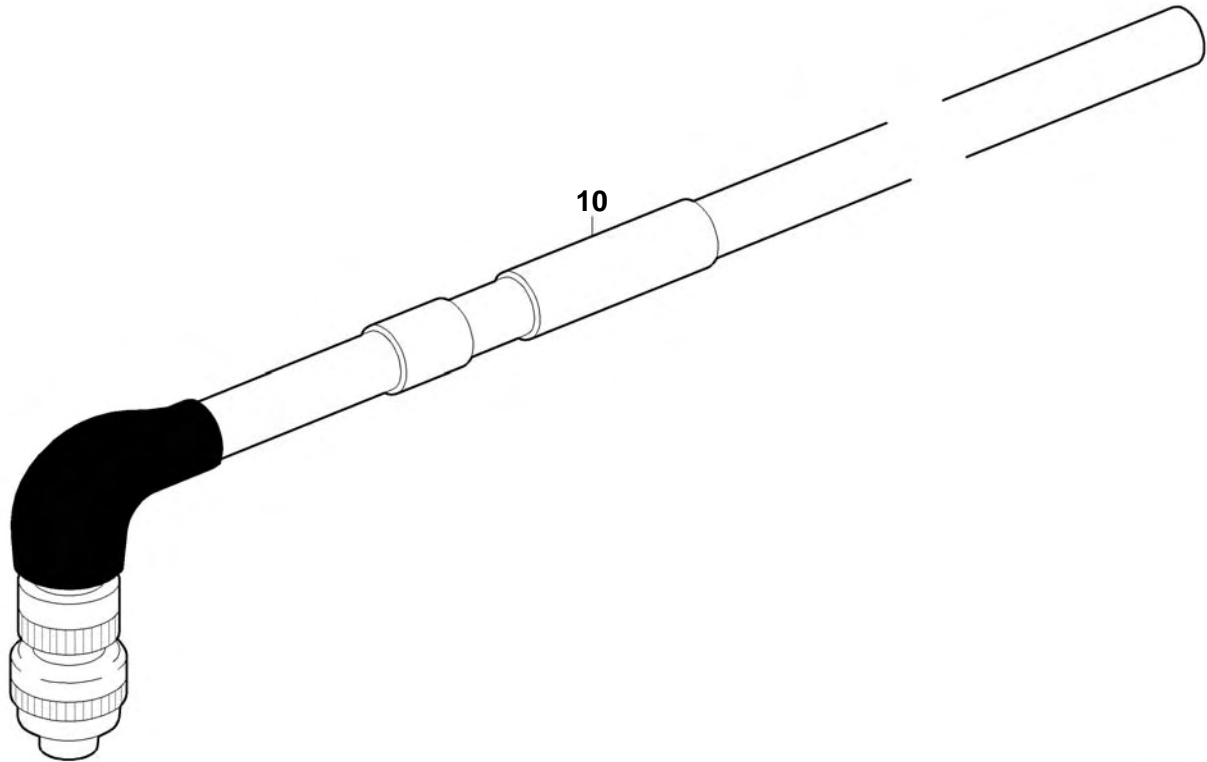
50000514b

POS. ITEM	BESTELLNR. PART NO.	BENENNUNG DESIGNATION	STO QTY.	EINHEIT UNIT	FN FN	ABMESSUNGEN DIMENSIONS
10	X00E50200201	VERBINDUNGSKABEL CONNECTING CABLE	1	ST PC	AB	F70/1 CANON 90°; GEWINKELT
15	X00E50200203	VERBINDUNGSKABEL CONNECTING CABLE	1	ST PC	AB	F70/2 CANON 90°; GEWINKELT

TYP/MODEL: 20V4000G43
SERIENNUMMER/
SERIAL NO: 20V4000G43

VERBINDUNGSKABEL F.KRAFTSTOFFFILTER
CONNECTING CABLE FOR FUEL FILTER

FG/FGS: 500 00
STUECKLISTE/
BOM: XS00E500.00019



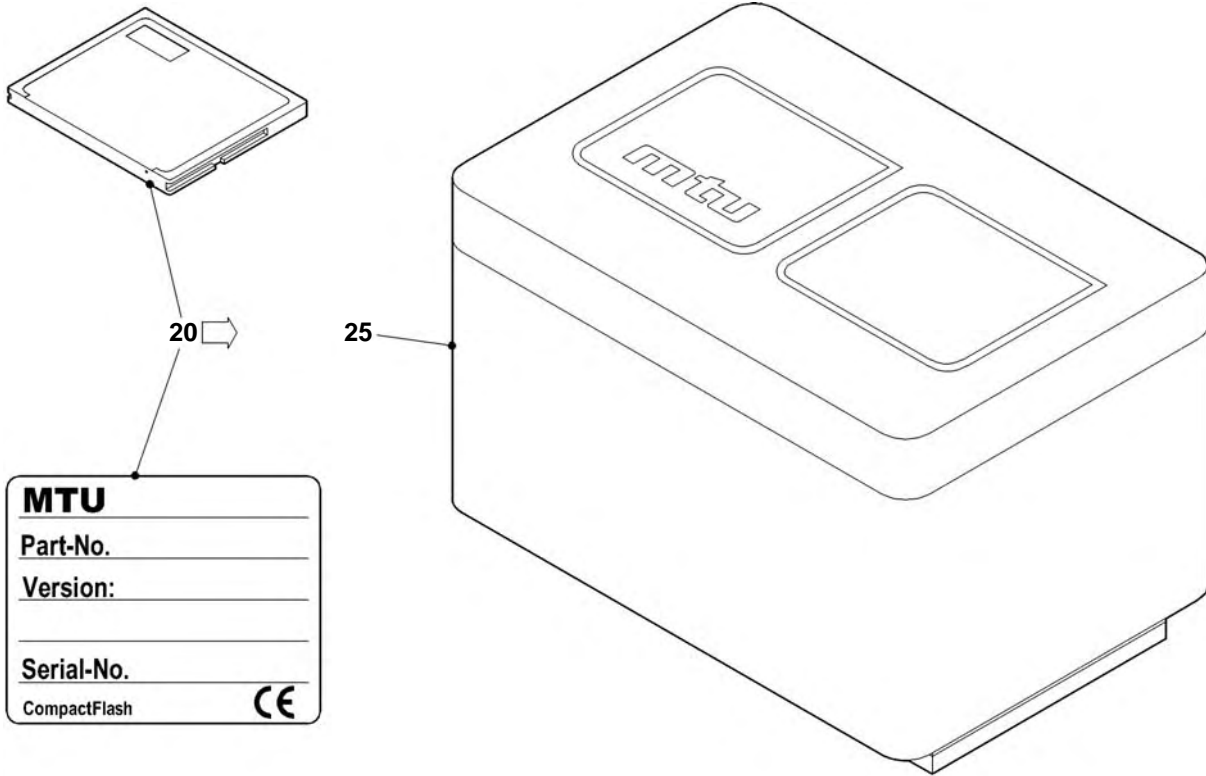
50000514a

POS. ITEM	BESTELLNR. PART NO.	BENENNUNG DESIGNATION	STO QTY.	EINHEIT UNIT	FN FN	ABMESSUNGEN DIMENSIONS
10	X00E50200201	VERBINDUNGSKABEL CONNECTING CABLE	1	ST PC	AB	F70/1 CANON 90°; GEWINKELT

TYP/MODEL: 20V4000G43
 SERIENNUMMER/
 SERIAL NO: 20V4000G43

SOFTWARE FUER ELEKTRONIK
 SOFTWARE FOR ELECTRONICS

FG/FGS: 500 00
 STUECKLISTE/
 BOM: XS00E500.00015



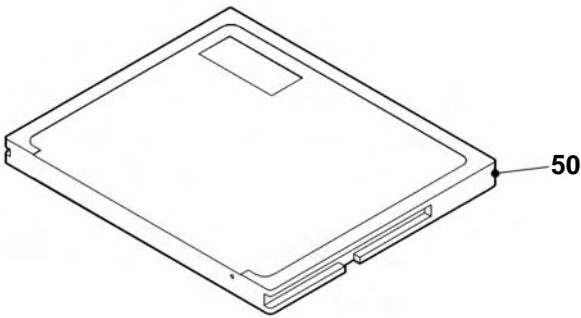
50000468a

POS. ITEM	BESTELLNR. PART NO.	BENENNUNG DESIGNATION	STO QTY.	EINHEIT UNIT	FN FN	ABMESSUNGEN DIMENSIONS
20	X00E50200123/S0001	SOFTWARE FUER ELEKTRONIK SOFTWARE FOR ELECTRONICS	1	ST PC		SAM SOFTWARE GENSET
25	X00037461	GEHAEUSE HOUSING	1	ST PC	AB	


TYP/MODEL: 20V4000G43
 SERIENNUMMER/
 SERIAL NO: 20V4000G43

SOFTWARE FUER ELEKTRONIK
 SOFTWARE FOR ELECTRONICS

FG/FGS:
 STUECKLISTE/
 BOM: X00E50200123/S0001



70

MTU
Part-No.
Version:
Serial-No.
CompactFlash 

50000467a

POS. ITEM	BESTELLNR. PART NO.	BENENNUNG DESIGNATION	STO QTY.	EINHEIT UNIT	FN FN	ABMESSUNGEN DIMENSIONS
20	(X00E50200120)	PROJEKTIERUNGSLISTE FUER ELEKTRONIK EQPM DEFINITION LIST FOR ELECTRONICS	1	ST PC	KE	
50	0005382135	COMPUTERZUBEHOER COMPUTER ACCESSORIES	1	ST PC	AB	37X43X3,4; 32MB; I=MAX. 50MA;
70	(X00008715)	SCHILD PLATE	2	ST PC	KE	41 X 34,5 MM / BESCHRIFTET

TYP/MODEL: 20V4000G43 VERKABELUNG, ALLGEMEIN, FUER MOTOR / GETRIEBE / AGGREGAT

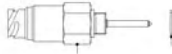
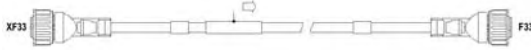
FG/FGS: 507

SERIENNUMMER/
SERIAL NO: 20V4000G43
GENERAL WIRING, ENGINE/GEARBOX/PLANT

STUECKLISTE/
BOM:

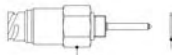
FUNKTIONSGRUPPE/GROUP NUMBER (FG)
GRUPPENNAME/GROUP NAME
STÜCKLISTENNR/BOM NO.

507
NIVEAUSCHALTER F.KUEHLMITTELSYSTEM
LEVEL SWITCH FOR COOLANT SYSTEM
500.00361



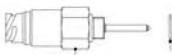
50701064a

507
NIVEAUSCHALTER F.KUEHLMITTELSYSTEM
LEVEL SWITCH FOR COOLANT SYSTEM
500.01422



50701064a

507
NIVEAUSCHALTER F.KUEHLMITTELSYSTEM
LEVEL SWITCH FOR COOLANT SYSTEM
500.01423



50701063a

507
NIVEAUSCHALTER F.KUEHLMITTELSYSTEM
LEVEL SWITCH FOR COOLANT SYSTEM
500.01431



50701067a

507
KABEL FUER REGLER
CABLE FOR GOVERNOR
XS00E500.00008

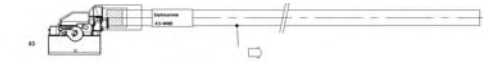


50000458a

TYP/MODEL: 20V4000G43 VERKABELUNG, ALLGEMEIN, FUER MOTOR / GETRIEBE
/ AGGREGAT
SERIENNUMMER/
SERIAL NO: 20V4000G43
GENERAL WIRING, ENGINE/GEARBOX/PLANT

FG/FGS: 507
STUECKLISTE/
BOM:

FUNKTIONSGRUPPE/GROUP NUMBER (FG)
GRUPPENNAME/GROUP NAME
STÜCKLISTENNR/BOM NO.



507
KABEL FUER REGLER
CABLE FOR GOVERNOR
XS00E500.00009



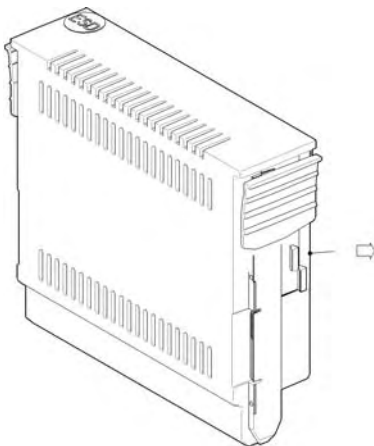
50000459a



507
KABEL FUER REGLER
CABLE FOR GOVERNOR
XS00E500.00010

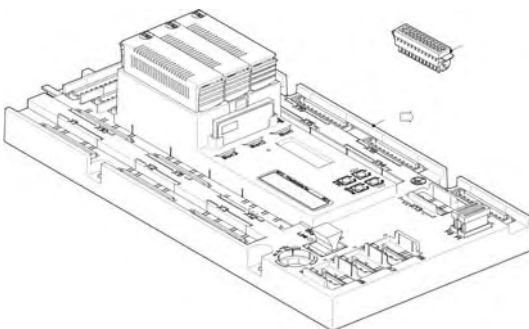


50000460a



507
SCHNITTSTL-UMSETZER F.UEBERWACHG-SYSTEM
INTERFACE CONVERTER FOR MONITOR SYSTEM
XS00E500.00011

50000462a



507
ANSCHLUSSINTERFACE
CONNECTION INTERFACE
XS00E500.00018

50000460a

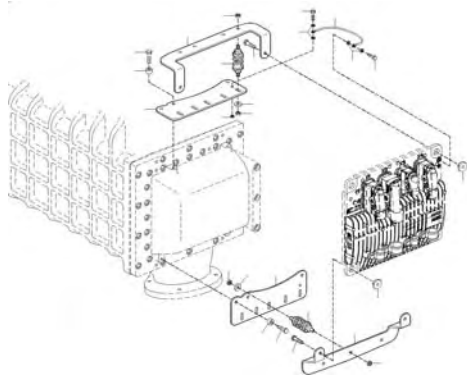
TYP/MODEL: 20V4000G43 VERKABELUNG, ALLGEMEIN, FUER MOTOR / GETRIEBE / AGGREGAT

FG/FGS: 507

SERIENNUMMER/
SERIAL NO: 20V4000G43 GENERAL WIRING, ENGINE/GEARBOX/PLANT

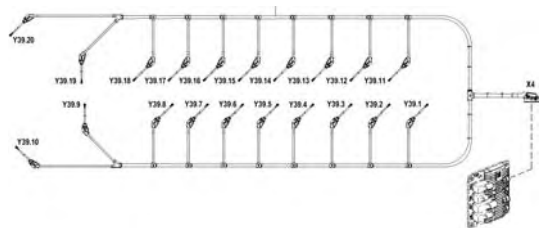
STUECKLISTE/
BOM:

FUNKTIONSGRUPPE/GROUP NUMBER (FG)
GRUPPENNAME/GROUP NAME
STÜCKLISTENNR/BOM NO.



507
HALTER F.ADEC U.KABELBAUM
RETAINER F.ADEC + CABLE HARN
X00027258

50701157a



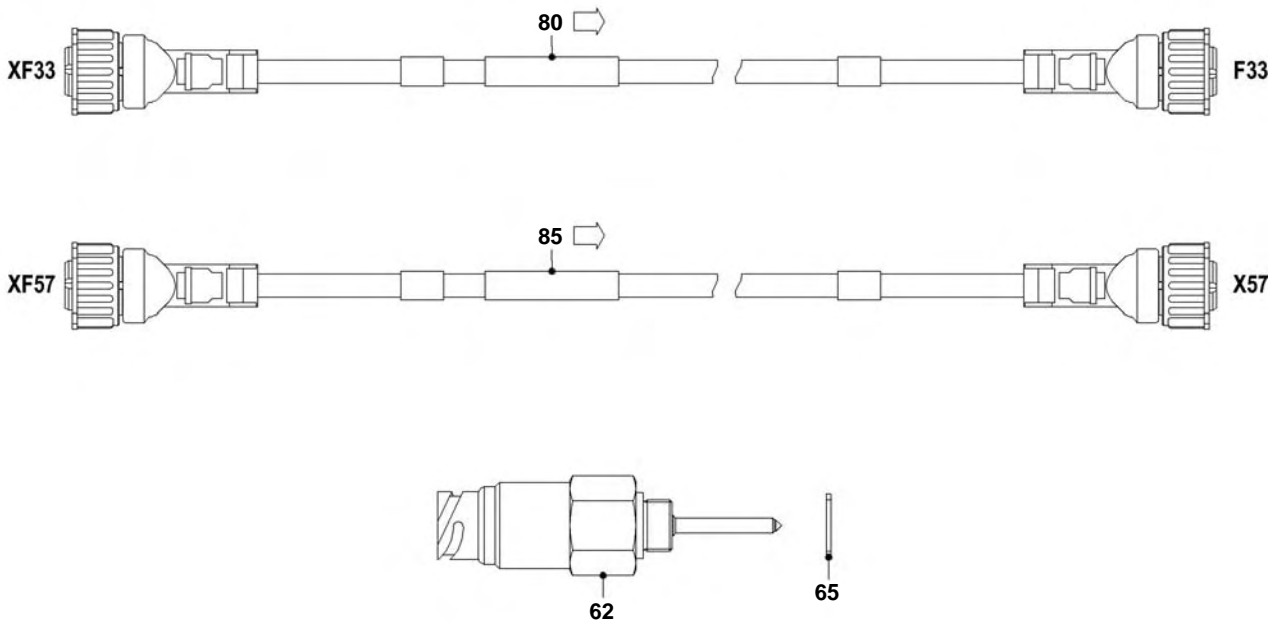
507
MOTORVERKABELUNG F.SENSOREN AM MOTOR
ENGINE CABLING FOR ON-ENGINE SENSO
X00042861

50701261b

TYP/MODEL: 20V4000G43
 SERIENNUMMER/
 SERIAL NO: 20V4000G43

NIVEAUSCHALTER F.KUEHLMITTELSYSTEM
 LEVEL SWITCH FOR COOLANT SYSTEM

FG/FGS: 507 10
 STUECKLISTE/
 BOM: 500.01422



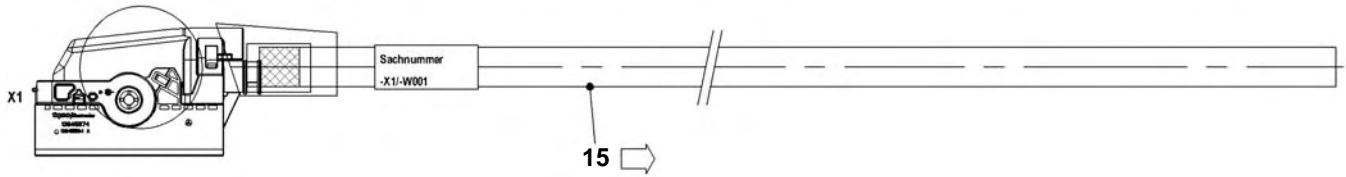
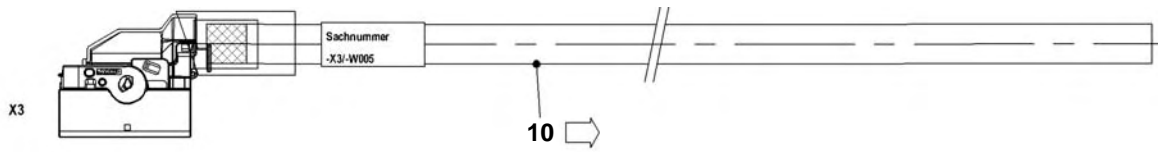
50701064a

POS. ITEM	BESTELLNR. PART NO.	BENENNUNG DESIGNATION	STO QTY.	EINHEIT UNIT	FN FN	ABMESSUNGEN DIMENSIONS	NORM STANDARD
62	X00026775	NIVEAUWAECHTER LEVEL MONITOR	2	ST PC	AB	PLS40 NICHT KLASSIFIZIERT;9-36V	
65	007603018101	DICHTRING SEALING RING	2	ST PC		A 18 X 22	DIN7603
80	5015300536	VERBINDUNGSKABEL MIT STECKER CONNECTING CABLE W/MALE CONNECTOR	1	ST PC		L= 5M	
85	5015305836	VERBINDUNGSKABEL MIT STECKER CONNECTING CABLE W/MALE CONNECTOR	1	ST PC		L= 5M	

TYP/MODEL: 20V4000G43
 SERIENNUMMER/
 SERIAL NO: 20V4000G43

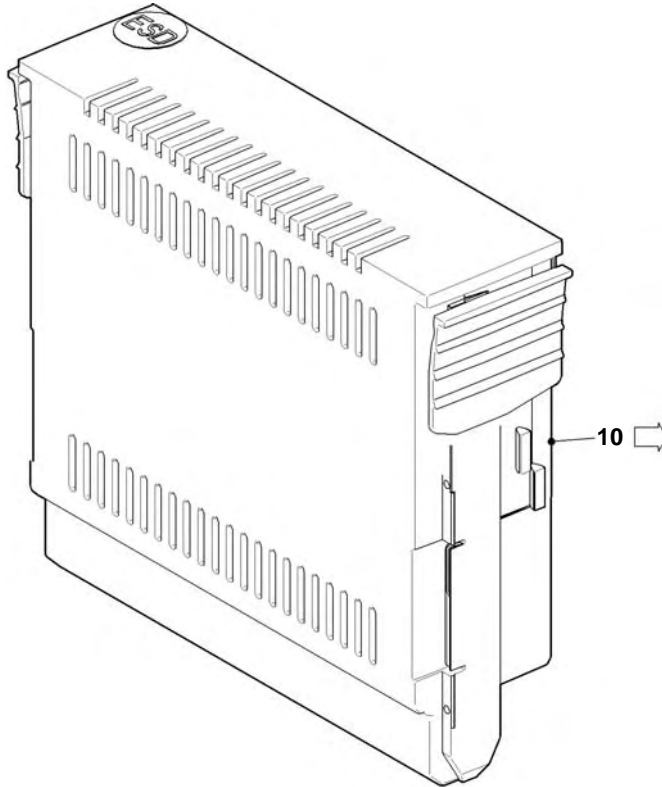
KABEL FUER REGLER
 CABLE FOR GOVERNOR

FG/FGS: 507 10
 STUECKLISTE/
 BOM: XS00E500.00010



50000460a

POS. ITEM	BESTELLNR. PART NO.	BENENNUNG DESIGNATION	STO QTY.	EINHEIT UNIT	ABMESSUNGEN DIMENSIONS
10	X00E50200111	KABEL F.UEBERWACHG/REGLER CABLE F/MONTRG SYST + GOV	1	ST PC	ECU-7 X3 - OFFEN L=25M SPGVERS.
15	X00E50200119	KABEL F.UEBERWACHG/REGLER CABLE F/MONTRG SYST + GOV	1	ST PC	ECU-7 X1 - OFFEN L=25M



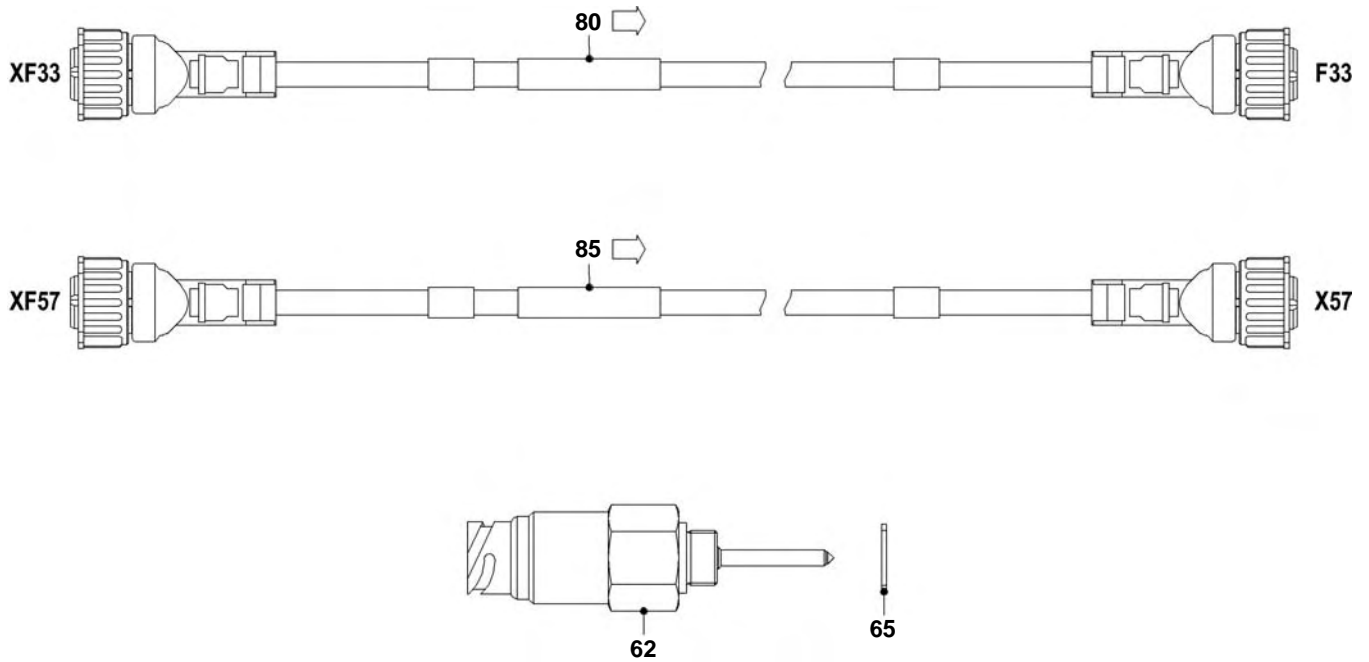
50000462a

POS. ITEM	BESTELLNR. PART NO.	BENENNUNG DESIGNATION	STO QTY.	EINHEIT UNIT	ABMESSUNGEN DIMENSIONS
10	X00E50200003	KASSETTE CASSETTE	1	ST PC	SLOT 3 - BESTÜCKT MIT CCB 2-XX

TYP/MODEL: 20V4000G43
 SERIENNUMMER/
 SERIAL NO: 20V4000G43

NIVEAUSCHALTER F.KUEHLMITTELSYSTEM
 LEVEL SWITCH FOR COOLANT SYSTEM

FG/FGS: 507 10
 STUECKLISTE/
 BOM: 500.01423



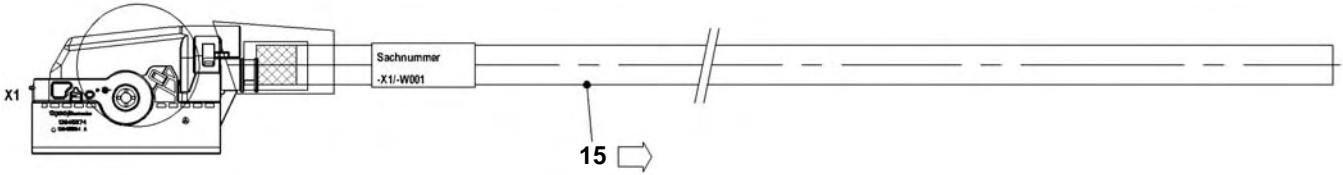
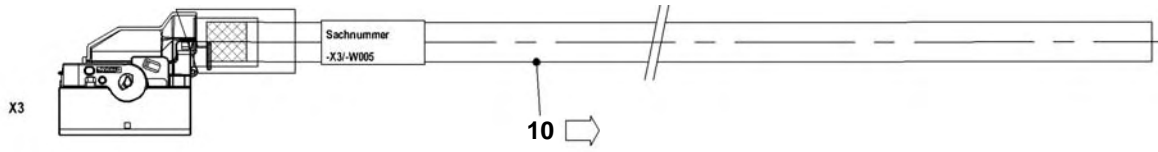
50701063a

POS. ITEM	BESTELLNR. PART NO.	BENENNUNG DESIGNATION	STO QTY.	EINHEIT UNIT	FN FN	ABMESSUNGEN DIMENSIONS	NORM STANDARD
62	X00026775	NIVEAUWAECHTER LEVEL MONITOR	2	ST PC	AB	PLS40 NICHT KLASSIFIZIERT;9-36V	
65	007603018101	DICHTRING SEALING RING	2	ST PC		A 18 X 22	DIN7603
80	5015305736	VERBINDUNGSKABEL MIT STECKER CONNECTING CABLE W/MALE CONNECTOR	1	ST PC		L= 25M	
85	5015305936	VERBINDUNGSKABEL MIT STECKER CONNECTING CABLE W/MALE CONNECTOR	1	ST PC		L= 25M	

TYP/MODEL: 20V4000G43
 SERIENNUMMER/
 SERIAL NO: 20V4000G43

KABEL FUER REGLER
 CABLE FOR GOVERNOR

FG/FGS: 507 10
 STUECKLISTE/
 BOM: XS00E500.00009



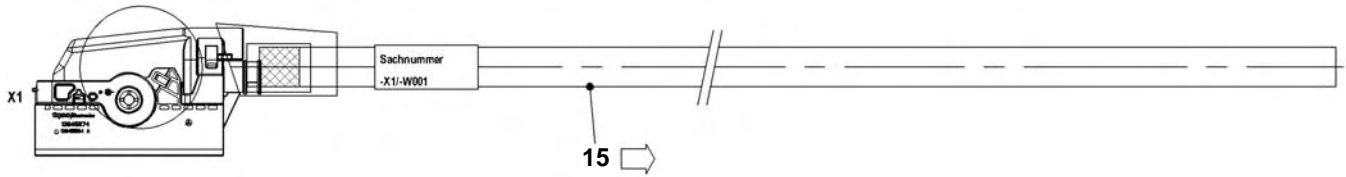
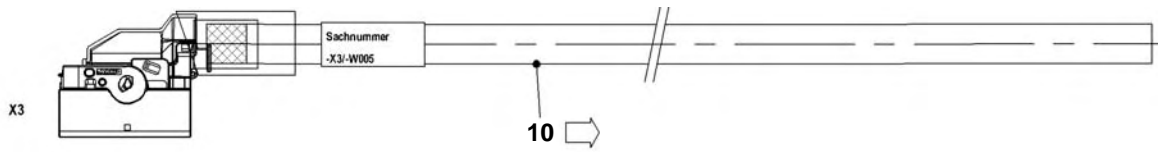
50000459a

POS. ITEM	BESTELLNR. PART NO.	BENENNUNG DESIGNATION	STO QTY.	EINHEIT UNIT	ABMESSUNGEN DIMENSIONS
10	X00035265	KABEL F.UEBERWACHG/REGLER CABLE F/MONTRG SYST + GOV	1	ST PC	ECU-7 X3 - OFFEN L=15M SPGVERS.
15	X00041477	KABEL F.UEBERWACHG/REGLER CABLE F/MONTRG SYST + GOV	1	ST PC	ECU-7 - OFFEN L=15M

TYP/MODEL: 20V4000G43
 SERIENNUMMER/
 SERIAL NO: 20V4000G43

KABEL FUER REGLER
 CABLE FOR GOVERNOR

FG/FGS: 507 10
 STUECKLISTE/
 BOM: XS00E500.00008



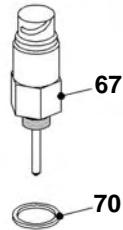
50000458a

POS. ITEM	BESTELLNR. PART NO.	BENENNUNG DESIGNATION	STO QTY.	EINHEIT UNIT	ABMESSUNGEN DIMENSIONS
10	X00035262	KABEL FUER REGLER CABLE FOR GOVERNOR	1	ST PC	ECU-7 X3 - OFFEN L=10M SPGVERS.
15	X00041467	KABEL F.UEBERWACHG/REGLER CABLE F/MONTRG SYST + GOV	1	ST PC	ECU-7 - OFFEN L=10M

TYP/MODEL: 20V4000G43
 SERIENNUMMER/
 SERIAL NO: 20V4000G43

NIVEAUSCHALTER F.KUEHLMITTELSYSTEM
 LEVEL SWITCH FOR COOLANT SYSTEM

FG/FGS: 507 10
 STUECKLISTE/
 BOM: 500.01431



50701067a

POS. ITEM	BESTELLNR. PART NO.	BENENNUNG DESIGNATION	STO QTY.	EINHEIT UNIT	FN FN	ABMESSUNGEN DIMENSIONS	NORM STANDARD
67	X00026775	NIVEAUWAECHTER LEVEL MONITOR	2	ST PC	AB	PLS40 NICHT KLASSIFIZIERT; 9-36V	
70	007603018101	DICHTRING SEALING RING	2	ST PC		A 18 X 22	DIN7603
95	0165313283	BAJO-STECKVERBINDER BAYONET COUPLING	1	ST PC	AB	STECKER 4POL. CODE 1	
100	0165314083	BAJO-STECKVERBINDER BAYONET COUPLING	1	ST PC	AB	STECKER 4POL. CODE 2	
105	0165313383	BAJO-STECKVERBINDER BAYONET COUPLING	8	ST PC	AB	BUCHSENKONTAKT 0,5-1,0 MM	
110	0165313483	BAJO-STECKVERBINDER BAYONET COUPLING	8	ST PC	AB	EINZELADERABD. 1.4-2,0 D2,5MM	
115	0165314283	BAJO-STECKVERBINDER BAYONET COUPLING	2	ST PC	AB	FUER KABELANSCHLUSS VARIABEL	
120	0035337089	BEZEICHNUNGSSCHILD IDENTIFICATION PLATE	1	ST PC		47X135MM, BEDRUCKBAR 47X25MM	
125	700461103005	KENNZEICHNUNGSTUELLE MARKER SLEEVE	2	ST PC		3/F	MMN461

TYP/MODEL: 20V4000G43
 SERIENNUMMER/
 SERIAL NO: 20V4000G43

NIVEAUSCHALTER F.KUEHLMITTELSYSTEM
 LEVEL SWITCH FOR COOLANT SYSTEM

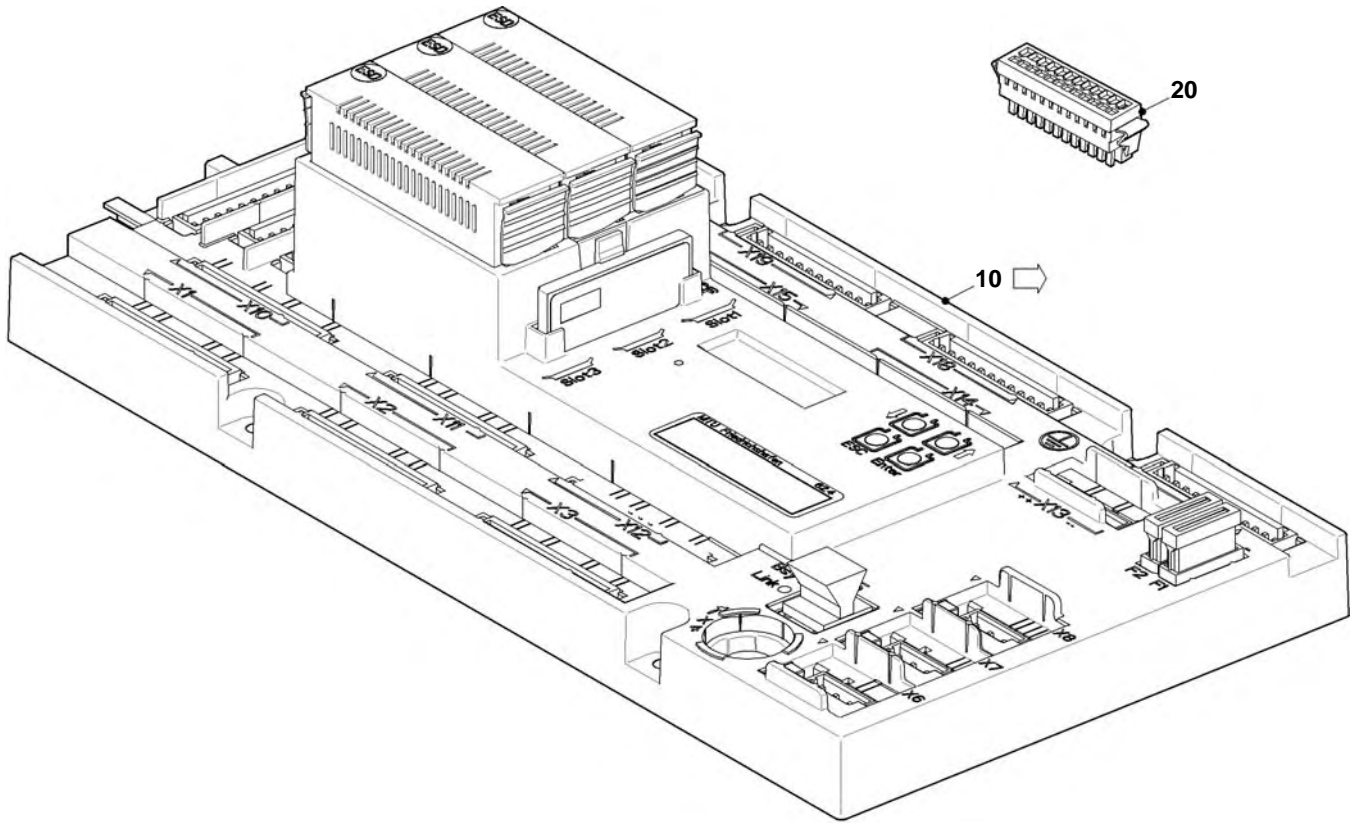
FG/FGS: 507 10
 STUECKLISTE/ 500.01431
 BOM: 500.01431

POS. ITEM	BESTELLNR. PART NO.	BENENNUNG DESIGNATION	STO QTY.	EINHEIT UNIT	FN FN	ABMESSUNGEN DIMENSIONS	NORM STANDARD
130	700461103023	KENNZEICHNUNGSTUELLE MARKER SLEEVE	1	ST PC		3/X	MMN461
140	700461203007	KENNZEICHNUNGSTUELLE MARKER SLEEVE	2	ST PC		3/7	MMN461
165	0165313283	BAJO-STECKVERBINDER BAYONET COUPLING	1	ST PC		AB STECKER 4POL. CODE 1	
170	0165314083	BAJO-STECKVERBINDER BAYONET COUPLING	1	ST PC		AB STECKER 4POL. CODE 2	
175	0165313383	BAJO-STECKVERBINDER BAYONET COUPLING	8	ST PC		AB BUCHSENKONTAKT 0,5-1,0 MM	
180	0165313483	BAJO-STECKVERBINDER BAYONET COUPLING	8	ST PC		AB EINZELADERABD. 1.4-2,0 D2,5MM	
185	0165314283	BAJO-STECKVERBINDER BAYONET COUPLING	2	ST PC	AB	FUER KABELANSCHLUSS VARIABEL	
190	0035337089	BEZEICHNUNGSSCHILD IDENTIFICATION PLATE	1	ST PC		47X135MM, BEDRUCKBAR 47X25MM	
195	700461103005	KENNZEICHNUNGSTUELLE MARKER SLEEVE	2	ST PC		3/F	MMN461
200	700461103023	KENNZEICHNUNGSTUELLE MARKER SLEEVE	1	ST PC		3/X	MMN461
205	700461203003	KENNZEICHNUNGSTUELLE MARKER SLEEVE	4	ST PC		3/3	MMN461

TYP/MODEL: 20V4000G43
 SERIENNUMMER/
 SERIAL NO: 20V4000G43

ANSCHLUSSINTERFACE
 CONNECTION INTERFACE

FG/FGS: 507 10
 STUECKLISTE/
 BOM: XS00E500.00018



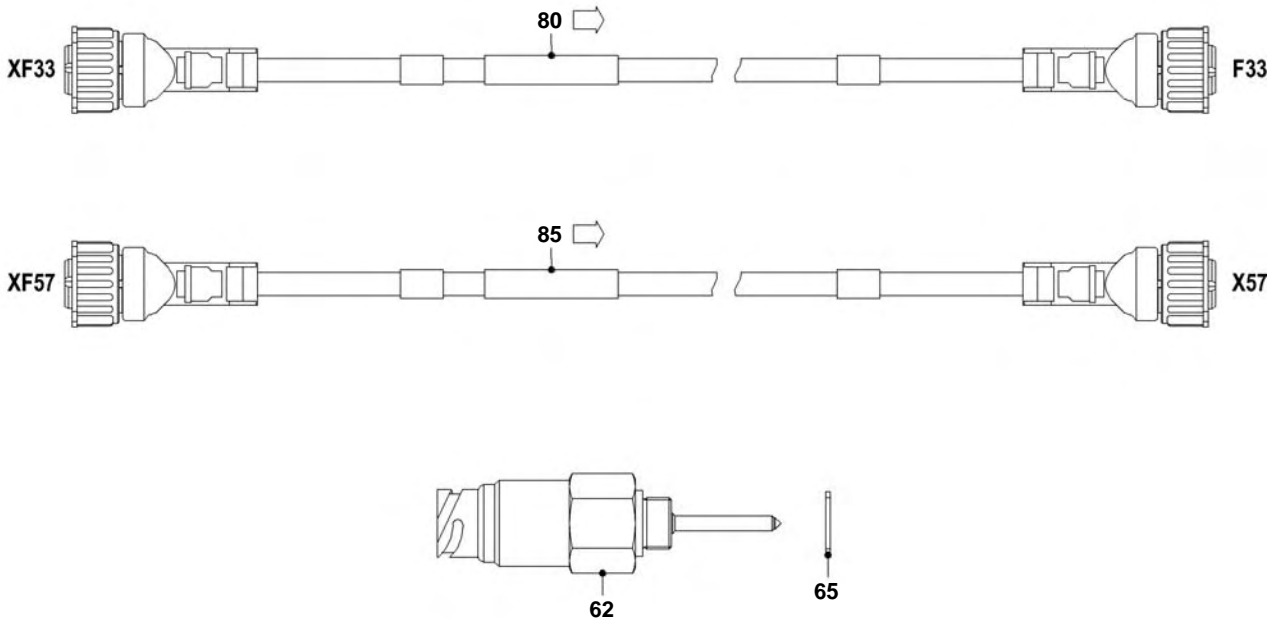
50000450a

POS. ITEM	BESTELLNR. PART NO.	BENENNUNG DESIGNATION	STO QTY.	EINHEIT UNIT	FN FN	ABMESSUNGEN DIMENSIONS
10	X00E50200176	ANSCHLUSSINTERFACE CONNECTION INTERFACE	1	ST PC		SAM 1-02 OHNE SOFTWARE
20	X00005804	KLEMME TERMINAL	1	ST PC	AB	STECKER-PACK-SAM

TYP/MODEL: 20V4000G43
 SERIENNUMMER/
 SERIAL NO: 20V4000G43

NIVEAUSCHALTER F.KUEHLMITTELSYSTEM
 LEVEL SWITCH FOR COOLANT SYSTEM

FG/FGS: 507 10
 STUECKLISTE/
 BOM: 500.00361



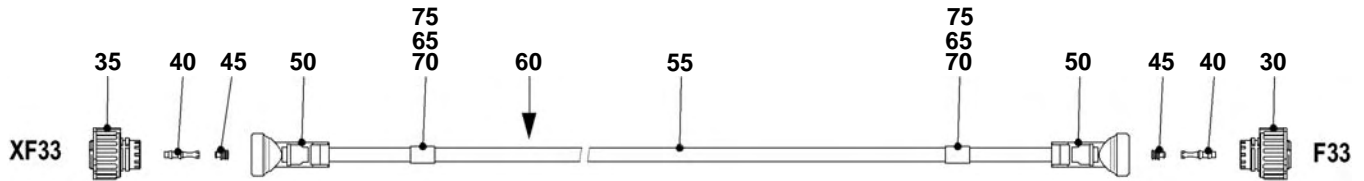
50701064a

POS. ITEM	BESTELLNR. PART NO.	BENENNUNG DESIGNATION	STO QTY.	EINHEIT UNIT	FN FN	ABMESSUNGEN DIMENSIONS	NORM STANDARD
62	X00026775	NIVEAUWAECHTER LEVEL MONITOR	2	ST PC	AB	PLS40 NICHT KLASSIFIZIERT; 9-36V	
65	007603018101	DICHTRING SEALING RING	2	ST PC		A 18 X 22	DIN7603
80	5005308736	KABEL MIT STECKER CABLE W/MALE CONNECTOR	1	ST PC		L= 15M	
85	5005308836	KABEL MIT STECKER CABLE W/MALE CONNECTOR	1	ST PC		L= 15M	

TYP/MODEL: 20V4000G43
 SERIENNUMMER/
 SERIAL NO: 20V4000G43

KABEL MIT STECKER
 CABLE W/MALE CONNECTOR

FG/FGS:
 STUECKLISTE/
 BOM: 5005308736



50701028a

POS. ITEM	BESTELLNR. PART NO.	BENENNUNG DESIGNATION	STO QTY.	EINHEIT UNIT	FN FN	ABMESSUNGEN DIMENSIONS	NORM STANDARD
30	0165313283	BAJO-STECKVERBINDER BAYONET COUPLING	1	ST PC	AB	STECKER 4POL. CODE 1	
35	0165314083	BAJO-STECKVERBINDER BAYONET COUPLING	1	ST PC	AB	STECKER 4POL. CODE 2	
40	0165313383	BAJO-STECKVERBINDER BAYONET COUPLING	8	ST PC	AB	BUCHSENKONTAKT 0,5-1,0 MM	
45	0165313483	BAJO-STECKVERBINDER BAYONET COUPLING	8	ST PC	AB	EINZELADERABD. 1.4-2,0 D2,5MM	
50	0165314283	BAJO-STECKVERBINDER BAYONET COUPLING	2	ST PC	AB	FUER KABELANSCHLUSS VARIABEL	
55	0085316180	KABEL CABLE	15	M M	AB	4X0,5 OHNE GNGE	
60	0035337089	BEZEICHNUNGSSCHILD IDENTIFICATION PLATE	1	ST PC		47X135MM, BEDRUCKBAR 47X25MM	
65	700461103005	KENNZEICHNUNGSTUELLE MARKER SLEEVE	2	ST PC		3/F	MMN461
70	700461103023	KENNZEICHNUNGSTUELLE MARKER SLEEVE	1	ST PC		3/X	MMN461

TYP/MODEL: 20V4000G43
SERIENNUMMER/
SERIAL NO: 20V4000G43

KABEL MIT STECKER
CABLE W/MALE CONNECTOR

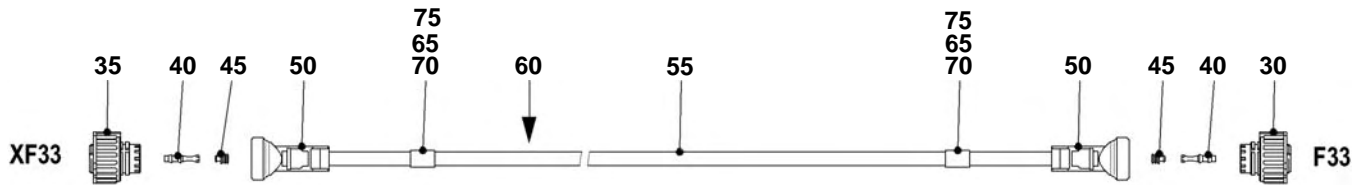
FG/FGS:
STUECKLISTE/ 5005308736
BOM: 5005308736

POS. BESTELLNR.	BENENNUNG	STO	EINHEIT	FN	ABMESSUNGEN	NORM
ITEM PART NO.	DESIGNATION	QTY.	UNIT	FN	DIMENSIONS	STANDARD
75	700461203003	KENNZEICHNUNGSTUELLE	4	ST	3/3	MMN461
		MARKER SLEEVE		PC		

TYP/MODEL: 20V4000G43
 SERIENNUMMER/
 SERIAL NO: 20V4000G43

VERBINDUNGSKABEL MIT STECKER
 CONNECTING CABLE W/MALE CONNECTOR

FG/FGS:
 STUECKLISTE/
 BOM: 5015300536



50701027a

POS. ITEM	BESTELLNR. PART NO.	BENENNUNG DESIGNATION	STO QTY.	EINHEIT UNIT	FN FN	ABMESSUNGEN DIMENSIONS	NORM STANDARD
30	0165313283	BAJO-STECKVERBINDER BAYONET COUPLING	1	ST PC	AB	STECKER 4POL. CODE 1	
35	0165314083	BAJO-STECKVERBINDER BAYONET COUPLING	1	ST PC	AB	STECKER 4POL. CODE 2	
40	0165313383	BAJO-STECKVERBINDER BAYONET COUPLING	8	ST PC	AB	BUCHSENKONTAKT 0,5-1,0 MM	
45	0165313483	BAJO-STECKVERBINDER BAYONET COUPLING	8	ST PC	AB	EINZELADERABD. 1.4-2,0 D2,5MM	
50	0165314283	BAJO-STECKVERBINDER BAYONET COUPLING	2	ST PC	AB	FUER KABELANSCHLUSS VARIABLE	
55	0085316180	KABEL CABLE	5	M M	AB	4X0,5 OHNE GNGE	
60	0035337089	BEZEICHNUNGSSCHILD IDENTIFICATION PLATE	1	ST PC		47X135MM, BEDRUCKBAR 47X25MM	
65	700461103005	KENNZEICHNUNGSTUELLE MARKER SLEEVE	2	ST PC		3/F	MMN461
70	700461103023	KENNZEICHNUNGSTUELLE MARKER SLEEVE	1	ST PC		3/X	MMN461

TYP/MODEL: 20V4000G43
SERIENNUMMER/
SERIAL NO: 20V4000G43

VERBINDUNGSKABEL MIT STECKER
CONNECTING CABLE W/MALE CONNECTOR

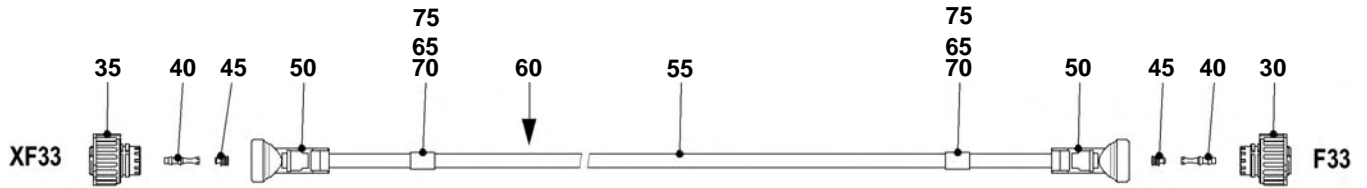
FG/FGS:
STUECKLISTE/ 5015300536
BOM: 5015300536

POS.	BESTELLNR.	BENENNUNG	STO	EINHEIT	FN	ABMESSUNGEN	NORM
ITEM	PART NO.	DESIGNATION	QTY.	UNIT	FN	DIMENSIONS	STANDARD
75	700461203003	KENNZEICHNUNGSTUELLE	4	ST		3/3	MMN461
		MARKER SLEEVE		PC			

TYP/MODEL: 20V4000G43
 SERIENNUMMER/
 SERIAL NO: 20V4000G43

VERBINDUNGSKABEL MIT STECKER
 CONNECTING CABLE W/MALE CONNECTOR

FG/FGS:
 STUECKLISTE/
 BOM: 5015305736



50701029a

POS. ITEM	BESTELLNR. PART NO.	BENENNUNG DESIGNATION	STO QTY.	EINHEIT UNIT	FN FN	ABMESSUNGEN DIMENSIONS	NORM STANDARD
30	0165313283	BAJO-STECKVERBINDER BAYONET COUPLING	1	ST PC	AB	STECKER 4POL. CODE 1	
35	0165314083	BAJO-STECKVERBINDER BAYONET COUPLING	1	ST PC	AB	STECKER 4POL. CODE 2	
40	0165313383	BAJO-STECKVERBINDER BAYONET COUPLING	8	ST PC	AB	BUCHSENKONTAKT 0,5-1,0 MM	
45	0165313483	BAJO-STECKVERBINDER BAYONET COUPLING	8	ST PC	AB	EINZELADERABD. 1.4-2,0 D2,5MM	
50	0165314283	BAJO-STECKVERBINDER BAYONET COUPLING	2	ST PC	AB	FUER KABELANSCHLUSS VARIABEL	
55	0085316180	KABEL CABLE	25	M M	AB	4X0,5 OHNE GNGE	
60	0035337089	BEZEICHNUNGSSCHILD IDENTIFICATION PLATE	1	ST PC		47X135MM, BEDRUCKBAR 47X25MM	
65	700461103005	KENNZEICHNUNGSTUELLE MARKER SLEEVE	2	ST PC		3/F	MMN461
70	700461103023	KENNZEICHNUNGSTUELLE MARKER SLEEVE	1	ST PC		3/X	MMN461

TYP/MODEL: 20V4000G43
SERIENNUMMER/
SERIAL NO: 20V4000G43

VERBINDUNGSKABEL MIT STECKER
CONNECTING CABLE W/MALE CONNECTOR

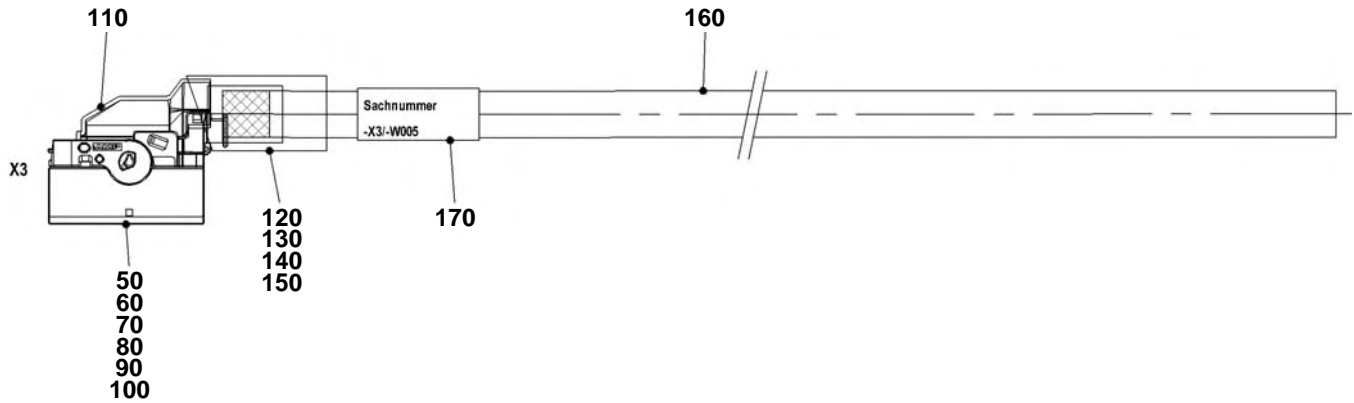
FG/FGS:
STUECKLISTE/ 5015305736
BOM: 5015305736

POS.	BESTELLNR.	BENENNUNG	STO	EINHEIT	FN	ABMESSUNGEN	NORM
ITEM	PART NO.	DESIGNATION	QTY.	UNIT	FN	DIMENSIONS	STANDARD
75	700461203003	KENNZEICHNUNGSTUELLE	4	ST		3/3	MMN461
		MARKER SLEEVE		PC			

TYP/MODEL: 20V4000G43
 SERIENNUMMER/
 SERIAL NO: 20V4000G43

KABEL FUER REGLER
 CABLE FOR GOVERNOR

FG/FGS:
 STUECKLISTE/
 BOM: X00035262



50000455a

POS. ITEM	BESTELLNR. PART NO.	BENENNUNG DESIGNATION	STO QTY.	EINHEIT UNIT	FN FN	ABMESSUNGEN DIMENSIONS
50	0025318785	FLACH-STECKVERBINDER BLADE CONNECTOR	1	ST PC		ABGEW; 3X 7POL.; CODIERUNG: A
60	0025319285	FLACH-STECKVERBINDER BLADE CONNECTOR	8	ST PC		CRIMPKONTAKT 2.5QMM;
70	0025319485	FLACH-STECKVERBINDER BLADE CONNECTOR	8	ST PC		F.ISOLATIONS DURCHM.2,2-3,0MM;
80	0025319785	FLACH-STECKVERBINDER BLADE CONNECTOR	2	ST PC		CRIMPKONTAKT 0,50-1,00 QMM;
90	0185313083	BAJO-STECKVERBINDER BAYONET COUPLING	2	ST PC	AB	FUER KONTAKT 0,5-1,0MM2
100	0165313583	BAJO-STECKVERBINDER BAYONET COUPLING	11	ST PC	AB	BLINDSTOPFEN
110	0025318985	FLACH-STECKVERBINDER BLADE CONNECTOR	1	ST PC		FUER AMP-BUCHSENGEHAEUSE-21POL
120	0005319982	SCHRUMPFSCHLAUCH SHRINKABLE HOSE	0	M M	AB	16MM DURCHM.X1200MM LG.
130	0001590783	SCHRUMPFSCHLAUCH SHRINKABLE HOSE	0	M M	AB	32/8
140	0005334980	KLEBER ADHESIVE	4	ST PC		15 MM (VARIABEL)

TYP/MODEL: 20V4000G43
SERIENNUMMER/
SERIAL NO: 20V4000G43

KABEL FUER REGLER
CABLE FOR GOVERNOR

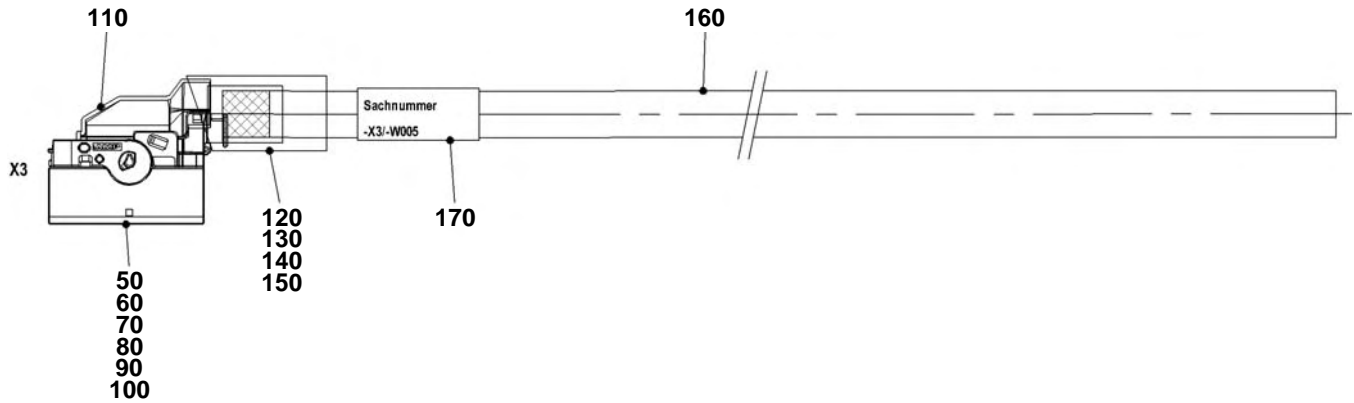
FG/FGS:
STUECKLISTE/ X00035262
BOM: X00035262

POS. ITEM	BESTELLNR. PART NO.	BENENNUNG DESIGNATION	STO QTY.	EINHEIT UNIT	FN FN	ABMESSUNGEN DIMENSIONS
150	0035314381	KLEMME TERMINAL	1	ST PC		L= 150MM, B= 3,6MM
160	0105314680	KABEL CABLE	10	M M	AB	8X2,5MM ² + 1X2X0,75MM ²
170	0035337089	BEZEICHNUNGSSCHILD IDENTIFICATION PLATE	1	ST PC		47X135MM, BEDRUCKBAR 47X25MM

TYP/MODEL: 20V4000G43
 SERIENNUMMER/
 SERIAL NO: 20V4000G43

KABEL F.UEBERWACHG/REGLER
 CABLE F/MONTRG SYST + GOV

FG/FGS:
 STUECKLISTE/
 BOM: X00035265



50000456a

POS. ITEM	BESTELLNR. PART NO.	BENENNUNG DESIGNATION	STO QTY.	EINHEIT UNIT	FN FN	ABMESSUNGEN DIMENSIONS
50	0025318785	FLACH-STECKVERBINDER BLADE CONNECTOR	1	ST PC		ABGEW; 3X 7POL.; CODIERUNG: A
60	0025319285	FLACH-STECKVERBINDER BLADE CONNECTOR	8	ST PC		CRIMPKONTAKT 2.5QMM;
70	0025319485	FLACH-STECKVERBINDER BLADE CONNECTOR	8	ST PC		F.ISOLATIONS DURCHM.2,2-3,0MM;
80	0025319785	FLACH-STECKVERBINDER BLADE CONNECTOR	2	ST PC		CRIMPKONTAKT 0,50-1,00 QMM;
90	0185313083	BAJO-STECKVERBINDER BAYONET COUPLING	2	ST PC	AB	FUER KONTAKT 0,5-1,0MM2
100	0165313583	BAJO-STECKVERBINDER BAYONET COUPLING	11	ST PC	AB	BLINDSTOPFEN
110	0025318985	FLACH-STECKVERBINDER BLADE CONNECTOR	1	ST PC		FUER AMP-BUCHSENGEHAEUSE-21POL
120	0005319982	SCHRUMPFSCHLAUCH SHRINKABLE HOSE	0	M M	AB	16MM DURCHM.X1200MM LG.
130	0001590783	SCHRUMPFSCHLAUCH SHRINKABLE HOSE	0	M M	AB	32/8
140	0005334980	KLEBER ADHESIVE	4	ST PC		15 MM (VARIABEL)

TYP/MODEL: 20V4000G43
SERIENNUMMER/
SERIAL NO: 20V4000G43

KABEL F.UEBERWACHG/REGLER
CABLE F/MONTRG SYST + GOV

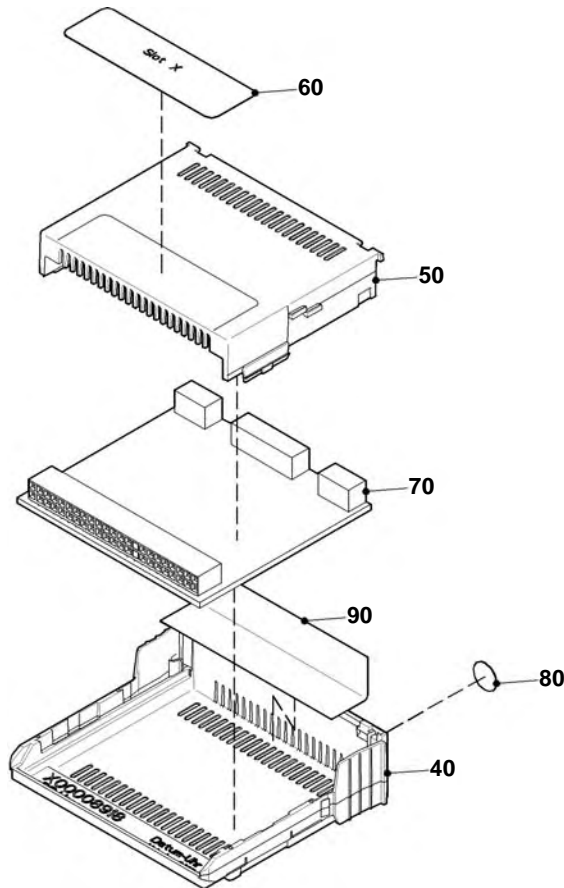
FG/FGS:
STUECKLISTE/ X00035265
BOM: X00035265

POS. ITEM	BESTELLNR. PART NO.	BENENNUNG DESIGNATION	STO QTY.	EINHEIT UNIT	FN FN	ABMESSUNGEN DIMENSIONS
150	0035314381	KLEMME TERMINAL	1	ST PC		L= 150MM, B= 3,6MM
160	0105314680	KABEL CABLE	15	M M	AB	8X2,5MM ² + 1X2X0,75MM ²
170	0035337089	BEZEICHNUNGSSCHILD IDENTIFICATION PLATE	1	ST PC		47X135MM, BEDRUCKBAR 47X25MM

TYP/MODEL: 20V4000G43
 SERIENNUMMER/
 SERIAL NO: 20V4000G43

KASSETTE
 CASSETTE

FG/FGS:
 STUECKLISTE/
 BOM: X00E50200003



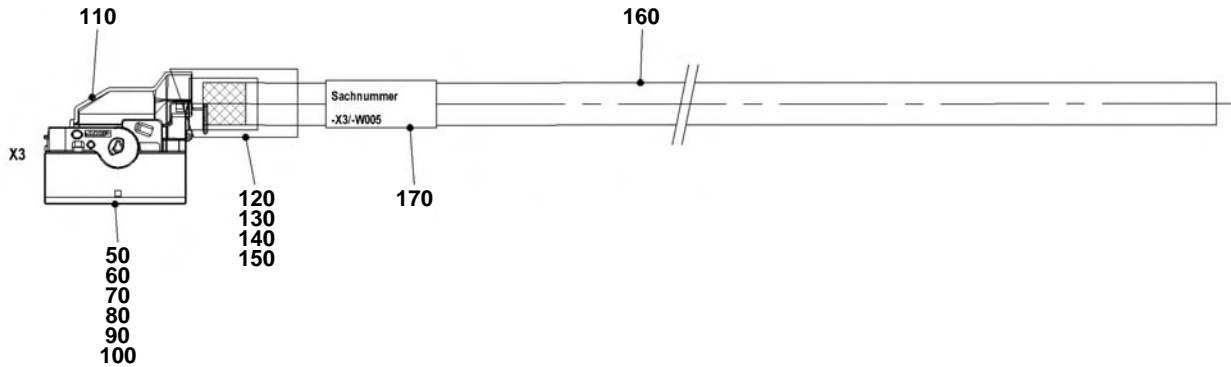
50000461a

POS. ITEM	BESTELLNR. PART NO.	BENENNUNG DESIGNATION	STO QTY.	EINHEIT UNIT	FN FN	ABMESSUNGEN DIMENSIONS
40	(X00008918)	GEHAUSEOBERTEIL HSG UPPER ELEM	1	ST PC	KE	
50	(X00008932)	GEHAUSEUNTERTEIL OIL PAN	1	ST PC	KE	
60	X00008726	SCHILD PLATE	1	ST PC	AB	
70	X00038985	STECKKARTE PLUG-IN BOARD	1	ST PC	AB	CCB 2-03
80	X00023907	SCHILD SELBSTKLEBEND PLATE SELF-ADHESIVE	1	ST PC		ESD-SCHILD/DURCHM.8MM SELBSTKLEB
90	X00024059	FOLIE FOIL	1	ST PC		59 X 0,25

TYP/MODEL: 20V4000G43
 SERIENNUMMER/
 SERIAL NO: 20V4000G43

KABEL F.UEBERWACHG/REGLER
 CABLE F/MONTRG SYST + GOV

FG/FGS:
 STUECKLISTE/
 BOM: X00E50200111



50000457a

POS. ITEM	BESTELLNR. PART NO.	BENENNUNG DESIGNATION	STO QTY.	EINHEIT UNIT	FN FN	ABMESSUNGEN DIMENSIONS
50	0025318785	FLACH-STECKVERBINDER BLADE CONNECTOR	1	ST PC		ABGEW; 3X 7POL.; CODIERUNG: A
60	0025319285	FLACH-STECKVERBINDER BLADE CONNECTOR	8	ST PC		CRIMPKONTAKT 2.5QMM;
70	0025319485	FLACH-STECKVERBINDER BLADE CONNECTOR	8	ST PC		F.ISOLATIONS DURCHM.2,2-3,0MM;
80	0025319785	FLACH-STECKVERBINDER BLADE CONNECTOR	2	ST PC		CRIMPKONTAKT 0,50-1,00 QMM;
90	0185313083	BAJO-STECKVERBINDER BAYONET COUPLING	2	ST PC	AB	FUER KONTAKT 0,5-1,0MM2
100	0165313583	BAJO-STECKVERBINDER BAYONET COUPLING	11	ST PC	AB	BLINDSTOPFEN
110	0025318985	FLACH-STECKVERBINDER BLADE CONNECTOR	1	ST PC		FUER AMP-BUCHSENGEHAEUSE-21POL
120	0005319982	SCHRUMPFSCHLAUCH SHRINKABLE HOSE	0	M M	AB	16MM DURCHM.X1200MM LG.
130	0001590783	SCHRUMPFSCHLAUCH SHRINKABLE HOSE	0	M M	AB	32/8
140	0005334980	KLEBER ADHESIVE	4	ST PC		15 MM (VARIABEL)

TYP/MODEL: 20V4000G43
SERIENNUMMER/
SERIAL NO: 20V4000G43

KABEL F.UEBERWACHG/REGLER
CABLE F/MONTRG SYST + GOV

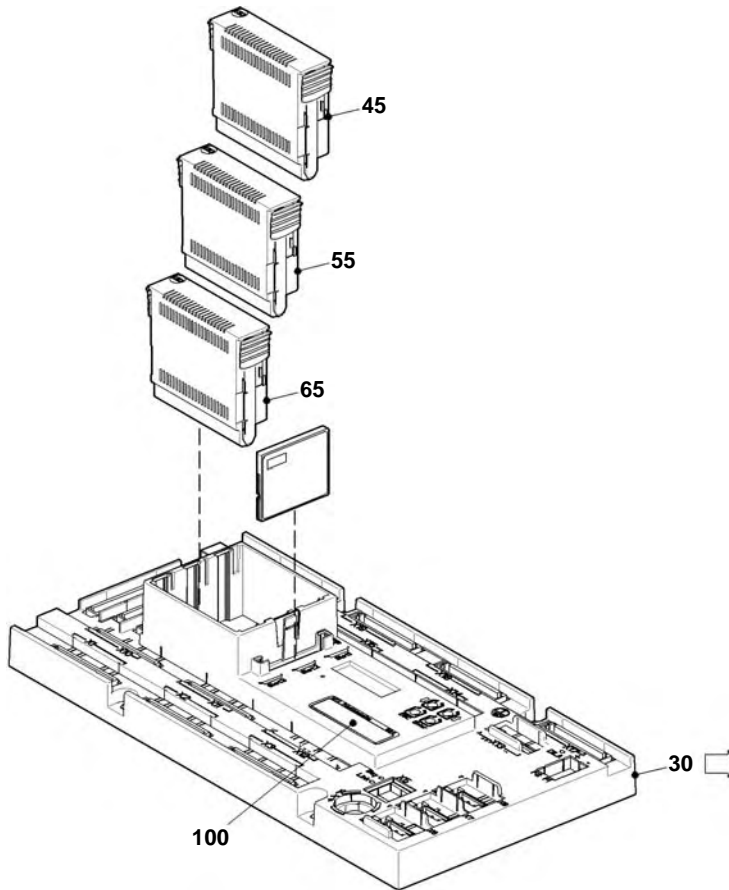
FG/FGS:
STUECKLISTE/ X00E50200111
BOM: X00E50200111

POS. ITEM	BESTELLNR. PART NO.	BENENNUNG DESIGNATION	STO QTY.	EINHEIT UNIT	FN FN	ABMESSUNGEN DIMENSIONS
150	0035314381	KLEMME TERMINAL	1	ST PC		L= 150MM, B= 3,6MM
160	0105314680	KABEL CABLE	25	M M	AB	8X2,5MM ² + 1X2X0,75MM ²
170	0035337089	BEZEICHNUNGSSCHILD IDENTIFICATION PLATE	1	ST PC		47X135MM, BEDRUCKBAR 47X25MM

TYP/MODEL: 20V4000G43
 SERIENNUMMER/
 SERIAL NO: 20V4000G43

ANSCHLUSSINTERFACE
 CONNECTION INTERFACE

FG/FGS:
 STUECKLISTE/
 BOM: X00E50200176



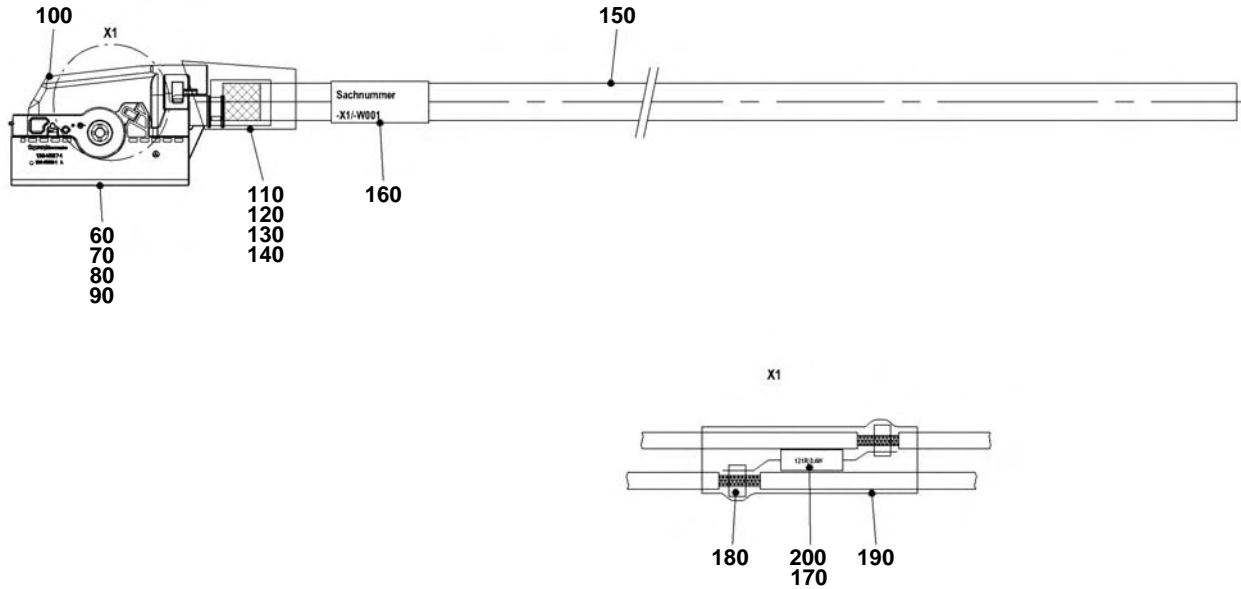
50000449a

POS. ITEM	BESTELNR. PART NO.	BENENNUNG DESIGNATION	STO QTY.	EINHEIT UNIT	FN FN	ABMESSUNGEN DIMENSIONS
30	X00023919/S0001	GEHAEUSE OHNE VERRIEGELUNG HOUSING OHNE VERRIEGELUNG	1	ST PC		296X152X80 (LXBXH)
45	X00012104	KASSETTE CASSETTE	1	ST PC	AB	SLOT 1 - UNBESTÜCKT
55	X00012107	KASSETTE CASSETTE	1	ST PC	AB	SLOT 2 - UNBESTÜCKT
65	X00012108	KASSETTE CASSETTE	1	ST PC	AB	SLOT 3 - UNBESTÜCKT
100	5005337489	SCHILD SELBSTKLEBEND PLATE SELF-ADHESIVE	1	ST PC		16 X 52

TYP/MODEL: 20V4000G43
 SERIENNUMMER/
 SERIAL NO: 20V4000G43

KABEL F.UEBERWACHG/REGLER
 CABLE F/MONTRG SYST + GOV

FG/FGS:
 STUECKLISTE/
 BOM: X00E50200119



50000454a

POS.	BESTELNR.	BENENNUNG	STO	EINHEIT	FN	ABMESSUNGEN	NORM
ITEM	PART NO.	DESIGNATION	QTY.	UNIT	FN	DIMENSIONS	STANDARD
60	0025318385	FLACH-STECKVERBINDER BLADE CONNECTOR	1	ST PC		ABGEW;3-REIHIG; CODIERUNG:A	
70	0025319385	FLACH-STECKVERBINDER BLADE CONNECTOR	36	ST PC		CRIMPKONTAKT 0,5-1,0QMM;	
80	0025319585	FLACH-STECKVERBINDER BLADE CONNECTOR	36	ST PC		EINZELADERABD. DURCHM.1, 4-1,9MM	
90	0185317083	BAJO-STECKVERBINDER BAYONET COUPLING	10	ST PC		BLINDSTOPFEN	
100	0025319085	FLACH-STECKVERBINDER BLADE CONNECTOR	1	ST PC		FUER AMP-BUCHSENGEHAEUSE;	
110	0001591583	SCHRUMPFSCHLAUCH SHRINKABLE HOSE	0	M M		AB 24MM DURCHM.X1200MM LG.	
120	0011596139	SCHRUMPFSCHLAUCH SHRINKABLE HOSE	0	M M		NN 52/13	
130	0005334980	KLEBER ADHESIVE	4	ST PC		15 MM (VARIABEL)	
140	0035314381	KLEMME TERMINAL	1	ST PC		L= 150MM, B= 3,6MM	

TYP/MODEL: 20V4000G43
 SERIENNUMMER/
 SERIAL NO: 20V4000G43

KABEL F.UEBERWACHG/REGLER
 CABLE F/MONTRG SYST + GOV

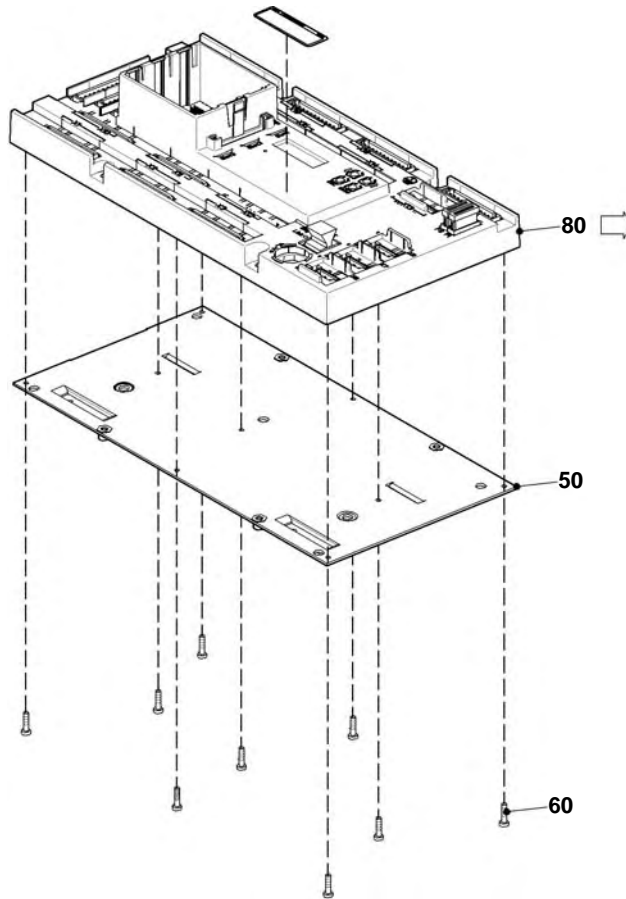
FG/FGS:
 STUECKLISTE/ X00E50200119
 BOM: X00E50200119

POS.	BESTELLNR.	BENENNUNG	STO	EINHEIT	FN	ABMESSUNGEN	NORM
ITEM	PART NO.	DESIGNATION	QTY.	UNIT	FN	DIMENSIONS	STANDARD
150	0055312980	KABEL CABLE	25	M M	NN	21X2X0,5QMM GESCH.-30 - 105 G	DIN 5510-2, GL
160	0035337089	BEZEICHNUNGSSCHILD IDENTIFICATION PLATE	1	ST PC		47X135MM, BEDRUCKBAR 47X25MM	
170	0075316880	KABEL CABLE	0	M M	AB	0,5 QMM SCHWARZ	VDE0282
180	0015318285	FLACH-STECKVERBINDER BLADE CONNECTOR	4	ST PC	AB	1,0-2,5 QMM,BLANK	DIN46351T1
190	0005311575	SCHRUMPFSCHLAUCH SHRINKABLE HOSE	2	ST PC	AB	5,7/1,27MM, L=30MM; TRANSPARENT	
200	0015318702	WIDERSTAND RESISTOR	2	ST PC	MN	TK50 1% 0,4W	

TYP/MODEL: 20V4000G43
 SERIENNUMMER/
 SERIAL NO: 20V4000G43

GEHAEUSE OHNE VERRIEGELUNG
 HOUSING OHNE VERRIEGELUNG

FG/FGS:
 STUECKLISTE/
 BOM: X00023919/S0001



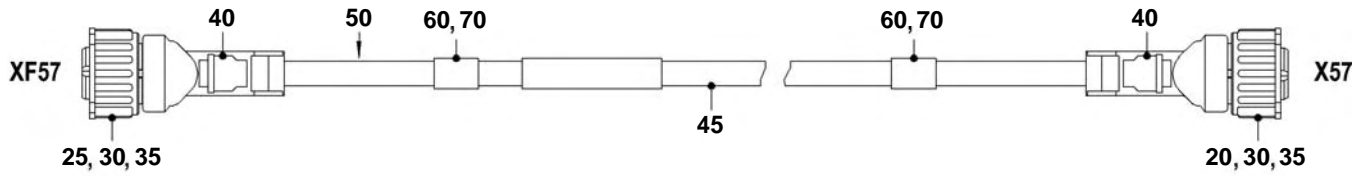
50000322a

POS. ITEM	BESTELLNR. PART NO.	BENENNUNG DESIGNATION	STO QTY.	EINHEIT UNIT	FN FN	ABMESSUNGEN DIMENSIONS	NORM STANDARD
50	(X00012158)	PLATTE PLATE	1	ST PC	KE	PLATTE O.ÖFF; 291,6X147, 6X1,5MM	
60	000000003643	FLACHKOPFSCHRAUBE SLOT PAN-HEAD SCREW	9	ST PC		3 X 12	MBN10266
80	X00023899	GEHAEUSE OHNE GRUNDPLATTE HOUSING OHNE GRUNDPLATTE	1	ST PC		ZB_SAM; 360X314X95 (LXBXH)	

TYP/MODEL: 20V4000G43
 SERIENNUMMER/
 SERIAL NO: 20V4000G43

VERBINDUNGSKABEL MIT STECKER
 CONNECTING CABLE W/MALE CONNECTOR

FG/FGS:
 STUECKLISTE/
 BOM: 5015305936



50701058a

POS. ITEM	BESTELLNR. PART NO.	BENENNUNG DESIGNATION	STO QTY.	EINHEIT UNIT	FN FN	ABMESSUNGEN DIMENSIONS	NORM STANDARD
20	0165313283	BAJO-STECKVERBINDER BAYONET COUPLING	1	ST PC	AB	STECKER 4POL. CODE 1	
25	0165314083	BAJO-STECKVERBINDER BAYONET COUPLING	1	ST PC	AB	STECKER 4POL. CODE 2	
30	0165313383	BAJO-STECKVERBINDER BAYONET COUPLING	8	ST PC	AB	BUCHSENKONTAKT 0,5-1,0 MM	
35	0165313483	BAJO-STECKVERBINDER BAYONET COUPLING	8	ST PC	AB	EINZELADERABD. 1.4-2,0 D2,5MM	
40	0165314283	BAJO-STECKVERBINDER BAYONET COUPLING	2	ST PC	AB	FUER KABELANSCHLUSS VARIABLE	
45	0085316180	KABEL CABLE	25	M M	AB	4X0,5 OHNE GNGE	
50	0035337089	BEZEICHNUNGSSCHILD IDENTIFICATION PLATE	1	ST PC		47X135MM, BEDRUCKBAR 47X25MM	
55	700461103005	KENNZEICHNUNGSTUELLE MARKER SLEEVE	2	ST PC		3/F	MMN461
60	700461103023	KENNZEICHNUNGSTUELLE MARKER SLEEVE	1	ST PC		3/X	MMN461

TYP/MODEL: 20V4000G43
SERIENNUMMER/
SERIAL NO: 20V4000G43

VERBINDUNGSKABEL MIT STECKER
CONNECTING CABLE W/MALE CONNECTOR

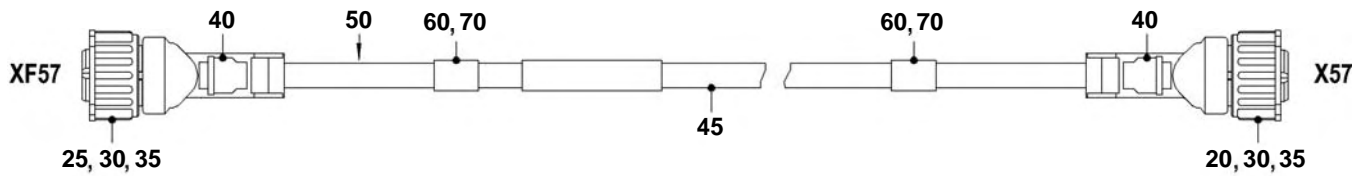
FG/FGS:
STUECKLISTE/ 5015305936
BOM: 5015305936

POS.	BESTELLNR.	BENENNUNG	STO	EINHEIT	FN	ABMESSUNGEN	NORM
ITEM	PART NO.	DESIGNATION	QTY.	UNIT	FN	DIMENSIONS	STANDARD
70	700461203007	KENNZEICHNUNGSTUELLE	2	ST		3/7	MMN461
		MARKER SLEEVE		PC			

TYP/MODEL: 20V4000G43
 SERIENNUMMER/
 SERIAL NO: 20V4000G43

VERBINDUNGSKABEL MIT STECKER
 CONNECTING CABLE W/MALE CONNECTOR

FG/FGS:
 STUECKLISTE/
 BOM: 5015305836



50701060a

POS. ITEM	BESTELLNR. PART NO.	BENENNUNG DESIGNATION	STO QTY.	EINHEIT UNIT	FN FN	ABMESSUNGEN DIMENSIONS	NORM STANDARD
20	0165313283	BAJO-STECKVERBINDER BAYONET COUPLING	1	ST PC	AB	STECKER 4POL. CODE 1	
25	0165314083	BAJO-STECKVERBINDER BAYONET COUPLING	1	ST PC	AB	STECKER 4POL. CODE 2	
30	0165313383	BAJO-STECKVERBINDER BAYONET COUPLING	8	ST PC	AB	BUCHSENKONTAKT 0,5-1,0 MM	
35	0165313483	BAJO-STECKVERBINDER BAYONET COUPLING	8	ST PC	AB	EINZELADERABD. 1.4-2,0 D2,5MM	
40	0165314283	BAJO-STECKVERBINDER BAYONET COUPLING	2	ST PC	AB	FUER KABELANSCHLUSS VARIABLE	
45	0085316180	KABEL CABLE	5	M M	AB	4X0,5 OHNE GNGE	
50	0035337089	BEZEICHNUNGSSCHILD IDENTIFICATION PLATE	1	ST PC		47X135MM, BEDRUCKBAR 47X25MM	
55	700461103005	KENNZEICHNUNGSTUELLE MARKER SLEEVE	2	ST PC		3/F	MMN461
60	700461103023	KENNZEICHNUNGSTUELLE MARKER SLEEVE	1	ST PC		3/X	MMN461

TYP/MODEL: 20V4000G43
SERIENNUMMER/
SERIAL NO: 20V4000G43

VERBINDUNGSKABEL MIT STECKER
CONNECTING CABLE W/MALE CONNECTOR

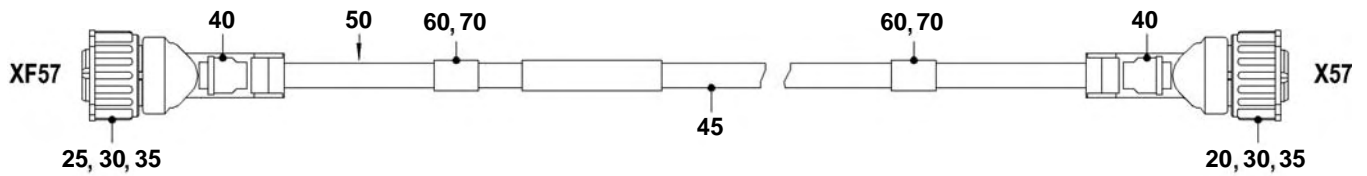
FG/FGS:
STUECKLISTE/ 5015305836
BOM: 5015305836

POS.	BESTELLNR.	BENENNUNG	STO	EINHEIT	FN	ABMESSUNGEN	NORM
ITEM	PART NO.	DESIGNATION	QTY.	UNIT	FN	DIMENSIONS	STANDARD
70	700461203007	KENNZEICHNUNGSTUELLE	2	ST		3/7	MMN461
		MARKER SLEEVE		PC			

TYP/MODEL: 20V4000G43
 SERIENNUMMER/
 SERIAL NO: 20V4000G43

KABEL MIT STECKER
 CABLE W/MALE CONNECTOR

FG/FGS:
 STUECKLISTE/
 BOM: 5005308836



50701059a

POS.	BESTELLNR.	BENENNUNG	STO	EINHEIT	FN	ABMESSUNGEN	NORM
ITEM	PART NO.	DESIGNATION	QTY.	UNIT	FN	DIMENSIONS	STANDARD
20	0165313283	BAJO-STECKVERBINDER BAYONET COUPLING	1	ST PC	AB	STECKER 4POL. CODE 1	
25	0165314083	BAJO-STECKVERBINDER BAYONET COUPLING	1	ST PC	AB	STECKER 4POL. CODE 2	
30	0165313383	BAJO-STECKVERBINDER BAYONET COUPLING	8	ST PC	AB	BUCHSENKONTAKT 0,5-1,0 MM	
35	0165313483	BAJO-STECKVERBINDER BAYONET COUPLING	8	ST PC	AB	EINZELADERABD. 1.4-2,0 D2,5MM	
40	0165314283	BAJO-STECKVERBINDER BAYONET COUPLING	2	ST PC	AB	FUER KABELANSCHLUSS VARIABEL	
45	0085316180	KABEL CABLE	15	M M	AB	4X0,5 OHNE GNGE	
50	0035337089	BEZEICHNUNGSSCHILD IDENTIFICATION PLATE	1	ST PC		47X135MM, BEDRUCKBAR 47X25MM	
55	700461103005	KENNZEICHNUNGSTUELLE MARKER SLEEVE	2	ST PC		3/F	MMN461
60	700461103023	KENNZEICHNUNGSTUELLE MARKER SLEEVE	1	ST PC		3/X	MMN461

TYP/MODEL: 20V4000G43
SERIENNUMMER/
SERIAL NO: 20V4000G43

KABEL MIT STECKER
CABLE W/MALE CONNECTOR

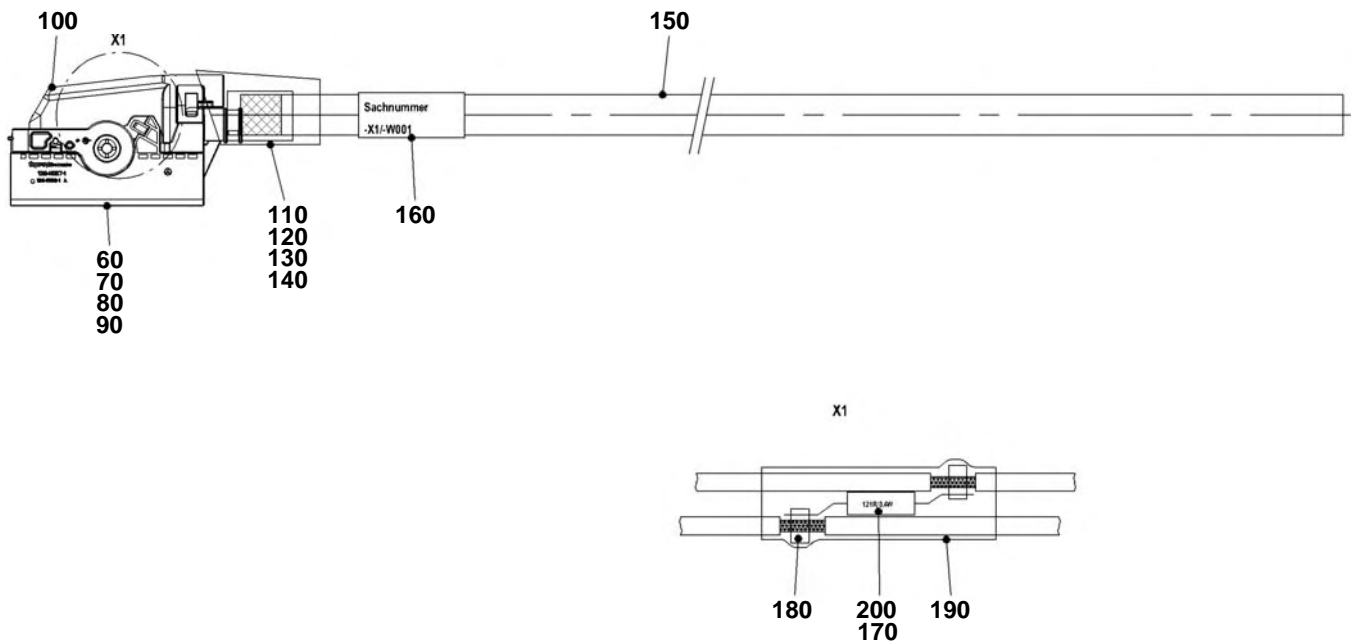
FG/FGS:
STUECKLISTE/ 5005308836
BOM: 5005308836

POS.	BESTELLNR.	BENENNUNG	STO	EINHEIT	FN	ABMESSUNGEN	NORM
ITEM	PART NO.	DESIGNATION	QTY.	UNIT	FN	DIMENSIONS	STANDARD
70	700461203007	KENNZEICHNUNGSTUELLE	2	ST		3/7	MMN461
		MARKER SLEEVE		PC			

TYP/MODEL: 20V4000G43
 SERIENNUMMER/
 SERIAL NO: 20V4000G43

KABEL F.UEBERWACHG/REGLER
 CABLE F/MONTRG SYST + GOV

FG/FGS:
 STUECKLISTE/
 BOM: X00041477



50000453a

POS. ITEM	BESTELLNR. PART NO.	BENENNUNG DESIGNATION	STO QTY.	EINHEIT UNIT	FN FN	ABMESSUNGEN DIMENSIONS	NORM STANDARD
60	0025318385	FLACH-STECKVERBINDER BLADE CONNECTOR	1	ST PC		ABGEW;3-REIHIG; CODIERUNG:A	
70	0025319385	FLACH-STECKVERBINDER BLADE CONNECTOR	36	ST PC		CRIMPKONTAKT 0,5-1,0QMM;	
80	0025319585	FLACH-STECKVERBINDER BLADE CONNECTOR	36	ST PC		EINZELADERABD. DURCHM.1, 4-1,9MM	
90	0185317083	BAJO-STECKVERBINDER BAYONET COUPLING	10	ST PC		BLINDSTOPFEN	
100	0025319085	FLACH-STECKVERBINDER BLADE CONNECTOR	1	ST PC		FUER AMP-BUCHSENGEHAEUSE;	
110	0001591583	SCHRUMPFSCHLAUCH SHRINKABLE HOSE	0	M M		AB 24MM DURCHM.X1200MM LG.	
120	0011596139	SCHRUMPFSCHLAUCH SHRINKABLE HOSE	0	M M		NN 52/13	
130	0005334980	KLEBER ADHESIVE	4	ST PC		15 MM (VARIABEL)	
140	0035314381	KLEMME TERMINAL	1	ST PC		L= 150MM, B= 3,6MM	

TYP/MODEL: 20V4000G43
 SERIENNUMMER/
 SERIAL NO: 20V4000G43

KABEL F.UEBERWACHG/REGLER
 CABLE F/MONTRG SYST + GOV

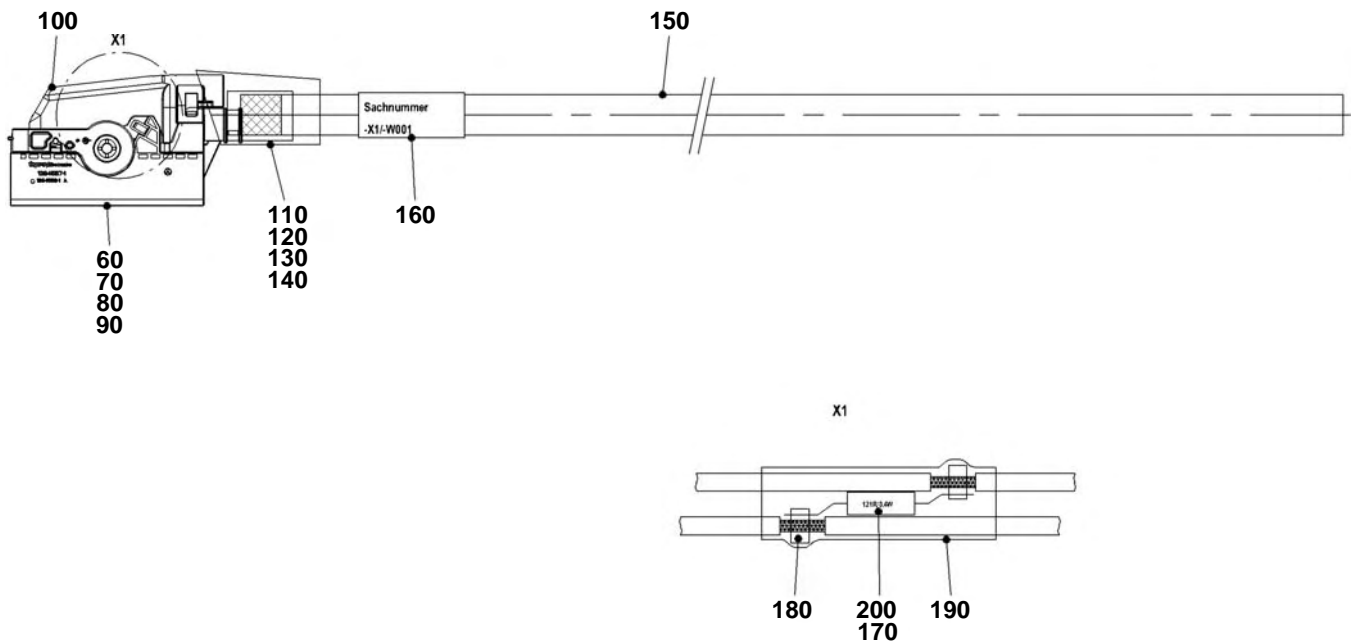
FG/FGS:
 STUECKLISTE/ X00041477
 BOM: X00041477

POS. ITEM	BESTELLNR. PART NO.	BENENNUNG DESIGNATION	STO QTY.	EINHEIT UNIT	FN FN	ABMESSUNGEN DIMENSIONS	NORM STANDARD
150	0055312980	KABEL CABLE	15	M M	NN	21X2X0,5QMM GESCH.-30 - 105 G	DIN 5510-2, GL
160	0035337089	BEZEICHNUNGSSCHILD IDENTIFICATION PLATE	1	ST PC		47X135MM, BEDRUCKBAR 47X25MM	
170	0075316880	KABEL CABLE	0	M M	AB	0,5 QMM SCHWARZ	VDE0282
180	0015318285	FLACH-STECKVERBINDER BLADE CONNECTOR	4	ST PC	AB	1,0-2,5 QMM,BLANK	DIN46351T1
190	0005311575	SCHRUMPFSCHLAUCH SHRINKABLE HOSE	2	ST PC	AB	5,7/1,27MM, L=30MM; TRANSPARENT	
200	0015318702	WIDERSTAND RESISTOR	2	ST PC	MN	TK50 1% 0,4W	

TYP/MODEL: 20V4000G43
 SERIENNUMMER/
 SERIAL NO: 20V4000G43

KABEL F.UEBERWACHG/REGLER
 CABLE F/MONTRG SYST + GOV

FG/FGS:
 STUECKLISTE/
 BOM: X00041467



50000452a

POS.	BESTELLN.R.	BENENNUNG	STO	FN	ABMESSUNGEN	NORM
ITEM	PART NO.	DESIGNATION	QTY.	UNIT	DIMENSIONS	STANDARD
60	0025318385	FLACH-STECKVERBINDER BLADE CONNECTOR	1	ST PC	ABGEW;3-REIHIG; CODIERUNG:A	
70	0025319385	FLACH-STECKVERBINDER BLADE CONNECTOR	36	ST PC	CRIMPKONTAKT 0,5-1,0QMM;	
80	0025319585	FLACH-STECKVERBINDER BLADE CONNECTOR	36	ST PC	EINZELADERABD. DURCHM.1, 4-1,9MM	
90	0185317083	BAJO-STECKVERBINDER BAYONET COUPLING	10	ST PC	BLINDSTOPFEN	
100	0025319085	FLACH-STECKVERBINDER BLADE CONNECTOR	1	ST PC	FUER AMP-BUCHSENGEHAEUSE;	
110	0001591583	SCHRUMPFSCHLAUCH SHRINKABLE HOSE	0	M M	AB 24MM DURCHM.X1200MM LG.	
120	0011596139	SCHRUMPFSCHLAUCH SHRINKABLE HOSE	0	M M	NN 52/13	
130	0005334980	KLEBER ADHESIVE	4	ST PC	15 MM (VARIABEL)	
140	0035314381	KLEMME TERMINAL	1	ST PC	L= 150MM, B= 3,6MM	

TYP/MODEL: 20V4000G43
 SERIENNUMMER/
 SERIAL NO: 20V4000G43

KABEL F.UEBERWACHG/REGLER
 CABLE F/MONTRG SYST + GOV

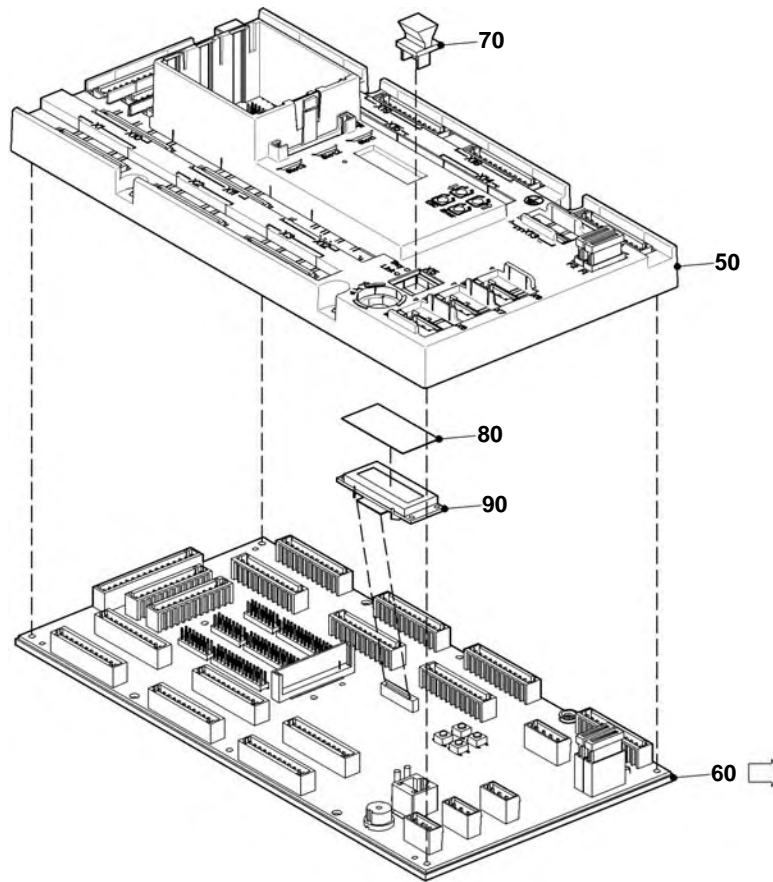
FG/FGS:
 STUECKLISTE/ X00041467
 BOM: X00041467

POS.	BESTELLNR.	BENENNUNG	STO	EINHEIT	FN	ABMESSUNGEN	NORM
ITEM	PART NO.	DESIGNATION	QTY.	UNIT	FN	DIMENSIONS	STANDARD
150	0055312980	KABEL CABLE	10	M M	NN	21X2X0,5QMM GESCH.-30 - 105 G	DIN 5510-2, GL
160	0035337089	BEZEICHNUNGSSCHILD IDENTIFICATION PLATE	1	ST PC		47X135MM, BEDRUCKBAR 47X25MM	
170	0075316880	KABEL CABLE	0	M M	AB	0,5 QMM SCHWARZ	VDE0282
180	0015318285	FLACH-STECKVERBINDER BLADE CONNECTOR	4	ST PC	AB	1,0-2,5 QMM,BLANK	DIN46351T1
190	0005311575	SCHRUMPFSCHLAUCH SHRINKABLE HOSE	2	ST PC	AB	5,7/1,27MM, L=30MM; TRANSPARENT	
200	0015318702	WIDERSTAND RESISTOR	2	ST PC	MN	TK50 1% 0,4W	

TYP/MODEL: 20V4000G43
 SERIENNUMMER/
 SERIAL NO: 20V4000G43

GEHAEUSE OHNE GRUNDPLATTE
 HOUSING OHNE GRUNDPLATTE

FG/FGS:
 STUECKLISTE/
 BOM: X00023899



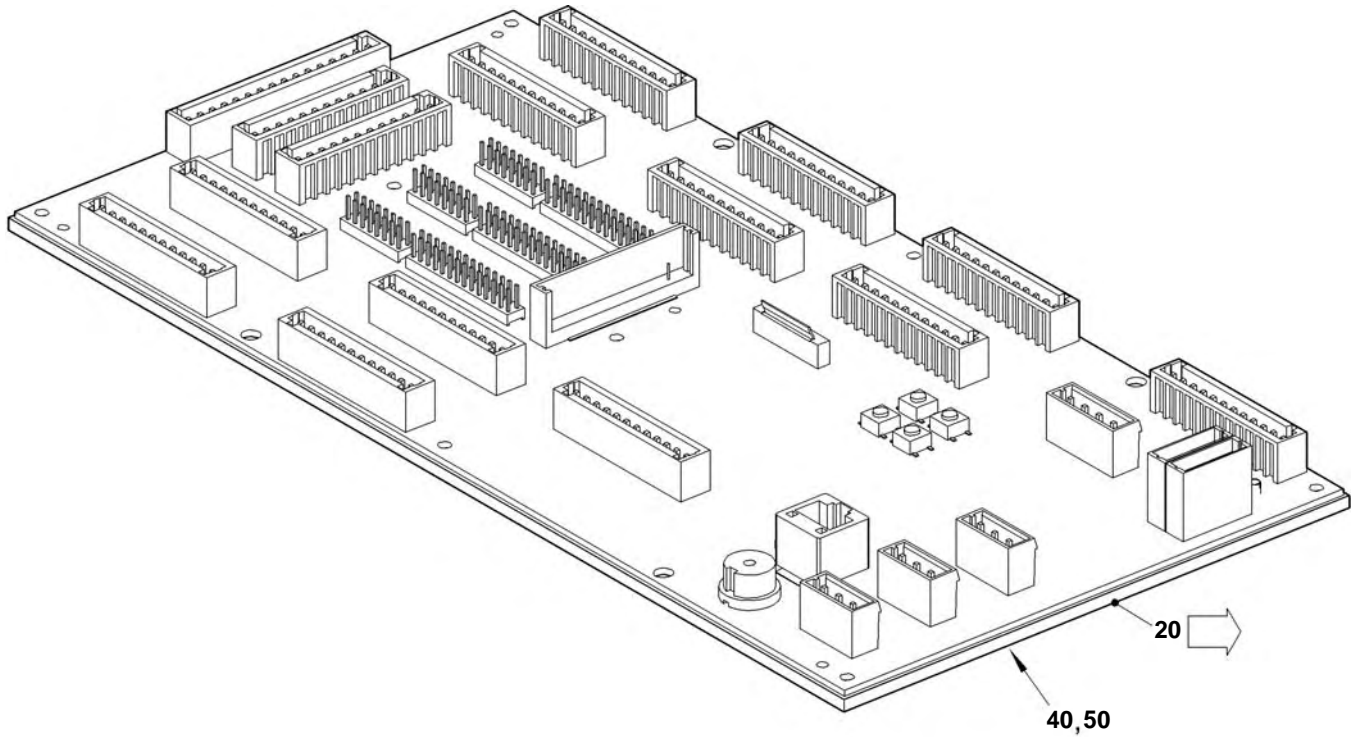
50000323a

POS. ITEM	BESTELLNR. PART NO.	BENENNUNG DESIGNATION	STO QTY.	EINHEIT UNIT	FN FN	ABMESSUNGEN DIMENSIONS
50	(5285351191)	DECKEL COVER	1	ST PC	KE	295X151X51.7
60	X00013310/S0001	STECKKARTE PLUG-IN BOARD	1	ST PC		SAB2-02 (MB VON SAM)
70	0015337831	KAPPE CAP	1	ST PC	AB	F. STECKDOSE RJ45
80	X00008734	SCHEIBE WASHER	1	ST PC	AB	43,5 X 21,5 X 0,25
90	0005384275	DISPLAY DISPLAY	1	ST PC	AB	54X21X9; LCD_2X16_ZEICHEN;

TYP/MODEL: 20V4000G43
 SERIENNUMMER/
 SERIAL NO: 20V4000G43

STECKKARTE
 PLUG-IN BOARD

FG/FGS:
 STUECKLISTE/
 BOM: X00013310/S0001



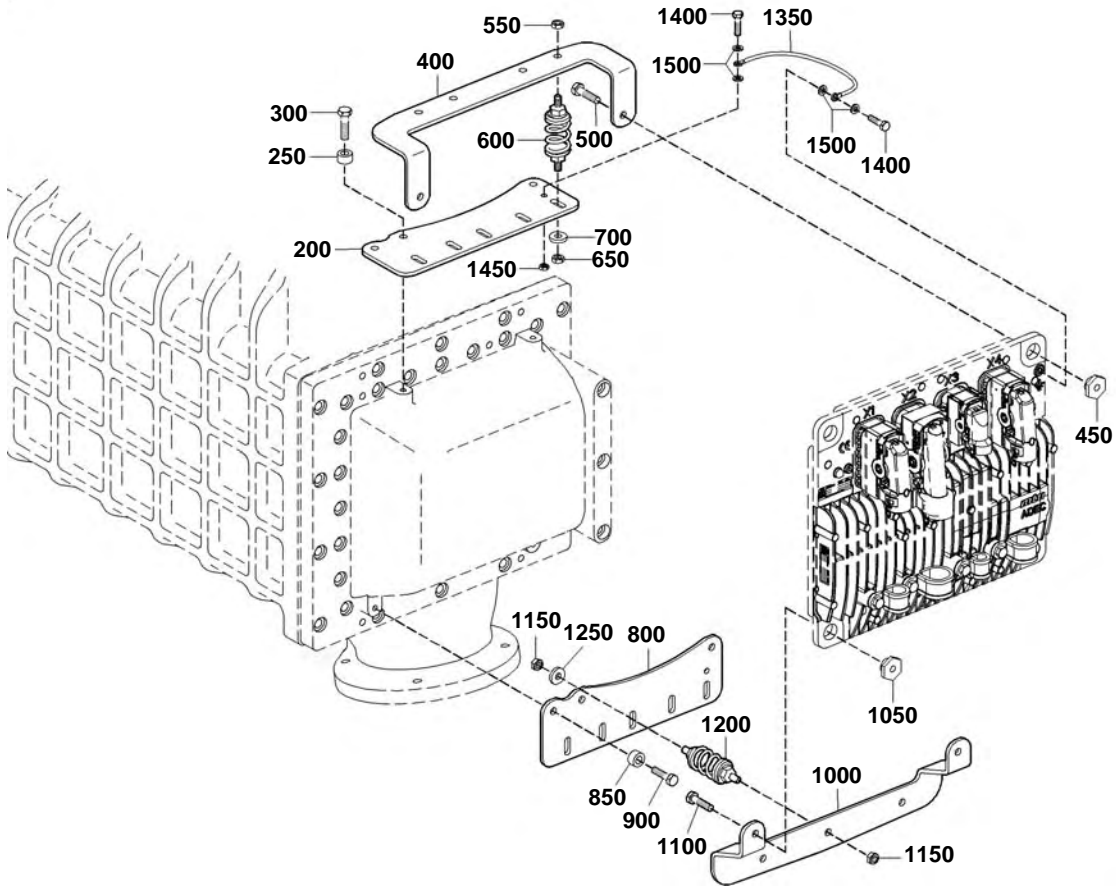
50000405a

POS. ITEM	BESTELNR. PART NO.	BENENNUNG DESIGNATION	STO QTY.	EINHEIT UNIT	FN FN	ABMESSUNGEN DIMENSIONS
20	X00013310	STECKKARTE PLUG-IN BOARD	1	ST PC		SAB2-02 (MB VON SAM)
40	X00025407	SOFTWARE SOFTWARE	1	ST PC		SW_SAB2-02_FIRMW\VAR_1\ED_2_00
50	(X00012414)	SOFTWARE SOFTWARE	1	ST PC	KE	SW_SAB2-01_URLADER_1_00

TYP/MODEL: 20V4000G43
SERIENNUMMER/
SERIAL NO: 20V4000G43

HALTER F.ADEC U.KABELBAUM
RETAINER F.ADEC + CABLE HARN

FG/FGS: 507 97
STUECKLISTE/
BOM: X00027258

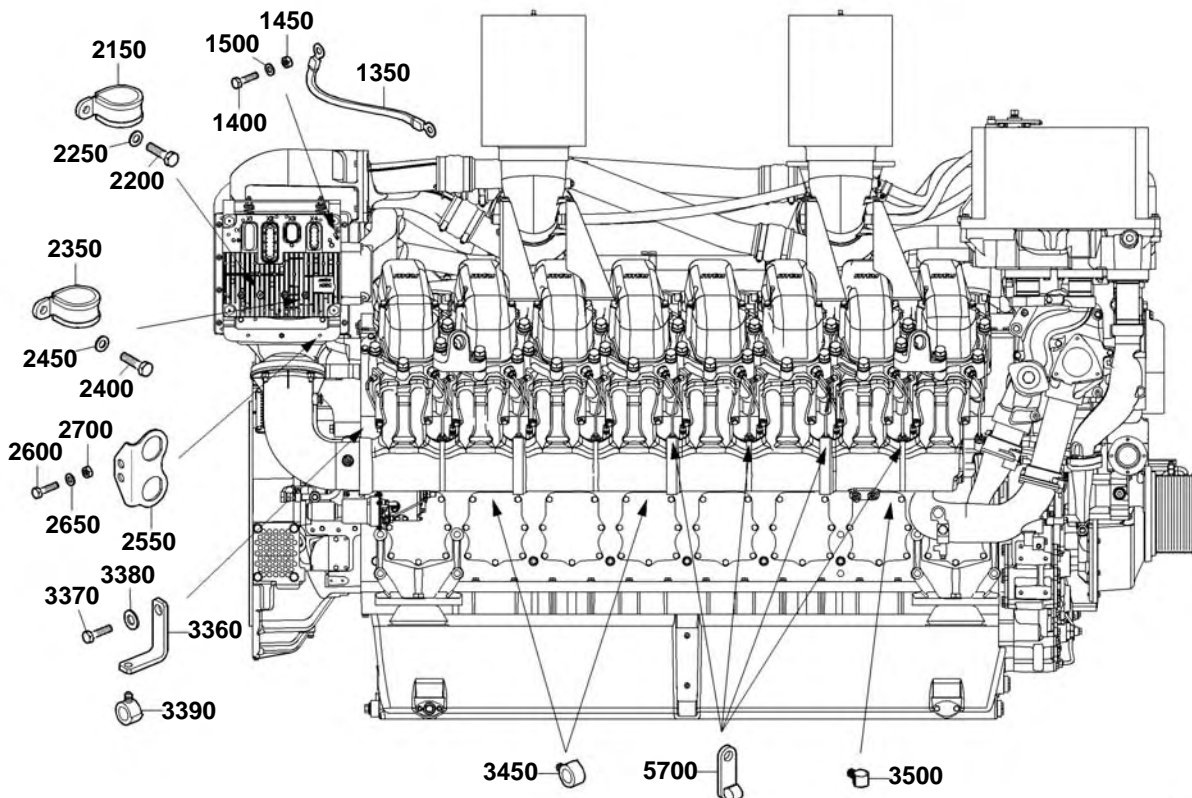


50701157a

TYP/MODEL: 20V4000G43
SERIENNUMMER/
SERIAL NO: 20V4000G43

HALTER F.ADEC U.KABELBAUM
RETAINER F.ADEC + CABLE HARN

FG/FGS: 507 97
STUECKLISTE/
BOM: X00027258

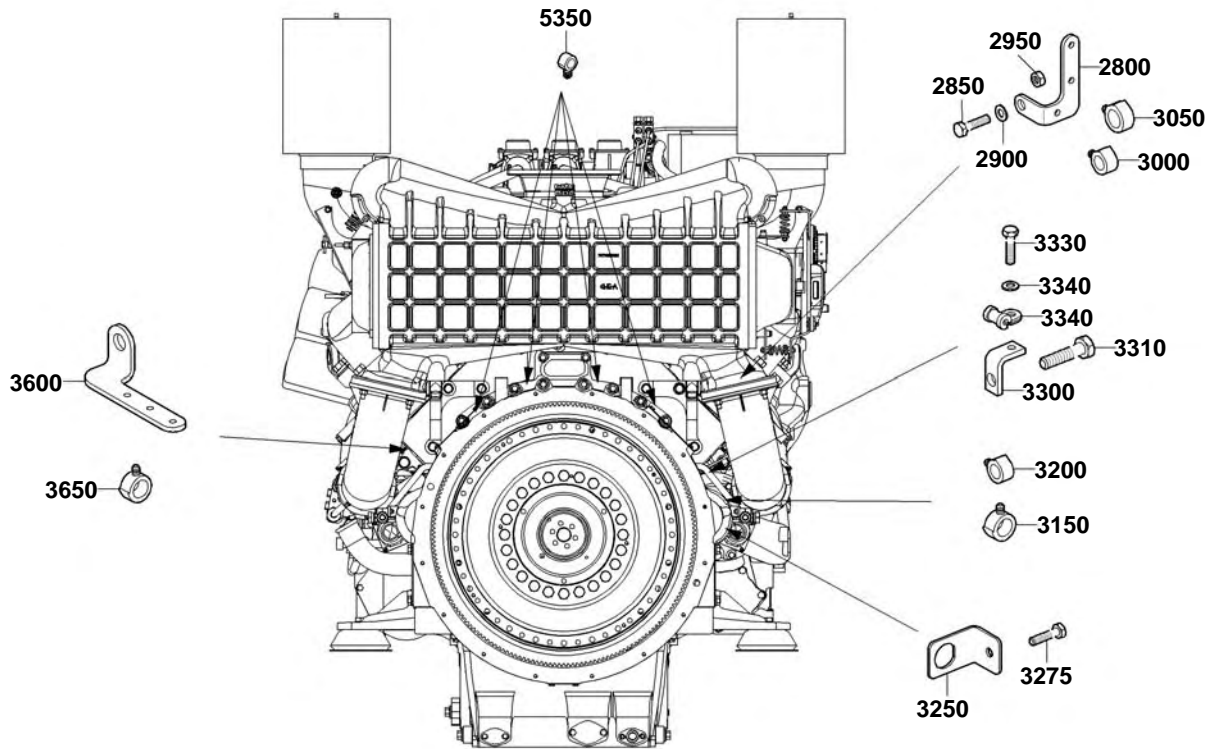


50701246a

TYP/MODEL: 20V4000G43
SERIENNUMMER/
SERIAL NO: 20V4000G43

HALTER F.ADEC U.KABELBAUM
RETAINER F.ADEC + CABLE HARN

FG/FGS: 507 97
STUECKLISTE/
BOM: X00027258

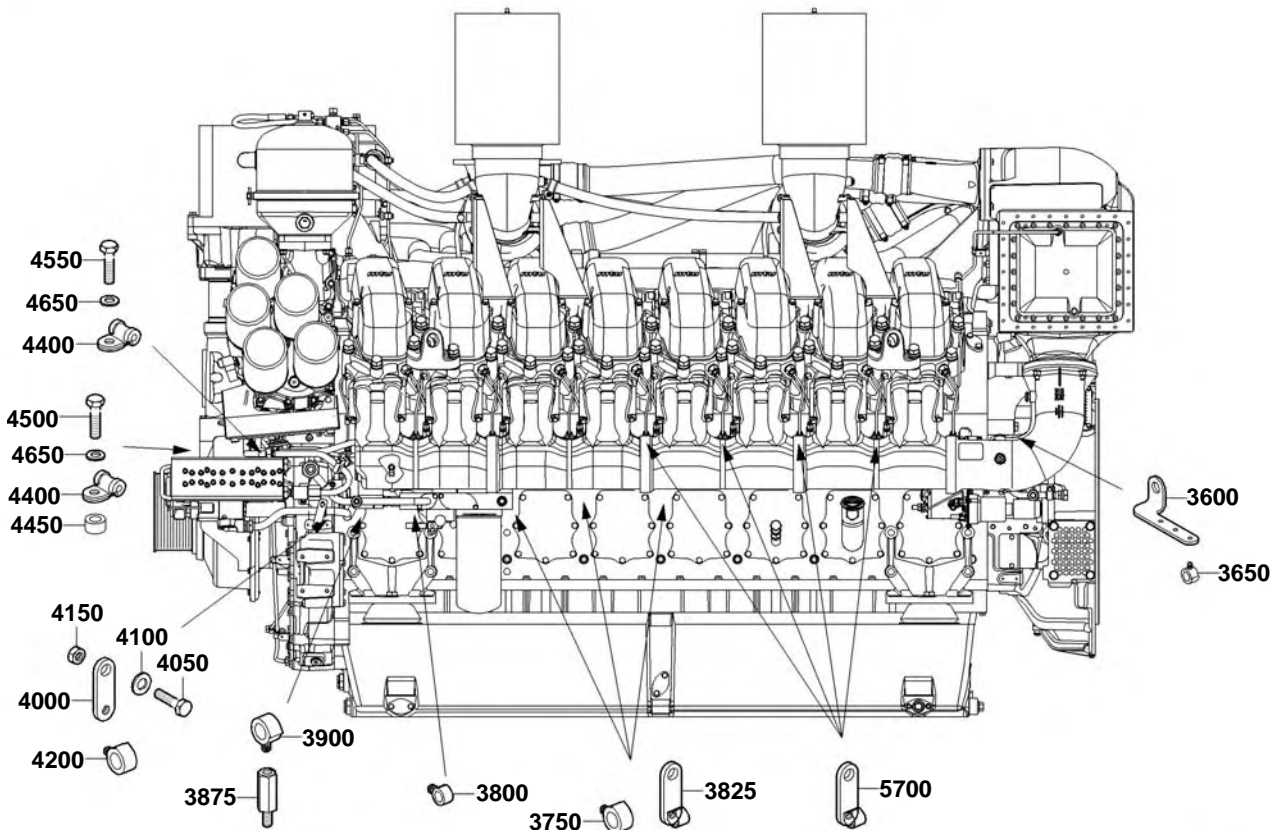


50701248b

TYP/MODEL: 20V4000G43
SERIENNUMMER/
SERIAL NO: 20V4000G43

HALTER F.ADEC U.KABELBAUM
RETAINER F.ADEC + CABLE HARN

FG/FGS: 507 97
STUECKLISTE/
BOM: X00027258

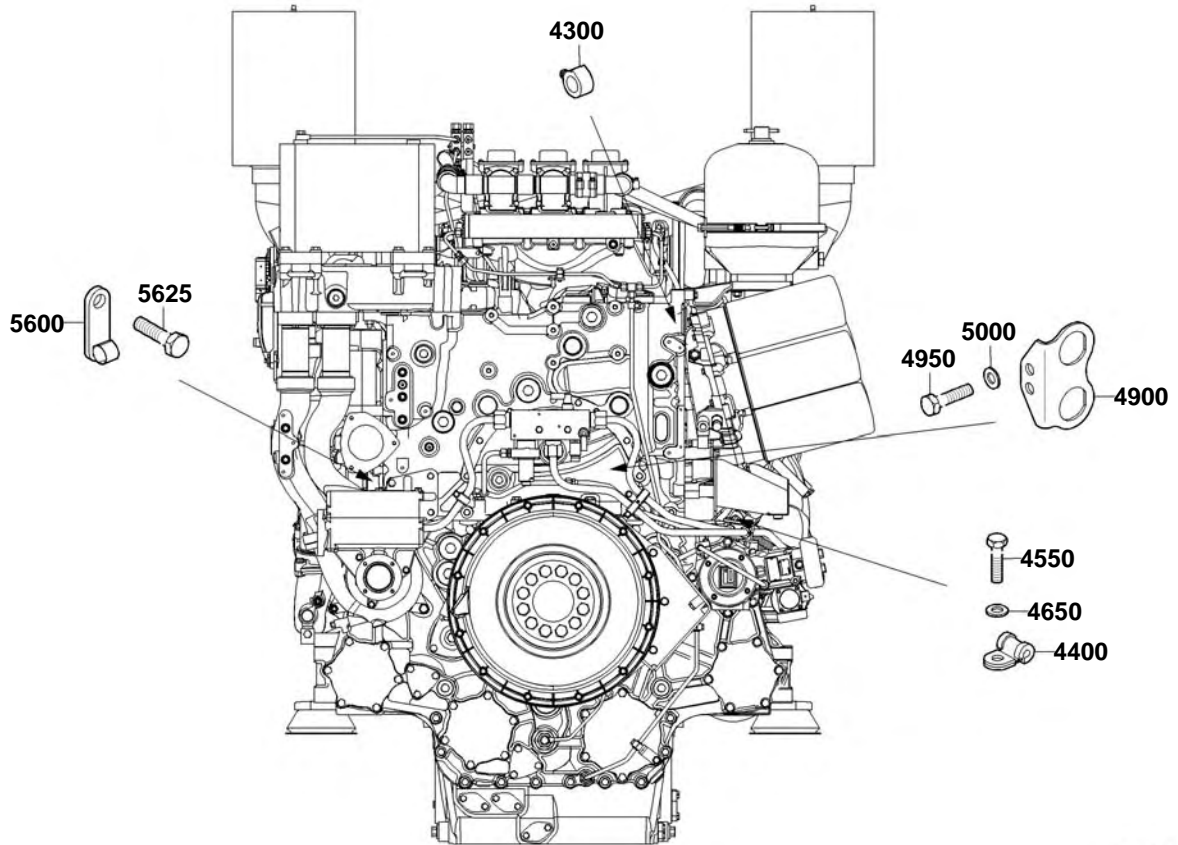


50701249b

TYP/MODEL: 20V4000G43
SERIENNUMMER/
SERIAL NO: 20V4000G43

HALTER F.ADEC U.KABELBAUM
RETAINER F.ADEC + CABLE HARN

FG/FGS: 507 97
STUECKLISTE/
BOM: X00027258

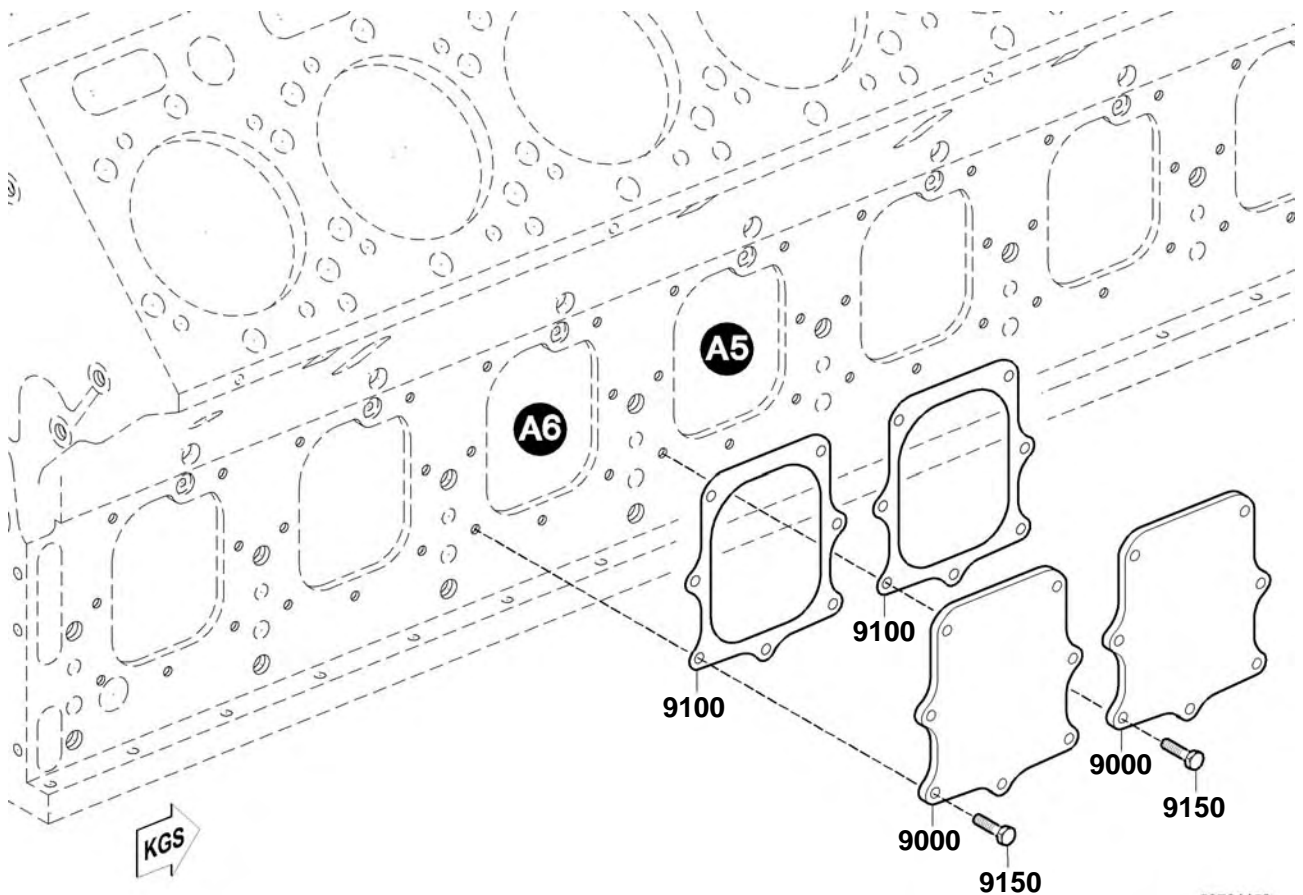


50701250a

TYP/MODEL: 20V4000G43
SERIENNUMMER/
SERIAL NO: 20V4000G43

HALTER F.ADEC U.KABELBAUM
RETAINER F.ADEC + CABLE HARN

FG/FGS: 507 97
STUECKLISTE/
BOM: X00027258



50701158a

POS.	BESTELLNR.	BENENNUNG	STO	EINHEIT	FN	ABMESSUNGEN	NORM
ITEM	PART NO.	DESIGNATION	QTY.	UNIT	FN	DIMENSIONS	STANDARD
200	X00023601	HALTER RETAINER	1	ST PC			
250	5511530050	ABSTANDBUCHSE SPACER BUSHING	2	ST PC	NN		
300	304017008081	SECHSKANTSCHRAUBE SCREW	2	ST PC		M 8 X 25	ISO4017
400	X00016676	HALTER RETAINER	1	ST PC			
450	X00012261	ABSTANDHUELSE SPACER SLEEVE	2	ST PC			
500	304017008079	SECHSKANTSCHRAUBE SCREW	2	ST PC		M 8 X 20	ISO4017
550	000934008008	SECHSKANTMUTTER HEX NUT	2	ST PC		M 8	DIN934
600	5221530026	DAEMPFER DAMPER	2	ST PC			
650	000934008008	SECHSKANTMUTTER HEX NUT	2	ST PC		M 8	DIN934
700	007349008002	SCHEIBE WASHER	2	ST PC		8,4	DIN7349
800	X00023601	HALTER RETAINER	1	ST PC			
850	5511530050	ABSTANDBUCHSE SPACER BUSHING	2	ST PC	NN		
900	304017008081	SECHSKANTSCHRAUBE SCREW	2	ST PC		M 8 X 25	ISO4017
1000	X00016677	HALTER RETAINER	1	ST PC			
1050	X00012261	ABSTANDHUELSE SPACER SLEEVE	2	ST PC			
1100	304017008079	SECHSKANTSCHRAUBE SCREW	2	ST PC		M 8 X 20	ISO4017
1150	000934008008	SECHSKANTMUTTER HEX NUT	2	ST PC		M 8	DIN934
1200	5221530026	DAEMPFER DAMPER	1	ST PC			
1250	007349008002	SCHEIBE WASHER	1	ST PC		8,4	DIN7349
1350	0005461220	MASSEBAND EARTHING STRIP	1	ST PC	NN	QUERSCHNITT 6QMM, LAENGE 200MM	
1400	000933006175	SECHSKANTSCHRAUBE SCREW	2	ST PC		M 6 X 16	DIN933
1450	000934006006	SECHSKANTMUTTER HEX NUT	1	ST PC		M 6	DIN934

TYP/MODEL: 20V4000G43
 SERIENNUMMER/
 SERIAL NO: 20V4000G43

HALTER F.ADEC U.KABELBAUM
 RETAINER F.ADEC + CABLE HARN

FG/FGS: 507 97
 STUECKLISTE/ X00027258
 BOM: X00027258

POS.	BESTELLNR.	BENENNUNG	STO	EINHEIT	FN	ABMESSUNGEN	NORM
ITEM	PART NO.	DESIGNATION	QTY.	UNIT	FN	DIMENSIONS	STANDARD
1500	000125006431	SCHEIBE WASHER	4	ST PC		A 6,4	DIN125
2150	916016030202	SCHELLE CLAMP	1	ST PC		BRSGU 30/20	N16016
2200	000933008114	SECHSKANTSCHRAUBE SCREW	1	ST PC		M 8 X 22	DIN933
2250	000125008427	SCHEIBE WASHER	1	ST PC		A 8,4	DIN125
2350	916016024201	SCHELLE CLAMP	1	ST PC		BRSGU 24/20	N16016
2400	000933008114	SECHSKANTSCHRAUBE SCREW	1	ST PC		M 8 X 22	DIN933
2450	000125008427	SCHEIBE WASHER	1	ST PC		A 8,4	DIN125
2550	5315460443	HALTER RETAINER	1	ST PC			
2600	304017008079	SECHSKANTSCHRAUBE SCREW	1	ST PC		M 8 X 20	ISO4017
2650	000125008427	SCHEIBE WASHER	1	ST PC		A 8,4	DIN125
2700	000934008008	SECHSKANTMUTTER HEX NUT	1	ST PC		M 8	DIN934
2800	5241534540	HALTER RETAINER	1	ST PC			
2850	304017008081	SECHSKANTSCHRAUBE SCREW	1	ST PC		M 8 X 25	ISO4017
2900	007349008002	SCHEIBE WASHER	2	ST PC		8,4	DIN7349
2950	000934008008	SECHSKANTMUTTER HEX NUT	1	ST PC		M 8	DIN934
3000	0001596540	KABELHALTER CABLE CLAMP	1	ST PC			
3050	X00010338	KABELHALTER CABLE CLAMP	1	ST PC			
3150	X00010338	KABELHALTER CABLE CLAMP	2	ST PC			
3200	0001596540	KABELHALTER CABLE CLAMP	10	ST PC			
3250	5225460043	HALTER RETAINER	1	ST PC			
3275	000933008013	SECHSKANTSCHRAUBE SCREW	1	ST PC		M 8 X 14	DIN933

TYP/MODEL: 20V4000G43
 SERIENNUMMER/
 SERIAL NO: 20V4000G43

HALTER F.ADEC U.KABELBAUM
 RETAINER F.ADEC + CABLE HARN

FG/FGS: 507 97
 STUECKLISTE/ X00027258
 BOM: X00027258

POS.	BESTELLNR.	BENENNUNG	STO	EINHEIT	FN	ABMESSUNGEN	NORM
ITEM	PART NO.	DESIGNATION	QTY.	UNIT	FN	DIMENSIONS	STANDARD
3300	5801533240	HALTER RETAINER	1	ST PC			
3310	000933012058	SECHSKANTSCHRAUBE SCREW	1	ST PC		M 12 X 20	DIN933
3320	916016006202	SCHELLE CLAMP	1	ST PC		BRSGU 6/20	N16016
3330	304017008077	SECHSKANTSCHRAUBE SCREW	1	ST PC		M 8 X 16	ISO4017
3340	000125008427	SCHEIBE WASHER	1	ST PC		A 8,4	DIN125
3360	5801530840	HALTER RETAINER	1	ST PC	NN		
3370	000000003020	SECHSKANTSCHRAUBE SCREW	1	ST PC		M 10 X 20	ISO4017
3380	000125010524	SCHEIBE WASHER	1	ST PC		A 10,5	DIN125
3390	0001596540	KABELHALTER CABLE CLAMP	1	ST PC			
3450	0001596540	KABELHALTER CABLE CLAMP	8	ST PC			
3500	0001596440	KABELHALTER CABLE CLAMP	1	ST PC			
3600	X00032376	HALTER RETAINER	1	ST PC			
3650	0001596540	KABELHALTER CABLE CLAMP	2	ST PC			
3750	0001596540	KABELHALTER CABLE CLAMP	9	ST PC			
3800	0001596440	KABELHALTER CABLE CLAMP	1	ST PC			
3825	X00027636	HALTER RETAINER	10	ST PC	NN		
3875	8711590571	ABSTANDSTUECK SPACER	1	ST PC			
3900	0001596540	KABELHALTER CABLE CLAMP	1	ST PC			
4000	5241538440	HALTER RETAINER	1	ST PC	SB		
4050	000000003347	SECHSKANTSCHRAUBE SCREW	1	ST PC		M 10 X 55	ISO4017
4100	000125010524	SCHEIBE WASHER	1	ST PC		A 10,5	DIN125

TYP/MODEL: 20V4000G43
 SERIENNUMMER/
 SERIAL NO: 20V4000G43

HALTER F.ADEC U.KABELBAUM
 RETAINER F.ADEC + CABLE HARN

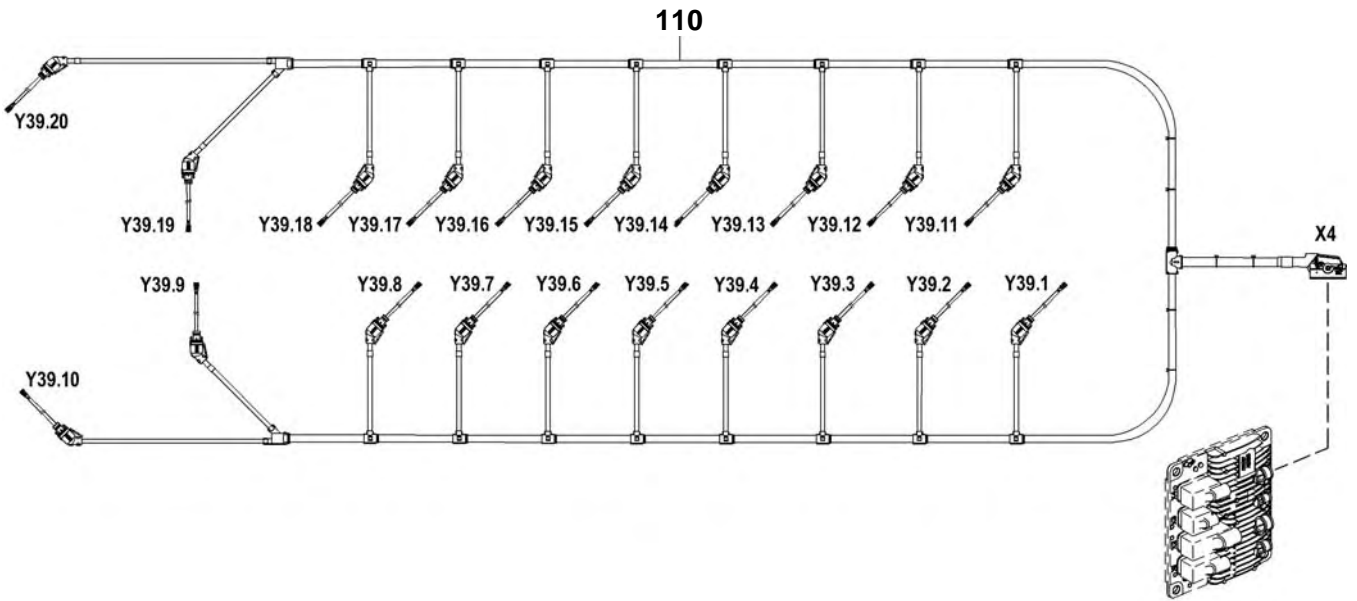
FG/FGS: 507 97
 STUECKLISTE/ X00027258
 BOM: X00027258

POS. BESTELLNR. ITEM PART NO.	BENENNUNG DESIGNATION	STO QTY.	EINHEIT UNIT	FN FN	ABMESSUNGEN DIMENSIONS	NORM STANDARD
4150 000934010005	SECHSKANTMUTTER HEX NUT	1	ST PC		M 10	DIN934
4200 0001596540	KABELHALTER CABLE CLAMP	1	ST PC			
4300 0001596440	KABELHALTER CABLE CLAMP	3	ST PC			
4400 916016006202	SCHELLE CLAMP	3	ST PC		BRSGU 6/20	N16016
4450 5511530050	ABSTANDBUCHSE SPACER BUSHING	2	ST PC	NN		
4500 000933008116	SECHSKANTSCHRAUBE SCREW	2	ST PC		M 8 X 28	DIN933
4550 304017008085	SECHSKANTSCHRAUBE SCREW	1	ST PC		M 8 X 40	ISO4017
4650 000125008427	SCHEIBE WASHER	3	ST PC		A 8,4	DIN125
4900 5315460443	HALTER RETAINER	1	ST PC			
4950 304017008079	SECHSKANTSCHRAUBE SCREW	1	ST PC		M 8 X 20	ISO4017
5000 000125008427	SCHEIBE WASHER	1	ST PC		A 8,4	DIN125
5350 0001596440	KABELHALTER CABLE CLAMP	3	ST PC			
5600 X00012556	HALTER FUER KABELBAUM RETAINER F. WIRING HARNESS	2	ST PC	NN		
5625 000000003322	SECHSKANTSCHRAUBE SCREW	2	ST PC		M 10 X 90	ISO4014
5700 X00012556	HALTER FUER KABELBAUM RETAINER F. WIRING HARNESS	20	ST PC	NN		
9000 5240110732	SCHAULOCHDECKEL INSPECT PORT COVER	2	ST PC	NN		
9100 5240111380	DICHTBEILAGE GASKET	2	ST PC			
9150 000933010035	SECHSKANTSCHRAUBE SCREW	14	ST PC		M 10 X 25	DIN933

TYP/MODEL: 20V4000G43
 SERIENNUMMER/
 SERIAL NO: 20V4000G43

MOTORVERKABELUNG F.SENSOREN AM MOTOR
 ENGINE CABLING FOR ON-ENGINE SENSO

FG/FGS: 507 98
 STUECKLISTE/
 BOM: X00042861

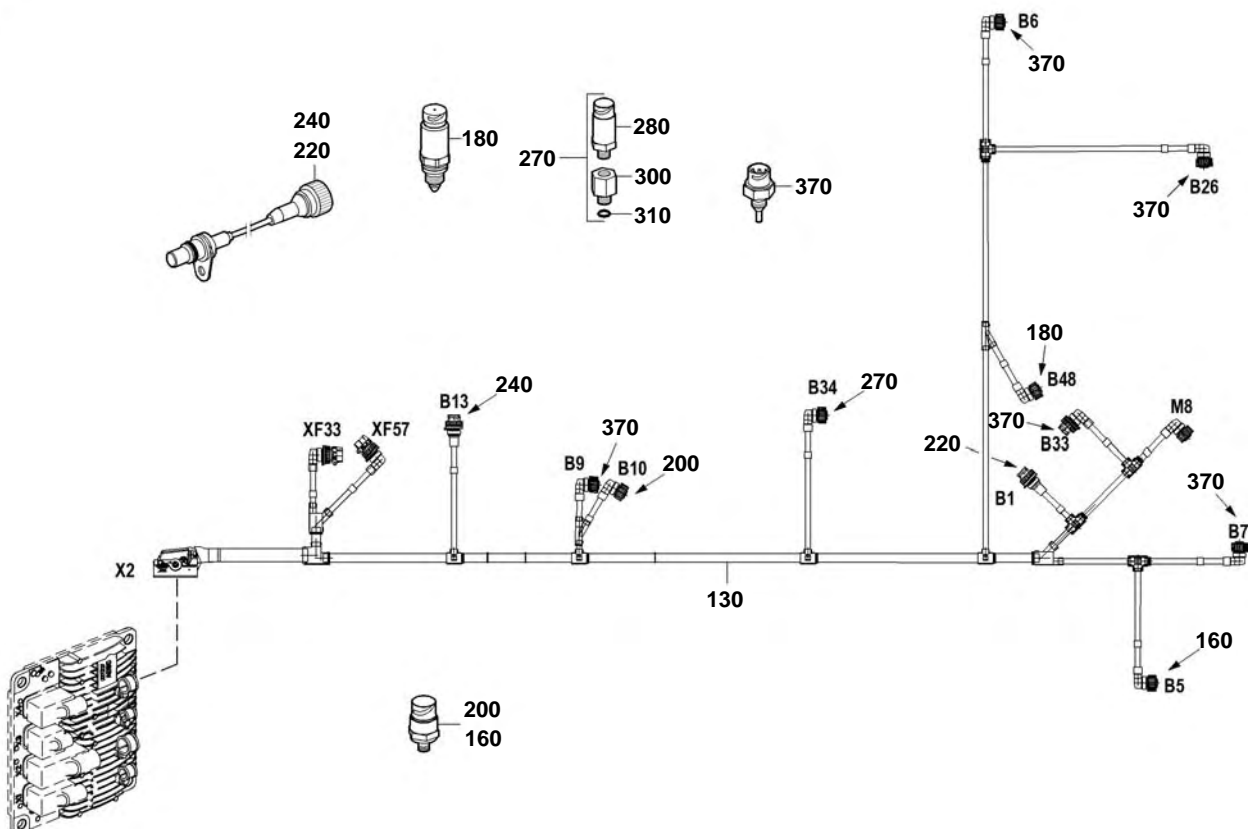


50701261b

TYP/MODEL: 20V4000G43
 SERIENNUMMER/
 SERIAL NO: 20V4000G43

MOTORVERKABELUNG F.SENSOREN AM MOTOR
 ENGINE CABLING FOR ON-ENGINE SENSO

FG/FGS: 507 98
 STUECKLISTE/
 BOM: X00042861



50701178c

POS.	BESTELLNR.	BENENNUNG	STO	EINHEIT	FN	ABMESSUNGEN
ITEM	PART NO.	DESIGNATION	QTY.	UNIT	FN	DIMENSIONS
110	(X00E50700026)	KABELBAUM ZUM INJEKTOR WIRING HARNESS TO INJECTOR	1	ST PC	KE	20V4000G83 INJEKTOR
130	(X00042858)	KABELBAUM F.SENSOREN AM MOTOR WIRING HARNESS FOR ON-ENGINE SENSO	1	ST PC	KE	ECU-7 X2
160	0035352531	DRUCKAUFNEHMER PRESSURE SENSOR	1	ST PC	AB	M14X1,5;SW=27; 0-10BAR_RELATIV;
180	0035352931	DRUCKAUFNEHMER PRESSURE SENSOR	1	ST PC	AB	M18X 1,5;SW27;L=56; KEGEL-ORING
200	0035352731	DRUCKAUFNEHMER PRESSURE SENSOR	1	ST PC	AB	M18X1,5;SW=27;0,5-4, 5BAR_ABSOL
220	0005357633	DREHZAHLAUFNEHMER SPEED SENSOR	1	ST PC	AB	D=19X60;KABELL.=700MM;
240	0005357633	DREHZAHLAUFNEHMER SPEED SENSOR	1	ST PC	AB	D=19X60;KABELL.=700MM;
270	5205304531	MESSWERTAUFNEHMER FUER KRAFTSTOFF SENSOR FOR FUEL	1	ST PC	MN	
280	0035351731	DRUCKAUFNEHMER PRESSURE SENSOR	1	ST PC	AB	G1/4"A;SW27;L=64;
300	5240780050	BUCHSE BUSHING	1	ST PC		DIN 176;SW24;
310	0005330280	O-RING F.SENSOREN AM MOTOR O-RING FOR ON-ENGINE SENSO	1	ST PC		11,3X2,2; 70 SHORE
370	0005356430	TEMPERATURAUFNEHMER TEMPERATURE SENSOR	5	ST PC	AB	M14X1,5; -40/+150C

TYP/MODEL: 20V4000G43

ZUBEHOER FUER MOTORREGLER (ELEKTR.) /
STEUERUNGSEINRICHTUNG

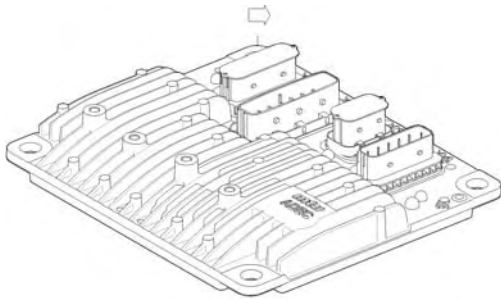
FG/FGS: 508

SERIENNUMMER/
SERIAL NO: 20V4000G43

ENGINE GOVERNOR (ELECTRONIC) CONTROL SYSTEM

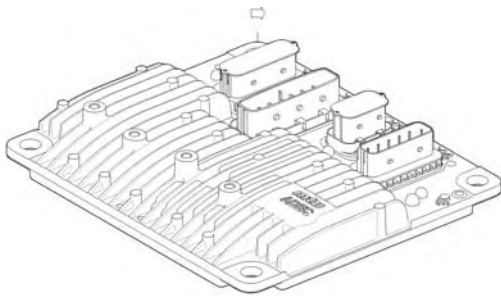
STUECKLISTE/
BOM:

FUNKTIONSGRUPPE/GROUP NUMBER (FG)
GRUPPENNAME/GROUP NAME
STÜCKLISTENR/BOM NO.



508
REGLER F.UEBERWACHG/REGLER
GOVERNOR F/MONTRG SYST + GOV
X00029822

5000198b



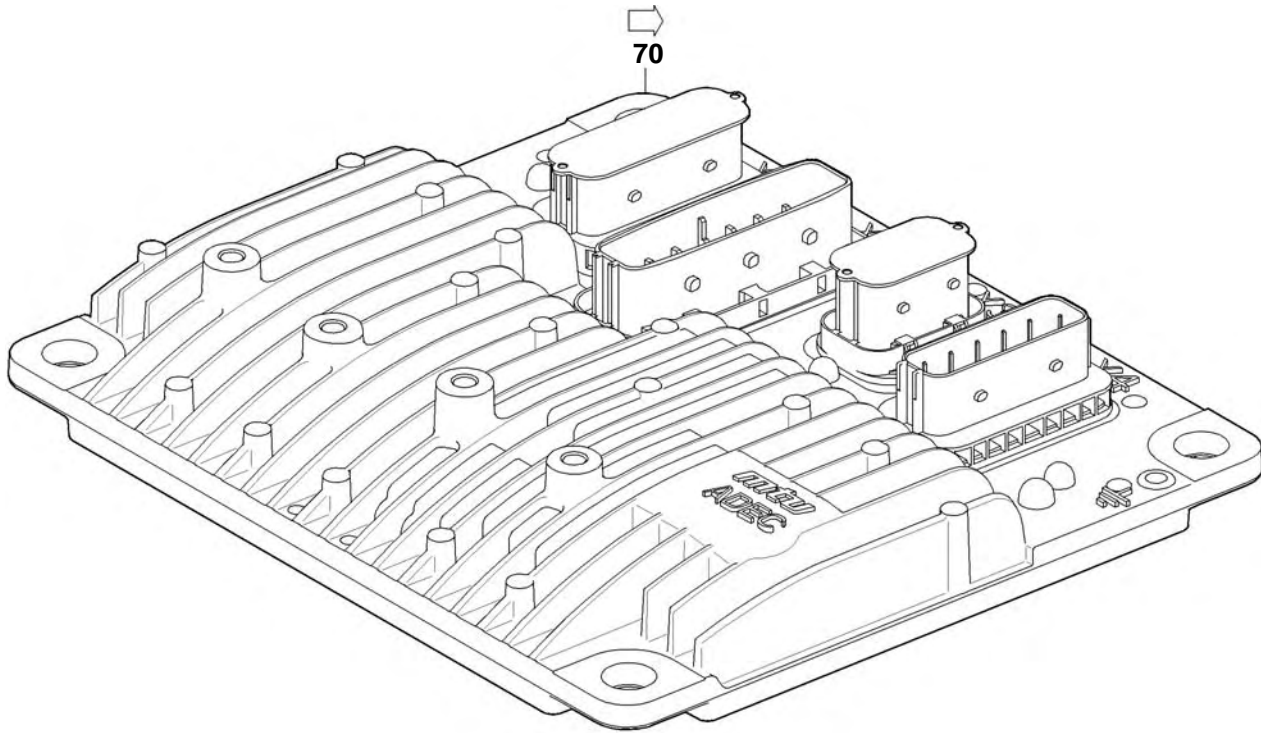
508
REGLER F.UEBERWACHG/REGLER
GOVERNOR F/MONTRG SYST + GOV
X00043550

5000198d

TYP/MODEL: 20V4000G43
SERIENNUMMER/
SERIAL NO: 20V4000G43

REGLER F.UEBERWACHG/REGLER
GOVERNOR F/MONTRG SYST + GOV

FG/FGS: 508 95
STUECKLISTE/
BOM: X00043550



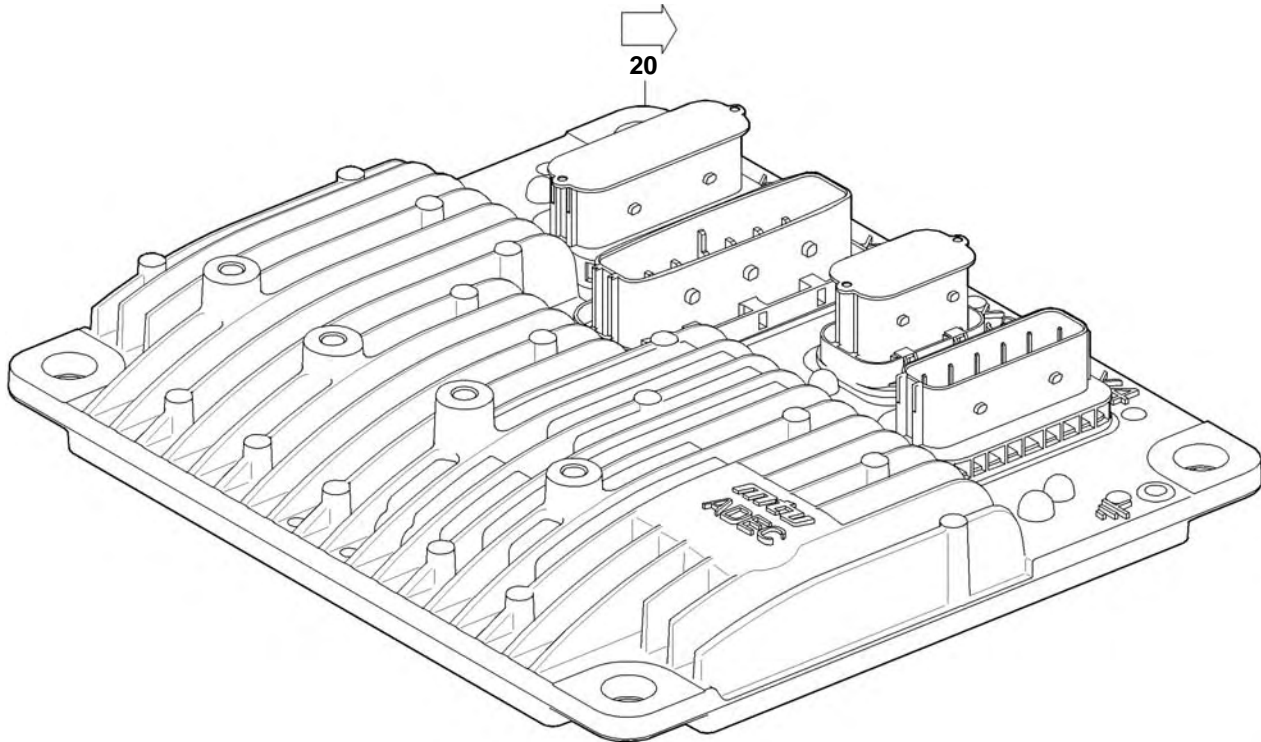
50800198d

POS. ITEM	BESTELLNR. PART NO.	BENENNUNG DESIGNATION	STO QTY.	EINHEIT UNIT	FN FN	ABMESSUNGEN DIMENSIONS
70	X00E50201022	MOTORREGELUNGSSYSTEM ECS	1	ST PC	AB	ECU7-04; 360X314X95 (LXBXH)

TYP/MODEL: 20V4000G43
 SERIENNUMMER/
 SERIAL NO: 20V4000G43

REGLER F.UEBERWACHG/REGLER
 GOVERNOR F/MONTRG SYST + GOV

FG/FGS: 508 95
 STUECKLISTE/
 BOM: X00029822



50800198b

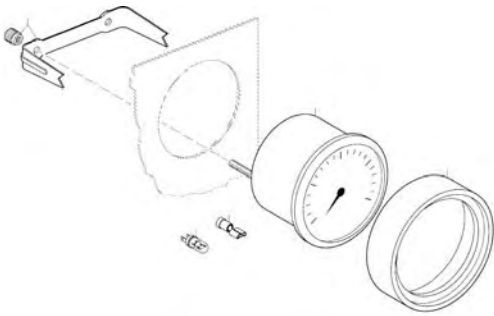
POS. ITEM	BESTELLNR. PART NO.	BENENNUNG DESIGNATION	STO QTY.	EINHEIT UNIT	FN FN	ABMESSUNGEN DIMENSIONS
20	X00E50201022	MOTORREGELUNGSSYSTEM ECS	1	ST PC	AB	ECU7-04; 360X314X95 (LXBXH)

TYP/MODEL: 20V4000G43
SERIENNUMMER/
SERIAL NO: 20V4000G43

ALARMANLAGE
ALARM SYSTEM

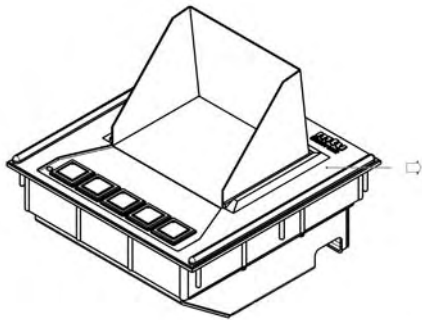
FG/FGS: 511
STUECKLISTE/
BOM:

FUNKTIONSGRUPPE/GROUP NUMBER (FG)
GRUPPENNAME/GROUP NAME
STÜCKLISTENR/BOM NO.



511K146a0

511
ANZEIGEGERAET FUER MOTORDREHZAHL
INDICATOR FOR ENGINE SPEED
510.00211



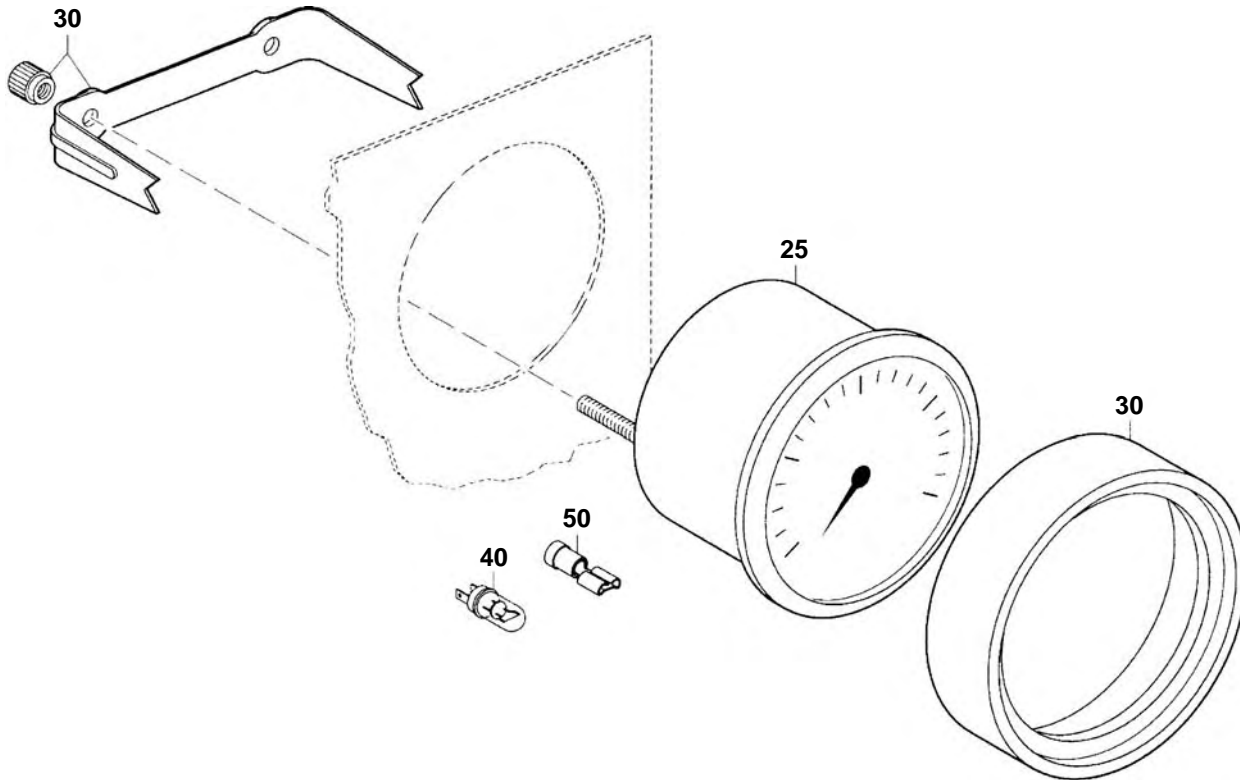
51100381a

511
DISPLAY
DISPLAY
XS00E500.00013

TYP/MODEL: 20V4000G43
 SERIENNUMMER/
 SERIAL NO: 20V4000G43

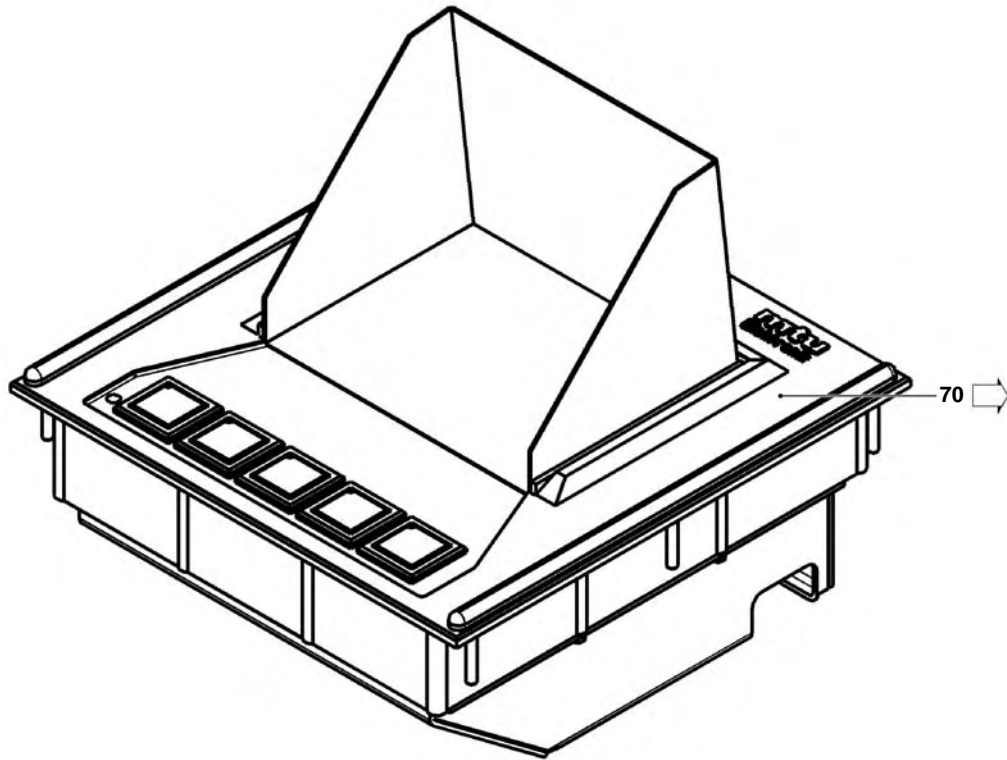
ANZEIGEGERAET FUER MOTORDREHZAHL
 INDICATOR FOR ENGINE SPEED

FG/FGS: 511 20
 STUECKLISTE/
 BOM: 510.00211



511K146a0

POS.	BESTELLNR.	BENENNUNG	STO	EINHEIT	FN	ABMESSUNGEN	NORM
ITEM	PART NO.	DESIGNATION	QTY.	UNIT	FN	DIMENSIONS	STANDARD
25	0035362210	DREHZ-ANZEIGEGERAET ELEKTRISCH TACHOMETER ELECTRIC	1	ST PC	NN	SW-WS, BEL. ROT, 0-1MA, 0-10V	
30	X00039811	FRONTRAHMEN MIT HALTER FRONT FRAME W/SUPPORT	1	ST PC	NN	86,5MM FRONTRING MIT HALTEBÜGEL	
40	0005317288	LAMPE LAMP	1	ST PC	MN	SOCKEL W5/2	
50	0005316481	FLACHSTECKHUELSE BLADE RECEPTACLE	5	ST PC	NN	GR. 6,3	ISOLIERTROT



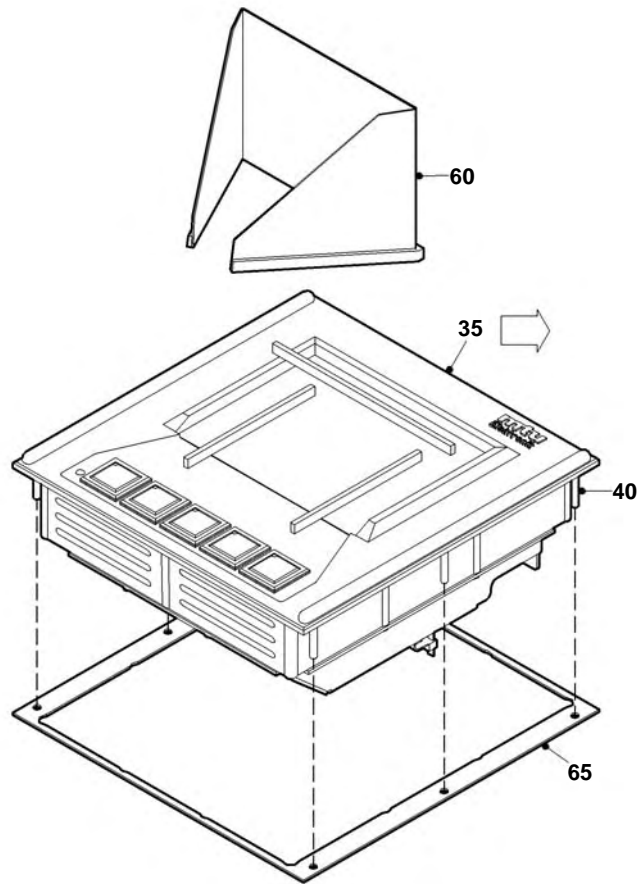
51100381a

POS. ITEM	BESTELLNR. PART NO.	BENENNUNG DESIGNATION	STO QTY.	EINHEIT UNIT	ABMESSUNGEN DIMENSIONS
70	5105384575/S0006	DISPLAY DISPLAY	1	ST PC	220X224X98; DIS 10-01;

TYP/MODEL: 20V4000G43
 SERIENNUMMER/
 SERIAL NO: 20V4000G43

DISPLAY
 DISPLAY

FG/FGS:
 STUECKLISTE/
 BOM: 5105384575/S0006



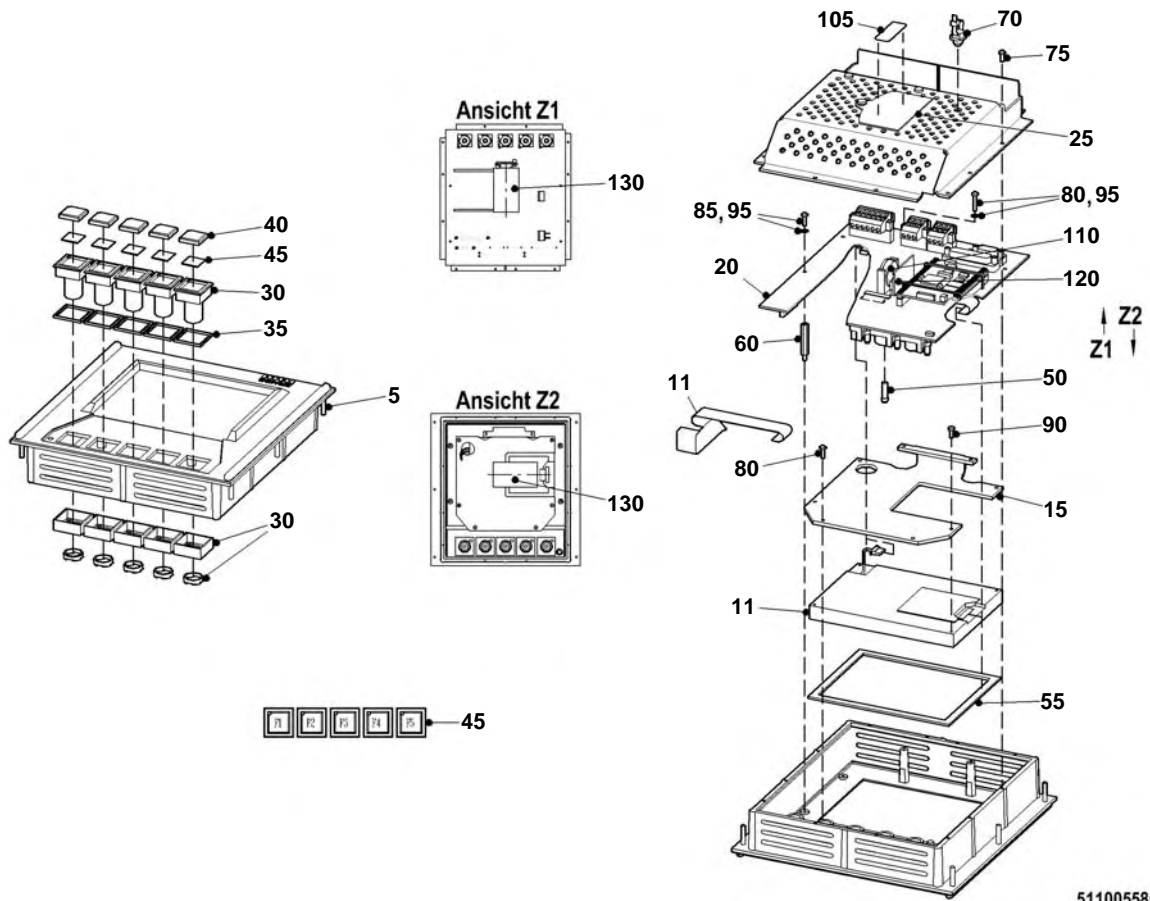
51100610a

POS. ITEM	BESTELLNR. PART NO.	BENENNUNG DESIGNATION	STO QTY.	EINHEIT UNIT	FN FN	ABMESSUNGEN DIMENSIONS
35	5105384575	DISPLAY F.FAHRSTAND GESCHL. DISPLAY BRIDGE CONTROL STAN	1	ST PC		220X224X98
40	5105380080/S0013	SOFTWARE SOFTWARE	1	ST PC		VAR_1\ED_6.23
60	0005360990	SONNENSCHUTZ F.UEB-WACHG TABLEAU SUNSHADE F/MONITORING PANEL	1	ST PC	MN	229 X 228 X 80
65	5105331780	DICHTUNG FUER TABLEAU GASKET FOR DISPLAY PANEL	1	ST PC	MN	220 X 224 X 1

TYP/MODEL: 20V4000G43
 SERIENNUMMER/
 SERIAL NO: 20V4000G43

DISPLAY F.FAHRSTAND GESCHL.
 DISPLAY BRIDGE CONTROL STAN

FG/FGS:
 STUECKLISTE/
 BOM: 5105384575



51100558a

POS. ITEM	BESTELLNR. PART NO.	BENENNUNG DESIGNATION	STO QTY.	EINHEIT UNIT	FN FN	ABMESSUNGEN DIMENSIONS	NORM STANDARD
5	(5105336736)	PLATTE PLATE	1	ST PC	KE	220X224X49	
11	(X00E50200212)	DISPLAY DISPLAY	1	ST PC	KE	5,7"/145MM; 320X240-RGB-DOTS;	
15	5105332340	HALTER RETAINER	1	ST PC			
20	5275302113	STECKKARTE PLUG-IN BOARD	1	ST PC	AB	IDB 1-01	
25	5105351491	DECKEL COVER	1	ST PC			
30	0015341801	TASTER PUSHBUTTON	5	ST PC	MN		
35	0005335580	DICHTBEILAGE GASKET	5	ST PC		T=2,2 MM +- 0,8	
40	0015341901	TASTENKOERPER KEYTOP	5	ST PC	MN		
45	5105366804	BESCHRIFTUNGSSATZ LABELLING KIT	1	ST PC	AB		

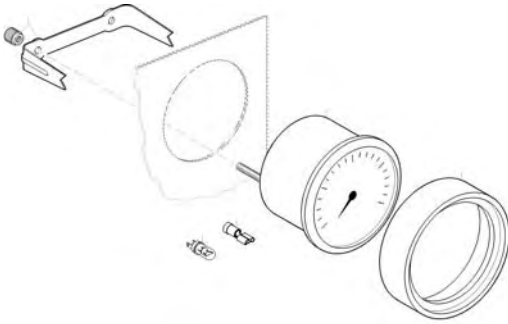
TYP/MODEL: 20V4000G43
 SERIENNUMMER/
 SERIAL NO: 20V4000G43

DISPLAY F.FAHRSTAND GESCHL.
 DISPLAY BRIDGE CONTROL STAN

FG/FGS:
 STUECKLISTE/ 5105384575
 BOM: 5105384575

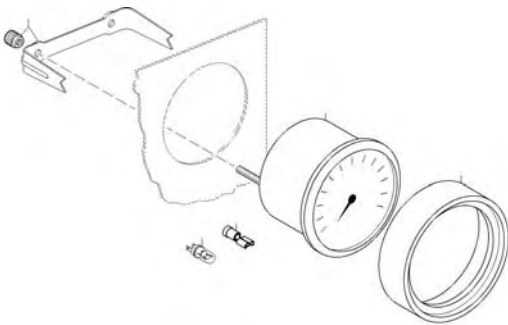
POS. BESTELLNR. ITEM PART NO.	BENENNUNG DESIGNATION	STO QTY.	EINHEIT UNIT	FN FN	ABMESSUNGEN DIMENSIONS	NORM STANDARD
50 0005311439	LEUCHTDIODE LED	5	ST PC	MN	T5,5K; 24VDC;	
55 0005336780	DICHTBEILAGE GASKET	1	ST PC			
60 0015334541	ABSTANDSTUECK SPACER	4	ST PC	AB	D = M 3, L = 33,3	
70 0015310082	KABELSCHNELLBINDER SCHWARZ QUICK-CATCH CLAMP BLACK	3	ST PC		LAENGE KABELBINDER 150, B=3,6	
75 (0005330170)	SCHRAUBE SCREW	12	ST PC	KE	M 3X8 AEHNLICH DIN 7985	
80 207985003103	LINSENSCHRAUBE OVAL-HEAD SCREW	6	ST PC		M 3 X 10	DIN7985
85 207985003105	LINSENSCHRAUBE OVAL-HEAD SCREW	2	ST PC		M 3 X 12	DIN7985
90 207516003000	SCHNEIDSCHRAUBE SELF-TAPPING SCREW	4	ST PC		AE M 3 X 8	DIN7516
95 (200137003100)	FEDERSCHEIBE SPRING WASHER	6	ST PC	KE	A 3	DIN137
105 5285330489	BEZEICHNUNGSSCHILD IDENTIFICATION PLATE	1	ST PC	NN	50X25	
110 0005325752	BATTERIE BATTERY	1	ST PC	AB	D=25,4X7,7; KNOPFZELLE_3V;	
120 5295307212	STECKKARTE PLUG-IN BOARD	1	ST PC	KFN	MEM5-02	
130 (X00006744)	ISOLIERFOLIE INSULATING FOIL	2	ST PC	KE	65 X 37	

FUNKTIONSGRUPPE/GROUP NUMBER (FG)
GRUPPENNAME/GROUP NAME
STÜCKLISTENR/BOM NO.



515
TEMP-ANZEIGEGERAET
TEMPERATURE GAUGE
500.00664

E5153002a0



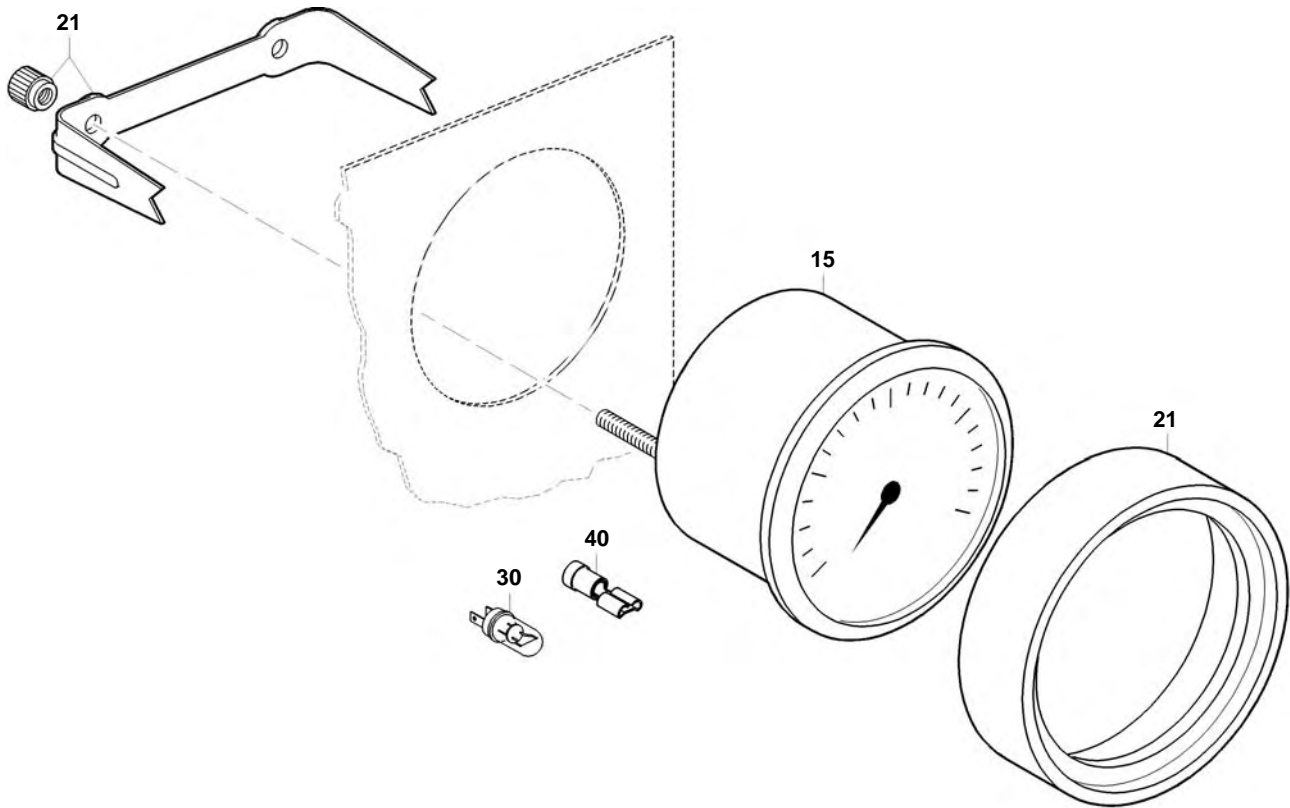
515
ANZEIGEGERAET
INDICATOR
500.00666

E5153002a1

TYP/MODEL: 20V4000G43
 SERIENNUMMER/
 SERIAL NO: 20V4000G43

TEMP-ANZEIGEGERAET
 TEMPERATURE GAUGE

FG/FGS: 515 20
 STUECKLISTE/
 BOM: 500.00664



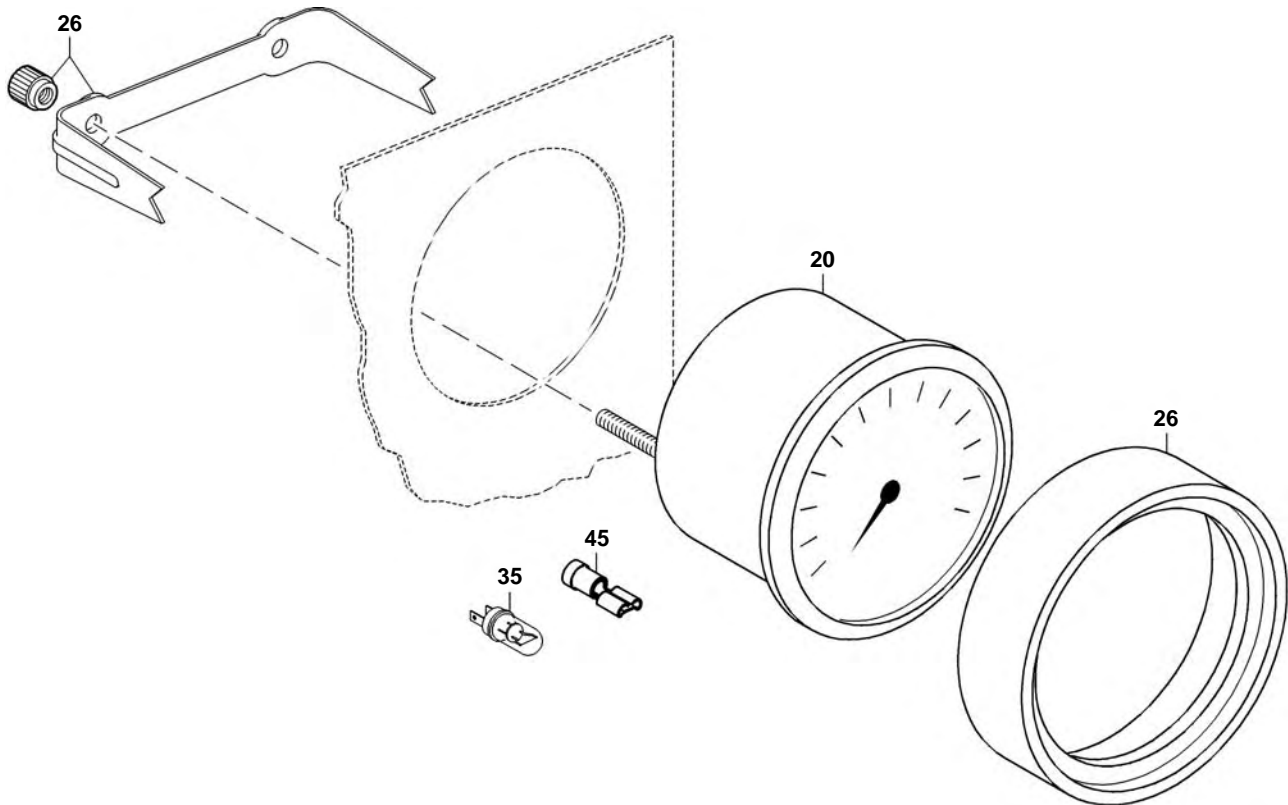
E5153002a0

POS.	BESTELNR.	BENENNUNG	STO	EINHEIT	FN	ABMESSUNGEN	NORM
ITEM	PART NO.	DESIGNATION	QTY.	UNIT	FN	DIMENSIONS	STANDARD
15	0015363311	TEMP-ANZEIGEGERAET ELEKTRISCH TEMPERATURE GAUGE ELECTRIC	1	ST	0-8V		
21	0035330236	FRONTRING MIT HALTEBUEGEL FRONT RING W. RET.BRACKET	1	ST	AB	62,5 MM F.GER. 52MM/71LANG	
	X00039828	FRONTRAHMEN MIT HALTER FRONT FRAME W/SUPPORT	1	ST	NN	62,5MM FRONTRING MIT HALTEBÜGEL	
30	0005316288	LAMPE LAMP	1	ST	MN	28V/3W, WEISS MATT	
40	0005316481	FLACHSTECKHUELSE BLADE RECEPTACLE	5	ST	NN	GR. 6,3	ISOLIERTROT

TYP/MODEL: 20V4000G43
 SERIENNUMMER/
 SERIAL NO: 20V4000G43

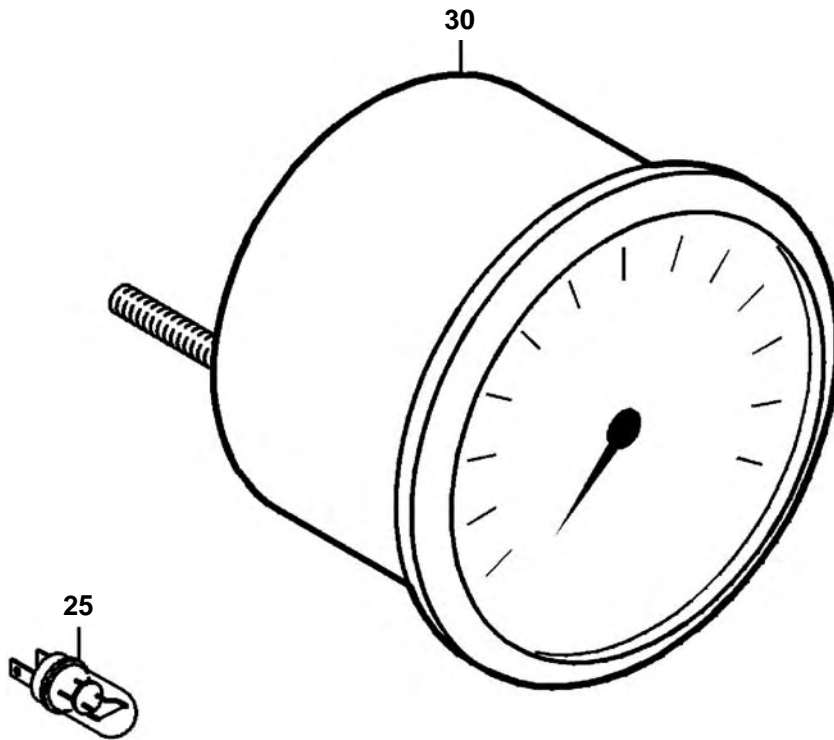
ANZEIGEGERAET
 INDICATOR

FG/FGS: 515 20
 STUECKLISTE/
 BOM: 500.00666



E5153002a1

POS. ITEM	BESTELLNR. PART NO.	BENENNUNG DESIGNATION	STO QTY.	EINHEIT UNIT	FN FN	ABMESSUNGEN DIMENSIONS	NORM STANDARD
20	0025368112	DRUCKANZEIGEGERAET FUER MOTOROELDRUCK PRESSURE GAUGE F/ENGINE OIL PRESS	1	ST PC		0-10V, BEL. ROT	
26	0035330236	FRONTRING MIT HALTEBUEGEL FRONT RING W. RET.BRACKET	1	ST PC	AB	62,5 MM F.GER. 52MM/71LANG	
	X00039828	FRONTRAHMEN MIT HALTER FRONT FRAME W/SUPPORT	1	ST PC	NN	62,5MM FRONTRING MIT HALTEBÜGEL	
35	0005316288	LAMPE LAMP	1	ST PC	MN	28V/3W, WEISS MATT	
45	0005316481	FLACHSTECKHUELSE BLADE RECEPTACLE	5	ST PC	NN	GR. 6,3	ISOLIERTROT



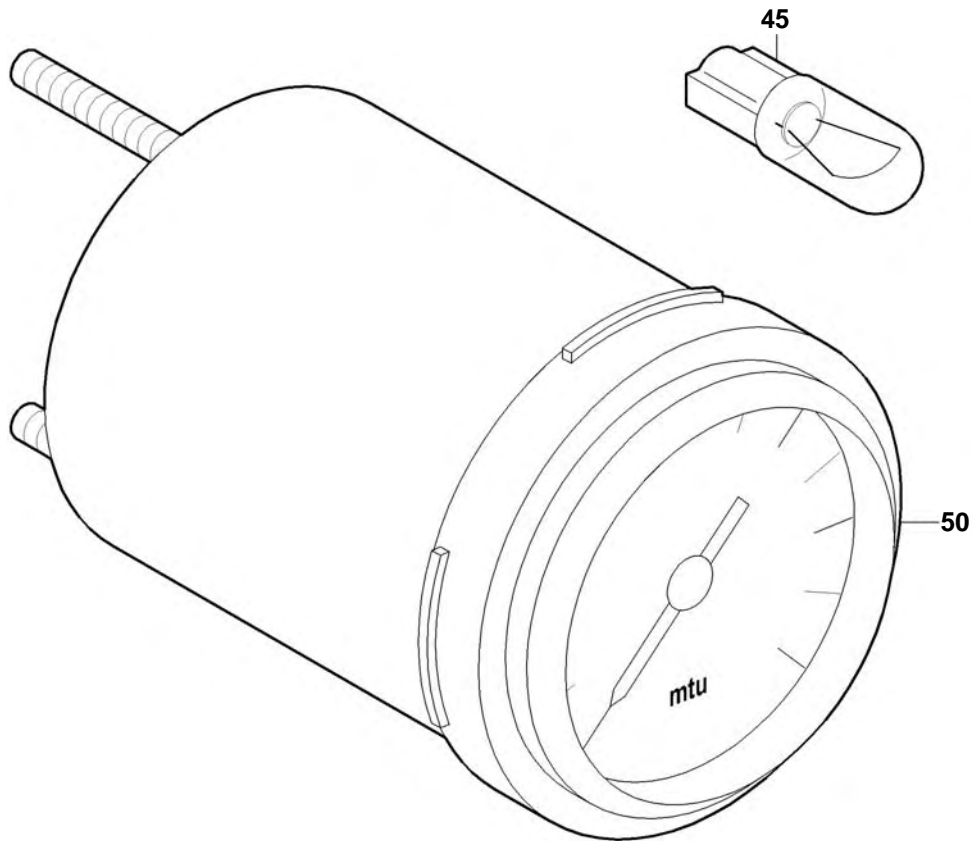
51500020a

POS. ITEM	BESTELLN. PART NO.	BENENNUNG DESIGNATION	STO QTY.	EINHEIT UNIT	FN FN	ABMESSUNGEN DIMENSIONS
25	0005316288	LAMPE LAMP	1	ST PC	MN	28V/3W, WEISS MATT
30	0005335331	ANZ-GERAETEZUBEHOER INDICATR ACCESSORIES	1	ST PC	MN	F.ALLE GERAETE 52MM

TYP/MODEL: 20V4000G43
SERIENNUMMER/
SERIAL NO: 20V4000G43

TEMP-ANZEIGEGERAET ELEKTRISCH
TEMPERATURE GAUGE ELECTRIC

FG/FGS:
STUECKLISTE/
BOM: 0015363311



51100009e

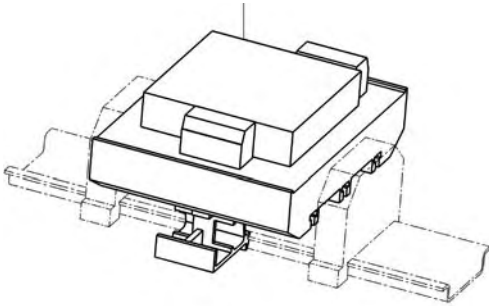
POS. ITEM	BESTELNR. PART NO.	BENENNUNG DESIGNATION	STO QTY.	EINHEIT UNIT	FN FN	ABMESSUNGEN DIMENSIONS
45	0005316288	LAMPE LAMP	1	ST PC	MN	28V/3W, WEISS MATT
50	0005335331	ANZ-GERAETEZUBEHOER INDICATR ACCESSORIES	1	ST PC	MN	F.ALLE GERAETE 52MM

TYP/MODEL: 20V4000G43
SERIENNUMMER/
SERIAL NO: 20V4000G43

STROMVERSORGUNG (KLEINSPANNUNG)
POWER SUPPLY (LOW VOLTAGE)

FG/FGS: 521
STUECKLISTE/
BOM:

FUNKTIONSGRUPPE/GROUP NUMBER (FG)
GRUPPENNAME/GROUP NAME
STÜCKLISTENR/BOM NO.



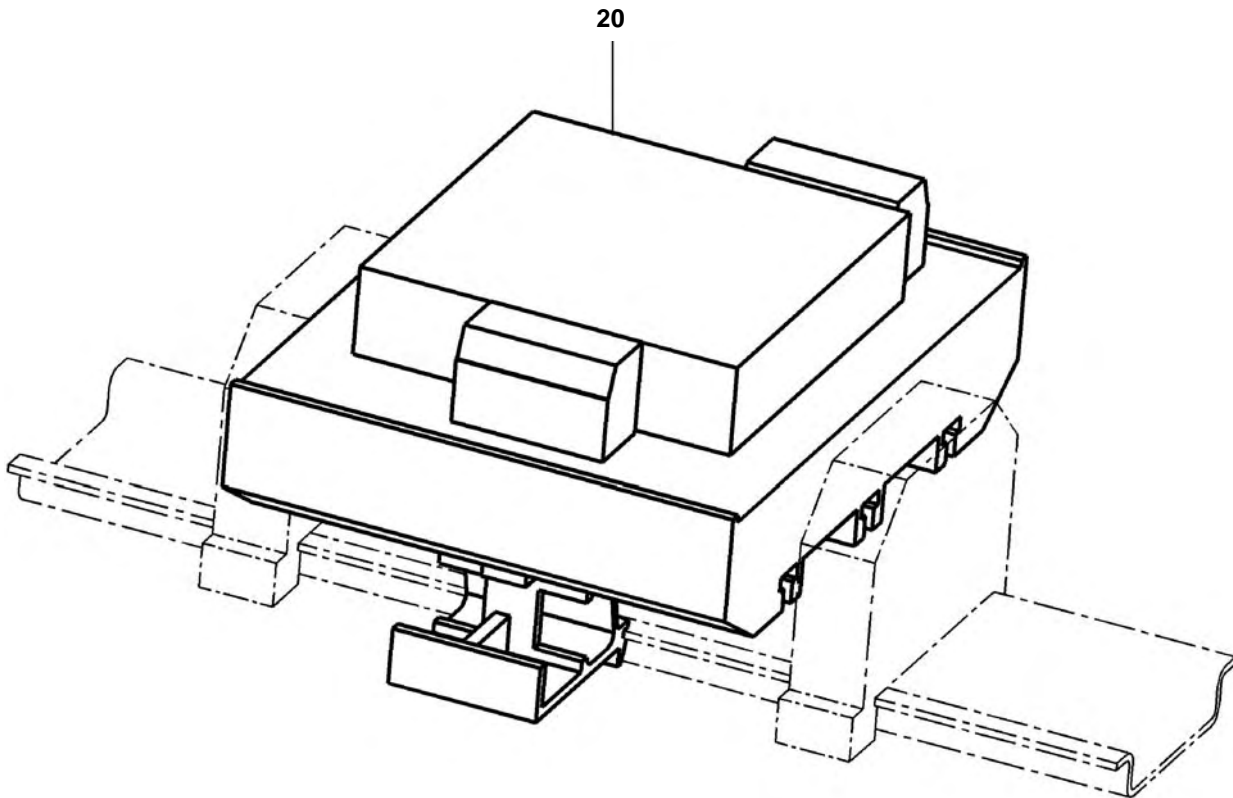
521
DC/DC WANDLER
DC/DC CONVERTER
500.00170

50000086a

TYP/MODEL: 20V4000G43
SERIENNUMMER/
SERIAL NO: 20V4000G43

DC/DC WANDLER
DC/DC CONVERTER

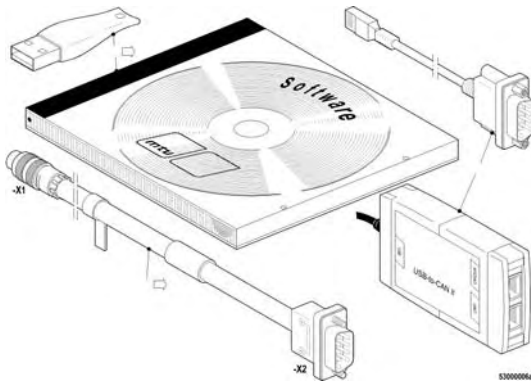
FG/FGS: 521 05
STUECKLISTE/
BOM: 500.00170



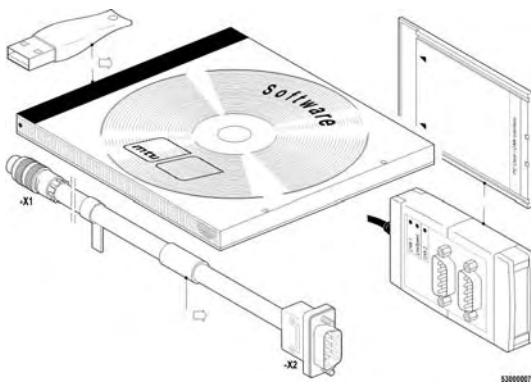
50000088a

POS. ITEM	BESTELNR. PART NO.	BENENNUNG DESIGNATION	STO QTY.	EINHEIT UNIT	ABMESSUNGEN DIMENSIONS
20	0005327256	DC/DC WANDLER DC/DC CONVERTER	1	ST PC	POTENTIAL TRENNUNG

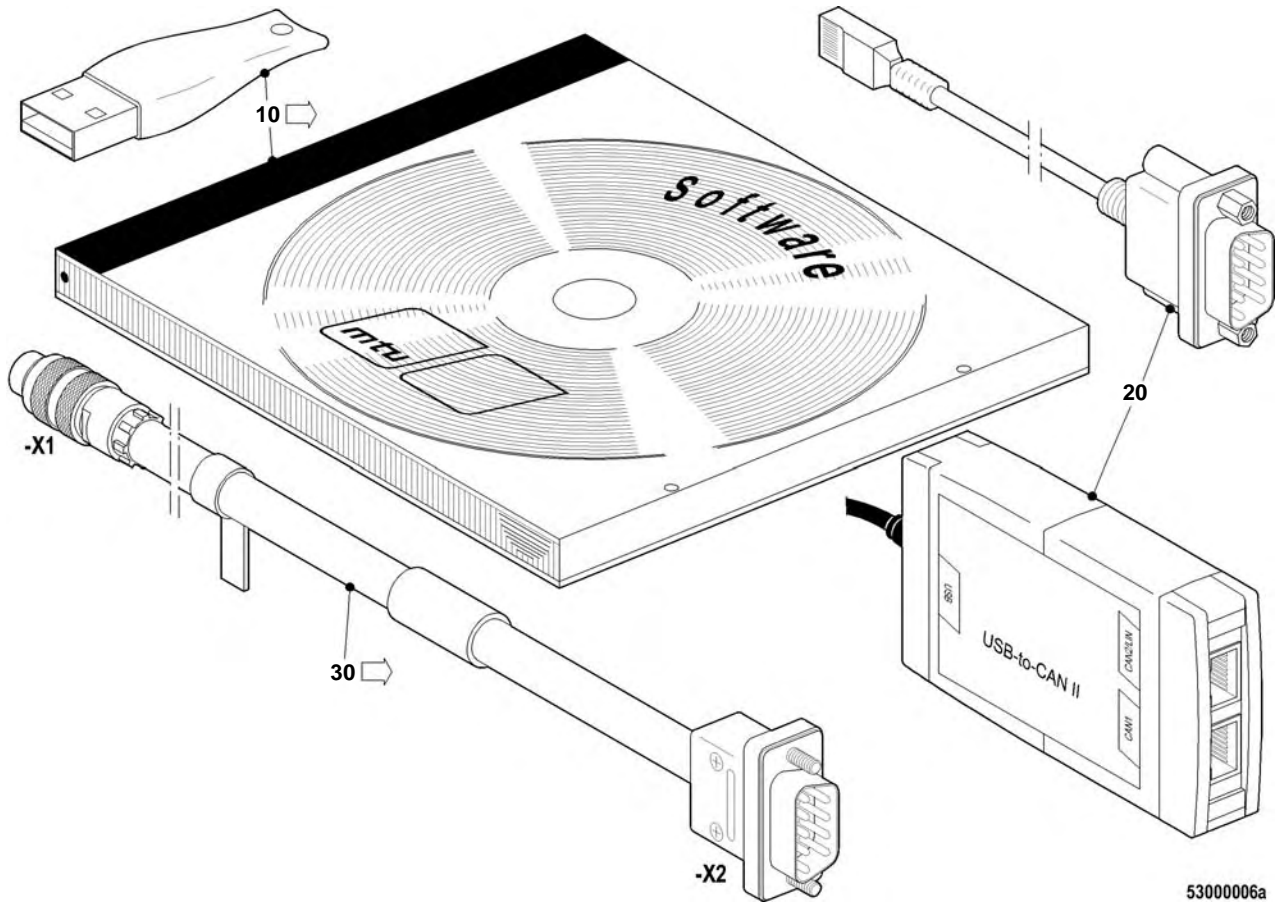
FUNKTIONSGRUPPE/GROUP NUMBER (FG)
GRUPPENNAME/GROUP NAME
STÜCKLISTENR/BOM NO.



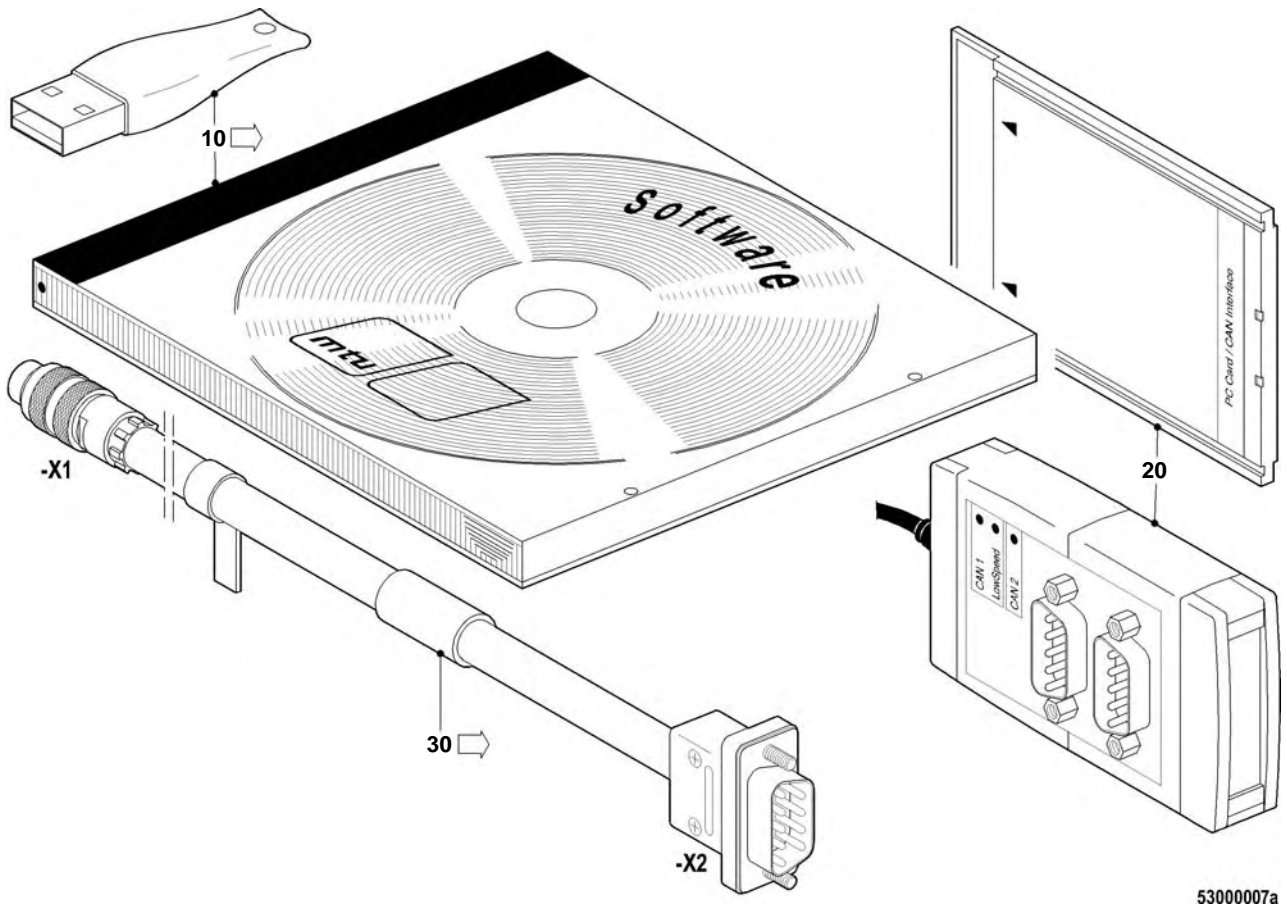
533
ZUBEHOERSATZ FUER DIALOGSOFTWARE
SET OF ACCESSORIES FOR DIALOG SOFTWARE
XS00E530.00001



533
ZUBEHOERSATZ FUER DIALOGSOFTWARE
SET OF ACCESSORIES FOR DIALOG SOFTWARE
XS00E530.00002



POS.	BESTELNR.	BENENNUNG	STO	EINHEIT	ABMESSUNGEN
ITEM	PART NO.	DESIGNATION	QTY.	UNIT	DIMENSIONS
10	X00042159	SOFTWARE F.PRUEF/SERV-GERAET SOFTWARE F/TEST/SERVICE UNIT	1	ST PC	DIASYS2.XX;USB-DONGLE+CD;CUSTOM;
20	X00041878	COMPUTERZUBEHOER COMPUTER ACCESSORIES	1	ST PC	USB-TO-CAN-ADAPTER; V_II;
30	5355306734	KABEL F.PRUEF/SERV-GERAET CABLE F/TEST/SERVICE UNIT	1	ST PC	L=2M;9POL. DSUB/12POL. RUNDST.

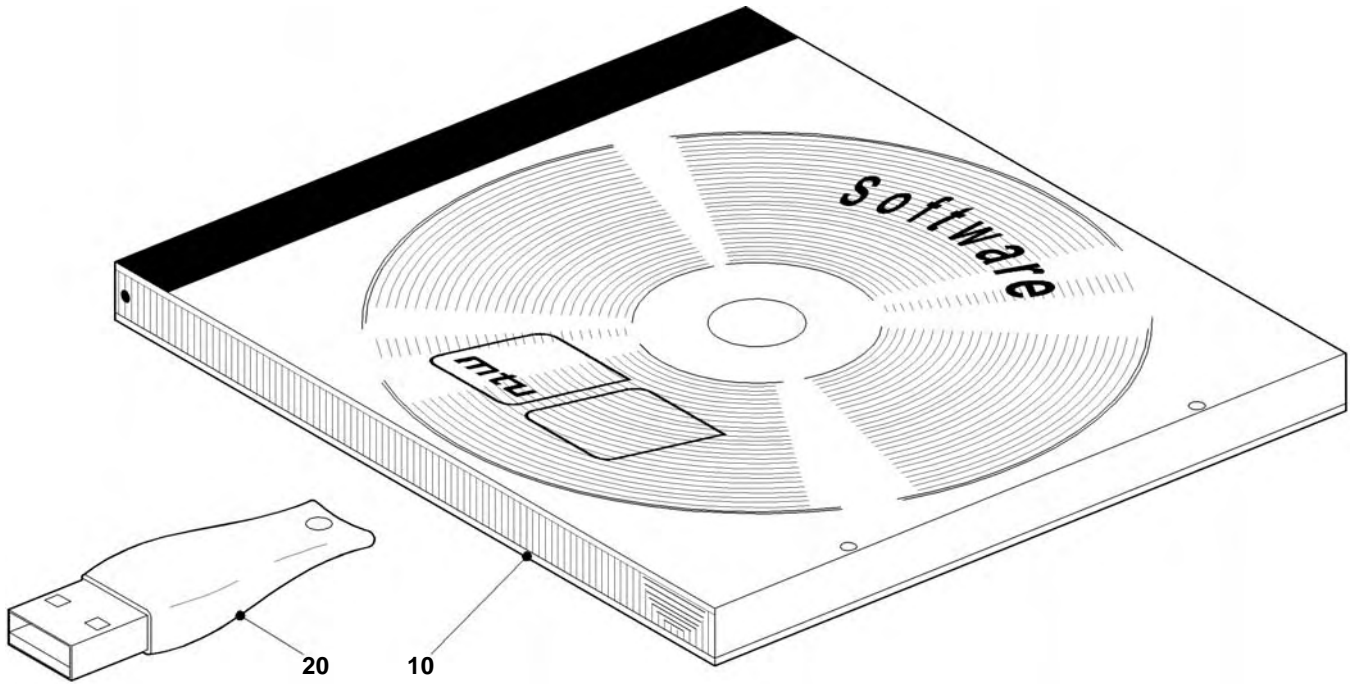


POS.	BESTELNR.	BENENNUNG	STO	EINHEIT	ABMESSUNGEN
ITEM	PART NO.	DESIGNATION	QTY.	UNIT	DIMENSIONS
10	X00042159	SOFTWARE F.PRUEF/SERV-GERAET SOFTWARE F/TEST/SERVICE UNIT	1	ST PC	DIASYS2.XX;USB-DONGLE+CD;CUSTOM;
20	X00041871	COMPUTERZUBEHOER COMPUTER ACCESSORIES	1	ST PC	PCMCIA-KARTEN-CAN-ADAPTER; V161;
30	5355306734	KABEL F.PRUEF/SERV-GERAET CABLE F/TEST/SERVICE UNIT	1	ST PC	L=2M;9POL. DSUB/12POL. RUNDST.

TYP/MODEL: 20V4000G43
 SERIENNUMMER/
 SERIAL NO: 20V4000G43

SOFTWARE F.PRUEF/SERV-GERAET
 SOFTWARE F/TEST/SERVICE UNIT

FG/FGS:
 STUECKLISTE/
 BOM: X00042159



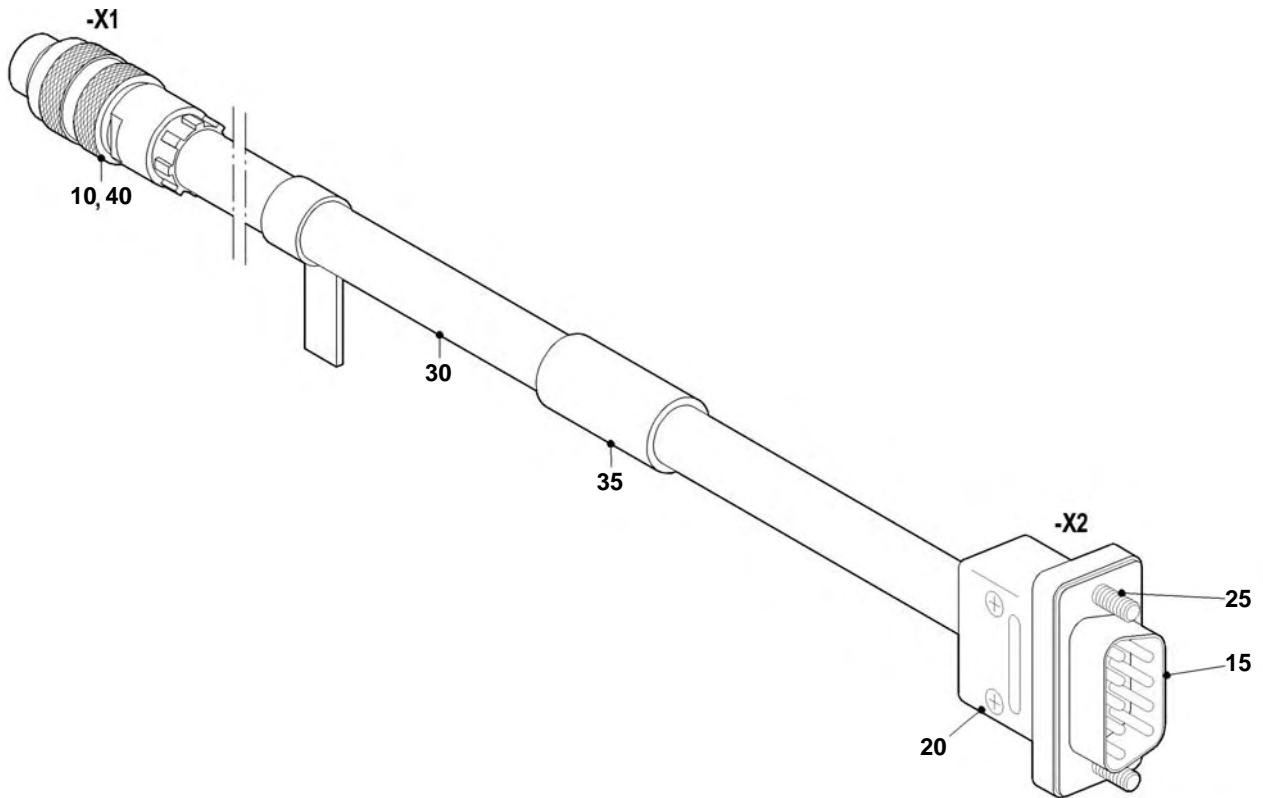
53000005a

POS. ITEM	BESTELLNR. PART NO.	BENENNUNG DESIGNATION	STO QTY.	EINHEIT UNIT	FN FN	ABMESSUNGEN DIMENSIONS	NORM STANDARD
10	5355381280/S0011	SOFTWARE	1	ST	AB	DIASYS2.40_SP1; CD FÜR FREMD-PC;	
		SOFTWARE		PC			
15	X00001895	SCHILD BESCHRIFTET PLATE LABELLED	1	ST	NN	32.1	MMN425
				PC			
20	X00042103	PRUEF/SERVICEGERAET TEST/SERVICE UNIT	1	ST	AB	70X20X10; USB-DONGLE CUSTOMER;	
				PC			

TYP/MODEL: 20V4000G43
 SERIENNUMMER/
 SERIAL NO: 20V4000G43

KABEL F.PRUEF/SERV-GERAET
 CABLE F/TEST/SERVICE UNIT

FG/FGS:
 STUECKLISTE/
 BOM: 5355306734



53000008a

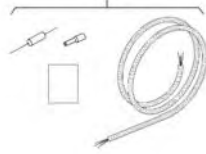
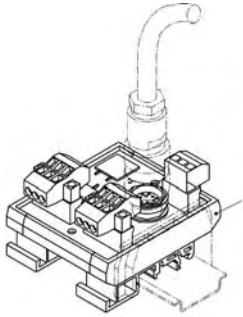
POS. ITEM	BESTELLNR. PART NO.	BENENNUNG DESIGNATION	STO QTY.	EINHEIT UNIT	FN FN	ABMESSUNGEN DIMENSIONS
10	(0015312984)	SCHR-STECKVERBINDER SEPARABLE CONNECTOR	1	ST PC	KE	PIN-STECKER,12POL
15	0175318183	BAJO-STECKVERBINDER BAYONET COUPLING	1	ST PC	AB	9-POL. 5A CRIMP SOCKET
20	0085311283	FLACH-STECKVERBINDER BLADE CONNECTOR	1	ST PC		D-SUB HAUBE/ 9P 90°/180°KABELAB
30	X00E50200035	KABEL F.PRUEF/SERV-GERAET CABLE F/TEST/SERVICE UNIT	2	M M	AB	3X2X0,25QMM; D=7,7; HALOGENFREI
35	0035337089	BEZEICHNUNGSSCHILD IDENTIFICATION PLATE	1	ST PC		47X135MM, BEDRUCKBAR 47X25MM
40	X00E50200018	KABELBINDER CABLE CLAMP	1	ST PC		L=200MM, B=12MM, ROT

TYP/MODEL: 20V4000G43
SERIENNUMMER/
SERIAL NO: 20V4000G43

PRUEF- UND WARTUNGSEINRICHTUNGEN
TEST AND MAINTENANCE EQUIPMENT

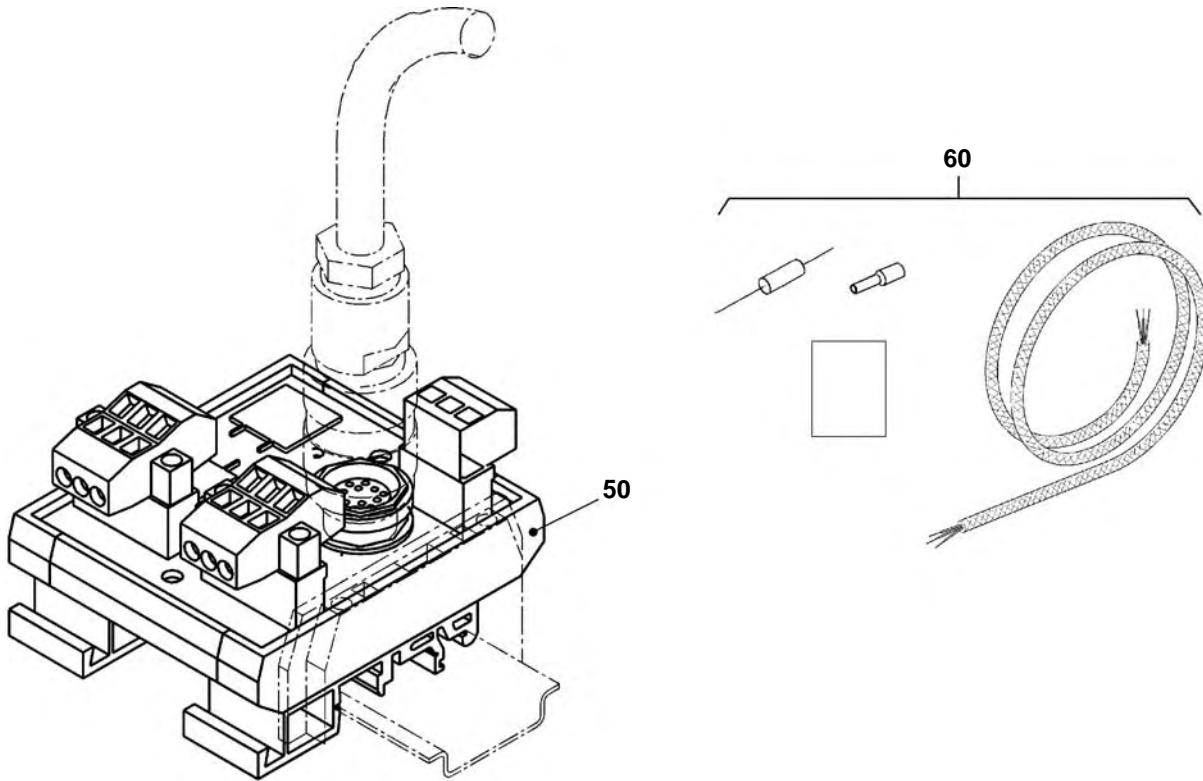
FG/FGS: 535
STUECKLISTE/
BOM:

FUNKTIONSGRUPPE/GROUP NUMBER (FG)
GRUPPENNAME/GROUP NAME
STÜCKLISTENR/BOM NO.



535
ANSCHLUSSADAPTER FUER DIALOGSOFTWARE
CONN. ADAPTER FOR DIALOG SOFTWARE
XS00E500.00026

53500073a



53500073a

POS. ITEM	BESTELNR. PART NO.	BENENNUNG DESIGNATION	STO QTY.	EINHEIT UNIT	FN FN
50	5295308112	STECKKARTE PLUG-IN BOARD	1	ST PC	NN
60	5005312482	INSTALLAT-MATERIAL INSTALLATION MATRL	1	ST PC	AB

