

880T 入墙式阀体组件
882T 入墙式切换阀体组件

安装之前

所有的资料是按最新出版的产品资料编写而成。科勒公司保留任何时候不经通知即可改变产品特性、包装或产品可供类型的权利。

说明书包括重要的安装、保养及清洁方面的内容，请把这些资料交给用户阅读。

注意事项：

1. 装修好的墙面到阀体中心线距离取决于所选择面板把手组件。
2. 一定要先彻底冲洗供水管以清除管道中的杂质。
3. 遵守当地管路安装条例。
4. 切断主供水源。
5. 在说明书所指示的恰当时候，拿掉阀芯保护套。
6. 埋墙前测试安装连接部位是否有渗漏，根据需要修理之。
7. 阀体进出水螺纹为G1/2"。
8. 本产品只接受水压测试，并且测试前需先排空管路与龙头之间的空气。测试水压不超过0.8MPa(8bar)，时间不超过30分钟。

BEFORE YOU BEGIN

All information is based on the latest product information available at the time of publication. Kohler Co. reserves the right to make changes in product characteristics, packaging, or availability at any time without notice.

Please leave these instructions for the consumer. They contain important information.

NOTES:

1. The dimension from the finished wall to the centerline of the valve decided by the trim selection.
2. Flush the water supply pipes thoroughly to remove debris.
3. Observe all local plumbing and building codes.
4. Shut off the main water supply.
5. Do not remove the plaster guard from the valve body until instructed to do so.
6. Check for leaks before covering the pipes, repairs as needed.
7. Inlet & outlet threads of valve are G1/2".
8. Please ensure only apply water pressure test on the product, and empty the air in pipe and faucet thoroughly before the test. Please ensure test pressure below 0.8MPa(8bar) and test duration within 30 minutes.

使用说明

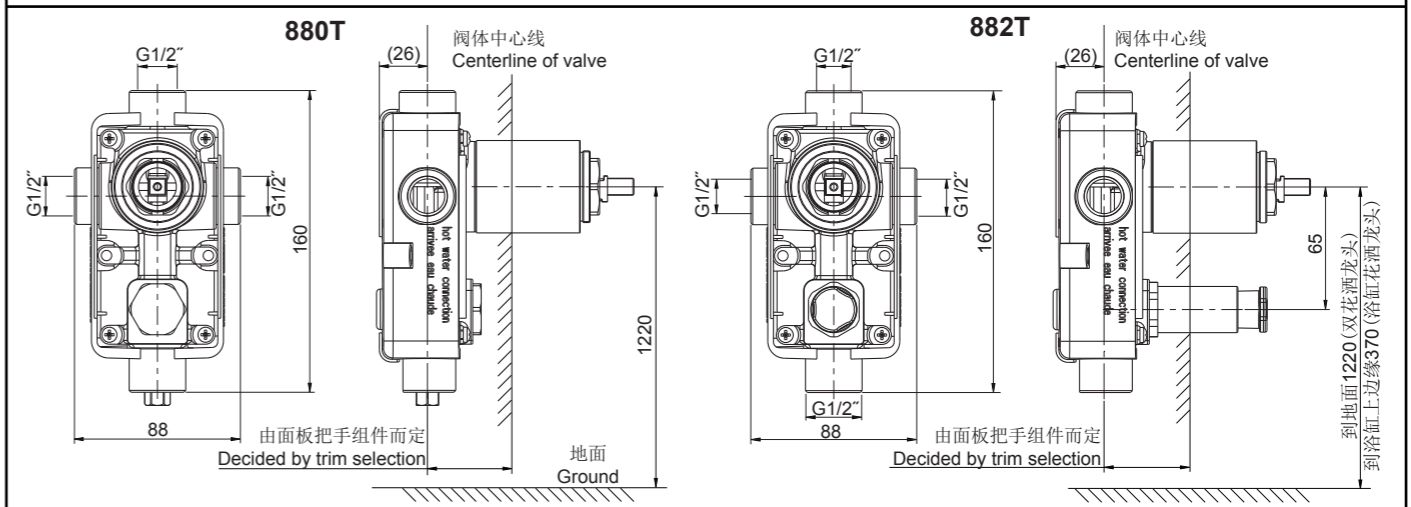
对于882T，提起切换器，顺时针旋转到停止位置，花洒出水；逆时针旋转到停止位置，浴缸出水口出水。

OPERATION INSTRUCTION

For 882T, lift diverter, turn clockwise until it stops for shower, turn counter-clockwise until it stops for bath spout.

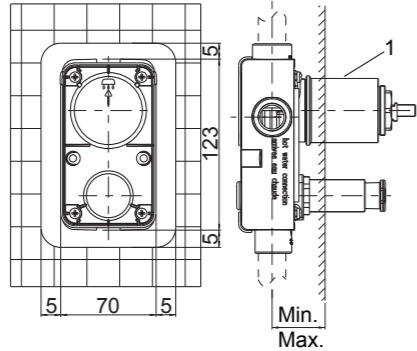
安装尺寸

ROUGH-IN DIMENSIONS



安装步骤

选择合适的高度安装阀体(1)。确保阀体上的箭头标志朝上，“hot water connection” 标记朝左。



如Fig.1所示，阀体中心到外墙面的最大与最小距离由所选面板把手组件确定。墙面孔最大不能超过本体外形尺寸5mm。

Fig.1

注意：安装时保证阀轴线方向与墙面垂直，保护罩上平面水平。

如Fig.2所示，将G1/2"冷热供水管、花洒及浴缸出水口管接到阀体上。热水管接到左侧。对于880T，浴缸出水口接管则不必连接。各螺纹处需缠绕足以密封的密封胶带或适合的密封胶。

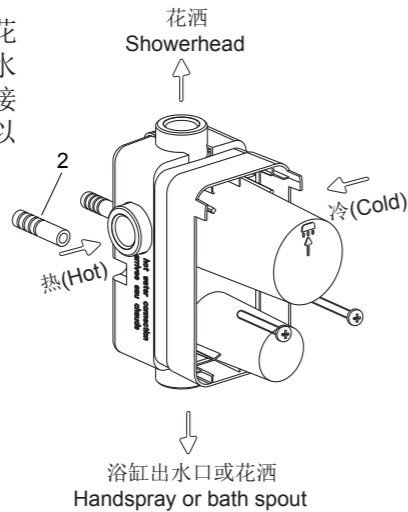


Fig.2

在花洒及浴缸出水口安装临时塞子或短管。安装过程中，为了保护阀体，保护罩需留在阀体上。

如果管路不足以支撑阀体，可将衬套(2)截到适当长度，并将阀体固定在墙体或支架上。

INSTALLATION

Determine where the valve body(1) will be located on the wall. Be sure the arrow mark on the valve body is facing upward, the mark 'hot water connection' is on the left.

As Fig.1 shown. The min. and max. dimensions between the centerline of the valve and the outside of the finished wall are decided by trim selection. The size of finished wall hole extends from the size of body should be less than 5mm.

NOTE: Ensure the centerline of valve is perpendicular to the wall, the up plane of guard is horizontal.

Connect G1/2" hot and cold supplies, showerhead and bath pipings to valve body as Fig.2 shown. Connect hot supply to the end on the left. For 880T, do not connect the bath spout pipe. Supply enough tape or sealant.

Install temporary nipples for showerhead and bath spout. During installation, keep valve guard on valve body.

If the pipings are not strong enough to support the valve, cut off the spacers(2) as needed and secure the valve body on the wall or frame.

清理说明

适用于所有加工处理过的表面：以中性肥皂水清洗镀层表面，再以干净的软布彻底擦干整个表面，许多清洁剂，比如氨水、去污粉及洁厕灵等，会对电镀表面造成伤害，切忌使用。

有磨损性的清洁用具或清洁剂也不可适用于科勒牌的水龙头及其配件上。

CLEANING INSTRUCTIONS

All Finishes: Clean the finish with mild soap and warm water. Wipe entire surface completely dry with clean soft cloth. Many cleaners may contain chemicals, such as ammonia, chlorine, toilet cleaner etc, which could adversely affect the finish and are not recommended for cleaning.

Do not use abrasive cleaners or solvents on Kohler faucets and fittings.

KOHLER®

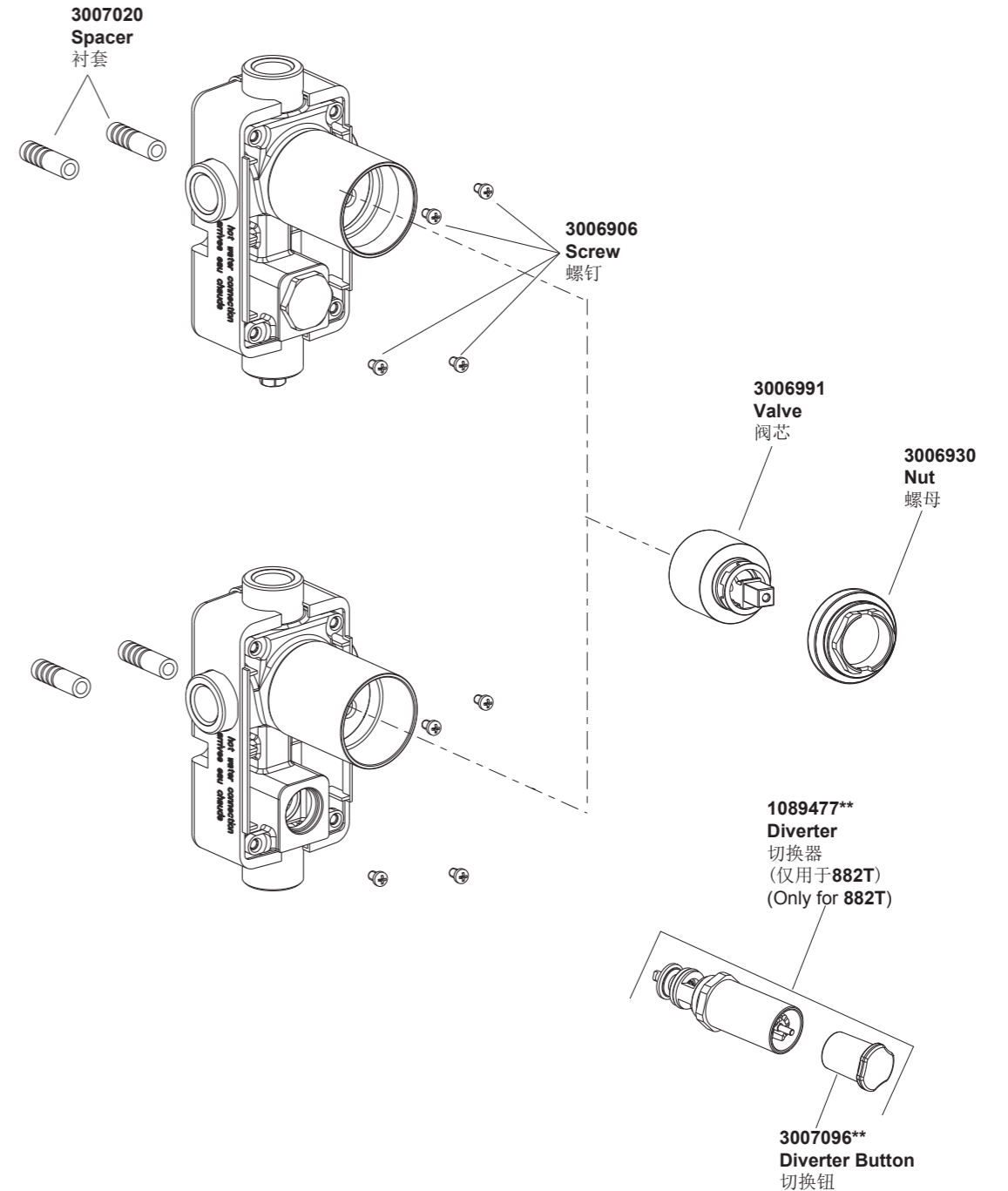
SERVICE PARTS

零件图

Single Lever Recessed Valve System

880T 入墙式阀体组件

882T 入墙式切换阀体组件



**订购时请说明颜色编号

**Color code must be specified when ordering