

Why Poly vs Rubber?

Typical costs of using rubber components vs Dyco Propoly over a 5 year vehicle life for mounts and suspension

<u>OPERATING COSTS</u>	<u>RUBBER</u>	<u>POLY</u>
YEAR 1		
Mounts plus labor to install	\$ 200	\$ 250
Suspension parts plus labor to install	\$ 300	\$ 350
Truck Downtime, 1 Day @ \$1,000 a Day	\$1,000	\$1,000
TOTAL	\$1,500	\$1,600
YEAR 2		
Mounts plus labor to install	\$ 200	\$ 0
Suspension parts plus labor to install	\$ 300	\$ 0
Truck Downtime, 1 Day @ \$1,000 a Day	\$1,000	\$ 0
TOTAL	\$1,500	\$ 0
YEAR 3		
Mounts plus labor to install	\$ 200	\$ 0
Suspension parts plus labor to install	\$ 300	\$ 0
Truck Downtime, 1 Day @ \$1,000 a Day	\$1,000	\$ 0
TOTAL	\$1,500	\$ 0
YEAR 4		
Mounts plus labor to install	\$ 200	\$ 0
Suspension parts plus labor to install	\$ 300	\$ 0
Truck Downtime, 1 Day @ \$1,000 a Day	\$1,000	\$ 0
TOTAL	\$1,500	\$ 0
YEAR 5		
Mounts plus labor to install	\$ 200	\$ 0
Suspension parts plus labor to install	\$ 300	\$ 0
Truck Downtime, 1 Day @ \$1,000 a Day	\$1,000	\$ 0
TOTAL	\$1,500	\$ 0
5 YEAR COST OF RUBBER	\$7,500	\$1,600
5 YEAR COST OF Dyco PROPOLY	\$1,600	

TOTAL COST SAVINGS \$5,900

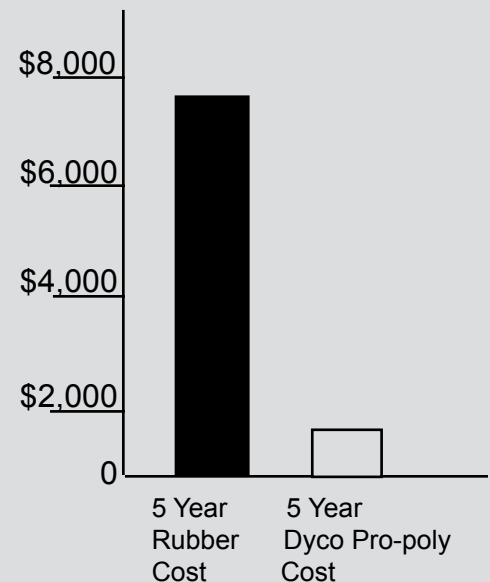


Table of Contents

American Carrier*	1
Binkley*	1
Cambria*	1
Chalmers*	1
Columbia Trailer*	2
Crown Coach*	2
Dayton*	2
Fabco*	2
Fontaine*	3
Ford*	3
Freightliner*	3,4,5,6
Fruehauf*	6,7
General Trailer*	7
Gillig*	8-9
GMC*	9-10
Hendrickson*	10-15
Holland*	15-16
Hutch*	16-17
Hyster*	17
Kenworth*	17-23
Mack*	23-27
Mercedes*	28
Navistar*	28-32
Neway*	33-38
Page*	38-39
Peerless*	39-41
Peterbilt*	41-46
Pierce*	46-47
Premier*	47-48
Reliance*	48
Reyco*	48-50
Ridewell*	50
Rockwell*	50
Silent Drive*	50-51
Silver Eagle*	51
Spicer*	52
Trailmobile*	52
Trans-Pro*	52
Truck Weld*	52
Turner*	52
Universal Parts*	53
Utility Trailer*	53
Van Radan*	53-54
Volvo*	54-55
Watson Chalin*	56
Western Star*	56-58
Western Unit*	58

American Carrier* / Binkley* / Cambria* / Chalm-

Dyco
D-369

Transverse Rod Bushing
for American Carrier*

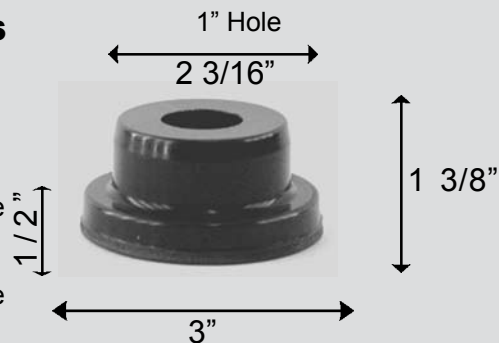
REPLACES

Am. Carrier*
7512-102

Severson*
Not Available

Euclid*
Not Available

Atro*
Not Available



Dyco
D-186

Torque Rod Bushing
for Chalmers*

REPLACES

Chalmers*
800010

Severson*
A80BL8010

Euclid*
E-7426

Atro*
Not Available



Dyco
D-73

Torque Arm Bushing
for Binkley*

REPLACES

Binkley*
PP0054-02

Severson*
A80BL1043

Euclid*
E-7520

Atro*
Not Available



Dyco
D-187

Torque Rod Bushing
for Chalmers*

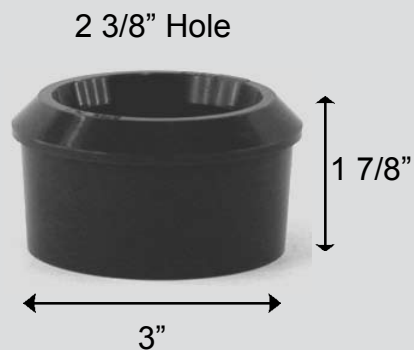
REPLACES

Chalmers*
22128

Severson*
A80BL8011

Euclid*
E-7427

Atro*
Not Available



Dyco
D-270

Spring Eye Bushing
for Cambria*

REPLACES

Cambria*
R1011-AC

Severson*
A80BL0017

Euclid*
E-9345

Atro*
Not Available



Dyco
D-188

Torque Rod Bushing
for Chalmers*

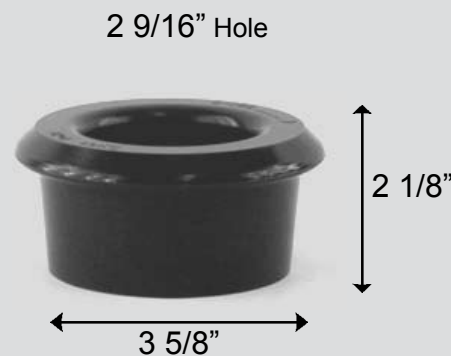
REPLACES

Chalmers*
800009

Severson*
A80BL8009

Euclid*
E-8917

Atro*
Not Available



Columbia Trailer* / Crown Coach* / Dayton* Fabco*

Dyco
D-391

REPLACES

Columbia Tr*
COLLB1

Severson*
A80BL4605

Euclid*
E-7428

Atro*
Not Available

4" Hole
Air Ride Bushing
for Columbia Trailer*
Split Bushing



5 1/4"

10 3/4"

Dyco
D-73

REPLACES

Dayton*
39400016

Severson*
A80BL1043

Euclid*
E-7520

Atro*
Not Available

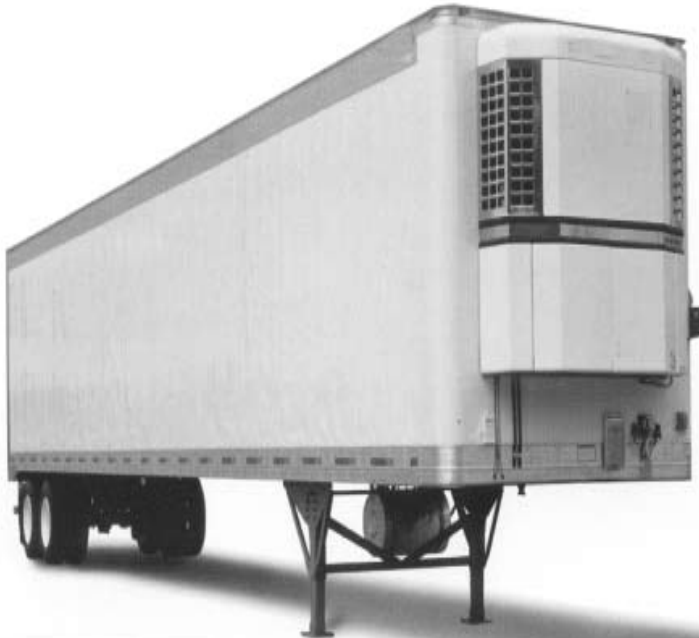
Torque Arm Bushing
for Dayton*

7/8" Hole



1 7/8"

3"



Dyco
D-315

REPLACES

Dayton*
39400013

Severson*
A80BL8661

Euclid*
E-8661

Atro*
Not Available

Torque Arm Bushing
for Dayton*

7/8" Hole



2 3/8"

3"

Dyco
D-221

REPLACES

Crown Coach*
3522-18

Severson*
A80BL3599

Euclid*
E-7429

Atro*
PL1001

1 1/4" Hole
Spring Eye Bushing
for Crown Coach*



2 1/4"

2 3/4"

Dyco
D-361

REPLACES

Fabco*
234255 or DD75-3

Severson*
Not Available

Euclid*
Not Available

Atro*
FA96452

Torque Arm Bushing
for Fabco*

7/8" Hole



2 1/2"

2 1/2"

Fontaine* / Ford* / Freightliner*

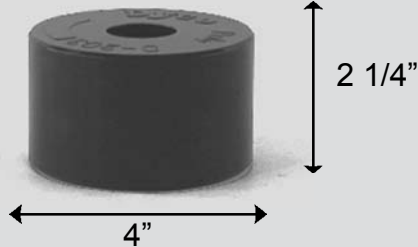
Dyco
D-203

Fifth Wheel
for Fontaine*

REPLACES

- Fontaine*
BSH-150
- Severson*
A80BL1064
- Euclid*
E-7445
- Atro*
PL1002

1 1/4" Hole



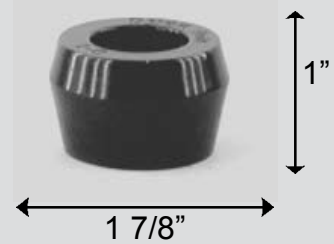
Dyco
D-1

Large Shock Mount
for Freightliner*

REPLACES

- Freightliner*
Not Available
- Severson*
A80BL3558
- Euclid*
E-7529
- Atro*
PL1026

1" Hole



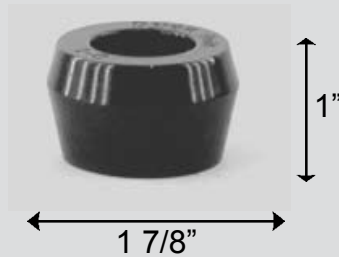
Dyco
D-1

Shock Mount
for Ford*

REPLACES

- Ford*
Not Available
- Severson*
A80BL3558
- Euclid*
E-7529
- Atro*
PL1026

1" Hole



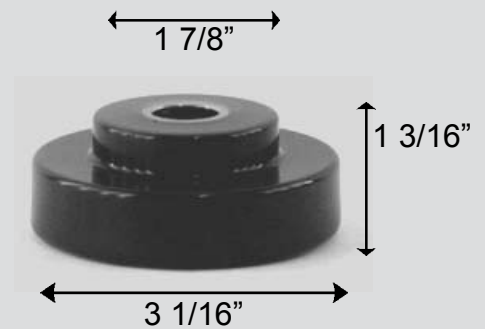
Dyco
D-6

Radiator Mount
for Freightliner*

REPLACES

- Freightliner*
J7165-1
- Severson*
A80BL2213
- Euclid*
E-7472
- Atro*
PL1015

5/8" Hole



Dyco
D-430

Motor Mount
for Ford*

REPLACES

- Ford*
DOHZ6068B
- Severson*
A80BL8007
- Euclid*
E-8918
- Atro*
Not Available

1 1/2" Hole



Dyco
D-46

Spring Eye Bushing
for Freightliner*
3/4" Holes

REPLACES

- Freightliner*
6813200150
- Severson*
A70BL0205
- Euclid*
Not Available
- Atro*
UB20500



Freightliner*

Dyco
D-47

Motor Mount
for Freightliner*

REPLACES

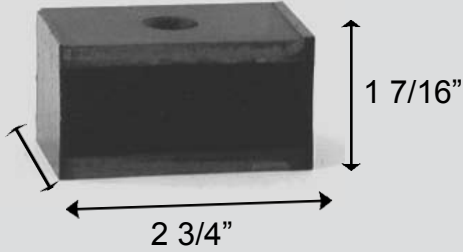
5/8" Hole

Freightliner*
A011166-000

Severson*
A80BL1023

Euclid* 1
E-7430 3/4"

Atro*
Not Available



Dyco
D-50

Torque Arm Bushing
for Freightliner*

REPLACES

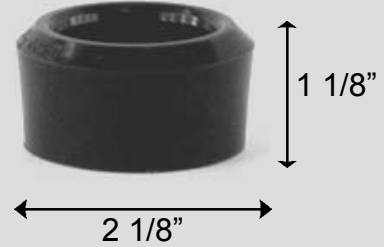
1 3/4" Hole

Freightliner*
16-11351

Severson*
A70BL1075

Euclid*
Not Available

Atro*
Not Available



Dyco
D-48

Motor Mount
for Freightliner*

REPLACES

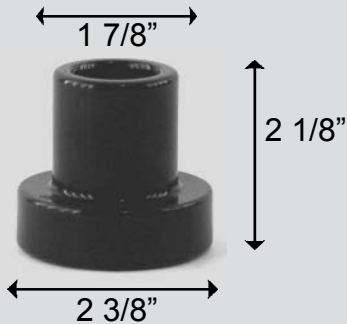
5/8" Hole

Freightliner*
CBA/24-650-17

Severson*
A80BL1024

Euclid*
E-7431

Atro*
PL1003



Dyco
D-49

Equalizer Bushing
for Freightliner*

REPLACES

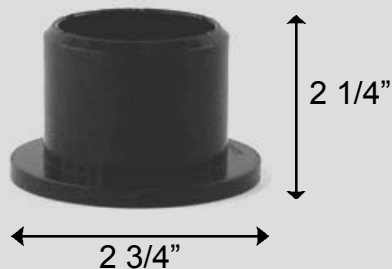
2 1/4" Hole

Freightliner*
A16-10549
1613568-000

Severson*
A70BL1088

Euclid*
E-3548

Atro*
Not Available



Dyco
D-102

Hood Pin
for Freightliner*

REPLACES

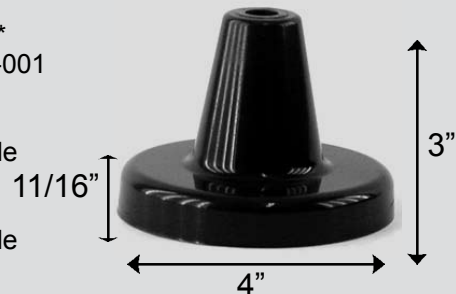
1/2" Hole

Freightliner*
A17-10464-001

Severson*
Not Available

Euclid*
Not Available

Atro*
Not Available

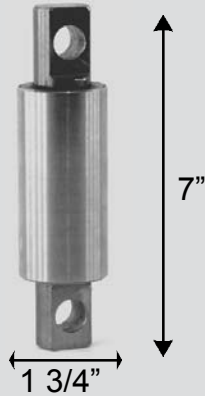


Freightliner*

Dyco
D-429

Eye Leaf Bushing
for Freightliner*

3/4" Hole



REPLACES

Freightliner*
HR1-HBUS41

Severson*
Not Available

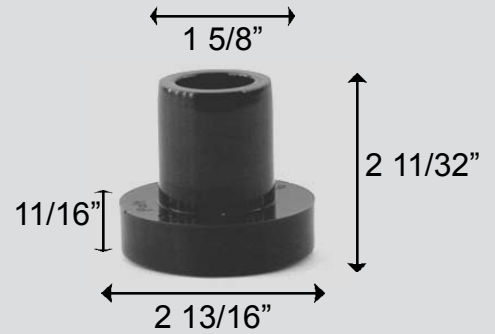
Euclid*
Not Available

Atro*
Not Available

Dyco
D-540

Motor Mount
for Freightliner*

13/16" Hole



REPLACES

Freightliner*
CBA28-1050

Severson*
Not Available

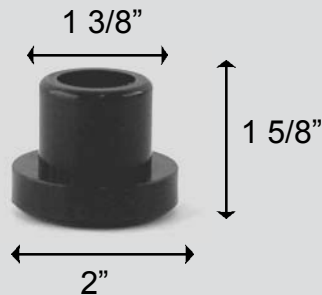
Euclid*
Not Available

Atro*
Not Available

Dyco
D-431

Radiator Mount
for Freightliner*

1/2" Hole



REPLACES

Freightliner*
CB1122-4

Severson*
Not Available

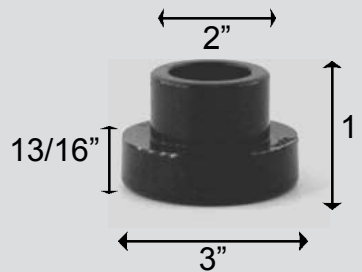
Euclid*
Not Available

Atro*
Not Available

Dyco
D-541

Cab Mount
for Freightliner*

5/8" Hole



REPLACES

Freightliner*
J6210-46

Severson*
Not Available

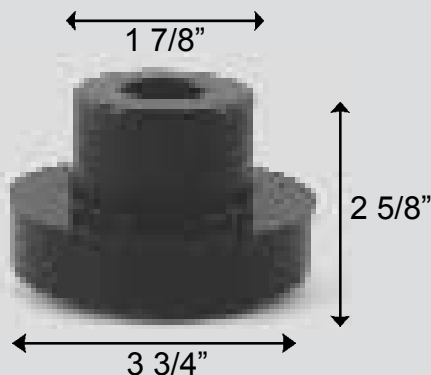
Euclid*
Not Available

Atro*
Not Available

Dyco
D-432

Motor Mount
for Freightliner*

3/4" Hole



REPLACES

Freightliner*
J6198-2

Severson*
Not Available

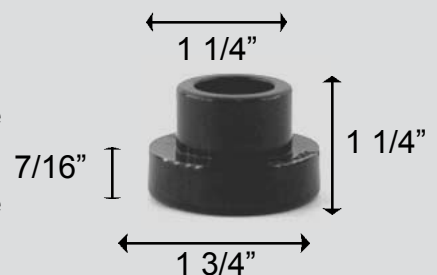
Euclid*
Not Available

Atro*
Not Available

Dyco
D-542

Exhaust Mount
for Freightliner*

1/2" Hole



REPLACES

Freightliner*
CB1121-10

Severson*
Not Available

Euclid*
Not Available

Atro*
Not Available

Freightliner* / Fruehauf*

Dyco
D-543

Cab Mount
for Freightliner*

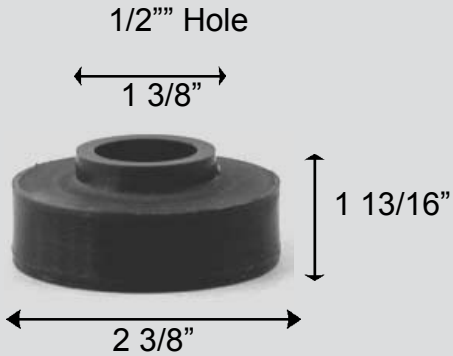
REPLACES

Freightliner*
J3049-70

Severson*
Not Available

Euclid*
Not Available

Atro*
Not Available



Dyco
D-215

Trunnion Bushing "Grooved"
for Fruehauf*

4" Hole

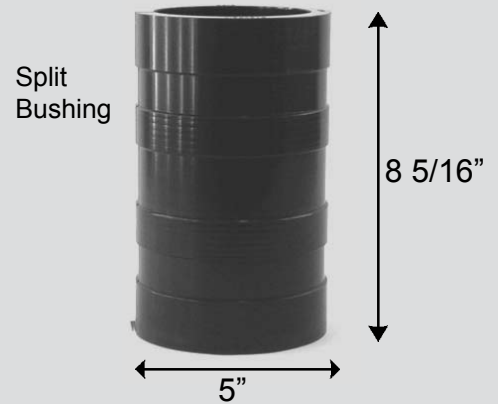
REPLACES

Fruehauf*
UXA-0160

Severson*
A80BL8663

Euclid*
E-8663

Atro*
PL1004



Dyco
D-100

Torque Arm Bushing
for Fruehauf*

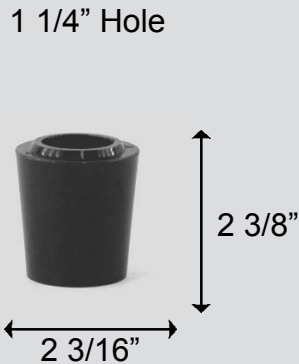
REPLACES

Fruehauf*
UXA-0011

Severson*
A80BL1051

Euclid*
E-7433

Atro*
Not Available



Dyco
D-217

Spring End Pad
for Fruehauf*

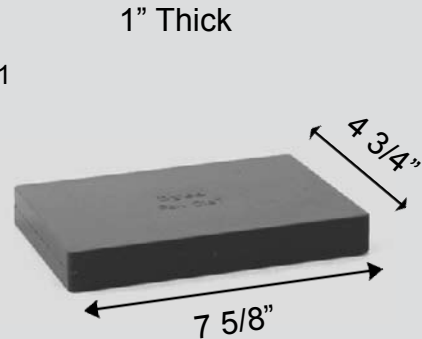
REPLACES

Fruehauf*
UCD-5635-001

Severson*
A80BL8664

Euclid*
E-8664

Atro*
PL1005



Dyco
D-214

Euqualizer Bushing
for Fruehauf*

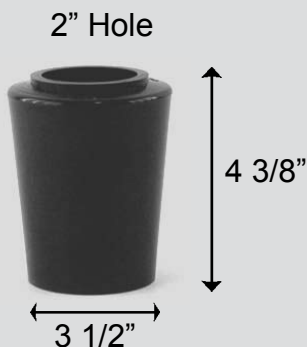
REPLACES

Fruehauf*
UXA-0004

Severson*
A80BL0050

Euclid*
E-7432

Atro*
Not Available



Fruehauf* / General Trailer*

Dyco
D-218

Trunnion Bushing "No Groove"
for Fruehauf*

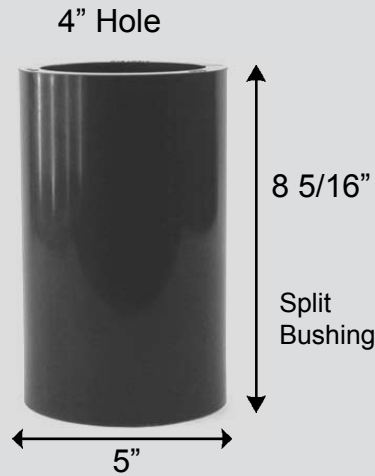
REPLACES

Fruehauf*
UXA-0160

Severson*
A90BL0160

Euclid*
Not Available

Atro*
Not Available



Dyco
D-164

Spring End Pad
for General Trailer*

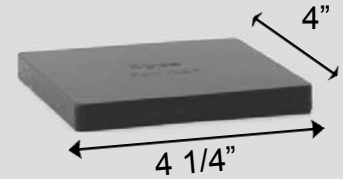
REPLACES

General Trailer

Severson*
A80BL3017

Euclid*
E-7436

Atro*
Not Available



1/2" Thick

Dyco
D-162

Trunnion Bushing
for General Trailer*

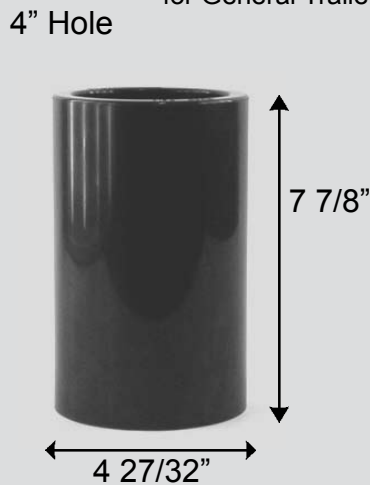
REPLACES

General Trailer*
70-703

Severson*
A80BL3003

Euclid*
E-7434

Atro*
Not Available



Dyco
D-165

Spring End Pad
for General Trailer*

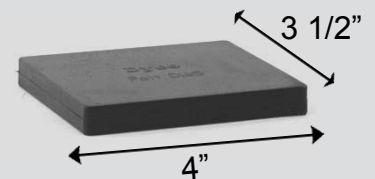
REPLACES

General Trailer*

Severson*
A80BL3016

Euclid*
E-7435

Atro*
Not Available



1/2" Thick

Dyco
D-163

Trunnion Bushing
for General Trailer*

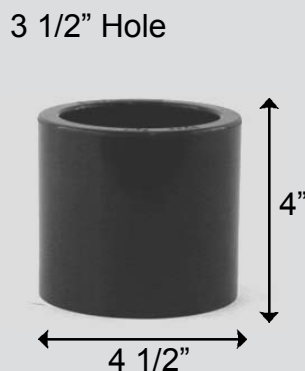
REPLACES

General Trailer*
70-0103

Severson*
A80BL3004

Euclid*
E-7488

Atro*
Not Available



Dyco
D-166

Spring End Pad
for General Trailer*

REPLACES

General Trailer*

Severson*
A80BL3018

Euclid*
E-7437

Atro*
Not Available



1/2" Thick

Gillig*

Dyco D-248

Sway Bar Bushing for Gillig*

REPLACES

Gillig*
814-0013

Severson*
A80BL3559

Euclid*
E-7438

Atro*
Not Available

1" Hole



Dyco D-509

Sway Bar Bushing for Gillig*

REPLACES

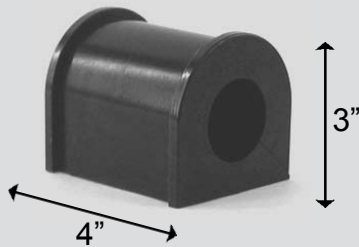
Gillig*
555-09894-00

Severson*
Not Available

Euclid*
Not Available

Atro*
Not Available

1 3/4" Hole



Dyco D-511

Motor Mount for Gillig*

REPLACES

Gillig*
Not Available

Severson*
not Available

Euclid*
Not Available

Atro*
Not Available

5/8" Hole



Dyco D-510

Motor Mount for Gillig*

REPLACES

Gillig*
Not Available

Severson*
Not Available

Euclid*
Not Available

Atro*
Not Available

3/4" Hole



Dyco D-512

Sway Bar Bushing for Gillig*

REPLACES

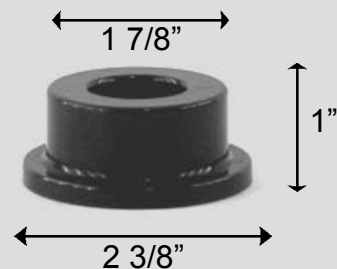
Gillig*
150-209

Severson*
Not Available

Euclid*
Not Available

Atro*
Not Available

1" Hole



Gillig* / GMC*

Dyco
D-513

Sway Bar Bushing
for Gillig*

REPLACES

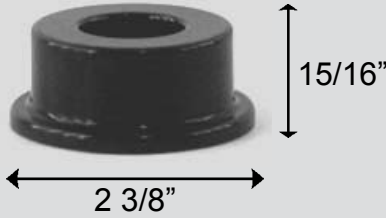
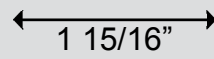
Gillig*
160-202A

Severson*
Not Available

Euclid*
Not Available

Atro*
Not Available

1" Hole



Dyco
D-1

Large Shock Mount
for GMC*

REPLACES

GMC*
Not Available

Severson*
A80BL3558

Euclid*
E-7529

Atro*
PL1026

1" Hole



Dyco
D-514

Sway Bar Bushing
for Gillig*

REPLACES

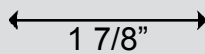
Gillig*
Not Available

Severson*
Not Available

Euclid*
Not Available

Atro*
Not Available

1 7/32" Hole



Dyco
D-54

Motor Mount
for GMC*

REPLACES

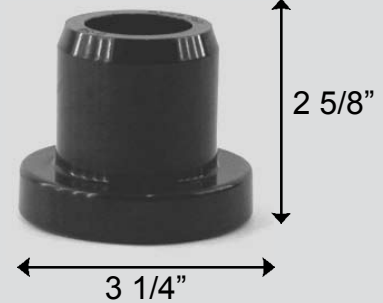
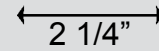
GMC*
702727

Severson*
A80BL1005

Euclid*
E-7440

Atro*
Not Available

5/8" Hole



Dyco
D-55

Cab Mount
for GMC*

REPLACES

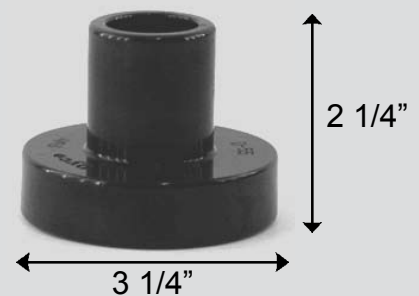
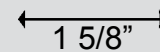
GMC*
2005774

Severson*
A80BL1007

Euclid*
E-7439

Atro*
Not Available

9/16" Hole



GMC* / Hendrickson*

Dyco D-56

Motor Mount
for GMC*

REPLACES

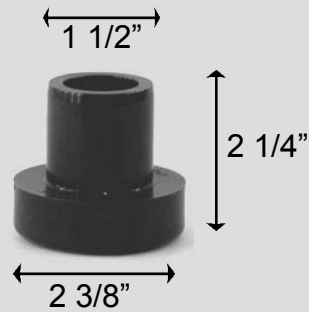
GMC*
15506936

Severson*
A80BL1027

Euclid*
E-8650

Atro*
Not Available

5/8" Hole



Dyco D-133-A

Roller (new style)
for Hendrickson*

REPLACES

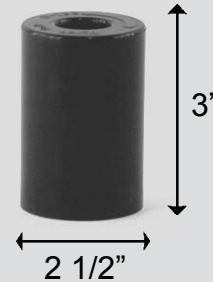
Hendrickson*
Not Available

Severson*
Not Available

Euclid*
Not Available

Atro*
Not Available

7/8" Hole



Dyco D-107

Saddle Bushing
for Hendrickson*

REPLACES

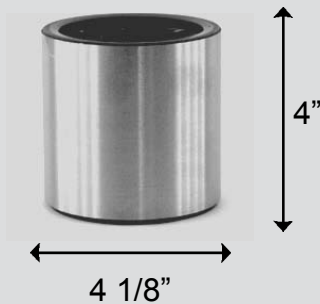
Hendrickson*
19279

Severson*
A80BL1030

Euclid*
E-9515

Atro*
HV38000

2" Hole



Dyco D-134

Center Load Cushion
for Hendrickson*

REPLACES

Hendrickson*
24209

Severson*
A80BL1034

Euclid*
E-9514

Atro*
HC10000



Dyco D-133

Rebound Roller Bushing
for Hendrickson*

REPLACES

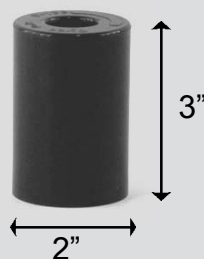
Hendrickson*
48883-000

Severson*
A80BL1062

Euclid*
Not Available

Atro*
Not Available

7/8" Hole



Dyco D-135

Load Cushion
for Hendrickson*

REPLACES

Hendrickson*
26953

Severson*
A80BL1031

Euclid*
E-9513

Atro*
HC20000



65 or 75 Durometer

Hendrickson*

Dyco D-312

Offset Straddle Mount
for Hendrickson*

REPLACES

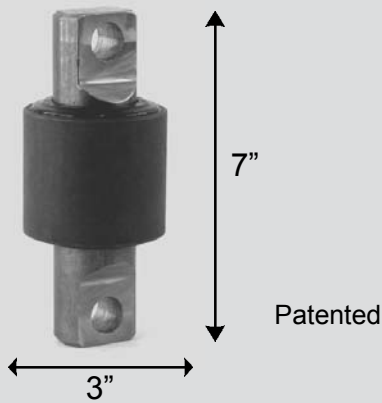
Hendrickson*
47699-1

Severson*
A80BL7691

Euclid*
Not Available

Atro*
IN35180

5/8" Holes



Dyco D-403

340 Center Bushing
for Hendrickson*

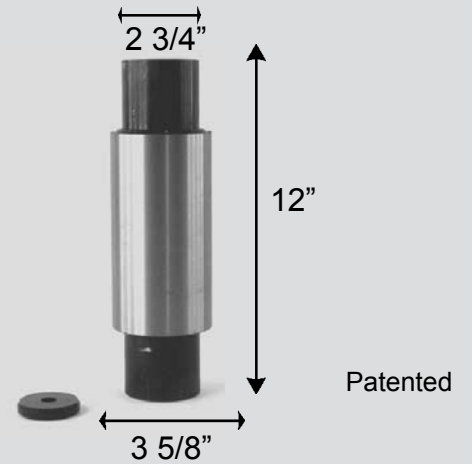
REPLACES

Hendrickson*
22279

Severson*
AB80BL1032

Euclid*
E-9520

Atro*
CB34000



Dyco D-401

380 Center Beam Bushing
for Hendrickson*

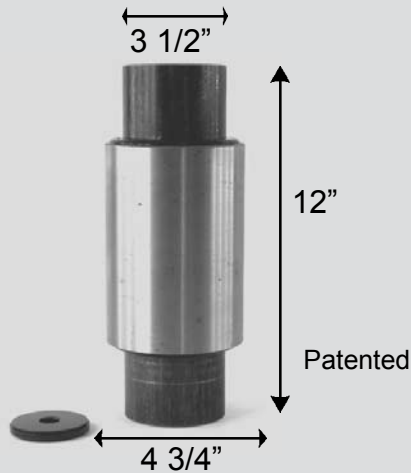
REPLACES

Hendrickson*
22282

Severson*
A80BL1029

Euclid*
E-9510

Atro*
CB38000



Dyco D-404

2 1/2" Hole

REPLACES

Hendrickson*
6969

Severson*
A80BL1033

Euclid*
E-9511

Atro*
EB34000



Dyco D-402

380 Beam End Bushing
for Hendrickson*

REPLACES

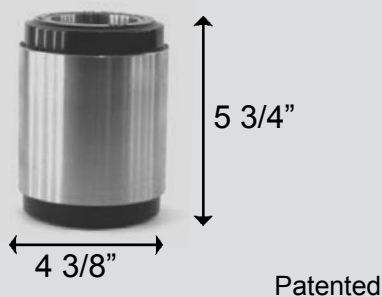
Hendrickson*
45900

Severson*
A80BL3560

Euclid*
E-9512

Atro*
EB-38000

2 1/2" Hole



Hendrickson*

Dyco
D-405

Torque Arm Bushing
for Hendrickson*

REPLACES

5/8" Hole

Hendrickson*
47691

Severson*
A80BL7691

Euclid*
E-9516

Atro*
Not Available



Dyco
D-409

End Bushing
for Hendrickson*

REPLACES

2 7/8" Hole

Hendrickson*
45407

Severson*
Not Available

Euclid*
Not Available

Atro*
EB45000



Patented

Dyco
D-406

Offset Straddle Mount
for Hendrickson*

REPLACES

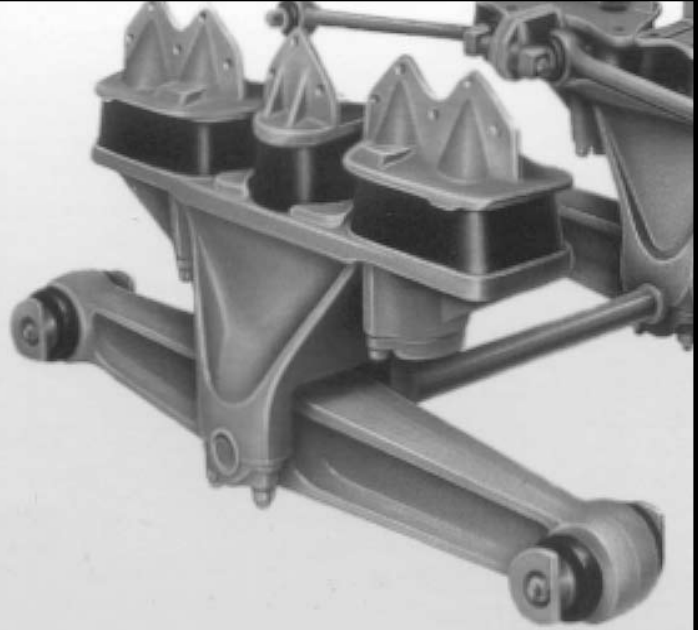
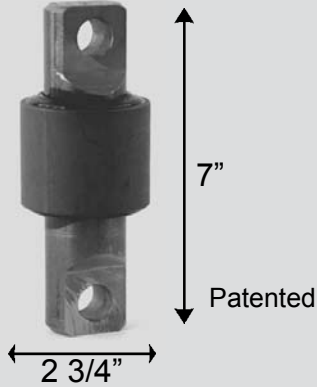
3/4" Holes

Hendrickson*
46734

Severson*
A80BL6734

Euclid*
E-9517

Atro*
Not Available



Dyco
D-407

Bar Pin Bushing
for Hendrickson*

REPLACES

1" Holes

8 1/2" from center to center
on holes

Hendrickson*
34013-088

Severson*
Not Available

Euclid*
Not Available

Atro*
EB38001



Dyco
D-410

End Bushing
for Hendrickson*

REPLACES

2 7/8" Hole

Hendrickson*
6966

Severson*
A80BL3537

Euclid*
Not Available

Atro*
TH85000



Patented

Hendrickson*

Dyco D-421-S

Torque Rod Bushing
for Hendrickson*

REPLACES

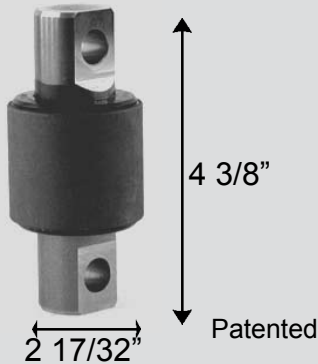
Hendrickson*
44694

Severson*
A80BL1055

Euclid*
E-7638

Atro*
TS34000

5/8" Holes



Dyco D-421-C

Torque Rod Bushing
for Hendrickson*

REPLACES

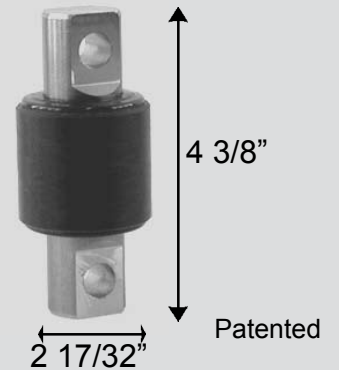
Hendrickson*
44694

Severson*
Not Available

Euclid*
Not Available

Atro*
Not Available

5/8" Holes



Dyco D-422-S

Torque Rod Bushing
for Hendrickson*

REPLACES

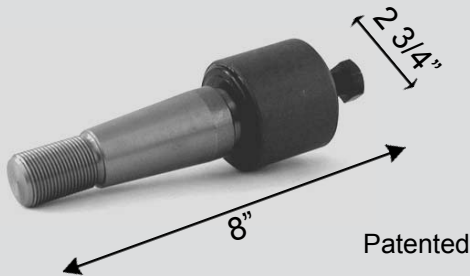
Hendrickson*
44697

Severson*
A80BL1058

Euclid*
E-8651

Atro
TT38000

1 1/4" Thread



Dyco D-422-C

Torque Rod Bushing
for Hendrickson*

REPLACES

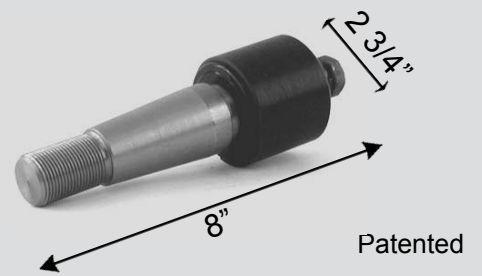
Hendrickson*
44697

Severson*
Not Available

Euclid*
Not Available

Atro
Not Available

1 1/4" Thread



Dyco D-423-S

Torque Rod Bushing
for Hendrickson*

REPLACES

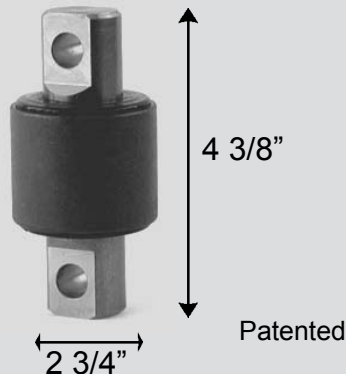
Hendrickson*
44695

Severson*
A80BL1056

Euclid*
E-7639

Atro*
TS38000

5/8" Holes



Dyco D-423-C

Torque Rod Bushing
for Hendrickson*

REPLACES

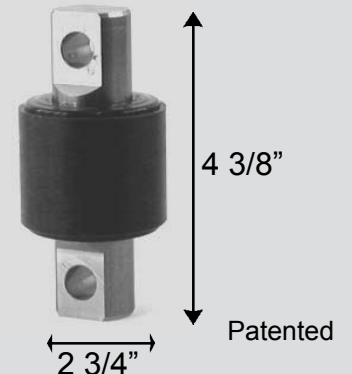
Hendrickson*
44695

Severson*
Not Available

Euclid*
Not Available

Atro*
Not Available

5/8" Holes

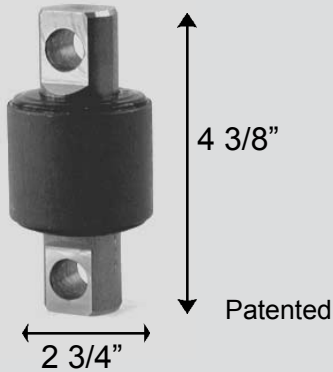


Hendrickson*

Dyco D-424-S

Torque Rod Bushing
for Hendrickson*

3/4" Holes



REPLACES

Hendrickson*
49210

Severson*
Not Available

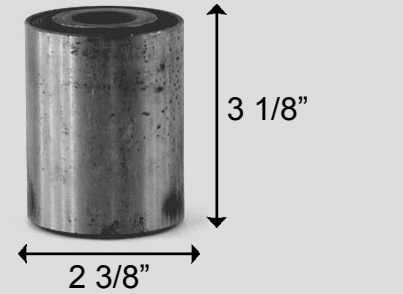
Euclid*
Not Available

Atro*
TS38750

Dyco D-426

Spring Eye Bushing
for Hendrickson*

7/8" Hole



REPLACES

Hendrickson*
47421

Severson*
Not Available

Euclid*
Not Available

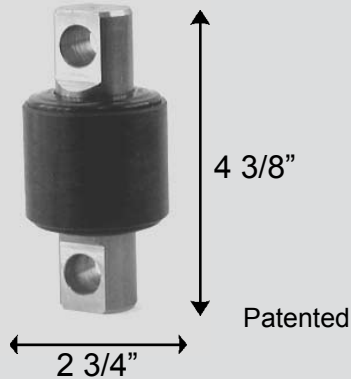
Atro*
EB27500

Patented

Dyco D-424-C

Torque Rod Bushing
for Hendrickson*

3/4" Holes



REPLACES

Hendrickson*
49210

Euclid*
Not Available

Atro*
Not Available

Dyco D-550

Torque Arm Bushing
for Hendrickson*

REPLACES

Energy 70001

Hendrickson*
44694

Euclid*
Not Available

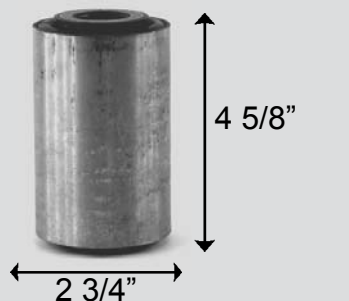
Atro
Not Available



must reuse
stock pin

Dyco D-425

1" Hole



REPLACES

Hendrickson*
47420

Euclid*
Not Available

Atro*
CB27500

Patented

Dyco D-551

Torque Arm Bushing
for Hendrickson*

REPLACES

Energy 70002

Hendrickson*
Not Available

Severson*
Not Available

Euclid*
Not Available

Atro*
Not Available



2 1/4" Pin O.D.
and 2 3/4" I.D.

Hendrickson* / Holland*

Dyco
D-552

Torque Arm Bushing
for Hendrickson*

REPLACES

Energy 70008

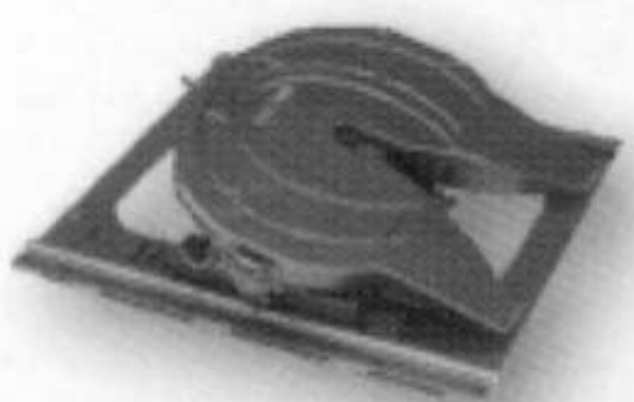
Hendrickson*
47691

Euclid*
Not Available

Atro*
Not Available



must reuse
stock pin



Dyco
D-553

Torque Arm Bushing
for Hendrickson*

REPLACES

Energy 70003

Hendrickson*
44695

Euclid*
Not Available

Atro*
Not Available



must reuse
stock pin

Dyco
D-90

5th Wheel Bushing
for Holland*

REPLACES

1 1/8" Hole

Holland*
XB-0011-2

Severson*
A80BL0011

Euclid*
E-7450

Atro*
PL1006



Dyco
D-89

5th Wheel Bushing
for Holland*

REPLACES

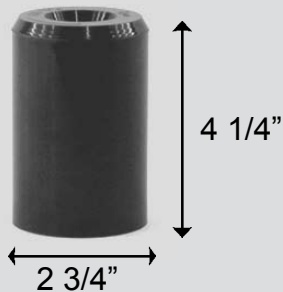
1 1/8" Hole

Holland*
XB1604-5

Severson*
AB0BL1604-5

Euclid*
E-7451

Atro*
Not Available



Dyco
D-91

5th Wheel Bushing
for Holland*

REPLACES

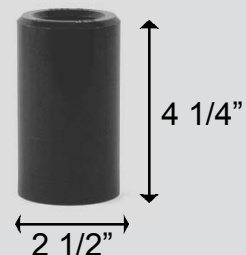
1 1/2" Hole

Holland*
XA-1604-9

Severson*
A80BL3535

Euclid*
Not Available

Atro*
Not Available

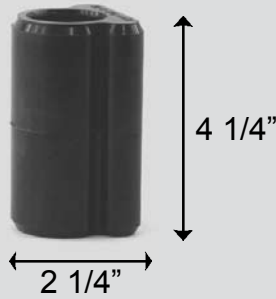


Holland* / Hutch*

Dyco
D-92

5th Wheel Bushing
for Holland*

1 1/2" Hole



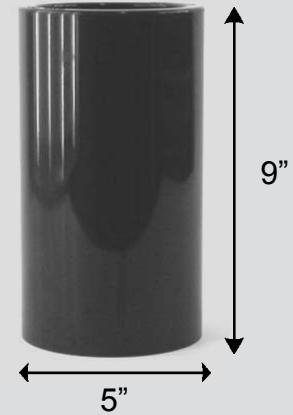
REPLACES

- Holland*
XB-0012-2
- Severson*
A80BL0012
- Euclid*
Not Available
- Atro*
Not Available

Dyco
D-97

Trunnion Bushing
for Hutch*

4" Hole



REPLACES

- Hutch*
890-00
- Severson*
A80BL3020
- Euclid*
E-7455
- Atro*
Not Available

Dyco
D-94

Torque Arm Bushing
for Hutch*

1" Hole

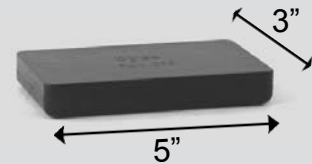


REPLACES

- Hutch*
722-00
- Severson*
A80BL1026
- Euclid*
E-7453
- Atro*
Not Available

Dyco
D-98

Spring End Pad
for Hutch*



REPLACES

- Hutch*
814-00
- Severson*
A80BL3021
- Euclid*
E-7456
- Atro*
PL1007

Dyco
D-95

Equalizer Bushing
for Hutch*

3/4" Holes



REPLACES

- Hutch
7010-00
- Severson*
A80BL1025
- Euclid*
E-7452
- Atro*
Not Available

Dyco
D-99

Torque Arm Bushing
for Hutch*

1" Hole



REPLACES

- Hutch*
222-00
- Severson*
A80BL1052
- Euclid*
E-7454
- Atro*
Not Available

Hutch* / Hyster* / Kenworth*

Dyco D-100

Torque Arm Bushing
for Hutch*

REPLACES

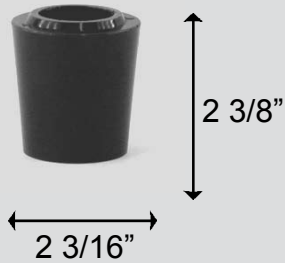
Hutch*
7620-00

Severson*
A80BL1051

Euclid*
E-7433

Atro*
Not Available

1 1/4" Hole



Dyco D-531

Trailer Suspension Bushing
for Hyster*

REPLACES

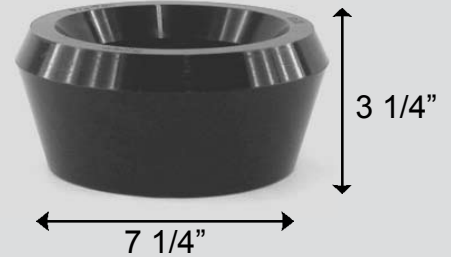
Hyster*
400331

Severson*
A80BL1300

Euclid*
Not Available

Atro*
Not Available

4" Hole



Dyco D-101

Equalizer Bushing
for Hutch*

REPLACES

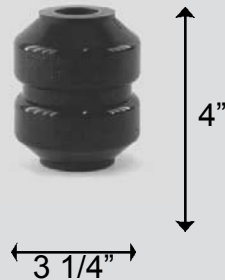
Hutch*
16146-01
18723-01

Severson*
A80BL8666

Euclid*
E-8666

Atro*
Not Available

1 1/8" Hole



Dyco D-1

Large Shock Bushing
for Kenworth*

REPLACES

Kenworth*
73D2002

Severson*
A80BL3558

Euclid*
E-7529

Atro*
PL1026

1" Hole



Dyco D-208

Suspension Bushing
for Hyster*

REPLACES

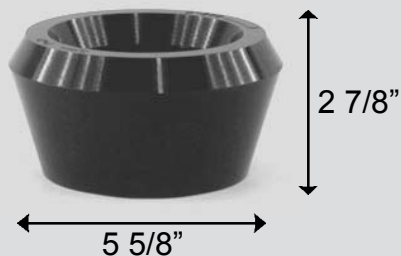
Hyster*
400329

Severson*
AB0BL1307

Euclid*
E-7457

Atro*
Not Available

3" Hole



Kenworth*

Dyco D-6

Radiator Mount
for Kenworth*

REPLACES

Kenworth*
M601-70NR

Severson*
A80BL2213

Euclid*
E-7472

Atro*
PL1015

5/8" Hole

1 7/8"



1 3/16"

3 1/16"

Dyco D-21

Motor Mount
for Kenworth*

REPLACES

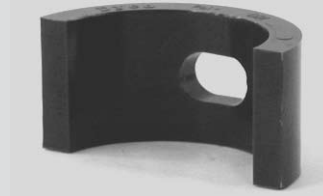
Kenworth*
K174-555

Severson*
A80BL3590

Euclid*
E-7470

Atro*
PL1014

5"



2"

1/2" Thick

Dyco D-7

Front Motor Mount
for Kenworth*

REPLACES

Kenworth*
M700 or K066-2

Severson*
A80BL3557

Euclid*
E-7469

Atro*
PL1013

3/4" Hole

2 1/16"



2 5/8"

3 3/4"

Dyco D-22

Motor Mount
for Kenworth*

REPLACES

Kenworth*
M506-70NR

Severson*
A80BL3591

Euclid*
E-7468

Atro*
PL1012

5/8" Hole



2"

5 3/8"

Dyco D-16

Roller
for Kenworth*

REPLACES

Kenworth*
K066-360

Severson*
Not Available

Euclid*
Not Available

Atro*
Not Available

5/8" Hole



1 1/2"

1 1/8"

Dyco D-24

Hood Hinge Bushing
for Kenworth*

REPLACES

Kenworth*
M300-70NR

Severson*
A80BL3594

Euclid*
E-7466

Atro*
PL1010

1/2" Hole

1 3/16"



1 3/8"

1 3/4"

Kenworth*



Dyco D-27

Radiator Mount
for Kenworth*

REPLACES

Kenworth*
M500-70NR

Severson*
A80BL2202

Euclid*
E-7471

Atro*
Not Available

5/8" Hole

1 1/2"

2 3/16"

2 1/2"



Dyco D-25

Battery Box Washer
for Kenworth*

REPLACES

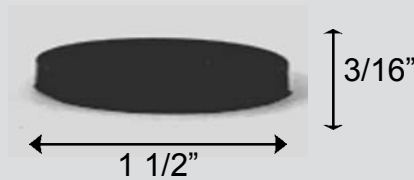
3/8" Hole

Kenworth*
K366-474

Severson*
A75BK1089

Euclid*
E-7459

Atro*
Not Available



Dyco D-28

Battery Box Bushing
for Kenworth*

REPLACES

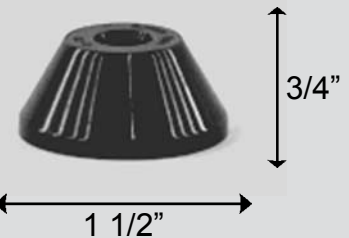
3/8" Hole

Kenworth*
4023-KW

Severson*
A70BL1120

Euclid*
E-7458

Atro*
Not Available



Dyco D-26

Hood Locating Pin
for Kenworth*

REPLACES

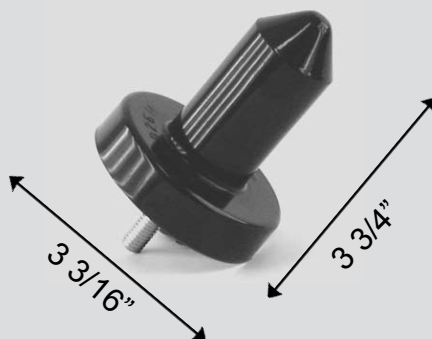
1/2" -13 Thread

Kenworth*
K179-450

Severson*
A80BL2204

Euclid*
E-7467

Atro*
PL1011



Dyco D-30

Front Cab Mount
for Kenworth*

REPLACES

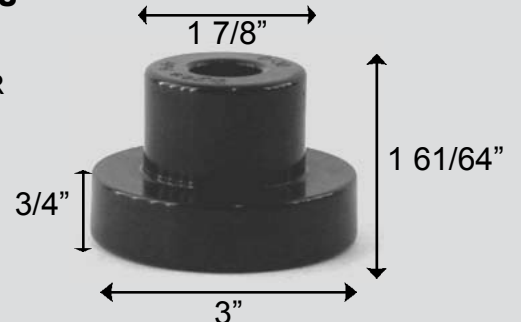
5/8" Hole

Kenworth*
M602-70NR

Severson*
A80BL2212

Euclid*
E-7473

Atro*
PL1016



Kenworth*

Dyco D-31

Aux Trans Rear Mount
for Kenworth*

REPLACES

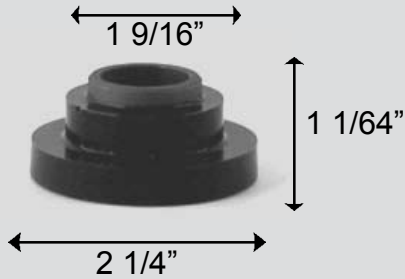
Kenworth*
K066-269

Severson*
A80BL2214

Euclid*
E-7460

Atro*
Not Available

29/32" Hole



Dyco D-34

Radiator Tie Rod Bushing
for Kenworth*

REPLACES

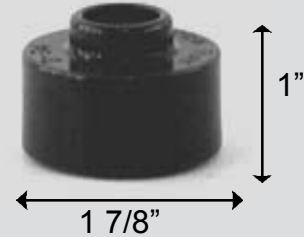
Kenworth*
K264-84

Severson*
A80BL1054

Euclid*
E-7640

Atro*
Not Available

5/8" Hole



Dyco D-32

Aux Trans Rear Washer
for Kenworth*

REPLACES

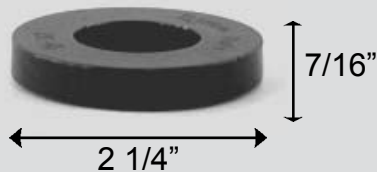
Kenworth*
K363-275

Severson*
A80BL2215

Euclid*
E-7461

Atro*
Not Available

1 1/8" Hole



Dyco D-35

Air Ride Bushing
for Kenworth*

REPLACES

Kenworth*
K066-293

Severson*
A90BL2366

Euclid*
E-7476

Atro*
PL1008

2" Hole



Dyco D-33

Door Jam
for Kenworth*

REPLACES

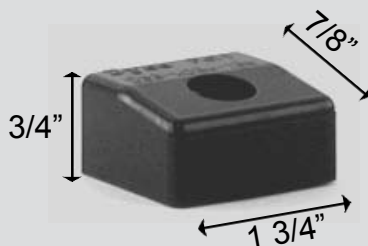
Kenworth*
K036-277

Severson*
A80BL3597

Euclid*
E-7465

Atro*
Not Available

5/8" Hole



Dyco D-36

Rear Cab Mount
for Kenworth*

REPLACES

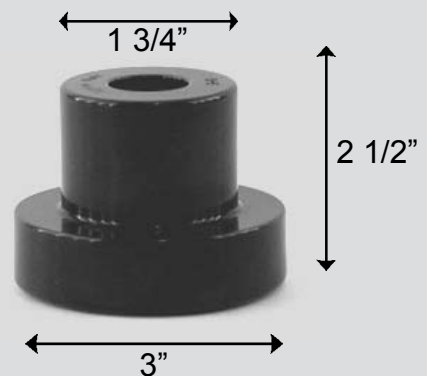
Kenworth*
M600 or K066-1

Severson*
A80BL3596

Euclid*
E-7462

Atro*
Not Available

5/8" Hole



Kenworth*

Dyco D-37

Shock Bushing
for Kenworth*

REPLACES

Kenworth*
K066-026 or COM266

Severson*
A80BL3595

Euclid*
E-7474

Atro*
PL1028

5/8" Hole



Dyco D-154

Trunnion Bushing
for Kenworth*

REPLACES

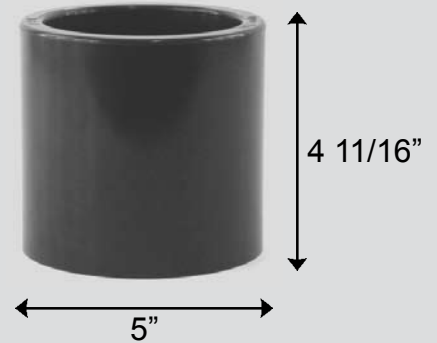
Kenworth*
K066-232

Severson*
A80BL3009

Euclid*
E-7492

Atro*
Not Available

4" Hole



Dyco D-38

Air Ride Bushing
for Kenworth*

REPLACES

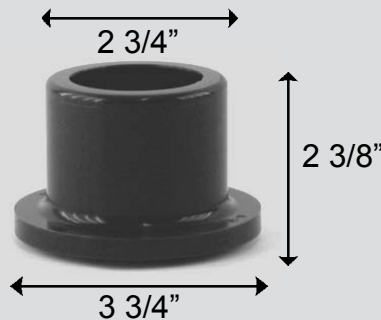
Kenworth*
K066-162

Severson*
A80BL0008

Euclid*
E-7475

Atro*
Not Available

2" Hole



Dyco D-325

Radiator Mount
for Kenworth*

REPLACES

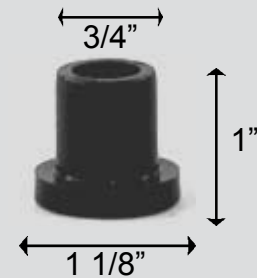
Kenworth*
M200

Severson*
Not Available

Euclid*
Not Available

Atro*
Not Available

3/8" Hole



Dyco D-39

Cab Mount Bushing
for Kenworth*

REPLACES

Kenworth*
K066-178 or 66D608

Severson*
A80BL1009

Euclid*
E-7464

Atro*
Not Available

1 5/16" Hole



Dyco D-326

Motor Mount
for Kenworth*

REPLACES

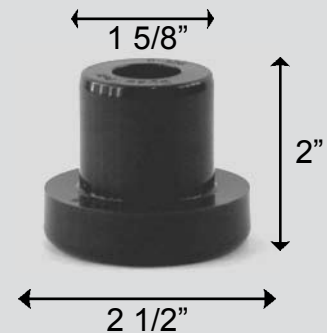
Kenworth*
M501

Severson*
Not Available

Euclid*
Not Available

Atro*
Not Available

5/8" Hole



Kenworth*

Dyco D-328

Cab Motor Mount
for Kenworth*

REPLACES

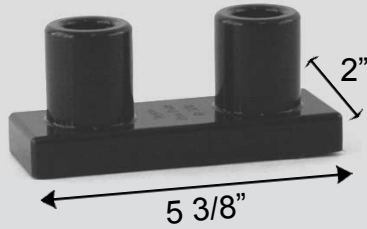
Kenworth*
KO66-320 or
K066-282

Severson*
A80BL5056

Euclid*
Not Available

Atro*
Not Available

5/8" Hole



Dyco D-422-S

Tapered Torque Arm Bushing
for Kenworth*

REPLACES

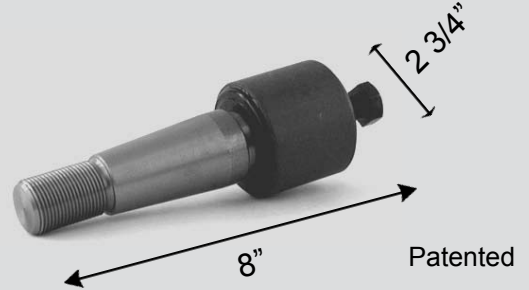
Gould*
229610

Severson*
A80BL105

Euclid*
E-8651

Atro*
TT38000

1 1/4" - Thread



Patented



Dyco D-422-C

Tapered Torque Arm Bushing
for Kenworth*

REPLACES

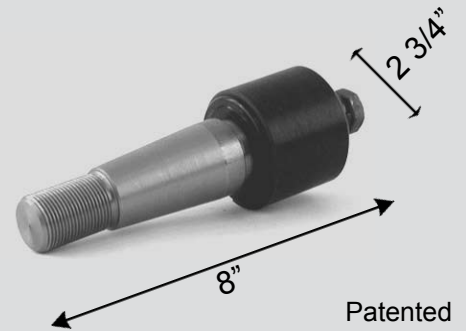
Gould*
229610

Severson*
Not Available

Euclid*
Not Available

Atro*
Not Available

1 1/4" - Thread



Patented

Dyco D-329

Med. Shock Mount
for Kenworth*

REPLACES

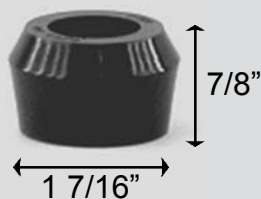
Kenworth*
5316702

Severson*
A80BL4150

Euclid*
E-7528

Atro*
PL1025

3/4" Hole



Dyco D-423-S

Air Ride Bushing
for Kenworth*

REPLACES

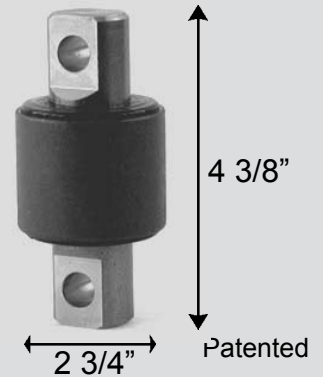
Gould* or Clevite*
227720

Severson*
A80BL1056

Euclid*
E-7639

Atro*
TS38000

5/8" Hole



Patented

Kenworth* / Mack*

Dyco
D-423-C

Air Ride Bushing
for Kenworth*

REPLACES

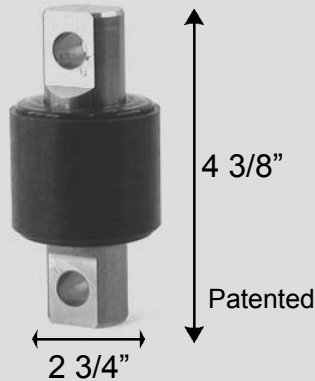
Gould* or Clevite*
227720

Severson*
Not Available

Euclid*
Not Available

Atro*
Not Available

5/8" Holes



Dyco
D-60

Motor Mount
for Mack*

65 Durometer

REPLACES

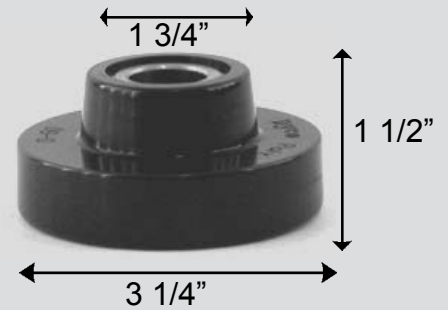
Mack*
20QL1175

Severson*
Not Available

Euclid*
Not Available

Atro*
PL1017

13/16" Hole



Dyco
D-1

Large Shock Bushing
for Mack*

REPLACES

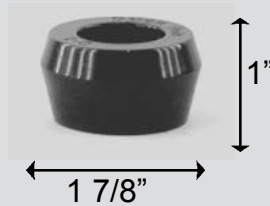
Mack*
14QK136

Severson*
A80BL3558

Euclid*
E-7529

Atro*
PL1026

1" Hole



Dyco
D-26-M

Hood Locating Pin
for Mack*

REPLACES

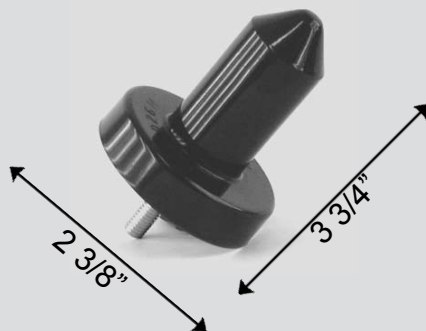
Mack*
25QM31

Severson*
A80BL2204

Euclid*
E-7467

Atro*
Not Available

3/8" - 18 Thread



Dyco
D-61

Trunnion Bushing
for Mack*

REPLACES

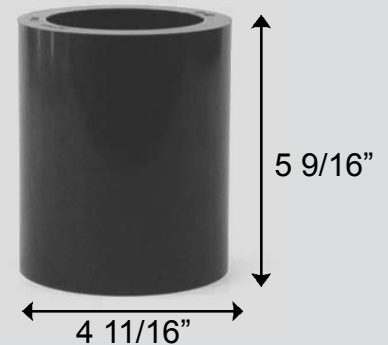
Mack*
10QK2191P1

Severson*
A80BL1048

Euclid*
E-7478

Atro*
Not Available

3 7/16" Hole



Mack*

Dyco D-62

Trunnion Bushing
for Mack*
3 7/16" Hole

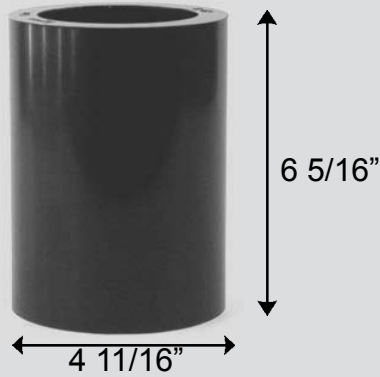
REPLACES

Mack*
10QK219P2 or
10QK276

Severson*
A80BL1049

Euclid*
E-7472

Atro*
MA10000



Dyco D-65

Engine Mount
for Mack*
1 1/16" Hole

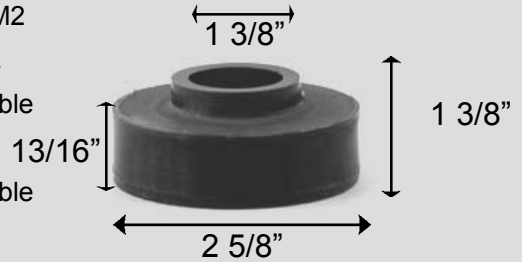
REPLACES

Mack*
20QL312M2

Severson*
Not Available

Euclid*
Not Available

Atro*
Not Available



Dyco D-63

Trunnion Bushing
for Mack*
3 7/16" Hole

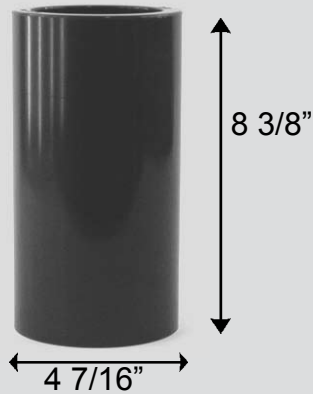
REPLACES

Mack*
10QK130P1

Severson*
A80BL3014

Euclid*
E-7441

Atro*
MA20000



Dyco D-66

Motor Mount
for Mack*
3/4" Hole

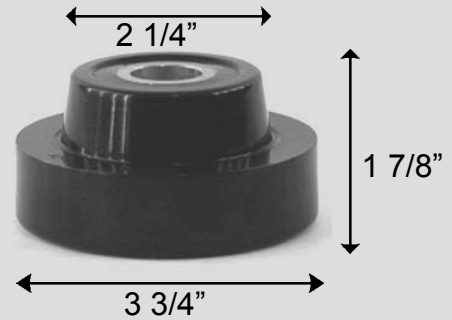
REPLACES

Mack*
20QL324M

Severson*
A80BL1019

Euclid*
E-7641

Atro*
Not Available



Dyco D-64

Mount
for Mack*

1/2" Hole

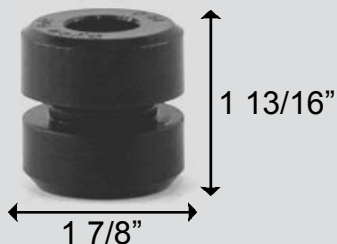
REPLACES

Mack*
20QL295A

Severson*
Not Available

Euclid*
Not Available

Atro*
Not Available



Dyco D-67

Motor Mount
for Mack*

1 3/16" Hole

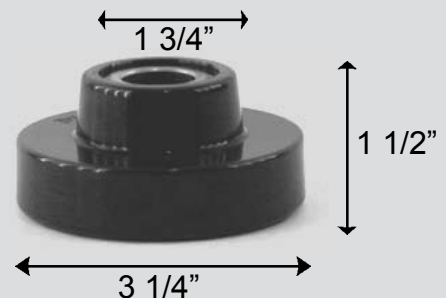
REPLACES

Mack*
20QL1118

Severson*
A80BL1004

Euclid*
E-7477

Atro*
Not Available



Mack*

Dyco D-286

Load Cushion
for Mack*

1 3/4" Dowel

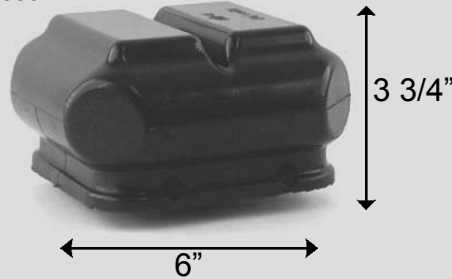
REPLACES

Mack*
10QK36B or 10QK388

Severson*
A80BL1046

Euclid*
E-7480

Atro*
MA36000



Dyco D-142

Radiator Rod Insulator
for Mack*

11/16" Hole

REPLACES

Mack*
20QL295

Severson*
Not Available

Euclid*
Not Available

Atro*
Not Available



Dyco D-68

Lower Radiator Mount
for Mack*

5/8" Hole

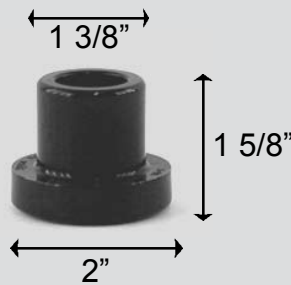
REPLACES

Mack*
20QL231P5

Severson*
Not Available

Euclid*
Not Available

Atro*
Not Available



Dyco D-143

Hood Mount Insulator
for Mack*

1/2" Hole

REPLACES

Mack*
20QL2101

Severson*
Not Available

Euclid*
Not Available

Atro*
Not Available



Dyco D-140

Upper Cab Mount
for Mack*

5/8" Hole

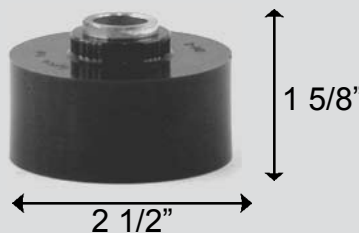
REPLACES

Mack*
20QL250

Severson*
Not Available

Euclid*
Not Available

Atro*
Not Available



Dyco D-144

Lower Cab Mount
for Mack*

5/8" Hole

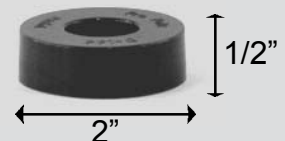
REPLACES

Mack*
20QL1144

Severson*
Not Available

Euclid*
Not Available

Atro*
Not Available



Mack*

Dyco D-145

Motor Mount
for Mack*

REPLACES

Mack*
20QL1166

Severson*
Not Available

Euclid*
Not Available

Atro*
Not Available



Dyco D-283

Load Cushion
for Mack*

REPLACES

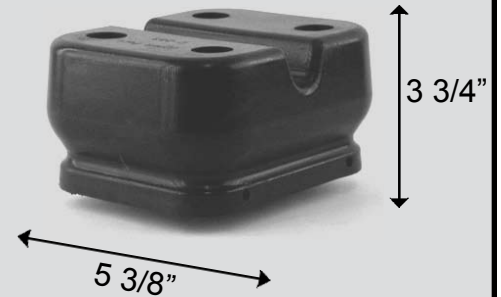
Mack*
10QK32BP1

Severson*
Not Available

Euclid*
Not Available

Atro*
MA32000

1 1/2" Dowel



Dyco D-146

Hood Roller
for Mack*

REPLACES

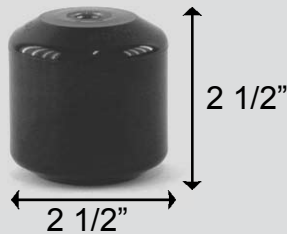
Mack*
55MX26

Severson*
Not Available

Euclid*
Not Available

Atro*
Not Available

3/8" Hole



Dyco D-284

Load Cushion
for Mack*

REPLACES 2 1/2" 2" Dowel

Mack*
10QK372 or
10QK389

Severson*
Not Available

Euclid*
Not Available

Atro*
MA37200



Dyco D-280

Insulator
for Mack*

REPLACES

Mack*
20QL-302P2

Severson*
Not Available

Euclid*
Not Available

Atro*
Not Available

5/8" Hole



Dyco D-285

Load Cushion
for Mack*

REPLACES

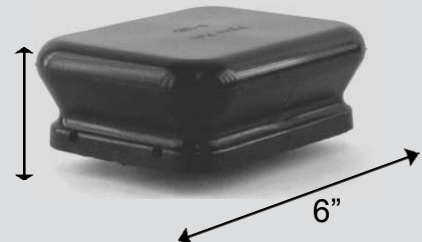
Mack*
10QK365A

Severson*
A80BL1047

Euclid*
E-7481

Atro*
MA36500

1 3/4" Dowel



Mack*

Dyco
D-287

1 1/4" Dowel

Load Cushion
for Mack*

REPLACES

Mack*
10QK33A

Severson*
A80BL1053

Euclid*
E-7642

Atro*
Not Available



Dyco
D-292

5/8" Hole

Insulator
for Mack*

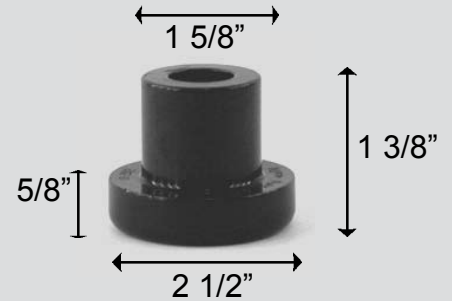
REPLACES

Mack*
20QL231P10

Severson*
Not Available

Euclid*
Not Available

Atro*
Not Available



Dyco
D-288

1 3/4" Dowel

Load Cushion
for Mack*

REPLACES

Mack*
10QK370

Severson*
A80BL8667

Euclid*
E-8667

Atro*
Not Available



Dyco
D-293-S

Torque Arm Bushing
for Mack*

1 1/4" Thread

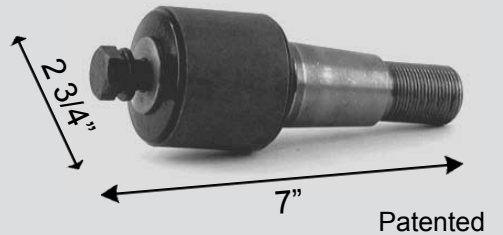
REPLACES

Mack*
1688-229240

Severson*
Not Available

Euclid*
E-9518

Atro*
TM38000



Dyco
D-290

3/4" Hole

Insulator
for Mack*

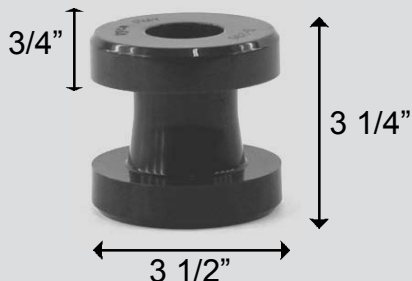
REPLACES

Mack*
20QL303

Severson*
Not Available

Euclid*
Not Available

Atro*
Not Available



Dyco
D-293-C

Torque Arm Bushing
for Mack*

1 1/4" Thread

REPLACES

Mack*
1688-229240

Severson*
Not Available

Euclid*
Not Available

Atro*
Not Available



Mercedes* / Navistar*

Dyco
D-503

Torque Arm Bushing
for Mercedes*

REPLACES

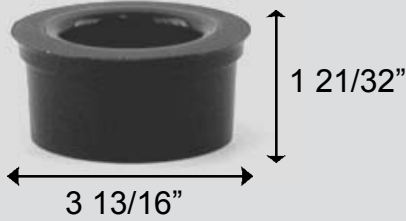
2 3/16" Hole

Mercedes*
3173331164

Severson*
Not Available

Euclid*
Not Available

Atro*
Not Available



Dyco
D-40

Cab Over Hinge Bushing
for Navistar*

REPLACES

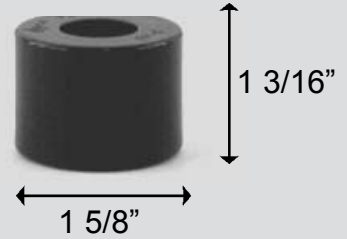
3/4" Hole

Navistar*
987395R2

Severson*
A80BL1008

Euclid*
E-7482

Atro*
Not Available



Dyco
D-1

Large Shock Bushing
for Navistar*

REPLACES

1" Hole

Navistar*
Not Available

Severson*
A80BL3558

Euclid*
E-7529

Atro*
PL1026



Dyco
D-41

Motor Mount
for Navistar*

REPLACES

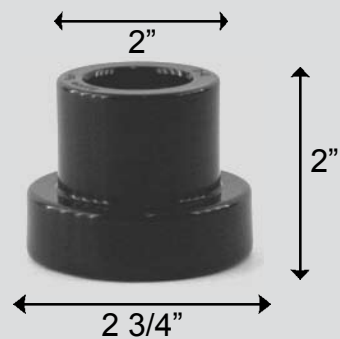
5/8" Hole

Navistar*
753997C93

Severson*
A80BL2208

Euclid*
E-7484

Atro*
Not Available



Dyco
D-23

Radiator Mount
for Navistar*

REPLACES

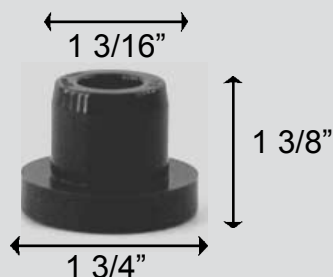
1/2" Hole

Navistar*
598699C1

Severson*
Not Available

Euclid*
Not Available

Atro*
Not Available



Navistar*

Dyco D-42

Insulator
for Navistar*

REPLACES

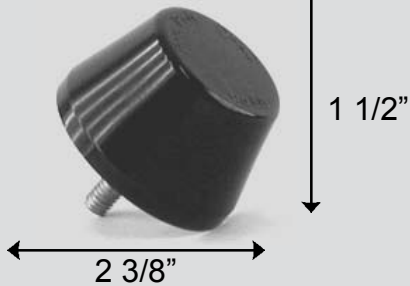
Navistar*
472697C1

Severson*
A80BL0013

Euclid*
E-7483

Atro*
Not Available

5/16" - 18
Thread



Dyco D-45

Radiator Mount
for Navistar*

REPLACES

Navistar*
471477C1

Severson*
Not Available

Euclid*
Not Available

Atro*
Not Available

3/4" Hole



Dyco D-43

Insulator
for Navistar*

REPLACES

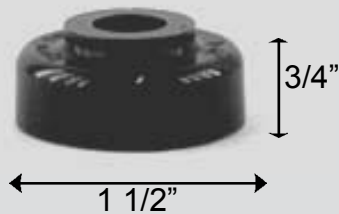
Navistar*
200106R1

Severson*
A80BL1037

Euclid*
E-7643

Atro*
Not Available

5/8" Hole



Dyco D-51

Radiator Mount
for Navistar*

REPLACES

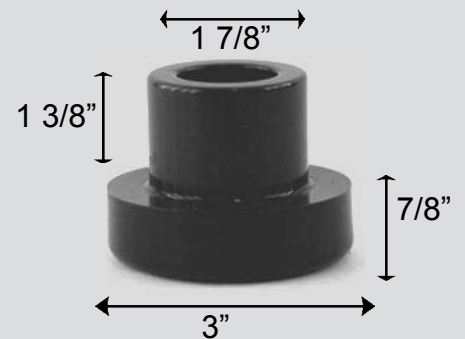
Navistar*
476869C1

Severson*
Not Available

Euclid*
Not available

Atro*
Not Available

5/8" Hole



Dyco D-44

Insulator
for Navistar*

REPLACES

Navistar*
270203C1

Severson*
A80BL1038

Euclid*
E-7644

Atro*
Not Available

1/2" Hole



Dyco D-52

Motor Mount
for Navistar*

REPLACES

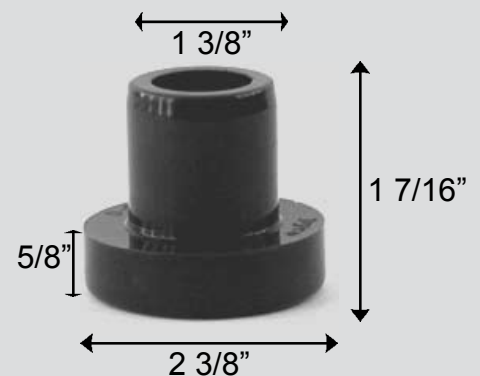
Navistar*
462300C2

Severson*
Not Available

Euclid*
Not Available

Atro*
Not Available

5/8" Hole



Navistar*

Dyco D-53

Motor Mount
for Navistar*

5/8" Hole
Counter Bore 1 1/8"

REPLACES

Navistar*
470031C2

Severson*
Not Available

Euclid*
Not Available

Atro*
Not Available



Dyco D-301

Motor Mount
for Navistar*

5/8" Hole

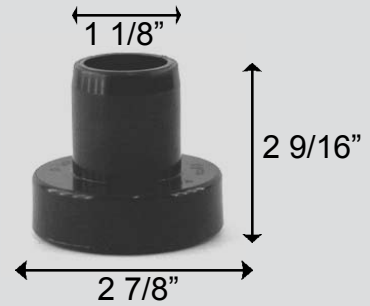
REPLACES

Navistar*
479237C1

Severson*
A80BL3642

Euclid*
Not Available

Atro*
Not Available



Dyco D-302

Radiator Mount
for Navistar*

1 1/16" Hole

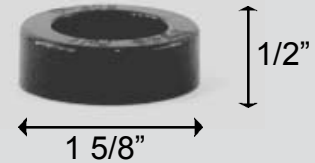
REPLACES

Navistar*
459591C1

Severson*
Not Available

Euclid*
Not Available

Atro*
Not Available



Dyco D-57

Motor Mount
for Navistar*

3/4" Hole

REPLACES

Navistar*
299341C1

Severson*
Not Available

Euclid*
Not Available

Atro*
Not Available



Dyco D-304

Motor Mount
for Navistar*

3/4" Hole

REPLACES

Navistar*
424029C1

Severson*
Not Available

Euclid*
Not Available

Atro*
Not Available



Navistar*

Dyco
D-73

Torque Arm Bushing
for Navistar*

7/8" Hole

REPLACES

Navistar*
506681C1

Severson*
A80BL1043

Euclid*
E-7520

ATRO
Not Available



Dyco
D-303

Radiator Mount
for Navistar*

1 1/6" Hole

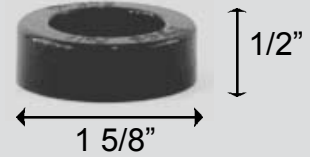
REPLACES

Navistar*
299338C1

Severson*
Not Available

Euclid*
Not Available

ATRO
Not Available



Navistar*

Dyco D-305

Motor Mount
for Navistar*

REPLACES

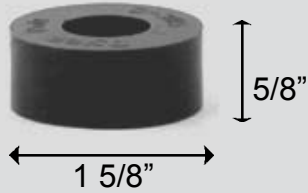
Navistar*
996160C1

Severson*
Not Available

Euclid*
Not Available

Atro*
Not Available

3/4" Hole



Dyco D-310

Motor Mount
for Navistar*

REPLACES

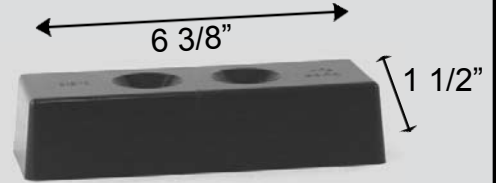
Navistar*
286236C2

Severson*
Not Available

Euclid*
Not Available

Atro*
Not Available

3/4" Holes



Dyco D-307

Radiator Mount
for Navistar*

REPLACES

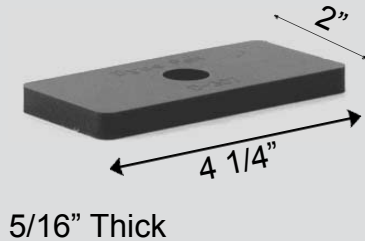
Navistar*
780723C1

Severson*
Not Available

Euclid*
Not Available

Atro*
Not Available

5/8" Hole



Dyco D-311

Motor Mount
for Navistar*

REPLACES

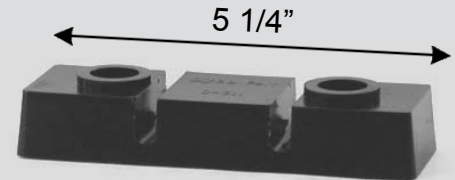
Navistar*
879627R93

Severson*
Not Available

Euclid*
Not Available

Atro*
Not Available

5/8" Holes



Dyco D-309

Motor Mount
for Navistar*

REPLACES

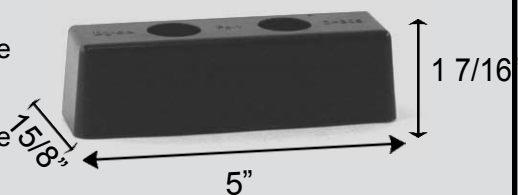
Navistar*
286235C2

Severson*
Not Available

Euclid*
Not Available

Atro*
Not Available

7/8" Holes



Dyco D-312

Torque Arm Bushing
for Navistar*

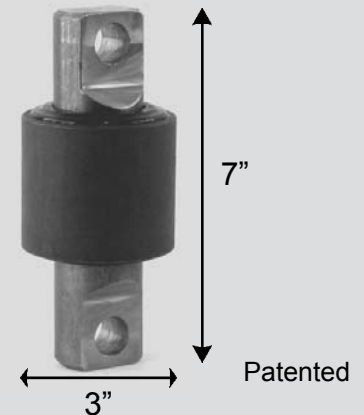
REPLACES

Navistar*
438506C91

Severson*
Not Available

Euclid*
not Available

Atro*
IN35180

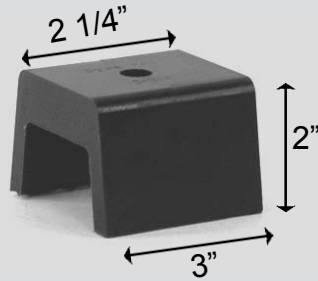


Navistar*

Dyco D-314

Rear Cab Mount
for Navistar*

1/2" Hole



REPLACES

Navistar*
Not Available

Severson*
Not Available

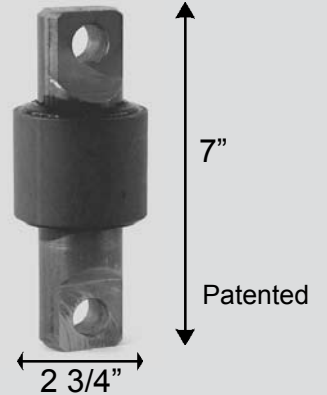
Euclid*
Not Available

Atro*
Not Available

Dyco D-406

Torque Arm Bushing
for Navistar*

3/4" Hole



REPLACES

Navistar*
169307C1

Severson*
A80BL6734

Euclid*
E-9517

Atro*
Not Available

Dyco D-315

Torque Arm Bushing
for Navistar*

7/8" Hole



REPLACES

Navistar*
412587C1

Severson*
A80BL8661

Euclid*
E-8661

Atro*
Not Available

Dyco D-430

Motor Mount
for Navistar*

1 1/2" Hole



REPLACES

Navistar*
503579C1

Severson*
A80BL8007

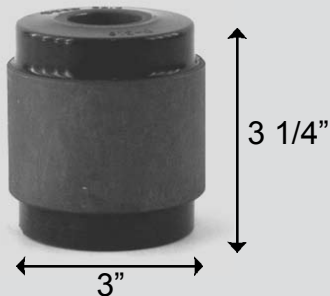
Euclid*
E-8918

Atro*
Not Available

Dyco D-316

Torque Arm Bushing
for Navistar*

1 1/8" Hole



REPLACES

Navistar*
322069C1

Severson*
Not Available

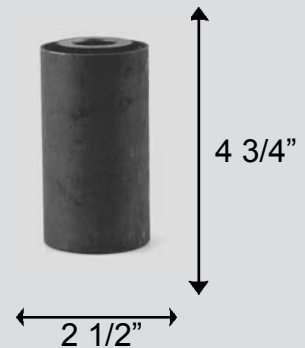
Euclid*
Not Available

Atro*
IN35190

Dyco D-437

Equalizer Bushing
for Navistar*

1" Hole



REPLACES

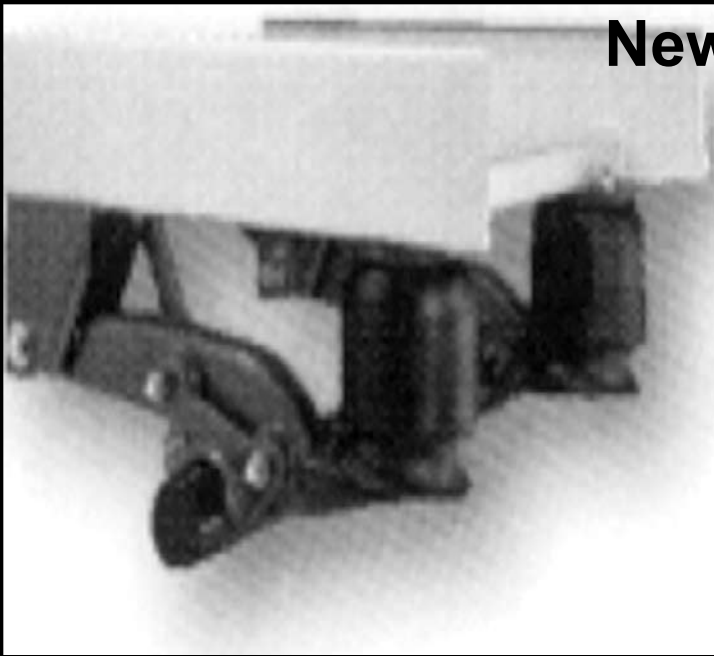
Navistar*
497501C2

Severson*
Not Available

Euclid*
Not Available

Atro*
NA47000

Neway*



Dyco D-232

Trunnion Bushing
for Neway*

4" Hole

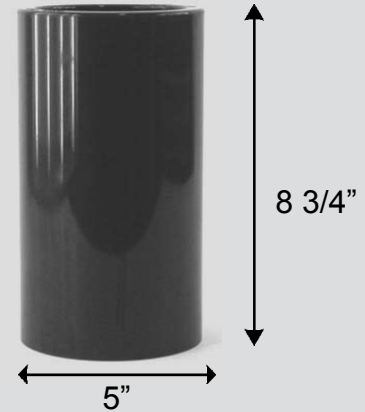
REPLACES

Neway*
91008022

Severson*
A80BL3030

Euclid*
E-7486

Atro*
NW30000



Dyco D-1

Shock Mount
for Neway*

1" Hole

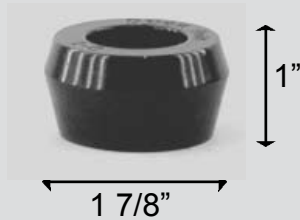
REPLACES

Neway*
Not Available

Severson*
A80BL3558

Euclid*
E-7529

Atro*
PL1026



Dyco D-233

Trunnion Bushing
for Neway*

3 1/2" Hole

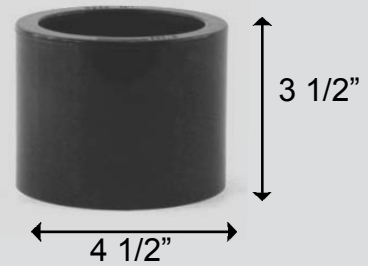
REPLACES

Neway*
91008040

Severson*
A80BL3031

Euclid*
E-7442

Atro*
Not Available



Dyco D-231

End Pad
for Neway*

REPLACES

Neway*
91028013

Severson*
A80BL8669

Euclid*
Not Available

Atro*
Not Available



Dyco D-234

Trunnion Bushing
for Neway*

3 1/2" Hole

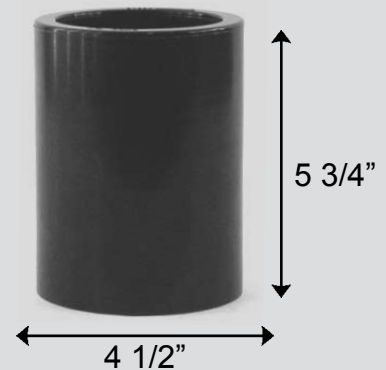
REPLACES

Neway*
91008011

Severson*
A80BL3032

Euclid*
E-7443

Atro*
Not Available



Neway*

Dyco D-235

Beam Pivot Bushing
for Neway*

1 1/8" Hole

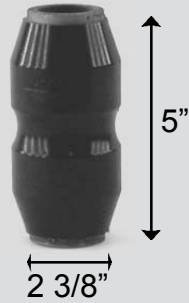
REPLACES

Neway*
90008131

Severson*
A80BL0010

Euclid*
E-7485

Atro*
NW30390



Dyco D-240

Beam End Bushing
for Neway*

1 1/4" Hole

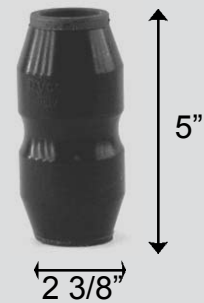
REPLACES

Neway*
90008002

Severson*
A80BL8677

Euclid*
E-8677

Atro*
Not Available



Dyco D-236

Trunnion Bushing
for Neway*

4" Hole

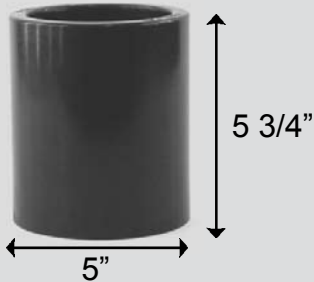
REPLACES

Neway*
91008014

Severson*
A80BL8672

Euclid*
E-8672

Atro*
Not Available



Dyco D-351

Pad
for Neway*

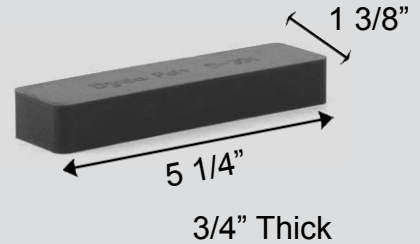
REPLACES

Neway*
91028023

Severson*
A80BL8671

Euclid*
E-8671

Atro*
Not Available



Dyco D-237

Center Beam Bushing
for Neway*

2 1/2" Hole

REPLACES

Neway*
90008008

Severson*
A80BL8681

Euclid*
E-8681

Atro*
Not Available



Dyco D-352

Pad
for Neway*

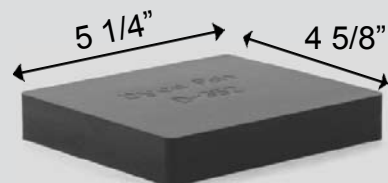
REPLACES

Neway*
91028089

Severson*
A80BL8670

Euclid*
E-8670

Atro*
Not Available



Neway*

Dyco D-353

Wrapper
for Neway*

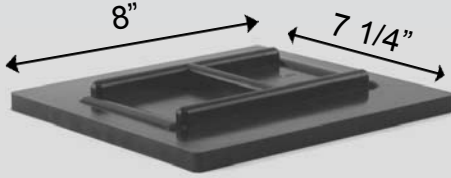
REPLACES

Neway*
90028047

Severson*
A80BL8678

Euclid*
E-8678

Atro*
Not Available



1/2" Thick

Dyco D-356

Wrapper
for Neway*

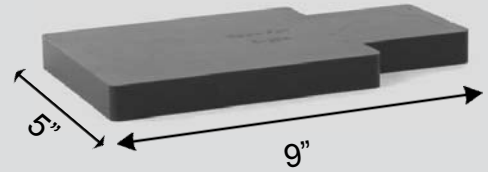
REPLACES

Neway*
91028151

Severson*
A80BL8679

Euclid*
Not Available

Atro*
Not Available



1/4" Thick

Dyco D-354

Axle Pad
for Neway*

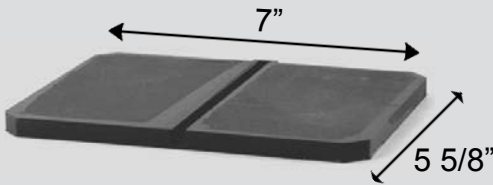
REPLACES

Neway*
90028016

Severson*
A80BL8674

Euclid*
Not Available

Atro*
Not Available



3/8" Thick

Dyco D-357

Spring End Pad
for Neway*

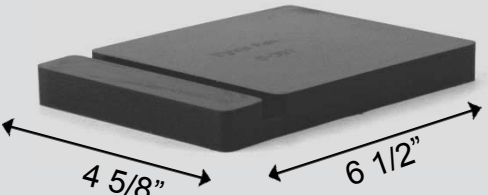
REPLACES

Neway*
91028154

Severson*
Not Available

Euclid*
Not Available

Atro*
Not Available



5/8" Thick

Dyco D-355

Axle Wrapper
For Neway*

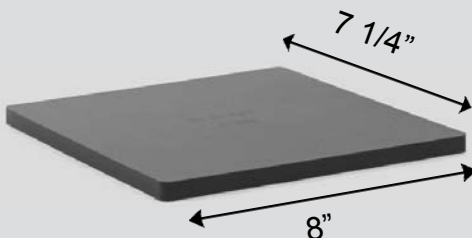
REPLACES

Neway*
90028007

Severson*
A80BL8673

Euclid*
E-8673

Atro*
Not Available



3/8" Thick

Dyco D-358

Axle Pad
for Neway*

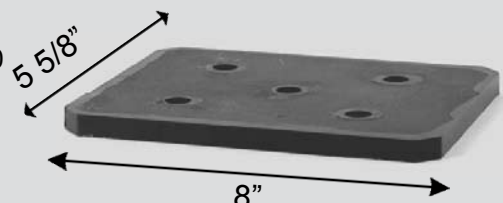
REPLACES

Neway*
90028075

Severson*
A80BL8680

Euclid*
E-8680

Atro*
Not Available



3/8" Thick

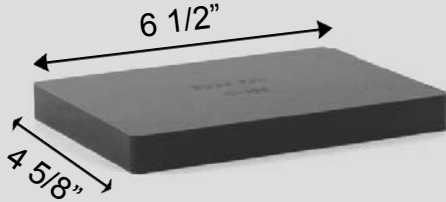
Neway*

Dyco
D-359

End Pad
for Neway*

REPLACES

- Neway* 91028152
- Severson* A80BL1329
- Euclid* Not Available
- Atro* Not Available



3/4" Thick

Dyco
D-440

Beam Pivot Bushing
for Neway*

REPLACES

- Neway* 90008151
- Severson* Not Available
- Euclid* Not Available
- Atro* Not Available

1 1/8" Hole



3 1/2"

Dyco
D-433

Center Beam Bushing
for Neway*

REPLACES

- Neway* M0008000
- Severson* Not Available
- Euclid* Not Available
- Atro* Not Available

2 9/16" Hole



4 1/8"

Dyco
D-441

Beam Pivot Bushing
for Neway*

REPLACES

- Neway* 90008139
- Severson* A80BL8675
- Euclid* E-8683
- Atro* Not Available

1 1/8" Hole



3 1/2"

Dyco
D-434

Transverse Beam Bushing
for Neway*
2 5/8" Hole

REPLACES

- Neway* 90008135
- Severson* Not Available
- Euclid* Not Available
- Atro* Not Available



4 1/8"

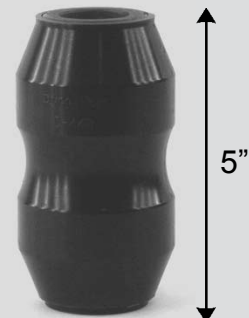
Dyco
D-448

Beam End Bushing
for Neway*
1 1/8" Hole

REPLACES

- Neway* 90008149
- Severson* Not Available
- Euclid* Not Available
- Atro* Not Available

1 1/8" Hole



2 3/4"

Neway* / Page*

Dyco
D-549

Torque Arm Bushing
for Neway*

REPLACES

Neway*
91008007

Severson*
A80BL8676

Euclid*
Not Available

Atro*
Not Available

1 1/4" Hole



Dyco
D-150

Trunnion Bushing
for Page*

REPLACES

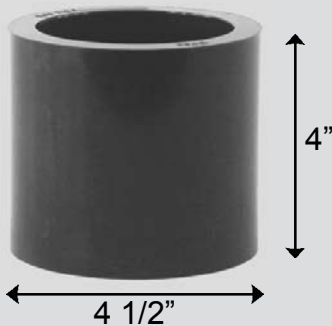
Page*
X1004782

Severson*
A80BL3004

Euclid*
E-7488

Atro*
Not Available

3 1/2" Hole



Dyco
D-152

Trunnion Bushing
for Page*

REPLACES

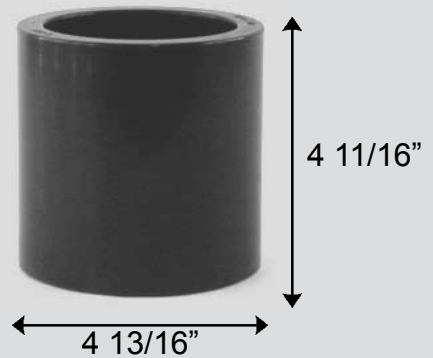
Page*
X1003951

Severson*
A80BL3008

Euclid*
Not Available

Atro*
Not Available

3 3/4" Hole



Dyco
D-151

Trunnion Bushing
for Page*
3 1/2" Hole

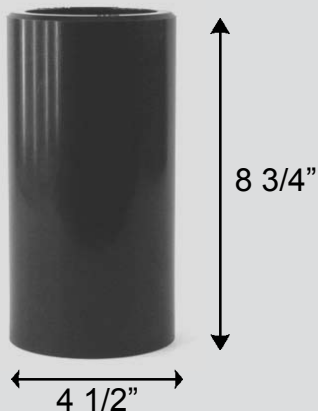
REPLACES

Page*
X1004785

Severson*
A80BL3007

Euclid*
E-7489

Atro*
Not Available



Dyco
D-153

Trunnion Bushing
for Page*
3 7/8" Hole

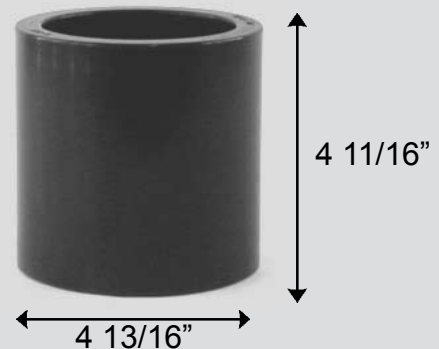
REPLACES

Page*
X1003544

Severson*
A80BL3006

Euclid*
E-7491

Atro*
Not Available



Page* / Peerless*

Dyco
D-154

Trunnion Bushing
for Page*

4" Hole

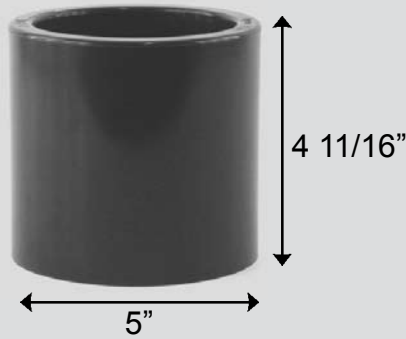
REPLACES

Page*
X1006731

Severson*
A80BL3009

Euclid*
E-7492

Atro*
Not Available



Dyco
D-157

Trunnion Bushing
for Page*

3 1/4" Hole

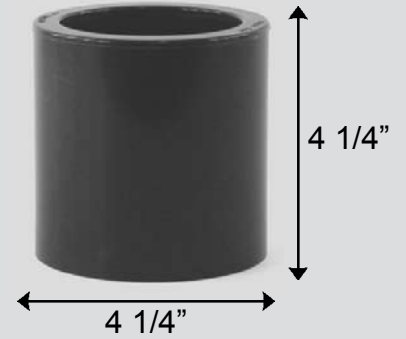
REPLACES

Page*
Not Available

Severson*
A80BL0015

Euclid*
E-7487

Atro*
Not Available



Dyco
D-155

Trunnion Bushing
for Page*

4 1/2" Hole

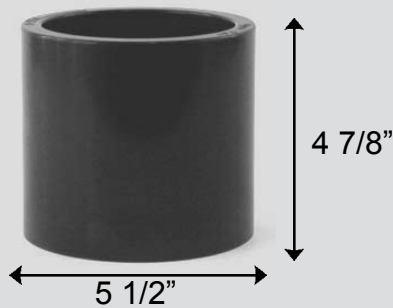
REPLACES

Page*
X1003546

Severson*
A80BL9003

Euclid*
E-7493

Atro*
Not Available



Dyco
D-167

Spring End Pad
for Peerless*

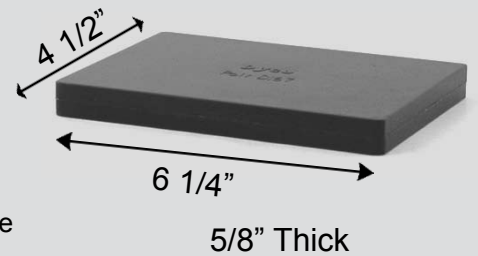
REPLACES

Peerless*
31-12

Severson*
A80BL3592

Euclid*
E-7501

Atro*
Not Available



Dyco
D-156

Trunnion Bushing
for Page*

5" Hole

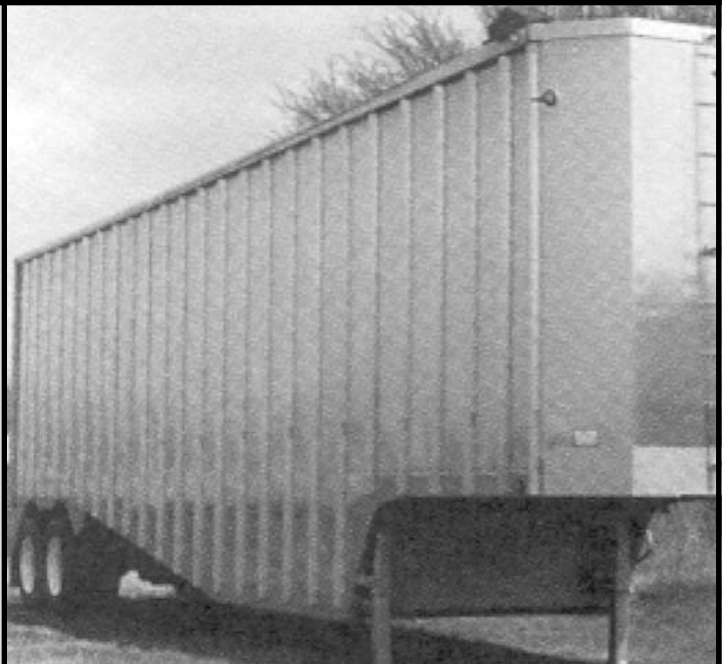
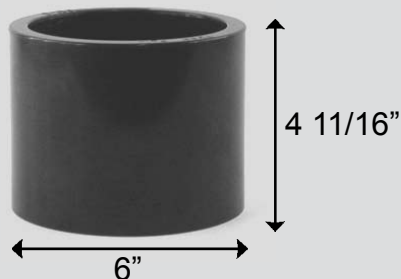
REPLACES

Page*
X1006954

Severson*
A80BL9002

Euclid*
E-7494

Atro*
Not Available



Peerless*

Dyco D-168

Reach Cradle
for Peerless*

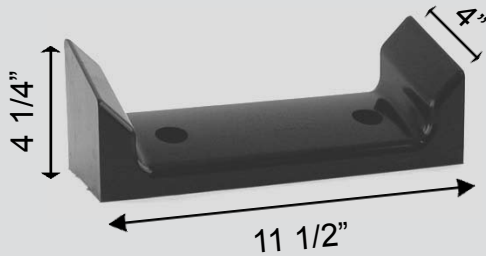
REPLACES

Peerless*
20623

Severson*
A80BL3002

Euclid*
E-7497

Atro*
Not Available



Dyco D-530-A

Reach Roller & Bracket Assembly
for Peerless*

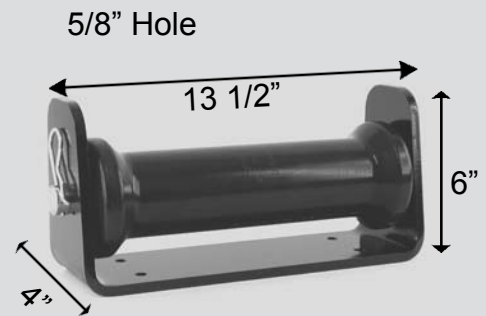
REPLACES

Peerless*
Not Available

Severson*
Not Available

Euclid*
Not Available

Atro*
Not Available



Includes D-530

Dyco D-444

Reach Cradle
for Peerless*

REPLACES

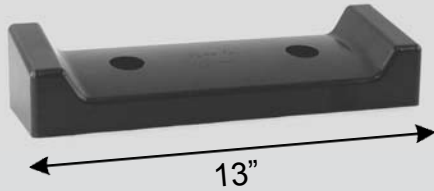
Peerless*
Not Available

Severson*
A80BL1000

Euclid*
Not Available

Atro*
Not Available

2 Holes



Dyco D-169

Trunnion Bushing
for Peerless*

REPLACES

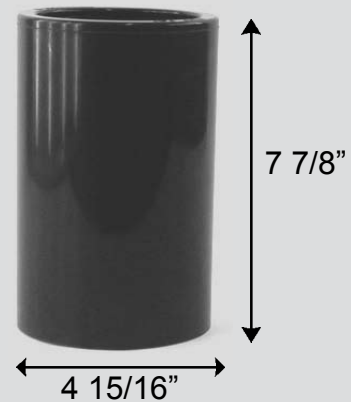
Peerless*
36-510

Severson*
A80BL3003

Euclid*
E-7434

Atro*
Not Available

4" Hole



Dyco D-530

Reach Roller
for Peerless*

REPLACES

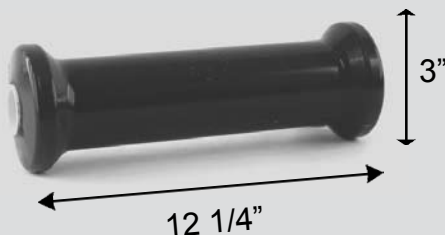
Peerless*
Not Available

Severson*
Not Available

Euclid*
Not Available

Atro*
Not Available

1 3/8" Hole



Dyco D-170

Walking Beam Bushing
for Peerless*

REPLACES

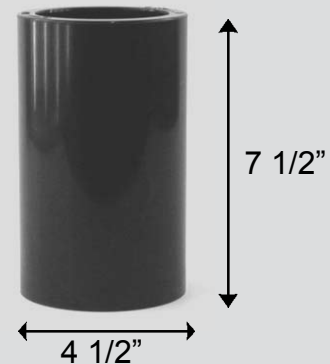
Peerless*
36-522

Severson*
A80BL3005

Euclid*
E-7498

Atro*
Not Available

3 1/2" Hole



Peerless* / Peterbilt*

Dyco
D-171

1 1/4" Hole Stake Bushing
for Peerless*

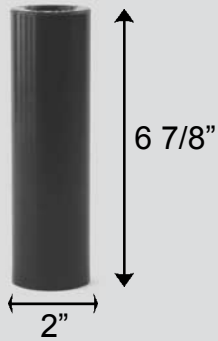
REPLACES

Peerless*
67-20621

Severson*
A80BL3631

Euclid*
E-7496

Atro*
Not Available



Dyco
D-179

3 1/2" Hole Trailing Arm Bushing
for Peerless*

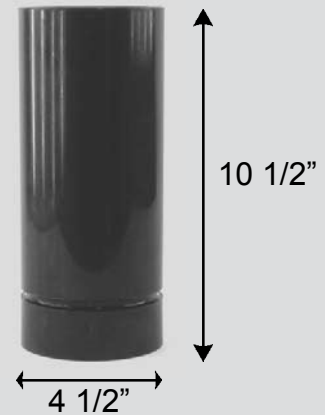
REPLACES

Peerless*
36-515

Severson*
A80BL3000

Euclid*
E-7499

Atro*
Not Available



Dyco
D-177

2 1/2" Hole Pivot Arm Bushing
for Peerless*

REPLACES

Peerless*
36-521

Severson*
A80BL3001

Euclid*
E-7500

Atro*
Not Available



Dyco
D-184

1 1/4" Hole Stake Bushing
for Peerless*

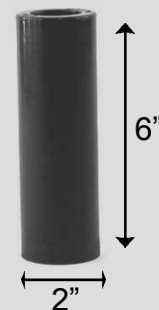
REPLACES

Peerless*
67-20621B

Severson*
A80BL3631-B

Euclid*
E-7495

Atro*
Not Available



Dyco
D-178

4" Hole Trunnion Bushing
for Peerless*

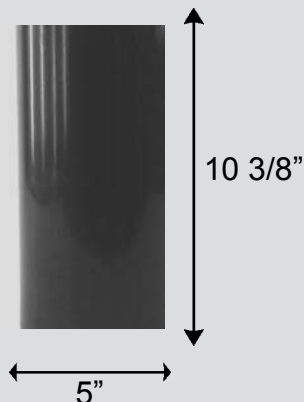
REPLACES

Peerless*
36-500

Severson*
A80BL0100

Euclid*
E-7449

Atro*
Not Available



Dyco
D-1

1" Hole Large Shock Bushing
for Peterbilt*

REPLACES

Peterbilt*
Not Available

Severson*
A80BL3558

Euclid*
E-7529

Atro*
PL1026



Peterbilt*

Dyco
D-2

Radiator Rod Bushing
for Peterbilt*

5/8" Hole

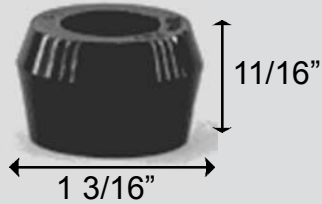
REPLACES

Peterbilt*
07-02552

Severson*
A80BL2205

Euclid*
E-7508

Atro*
Not Available



Dyco
D-5

Motor Mount
for Peterbilt*

5/8" Hole

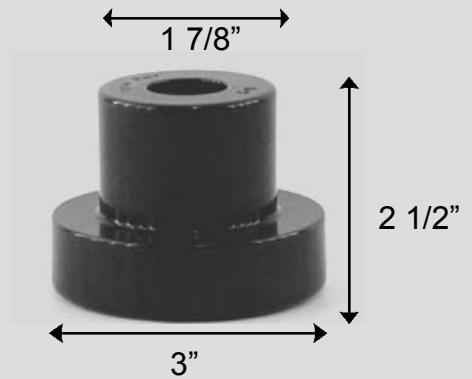
REPLACES

Peterbilt*
05-14794

Severson*
A80BL3596

Euclid*
E-7462

Atro*
PL1009



Dyco
D-3

Hood Roller
for Peterbilt*

3/8" Hole

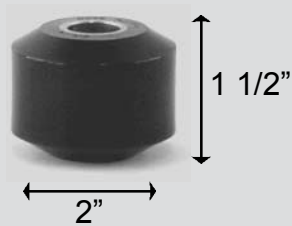
REPLACES

Peterbilt*
13-03439

Severson*
A80BL2051

Euclid*
E-7505

Atro*
Not Available



Dyco
D-4

Motor Mount
for Peterbilt*

5/8" Hole

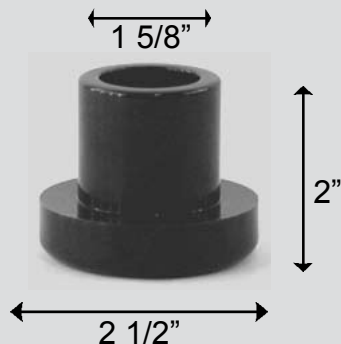
REPLACES

Peterbilt*
05-08968

Severson*
A80BL3593

Euclid*
E-7506

Atro*
Not Available



Dyco
D-6

Radiator Mount
for Peterbilt*

5/8" Hole

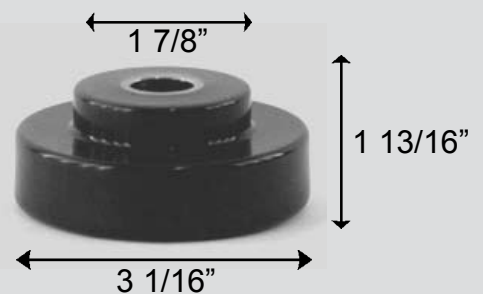
REPLACES

Peterbilt*
07-03286

Severson*
A80BL2213

Euclid*
E-7472

Atro*
PL1015



Peterbilt*

Dyco
D-8

Hood Hinge Bushing
for Peterbilt*

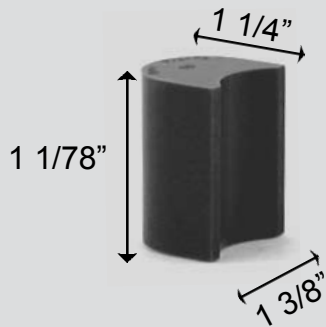
REPLACES

Peterbilt*
13-03318

Severson*
A80BL2206

Euclid*
E-7502

Atro*
Not Available



Dyco
D-11

Hood Locating Pin
for Peterbilt*

REPLACES

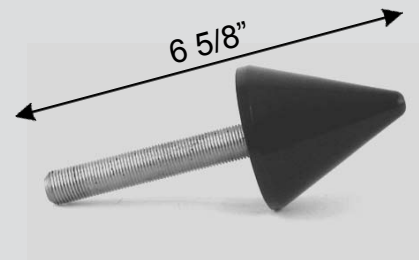
5/8" - 18 Thread

Peterbilt*
13-01840

Severson*
A80BL2211

Euclid*
E-7504

Atro*
Not Available



Thread Length 3 7/8"

Dyco
D-9

Motor Mount
for Peterbilt*

REPLACES

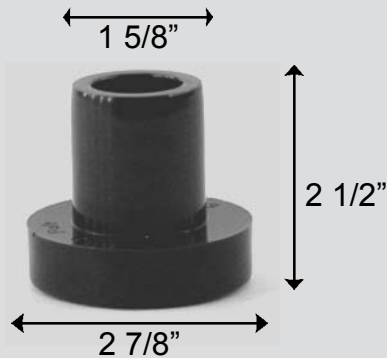
Peterbilt*
05-10197

Severson*
A80BL8008

Euclid*
E-7507

Atro*
PL1018

25/32" Hole



Dyco
D-12

Equalizer Bushing
for Peterbilt*

REPLACES

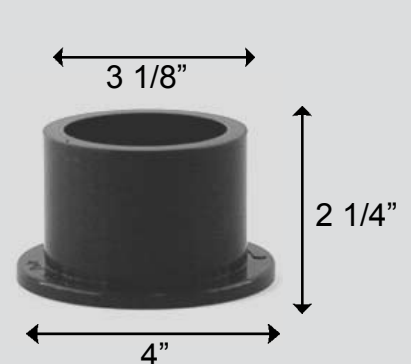
Peterbilt*
03-02099

Severson*
A70BL1091

Euclid*
E-7510

Atro*
Not Available

2 1/2" Hole



Dyco
D-10

Hood Hinge Bushing
for Peterbilt*

REPLACES

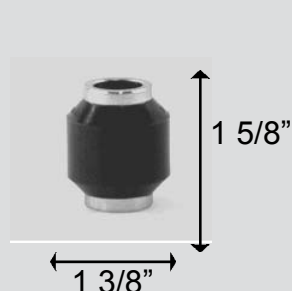
Peterbilt*
13-03440

Severson*
A80BL2207

Euclid*
7503

Atro*
Not Available

5/8" Hole



Dyco
D-13

Air Leaf Bushing
for Peterbilt*

REPLACES

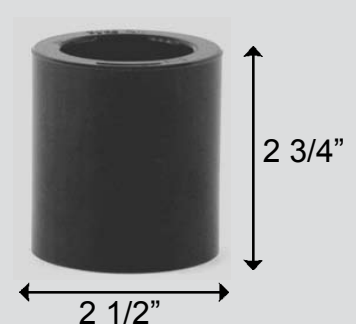
Peterbilt*
03-016474 or
03-07016

Severson*
A80BL2052

Euclid*
E-7509

Atro*
Not Available

1 3/4" Hole



Peterbilt*

Dyco
D-14

Spring Hanger Bushing
Peterbilt*

1 3/4" Hole

REPLACES

Peterbilt*
03-01675

Severson*
Not Available

Euclid*
E-4776

Atro*
Not Available



Dyco
D-17

Motor Mount
for Peterbilt*

3/4" Hole

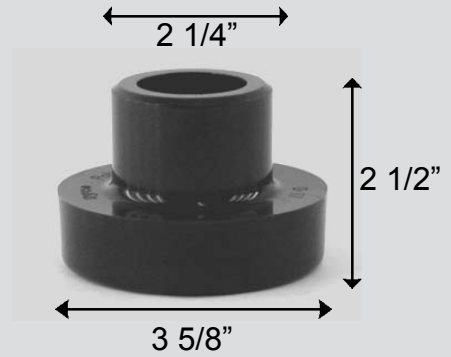
REPLACES

Peterbilt*
05-16919

Severson*
Not Available

Euclid*
Not Available

Atro*
Not Available



Dyco
D-15

Mount
for Peterbilt*

5/8" Hole

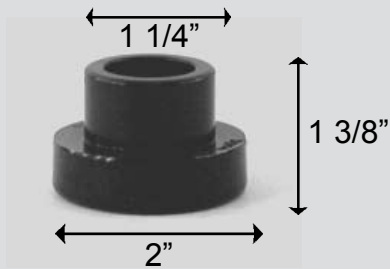
REPLACES

Peterbilt*
13-01633

Severson*
A80BK8004

Euclid*
E-7448

Atro*
Not Available



Dyco
D-18

Cat* Mount
for Peterbilt*

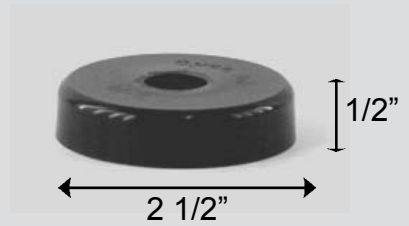
REPLACES

Peterbilt*
05-17224

Severson*
Not Available

Euclid*
Not Available

Atro*
Not Available



Dyco
D-16

Mount
for Peterbilt*

5/8" Hole

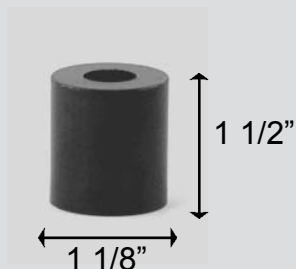
REPLACES

Peterbilt*
13-03593

Severson*
Not Available

Euclid*
Not Available

Atro*
Not Available



Peterbilt*

Dyco
D-19

Cat* Mount
for Kenworth*

REPLACES

Peterbilt*
05-17225

Severson*
Not Available

Euclid*
Not Available

Atro*
Not Available



Dyco
D-421-C

Torque Rod Bushing
for Peterbilt*

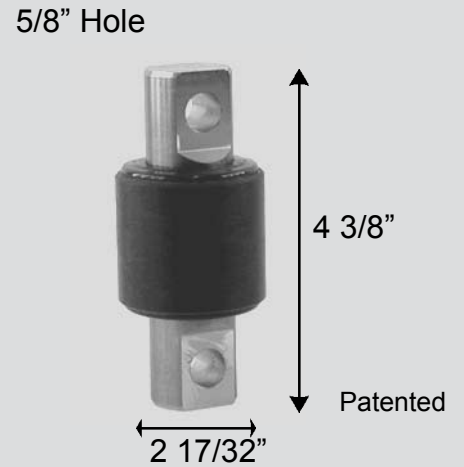
REPLACES

Peterbilt*
227710

Severson*
Not Available

Euclid*
not Available

Atro*
Not Available



Dyco
D-20

Motor Mount
for Peterbilt*

REPLACES

Peterbilt*
05-18263

Severson*
A80BL6998

Euclid*
Not Available

Atro*
Not Available



Dyco
D-424-S

Torque Rod Bushing
for Peterbilt*

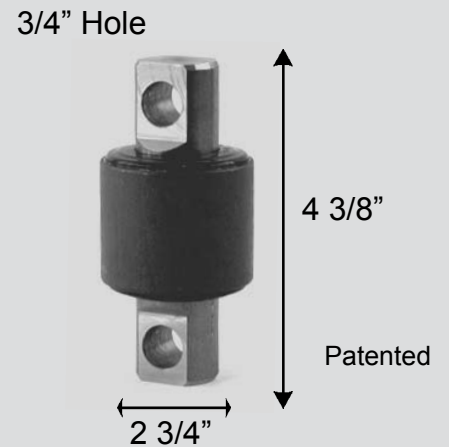
REPLACES

Peterbilt*
227723

Severson*
Not Available

Euclid*
Not Available

Atro*
TS38750



Dyco
D-421-S

Torque Rod Bushing
for Peterbilt*

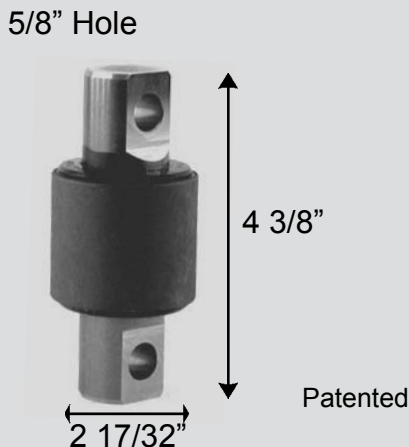
REPLACES

Peterbilt*
227710

Severson*
A80BL1055

Euclid*
E-7638

Atro*
TS38750



Dyco
D-424-C

3/4" Hole

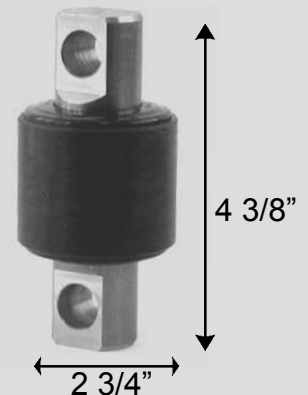
REPLACES

Peterbilt*
227723

Severson*
Not Available

Euclid*
Not Available

Atro*
Not Available



Peterbilt* / Pierce*

Dyco
D-432

Motor Mount
for Peterbilt*

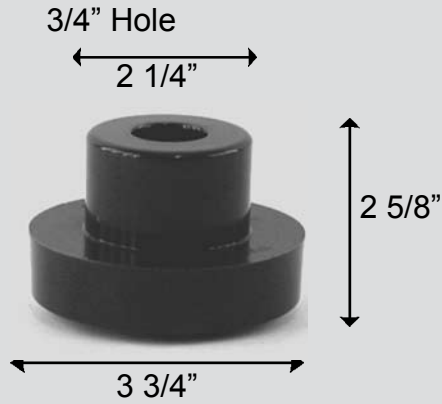
REPLACES

Peterbilt*
05-16401

Severson*
A80BL3557

Euclid*
E-7469

Atro*
Not Available



Dyco
D-200

Spring End Pad
for Pierce*

REPLACES

Pierce*
T80-0084-0

Severson*
A80BL3013

Euclid*
E-7512

Atro*
Not Available



Dyco
D-443

Cab Mount
for Peterbilt*

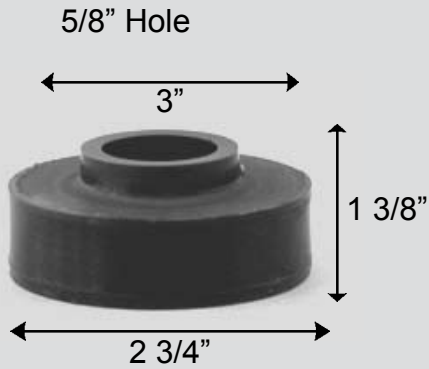
REPLACES

Peterbilt*
20-08257

Severson*
A75GR9995

Euclid*
E-8919

Atro*
Not Available



Dyco
D-201

Spring End Pad
for Pierce*

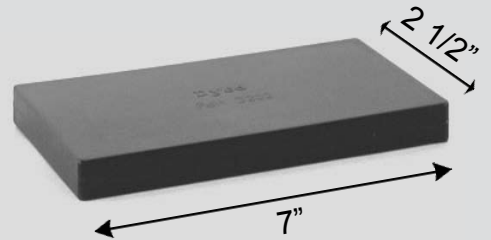
REPLACES

Pierce*
T80-0081-0

Severson*
A80BL3011

Euclid*
E-7513

Atro*
Not Available



Dyco
D-535

Hood Bumper
for Peterbilt*

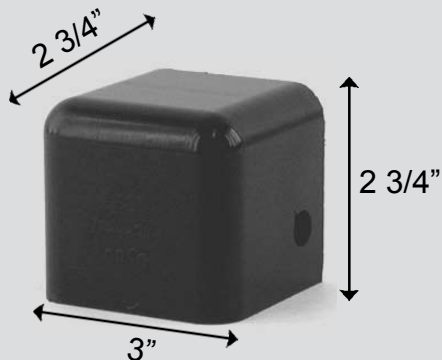
REPLACES

Peterbilt*
13-03114D

Severson*
Not Available

Euclid*
Not Available

Atro*
Not Available



Dyco
D-202

Spring End Pad
for Pierce*

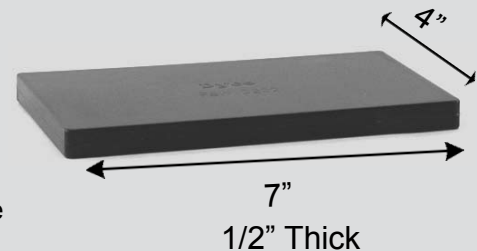
REPLACES

Pierce*
T80-0082-0

Severson*
A80BL3012

Euclid*
E-7514

Atro*
Not Available



Pierce* / Premier*

Dyco
D-209

Trunnion Bushing
for Pierce*

3 1/2" Hole

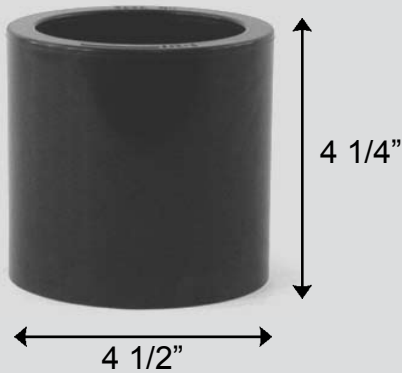
REPLACES

Pierce*
T06-0013-0

Severson*
A80BL3010

Euclid*
E-7511

Atro*
Not Available



Dyco
D-250

Bushing
for Premier*

2" Hole

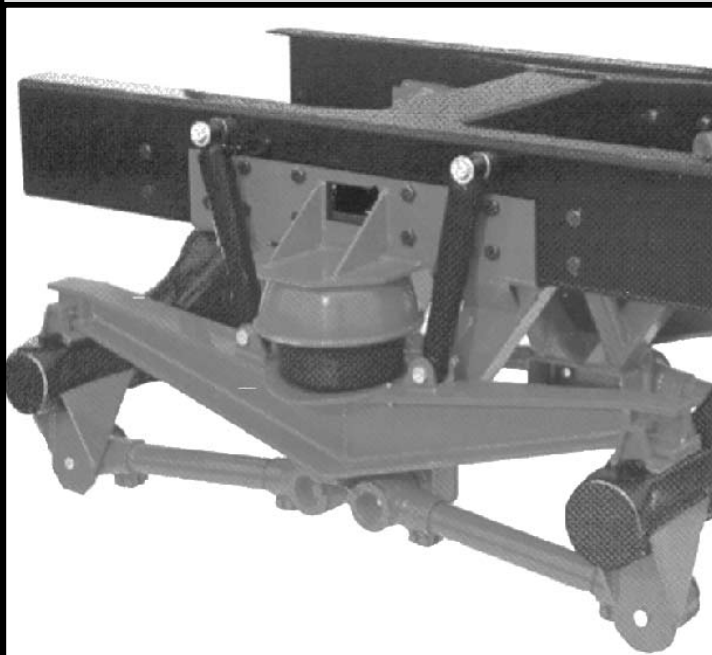
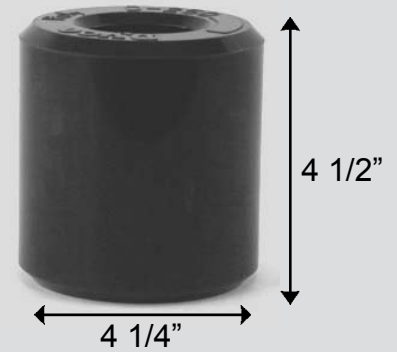
REPLACES

Premier*
437-A

Severson*
A80BL3026

Euclid*
E-7518

Atro*
Not Available



Dyco
D-251

Bushing
for Premier*

2" Hole

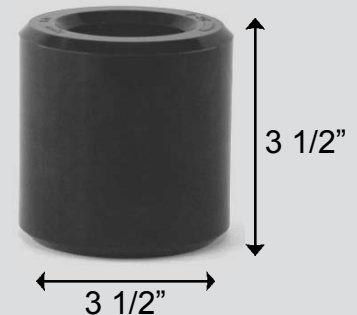
REPLACES

Premier*
348-A

Severson*
A80BL3023

Euclid*
E-7517

Atro*
PL1021



Dyco
D-249

Bushing
for Premier*

2" Hole

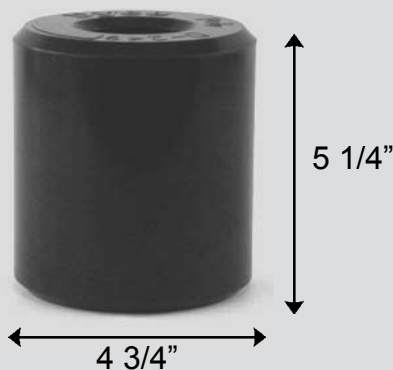
REPLACES

Premier*
P-205

Severson*
A80BL3029

Euclid*
E-7645

Atro*
Not Available



Dyco
D-252

Bushing
for Premier*

2" Hole

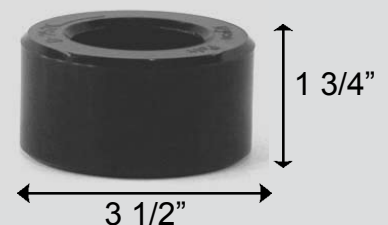
REPLACES

Premier*
448-A

Severson*
A80BL3022

Euclid*
E-7516

Atro*
PL1020



Premier* / Reliance* / Reyco*

Dyco
D-253

Bushing
for Premier*
1 5/8" Tapered

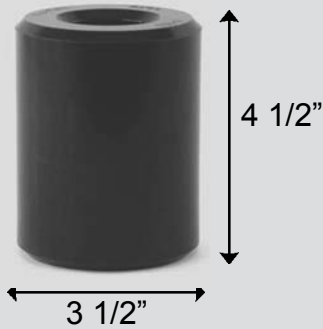
REPLACES

Premier*
344-A

Severson*
A80BL3024

Euclid*
E-7515

Atro*
PL1019



Dyco
D-254

Bushing
for Premier*
2 1/2" Tapered

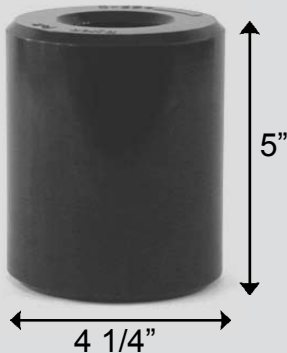
REPLACES

Premier*
434-A

Severson*
A80BL3027

Euclid*
E-7519

Atro*
Not Available



Dyco
D-59

Equalizer Bushing
for Reyco*
1 5/8" Hole

REPLACES

Reyco*
T5524

Severson*
A80BL0020

Euclid*
E-8653

Atro*
Not Available



Dyco
D-393

Bumper
for Reliance*

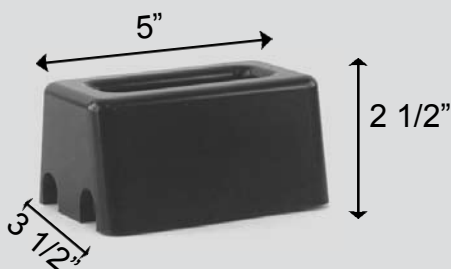
REPLACES

Reliance*
360A

Severson*
A80BL4151

Euclid*
Not Available

Atro*
Not Available



Dyco
D-69

Equalizer Bushing
for Reyco*
1 1/2" Hole

REPLACES

Reyco*
14713-01

Severson*
A80BL3561

Euclid*
E-8654

Atro*
Not Available



Reyco*

Dyco D-70

Torque Arm Bushing
for Reyco*

1" Hole

REPLACES

Reyco*
T-2242

Severson*
A80BL1041

Euclid*
E-7522

Atro*
Not Available



Dyco D-73

Torque Arm Bushing
for Reyco*

7/8" Hole

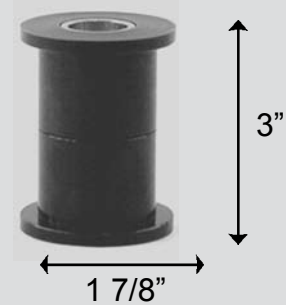
REPLACES

Reyco*
09729-01

Severson*
A80BL1043

Euclid*
E-7520

Atro*
Not Available



Dyco D-71

Torque Arm Bushing
for Reyco*

1" Hole

REPLACES

Reyco*
T5493

Severson*
A80BL1042

Euclid*
E-7523

Atro*
Not Available



Dyco D-76

Equalizer Bushing
for Reyco*

2" Hole

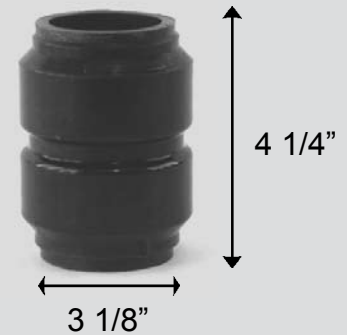
REPLACES

Reyco*
T3214

Severson*
A80BL8688

Euclid*
E-8688

Atro*
Not Available



Dyco D-72

Torque Arm Bushing
for Reyco*

1 1/16" Hole

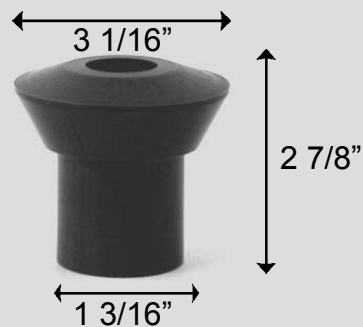
REPLACE

Reyco*
T1842

Severson*
A80BL1040

Euclid*
E-7521

Atro*
Not Available



Dyco D-78

Rear Hanger Bushing
for Reyco*

7/8" Hole

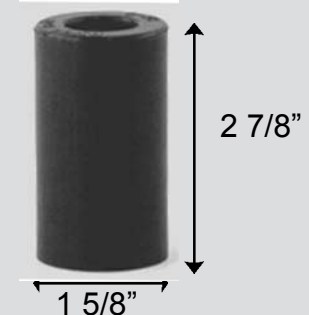
REPLACES

Reyco*
T5708

Severson*
Not Available

Euclid*
Not Available

Atro*
Not Available



Reyco* / Ridewell* / Rockwell* / Silent Drive*

Dyco
D-79

Torque Arm Bushing
for Reyco*

REPLACES

Reyco*
21238-01

Severson*
A80BL8694

Euclid*
Not Available

Atro*
Not Available

1" Hole



Dyco
D-247

Torque Arm Bushing
for Rockwell*

REPLACES

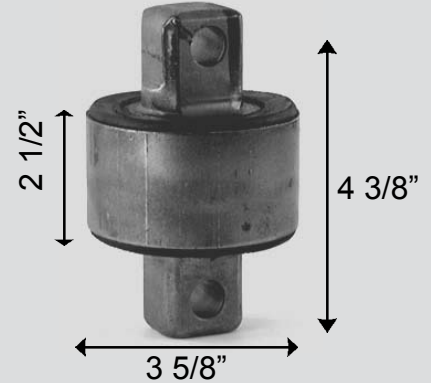
Rockwell*
A2297-K-1051

Severson*
Not Available

Euclid*
Not Available

Atro*
Not Available

5/8" Holes



Dyco
D-538

Torque Arm Bushing
for Reyco*

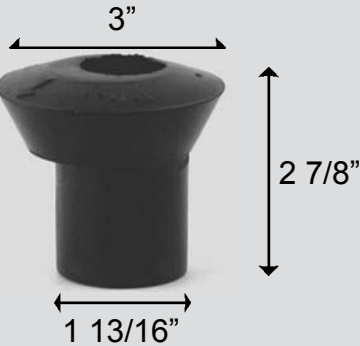
REPLACES

Reyco*
T1723

Severson*
A80BL8689

Euclid*
Not Available

Atro*
Not Available



Dyco
D-246

Torque Arm Bushing
for Rockwell*

REPLACES

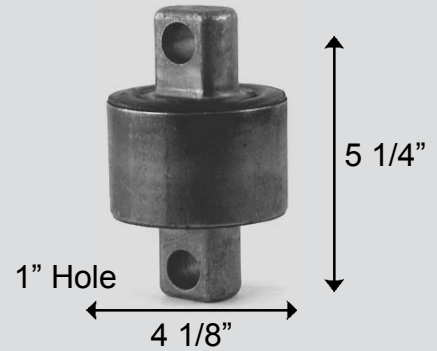
Rockwell*
A2297-H-1048

Severson*
A80BL1028

Euclid*
E8655

Atro*
Not Available

7/8" Holes



Dyco
D-150

Spring End Bushing
for Ridewell*

REPLACES

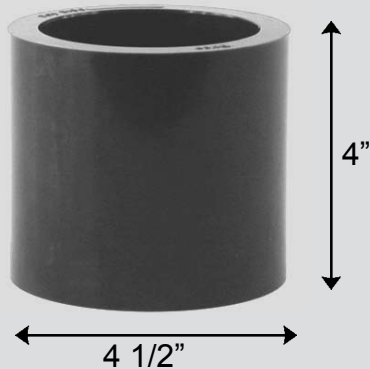
Ridewell*
100608B000

Severson*
A80BL3004-1

Euclid*
Not Available

Atro*
Not Available

3 1/2" Hole



Dyco
D-212

Beam Bushing
for Silent Drive*

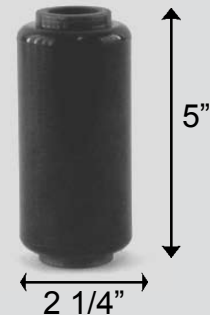
REPLACES

Silent Drive*
PB3000

Severson*
Not Available

Euclid*
Not Available

Atro*
Not Available



Patented

Silent Drive* / Silver Eagle*

Dyco
D-213

Beam Bushing
for Silent Drive*

REPLACES

Silent drive*
PB5000

Severson*
Not Available

Euclid*
Not Available

Atro*
Not Available

1" Hole



Patented

Dyco
D-173

Spring End Bushing
for Silver Eagle*

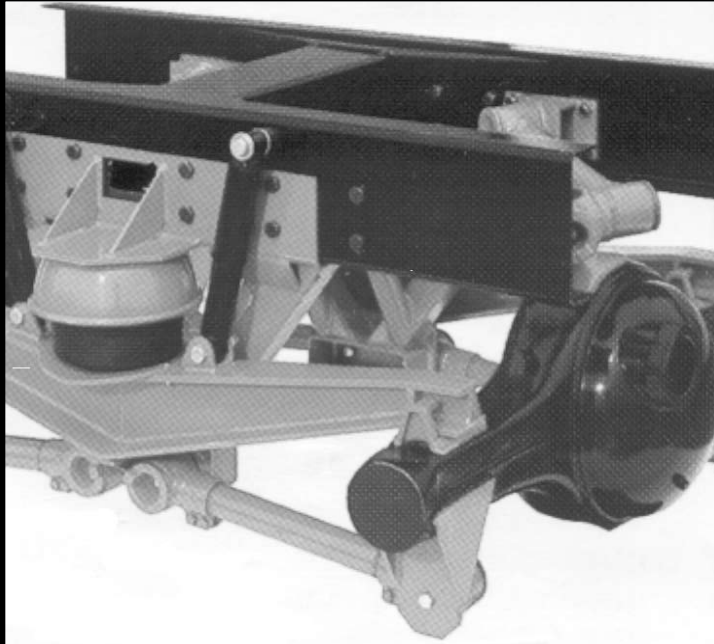
REPLACES

Silver Eagle*
G-34

Severson*
A80BL1021

Euclid*
E-7526

Atro*
Not Available



Dyco
D-174

Spring End Bushing
for Silver Eagle*

REPLACES

Silver eagle*
G-35

Severson*
A80BL1022

Euclid*
E-7526

Atro*
Not Available



Dyco
D-172

Eye Bushing
for Silver Eagle*

REPLACES

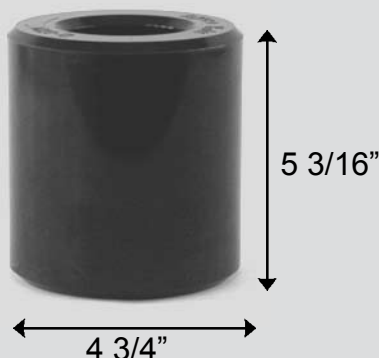
Silver Eagle*
R-205

Severson*
A80BL3035

Euclid*
E-7524

Atro*
PL1022

2 1/2" Hole



Dyco
D-175

Eye Bushing
for Silver Eagle*

REPLACES

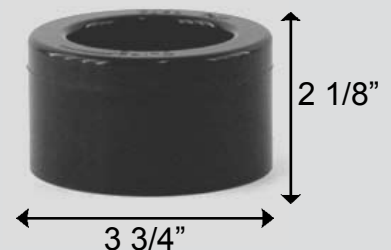
Silver Eagle*
R-213

Severson*
A80BL1020

Euclid*
E-7525

Atro*
PL1023

2 1/2" Hole



Spicer* / Trailmobile* / Truck Weld* / Turner* / Trans-

Dyco
D-73

Torque Arm Bushing
for Spicer*
7/8" Hole

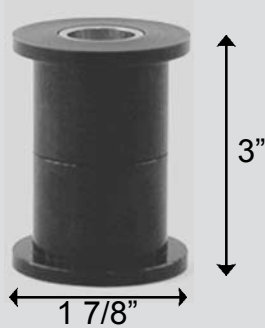
REPLACES

Spicer*
A-1712

Severson*
A80BL1043

Euclid*
E-7520

Atro*
Not Available



Dyco
D-442

Equalizer Bushing
for Trans-Pro
1" Hole

REPLACES

Trans-Pro*
0649-02

Severson*
A80BL0019

Euclid*
Not Available

Atro*
Not Available



Dyco
D-544

Equalizer Bushing
for Trailmobile*
13/16" Holes

REPLACES

Trailmobile*
3-12-32

Severson*
A80BL0026

Euclid*
Not Available

Atro*
Not Available



Dyco
D-105

5th Wheel Eye Bushing
for Truck Weld*
2 1/4" Hole

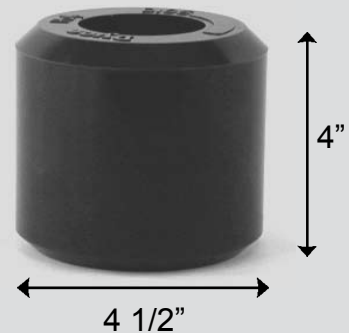
REPLACES

Truck Weld*
320-023

Severson*
Not Available

Euclid*
Not Available

Atro*
Not Available



Dyco
D-73

Torque Arm Bushing
for Trans-Pro*
7/8" Hole

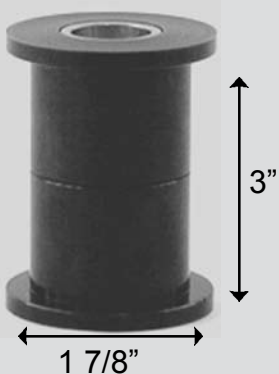
REPLACES

Trans-Pro*
0022-00

Severson*
A80BL1043

Euclid*
E-7520

Atro*
Not Available



Dyco
D-73

Torque Arm Bushing
for Turner*
7/8" Hole

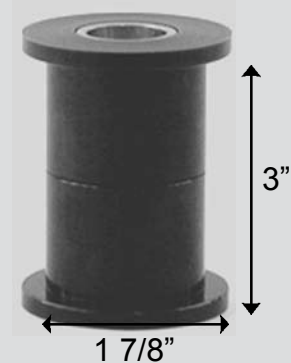
REPLACES

Turner*
A-1712

Severson*
A80BL1043

Euclid*
E-7520

Atro*
Not Available



Universal* / Utility* / Van Radan*

Dyco
D-74 Blue

Glad Hand Seal
Universal*

REPLACES

Rubber Glad
Hand Seal

Severson*
A80BL2000

Euclid*
E-91070

Atro*
Not Available



Dyco
D-180

Hinge Bushing
for Utility*

REPLACES

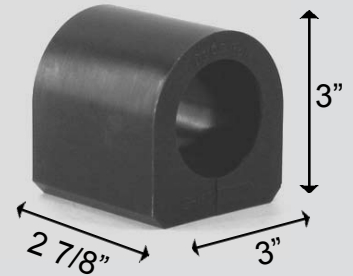
1 7/8" Hole

Utility*
3-1306

Severson*
A80BL1306

Euclid*
E-7527

Atro*
PL1024



Dyco
D-75 Red

Glad Hand Seal
Universal*

REPLACES

Rubber Glad
Hand Seal

Severson*
A80BL2001

Euclid*
E-91080

Atro*
Not Available



Dyco
D-554 Black

Glad Hand Seal
Universal*

REPLACES

Rubber Glad
Hand Seal

Severson*
Not Available

Euclid*
Not Available

Atro*
Not Available



Dyco
D-501

1" Hole

Drop Axle
for Van Radan*

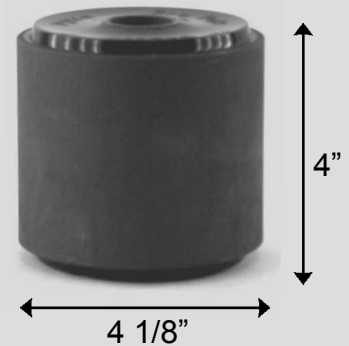
REPLACES

Van Radan*
3049270

Severson*
Not Available

Euclid*
Not Available

Atro*
Not Available

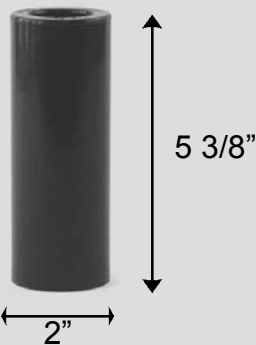


Van Radan* / Volvo*

Dyco D-502

Trailing Arm Bushing
for Van Radan*

1 1/4" Hole



REPLACES

Van Radan*
3049271

Severson*
Not Available

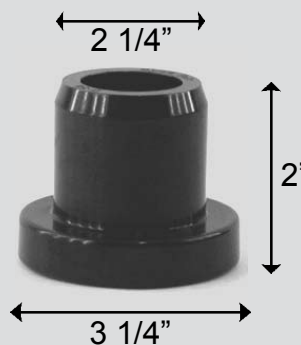
Euclid*
Not Available

Atro*
Not Available

Dyco D-54

Motor Mount
for Volvo*

5/8" Hole



REPLACES

Volvo*
702727

Severson*
A80BL0019

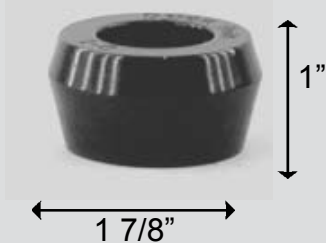
Euclid*
E-7440

Atro*
Not Available

Dyco D-1

Large Shock Mount
for Volvo*

1" Hole



REPLACES

Volvo*
Not Available

Severson*
A80BL3558

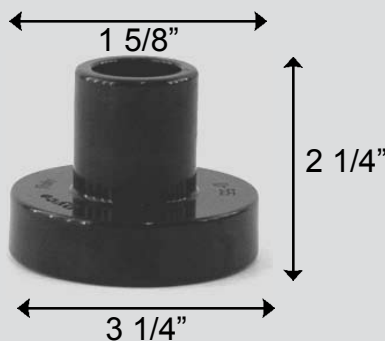
Euclid*
E-7529

Atro*
PL1026

Dyco D-55

Cab Mount Bushing
for Volvo*

9/16" Hole



REPLACES

Volvo*
2005774

Severson*
A80BL1007

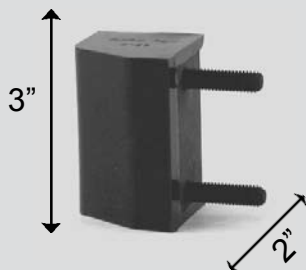
Euclid*
E-7439

Atro*
Not Available

Dyco D-29

Cab Latch Insulator
for Volvo*

3/8" Thread



REPLACES

Volvo*
3081272

Severson*
A80BL0025

Euclid*
E-9507

Atro*
Not Available



Volvo*

Dyco D-56

5/8" Hole
Motor Mount
for Volvo*

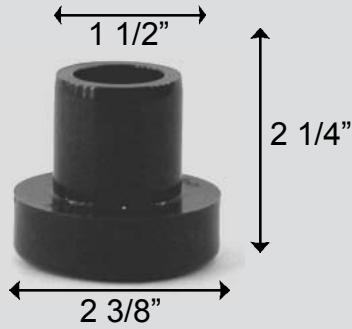
REPLACES

Volvo*
15506930

Severson*
A80BL1027

Euclid*
E-8650

Atro*
Not Available



Dyco D-421-S

5/8" Hole
Torque Rod Bushing
for Volvo*

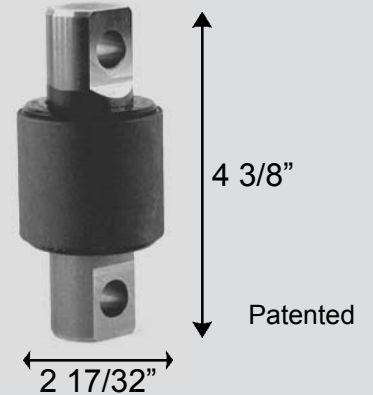
REPLACES

Volvo*
35033-3201

Severson*
A80BL1055

Euclid*
E-7638

Atro*
TS34000



Dyco D-76

2" Hole
Equalizer Bushing
for Volvo*

REPLACES

Volvo*
35033-0001 or
V8027424

Severson*
A80BL8688

Euclid*
Not Available

Atro*
Not Available



Dyco D-421-C

5/8" Hole
Torque Rod Bushing
for Volvo*

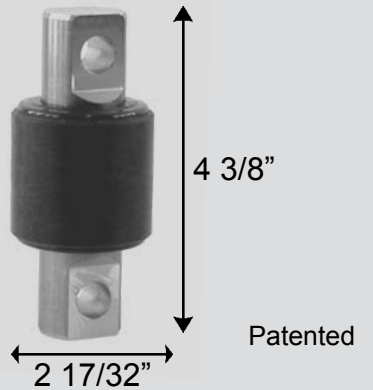
REPLACES

Volvo*
35033-3201

Severson*
Not Available

Euclid*
Not Available

Atro*
Not Available



Dyco D-329

3/4" Hole
Shock Bushing
for Volvo*

REPLACES

Volvo*
V8057131

Severson*
A80BL4150

Euclid*
E-7528

Atro*
PL1025



Dyco D-430

1 1/2" Hole
Motor Mount
for Volvo*

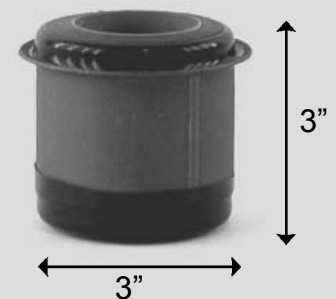
REPLACES

Volvo*
12004-0007

Severson*
A80BL8007

Euclid*
E-8918

Atro*
Not Available



Watson Chalin* / Western Star*



Dyco
D-352

Pad
for Watson Chalin*

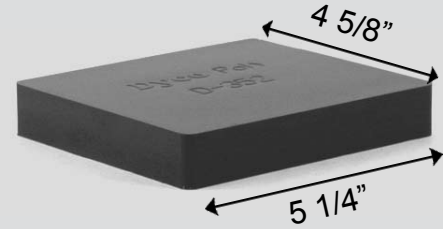
REPLACES

Watson Chalin*
SP-0913

Severson*
A80BL8670

Euclid*
E-8670

Atro*
Not Available



7/8" Thick

Dyco
D-217

Spring End Pad
for Watson Chalin*

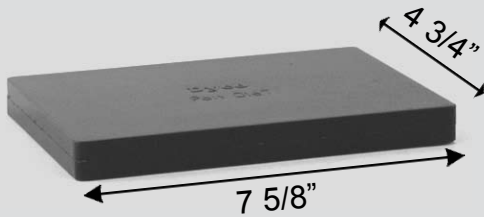
REPLACES

Watson Chalin*
SP-0039

Severson*
A80BL8664

Euclid*
E-8664

Atro*
PL1005



1" Thick

Dyco
D-448

Beam End Bushing
for Watson Chalin*

REPLACES

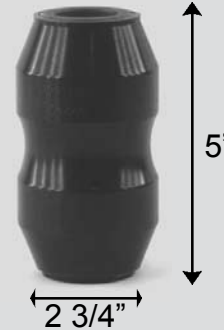
Watson Chalin*
11223

Severson*
Not Available

Euclid*
Not Available

Atro*
Not Available

1 1/8" Hole



2 3/4"

Dyco
D-232

Trunnion Bushing
for Watson Chalin*

4" Hole

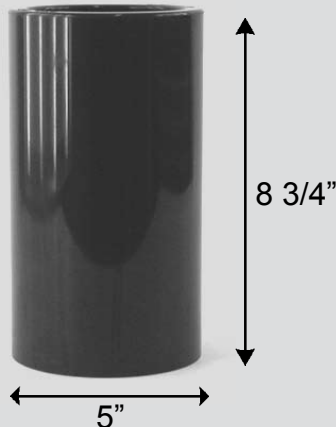
REPLACES

Watson Chalin*
SP-0192

Severson*
A80BL3030

Euclid*
E-7486

Atro*
NW30000



5"

Dyco
D-1

Large Shock Mount
for Western Star*

REPLACES

Western Star*
Not Available

Severson*
A80BL3558

Euclid*
E-7529

Atro*
PL1026

1" Hole



1 7/8"

Western Star*

Dyco D-2

Grommet
for Western Star*

REPLACES

5/8" Hole

Western Star*
656215

Severson*
A80BL2205

Euclid*
E-7528

Atro*
Not Available



Dyco D-17

Engine Mount
for Western Star*

REPLACES

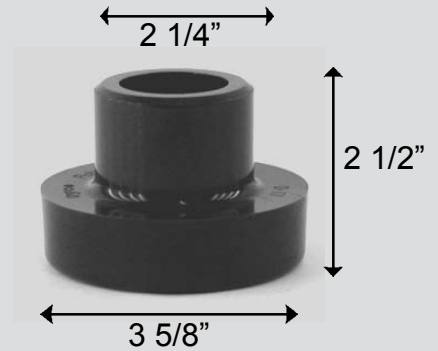
3/4" Hole

Western Star*
12005-3403

Severson*
Not Available

Euclid*
Not Available

Atro*
Not Available



Dyco D-30

Mount
for Western Star*

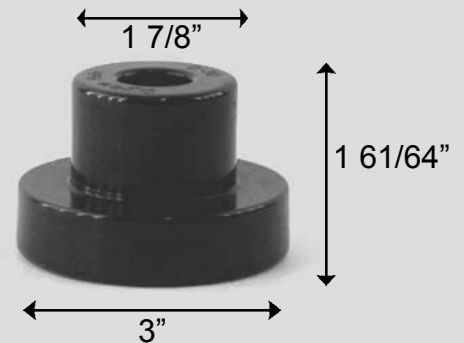
REPLACES 5/8" Hole

Western Star*
04-9009990

Severson*
A80BL2212

Euclid*
E-7473

Atro*
PL1016



Dyco D-6

Lower Engine Mount
for Western Star*

REPLACES

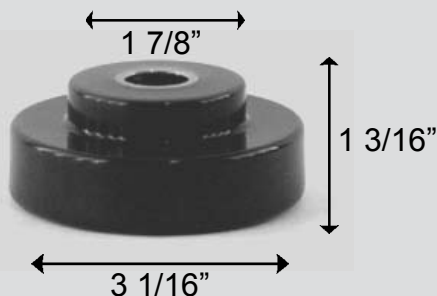
5/8" Hole

Western Star*
04-9009996

Severson*
A80BL2213

Euclid*
E-7472

Atro*
PL1015



Dyco D-51

Insulator
for Western Star*

REPLACES

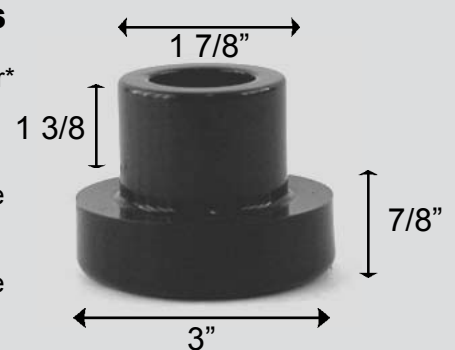
5/8" Hole

Western Star*
66001-3403

Severson*
Not Available

Euclid*
Not Available

Atro*
Not Available



Western Star* / Western Unit*

Dyco
D-322

Shock Bushing
for Western Star*

REPLACES

1" Hole

Western Star*
37302-3403

Severson*
Not Available

Euclid*
Not Available

Atro*
Not Available



Dyco
D-241

Unit Eye Bushing
for Western Unit*

REPLACES

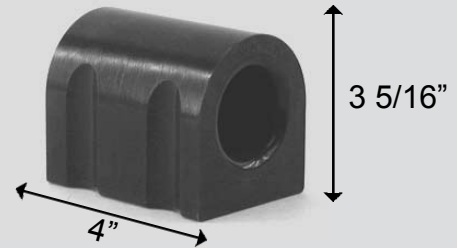
1 3/4" Hole

Western Unit*
102309

Severson*
A90BL7500

Euclid*
E-8657

Atro*
Not Available



Dyco
D-323

Isolator
for Western Star*

REPLACES

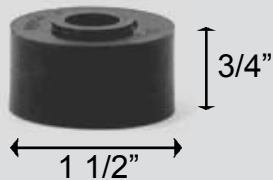
3/8" Hole

Western Star*
02-7006298

Severson*
Not Available

Euclid*
Not Available

Atro*
Not Available



Dyco
D-242

Hinge Bushing
for Western Unit*

REPLACES

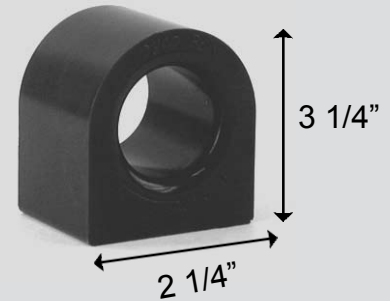
1 3/4" Hole

Western Unit*
102308

Severson*
A90BL7020

Euclid*
E-8656

Atro*
PL1027



Dyco
D-324

Motor Mount
for Western Star*

REPLACES

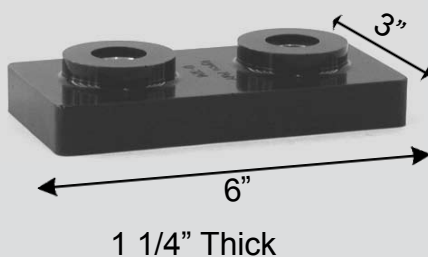
5/8" Holes

Western Star*
04-9009997

Severson*
Not Available

Euclid*
Not Available

Atro*
Not Available



Numerical Listing of **Dyco** Part Numbers

<u>Dyco No.</u>	<u>Page No.</u>	<u>Dyco No.</u>	<u>Page No.</u>	<u>Dyco No.</u>	<u>Page No.</u>
D-1		D-45	29	D-105	52
3,9,17,23,28,34,41,54,56		D-46	3	D-107	10
D-2	42, 57	D-47	4	D-133	10
D-3	42,	D-48	4	D-133-A	10
D-4	42	D-49	4	D-134	10
D-5	42	D-50	4	D-135	10
D-6	3,18,42,57	D-51	29, 57	D-140	25
D-7	18,	D-52	29	D-142	25
D-8	43	D-53	30	D-143	25
D-9	43	D-54	9, 54	D-144	25
D-10	43	D-55	9, 54	D-145	26
D-11	43	D-56	10, 55	D-146	26
D-12	43	D-57	30	D-150	38, 50
D-13	43	D-59	48, 29	D-151	38
D-14	44	D-60	23	D-152	38
D-15	44	D-61	23	D-153	38
D-16	18,44	D-62	24	D-154	21, 39
D-17	44,57	D-63	24	D-155	39
D-18	44	D-64	24	D-156	39
D-19	45	D-65	24	D-157	39
D-20	45	D-66	24	D-162	7
D-21	18	D-67	24	D-163	7
D-22	18	D-68	25	D-164	7
D-23	28	D-69	48	D-165	7
D-24	18	D-70	49	D-166	7
D-25	19	D-71	49	D-167	39
D-26	19	D-72	49	D-168	40
D-26M	23	D-73	1, 2, 31, 49, 52	D-169	40
D-27	19	D-74	53	D-170	40
D-28	19	D-75	53	D-171	41
D-29	54	D-76	49, 55	D-172	51
D-30	19, 57	D-78	49	D-173	51
D-31	20	D-79	50	D-174	51
D-32	20	D-89	15	D-175	51
D-33	20	D-90	15	D-177	41
D-34	20	D-91	15	D-178	41
D-35	20	D-92	16	D-179	41
D-36	20	D-94	16	D-180	53
D-37	21	D-95	16	D-184	41
D-38	21	D-97	16	D-186	1
D-39	21	D-98	16	D-187	1
D-40	28	D-99	16	D-188	1
D-41	28	D-100	6, 17	D-200	46
D-42	29	D-101	17	D-201	46
D-43	29	D-102	4	D-202	46

<u>Dyco No.</u>	<u>Page No.</u>	<u>Dyco No.</u>	<u>Page No.</u>	<u>Dyco No.</u>	<u>Page No.</u>
D-203	3	D-310	32	D-440	37
D-208	17	D-311	32	D-441	37
D-209	47	D-312	11, 32	D-442	52
D-212	50	D-314	33	D-443	46
D-213	51	D-315	2, 33	D-444	40
D-214	6	D-316	33	D-448	37, 56
D-215	6	D-322	58	D-501	53
D-217	6, 56	D-323	58	D-502	54
D-218	7	D-324	58	D-503	28
D-221	2	D-325	21	D-509	8
D-231	34	D-326	21	D-510	8
D-232	34, 56	D-328	22	D-511	8
D-233	34	D-329	22, 55	D-512	8
D-234	34	D-351	35	D-513	9
D-235	35	D-352	35, 56	D-514	9
D-236	35	D-353	36	D-530	40
D-237	35	D-354	36	D-530-A	40
D-240	35	D-355	36	D-531	17
D-241	58	D-356	36	D-535	46
D-242	58	D-357	36	D-538	50
D-246	50	D-358	36	D-540	5
D-247	50	D-359	37	D-541	5
D-248	8	D-361	2	D-542	5
D-249	47	D-369	1	D-543	6
D-250	47	D-391	2	D-544	52
D-251	47	D-393	48	D-549	38
D-252	47	D-401	11	D-550	14
D-253	48	D-402	11	D-551	14
D-254	48	D-403	11	D-552	15
D-270	1	D-404	11	D-553	15
D-280	26	D-405	12	D-554	53
D-283	26	D-406	12, 33		
D-284	26	D-407	12		
D-285	26	D-409	12		
D-286	25	D-410	12		
D-287	27	D-421	13, 45, 55		
D-288	27	D-422	13, 22		
D-290	27	D-423	13, 22		
D-292	27	D-424	14, 45		
D-293	27	D-425	14		
D-301	30	D-426	14		
D-302	30	D-429	5		
D-303	31	D-430	3, 33, 55		
D-304	30	D-431	5		
D-305	32	D-432	5, 46		
D-307	32	D-433	37		
D-309	32	D-434	34		
		D-437	33		

OEM / DYCO CROSS REFERENCE

<u>MANUFACTURER</u>	<u>PART NUMBER</u>	<u>DYCO NUMBER</u>
AMERICAN CARRIER*	7512-102	D369
BINKLEY*	PP0054-02	D73
CAMBRIA*	R1011-AC	D270
CHALMERS*	22128	D187
	800009	D188
	800010	D186
COLUMBIA TRAILER*	COLLB1	D391
CROWN COACH*	3522-18	D221
DAYTON*	39400013	D315
	37400016	D316
FABCO*	234255 OR DD75-383	D361
FONTAINE*	BSH-150	D203
FORD*	DOHZ6068B	D430
FREIGHTLINER*	6803250150	D46
	A011166-000	D47
	A16-10549 OR 1613568-000	D49
	A17-10464-001	D102
	CBA24-650-17	D48
	CAB28-1050	D540
	CB1121-10	D542
	CB1122-4	D431
	HR1-HB0S41 OR RB175	D429
	J3049-70	D543
	J6198-2	D432
	J6210-46	D541
	J7165-1	D6
	16-11351	D50
FRUEHAUF*	UCD-5636-001	D217
	UXA-0004	D214
	UXA-0011	D100
	UXA-0160	
	"GROOVED"	D215
	UXA-0160SPX	
	"NO GROOVE"	D218

OEM / DYCO CROSS REFERENCE

<u>MANUFACTURER</u>	<u>PART NUMBER</u>	<u>DYCO NUMBER</u>
GENERAL TRAILER*	70-0103	D163
	70-703	D162
	N/A	D164
	N/A	D165
	N/A	D166
GILLIG*	150-209	D512
	160-202A	D513
	555-9894-0	D509
	814-0013	D248
	N/A	D510
	N/A	D511
	N/A	D514
GMC*	155066936	D56
	2005774	D55
	702727	D54
HENDRICKSON*	19279	D107
	22279	D403
	22282	D401
	24209	D134
	26953	D135
	30413-88	D407
	44694	D421
	44695	D423
	44697	D422
	45407	D409
	45900	D402
	46734	D406
	46735	D293
	47420	D425
	47421	D426
	47691	D405
	48883	D133
	49210	D424
	49400	D401
	49600	D401
	6966	D410
	6969	D404
	N/A	D133A
	N/A	D550
N/A	D551	
N/A	D552	
N/A	D553	

OEM / DYCO CROSS REFERENCE

HOLLAND*	XA1604-9	D91
	XB0011-2	D90
	XB0012-2	D92
	XB1604-5	D89
HUTCH*	16146-01	D101
	222-00	D99
	7010-00	D95
	722-00	D94
	7620-00	D100
	814-00	D98
	890-00	D97
HYSTER*	400329	D208
	400331	D531
KENWORTH*	227720	D423
	229610	D422
	5316702	D329
	4023KW	D28
	73D2002	D1
	K036-277	D33
	K066-162	D38
	K066-176	D36
	K066-178 OR	
	66D608	D39
	K066-232	D154
	K066-266 OR	
	COM266	D37
	K066-269	D31
	K066-449	D35
	K066-320 OR	
	K066-282	D328
	K066-360	D16
	K174-555	D21
	K179-450	D26
	K264-84	D34
	K363-275	D32
	K366-474	D25
	M066-229	D7
	M200	D325
	M300-70NR	D24
M500-70NR	D27	
M501	D326	
M506-70NR	D22	
M600	D36	
M601-70NR	D6	
M602-70NR	D30	
M700	D7	

MACK*

10QK130P1	D63
10QK219P1	D61
10QK219P2	D62
10QK276	D62
10QK32BP1	D283
10QK33A	D287
10QK365A	D285
10QK36B	D286
10QK370	D288
10QK372	D284
10QK388	D286
10QKK389	D284
1688-229240	D293
20QL1118	D67
20QL1144	D144
20QL1166	D145
20QL1175	D60
20QL2101	D143
20QL231P10	D292
20QL231P5	D68
20QL250	D140
20QL258	D280
20QL259A	D64
20QL295	D142
20QL303	D290
20QL324M	D66
20QL312M2	D65
25QM31	D26M
55MX26	D146

MERCEDES*

3173331164	D503
------------	------

NAVISTAR*

200106R1	D43
270203C1	D44
286235C2	D309
286236C2	D310
299338C1	D303
322069C1	D316
412587C1	D315
4242029C1	D304
438506C1	D312
459591C1	D302
462300C1	D52
470031C2	D53
471477C1	D45
472697C1	D42
476869C1	D51
479237C1	D301
497501C2	D437
503579C1	D430
506681C1	D73
598699C1	D23
753997C93	D41

NAVISTAR*	7807231C1	D309	
	996160C1	C305	
	879627R93	D31	
	987395R2	D40	
	N/A	D314	
NEWAY*	90008006	D433	
	90008002	D240	
	90008008	D237	
	90008102	D441	
	90008131	D235	
	90008135	D434	
	90008139	D441	
	90008149	D448	
	90008151	D440	
	90028007	D355	
	90028016	D354	
	90028047	D353	
	90028074	D358	
	90508004	D230	
	91008007	D549	
	91008011	D234	
	91008014	D236	
	91008022	D232	
	91008040	D233	
	91028013	D231	
	91028023	D351	
	91028089	D352	
	91028151	D356	
	91028152	D359	
	91028154	D357	
	PAGE*	X1003544	D153
		X1003546	D155
X1003951		D152	
X1004782		D150	
X1004785		D151	
X1006731		D154	
X1006954		D156	
N/A		D157	
PEERLESS*	20623	D168	
	20-21545	D181	
	20-21550	D182	
	31-12	D167	
	36-500	D178	
	36-510	D169	
	36-515	D179	
	36-521	D177	
	36-522	D170	
	67-20621	D171	
	67-20521B	D184	

PETERBILT*	227710	D421
	227723	D424
	03-01674	D13
	03-01675	D14
	03-02099	D12
	03-07016	D13
	05-18263	D20
	05-08968	D4
	05-10197	D9
	05-14794	D5
	05-16401	D432
	05-16919	D17
	05-17224	D18
	05-17225	D19
	07-02552	D2
	07-03286	D6
	13-01633	D15
	13-01840	D11
	13-03114D	D535
	13-03318	D8

PETERBILT*	13-03439	D3
	13-03440	D10
	13-03593	D16
	20-08257	D443

PIERCE*	T06-0013-0	D209
	T80-0081-0	D201
	T80-0082-0	D202
	T80-0084-0	D200

PREMIER*	344-A	D253
	348-A	D251
	434-A	D254
	437-A	D250
	448-A	D252
	P-205	D249

RELIANCE*	360A	D393
------------------	------	------

REYCO*	09729-01	D73
	21238-01	D79
	14713-01	D69
	T-1723	D538
	T-1842	D72
	T2242	D70
	T3016	D77
	T3214	D76
	T5493	D71
	T5524	D59
	T5708	D78

RIDEWELL*	100608B000	D150
ROCKWELL*	A2297-H-1048 A2297-K-1051 R307529	D246 D247 D001
SILENT DRIVE*	PB3000 PB5000	D212 D213
SILVER EAGLE*	G34 G35 R205 R213	D173 D173 D172 D175
SPICER*	L1032	D73
TRAILMOBILE*	3-12-32	D544
TRANS-PRO*	0649-02	D442
TRUCK WELD*	320-023	D105
TURNER*	A-1712	D73
UTILITY TRAILER*	3-1306	D180
VAN RADAN*	3049270 3049271	D501 D502
VOLVO*	702727 2005774 3081272 15506930 12004-0007 35033-0001 35033-3201 V8027424 V8057131	D54 D55 D29 D56 D430 D76 D421 D76 D329
WATSON CHALIN*	SP-0039 SP-0192 SP-0193 11223	D217 D232 D352 D448
WESTERN STAR*	02-7006298 04-9009990 04-9009996 04-9009997 12005-3403 37302-3403 656-215 66001-3403 985211	D323 D30 D6 D324 D17 D322 D2 D51 D1
WESTERN UNIT*	102308 102309	D242 D241

SEVERSON* / DYCO CROSS REFERENCE SHEET

<u>SEVERSON</u>	<u>DYCO#</u>	<u>SEVERSON</u>	<u>DYCO#</u>	<u>SEVERSON</u>	<u>DYCO#</u>	<u>SEVERSON</u>	<u>DYCO#</u>
A70M02313	D530	A80BL1046	D286	A80BL3012	D202	A80BL8011	D187
A70BL0205	D46	A80BL1047	D285	A80BL3013	D200	A80BL8139	D441
A70BL1052	D99	A80BL1048	D61	A80BL3014	D63	A80BL8149	D448
A70BL1088	D49	A80BL1049	D62	A80BL3016	D165	A80BL8661	D315
A70BL1091	D12	A80BL1050	D214	A80BL3017	D164	A80BL8663	D215
A70BL1120	D28	A80BL1051	D100	A80BL3018	D166	A80BL8664	D217
A70GR9995	D443	A80BL1053	D287	A80BL3020	D97	A80BL8665	D98
A75BK1089	D25	A80BL1054	D34	A80BL3021	D98	A80BL8666	D101
A80BL0008	D38	A80BL1055	D421	A80BL3022	D252	A80BL8667	D288
A80BL0010	D235	A80BL1056	D423	A80BL3023	D251	A80BL8669	D231
A80BL0011	D90	A80BL1058	D422	A80BL3024	D253	A80BL8670	D352
A80BL0012	D92	A80BL1060	D246	A80BL3026	D250	A80BL8671	D351
A80BL0013	D42	A80BL1062	D133	A80BL3027	D254	A80BL8672	D236
A80BL0015	D157	A80BL1064	D203	A80BL3029	D249	A80BL8673	D355
A80BL0017	D270	A80BL1300	D531	A80BL3030	D232	A80BL8674	D354
A80BL0019	D442	A80BL1306	D180	A80BL3031	D233	A80BL8677	D240
A80BL0020	D59	A80BL1307	D208	A80BL3032	D234	A80BL8678	D353
A80BL0025	D29	A80BL1329	D359	A80BL3035	D172	A80BL8679	D356
A80BL0026	D544	A80BL1604-5	D89	A80BL3535	D91	A80BL8680	D358
A80BL0100	D178	A80BL2000	D74	A80BL3537	D410	A80BL8681	D327
A80BL1000	D444	A80BL2001	D75	A80BL3557	D7	A80BL8688	D76
A80BL1004	D67	A80BL2051	D3	A80BL3558	D1	A80BL8689	D538
A80BL1005	D54	A80BL2052	D13	A80BL3559	D248	A80BL8694	D79
A80BL1007	D55	A80BL2202	D27	A80BL3560	D402	A80BL9002	D156
A80BL1008	D40	A80BL2204	D26	A80BL3562	D69	A80BL9003	D155
A80BL1009	D39	A80BL2205	D2	A80BL3590	D21	A90BL0106	D218
A80BL1019	D66	A80BL2206	D8	A80BL3591	D22	A90BL1075	D50
A80BL1020	D175	A80BL2207	D10	A80BL3592	D167	A90BL2366	D35
A80BL1021	D173	A80BL2208	D41	A80BL3593	D4	A90BL7020	D242
A80BL1022	D174	A80BL2211	D11	A80BL3594	D24	A90BL7500	D241
A80BL1023	D47	A80BL2212	D30	A80BL3595	D37		
A80BL1024	D48	A80BL2213	D6	A80BL3596	D5		
A80BL1025	D95	A80BL2214	D31	A80BL3596	D36		
A80BL1026	D94	A80BL2215	D32	A80BL3597	D33		
A80BL1027	D56	A80BL3000	D179	A80BL3599	D221		
A80BL1028	D247	A80BL3001	D177	A80BL3631	D171		
A80BL1029	D401	A80BL3002	D168	A80BL3631B	D184		
A80BL1030	D107	A80BL3003	D162	A80BL4150	D329		
A80BL1031	D135	A80BL3003	D169	A80BL4151	D393		
A80BL1032	D403	A80BL3004	D150	A80BL5056	D328		
A80BL1033	D404	A80BL3004	D163	A80BL6734	D406		
A80BL1034	D134	A80BL3005	D170	A80BL6735	D293		
A80BL1037	D43	A80BL3006	D153	A80BL6998	D20		
A80BL1038	D44	A80BL3007	D151	A80BL8004	D15		
A80BL1040	D72	A80BL3008	D152	A80BL8007	D430		
A80BL1041	D70	A80BL3009	D154	A80BL8008	D9		
A80BL1042	D71	A80BL3010	D209	A80BL8009	D188		
A80BL1043	D73	A80BL3011	D201	A80BL8010	D186		

ATRO* / DYCO CROSS REFERENCE SHEET

<u>ATRO*#</u>	<u>DYCO#</u>	<u>ATRO*#</u>	<u>DYCO#</u>	<u>ATRO*#</u>	<u>DYCO#</u>	<u>ATRO*#</u>	<u>DYCO#</u>
CB27500	D425	MA36000	D286	PL1001	D221	PL1012	D33
CB34000	D403	MA36500	D285	PL1002	D203	PL1013	D7
CB38000	D401	MA37000	D288	PL1003	D48	PL1014	D21
EB27500	D426	MA37200	D284	PL1004	D215	PL1015	D6
EB34000	D404	NA47000	D437	PL1005	D217	PL1016	D30
EB38000	D402	NW30000	D232	PL1006	D90	PL1017	D60
EB38001	D407	NW30310	D440	PL1007	D98	PL1018	D9
EB45000	D409	NW30320	D434	PL1008	D35	PL1019	D253
FA96452	D361	NW30360	D237	PL1009	D5	PL1020	D252
HC10000	D134	TH85000	D410	PL1010	D24	PL1021	D251
HC20000	D135	TM38000	D293	PL1011	D26		
HU10000	D97	TS34000	D421				
IN35180	D312	TS38000	D423				
IN35190	D316	TS38750	D424				
MA10000	D62	TT38000	D422				
MA20000	D63	UB20500	D46				
MA32000	D283						

EUCLID* / DYCO CROSS REFERENCE SHEET

<u>EUCLID#</u>	<u>DYCO#</u>	<u>EUCLID#</u>	<u>DYCO#</u>	<u>EUCLID#</u>	<u>DYCO#</u>	<u>EUCLID#</u>	<u>DYCO#</u>
E1072	D76	E7462	D36	E7402	D8	E8652	D91
E3548	D49	E7464	D39	E7503	D10	E8653	D59
E4775	D13	E7465	D33	E7504	D11	E8654	D69
E4776	D14	E7466	D24	E7505	D3	E8655	D247
E7481	D285	E7467	D26	E7506	D4	E8656	D242
E7426	D186	E7468	D22	E7507	D9	D8657	D241
E7427	D187	E7469	D7	E7508	D2	E8661	D315
E7428	D391	E7470	D21	E7509	D13	E8665	D98
E7429	D221	E7471	D27	E7510	D12	E8666	D101
E7430	D47	E7472	D6	E7511	D206	E8667	D288
E7431	D48	E7473	D30	E7512	D200	E8670	D352
E7433	D100	E7474	D37	E7513	D201	E8671	D351
E7434	D162	E7475	D38	E7514	D202	E8672	D236
E7435	D165	E7477	D60	E7515	D253	E8673	D355
E7436	D164	E7478	D61	E7516	D252	E8677	D240
E7437	D166	E7479	D62	E7517	D251	E8678	D353
E7439	D55	E7481	D285	E7518	D250	E8679	D356
E7440	D54	E7482	D40	E7519	D254	E8680	D358
E7441	D63	E7483	D42	E7520	D73	E8681	D237
E7442	D233	E7484	D41	E7522	D70	E8683	D441
E7443	D234	E7485	D235	E7523	D71	E8688	D76
E7444	D448	E7486	D232	E7524	D172	E8917	D188
E7445	D203	E7487	D157	E7525	D175	E8918	D430
E7448	D15	E7488	D150	E7526	D173	E8927	D92
E7449	D178	E7489	D151	E7526	D174	E9345	D270
E7450	D90	E7490	D152	E7527	D180	E9507	D29
E7451	D89	E7491	D153	E7529	D001	E9510	D401
E7452	D95	E7492	D154	E7638	D421	E9511	D404
E7453	D94	E7493	D155	E7639	D424	E9512	D402
E7454	D99	E7494	D156	E7640	D34	E9513	D135
E7455	D97	E7495	D184	E7641	D66	E9515	D107
E7456	D98	E7496	D171	E7642	D287	E9518	D293
E7457	D208	E7497	D168	E7643	D43	E9520	D403
E7458	D28	E7498	D170	E7644	D448		
E7459	D25	E7499	D179	E7645	D249		
E7460	D31	E7500	D177	E8650	D56		
E7461	D32	E7501	D167	E8651	D422		



A series of horizontal lines for writing, consisting of 25 evenly spaced lines that span the width of the page.



A series of 25 horizontal black lines spanning the width of the page, providing a ruled area for writing. The lines are evenly spaced and extend from the left margin to the right margin.



A series of 25 horizontal black lines spanning the width of the page, providing a ruled area for writing.