

Promethean

ActivBoard Touch TM

Install and User Guide

Copyright information

TP-2020-EN-V02 ©2018 Promethean Limited. All rights reserved.

All software, resources, drivers and documentation supplied in the Promethean ActivInspire download are copyright Promethean Limited 2018. Promethean grants a license to install and use Promethean ActivInspire software, including any resources, drivers and documentation supplied in the download. Refer to the licence agreement for information about the terms and conditions of this licence.

Promethean is owner of a number of trademarks in several jurisdictions across the world. The Promethean products documented in this guide include aspects which are protected under their respective patent, copyright, design copyright, registered design and trademark laws.

HDMI, the HDMI logo and High-Definition Multimedia Interface are trademarks or registered trademarks of HDMI Licensing LLC.

VESA is a registered mark of Video Electronics Standards Association.

Apple is a trademark or registered trademark of Apple, Inc. in the United States and other countries. Windows is a registered trademark or trademark of Microsoft Corporation in the United States and other countries. Linux is a registered trademark of Linus Torvalds in the United States and other countries.

All other trademarks remain the property of their respective owners.

This guide is distributed online. It may only be reproduced for use within the institution in which the product is used. For use outside of your institution, no part of this guide may be reproduced, transmitted, stored in a retrieval system or translated into any other language without the prior permission of Promethean Limited.

Please note that the content in this guide is protected under copyright law. Although every care has been taken in the compilation of this guide, Promethean Limited accepts no responsibility for errors or omissions, or for damages resulting from the use of information contained within the following pages.

Table of contents

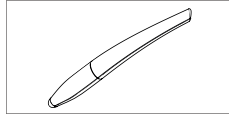
Table of contents	3
Box contents	4
Safety information	5
Getting started with ActivInspire	6
Installation	7
Set up	10
Calibration	14
Product code and serial number	17
Compliance	18

Box contents



78" / 88"

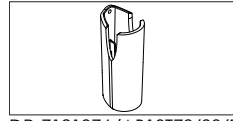
x1



DR-1105302600 x2

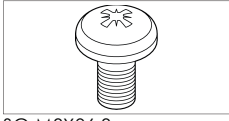
= AB10T78-CN & AB10T88-CN

x2



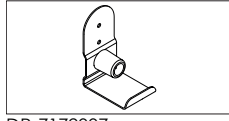
DR-7121076 (AB10T78/88/D/SA only)

x2



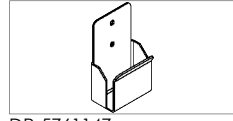
SC-M3X06-3

x4



DR-7172007

x2



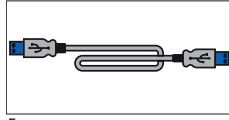
DR-5761147

x2



TP-2032

x1



5m

x1

Safety information

If the ActivBoard Touch is suspected to be faulty or damaged contact Promethean or an authorised Promethean service agent for advice.

Caution



- This product **MUST** be mounted to a building structure before use.
- The installation work should be performed by a qualified installer. Attempting to install the product without the relevant experience is done so at your own risk.
- Incorrect or incomplete installation could result in personal injury, property damage or product failure.
- The ActivBoard Touch must be installed using all of the fixing brackets in the correct position, and with fasteners and fixings appropriate to the wall type.

Temperature:

- Operating: 0°C (32°F) to +50°C (122°F)
- Storage: -30°C (-22°F) to +60°C (140°F)

Relative Humidity (non-condensing):

- Operating: 10% to 90%
- Storage: 0% to 99%

Technical Support

For further information and support about the installation and safe use of this product, please contact your local Promethean reseller or visit support.prometheanworld.com.

Getting started with ActivInspire

If you have purchased a DVD with your ActivBoard Touch, insert this into your computer and follow the on-screen instructions to install your ActivInspire software.

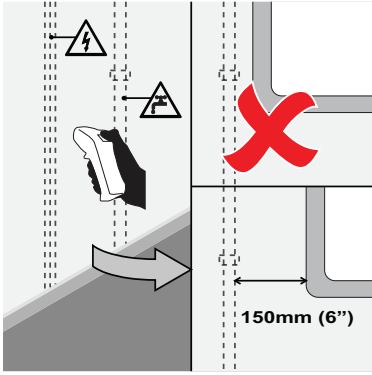
If the DVD does not Auto-run then locate the DVD files using Windows Explorer (Windows) or Finder (MAC). The DVD drive is usually the "(D:)" drive.

Find the file "setup.exe" and double click it to launch the install process.

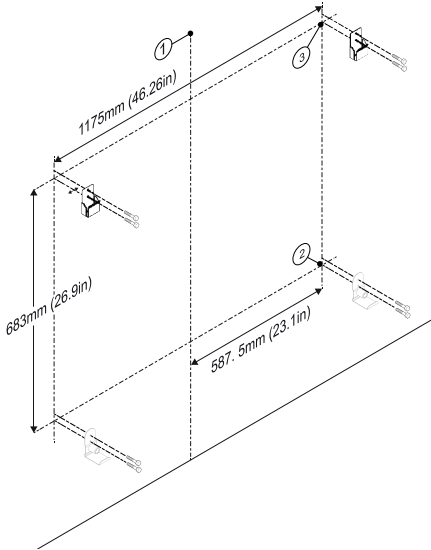
If you do not have a DVD then please go to support.prometheanworld.com/activinspire

Installation

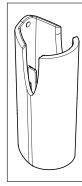
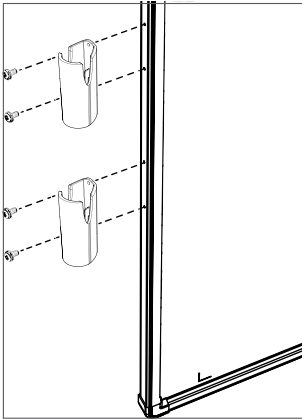
1



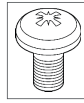
2



3



x 2 (AB10T78/88/D/SA only)

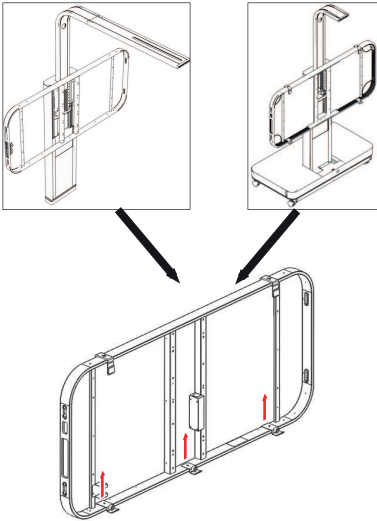


x 4

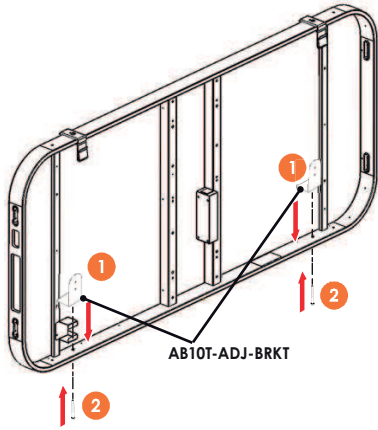
Using an adjustable or mobile stand

If fitting to adjustable or mobile stand replace existing lower frame brackets with kit AB10T-ADJ-BRKT.

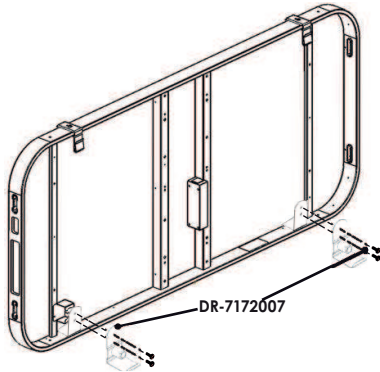
1



2



3



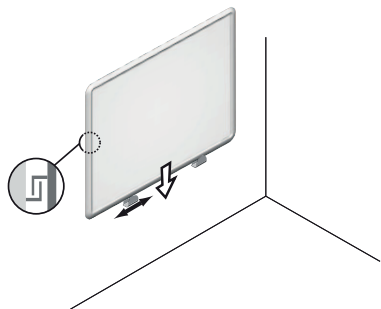
Set up

ActivBoard Touch is USB powered and does not require an external Power Supply Unit.

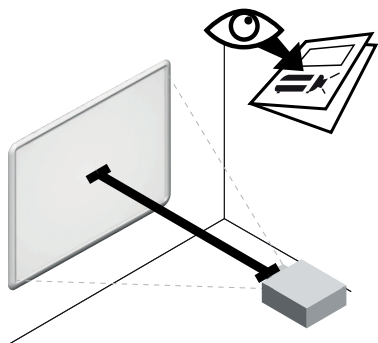


If USB extensions are used, and issues with connecting to the board are experienced, remove the extension cables and use the original cable supplied with the board. If the board then functions correctly, check the extension cables for faults.

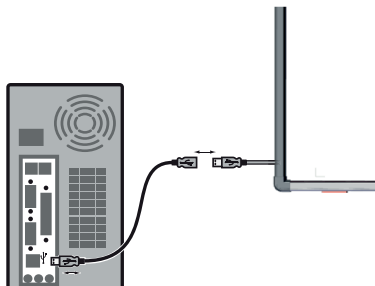
1



2



3



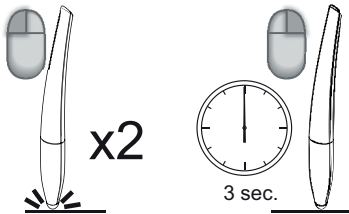
4



5

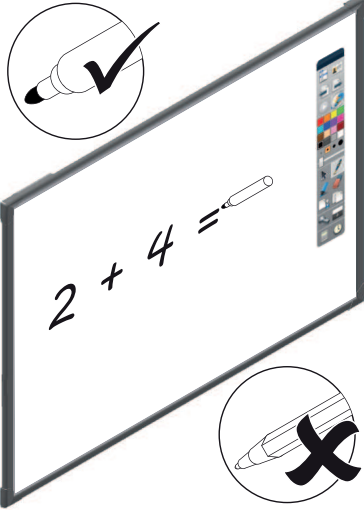


6

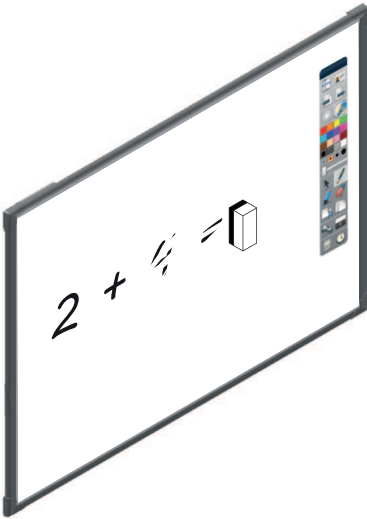


Dry erase boards only

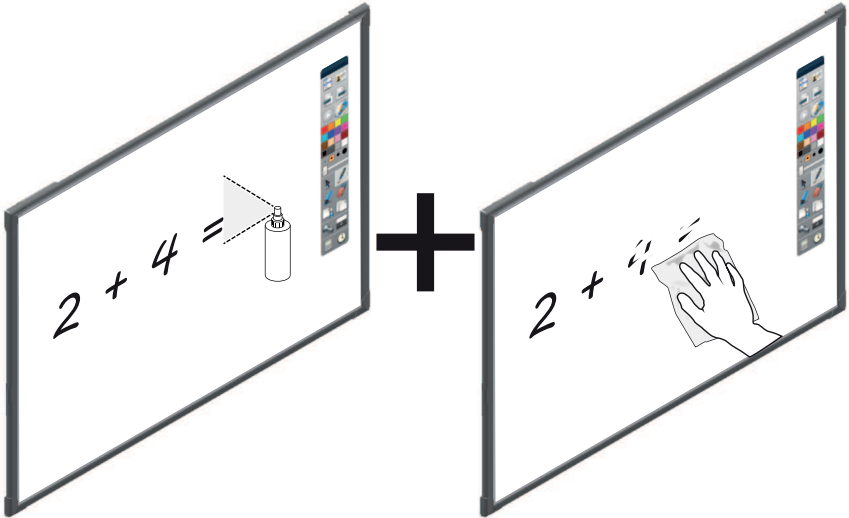
1



2

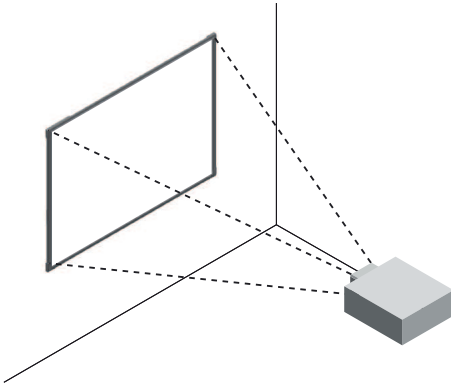


3

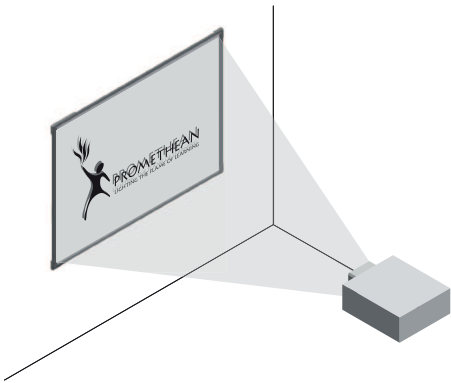


Calibration

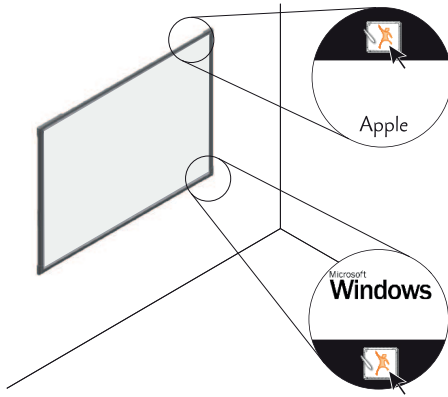
1



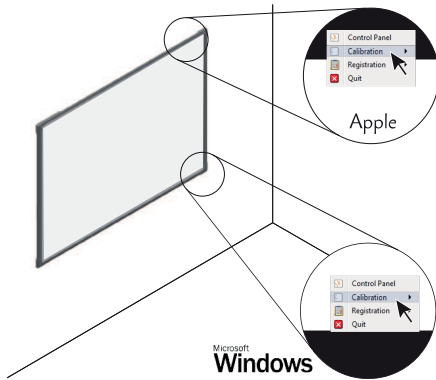
2



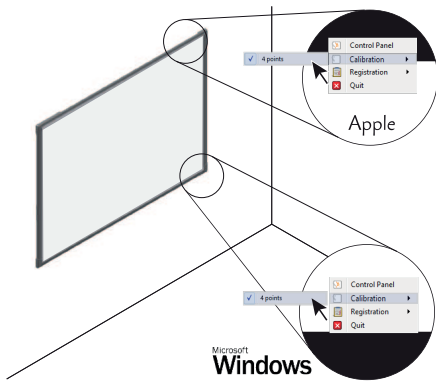
3



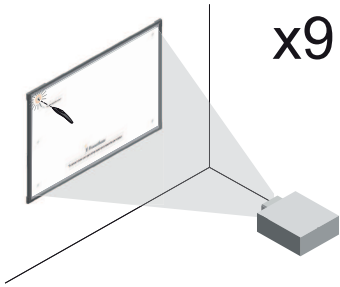
4



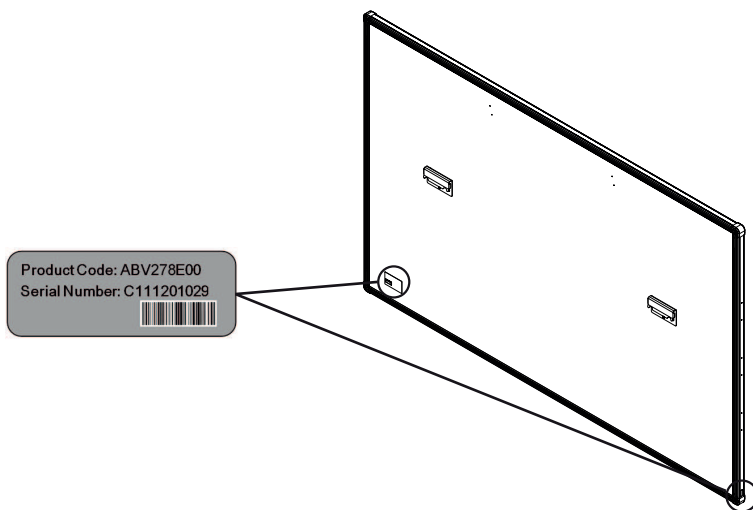
5



6



Product code and serial number



The label can be found on the rear of the board, at the lower left hand corner of the ActivBoard and lower side edge.

Compliance

US FCC Compliance statement

This equipment has been tested and found to comply with the limits for a Class B digital device, pursuant to part 15 of the FCC Rules. These limits are designed to provide reasonable protection against harmful interference in a residential installation. This equipment generates uses and can radiate radio frequency energy and, if not installed and used in accordance with the instructions, may cause harmful interference to radio communications. However, there is no guarantee that interference will not occur in a particular installation. If this equipment does cause harmful interference to radio or television reception, which can be determined by turning the equipment off and on, the user is encouraged to try to correct the interference by one or more of the following measures:

- Reorient or relocate the receiving antenna.
- Increase the separation between the equipment and receiver.
- Connect the equipment into an outlet on a circuit different from that to which the receiver is connected.
- Consult the dealer or an experienced Radio / TV technician for help.

Changes or modifications not expressly approved by Promethean could void the user's authority to operate this equipment.

Canada Industry Canada compliance statement

This Class B digital apparatus complies with Canadian ICES-003.

Cet appareil numérique de la classe B est conforme à la norme NMB-003 du Canada.

Europe

We Promethean Limited, declare under our Sole responsibility that the ActivBoard 10T conforms to the essential requirements of European Union Directives 2014/53/EU Radio Equipment Directive (RED), 2014/30/EU Electromagnetic Compatibility Directive, 2014/35/EU Low Voltage Directive and 2011/65/EU Restriction of Hazardous Substances in Electrical and Electronic Equipment. Full Declaration of Conformity can be found by going to support.prometheanworld.com and searching for TP-2031.

Type	Frequency (MHz)
BT	2400 – 2483.5MHz

ActivBoard 10T Series is for internal use only.

Receive only device.

The radio interface on this product is intended for use with other Promethean radio devices for operation in the following countries: Austria, Belgium, Bulgaria, Croatia, Cyprus, Czech Republic, Denmark, Estonia, Finland, France, Germany, Greece, Hungary, Iceland, Ireland, Italy, Latvia, Lithuania, Lichtenstein, Luxembourg, Malta, Netherlands, Norway, Poland, Portugal, Romania, Slovakia, Slovenia, Spain, Sweden, Switzerland, United Kingdom.

