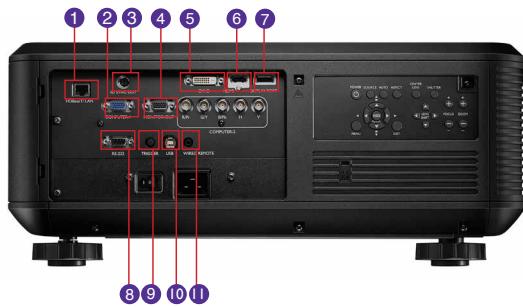




Features

- WXGA (1280x800) Resolution
- 6,700 ANSI Lumens
- 2,800:1 Contrast Ratio
- Dual Lamp System
- HDBaseT Connectivity
- Flexible Placement Options for Multiple Applications
- Interchangeable Lenses and Color Wheels
- Powered Zoom, Focus, and Lens Shift

Input and Output Terminals



- | | |
|-------------------------------|------------------------------------|
| 1 HDBaseT/ LAN | 7 DisplayPort |
| 2 Computer 1 in (D-sub 15pin) | 8 RS232 (DB-9pin) |
| 3 3D Sync Out | 9 12V Trigger |
| 4 Monitor out (D-sub 15pin) | 10 USB (Type Mini B) |
| 5 DVI-D in | 11 Wired Remote |
| 6 HDMI | 12 Computer 2 in (5BNC, R/G/B/H/V) |

Specifications

| | | | | | | | | | | | | | | | | | | | | | | | | | | | |
|---------------------------------|--|-----------------------------|-----|---------------------------------|-----|---------------------------|-----|-------------|----------------------------|----------|----------------------------|------------|-------------------|-------------------|----------------|---------|-----------------------|-------------|-----|-------------|-----|-----------------|-----|--------------|-----|-------------|------------------|
| Projection System | DLP® | | | | | | | | | | | | | | | | | | | | | | | | | | |
| Native Resolution | WXGA (1280x800) | | | | | | | | | | | | | | | | | | | | | | | | | | |
| Brightness | 6,700 ANSI lumens | | | | | | | | | | | | | | | | | | | | | | | | | | |
| Contrast Ratio | 2,800:1 | | | | | | | | | | | | | | | | | | | | | | | | | | |
| Display Color | 1.07 Billion Colors | | | | | | | | | | | | | | | | | | | | | | | | | | |
| Aspect Ratio | Native 16:10 (5 aspect ratio selectable) | | | | | | | | | | | | | | | | | | | | | | | | | | |
| Image Size Diagonal | 80~500" | | | | | | | | | | | | | | | | | | | | | | | | | | |
| Lamp Type | 350W x 2 | | | | | | | | | | | | | | | | | | | | | | | | | | |
| Lamp Life | 2,000/2,500 hours | | | | | | | | | | | | | | | | | | | | | | | | | | |
| Keystone Adjustment | 1D, Vertical ± 30 degrees | | | | | | | | | | | | | | | | | | | | | | | | | | |
| Resolution Support | NTSC, PAL, SECAM | | | | | | | | | | | | | | | | | | | | | | | | | | |
| Horizontal Frequency | 15K~91kHz | | | | | | | | | | | | | | | | | | | | | | | | | | |
| Vertical Scan Rate | 48Hz~120Hz | | | | | | | | | | | | | | | | | | | | | | | | | | |
| Compatibility | HDTV Compatibility: 480i, 480p, 576i, 567p, 720p, 1080i, 1080p | | | | | | | | | | | | | | | | | | | | | | | | | | |
| Interface | <table border="0"> <tr><td>Computer 1 in (D-sub 15pin)</td><td>x 1</td></tr> <tr><td>Computer 2 in (5BNC, R/G/B/H/V)</td><td>x 1</td></tr> <tr><td>Monitor out (D-sub 15pin)</td><td>x 1</td></tr> <tr><td>HDMI (1.4a)</td><td>x 1 (Compatible with HDCP)</td></tr> <tr><td>DVI-D in</td><td>x 1 (Compatible with HDCP)</td></tr> <tr><td>LAN (RJ45)</td><td>x 1 (LAN Control)</td></tr> <tr><td>USB (Type Mini B)</td><td>x 1 (Download)</td></tr> <tr><td>HDBaseT</td><td>x 1 (Share with RJ45)</td></tr> <tr><td>DisplayPort</td><td>x 1</td></tr> <tr><td>12V Trigger</td><td>x 1</td></tr> <tr><td>RS232 (DB-9pin)</td><td>x 1</td></tr> <tr><td>Wired Remote</td><td>x 1</td></tr> <tr><td>IR Receiver</td><td>x 2 (Front+Rear)</td></tr> </table> | Computer 1 in (D-sub 15pin) | x 1 | Computer 2 in (5BNC, R/G/B/H/V) | x 1 | Monitor out (D-sub 15pin) | x 1 | HDMI (1.4a) | x 1 (Compatible with HDCP) | DVI-D in | x 1 (Compatible with HDCP) | LAN (RJ45) | x 1 (LAN Control) | USB (Type Mini B) | x 1 (Download) | HDBaseT | x 1 (Share with RJ45) | DisplayPort | x 1 | 12V Trigger | x 1 | RS232 (DB-9pin) | x 1 | Wired Remote | x 1 | IR Receiver | x 2 (Front+Rear) |
| Computer 1 in (D-sub 15pin) | x 1 | | | | | | | | | | | | | | | | | | | | | | | | | | |
| Computer 2 in (5BNC, R/G/B/H/V) | x 1 | | | | | | | | | | | | | | | | | | | | | | | | | | |
| Monitor out (D-sub 15pin) | x 1 | | | | | | | | | | | | | | | | | | | | | | | | | | |
| HDMI (1.4a) | x 1 (Compatible with HDCP) | | | | | | | | | | | | | | | | | | | | | | | | | | |
| DVI-D in | x 1 (Compatible with HDCP) | | | | | | | | | | | | | | | | | | | | | | | | | | |
| LAN (RJ45) | x 1 (LAN Control) | | | | | | | | | | | | | | | | | | | | | | | | | | |
| USB (Type Mini B) | x 1 (Download) | | | | | | | | | | | | | | | | | | | | | | | | | | |
| HDBaseT | x 1 (Share with RJ45) | | | | | | | | | | | | | | | | | | | | | | | | | | |
| DisplayPort | x 1 | | | | | | | | | | | | | | | | | | | | | | | | | | |
| 12V Trigger | x 1 | | | | | | | | | | | | | | | | | | | | | | | | | | |
| RS232 (DB-9pin) | x 1 | | | | | | | | | | | | | | | | | | | | | | | | | | |
| Wired Remote | x 1 | | | | | | | | | | | | | | | | | | | | | | | | | | |
| IR Receiver | x 2 (Front+Rear) | | | | | | | | | | | | | | | | | | | | | | | | | | |
| Dimensions (WxHxD) | 20" x 9" x 21" | | | | | | | | | | | | | | | | | | | | | | | | | | |
| Weight | 46.2 lbs (Without lens) | | | | | | | | | | | | | | | | | | | | | | | | | | |
| Power Supply | AC 100 to 240 V, 50/60 Hz | | | | | | | | | | | | | | | | | | | | | | | | | | |
| Stand-by Power Consumption | <0.5W (Only Power button on remote and keypad can work) | | | | | | | | | | | | | | | | | | | | | | | | | | |
| Acoustic Noise (Typ./Eco.) | 41/36 db | | | | | | | | | | | | | | | | | | | | | | | | | | |
| Operating Temperature | 5~40° C | | | | | | | | | | | | | | | | | | | | | | | | | | |
| Accessories (Standard) | Remote Control w/ Battery, Power Cord, User Manual CD, Quick Start Guide, Warranty Card, VGA(D-sub 15pin) Cable, Lens cover, 2 Color Wheels | | | | | | | | | | | | | | | | | | | | | | | | | | |
| Accessories (Optional) | Spare Lamp Kit P/N: 5J.JC705.001 Ceiling Mount P/N: 5J.JCY10.001 Remote Control P/N: 5J.JC706.001 Optional Lens: (see reference chart) | | | | | | | | | | | | | | | | | | | | | | | | | | |
| UPC Code | 8400460-3069-8 | | | | | | | | | | | | | | | | | | | | | | | | | | |
| Limited Warranty | 3 years warranty, 1 year/2000 hours lamp life | | | | | | | | | | | | | | | | | | | | | | | | | | |

*Lamp life results will vary depending on environmental conditions and usage. Actual product's features and specifications are subject to change without notice.



205 Westwood Ave, Long Branch, NJ 07740
Phone: 866-94 BOARDS (26273) / (732)-222-1511
Fax: (732)-222-7088 | E-mail: sales@touchboards.com

| BenQ Lens | P/N | Zoom Ratio | Throw Ratio | Lens Shift (Powered) | Marketing Model |
|-----------------|--------------|------------|-------------|----------------------------------|-----------------|
| STD Lens | 5J.JAM37.001 | 1.3:1 | 1.81~2.38 | 0-50% Vertical; +-10% Horizontal | PZL-001 |
| Wide Fix | 5J.JAM37.011 | Fixed | 0.8 | NA | PFL-011 |
| Wide Zoom | 5J.JAM37.021 | 1.41:1 | 1.31~1.87 | 0-50% Vertical; +-10% Horizontal | PZL-021 |
| Long Zoom 1 | 5J.JAM37.031 | 1.5:1 | 3.76~5.64 | 0-50% Vertical; +-10% Horizontal | PZL-031 |
| Long Zoom 2 | 5J.JAM37.041 | 1.55:1 | 5.56~8.67 | 0-50% Vertical; +-10% Horizontal | PZL-041 |
| Semi Long Zoom | 5J.JAM37.051 | 1.65:1 | 2.33~3.86 | 0-50% Vertical; +-10% Horizontal | PZL-051 |
| Ultra Wide Zoom | 5J.JAM37.061 | 1.25:1 | 0.78~0.98 | 0-45% Vertical; +-10% Horizontal | PZL-061 |

Lens Images



PW9620 11-13-14-BQus

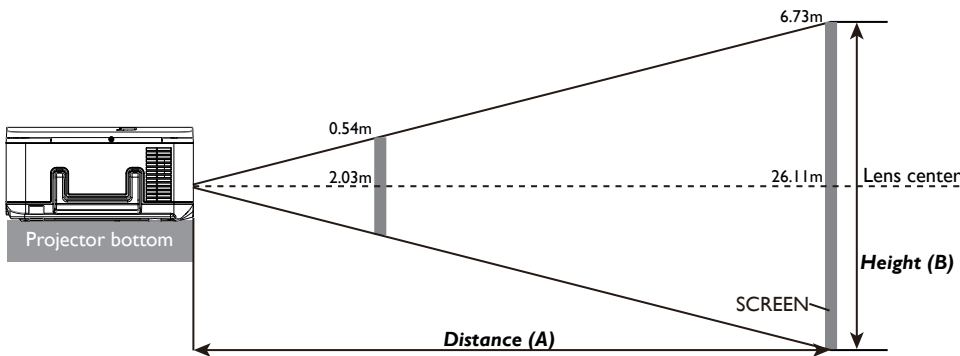


PW9620 Digital Projector

Distance Chart and Screen Size

| Screen Size | | | | | | 5JJAM37.011 | | 5JJAM37.021 | | | | 5JJAM37.001 | | | | 5JJAM37.051 | | | |
|-------------|-------|--------|-------|-----------|------|---------------|------|----------------|-------|--------|-------|-------------|-------|--------|-------|-----------------|-------|--------|-------|
| | | | | | | Wide Fix Lens | | Wide Zoom Lens | | | | STD Lens | | | | Semi long Zoom1 | | | |
| Diagonal | | Width | | Height(B) | | Distance(A) | | | | | | | | | | | | | |
| | | | | | | N/A | | Wide | | Tele | | Wide | | Tele | | Wide | | Tele | |
| (inch) | (m) | (inch) | (m) | (inch) | (m) | (inch) | (m) | (inch) | (m) | (inch) | (m) | (inch) | (m) | (inch) | (m) | (inch) | (m) | (inch) | (m) |
| 40 | 1.02 | 34 | 0.86 | 21 | 0.54 | 26.4 | 0.67 | 43.6 | 1.11 | 63.1 | 1.60 | 60.2 | 1.53 | 79.8 | 2.03 | 77.6 | 1.97 | 130.5 | 3.31 |
| 50 | 1.27 | 42 | 1.08 | 26 | 0.67 | 33.5 | 0.85 | 55.0 | 1.40 | 79.3 | 2.01 | 75.9 | 1.93 | 100.4 | 2.55 | 97.8 | 2.48 | 163.9 | 4.16 |
| 60 | 1.52 | 51 | 1.29 | 32 | 0.81 | 40.5 | 1.03 | 66.4 | 1.69 | 95.5 | 2.43 | 91.7 | 2.33 | 121.0 | 3.07 | 117.9 | 3.00 | 197.3 | 5.01 |
| 80 | 2.03 | 68 | 1.72 | 42 | 1.08 | 54.7 | 1.39 | 89.3 | 2.27 | 128.0 | 3.25 | 123.1 | 3.13 | 162.3 | 4.12 | 158.3 | 4.02 | 264.1 | 6.71 |
| 100 | 2.54 | 85 | 2.15 | 53 | 1.35 | 68.8 | 1.75 | 112.1 | 2.85 | 160.5 | 4.08 | 154.5 | 3.93 | 203.5 | 5.17 | 198.7 | 5.05 | 330.9 | 8.41 |
| 120 | 3.05 | 102 | 2.58 | 64 | 1.62 | 82.9 | 2.11 | 135.0 | 3.43 | 193.0 | 4.90 | 186.0 | 4.72 | 244.7 | 6.22 | 239.0 | 6.07 | 397.7 | 10.10 |
| 150 | 3.81 | 127 | 3.23 | 79 | 2.02 | 104.1 | 2.64 | 169.2 | 4.30 | 241.7 | 6.14 | 233.1 | 5.92 | 306.5 | 7.79 | 299.6 | 7.61 | 498.0 | 12.65 |
| 180 | 4.57 | 153 | 3.88 | 95 | 2.42 | 125.3 | 3.18 | 203.5 | 5.17 | 290.4 | 7.38 | 280.3 | 7.12 | 368.4 | 9.36 | 360.1 | 9.15 | 598.2 | 15.19 |
| 200 | 5.08 | 170 | 4.31 | 106 | 2.69 | 139.4 | 3.54 | 226.4 | 5.75 | 322.9 | 8.20 | 311.7 | 7.92 | 409.6 | 10.40 | 400.5 | 10.17 | 665.0 | 16.89 |
| 300 | 7.62 | 254 | 6.46 | 159 | 4.04 | 210.0 | 5.33 | 340.6 | 8.65 | 485.3 | 12.33 | 468.9 | 11.91 | 615.7 | 15.64 | 602.3 | 15.30 | 999.0 | 25.38 |
| 400 | 10.16 | 339 | 8.62 | 212 | 5.38 | 280.6 | 7.13 | 454.8 | 11.55 | 647.7 | 16.45 | 626.1 | 15.90 | 821.9 | 20.88 | 804.1 | 20.42 | 1333.1 | 33.86 |
| 500 | 12.70 | 424 | 10.77 | 265 | 6.73 | 351.2 | 8.92 | 569.0 | 14.45 | 810.1 | 20.58 | 783.3 | 19.90 | 1028.0 | 26.11 | 1005.9 | 25.55 | 1667.1 | 42.35 |

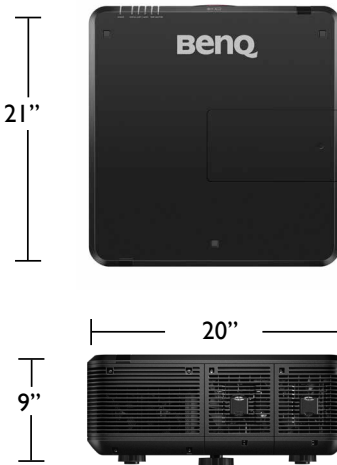
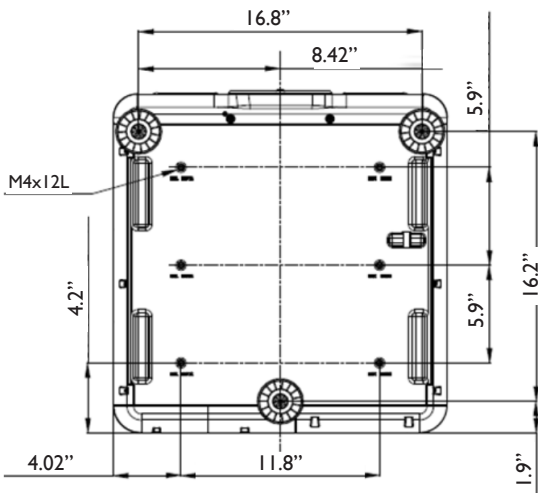
| Screen Size | | | | | | 5JJAM37.031 | | | | 5JJAM37.041 | | | | 5JJAM37.061 | | | |
|-------------|-------|--------|-------|-----------|------|------------------|-------|--------|-------|------------------|-------|--------|-------|----------------------|------|--------|-------|
| | | | | | | Long Zoom 1 Lens | | | | Long zoom 2 Lens | | | | Ultra Wide zoom Lens | | | |
| Diagonal | | Width | | Height(B) | | Distance(A) | | | | | | | | | | | |
| | | | | | | Wide | | Tele | | Wide | | Tele | | Wide | | Tele | |
| (inch) | (m) | (inch) | (m) | (inch) | (m) | (inch) | (m) | (inch) | (m) | (inch) | (m) | (inch) | (m) | (inch) | (m) | (inch) | (m) |
| 40 | 1.02 | 34 | 0.86 | 21 | 0.54 | 124.9 | 3.17 | 190.3 | 4.83 | 183.3 | 4.65 | 292.2 | 7.42 | 25.8 | 0.65 | 32.8 | 0.83 |
| 50 | 1.27 | 42 | 1.08 | 26 | 0.67 | 157.5 | 4.00 | 239.2 | 6.08 | 232.0 | 5.89 | 368.1 | 9.35 | 32.7 | 0.83 | 41.4 | 1.05 |
| 60 | 1.52 | 51 | 1.29 | 32 | 0.81 | 190.1 | 4.83 | 288.1 | 7.32 | 280.7 | 7.13 | 444.0 | 11.28 | 39.6 | 1.00 | 50.0 | 1.27 |
| 80 | 2.03 | 68 | 1.72 | 42 | 1.08 | 255.2 | 6.48 | 385.9 | 9.80 | 378.1 | 9.60 | 595.9 | 15.13 | 53.3 | 1.35 | 67.3 | 1.71 |
| 100 | 2.54 | 85 | 2.15 | 53 | 1.35 | 320.3 | 8.14 | 483.7 | 12.29 | 475.6 | 12.08 | 747.7 | 18.99 | 67.1 | 1.70 | 84.5 | 2.15 |
| 120 | 3.05 | 102 | 2.58 | 64 | 1.62 | 385.5 | 9.79 | 581.5 | 14.77 | 573.0 | 14.55 | 899.6 | 22.85 | 80.9 | 2.05 | 101.8 | 2.59 |
| 150 | 3.81 | 127 | 3.23 | 79 | 2.02 | 483.2 | 12.27 | 728.2 | 18.50 | 719.1 | 18.27 | 1127.3 | 28.63 | 101.6 | 2.58 | 127.6 | 3.24 |
| 180 | 4.57 | 153 | 3.88 | 95 | 2.42 | 580.9 | 14.75 | 874.9 | 22.22 | 865.3 | 21.98 | 1355.1 | 34.42 | 122.2 | 3.10 | 153.5 | 3.90 |
| 200 | 5.08 | 170 | 4.31 | 106 | 2.69 | 646.0 | 16.41 | 972.7 | 24.71 | 962.7 | 24.45 | 1506.9 | 38.28 | 136.0 | 3.45 | 170.8 | 4.34 |
| 300 | 7.62 | 254 | 6.46 | 159 | 4.04 | 971.7 | 24.68 | 1461.8 | 37.13 | 1449.9 | 36.83 | 2266.2 | 57.56 | 204.9 | 5.20 | 257.0 | 6.53 |
| 400 | 10.16 | 339 | 8.62 | 212 | 5.38 | 1297.3 | 32.95 | 1950.8 | 49.55 | 1937.1 | 49.20 | 3025.4 | 76.85 | 273.8 | 6.95 | 343.2 | 8.72 |
| 500 | 12.70 | 424 | 10.77 | 265 | 6.73 | 1623.0 | 41.22 | 2439.8 | 61.97 | 2424.2 | 61.58 | 3784.7 | 96.13 | 342.7 | 8.70 | 429.4 | 10.91 |



Ceiling Mount Chart

Dimensions

Units: inch



Because it matters