

Projector Ceiling Pole Mount



Touchboards

205 Westwood Ave, Long Branch, NJ 07740
Phone: 866-94 BOARDS (26273) / (732)-222-1511
Fax: (732)-222-7088 | E-mail: sales@touchboards.com

Model: **OCM815W / OCM815B**

User Operation Guide

IMPORTANT NOTES




- Thank you for purchasing the Universal Projector Ceiling Mount. This bracket is suitable for most projectors up to a load of 15kg (33lbs).
- To ensure correct usage, please read this instruction manual thoroughly. Keep this manual for future reference.
- BRACKETS SHOULD BE MOUNTED ONLY BY A QUALIFIED INSTALLER.
- User will be responsible for any injuries and damages that may arise from improper installation and handling of Universal Ceiling Mounting Kit.
- Ensure all mounting screws are appropriately positioned and properly tighten/ fastened.
- Installers are to ensure customer's safety during installtion.
- We reserve the right to amend or undertake any necessary changes without prior notice.

WARNING

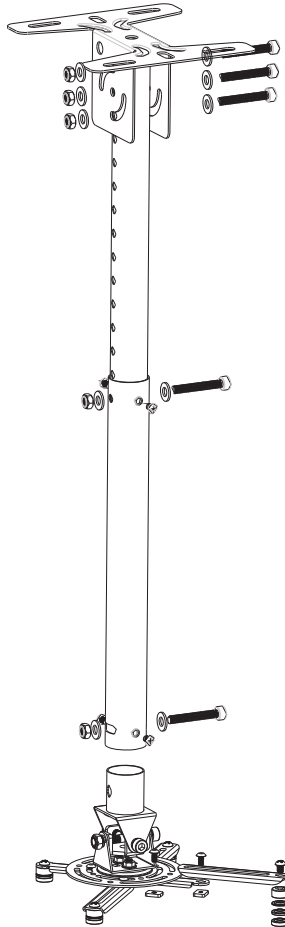
This symbol indicates incorrect handling. Ignoring this symbol can result in the possibility of personal injury or even death.

CAUTION

This symbol indicates incorrect handling. Ignoring this symbol can result in the possibility of personal injury and physical damage.

 Caution (general)	This symbol indicates additional cautions (including warnings).
 Forbidden (general)	This symbol indicates forbidden actions.
 Required (general)	This symbol indicates required actions.

PARTS SPECIFICATIONS



SPECIFICATION

Net Weight	: 2.52 kg (5.56 lbs)
Dimension	: 420 x 200 x 120 mm (16.5" x 7.9" x 4.7")
Extendable Length (Min to Max)	: Min 576mm, Max 826mm (Min 22.7", Max 32.5")
Load Capacity	: 15 kg (33 lbs)

User Operation Guide

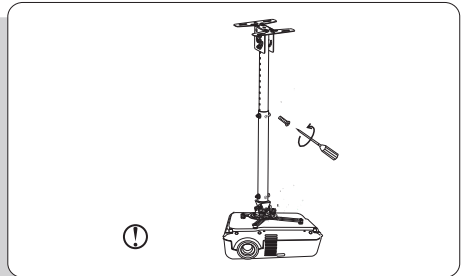
WARNING

Assembling without the correct use of bolts and screws at designated points may result in injury and damage to properties or the unit collapsing from its installed position.

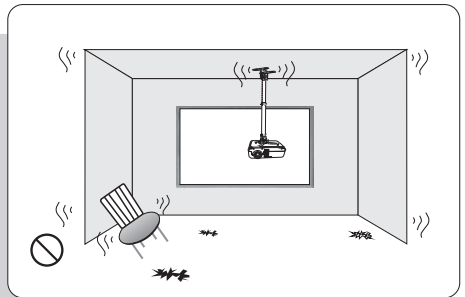
Should a malfunction occur disconnect the power from the main socket and surround the area with ropes to prevent others from getting near it.

Check and ensure the ceiling where you install can support the weight of the projector and ceiling mounting.

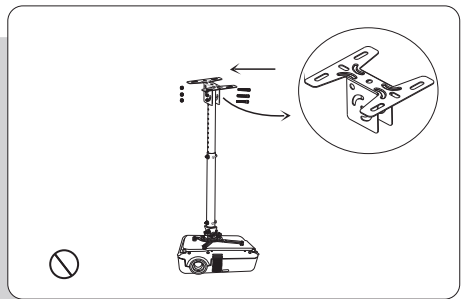
All Ceiling Mounting Brackets are to be firmly secured so the unit will not drop off its installed position.



Steps should be taken to ensure the ceiling and installed unit can withstand external forces like earthquakes, vibrations, etc.

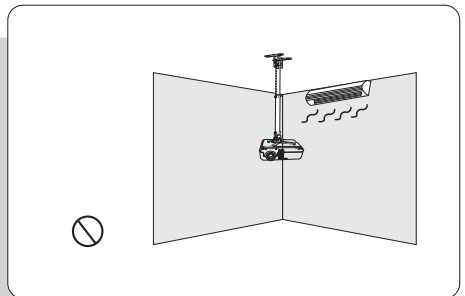


Do not remove any bolts and screws from the Ceiling Mounting Brackets or do any changes to the Ceiling Mounting Brackets.



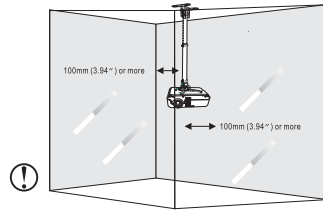
Do not install near an air-conditioner.

Do not install at place where there are excessive dust and smoke as fire could arise from these sources.



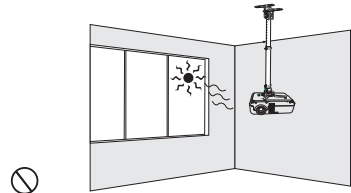
WARNING

Keep the room well ventilated to prevent room temperature rising and possibilities resulting in fire.

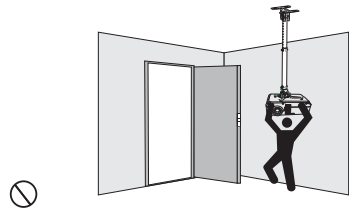


Do not install in location where room temperature and humidity are excessively high to prevent fire.

To prevent fire, avoid contact with water



Do not apply unnecessary stress or load on the installed unit.


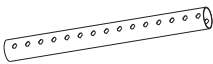
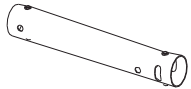
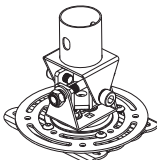




Touchboards






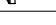










205 Westwood Ave, Long Branch, NJ 07740
 Phone: 866-94 BOARDS (26273) / (732)-222-1511
 Fax: (732)-222-7088 | E-mail: sales@touchboards.com








PACKAGE CONTENTS

1. Each package should contain the parts listed and shown below

	Ceiling Mount Plate	1
	Upper Pole	1
	Lower Pole	1
	Universal Head Assembly	1

Tools Included			
	3mm Allen Key	1 pc	
	6mm Allen Key	1 pc	
Tools Required for mount assembly			
1. 1x Star / Philips Screw Driver 2. 1x 13mm Spanner			

A		M4x15 Cross Recessed Screw	4 pcs
B		M4x20 Cross Recessed Screw	4 pcs
C		M4x25 Cross Recessed Screw	4 pcs
D		M5x15 Cross Recessed Screw	4 pcs
E		M5x20 Cross Recessed Screw	4 pcs
F		M5x25 Cross Recessed Screw	4 pcs
G		M6x15 Cross Recessed Screw	4 pcs
H		M6x20 Cross Recessed Screw	4 pcs
I		M6x25 Cross Recessed Screw	4 pcs
J		1mm Washer	4 pcs
K		2 mm Washer	4 pcs
L		4mm Washer	4 pcs
M		Bottom Spacer	4 pcs
N1		M8x55 Socket Cap Screw	5 pcs
N2		M8 Nylock Nut	5 pcs
N3		M8 Flat Washer	10 pcs

a		M3x15 Cross Recessed Screw	4 pcs
b		M3x20 Cross Recessed Screw	4 pcs
c		M3 Flat Washer	4 pcs
d		M4x6 Cross Recessed Screw	4 pcs
e		M5x10 Socket Button Screw	4 pcs
f		Square Nut	4 pcs
g		Extension Bracket (50mm)	4 pcs

User Operation Guide

INSTALLATION GUIDE

1. Assembling the Ceiling Mount Plate to the Upper and Lower Pole:

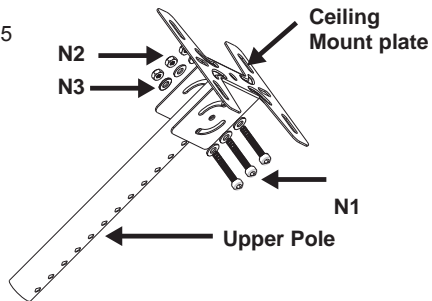
1.1 Assemble the Upper Pole using M8x55 Socket Cap Screws, Washers and M8 Nylock Nuts as shown.

Parts Required:

x3 (N1)

x3 (N2)

x6 (N3)



1.2 Assemble the Lower Pole by inserting it onto Upper Pole, adjust to your desired length and secure with M8x55 Socket Cap Screws, Washers and M8 Nylock Nuts.

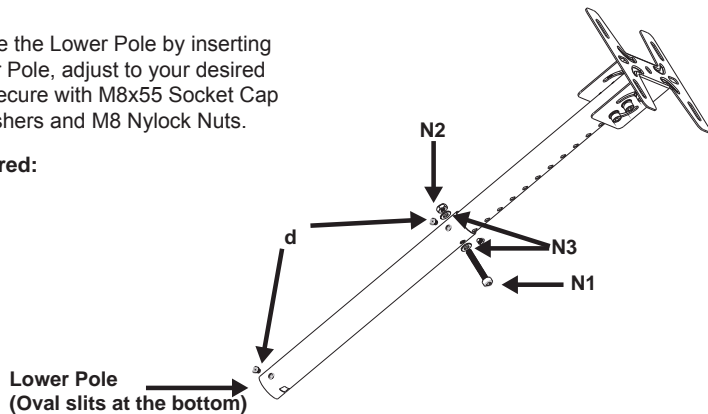
Parts Required:

x1 (N1)

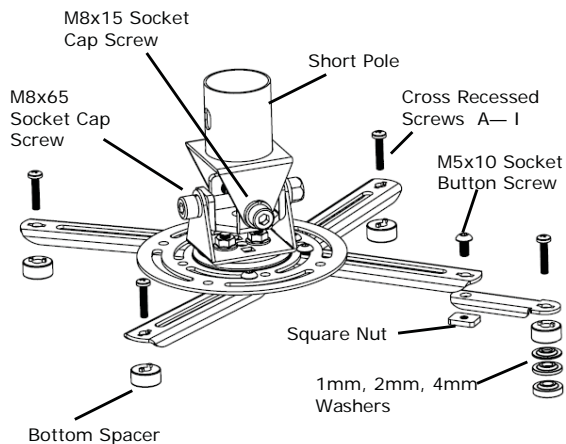
x1 (N2)

x2 (N3)

x4 (d)

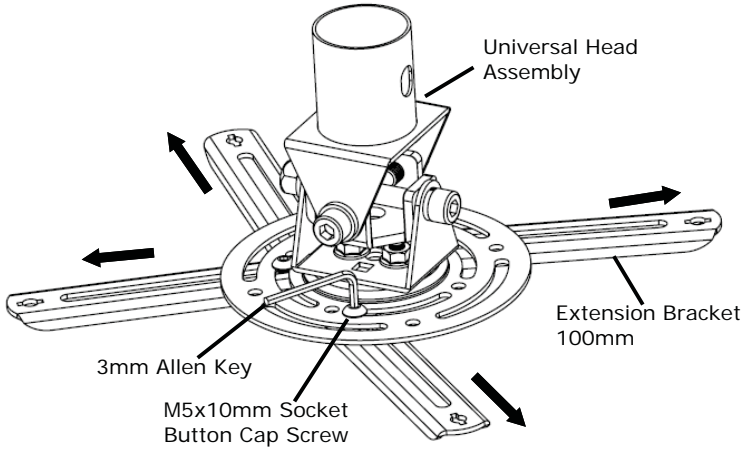


2. Attaching the Universal Head Assembly to the Projector

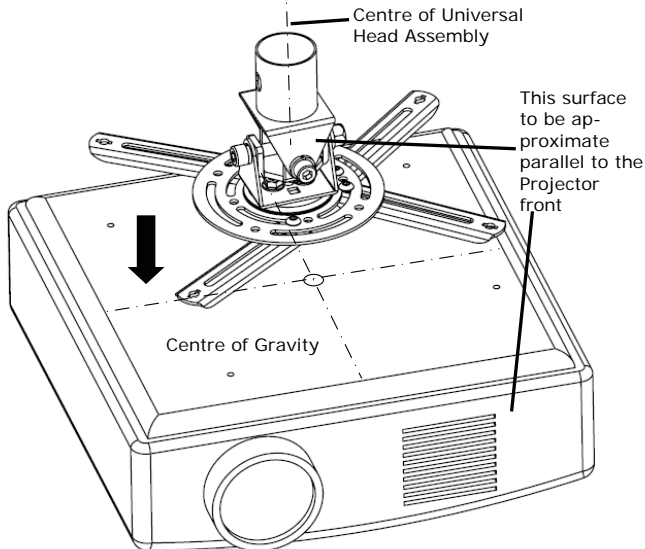


(2A) Attaching the Universal Head Assembly to the projector:

2A.1— Loosen the M5x10mm Socket Button Cap Screws using the 3mm Allen key until you can slide the extension brackets freely, as shown.

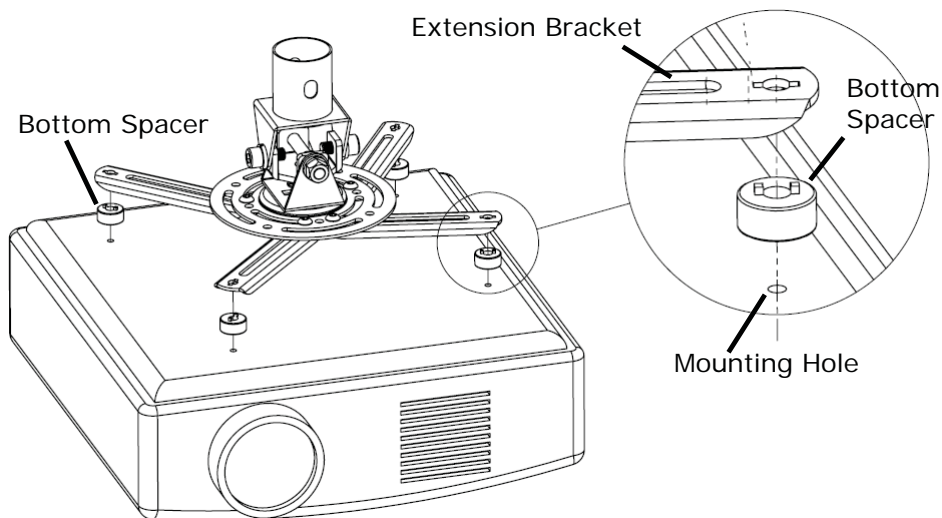


2A.2— Place projector's Flush Mount Assembly over the projector and align the centre of the Flush Mount with the projector's approximate Centre of Gravity.



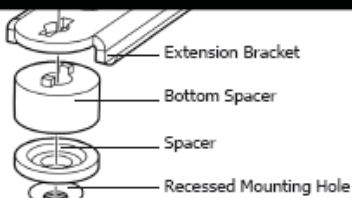
User Operation Guide

2A.3— Place the Bottom Spacers in between the Extension Brackets and the Projector, and align the mounting holes as shown below.



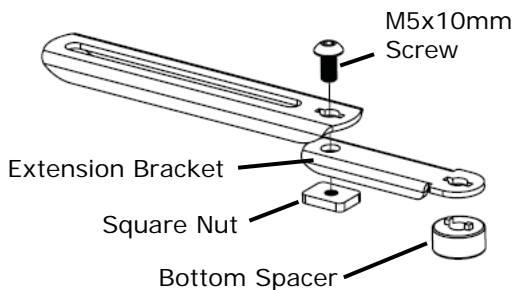
NOTE

If the mounting holes on your projector are recessed, you may need to use the additional spacers supplied in the parts bag. Please select the appropriate spacers according to the design of your projector.



Note 2:

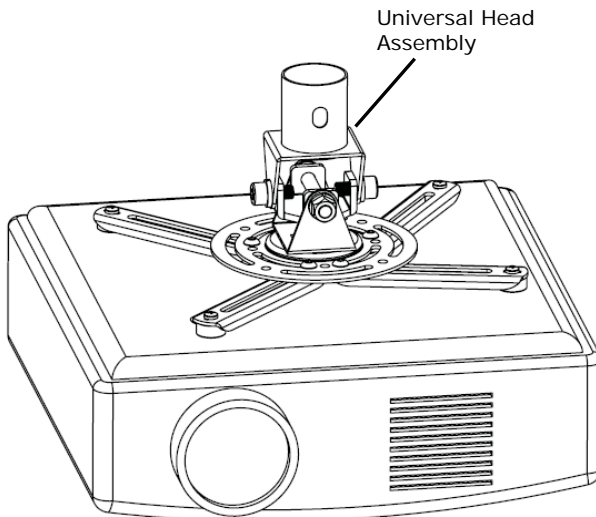
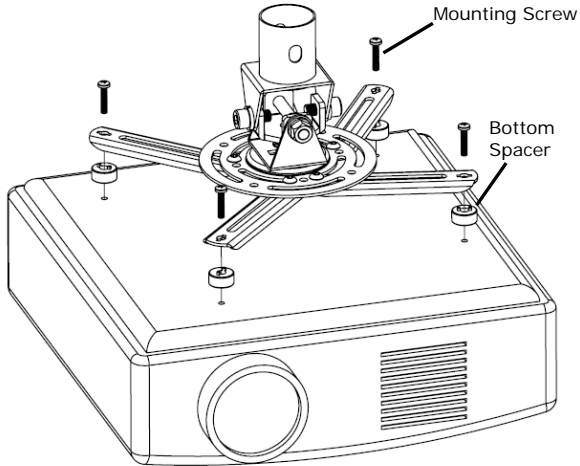
If you cannot align the 100mm Extension Bracket to the mounting hole on your projector, you may need to use the additional 50mm Extension Brackets shown in the diagram on the right.



User Operation Guide

2A.4— Select the correct Mounting Screws from the Parts bag and firmly screw the Universal Head Assembly onto your Projector.

Once this is done, the Projector with Universal Head Assembly is ready to be mounted onto the Ceiling Plate Pole.



Completed Universal Head Assembly with Projector

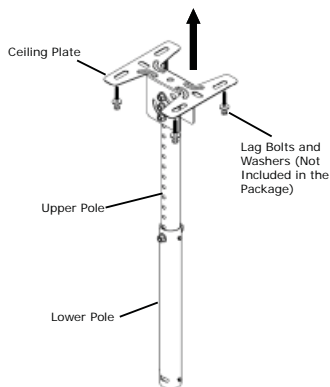
User Operation Guide

INSTALLATION GUIDE

3. Installing the Ceiling Pole Mount

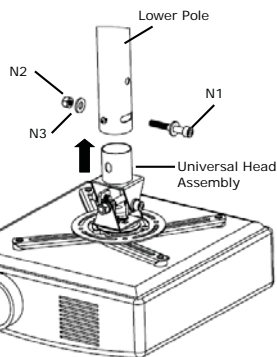
3.1

Install the Ceiling Mount Plate to the ceiling with Lag Bolts and Washers (not included in the package) as shown below.



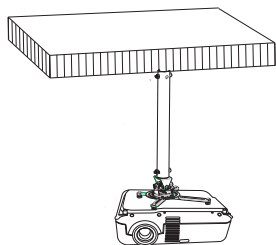
3.2

Attach the Universal Head Assembly with the projector by inserting M8x55 Socket Cap Screw with Washers through the slot holes and secure with M8 Nylock Nut as shown



3.3

Installation completed.



*** Please consult our authorized service personnel when you encounter any problem during installation. We are not liable for any damage or injury caused by mishandling or improper operation.**

Touchboards

205 Westwood Ave, Long Branch, NJ 07740
Phone: 866-94 BOARDS (26273) / (732)-222-1511
Fax: (732)-222-7088 | E-mail: sales@touchboards.com



Due to continuing product development, the manufacturer reserves the right to alter specifications without notice. Published: 24.01.2014