



Quality Engine Building Tools and Supplies Since 1959
Order toll-free 800-527-7604 or online at www.regismanufacturing.com



FAITH, FAMILY AND FRIENDS

From day one, we have remained loyal and stand strong in our faith, our family (the Regis team) and our friends (our loyal customers)

As our business continues into its 65th year of service to our valued customers, we want to thank each of you for continuing to believe in Regis. Since our humble beginnings in 1959, we have tried to offer you quality products and service at reasonable prices. Our past success as well as our future is due in large part to you, our customers. As our philosophy has been stated throughout the years, we believe in the Golden Rule...treating people the way you want to be treated and do what you say you're going to do.

You can be assured that our values and philosophy will continue as our family is committed to growing the business while researching new products that will grow our industry and provide the best customer service to you – our valued customers.

We are extremely proud of our team as they continue to work with you and for you to provide the best customer service. We thank you for all the continued trust and support that you have given Regis.

Please feel free to contact me or any member of our amazing team if you have questions or suggestions how we may better serve you.

On behalf of the entire Regis team, thank you for the continued trust and support you place in us to be your provider of shop supplies! Again, don't forget to check out our website: regismanufacturing.com.

— Jason J. Morden, President
Regis Manufacturing

HOW TO ORDER

Call us anytime between 8:00 a.m. and 4:30 p.m. central time to place your order, be it large or small. Se habla Español!

Call toll-free
800-527-7604

Fax orders toll-free
800-535-8414

Local Dallas phone
214-421-5171

Local Dallas fax
214-565-1704

Mail to:
P.O. Box 152900
Dallas, TX 75315-2900

Ship to:
1500 Corinth Street
Dallas, TX 75215

■ SOUTHEAST

Customers in the Southeastern U.S., contact Dan Bryant, Dallas, GA
Call 404-625-3450



Call us with questions or phone orders

ORDER ONLINE ANYTIME

With our online store, you can buy shop supplies 24 hours a day, 365 days per year. Track your order history and keep up to date on your important shipments with a few clicks of the mouse!

www.regismanufacturing.com

PAYMENTS ACCEPTED



© Copyright 2024, Regis Manufacturing Co. Inc., All rights reserved. Any reproduction of any part of this catalog (including translation) is prohibited.

POLICIES

PRICING

Regis pricing as noted in this catalog, website and price sheets are subject to change without prior notice. All orders placed will be billed at the prices in effect at the time the order is shipped from our warehouse. NOTE: We do not have a minimum order requirement.

RETURNS

If you are unhappy with a Regis product, simply include a packing slip or invoice copy detailing the reason for the return. Returns may be made within 60 days of invoice date. We will correct the problem immediately with another part or product or credit your account. There are no returns on special ordered items.

NOTE: Merchandise that has been modified or abused and/or damaged by improper use will not be accepted. Credit will only be issued after it has been determined that the product is resellable or deemed defective. All items returned by USPS must be mailed to our P.O. Box 152900; shipments returned by UPS must be addressed to 1500 Corinth.

FREIGHT TERMS

For all shipments within the U.S., invoices totalling \$1,500.00 or more, you may deduct the freight when paying the invoice if paid within 30 days. Air freight, shipments to Alaska and Hawaii, and credit card purchases are excluded.

Tumbling media, glass bead, steel shot, coolants, cleaners, chemicals, crankshaft grinding wheels and camshaft grinding wheels do not qualify for freight allowance.

Coolants, cleaners and chemicals in 4 gallon, 5 gallon or more, in any combination, shall be considered as bulk.

Magnetic powder in any combination, 25 pounds or more, shall be considered as bulk.

SHIPPING

We normally ship UPS, but also offer FedEx, USPS and DHL collect upon request.

TABLE OF CONTENTS

CLEANING	2-10
Brushes.....	2-5
Spray Guns, Glass Bead Guns & Parts.....	6-7
Gloves and Protective Wear.....	7-10
LUBRICANTS, COOLANTS & CONCENTRATES	11-13
INSPECTION, TESTING & CRACK REPAIR	14-24
Measuring Tools.....	14-19
Crack Repair Tools & Supplies.....	20-24
VALVE GUIDE WORK	25-37
Arbors, Reamers, Core Drills.....	25-28
Bronze Guide Sleeve Installation Kits & Tools.....	29-33
Diamond Valve Guide Honing System.....	34
Valve Guide Drivers.....	35-36
Valve Stem Seal Tools.....	37
VALVE SEAT WORK	38-54
3-angle Seat Cutting Tools.....	38-43
Valve Seat Wheels.....	44-46
Valve Seat Stone Holders & Dressing Stand.....	47
Valve Seat Wheel Air Drivers.....	48
Valve Seat Grinding Pilots.....	49-51
Valve Seat Cutters and Blades.....	54
VALVE REFACING	55-57
VALVE SPRING WORK	58-63
Valve Spring Compressors.....	58-59
Valve Spring Pressure Tester.....	60
Valve Keeper Remover and Installers.....	60-61
VSI® Valve Spring Inserts.....	63
PORTING & POLISHING	64-67
RESURFACING	68-71
Resurfacing Belts.....	70
Resurfacing Wheels & Segment Sets.....	68-69
CBN and PCD Replacement Cutters.....	71
MISCELLANEOUS CYLINDER HEAD WORK	72-75
Head Holders.....	72
Thread Repair Kits.....	75
DIAMOND TOOLS	76-77
CYLINDER WALL BORING & HONING	78-83
Boring Bar Cutters & Replacement Parts.....	78-79
Diamond Laps, Chamfering Cones.....	79
Cylinder Hones & Replacement Stones.....	80-82
CAMSHAFT WORK	84-86
ROD & PISTON WORK	87-91
Piston Pin Removal Tools.....	87
Piston Ring Filers, Compressors.....	88-89
Balancing Scale and Heavy Metal.....	90
Rod Honing Stones.....	91
BLOCK WORK	92-95
CRANKSHAFT WORK	96-101
Crankshaft Grinding Wheels.....	97
Crankshaft Polishing Belts.....	98-99
Crankshaft Polishers.....	100
FLYWHEEL WORK	102-104
ASSEMBLY SUPPLIES	105-107
BRAKE WORK	108-111
MISCELLANEOUS SHOP TOOLS	112-117
INDEX	118-127
MEASUREMENT EQUIVALENTS CHART	128



ADA & DA SERIES



DH SERIES



TS SERIES

WIRE WHEEL BRUSHES

Top-quality wire wheel brushes are shipped with standard arbor unless arbor size is designated otherwise. Maximum safe free speed RPM is listed for each wire wheel brush.

Part No.	Dia.	Face width	Wire size	Arbor	RPM
ADA & DA SERIES – medium-duty, medium face					
ADA-6	6"	13/16"	.014	1/2" & 5/8"	6,000
ADA-8	8"	1"	.014	1/2" & 5/8"	4,500
DA-10	10"	1-1/4"	.014	3/4"	3,600

Part No.	Dia.	Face width	Wire size	Arbor	RPM
DH SERIES – heavy-duty, wide face					
DH-6	6"	1-1/2"	.014	1/2" & 5/8"	6,000
DH-8	8"	1-3/4"	.014	1/2" & 5/8"	4,500
DH-10	10"	2-1/2"	.014	3/4"	3,600
TS SERIES – standard twist wire brush					
TS-6	6"	1/2"	.016	1/2" & 5/8"	9,000
TS-8	8"	5/8"	.016	1/2" & 5/8"	6,000



WIRE END BRUSHES

Maximum safe free speed RPM is listed for each wire end brush in the chart below.

Part No.	Dia.	Trim length	Wire size	RPM
SOLID END TYPE				
NS-4	1/2"	7/8"	.020	20,000
NS-6	3/4"	7/8"	.020	20,000
NS-10	1"	7/8"	.020	20,000
NS-6LNS	3/4"	7/8"	.0104	20,000
NS-10LNS	1"	7/8"	.0104	20,000
KNOT TYPE HOLLOW END				
NH-8	3/4"	7/8"	.020	20,000
NH-12	1-1/8"	7/8"	.020	20,000
HOLLOW END CRIMPED CUT				
NH-16	1-3/4"	7/8"	.0118	4,500
NH-26	2-3/4"	7/8"	.0118	4,500



CUP & END BRUSHES FOR ALUMINUM

.006 WIRE SIZE. Excellent for working on aluminum. All brushes feature 1/4" diameter shanks. Maximum safe free speed RPM is listed for each brush.

Part No.	Dia.	Trim length	Wire size	RPM
SOLID END TYPE				
NS-46	1/2"	7/8"	.006	20,000
NS-66	3/4"	7/8"	.006	20,000
NS-106	1"	7/8"	.006	20,000
CUP				
NH-166	1-3/4"	3/4"	.006	4,500



WIRE CUP BRUSHES

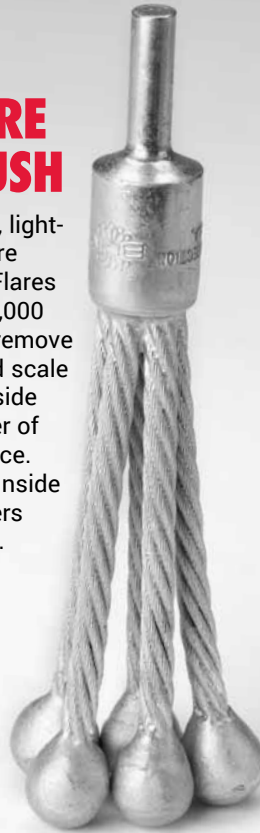
Knot-type, standard twist wire. 5/8"-11 arbor holes.

Part No.	Dia.	Trim Length	Wire Size	RPM
US-3	2-3/4"	3/4"	.014	12,500
US-4	4"	1"	.014	8,500
US-5	5"	1-1/4"	.014	7,000

FLARE BRUSH

5-prong, light-duty flare brush. Flares out at 2,000 rpm to remove rust and scale from inside diameter of workpiece. Covers inside diameters up to 5".

Part No.
DEB-4



CYLINDER WASHING BRUSHES

Nylon fill brushes for efficient cleaning of cylinder walls after honing. Use with detergent in warm or hot water. CWB-200 ideal for cam towers.

Part No.	Diameter	OAL
CWB-200	2"	18"
CWB-300	3"	18"
CWB-350	3.5"	18"
CWB-400	4"	18"
CWB-450	4.5"	18"
CWB-500	5"	18"
CWB-550	5.5"	18"



HAND BRUSHES

For general cleaning tasks such as removing paint, rust scale and dirt. Also can be used for cleaning metal parts, threads, files, etc.

Part No.	Description
HPB	Curved plastic handle Stainless steel / 3 x 7 rows 1-3/8" brush. 1/2" trim length. 2-7/8" OAL.
HS-46	Shoe handle (wooden) Wire fill / 4 x 16 rows 5-1/2" brush. 1-1/8" trim length. 10" OAL.
HB-49	Bent handle (wooden) Wire fill / 4 x 19 rows 6" brush. 1-1/8" trim length. 13-1/4" OAL.



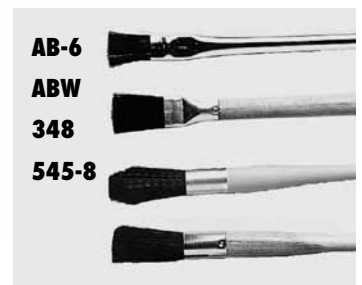
"TOP OF THE LINE" PARTS CLEANING BRUSH

Designed for use with all petroleum based solvents. Heavy-duty plastic handle is virtually indestructible! The filaments are genuine Hy-Flex® nylon and guaranteed to never mushroom. Non-slip grip features a convenient thumb rest.

Parts Cleaning Brush, **Part No. 409**
Brush with 24" tube, **Part No. M-409**

PARTS CLEANING BRUSHES

For general cleaning tasks such as removing paint, rust scale and dirt. Also can be used for cleaning metal parts, threads, files, etc.



Part No.	Description	Fill material	Handle	Trim length	OAL
AB-6	Acid Brush	Horse hair	Tin	3/4"	5.75"
ABW	Acid Brush	Horse hair	Wood	1-1/8"	7"
348	Parts Cleaning Brush	Nylon	Plastic	1-3/4"	11"
545-8	Parts Cleaning Brush	Bristle	Wood	1-1/2"	10.5"
409	Parts Cleaning Brush	Nylon	Plastic	2-3/8" graduated	10"
M-409	Multi-Jet Parts Washer Brush with 28" tube. Fits 1/4" to 3/8" nozzles.				

CLEANING BRUSHES

Regis stocks a variety of cleaning brushes for many different applications, as shown in our chart below. If you have any questions about any of our brushes, please call us toll-free 1-800-527-7604.



CARBON REMOVAL BRUSHES

Part No.	Dia.	OAL	Shank	Wire size	Brush
CSB-375	3/8"	6-1/4"	1/4"	.014	4" long *
CSB-500	1/2"	6-1/4"	1/4"	.014	4" long *
DEB-5	1/2"	4-1/4"	1/4"	.020	2-1/2" **
DEB-5XL	1/2"	6-1/2"	1/4"	.020	2-1/2" **

* Maximum safe speed for this brush is 600 RPM.
 ** Maximum safe speed for this brush is 850 RPM.

WARNING – Do not run carbon removal (coil spring) brushes free of work. Insert them into workpiece to be brushed before turning on power. Always wear safety goggles and proper safety clothing.



NYLON VALVE GUIDE BRUSHES

#6-12 nylon bristle with loop handle for easier manual use. Order as a set or individually.

Part No.	Dia.	OAL	Brush length
OL-1	1/4"	10"	2" (formerly RVG-11N)
OL-2	5/16"	10"	2-1/2" (formerly RVG-13N)
OL-3	3/8"	12"	2-1/2" (formerly RVG-14N)
RVG-47N	11/32"	12"	2-1/2"
RVG-48N	13/32"	12"	2-1/2"
RVG-49N	7/16"	12"	2-1/2"
RVG-44N	1/2"	12"	2-1/2"
RVGN	Valve Guide Brush Set (one of each brush above)		

new



NYLON OIL GALLERY BRUSHES

Nylon brushes with a loop handle for cleaning all types of passage ways.

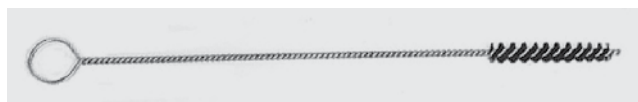
Part No.	Dia.	OAL	Brush length
OL-1	1/4"	10"	2"
OL-2	5/16"	12"	2-1/2"
OL-2A	5/16"	12"	2-1/2" Flexible stem
OL-3	3/8"	12"	2-1/2"
OG-38	3/8"	34"	3"
OG-42	1/2"	34"	2-1/2"
OG-5	5/8"	34"	3"
OG-7	3/4"	34"	3"
OG-8	3/4"	40"	3" New longer length
OGK	Oil Gallery Brush Set (one each of: OG-5, OG-7, OG-8, OG-42)		



POWER VALVE GUIDE BRUSHES

Can be used with a drill motor. Available in steel or nylon bristles. Order as a set or individually.

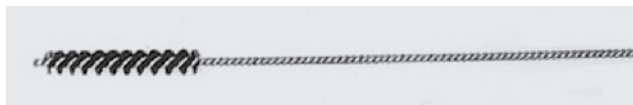
STEEL	NYLON	Dia.	OAL	Shank
RVG-1	RVG-1Y	5/16"	9-1/2"	1/4"
RVG-2	RVG-2Y	11/32"	9-1/2"	1/4"
RVG-3	RVG-3Y	3/8"	9-1/2"	1/4"
RVG-5	RVG-5Y	7/16"	9-1/2"	1/4"
-----	RVG-6Y	1/2"	9-1/2"	1/4"
RVG-7	RVG-7Y	5/8"	9-1/2"	1/4"
RVG-8	-----	3/4"	9-1/2"	1/4"



BOTTOM END BRUSHES FOR CLOSED HOLES

Stainless steel wire tube brushes with a loop handle for cleaning deep recesses such as intake or exhaust manifolds where other brushes won't reach.

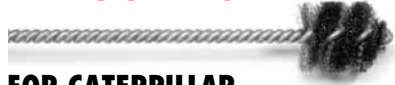
Part No.	Dia.	OAL	Wire size
S-625	5/8"	10"	.008
S-750	3/4"	10"	.008
S-875	7/8"	12"	.010
S-1000	1"	12"	.010



CARBON STEEL BRUSHES FOR HARD SPOT CLEANING

Part No.	Size	OAL	Description
OG-16	5/8" x 3"	30"	Oil Gallery Brush
OG-45	1/2" x 2-1/2"	34"	Oil Gallery Brush
OL-11C	1/4" x 2"	10"	Oil Line Brush
OL-14C	3/8" x 2-1/2"	12"	Oil Line Brush

DIESEL BRUSHES



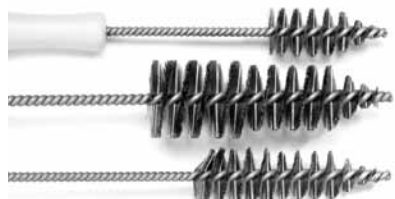
FOR CATERPILLAR

Part No.	Description
CAT-1	7/8" for direct injection nozzles
CAT-2	9/16" for cleaning pre-combustion chambers of: 1693, 333, 342, 346, 348, 353.



FOR CUMMINS

Part No.	Description
NH-1	Stainless steel wire, plastic handle, to be used when changing injector while in truck.
NH-2	Stainless steel wire cleans or polishes entire copper.
NH-3NS	Carbon steel to be used as a seat brush.
NH-30S	To insure perfect seating of newly installed coppers.



FOR DETROIT

Part No.	Description
DD-1-149	Stainless steel wire with plastic handle, to be used when changing injector while in truck.
DD-1-53	Stainless steel wire with plastic handle, to be used when changing injector while in truck.
DD-2-149	Stainless steel wire cleans or polishes entire copper; best used as a bench tool.
DD-2-53	Stainless steel wire cleans or polishes entire copper; best used as a bench tool.
DD-3NS	Carbon steel, to be used as a seat brush.
DD-3-149	Use to insure perfect seating of newly installed coppers.
DD-3-53	Use to insure perfect seating of newly installed coppers.



■ POSI-GRIP, VELCRO STYLE ■ QUICK LOCK STYLE WITH THREADED BACKING

SURFACE PREP DISCS AND HOLDERS

Remove gaskets, carbon, corrosion, paint, etc. with these surface prep discs and holders. Available in two styles – the original **Posi-Grip** loop and pile, velcro-like holders and the new **Quick Lock** style with a threaded 1/4" backing.

■ POSI-GRIP – Velcro-like backing

DISCS – 10 qty. each			
Dia.	Medium Grit	Coarse Grit	
2"	PD-6801	PD-6807	
3"	PD-6802	PD-6808	
4"	PD-6803	PD-6809	

DISC HOLDERS – 1 qty. each

Dia.	Style	Stem	Part No.
2"	Velcro-like	1/4"	DH-4737
3"	Velcro-like	1/4"	DH-4738
4"	Velcro-like	1/4"	DH-4739

■ QUICK LOCK – 1/4" threaded backing

DISCS – 10 qty. each			
Dia.	Medium Grit	Coarse Grit	
2"	PD-7020	PD-7021	
3"	PD-7022	PD-7023	
4"	PD-7024	PD-7025	

DISC HOLDERS – 1 qty. each

Dia.	Style	Stem	Part No.
2"	Threaded	1/4"	DH-4779
3"	Threaded	1/4"	DH-4786
4"	Threaded	1/4"	DH-4787

ROLOC® BRISTLE DISCS AND HOLDERS

Tough plastic bristles clean away gasket material without gouging or cutting. As the disc rotates, old gasket residue is swept away, while new abrasive material is exposed. High maximum operating speed allows for use on die grinders.

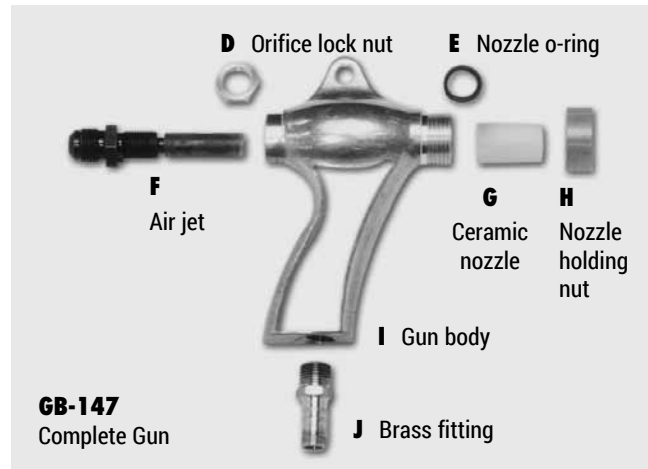
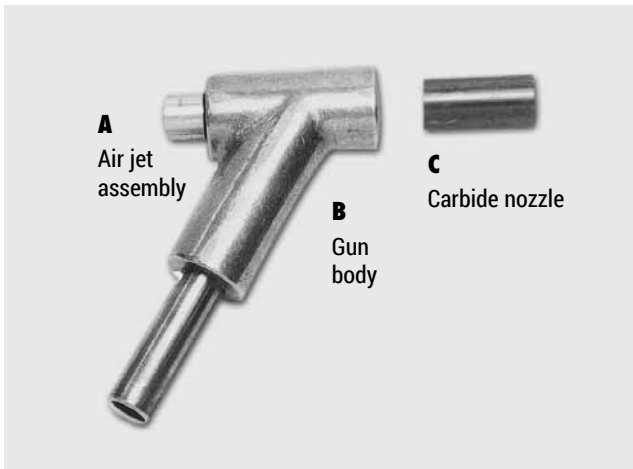


ROLOC® BRISTLE DISCS

Part No.	Dia.	Color	Grit	Application
K-7524	2"	Green	Coarse 50 grit	Steel
K-7525	2"	Yellow	Medium 80 grit	Aluminum or Steel
K-7528	2"	White	Fine 120 grit	Aluminum
K-7526	3"	Green	Coarse 50 grit	Steel
K-7527	3"	Yellow	Medium 80 grit	Aluminum or Steel
K-7529	3"	White	Fine 120 grit	Aluminum

ROLOC® BRISTLE DISC HOLDERS

Part No.	Description	Operating Speed
DH-4779	2" disc holder	25,000 maximum operating speed
DH-4786	3" disc holder	10,000 maximum operating speed



GLASS BEAD GUNS AND PARTS

**BEAD GUN TO FIT SMALLER MACHINES
TRINCO, ECONOLINE, ETC.**

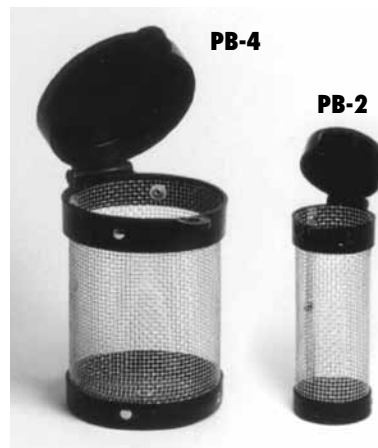
★ To order a **Complete Gun**, order one of each item listed below.

Part No.	Description
A GB-25L	Air jet assembly – 5/32" I.D. 25 cfm
B GB-34L	Gun body
C GB-340S	Carbide nozzle

BEAD GUN TO FIT ZERO, BLAST-IT ALL, IDL, EMPIRE

Part No.	Description
GB-147	Complete Gun
D GB-052	5/16" I.D. orifice lock nut
E GB-053	Nozzle o-ring
F GB-065	5/32" air jet
G GB-075	5/16" ceramic nozzle
H GB-054	Nozzle holding nut
I GB-040	Gun body
J GB-04	Brass fitting (3/8" male x 1/2" hose barb)

NOTE: Other size nozzles and orifices are available, call for details.



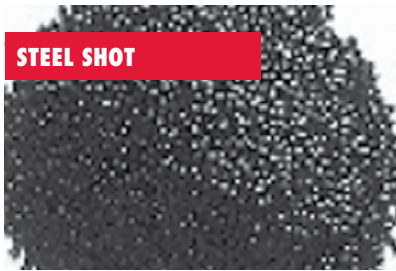
PARTS BASKETS

Sturdy baskets hold small parts for cleaning, but they also can be used for sorting and storing parts. Safe for use with most solvents, however these baskets are not designed for use in caustics.

Part No.	Description	Size
PB-1	Keeper Cleaning Container	2" x 2"
PB-2	Parts Basket with attached flip-top lid	2-1/4" dia. x 7-1/4" high
PB-4	Parts Basket with attached flip-top lid	4-3/8" dia. x 7-1/4" high
PB-9	Parts Basket – 1/4" galvanized wire mesh	9" dia. x 8-1/4" high
PB-9L	Lid fits PB-9 basket; includes snap fastener	



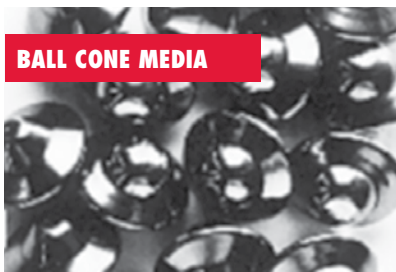
GLASS BEADS



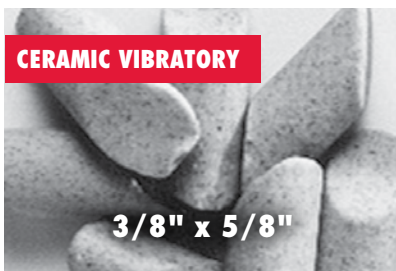
STEEL SHOT



STEEL DIAGONALS



BALL CONE MEDIA



CERAMIC VIBRATORY

3/8" x 5/8"

CLEANING MEDIA

Part No.	Description	Bag Size
BT-8	Glass Beads	50 lbs.
K-170	Steel Shot	55 lbs.
K-516	Steel Diagonals	25 lbs.
K-517	Ball Cone Media	25 lbs.
CM-45	Ceramic Vibratory	25 lbs.

NOTE: Cleaning Media does NOT qualify for freight allowance policy.



GLASS BEAD CABINET WINDOW FILM

Protects the inside window of glass bead cabinet. Abrasive media will contact the plastic film instead of wearing on the glass window. Attaches easily with double-faced tape, not included.

12" x 24" each. Pack of 10.

Part No. WU-24



HUMPHREY FOOT VALVE

A quality replacement (.250" orifice, 2-way or 3-way) with a guarded foot valve assembly for most glass bead cabinets and seat & guide machines. Constructed of 12 gauge steel. The actuator features a positive stop to protect valve from damage. Its four rubber feet may be removed and the holes used for permanent mounting.

Part No. K-250F

Also available to fit Kwik-Way #018, 019 and 020 seat & guide machines that require a 4-way, 5 port orifice.

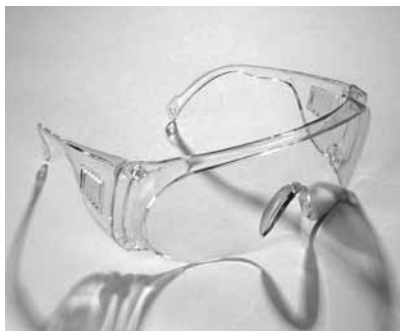
Part No. K-250F4



GLASS BEAD GLOVES

Replacement gloves for glass bead machines with up to 8" glove ports. Overall length of glove and integral gauntlet is 30" permitting use in largest machines. Extra heavy-duty, cloth lined, neoprene gloves provide very long life.

Part No.	Description
Fits machines with 8" openings	
KG	Pair (left and right)
KGR	Right hand only
KGL	Left hand only
KGS	Pair and a spare (left hand)
Fits machines with 10" openings	
KG-KW	Pair (left and right)
KG-KWL	Left hand only
KG-KWR	Right hand only



SAFETY GLASSES

Low-cost safety glasses feature a clear lens with side shields for a larger protective area. One piece, plastic frame is wide enough to fit easily over prescription glasses to protect lenses.

Part No. **JJ-12**

CALL 1-800-527-7604 FOR FAST SHIPPING

Our shipping department will make every effort to ensure that your order is shipped the same day it is received.



HOT TANK GLOVES

Made of poly-vinyl chloride which is alkaline and oil resistant. Knitted cotton liner will not peel and is fully washable. Coarse, rubber finish minimizes slipping when handling wet or oily parts. One pair.

Part No.	Size
GHT	Standard, 17.5" total length
GHT-XL	Shoulder Length <small>new</small>



HEAVY-DUTY INDUSTRIAL NITRILE GLOVES

Black Premium Nitrile Gloves are powder free and latex free designed for use in automotive machine shops. Sold in boxes of 100 quantity.

Part No.	Size	Thickness
BNG-L	Large	6 mil thickness
BNG-XL	Extra Large	6 mil thickness
EXTRA THICK (Orange Gloves)		
ONG-L	Large	10 mil thickness
ONG-XL	Extra Large	10 mil thickness



FACE SHIELD WITH WINDOW

Adjustable, lightweight face shield slips on and off in an instant. Protects the entire face, yet vision is not impaired when dust or spray is heavy. Positive stop side nut prevents window from hitting face. Window is .060" thick, 8" long and is replaceable. (Meets ANSI Z87.1, 5.2.)

Part No.	Description
FE-48	Face Shield with window
FH-48C	Replacement Window



DISPOSABLE DUST MASKS

Maximum protection against nuisance dust and non-toxic particles. Lightweight, contoured design provides a secure fit. Natural shape has a closer fit, eliminating metal nose band. Larger filter area assures cool, easy breathing.

Part No. **1100** (pack of 50)

PROTECTIVE APRON

This protective apron is made out of Hycar – a tough nitrile blend which is highly resistant to oil, gasoline, grease, solvents, chemicals and caustics.

Features finished edges with grommets and rope ties. One size fits all, 35" x 45".

Apron is also available in denim, which is washable.



Part No.	Description
HA-100	Hycar Apron
HA-100D	Denim Apron

REPLACEMENT PARTS FOR SIOUX 710

Part No. S-19271
Small Metal Drive Gear for Sioux 710 Parts Tumbler (Sioux #19271)



Part No. S-19275
Large Fiber Gear for Sioux 710 Parts Tumbler (Sioux #19275)



MULTI-PURPOSE FILTER

Fits many solution filtration systems for hot tank and jet washers. Filter may also be used to filter coolants in flywheel grinders and crank grinders. Sold individually.

7" opening x 16" OAL
100 microns

Part No. PF-712

REPLACEMENT SUNNEN HONING FILTER

Filter fits Sunnen CV-616 and CK-10 cylinder honing machines. Sold individually.

1" ID hole
6" diameter
14-1/2" tall

Part No. RPF-105



SUPER SCRAPER™

Removes rust, paint, metal buildup, glues, gaskets... or just about anything! Works on all metals, including aluminum. Precision-ground, double-edge carbide blade, nickel chrome-plated 1/8" steel shank and hardwood handle.

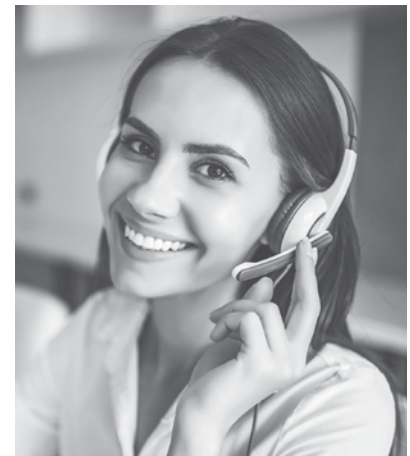
Part No.	Description
SS-12	5/8" wide blade
SS-1	1-1/4" wide blade
SS-2	2" wide blade



BEARING/MACHINIST SCRAPER

3-1/4" hollow-ground, triangular blade scraper with beveled point for small work.

Part No. BS-325



HOW TO ORDER

Call us anytime between 8:00 a.m. and 4:30 p.m. central time to place your order, be it large or small.

Se habla Español!

Call toll-free
800-527-7604

Local Dallas phone
214-421-5171

Order Online
regismanufacturing.com

HOT TANK & JET SPRAY CLEANERS

CITRUS HOT TANK POWDER

Blend of natural solvents, surfactants and other detergents. Performs heavy-duty cleaning without using hazardous, caustic or harsh alkalis. **Safe on all metals.** 50 lb. pail.

Concentrate: Mix 2 to 10 oz. per gallon of water.

Part No. RCS-50

PRO JET SPRAY POWDER

An excellent product to use when low foaming is necessary in spray washers. Quickly removes automotive grease from engines, heads, transmissions, carburetors, etc. **Safe on all metals.** 50 lb. pail.

Concentrate: Mix 4 to 8 oz. per gallon of water.

Part No. RPS-50

JET SPRAY POWDER

Heavy-duty alkaline spray washing compound. Designed for automotive shop cleaning of mixed metals. Concentration must be monitored. Non-caustic. **Safe on aluminum and cast iron.** 50 lb. pail.

Concentrate: For aluminum, mix 2 to 3 oz. per gallon of water. For cast iron, mix 3 to 8 oz. per gallon of water.

Part No. RAP-50

FOAM CONTROL

Highly concentrated liquid designed for defoaming cleaning solution used in pressure spray machines.

Safe on all metals. One quart.

Concentrate: Mix 1 to 5 oz. per 40 gallons of water.

Part No. RFC-32



PH TEST KIT

Dipsticks used to determine acidity or alkalinity of a solution. Tests pH levels from 1 to 14. Values over 7.0 are basic or alkaline, below 7.0 are acidic, and a value of 7.0 is neutral. Easy to use – dip, shake, and immediately match with color chart. Kit contains 100 strips and a color chart packed in a plastic case.

Part No. PH-KIT



ULTRASONIC CLEANER

Water-based for all metals. Highly concentrated immersion/ultrasonic detergent. Safe on ferrous, aluminum, most soft metals, and plastics. Contains no chlorinated or petroleum solvents. 5 gal. pail.

Concentrate: Generally use 2 1/2 gals. of product to 15 gals. of water.

Part No. RUS-5



THORO-FLUSH RADIATOR AND ENGINE CLEANER

Cleans auto and truck cooling systems. Loosens and removes rust, scale, grease, oil and sludge. Flushes out hoses.

Part No. RTF-16



SCRUBS IN-A-BUCKET

SCRUBS® Hand Cleaner Towels combine an advanced cleaning formula with a strong, dual-textured towel to thoroughly clean hands and surfaces. Clean, citrus-scented formula loosens and dissolves industrial soils while leaving hands free from dryness and irritation. No sticky residue and no rinsing required. Removes dirt, tar, oils, grease, paints, adhesives, epoxies, caulks, inks & dyes, urethane, lubricants, cable jelly, asphalt.

Part No. SIB-72

Bucket of 72 towels, 10" x 12" each



DRY GRAPHITE LUBRICANT

A slippery, clean, dry, non-staining lubricant used where petroleum-based products must be avoided. Stops sticking and squeaking in temperature environments from -100°F to +1000°F.

Part No. **DG-8078**



PRESS FIT LUBRICANT

Lubricates and protects metal surfaces during press fitting operations. Spray before installing valve guides, piston pins, cylinder sleeves, etc. Temperature resistant to 800°F.

Part No. **PFL-12**



FOGMAKER SPRAY UNIT

Positive trigger action pump makes it easy to operate with one hand. No electricity or air compressor required. Heavy-duty, built to last.

Part No. **FO-1**

Ideal for use with RPO-1 and RPO-5, shown below.

RUST PROOFING SPRAY

RPO-1 and RPO-5: Moisture-displacing rust preventative and lubricating mist. Eliminates wiping, drying, or cleaning before applying. Works equally well when applied to either wet or dry surfaces. Does not gum or harden. Remains oily. Functions as a lubricant. Works great with our FO-1 spray unit.

RPS-2 and RPS-5: Water-displacing, non-staining rust preventative and lubricant that leaves behind a relatively dry film. RPS-2 provides intermediate-term salt spray rust protection; protects up to 6 months outdoor and up to 18 months indoor. RPS-5 provides an oily protective film for 18-24 months indoor storage protection, moderate salt spray protection and short-term outdoor protection.

Part No. Description

new	RPS-2	Dry Film Outdoor, 16 oz. spray can
new	RPS-5	Long Term Indoor, 16 oz. spray can
	RPO-1	Rust Proofing Spray, 1 gallon
	RPO-5	Rust Proofing Spray, 5 gallons
	FO-1	Spray Unit

Recommended for rust proofing crankshafts, camshafts, blocks, and all assemblies prior to shipment or storage.



GRINDING OILS, COOLANTS & CONCENTRATES

Part No.	Qty.	Usage / Description
VRG-1	1 gal.	VALVE REFACING OIL Light Brown – Specially formulated oil for use in all valve refacing machines. Extends wheel life while allowing for a better surface finish and cooling of workpiece. Inhibits rust, eliminates foaming and rancidity. • Pre-mixed.
VRG-5	5 gal. pail	
VRG-55	55 gal. drum	
ML-33	1 gal.	CRANKSHAFT & CAMSHAFT GRINDING COOLANT Light Blue – Water soluble grinding coolant (synthetic type). Non-foaming, transparent, soluble in hard water and non-toxic. Non-staining and non-irritating to skin. Helps eliminate glazing of grinding wheels and promotes free cutting action. • Mix 2-5 gallons to 100 gallons water.
ML-33-5	5 gal. pail	
ML-33-55	55 gal. drum	
WS-11	1 gal.	CRANKSHAFT & CAMSHAFT GRINDING OIL Milky White – Water soluble grinding concentrate oil. Base product contains extreme pressure additives and oil soluble corrosion inhibitors. High corrosion resistance. High lubrication; leaves oily residue film. Does not contain sulphur, chlorine, phosphorus or nitrites. • Mix 1-2 gallons to 100 gallons water.
WS-11-5	5 gal. pail	
WS-11-55	55 gal. drum	
HO-1	1 gal.	HONING OIL Light Brown – Fine quality honing oil. Specifically compounded for keeping stones clean and free cutting. Reduces honing time and increases stone life. • Pre-mixed.
HO-5	5 gal. pail	
HO-55	55 gal. drum	
DHO-8	1 gal.	DIAMOND HONING OIL <small>new</small> Specifically formulated to withstand the cutting pressures created when using our diamond valve honing system. • Pre-mixed.
DHO-1	5 gal. pail	
RHO-1	1 gal.	ROD HONING OIL <small>new</small> Light Brown – Fine quality honing oil. Specifically compounded for keeping stones clean and free cutting. Reduces honing time and increases stone life. • Pre-mixed.
RHO-5	5 gal. pail	
WL-68	1 gal.	WAY OIL FOR MACHINE TOOL WAYS Dark Brown – A fine quality adhesive oil lubricant for all machine tool ways. Features lasting lubrication qualities and allows slides and tables to move freely while providing corrosion protection. • Pre-mixed.
MK-1	1 gal.	MULTI-PURPOSE GRINDING COOLANT Pink – Professional-grade multi-purpose coolant for crankshaft and camshaft grinding, platen grinding (belt surfacing), surface grinders and flywheel grinding machines. Hard water soluble with excellent anti-rust properties. Bacterial fungal resistant. • Mix 1 gallon to 30 or 40 gallons water.
MK-5	5 gal. pail	
MK-55	55 gal. drum	



NOTE: Grinding Oils, Coolants & Concentrates do NOT qualify for freight prepayment.

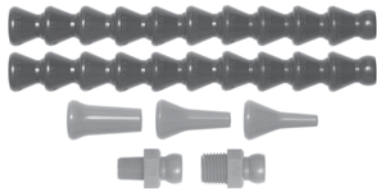
FLEXIBLE COOLANT HOSES

A great way to replace those flexible or non-flexible coolant or oil hoses on your machine. Hoses stay where you move them. Fully adjustable length. Available with round or flare nozzles. Not harmed by coolants or chemicals. Maximum working pressure 20-30 PSI.



Part No. Description

RCH-401	11" OAL x 1/4" I.D. with 1/4" NPT
RCH-407	1" flare nozzle, 1/4" system
RCH-406	1/4" NPT adapter, 1/4" system
RCH-801	11" OAL x 1/2" I.D. with 1/2" NPT
RCH-809	2-1/2" flare nozzle, 1/2" system
RCH-804	3/8" NPT adapter, 1/2" system
RCH-805	1/2" NPT adapter, 1/2" system
RCH-807	1-1/4" flare nozzle, 1/2" system

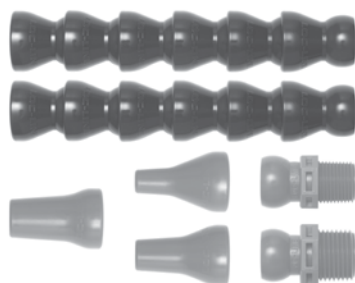


Complete Kit

1/4" ID with 1/8" NPT

1/4" round nozzle fits most partswashers, wet-type seat grinders and valve refacers.

Part No. **RCH-413**



Complete Kit

1/2" ID with 1/2" NPT

1/2" round nozzle fits most crankshaft grinders, and camshaft grinders.

Part No. **RCH-813**

COOLANT PUMPS

Designed for use with all popular liquid coolants. All pumps are 110 volt and UL listed.



Part No. K-518020
170 gph @ 1 ft.
1/125 HP
For parts washers



Part No. K-503203
670 gph @ 1 ft.
1/15 HP
For hone tanks



Part No. K-501020
205 gph @ 1 ft.
1/150 HP
Universal



Part No. K-50500
1200 gph @ 1 ft.
1/6 HP
For flywheel grinders



UNIVERSAL EP

Universal extreme pressure additive for semi and full synthetic coolants. Sump side additive designed to increase the overall extreme pressure and lubricity performance properties of full and semi-synthetic coolants.

Part No. **EPA-16**

TRIAZENE BACTERIATAT

This industrial microbiostat contains an effective combination of antifungal and antibacterial agents. Use to inhibit the growth of bacteria and fungi in aqueous metalworking, cutting, cooling and lubricating fluids. It is water-soluble and can be added to the concentrate or used tankside.

16 oz. to 50 gallon mixed coolant.

Part No. **CF-20**



ASSEMBLY LUBE

- Pre-lube bearings, cams, lifters and valve train
- Eliminates dry starts
- Prevents breakdown during long term storage

Semi-synthetic formula contains ZINC, MOLY and other high pressure additives which offer maximum protection during engine break-in. Super slick; eliminates dry starts and prevent seizing galling and scuffing.

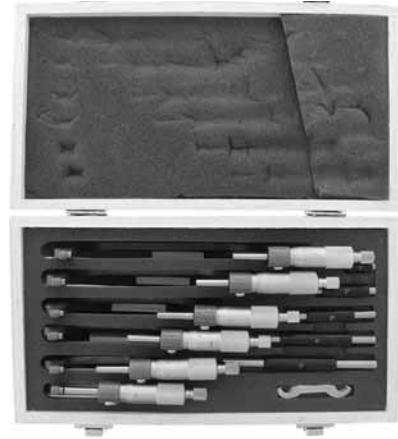
Part No.	Size
EAO-80Z	8 oz.
EAO-1	1 gallon
EAO-5	5 gallons



PRECISION OUTSIDE MICROMETER SET

0-6" RANGE

Solid metal frame, ratchet stop, carbide-tipped faces. Anvil and spindle are hardened and precision ground. Spindle lock holds securely for transferring measurements.



Part No.	Description
M-KIT	COMPLETE SET Includes all items pictured. 0 - 6" range (.0001 readings)
M-01	0 - 1" range (.0001 readings)
M-02	1 - 2" range (.0001 readings)
M-03	2 - 3" range (.0001 readings)
M-04	3 - 4" range (.0001 readings)
M-05	4 - 5" range (.0001 readings)
M-06	5 - 6" range (.0001 readings)

new

PREMIUM MICROMETER SET

0-6" RANGE

Premium quality, Swiss style, .0001 graduations. Easy to read markings. Carbide measuring surfaces.



Custom case, made of top grade materials. Guaranteed to serve reliably. This micrometer set comes complete with a total of six individual micrometers. Each item is made from durable, high-quality materials to last you a long time. This micrometer set will make an excellent addition to your toolbox

Part No. **M-KIT-SP**



HITE-MIKE

This tool makes old valve spring measuring methods obsolete. The Hite-Mike installs on the valve and retainer assembly as if it were a spring and directly reads installed height dimension. The expanding force of the tool simulates spring pressure for better accuracy.

Part No.	Installed height range
HM-130	1.300 - 1.850"
HM-150	1.500 - 2.100"



STARRETT LEVELS AND VIALS

Top-quality Starrett levels have ground and graduated main vials. Vials are adjustable to a positive setting and are housed in a satin finished brass tube with a friction-fit closing cover to prevent breakage. Base of the levels feature an involute groove running the length of the base, which provides a reliable seat for round work.

Part No.	Description
TSL-6-375	4" Valve Guide Level for .375" pilots
TSL-6-385	4" Valve Guide Level for .385" pilots
TSL-6-437	4" Valve Guide Level for .437" pilots
TSL-V	Replacement Vial for 4" levels listed above
TSL-8	8" Complete Level
RV-8	Replacement Vial for TSL-8
TSL-12	12" Complete Level
RV-12	Replacement Vial for TSL-12

DIAL INDICATORS



Manufactured according to ASME/ANSI standards. 1" range, 0.001" graduations, 2-3/8" bezel diameter, lug back, white face.

Part No. M-225



1"/.001" dial indicator features 1" range, 2-3/8" bezel diameter, lug back, black face.

Part No. M-229DI



1" range, 0.0005" graduations, 2-3/8" bezel diameter, lug back, white face.

Part No. M-32DI



FLEX ARM MAGNETIC BASE

Stem flexes approximately 360 degrees. Holds rigidly in any desired position. Extra heavy clamp. 176 lb. magnetic pull.

Part No. M-823



DIGITAL BORE GAUGE SET

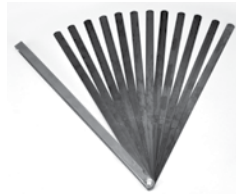
2.0 - 6.0" (50-150mm) range, 0.0005" graduations, 7" depth, 12 anvils

Extra large LCD, 360 degree rotation. Dual display; digital and electronic scale – true inch/mm conversion. Zero reset allows absolute or comparative measurements. One-button, easy calibration. Power supplied by a 3V CR2032 lithium battery.

Part No. **M-210DG**



12" FEELER GAUGES



Long length to shim heads for straightening or milling purposes. 1/2" wide. 3/16" dia. hole in one end. Each polished steel blade is permanently marked with its proper size.

• **COMPLETE KIT** Part No. **FG-KIT**

Kit includes 25 blades, one of each size below:

.0015"	.002"	.003"	.004"	.005"	.006"	.007"
.008"	.009"	.010"	.011"	.012"	.013"	.014"
.015"	.016"	.017"	.018"	.019"	.020"	.021"
.025"	.027"	.030"	.040"			

• **INDIVIDUAL SIZES** Part No. **FG-"size"**

For example, to order a .006" single, specify Part No. **FG-006**. Individual blades are available in the following sizes:

.001"	.0015"	.002"	.0025"	.003"	.004"
.005"	.006"	.007"	.008"	.009"	.010"
.011"	.012"	.013"	.014"	.015"	.016"
.017"	.018"	.019"	.020"	.021"	.022"
.023"	.024"	.025"	.026"	.027"	.028"
.029"	.030"	.031"	.032"	.034"	.035"



SMALL DIAL BORE GAUGE

0.24 - 0.40" range, 0.0005" graduations

2-1/4" dial, 2" gauge depth. Stainless steel ball contact points for durability. Indicating spacers and anvils allow selection of specific range. Nine anvils: 0.24", 0.26", 0.28", 0.3", 0.32", 0.36", 0.38", and 0.4".

Part No. **M-201DG**



DIAL BORE GAUGE SET

0.7 - 1.5" range, 0.0005" graduations, 12" depth

For close tolerance measurements of holes, taper, and roundness. Gauges are supplied with AGD group II dial indicator. Self-centering, easy-setting with micrometers or ring gauges. Fitted case with anvils index.

Part No. **M-70DBG**



CYLINDER DIAL BORE GAUGE

2.6 - 6.0" range

Measures taper and out-of-round from immediate underside of ridge to bottom of critical wear area without removing pistons. Measures bore diameter to a depth of 8" in graduations of .0005". Rugged, one-piece construction.

Includes contact extensions and molded plastic storage case.

Part No. **258**

PRECISION STRAIGHT EDGES



New premium grade, very sturdy composition. 1/4" thick for greater stability, accurate to +/- .0002 per foot. For checking cylinder head and block work. Adequate length for most diesel engines. Features a "hang up" hole at one end for safe and easy storage.

Economy Straight Edges are well-made, affordable alternatives to the premium grade. 294 is 24" OAL, accurate to .0002/24". 296 is 36" OAL accurate to .0004/36".

Part No.	Description
294-SP	24" Premium <i>new</i>
296-SP	36" Premium <i>new</i>
294	24" Economy
296	36" Economy



new WARP GAUGE

3/4 x 26 heavy-duty round hardened bar. For checking warp of head, block, or manifold. Also useful for checking cam or crank bearing alignment. Convenient hanger hook - always hang up when not in use.

Part No. **284**



PRECISION DIAL CALIPERS

For inside, outside and depth measurements

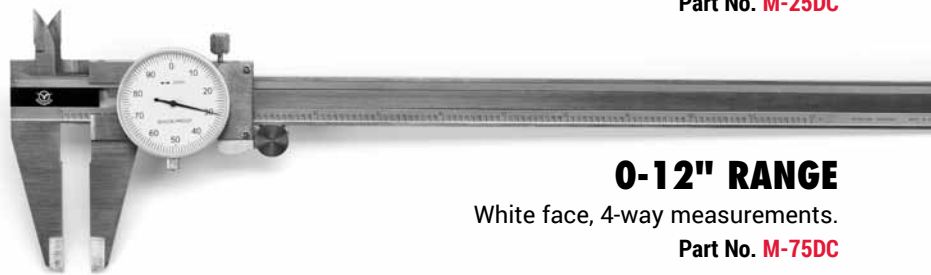
Measuring surfaces are precision-ground and lapped to provide the highest degree of accuracy. Clear, precise, black graduations on non-glaring satin chrome finish make measurements easy to read. Designed for very long life. Made from the highest quality stainless steel with satin chrome finish. Face bar is recessed to protect graduations from wear. Both models are equipped with an adjustable dial and thumb fine wheel adjustment.



ECONOMY 0-6" RANGE

.100" per revolution.

Part No. **M-25DC**



0-12" RANGE

White face, 4-way measurements.

Part No. **M-75DC**



new

PREMIUM 0-6" RANGE

Stress relieved stainless steel. Bringing back a classic – built for accuracy and extremely long life. Ours are still accurate with over 35 years of daily use.

Part No. **DC-6427**

DIGITAL CALIPERS



3 KEY, 0-6" RANGE

Function: On/Off, In/MM reading, (0.0005"/0.01mm). Extra large LCD for easy reading. Range: 0-6"/0-150mm.

Part No. **M-67DC**



SMALL HOLE GAUGE SET

Ideal for checking valve guide wear and small hole diameters. Full ball for very accurate measurements. Easy to adjust with full-spherical, hardened, satin chrome-plated measuring faces. Comes in plastic pouch.

Range: 1/8" to 1/2".

Part No. **M-20**



TELESCOPING GAUGE SET

Double-action, self-centering for quick checking of inside measurements. Constant spring tension for uniform feel. Contact point ends are hardened tool steel and precision ground on a radius of the smallest hole gauge will enter. Includes fitted carrying case.

Part No. **M-720**

new

MANUAL VACUUM TESTER

All metal construction. Economical way to test for valve leaks. Includes 30" hose and a 4" plate.

Part No. **MVT-1**



BALL ANVIL MICROMETER

0-1" range. Features a rounded anvil for measuring curved surfaces. Carbide tipped with a resolution of 0.0001".

Part No. **M-39**



RADIUS GAUGE SET

Five different gauging surfaces on each gage for both convex and concave radius. Made of satin finish stainless steel, rust and stain resistant. With handy gauge holders. 17/64" - 1/2" by 64th increments.

Part No. **M-15**



DEPTH MICROMETER

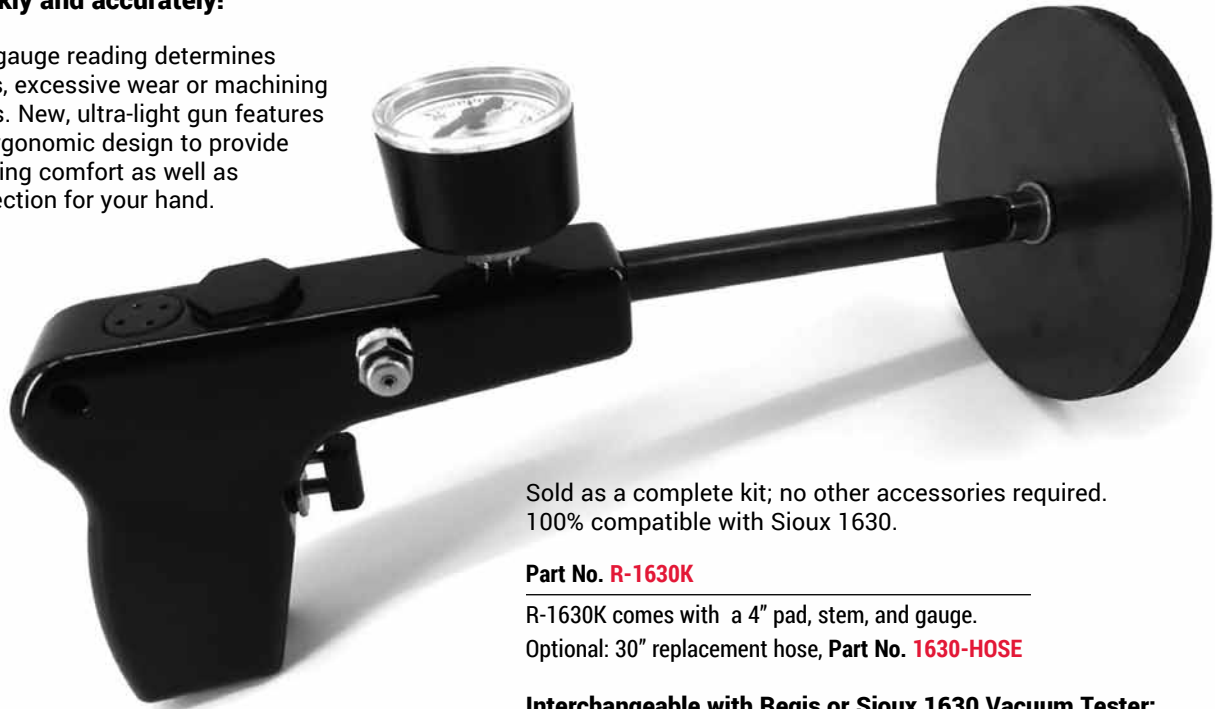
Useful for measuring hole depth, recesses, and keyways.

Part No.	Range	Base Width
M-47DM	0" - 4" range	4"
M-15DM	0" - 6" range	2-1/2"

VACUUM TESTER KIT

Check your entire valve train – valve seats, stems and guides – quickly and accurately!

The gauge reading determines leaks, excessive wear or machining flaws. New, ultra-light gun features an ergonomic design to provide working comfort as well as protection for your hand.



Sold as a complete kit; no other accessories required. 100% compatible with Sioux 1630.

Part No. **R-1630K**

R-1630K comes with a 4" pad, stem, and gauge.

Optional: 30" replacement hose, Part No. **1630-HOSE**

Interchangeable with Regis or Sioux 1630 Vacuum Tester; also compatible with replacement pads listed below.

VACUUM TESTER REPLACEMENT PADS AND PARTS

FITS REGIS OR SIOUX 1630 VACUUM TESTER

Replacement disc pads fit both the discontinued Regis R-1630K and Sioux 1630 Vacuum Tester.

Part No.	Description
1630-2	2" Disc Pad
1630-3	3" Disc Pad
1630-4	4" Disc Pad
1630-5	5" Disc Pad
1630-6	6" Disc Pad
1630-7	Rectangular pad 2-1/4" x 3"
64054	Replacement gauge for Regis and Sioux
1630-STEM	Replacement 4" stem
1630-HOSE	Replacement 30" hose



Replacement gauge available for Regis or Sioux models.



Replacement 4" stem available for Regis model.

Rectangular pad fits Regis or Sioux models.



Replacement disc pads in 2", 3", 4", 5" or 6" diameters are interchangeable with Regis or Sioux 1630 Vacuum Testers.



REGIS MAGNETIC POWDER

For use with any dry magnetic crack detector.

Choose from three colors: gray, yellow or white.

Available in quantities of 5, 10, 25, 50 and 100 lbs.



Quantity	GRAY Part No.	YELLOW Part No.	WHITE Part No.
5 lbs.	K-801	K-801Y	K-801W
10 lbs.	K-802	K-802Y	K-802W
25 lbs.	K-803	K-803Y	K-803W
50 lbs.	K-804	K-804Y	K-804W
100 lbs.	K-805	K-805Y	K-805W

**CALL 1-800-527-7604
FOR FAST SHIPPING**

Our shipping department will make every effort to ensure that your order is shipped the same day it is received.



MAGNETIC POWDER APPLICATORS

A very simple and fast way to distribute magnetic powder. Can be used for large and small areas.

Part No.	Description
KPF-7	Powder Bulb
1020A	Powder Applicator
1020A-2	Bulb for 1020A only



MAGNA FLURO OIL

This light, clear oil contains special particles that glow under black light. 5 gallon container.

Part No. **MFO-5**



UNIVERSAL HEAD HOLDERS

Sturdy, lightweight aluminum construction. Works with all types of cylinder heads. Allows heads to be rotated 360 degrees. Can be used while performing magnetic crack detection. Non-slip neoprene covers. Mounting holes allow for increased stability.

Part No. **RKH-300**



HOW TO ORDER

Call us anytime between 8:00 a.m. and 4:30 p.m. central time to place your order, be it large or small.

Se habla Español!

Call toll-free
800-527-7604

Local Dallas phone
214-421-5171

Order Online
regismanufacturing.com



CRACK REPAIR SUPPLIES

THREADED PLUGS	Quantity Per Box	Diameter		Small End Thread		Length	HSS DRILLS	HSS EXT. DRILLS	TAPERED REAMERS	TAPERED TAPS
		Inches	mm	Inches		mm				
TP-200	100	.200"	5.08	1/16"	.9375"	23.81	TW-200	TWE-200	Not required	TST-200
TP-235	100	.235"	5.97	1/16"	.9375"	23.81	TW-235	TWE-235	TR-235	TST-235
TP-235E	100 (economy)	.235"	5.97	1/16"	.9375"	23.81	TW-235	TWE-235	TR-235	TST-235
TP-327	50	.327"	8.31	1/8"	1.375"	34.93	TW-327	TWE-327	TR-327	TST-327
TP-386	50	.386"	9.80	3/4"	.75"	19.05	TW-386	-----	TR-386	TST-386
TP-420	25	.420"	10.67	1/16"	.9375"	23.81	TW-420	-----	TR-420	TST-420
TP-421	25	.420"	10.67	1/8"	1.375"	34.93	TW-420	-----	TR-420	TST-420
TP-490	25	.490"	12.45	1"	1.0"	25.4	TW-490	-----	TR-490	TST-490
TP-491	25	.490"	12.45	1/16"	1.4375"	36.51	TW-490	-----	TR-490	TST-490
TP-590	25	.590"	14.97	1"	1.0"	25.4	TW-590	-----	TR-590	TST-590

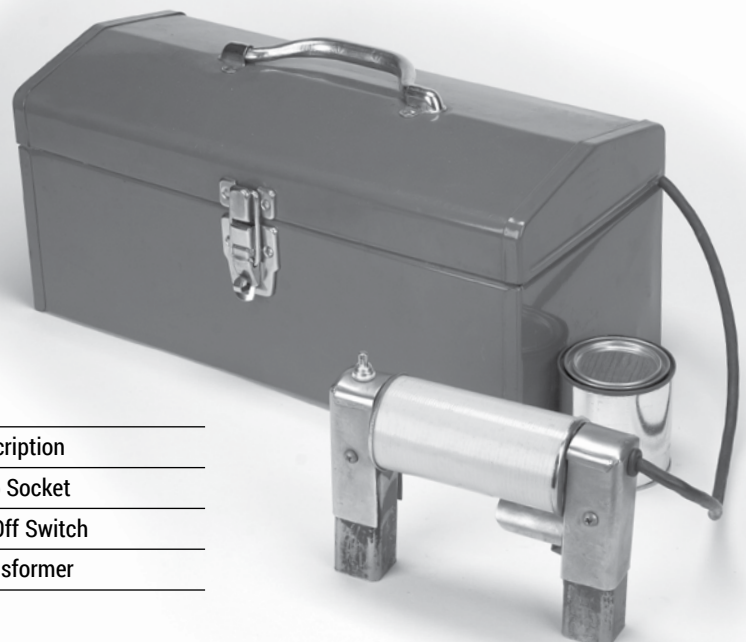
ELECTRIC MAGNETIC CRACK DETECTOR

Locates cracks in cylinder heads, manifolds, blocks, cases or any other part made of ferrous metal. Finds cracks not visible to the naked eye. Fast and easy to operate. Uses 110v for operation. Powerful magnet has 40 lb. pull. **Crack detector includes steel storage case.**

Part No. **1020**

Replacement Parts

Part No.	Description	Part No.	Description
KPF-7	Rubber Powder Blower	1020C	Bulb Socket
1020A	Atomizer Powder Blower	1020D	On-Off Switch
1020A-2	Squeeze bulb for 1020A	1020X	Transformer
1020B	Light Bulb		





KWIK-CHEK CRACK DETECTION SPRAYS

For aluminum, ductile iron, etc. Non-fluorescent usage. Complete kit for detection of cracks in aluminum cylinder heads.

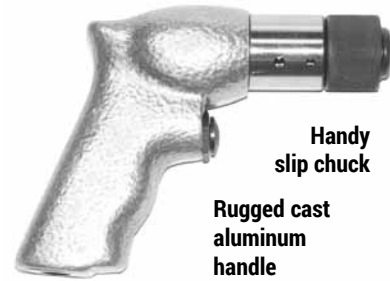
Part No.	Description
KCK	Kit includes 1 of each below
KCK-1	Aerosol Penetrant, 10 oz.
KCK-2	Aerosol Dye Remover, 10 oz.
KCK-3	Aerosol Developer, 10 oz.



PORTABLE SEAL-LOCK® MAG II KIT

Features new rare earth magnetic alloys. Portable, these permanent magnets weigh less than 2 lbs. Enclosed in nylon covers and guaranteed forever to never lose their power. Kit includes set of Mag II® probes, 1 lb. Crack Detection powder and a plastic storage case.

Part No.	Description
19003	Seal-Lock® Mag II Kit
KPF-7	Repl. Rubber Powder Blower



Handy slip chuck
Rugged cast aluminum handle

SEAL-LOCK® AIR HAMMER

SMALL AND COMPACT.

The perfect peening hammer for repairing cracked castings with features not found in any other air hammer. Less than 6" overall length, lets you work in tight areas. Uses only 3 CFM @ 90 PSI. Light weight (only 20 oz.), reduces operator fatigue. Exclusive patented metering trigger offers superior control from 0 to 13,000 blows per minute.

Part No. 18600

SEAL-LOCK® COLD FUSION

Crack Repair Tools for cast iron and aluminum cylinder heads and blocks.

When making repairs on thin castings, it is best to remove as little parent material as possible. Tests prove thin casting repairs require a repair plug diameter in the range of .150" to .230" with a .030" per inch taper, and an optimum thread pitch of 32 threads per inch. Fusion plugs are made to meet these requirements. Less material removed, less installation torque required, and less tendency to propagate the crack. Requires SEAL-LOCK® Fusion Plugs.



FP150 FP200

Description	Part No.
Cold Fusion Kit	CFK100
1 Box FP150 & FP200 Plugs; w/ 1 ea. 150 Tap, 200 Tap, 3 ea. 1/8" & 11/64" Drill Bits, 2-2" Cut-Off Discs w/ 1/4" Arbor; 1 ea. Bottle TMT® Lube & Fluid Weld®	
Cold Fusion Plugs – 32 TPI, box of 100	
.175" top dia./ .150" bottom dia.	FP150
.230" top dia./ .200" bottom dia.	FP200
Tap (FP150 Plug)	FT150T
Tap (FP200 Plug)	FT200T
1/8" Titanium Nitride Drill Bit (set of 3)	FD150T
11/64" Titanium Nitride Drill Bit (set of 3)	FD200T

SEAL-LOCK® PEENING TIPS

Peening Tips snap in and out of chuck easily and are safely locked in. Air Hammer has no dangerous, cumbersome spring retainers.

Part No. 18601	
3-1/2" Round End	
Part No. 18602	
3-1/2" Pointed End	
Part No. 18603	
7" Round End	
Part No. 18604	
7" Pointed End	
Part No. 18605	
4" Flat Chisel	
Part No. 18606	
4" Offset Flat Chisel	
Part No. 18607	
6-1/2" Blank	
Part No. 18608	
8-1/2" Curved End	

SEAL LOCK® CYLINDER HEAD REPAIR KITS



Description	Part No.	
Standard Cylinder Head Kit	20009	
Includes all kit components listed below except * items.		
Deluxe Cylinder Head Kit	20010	
Includes all kit components listed below.		
Kit Components	Qty.	Part No.
#1 Sealace® Taper Plugs	100	10111
#3 Sealace® Taper Plugs	50	10112
#4 Sealace® Taper Plugs	100	10113
#1 Sealace® Titanium Nitride Taps	2	12111T
#3 Sealace® Titanium Nitride Taps	1	12112T
#4 Sealace® Titanium Nitride Taps	2	12113T
3/16" Titanium Nitride Drill Bit	3	17111T
17/64" Titanium Nitride Drill Bit	1	17113T
9/64" Titanium Nitride Drill Bit	1	17117T
TMT® Lubricant (1-1/4 oz. bottle)	1	30111
Seal-Lock® Fluid Weld® (2 oz. bottle)	1	K-333-20Z
Grip® 50ml Bottle	1	30650
Seal-Lock® Air Hammer	1	18600 *
3-1/2" Round End Peening Tool	1	18601 *
3-1/2" Pointed End Peening Tool	1	18602 *
Curved Peening Tool	1	18608 *

SEALACE® TAPER PLUGS

Stronger • More Durable • Leak Proof!

SEALACE® TAPER PLUGS are manufactured from an alloy that is many times stronger than cast iron, yet SEALACE exhibits coefficients of expansion and contraction identical to cast iron.

Guaranteed Never To Crack!

No other repair plugs offer this vital added assurance that all of your crack repairs will be forever corrosion-free and leak-proof!

Plug #	Dia. x Length	Box Qty.	Sealace® Plug Part No.	Sealace® Titanium-Nitride Tap Part No.	Sealace® Titanium-Nitride Drill Part No.
#4	.205/.155 x 1"	100	10113	12113T	17117T*
#1	.275/.225 x 1"	100	10111	12111T	17111T*
#3	.350/.275 x 1-3/8"	50	10112	12112T	17113T*

U.S. Patent No. 4,599,781
Canadian Patent No. 1,236,276

*(3 pack) drill bit size will vary dependent upon casting thickness.



SEAL-LOCK® AND SEAL-LOCK® JIG

Using the Seal-Lock® Jig, a drill bit, and an air drill, patterns of tangent holes are drilled straddling the crack. Seal-Locks are inserted into the patterns. Once in place, they act like giant staples, keeping the crack forever from reopening or propagating further.

The balance of the crack between the Seal-Locks is sealed using Seal-Lace Taper Plugs, capable of holding pressures in excess of 6000 PSI. Peen with air hammer and grind to finish.

Part No.	Description
14112	3/16" 3-lobe (25 qty) for up to 1/4" casting
14117	3/16" 5-lobe (25 qty) for up to 1/4" casting
16113	3/16" Seal-Lock® Jig





HEAT TABS

When adhered to block or cylinder head, the heat tab centers will melt out at 260°F or above. New Marine heat tabs melt out at 195-200°F and diesel heat tabs melt out at 250°F or above. Helps prevent warranty comebacks. To apply heat tab to engine block, use HTA-1 Heat Tab Adhesive.

Part No.	Description
HT-100	Heat Tabs (100 qty.)
DHT-100	Diesel Heat Tabs (100 qty.)
MHT-100	Marine Heat Tabs (100 qty.)
HTA-1	Heat Tab Adhesive



RADIATOR AND ENGINE SEALERS

Part No.	Description
RWS-16	Radiator Sealer
RMS-16	Cylinder Head, Engine Block and Radiator Sealer, Pint
RMS-128	Cylinder Head, Engine Block and Radiator Sealer, Gallon



TAPPING COMPOUND

Use tapping compound to reduce tap breakage, increase tap life, and improve quality of thread. Helps make tapping easier and faster.

Part No.	Description
TPL-1	7.5 oz. Bottle, Tap-O
TPL-20	Half Gallon, Tap-O



SEAL-LOCK® FLUID WELD

Repairs fine cracks or pinholes in cast or aluminum blocks. Seals crack repair plugs and pins. Easy installation of valve seat inserts and valve guides. Withstands temperature up to 3,000°F.

Part No.	Description
K-333-20Z	2 oz. bottle, Fluid Weld
K-334	8.8 oz. bottle, Fluid Weld



SEAL-ALL™

This head and block sealer cross links with oxides (rust) inside water jackets to form a tough, flexible lining that seals leaks and contains cooling system pressures. Not affected by water or coolant (anti-freeze). Prevents rust and corrosion.

Part No.	Description
K-320	1 quart, Seal-All™
K-3121	1 gallon, Seal-All™



SEAL-LOCK® GRIP

High-temperature sealant used for sealing studs, screws, valve guides, cylinder sleeves, keyways, etc. Resistant to gasoline, alcohol, motor oil, etc. when fully cured. 8.45 oz.

Part No. **K-365**

REGIS REPLACEMENT VALVE GUIDE RESIZING ARBORS AND REAMERS ARE INTERCHANGEABLE WITH WINONA, K-LINE, OLCOTT, HALL-TOLEDO, GROOVE RITE, HASTINGS



VALVE GUIDE RESIZING ARBORS (KNURLERS)

Part No.	Inches	mm	Part No.	Inches	mm	Part No.	Inches	mm
K-1078	.216	5.50	K-1082	.275	7.00	K-1084	.354	9.00
K-1081	.236	6.00	K-1088	.312	7.92	K-1091	.375	9.52
K-1086	.250	6.35	K-1083	.315	8.00	K-1094	.437	11.10
K-1080	.260	6.60	K-1089	.343	8.71	K-1095	.500	12.70

**KNURLING
FLUID**

See page 28



HIGH-SPEED STEEL PILOTED GUIDE REAMERS

For use on cast iron. Pilot measures .012" smaller than the cutting diameter.

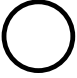
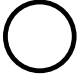



Part No.	Inches	mm	Part No.	Inches	mm	Part No.	Inches	mm	Part No.	Inches	mm
K-1060	.197"	5.05	K-1116	.310"	7.87	K-1190	.353"	8.97	K-1162	.403"	10.24
K-1061	.214"	5.44	K-1117	.311"	7.90	K-1113	.354"	9.00	K-1163	.404"	10.26
K-1062	.215"	5.46	K-1118	.312"	7.92	K-1191	.355"	9.02	K-1164	.405"	10.29
K-1185	.2165"	5.50	K-1176	.313"	7.95	K-1192	.356"	9.04	K-1130	.406"	10.3
K-1063	.217"	5.51	K-1177	.314"	7.97	K-1215	.357"	9.06	K-1134	.433"	11.13
K-1065	.218"	5.54	K-1112	.315"	8.00	K-1138	.358"	9.09	K-1167	.434"	11.02
K-1227	.227"	5.77	K-1174	.316"	8.03	K-1124	.371"	9.42	K-1140	.435"	11.05
K-1228	.234"	5.94	K-1175	.317"	8.05	K-1125	.372"	9.45	K-1142	.436"	11.07
K-1229	.235"	5.96	K-1178	.318"	8.08	K-1126	.373"	9.47	K-1131	.437"	11.10
K-1110	.236"	6.00	K-1211	.319"	8.10	K-1127	.374"	9.50	K-1168	.438"	11.13
K-1230	.237"	6.02	K-1212	.320"	8.12	K-1128	.375"	9.52	K-1169	.439"	11.15
K-1231	.238"	6.04	K-1233	.325"	8.25	K-1139	.376"	9.55	K-1165	.453"	11.51
K-1115	.250"	6.35	K-1188	.327"	8.31	K-1193	.377"	9.58	K-1135	.472"	12.00
K-1183	.256"	6.50	K-1219	.334"	8.48	K-1182	.378"	9.60	K-1170	.495"	12.57
K-1206	.257"	6.53	K-1220	.335"	8.51	K-1209	.379"	9.63	K-1171	.496"	12.60
K-1207	.258"	6.55	K-1210	.340"	8.63	K-1194	.380"	9.65	K-1172	.497"	12.62
K-1208	.259"	6.58	K-1119	.341"	8.66	K-1213	.381"	9.68	K-1179	.499"	12.67
K-1173	.260"	6.60	K-1120	.342"	8.69	K-1195	.385"	9.78	K-1132	.500"	12.70
K-1184	.261"	6.63	K-1121	.343"	8.71	K-1196	.388"	9.86	K-1200	.501"	12.72
K-1186	.262"	6.65	K-1180	.3435"	8.725	K-1197	.390"	9.91	K-1201	.502"	12.75
K-1232	.274"	6.96	K-1122	.344"	8.74	K-1205	.393"	9.98	K-1198	.561"	14.25
K-1111	.275"	7.00	K-1123	.345"	8.76	K-1114	.394"	10.00	K-1133	.562"	14.27
K-1214	.276"	7.01	K-1136	.346"	8.79	K-1129	.396"	10.05	K-1202	.625"	15.87
K-1148	.277"	7.03	K-1181	.347"	8.81	K-1160	.401"	10.18			
K-1187	.281"	7.14	K-1137	.348"	8.84	K-1161	.402"	10.21	K-358	11/32"+.015 reamer	

REGIS ARBORS & REAMERS PROPER USAGE DISCLAIMER All Regis arbors and reamers are made of high-speed steel and with proper care, will average 400 or more guides. However, it is possible to ruin them in one or two guides. Due to the fact that we have no control over how they are used, we cannot guarantee them for any specific time or number of guides.



CORE DRILLS AND REAMERS FOR SEAT & GUIDE MACHINES

Core drills provide faster cutting and reamers deliver a finer finish. All Regis core drills and reamers are made of high speed steel. With the proper care, core drills and reamers will average 400 or more guides, however, it is possible to ruin them in one or two guides with misuse. Due to the fact that we have no control over how they are used, we cannot guarantee them for any specific time or number of guides.

Fits Machine / Shank Type	CORE DRILLS				REAMERS			
	Guide ID	OD	Original No.	Part No.	Pilot OD	OD	Original No.	Part No.
KWIK-WAY 1/2" round (actual size .429") 	.312	.429	018-1061-08	K-4205	.429	.437	04-02-00	K-4206
	.312	.492	018-1063-53	K-4210	.492	.500	04-02-18	K-4214
	.343	.492	018-1062-05	K-4211	.492	.500	04-02-18	K-4214
	.375	.492	018-1063-02	K-4212	.492	.500	04-02-18	K-4214
	.343	.553	018-1064-69	K-4223	.553	.5625	04-02-34	K-4226
	.375	.553	018-1064-77	K-4224	.553	.5625	04-02-34	K-4226
	.437	.615	018-1064-00	K-4220	.615	.625	04-02-26	K-4221
DCM, KANSAS INSTRUMENTS, PETERSON 1/2" round (actual size .400") 	.312	.406	DP-1350	K-4190	.406	.437	RR-713	K-4191
	.312	.468	DP-1550	K-4195	.468	.500	RR-115	K-4198
	.343	.468	DP-1511	K-4196	.468	.500	RR-115	K-4198
	.375	.468	DP-1530	K-4197	.468	.500	RR-115	K-4198
	.343	.531	DP-1730	K-4202	.531	.500	RR-916	K-4204
	.375	.531	DP-1930	K-4203	.531	.5625	RR-916	K-4204
	.437	.594	DP-1970	K-4200	.594	.625	RR-519	K-4201
DCM, KANSAS INSTRUMENTS, PETERSON 1/2" round with flat 	.312	.427	VGS-20081	K-4100	.427	.437	VGS-20096	K-4101
	.312	.490	-----	K-4104	.490	.500	VGS-20097	K-4107
	.343	.490	VSG-200082	K-4105	.490	.500	VGS-20097	K-4107
	.375	.490	VSG-200083	K-4106	.490	.500	VGS-20097	K-4107
	.343	.554	-----	K-4111	.554	.5625	-----	K-4114
	.375	.554	-----	K-4112	.554	.5625	-----	K-4114
	.437	.610	VGS-20084	K-4109	.610	.625	VGS-20098	K-4110
IDL & VAN NORMAN 5/16" square drive 	.312	.412	DET-1	K-1752	.412	.437	40078	K-1753
	.312	.475	-----	K-1758	.475	.500	40079	K-1764
	.343	.475	DET-2	K-1762	.475	.500	40079	K-1764
	.375	.475	DET-3	K-1763	.475	.500	40079	K-1764
	.343	.537	DET-5	K-4228	.537	.5625	40202	K-4231
	.375	.537	-----	K-4229	.537	.5625	40202	K-4231
	.437	.610	DET-4	K-1772	.610	.625	40080	K-1773
WINONA .468" round with flat 	.312	.406	DD-1332	K-4050	.406	.437	DR-437	K-4051
	.312	.468	-----	K-4054	.468	.500	DR-500	K-4057
	.343	.468	DD-1532	K-4055	.468	.500	DR-500	K-4057
	.375	.468	DD-1532A	K-4056	.468	.500	DR-500	K-4057
	.343	.531	DD-1732	K-4061	.531	.5625	DR-562	K-4064
	.375	.531	DD-1732A	K-4062	.531	.5625	DR-562	K-4064
	.437	.594	DD-1932	K-4059	.594	.625	DR-625	K-4060



SMALL DIAMETER COBALT REAMERS FOR CAST IRON OR BRONZE

Premium quality. 1/8" square drive, 4-1/2" OAL.

Part No.	Size	mm
CBR-1565	.1565	3.98
CBR-4MM	.1575	4.00
CBR-1585	.1585	4.03
CBR-1760	.1760	4.47
CBR-4.5MM	.1771	4.50
CBR-1780	.1780	4.52

Part No.	Size	mm
CBR-1960	.1960	4.98
CBR-5MM	.1968	5.00
CBR-1980	.1980	5.03
CBR-5.5MM	.2165	5.50
CBR-6MM	.2362	6.00
CBR-7MM	.2756	7.00



SOLID CARBIDE VALVE GUIDE REAMERS

For use on bronze guides. 400 RPM is recommended. Use with bronze reaming oil (B-48). Apply light pressure. **Regis will only guarantee the dimensional accuracy of the reamer.**

Part No.	Size	mm
CR-1968	.1968	5.00
CR-2165	.2165	5.50
CR-236	.236	6.00
CR-260	.260	6.6
CR-275	.275	7.00
CR-276	.276	7.01

Part No.	Size	mm
CR-310	.310	7.87
CR-311	.311	7.90
CR-312	.312	7.92
CR-341	.341	8.66
CR-342	.342	8.69
CR-343	.343	8.71



CARBIDE VALVE GUIDE REAMERS

If you have trouble with your reamers binding, dulling or just not cutting properly, try using our carbide-tipped reamers. **Cuts both cast and bronze guides** — no need to carry both types. Carbide-tipped reamers cut more aggressively and have a substantially longer life. **Minimum recommended speed is 500 RPM.** A speed reducer is not required.

Part No.	Size	mm
K-1110C	.236"	6.00
K-1173C	.260"	6.60
K-1111C	.275"	7.00
K-1118C	.312"	7.92
K-1112C	.315"	8.00
K-1120C	.342"	8.69

Part No.	Size	mm
K-1121C	.343"	8.71
K-1122C	.344"	8.74
K-1138C	.358"	9.09
K-1126C	.373"	9.47
K-1127C	.374"	9.50
K-1128C	.375"	9.52



CARBIDE BORING REAMERS FOR .030" BRONZE LINERS

Carbide boring reamers are designed to bore guides for .030" bronze guide sleeves/liners.

For our complete selection of bronze guide sleeves and bronze guide sleeve installation kits, see pages 29-31

Size	Reamer	Complete Assembly	Bushing	Collar	Spring
5/16"	.312"	AKB-6 AKB-6C	RK-145	RK-146	CS-100
11/32"	.343"	AKB-10 AKB-10C	RK-145	RK-146	CS-100
3/8"	.375"	AKB-14 AKB-14C	RK-145	RK-146	CS-100
5.5mm	.217"	AKB-5 AKB-5C	RK-147	RK-148	CS-100
6.0mm	.236"	AKB-2 AKB-2C	RK-147	RK-148	CS-100
6.6mm	.260"	AKB-3 AKB-3C	RK-147	RK-148	CS-100
7.0mm	.276"	AKB-4 AKB-4C	RK-145	RK-146	CS-100
8.0mm	.315"	AKB-8 AKB-8C	RK-145	RK-146	CS-100
9.0mm	.354"	AKB-9 AKB-9C	RK-145	RK-146	CS-100

CORE DRILL COMBO

FOR CUMMINS 5.9L DIESEL

3/8" round top drive with flat, .274" pilot, with a finish ream of .500".

3/8" round with flat drive
Part No. **CDR-59**

FOR FORD NAVISTAR 6.0

Available in 3/8" or 1/2" round shank with mid-shank flat, .274" pilot with a finish ream of .437".

3/8" round shank with mid-shank flat
Part No. **CDR-6L**

1/2" round shank with full flat
Part No. **CDR-6L-500**



CORE DRILL FOR CUMMINS 5.9L DIESEL

A specially engineered core drill to work with your Peterson, Kwik-Way or Sunnen seat and guide machine. The core drill pilot is .274" with a finish of .492". Use with your existing 1/2" reamer. Or, use Regis **K-4214** to finish ream.

Part No. **R-59CD**



KNURLING FLUID

Formulated to lubricate valve guides while knurling. Prolongs tool life by lessening wear and friction.

Part No.	Description
RLB-46	Half-pint, Knurling Fluid
RLB-47	Quart, Knurling Fluid
RLB-48	Gallon, Knurling Fluid

CORE DRILL-REAMER

Saves time! With one single pass, this core drill-reamer will bore guide holes to .500" to accommodate all types of 1/2" aftermarket guides.

KWIK-WAY

1/2" round shank (.495 actual size)

Guide I.D.	O.D.	Part No.
.3125" 5/16"	.500"	CDR-6210
.343" 11/32"	.500"	CDR-6211
.375" 3/8"	.500"	CDR-6212
.311"	.5628"	CDR-5628
.373"	.6250"	CDR-6250

DCM, KI, PETERSON

1/2" round shank (.495 actual size)

Guide I.D.	O.D.	Part No.
.3125" 5/16"	.500"	CDR-6195
.343" 11/32"	.500"	CDR-6196
.375" 3/8"	.500"	CDR-6197

SUNNEN / TOBIN-ARP

1/2" round with flat shank

Guide I.D.	O.D.	Part No.
.3125" 5/16"	.500"	CDR-6104
.343" 11/32"	.500"	CDR-6105
.375" 3/8"	.500"	CDR-6106

IDL & VAN NORMAN

5/16" square drive

Guide I.D.	O.D.	Part No.
.3125" 5/16"	.500"	CDR-6761
.343" 11/32"	.500"	CDR-6762
.375" 3/8"	.500"	CDR-6763

WINONA

.468" round with flat shank

Guide I.D.	O.D.	Part No.
.3125" 5/16"	.500"	CDR-6054
.343" 11/32"	.500"	CDR-6055
.375" 3/8"	.500"	CDR-6056

SERDI/T&S

.375 round mid shank flank

Guide I.D.	O.D.	Part No.
.3125" 5/16"	.4375"	CDR-7194
.3125" 5/16"	.500"	CDR-7195
.343" 11/32"	.500"	CDR-7196
.375" 3/8"	.500"	CDR-7197



KNURLING TOOL

Hand knurling tool ideal for enlarging O.D. on valve guides, rocker arm studs, king pin bushings, etc. Many knurling patterns to increase size from .001 to .010.

Part No.	Description
HK-57	Knurling Tool
HK-57A	Replacement Blade

**10% OFF
JOBBER
WHEN YOU
ORDER 5 BOXES!**
(May be assorted)



DIAMOND BRONZE GUIDE SLEEVES

Self-lubricating guide sleeves feature hundreds of indentations formed throughout the inside surface to provide greater lubricant retention over a wider surface area than any other system.

Size	Sleeve I.D.	Finish	Length	Box of 16	Box of 100
5.5mm	0.217"	Standard	2.500"	RGS-2001D	RGS-2001-1D
6mm	0.236"	Standard	2.500"	RGS-2002D	RGS-2002-1D
6mm	0.238"	Oversize	2.500"	RGS-2692D	RGS-2692-1D
6.6mm	0.261"	Standard	2.500"	RGS-2003D	RGS-2003-1D
7mm	0.274"	Undersize	3.062"	RGS-2091D	RGS-2091-1D
7mm	0.275"	Standard	2.500"	RGS-2004D	RGS-2004-1D
7mm	0.276"	Standard	2.500"	RGS-2088D	RGS-2088-1D
5/16"	0.311"	Standard	2.500"	RGS-2006D	RGS-2006-1D
5/16"	0.311"	Standard	3.062"	RGS-2007D	RGS-2007-1D
8mm	0.316"	Standard	2.500"	RGS-2009D	RGS-2009-1D
8mm	0.315"	Undersize	2.500"	RGS-2068D	RGS-2068-1D
8mm	0.318"	Oversize	2.500"	RGS-2011D	RGS-2011-1D
8mm	0.316"	Standard	3.062"	RGS-2010D	RGS-2010-1D
11/32"	0.342"	Standard	2.500"	RGS-2014D	RGS-2014-1D
11/32"	0.343"	Oversize	2.500"	RGS-2691D	RGS-2691-1D
11/32"	0.342"	Standard	3.062"	RGS-2015D	RGS-2015-1D
11/32"	0.344"	Oversize	2.500"	RGS-2016D	RGS-2016-1D
11/32"	0.344"	Oversize	3.062"	RGS-2061D	RGS-2061-1D
9mm	0.354"	Standard	2.500"	RGS-2017D	RGS-2017-1D
3/8"	0.374"	Standard	3.062"	RGS-2021D	RGS-2021-1D
11mm	0.434"	Standard	3.062"	RGS-2064D	RGS-2064-1D
7/16"	0.436"	Standard	3.062"	RGS-2024D	RGS-2024-1D



SLEEVE REMOVAL TOOL

Relieves two sides of the old guide, neatly and quickly removing the sleeve without touching the original reamed holes, leaving it ready for new installation.

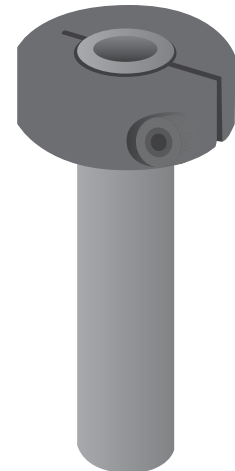
Part No.	Size
RT-1240	5.5mm
RT-1244	5/16"
RT-1246	11/32"
RT-1248	3/8"
RT-1241	6mm
RT-1242	6.6mm
RT-1243	7mm
RT-1245	8mm
RT-1247	9mm
RT-1249	10mm
RT-1250	7/16"



BRONZE LUBE OIL

Use when spiraling and reaming bronze guide sleeves. Extends arbor and reamer life.

Part No.	Description
B-47	One pint, Bronze Lube Oil
B-48	One quart, Bronze Lube Oil
B-49	One gallon, Bronze Lube Oil



VALVE GUIDE TOP COLLAR

Collar supports the valve guide top during machining and helps protect against breakage or damage.

Part No.	Size	Range
VC-500	.500"	.496" - .504"
VC-530	.530"	.526" - .534"
VC-566	.566"	.562" - .570"



BRONZE GUIDE SLEEVE INSTALLATION KITS

FOR STANDARD .030" GUIDE SLEEVES

- Carbide reamer included with each kit
- Bores guide hole in seconds
- Sleeve installation is fast and simple using the auto driver tool
- Two Bullit-Balls® size the inside diameter of the guide sleeve
- Trimming tool cuts guide sleeve to correct length
- Flex-Hone included for final finish
- Ball Pusher tool to drive sizing devices
- Optional self-centering seat bushings are also available.

RKS-1600

5/16" VALVE SIZE

Includes items listed below.
Purchase seat bushings separately.

AKB-6	Carbide Boring Reamer
AD-1103	Auto Driver
BP-1121	Pneumatic Ball Pusher
RK-145	Reamer Bushing
RK-146	Reamer Collar
RVF-315	Flex-Hone
K-1036	Brush
BB-3125	Bullit-Ball®
BB-313	Bullit-Ball®
K-1787	Trim Tool
BT-3007	Plastic case

RKS-1604

5.5mm VALVE SIZE

Includes items listed below.
Purchase seat bushings separately.

AKB-5	Carbide Boring Reamer
AD-1050	Auto Driver
BP-1120	Pneumatic Ball Pusher
RK-147	Reamer Bushing
RK-148	Reamer Collar
RCF-6MM	Flex-Hone
K-1036	Brush
BB-2165	Bullit-Ball®
BB-2175	Bullit-Ball®
BB-218	Bullit-Ball®
BT-3007	Plastic case

NOTE: Use K-1280 and pilot to trim liner.

RKS-1601

11/32" VALVE SIZE

Includes items listed below.
Purchase seat bushings separately.

AKB-10	Carbide Boring Reamer
AD-1104	Auto Driver
BP-1121	Pneumatic Ball Pusher
RK-145	Reamer Bushing
RK-146	Reamer Collar
RVF-354	Flex-Hone
K-1036	Brush
BB-3445	Bullit-Ball®
BB-345	Bullit-Ball®
K-1797	Trim Tool
BT-3007	Plastic case

RKS-1605

6mm VALVE SIZE

Includes items listed below.
Purchase seat bushings separately.

AKB-2	Carbide Boring Reamer
AD-1100	Auto Driver
BP-1120	Pneumatic Ball Pusher
RK-147	Reamer Bushing
RK-148	Reamer Collar
RVF-250	Flex-Hone
K-1036	Brush
BB-237	Bullit-Ball®
BB-238	Bullit-Ball®
K-1824	Trim Tool
BT-3007	Plastic case

RKS-1602

3/8" VALVE SIZE

Includes items listed below.
Purchase seat bushings separately.

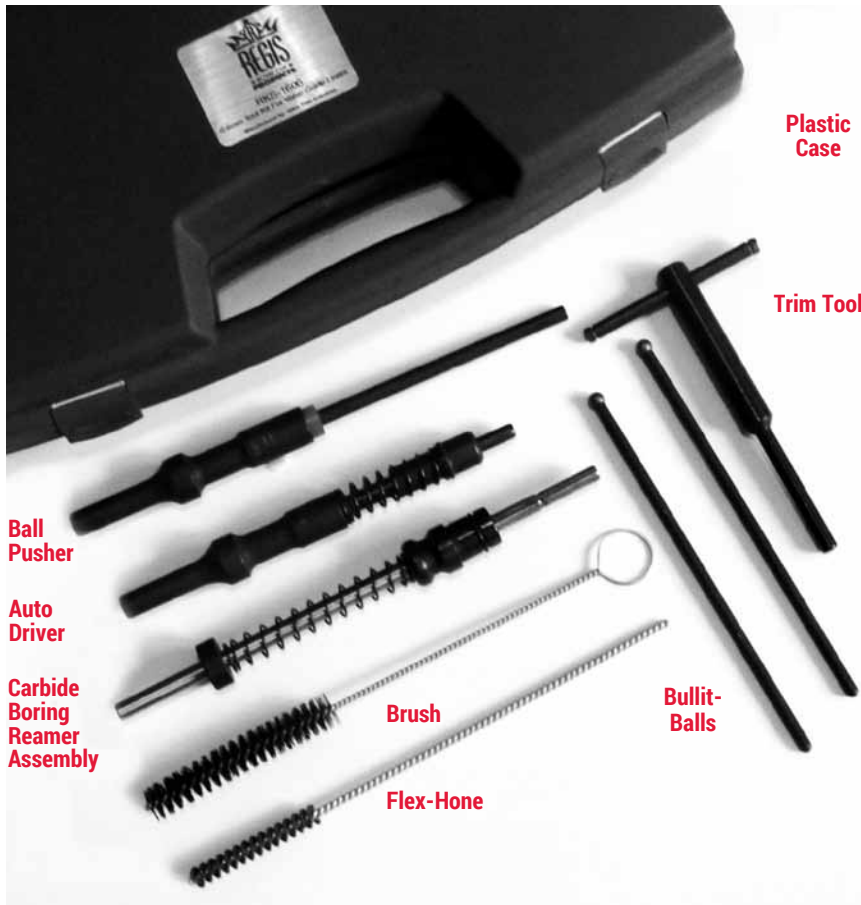
AKB-14	Carbide Boring Reamer
AD-1106	Auto Driver
BP-1121	Pneumatic Ball Pusher
RK-145	Reamer Bushing
RK-146	Reamer Collar
RVF-394	Flex-Hone
K-1036	Brush
BB-3745	Bullit-Ball®
BB-375	Bullit-Ball®
K-1807	Trim Tool
BT-3007	Plastic case

RKS-1606

6.6mm VALVE SIZE

Includes items listed below.
Purchase seat bushings separately.

AKB-3	Carbide Boring Reamer
AD-1101	Auto Driver
BP-1122	Pneumatic Ball Pusher
RK-147	Reamer Bushing
RK-148	Reamer Collar
RVF-276	Flex-Hone
K-1036	Brush
BB-261	Bullit-Ball®
BB-262	Bullit-Ball®
K-3205	Trim Tool
BT-3007	Plastic case



COBALT POWER GUIDE TRIMMER



Use this versatile tool for trimming Bronze-Liners, as well as thinwall cast. Use freehand with low rpm drill motor.

Part No. K-1280-KIT
Complete kit includes one of each item below.

Part No.	Description
K-1280	Guide Trimmer
PTP-5	Pilot for 5.5mm & 6mm
PTP-6	Pilot for 6.6mm & 7mm
PTP-8	Pilot for 8mm & 5/16"
PTP-9	Pilot for 9mm & 11/32"
PTP-10	Pilot for 10mm & 3/8"
PTP-11	Pilot for 11mm & 7/16"

SELF-CENTERING SEAT BUSHINGS

60-degree seat collars.



Part No.	Diameter
SB-100	1"
SB-114	1-1/4"
SB-112	1-1/2"
SB-134	1-3/4"
SB-214	2-1/4"

BRONZE LUBE OIL

Use when spiraling and reaming bronze guide sleeves.

B-47	One pint, Bronze Lube Oil
B-48	One quart, Bronze Lube Oil
B-49	One gallon, Bronze Lube Oil



RKS-1607

7mm VALVE SIZE

Includes items listed below.
Purchase seat bushings separately.

AKB-4	Carbide Boring Reamer
AD-1102	Auto Driver
BP-1122	Pneumatic Ball Pusher
RK-147	Reamer Bushing
RK-148	Reamer Collar
RVF-276	Flex-Hone
K-1036	Brush
BB-277	Bullit-Ball®
BB-278	Bullit-Ball®
K-1897	Trim Tool
BT-3007	Plastic case

NOTE: Use K-1280 and pilot to trim liner.

RKS-1608

8mm VALVE SIZE

Includes items listed below.
Purchase seat bushings separately.

AKB-8	Carbide Boring Reamer
AD-1103	Auto Driver
BP-1121	Pneumatic Ball Pusher
RK-145	Reamer Bushing
RK-146	Reamer Collar
RVF-315	Flex-Hone
K-1036	Brush
BB-316	Bullit-Ball®
BB-317	Bullit-Ball®
K-1787	Trim Tool
BT-3007	Plastic case

RKS-1609

9mm VALVE SIZE

Includes items listed below.
Purchase seat bushings separately.

AKB-9	Carbide Boring Reamer
AD-1105	Auto Driver
BP-1121	Pneumatic Ball Pusher
RK-145	Reamer Bushing
RK-146	Reamer Collar
RVF-354	Flex-Hone
K-1036	Brush
BB-355	Bullit-Ball®
BB-356	Bullit-Ball®
K-4010	Trim Tool
BT-3007	Plastic case



BULLIT-BALLS®

Regis Bullit-Balls® are the ultimate in sizing precision and durability. Tungsten carbide balls with a permanently attached steel shank are in the 90 rockwell range. Insert shank first into guide and drive. DO NOT drive on the metal pilot rod. Precision machined to exact specifications. Finished to .0000008" (eight millionths of an inch) perfect roundness.

When using bronze valve guides, remember the finished I.D. of the sleeve will be .001" smaller than actual ball size.

Part No.	Description
BB-2165	5.5mm .2165"
BB-2175	5.5mm .2175"
BB-218	5.5mm .218"
BB-237	6mm .237"
BB-238	6mm .238"
BB-260	6.6mm .260"
BB-261	6.6mm .261"
BB-262	6.6mm .262"
BB-263	6.6mm .263"
BB-276	7mm .276"
BB-277	7mm .277"
BB-278	7mm .278"
BB-312	5/16" .312"
BB-3125	5/16" .3125"
BB-313	5/16" .313"
BB-315	8mm .315"
BB-316	8mm .316"
BB-317	8mm .317"
BB-343	11/32" .343"
BB-344	11/32" .344"

Part No.	Description
BB-3445	11/32" .3445"
BB-345	11/32" .345"
BB-346	11/32" .346"
BB-354	9mm .354"
BB-355	9mm .355"
BB-356	9mm .356"
BB-372	3/8" .372"
BB-373	3/8" .373"
BB-374	3/8" .374"
BB-3745	3/8" .3745"
BB-375	3/8" .375"
BB-3755	3/8" .3755"
BB-376	3/8" .376"
BB-395	10mm .395"
BB-396	10mm .396"
BB-434	11mm .434"
BB-435	11mm .435"
BB-436	7/16" .436"
BB-437	7/16" .437"
BB-438	7/16" .438"



AUTO DRIVER

FOR BRONZE LINER INSTALLATION

Gain speed and simplicity during installation. Holder/driver combo tool eliminates holder loading and allows one-handed installation. Drivers are longer to accommodate deep pocket heads.

Part No.	Size
AD-1050	5.5mm
AD-1100	6mm
AD-1101	6.6mm
AD-1102	7mm
AD-1103	5/16" & 8mm
AD-1104	11/32"
AD-1105	9mm
AD-1106	3/8"
AD-1107	10mm
AD-1108	7/16"



P.E.R. STYLE PNEUMATIC BALL PUSHER

For production engine rebuilders who prefer having a tool that locks into the spring or holder.

Part No.	Description
BP-1120	5.5mm & 6mm sleeves
BP-1121	3/8", 5/16", 11/32" and 8mm & 9mm sleeves
BP-1122	6mm & 7mm sleeves
BP-1123	7/16" and larger sleeves



COBALT POWER GUIDE TRIMMER

Versatile tool for trimming Bronze-Liners, as well as thinwall cast. Use freehand with low rpm drill motor. Pilots have 3/16" dia. shank.

Part No. K-1280-KIT
Complete kit includes one of each item below.

Part No.	Description
K-1280	Guide Trimmer
Part No. Pilots	
PTP-5	For 5.5mm & 6mm
PTP-6	For 6.6mm & 7mm
PTP-8	For 8mm & 5/16"
PTP-9	For 9mm & 11/32"
PTP-10	For 10mm & 3/8"
PTP-11	For 11mm & 7/16"

VALVE GUIDE FLEX-HONES®

Part No. Size mm

STANDARD, 120 GRIT

RVF-250	1/4"	6.4
RVF-276	9/32"	7.0
RVF-315	5/16"	8.0
RVF-354	11/32"	9.0
RVF-394	3/8"	10.0
RVF-433	7/16"	11.0

STANDARD, 180 GRIT

RCF-4MM	--	4.0
RCF-4.5MM	--	4.5
RCF-5MM	--	5.0
RCF-5.5MM	--	5.5
RCF-6MM	--	6.0

For our complete selection of Flex-Hones, see page 113.



DIAMOND VALVE GUIDE FLEX-HONES®

Engineered to create a near mirror finish. They are made from resin bond diamond crystals that equal out to be a 800-grit Flex-Hone. Other grits available by special order.

Part No. mm Inches

RVFD-157	4.0	0.157"
RVFD-177	4.5	0.177"
RVFD-197	5.0	0.197"
RVFD-217	5.5	0.217"
RVFD-250	6.4	0.250"
RVFD-276	7.0	0.276"
RVFD-315	8.0	0.315"
RVFD-354	9.0	0.354"
RVFD-394	10.0	0.394"
RVFD-433	11.0	0.433"
RVFD-472	12.0	0.472"



VALVE GUIDE SLEEVE INSTALLATION TOOLS

HEAVY-DUTY AIR HAMMER

Install or remove valve guides easily with this high impact, heavy-duty air hammer. Short, rapid strokes and uniform driving pressure minimizes guide end distortion and breakage.

Specifications: .401 opening, weighs 3 lbs. 3 oz., 2500 rpm, 6.25" overall length, 4 cfm air consumption.

Part No. **K-2680**

QUICK-CHANGE RETAINER SPRING

Fits chisels with forward end width of 1/2" or less.

Part No. **AT-2557**



VALVE GUIDE TOP CUTTER

FOR CAST IRON VALVE GUIDES

Heavy carbide blades quickly shorten or face cast iron guides with ease. For use with any 3/8" or 1/2" electric drill.

Order cutter head and pilots separately.

Part No.	Description
1270	Cutter Head
Smooth I.D. Pilots	
1270A	5/16" – 8mm
1270B	11/32"
1270C	3/8"
1270D	7/16"
1270E	1/2"
Spiraled I.D. Pilots	
1271A	5/16" – 8mm
1271B	11/32"
1271C	3/8"
1271D	7/16"
1271E	1/2"

DIAMOND VALVE GUIDE HONING SYSTEM

The only efficient way to size bronze or hardened guides!

Wide range, interchangeable hone mandrels cover from 4.9mm (.193") to 13.99mm (.551"). Just 2 mandrels cover from 7.9mm (.311") to 10mm (.393"). Four replacement stones cover all 11 mandrel sizes. Can replace over 75 reamers!

Aggressive diamond abrasive provides rapid stock removal coupled with long abrasive life. The ONLY efficient way to size bronze or hardened guides. Long length abrasive inserts keep guide bores straight. Should be used with DHO-1 Diamond Honing Oil.

Mandrel driver flex drive with built in limit stops provides better mandrel control. "Whipping" of the mandrel is prevented, even when rotated outside a guide bore.



Part No.	Description
DHH-1	Diamond Hone Head

Diamond Stones

DS-010	For 5mm Mandrel
DS-020	For 5.5-6.5mm Mandrels
DS-040	For 7mm Mandrel
DS-050	For 8-13mm Mandrels



Diamond Hone Mandrel Assembly

Part No.	Range
DMA-5	.193-.217" 4.9-5.5mm
DMA-55	.213-.236" 5.4-6.0mm
DMA-6	.232-.256" 5.9-6.5mm
DMA-65	.252-.276" 6.4-7.0mm
DMA-7	.272-.315" 6.9-8.0mm
DMA-8	.311-.354" 7.9-9.0mm
DMA-9	.350-.394" 8.9-10mm
DMA-10	.390-.433" 9.9-11mm
DMA-11	.429-.472" 10.9-12mm
DMA-12	.469-.512" 11.9-13mm
DMA-13	.508-.551" 12.9-14mm

new Diamond Honing Oil

DHO-8	8 oz. bottle
DHO-1	1 gallon

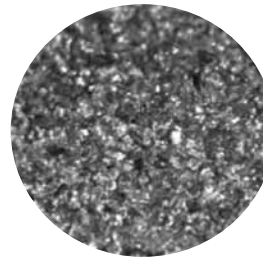
DIAMOND HONE HEAD

Features precise expansion control.



DIAMOND HONE MANDREL ASSEMBLY

Interchangeable mandrels cover from 4.9mm (.193") to 13.99mm (.551").



DIAMOND HONE STONE

High quality, aggressive diamond abrasive.



MANUAL VALVE GUIDE DRIVERS

Remove and install thin-wall cast iron guides by hand. Tool steel construction for durable use and long life.

Standard Valve Guide Drivers (inch – mm)

Part No.	Guide ID	Driver OD	Pilot OD
K-1754	.312" 7.92	.422" 10.7	.305" 7.75
K-1757	.312" 7.92	.487" 12.4	.302" 7.67
K-1765	.343" 8.71	.487" 12.4	.336" 8.53
K-1766	.372" 9.47	.487" 12.4	.367" 9.32
K-1774	.437" 11.10	.611" 15.5	.428" 10.87

Metric Valve Guide Drivers (mm – inch)

Part No.	Guide ID	Driver OD	Pilot OD
2263	5.0 .196"	9.0 .355"	4.75 .187"
2264	5.5 .217"	10.5 .412"	5.21 .205"
2265	6.0 .236"	10.5 .412"	5.72 .225"
2266	6.5 .256"	11.8 .463"	6.30 .248"
2267	7.0 .275"	11.0 .432"	6.60 .260"
2270	8.0 .315"	11.7 .462"	7.80 .307"



AIR IMPACT VALVE GUIDE DRIVERS

Designed for air hammer to install or remove cast iron valve guides. Heavy-duty .401 Parker shank fits all standard impact drivers.

Standard Valve Guide Drivers (inch – mm)

Part No.	Guide ID	Driver OD	Pilot OD
3005A	.312" 7.92	.487" 12.4	.304" 7.72
3005	.312" 7.92	.423" 10.7	.304" 7.72
3006	.343" 8.71	.487" 12.4	.337" 8.56
3007	.372" 9.47	.487" 12.4	.367" 9.32
3008	.437" 11.10	.612" 15.5	.429" 10.90

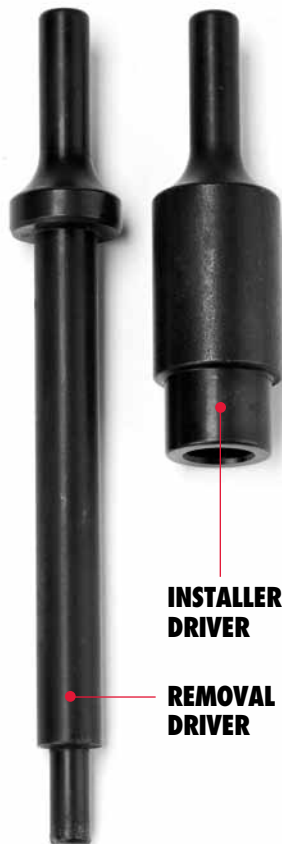
Metric Valve Guide Drivers (mm – inch)

Part No.	Guide ID	Driver OD	Pilot OD
2991	5.0 .196"	9.0 .355"	4.75 .187"
2992	5.5 .217"	10.5 .412"	5.21 .205"
2992A	6.0 .236"	10.5 .412"	5.72 .225"
2993	6.6 .260"	11.8 .463"	6.30 .248"
3001	7.0 .275"	11.0 .432"	6.60 .260"
3002	8.0 .315"	11.7 .462"	7.80 .307"



DIESEL VALVE GUIDE INSTALLER AND REMOVER DRIVERS

Designed to ensure proper guide height each and every time. Driving directly from the shoulder eliminates the need for reaming after installation.



Application	INSTALLER			REMOVER		
	Part No.	Guide ID	Guide OD	Part No.	Guide ID	Guide OD
Cummins ISX	GIC-ISX	0.670	0.985	GRC-ISX	0.375	0.570
Cummins 8.3 CT	GIC-8.3	0.503	0.552	GRD-71	0.304	0.491
Cummins	GIC	0.503	0.752	GRC	0.450	0.595
Caterpillar 3116	GI-3116	0.475	0.515	GRD-71	0.304	0.491
Caterpillar 3126	GI-3126	0.506	0.633	GRCI	0.354	0.595
Caterpillar 3306	GI-3306	0.506	0.660	GRCI	0.354	0.595
Caterpillar 3406/3408	GI-3406/8	0.506	0.709	GRCI	0.354	0.595
Caterpillar 3406/3408B	GI-3468B	0.506	0.632	GRCI	0.354	0.595
International DT466	GIDT-466	0.440	0.640	GRCI	0.354	0.595
Detroit 60 Series	GID-60	0.570	0.985	GRD-60	0.335	0.500
Detroit GMC 71/92	GID-71	0.435	0.502	GRD-71	0.304	0.491
Detroit 53	GID-53	0.246	0.502	GRD-53	0.246	0.491



EXTRA-LONG VALVE GUIDE DRIVERS

Overall length of each driver is 9".

Standard Valve Guide Drivers (inch – mm)

Part No.	Guide ID	Driver OD	Pilot OD
L-3005	.312" 7.92	.487" 12.4	.304" 7.72
L-3006	.343" 8.73	.487" 12.4	.337" 8.56
L-3007	.372" 9.47	.487" 12.4	.367" 9.32

Metric Valve Guide Drivers (mm – inch)

Part No.	Guide ID	Driver OD	Pilot OD
L-2991	5.0 .196"	9.0 .355"	4.75 .187"
L-2992	5.5 .217"	10.5 .412"	5.21 .205"
L-2992A	6.0 .236"	10.5 .412"	5.72 .225"
L-2993	6.6 .260"	11.8 .463"	6.29 .248"
L-3001	7.0 .275"	11.0 .432"	6.60 .260"
L-3002	8.0 .315"	11.7 .462"	7.80 .307"

VALVE GUIDE BRUSHES

NYLON VALVE GUIDE BRUSHES

#6-12 nylon bristle with loop handle for easier manual use. Order as a set or individually.

Part No.	Dia.	OAL	Brush length
OL-1	1/4"	10"	2" (formerly RVG-11N)
OL-2	5/16"	10"	2-1/2" (formerly RVG-13N)
OL-3	3/8"	12"	2-1/2" (formerly RVG-14N)
RVG-47N	11/32"	12"	2-1/2"
RVG-48N	13/32"	12"	2-1/2"
RVG-49N	7/16"	12"	2-1/2"
RVG-44N	1/2"	12"	2-1/2"
RVGN	Valve Guide Brush Set (one of each brush above)		

POWER VALVE GUIDE BRUSHES

Can be used with a drill motor. Steel or nylon bristles.

STEEL	NYLON	Dia.	OAL	Shank
RVG-1	RVG-1Y	5/16"	9-1/2"	1/4"
RVG-2	RVG-2Y	11/32"	9-1/2"	1/4"
RVG-3	RVG-3Y	3/8"	9-1/2"	1/4"
RVG-5	RVG-5Y	7/16"	9-1/2"	1/4"
-----	RVG-6Y	1/2"	9-1/2"	1/4"
RVG-7	RVG-7Y	5/8"	9-1/2"	1/4"
RVG-8	-----	3/4"	9-1/2"	1/4"



SMALL HOLE GAUGE SET

Ideal for checking valve guide wear and small hole diameters. Full ball for very accurate measurements. Easy to adjust with full-spherical, hardened, satin chrome-plated measuring faces. Comes in plastic pouch. Range: 1/8" to 1/2".

Part No. M-20

VALVE GUIDE O.D. MACHINING TOOLS

FOR ALL PRESS-ON VALVE STEM SEALS

Carbide-tipped cutters accurately machine O.D. face and chamfer top of guide in minutes. Hardened and ground pilots fit any 3/8" or 1/2" electric drill.

Complete Assemblies

Part No.	Original Stem Diameter	Guide O.D. after machining
1434	5/16" .312"	.475" O.D.
1435	5/16" .312"	.415" O.D.
1436	5/16" .312"	.500" O.D.
1437	5/16" .312"	.530" O.D.
1438	11/32" .343"	.500" O.D.
1439	11/32" .343"	.530" O.D.
1440	11/32" .343"	.562" O.D.
1441	3/8" .375"	.500" O.D.
1442	3/8" .375"	.530" O.D.
1443	3/8" .375"	.562" O.D.
1444	3/8" .375"	.625" O.D.



Available as Complete Assemblies or sold separately, below. Cutter Bodies and Pilots are interchangeable.

Cutter Bodies

Part No.	Size
1435A	.415"
1434A	.475"
1438A	.500"
1442A	.530"
1443A	.562"
1445A	.625"

Pilots

Part No.	Size
1435B	5/16" .312"
1438B	11/32" .343"
1442B	3/8" .375"



MANUAL VALVE STEM AND RING FILER

Abrasive wheel produces clean finish. V-groove accommodates valve stem ends. Also files piston rings to the proper specs quickly and easily.

Part No.	Description
RF-100	Manual Valve Stem/Ring Filer
RF-WHEEL	Replacement Wheel

SLIDE HAMMER VALVE STEM SEAL PULLER

Rapidly and efficiently remove valve stem seals. Replaceable collets grip seals tightly from bottom for removal without guide damage.

Part No.	Description
SP-101	Small Seal Puller (3/8"-9/16")
SP-102	Large Seal Puller (1/2"-3/4")
Replacement Parts	
SP-101-JAWS	Jaws for SP-101
SP-102-JAWS	Jaws for SP-102
SP-101-ORING	Oring for SP-101
SP-102-ORING	Oring for SP-102



4" VALVE GUIDE LEVEL

Part No.	Description
TSL-6-375	4" Level for .375" pilots
TSL-6-385	4" Level for .385" pilots
TSL-6-437	4" Level for .437" pilots
TSL-V	Replacement Vial for 4" levels listed above



VALVE STEM SEAL PLIERS



Removes valve stem seals used on most overhead camshaft engines with ease. Pliers reach around the valve stem into the confined area of the seal to grip it for removal. Gripping serrations in the tip enables these pliers to grasp both original equipment and aftermarket seals, regardless of their configuration. Heat-treated steel construction and easy-grip handles.

Part No. **SP-92350**



PRESS FIT LUBRICANT

Lubricates and protects metal surfaces during press fitting operations. Spray before installing valve guides, piston pins, cylinder sleeves, etc. Temperature resistant to 800°F.

Part No. **PFL-12**

R3 PRECISION-GROUND 3-ANGLE SEAT CUTTING SYSTEM

Uses your existing seat grinding pilots with top size of .375", .385", .390" or .437". Regis tooling is compatible with Goodson, Kwik-Way, Neway, Newen, Peterson, Rottler, Serdi, Sunnen, T&S, Winona Van Norman, etc.

Retrofit older machines, including Bridgeport mills for seat cutting. Replace worn tooling on most brands. A variety of drives and pilot sizes available.

Popular, multi-angle blade profiles available, with new and custom ones constantly being added.



Compatible with Goodson, Kwik-Way, Neway, Newen, Peterson, Rottler, Serdi, Sunnen, T&S, Winona Van Norman, etc.

BALL HEAD
.375", .385 and .437"
Large, extended length and Serdi-style ball head tool bodies are also available. See chart at right for complete listing.

TIP HOLDER

CARBIDE TIP/BLADE
See pages 40-43

Regis top-quality carbide tips are CNC machined one at a time to ensure perfect angle accuracy and consistency.

SPRING

PILOT
See pages 51-53

The R3 seat cutting system uses your existing seat grinding pilots with top size of .375", .385", .390" or .437".



3-ANGLE SEAT CUTTING KITS INCLUDE:

- | | |
|--------------------------|--------------------------|
| (1) Ball Head | (3) Tip Holders |
| (4) Carbide Tips | (1) Tool Setting Fixture |
| (1) Blade Mounting Screw | (1) Blade Wrench |
| (1) Spring Set | (1) 1/8" Hex Key |
| (1) 2.5mm Hex Key | (1) 3/32" Hex Key |

ORDER DRIVE ADAPTERS SEPARATELY.

Part No. Description

3-ANGLE SEAT CUTTING KITS Order drive adapters separately

R3-375-KIT Fits pilot size .375" (9.53mm)

R3-385-KIT Fits pilot size .385" (9.78mm)

R3-437-KIT Fits pilot size .437" (11.11mm)

BALL HEADS

R3-BH375 Ball Head .375" (9.53mm) *Included in R3-375-KIT

R3-BH385 Ball Head .385" (9.78mm) *Included in R3-385-KIT

R3-BH437 Ball Head .437" (11.11mm) *Included in R3-437-KIT

R3-BH375W Large Ball Head Tool Body .375" (9.53mm)

R3-BH385W Large Ball Head Tool Body .385" (9.78mm)

R3-BH375L Extended Length Ball Head Tool Body .375" (9.53mm)

R3-BH385L Extended Length Ball Head Tool Body .385" (9.78mm)

R3-5100 Serdi-Style Tool Body - Standard

R3-5300 Serdi-Style Tool Body - Large

TIP HOLDERS

R3-2000 Tip Holder .709" - 1.181" (18-30mm) *standard in kits

R3-2001 Tip Holder 1.02" - 1.653" (26-42mm) *standard in kits

R3-2002 Tip Holder 1.575" - 2.362" (40-60mm) *standard in kits

R3-2003 Wide Body Ball Head Tip Holder 1.575" - 2.362" (40mm-60mm)

R3-2004 Wide Body Ball Head Tip Holder 2.385" - 3.150" (58mm-80mm)

CARBIDE TIPS – standard in kits

R-4038-A1 45° seat (.059") / 30° top (.071") / 60° throat

R-3023-A1 30° seat (.051") / 15° top (.039") / 45° throat

R-4032-A1 45° seat (.051") / 15° top (.039") / 60° throat

R-70-A1 70° single angle (for throating)

DRIVE ADAPTERS

R3-CM3 #3 Morse Taper Drive Adapter

R3-CM4 #4 Morse Taper Drive Adapter

R3-3/4SS Bridgeport & DCM Drive Adapter

ACCESSORIES

R3-TSF Tool Setting Fixture

TS-109 Cutter Blade Mounting Screw

TX-8 Blade Wrench

R3-SS Automotive Spring Set w/bushings for .375, .385, .390 ball head

R3-SS -437 Automotive Spring Set w/bushings for .437 ball head

R3-1/8 1/8" Hex Key

R3-2.5 2.5mm Hex Key

R3-3/32 3/32" Hex Key

R3-4X5MM Replacement Screws for NWN Ball Head Base (5) - metric

R3-BH1032 Replacement Screw for Ball Head Base - SAE 1032

R3-2000-S Adjusting Screw for Holder #R3-2000, OAL .395" (10mm)

R3-2001-S Adjusting Screw for Holder #R3-2001, OAL .475" (12mm)

R3-2002-S Adjusting Screw for Holder #R3-2002, OAL .625" (15.9mm)



R3-BH375

R3-BH375L

R3-BH375W



R3-BH437

R3-5100



R3-CM3

R3-CM4

R3-3/4SS



R3-2000

R3-2002

R3-2004



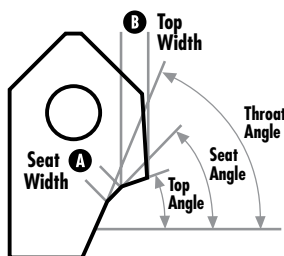
TX-8



R3-TSF

CARBIDE TIPS

FOR 3-ANGLE SEAT CUTTING SYSTEMS



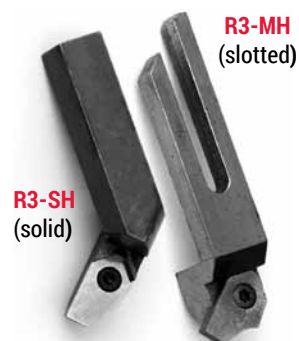
Regis top-quality carbide tips are CNC machined one at a time to ensure perfect angle accuracy and consistency. The finest quality carbide is also specially treated to make the cutting edges of the tips as strong as possible.

Regis Carbide Tips can be used with all current 3-angle seat cutting systems, as well as Newen, Serdi, T&S and Rottler machines.



Part No.	Old #	Newen #	Rottler #	Seat Width		Top Width		SEAT ANGLE	TOP ANGLE	THROAT ANGLE
				mm	inches	mm	inches			
R-4445-A1		WA1-NWN4445	RCA-068	1.0	.039	1.0	.039	45	15	60
R-1101-A1		WA1-NWN1101	RCA-065	1.0	.039	1.0	.039	45	25	60
R-4028-A1	R-11	WA1-NWN4028	RCA-001	1.0	.039	1.2	.047	45	30	60
R-1102-A1	R-36	WA1-NWN1102	RCA-035	1.0	.039	1.4	.055	45	25	60
R-4030-A1	R-10	WA1-NWN4030	RCA-038	1.0	.039	1.6	.063	45	35	55
R-4031-A1	R-9	WA1-NWN4031	RCA-039	1.0	.039	1.6	.063	45	35	60
R-1103-A1	R-37	WA1-NWN1103	RCA-036	1.0	.039	1.8	.071	45	25	60
R-4090-A1		WA1-NWN4090	RCA-056	1.0	.039	1.8	.071	45	30	60
R-4303-A1		WA1-NWN4303	RCA-002	1.0	.039	2.0	.079	45	30	60
R-4182-A1		WA1-NWN4182	RCA-084	1.2	.047	1.2	.047	45	30	60
R-4032-A1	R-3	WA1-NWN4032	RCA-041	1.3	.051	1.0	.039	45	30	60
R-4480-A1		WA1-NWN4480	RCA-004	1.3	.051	1.6	.063	45	30	60
R-4034-A1	R-8	WA1-NWN4034	RCA-005	1.3	.051	2.0	.079	45	30	52
R-4035-A1	R-27	WA1-NWN4035	RCA-040	1.3	.051	2.0	.079	45	30	60
R-4033-A1	R-26	WA1-NWN4033	RCA-005	1.3	.051	2.0	.079	45	37	52
R-4036-A1	R-13	WA1-NWN4036	RCA-042	1.4	.055	1.0	.039	45	30	60
R-4109-A1		WA1-NWN4109	RCA-060	1.5	.059	1.0	.039	45	15	60
R-4094-A1		WA1-NWN4094		1.5	.059	1.0	.039	45	30	60
R-4241-A1		WA1-NWN4241	RCA-079	1.5	.059	1.4	.055	45	25	52
R-4003-A1	R-43	WA1-NWN4003	RCA-061	1.5	.059	1.4	.055	45	25	60
R-4038-A1	R-1	WA1-NWN4038	RCA-043	1.5	.059	1.8	.071	45	30	60
R-4177-A1		WA1-NWN4177	RCA-010	1.5	.059	2.0	.079	45	30	60
R-4039-A1	R-12	WA1-NWN4039	RCA-047	1.6	.063	1.0	.039	45	30	60
R-4040-A1	R-29	WA1-NWN4040	RCA-021	1.6	.063	2.0	.079	45	30	60
R-4007-A1		WA1-NWN4007	RCA-075	1.8	.071	1.0	.039	45	30	60
R-4041-A1	R-14	WA1-NWN4041	RCA-049	1.8	.071	1.6	.063	45	30	60
R-4306-A1		WA1-NWN4306	RCA-025	1.9	.075	1.2	.047	45	30	60
R-4042-A1	R-15	WA1-NWN4042	RCA-029	1.9	.075	2.0	.079	45	30	60
R-4043-A1	R-7	WA1-NWN4043	RCA-053	2.0	.079	1.2	.047	45	30	60
R-1202-A1	R-38	WA1-NWN1202	RCA-051	2.0	.079	1.4	.055	45	25	60
R-4006-A1		WA1-NWN4006	RCA-066	2.0	.079	1.5	.059	45	30	60
R-4097-A1		WA1-NWN4097		2.0	.079	2.0	.079	45	30	60
R-1252-A1	R-39	WA1-NWN1252	RCA-054	2.5	.098	1.4	.055	45	25	60
R-5183-A1		Z6A1-NWN5183	RCA-721	2.0	.079	1.8	.071	20	0	60
R-5467-A1	R-35	WA1-NWN5467		2.5	.098	2.0	.079	20	11	60
R-3062-A1	R-19	WA1-NWN3062	RCA-321	1.0	.039	1.6	.063	30	20	52
R-3023-A1	R-2	WA1-NWN3023	RCA-300	1.3	.051	1.0	.039	30	15	45
R-2152-A1	R-41	WA1-NWN2152	RCA-334	1.5	.059	1.4	.055	30	15	60
R-2153-A1	R-42	WA1-NWN2153	RCA-323	1.5	.059	1.8	.071	30	15	60
R-3024-A1	R-21	WA1-NWN3024	RCA-322	1.5	.059	2.0	.079	30	0	60
R-3025-A1	R-20	WA1-NWN3025	RCA-325	1.5	.059	3.0	.118	30	20	60
R-3026-A1	R-28	WA1-NWN3026	RCA-309	1.6	.063	2.0	.079	30	15	45
R-3027-A1	R-16	WA1-NWN3027	RCA-331	1.8	.071	1.4	.055	30	15	60
R-3072-A1	R-30	WA1-NWN3072	RCA-313	1.9	.075	1.0	.039	30	15	45
R-3010-A1		WA1-NWN3010	RCA-346	1.9	.075	1.8	.071	30	15	60
R-3029-A1	R-17	WA1-NWN3029	RCA-314	1.9	.075	2.0	.079	30	30	60
R-2202-A1	R-22	WA1-NWN2202	RCA-326	2.0	.079	1.4	.055	30	15	60
R-2252-A1		WA1-NWN2252		2.5	.098	1.4	.055	30	15	60
R-3032-A1	R-18	WA1-NWN3032	RCA-329	2.5	.098	2.0	.079	30	15	60
R-4994-A1		WA1-NWN4994		1.5	.059	1.4	.055	37.5	25	75

Part No.	Old #	Newen #	Rottler #	Seat Width		Top Width		SEAT ANGLE	TOP ANGLE	THROAT ANGLE
				mm	inches	mm	inches			
R-5414-A1		WA1-WNW5414		1.6	.063	1.4	.055	37.5	30	60
R-5415-A1		WA1-NWN5415		1.6	.063	2.0	.079	37.5	30	60
R-5006-A1	R-33	WA1-NWN5006	RCA-406	1.8	.071	1.2	.047	37.5	20	52
R-5416-A1		WA1-NWN5416		1.9	.075	1.4	.055	37.5	30	60
R-5417-A1		WA1-NWN5417		2.0	.079	2.0	.079	37.5	30	60



SPECIALTY CARBIDE TIPS

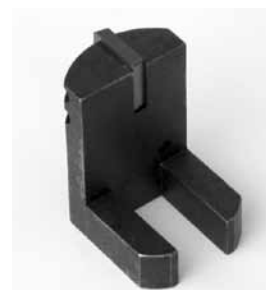
PROFILE DRAWINGS ON THE NEXT 2 PAGES

Part No.	Old #	Newen #	Rottler #	Description
R-5118-A1	R-50	WA1-NWN5118	RCA-623	Exhaust profile, narrow seat – see profile drawing
R-5120-A1	R-52	WA1-NWN5120	RCA-662	Exhaust profile, narrow seat – see profile drawing
R-5119-A1	R-51	WA1-NWN5119	RCA-656	Exhaust profile, wide seat – see profile drawing
R-268-B4	R-58	WB4-NWN268		45° seat angle – see profile drawing
R-215-B4		WB4-NWN215	RCB-652	45° seat angle – see profile drawing
R-4038-B4		WB4-NWN4038		45° seat angle – see profile drawing
R-60079-B3		WB3-NWN60079		High-performance – see profile drawing
R-802-B1		WB1-NWN802		High-performance – see profile drawing
R-828-B3		WB3-NWN828		High-performance – see profile drawing
R-60009-B3		WB3-NWN60009		High-performance – see profile drawing
R-60045-B3		WB3-NWN60045		High-performance – see profile drawing
R-069-B1		WB1-NWN069	RCB-601	High-performance – see profile drawing
R-005-B3	R-56	WB3-NWN005	RCB-608	High-performance – see profile drawing
R-073-B1		WB1-NWN073	RCB-605	High-performance – see profile drawing
R-072-B1		WB1-NWN072	RCB-604	High-performance – see profile drawing
R-003-B3	R-55	WB3-NWN003	RCB-607	High-performance – see profile drawing
R-390-B1		WB1-NWN390		High-performance – see profile drawing
R-985-B3		WB3-NWN985		High-performance – see profile drawing
R-111-B4	R-57	WB4-NWN111		For small 4-valve auto head (*Min. .900" diameter with no pilot obstruction, .965" with .385" pilot.)
R-5121-A1	R-53	WA1-NWN5121	RCA-614	Radius – see profile drawing
R-002-B3	R-54	WB3-NWN002	RCB-621	Radius – see profile drawing
R-033-B3		WB3-NWN033	RCB-622	Radius – see profile drawing
R-21050-A1	R-5	WA1-NWN21050	RCA-655	Radius – 5mm radius cutter, see profile drawing
R-10-A1		WA1-NWN10		Single Angle – 10° straight cutter; 9.80mm (.386")
R-15-A1		WA1-NWN15		Single Angle – 15° straight cutter; 8.50mm (.335")
R-20-A1	R-40	WA1-NWN20	RCA-501	Single Angle – 20° straight cutter; 8.20mm (.323")
R-30-A1	R-31	WA1-NWN30	RCA-502	Single Angle – 30° straight cutter; 9.00mm (.354")
R-35-A1		WA1-NWN35		Single Angle – 35° straight cutter; 9.50mm (.374")
R-37-A1		WA1-NWN37		Single Angle – 37° straight cutter; 9.30mm (.366")
R-39-A1		WA1-NWN39		Single Angle – 39° straight cutter; 9.00mm (.354")
R-45-A1	R-32	WA1-NWN45	RCA-503	Single Angle – 45° straight cutter; 8.90mm (.350")
R-50-A1		WA1-NWN50		Single Angle – 50° straight cutter; 8.55mm (.337")
R-55-A1		WA1-NWN55		Single Angle – 55° straight cutter; 8.55mm (.337")
R-60-A1		WA1-NWN60		Single Angle – 60° straight cutter; 8.40mm (.331")
R-70-A1	R-4	WA1-NWN70	RCA-522	Single Angle – 70° straight cutter; 7.75mm (.305")
R-75-A1		WA1-NWN75	RCA-507	Single Angle – 75° straight cutter; 7.00mm (.276")
R-082-B3		WB3-NWN082		Single Angle – 82° straight cutter; 11.50mm (.453")
R-90-12-A1		WA1-NWN90-12	RCA-511	Single Angle – see profile drawing
R-90-16-A1	R-24	WA1-NWN90-16	RCA-512	Single Angle – 90° counter boring cutter; R0.80mm(.031"), Tan 0°-94°, nose radius; best for aluminum applications

TIP HOLDER CONVERTER FOR MIRA OR SUNNEN

Convert your Mira and Sunnen solid brazed seat cutters to our replaceable carbide tips. Tip and screw not included with holders.

Part No.	Description
R3-MH	For MIRA
R3-SH	For SUNNEN (VSC series)
TS-109	Repl. Screw

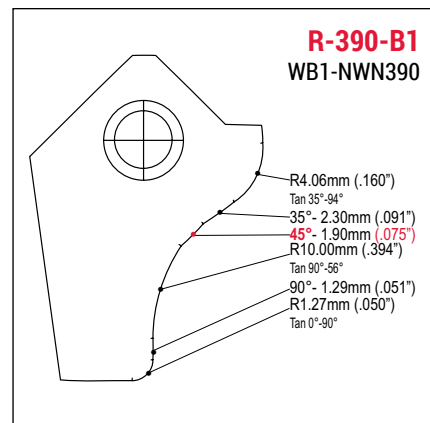
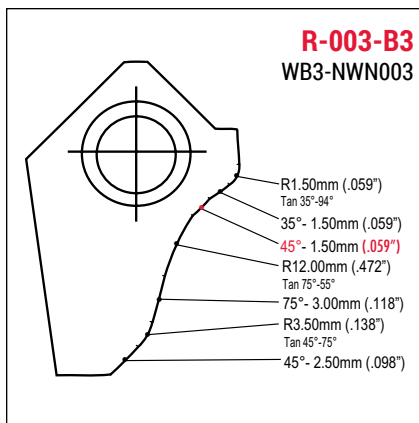
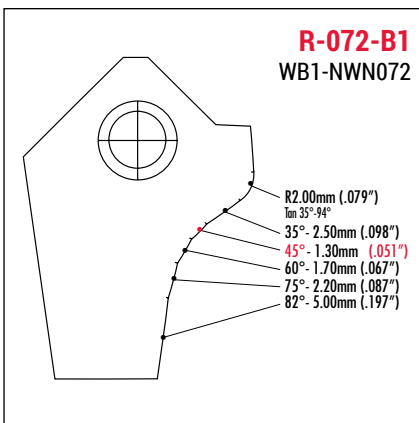
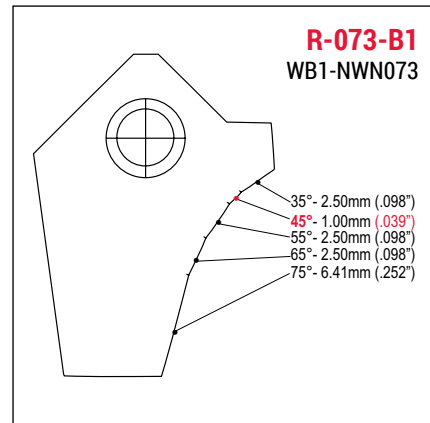
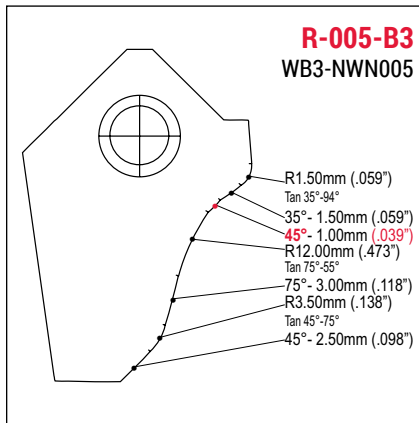
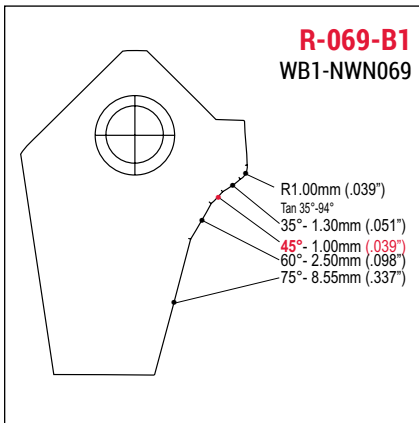
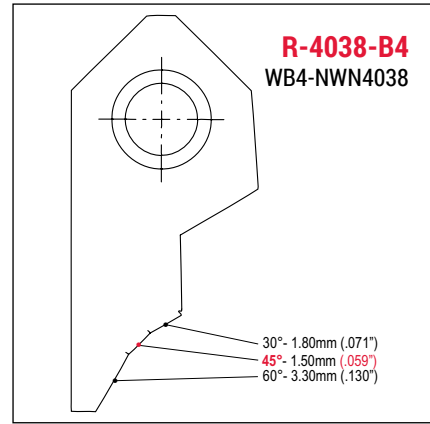
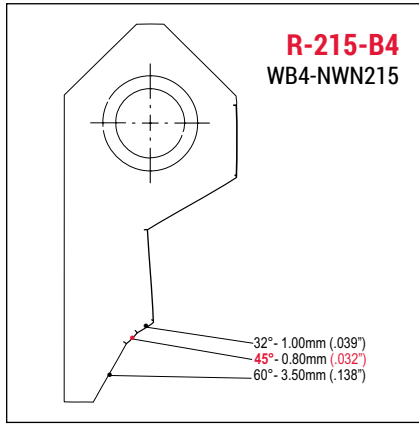
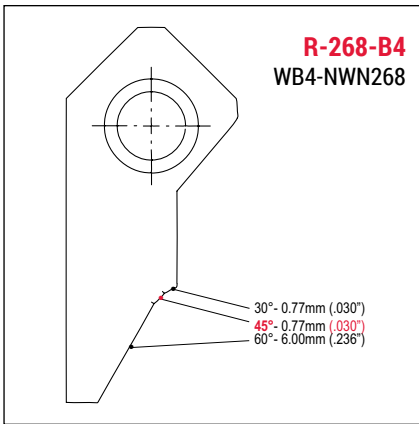
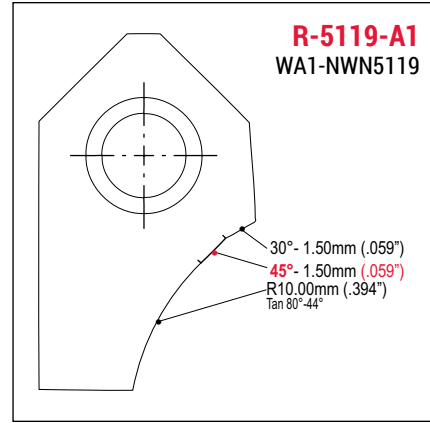
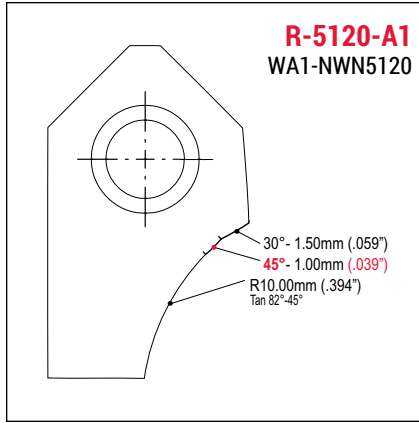
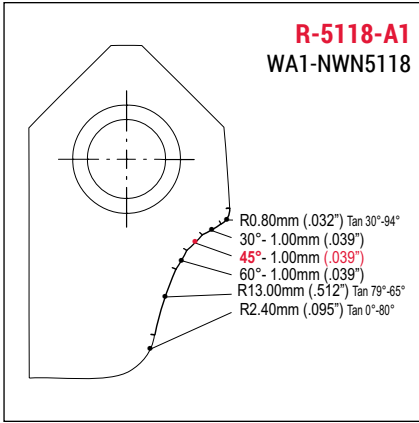


UNIVERSAL SPRING PAD

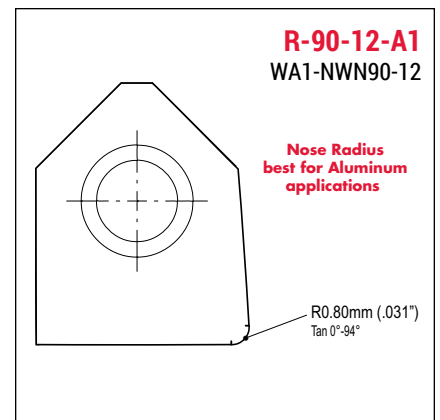
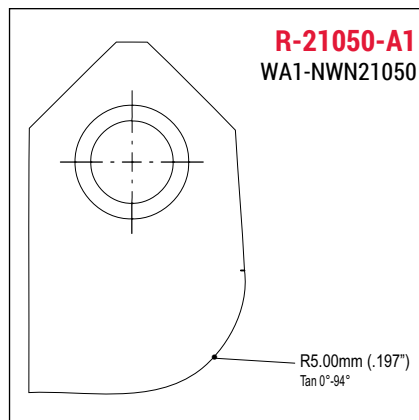
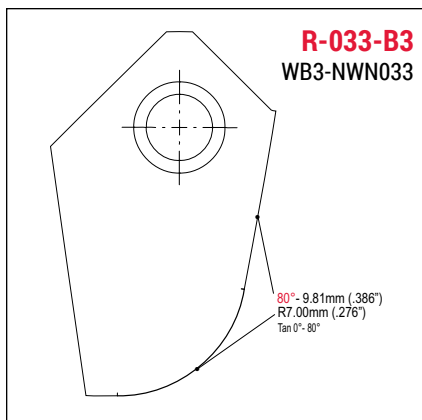
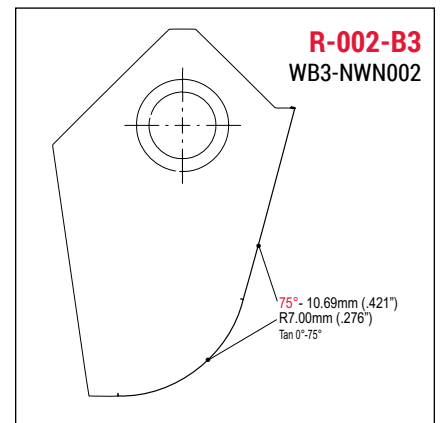
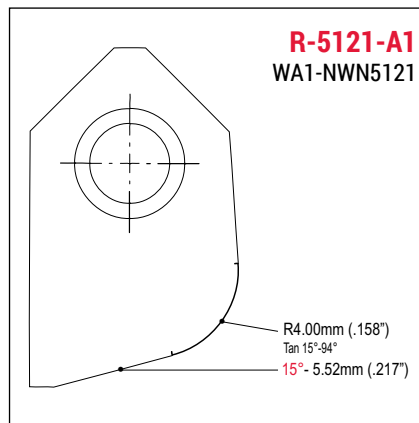
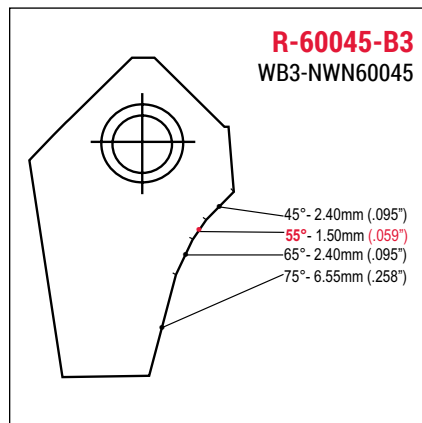
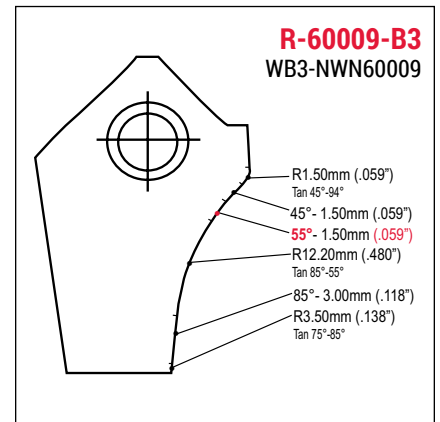
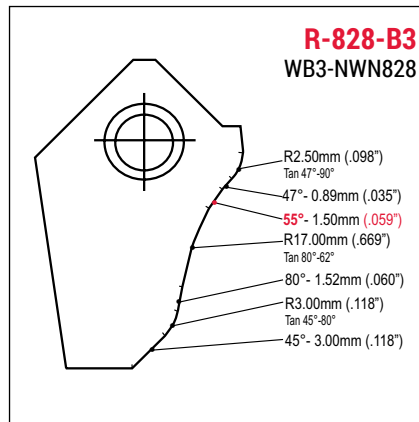
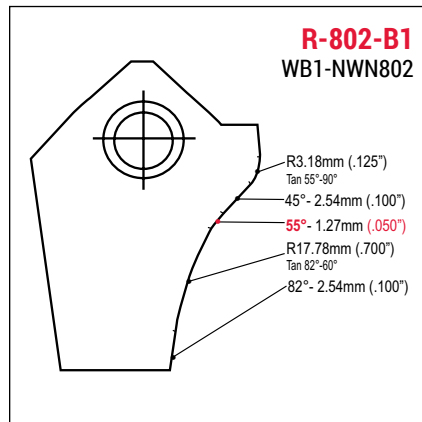
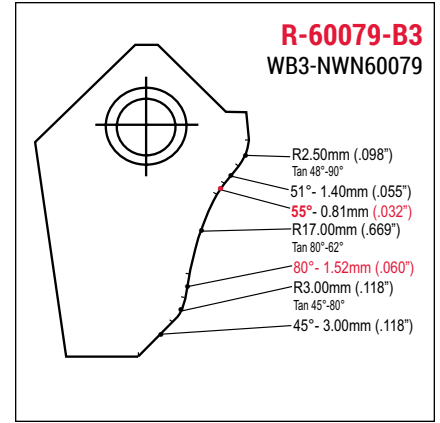
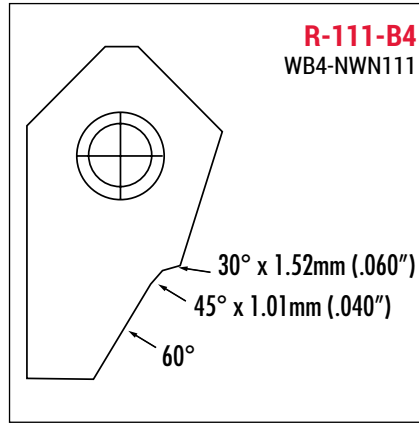
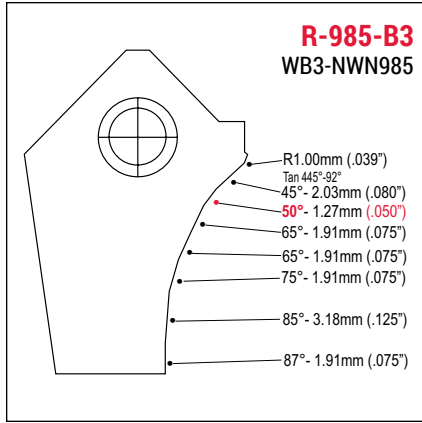
Cut spring pads with your 3-angle seat cutting system (works with all current systems). Tool holders include one square blade.

Part No.	Description
Spring Pad Cutters	
R3-SPC375	3/8" cutter
R3-SPC500	1/2" cutter
Replacement Square Blades	
R3-SPCB375	3/8" blade
R3-SPCB500	1/2" blade

CARBIDE TIP PROFILE DRAWINGS



CARBIDE TIP PROFILE DRAWINGS





**BUY 10
OR MORE
MIX OR MATCH
10% OFF
JOBBER**

VALVE SEAT WHEELS

GENERAL PURPOSE

Recommended for both roughing and finishing most automotive valve seats. Long lasting, fast cutting and will give a very satisfactory finish.

NOTE: Stone color may vary due to manufacturing process.

BD BLACK & DECKER

9/16"-16 thread • Fits Black & Decker, Van Dorn

KW KWIK-WAY

13/16"-13 thread • Fits Kwik-Way

SX SIOUX, ETC.

11/16"-16 thread • Fits Sioux, K.O. Lee, Thor, Skilsaw, Keystone, Winona

Fits – Diameter	BLACK & DECKER			KWIK-WAY			SIOUX, ETC.		
	30°	45°	90°	30°	45°	90°	30°	45°	90°
1-1/8	BD-2C	BD-3C	BD-390C	KW-2C	KW-3C	KW-390C	SX-2C	SX-3C	SX-390C
1-3/16	BD-2A	BD-3A	BD-390A	KW-2A	KW-3A	KW-390A	SX-2A	SX-3A	SX-390A
1-1/4	BD-2	BD-3	BD-390	KW-2	KW-3	KW-390	SX-2	SX-3	SX-390
1-5/16	BD-2B	BD-3B	BD-390B	KW-2B	KW-3B	KW-390B	SX-2B	SX-3B	SX-390B
1-3/8	BD-8	BD-9	BD-990	KW-8	KW-9	KW-990	SX-8	SX-9	SX-990
1-7/16	BD-8A	BD-9A	BD-990A	KW-8A	KW-9A	KW-990A	SX-8A	SX-9A	SX-990A
1-1/2	BD-14	BD-15	BD-1590	KW-14	KW-15	KW-1590	SX-14	SX-15	SX-1590
1-9/16	BD-14A	BD-15A	BD-1590A	KW-14A	KW-15A	KW-1590A	SX-14A	SX-15A	SX-1590A
1-5/8	BD-20	BD-21	BD-2190	KW-20	KW-21	KW-2190	SX-20	SX-21	SX-2190
1-11/16	BD-20A	BD-21A	BD-2190A	KW-20A	KW-21A	KW-2190A	SX-20A	SX-21A	SX-2190A
1-3/4	BD-26	BD-27	BD-2790	KW-26	KW-27	KW-2790	SX-26	SX-27	SX-2790
1-13/16	BD-26A	BD-27A	BD-2790A	KW-26A	KW-27A	KW-2790A	SX-26A	SX-27A	SX-2790A
1-7/8	BD-32	BD-33	BD-3390	KW-32	KW-33	KW-3390	SX-32	SX-33	SX-3390
2	BD-38	BD-39	BD-3990	KW-38	KW-39	KW-3990	SX-38	SX-39	SX-3990
2-1/8	BD-44	BD-45	BD-4590	KW-44	KW-45	KW-4590	SX-44	SX-45	SX-4590
2-1/4	BD-50	BD-51	BD-5190	KW-50	KW-51	KW-5190	SX-50	SX-51	SX-5190
2-3/8	BD-56	BD-57	BD-5790	KW-56	KW-57	KW-5790	SX-56	SX-57	SX-5790
2-1/2	BD-62	BD-63	BD-6390	KW-62	KW-63	KW-6390	SX-62	SX-63	SX-6390
2-5/8	BD-68	BD-69	-----	KW-68	KW-69	-----	SX-68	SX-69	-----
2-3/4	BD-74	BD-75	-----	KW-74	KW-75	-----	SX-74	SX-75	-----
2-7/8	BD-80	BD-81	-----	KW-80	KW-81	-----	SX-80	SX-81	-----
3	BD-86	BD-87	-----	KW-86	KW-87	-----	SX-86	SX-87	-----
3-1/4	BD-92	BD-93	-----	KW-92	KW-93	-----	SX-92	SX-93	-----
3-1/2	BD-98	BD-99	-----	KW-98	KW-99	-----	SX-98	SX-99	-----

VALVE SEAT WHEELS

STELLITE

General purpose wheel recommended for use on very hard steel valve seats.

Buy 10 or more, mix or match, 10% off jobber.

NOTE: Stone color may vary due to manufacturing process.



MAGNUM

Grind and finish heavy-duty or hard seats in just one step!

This revolutionary stone compound aggressively grinds hard seats – even those hard-to-grind late model Cummins. Grinds and finishes in one operation! No need to change stones to finish a seat. Available for Sioux and Kwik-Way.

Buy 10 or more, mix or match, 10% off jobber.

NOTE: Stone color may vary due to manufacturing process.

Fits – Diameter	BLACK & DECKER		KWIK-WAY		SIOUX, ETC.	
	30°	45°	30°	45°	30°	45°
1-1/4	BD-5	BD-6	KW-5	KW-6	SX-5	SX-6
1-3/8	BD-11	BD-12	KW-11	KW-12	SX-11	SX-12
1-1/2	BD-17	BD-18	KW-17	KW-18	SX-17	SX-18
1-5/8	BD-23	BD-24	KW-23	KW-24	SX-23	SX-24
1-3/4	BD-29	BD-30	KW-29	KW-30	SX-29	SX-30
1-7/8	BD-35	BD-36	KW-35	KW-36	SX-35	SX-36
2	BD-41	BD-42	KW-41	KW-42	SX-41	SX-42
2-1/8	BD-47	BD-48	KW-47	KW-48	SX-47	SX-48
2-1/4	BD-53	BD-54	KW-53	KW-54	SX-53	SX-54
2-3/8	BD-59	BD-60	KW-59	KW-60	SX-59	SX-60
2-1/2	BD-65	BD-66	KW-65	KW-66	SX-65	SX-66
2-5/8	BD-71	BD-72	KW-71	KW-72	SX-71	SX-72
2-3/4	BD-77	BD-78	KW-77	KW-78	SX-77	SX-78
2-7/8	BD-83	BD-84	KW-83	KW-84	SX-83	SX-84
3	BD-89	BD-90	KW-89	KW-90	SX-89	SX-90
3-1/4	BD-95	BD-96	KW-95	KW-96	SX-95	SX-96
3-1/2	BD-101	BD-102	KW-101	KW-102	SX-101	SX-102

Fits – Diameter	SIOUX, ETC.		KWIK-WAY
	45°	90°	90°
1-1/8	MSX-3C	MSX-390C	MKW-390C
1-3/16	MSX-3A	MSX-390A	MKW-390A
1-1/4	MSX-3	MSX-390	MKW-390
1-5/16	MSX-3B	MSX-390B	MKW-390B
1-3/8	MSX-9	MSX-990	MKW-990
1-7/16	MSX-9A	MSX-990A	MKW-990A
1-1/2	MSX-15	MSX-1590	MKW-1590
1-9/16	MSX-15A	MSX-1590A	MKW-1590A
1-5/8	MSX-21	MSX-2190	MKW-2190
1-11/16	MSX-21A	MSX-2190A	MKW-2190A
1-3/4	MSX-27	MSX-2790	MKW-2790
1-13/16	MSX-27A	MSX-2790A	MKW-2790A
1-7/8	MSX-33	MSX-3390	MKW-3390
2	MSX-39	MSX-3990	MKW-3990
2-1/8	MSX-45	MSX-4590	MKW-4590
2-1/4	MSX-51	MSX-5190	MKW-5190
2-3/8	MSX-57	MSX-5790	MKW-5790
2-1/2	MSX-63	MSX-6390	MKW-6390



LAYOUT FLUID & SPRAY

Check valve to seat contact with blue and red layout fluid in 8 oz. bottles or layout ink in a 16 oz. spray can.

Part No.	Description
DC-8B	Blue Fluid
DC-8R	Red Fluid
RG-16358	Blue Spray



MORE VALVE SEAT WHEELS ON THE NEXT PAGE

VALVE SEAT WHEELS

NICKEL-CHROME

Designed to cut nickel-chrome valve seats like Chromalloy, Well-Tite and Snyder. Also for roughing.

Buy 10 or more, mix or match, 10% off jobber.

NOTE: Stone color may vary due to manufacturing process.

RUBY

Premium-quality wheel for seat material hardnesses between general purpose and stellite. Also may be used as a quality finishing stone.

Buy 10 or more, mix or match, 10% off jobber.

NOTE: Stone color may vary due to manufacturing process.

FINAL FINISH

Delivers a superb, high-micron final finish to valve seats with little metal removal. Not intended for initial cutting work. Ideal for high-performance and racing work.

Buy 10 or more, mix or match, 10% off jobber.

NOTE: Stone color may vary due to manufacturing process.

Fits – Dia.	BLACK & DECKER		KWIK-WAY		SIOUX, ETC.	
	45°	90° flat	45°	90° flat	45°	90° flat
7/8	-----	-----	KWN-355	KWN-350	SXN-355	SXN-350
15/16	-----	-----	KWN-365	KWN-360	SXN-365	SXN-360
1	-----	-----	KWN-375	KWN-370	SXN-375	SXN-370
1-1/16	-----	-----	KWN-385	KWN-380	SXN-385	SXN-380
1-1/4	BDN-3	BDN-390	KWN-3	KWN-390	SXN-3	SXN-390
1-3/8	BDN-9	BDN-990	KWN-9	KWN-990	SXN-9	SXN-990
1-1/2	BDN-15	BDN-1590	KWN-15	KWN-1590	SXN-15	SXN-1590
1-5/8	BDN-21	BDN-2190	KWN-21	KWN-2190	SXN-21	SXN-2190
1-3/4	BDN-27	BDN-2790	KWN-27	KWN-2790	SXN-27	SXN-2790
1-7/8	BDN-33	BDN-3390	KWN-33	KWN-3390	SXN-33	SXN-3390
2	BDN-39	BDN-3990	KWN-39	KWN-3990	SXN-39	SXN-3990
2-1/8	BDN-45	BDN-4590	KWN-45	KWN-4590	SXN-45	SXN-4590
2-1/4	BDN-51	BDN-5190	KWN-51	KWN-5190	SXN-51	SXN-5190
2-3/8	BDN-57	BDN-5790	KWN-57	KWN-5790	SXN-57	SXN-5790
2-1/2	BDN-63	BDN-6390	KWN-63	KWN-6390	SXN-63	SXN-6390

Fits – Dia.	BLACK & DECKER		KWIK-WAY		SIOUX, ETC.	
	45°	90° flat	45°	90° flat	45°	90° flat
7/8	-----	-----	KWR-355	KWR-350	SXR-355	SXR-350
15/16	-----	-----	KWR-365	KWR-360	SXR-365	SXR-360
1	-----	-----	KWR-375	KWR-370	SXR-375	SXR-370
1-1/16	-----	-----	KWR-385	KWR-380	SXR-385	SXR-380
1-1/8	-----	-----	KWR-3C	KWR-390C	SXR-3C	SXR-390C
1-1/4	BDR-3	BDR-390	KWR-3	KWR-390	SXR-3	SXR-390
1-5/16	-----	-----	KWR-3B	KWR-390B	SXR-3B	SXR-390B
1-3/8	BDR-9	BDR-990	KWR-9	KWR-990	SXR-9	SXR-990
1-7/16	-----	-----	KWR-9A	KWR-990A	SXR-9A	SXR-990A
1-1/2	BDR-15	BDR-1590	KWR-15	KWR-1590	SXR-15	SXR-1590
1-9/16	BDR-15A	BDR-1590A	KWR-15A	KWR-1590A	SXR-15A	SXR-1590A
1-5/8	BDR-21	BDR-2190	KWR-21	KWR-2190	SXR-21	SXR-2190
1-11/16	-----	-----	KWR-21A	KWR-2190A	SXR-21A	SXR-2190A
1-3/4	BDR-27	BDR-2790	KWR-27	KWR-2790	SXR-27	SXR-2790
1-7/8	BDR-33	BDR-3390	KWR-33	KWR-3390	SXR-33	SXR-3390
2	BDR-39	BDR-3990	KWR-39	KWR-3990	SXR-39	SXR-3990
2-1/8	BDR-45	BDR-4590	KWR-45	KWR-4590	SXR-45	SXR-4590
2-1/4	BDR-51	BDR-5190	KWR-51	KWR-5190	SXR-51	SXR-5190
2-3/8	BDR-57	BDR-5790	KWR-57	KWR-5790	SXR-57	SXR-5790
2-1/2	BDR-63	BDR-6390	KWR-63	KWR-6390	SXR-63	SXR-6390

Fits – Dia.	BLACK & DECKER		KWIK-WAY		SIOUX, ETC.	
	45°	90° flat	45°	90° flat	30°	45°
1-1/4	BDF-3	BDF-390	KWF-3	KWF-390	SXF-2	SXF-3
1-3/8	BDF-9	BDF-990	KWF-9	KWF-990	SXF-8	SXF-9
1-1/2	BDF-15	BDF-1590	KWF-15	KWF-1590	SXF-14	SXF-15
1-9/16	BDF-15A	BDF-1590A	KWF-15A	KWF-1590A	SXF-14A	SXF-15A
1-5/8	BDF-21	BDF-2190	KWF-21	KWF-2190	SXF-20	SXF-21
1-3/4	BDF-27	BDF-2790	KWF-27	KWF-2790	SXF-26	SXF-27
1-7/8	BDF-33	BDF-3390	KWF-33	KWF-3390	SXF-32	SXF-33
2	BDF-39	BDF-3990	KWF-39	KWF-3990	SXF-38	SXF-39
2-1/8	BDF-45	BDF-4590	KWF-45	KWF-4590	SXF-44	SXF-45
2-1/4	BDF-51	BDF-5190	KWF-51	KWF-5190	SXF-50	SXF-51
2-3/8	BDF-57	BDF-5790	KWF-57	KWF-5790	SXF-56	SXF-57
2-1/2	BDF-63	BDF-6390	KWF-63	KWF-6390	SXF-62	SXF-63

VALVE SEAT WHEEL DRESSING STAND

- **HEAVY-DUTY • UNIVERSAL**
- **PREMIUM QUALITY**

This universal dressing stand accommodates Sioux .385", Black & Decker .375" or original Kwik-Way .437" piloted stone holders. Heavy-duty dressing stand accurately dresses stones up to 3.5" diameter.

The **K-1716** Dressing Stand includes one .385" pilot and one premium grade diamond dresser. (.375" and .437" size pilots sold separately.)



NOTE: Dressing stand pilots will not fit OEM Sioux, Kwik-Way or Black & Decker stands.

Part No.	Description
K-1716	DRESSING STAND
K-1716-BD	.375" Pilot for Dressing Stand
K-1716-SXP	.385" Pilot for Dressing Stand
K-1716-KW	.437" Pilot for Dressing Stand
K-5	Replacement Diamond Dresser
K-1718A	.385" Pilot for OEM Sioux Dressing Stand

VALVE SEAT STONE HOLDERS



SIoux
STANDARD
3/8" + .010 (.385")
upper end size.
11/16 x 16 thread.

Part No. K-1702

Also available
for .375" pilots,
Part No. K-1702-375



SIoux
SHORT BODY
3/8" + .010 (.385")
upper end size.
11/16 x 16 thread.

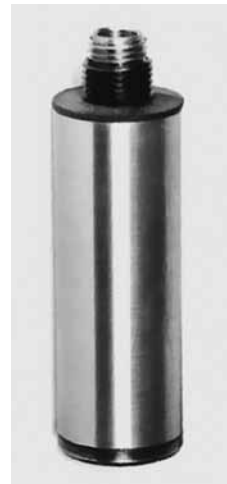
Part No. K-1672



KWIK-WAY
7/16" (.437")
upper end size.
13/16 x 13 thread.

Part No. KW-356

Cap for Kwik-Way
Stone Holder,
Part No. KW-0302



BLACK & DECKER
3/8" (.375")
upper end size.
9/16 x 16 thread.

Part No. K-199BD



**STONE HOLDER
ADAPTER BUSHING**

Bushing to
adapt the Black & Decker
stone holder to Sioux.

**Part No.
BDSX-385**

VALVE SEAT WHEEL AIR DRIVERS

SIoux STYLE

Handles valve seat wheels up to 4-1/2", with 11,000 RPM governed horsepower. spline drive, 1.0 max. horsepower.

Part No. **SX-500**



KWIK-WAY STYLE

Handles valve seat wheels up to 4-1/2", with 11,000 RPM governed horsepower. hex drive, 1.0 max. horsepower.

Part No. **KW-500**



DRIVE ADAPTERS

FOR KWIK-WAY OR SIOUX

Enables you to use any 4-1/2" angle grinder with 5/8-11 thread as a valve seat grinder.

For Kwik-Way:
Part No.
AGA-KW



For Sioux:
Part No.
AGA-SX



SIoux STYLE DRIVE ADAPTER

Drive adapter with 1/4" shank for use with Sioux-style holders. Ideal for touching up seats after 3-angle cut. Use with RX-230 air grinder and Regis finishing stones.

Part No. Description

SDA-14 Sioux Style Drive Adapter

RX-230 Air Die Grinder

See page 66 for details.

REPLACEMENT PARTS FOR KWIK-WAY AND SIOUX

Part No. Description

FOR KWIK-WAY

KW-0426 Hex Driver with leather for SGA motor
.650" with set screw, Kwik-Way # KW-031-0426-10

KW-3112 Hex Driver with leather for SGH motor
1/2-20 thread, Kwik-Way # KW-031-3112-17

KW-1011 Hex Driver with leather for SGA II motor
3/8-24 thread, Kwik-Way # KW-031-1011-00

000-2303-62 Spindle Belt for Kwik-Way SVSII valve grinder
14.5" long, O-ring style. Sold individually.

001-1899-99 SVS Chuck Drive Belt

FOR SIOUX 1710 ELECTRIC DRIVE

SX-22916E Replacement Spindle Drive for Sioux 1710

SX-23694E Replacement Bearing Cap for Sioux 1710

FOR SIOUX 1792 AIR DRIVE

SX-22939A Replacement Spindle Drive for Sioux 1792

SX-33970A Replacement Bearing Cap for Sioux 1792



VALVE SEAT GRINDING PILOTS

High-quality alloy steel, solid taper pilots feature a special straight and taper shank design. Self-centering for accurate alignment.

3/8 .375"
Rottler, Neway, B&D, Serdi

3/8 + .010 .385"
Sioux

7/16 .437"
Kwik-Way



Inches	MM	.375"	.385"	.437"
.157"	4.0	-----	K-5157S	-----
.177"	4.5	-----	K-5177S	K-5177K
.196"	4.98	K-5196C	K-5196S	K-5196K
.197"	5.0	K-5197C	K-5197S	K-5197K
.198"	5.03	-----	K-5198S	K-5198K
.215"	5.46	-----	K-5215S	K-5215K
.216"	5.48	K-5216C	K-5216S	K-5216K
.217"	5.51	K-5217C	K-5217S	K-5217K
.218"	5.54	K-5218C	K-5218S	K-5218K
.235"	5.97	K-5235C	-----	K-5235K
.236"	6.0	K-5236C	K-5236S	K-5236K
.237"	6.02	K-5237C	K-5237S	K-5237K
.238"	6.05	-----	K-5238S	K-5238K
.239"	6.07	-----	K-5239S	K-5239K
.249"	6.32	K-5249C	-----	-----
.250"	6.35	K-5250C	K-5250S	K-5250K
.251"	6.36	K-5251C	K-5251S	K-5251K
.252"	6.40	K-5252C	-----	K-5252K
.258"	6.55	-----	K-5258S	K-5258K
.259"	6.58	K-5259C	K-5259S	K-5259K
.260"	6.6	K-5260C	K-5260S	K-5260K
.261"	6.63	K-5261C	K-5261S	K-5261K
.262"	6.66	-----	K-5262S	K-5262K
.274"	6.96	K-5274C	K-5274S	K-5274K
.275"	7.0	K-5275C	K-5275S	K-5275K
.276"	7.01	K-5276C	K-5276S	K-5276K
.277"	7.04	-----	K-5277S	K-5277K
.278"	7.06	K-5278C	K-5278S	K-5278K
.310"	7.87	K-5310C	K-5310S	K-5310K
.311"	7.90	K-5311C	K-5311S	K-5311K
.312"	7.92	K-5312C	K-5312S	K-5312K
.313"	7.95	K-5313C	K-5313S	K-5313K
.314"	7.98	K-5314C	K-5314S	K-5314K
.315"	8.0	K-5315C	K-5315S	K-5315K
.316"	8.03	K-5316C	K-5316S	K-5316K
.317"	8.05	K-5317C	K-5317S	K-5317K
.318"	8.08	-----	K-5318S	K-5318K
.327"	8.31	-----	K-5327S	-----
.339"	8.61	-----	-----	K-5339K
.340"	8.64	K-5340C	K-5340S	K-5340K
.341"	8.66	K-5341C	K-5341S	K-5341K
.342"	8.69	K-5342C	K-5342S	K-5342K
.343"	8.71	K-5343C	K-5343S	K-5343K
.344"	8.74	K-5344C	K-5344S	K-5344K
.345"	8.76	K-5345C	K-5345S	K-5345K
.346"	8.79	K-5346C	K-5346S	K-5346K
.347"	8.81	K-5347C	-----	-----

Inches	MM	.375"	.385"	.437"
.348"	8.84	-----	K-5348S	K-5348K
.352"	8.94	-----	K-5352S	K-5352K
.353"	8.97	K-5353C	K-5353S	K-5353K
.354"	9.0	K-5354C	K-5354S	K-5354K
.355"	9.02	K-5355C	K-5355S	K-5355K
.356"	9.04	-----	K-5356S	K-5356K
.357"	9.07	-----	K-5357S	K-5357K
.358"	9.09	-----	K-5358S	K-5358K
.359"	9.12	-----	K-5359S	-----
.370"	9.40	K-5370C	K-5370S	-----
.371"	9.42	K-5371C	K-5371S	K-5371K
.372"	9.45	K-5372C	K-5372S	K-5372K
.373"	9.47	K-5373C	K-5373S	K-5373K
.374"	9.50	K-5374C	K-5374S	K-5374K
.375"	9.52	K-5375C	K-5375S	K-5375K
.376"	9.55	K-5376C	K-5376S	K-5376K
.377"	9.58	K-5377C	K-5377S	K-5377K
.378"	9.60	K-5378C	K-5378S	K-5378K
.379"	9.63	K-5379C	K-5379S	K-5379K
.380"	9.65	-----	K-5380S	-----
.381"	9.68	-----	K-5381S	-----
.382"	9.70	-----	K-5382S	-----
.385"	9.78	-----	K-5385S	-----
.388"	9.86	-----	K-5388S	-----
.390"	9.91	-----	K-5390S	-----
.392"	9.96	-----	K-5392S	-----
.393"	9.98	K-5393C	K-5393S	K-5393K
.394"	10.0	K-5394C	K-5394S	K-5394K
.395"	10.03	-----	K-5395S	K-5395K
.396"	10.06	-----	K-5396S	K-5396K
.405"	10.29	-----	K-5405S	-----
.432"	10.97	K-5432C	-----	-----
.433"	11.0	K-4333C	K-5433S	-----
.434"	11.02	K-5434C	K-5434S	-----
.435"	11.05	K-5435C	-----	K-5435K
.436"	11.07	K-5436C	K-5436S	K-5436K
.437"	11.10	K-5437C	K-5437S	-----
.438"	11.13	K-5438C	K-5438S	K-5438K
.439"	11.15	K-5439C	K-5439S	K-5439K
.440"	11.18	K-5440C	K-5440S	K-5440K
.452"	11.48	K-5452C	K-5452S	K-5452K
.453"	11.51	K-5453C	K-5453S	K-5453K
.454"	11.53	K-5454C	-----	-----
.499"	12.67	K-5499C	-----	-----
.500"	12.70	K-5500C	K-5500S	-----
.501"	12.73	K-5501C	K-5501S	-----



SPLIT PILOTS .375" TOP SIZE

Centers deep in the valve guide. Features a groove for bearing-style stone holders. Compensates for wear up to .010".

Size	Range	Part No.	Size	Range	Part No.	Size	Range	Part No.
5.0mm	.193"-.203"	K-5MM-SP	7.0mm	.273"-.283"	K-7MM-SP	9.0mm	.351"-.361"	K-9MM-SP
5.5mm	.213"-.223"	K-5.5MM-SP	.312"	.299"-.319"	K-312-SP	.375"	.372"-.382"	K-375-SP
6.0mm	.233"-.243"	K-6MM-SP	8.0mm	.312"-.322"	K-8MM-SP	.437"	.434"-.444"	K-437-SP
.250"	.247"-.257"	K-250-SP	.343"	.340"-.350"	K-343-SP			



EXTRA-LONG SOLID TAPERED PILOTS .385" TOP SIZE

8-1/2" overall length gives you more depth to work in with heads featuring deeper bowl areas. Great for diesel applications. Use **K-1702 Stone Holder**.

Inches	MM	Part No.	Inches	MM	Part No.	Inches	MM	Part No.	Inches	MM	Part No.
.275"	7.00	TS-275	.312"	7.92	TS-312	.345"	8.77	TS-345	.375"	9.52	TS-375
.276"	7.01	TS-276	.313"	7.95	TS-313	.346"	8.79	TS-346	.381"	9.68	TS-381
.277"	7.04	TS-277	.314"	7.98	TS-314	.372"	9.45	TS-372	.382"	9.70	TS-382
.278"	7.06	TS-278	.343"	8.71	TS-343	.373"	9.47	TS-373			
.279"	7.09	TS-279	.344"	8.74	TS-344	.374"	9.50	TS-374			



HEAVY-DUTY SOLID TAPERED PILOTS .572" TOP SIZE

11-1/2" overall length gives you more depth to work on heavy duty engines with deep bowl areas. Especially useful on larger, heavy duty engines. Use **K-1703 Stone Holder**.

Inches	MM	Part No.	Inches	MM	Part No.	Inches	MM	Part No.	Inches	MM	Part No.
.562"	14.27	TS-562-HD	.564"	14.33	TS-564-HD	.626"	15.90	TS-626-HD	.628"	15.95	TS-628-HD
.563"	14.30	TS-563-HD	.625"	15.88	TS-625-HD	.627"	15.93	TS-627-HD			



AFTERMARKET EXPANDING PILOTS .375", .385" AND .437" TOP SIZES

Excellent for intermediate size guides. Range of expansion will handle valve guides from -.003" to +.017". Available in .375" (Rottler, Neway, B&D), .385" (Sioux) and .437" (Kwik-Way) top sizes.

Inches	MM	.375"	.385"	.437"	Inches	MM	.375"	.385"	.437"
.236"	6.00	EC-236	ES-236	EK-236	.343"	8.71	EC-343	ES-343	EK-343
.250"	6.35	EC-250	ES-250	EK-250	.354"	9.00	EC-354	ES-354	EK-354
.256"	6.50	EC-256	ES-256	EK-256	.375"	9.52	EC-375	ES-375	EK-375
.275"	7.00	EC-275	ES-275	EK-275	.393"	10.00	EC-10MM	ES-10MM	EK-10MM
.312"	8.00	EC-312	ES-312	EK-312	.413"	10.50	EC-10.5MM	ES-10.5MM	EK-10.5MM
.335"	8.50	EC-335	ES-335	EK-335	.437"	11.10	EC-437	ES-437	EK-437



STRAIGHT CARBIDE PILOTS **.375" TOP SIZE**

Inches	MM	Part No.	Inches	MM	Part No.	Inches	MM	Part No.	Inches	MM	Part No.
.1571"	3.99	CPS-1571	.2358"	5.99	CPS-2358	.3118"	7.92	CPS-3118	.3440"	8.74	CPS-3440
.1575"	4.00	CPS-1575	.2362"	6.00	CPS-2362	.3122"	7.93	CPS-3122	.3720"	9.45	CPS-3720
.1579"	4.01	CPS-1579	.2368"	6.01	CPS-2368	.3130"	7.95	CPS-3130	.3724"	9.46	CPS-3724
.1767"	4.49	CPS-1767	.2559"	6.50	CPS-2559	.3146"	7.99	CPS-3146	.3728"	9.47	CPS-3728
.1771"	4.50	CPS-1771	.2594"	6.59	CPS-2594	.3150"	8.00	CPS-3150	.3732"	9.48	CPS-3732
.1929"	4.90	CPS-1929	.2600"	6.61	CPS-2600	.3154"	8.01	CPS-3154	.3736"	9.49	CPS-3736
.1964"	4.99	CPS-1964	.2752"	6.99	CPS-2752	.3157"	8.02	CPS-3157	.3744"	9.51	CPS-3744
.1968"	5.00	CPS-1968	.2756"	7.00	CPS-2756	.3425"	8.70	CPS-3425	.3748"	9.52	CPS-3748
.2157"	5.48	CPS-2157	.2760"	7.01	CPS-2760	.3433"	8.72	CPS-3433			
.2165"	5.50	CPS-2165	.2768"	7.03	CPS-2768	.3437"	8.73	CPS-3437			



TAPERED CARBIDE PILOTS **.375" TOP SIZE**

7-1/2" overall length.

Inches	MM	Part No.	Inches	MM	Part No.	Inches	MM	Part No.	Inches	MM	Part No.
.1575"	4.00	CPT-1575	.2355	5.98	CPT-2355	.2765"	7.02	CPT-2765	.344"	8.74	CPT-3440
.177"	4.50	CPT-1770	.2362"	6.00	CPT-2362	.312"	7.93	CPT-3120	.373"	9.47	CPT-3730
.197"	5.00	CPT-1970	.260"	6.60	CPT-2600	.315"	8.00	CPT-3150	.374"	9.50	CPT-3740
.2165"	5.50	CPT-2165	.2756"	7.00	CPT-2756	.342"	8.70	CPT-3420	.375"	9.53	CPT-3750
.217"	5.52	CPT-2170	.276"	7.01	CPT-2760	.343"	8.71	CPT-3430			



TAPERED CARBIDE PILOTS **.385" TOP SIZE**

Inches	MM	Part No.	Inches	MM	Part No.	Inches	MM	Part No.
.196"	4.98	CPT-196S	.216"	5.48	CPT-216S	.236"	6.00	CPT-236S
.197"	5.00	CPT-197S	.217"	5.51	CPT-217S	.275"	7.00	CPT-275S

4" VALVE GUIDE LEVEL

Part No.	Description
TSL-6-375	For .375" pilots
TSL-6-385	For .385" pilots
TSL-6-437	For .437" pilots
TSL-V	Replacement Vial for levels listed above



Call us anytime between 8:00 a.m. and 4:30 p.m. central time to place your order, be it large or small.

Se habla Español!

Call toll-free

800-527-7604

Local Dallas phone

214-421-5171

Order Online

regismanufacturing.com





MANUAL VALVE SEAT DRIVERS

Install valve seats quickly without damaging seat counterbore.

Part No. Size

Manual Valve Seat Drivers

VSD-437	.437" (11.10mm) I.D.
VSD-385	.375" (9.53mm) and .385" (9.78mm) I.D.

Valve Seat Driver Heads

VSD-A	1 – 1.125" seats	(25.4 – 28.6mm)
VSD-B	1.25 – 1.375" seats	(31.8 – 34.9mm)
VSD-C	1.5 – 1.625" seats	(38.1 – 41.3mm)
VSD-D	1.75 – 1.875" seats	(44.5 – 47.6mm)
VSD-E	2 – 2.125" seats	(50.8 – 54.0mm)

DIAMOND TOOLS FOR VALVE RESEATERS

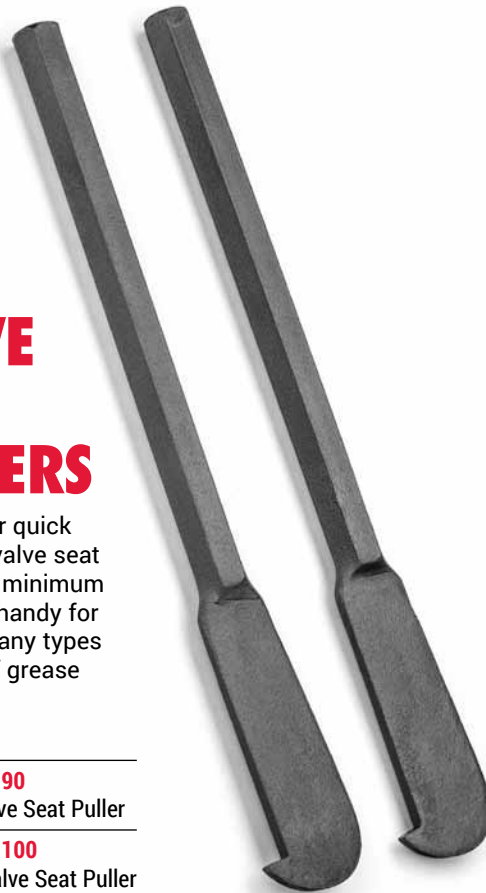
Part No	Size	Diamond Weight	Machine
K-2	3/8" x 2-1/4" 24 NF thd	1/4 carat	Black & Decker (Mfg. #20157), Thor (Mfg. #74327), Van Dorn, Tobin Arp
K-4	1/2" x 3-1/4" 20 NF thd	1/4 carat	Kwik-Way
K-4S	3/8" head 10-32 thd	1/4 carat	Screw Nib
K-5	3/8" x 2-3/4" 24 NF thd	1/4 carat	Sioux (Mfg. #1715)
K-5A	3/8" x 2-3/4" 24 NF thd	1/4 carat	Sioux (Mfg. #1715A)
K-8	5/16" x 3" 24 NF thd	1/4 carat	Hall (Mfg. #13-1938), Snap-On, Skilsaw, U.S.
K-8B	5/16" x 2-1/2" 24 NF thd	1/4 carat	Black & Decker (Mfg. #49386)
K-9	5/16" x 2-1/2" 18 NC thd	1/4 carat	K.O. Lee (Mfg. #P176D), Skil
K-11	3/8" hex, right hand thd	1/4 carat	Sioux 1719A (Mfg. #1715B)
K-14	3/8" hex, left hand thd	1/4 carat	Black & Decker (Mfg. #31662)
K-18	1/2" x 2-3/4" 20 NF thd Holder thread half length	1/4 carat	Kwik-Way
K-19	3/8" x 2-3/4" 24 NF thd	1/4 carat	Kwik-Way

More Diamond Tools on pages 76-77.

VALVE SEAT PULLERS

Designed for quick removal of valve seat inserts with minimum effort. Also handy for removing many types and sizes of grease seals.

Part No. VSP-90	90° Tooth Valve Seat Puller
Part No. VSP-100	100° Tooth Valve Seat Puller



REPLACEMENT BLADES FOR NEWWAY VALVE SEAT CUTTERS

Tungsten-carbide replacement blades for use in zero through 46 degree Newway valve seat cutter bodies.

Part No.	Mfg. No.	Description
NEW-38	250	Blade, 3/8" long (.375" / 9.5mm)
NEW-12	251	Blade, 1/2" long (.500" / 12.7mm)
NEW-34	254	Blade, 3/4" long (.750" / 19.05mm)
NEW-12LC	TC-251LC	Blade, 1/2" long (.500" / 12.7mm)
NEW-38LC	TC-250LC	Blade, 3/8" long (.375" / 9.5mm)

SMALL DIAMETER VALVE SEAT CUTTERS

WITH BRAZED IN CARBIDE TIPS

High grade carbide tips spaced for balanced, chatter-free cutting. Specially ground for maximum metal removal while maintaining smooth on size bores. Designed for all popular seat & guide machines.

Will not fit PH-2000 H.S. taper cutter.



KWIK-WAY, PETERSON

5/8" arbor, female drive

Diameter	Part No.
1"	K-3830
1.062"	K-3830A
1.125"	K-3830B
1.156"	K-3830C
1.187"	K-3830D
1.218"	K-3830E

WINONA, DCM TECH, ROTTLER

9/16" arbor, female drive

Diameter	Part No.
1"	K-3870
1.062"	K-3870A
1.125"	K-3870B
1.156"	K-3870C
1.187"	K-3870D
1.218"	K-3870E

VALVE SEAT RING EXPANDING MANDRELS

These mandrels are a valuable lathe accessory and provide the capability to cut seat rings to any desired OD or depth. With these mandrels, "blank" valve seats may be custom turned to fit seat counterbores that are still serviceable but non-standard sizes.

Part No. Size

RSC-0 14mm/.551" - 26mm/1.024"

RSC-1 22mm/.866" - 38mm/1.50"

RSC-2 35mm/1.38" - 49mm/1.93"



VALVE SEAT CUTTERS

WITH REPLACEABLE CARBIDE INSERTS

For 1.250" to 1.437" sizes, order 1/4" inserts.
For 1.500" to 2.500" sizes, order 3/8" inserts.

1/4" INSERTS & ACCESSORIES

Part No.	Description
K-4000	1/4" Insert
K-4000S	Screw
K-4000W	Wrench
K-4000-2	2 Inserts, 2 screws, 1 wrench

3/8" INSERTS & ACCESSORIES

Part No.	Description
K-4001	3/8" Insert
K-4001S	Screw
K-4001W	Wrench
K-4001-2	2 Inserts, 2 screws, 1 wrench

SEAT CUTTER ADAPTER – Part No. **K-3800**

Adapts Peterson and Kwik-Way seat cutters to IDL, RMC and Van Norman machines.



KWIK-WAY, IDL, KI, PETERSON, RMC, T&S, TCM, VN

5/8" arbor, female drive

Part No.	Size
K-6125	1.250"
K-6131	1.312"
K-6137	1.375"
K-6143	1.437"
K-6150	1.500"
K-6156	1.562"
K-6162	1.625"
K-6168	1.687"
K-6175	1.750"
K-6181	1.812"
K-6187	1.875"
K-6193	1.937"
K-6200	2.000"
K-6206	2.062"
K-6212	2.125"
K-6218	2.187"
K-6225	2.250"
K-6231	2.312"
K-6237	2.375"
K-6243	2.437"
K-6250	2.500"

SERDI

Part No.	Size
K-3125	1.250"
K-3131	1.312"
K-3137	1.375"
K-3143	1.437"
K-3150	1.500"
K-3156	1.562"
K-3162	1.625"
K-3168	1.687"
K-3175	1.750"
K-3181	1.812"
K-3187	1.875"
K-3193	1.937"
K-3200	2.000"
K-3206	2.062"
K-3212	2.125"
K-3218	2.187"
K-3225	2.250"
K-3231	2.312"
K-3237	2.375"
K-3243	2.437"
K-3250	2.500"

WINONA, DCM TECH, ROTTLER

9/16" arbor, female drive

Part No.	Size
K-7125	1.250"
K-7131	1.312"
K-7137	1.375"
K-7143	1.437"
K-7150	1.500"
K-7156	1.562"
K-7162	1.625"
K-7168	1.687"
K-7175	1.750"
K-7181	1.812"
K-7187	1.875"
K-7193	1.937"
K-7200	2.000"
K-7206	2.062"
K-7212	2.125"
K-7218	2.187"
K-7225	2.250"
K-7231	2.312"
K-7237	2.375"
K-7243	2.437"
K-7250	2.500"

VACUUM TESTER KIT

Check your entire valve train – valve seats, stems and guides – quickly and accurately!

The gauge reading determines leaks, excessive wear or machining flaws. New, ultra-light gun features an ergonomic design to provide working comfort as well as protection for your hand.



Sold as a complete kit; no other accessories required.
100% compatible with Sioux 1630.

Part No. **R-1630K**

R-1630K comes with a 4" pad, stem, and gauge.

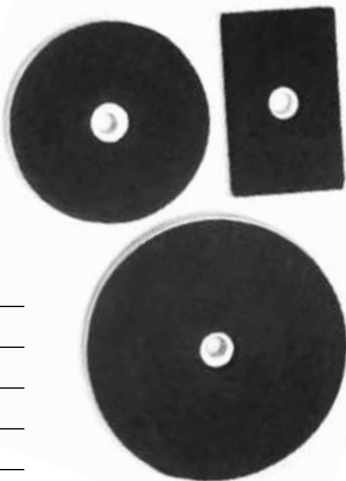
Optional: 30" replacement hose, Part No. **1630-HOSE**

Interchangeable with Regis or Sioux 1630 Vacuum Tester; also compatible with replacement pads listed below.

VACUUM TESTER REPLACEMENT PADS AND PARTS

FITS REGIS OR SIOUX 1630

Replacement disc pads fit both the discontinued Regis R-1630K and Sioux 1630 Vacuum Tester.



Part No.	Description
1630-2	2" Disc Pad
1630-3	3" Disc Pad
1630-4	4" Disc Pad
1630-5	5" Disc Pad
1630-6	6" Disc Pad
1630-7	Rectangular pad 2-1/4" x 3"
64054	Replacement gauge for Regis and Sioux
1630-STEM	Replacement 4" stem for Regis and Sioux
1630-HOSE	Replacement 30" hose for Regis and Sioux

new

MANUAL VACUUM TESTER

All metal construction. Economical way to test for valve leaks. Includes 30" hose and a 4" plate.

Part No. **MVT-1**





BUY 3 OR MORE 16 OZ. CANS MIX OR MATCH 10% OFF JOBBER

CLOVER GRINDING COMPOUNDS

Clover's standard compound combines uniformly graded, sharp, hard (yet friable) silicon carbide abrasive grains suspended in a high temperature grease mix binder. This is the best combination for lapping of hardened steel. Available in eight grades, the most popular being A, C, D and E.

Part No.	Description
CLD-1	4 oz. duplex can – 2 oz. each coarse and fine, A & E grades 4 oz. duplex can
CL-162A	2A grade 400 grit Extremely fine 16 oz. can
CL-161A	1A grade 320 grit Very fine 16 oz. can
CL-16A	A grade 280 grit Fine 16 oz. can
CL-16B	B grade 240 grit Medium fine 16 oz. can
CL-16C	C grade 220 grit Medium 16 oz. can
CL-16D	D grade 180 grit Medium coarse 16 oz. can
CL-16E	E grade 120 grit Coarse 16 oz. can
CL-16F	F grade 100 grit Extra coarse 16 oz. can



LAYOUT FLUID & SPRAY

Great for aligning parts, locating high spots, porting and many other shop uses. Non-corrosive. Heat resistant with good adhesion to all metals and glass.

Part No.	Description
DC-8B	Blue Layout Fluid, 8 oz.
DC-8R	Red Layout Fluid, 8 oz.
RG-16358	Blue Spray, 16 oz.



POWR-GRIP LAPPING STICK

Powr-Grip valve grinder provides a positive system for holding valves during the checking and lapping process. Spring-loaded vacuum pump built into the handle provides vacuum reserve for long-lasting hold and serves as a leakage indicator to minimize unexpected release. A single stroke attaches the cup firmly. Cups are molded from tough, durable tread rubber. Handle is resistant to grease and corrosives.

Part No.	Description
RV-1275	Powr-Grip Lapping Stick (with 1-1/4" and 3/4" cups)
RV-1277	3/4" Replacement Cup
RV-1278	1" Replacement Cup
RV-1279	1-1/4" Replacement Cup

DOUBLE-ENDED LAPPING STICKS

We now offer double-ended valve lapping sticks for those who prefer the traditional manual style. Sturdy wooden handle construction for ease in use. Two sizes cover a wide range of valve sizes.

Part No.	Description
21100	Large Manual Valve Lapper with 1-1/8" and 1-3/8" cups
21200	Small Manual Valve Lapper with 5/8" and 13/16" cups

Replacement Cups	
21120	1-3/8" Cup for 21100
21130	1-1/8" Cup for 21100
21220	13/16" Cup for 21200
21230	5/8" Cup for 21200



VALVE REFACER WHEELS

Order 10 or more Valve Refacer Wheels, mix or match, take 10% off jobber.



	Part No.	Mfg. No.	Size	Shape	Grade	Grit	Fits model number(s)	Usage*
BLACK & DECKER	K-629	33056	4" x 1" x 5/8"	Offset	G.P. & Stellite	60	A, B, C, LW, M, MW, N, NW, NWO	V
	K-632	16371	Ruby 4" x 1" x 5/8"	Offset	Stellite	80	A, B, C, LW, M, MW, N, NW, NWO	V
	K-638	-----	4" x 1" x 5/8"	Offset	G.P.	80	A, B, C, LW, M, MW, N, NW, NWO	V
	K-674	20939	4" x 1-1/8" x 1/2"	Straight Cup		54	All models except #6 Universal	S
	K-877	34131	5" x 1" x 5/8" (20° face)	Offset	G.P.	60	P, PC, PCB, T, TO, TG	V
KWIK-WAY	K-184	010-0300-05	3" x 1-1/4" x 5/8"	Straight Cup		70	All models except VL	S
	K-548	101-0400-19	4" x 3/4" x 7/8"	Offset	G.P.	70	4001, P	V
	K-720	101-0450-10	4-1/2" x 7/8" x 7/8"	Offset	G.P.	70	CV, SK, KK, VC, SV, XC	V
	K-721	-----	4-1/2" x 7/8" x 7/8"	Offset	Stellite	100	CV, SK, KK, VC, SV, XC	V
	K-760DT	-----	7" x 1" x 7/8"	Offset	Titanium**	100	SVS, SVS-2, VR-10	V
	K-772	-----	7" x 1" x 7/8"	Offset	Titanium	100	SVS, SVS-2, VR-10	V
	K-773	010-0709-00	7" x 1" x 7/8"	Offset	G.P.	90	SVS, SVS-2, VR-10	V
	K-777	-----	7" x 1" x 7/8"	Offset	Stellite	80	SVS, SVS-2, VR-10	V
	K-774	010-0509-01	5" x 7/8" x 7/8"	Offset	G.P./Finish	80	VS, EVS	V
	K-775	010-0507-07	5" x 7/8" x 7/8"	Offset	G.P.	75	VS, EVS	V
	K-776	Pink	5" x 7/8" x 7/8"	Offset	Stellite	80	VS, EVS	V
	K-900	010-0801-09	8" x 1-3/8" x 7/8"	Offset	G.P.	80	VL	V
	K-901	010-0610-08	6" x 1-1/4" x 3/4"	Recessed		70	VL	S
	SIoux	K-629	83	4" x 1" x 5/8"	Offset	G.P. & Stellite	60	All models except below
K-630		-----	4" x 1" x 5/8"	Offset	G.P.	100	All models except below	V
K-632		Ruby	4" x 1" x 5/8"	Offset	Stellite	80	All models except below	V
K-638		78E	4" x 1" x 5/8"	Offset	G.P.	90	All models except below	V
K-680		176	7" x 11/16" x 1-3/4" (15° face)	Straight	G.P.	70	680, 956, 2001, 2075	V
K-681		177	7" x 11/16" x 1-3/4" (15° face)	Straight	Stellite	80	680, 956, 2001, 2075	V
K-660DT		-----	7" x 11/16" x 1-3/4" (15° face)	Straight	Titanium**	100	680, 956, 2001, 2075	V
K-683		176	7" x 11/16" x 1-3/4" (15°)	Straight	G.P.	100	680, 956, 2001, 2075	V
K-647		-----	4" x 1" x 5/8"	Recessed		54	All models except 682, 685L	S
K-648		81	4" x 1" x 5/8"	Straight Cup		60	All models except 682, 685L	S
K-178		178	8" x 1-1/4" x 1 3/4"	Offset	G.P.	60	682	V
K-181		181	7" x 1-1/4" x 1 3/4"	Straight Cup		54	682	S
K-186		184 or 186	6" x 1-1/8" x 3/4"	Offset	G.P.	80	685L	V
K-189		189	5" x 1-1/4" x 3/4"	Straight Cup		60	685L	S

* USE OF WHEEL - "S" indicates stem grinding; "V" indicates valve face grinding. ** Ceramic Abrasive

NOTE: Stone color may vary due to manufacturing process.

GRINDING OIL FOR VALVE REFACERS

Specially formulated grinding oil for use in all valve refacing machines. Extends wheel life while allowing for a better surface finish and cooling of the workpiece. Inhibits rust, eliminates foaming and rancidity.



Part No. **VRG-1** (1 gallon)

Part No. **VRG-5** (5 gallons)

VALVE GRINDING OIL ADDITIVE

Ideal for grinding hard metal racing valves! Superior oil additive that keeps the wheel face clean and sharp to produce brilliant valve finishes. Excellent for Titanium, Stainless, Stellite and OEM valve materials. Also good for lubing Ball Broaches when sizing liners. Add 8 oz. to each 32 oz. of oil.



Part No. **MF-16** (16 oz.)

	Part No.	Mfg. No.	Size	Shape	Grade	Grit	Fits model number(s)	Usage*
ROTTLER	K-184	010-0300-05	3" x 1-1/4" x 5/8"	Straight Cup		70	VR7, VR10	S
	K-760DT	-----	7" x 1" x 7/8"	Offset	Titanium**	100	VR7, VR10	V
	K-772	-----	7" x 1" x 7/8"	Offset	Titanium	100	VR7, VR10	V
	K-773	010-0709-01	7" x 1" x 7/8"	Offset	G.P.	90	VR7, VR10	V
	K-777	-----	7" x 1" x 7/8"	Offset	Stellite	80	VR7, VR10	V
	K-960	-----	9" x 1-1/4" x 1-1/2"	Recessed	G.P.	90	VR9	V
	K-963	7606	100mm x 50mm x 20mm	Straight Cup	G.P.	70	VR9, VR416, RV-516	S
	K-966	-----	9" x 1-1/4" x 1-1/2"	Recessed	Titanium	80	VR9	V
COMEC	K-820	-----	215mm x 35mm x 76mm	Flare	G.P.		VR416, RV-516	V
	K-821	-----	215mm x 35mm x 76mm	Flare	Titanium		VR416, RV-516	V
	K-963	-----	100mm x 50mm x 20mm	Cup	G.P.		VR416, RV-516	S
WINONA, VAN NORMAN	K-923	802003 Ruby	12" x 5/8" x 3"	Straight (15° face)	Stellite	80	CRW, VR-1000	V
	K-925	24078	12" x 5/8" x 3"	Straight	G.P.	60	CRW, VR-1000	V
	K-926	24079	10" x 1-1/4" x 3"	Recessed (15° face)		54	CRW	S
	K-928	-----	7" x 1-3/8" x 5/8"	Offset	G.P.	100	VRW	V
	K-929	-----	7" x 1-3/8" x 5/8"	Offset	Titanium	100	VRW	V
	K-930	-----	6" x 1-3/8" x 5/8"	Straight Cup		46	VRW	S
	K-770	75399	5" x 3/4" x 5/8"	Dish	G.P.	80	E, Y, YW, X, XA	V
SUNNEN	K-880	ST-BEV-1	6/5 1/2" x 1-3/8" x 3/4"	Flare Cup	G.P.	70	VR-6500	V
	K-881	S-F-2	5" x 1-3/8" x 3/4"	Recessed		60	VR-6500	S
	K-8230	8230 Lt. Grey	8" x 1-1/4" x 1-1/2"	Flare Cup	G.P. & Stellite	80	All models	V
	K-8232	8232 Lt. Grey	8" x 1-1/4" x 1-1/2"	Flare Cup	G.P. & Stellite	80	All models	V
	K-8231	-----	8-1/4" x 1-1/4" x 1 1/2"	Flare Cup		54	Sunnen VR-7000, 8000	S
	K-8260DT	-----	8" x 1-1/4" x 1 1/2"	Flare Cup	Titanium**		Sunnen VR-7000, 8000	
K.O. LEE, SNAP-ON	K-770	OV5GH60	5" x 3/4" x 5/8"	Dish	G.P.	80	All models	V
	K-771	OV5GH80S	5" x 3/4" x 5/8"	Dish	Stellite	100	All models	V
	K-629	RV4KH60	4" x 1" x 5/8"	Offset		54	K-500C, K-403C	S
IDL	K-8230	8230 Lt. Grey	8" x 1-1/4" x 1-1/2"	Flare Cup	G.P. & Stellite	80	All models	V
	K-8231	-----	8" x 1-1/4" x 1-1/2"	Flare Cup		54	All models	S
	K-8232	8230 Grey	8" x 1-1/4" x 1-1/2"	Flare Cup	G.P.	80	All models	V
	K-8260DT	-----	8" x 1-1/4" x 1-1/2"	Flare Cup	Titanium**	100	All models	V

* USE OF WHEEL – "S" indicates stem grinding; "V" indicates valve face grinding. ** Ceramic Abrasive

NOTE: Stone color may vary due to manufacturing process.

VALVE SPRING COMPRESSOR BENCH

Ideal for today's small cylinder heads

Cylinder head supports have a non-marring plastic covering, with a zero to 30-degree range of adjustment.

Push rod is adjustable for deep valve chambers.

Comes with slide hammer and travel limit that guarantees the same stroke for every valve.

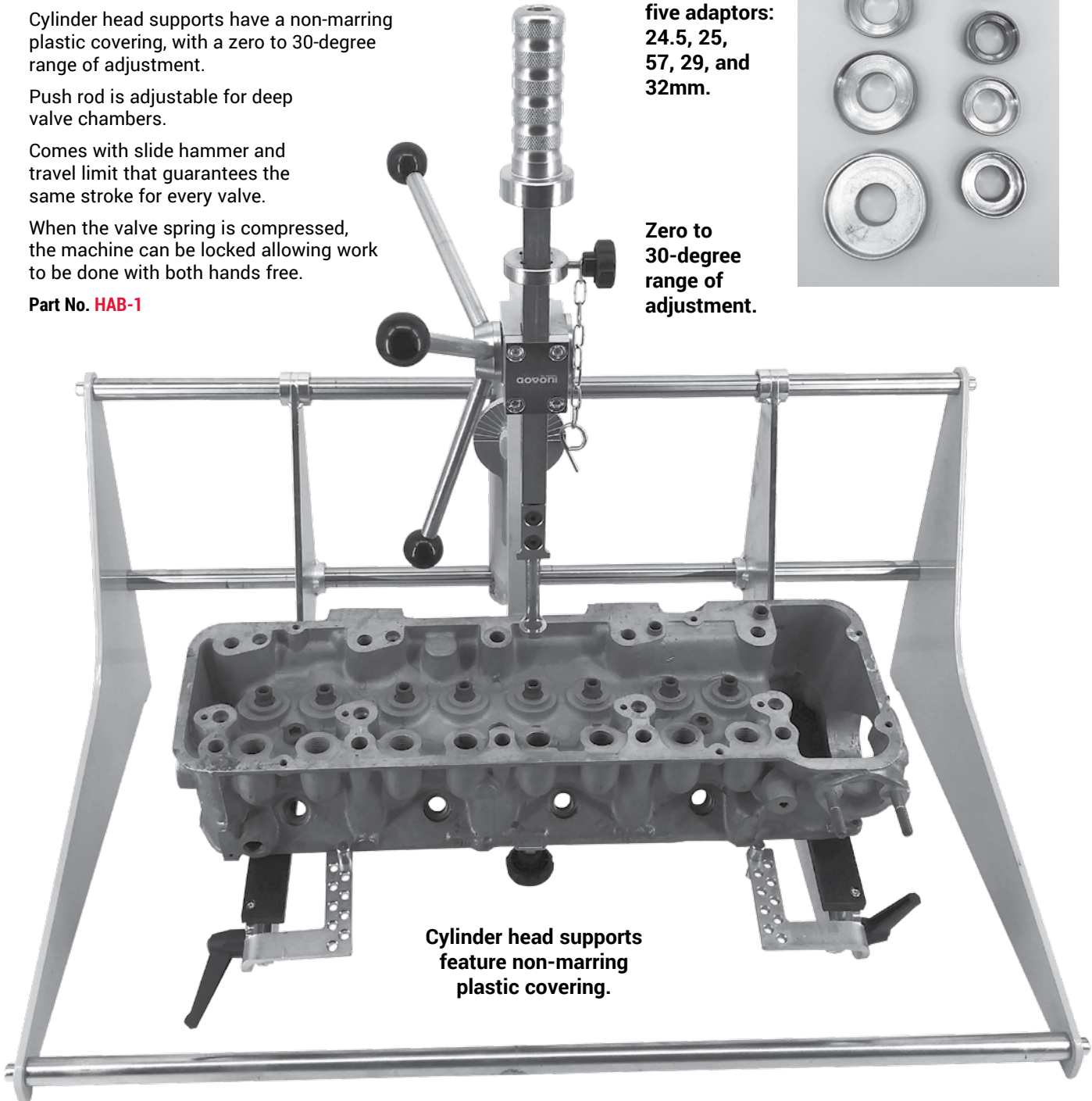
When the valve spring is compressed, the machine can be locked allowing work to be done with both hands free.

Part No. **HAB-1**

34mm pressure foot comes with three adaptors: 34, 41, and 50mm.

25.5mm pressure foot comes with five adaptors: 24.5, 25, 57, 29, and 32mm.

Zero to 30-degree range of adjustment.



Cylinder head supports feature non-marring plastic covering.

HIGH PERFORMANCE VALVE SPRING COMPRESSOR



Designed to remove today's high pressure valve springs.

This unit is capable of developing well over 1000 lbs. of force regardless of the air supply pressure. Designed and tested for professional racing, this compressor is the fastest and most efficient way to get the job done. Max. 8-1/4" clearance with 2" of adjustment.

Part No. **VSC-1000**

new

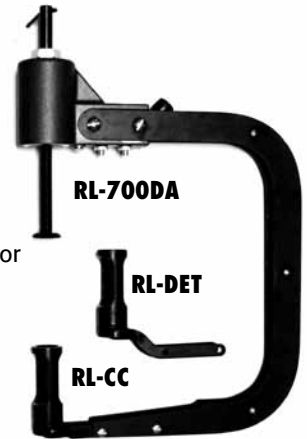
Part No.	Description
VSC-1000-RK	Rebuild Kit
1610-CUP	1.610 cup
1750-CUP	1.750 cup

AIR-POWERED VALVE SPRING COMPRESSOR FOR DIESEL HEADS

For heavy-duty applications. Large 11" x 13-1/2" frame; includes **RLD-22C** offset jaws and **RL-CC** recessed jaws for Caterpillar and Cummins ISX.

PSI, 350 lb. spring max. Frame measures 9" x 10.5".

RL-DET jaws for Detroit sold separately.

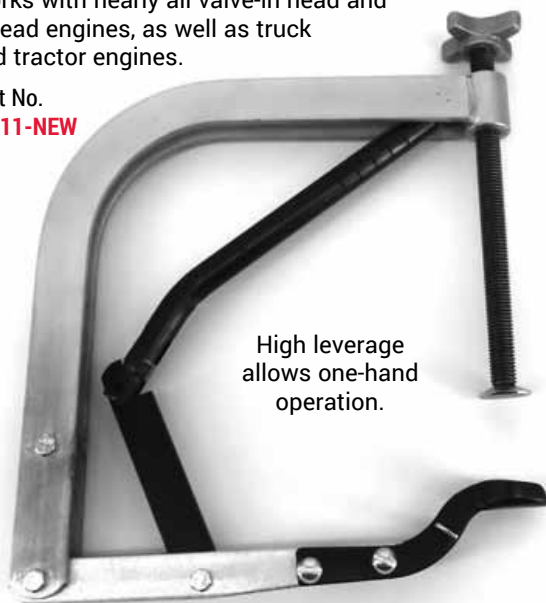


Part No.	Description
RL-700DA	Air-Powered Diesel Valve Spring Compressor
RL-CC	Adapter for Cummins and Caterpillar
RL-DET	Adapter for Detroit 60 series
RL-700N-RK	Rebuild kit for RL-700DA Power Head Includes seals and intake/exhaust valves
RL-700N-PC	Piston Cup Seal
RLD-22C	Medium offset jaws for 1" to 2" diameters

MANUAL VALVE SPRING COMPRESSOR

Exceptionally strong, rigid frame. Weighs only 6 lbs. Works with nearly all valve-in head and L-head engines, as well as truck and tractor engines.

Part No. **RL-11-NEW**



High leverage allows one-hand operation.

Replacement Jaws for RL-11-NEW: Part No. **RL-11-JAWS**

AIR-POWERED "C" CLAMP VALVE LIFTER

Operates on 90 lbs. max air pressure. Parallel lift will not bend valve stem.

Features a standard 1/4" pipe, 45° street L connects with shop air.

Includes two sets of quick-change jaws — small straight jaws (RLD-21) and medium offset jaws (RLD-22C).

PSI, 350 lb. spring max. Frame measures 9" x 10.5". Weighs only 6.5 lbs.



NEW & IMPROVED!

Sturdier frame; more rugged powerhead!

Part No.	Description
RL-700N	Air-Powered "C" Clamp Valve Lifter Includes RLD-21 and RLD-22C
RLD-21	Small straight jaws for 7/8" to 1 7/8" diameters
RLD-22C	Medium offset jaws for 1" to 2" diameters

BENCH TOP VALVE SPRING TESTER

Billet aluminum 1000 lb. digital bench top spring tester is the most accurate way to check spring pressure.

Check springs up to 1.9" diameter and 3-7/8" height. Digital display reads in 1 lb. (0.5 kg) increments and has a back lighting feature. Peak hold and automatic shutoff are other included features.

RAM Travel: 3-7/8"
Upper Anvil: 2.25" dia.
Lower Anvil: 1.9" dia.

Scale in inches and mm, pressure in pounds and kilograms. Resolution 1 lbs. or .5 kgs.

Part No. **VT-1000**

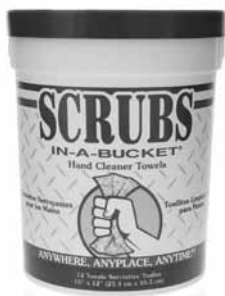


new

VALVE KEEPER INSTALLER KIT

Install valve keepers quickly and easily in just one step. Spring loaded plunger, works with single and multi-groove keepers. Reaches keeper grooves located farther from the valve tip. For valve stem diameters from 5mm/.1969 to 8mm/.3125".

Part No.	Description
VKI-KIT	Valve Keeper Installer Kit
VKI-SLEEVE	Replacement rubber sleeve



SCRUBS IN-A-BUCKET

SCRUBS® Hand Cleaner Towels combine an advanced cleaning formula with a strong, dual-textured towel to thoroughly clean hands and surfaces. Clean, citrus-scented formula loosens and dissolves industrial soils while leaving hands free from dryness and irritation. No sticky residue and no rinsing required. Removes dirt, tar, oils, grease, paints, adhesives, epoxies, caulks, inks & dyes, urethane, lubricants, cable jelly, asphalt.

Part No. **SIB-72**
Bucket of 72 towels, 10" x 12" each



UNIVERSAL VALVE SPRING COMPRESSOR

For use on Toyota, Nissan, Mitsubishi and Mazda.

Specially designed to remove and install valve springs with the cylinder head on the engine and in the car or with the head removed. Tool comes complete with an easy grip handle and storage tray.

Part No. **SP-91400**



COMPRESSOR ADAPTERS

Adapters to fit 2-valve and 4-valve cylinder heads

Designed to fit OHC heads. The 32mm adapter is intended primarily for 2-valve engines. The 27mm adapter works well on the smaller 4-valve engines.

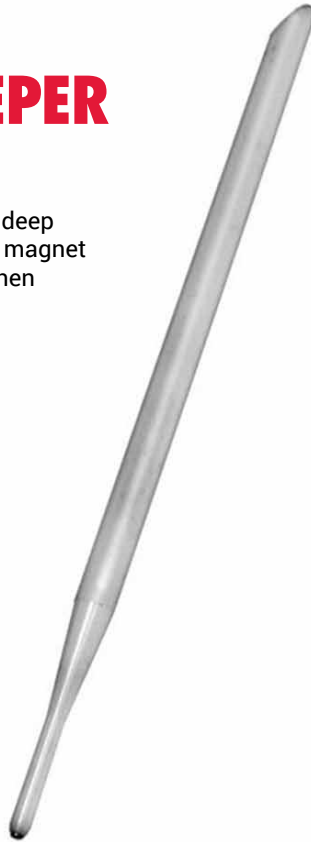
Part No.	Size
RL-27mm	27mm O.D., 3" tall
RL-32mm	32mm O.D., 3" tall

new

VALVE KEEPER MAGNET

10" OAL for reaching into deep bores. Powerful rare earth magnet holds keepers securely when removing or installing.

Part No. **VKM-1**



Includes two sizes:

- Large 5/16" - 3/8"
- Small 4.5 - 7.5mm

VALVE KEEPER INSTALLER & REMOVER

To install keepers, secure valve with a rag or block to hold it up. Place spring over valve stem. Install keepers in retainer on valve stem. Position black installer tool over valve retainer. Push or tap installer to engage keepers in valve stem grooves. To remove keepers, secure valve with a rag or block to hold it up. Position the open end of handle over valve stem. Push or tap handle to compress spring. Keepers will attach to the magnet in the handle.

Part No.	Description
K-36050	Valve Keeper Installer & Remover (Includes 2 sizes, large and small)
36440	Replacement installer head – small
36740	Replacement remover/handle – small



Part No. **SVA-1**

Complete kit includes collet holder and three collets: SVA-2, SVA-3 and SVA-4.

SMALL VALVE ADAPTER TOOL

Adapter for 1/2" chucks. Compatible with virtually all valve grinders today. Makes valve grinding easy for 4-valve automotive applications (domestic and foreign), as well as motorcycle, kart and lawnmower engines.

Kit includes collet holder and three collets.
Collets also sold individually.

Part No.	Description
SVA-1	Complete Kit – includes collet holder and 3 collets listed below.
SVA-2	Collet 4.76-5.15mm (.188-.207")
SVA-3	Collet 5.55-5.95mm (.218-.236")
SVA-4	Collet 6.00-6.5mm (.236-.256")

Additional Collets
(not included in kit)

new

Part No.	Description
SVA-3.5MM	Collet 3.00-3.50mm (.0984-.138")
SVA-4MM	Collet 4.00-4.50mm (.158-.177")
SVA-4.5MM	Collet 4.50-5.00mm (.177-.196")
SVA-5MM	Collet 5.00-5.50mm (.196-.216")
SVA-5.5MM	Collet 5.50-6mm (.216-.236")
SVA-6MM	Collet 6-6.5mm (.236-.256")



Call us anytime between 8:00 a.m. and 4:30 p.m. central time to place your order, be it large or small.

Se habla Español!

Call toll-free
800-527-7604

Local Dallas phone
214-421-5171

Order Online
regismanufacturing.com



DISASSEMBLY TOOLS

Use your seat & guide machine for fast and safe valve spring disassembly and assembly. Chuck the tool in your seat & guide machine or drill press and use the quill to compress springs. Drop a keeper? Use the quill lock to keep your place with hands free.

Part No.	Plunger size
CDT-101	.8125" O.D.
CDT-102	1" O.D.
CDT-103	1.25" O.D.
CDT-104	1.50" I.D.



HITE-MIKE

The Hite-Mike installs on the valve and retainer assembly as if it were a spring and directly reads installed height dimension. The expanding force of the tool simulates spring pressure for better accuracy.

Part No.	Installed height range
HM-130	1.300 - 1.850"
HM-150	1.500 - 2.100"



HOW TO ORDER

Call us anytime between 8:00 a.m. and 4:30 p.m. central time to place your order, be it large or small.

Se habla Español!

Call toll-free

800-527-7604

Local Dallas phone

214-421-5171

Order Online

regismanufacturing.com

VALVE GUIDE O.D. MACHINING TOOLS

FOR ALL PRESS-ON VALVE STEM SEALS

Carbide-tipped cutters accurately machine O.D. face and chamfer top of guide in minutes. Hardened and ground pilots fit any 3/8" or 1/2" electric drill.

Complete Assemblies

Part No.	Original Stem Diameter	Guide O.D. after machining
1434	5/16" .312"	.475" O.D.
1435	5/16" .312"	.415" O.D.
1436	5/16" .312"	.500" O.D.
1437	5/16" .312"	.530" O.D.
1438	11/32" .343"	.500" O.D.
1439	11/32" .343"	.530" O.D.
1440	11/32" .343"	.562" O.D.
1441	3/8" .375"	.500" O.D.
1442	3/8" .375"	.530" O.D.
1443	3/8" .375"	.562" O.D.
1444	3/8" .375"	.625" O.D.



Available as Complete Assemblies or sold separately, below. Cutter Bodies and Pilots are interchangeable.

Cutter Bodies

Part No.	Size
1435A	.415"
1434A	.475"
1438A	.500"
1442A	.530"
1443A	.562"
1445A	.625"

Pilots

Part No.	Size
1435B	5/16" .312"
1438B	11/32" .343"
1442B	3/8" .375"

VALVE SPRING SEAT CUTTERS



Carbide-tipped cutters for enlarging and correcting valve spring pads for oversize dual valve springs.

Cutter Bodies

Part No.	I.D. x O.D.
1457	.625" x 1.350"
1458	.625" x 1.500"
1459	.625" x 1.750"
1460	.625" x 1.476"
1461	.625" x 1.570"
1462	.625" x 1.635"

Pilots

Part No.	Stem Diameter
1435B	5/16" .312"
1438B	11/32" .343"
1442B	3/8" .375"

VALVE SPRING INSERTS



Original VSI® inserts are now available from Regis. Superior to plain shims, VSI® inserts feature patented heat retarding serrations so they correct and protect.



Type A .060"

Copper colored for spring in service. Features VSI® patented serrations. Corrects assembled height and compensates for reduced pressure from "grind-in" when using in-service valve springs.



Type B .030"

Silver colored for new springs. Features VSI® patented serrations. Compensates for loss of spring pressure, especially on new springs due to "heat-set" during break-in period.



Type C .015"

Black colored for spring balancing. Blue – temper steel for high performance.

BOX QUANTITY INFORMATION

Regular Serrated Steel

Series	Type	Qty
100-200-300	A-B-C	100
400-500	A-B	50
600 & Specials "S"	A-B-C	25

A & B High-Performance, Case Hardened; C (HP) Series Blue Tempered Steel

Series	Type	Qty
100HP-200HP-300HP	A-B-C	50
500HP (Cup Style)	A	50
All 600HP Series	A-B-C	25
All 800 Series	A-B	48

O.D.	I.D.	TYPE A .060"		TYPE B .030"		TYPE C .015"		O.D.	I.D.	TYPE A .060"		TYPE B .030"		TYPE C .015"	
		STD	HP	STD	HP	STD	HP			STD	HP	STD	HP	STD	HP
0.7960	0.5150	A204	---	B204	---	---	---	1.3750	0.7650	A301	A301HP	B301	B301HP	---	C301HP
0.9150	0.6400	A202	---	---	---	C202	C202HP	1.3750	0.7810	A403	---	B403	---	---	---
0.9700	0.4450	---	A108HP	---	B108HP	---	C108HP	1.4370	0.7850	A305	A305HP	B305	B305HP	---	C305HP
1.0000	0.6880	A101	---	B101	---	C101	---	1.4370	0.6450	A306	A306HP	B306	B306HP	C306	C306HP
1.0000	0.7650	A104	---	B104	---	C104	---	1.4800	0.7030	A303	A303HP	B303	B303HP	C303	C303HP
1.1000	0.7190	A106	---	B106	---	C106	---	1.5000	1.0310	A103	A103HP	B103	B103HP	C103	C103HP
1.1250	0.7190	A300	---	B300	B300HP	C300	C300HP	1.5000	1.1560	A304	---	---	---	---	---
1.1400	0.5700	A408	---	B408	---	---	---	1.5000	0.6450	---	A306SHP	---	B306SHP	---	C306SHP
1.1560	0.8280	A407	---	B407	---	---	---	1.5000	0.8750	A404	---	---	---	---	---
1.2180	0.8750	A105	A105HP	B105	B105HP	C105	---	1.5000	0.5620	---	---	---	B603HP	---	C603HP
1.2500	0.6250	A107	A107HP	B107	B107HP	C107	C107HP	1.6000	0.8200	A401	---	B401	---	---	---
1.2500	0.8750	A201	A201HP	---	B201HP	C201	C201HP	1.6400	0.6350	---	A601HP	---	B601HP	---	C601HP
1.2500	0.8120	A203	A203HP	B203	B203HP	C203	C203HP	1.6870	1.2810	A402	---	B402	---	---	---
1.3120	0.9540	A100	---	B100	---	C100	---	1.7500	0.8200	---	---	B400	---	---	---
1.3120	0.7650	A302	A302HP	B302	B302HP	C302	---	1.7500	0.8900	A405	---	B405	---	---	---
1.3600	1.0000	A102	A102HP	B102	B102HP	C102	C102HP	1.7500	1.3280	---	---	B406	---	---	---
1.3600	0.6400	A200	A200HP	B200	---	---	C200HP								



SOLID CARBIDE ROTARY FILES

Porting tool used to open chamber pocket areas or crankshafts.

Part No.	Shape	Size	Shaft
X-31	Rounded tree	1/2" x 1"	1/4" diameter
X-31L	Rounded tree	1/2" x 1"	1/4" diameter, 6" long
X-66	Cone	3/8" x 5/8"	1/4" diameter
X-66L	Cone	3/8" x 5/8"	1/4" diameter, 6" long
X-76	Cone	1/2" x 7/8"	1/4" diameter



CARBIDE "X SERIES" ROTARY FILES

Double-cut "X Series" allow for rapid stock removal in harder materials. They also work extremely well for general purpose applications. The addition of left hand flutes reduces the pulling action, allowing better operator control. It reduces the size of the chips and can be used at slower than normal speeds.

Part No.	Shape	Size	Shaft
X-110	Cone	1/2" x 60°	1/4" diameter
X-21	Chamfer	3/4" x 90°	1/4" diameter
X-24	Rounded tree	3/8" x 3/4"	1/4" diameter
X-30	Chamfer	3/4" x 60°	1/4" diameter
X-31	Rounded tree	1/2" x 1"	1/4" diameter
X-32	Cylinder ball nose	3/8" x 1"	1/4" diameter
X-33	Cylinder flat end	3/8" x 1"	1/4" diameter
X-44	Round nose cone	3/4" x 1-1/2"	1/4" diameter
X-62	Cylinder ball nose	5/8" x 1"	1/4" diameter
X-75	Ball	3/4" dia.	1/4" diameter
X-76	Cone	1/2" x 7/8"	1/4" diameter
X-93	Cylinder flat end	5/8" x 1"	1/4" diameter
X-112	Cylinder flat end	1" x 1"	1/4" diameter



ROTARY FILES FOR ALUMINUM

Designed for use on aluminum, non-ferrous metals, soft steel, reinforced plastics and other soft materials. The high flute finish is for easy chip flow and fast stock removal. Also provides an excellent finish with minimal loading when cutting soft, sticky metal.

Part No.	Shape	Size	Shaft
AL-24	Rounded tree	3/8" x 3/4"	1/4" diameter
AL-31	Rounded tree	1/2" x 1"	1/4" diameter
AL-32	Cylinder ball nose	3/8" x 1"	1/4" diameter
AL-33	Cylinder flat end	3/8" x 1"	1/4" diameter
AL-62	Cylinder ball nose	5/8" x 1"	1/4" diameter
AL-75	Ball	3/8" dia.	1/4" diameter
AL-93	Cylinder flat end	5/8" x 1"	1/4" diameter

ENGINE PORTING KIT

35-piece kit contains a popular assortment of flap wheels, cartridge rolls, and spiral rolls for use on manifold ports, polishing heads and internal polishing. Grinding stone and mandrels are also included.

Part No. **EPK-1**

REPLACEMENT PARTS

Part No.	Description
EPF	Flap wheel, 60 grit 1" x 1" x 1/4" (5 qty)
EPC	Cartridge Roll, 80 grit 5/8" x 1-1/2" x 1/8" (50 qty)
EPS-1	Spiral Roll, 80 grit 1/2" x 1-1/2" x 1/8" (50 qty)
EPS-2	Spiral Roll, 80 grit 5/8" x 2" x 1/8" (50 qty)
EPM-212	Roll mandrel 1/8" x 3/4" x 2-1/2" OAL
EPM-458	Roll mandrel 1/8" x 1" x 4-5/8" OAL



REPLACEMENT PORTING & POLISHING ABRASIVE PACKS AND MANDRELS

STRAIGHT CARTRIDGE ROLLS

1-1/2" long, 1/8" hole.

Part No.	Description	Qty.
CRS-250-40	1/4" dia., 40 grit	50
CRS-250-80	1/4" dia., 80 grit	50
CRS-250-120	1/4" dia., 120 grit	50
CRS-375-40	3/8" dia., 40 grit	50
CRS-375-80	3/8" dia., 80 grit	50
CRS-375-120	3/8" dia., 120 grit	50
CRS-500-40	1/2" dia., 40 grit	50
CRS-500-80	1/2" dia., 80 grit	50
CRS-500-120	1/2" dia., 120 grit	50
CRS-750-40	3/4" dia., 40 grit	50
CRS-750-80	3/4" dia., 80 grit	50
CRS-750-120	3/4" dia., 120 grit	50

FULL-TAPERED CARTRIDGE ROLLS

1-1/2" long, 1/8" hole.

Part No.	Description	Qty.
CRT-375-40	3/8" dia., 40 grit	50
CRT-375-80	3/8" dia., 80 grit	50
CRT-375-120	3/8" dia., 120 grit	50
CRT-500-40	1/2" dia., 40 grit	50
CRT-500-80	1/2" dia., 80 grit	50
CRT-500-120	1/2" dia., 120 grit	50

HALF-TAPERED CARTRIDGE ROLLS

1 1/2" long, 1/8" hole.

Part No.	Description	Qty.
CRHT-375-40	3/8" dia., 40 grit	50
CRHT-375-80	3/8" dia., 80 grit	50
CRHT-500-40	1/2" dia., 40 grit	50
CRHT-500-80	1/2" dia., 80 grit	50
CRHT-500-120	1/2" dia., 120 grit	50

ROLL MANDRELS

1/8" pilot, 1/4" dia.

Part No.	Description	Qty.
RM-4	4" long	1
RM-6A	6" long	1

ABRASIVE FLAPWHEELS

1" wide, 1/4 x 20 thread.

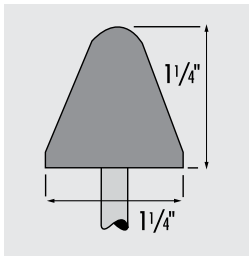
Part No.	Description	Qty.
FW-1-80	1" dia., 80 grit	1
FW-1-120	1" dia., 120 grit	1
FW-2-80	2" dia., 80 grit	1
FW-2-120	2" dia., 120 grit	1

FLAPWHEEL MANDREL

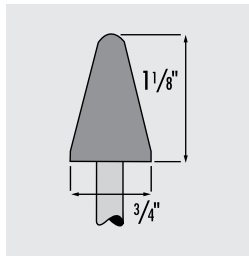
CBFW-MAN	Mandrel	1
-----------------	---------	---

MOUNTED WHEELS AND POINTS

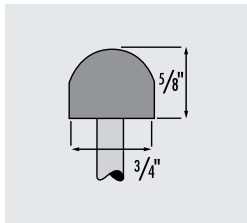
All mounted wheels and points feature 1/4" shanks.



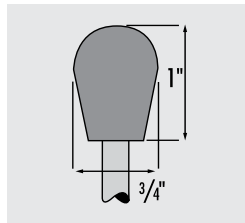
Part No. **A-4W**



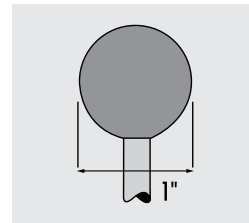
Part No. **A-5W**



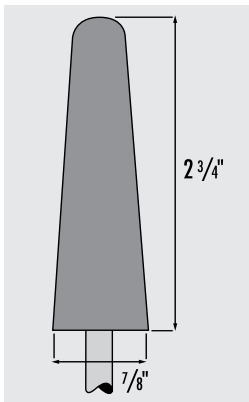
Part No. **A-22W**



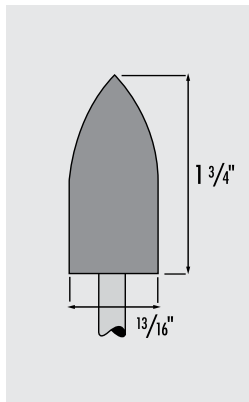
Part No. **A-23W**



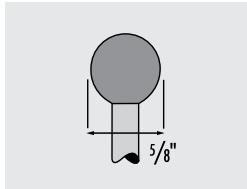
Part No. **A-25W**



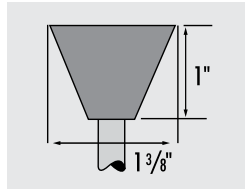
Part No. **A-3W**



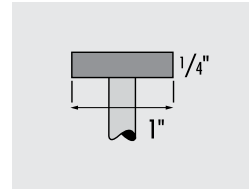
Part No. **A-11W**



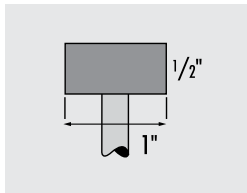
Part No. **A-26W**



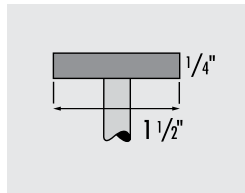
Part No. **A-31W**



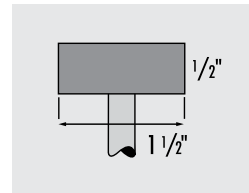
Part No. **W-216**



Part No. **W-218**



Part No. **W-235**



Part No. **W-236**



AIR DIE GRINDER

1/4" collet type with rear exhaust. Perfect size and specs for use with our porting and polishing tools.

SPECIFICATIONS:

Speed.....	22,000 rpm
Collet Size.....	1/4" dia.
Air Inlet Size.....	1/4" NPT
Hose Size.....	3/8" I.D.
Air Pressure.....	90 PSI
Air Consumption.....	8 CFM
Length.....	6-1/4" long
Weight.....	1-1/4 lbs.

Part No. **RX-230**



MOUNTED POINT DRESSER

A quality, heavy-duty, bench-mounted point dresser. Easy to use, simply mount point in die grinder and apply with pressure to dresser.

Includes 37-piece cutter set: 1-1/2" diameter with 5/8" arbor.

Part No.	Description
RMP	Mounted Point Dresser
RMPC	Replacement Cutter Set



ROTARY SPIRAL BANDS

A great way to finish out those hard to reach areas. One-inch rubber expanding drum allows abrasive sleeves to be easily removed or replaced. Expanding Mandrel has a 1/4" diameter shank which will fit any drive unit.

Part No.	Description
RM-6916	Expanding Mandrel, 1" x 1" (1/4" dia. shank)
RSB-36	Spiral Band, 36 grit
RSB-60	Spiral Band, 60 grit
RSB-80	Spiral Band, 80 grit



LAYOUT FLUID & SPRAY

Great for aligning parts, locating high spots, porting and many other shop uses. Non-corrosive. Heat resistant with good adhesion to all metals and glass.

Part No.	Description
DC-8B	Blue Layout Fluid, 8 oz.
DC-8R	Red Layout Fluid, 8 oz.
RG-16358	Blue Spray, 16 oz.



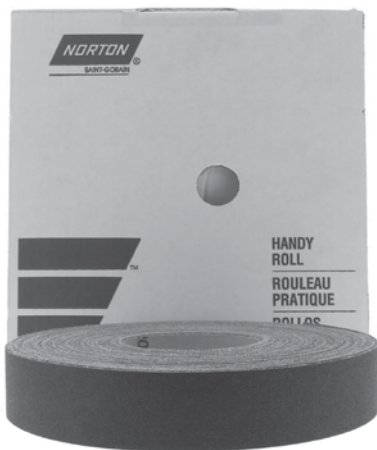
PENCIL DIE GRINDER

Ideal for small diameter and tight spaces. Air inlet 1/4" NPT, 1/8" collet size. Recommended air pressure 90 psi. Minimum hose size 3/16" I.D., Length 5.25". 54,000 rpm Pencil Die Grinder includes (10) 1/8" shank stones, (2) 9mm wrenches, 1/4" coupler, air tool oil bottle and oiler in a convenient blow mold storage case with built-in regulator.

Part No. **SX-245**

Complete Kit includes:

- (10) 1/8" shank stones
- (2) 9mm wrenches
- (1) 1/4" coupler
- (1) air tool oil bottle and oiler in a convenient blow mold storage case with built-in regulator.



UTILITY ROLLS

Remove gaskets, rust, corrosion or paint from any part of the engine. 50 yard roll in a dispenser box.

1" wide/grit 1-1/2" wide/grit 2" wide/grit

RUR-1/80	RUR-1-1/2/80	RUR-2/80
RUR-1/120	RUR-1-1/2/120	RUR-2/120
RUR-1/180	RUR-1-1/2/180	RUR-2/180
RUR-1/240	RUR-1-1/2/240	RUR-2/240
RUR-1/320	RUR-1-1/2/320	RUR-2/320



HEAD HOLDERS

Holds heads securely, at just the right height!

Makes cylinder heads more accessible and easier to work on. Head can be mounted either side up. Will stand rigid on uneven surfaces. Tapered pins fit any size cylinder head bolt hole – these pins lock holder into bolt hole. Loosens easily with a quick twist.

Part No. **RKH-102**



UNIVERSAL HEAD HOLDERS

Sturdy, lightweight aluminum construction. Works with all types of cylinder heads. Allows heads to be rotated 360 degrees. Can be used while performing magnetic crack detection. Non-slip neoprene covers. Mounting holes allow for increased stability.

Part No. **RKH-300**



ROTARY BROACH CUTTER FOR VAN NORMAN 530 & 570

1/2" x 2" replacement cutter.
(Mfg. No. 570-00065)

★ Discount when you order 8 or more!
Part No. **K-570**



REGIS SURFACE GRINDING WHEELS

Regis Surface Grinding Wheels feature high-quality abrasives to deliver consistent performance at an economical price.

Order 2 or more Surface Grinding Wheels, take 10% off jobber.

	Part No.	Model Number(s)	Diameter x Height x Face
WINONA,	K-562	562, 561	14" x 2" x 2"
VAN NORMAN	K-555	555	11" x 1-1/2" x 3"
LEMPCO,	K-545	545, 545A, 855	12" x 3" x 1-1/4"
KWIK-WAY	K-545B	545B, 855-5, 856	14" x 3" x 1-1/2"
	K-545BL	545BL, 860, L&T	16" x 3" x 1-1/2"
PETERSON	K-48	Dry machine; all 14" plate mounted	14" x 1-1/2" x 4" – 24 grit
	K-48F	Dry machine; all 14" plate mounted	14" x 1-1/2" x 4" – 30 grit
	K-50	Wet machine; 1054, nut inserted	16" x 2" x 2"



STUD STRETCHERS

Fast and convenient way to mount an import head for resurfacing.
Fits 8mm x 1.25 studs. Pack of 2.

Part No. **RSE-8MM**

MULTI-PURPOSE GRINDING COOLANT

Professional grade, pink, synthetic, water-soluble coolant with excellent anti-rust properties. Bacterial fungal resistant.

Concentrate: Mix 30 to 1 for cast iron; 40 to 1 for aluminum.

Part No. **MK-1** One gallon

Part No. **MK-5** Five gallons



SURFACE GRINDING SEGMENTS

Surface Grinding Segments are sold as sets. Individual segments available upon request, please call (800) 527-7604.

GP = General Purpose.

Ruby and Salt & Pepper wheel segments are for steel and other hard materials.



KB-8,10,12,14,
8R,10R,12R,14R,
23A,1023A, 1223A,1423A



KBK-10,12



KB-35



KBS-8,10,
8R,10R,
823A,1023A

	Part No.	Abrasive	Fits Model No.	# of Segments	Size	Diameter
WINONA	KB-8	GP	SM-2000	8	65 x 25 x 100mm	13-7/8"
VAN NORMAN	KB-8R	Ruby				
	KB-823A	Salt & Pepper				
	KB-10	GP	SM-4000/5000, MG-4000	10	65 x 25 x 100mm	13-7/8"
	KB-10R	Ruby				
	KB-1023A	Salt & Pepper				
	KB-14	GP	SM-6000C/6000A	14	65 x 25 x 100mm	17-3/4"
	KB-14R	Ruby				
	KB-1423A	Salt & Pepper				
KWIK-WAY	KBK-10	GP	858	10	65 x 20 x 100mm	14"
	KBK-12	GP	862	12	65 x 20 x 100mm	16"
PETERSON	KB-14	GP	1055 AWL	14	65 x 25 x 100mm	18"
	KB-14R	Ruby				
	KB-1423A	Salt & Pepper				
	KB-35	GP	RG-35/300/900	10	1-63/64" x 2-1/32" x 3-9/16"	13"
BERCO	KB-8	GP	RSC-950, SPY320/1000/1300	8	65 x 25 x 100mm	12"
	KB-8R	Ruby				
	KB-823A	Salt & Pepper				
	KB-10	GP	RSC-1200 (14"), SPC-361, SPY-360, RSC-1550	10	65 x 25 x 100mm	14"
	KB-10R	Ruby				
	KB-1023A	Salt & Pepper				
	KB-12	GP	RSC-1200 (16"), RPYS-1500, RSC-1550	12	65 x 25 x 100mm	16"
	KB-12R	Ruby				
KB-1223A	Salt & Pepper					
STORM VULCAN	KBS-8	GP	RT-17Y (early serial # up to 128696)	8	3-1/8" x 13/16" x 3-1/8"	12-5/8"
	KBS-8R	Ruby				
	KBS-823A	Salt & Pepper				
	KBS-10	GP	RT-7 (early serial # up to 103151), RT-17Y (early serial # up to 128696)	10	3-1/8" x 13/16" x 3-1/8"	14-1/2"
	KBS-10R	Ruby				
	KBS-1023A	Salt & Pepper				
	KB-10	GP	RT-7 (late serial #103152 and up), RT-17Y (late serial #128697 and up)	10	65 x 25 x 100mm	16"
	KB-10R	Ruby				
	KB-1023A	Salt & Pepper				

ABRASIVE BELTS FOR PLATEN GRINDERS

■ BLUE ZIRCON BELTS (24 OR 40 GRIT)

Fast cutting, long life. Well-suited for production work. Use with medium to light down pressure. Blue Zirconium abrasive is ideal for use on steel and cast iron. 40 grit, or 24 grit for exhaust manifolds.

■ SILICON CARBIDE BELTS (40 OR 80 GRIT)

Use this quality silicon carbide belt on machines with medium to light down pressure. Silicon Carbide abrasive works best on cast iron and aluminum. 40 or 80 grit.

■ SEEDED GEL/CERAMIC BELTS (40 GRIT)

This premium belt has ceramic grain for faster cutting action and longer life. Use with heavy down pressure. 40 grit.

■ MULTI-PURPOSE GRINDING COOLANT

Professional grade, pink, synthetic, water-soluble coolant. **Concentrate:** Mix 30 to 1 for cast iron; 40 to 1 for aluminum.

Part No. MK-1 One gallon; **Part No. MK-5** Five gallons



**BUY 5
OR MORE
BELTS, TAKE
10% OFF
JOBBER**

Size	BLUE ZIRCON Part No.	SILICON CARBIDE Part No.	SEEDED GEL CERAMIC Part No.	Grit	Fits machines
11-7/8" x 76"	WNN-1240	WNS-1240		40	Winona BG-600
		WNS-1280		80	
11-7/8" x 79"	ABN-1224			24	Rogers RMC-700, Peterson/K-I 1203
	ABN-1240	ABS-1240		40	
		ABS-1280		80	
11-7/8" x 89"	SEN-1224			24	Serv-Equip SE-1229, Rogers RMC 800,
	SEN-1240	SES-1240		40	Winona PG-1229, Comec SPN-800
		SES-1280		80	
11-7/8" x 91-1/2"	KBN-1224			24	Peterson RG-1234,
	KBN-1240	KBS-1240		40	Kansas Instruments
		KBS-1280		80	
14" x 86"	ACN-1424			24	Auto Crafters 1486
	ACN-1440	ACS-1440		40	
		ACS-1480		80	
14" x 103"	MTN-1424			24	Master, Serdi (some), Rogers (5 hp)
	MTN-1440	MTS-1440	MTG-1440	40	PS-3514A, PS-3514A1, PS-3514,
		MTS-1480		80	PS-3514-1
14" x 107"	KWN-1424			24	Kwik-Way 870
	KWN-1440	KWS-1440	KWG-1440	40	
		KWS-1480		80	
14" x 113-1/4"	ABN-1424			24	Storm/Anderson AB-1000A,
	ABN-1440	ABS-1440	ABG-1440	40	Peterson/K-I/A&A PG-1400
		ABS-1480		80	
15" x 127-1/2"	ABN-1524			24	Storm Vulcan/Anderson AB-1540A,
	ABN-1540	ABS-1540	ABG-1540	40	Peterson/K-I/A&A PG-1500,
		ABS-1580		80	Winona Van Norman BR-1500, IDL

RUST PROOFING SPRAY ^{new}

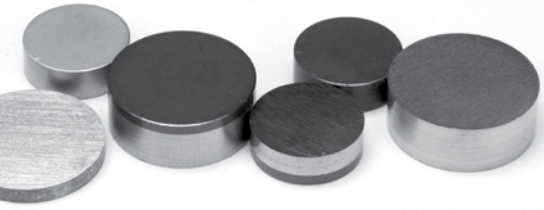
RPS-2 is a water displacing, non-staining rust preventative and lubricant that leaves behind a relatively dry film. Provides intermediate-term salt spray rust protection; protects up to 6 months outdoor and up to 18 months indoor.

Part No. **RPS-2**

RPS-5 provides an oily protective film for 18-24 months indoor storage protection, moderate salt spray protection and short-term outdoor protection.

Part No. **RPS-5**

See page 106 for more information.



CBN & PCD CUTTERS

The very latest CBN (Cubic Boron Nitride) and PCD (Polycrystalline Diamond) replacement cutters for your milling heads. Delivers a fresh, clean cut on all shop work. Choose single-sided or double-sided CBN cutters. Double-sided CBN cutters are also available with **Titanium coating for extra long life.**

IMPORTANT: Use CBN cutters for aluminum alloy, cast iron and diesel heads. Use PCD cutters only on aluminum.

DIESEL CBN CUTTERS are for hardened pre-cups on diesel heads. Do not use on cast iron heads.

Part No. Thickness/Description

CBN CUTTERS

CBN-12	1/8"	1/2" round, double-sided
CBN-12TC	1/8"	Titanium coated CBN-12
CBNS-12	3/16"	1/2" round, single-sided
CBNS-12TC	3/16"	Titanium coated CBNS-12
CBN-12-316	3/16"	1/2" round, double-sided
CBNS-12DA	3/16"	1/2" round, single-sided; for diesel applications
CBNS-12S	3/16"	1/2" round, single-sided with screw hole
CBN-38	1/8"	3/8" round, double-sided
CBN-38TC	1/8"	Titanium coated CBN-38
CBNS-38	1/8"	3/8" round, single-sided
CBNS-38TC	1/8"	Titanium coated CBNS-38
CBNS-38DA	1/8"	3/8" round, single-sided; for diesel applications

PCD CUTTERS

PCDS-12	1/8"	1/2" round, single-sided
PCDS-12S	3/16"	1/2" round, single-sided with screw hole
PCDS-38	1/8"	3/8" round, single-sided

NOTE: 1/2" and 3/8" shims available upon request.



LUMA-LUBE

A great finishing fluid for surfacing aluminum heads. Prevents base material from sticking to the CBN or PCD. Use on iron to minimize rusting of fresh surface after washing. Use in spray bottle.

Part No.	Quantity
AL-6800	1 pint (16 oz.)
AL-6801	1 quart (32 oz.)
AL-6802	1 gallon (128 oz.)



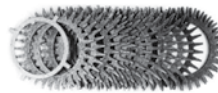
BB-10 Complete Assembly Replacement Cutter Set
BB-14



BB-17 Complete Assembly Replacement Cutter Set
BB-17A



BB-10L Complete Assembly Replacement Cutter Set
BB-18



DESMOND DRESSERS FOR SURFACE GRINDERS

Part No.	Description	Fits machines
BB-10	Complete Assembly	Storm RT-7Y, RT-17Y, 360A, Van Norman, Peterson
BB-14	Set of 14 loose cutters	Storm RT-7Y, RT-17Y, 360A, Van Norman, Peterson
BB-17	Complete Assembly	Peterson (dry grinder); Berco late model 1200, 1550
BB-17A	Set of 8 cutters & 5 spacers	Peterson (dry grinder); Berco late model 1200, 1550
BB-10L	Complete Assembly	Kwik-Way; Lempco 855, 855-5, 856, 860
BB-18	Set of 14 loose cutters	Kwik-Way; Lempco 855, 855-5, 856, 860
5-H	Set of 4 cutters & 2 spacers	Berco early model 1200 & 1550



BB-50 Complete Dresser Assembly



BB-57 Complete Dresser Assembly

STONE DRESSERS

FOR WINONA FG-3000, 5000, 7000 FLYWHEEL GRINDING MACHINES

Part No.	Description
BB-50	Complete Dresser Assembly
BB-50A	Replacement Cutter Set

FOR OLCOTT, DCM TECH & OTHER FLYWHEEL GRINDERS USING BLANCHARD DRESSERS

Part No.	Description
BB-57	Complete Dresser Assembly
BB-57A	Replacement Cutter Set



UNIVERSAL HEAD HOLDERS

Sturdy, lightweight aluminum construction. Works with all types of cylinder heads. Allows heads to be rotated 360 degrees. Can be used while performing magnetic crack detection. Non-slip neoprene covers. Mounting holes allow for increased stability.

Part No. **RKH-300**



ROCKER ARM STUD REMOVER

Made to remove studs manually or with an impact wrench. Threaded mandrel is equipped to pull both 5/16" and 3/8" studs.

Part No.	Description
RSP	Complete Tool
RSM	Threaded Mandrel only
RSN	Nut only



ROCKER ARM STUD TOP GUIDE

FOR SMALL BLOCK CHEVY

Use to remove factory installed rocker studs. Position tool over side-by-side studs, screw down on the retaining nut, and the stud is forced out. Assures accurate alignment when tapping the boss screw-in stud, just use the tool with supplied arbor.

Part No. **SB-4363**



HEAD HOLDERS

Holds heads securely, at just the right height!

Makes cylinder heads more accessible and easier to work on. Head can be mounted either side up. Will stand rigid on uneven surfaces. Tapered pins fit any size cylinder head bolt hole – these pins lock holder into bolt hole. Loosens easily with a quick twist.

Part No. **RKH-102**



STUD BOSS CUTTER KIT

Convert heads equipped with the factory pressed-in rocker arm studs to more efficient screw-in studs.

Part No.	Description
SBC	Stud Boss Cutter Kit Includes one of each below
SBC-1	#3 Morse Taper Cutter
SBC-2	Chamfer Tool, counter sink
SBC-3	7/16" x 14 Tap
SBC-4	3/8" Pilot
TW-3/8	3/8" HSS Drill Bit
SBC-5	Optional 7/16" Pilot*

*Not included with kit.



3/8" STUD BOSS CUTTER

FOR SMALL BLOCK CHEVY

Use with hand drill or seat & guide machine to cut (face) bosses without removing rocker arm studs for correct alignment to head.

Part No.	Description
SB-9311	Boss Cutter with 2 blades & depth control set screw
SB-9312	Carbide cutter blade (2 cutter blades required)
SB-9313	3/8" Pilot (use with studs removed)



MAGNETIC WASHER REMOVER

This double ended tool has three small magnets on each end, designed to aid in removing hard to reach washers that are around most types of studs. **Can also be used to remove valve adjusting buckets and pucks.**

Part No. **SP-67700**



SPARK PLUG HOLE THREAD CHASER

Double-ended for both 14mm and 18mm threads. Cleans threads in spark plug hole. Use with 13/16" spark plug socket. (6 oz. shipping weight, skin-packed.)

Part No. **K-2020**



BROKEN SPARK PLUG REMOVER

Removes broken spark plugs from 2004 and newer Ford Triton 3 valve engines. Includes a unique porcelain pusher tool and tapered left hand thread remover for removing the broken spark plug without leaving the porcelain in the engine cylinder.

Part No. **K-6560**



EXHAUST MANIFOLD SPREADER

FOR REINSTALLING THE MANIFOLD ON SMALL BLOCK CHEVYS

A simple way to expand warped manifolds so all bolt holes are accurately aligned. Helps prevent cross-threading of manifold bolts.

Works best when used in pairs – or install before removing manifold to prevent misalignment.

Part No. **K-1300**



GM MANIFOLD DRILL TEMPLATE

Removes broken exhaust manifold bolts on GM LS3 4.8L, 5.3L and 6.0L motors without damaging the cylinder head

Tapered bolts center base plate over bolt holes, and slip fit bushing allows you to move from hole to hole without moving base plate. The screw extractor is then used to remove the broken bolt. Includes bushing to drill to tap size when extractor cannot be used. Double sided drill depth gauge to make sure water jacket is not pierced.

Works on 1999 and newer GM LS3 4.8L, 5.3L and 6.0L motors. Replacement components also available separately; call to inquire.

Part No. **MT-714**



BALANCE SHAFT ELIMINATOR KIT

FOR CHRYSLER/MITSUBISHI

- 1.8L
- 2.0L
- 2.4L
- G62B
- G63B
- G64B
- 4G64B

Kit includes upper and lower bushings, balance shaft replacement pin, oil galley block-off plug.

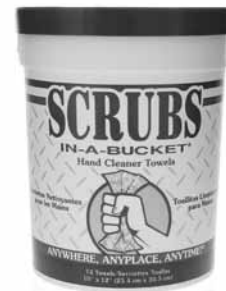
Part No. **BSEK-3**



JET VALVE ELIMINATOR

Plugs jet valve holes when using a jet head in a non jet application. Replaces valve number MD009440. Fits Chrysler, Mitsubishi 2.6L. 4 per pack.

Part No. **RJVE-156**



SCRUBS IN-A-BUCKET

SCRUBS® Hand Cleaner Towels combine an advanced cleaning formula with a strong, dual-textured towel to thoroughly clean hands and surfaces. Clean, citrus-scented formula loosens and dissolves industrial soils while leaving hands free from dryness and irritation. No sticky residue and no rinsing required. Removes dirt, tar, oils, grease, paints, adhesives, epoxies, caulks, inks & dyes, urethane, lubricants, cable jelly, asphalt.

Part No. **SIB-72**

Bucket of 72 towels, 10" x 12" each



ADD A SEVENTH HOLE ADAPTER

Use early Chevy heads in '78 and later applications without changing exhaust manifolds.

Part No. **AH-34**

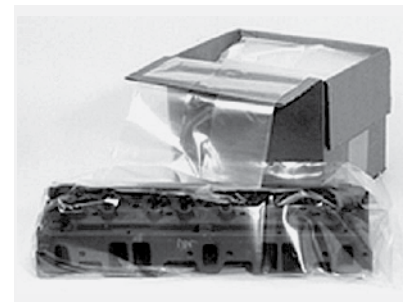


FORD SMOG PLUGS

Fits Ford V* 255, 302, 351C, 351M, 351W, 400 (5/8-11" x 7/16" x 14" ID)

These plugs sometimes called smog or emission plugs go into cylinder heads to replace the smog pipes. Some engines take one in each head and some require two in each head. Sold individually.

Part No. **SP-615**



PLASTIC BAGS

Protect your finished work with a REGIS heavy-duty plastic bag. Gusseted bag holds cylinder heads and crankshafts. Extra large bag holds engines and blocks.

FITS HEADS & CRANKSHAFTS

Part No. **CB-10836** (100 bags)
10" x 8" x 36" (Gusseted)
.3 mil thickness

FITS ENGINES & BLOCKS

Part No. **EB-4050** (100 bags)
40" x 50"
.2 mil thickness

THREAD REPAIR KITS



Quick and simple way to repair stripped or damaged threads

Recoil inserts are made from high-quality, stainless steel wire with a diamond-shaped cross section, wound to the shape of the spring thread. The insert that is larger in diameter than the tapped hole is compressed during installation then allowed to spring back, permanently anchoring into place.

Complete Kits include stainless steel, helically wound, precision inserts; installation tool; tap and instructions.



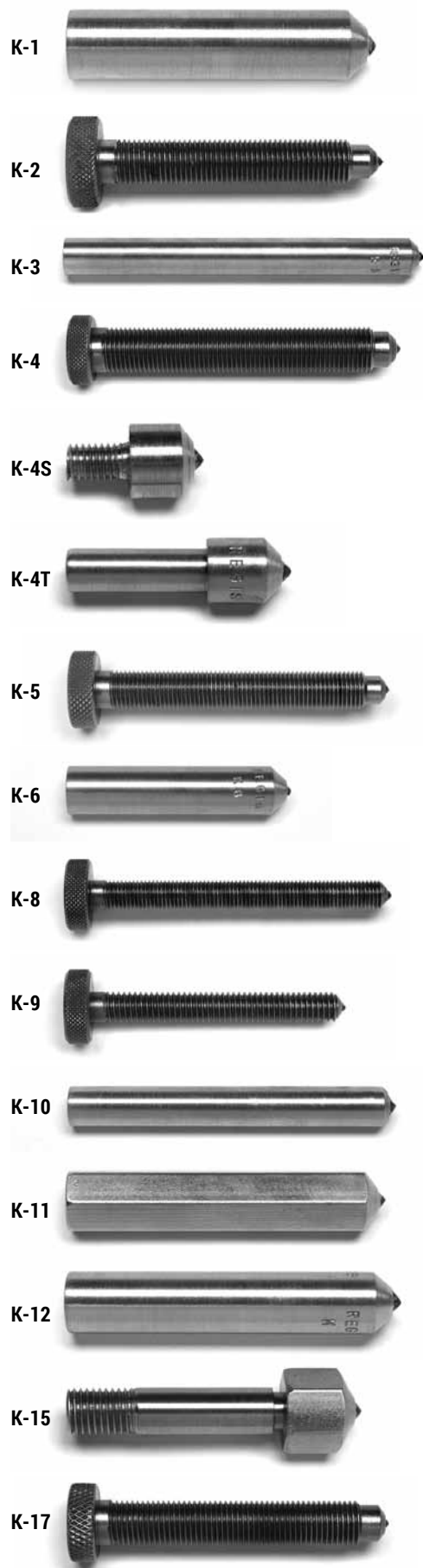
Size	Complete Kit	Inserts per kit	Insert Packs	Installation Tool	STI Plug Tap	Extracting Tool
UNC						
1/4 - 20	33045	10	23043 (10 inserts)	50188	43041	50002
5/16 - 18	33055	10	23053 (10 inserts)	50219	43051	50002
3/8 - 16	33065	10	23063 (10 inserts)	50281	43061	50002
7/16 - 14	33075	5	23073 (10 inserts)	50344	43071	50003
1/2 - 13	33085	5	23083 (10 inserts)	50375	43081	50003
UNF						
1/4 - 28	34045	10	24043 (10 inserts)	50188	44041	50002
5/16 - 24	34055	10	24053 (10 inserts)	50250	44051	50002
3/8 - 24	34065	10	24063 (10 inserts)	50313	44061	50002
7/16 - 20	34075	5	24073 (10 inserts)	50344	44071	50003
1/2 - 20	34085	5	24083 (10 inserts)	50375	44081	50003
METRIC						
M5 x .8	35055	10	25053 (10 inserts)	50156	45051	50002
M6 x 1	35065	10	25063 (10 inserts)	50188	45061	50002
M8 x 1.25	35085	10	25083 (10 inserts)	50250	45081	50002
M10 x 1.25	37105	10	27103 (10 inserts)	50313	47101	50002
M10 x 1.5	35105	10	25103 (10 inserts)	50281	45101	50003
new M11 x 1.25	37110	10	27113 (10 inserts)	50344	47115	50002
new M11 x 1.5	35110	10	25113 (10 inserts)	59340	45115	50003
M12 x 1.75	35125	5	25123 (10 inserts)	50375	45121	50003
SPARK PLUG						
		5	28148 (10 inserts)*	50469	48143	50003
M14 x 1.25	38145	5	28140 (10 inserts)**	50469	48143	50003

* 28148 is 3/8" long.

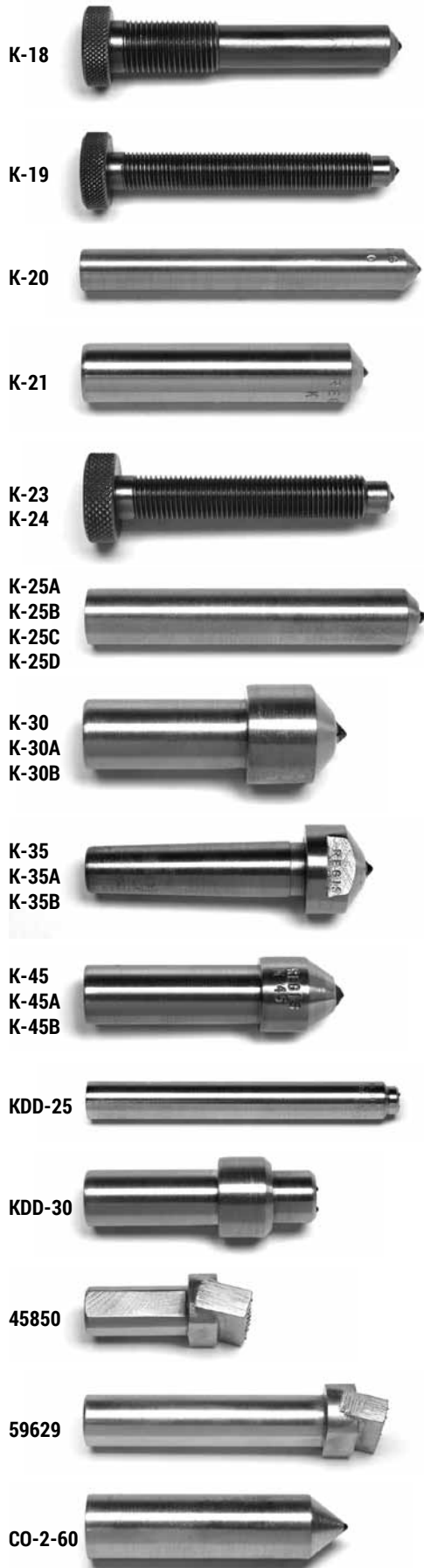
** 28140 is 3/4" long.

DIAMOND TOOLS

Part No.	Size	Diamond	Machine
DIAMOND TOOLS FOR VALVE REFACERS			
K-1	3/8" x 1-5/8" round	1/4 carat	Black & Decker (Mfg. #5574), Sioux (Mfg. #112), Thor (Mfg. #74448), Van Dorn, Skilsaw
K-3	5/16" x 3" round	1/4 carat	Kwik-Way, Tobin Arp
K-4	1/2" x 3-1/2"	1/4 carat	Kwik-Way Valve Master, 20 NF thread Winona VR-1000 (Mfg. #809640)
K-4T	1/4" step type	1/4 carat	Hall (Mfg. #13-11977), K.O. Lee (Mfg. #A173), Kwik-Way
K-5	3/8" x 2-3/4" 24 NF thd	1/4 carat	Sioux (Mfg. #1715)
K-5G	3/8" x 2-1/2" 24 NF thd	grit	Sioux Grit Tool (Mfg. #1715M)
K-9	5/16" x 2-1/2" 18 NC thd	1/4 carat	Skil/Talent
K-12	3/8" x 2" round	1/4 carat	Van Norman 500 (Mfg. #8252)
K-15	1/4" x 2" 24 NF thd	1/4 carat	Winona VR-1000 (Mfg. #809791) 1/2" hex head
K-17	7/16" x 2-3/4" 20 NF thd	1/4 carat	Kwik-Way CV, SV, VS, SVS IID (late model); Rottler VR-9
K-17G	7/16" x 2-3/4" 20 NF thd	grit	Kwik-Way CV, SV, VS, SVS IID (late model); Rottler
K-23	3/8" x 2-1/2" 24 NF thd	1/2 carat	Sioux 685L (Mfg. #679)
K-24	3/8" x 2-1/2" 24 NF thd	1/2 carat	Sioux 680, 682, 956 (Mfg. #681)
DIAMOND TOOLS FOR VALVE RESEATERS			
K-2	3/8" x 2-1/4" 24 NF thd	1/4 carat	Black & Decker (Mfg. #20157), Thor (Mfg. #74327), Van Dorn, Tobin Arp
K-4	1/2" x 3-1/4" 20 NF thd	1/4 carat	Kwik-Way
K-4S	3/8" head 10-32 thd	1/4 carat	Screw Nib
K-5	3/8" x 2-3/4" 24 NF thd	1/4 carat	Sioux (Mfg. #1715)
K-5A	3/8" x 2-3/4" 24 NF thd	1/4 carat	Sioux (Mfg. #1715A)
K-8	5/16" x 3" 24 NF thd	1/4 carat	Hall (Mfg. #13-1938), Snap-On, Skilsaw, U.S.
K-8B	5/16" x 2-1/2" 24 NF thd	1/4 carat	Black & Decker (Mfg. #49386)
K-9	5/16" x 2-1/2" 18 NC thd	1/4 carat	K.O. Lee (Mfg. #P176D), Skil
K-11	3/8" hex, right hand thd	1/4 carat	Sioux 1719A (Mfg. #1715B)
K-14	3/8" hex, left hand thd	1/4 carat	Black & Decker (Mfg. #31662)
K-18	1/2" x 2-3/4" 20 NF thd	1/4 carat	Kwik-Way Holder thread half length
K-19	3/8" x 2-3/4" 24 NF thd	1/4 carat	Kwik-Way
MISCELLANEOUS DIAMOND TOOLS			
For Piston Grinders			
K-6	7/16" x 2" round	1/4 carat	Storm Vulcan D-3
K-12	3/8" x 2" round	1/2 carat	Van Norman 101
K-20	3/8" x 3" round	1/4 carat	Van Norman 75, 76 Relio
For Clutch Grinders			
K-6	7/16" x 2" round	1/4 carat	Lempco, A-C, NAC, VAC, Do-All
K-12	3/8" x 2" round	1/2 carat	Van Norman 444
For Drum Lathes			
K-6	7/16" x 2" round	1/4 carat	Lempco
K-20	3/8" x 3" round	1/2 carat	Van Norman
K-22	1/2" x 2-1/2" round	1/4 carat	Ammco (Mfg. #3229F)
Miscellaneous			
K-1	3/8" x 1-5/8" round	1/4 carat	Sunnen Rod & Cap Grinder
K-4	1/2" x 3-1/4" x 20 NF thd	1/4 carat	S/V #65 Rod Grinder
K-7	7/16" x 2" round	1/4 carat	Kwik-Way Flywheel Grinder
K-10	1/4" x 2" round	1/4 carat	Winona (In-the-Block)
K-36	Tapered	1/4 carat	Peterson Resurfacer RG-35/300



DIAMOND TOOLS FOR CRANKSHAFT & CAMSHAFT GRINDERS



Part No.	Size	Diamond	Machine
STORM VULCAN 14 & 15 (and 75 & 75A Camgrinder)			
K-25A	1/2" x 3" round	3/4 carat	
K-25B	1/2" x 3" round	1 carat	
K-25C	1/2" x 3" round	1-1/2 carat	
59629	1/2" shank	Multi-layer cluster	
STORM VULCAN 15A & 15C			
K-25B	1/2" x 3" round	1 carat	
K-25C	1/2" x 3" round	1-1/2 carat	
K-25D	1/2" x 3" round	2 carat	
59629	1/2" shank	Multi-layer cluster	
VAN NORMAN, LEMPCO, LANDIS – All Crankshaft Grinder models			
K-30	7/16" x 1-1/2" - 5/8" head	1 carat	
K-30A	7/16" x 1-1/2" - 5/8" head	1-1/2 carat	
K-30B	7/16" x 1-1/2" - 5/8" head	2 carat	
45850	7/16" shank	Multi-layer cluster	
WINONA/VAN NORMAN CG-250			
K-25A-11mm	11mm x 3" holder	3/4 carat	
K-25B-11mm	11mm x 3" holder	1 carat	
K-25C-11mm	11mm x 3" holder	1-1/2 carat	
VAN NORMAN 253, 254 Camgrinder			
K-21	3/8" x 1-3/4"	3/4 carat	
BERCO Crankshaft Grinder			
K-35	#1 Morse Taper shank	1 carat	
K-35A	#1 Morse Taper shank	1-1/2 carat	
K-35B	#1 Morse Taper shank	2 carat	
SCLEDUM – All Crankshaft Grinder models			
K-45	10mm x 1-11/16" - 1/2" head	1 carat	
K-45A	10mm x 1-11/16" - 1/2" head	1-1/2 carat	
K-45B	10mm x 1-11/16" - 1/2" head	2 carat	
KWIK-WAY/SCHOU K-1100H			
K-25A-10mm	10mm x 2-1/4" holder	3/4 carat	
K-25B-10mm	10mm x 2-1/4" holder	1 carat	
K-25C-10mm	10mm x 2-1/4" holder	1-1/2 carat	
RADIUS DRESSERS			
CO-2-60-7/16	7/16" x 1-1/2" (60°)	Fits all Van Norman	
CO-2-60-1/2	1/2" x 1-1/2" (60°)	Fits all Storm Vulcan; Winona CG-210, 250, 280	
SIDE DRESSERS – Cluster-type diamond			
KDD-25	1/2" x 4" round	Fits Storm Vulcan 14 & 15	
KDD-26	1/2" x 3-3/8" 20 NF thread	Fits Storm Vulcan 15A	
KDD-27	1/2" x 6" NF thread	Fits Storm Vulcan 75-170 For taper dresser attachment	
KDD-30	7/16" x 1-3/4" – 5/8" head	Fits Van Norman, Lempco, Landis	



DIAMOND RESETTING SERVICE

Send in your worn diamonds for resetting. Please call us at 1-800-527-7604 for a quote.

BORING BAR CUTTERS



RO-134 RO-1C KW-FN KW-FN-60 P-151

ROTTLER

Part No.	Fits model numbers	Diameter x length
RO-114	Rottler	.342" x 1-1/4"
RO-176	Rottler	.342" x 1-7/16"
RO-134	Rottler	.342" x 1-3/4"
RO-1C	Rottler (cut-off)	.342" x 1-3/4"

KWIK-WAY

All tools .312" diameter, 1-1/8" long.

Part No.	Fits model numbers	
KW-R	FR, FW, FT, FN, FL	Roughing
KW-F	FR, FW, FT, FN, FL	Finishing
KW-C	Cut-off Bit	
KW-FN	FN, FL	45° Offset Tool
KW-FN-60	FN, FL	60° Offset Tool

PETERSON-BERCO

All tools 10mm diameter, 1-3/4" long.

Part No.	Fits model numbers	
P-151	ACP-151-A, ACP-151-BL, SCP-151-P	
P-151C	ACP-151-A, ACP-151-BL, SCP-151-P	Cutoff

VAN NORMAN

Part No.	Fits model numbers	Mfg. No.
VS-1	777S, 944S, 777S4 - .375" dia. (GP)	777-179
VS-2	777S, 944S, 777S4 - .375" dia. (hard)	777-179
VS-3	777S, 944S, 777S4 - .375" dia. Sleeve Cut-off	
V-100	777, 900, 905, 944, 965 - .250" dia.	900-209



VS-1 VS-2 VS-3 V-100



TS-150 TS-160 TS-170 TS-180 C-8000

BORING BAR CUTTERS WITH REPLACEABLE TIPS

These tools are an exact fit for your original tool holder. **Fits all lengths of tool holders.** Uses a negative rake, six-cornered carbide insert which is replaceable.

Part No.	Fits / Description
TS-150	KWIK-WAY FL, FN, FW .312" diameter. For straight tool holder – all lengths. Use as a boring tool and as a sleeve cut-off tool. Includes one C-8000 cutter bit and TS-109 screw.
TS-160	KWIK-WAY FL, FN, FW .312" diameter. For straight and offset tool holders – all lengths. A boring bar tool which doubles as a chamfering tool in the straight tool holder. Also use as a sleeve cut-off tool in a 60° tool holder. Includes one C-8000 cutter bit and TS-109 screw.
TS-170	ROTTLER – all models. .342" diameter. For all lengths of tool holders. Also use as a sleeve-cut off tool. Cannot be used in bores smaller than 3.800". Includes one C-8000 cutter bit and TS-109 screw.
TS-180	VAN NORMAN – 944S, 777S. .375" diameter. For all tool holders. Doubles as a chamfering tool. Includes one C-8000 cutter bit and TS-109 screw.
C-8000	Replacement carbide insert cutters for above tools.
TS-109	Replacement Torx® insert screw
TX-8	T-8 Torx® Scwdriver

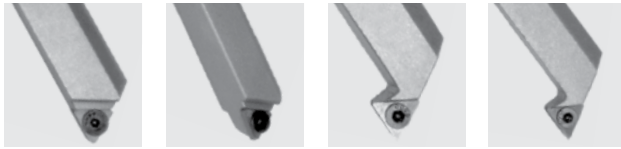
HOW TO ORDER

Call us anytime between 8:00 a.m. and 4:30 p.m. central time to place your order, be it large or small. **Se habla Español!**

Call toll-free **800-527-7604**

Local Dallas phone **214-421-5171**

Order Online **regismanufacturing.com**



KW-1116

KW-1117

KW-8002

KW-8003

BORING BAR CUTTERS WITH REPLACEABLE TIPS FOR KWIK-WAY

Part No. Fits KWIK-WAY model numbers

KW-1116 FL, FN, FW long 2-9/16"*

KW-1117 FL, FN, FW long 3"*

KW-1130 Replacement screw for KW-1116 and KW-1117

KW-8002 FN 2-21/32" (min. bore 3.375")*

KW-8003 FL 3" (min. bore 3.750")*

KW-8103 Replacement screw for KW-8002 and KW-8003

KW-1120 Carbide replacement tip for KW-1117

KW-1131 Titanium replacement tip for KW-1116

KW-8101 Carbide replacement tip for KW-8002, 8003

KW-8102 Titanium replacement tip for KW-8002, 8003

*Includes one replaceable tip and screw.



ROP



NFP



NSP



TACP



SP



KP

DIAMOND LAPS

Part No.	Fits	Model
ROP	Rottler	D&F series (1 3/4" diameter)
NFP	Van Norman	777, 777S, 777S4
NSP	Van Norman	900, 905, 943, 944, 944S, 965
TACP	Tobin Arp	All bars (cup type)
SP	Storm Vulcan	All bars
KP	Kwik-Way	All bar



AS-10
Chamfering
Cone

AS-49
Chamfering
Cone

ASM-50
Mandrel

ASM-12
Mandrel

CHAMFERING CONES AND MANDRELS

Part No.	Description
AS-10	Chamfering Cone (50 grit) 3-1/2" slant height, 3" top dia., 2" bottom dia.
ASM-12	Mandrel for AS-10, 45° 3" top dia., 2" bottom dia., 3-1/2" slant
AS-49	45° Chamfering Cone (60 grit)
ASM-50	Mandrel for AS-49, 82° 1/2" bottom by 5" top, 3.5" cone height

DIAMOND LAP ACCESSORIES

Part No.	Description
PLS	Dressing Stick
LPL	Lap Oil 1/2 pint bottle
LPLP	Lap Oil 1 pint bottle



CYLINDER WALL BORING & HONING



CYLINDER HONE STONES

Single-piece hone stone sets include two holders with stones and two holders with aluminum wipers to fit Sunnen AN-series cylinder hones, Regis RSI-218, and other similar honing units. **Use with honing oil.**

10% OFF JOBBER WHEN YOU BUY 10 OR MORE, MIX AND MATCH!

NOTE: Stone color may vary due to manufacturing process.



HONING OIL

Fine-quality honing oil. Specific compounded oil for keeping stones clean and free cutting. Reduces honing time and increases stone life.

Part No.	Description
HO-1	One gallon, Honing Oil
HO-5	Five gallons, Honing Oil
HO-55	55 gallon drum, Honing Oil

SMALL DIAMETER STONE SETS

Part No.	Diameter Range	Grit	Orig. Mfg. #
SN-100	2 3/4" - 4 1/8"	Silicon Carbide, Coarse, 70 grit	M27-J17
SN-100R	2 3/4" - 4 1/8"	Ruby, Coarse, 70 grit (exceptional life)	-----
SN-200	2 3/4" - 4 1/8"	Silicon Carbide, Medium, 150 grit	M27-J45
SN-200R	2 3/4" - 4 1/8"	Ruby, Medium, 150 grit (exceptional life)	-----
SN-300	2 3/4" - 4 1/8"	Silicon Carbide, Medium-Fine, 220 grit	M27-J55
SN-300R	2 3/4" - 4 1/8"	Ruby, Medium-Fine, 220 grit (exceptional life)	-----
SN-500	2 3/4" - 4 1/8"	Silicon Carbide, Fine, 280 grit	M27-J65
SN-400	2 3/4" - 4 1/8"	Silicon Carbide, Extra-Fine, 400 grit	N27-J87
SN-600	2 3/4" - 4 1/8"	Silicon Carbide, Extra-Fine, 600 grit	-----

LARGE DIAMETER STONE SETS

Part No.	Diameter Range	Grit	Orig. Mfg. #
SN-101	3 1/2" - 5 1/2"	Silicon Carbide, Coarse, 70 grit	N37-J17
SN-101R	3 1/2" - 5 1/2"	Ruby, Coarse, 70 grit (exceptional life)	-----
SN-201	3 1/2" - 5 1/2"	Silicon Carbide, Medium, 150 grit	N37-J45
SN-201R	3 1/2" - 5 1/2"	Ruby, Medium, 150 grit (exceptional life)	-----
SN-301	3 1/2" - 5 1/2"	Silicon Carbide, Medium-Fine, 220 grit	N37-J55
SN-301R	3 1/2" - 5 1/2"	Ruby, Medium-Fine, 220 grit (exceptional life)	-----
SN-501	3 1/2" - 5 1/2"	Silicon Carbide, Fine, 280 grit	N37-J65
SN-401	3 1/2" - 5 1/2"	Silicon Carbide, Extra-Fine, 400 grit	N37-J87
SN-601	3 1/2" - 5 1/2"	Silicon Carbide, Extra-Fine, 600 grit	-----

SHORT/BLIND SILICON CARBIDE STONE SETS

Part No.	Diameter Range	Grit	Stone Length	Orig. Mfg. #
SN-102S	2 3/4" - 4 1/8"	Silicon Carbide, 70 grit	3" long**	M27-J17-71
SN-202S	2 3/4" - 4 1/8"	Silicon Carbide, 150 grit	3" long**	M27-J45-71
SN-302S	2 3/4" - 4 1/8"	Silicon Carbide, 220 grit	3" long**	M27-J55-71
SN-502S	2 3/4" - 4 1/8"	Silicon Carbide, 280 grit	3" long**	M27-J65-71
SN-104S	3 1/2" - 5 1/2"	Silicon Carbide, 70 grit	3" long**	N37-J17-71
SN-204S	3 1/2" - 5 1/2"	Silicon Carbide, 150 grit	3" long**	N37-J45-71
SN-304S	3 1/2" - 5 1/2"	Silicon Carbide, 220 grit	3" long**	N37-J55-71
SN-504S	3 1/2" - 5 1/2"	Silicon Carbide, 280 grit	3" long**	N37-J65-71

** Stones that are 3" long may be used for blind honing.

ALUMINUM OXIDE STONE SETS

Part No.	Diameter Range	Grit	Stone Length	Orig. Mfg. #
SN-202AX	2 3/4" - 4 1/8"	Aluminum Oxide, 150 grit	3" long**	-----
SN-302AX	2 3/4" - 4 1/8"	Aluminum Oxide, 220 grit	3" long**	-----
SN-502AX	2 3/4" - 4 1/8"	Aluminum Oxide, 280 grit	3" long**	-----
SN-204AX	3 1/2" - 5 1/2"	Aluminum Oxide, 150 grit	3" long**	-----
SN-304AX	3 1/2" - 5 1/2"	Aluminum Oxide, 220 grit	3" long**	-----
SN-504AX	3 1/2" - 5 1/2"	Aluminum Oxide, 280 grit	3" long**	-----
SN-100AX	2 3/4" - 4 1/8"	Aluminum Oxide, 80 grit	4" long	-----
SN-200AX	2 3/4" - 4 1/8"	Aluminum Oxide, 150 grit	4" long	-----
SN-300AX	2 3/4" - 4 1/8"	Aluminum Oxide, 220 grit	4" long	-----
SN-500AX	2 3/4" - 4 1/8"	Aluminum Oxide, 280 grit	4" long	-----
SN-101AX	3 1/2" - 5 1/2"	Aluminum Oxide, 80 grit	4" long	-----
SN-201AX	3 1/2" - 5 1/2"	Aluminum Oxide, 150 grit	4" long	-----
SN-301AX	3 1/2" - 5 1/2"	Aluminum Oxide, 220 grit	4" long	-----
SN-501AX	3 1/2" - 5 1/2"	Aluminum Oxide, 280 grit	4" long	-----

** Stones that are 3" long may be used for blind honing.



UNIVERSAL CYLINDER HONE

Micrometer head assures accuracy in feeding. Expands quickly to cylinder size with fast action rack and pinion. Bottom guard plate helps prevent stones from accidentally hitting the crankshaft. Universal joint action makes honing of rear cylinders easy. Clip-on stones and wipers are available in four grits and easily changed in just a few seconds. Long, 5" stones cut faster and more accurately. Use with any heavy-duty 1/2" drill motor.

UNIVERSAL CYLINDER HONE includes hone body with (2) RSI-15540 standard range racks, (2) RSI-15500 coarse stones, (2) RSI-15510 medium stones, cleaning brush, dressing paddle and storage case.

Part No.	Description
RSI-217	UNIVERSAL CYLINDER HONE
RSI-15090	Driver Extension for RSI-217
RSI-15060	Yoke and Ring Assembly for RSI-217
RSI-15910	Body for RSI-217

STONE & WIPER SETS

Part No.	Description	Cylinder Size
RSI-15550	Rack Set	2.75" - 3.75"
RSI-15540	Rack Set	3.00" - 4.25"
RSI-15530	Rack Set	4.00" - 6.25"
RSI-15560	Rack Set	6.125" - 10.25"
RSI-15680	Stone Set, 80-grit	2.75" - 3.75"
RSI-15500	Stone Set, 80-grit	3.00" - 10.25"
RSI-15690	Stone Set, 180-grit	2.75" - 3.75"
RSI-15510	Stone Set, 180-grit	3.00" - 10.25"
RSI-15700	Stone Set, 280-grit	2.75" - 3.75"
RSI-15520	Stone Set, 280-grit	3.00" - 10.25"
RSI-15990	Stone Set, 500-grit	3.00" - 10.25"
RSI-15490	Stone Set, 150-grit*	3.00" - 10.25"

* Spec. Hard Bond Steel

NOTE: Stone color may vary due to manufacturing process.

HEAVY-DUTY CYLINDER HONE



RANGE: 2.75" to 5.5"

Features severe-duty .75" shaft, 12" extension and heavy-duty universal joint.

This is a professional quality hone, specially designed for large bore cylinders.

Part No. RSI-220HD

Pinion Gear Assembly:
Part No. RSI-220HD-PA



SMALL CYLINDER HONE

Precision-built hone for small cylinders, 1.75" to 2.75". Stones are 3.5" long, assuring total accuracy. Hone is easily operated with any 1/2" drill motor.

Part No.	Description
RSI-215	Small Cylinder Hone – includes (3) 180-grit stone sets (1.75"-2.75") and storage case.
RSI-16130	Replacement Driver Assembly for RSI-215
RSI-16340	Replacement Spring for RSI-215
RSI-16330	Replacement Lock Screw for RSI-215
RSI-16540	Replacement Jaw Casting for RSI-215

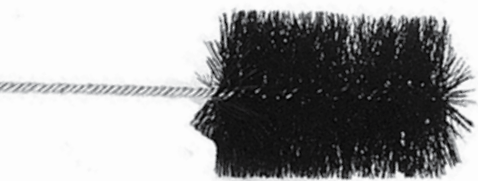
STONE & WIPER SETS

Size	80-grit	180-grit	280-grit	For Aluminum
1.75" - 2.20"	RSI-16440	RSI-16410	RSI-16380	RSI-16470
2.05" - 2.50"	RSI-16450	RSI-16420	RSI-16390	RSI-16480
2.35" - 2.75"	RSI-16460	RSI-16430	RSI-16400	RSI-16490

NOTE: Stone color may vary due to manufacturing process.



CYLINDER WALL BORING & HONING



CYLINDER WASHING BRUSHES

Nylon fill brushes for efficient cleaning of cylinder walls after honing. Use with detergent in warm or hot water. CWB-200 ideal for cam towers.

Part No.	Diameter	OAL
CWB-200	2"	18"
CWB-300	3"	18"
CWB-350	3.5"	18"
CWB-400	4"	18"
CWB-450	4.5"	18"
CWB-500	5"	18"
CWB-550	5.5"	18"



STONES & SHOES FOR CK-10 & CV-616

Replacement Hone Stones and Guide Shoes for CK-10 and CV-616 Automatic Cylinder Resizers. Sold two per set.

Part No.	Description	Mfg. No.
KEHU-133	Stone, 70 grit	EHU-133
KEHU-525	Stone, 220 grit	EHU-525
KJHU-625	Stone, 320 grit	JHU-625
KC-3120	Alignment Guide Shoe Set	CK-3120
KC-3070	Guide Shoe Set	CK-3070

NOTE: Stone color may vary due to manufacturing process.

REPLACEMENT SUNNEN HONING FILTER

Filter fits Sunnen CV-616 and CK-10 cylinder honing machines. Sold individually.

1" ID hole
6" diameter
14-1/2" tall

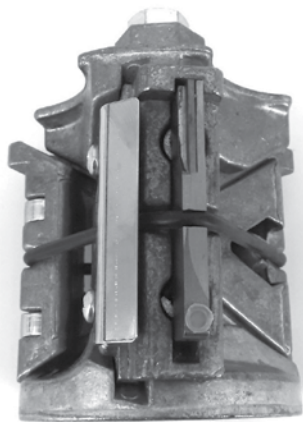
Part No.
RPF-105



HEAVY-DUTY RIDGE REAMER

Handles all engines with bores from 3" to 5" diameter, including canted and most short stroke types. Sits solidly in the cylinder with holding blades maintaining good wall contact for a smooth cut. Cutter head plate locks on both sides.

Tungsten reamer is attained by fine thread feed-up. Accuracy is maintained by heavy, heat-treated center bolt. Steel collar on center bolt protects threads from wrench damage. Three position setting of spring-loaded cutter head permits change from one cylinder to another without adjusting cutter head assembly.



Part No.	Description
K-1001-NS	Heavy-duty Ridge Reamer
K-1001A-NS	Replacement Cutter Blades

GLAZE BREAKER HONE

Stone-type, 2" to 7" range Glaze Breaker Hone

Controlled pressure assures positive, adjustable contact. Operates with any electric drill. Comes with 3" long, 220 grit stones. Adjustable stop collar permits quick selection of two range settings, from 2" to 4" and from 4" to 7". Arms are easily compressed to eliminate cylinder scratches. Optional replacement stones also available separately.

Part No.	Description
RL-3500	Glaze Breaker Hone with (3) 220-grit stones
RL-3520	220-grit Hone Stone
RL-3530	240-grit Special Hard Stone
RL-3540	320-grit Hone Stone



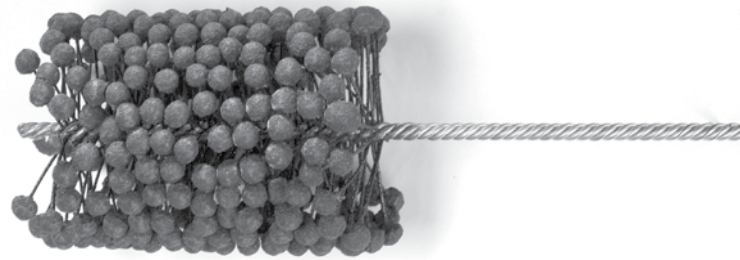
FLEX-HONES®

This super-finishing process produces a controlled surface condition unattainable by any other method!

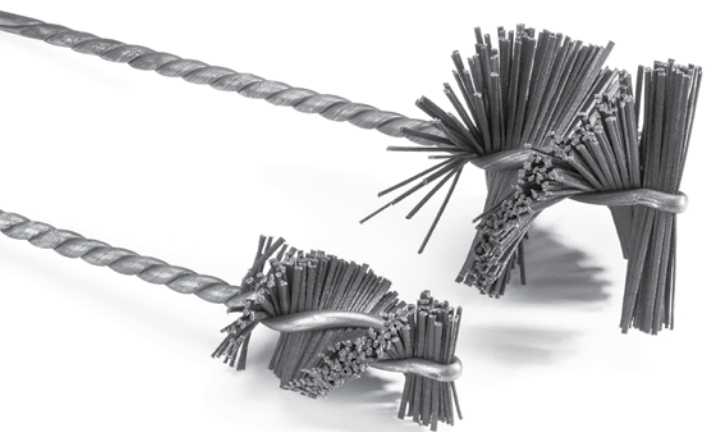
Resilient, flexible honing tool with a soft cutting action. Self-centering; self-aligning to the bore. The Flex-Hone process develops a surface which is optically smooth and metallurgically free of any fragmented, amorphous or smeared metal from previous operations. The Flex-Hone cross-hatch is extremely efficient in providing a multiplicity of oil grooves for better oil retention.

See page 113 for our complete selection.

Part No.	Size	mm	OAL	Application
STANDARD, 120 GRIT				
RCF-050	1/2"	12.7	8"	Small Cylinders
RCF-062	5/8"	15.9	8"	Small Cylinders
RCF-075	3/4"	19.0	8"	Small Cylinders
RCF-100	1"	25.4	8"	Small Cylinders
RCF-125	1-1/4"	31.8	8"	Small Cylinders
RCF-150	1-1/2"	38.0	8"	Small Cylinders
RCF-175	1-3/4"	44.5	8"	Small Cylinders
RCF-375	3-3/4"	95.3	13-1/2"	Large Cylinders
RCF-412	4-1/8"	104.7	13-1/2"	Large Cylinders
RCF-462	4-5/8"	117.4	13-1/2"	Large Cylinders



Part No.	Size	mm	OAL	Application
HEAVY-DUTY, 120 GRIT				
RCF-400HD	4"	101.6	17-1/2"	Large Cylinders, Heavy-duty
RCF-425HD	4-1/4"	108.0	17-1/2"	Large Cylinders, Heavy-duty
RCF-450HD	4-1/2"	114.3	17-1/2"	Large Cylinders, Heavy-duty
RCF-500HD	5"	127.0	17-1/2"	Large Cylinders, Heavy-duty
RCF-550HD	5-1/2"	139.7	17-1/2"	Large Cylinders, Heavy-duty
RCF-600HD	6"	152.4	17-1/2"	Large Cylinders, Heavy-duty
RCF-650HD	6-1/2"	165.1	17-1/2"	Large Cylinders, Heavy-duty
RCF-700HD	7"	177.8	17-1/2"	Large Cylinders, Heavy-duty
RCF-750HD	7-1/2"	190.5	17-1/2"	Large Cylinders, Heavy-duty
RCF-800HD	8"	203.2	17-1/2"	Large Cylinders, Heavy-duty
STANDARD, 320 GRIT				
RCF-375-320	3-3/4"	95.0	13-1/2"	Large Cylinders
RCF-412-320	4-1/8"	104.7	13-1/2"	Large Cylinders
RCF-462-320	4-5/8"	117.4	13-1/2"	Large Cylinders



ULTRA-FLEX FINISH BRUSHES

Gives a high-micron finish to valve guides, cylinders and lifter bores

WILL NOT ENLARGE BORE DIAMETERS!

Removes tiny peaks and scuffs left after reaming or honing. Ideal for racing and high-performance applications — also for new engine cylinders that require low-tension rings. Same abrasive material used for plateau brushes.

Part No.	For hole diameter(s)	Brush Diameter	Brush Length	OAL	
R-5.5mm	5.5 mm $7/32"$.2187"	.241"	1"	4"
R-6.4mm	6.4 mm $1/4"$.250"	.275"	1.25"	4.5"
R-7mm	7 mm $9/32"$.2182"	.309"	1.25"	4.5"
R-8mm	8 mm $5/16"$.3125"	.343"	1.25"	4.5"
R-9mm	9 mm $11/32"$.3437"	.378"	1.25"	4.5"
R-10mm	10 mm $3/8"$.375"	.413"	1.25"	4.5"
R-11mm	11 mm $7/16"$.4375"	.481"	1.25"	4.5"
R-12mm	12 mm $15/32"$.4687"	.516"	1.25"	4.5"
R-13mm	13 mm $1/2"$.500"	.550"	1.5"	5"
R-14mm	14 mm $9/16"$.5625"	.618"	1.5"	5"
R-16mm	16 mm $5/8"$.625"	.688"	1.5"	5"
R-17.5mm	17.5 mm $11/16"$.6875"	.756"	1.5"	5"
R-19mm	19 mm $3/4"$.750"	.825"	1.5"	5"
R-20.5mm	20.5 mm $13/16"$.8125"	.893"	1.5"	6"
R-22mm	22 mm $7/8"$.875"	.875"	1.5"	6"
R-25mm	25.4 mm 1"	1"	1"	1.5"	6"
R-200	32-45 mm 1.25 - 1.75"	2"	2"	2"	10"
R-250	45-47 mm 1.75 - 2.25"	2.5"	2"	2"	10"
R-300	57-70 mm 2.25 - 2.75"	3"	2"	2"	10"
R-350	70-82 mm 2.75 - 3.25"	3.5"	2"	2"	10"
R-400	76-89 mm 3 - 3.5"	4"	4"	4"	14"
R-450	89-102 mm 3.5 - 4"	4.5"	4"	4"	14"
R-500	102-114 mm 4 - 4.5"	5"	5"	5"	14"



REGIS CAM BEARING TOOL

A fast, simple and economical tool that eliminates hundreds of separate, costly driving plugs.
The complete Regis Cam Bearing Tool Kit includes four extracting mandrels which adjust instantly to undersize cam bearings for easy installation or removal from any engine!



Expander with stud



Guide Cone



Metal Washer



Sleeve



Driving Bar



Mandrel

Part No.	Description
CT-1	REGIS CAM BEARING TOOL KIT (includes one of each listed below)
CT-1B	5" Driving Bar
CT-3B	36" Driving Bar with cap
CT-1C	Guide Cone
CT-3E	1 7/32" Expander with stud
CT-4E	1 5/8" Expander with stud
CT-5W	1.370 Metal Washer
CT-6W	1.682 Metal Washer
CT-7W	1.875 Metal Washer
CT-8W	2.250 Metal Washer
CT-5M	1.370 - 1.682 Expanding Mandrel with CT-5NS Sleeve
CT-6M	1.682 - 1.875 Expanding Mandrel with CT-6NS Sleeve
CT-7M	1.875 - 2.250 Expanding Mandrel with CT-7NS Sleeve
CT-8M	2.250 - 2.625 Expanding Mandrel with CT-8NS Sleeve

OPTIONAL AND REPLACEMENT PARTS

Part No.	Description
CT-2B	24" Driving Bar
CT-1-CAP	Cap for 24" or 36" bars
CT-1S	Threaded stud only for expanders
CT-5NS	1.370 Rubber Mandrel Sleeve
CT-6NS	1.682 Rubber Mandrel Sleeve
CT-7NS	1.875 Rubber Mandrel Sleeve
CT-8NS	2.250 Rubber Mandrel Sleeve

**CALL 1-800-527-7604
FOR FAST, SAME-DAY SHIPPING**

We normally ship UPS, but we also ship USPS and FedEx collect upon request. Our shipping department will make every effort to ensure that your order is shipped the same day it is received.



UNIVERSAL CAMSHAFT BEARING TOOL

Economical tool kit handles a wide range of camshaft bearings from compact cars to heavy trucks. Drives both thin-wall and thick-wall bearings.

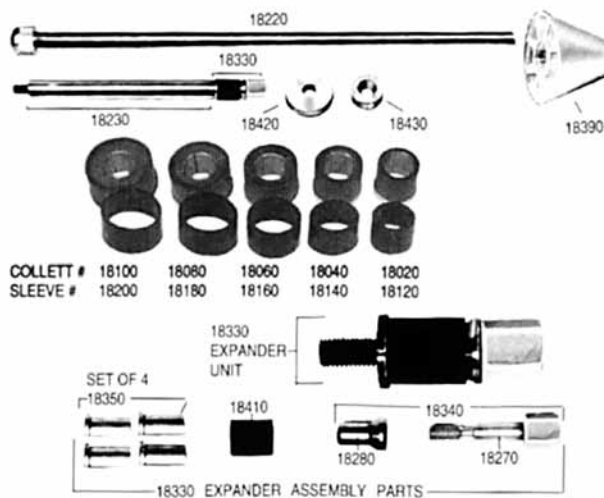
Drives camshaft bearings smoothly. One complete, economical tool set that will remove or insert camshaft bearings in nearly all engines from compact cars to heavy trucks. Range of 1.125" to 2.690".

EASY ON BEARINGS. The expander has a neoprene sleeve over which the split driving plugs are mounted and expanded to size. This tool has two sets of rubber sleeves supplied with it for the expanding drivers. The brown sleeves are used when driving thin wall bearings (.065"). The black sleeves are used when driving thick wall bearings (.090"). Detailed operating instructions and a complete parts sheet are included.

UNIVERSAL CAMSHAFT BEARING TOOL KIT

Range: 1.125" to 2.690". Complete kit includes driving shaft, driving shaft extension, expander unit, (5) split driving plugs, (2) driving collars, centering cone, and case.

Part No. **18000**



DRIVER RANGE TABLE

Bearing Size I.D.	EXPANDER DRIVER	USE WASHER	SLEEVE
1.125" to 1.475"	18330 Expander Assembly	18430	18410
1.475" to 1.700"	18020	18430	18120
1.700" to 1.925"	18040	18420	18140
1.925" to 2.150"	18060	18420	18160
2.150" to 2.375"	18080	18420	18180
2.325" to 2.690"	18100	18420	18200

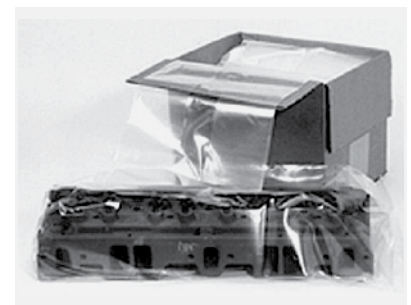


LIFTING SLING

- **1" wide x 36" long**
- **Made of durable nylon webbing**

Looped sling lifts up to 2300 lbs. (vertical). Secure sling to workpiece and move it with your overhead hoist. A safe and easy way to handle heavy blocks, camshafts and crankshafts. Not designed for use with caustics or temperatures greater than 190°F.

Part No. **LS-36**



PLASTIC BAGS

Protect your finished work with a REGIS heavy-duty plastic bag. Gusseted bag holds cylinder heads and crankshafts. Extra large bag holds engines and blocks.

FITS HEADS & CRANKSHAFTS

Part No. **CB-10836** (100 bags)
10" x 8" x 36" (Gusseted)
.3 mil thickness

FITS ENGINES & BLOCKS

Part No. **EB-4050** (100 bags)
40" x 50"
.2 mil thickness

CAMSHAFT GRINDING WHEELS



Regis Supreme Grade Camshaft Grinding Wheels are 100 grit and available in sizes to fit most popular machines.

STORM VULCAN 75

Part No.	Size	
CMS-7/8	18" x 7/8" x 3"	100 grit
CMS-1	18" x 1" x 3"	100 grit

STORM VULCAN 1165

Part No.	Size	
SVC-7/8	20" x 7/8" x 3"	100 grit
SVC-1	20" x 1" x 3"	100 grit

BERCO RAC-1500, RAC-2130; VAN NORMAN 253-254

Part No.	Size	
SE-7/8	18" x 7/8" x 6"	100 grit
SE-1	18" x 1" x 6"	100 grit
SE-1 1/4	18" x 1 1/4" x 6"	100 grit
SE-1 1/2	18" x 1 1/2" x 6"	100 grit
SE-1 3/4	18" x 1 3/4" x 6"	100 grit

CAMSHAFT GRINDING COOLANT

Light Blue. Water soluble, synthetic type coolant for crankshaft or camshaft grinding. Helps eliminate wheel glazing and promotes free-cutting action. Non-foaming, transparent, soluble in hard water, non-toxic and non-staining. Will not irritate skin.

Concentrate: Mix 2 to 5 gallons to 100 gallons of water.
1 gallon, Part No. **ML-33** 5 gallons, Part No. **ML-33-5**

CAMSHAFT GRINDING OIL

Milky White. Water soluble grinding concentrate oil. Base product contains "EP" (extreme pressure) additives and oil soluble corrosion inhibitors. High corrosion resistance. High lubrication; leaves oily residue film. Does not contain sulphur, chlorine, phosphorus or nitrites.

Concentrate: Mix 1 to 2 gallons to 100 gallons of water.
1 gallon, Part No. **WS-11** 5 gallons, Part No. **WS-11-5**

MULTI-PURPOSE GRINDING COOLANT

Pink. Ideal for flywheel, crankshaft, camshaft, platen and surface grinding. Professional grade, synthetic, water-soluble coolant with excellent anti-rust properties. Bacterial fungal resistant.

Concentrate: Mix 30 to 1 for cast iron; 40 to 1 for aluminum.
1 gallon, Part No. **MK-1** 5 gallons, Part No. **MK-5**

NOTE: Coolants and Concentrates do NOT qualify for freight prepayment.

FLEX-HONES®

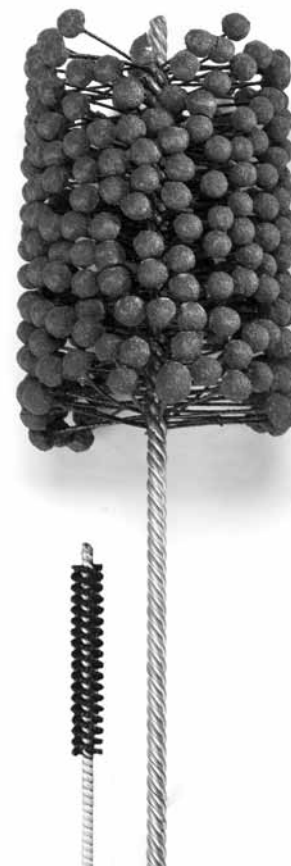
FOR CAM BEARINGS

Part No.	Size	
RCF-175	1.75" 120 grit	
RCF-178	1.875" 120 grit	
RCF-200	2" 120 grit	
RCF-225	2.25" 120 grit	
RCF-250	2.5" 120 grit	
RCF-275	2.75" 120 grit	
RCF-18E	18" Extension	

FOR LIFTER BORES

Part No.	Size	
BC-875	.875" GM, 120 grit	
BC-875-180	.875" GM, 180 grit	
RCF-100	1" Ford, 120 grit	

See page 113 for our complete selection of Flex-Hones.



PISTON PIN REMOVAL FIXTURE SUPPORT SHOES & GUIDE PINS

Support shoes and guide pins for use with piston pin removal fixtures. Prevents damage to the piston when removing or installing interference fit piston pins. Works on piston pin diameters from 0.860" to 1.090".



Support Shoes

Part No.	Size
RPE-A	0.993"
RPE-B	1.123"
RPE-C	1.043"
RPE-D	1.100"
RPE-E	1.006"
RPE-F	0.945"



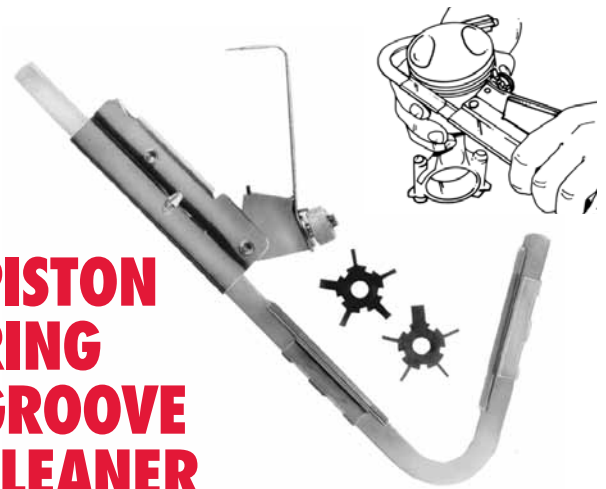
Guide Pins

Part No.	Size
RPE-1	0.859"
RPE-2	0.897"
RPE-3	0.926"
RPE-4	0.970"
RPE-5	0.992"
RPE-6	1.032"
RPE-7	1.055"
RPE-8	1.087"

PISTON RING GROOVE CLEANER

Heavy coil spring holds cutter in groove for fast removal of carbon. Handles pistons from 2.75" to 5" diameter. An adapter plate (24040) is available for smaller pistons (1" to 2.75" diameter). **Tool includes Standard Cutter Blades and Special Cutter Blades (listed below).**

Part No.	Description
K-2400	Ring Groove Cleaner
K-24020	Standard Cutter Blades (5/64", 3/32", 1/8", 5/32" and 3/16" sizes)
K-24350	Special Cutter Blades (1.5mm, 1/16", 1.75mm, 2mm and 1/4" sizes)



PISTON PIN EXTRACTOR KIT

Remove piston pins safely and quickly. Use with any shop press. Made for universal use and can be altered to fit virtually any piston. Fixtures can be purchased separately and can be changed to fit a particular application.

Complete Kit: Part No. **1029** (Includes one of each item listed below.)

Part No.	Description	Part No.	Description
1029A	#0 Fixture for .800 pins	1029H	.760 Drift Pin
1029B	#1 Fixture for .950 pins	1029J	.812 Drift Pin
1029C	#2 Fixture for 1.010 pins	1029K	.875 Drift Pin
1029D	#3 Fixture for 1.010 pins	1029L	1.000 Drift Pin
1029E	#4 Fixture for 1.110 pins	1029M	Tapped Handle
1029F	#5 Fixture for .865 pins	1029N	Threaded Rod
1029G	Base Block	1029P	Threaded Adapter

PISTON PIN INSTALLATION GAUGE

Just set the gauge for the amount of pin travel and when the piston pin is inserted, it will be centered. Makes it simple to get the correct distance on the first try. Fully adjustable for different lengths.

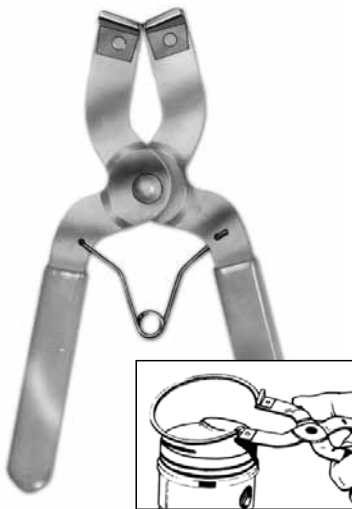
Part No. 1025



ELECTRIC PISTON RING FILER

Grind piston ring gaps with complete accuracy and confidence. Dial indicator supplied with grinder to indicate in thousandths how much you have taken off. Powerful 12volt electric motor comes with a rechargeable NiCad battery and charger. Includes (2) 120-grit grinding wheels.

Part No.	Description
ERF-110	Electric Ring Filer
ERF-WHEEL	Replacement Grinding Wheel



PISTON RING INSTALLER

Reduce ring breakage by using this specialized tool. Tapered jaws remove and install most passenger and light truck rings from 3/64" to 1/4" (1.2 to 6.33mm).

Part No. **K-3350**



PRESS FIT LUBRICANT

Lubricates and protects metal surfaces during press fitting operations. Spray before installing valve guides, piston pins, cylinder sleeves, etc. Temperature resistant to 800°F.

Part No. **PFL-12**



MANUAL RING FILER

ALSO FILES VALVE STEMS

File piston rings to the proper specs quickly and easily. Will support any size ring. Abrasive wheel produces clean finish. V-groove accommodates valve stem ends.

Part No.	Description
RF-100	Manual Ring Filer
RF-WHEEL	Replacement Wheel



PISTON RING COMPRESSOR

Compressor band takes all rings at once, including skirt rings. Double tension band of highest grade spring steel eliminates bottom flare. Four-band model for heavy-duty skirt pistons and one-band model for small engines also available.

Part No.	Bands	Capacity	Depth
PRC-5	2	2.125 - 5"	3.5"
PRC-7	4	3.5 - 7"	6.5"

PISTON RING COMPRESSORS

Bands and pliers makes repetitive ring installation easier, particularly when identical size of rings are installed at the same assembly unit.

Without taking the pliers off the band on which you are working, you can operate it from either a vertical or horizontal position.

Complete Kit available to cover sizes from 2-7/8" to 4-3/8". Truck Piston Ring Bands are also available, sold separately.



Part No.	Description / Size
R-980	Complete Kit Size 2-7/8" to 4-3/8"

R-980A	Pliers only
---------------	-------------

R-980S	Pliers with one band 3-3/8" to 3-5/8"
---------------	--

Standard Piston Ring Bands

R-980B	2-7/8" to 3-1/8"
---------------	------------------

R-980C	3-1/8" to 3-3/8"
---------------	------------------

R-980D	3-3/8" to 3-5/8"
---------------	------------------

R-980E	3-5/8" to 3-7/8"
---------------	------------------

R-980F	3-7/8" to 4-1/8"
---------------	------------------

R-980G	4-1/8" to 4-3/8"
---------------	------------------

Truck Piston Ring Bands

R-980H	4-1/2" to 4-3/4"
---------------	------------------

R-980I	4-3/4" to 5"
---------------	--------------

R-980J	5" to 5-1/4"
---------------	--------------

R-980K	5-1/2" to 5-3/4"
---------------	------------------

R-980M	5-3/4" to 6"
---------------	--------------

R-980N	5-1/4" to 5-1/2"
---------------	------------------



WRINKLE BAND RING COMPRESSOR

Wrinkle band cuts friction in half! Rings slide in easily. Also helps prevent rings from slipping down into the cylinder. Cam operated, set adjustment screw once for the entire set of pistons. **Size range: 3 to 5"**.

Part No. **K-2170**

new



DEAD BLOW HAMMER

FOR PISTON INSTALLATION

No marks, no sparks, complete protection and safety. Inner core is heat treated steel welded together and filled with just the right amount of steel shot for a sustained impact. The outer shell is made of trucothane (custom formulated urethane) which eliminates mushrooming, bronze chip pickup, and is cut resistant. Handle is textured and flanged for a sure grip. A tool you'll have for years!

Part No. **DBL-1**



HOW TO ORDER

Call us anytime between 8:00 a.m. and 4:30 p.m. central time to place your order, be it large or small.

Se habla Español!

Call toll-free

800-527-7604

Local Dallas phone

214-421-5171

Order Online

regismanufacturing.com

BALANCING SCALE AND ROD STAND

Ideal for shops and high-performance engine builders who need to static balance parts. Rugged, all aluminum stand is designed for balancing rods. Adjusts to set rod perfectly level. Allows you to weigh small end and big end independently and accurately.

Rod stand includes a pedestal support that fits the scale top precisely, plus 2" and 2.3" discs to support big ends securely.

Balancing scale feature automatic tare weight correction, low battery indicator and easy-to-read digital display. Available in 5000 gram capacity. Includes a 110v converter or may also be used with a 9v battery (not included).

Part No.	Description
BS-1000	Rod Balancing Stand
ES-5000	Electronic Scale, 5000 gram



Use the **ES-5000** Balancing Scale with the **BS-1000** Rod Stand to accurately balance rods.



ES-5000 Balancing Scale includes 110v converter or may also be used with a 9v battery (not included)



HEAVY METAL

90% Tungsten, 17 density (same as Mallory 1000).
+.002" diameter for press fit.

Part No.	Hole	Length	Weight
HM-500100	1/2"	1.0"	57g
HM-500120	1/2"	1.2"	65g
HM-625100	5/8"	1.0"	91g
HM-625120	5/8"	1.2"	110g
HM-750100	3/4"	1.0"	122g
HM-750120	3/4"	1.2"	147g
HM-875100	7/8"	1.0"	169g
HM-875120	7/8"	1.2"	198g
HM-100100	1"	1.0"	227g
HM-100120	1"	1.2"	265g



ROD BOLT PROTECTORS

Low-cost plastic covers protect crankshaft journals from rod bolt damage during piston installation and removal. **One size fits all.**

Sold in packs of 16.

Part No. RBP-16R



HOW TO ORDER

Call us anytime between 8:00 a.m. and 4:30 p.m. central time to place your order, be it large or small.

Se habla Español!

Call toll-free

800-527-7604

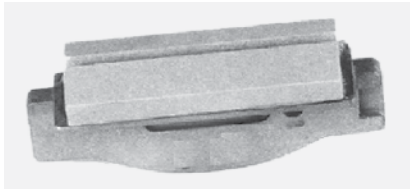
Local Dallas phone

214-421-5171

Order Online

regismanufacturing.com

ROD HONING STONES



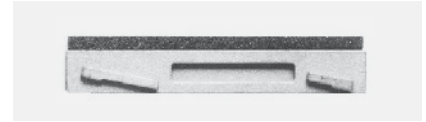
FOR SUNNEN CR MANDRELS

Part No.	Mfg. No.	Description
RH-10	CR-10	Coarse, 100 grit
RH-12	CR-12	Medium, 220 grit
RH-14	CR-14	Fine, 280 grit
KC-50B	CR-50B	Shoe (2)



FOR SUNNEN SL 720 & SI 2300 MANDRELS

Part No.	Mfg. No.	Description
RS-6	SL-5	Roughing
RS-8	SL-7	General Purpose
RS-14	SL-13	Finishing



FOR SUNNEN PL MANDRELS

Part No.	Mfg. No.	Description
RP-6	PL-5	Roughing
RP-8	PL-7	General Purpose
RP-14	PL-13	Finishing



FOR SUNNEN KL MANDRELS

Part No.	Mfg. No.	Description
RK-6	KL-5	Roughing
RK-8	KL-7	General Purpose
RK-14	KL-13	Finishing



FOR SUNNEN ML MANDRELS

Part No.	Mfg. No.	Description
RM-6	ML-5	Roughing
RM-8	ML-7	General Purpose



ROD AND CAP GRINDING WHEELS

Part No.	Fits Machine	Size
K-695	Sunnen RG-305 Model 500	4" x 1-1/2" x 1" Recessed
K-750	Sunnen CRG-895 Model 750	6" x 2" x 1-1/4" Recessed
K-990	Tobin-Arp Model CG 8400	7" x 1" x 1-3/4" Plate Mounted

new



ROD HONING OIL

Fine-quality honing oil. Specific compounded oil for keeping stones clean and free cutting. Reduces honing time and increases stone life.

Part No.	Size
RHO-1	One gallon
RHO-5	Five gallons



GM OIL PICKUP SCREEN INSTALLATION TOOL

3/4" oil pickup screen installation tool is designed to replace oil pump pickup tubes on all GM blocks, 4-through 8-cylinder. Engineered to give you many years of quality service.

Part No. **OPS-34**



NYLON OIL GALLERY BRUSHES

NYLON OIL GALLERY BRUSHES

Nylon brushes with a loop handle for cleaning all types of passage ways.

Part No.	Dia.	OAL	Brush length
OL-1	1/4"	10"	2"
OL-2	5/16"	12"	2-1/2"
OL-2A	5/16"	12"	2-1/2" flexible stem
OL-3	3/8"	12"	2-1/2"
OG-38	3/8"	34"	3"
OG-42	1/2"	34"	2-1/2"
OG-5	5/8"	34"	3"
OG-7	3/4"	34"	3"
OG-8	3/4"	40"	3" New longer length
OGK	Oil Gallery Brush Set (one each of: OG-5, OG-7, OG-8, OG-42)		



RUST PROOFING SPRAY

RPO-1 and RPO-5: Moisture-displacing rust preventative and lubricating mist. Eliminates wiping, drying, or cleaning before applying. Works equally well when applied to either wet or dry surfaces. Does not gum or harden. Remains oily. Functions as a lubricant. Works great with our FO-1 spray unit.

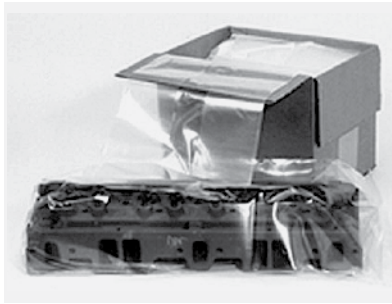
RPS-2 and RPS-5: Water displacing, non-staining rust preventative and lubricant that leaves behind a relatively dry film. RPS-2 provides intermediate-term salt spray rust protection; protects up to 6 months outdoor and up to 18 months indoor. RPS-5 provides an oily protective film for 18-24 months indoor storage protection, moderate salt spray protection and short-term outdoor protection.

Part No. Description

new	RPS-2	Dry Film Outdoor, 16 oz. spray can
new	RPS-5	Long Term Indoor, 16 oz. spray can
	RPO-1	Rust Proofing Spray, 1 gallon
	RPO-5	Rust Proofing Spray, 5 gallons
	FO-1	Spray Unit

Recommended for rust proofing crankshafts, camshafts, blocks, and all assemblies prior to shipment or storage.





PLASTIC BAGS

Protect your finished work with a REGIS heavy-duty plastic bag. Gusseted bag holds cylinder heads and crankshafts. Extra large bag holds engines and blocks.

FITS HEADS & CRANKSHAFTS

Part No. CB-10836 (100 bags)
10" x 8" x 36" (Gusseted)
.3 mil thickness

FITS ENGINES & BLOCKS

Part No. EB-4050 (100 bags)
40" x 50"
.2 mil thickness

METAL MARKERS

Available in 4 colors:

- Yellow
- White
- Blue
- Red

A marker with permanent, oil-based paint equipped with a rubber primer bulb. Releases a brightly colored paint for permanently marking cylinder heads, blocks, pistons and other engine parts. Dries quickly and will not rub off.

Part No.	Color
RM-1Y	Yellow
RM-1W	White
RM-1B	Blue
RM-1R	Red



PRECISION STRAIGHT EDGES



New premium grade, very sturdy composition. 1/4" thick for greater stability, accurate to +/- .0002 per foot. For checking cylinder head and block work. Adequate length for most diesel engines. Features a "hang up" hole at one end for safe and easy storage.

Economy Straight Edges are well-made, affordable alternatives to the premium grade. 294 is 24" OAL, accurate to .0002/24". 296 is 36" OAL accurate to .0004/36".

Part No.	Description
294-SP	24" Premium <i>new</i>
296-SP	36" Premium <i>new</i>
294	24" Economy
296	36" Economy



HOW TO ORDER

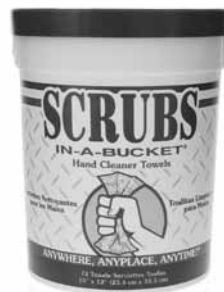
Call us anytime between 8:00 a.m. and 4:30 p.m. central time to place your order, be it large or small.

Se habla Español!

Call toll-free
800-527-7604

Local Dallas phone
214-421-5171

Order Online
regismanufacturing.com



SCRUBS IN-A-BUCKET

SCRUBS® Hand Cleaner Towels combine an advanced cleaning formula with a strong, dual-textured towel to thoroughly clean hands and surfaces. Clean, citrus-scented formula loosens and dissolves industrial soils while leaving hands free from dryness and irritation. No sticky residue and no rinsing required. Removes dirt, tar, oils, grease, paints, adhesives, epoxies, caulks, inks & dyes, urethane, lubricants, cable jelly, asphalt.

Part No. SIB-72
Bucket of 72 towels, 10" x 12" each

new

WARP GAUGE

3/4 x 26 heavy-duty round hardened bar. For checking warpage of head, block, or manifold. Also useful for checking cam or crank bearing alignment. Convenient hanger hook - always hang up when not in use.

Part No. 284



REPLACEMENT OIL GALLERY PLUGS

Standard Thread Pipe Plugs for Domestic Applications (Teflon-sealed threads)

Part No.	Size	Qty.
ST-062	1/16 x .300"	50 qty.
ST-125	1/8 x .300"	50 qty.
ST-250	1/4 x .375"	50 qty.
ST-251	1/4 x .460"	50 qty.
ST-375	3/8 x .375"	50 qty.
ST-376	3/8 x .760"	50 qty.
ST-500	1/2 x .550"	25 qty.
ST-750	3/4 x .540"	25 qty.

Japanese Threads for Toyota & Mitsubishi

Part No.	Size	Qty.
TP-001	1/8 - 28	25 qty.
TP-002	1/4 - 19	25 qty.
TP-003	3/8 - 19	25 qty.
TP-004	1/2 - 14	25 qty.
TP-005	3/4 - 14	25 qty.



Metric Pipe Plugs (Teflon-sealed threads)

Part No.	Size	Qty.
TPM-001	8mm - 1.0	25 qty.
TPM-002	10mm - 1.0	25 qty.
TPM-003	12mm - 1.5	25 qty.
TPM-004	14mm - 1.5	25 qty.
TPM-005	16mm - 1.5	25 qty.
TPM-006	18mm - 1.5	25 qty.
TPM-007	20mm - 1.5	25 qty.
TPM-008	22mm - 1.5	25 qty.
TPM-009	24mm - 1.5	25 qty.

new

STUD EXTRACTING TOOL

Easily allows removal of stubborn studs, such as rocker or cylinder head studs. Also removes broken studs that have a portion of the stud sticking up. Roller cam actions grips the stud tighter as it turns. 1/4 - 3/4" capacity, 1/2" drive.

Part No. **KA-SE1**



IMPACT WRENCH OIL GALLERY PLUG REMOVAL TOOL



Use your 1/2" impact wrench to drive out stubborn oil gallery plugs with ease! Hardened driver features an internal threaded adjustment screw which allows you to set bit length. Tool features replaceable bits.

Part No.	Description
OGR-KIT	COMPLETE KIT Set of 5; one of each tool, sizes listed below.
	TOOL REPLACEMENT BIT
Size	Part No. Part No.
3/16"	OGR-187 OGRB-187
1/4"	OGR-250 OGRB-250
5/16"	OGR-312 OGRB-312
3/8"	OGR-375 OGRB-375
9/32"	OGR-281 Socket, no bit required.

new

UNIVERSAL THREADED STUD EXTRACTOR

Removes studs up to 1/2. Remove or install right and left-handed studs with ease. Use with hand tools or pneumatic impact tools (3/8 square or 15/16 socket.) Flush mount jaws and tapered outer body lets you get between studs with as little as 3/4 clearance. Precision machined and hardened jaws for long life, no extra parts that are prone to breakage with repeated use.

Part No. **KA-SE2**

KAO-001
SLIDE HAMMER SHAFT
 1/2" x 20 thread

KAO-002
SLIDE HAMMER
 Use downward strokes of the slide hammer to lock collet, then downward strokes to remove dowel.

KAO-003
SQUEEZE COLLAR
 Fits over the extractor head to secure in place.

KAO-021
EXTRACTOR BASE

EXTRACTOR HEAD
 Many sizes available to pull a variety of automotive head and block dowels — as well as flywheel dowel pins.

EASY TO USE:
 Simply place gripping end of tool over dowel to be removed. Make sure squeeze collar is in place over it. Use downward strokes of slide hammer to lock extractor head, then upward strokes to remove dowel. Tap top end of shaft with hammer while assembly is in stand to remove dowel from extractor.

Instructions are included with kit.



AUTOMOTIVE DOWEL PULLER

Pulls all 1/4", 5/16", 3/8" and 7/16" automotive head and block dowels, as well as flywheel dowel pins. Optional extractor heads are also available to pull other size dowels.

Part No.	Description
KA-600	DOWEL PULLER KIT Extractor head sizes: 1/4", 5/16", 3/8" & 7/16" Includes one of each listed below.
KAO-001	Slide Hammer Shaft
KAO-002	Slide Hammer
KAO-003	Squeeze Collar
KAO-021	Extractor Base
K-601B	1/4" Extractor Head
K-601C	5/16" Extractor Head
K-601D	3/8" Extractor Head
K-601E	7/16" Extractor Head

Part No.	Description
KA-600M	METRIC DOWEL PULLER KIT Extractor head sizes: 4mm, 5mm, 6mm & 8mm. Includes the same tooling as KA-600.

OPTIONAL EXTRACTOR HEADS

K-601A	3/16" (.188")	K-601P	6mm (.236")
K-601F	9/16" (.562")	K-601Q	11/16" (.687")
K-601G	5/8" (.625")	K-601R	.640"
K-601H	1/2" (.500")	K-601S	.800"
K-601I	7mm (.275")	K-601T	3/4" (.750")
K-601J	8mm (.315")	K-601W	10mm (.394")
K-601K	.675"	K-601X	12mm (.472")
K-601M	.735"	K-601Y	14mm (.551")
K-601N	4mm (.156")	K-601Z	.600"
K-601O	5mm (.197")		

RUST PROOFING SPRAY

RPO-1 and RPO-5: Moisture-displacing rust preventative and lubricating mist. Eliminates wiping, drying, or cleaning before applying. Works equally well when applied to either wet or dry surfaces. Does not gum or harden. Remains oily. Functions as a lubricant. Works great with our FO-1 spray unit.

RPS-2 and RPS-5: Water displacing, non-staining rust preventative and lubricant that leaves behind a relatively dry film. RPS-2 provides intermediate-term salt spray rust protection; protects up to 6 months outdoor and up to 18 months indoor. RPS-5 provides an oily protective film for 18-24 months indoor storage protection, moderate salt spray protection and short-term outdoor protection.



Part No. Description

new	RPS-2	Dry Film Outdoor, 16 oz. spray can
new	RPS-5	Long Term Indoor, 16 oz. spray can
	RPO-1	Rust Proofing Spray, 1 gallon
	RPO-5	Rust Proofing Spray, 5 gallons
	FO-1	Spray Unit



WAY OIL

A fine quality adhesive oil lubricant for all machine tool ways. Features lasting lubrication and allows slides and tables to move freely while providing corrosion protection. Dark brown in color. One gallon.

Part No. **WL-68**

CRANKSHAFT GRINDING OIL & COOLANTS



CRANKSHAFT GRINDING COOLANT

Light Blue. Water soluble, synthetic type coolant for crankshaft or camshaft grinding. Helps eliminate wheel glazing and promotes free-cutting action. Non-foaming, transparent, soluble in hard water, non-toxic and non-staining. Will not irritate skin.

Concentrate: Mix 2 to 5 gallons to 100 gallons of water.

1 gallon, Part No. **ML-33**
5 gallons, Part No. **ML-33-5**

CRANKSHAFT GRINDING OIL

Milky White. Water soluble grinding concentrate oil. Base product contains "EP" (extreme pressure) additives and oil soluble corrosion inhibitors. High corrosion resistance. High lubrication; leaves oily residue film. Does not contain sulphur, chlorine, phosphorus or nitrites.

Concentrate: Mix 1 to 2 gallons to 100 gallons of water.

1 gallon, Part No. **WS-11**
5 gallons, Part No. **WS-11-5**

MULTI-PURPOSE GRINDING COOLANT

Pink. Ideal for flywheel, crankshaft, camshaft, platen and surface grinding. Professional grade, synthetic, water-soluble coolant with excellent anti-rust properties. Bacterial fungal resistant.

Concentrate: Mix 30 to 1 for cast iron; 40 to 1 for aluminum.

1 gallon, Part No. **MK-1**
5 gallons, Part No. **MK-5**

Also available in 55 gallon drums, see page 12 for more information.

PREMIUM GRADE CRANKSHAFT GRINDING WHEELS

REGIS CRANKSHAFT GRINDING WHEELS

are premium grade for best cutting action and durability. Cuts cooler and needs less dressing. Ideal for high performance. 54 grit.

Machine	Diameter x Arbor						
AMC	26 x 8	32 x 8	-----	-----	-----	-----	-----
Peterson/Berco	-----	26 x 8	28 x 8	32 x 12	36 x 12	-----	-----
RMC/Robbi	24 x 8	28 x 8	-----	32 x 12	36 x 12	-----	-----
Scledum (S/V)	24 x 8	26 x 8	28 x 8	-----	36 x 12	-----	-----
Storm Vulcan	18 x 3	20 x 3	22 x 5	24 x 5	-----	-----	-----
Winona/Van Norman	-----	24 x 8	26 x 8	28 x 8	32 x 8	36 x 12	-----

Dia. x Arbor Machine Widths are reflected in the red Regis part numbers.

18 x 3 STORM VULCAN 14, 15

new V-5/8	V-3/4	V-7/8	V-15/16	V-1	V-1-1/8
V-1-1/4	V-1-1/2	V-1-5/8	V-1-7/8		

20 x 3 STORM VULCAN 15 SPECIAL, 1550, 1648

new SSV-5/8	SSV-3/4	SSV-13/16	SSV-7/8	SSV-15/16
SSV-1	SSV-1-1/16	SSV-1-1/8		

22 x 5 STORM VULCAN 15A – UP TO SERIAL #593

new SA-5/8	SA-3/4	SA-7/8	SA-15/16	SA-1
-------------------	--------	--------	----------	------

24 x 5 STORM VULCAN 15C, 15A SPECIAL, 15A – SERIAL #594 AND UP

new SC-5/8	SC-3/4	SC-7/8	SC-1	SC-1-1/16
SC-1-1/8	SC-1-1/4	SC-1-1/2		

26 x 8 AMC K-1100; PETERSON-BERCO 180B, 225A, B, C; SCLEDUM 200, 300; WINONA VAN NORMAN 438, 448, 460, 465, 475, 476

new NN-5/8	NN-3/4	NN-13/16	NN-7/8	NN-15/16	NN-1
NN-1-1/16	NN-1-1/8	NN-1-1/4	NN-1-3/8	NN-1-1/2	
NN-1-5/8	NN-1-3/4	NN-1-7/8	NN-2		

28 x 8 PETERSON-BERCO 260A, 260B, 270A, 270B, 270C; RMC/ROBBI REX 1500; SCLEDUM (S/V) 230, 270, 280; WINONA VAN NORMAN 400, 438, CG-210 (LATE); ZANROSSO MITO 250

new BE-5/8	BE-3/4	BE-13/16	BE-7/8	BE-15/16	BE-1	BE-1-1/16	BE-1-1/8	BE-1-1/4
BE-1-3/8	BE-1-1/2	BE-1-11/16	BE-1-3/4	BE-1-7/8	BE-1-15/16	BE-2	BE-2-1/8	

36 x 12 PETERSON-BERCO 300, 350; SCLEDUM 250; STORM VULCAN 350A, 350B, 350C; RMC/ROBBI REX 2200M, 2700M, 3100M; WINONA VAN NORMAN 111; ZANROSSO MITO 360

BERC-3/4	BERC-7/8	BERC-1	BERC-1-1/2	BERC-1-5/8	BERC-2-1/4
----------	----------	--------	------------	------------	------------

NOTE: Stone color may vary due to manufacturing process.





COATED ABRASIVE GRIND AID

Helps prevent loading or glazing. Light bodied grease that spreads out thinly and remains "wet" on the belt, providing lubrication by penetrating the coated abrasive surface. Prevents clogging and leaves the abrasive grit free to cut clean and smooth.

Part No. **PR-26**

Lasts up to four times longer than regular belts!

SKY-BLUE BACKED PREMIUM CRANKSHAFT POLISHING BELTS

This premium quality polishing belt features a sky-blue backing which conforms easily to journal radii. Bonded to the sky-blue backing are extremely high grade aluminum oxide grains, coupled with a special active dry lubricant that reduces the grinding heat, extends life and cost effectiveness.

Sold in boxes of 10 belts.



Part No.	Width x Length	
FISB-41	1" x 60"	320 grit
FISB-40	3/4" x 60"	320 grit
FISB-9	1" x 64"	320 grit
FISB-60	1" x 64"	400 grit
FISB-61	3/4" x 64"	320 grit
FISB-50	1" x 70"	320 grit
FISB-49	3/4" x 70"	320 grit
FISB-5	1" x 72"	320 grit
FISB-4	3/4" x 72"	320 grit
FISB-11	1" x 77"	320 grit
FISB-00	3/4" x 77"	320 grit
FISB-1	1" x 91"	320 grit
FISB-0	3/4" x 91"	320 grit



CRANKSHAFT TURNING TOOLS

Save time by using these tools during crankshaft rotation. Fit the tool on a 1/2" drive ratchet, slip over the crankshaft snout with the dampener removed, and turn crankshaft to the desired position.

Part No. Application

K-2510 Small Block Chevy

K-2511 Small Block Ford, Pontiac, Buick

K-2512 Mopar Big Blocks

K-2513 Big Block Chevy



BELT CLEANER

Clean clogged abrasive belts and discs with this specially formulated method designed to "dry clean" dust and dirt build up from coated abrasive belts and discs. With the belt in motion, hold the Belt Cleaner firmly with both hands against the abrasive surface at a 45 degree angle. Move steadily across the belt or disc.

Size: 1-1/2" x 1-1/2" x 8"

Part No. **ST-80**



BELT POLISHING ROUGE

A mixture of belt grease and un-fused, aluminum oxide buffing flour. The grease base serves as a lubricant and the abrasive flour functions the same as a buffing compound coloring agent imparting luster to the polished work. Recommended for belt polishing operations on stainless or carbon steel when a high quality, bright finish is desirable.

Part No. **PR-122**

CRANKSHAFT POLISHING BELTS

ALUMINUM OXIDE BELTS

Sold in boxes of 10 belts.

Part No.	Width x Length	Grit
42" – Belt Sanders		
FI-421	7/8" x 42"	400
FI-79	1" x 42"	400
FI-422	7/8" x 42"	320
FI-80	1" x 42"	320
FI-81	1" x 42"	240
55-3/4" – Tamco, Tobin-Arp		
FI-30	1" x 55-3/4"	320
60" – Berco, Goodson		
FI-40	3/4" x 60"	320
FI-41	1" x 60"	320
FI-42	1-1/4" x 60"	320
FI-46	3/4" x 60"	240
FI-47	1" x 60"	240
64" – Regis, Storm, Lemppo, Van Norman, Peterson, Kwik-Way, Goodson, Atlas		
FI-641	3/4" x 64"	400
FI-60	1" x 64"	400
FI-61	3/4" x 64"	320
FI-58	7/8" x 64"	320
FI-59	15/16" x 64"	320
FI-9	1" x 64"	320
FI-66	1-1/4" x 64"	320
FI-67	1-1/2" x 64"	320
FI-62	3/4" x 64"	240
FI-10	1" x 64"	240
FI-68	1-1/4" x 64"	240
FI-69	1-1/2" x 64"	240
FI-63	1" x 64"	180
FI-64	1" x 64"	120
FI-65	1" x 64"	80
70" – Regis, Storm Vulcan		
FI-50	1" x 70"	320
FI-51	1" x 70"	240
FI-52	1" x 70"	180
FI-54	3/4" x 70"	320
FI-53	1" x 70"	400
FI-55	1-1/4" x 70"	320
72" – Regis, Tillis		
FI-721	1" x 72"	400
FI-5	1" x 72"	320
FI-6	1-1/4" x 72"	320
FI-722	1-1/2" x 72"	320
FI-723	1-3/4" x 72"	320
FI-724	2" x 72"	320
FI-7	1" x 72"	240
FI-8	1-1/4" x 72"	240



Part No.	Width x Length	Grit
77" – Storm Vulcan		
FI-771	3/4" x 77"	400
FI-772	7/8" x 77"	400
FI-70	1" x 77"	400
FI-773	1-1/8" x 77"	400
FI-774	1-1/4" x 77"	400
FI-775	1-1/2" x 77"	400
FI-776	1-3/4" x 77"	400
FI-777	1-7/8" x 77"	400
FI-778	2" x 77"	400
FI-00	3/4" x 77"	320
FI-11	1" x 77"	320
FI-71	1-1/8" x 77"	320
FI-12	1-1/4" x 77"	320
FI-72	1-3/8" x 77"	320
FI-13	1-1/2" x 77"	320
FI-73	1-5/8" x 77"	320
FI-14	1-3/4" x 77"	320
FI-74	1-7/8" x 77"	320
FI-75	2" x 77"	320
FI-76	3/4" x 77"	240
FI-15	1" x 77"	240
FI-16	1-1/4" x 77"	240
FI-17	1-1/2" x 77"	240
FI-18	1-3/4" x 77"	240
FI-77	1" x 77"	120
FI-78	1" x 77"	80
91" – Van Norman, Storm Vulcan		
FI-25	1"	400
FI-0	3/4"	320
FI-1	1"	320
FI-2	1-1/4"	320
FI-3	1-1/2"	320
FI-4	1-3/4"	320
FI-912	2"	320
FI-20	3/4"	240
FI-21	1"	240
FI-22	1-1/4"	240
FI-23	1-1/2"	240
FI-24	1-3/4"	240
FI-913	2"	240
115" – Van Norman		
FI-90	1" x 115"	320
FI-91	1" x 115"	240



BUY 10 OR MORE MIX OR MATCH 10% OFF JOBBER

SCALLOPED-EDGE BELTS

FOR JOURNAL RADII. Used to super polish main journals without scarring or removing radius or material. Sold in boxes of 10 belts.

Part No.	Width x Length	Grit
FISC-9600	1" x 64"	600
FISC-11600	1" x 77"	600
FISC-1600	1" x 91"	600
FISC-9	1" x 64"	320
FISC-11	1" x 77"	320
FISC-1	1" x 91"	320



CORK BOND BELTS

Used to super polish main journals without scarring or removing radius or material. Sold individually.

★NOTE: Cork Bond Belts should be run against a dull surface initially to season belt for operation.

Use Regis PR-26 Coated Abrasive Grind Aid to lubricate belt for better polishing.

Part No.	Width x Length	Grit
FICB-9	1" x 64"	320
FICB-11	1" x 77"	320
FICB-1	1" x 91"	320



ULTRA-BRITE BELTS

Resin-bond, aluminum oxide belts deliver a super-fine finish. Woven rigid backs. Sides will conform to journal radii. Sold individually.

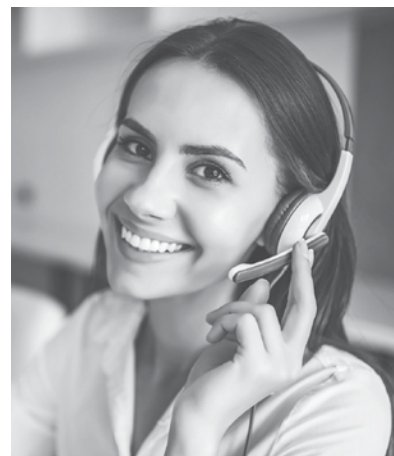
Part No.	Width x Length	Grit
FIUB-61	3/4" x 64"	320
FIUB-641	3/4" x 64"	400
FIUB-60	1" x 64"	400
FIUB-771	3/4" x 77"	400
FIUB-125	3/4" x 91"	400

ELECTRIC CRANKSHAFT POLISHER WITH 2" ROLLERS

Electric, handheld polisher with high quality, 1/2 hp motor. 110v, single phase (10,000 rpm). Counter-clockwise rotation. Lightweight, reinforced, welded aluminum frame.

Comes with ball bearing double shoulder rollers. Operates belts from 1-1/4" to 2" wide, and belt lengths of 70".

Part No. **CP-6272-2**



HOW TO ORDER

Call us anytime between 8:00 a.m. and 4:30 p.m. central time to place your order, be it large or small.

Se habla Español!

Call toll-free
800-527-7604

Local Dallas phone
214-421-5171

Order Online
regismanufacturing.com

ELECTRIC CRANKSHAFT POLISHER

Adjustable and can be operated with belts from 64" to 72" long and 3/4" to 1-1/4" wide. Portable, lightweight aluminum frame. High-torque, 1/2 HP, 110 volt, single phase, 10,000 RPM motor with durable grade 5 bearings.

NOTE:
Replacement parts and rollers listed here are **only for CP-6272**.

Part No.	Description
CP-6272	Crankshaft Polisher
CP-6272A	Replacement Roller Set, 3/4" to 1-1/4"
CP-6272B	Replacement Motor
CP-6272C	Replacement Switch
CP-6272D	Repl. Bearing Roller
CP-6272E	Repl. Drive Roller
CP-6272A2	2" Roller Set
CP-6272D2	2" Bearing Roller
CP-6272E2	2" Drive Roller



METAL MARKERS

Available in **4 colors:**

- **Yellow**
- **White**
- **Blue**
- **Red**

A marker with permanent, oil-based paint equipped with a rubber primer bulb. Releases a brightly colored paint for permanently marking cylinder heads, blocks, pistons and other engine parts. Dries quickly and will not rub off.

Part No.	Color
RM-1Y	Yellow
RM-1W	White
RM-1B	Blue
RM-1R	Red





HEAVY METAL

90% Tungsten, 17 density (same as Mallory 1000).
+.002" diameter for press fit.

Part No.	Hole	Length	Weight
HM-500100	1/2"	1.0"	57g
HM-500120	1/2"	1.2"	65g
HM-625100	5/8"	1.0"	91g
HM-625120	5/8"	1.2"	110g
HM-750100	3/4"	1.0"	122g
HM-750120	3/4"	1.2"	147g
HM-875100	7/8"	1.0"	169g
HM-875120	7/8"	1.2"	198g
HM-100100	1"	1.0"	227g
HM-100120	1"	1.2"	265g



REPLACEMENT SCREW SET

FOR ARNOLD OR FEDERAL JOURNAL SIZING GAUGES

These hard-to-find screw sets for the Arnold and Federal journal sizing gauges are slightly longer than the originals so they can easily be removed should the socket become deformed.

Part No.	Description
SSK	Includes (6) set screws and (1) hex key.
SSH	Hex Key



RADIUS GAUGE SET

Five different gaging surfaces on each gage for both convex and concave radius. Made of satin finish stainless steel, rust and stain resistant. With handy gage holders. 17/64" - 1/2" by 64th increments.

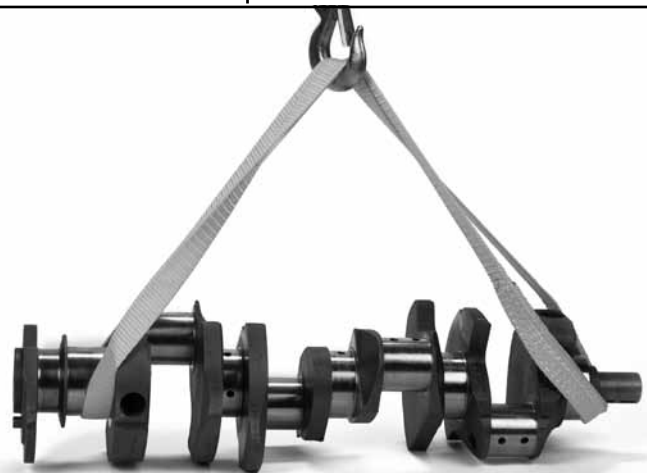
Part No. **M-15**

STEADY REST SHOES

FOR STORM VULCAN CRANKSHAFT GRINDERS



Part No.	Description	Thickness
For Model 14 & 15		
TS-148	Top Standard	3/8"
BS-148	Bottom Standard	3/8"
TN-148	Top Narrow	1/4"
BN-148	Bottom Narrow	1/4"
For Model 1648		
TW-1633	Top Wide	3/8"
BW-1633	Bottom Wide	3/8"
TN-1633	Top Narrow	3/16"
BN-1633	Bottom Narrow	3/16"
For Model 15A & 15A-SP		
TS-15A	Top Standard	3/8"
LS-15A	Lower Standard	3/8"
UT-15A	Upper Thin	1/4"
LT-15A	Lower Thin	1/4"
For Model 15C		
US-15C	Upper Standard	3/8"
LS-15C	Lower Standard	3/8"



LIFTING SLING

- 1" wide x 36" long
- Made of durable nylon webbing

Looped sling lifts up to 2300 lbs. (vertical). Secure sling to workpiece and move it with your overhead hoist. A safe and easy way to handle heavy blocks, camshafts and crankshafts. Not designed for use with caustics or temperatures greater than 190°F.

Part No. **LS-36**

RUST PROOFING SPRAY

RPS-2 is a water displacing, non-staining rust preventative and lubricant that leaves behind a relatively dry film. Provides intermediate-term salt spray rust protection; protects up to 6 months outdoor and up to 18 months indoor.



new Part No. **RPS-2**

RPS-5 provides an oily protective film for 18-24 months indoor storage protection, moderate salt spray protection and short-term outdoor protection.

new Part No. **RPS-5**

See page 106 for more info.

Regis CBN Flywheel Stones contain 15% more CBN with a wide grinder face.



CBN FLYWHEEL STONES

A specially-engineered flywheel grinding stone created for the automobile industry to cut faster and last longer. Leaves no dirt residue!
For cast iron only.

Part No.	Size
CBN-3	3" cup, 1-1/4" arbor
CBN-334	3-3/4" cup, 1-1/4" arbor
CBN-5	5" cup, 1-1/4" arbor
CBN-6	6" cup, 1-1/4" arbor
PLS	Dressing Stick



BB-50
Complete Dresser Assembly



BB-57
Complete Dresser Assembly

STONE DRESSERS

FOR WINONA FG-3000, 5000, 7000 FLYWHEEL GRINDING MACHINES

Part No.	Description
BB-50	Complete Dresser Assembly
BB-50A	Replacement Cutter Set

FOR OLCOTT, DCM TECH & OTHER FLYWHEEL GRINDERS USING BLANCHARD DRESSERS

Part No.	Description
BB-57	Complete Dresser Assembly
BB-57A	Replacement Cutter Set



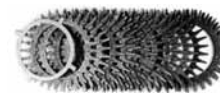
BB-10 Complete Assembly
Replacement Cutter Set
BB-14



BB-17 Complete Assembly
Replacement Cutter Set
BB-17A



BB-10L Complete Assembly
Replacement Cutter Set
BB-18



DESMOND DRESSERS FOR SURFACE GRINDERS

Part No.	Description	Fits machines
BB-10	Complete Assembly	Storm RT-7Y, RT-17Y, 360A, Van Norman, Peterson
BB-14	Set of 14 loose cutters	Storm RT-7Y, RT-17Y, 360A, Van Norman, Peterson
BB-17	Complete Assembly	Peterson (dry grinder); Berco late model 1200, 1550
BB-17A	Set of 8 cutters & 5 spacers	Peterson (dry grinder); Berco late model 1200, 1550
BB-10L	Complete Assembly	Kwik-Way; Lemppo 885, 855-5, 856, 860
BB-18	Set of 8 cutters & 5 spacers	Kwik-Way; Lemppo 885, 855-5, 856, 860
5-H	Set of 4 cutters & 2 spacers	Berco early model 1200 & 1550



FLYWHEEL STONES

Take 10% off jobber when you order 5 or more flywheel stones (may be assorted).

Part No.	Usage / Description	Part No.	Usage / Description
K-57	For Van Norman 570 Black stone with flare cup. 5/3-3/4 x 1-3/4 x 15/16"	K-1055	Steel White stone with flare cup. 6/4-1/2 x 2 x 1-1/4" 2" tall
K-58	For Van Norman 570 Grey stone with flare cup for steel. 5/3-3/4 x 1-3/4 x 15/16"	K-1056	Steel White stone with flare cup. 4" cup 4/3 x 1-1/2 x 1 1/4" 1-1/2" tall
K-1051	Steel Small diameter. 3/2-1/4 x 1-1/4 x 3/4" 1-1/4" tall	K-1057	Cast Iron/General Purpose Black stone with flare cup. 6/4-1/2 x 2 x 1-1/4" 2" tall
K-1052	Cast Iron and Steel Ruby stone with flare cup. 4" cup 4/3 x 1-1/2 x 1-1/4" 1-1/2" tall	K-1058	Cast Iron/General Purpose Black stone with flare cup . 4" cup 4/3 x 2-1/8 x 1-1/4" 2-1/8" tall
K-1053	Cast Iron/General Purpose Black stone with straight-side cup. 6 x 2-1/2 x 1-1/4" 2-1/2" tall. Flat flywheel.	K-1059	Cast Iron and Steel Ruby stone with flare cup. 6/4-1/2 x 2-1/2 x 1-1/4" 2-1/2" tall
K-1054	Cast Iron/General Purpose Black stone with flare cup. 6/4-1/2 x 2-1/2 x 1-1/4" 2-1/2" tall. Premium grade.	R-FATBOY	Heavy-duty Black stone with flare cup. 6 x 4-1/2 x 2-3/4" x 1-1/4" 2-3/4" tall. 3/4" cutting surface.

NOTE: Stone color may vary due to manufacturing process.



EZ-LOCK

WVN table insert.
5/8" x 11 OD, 7/16" x 14 ID.

Part No. EZ-LOCK

MULTI-PURPOSE GRINDING COOLANT

Ideal for flywheel, crankshaft, camshaft, platen and surface grinding. Professional grade, pink, synthetic, water-soluable coolant with excellent anti-rust properties. Bacterial fungal resistant.

Concentrate: Mix 30 to 1 for cast iron; 40 to 1 for aluminum.

Part No.	Quantity
MK-1	1 gallon
MK-5	5 gallons



AUTOMOTIVE DOWEL PULLER

Pulls all 1/4", 5/16", 3/8" and 7/16" automotive head and block dowels, as well as flywheel dowel pins. Optional extractor heads are also available to pull other size dowels.

Part No.	Description
KA-600	DOWEL PULLER KIT Extractor head sizes: 1/4", 5/16", 3/8" & 7/16" Includes one of each listed below.
KAO-001	Slide Hammer Shaft
KAO-002	Slide Hammer
KAO-003	Squeeze Collar
KAO-021	Extractor Base
K-601B	1/4" Extractor Head
K-601C	5/16" Extractor Head
K-601D	3/8" Extractor Head
K-601E	7/16" Extractor Head

Part No.	Description
KA-600M	METRIC DOWEL PULLER KIT Extractor head sizes: 4mm, 5mm, 6mm & 8mm. Includes the same tooling as KA-600.

OPTIONAL EXTRACTOR HEADS

K-601A	3/16" (.188")	K-601P	6mm (.236")
K-601F	9/16" (.562")	K-601Q	11/16" (.687")
K-601G	5/8" (.625")	K-601R	.640"
K-601H	1/2" (.500")	K-601S	.800"
K-601I	7mm (.275")	K-601T	3/4" (.750")
K-601J	8mm (.315")	K-601W	10mm (.394")
K-601K	.675"	K-601X	12mm (.472")
K-601M	.735"	K-601Y	14mm (.551")
K-601N	4mm (.156")	K-601Z	.600"
K-601O	5mm (.197")		

CLUTCH GRINDING WHEELS

For Van Norman and LempcO machines. Stone color may vary due to manufacturing process.



FOR VAN NORMAN 444

Part No. K-2316
8 x 3/4 x 7/8" – for pressure plates
Mfg. #1093710167

Part No. K-444
5/4 x 3 x 7/8" – for flywheels
Mfg. #10166-11155

FOR LEMPCO NAC, VAC

Part No. K-2316
8 x 3/4 x 7/8" – for pressure plates

FOR LEMCO A-C

Part No. K-404
4/3-3/8 x 1-7/8 x 5/8" (flare cup)



GRINDING COOLANT

Ideal for flywheel, crankshaft, camshaft, platen and surface grinding. Professional grade, pink, synthetic, water-soluble coolant with excellent anti-rust properties. Bacterial fungal resistant.

Concentrate: Mix 30 to 1 for cast iron; 40 to 1 for aluminum.

Part No.	Quantity
MK-1	1 gallon
MK-5	5 gallons

REGIS ENGINE PAINTS

Restores a new finish!

Ideal for use on newly cleaned cylinder heads, engine blocks, etc. Features a durable, quick-dry formula with excellent adhesion.

Part No.	Description
NEW-CAST	CAST IRON GRAY
RG-1655	ALUMINUM GRAY

OEM COLORS

RG-41	Chrome Aluminum
RG-42	Universal Black
RG-73	Cummins Beige



new

DIESEL PAINTS

SEYMOUR BIG RIG HEAVY-DUTY INDUSTRIAL ENAMEL

Superior high solids coverage for fleet maintenance applications where maximum performance is required. It will not blister, flake, or crack. Prevents rust and corrosion while resisting heat, oil, gas, and abrasion. Ideal for vehicle frames, engine blocks, protecting metal structures and restoring equipment.

Part No.	Description
RG-43	Gloss White
RG-44	Gloss Frame Black
RG-45	Cummins Red
RG-48	School Bus (CAT) Yellow



LAYOUT FLUID & SPRAY

Great for aligning parts, locating high spots, porting and many other shop uses. Non-corrosive. Heat resistant with good adhesion to all metals and glass. Blue and red layout fluid in 8 oz. bottles with dauber brush.

Part No.	Description
DC-8B	Blue Layout Fluid
DC-8R	Red Layout Fluid
RG-16358	Blue Spray 16 oz.

RUST PREVENTATIVE COATING

Apply to dry metal by spraying, brushing or dipping.

Heavy film protection for machined surfaces and crankshaft journals. Ideal for short or long term storage and protection against abrasion or rough handling. Dries fast, leaves a film that is easily removed with any solvent. Film thickness may be reduced. Can be cut with honing oil up to 15% for easier spraying.

Part No. **IC-360**



RUST PROOFING SPRAY

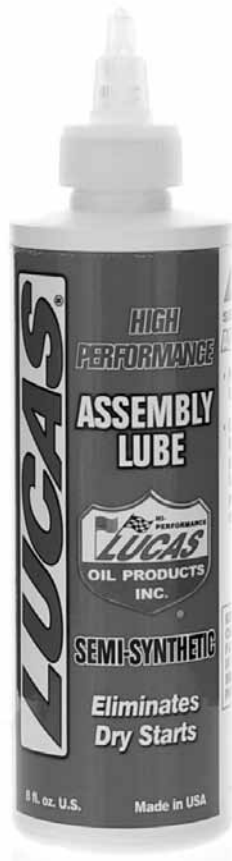
RPO-1 and RPO-5: Moisture-displacing rust preventative and lubricating mist. Eliminates wiping, drying, or cleaning before applying. Works equally well when applied to either wet or dry surfaces. Does not gum or harden. Remains oily. Functions as a lubricant. Works great with our FO-1 spray unit.

RPS-2 and RPS-5: Water displacing, non-staining rust preventative and lubricant that leaves behind a relatively dry film. RPS-2 provides intermediate-term salt spray rust protection; protects up to 6 months outdoor and up to 18 months indoor. RPS-5 provides an oily protective film for 18-24 months indoor storage protection, moderate salt spray protection and short-term outdoor protection.

Part No.	Description
new RPS-2	Dry Film Outdoor, 16 oz. spray can
new RPS-5	Long Term Indoor, 16 oz. spray can
RPO-1	Rust Proofing Spray, 1 gallon
RPO-5	Rust Proofing Spray, 5 gallons
FO-1	Spray Unit

Recommended for rust proofing crankshafts, camshafts, blocks, and all assemblies prior to shipment or storage.





ENGINE ASSEMBLY LUBE

Designed for mechanics and technicians to pre lube bearings, cams, lifters and valve train. The semi-synthetic formula contains ZINC, MOLY and other high pressure additives which offer maximum protection during engine break-in. Super slick and easy to use, Lucas High Performance Assembly Lube will eliminate dry starts and prevent seizing galling and scuffing.

KEY BENEFITS

- Eliminates dry starts
- Perfect for engine building
- Use to pre-lube bearings, cams, lifters and valve train
- Compatible with all oils
- Prevents breakdown during long term storage
- Contains ZINC, MOLY and other high pressure additives

Part No.	Description
EA0-80Z	8 oz., Lucas® Assembly Lube
EA0-1	1 gallon, Lucas® Assembly Lube
EA0-5	5 gallons, Lucas® Assembly Lube

METAL MARKERS

Available in 4 colors:

- Yellow
- White
- Blue
- Red

A marker with permanent, oil-based paint equipped with a rubber primer bulb. Releases a brightly colored paint for permanently marking cylinder heads, blocks, pistons and other engine parts. Dries quickly and will not rub off.

Part No.	Color
RM-1Y	Yellow
RM-1W	White
RM-1B	Blue
RM-1R	Red



LUBRIPLATE ENGINE ASSEMBLY GREASE

Smooth, light-bodied grease contains a zinc-oxide, anti-wear additive made especially for motor assembly and engine rebuilding.

This product prevents **dry start**. It provides necessary lubrication during initial start up before the motor oil has circulated.

Prevents damage from scuffing scoring and friction. Protects freshly machined engine parts from rust and corrosion.

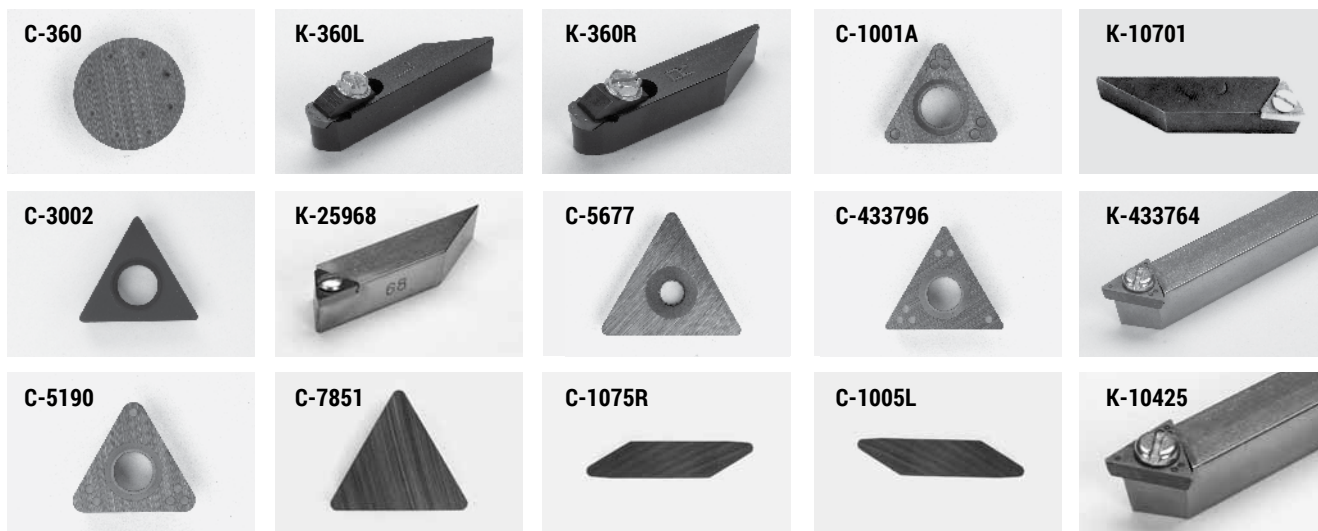
Part No.	Description
EAL-10	10 oz. Plastic Tube
EAL-16	16 oz. Can
EAL-96	6 lb. Can



ENGINE OILER

Prevent damage done by dry cranking or dry starts on a rebuilt engine. Use this air-powered oiler to fill crankcase or fill oil galleries. Some shops loan these out with a remanufactured engine as part of the warranty. **5-quart capacity.**

Part No. **EPL-1**



REPLACEMENT BRAKE LATHE TIPS AND HOLDERS

Order 10 or more tips, mix or match, receive 10% off jobber pricing.

Part No.	Description		Mfg. No.
FOR ALL MACHINES			
C-360	Round Tip	Pos. rake	CT-10
K-360L	Round Tip Holder, left hand 3/8 x 3/8 x 1-7/8 "		-----
K-360R	Round Tip Holder, right hand 3/8 x 3/8 x 1-7/8 "		-----
AMMCO 700, 710, 1000, 2002, 3000, 4000, 4100, 7000, 7500, 7700			
C-1001A	Tip	Neg. rake	6914
C-1001	Tip, tin coated gold	Neg. rake	6914
C-6499	Set screw		-----
K-10872	Tip Holder (for tips above) for drums		9872
K-10701	Tip Holder, right hand (for tips above) for rotors		10701
K-10702	Tip Holder, left hand (for tips above) for rotors		10702
AMMCO 3850			
C-3002	Tip, 1/64" radius	Pos. rake	6918
C-3001	Tip, 1/32" radius	Pos. rake	7681
K-25968	Tip Holder, right hand (for tips above) rotors		25968
K-25969	Tip Holder, left hand (for tips above) rotors		25969
AMMCO HD 5000, 6000, 6002			
C-5677	Tip	Pos. rake	5677
ACCUTURN – All combination disc/drum lathes			
C-433796	Tip	Pos. rake	433796
K-433763	Tip Holder, right hand (for tips above)		433763
K-433764	Tip Holder, left hand (for tips above)		433764

Part No.	Description		Mfg. No.
FMC 600, 601, 700, 701, RotoTruer			
C-5190	Tip	Pos. rake	90487
K-433763	Tip Holder, right hand		433763
K-433764	Tip Holder, left hand		433764
VAN NORMAN/RELS 204, 204D, 205, 205DC, 415, 243X			
C-7851	Tip	Pos. rake	29687
VAN NORMAN/RELS 204, 205, 205DR, 300, 302, 333, 243, 243XV			
C-1075R	Tip	Pos. rake	302-7167
VAN NORMAN/RELS – 303, 304, 305, 404, 405, V22			
C-1005L	Tip	Pos. rake	304-7167
KWIK-WAY CBL, NCL, SDL, Kwik-Lathe On-the-Car-Lathe			
C-7854	Tip	Pos. rake	109-1092-23
K-10424	Tip Holder, right hand		-----
K-10425	Tip Holder, left hand		-----
STAR XDS, XD1, 835A, 1776			
C-3800	Tip	Neg. rake	CB-60
K-10424	Tip Holder, right hand		-----
K-10425	Tip Holder, left hand		-----
BEAR 1410, 1466, 1467, 1468, 1469, 14787			
C-4800	Tip	Neg. rake	2264, 72265
K-10424	Tip Holder, right hand		-----
K-10425	Tip Holder, left hand		-----
BEAN 400, 500, 600 series			
C-5800	Tip	Pos. rake	90487

BRAKE DRUM LATHE TOOLS



LEFT HAND TOOL

Part No. **KL-1**
FOR CAST IRON, 3/8" sq. x 2-1/2"
Fits Bean; Star; Bear;
Van Norman 303, 304H, Jumbo 304



RIGHT HAND TOOL

Part No. **KR-1**
FOR CAST IRON, 3/8" sq. x 2-1/2"
Fits Bean; Star; Bear;
Van Norman 303, 304H, Jumbo 304

BRAKE DRUM GRINDING WHEELS



Regis Brake Drum Grinding Wheels are available to fit most popular models from Van Norman, Ammco and Lempco.

Part No.	Size	Mfg. No.
For Van Norman 204, 302, 303, 304, 204H, 333, 404		
K-111	3" x 5/8" x 3/4"	29594 (204)
K-122	3" x 5/8" x 1"	8522
K-211	3-1/2" x 5/8" x 1"	8931
K-424	4" x 5/8" x 1"	8523
K-744	5" x 5/8" x 1"	8524

Part No.	Size	Mfg. No.
For Van Norman 310 (Big Brute)		
K-123	3" x 1" x 1"	
K-425	4" x 1" x 1"	
For Ammco		
K-204	2-1/2" x 3/8" x 3/8"	333
For Lempco		
K-112	3" x 1/2" x 5/8"	Y235



AMMCO SILENCER PADS

FITS AMMCO 7075 DISC ROTOR.
Replacement silencer pads stop loud noise when turning thin, non-vented disc rotors common on small cars. Sold as a set of 2 silencer pads.

Part No. **BR-9183**



SILENCER BANDS

Eliminate chatter when turning drums, discs and rotors.

Part No.	Application	Size
E-2	For truck drums	2-5/8" x 7 ft.
E-3	For passenger drums	1-1/2" x 5 ft.
E-4	For non-vented rotors	5/16" x 9-3/8" and 5/16" x 7" (set of 2)
E-5	For disc rotors	9" diameter (with lead pieces)
E-6	Clamp-on style. Fits all disc and rotor lathes (vented and non-vented)	



BRAKE LATHE ARBORS & ADAPTERS

Top-quality replacement parts meet or exceed OEM quality specifications.
Large selection of sizes and types of adapters and accessories for all 1" arbor brake lathes.

1" ARBORS

Part No.	Fits machine
BR-3101	Ammco 2000, 3000, 4000, 4100, 7000, 7700
BR-433701	Accu-Turn

1" ARBOR ACCESSORIES

Part No.	Description
BR-3102	Arbor Nut, fits all Ammco except 1101
BR-20474	Arbor Nut, fits all arbors listed above except Ammco
BR-204240	Washer for VN/Rels arbor
BR-3110	Centering Spring
BR-3125	1" Spacer, 1/2" long
BR-5040	1" Spacer, 1" long
BR-5041	1" Spacer, 1 1/2" long
BR-5042	1" Spacer, 2" long
BR-9492	1" Spacer, flexible 5/8" long

AUTOMOTIVE BELL CLAMPS

Part No.	Description
BR-9489	3.625" O.D.
BR-9490	4.500" O.D.
BR-3123	5.750" O.D.

AUTOMOTIVE SINGLE-TAPERED CENTERING CONES

Part No.	Description
BR-3777	7-piece Set 1.250" - 4.031" range
BR-3902	1.250" - 1.750"
BR-3903	1.187" - 2.250"
BR-3904	1.703" - 2.750"
BR-3108	2.328" - 2.986"
BR-3178	2.650" - 3.224"
BR-3107	2.890" - 3.500"
BR-3106	3.421" - 4.031"

AUTOMOTIVE DOUBLE-TAPERED CENTERING CONES

Part No.	Description
BR-9232	5-piece Set 1.322" - 2.897" range
BR-9921	1.322" - 1.670"
BR-9922	1.362" - 1.710"
BR-9192	1.711" - 2.073"
BR-9193	2.074" - 2.440"
BR-9194	2.441" - 2.897"
BR-9233	2-piece Set 2.828" - 3.560" range
BR-9195	2.828" - 3.185"
BR-9196	3.203" - 3.560"

TRUCK ADAPTER SETS

Part No.	Description
BR-5062	Standard Truck Set Set includes: 3-7/8" x 5-1/8" centering cone, two 6-1/2" bell clamps and heavy-duty spring.
BR-5060	Master Truck Set Set includes: 3-7/8" x 5-1/8" centering cone, 5" x 6-1/8" centering cone, 6-1/2" bell clamp, 7-3/4" bell clamp and heavy-duty spring.
BR-5061	F-250 Truck Set Set includes: 4-1/2" x 5-1/2" centering cone, two 7-3/4" bell clamps and heavy-duty spring.

INDIVIDUAL TRUCK ADAPTERS

Part No.	Description
BR-5053	Centering Cone, 3-7/8" x 5-1/8"
BR-5052	Centering Cone, 4-1/2" x 5-1/2"
BR-5054	Centering Cone, 5" x 6-1/8"
BR-5055	Bell Clamp, 6-1/2" O.D.
BR-5056	Bell Clamp, 7-3/4" O.D.
BR-5059	Heavy-duty Spring

QUESTIONS?

Call toll-free: 1-800-527-7604
Direct: 214-421-5171

REPLACEMENT PARTS FOR AMMCO



DUST BOOTS

Part No.	Fits
BR-3086	Fits feed screw For 3000, 3850, 4000, 7000
BR-3087	Fits cross feed For 3000, 4000, 4100, 7000, 7700



SPINDLE BOOT

For 3000, 4000, 4100, 7100

Part No.	Description
BR-3085	Spindle Boot
BR-23682	Boot Ring
BR-4435	C-Clip
BR-3159	Snap Ring

LOCKING KNOB & BRASS WEAR INSERTS

Part No.	Description
BR-6854	Red Knob

Brass Wear Inserts

Size	
BR-3141	3/16 x 1/8"
BR-3142	19/64 x 1/4" *
BR-9836	1/4 x 19/64"

* Most common size.

AMMCO CROSS FEED SHEAR GEAR & C-CLIP

Fits Ammco 4000, 4100
Part No. **BR-7996**



ROTOR ADAPTER

One-piece rotor adapter mounts 3/4 and 1-ton rotor assemblies quickly and easily – without disassembly! Adapter locates from the rear bearing flange, which is the only accurate way to machine these rotors. For '92 and later GM 4x4, '94 and later Dodge Ram and '98 and later Ford trucks. Mounts to any 1" arbor brake lathe.

Part No. **BR-8495**



BRAKE ROTOR FLEX-HONES

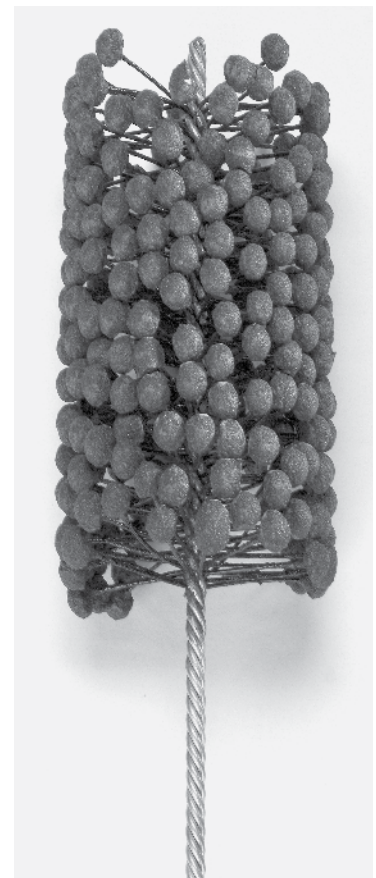
Flex-Hones deliver a superior finish on brake rotors and flywheels. Use with a 3/8" drill at 600-1000 rpm.

Part No.	Description
RFH-060	Coarse grade, 60 grit
RFH-120	Medium grade, 120 grit
RFH-240	Fine grade, 240 grit

BRAKE CYLINDER FLEX-HONES

Resilient, flexible, honing tools with a soft cutting action. Each abrasive globule has independent suspension that assures the Flex-Hone to be self-centering, self-aligning to the bore, and self-compensating for wear. The resulting crosshatch finish is extremely efficient in providing a multiplicity of oil grooves or valleys for oil retention as opposed to the often unidirectional or uneven valleys common to the conventional type rigid hone. This crosshatch usually remains as the cylinder wall has been wear-reduced by the Flex-Hone.

Part No.	Size	mm	Grit
RCF-062	5/8"	15.9	120 grit
RCF-075	3/4"	19.0	120 grit
BC-875	7/8"	22.2	120 grit
BC-875-180	7/8"	22.2	180 grit
RCF-100	1"	25.4	120 grit





DESMOND-HUNTINGTON DRESSERS AND REPLACEMENT CUTTERS

Hooded dressers for quick action on various size wheels.

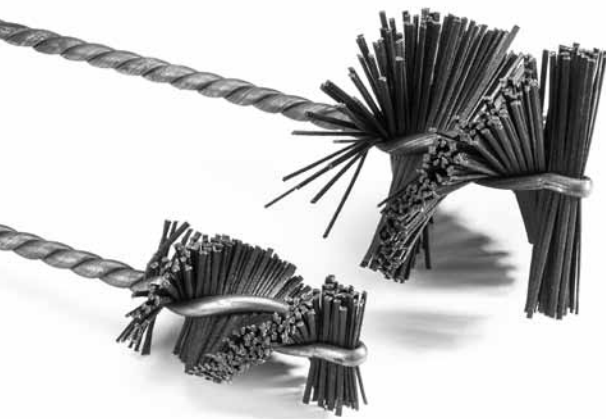
Part No.	Description
RD-0	Dresser, 1-1/4" diameter cutters
RC-0	Replacement cutters for RD-0
RD-1	Dresser, 1-1/2" diameter cutters
RC-1	Replacement cutters for RD-1

100 WATT MULTI-LAMP

- Milling Machines
- Grinders
- Lathes
- Inspection Work
- Bench Lighting
- Drill Presses
- Parts Washers
- Assembly

Replacement lamp with a special design that draws heat away from switch and socket area resulting in maximum component life. Mounts various ways. Shade remains absolutely cool to the touch, thanks to air space between the inner reflector and outer shade. 100 watt capacity to see better and work better. UL and CSA approved construction. Accepts standard A-19 bulbs.

Part No. **ML-1**



ULTRA-FLEX FINISH BRUSHES

Gives a high-micron finish to valve guides, cylinders and lifter bores

WILL NOT ENLARGE BORE DIAMETERS!

Removes tiny peaks and scuffs left after reaming or honing. Ideal for racing and high-performance applications — also for new engine cylinders that require low-tension rings. Same abrasive material used for plateau brushes.

Part No.	For hole diameter(s)	Brush Diameter	Brush Length	OAL
R-5.5mm	5.5 mm $\frac{7}{32}$ " .2187"	.241"	1"	4"
R-6.4mm	6.4 mm $\frac{1}{4}$ " .250"	.275"	1.25"	4.5"
R-7mm	7 mm $\frac{9}{32}$ " .2182"	.309"	1.25"	4.5"
R-8mm	8 mm $\frac{5}{16}$ " .3125"	.343"	1.25"	4.5"
R-9mm	9 mm $\frac{11}{32}$ " .3437"	.378"	1.25"	4.5"
R-10mm	10 mm $\frac{3}{8}$ " .375"	.413"	1.25"	4.5"
R-11mm	11 mm $\frac{7}{16}$ " .4375"	.481"	1.25"	4.5"
R-12mm	12 mm $\frac{15}{32}$ " .4687"	.516"	1.25"	4.5"
R-13mm	13 mm $\frac{1}{2}$ " .500"	.550"	1.5"	5"
R-14mm	14 mm $\frac{9}{16}$ " .5625"	.618"	1.5"	5"
R-16mm	16 mm $\frac{5}{8}$ " .625"	.688"	1.5"	5"
R-17.5mm	17.5 mm $\frac{11}{16}$ " .6875"	.756"	1.5"	5"
R-19mm	19 mm $\frac{3}{4}$ " .750"	.825"	1.5"	5"
R-20.5mm	20.5 mm $\frac{13}{16}$ " .8125"	.893"	1.5"	6"
R-22mm	22 mm $\frac{7}{8}$ " .875"	.875"	1.5"	6"
R-25mm	25.4 mm 1"	1"	1.5"	6"
R-200	32-45 mm 1.25 – 1.75"	2"	2"	10"
R-250	45-47 mm 1.75 – 2.25"	2.5"	2"	10"
R-300	57-70 mm 2.25 – 2.75"	3"	2"	10"
R-350	70-82 mm 2.75 – 3.25"	3.5"	2"	10"
R-400	76-89 mm 3 – 3.5"	4"	4"	14"
R-450	89-102 mm 3.5 – 4"	4.5"	4"	14"
R-500	102-114 mm 4 – 4.5"	5"	5"	14"

- VALVE GUIDES
- ENGINE CYLINDERS
- LIFTER BORES
- CAM BEARINGS

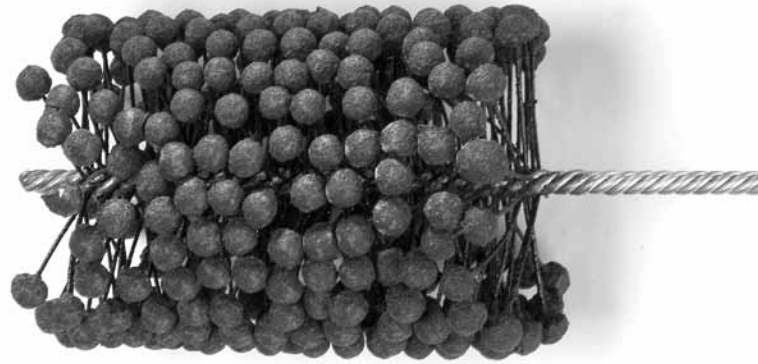
FLEX-HONES®

This super-finishing process produces a controlled surface condition unattainable by any other method!

Resilient, flexible, honing tools with a soft cutting action. Each abrasive globule has independent suspension that assures the Flex-Hone to be self-centering, self-aligning to the bore, and self-compensating for wear.

This low-temperature abrading process exposes the undisturbed base metal structure to produce a long-wearing surface. The Flex-Hone process develops a surface which is optically smooth and metallurgically free of any fragmented, amorphous or smeared metal from previous operations.

The resulting crosshatch finish is extremely efficient in providing a multiplicity of oil grooves or valleys for oil retention as opposed to the often unidirectional or uneven valleys common to the conventional type rigid hone. This crosshatch usually remains as the cylinder wall has been wear-reduced by the Flex-Hone.



Part No.	Size	mm	OAL	Application
STANDARD, 120 GRIT				
RVF-250	1/4"	6.4	8"	Valve Guides
RVF-276	9/32"	7.0	8"	Valve Guides
RVF-315	5/16"	8.0	8"	Valve Guides
RVF-354	11/32"	9.0	8"	Valve Guides
RVF-394	3/8"	10.0	8"	Valve Guides
RVF-433	7/16"	11.0	8"	Valve Guides
RCF-050	1/2"	12.7	8"	Small Cylinders
RCF-062	5/8"	15.9	8"	Small Cylinders
RCF-075	3/4"	19.0	8"	Small Cylinders
BC-875	7/8"	22.2	8"	Lifter Bore (SB Chevy)
RCF-100	1"	25.4	8"	Small Cylinders
RCF-125	1-1/4"	31.8	8"	Small Cylinders
RCF-150	1-1/2"	38.0	8"	Small Cylinders
RCF-175	1-3/4"	44.5	8"	Small Cylinders
RCF-178	1-7/8"	47.6	8"	Cam Bearings (Chevy 350)
RCF-200	2"	50.8	8"	Cam Bearings
RCF-225	2-1/4"	57.15	8"	Cam Bearings
RCF-250	2-1/2"	63.5	8"	Cam Bearings
RCF-275	2-3/4"	59.4	8"	Cam Bearings
RCF-18E	18" Extension			Fits RCF-200 thru RCF-275
RCF-300	3"	76.0	13-1/2"	Cam Bearings
RCF-325	3-1/4"	82.6	13-1/2"	Cam Bearings
RCF-350	3-1/2"	89.0	13-1/2"	Cam Bearings
RCF-375	3-3/4"	95.3	13-1/2"	Large Cylinders
RCF-412	4-1/8"	104.7	13-1/2"	Large Cylinders
RCF-462	4-5/8"	117.4	13-1/2"	Large Cylinders

Part No.	Size	mm	OAL	Application
STANDARD, 180 GRIT				
RCF-5MM		5.0	8"	Valve Guides
RCF-5.5MM		5.5	8"	Valve Guides
RCF-6MM		6.0	8"	Valve Guides
BC-875-180	7/8"	22.2	8"	Lifter Bore (SB Chevy)
HEAVY-DUTY, 120 GRIT				
RCF-300HD	3"	76.0	17-1/2"	Cam Bearings, Heavy-duty
RCF-325HD	3-1/4"	82.6	17-1/2"	Cam Bearings, Heavy-duty
RCF-350HD	3-1/2"	89.0	17-1/2"	Cam Bearings, Heavy-duty
RCF-400HD	4"	101.6	17-1/2"	Large Cylinders, Heavy-duty
RCF-425HD	4-1/4"	108.0	17-1/2"	Large Cylinders, Heavy-duty
RCF-450HD	4-1/2"	114.3	17-1/2"	Large Cylinders, Heavy-duty
RCF-500HD	5"	127.0	17-1/2"	Large Cylinders, Heavy-duty
RCF-550HD	5-1/2"	139.7	17-1/2"	Large Cylinders, Heavy-duty
RCF-600HD	6"	152.4	17-1/2"	Large Cylinders, Heavy-duty
RCF-650HD	6-1/2"	165.1	17-1/2"	Large Cylinders, Heavy-duty
RCF-700HD	7"	177.8	17-1/2"	Large Cylinders, Heavy-duty
RCF-750HD	7-1/2"	190.5	17-1/2"	Large Cylinders, Heavy-duty
RCF-800HD	8"	203.2	17-1/2"	Large Cylinders, Heavy-duty
STANDARD, 320 GRIT				
RCF-300-320	3"	76.0	13-1/2"	Cam Bearings
RCF-325-320	3-1/4"	82.6	13-1/2"	Cam Bearings
RCF-350-320	3-1/2"	89.0	13-1/2"	Cam Bearings
RCF-375-320	3-3/4"	95.0	13-1/2"	Large Cylinders
RCF-412-320	4-1/8"	104.7	13-1/2"	Large Cylinders
RCF-462-320	4-5/8"	117.4	13-1/2"	Large Cylinders
DIAMOND, 400 GRIT				
RVFD-157	0.157"	4.0	6"	Valve Guides
RVFD-177	0.177"	4.5	6"	Valve Guides
RVFD-197	0.197"	5.0	8"	Valve Guides
RVFD-217	0.217"	5.5	8"	Valve Guides
RVFD-250	0.250"	6.4	8"	Valve Guides
RVFD-276	0.276"	7.0	8"	Valve Guides
RVFD-315	0.315"	8.0	8"	Valve Guides
RVFD-354	0.354"	9.0	8"	Valve Guides
RVFD-394	0.394"	10.0	8"	Valve Guides
RVFD-433	0.433"	11.0	8"	Valve Guides
RVFD-472	0.472"	12.0	8"	Valve Guides



GENERAL PURPOSE GRINDING WHEELS

BENCH GRINDING AND GENERAL USE WHEELS

Part No.	Dia. x Width x Arbor	Grade
K-964	6" x 1/2" x 1-1/4"	Medium
K-1044	6" x 3/4" x 1-1/4"	Medium
K-1050	6" x 3/4" x 1-1/4"	Fine
K-1099	6" x 1" x 1-1/4"	Fine
K-1107	6" x 1" x 1-1/4"	Medium
K-1109	6" x 1" x 1-1/4"	Coarse
K-1238	7" x 1" x 1-1/4"	Medium
K-2332	8" x 3/4" x 1-1/4"	Medium
K-2382	8" x 1" x 1-1/4"	Medium

TAPPET GRINDING WHEEL, STORM-VULCAN 902

Part No.	Dia. x Width x Arbor
K-902	6" x 1-1/2" x 1-1/4" cup wheel Green Silicone Carbide, Mfg. No. 901-12-9B
K-903	6" x 1-1/2" x 1-1/4" cup wheel White Aluminum Oxide, Mfg. No. 901-12-9A

GREEN-GRIT GRINDING WHEELS FOR SHARPENING CARBIDE TOOLS

Part No.	Dia. x Width x Arbor	Grade
K-982	6" x 1/2" x 1-1/4"	Fine*
K-1064	6" x 3/4" x 1-1/4"	Fine*
K-1108	6" x 1" x 1-1/4"	Fine*

* Fine / GC 100 grit

Bushings available to reduce 1-1/4" arbor hole (specify size) – call to inquire.

SUPER SCRAPER™

Removes rust, paint, metal buildup, glues, gaskets... or just about anything! Works on all metals, including aluminum. Precision-ground, double-edge carbide blade, nickel chrome-plated 1/8" steel shank and hardwood handle.

Part No.	Description
SS-12	5/8" wide blade
SS-1	1-1/4" wide blade
SS-2	2" wide blade



BEARING / MACHINIST SCRAPER

3-1/4" hollow-ground, triangular blade scraper with beveled point for small work.

Part No. **BS-325**



DEBURRING TOOL

Deburring Tool for holes, slots and edges. B holder supports all B blades (2.6mm diameter) which can be inserted axially or perpendicular to the holder.

Part No. **DBT-1**
Deburring Tool with two blades, one-direction and bi-directional

Part No. **DBT-10B**
Replacement Blade, one-direction

Part No. **DBT-20B**
Replacement Blade, bi-directional



TAPER DEBURRING REAMERS

Remove burrs; enlarge and align holes; also used for starting taps. Made of heat-treated steel. Oversized so full range can be maintained after sharpening.

Can be used with 550 RPM (max. speed) drill.

Part No.	Description
K-3055	1/8" to 1/2" range, 5-5/8" long
K-3056	7/16" to 1" range, 6-1/2" long

REPLACEMENTS FOR SIOUX

Regis offers a wide selection of top-quality replacements for many of the products discontinued by Sioux.

If you have any questions, call us toll-free (800) 527-7604.

Part No.	Sioux Part No.	Sioux Model No.	Description
S-19271	19271	710	Small Metal Tumbler Drive Gear
S-19275	19275	710	Large Fiber Tumbler Gear
S-14400	14400	645	Motor Belt
S-14401	14401	622-645	Chuck Belt
S-14402	14402	622-645	Drive Shaft Belt
S-14403	14403	622-645	Pump Belt
S-14467	14467	680	Chuck Belt before serial #D
S-14471	14471	680	Chuck Belt after serial #D
S-65117	65117	2075	Motor Belt
S-14473	14473	2075, 2001	Chuck Belt after serial #2001

S-19271



S-19275



S-14400



S-14401



S-14402



S-14403



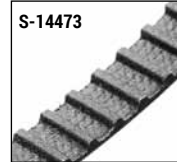
S-14467



S-14471



S-14473



S-65117



new

SPINDLE BELT FOR KW SVS-II VALVE GRINDER

14.5" length, O-ring style.

Part No. **000-2303-62**



HARMONIC BALANCER PULLER

The harmonic balancer puller must be used before replacing the timing chain, camshaft or front engine seal. Comes with both standard and metric bolts to fit most all domestic and some import applications. Bolt ducks foot to balancer. Thread main bolt through ducks foot and attach the clip-on head to main bolt. Tighten main bolt to pull balancer cleanly from shaft.

Part No. **HB-PULLER**

REPLACEMENT OIL GALLERY PLUGS

Standard Thread Pipe Plugs for Domestic Applications (Teflon-sealed threads)

Part No.	Size	Qty.
ST-062	1/16 x .300"	50 qty.
ST-125	1/8 x .300"	50 qty.
ST-250	1/4 x .375"	50 qty.
ST-251	1/4 x .460"	50 qty.
ST-375	3/8 x .375"	50 qty.
ST-376	3/8 x .760"	50 qty.
ST-500	1/2 x .550"	25 qty.
ST-750	3/4 x .540"	25 qty.

Japanese Threads for Toyota & Mitsubishi

Part No.	Size	Qty.
TP-001	1/8 - 28	25 qty.
TP-002	1/4 - 19	25 qty.
TP-003	3/8 - 19	25 qty.
TP-004	1/2 - 14	25 qty.
TP-005	3/4 - 14	25 qty.



Metric Pipe Plugs (Teflon-sealed threads)

Part No.	Size	Qty.
TPM-001	8mm - 1.0	25 qty.
TPM-002	10mm - 1.0	25 qty.
TPM-003	12mm - 1.5	25 qty.
TPM-004	14mm - 1.5	25 qty.
TPM-005	16mm - 1.5	25 qty.
TPM-006	18mm - 1.5	25 qty.
TPM-007	20mm - 1.5	25 qty.
TPM-008	22mm - 1.5	25 qty.
TPM-009	24mm - 1.5	25 qty.



AIR DIE GRINDER

1/4" collet type with rear exhaust. Perfect size and specs for use with our porting and polishing tools.

SPECIFICATIONS:

Speed.....	22,000 rpm
Collet Size.....	1/4" dia.
Air Inlet Size	1/4" NPT
Hose Size.....	3/8" I.D.
Air Pressure.....	90 PSI
Air Consumption.....	8 CFM
Length	6-1/4" long
Weight	1-1/4 lbs.

Part No. RX-230

IMPACT WRENCH OIL GALLERY PLUG REMOVAL TOOL



Use your 1/2" impact wrench to drive out stubborn oil gallery plugs with ease! Hardened driver features an internal threaded adjustment screw which allows you to set bit length. Tool features replaceable bits.

Part No.	Description
OGR-KIT	COMPLETE KIT Set of 5; one of each tool, sizes listed below.
	TOOL REPLACEMENT BIT
Size	Part No. Part No.
3/16"	OGR-187 OGRB-187
1/4"	OGR-250 OGRB-250
5/16"	OGR-312 OGRB-312
3/8"	OGR-375 OGRB-375
9/32"	OGR-281 Socket, no bit required.



UTILITY ROLLS

Remove gaskets, rust, corrosion or paint from any part of the engine. 50 yard roll in a dispenser box.

1" wide/grit	1-1/2" wide/grit	2" wide/grit
RUR-1/80	RUR-1-1/2/80	RUR-2/80
RUR-1/120	RUR-1-1/2/120	RUR-2/120
RUR-1/180	RUR-1-1/2/180	RUR-2/180
RUR-1/240	RUR-1-1/2/240	RUR-2/240
RUR-1/320	RUR-1-1/2/320	RUR-2/320



HEAVY-DUTY STEEL STENCILS

Sold in sets of figures (0-9) or letters (A-Z) in 1/8, 1/4 or 3/16 sizes.

Size/Part No.	Description
1/8-HD-Figure	0-9 Stencil Set, 1/8
3/16-HD-Figure	0-9 Stencil Set, 3/16
1/4-HD-Figure	0-9 Stencil Set, 1/4
1/8-HD-Letter	A-Z Stencil Set, 1/8
3/16-HD-Letter	A-Z Stencil Set, 3/16
1/4-HD-Letter	A-Z Stencil Set, 1/4

METAL MARKERS

Available in 4 colors:

- Yellow
- White
- Blue
- Red

A marker with permanent, oil-based paint equipped with a rubber primer bulb. Releases a brightly colored paint for permanently marking cylinder heads, blocks, pistons and other engine parts. Dries quickly and will not rub off.

Part No.	Color
RM-1Y	Yellow
RM-1W	White
RM-1B	Blue
RM-1R	Red



HUMPHREY FOOT VALVE

A quality replacement (.250" orifice, 2-way or 3-way) with a guarded foot valve assembly for most glass bead cabinets and seat & guide machines. Constructed of 12 gauge steel. The actuator features a positive stop to protect valve from damage. Its four rubber feet may be removed and the holes used for permanent mounting.

Part No. K-250F

Also available to fit Kwik-Way #018, 019 and 020 seat & guide machines that require a 4-way, 5 port orifice.

Part No. K-250F4



SCRUBS IN-A-BUCKET

SCRUBS® Hand Cleaner Towels combine an advanced cleaning formula with a strong, dual-textured towel to thoroughly clean hands and surfaces. Clean, citrus-scented formula loosens and dissolves industrial soils while leaving hands free from dryness and irritation. No sticky residue and no rinsing required. Removes dirt, tar, oils, grease, paints, adhesives, epoxies, caulks, inks & dyes, urethane, lubricants, cable jelly, asphalt.

Part No. SIB-72

Bucket of 72 towels, 10" x 12" each



FORD FUEL PUMP ECCENTRIC KIT

Fits Ford SB & BB 255, 302, 351W, 400M, 429, & 460

Replaces the following OEM numbers: D5AZ-6287-B and DOAZ-6287-A.

Part No.	Description
FP-612	Complete Kit Includes an inner and outer eccentric, bolt and washer.
FP-612A	Inner Eccentric
FP-612B	Outer Eccentric
FP-612C	Eccentric Washer
FP-612D	Eccentric Bolt



FORD SMOG PLUGS

Fits Ford V* 255, 302, 351C, 351M, 351W, 400 (5/8-11" x 7/16" x 14" ID)

These plugs sometimes called smog or emission plugs go into cylinder heads to replace the smog pipes. Some engines take one in each head and some require two in each head. Sold individually.

Part No. SP-615

POLICIES

ALL PRICING SUBJECT TO CHANGE WITHOUT NOTICE.

NO MINIMUM ORDER

We're in business to serve your needs!

QUANTITY DISCOUNTS

ADDITIONAL 10% DISCOUNT FOR JOBBER CUSTOMERS ONLY ON:

- Surface grinder wheels in quantities of 2 or more
- Valve seat wheels in quantities of 10 or more (may be assorted)
- Valve refacer wheels in quantities of 10 or more (may be assorted)
- Abrasive belts for belt surfacers/platen grinders in quantities of 5 or more
- Flywheel grinding wheels in quantities of 5 or more (may be assorted)
- SN-series honing stones in quantities of 10 or more (may be assorted)
- Bronze guide sleeves in quantities of 5 or more 100-count packs (may be assorted)
- Replacement Brake Lathe Tips in quantities of 10 or more (may be assorted)

RETURNS

If you are unhappy with a Regis product, simply include a packing slip or invoice copy detailing the reason for the return. Returns may be made within 60 days of invoice date. We will correct the problem immediately with another part or product or credit your account. There are no returns on special ordered items

NOTE: Merchandise that has been modified or abused and/or damaged by improper use will not be accepted. Credit will only be issued after it has been determined that the product is resellable or deemed defective. All items returned by USPS must be mailed to our P.O. Box 152900; shipments returned by UPS must be addressed to 1500 Corinth.

FREIGHT TERMS

For all shipments within the U.S., invoices totalling \$1,500.00 or more, you may deduct the freight when paying the invoice if paid within 30 days. Air freight, shipments to Alaska and Hawaii, and credit card purchases are excluded.

Tumbling media, glass bead, steel shot, coolants, cleaners, chemicals, crankshaft grinding wheels and camshaft grinding wheels do not qualify for freight allowance.

Coolants, cleaners and chemicals in 4-gallon, 5-gallon or more, in any combination, shall be considered as bulk.

Magnetic powder in any combination, 25 pounds or more, shall be considered as bulk.

NEW PRODUCTS

Crankshaft Grinding Wheels, 5/8 widths	97
Dead Blow Hammer	89
DEB-5XL Carbon Removal Brush	4
Diamond Honing Oil	12
Diesel Paints	105
Hot Tank Gloves, Shoulder Length	8
Manual Vacuum Tester	18
Marine Heat Tabs	24
Premium Dial Calipers, 0-6"	17
Premium Micrometer Set	14
Premium Precision Straight Edges	17
Rod Honing Oil	12
Rust Proofing Sprays	11
Small Valve Adapter Tool Collets, 3.5mm thru 6mm	61
Stud Extracting Tools	94
Thread Repair Kits, 11mm	75
Universal EP	13
Valve Keeper Installer Kit	60
Valve Keeper Magnet	61
VSC-1000 Rebuild Kit and Cups	59
Warp Gauge	17

A

ABRASIVE BELTS

Crankshaft	98-99
Head Surfacers	70
Platen Grinder	70
Abrasive Cartridges & Spirals	65

ADAPTERS

Small Valve	61
Air Valve Spring Compressor	59-61
Adapter Plate, Chevy Head	74
Adjustable Coolant Hoses	13

AIR

Die Grinder	66, 116
Driver, Kwik-Way and Sioux	48
Guns & Blowers	6
Hammer & Accessories	33
Valve Spring Compressor	58-59
Water Gun	6

ALUMINUM

Cup & End Brushes	2-3
Engine Paint	105
Head Surfacing Belts	69
Rotary Files	64
Ammco Replacement Parts	111
Ammco Silencer Pads	109
Aprons, Protective	10
Arnold Set Screw Kit	101
Assembly Grease, Engine	107
Auto-Driver for Bronze Sleeves	32

B

Ball Anvil Micrometer	18
B&D to Sioux Adapter Bushing	47
Balance Shaft Eliminator	74
Balancing Scales and Rod Stand	90
Bags, Plastic	74, 85, 93
Ball Broach Tool Kits	30-31
Ball Broaches	30-32
Ball Pusher, PER Pneumatic	32
Baskets, Parts	6
Bearing Caps for Sioux, Repl.	48

BELTS

Cork Bond Polishing	99
Crankshaft Polishing	98-99
Platen Grinder	70
Scalloped Edge Polishing	99
Belt Cleaner	98
Bench Grinder Wheel Dressers	112
Blades, Neway Valve Seat Cutters	52
Blast Media	7
Bluing Fluid, Layout	55, 67, 106
Bore Gauge, Digital	16
Bore Gauges, Cylinder	16

Boring Bar Cutters.....	78-79
Boring Bar Bits.....	78
Boring Bar Replacement Parts.....	79
Boring Reamers.....	27

BRAKE DRUM & ROTOR LATHE

Arbors and Adapters.....	110
Bands, Silencer.....	109
Carbide Tips, Brake Lathe.....	108
Drum Lathe Tools, Carbide.....	109
Disc Rotor Silencer.....	109
Drum Grinding Wheels.....	109
Late Model 3/4 & 1-Ton Rotor Adapter.....	111
Lathe Tools / Disposable Tips.....	108
Repl Parts for Ammco.....	111
Silencer Bands.....	109
Broach Ball.....	30-32
Broach Cutters, Rotary.....	68

BRONZE GUIDE

Sleeve Installation Kits.....	30-32
Sleeves.....	29
Sleeve Removal Tool.....	29
Bronze Lube Oil.....	29

BRUSHES

Aluminum, Cup.....	2
Bottom End, Stainless Steel.....	4
Carbon Removal.....	4
Cup Brushes, Wire.....	2-3
Cylinder Washing.....	3, 84
Diesel Cleaning Brushes.....	5
End, Wire.....	4
Flare.....	3
Gallery, Nylon.....	4
Hand Brushes.....	3
Oil Line, Nylon.....	4
Parts Cleaning.....	3
Ultra-Flex Finish.....	84, 112
Valve Guide, Nylon Hand.....	6
Valve Guide, Nylon Power.....	4
Valve Guide, Wire Power.....	4
Wire Wheel.....	2
Wire Cup.....	2-3
Bullit-Balls®.....	30-32

C

"C" Clamps, Valve Removal.....	59
Calipers, Dial and Digital.....	17

CAMSHAFT / CAM

Bearing Flex Hones.....	86, 113
Bearing Installer Tools.....	84-85
Grinding Coolant.....	12, 86
Grinding Wheels.....	86

CARBIDE

Boring Bar Bits.....	78-79
Boring Reamers for Guides.....	27
Inserts, 3 Angle Seat Cutter Kit.....	40-43
Rotary Files.....	64
Tips, Brake Lathes.....	108
Tips, 3 Angle Seat Cutting.....	40-43
Carbon Removal Brushes.....	4
Cast Iron Gray Spray Paint.....	105
CBN Cutters/Buttons.....	71
Chamfering Cone & Mandrel.....	79
Chevy Add A Seventh Hole Adapter.....	74
Clover Lapping Compound.....	55
Clutch Grinding Wheels.....	104
Compressor Adapters, Valve Spring.....	58-60
Coolant Hoses, Adjustable.....	13
Coolant Pumps.....	13

COOLANTS & CONCENTRATES

Camshaft Grinders.....	12, 86
Crankshaft Grinders.....	12, 96
Flywheel Grinders.....	12, 103
Honing Machines.....	12, 80
Machine Tool Ways.....	12, 96
Platen Grinders.....	12, 69
Rust Proofing.....	106
Surface Grinders.....	12, 70
Valve Refacers.....	12, 57
Core Drill for Cummins 5.9L Diesel.....	28
Core Drills & Reamers.....	26-28
Core Drill Combo, Ford Navistar 6.0.....	28
Cork Bond Polishing Belts.....	99
Crack Detecting Spray.....	22

CRACK DETECTOR

Electric.....	23
Magnetic, Portable.....	24
Replacement Parts.....	21
Crack Repair Sealant.....	24
Crack Repair Supplies.....	20-24
Crank Grinder Shoes for SV.....	101

CRANKSHAFT

Bags, Plastic.....	74, 85, 93
Finishing Belts.....	98-99
Grinding Wheels.....	97
Polisher, Air.....	100
Polisher, Electric.....	100
Polishing Belts.....	98-99
Turning Tools.....	98
Cummins 5.9L Diesel, Core Drill.....	28
Cutter Blades, Neway Valve Seat.....	52

CUTTERS

Boring Bar.....	78-79
Flywheel.....	103

Rotary Broach.....	68
Stud Boss.....	72
Valve Seat Ring.....	53
Valve Spring Seat.....	62

CYLINDER

Bore Gauges.....	16
Boring Bar Bits.....	78-79
Flex-Hone.....	113
Hone Stones.....	80-83
Washing Brushes.....	3, 82

CYLINDER HEAD

Bags, Plastic.....	74, 85, 93
Disassembly Tools.....	62
Holdings.....	72
Porting Kit.....	65
Surfacing Belts.....	70

D

Deburring Reamers, Tapered.....	114
Deburring Tool.....	114
Depth Micrometers.....	18
Desmond Dresser.....	71
Desmond-Huntington Dresser.....	112

DIAL

Bore Gauge.....	16
Calipers.....	17
Indicators.....	15

DIAMOND DRESSING TOOLS

Camshaft Grinders.....	77
Clutch Grinders.....	76
Crankshaft Grinders.....	77
Drum Lathes.....	76
Miscellaneous Use.....	76
Piston Grinders.....	76
Valve Refacers.....	76
Valve Reseaters.....	76
Diamond Laps.....	79
Diamond Valve Guide Hone.....	34
Die Grinder, Air.....	66, 116
Diesel Air Spring Compressor.....	59
Diesel Heat Tabs.....	24
Digital Calipers.....	17
Dip Basket.....	6
Disassembly Kit, Cylinder Head.....	62
Disc Rotor Silencer.....	109
Discs, Surface & Metal Prep.....	5
Dowel Puller.....	93, 104
Dressers, Desmond.....	71
Dressers, Mounted Wheel.....	66
Dressers & Cutters, Huntington.....	112
Drills, HSS (for Crack Repair).....	21
Drivers, Valve Guide.....	35-36
Dust Masks.....	10

INDEX BY PRODUCT NAME

E

Electric Piston Ring Filer 88
Emery Cloth, Utility Rolls 67, 116

ENGINE

Assembly Grease, Lubriplate 107
Bags, Plastic 74, 85, 93
Engine Oiler 107
Paints, Spray 105
Porting Kit 65
Sealer 24
Exhaust, Manifold Spreader 73
Expanding Pilots 50

F

Face Shield, Safety 8
Flare Brush 3
Feeler Gauges 16
Files, Rotary 64
Filter, Cylinder Honing 9
Finishing Belts, Crankshaft 98-99

FLEX-HONES (complete listing) 113

Cam Bearing 86
Lifter Bore 86
Valve Guide 33
Flywheel, CBN Wheel 102
Flywheel Cutter, Carbide 68
Flywheel Grinder Stones 103
Fogmaker Spray Unit 11, 106
Foot Valve, "Humphrey" 8, 117
Ford Fuel Pump Eccentric Kit 117
Ford Smog Plugs 74, 117

G

Gasket Scraper 9, 114

GAUGE

Cylinder Bore 16
Feeler 17
Warp 17

GAUGE SETS

Radius 18
Small Hole 17
Telescoping 17

GLASS BEAD

Cabinet Window Film 7
Gloves 7
Guns & Parts 6
Glass Beads 7
Glasses, Safety 8
Glaze Breaker Hones 82

GLOVES

Glass Bead 7
Heavy Duty Industrial Nitrile 8
Hot Tank 8
GM Manifold Drill Template 73
GM Oil Pickup Screen Installer 92
Green Grit Grinding Wheels 114
Grinder Belts, Platen 70
Grinder Pilots, Valve Seat 49-51
Grinding Compounds, Valve 55
Grinding Concentrates & Coolants 12
Grinding Segments 70

GRINDING WHEELS

Brake Drum 109
Camshaft 86
Clutch 104
Crankshaft 97
Flywheel 103
Green Grit 114
Horizontal 68
Rod & Cap 91
Valve Refacer 56-57
Valve Tappet 114
Valve Seat 44-46

GUIDE DRIVERS

Air & Manual 35
Extra Long 36

GUIDE SLEEVE LINER

Installation Accessories 30-32
Installation Kits 30-31
Installation Tools 30-32
Guide Sleeves, Bronze 29
Guide Top Cutters & Pilots 33

H

Hammer, Air 33
Harmonic Balancer Puller 115
Head Holders, Cylinder 72
Head Surfacing Belts 70
Heat Tabs 24
Heat Tabs Adhesive 24
Heavy Metal 90
Hite Mike, Valve Stem Measure 15

HOLDERS (STONE)

Black & Decker 47
Kwik-Way 47
Sioux 47
Holders, Cylinder Head 72

HONE

Cylinder 81
Glaze Breaker 82
Heavy Duty 81
Small Cylinder 81

Stones, Cylinder 80-82
Stones, Rod 91
Hones, Flex 113
Hone & Guide Stones for CK-10 82
Horizontal Grinding Wheels 68
Hot Tank Gloves 8
Hot Tank Cleaners 10
HSS Piloted Guide Reamers 25
Humphrey Foot Valve 7, 117
Huntington Dressers & Cutters 112

I

Indicators, Dial 15
Inserts, Valve Spring 63

J

Jet Spray Cleaners 10

K

Keeper Installer, Valve 61
Knurlers 25
Knurling Fluid 28
Knurling Tool, Valve Guide 28
Kwik-Way SGA, SGA II, SGH Parts 48

L

Lamp, Machine 112

LAPPING

Compound 55
Sticks 55
Laps, Diamond 79
Layout Fluids, Red & Blue 55, 67, 106
Letter & Figure Stencils 117
Level, Valve Guide 15, 37
Levels 15
Lifter Bore Flex-Hone 87, 113
Lubriplate Assembly Grease 107
Luma-Lube 71

M

Magna Fluro Oil 20

MAGNETIC

Bases 15
Crack Detector, Electric 21
Crack Detector, Replacement Parts 21
Powder 20
Washer Remover 73
Manifold Drill Template, GM 73
Manifold Spreader 73
Marker, Metal 93, 100, 109, 117
Masks, Dust 10
Media, Tumbling 8
Metal Markers 93, 100, 109, 117

MICROMETERS

Ball Anvil	18
Depth	18
Outside	14
Miscellaneous Diamond Tools	76
Mounted Point Dresser	66
Mounted Wheels & Points	66

N

Neway Valve Seat Cutter Blades	52
New-Cast Engine Paint	105

O

OILS

“Bronze Lube”	29, 31
Camshaft Grinding	12, 86
Crankshaft Grinding	12, 96
Diamond Honing	12, 34
Flywheel Grinding	12, 103
Guide Sleeve	31
Honing Machine	12, 80
Platen Grinder	12, 69
Rod Honing	12, 91
Surface Grinding	12, 71
Tapping (“Tap O”)	24
Valve Refacing Machine	12, 57
Oil Gallery Plugs	94, 116
Oil Gallery Plug Removal Tool	94, 116
Oil Line Brushes, Nylon	4
Oil Pickup Screen Install Tool	92

P

Paint, Engine	105
Paint Pens	93, 100, 109, 117
Parts Basket, Metal	6
Parts Cleaning Brushes	3
Pencil Die Grinder	67
PH Test Kit	10

PILOTS

Carbide, Straight	51
Carbide, Tapered	51
Expanding	50
Extra-long Solid Tapered	50
Heavy-duty Solid Tapered	50
Split	50
Valve Guide Cutters	33
Valve Seat Grinders	49-51

PISTON PIN

Extractor Kit	87
Installation Gauge	87
Removal Fixture Shoes, Pins	87

PISTON RING

Compressors	89
Expander	89
Filer, Manual and Electric	88
Groove Cleaner	87
Installer	88
Plastic Bags	74, 85, 93
Platen Grinder Belts	70

PLUGS

Oil Gallery	94, 116
Threaded Crack Repair	21
Pneumatic Ball Pusher	32
Polishers, Crankshaft	100
Polishing Belts, Crankshaft	98-99
Porting & Polishing Abrasives and Mandrels	65
Porting Kit	65
Powder Blowers	20
Powder, Magnetic	20
Precision Straight Edge	17
Prep Discs, Surface	5
Press Fit Lubricant	11
Pressure Testers, Valve Spring	60-61
Puller, Dowel	95, 104
Pumps, Coolant	13
Punches, Letters & Figures	117

R

R3 Precision-Ground 3 Angle Seat Cutting System	38
Radiator Sealers	24
Radius Gauge Set	18, 101

REAMERS

Bronze	27, 30-31
Carbide	27
Core Drills	26-28
Deburring	114
HSS	25
Boring for Guides	27
Valve Guide	25-28
Refacer Wheel, Valve	56-57
Resizing Arbors	25
Ridge Reamer	82
Ring Cutters, Valve Seat	53
Rocker Arm Stud Remover	72
Rocks — see “Wheels”	

ROD

Bolt Protectors	90
Grinding Wheels (Rod & Cap)	91
Honing Stones	91
Rod Stand and Balancing Scale	90
Rolls, Utility	67, 116
“Roloc” Bristle Discs	5

ROTARY

Broach Cutters	68
Files, Aluminum	64
Files, Carbide	64
Spiral Bands	66
Rotor Silencer	109
Rust Preventative Coating	106
Rust Proofing Spray & Liquid	106

S

Safety Glasses	8
Sanding Cloth, Utility Rolls	67, 116
Sanding Discs, Metal Prep	5
Scalloped Edge Polishing Belts	99
Scraper, Bearing/Machinist	9, 114
Scraper, Gasket	9
Seal-All™	24

SEAL-LOCK®

Air Hammer	22
Cold Fusion Plugs	22
Cylinder Head Repair Kits	23
Fluid Weld	24
Grip	24
Head and Block Sealer	24
Irontite Plugs, Taps, Drills	21
Mag II Kit	22
Peening Tips	22
Seat Bushings, Self-Centering	31
Seat Cutter Adapter	53
Seat Cutter Replacement Parts	53
Seat Cutter Kits, 3 Angle	38-39
Seat Grinder Pilots	49-51
Seat Grinding Stones	44-46
Segments, Surface Grinding	69
Set Screw Kit, Arnold Gauges	101
Shims, Valve Spring	63

SHOES

Hone & Guide Replacement	85
Steady Rest for SV Crank Grinders	103
Shot, Steel	8
Silencer Bands, Brake Work	111
Siphon Spray Gun	7

SIoux

710 Tumbler Repl. Parts	7, 115
Air Driver, Valve Seat Wheel	48
Spindle Drives & Bearing Caps	48
Stone Holders	47
Sioux-style Valve Seat Wheel Air Driver	48
Small Cylinder Hone	81
Small Hole Gauge Set	18
Small Valve Adapter Tool	61
Spark Plug Remover for Ford	74

INDEX BY PRODUCT NAME

Spark Plug Thread Chaser 74
Spindle Drives for Sioux, Repl. 48
Spiral Bands, Rotary 66
Spray, Bluing 55, 67, 106
Spray, Crack Detecting 22
Spray Graphite Lubricant 11
Spray Paints 105
Spreader, Exhaust Manifold 73
Stamping Sets, Steel Figures
 and Numbers 117
Starrett Levels and Vials 15
Steady Rest Shoes,
 SV Crank Grinders 101
Steel Shot 7
Steel Letters & Figures 117
Stones, Flywheel Grinder 103
STONE HOLDERS
 Black & Decker 47
 Kwik-Way 47
 Sioux 47
Straight Edge, Precision 17
Stud Boss Cutter Kit 72
Stud Remover, Rocker Arm 72
Stud Stretchers 68
Sunnens Honing Replacement Filter 9
Super Scraper 9
SURFACE
 Grinding Segments 69
 Grinding Wheels 68
 Prep Discs 5
Surfacing Belts, Cylinder Head 70
T
Taper Deburring Reamers 114
Tappet Grinding Wheel 114
"Tap O" Tapping Oil 24
Taps, Tapered 21
Telescoping Gauge Sets 17
Thoro-Flush Radiator Cleaner/
 Engine Cleaner 11
Thread Chaser, Sparkplug 73
Thread Repair Kits & Parts 75
Three Angle Seat Cutter Kits 38-39
Three Angle Seat Cutter Blades 40-43
Tool Bit, Boring Bar 78-79
Triazine Bacteriostat 13
Tumbling Media 7
Turning Tools, Crankshaft 98

U
Ultra-Brite Polish Belts 99
Ultra-Flex Finish Brushes 83, 112
Ultrasonic Cleaner 11
Utility Rolls, Sanding Cloth 67, 116

V
Vacuum Tester Kit 19
Vacuum Testing Discs and Gauge 19
Valve Grinding Compounds 55

VALVE GUIDE

 Brushes 4
 Cutter Tools 33
 Drivers 35
 Drivers, Diesel 35
 Drivers, Extra long 36
 Flex-Hones 33, 113
 Flex-Hones, Diamond 33, 113
 Hone, Diamond 34
 Knurling Tool 28
 Level 37
 O.D. Machining Tools 62
 Reamers 25-28
 Sleeve Installation Kits 30-31
 Sleeves 29

Valve Keeper Installers and
 Removers 60-61
Valve Lapping Stick 55

VALVE REFAKER

 Diamond Tools 76
 Wheels 56-57

VALVE SEAT

 Carbide Tips/Blades 40-43
 Cutter Blades, Neway 52
 Cutting Systems, 3-angle 38-39
 Drivers, Manual 52
 Grinder Pilots 49-51
 Grinding Wheels 44-46
 Ring Cutters 53
 Stone Holders 47
 Wheel Air Driver 48
 Wheel Dressing Stand 47
 Wheel Drive Adapters for KW or SX
 Wheels 44-46

VALVE SPRING

 Compressor Bench 58
 Compressor, High-Performance 58-59
 Compressors 58-59
 Disassembly Tools 62
 Inserts 63
 Seat Cutters 62
 Shims 63
 Testing Stand 60

Valve Stem Filer, Manual 37

VALVE STEM SEAL

 Puller 37
 Removal Pliers 37

W

Way Oil 12, 98

WHEELS (GRINDING)

 Brake Drum Grinding 109
 Camshaft Grinder 87
 Clutch Grinding 104
 Crankshaft Grinding 97
 Flywheel Grinding 103
 Green Grit 114
 Horizontal Grinding 68-69
 Mounted 66
 Tappet Grinding 114
 Valve Refacer 56-57
 Rod & Cap Grinding 92
 Surface (Platen) Grinding 68-69
 Valve Seat Grinding 44-46
Wire Brushes, Hand 3-4
Wire Cup Brushes 2-3
Wire End Brushes 2
Wire Wheel Brushes 2

258.....	16	AH-34.....	74	BS-1000.....	90
284.....	17	AKB-2C thru AKB-14C.....	27	BS-148.....	101
348.....	3	AKB-6 thru AKB-14.....	27	BS-235.....	9
409.....	3	AL-24 thru AL-93.....	64	BSEK-1 thru BSEK-3.....	74
1020.....	21	AL-6800 thru AL-6802.....	71	BT-8.....	7
1025.....	87	AS-10, AS-49.....	79	BW-1633.....	101
1029.....	87	ASM-12, ASM-50.....	79	C-1001, C-1001A.....	108
1100.....	8	AT-2557.....	33	C-1005L.....	108
1270.....	33	B-47 thru B-49.....	29	C-1075R.....	108
16113.....	23	B100 thru B408.....	63	C-3001.....	108
19003.....	22	B102HP thru B603HP.....	63	C-3002.....	108
45850.....	77	BB-10, BB-10L.....	71	C-360.....	108
59629.....	77	BB-14.....	71	C-3800.....	108
64054.....	19	BB-17, BB-17A.....	71	C-433796.....	108
10111 thru 10113.....	23	BB-18.....	71	C-4800.....	108
1020A thru 1020X.....	21	BB-260 thru BB-3745.....	32	C-5190.....	108
1029A thru 1029P.....	87	BB-50, BB-50A.....	102	C-5800.....	108
12111T thru 12113T.....	23	BB-57, BB-57A.....	102	C-6499.....	108
1270A thru 1270E.....	33	BC-875.....	111	C-7851, C-7854.....	108
1271A thru 1271E.....	33	BD-1 thru BD-6390.....	44	C-8000.....	78
14112, 14117.....	23	BD-1B thru BD-390B.....	44	C100 thru C306.....	63
1434 thru 1445.....	62	BD-1C thru BD-390C.....	44	C102HP thru C603HP.....	63
1435A thru 1445A.....	62	BD-5 thru BD-102.....	45	CAT-1, CAT-2.....	5
1435B thru 1442B.....	62	BDF-3 thru BDF-6390.....	46	CBFW-MAN.....	65
1457 thru 1462.....	62	BDN-3 thru BDN-6390.....	46	CBN-12-316.....	71
1610-CUP, 1750-CUP.....	59	BDR-3 thru BDR-6390.....	46	CBN-12, CBN-12TC.....	71
1630-2 thru 1630-7.....	19	BDSX-385.....	47	CBN-3 thru CBN-6.....	102
1630-HOSE.....	19	BE-5/8 thru BE-2-1/8.....	97	CBN-334.....	102
1630-STEM.....	19	BERC-3/4 thru BERC-2-1/4.....	97	CBN-38.....	71
17111T thru 17117T.....	23	BN-148.....	101	CBNS-12, -12S, -12TC.....	71
18000 thru 18430.....	85	BN-1633.....	101	CBNS-12DA, CBNS-38DA.....	71
18600 thru 18608.....	22	BNG-L.....	9	CBNS-38.....	71
20008 thru 30702.....	23	BNG-XL.....	9	CBR-1565 thru CBR-2756.....	27
21100, 21120, 21130.....	55	BP-1120 thru BP-1123.....	32	CDR-59.....	28
21200, 21220, 21230.....	55	BR-204240.....	110	CDR-6054 thru CDR-7197.....	28
2263 thru 2270.....	35	BR-20474.....	110	CDR-6L, CDR-6L-500.....	28
23043 thru 28149.....	75	BR-23682.....	111	CDT-101 thru CDT-104.....	62
23043 thru 59340.....	75	BR-3085 thru 3087.....	111	CF-20.....	13
291, 295.....	15	BR-3101, BR-3102.....	110	CFK100.....	22
294-SP, 296-SP.....	17	BR-3106 thru BR-3108.....	110	CL-161A, CL-162A.....	55
2991 thru 3008.....	35	BR-3110.....	110	CL-16A thru CL-16F.....	55
36440, 36740.....	61	BR-3123.....	110	CLD-1.....	55
545-8.....	3	BR-3125.....	110	CM-45.....	7
5H.....	71	BR-3141, 3142.....	111	CMS-7/8 thru CMS-11/4.....	86
A-3W thru A-31W.....	66	BR-3159.....	111	CO-2-60-1/2.....	77
A100 thru A408.....	63	BR-3178.....	110	CO-2-60-7/16.....	77
A102HP thru A601HP.....	63	BR-3777.....	110	CP-6272.....	100
AB-6.....	3	BR-3902 thru BR-3904.....	110	CP-6272-2.....	100
ABG-1440.....	70	BR-433701.....	110	CP-6272A thru CP-6272E.....	100
ABG-1540.....	70	BR-4435.....	111	CPS-1571 thru CPS-3748.....	51
ABN-1224, ABN-1240.....	70	BR-5040 thru BR-5042.....	110	CPT-196S thru CPT-275S.....	51
ABN-1440.....	70	BR-5052 thru BR-5056.....	110	CR-343 thur CR-2165.....	27
ABN-1524, ABN-1540.....	70	BR-5059 thru BR-5062.....	110	CRHT-375-40.....	65
ABS-1240, ABS-1280.....	70	BR-6854.....	111	CRHT-375-80.....	65
ABS-1440, ABS-1480.....	70	BR-7996.....	111	CRHT-500-120.....	65
ABS-1540.....	70	BR-8495.....	111	CRHT-500-40.....	65
ABS-1580.....	70	BR-9183.....	109	CRHT-500-80.....	65
ABW.....	3	BR-9192 thru 9196.....	110	CRS-250-120.....	65
ACN-1424, ACN-1440.....	70	BR-9232, BR-9233.....	110	CRS-250-40.....	65
ACS-1440, ACS-1480.....	70	BR-9489.....	110	CRS-250-80.....	65
AD-1050 thru AD-1108.....	32	BR-9490.....	110	CRS-375-120.....	65
ADA-6 thru ADA-8.....	2	BR-9492.....	110	CRS-375-40.....	65
AGA-KW.....	48	BR-9836.....	111	CRS-375-80.....	65
AGA-SX.....	48	BR-9921, BR-9922.....	110	CRS-500-120.....	65

INDEX BY PART NUMBER

CRS-500-40	65	FG-size	16	K-122, K-123.....	109
CRS-500-80	65	FH-48C.....	8	K-1228 thru K-1233	25
CRS-750-120	65	FI-00 thru FI-913	99	K-1238.....	114
CRS-750-40	65	FICB-1 thru FICB-11	99	K-1280, K-1280-KIT.....	31
CRS-750-80	65	FISB-0 thru FISB-61	98	K-1300.....	73
CRT-375-120	65	FISC-1 thru FISC-11600	99	K-14, K-15.....	76
CRT-375-40	65	FIUB-0 thru FIUB-771	99	K-1672.....	47
CRT-375-80	65	FO-1.....	11	K-17 thru K-19.....	76
CRT-500-120	65	FP-612	117	K-170.....	7
CRT-500-40	65	FP-612A thru FP-612D	117	K-1702.....	47
CRT-500-80	65	FP150, FP200.....	22	K-1716.....	47
CS-100.....	27	FT150T, FT200T.....	22	K-1716-BD.....	47
CSB-375, CSB-500	4	FW-1-120, FW-1-80.....	65	K-1716-KW.....	47
CT-1, CT-1-CAP.....	84	FW-2-120, FW-2-80.....	65	K-1716-SXP.....	47
CT-1B, CT-1C, CT-1S	84	GB-04	6	K-1752 thru K-1773	26
CT-2B.....	84	GB-040 thru GB-147.....	6	K-1754.....	35
CT-3B, CT-3E.....	84	GB-25L.....	6	K-1757.....	35
CT-4E.....	84	GB-340S.....	6	K-1765.....	35
CT-5M, CT-5NS, CT-5W	84	GB-34L.....	6	K-1766.....	35
CT-6M, CT-6NS, CT-6W	84	GHT, GHT-XL.....	9	K-1774.....	35
CT-7M, CT-7NS, CT-7W	84	GI-3116 thur GI-3468B.....	35	K-178.....	56-57
CT-8M, CT-8NS, CT-8W	84	GIC.....	35	K-181.....	56-57
CWB-200 thru CWB-550	3	GIC-8.3.....	35	K-184.....	56-57
DA-10.....	2	GIC-ISX.....	35	K-186.....	56-57
DBT-1.....	112	GID-53, GID-60, GID-71	35	K-189.....	56-57
DBT-10B, DBT-20B.....	112	GIDT-466.....	35	K-199BD.....	47
DC-6427.....	17	GIM.....	35	K-20 thru K-24.....	76
DC-8B, DC-8R.....	106	GRC-ISX.....	35	K-2020.....	73
DD-1-149, DD-1-53.....	5	GRCI.....	35	K-204.....	109
DD-2-149, DD-2-53.....	5	GRD60, GRD-71.....	35	K-21.....	77
DD-3-149, DD-3-53, DD-3NS.....	5	HA-100, HA-100D.....	8	K-211.....	109
DEB-4.....	3	HAB-1.....	58	K-2170.....	89
DEB-5, DEB-5XL.....	4	HB-49.....	3	K-2316.....	104
DG-8078.....	11	HB-PULLER.....	115	K-2332.....	114
DH-4737 thru 4739.....	5	HD-Figures & Letters.....	117	K-2382.....	114
DH-4779 thru DH-4787.....	5	HK-57, HK-57A.....	28	K-2400.....	87
DH-6 thru DH-10.....	2	HM-100100 thru HM-875120.....	90	K-24020, K-24350.....	87
DHH-1.....	34	HM-130, HM-150.....	15	K-250-SP thru K-437-SP.....	50
DHO-1, DHO-8.....	12	HO-1 thru HO-55.....	12	K-250F, K-250F4.....	7
DHT-100.....	24	HPB.....	3	K-2510 thru K-2513	98
Diamond Resetting Service.....	77	HS-46.....	3	K-25968, K-25969.....	108
DMA-10 thru DMA-13	34	HT-100.....	24	K-25A.....	77
DMA-5 thru DMA-9	34	HTA-1.....	24	K-25A-10MM.....	77
DMA-55, DMA-65	34	I-6125.....	15	K-25A-11MM.....	77
DS-010 thru DS-050.....	34	IC-360.....	106	K-25B.....	77
E-2 thru E-6.....	109	JJ-12.....	8	K-25B-10MM.....	77
EAL-10 thru EAL-95	107	K-1 thru K-9.....	76	K-25B-11MM.....	77
EAO-80Z, EAO-1, EAO-2.....	107	K-10 thru K-12.....	76	K-25C.....	77
EC-236 thru EC-437	50	K-1001A thru K-1001A-NS.....	82	K-25C-10MM.....	77
EK-236 thru EK-437	50	K-10424 thru K-10702.....	108	K-25C-11MM.....	77
EPA-16.....	13	K-1044.....	114	K-25D.....	77
EPC.....	65	K-1049 thru K-1059	103	K-2680.....	33
EPF.....	65	K-105.....	7	K-30, K-30A, K-30B.....	77
EPK-1.....	65	K-1050.....	114	K-3055, K-3056	112
EPL-1.....	107	K-1060 thru K-1097	25	K-3125 thru K-3250	53
EPM-212.....	65	K-1064.....	114	K-320, K-3121	24
EPM-458.....	65	K-1099.....	114	K-333-2OZ, K-334.....	24
EPS-1, EPS-2.....	65	K-1107.....	114	K-3350.....	88
ERF-110, ERF-WHEEL	88	K-1108.....	114	K-35, K-35A, K-35B.....	77
ES-236 thru ES-437	51	K-1109.....	114	K-36.....	76
ES-5000.....	90	K-111, K-112.....	109	K-36050.....	61
FD150T, FD200T	22	K-1110 thru K-1215	25	K-360L, K-360R.....	108
FE-48.....	8	K-1110C thru K-1138C	27	K-365.....	24
FG-KIT.....	16			K-3800.....	53

K-3870 thru K-3870E.....	53	K-8B.....	76	KW-C	78
K-4000.....	53	K-900, K-901.....	56-57	KW-F.....	78
K-4000-2	53	K-902	114	KW-FN.....	78
K-4000S	53	K-903	114	KW-FN-60.....	78
K-4000W	53	K-923 thru K-930	56-57	KW-R	78
K-4001	53	K-960	56-57	KWF-3 thru KWF-6390.....	46
K-4001-2.....	53	K-963	56-57	KWG-1440	70
K-4001S	53	K-964	114	KWN-1424, KWN-1440	70
K-4001W	53	K-966	56-57	KWN-3 thru KWN-6390.....	46
K-404, K-444.....	104	K-970	114	KWN-355 thru KWN-385	46
K-4050 thru K-4231	26	K-982	114	KWR-3 thru KWR-6390	46
K-424, K-425.....	109	K-990.....	91	KWR-355 thru KWR-385	46
K-433763, K-433664.....	108	KA-600, KA-600M.....	95	KWS-1440, KWS-1480	70
K-45, K-45A	77	KA-SE1, KA-SE2	94	L-2991 thru L-3007	36
K-45B.....	77	KAO-001 thru KAO-021.....	95	L-2992A	36
K-48, K-48F.....	68	KB-1023A.....	69	LPL	79
K-4S	76	KB-1223A.....	69	LPLP.....	79
K-4T	76	KB-14, KB-35, KB-1.....	69	LS-15A	101
K-50	68	KB-1423A.....	69	LS-15C	101
K-501020	13	KB-1423A.....	69	LS-36.....	101
K-503203	13	KB-14R.....	69	LT-15A	101
K-50500.....	13	KB-35	69	M-01 thru M-06	14
K-5157S thru K-5503S	49	KB-8, KB-10, KB-12.....	69	M-15.....	18
K-516, K-517.....	7	KB-8, KB-10, KB-14.....	69	M-15DM.....	18
K-518020	13	KB-823A.....	69	M-20	17
K-5196C thru K-5501C	49	KB-8R, KB-10R, KB-12R.....	69	M-201DG.....	16
K-5216K thru K-5501K	49	KB-8R, KB-10R, KB-14R.....	69	M-210DG.....	16
K-545.....	68	KBK-10, KBK-12	69	M-229DI.....	15
K-545B	68	KBN-1224, KBN-1240	70	M-25DC.....	17
K-545BL	68	KBS-1240, KBS-1280	70	M-32DI.....	15
K-548.....	56-57	KBS-8, KBS-10.....	69	M-39.....	18
K-555.....	68	KBS-823A, KBS-1023A	69	M-409.....	3
K-560-1.....	68	KBS-8R, KBS-10R	69	M-47DM.....	18
K-562.....	68	KC-3070	82	M-67DC.....	17
K-57, K-58.....	103	KC-3120	82	M-70DBG	16
K-570.....	68	KC-50B.....	91	M-70EI.....	15
K-5A.....	76	KCK	22	M-720.....	16
K-5G.....	76	KCK-1 thru KCK-3	22	M-75DC.....	17
K-5MM-SP thru K-9MM-SP.....	50	KDD-25 thru KDD-30.....	77	M-KIT	14
K-601A thru K-601W	95	KEHU-133	82	M-KIT-SP	14
K-6125 thru K-6250	53	KEHU-525	82	MF-16	57
K-629 thru K-632	56-57	KG.....	7	MFO-5	20
K-638.....	56-57	KG-KW, KG-KWL, KG-KWR	7	MHT-100	24
K-646 thru K-648	56-57	KGL, KGR, KGS.....	7	MK-1, MK-5	12
K-6560.....	73	KJHU-625	82	MKW-390 thru MKW-6390	45
K-660DT thru K-760DT.....	56-57	KL-1	109	ML-1	112
K-674.....	56-57	KP.....	79	ML-33, ML-33-5	12
K-680 thru K-683	56-57	KPF-7	20	MSX-390A thru MSX-6390	45
K-695.....	91	KR-1	109	MSX-3A thru MSX-63	45
K-7125 thru K-7250	53	KW-0302	47	MT-714	73
K-721	56-57	KW-0426	48	MTG-1440.....	70
K-744.....	109	KW-1 thru KW-6390	44	MTN-1424, MTN-1440	70
K-750.....	91	KW-1011	48	MTS-1440, MTS-1480.....	70
K-770 thru K-776	56-57	KW-1116, KW-1117	79	MVT-1	18
K-801 thru K-805	20	KW-1120	79	NEW-12 thru NEW-38	54
K-801W thru K-805W.....	20	KW-1130, KW-1131	79	NEW-12LC.....	54
K-801Y thru K-805Y.....	20	KW-1B thru KW-390B.....	44	NEW-38LC.....	54
K-820.....	56-57	KW-1C thru KW-390C.....	44	NEW-CAST.....	105
K-8230 thru K-8233	56-57	KW-3112	48	NFP	79
K-8260DT	56-57	KW-356	47	NH-1, NH-2.....	5
K-84, K-85.....	56-57	KW-5 thru KW-102	45	NH-166.....	2
K-877.....	56-57	KW-500	48	NH-3NS, NH-30S	5
K-880, K-881.....	56-57	KW-8002, KW-8003	79	NH-8 thru NH-26	2
K-880R	56-57	KW-8101 thru 8103.....	79	NN-5/8 thru NN-2.....	97

INDEX BY PART NUMBER

NS-4 thru NS-10.....	2	R-35-A1.....	41	R3-1/8.....	39
NS-46 thru NS-106.....	2	R-37-A1.....	41	R3-2.5.....	39
NS-6LNS, NS-10LNS.....	2	R-39-A1.....	41	R3-2000.....	39
NSP.....	79	R-390-B1.....	41	R3-2000-S.....	39
OG-5 thru OG-45.....	4	R-4003-A1.....	40	R3-2001.....	39
OGK.....	4	R-4006-A1.....	40	R3-2001-S.....	39
OGR-187 thru OGR-375.....	94	R-4007-A1.....	40	R3-2002.....	39
OGR-KIT.....	94	R-4028-A1.....	40	R3-2002-S.....	39
OL-1 thru OL-3.....	4	R-4030-A1.....	40	R3-2003.....	39
OL-11C, OL-14C.....	4	R-4031-A1.....	40	R3-2004.....	39
OL-2A.....	4	R-4032-A1.....	40	R3-3/32.....	39
OL-9.....	4	R-4033-A1.....	40	R3-3/4SS.....	39
ONG-L.....	9	R-4034-A1.....	40	R3-375-KIT.....	39
ONG-XL.....	9	R-4035-A1.....	40	R3-385-KIT.....	39
OPS-34.....	92	R-4036-A1.....	40	R3-437-KIT.....	39
P-151, P-151C.....	78	R-4038-A1.....	40	R3-4X5MM.....	39
PB-1 thru PB-9.....	6	R-4038-B4.....	41	R3-5100.....	39
PB-9L.....	6	R-4039-A1.....	40	R3-5300.....	39
PCDS-12, PCDS-12S.....	71	R-4040-A1.....	40	R3-BH1032.....	39
PCDS-14.....	71	R-4041-A1.....	40	R3-BH375.....	39
PCDS-38.....	71	R-4042-A1.....	40	R3-BH375L.....	39
PD-6801 thru PD-7025.....	5	R-4043-A1.....	40	R3-BH375W.....	39
PF-712.....	9	R-4090-A1.....	40	R3-BH385.....	39
PFL-12.....	11	R-4094-A1.....	40	R3-BH385L.....	39
PH-KIT.....	10	R-4097-A1.....	40	R3-BH385W.....	39
PLS.....	79	R-4109-A1.....	40	R3-BH437.....	39
PR-26, PR-122.....	98	R-4177-A1.....	40	R3-CM3.....	39
PRC-5, PRC-7.....	89	R-4182-A1.....	40	R3-CM4.....	39
PTP-5 thru PTP-11.....	31	R-4241-A1.....	40	R3-MH, R3-SH.....	41
R-002-B3.....	41	R-4303-A1.....	40	R3-SPC375, R3-SPC500.....	41
R-005-B3.....	41	R-4306-A1.....	40	R3-SPCB375, R3-SPCB500.....	41
R-033-B3.....	41	R-4445-A1.....	40	R3-SS.....	39
R-069-B1.....	41	R-4480-A1.....	40	R3-SS-437.....	39
R-072-B1.....	41	R-45-A1.....	41	R3-TSF.....	39
R-073-B1.....	41	R-4994-A1.....	40	RAP-50.....	8
R-082-B3.....	41	R-5.5MM thru R-25MM.....	83	RBP-16R.....	90
R-1101-A1.....	40	R-50-A1.....	41	RC-0, RC-1.....	112
R-1102-A1.....	40	R-5006-A1.....	41	RCF-050 thru RCF-462.....	113
R-1103-A1.....	40	R-5118-A1.....	41	RCF-062, RCF-075.....	111
R-111-B4.....	41	R-5119-A1.....	41	RCF-150-180.....	113
R-1202-A1.....	40	R-5120-A1.....	41	RCF-175-180.....	113
R-1252-A1.....	40	R-5121-A1.....	41	RCF-18E.....	113
R-15-A1.....	41	R-5183-A1.....	40	RCF-200 thru RCF-275.....	113
R-1620K.....	19	R-5414-A1.....	41	RCF-200-180.....	113
R-20-A1.....	41	R-5415-A1.....	41	RCF-300HD thru RCF-650HD.....	113
R-200 thru R-500.....	83	R-5416-A1.....	41	RCF-325 thru RCF-462.....	113
R-21050-A1.....	41	R-5417-A1.....	41	RCF-4MM thru RCF-6MM.....	33
R-215-B4.....	41	R-5467-A1.....	40	RCF-650HD.....	113
R-2152-A1.....	40	R-55-A1.....	41	RCH-401 thru RCH-407.....	13
R-2153-A1.....	40	R-59CD.....	28	RCH-413, RCH-813.....	13
R-2202-A1.....	40	R-60-A1.....	41	RCH-801 thru RCH-809.....	13
R-2252-A1.....	40	R-60009-B3.....	41	RCS-50.....	8
R-268-B4.....	41	R-60045-B3.....	41	RD-0, RD-1.....	112
R-30-A1.....	41	R-60079-B3.....	41	RE-202, RE-204.....	89
R-3010-A1.....	40	R-70-A1.....	41	RF-100.....	37
R-3023-A1.....	40	R-75-A1.....	41	RF-WHEEL.....	37
R-3024-A1.....	40	R-802-B1.....	41	RFC-32.....	8
R-3025-A1.....	40	R-828-B3.....	41	RFH-060 thru RFH-240.....	111
R-3026-A1.....	40	R-90-12-A1.....	41	RG-16358.....	106
R-3027-A1.....	40	R-90-16-A1.....	41	RG-1655.....	105
R-3029-A1.....	40	R-980.....	89	RG-41 thru RG-48, RG-73.....	105
R-3032-A1.....	40	R-980A thru R-980S.....	89	RG-73.....	105
R-3062-A1.....	40	R-985-B3.....	41	RG-NEY.....	105
R-3072-A1.....	40	R-FATBOY.....	103	RGS-2001-D thru RGS-2024-D.....	29

RH-10, RH-12, RH-14	91	RV-1275 thru RV-1279	55	SXN-3 thru SXN-6390	46
RHO-1, RHO-5	12	RV-8, RV-12	15	SXN-355 thru SXN-385	46
RJVE-156	74	RVF-250 thru RVF-433	33	SXR-3 thru SXR-6390	46
RK-145 thru RK-148	27	RVFD-157 thru RVFD-472	33	SXR-355 thru SXR-385	46
RK-6, RK-8, RK-14	91	RVG-1 thru RVG-8	4	TACP	79
RKH-102	72	RVG-11N thru RVG-49N	4	TN-148	101
RKH-300	72	RVG-1Y thru RVG-7Y	4	TN-1633	101
RKS-1600 thru RKS-1606	30	RVGN	4	TP-001 thru TP-005	94
RKS-1607 thru RKS-1609	31	RWS-16	24	TP-200 thru TP-590	21
RL-11-NEW	59	RX-230	66	TP-235E	21
RL-21	59	S-14400 thru S-14403	115	TPL-1	24
RL-22C	59	S-14467	115	TPL-20	24
RL-22CTS	60	S-14471 thru S-14473	115	TPM-001 thru TPM-009	94
RL-23	59	S-19271, S-19275	115	TR-235 thru TR-590	21
RL-27MM, RL-32MM	60	S-625 thru S-1000	4	TS-109	39
RL-3500	82	S-65117	115	TS-148	101
RL-3520, RL-3530, RL-3540	82	SA-5/8 thru SA-1	97	TS-150 thru TS-180	78
RL-700-1N	60	SB-100 thru SB-214	31	TS-15A	101
RL-700DA	59	SB-4363	72	TS-275 thru TS-382	50
RL-700N	59	SB-9311 thru SB-9313	72	TS-6, TS-8	2
RL-700N-SK	60	SBC	72	TS-562-HD thru TS-628-HD	50
RL-711	59	SBC-1 thru SBC-5	72	TSL-6-375 thru TSL-6-437	15
RL-CC	59	SC-5/8 thru SC-2	97	TSL-8, TSL-12	15
RL-DET	59	SDA-14	48	TSL-V	15
RLB-46 thru RLB-48	28	SE-7/8 thru SE-13/4	86	TST-200 thru TST-590	21
RM-1B	107	SEN-1224, SEN-1240	70	TW-1633	101
RM-1R	107	SES-1240, SES-1280	70	TW-200 thru TW-590	21
RM-1W	107	SIB-72	10	TW-3/8	72
RM-1Y	107	SN-100 thru SN-601	80	TWE-200 thru TWE-327	21
RM-4, RM-6A	65	SN-102S thru SN-504S	80	TX-8	39
RM-6, RM-8	91	SN-202AX thru SN-501AX	80	US-15C	101
RM-6916	66	SP	79	US-3 thru US-5	3
RMP	66	SP-101	37	US-3M	2
RMPC	66	SP-101-JAWS	37	UT-15A	101
RMS-16, RMS-128	24	SP-101-ORING	37	V-5/8 thru V-1-7/8	97
RO-114	78	SP-102	37	VC-500 thru VC-566	29
RO-134	78	SP-102-JAWS	37	VKI-KIT	60
RO-176	78	SP-102-ORING	37	VKM-1	61
RO-1C	78	SP-615	74	VRG-1, VRG-5	12
ROP	79	SP-67700	73	VS-1, VS-2, VS-3	78
RP-6, RP-8, RP-14	91	SP-91400	60	VS-100	78
RPE-1 thru RPE-8	87	SP-92350	36	VSC-1000	59
RPE-A thru RPE-F	87	SS-1	9	VSC-1000-RK	59
RPF-105	9	SS-12	9	VSD-385, VSD-437	52
RPO-1, RPO-5	11	SS-2	9	VSD-A thru VSD-E	52
RPO-1, RPO-5	106	SSH	101	VSG-1	18
RPS-11	107	SSK	101	VSP-90, VSP-100	52
RPS-2, RPS-5	11	SSV-5/8 thru SSV-1-1/8	97	VT-1000	60
RPS-2, RPS-5	106	ST-062 thru ST750	94	W-216, W-218	66
RPS-50	10	ST-80	98	W-235, W-236	66
RS-6, RS-8, RS-14	91	SVA-1 thru SVA-4	61	WL-68	12
RSB-36, RSB-60, RSB-80	66	SVA-3.5MM thru SVA-6MM	61	WNN-1240	70
RSE-8MM	68	SVC-7/8 thru SVC-11/4	86	WNS-1240, WNS-1280	70
RSI-15060 thru RSI-16540	81	SX-1 thru SX-6390	44	WS-11, WS-11-5	12
RSI-215, RSI-217	81	SX-1B thru SX-390B	44	WU-24	7
RSI-220HD	81	SX-1C thru SX-390C	44	WVN-1224, WVN-1240	70
RSM	72	SX-22916E	48	WVS-1240, WVS-1280	70
RSN	72	SX-22929A	48	X-21 thru X-112	64
RSO-0 thru RSO-2	53	SX-23694E	48	X-66L	64
RSP	72	SX-245	67		
RT-1240 thru RT-1250	29	SX-33970A	48		
RTF-16	10	SX-5 thru SX-102	45		
RUR-1/80 thru RUR-2/320	67	SX-500	48		
RUS-5	10	SXF-2 thru SXF-63	46		

MEASUREMENT EQUIVALENTS CHART

	DECIMAL	MM
$\frac{1}{64}$.0156	0.396
$\frac{1}{32}$.0312	0.793
$\frac{3}{64}$.0468	1.190
$\frac{1}{16}$.0625	1.587
$\frac{5}{64}$.0781	1.984
$\frac{3}{32}$.0937	2.381
$\frac{7}{64}$.1093	2.778
$\frac{1}{8}$.125	3.175
$\frac{9}{64}$.1406	3.571
$\frac{5}{32}$.1562	3.968
$\frac{11}{64}$.1718	4.365
$\frac{3}{16}$.1875	4.762
$\frac{13}{64}$.2031	5.159
$\frac{7}{32}$.2187	5.556
$\frac{15}{64}$.2343	5.953
$\frac{1}{4}$.25	6.350
$\frac{17}{64}$.2656	6.746
$\frac{9}{32}$.2812	7.143
$\frac{19}{64}$.2968	7.540
$\frac{5}{16}$.3125	7.937
$\frac{21}{64}$.3281	8.334
$\frac{11}{32}$.3437	8.731
$\frac{23}{64}$.3593	9.128
$\frac{3}{8}$.375	9.525
$\frac{25}{64}$.3906	9.921
$\frac{13}{32}$.4062	10.318
$\frac{27}{64}$.4218	10.715
$\frac{7}{16}$.4375	11.112
$\frac{29}{64}$.4531	11.509
$\frac{15}{32}$.4687	11.906
$\frac{31}{64}$.4843	12.303
$\frac{1}{2}$.5	12.700

	DECIMAL	MM
$\frac{33}{64}$.5156	13.096
$\frac{17}{32}$.5312	13.493
$\frac{35}{64}$.5468	13.890
$\frac{9}{16}$.5625	14.287
$\frac{37}{64}$.5781	14.684
$\frac{19}{32}$.5937	15.081
$\frac{39}{64}$.6093	15.478
$\frac{5}{8}$.625	15.875
$\frac{41}{64}$.6406	16.271
$\frac{21}{32}$.6562	16.668
$\frac{43}{64}$.6718	17.065
$\frac{11}{16}$.6875	17.462
$\frac{45}{64}$.7031	17.859
$\frac{23}{32}$.7187	18.256
$\frac{47}{64}$.7343	18.653
$\frac{3}{4}$.75	19.050
$\frac{49}{64}$.7656	19.446
$\frac{25}{32}$.7812	19.843
$\frac{51}{64}$.7968	20.240
$\frac{13}{16}$.8125	20.637
$\frac{53}{64}$.8281	21.034
$\frac{27}{32}$.8437	21.431
$\frac{55}{64}$.8593	21.828
$\frac{7}{8}$.875	22.225
$\frac{57}{64}$.8906	22.621
$\frac{29}{32}$.9062	23.018
$\frac{59}{64}$.9218	23.415
$\frac{15}{16}$.9375	23.812
$\frac{61}{64}$.9531	24.209
$\frac{31}{32}$.9687	24.606
$\frac{63}{64}$.9843	25.003
1	1.	25.400



new

DIESEL PAINT

Seymour Big Rig heavy-duty industrial enamel offers superior coverage for fleet maintenance applications where maximum performance is required. It will not blister, flake, or crack. Prevents rust and corrosion while resisting heat, oil, gas, and abrasion. **See page 105**

Part No.	Description
RG-43	Fleet White
RG-44	Gloss Frame Black
RG-45	Cummins Apex Red
RG-48	School Bus (Cat) Yellow

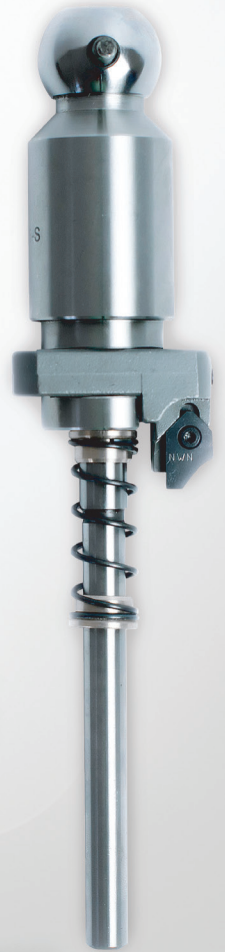
VALVE SEAT WHEELS

For Sioux, Kwik-Way and Black & Decker seat grinders. Magnum wheels only available from Regis. **See pages 44-46**



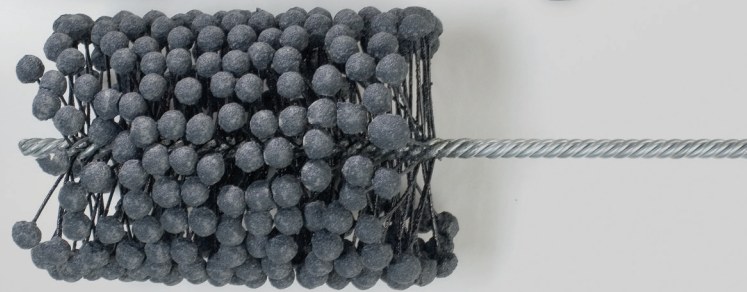
3-ANGLE SEAT CUTTING KITS

Regis R3 precision-ground, 3-angle seat cutting kits are now available with a .437" ball head. **See pages 38-39**



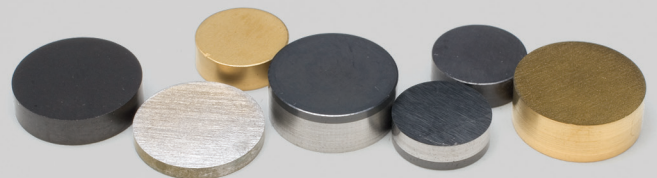
GRINDING COOLANTS

Regis grinding coolants and concentrates are available for a variety of machines – valve refacers, crankshaft and camshaft grinders, flywheel grinders, belt surfacers, honing machines and more! **See page 12**



FLEX-HONES®

For valve guides, engine cylinders, lifter bores and cam bearings – this super finishing process produces a controlled surface condition unattainable by any other method. **See page 113**



CBN & PCD CUTTERS

The very latest CBN (Cubic Boron Nitride) and PCD (Polycrystalline Diamond) replacement cutters for your milling heads. Delivers a fresh, clean cut on all shop work. **See page 71**

HEAT TABS

When adhered to block or cylinder head, heat tab centers will melt out. Helps prevent warranty comebacks. To apply heat tab to engine block, use HTA-1 Heat Tab Adhesive.



Part No.	Description
HT-100	Heat Tabs (100 qty.)
DHT-100	Diesel Heat Tabs (100 qty.)
MHT-100	Marine Heat Tabs (100 qty.)
HTA-1	Heat Tab Adhesive

DIAMOND TOOLS

Regis has a huge selection of diamond tools for valve refacers, valve reseaters; crankshaft, camshaft, piston and clutch grinders; drum lathes and more! Diamond Resetting Service is also available. See pages 76-77



DIAMOND VALVE GUIDE HONING SYSTEM

Wide range, interchangeable hone mandrels cover from 4.9mm (.193") to 13.99mm (.551"). Just 2 mandrels cover from 7.9mm (.311") to 10mm (.393"). Four replacement stones cover all 11 mandrel sizes. Can replace over 75 reamers!

Aggressive diamond abrasive provides rapid stock removal coupled with long abrasive life. The ONLY efficient way to size bronze or hardened guides. Long length abrasive inserts keep guide bores straight.

Mandrel driver flex drive with built in limit stops provides better mandrel control. "Whipping" of the mandrel is prevented, even when rotated outside a guide bore. See page 34



ENGINE PAINTS

Restores a new finish! Ideal for use on newly cleaned cylinder heads, engine blocks, etc. Features a durable, quick-dry formula with excellent adhesion.

Part No.	Description
NEW-CAST	Cast Iron Gray
RG-1655	Aluminum Gray
RG-41	Chrome Aluminum
RG-42	Universal Black
RG-73	Cummins Beige



VALVE SEAT WHEEL AIR DRIVERS

Handles valve seat wheels up to 4-1/2", with 11,000 RPM governed horsepower (1.0 max. horsepower). Available for Kwik-Way or Sioux. See page 48

VALVE SEAT WHEEL DRIVE ADAPTERS

Enables you to use any 4-1/2" angle grinder with 5/8-11 thread as a valve seat grinder. Available for Kwik-Way or Sioux.

Part No.	Description
AGA-KW	Adapter for Kwik-Way
AGA-SX	Adapter for Sioux

