

Project:

Type:

Date:

Notes:



SSSP-Series

Steel Poles



Note: Base plate accessory sold separately.

IDEAL APPLICATIONS

Lighting installations for side and top mounting of luminaires with effective projected area (EPA) not exceeding maximum allowable weight of the specified pole in its installed geographic location.

DESCRIPTION:

The SSSP square straight steel poles are designed for top or side mounted luminaires, with a universal drill pattern on all four sides of the pole. Silicon plugs are included to cover all unused holes. SSSP poles are available in 15', 20', 25' and 30' lengths in a dark bronze finish. Pole includes pole cap and handhole cover.

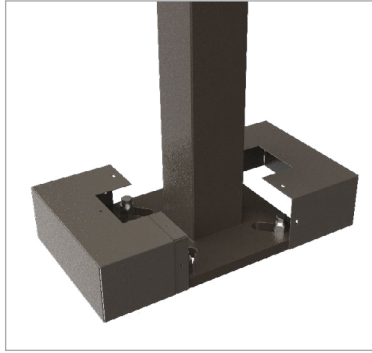
FEATURES:

- High grade steel conforming to ASTM-A 500
 - Grade B, minimum yield strength of 34,000 PSI.
 - Pre-drilled universal hole pattern on all four sides for flexible luminaire attachment.
 - Polyester powder-coat dark bronze finish baked at 400°F to optimize paint adhesion, durability and hardness.
- Anchor bolts are sold separately and can be pre-shipped upon request.

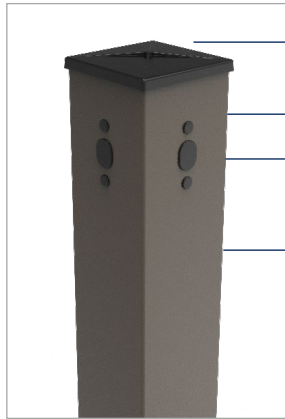
 **Quick Ship Available**

SPECIFICATIONS	SSSP4-15	SSSP4-20	SSSP4-25	SSSP5-30
Height	15ft	20ft	25ft	30ft
Nominal Shaft Dimensions	4" Square		5" Square	
Gauge	11			7
Thickness	0.119"			0.179"
Bolt Circle Diameter	11"			
Bolt Circle Diameter Range	10.18"-11.82"			
Bolt Square Dimension	7.78"			
Bolt Square Dimension Range	7.19"-8.36"			
Weight	127.86lb	165.34lb	189.59lb	392.42lb
Anchor Bolt Size	3/4" X30" X4"	3/4" X30" X4"	1" X36" X4"	1" X36" X4"
Finish	Bronze			

EASY INSTALL 2 PIECE BASE PLATE COVER (SOLD SEPARATELY)



DRILL PATTERN



Spring loaded polycarbonate pole cap.

Install up to 4 fixtures.

12 plugs provided to seal unused drill holes.

Polyester powder-coat dark bronze finish.

INCLUDED WITH EVERY ORDER

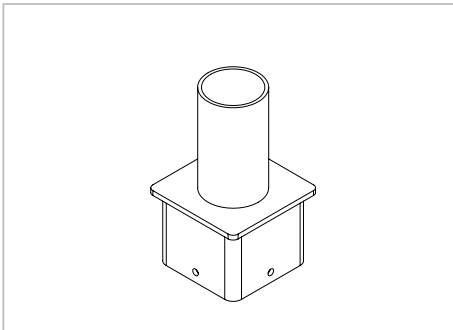


Spring Loaded
Polycarbonate
Pole Cap

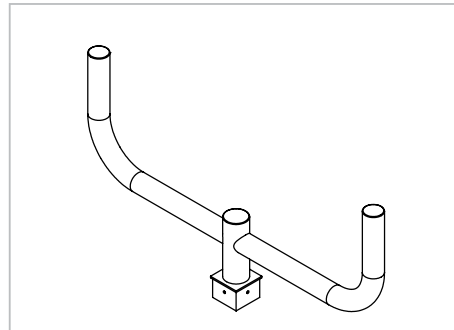


Reinforced Cast-Iron
Hand Hole Cover
With Ground Screw

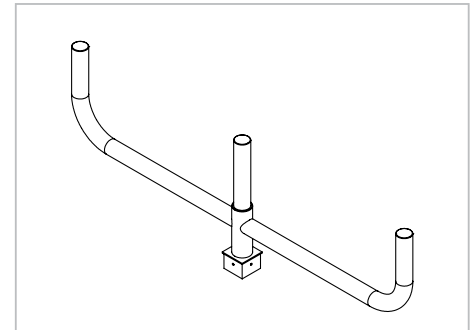
ACCESSORIES



PA1- 2 3/8"

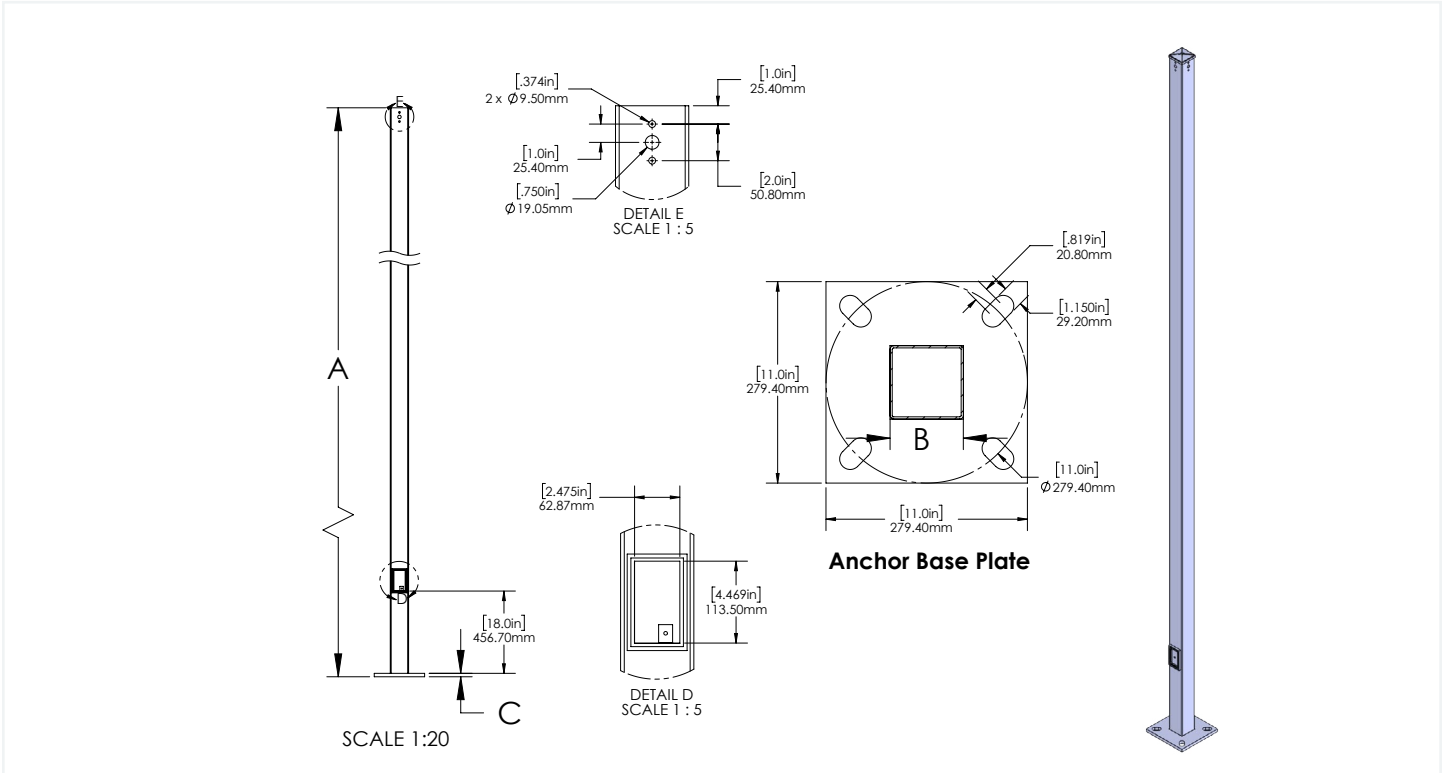


PA2-180



PA3-180

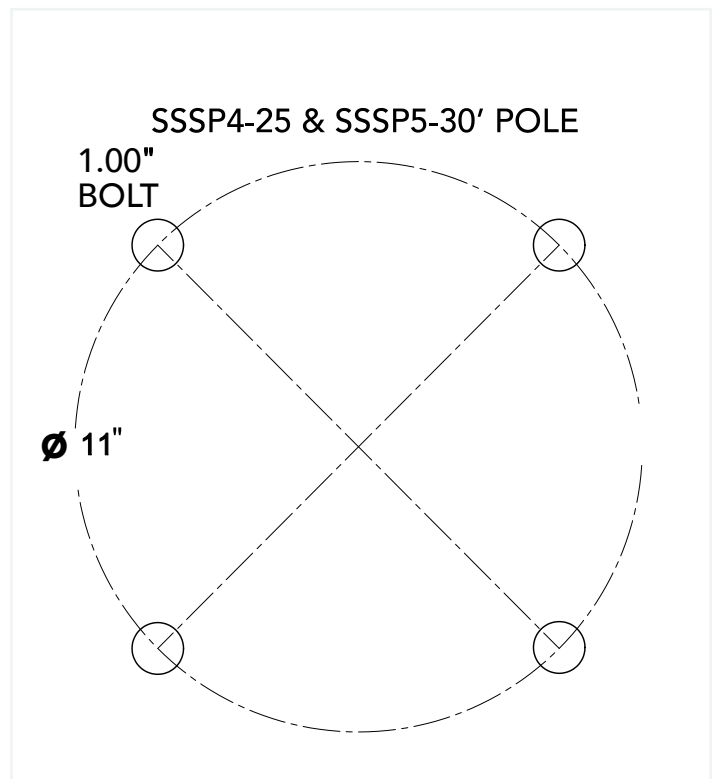
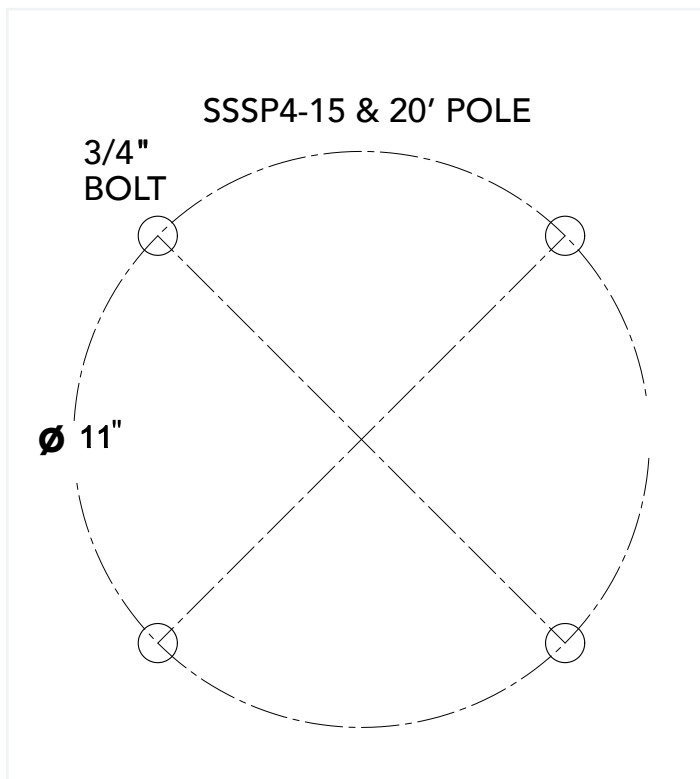
POLE DIMENSIONS:



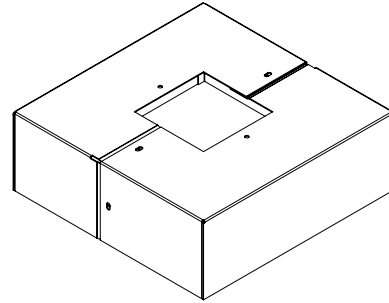
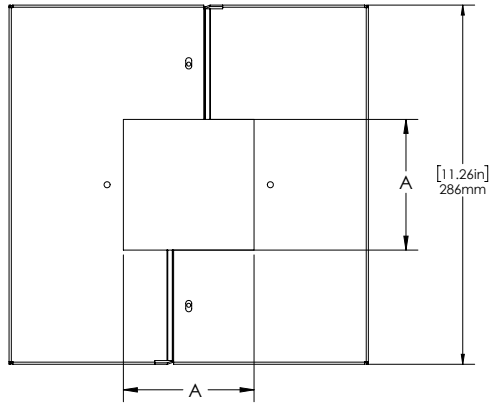
DIMENSION FOR DIM DRAWING

Poles	A	B	C
SSSP4-15	15' (4572mm)	4" (101.6mm)	0.75" (19.05mm)
SSSP4-20	20' (6096mm)	4" (101.6mm)	0.75" (19.05mm)
SSSP4-25	25' (6720mm)	4" (101.6mm)	1" (25.4mm)
SSSP5-30	30' (9144mm)	5" (127mm)	1" (25.4mm)

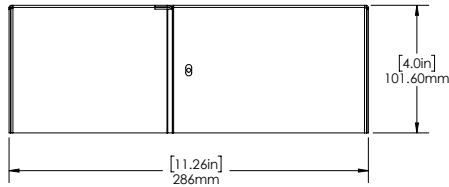
ANCHOR BOLT TEMPLATE:



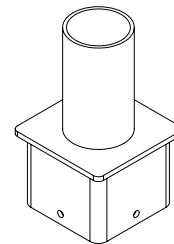
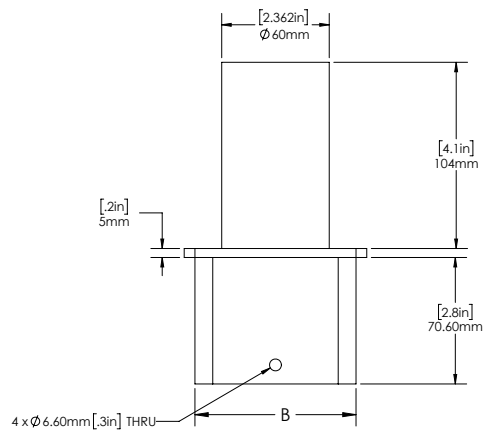
DIMENSIONS:



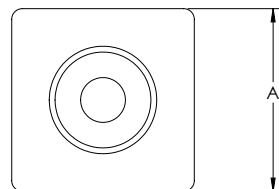
BASE COVER



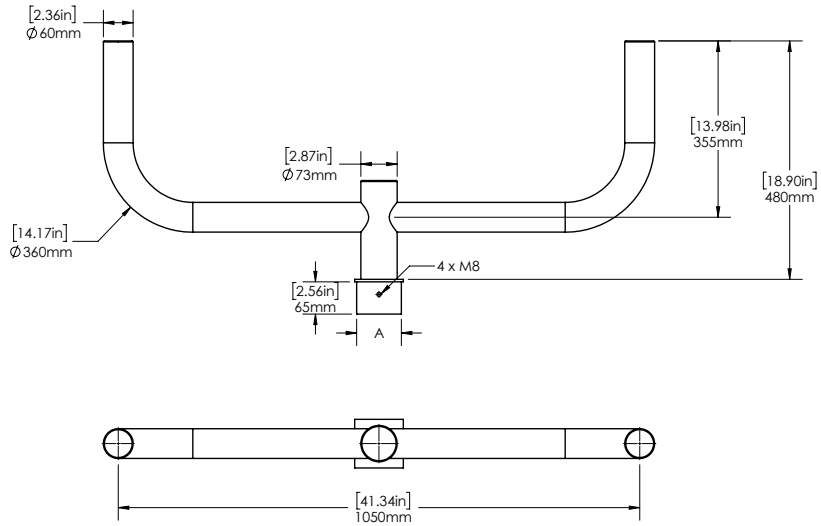
BASE COVER	A
SSSP4	4.09"
SSSP5	5.08"



PA1- 2 3/8" POLE TENON

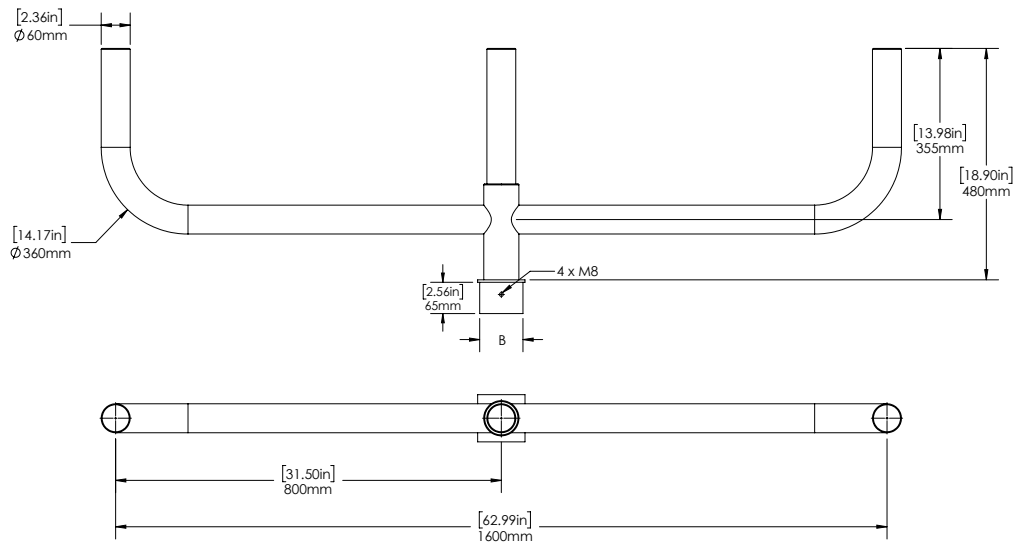


TENON	A	B	Weight
PA1/SSSP4	4"	3.5"	4.4lb
PA2/SSSP5	5"	4.5"	5.5lb



**PA2-180
BULLHORN**

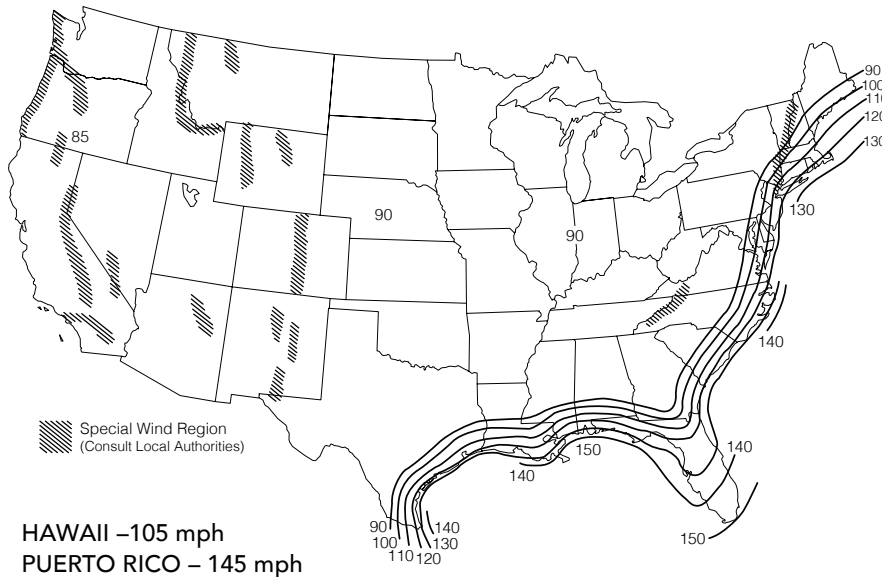
Bullhorn Pole	A	Weight
F/SSSP4-G11	3.54"	20.9lb
F/SSSP5-G07	4.53"	21.5lb



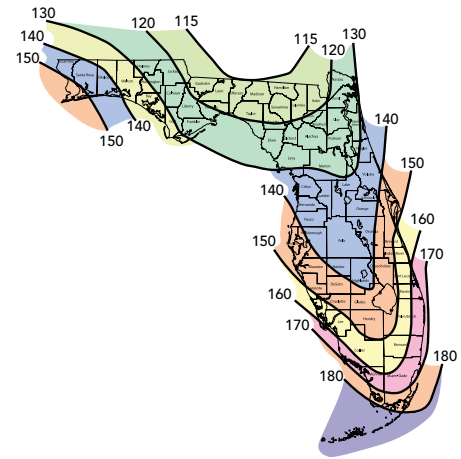
**PA3-180
BULLHORN**

Bullhorn Pole	B	Weight
F/SSSP4-G11	3.54"	36.4lb
F/SSSP5-G07	4.53"	37.8lb

ASCE7-05 WIND MAP



FLORIDA REGION WIND MAP



Florida region wind map above is based upon 3-second gust winds and the 2017 Florida Building Code

EPA WIND LOAD RATING

	90mph		100mph		110mph		120mph		130mph		140mph		150mph	
	EPA (ft2)	Max Weight (lb)	EPA (ft2)	Max Weight (lb)	EPA (ft2)	Max Weight (lb)	EPA (ft2)	Max Weight (lb)	EPA (ft2)	Max Weight (lb)	EPA (ft2)	Max Weight (lb)	EPA (ft2)	Max Weight (lb)
SSSP4-15-BRZ-G11-PTC	9.5	237.5	8.8	220	7.9	197.5	7	175	6	150	4.9	122.5	3.7	92.5
SSSP4-20-BRZ-G11-PTC	5.6	140	4.6	115	3.6	90	2.4	60	1.2	30	-	-	-	-
SSSP4-25-BRZ-G11-PTC	2.6	65	1.4	35	0.1	2.5	-	-	-	-	-	-	-	-
SSSP5-30-BRZ-G07-PTC	7	175	5.2	130	3.2	80	1.1	27.5	-	-	-	-	-	-

Based on 1.6 gust factor

ACCESSORY EPA RATING

PA1	0.144ft ²
PA2-180	1.24ft ²
PA3-180	1.32ft ²

- Allowable EPA, to determine max pole loading weight, multiply allowable EPA by 25 lbs.
- The Wind Maps are intended only as a general guide. Always consult local authorities to determine maximum wind velocities, gusting and unique wind conditions for each specific application.
- Allowable pole EPA for jobsite wind conditions must be equal to or greater than the total EPA for fixtures, arms, and accessories to be assembled to the pole. Responsibility lies with the specifier for correct pole selection. Installation of poles without luminaires or attachment of any unauthorized accessories to poles is discouraged and shall void the manufacturer's warranty.
- Wind speeds and listed EPAs are for ground mounted installations. Poles mounted on structures (such as bridges and buildings) must consider vibration and coefficient of height factors beyond this general guide; Consult local and federal standards.
- Wind Induced Vibration brought on by steady, unidirectional winds and other unpredictable aerodynamic forces are not included in wind velocity ratings.
- Extreme Wind Events like, Hurricanes, Typhoons, Cyclones, or Tornadoes may expose poles to flying debris, wind shear or other detrimental effects not included in wind velocity ratings.
- Due to our continued efforts to improve our products, product specifications are subject to change without notice.

ORDERING GUIDE:

SSSP4-15-BRZ-G11		SSSP4-20-BRZ-G11		SSSP4-25-BRZ-G11		SSSP5-30-BRZ-G07	
Quantity	Stock Code: 052690 Height: 15' Finish: Bronze Gauge: 11	Quantity	Stock Code: 052691 Height: 20' Finish: Bronze Gauge: 11	Quantity	Stock Code: 052692 Height: 25' Finish: Bronze Gauge: 11	Quantity	Stock Code: 052693 Height: 30' Finish: Bronze Gauge: 7

ORDERING GUIDE FOR ACCESSORIES

Options Sold Separately

Check the items that you wish to order:

- 052696 - ANCHOR BOLT & TEMPLATE F/SSSP4-15 & SSSP4-20
(Anchor Bolt & Template for 15' and 20' height)
- 052697 - ANCHOR BOLT & TEMPLATE F/SSSP4-25 & SSSP5-30
(Anchor Bolt & Template for 25' and 30' height)
- 052741 - PA1-BRZ F/SSSP4-G11
(2-3/8" Pole Tenon for single fixture install for 4", 11 Gauge pole)
- 052742 - PA1-BRZ F/SSSP5-G07
(2-3/8" Pole Tenon for single fixture install for 5", 7 Gauge)
- 052735 - PA2-180-BRZ F/SSSP4-G11
(2 Bullhorns at 180 degrees for two fixture install for 4", 11 gauge pole)
- 052736 - PA3-180-BRZ F/SSSP4-G11
(3 Bullhorns at 180 degrees for three fixture install for 4", 11 gauge pole)
- 052737 - PA2-180-BRZ F/SSSP5-G07
(2 Bullhorns at 180 degrees for two fixture install for 5", 7 gauge pole)
- 052738 - PA3-180-BRZ F/SSSP5-G07
(3 Bullhorns at 180 degrees for three fixture install for 5", 7 gauge pole)
- 052694 - BASE COVER F/SSSP4-G11-BCD11 BRZ
(2 Piece Base Plate Cover for 4", 11 gauge pole)
- 052695 - BASE COVER F/SSSP5-G07-BCD11 BRZ
(2 Piece Base Plate Cover for 5", 7 gauge pole)
- 052739 - TOP CAP BRZ F/SSSP4-G11
(Bronze Finish Top Cap for 4", 11 gauge pole)
- 052740 - TOP CAP BRZ F/SSSP5-G07
(Bronze Finish Top Cap for 5", 7 gauge pole)

WARRANTY

Please click the link for the [Warranty Statement](#)