



AWL2S-LED

Select Series Wall light

SPECIFICATIONS			
	AWL2S-LED50	AWL2S-LED80	AWL2S-LED80A50
Watts	51	81	80 (Max)
Lumens	6,329	10,284	9,783
Efficacy (Lm/W)	124	120	118
B-U-G	2-2-1		3-2-1
Replaces Up To	150W MH	175W/250W MH	
Voltage	120-277V		
Color Temp	CCT Selectable - 3000K / 4000K / 5000K Factory set to 4K		
Finish	Bronze, Custom Colour		
LED Life	100,000 Hours (L81)		
Working Temp	-40°C to +50°C		
CRI	>70		
Dimming	0-10V Dimming		
Options	Dimming high frequency motion sensor, 10kV Surge Protection		
Power Factor	0.900		
Weight (Lbs)	2.55		
# of Conduit Entries	5		
Photocell	Included		
Housing	Die Cast Aluminum		
Lens	Clear Polycarbonate		



Adjustable Head



DESCRIPTION

The AWLS-LED select series wall light is a colour selectable fixture with an adjustable head to direct light wherever needed. Ideal for use in perimeter lighting, condos, schools, and town houses.

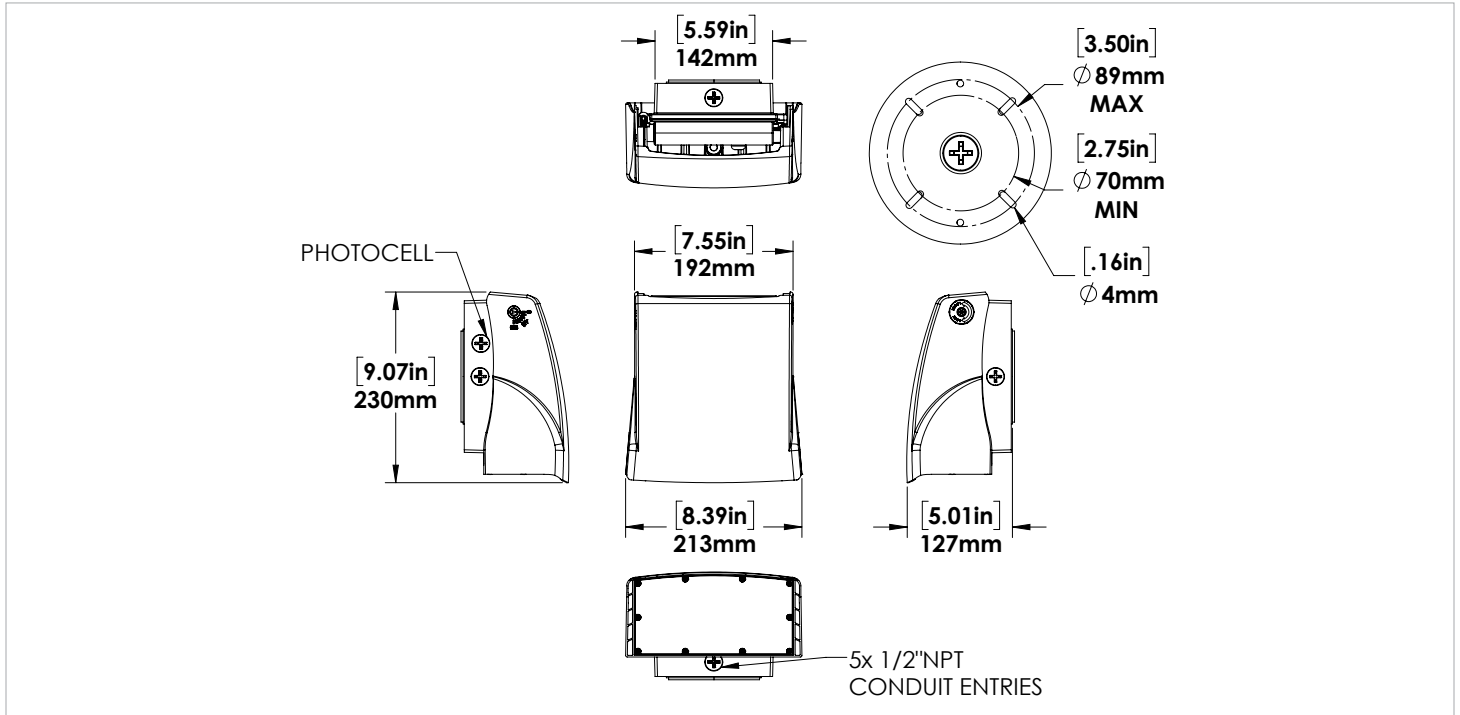
IDEAL APPLICATIONS



FEATURES

- Color Selectable Fixture - Installer can choose between 3000K/4000K/5000K through a switch inside the housing.
- AWL2S-LED80A50 is a lumen adjustable unit with 3 settings at 80W, 60W, and 50W.
- Adjustable head to direct light wherever needed.
- Hinge Assembly allows Installer to use both hands for wiring.
- Level bubble for quick alignment.
- Photocell is included and can be disabled/deactivated by a quick disconnect.
- Dimming High Frequency Motion sensor with remote control available.

DIMENSIONS



AMPERAGE DRAW & SURGE PROTECTION

	CURRENT (A)				SURGE PROTECTION
	120V	208V	240V	277V	
AWL2S-LED50	0.44A	0.26A	0.22A	0.19A	4kV
AWL2S-LED80	0.7A	0.41A	0.35A	0.31A	6kV
AWL2S-LED80A50	0.7A	0.41A	0.35A	0.31A	2.5kV

TM-21 ESTIMATED LUMEN MAINTENANCE

	50,000 Hours	75,000 Hours	100,000 Hours
AWL2S-LED50	90%	85%	81%
AWL2S-LED80	90%	85%	81%

AWL1S-LED80A50 LUMEN ADJUSTABLE SETTINGS

Watts (W)	50	60	80
Lumens (Lm)	5995	7194	9783

DHFS MOTION SENSOR

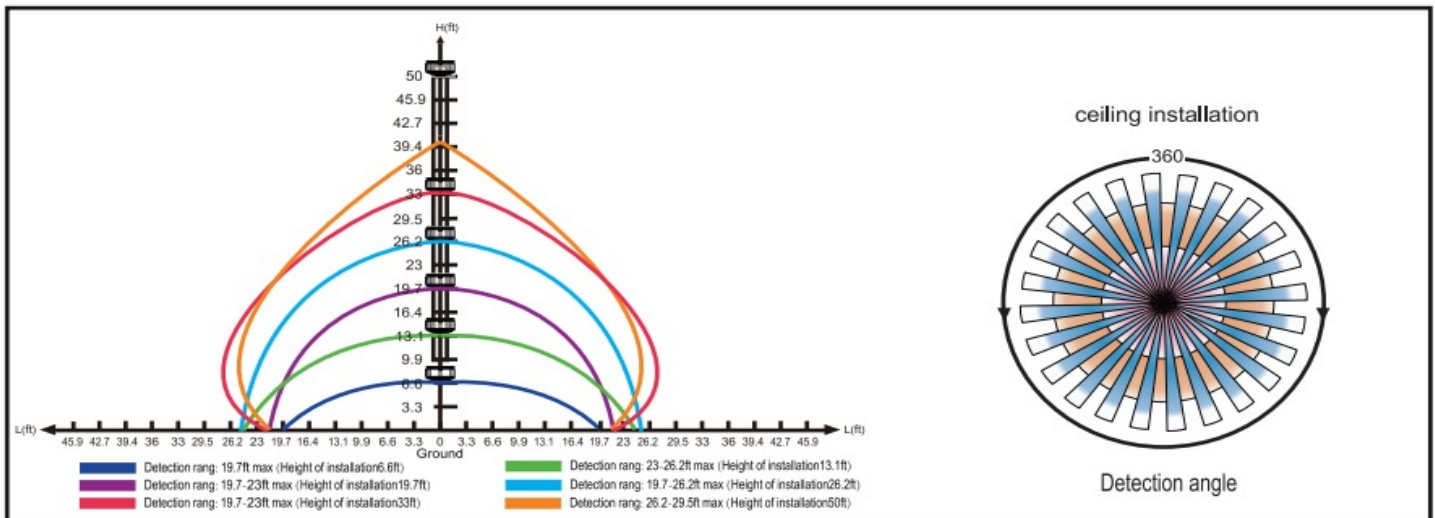
Dimming High Frequency Motion Sensor is factory installed.

DEFAULT SENSOR SETTINGS					
BRIGHTNESS	SENSITIVITY	HOLD ON TIME	DAYLIGHT SENSOR	DIMMING LEVEL	DIMMING TIME
100%	100%	5 min	(Disabled)	30%	60 mins

DHFS SENSOR SPECIFICATIONS	
POWER SUPPLY	12V-24VDC (12VDC PROVIDED BY THE LED DRIVER)
HF SYSTEM	5.8 GHZ ± 75MHZ
DIM CONTROL OUTPUT	0-10 VDC, MAX. 25MA SINKING CURRENT
DETECTION RADIUS/ANGLE	MAX 26FT (8M) /360°
MOUNTING HEIGHT	MAX 40FT
REMOTE RANGE	50 FT (15M) INDOOR, NO BACKLIGHT
HUMIDITY	MAX. 95% RH
TEMPERATURE	-40°F TO 158°F (-40°C TO 70°C)
OPTIONS	BUILT-IN DAYLIGHT SENSOR THAT CAN BE TURNED ON USING RC-100 REMOTE

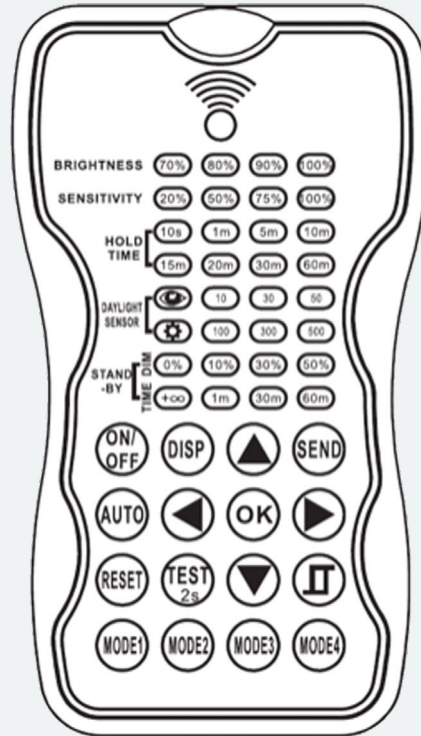
NOTE: ONCE DEVICE IS POWERED, THE SENSOR WILL USE FACTORY DEFAULT SETTINGS. IF ADJUSTMENTS ARE NEEDED, RC100 WIRELESS IR CONFIGURATION TOOL MUST BE USED

DHFS DETECTION RANGE & RADIUS/ANGLE



RC100 REMOTE SPECIFICATIONS

FEATURES



BRIGHTNESS:
Sets the highest light fixture brightness when motion is detected.

SENSITIVITY:
Sets the sensitivity to which the sensor will detect motion.

HOLD TIME:
The time the light fixture will remain at the brightness setting after it detects motion..

DAYLIGHT SENSOR:
The lux setting that the light fixture will turn on/off. If the ambient lux is more than the defined lux setting, the fixture & sensor function will turn off and remain off until the ambient lux is below the setting. To disable the lux sensor, select the SUN icon. To set the lux to match current room conditions, select the EYE icon.

STAND-BY DIM:
The Dim level that the light fixture will dim down after the Hold Time has expired.

To disable dimming and only have ON/OFF, select the 0% icon.

STAND-BY TIME:
The time the light fixture will remain in the dim down state before it shuts off. To disable the light from shutting off, select the INFINITY icon.

RC100 REMOTE CONTROL SPECIFICATION

Power Supply	2 x AAA 1.5V Batteries
Communication Protocol	940 nm Infrared Tx & Rx
Communication Range	Up to 15m (50 ft)
Operating Temp.	0 °C to 50°C (32°F to 122°F)
Dimensions	123x70x20.3mm (4.84"x2.76"x0.8")

KEY	FUNCTION
-----	----------



Light fixture will be set to permanently stay ON or OFF. Must press AUTO button to go back to sensor mode.



Displays the current remote-control parameters.



Navigate through the remote-control parameters and sets them to the desired settings.

NOTE: These settings are not yet set on the light fixture sensor. The remote needs to be pointed at the light fixture sensor, and the SEND button needs to be pushed.



Uploads the selected remote-control parameters to the light fixture sensor. The light fixture will turn on and off as confirmation the new settings have been set.



Light fixture sensor is set to sensor mode with the last sent parameters. This must be pressed to exit the ON/OFF setting.



Resets the light fixture sensor parameters. Default Settings

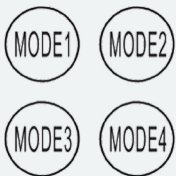
BRIGHTNESS	SENSITIVITY	HOLD TIME	DAYLIGHT SENSOR	STAND-BY DIM	STAND-BY TIME
100%	100%	5 minutes	Disabled	DIM: 30%	60 minutes



For Testing sensitivity only. The Standby period and daylight sensor are disabled in this mode. Must press AUTO button to go back to sensor mode.



Photocell Function: If this function is turned on, it is set to a specific lux setting (10, 30, 50, 100, 300, 500). When the lux level exceeds this setting, the sensor will wait and monitor for 1 minute to confirm the lux level is not temporary. After 1 minute, the lights will turn off even when the space is occupied. When the lux level goes below this setting, the light will turn on and remain on without any detected motion. This feature is disabled by default and is intended for outdoor use only.



Four modes are available with pre-set parameters. Any mode can be customized by following the steps below:

1. Select mode 1, 2, 3, or 4.
2. press the ARROW BUTTONS to choose the new parameters.
3. Select OK to confirm the new settings on that mode.

NOTE: These settings are not yet set on the light fixture sensor. The remote needs to be pointed at the light fixture sensor, and the SEND button needs to be pushed.

NOTE: Modes 2, 3, and 4 all have the same default settings. See instructions to change defaults.

MODE DEFAULT SETTINGS	BRIGHTNESS	SENSITIVITY	HOLD TIME	DAYLIGHT SENSOR	STAND-BY DIM	STAND-BY TIME
MODE1	100%	100%	5 minutes	Disabled	DIM: 30%	Disabled

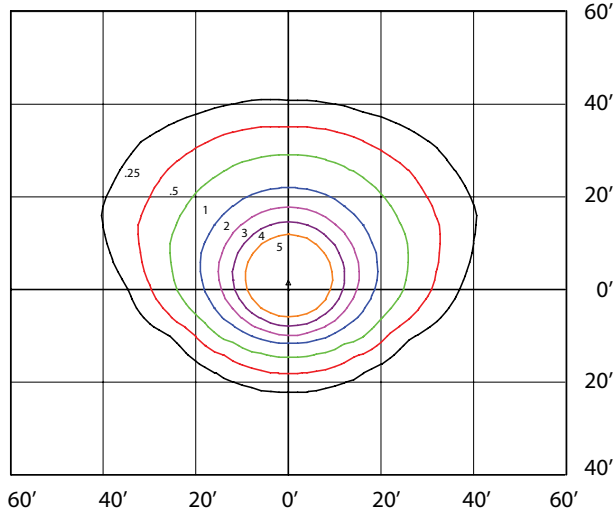


70% 20% 10 seconds Disabled 0% Disabled



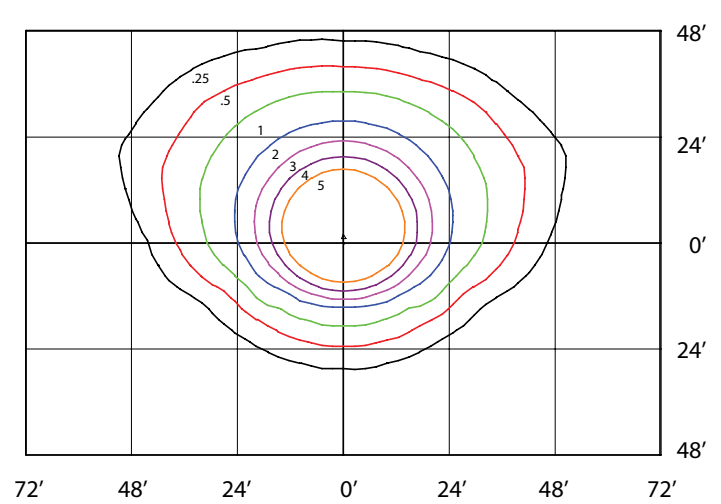
AWL2S-LED50-B-4K-BRZ-DIM-PC
MOUNTED AT 20 FEET

Total Lumens = 7068 Mounting Height = 20 Ft Maximum Calculated Value = 7.37 Fc



AWL2S-LED80-B-4K-BRZ-DIM-PC
MOUNTED AT 24 FEET

Total Lumens = 11616 Mounting Height = 24 Ft Maximum Calculated Value = 9.02 Fc



ORDERING GUIDE

AWL2S		B	VK		DIM		
WATTS	VOLTAGE	COLOR TEMP.	FINISH	DRIVER	CONTROLS	OPTIONS	
LED 50 LED80 LED80A50	B - 120-277V*	VK - COLOR SELECTABLE* (can be adjusted to 3K, 4K, or 5K)	BRZ-BRONZE* CC - CUSTOM COLOR	DIM - 0-10V Dimming*	PC - PHOTOCELL* DHFS - DIMMING HIGH FREQUENCY MOTION SENSOR	BLANK SPI0- 10KV SURGE PROTECTION	

*Standard Configuration.

ACCESSORIES

Options Sold Separately
Check the items that you wish to order:

- 052267 - RC100 MOTION SENSOR REMOTE CONTROL
(One remote control required per order to configure custom settings for the DHFS sensor)