

12
NO. 1972

HANDBOOK OF THE
RECONNAISSANCE CAR

MODEL 1918

COMPRISING

1-TON TRUCK CHASSIS

WHITE, MODEL TEB-O

AND

RECONNAISSANCE BODY

MODEL 1918

(EIGHTY PLATES)

AUGUST 15, 1918

ANTI DEPOSIT
1969



NO. 1972

HANDBOOK OF THE
RECONNAISSANCE CAR

MODEL 1918

COMPRISING

1-TON TRUCK CHASSIS

WHITE, MODEL TEB-O

AND

RECONNAISSANCE BODY

MODEL 1918

(EIGHTY PLATES)

AUGUST 15, 1918



WAR DEPARTMENT,
OFFICE OF THE CHIEF OF ORDNANCE,
Washington, August 15th, 1918.

This manual is published for the information and government of the United States Army.

By order of the Secretary of War.

C. C. WILLIAMS
Maj. Gen. Chief of Ordnance, U. S. A.

TABLE OF CONTENTS

CHAPTER I

SPECIFICATIONS, OPERATION AND CARE

	Page
Weights and outline specifications.....	9
Brief description of Reconnaissance Car.....	9
Brief description of White, Model TEB-O, Truck Chassis.....	11
Brief operating instructions.....	13
Detail operating instructions.....	15
Control system.....	19
Maintenance routine.....	35
Common troubles.....	37

CHAPTER II

ENGINE GROUP

ENGINE	
Brief description.....	41
Engine operation.....	41
Cylinder.....	43
Valve gear.....	47
Piston.....	51
Connecting rods.....	56
Crankshaft.....	57
Crankcase.....	64
Timing gears.....	64
Oiling system.....	65
Exhaust pipe and muffler.....	68
FUEL SUPPLY SYSTEM	
Fuel tank and lines.....	68
Carbureter.....	69
IGNITION SYSTEM	
Magneto and connections.....	72
Magneto care and maintenance.....	73
COOLING SYSTEM	
Radiator and connections.....	79
Water pump.....	81
Cooling fan.....	82

CHAPTER III

CONTROL SYSTEM

Control units.....	85
Levers, Gearshift and brake.....	86
Pedals, Clutch, brake and accelerator.....	89
Steering wheel controls.....	94
Steering system.....	94

CHAPTER IV

MAIN CLUTCH

Brief description.....	100
Detail description.....	101
Clutch pedal and brake assembly.....	105
Adjustment.....	107
Care and repair.....	107

TABLE OF CONTENTS—Continued

CHAPTER V
TRANSMISSION UNITS

	Page
Transmission or gear box.....	109
Detail description of gear box.....	111
Propeller shaft.....	124
Universal joints.....	125
Tire pump, Mechanical.....	127

CHAPTER VI
AXLES AND WHEELS

Front axle.....	129
Rear axle.....	133
Wheels.....	133, 140
Differential.....	135
Brakes.....	141
Torsion rod assembly.....	144

CHAPTER VII
FRAME AND CHASSIS FITTINGS

Frame.....	147
Springs.....	148
Fenders and running boards.....	151
Hood and dash.....	151
Instruments.....	151
Brake system assembly.....	152

CHAPTER VIII
LIGHTING SYSTEM

Searchlight.....	155
Generator.....	157
Oil lamps.....	159

CHAPTER IX
BODY

Brief description of body.....	161
Detail description of body.....	165
Top assembly.....	175
Body equipment table.....	183
Artillery fire control equipment.....	184

CHAPTER X
EQUIPMENT

Chassis equipment.....	194
------------------------	-----

CHAPTER XI
NOMENCLATURE

Nomenclature index.....	196
Chassis nomenclature.....	200
Body nomenclature.....	243
INDEX.....	247

LIST OF PLATES

CHAPTER I

Plate No.	Name	Page
1	Reconnaissance Car.....	8
2	Top View of Chassis, Showing Major Assemblies.....	10
3	Power Diagram.....	12
4	Controls of White, Model TEB-O, Chassis.....	18
5	Gear Shift Diagram.....	20
6	Lubricating Chart—Right Side of Chassis.....	25
7	Engine Lubricating Sketches.....	26
8	Lubricating Sketch.....	28
9	Axle Transmission and Steering Gear Lubricating Sketches.....	30
10	Front Axle and Spring Bolt Lubricating Sketches.....	32
11	Lubricating Chart, Top View of Chassis.....	34

CHAPTER II

12	Right Side of Engine.....	42
13	Left Side of Engine.....	44
14	Side of Cylinder Block, Showing Valve Tappets and Springs.....	46
15	Valve Timing Diagram.....	50
16	Replacing Piston Rings on Piston.....	55
17	Crankshaft, Piston and Connecting Rod Assembly.....	58
18	Timing Gears.....	62
19	Oil Pump Assembly.....	66
20	Lubricating System Diagram.....	67
21	Gasoline Tank, Shutoff Valve and Strainer.....	70
22	Fuel Tank Cover.....	72
23	Details of Magneto and Mounting.....	74
24	End View of Magneto, Showing Distributor.....	76
25	Water Pump Partially Disassembled.....	80

CHAPTER III

26	Control Levers, Pedals and Instruments.....	84
27	Lower End of Steering Gear, Right Side.....	88
28	Lower End of Steering Gear, Left Side.....	90
29	Steering Gears, Worm and Sector.....	92

CHAPTER IV

30	Clutch, Flywheel and Pedal Assemblies.....	98
31	Main Clutch Partially Disassembled.....	102

CHAPTER V

32	Right Side of Transmission.....	110
33	Left Side of Transmission.....	112
34	Transmission Gears in Fourth or Top Speed.....	114

LIST OF PLATES—Continued

Plate No.	Name	Page
35	Transmission Gears in Direct or Third Speed	114
36	Transmission Gears in Second Speed	115
37	Transmission Gears in First or Low Speed	115
38	Transmission Gears in Reverse Speed	116

CHAPTER VI

39	Front View of Chassis	130
40	Rear View of Chassis	134
41	Details of Rear Wheel and Axle End	136
42	Bevel Gear, Drive Pinion and Shaft	138
43	Rear Axle Brakes and Wheel Bearing Disassembled	140
44	Brake Band Assembly	142

CHAPTER VII

45	Left Side of White, Model TEB-O, Chassis	146
46	Controls of White, Model TEB-O, Chassis	150

CHAPTER VIII

47	Acetylene Generator	156
----	---------------------------	-----

CHAPTER IX

48	Front Left View of Reconnaissance Car	160
49	Front Division and Driver's Compartment	162
50	Central Compartment	164
51	Front Division Body Compartments	166
52	Front Division Chest	168
53	Rear Division Compartment and Chests	169
54	Rear Division Side Chests	170
55	Rear Division Central Chest	171
56	Right View of Reconnaissance Car	172
57	Rear Seat Cross Chest	173
58	Rifle Rack	174
59	Curtains on Reconnaissance Car	176
60	Rear View of Reconnaissance Car	178

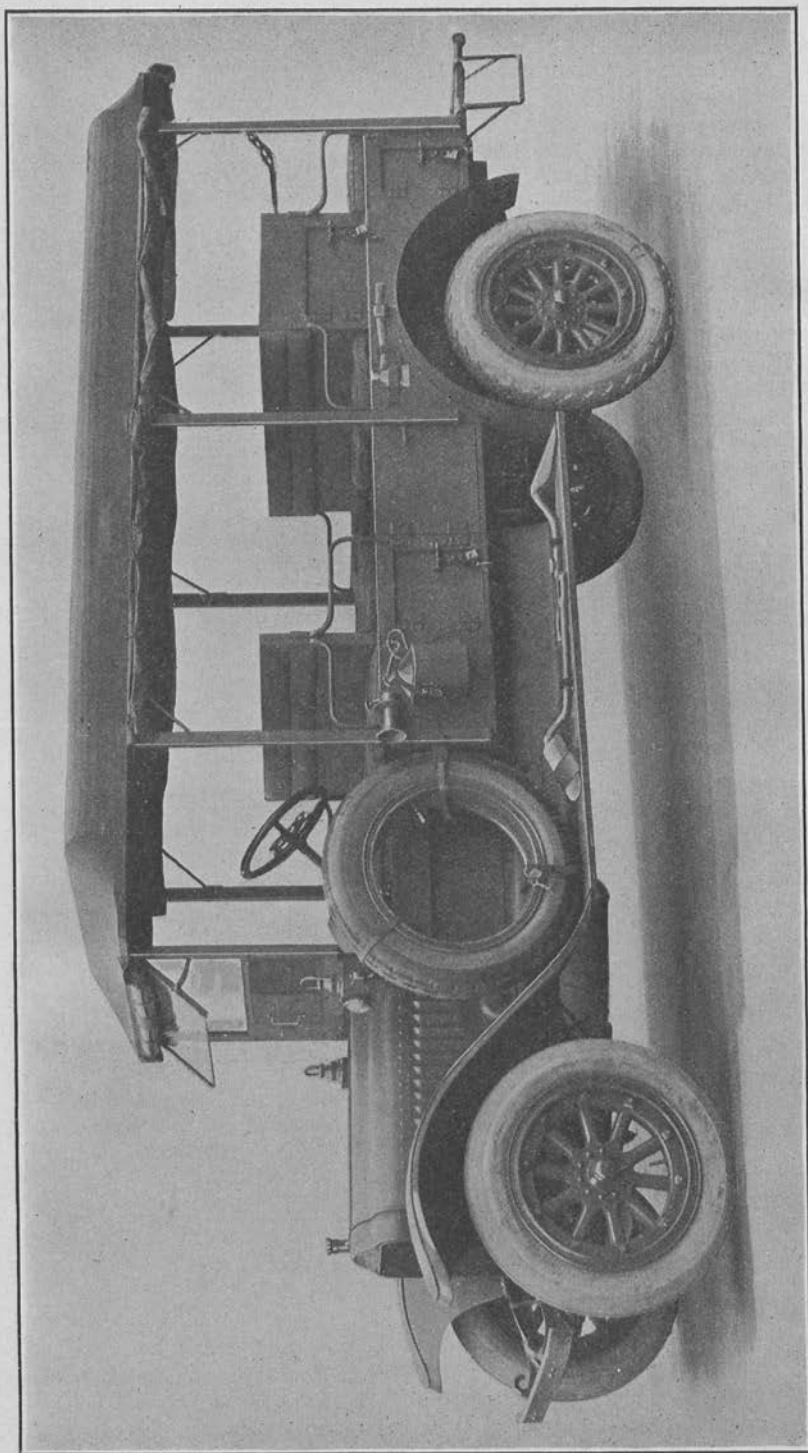
CHAPTER X

CHAPTER XI

61	Cylinder Block Assembly	200
62	Crankcase Assembly	202
63	Crankshaft and Camshaft Assemblies	204
64	Oil Pump, Oil Tank and Sight Feed Assemblies	206
65	Water Pump, Hood, Radiator and Deck Board Assemblies	208
66	Carbureter, Muffler and Fuel Tank Assemblies	210

LIST OF PLATES—Continued

Plate No.	Name	Page
67	Air Pump, Generator Bracket, Magneto Conduit and Magneto Strap Assembly.....	214
68	Steering Gear Assembly.....	216
69	Steering Gear and Drag Link Assemblies.....	217
70	Clutch, Flywheel and Pedal Assemblies.....	220
71	Transmission Assembly.....	222
72	Propeller Shaft and Torsion Rod Assemblies.....	224
73	Front Axle, with Wheels and Tie Rod Assembly.....	226
74	Rear Axle, Gear Case and Brake Assembly.....	228
75	Brake System Assembly.....	230
76	Chassis Frame and Fittings Assembly.....	234
77	Dash and Control Assemblies.....	236
78	Tool Kit.....	238
79	Starter, Generator and Fan Assemblies.....	240
80	Body Assembly.....	242



RECONNAISSANCE CAR, MODEL 1918

HANDBOOK OF THE RECONNAISSANCE CAR

MODEL 1918

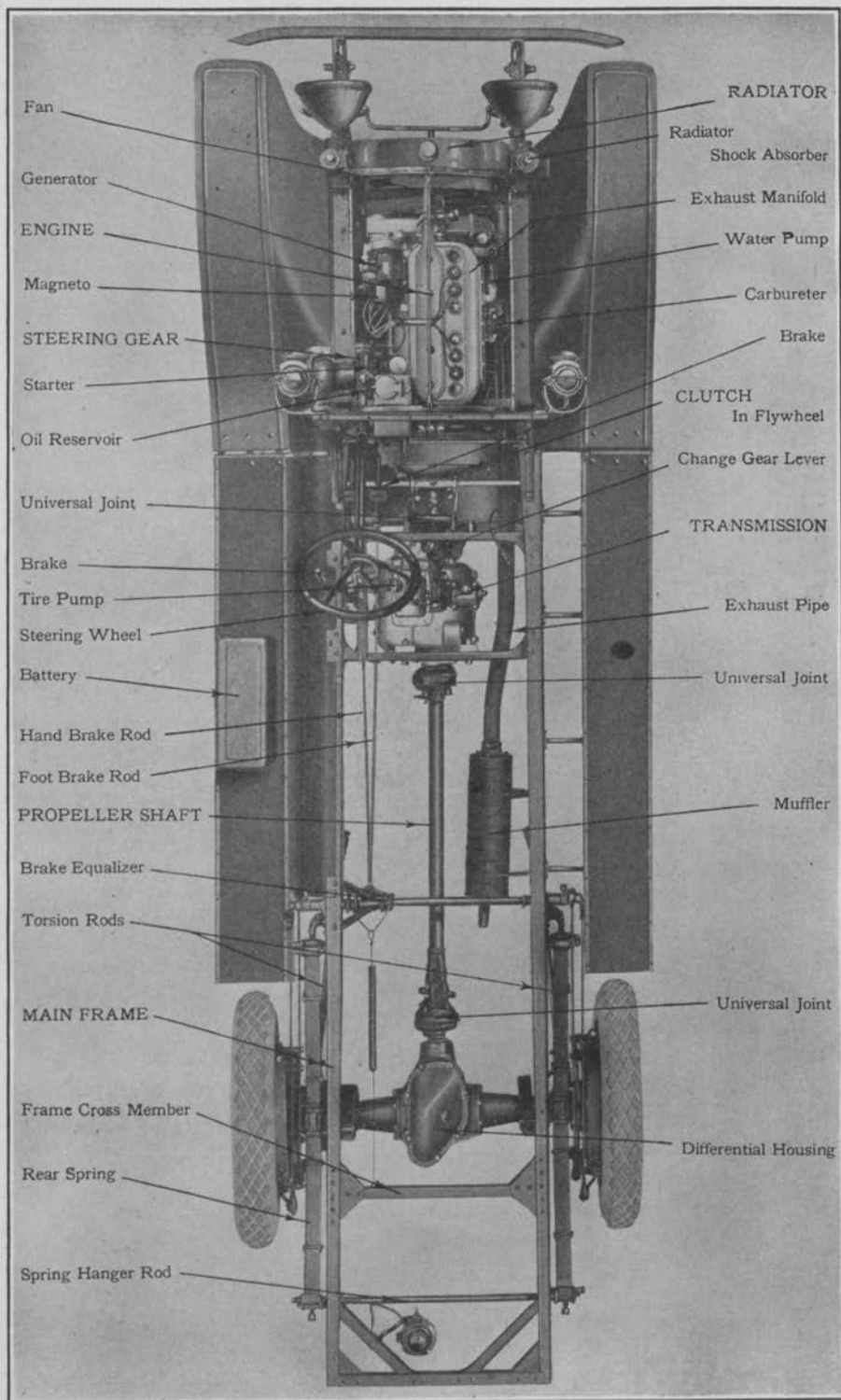
CHAPTER I

WEIGHTS, OUTLINE SPECIFICATIONS, ETC.

Rated Load Capacity (Body allowance plus normal load)	ton,	1
Body weight allowance	pounds,	1500
Chassis only	do	3850
Oil, Water and Gasoline	do	190
Chains	do	69
Tool kit	do	37
Chassis Weight on Front Tires (without load)	Percentage,	54
Chassis Weight on Rear Tires (without load)	do	46
Gross Weight (capacity load)	pounds,	7150
Load Weight on Front Tires	Percentage,	78
Load Weight on Rear Tires	do	99.22
Gross Weight on Front Tires	do	27
Gross Weight on Rear Tires	do	73
Overall Length of Chassis (without body)	inches,	205
Overall Width of Chassis (at widest part)	do	61
Chassis Wheel Base	do	140
Permissible Loading Space back of Driver's Seat	do	97
Width of Frame (outside dimension, widest part)	do	34
Height of Rear End of Frame from Ground (empty)	do	33.75 (33 $\frac{3}{4}$)
Diameter of Turning Circle	feet,	60 Right 45 Left
Tread of Wheels	inches,	56
Road Clearance under Front Axle (lowest point)	do	10.75 (10 $\frac{3}{4}$)
Road Clearance under Rear Axle (lowest point)	do	10
Length of Reconnaissance Body, Overall	do	160
Width of Body	do	59.875 (59 $\frac{7}{8}$)
Height of Body, overall (including top)	do	62.125 (62 $\frac{1}{8}$)
Weight of Body (without equipment)	pounds,	1180

BRIEF DESCRIPTION OF THE RECONNAISSANCE CAR

The Reconnaissance Car is provided with a special steel body, mounted on a 1-ton Truck Chassis, White, Model TEB-O. Four seats are built into the body. The two front seats are placed back to back. The two rear seats have a space of about 2 feet between them, and are also placed back to back. There is a compartment



TOP VIEW OF CHASSIS, SHOWING MAJOR ASSEMBLIES

between the two pairs of seats. The floor boards at the back end are extended to form a foot rest for the rear seat. The car is protected by a canopy top and roll curtains. A full set of tools is carried on the car. Also five chests are provided in which are carried all the special equipment assigned to the car. One chest slides into the body compartment under the rear front seat, one into the compartment between the two rear seats, and the other three under the rear rear seat.

The chassis is of White manufacture, conventional in design, and has a rated capacity of 1 ton. It is mounted on 36 inch x 6 inch pneumatic tires, with an extra one, inflated and mounted on a spare rim, carried on the left running board. An engine-driven tire pump is mounted on the transmission case.

The car is powered with a four-cylinder block cast engine. A single plate clutch, running in oil, is enclosed in the engine flywheel. A four-speed selective sliding gear transmission is mounted on a sub-frame back of the engine. An I-beam front axle and a semi-floating type rear axle are standard construction. All springs are semi-elliptical. Two universal joints, the rear one of which has a slip joint and an exposed propeller shaft, are used. Final drive is through plain bevel pinion and gear. Rear axle torque is absorbed by the springs, and the drive is through two torsion rods. Cooling is obtained with a cellular radiator, assisted by a centrifugal water pump and a belt driven fan.

BRIEF DESCRIPTION OF WHITE CHASSIS, MODEL TEB-O

ENGINE—Four-cylinder, four-cycle, L-head cylinders cast in block. Bore, 4.25 ($4\frac{1}{4}$) inches; stroke, 6.375 ($6\frac{3}{8}$) inches. 28.9 horse power, N. A. C. C. formula.

COOLING—Centrifugal pump water circulation.

RADIATOR—Cellular type, separate shell and core. Spring mounted.

OILING—Special White system. See page 65.

IGNITION—Eisemann high tension magneto, Type G-4.

CARBURETER—Double jet White special, with hot air stove.

FUEL FEED—Gravity, from tank under front seat.

CLUTCH—Single plate, running in oil.

TRANSMISSION—Selective sliding gear, four speeds forward and one reverse.

DRIVE—Shaft drive, through two universals to plain bevel pinion and gear.

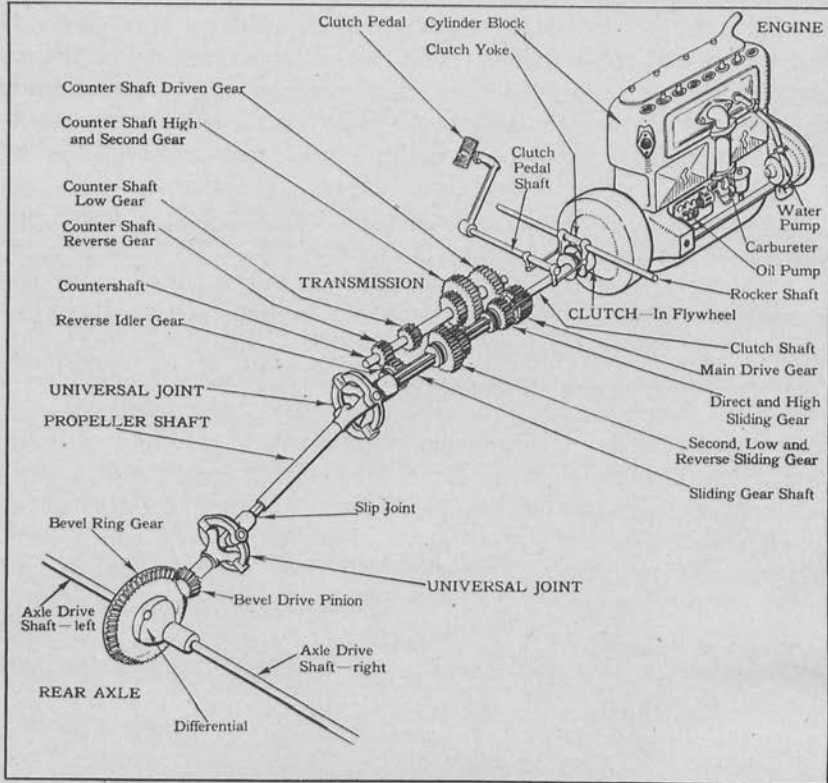
PROPULSION—Through two torsion rods.

TORQUE—Through rear springs.

FRAME—Channel section, pressed steel. Four cross members.

SPRINGS—Front—Semi-elliptical 40.625 ($40\frac{5}{8}$) inches long, 2 inches wide, 10 leaves. Rear—Semi-elliptical, 50.375 ($50\frac{3}{8}$) inches long, 2.25 ($2\frac{1}{4}$) inches wide, 11 leaves.

PLATE 3



POWER DIAGRAM

POWER DIAGRAM EXPLANATION

The power of the engine is transmitted to the rear wheels in the following manner:

The power developed by the engine is first transmitted through the flywheel of the engine to the transmission, or gear box, through the plate clutch. The clutch normally is engaged so that, as long as the gears are in mesh and the engine running, power will be transmitted through the clutch and to the rear wheels. To disconnect the engine from the rear wheels it is only necessary to depress the clutch pedal.

Four forward gear ratios, or "leverages," are provided in the transmission or gear box by means of selective sliding spur gears.

From the transmission the power is transmitted through a universal joint to the propeller shaft, through the universal on the rear of the propeller shaft, and then to the pinion shaft. In the rear axle the power is delivered uniformly to the two wheels by means of a bevel gear differential.

AXLES—Rear—Built up housing, semi-floating type, wheels running on ball bearings. Incorporating bevel pinion and ring gear and bevel pinion type differential, mounted on ball bearings. Front—Drop forging, I-beam section carbon steel, heat treated. Adjustable tie rod. Ball pedestal bearing on spindle body. Wheels mounted on ball bearings.

BRAKES—Two sets: Pedal operated service brake, external contracting. Hand operated emergency brake, internal expanding. Both brakes engage with brake drums on rear wheels.

TIRES—36 inches x 6 inches, pneumatic.

STEERING—Front wheels only used for steering. Steering gear of worm and sector type. 18-inch wood steering wheel.

CONTROLS—Left-hand steering gear, with gear shift lever at right of driver. Emergency brake at left of driver. Spark and throttle levers mounted on sector above steering wheel. Ignition ground switch and speedometer located on dash. Carbureter choke on right side of dash. Accelerator pedal located on base of steering gear column. Clutch and brake pedals located from left and right of steering column, respectively.

LIGHTING—Acetylene searchlight carried in a swivel bracket on the rear side of the dash. Acetylene gas generator mounted on right running board. Two oil side lamps and oil tail lamp.

STARTING—Usual type of hand crank only provided. A compression release is provided to aid in cranking. It is operated by a lever on the outside of the frame to the left of the radiator or to the driver's right when facing the car.

BRIEF OPERATING INSTRUCTIONS

PRELIMINARY TO STARTING THE ENGINE

Put gear lever in neutral.

Set emergency brake.

Advance gas lever one-third of the travel, move up on quadrant.

Retard the spark, move up on quadrant.

Turn on the ignition switch.

Choke carbureter by turning the lever on the left side of the dash.

Depress starter button.

If it is necessary to start the engine by cranking, first turn the compression release lever on the left side of the frame next to the radiator to the front of the car.

Prime engine through priming cups if necessary in cold weather.

AFTER ENGINE STARTS

Advance the spark.

Retard throttle lever until engine runs smoothly.

Release starter button immediately.

Open the carbureter choke.

Turn the compression release lever to the rear of the car if the engine was started by hand cranking.

TO START CAR

Release hand brake.

Release clutch.

Increase engine speed slightly.

Engage low speed gear.

Slowly engage clutch.

GEAR CHANGES

(See page 21)

As car gains momentum, release clutch and accelerator, shift to second. Engage clutch and depress the accelerator. Repeat the operation to gain third (or direct) speed. Third speed is the speed that is used under all normal conditions. Fourth (or high) is an over-drive through a pair of gears, and should be used only when little power is required.

GEAR CHANGES TO LOWER SPEEDS

Necessitated by heavy roads or steep grades.

In changing to lower speed, disengage the clutch, do not retard throttle. Instantly shift to lower gear, engage clutch and open throttle to gain speed.

TO REVERSE CAR

Reduce engine speed, release clutch, apply foot brakes. When car has stopped, engage reverse gear, release brake and engage clutch.

Never engage reverse gear when car is moving forward.

TO STOP CAR

Reduce engine speed, release clutch, apply brakes, place gear shift lever in neutral, set emergency brakes.

TO STOP ENGINE

Turn off ignition switch.

Advance gas lever slightly to supply initial charge to assist starting.

DETAIL OPERATING INSTRUCTIONS

PLACING CAR IN SERVICE

Unloading—Great care should be exercised in unloading the car, as carelessness may cause serious loss later.

Inspection—Regardless of the condition under which the car is received the *first* duty of anyone charged with its care and operation is to give it a systematic and detailed inspection.

This initial inspection should cover all possible shortages of easily removable parts, including accessories and tools, such defects as loose parts and any damage that may have been caused in shipment, or at the hands of the previous operator, and any other conditions that would affect its proper operation.

Refer to Chapters IX and X for itemized list of equipment.

Preliminaries—After the inspection of the shipment, so far as completeness goes, see that the drain cocks under radiator and water pump and in the plug in cylinder water jacket are closed and not leaking, and that all hose connections are tight. The radiator should then be filled with clean water to the bottom of filler neck on radiator. Care should be exercised in selecting water. Get soft water, if it is procurable. *Fill with hot water only in winter.*

Engine—To prevent corrosion during shipment, exposed metallic surfaces are usually covered with a heavy "slush." Before lubricating the engine, remove and carefully clean all surfaces covered with this "slush" if it has been used. Kerosene applied with a cloth or brush will facilitate the complete removal of this protective covering.

Repairs and Replacements—Such repairs and replacements as are necessary to the proper operation of the car must be given attention immediately. If permanent repairs cannot be made at once, temporary repairs should be made and advantage taken of the first opportunity to make these permanent.

General Lubrication—Just how long a car will give first-class service depends more upon proper lubrication than upon any other feature of its care. This is particularly true of a new car and no precaution should be overlooked to make certain that every lubricated part of a new car has a full supply of lubricant. As a precautionary measure the cars are shipped by the manufacturer fully lubricated. However, when placing the car in service this fact should be completely ignored and every lubricated part given careful attention.

Turn to the lubrication charts on pages 25 and 34, and make certain that every point indicated on this chart has been supplied with the lubricant specified for the particular point before the car is put in operation. The Lubricant Specifications will be found on page 24.

SPECIAL INSTRUCTION WHEN FIRST PUTTING CAR IN COMMISSION

Engine Oiling—The oil reservoir on the left side of the dash under the hood should be filled with No. 2A cylinder oil. The crankcase must be filled in addition to the reservoir. See "Filling Crankcase" on page 24. The grease cups on the water pump and the fan bearing should be turned down. Note if there is a water leak at the pump gland. The spark plugs should be removed, and with a squirt can, a couple of spoonfuls of engine oil should be squirted onto the top of each piston, and the engine revolved by hand a number of times after replacing plugs, so that the oil may be worked down the cylinder walls.

Rusting in Shipment—Dampness and moisture may get to the working parts, and on arrival they may be rusted badly, grease lost out of important places, and equipment stolen or lost. In the former case the engine should be handled very carefully, because the pistons might have rusted fast or valves seized in their guides. Kerosene applied with an oil can to the valve guides will loosen them. Fill gasoline tank with clean gasoline.

Transmission Oiling—Remove the oil level plug on the right side of the transmission case and pour No. 4 transmission oil through the filling hole on the top of the case until it runs out of the level hole.

Wheel Bearing Oiling—If there is time, the wheel hub caps should be removed and a careful inspection made of the amount of grease in the wheels and spindle bearings.

Rear Axle—Take out oil level plug in the back of the rear axle housing and if lubricant does not flow out fill through upper hole until it does. Use Specification No. 3504 transmission oil. See page 31.

Springs—Fill and turn down all grease cups on the springs.

Universal Joints—Use Specification No. 3505 grease in universal joint grease cups. These should be filled before starting.

Running Engine Idle—The engine should then be started and allowed to run idle, without any load, for from one-half to one hour before starting the car. After standing on freight cars or on board ship for a long time piston rings may gum fast, valves rust in or the gasoline line clog up, and this preliminary running will repay for the trouble in the time saved in adjustments later on.

Preliminary Running—After going into service the car should be driven very carefully for the first week in order that the various parts may work into place and the rough edges wear off. The first

five hundred miles are the most important in the life of the car, and abuse early will surely result in poor efficiency later on, when the best will be required.

STARTING ENGINE

PRELIMINARY TO STARTING

Before attempting to start, be certain you have enough fuel, oil and water for the run. See that the oil reservoir is full, and be sure that the crankcase is properly filled (see page 24) to supply the initial lubrication. Also be certain that all lubricating instructions (see under Lubrication, page 24) have been carried out. Make a superficial examination to see that nothing about the car is broken or out of place; look underneath and notice if there is dripping, which indicates a leak except in the case of water coming out through the radiator overflow. You can tell by the feel and odor whether it is water, oil or gasoline. Guard against accidents on the road due to any excessively loose part of the running gear or controls, such as steering knuckles, tie rod, drag link, wheels, etc., by examining them before starting. After you have decided that the car is ready to be started, proceed to, as follows:

STARTING

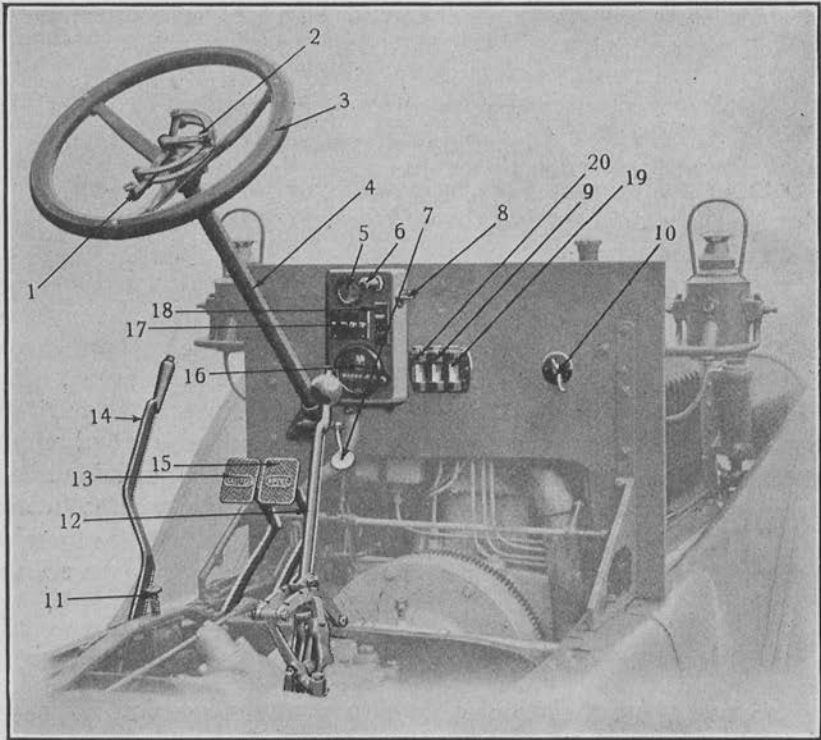
Before cranking the engine, always see that the gearshift lever is in neutral position and the hand brake set. If you make a practice of setting the hand brake every time you shift into neutral, when stopping, you will be on the safe side. When stopping, set the hand throttle lever one-third open. This sets it for the next start. Get into the habit of doing these things automatically.

Retard the spark by pushing the spark lever up on the quadrant.

Turn ignition switch key a quarter turn either way, and then crank the engine.

After the engine has started firing, get a good idling position for the throttle lever on the steering wheel quadrant and advance the spark as far as possible.

When Engine Does Not Start—If in cranking the engine it does not respond in a reasonable time, investigate instead of draining the battery by cranking further. Go at the work systematically, keeping in mind all the time that there are three important systems the failure of which will prevent the engine starting. These systems are: The fuel, the ignition and the valve systems. If there is fuel and spark and the valves are working properly the engine should start. In case engine fails to start, see page 38 for further information.



CONTROLS OF WHITE, MODEL TEB-O, CHASSIS

Ref. No.	Part No.	Name
1	00304 GA	Carburetor control lever.
2	00301 GA	Spark control lever.
3	21 MM	Steering wheel.
4	015 TED	Steering stem.
5	1601½ GM	Ammeter.
6	1616 TED	Dash lamp.
7	00217 GAF	Accelerator.
8	TEB-O	Magneto switch.
9	351½ GA	Oil sight feed—to center bearing.
10	00718 TED	Carburetor index plate.
11	1646 TED	Starting motor switch.
12	0180½ GFB	Change gear lever.
13	191 GE	Clutch pedal.
14	050 TB	Hand brake lever.
15	35½ GEC	Foot brake.
16	TEB-O	Speedometer.
17	1613½ GA	Switch lighting panel.
18	1608½ GM	Circuit breaker.
19	351½ GA	Oil sight feed—to rear bearing.
20	351½ GA	Oil sight feed—to front bearing.

Starting Engine in Winter—If the car has stood idle for any length of time, turn the motor over once by hand before engaging the starter to ascertain if the water pump has frozen through failure to drain the cooling system. Even if the system has been drained, a few drops of water entrapped in the stuffing box may bind the pump sufficiently to cause damage to the pump drive or the starting system if the switch is closed before the pump has been thawed out. *When refilling cooling system in winter, always use hot water.*

Oil in Winter—In the winter time cranking may be more difficult than in warm weather, because of the thickening of the oil around the interior moving parts. Once the engine is started in cold weather, let the engine idle for a while, until the oil has become sufficiently thin to circulate properly. Cold oil is like cold molasses; it will not flow readily. Running an engine fast with cold oil may cause burning out of the bearings.

CONTROL SYSTEM

The control system consists of those parts necessary to start, shift the gears, accelerate and keep the car moving forward, and those needed to stop it. Thus, the complete system consists of clutch and brake pedals, gear shift and hand or emergency brake lever, throttle and spark control levers, accelerator pedal and ignition switch.

THE CONTROLS AND THEIR USE

STEERING WHEEL

The steering wheel controls the direction of the car. Turning the wheel clockwise turns the car to right, and vice versa. Do not attempt, however, to turn the wheel forcibly when the car is at rest. This throws needless strain on the steering connections. If you wish to observe the movement of the wheel, jack up the car.

PEDALS

CLUTCH PEDAL

In front of the driver are two large pedals and one small one. The large one on the left is the clutch pedal. The one on the right is the foot brake pedal and is ordinarily used. The clutch pedal, when untouched, is in its normal position and when in this position the clutch is engaged. When the clutch pedal is depressed the clutch is released and the engine disconnected from the rear wheels.

BRAKES PEDAL

The foot brake pedal, untouched, is in normal position, and in that position the brakes are not applied. When the pedal is depressed the foot brakes (one acting on each rear wheel) are applied.

ACCELERATOR PEDAL

The accelerator pedal is mounted on the dash plate at the base of the steering gear column. It provides a foot control for the carbureter, and hence regulates the speed of the car.

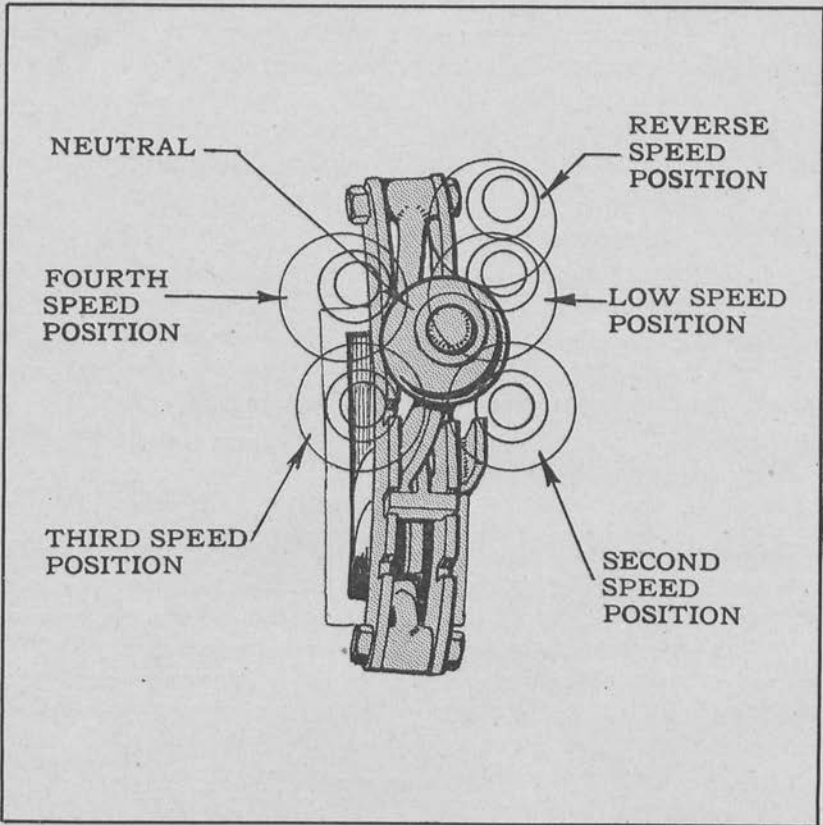


PLATE 5—GEAR SHIFT DIAGRAM

LEVERS

HAND BRAKE LEVER

In the floor boards in the driver's compartment are mounted two hand levers. The one in the center, to the right of the driver's seat,

is the change gear lever. The one to the left of the driver's seat is the brake lever. Be sure that it is in its most forward position before starting the car. It is well to occasionally use the emergency brake to determine its condition.

GEAR SHIFT LEVER

Grasp the handle of the change-gear lever lightly and move it sideways, which indicates neutral position, and then backward and forward through the different speed positions until you have become thoroughly familiar with its movements (engine not running). If you grip the lever hard, the muscles of the wrist become rigid and you lose the flexibility necessary for proper shifting of gears. In practicing gear shifting without the engine running, press downward with the left foot on the clutch pedal before attempting to move the lever, that you may acquire the habit. *Never force the lever if the gears do not engage at once*, but with the lever in *neutral* engage the clutch for a moment if the engine is running and then disengage it by depressing the clutch pedal. This will rotate the gears slightly and permit them to engage. Repeat if they do not engage readily on the first or second trials.

GEAR SHIFT LEVER POSITIONS

The gear shift lever is moved into the following positions in order to make the necessary gear engagements in the transmission. The illustration of the quadrant on this page shows where the lever ought to be for the different speeds.

Neutral—Central position, and the only place where the lever may be rocked from side to side.

Low or First Speed—Depress the button on top of the lever, move the lever to the right, and push forward to the first notch.

Second Speed—Keep the lever to the right, and pull straight back as far as possible.

Direct or Third Speed—Push the lever forward one notch into Neutral, move the lever to the left and pull back.

High or Fourth Speed—Keep the lever to the left, and push straight forward as far as possible.

Reverse—From Neutral, move the lever to the right, push forward through Low, and continue forward as far as possible.

STEERING WHEEL CONTROL LEVERS

SPARK CONTROL

The spark control lever should be maintained in as advanced a position as possible without causing the motor to knock.

THROTTLE CONTROL

Since both the hand throttle control lever on the steering column and the foot accelerator on the toe boards control the throttle opening of the carbureter, either may be used, the choice being largely a matter of preference, although it is good practice to set the hand lever at the desired position when the car encounters a long, steady pull, and to use the foot accelerator when roads or traffic conditions are such as to make necessary a more flexible means of control. In the latter case both hands are free to control the car and the foot control is always preferable when shifting gears.

DRIVING

ORDINARY RUNNING

The engine speed may be controlled either by the accelerator pedal or the hand lever, above the steering wheel. In using either of these bear in mind the sensitiveness of the throttle, and do not open the throttle wide suddenly, but gradually. Get accustomed to using the accelerator pedal, using the hand lever only to set idling point or for traveling at a fixed speed.

DRIVING UP AND DOWN GRADES

In driving down grade there are three forms of resistance that can be used to control the speed of the car: Its momentum can be arrested by means of the brakes, the gears may be shifted into a lower speed, or the engine may be used as a brake by shutting off the ignition. The lower the gear used the greater the resistance, so that the greatest possible resistance in the transmission is had with the gears in the first speed. Added resistance may be had by shutting off the ignition, and, of course, still more by using the brakes. All three forms (the gears in first, the ignition off and brakes applied) hardly need be used. The object is to refrain from using the brakes, because keeping them applied wears the bands and causes them to heat on long grades.

In ascending a grade use your judgment about the ability of the car. If it is very steep, shift to a lower gear before you get on the grade. If you think it can be done in high without the motor knocking, do not shift. Make as quick a shift as possible, if it is necessary to do shifting on an up-grade. If you happen to stall the engine on the grade, shift immediately into neutral and apply the hand brake, at the same time cramping the wheels, so as to back into the bank in case the brakes fail to hold.

Never leave the car standing on a grade without the emergency brake set. If the grade is particularly steep, or the car must be left standing for an extended period, the wheels should be blocked.

Retard spark lever if engine pounds on slow, hard pull.

If the spark control lever has been retarded during the climbing of a hill, be sure to advance it after the hill has been negotiated, otherwise a retarded spark will cause the motor to overheat.

These instructions are applicable when the car must negotiate soft roads, mud, sand or snow. Under these conditions, shift to lower gears before the engine begins to labor.

STARTING ON GRADE

When starting on a hill, after the car has been brought to a standstill, it is necessary to release the brake and engage the clutch simultaneously. The engine should be speeded up before engaging the clutch. If the car is being held with the foot brake, use the hand throttle to speed up the engine or, if held with the emergency brake, use the accelerator pedal to speed up the engine.

"RIDING" THE CLUTCH

In driving along do not "ride" the clutch, that is, do not keep your foot on the clutch pedal. Even slight pressure on the clutch pedal causes excessive wear of the clutch bearings and may cause slight slippage.

USE OF BRAKES

The foot brake is used under all ordinary conditions. The emergency brake is designed for use only as an additional safeguard or to hold the car on a grade.

STOPPING

In slowing the car down, always slow down the engine first and anticipate your stop, so as to avoid excessive use of the brakes. In slowing down or stopping, apply the brakes intermittently, that is, apply and release them alternately after the clutch is released. Get into the habit of using the brakes progressively in this way, especially on slippery pavements.

After the car has been brought to a standstill, the gears shifted into neutral and the hand brake applied, turn the ignition switch to the vertical position, and advance the throttle lever to one-quarter open. This gets these controls ready for the next start.

LUBRICATING INSTRUCTIONS

PRELIMINARY ADVICE

Study the lubricating sketches on the following pages for parts that require attention. Perfect and continuous lubrication means less wear of parts, less trouble and a better running car. Lubricant is of little value mixed with dirt, so before oiling or greasing a part, be sure there is absolutely no dirt on or in the parts to be lubricated.

Use clean cloths to wipe these surfaces after they have been cleaned with kerosene. Make periodic lubrication a habit. Attend to certain parts daily, as indicated on Lubricating Charts, pages 25, and 34, to others weekly, and to others monthly. These are maximum periods.

SPECIFICATION OF LUBRICANTS

After each part mentioned in the lubricating instructions, and indicated on the lubricating chart, will be found a reference number which indicates the kind of oil or grease best suited to the lubricating needs of each part. The meaning of the various figures is explained below:

- 2A Engine oil, medium, Specification No. 3502
- 2B Engine oil, heavy, Specification No. 3602
- 4 Heavy, straight mineral gear compound, Specification No. 3504
- 5 Light cup grease, Specification No. 3505
- 6 Medium cup grease, Specification No. 3506
- 8 Heavy, straight mineral oil, Specification No. 3508
- 9 Steam cylinder oil, Specification No. 3509

ENGINE

No. 2A, daily

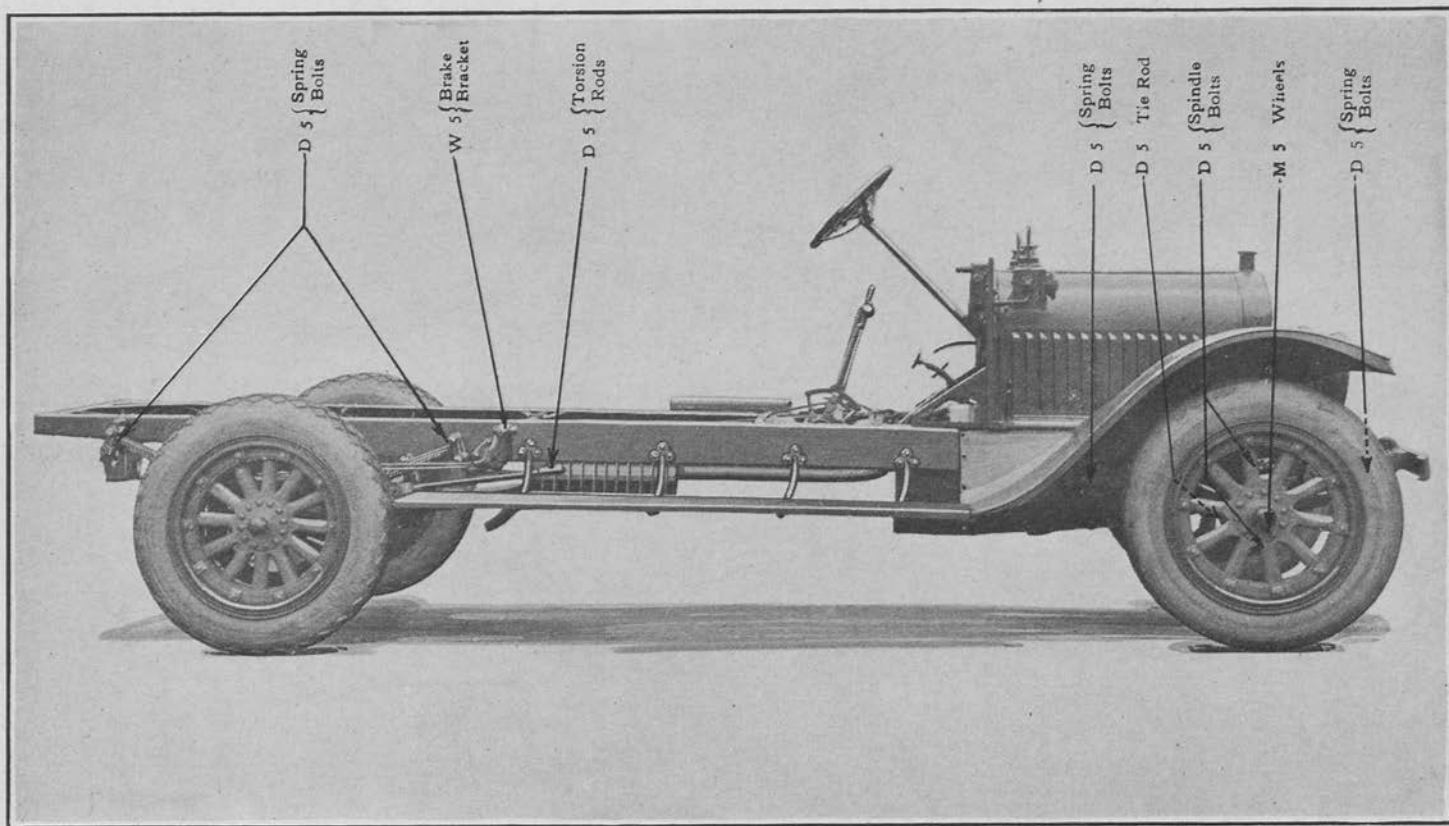
FILLING OIL RESERVOIR

The oil reservoir is mounted on the left side of the dash under the hood and is the only source from which the pump is supplied. Capacity, 4 quarts. To be filled daily.

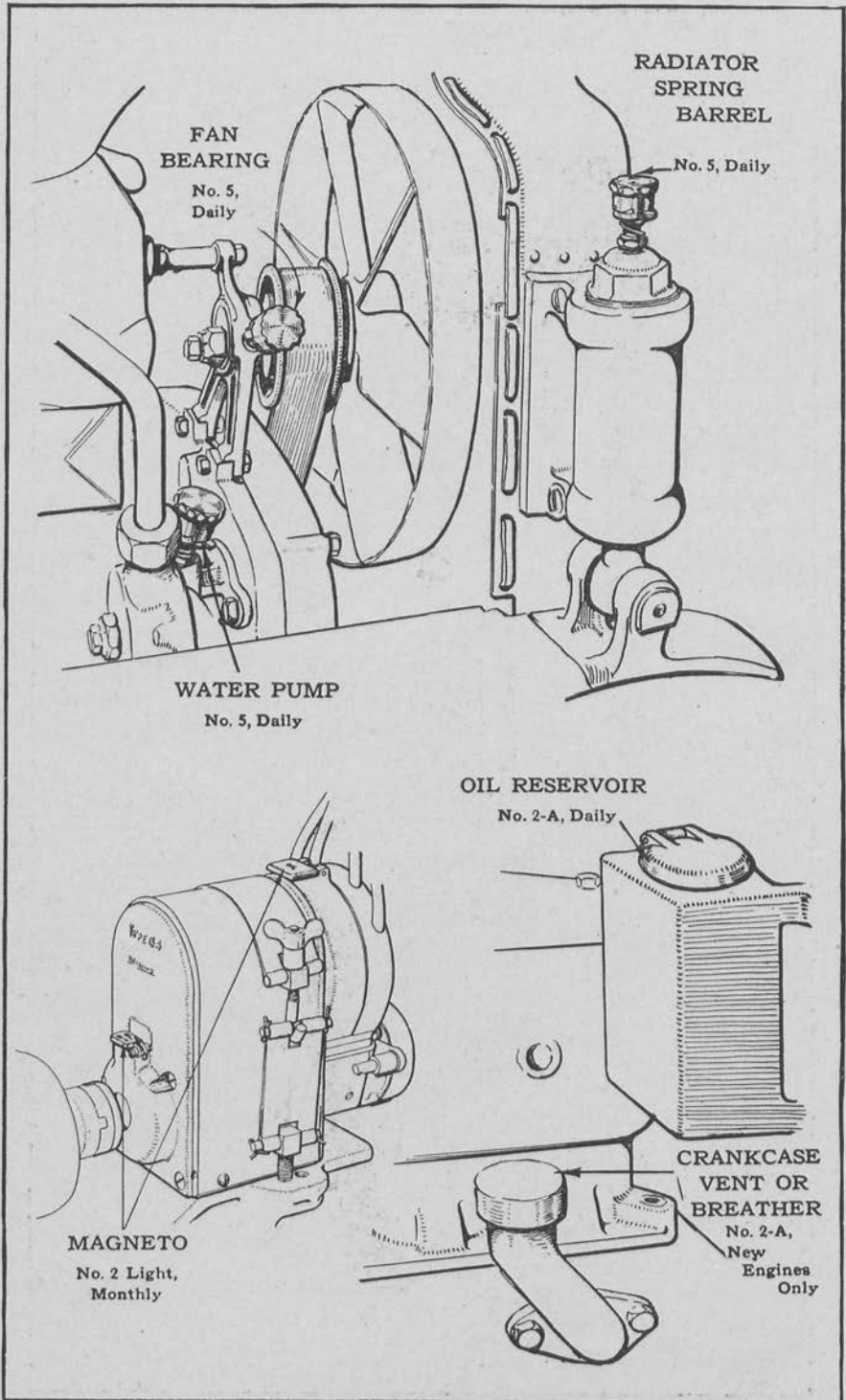
FILLING CRANKCASE

The crankcase and the timing gear case of a new engine must be filled in addition to the oil reservoir. To fill the crankcase, open the crankcase overflow valve by pulling out the valve stem extension under the radiator (See plate 13). Pour oil into the crankcase vent pipe on the left-hand side of the engine until it runs out of the overflow valve. Next remove the timing gear case oil plug in the crankcase to the right and in front of the magneto and pour in oil until it also runs out of the crankcase overflow valve. Finally, replace the plug and close the valve.

The crankcase will not need further filling through the vent pipe unless the pump should fail, in which case the oil level must be brought up to overflow valve level as in the case of the new engine.



LUBRICATING CHART—RIGHT SIDE OF CHASSIS



ENGINE LUBRICATING SKETCHES

MONTHLY CLEANING OF CRANKCASE

Every month, or after about 1000 miles running, the engine crankcase should be drained and cleaned, and the oil supply entirely renewed. Remove the three pipe plugs along the bottom of the crankcase and allow all the oil to run out. Replace the plugs, and pour about two gallons of kerosene through the crankcase vent pipe. Run the engine slowly for about a minute, and then drain the kerosene from the crankcase through the three plugs. Fill the engine with oil as under "Filling Crankcase" before starting.

ADJUSTMENT OF OIL PUMP

The oil pump is set at the factory, and should not be changed unless it will not maintain the proper oil level in the crankcase. Before changing the adjustment, see "Oil Pump Adjustment," page 67.

MAGNETO

No. 2 light, monthly

Two drops only of a light, clean oil injected into the oil wells every month or so will be sufficient. Two of these oil wells are located on the side of the distributor housing, oiling the armature ball bearing, the distributor plain bearing, and the oil well in the timing lever body. The other oil well is in the magneto end cover, and lubricates the front armature ball bearing.

FAN BEARING

No. 5, daily

Fill grease cup in fan bracket weekly with No. 5 grease. Turn cup down one turn daily.

WATER PUMP

No. 5, daily

Fill grease cup on water pump weekly with No. 5 grease. Turn cup down one turn daily.

RADIATOR SPRING BARREL

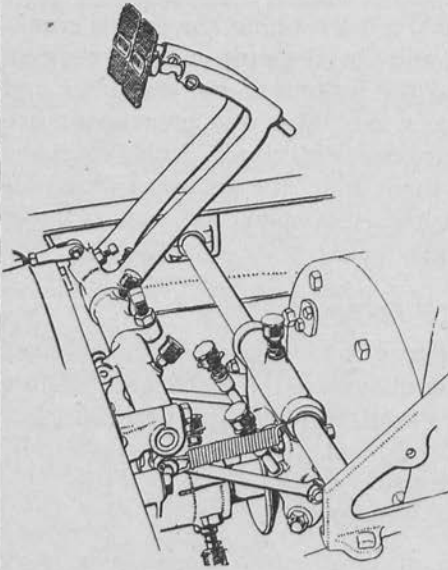
No. 5, daily

Fill the two grease cups on the radiator spring barrels weekly with No. 5 grease. Turn cups down one turn daily.

FRONT MOTOR SUPPORT

No. 5, daily

Fill the grease cup on the front motor support with No. 5 grease, and screw down one turn daily. This cup is in front of the car, under the starting crank.



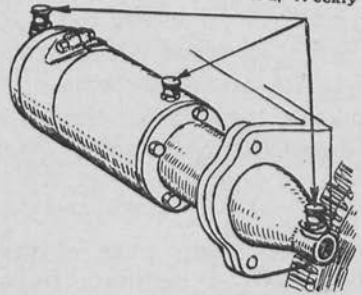
**CLUTCH PEDAL
SHAFTS AND CLUTCH**

All Grease Cups, No. 5, Daily
Clutch, No. 2, Monthly

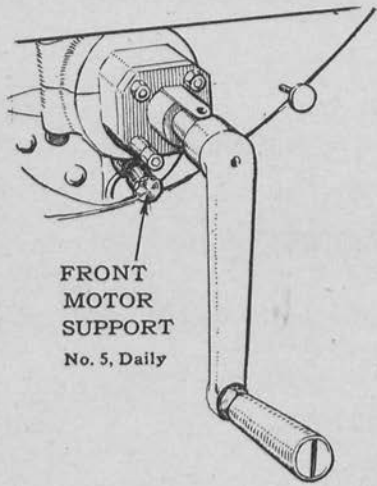
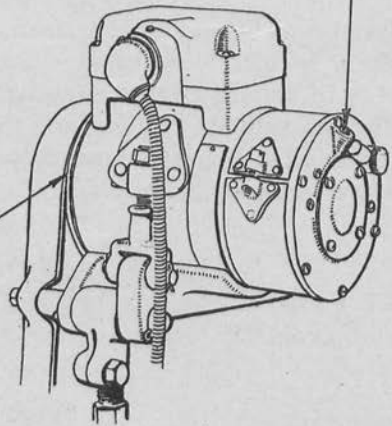
**ELECTRIC
GENERATOR, No. 2, Weekly**

**ELECTRIC STARTING
MOTOR**

No. 2, Weekly

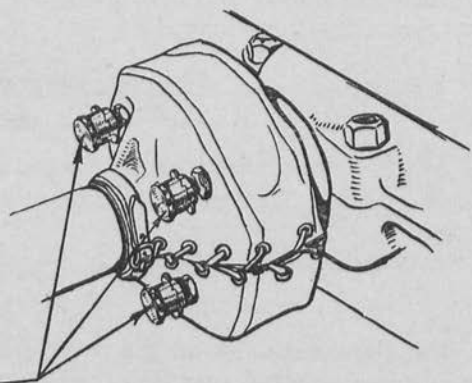


No. 2, Weekly



**FRONT
MOTOR
SUPPORT**

No. 5, Daily



UNIVERSAL JOINTS

No. 5, Daily

ELECTRIC STARTER

No. 2, weekly

Inject a few drops of No. 2 cylinder oil into the oil holes at both ends of the starting motor. (On electrically equipt only.)

ELECTRIC GENERATOR

No. 2, weekly

Inject a few drops of No. 2 oil into the oil holes at both ends of the generator. (On electrically equipt only.)

CLUTCH

No. 2, monthly

Each month, or every 2000 miles, drain the clutch and refill with one pint kerosene. Start the engine, and depress the clutch pedal several times to clean the clutch parts. Drain the kerosene and refill with No. 2 oil. Capacity, one pint.

CLUTCH YOKE

CLUTCH AND BRAKE PEDAL SHAFT

No. 5, daily

Fill the two grease cups on the clutch yoke, the one on the yoke shaft, and the three on the brake and pedal shaft weekly, with No. 5 grease. Turn all cups down one turn daily.

TRANSMISSION UNIVERSAL JOINTS

No. 5, daily

Fill and turn down daily the two cups on the front and the four on the rear transmission universal joints. Use No. 5 grease.

DRIVE SHAFT UNIVERSAL JOINT

No. 5, daily

Fill and turn down daily the six grease cups on the universal joint at the rear end of the drive shaft. Use No. 5 grease.

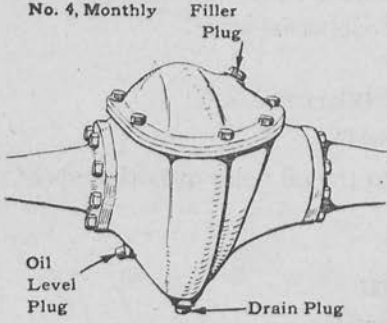
STEERING GEAR

No. 5, daily

Fill the cup on the steering gear housing, the one on the steering gear arm and the one on the rear end of the reach rod weekly with No. 5 grease, and turn down one turn daily.

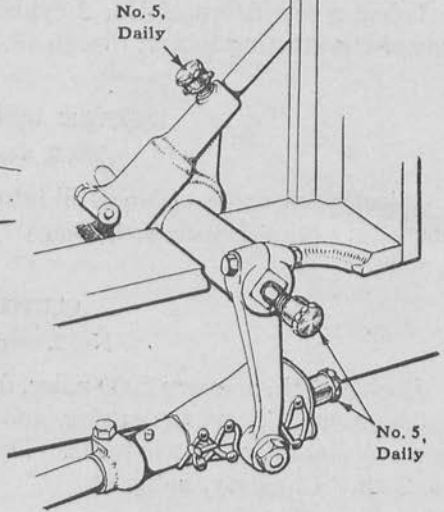
REAR AXLE

No. 4, Monthly



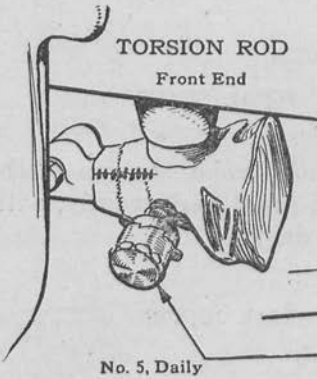
STEERING GEAR

No. 5, Daily



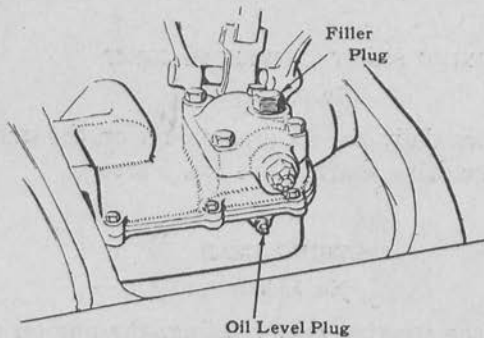
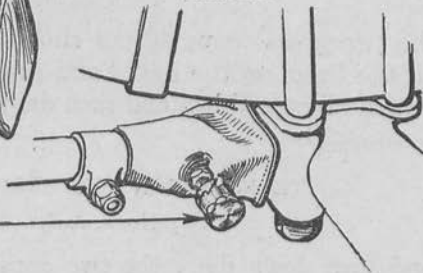
TORSION ROD

Front End



TORSION ROD

Rear End



TRANSMISSION GEAR BOX

No. 4, Monthly

THROTTLE AND MAGNETO CONTROL SEGMENTS

No. 2, weekly

A few drops of No. 2 oil weekly in all the oil holes of the control segments will be sufficient.

GEAR BOX

No. 4, monthly, in summer
(Dilute with No. 2, in winter)

Add No. 4 transmission oil to the gear box every month through the filling hole on top of the box until the oil level is brought up to oil level plug on the side of the box. Every two months, or each 2000 miles, drain the case through the hole in the bottom and flush out the inside with kerosene. Refill with fresh oil. Capacity, 2 gallons.

REAR AXLE

No. 4, monthly, in summer
(Dilute with No. 2, in winter)

Add No. 4 transmission oil to the rear axle housing every month through the plug on the top of the housing until it flows from the level hole in the side. Every two months, or each 2000 miles, drain out the oil, flush with kerosene, and refill with fresh oil. Capacity, 1 quart.

REAR WHEELS

No. 5, daily

Fill with No. 5 grease, and turn down daily the two grease cups on the rear ends of the axle sleeves.

REAR AXLE BRACKET AND BRAKE BAND

No. 5, daily

Fill the grease cups on the brake band bracket on the ends of the rear axle with No. 5 grease weekly, and turn down one turn daily.

TORSION RODS

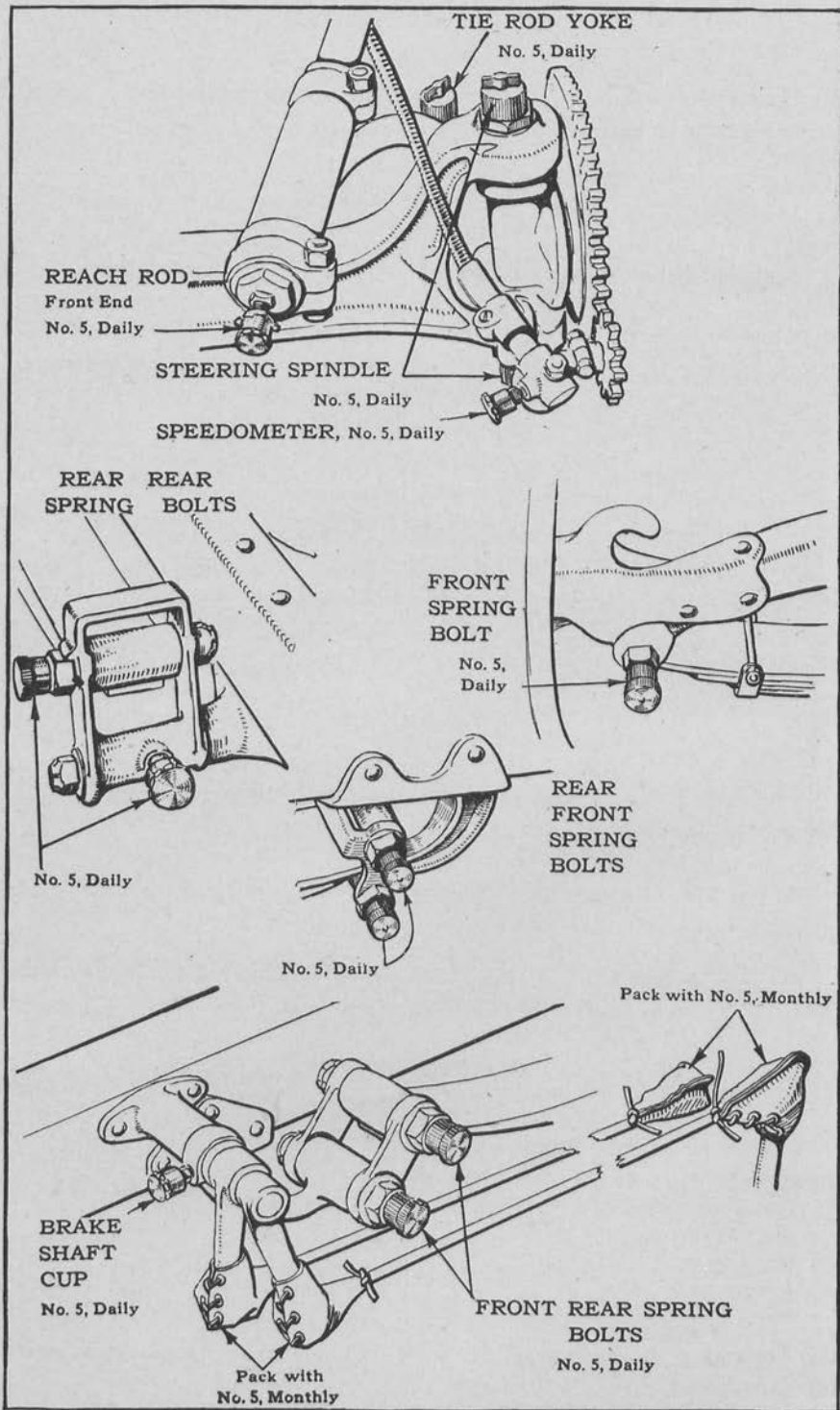
No. 5, daily

Fill the four grease cups on the torsion rod ends weekly with No. 5 grease, and turn down one turn daily.

FRONT AXLE

No. 5, daily

Fill the four grease cups on the steering spindles and the two on the tie rod yoke ends weekly with No. 5 grease, and screw down one turn daily.



FRONT AXLE AND SPRING BOLT LUBRICATING SKETCHES

REACH ROD

No. 5, daily

Fill the two grease cups on the ends of the reach rod weekly with No. 5 grease, and screw down one turn daily.

SPEEDOMETER GREASE CUP

No. 5, daily

Fill the cup on the speedometer driven gear bracket weekly with No. 5 grease, and screw down one turn daily.

SPEEDOMETER SHAFT

No. 9, monthly

Disconnect the drive shaft from the speedometer and pour into the housing monthly about an ounce of No. 9 oil.

BRAKE SHAFT BRACKETS AND ROD ENDS

No. 2, weekly

Squirt a few drops of oil weekly on the brake rod yoke ends and into the oil holes in the brake shaft brackets.

FRONT SPRING BOLTS

No. 5, daily

Fill the two cups on the front ends of the springs and the four on rear ends weekly with No. 5 grease and screw down one turn daily.

REAR SPRING BOLTS

No. 5, daily

Fill the eight cups in the shackle bolts at the ends of the rear springs weekly with No. 5 grease and screw down one turn daily.

SPRING LEAVES

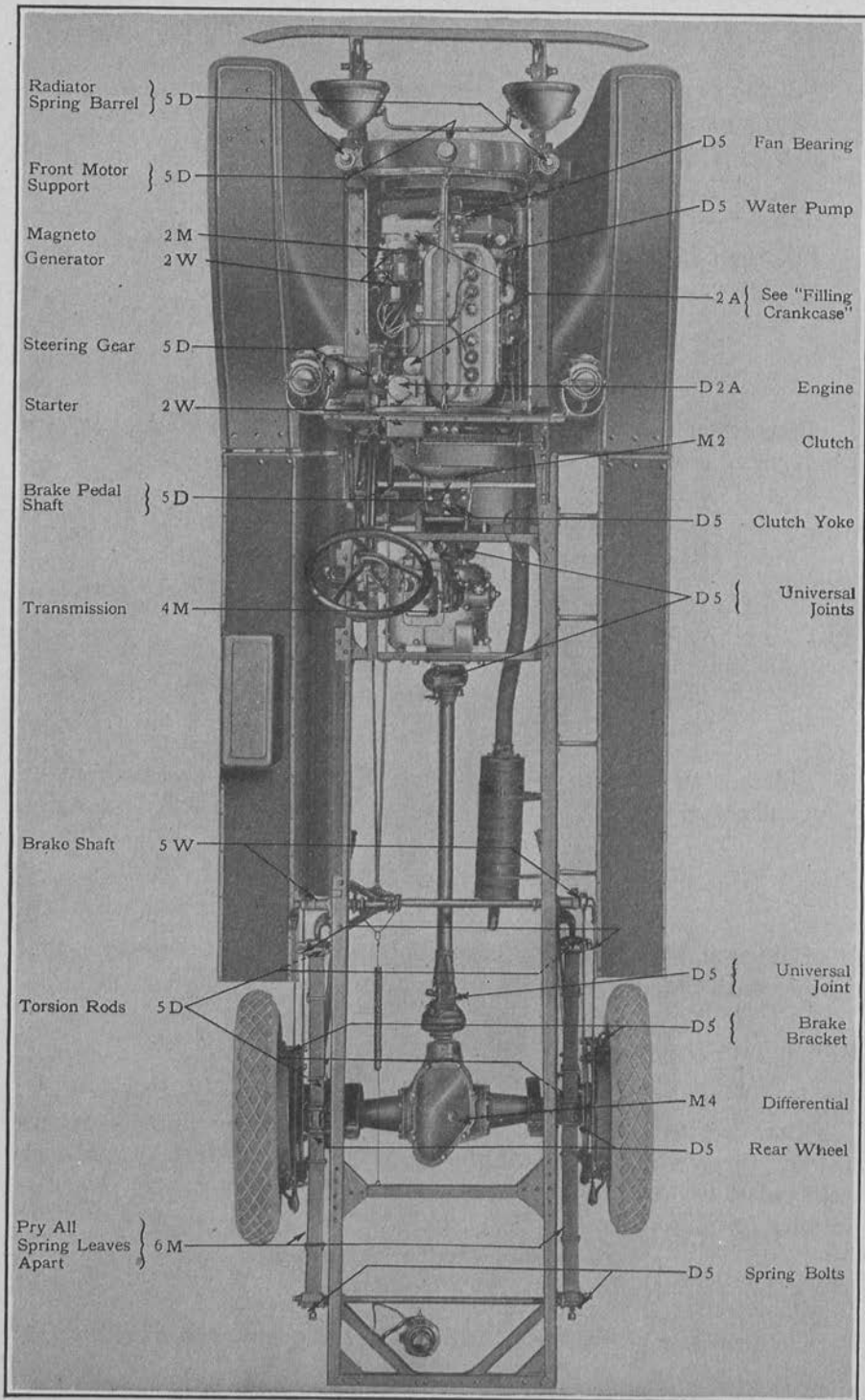
No. 6, monthly

Take the weight of the body off the springs by jacking up the frame. Remove the rebound clips, pry the leaves apart by driving a cold chisel between them, and smear their surfaces with No. 6 grease or with graphite.

FRONT WHEEL HUB BEARINGS

No. 5, monthly

Remove the plugs in the outer flanges and once a month inject a gun full of No. 5 grease.



Radiator Spring Barrel } 5 D

Front Motor Support } 5 D

Magneto 2 M
Generator 2 W

Steering Gear 5 D

Starter 2 W

Brake Pedal Shaft } 5 D

Transmission 4 M

Brake Shaft 5 W

Torsion Rods 5 D

Pry All Spring Leaves Apart } 6 M

D 5 Fan Bearing

D 5 Water Pump

2 A } See "Filling Crankcase"

D 2 A Engine

M 2 Clutch

D 5 Clutch Yoke

D 5 } Universal Joints

D 5 } Universal Joint

D 5 } Brake Bracket

M 4 Differential

D 5 Rear Wheel

D 5 Spring Bolts

LUBRICATING CHART, TOP VIEW OF CHASSIS

MAINTENANCE ROUTINE

It is essential for the proper care and maintenance of the White, Model TEB-O, Chassis that the following maintenance routine schedule be rigidly adhered to. Preparedness for emergencies can only be obtained by keeping the car in excellent condition, and this necessitates proper adjustment at regular intervals of time.

The following items refer only to inspection and adjustments. Repair, or replacements detected as necessary should be made at the earliest opportunity.

DAILY MAINTENANCE ROUTINE

Engine

- Examine all wiring terminals for tightness.
- Clean magneto externally.
- Note tension of fan belt.
- Inspect oil supply in engine crank case.
- Inspect oil pump for performing its proper function.
- Inspect radiator water supply.
- Inspect hose connections for leaks.
- Inspect gasoline tanks for proper fuel supply.
- Inspect fuel pipe line and all connections for leaks.

Brakes

- Inspect for undue wear or looseness and tighten if necessary.
- Inspect for proper operation.

General

- Inspect and thoroughly clean all lamps.
- Inspect tires for air pressure, cuts or damage.
- Tighten all loose bolts and nuts.
- Fill and clean acetylene generator, on chasses carrying this equipment.

Lubrication

See charts on pages 25 and 34 for parts needing daily attention. (D)

WEEKLY MAINTENANCE ROUTINE

Engine

- Inspect all wires for proper support and freedom from damage.
- Thoroughly clean engine externally.
- Inspect all oil pump connections for oil leaks.
- Inspect all water connections for leaks.
- Inspect carbureter control connections.
- Do not attempt to alter carbureter adjustment unless this is shown to be necessary when the car is in service.
- Remove magneto distributor cover and clean with gasoline and clean cloth.

Operate engine at low speed and, with one wire at a time separated from spark plug, inspect the spark given for length and apparent hotness.

Keep engine free from carbon; inject tablespoonful of kerosene into each cylinder through spark plug hole. This should be inserted when the motor is hot, and left stand over night.

Remove, clean and adjust all spark plugs.

Starter and Generator

Remove cover ring over the brushes and clean commutators on both starter and generator with a cloth moistened with gasoline.

Springs

Inspect center bolt of spring and spring clips for apparent tightness.

Wheels

Inspect front wheels for alignment with rear wheels.

Inspect tires for undue damage and wear.

Jack wheels up and inspect bearing adjustment.

Inspect spindles and spindle bolts.

Inspect tie rod adjustment.

Clutch

Inspect entire clutch mechanism.

Transmission

Clean and inspect all control connections.

Differential

Inspect differential and pinion shaft bearing adjustment.

Body and Equipment

Inspect body bolts, hood fasteners and all similar bolts for apparent tightness.

Inspect tool equipment for completeness.

Battery

Test the gravity of the electrolyte, and add distilled water if solution is low, on chasses carrying electric lighting and starting equipment.

Lubrication

See charts on pages 25 and 34 for parts needing weekly attention. (W)

MONTHLY MAINTENANCE ROUTINE

Engine

Determine if carbon is present in quantity in the engine.

Examine and inspect engine for loose parts, leaks, noises.

Grind valves if necessary. See page 49 for instructions on doing this work.

Ignition

Clean magneto collector ring, polish and adjust breaker points.
Inspect magneto cam for correct advance.

Starting Motor and Generator

See that the brushes fit the commutators, and clean the commutators lightly with worn sand paper, on chasses carrying electric lighting and starting equipment.

Clutch

Inspect clutch cover for oil leaks.
Inspect clutch operation.
Inspect clutch alignment.

Transmission

Clean externally and inspect for leaks, particularly the drain plug and the rear bearing.

Springs

Thoroughly inspect and clean spring shackle connections.
Inspect springs to ascertain damage, if any.

Differential

Clean and inspect differential housing for oil leaks.
Inspect brake arms and equalizers on differential housing.

Wheels

Remove hub cap and inspect for proper lubrication.
Inspect condition of bearings.

Universal Joint

Remove the boots, and inspect for worn bushings and loose bolts.
Clean with kerosene and a brush.

General

Inspect transmission arm bolts.
Inspect front motor support bolts.
Inspect oil pan and transmission bolts.
Inspect steering gear for lost motion and lubrication.
Inspect speedometer drive.

Lubrication

See charts on pages 25 and 34 for parts needing monthly attention. (M)

COMMON TROUBLES**IMPORTANT ADVICE**

Do not touch any adjustments or tamper with any parts until you know what causes the trouble. Otherwise you may get everything out of adjustment.

ENGINE FAILS TO START

Lack of Gasoline—See that fuel tank is full and 3-way cock is open. If fuel line is free, gasoline will run out of drain cock at the bottom of the carbureter.

Lack of Ignition Current—This may be due to neglect in throwing on the switch or to a broken or disconnected wire. May also be caused by "grounding" on some part of engine or frame of wire from magneto to ignition switch.

Dirty Spark Plugs—These are due to an excessive amount of oil in the engine and too long service without attention, whereby the points become coated with carbon. Dirty spark plugs should be removed and cleaned with gasoline.

Spark Plugs—Points are improperly set. (See under "Engine Misses.")

ENGINE STOPS

Lack of gasoline.

Disconnected switch or wires, or "grounded" magneto switch wire.

Lack of oil or water.

Carbureter flooding.

ENGINE MISSES

Broken or Disconnected Wiring—If the engine misses, short circuit the spark plugs one after another, by touching a hammer or screw driver from the metal of the cylinders to the terminals of the spark plugs. When one is reached which makes no difference in the running of the engine, this is probably the plug at fault.

Dirty or Broken Spark Plugs—Remove and clean. Be sure porcelain insulator is not cracked.

Points of Spark Plugs Improperly Set—If these points are too close together or too far apart, missing may result. Spark plug points should be set approximately 0.025 inch apart—about the thickness of a dime.

Defective Carbureter Adjustment.

Loss of Compression in any Cylinder—Valve may be stuck or there may be dirt under it. Examine the valve tappet to see whether the valve seats properly. To locate cylinder that is weak on compression, turn over the engine by hand, testing each cylinder in turn.

Water in Gasoline—Indicated by engine running and stopping and running again by fits and starts.

Overheating—Engine runs with some pounding and slowly. Close throttle completely. See "Engine Overheats."

LOSS OF POWER

The engine will run but will not pull the car under a heavy load.

May be due to:

Loss of compression.

Too rich a mixture through carbureter flooding.

Valves not seating properly and not holding compression.

Weak ignition.

Lack of oil or water.

Lack of gasoline. If this is due to partial stoppage of the gasoline pipe, the engine will spit back through the carbureter when the throttle is opened.

Dragging brakes.

LACK OF GOOD COMPRESSION

This is generally due to leaky valves. These should be adjusted or their seats reground. Scored cylinders are a very common cause and are the result of insufficient lubrication.

POPPING BACK THROUGH CARBURETER

This usually indicates too weak a mixture and may be caused by:

Dirt in gasoline passage or nozzle—Try pet cock on carbureter.

Air leak in the intake passage and connections.

Inlet valves holding open.

Water in gasoline.

ENGINE OVERHEATS

Lack of Proper Lubrication.

Defective Water Circulation—Inspect all water passages, making sure that the gaskets (washers) at flange joints have not swollen in such a way as to cut down the opening.

Slipping Fan Belt—Belt should be tightened.

Too Much Gasoline—Too rich a mixture is indicated by black smoke at the exhaust. The engine will sometimes continue to fire after the switch has been turned off, even though the water is not hot enough to indicate overheating. This firing is caused by a carbon deposit in the cylinders, which becomes incandescent.

Too Little Gasoline—Too lean a mixture is indicated by lack of acceleration, popping in the carbureter or back-firing when the throttle is suddenly thrown open.

ENGINE KNOCKS

Connecting Rod Bearings too Loose or Burned Out—Loose bearings give a light knock at high speed. Burned out bearings knock whether running under load or idling.

Lack of Proper Lubrication of Engine.

Faulty Carbureter Adjustment.

A Loose Piston in One of the Cylinders—Knocks only under full load at low speeds.

Carbon in Cylinders—This carbon becomes heated and may cause premature ignition. Remove cylinder heads and clean cylinders.

Crankshaft Bearing Loose—Heavy pound at slow engine speed under heavy load. The adjustment of this bearing should by all means be made as soon as possible.

Overheating Due to Lack of Water.

CHAPTER II

ENGINE

CHAPTER CONTENTS

ENGINE
FUEL SUPPLY SYSTEM
IGNITION SYSTEM
COOLING SYSTEM
ELECTRIC STARTING SYSTEM

ENGINE—BRIEF DESCRIPTION

The engine is a standard design of White make, having four block-cast, L-head cylinders with heads integral. The block is mounted on an aluminum crankcase which is in two halves, horizontally split. Its cylinders are 4.25 ($4\frac{1}{4}$) inches diameter bore, by 6.375 ($6\frac{3}{8}$) inches stroke; water-cooled with centrifugal pump circulation; lubrication by the special White partial make-up system; ignition is by magneto with variable spark, and carburetion by a float-feed spraying type White carbureter, fed by gravity from the gasoline tank. The valves and valve operating mechanism are on the right, together with the carbureter, water pump and oil pump.

ENGINE OPERATION

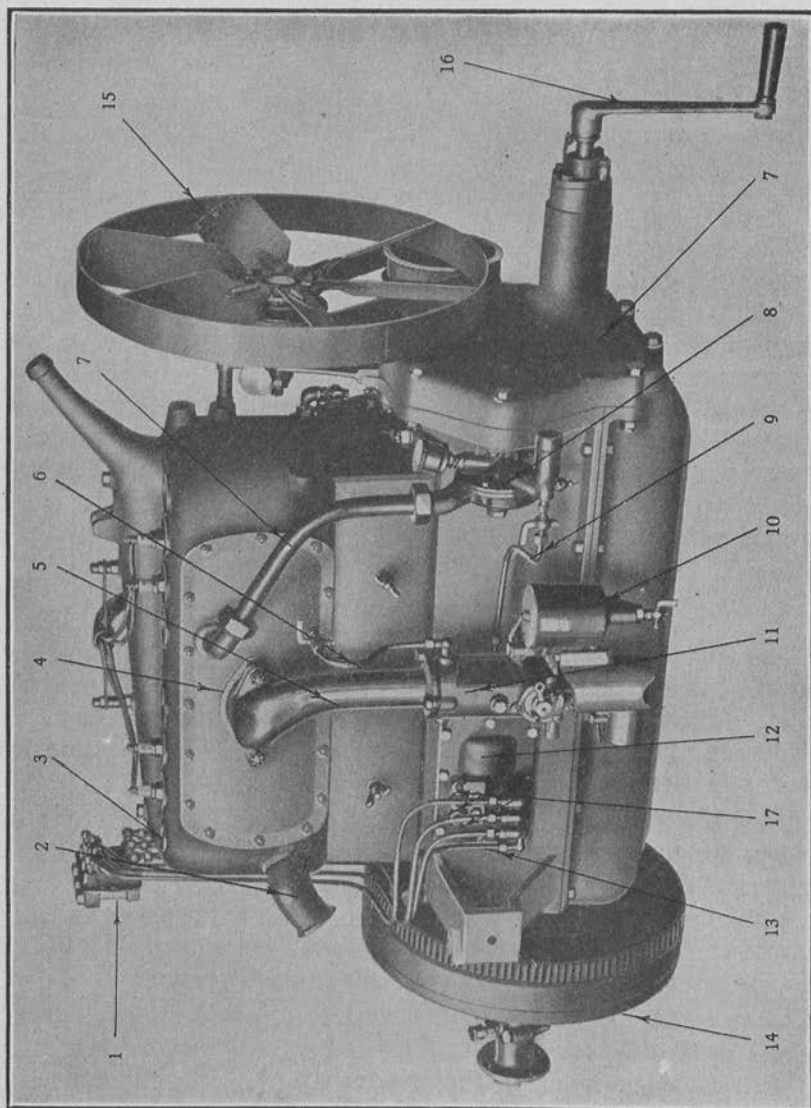
The engine operates in the four-stroke cycle, which is the same as that of all truck, tractor and passenger car engines made in the United States. There are four distinct strokes of the pistons necessary for the completion of a cycle, these four strokes being called: Intake, compression, power and exhaust.

Upon being cranked by hand, a piston descends while its intake valve is open, and draws a charge of gas into the cylinder through the carbureter and the intake pipe. When piston is just past the bottom of its stroke, and again returning upwards, the intake valve closes and, as the exhaust valve is at this time also closed, the gas is trapped within the cylinder and compressed by the piston's upward motion.

When piston reaches top of its stroke, the spark occurs and explodes the mixture which, due to its increase in pressure, drives down the piston with considerable force, thus storing up energy in the flywheel for the succeeding strokes.

When piston nears the bottom of its stroke the exhaust valve opens, allowing the expanded and now useless gases to escape, and stays open during the following upward movement of the piston, allowing the ejection of the remaining burned gases.

PLATE 12



RIGHT SIDE OF ENGINE

PLATE 12—RIGHT SIDE OF ENGINE

Ref. No.	Part No.	Name
1	00350	Oil sight feed.
2	107 1/4 GF	Exhaust pipe flange elbow.
3	00327 3/4 GEC	Valve port plug.
4	106 GEB	Cylinder side plate.
5	0071 BGED	Carbureter intake pipe.
6	00776 1/2 TED	Carbureter water jacket line.
7	00335 GEC	Water inlet pipe to cylinder.
8	325 GE	Water pump.
9	00776 TED	Carbureter water jacket line to pump.
10	00706 GED	Carbureter.
11	00721 TED	Carbureter water jacket.
12	354 GFB	Oil pump.
13	00785 TED	Oil line, reservoir to pump.
14	150 3/4 GEC	Clutch cover.
15	0291 GE	Fan.
16	0166 GAB	Starting crank.
17	0364 1/2 GE	Oil pump adjusting nuts.

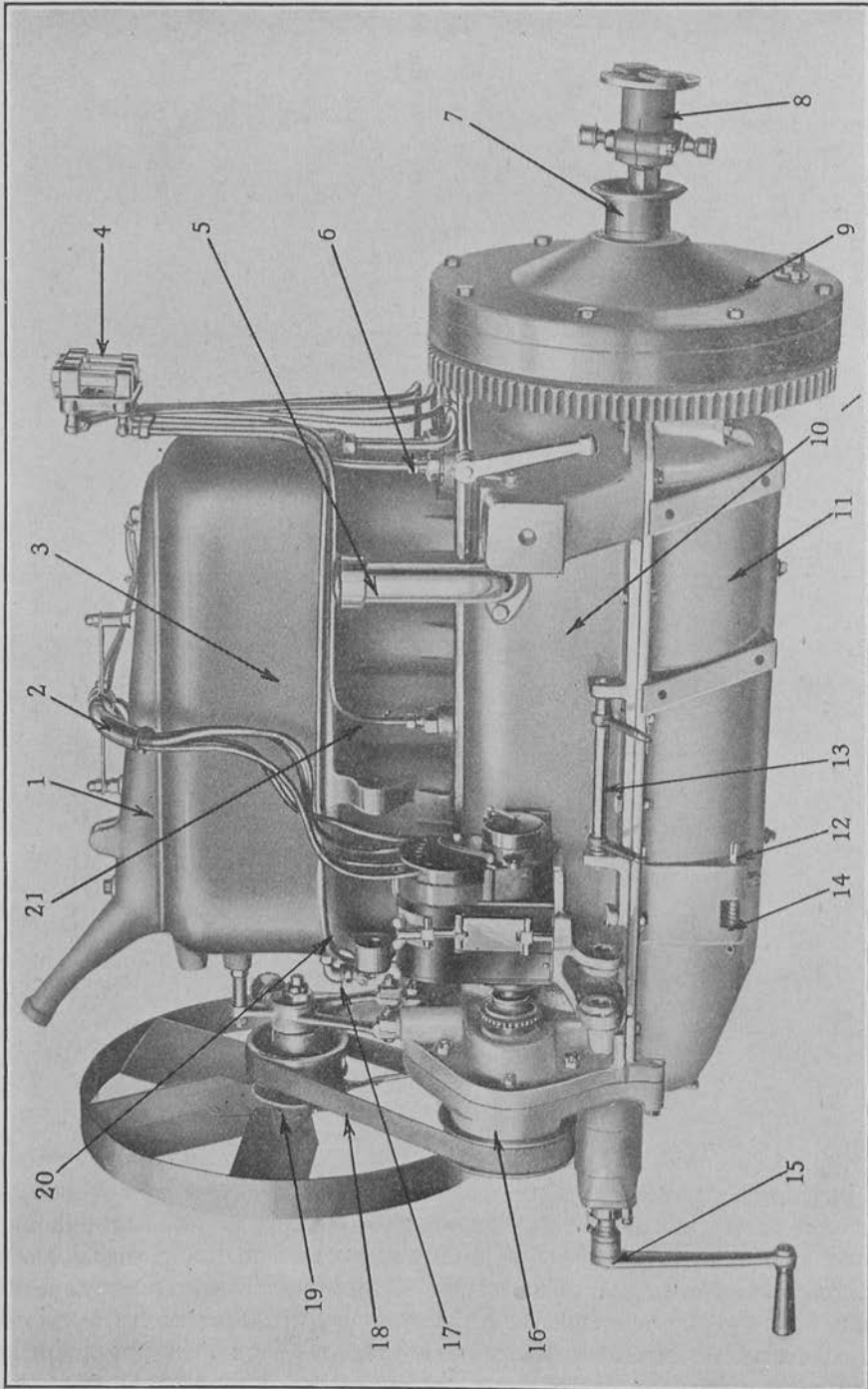
CYLINDER ASSEMBLY

CYLINDER DIMENSIONS

Cylinder, Material.....			Cast iron
Bore.....	inches	4.25	(4 1/4)
Stroke.....	do	6.375	(6 3/8)
Piston displacement.....	cubic inches	361.68	(3 15/8)
Finished length of cylinder bore.....	inches	10.25	(10 1/4)
Finished height of cylinder from bolt flange to top plate surface.....	do	13.25	(13 1/4)
Cylinder Head Plug Hole, Diameter.....	do	2.125	(2 1/8)
Threads.....	per inch	14	
Valve Port Holes, Diameter.....	inches	2.125	(2 1/8)
Threads.....	per inch	14	
Water Jacket Drain Plug, Size.....	inch	0.25	(1/4)
Cylinder Top Plate Stud, Diameter.....	do	0.437	(7/16)
Threads.....	per inch	18	
Cylinder Side Plate Cap Screws, Number.....			sixteen
Diameter.....	inches	0.312	(5/16)
Threads.....	per inch	20	
Valve Guides, Length.....	inches	4.187	(4 3/8)
Diameter.....	do	0.375	(3/8)

CYLINDER DESIGN

The cylinders are of grey iron, cast in a block, and bolted to an aluminum crankcase. The cylinder casting has the inlet passages cored out so that the carbureter attached to a carbureter water jacket and a short external elbow or manifold on the right feeds through the cored passages to the inlet valves. The block has an integral head and valve port plugs that close the openings through which the valves may be withdrawn when the plugs are removed. The engine cylinder top plate, with a portion of the water outlet pipe, is a unit, bolted to the top of the casting.



LEFT SIDE OF ENGINE

PLATE 13—LEFT SIDE OF ENGINE

Ref. No.	Part No.	Name
1	0106 ½ GEC	Cylinder cover.
2	00464 GA	Ignition cable conduit.
3	105 GEC	Cylinder block.
4	00350 GF	Oil sight feed.
5	102 ¾ GEB	Crankcase vent pipe.
6	00788 ½ GEC	Oil line, sight feed to rear bearing.
7	0131 GED	Clutch brake.
8	0425 GED	Alignment joint.
9	150 ¾ GEC	Clutch cover.
10	100 GEC	Crankcase.
11	101 GED	Crankcase pan.
12	0101 ½ GE	Crankcase pan drain valve.
13	0293 ½ GE	Magneto control lever tube.
14	0101 ¾ GA	Drain valve spring.
15	0166 GAB	Starting crank.
16	103 GEC	Timing gear case cover.
17	00709 ¼ GAH	Cylinder drain cock.
18	369 ½ TED	Fan belt.
19	0291 GE	Fan.
20	00786 GEC	Oil line, sight feed to front bearing.
21	00786 ¼ GEC	Oil line, sight feed to center bearing.

The cylinder assembly consists of the cylinder block and the parts supported thereby, namely, the fan bracket stud, cylinder plugs, engine valves, valve bushing studs, cylinder top plate stud, ignition conduit stud, side plate and screws, side plate inlet elbow, intake pipe and studs, valve cover plate and studs, cylinder drain plug, cylinder drain cock and cylinder plug.

CYLINDER SCORED

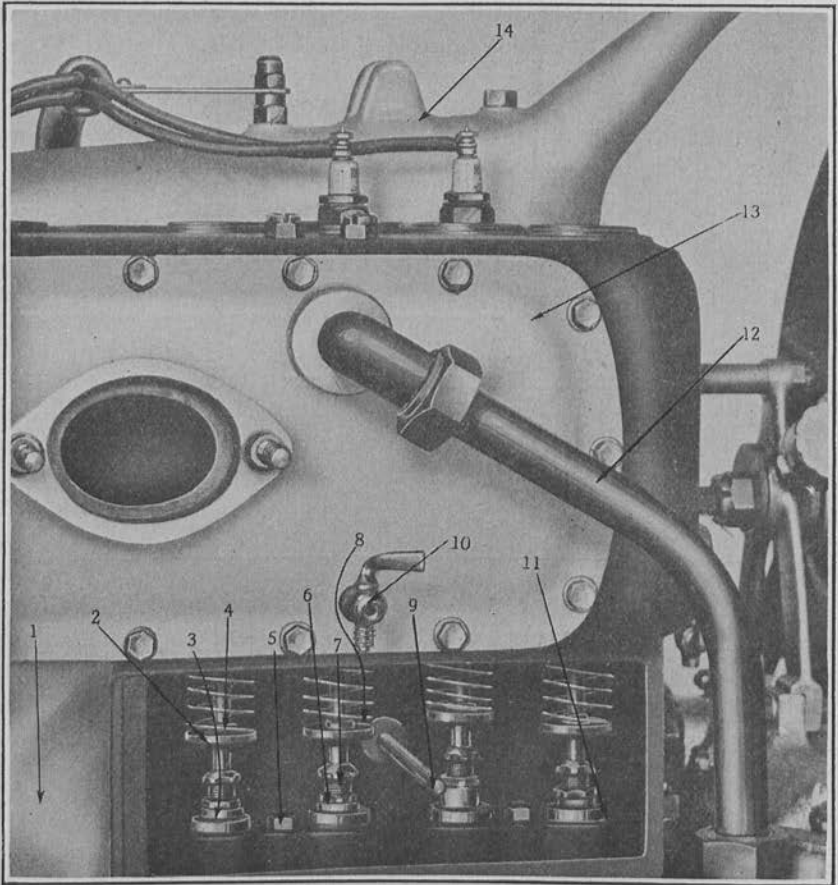
Cylinders may become scored because of engine operation for long periods when overheated, lack of lubrication, tight pistons, loose or broken wrist pin, piston out of round, connecting rod out of alignment.

CYLINDER JACKET CRACKED

If a cylinder water jacket is cracked, an emergency repair can be made by calking or by shellac saturated cloth strips stuck over crack and permitted to dry before filling cooling system with water.

CYLINDER TOP PLATE

The cylinder top, or top water jacket cover, is made of aluminum and is held in place on the cylinder block by four cap screws. Between the top plate and the cylinder block is the top plate gasket, made of composition packing, for the purpose of making a water-tight seal at this point. Extending upward and forward from the top plate, and cast integral with the same, is the connection upon which the upper radiator hose is placed. The end of the connection terminates in a knob for holding and keeping tight the radiator hose.



SIDE OF CYLINDER BLOCK,
SHOWING VALVE TAPPETS AND SPRINGS

Ref. No.	Part No.	Name
1	169 GEC	Valve cover plate.
2	0143 $\frac{1}{4}$ GE	Valve collar bushing.
3	0147 GK	Valve tappet.
4	0143 $\frac{1}{4}$ GE	Valve key.
5	S0147 $\frac{1}{2}$ GE	Valve tappet bushing stud.
6	S0146 GAB	Valve adjusting cap nut.
7	S0147 GAB	Valve tappet adjusting cap.
8	148 GE	Valve spring.
9	S0169 GEC	Valve cover plate stud.
10	00709 $\frac{1}{4}$ GAH	Cylinder drain cock.
11	147 $\frac{1}{2}$ GEC	Valve tappet bushing.
12	00335 GEC	Engine cylinder inlet pipe.
13	106 GEB	Engine cylinder side plate.
14	0106 $\frac{1}{2}$ GEC	Engine cylinder top plate.

CYLINDER SIDE PLATE

The cylinder side plate, made of aluminum, is on the right hand side of the cylinder block. It is held in place on the cylinder block by 13 cap screws. The side plate is drilled and tapped for the water inlet elbow and for the side plate plug. Centrally located in the side plate is the carbureter intake pipe boss. Between this boss and the intake pipe is a gasket of superheat packing. The intake pipe is held by two bolts through the intake pipe and cover plate. Between the side plate and cylinder block is a gasket made of graphite packing equal in quality and thickness to the composition packing used at the center.

VALVE PORT PLUG DIMENSIONS

Valve Port Plug, Material.....	Gun metal
Height.....inches	1.375 ($1\frac{3}{8}$)
Diameter.....do	2.125 ($2\frac{1}{8}$)
Threads.....per inch	14
Diameter across flats of hexagonal socket.....inches	1.50 ($1\frac{1}{2}$)
Spark Plug Hole, Diameter.....inches	0.875 ($\frac{7}{8}$)
Threads.....per inch	18
Gasket, Port Plug, Outside Diameter.....do	2.375 ($2\frac{3}{8}$)
Inside diameter.....do	2.125 ($2\frac{1}{8}$)
Thickness.....do	0.093 ($\frac{3}{32}$)
Cylinder Head Plugs, Material.....	Gun metal
Diameter.....inches	2.125 ($2\frac{1}{8}$)
Threads.....per inch	14

VALVE PORT PLUG

Above the valves and screwed into the cylinder are eight valve plugs made of gun metal. Four of these plugs are drilled and tapped for the four spark plugs. The latter screw into the cylinder casting above the intake, the remaining four plugs above the exhaust valves. Between each of the valve plugs and the cylinder, forming a gas tight joint, are the valve port plug gaskets. These gaskets are made of copper, packed with asbestos. It is very essential to the correct operation of the engine that the spark plug valve port plugs are screwed in the holes above the inlet valves. In this way the spark plugs are not in dead gas pockets and are in such position as to be cooled by the incoming fresh gases.

VALVE GEAR

VALVES AND SPRINGS

The valves are built up with a special head that is attached to the valve stem. The valve stems are slotted at the bottom to receive the valve spring retainer lock. This lock is in the form of a key, which is slipped through the slot in the valve stem and upon which the valve spring retainer rests. The valve stems slide in valve stem guides that are cast integral with the cylinder block.

VALVE DIMENSIONS

Valve, Material.....	Steel
Outside diameter.....inches	1.968 ($1\frac{13}{16}$)
Valve Head, Thickness.....do	0.25 ($\frac{1}{4}$)
Valve Seat, Angle.....degrees	45
Width, Projected.....inches	0.125 ($\frac{1}{8}$)
Valve Stem, Diameter.....do	0.375 ($\frac{3}{8}$)
Valve Key Slot, Height.....do	0.437 ($\frac{7}{16}$)
Width.....do	0.125 ($\frac{1}{8}$)
Distance from bottom end of valve stem.....do	0.50 ($\frac{1}{2}$)
Valve Stem, Length over valve head.....do	8.875 ($8\frac{7}{8}$)
Valve Port, Clear diameter.....do	1.687 ($1\frac{11}{16}$)
Valve Lift, Inlet.....do	0.312 ($\frac{5}{16}$)
Exhaust.....do	0.312 ($\frac{5}{16}$)

VALVE SPRING DIMENSIONS

Valve Spring, Material.....	Steel wire
Outside diameter.....inches	1.343 ($1\frac{11}{16}$)
Inside diameter.....do	1.047 ($1\frac{1}{16}$)
Free length.....do	4.00
Length when compressed in place.....do	2.75 ($2\frac{3}{4}$)
Compression when in place.....pounds	55
Valve Spring Retainer, Material.....	Case hardened steel
Diameter.....inches	1.50 ($1\frac{1}{2}$)
Valve Spring Retainer Key, Material.....	Steel
Length.....inches	1.00
Width.....do	0.406 ($\frac{13}{32}$)
Thickness.....do	0.125 ($\frac{1}{8}$)

VALVE LIFTERS AND GUIDES

Valve lifters are provided for each valve. They are of the roller type. The rollers are inserted in a milled slot in the lower end of the lifter and held in place by a small pin. The latter is fastened in place by another smaller pin. The roller follows the cam and in doing so rises and falls according to the contour of the latter.

At the upper end of the valve lifters there is a screw and lock nut. The head of the first is case hardened as it strikes the bottom of the valve stem, and were it not hardened would wear too fast. The screw is used to provide adjustment so that, when the valve stem wears, the increase in clearance between the valve stem and the adjusting screw can be taken up. The nut is provided to lock the valve adjusting screw in place when the proper clearance between the valve stem and the lifter has been obtained. In ordinary practice it is desirable to allow from 0.008 to 0.010 (eight to ten thousandths) inch clearance. If less is used the valves are held open when the valve stems have expanded and there is leakage of compression and also burning of the valve and its seat, so that it may have to be recut.

The valve guides are inserted in the lower flange of the cylinder and are held in place by means of a single stud and nut at the center between each pair of valve guides. The guides are slotted at the bottom so as to clear the valve roller, which projects outside of the diameter of the valve lifter. This projection also prevents the valve lifter from rotating and thereby getting the valve roller out of line with the cams on the camshaft. In order to prevent the valve lifter guide from turning and doing the same thing, there is a lip or flange cast on the top of the valve guide which half encircles the hold-down stud. This positively prevents the valve guide from turning in the cylinder flange and assures that the valve lifter roller axis will always be parallel to that of the camshaft, as is desired.

VALVE LIFTERS AND GUIDE DIMENSIONS

Valve Lifters, Material.....	Nickel steel
Outside diameter.....	inches 0.796 ($\frac{13}{16}$)
Inside diameter.....	do 0.50 ($\frac{1}{2}$)
Length.....	do 2.875 ($2\frac{7}{8}$)
Width of roller slot.....	do 0.312 ($\frac{5}{16}$)
Number of threads for adjustment screw.....	per inch 20
Valve Lifter Roller, Material.....	Nickel steel
Diameter.....	inches 1.00
Thickness.....	do 0.307 ($\frac{5}{16}$)
Valve Lifter Roller Hole, Diameter.....	do 0.376 ($\frac{3}{8}$)
Valve Lifter Roller Pin, Material.....	Case hardened steel
Diameter.....	inches 0.375 ($\frac{3}{8}$)
Length.....	do 0.75 ($\frac{3}{4}$)
Valve Lifter Guides, Material.....	Cast iron
Inside diameter.....	inches 0.796 ($\frac{13}{16}$)
Length.....	do 2.437 ($2\frac{7}{16}$)

VALVE GRINDING

In order to maintain gas tight joints, the valve faces must fit their seats perfectly. If they do not, there will be a loss of compression and a loss of power.

When valves or seats become dirty or pitted, they should be ground. To remove them, first remove all valve port plugs with the special wrench in the tool kit; also remove the valve cover plates. Lift up the springs with the spring compressor provided, taking out the valve keys at the end of the valve stems. Then remove valve springs and collars and lift out the valves. Close the ports between the valves and the cylinder with a clean cloth. Mix a little cylinder oil with flour emery or powdered carborundum. Spread a little of this grinding compound uniformly over the valve face. Place the valve back in its original position.

Insert a screw driver into the slot in the valve head; then turn with a semi-circular movement of the screw driver, exerting very little pressure. This can be done easily by holding the handle between the palms

of the hands. Occasionally remove the valve from the seat, turn part way around and continue as before. When done correctly a light silvery color will be given to both seat and face.

Clean valve stems and guides thoroughly, making sure that no grains of the abrasive remain. Remove cloth from cylinder port. Oil the valve stem and guide. Replace valve, put back key and valve spring retainer; when this has been done on all valves, readjust valve lifter tappets to 0.010 (ten thousandths) inch on exhaust and 0.008 (eight thousandths) inch on intake.

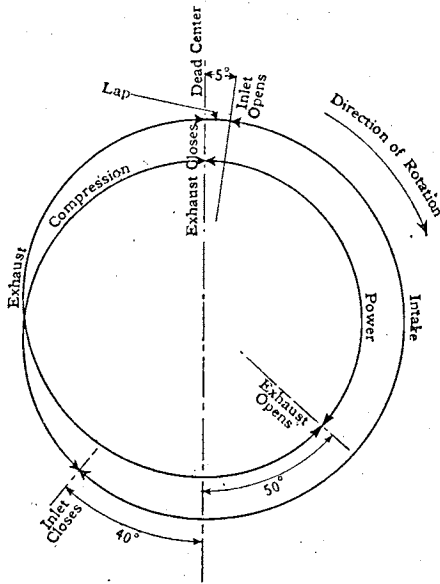


PLATE 15—VALVE TIMING DIAGRAM

Do not grind exhaust valves more frequently than necessary; at Monthly Maintenance Inspection should be enough. An occasional application of kerosene on the valves and stems is beneficial. Intake valves seldom need grinding. Exhaust valves are subjected to greater heat and require more attention. The first, fourth, fifth and eighth valves are the exhaust. The spark plug valve post plugs should always be kept over the intake valves.

VALVE TIMING

The proper operation of the engine demands that the valves open and close with reference to the location of the piston in its cycle of movement with considerable accuracy. The rotation of the camshaft is timed with reference to the rotation of the crankshaft by means of a proper meshing of the gears which connect the two.

The timing gears at the front of the engine are marked so that there should be no difficulty in replacing them and putting the engine in proper time if it has been disassembled. However, in case some difficulty in the timing is encountered, the following information is of value.

Inlet valve opens 5 degrees past the upper dead center and closes 40 degrees after the lower dead center. The exhaust valve opens 50 degrees before the bottom dead center and closes at the top dead center

FLYWHEEL TIMING MEASUREMENTS

To facilitate in timing the engine, the degrees mentioned in the previous paragraph are here given in inches measured on the circumference of the flywheel. According to this, the exhaust valve closes at the top dead center, and the intake valve opens 0.774 ($\frac{49}{64}$) inch on the flywheel rim past the upper dead center. The exhaust must never close before dead center, but may close as late as 0.75 ($\frac{3}{4}$) inch past dead center. If this is observed and checked for one cylinder, the rest of the valves will be timed properly.

For further checking, the following figures are given: The exhaust valve should open 50 degrees or 7.75 ($7\frac{3}{4}$) inches before the lower dead center and the intake valve should close 40 degrees or 6.19 ($6\frac{13}{64}$) inches past the lower dead center.

FIRING ORDER

The cylinders of the engine are numbered from the radiator back, calling the first, or one nearest the radiator, Number 1; the second Number 2, and so on. Having this order of cylinder location in mind, the firing order of the engine is 1-3-4-2.

PISTON ASSEMBLY

PISTON DIMENSIONS

Piston, Material.....	Cast iron
Length.....	inches 5.218 ($5\frac{1}{8}$)
Diameter above top ring.....	do 4.235 ($4\frac{1}{4}$)
Between two top rings.....	do 4.240 ($4\frac{1}{4}$)
Between two lower rings.....	do 4.243 ($4\frac{1}{4}$)
Skirt below piston pin.....	do 4.245 ($4\frac{1}{4}$)
Piston Ring Grooves, Width.....	do 0.25 ($\frac{1}{4}$)
Depth.....	do 0.169 ($\frac{1}{8}$)
Piston Pin Hole, Diameter.....	do 1.110 ($1\frac{1}{8}$)
Piston Pin Bosses, Length.....	do 1.50 ($1\frac{1}{2}$)

PISTON

The pistons are cast from special iron and are carefully annealed and should weigh within plus or minus of 0.5 ($\frac{1}{2}$) ounce of one another. The piston carries three packing rings, all located at the top above the piston pin.

PISTON PIN BOSSES

Provision is made for fastening the piston pin into the piston, as follows: The pin is clamped in the connecting rod by means of a clamp bolt, one side of which has been milled out to fit the bolt and thus aid in holding the pin rigidly and centrally in the connecting rod. The piston pin fits in the piston bosses, which form a bearing for it.

PISTON PIN LUBRICATION

In the piston pin bearings in the piston bosses are two oil grooves extending lengthwise of the bearing and also one oil groove crossing these, extending concentric with the bearing. Below the piston rings is an oil groove, or wiping ring, extending entirely around the piston. Connection between this groove and each of the piston pin bearings is made by two drilled holes, one to each of the pin bearing concentric oil rings. Thus, as long as the cylinders are well lubricated the piston pin will not lack lubrication.

PISTON TROUBLES

The piston, moving up and down in the cylinder, must constantly be protected by a film of oil, otherwise both it and the cylinder wall will be scored. If run long enough without oil, the piston will seize in the cylinder. The usual piston trouble encountered is due to excessive piston wear, which causes oil leakage into the combustion chamber and gas leakage downward into the crankcase. Also piston pin wear is not unusual. The latter causes knocking. Both are brought about by lack of, or insufficient, lubrication. Piston and rod may be removed through the crankcase.

TO ALIGN PISTON AT RIGHT ANGLES TO CRANKSHAFT

With the cylinder removed and the connecting rod and piston in position, a level may be used to ascertain parallelism between the top of the piston and the top of the crankcase, which is parallel to the center line of the crankshaft. A better method, however, is to use two try-squares. One of these should be mounted on a straightedge laid across the crankcase. This square should be used to hold the piston in a vertical position. Take the second try-square, place it on the top of the crankcase, parallel to the crankshaft, and bring the blade up against the side of the piston. If the piston is square with the crankcase and crankshaft, no light should be observed between the blade of the square and the skirt of the piston below the piston pin. To check, repeat on the opposite side of the piston.

INSERTING PISTON IN CYLINDERS

The insertion of the pistons, after cleaning or repairing, is accomplished in the following manner. Assemble completely the four pistons and connecting rods on the crankshaft and, by means of a chain block, lower the cylinder down over the pistons. Turn the crankshaft so that two pistons are up and two are down. The bottom edge of the cylinder is beveled to aid in compressing the rings and make the insertion of the pistons an easier matter. Lower the cylinder still more and at the same time turn the crankshaft so that the two lower pistons may be entered into the cylinder. The pistons should be covered with oil to aid in the insertion. With the four pistons entered, the cylinder block may be lowered to the crankcase.

PISTON RING PRECAUTIONS

Great care should be exercised so that loose piston rings are not allowed to wear the square faces of the piston ring slot to a bevel. If these square edges are worn to a bevel, it will be impossible to prevent the passage of gases above, behind and below the piston ring and the edges of the slot. Compression will be lost and carbon will form behind the rings.

FITTING PISTON RINGS

Accuracy and care should be used in fitting piston rings to a piston. Three factors have to be taken into consideration:

- 1st. *The fit of the piston ring in the cylinder to get proper ring break.*
- 2nd. *The fit of the piston ring in the slot on the outside of the piston.*
- 3rd. *The fit of the piston ring when placed on the piston.*

The average engineer should be able to get perfect adjustment on new piston rings if the following precautions are observed:

INSTALLATION OF PISTON RINGS

Fit the piston ring in the cylinder first. There are two methods of placing the piston ring square in the cylinder in order to get the proper ring "break."

1st. If the cylinders are removed, place the ring to be tested squarely in the cylinder. To ascertain if the ring is square in the cylinder bore, insert the piston and push the ring up a couple of inches with it. Remove the piston and examine the ring "break."

2nd. When the cylinders are not removed, first take out the piston and connecting rod through the bottom of the crankcase, insert the piston ring squarely in the bottom of the cylinder, by taking accurate measurement from the bottom edge of cylinder. When the piston ring is fitted in the bottom of the cylinder, using a small hand mirror will make examination of the "break" an easy matter.

Allowance has to be made for piston ring expansion lengthwise so that, when the piston and cylinder are up to operating temperature, the free ends of the piston ring will not meet and cause binding of the ends of the piston ring and, in turn, the piston ring against the cylinder wall. The top piston rings should have a "break" of 0.005 (five thousandths) of an inch.

When material has to be removed from the end of the piston ring, split to provide the necessary "break" for expansion, clamp a fine mill file in a vice, open the piston ring, and clamp the ends of the piston ring squarely over it and remove material. Be careful never to damage the piston ring split surfaces where they come together horizontally.

CARE IN HANDLING PISTON RINGS

Piston rings should be handled carefully and when opened to put on the piston should not be sprung sideways. The piston ring can be easily sprung so that it will produce a rocking motion when laid on a flat board or bench. It is impossible to fit a rocking or warped piston ring. Piston rings should not be carried indiscriminately with other tools in the tool box. Make provision to carry piston rings separately and stack one on top of the other.

FITTING RINGS TO PISTON SLOTS

The piston ring slot should be scraped absolutely clean of all carbon deposits and washed off with kerosene. It is useless to fit a piston ring unless this condition exists, because the deposits will produce a bind, interfering with accurate fitting. Scrape the piston ring slot clean with a flat metal scraper. If it is not possible to remove all of the carbon, 000 sand paper, used under a flat stick, should be employed, bearing on it lightly while cleaning the slot. Never use a file in the piston ring slot. Never use emery cloth for cleaning piston ring slots. Rinse the slots when finished, cleaning with kerosene, and wipe dry with a cloth.

After the piston ring has been fitted in the cylinder, it should be fitted to the piston slot by revolving the piston ring on the outside of the piston and inside the slot. The vertical expansion of the piston ring in the slot has to be provided for. The rings should have only clearance enough to fit in the slot, not over 0.001 (one thousandth) inch. If the piston ring does not have free movement in the slot, some of the material will have to be removed from the top or bottom edge of the ring. Obtain a flat board, over which spread a sheet of fine emery cloth. Lay the ring flat on this and rotate until a sufficient

quantity of material has been removed to secure the necessary clearance. Wash the piston ring with kerosene and wipe clean before trying the piston ring in the slot.

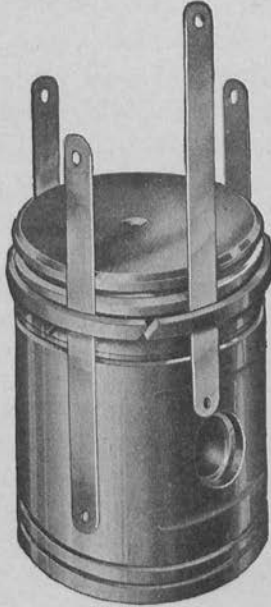


PLATE 16—REPLACING PISTON RINGS ON PISTON

MOUNTING RINGS ON PISTON

One of the most convenient tools to have is a piston ring remover, as by its use the piston ring will not be sprung out of round by careless handling or forcing. If removers are not available, three or four metal guides 0.25 ($\frac{1}{4}$) to 0.5 ($\frac{1}{2}$) inch wide, 0.0325 ($\frac{1}{32}$) inch or less thick, and about 6 inches long, should be provided. Hack saw blades, ground off smooth, are ideal for this purpose. In taking off or replacing piston rings, these guides should be spaced equally around the piston and underneath the piston ring.

Place the piston ring in the piston slot to test for freedom of movement horizontally and for correct clearance in the vertical direction.

PISTON PIN DIMENSIONS

Piston Pin, Material.....	Case hardened nickel steel
Length.....	inches 4.00
Outside diameter.....	do 1.109 ($1\frac{1}{8}$)
Inside diameter.....	do 0.687 ($\frac{11}{16}$)
Piston pin fastening.....	By clamp bolt to connecting rod

PISTON PIN

The piston pin is made of chrome nickel tubing and has its corners rounded off. One side is milled to a given radius to fit the connecting rod clamp bolt. One end has a 0.125 ($\frac{1}{8}$) inch wide by 0.125 ($\frac{1}{8}$) inch deep slot milled in it for the purpose of inserting a tool to turn the piston pin until it lines up with the connecting rod clamp bolt.

FITTING PISTON PINS

With this design of piston and piston pin, careful fitting is necessary. In replacing a piston or piston pin, it is necessary to remount the piston pin bosses and fit the piston pin to them. When the pin is properly fitted, it should just slip through the piston pin bosses under its own weight when well lubricated. If the pin is looser than it should be, replace with a new pin.

CONNECTING ROD ASSEMBLY

CONNECTING ROD DIMENSIONS

Connecting Rod, Material.....	Special chrome steel		
Length, center to center.....	inches	12.00	
Connecting Rod Section, Width.....	inches	0.75	($\frac{3}{4}$)
Height.....	do	1.562	($1\frac{1}{8}$)
Thickness.....	do	0.187	($\frac{3}{16}$)
Connecting Rod Upper End, Inside diameter.....	do	1.109	($1\frac{1}{16}$)
Piston Pin Binder Bolt, Diameter.....	do	0.437	($\frac{3}{16}$)
Threads.....	per inch	18	
Connecting Rod Big End, Inside diameter.....	inches	2.937	($2\frac{11}{16}$)
Width.....	do	2.125	($2\frac{1}{8}$)
Connecting Rod Bolts, Material.....	Steel		
Number required per rod.....		four	
Diameter.....	inches	0.437	($\frac{7}{16}$)
Length.....	do	1.75	($1\frac{3}{4}$)
Threads.....	per inch	18	
Connecting Rod Bushing, Material.....	Bronze		
Length.....	inches	2.50	($2\frac{1}{2}$)
Inside diameter.....	do	2.375	($2\frac{3}{8}$)
Outside diameter.....	do	2.937	($2\frac{11}{16}$)
Outside diameter of flanges.....	do	3.25	($3\frac{1}{4}$)
Thickness of babbitt facing.....	do	0.187	($\frac{3}{16}$)

TO ADJUST CONNECTING ROD BEARING

Remove the spark plugs to release compression, blue the crank pin with a thin film of color, insert piston in the cylinder and mount the upper half of the connecting rod bearing on the crank pin and revolve crankshaft slowly. Remove connecting rod and piston, scrape all high spots and continue blueing and scraping until most of the bushing shows solid blue. The cap bushing should be fitted to the bushing on the upper part of the rod so that, when the connecting rod cap is pulled up snug but not tight, there will be about 0.001 inch clearance between the step in the connecting rod cap and the connecting rod proper. This allowance is for the final tightening up of the bearing, when the bushings have been fully scraped. Having obtained the proper clearance between the cap and the connecting rod, with both halves of the bushing in place but not mounted on the crank pin, proceed to fit the con-

necting rod bearing cap bushing to the shaft. Fit this bushing by spotting and scraping as outlined for the upper half. When the upper and lower halves of the connecting rod bushing have a good bearing, as shown by the solid color, replace the rod on the crank pin, put the connecting rod cap in place and draw up tight.

If a castellated nut is tight when in such a position that the cotter pin hole does not line up, the nut should be removed and a light cut taken off the face of the nut (with a file), permitting its being turned to a proper position, so that the cotter pin can be inserted when tight.

TO DETERMINE LOOSE CRANK PIN BEARING

The crank pin bearing is commonly called the connecting rod bearing. This bearing is located in the lower or big end of the connecting rod. To determine any looseness in the crank pin bearings, remove the lower crankcase. Turn the crankshaft with the flywheel until the crank pins of Number 1 and Number 4 connecting rods are about level with the edge of the crankcase. Have an assistant take hold of the flywheel and oscillate it about two or three inches. While this is being done, place the finger tips so that they rest partly upon the cheek of the crankshaft and partly upon the bushings of the connecting rod big end. In the oscillation of the crankshaft, there will be a give and take in the connecting rod bearing if there is any looseness. This movement will be readily felt at the finger tips, even if there is only a looseness of 0.001 inch. Repeat with other bearings in the same manner.

CRANKSHAFT ASSEMBLY

CRANKSHAFT DIMENSIONS

Crankshaft, Material.....	Chrome nickel steel
Oil hole diameter.....	inches 0.234 ($\frac{1\frac{1}{4}}{16}$)
Oil tube outside diameter.....	do 0.312 ($\frac{5}{16}$)
Oil tube, Material.....	Copper
B. & S. Gauge.....	Number 18
Crankshaft Bearing, Diameters—	
Front.....	inches 2.559 ($2\frac{1}{16}$)
Intermediate or middle.....	do 2.375 ($2\frac{3}{8}$)
Rear.....	do 2.755 ($2\frac{3}{4}$)
Crank Pin, Diameter.....	do 2.375 ($2\frac{3}{8}$)
Crankshaft Gear Hub, Diameter.....	do 1.187 ($1\frac{1}{8}$)
Crankshaft Bearing, Lengths—	
Gear hub.....	do 1.75 ($1\frac{3}{4}$)
Front.....	do 1.375 ($1\frac{3}{8}$)
Intermediate or center.....	do 3.25 ($3\frac{1}{4}$)
Rear.....	do 1.653 ($1\frac{5}{8}$)
Flywheel Taper, Length.....	do 2.346 ($2\frac{3}{8}$)
Maximum diameter.....	do 2.755 ($2\frac{3}{4}$)
Taper.....	per foot 0.625 ($\frac{5}{8}$)
Flywheel end of crankshaft, Diameter.....	inches 2.50 ($2\frac{1}{2}$)
Threads.....	per inch 12
Crankshaft Front End, Diameter.....	inches 2.125 ($2\frac{1}{8}$)
Threads.....	per inch 14
Crankshaft Keys, Woodruff	
Crankshaft gear.....	Size Number 25
Flywheel.....	Size Number T

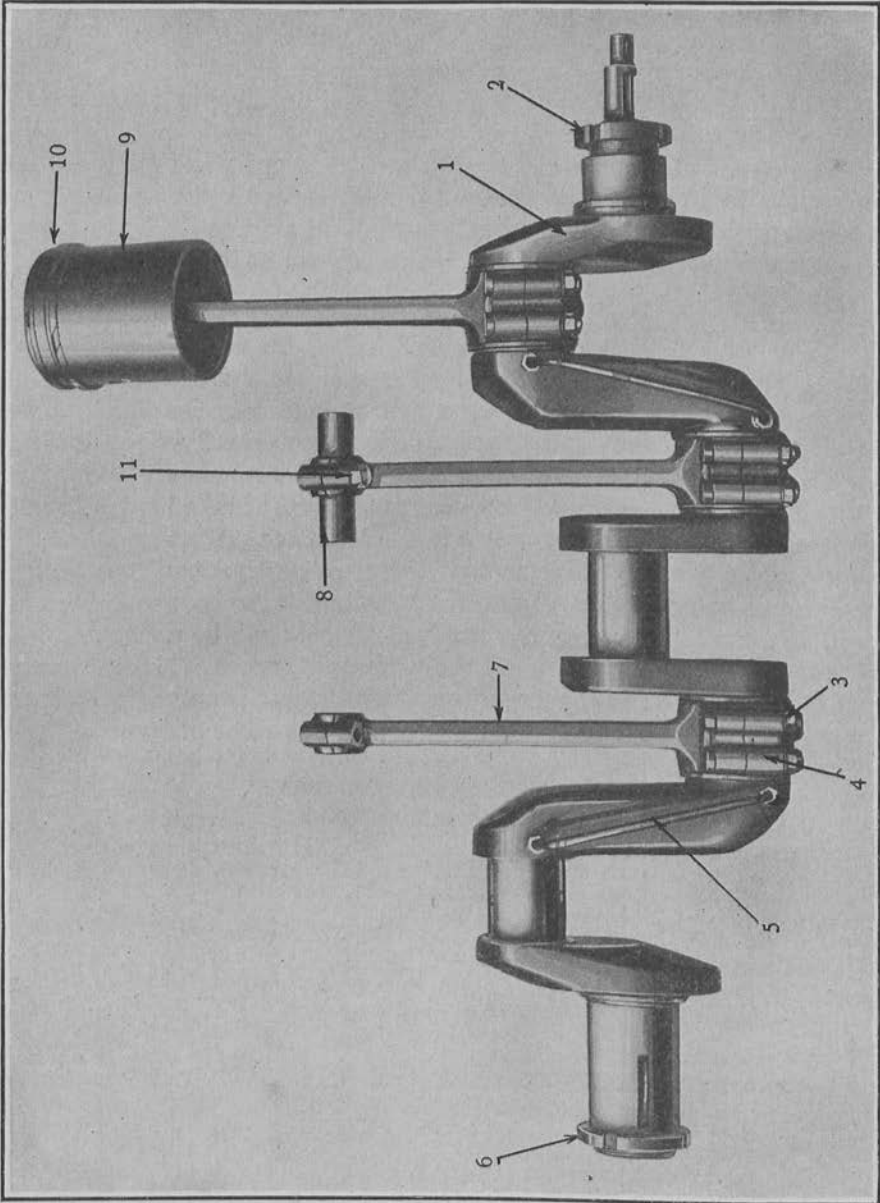


PLATE 17
CRANKSHAFT, PISTON AND CONNECTING
ROD ASSEMBLY

Ref. No.	Part No.	Name
1	0126 GED	Crankshaft.
2	S087 GE	Crankshaft bearing lock nut.
3	0127 1/2 GA	Connecting rod cap bolt.
4	0187 1/2 GEC	Connecting rod bearing cap.
5	00126 1/4 GED	Crankshaft oil tubes.
6	S087 M	Crankshaft rear bearing lock nut.
7	0127 GEB	Connecting rod.
8	124 GE	Wrist pin.
9	122 GEG	Piston.
10	117 GEB	Piston rings.
11	S0141 1/4 GA	Connecting rod binder bolt.

CRANKSHAFT

The crankshaft is of the four-cylinder form, in which all throws are in a single plane, having four crank pins, one for each connecting rod big-end bearing. It has three bearings, one at each end and one at the center. The end bearings are annular ball, while the middle is the plain split type with bronze backed babbitt liner. The front end of the crankshaft is drilled and tapped for the starting crank ratchet screw. This screw holds the starting crank in place. The ratchet is held from turning on the crankshaft by means of a Woodruff key. Next to the ratchet is the machined portion upon which fits the crankshaft gear. This is also prevented from turning on the crankshaft by a Woodruff key. The front ball bearing is retained in place by the crankshaft front bearing lock nut screwed onto the end. On the rear of the crankshaft is screwed the rear bearing lock nut, which holds the flywheel in place. The flywheel is prevented from turning on the shaft by having the shaft tapered and by means of a Woodruff key. The hub of the flywheel passes through the crankcase, being made oil tight at this point by a felt washer packing. The inner edge of the flywheel hub presses against the crankshaft rear ball bearing, holding the same in place. The inner edge at the flywheel hub must always be fitted against the bearing.

CRANKSHAFT LUBRICATION

The middle crankshaft bearing is lubricated by a lead from the oil pump. The ball bearings are lubricated by the mist in the crankcase, while the connecting rod bearings are lubricated as follows: At each end of the shaft in the crank flanges are oil collector rings pressed

into machined recesses from which oil leads run. Two holes are drilled through each of the end crank cheeks, one to the adjacent rod bearing; the other across the crank pin. The location and connections between the various crank pins and the oil collector rings are clearly shown in the Oiling Diagram, plate 20, on page 67.

Whenever the crankshaft has been removed, great care must be observed in replacing it to see that the oil leads, which run to the oil collector rings at the front and rear ends of the crankshaft, are carefully replaced. If these two oil leads do not extend into the oil collector rings, two difficulties will be immediately encountered: Either the oil will run onto the edge of the collector ring and will be thrown off instead of being retained by the collector ring, or, if the oil feed tube is still further out, the ball bearing will act as effective pumps and draw all of the oil from the oil feed tube. In either case, the crank pin bearings will be absolutely starved for oil, and burned-out bearings and scored crank pins will be the result.

KNOCKS IN BEARINGS

The center bearing is that most liable to develop looseness, because of the fact that it carries a greater load than the two other bearings and is of the plain bearing type.

TIGHTENING CRANKSHAFT BEARINGS

If the crankshaft bearings are loose, it should be determined whether the center plane or the ball bearings at the end are at fault. If the ball bearings are loose, they must be replaced. The same is true of the center bearing whenever a new bushing is available.

FITTING CRANKSHAFT MIDDLE BEARING

In scraping in the middle crankshaft bearing the area of contact of bearing surface is the important factor. As the two end bearings on the crankshaft are of the annular ball type, they cannot be taken up when worn but must be replaced with new bearings. It is essential, therefore, that the center bearing be carefully fitted to the crankshaft so that it is on the same center line with the two end ball bearings; otherwise there will be a constant strain on the crankshaft. Therefore, the center crankshaft bearing should be scraped in only when the two end bearings are in place and supporting the crankshaft. If the center journal of the crankshaft does not touch the bushing in the upper half of the bearing, the bushing should be shimmed up until it does touch the crankshaft, and then scraped in until it is showing a good bearing all over its surface. If a new bushing cannot be obtained for this bearing, in order to lower it, so that it may be scraped in, some thin brass sheets may be placed back of the bushing.

In fitting the center main bearing of the crankshaft, it is very important to note and provide for the end thrust which is put upon this bearing. This bearing is provided with thrust faces at each end. It must be fitted so that there is very little movement—that is, fore and aft—of the crankshaft. About 0.003 (3/1000) inch end play is permissible. In scraping in this bearing, the forward end thrust bearing should be carefully scraped so as to show an even bearing surface. The rear face of the bearing should be tested in the same manner, but its accuracy is not as important as that of the front end. The bearings are all relieved at the parting line to insure a free circulation of oil through them.

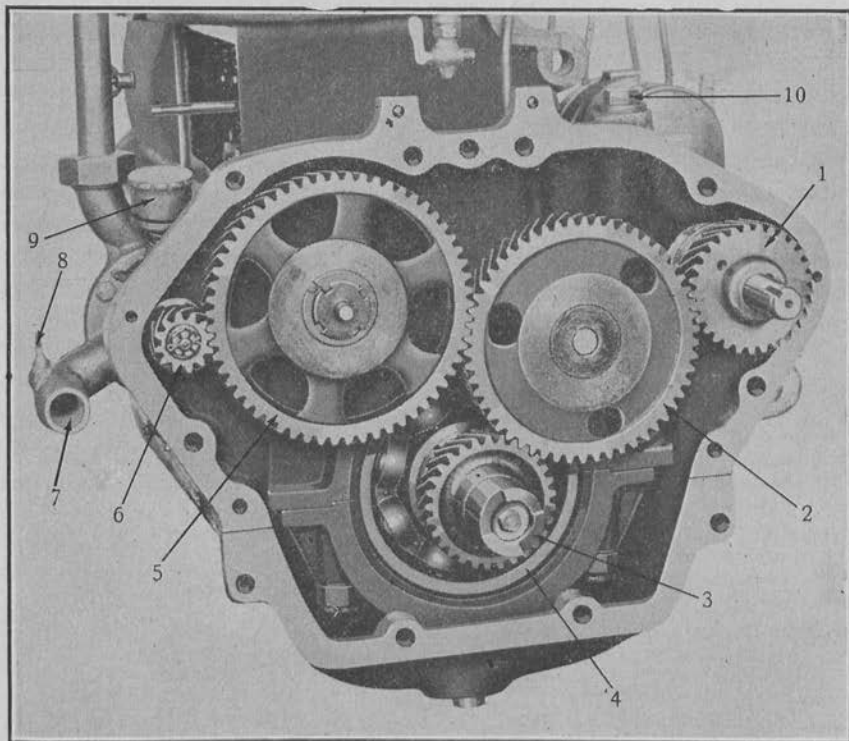
CRANKSHAFT BEARING DIMENSIONS

Front Ball Bearing, Size.....	Number 413		
Outside diameter.....	inches	6.299	(6 $\frac{3}{32}$)
Inside diameter.....	do	2.559	(2 $\frac{3}{16}$)
Width.....	do	1.456	(1 $\frac{1}{16}$)
Rear Ball Bearing, Size.....	Number 414		
Outside diameter.....	inches	7.086	(7 $\frac{1}{16}$)
Inside diameter.....	do	2.755	(2 $\frac{3}{4}$)
Width.....	do	1.653	(1 $\frac{5}{8}$)
Center Bearing Bushing, Length.....	do	3.25	(3 $\frac{1}{4}$)
Inside diameter.....	do	2.375	(2 $\frac{3}{8}$)
Outside diameter.....	do	3.125	(3 $\frac{1}{8}$)
Outside flange diameter.....	do	3.875	(3 $\frac{7}{8}$)
Thickness of babbitt facing.....	do	0.093	($\frac{3}{32}$)

CAMSHAFT ASSEMBLY

CAMSHAFT DESCRIPTION

Since the valves are all on one side, they are opened by the action of a single camshaft, having eight cams. The valve tappets have roller followers, which rest upon eight cams forged integral with the camshaft, and are actuated when the camshaft rotates. The camshaft is driven by means of a large spur gear on its forward end and meshing with an idler gear, which, in turn, meshes with the crankshaft gear. The forward end of the camshaft is inserted in a flanged hub, which is riveted to the camshaft gear. This hub has two slots in the rear end, in which tongues extending out from the camshaft slide. This steel hub runs in a bronze bushing. Drilled in the front end of the camshaft is a hole accommodating a spring, which, in turn, presses against a camshaft thrust screw fastened to the timing gear case cover. On the rear end of the camshaft is a thrust button, against which presses a lever, that may be operated by the driver when cranking the car. The purpose of this arrangement is to move the camshaft forward and thus permit small cams on one side of the main exhaust cams to operate the exhaust valve push rod tappet rollers. In this way the exhaust valves



TIMING GEARS

Ref. No.	Part No.	Name
1	293 GED	Magneto shaft gear.
2	111 GEE	Intermediate gear.
3	0165 GA	Starting crank ratchet.
4	112 GEC	Crankshaft gear.
5	110 GED	Camshaft gear.
6	326 GED	Water pump gear.
7	325 GEC	Inlet to water pump.
8	00562 1/2 GA	Water pump inlet cock.
9		Grease cup on pump bearing.
10	003270	Crankcase oil hole plug.

are held open for the first part of the compression stroke and the compression is reduced, facilitating the cranking of the engine by hand. This is not used when an electric starter is part of the equipment unless the engine is hand cranked.

ENGINE GEAR DIMENSIONS
WHITE, MODEL TEB-O, CHASSIS

Name of Gear	No. of Teeth	Diam. of Gear		Width of Gear, Inches	Bore of Hub, Inches
		Pitch Inches	Outside Inches		
Engine Intermediate Gear.....	54	6.378 (6 $\frac{3}{8}$)	6.584 (6 $\frac{9}{16}$)	1.000	1.187 (1 $\frac{3}{16}$)
Camshaft Gear.....	58	6.850 (6 $\frac{7}{8}$)	7.057 (7 $\frac{1}{16}$)	1.000	1.312 (1 $\frac{5}{16}$)
Crankshaft Gear.....	29	3.425 (3 $\frac{7}{16}$)	3.631 (3 $\frac{5}{8}$)	1.000	1.187 (1 $\frac{3}{16}$)
Fan and Magneto Shaft Gear.....	29	3.425 (3 $\frac{7}{16}$)	3.631 (3 $\frac{5}{8}$)	1.000	0.984 ($\frac{3}{4}$)
Water Pump Gear.....	12	1.417 (1 $\frac{7}{16}$)	1.623 (1 $\frac{5}{8}$)	1.125 (1 $\frac{1}{8}$)	0.625 ($\frac{5}{8}$) Tap

The camshaft is mounted on three bushings. The forward bushing is the one running in the flange bushing to which the camshaft gear is riveted; the middle and rear bushings are held in place in the crankcase. In addition to the cams, the oil pump drive gear is forged integral with the camshaft.

CAMSHAFT DIMENSIONS

Camshaft, Material.....	Nickel steel
Overall length.....inches	29.718 (29 $\frac{3}{16}$)
Diameter between cams..... do	1.00
Camshaft Bearing, Diameters—	
Center.....inches	1.81 (1 $\frac{11}{16}$)
Rear..... do	1.00
Camshaft Bearing, Lengths—	
Front..... do	3.437 (3 $\frac{7}{16}$)
Center..... do	2.50 (2 $\frac{1}{2}$)
Rear..... do	1.875 (1 $\frac{7}{8}$)
Camshaft Gear Sleeve, Diameter..... do	2.125 (2 $\frac{1}{8}$)
Bearing length..... do	3.437 (3 $\frac{7}{16}$)
Inside diameter..... do	1.812 (1 $\frac{11}{16}$)
Camshaft Spring, Diameters—	
Outside..... do	0.75 ($\frac{3}{4}$)
Inside..... do	0.594 ($\frac{3}{16}$)
Free length..... do	3.50 (3 $\frac{1}{2}$)
Length when compressed..... do	3.00
Cams, Width..... do	0.875 ($\frac{7}{8}$)
Base circle diameter..... do	1.062 (1 $\frac{1}{16}$)
Lift..... do	0.312 ($\frac{5}{16}$)
Valve Opening Period—	
Intake.....degrees	215
Exhaust..... do	230
Oil Pump Drive Gear, Width.....inches	0.50 ($\frac{1}{2}$)
Outside diameter..... do	1.800 (1 $\frac{11}{16}$)
Pitch diameter..... do	1.600 (1 $\frac{5}{8}$)
Diametral pitch.....	10
Number of teeth.....	16

CRANKCASE ASSEMBLY

CRANKCASE DESCRIPTION

The crankcase is cast from aluminum and is in two units, upper and lower. The cylinder block is bolted to the upper half of the crankcase and the camshaft and crankshaft are carried inside of it. In a compartment at the forward end of the crankcase are the timing gears. This crankcase is split along the center line of the main bearings. The crankshaft bearings are carried in the upper half, being held in place by caps with a couple of studs and nuts for each cap. The lower crankcase is divided into three sections, two of which are oil splash chambers in the crankcase and the other a sort of reservoir in the timing gear case. The two rear engine supporting arms are cast integral with the upper crankcase, while the front support is cast integral with the gear case cover.

CRANKCASE, UPPER DIMENSIONS

Crankcase, Material.....	Aluminum
Length, overall.....	inches 30.125 ($30\frac{1}{8}$)
Cylinder Stud, Material.....	Steel
Number required.....	three
Diameter.....	inches 0.75 ($\frac{3}{4}$)
Length.....	do 3.562 ($3\frac{1}{16}$)
Threads.....	per inch 14
Inside diameter for oil leads.....	do 0.250 ($\frac{1}{4}$)

CRANKCASE, LOWER DIMENSIONS

Crankcase, Material.....	Aluminum
Overall length.....	inches 30.125 ($30\frac{1}{8}$)
Holding bolts, Number required.....	seventeen
Oil Drain Valves, Diameter.....	inches 0.50 ($\frac{1}{2}$)
Length.....	do 4.937 ($4\frac{1}{16}$)

TIMING GEAR COVER PLATE

The timing gear cover plate, made of aluminum, is bolted to the forward end of the upper and lower crankcase. It forms a housing for the timing gears, starting crankshaft, and also the front support for the engine and the forward fan and magneto drive shaft bearing. It contains two timing gear thrust plugs.

TIMING GEAR REMOVAL

In order to remove the camshaft it is necessary to take off the timing gear cover plate on the front end of the engine and also to take out the valve tappets, which would interfere with the removal of the shaft. As the front engine support is integral with the cover plate, the front end of the engine must be supported when the cover plate is removed. To do this a jack must be placed under the forward end of

the engine. A pry bar will pull the timing gears out of the case far enough to give a good hand hold so the camshaft can be removed. Prior to removing the front cover plate, it is necessary to remove the radiator. This is done as follows: Loosen the outlet and inlet hose clamp screws on the engine end of the hose. Remove the radiator shock absorber trunnion pins through holes provided in the fenders and lift off the radiator.

LUBRICATING SYSTEM

OIL RESERVOIR DIMENSIONS

Oil Reservoir, Material.....	Aluminum
Capacity.....	U. S. gallons 1.00
Filler opening, Diameter.....	inches 2.75 (2¾)
Oil Strainer, Mesh.....	per inch 40
Oil Reservoir, Height.....	inches 11.00
Width.....	do 4.50 (4½)
Length.....	do 5.25 (5¼)

OIL RESERVOIR

The lubricating oil tank is an aluminum casting with an opening in the top, in which is inserted a strainer. The opening is covered with a hinged cover. At the bottom of the tank is the oil reservoir screen held in place with a pipe fitting. The oil reservoir is held in place on the left hand side of the dash by screws.

OIL PUMP DIMENSIONS

Oil Pump Casting, Material.....	Cast iron
Height.....	inches 7.562 (7⅝)
Width.....	do 5.00
Oil Pump Cylinders, Number of.....	three
Diameter.....	inches 0.3125 (⅛)

OIL SIGHT FEED ASSEMBLY

The oil sight feed assembly includes the three inlet and the three outlet oil sight feed elbows. These form connections from the three oil leads to the pump. The sight feed glasses are held in place by the sight feed cap and valve seats, under which there is a gasket, and the whole retained in the oil sight feed casting. The latter is held in place on the dash by screws. In the operation of the car, filtered oil is placed in the oil reservoir until the same is full. The course of the oil from the tank is as follows: From the tank, which is mounted on the dash under the hood, by gravity through a tube to the pump on the lower right side of the engine crank case, thence by force feed through three separate pipes to the sight feed indicators, on the dash, thence by gravity through two of the tubes to the crankshaft collector rings, thence through oil ways in the crankshaft to the connecting rod bearings, and through the third tube to the crankshaft center bearing. The surplus and thrown off oil falls into the crankcase basin.

The flow of oil from each of the three oil plungers through their respective sight feeds to bearings is as follows:

The forward plunger feeds through right sight feed to rear collector ring and third and fourth connecting rod bearings.

The center plunger feeds through the center sight feed to center bearing.

The rear plunger feeds through the left sight feed to front collector ring and first and second connecting rod bearings.

The sight feed indicators on the dash show the driver at all times the amount of oil which is being fed.

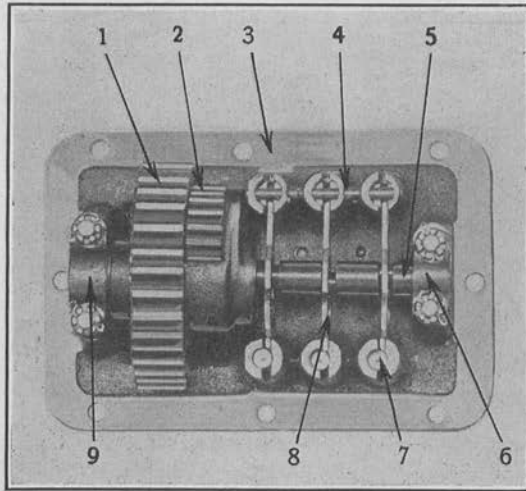


PLATE 19—OIL PUMP ASSEMBLY

Ref. No.	Part No.	Name
1	363 GEC	Oil pump drive gear.
2	0363 1/4 GE	Oil pump idler pinion.
3	354 GFB	Oil pump frame.
4	S0358 GF	Oil pump adjusting stud stop pin.
5	0365 GF	Oil pump crank.
6	355 1/4 GE	Oil pump bearing cap.
7	S0364 GE	Oil pump plunger.
8	0364 GE	Oil pump rocker arm.
9	355 GE	Oil pump bearing cap.

OIL SIGHT FEED DIMENSIONS

Oil Sight Feed Glass Tubing, Outside diameter.....	inches	0.75	(3/4)
Inside diameter.....	do	0.625	(5/8)
Length.....	do	1.75	(1 3/4)

OIL PUMP ADJUSTMENT

In adjusting the oil pump, to increase the flow, turn the oil pump adjusting nuts to the left, or counter-clockwise. To decrease the flow,

turn to the right, or clockwise. Too much oil in the crankcase will cause the engine exhaust to be smoky. In making these adjustments, it is necessary to see that about the same amount of oil passes through each of the sight feeds. Proper feeding may be interfered with by dirt in the oil pump checks. This condition should be instantly remedied by disconnecting the oil pipe line union nuts at the pump end, removing and cleaning the checks.

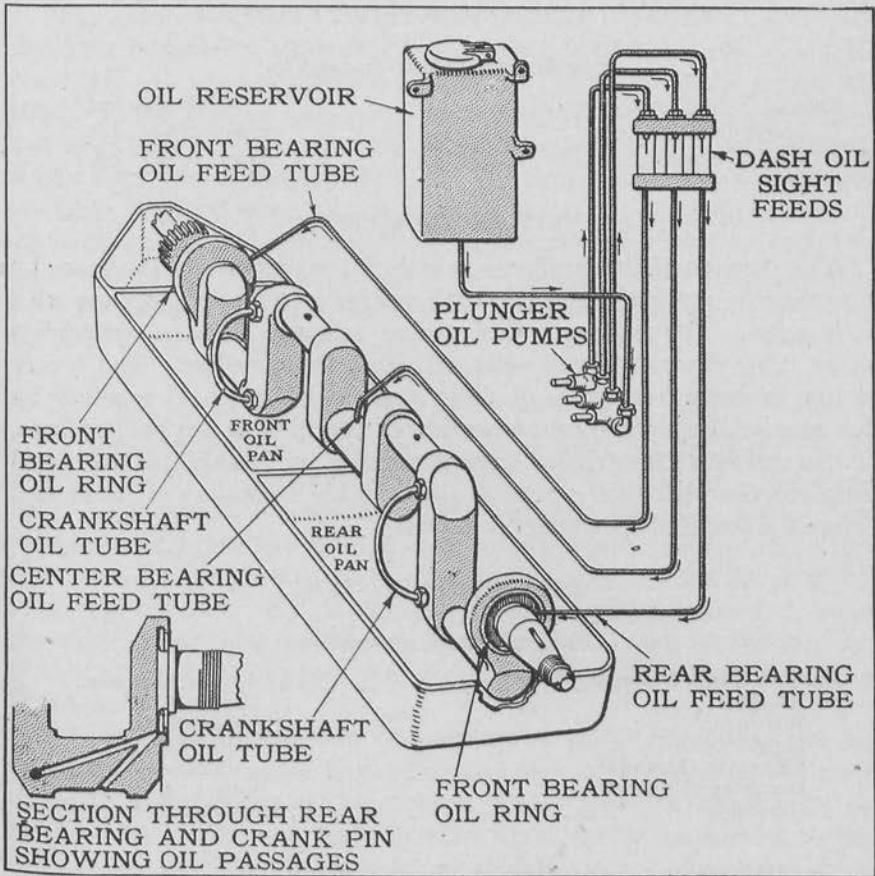


PLATE 20—LUBRICATING SYSTEM DIAGRAM

OIL PUMP ACTION

The mechanical oil pump action is as follows: The oil pump rockers are mounted in the oil pump cover and are actuated by the oil pump crank. On the oil pump crank are eccentrics which move the rockers up and down. The rockers, in turn, move the plungers. The stroke of the pump plunger is varied by means of adjusting nuts, which, in being turned, screw in and out a stud connected to the rocker. As the rocker end is moved up or down, the stroke is made either shorter or longer.

OIL PUMP REMOVAL

To remove the oil pump casting, which contains the oil pump assembly, it is necessary to disconnect the pump leads by unscrewing the connecting unions and by removing the oil pump frame screws. The pump cover and parts may be taken out of the crankcase as a unit.

EXHAUST PIPE AND MUFFLER ASSEMBLY

EXHAUST PIPE ELBOW DIMENSIONS

Exhaust Pipe Elbow, Material.....	Malleable iron
Inside diameter.....	inches 2.50 (2½)
Wall thickness.....	gauge 0.187 (⅜)

MUFFLER DESCRIPTION

The purpose of the muffler is to reduce the pressure of the gases by expansion to a point where they will emerge into the atmosphere with little noise. The muffler is designed as follows: It is a cylindrical shape tube, closed at both ends with cast iron headers. The center section is made from rings of sheet steel, which are held together by box seams. Inside the center section of the muffler are baffle plates, and, in operation, the exhaust gases are caused by these plates to expand from one chamber to the next so that the back pressure is eliminated before the outlet of the muffler is reached.

FUEL SUPPLY SYSTEM

GASOLINE TANK DIMENSIONS

Gasoline Tank, Material.....	Sheet steel
Height.....	inches 9.00
Width.....	do 15.00
Length.....	do 33.00
Filler Cap, Material.....	Malleable iron
Diameter of threads.....	inches 4.75 (4¾)
Capacity.....	U. S. gallons 16.5 (16½)

DESCRIPTION GASOLINE TANK, SETTLING CHAMBER AND VALVE

The gasoline tank is rectangular in shape and is made of sheet steel. A filler opening, which is covered by a screwdown cover, is located in the center and top of the tank. In this opening is placed the gasoline strainer made of a brass screen. Surrounding the screen, and extending slightly below the lower end, is a circular baffle plate, the purpose of which is to keep the gasoline from bending the screen when the tank is being filled. Extending centrally across the tank in a vertical position is a straight baffle plate. This not only acts as a baffle or splash plate for the tank, but also creates a reserve space which carries the emergency supply of gasoline.

At the bottom of the tank, on each side of the central baffle plate section, are pipe flanges in which are screwed the gasoline pipe line connections. Leading from the flanges are nipples and elbows, and the pipe connection from one side extends lengthwise of the tank to meet the pipe connection of the other tank division, and both lead to a three-way valve, so that it is possible to take fuel from one side of the tank only, and in this way a reserve of gasoline is always maintained.

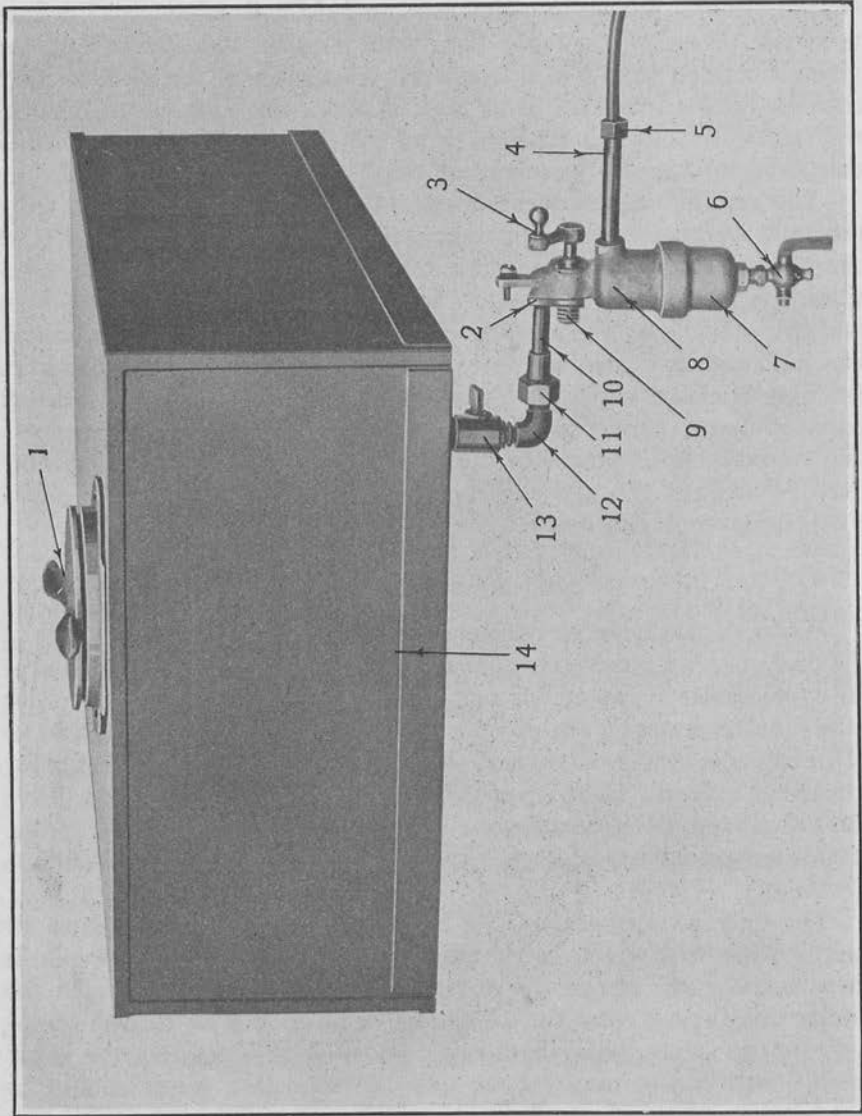
The gasoline tank is located under the seat. The fluid flows from the tank by gravity through the gasoline line to the carbureter float chamber. Always keep the vent in the tank filler cap free from obstructions. On the gasoline line, under the foot board, is the settling chamber and shut-off valve. The settling chamber collects water and sediment, which should be drawn off weekly. The drain cock at the bottom of chamber is closed when the lever points down. The gasoline shut-off valve at the top part of the chamber is open when its lever points down and closed when it points to the side. The carbureter float chamber may be drained through the carbureter drain cock, which is closed when its lever points down.

CARBURETER OPERATION

When starting, the carbureter air control valve on the right side of the dash may be completely closed if the engine is cold, and opened as far as necessary if the engine has retained some degree of heat. *This valve must be promptly opened after the engine starts.* Failure to do this will cause flooding, which may stop the engine, and render starting somewhat difficult. If it is suspected that the engine is flooded, leave the valve open, open throttle one-third full, and crank engine rapidly. If this action fails to start the engine, see page 37 under "Common Troubles."

The only adjustment on the carbureter is for regulating the air supply when the engine is running and the car is standing still. If there is too much air, or the mixture is too "lean," a spitting in the muffler may result, and the adjusting screw should be turned to the right, or in. Similarly, if there is not enough air, or the mixture is too "rich," unevenness may follow, and the adjusting screw should be turned to the left, or out. Too rich a mixture may be due to dirt in the air inlet screens, which must be kept clean. The correct mixture gives the engine an even, regular rotation. Further regulation of the quantity of air and gasoline for every position of the throttle valve is automatic. Leaking of gasoline from the carbureter when the engine is not running indicates that the gasoline level is too high. Sediment in the seat of the needle valve may cause this and it can be removed by lightly turning the needle valve with the fingers.

For cleaning, the nozzles can be taken out by removing the carbureter nozzle plugs with wrench and the nozzles themselves with a



GASOLINE TANK, SHUTOFF VALVE AND STRAINER

screw driver. Similarly, loosen the taper plug with screw driver in order to take out the starting nozzle.

The flow of gasoline from the tank should be shut off at the shut-off valve whenever removing the needle valve or nozzles.

Cold air interferes with the proper atomizing of gasoline and its mixing with air for the charge. It is consequently necessary in cold weather to permit the engine to "warm up" by running idle for a few moments. It is also advisable, while the car is standing, to retain as

PLATE 21
GASOLINE TANK, SHUTOFF VALVE
AND STRAINER

Ref. No.	Part No.	Name
1	00561	TBC Gasoline tank filler cap.
2	00563 $\frac{3}{4}$	GF Gasoline settling chamber.
3	00502	GF Gasoline settling valve lever.
4	S00201 $\frac{1}{4}$	GF Gasoline settling chamber nipple.
5	S00413	A Gasoline settling chamber nipple nut.
6	00449	GA Gasoline settling chamber drain cock.
7	562 $\frac{1}{4}$	GF Gasoline settling chamber, bottom.
8	00562	GF Gasoline settling chamber, top.
9	00563 $\frac{1}{4}$	GFB Gasoline settling chamber valve spring.
10	00562 $\frac{1}{4}$	GTB Gasoline settling chamber nipple.
11	539	C Gasoline settling chamber union nut.
12	TEB-O	Gasoline settling chamber elbow
13	00618 $\frac{1}{8}$	TED Gasoline tank three-way valve.
14	617	TED Gasoline tank.

much heat as is possible by covering the hood with a blanket. Heat for the carbureter is furnished by pumping warm water through its water jacket and also by supplying hot air by means of a tube running to a stove on the exhaust pipe. In warm weather these sources of heat supply may not be needed and can be shut off by moving their valve levers to the crosswise position.

INTAKE MANIFOLD DIMENSIONS

Intake Manifold Water Jacket, Material.....	Brass
Length.....	inches 7.312 (7 $\frac{5}{16}$)
Inside diameter.....	do 1.500 (1 $\frac{1}{2}$)

INTAKE MANIFOLD

The intake manifold comprises the carbureter intake pipe and the water jacket. The intake pipe is the standard design of intake elbow, while the water jacket design is as follows: The body of the jacket is cast brass with flanges at the top and bottom arranged for gaskets. The top of the jacket is bolted to the elbow, while the carbureter is bolted to the lower flange. The top and lower portions of the water jacket casting are machined so that the water jacket tube, made from standard brass tubing, may be pressed into the machined portion, making a watertight joint at either end. At one side near the top is a tapped hole for a pipe leading from the water jacket of the engine. At the lower end is another tapped hole for the other pipe connecting with the water pump. In this way the intake manifold is heated by the hot water from the engine jacket. One pipe connection leads to the water pump and the

other from a cock in the cylinder water jacket side plate. In hot weather the temperature of the manifold may be reduced by turning the cock off and preventing the circulation of water.

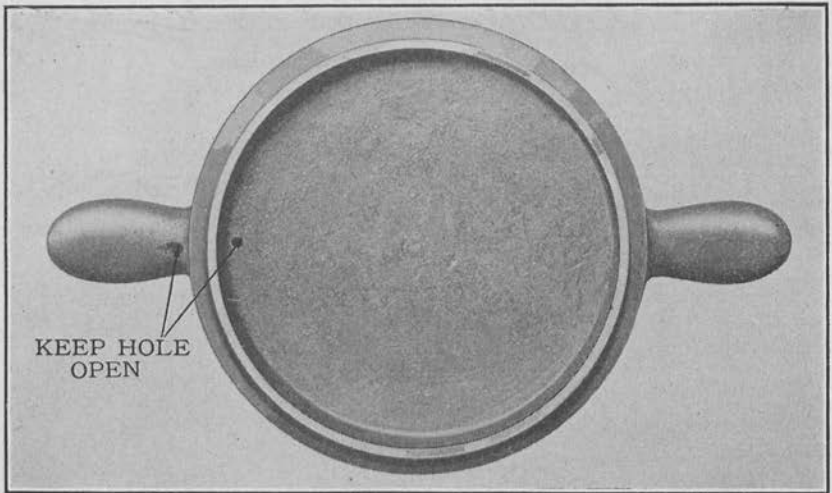


PLATE 22—FUEL TANK COVER

(To insure a uniform supply of fuel, clean vent hole weekly)

IGNITION SYSTEM

MAGNETO

MAGNETO OPERATION

The magneto is an alternating current generator which supplies current to cause a spark at the spark plug terminals, which spark fires the explosive mixture at the proper time. The magneto is mounted on the left side of the engine on a bracket cast integral with the crankcase. It is held in place by magneto screws and by a clamp band. It is driven by the rear end of the fan drive shaft. A coupling of the Oldham type is enclosed between the end of the fan drive shaft and the magneto, so as to take care of any disalignment between the two assemblies.

The magneto used in this car is an Eisemann Type G-4, Edition II, straight high tension magneto, that is, one that does not employ an outside coil for stepping up the voltage. Both primary and secondary windings are on the armature shaft and both windings have a grounded end. The armature shaft revolving in the magnetic field existing between the permanent magnets, causes a low voltage current to be produced in the primary winding. This winding is connected with the breaker or interrupter, so that the current flow of the primary may be

broken or interrupted in order to induce a secondary current of high voltage in the secondary winding. At the instant of interruption of the primary current, the secondary is induced and this is the current which flows to the distributor and thence through cables to the spark plugs.

MAGNETO CLAMP BAND DIMENSIONS

Magneto Clamp Band, Material.....			Steel
Thickness.....	inches	0.031	($\frac{3}{32}$)
Width.....	do	1.50	(1 $\frac{1}{2}$)
Length, center to center, long band.....	do	10.00	
Short band.....	do	2.812	(2 $\frac{13}{16}$)
Developed length, long band.....	do	12.562	(12 $\frac{9}{16}$)
Short band.....	do	5.968	(5 $\frac{11}{16}$)
Magneto clamp band nut, diameter.....	do	0.25	($\frac{1}{4}$)
Threads.....	per inch	20	
Magneto clamp band studs, diameter.....	inches	0.25	($\frac{1}{4}$)
Threads.....	per inch	20	

MAGNETO TIMING

As the spark occurs when the primary circuit is broken by the opening of the platinum contacts on the breaker mechanism, it is necessary that the magneto be so timed that, at full retard position of the timing lever body, the platinum contacts will open when the respective piston of the engine has reached its highest point on the compression stroke. To check this, the engine should be turned by hand until piston Number 1 is on the dead center (firing point); remove the distributor plate from the magneto and turn the armature shaft until the setting mark on the distributor disc is in line with the setting screw. When the armature is in this position, the platinum contacts are just opening and the metal inserts of the distributor discs are in connection with the carbon for Number 1 cylinder. The driving medium must now be fixed to the armature shaft without disturbing the position of the latter, and the cable connected to the spark plugs.

MAGNETO MAINTENANCE

Aside from lubrication, there is little attention required. Eisemann Type G-4, II Edition, should receive 20 drops of 3-in-1 or similar oil every two weeks, distributed as follows: One drop in the oil hole, one most convenient (on side of breaker box), 5 drops on each side of the distributor and 14 drops in the large covered hole at the driving end of the magneto.

TO CLEAN BREAKER POINTS

The platinum contacts of the breaker mechanism should be occasionally cleaned with gasoline, and, for obvious reasons, thoroughly dried before starting the engine. The distributor disc and collector ring should likewise be cleaned once or twice in four months with a cloth moistened with gasoline.

IGNITION TROUBLES AND HOW TO REMEDY THEM

If the engine misfires or refuses to start, and the ignition is inspected, it should be found out first whether the trouble lies in the magneto or in the spark plugs. The latter should be examined first, as they are the most frequent cause of trouble.

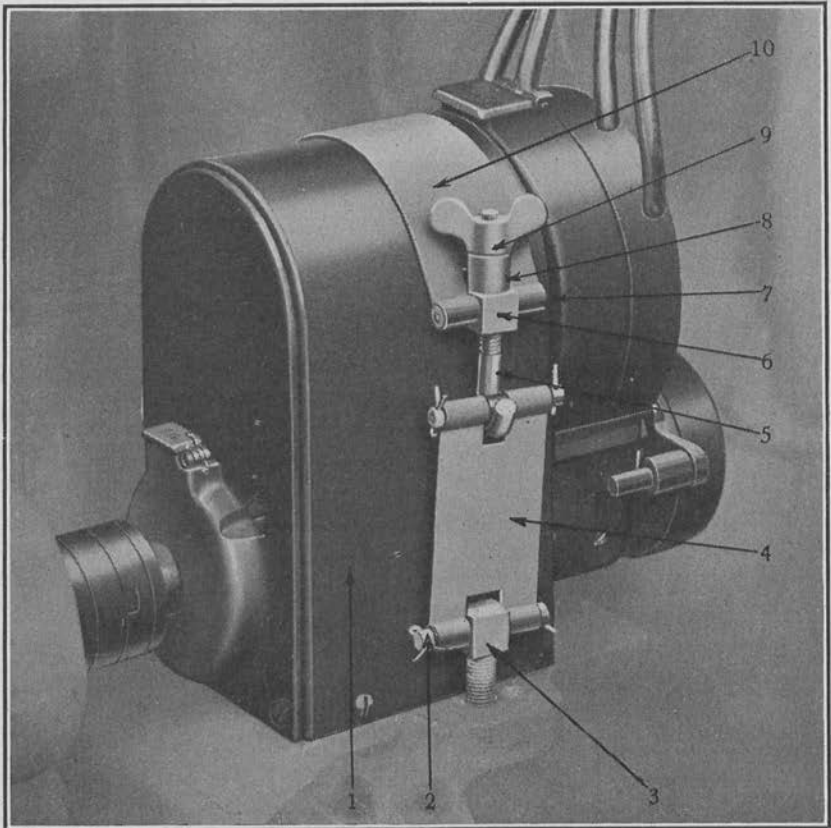


PLATE 23—DETAILS OF MAGNETO AND MOUNTING

Ref. No.	Part No.	Name
1		Magneto.
2	S0456 1/2 GAF	Magneto clamp band.
3	S0456 GAD	Magneto clamp band stud pins.
4	0457 1/2 GAF	Magneto clamp band extension.
5	S0457 1/2 GAF	Magneto clamp band hook bolt.
6	S0457 1/4 GAF	Magneto clamp band trunnion.
7	S02190	Magneto clamp band pin.
8	S0457 3/4 GAF	Magneto clamp band hook bolt collar.
9	0457 3/4 GAF	Magneto clamp band wing nut.
10	0457 GAF	Magneto clamp band.

If the missing is in one cylinder only, or in different cylinders, the corresponding spark plug should be examined to see that the gap is not too large. This gap between the electrodes should be approximately $1/32$ inch. Also the spark plug may be short-circuited through carbon or oil, or the insulation may be cracked. Cleaning with gasoline or replacing is the remedy for carbonized or oily plugs.

The wiring should be carefully examined and checked in accordance with the firing order of the engine. If cables are cracked, or worn, they should be replaced. All connections must be kept clean and tight.

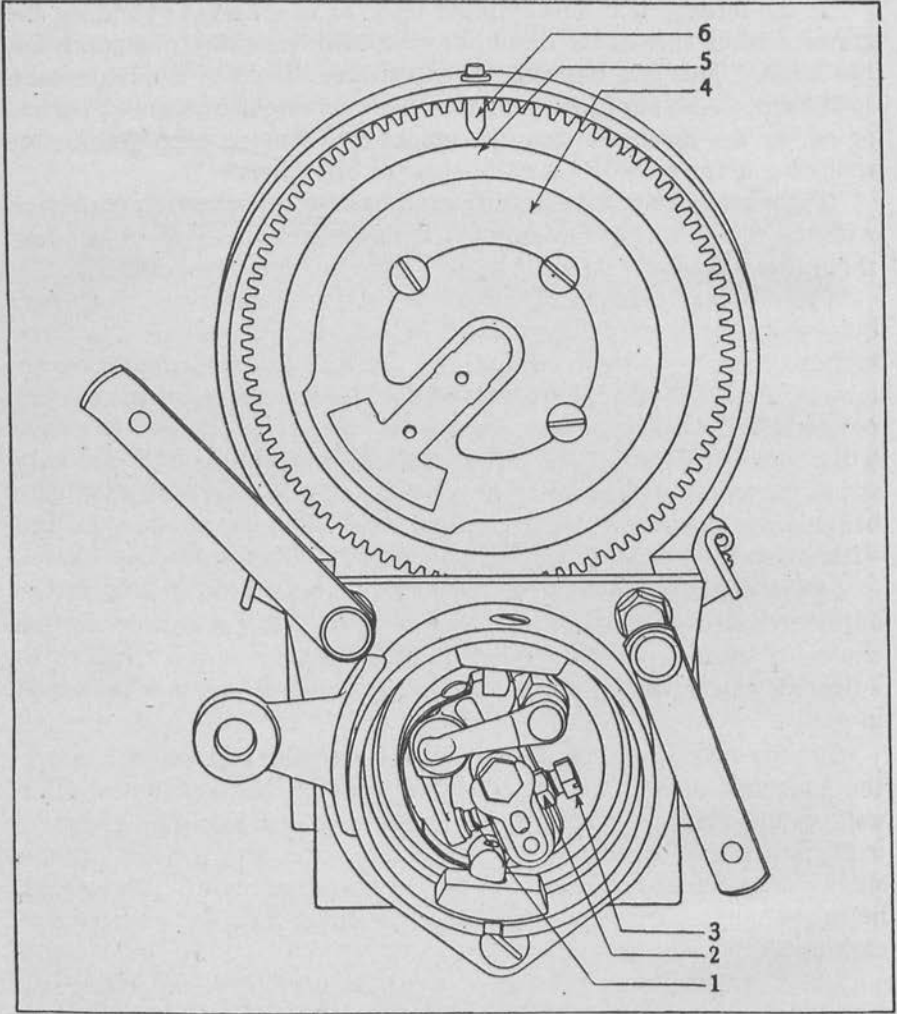
Clean breaker contact with gasoline until the contact surface appears quite white, or, if pitted, use a fine file—but very carefully—so that the surfaces remain square to each other. For this purpose a manicure file may be used, or a special magneto file. The correct gap of the contact points is 0.010 inch (0.25m/m) and in no case should it be more than 0.012 inch (0.3m/m). As these contacts wear away in time, they should be regulated by giving the adjustable screw a forward turn, care being taken to securely tighten the lock nut. This can be accomplished without removing the timing lever or make-and-break mechanism.

If the platinum contact riveted to the contact arm, or that of the adjustable screw, should be worn down entirely, it would necessitate a change of either or both. When the adjustable screw is replaced or adjusted, care must be taken that the lock nut is securely tightened in place.

If, after following these instructions, the engine still refuses to start, the magneto should be tested by removing the distributor plate and resting a screw driver on the gear casing, holding same about $1/8$ inch from the collector ring. Then if, upon rotating the armature, a spark jumps across the 0.125-inch gap, it shows that the trouble does not lie in the magneto, but in some other part of the engine, possibly the carbureter.

But if a spark does not jump across the 0.125-inch gap previously mentioned, the magneto is at fault. See page 38 for further information on ignition troubles.

A remagnetization of the magnets will only be necessary if these have been taken away from the apparatus and allowed to remain a long time without both ends of the magnets being connected with a piece of soft iron—a so-called keeper. The same thing occurs if the armature is taken out of the pole pieces without a conducting rod of iron being laid across both poles. This piece must remain on the poles until the armature is again placed between the pole pieces. Often the magnets, after being taken down, are put back in the wrong position and in this way the magnetic power is neutralized. To prevent this mistake, all magnets are marked—the north pole being designated by the letter “N” stamped in the magnet. When replacing magnets, care should be taken to place the same poles on the same side.



END VIEW OF MAGNETO, SHOWING
DISTRIBUTOR

Ref. No.	Part. No.	Name
1	A973	Contact breaker points.
2	A952	Adjusting screw lock nut.
3	A961	Adjusting screw.
4	A1008	Distributing disk.
5		Setting mark.
6	A936	Setting screw.

TO TEST FOR SHORT CIRCUIT

To test the ignition switch and wiring for a short circuit, simply remove the breaker box and cap with wire, and if a spark can then be secured, difficulty will be in part removed.

TO CLEAN DISTRIBUTOR

The distributor may be cleaned of carbon and dirt, with several drops of lubricating oil rubbed on, either with a finger or a bit of waste or cloth. This will loosen the carbon, after which the distributor may be wiped clean with a small piece of waste.

TO TIME DISTRIBUTING FINGER

If the distributor wheel has been removed, it should be replaced with care. The distributing finger should be so timed that, regardless of the amount of breaker box advance, or retard, the spark will always occur while the finger is under a carbon brush. This may be set by advancing the breaker box half its full travel and rotating armature shaft in the direction of rotation (anti-clockwise) until the platinum breaker points just begin to separate. The distributor wheel should then be replaced so that the center of the distributor finger comes directly under the center of a carbon brush.

BREAKER ADJUSTMENT

The correct opening of the circuit breaker points is from 0.010 inch to 0.012 inch. If they are set too close excessive arcing will occur and the points will burn, and cause weak spark at high speeds. If set too wide, result will be burning of points and weak or no spark at high engine speeds, in which case low tension winding does not have time to "build up," thus decreasing strength of spark.

TO INSTALL NEW BREAKER POINTS

When the platinum points have been worn down by service, or excessive filing, and new ones must be installed, if it is possible to secure them already mounted, such should always be done.

If unmounted points only can be secured for replacement, they are usually supplied with a small, round teat 0.063 (1/16) inch diameter on the back of point. To mount point, drill a 0.063 (1/16) inch diameter hole, 0.094 (3/32) inch deep in the mounting, and solder point on (sweat on), filing off any excess solder. If soldering equipment is not at hand, the point may be mounted temporarily by squeezing teat out of round with a pair of pliers and forcing into hole.

The point should be soldered in at the first opportunity, as it may work loose and cause trouble which is very difficult to find. After the points have been mounted, they should be adjusted with a maximum

break of 0.012 inch and the points must bear evenly, all over, on their face (that is, in contact with each other), being filed, if necessary, to secure square contact.

If a platinum point cannot be obtained, a nickel or silver point produced from a coin will make it possible to run, but the engine will show very little power.

IGNITION CABLE ASSEMBLY

CABLE LENGTHS

Magneto Spark Plug Wires, Length	
Number 1 Cylinder.....	inches 40.75 (40 $\frac{3}{4}$)
Number 4 Cylinder.....	do 35.50 (35 $\frac{1}{2}$)
Number 3 Cylinder.....	do 34.00
Number 2 Cylinder.....	do 30.00
Magneto Ground Wire.....	do 54.00

IGNITION SWITCH

The ignition switch is of the type that, when it is turned to the "On" position, no current passes through the switch. When it is turned to the "Off" position, the ground circuit is closed and the engine stops.

MAGNETO COUPLING DIMENSIONS

Magneto Coupling, Material.....	Case hardened steel
Inside diameter.....	inches 0.875 ($\frac{7}{8}$)
Outside diameter.....	do 1.625 (1 $\frac{5}{8}$)
Depth of groove.....	do 0.203 ($\frac{13}{64}$)
Width of groove.....	do 0.25 ($\frac{1}{4}$)
Thickness.....	do 0.375 ($\frac{3}{8}$)

MAGNETO DRIVE SHAFT DIMENSIONS

Magneto Drive Shaft, Material.....	Steel
Length.....	inches 7.406 (7 $\frac{13}{32}$)
Diameter for gear.....	do 0.984 ($\frac{25}{32}$)
Maximum diameter.....	do 3.707 (3 $\frac{11}{16}$)
Diameter for threads.....	do 0.875 ($\frac{7}{8}$)
Threads.....	per inch 20
Magneto drive shaft ball bearing, Size.....	Number 405
Outside diameter.....	inches 3.149 (3 $\frac{5}{16}$)
Bore.....	do 0.984 ($\frac{25}{32}$)
Width.....	do 0.826 (1 $\frac{1}{8}$)
Magneto Drive Shaft Key, Woodruff.....	Number 11
Magneto Drive Shaft Bearing Spacer, Material.....	Steel
Outside diameter.....	inches 1.375 (1 $\frac{3}{8}$)
Inside diameter.....	do 1.00
Length.....	do 1.171 (1 $\frac{11}{16}$)
Generator Sprocket, Driver—	
Number of teeth.....	thirty-one
Outside diameter.....	inches 3.707 (3 $\frac{11}{16}$)
Width.....	do 0.468 ($\frac{15}{32}$)

COOLING SYSTEM

RADIATOR DIMENSIONS

Radiator, Water capacity.....	U. S. gallons	3.00	
Height.....	inches	26.75	(26 $\frac{3}{4}$)
Width.....	do	24.125	(24 $\frac{1}{8}$)
Thickness of core.....	do	4.00	
Radiator hose, Inside diameter.....	do	1.25	(1 $\frac{1}{4}$)
Outside diameter.....	do	1.75	(1 $\frac{3}{4}$)
Top hose, Length.....	do	8.00	
Bottom hose, Length.....	do	7.00	
Radiator shock absorber springs, Material.....			Spring steel
Upper spring, Outside diameter.....	inches	2.25	(2 $\frac{1}{4}$)
Inside diameter.....	do	1.50	(1 $\frac{1}{2}$)
Length.....	do	3.00	
Lower spring, Outside diameter.....	do	2.25	(2 $\frac{1}{4}$)
Length under load.....	do	3.50	(3 $\frac{1}{2}$)
Radiator Shock Absorber Trunnion Pin, Material.....			Steel
Diameter.....	inches	1.00	
Length.....	do	3.062	(3 $\frac{1}{16}$)
Radiator Tie Rod, Material.....			Steel
Length overall.....	inches	32.25	(32 $\frac{1}{4}$)
Diameter.....	do	0.531	($\frac{1}{2}$)
Threads.....	per inch	20	

RADIATOR

The radiator is of the cellular type. The radiator has brass tanks at top and bottom, and malleable iron sides. The radiator has a frontal area of 441.4 square inches. There are 6,806 tubes 3.75 (3 $\frac{3}{4}$) inches long.

Central, and at the top, is the radiator cap of hard rubber over the filler opening. The filler is equipped with a strainer. Leading down on one side is the copper overflow tube. At the bottom is the radiator drain cock.

RADIATOR SHOCK ABSORBER

The radiator is supported on either side by spring shock absorbers. The two shock absorber cylinders are riveted to each side of the radiator frame and are designed as follows: The radiator support studs, one on each side, have an eye on the lower end through which a trunnion pin passes, the latter being held in place in brackets mounted on the frame. The radiator is carried on coiled springs, through which the stud passes. On the outside of the springs is the shock absorber barrel. Inside the barrel, on the top of the one spring and below the other, are washers supported by a steel spacer. Between these washers are packing rings. This arrangement of washer packing rings forms a piston, making the shock absorber carried on an air cushion as well as on springs. The washers are held in place by a nut screwed into the stud. The barrel is carried on the springs by adjusting nuts screwed into each end, the top one of which is used to adjust the radiator height. This adjustment may have to be made after continued service to prevent radiator from striking frame.

SOLDERING

TO PREPARE RADIATOR PARTS FOR SOLDERING

If a radiator cell becomes broken it may be soldered. Before soldering copper, the parts must be cleaned until bright, with a wire scratch brush scraper, file or emery cloth; then they must be coated with a soldering flux to remove all grease and foreign material.

Soldering flux is sometimes referred to as "cut acid," since a very satisfactory flux can be prepared by dissolving zinc (from an old dry battery, if necessary) in muriatic acid, until all gassing ceases. If extra strength muriatic acid is used in making "cut acid," it should be diluted with about an equal volume of water before adding the zinc. If the gassing does not occur at once, heating the acid will assist the action.

In this connection, always pour acid into water, but never pour water into acid, as, if the acid is very strong, a rapid boiling may throw acid out.

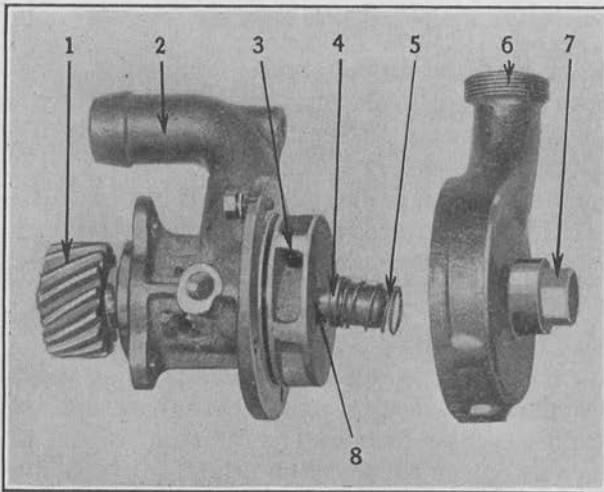


PLATE 25—WATER PUMP PARTIALLY DISASSEMBLED

Ref. No.	Part No.	Name
1	326 GED	Water pump shaft gear.
2	325 1/2 GEC	Water pump body.
3	00331 GE	Rotor.
4	S00330 1/4 GA	Water pump shaft bearing.
5	0326 1/2 GA	Water pump shaft bearing spring.
6	325 GE	Water pump frame.
7	00330 GA	Water pump and spring cap.
8	S0326 GED	Water pump shaft.

SOLDERING TIN

Clean, bright tin can be soldered by using powdered resin, or tallow, for a flux.

SOLDERING IRON AND STEEL

Cast iron, malleable iron, steel and black iron, or sheet iron, should be scraped bright, then cleaned with sulphuric acid before applying the "cut acid." This being done, solder as for copper. In the case of cast iron, the parts being soldered must be heated.

The essentials of good soldering are sufficient heat, cleanliness of the parts to be soldered and of the soldering copper, or "iron," as it is usually called, and purity of flux, or "cut acid."

The soldering iron should be filed bright, then tinned with solder, after being cleaned with salamoniac. If salamoniac is unavailable "cut acid" will work fairly well.

Always have the soldering iron hot enough to heat the work, but never permit it to get red hot, since that will cause the solder to attack the copper, producing "hard solder," which only melts at near a red heat, and is useless for soldering purposes. In case an iron is "burnt," file it freely.

The best solder for most jobs is known as "half-and-half," being composed of equal parts of tin and lead.

WATER PUMP DIMENSIONS

Water Pump Body, Material.....	Cast iron
Water Pump Cover, Material.....	Cast iron
Water Pump Rotor, Material.....	Brass
Outside diameter.....	inches 2.984 ($2\frac{21}{32}$)
Width.....	do 0.687 ($\frac{11}{16}$)
Water Pump Shaft, Material.....	Case hardened steel
Diameter at main shaft bearing.....	inches 0.562 ($\frac{9}{16}$)
Diameter inside pump body.....	do 0.375 ($\frac{3}{8}$)
Diameter over gear threads.....	do 0.625 ($\frac{5}{8}$)
Gear threads.....	per inch 16 (left hand)
Shaft length overall.....	inches 5.187 ($5\frac{3}{16}$)
Water Pump Bushing, Material.....	Hard bronze
Water pump bushing, large, inside diameter.....	inches 0.562 ($\frac{9}{16}$)
Outside diameter.....	do 0.687 ($\frac{11}{16}$)
Diameter flange.....	do 0.812 ($\frac{13}{16}$)
Length overall.....	do 1.156 ($1\frac{1}{16}$)
Water pump bushing, small, inside diameter.....	do 0.375 ($\frac{3}{8}$)
Outside diameter.....	do 0.50 ($\frac{1}{2}$)
Diameter flange.....	do 0.625 ($\frac{5}{8}$)
Length overall.....	do 1.812 ($1\frac{13}{16}$)

WATER PUMP DESCRIPTION

The water pump consists of the following important parts: The water pump body, the water pump cover, and the water pump rotor. The water pump body and cover are held together by screws. The pump is held in place on the crankcase by two stud bolts. The rotor

is carried on a tapered portion of the shaft and is held in place by a left-hand threaded nut. The shaft is carried on three bushings, or bearings. The water pump shaft gear is held in place by being threaded on the pump shaft. At the bottom of the rotor case is a drain cock. Open this cock in cold weather, when draining the cooling system, to prevent freezing. Extending out from the pump body is a pipe connection, leading to the water passage. This connection draws water through the carbureter water jacket. The pump is designed with a spring take-up that keeps the pump packing tight until it needs replacement.

TO THAW FROZEN PUMP

During cold weather, after an engine has been stopped for a sufficient time to permit any water in the cooling system to freeze, the engine should not be started until it is ascertained that no water has collected in the water pump, and frozen the pump rotor to the pump housing. The pump may be warmed with a gasoline blow torch, hot water or cloths soaked with gasoline may be applied to the pump and lighted to thaw the ice.

To avoid freezing in winter, cover the lower portion of the radiator with cardboard to obstruct air flow. The lower portion is always colder than the top, because the water, when it gets to the bottom, already has been cooled. The water, as it enters the top of the radiator, is hot, having just come from around the cylinders.

CARE IN FREEZING WEATHER

During freezing weather, the cooling system should be drained of all water where a fresh supply is available, or the engine and radiator properly protected with blankets, etc.

FAN DIMENSIONS

Fan, Material.....	Sheet steel
Outside diameter.....	inches 20
Width, projected.....	do 2.00
Number of fan blades..... six
Bearings, Size.....	Number 304
Outside diameter.....	inches 2.047 ($2\frac{3}{4}$)
Inside diameter.....	do 0.787 ($\frac{3}{4}$)
Width.....	do 0.59 ($\frac{3}{8}$)
Fan Driven Pulley, Diameter.....	do 4.312 ($4\frac{5}{8}$)
Width.....	do 2.125 ($2\frac{1}{8}$)
Fan Pulley Shaft, Material.....	Steel
Diameter.....	inches 0.787
Length.....	do 6.093 ($6\frac{3}{4}$)
Threads.....	per inch 14
Fan Adjustment, Type.....	Eccentric
Eccentricity.....	inches 0.218 ($\frac{1}{4}$)
Key, Woodruff.....	Number 9

FAN AND BRACKET

The fan is made of sheet steel. It has six blades riveted to a sheet steel spider or hub. To the tips of the blades is riveted a sheet steel band. The blades, spider and band thus form a rigid unit. The fan blade assembly is attached to the hub or spider flange of the driven pulley by six bolts. The driven pulley is mounted on two ball bearings carried by the fan shaft. The fan shaft, in turn, is carried in the fan shaft eccentric, which turns in the fan bracket, thus forming an arrangement for varying the tension on the fan belt. The bracket is held in place by two cap screws through its lower part, that screw into the crankcase, and by a stud screwed into the front of the cylinder block water jacket.

FAN DRIVE PULLEY DIMENSIONS

Fan Drive Pulley, Material.....	Malleable iron
Diameter.....	inches 5.812 ($5\frac{13}{16}$)
Width.....	do 2.125 ($2\frac{1}{8}$)
Hub hole diameter, maximum.....	do 0.982 ($\frac{25}{16}$)
Taper.....	per foot 0.625 ($\frac{5}{8}$)
Key, Woodruff.....	Number 11

FAN BELT AND DRIVE PULLEY

The fan belt is of the spliced type and has a hinge metal fastener with a cat gut pin. The drive pulley is carried on the outer end of the fan and magneto drive shaft and has a tapered bore, being held rigidly to the shaft by a lock nut and a Woodruff key. The pulley forms a retainer for the outer ball bearing. The hub is finished so as to form an oil-tight joint for the gear case cover. Felt packing is placed in the cap carrying the ball bearing, and this felt is next to the pulley.

REASONS WHY FAN BELT JUMPS OFF PULLEY

The fan belt may jump off a pulley if it is too loose, if two pulleys are not in the same plane, or if the ends of the belt are not cut squarely, thus causing the belt to be curved. Should the fan blades strike the belt it will jump off, or an uneven place in the belt may cause it to leave the pulley.

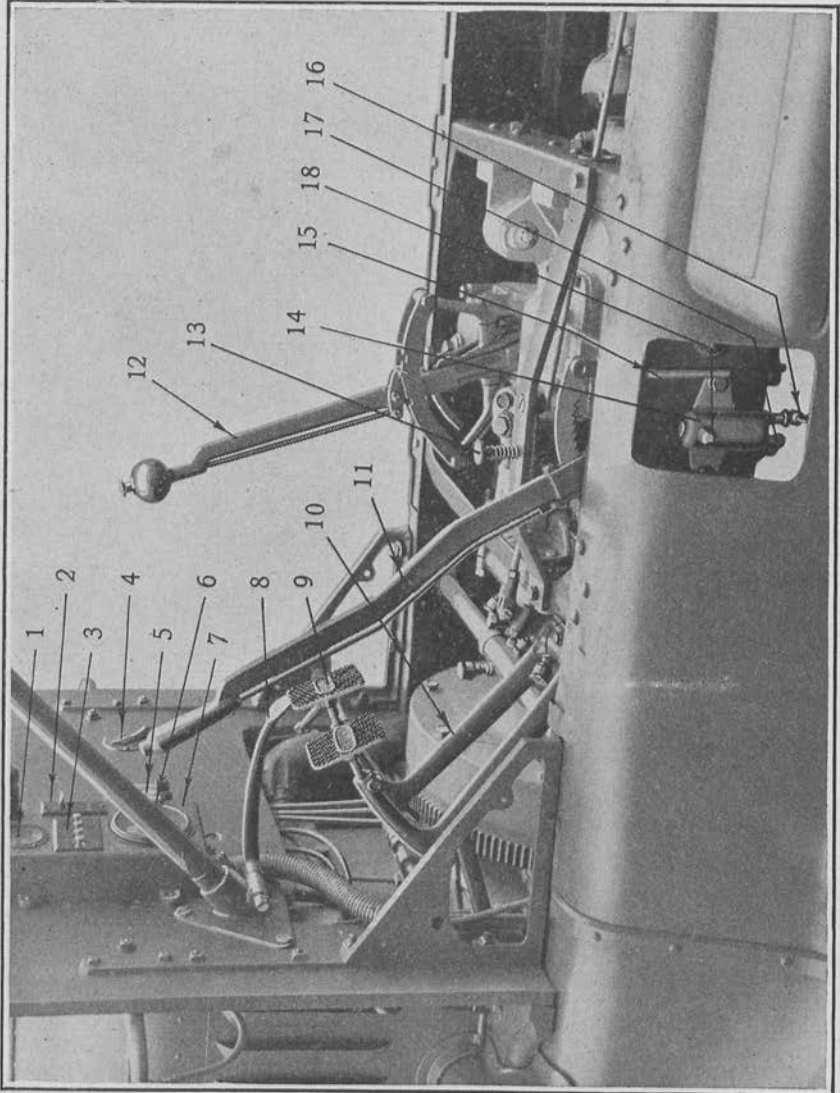
REASONS FOR FAN BELT SLIPPAGE

A fan will not run at proper speed if the belt is oily or greasy, if the belt is too loose, or if the fan is too tight in the bearing.

TO CLEAN COOLING SYSTEM

The circulating system may be cleaned by uncoupling the hose connection and thoroughly flushing the radiator and cylinder jackets with water under pressure. The cylinder jackets may be cleaned by removing the upper manifold and scraping or dissolving the sediment or by pouring hot washing soda solution (saturated) into the cooling system.

PLATE 26



CONTROL LEVERS, PEDALS AND INSTRUMENTS

PLATE 26
CONTROL LEVERS, PEDALS AND
INSTRUMENTS

Ref. No.	Part No.	Name
1	1601½ GM	Ammeter.
2	1608½ GM	Automatic circuit breaker.
3	1618 GA	Switch panel.
4	00718 TED	Carbureter index plate.
5	351½ GA	Oil sight feed.
6	TEB-O	Speedometer (67A).
7	1600 TED	Switch control box.
8	00217 GAF	Accelerator.
9	35 GE	Foot brake lever.
10	191 GE	Clutch pedal.
11	050 TB	Hand brake lever.
12	0180½ GFB	Transmission change gear lever.
13	1646	Starting motor switch.
14	0201 TED	Air line oil trap.
15	0209 TED	Air pump engaging rod.
16	00200 TED	Air line oil trap drain cock.
17	00201¼ TEB-O	Air line—pump to air trap.
18		Hose connection.

CHAPTER III

CONTROL SYSTEM

CHAPTER CONTENTS

CONTROL LEVERS
CONTROL PEDALS
STARTING DEVICES
STEERING SYSTEM

CONTROL LEVERS, PEDALS AND STEERING SYSTEM

Sitting in the driver's seat, all necessary controls are within easy reach. In the center of the front compartment, at the right of the driver, is the gear shifting lever, while at the left-hand side of the driver is the hand brake lever. In front of the driver is the steering gear and wheel, with the spark and throttle control levers mounted on a stationary quadrant immediately above the wheel. On the dash board there are three units, the instrument box, oil sight feeds and carbureter adjustment. The instrument box, located on the left-hand side of the dash board, carries the speedometer-odometer, ignition switch, automatic circuit breaker and light switches, ammeter and dash light. The oil sight feeds, located at the center of the dash board, indicate whether or not oil is flowing to the main bearings. There is one sight feed for each of the main bearings, making three in all. On the right-hand side of the dash board the carbureter adjustment is located. On the toe boards, at the left of the steering column, is found the clutch pedal, and to the right of the steering column, the foot brake pedal. To the right of the brake pedal, and slightly above it, is the accelerator pedal.

CONTROL LEVERS

GEAR SHIFT LEVER

The gear shift lever is the one located at the center of the front compartment. It is mounted on a change gear quadrant or bracket which projects up through the floor boards. The upper end of the lever is provided with a latch button, which must be depressed before the gears can be shifted. The latch, or gear shift dog, engages with notches in the quadrant, which positively hold the gear selected in mesh. Four forward speeds are provided on the White, Model TEB-O, Chassis, of which the third is direct drive and the fourth a "stepped-up" or over-geared, indirect speed. Hence it is always desirable to drive on third speed, which is direct, unless exceptionally smooth and level roads or down grades are encountered. On these it is convenient to use the indirect fourth speed.

GEAR SHIFT LEVER POSITIONS

The gear shift lever is moved from neutral in the following directions to engage the various forward speeds and reverse:

Neutral—The central position of the lever, the only one in which it may be moved sidewise.

First Speed—Release latch, move to right and push forward to first notch.

Reverse Speed—Further forward movement beyond first speed engages the reverse.

Second Speed—Move to right and pull back.

Third Speed or Direct Drive—Move to left and pull back.

Fourth or Indirect Speed—Move to left and push forward.

USE OF GEAR SHIFT LEVER

When the gear shift lever is in neutral, it may be rocked sidewise. This is the only position in which the lever may be so manipulated. Before starting the engine, always be sure that the lever is in the neutral position. The neutral notch is the second notch on the quadrant from the rear.

In starting the car, when the engine is in operation, first disconnect the engine from the transmission gear box by depressing the clutch pedal. Then move the gear shift lever to the right and forward to the first notch, or first speed position. Gradually engage the clutch by letting up on the clutch pedal. When enough momentum has been gained by the car, the gears may be shifted into second speed.

To shift into second speed, depress the clutch pedal again, move the gear shift lever through neutral position, keeping it all the way to the

right during this movement, into the second speed notch, which is the rear one on the right-hand side. Again engage the clutch and increase the momentum of the car by speeding up the engine before attempting to shift to third speed.

To shift to third speed, the clutch is operated as before, while the gear shift lever is pushed forward to neutral, moved across the neutral position to the left-hand side of the quadrant and then pulled back into the left-hand rear notch, in which position the third or direct drive is engaged. Drive the car on this speed as much as possible.

To shift to fourth speed, which is the indirect and highest one, depress the clutch pedal and move the gear shift lever forward into the front left-hand position. Engage the clutch again and regulate the speed of the car with the hand or foot throttle.

CHANGING SPEEDS UP AND DOWN

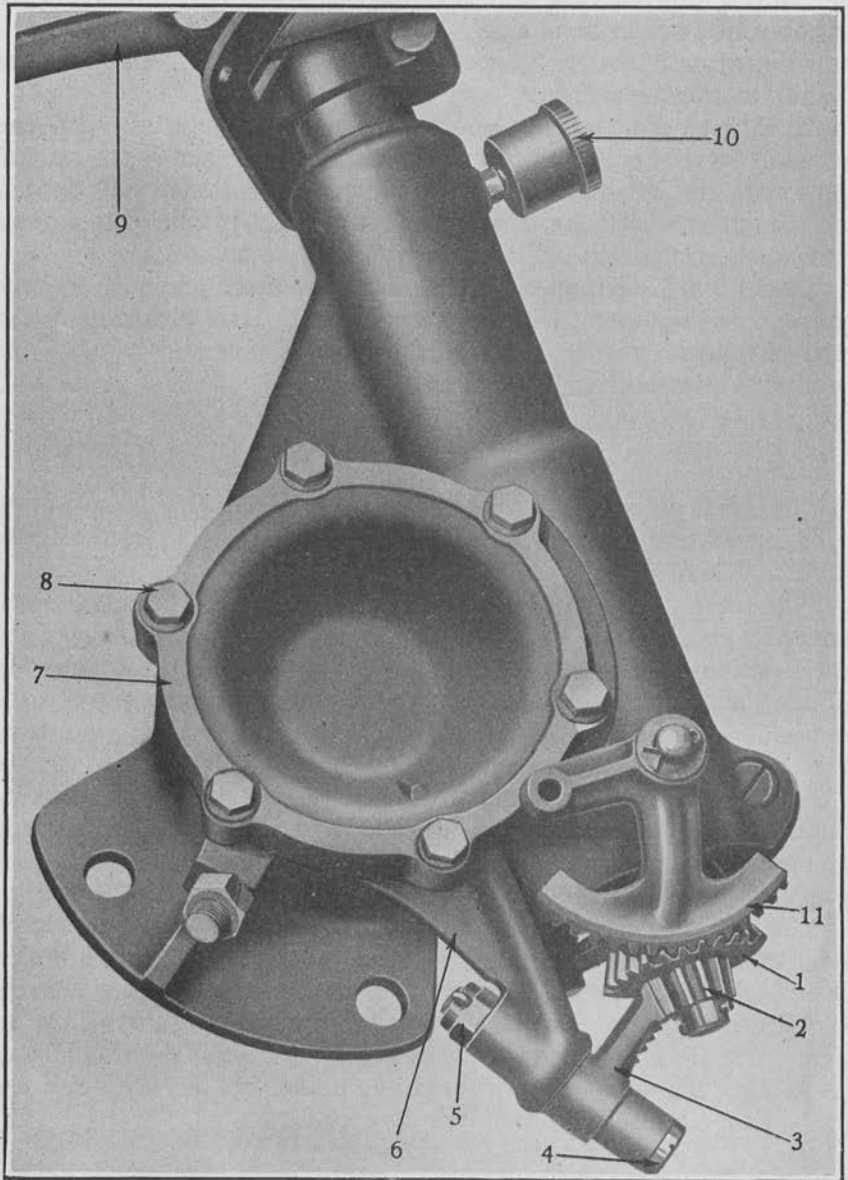
The same procedure cannot be followed in changing gears from a higher speed to a lower speed-as is followed in changing from a lower speed to a higher one.

When changing from a lower speed to a higher one, the clutch pedal should be depressed to its full extent so as not only to disengage the clutch, but to apply the clutch brake, which will prevent the clutch from spinning and thereby reduce the speed of the gears which are to be engaged. Unless this is done, there will be a clashing or grinding of gears, which causes undue wear and indicates an inexperienced driver. If the clutch pedal is only partially depressed, the driver should pause slightly in the neutral position, in order to allow the clutch to stop spinning before he attempts to engage the gears of the next higher speed.

When changing down, or from a higher to lower speed, the clutch pedal should never be depressed so far as to engage the clutch brake. The clutch should merely be slipped enough to allow the gear lever to be pulled into neutral. When the gear lever is in neutral, speed up the engine with the clutch engaged, then barely disengage the clutch so as not to allow the same to touch the clutch brake, and quickly throw the gear shift lever into the next lower speed position.

EMERGENCY BRAKE LEVER

There are two brakes on the White, Model TEB-O, Chassis, one a hand brake and the other a pedal brake. The brake lever is located at the extreme left of the front compartment of the car. The emergency brake, as the lever operated one is called, is provided with a latch so that it may be locked in any position. This is to permit the holding of the car upon a grade when the driver has to leave it. The brake is



LOWER END OF STEERING GEAR, RIGHT SIDE

PLATE 27—LOWER END OF STEERING GEAR
—RIGHT SIDE

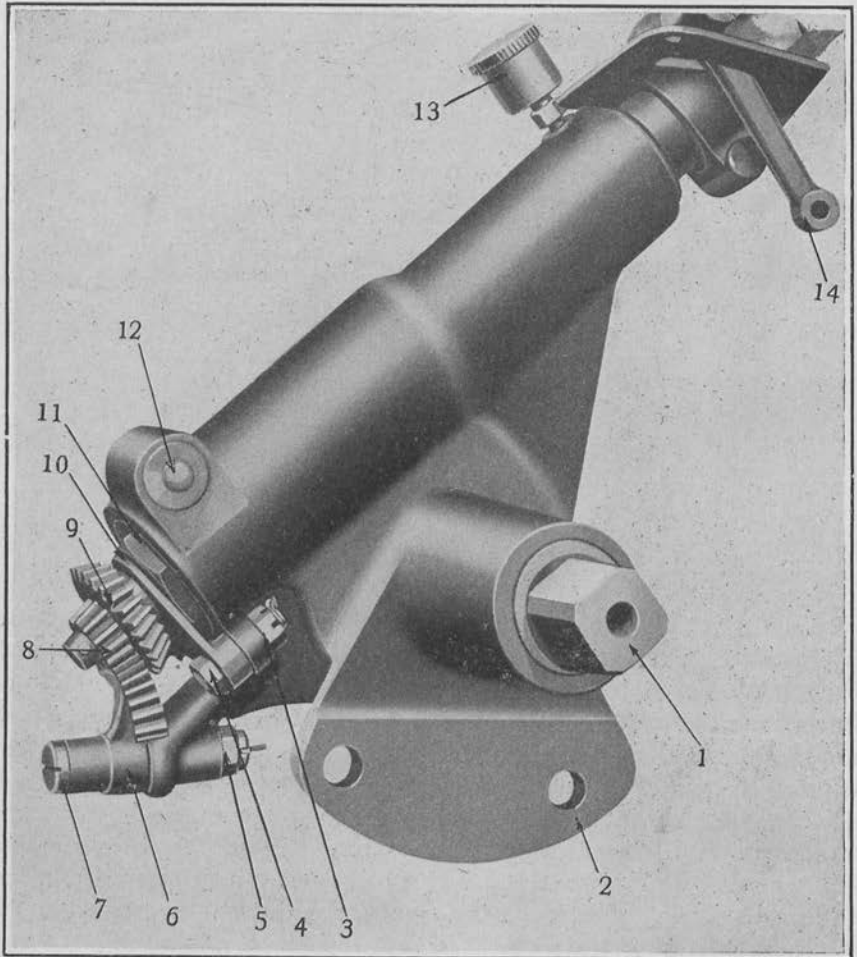
Ref. No.	Part No.	Name
1	00300 ½ GA	Carbureter hand control bevel pinion.
2	00303 ½ GA	Magneto control bevel pinion.
3	00303 GF	Magneto control bevel gear.
4	S0303 GA	Magneto control bevel gear bolt.
5	S0585 GA	Magneto control bevel gear bolt nut.
6	16 TE	Steering stem case.
7	17 GE	Bearing stem case cover.
8	S0105	Bearing stem case cover screws.
9	00217 GAF	Accelerator pedal.
10	0099 K	Steering stem case grease cup.
11	00300 GE	Throttle control segment.

released when it is in its forward position and is applied when drawn backwards. A rod connects the lower end of the emergency lever with the equalizer attached to the emergency cross brake shaft levers. The latter are carried in bushings located in the brake shaft brackets, which are riveted to the side members of the frame. The cross brake shaft extends through the frame and, from its ends, two brake rods go to each of the brake operating arms located on the rear axle. Temporary adjustment for the emergency brakes may be made by disconnecting the emergency brake rod yokes from the emergency brake levers on the rear axle and shortening the rods. This is done by screwing the yokes further up on the rods. The proper method is to remove the rear wheels, so the internal brake adjustments can be reached.

CONTROL PEDALS

There are three control pedals on the White, Model TEB-O, Chassis, all of which project through the toe boards. On chassis which are equipped with electric lighting and starting, there is a fourth pedal, or button, which projects through the heel board.

The pedal mounted to the left of the steering column operates the clutch; the pedal located to the right of the steering column operates the foot brake; the third pedal or smaller pedal, located just above and to the right of the brake, provides the foot control of the throttle and is called the accelerator pedal. The button on the floor boards used with the electrically equipped cars is operated by the heel and controls the electric starter.



LOWER END OF STEERING GEAR, LEFT SIDE

Ref. No.	Part No.	Name
1	015 TED	Steering stem.
2	16 TE	Steering stem case.
3	S01430	Stationary tube support bracket bolt nut.
4	S0105 1/2 G	Stationary tube support bracket bolt.
5	S0585 GA	Magneto control bevel gear bolt nut.
6	00303 GF	Magneto control bevel gear.
7	S0303 GA	Magneto control bevel gear bolt.
8	00303 1/2 GA	Magneto control bevel pinion.
9	00300 1/2 GA	Carburetor hand control bevel pinion.
10	305 3/4 GA	Hand control stationary tube support.
11	14 GAB	Bearing stem thrust bearing adjusting nut.
12	S014 1/4 GEB	Thrust bearing adjusting nut locking bolt.
13	0099 K	Steering stem case grease cup.
14	00217 GAF	Accelerator pedal.

CLUTCH PEDAL

The purpose of the clutch pedal is to disconnect the engine so that the gears in the transmission may be shifted, or to stop the car when desired. The clutch pedal is located on the left-hand side of the toe boards and is mounted upon what is called the clutch pedal shaft. It operates a suitable linkage, which disconnects the clutch, and which is fully described in Chapter IV. The clutch pedal is adjustable, so that it may be lengthened or shortened to suit the particular driver who is handling the car.

CLUTCH BRAKE

Linked to the clutch rocker lever, operated by the clutch foot pedal, is the clutch brake. The clutch brake band is made of malleable iron and is carried on one end by the link to the rocker lever; the other end is pivoted on the transmission front cross member. On the brake shoe is riveted an asbestos fabric clutch brake facing. This shoe bears against the transmission universal joint ring. The brake operates as follows: When the clutch is depressed part way, the brake shoe does not engage with the universal joint ring, but when the clutch pedal is fully depressed, the shoe engages with joint, forming a brake. It is provided to stop the clutch spinning when changing from a lower to a higher speed only.

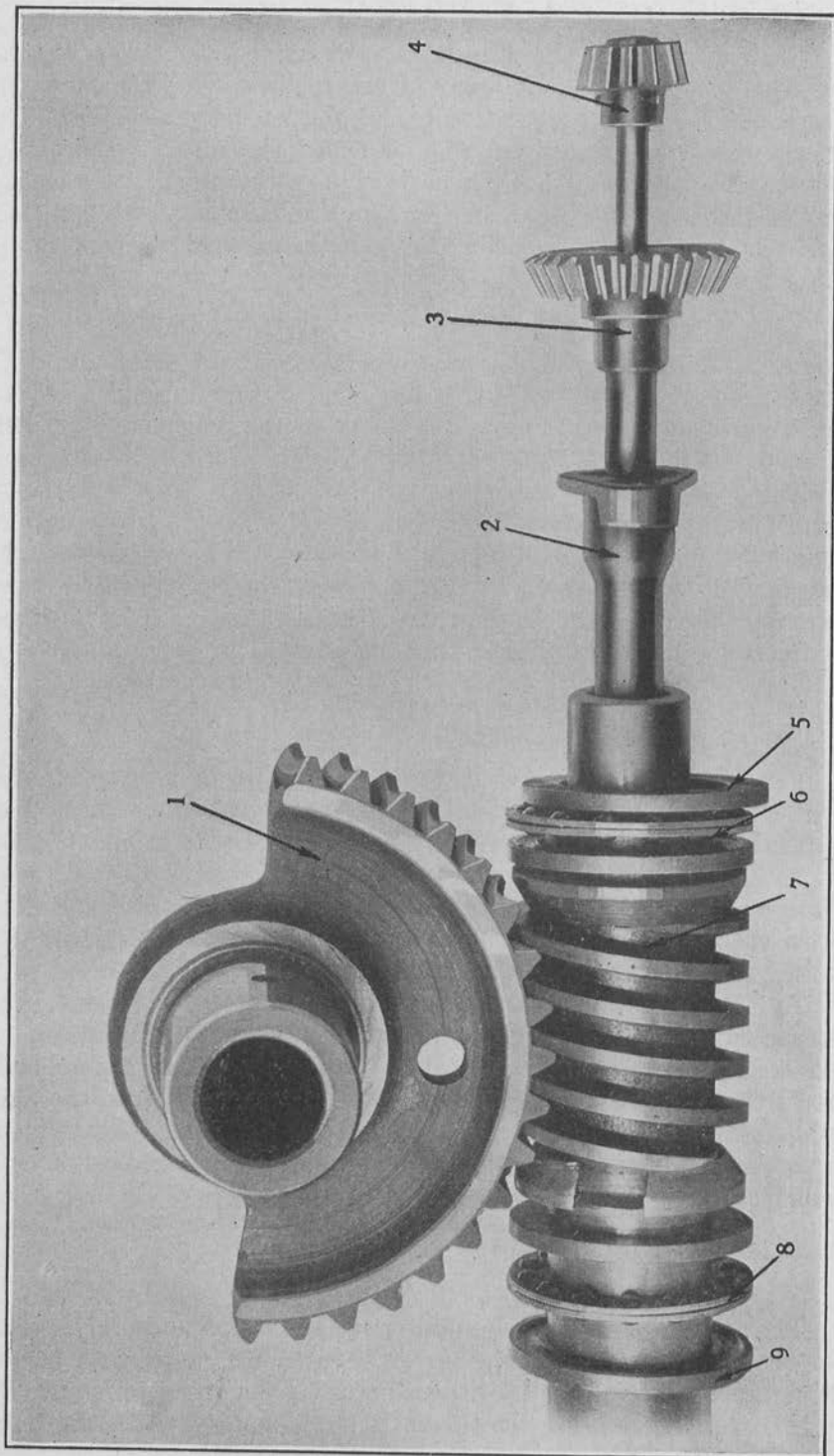
FOOT BRAKE PEDAL

The foot brake is the right one of the two projecting through the toe boards. It is connected to the rear foot brake cross shafts through an equalizer. From this brake cross shaft two brake rods extend to each of the brake operating levers of the external brakes on the rear axle. The purpose of the brake cross shafts is to transmit the action of either the foot pedal or the emergency brake lever to their respective brakes, which operate on each of the rear wheels.

The foot brakes are provided with adjustments as follows: The clearance of the brake linings is taken up by adjusting screw nuts on the connecting screws between the brake band ends. These brake bands are further adjusted for wear by wing nuts. In addition to the liner adjustment, the foot brake may be adjusted by disconnecting the foot brake rod yokes from the brake levers and shortening the rods. This is done by screwing the yokes further up on the rods.

ACCELERATOR PEDAL

The accelerator pedal is located beside the clutch and brake pedals above the toe boards. Its purpose is to provide a foot throttle for the regulation of the car's speed without requiring the driver to remove his hands from the steering wheel. It is interconnected with the hand



STEERING GEARS, WORM AND SECTOR

PLATE 29

STEERING GEARS, WORM AND SECTOR

Ref. No.	Part No.	Name
1	023 GEC	Bearing stem segment.
2	305 $\frac{3}{4}$ GA	Hand control stationary tube support.
3	00300 $\frac{1}{2}$ GA	Carburetor hand control bevel pinion.
4	00303 $\frac{3}{8}$ GA	Magneto control bevel pinion.
5	023 $\frac{1}{2}$ GAC	Steering stem thrust washer.
6	023 $\frac{1}{4}$ GAB	Steering stem thrust ball bearings.
7	025 GE	Steering stem worm.
8	023 $\frac{1}{4}$ GAB	Steering stem thrust ball bearings.
9	023 $\frac{1}{2}$ GAB	Steering stem thrust washer.

throttle linkage but operates independently of the latter, which only serves to set the minimum throttle opening to which the foot throttle will return when the foot is taken off the accelerator. It is most convenient to use when driving in traffic, hilly country, over rough roads, or when changing gears, while the hand throttle should be used when driving at a steady speed over smooth roads or where a uniform speed may be maintained.

STARTING BUTTON OR SWITCH

The operation of the electric cranking device, on electrically equipped chasses, is as follows: On the left of the driver's compartment, so arranged that it may be pressed down by the driver's heel, is the starting switch or starter button. Before starting the engine, be sure that the change gear lever is in the second notch from the rear of the change gear quadrant, *which is neutral position*. Turn the magneto switch to "On" position. Place throttle control lever in driving position, one or two inches forward from point on quadrant nearest the seat (closed position). Place the magneto control lever halfway between full retard and full advance. Depress the starter button until the engine starts, releasing same promptly after the start is made. In winter, the engine will start with less drain on the battery if the clutch is released.

When the starting switch button is depressed, the circuit from the storage battery to the motor is closed. This current drives the motor, which, in turn, drives the engine. Releasing the switch opens the battery circuit and, as the engine speeds up, the Bendix drive disconnects the motor from the engine.

STARTING CRANK

In addition to the electric starter, the car is provided at the front end of the engine with a starting crank. This forms a means of starting the engine when no electric starter is provided. In starting by hand, turn the compression release lever on the left side of frame towards the front of the car. The starting crank is pushed in and rotated at the same time until it engages with the starting crank ratchet. Then give the crank a smart upward pull. Should the engine back-fire when cranking, the pull-up method will permit the crank to slip from the fingers, while *downward cranking may result in a broken arm.*

As soon as the engine starts, the compression release lever should be turned toward the rear of the car.

STEERING WHEEL CONTROLS

HAND THROTTLE

Just above the steering wheel, and mounted upon a stationary quadrant, are two small hand or finger levers. These levers operate tubes which run down through the steering column and are connected to their respective pieces of apparatus by rods with yoke and eye connections. The lower and longer one of the two levers above the steering wheel is the hand throttle. This is used for setting the minimum opening of the throttle when the foot throttle is regularly used to control the speed of the car. When driving over smooth, level roads at a constant speed, it is often convenient to set the hand throttle for the speed desired and thus relieve the foot of the constant strain which is experienced when trying to drive at a constant speed with the foot throttle or accelerator pedal.

SPARK ADVANCE CONTROL

The upper or shorter lever mounted on the stationary quadrant, above the steering wheel, controls the advance of spark. This control is usually set at an advance running position and does not have to be retarded unless the car encounters a heavy grade, in which case, as soon as there is any evidence of the motor laboring or pounding, due to the advanced spark, the lever should be pulled backwards, thus retarding the spark.

STEERING SYSTEM

STEERING GEAR

An inclined steering column is provided on the White, Model TEB-O, Chassis. The column is supported by a dash plate, bolted upon the rear of the dash board. At the top of the steering column

there is mounted a hardwood wheel, above which the hand throttle lever and quadrant are placed. The steering column does not turn with the steering wheel, but remains stationary and carries the magneto hand control or spark advance lever.

The steering lever of the steering gear is on the outside of the frame, passing over the side rail of the main frame for this purpose. The steering lever is operated by the steering wheel through the medium of the steering stem worm and segment. The steering lever of the steering gear is connected to the steering rod by means of a steering lever ball. The rod connects to the left front wheel bearing stem arm ball. This connecting link between the steering gear and the front axle is designated as the short steering rod and distinguishes it from the long steering rod, which connects the steering arms of the front axle. The short steering rod is mounted on a ball and socket joint at each end, and these should be carefully examined every week and the grease cups screwed down daily.

STEERING GEAR ADJUSTMENT

There are practically no adjustments on this steering gear. The wear between the worm and wheel may be taken up by rotating the eccentric bushing supporting the worm segment shaft. The thrust bearing adjusting nut bushings may wear and, if such is the case, the thrust bearing adjusting nut locking bolt at the lower end of the steering column should be unscrewed to loosen the clamping action against the thrust bearing adjusting nut, the latter turned to the right until the slackness is taken up and the locking bolt again tightened. Care should be taken that this adjustment is not made too tight. This can be felt by turning the steering wheel. All lost motion that is apparent to the driver on the steering wheel is not always due to the steering gear, but very frequently to the looseness of the tie rod and drag link joints on the front axle. Be sure to lock the thrust bearing adjusting nut when the proper adjustment has been obtained.

STEERING GEAR LUBRICATION.

Follow the lubricating instructions for the steering gear on page 29 under "Lubricating Instructions."

TURNING RADIUS

This car is designed to turn in a 46-foot diameter circle to the right and 60-foot circle to the left. Set screws are provided on the front wheel bearing stem arms to prevent the wheels from interfering with the chassis, should the driver attempt to turn in a closer circle than this. If there is interference noted when turning the wheels to the maximum in either direction, the adjustment of these stops should be investigated at once.

STEERING GEAR DIMENSIONS

Steering Gear Worm, Material.....	Case hardened steel
Diameter, outside.....	inches 1.812 (1 $\frac{1}{8}$)
Pitch.....	do 1.547 (1 $\frac{1}{4}$)
Length of worm.....	do 1.750 (1 $\frac{3}{4}$)
Number of threads..... triple
Angle of worm..... Left-hand
Depth of thread.....	inches 0.286 ($\frac{2}{7}$)
Steering Worm Wheel, Material.....	Steel forging
Diameter, outside.....	inches 3.961 (3 $\frac{1}{4}$)
Pitch.....	do 3.495 (3 $\frac{1}{2}$)
Throat.....	do 3.760 (3 $\frac{3}{4}$)
Angle including teeth.....	degrees 65
Width of gear.....	inches 1.000
Steering Worm Wheel Shaft.....	Forged with gear
Diameter.....	inches 1.437 (1 $\frac{1}{8}$)
Square end, side.....	do 1.125 (1 $\frac{1}{8}$)
Length of shaft.....	do 4.437 (4 $\frac{1}{4}$)
Length of square.....	do 1.500 (1 $\frac{1}{2}$)
Steering Gear Arm, Material.....	Chrome nickel steel
Length center to center.....	inches 7.500 (7 $\frac{1}{2}$)
Size of square at top.....	do 1.125 (1 $\frac{1}{8}$)
Bore at lower end.....	do 0.687 ($\frac{1}{4}$)
Diameter of ball attached to arm.....	do 1.125 (1 $\frac{1}{8}$)
Steering Gear Worm Wheel Bushing, Material.....	Bronze
Diameter, outside.....	inches 1.750 (1 $\frac{3}{4}$)
Inside.....	do 1.500 (1 $\frac{1}{2}$)
Outside flange.....	do 2.000
Length, overall.....	do 4.500 (4 $\frac{1}{2}$)
Flange, thickness.....	do 0.187 ($\frac{3}{16}$)
Eccentricity for adjusting worm.....	do 0.0312 ($\frac{1}{32}$)
Tie Rod Yokes, Material.....	Steel drop forging
Width of yoke.....	inches 3.125 (3 $\frac{1}{8}$)
Slot in yoke.....	do 1.562 (1 $\frac{5}{8}$)
Diameter of bolt holes.....	do 0.625 ($\frac{5}{8}$)
Tie Rod Pin, Material.....	Case hardened steel
Length, overall.....	inches 4.500 (4 $\frac{1}{2}$)
Under head.....	do 3.750 (3 $\frac{3}{4}$)
Diameter, head.....	do 1.187 (1 $\frac{1}{4}$)
Bolt.....	do 0.625 ($\frac{5}{8}$)
Thread.....	do 0.562 ($\frac{1}{16}$)
Number of threads.....	per inch 16
Steering Arm, Double, Material.....	Steel drop forging
Long or drag link arm, center of taper to center of arm.....	inches 7.625 (7 $\frac{5}{8}$)
Long arm, center, back of front axle center line... do	0.500 ($\frac{1}{2}$)
Short arm, center of taper to center of arm.... do	1.000
Short arm, center, back of front axle center line do	6.750 (6 $\frac{3}{4}$)
Long arm boss, top face above center line of taper do	3.000
Short arm boss, top face below center line of taper do	1.187 (1 $\frac{1}{8}$)
Taper, Maximum Diameter..... do	1.562 (1 $\frac{5}{8}$)
Length..... do	1.932 (1 $\frac{11}{8}$)
Per foot..... do	3.000
Woodruff key used.....	Number 25
Thread, diameter.....	inches 0.875 ($\frac{7}{8}$)
Number of threads.....	per inch 13
Steering Arm, Single, Material.....	Steel drop forging
Dimensions same as for short arm above.	
Steering Arm Yoke Pin Bushing, Material.....	Bronze
Diameter, outside.....	inches 0.824 ($\frac{13}{16}$)
Inside.....	do 0.625 ($\frac{5}{8}$)
Length.....	do 1.562 ($\frac{1}{16}$)

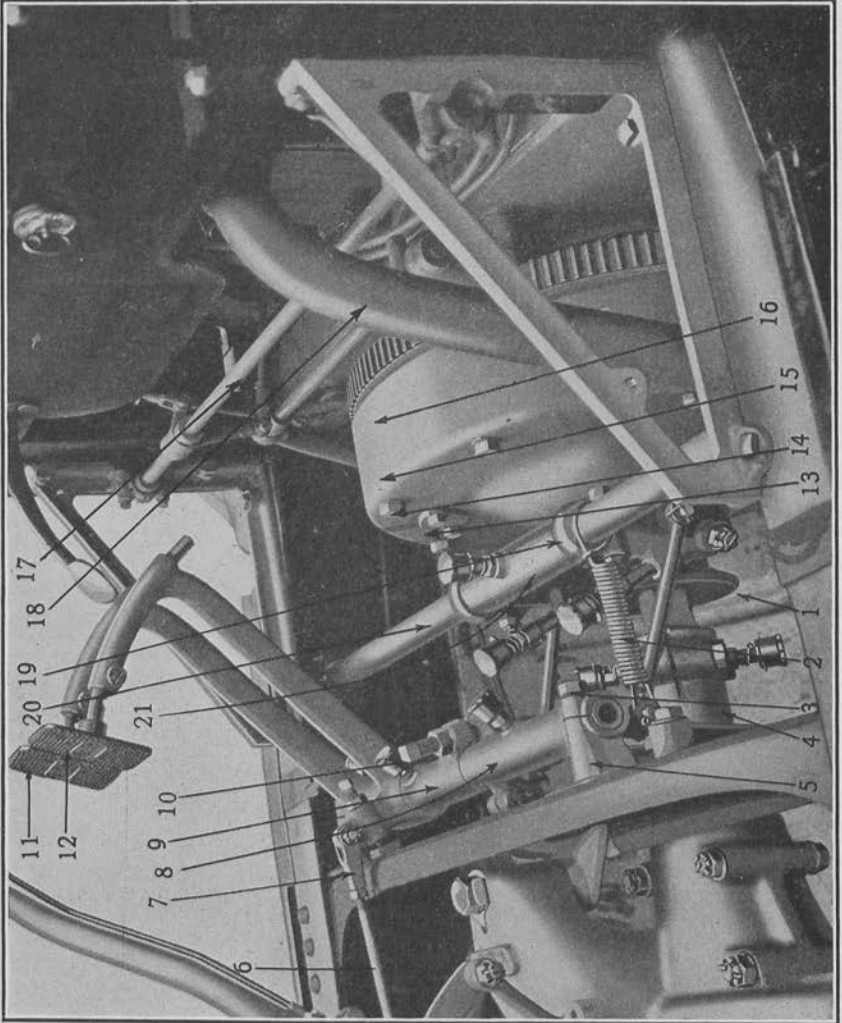
STEERING WHEEL DIMENSIONS

Steering Wheel Spider, Material.....	Malleable iron
Spider Arms, number.....	three
Thickness.....	inches 0.312 ($\frac{5}{16}$)
Width, maximum.....	do 1.187 ($1\frac{3}{16}$)
Minimum.....	do 0.875 ($\frac{7}{8}$)
Hub, Bore, square.....	do 1.000
Steering Wheel Rim, Material.....	Wood
Diameter, outside.....	inches 18.125 ($18\frac{1}{8}$)
Inside.....	do 14.250 ($14\frac{1}{4}$)
Section, width.....	do 1.437 ($1\frac{7}{16}$)
Thickness.....	do 1.250 ($1\frac{1}{4}$)

DRAG LINK DIMENSIONS

Drag Link, Material.....	Steel tube
Diameter, outside.....	inches 1.000
Inside.....	do 0.750 ($\frac{3}{4}$)
Length of tube.....	do 24.250 ($24\frac{1}{4}$)
Number of threads, rear end.....	per inch 20
Front end.....	do 14

PLATE 30



CLUTCH, FLYWHEEL AND PEDAL ASSEMBLIES

PLATE 30—CLUTCH, FLYWHEEL AND PEDAL
ASSEMBLIES

Ref. No.	Part No.	Name
1	0134 $\frac{3}{4}$ GED	Clutch pullout shoe.
2	0175 $\frac{1}{4}$ GEC	Clutch shaft spring.
3	S0107 $\frac{1}{4}$ GE	Foot lever shaft bracket binder screw.
4	0425 GED	Transmission universal joint coupling.
5	039 GA	Foot lever shaft bracket.
6	081 $\frac{1}{2}$ GTB	Foot brake rod, front.
7	084 CC	Brake rod end.
8	180 $\frac{1}{4}$ GEC	Clutch rocker lever.
9	019 $\frac{1}{4}$ GE	Foot lever connection.
10	S0192 GA	Foot brake lever adjusting screw.
11	191 $\frac{1}{2}$ GEC	Clutch foot lever pad.
12	35 $\frac{1}{2}$ GEC	Foot brake lever pad.
13	00151 GEC	Clutch adjusting plate lock.
14	S0150 $\frac{1}{4}$ GEE	Clutch cover bolts.
15	150 $\frac{3}{4}$ GEC	Clutch cover.
16	150 GEE	Clutch flywheel.
17	0724 GEC	Carburetor control shaft.
18	108 $\frac{1}{4}$ TED	Muffler exhaust pipe with flange.
19	13 $\frac{3}{4}$ GTA	Clutch rocker shaft collar.
20	0173 GTB	Clutch rocker shaft.
21	174 GED	Clutch rocker.

CHAPTER IV

MAIN CLUTCH

CHAPTER CONTENTS

FUNCTION AND OPERATION
BRIEF DESCRIPTION
DETAIL DESCRIPTION
CARE AND OPERATION

CLUTCH FUNCTION AND OPERATION

The clutch is a device which serves to connect or disconnect the engine from the transmission and, therefore, the rear wheels. It provides the means whereby the driver may stop the car without stopping his engine. The clutch is operated by means of a foot pedal, the left-hand one of those projecting through the toe boards. The main clutch, or clutch, as it is designated for short, is normally engaged so that the power is transmitted from the engine to the rear wheels without any effort being exerted by the driver. To disconnect the engine from the rear wheels, the clutch must be disengaged or released, to do which the driver merely has to press down upon the clutch pedal. The clutch is normally held in engagement by a coiled spring. In addition to disconnecting the engine from the road wheels when the driver desires to stop the car, the clutch is also used to disconnect the engine from the transmission unit or change speed gear box while the gears are being shifted.

BRIEF DESCRIPTION OF CLUTCH

The clutch used on the White Model TEB-O Chassis is distinguished as one of the single plate type. It is completely enclosed inside of the flywheel by what is called the clutch cover. It runs in oil, and the single plate used bears on each side against asbestos fabric friction discs which are riveted to the flywheel and the friction plate ring.

The single clutch disc, or clutch friction plate, as it is called, is attached to the clutch shaft, which is connected to the main drive pinion in the transmission. It, therefore, is the driven member of the clutch assembly, while the flywheel and the friction plate ring are the driving members.

The clutch friction plate is clamped between the flywheel and the friction plate ring by means of six V-shaped wedges, which are operated through a toggled joint mechanism, also carried inside of the clutch unit.

The clutch is kept in engagement by means of a helical spring, one end of which bears against the toggle spider and the other against the clutch cover. The clutch is disengaged by pulling the toggle spider rearward, thus withdrawing the wedges and relieving the wedging action upon the clutch friction plate. To assist in releasing the clutch, eight clutch friction plate springs, carried in the flywheel, are provided. These force the clutch friction ring away from the clutch friction plate as soon as the wedges are withdrawn.

On account of the design of the clutch, clutch pedal and clutch operating mechanism, the latter two units should be considered at the same time as the clutch assembly.

The clutch pedal is mounted upon the clutch pedal shaft or foot lever shaft, which is attached to the second cross member of the frame, with suitable brackets provided for this purpose. This cross member is located just ahead of the transmission gear box and back of the flywheel. The clutch throwout yoke, or clutch rocker, as it is called, is not carried upon this shaft, but upon another shaft called the clutch rocker shaft and placed between the clutch pedal shaft and the flywheel. The clutch rocker shaft is mounted in brackets located at its ends and attached to the side rails of the main frame. Two lever arms attached to an extension of the clutch pedal shaft operate the clutch rocker through the medium of two clutch rocker rods on links. The introduction of these clutch rocker rods gives a greater reduction between the clutch pedal and the clutch rocker, thereby making the operation of the clutch pedal much easier.

The clutch rocker carries two No. 302 ball bearings, which engage with the clutch pullout shoe. These bearings are arranged so as to take the entire thrust of the clutch spring, when the latter is disengaged.

DETAIL DESCRIPTION OF CLUTCH

The clutch proper will first be considered, then the clutch operating mechanism. The clutch proper consists of the following main units: The flywheel, clutch cover, clutch friction plate, friction facing, clutch friction plate ring, clutch friction plate notch ring, clutch wedges, clutch toggle, clutch toggle spider, clutch spring and clutch shaft.

FLYWHEEL

The cast iron flywheel is mounted upon the rear end of the crankshaft to which it is held by means of a key, tapered shaft and nut. On the outside of the flywheel an annular groove is turned, to which the starting gear for the electric starter is attached, on the cars which carry electrical equipment. When this gear is furnished, longer clutch cover bolts are used than when it is not carried. In the latter case, nuts are substituted for it. The clutch friction surface inside of the flywheel is faced with an asbestos fabric disc which is riveted to it. The outside, or rearmost, face of the flywheel is turned square and counterbored to carry the clutch cover concentric with the flywheel.

FLYWHEEL STARTER GEAR DIMENSIONS

Flywheel Starter Gear, Material.....			Steel
Number of teeth.....		140	
Pitch, diametral (stub tooth).....		8/10	
Width of face.....	inches	1.250	(1 $\frac{1}{4}$)
Diameter, outside.....	do	17.700	(17 $\frac{11}{16}$)
Pitch.....	do	17.500	(17 $\frac{1}{2}$)
Bolt circle.....	do	16.312	(16 $\frac{5}{8}$)
Counterbore.....	do	16.875	(16 $\frac{7}{8}$)
Inside.....	do	15.437	(15 $\frac{17}{16}$)
Counterbore depth.....	do	0.500	($\frac{1}{2}$)

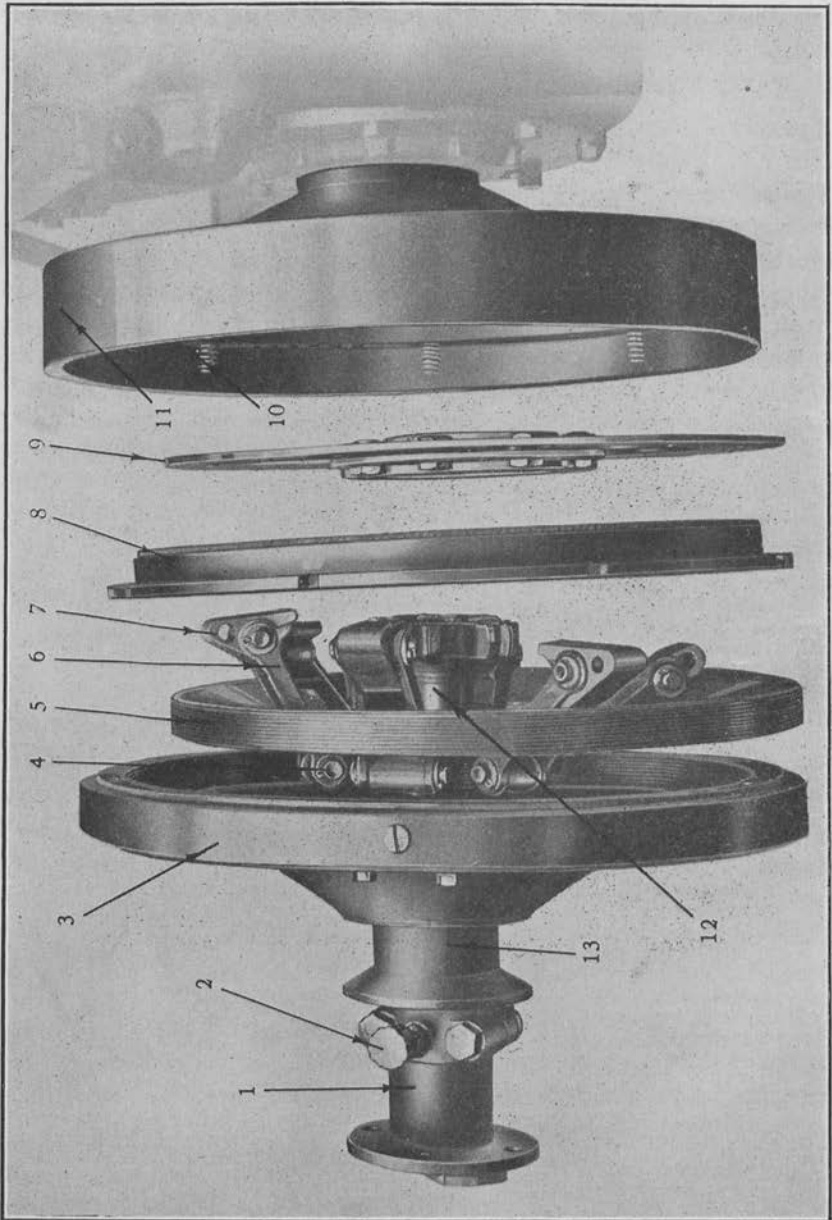
FLYWHEEL DIMENSIONS

Flywheel, Material.....			Semi-steel
Diameter, outside.....	inches	17.750	(17 $\frac{3}{4}$)
Counterbore.....	do	16.875	(16 $\frac{7}{8}$)
Width.....	do	2.500	(2 $\frac{1}{2}$)
Counterbore, depth.....	do	1.812	(1 $\frac{11}{16}$)
Friction surface, outside diameter.....	do	15.625	(15 $\frac{5}{8}$)
Inside diameter.....	do	10.500	(10 $\frac{1}{2}$)
Hub, Bore, maximum diameter.....	do	2.750	(2 $\frac{3}{4}$)
Taper.....	inches per foot	0.625	($\frac{5}{8}$)

CLUTCH COVER

The clutch cover is a casting which closes the rear end of the flywheel and not only serves to enclose and protect the entire clutch mechanism from dirt, and water, but provides means of conveniently adjusting the clutch when this is necessary. It is the same outside diameter as the flywheel and is provided with a hub at the center, through which the clutch toggle spider sleeve slides. This sleeve, however, is keyed to the clutch cover and rotates with it. The cover has a pilot ring

PLATE 31



MAIN CLUTCH PARTIALLY DISASSEMBLED

PLATE 31
MAIN CLUTCH PARTLY DISASSEMBLED

Ref. No.	Part No.	Name
1	0425 GED	Transmission universal joint coupling.
2	0099 0	Grease cup to crankshaft centering ball.
3	150 ³ / ₄ GEC	Clutch cover.
4	S0151 ¹ / ₂ GEC	Clutch wedge strap pin.
5	151 ¹ / ₄ GEC	Clutch friction plate ring (notched).
6	0174 ³ / ₄ GEC	Clutch wedge strap.
7	174 ¹ / ₄ GEC	Clutch wedge.
8	151 ³ / ₄ GEC	Clutch friction plate ring (plain)
9	0150 ¹ / ₂ GEC	Clutch friction plate.
10	0150 ¹ / ₄ GEC	Clutch friction plate spring.
11	150 GEE	Flywheel.
12	131 ³ / ₄ GEC	Clutch toggle spider.
13	0134 ³ / ₄ GED	Clutch pullout shoe.

turned on its forward face, which engages with the counterbore in the flywheel, thereby assuring the concentric location of the two with respect to one another. Inside of the clutch cover, threads are provided to permit the adjustment of the clutch and, by this adjustment, compensate for wear of the friction faces. The cover is held in place by eight clutch cover bolts equally spaced around the circumference of the flywheel. At one side of the flywheel the clutch adjusting plate lock is attached by a couple of cap screws. This lock engages with notches cut in the friction plate notched rings. Through the opening provided when the lock plate is removed, the notches can be reached and the notched ring turned relative to the clutch cover.

The clutch cover also forms the support for the clutch spring, which is mounted on the outside of the clutch cover hub extension. This projects from the inside of the cover plate (when mounted on the flywheel).

CLUTCH FRICTION PLATE

The clutch friction plate is a steel disc held in place with eight bolts and nuts upon the clutch friction plate flange. When the clutch is engaged, this clutch friction plate is clamped between the two asbestos fabric rings and transmits the power from the flywheel to the transmission. The clutch friction plate, therefore, is the driven member of the clutch.

FRICTION FACING

Asbestos fabric friction facing is riveted to the surface of the flywheel, against which the clutch friction plate bears, and to the clutch

friction plate ring, which bears against the opposite side of the clutch friction plate. This asbestos fabric facing is riveted to both the flywheel and the clutch friction plate ring.

CLUTCH FRICTION PLATE RINGS

There are two clutch friction plate rings, one of which is faced with asbestos fabric and bears against the clutch friction plate, and one which is threaded and screwed into the clutch cover and is designated as the clutch friction plate notched ring.

The clutch friction plate, upon which the asbestos fabric is riveted and which bears against the clutch friction plate, carries a rim with eight notches in it, equally spaced. These notches permit the clutch cover bolts to pass through. The bolts cause the clutch friction plate to rotate with the flywheel and hence transmit part of the engine power to the clutch friction plate. The clutch friction plate ring is backed up by eight small helical springs carried in the flywheel rim and bearing against the flange between the clutch cover bolts. These springs serve to disengage the clutch by pushing it quickly away from the clutch friction plate as soon as the engaging wedges are withdrawn. The rearward face of the clutch friction ring is beveled off so as to receive the clutch wedges. A slight distance to the rear of the clutch friction ring is the notched clutch friction ring, which is screwed into the clutch cover. The latter is beveled on its forward face the same amount that the former is on its rearward face. It is between these two bevel faces that the clutch wedges operate.

CLUTCH WEDGES AND TOGGLES

Six wedges are imposed between the two friction plate rings by the action of an equal number of toggle arms or clutch wedge straps, as they are called. These connect the clutch toggle spider, which is slidably mounted in the clutch cover but which rotates with the latter to the clutch wedges. The clutch toggle spider has a sleeve-like extension which surrounds the clutch shaft and which is key-seated so as to slide in the cover and rotate with it. It is held in place by the clutch pullout shoe. The latter is screwed onto the rear end of the clutch toggle spider sleeve.

THE CLUTCH SHAFT

The clutch shaft carries six teeth or keys upon its periphery that engage with the friction plate flange that is bolted to the friction plate. This gives a flexibility between the clutch shaft and the friction plate that permits the latter to always be self-aligning and perfectly free in its action. The forward end of the clutch shaft is carried on a ball that is pressed into the rear end of the crankshaft. It, therefore, is supported at its forward end by this ball and at its rear end by a universal joint attached to the forward end of the transmission drive pinion.

CLUTCH DIMENSIONS

Clutch Cover, Material.....			Cast iron
Diameter, outside.....	inches	17.750	(17 $\frac{3}{4}$)
Outside pilot.....	do	16.875	(16 $\frac{7}{8}$)
Threads.....	do	15.625	(15 $\frac{5}{8}$)
Hub, bore.....	do	2.500	(2 $\frac{1}{2}$)
Threads for Friction Plate Ring, notched....	per inch	12	
Key in hub, depth.....	inches	0.125	($\frac{1}{8}$)
Width.....	do	0.250	($\frac{1}{4}$)
Bolts, diameter.....	do	0.437	($\frac{7}{16}$)
Number used.....			eight
Clutch Friction Disk, Material.....			Saw steel
Diameter, outside.....	inches	15.500	(15 $\frac{1}{2}$)
Inside.....	do	4.000	
Bolt circle.....	do	5.000	
Bolts.....	do	0.437	($\frac{7}{16}$)
Thickness of plate.....	do	0.125	($\frac{1}{8}$)
Number of bolts.....			eight
Clutch Facing, Material.....			Asbestos fabric
Diameter, outside.....	inches	15.500	(15 $\frac{1}{2}$)
Inside.....	do	10.500	(10 $\frac{1}{2}$)
Rivet hole circle.....	do	13.000	
Rivets.....	do	0.187	($\frac{3}{16}$)
Thickness.....	do	0.125	($\frac{1}{8}$)
Clutch Friction Ring, Plain, Material.....			Cast iron
Diameter, outside flange.....	inches	16.812	(16 $\frac{13}{16}$)
Outside disk.....	do	15.625	(15 $\frac{5}{8}$)
Inside.....	do	10.500	(10 $\frac{1}{2}$)
Rivets.....	do	0.187	($\frac{3}{16}$)
Thickness, Ring.....	do	0.875	($\frac{7}{8}$)
Angle of Bevel Face.....	degrees	18	
Clutch Friction Ring, Notched, Material.....			Cast iron
Diameter, outside threads.....	inches	15.625	(15 $\frac{5}{8}$)
Inside.....	do	10.500	(10 $\frac{1}{2}$)
Thickness of ring.....	do	0.875	($\frac{7}{8}$)
Number of threads on periphery.....	per inch	12	
Angle of bevel face.....	degrees	18	
Number of notches on face.....			eighty-one

CLUTCH OPERATING ASSEMBLY

The clutch operating assembly is made up of two groups of essential parts, one of which is the clutch and brake pedal group mounted on the clutch brake shaft, and the other is the clutch rocker and its shaft.

CLUTCH PEDAL SHAFT ASSEMBLY

The clutch pedal assembly is mounted upon the clutch pedal or foot lever shaft. The latter is carried in two brackets located at either end and attached to the forward side of the cross member of the main frame. This shaft is stationary and is clamped in place by splitting the brackets on one side and using one of the holding bolts to clamp the shaft in place. The clutch pedal is clamped onto a tube which not only forms the support for the clutch pedal, but also provides the mounting for the brake pedal. This tubular shaft is mounted upon two bushings that rotate upon the stationary cross pedal shaft. At the right end of this tubular clutch shaft there are two arms extending downward, to which the clutch rocker rods are attached by split pins. Another arm is provided which projects out horizontally to the rear. This arm

operates the clutch brake. As it projects to the rear, it necessarily raises as the clutch is depressed, hence pulling up on the link which connects it with the clutch brake shoe. The clutch brake shoe operates against the outside of the clutch universal joint housing. It is pivoted at the right-hand side of the shaft and hence is pulled up against the lower side of the universal joint housing when the clutch pedal is depressed.

CLUTCH SHAFT DIMENSIONS

Clutch Shaft, Material.....			Nickel steel
Diameter, drive disc end.....	inches	3.312	($3\frac{5}{16}$)
Shaft.....	do	1.375	($1\frac{3}{8}$)
Square, across corners.....	do	1.656	($1\frac{13}{16}$)
Length overall.....	do	10.500	($10\frac{1}{2}$)
Thickness, clutch end.....	do	0.750	($\frac{3}{4}$)
Side of square end.....	do	1.250	($1\frac{1}{4}$)
Diameters of gear end, bottom of tooth.....	do	2.750	($2\frac{3}{4}$)
Outside.....	do	3.312	($3\frac{5}{16}$)
Pitch.....	do	3.149	($3\frac{1}{4}$)
Number of teeth.....		16	

CLUTCH ROCKER DIMENSIONS

Clutch Rocker, Material.....			Malleable iron
Bore of hub.....	inches	1.000	
Length of hub.....	do	5.875	($5\frac{7}{8}$)
Two bushings combined.....	do	3.000	
Distance, center to center, rocker bearing stud to rocker shaft.....	do	4.125	($4\frac{1}{8}$)
Angle of rocker bearing studs.....	degrees	30	
Size of rocker bearings.....	Number	302	
Clutch Rocker Shaft, Material.....			Nickel steel
Diameter.....	inches	1.000	
Length.....	do	29.750	($29\frac{3}{4}$)

CLUTCH ROCKER SHAFT

The clutch rocker shaft is carried in two brackets bolted to the side members of the main frame. It is located about half-way between the flywheel and the clutch pedal shaft. The clutch rocker is mounted on this shaft with two bushings. The clutch rocker shaft does not rotate. In order to properly locate the clutch rocker with reference to the clutch pullout shoe, two split collars are pressed on either side of the clutch rocker. By using these it is possible to allow the clutch rocker to center itself before they are brought up on either side of it and clamped in place. At the lower end of the clutch rocker there are two annular ball bearings which bear against the clutch pullout shoe and relieve the friction and wear which would result if they were not used. This is due to the fact that the clutch pullout shoe rotates with the flywheel at all times.

The ball bearings are held in place by shoulder studs and are protected by means of washers. Grease cups, provided to insure their proper lubrication, are carried on extensions of the clutch rocker. The clutch rocker rods connect the clutch rocker with the clutch pedal sleeve.

PEDAL DIMENSIONS

Clutch Pedal, Material.....	Malleable iron
Radius of action.....inches	11.000
Bore of hub.....do	1.375 (1 $\frac{3}{8}$)
Width of hub.....do	1.750 (1 $\frac{3}{4}$)
Brake Pedal, Material.....	Malleable iron
Radius of action.....inches	11.000
Bore of hub.....do	1.500 (1 $\frac{1}{2}$)
Width of hub.....do	3.000

CARE AND OPERATION

CLUTCH ADJUSTMENT

The adjustment of the clutch is comparatively simple. All that is necessary is to remove the clutch adjusting plate lock, which is held in place by two cap screws. Have somebody disengage the clutch and hold it in the disengaged position while the adjustment is being made. When the clutch is disengaged, the pressure against the notched clutch friction plate ring is relieved, and a screw driver inserted through the adjustment plate hole will serve as an instrument to rotate the notched clutch friction plate ring. This ring is provided with a right-hand thread. Hence, to adjust the clutch or to make it tighter when engaged, the notched clutch friction plate ring should be rotated in a clockwise direction when looking at the clutch from the rear. When the clutch ring has been rotated enough, the notched clutch friction plate is again locked in place by the clutch adjusting plate lock.

CLUTCH BRAKE DIMENSIONS

Clutch Brake Drum Diameter.....inches	4.250 (4 $\frac{1}{4}$)
Width.....do	1.000
Clutch Brake Band, Material.....	Malleable iron
Section, shape.....	Channel
Depth.....inches	0.750 ($\frac{3}{4}$)
Width.....do	1.000
Thickness.....do	0.125 ($\frac{1}{8}$)
Clutch Brake Facing, Material.....	Asbestos fabric
Length.....inches	5.000
Width.....do	1.000
Thickness.....do	0.312 ($\frac{5}{16}$)

CLUTCH REMOVAL

To remove the clutch without disturbing the transmission, the two bolts holding the universal driving coupling onto the clutch shaft are removed; then the four bolts holding the universal driving coupling onto the universal driving coupling ring, the latter being attached to the front end of the main driving pinion shaft in the transmission, are removed. The removal of these permits the universal driving coupling to be slid forward on the clutch shaft far enough for it to clear the front end of the transmission shaft when the clutch is being withdrawn from

the flywheel. Next remove the eight clutch cover holding bolts. After these are removed, the clutch cover, both clutch friction plate rings, the clutch brake plate and its flange and the clutch shaft may all be pulled to the rear until they clear the rear edge of the flywheel. Then the entire clutch may be lowered down and out of the chassis if the under pan has been removed beforehand. The under pan should be taken off before the clutch is disassembled, as it will be much more convenient to work on the clutch when this has been removed, and it is necessary to remove it before the clutch can be taken out of the car.

REPLACEMENT OF FRICTION SURFACE

Until the friction surfaces, which are made from asbestos fabric, have worn down to such an extent that the copper rivets holding these surfaces in place begin to strike the plate, it is unnecessary to do more than adjust the tightness of the clutch by rotating the notched clutch friction plate ring. New rings should be obtained when this condition arises, and the old rings taken out by punching out the rivets, the new friction rings of asbestos fabric inserted and riveted in place. Great care should be taken to see that the rivet heads are carried well below the surface of the friction material, otherwise the clutch cannot be adjusted many times before the friction plate begins to bear on the rivet heads.

NEW FRICTION FACING RINGS

When replacing friction rings, care should be taken to have a perfect bearing both on the inside and outside circumference of the rings. On account of the method used in manufacturing these rings, they tend to become thicker on the inside circumference than on the outside if not in use. Therefore, when replacing friction surfaces, a straightedge should be laid across these friction facing rings to be sure that they are not higher at the inside edge than they are at the outside. If they are higher, they should be dressed down with a coarse file. This precaution should be observed when replacing the friction facing rings on both the flywheel and the friction plate.

CHAPTER V

TRANSMISSION UNITS

CHAPTER CONTENTS

TRANSMISSION GEAR SHIFT
TRANSMISSION OPERATION
TRANSMISSION CARE AND REPAIR
PROPELLER SHAFT
UNIVERSAL JOINTS
TIRE PUMP

TRANSMISSION UNITS

Transmission units comprise the following assemblies: Transmission gear box, containing the gears, by means of which the ratio between the engine and the rear wheels is varied; the propeller shaft, which joins the transmission gear shift unit and rear axles; the three universal joints, one of which is located at either end of the propeller shaft and the third between the clutch and the transmission gear box; and the power tire pump, located on top of the transmission gear box.

FUNCTION OF TRANSMISSION

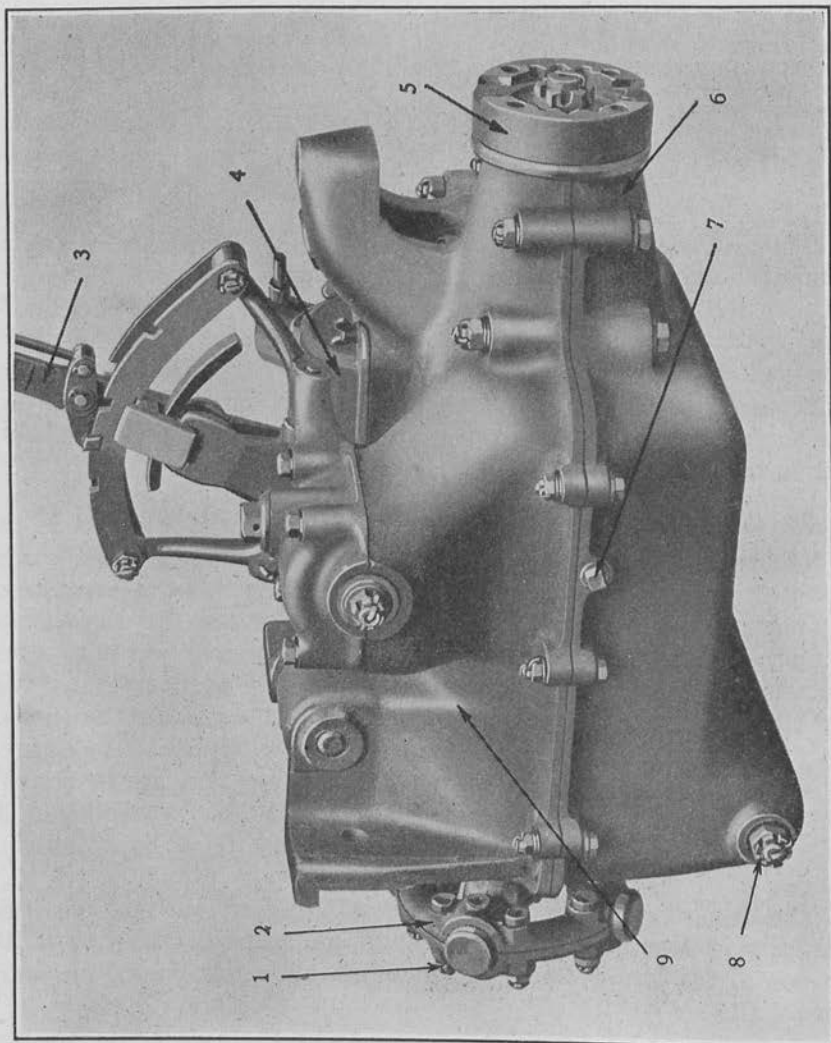
The transmission gear shift unit consists of a combination of gears mounted upon shafts and the whole contained in a cast iron two-piece housing, which is supported by the second and third cross members of the frame. The function of the transmission is to alter the tractive effort at the road wheels or the ratios between the engine and the wheel revolutions. The gears might be considered as levers, and in the transmission a variation of leverage is obtainable by changing the number of teeth in the particular gears that are in action. The gear reduction, or "leverage," obtained in the transmission is again multiplied by the gear reduction of the driving bevel gear in the rear axle.

The transmission is of the selective sliding gear type and provides four forward lever speeds. The different speeds are obtained by shifting one of the two sliding gears mounted upon the splined or main drive shaft.

RELATION OF TRANSMISSION SHAFTS

There are four shafts in the transmission unit, one of them the main drive gear or clutch gear shaft, and the second the main drive shaft or sliding gear shaft. The latter is often called the "splined" shaft. These two shafts rotate about the same axis but are not positively connected together, although the latter is supported at the front end by a double row ball bearing located in the

PLATE 32



RIGHT SIDE OF TRANSMISSION

PLATE 32—RIGHT SIDE OF TRANSMISSION

Ref. No.	Part No.	Name
1	073 1/2 TBC	Drive shaft trunnion, front.
2	073 1/2 GF	Universal joint toggle.
3	0180 1/2 GFB	Change gear lever.
4	575 TEF	Tire pump frame.
5	0425 1/2 GED	Transmission universal joint ring.
6	0425 3/4 GED	Transmission universal joint ring grease retainer.
7	574 TEF	Transmission case, lower half.
8	0972 1/2 GF	Reverse shifter lever shaft.
9	573 TEF	Reverse shifter lever, upper half.

rear end of the former. The other two essential shafts are the countershaft and the reverse idler gear shaft.

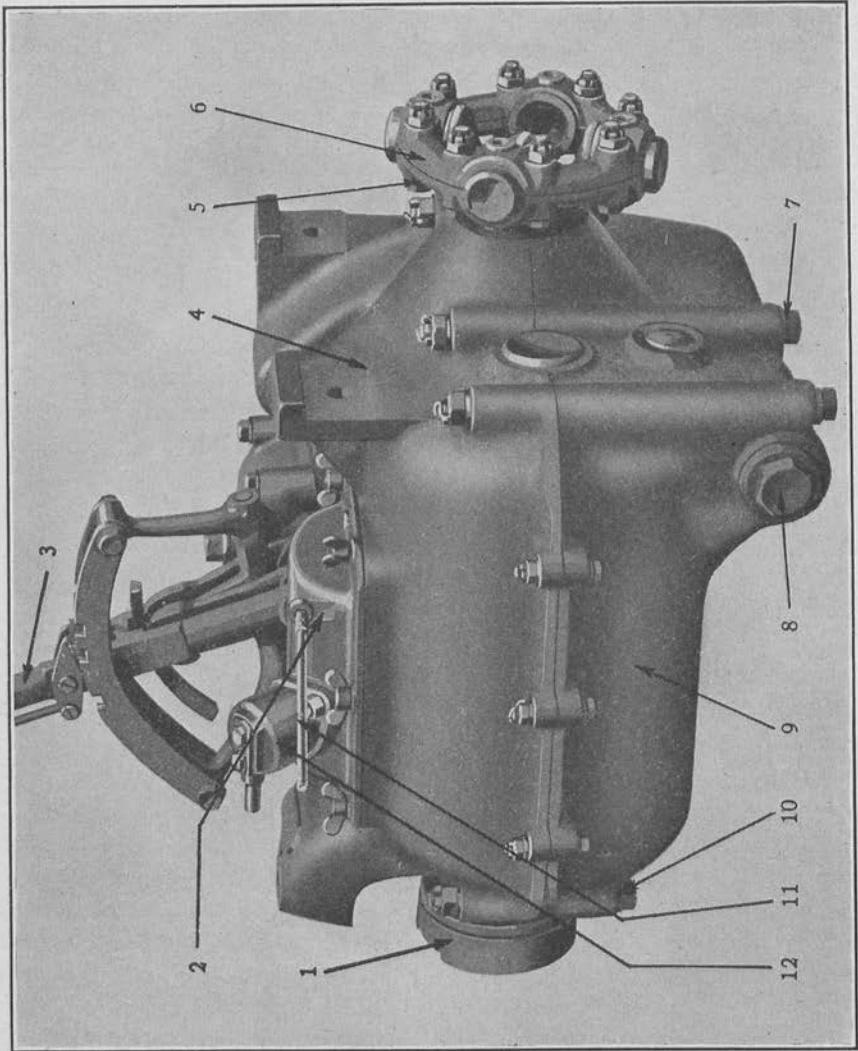
The power from the clutch is delivered to the transmission through the main drive gear or clutch gear shaft. The power transmitted through the transmission is finally delivered to the rear drive system, that is, the universal joints, propeller shaft and rear axle, through the main drive or "splined" shaft, to the rear end of which the universal joint is attached. The main drive shaft, the clutch shaft and the countershaft are all carried upon annular ball bearings. The reverse idler shaft is carried in the lower half of the transmission case and is stationary.

The entire transmission gear case is made up in four units: The upper half, which supports the entire case; the lower half, which is bolted to the upper half; the cap which holds the gearshift lever shaft in place and carries the gear shift quadrant; and the transmission cover plate, which not only closes the opening in the top of the transmission case, upper half, but also carries the tire pump. All of these parts of the transmission case are made from cast iron.

OPERATION OF TRANSMISSION

The operation of the transmission cannot be clearly understood until one has in mind the location of the various gears and their names. The main drive or clutch gear is located in the front end of the transmission and receives the power direct from the clutch shaft. It drives the countershaft driven or back gear, with which it is constantly in mesh, hence the common designation of these two gears as the "con-

PLATE 33



LEFT SIDE OF TRANSMISSION

PLATE 33—LEFT SIDE OF TRANSMISSION

Ref. No.	Part No.	Name
1	0425½ GED	Transmission universal joint ring.
2	575 TEF	Tire pump frame.
3	0180½ GFB	Change gear lever.
4	578 TEF	Transmission case, upper half.
5	073½ GF	Universal joint toggle.
6	073½ TBC	Drive shaft trunnion, front.
7	S0574½ GF	Transmission case bolt.
8	0327½ O	Drain plug.
9	574 TEF	Transmission case, lower half.
10	S0578 GA	Transmission case bolt.
11	0209 TED	Air pump engaging rod.
12	575½ GF	Air pump cylinder.

stant mesh" gears. On the countershaft there are four other gears in addition to the countershaft driven or back gear. These gears vary in diameter and the number of teeth on each. The gears on the countershaft, starting from the front end, are the back gear or countershaft driven gear, the high speed, the second speed, the low speed and the reverse gear. The countershaft driven gear or back gear is pressed onto the countershaft and keyed in place. It is held against its shoulder by the front ball bearing and a castellated nut. The fourth and second speed gears are forged integral, also pressed and keyed onto the countershaft and held in place by a slotted nut. The low and reverse gears are cut integral with the countershaft.

On the main or "splined" shaft there are mounted three gears. Starting from the front end, the first of these gears is the high speed sliding gear, which is a single gear with a shifter fork collar on the rear side, by means of which it may be shifted longitudinally on the "splined" shaft. The next two gears are the second and low speed gears. Since the two gears are forged together, this pair of gears is distinguished from the high speed gear as the sliding double gear, while the high speed gear is called the sliding single gear. The sliding double gear is also provided with a gear shift collar on the rear end, by means of which the pair are moved longitudinally on the "splined" shaft. The path of power through the transmission can now be determined for the various speeds. This will be clearer if reference is made to the accompanying illustrations, which show these gears in their various relative positions.

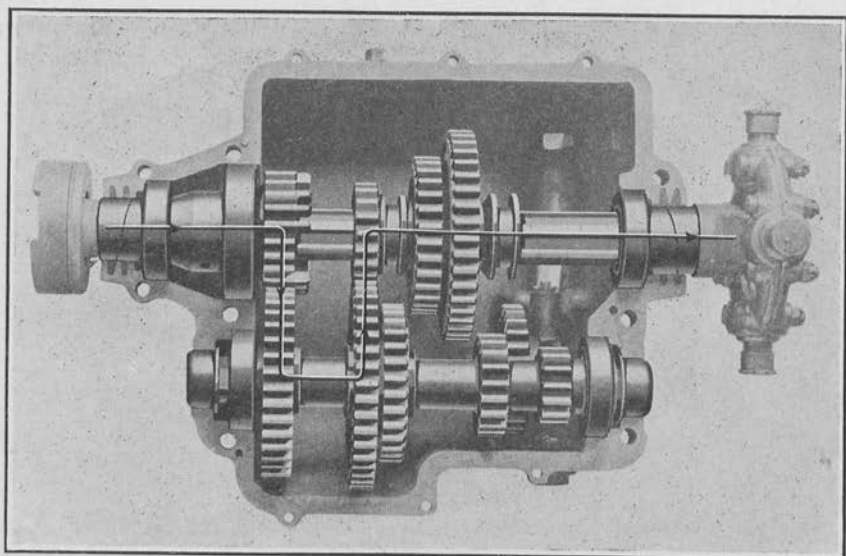


PLATE 34—TRANSMISSION GEARS IN FOURTH OR TOP SPEED

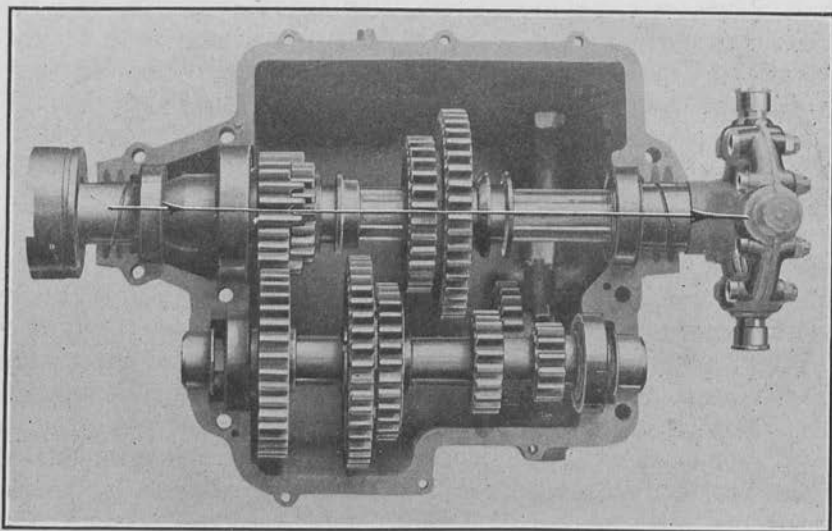


PLATE 35—TRANSMISSION GEARS IN DIRECT OR THIRD SPEED

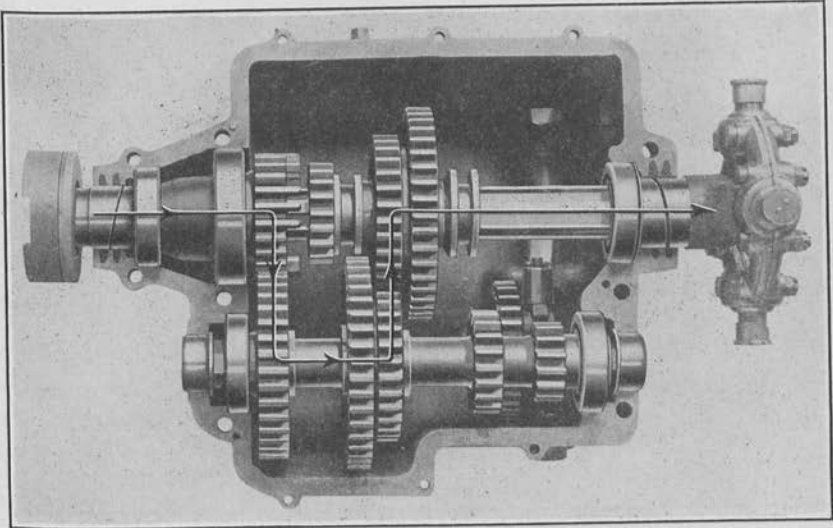


PLATE 36—TRANSMISSION GEARS IN SECOND SPEED

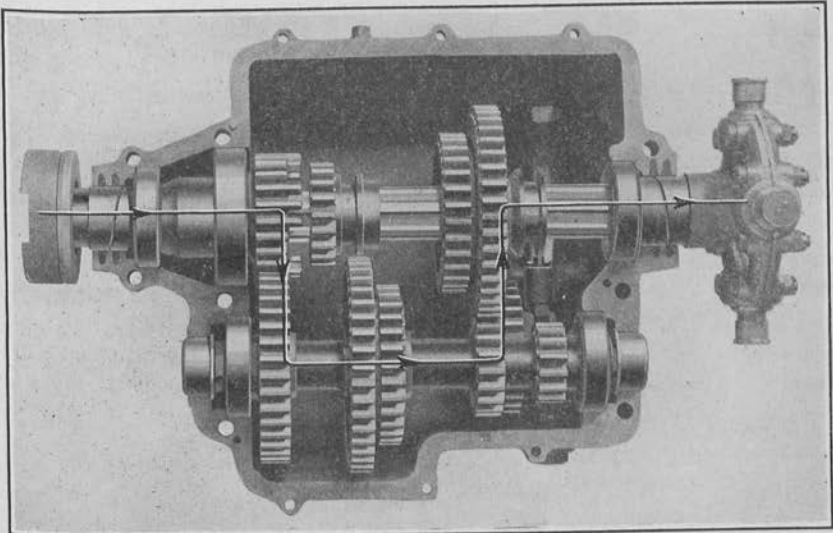
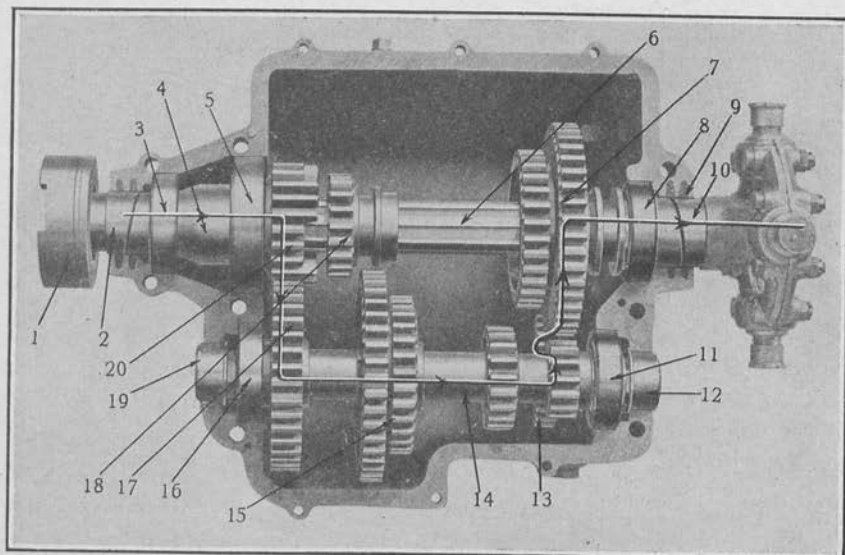


PLATE 37—TRANSMISSION GEARS IN FIRST OR LOW SPEED



TRANSMISSION GEARS IN REVERSE SPEED

Ref. No.	Part No.	Name
1	0425 1/2 GED	Transmission universal joint ring.
2	09161 GED	Transmission universal joint head.
3	308	Transmission clutch gear bearing, front.
4	960 GF	Transmission clutch gear bearing spacer.
5	310	Transmission clutch bearing, rear.
6	0901 GFB	Transmission sliding gear shaft.
7	0909 GF	Transmission sliding double gear.
8	408	Transmission sliding gear shaft bearing, rear.
9	901 1/4 GA	Transmission case oil retainer felts.
10	073 1/2 GF	Universal joint toggle.
11	308	Transmission back gear shaft bearing.
12	09770 1/2 GF	Transmission back gear shaft oil retainer cap.
13	0913 GF	Transmission reverse gear.
14	0971 GF	Transmission back gear shaft.
15	0911 GF	Transmission double back gear.
16	308	Transmission back gear shaft bearing.
17	0910 GF	Transmission back gear.
18	0908 GF	Transmission sliding gear.
19	09770 1/2 GF	Transmission back gear shaft oil retainer cap.
20	0907 GF	Transmission clutch gear.

NUMBER OF SPEEDS

There are four forward speeds, and one reverse, provided on the White, Model TEB-O, Chassis. Of these speeds, the fourth is a stepped-up, indirect one, while the third is the direct drive. On account of the direct drive being on three speeds, it is desirable always to use this speed where possible. The stepped-up or fourth speed should be used only on level roads or down grades where a maximum speed is desired.

FOURTH OR STEPPED-UP SPEED

When the gears are engaged so as to get the fourth or stepped-up speed, the single or high speed sliding gear is pushed backward until it meshes with the fourth speed gear on the countershaft. Then the drive is through the clutch or main drive gear to the countershaft driven or back gear, through the countershaft to the fourth speed countershaft gear, thence through the high speed sliding gear to the "splined" or main drive shaft.

THIRD SPEED OR DIRECT DRIVE

On third speed, or direct drive, the single or high speed sliding gear is advanced forward of the neutral position until it engages teeth cut in the rear side of the clutch or main drive gear. When in this position it locks the "splined" shaft to the main drive gear or clutch shaft. The power is then transmitted directly from the main drive gear or clutch shaft to the "splined" shaft and to the rear wheels without going through any of the countershaft gears.

SECOND SPEED

In second speed, the sliding double gear is moved forward from the neutral position until the front gear of the pair is in mesh with the second speed gear mounted on the countershaft. The power is then transmitted from the main drive or clutch gear to the countershaft driven or back gear, through the countershaft to the second speed countershaft gear, thence through the smaller double gear to the main drive or "splined" shaft, and thence to the rear wheels.

TRANSMISSION CASE DIMENSIONS

Transmission Case, Upper Half, Material	Cast iron
Size of Ball Bearings, front, small	Number 308
Front, large	do 310
Rear	do 408
Countershaft	do 308
Diameter of Housing for Bearing—	
Front, small	inches 3.543 ($3\frac{1}{16}$)
Front, large	do 4.330 ($4\frac{1}{16}$)
Rear	do 4.330 ($4\frac{1}{16}$)
Countershaft	do 3.543 ($3\frac{1}{16}$)
Transmission Case, Lower Half, Material	Cast iron
Dimensions for Bearings, same as above.	

FIRST OR LOW SPEED

The double gear is moved to the rear from its neutral position in order to engage the low speed countershaft gear. When in this position the power is transmitted from the main drive or clutch gear to the countershaft driven or back gear, through the countershaft to the low speed gear, thence through the larger of the double gears to the main drive or "splined" shaft, and thence to the rear wheels.

REVERSE

The reverse is operated by means of a double shift in the gear box, although it merely means moving the gear shift lever from low speed position to reverse speed position, which is simply a movement of the lever further forward in its quadrant. To engage the reverse gear, starting from neutral, it is necessary to first pass through the low or first speed position, and, vice versa, it is necessary to go through the low speed gear when returning from reverse to the neutral position.

Starting with the double gear in the low speed position, it is moved further to the rear to engage the reverse speed. To engage this reverse speed, it is necessary not only to shift the double gear to the rear, out of mesh with the low speed gear, but also to slide the reverse idler gear, mounted upon the stationary reverse idler gear shaft, to the rear. The latter motion is accomplished by the use of a reverse shifter lever carried in the lower half of the transmission case and carried upon the reverse shifter lever shaft, which is fixed in the case. The reverse idler gear is drawn out of mesh, when the gears are returned to first speed or to neutral, by means of a spring which operates on the reverse shifter lever.

When the power is transmitted through the reverse gears, it will be from the clutch or main drive gear to the countershaft driven or back gear; through the countershaft to the countershaft reverse gear, thence through the reverse idler gear to the larger double gear. From these it is transmitted through the main drive or "splined" shaft to the rear wheels, but as the idler gear has been introduced into the system, the main drive shaft will now rotate in the opposite direction to which it does normally, and thus give the reverse speed.

GEAR RATIOS

The variation in "leverage," as it might be expressed, between the engine and the ground is designated as the gear reduction of the transmission. This is also expressed as the gear ratio, or the difference in speed, between the engine and the rear wheels. With the gears used in the White, Model TEB-O Chassis, the following gear reductions, or ratios, are obtained:

Indirect or fourth speed	0.76 to 1
Third or direct drive speed	1.00 to 1
Second speed	1.66 to 1
Low or first speed	3.05 to 1
Reverse speed	4.07 to 1

With the standard rear axle reduction, the following total reductions from the engine to the wheels are obtained.

High or fourth speed	3.56 to 1
Third or direct drive speed	4.66 to 1
Second speed	7.75 to 1
Low or first speed	14.20 to 1
Reverse speed	18.92 to 1

CAR SPEEDS

ENGINE SPEED 1000 Revolutions per Minute

High or fourth speed	Miles per hour, 30.00
Third or direct drive speed	do do do 22.95
Second speed	do do do 13.80
Low or first speed	do do do 7.53
Reverse speed	do do do 5.65

ENGINE SPEED 1500 Revolutions per Minute

High or fourth speed	Miles per hour, 45.00
Third or direct drive speed	do do do 34.50
Second speed	do do do 20.70
Low or first speed	do do do 11.30
Reverse speed	do do do 8.50

TRANSMISSION SHAFTS

MAIN DRIVE GEAR SHAFT

The main drive gear shaft is carried at the front end of the transmission gear box upon two ball bearings, a large and a small one. This shaft is forged integral with the main or clutch drive gear. The two ball bearings are clamped upon this shaft by a shoulder on the forward side of the main drive gear and the front universal joint head. A spacer of tubular form is placed between the two bearings to hold them at the proper distance apart when they are clamped in place. The universal joint head is drawn up on the front end of the main drive or clutch shaft by means of a castellated nut. The rear end of the main drive or clutch gear is counterbored to receive the main or "splined" shaft support bearing, which is a double row annual type of bearing.

Since the transmission case is divided along the center line of the main and countershaft, the two annular ball bearings which carry the clutch or main drive gear shaft are clamped in place by the two halves of the transmission case when it is assembled. To insure that these bearings are accurately and properly clamped in place, through bolts are placed on each side of these bearings, making four in all.

TRANSMISSION GEAR DIMENSIONS

WHITE, MODEL TEB-O, CHASSIS

Name of Gear	No. of Teeth	Diam. of Gear		Width of Gear Inches	Bore of Hub Inches
		Pitch Inches	Outside Inches		
Clutch Gear.....	19	95mm. 3.740 (3 $\frac{3}{4}$)	4.212 (4 $\frac{1}{2}$)	1.250 (1 $\frac{1}{4}$)	Forged integral with shaft.
High Speed Sliding Gear.....	16	80mm. 3.149 (3 $\frac{1}{2}$)	3.622 (3 $\frac{5}{8}$)	1.250 (1 $\frac{1}{4}$)	Broached to fit splined shaft.
Intermediate Sliding Gear.....	25	125mm. 4.921 (4 $\frac{11}{16}$)	5.315 (5 $\frac{5}{16}$)	1.000	Broached to fit splined shaft.
Low Sliding Gear.....	32	160mm. 6.299 (6 $\frac{1}{2}$)	6.614 (6 $\frac{5}{8}$)	1.000	Broached to fit splined shaft.
Countershaft Driven Gear.....	29	145mm. 5.708 (5 $\frac{11}{16}$)	6.023 (6 $\frac{1}{2}$)	1.062 (1 $\frac{1}{16}$)	1.687 (1 $\frac{11}{16}$)
Countershaft High Gear.....	32	160mm. 6.299 (6 $\frac{1}{2}$)	6.614 (6 $\frac{5}{8}$)	1.000	2.062 (2 $\frac{1}{16}$)
Countershaft Intermediate Gear.....	23	115mm. 4.527 (4 $\frac{11}{16}$)	4.921 (4 $\frac{11}{16}$)	1.000	2.062 (2 $\frac{1}{16}$)
Countershaft Low Gear.....	16	80mm. 3.149 (3 $\frac{1}{2}$)	3.622 (3 $\frac{5}{8}$)	1.000	Integral with countershaft.
Countershaft Reverse Gear.....	12	60mm. 2.362 (2 $\frac{11}{16}$)	2.803 (2 $\frac{11}{16}$)	1.000	Integral with countershaft.
Reverse Idler Gear....	20	100mm. 3.937 (3 $\frac{11}{16}$)	4.330 (4 $\frac{5}{16}$)	0.937 ($\frac{15}{16}$)	1.312 (1 $\frac{5}{16}$)

NOTE—

All gears are 5 Module Pitch and Form. This is the French system of cutting gear teeth.

TRANSMISSION SLIDING GEAR OR "SPLINED" SHAFT

The transmission sliding gear or "splined" shaft is carried upon two ball bearings. One of these is the double row annular bearing which slips into the rear end or counterbore of the main drive or clutch gear. This bearing is held onto the front end of the main drive or "splined" shaft by a castellated nut and washer. From this bearing to the rear annular bearing the shaft is provided with six splines milled integral with the shaft. These splines drive the sliding gears but permit the movement of these gears longitudinally on the shaft. The rear ball bearing is held in place by the hub of the rear universal joint. The bearing is clamped between the shoulder at the rear end of the "splined" shaft and the hub of this universal joint. The universal joint is held in place on the rear end of the main drive shaft by a nut and driven through a square which is milled upon the rear end of the shaft.

TRANSMISSION SHAFT DIMENSIONS

Countershaft, Material.....	Chrome steel forging		
Diameter, ends for ball bearings.....	inches	1.564	(1 $\frac{9}{16}$)
At middle maximum.....	do	1.812	(1 $\frac{13}{16}$)
For intermediate gears.....	do	2.062	(2 $\frac{1}{16}$)
For countershaft driven gear.....	do	1.687	(1 $\frac{11}{16}$)
Intermediate gear thread.....	do	1.937	(1 $\frac{15}{16}$)
Number of threads.....	per inch	16	
Length, overall.....	inches	14.817	(14 $\frac{13}{16}$)
Splined or Main Drive Shaft, Material.....	Chrome nickel steel		
Diameter, over thread at front end.....	inches	0.750	($\frac{3}{4}$)
For pilot bearing at front end.....	do	1.181	(1 $\frac{3}{16}$)
Over splines.....	do	1.937	(1 $\frac{15}{16}$)
At bottom of splines.....	do	1.634	(1 $\frac{5}{8}$)
For rear bearing.....	do	1.574	(1 $\frac{9}{16}$)
Rear end threads.....	do	0.875	($\frac{7}{8}$)
Over corners of square.....	do	1.574	(1 $\frac{9}{16}$)
Size of square, side.....	do	1.251	(1 $\frac{1}{4}$)
Threads, front end.....	per inch	14	
Rear end.....	do	20	
Reverse Idler Shaft, Material.....	Chrome nickel steel		
Diameter, large end.....	inches	1.125	(1 $\frac{1}{8}$)
Gear portion of shaft.....	do	1.062	(1 $\frac{1}{16}$)
Threaded portion.....	do	0.750	($\frac{3}{4}$)
Length, overall.....	do	6.562	(6 $\frac{9}{16}$)
Number of threads.....	per inch	14	
Reverse Shifter Shaft, Material.....	Steel forging		
Diameter, large end.....	inches	0.875	($\frac{7}{8}$)
Reduced diameter.....	do	0.687	($\frac{11}{16}$)
Threads.....	do	0.562	($\frac{9}{16}$)
Length of shaft, overall.....	do	9.062	(9 $\frac{1}{16}$)
Number of threads.....	per inch	16	

SHAFT LOCATION

The shafts are located in place by anchoring the ball bearings in the transmission case. The main drive or "splined" shaft is anchored in place by flanged collar or thrust ring, which drops into a notch cut in the upper and lower halves of the transmission case. The outer race of the rear bearing, therefore, butts up against a shoulder on the case on its rear side and against this thrust or clamp on its front side.

The main or clutch drive gear shaft is held in place by locking the smaller or front annular ball bearing in the transmission case by a similar but smaller thrust ring than is used for the rear bearing.

COUNTERSHAFT

There are three gears attached to the countershaft and two cut integral with it. The countershaft reverse and low speed pinions are the ones which are cut integral with it. The fourth and second speed gears, which are an integral forging, are pressed onto the largest diameter of the countershaft, keyed in place with a Woodruff key and locked in position with a slotted ring nut. At the front end of the shaft, on a slightly smaller diameter, the countershaft driven or back gear is pressed onto the shaft and prevented from rotating with a Woodruff key. It is prevented from working off the front end of the shaft by the front ball bearing, which is pressed up against it, and a castellated nut and washer behind the latter. At the rear end of the countershaft a similar ball bearing is provided and held in place on the shaft in the same manner.

REVERSE GEAR SHAFT

The reverse gear shaft is carried in the bottom of the transmission case just above the reverse shifter lever shaft and directly beneath the countershaft. It is held in place by a castellated nut and washer.

REVERSE SHIFTER LEVER SHAFT

The reverse shifter lever shaft is one which is held in the lower half of the transmission case by means of a castellated nut and washers and is at right angles to the shafts of the transmission. It carries the reverse shifter lever, by means of which the reverse gear is shifted into engagement when this speed is required.

GEAR SHIFT LEVER MECHANISM

The gear shift lever and its mechanism is distinctly different from anything which is generally used on other motor vehicle equipment and, therefore, should be carefully studied. The gear shift lever is independent of the shift mechanism so far as the direct shifting of the gears is concerned. It is merely the medium whereby the proper shifting mechanism may be picked up and operated. It is provided with a pivot at the bottom, which allows it to be removed laterally, and is carried upon a shaft which is free to rotate. At the upper end of the gear shift lever there is a button by means of which the transmission latch or gear lever dog is raised when the button is depressed. This latch or dog locks the gear lever in whatever speed it may be engaged or keeps it in neutral when the lever is in that position. This is the only means of locking the gears in mesh.

There are two gears which have to be shifted, the high or fourth speed and direct drive gear, which is also designated as the sliding single gear, and the two low and reverse gears, which are designated as the sliding double gear. These two sets of gears are operated by shifter forks which are interconnected through a train of levers inside of the gear box and terminate in two engaging levers, as they are called, which are outside of the gear case and directly under the gear shift lever quadrant. Moving the lever laterally, either to the left or to the right, on its pivot, connects it to either one or the other of these two engaging levers. If the gearshift lever is then pushed forward or pulled backward, it moves the engaging lever, which it has picked up, in the same direction. Hence, it transmits this motion through the train of levers to the proper shifter fork inside of the transmission case and moves the corresponding gear in the direction desired by the driver.

To prevent accidentally engaging the other set of gears which are in neutral, while one set of gears is being shifted, a latch or interlock is provided. The interlock is in the form of a T-shaped piece carried on a pivot, located at the bottom of the T, and on the gear shift quadrant, the axis of which is at right angles to that of the gear shift lever shafts. This latch is provided with suitable slots and connected with the gear shift lever so that it will always pick up the engaging lever which is left in neutral while the other is being shifted, and thereby positively prevents any motion of the gear that is in neutral.

LUBRICATION OF TRANSMISSION

The transmission is provided with a filler plug located in the top of the gear shift lever shaft cap. The transmission lubricant can be introduced at this point. On the right hand side of the transmission case, just below the parting line of the upper and lower halves, is an iron pipe plug which should be withdrawn whenever the transmission case is replenished with lubricant. This plug fixes the minimum level at which the oil should be carried in the case. Felt washers are provided at both front and rear ends of the transmission case to prevent leakage of this oil out around the shafts. If the level of oil is carried too high there will be excessive oil leakage.

The transmission case should be drained of lubricant and thoroughly washed out with kerosene, not gasoline, at the end of the first five hundred to one thousand miles of operation, in order to remove any small particles of metal or chips which may have worn off during the first period of operation. Thereafter, the case should be drained out, cleaned with kerosene and replenished with clean oil every fifteen hundred or two thousand miles. In the meantime, the oil supply should be kept up to the proper oil level as prescribed under "Maintenance Routine" on pages 31 and 37.

REPAIR OF TRANSMISSION

The transmission is a unit in itself and may be removed for repair without disturbing any of the other elements of the chassis. To remove the transmission it is necessary to disconnect the rear universal joint as well as the front one. The clutch coupling, which is held in place with two through bolts, should first be disconnected, and then the four bolts which hold the universal coupling to the front end of the transmission removed. As the transmission is held in place on the frame at three points, there will be little difficulty in disconnecting it.

If an examination of the transmission only is required, this can be readily done by draining the transmission case, cleaning it out with kerosene and then inspecting it through the large opening provided in the top by the removal of the cover plate, which carries the entire mechanical tire pump. The cover plate is held in place with six wing nuts so that it is not difficult to remove this in order to examine the transmission.

REMOVING TRANSMISSION, LOWER HALF

It may be convenient at times to leave the upper half of the transmission case in the frame and merely remove the lower half of the transmission. This is quite frequently the case when it is desired to repair stripped or broken gear or perhaps a worn ball bearing. To do this, proceed as before, by removing the universal joints at both ends of the transmission. Then carefully block up the lower half in place, proceed to remove all the bolts which hold the lower to the upper half. Remove the inspection cover plate with the tire pump from the top of the case, so as to see what you are doing, and then carefully lower the bottom half of the transmission, making sure that all of the transmission gears, shafts and bearings are carried down with the lower half. If there is any tendency for them to stick in the upper half, gently tap them down with the handle of a hammer. Never use the steel end of the hammer on any of the parts inside of the transmission.

PROPELLER SHAFT AND UNIVERSAL JOINTS

LOCATION

The propeller shaft and universal joints are located, and transmit the power, between the transmission gear shift box and the rear axle. There are two joints, one located at each end of the tubular propeller shaft.

FUNCTION OF UNIVERSAL JOINTS

Universal joints are necessary in power transmitting shafts to permit relative motion between the two units interconnected. Thus, an axle moves up and down, due to inequalities of the road, altering its up

and down position relative to the transmission. If a propeller shaft were rigidly connected to both transmission and axle, it would bend or break with the movement of the axle. The universal joints allow the propeller shaft to move up and down, or sideways if necessary (universal movement, or movement in any direction) without throwing any strain upon or disaligning the shafts in either the transmission gear box or the rear axle.

PROPELLER SHAFT

The propeller shaft extends from the transmission to the rear axle. This shaft is tubular between the universal joints. At the rear end of the shaft, a solid square end is brazed onto the tube. At the front end the tube is brazed into the front drive shaft trunnion. A long drive shaft, like the one used on this chassis, is prevented from whipping by the employment of a large tubular shaft. By using tubular construction, the shaft may be made stiff enough without increasing the weight.

CONSTRUCTION OF UNIVERSAL JOINTS

The two main universal joints are similar in construction and are both located between the transmission gear box and the rear axle, while one universal joint is used on the White, Model TEB-O, Chassis between the clutch and the transmission gear box. The latter will be described in detail after considering the construction of the two main universal joints at the rear of the transmission. Each universal joint is made up with two trunnions, which are assembled so that their axes are at right angles. They are held together by the two halves of the universal joint ring, which are bolted together. The trunnion end of each of these universal joints is exactly the same, but the portion of each trunnion which is attached to the shafts differs on all four units. The drive of the transmission gear shaft trunnion which is attached to the rear end of the transmission main drive or "splined" shaft, has a square hole broached in it to take the drive from that shaft. The drive shaft trunnion which is attached to the front end of the tubular propeller shaft is also different because of this mounting. The front trunnion of the rear universal joint has a latch extension and is broached out square so as to take the square rear end of the propeller shaft. The fourth or rear drive shaft trunnion is attached to the rear axle bevel pinion shaft by means of a tapered square and slotted nut. Each of these four trunnions is, therefore, not interchangeable, on account of their distinctive difference, and can readily be distinguished or designated when making replacements. A capped bushing is fitted over each of the trunnions so that no wear comes upon the rings and so that wear may be taken up readily after the universal joints have been in service for a considerable period of time.

The squared rear end of the propeller shaft, which fits into the square hole in the forward rear universal joint trunnion, is provided to allow for variations in the length of the propeller shaft, due to movement of the springs.

PROPELLER SHAFT DIMENSIONS

Propeller Shaft Tube, Material.....			Steel
Diameter, center, maximum.....	inches	2.250	($2\frac{1}{4}$)
Ends.....	do	2.250	($2\frac{1}{4}$)
Length, of shaft.....	do	51.000	
Of tube.....	do	42.500	($42\frac{1}{2}$)
Thickness of tube wall.....	do	0.156	($\frac{5}{32}$)
Size of Square End, Diameter.....	do	2.250	($2\frac{1}{4}$)
Side.....	do	1.750	($1\frac{3}{4}$)

UNIVERSAL JOINT LUBRICATION

The universal joints are well lubricated with grease, provided the ten grease cups on this assembly are regularly filled and screwed down. A separate grease cup is provided on all four of the trunnion bushings and two grease cups, in addition, provided to lubricate the square sliding portion on the rear end of the propeller shaft. Both universal joints and the slip joint on the rear end of the propeller shaft are completely enclosed with flexible leather boots that are laced in place and fitted to their particular joints. These keep the dirt and mud out of the working parts of the universal joints and retain the grease that works out of the bushings. The grease cups protrude through the boots so there should be absolutely no reason for their not being filled weekly and turned up daily when the car is in regular service.

UNIVERSAL JOINT DIMENSIONS

Trunnions, Material.....			Nickel steel forging
Width of trunnions, overall.....	inches	6.000	
Length of individual trunnion.....	do	1.250	($1\frac{1}{4}$)
Diameter of individual trunnion.....	do	1.125	($1\frac{1}{8}$)
Universal Joint Bushings, Material.....			Hardened steel
Diameter, outside.....	inches	1.375	($1\frac{3}{8}$)
Outside flange.....	do	1.687	($1\frac{11}{16}$)
Inside.....	do	1.125	($1\frac{1}{8}$)
Length, overall.....	do	1.625	($1\frac{5}{8}$)
Thickness of flange.....	do	0.125	($\frac{1}{8}$)

DISASSEMBLING UNIVERSAL JOINTS

Each universal joint is held together by the two halves of the universal joint ring. When disassembling the universal joint, it is only necessary to remove the leather boots that cover them and take out the eight bolts, which hold the two halves of the universal joint ring together. The universal joint is then completely disassembled. In removing the rear axle, it is unnecessary to disconnect any of the universal joints, as the squared rear end of the propeller shaft will readily slip out of the rear universal joint trunnion.

MECHANICAL TIRE PUMP

TIRE PUMP ASSEMBLY

The mechanical tire pump is carried on the cover plate of the transmission gear box. To this cover plate is attached the tire pump cylinder and the two bearings which carry the tire air pump crankshaft and driving gear. The air pump gear is shifted into or out of mesh by means of a handle which projects through the left side member of the frame, adjacent to the air line oil trap which is bolted on the outside of the left side rail of the frame. A pipe line connects the air line oil trap mounted on the frame with the discharge outlet of the air pump cylinder. A small door in the running board shield on the left-hand side of the shaft and just ahead of the battery box gives access to both the air line oil trap and the air pump engaging rod or handle. The tire pump tube may be attached to this air line oil trap when it is desired to inflate the tires. The air line is carried in the tool box.

TIRE PUMP DIMENSIONS

Driving Gear, Material.....	Steel forging
Diameter, outside.....(mm 100) inches	3.937 ($3\frac{15}{16}$)
Pitch.....(mm 90) do	3.545 ($3\frac{33}{64}$)
Hub.....do	1.250 ($1\frac{1}{4}$)
Width, face of Gear.....do	0.625 ($\frac{5}{8}$)
Overall.....do	1.687 ($1\frac{11}{16}$)
Bore, square.....do	0.625 ($\frac{5}{8}$)
Pitch.....French Module System	5
Number of teeth.....do	18
Cylinder, Material.....	Cast iron
Bore.....inches	1.750 ($1\frac{3}{4}$)
Crankshaft, Material.....	Nickel steel
Stroke.....inches	2.000
Diameter, Shaft.....do	0.625 ($\frac{5}{8}$)
Crank pin.....do	0.625 ($\frac{5}{8}$)
Connecting Rod, Material.....	Malleable iron
Length.....inches	2.312 ($2\frac{5}{16}$)
Diameter Crank Pin Bore.....do	0.750 ($\frac{3}{4}$)
Piston pin bore.....do	0.427 ($\frac{7}{16}$)
Piston, Material.....	Cast iron
Length.....inches	1.500 ($1\frac{1}{2}$)
Diameter.....do	1.750 ($1\frac{3}{4}$)
Piston Rings, Material.....	Cast iron
Number required.....	two
Width.....inches	0.187 ($\frac{3}{16}$)

TIRE PUMP CONSTRUCTION

The tire pump is a small cast-iron cylinder attached to the transmission gear box cover plate by means of a flange and two cap screws. The transmission cover plate is held in place on top of the transmission gear box with six wing nuts. The air pump drive shaft is supported on the under side of the transmission gear box cover plate by means of two bearings, each of which is held in place by a couple of screws.

AIR PUMP CYLINDER

The air pump cylinder is provided with two valves, an inlet and an outlet. The opening to the inlet valve is covered with a screen to keep dirt from being drawn into the cylinder. Over the outlet, or check valve, in the air cylinder, there is a small port plug or cap, through which this valve may be withdrawn when necessary for its examination or regrinding.

AIR PUMP DRIVE SHAFT

The air pump drive shaft is provided with a small crank at one end, to which the connecting rod of the air pump is attached. This is the outboard end. Between the two bearings, the shaft is squared to carry the air pump drive gear. The latter is provided with a gear shift collar, so that it may be engaged with one of the transmission gears or disengaged by merely rotating the air pump engaging rod, which, as mentioned above, projects outside of the left frame side rail where it can be conveniently reached.

AIR PUMP PISTON AND ROD

The air pump piston is provided with two compression rings. The upper end of the connecting rod is pinned to the piston pin so that the latter rotates inside of the piston bosses. The connecting rod is bushed at its lower end, where it fastens on the crank pin of the drive shaft. The connecting rod is held in place by a washer and a split pin.

AIR LINE OIL TRAP

On the outside of the frame there is a very simple casting provided, which acts as an oil trap or separator for the air delivered by the pump. It is essential that this be drained every time before tires are inflated so as to remove any accumulation of oil which may have been left in the oil trap from previous operation. It should also be drained as soon as the tires have been inflated. The first instruction is given because one never knows what the previous operator may have done and it is very detrimental to tires to get any oil into them.

CHAPTER VI

AXLE AND WHEEL ASSEMBLIES

CHAPTER CONTENTS

FRONT AXLE
REAR AXLE
BRAKES
TORSION RODS
WHEELS

AXLE ASSEMBLIES

The axle assemblies on the White, Model TEB-O, Chassis consist of an I-beam front axle, which is used solely for steering and supporting the front end of the chassis; a rear axle of the built up semi-floating type, which carries the propelling mechanism of the car and supports the rear end of the chassis; the brakes, both of which are carried upon the rear axle and operate inside and outside of the brake drums attached to each rear wheel; the torsion rods, which not only preserve the proper alignment between the rear axle and the frame, but also take the thrust of the drive; and the front and rear wheels.

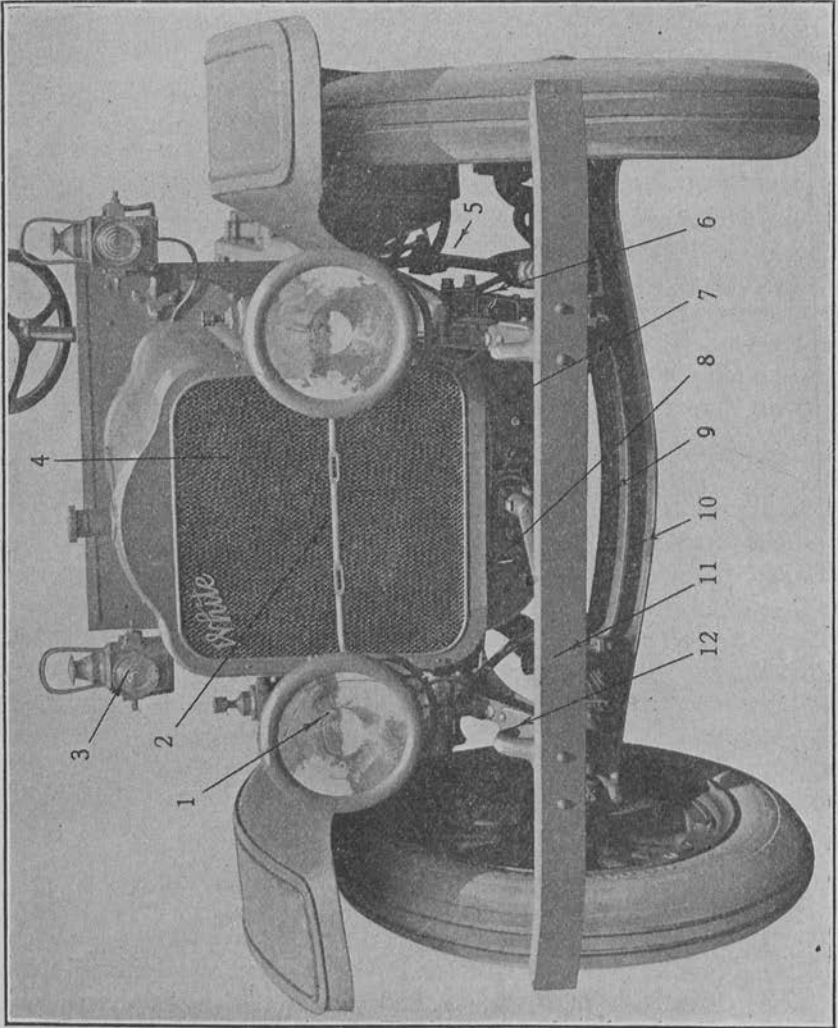
FRONT AXLE

The function of the front axle is to steer and support the front end of the car. It is provided with what are called steering knuckles, each of which carries one of the front wheels and is interconnected with the knuckle on the other side so that, when one of the wheels is turned, the other one turns in the corresponding direction. The rod which connects the two wheels is called the tie rod or long steering rod. This rod is interconnected with the steering knuckles by means of the steering arms, one arm being attached to each of the steering knuckles. The left-hand steering knuckle has a double arm, the upper one of these two arms being connected to the drag link which transmits the motion from the steering gear to the front axle.

FRONT AXLE DESIGN

The front axle, or bed, is a single pieced drop forging, the outer ends of which are forked to carry the steering knuckles. This design of steering knuckle is called the Elliot type. Pads are forged integral with the upper flange of the I-beam section front axle, upon which the springs rest and which provide means for attaching the springs to the axle bed. Both the upper and the lower ends of the axle bed forks are bored and threaded to carry the steering knuckle. Steps are provided on the axle bed so as to limit the turning radius of the car. This is done to prevent the tires from rubbing against the fenders, frame or some other part and therefore being injured or unduly worn. With the large tires used on

PLATE 39



FRONT VIEW OF CHASSIS

PLATE 39—FRONT VIEW OF CHASSIS

Ref. No.	Part No.	Name
1		Headlight.
2		Headlight tie rod.
3		Side oil lamps.
4	TEB	Radiator.
5	444	Reach rod.
6	028	Compression release lever.
7	164	Crankcase overflow valve extension.
	S0101 1/4	GEB
8	00709 1/4	GAH Radiator drain cock.
9	029	GFB Tie rod.
10	06	GFB Front axle I-beam.
11	266 7/8	TED Bumper.
12	0266 5/8	TED Towing hook and bumper bracket.

the White, Model TEB-O, Chassis, it is impossible to get the same turning radius in both directions and the stops on the axle are provided so as to limit the turning radius to the proper amount on each side.

FRONT AXLE DIMENSIONS

Front Axle, Material.....	Steel drop forging
Type.....	I-beam
Center to center steering knuckles.....	inches 50.625 (50 5/8)
Center to center spring seats.....	do 27.250 (27 1/4)
Top of steering arm to top of spring seat.....	do 4.000
Center of wheel to top of spring seat.....	do 2.500 (2 1/2)
Center of wheel to top of axle at middle.....	do 5.000
Section of I-beam, height.....	do 2.500 (2 1/2)
Width.....	do 1.750 (1 3/4)
Thickness.....	do 0.375 (3/8)
Yoke, type.....	Elliott
Diameter thread, at top.....	inches 1.125 (1 1/8)
At bottom.....	do 1.750 (1 3/4)
Pitch of thread, at top.....	per inch 11
At bottom.....	do 14
Steering Spindle, Material.....	Steel drop forging
Height, overall.....	inches 8.250 (8 1/4)
Diameter, stem, at top.....	do 0.922 (9/8)
At bottom.....	do 0.875 (7/8)
Inner wheel bearing seat.....	do 1.771 (1 3/4)
Outer wheel bearing seat.....	do 1.181 (1 3/8)
Thread on end of spindle.....	do 0.875 (7/8)
Number of threads.....	per inch 13
Length of spindle.....	do 7.062 (7 1/8)
Front Axle Tie Rod, Material.....	Steel drop forging
Length, overall.....	inches 43.250 (43 1/4)
Center to center of yokes.....	do 46.875 (46 7/8)
Drop at center below center line through ends.....	do 2.000
Section of I-beam, height.....	do 1.500 (1 1/2)
Width.....	do 0.875 (7/8)
Thickness.....	do 0.187 (3/16)
Diameter of threaded ends.....	do 1.000
Number of threads.....	per inch 14

STEERING KNUCKLE CONSTRUCTION

The steering knuckle construction used on the White, Model TEB-O, Chassis is designed different from the conventional and for that reason should be carefully noted. The steering knuckle and steering spindle are forged integral. The steering knuckle and spindle are not only integral but are solid, as there is no king pin or steering knuckle pin used in the White front axle. The steering arms are attached to the steering knuckles by means of keys and nuts. The steering knuckles are not interchangeable, there being a left-hand and right-hand one. This is due to the inclination of the front wheel spindle, which is not at right angles to the axis of the steering knuckle. This inclination of the wheel spindle is provided in order to bring the center of the tire, or the point of contact between the tire and the ground, as nearly beneath the axis of the steering knuckle as possible.

The steering knuckle is held in the yoke end of the front axle bed by a ball thrust bearing at the top and by a bushing at the lower end, which is screwed in and which surrounds the lower spindle or trunnion, the latter being machined on the lower end of the steering knuckle. The entire weight of the chassis is carried upon the ball thrust bearing at the top of the steering knuckle. On account of this bearing, the steering action of this heavy chassis is almost as sensitive as that of a light passenger car. The ball thrust bearing is carefully protected from dust and mud by a metal cap pressed into the form of a ferrule, which is inserted between the lower ball thrust bearing race and the steering knuckle, and surrounds the former. Any up and down play in this bearing is quickly taken up by adjusting the lower bushing, which is screwed into the lower portion of the front axle yoke. Grease cups are provided both at the top and the bottom of the steering knuckle, the former being located in the upper portion of the front axle yoke and the latter in the bottom of the lower front axle bushing.

STEERING KNUCKLE ARMS

There are two types of steering knuckle arms used, one of which is located on the left-hand side of the chassis and has two parts, the upper part connecting with the drag link and the lower part with the tie rod. The right-hand steering knuckle has but a single arm, which connects with the tie rod. The arm which connects with the drag link of the steering gear has a ball connection attached to the upper side of its outer end. It is held in place by means of a castellated nut and a split pin. The arms, which attach to the cross tie rod, are provided with bushings and the tie rod yoke pins rotate in these bushings.

TIE ROD AND YOKES

The tie rod is a drop forging, threaded at both ends and located back of the front axle, where it is fully protected. It is dropped at the

center to provide clearance under the front end of the motor. Drop-forged yokes are screwed onto either end of it. The threaded portion of each yoke is split on one side and a clamp or binding bolt is provided to prevent any looseness or movement of the yoke where it is threaded onto the rod. The tie rod yoke pins are machined with a large head, one side of which is milled off so as to prevent rotation with respect to the yoke. Grease cups are machined integral with the head, and force the grease through the center of the bolt to an annular groove, which delivers it to the center of the bushing that is pressed into the end of the steering knuckle arm. The tie rod yoke bolts are held in place by a castellated nut and split pin located on the bottom of the yoke pin.

FRONT WHEEL HUB

The front axle hub is made up in two pieces, the front wheel hub proper and the front wheel hub flange. The latter has a cylindrical extension instead of being a plain disc type flange. Into this extension the front wheel hub proper is pressed for a considerable distance and in it also both the front wheel outer annular ball bearing and the hub cap are carried. Threads are provided on the inside of it to hold the hub cap in place. The larger or inner annular ball bearing is carried in the large counterbore of the front wheel hub proper. The outer race of the larger front wheel bearing is clamped in place by the bearing retainer. The latter is provided with a felt washer at the inside, where it is adjacent to the front wheel spindle, so as to retain lubricant as well as possible. The inner races of both front wheel bearings are clamped onto the front wheel spindle by means of a washer and castellated nut. A cone shaped tubular spacer is inserted between the inner race of the larger and smaller bearings, so as to hold them at the proper distance apart when they are clamped in place. Ten front wheel hub bolts are provided to clamp the two parts of the front wheel hub together and hold the spokes tightly in place.

FRONT WHEEL BEARINGS

Annular Ball Bearings—

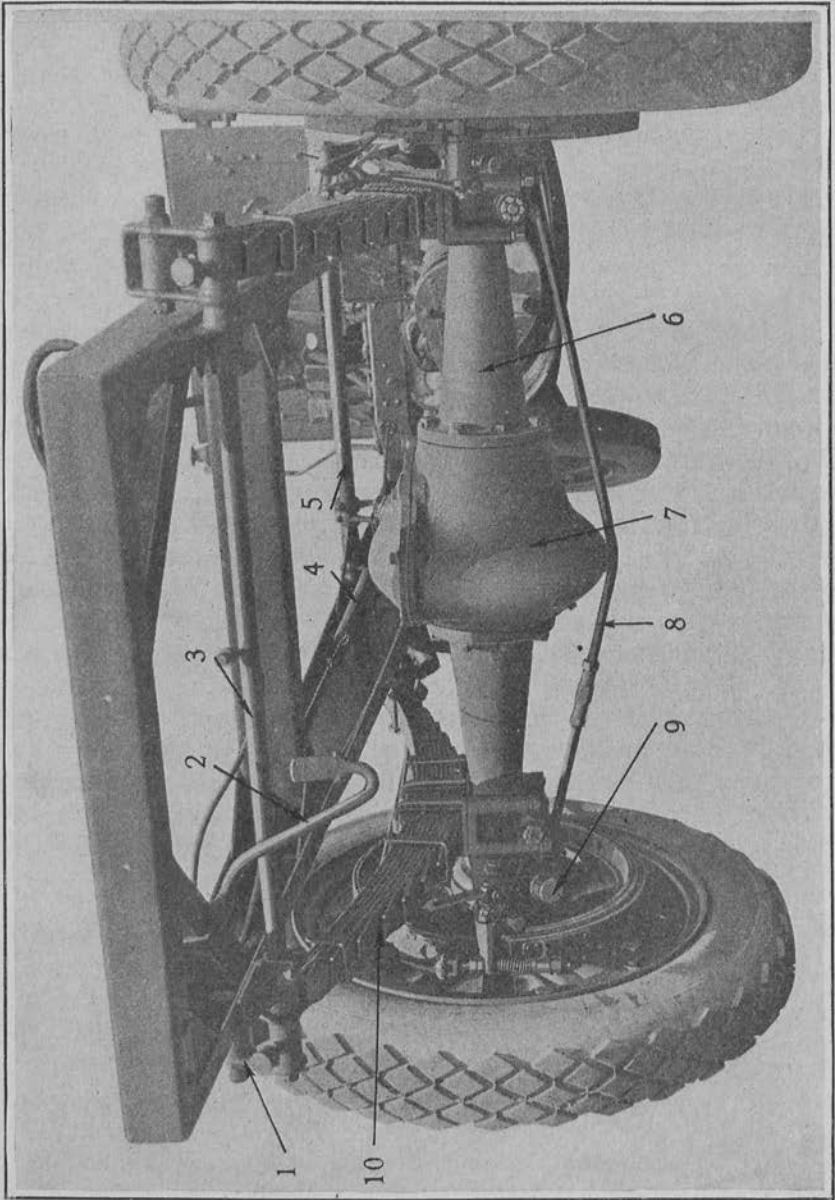
Inner.....	Number 309
Outer.....	do 306

REAR AXLE

REAR AXLE ASSEMBLY

The rear axle assembly consists of the following units: The differential housing, which is closed on top by a small cover or inspection plate; the right and left rear axle sleeves, which are bolted to each side of the differential housing and upon which the rear springs rest; the bevel driving gears, their bearings and the differential; the rear axle shafts, wheel hubs and brake drums, and the brakes.

PLATE 40



REAR VIEW OF CHASSIS

PLATE 40—REAR VIEW OF CHASSIS.

Ref. No.	Part No.	Name
1	046	Rear spring rear shackle.
2	271	Tail lamp bracket.
3	044 1/2	Rear spring hanger rod.
4	098 1/4	Foot brake tension spring.
5		Brake equalizer shaft.
6	047	Axle sleeve, right.
7	54	Axle gear case.
8	056 1/2	Axle truss rod.
9		Rear wheel bearing grease cup.
10	034	Rear spring.

REAR AXLE HOUSING

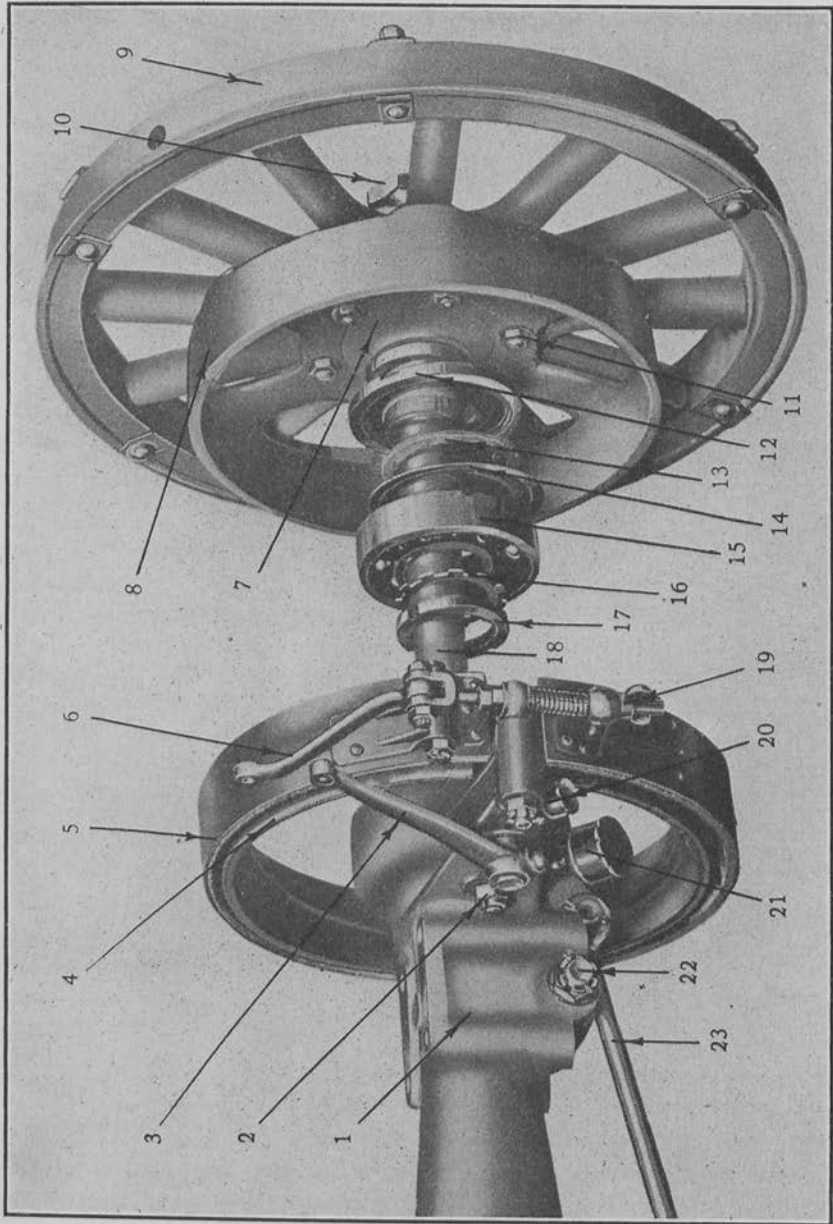
As mentioned above, the rear axle housing is made up of three steel castings. The center one houses the differential and the drive bevel gears, while the two outside portions, or sleeves, as they are called, not only are attached to the rear springs and carry the full weight of the car, but are also provided with suitable arms which act as the brake supports and take the entire braking torque when the car is stopped.

DIFFERENTIAL HOUSING

The differential housing or rear axle case is provided with proper bearing supports at each side for the differential bearings. Provision is also made for supporting the two bevel drive pinion bearings. The differential bearings are held in place by means of threaded lock washers or collars screwed into the case from each side. The inner ball bearing, which supports the rear end of the rear axle bevel drive pinion shaft, merely slips into its housing, while the outer rear axle bevel pinion bearing is clamped between a shoulder in the differential housing and a cover which clamps the bearing in place and also acts as a bearing cap and retainer for the bevel drive pinion shaft.

The rear axle sleeves are bolted onto each side of the differential housing or rear axle gear case. At the outer end they carry the rear wheel or outer ball bearing. This ball bearing takes practically the entire load of the chassis. Each rear bearing is held in place by means of two hooked bolts which bear against a rear axle bearing clamp ring. This clamps the bearing in place in the rear axle sleeve. As all these hook bolts project out under the adjacent rear spring and are readily

PLATE 41



DETAILS OF REAR WHEEL AND AXLE END

PLATE 41—DETAILS OF REAR WHEEL AND
AXLE END

Ref. No.	Part No.	Name
1	047 GF	Rear axle sleeve, right.
2	049 1/2 GEC	Rear axle bearing retainer hook bolt.
3	076 O	Hand brake ring wing.
4	75 1/2 GC	Hand brake ring.
5	075 GF	Foot brake band.
6	040 GB	Foot brake band lever.
7	087 TED	Rear wheel hub, right.
8	087 1/2 TED	Rear wheel brake drum.
9	87 TEB-O	Rear wheel with felloe.
10	0086 1/2 GB	Rear wheel hub cap.
11	0.5" x 3.25"	Rear wheel hub bolt.
12	048 GB	Rear axle outer bearing retainer plate.
13	048 1/4 GB	Rear axle outer bearing felt washer.
14	048 1/2 GB	Rear axle outer bearing retainer.
15	313	Rear axle sleeve outer bearing.
16	087 1/4 M	Rear axle hub bearing lock washer.
17	S087 M	Rear axle hub bearing lock nut, right.
18	061 GB	Rear axle spindle.
19	094 3/4 TDC	Foot brake band adjusting wing nut.
20		Hand brake shaft grease cup.
21		Rear axle sleeve outer bearing grease cup.
22	080 3/4 GEC	Torsion rod ball bracket.
23	056 1/2 GEC	Rear axle truss rod end, right.

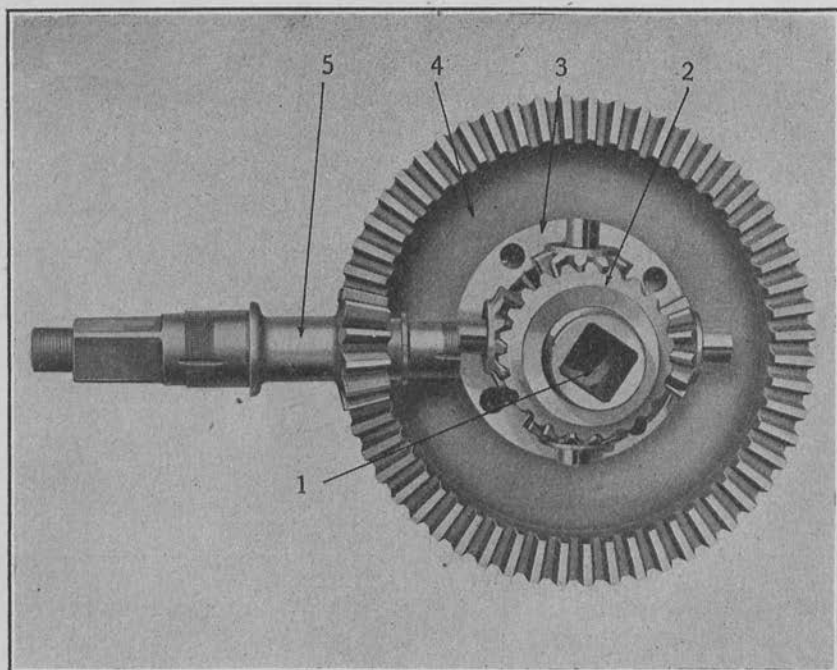
accessible, it is not a difficult operation to take off one of the rear wheels, together with the rear axle drive shaft.

DIFFERENTIAL MOUNTING

The differential is made up in two halves, between which the four differential pinions and the two differential compensating bevel gears are enclosed. Bushings are placed between the hubs of the compensating gear and the differential housing. In addition, thrust washers are placed behind each of these compensating gears to permit adjustment and compensation after the differential has been in service for a considerable period of time. The compensating gears have a square hole broached through the end hub, into which the square inside ends of the rear axle drive shafts fit. The rear axle differential spider has four trunnions, upon which each of the differential bevel pinions rotate. It is centrally located in the differential case by small cylindrical projections machined integral with the inside end of each of the rear axle drive shafts.

REAR AXLE BEVEL GEARS

There are two rear axle bevel gears, the rear axle bevel drive pinion, which is the smaller one, and the rear axle bevel driven or ring gear. The smaller is forged integral with its shaft, to the forward end of which the rear trunnion of the propeller shaft and universal joint assembly is attached. The bevel ring gear is attached to the differential housing by eight bolts and castellated nuts. No adjustment is provided for the bevel drive pinion save what can be obtained by placing shim



BEVEL GEAR, DRIVE PINION AND SHAFT

Ref. No.	Part No.	Name
1	060 $\frac{1}{2}$ GB	Differential spider.
2	060 GB	Differential compensating gear.
3	057 GBB	Differential case, left half.
4	055 $\frac{3}{4}$ GBD	Rear axle drive gear.
5	066 $\frac{3}{4}$ GBD	Rear axle pinion.

washers between the outer bevel pinion ball bearing and the differential housing. As these axles are machined, there is small necessity of this change being made.

The differential housing is so machined on either end that it fits into the annular ball bearings provided on either side for the purpose of supporting it in the differential housing. These bearings are slipped into place and the proper mesh of the bevel ring gear with the bevel pinion obtained by rotating the adjusting rings or nuts provided on the outside of each of these ball bearings. Locking rings are provided to prevent these adjusting nuts from rotating when the mesh of the bevel gears is properly adjusted. When the rear axle sleeves are in place, these locking rings cannot get out and the adjustment of the bevel gear mesh can only be changed by wear. All of the adjustment of the

REAR AXLE GEAR DIMENSIONS
WHITE, MODEL TEB-O, CHASSIS

Name of Gear	No. of Teeth	Diam. of Gear		Face of Gear, Inches	Bore, Inches
		Pitch Inches	Outside Inches		
Bevel Drive Pinion	12	2.742 (2 $\frac{3}{4}$)	3.280 (3 $\frac{3}{8}$)		Forged integral with drive pinion shaft.
Bevel Driven Gear	56	12.80 (12 $\frac{4}{5}$)	12.876 (12 $\frac{7}{8}$)	1.187 (1 $\frac{3}{8}$)	4.375 (4 $\frac{3}{8}$)
Differential Pinions	12	2.40 (2 $\frac{2}{5}$)	2.75 (2 $\frac{3}{4}$)	1.000	0.876 ($\frac{7}{8}$)
Compensating Gears	22	4.40 (4 $\frac{4}{5}$)	4.592 (4 $\frac{15}{16}$)	1.000	1.500 Square (1 $\frac{1}{2}$)

NOTE—

Pitch used on bevel drive gears, 4.375 ($4\frac{3}{8}$) diametral.

Pitch used on differential gears, 5 diametral.

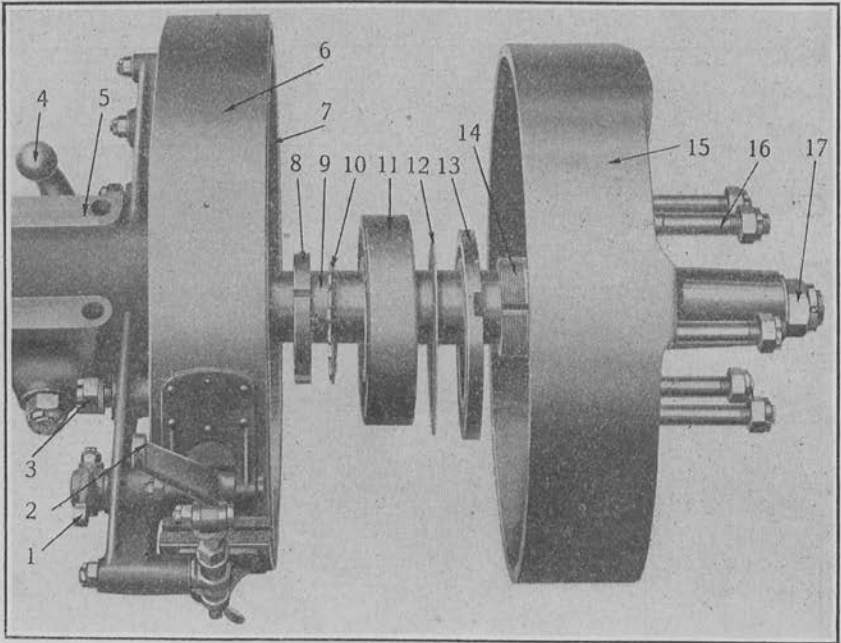
Pressure angle, 14.5 ($14\frac{1}{2}$) degrees.

rear axle ring gear must be made before the rear axle sleeves are bolted in place, as it cannot be made after that.

DISASSEMBLING REAR AXLE

If it is only desired to remove the rear wheel and one of the rear axle drive shafts, the two hooked bolt nuts found on either side of the axle sleeve, just under the rear springs, should be loosed up, the hook bolts pushed inward until the hooks clear the bearing retainer and then rotated so that the hooks do not interfere with the withdrawal of this retaining washer. The entire wheel brake drum, rear axle hub, outer bearing and rear axle drive shaft can then be withdrawn from the rear axle assembly. This is clearly shown in plate 41. On account of the open construction of the brake assembly, it is possible to reach in with the fingers and determine just exactly where these hooked bolts are with reference to the slots in the retaining ring, into which they must fit when reassembling the rear axle drive shaft and wheel.

One precaution should be noted: When removing the rear wheels for any reason, take off only one at a time, unless it is absolutely necessary to take both of them off. This will insure the proper alignment of the differential spider when the removed rear axle drive shaft is replaced. As long as there is no marked wear of the differential spider, little difficulty will be had in inserting both of the rear axle drive shafts, but if there is wear and both of the drive shafts have been withdrawn, some difficulty may be experienced in inserting the little projection on the inside of the rear axle drive shaft.



REAR AXLE BRAKES AND WHEEL BEARING
DISASSEMBLED

Ref. No.	Part No.	Name
1	076 O	Hand brake ring wing, right.
2	040 GB	Foot brake hand lever, right.
3	049½ GEC	Rear axle bearing retainer hook bolt.
4	030¾ GEC	Torsion rod bracket ball.
5	047 GF	Rear axle sleeve, right.
6	075 GF	Foot brake bands.
7	75½ GC	Hand brake ring.
8	S087 M	Rear axle hub bearing lock nut, right.
9	061 GB	Rear axle spindle.
10	087¼ M	Rear axle hub bearing lock washer.
11	313	Rear axle sleeve, outer bearing.
12	048¼ GB	Rear axle outer bearing felt washer.
13	048 GB	Rear axle outer bearing retainer plate.
14	087 TED	Rear wheel hub, right.
15	087½ TED	Rear wheel brake drum.
16	0.5" x 3.25"	Rear wheel hub bolt.
17	S010½ GB	Rear axle spindle nut.

REAR HUB CONSTRUCTION

The rear hub is a forging which is pressed onto the tapered outer end of the rear axle drive shaft and driven by a squared portion found on

the outer end of the latter. It is held in place on the rear axle drive shaft by a castellated nut. The only purpose of the rear axle hub cap is to protect this nut. This hub cap need never be removed unless it is desired to take the rear axle drive shaft out of the rear wheel hub. The inside end of the rear wheel hub is machined to carry the outer rear axle sleeve bearing. The inside race of this bearing is clamped onto the rear axle hub with a slotted nut. The inside flange of the rear wheel hub is machined to take the brake drum. Twelve hub bolts are used to hold the outer flange of the hub in place and these bolts also serve to lock the brake drum in place.

REAR AXLE SHAFT DIMENSIONS

Rear Axle Shaft, Material.....	Chrome nickel steel		
Diameter, maximum.....	inches	1.875	($1\frac{7}{8}$)
Minimum.....	do	1.562	($1\frac{9}{16}$)
Stud that enters differential spider.....	do	1.121	($1\frac{1}{8}$)
Hub nut thread.....	do	0.875	($\frac{7}{8}$)
Squares, side, differential end.....	do	1.500	($1\frac{1}{2}$)
Wheel hub end.....	do	1.125	($1\frac{1}{8}$)
Length, overall.....	do	31.812	($31\frac{13}{16}$)

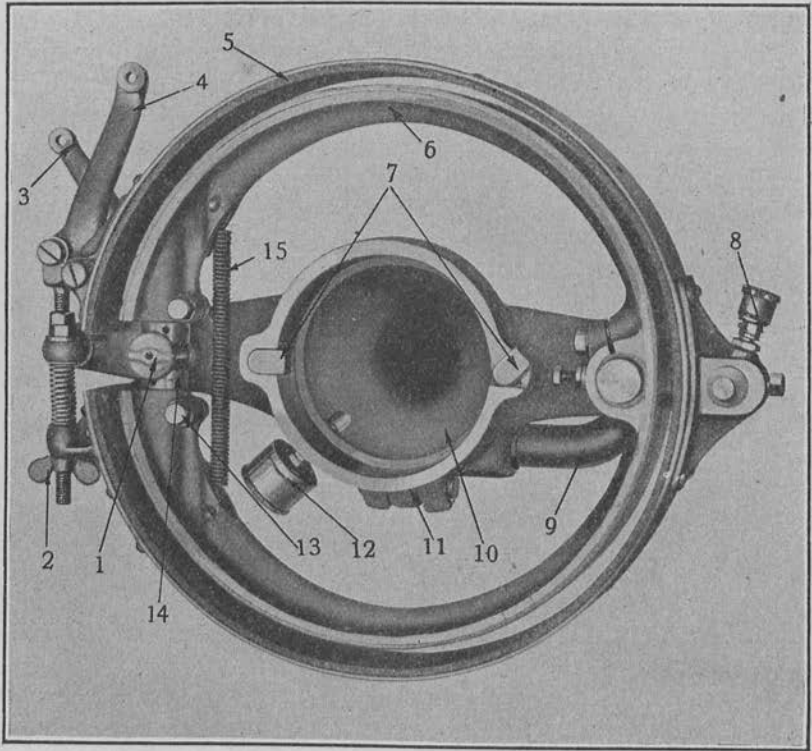
DIFFERENTIAL FUNCTION AND OPERATION

The function of the differential is to properly divide the power between the two rear wheels when turning corners. When turning, both rear wheels do not travel the same distance, the one on the inside, towards the turn, traveling a shorter distance than the one on the outside. Consequently, if the differential were not provided, there would be no means of compensating for the difference in speed at which these two wheels have to rotate when making the turn and one or the other of them would have to slip. The differential, therefore, is the means whereby the power is equally distributed between the two rear wheels although they are rotating at different speeds, and, on account of this characteristic, is frequently called the compensating gear, instead of the differential gear.

BRAKES

BRAKE DETAILS

Both the hand and foot brakes operate upon the same drums attached to the rear wheels. The drums are steel castings bolted to the rear wheel hub with twelve bolts. This drum is not enclosed, so that the brakes may be readily flushed out and cleaned either with water, if they are filled with dirt, mud or sand, or with gasoline if any oil has worked out on the surface of the brake bands. The foot brake is an external contracting band, while the hand brake is an internal expand-



BRAKE BAND ASSEMBLY

Ref. No.	Part No.	Name
1	076 O	Hand brake ring wing, right.
2	094 $\frac{3}{4}$ TDC	Foot brake band adjusting nut.
3	040 $\frac{3}{4}$ TBC	Hand brake ring lever.
4	040 GB	Foot brake band lever.
5	075 GF	Foot brake bands.
6	75 $\frac{1}{2}$ GC	Hand brake ring.
7	049 $\frac{1}{2}$ GEC	Rear axle bearing retainer hook bolts.
8	O	Brake guide grease cup.
9	030 $\frac{3}{4}$ GEC	Torsion rod bracket.
10	047 GF	Rear axle sleeve, right.
11	056 $\frac{1}{2}$ GEC	Truss rod, right end.
12		Wheel bearing grease cup.
13	S0680 $\frac{1}{4}$ GED	Brake ring adjusting screw clamp bolt.
14	S075 GTB	Brake ring adjusting screw.
15	075 $\frac{3}{4}$ GB	Brake ring spring.

ing brake. The latter is a combination of both the shoe and band brake types. There is a steel casting of thin section over half of its circumference and then it is ribbed up towards the open side to carry the bosses against which the operating cam bears.

BRAKES DIMENSIONS

Brake Drum, Material.....	Malleable iron
Width of braking surface.....	inches 2.250 (2¼)
Diameter of drum, inside.....	do 17.000
Outside.....	do 17.750 (17¾)
External Brake Lining, Material.....	Asbestos fabric
Width.....	inches 2.500 (2½)
Thickness.....	do 0.187 (¾)
Length, Developed.....	do 53.562 (53⅝)
Internal Brake Lining, Material.....	Adkin's metal
Width.....	inches 2.437 (2⅜)
Thickness.....	do 0.125 (½)
Length, developed.....	do 50.500 (50½)

Both brakes are lined with asbestos fabric which is riveted onto the respective brake band with copper rivets. The brake anchorage, which is on the front side of each brake band, and the brake operating mechanism, which is diametrically opposite on the rear side of each brake band, are carried upon ribbed arms extending forward and backward horizontally from each of the rear axle sleeves. The brake operating arms and shafts, which are part of this brake assembly, are provided with bushings so that any wear can be compensated for and also so that there will be no tendency for the steel brake operating shaft to rust in place and bind, since the bushings are made from non-ferrous or non-rusting metal.

BRAKE ADJUSTMENT

Both the hand and foot brakes are provided with adjustments so that the wear of the brake lining can be taken up a number of times before it is necessary to replace with new lining. The brakes are not adjusted in the same manner, so that each will have to be considered by itself.

FOOT BRAKE ADJUSTMENT

The foot brake is a band type brake anchored at the front side upon a stud attached to the brake supporting arm on the axle sleeve. On the rear or open end of the brake band is the mechanism by means of which the band is contracted upon the brake drum. To adjust the tightness of the foot brake, a temporary adjustment may be made by turning up on the wing nut on the end of the foot brake adjusting screw. It should be noted that there are no supports for the brake band other than that provided by the anchorage on the front side of the contracting mechanism at the rear. It is essential, therefore, to observe that both the upper and lower portions of the band do not drag upon the brake drums. A stop adjustment is provided for this particular portion upon the foot brake adjusting screw. This stop is in the form of two nuts, one an adjusting nut and the other a check or lock nut. These two nuts when screwed down tend to raise the upper

portion of the brake band and keep it from dragging upon the upper portion of the brake drum. The adjusting screw spring presses beneath the support against which these adjusting nuts abut and through which the adjusting screw slides. The spring forces the lower half of the brake band downward and away from the bottom portion of the brake drum. The clearance of the lower half of the brake band is, therefore, regulated by the adjustment of the single nut provided for this purpose. To properly take up wear and adjust these brake drums it is, therefore, necessary not only to turn up on the single nut, but also to raise the adjusting nuts so as to allow the upper half of the band to come closer to the brake drum. Whenever adjustments are made, however, care should be taken that the bands do not drag, either on the top or the bottom, when the brake is released.

HAND BRAKE ADJUSTMENT

The hand brake adjustment cannot be made without first removing the rear wheel. Before the rear wheel is removed, however, the clearance between the upper and lower portions of the internal or hand brake and the brake drum should be carefully ascertained. It is essential to do this because the adjustment made on this brake cannot be observed while it is being made, and if it is wrong after the wheel and brake drum have been replaced in the axle, it will necessitate the removal of them again to correct this mistake.

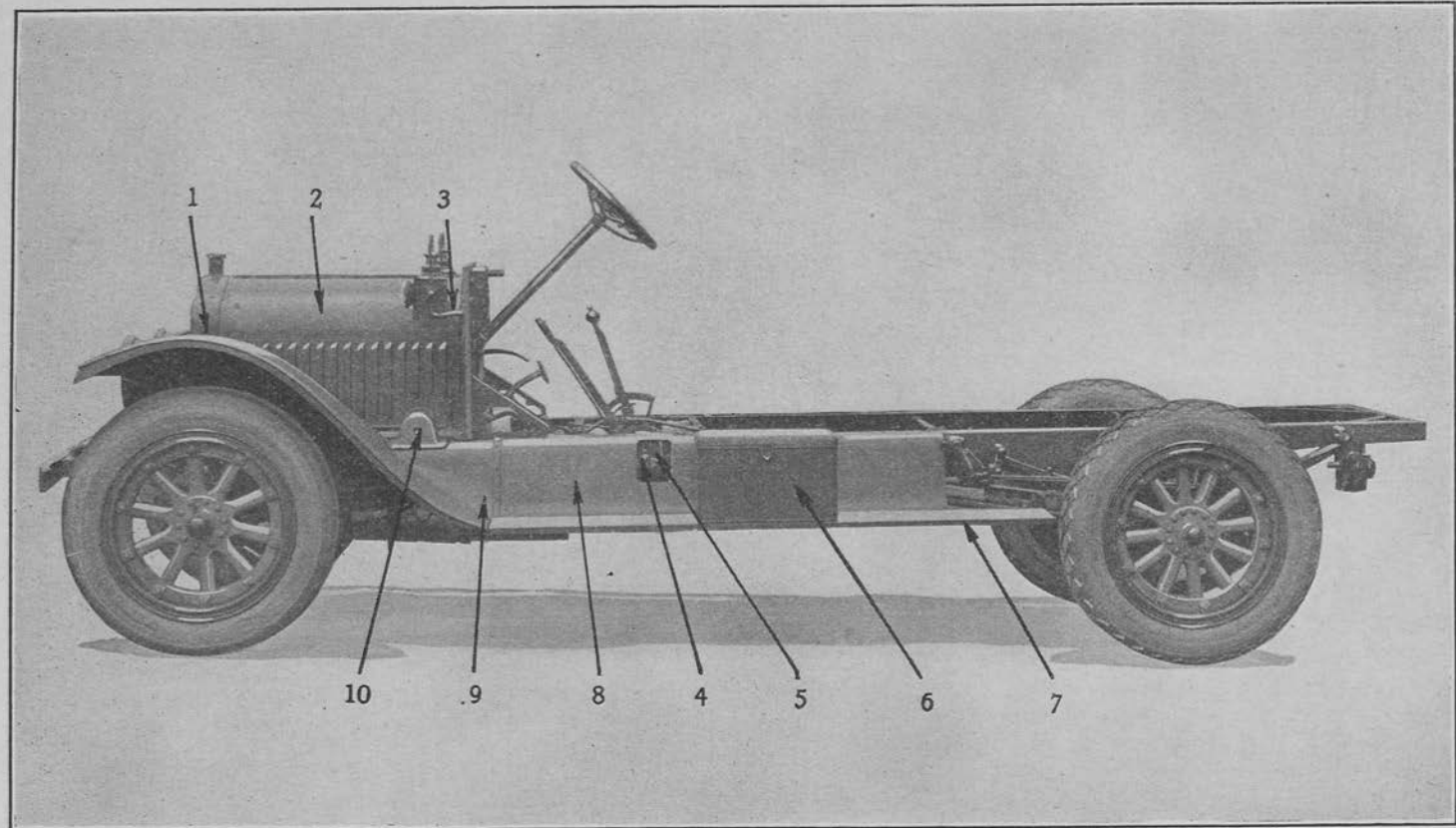
After the wheel has been removed, the adjusting mechanism of this brake can readily be reached. It consists of two adjusting screws which are in the form of cylindrical anvils, against which the brake expanding cam operates. These adjusting screws have holes in the sides into which a nail or prick punch may be inserted in order to rotate them. They are accurately locked in place by means of binder bolts or nuts on the side of the boss which holds the adjusting screw. With the brake cam in the released position, adjust each half of the brake band separately, being sure that the distance from the center of the axle to the surface of the band is the same on both sides; otherwise the brake will tend to wear on one side only and throw undue strain on both the cam and its anchorage on the opposite side, if this is not carefully watched when making the adjustment.

TORSION ROD

FUNCTION

Since both ends of the rear springs are shackled, they take none of the forward thrust of the rear axle and hence some other means of transmitting the thrust of the rear axle to the chassis must be provided. This is done with the torsion rods, as they are called. They should more appropriately be called radius rods or thrust rods, as they do not

take the torque, the latter being transmitted entirely through the rear spring. The radius rods are solid rods, threaded at either end and provided with ball and socket joint cases at both ends. These cases are screwed onto the ends of the torsion rod and clamped in place by means of a clamp or binder bolt. The balls to which each end of this rod is attached are clamped between two hardened and ground steel ball sockets clamped in place by adjusting plugs, which are screwed into the ends of the ball socket cases. These adjusting plugs are locked in position by a binder or clamp bolt. Grease cups are provided on both ends of these radius or torsion rods and they are, in addition, completely enclosed in leather boots, which are laced onto them.



LEFT SIDE OF WHITE, MODEL TEB-O, CHASSIS

PLATE 45
LEFT SIDE OF WHITE, MODEL TEB-O,
CHASSIS

Ref. No.	Part No.	Name
1	279 TED	Front fender, left.
2	600 TE	Hood.
3	274 TED	Dash.
4	0201 TED	Tire pump oil trap.
5	0209 TED	Tire pump engaging rod.
6	1631 TED	Battery box.
7	240 $\frac{1}{2}$ TED	Running board.
8	281 $\frac{1}{2}$ TED	Running board filler strip, left.
9	18 $\frac{3}{4}$ TED	Running board filler strip end piece.
10	623 $\frac{3}{4}$ TED	Steering lever cover.

CHAPTER VII

FRAME AND CHASSIS FITTINGS

CHAPTER CONTENTS

FRAME
SPRINGS
FENDERS AND HOOD
DASH ASSEMBLY
BRAKE LINKAGE

CHASSIS UNITS

The chassis units include the frame and the units attached directly thereto, which are not an integral part of some other main unit of the car. This group also includes the dash, hood and fenders, which are a part of the White Chassis, as distinguished from those parts which are an integral part of the body that is mounted upon this chassis. Since these parts are common to the chassis, and not to the several bodies which are mounted upon it, they are fully described here.

The chassis units, therefore, include the main frame, the front and rear springs, the brake linkage, and the bumper as part of the main frame units, and in addition the following parts which are assigned to this portion of the chassis for the reason mentioned above: The hood, the dash board and instruments located thereon, the front fenders, the running boards and the running board shields.

FRAME

The frame is the backbone of the car. Directly or indirectly all main units are attached to it. The frame is made from pressed chan-

nel section steel. The side rails taper off towards either end. At the front end the frame side rail is brought down to carry the front spring hanger. From a point directly over the front axle to the rear end of the frame, the top line of the frame is straight and horizontal, so that any type of body may be readily fitted to it. The frame is of uniform width from the back of the dash board to the rear end, but is narrowed forward of the dash board in order to give a greater turning radius. This permits a larger cramp of the front wheels. Special castings are fitted to the front end of the frame side rails, to which tow hooks and a bumper are attached.

FRAME DIMENSIONS

Frame, Material.....	Pressed channel steel
Height, maximum.....	inches 6.0625
Thickness of frame.....	do 0.187 ($\frac{3}{16}$)
Width, across channels at front.....	do 29.000
At rear.....	do 34.000
Width of frame channel.....	do 1.750 ($1\frac{3}{4}$)
Overall length of frame.....	do 1.970
Distance rear of frame to dash.....	do 1.420

FRAME CROSS MEMBERS

There are five cross members in the frame, the front one and the two rear ones being well gusseted, so as to prevent any distortion of the frame angularly. The front cross member not only ties the front end of the frame together, but also provides the trunnion on which the front end of the engine is carried. Between the first and second cross members of the frame come the two engine supporting arms, which not only support the engine, but also act as a sort of auxiliary cross member of the frame. They only give it partial rigidity, because the bolts which hold the engine in place have springs under their heads to allow a slight give of the frame without causing distortion of the crank case. The second and third cross members of the frame provide the support for the transmission and the clutch and brake pedal operating mechanism. The fourth cross member of the frame is provided to stiffen the frame just back of the rear axle and to prevent any twisting of the frame at this point, due to the method of supporting the springs outside of the frame. The rear cross member not only serves to tie the rear end of the frame together, but also provides the best point for putting in the diagonal gussets or cross braces, which help to keep the frame side rails and cross members square with one another.

SPRINGS

The springs used on the White, Model TEB-O, Chassis are semi-elliptic both in front and rear. The front springs are carried directly

beneath the front ends of the frame side rails. The rear springs are carried just outside of the rear end of the frame side rails. Drop forge brackets are provided to support the springs or spring shackles, as may be the case, at both ends of the springs.

FRONT SPRING

The front spring is attached to the front end of the frame by means of a spring bolt, while the rear end is attached to the frame bracket by a shackle and two spring bolts. The front spring is held in place on the front axle by means of two spring clips. It is further provided with three rebound clips around the spring leaves, one of these being forward of the spring seat and the other two to the rear of the spring seat. The spring shackle on the front spring is of the hanging or tension type.

FRONT SPRING DIMENSIONS

Dimensions Given Without Load.

Length, center to center spring eyes.....	inches	40.625	(40 $\frac{5}{8}$)
Center to front eye.....	do	17.875	(17 $\frac{7}{8}$)
Center to rear eye.....	do	22.750	(22 $\frac{3}{4}$)
Width.....	do	2.000	
Opening, top of spring to line connecting centers of spring eyes.....	do	3.625	(3 $\frac{5}{8}$)
Thickness at center.....	do	3.000	
Number of leaves.....			ten
Spring Bolt diameter.....	inches	0.625	($\frac{5}{8}$)
Spring Eye Bushing, Material.....			Bronze

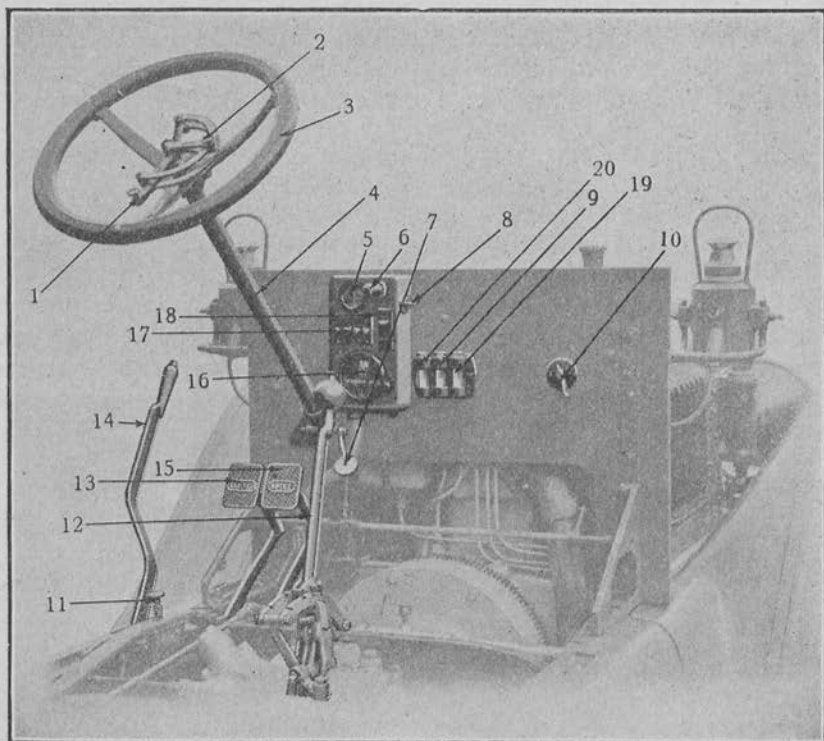
REAR SPRING

Since the rear springs are carried outside of the frame line, the brackets supporting them have to be offset. The front bracket is attached to the side and bottom of the frame side rail. The rear spring bracket is directly under the side rails and the shackle, which carries the rear end of the rear spring, is mounted upon a bar which extends all the way across the frame and, therefore, supports both rear ends of the rear springs. The rear springs are shackled at both ends with hanging or tension shackles. The rear springs are attached to the rear axle by two spring clips each. They are also provided with four spring leaf clips, two of which are on the front and two on the rear half of the spring. The rear spring seats are an integral

REAR SPRING DIMENSIONS

Dimensions Given Without Load.

Length.....	inches	50.375	(50 $\frac{3}{8}$)
Width.....	do	2.250	(2 $\frac{1}{4}$)
Opening, top of spring to line connecting centers of spring eyes.....	do	7.875	(7 $\frac{7}{8}$)
Thickness at center.....	do	3.375	(3 $\frac{3}{8}$)
Number of leaves.....			eleven
Spring Bolt diameter.....	inches	0.750	($\frac{3}{4}$)
Spring Eye Bushing, Material.....			Bronze



CONTROLS OF WHITE, MODEL TEB-O, CHASSIS

Ref. No.	Part No.	Name
1	00304 GA	Carburetor control lever.
2	00301 GA	Spark control lever.
3	21 MM	Steering wheel.
4	015 TED	Steering stem.
5	1601½ GM	Ammeter.
6	1616 TED	Dash lamp.
7	00217 GAF	Accelerator.
8	TEB-O	Magneto switch.
9	351½ GA	Oil sight feed—to center bearing.
10	00718 TED	Carburetor index plate.
11	1646 TED	Starting motor switch.
12	0180½ GFB	Change gear lever.
13	191 GE	Clutch pedal.
14	050 TB	Hand brake lever.
15	35½ GEC	Foot brake.
16	TEB-O	Speedometer.
17	1613½ GA	Switch lighting panel.
18	1608⅝ GM	Circuit breaker.
19	351½ GA	Oil sight feed—to rear bearing
20	351½ GA	Oil sight feed—to front bearing.

part of the rear axle sleeves and hence the entire torque from the engine when driving, or the brakes when stopping the car, has to be taken through them.

RUNNING BOARDS AND FENDERS

The running board and fender group includes the front fenders only, the running boards and running board shields. The front fender is attached to the frame by a drop-forged fender iron at the front end and supported at the rear by the forward end of the running board. The front fenders are provided with an opening, covered by a sliding door on each side of the radiator, so that the radiator trunnion bolts may be removed without having to remove the front fenders. A running board shield is provided on each side of the chassis to close the gap between the running board and the body. On some models a tool box is substituted for this running board shield, in which case it naturally will not be found. Each running board is supported by four drop-forged step hangers, which are riveted onto the side of the frame.

HOOD

The hood is made up in four pieces, two upper and two lower parts. The lower sections are provided with louvres, through which the hot air from the engine is driven out. They are also provided with a handle as a convenient means of lifting the sides. The hood is provided with a hinge at the top center, between the two upper halves, and another hinge along the division between the upper and lower portions on each side.

The space between the fender and the hood is protected by the hood ledges, or deck board, and the hood is fastened down in place by four spring hood latches, two of which are used on each side.

DASH

The dash board is mounted on the frame and held in place by two angular brackets located on either side at the rear. These brackets not only support the dash board but also carry the toe boards. They are provided with a bearing at either side, on which the carbureter control shaft is supported. On the front side of the dash are located the two oil lamp brackets, and upon those cars having no electric equipment, an acetylene searchlight will also be found upon the dash.

On those cars that are equipped with electric apparatus, there will be found—in addition to the carbureter regulator, oil sight feeds and magneto switch—an instrument box. On this are the electric lighting switches, automatic circuit breaker switch, electric dash lamp, magneto switch, ammeter, and speedometer-odometer.

BRAKE LINKAGE

The brake linkage consists of those parts which interconnect the brake pedals and the brake lever with their respective brakes on the rear axle. The brake pedal mounting and details have already been considered in connection with the clutch. The hand or emergency brake lever is mounted upon a bracket, which is attached to the left side rail of the frame just to the left of the driver's seat. The foot brake and the hand brake are not directly connected to the levers actuating the brakes on the rear wheel. A cross brake shaft is provided for this purpose and located just back of the rear spring front hangers. This cross shaft also carries a tubular shaft surrounding it. The tubular shaft operates the hand or emergency brakes, while the clutch brake shaft inside operates the foot or running brakes. The foot pedal and the hand brake lever are connected to the cross brake shafts between the equalizing bar in order to give the same pull upon each brake rod, and thereby give as uniform as possible a distribution of the braking effort on each rear wheel. Bushings are provided inside of each tubular brake shaft so that there should be no tendency for the emergency and foot brake shafts to bind together.

The brackets which support the cross brake shafts are provided with grease cups easily reached, and to insure proper action of the brakes these cups should be carefully attended to periodically. The brake rod yokes between the outer ends of the brake shaft and the rear axle brake levers are enclosed in lever boots which are laced in place and which should be packed with grease every month.

BUMPER DIMENSIONS

Bumper, Material.....	Channel steel
Length, overall.....	inches 60.000
Height of channel.....	do 3.000
Width of channel.....	do 1.500 (1½)

SPRING SHACKLES DIMENSIONS

Front Spring Shackle, Material.....	Steel forging
Width, inside.....	inches 2.060 ($2\frac{1}{8}$)
Outside.....	do 2.560 ($2\frac{1}{8}$)
Length, center to center.....	do 2.000
Shackle Bolt Holes, diameter.....	do 0.625 ($\frac{5}{8}$)
Rear Spring Front Shackle, Material.....	Steel forging
Thickness.....	inches 0.312 ($\frac{5}{16}$)
Length, center to center.....	do 3.000
Shackle Bolt Holes, diameter.....	do 0.750 ($\frac{3}{4}$)
Rear Spring Rear Shackle, Material.....	Steel forging
Width, inside.....	inches 2.312 ($2\frac{5}{16}$)
Outside.....	do 3.312 ($3\frac{5}{16}$)
Length, center to center.....	do 3.000
Shackle Bolt Holes, diameter top.....	do 0.750 ($\frac{3}{4}$)
Bottom.....	do 1.187 ($1\frac{3}{16}$)

SHACKLE BOLTS DIMENSIONS

Front Spring Shackle, Material.....	Case hardened steel		
Diameter.....	inches	0.625	($\frac{5}{8}$)
Length under head.....	do	3.432	($3\frac{7}{16}$)
Diameter of threads.....	do	0.562	($\frac{9}{16}$)
Threads.....	per inch	16	
Front Spring Front Bolt, Material.....	Case hardened steel		
Diameter.....	inches	0.625	($\frac{5}{8}$)
Length under head.....	do	3.432	($3\frac{7}{16}$)
Diameter of threads.....	do	0.562	($\frac{9}{16}$)
Threads.....	per inch	16	
Rear Spring Front Shackle Bolt, Material.....	Case hardened steel		
Diameter.....	inches	0.750	($\frac{3}{4}$)
Length under head.....	do	3.687	($3\frac{11}{16}$)
Diameter of threads.....	do	0.562	($\frac{9}{16}$)
Threads.....	per inch	16	
Rear Spring Yoke Bolt, Material.....	Case hardened steel		
Diameter.....	inches	0.750	($\frac{3}{4}$)
Length under head.....	do	3.937	($3\frac{15}{16}$)
Diameter of threads.....	do	0.562	($\frac{9}{16}$)
Threads.....	per inch	16	
Rear Spring Rod, Material.....	Nickel steel		
Diameter.....	inches	0.937	($\frac{15}{16}$)
Length, overall.....	do	43.562	($43\frac{9}{16}$)
Diameter of threads at ends.....	do	0.562	($\frac{9}{16}$)
Threads.....	per inch	16	

SPRING CLIP DIMENSIONS

Rear Spring Clip, Material.....	Nickel steel		
Diameter.....	inches	0.625	($\frac{5}{8}$)
Length, inside, long arm.....	do	9.375	($9\frac{3}{8}$)
Short arm.....	do	8.750	($8\frac{3}{4}$)
Developed.....	do	26.312	($26\frac{5}{16}$)
Front Spring Clip, Material.....	Nickel steel		
Diameter.....	inches	0.500	($\frac{1}{2}$)
Length, inside.....	do	4.875	($4\frac{7}{8}$)
Developed.....	do	12.375	($12\frac{3}{8}$)

WHEEL GATHER OR TOE IN

Wheels are toed in, or gathered, 0.375 ($\frac{3}{8}$) inch to facilitate steering and counteract tendency of wheels to toe out when car is in motion.

WHEELS OUT OF ALIGNMENT

Wheels may be thrown out of alignment because of poor tie rod adjustment, steering knuckle arm bent, or axle bed bent.

TO ALIGN WHEELS

To align the wheels, turn the steering wheel so that the wheels are approximately parallel with the frame. Then, with a piece of string or stick measure the distance between the inside edges at the front and the rear of the front tires. If the wheels are properly aligned the front edges of the front of the tires will measure 0.375 ($\frac{3}{8}$) inch less than the rear, which is the proper amount the wheels should be toed in.

Should there be a difference of more or less than 0.375 ($\frac{3}{8}$) inch, shorten or lengthen tie rod between the two steering arms until the wheels toe in the proper distance. The adjustment of this rod is on the right-hand side facing the car.

Excessive tire wear will result if the wheels are not properly aligned, and steering will be very difficult if the wheels toe out in front. As the natural tendency of the front of the wheels is to toe or spread out while traveling, the adjustment must be made so that they will not toe out (beyond a straight line). The alignment of the wheels should be inspected (and adjusted if necessary) every week.

DO NOT TURN WHEELS WHEN STANDING

The wheels should never be turned by the steering wheel while the car is standing still, as this puts undue strain on the entire steering mechanism.

CHAPTER VIII

LIGHTING EQUIPMENT

CHAPTER CONTENTS

LIGHTING EQUIPMENT
ACETYLENE GENERATOR
CARE AND OPERATION

LIGHTING EQUIPMENT

The lighting equipment of the Reconnaissance Car consists of the following units: The acetylene searchlight, mounted on the center of the dash board and just back of the windshield; the kerosene oil side and tail lamps; and the acetylene generator, mounted on the right-hand running board which furnishes acetylene gas for the searchlight.

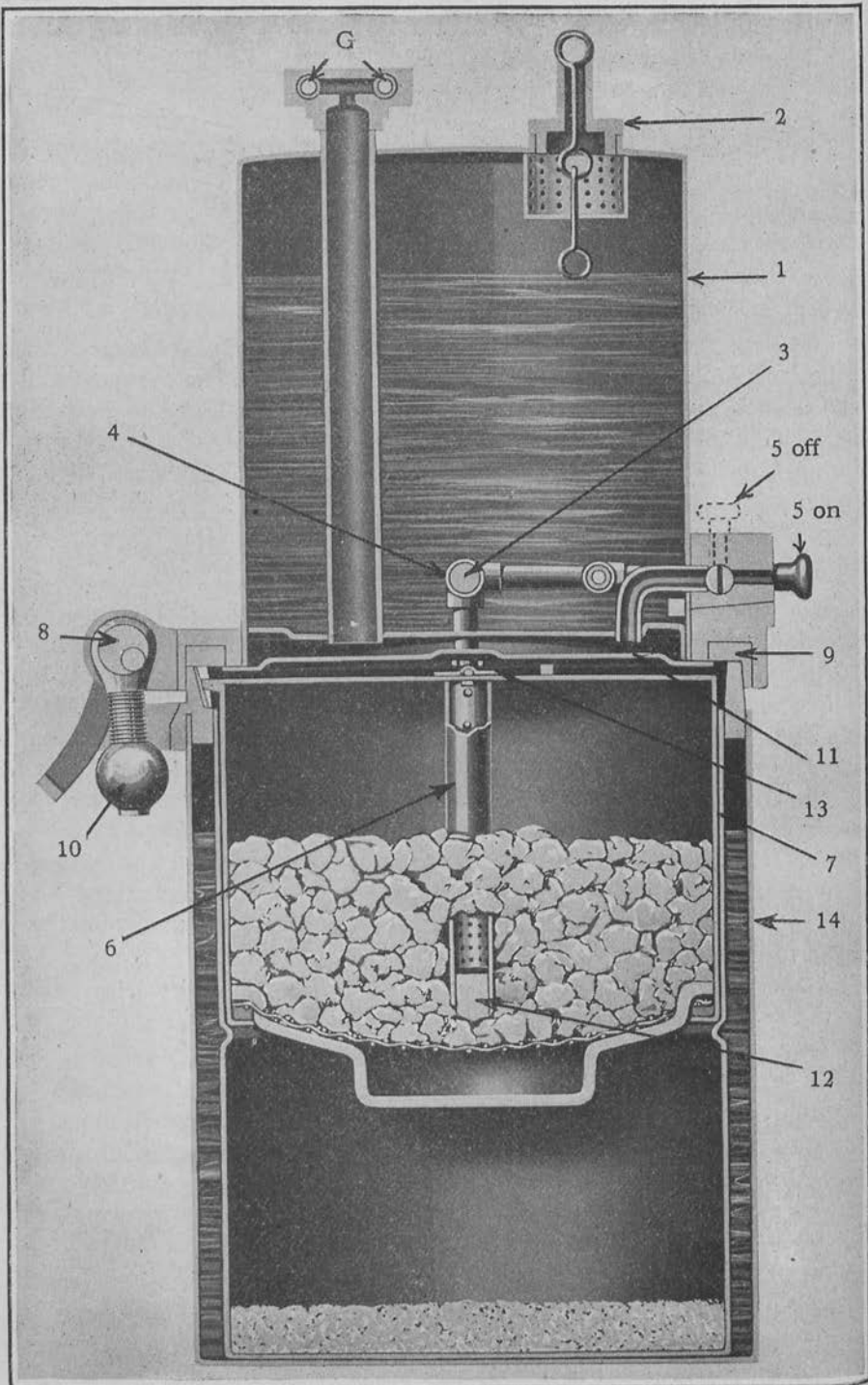
SEARCHLIGHT

The searchlight provided on the dashboard has a 6 inch projector and is mounted on trunnions in a swiveled bracket. The bracket provides for the directing of the beam in any direction horizontally and is clamped with a hand lever on the bracket attached to the dashboard. The beam from the searchlight may be elevated or depressed by loosening up on the clamping nuts located on either side of the lamp and holding the lamp trunnions. Wing nuts are used to clamp the trunnions of the lamp and also to provide convenient means of disconnecting the searchlight from the bracket and carrying it to a position where the beams from the light cannot be directed when it is mounted in a bracket. The gas hose from the acetylene generator is about a yard long and permits of this extra movement of the searchlight when dismantled from its bracket.

THE ACETYLENE LIGHTING SYSTEM

The two side and tail lamps, which use kerosene oil, do not give more than a signal light. In order to use the searchlight mounted on the dashboard, it is necessary to provide acetylene gas. This is obtained by using a Solar acetylene gas generator, by means of which the acetylene gas is made directly from lump calcium carbide, due to the action of water which is carried in a tank above the acetylene gas chamber.

The construction and the operation of this system will become clear from the following description of the generator: The generator water tank is filled with water through a filler cap provided in the top of the tank and is fed to a two-way valve located in the tube at the



ACETYLENE GENERATOR

PLATE 47
ACETYLENE GENERATOR

Ref. No.	Ord. No.	Name
	MC11E	Generator Assembly.
1		Water tank.
2		Water filler cap.
3		Wick.
4		Wick tube.
5		Water valve.
6		Screen tube.
7		Carbide cage.
8		Generator clamp.
9		Rubber washer.
10		Clamp nut.
11		Washer plate.
12		Screen tube plug.
13		Washer plate retainer nut.
14		Generator lower half.

bottom of the water tank and from which the water drops into a screen located at the bottom of what is called the generator screen tube that projects into the carbide. The carbide is carried in a screen like cage, from which the used up carbide is shaken down to the bottom of the acetylene gas generator by the car vibration. The unused carbide remains in the cage and the used carbide, which is now in the form of a dust, readily falls through this screen. Consequently the charge of carbide is always fresh while it lasts and is ready to light or extinguish at the lamps. A valve is located on the side of the acetylene tank by means of which the supply of water may be turned on or off. To prepare the generator and to keep it up all that is necessary is to clean out the dust which has accumulated in the bottom of the generator body, refill the carbide cage with fresh carbide and the generator water tank with water. To put out the lights, turn off the generator water valve, which means to raise it to an upright position. The gas then contained in the generator passes out of this valve into the air, thus insuring perfect safety.

OPERATING ACETYLENE GAS GENERATOR

In order to clean the generator proceed in the following manner: Release the generator clamp nut levers located on the sides of the generator, by pulling them up and then swinging the nuts sideways from the lugs. This will permit the removal of the upper half of the water tank from the lower half, or carbide and ash holder. The latter remains attached to the right-hand running board of the car. Lift out the carbide cage and fill same with a fresh supply of 0.25 ($\frac{1}{4}$) of

an inch carbide. *Never use candied carbide or any prepared carbide.* Take care that carbide does not spill into the screen tubes and always see that the holes in the bottom of the screen tube are cleaned out if there is any sign of its being clogged before the carbide cage is replaced. While the carbide cage is removed, clean out the ash or residue in the bottom of the gas generator. Then replace the newly filled carbide cage, seeing that it fits into the slot provided at the rim in the lower half of the generator. Now fill the water tank, or the upper half of the generator, with clean water at the filler cap provided for this purpose in the top. Replace the top on the lower half, making sure that the generator water valve is closed before doing this.

CLOSING UP GENERATOR

To refasten bottom part of generator to upper or water tank, first set cam levers way up, with ball adjusting nuts hanging down, then grasp lower half, or carbide and ash holder, with both hands and lift to upper half, so that swinging ball adjusting nuts swing over and catch under the lugs holding upper to lower half. Next snap down cam levers, thus locking the two together.

Never change adjustment of ball nuts until coupling leaks gas at the washer. Generators have been carefully tested before shipment and nuts are properly adjusted. If continual wear and use cause coupling to leak at washer, slightly tighten each nut evenly with wrench. The thread on bolt is oversize and on nut undersize to prevent any change in adjustment from use.

TO LIGHT AND EXTINGUISH LAMPS

See that generator is charged as above, then turn the key (two-way valve) to "On" and to extinguish turn to "Off." Bear in mind always that the key or valve lever turns on and off both water and gas.

Gas tubes should be made of 0.25 ($\frac{1}{4}$) inch 22-gauge soft brass tubing connected to generator on one end and lamps on the other with a good grade of heavy rubber tubing. *Never use copper tubing*, as the chemical action of acetylene gas on copper, in time, will form an explosive dust.

When first lighting, the generation of gas can be accelerated by blowing in the filler cap tube; the pressure thus obtained forcing the water to drop faster into the carbide cage, increasing the gas generation.

CLEANING GENERATOR

Remove carbide cage and throw out used carbide dust in bottom of carbide holder or lower part. Keep the screen tube clean and free from dirt inside. Water drops through the screen tube and unites with the carbide at the bottom of the cage, thus using the entire charge of carbide. You must, therefore, keep the screen tube clean. The water in the generator is fed to the carbide through a small tube filled

with fibre wick of several strands. This wick can be removed by unscrewing the caps at the side of the generator and withdrawing by means of a wire or string threaded through the wick ring at one end only. This should be removed, cleaned and replaced once each month to insure the proper feed of water. If the flame burns too low and the car is running, there is too much wicking, so remove a strand and replace the wick by threading a small piece of wire through the tube, attaching wick to same and draw in place. In freezing weather never fill the water tank until ready to light the lamp and then only with water, or water with a 20 per cent solution of alcohol. When the carbide is generating gas, the water will be kept warm enough to prevent freezing. Water may be drained out of the tank by unscrewing the cap at the lower right-hand side of the tank near the front. This is only in case the car is left where water will freeze. If the flame pulses there is water in the gas tube. To correct, remove the gas tube from the lamp and generator and blow out this water, which is caused from the condensation of the gas. To facilitate lighting remove one gas tube from the generator for about thirty seconds to allow the air in the generator to be forced out. Then replace and light. No. 1011-B generators are supplied with 26 strands of wick and should never have more than 28 nor less than 22, and are only guaranteed to supply 0.75 ($\frac{3}{4}$) of a foot of gas per hour and will, therefore, only supply two 0.375 ($\frac{3}{8}$) foot tips or one 0.75 ($\frac{3}{4}$) foot tip. No. 1012-B generators are supplied with 26 strands of wick and should never have more than 30 nor less than 24, and are only guaranteed to supply 1.25 ($1\frac{1}{4}$) feet of gas per hour, which means only two tips 0.675 ($\frac{5}{8}$) feet or less.

CARE OF OIL SIDE LAMPS

Use kerosene only. Keep the lamps clean inside and out.

TO FILL OIL FOUNT

Release catch at top of door by pushing toward side of lamp with thumb and lift up on the door. Remove the fount by pulling straight out until clear of the guides. Remove burner and fill the fount through the opening. Do not fill too full; allow about a quarter inch air space.

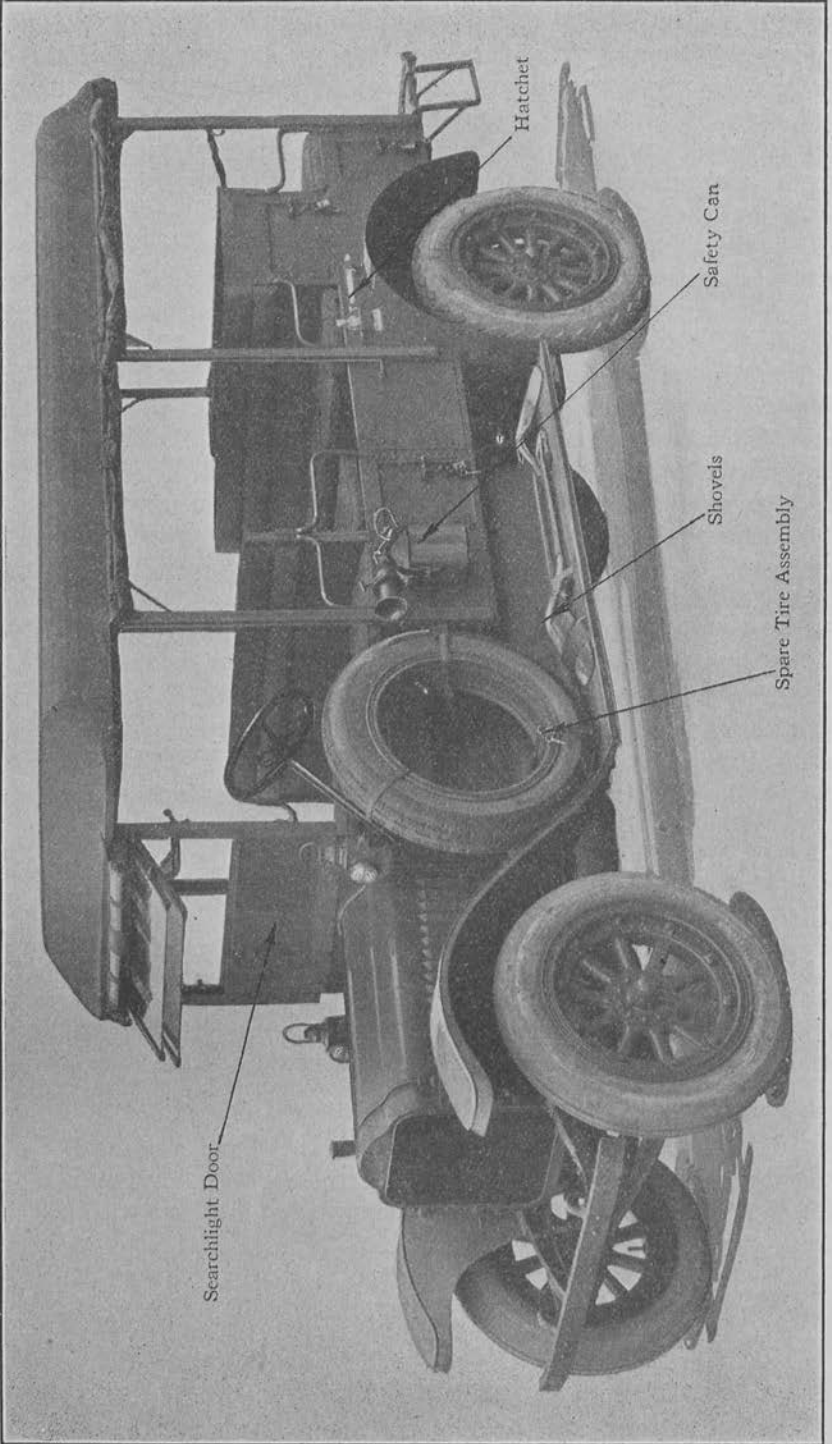
REPLACING FOUNT

When replacing the fount be sure it is under both guides, then push it as far into the lamp as it will go. Push the wick, raising stem into slot on the side of the door frame, so it will not interfere with the closing of the door.

The flame should not be turned too high at first—start it low—it soon grows to normal size, but if started too high will smoke, fogging the lenses and filling the ventilator with soot.

TO TRIM WICK

Do not trim wick with scissors, but rub off charred part occasionally.



FRONT LEFT VIEW OF RECONNAISSANCE CAR

CHAPTER IX

BODY AND EQUIPMENT

CHAPTER CONTENTS

BRIEF DESCRIPTION OF BODY
DETAIL DESCRIPTION OF BODY
BODY EQUIPMENT TABLE
ARTILLERY FIRE CONTROL EQUIPMENT

RECONNAISSANCE CAR BODY

BRIEF DESCRIPTION OF BODY

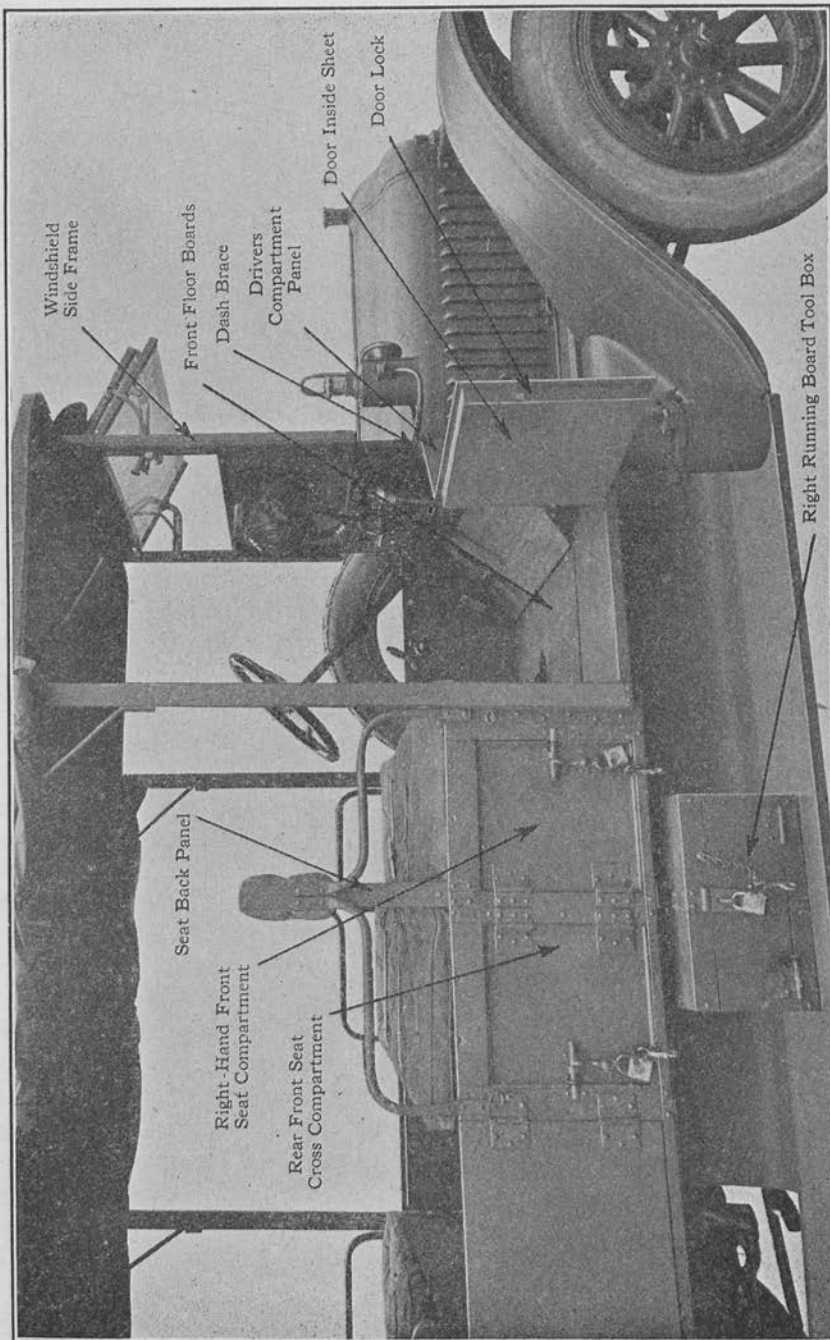
The Reconnaissance Car Body is mounted upon a White, Model TEB-O, Chassis. This chassis has a four-cylinder power plant, plate clutch, and a four-speed selective sliding gear transmission. It has an I-beam front axle and a bevel gear driven rear axle. A pressed steel frame and semi-elliptical springs, both front and rear, support the body and power plant.

The body proper is made up in four sections, including the top: The front compartment division consists of the windshield, right front door and left-hand side of driver's compartment. The front division of the body includes the two front seats, which are back to back, the doors to the center compartment, the gasoline tank and three compartments in the body. The rear division includes the two rear seats, which are located on either side of a transverse compartment, having doors opening at both ends. On top of this compartment and above the level of the backs of the seats is the tray or rack for the rifles. Under the seats of the rear division of the body is a long, wide compartment with a rear door through which the boxes and trays carried in this compartment are inserted. On either side, just over the wheel house and beneath the rear seat of the rear division there are two small compartments reached through doors on the side.

The body is built entirely of steel, riveted together. The top is supported by six posts in addition to the windshield posts. The top is bolted to the posts. A double or rain vision type of windshield is provided. In the lower portion of this shield there is an opening through which the searchlight may be directed. This opening is provided with a sliding metal door that may be closed when the searchlight is not in use. Roll curtains are provided on both sides and in the rear.

DIFFERENCE BETWEEN MACHINE GUN CAR AND RECONNAISSANCE CAR BODIES

The Machine Gun and Reconnaissance Car bodies are identical so far as the general dimensions are concerned, but there are a number of detail differences. These differences are as follows:



FRONT DIVISION AND DRIVER'S COMPARTMENT

The machine gun tripod brackets are omitted from the tray between the backs of the two rear seats, and rifle racks are substituted. The steel angle irons under the rear seat, or in the rear seat compartment; of the Machine Gun Car are omitted in the Reconnaissance Car, as the chests carried in the rear compartment are different.

Instead of the machine gun box, ammunition trays and water boxes that are carried in the Machine Gun Car, longer chests are carried in the rear compartment of the Reconnaissance Car. The Reconnaissance Car, in addition, carries two other chests, one of which goes across the compartment between the two rear seats and one under the rear front seat. The Reconnaissance Car also carries a tool box on the right running board.

BODY SEATING ARRANGEMENT

The body is so arranged that the two front seats are placed back to back. The two rear seats have a space of about 2 feet between and are also back to back. On the left-hand side, between the middle seats, is one door leading into the center compartment of the body. On the right-hand side are two doors, one opening into the driver's and the other into the center compartment.

COMPARTMENTS—FRONT DIVISION

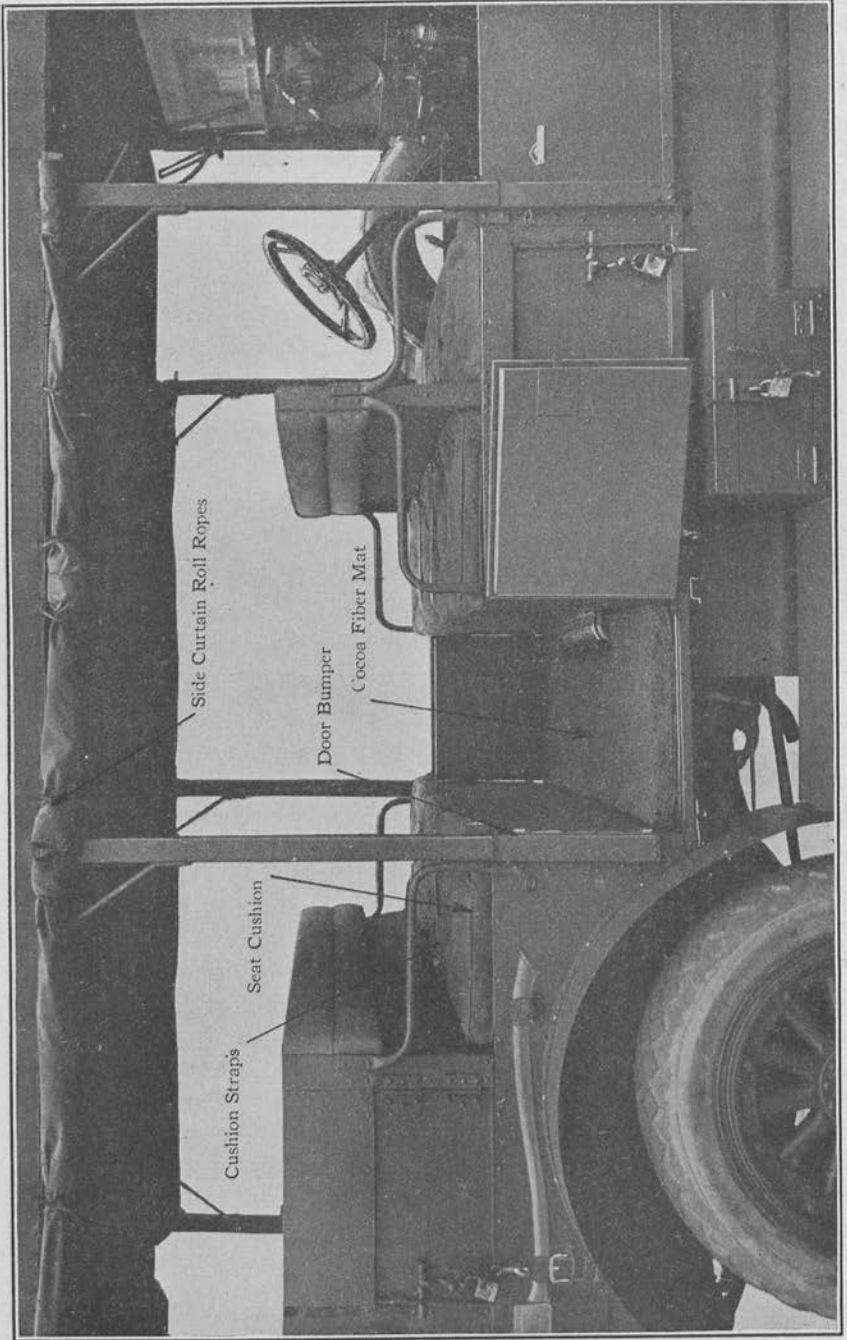
Under the driver's seat is located the fuel tank. On either end of the tank are compartments; the one on the right side has an outside door, while the one on the left is reached through a trap door on top and under the seat cushion. Each of these compartments extends approximately one-fifth the width of the body. Under the rear seat of the front division, extending across the body, is a compartment with a door at either end.

COMPARTMENTS—REAR DIVISION

Between the backs of the seats in the rear division is a shelf with sides about 6 inches high. It is upon this shelf, resting upon two wooden racks, that the machine gun tripod is transported. Under this shelf, with the bottom on a level with the seats, is another compartment extending across the entire width of the car. Doors are provided on either side opening into this compartment. Under the two rear seats and the tripod shelf is one large compartment. Access to this is through the trap door under the rear division front seat and through a door at the back end of the body. On either side are small compartments with doors at the ends.

TOP

The roof, or top, is bolted to the side posts. The side parts are held in position in sockets bolted to the body sides. The floor of the body is made of maple, while the sides are of Number 18 gauge,



CENTRAL COMPARTMENT

0.0625 (3/64) inch sheet steel. At the extreme rear of the body is a round bar extending across the back of the floor, which acts as a foot rest for passengers in the rear seat. Attached to and extending across, between the two rear posts, is a hand hold strap for the rear seat passengers. The longitudinal sills and cross transoms under the body are Number 12 gauge, 0.109 (7/64) inch sheet steel.

The top and side curtains are of military duck. The left front curtain is detachable, so that it may be removed and is stowed away under the front seat. The rear curtain has three windows but is not removable from the top. It, together with the side curtains, may be rolled up and the rolls held at the top by short ropes.

BODY DIMENSIONS

The overall length of the body proper is 160 inches. The width of the seats from outside to outside of the top posts is 59.875 (59 7/8) inches. The body complete without equipment weighs 1180 pounds. On the right-hand side, pockets are provided for carrying an axe, while on the left, pockets, clips and straps for a safety gasoline can, hatchets and two shovels.

DETAIL DESCRIPTION OF RECONNAISSANCE CAR BODY

SEAT DIMENSIONS

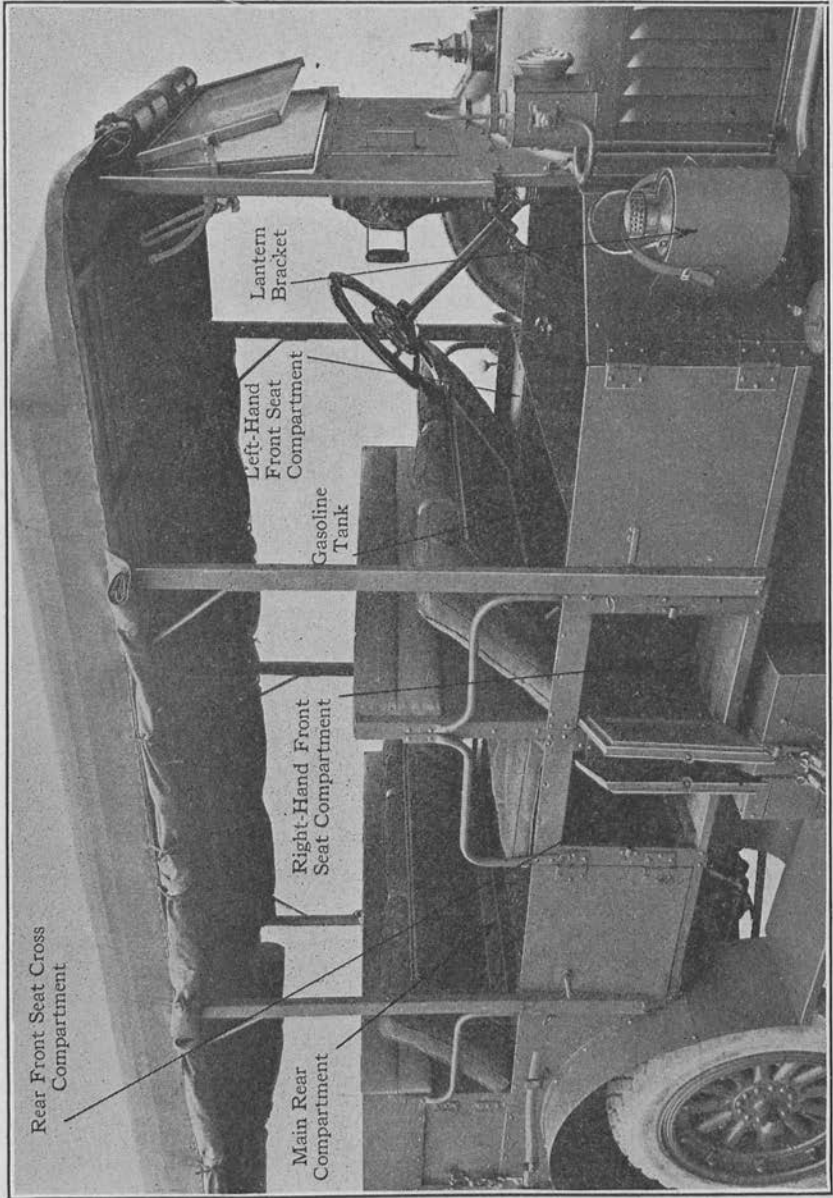
The seats are supported by Number 18 gauge sheet steel which forms the sides of the body, the side and back pieces being reinforced by strips of steel of the same thickness. The seat backs extend 18.5 (18 1/2) inches above the seat panel. At the top of each of the seat backs are two hair stuffed pads, each 4 inches wide and 1.5 (1 1/2) inches thick, extending the entire width of the seat.

The seats extend out from the back 18.25 (18 1/4) inches and are 16.25 (16 1/4) inches above the floor boards. The heel panel and sides extend above the seat panel 0.875 (7/8) inch, forming a ledge to hold the cushions in place. The seats are 57.75 (57 3/4) inches wide between the arm rails. The latter are made of 0.75 (3/4) inch outside diameter steel tubing, there being one on each side of every seat.

SEAT CUSHIONS AND STRAPS

The seat cushions, four in number, are 55.5 (55 1/2) inches long, 17 inches wide and 3 inches thick. Each one is held down to its seat panel by two leather straps. Each strap is 1.25 (1 1/4) inches wide, 0.125 (1/8) inch thick and 40 inches long. The cushion straps pass around the cushions and through strap loops made of 0.125 (1/8) inch diameter steel rod attached to the seat panel.

PLATE 51



FRONT DIVISION BODY COMPARTMENTS

BODY COMPARTMENTS

FRONT SEAT COMPARTMENTS

Under the front seat are three compartments; the one in the middle contains the fuel tank, and those at the sides, tools and other equipment.

Access to the tank compartment is through the trap door which forms the seat panel under the cushion. This door is 34.375 ($34\frac{3}{8}$) inches long and 15 inches wide and made of Number 18 gauge sheet steel. It swings upward on two butt hinges riveted to its rear edge and the seat panel. This tank compartment is 34 inches long across the car, 18.75 ($18\frac{3}{4}$) inches wide and 15 inches deep.

Access to the left-hand front seat compartment is through a trap door of Number 18 gauge sheet steel 10 inches wide in a direction across the car and 15 inches long in a direction lengthwise of the car. This door hinges on two butt hinges fastened to its rear edge. The compartment is 14 inches deep, 11.75 ($11\frac{3}{4}$) inches wide and 18.375 ($18\frac{3}{8}$) inches long fore and aft.

RIGHT-HAND FRONT SEAT COMPARTMENT

Access to the right-hand front seat compartment is through a door on the right-hand side of the car. The door opening is 12.5 ($12\frac{1}{2}$) inches wide by 13.5 ($13\frac{1}{2}$) inches vertically. The door is made of Number 18 gauge pressed sheet steel, reinforced by strips of the same material, hung on two butt hinges, riveted in place on the rear edge, and is locked with a shot bolt. The compartment is 11.375 ($11\frac{3}{8}$) inches wide across the car, 13.75 ($13\frac{3}{4}$) inches vertically and 18.375 ($18\frac{3}{8}$) inches long.

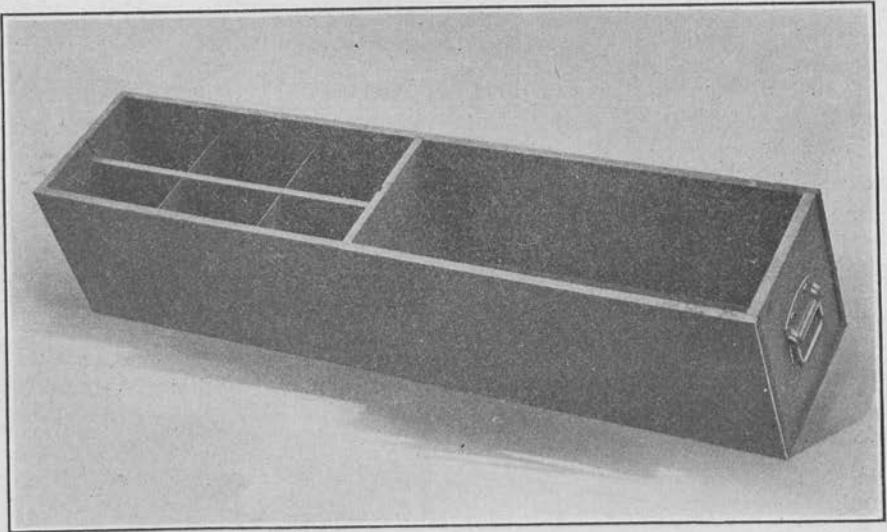
REAR SEAT FRONT DIVISION COMPARTMENT

The compartment under the rear seat front division has doors on both ends. The door openings are 12.375 ($12\frac{3}{8}$) inches wide and 13.5 ($13\frac{1}{2}$) inches high. Each door is made up of Number 18 gauge sheet steel pressings reinforced by strips of Number 12 gauge sheet steel. Both doors are equipped with shot bolts and two butt hinges placed on the forward edge. The dimensions of the compartment are 56.5 ($56\frac{1}{2}$) inches across the car, 15 inches high and 17 inches wide.

FRONT DIVISION CHEST

The chest which is carried beneath the rear seat for the front body division slides on guide rails at each corner and is accessible through a door located at each side of the body. This chest is 55.5 ($55\frac{1}{2}$) inches long, 11.75 ($11\frac{3}{4}$) inches wide and 12.75 ($12\frac{3}{4}$) inches high. It is constructed of wood and is provided with a handle at each end. It is divided by wooden partitions 0.5 ($\frac{1}{2}$) inch thick and sheet steel partitions into seven compartments.

The bottom of the box is 0.75 ($\frac{3}{4}$) inch thick, the sides 0.625 ($\frac{5}{8}$) inch thick, and the ends 0.75 ($\frac{3}{4}$) inch thick.



FRONT DIVISION CHEST

The chest is divided into the following sized compartments:

One 27.375 ($27\frac{3}{8}$) inches x 10.5 ($10\frac{1}{2}$) inches

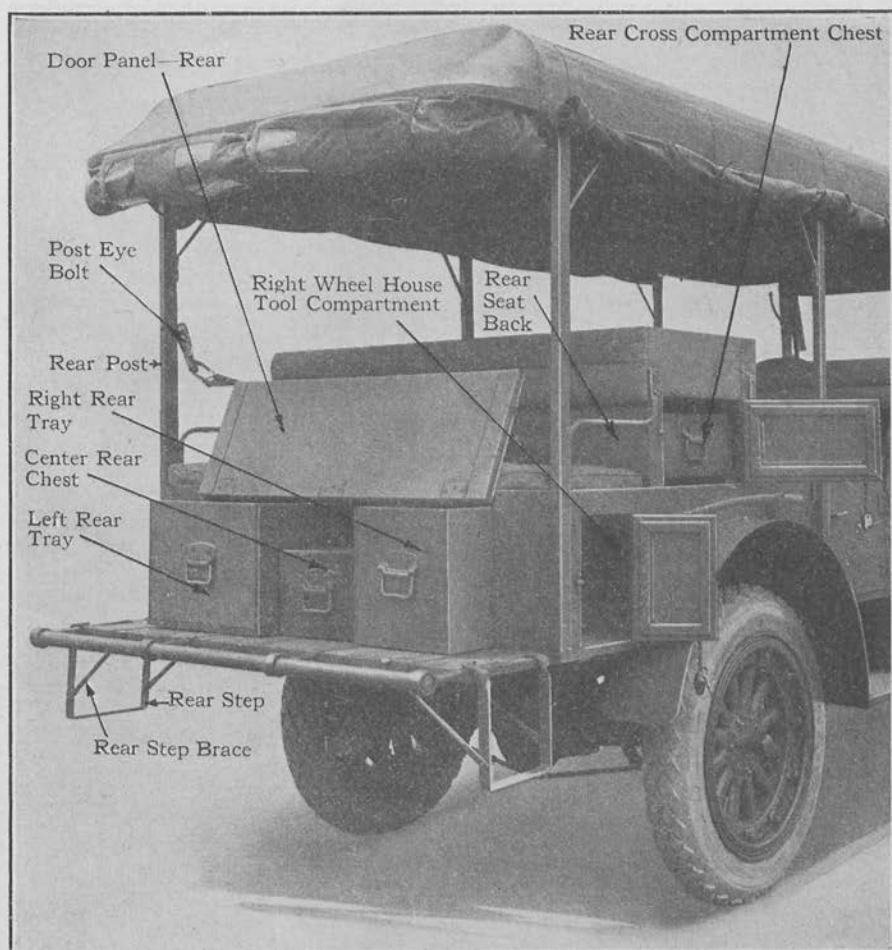
Six 5 inches x 8.5 ($8\frac{1}{2}$) inches

The partitions between these compartments do not extend to the top of the chest, thereby providing a space above the partitions 25.625 ($25\frac{5}{8}$) inches x 10.5 ($10\frac{1}{2}$) inches x about 3.5 ($3\frac{1}{2}$) inches deep.

REAR DIVISION COMPARTMENT

Under both rear seats and under the compartment directly below the machine gun tripod shelf is the large rear division compartment. Access to this compartment is through a trap door opening under the rear division front seat, and a door at the rear in place of the rear seat heel panel. The trap door opening is 43.75 ($43\frac{3}{4}$) inches across the car and 15.5 ($15\frac{1}{2}$) inches wide. The door over this opening is carried on two butt hinges riveted through the door and seat panel. The door is 44 inches long and 16 inches wide.

The rear door measures 43.25 ($43\frac{1}{4}$) inches across the car and 15 inches high. It is of Number 18 gauge sheet pressed steel construction, is hung on three butt hinges riveted to the door and rear seat panel, and is fastened at either end near the bottom by shot bolts. The rear compartment inside dimensions are 58 inches long, 16 inches high and 43.5 ($43\frac{1}{2}$) inches wide. Six steel wearing strips 47.25 ($47\frac{1}{4}$) inches x 0.25 ($\frac{1}{4}$) inch are secured to the floor lengthwise of the body by nine Number 10 flat head wood screws in each strip. The heads of the screws are flush with the top of the wearing strips. These strips facilitate sliding the chests in and out of the compartment.



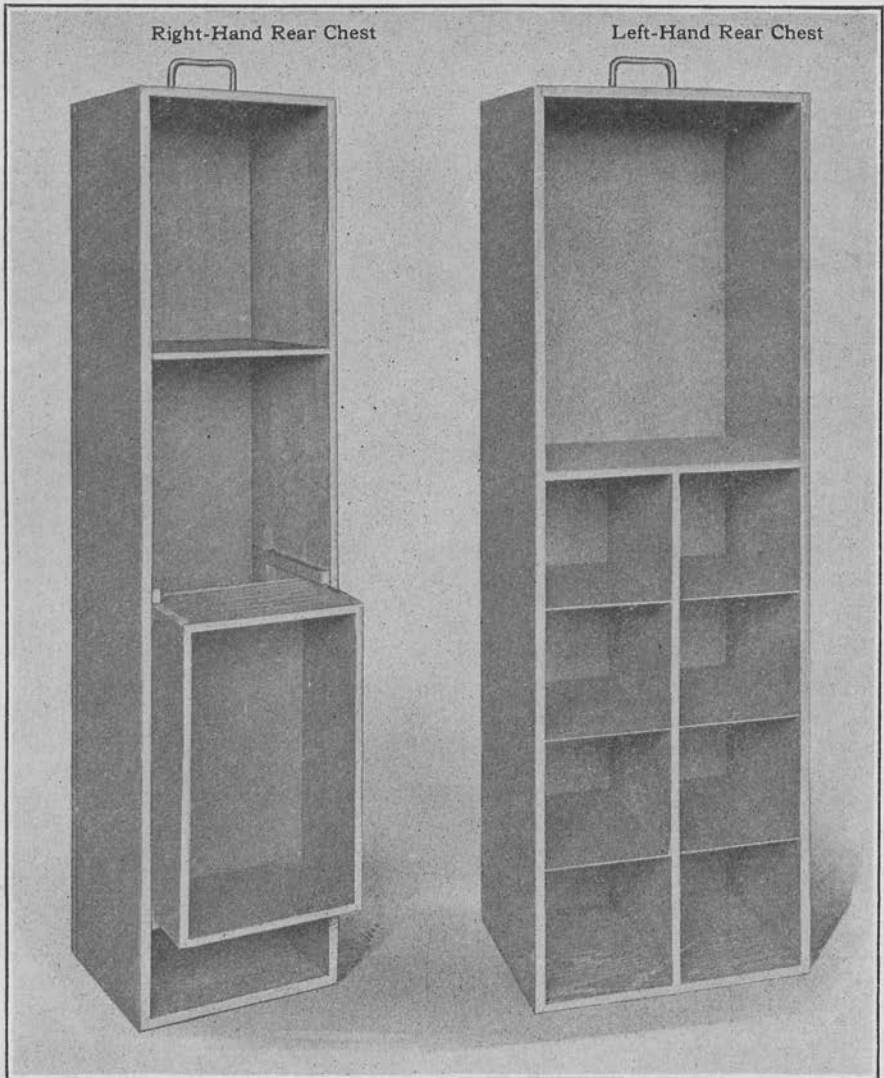
REAR DIVISION COMPARTMENTS AND CHESTS

Three chests are carried in this compartment, one of which is provided with a hinged cover and padlock.

RIGHT-HAND REAR CHEST

The chest carried on the right side in the rear compartment is 57 inches long, 12.625 ($12\frac{5}{8}$) inches wide and 14.25 ($14\frac{1}{4}$) inches high. It is constructed entirely of wood and is provided with a swivel handle at each end.

The bottom of this chest is 0.75 ($\frac{3}{4}$) inch thick and the ends and sides are each 0.625 ($\frac{5}{8}$) inch thick. This chest is divided into two compartments by a wood partition 0.375 ($\frac{3}{8}$) inch thick, located 15.625 ($15\frac{5}{8}$) inches from one end of the chest. Wood strips 0.813 ($\frac{13}{16}$)



REAR DIVISION SIDE CHESTS

inch square are secured to each side of the chest to support and hold in position a removable tray at a distance of 6 inches from the other end. The top of this tray rests 0.125 ($\frac{1}{8}$) inch below the top of the chest. This tray is 18.875 ($18\frac{7}{8}$) inches long, 9.125 ($9\frac{1}{8}$) inches high and 11.125 ($11\frac{1}{8}$) inches wide. It is constructed entirely of 0.5 ($\frac{1}{2}$) inch wood.

LEFT-HAND REAR CHEST

The chest carried on the left side of the body is 57 inches long, 14.25 ($14\frac{1}{4}$) inches high and 18 inches wide. It is constructed of wood

and is provided with a swivel handle at each end. The bottom of this chest is 0.813 (13/16) inch thick, ends 0.75 (3/4) inch thick, and the sides 0.688 (11/16) inch thick.

CENTER REAR CHEST

The chest carried between the two large chests is provided with a hinged cover which may be locked, when closed, by a snap or padlock, both of which are secured to the box by a chain. This box is 50 inches long, 9 inches high and 12 inches wide. It is constructed of wood and provided with a swivel handle at each end. The bottom of this chest is 0.813 (13/16) inch thick and the sides and ends are each 0.75 (3/4) inch thick.

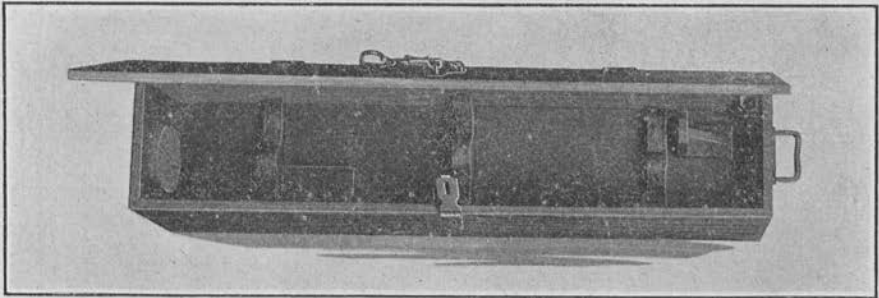
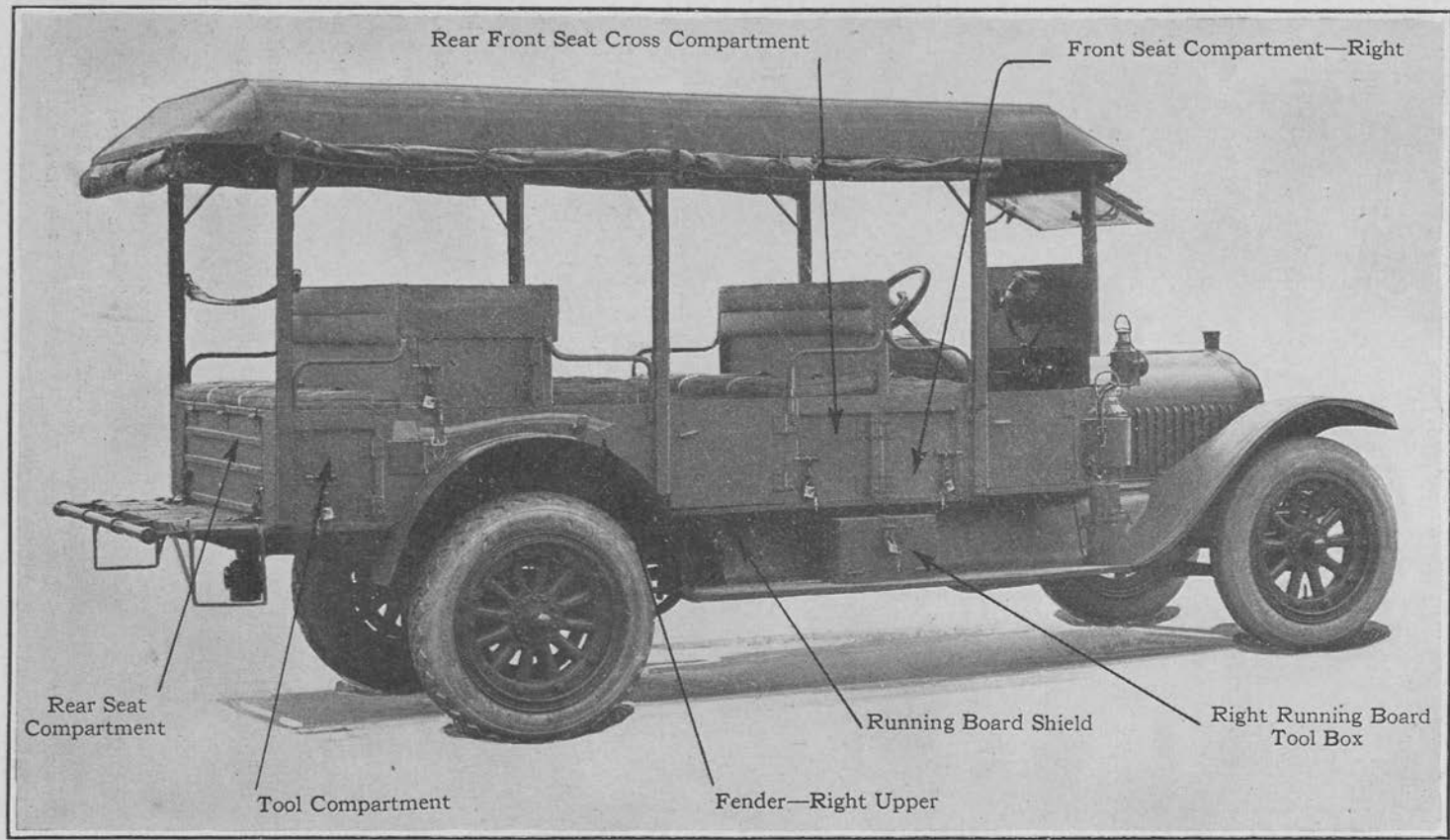


PLATE 55—REAR DIVISION CENTRAL CHEST

The interior of the box is fitted with partitions covered with felt—a small wooden box provided with a sliding cover is secured to the bottom of the chest inside. The top or cover is secured to the chest by two 6-inch strap hinges, located 12 inches from each end of the chest. This cover is made of 0.75 (3/4) inch wood, and relieved 0.188 (3/16) inch around the edge, so that it only projects 0.563 (9/16) inch above the sides and ends of the chest. Each end of the cover is made of a single strip 12 inches long, 2.375 (2 3/8) inches wide, tongued and grooved to the cover.

RUNNING BOARD TOOL BOX

Each car is provided with an all-steel tool box, secured to the running board on the right side of the car, directly below front seat partition. This tool box is 17 inches long, 8 inches wide and 10 inches high. The body of the box is constructed of a single piece of sheet steel with riveted-in steel ends. On the side of the box, 1.75 (1 3/4) inches from the bottom, is an opening the length of the box 6.375 (6 3/8) inches high. This opening is covered by a single-piece steel door hinged at the bottom by two 3-inch butt hinges, which are riveted on, 2.5 (2 1/2) inches from each end of the box. This door is 6.25 (6 1/4) inches high and 17 inches long; and when closed is secured in position by a hasp 1.75 (1 3/4)



Rear Front Seat Cross Compartment

Front Seat Compartment—Right

Rear Seat Compartment

Tool Compartment

Fender—Right Upper

Running Board Shield

Right Running Board Tool Box

RIGHT SIDE VIEW OF RECONNAISSANCE CAR

inches wide, which fits over the hasp eye riveted to the door and locked by a snap or padlock, both of which are secured to the box by a chain.

RIGHT AND LEFT-HAND REAR SEAT COMPARTMENTS

On either side of the large rear division compartment, and under the rear seat, are two compartments. These are alike except for being right-handed and left-handed. The door is made from Number 18 gauge pressed steel, has two butt hinges on the front edge and one shot bolt lock. The door opening is 13.625 ($13\frac{5}{8}$) inches high and 9 inches wide. The compartment is 6.5 ($6\frac{1}{2}$) inches wide, 15.25 ($15\frac{1}{4}$) inches high and about 22 inches long. The front sheet of this compartment forms the wheel house over the rear wheel.

REAR DIVISION CROSS COMPARTMENT

Between the rear seat backs is the rear division cross compartment. It has a door on either side of similar construction to the other compartment doors before described. The door is 18 inches wide and 10.5 ($10\frac{1}{2}$) inches high. The inside dimensions of the compartment are 54 inches long, 19.625 ($19\frac{5}{8}$) inches wide and 10.5 ($10\frac{1}{2}$) inches high.

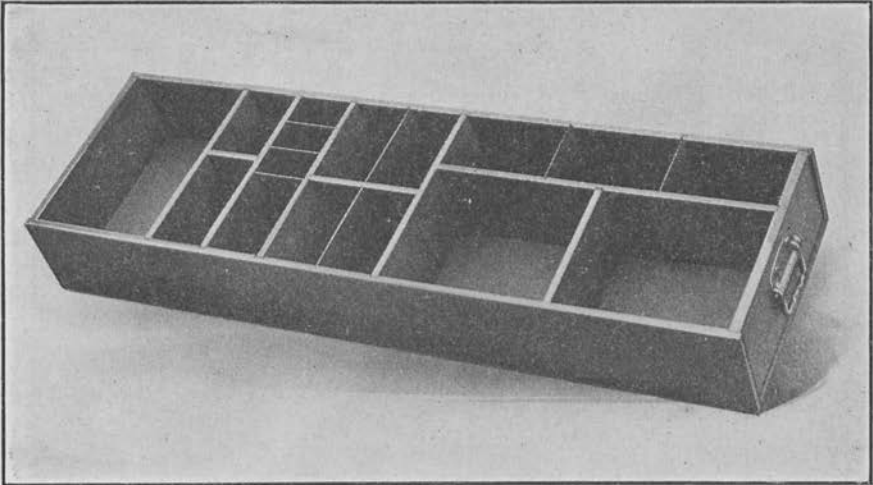


PLATE 57—REAR SEAT CROSS CHEST

REAR SEAT CROSS COMPARTMENT BOX

The chest which is carried between the backs of the two rear seats is made of wood. It is 55.5 ($55\frac{1}{2}$) inches long, 7.375 ($7\frac{3}{8}$) inches high and 16.75 ($16\frac{3}{4}$) inches wide.

This chest is provided with a handle at each end, so that it may be pulled out of either end of the compartment in which it is located on wooden slide rails at each lower corner. Suitable partitions divide this

chest into sixteen different sized compartments. The bottom of the chest is 0.812 ($\frac{13}{16}$) inch thick, the ends are 0.75 ($\frac{3}{4}$) inch thick and the sides 0.688 ($\frac{11}{16}$) inch thick and made of wood; the partitions are made of sheet steel. The chest is so partitioned as to provide the following compartments:

- One 10 inches x 15.375 ($15\frac{3}{8}$) inches.
- One 6.375 ($6\frac{3}{8}$) inches x 4.25 ($4\frac{1}{4}$) inches.
- One 4.25 ($4\frac{1}{4}$) inches x 8.5 ($8\frac{1}{2}$) inches.
- Three 2.5 ($2\frac{1}{2}$) inches x 4.25 ($4\frac{1}{4}$) inches.
- One 4.25 ($4\frac{1}{4}$) inches x 7.75 ($7\frac{3}{4}$) inches.
- Four 4.25 ($4\frac{1}{4}$) inches x 7.438 ($7\frac{7}{16}$) inches.
- Two 10 inches x 12 inches.
- Three 4.875 ($4\frac{7}{8}$) inches x 8.125 ($8\frac{1}{8}$) inches.

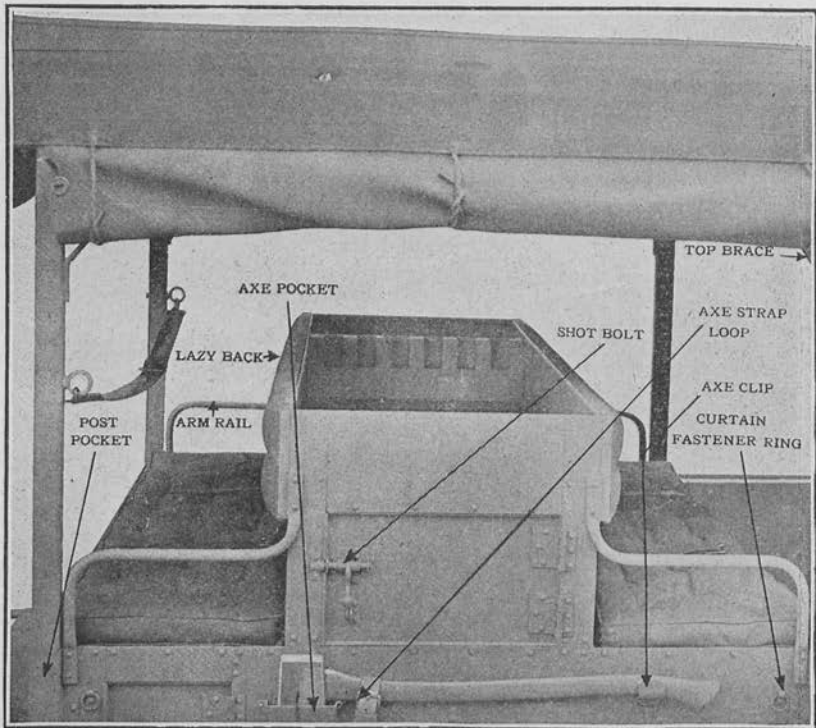


PLATE 58—RIFLE RACK

RIFLE CARRYING SHELF

Between the rear seats, with the top on a level with the top of the seat backs, is the rifle carrying shelf. The sides and bottom are made of Number 18 gauge sheet steel. The inner dimensions are as follows: The length measured across the car is 57.25 ($57\frac{1}{4}$) inches, the width is 22.25 ($22\frac{1}{4}$) inches and the depth is 7.5 ($7\frac{1}{2}$) inches.

Extending across the shelf lengthwise of the car, 3 inches from the right-hand side, is a notched wooden strip 3.25 ($3\frac{1}{4}$) inches high and 1.25 ($1\frac{1}{4}$) inches wide. In the top of this strip are six notches 1 inch wide and 1.5 ($1\frac{1}{2}$) inches deep. Parallel to this strip and 10.375 ($10\frac{3}{8}$) inches from the left-hand side is another strip. This strip is 1.75 ($1\frac{3}{4}$) inches wide and its top edge is on a level with the top of the shelf. There are six notches 3.25 ($3\frac{1}{4}$) inches deep and 2 inches wide cut in from the top 1.25 ($1\frac{1}{4}$) inches into the right-hand side.

TOP ASSEMBLY

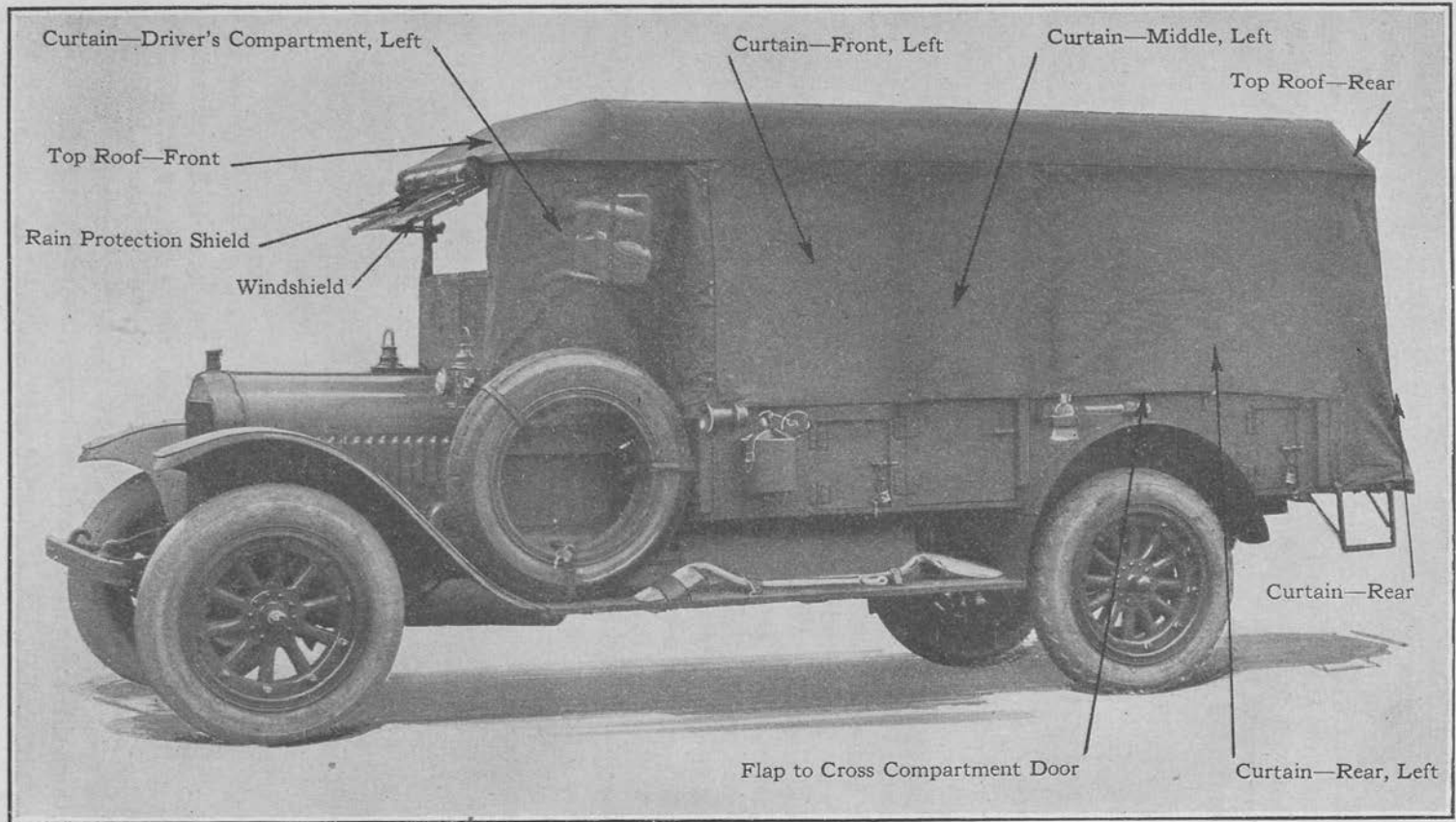
The top assembly consists of the top, or roof, side curtains and supporting posts.

SUPPORTING POSTS

Supporting the top over the body are six posts, three on each side. These posts are held in position in sockets which are made of number 18 gauge sheet steel and are located as follows: The middle and rear sockets at each corner of the rear seat division; the front posts at the four corners of the front seat division of the body. The supporting posts are 2 inches wide and 1 inch thick, and are made as follows: The post is a wooden strip encased on three sides by sheet steel 0.125 ($\frac{1}{8}$) inch thick. The top part of the post is tenoned into the longitudinal wooden top strip. The sheet steel casing is spread on either side of the strips, forming a means of attaching the longitudinal wooden strip to the post. Four wood screws pass through the sheet steel ends into the longitudinal wooden piece. In addition to this, each post is braced at the top by an angling brace of 0.5 ($\frac{1}{2}$) inch round steel. This brace has one end bolted to the top strip and the other to the upright post. The end of the brace is attached to the upright support about 8 inches down from the top. The brace is approximately 10.5 ($10\frac{1}{2}$) inches long and extends diagonally between the post and the top strip. The posts are all right-hand and left-hand and their lengths are: Front, 51.687 ($51\frac{11}{16}$) inches; center 49.312 ($49\frac{5}{16}$) inches; rear 51.687 ($51\frac{11}{16}$) inches. All these supporting posts tenon into the top strip 1.75 ($1\frac{3}{4}$) inches. The distance from the body floor to the longitudinal rail on the top of the upright posts is 52.625 ($52\frac{5}{8}$) inches.

TOP COVERING

The covering on the Reconnaissance Car top consists of military duck, stretched over a wooden frame. Its general dimensions are as follows: Running lengthwise on the top of the supporting posts on both sides is a wooden strip 1.5 ($1\frac{1}{2}$) inches wide and 1.75 ($1\frac{3}{4}$) inches thick. These strips are 147.75 ($147\frac{3}{4}$) inches long. Connecting these side strips at the front and rear are the end bow strips. These



CURTAINS ON RECONNAISSANCE CAR

strips are 1 inch wide and 1.25 ($1\frac{1}{4}$) inches thick and extend forward and backward from the ends of the side pieces 2.75 ($2\frac{3}{4}$) inches. The top bow strips, six in number, are tenoned into the side strips and held in place by four wood screws at each joint and 0.062 ($1/16$) inch steel joint plates. The top bow strips are 1 inch by 1.25 ($1\frac{1}{4}$) inches wide and are 8.25 ($8\frac{1}{4}$) inches above the level of the top of the supports. The distance between the top side pieces crosswise of the car, to which the top bows fasten, is 58.125 ($58\frac{1}{8}$) inches. Running lengthwise of the top and nailed to the top bows, supporting the canvas, are eighteen wooden strips 1.5 ($1\frac{1}{2}$) inches wide, 0.25 ($1/4$) inch thick and 132 inches long. The canvas on the top is level except at the ends, where it bevels down to the front and rear bows. On the rear the end top bow is 10 inches from the end of the longitudinal side pieces, while on the front the end bow is 14.5 ($14\frac{1}{2}$) inches from the end of these side pieces. There are filler strips on the top bows between the thin top lengthwise strips for the purpose of keeping the canvas smooth over the top.

MILITARY DUCK TOP COVERING

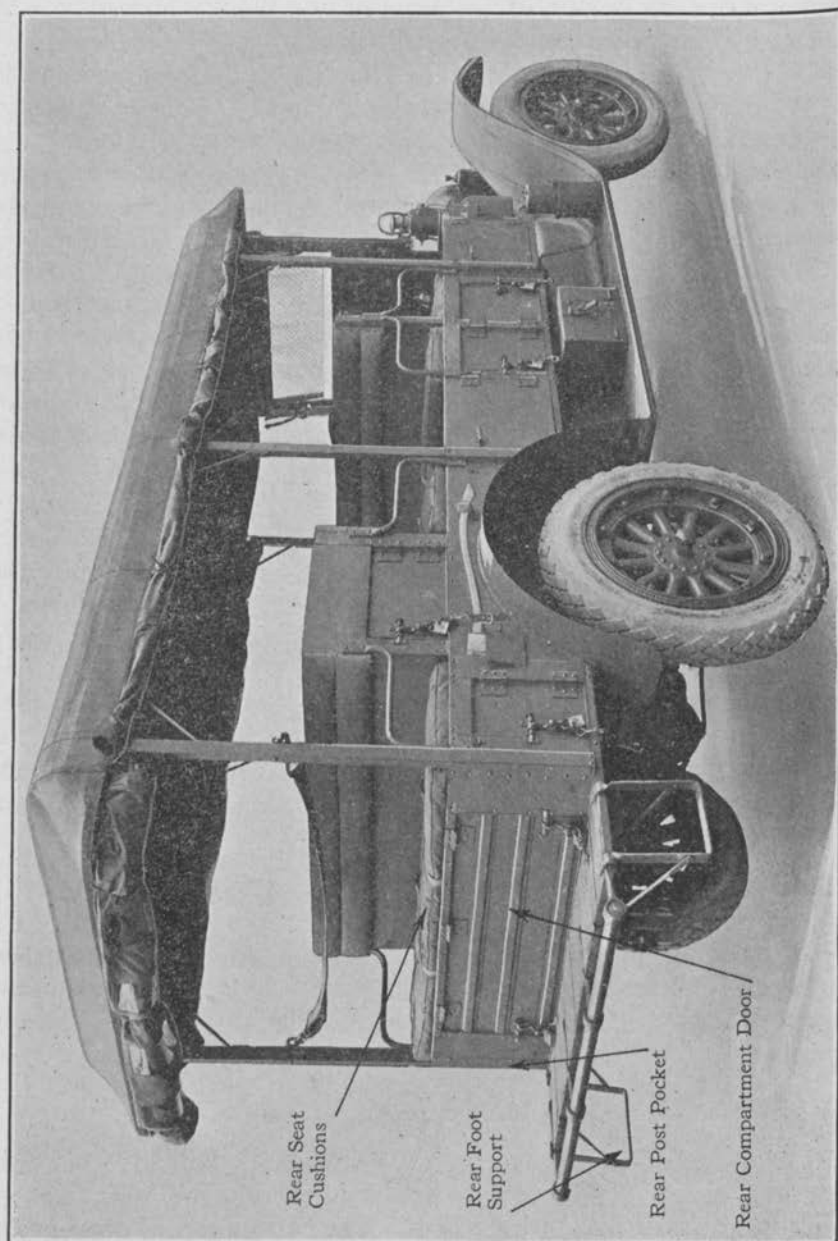
On the wooden framework, extending forward and back over the middle portion, is a single-strip of military duck 132 inches long by 55.5 ($55\frac{1}{2}$) inches wide. Stitched to this strip on either side with heavy black thread are two strips 132 inches long by 11 inches wide, covering the curved portion of the top bows. At the forward end is a strip 20 inches wide, covering the end and front top bows. At the rear there is a similar strip, except that it is 13 inches wide. Both strips are approximately 60 inches long. The strips are hemmed on the edges, stitched together and tacked to the wooden framework.

CURTAINS

The curtains in general are made of heavy military duck, the edges are hemmed, the grommets for the ropes and staples are inserted in the standard manner. The rear and side curtains are nailed to the top side pieces. The front left side curtain is detachable.

LEFT-HAND SIDE DRIVER'S CURTAIN

The detachable left-hand driver's curtain is 41.5 ($41\frac{1}{2}$) inches long and 40 inches high. It has two celluloid windows near the top, each 6 inches wide by 14 inches high. The curtain contains two grommets at the bottom, through which two 0.375 ($3/8$) inch diameter ropes, 24 inches long, pass. There are three grommets at each side for staples, through which short straps pass to hold the curtains in place. There are four grommets at the bottom. This curtain, when down, is held by staples and strap-fasteners on the front posts, windshield and dash.



SIDE CURTAINS

The curtains on either side, nailed to the top side strip, are similar except for being right-hand and left-hand. The curtains on one side only will be described.

FRONT SIDE CURTAIN

The front side curtain is 40 inches high by 34 inches wide. At the top are three 0.375 ($\frac{3}{8}$) inch diameter by 24 inch long ropes for the purpose of tying up the rolled curtain. At the bottom are two rope grommets, through which the ropes pass. The ropes used throughout on all the curtains are 0.375 ($\frac{3}{8}$) inch in diameter and 24 inches long. On the forward edge are three grommets without fastening straps, and on the rear edge are three grommets with straps.

MIDDLE COMPARTMENT CURTAIN

The middle compartment curtain is 40 inches high by 24 inches wide. There are two fastening ropes at the top, three staples on the forward edge and three grommets with short fastening straps on the rear edge.

REAR SIDE CURTAIN

The rear side curtain is 58 inches wide by 40 inches high. There are three roll ropes at the top. On the bottom edge are two rope grommets, with ropes. There are three staples on the forward edge and three staple grommets, with fastening straps, on the rear edge.

Sewed to the rear side curtain on the top edge, and covering the compartment door under the gun tripod shelf, is an auxiliary curtain 20 inches wide and 12 inches high. On the lower edge are two eye fastener grommets. The eye fasteners are attached to the rear side curtain. This permits entry to the compartment between the rear seats without unfastening the curtain.

REAR CURTAIN

The rear curtain is 54 inches high by 92 inches wide. At the top are three fastening ropes, while on the lower edge are three rope grommets, with ropes, for tying the curtain at its lower edge to the rear rail. On each side edge are three staple fasteners. In the middle, near the top, are four 8 inch high by 6 inch wide windows covered with celluloid. The side, front and rear curtains fasten together with eye fasteners, forming a unit. They are held down to the body sides by four 0.375 ($\frac{3}{8}$) inch diameter ropes 24 inches long, passing through rope eyelets in the curtains and rings in the body side. The rear curtain ropes pass around the rear rail.

REAR POST EYE BOLTS

Through each rear supporting post, on a level with the top of the seat backs, are 0.312 (5/16) inch diameter steel eye bolts. The diameter of the eye is 1 inch. To these eye bolts the rear retaining straps fasten.

REAR HAND HOLD STRAPS

At the rear of the body, extending across between the rear posts and for the purpose of a hand hold for the rear seat passengers, is a leather strap, 0.125 ($\frac{1}{8}$) inch thick and 2 inches wide, and made in two pieces. At each end is a snap fastener snapped onto the rear post eye bolts. One piece is 20 inches long and has a strap buckle on its end. The other piece is 40 inches long, with six 0.187 ($\frac{3}{16}$) inch diameter holes for the buckle on the end opposite the snap.

WINDSHIELD

The windshield panel rests on the dashboard and is held in place by five 0.25 ($\frac{1}{4}$) inch diameter bolts. The forward end of the top rests on the windshield and is fastened to it by three 0.375 ($\frac{3}{8}$) inch stove bolts. The windshield panel is 31.75 ($31\frac{3}{4}$) inches high by 39.25 ($39\frac{1}{4}$) inches wide. The double windshield glasses, for protection in rain, are hinged at the top as follows: The front shield frame has two hinges and the rear has three hinges. The glasses are 33 inches wide by 12.5 ($12\frac{1}{2}$) inches high. The windows are opened and closed by means of windshield fixtures of standard design, operated from the inside of the body. The top windshield cross piece is 3 inches wide and extends the full width of the shield. The side supporting strip is 2.5 ($2\frac{1}{2}$) inches wide. These are wooden strips encased on three sides by sheet steel 0.129 ($\frac{1}{8}$) inch thick.

The sheet steel casement extends throughout the length of the strips and, at the joining of these members, the steel casings are electrically welded together to give rigidity and strength to the windshield. The windshield glasses are made with a wire mesh to hold the pieces together in case of breakage.

Near the lower edge of the windshield is an opening 13 inches wide and 10 inches high, through which the rays of light from the searchlight pass. The opening is covered by a sliding door mounted on the forward side of the metal portion of the windshield. The door is equipped with a steel handle piece riveted to the front side of the door.

BODY DOORS

All doors in the body, except those for equipment compartments and the searchlight door, are of the following general construction:

They are made of Number 18 gauge sheet steel. The outer flanged section fits outside the inner section, so that the door in thickness is 1.5 ($1\frac{1}{2}$) inches. In all cases the doors are hung on butt hinges on the forward edge and are equipped with snap locks provided with Woodruff Number 129 handles. The right-hand front door is 15.5 ($15\frac{1}{2}$) inches high by 17 inches wide. The right and left-hand middle side doors are 19.25 ($19\frac{1}{4}$) inches high by 19.5 ($19\frac{1}{2}$) inches wide.

REAR FOOT RAIL

At the extreme rear of the body, on a level with the floor, extending across the body and held in place by four steel brackets bolted to the floor boards, is the rear foot rail. It is made of butting 1.312 ($1\frac{5}{16}$) inches outside diameter and 57.5 ($57\frac{1}{2}$) inches long. The center of the rail is 5 inches back from the end of the floor boards.

REAR STEP

The two rear steps, one on each side, are bolted near the right and left edge, or rear corner, of the floor boards. The steps are made of 0.375 ($\frac{3}{8}$) inch by 1.25 ($1\frac{1}{4}$) inch flat steel stock and are braced diagonally with flattened ends of 0.5 ($\frac{1}{2}$) inch round tubing, bolted to the step at one end and to the floor boards at the other. The step cross piece is 11 inches down from the top side of the floor boards and is 24 inches from the ground.

DRIVER'S COMPARTMENT

The dimensions of the compartment in front, for the driver and two front seat passengers, are as follows: The space is 27.5 ($27\frac{1}{2}$) inches lengthwise of the car by 46.5 ($46\frac{1}{2}$) inches wide at the top. On the left-hand side, 5.75 ($5\frac{3}{4}$) inches from the top edge, is a 2.25 ($2\frac{1}{4}$) inch offset toward the middle, which makes the effective width of the driver's space 44.25 ($44\frac{1}{4}$) inches. The sides of this compartment are 14 inches high. On the right-hand, the sides are straight forward and back for 17 inches and then bevel across to the dash, which is 39 inches wide. The right-hand front part of the compartment is braced by a 1.25 ($1\frac{1}{4}$) inch wide by 0.25 ($\frac{1}{4}$) inch thick steel brace extending diagonally from in front of the side door to the dash board.

FLOOR BOARDS

The floor boards in the driver's space extend across the car. These are 0.75 ($\frac{3}{4}$) inches thick, 33.785 ($33\frac{25}{32}$) inches long. One is 8.5

($8\frac{1}{2}$) inches wide, one 8.25 ($8\frac{1}{4}$) inches wide and two are 6.5 ($6\frac{1}{2}$) inches wide.

The nine matched floor boards in the middle compartments are as follows: They are 1 inch thick by 6 inches wide, 38 inches long and extend forward under the rear seat front division to the tank compartment.

The nine matched floor boards under the rear division are 1 inch by 6 inches and 71 inches long. The body is open under the tank compartment.

BODY SUPPORTS

The body rests on eleven pressed steel cross transoms. Four of these transoms are bolted by 0.5 ($\frac{1}{2}$) inch diameter machine bolts to the chassis side rails. The transoms are made of Number 12 gauge sheet steel, pressed in a U shape, with side flanges. The transom in cross section is 1 inch deep, 1.5 ($1\frac{1}{2}$) inches across the opening in the U, and has a 0.5 ($\frac{1}{2}$) inch flange. The total width of the transom in cross section is 2.5 ($2\frac{1}{2}$) inches, and the length 58 inches.

SECTIONS OF BODY

The body is built in units, that is to say, in shipping the body may be taken apart for handling as follows: One unit consists of the bundle of the driver's seat compartment, sides, windshield and floor boards; another unit of the top and supporting posts, and the third unit of the front and rear seat division units.

TOOL AND SPARE TIRE BRACKETS

On the left-hand side of the body, beside the driver but outside of the body, is the spare tire carrier. Bolted to the sheet forming the back for the front seat, is a tire holder made of 0.5 ($\frac{1}{2}$) inch by 1.5 ($1\frac{1}{2}$) inch flat steel stock formed into a U shape. Near the ends of this piece are rectangular holes for the strap holding the tire to pass through. The lower tire holder is bolted to the step board and is made of 0.25 ($\frac{1}{4}$) inch by 1.5 ($1\frac{1}{2}$) inch steel stock formed into a U shape. Across the top is a piece so arranged that it may be locked to the U-shaped piece securing the tire.

On the left-hand step board are two sheet steel loops and two straps with loops to hold two shovels. Above the rear left-hand wheel are two steel clips and a strap and strap loop to retain a hatchet. On the left side of the front seat, outside of the body, is a sheet steel holder for a gasoline safety can. This holder is provided with a split strap with

buckles in the holder to secure the safety can. On the right side, above the rear wheel, are two sheet steel clips and a ring with a strap for securing an axe. Ahead of the front right-hand driver's compartment door is a sheet steel lantern holder, provided with a split strap and buckles for securing the lantern.

All shot locks, except the right rear door lock, are provided with padlocks.

BODY EQUIPMENT FOR RECONNAISSANCE CAR

Name	No. Per Car
Axe	1
Board, wood table for map and plotting work	1
Buckets, canvas, water, complete	2
Can, safety, 1 gallon	1
Hatchet	1
Lantern complete	1
Mat, cocoa fibre	1
Oil, medium, gasoline engine, gallon	1
Pads, lantern bracket complete	2
Shovel, long handle	1
Straps, lantern	2
Straps, 12" long, Style AV, 7 holes	3
1 for axe.	
1 for long handle shovel.	
1 for hatchet.	
Straps, 15" long, Style AV, 7 holes	2
1 for short handle shovel.	
1 for long handle shovel.	

This car is equipped with lockers and compartments to receive such Signal Property and Fire Control Instruments as is prescribed to be carried thereon for organization in which it serves.

ARMY ARTILLERY FIRE CONTROL EQUIPMENT

The following table is a list of Fire Control Equipment for a Battery and Battalion of 8 inch Howitzer, Vickers M-VI and VII—9.2 Howitzer, Vickers M-I and II—240 mm. Howitzer—Schneider.

The Reconnaissance Car will carry such part of this equipment, for the various organizations to which Reconnaissance Car is issued, as occasion may require, or as may be definitely allotted to it.

ORDNANCE MATERIAL	Battery	Battalion
Prismatic Compass	2	3
80 Meter Steel Tape	2	3
Arms, metal, 1 meter long, grad. 1/20,000	3	3
Azimuth Instrument	2	2
Periscopic Azimuth Instrument	2	2
Protractor, metal 6" rad., grad. mils	2	2
Aiming Rule	5	0
Batteries, extra for flashlights	18	16
Range and Deflection Board	1	1
Bulbs, extra for flashlights	4	4
Flash Lights, electric	9	8
Range Tables	12	12
Range Tables, abridged	12	12
B. C. Telescope	1	1
Stop Watches	6	6
Plotter Aircraft Observation	1	1
Deviation Board	1	1
Aiming Circle	2	0

SIGNAL CORPS MATERIAL	Battery	Battalion
Amplifiers, Comp. 3-4v. and 2-40v. St. Battery	1	0
Axes, hand	8	4
Bags, tools, service	1	1
Bars, digging, standard	2	2
Batteries, extra, Tungsten, Type A	9	8
Batteries, extra, Eveready No. 703	24	24
Batteries, extra, for t. m. signal lamp	5	5
Bells, vibrating 110 chm. 15 volt	2	2
Belts, Linemans' with safety strap	1	1
Binding Posts	15	10
Books, field message	10	10
Bulbs, extra for flashlight	4	4
Cable, 1 pair lead k. m.	1	1
Carts, reel, hand	2	2
Charging Sets, 15 and 110 volts	0	1
Climbers, pairs, with straps	1	1

ARMY ARTILLERY FIRE CONTROL EQUIPMENT—Continued

SIGNAL CORPS MATERIAL—Continued	Battery	Battalion
Barometer, grad. millimeters and inches	1	1
Cross Arms, 1 m. x 10 cm. x 5 cm.	140	93
Electrolyte, 28" Baume 10 L. carb'ys	0	1
Envelopes, field message.	0	500
Flashlights, electric complete.	9	8
Fuses, extra 1 amp. for 4 x 12 line boards	40	40
Glasses, field, Huet, 8 power	4	4
Grips, Buffalo No. 2	1	1
Hammers, sledge	2	2
Hydrometers, Baume	1	2
Insulators, clamp	16	12
Insulators, pigtail	100	60
Insulators, pony	23	17
Insulators, wooden knob, French, 25 cm	220	220
Insulators, wooden knob, French, 45 cm	640	600
Knives, electricians'	8	4
Lamps, signaling, type t. m., French	5	5
Marlin, (Lbs.)	5	5
Pliers, wire cutting, 8 inch	8	8
Megaphones	1	1
Nails, 10 cm. long, keys	2	2
Panels, each side 9 meters long, white	1	1
Panels, each side 9 meters long, black	1	1
Panels, each side 3 meters long, white	3	3
Panels, each side 3 meters long, black	3	3
Panels, rectangular (Sapinottes) white	3	3
Panels, rectangular (Sapinottes) black	3	3
Poles, lance	100	60
Projectors, 24 cm., with batteries	0	2
Projectors, 35 cm., with batteries and tripod	0	1
Projectors, 14 cm., case	1	0
Pulley Blocks, double W. E. No. 760,330	2	0
Radio Sets, type E 10, complete	0	1
Receiving Sets, type A, complete	1	0
Reels, Breast, French type	1	2
Rope, 15 mm. diameter, meters	35	0
Screw Drivers, 6 inch	4	2
Screws, lag. 10 mm. x 10 cm. (for cross arms)	300	220
Screws, wood 5 mm. x 50 mm., gross	2	4
Spoons, digging	1	1
Staples, insulated, Blake	400	660
Switchboard, telephone, 4 line monotype	2	2
Switchboard, telephone, 12 line monotype	1	1
Tape, friction, pounds	3	3
Tape, rubber, pounds	2	2
Telephone, model 1375 B	12	12
Voltmeter, Weston No. 280	0	1
Watches, wrist, luminous, with wristlet	5	1
Wire, G. I. for guys, No. 12, km	1	1
Wire, twisted, pair outpost, km	8	8
Mercurial Barometer, grad. mm	0	1
Thermometers, grad. centigrade and Fahrenheit	2	2
Poles, 23 to 25 m. long, 10 cm. dia. (Sapinottes)	250	220

ARMY ARTILLERY FIRE CONTROL EQUIPMENT—Continued

ENGINEER CORPS MATERIAL	Battery	Battalion
Alidade, open sight	1	2
Alidade, telescopic	2	2
Artillery Board (Planchette de tir.)	1	3
Chest, instrument	1	1
Chest, rod	1	1
Clinometer, hand	1	2
Field Chest	1	1
Level Rod Planetable, with tripod	1	2
Ranging Poles	4	6
Record, hand tally	1	2
Stadia Rod	2	4
Tally Pins	12	24
Tape, repair outfit	1	2
Tape, steel, 100 m. long	1	2
Transit	1	1
Beam Compass Bar	1	2
Bureau of Standards Circular No. 47	1	1
Contour Pens, swivel	1	1
Curvimeter	1	1
Curves, irregular	1	1
Dividers, bow spring	1	1
Dividers, with Pen and Pencil	1	1
Drawing Boards, 24" x 36"	1	2
Drawing Boards, 18" x 24"	1	2
Drawing Instruments	1	1
Engineer Field Manual	1	1
Ephemeris, French if possible	1	1
Geometry	0	1
Johnson's Surveying	0	1
Log. Tables, 7 place degrees	2	2
Log. Tables, 5 place grades	2	2
Log. Tables, 5 place mils	6	6
Orienteur Officer's Manual	2	2
Parallel Rulers, 12" rolling	2	2
Pens, large	1	1
Pens, medium	1	1
Pens, small	1	1
Planimeters	0	1
Proportional Dividers	1	2
Protractors, 12" diam. degrees	2	2
Protractors, 6" diam. degrees	2	2
Protractors, 12" diam. grades	2	2
Protractors, 6" diam. grades	2	2
Protractors, 12" diam. mils	2	2
Protractors, 6" diam. mils	2	2
Reconnaissance Sets	1	1
Scales, map, 30 cm. metric 1/20,000 and 1/50,000	4	6
Scales, map 30 cm. metric 1/50,000 and 1/10,000	4	6
Searles, field	0	1
Section Liner	0	1
Smithsonian Geographic Tables	0	1
Spline Weights, 3¼ to 3¾ lbs.	0	12
Spline, xylonite, grooved 36"	0	1
Straight Edge, 2 meters long	0	1
Straight Edge, 1 meter long	2	3
Tape, map steel	2	4
Tapes, pocket steel	4	6
Transit Books	12	12
Trautwine's Handbook	0	1

ARMY ARTILLERY FIRE CONTROL EQUIPMENT—Continued

ENGINEER CORPS MATERIAL—Continued	Battery	Battalion
Triangles 12", 30 and 60 degrees	2	2
Triangles 6", 30 and 60 degrees	2	2
Triangles 12", 45 degrees	2	2
Triangles 6", 45 degrees	2	2
Trigonometry, plane	0	1
Typewriter, Corona	0	1
Typewriter, Corona, ribbon	0	3
T-Square, 36 inch	1	3
Vertical Angle Tables	2	2
Wilcox's French Military Dictionary	0	1
Celluloid Sheets, 20 x 35	36	36
Clock Oil, bottle	3	3
Computation Paper Pads, ruled	30	30
Computation Paper Pads, unruled	30	30
Cross Section Paper, opaque	2	2
Cross Section Paper, transparent	2	2
Drawing Ink, black waterproof	9	9
Drawing Ink, green waterproof	2	2
Drawing Ink, blue waterproof	2	2
Drawing Ink, brown waterproof	2	2
Drawing ink, brick red waterproof	2	2
Drawing Paper, double mount Para, 24" x 36"	24	24
Drawing Paper, thin eggshell, 24" x 36"	36	36
Drawing Paper, single mount, 35" x 10 yards	3	3
Erasers, pencil, ruby	15	18
Erasers, ink typewriter disc	9	9
Erasers, steel	3	3
Erasers, art gum	9	9
Erasers, sponge	6	6
Glue, pint cans	3	3
Horn Centers, 5" dia	3	3
Ink, fountain pen, bottles	4	4
Lumber Crayon, boxes, red	3	3
Magnifying Glass, pocket	1	2
Manila Envelopes, 10" x 15"	48	48
Manila Paper, sheets, 24" x 36"	512	512
Map Tube, galvanized iron, 6" x 37"	2	2
Oil Stone, 3" with case	1	2
Paint Boxes	1	1
Paste Jar	3	3
Pencils, red	15	15
Pencils, blue	15	15
Pencils, brown	15	15
Pencils, green	15	15
Pencils, drawing, Venus, 9 H.	36	36
Pencils, drawing, Venus, 6 H.	36	36
Pencils, drawing, Venus, 3 H.	36	36
Pencils, writing No. 2	84	84
Pencil Points, for beam compass	36	36
Pencil Points, for dividers	36	36
Pen Holders, writing	8	8
Pen Holders, drawing	8	8
Pen Holders, crowquill	3	3
Pens, crowquill	14	14
Pens, drawing, Gillett No. 303	60	60
Pens, drawing, Gillett No. 170	24	24
Pens, drawing, Gillett No. 290	24	24
Pens, drawing, Gillett No. 404	60	60
Pens, drawing, Gillett No. 291	36	36

ARMY ARTILLERY FIRE CONTROL EQUIPMENT—*Continued*

ENGINEER CORPS MATERIAL— <i>Continued</i>	Battery	Battalion
Pins, red, blue, black and green, cubes	18	18
Reading Glass, 3"	1	2
Rubber bands, box	4	4
Sandpaper Pads	7	7
Sealing Wax, stick	2	2
Shears, 12"	1	2
Sponges for Cups	6	6
Sponge Cup, with sponges	2	2
Thumb Tacks	288	288
Tracing Linen, roll 36" x 10 yards	2	2
Tracing Paper, roll veg. 30" x 1 yard	2	2
Water Colors, extra sets for boxes	1	1
Water Color Ink, Prussian Blue	3	3
Water Color Ink, Burnt Sienna	3	3
Water Color Ink, Hockers' Green	3	3
Water Color Ink, Crimson Lake	3	3
Water Color Ink, Burnt Umber	3	3
Water Color Ink, Chinese White	13	3
Water Color Ink Brushes	24	24

DIVISIONAL ARTILLERY FIRE CONTROL EQUIPMENT

The following table is a list of Fire Control Equipment for a Regiment of 75 mm gun—4.7 inch gun—155 mm Howitzer—155 mm gun—horsed and motorized.

The Reconnaissance Car will carry such part of this equipment, for the various organizations to which Reconnaissance Car is issued, as occasion may require, or as may be definitely allotted to it.

ORDNANCE MATERIAL	Battery	Each Headquarters	Total Regiment		Brig. Hdq.
			Light	Heavy	
B. C. Telescope, Mod. 1915, tripod, cases, accessories.....	2	1	15	16	1
Aiming Circle, tripod and cases (Mod. 1916).....	1	1	9	10	0
Observation Telescope Monocular, tripod and cases.....	1	1	9	10	1
B. C. Periscope, Mod. 1918, tripod and cases.....	1	2	12	14	0
Range Finder, 1 meter base, tripod and cases.....	1	1	9	10	0
Sitogoniometer and Case.....	2	1	15	16	1
Observation Circle with Field Glass Support, tripod and cases.....	2	1	15	16	1
Prismatic Compass, tripod and cases (Mod. 1918).....	2	2	18	20	2
Firing Board, 50 x 76 cm., zinc covered, with waterproof cover.....	2	1	15	16	0
Ruler, xylonite or zinc, 60 cm. graduated.....	2	1	15	16	1
Protractor, zinc, semi-circular, in mils.....	2	1	15	16	1
Squares, zinc.....	2	2	18	20	2
B. C. Ruler, wooden, with string.....	10	10	90	100	10
Strings, extra for B. C. ruler.....	8	8	72	80	8
Steel Tape, 90 meter.....	1	2	12	14	1
Slide Rule, Mod. 1917, for solution of triangles and case..	1	1	9	10	1
Time Interval Recorders, chains and shock absorbers.....	3	3	27	30	3
Flash Lights, with hoods.....	5	5	45	50	5
Flash Lights, without hoods.....	16	16	144	160	16
Aiming Posts.....	12	0	72	72	0
Rocket Board.....	2	1	15	16	0
Jacobs Staff and Field Glass Support.....	3	1	21	22	3
Zinc Sheets, 50 x 76 cm., for maps.....	4	2	30	32	4
Protractor, celluloid, semi-circular (Mod. 1917).....	3	3	27	30	3
Dry Cells, No. 6, extra for lighting device and case.....	16	0	96	95	0
Pick Mattock and Carrier (infantry).....	2	2	18	20	2
Dry Cells, Batteries, extra for flash lights and case.....	30	30	270	300	30

DIVISIONAL ARTILLERY FIRE CONTROL EQUIPMENT—Continued

SIGNAL CORPS MATERIAL	Battery	Headquarters Company	Total Regiment		Brig. Hdq.
			Light	Heavy	
Accumulators, 4 volt, 100 amp. hours.....	0	2	2	2	2
Accumulators, 40 volt, 3 amp. hours.....	0	2	2	2	2
Batteries, dry, No. 6.....	0	9	9	12	4
Amplifiers, 3 terminal, French.....	0	1	1	1	1
Batteries, Eveready No. 703, extra.....	6	12	48	52	12
Bells, vibrating, 50 ohm. or equivalent.....	0	6	6	8	2
Carts, wire, hand (Brouette Doroulense).....	1	3	9	10	3
Books, field message.....	0	25	25	25	100
Cases, battery.....	1	2	8	9	2
Climbers, with straps (pairs).....	1	3	9	10	1
Clips, testing, Muller universal or Frankel.....	8	18	66	72	18
Fuses, 1 amp., for 4 No. 12 line boards.....	24	24	168	180	24
Field Glasses, Huet, 6 power (pairs).....	8	21	69	74	11
Headsets, telephone.....	4	9	33	34	0
Insulators, wooden knob.....	100	100	700	700	100
Flag Kits, combination, standard.....	12	50	122	137	16
Inspector's Pocket Kits.....	3	6	24	26	6
Electrician's Knives.....	4	8	32	36	0
Megaphones.....	2	3	15	16	0
Nails for Insulators.....	100	100	700	700	100
Panels, artillery brigade, black.....	0	0	0	0	1
Panels, artillery brigade, white.....	0	0	0	0	1
Panels, artillery type, white.....	0	3	3	4	0
Panels, artillery type, black.....	0	3	3	4	0
Pliers, side cutting, 8 inch.....	2	6	18	20	6
Poles, sectional bamboo (2 section 2 m. each).....	0	6	6	8	6
Projectors, 24 cm. with batteries.....	0	10	10	13	5
Projectors, 14 cm., 3 in. case complete with baty. and cases.....	1	0	6	6	0
Receiving Sets, artillery, type "A-1," complete (French).....	0	4	4	5	2
Reels, breast.....	0	0	0	0	6
Radio Sets, type "E-10" B15 (French).....	0	0	0	0	1
Switch Boards, telephone, 12 line monotype.....	0	3	3	4	2
Tape, friction, pounds.....	3	6	24	26	3
Telephones, Western Electric.....	6	12	48	52	12
Watches, wrist, luminous dials.....	0	20	20	25	20
Wire, outpost, twisted (pairs, k/m).....	8	24	72	80	86
Thermometer, centigrade and Fahrenheit.....	3	0	18	18	0
Switch Boards, telephone, 4 line monotype.....	2	6	18	20	0

DIVISIONAL ARTILLERY FIRE CONTROL EQUIPMENT—Continued

ENGINEER CORPS MATERIAL	Battery	Headquarters Company	Total Regiment		Brig. Hdq.
			Light	Heavy	
Alidade, brass, open sight, levelling.....	1	3	9	10	1
Alidade, miniature telescopic, with declinator.....	0	1	1	1	0
Alidade, periscope.....	0	1	1	3	0
Abney, clinometer.....	1	3	9	10	1
Clinometer, telescopic, with slide rule.....	1	3	9	10	0
Planetable, 18 x 24, tripod attach., fibre case waterproof cover.....	1	3	9	10	1
Planetable, 16 x 16, tripod attach., fibre case waterproof cover.....	*1	3	9	0	0
Tripod, ext. leg, Gurley movement, with case.....	*1	3	9	0	0
Tripod, ext. leg, Johnson movement, with case.....	*1 (2)	3	9	20	1
Declinator, with 2 clamp screws.....	2	6	18	20	1
Drawing Instruments (1 pr. compasses, ext. leg, drg. pen, prop. dividers.....)	1	3	9	10	1
Stadia Rod, 10 ft. folding.....	1	3	9	10	0
Plumb Line.....	2	6	18	20	1
Scales, plotting, 1/20,000 and millimeters.....	3	9	27	30	2
Steel Arrow (tally pins, 10 in set).....	1	3	9	10	1
Glass, magnifying, pocket.....	1	3	9	10	1
Chests for topographic equipment.....	1	3	9	10	1
Protractor, xylonite, rectangular.....	1	3	9	10	1
Compass, watch.....	20	60	180	200	20
Compass, marching.....	10	30	90	100	10
Boards, sketching, with extension tripod.....	1	6	12	14	1
Ruler, boxwood, triangular, 8 inch.....	1	6	12	14	1
Tally Machine.....	1	6	12	14	1
Clinometer, reconnaissance.....	1	6	12	14	1
Celluloid Sheets.....	12	72	144	168	12
Eraser, pencil, art gum.....	1	6	12	14	1
Eraser, drawing, rubber.....	2	12	24	28	2
Holders, for timing pads.....	1	6	12	14	1
Thumb Tacks, box.....	1	6	12	14	1
Pencils, drawing.....	12	72	144	168	12
Pads, timing.....	4	24	48	56	4
Pencils, colored, assorted.....	12	72	144	168	12
Protractors, pencil point.....	4	24	48	56	4
Knife, steel eraser.....	2	12	24	28	2
Pocket for pencils.....	1	6	12	14	1
Tape, adhesive, rolls.....	2	12	24	28	2
Sandpaper Pads.....	2	12	24	28	2
Paper, drawing, single 24" x 5 yds. roll in Japan tube.....	1	3	9	10	1
Chest, for sketching equipment.....	1	6	12	14	1
Alidade, boxwood, open sight.....	1	3	9	10	1
Planetable, 24 x 31", tripod attach., fibre case, waterproof cover.....	†1	4	0	10	0

NOTE—*Issued to 75 mm. Battery only. † Not issued to 75mm. Battery.

SEACOAST GUN FIRE CONTROL EQUIPMENT

The following table is a list of Fire Control Equipment for a Regiment of 5-inch and 6-inch Converted Seacoast Guns.

The Reconnaissance Car will carry such part of this equipment, for the various organizations to which the Reconnaissance Car is issued, as occasion may require, or as may be definitely allotted to it.

SIGNAL EQUIPMENT	Number for 1 Battery	Number for Battalion Hdqtrs.	Number for Regimental Hdqtrs.	Total for 1 Regiment
Barometer, aneroid	1	1	1	10
Barometer, mercurial	1	1	1	1
Batteries, tungsten, type A	10	10	10	100
Buzzers, service	5	5	5	50
Cases, battery	1	1	1	10
Connector, buzzer, type A	6	6	6	60
Connector studs, 19 pt.	12	12	12	120
Cords, buzzer	10	10	10	100
Glasses, field, E. E.	20	20	20	200
Kits, inspector's pocket	5	5	5	50
Kits, flag, combination artillery	16	16	16	160
Megaphones	2	2	2	20
Heliographs	1	4	3	21
Daylight flash-signal outfits	1	4	3	21
Night flash-signal outfits	1	4	3	21
Switchboards, outpost	1	1	2	5
Wire, field, miles	6	12	12	84
Telephones, complete, model 1917	6	6	6	60
Plugs, buzzer	2	2	2	20
Reels, hand	5	5	5	50
Rods, ground, type D	6	6	6	60
Tape, insulating, pounds (¼-pound rolls)	2	2	2	20
Thermometers, centigrade	2	2	2	20
Thermometers, Fahrenheit	1	1	1	10
Watches, wrist	20	20	20	200
Wire, buzzer, miles	2	2	2½	20½
Wireless set, special	1	1	1	4

FIRE CONTROL EQUIPMENT	Number for 1 Battery	Number for Battalion Hdqtrs.	Number for Regimental Hdqtrs.	Total for 1 Regiment
Azimuth instruments, (special)	2	2	2	20
Azimuth instruments, (periscope)	2	2	2	20
B. C. ruler for 5-inch guns	10	10	10	100
B. C. ruler for 6-inch guns	10	10	10	100
B. C. telescope	1	1	1	4
B. C. telescope case	1	1	1	4
B. C. telescope tripod	1	1	1	4
B. C. telescope tripod case	1	1	1	4
Correction book	1	1	1	10

CONTENTS:

Height chart.

Atmosphere, muzzle velocity, and wind charts, range 50 per cent zone chart, wind component indicator, deflection board, and deflection corrector.

SEACOAST GUN FIRE CONTROL EQUIPMENT—Continued

FIRE CONTROL EQUIPMENT—Cont'd	Number for 1 Battery	Number for Battalion Hdqtrs.	Number for Regimental Hdqtrs.	Total for 1 Regiment
Elevation slide rule (without ribbon).....	1	1	1	10
Flashlight, with hood.....	5	5	5	50
Flashlight, without hood.....	16	16	16	160
Logarithmic ribbon for elevation slide rule, without scale of angles.....	1	1	1	10
Logarithmic ribbon for elevation slide rule, with scale of angles.....	1	1	1	10
Logarithm tables.....	3	3	3	30
Metal arms, graduated in meters.....	3	3	3	30
Plotting board.....	1	1	1	10
Prismatic compass.....	2	2	2	20
Prismatic compass case.....	2	2	2	20
Prismatic compass tripod.....	2	2	2	20
Prismatic compass tripod case.....	2	2	2	20
Protractor.....	2	2	2	20
Range and deflection board.....	1	1	1	10
Range tables.....	12	12	12	120
Scale, metric.....	1	1	1	10
Slide rule, model 1917.....	1	1	1	10
Steel tape, 30-meter.....	1	1	1	10
Straightedge, 24-inch, model 1917.....	1	1	1	10
T. O. B. clock.....	1	1	1	10
T. A. B. clock.....	1	1	1	10
RECONNAISSANCE EQUIPMENT				
	Number for 1 Battery	Number for Battalion Hdqtrs.	Number for Regimental Hdqtrs.	Total for 1 Regiment
Curves, French.....	1	1	1	10
Celluloid, sheets.....	8	8	24	96
Clinometer.....	1	1	1	4
Compass, watch.....	20	20	60	240
Compass, marching.....	10	10	30	120
Drawing instruments, field.....	1	1	1	10
Drawing ink, black, $\frac{3}{4}$ -ounce bottle.....	6	6	6	60
Drawing ink, red, $\frac{3}{4}$ -ounce bottle.....	1	1	1	10
Eraser, pencil.....	2	...	4	16
Holder's timing pad.....	...	1	1	4
Pace tallies.....	...	1	1	4
Pencil pockets.....	...	1	1	4
Pads, timing.....	4	4	12	48
Paper, sketch (gross).....	$\frac{1}{2}$...	1	4
Pencils:				
Blue.....	2	...	4	16
Drawing.....	4	4	12	48
Green.....	2	...	4	16
Red.....	2	...	4	16
Protractors, Pencil point.....	2	...	4	16
Planetables, complete.....	1	1	1	10
Ranging rods.....	4	4	4	40
Stadia, computer.....	1	1	1	10
Stadia rods.....	1	1	1	10
Tape, adhesive, rolls.....	2	...	4	16
Transit.....	1	1	1	10

CHAPTER X

EQUIPMENT

CHASSIS EQUIPMENT OF RECONNAISSANCE CAR,

MODEL 1918

Piece Mark	No. Per Car	
	Batteries, extra, for flashlight, Tungsten, American Eveready No. 793.	2
White No. 367½-GEC	Belt, fan.	1
	Book, instruction.	1
	Book, magneto.	1
White No. 166¼-GA	Boot, crank.	1
	Box, tool, with 3 trays.	1
	Bulb, extra for flashlight, Mazda, American Eveready or equal No. 1197.	1
	Bumper, front, with towing hooks.	1
	Calcium carbide, carried in generator, pounds.	3
	Calcium carbide, 2-pound can.	1
	Chains, tire, 36" x 6", Weed or equal, sets.	2
	Chain, towing, "American" American Chain Co. No. 2800.	1
	Cover, for radiator, (furnished when required by special service).	1
	Cover, searchlight, canvas.	1
	Drift, copper, 3/8" x 4".	1
	Drift, copper, 5/8" x 6".	1
MC8A 1	Extinguisher, fire, complete with bracket, "Fyter," "Pyrene" or equal.	1
White Nos. 0892C-893C	File and handle.	1
	Flashlight, American Eveready No. 1991, without rubber hood.	1
White No: 00709¾-GA	Gasket, carbureter nozzle plug.	1
	Gaskets, engine cylinder and valve plug.	6
White No. 719¼-GEC	Gasket, carbureter intake pipe, upper.	1
White No. 719¼-GED	Gasket, carbureter intake pipe, lower.	6
	Generator, acetylene, Hall No. 1012B.	1
White No. S00404-GF	Glands, oil line compression union.	4
White No. 00887-C	Gun, grease.	1
White No. 00887-GA	Gun, oil.	1
White No. 896½-G	Hammer.	1
	Handbook.	1
White No. 895¾-TBC	Handle, wrench, carbureter socket.	1
White No. 0894¼-GE	Handle, valve plug socket wrench.	1
White No. 873-GF	Jack.	1
White No. 873½-GBE	Handle for Jack.	1
White No. 0143½-GA	Keys, engine valve spring.	2
	Lamps, side, Adlake No. 4481.	2
	Lamp, tail, Adlake No. 4482.	1
White No. 00714-GEF	Nozzle, carbureter, low speed.	1
White No. 00714-GEE	Nozzle, carbureter, high speed.	1
White No. S007-13-GED	Nozzle, carbureter, starting.	1
White No. S004-13-A	Nuts, oil line compression union gland.	4
	Outfit, tire repair.	1
	Paulin, 12' x 12'.	1
	Pins, cotter, extra.	30
White No. 367¼-GEG	Pins, fan belt connector.	3
White No. 0894-C	Pliers.	1
	Plug, spark.	2
White No. 0991-GF	Puller, cotter pin.	1
White No. 874-O	Pump, tire, hand.	1
	Rims, demountable, Firestone Kelsey, 36" x 6".	1

CHASSIS EQUIPMENT OF RECONNAISSANCE CAR—Continued

Piece Mark		No. Per Car
White No. 895-C	Screwdriver, 3"	1
White No. 0896-C	Screwdriver, 6"	1
	Signal, horn, warning, "Klaxon" No. K3, "Stewart" No. 114, "Long Horn" model J, or equal	1
	Searchlight, acetylene, complete with yoke and bracket, Solar No. 167 WTS.	1
	Speedometer, Stewart-Warner 67A or equal	1
White No. 0148-GE	Springs, engine valve	2
White No. 267 $\frac{3}{4}$ -TEF	Straps, Kick	2
	Taps, friction, $\frac{3}{4}$ ", roll	1
	Tires, 36" x 6", Pneumatic, Goodyear or equal	1
	Tubes, inner, 36" x 6"	2
White No. 0143-GEC	Valves, engine	2
White No. 00364 $\frac{3}{4}$ -GFB	Valves, oil pump, check complete	2
	Wire, copper, No. 18, 25 foot spool	1
White No. 891-E	Wrench, auto 9"	1
White No. 0890-E	Wrench, bicycle	1
White No. 0869-GA	Wrench, magneto	1
White No. 0886-GE	Wrench, M. hub	1
White No. 895 $\frac{1}{2}$ -GF	Wrench, open end, No. 25	1
White No. 0893 $\frac{1}{2}$ -GAB	Wrench, open end, No. 31	1
White No. 0897-GAB	Wrench, open end, No. 27	1
White No. 0895 $\frac{1}{2}$ -GAB	Wrench, open end, No. 29	1
White No. 0894 $\frac{3}{4}$ -GA	Wrenches, valve adjusting	2
White No. 0895 $\frac{1}{2}$ -GA	Wrench, carbureter socket	1
	Wrench, demountable rim	1
White No. 0894 $\frac{1}{2}$ -GE	Wrench, valve plug socket	1

CHAPTER XI
NOMENCLATURE
RECONNAISSANCE CAR

The Nomenclature of Parts is arranged in the following order, which is practically that of the progress of power through the chassis: Engine Group, Steering or Control System, Clutch, Transmission System, which includes the change gear box, propeller shaft, universal joints and mechanical tire pump, Axles, Springs, Wheels and Body.

The Equipment of both the Chassis and the Body have been taken from this chapter and will be found in the following chapters: The Chassis Equipment List in Chapter X and the Body Equipment List in Chapter IX. In this chapter will also be found complete lists of Fire Control Instruments required for Army, Divisional and Sea-coast Artillery.

The Property Classification, of all parts included in this Chapter, XI, or Nomenclature, is PART I, CLASS IV, SECTION 9.

For easier reference, the following Index to the Nomenclature Chapter or Part of the Reconnaissance Car Handbook is given.

NOMENCLATURE INDEX		Page
ACCELERATOR		
see Steering Gear.....		218
ACETYLENE LIGHTING		
Acetylene Generator.....		239
Searchlight.....		239
ANTI-SKID CHAINS		
see Equipment List.....		194
AXLES		
FRONT AXLE		
Axle I-beam.....		227
Spindles.....		227
Tie Rod.....		227
Wheel Bearings.....		227
Wheels.....		227
REAR AXLE		
Axle Shafts.....		229
Axle Sleeves.....		227
Brake Parts.....		231
Differential.....		229
Differential Housing.....		227
Ring Gear and Pinion.....		229
Truss Rod.....		229
Wheels.....		231
BRAKES		
Hand Brake Lever and Parts.....		231
Foot Brake Pedal and Parts.....		232
Brake Equalizers.....		232
BUMPER		
see Frame.....		235

NOMENCLATURE OF PARTS—Continued

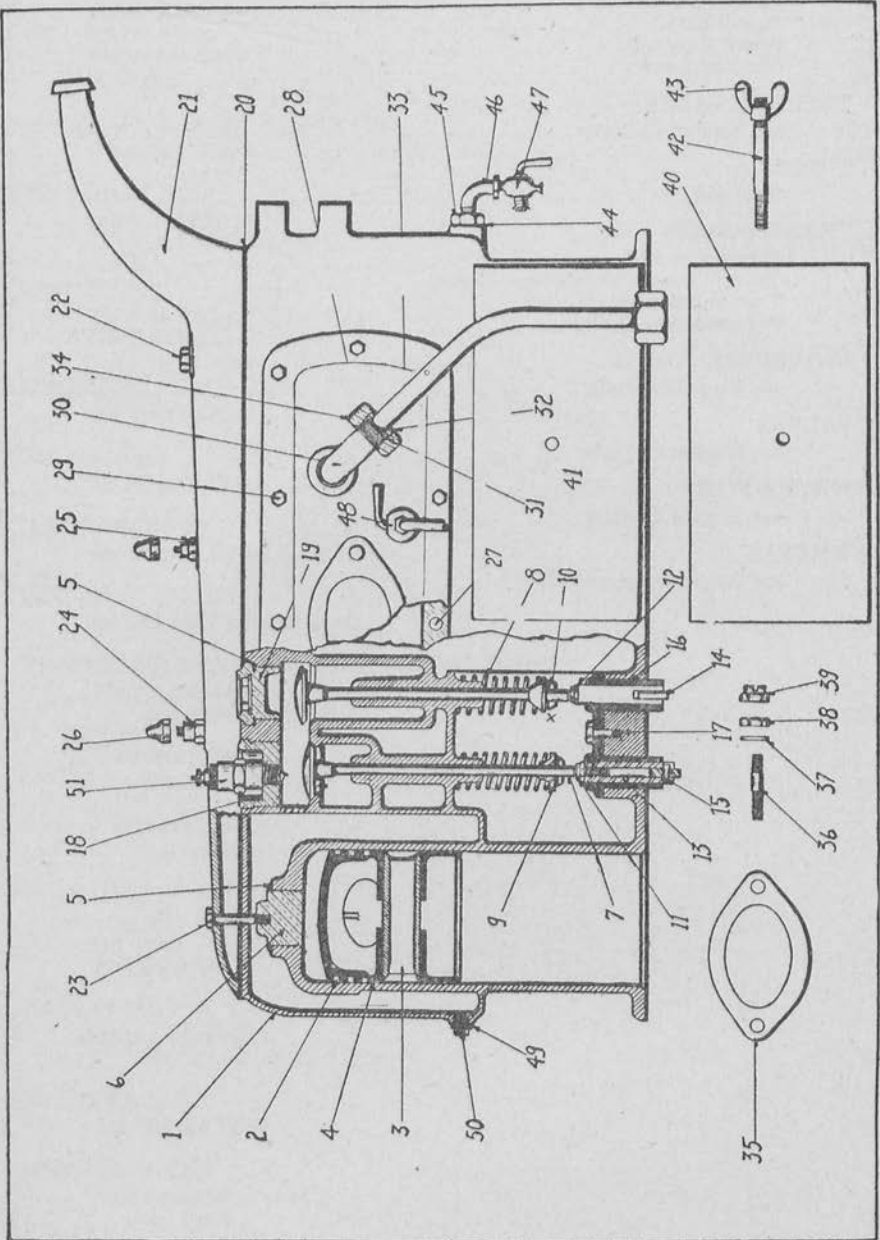
	Page
CAMSHAFT	
see Engine.....	205
CARBURETER	
see Engine Fuel System.....	211
CLUTCH	
Clutch Parts.....	219
Clutch Brake.....	219
Clutch Rocker Shaft.....	219
Flywheel.....	219
Flywheel Starter Gear.....	221
CRANK	
see Engine Crankshaft.....	205
CRANKCASE	
see Engine.....	203
CYLINDER	
see Engine.....	201
DASH	
Instruments.....	237
DIFFERENTIAL	
see Axle, Rear.....	229
ENGINE	
COOLING SYSTEM	
Hood.....	209
Radiator.....	209
Water Pump.....	211
CRANKCASE	
Crankcase Parts.....	201
Breather Parts.....	203
CRANKSHAFT AND CAMSHAFT	
Camshaft.....	205
Crankshaft.....	205
Connecting Rods.....	205
Compression Release Parts.....	205
Starting Crank.....	205
CYLINDER BLOCK	
Cylinder Block.....	201
Pistons.....	201
Valves.....	201
Valve Lifters.....	201
FUEL SYSTEM	
Carbureter.....	211
Carbureter Water Jacket.....	212
Gasoline Tank.....	212
Gasoline Lines.....	212
Muffler.....	212
Settling Chamber.....	212
OILING SYSTEM	
Oil Pump.....	207
Oil Lines.....	207
Oil Reservoir.....	207
Oil Sight Feed.....	207
FAN	
Fan Parts.....	241

NOMENCLATURE OF PARTS—Continued

	Page
FRAME	
Compression Release Parts	233
Fenders and Running Boards	233
Frame Parts	233
Lamp Brackets	233
Springs	235
GENERATOR, ACETYLENE GAS	
Generator Parts	239
IGNITION	
IGNITION PARTS	
see Tire Pump	213
LAMPS	
Oil Side Lamps	239
Oil Tail Lamp	239
MAGNETO	
see Tire Pump	213
OIL GAUGE	
see Engine Oiling System	207
OIL PUMP	
see Engine Oiling System	207
PISTON	
see Engine Cylinder Block	201
PROPELLER SHAFT AND UNIVERSAL JOINTS	
PROPELLER SHAFT	
Propeller Shaft Parts	225
TORSION RODS	
Torsion Rod Parts	225
UNIVERSAL JOINTS	
Universal Joint Parts	225
PUMP, TIRE	
Magneto Fastenings	213
Oil Trap	213
Pump Parts	213
RADIATOR	
RADIATOR PARTS	
see Engine Cooling System	209
SEARCHLIGHT	
Searchlight Parts	239
SPEEDOMETER	
SPEEDOMETER PARTS	
see Dash	237
SPRINGS	
see Frame	235
STEERING SPINDLE	
see Axle, Front	227

NOMENCLATURE OF PARTS—Continued

STEERING GEAR	Page
Accelerator Parts.....	218
Carbureter Controls.....	218
Reach Rod.....	218
Spark Controls.....	218
Steering Lever.....	218
TAPPETS, VALVE	
see Engine Cylinder.....	201
TOOLS	
Tool Kit.....	239
TRANSMISSION	
Transmission Case.....	221
Transmission Change Gear Lever.....	221
Transmission Gears.....	221
Transmission Shafts.....	221
UNIVERSAL JOINTS	
see Propeller Shaft.....	225
VALVES	
see Engine Cylinder.....	201
WATER PUMP	
see Engine Cooling.....	211
WHEELS	
see Axles, Front and Rear.....	227-231



CYLINDER BLOCK ASSEMBLY

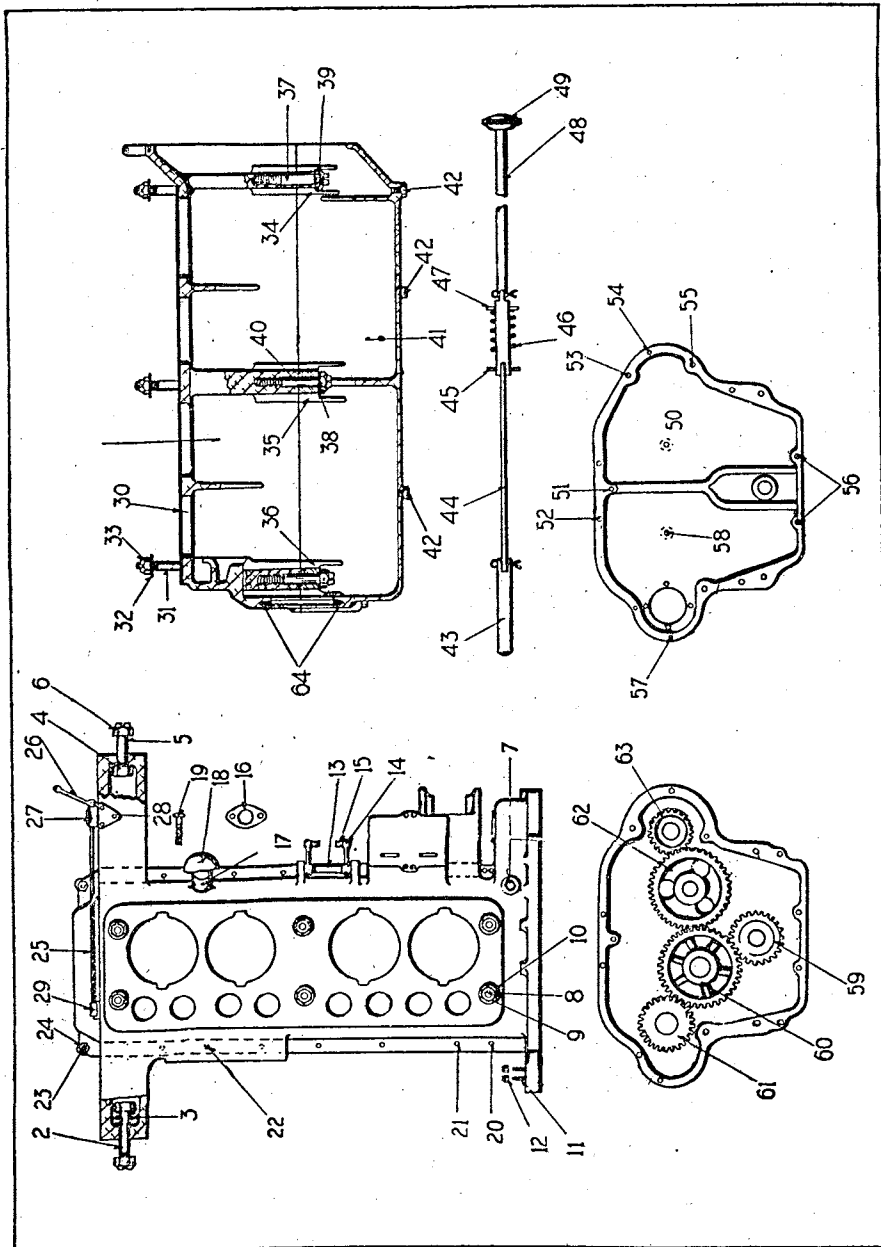
NOMENCLATURE OF PARTS—Continued

Ref. No.	Part No.	No. Per Car	Property Classification—Part I, Class IV, Section 9		
			Name of Part	Location	
Engine—CYLINDER BLOCK					
See illustrations on pages 42, 44, 46, 200					
1	105	GEC	1	Cylinder block	On crankcase
2	117	GEB	8	Engine piston rings, R. H.-4; 117½ GEB-L.H.	On piston
3	0124	GE	4	Engine piston pins	Upper end piston
4	122	GEG	4	Engine pistons	In cylinder block
5	00327½	GE	12	Cylinder plug valve and plug gasket	In top of cylinder block
6	00141	GE	4	Engine valve lift rolls	In upper end of cylinder
7	0143	GEC	8	Engine valves	On right side cylinder block
8	0148	GE	8	Engine valve springs	On right side cylinder block
9	0143½	GE	8	Engine valve collar bushings	On end of valve stem
10	0143½	GA	8	Engine valve keys	On end of valve stem
11	S0147	GAB	8	Engine valve lift adjusting caps	Upper end valve lift
12	S0146	GAB	8	Engine valve adjusting cap nuts	On valve lift caps
13	0147	GK	8	Engine valve lifts	Lower right side cylinder block
14	0147½	GAB	8	Engine valve lift rolls	Lower end valve lifts
15	S0147½	GA	8	Engine valve lift roll pins	Through lift rolls
	S0147½	GA	8	Engine valve lift roll lock pin	Through lift roll pins
16	147½	GEC	8	Engine valve plug bushings	Lower right side cylinder block
17	S0147½	GE	4	Engine valve plug bushing studs	Through lift bushing crabs
18	00327½	GEC	4	Engine valve plugs (intake)	Above intake valves
19	00327	GEB	4	Engine valve plugs (exhaust)	Above exhaust valves
20	158½	GEB	1	Engine cylinder top plate gasket	On top cylinder block
21	0106½	GEC	1	Engine cylinder top plate	On top cylinder block
22	S0573	GA	1	Engine cylinder top plate stud	On top cylinder block—No. 1
	00141½	GA	4	Engine cylinder top plate stud gasket	Top cylinder block
23	S0141½	GA	1	Engine cylinder top plate stud	Top cylinder block—rear
24	S0141½	GE	1	Engine cylinder top plate stud	Top cylinder block, No. 3
25	S0141	GEB	1	Engine cylinder top plate stud	Top cylinder block, No. 2
26	S00217½	GA	2	Engine ignition conduit stud nut	On middle top plate studs
27	158	GEB	1	Engine cylinder side plate gasket	On right side cylinder block
28	106	GEB	1	Engine cylinder side plate	On right side cylinder block
	106½	GEB	1	Side plate water distributor	Inside of side plate
29	S0106	GA	13	Engine cylinder side plate screws	Through side plate
	S0106	GE	3	Cylinder side plate stud	In right side cylinder block
	00533	A	16	Cylinder side plate stud gasket	On side plate studs
30	335½	GE	1	Engine cylinder side plate inlet elbow	In forward end of side plate
31	335½	GA	2	Engine cylinder inlet pipe gaskets	Under inlet elbow
32	S0335	GE	2	Engine cylinder inlet pipe collars	On inlet elbow
33	00335	GEC	1	Engine cylinder inlet pipe	From pump to elbow
34	S0335½	GE	2	Engine cylinder inlet pipe nuts	On inlet pipe
35	158½	GEB	1	Engine cylinder port gasket	Under intake manifold
36	S0720	GEC	2	Engine cylinder intake pipe stud	In right side cylinder block
37	00120½	E	2	Engine cylinder intake pipe stud gasket	On intake pipe stud
38	S0141½	GA	2	Engine cylinder intake pipe stud nuts	On intake pipe stud
39	S0585	GA	2	Engine cylinder intake pipe stud nuts	On intake pipe stud
40	169½	GEC	2	Engine cylinder valve cover plate gasket	Lower right side cylinder block
	S0585	GA	4	Engine valve plug bushing stud nuts	On lift bushing crab stud
41	169	GEC	2	Engine cylinder valve cover plate	Lower right side cylinder block
42	S0169	GEC	2	Engine cylinder valve cover plate studs	Lower right side cylinder block
43	0169½	GA	2	Engine cylinder valve cover plate stud nuts	On plate cover studs
44	0709½	GA	1	Engine cylinder drain plug gasket	Under drain plug
45	0709½	GA	1	Engine cylinder drain plug	Front end of cylinder block
46			1	Engine cylinder drain cock ell (¼" street ell)	In drain plug
47	0709½	GAH	1	Engine cylinder drain plug drain cock	In drain ell
48			1	Engine cylinder side plate plug (½" pipe plug)	In forward end of side plate
49	00328	C	1	Engine cylinder plug gasket	In rear end cylinder block
50	S00105½	GK	1	Engine cylinder plug	In rear end cylinder block

Engine—CRANKCASE

See illustrations on pages, 42, 44, 202

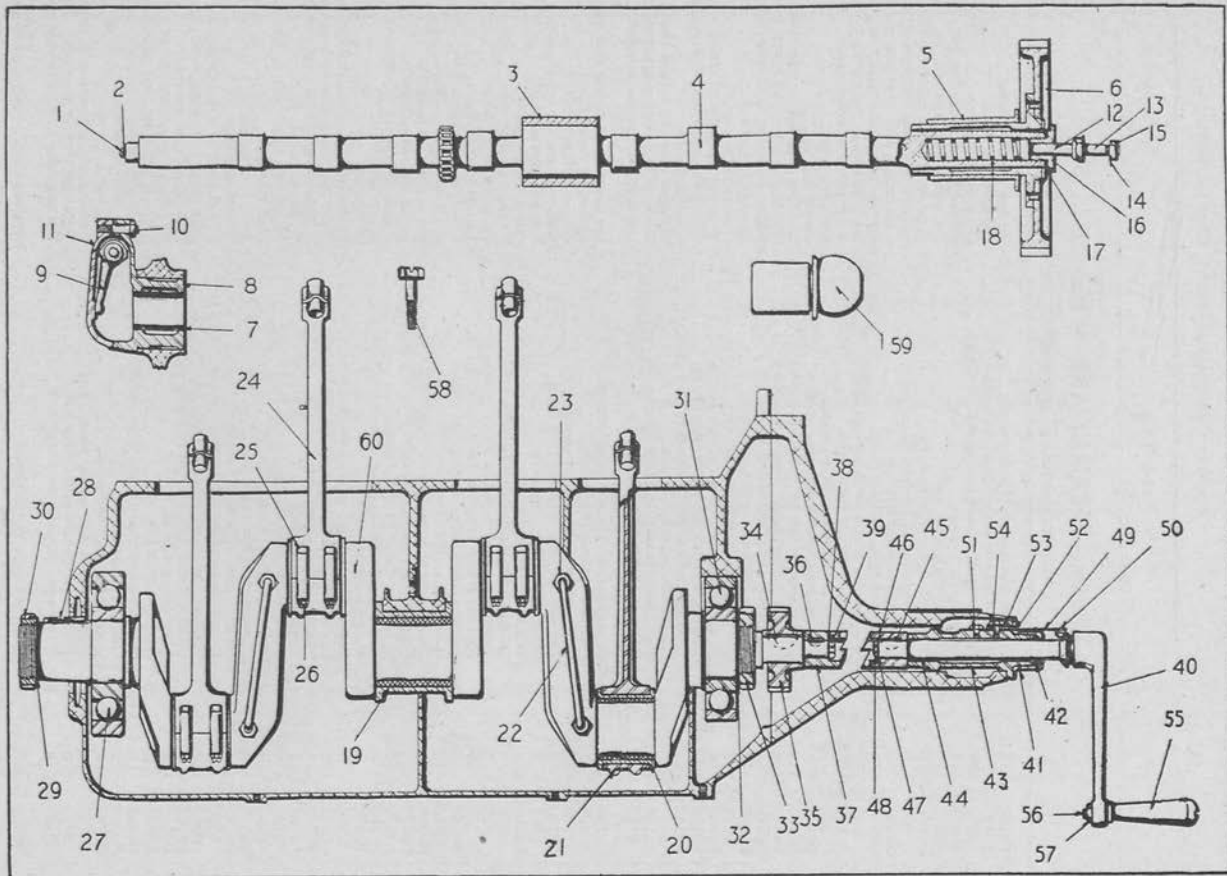
1	100	GEC	1	Engine crankcase	Forward end main frame
2	S013½	TA	1	Engine crankcase bracket bolt	Rear right bracket
3				(This part not used)	
4	0172½	G	2	Engine crankcase bracket bolt washers	On bracket bolts
5	S0211	GED	1	Engine crankcase bracket bolt	In rear left bracket
6	0210½	GAF	2	Engine leg shim	Between bracket and frame
7	S0132½	GA	2	Engine crankcase bracket bolt nuts	On bracket bolts
6	00327	O	1	Engine crankcase oil hole plug	Behind timing gear case cover



NOMENCLATURE OF PARTS—Continued

Ref. No.	Part No.	No. Per Car	Property Classification—Part I, Class IV, Section 9		
			Name of Part	Location	
Engine—CRANKCASE—Continued					
See illustrations on pages 42, 44, 202					
8	S0100	GEB	3	Engine crankcase cylinder studs	In top of crankcase
9	S0901	GA	3	Engine crankcase cylinder stud nuts	On cylinder studs
10	0913	GF	3	Engine crankcase cylinder stud washers	On cylinder studs
11	S0325	GA	2	Water pump studs	Rear right side timing gear case
12	S0574	GA	3	Water pump stud nuts	On water pump studs
13	0299	GE	1	Magneto control lever tube	Center left side crankcase
14	299	GE	2	Magneto control levers	Center left side crankcase
	S0299	GE	1	Magneto control shaft	Center left side crankcase
15	S00302	GAB	3	Magneto control lever studs	Rear left side crankcase
16	102	GE	1	Engine crankcase vent pipe gasket	Rear left side crankcase
17	102	GEB	1	Engine crankcase vent pipe	Rear left side crankcase
18	102	GAB	1	Engine crankcase vent pipe cap	On vent pipe
19	S0178	GE	2	Engine crankcase vent pipe screws	In vent pipe
20	S0103	GA	4	Engine crankcase bottom cap dowels	Bottom side upper crankcase
21	S0101	GA	8	Engine crankcase bottom cap bolts	Through upper and lower crankcase
22	S0100	GA	3	Engine crankcase bottom cap studs	Through upper and lower crankcase
	S0585	GA	15	Bottom cap stud and bolt nuts	On crankcase bolts
	0973	GA	14	Bottom cap stud bolt washers	On crankcase bolts
*22	S0100	GA	4	Engine crankcase bottom cap studs	Through upper and lower crankcase
23	S0100	GF	2	Engine crankcase bottom cap studs	Through upper and lower crankcase
24	S0143	G	2	Engine crankcase bottom cap stud nuts	On crankcases tud
25	0161	GEE	1	Compression release shaft	Back of rear crankcase bracket
26	163	GEC	1	Compression release shaft lever	On rear left engine bracket
27	0162	GK	1	Release shaft lever bracket	On rear left engine bracket
28				(This part not used)	
29	159	GA	1	Compression release casing cover	On crankcase at rear end camshaft
30	105	GEC	1	Cylinder shimming gasket	Under cylinder block
	105	GEC	1	Crank case and cylinder gasket	Under cylinder block
31	S0105	GEB	3	Engine cylinder stud and oil lines	Top rear end of crankcase
32	0913	GF	3	Stud and oil line washers	On cylinder stud
33	S0259	TA	3	Stud and oil line nuts	On cylinder stud
34	133	GFB	1	Engine crankcase front bearing cap	In timing gear case
35	125	GE	1	Engine crankcase center bearing cap	In upper crankcase
36	132	GFB	1	Engine crankcase rear bearing cap	In upper crankcase
37	S0132	GF	6	Engine crankcase bearing cap studs	In upper crankcase
38	0913	GF	6	Bearing cap stud washers	On bearing cap studs
39	S0901	GA	6	Engine crankcase bearing cap stud nuts	On bearing cap studs
40	S0132	GF	6	Bearing cap studs (same as No. 37)	In upper crankcase
41	101	GED	1	Engine crankcase bottom cap	Bolts at bottom of upper crankcase
*41	101	GEC	1	Engine crankcase bottom cap	Not used
42	00374	C	3	Bottom cap drain plugs	Not used
43	0101	GE	1	Bottom cap drain valve (rear)	In bottom of lower crankcase
44	0101	GE	1	Bottom cap drain connecting link	Rear left hand side of bottom cap
45	S0101	GA	1	Drain valve spring stop	Between front and rear valves
46	0101	GA	1	Drain valve spring	In front valve
47	0101	GEC	1	Drain valve front	Front left hand side of bottom cap
*47	0101	GE	1	Drain valve	Not used
48	S0101	GEB	1	Drain valve extension rod	Under radiator
49	00359	GA	1	Drain valve extension rod knob	Under radiator
50	103	GEC	1	Engine crankcase timing gear cover	Front part of crankcase
	0261	GA	1	Engino timing gear cover bushing	In timing gear case cover
	S0147	GA	1	Engine timing gear cover bushing pin	In timing gear case cover
51	S0103	GE	3	Gear cover dowels	In timing gear case cover
52	S0103	GE	2	Gear cover studs	Through timing gear case cover
53	S0101	GE	3	Engine crankcase timing gear cover bolts	Through timing gear case cover
	S0913	GA	7	Gear cover bolt nuts	On gear cover bolts
	0573	GA	9	Gear cover bolt washers	On gear cover bolts
54	S0720	GA	1	Engine crankcase water pump stud	Front right extension of crankcase
55	S0425	GA	2	Engine crankcase gear cover bolt	Through timing gear case cover
56	S0101	GA	2	Engine crankcase gear cover bolt	Through bottom of timing gear case cover
57	S0325	GA	1	Magneto gear cover stud	Through right side timing gear case cover
58	S0110	GF	2	Gear cover thrust plugs	In timing gear case cover
59	112	GEC	1	Crank shaft gear	In timing gear case
60	110	GED	1	Cam shaft gear with hub	In timing gear case
61	326	GED	1	Water pump gear	In timing gear case
62	111	GEE	1	Intermediate gear with hub	In timing gear case
	00111	GE	1	Intermediate gear bushing	In intermediate gear
	S00111	GED	1	Intermediate gear dowel pin	In intermediate gear
63	293	GED	1	Magneto shaft gear	In timing gear case
64	104	GK	2	Crank shaft bearing felts	In rear end of crankcase

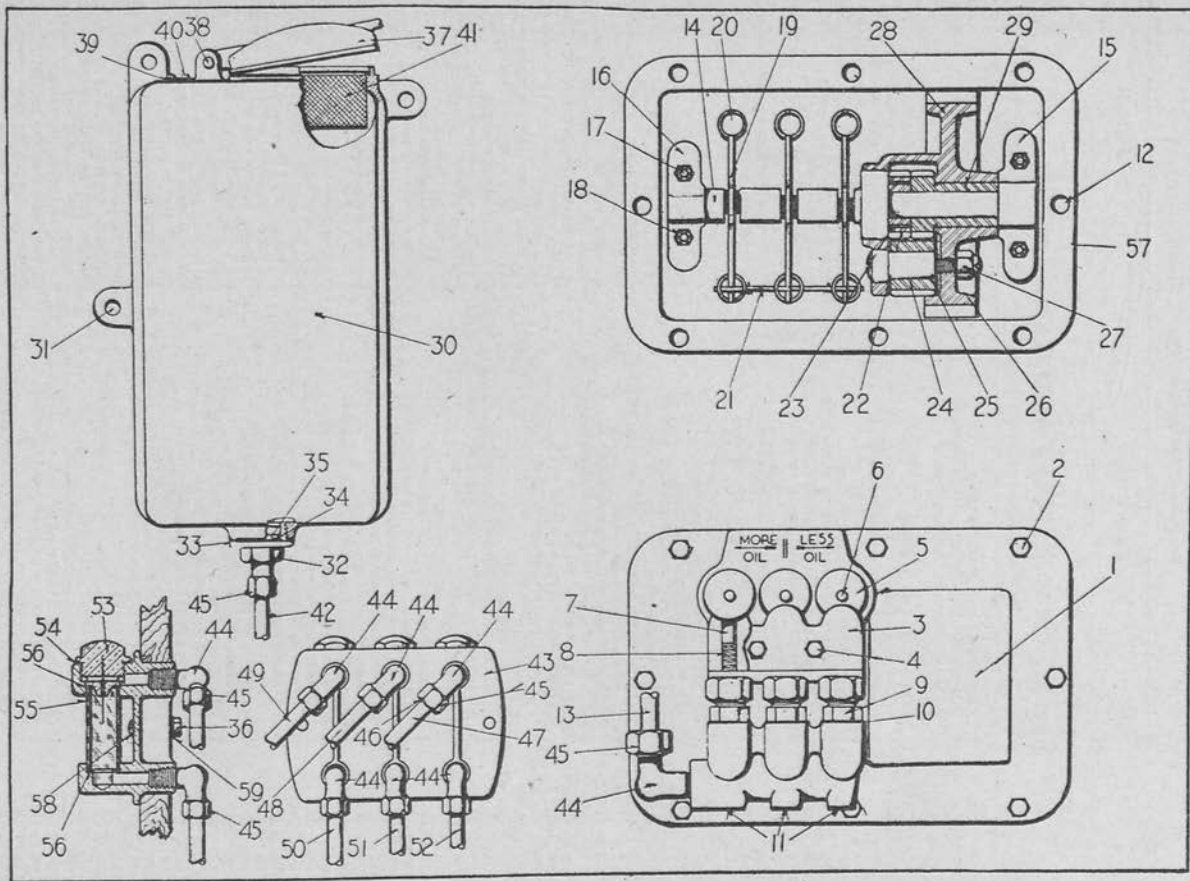
*These parts only used on White, Model TEB-O, Chassis not having electrical equipment.



CRANKSHAFT AND CAMSHAFT ASSEMBLIES

NOMENCLATURE OF PARTS—Continued

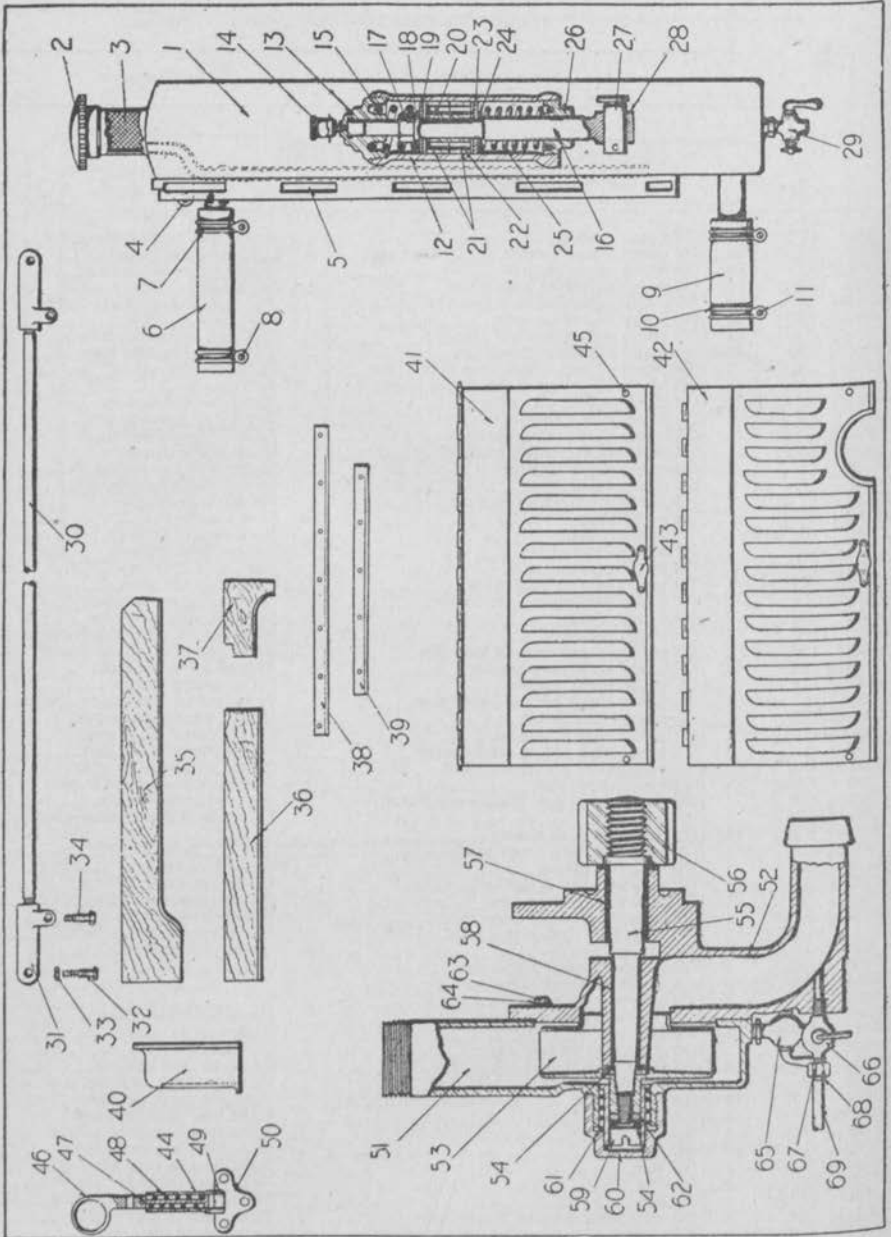
Ref. No.	Part No.	No. Per Car	Property Classification—Part I, Class IV, Section 9	
			Name of Part	Location
1	S0970 GA	1	Cam shaft end thrust button	In rear end of camshaft.
2	0970 1/4 GA	1	Cam shaft end thrust button washer	In rear end of camshaft.
3	00100 1/4 GEC	1	Cam shaft center bearing box	On center of camshaft.
4	0149 GED	1	Cam shaft	To the right of crankshaft.
5	00110 1/4 GEC	1	Cam shaft gear bushing	On front end of camshaft.
6	110 GED	1	Cam shaft gear	On front end of camshaft.
7	00169 3/4 GE	1	Compression release casing bushing	In cage at rear end of camshaft.
8	169 1/2 GE	1	Compression release casing	In crankcase at rear of camshaft.
9	160 GA	1	Compression release lever	In release casing.
10	S0105 GA	1	Compression release casing cover screw	In release casing.
11	169 GA	1	Compression release casing cover	On release casing.
	S0574 GA	2	Compression release casing screws	In release casing.
	292 3/4 GK	1	Bearing cap felt	
	159 1/4 GE	1	Compression release casing gasket	Under compression release casing.
12	S0149 1/4 GEC	1	Cam shaft thrust plug	At front end of camshaft.
13	S0110 1/2 GF	2	Timing gear thrust bolts	Through camshaft gear
14	0973 1/2 GA	2	Timing gear thrust bolt washers	On thrust bolts
15	S0585 GA	2	Timing gear thrust bolt nuts	On thrust bolts
16	S0110 GEC	1	Cam shaft gear screw cap	In camshaft gear
17	0110 3/4 GEC	1	Cam shaft gear cap screw lock washer	Under gear cap screw
18	0110 1/2 GEC	1	Cam shaft spring	In front end of camshaft.
19	00125 GE	1	Crank shaft center bearing box (2 halves)	In center of upper crankcase.
20	00137 GEB	8	Connecting rod bearings	In lower end of connecting rod.
21	S00100 1/4 GEC	4	Connecting rod bearing dowels	In lower end of connecting rod.
22	0137 1/2 GEC	4	Connecting rod bearing caps with bearings	On lower end of connecting rod.
	00126 3/4 GED	2	Crank shaft oil tubes	On crankshaft between oil throws.
	S00404 GF	2	Crank shaft oil tube gland	On oil tubes.
23	S0126 3/4 GKC	4	Crank shaft oil tube nipples	In crankshaft.
24	0127 GEB	4	Connecting rods	Between piston and crankshaft.
25	0127 1/2 GA	16	Connecting rod cap bolts	In lower end of connecting rod.
	00161 1/2 GA	2	Compression release shaft bushing	In release shaft bracket.
	0127 1/4 GA	16	Connecting rod bearing cap bolt washer	On lower end of connecting rod.
	S0573 1/4 GA	16	Connecting rod cap bolt nuts	On lower end of connecting rod.
26	414	1	Crank shaft rear bearings	In upper crankcase.
27	0150 1/4 GA	1	Crank shaft key (T Woodruff)	In rear end of crankshaft.
29	087 1/4 M	1	Crank shaft rear bearing lock washer	On rear end of crankshaft.
30	S087 M	1	Crank shaft rear bearing lock nut	On rear end of crankshaft.
31	413	1	Crank shaft front bearing	In upper crankcase.
	S0126 1/2 GF	1	Center bearing dowel pin	In upper crankcase.
32	087 1/4 GA	1	Crank shaft front bearing lock washer	
33	S087 GA	1	Crank shaft front bearing lock nut	On front end of crankshaft.
34	0112 3/4 GA	1	Crank shaft gear key (No. 25 Woodruff)	On front end of crankshaft.
35	112 GEC	1	Crank shaft gear	On front end of crankshaft.
36	0294 1/2 K	2	Starting crank ratchet keys (No. 9 Woodruff)	On front end of crankshaft.
37	0165 GA	1	Starting crank ratchet	On front end of crankshaft.
38	0165 1/2 GA	2	Starting crank ratchet washers	On front end of crankshaft.
39	S0106 GA	2	Starting crank ratchet screws	On front end of crankshaft.
40	0166 GAB	1	Starting crank	In end of crankshaft.
41	166 3/4 GA	1	Starting crank dust cover	In timing gear cover
42	167 3/4 GA	1	Starting crank dust cap felt	On front end of starting crank.
43	166 1/2 GA	1	Starting crank bearing guard	In timing gear cover
	S0105 GA	4	Starting crank dust cover screws	In timing gear cover
	074 1/2 O	4	Starting crank bearing stud lock washers	In timing gear cover
44	S0039 MR	2	Starting crank bushings	Starting crank housing.
45	0294 1/2 K	2	Starting crank keys (No. 9 Woodruff)	In timing gear cover
46	0165 GA	1	Starting crank ratchet	On rear end starting crank.
47	0165 1/2 GA	2	Starting crank ratchet washers	On rear end starting crank.
48	S0106 GA	2	Starting crank ratchet screws	On rear end starting crank.
49	0168 GA	1	Starting crank stop spring with button	On rear end starting crank.
50	S0168 1/2 GA	1	Starting crank stop	On front end timing gear cover.
51	S0168 1/4 GA	1	Starting crank stop spring screw (short)	On front end timing gear cover.
52	168 3/4 GA	1	Starting crank stop spring felt	
53	0504 C	1	Starting crank stop spring screw washer	In front end timing gear cover.
54	S0168 3/4 GA	1	Starting crank stop spring screw (long)	Inside timing gear cover
55	167 1/2 GA	1	Starting crank handle	In front of radiator.
	166 3/4 GA	1	Crank handle boot	In front of radiator.
56	0167 GA	1	Starting crank handle shaft	Bolts to starting crank.
57	S0167 GA	1	Starting crank handle shaft nut	On end of shaft.
58	S0141 1/4 GA	4	Connecting rod binder bolts	In upper end connecting rod.
59	S0131 1/2 GEC	1	Crank shaft ball	In rear end of crankshaft.
60	0126 GED	1	Crank shaft	In upper crankcase.
	S00368 C	4	Crank shaft oil plug	In crankshaft throws.
	0126 3/4 GFD	2	Crank shaft oil collector ring	Front and rear end crankshaft.



OIL PUMP, OIL TANK AND SIGHT FEED ASSEMBLIES

NOMENCLATURE OF PARTS—Continued

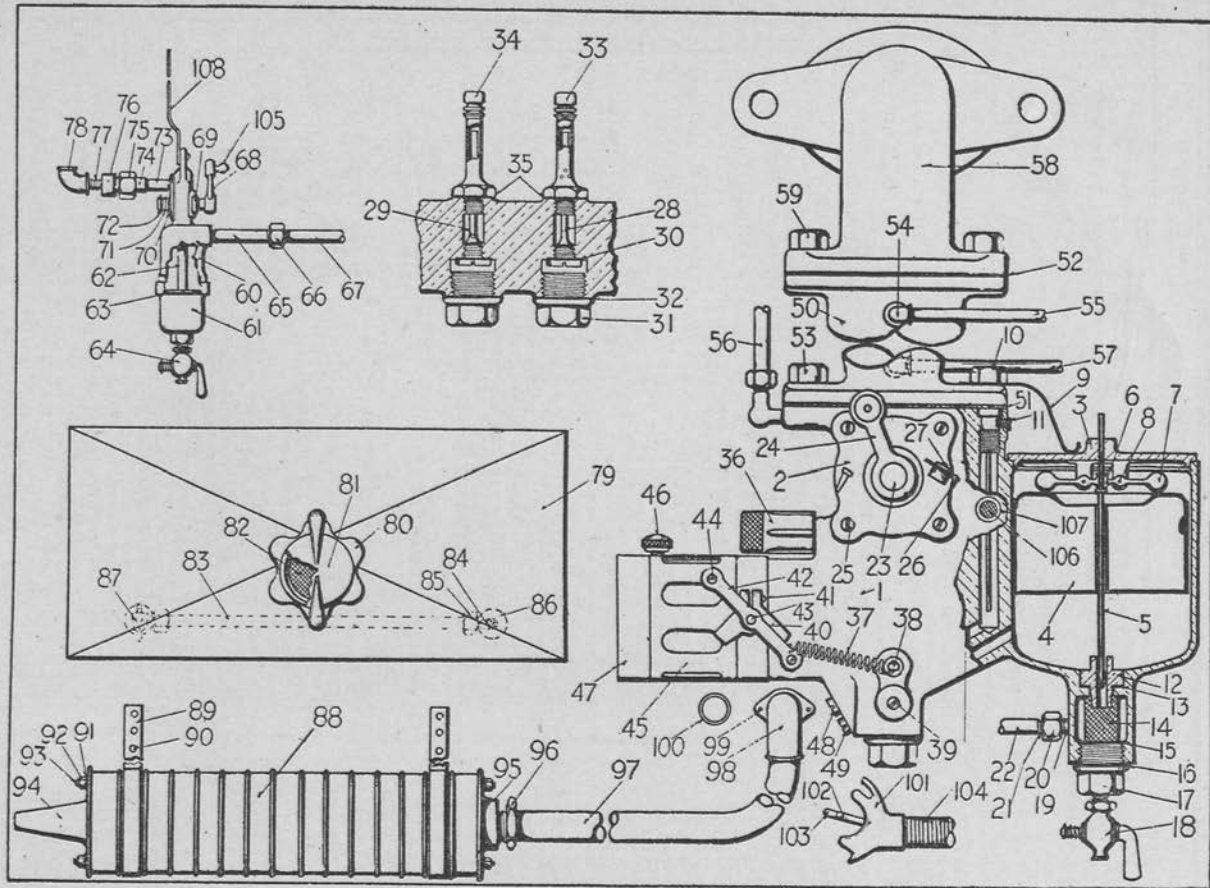
Ref. No.	Part No.	No. Per Car	Property Classification—Part I, Class IV, Section 9		
			Name of Part	Location	
Engine—OILING SYSTEM					
See illustrations on pages 42, 44, 66, 204					
1	354	GFB	1	Oil pump casting	Rear right side of crankcase.
2	S0106	GA	8	Oil pump frame screws.	Frame to crankcase.
3	00533	A	8	Oil pump screw gaskets.	Under screw heads.
4	0356	GF	1	Oil pump adjusting stop plate.	On frame.
5	S0168 $\frac{1}{2}$	GA	2	Oil pump adjusting stop plate screw.	Through stop plate to frame.
6	0364 $\frac{1}{2}$	GE	3	Oil pump adjusting nuts.	On frame.
7	S0364 $\frac{1}{2}$	GA	1	Oil pump adjusting stud pin.	Through adjusting nuts.
8	0364 $\frac{1}{2}$	GE	3	Oil pump adjusting nut studs.	Through adjusting nuts.
9	0364 $\frac{1}{2}$	GE	3	Oil pump adjusting nut stop pins.	In frame.
10	0396 $\frac{1}{2}$	O	3	Oil pump adjusting nut stop pin springs.	In frame.
11	00364 $\frac{3}{4}$	GFB	3	Oil pump checks complete.	In oil line connectors.
12	00371	GEC	3	Oil pump check valves.	In oil line connectors.
13	0371 $\frac{1}{2}$	GEB	3	Oil pump check valve springs.	In oil line connectors.
14	371 $\frac{1}{2}$	GEC	1	Oil pump check spring washer.	In oil line connectors.
15	00120 $\frac{1}{2}$	E	3	Oil pump check washers.	Under oil line connectors.
16	S00365	C	3	Oil pump taper plugs.	Under oil line connectors.
17	00533	A	8	Oil pump frame screw gaskets.	Frame to crankcase.
18	00785	TED	1	Oil pump line.	To oil tank.
19	0365	GF	1	Oil pump crank.	Back side of frame.
20	355	GE	1	Oil pump bearing cap.	Back side of frame.
21	355 $\frac{1}{4}$	GA	1	Oil pump bearing cap.	Back side of frame.
22	S0325 $\frac{5}{8}$	GA	4	Oil pump bearing cap studs.	Back side of frame.
23	S0574 $\frac{1}{4}$	GA	4	Oil pump bearing cap stud nuts.	On bearing cap studs.
24	0364	GE	3	Oil pump rockers.	On back side of frame.
25	S0364	GE	3	Oil pump plungers.	Back side of oil pump frame.
26	S0358	GF	1	Oil pump adjusting stud stop pin.	Back side of oil pump frame.
27	0363 $\frac{1}{2}$	GE	1	Oil pump stationary pinion.	Pinned to crankshaft.
28	0366 $\frac{1}{2}$	E	1	Oil pump crank pinion.	On oil pump frame.
29	S0047 $\frac{1}{2}$	E	8	Oil pump crank pinion dowel pins.	In oil pump stationary pinion.
30	0363 $\frac{1}{4}$	GE	1	Oil pump idler pinion.	On oil pump drive gear.
31	S0363 $\frac{1}{4}$	GEC	1	Oil pump idler pinion stud.	On oil pump drive gear.
32	0149 $\frac{1}{4}$	O	1	Oil pump idler pinion stud washer.	On oil pump drive gear.
33	S0574 $\frac{1}{4}$	GA	1	Oil pump idler pinion stud nut.	On oil pump drive gear.
34	368	GEC	1	Oil pump drive gear.	Meshes with camshaft gear.
35	0363 $\frac{1}{2}$	GE	1	Oil pump drive gear stationary pinion.	On pump crankshaft.
36	350 $\frac{1}{2}$	GB	1	Oil reservoir.	Left side of dash under hood.
37	S015 $\frac{1}{2}$	TED	3	Oil reservoir dash screws.
38	S015 $\frac{1}{4}$	GF	3	Oil reservoir dash screw nuts.
39	00414	GF	1	Oil reservoir fitting.	Bottom of tank.
40	00311 $\frac{1}{2}$	E	1	Oil reservoir fitting gasket.	Under reservoir fitting.
41	00414 $\frac{1}{4}$	GE	1	Oil reservoir fitting screen.	Under reservoir fitting.
42	00414 $\frac{1}{4}$	GE	1	Oil reservoir fitting screen ring.	Under reservoir fitting.
43	00414 $\frac{1}{2}$	TEB-O	2	Oil sight feed dash screw nuts (14-20)	Under reservoir fitting.
44	355	GF	1	Oil reservoir cover.	On top of reservoir.
45	0358	GA	1	Oil reservoir cover hinge pin.
46	0356	GA	1	Oil reservoir cover hinge spring.
47	S0405	A	3	Oil reservoir hinge spring screws.	Under reservoir filler.
48	00397	GF	1	Oil reservoir strainer.	Reservoir to pump.
49	00785	TED	1	Oil line.	On dash.
50	00350	GF	1	Oil sight feed casting.	On sight feed casting.
51	00402	GF	6	Oil sight feed elbows.	On sight feed casting.
52	S00413	A	14	Oil line union nuts.	On sight feed casting.
53	S00404	GF	14	Oil line unions.	Sight feed to pump, rear.
54	00785 $\frac{1}{4}$	GEC	1	Oil line.	Sight feed to pump, center.
55	00785 $\frac{1}{4}$	GEC	1	Oil line.	Sight feed to pump, front.
56	00785 $\frac{1}{2}$	GEC	1	Oil line.	Sight feed to rear bearing.
57	00786 $\frac{1}{2}$	GEC	1	Oil line.	Sight feed to center bearing.
58	00786	GEC	1	Oil line.	Sight feed to front bearing.
59	S00351 $\frac{1}{2}$	GE	3	Oil sight feed cap and valve seats.	Upper cap in sight feed.
60	00351 $\frac{1}{4}$	GE	3	Oil sight feed cap and valve seat gaskets.	Under sight feed caps.
61	351 $\frac{1}{2}$	GA	3	Oil sight feed glasses.	In dash sight feed.
62	352 $\frac{1}{4}$	GE	6	Sight feed glass cylinder gasket.	On ends of feed glass.
63	351 $\frac{1}{4}$	GA	6	Oil sight feed glass cork gaskets.	On ends of feed glass.
64	354 $\frac{1}{4}$	GE	1	Oil pump frame gasket.	Under oil pump frame.
65	0722 $\frac{1}{4}$	GA	2	Oil sight feed dash screws (1" 14-20 R. H. machine).
66				Oil sight feed dash screw washers.	Under sight feed screws.



WATER PUMP, HOOD, RADIATOR AND DECK BOARD ASSEMBLIES

NOMENCLATURE OF PARTS—Continued

Ref. No.	Part No.	No. Per Car	Property Classification—Part I, Class IV, Section 9		
			Name of Part	Location	
Engine—COOLING SYSTEM					
See illustrations on pages 42, 80, 208					
1	444	TEB	1	Radiator	In front of engine.
2	443 1/4	TED	1	Radiator mud shield	On radiator
3	00445	GA	1	Radiator cap	On radiator
4	00444 1/2	GA	1	Radiator strainer	On radiator
5	00604	GED	1	Radiator tie rod bracket	On radiator
6		TEB-O	1	Radiator hood beading lace	On radiator bead
7	773	GF	1	Radiator outlet pipe hose	Lower hose
8	00483	GE	2	Radiator outlet pipe hose clamps	On outlet hose
9	14-20 x 1 1/4"		2	Outlet pipe hose clamp screws	
10	773	GE	1	Radiator inlet pipe hose	On radiator
11	00483	GE	2	Radiator inlet pipe hose clamps	On hose
12	14-20 x 1 1/4"		2	Inlet pipe hose clamp screws	On radiator
	606	TC	2	Radiator shock absorber barrels	On radiator shell
	S00606	TA	4	Radiator adjusting locking block	
	S0100 1/2	GA	2	Radiator shock absorber studs	On lock block
	S0100 1/2	GE	4	Radiator adjusting locking block bolts	
13	0606 1/2	TC	2	Shock absorber spring adjusting nuts (upper)	On stud
14	0099	K	2	Spring adjusting nut grease cups	Upper end absorber barrel
15	0606 1/2	TC	2	Shock absorber springs (upper)	On radiator
16	0607	TA	2	Radiator support studs	Inside of barrel
17	S0607	TA	2	Radiator support stud nuts	On studs
18	607 3/4	TA	2	Support stud nut washers (spring lock)	On studs
19	0604 1/4	TAB	2	Shock absorber washers (upper)	Around center of stud
20	0607 1/2	TA	2	Radiator support stud spacers	In absorber barrel
21	607 1/4	TA	4	Shock absorber packing rings	On studs
22	605 1/4	TAB	4	Shock absorber packing ring felts	On studs
23	604 1/4	TAB	2	Shock absorber washers (lower)	Around stud
24	604	TA	4	Radiator shock absorber support stud washers	Around stud
25	603 1/4	TC	2	Radiator shock absorber springs (lower)	On stud
26	606 3/4	TA	2	Radiator shock absorber adjusting nuts (lower)	On end of stud
27	S0604 1/2	TA	2	Radiator shock absorber trunnion pins	Through stud
28	0603 3/4	TA	4	Radiator shock absorber trunnion pin washers	On trunnion pin
29	00709 1/4	GAH	1	Radiator drain cock	On radiator
30	0605	TED	1	Radiator tie rod	Radiator to dash
31	084	EE	2	Radiator tie rod ends	On tie rod
32	S031 1/4	CC	2	Radiator tie rod end pins	On rod ends
33	S031 1/4	GB	2	Radiator tie rod end pin nuts	
34	S0382	G	2	Radiator tie rod end binder screws	
35	275	TED	1	Deck board R.H.	On dash
36	275 1/2	TED	1	Deck board L.H.	On dash
37	275 3/4	TED	1	Deck board L.H. rear	On dash
	S0275	TA	4	Deck board screw (3/8" R.H. machine.)	
		TEB-O	4	Deck board screw nuts (3/8" square)	
38	00600 1/4	TEB-O	1	Hood deck strip R.H.	Between dash and deck
39	00600 1/4	TEB-O	1	Hood deck strip L.H.	Between dash and deck
40	623 3/4	TED	1	Steering lever cover	On left fender
41			1	Hood L.H. half (600 TED Hood Complete)	Over engine
42			1	Hood L.H. half (600 TED Hood complete)	Over engine
43	00636	GEB	2	Hood handles	On hood
44	0636 1/4	GEB	4	Hood handle washers	On handle
45	00602 1/4	GE	4	Hood fastener barrels	On sills
46	00603	GE	4	Hood catch studs	On hood
47	00602	GE	4	Hood fastener latches	On hood
48	S00602	GE	4	Hood fastener latch screws	
49	00602 1/4	GE	4	Hood fastener latch springs	On latches
	00601 1/4	GE	4	Hood fastener latch pins	Through latches
	603 1/2	GE	4	Hood catch latch pin washer	On latches
50	00601	GE	4	Hood fastener bases	On sills
51	325	GE	1	Water pump frame	Right side upper crankcase
	0099	GK	1	Water pump grease cup	On water pump
52	325 1/4	GE	1	Water pump frame gasket	On pump frame
	325 1/2	GEC	1	Water pump casting	Right side upper crankcase
	328	GE	1	Water pump casting gasket	Under pump cover
53	00331	GE	1	Water pump bucket	In frame
54	331 1/4	GA	2	Water pump shaft washers	On pump shaft
55	S0326	GED	1	Water pump shaft	Through pump
56	0973 1/2	GA	1	Water pump shaft washer	On pump shaft
57	326	GED	1	Water pump shaft gear	On pump shaft
58	00326 1/4	GA	1	Water pump bushing (large)	Around shaft
59	00325 1/4	GA	1	Water pump bushing (small)	Around shaft
60	S00330 1/4	GA	1	Water pump shaft bearing	End of shaft
	00330	GA	1	Water pump and spring cap	End of shaft



CARBURETER, MUFFLER AND FUEL TANK ASSEMBLIES

NOMENCLATURE OF PARTS—Continued

Ref. No.	Part No.	No. Per Car	Property Classification—Part I, Class IV, Section 9	
			Name of Part	Location
Engine—COOLING SYSTEM—Continued				
See illustrations on pages 42, 80, 208				
61	S00330 1/2 GA	1	Water pump and spring cap pin.....	Through spring cap.....
62	0326 1/2 GA	1	Water pump shaft bearing spring.....	Around end of shaft.....
63	S0326 1/4 GAB	1	Water pump shaft nut L.H. thread.....	
64	S0325 1/4 GE	4	Water pump frame cap screw.....	
65	00533 A	4	Water pump frame cap screw washer.....	
66	00449 GA	1	Water pump frame drain cock.....	Under frame.....
67	00562 1/2 GA	1	Water pump line cock.....	On frame.....
68	S00413 A	1	Water pump line nut.....	
69	S00404 GF	1	Water pump line gland.....	On carbureter line.....
69	00776 TED	1	Water pump line.....	Between pump and carbureter.....

Engine—FUEL SYSTEM

See illustrations on pages 70, 72, 210

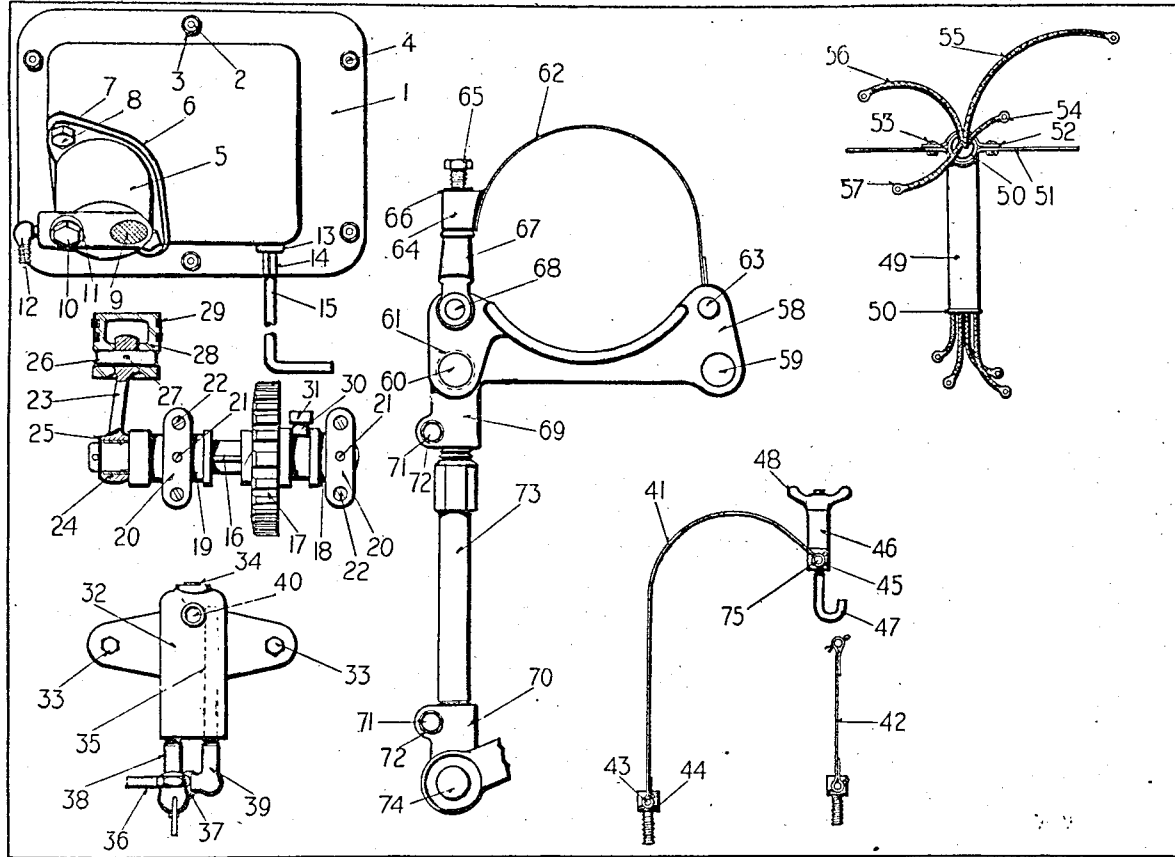
1	00706 GED	1	Carbureter body.....	Bolts to intake manifold.....
2	00708 TED	1	Carbureter throttle valve cover.....	Right side of carbureter body.....
	00716 3/4 GA	1	Carbureter throttle valve cover bushing.....	In throttle valve cover.....
	708 3/4 GEB	1	Carbureter throttle valve cover gasket.....	Under throttle valve cover.....
3	00716 3/4 GA	1	Carbureter throttle valve cover bushing.....	In throttle valve cover.....
4	00707 GAB	1	Carbureter float chamber cover.....	Above float chamber.....
5	00707 1/2 GA	1	Carbureter float.....	In float chamber.....
6	0711 GM	1	Carbureter needle valve.....	On float chamber.....
7	00711 1/2 GA	1	Carbureter needle valve spool.....	On needle valve.....
8	00712 GAB	2	Carbureter needle valve weight.....	On float chamber cover.....
9	1" x 3/4" GAH	1	Needle valve weight brass cotter pins per m.....	Through float weights.....
10	S00713 GED	1	Carbureter float chamber cover spring.....	Under water jacket screw.....
	00533 KK	1	Cover spring screw and starting nozzle.....	Rear screw through water jacket.....
11	S00368 C	3	Carbureter cover spring screw gasket.....	Under cover spring.....
12	00712 1/2 GM	1	Carbureter taper plug (1/4"-30).....	In body above float chamber.....
13	00211 1/4 GA	1	Carbureter needle valve seat.....	In bottom of float chamber.....
14	00706 3/4 GA	1	Carbureter needle valve seat washer.....	Under needle valve seat.....
15	00706 3/4 GA	1	Carbureter dirt trap strainer.....	Under float chamber.....
16	0713 GA	1	Carbureter dirt trap strainer washer.....	Under dirt screen.....
17	00709 3/4 GA	1	Carbureter plug gasket.....	Under dirt screen plug.....
18	00709 3/4 GA	1	Carbureter float chamber plug.....	Under float chamber.....
19	00709 3/4 GA	1	Carbureter float chamber drain cock.....	In float chamber drain plug.....
20	00402 GF	1	Gas line elbow.....	Under float chamber.....
21	S00413 A	2	Gas line nut.....	On gas line elbow.....
22	S00404 GF	2	Gas line gland.....	In gas line elbow.....
23	00790 TED	1	Gas line to tank.....	
24	00715 GEE	1	Carbureter throttle valve.....	In carbureter body.....
25	S0167 O	1	Carbureter throttle valve lever.....	Right side of carbureter.....
26	S0708 GA	4	Carbureter throttle valve lever taper pin.....	Through throttle valve lever.....
27	S0420 GA	1	Carbureter throttle valve cover screw.....	Through throttle valve cover.....
28	S00708 1/4 GA	1	Carbureter lever adjusting screw.....	On throttle valve cover.....
29	00714 GEE	1	Carbureter lever adjusting screw binder screw.....	On throttle valve cover.....
30	00714 GEF	1	Carbureter nozzle (high speed).....	Inside carbureter body.....
31	714 3/4 GA	2	Carbureter nozzle (slow speed).....	Inside carbureter body.....
32	00709 GAB	2	Carbureter nozzle lead gasket.....	Under nozzle plugs.....
33	00709 3/4 GA	2	Carbureter nozzle plugs.....	In bottom of carbureter body.....
34	00714 1/2 GEE	1	Carbureter nozzle plug gaskets.....	Under nozzle plugs.....
35	00714 1/2 GEF	2	Carbureter nozzle sheath (high speed).....	Around nozzle.....
36	00533 KK	2	Carbureter nozzle sheath (slow speed).....	Around nozzle.....
37	S00706 GED	1	Carbureter nozzle sheath washer.....	Under sheath.....
38	S00706 1/4 GAB	1	Carbureter air adjusting screw.....	Above air regulator.....
39	00706 1/4 GAB	1	Carbureter air adjusting screw stop pin.....	In body.....
40	0703 1/2 GED	1	Carbureter air adjusting screw stop pin spring.....	In adjusting sleeve.....
41	00704 1/4 GED	1	Carbureter air shutter shaft spring.....	In adjusting sleeve.....
42	00704 1/4 GED	1	Carbureter hot air shutter.....	Rear of carbureter.....
43	00703 3/4 GED	1	Carbureter air shutter spring post.....	On lower carbureter body.....
44	S00368 C	3	Carbureter plug (Same as Ref. No. 11).....	In shutter post.....
45	00703 3/4 GED	1	Carbureter hot air lever stop.....	On shutter shaft.....
46	8-32 x 3/8" TED	1	Lever stop binder screw.....	Through lever stop.....
47	00703 TED	1	Carbureter shutter shaft lever.....	On end of shutter shaft.....
48	00703 TED	1	Carbureter shutter shaft.....	Through air regulator.....
49	S00703 TED	1	Carbureter shutter shaft bushing.....	In air regulator.....
50	S00703 1/4 GED	1	Carbureter control wire binder.....	In shaft lever.....
51	S00718 1/4 GED	1	Carbureter control wire binder.....	In shaft lever.....

NOMENCLATURE OF PARTS—Continued

Ref. No.	Part No.	No. Per Car.	Property Classification—Part I, Class IV, Section 9		
			Name of Part	Location	
Engine—FUEL SYSTEM—Continued					
See illustrations on pages 70, 72, 210					
45	00703½	GED	1	Carburetor air regulator slide	Around air regulator
46	S00703½	GAH	1	Carburetor air regulator binder screw	In air regulator slide
47	S00707½	GED	1	Carburetor air regulator	Lower part of carburetor body
48	S00325	C	1	Carburetor body plug	In body under regulator
49	S00368	C	3	Carburetor plug (Same as Ref. No. 11)	In body under regulator
50	00721	TED	1	Carburetor water jacket	Between carburetor and intake manifold
	00721½	TED	1	Carburetor water jacket tube 1½" x 1⅜" x 7½"	Inside of water jacket
51	719½	GED	1	Carburetor water jacket and carburetor gasket	Between carburetor and jacket
52	719½	GED	1	Carburetor water jacket and manifold gasket	Between jacket and manifold
	719½	GEC	1	Carburetor intake pipe gasket (upper)	Between manifold and side plate
53	S0107½	GA	1	Carburetor water jacket screw	Holds carburetor to water jacket
54	00402	GF	2	Carburetor water jacket elbow	In water jacket
55	00776½	TED	1	Carburetor water jacket line (to cylinder)	Upper elbow to cylinder
57	00776	TED	1	Carburetor water jacket line (to water pump)	Lower elbow to pump
	S00706¾	GAB	2	Carburetor water jacket plug	In water jacket
58	00719	GED	1	Carburetor intake pipe	Carburetor to engine
59	S0107½	GA	2	Carburetor intake pipe screw	Holds carburetor jacket to manifold
60	00562	GF	1	Gasoline settling chamber top	Upper half of settling chamber
61	562½	GF	1	Gasoline settling chamber bottom	Lower half of settling chamber
62	00564¾	GF	1	Settling chamber tube, with ring and screen	In upper half of chamber
63	564	GF	1	Gasoline settling chamber gasket	Between upper and lower half
64	00449	GA	1	Gasoline settling chamber drain cock	In bottom chamber
65	S00201¾	GF	1	Gasoline settling chamber nipple	In upper chamber
66	S00413	A	1	Gasoline settling chamber nipple nut	On end of nipple
67	00790	TED	1	Gasoline line	To carburetor
68	00502	GF	1	Gasoline settling chamber valve lever	On settling chamber
69	00563	GF	1	Gasoline settling chamber valve	Above strainer body
70	00563¾	GF	1	Gasoline settling chamber valve washer	Above strainer body
71	00563½	GF	1	Gasoline settling chamber valve spring	On rear of valve
72	001637½	GAGR	1	Gasoline settling chamber valve spring washer	On rear of valve
73	00562½	GTB	1	Gasoline settling chamber nipple	On rear of valve
74	0538½	A	1	Gasoline settling chamber union end	Above valve
75	0539	C	1	Gasoline settling chamber union end nut	On settling chamber nipple
76	S 0617¾	TCD	1	Gasoline settling chamber union end brass	On settling chamber nipple
77		TEB-O	1	Gasoline settling chamber standard, ¼" x 1" nipple	On settling chamber nipple
78		TEB-O	1	Settling chamber standard ¼" elbow, brass	On settling chamber nipple
79	617	TED	1	Gasoline tank	Under front seat
80	00560	TBC	1	Gasoline tank filler hole flange	In center of tank
81	00561	TBC	1	Gasoline tank filler hole flange cap	On top of tank
82	00963	TED	1	Gasoline tank filler hole strainer	Under filler cap
83	00790¾	TED	1	Gasoline line connecting line	Under tank
84	00402	GF	1	Gasoline tank outlet elbow	Under tank
85	S00413	A	2	Gasoline tank line nuts	On gasoline line
86	00495	GA	2	Gasoline tank outlet flange	On bottom of tank
87	00618½	TED	1	Gasoline tank shut-off valve (three-way)	Under tank
	00618½	TED	1	Gasoline tank shut-off valve handle	Under left end of tank
	00563¾	GF	1	Gasoline tank shut-off valve spring	On 3-way valve
	001637½	GAGR	1	Gasoline tank shut-off valve spring washer	On 3-way valve
	00563¾	GF	1	Gasoline tank shut-off valve spring washer	On 3-way valve
88	108	GEC	1	Muffler	Under center of car
89	108½	GE	2	Muffler bands	Muffler to side rail
90		TEB-O	6	Muffler band screw (⅜" x 1" machine screw)	In muffler bands
91	074½	O	6	Muffler bolt nut lock washer (⅜")	On band screws
92	S0199½	G	6	Muffler bolt nut (⅜"-18P)	On band screws
93	S0108½	GED	3	Muffler bolts (22½" long)	Through muffler
94	109½	GEC	1	Muffler head, rear	Through muffler
95	109	GEC	1	Muffler head, front	Through muffler
96	109½	GEC	1	Muffler head nut	On ends of muffler bolt
97	108½	TED	1	Muffler exhaust pipe with flange	Between engine and muffler
98	107½	GF	1	Exhaust pipe flange elbow	On front end exhaust pipe
99	S0107½	GF	2	Exhaust pipe flange screws	Through flange to manifold
100	00107½	GF	1	Exhaust pipe flange gasket	Between flange and manifold
101	704	TED	1	Hot air jacket	Clamps to exhaust pipe
102	0704½	TED	1	Hot air clamp band (one-half)	Around exhaust pipe
	0704½	TED	1	Hot air clamp band (one-half)	Around exhaust pipe
103	S0167	C	1	Hot air clamp band screw	Through clamp bands
	054½	GF	1	Hot air clamp band screw washer	Under clamp screw
104	0704½	TED	1	Hot air jacket tube	From jacket to carburetor
105	S00502	TCD	1	Gasoline settling chamber valve lever knob	On settling valve lever
106	00705	GA	2	Carburetor air inlet screen	In air intake
107	00705½	GA	2	Carburetor air inlet screen washer	In air intake
108	0562¾	TCD	1	Settling chamber angle iron	Holds settling chamber

NOMENCLATURE OF PARTS—Continued

Ref. No.	Part No.	No. Per Car	Property Classification—Part I, Class IV, Section 9		
			Name of Part	Location	
Transmission—TIRE PUMP					
See illustrations on pages 74, 112, 214					
1	575	TEF	1	Transmission cover and air pump frame.	On top of transmission.
2	S081	A	6	Transmission cover and air pump frame stud nuts	Transmission cover and air pump frame stud washers (1/4" spring lock)
3			6	Transmission cover and air pump frame studs. . .	In top of transmission case.
4	S0575	GA	6	Air pump cylinder.	In cover frame.
5	575 1/2	GF	1	Air pump cylinder gasket.	Under cylinder boss.
6	575 1/2	GEC	1	Air pump cylinder screw lock washers.	Under cylinder nuts.
7	045 1/4	GA	2	Air pump cylinder screws.	In transmission cover.
8	S0178 1/2	GE	2	Air pump cylinder inlet valve screen.	In cylinder head.
9	00742 1/2	GF	1	Air pump cylinder check valve cap.	In cylinder head.
10	00742 1/2	GF	1	Air pump cylinder check valve cap gasket.	Under check valve cap.
11	00742 3/4	GF	1	Air pump cylinder elbow.	In cylinder head.
12	00484	GM	1	Air pump engaging rod collar.	In cover frame.
13	0205 1/4	TED	1	Air pump engaging rod connection.	Through cover frame.
14	0206 1/2	TED	1	Air pump engaging rod (long).	To outside of frame.
15	0209	TED	1	Air pump engaging rod (short).	Inside cover frame.
	0205	TED	1	Air pump engaging rod door.	In left splash guard.
	627 1/4	TED	1	Air pump crank shaft.	On under side of cover frame.
16	0202	GF	1	Air pump gear.	Rear end of crankshaft.
17	0207	TEF	1	Air pump crank shaft bearing.	On under side of cover frame.
18	00574 1/2	GF	1	Air pump crank shaft bearing (two halves).	On under side of cover frame.
19	00574 1/2	GF	1	Air pump crank shaft bearing caps.	On under side of cover frame.
20	575 1/4	GF	2	Air pump crank shaft bearing cap dowels.	On under side of cover frame.
21	S0071	GG	2	Air pump connecting rod.	On end of crankshaft.
22	S0575 1/4	GF	4	Air pump connecting rod bushing.	Lower end connecting rod.
23	00208	GF	1	Air pump connecting rod washer.	On end of crankshaft.
24	00208 1/4	GF	1	Air pump connecting rod wrist pin.	In piston.
25	0172 1/4	G	1	Air pump connecting rod and engaging lever pins (No. 0 taper 3/4" long).	Through connecting rod and wrist pin.
26	S0208	GF	1	Air pump piston.	In pump cover frame.
27	S0167	O	2	Air pump piston rings.	On air pump piston.
28	383	GF	1	Air pump engaging lever pin.	On sliding gear.
29	348	O	2	Air pump engaging lever.	On sliding gear.
30	0205 1/2	GF	1	Air line oil trap.	On left frame member.
31	00206	GF	1	Air line oil trap bolts.	On left frame member.
32	0201	TED	1	Air line oil trap bolt nuts.	On top of oil trap.
33	S0107 1/4	GE	2	Air line oil trap plug.	On bottom of oil trap.
34	S0585	GA	2	Air line oil trap elbow extension.	Pump to trap.
35	S00325	C	1	Air line.	On air line.
36	00201 1/4	GF	1	Air line union nuts.	On bottom of oil trap.
37	00201 1/4	TEB-O	1	Air line union glands.	On bottom of oil trap.
38	S00413	A	2	Air line oil trap extension drain cock.	In side of oil trap.
39	S00404	GF	2	Air line oil trap elbow.	In side of oil trap.
40	00200	TED	1	Air line dirt trap cap.	Around magneto.
41	0457	GAF	1	Magneto clamp band.	Around magneto.
42	0457 1/2	GAF	1	Magneto clamp band extension.	Through ends of band.
43	S0456 1/2	GAF	3	Magneto clamp band pins.	On ends of band.
44	S0456	GAD	2	Magneto clamp band studs.	Under band wing nut.
45	S0457 1/4	GAF	1	Magneto clamp band trunnion.	Under band wing nut.
46	S0457 1/2	GAF	1	Magneto clamp band hook bolt collar.	Under trunnion.
47	S0457 1/2	GAF	1	Magneto clamp band hook bolt.	On cylinder top cover.
48	0457 1/4	GAF	1	Magneto clamp band hook bolt wing nut.	In ends of conduit.
49	00464	GA	1	Magneto wire conduit tube.	On upper end conduit.
50	463 1/4	GA	2	Magneto wire conduit tube bushings.	On upper end conduit.
51	0464 1/2	GEC	1	Magneto wire conduit bracket (long).	On upper end conduit.
52	0464 1/4	GA	1	Magneto wire conduit bracket (short).	On upper end conduit.
53		TEB-O	2	Magneto wire conduit bracket screws and nuts (No. 10-32 x 3/8") brass.	In magneto seat.
	S0458	GAF	2	Magneto dowel pin.	Left side upper crankcase.
	00302 1/2	TA	1	Magneto control lever.	Left side upper crankcase.
	S00302 1/2	TBC	1	Magneto control lever stud.	In ends of control levers.
	S00741 1/2	G	1	Magneto control lever stud nut.	At rear of magneto.
	S0302 1/2	GA	1	Magneto control lever binder bolt.	
	S0302 1/4	GA	1	Magneto control lever binder bolt nut.	
	0302 1/4	TBC	1	Magneto control lever arm.	
54			1	Magneto conduit feed wire No. 1 (40 3/8" long).	
55			1	Magneto conduit feed wire No. 4 (35 1/2" long).	
56			1	Magneto conduit feed wire No. 3 (34 1/2" long).	
57			1	Magneto conduit feed wire No. 2 (30" long).	
			1	Magneto ground wire (54" long) with terminals	



AIR PUMP, GENERATOR BRACKET, MAGNETO CONDUIT AND
MAGNETO STRAP ASSEMBLY

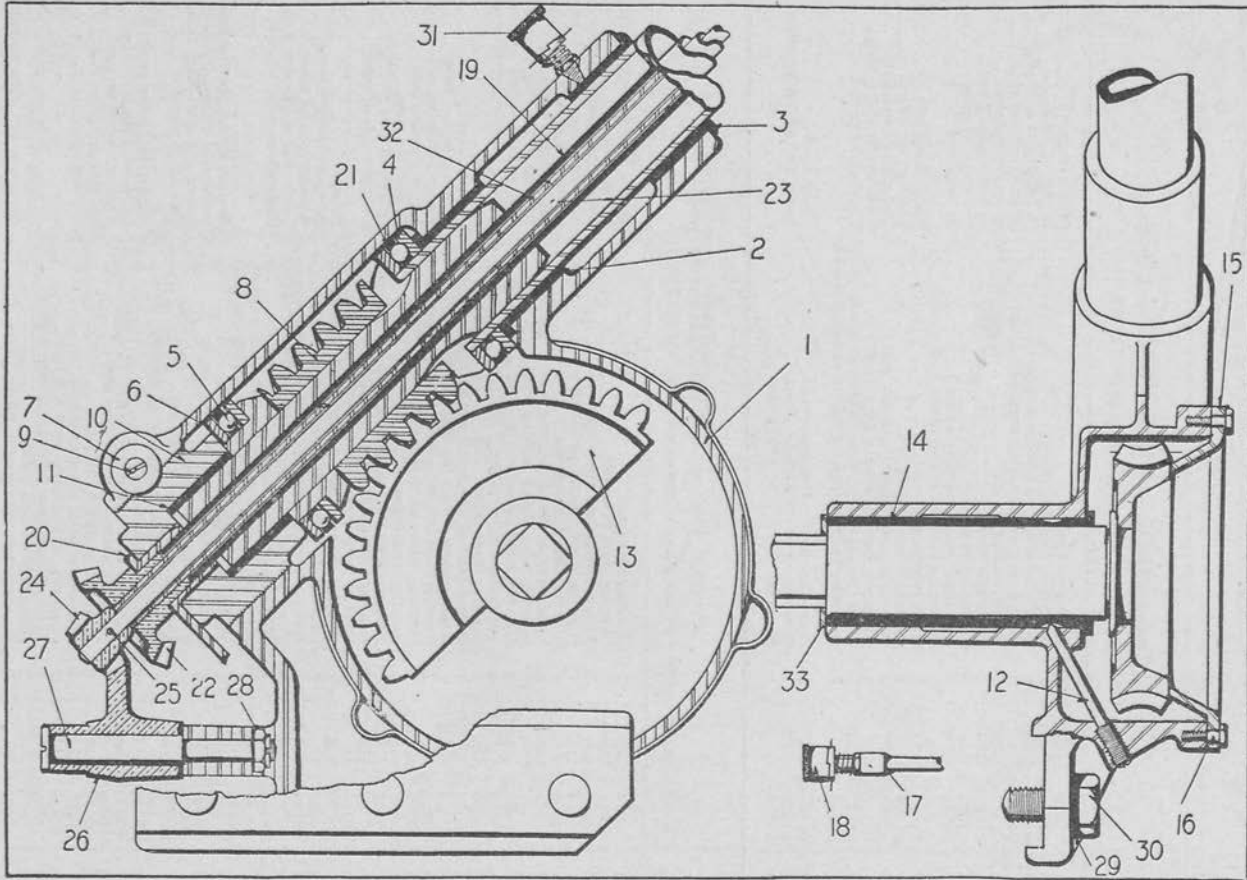
NOMENCLATURE OF PARTS—Continued

Ref. No.	Part No.	No. Per Car	Property Classification—Part I, Class IV, Section 9		
			Name of Part	Location	
Transmission—TIRE PUMP—Continued					
See illustrations on pages 74, 112, 214					
58	1530	GEC	1	Generator shelf.....	Above magneto.....
59	01566 $\frac{1}{2}$	TED	1	Generator shelf pin (long).....	In rear of shelf.....
60	S01566	TED	1	Generator shelf pin (short—upper).....	In front part of shelf.....
61	S0094 $\frac{1}{2}$	TA	2	Generator shelf adjusting toggle bushings.....	In front part of shelf.....
62	01530 $\frac{1}{2}$	GEC	1	Generator band.....	Around generator.....
63	S01527 $\frac{1}{2}$	GEC	1	Generator band pin.....	In rear end of band.....
64	1527 $\frac{1}{2}$	GM	1	Generator band end.....	Front end of band.....
65	S0680	GED	1	Generator band clamping screw.....	In band end.....
66	045 $\frac{1}{2}$	GA	1	Generator band clamping screw lock washer.....
67	01530 $\frac{1}{2}$	GEC	1	Generator band clevis.....	Under band end.....
68	S01530 $\frac{1}{2}$	GEC	1	Generator band clevis pin.....	Through clevis end.....
69	01565 $\frac{1}{2}$	GF	1	Generator band adjusting toggle end.....	Under band end (left).....
70	01565 $\frac{1}{2}$	GF	1	Generator band adjusting toggle end.....	Under band end (right).....
71	S0101	GAB	2	Generator band adjusting toggle end binder bolts.....	Through band end.....
72	S0143	G	2	Generator band adjusting toggle end binder bolt nuts.....
73	S01565 $\frac{1}{2}$	GEB	1	Generator band adjusting screw.....	Under shelf.....
74	S01566	GFB	1	Generator band pin (short—lower).....	Lower end adjusting screw.....
75	S0219	O	1	Magneto clamp band pin (plain).....

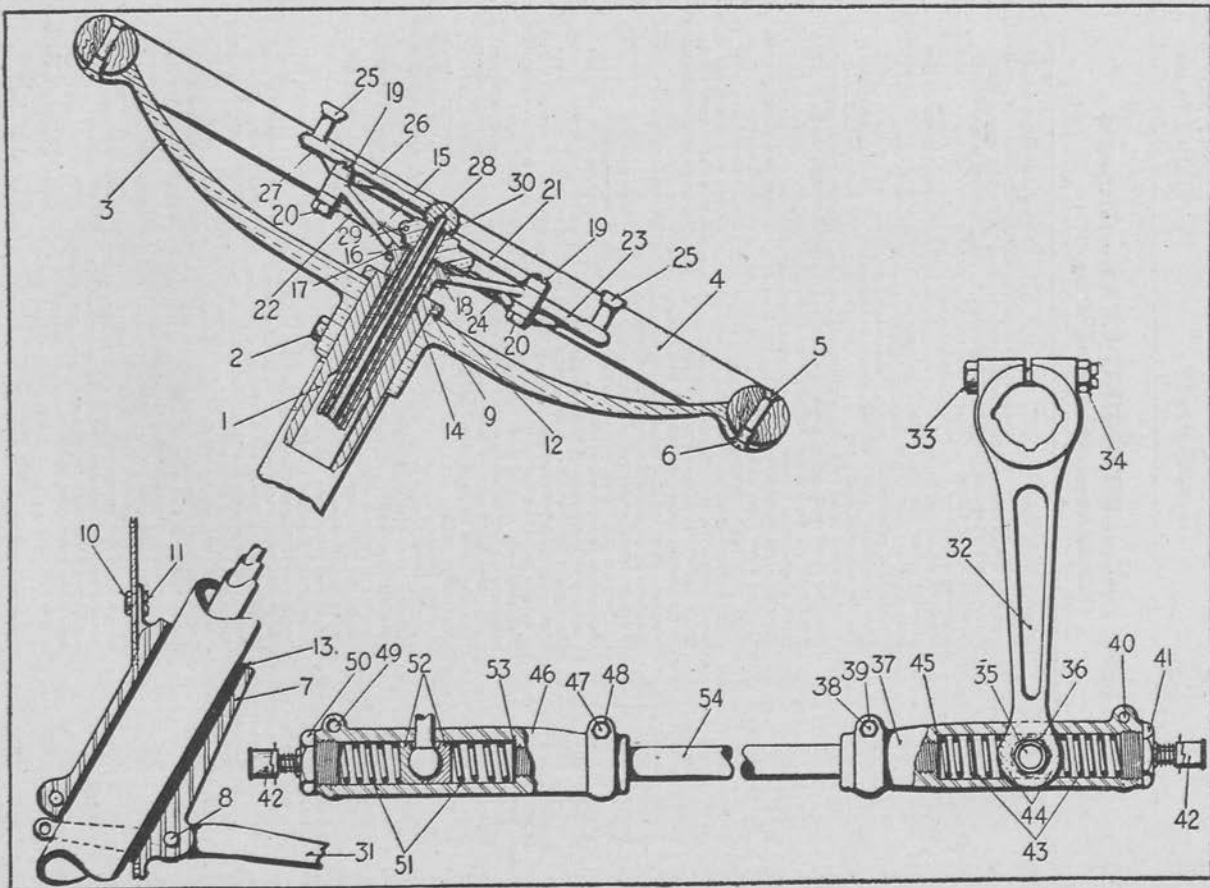
Control Devices—STEERING GEAR

See illustrations on pages 88, 90, 92, 216, 217

1	16	TE	1	Steering stem case.....	On left frame side member.....
	016 $\frac{3}{8}$	GB	1	Steering stem case shim.....	Under case.....
2	0018 $\frac{1}{2}$	GA	1	Steering stem case lower bushing.....	Upper end steering worm.....
3	0018	GA	1	Steering stem case upper bushing.....	Above steering worm bushing.....
	S0018	TA	2	Steering case bushing pin.....	Lower end of housing.....
4	023 $\frac{1}{2}$	GAB	2	Steering stem thrust bearing washer (upper).....	Under lower bushing.....
5			28	Steering stem thrust bearing balls, $\frac{1}{4}$ ".....	At ends of steering worm.....
6	023 $\frac{1}{2}$	GAC	2	Steering stem thrust bearing washer (lower).....	Under lower thrust bearing.....
7	S0014	GEC	1	Adjusting locking block.....	Through lower end of case.....
8	025	GE	1	Steering stem worm.....	In case.....
9	S014 $\frac{1}{2}$	GF	1	Thrust bearing adjusting nut locking bolt.....
10	14	GAB	1	Bearing stem thrust bearing adjusting nut.....	In lower end of case.....
11	0014 $\frac{1}{2}$	E	1	Bearing stem thrust bearing adjusting nut bushing.....	Under adjusting nut.....
12	S019	GA	1	Bearing stem eccentric bushing lock screw.....	Under steering case.....
13	023	GEC	1	Bearing stem segment.....	In steering case.....
14	0024	GEC	1	Bearing stem segment bushing.....	In side of case.....
15	17	GE	1	Bearing stem case cover.....	On right side of case.....
16	S0105	O	6	Bearing stem case cover screws.....
17	S0223	TA	1	Bearing stem segment grease cup extension.....	In case.....
18	0099	O	1	Bearing stem segment grease cup.....	In case.....
19	0305 $\frac{1}{2}$	GAR	1	Hand control stationary tube.....	Around control tubes.....
20	305 $\frac{1}{2}$	GA	1	Hand control stationary tube support.....	Lower end stationary tube.....
	S0105 $\frac{1}{2}$	G	1	Stationary tube support bracket bolt.....	Through support bracket.....
	0181 $\frac{1}{4}$	GF	2	Stationary tube support bracket bolt washers.....
	S0143	O	1	Stationary tube support bracket bolt nut.....
21	023 $\frac{1}{4}$	GAB	4	Thrust bearing ball retainers.....	Around thrust bearing balls.....
22	00300 $\frac{1}{2}$	GA	1	Carburetor hand control bevel pinion.....	Lower end stationary tube.....
	00300	GE	1	Throttle control segment.....	Lower end stationary tube.....
	S0300	GA	1	Throttle control segment stud.....	On end of segment.....
	112 $\frac{1}{4}$	O	1	Throttle control segment stud washer.....
23	0302	GAR	1	Magneto control tube.....	Inside stationary tube.....
24	00303 $\frac{1}{2}$	GA	1	Magneto control bevel pinion.....	Lower end control tube.....
25	S00300 $\frac{1}{2}$	GA	2	Magneto control bevel pinion pins.....	Through bevel pinions.....
26	00303	GF	1	Magneto control bevel gear.....	On steering case.....
27	S0303	GA	1	Magneto control bevel gear bolt.....	Through gear.....
28	S0585	GA	1	Magneto control bevel gear bolt nut.....
29	054 $\frac{1}{2}$	GG	2	Steering stem case bolt spring lock washers.....
30	S016	GA	2	Steering stem case bolts.....	Case to frame.....
31	0099	K	1	Steering stem case grease cup.....	On upper end steering case.....
32	0308	GAR	1	Carburetor control tube only.....	Inside stationary tube.....
33	023 $\frac{1}{4}$	GEC	1	Steering segment thrust washer.....	On side of case.....



STEERING GEAR ASSEMBLY



STEERING GEAR AND DRAG LINK ASSEMBLIES

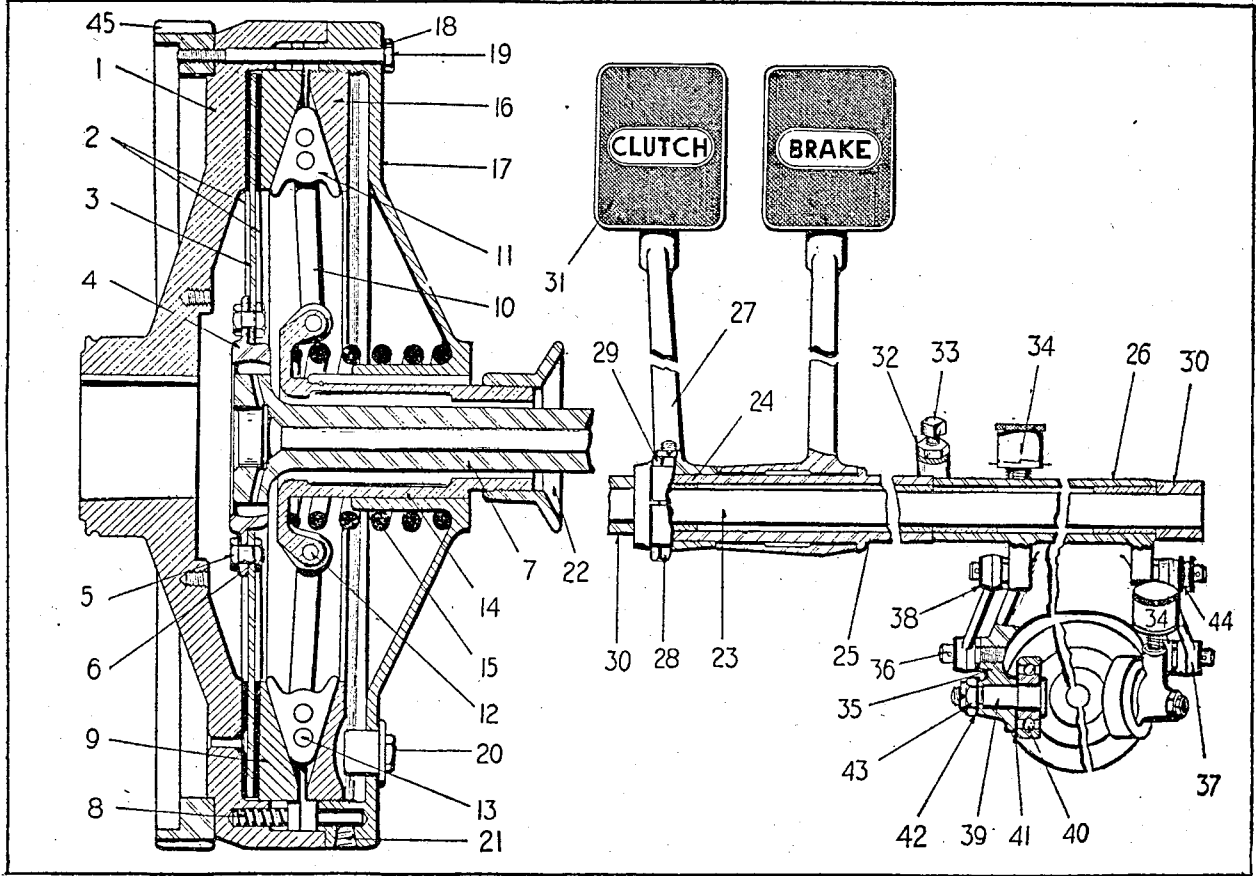
NOMENCLATURE OF PARTS—Continued

Ref. No.	Part No.	No. Per Car	Property Classification—Part I, Class IV, Section 9		
			Name of Part	Location	
<i>Control Devices—STEERING GEAR—Continued</i>					
See illustrations on pages 88, 90, 92, 216, 217					
1	022	GA	1	Steering stem head.....	Under steering wheel.....
	015	TED	1	Steering stem.....	Inside stationary tube.....
2	S020	TBD	1	Steering wheel spider binder block bolt.....	Through spider hub.....
	020 $\frac{3}{4}$	TBD	1	Steering wheel spider binder block bolt.....	Steering wheel center.....
3	20	TBD	1	Steering wheel spider.....
4	21	MM	1	Steering wheel rim.....
5	S0020 $\frac{1}{2}$	TA	3	Steering wheel rim bolts.....	Through spider to rim.....
6	0020 $\frac{3}{4}$	TA	3	Steering wheel rim bolt nuts.....
7	015 $\frac{1}{2}$	TED	1	Steering stem dash plate.....	Bolts to dash.....
8	0217 $\frac{1}{2}$	GE	1	Accelerator pedal shaft.....	In dash plate.....
	0217 $\frac{1}{2}$	GE	1	Foot accelerator shaft washer.....	On accelerator shaft.....
	S00217 $\frac{1}{2}$	GA	2	Foot accelerator shaft nut.....	On end of shaft.....
9	030 $\frac{1}{2}$	TA	1	Steering stem head lock nut washer.....	Upper end steering stem.....
10	S015 $\frac{1}{2}$	TED	3	Steering stem dash plate bolts.....	Through dash.....
11	S015 $\frac{1}{2}$	GE	3	Steering stem dash plate bolt nuts.....
	0143 $\frac{1}{2}$	G	3	Dash plate screw washer.....
12	S0147 $\frac{1}{2}$	G	1	Steering stem head lock nut.....	Upper end steering stem.....
13	0015 $\frac{1}{2}$	GBB	1	Steering stem dash plate bushing.....	In dash plate.....
14	00309 $\frac{1}{2}$	GA	1	Stationary tube bushing.....	Inside stationary tube.....
15	00307	GA	1	Hand control quadrant support.....	Upper end stationary tube.....
16	00309	GA	1	Hand control tube bushing.....	Inside stationary tube.....
17	S0307	GA	1	Hand control quadrant support bolt.....	Through quadrant support.....
18	S0307 $\frac{1}{2}$	GA	1	Hand control quadrant support bolt nut.....
19	S0306	GA	2	Magneto hand control quadrant bolts.....	Through quadrant.....
20	S0306 $\frac{1}{2}$	GA	2	Magneto hand control quadrant bolt nuts.....
21	00305 $\frac{1}{2}$	GA	1	Magneto hand control quadrant.....	Above spider.....
22	00305	GA	1	Carbureter hand control quadrant.....	Above spider.....
23	00304	GA	1	Carbureter hand control lever.....	In center of steering wheel.....
24	00304 $\frac{1}{2}$	GA	1	Carbureter hand control lever spring.....	In control lever.....
	0304 $\frac{1}{4}$	GA	1	Carbureter hand control lever spring catch.....	In control lever.....
25	S00304	GA	2	Hand control lever buttons.....	On end of control levers.....
26	00301	GA	1	Magneto hand control lever.....	In center of steering wheel.....
27	00301 $\frac{1}{2}$	GA	1	Magneto hand control lever spring.....	In control lever.....
28	S0167	O	1	Magneto control lever taper pin (No. 0).....	Through lever and rod.....
29	S0304 $\frac{1}{2}$	GA	1	Carbureter hand control lever bolt.....	Through control lever.....
30	00308 $\frac{1}{2}$	GED	1	Magneto hand control tube bushing.....	Around control rod.....
31	00217	GAF	1	Accelerator pedal.....	On dash bracket.....
32	013	GEC	1	Steering lever.....	Connects with reach rod.....
33	S0425	GA	1	Steering lever binder bolt.....	Through split end of lever.....
34	S0913	GA	1	Steering lever binder bolt nut.....
35	013 $\frac{1}{2}$	GBE	1	Steering lever ball.....	On lower end of lever.....
36	S0192 $\frac{1}{2}$	GA	1	Steering lever ball nut.....	On ball stud.....
37	31 $\frac{1}{2}$	F	1	Reach rod joint case.....	Rear end of reach rod.....
38	S0178 $\frac{1}{2}$	GF	1	Reach rod joint case binder bolt.....	Clamps case.....
39	S0574 $\frac{1}{2}$	GA	1	Reach rod joint case binder bolt nut.....
40	S031	GE	1	Reach rod joint case binder bolt.....	Rear end of case.....
	S0574 $\frac{1}{2}$	GA	1	Reach rod joint case binder bolt nut.....
41	033	F	1	Reach rod joint case plug.....	In end of case.....
42	0099	O	2	Reach rod joint case grease cups.....	In case plugs.....
43	031 $\frac{1}{2}$	F	2	Reach rod joint case springs.....	In cases.....
44	032	F	2	Reach rod joint case sockets.....	In cases.....
45	031 $\frac{1}{2}$	F	1	Reach rod joint case washer.....	In cases.....
46	031 $\frac{1}{2}$	GF B	1	Reach rod joint case.....	Front end of reach rod.....
47	S041	GA	1	Reach rod joint case binder bolt.....	Clamps case.....
48	S0573 $\frac{1}{2}$	GA	1	Reach rod joint case binder bolt nut.....
49	S033	GF	1	Reach rod joint case binder bolt.....	Clamps plug.....
	S0585	GA	1	Reach rod joint case binder bolt nut.....
50	033	GF	1	Reach rod joint case plug.....	In front case.....
51	031 $\frac{1}{2}$	GF	2	Reach rod joint case springs.....	In case.....
52	032	GF	2	Reach rod joint case sockets.....	In case.....
53	031 $\frac{1}{2}$	GF	1	Reach rod joint case washer.....	In case.....
54	028	GEC	1	Reach rod only.....	Between steering lever and spindle arm.....
	898 $\frac{1}{2}$	GF	1	Reach rod end boot.....	Around front case.....
	898	GBB	1	Reach rod end boot.....	Around rear case.....

NOMENCLATURE OF PARTS—Continued

Ref. No.	Part No.	No. Per Car	Property Classification—Part I, Class IV, Section 9		
			Name of Part	Location	
CLUTCH					
See illustrations on pages 98, 102, 220					
1	150	GEE	1	Clutch flywheel	In back of crankcase
*1	150	GED	1	Clutch flywheel	In back of crankcase
2	151 $\frac{1}{2}$	GEC	2	Clutch friction plate shoes	On clutch driven disc
3	0150 $\frac{1}{2}$	GEC	1	Clutch friction plate	Bolted to driving shaft
4	0130	GED	1	Clutch friction plate flange	Center of friction plate
5	S0131	GEC	8	Clutch friction plate bolts	Through friction plate flange
6	S0131 $\frac{1}{4}$	GEC	8	Clutch friction plate bolt nuts	On friction plate bolts
7	0131	GED	1	Clutch shaft	Shaft to transmission
8	0175 $\frac{1}{4}$	GEC	1	Clutch shaft spring	Between rocker arm and clutch shaft
9	0150 $\frac{1}{4}$	GEC	8	Clutch friction plate springs	In flywheel
10	151 $\frac{3}{4}$	GEC	1	Clutch friction plate ring (plain)	Next to driven disc
11	0174 $\frac{3}{4}$	GEC	12	Clutch wedge straps	Pinned to pullout sleeve
12	174 $\frac{1}{4}$	GEC	6	Clutch wedges	Between friction plate rings
13	S0151 $\frac{1}{4}$	GEC	6	Clutch wedge strap pins (long)	In pullout sleeve
14	041 $\frac{1}{2}$	GA	24	Clutch wedge strap pin washers	On ends of strap pins
15	S0151	GEC	6	Clutch wedge strap pins (short)	In wedges
16	131 $\frac{1}{4}$	GEC	1	Clutch toggle spider	Through clutch cover
17	130 $\frac{1}{4}$	GEC	1	Clutch pull-out spider sleeve key	In spider
18	0131 $\frac{1}{2}$	GEC	1	Clutch tension spring	Inside clutch cover
19	151 $\frac{1}{4}$	GEC	1	Clutch friction plate ring (notched)	Inside clutch cover
17	150 $\frac{3}{4}$	GEC	1	Clutch cover	Bolts to flywheel
18	00120 $\frac{1}{4}$	E	8	Clutch cover bolt gaskets	Under bolt heads
19	S0150 $\frac{1}{4}$	GEE	8	Clutch cover bolts	Cover to flywheel
*19	S0150 $\frac{1}{4}$	GK	8	Clutch cover bolts	Cover to flywheel
20	00151	GEC	1	Clutch adjusting plate lock	In clutch cover
21	S0151 $\frac{1}{4}$	GED	2	Clutch adjusting plate lock screws	In clutch cover
22	S00325	O	1	Clutch oil drain plug	In rim of clutch cover
23	0134 $\frac{3}{4}$	GED	1	Clutch pull-out shoe	On end of pullout spider
24	036	GEC	1	Foot lever shaft	Between side rails
25	S0039	MR	2	Foot lever connection bushings	In clutch pedal hub
25	0191 $\frac{1}{4}$	GE	1	Foot lever connection	In clutch pedal hub
26	0099	OO	1	Foot lever shaft grease cup	In foot lever connection
	180 $\frac{1}{4}$	GEC	1	Clutch rocker lever	On right end clutch shaft
	175	GEC	1	Clutch brake band	On transmission front cross member .
	175 $\frac{1}{2}$	GEC	1	Clutch brake shoe	On clutch brake band
	S0175	GEC	1	Clutch brake pull rod	Between rocker lever and brake band .
	S0176	GEC	1	Clutch brake pin	Lower end clutch band
	S0176 $\frac{1}{4}$	GEC	1	Clutch brake bushing	In upper end clutch band
	S0178 $\frac{1}{4}$	GF	1	Clutch brake band bolt	Brake band to support
	176 $\frac{1}{2}$	GEC	2	Clutch brake band bolt washers	Under band bolt
	S0585	GA	1	Clutch brake band bolt nut	On bolt
27	191	GE	1	Clutch foot lever	Left end of clutch shaft
28	S0103	GA	1	Clutch foot lever binder bolt	In clutch lever hub
29	S0585	GA	1	Clutch foot lever binder bolt nut	On binder bolts
30	39	GAB	2	Foot lever shaft brackets	On frame side members
31	191 $\frac{1}{2}$	GEC	1	Clutch foot lever pad	On clutch lever
32	S0192 $\frac{1}{2}$	GA	1	Foot brake lever adjusting screw nut	In brake pedal hub
33	S0192	GA	1	Foot brake lever adjusting screw	In brake pedal hub
34	0099	O	3	Clutch rocker lever grease cups	In rocker lever
	S0023	TA	2	Clutch rocker grease cap extensions	In rocker lever
35	174	GED	1	Clutch rocker	On pullout sleeve
	172	GBB	1	Clutch rocker shaft bracket, R. H.	On right frame member
	172 $\frac{1}{4}$	GAB	1	Clutch rocker shaft bracket cap	In the bracket
	S0180 $\frac{1}{4}$	GA	4	Clutch rocker shaft bracket cap bolt	In the bracket
	S0574 $\frac{1}{4}$	GA	4	Clutch rocker shaft bracket cap bolt nut	In the bracket
	074 $\frac{1}{2}$	O	4	Clutch rocker shaft bracket bolt washer ($\frac{1}{4}$ ")	In the bracket
	S0172 $\frac{3}{4}$	GA	1	Clutch rocker shaft bracket cap dowel pin	In the bracket
	172 $\frac{1}{2}$	GBB	1	Clutch rocker shaft bracket, L. H.	On left frame side member
	172 $\frac{3}{4}$	GAB	1	Clutch rocker shaft bracket cap dowel pin	On left frame side member
	S0174 $\frac{1}{2}$	GA	3	Clutch band pull rod stud	In clutch rocker lever
	0173	GTB	1	Clutch rocker shaft	Above clutch pullout sleeve
	13 $\frac{3}{4}$	GTA	2	Clutch rocker shaft collar	On ends of rocker shaft
	S031	GE	2	Clutch rocker shaft collar bolt	Through collar
	S0574 $\frac{1}{4}$	GA	2	Clutch rocker shaft collar bolt nut	On collar bolt
36	S0174 $\frac{1}{4}$	GA	2	Clutch rocker studs	In side of rocker arms
37	0173 $\frac{1}{2}$	GEC	2	Clutch rocker rods	Between rocker and pedal shafts
	0973 $\frac{1}{2}$	GA	4	Clutch rocker lever rod washer	On rocker studs
38	0174 $\frac{1}{4}$	GA	2	Clutch rocker hitch-up stud washers	On rocker lever studs
39	S0174	GED	2	Clutch rocker bearing studs	In pullout bearing

*These parts only used on White, Model TEB-O, Chassis not having electrical equipment.



CLUTCH, FLYWHEEL AND PEDAL ASSEMBLIES

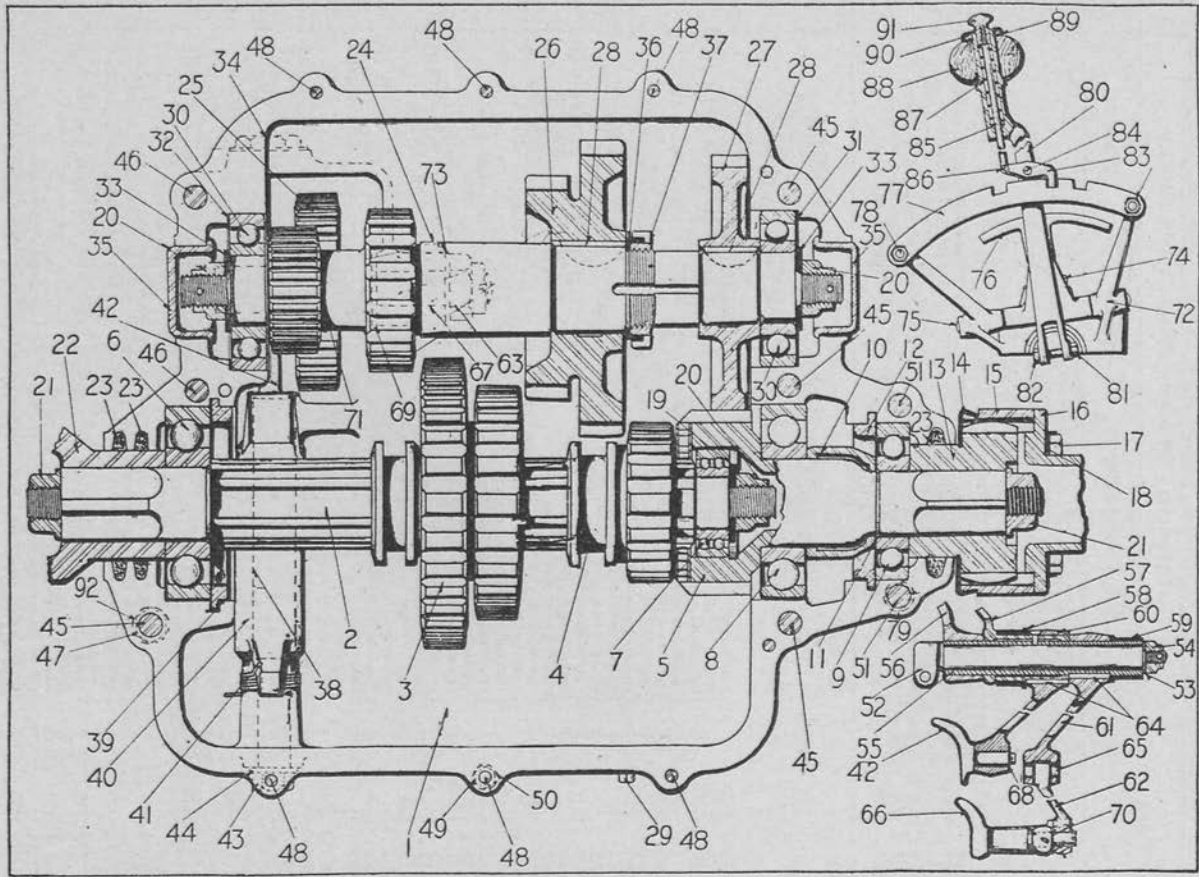
NOMENCLATURE OF PARTS—Continued

Ref. No.	Part No.	No. Per Car	Property Classification—Part I, Class IV, Section 9	
			Name of Part	Location
CLUTCH—Continued				
See illustrations on pages 98, 102, 220				
40	302	2	Clutch rocker bearing.....	Press against pullout sleeve.....
41	0174 $\frac{1}{2}$	2	Clutch rocker bearing washers.....	Under rocker bearings.....
42	030 $\frac{1}{4}$	2	Clutch rocker bearing stud washers.....	Under bearing stud nuts.....
43	S0573 $\frac{1}{4}$	2	Clutch rocker bearing stud nuts.....	On rocker bearing studs.....
44	0173 $\frac{1}{4}$	2	Clutch shaft pull back springs.....	On rocker lever stud.....
45	01561	1	Starter flywheel gear.....	Bolted to flywheel.....

TRANSMISSION

See illustrations on pages 110, 112, 114, 115, 116, 222

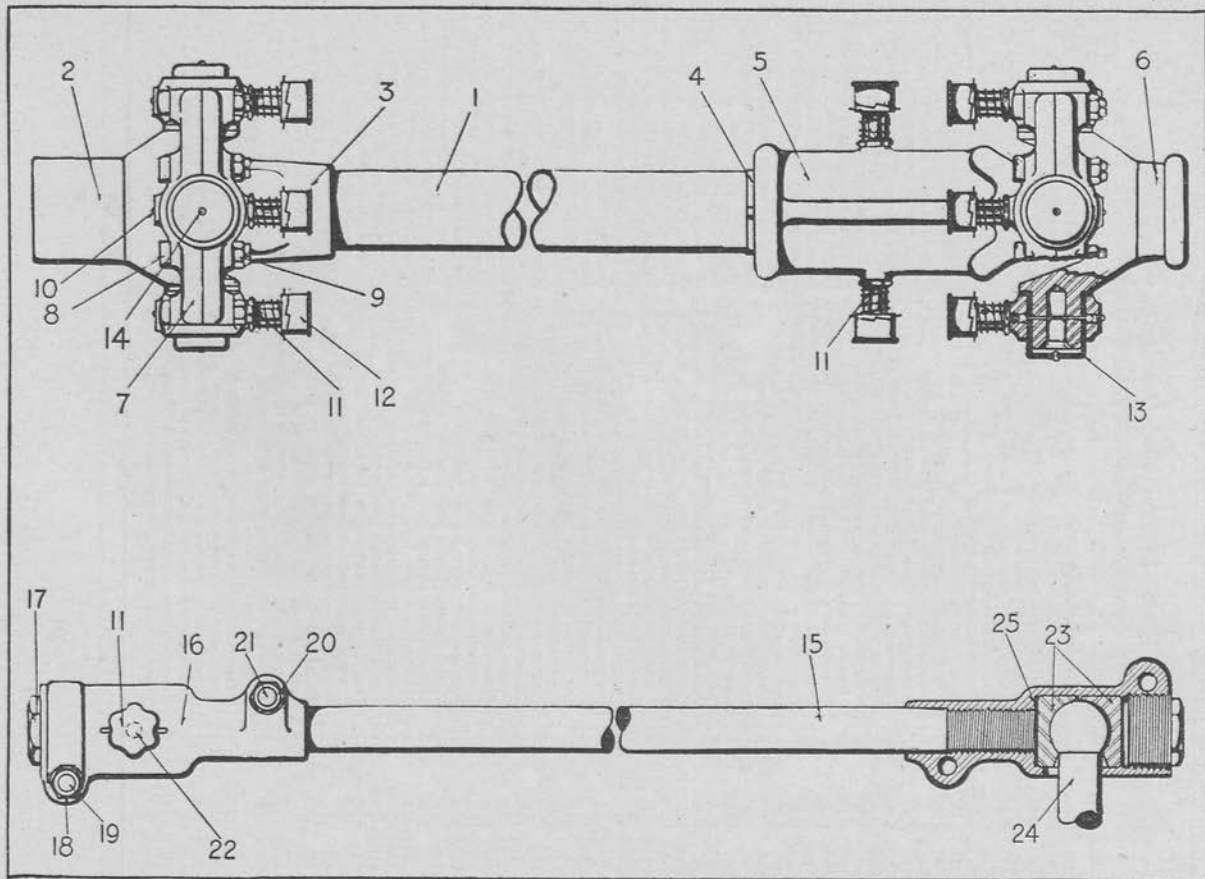
1	574	TEF	1	Transmission case (lower half).....	Back of engine.....
	573	TEF	1	Transmission case (upper half).....	Back of engine.....
	576	GF	1	Transmission case lever cap.....	On upper case.....
	S0071	GE	2	Transmission case lever cap dowel pins.....	Through lever cap.....
2	0901	GF	1	Transmission sliding gear shaft.....	Main shaft.....
3	0909	GF	1	Transmission sliding double gear.....	Rear sliding gear.....
4	0908	GF	1	Transmission sliding gear.....	Front sliding gear.....
5	0907	GF	1	Transmission clutch gear.....	In front of main shaft.....
6	408		1	Transmission sliding gear shaft bearing.....	Rear end main shaft.....
7	206	C	1	Transmission sliding gear shaft bearing.....	In clutch gear.....
8	310		1	Transmission clutch gear bearing.....	Next to clutch gear.....
9	308		1	Transmission clutch gear bearing.....	Front clutch gear bearing.....
10	960	GF	1	Transmission clutch gear bearing spacer.....	Between clutch gear bearings.....
11	960 $\frac{1}{4}$	GF	1	Transmission clutch gear bearing spacer shim.....	Front of spacer sleeve.....
12	0907 $\frac{3}{4}$	GF	1	Transmission clutch gear thrust ring (front).....	Around spacer shims.....
13	0961	GFD	1	Transmission universal joint head.....	On end of clutch gear.....
14	0425 $\frac{1}{2}$	GEC	1	Transmission universal joint ring grease retainer.....	On joint head.....
15	0425 $\frac{1}{2}$	GED	1	Transmission universal joint ring.....	Around joint head.....
16	0425	GED	1	Transmission universal joint coupling.....	Between clutch and transmission.....
	S030	TA	2	Transmission universal joint coupling bolts.....	Into coupling ring.....
	S0913	GA	2	Transmission universal joint coupling bolt nuts.....	
	0099	O	1	Transmission universal joint coupling grease cup.....	In joint coupling.....
17	S0131	GA	4	Transmission universal joint coupling bolts.....	Through coupling.....
18	0425 $\frac{1}{4}$	GEC	4	Transmission universal joint coupling bolt lock washers.....	
19	0901 $\frac{1}{2}$	GA	1	Transmission sliding gear shaft washer.....	Front end gear shaft.....
20	S0901	GA	3	Sliding and back gear shaft nuts.....	Front end gear shaft.....
21	S064	F	2	Sliding gear shaft and clutch gear nuts.....	In front and rear universals.....
22	073 $\frac{1}{2}$	GF	1	Universal joint toggle.....	Rear end sliding gear shaft.....
23	901 $\frac{1}{4}$	GA	6	Transmission case oil retainer felts.....	Rear end sliding gear shaft.....
24	0971	GF	1	Transmission back gear shaft.....	To left of main shaft.....
25	0913	GF	1	Transmission reverse gear.....	Below back gear shaft.....
26	0911	GF	1	Transmission back gear (double gear).....	Center of back gear shaft.....
27	0910	GF	1	Transmission back gear.....	Front end of back gear shaft.....
28	0112 $\frac{3}{4}$	GA	2	Transmission back gear keys (No. 25 Woodruff).....	In gear.....
29	00386	A	1	Transmission case oil level plug.....	Right side lower case.....
	00386 $\frac{1}{2}$	A	1	Oil level plug washer.....	
30	308		2	Transmission back gear shaft bearings.....	On ends back gear shaft.....
31	0971 $\frac{1}{2}$	GF	1	Transmission back gear shaft shim washer ($\frac{1}{16}$ " thick).....	On back gear shaft.....
32	0971 $\frac{1}{4}$	GF	1	Transmission back gear shaft shim washer ($\frac{1}{16}$ " thick).....	Next to bearings.....
33	0901 $\frac{1}{2}$	GF	2	Transmission back gear shaft washers.....	
34	0327 $\frac{1}{2}$	O	1	Transmission case drain plug.....	Left side lower case.....
35	0970 $\frac{1}{2}$	GF	2	Transmission back gear shaft dust cap and oil retainer.....	On back shaft bearings.....
36	067 $\frac{1}{4}$	GB	1	Transmission back gear lock washer.....	Center of back gear shaft.....
37	067 $\frac{1}{2}$	GB	1	Transmission back gear lock nut.....	Center of back gear shaft.....
38	0972 $\frac{1}{2}$	GF	1	Transmission reverse shifter lever shaft.....	Across rear end lower case.....
39	0901 $\frac{1}{4}$	GF	1	Transmission sliding gear shaft thrust ring (rear).....	
40	972	GF	1	Transmission reverse shifter lever.....	On reverse shifter shaft.....
41	0972 $\frac{1}{4}$	GA	1	Transmission reverse shifter lever spring.....	On reverse shifter shaft.....
42	0973	GA	2	Transmission change gear shift lever shoe.....	On reverse shifter shaft.....
43	S0972	GA	1	Transmission reverse shifter lever shaft nut.....	Outside end shifter shaft.....
44	0972 $\frac{3}{4}$	GF	1	Transmission reverse shifter lever shaft washer (order thickness wanted).....	



TRANSMISSION ASSEMBLY

NOMENCLATURE OF PARTS—Continued

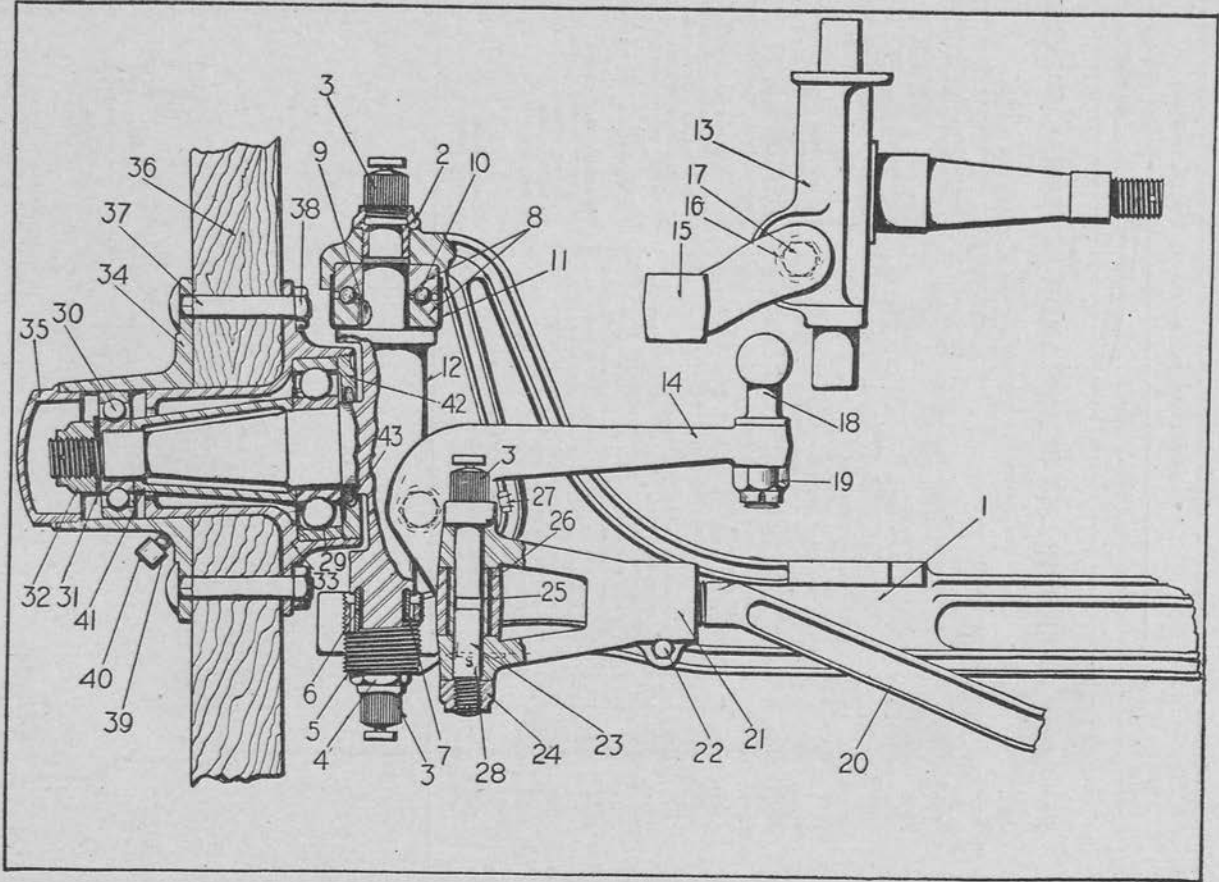
Ref. No.	Part No.	No. Per Car	Property Classification—Part I, Class IV, Section 9		
			Name of Part	Location	
TRANSMISSION—Continued					
See illustrations on pages 110, 112, 114, 115, 116, 222					
45	S0573 $\frac{1}{2}$	GF	4	Transmission case bolts ($\frac{1}{2}$ "—18)	Front end of case
46	S0574 $\frac{1}{2}$	GF	2	Transmission case bolts ($\frac{1}{2}$ "—18)	Rear end of case
47	S0913	GA	6	Transmission case bolt nuts ($\frac{1}{2}$ "—18)	Rear end of case
48	S0574	GA	10	Transmission case bolts ($\frac{1}{4}$ "—20)	Sides of case
49	S0574 $\frac{1}{4}$	GA	10	Transmission case bolt nuts ($\frac{1}{4}$ "—20)	
50	S0574 $\frac{1}{4}$	GA	6	Transmission case bolt washers, $\frac{1}{4}$ "	Under nut
	054 $\frac{1}{4}$	M	2	Transmission case washer	On edge of cage
51	S0573	GA	2	Transmission case bolts, $\frac{1}{4}$ "	Through edge of case
52	0184	GAH	1	Transmission change gear fulcrum	Rear of change gear
53	0586 $\frac{1}{4}$	GA	1	Transmission change gear fulcrum washer	Under fulcrum nut
54	S0913	GA	1	Transmission change gear fulcrum nut	Front end of fulcrum
55	0012 $\frac{1}{2}$	GAD	2	Transmission change gear fulcrum bushing	Enclosing change gear fulcrum
56	0180 $\frac{1}{4}$	GA	1	Transmission change gear engaging lever (outside)	Rear end of change gear
57	0180	TE	1	Transmission change gear engaging lever	In front change gear lever
	0179	TEB	1	Transmission change gear engaging lever	Adjacent to engaging lever
	0573 $\frac{1}{2}$	GA	1	Transmission change gear engaging lever washer	Under engaging lever
58	00576 $\frac{1}{2}$	GE	1	Transmission high speed change gear shaft bush	Around front engaging lever
59	00576 $\frac{1}{2}$	GE	1	Transmission low speed change gear shaft bushing	Around front end engaging lever
60	0582	GE	1	Transmission change gear lever (short)	Center of fulcrum
61	0583	GF	1	Transmission change gear lever (long)	Front of change gear lever
62	0585	GF	1	Transmission change gear lever link	Below front change gear lever
	S0586	GA	1	Link lever pin	Through end of link
	586 $\frac{1}{4}$	GA	1	Link lever pin washer	End of pin
63	S0901	GA	1	Transmission reverse shaft nut	In center back gear shaft
64	0582 $\frac{1}{2}$	GA	2	Transmission change gear lever keys	In change gear lever
65	S030	C	1	Transmission change gear lever pin	Through end of gear lever
66	0584 $\frac{1}{2}$	GF	1	Transmission change gear lever dog	On end of gear lever
67	0913 $\frac{1}{2}$	GF	1	Transmission reverse gear shaft	In center back gear shaft
	0113 $\frac{1}{2}$	G	2	Transmission reverse gear shaft washer	In front reverse gear shaft
68	0973 $\frac{1}{2}$	GA	3	Transmission change gear lever dog washer	On gear lever dog
69	064 $\frac{1}{2}$	O	2	Transmission reverse gear shaft washer	Rear of reverse gear shaft
70	0584	GF	1	Transmission change gear lever	On upper transmission case
71	00914	GF	1	Transmission reverse gear bushing	Front of back gear
72	178	GE	1	Transmission change gear quadrant bracket	Front of change gear lever
73	0913 $\frac{1}{2}$	GF	1	Transmission reverse gear shaft washer	Under nut in back gear
74	00327 $\frac{1}{2}$	GE	1	Transmission filler hole plug	Base of quadrant bracket
75	0183	GA	1	Transmission change gear latch axle	Through end of lever
76	178 $\frac{1}{2}$	TE	2	Transmission change gear latch	Within quadrant bracket
77	0178 $\frac{3}{4}$	GF	2	Transmission change gear quadrants	On quadrant bracket
78	S0178 $\frac{3}{4}$	GA	2	Transmission change gear quadrant bolts	Through end of gear quadrant
	S0585	GA	2	Transmission change gear quadrant bolt nuts	End of quadrant bolt
79	S0573 $\frac{1}{2}$	GF	2	Transmission case bolt nuts ($\frac{1}{4}$ "—18)	On transmission case bolt
80	0180 $\frac{1}{2}$	GA	1	Transmission change gear lever	On upper transmission case
81	S0181 $\frac{1}{2}$	GAH	1	Transmission change gear lever bolt	Through lower end of lever
82	S0181	GE	1	Transmission change gear lever bolt nut	In end of lever bolt
83	0181	GF	1	Transmission change gear lever dog	On center of gear lever
84	S0147	C	1	Transmission change gear lever dog pivot pin	Through center of lever guard
85	0182	GF	1	Transmission change gear lever latch rod	Through center of lever latch
86	S052	C	1	Transmission change gear lever latch rod pin	Through end of lever dog
	0181 $\frac{1}{2}$	GF	1	Transmission change gear lever latch pin washer	On end of rod pin
	052 $\frac{1}{4}$	OO	2	Transmission change gear lever latch rod end pin washer	End of lever latch rod
87	0181 $\frac{1}{2}$	GA	1	Transmission change gear lever latch rod spring	In lever latch rod
88	50 $\frac{1}{2}$	GA	1	Transmission change gear lever handle	End of gear lever
89	S0180 $\frac{1}{2}$	GA	1	Transmission change gear lever handle lock nut	Top of lever handle
90	0312	E	1	Transmission change gear lever handle washer	Under handle lock nut
91	S00180	GA	1	Transmission change gear lever latch button	End of gear lever handle
92	0110 $\frac{1}{2}$	G	14	Transmission case bolt washers	



PROPELLER SHAFT AND TORSION ROD ASSEMBLIES

NOMENCLATURE OF PARTS—Continued

Ref. No.	Part No.	No. Per Car	Property Classification—Part I, Class IV, Section 9	
			Name of Part	Location
Transmission—PROPELLER SHAFT AND UNIVERSAL JOINTS				
See illustrations on pages 10, 224				
1	C51 $\frac{1}{2}$ "	1	Drive shaft.....	Between transmission and axle.....
2	073 $\frac{1}{2}$ GF	1	Transmission gear shaft trunnion.....	Front end of drive shaft.....
3	073 $\frac{1}{2}$ TBC	1	Drive shaft trunnion (front).....	Front end of drive shaft.....
4	S069 TBC	1	Drive shaft square.....	Rear end of drive shaft.....
5	072 GE	1	Universal joint box.....	Rear end of drive shaft.....
6	068 GE	1	Drive shaft trunnion (rear).....	Rear end of drive shaft.....
7	071 GED	2	Universal joint ring (two halves).....	Around front rear forks.....
8	S072 $\frac{1}{2}$ GE	16	Universal joint ring bolts.....	Through universal rings.....
9	S0585 GA	16	Universal joint ring bolt nuts.....	Through universal rings.....
10	0099 O	3	Universal joint ring pipe plugs $\frac{1}{8}$ " brass.....	On universal rings.....
11	0099 $\frac{1}{2}$ O	12	Universal joint ring and torsion rod grease cups.....	On universal rings.....
12	068 $\frac{1}{4}$ GED	10	Universal joint ring grease cup caps.....	On grease cups.....
13	S0071 GE	8	Universal joint bushings.....	In universal rings.....
14		8	Universal joint bushing dowel pin..... (This part not used.).....	Through universal bushings.....
	68 $\frac{1}{4}$ GED	2	Universal joint ring boots.....	Around universal joints.....
	68 $\frac{3}{4}$ GG	1	Universal joint ring square boot.....	Around rear universal joint.....
15	049 $\frac{1}{2}$ GEC	2	Torsion rods.....	Frame to rear axle sleeves.....
16	030 $\frac{1}{4}$ GEC	4	Torsion rod swivel joint cases.....	On end of torsion rods.....
17	033 GEC	4	Torsion rod swivel joint case adjusting plugs.....	In end of swivel cases.....
18	S0573 $\frac{1}{4}$ GA	4	Torsion rod swivel joint case binder bolt nuts.....	Through end of swivel cases.....
19	S041 GA	4	Torsion rod swivel joint case binder bolts.....	Through end of swivel cases.....
20	S0573 $\frac{1}{4}$ GA	4	Torsion rod swivel joint case binder bolt nuts.....	Through end of cases.....
21	S030 $\frac{1}{4}$ GEC	4	Torsion rod swivel joint case binder bolts.....	In swivel cases.....
22	032 GEC	4	Torsion rod swivel joint case pipe plugs $\frac{1}{8}$ ".....	In swivel cases.....
23	030 $\frac{3}{4}$ GEC	2	Torsion rod frame bracket ball sockets.....	In ball sockets.....
24	S030 $\frac{1}{2}$ GEC	2	Torsion rod frame bracket ball.....	In ball sockets.....
	S0901 GA	2	Torsion rod balls (front).....	In ball sockets.....
	31 $\frac{3}{4}$ GEC	4	Torsion rod ball nuts.....
25	049 $\frac{1}{2}$ GEC	4	Torsion rod swivel joint case washer.....
	49 $\frac{3}{8}$ GEC	2	Torsion rod boots, R. H.....	Around cases.....
		2	Torsion rod boots, L. H.....	Around cases.....



FRONT AXLE, WITH WHEELS AND TIE ROD ASSEMBLY

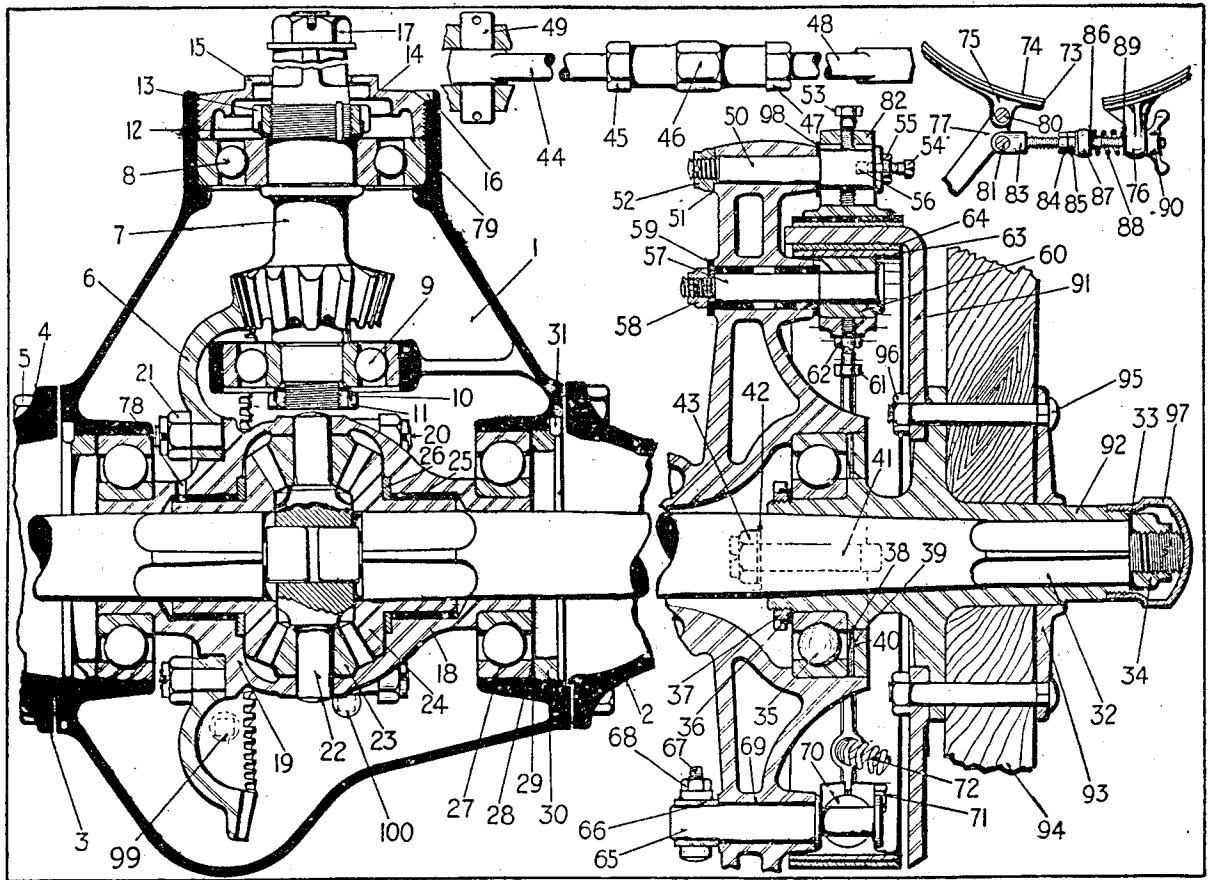
NOMENCLATURE OF PARTS—Continued

Ref. No.	Part No.	No. Per Car	Property Classification—Part I, Class IV, Section 9		
			Name of Part	Location	
Chassis—FRONT AXLE					
See illustrations on pages 130, 226					
1	06	GBB	1	Front axle.....	In upper axle yoke end.....
2	S06	GBB	2	Front axle upper bushings.....	In tie rod yokes.....
3	0099	GB	6	Front axle bushing and tie rod grease cups.....	In axle lower yoke end.....
4	012	GBC	2	Front axle lower bushings.....	Through spindle body.....
	S01702	ATC	2	Front axle lower bushing binder bolts.....	On binder bolts.....
	054 $\frac{1}{2}$	GG	2	Front axle lower bushing binder bolt washers.....	Under lower spindle bushing.....
5	012 $\frac{1}{2}$	TBC	2	Front axle lower bushing lock washer.....	Lower end of spindle.....
6	012 $\frac{1}{2}$	GB	2	Front wheel spindle sleeves.....	Around spindle sleeve.....
7	0012 $\frac{1}{2}$	GB	2	Front axle lower bushing bushings.....	Above spindle body.....
8	011 $\frac{1}{2}$	GB	4	Front wheel spindle cone.....	In spindle cone.....
9	010 $\frac{1}{2}$	GB	2	Front wheel spindle cone key.....	Under bearing cone.....
10	$\frac{1}{2}$ " Std.		22	Front wheel spindle cone balls.....	In axle yoke ends (left).....
11	011 $\frac{1}{4}$	GB	2	Front wheel spindle cone dust cap.....	In axle yoke end (right).....
12	011	GF	1	Front wheel spindle.....	In spindle body (left).....
13	010	GF	1	Front wheel spindle.....	In spindle body (right).....
14	011 $\frac{1}{2}$	GFB	1	Front wheel spindle arm.....	Under spindle arms.....
15	010 $\frac{1}{2}$	GFB	1	Front wheel spindle arm.....	On spindle arms.....
	0112 $\frac{1}{2}$	GA	2	Front wheel spindle arm key (No. 25 Woodruff).....	In left spindle arm.....
16	010 $\frac{1}{2}$	GB	2	Front wheel spindle arm washer.....	On ball stud.....
17	S010 $\frac{1}{2}$	GB	2	Front wheel spindle arm nut.....	Connects spindle arms.....
18	S030 $\frac{1}{2}$	GF	1	Front wheel spindle arm ball.....	On ends of tie rod.....
19	S0901	GA	1	Front wheel spindle arm ball nut.....	Through rod ends.....
20	029	GFB	1	Tie rod only.....	Through ends of yokes.....
21	030	GFC	2	Tie rod ends.....	On yoke bolts.....
22	S044	O	2	Tie rod end binder bolts.....	Around yoke bolts.....
	S057 $\frac{1}{2}$	G	2	Tie rod end binder bolt nuts.....	Around yoke bolt sleeve.....
23	S030 $\frac{1}{2}$	GFB	2	Tie rod end pins.....	In I-beam ends.....
24	S0972	GA	2	Tie rod end pin nuts.....	On spindles.....
25	030 $\frac{1}{2}$	GFB	2	Tie rod end pin sleeves.....	On spindles.....
26	0010 $\frac{1}{2}$	GF	2	Front wheel spindle arm bushing.....	Under nut.....
27	S06 $\frac{1}{2}$	GED	2	Front axle steering arm stop screws.....	Ends of spindles.....
28	S0107 $\frac{1}{4}$	GA ₁	2	Front axle lower bushing lock washer lock screws.....	In wheels.....
29	309		2	Front wheel bearing (inner).....	On outer end hub.....
30	306		2	Front wheel bearing (outer).....	On outer end hub.....
31	010 $\frac{1}{2}$	GB	2	Front wheel spindle washers.....	Under felloe band.....
32	S010 $\frac{1}{2}$	GB	2	Front wheel spindle nuts.....	Through hub flanges.....
33	085	TED	2	Front wheel hubs.....	Through hub flanges.....
34	085 $\frac{1}{2}$	TED	2	Front wheel hub flanges.....	In outer hub flange.....
35	0086	GB	2	Front wheel hub caps.....	On grease tubes.....
36	85	TEB-O	2	Front wheels with felloe band.....	Between wheel bearings.....
	0086 $\frac{3}{4}$	TBC	2	Front wheel felloe bushings.....	Back of inner bearing.....
37	$\frac{1}{2}$ " x 2 $\frac{1}{2}$ "		20	Front wheel hub bolts.....	Under bearing retainers.....
38	$\frac{1}{2}$ "		20	Front wheel hub bolt nuts.....	Around ends of tie rod.....
39	00562 $\frac{1}{2}$	GTB	2	Front wheel hub flange grease tubes.....	Around ends of tie rod.....
40	0097 $\frac{1}{2}$	C	2	Front wheel hub flange grease tube caps.....	Through case cover.....
41	095	GB	2	Front wheel bearing spacers.....	Through ratio plate.....
42	S086	GB	2	Front wheel bearing retainers.....	Inside of case.....
43	863 $\frac{1}{2}$	GB	2	Front wheel bearing retainers.....	Through edge of case cover.....
	899	GBB	1	Tie rod end boot, R. H.....	Under case cover screw.....
	899 $\frac{1}{2}$	GBB	1	Tie rod end boot, L. H.....	Under case cover screw.....

Chassis—REAR AXLE

See illustrations on pages 134, 228

1	54	GB	1	Rear axle gear case.....	Center of rear axle.....
	54 $\frac{1}{2}$	GB	1	Rear axle gear case cover.....	Top of case.....
	S054 $\frac{3}{4}$	O	7	Rear axle gear case cover bolts.....	Through case cover.....
	53 $\frac{1}{8}$	GB	1	Rear axle gear case ratio plate.....	Inside of case.....
	S0405	A	2	Rear axle gear case ratio plate screws.....	Through ratio plate.....
	54 $\frac{5}{8}$	GE	1	Rear axle gear case gasket.....	Inside of case.....
	S0447	G	7	Rear axle gear case cover screws.....	Through edge of case cover.....
	054 $\frac{1}{2}$	O	7	Rear axle gear case cover screw lock washers.....	Under case cover screw.....
	S017	GB	4	Rear axle gear case cover dowels.....	Rear edge of case cover.....
	00327 $\frac{1}{2}$	G	1	Rear axle gear case filler hole plug.....	Through hole in case.....
2	047	GF	1	Rear axle sleeve.....	Right side differential housing.....
	0099	GK	2	Rear axle bracket grease cups.....	Front side brake bracket.....
3	047 $\frac{1}{4}$	GF	1	Rear axle sleeve.....	Left side differential case.....
4	047 $\frac{3}{8}$	GB	8	Rear axle sleeve bolt lock washers.....	



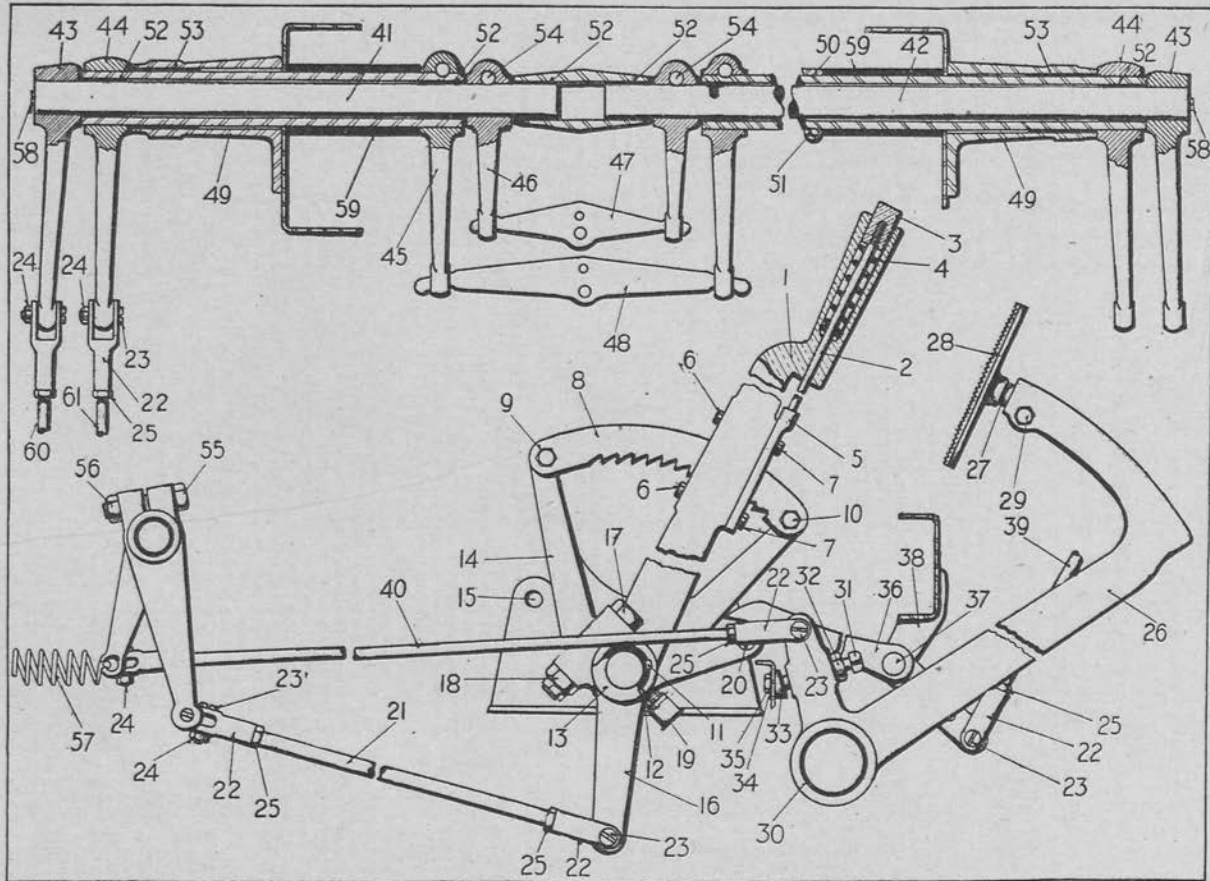
REAR AXLE, GEAR CASE AND BRAKE ASSEMBLY

NOMENCLATURE OF PARTS—Continued

Ref. No.	Part No.	No. Per Car	Property Classification—Part I, Class IV, Section 9		
			Name of Part	Location	
5	S054 $\frac{3}{4}$	GG	16	Rear axle sleeve bolts.	Sleeves to housing.
6	055 $\frac{3}{4}$	GBD	1	Rear axle drive gear.	On differential carrier.
7	066 $\frac{3}{4}$	GBD	1	Rear axle pinion gear.	In differential case.
8	310	GB	1	Rear axle pinion shaft bearing.	Front end pinion shaft.
9	407	GB	1	Rear axle pinion shaft bearing.	Rear of pinion.
10	067 $\frac{1}{2}$	O	1	Rear axle pinion shaft nut.	Rear end pinion shaft.
11	067 $\frac{1}{4}$	O	1	Rear axle pinion shaft nut washer.	
12	067 $\frac{1}{4}$	GB	1	Rear axle pinion shaft nut washer.	
13	067 $\frac{1}{2}$	GBB	1	Rear axle pinion shaft nut, L. H.	Forward end pinion shaft.
14	065 $\frac{1}{4}$	GB	1	Axle ball bearing adjusting washer.	Forward end pinion shaft.
15	067	GB	1	Axle ball bearing ring and dust cap.	Forward end pinion shaft.
	67 $\frac{1}{8}$	GB	1	Axle ball bearing ring felt.	Forward end pinion shaft.
	067 $\frac{3}{4}$	GB	1	Axle ball bearing ring and dust cap lock.	Forward end pinion shaft.
16	067 $\frac{3}{4}$	GB	1	Rear axle pinion shaft nut.	On forward end pinion shaft.
17	S065	GG	1	Rear axle differential case, R. H. half.	In axle gear case.
18	056	GBB	1	Rear axle differential case, L. H. half.	In axle gear case.
19	057	GBB	1	Rear axle differential case studs.	Through differential case.
20	S057	GB	4	Rear axle differential case stud nut.	
21	S0132 $\frac{1}{2}$	GA	8	Rear axle differential spider.	In differential case.
22	060 $\frac{1}{2}$	GB	1	Rear axle differential compensating gear pinion.	On differential spider.
23	060	GB	4	Rear axle differential compensating gears.	On axle shafts.
24	058	GB	2	Rear axle differential compensating case bushings.	On compensating gears.
25	0055 $\frac{3}{4}$	GBB	2	Compensating case bushing dowel pins.	In differential case.
	S0018	TA	2	Compensating case thrust washer.	On compensating gears.
26	0058 $\frac{1}{2}$	GB	2	Compensating case thrust washer shim.	On compensating gears.
	058 $\frac{1}{4}$	GB	2	Rear axle differential case bearings.	In axle gear case.
27	313	B	2	Oil retainer washer.	Under axle sleeve.
29	070 $\frac{1}{4}$	GB	2	Rear axle gear case bearing lock nuts.	Under axle sleeve.
30	070	GB	2	Rear axle gear case bearing lock nut lock.	Under axle sleeve.
31	070 $\frac{1}{2}$	O	2	Rear axle shaft.	In axle sleeves.
32	061	GB	2	Rear axle shaft washers.	Outer end axle shaft.
33	010 $\frac{3}{4}$	GB	2	Rear axle shaft nuts.	Outer end axle shaft.
34	S010 $\frac{1}{2}$	GB	2	Rear axle sleeve outer bearings.	On wheel hubs.
35	313	B	2	Rear axle hub bearing lock washer.	On wheel hubs.
36	087 $\frac{1}{4}$	M	2	Rear axle hub bearing lock nut, R. H.	On wheel hub.
37	S087	M	1	Rear axle hub bearing lock nut, L. H.	On wheel hub.
	S086 $\frac{3}{4}$	GB	1	Rear axle outer bearing retainer.	In sleeve ends.
38	048 $\frac{1}{2}$	GB	2	Rear axle outer bearing felt washers.	In sleeve end.
39	048 $\frac{1}{4}$	GB	2	Rear axle outer bearing retainer plate.	In sleeve ends.
40	048	GB	2	Rear axle bearing retainer hook bolts.	Through brake brackets.
41	049 $\frac{1}{2}$	GEC	4	Rear axle bearing retainer hook bolt washers.	On hook bolts.
42	S075 $\frac{1}{4}$	O	4	Rear axle bearing retainer hook bolt nuts.	On hook bolts.
43	S0132 $\frac{1}{2}$	GA	4	Rear axle truss rod end (L. H. thread).	Under axle.
44	056 $\frac{1}{4}$	GEC	1	Rear axle truss rod turnbuckle jam nut, L. H.	On truss rod.
45	S056 $\frac{1}{4}$	GEC	1	Rear axle truss rod turnbuckle.	On truss rod.
46	S056 $\frac{1}{4}$	GEC	1	Rear axle truss rod turnbuckle jam nut, R. H.	On truss rod.
47	S0105 $\frac{1}{4}$	GE	1	Rear axle truss rod end (R. H. thread).	On truss rod.
48	056 $\frac{1}{4}$	GEC	1	Rear axle truss rod end pins.	In brake brackets.
49	S056 $\frac{3}{4}$	GEC	2	Foot brake band lifting guide stud.	Forward end brake bracket.
50	S076 $\frac{1}{4}$	GB	2	Foot brake band lifting guide stud washers.	
51	S075 $\frac{3}{4}$	GB	2	Foot brake band lifting guide stud nuts.	
52	S0913	GA	2	Foot brake band lifting guide stud washers.	
	076 $\frac{1}{2}$	GB	4	Foot brake band stud screw.	Center brake band.
53	S076 $\frac{1}{2}$	GTB	2	Foot brake band stud screw.	In lifting guide stud.
54	S0106	GA	2	Foot brake band stud dowel pin.	
56	S0071	GE	2	Hand brake ring studs.	Forward end brake bracket.
57	S075 $\frac{1}{4}$	GB	2	Hand brake ring stud nuts.	
58	S0913	GA	2	Hand brake ring stud bushings.	Forward end brake bracket.
59	S075 $\frac{1}{2}$	GB	4	Hand brake ring stud bushings.	On brake ring stud.
60	S075 $\frac{1}{2}$	GTB	2	Hand brake ring stud set screws.	On brake ring stud.
61	S0128	GK	2	Hand brake ring.	
62	S015 $\frac{1}{4}$	GE	2	Hand brake ring shoes.	Inside brake drum.
63	75 $\frac{1}{2}$	GC	2	Hand brake ring wing, R. H.	Facing on brake ring.
64	0074	GC	6	Hand brake ring wing, L. H.	Rear end brake bracket.
65	076	O	1	Hand brake ring wing, L. H.	Rear end brake bracket.
	076 $\frac{3}{4}$	O	1	Rear axle brake wing shims.	On brake ring wing.
	077 $\frac{1}{4}$	GA	2	Hand brake ring wing levers.	On brake ring wing.
66	040 $\frac{3}{4}$	TBC	2	Hand brake ring wing lever wedge pins.	Through ring wing levers.
67	S0129	F	2	Hand brake ring wing lever wedge pin nut.	
68	S055	C	2	Hand brake ring wing bushings.	Rear end brake bracket.
69	0047 $\frac{1}{2}$	G	2	Hand brake ring adjusting screws.	Ends of brake ring.
70	S075	GTB	4		

Chassis—REAR AXLE—Continued

See illustrations on pages 134, 228



BRAKE SYSTEM ASSEMBLY

NOMENCLATURE OF PARTS—Continued

Ref. No.	Part No.	No. Per Car	Property Classification—Part I, Class IV, Section 9	
			Name of Part	Location

Chassis—REAR AXLE—Continued

See illustrations on pages 134, 228

71	S0101 GA	2	Rear axle brake ring adjusting screw binder bolts	Ends of brake ring
	S0680 1/4 GED	4	Hand brake ring adjusting screw binder bolt	Ends of brake ring
	S0143 G	4	Rear axle brake ring adjusting screw binder bolt nut	
	045 1/4 GA	4	Rear axle brake ring adjusting screw binder bolt nut washer	
72	075 3/4 GB	2	Hand brake ring springs	Cross ends of brake ring
73	075 GB	2	Foot brake bands	On brake drums
74	075 1/4 GF	2	Foot brake band shoes	Lining in brake bands
75	096 GF	1	Foot brake band end, R. H.	Upper end brake band
	096 1/2 GF	1	Foot brake band end, L. H.	Upper end brake band
76	096 1/2 TED	2	Foot brake band ends	Lower end brake bands
77	040 GB	1	Foot brake band lever, R. H.	On brake band
	040 1/4 GB	1	Foot brake band lever, L. H.	On brake band
78	S0058 3/4 GHB	4	Rear axle compensating case bushing dowels	In differential case
79	067 3/4 GB	1	Rear axle bearing felt retainer	Forward end pinion shaft
80	S094 1/2 GE	2	Foot brake band end pins	In brake band
81	S094 3/4 GE	2	Foot brake band adjusting screw pins	On brake band levers
82	096 3/4 GF	2	Foot brake band lifting guides	Center of brake band
	0099 O	2	Brake band grease cups	On band lifting guide
83	094 1/2 TDB	2	Foot brake band adjusting screws	On brake band levers
84	S0192 1/2 GA	2	Foot brake band adjusting screw nuts	On band adjusting screw
85	S094 1/2 TDB	2	Foot brake band adjusting screw collars	On band adjusting screws
86	S075 3/4 O	2	Foot brake band adjusting screw washers	On band adjusting screws
87	094 1/4 TED	2	Foot brake band adjusting screw guide	On band adjusting screws
	S0913 GA	2	Foot brake band adjusting screw guide nuts	On band adjusting screws
88	098 TDB	2	Foot brake band adjusting screw spring	On band adjusting screws
89	S098 TDB	2	Foot brake band adjusting screw spring collar	On band adjusting screws
90	094 3/4 TDC	2	Foot brake band adjusting screw wing nut	On band adjusting screws
91	087 1/2 TED	2	Rear wheel brake drum	Bolted to hubs
92	087 TED	1	Rear wheel hub, R. H.	In wheel
	086 3/4 TED	1	Rear wheel hub, L. H.	In wheel
93	087 3/4 TED	2	Rear wheel hub flange	On wheel hubs
	87 TED-O	2	Rear wheel with felloe band	
95	1/2" x 3 1/4"	24	Rear wheel hub bolts	Through hub flanges
96	1/2"	24	Rear wheel hub bolt nuts	
97	0086 1/2 GB	2	Rear wheel hub caps	On hubs
	S0578 1/2 GA	30	Foot brake hand pin nuts	
	S0075 1/4 FF	30	Foot brake shoe rivets	Through brake band lining
	S0075 1/4 G	30	Foot brake shoe rivets	Through brake ring facing
	S0040 GED	40	Foot brake shoe band end rivets 1/4" x 1/2" iron	Through brake band ends
	S0040 1/2 GED	2	Foot brake shoe band lever bushing (small)	In brake band lever
	S075 3/4 O	2	Foot brake band lever bushing (large)	In brake band lever
98	0075 3/4 O	4	Foot brake band stud washer	On foot brake guide stud
99	0054 1/4 GB	1	Rear axle gear case drain plug	Bottom of axle gear case
100	00386 A	1	Rear axle gear case overflow plug	Side of axle gear case
	00386 1/2 A	1	Drain plug washer	Under drain plug

Chassis—BRAKES

See illustrations on pages 142, 230

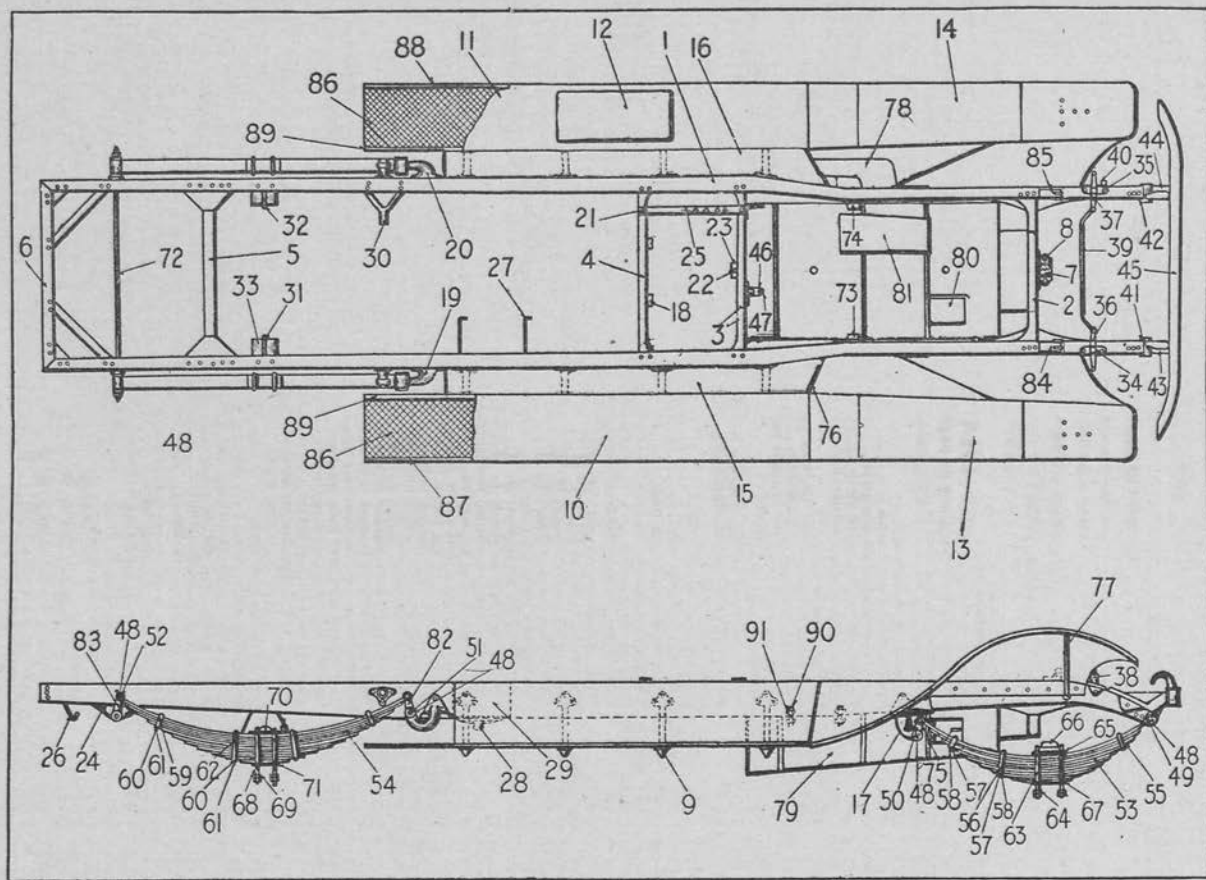
1	050 TB	1	Hand brake lever	On frame left side member
	038 1/4 GE	1	Hand brake lever stud	On brake lever
2	053 TB	1	Hand brake lever latch	On brake lever
3	S0583 1/2 GM	1	Hand brake lever release plunger	In end of brake lever
	053 1/2 GM	1	Hand brake lever release plunger spring	On end of brake lever
4	052 GA	1	Hand brake lever release dog	On hand brake lever
5	052 GA	1	Hand brake lever release dog bolts	Through release dog
6	S052 1/2 GA	2	Hand brake lever release dog bolt nuts	
7	S0302 3/4 GA	2	Hand brake lever quadrant	On quadrant bracket
8	0178 1/2 GE	1	Hand brake lever quadrant bolts	Through quadrant
9	S0178 1/2 GE	2	Hand brake lever quadrant bolt lock washers	
10	045 1/4 GA	2	Hand brake clutch lever key	In clutch lever
11	041 3/4 GAB	1	Hand brake lever shaft	In clutch lever
12	038 GE	1	Hand brake lever stud washer	
13	035 1/4 OR	1	Hand brake lever stud washer	
14	178 GE	1	Hand brake quadrant bracket	On left frame member
15	S014 O	2	Hand brake quadrant bracket bolts	On bracket
15	S0143 G	2	Hand brake quadrant bracket bolt nuts	

NOMENCLATURE OF PARTS—Continued

Ref. No.	Part No.	No. Per Car	Property Classification—Part I, Class IV, Section 9	
			Name of Part	Location
<i>Chassis—BRAKES—Continued</i>				
See illustrations on pages 142, 230				
16	045 1/4 GA	2	Hand brake quadrant bolt lock washers	
	041 1/4 GTA	1	Hand brake clutch lever	Lower end brake lever
17	0582 1/4 GA	1	Hand brake lever key	On clutch lever
18	S041 GA	1	Hand brake clutch lever bolt	Through clutch lever
19	S0573 1/4 GA	1	Hand brake clutch lever bolt nut	
20	0099 O	1	Grease cup	On clutch lever
	S0943 1/4 GE	1	Hand brake clutch release rod pin	Through clutch release
	S0573 1/4 GA	1	Hand brake clutch release rod pin nut	On rod pin
	S041 1/4 GA	1	Hand brake clutch release rod pin roll	On release rod pin
21	032 1/2 TEB	1	Hand brake rod (front) 1/8" x 42"	Brake to rocker shaft
22	084 CC	14	Brake rod ends	On end of brake rod
	81 1/4 GAF	4	Brake rod end boots	On brake rod
	81 3/4 GAF	4	Brake rod end boots	On brake rod
23	S031 1/2 CC	14	Brake rod end pins	Through brake clevis
24	S031 1/2 GB	14	Brake rod end pin nuts	
25	S081 A	14	Brake rod end jam nuts	
26	35 GE	1	Foot brake lever	Right of clutch pedal
	1913 1/2 GE	1	Clutch foot lever key	On brake lever
27	S0191 1/2 GE	1	Foot brake lever pad stem	On brake lever
28	35 1/2 GEC	1	Foot brake lever pad	On brake lever
29	S0191 GE	1	Foot brake lever pad binder screw	On lever stem
30	S0035 GE	2	Foot brake lever bushings	Lower end brake lever
31	S035 GA	1	Foot brake lever adjusting screw	
32	S0143 G	1	Foot brake lever adjusting screw nut	
33	S035 1/4 GA	1	Foot brake lever adjusting screw stop	Lower end brake lever
34	045 1/4 GA	1	Foot brake lever adjusting screw stop washer	Lower end brake lever
35	S0143 G	1	Foot brake lever adjusting screw stop nut	Lower end brake lever
36	0189 GE	1	Clutch release lever	Left of brake lever
37	S0187 1/2 GA	1	Clutch release lever pin	Through release lever
38	187 GF	1	Clutch release lever bracket	On release lever
39	S0189 GE	1	Clutch release lever rod	Left of release lever
40	081 1/2 GTB	1	Foot brake rod (front) 1/8" x 55 1/2"	On brake lever
41	038 1/2 TEB	1	Foot brake shaft with lever, L. H.	Back of transmission
42	038 1/2 TEB	1	Foot brake shaft with lever, R. H.	Back of transmission
43	41 TDB	2	Foot brake shaft levers	On ends of foot brake shaft
44	41 1/4 TDB	2	Hand brake shaft levers	On ends of foot brake shaft
	037 TEB	1	Hand brake shaft	On brake shaft lever
	S027 GAH	1	Brake shaft lever key	On brake shaft lever
	037 1/2 TEB	1	Hand brake shaft	In foot brake shaft
45	26 1/2 GED	2	Hand brake equalizing levers	Between inner brake levers
46	27 GED	2	Foot brake equalizing levers	Between inner brake levers
47	27 1/2 GED	1	Foot brake equalizing link (small)	On equalizing lever
48	26 GA	1	Hand brake equalizing link (large)	On equalizing lever
49	39 1/4 GAH	2	Brake shaft brackets	On frame side member
	0099 OO	2	Brake shaft bracket grease cups	On shaft bracket
	036 3/4 GED	1	Brake shaft collar	Between shaft brackets
50	S0129 1/2 GK	1	Brake shaft collar bolt	Through shaft collar
51	S0574 1/4 GA	1	Brake shaft collar bolt nut	
52	S0037 1/2 GAH	6	Brake shaft bushings	Around brake shaft
53	0015 O	2	Brake shaft bracket bushings	Around end of brake shaft
54	S0180 1/4 GA	2	Equalizing lever binder bolts	On equalizer lever
	S0574 1/4 GA	2	Equalizing lever binder bolt nuts	
	0181 1/2 GF	2	Equalizing lever binder bolt washers	
55	S0129 1/2 GK	2	Equalizing lever binder bolts	
56	S0574 1/4 GA	2	Equalizing lever binder bolt nuts	
	0181 1/2 GF	2	Equalizing lever binder bolt washers	Through rocker shaft
57	098 1/4 GAE	1	Foot brake tension spring	On end of rocker shaft
	098 3/4 GAH	1	Foot brake tension spring loop	On tension spring
	098 1/2 TEB	1	Foot brake tension spring extension	On tension spring
	0725 1/4 GBCT	1	Foot brake tension spring hook washer	On spring extension
58	S00325 C	2	Brake shaft plugs	In ends of brake shaft
59	S036 3/4 GED	2	Brake shaft spacers	Around brake shaft
60	082 1/4 TEB	2	Foot brake rods (rear) 1/8" x 42"	On brake levers
61	081 1/2 TE	2	Hand brake rods (rear) 1/8" x 40 1/4"	On brake levers

NOMENCLATURE OF PARTS—Continued

Ref. No.	Part No.	No. Per Car	Property Classification—Part I, Class IV, Section 9	
			Name of Part	Location
Chassis—FRAME				
See illustrations on pages 10, 234				
1	0266	TED	1	Chassis frame only.
2	0261 $\frac{1}{2}$	GED	1	Frame front engine girth.
3	0264	TED	1	Frame front transmission girth.
4	0264 $\frac{1}{2}$	TED	1	Frame rear transmission girth.
5	0265 $\frac{1}{2}$	TED	1	Frame reinforcing cross member.
6	0265	GB	1	Frame rear cross member.
7	0261	GAB	1	Engine frame gear cover bracket.
	0099	OO	1	Front motor support grease cup.
	0261 $\frac{1}{2}$	GAB	1	Engine frame gear cover bracket cap.
	0261 $\frac{1}{2}$	GAB	1	Engine girth reinforcement.
	S0272	TC	2	Engine bracket bolts.
8	S0261	GA	2	Engine frame gear cover bracket bolts.
	S0573 $\frac{1}{2}$	GA	2	Engine frame gear cover bracket bolt nuts.
9	240	GAH	8	Running board irons.
10	240 $\frac{1}{2}$	TED	1	Running board, R. H.
11	240 $\frac{1}{2}$	TED	1	Running board, L. H.
12	1631	TED	1	Running board battery box.
13	278	TED	1	Front fender, R. H.
14	279	TED	1	Front fender, L. H.
	623 $\frac{1}{2}$	OR	1	Speedometer tube casting.
	0234 $\frac{1}{2}$	TBC	1	Front fender door.
15	281	TED	1	Running board filler strip, R. H.
16	281 $\frac{1}{2}$	TED	1	Running board filler strip, L. H.
17	045	GED	1	Front spring hanger (rear) R. H.
	045 $\frac{1}{2}$	GED	1	Front spring hanger (rear) L. H.
18	0608	GF	1	Transmission bracket (rear).
19	045 $\frac{1}{2}$	GEC	1	Rear spring hanger (front) R. H.
20	045 $\frac{1}{2}$	GEC	1	Rear spring hanger (front) L. H.
	S0045 $\frac{1}{2}$	GEC	1	Rear spring hanger (front) bushings.
21	S0447	O	2	Starter switch bracket screws.
	S0555 $\frac{1}{2}$	C	2	Starter switch bracket screw nuts.
	045 $\frac{1}{2}$	GA	2	Starter switch bracket screw lock washers.
22	S013 $\frac{1}{2}$	TA	1	Transmission case bracket bolt (front).
	S0608	GF	2	Transmission case bracket bolt (rear).
	0573 $\frac{1}{2}$	GF	1	Transmission case bracket bolt washer (front).
	S0289 $\frac{1}{2}$	G	3	Transmission case bracket bolt washers.
	S0132 $\frac{1}{2}$	GA	2	Transmission case bracket bolt nuts.
	S0105 $\frac{1}{2}$	GE	1	Transmission case bracket bolt nut.
	0608 $\frac{1}{2}$	GF	2	Transmission bracket bolt washers.
23	610	GF	1	Transmission case bracket (front).
24	043 $\frac{1}{2}$	TED	2	Rear spring brackets (rear).
	S030 $\frac{1}{2}$	GEC	2	Rear spring bracket binder screws.
	S0573 $\frac{1}{2}$	GA	2	Rear spring bracket binder screw nuts.
25	1603 $\frac{1}{2}$	TED	1	Starting switch bracket.
26	271	GTB	1	Tail lamp bracket.
27	108 $\frac{1}{2}$	GTA	2	Muffler band brackets.
28	030 $\frac{1}{2}$	GEC	2	Torsion bar brackets (front).
29	266 $\frac{1}{2}$	GF	2	Frame reinforcing plates.
30	39 $\frac{1}{2}$	GAH	1	Brake shaft truss.
	S0037 $\frac{1}{2}$	GAH	2	Brake shaft truss bushings.
	S0071	GE	2	Brake shaft truss bushing dowel pins.
31	267	TED	1	Jump strap bracket, R. H.
32	267	TED	1	Jump strap bracket, L. H.
	0267 $\frac{1}{2}$	TEF	2	Jump strap bracket shims, $\frac{1}{16}$ "
	0267 $\frac{1}{2}$	TEF	2	Jump strap bracket shims, $\frac{1}{32}$ "
33	267 $\frac{1}{2}$	TEF	2	Jump straps.
34	259	TED	1	Head lamp bracket socket, R. H.
35	259 $\frac{1}{2}$	TED	1	Head lamp bracket socket, L. H.
36	257	TEF	1	Head lamp bracket, R. H.
37	257 $\frac{1}{2}$	TEF	1	Head lamp bracket, L. H.
38	S0259	GA	2	Head lamp bracket socket binder bolts.
	S0585	GA	2	Head lamp bracket socket binder bolt nuts.
	S00296	C	4	Head lamp bracket ornamental nuts.
	054 $\frac{1}{2}$	E	4	Head lamp bracket ornamental nut washers.
39	258	TED	1	Head lamp bracket brace.
40	164	GAC	1	Compression release lever.
	0164 $\frac{1}{2}$	GEB	1	Compression release lever shaft.
	S0164 $\frac{1}{2}$	GE	1	Compression release lever sleeve.

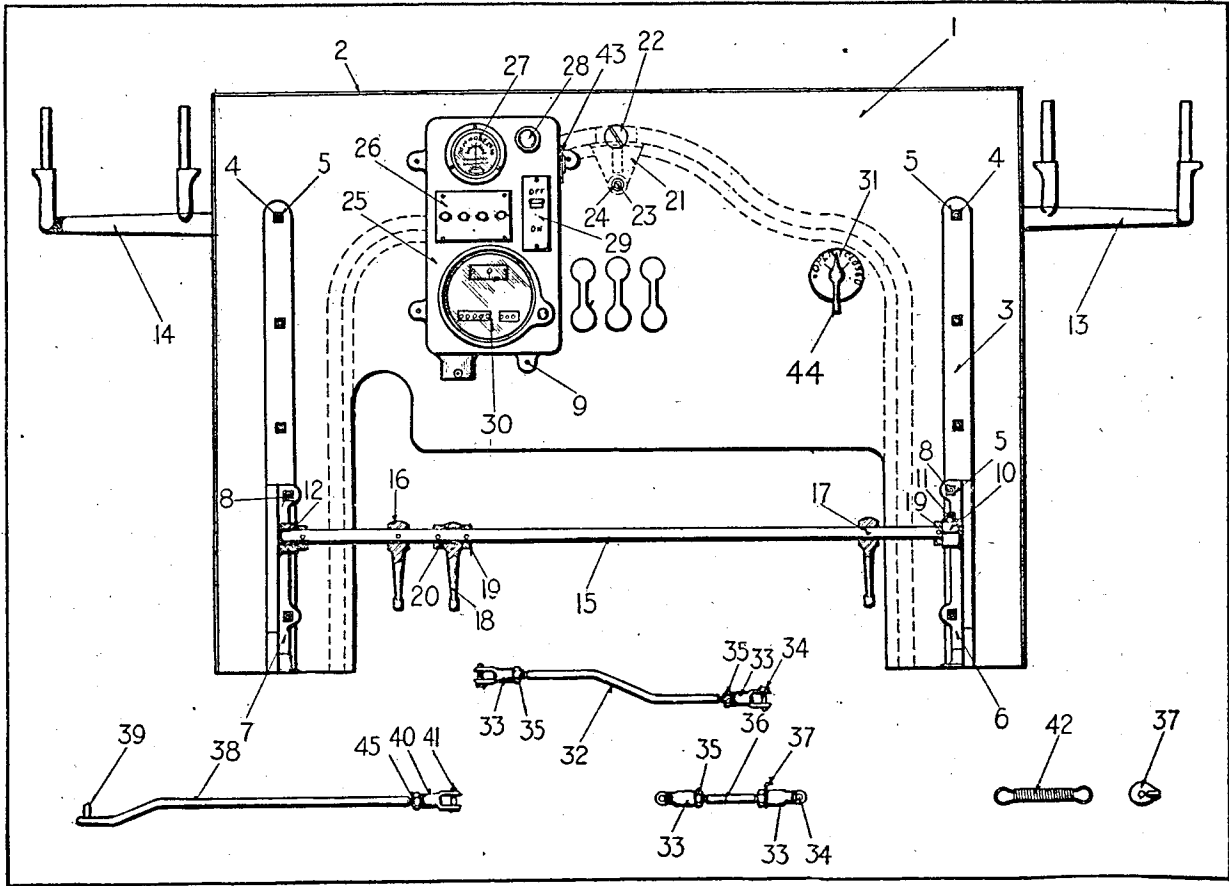


CHASSIS FRAME AND FITTINGS ASSEMBLY

NOMENCLATURE OF PARTS—Continued

Ref. No.	Part No.	No. Per Car	Property Classification—Part I, Class IV, Section 9		
			Name of Part	Location	
Chassis—FRAME—Continued					
See illustrations on pages 10, 234					
	00164	TEB-O	1	Compression release foot plunger	Not used
	00164 $\frac{3}{4}$	GAC	1	Compression release lever toggle	Not used
	S0192 $\frac{1}{2}$	GA	1	Compression release lever shaft nut	On lever shaft
	164 $\frac{1}{2}$	GAG	1	Compression release cable	Lever to rear of engine
	0220 $\frac{1}{2}$	O	1	Compression release cable clamps	On ends of cable
	0220 $\frac{3}{4}$	GA	2	Compression release cable spools	On release lever
	S0163	GAB	1	Compression release cable end	
	S0302 $\frac{3}{4}$	GA	1	Compression release cable end nut	
	S0219	O	1	Compression release cable end pin	
	0504	C	1	Compression release cable end washer	
41	08	GED	1	Front spring horn, R. H.	Front end side member
42	09	GED	1	Front spring horn, L. H.	Front end side member
43	0266 $\frac{1}{2}$	TED	1	Front bumper and towing hook bracket, R. H.	Front end side member
44	0266 $\frac{3}{4}$	TED	1	Front bumper and towing hook bracket, L. H.	Front end side member
45	266 $\frac{1}{2}$	TED	1	Front bumper channel	Across end of frame
46	039	GA	2	Foot lever shaft brackets	On second frame cross member
47	S0107 $\frac{1}{4}$	GE	2	Foot lever shaft bracket binder screws	
48	S0972	GA	14	Spring horn bolt and rod nuts	Through front end front spring
	0099	GB	12	Spring bolt grease cups	In shackle bolts
49	S046 $\frac{1}{4}$	GBD	2	Front spring horn bolts (front)	Through front end side members
50	046	GBD	1	Front spring yoke (rear R. H.)	On side member
51	046 $\frac{1}{4}$	GBD	1	Front spring yoke (rear L. H.)	On side member
52	S046	GE	4	Rear spring shackles bolts (front end)	Through rear spring ends
53	S046	GBC	4	Rear spring shackles bolts (rear end)	Through rear end front springs
54	05	TEB	2	Front springs	
55	034	GBX	2	Rear springs	
56	05 $\frac{1}{4}$	TEB	2	Front spring leaf clips, small (for spring 1098J)	
57	05 $\frac{1}{2}$	TEB	2	Front spring leaf clips, large (for spring 1098J)	
58	S05 $\frac{1}{4}$	TEB	4	Front spring leaf clip bolts (for spring 1098J)	
59	S05 $\frac{1}{2}$	TEB	4	Front spring leaf clip bolt nuts (for spring 1098J)	
60	034 $\frac{1}{4}$	GBX	2	Rear spring leaf clip, small (for spring 842)	
61	S034 $\frac{1}{4}$	GBX	4	Rear spring leaf clip bolts (for spring 842)	
62	S034 $\frac{1}{2}$	GBX	4	Rear spring leaf clip bolt nuts (for spring 842)	
63	034 $\frac{1}{4}$	GBX	2	Rear spring leaf clips, large (for spring 842)	
64	05 $\frac{1}{2}$	GEC	4	Front spring clips	Clip spring to axle
	S0127 $\frac{1}{2}$	G	3	Front spring clip nuts	
	054 $\frac{1}{4}$	E	3	Spring clip nut lock washers	
65	03 $\frac{1}{2}$	GEC	2	Front spring bumper castings	Under spring clips
66	3 $\frac{1}{4}$	GAD	2	Front spring bumper casting bumpers	Under spring clips
	S0045	GEE	6	Front spring and hanger bushings	In hangers
67	04	GB	1	Front spring shim (lower)	Between spring and axle
68	034 $\frac{1}{2}$	GEC	4	Rear spring clips	Clips spring to rear axle
69	S034	G	3	Rear spring clip nuts	
70	034 $\frac{1}{2}$	GEC	2	Rear axle spring seats (upper)	Under spring clips
71	034 $\frac{1}{2}$	GEC	2	Rear axle spring seats (lower)	Between spring and axle
	S08 $\frac{1}{2}$	GEC	2	Rear spring dowel pins	In rear spring seat
	S0143	G	2	Rear spring dowel pin nuts	
	S08 $\frac{1}{2}$	GF	2	Front spring dowel pins	In front spring seat
	S0721	GA	2	Front spring dowel pin nuts	
72	044 $\frac{1}{4}$	GBE	1	Rear spring hanger rod	Across rear of frame
	044 $\frac{1}{4}$	GBB	2	Rear spring rod washers	
	0113 $\frac{1}{2}$	G	2	Rear spring rod washers	On ends of hanger rod
73	211	GEC	1	Engine leg bracket	Inside of right side member
74	210	GEC	1	Steering column bracket	Inside of left side member
75	S046 $\frac{1}{4}$	GEC	3	Front spring yoke bolts (rear)	Through front spring hangers
	S046 $\frac{1}{4}$	GBD	1	Front spring yoke bolt (rear)	In left hanger
76	15 $\frac{1}{4}$	TED	2	Running board filler strip end pieces	On fender aprons
77	0279 $\frac{1}{2}$	GB	1	Front fender iron, R. H.	On side of side members
	0280	GB	1	Front fender iron, L. H.	On side of side member
	S0280	G	4	Front fender iron nuts	
	281 $\frac{1}{2}$	TED	2	Front fender brackets	On frame side members
	239	O	2	Mud guard iron brackets	On frame side members
	0280 $\frac{1}{4}$	TED	4	Front fender iron clip	On fender brackets
78	623 $\frac{3}{4}$	TED	1	Steering lever cover	In left fender apron
79	620	TED	1	Engine apron	Under engine
*79	620	TEB-O	1	Engine apron	
80	621 $\frac{1}{2}$	GAB	1	Engine apron door	In bottom of apron
81	623 $\frac{1}{2}$	TED	1	Engine apron door (complete, large)	In bottom of apron
82	046	GBE	2	Rear spring shackle plates (front)	On spring hangers
	046 $\frac{1}{4}$	GBE	2	Rear spring shackle plates (front)	On spring hangers
83	046	GBC	2	Rear spring shackle (rear end)	On spring hangers
	0099	K	2	Rear spring shackle grease cups	In shackle bolts

*These parts only used on White, Model TEB-O, Chassis not having electrical equipment.



DASH AND CONTROL ASSEMBLIES

NOMENCLATURE OF PARTS—Continued

Ref. No.	Part No.	No. Per Car	Property Classification—Part I, Class IV, Section 9	
			Name of Part	Location
Chassis—FRAME—Continued				
See illustrations on pages 10, 234				
84	S0043 $\frac{1}{2}$	2	Rear spring shackle bushings	In shackles
85	604 $\frac{1}{2}$	1	Radiator support bracket, R. H.	At front of side member
	605 $\frac{1}{2}$	1	Radiator support bracket, L. H.	At front of side member
	S0045 $\frac{1}{2}$	2	Rear spring shackle bushings	In shackles
86	245	2	Running board mattings	On running boards
87	00245 $\frac{1}{2}$	1	Running board moulding (R. H.) outside	On edge of running board
88	00245 $\frac{1}{2}$	1	Running board moulding (L. H.) outside	On edge of running board
89	00245 $\frac{1}{2}$	2	Running board moulding (inside)	On edge of running board
90	S0495 $\frac{1}{2}$	14	Engine apron studs	Apron to frame
91		28	Engine apron stud nuts ($\frac{3}{8}$ " x 16") square head machine	Apron to frame

Chassis—DASH

See illustration on page 236

1	274	TED	1	Dash	Back of engine
	00872	GAG	1	Car serial number plate	On dash
2	0274 $\frac{1}{2}$	TED	1	Dash binding	On dash
3	272	TED	2	Dash irons	On dash
4	S0274 $\frac{1}{2}$	GF	6	Dash iron bolts ($\frac{3}{8}$ x $\frac{7}{8}$ " step)	On dash irons
5	S00274 $\frac{1}{2}$	GF	10	Dash iron bolt nuts ($\frac{3}{8}$ " square)	On dash
6	722	GF	1	Control shaft bracket, R.H.	On dash
7	722 $\frac{1}{2}$	GF	1	Control shaft bracket, L.H.	On dash
8		TEB-O	4	Dash iron bolts ($\frac{3}{8}$ x1" step)	On shaft bracket
9		TEB-O	4	Control box dash screws	On shaft bracket
10	722 $\frac{1}{2}$	GF	2	Control shaft bracket caps	On shaft bracket
11	S0722 $\frac{1}{2}$	GF	4	Control shaft bracket cap screws	On shaft bracket
12	00722 $\frac{1}{2}$	GF	2	Control shaft bushings	On end of control shaft
13	0270	TED	1	Side lamp bracket, R.H.	On dash
14	0270 $\frac{1}{2}$	TED	1	Side lamp bracket, L.H.	On dash
15	0724	GEC	1	Carburetor control shaft	On dash
16	725	GF	1	Carburetor foot control lever	On control shaft
	723 $\frac{1}{2}$	TA	1	Carburetor shaft lever	On control shaft
17	S0167	O	1	Carburetor control shaft lever pin (No. 0)	End of shaft lever
18	723	TA	1	Carburetor control shaft lever	On control shaft
	723 $\frac{1}{2}$	TA	1	Carburetor control shaft lever	On control shaft
	0573 $\frac{1}{2}$	GA	4	Carburetor control shaft lever washer	On control shaft
19	S0724	GE	3	Carburetor control shaft collars	On shaft lever
	S0724	GA	1	Carburetor control shaft collar	On shaft lever
20	00723 $\frac{1}{2}$	GA	1	Control shaft lever bushing	On shaft lever
	S00723 $\frac{1}{2}$	GA	1	Carburetor control shaft bushing pin	On shaft lever
21	00604 $\frac{1}{2}$	GAB	1	Dash hood bracket	On dash
22	S0604 $\frac{1}{2}$	GA	1	Dash hood bracket and tie rod screw	On dash
23		TEB-O	2	Dash hood bracket screws	On dash
24		TEB-O	2	Dash hood bracket screw nuts	On dash
25	1600	TED	1	Switch control box	On dash
*25	612	TED	1	Speedometer head bracket	On control box
26	1613	GA	1	C. & H. battery switch (4 gang)	On control box
	1613 $\frac{1}{2}$	GA	1	C. & H. battery switch plate (4 gang)	On control box
27	1601 $\frac{1}{2}$	GM	1	Ammeter	On control box
28	1616	TED	1	Dash lamp	On control box
29	1608 $\frac{1}{2}$	GM	1	Automatic circuit breaker	On control box
30		TEB-O	1	Speedometer (No. 67-A)	On control box
31	00718	TED	1	Carburetor index plate	On dash
	00718 $\frac{1}{2}$	GED	1	Carburetor dash plate	On dash
32	0725 $\frac{1}{2}$	GED	1	Carburetor hand control rod	On control shaft lever
33	084	O	4	Carburetor control rod ends	End of control rod
34	S084	O	4	Carburetor control rod end pins	In rod ends
35	S081	A	4	Carburetor control rod end jam nuts	In rod ends
36	0725 $\frac{1}{2}$	GF	1	Carburetor foot control rod	On rod ends
37	0725 $\frac{1}{2}$	GAB	2	Carburetor control rod hook washers	On rod ends
38	0716	TED	1	Carburetor control rod	On control shaft
39	0182 $\frac{1}{2}$	GA	1	Carburetor control rod pin	Through end of control rod
40	0219	GA	1	Carburetor control rod end	End of control rod
41	S0219	O	1	Carburetor control rod end pin	Through rod end
42	0724 $\frac{1}{2}$	GAF	1	Carburetor control rod spring	End of control rod
43		TEB-O	1	Magneto switch	On control box
	00294 $\frac{1}{2}$	TBC	1	Magneto switch ground strap	On control box
44	00718 $\frac{1}{2}$	TED	1	Carburetor index plate lever	On index plate
	S00718 $\frac{1}{2}$	GED	2	Carburetor index stops	On index plate
	0718 $\frac{1}{2}$	GED	1	Carburetor index finger spring	On index plate
	00718 $\frac{1}{2}$	GED	1	Carburetor index finger lever	On index plate
45	S0394	A	1	Carburetor control rod nut ($\frac{1}{4}$ "—20)	On index plate

*These parts only used on White, Model TEB-O, Chassis not having electrical equipment.

NOMENCLATURE OF PARTS—Continued

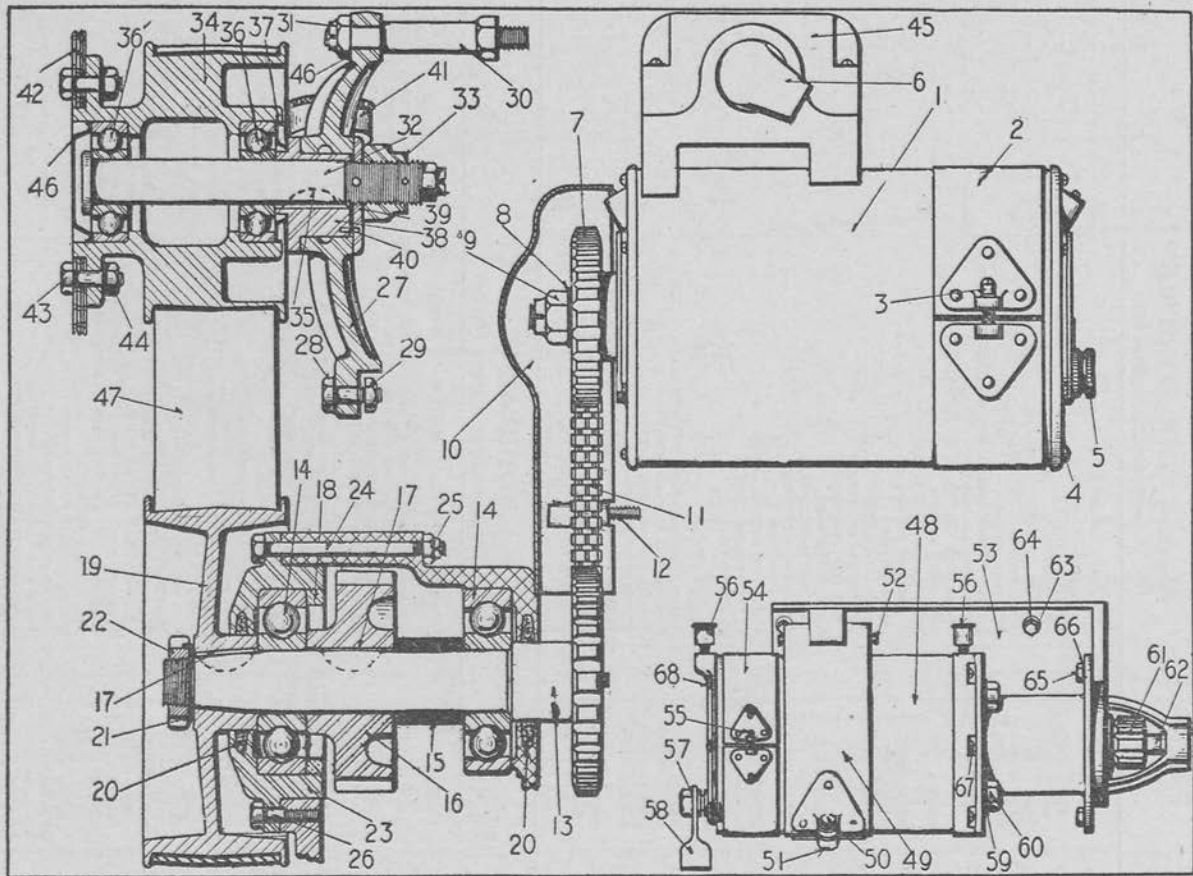
Ref. No.	Part No.	No. Per Car	Property Classification—Part I, Class IV, Section 9	
			Name of Part	Location
Chassis—TOOL EQUIPMENT				
See illustration on page 238				
1			(This part not used.)	
2			(This part not used.)	
3	873	GE	1	Jack
4	893	C	1	File handle
5	0890	E	1	Bicycle wrench
6	0891	A	1	Auto wrench (11")
7	0869	GA	1	Magneto wrench
8	0895 1/4	GA	1	Socket wrench (carburetor plug socket wrench)
9				(This part not used.)
10			1	Spark plug (1/4" S. A. E. thread)
11	0894 1/2	GE	1	Valve cap wrench
12			1	Package assorted cotter pins
	0881	GF	1	Cotter pin puller
13	0896	C	1	Screw driver
	895	C	1	Small screw driver
14				(This part not used.)
15				(This part not used.)
16	0886	GE	1	Dust cap wrench
	874	O	1	Tire rim bolt brace
			1	Hand tire air pump
			1	Tire repair kit
17	0894 1/4	GE	1	Valve cap wrench handle
18				(This part not used.)
19	0873 1/2	GBE	1	Jack handle
20	00887	GA	1	Oil gun
21	0894	C	1	Pliers
22	0894 3/4	GA	2	Valve lifter adjusting wrench
23	0897	GAB	1	Engine bolt wrench (small)
24	0895 1/2	GAB	1	Engine bolt wrench (large)
25	0893 1/2	GAB	1	Spark plug wrench
26				(This part not used.)
27	0892	C	1	File
28	896 1/2	G	1	Hammer
29	00887	C	1	Grease injector

EQUIPMENT

See illustrations on pages 156, 240

1	1645	TED	1	Generator (LN Model No. 240 G, 6-volt) (LN No. 8100 G)	Above magneto
2		TEB-O	1	Generator brush opening band (LN No. 8116 G)	Around rear end of generator
3		TEB-O	1	Generator band screw (LN No. 8115 G)	In brush opening band
4		TEB-O	12	Generator end housing screws No. 8125 G	In rear end of generator
5		TEB-O	1	Generator third brush adjusting wheel (LN No. 8119 G)	In rear end housing
6	1620	TED	1	Generator connection plug complete (LN No. 8131 C shell) (LN No. 8109 C plug)	Mounted above generator
7	01560	GEF	1	Generator driven sprocket	On forward end of generator
8	054 1/4	E	1	Generator shaft lock washer	In front of driven gear
9	S0118	A	1	Generator shaft nut	In front of driven gear
10	1550 1/2	GEC	1	Generator chain guard	Covers drive chain
11	01561 1/2	TED	1	Generator chain (76 links)	Magneto shaft to generator
12	S0174 1/4	GF	2	Generator chain guard screws	Through chain housing
13	0290	GEF	1	Magneto shaft	Front left side crankcase
*13	0290	GEG	1	Fan and magneto shaft	Not used
14	405		2	Magneto shaft bearings	Front left side crankcase
15	S0290 1/4	GFC	1	Magneto shaft bearing spacer	Between gear and rear bearing
16	293	GEC	1	Magneto shaft timing gear	On magneto shaft
17	0294 1/2	GA	2	Magneto shaft keys (No. 11 Woodruff)	In pulley and gear
18	0292 1/4	GK	1	Magneto shaft bearing cage bearing retainer	In timing gear cover
19	114	GEE	1	Fan driving pulley	Front ends magneto shaft
20	292 1/4	GK	2	Magneto shaft bearing cage felts	At ends of magneto shaft
	MC11E		1	Acetylene gas generator	
	MC11A		1	Acetylene searchlight assembly	
	FF42C		1	Acetylene searchlight bracket	
	00984 1/2	GBBE	1	Gas line to generator	
	00984 1/4	GBBE	6	Gas line clips	
			1	Oil side lamp, right (A. & W. No. 4480)	
			1	Oil side lamp, left (A. & W. No. 4480)	
	0270	TED	1	Oil side lamp bracket, right	
	0270 1/2	TED	1	Oil side lamp bracket, left	
			1	Oil tail lamp (A. & W. No. 4482)	
	271	GTB	1	Oil tail lamp bracket	

*These parts only used on White, Model TEB-O, Chassis not having electrical equipment.

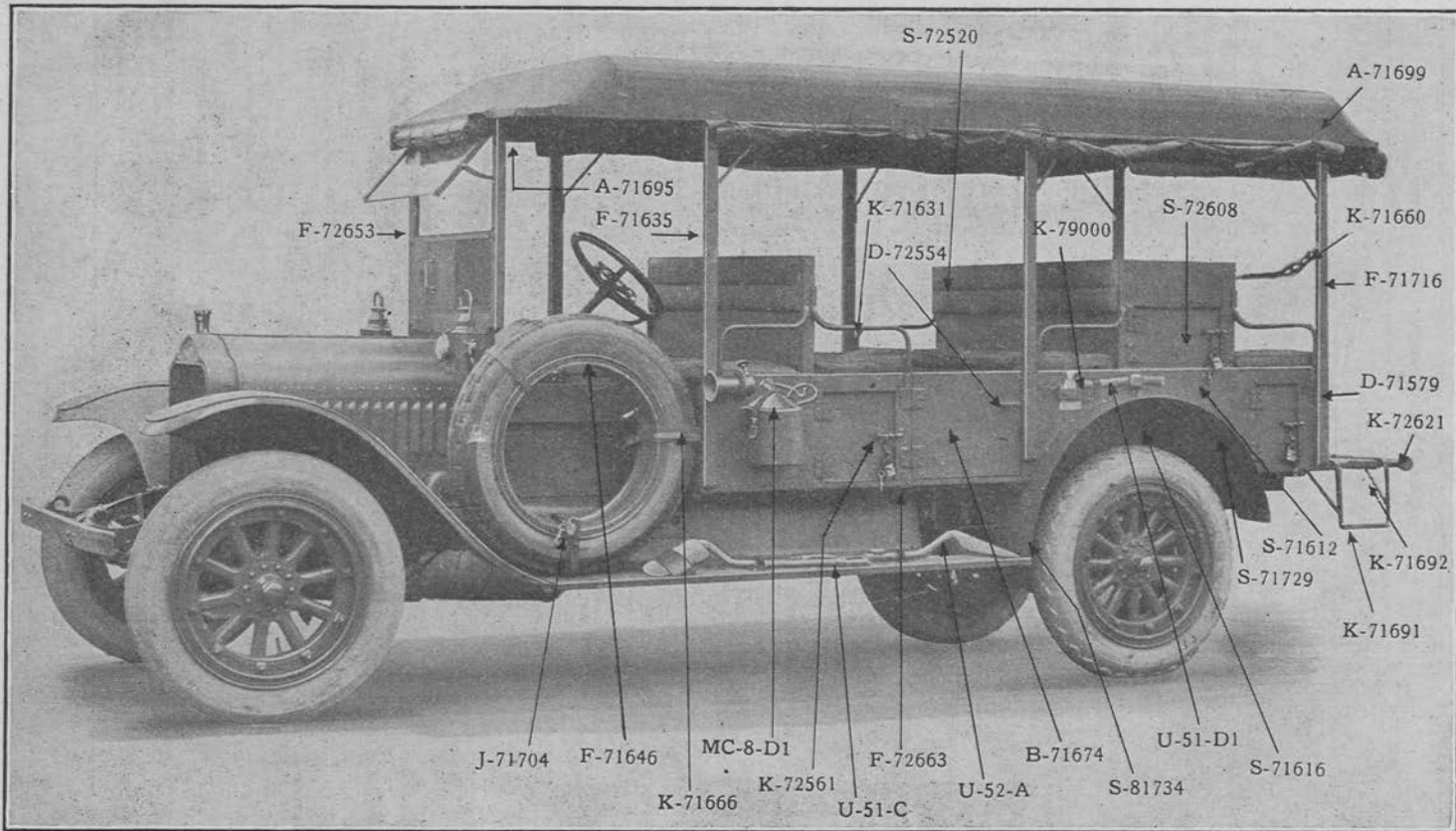


STARTER, GENERATOR AND FAN ASSEMBLIES
 (Electrical Equipment used on Staff Observation Car only)

NOMENCLATURE OF PARTS—Continued

Ref. No.	Part No.	No. Per Car	Property Classification—Part I, Class IV, Section 9		
			Name of Part	Location	
EQUIPMENT—Continued					
See illustrations on pages 42, 44, 240					
21	0290 ¼	GE	1	Magneto shaft lock washer	Front end magneto shaft
22	S0290	GE	1	Magneto shaft lock nut	Front end magneto shaft
23	292	GK	1	Magneto shaft bearing	In timing gear cover
24	S0292 ¼	GA	1	Magneto shaft bearing cage bolt	Cover to crankcase
25	S0574 ¼	GA	1	Magneto shaft bearing cage bolt nut	On bearing cage bolt
26	S0106	GA	3	Magneto shaft bearing cage bolts	Through cover to crankcase
27	390 ½	GEE	1	Fan bracket	Front end of cylinder block
28	S0180 ¼	GA	2	Fan bracket bolts	Through fan bracket
	0574 ¼	GA	2	Fan bracket bolt washers	On fan bracket bolt
29	S0574 ¼	GA	2	Fan bracket bolt nuts	On fan bracket bolt
30	S0390 ¼	GED	1	Fan bracket stud	In cylinder block
	00390 ¼	GE	1	Fan bracket stud gasket	Under bracket stud
	0127 ¼	GA	1	Fan bracket stud washer	Front end of stud
31	S0573 ¼	GA	1	Fan bracket stud nut	Front end of stud
32	0289 ½	GE	1	Fan shaft	In fan bracket
33	S0901	GA	1	Fan shaft nut	Rear end of shaft
34	114 ½	GEE	1	Fan driven pulley	On fan shaft
35	0294 ½	K	1	Fan shaft key (No. 9 Woodruff)	In fan bracket
36	304	2	2	Fan shaft bearings	In fan driven pulley
	0289 ½	GE	1	Fan shaft bearing spacer	On fan shaft
37	0289	GE	1	Fan shaft bearing dust cap (rear)	In fan driven pulley
38	0290 ½	GE	1	Fan shaft eccentric	In fan bracket
39	S0290	GA	1	Fan shaft eccentric clamp plate	Under fan shaft nut
40	S0289 ¼	GA	1	Fan shaft eccentric clamp plate pin	In clamp plate
41	0099	GK	1	Fan shaft grease cup	In fan bracket
42	0291	GE	1	Fan	On fan driven pulley
43	S0106	GA	6	Fan hub bolts	Fan to pulley
44	S0721	GA	6	Fan hub bolt nuts	On hub bolts
45			1	Generator circuit breaker complete (Type 115 C, LN No. 8100C)	On top of generator
46	0289 ¾	GE	1	Fan shaft bearing dust cap (front)	In fan driven pulley
47	367 ½	TED	1	Fan belt	Magneto shaft to fan
*	367 ¼	TED	1	Fan belt connecting pin	In fan belt
48	1650	TED	1	Starter motor (LN 6-volt 240-M) (LN No. 8100-M)	Rear left side lower crankcase
49	01527 ½	GEC	1	Starter motor band (long end)	Around starting motor
*	01527	GEC	1	Starter motor band (short end)	Around starting motor
50	S0457 ½	GAD	1	Starter motor band clamp bolt	Through clamp band
*	0112 ¼	O	1	Starter motor band clamp bolt washer	On clamp bolt
51	S0585	GA	1	Starter motor band clamp bolt nut	On clamp bolt
52	S01527	GM	1	Starter motor band clamp bracket pin	Through end of clamp band
53	1630 ½	GEE	1	Starter motor bracket	Bolts to lower crankcase
54			1	Starter motor brush opening band (LN No. 8101-M)	Around front end of starter
55			1	Starter motor commutator band screw (LN No. 8124-M)	In brush opening band
56			3	Starter motor cap oilers (LN No. 8121-M)	Along top of starter
57			2	Starter motor terminal stud top nuts (LN No. 8114-M)	On front end housing
*			2	Starter motor terminal post washers (LN)	On front end housing
58	001555 ½	GM	2	Starter motor cable terminals (LN No. 8125-M)	On front end housing
59			4	Starter motor B housing cap screws (LN No. 8145-M)	Through rear end housing
60			4	Starter motor B housing lock washers (LN No. 8118-M)	Under rear end housing bolt
61			1	Starter motor B drive pinion (LN No. 8104-M)	Rear end of starter shaft
62			1	Starter motor B screw shaft (LN)	Starting motor shaft
63	S01553 ¼	GAH	4	Starter motor bracket screws (½"-18)	Bracket to lower crankcase
64	054 ¼	E	4	Starter motor bracket screw lock washers, ½"	Under bracket screws
65	S0107 ¾	GF	2	Starter motor bracket screws (¾"-18)	Motor flange to bracket
66	054 ¼	O	2	Starter motor bracket screw lock washers (¾")	Under bracket screws
67			6	Starter motor commutator end housing screws (LN No. 8141-M)	In front end housing
68			6	Starter motor drive end housing screws (LN No. 8143-M)	In front end housing
*			1	Starter motor eclipse Bendix drive complete	On rear end starting motor
*			2	Generator main brushes (LN No. 8112-G)	At rear end of generator
*			1	Generator third brush (LN No. 8113-G)	At rear end of generator
*			4	Starter motor brushes (LN No. 8126-M)	In front end starting motor

*These parts only used on White, Model TEB-O, Chassis not having electrical equipment.



BODY ASSEMBLY

NOMENCLATURE OF PARTS—Continued

Part No.	No. Per Car	Property Classification—Part I, Class IV, Section 9	
		Name of Part	Location
RECONNAISSANCE BODY			
See illustration on page 242			
K71631	3	Arm rail—left	At left side of seat
K71632	3	Arm rail—right	At right side of seat
K71633	1	Arm rail—front left	At left side of front seat
K71634	1	Arm rail—front right	At right side of front seat
F71732	8	Arm rail filler—upper	At top of arm rail
F71733	8	Arm rail filler—lower	At bottom of arm rail
K9300	6	Atwood door bumper	On inner door opening
F72633	1	Body cross member	Underneath body on top of side rails
F72634	1	Body cross member	Underneath body on top of side rails
F72549	1	Body cross member	Underneath body on top of side rails
F72551	1	Body cross member	Underneath body on top of side rails
F72552	1	Body cross member	Underneath body on top of side rails
F72553	1	Body cross member	Underneath body on top of side rails
F72555	1	Body cross member	Underneath body on top of side rails
F71954	1	Body cross member	Underneath body on top of side rails
F71695	1	Body cross member	Underneath body on top of side rails
F71720	6	Bow slats	On roof under canvas
F72400	1	Center compartment floor board—center	In floor center compartment
F72513	1	Center compartment floor board—left	In floor center compartment
F72514	1	Center compartment floor board—right	In floor center compartment
F72515	1	Center compartment floor board—left	In floor center compartment
F72516	1	Center compartment floor board—right	In floor center compartment
F72517	1	Center compartment floor board—center	In floor center compartment
F72518	1	Center compartment floor board—right	In floor center compartment
F72519	1	Center compartment floor board—left	In floor center compartment
F71714	1	Center post	Supports top
F71715	1	Center post	Supports top
F72556	9	Compartment door fastener	In body side
F72567	9	Compartment door fastener inside plate	In inner side of body side
F72542	17	Compartment door hinge plate	Under hinge on compartment doors
F82542	1	Compartment door hinge plate	Under hinge on compartment door
D72554	1	Compartment door handle—right	On compartment door
D72555	2	Compartment door panel—left	Side plates of compartment door
D71737	1	Cross division panel	Side sheet for cross division
K71722	8	Cross member fillers	Between cross member and supporting member
K78001	6	Curtain clip fastener	On curtains
K71683	11	Curtain fastener rings	On body sides
K78002	6	Curtain staple fastener	On curtains
F71673	1	Dash brace	Between dash and front compartment panel
D71736	1	Division panel—left	Body side plate
D71739	1	Division panel—right	Body side plate
D72529	1	Division top piece	Top part of division panel
J81671	17	Door compartment hinge—female	On body side sheets
J81672	17	Door compartment hinge—male	On compartment doors
H71680	3	Door handle	On main doors
J71671	6	Door hinge—female	On main doors
J71672	6	Door hinge—male	On body side sheets
B71676	8	Door hinge plates	Plates supporting door hinges
B71675	1	Door inside sheet	In side plate for door
B72569	1	Door inside sheet	In side plate for door
B72570	1	Door inside sheet	In side plate for door
H71679	3	Door locks No. 4871	Compartment space doors
B71674	1	Door panel	Side plate for door
B72567	1	Door panel	Side plate for door
B72568	1	Door panel	Side plate for door
S72603	1	Door panel—gun compartment	Main plate for gun compartment door
S72604	1	Door panel—gun compartment	Main plate for gun compartment door
S72605	1	Door panel—rear compartment	Under third seat
S72606	1	Door panel—rear compartment	Under third seat
S71626	1	Door panel—rear end	Rcar door main plate
F72719	1	Driver brace pan compartment	Right side of driver's compartment
F71667	1	Driver compartment panel—right	Right side sheet
F71668	1	Driver compartment panel—right	Right side sheet
D71743	1	Driver seat frame—left	Left side of driver's seat
D72530	1	Driver seat frame—right	Right side of driver's seat
F73112	4	Driver seat lid reinforcing	Driver's seat
F73110	1	Driver seat lid reinforcing—front	Front side of driver's seat
F72111	1	Driver seat lid reinforcing—rear right	Right side of driver's seat

NOMENCLATURE OF PARTS—Continued

Property Classification—Part I, Class IV, Section 9

Part No.	No. Per Car	Property Classification—Part I, Class IV, Section 9	
		Name of Part	Location
RECONNAISSANCE BODY—Continued			
See illustration on page 242			
F71677	1	Driver support—right	Under seat panel on right side.
F71678	1	Driver support—right	Seat panel right side.
S81734	1	Fender—lower	Front of left rear wheel.
S81735	1	Fender—lower	Front of right rear wheel.
S71729	1	Fender—upper left	Over left rear wheel.
S71730	1	Fender—upper right	Over right rear wheel.
D72543	2	Filler plate for front arm rail	At ends of arm rails.
K79000	6	Footman loops	On running board and body sides.
A81721	6	Front and rear bow filler	On roof under canvas.
A81723	6	Front and rear bow filler	On roof under canvas.
F72501	6	Front compartment door stiffener	At side of front seat.
F72502	6	Front compartment door stiffener	At side of front seat.
F72579	1	Front floor board	Front floor.
F72580	1	Front floor board	In driver's compartment.
F72581	1	Front floor board	In driver's compartment.
F72582	1	Front floor board	In driver's compartment.
F72583	1	Front floor board cleat	In driver's compartment.
F71664	2	Front floor board support angle	Under front seat.
F71689	1	Front floor board—driver compartment—right	At right of front seat.
F72001	1	Front lid seat stiffener	Under front seat.
F71635	1	Front post	At side of front seat.
F71636	1	Front post	At side of front seat.
D71735	1	Front seat compartment lid	Front seat compartment.
D71740	1	Front seat frame—front	Under front seat.
D71734	1	Front seat lid	Front seat.
F72115	1	Front seat lid reinforcing—left	Under front seat.
F72114	1	Front seat lid reinforcing—right	Under front seat.
F72578	1	Front toe board—lower	Front floor board
F72577	1	Front toe board—upper	Front floor board
F72504	4	Gun compartment door stiffener	Gun compartment door.
S72608	1	Gun compartment—lower	Lower sheet.
K72623	1	Gun compartment moulding	Around gun compartment.
F72004	4	Gun compartment panel	Side sheets.
S72611	1	Gun compartment—side	Side sheet.
S72609	1	Gun compartment—upper	Upper sheet.
S71745	7	Gun rack	In gun compartment.
S71746	1	Gun rack	In gun compartment.
S71748	1	Gun rack	In gun compartment.
D71741	1	Heel board reinforcing plate	Under seat.
D72572	1	Heel board reinforcing plate	Under seat.
D72532	1	Heel panel	Under seat.
D72535	1	Heel panel—rear	Under rear seat.
J71704	1	Hinge for tire carrier	Running board, front left.
D72540	2	Inside reinforcing plates	Inner body side.
F7938	2	Key for upper toe board	Forward toeboard.
D82519	1	Lazyback center section	Between lazybacks.
D71576	1	Lazyback end cap	Left side of seat lazyback.
D71577	1	Lazyback end cap	Right side of seat lazyback.
D72521	1	Lazyback filler—front	Wood block front lazyback.
S72520	1	Lazyback rear section	Back of seat.
D72523	1	Lazyback support	Holds lazyback.
F71646	1	Left driver's panel	Left side of driver's compartment.
F71661	1	Left panel reinforcing plate	Left side of driver's compartment.
B71681	1	Lock block	Door fastener
D72545	1	Longitudinal—center	Under body
D72546	1	Longitudinal—center	Under body
D72544	1	Longitudinal—left	Body side
D72547	1	Longitudinal—right	Body side
K72563	5	Padlock	Compartment locks
S72617	2	Panel reinforcing gun compartment	Side of gun compartment
S72618	2	Panel reinforcing plate	Side plates.
S72639	2	Plug for rear bracket pipe	At ends of rear foot brackets.
S71622	2	Post pocket front—rear section	At corner divisions.
S71623	1	Post pocket front—rear section	At corner of rear section.
D71579	1	Post pocket—left	Division corner.
S71624	1	Post pocket—rear	Left corner of rear division.
S71625	1	Post pocket—rear	On division corner.
D71580	1	Post pocket—right	Division corner.
F71586	6	Post support	On roof supporting posts.
K72622	1	Rear bracket end	Extreme rear of body.
K72621	1	Rear bracket pipe	Extreme rear of body.
F72505	4	Rear compartment door stiffener	Under rear seat.

NOMENCLATURE OF PARTS—Continued

Part No.	No. Per Cat.	Property Classification—Part I, Class IV, Section 9	
		Name of Part	Location
RECONNAISSANCE BODY—Continued			
See illustration on page 242			
F72506	4	Rear compartment door stiffener	In floor under rear division
F72601	1	Rear compartment floor board—left	In floor under rear division
F72624	1	Rear compartment floor board—left	In floor under rear division
F72626	1	Rear compartment floor board—right	Under third seat
F72602	1	Rear compartment floor board—right	In floor under rear division
F72623	1	Rear compartment floor board—right	In floor under rear division
S71620	1	Rear corner panel	Corner of rear division
S71621	2	Rear corner panel	Corner of rear division
F71596	1	Rear cross member	Supports roof
S71614	1	Rear division panel	At side of rear division
S71615	1	Rear division panel	At side of rear division
S71600	1	Rear door top rail	At top of rear door
F72006	1	Rear end door	At side of rear seat
F72007	1	Rear end door	At back of rear seat
S72613	2	Rear end door reinforcing plate	On rear door
S71601	1	Rear longitudinal	Rear of body
S71602	1	Rear longitudinal	Rear of body
S72637	1	Rear longitudinal	At side of body
S72638	1	Rear longitudinal	At side of body
S72643	4	Rear panel splice plate	At side of rear seat
F71716	1	Rear post	Supports roof
F71717	1	Rear post	Under rear seat
K71660	2	Rear post eye bolt	In rear posts
S72642	1	Rear seat back—front	At front of rear seat
S72607	1	Rear seat back panel—rear	Back of rear seat
S72619	1	Rear seat frame side—left	At side of rear seat
S72620	1	Rear seat frame side—right	At side of rear seat
S72706	1	Rear seat lid	Under rear seat
F73109	2	Rear seat lid reinforcing—end	At side of rear seat
F73107	1	Rear seat lid reinforcing—front	Under rear seat
F73108	1	Rear seat lid reinforcing—rear	At side of rear seat
F72003	2	Rear seat lid stiffener	At side of rear seat
S72630	1	Rear seat panel	At back of rear seat
S71605	1	Rear seat support	Under rear seat
S73605	1	Rear seat support	Under body on top of side members
S71603	1	Rear section heel panel	At side of rear door
S72635	1	Rear section longitudinal—inside	At side of body
S72636	1	Rear section longitudinal—inside	At side of body
S71612	1	Rear side panel—main	Side of rear seat
S71613	1	Rear side panel—main	Side of rear seat
K71691	2	Rear step	At side of body, rear
K71692	4	Rear step brace	At side of body, rear
F72668	1	Searchlight door handle	On searchlight door
F72661	2	Searchlight door retainer	Holds searchlight door in place
F72669	1	Searchlight door retainer	Holds searchlight door in place
F72113	6	Seat, gusset reinforcing	At seat sides
D71738	1	Seat panel	At seat side
K72559	5	Shot bolt bracket	Holds door lock in place
K72560	5	Shot bolt stop	Door lock
K72561	5	Shot bolt	Door lock
D82533	1	Side panel	Body side
D82534	1	Side panel	Body side
S72631	2	Side panel—rear section	Body side
D72533	1	Side panel—left corner	Body side
D72537	1	Side panel—right	Body side
D71606	1	Side panel—right	Body side
D72533	1	Side panel—right corner	Body side
H71688	3	Striker plate standard	For door stop
D72573	2	Tank support angle	Under tank
D72575	1	Tank support—left	Left side of tank
D72574	1	Tank support—right	Right side of tank
K71702	1	Tire carrier	On left running board
K71707	2	Tire carrier angle	On left running board
K71703	1	Tire carrier bar	On left running board
K71708	2	Tire carrier plate	On side panel
K71706	2	Tire carrier to body and fender	On left running board
K72609	1	Tire holder eye rivet	On left running board
F72662	1	Toe board bracket	Holds toeboard
A71700	6	Top bows	Support roof canvas
A71696	2	Top bow brace—front	On roof, front
A71697	2	Top bow brace—rear	At roof, rear
K71666	2	Top brace—center	Supports roof

NOMENCLATURE OF PARTS—Continued

Part No.	No. Per Car	Property Classification—Part I, Class IV, Section 9	
		Name of Part	Location

RECONNAISSANCE BODY—Continued

See illustration on page 242

K71638	4	Top brace—front and rear.....	Supports roof.....
F71637	4	Top post filler.....	Supports canvas.....
F71718	1	Top post filler.....	Supports canvas.....
F71719	1	Top post filler.....	Supports canvas.....
A71701	1	Top rail—front.....	At front of roof.....
A71656	10	Top reinforcing plate.....	On roof side.....
A71699	1	Top roof—rear.....	Rear of roof.....
A71695	1	Top side rail—left.....	On roof side.....
A71694	1	Top side rail—right.....	Side of roof.....
A71727	20	Top slats.....	Support roof canvas.....
S71650	4	Wheel house angle.....	Over rear wheel.....
S71616	2	Wheel house panel.....	Over rear wheel.....
F72654	1	Windshield frame cap—upper.....	Top of windshield.....
F72652	1	Windshield frame cap—side.....	Side of windshield.....
F72653	1	Windshield frame cap—side.....	Side of windshield.....
F72655	1	Windshield panel.....	Windshield plate.....
F72656	1	Windshield post plate—lower.....	Lower part of windshield.....
F72657	1	Windshield post plate—lower.....	Lower windshield.....
F72658	1	Windshield side frame—right.....	Right side of windshield.....
F72659	1	Windshield side frame—left.....	Left side of windshield.....
F72660	1	Windshield top filler.....	Windshield panel.....

TOP AND SIDE CURTAINS

C100	1	Driver's compartment left side curtain, 40 inches by 41.5 inches wide.....	
C101	1	Driver's compartment right side curtain, 3 feet 4 inches by 3 feet 7 inches wide.....	
C102	1	Front right side curtain, 2 feet 10 inches by 3 feet 4 inches wide.....	
C103	1	Front left side curtain, 2 feet 10 inches by 3 feet 4 inches wide.....	
C104	1	Middle section right curtain, 3 feet 4 inches wide by 2 feet.....	
C105	1	Middle section left curtain, 3 feet 4 inches wide by 2 feet.....	
C106	1	Rear right side curtain, 3 feet 4 inches by 4 feet 10 inches wide.....	
C107	1	Rear left side curtain, 3 feet 4 inches by 4 feet 10 inches wide.....	
C108	1	Rear curtain, 4 feet 6 inches by 7 feet 8 inches wide.....	
C114	2	Rear division cross compartment door, canvas cover, 13 inches wide by 10 inches.....	
C109	1	Top canvas strip—center, 10 feet 11 inches long by 4 feet 7½ inches.....	
C110	1	Top canvas strip—right, 10 feet 11 inches long by 11 inches.....	
C111	1	Top canvas strip—left, 10 feet 11 inches long by 11 inches.....	
C112	1	Top canvas strip—front, 20 inches wide by 5 feet long.....	
C131	1	Top canvas strip—rear, 13 inches wide by 5 feet long.....	

GENERAL INDEX

A

	Page
Accelerator	91
Acetylene generator, Cleaning	158
Acetylene generator, Operation of	157
Acetylene lighting system	155
Adjustment of steering gear	95
Artillery fire control equipment	184
Axle, Front	129
Axle nomenclature, Front	227
Axle nomenclature, Rear	227, 229
Axle, Rear	133

B

Bearings, Camshaft	63
Bearings, Connecting rod, To adjust	56
Bearings, Crankshaft, Dimensions of	61
Bearing, Crankshaft, To adjust	60
Bearings, Loose engine	40
Bevel gears, Rear axle	137
Brief description of Reconnaissance Car	9
Brief description of White, Model TEB-O, Chassis	11
Body, Brief description	161
Body, Compartments	163, 167, 168, 173
Body, Detail description	165
Body, Dimensions and weights	165
Body, Door, Dimensions	180
Body Equipment Table	183
Body, Floor board, Dimensions	181
Body nomenclature	243
Body, Seat cushions	165
Body, Seating arrangement	163
Body, Supports or transoms, Dimensions	182
Brakes	141
Brake adjustments	143
Brake, Clutch	91
Brake dimensions	143
Brake, Foot	91
Brake lever, Emergency	87
Brake linkage	152
Brake nomenclature, Chassis	231, 232
Brackets, Tool and spare tire	182
Breaker, Magneto	73
Bumper	152

C

Cable, Ignition	78
Camshaft	61
Camshaft and crankshaft nomenclature, Engine	205
Camshaft bearings	63
Carbureter	69
Carbureter, Principle of	69
Chapter I	9
Chapter II	41
Chapter III	85
Chapter IV	99
Chapter V	109

	Page
Chapter VI	129
Chapter VII	147
Chapter VIII	155
Chapter IX	161
Chapter X	194
Chapter XI	196
Chassis brake nomenclature	231, 232
Chassis dash nomenclature	237
Chassis equipment	194
Chassis frame nomenclature	233, 235
Chassis units	147
Chassis, White, Model TEB-O, Description of	11
Chests, Compartment	167, 170, 171, 173
Cleaning acetylene generator	158
Clutch adjustment.....	107
Clutch brake.....	91
Clutch, Brief description of.....	100
Clutch cover	101
Clutch, Detail description of.....	101
Clutch facing	103
Clutch friction plate	103
Clutch friction plate rings	104
Clutch nomenclature	219
Clutch operation	99
Clutch pedal.....	91
Clutch pedal shaft assembly.....	105
Clutch removal.....	107
Clutch rocker shaft	106
Clutch shaft.....	104
Clutch wedges and toggles.....	104
Common troubles	37
Compartment chests	167, 170, 171, 173
Compartment, Driver's	181
Control levers	21
Control pedals	19, 89
Control, Spark.....	94
Controls, Steering wheel	94
Control system	19, 85
Connecting rod bearings, To adjust	56
Cooling fan	83
Cooling system	79
Cooling system, Care of in freezing weather	82
Cooling system, To clean	83
Cooling system nomenclature, Engine	209
Countershaft, Transmission	122
Cover, Timing gear	64
Crank, Starting.....	94
Crankcase	64
Crankshaft	59
Crankshaft and camshaft nomenclature, Engine	205
Crankshaft bearing, To adjust	60
Crankshaft bearings, Dimensions of	61
Crankshaft lubrication	59
Crankcase nomenclature, Engine	201, 203
Cushions, Seat	165
Curtains, Top or side	177
Cylinder assembly, Engine	43
Cylinder nomenclature, Engine	201
Cylinder, Scored, Cause of	45

D

Dash	151
Dash nomenclature, Chassis	237

	Page
Differential housing	135
Differential mounting	137
Dimensions of universal joints	126
Divisional fire control equipment	189
Doors, Body, Dimensions	180
Driver's compartment	181
Driving instructions	22

E

Electric equipment, Nomenclature	241
Emergency brake lever	87
Engine bearings, Loose	40
Engine cooling system nomenclature	209
Engine crankcase nomenclature	201, 203
Engine crankshaft and camshaft nomenclature	205
Engine cylinder assembly	43
Engine cylinder nomenclature	201
Engine, Description of	41
Engine fuel system nomenclature	211
Engine, Lubrication of	24
Engine oiling system nomenclature	207
Engine operation	41
Engine, Starting	17
Engine troubles	38
Equipment, Body	183
Equipment, Chassis	194
Equipment, Lighting	155
Equipment, Reconnaissance	193
Equipment, Seacoast gun fire control	192

F

Facing, Clutch	103
Fan belt	83
Fan bracket	83
Fan, Cooling	83
Fire control equipment, Army Artillery	184
Fire control equipment, Divisional	189
Fitting piston pin	56
Floor board, Dimensions	181
Flywheel	101
Foot brake	91
Foot brake adjustments	143
Frame	147
Frame cross members	148
Frame nomenclature, Chassis	233, 235
Friction plate, Clutch	103
Friction surfaces, Replacement of	108
Front axle	129
Front axle design	129
Front axle dimensions	131
Front axle nomenclature	227
Front spring	149
Front wheel hubs	133
Front wheels	133
Fuel supply system	68
Fuel system nomenclature, Engine	211

G

Gasoline settling chamber	68
Gasoline tank	68
Gear shifting	86

	Page
Gear shift lever	21
Gear shift lever, Use of	86
Gear shift mechanism, Transmission	122
Gears, Transmission	113
Gear, Valve	47
Grinding, Valve	49

H

Hand brake adjustment	144
Hand throttle.....	94
Hood	161

I

Ignition cable	78
Ignition switch	78
Ignition troubles	74
Index, Nomenclature	196
Instruments	85
Intake manifold	71

K

Knuckle, Steering	132
-------------------------	-----

L

Levers, Control	21
Lever, Emergency brake	87
Lever, Gear shift	21
Lever, Gear shift, Positions of	21
Lever, Gear shift, Use of	86
Lifters, Valve	48
Lighting equipment	155
List of plates	5
Lubricating instructions	23
Lubricating system	65
Lubrication, Steering gear	29
Lubrication, Transmission	123

M

Magneto	72
Magneto breaker	73
Magneto, Timing	73
Maintenance routine	35
Maintenance routine, Monthly	36
Maintenance routine, Weekly	35
Manifold, Intake	71
Muffler	68

N

Nomenclature index	196
--------------------------	-----

O

Oiling system nomenclature, Engine	207
Oil lamps, Care of	159
Oil pump	66

	Page
Oil reservoir	65
Oil sight feed	65
Oil trap, Tire pump	128
Operating instructions, Brief	13
Operating instructions, Detail	15
Operating instructions, Special for new car	16
Operation of transmission	111

P

Pedal, Clutch.....	91
Pedals, Control	19, 89
Pedal shaft assembly, Clutch	105
Pin, Piston	56
Piston	52
Piston pin	56
Piston pin, Fitting	56
Piston rings	53
Piston, To align with crankshaft	52
Piston troubles	52
Propeller shaft, Construction of	125
Propeller shaft dimensions	126
Propeller shaft and universal joint nomenclature.....	225
Propeller shaft and universal joints	124
Pump, Oil	66
Pump, Oil, Adjustment of	66
Pump, Oil, Removal of	68
Pump, Tire	127
Pump, Water	81

R

Radiator	79
Radiator shock absorber	79
Radiator, Soldering	80
Radiator tubes, Preparing broken	80
Rear axle.....	133
Rear axle bevel gears	137
Rear axle, Disassembling	139
Rear axle gear dimensions	139
Rear axle housing	135
Rear axle, Lubrication of	31
Rear axle nomenclature	227, 229
Rear hubs	140
Rear spring	149
Rear wheels	140
Reconnaissance equipment	193
Reservoir, Engine oil	65
Reverse gear shaft, Transmission	122
Rifle rack	174
Rings, Piston	53
Rings, Piston, Fitting	53
Rocker shaft, Clutch.....	106
Running board and fenders	151
Running board tool box	171

S

Seacoast gun fire control equipment	192
Searchlight	155
Settling chamber, Gasoline	68
Shaft, Cam	61
Shaft, Clutch.....	104

	Page
Shaft, Crank	59
Shifting gear	86
Shock absorber, Radiator	79
Sight feed, Engine oil	65
Soldering radiator	80
Spark control.....	94
Springs	148
Springs and valves	47
Spring dimensions	149
Starting crank.....	94
Starter switch	89, 93
Steering gear.....	94
Steering gear adjustment.....	95
Steering gear lubrication	29
Steering gear nomenclature	215, 218
Steering knuckle	132
Steering knuckle arms	132
Steering wheel controls.....	94
Switch, Ignition	78
Switch, Starter	89, 93

T

Table of contents	3
Table of weights and outline specifications	9
Tank, Gasoline	68
Throttle, Hand.....	94
Tie rod and yokes	132
Timing gear cover	64
Timing gear, Removal of	64
Timing magneto	73
Timing, Valve	51
Tire pump	127
Tire pump oil trap	128
Top	163
Tool and spare tire brackets	182
Tool box, Running board	171
Tool equipment nomenclature	239
Top assembly	175
Top covering	175
Torsion rods	144
Transmission	109
Transmission countershaft	122
Transmission, Functions of	109
Transmission gears	113
Transmission gear dimensions	120
Transmission gear ratios	118
Transmission gear shift mechanism	122
Transmission lubrication	123
Transmission main drive shaft	119
Transmission nomenclature	221, 223
Transmission, Number of speeds	117
Transmission, Operation of.....	111
Transmission, Removing lower half of	124
Transmission repairs	124
Transmission reverse gear shaft	122
Transmission, Reverse shaft	118
Transmission reverse shifter lever shaft	122
Transmission shafts.....	109
Transmission shaft location	121
Transmission sliding gear shaft	121
Transmission tire pump nomenclature	213
Transoms, Body supporting	182
Turning radius.....	95

U

	Page
Universal joints and propeller shaft	124
Universal joint and propeller shaft nomenclature	225
Universal joints, Construction of	125
Universal joints, Dimensions of	126
Universal joints, Disassembling	126
Universal joints, Function and location of	124
Universal joints, Lubrication of	126

V

Valves and springs	47
Valve gear	47
Valve grinding	49
Valve lifters	48
Valve timing	51

W

Water pump	81
Water pump, To thaw frozen	82
Wheel alignment	153
Wheel bearings	133
Wheels, Front	133
Wheels, Rear	140
Wheel toe in	153
Windshield	180

DECIMAL EQUIVALENTS OF AN *INCH* FOR EACH $\frac{1}{64}$ *INCH*

$\frac{1}{32}$ ds.	$\frac{1}{64}$ ths.	Decimal	Frac- tion.	$\frac{1}{32}$ ds.	$\frac{1}{64}$ ths.	Decimal.	Frac- tion.
	1	.015625			33	.515625	
1	2	.03125		17	34	.53125	
	3	.046875			35	.546875	
2	4	.0625	1-16	18	36	.5625	9-16
	5	.078125			37	.578125	
3	6	.09375		19	38	.59375	
	7	.109375			39	.609375	
4	8	.125	1-8	20	40	.625	5-8
	9	.140625			41	.640625	
5	10	.15625		21	42	.65625	
	11	.171875			43	.671875	
6	12	.1875	3-16	22	44	.6875	11-16
	13	.203125			45	.703125	
7	14	.21875		23	46	.71875	
	15	.234375			47	.734375	
8	16	.25	1-4	24	48	.75	3-4
	17	.265625			49	.765625	
9	18	.28125		25	50	.78125	
	19	.296875			51	.796875	
10	20	.3125	5-16	26	52	.8125	13-16
	21	.328125			53	.828125	
11	22	.34375		27	54	.84375	
	23	.359375			55	.859375	
12	24	.375	3-8	28	56	.875	7-8
	25	.390625			57	.890625	
13	26	.40625		29	58	.90625	
	27	.421875			59	.921875	
14	28	.4375	7-16	30	60	.9375	15-16
	29	.453125			61	.953125	
15	30	.46875		31	62	.96875	
	31	.484375			63	.984375	
16	32	.5	1-2	32	64	1.	1

