

Residual current

Miniature circuit breaker

8562/54-2275-160 Art. No. 214989



- Rated current monitoring and tripping in the event of overcurrent
- Combination of residual current circuit breaker and miniature circuit breaker: Saves space, reduces assembly costs
- Good current limitation in the event of a short circuit

MY R. STAHL 8562C



The R. STAHL Series 8562 residual current circuit breaker with overcurrent release is a residual current circuit breaker and 2-pole switching miniature circuit breaker in one: Triggers in the event of overcurrent and therefore protects the cables in your systems from overload, earth fault and short circuit. The excellent current limiting feature reduces the cable load in the event of a short circuit.

Technical Data

Explosion Protection

Application range (zones)	1 2
IECEX gas certificate	IECEX PTB 06.0062U
IECEX gas explosion protection	Ex de IIC T5 Gb
IECEX firedamp certificate	IECEX PTB 06.0062U
IECEX firedamp protection	Ex de I Mb
ATEX gas certificate	PTB 02 ATEX 1049 U
ATEX gas explosion protection	Ex II 2 G Ex de IIC T5 Gb
ATEX firedamp certificate	PTB 02 ATEX 1049 U
ATEX firedamp protection	Ex I M2 Ex de I Mb
FMus certificate	3033692
cFM certificate	3033692C
cCSA certificate	1850696

Electrical Data

Rated operational voltage AC	133 – 230 V
Rated operational current	16 A (T5)
Rated switching capacity	10 kA
Type of voltage	AC
Rated residual current	0.03 A
Auxiliary contacts	Error signal
Auxiliary contacts 2	1 change-over contact
N-pole present	No
Tripping characteristic	C
No. of poles	2

Mechanical Data

Degree of protection (IP)	IP20
Enclosure material	Epoxy resin

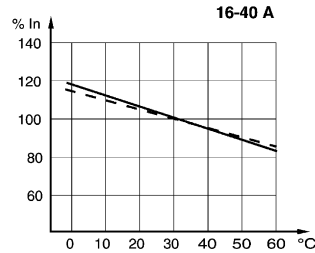
Mechanical Data

Length	156 mm
Depth of cut-out	125 mm
Weight	1.8 kg
Weight	3.97 lb

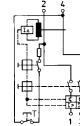
Technical Drawings – Subject to Alterations



Fault signal contact 1 changeover with reset function for fault signal (only for types 8562/54-2465-160-4 and 8562/54-2475-160-4: After the circuit breaker has been activated, the fault-contact can be reset manually)

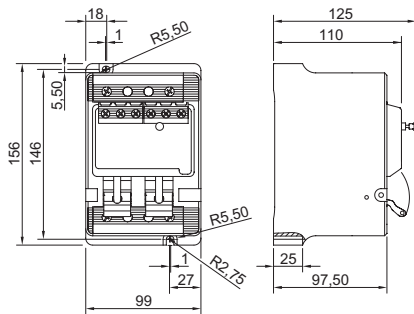


Correction factors for ambient temperatures other than 30 °C



2 pole

Dimensional Drawings (All Dimensions in mm [inches]) – Subject to Alterations



8562/54-....., 2 poles with auxiliary contact

We reserve the right to make alterations to the technical data, dimensions, weights, designs and products available without notice. The illustrations cannot be considered binding.