

ST10 SLUDGE TRANSDUCER



Technical Specifications:

The Pulsar ST10 is an alternative to the very successful VT10 sludge transducer where hazardous area approvals are needed. Certified to ATEX, IECE, UKEX and FM Approvals for Zone 1 & Zone 2 Classified Areas. The ST10 is compatible with the Sludge Finder 2 Controller. For best results this transducer should only be used on non-organic applications. Please consult Pulsar with regards to your application when applying this transducer..

TRANSDUCER SPECIFIC

Model:	ST10 Transducer
Dimensions:	78 (D) X 145 (H) mm (3.07 x 5.71in)
Diameter Face:	41 mm (1.61 in)
Weight:	1.1 kg (2.4 lb)
Measurement Range:	0.3 - 10 m (0.98 - 33 ft)
Frequency:	680 kHz
Beam Angle:	<10°

PHYSICAL

Sensor Body Material:	PVDF
Cable Lengths:	Standard - 10 m (32.8 ft) Optional - Up to 500 m (1640 ft) maximum. Increments of 10m / 32.8 ft only
Max Separation:	500 m (1,640 ft)
Mounting Connection:	1" NPT or BSP

ENVIRONMENTAL

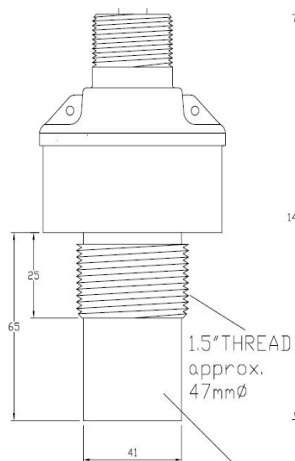
Enclosure Protection:	IP68 / NEMA 6P
Min and Max Temperature (electronics):	Hazardous Area: -40°C to +75°C (-40°F to +167°F)

APPROVALS

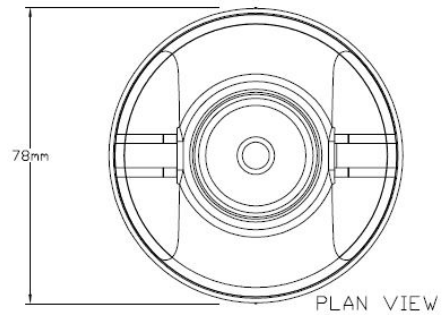
CE Approval:	2014/30/EU - EMC & 2014/34/EU ATEX Directives. Standards applied: EN 60079-0:2012+A11:2013 / EN 60079-18:2015 +A1:2017 / EN 61326-1:2013
Hazardous Area Approvals:	Ex II 2 G Ex mb IIC T6 Gb / II 2 D Ex mb IIIC T85°C Db IS, S, IPA. Class I Div.1, Groups A,B,C,D, Class II Div.1, Groups E,F,G, Class III, Div.1.

PERFORMANCE

Accuracy:	0.25% or 6 mm (0.24 in) whichever is greater
Resolution:	0.01% or 2 mm (0.08 in) whichever is greater



ST10 Side on Drawing



ST10 Brigs Eye View Drawing

Delivering the Measure of Possibility

Pulsar Measurement offers worldwide professional support for all of our products, and our network of global partners all offer full support and training. Our facilities in Malvern, UK and Largo, USA are home to technical support teams who are always available to answer your call or attend your site when required. Our global presence, with direct offices in the UK, USA, Canada, and Malaysia, allows us to create close relationships with our customers and provide service, support, training, and information throughout the lifetime of your product.

By taking a step forward in echo processing technology, Pulsar Measurement addresses applications previously thought to be beyond the scope of ultrasonic measurement. This technology improves signal processing at the transducer head which has made it possible to increase resistance to electrical noise, enabling the transducer to 'zone in' on the true echo.

For more information, please visit our website:

www.pulsarmeasurement.com



INFO@PULSARMEASUREMENT.COM

Pulsar Measurement is a trading name of Pulsar Process Measurement Ltd.

*Copyright © 2021 Pulsar Measurement
Registered Address: 1 Chamberlain Square CS, Birmingham B3 3AX
Registered No.: 3345604 England & Wales*

United States
+1 888-473-9546

Asia
+60 102 591 332

Canada
+1 855-300-9151

Oceania
+61 428 692 274

United Kingdom
+44 (0) 1684 891371

pulsarmeasurement.com