

PRODUCT  
CATALOG  
JAN 2024

 ProTeam.

# Game Changing Innovation

1983	First lightweight backpack vacuum developed in Larry Shideler's garage out of PVC pipe
1987	ProTeam opens manufacturing plant in Boise, Idaho & implements Cleaning for Health®
1990	ProTeam introduces Four Level® Filtration - an improved approach to vacuum cleaner filtration
1991	ProTeam introduces Team Cleaning® seminars — an organized system to improve productivity, efficiency, quality and safety of cleaning programs
2002	ProTeam offers exclusive partnership with the American Lung Association
2003	ProTeam introduces the first battery powered backpack to the commercial marketplace
2009	ProTeam becomes part of the globally operating Emerson Professional Tools platform
2010	ProTeam introduces a new line, the ProGuard Wet / Dry Vacuums
2012	ProTeam launches the next generation in cleaning comfort, the Super Coach Pro Series
2014	ProTeam launches ProTeam University, ProGen 12 / 15 units, & improves GoFree Flex Pro battery
2016	ProTeam launches new website
2017	ProTeam improves GoFree® Flex Pro battery vacuum with longest runtime in the market
2018	ProTeam launches FlexFit® Comfort Harness
2019	ProTeam launches FreeFlex® cordless / corded upright vacuum
2020	ProTeam launches GoFree Flex Pro II battery vacuum
2022	ProTeam launches the GoFit Series vacuums
2024	ProTeam releases the GoFit Cordless Series— a lineup of battery-operated backpack vacuums



## Partners in Indoor Air Quality Education

 American Lung Association	 NATIONAL PROUD PARTNER
We Support Healthy Air   Lung.org	

ProTeam is a proud partner of the American Lung Association. Together, we fight for clean indoor air so that we all can breathe easier. We spend the majority of our time indoors, so breathing healthy air where we live, work and play is critical.

ProTeam is committed to developing innovative cleaning technologies to address indoor air quality concerns and supporting the American Lung Association in their strategic imperative to improve the air we breathe.

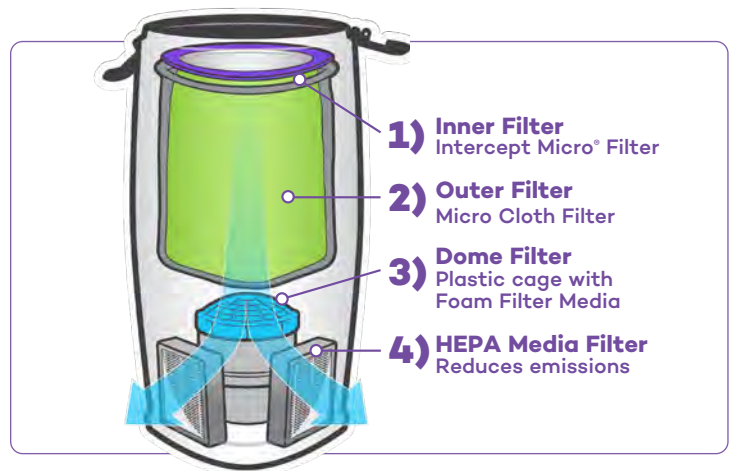
For more information on indoor air quality, call **1-800-LUNG-USA** or visit **Lung.org**.

*\*The American Lung Association does not endorse product, device or service.*

## Cleaning for Health®

### Improved Air Quality

ProTeam vacuums retrieve soil and safely contain harmful particles within a ProLevel Filtration® System, featuring multiple levels of filters, preventing them from being reintroduced back into the environment.



### Filtration

ProLevel Filtration technology better captures microscopic dust that may harm health and trigger asthma or allergies. Most ProTeam vacuums have Four Levels of Filtration, each level designed to sift out smaller and smaller particles. The Intercept Micro® Filter is the first line of defense.

The GoFit Series, Super Coach Pro Series, and GoFree Flex Pro II have a revolutionary filtration system to reduce emissions. Easy-access, post-motor filter made from HEPA Media, capture and contain microscopic particulates and carbon dust.

The New GoFit Cordless Series features a brushless motor and therefore doesn't need an exhaust filter to capture carbon dust. These vacuums include an Intercept Micro Filter, Micro Cloth filter and a Dome Filter with HEPA Media.

The unique ProTeam method of suction-vacuuming cleans carpets, hard floors, and their surfaces without stirring up dust – so the air stays cleaner, the furniture collects less dust, and operators can work without breathing unhealthy air.



# Table Of Contents

## ProTeam Products:

GoFit 10	2
GoFit 6 / 6 PLUS	3
GoFit 3	4
GoFit 3 Cordless	5
GoFit 6 Cordless	6
GoFree Flex Pro II	7
Super Coach Pro® 10	8
Super Coach Pro 6	9
ProGen® 12 / 15	10
ProForce® 1200XP / 1500XP	11
LineVacer HEPA / ULPA	12
ProVac FS 6	13
ProBlitz® AirMover	14
ProGuard 4 Portable	15
ProGuard 10	16
ProGuard 16 MD	16
ProGuard 15 / 20	17
Attachment Kits	18-20
Wands	21
Individual Attachments	22-24
Filters	25-26
Batteries & Chargers	26
Point-of-Purchase Items	27
Accessories	27
Replacement Parts	28

## ProTeam Parts Lists:

GoFit 3, 6, 6 PLUS, 10 Parts	29
GoFit 3 Cordless / GoFit 6 Cordless Parts	30
Super Coach Pro 10 / Super Coach Pro 6 / ProVac FS 6 Parts	31
Super CoachVac Parts	32
Super QuarterVac Parts	33
MegaVac Parts	34
GoFree Flex Pro II Parts	35
ProGen 12 / 15 Parts	36-37
ProForce 1500XP / 1200XP Parts	38-39
LineVacer Parts	40
ProBlitz AirMover Parts / ProGuard 4 Portable Parts	41
ProGuard 4 Parts	41
ProGuard 10 Parts	42
ProGuard 16 MD Parts	42
ProGuard 15 / 20 Parts	43
Parts Index	44-48
Product Warranty	49
Sales Representatives	Back Cover



## Pricing and Specifications

Prices effective 1/1/2024. All specifications and offers are in effect at the time of printing and are subject to change without notice. Performance calculation specs are based on average motor specs or average vacuum system performance. See individual product page for reference. Sound testing based on ASTM F1334-14.

## Warranty Info

Most ProTeam products carry an unmatched limited 3 year parts, labor and motor warranty. Limited lifetime warranty on molded body parts for backpack vacuums. Please see page 64 for complete warranty details. Battery products and specialty wet/dry vacuums excluded, refer to individual products.

## ProTeam products made from HEPA media fall under different product categories:

### Triangular Backpacks

The filtration value of ProTeam's ProLevel Filtration® System in this vacuum is achieved by the use of a multi-stage filtration system, including intercept micro filter, micro cloth filter, plastic cage with foam filter, and post-motor filter made from HEPA media, as tested per ASTM F3150.

### GoFit Cordless Backpacks

The filtration value of ProTeam's ProLevel Filtration® System in this vacuum is achieved by the use of a multi-stage filtration system, including intercept micro filter, micro cloth filter and dome filter made from HEPA Media, as tested per ASTM F3150.

### Upright Vacuums

The filtration value of ProTeam's ProLevel Filtration® System in this vacuum is achieved by the use of a multi-stage filtration system, including intercept micro filter, foam filter, and post-motor filter made from HEPA Media, as tested per ASTM F3150.

## Trademarks and Patents

ProTeam, Super Coach Pro, Super CoachVac, LineVacer, ProVac, AviationVac, RunningVac, ProForce, ProGen, QuietPro, GoCartVac, GoFree, Super QuarterVac, FlexFit, Super HalfVac, ProGuard, ProBlitz, Qwik Lock, ProDuster, Cleaning for Health, Four Level, ProLevel Filtration, JetSweep, Intercept Micro, QuietPower, Xover, ProBlade, FreeFlex, GoFit and Team Cleaning are trademarks and registered trademarks of ProTeam, Inc. ManageMen is a registered trademark of ManageMen in the USA. Velcro is a registered trademark of Velcro Industries in the USA.

## Terms and Conditions of Sale

All products listed in this category are sold pursuant to ProTeam, Inc. terms and conditions of sale found at <https://proteam.emerson.com/en-us/terms-of-sale>.



**CERTIFIED  
GOLD**



# ProTeam GoFit® 10

**107688\* GoFit 10 w/Xover Telescoping Wand Kit D (107100)  
\$720**

The GoFit 10-qt combines ProTeam's innovative quick-adjust harness with a large capacity triangular shape capable of capturing sizeable debris. Plus, it provides comfort and ease of use as its weight is evenly distributed. That means, no matter how you move, you'll experience better balance.



## Specifications

Weight:	12.9 lbs. / 5.85 kg.
Motor Airflow:	153 CFM
Static Lift:	91 in.
Motor:	1330 W / 11.7 A
Decibel:	67.2 dBA
Capacity:	10 qt. / 11 L
ProLevel Filtration® w/Four Levels of Filtration:	1372 sq. in. total area

### \*\*ProLevel Filtration System with HEPA Media

Captures 99.86% at 0.3-.5 microns per ASTM F3150

### Limited Warranty

- 3 years parts, labor and motor on vacuum
- Limited lifetime on molded body parts



**NO TOOLS  
REQUIRED**



**ERGONOMIC**



**CLEANING  
FOR HEALTH**

### \*Standard Configuration

14" Xover Floor Tool	3" Dust Brush
Telescoping Wand	17" Crevice Tool
5" Upholstery Tool	

### Related Products

107313 Intercept Micro® Filters, 10/pk (open collar)	\$27.32
107680 Intercept Micro Filters, 10/pk (closed collar)	38.00

### Optional Configurations

107689 w/Xover® Two-Piece Wand Tool Kit B (107098)	\$720
107690 w/ProBlade® Carpet Floor Tool Kit (107530)	720
107691 w/ProBlade Carpet and Hard Surface Floor Tool Kit (107532)	795
107692 w/15" Carpet Sidewinder® Kit A (106820)	740
107693 w/18" Carpet Sidewinder Kit B (106841)	765
107694 w/15" Carpet and Hard Surface Sidewinder Kit C (107463)	805
107695 w/Remediation Kit (107466)	785
107735 w/Xover Performance Telescoping Wand Tool Kit C (107099)	720
107751 w/Two-Piece Wand (101338) and Xover Tool (107016)	695
107752 w/Telescoping Wand (107628) and Xover Tool (107016)	700

\*\*The filtration value of ProTeam's ProLevel Filtration System in this vacuum is achieved by the use of a multi-stage filtration system, including intercept micro filter, micro cloth filter, plastic cage with foam filter, and post-motor filter made from HEPA media, as tested per ASTM F3150. Specification calculations are based on average motor performance.





**CERTIFIED GOLD**



GoFit 6

GoFit 6 PLUS



**ERGONOMIC**



**QUICK ADJUST HARNESS**



**FILTER INDICATOR LIGHT**

\*GoFit 6 PLUS Only

### \*Standard Configuration

14" Xover Floor Tool	3" Dust Brush
Telescoping Wand	17" Crevice Tool
5" Upholstery Tool	

### Related Products

107314 Intercept Micro® Filters, 10/pk (open collar)	\$22.58
107374 Intercept Micro Filters, 10/pk (closed collar)	28.59

### GoFit 6 Optional Configurations

107697 w/Xover® Two-Piece Wand Tool Kit B (107098)	\$710
107698 w/ProBlade® Carpet Floor Tool Kit (107530)	710
107699 w/ProBlade Carpet and Hard Surface Floor Tool Kit (107532)	785
107700 w/15" Carpet Sidewinder® Kit A (106820)	725
107701 w/18" Carpet Sidewinder Kit B (106841)	755
107702 w/15" Carpet and Hard Surface Sidewinder Kit C (107463)	795
107703 w/Remediation Kit (107466)	775
107704 w/Pest Management Tool Kit (103439)	935
107736 w/Xover Performance Telescoping Wand Tool Kit C (107099)	710
107749 w/Two-Piece Wand (101338) and Xover Tool (107016)	685
107750 w/Telescoping Wand (107628) and Xover Tool (107016)	690

### GoFit 6 PLUS Optional Configurations

107706 w/Xover Two-Piece Wand Tool Kit B (107098)	\$750
107707 w/ProBlade Carpet Floor Tool Kit (107530)	750
107708 w/ProBlade Carpet and Hard Surface Floor Tool Kit (107532)	825
107709 w/15" Carpet Sidewinder Kit A (106820)	770
107710 w/18" Carpet Sidewinder Kit B (106841)	795
107711 w/15" Carpet and Hard Surface Sidewinder Kit C (107463)	835
107712 w/Remediation Kit (107466)	815
107737 w/Xover Performance Telescoping Wand Tool Kit C (107099)	750

# ProTeam GoFit® 6 / GoFit 6 PLUS

107696\* GoFit 6 w/Xover Telescoping Wand Kit D (107100)

**\$710**

107705\* GoFit 6 PLUS w/Xover Telescoping Wand Kit D (107100)

**\$750**

ProTeam's commercial backpack vacuum products include the GoFit 6 and the GoFit 6 PLUS. Both offer unparalleled productivity and comfort experienced in the quick-adjust harness and high-level filtration. And, unique to the 6 PLUS is a filter change indicator light that shows when there's a clog or when the filter needs to be checked/changed.



### Specifications

Weight:	12 lbs. / 5.44 kg.
Motor Airflow:	153 CFM
Static Lift:	91 in.
Motor:	1330 W / 11.7 A
Decibel:	67.9 dBA
Capacity:	6 qt. / 6.6 L
ProLevel Filtration® w/Four Levels of Filtration:	1054 sq. in. total area

### \*\*ProLevel Filtration System with HEPA Media

Captures 99.82% at 0.3-.5 microns per ASTM F3150

### Limited Warranty

- 3 years parts, labor and motor on vacuum
- Limited lifetime on molded body parts

\*\*The filtration value of ProTeam's ProLevel Filtration System in this vacuum is achieved by the use of a multi-stage filtration system, including intercept micro filter, micro cloth filter, plastic cage with foam filter, and post-motor filter made from HEPA media, as tested per ASTM F3150. Specification calculations are based on average motor performance.



**CERTIFIED GOLD**



# ProTeam GoFit® 3

## 107713\* GoFit 3 w/Xover Telescoping Wand Kit D (107100) **\$700**

Packed with the same power and efficiency, the GoFit 3-qt delivers big power for those with a smaller frame. This cleaning solution tool is also perfect for those new to commercial backpack vacuums. And, get a customized fit with the vacuum's new quick-adjust harness, making it easy to adjust the height to personalized needs.



### Specifications

Weight:	11.4 lbs. / 5.17 kg.
Motor Airflow:	153 CFM
Static Lift:	91 in.
Motor:	1330 W / 11.7 A
Decibel:	68 dBA
Capacity:	3 qt. / 3.3 L
ProLevel Filtration® w/Four Levels of Filtration:	863.8 sq. in. total area

### \*\*ProLevel Filtration System with HEPA Media

Captures 99.79% at 0.3-.5 microns per ASTM F3150

### Limited Warranty

- 3 years parts, labor and motor on vacuum
- Limited lifetime on molded body parts



**ERGONOMIC**



**CLEANING FOR HEALTH**



**EASY MAINTENANCE**

### \*Standard Configuration

14" Xover Floor Tool	3" Dust Brush
Telescoping Wand	17" Crevice Tool
5" Upholstery Tool	

### Related Products

107666 Intercept Micro® Filters, 10/pk (open collar)	\$19.67
107667 Intercept Micro Filters, 10/pk (closed collar)	26.80

### GoFit 3 Optional Configurations

107714 w/Xover® Two-Piece Wand Tool Kit B (107098)	\$700
107715 w/ProBlade® Carpet Floor Tool Kit (107530)	700
107716 w/ProBlade Carpet and Hard Surface Floor Tool Kit (107532)	775
107726 w/Restaurant Kit (100727)	715
107738 w/Xover Performance Telescoping Wand Tool Kit C (107099)	700
107747 w/Two-Piece Wand (101338) and Xover Tool (107016)	675
107748 w/Telescoping Wand (107628) and Xover Tool (107016)	680

\*\*The filtration value of ProTeam's ProLevel Filtration System in this vacuum is achieved by the use of a multi-stage filtration system, including intercept micro filter, micro cloth filter, plastic cage with foam filter, and post-motor filter made from HEPA media, as tested per ASTM F3150. Specification calculations are based on average motor performance.



**CERTIFIED  
SILVER**



# NEW ProTeam GoFit® 3 Cordless

## 107778 GoFit 3 Cordless 8Ah w/Xover Telescoping Wand Kit D (107100) **\$1,790**

Introducing the new GoFit 3 Cordless backpack vacuum, which offers cordless efficiency, long run times and a personalized fit. As the smallest unit engineered by ProTeam, it delivers the same high performance and suction as its larger model. The 3-quart's advanced filtration combined with the quick-adjust 4-step harness system ensures cleaning sessions are efficient and comfortable. Additionally, professional cleaners can choose to use either the 4Ah or 8Ah battery option with the GoFit 3 Cordless unit.



### Specifications

Weight:	12.8 lbs. / 5.8 kg. (w/ 4Ah) 15.7 lbs. / 7.1 kg. (w/ 8Ah)
Motor Airflow:	65 CFM (low)   70 CFM (high)
Static Lift:	55 in. (low)   63 in. (high)
Motor:	54 VDC / 240 W (low)   310 W (high)
Decibel:	63 dBA (low)   66 dBA (high)
Capacity:	3 qt. / 3.3 L
Battery:	Lithium Ion, 4Ah / 8Ah
ProLevel Filtration® w/Three Levels of Filtration:	777 sq. in. total area
Approximate Runtime:	4Ah Battery: 51 min. (low)   39 min. (high) 8Ah Battery: 106 min. (low)   83 min. (high)
Approximate Full Charge Time:	4Ah Battery: 61 min.   8Ah Battery: 101 min.
Minimum Charge Cycles:	1000



**CORDLESS**



**ERGONOMIC**



**LONG  
RUN TIME**

### \*Standard Configuration

14" Xover Floor Tool	3" Dust Brush
Telescoping Wand	17" Crevice Tool
5" Upholstery Tool	

### Related Products

107666 Intercept Micro® Filters, 10/pk (open collar)	\$19.67
107667 Intercept Micro Filters, 10/pk (closed collar)	26.80
107683 GoFit Cordless 4Ah Battery	580
107684 GoFit Cordless 8Ah Battery	925
107685 GoFit Cordless Battery Charger	350

### Limited Warranty

- 3 years parts and labor, 2 years motor, battery and charger
- Limited lifetime on molded body parts

### Optional Configurations

107774 4Ah w/Xover® Telescoping Wand Kit D (107100)	\$ 1,500
107775 4Ah w/Xover Two-Piece Wand Kit (107098)	1,500
107776 4Ah w/ProBlade® Carpet and Hard Surface Floor Tool Kit (107532)	1,575
107777 8Ah w/Aviation 1.5" Tool Kit (106502)	1,525
107779 8Ah w/Xover Two-Piece Wand Kit (107098)	1,790
107780 8Ah w/ProBlade Carpet and Hard Surface Floor Tool Kit (107532)	1,865





**CERTIFIED SILVER**



# NEW ProTeam GoFit® 6 Cordless

## 107786 GoFit 6 Cordless 8Ah w/Xover Telescoping Wand Kit D (107100) **\$1,880**

The new GoFit Cordless Series includes the 6-qt. ideal for those individuals needing to tackle larger cleaning challenges, this battery-operated backpack allows individuals to work quickly and efficiently free from the restrictions of cords and power outlets. Cleaning professionals can also comfortably complete their tasks with the help of long run times and a customized quick-adjust 4-step FlexFit® harness system. Additionally, end-users can use interchangeably the 4Ah or 8Ah batteries with the GoFit 6 Cordless.



### Specifications

Weight:	13.5 lbs. / 6.1 kg. (w/ 4Ah) 16.4 lbs. / 7.4 kg. (w/ 8Ah)
Motor Airflow:	65 CFM (low)   70 CFM (high)
Static Lift:	55 in. (low)   63 in. (high)
Motor:	54 VDC / 240 W (low)   310 W (high)
Decibel:	65 dBA (low)   67 dBA (high)
Capacity:	6 qt. / 6.6 L
Battery:	Lithium Ion, 4Ah / 8Ah
ProLevel Filtration® w/Three Levels of Filtration:	967 sq. in. total area
Approximate Runtime:	4Ah Battery: 51 min. (low)   39 min. (high) 8Ah Battery: 106 min. (low)   83 min. (high)
Approximate Full Charge Time:	4Ah Battery: 61 min.   8Ah Battery: 101 min.
Minimum Charge Cycles:	1000



**CORDLESS**



**ERGONOMIC**



**LONG RUN TIME**

### \*Standard Configuration

14" Xover Floor Tool	3" Dust Brush
Telescoping Wand	17" Crevice Tool
5" Upholstery Tool	

### Related Products

107314 Intercept Micro® Filters, 10/pk (open collar)	\$22.58
107374 Intercept Micro Filters, 10/pk (closed collar)	28.59
107683 GoFit Cordless 4Ah Battery	580
107684 GoFit Cordless 8Ah Battery	925
107685 GoFit Cordless Battery Charger	350

### Limited Warranty

- 3 years parts and labor, 2 years motor, battery and charger
- Limited lifetime on molded body parts

### Optional Configurations

107782 4Ah w/Xover® Telescoping Wand Kit D (107100)	\$1,600
107783 4Ah w/Xover Two-Piece Wand Kit (107098)	1,600
107784 4Ah w/ProBlade® Carpet and Hard Surface Floor Tool Kit (107532)	1,675
107787 8Ah w/Xover Two-Piece Wand Kit (107098)	1,880
107788 8Ah w/ProBlade Carpet and Hard Surface Floor Tool Kit (107532)	1,955
107795 8Ah w/Xover Performance Telescoping Wand Tool Kit C (107099)	1,880





**CERTIFIED  
BRONZE**



**CORDLESS**



**HIGH/LOW  
POWER  
SWITCH**



**LONG  
RUN TIME**

### \*Standard Configuration

14" Xover Floor Tool	3" Dust Brush
Telescoping Wand	17" Crevice Tool
5" Upholstery Tool	

### Related Products

107314	Intercept Micro® Filters, 10/pk (open collar)	\$22.58
107374	Intercept Micro Filters, 10/pk (closed collar)	28.59
107724	12Ah Replacement Battery	1,197.00
107516	Battery Charger	293.79

# ProTeam GoFree® Flex Pro II

**107644\* GoFree Flex Pro II 12Ah w/  
Xover Telescoping Wand Tool Kit D (107100) \$2,100**

With a high/low power switch, the GoFree Flex Pro II brings greater versatility and options to professional cleaners. By cleaning at a rate 30% faster than a corded backpack and 5x faster than an upright vacuum, the GoFree Flex Pro II will save time and money. Eliminate safety and tripping concerns when going cordless.



### Specifications

Weight:	17.5 lbs. / 7.9 kg.
Motor Airflow:	58 CFM (low)   65 CFM (high)
Static Lift:	67 in. (low)   81 in. (high)
Motor:	36 VDC / 240 W (low)   345 W (high)
Decibel:	63.9 dBA (low)   65.9 dBA (high)
Capacity:	6 qt. / 6.6 L
Battery:	Lithium Ion, 12Ah
ProLevel Filtration® w/Four Levels of Filtration:	1054 sq. in. total area
Approximate Runtime:	106 mins. (low)   75 mins. (high)
Approximate Full Charge Time:	3 hrs.
Minimum Charge Cycles:	1000

### \*\*ProLevel Filtration System with HEPA Media

Captures 99.72% at 0.3-.5 microns per ASTM F3150

### Limited Warranty

- 3 years parts and labor, 2 years motor, battery and charger
- Limited lifetime on molded body parts

### Optional Configurations

107645	12Ah w/ProBlade® Carpet and Hard Surface Floor Tool Kit (107532)	\$2,165
107650	12Ah w/Xover Two-Piece Wand Tool Kit B (107098)	2,100
107681	12Ah w/Xover Telescoping Wand Kit and 101613 Tool (107100)	2,200
107796	12Ah w/Xover Performance Telescoping Wand Kit (107099)	2,100

**All vacuums purchased in kit configurations include battery and charger.**

\*\*The filtration value of ProTeam's ProLevel Filtration System in this vacuum is achieved by the use of a multi-stage filtration system, including intercept micro filter, micro cloth filter, plastic cage with foam filter, and post-motor filter made from HEPA media, as tested per ASTM F3150. Specification calculations are based on average motor performance.



**CERTIFIED GOLD**



# ProTeam Super Coach Pro® 10

**107303\* Super Coach Pro 10 w/  
Xover Telescoping Wand Tool Kit D (107100)**  
**\$720**

A productive large capacity triangular shape vacuum combined with ProTeam's innovative articulating harness provides a backpack vacuum that feels more like a part of your body providing comfort and cleaning with ease. The weight of the backpack is distributed to the natural center of gravity, so you have better balance no matter how you move.



## Specifications

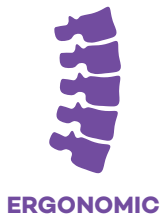
Weight:	12.5 lbs. / 5.67 kg.
Motor Airflow:	153 CFM
Static Lift:	91 in.
Motor:	1108 W / 9.5 A
Decibel:	69.7 dBA
Capacity:	10 qt. / 11 L
ProLevel Filtration® w/Four Levels of Filtration:	1372 sq. in. total area

### \*\*ProLevel Filtration System with HEPA Media

Captures 99.84% at 0.3-.5 microns per ASTM F3150

### Limited Warranty

- 3 years parts, labor and motor on vacuum
- Limited lifetime on molded body parts



**ERGONOMIC**



**LARGE CAPACITY**



**SAVES TIME**

## \*Standard Configuration

14" Xover Floor Tool	3" Dust Brush
Telescoping Wand	17" Crevice Tool
5" Upholstery Tool	

## Related Products

107313	Intercept Micro® Filters, 10/pk (open collar)	\$27.32
107680	Intercept Micro Filters, 10/pk (closed collar)	38.00

\*\*The filtration value of ProTeam's ProLevel Filtration System in this vacuum is achieved by the use of a multi-stage filtration system, including intercept micro filter, micro cloth filter, plastic cage with foam filter, and post-motor filter made from HEPA media, as tested per ASTM F3150. Specification calculations are based on average motor performance.

## Optional Configurations

107304	w/Xover® Two-Piece Wand Tool Kit B (107098)	\$720
107305	w/Xover Performance Telescoping Wand Tool Kit C (107099)	720
107306	w/Hard Surface Flooring Kit A (101829)	740
107338	w/Hard Surface Flooring Kit B (107336)	740
107339	w/Hard Surface Flooring Kit C (105889)	740
107340	w/15" Carpet Sidewinder® Kit A (106820)	740
107341	w/18" Carpet Sidewinder Kit B (106841)	765
107342	w/Hard Surface Flooring Kit D (105891)	740
107465	w/Carpet and Hard Surface Sidewinder Kit C (107463)	805
107468	w/Remediation Kit (107466)	785
107536	w/ProBlade® Carpet Floor Tool Kit (107530)	720
107537	w/ProBlade Hard Surface Floor Tool Kit (107531)	740
107538	w/ProBlade Carpet and Hard Surface Floor Tool Kit (107532)	795
107744	w/Two-Piece Wand (101338) and Xover Tool (107016)	695
107745	w/Telescoping Wand (107628) and Xover Tool (107016)	700



**CERTIFIED  
GOLD**

# ProTeam Super Coach Pro® 6

## 107310\* Super Coach Pro 6 w/ Xover Telescoping Wand Tool Kit D (107100) **\$710**

The Super Coach Pro 6 commercial backpack vacuum delivers unsurpassed power in an ergonomic, lightweight and comfortable frame. With a smaller footprint, it's easy to maneuver in tight spaces. Easy access post motor filter made from HEPA Media captures and contains microscopic particulates and carbon dust.



### Specifications

Weight:	11.8 lbs. / 5.35 kg.
Motor Airflow:	153 CFM
Static Lift:	91 in.
Motor:	1108 W / 9.5 A
Decibel:	69.7 dBA
Capacity:	6 qt. / 6.6 L
ProLevel Filtration® w/Four Levels of Filtration:	1054 sq. in. total area

### \*\*ProLevel Filtration System with HEPA Media

Captures 99.63% at 0.3-.5 microns per ASTM F3150

### Limited Warranty

- 3 years parts, labor and motor on vacuum
- Limited lifetime on molded body parts



**CLEANING  
FOR HEALTH**



**COST OF  
OWNERSHIP**



**SAVES TIME**

### \*Standard Configuration

14" Xover Floor Tool	3" Dust Brush
Telescoping Wand	17" Crevice Tool
5" Upholstery Tool	

### Related Products

107314	Intercept Micro® Filters, 10/pk (open collar)	\$22.58
107374	Intercept Micro Filters, 10/pk (closed collar)	28.59

\*\*The filtration value of ProTeam's ProLevel Filtration System in this vacuum is achieved by the use of a multi-stage filtration system, including intercept micro filter, micro cloth filter, plastic cage with foam filter, and post-motor filter made from HEPA media, as tested per ASTM F3150. Specification calculations are based on average motor performance.

### Optional Configurations

107308	w/Xover® Two-Piece Tool Kit B (107098)	\$710
107307	w/Xover Performance Telescoping Wand Tool Kit C (107099)	710
107309	w/Hard Surface Floor Kit A (101829)	730
107343	w/15" Carpet Sidewinder® Kit A (106820)	730
107344	w/18" Carpet Sidewinder Kit B (106841)	755
107371	w/Pest Control Kit (103439)	935
107464	w/Carpet and Hard Surface Sidewinder Kit C (107463)	795
107467	w/Remediation Kit (107466)	775
107497	w/Xover Kit (107100), 20" Tool & Vac Station	850
107533	w/ProBlade® Carpet Floor Tool Kit (107530)	710
107534	w/ProBlade Hard Surface Floor Tool Kit (107531)	740
107535	w/ProBlade Carpet and Hard Surface Floor Tool Kit (107532)	785
107742	w/Two-Piece Wand (101338) and Xover Tool (107016)	685
107743	w/Telescoping Wand (107628) and Xover Tool (107016)	690





CERTIFIED  
SILVER



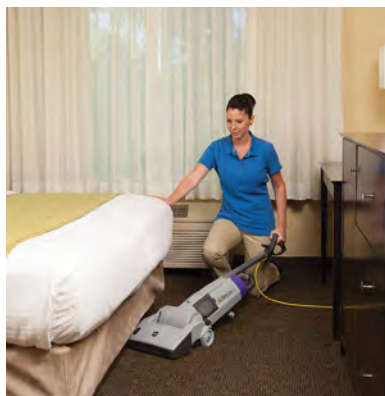
## ProTeam ProGen® 12 / 15

107329 ProGen 12 **\$665**

107330 ProGen 15 **\$745**

The ProGen 12/15 has the added performance and features to make it an instant hit with cleaning professionals. Choose 12" or 15" width for productivity in a variety of applications. The increased maneuverability, animated dashboard display and patented Snap Lock Lid make this an upright like no other.

Ergonomic lightweight handle provides comfortable operation while the quick change cord feature and the user's ability to reach clogs in four easy access points provide quick and easy maintenance.



### Specifications

Weight: **ProGen 12:** 17 lbs. / 7.71 kg. | **ProGen 15:** 18 lbs. / 8.17 kg.

Handle Weight: 2.7 lbs. / 1.22 kg.

Motor Airflow: 100 CFM

Static Lift: 93 in.

Motor: 1100 W / 9.8 A

Decibel: 69 dBA

Capacity: 3.25 qt. / 3 L

ProLevel Filtration® w/Three Levels of Filtration: 236 sq. in. total area

Cord length: **ProGen 12:** 40' | **ProGen 15:** 50'

#### \*ProLevel Filtration System with HEPA Media

- **ProGen 12:** captures 97.44% at 0.3-.5 microns per ASTM F3150
- **ProGen 15:** captures 98.36% at 0.3-.5 microns per ASTM F3150

#### Limited Warranty

- 3 years parts, labor, motor and molded body parts (except for wear items)



EASY TO USE



LAYS FLAT



HANDLE  
WEIGHT

### Related Products

107377 Intercept Micro® Filters, 10/pk

\$25.99

*\*The filtration value of ProTeam's ProLevel Filtration System in this vacuum is achieved by the use of a multi-stage filtration system, including intercept micro filter, micro cloth filter, plastic cage with foam filter, and post-motor filter made from HEPA media, as tested per ASTM F3150. Specification calculations are based on average motor performance.*

# ProTeam ProForce® 1200XP / 1500XP



**CERTIFIED  
BRONZE**



**107251 ProForce 1200XP \$675**  
**107252 ProForce 1500XP \$755**

Our top-of-the-line ProForce uprights have evolved into superior cleaning machines. The ProForce 15" uprights provide exceptional cleaning in a high-filtration upright to improve reach, durability, and Indoor Air Quality. The dual motor system and exhaust filters made from HEPA Media maximize efficiency and effectiveness. The powerful ProForce contains a high-performance dual-motor system and a low profile, L-shaped head perfect for vacuuming under and around furniture.

ProForce 1500XP and ProForce 1200XP models are equipped with premium quality on-board tools including a lightweight plastic wand with a super stretch-hose.

The ProForce 1200XP is designed for advanced versatility allowing the 12" powerhead to reach even smaller spaces.



## Specifications

Weight:	18 lbs. / 8.17 kg.
Handle Weight:	4.7 lbs. / 2.13 kg.
Motor Airflow:	96 CFM
Static Lift:	84 in.
Motor:	924 W Dual Motor / 10 A
Decibel:	67 dBA
Capacity:	3.25 qt. / 3 L
ProLevel Filtration® w/Three Levels of Filtration:	522 sq. in. total media



**HIGH PILE**



**INDOOR  
AIR  
QUALITY**



**LAYS FLAT**

## Related Products

103483 Intercept Micro® Filters, 10/pk \$20.48

## \*ProLevel Filtration System with HEPA Media

- **ProForce 1200XP:** captures 97.33% at 0.3-.5 microns per ASTM F3150
- **ProForce 1500XP:** captures 98.73% at 0.3-.5 microns per ASTM F3150

## Limited Warranty

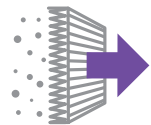
- 3 years parts, labor, motor and molded body parts (except for wear items)
- 2 years on ProForce brush roll motor (104506)

*\*The filtration value of ProTeam's ProLevel Filtration System in this vacuum is achieved by the use of a multi-stage filtration system, including intercept micro filter, micro cloth filter, plastic cage with foam filter, and post-motor filter made from HEPA media, as tested per ASTM F3150. Specification calculations are based on average motor performance.*

# ProTeam LineVacer® HEPA / ULPA

## 100277\* LineVacer HEPA w/ High Filtration Vacuum Tool Kit (100163) **\$1,070**

The ProTeam LineVacer HEPA / ULPA backpack vacuum is equipped with a unique Four Level® Filtration system which utilizes a certified HEPA or ULPA filter as the last filtration stage. The certified HEPA filter is 99.97% efficient at filtering particulates down to 0.3 microns in size and is designed so that all particulate drawn into the vacuum is expelled through the HEPA filter with no air leaking past it. The LineVacer is ideal for applications when clean air in a controlled environment is critical such as cleaning medical facilities, clean rooms and computer labs. This vacuum meets the EPA's definition of a HEPA Vacuum under the Lead Safety Renovation, Repair and Painting Rule (EPA RRP Rule).



HEPA/ULPA



INDOOR  
AIR  
QUALITY



PERFORMANCE

### Specifications

Weight:	13 lbs. / 5.9 kg.
Motor Airflow:	124 CFM
Static Lift:	75 in.
Motor:	744 W / 6.2 A
Decibel:	64 dBA
Capacity:	10 qt. / 11 L
Four Level® Filtration w/HEPA:	2283 sq. in. total area
Four Level Filtration w/ULPA:	3232 sq. in. total area

### HEPA / ULPA Filtration

- HEPA: 99.97% at 0.3 microns
- ULPA: 99.999+% at 0.12 microns

### Limited Warranty

- 3 years parts, labor and motor on vacuum
- Limited lifetime on molded body parts

### \*Standard Configuration

Two-Piece Aluminum Wand w/Button Lock	5" Upholstery Tool
36" One-Bend Bulk Pick-Up Tool	3" Dust Brush
14" Carpet Tool w/Scallops	

### Related Products

100291 Intercept Micro® Filters, 10/pk (closed collar)	\$40.83
--	---------

### Optional Configurations

100280 ULPA w/High Filtration Vacuum Tool Kit (100163)	\$1,290
107141 HEPA w/Xover® Performance Telescoping Wand Tool Kit C (107099)	1,070
107161 HEPA w/Turbo Brush Tool Kit (107162)	1,150
107471 HEPA w/Remediation Tool Kit (107466)	1,140

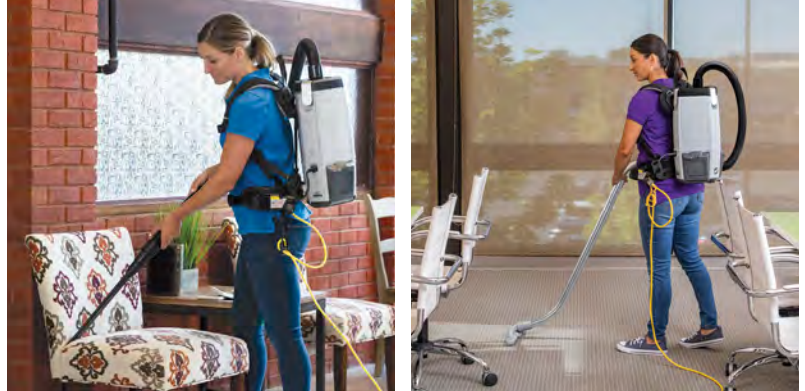
Specification calculations are based on average motor performance.



# ProTeam ProVac® FS 6

107363\* ProVac FS 6 w/Restaurant Tool Kit (100727)  
**\$735**

The ProVac FS 6 is designed specifically to triumph over the demands of the foodservice and hospitality industry. The unit is virtually indestructible – without belts, beater bars or brushes. The ProVac FS 6 rises to any foodservice challenge.



## Specifications

Weight:	11.8 lbs. / 5.35 kg.
Motor Airflow:	153 CFM
Static Lift:	91 in.
Motor:	1108 W / 9.5 A
Decibel:	69.7 dBA
Capacity:	6 qt. / 6.6 L
ProLevel Filtration® w/Four Levels of Filtration:	1054 sq. in. total area

### \*\*ProLevel Filtration System with HEPA Media

Captures 99.63% at 0.3-.5 microns per ASTM F3150

### Limited Warranty

- 3 years parts, labor and motor on vacuum
- Limited lifetime on molded body parts



**ERGONOMIC**



**CLEANING FOR HEALTH**



**EASY MAINTENANCE**

## \*Standard Configuration

14" Hard Floor Tool w/Nylon Brush	14" Carpet Tool w/ Scallops
Two-Piece Aluminum Wand w/Button Lock	5" Upholstery Tool
10-pack Intercept Micro Filters	3" Dust Brush
Extra Micro Cloth Filter	11" Crevice Tool

## Related Products

107314 Intercept Micro® Filters, 10/pk (open collar)	\$22.58
107374 Intercept Micro Filters, 10/pk (closed collar)	28.59

## Optional Configurations

107613 w/ProBlade® Carpet and Hard Surface Floor Tool Kit (107532)	\$805
--	-------

\*\*The filtration value of ProTeam's ProLevel Filtration System in this vacuum is achieved by the use of a multi-stage filtration system, including intercept micro filter, micro cloth filter, plastic cage with foam filter, and post-motor filter made from HEPA media, as tested per ASTM F3150. Specification calculations are based on average motor performance.

# ProTeam ProBlitz®

107132 ProBlitz  
107596 ProBlitz XP

**\$375**  
**\$450**

ProBlitz XP now features daisy chain receptacles where user can connect 2 additional air movers for large area drying. Maximum airflow and low amp draw combine to make the ProBlitz AirMover the first choice for Carpet Cleaners and Restoration Contractors alike. With 3 fan speeds and 3 operating positions, the ProBlitz AirMover tackles every air circulation requirement with ease.



\*ProBlitz XP AirMover shown.

## Specifications

Motor:	.4 HP / 360 Watt / Capacitor	
Amperage:	Low	2.4 A
	Medium	2.7 A
	High	3.0 A
Motor Airflow:	2200 CFM (max)	
Weight:	28 lbs. / 12.7 kg.	
Decibel:	Low	63 dBA
	Medium	65 dBA
	High	66 dBA
Housing:	2-Piece High-Impact Polypropylene w/Built-in Cord Wrap	
Storage:	Vertically stackable and top-mounted carry handle	
Blower Wheel:	High-Impact Polypropylene	
Drying Positions:	Three - 0°, 45° / 60° (XP model only), 90°	
Transportation:	Telescoping handle and wheels (XP model only)	
Power Cord:	ProBlitz - 30'	
	ProBlitz XP - 25'	
Circuit Breaker:	8 amp max (XP model only)	

## Related Products

107300 Carpet Clamp Kit \$77.16

Specification calculations are based on average motor performance.

## Limited Warranty

- 3 years parts, labor and motor on vacuum
- Limited lifetime on molded housing



# ProTeam ProGuard® 4 Portable

107128 ProGuard 4 Portable w/4 Gallon Tool Kit (107184)  
**\$345**

Power and versatility come together in the portable ProGuard 4 Wet / Dry Vacuum. For emergency spills, detail cleaning and portable jobsite maintenance, there's no better choice for true wet / dry vacuum performance in an easy-to-carry package.



## Specifications

Motor:	1080 W / 9.0 A
Motor Airflow:	142 CFM
Static Lift:	51"
Tank Size:	4 gallon / 15.2 L
Weight:	12 lbs. / 5.5 kg.
Decibel:	76 dBA
Fine Dust Cartridge Filter:	903 sq. in.
Power Cord:	20', 18 AWG

## Standard Configuration

- 10' Vacuum Hose
- Two-Piece Wand
- Master Floor Tool
- Carpet Insert
- Hard Surface Insert
- Squeegee Insert
- Crevice Tool
- Dust Brush
- Claw Nozzle

## Related Products

107182 Intercept Micro® Filters, 3/pk	\$23.65
107178 Qwik Lock Fine Dust Cartridge Filter	27.85

## Recommended Applications

- Emergency Spills
- Spot Cleaning
- Jobsite Maintenance
- Flooding
- Day porters

## Limited Warranty

- 3 years on parts and labor
- 1 year on vacuum motor
- Limited lifetime on molded body parts

Specification calculations are based on average motor performance.



# ProTeam ProGuard® 10

107129 ProGuard 10 w/ Wet / Dry Tool Kit (107187)

**\$700**

The ProGuard 10 Wet / Dry Vacuum offers durable construction and powerful performance. With a heavy duty, 2-stage motor and commercial grade tools and hose, the ProGuard 10 will keep working even in the toughest environments.

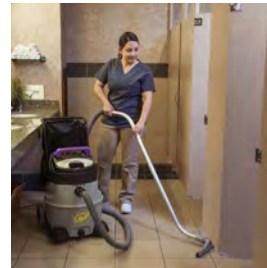


# ProTeam ProGuard® 16 MD

107386 ProGuard 16 MD w/Wet / Dry Tool Kit (107187)

**\$690**

ProTeam's ProGuard 16 MD Wet / Dry Vacuum is an excellent tool for smaller challenges like weather-related messes or bigger ones like capturing dust and debris at construction sites. And, its compact size, removable handle and convenient tool bag allow for easy storage and efficient performance.



## Specifications

Motor Airflow:	105 CFM
Static Lift:	95"
Motor:	1380 W / 9.5 A
ProGuard Filter:	Polypropylene Screen
Fine Dust Cartridge Filter:	1142 sq. in.
Power Cord:	50', 14 AWG

### ProGuard 10

### ProGuard 16

Weight:	28 lbs. / 12.7 kg.	29 lbs. / 13.2kg.
Decibel:	68 dBA	66 dBA
Tank size:	10 gallon / 38 L	16 gallon / 60.6 L

## Related Products

107181	ProGuard 10 Intercept Micro® Filters, 3/pk	\$31.96
107177	Qwik Lock Wet Filter	37.15
107175	Qwik Lock Fine Dust Cartridge Filter	37.15
107176	Qwik Lock Filter made from HEPA Media	46.45

## Standard Configuration

- 10' Vacuum Hose
- Two-Piece Wand
- Nylon Floor Tool
- Carpet Insert
- Squeegee Insert
- Crevice Tool
- Dust Brush

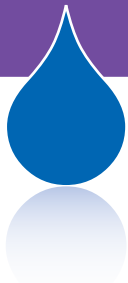
## Limited Warranty

- 3 years parts, labor and motor on vacuum
- Limited lifetime on molded body parts

## Recommended Applications

- Retail
- Emergency/Floor Cleaning
- Hard Floor/Refinishing
- Manufacturing

Specification calculations are based on average motor performance.



# ProTeam ProGuard® 15 / 20

**107359 ProGuard 15 w/107187 Tool Kit & Front Mount Squeegee**

**\$1,265**

**107360 ProGuard 20 w/107187 Tool Kit & Front Mount Squeegee**

**\$1,330**

The ProGuard 15/20 Wet / Dry Vacuums deliver high-powered performance and durability, including intuitive features that make it easier and more convenient to use. These units can help cleaning professionals respond quickly to any challenge big or small. An optional front mount squeegee system saves time, money and energy when stripping floors. Patented wheel configuration allows for increased maneuverability.



*ProGuard 15 Shown without Front Mount Squeegee.*



## Specifications

Motor Airflow:	105 CFM	
Static Lift:	95"	
Motor:	1380 W / 9.5 A	
Decibel:	69 dBA	
ProGuard Filter:	Polypropylene Screen	
Fine Dust Cartridge Filter:	1142 sq. in.	
Power Cord:	50', 14 AWG	
	<b>15</b>	<b>20</b>
Weight:	68 lbs. / 31 kg.	70 lbs. / 32 kg.
Tank size:	15 gallon / 57 L	20 gallon / 76 L

## Limited Warranty

- 3 years parts, labor and motor on vacuum
- Limited lifetime on molded body parts

### \*Standard Configuration

10' Vacuum Hose	Squeegee Tool
Two-Piece Wand	Crevice Tool
Nylon Floor Tool	Dust Brush

### Related Products

107180	Intercept Micro® Filters, 3/pk	\$46.40
107177	Qwik Lock Wet Filter	37.15
107175	Qwik Lock Fine Dust Cartridge Filter	37.15
107176	Qwik Lock Filter made from HEPA Media	46.45

### Optional Configurations

107131	ProGuard 20 w/Wet/Dry Tool Kit (107187) (no squeegee)	\$1,095.00
107130	ProGuard 15 w/Wet/Dry Tool Kit (107187) (no squeegee)	1,025.00
107185	Front Mount Squeegee	292.97

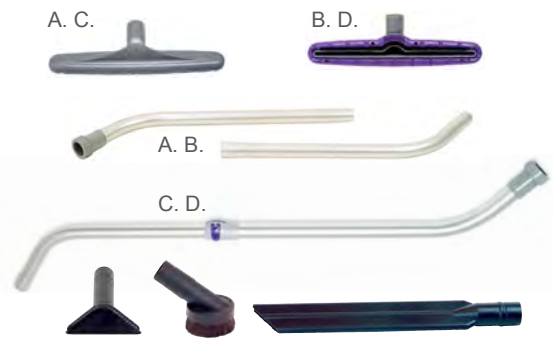
*Specification calculations are based on average motor performance.*

## 14" Xover® Floor Tool 1½" Tool Kits

Part No.	Description	List Price
A. 107097	14" Xover Performance Floor Tool (107015), Two-Piece Wand Kit (101338)	\$137.78
B. 107098	14" Xover Floor Tool (107016), Two-Piece Wand Kit (101338)	137.78
C. 107099	14" Xover Performance Floor Tool (107015), Telescoping Wand Kit (107628)	159.44
D. 107100	14" Xover Floor Tool (107016), Telescoping Wand Kit (107628)	159.44

Each kit contains:

100108	17" Crevice Tool
100110	3" Dust Brush
100115	5" Upholstery Tool



## Carpet Two-Piece 1½" Wand Tool Kit

Part No.	Description	List Price
100078	14" Floor Tool w/Scallops (100147)	\$129.95

Each kit contains:

101338	56" Two-Piece, Two-Bend Aluminum Wand w/Button Lock
100108	17" Crevice Tool
100110	3" Dust Brush
100115	5" Upholstery Tool



## 14" Xover Floor Tool Basic Kits

Part No.	Description	List Price
107753	Telescoping Wand (107628) & Xover Floor Tool (107016)	133.88
107754	Two-Piece Wand (101338) and Xover Floor Tool Kit (107016)	123.17

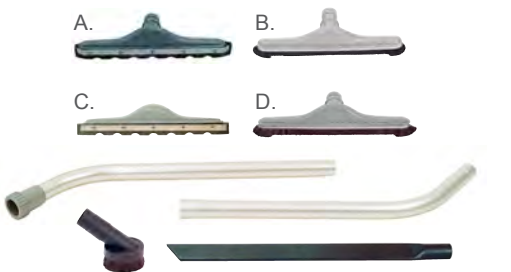


## Hard Surface Two-Piece 1½" Wand Tool Kits

Part No.	Description	List Price
A. 101829	Hard Surface Tool w/Scalloped & Flat Felt Brush (106194)	\$173.32
B. 107336	Hard Surface Tool w/Nylon Brush (100623)	157.95
C. 105889	Hard Surface Tool w/Scalloped Felt Brush (100144)	157.95
D. 105891	Hard Surface Tool w/Nylon & Horse Hair Blend Brush (100614)	157.95

Each kit contains:

101338	56" Two-Piece, Two-Bend Aluminum Wand w/Button Lock
100109PT	28" Crevice Tool
100110	3" Dust Brush



## Pest Management 1¼" Tool Kit

Part No.	Description	List Price
103439	Pest Management Tool Kit	\$286.77

Each kit contains:

102361	17" Straight Plastic Wand	103099	1¼" Adapter Cuff
102399	Vibrating Upholstery Tool	103505	13" Curved Chrome Wand
102663	Mesh Bag	103523	24" Crevice Tool (Flexi-Clean)
102684	Electronic Cleaning Kit	106343	24" to 40" Chrome Telescoping Wand w/But
103089	2½" Dust Brush	106709	10" Multi-Surface Floor Tool

NOTE: Extra 10-pack Intercept Micro Filters included with purchase of SCP 6 (107371) with Integrated Pest Management (IPM) kit.



## Turbo Brush 1¼" Tool Kit

Part No.	Description	List Price
100135	Turbo Brush with Wand	\$201.51

Each kit contains:

100117	11" Turbo Brush Tool
100136	54" One-Bend Chrome Tapered Wand



## Remediation 1½" Tool Kit

Part No.	Description	List Price
107466	Remediation Tool Kit	\$214.07

Each kit contains:

101338	56" Two-Piece, Two-Bend Aluminum Wand w/Button Lock
100110	3" Dust Brush
100115	5" Upholstery Tool
100150	36" One-Bend Bulk Pick-Up Tool
100147	14" Carpet Tool w/Scallops
100623	14" Hard Floor Tool w/Nylon Brush





## Restaurant 1½" Tool Kit

Part No.	Description	List Price
100727	Restaurant Tool Kit	\$173.14

Each kit contains:

101338	56" Two-Piece, Two-Bend Aluminum Wand w/Button Lock	
100147	14" Carpet Tool w/Scallops	
100110	3" Dust Brush	<i>Note: Extra 10-pack Intercept Micro Filters, extra cloth filter included with purchase of ProVac FS 6 (107363) with Restaurant Kit.</i>
100115	5" Upholstery Tool	
100107PT	11" Crevice Tool	
100623	14" Hard Floor Tool w/Nylon Brush	



## Aviation 1½" Tool Kit #1

Part No.	Description	List Price
106502	Aviation Tool Kit	\$185.44

Each kit contains:

100110	3" Dust Brush	100115	5" Upholstery Tool
100108	17" Crevice Tool	100155	12" Aluminum Gulper Floor Tool
106293	49" Aluminum One-Piece, Two-Bend Wand		

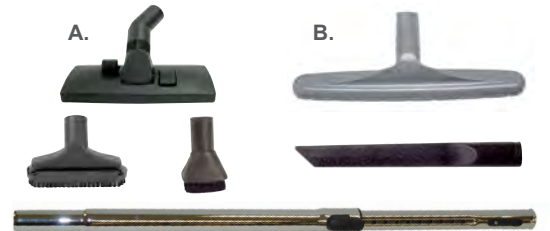


## Multi-Surface 1¼" Tool Kits

Part No.	Description	List Price
A. 104885	10" Multi-Surface Floor Tool (106709)	\$97.82
B. 107290	Xover Performance Floor Tool w/1¼" Connection (107291)	155.76

Each kit contains:

106343	24" to 40" Chrome Telescoping Wand w/Button Lock
103086	13" Crevice Tool
103087	5½" Upholstery Tool w/Removable Brush (103088)
103089	2½" Dust Brush, Rectangular 90/180° Swivel

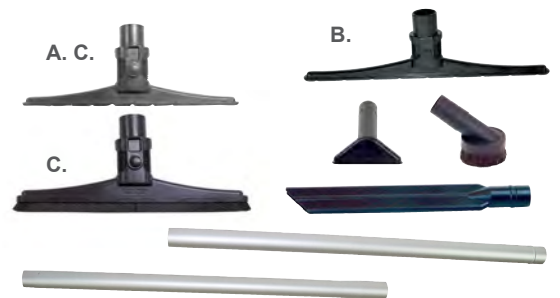


## Sidewinder 1½" Tool Kits

Part No.	Description	List Price
A. 106820	15" Carpet Sidewinder Tool (106245)	\$162.41
B. 106841	18" Carpet Sidewinder Tool (105691)	177.17
C. 107463	15" Carpet Sidewinder Tool (106245) and 15" Hard Surface Sidewinder Tool (106246)	236.21

Each kit contains:

105693	59" Two-Piece Friction-Fit Straight Aluminum Wand	100110	3" Dust Brush
100108	17" Crevice Tool	100115	5" Upholstery Tool

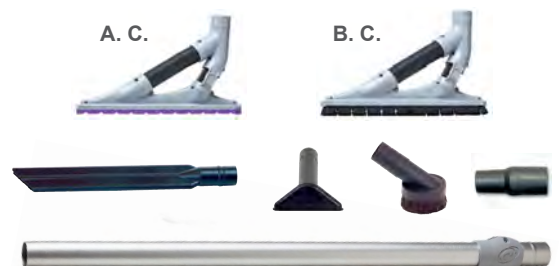


## ProBlade 1½" Tool Kits

Part No.	Description	List Price
A. 107530	ProBlade Carpet Tool (107527)	\$155.02
B. 107531	ProBlade Hard Surface Tool (107528)	169.76
C. 107532	ProBlade Carpet Tool (107527) and ProBlade Hard Surface Tool (107528)	228.82

Each kit contains:

107529	Telescoping Wand	100115	5" Upholstery Tool
100108	17" Crevice Tool	103122	Cuff Adapter
100110	3" Dust Brush		



## High Dusting 1½" Tool Kits

Part No.	Description	List Price
A. 107598	Straight Wand High Dusting Kit (includes: 1-3)	\$167.94
B. 107599	High Dusting Kit w/ProBlade Hard Surface Tool (includes 1-4)	235.26
C. 107600	High Dusting Curved Wand Kit (includes: 5-7)	137.12
D. 107601	Deluxe Straight and Curved Wand High Dusting Kit (includes: 1-7)	330.26

Kits contains:

1. Mesh Storage Bag (not sold separately)
2. Three-Piece Straight Friction Fit Aluminum Wands (not sold separately)
3. Straight Friction Fit Aluminum Wand with Hose Connection Ridge (not sold separately)
4. ProBlade Hard Surface Floor Tool (107528)
5. 45° Bend Wand (not sold separately)
6. 135° Bend Wand (not sold separately)
7. Wand Adapter (842300)



## LineVacer 1½" Turbo Brush Tool Kit

Part No.	Description	List Price
107162	1½" Turbo Brush Friction-Fit Wand Tool Kit	\$232.43

Each kit contains:

102266	Two-Piece, One-Bend, Friction-Fit Wand	100115	5" Upholstery Tool
103608	1½" Turbo Floor Tool	100110	3" Dust Brush
100108	17" Crevice Tool		



## High Filtration Vacuum 1½" Tool Kit

Part No.	Description	List Price
100163	High Filtration Tool Kit	\$148.43

Each kit contains:

101338	56" Two-Piece, Two-Bend Aluminum Wand w/Button Lock
100147	14" Carpet Tool w/Scallops
100110	3" Dust Brush
100115	5" Upholstery Tool
100150	36" One-Bend Bulk Pick-Up Tool

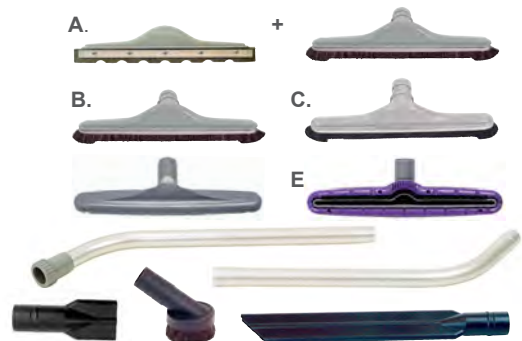


## MegaVac 1½" Blower Tool Kits

Part No.	Description	List Price
A. 106984	Hard Surface Tool w/Scalloped Felt Brush (100144) and Hard Surface Tool w/Nylon & Horse Hair Blend Brush (100614)	\$208.50
B. 106986	Hard Surface Tool w/Nylon & Horse Hair Blend Brush (100614)	156.54
C. 107337	Hard Surface Tool w/Nylon Brush (100623)	137.78
D. 107160	Xover Performance Floor Tool (107015)	137.78
E. 107159	Xover Floor Tool (107016)	137.78

Each kit contains:

101338	56" Two-Piece, Two-Bend Aluminum Wand w/Button Lock
100108	17" Crevice Tool
100110	3" Dust Brush
106993	Blower Tool



## ProGuard 10/15/16/20 Wet/Dry 1½" Tool Kit

Part No.	Description	List Price
107187	ProGuard 10/15/16/20 1½" Tool Kit	\$215.47

Each kit contains:

101338	56" Two-Piece, Two-Bend Aluminum Wand w/Button Lock
107199	Squeegee Tool
100623	Nylon Brush Floor Tool
100107PT	Crevice Tool
100110	Dust Brush



## ProGuard 4 Portable Wet/Dry Tool Kit

Part No.	Description	List Price
107184	ProGuard 4 Tool Kit	\$107.51

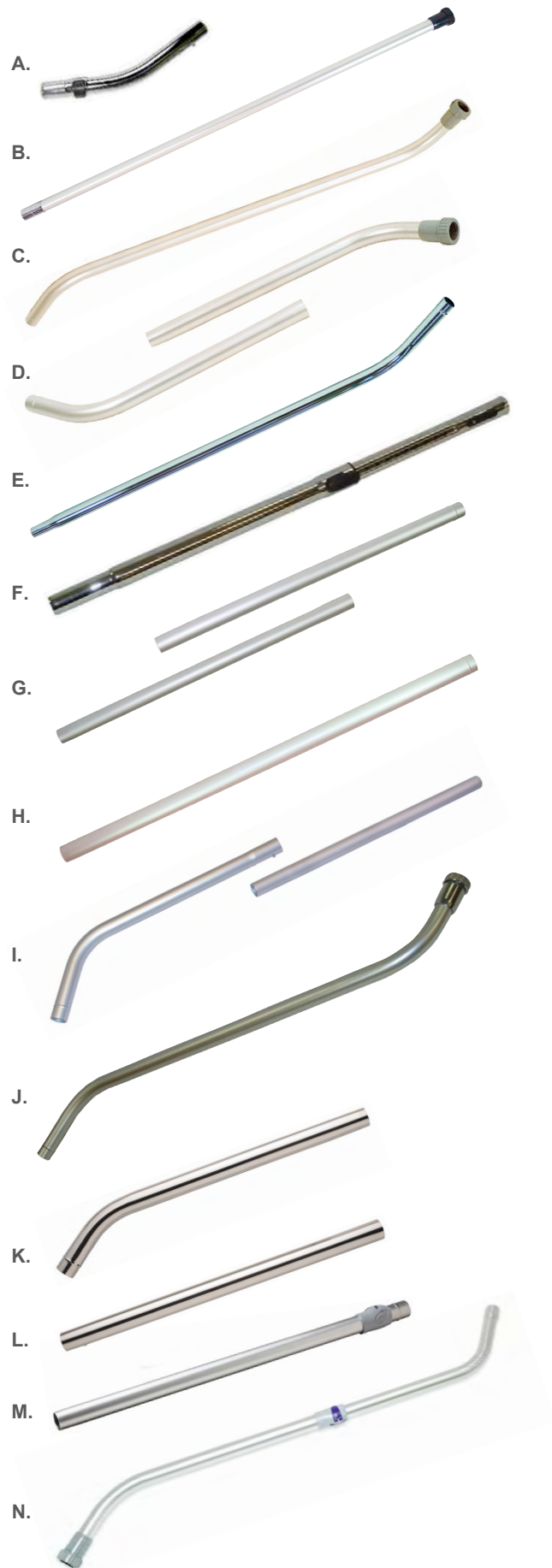
Each kit contains:

102266	Two-Piece, One-Bend, Friction-Fit Wand	107193	Squeegee Insert
107189	Master Floor Tool	107194	Crevice Tool
107191	Carpet Insert	107195	Dust Brush
107192	Floor Brush Insert	107196	Claw Nozzle



## Wands



	No.	Product Name	Size	List Price
A.	<b>103505</b>	13" Curved Chrome Wand w/Button Lock	1¼"	\$25.04
	<b>100167</b>	13" Curved Chrome Wand (Not Shown)	1¼"	32.87
B.	<b>100104</b>	60" Straight Extension* Aluminum Wand	1½"	93.68
C.	<b>100102</b>	56" One-Piece, Two-Bend Aluminum Wand*	1½"	93.25
D.	<b>101338</b>	56" Two-Piece, Two-Bend Aluminum Wand w/Button Lock*	1½"	78.87
E.	<b>100136</b>	54" One-Bend Chrome Tapered Wand for 1¼" Turbo Brush (100117)	1½" - 1¼"	66.64
F.	<b>106343</b>	24" to 40" Chrome Telescoping Wand w/Button Lock	1¼"	43.63
G.	<b>105693</b>	59" Two-Piece Friction-Fit Aluminum Sidewinder Straight Wand	1½"	97.29
H.	<b>105695</b>	59" One-Piece Friction-Fit Aluminum Sidewinder Straight Wand	1½"	90.44
I.	<b>102266</b>	54" Two-Piece Friction-Fit One Bend Aluminum Wand with Button Lock	1½"	91.99
J.	<b>106293</b>	49" One-Piece, Two-Bend Aluminum Wand w/Aluminum Coupling	1½"	92.50
K.	<b>107188</b>	25" Ext. Handle Curved	1½"	42.55
L.	<b>107190</b>	25" Ext. Handle Straight	1½"	38.22
M.	<b>107529</b>	32" to 57" Telescoping Straight Friction-Fit Wand (flip-lock)	1½"	98.92
N.	<b>107628</b>	42" to 57" Two-Piece, Two-Bend Telescoping Wand (flip-lock)	1½"	114.79



\*Wands come complete with tool couplings



## Multi-Surface Floor Tools

Part No.	Product Name	Wand Diameter	Length	List Price	
107016	<b>Xover® Floor Tool</b> Ideal use: commercial, medium pile carpet and durable flooring. Improved suction performance and design for ease of use.	1½"	14"	\$69.69	
107015	<b>Xover® Performance Floor Tool</b> Ideal use: commercial, medium pile carpet and durable flooring. Provides better performance of soil removal due to the agitation of the carpet. The GoFit, Super Coach Pro with Xover Performance Tool reaches Gold Seal of Approval Rating with the Carpet and Rug Institute.	1½"	14"	73.25	
106709	<b>Multi-Surface Floor Tool</b> Ideal use: low pile carpet and hard surfaces. Lever on top of tool lowers brush and duster strip hard surfaces. Use with Friction-Fit wand 106343 or 100136.	1¼"	10.75"	40.73	








## Carpet Floor Tools

Part No.	Product Name	Wand Diameter	Length	List Price	
100117	<b>Turbo Brush</b> Ideal use: medium to high pile carpeting. Only use with Friction-Fit and wand 106343 or 100136.	1¼"	11"	\$134.37	
103085	<b>Floor Tool w/Scallops</b> Ideal use: low to medium pile carpeting. Only use with Friction-Fit wand 106343 or 100136.	1¼"	12"	40.14	
100730	<b>Paddle Tool</b> Ideal use: hard-to-reach areas on airplanes, under seats, desks, pews, stadium seats, etc	1½"	12"	41.89	
103608	<b>Turbo Brush</b> Ideal use: medium to high pile carpeting. Only with Friction-Fit wand 102266.	1½"	11"	134.37	
100083	<b>Floor Tool w/Adjustable Nylon Brush</b> Ideal use: medium pile and Berber carpet.	1½"	11"	61.05	
100147	<b>Floor Tool w/Scallops</b> Ideal use: low to medium pile carpeting.	1½"	14"	48.86	
106245	<b>15" Sidewinder® Carpet Tool</b> Ideal use: along baseboards and crevices on low pile carpet. Only use with wand 105693 or 105695.	1½"	15"	74.20	
105691	<b>18" Sidewinder® Carpet Tool</b> Ideal use: along baseboards and crevices on low pile carpet. Only use with wand 105693 or 105695.	1½"	18"	86.22	
100092PT	<b>Floor Tool w/Adjustable Nylon Brush</b> Ideal use: medium pile and Berber carpet. Efficient for larger areas.	1½"	16"	66.29	
100155	<b>Gulper Aluminum Floor Tool</b> Ideal use: low pile and hard surfaces. Best for large debris. Only use with wand 106293.	1½"	12"	66.36	
836357	<b>Turbo Brush</b> Ideal use: medium to high pile carpeting and walk off mats.	1½"	11"	98.83	
107527	<b>ProBlade Carpet Floor Tool</b> Ideal use: low to medium pile carpeting, along baseboards and crevices. Use only with wand 107529.	1½"	14"	59.05	

## Hard Surface Floor Tools





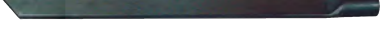
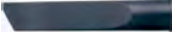

Part No.	Product Name	Wand Diameter	Length	List Price	
103084	<b>Natural Fiber Hard Floor Tool</b> Ideal use: tile, marble, vinyl, linoleum, wood. Best for floors without a high gloss finish. Only use with Friction-Fit wand 106343 or 100136.	1¼"	12"	\$45.35	
100144	<b>Floor Tool w/Scalloped Felt Brush</b> Ideal use: floors with delicate or high polished finishes. Also for use on polyethylene barrier/visqueen when cleaning the plastic hung in work areas adhering to the EPA's RRP guidelines.	1½"	14"	69.78	
100623	<b>Hard Floor Tool w/Nylon Brush</b> Ideal use: tile, marble, vinyl, linoleum, wood. Best for floors without a high gloss finish. Also used with ProGuard Wet/Dry Vacuums 10/15/16/20.	1½"	14"	69.78	
100614	<b>Hard Floor Tool w/Nylon &amp; Horse Hair Blend Brush</b> Ideal use: with floors with high gloss finish.	1½"	14"	75.02	
106194	<b>Hard Floor Tool w/Felt Brush – Scalloped &amp; Flat</b> Ideal use: hardwood floors.	1½"	14"	77.16	
106793	<b>8" Sidewinder Hard Floor Tool w/Horse Hair Brush</b> Ideal use: hard-to-reach areas, walls, ceilings, corners, baseboards, vents, fans and moldings. Use only with wand 105693 or 105695.	1½"	8"	97.04	
106246	<b>15" Sidewinder Hard Floor Tool w/Nylon Brush</b> Ideal use: hard-to-reach areas, walls, ceilings, corners, baseboards, vents, fans and moldings. Use only with wand 105693 or 105695.	1½"	15"	77.50	
105692	<b>18" Sidewinder Hard Floor Tool w/Nylon Brush</b> Ideal use: hard-to-reach areas, walls, ceilings, corners, baseboards, vents, fans and moldings. Use only with wand 105693 or 105695.	1½"	18"	90.36	
101613	<b>JetSweep 20 Hard Floor Tool w/Nylon Brush</b> Ideal use: dust mop type of applications. Use only with GoFit, Super Coach Pro, Super CoachVac, Super QuarterVac and MegaVac.	1½"	20"	102.91	
107528	<b>ProBlade Hard Surface Floor Tool</b> Ideal use: hard surface areas, hard-to-reach areas, walls, ceilings, corners and baseboards. Use only with wand 107529.	1½"	14"	63.48	

## Wet/Dry Vacuum Floor Tools

Part No.	Product Name	Wand Diameter	Length	List Price	
107189	<b>Master Floor Tool (ProGuard 4)</b> Ideal use: holds floor inserts for specialized cleaning applications.	1½"	14½"	\$18.40	
107191	<b>Carpet Insert (ProGuard 4 used with 107189)</b> Ideal use: low to medium pile carpeting. Wet pickup nozzle for most carpet cleaning.	1½"	14½"	12.19	
107192	<b>Floor Brush Insert (ProGuard 4 used with 107189)</b> Ideal use: tile, marble, vinyl, linoleum. Best for area cleanup on smooth surfaces.	1½"	14½"	21.50	
107193	<b>Squeegee Insert (ProGuard 4 used with 107189)</b> Ideal use: used for wet and dry pickup on smooth surfaces.	1½"	14½"	22.73	
107199	<b>Squeegee Tool (ProGuard 10/15/16/20)</b> Ideal use: used for wet and dry pickup on smooth surfaces.	1½"	14"	75.96	
107185	<b>Front Mount Squeegee (ProGuard 15/20)</b> Ideal use: floor strip recovery, flood restoration applications. The ability to go right up to walls, corners and easier in tight spaces.	1½"	28"	292.97	 Entire assembly not pictured. See Front Mount Squeegee Replacement Parts diagram page 36.
107186	<b>Front Mount Squeegee Replacement Blade Set (ProGuard 15/20)</b>	1½"	28"	47.05	

Note: Additional specialty attachments may be available upon request. Contact Customer Service. All attachments are non-metallic unless otherwise noted.




## Crevice Tools

Part No.	Product Name	Wand Diameter	Length	List Price	
104832	Replacement Crevice Tool (ProForce 1500XP)	1¼"	4.5"	\$4.04	
100107PT	Crevice Tool	1½"	11"	10.05	
103086	Crevice Tool	1¼"	13"	8.65	
100108	Crevice Tool	1½"	17"	13.55	
100109PT	Crevice Tool	1½"	28"	24.44	
107194	Crevice Tool (ProGuard LI 3 and ProGuard 4)	1½"	10½"	9.08	
834694	Crevice Tool (ProGen)	1½"	8"	3.10	


## Dust Brushes

Part No.	Product Name	Wand Diameter	Length	List Price	
103089	Rectangular 90/180° Swivel	1¼"	2½"	\$10.42	
100110	Dust Brush	1½"	3"	12.16	
102659	Long Dust Brush (use 100112 Reducer Cuff when used w/High Dusting Kits)	1¼"	5"	17.80	
104833	Combo Upholstery/Dust (ProForce)	1¼"		30.44	
107195	Dust Brush (ProGuard LI 3 and ProGuard 4)	1½"		11.42	



## Upholstery Tools

Part No.	Product Name	Wand Diameter	Length	List Price	
103087	Upholstery Tool (Includes Removable Brush No.103088)	1¼"	5½"	\$10.42	
100115	Upholstery Tool	1½"	5"	17.47	
834695	Upholstery Tool (ProGen)	1½"	5"	2.81	



## Bulk Pick-Up Tool

Part No.	Product Name	Wand Diameter	Length	List Price	
100150	One-Bend Bulk Pick-Up Tool	1½"	36"	\$28.09	

## Pipe Cleaner Tools

Part No.	Product Name	Wand Diameter	Length	List Price	
100113	1" to 4" Overhead Pipe Cleaner (includes Reducer Cuff)	1½"	4"	\$105.21	
100114	4" to 8" Overhead Pipe Cleaner (includes Reducer Cuff)	1½"	8"	135.09	

## Miscellaneous Tool

Part No.	Product Name	Wand Diameter	Length	List Price	
106993	Blower Tool	1½"	2¼"	\$17.47	
107196	Claw Nozzle (ProGuard LI 3 and ProGuard 4)	1½"	4½"	18.07	



## Intercept Micro Filters

Thicker, won't shred, treated with antimicrobial organic agent. Double-pleated design gives 21% more filtration area.

Case = 20 packs unless otherwise stated below Pack = 10 filters unless otherwise stated below

No.	Product Name	List Price*
107313	Intercept Micro Filters, fits GoFit 10, Super Coach Pro 10 (Open Collar)	\$27.32
107680	Intercept Micro Filters, fits GoFit 10, Super Coach Pro 10 (Closed Collar)	38.00
107314	Intercept Micro Filters, fits GoFit 6, Super Coach Pro 6, GoFree Flex Pro II, ProVac FS 6 (Open Collar)	22.58
107374	Intercept Micro Filters, fits GoFit 6, Super Coach Pro 6, GoFree Flex Pro II, ProVac FS 6 (Closed Collar)	28.59
107666	Intercept Micro Filters, fits GoFit 3 (Open Collar)	19.67
107667	Intercept Micro Filters, fits GoFit 3 (Closed Collar)	26.80
100431	Intercept Micro Filters, fits Super QuarterVac, AviationVac (Open Collar)	20.49
106995	Intercept Micro Filters, fits Super QuarterVac, AviationVac (Closed Collar)	35.13
100331	Intercept Micro Filters, fits Super CoachVac, MegaVac (Open Collar)	27.32
100291	Intercept Micro Filters, fits LineVacer, Super CoachVac, MegaVac (Closed Collar)	40.83
104544	Intercept Micro Filters, fits QuietPro CN HEPA, RunningVac, ProVac CN (Open Collar)	32.79
107377	Intercept Micro Filters, fits ProGen (Closed Collar) (Case = 15 packs)	25.99
103483	Intercept Micro Filters, fits ProForce (Closed Collar)	20.48
106960	Intercept Micro Filters, fits Super HalfVac Pro (Open Collar)	27.32
106973	Intercept Micro Filters, fits Super HalfVac Pro (Closed Collar)	32.15
107182	Intercept Micro Filters, One Pack of 3 fits ProGuard 4 (Closed Collar) (Case = 6 packs)	23.65
107181	Intercept Micro Filters, One Pack of 3 fits ProGuard 10 (Closed Collar) (Case = 6 packs)	31.96
107180	Intercept Micro Filters, One Pack of 3 fits ProGuard 15/20 (Closed Collar) (Case = 6 packs)	46.40
107502	Intercept Micro Filters, fits FreeFlex (Closed Collar)	35.51



\* Price is for one pack of 10 filters except ProGuard Filters which are a pack of 3

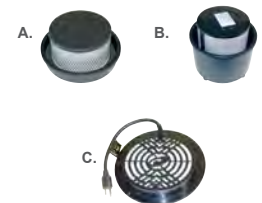
## Filters made from HEPA Media

No.	Product Name	List Price
A. 106526	Dome Filter made from HEPA Media for older cylindrical backpacks	19.80
B. 107005	Replacement Cartridge made from HEPA Media for Super HalfVac Pro, ProForce and ProGen (sold individually)	8.55
C. 107315	Exhaust Filter made from HEPA Media for Super Coach Pro 6 / 10, GoFree Flex Pro II, ProVac FS 6 (2 pack)	17.07
D. 844488	Exhaust Filter made from HEPA Media for GoFit 10, GoFit 6, GoFit 3 (2 pack)	17.07
E. 847650	Twist-on Dome Filter w/ HEPA Media for GoFit Cordless	8.05
F. 107638	Case of 90 2-packs of 107315 Exhaust Filters made from HEPA Media (180 total filters)	1,380.19



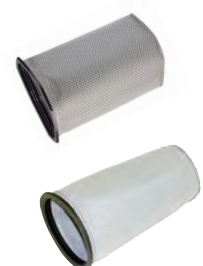
## HEPA Filters

No.	Product Name	List Price
A. 104274PT	HEPA Filter Assembly Complete w/Bottom Cap for LineVacer (Black)	\$358.19
B. 104275	ULPA Filter Assembly Complete w/Bottom Cap for LineVacer (Black)	494.51
C. 103638	HEPA Filter Assembly w/Electrical Connector for QuietPro CN HEPA	182.58



## Micro Cloth Filters

No.	Product Name	List Price
834000	Micro Cloth Filter for GoFit 10, Super Coach Pro 10	\$43.72
834072	Micro Cloth Filter for GoFit 6, Super Coach Pro 6, GoFree Flex Pro II, ProVac FS 6	36.11
843966	Micro Cloth Filter for GoFit 3	32.90
100564	Micro Cloth Filter for Super QuarterVac, AviationVac	36.11
100565	Micro Cloth Filter for Super CoachVac, MegaVac, LineVacer	43.72
103115	Micro Cloth Filter for QuietPro CN HEPA, RunningVac, ProVac CN	45.61
107040	Micro Cloth Filter for Super HalfVac Pro	36.11
107639	Case of 25 834072 Micro Cloth Filters	812.01



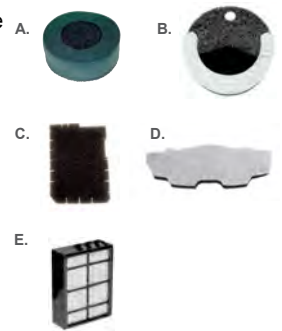
## Dome / Foam Filters

No.	Product Name	List Price
A. 510183	Dome Filter with Foam Media for all corded GoFits, Super Coach Pro 10, Super Coach Pro 6, GoFree Flex Pro II, ProVac FS 6	\$ 11.66
100030	Dome Filter with Foam Media for Super CoachVac, Super QuarterVac, MegaVac, AviationVac, LineVacer	11.66
B. 510184	Foam Filter Media for Dome Filter for all corded GoFits, Super Coach Pro 10, Super Coach Pro 6, GoFree Flex Pro II, ProVac FS 6	3.55
100343	Foam Filter Media for Dome Filter for Super QuarterVac, Super CoachVac, MegaVac, LineVacer	2.69
107060	Foam Filter Media for Dome Filter for Super HalfVac Pro	5.33
101949	Foam Filter Media for Dome Filter for QuietPro CN HEPA, RunningVac, ProVac CN	2.25
107641	Case of 100 510184 Foam Media Filters for Dome Filter for Triangular backpack vacuums	318.07
C. 101220	High Filtration Discs for Dome Filter, One Pack of Two for Super QuarterVac, Super CoachVac, MegaVac, AviationVac	15.64
102761	High Filtration Discs for Dome Filter, One Pack of Two for RunningVac, QuietPro CN, ProVac CN	15.97



## Sound Muffler and Exhaust Filters

No.	Product Name	List Price
A. 105800	Sound Muffler for Super QuarterVac, AviationVac	\$42.78
100597	Sound Muffler for Super CoachVac, MegaVac	42.78
B. 103123	Exhaust/Sound Filter for RunningVac, ProVac CN	47.71
C. 104281	Motor Intake Filter for ProForce	4.48
D. 834721	Motor Intake Filter for ProGen	2.22
E. 105136	Exhaust Filter for ProForce (older model)	10.28



## ProGuard Wet / Dry Specialty Filters

No.	Product Name	Filter Media	List Price
A. 107177	Qwik Lock™ Wet Filter, fits ProGuard 10/15/16/20	Polypropylene Screen	\$37.15
B. 107178	Qwik Lock Fine Dust Cartridge Filter, fits ProGuard LI 3/4	903 sq. in.	27.85
C. 107175	Qwik Lock Fine Dust Cartridge Filter, fits ProGuard 10/15/16/20	1142 sq. in.	37.15
D. 107176	Qwik Lock Filter made from HEPA Media, fits PG 10/15/16/20	1142 sq. in.	46.45



## Batteries & Chargers

No.	Product Name	List Price
A. 107724	GoFree Flex Pro II 12Ah Replacement Battery	\$1,197.00
B. 107516	GoFree Flex Pro II Battery Charger & Cord	293.79
C. 107683	GoFit Cordless 4Ah Battery	580.00
D. 107684	GoFit Cordless 8Ah Battery	925.00
E. 107685	GoFit Cordless Battery Charger	350.00
F. 107496	ProGuard LI 3 Battery	184.46
G. 107656	ProGuard LI 3 Charger (not shown)	104.45
H. 107500	FreeFlex Cordless Upright Replacement Battery	1,097.78
I. 107501	FreeFlex Cordless Upright Replacement Charger	402.48



## Point-of-Purchase Items\*\*\*\*

No.	Product Name	List Price
A. 104029	<b>Vac Display Mannequin</b> Custom powder-coated metal backpack display. Holds one vacuum.	\$369.05
B. 107595	<b>Demo Duffel Bag w/Wheels</b> Durable product demo duffel bag with wheels holds vacuum and complete demo kit.	62.02
C. 100719	<b>Logo Banner</b> Attractive 4' x 6' vinyl ProTeam logo banner w/metal grommets for easy display.	69.40
D. 104160	<b>Floor Mat</b> Eye catching ProTeam logo mat designed to withstand years of use.	224.75
E. 107632	<b>Pedestal</b> 16" ProTeam branded display for showroom or tradeshow. Holds one vacuum. <i>Displays do not include vacuums.</i>	55.73



\*\*\*\*Discounts do not apply to Point of Purchase items.

## The ProTeam Vac Station

The Vac Station helps operators of any height easily slip on and off any ProTeam backpack vacuum. The ProTeam Vac Station measures 22" long, 8.5" high, and 14" deep.

No.	Product Name	List Price
102947	Vac Station (includes mounting hardware)	\$118.11
103071	Mounting Hardware Complete	36.56
106033	Wall Bracket and Screws	16.03

A sturdy steel wall bracket is mounted to the wall with three screws. The Vac Station attaches to the bracket and allows for 20" of travel. Crevice tools and floor tools slide into holes behind the vacuum. Extension cords hang from the side.



## ProDuster® and Sleeves

ProDuster sleeves fit over most wand dusters and generate their own dust-attracting properties that collect and hold dust and dirt particles. The sleeves are safe for any surface as they contain no oils or waxes and won't streak or leave any residue. ProDuster sleeves will prolong the life of your wool duster, making them much more economical to replace than the entire duster. Ask for a FREE sample pack with your next order!

No.	Product Name	List Price
101533	500 Sleeves (10 packs of 50)	\$410.70
101532	50 Sleeves (1 pack of 50)	45.84



\* Wool duster not included

## Miscellaneous

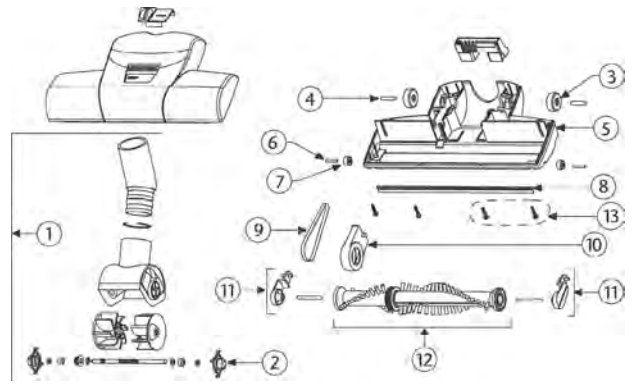
No.	Product Name	List Price
A. 107676	<b>Blower Door Accessory (New)</b>	<b>\$28.76</b>
B. 106346	Waist Belt Extension (18") Nifco	28.80
C. 106345	Waist Belt Extension (10") Nifco	27.59
107084	Waist Belt Extension for Super HalfVac (Not Shown)	94.65
D. 510738	Cord Holder (yellow)	3.95
E. 101394	Ergonomic Wand Handles, Set	40.76
F. 101678	50' 16-Gauge Extension Cord (Yellow)*	49.64
101611	Velcro Cord Strap (Not Shown)	2.13
G. 842193	Cord Lock (all canisters)	10.67
106261	6' Static Strap Kit (ProForce) (Not Shown)	120.03
833432	50' 14-Gauge Extension Cord w/Twist Lock Plug (Yellow) (Not Shown)	96.13





## Turbo Brush Replacement Parts

No.	Product Name	List Price
1	104011 1¼" Neck Assembly Complete (fits 100117)	\$32.52
	104012 1½" Neck Assembly Complete (fits 103608)	32.52
2	103974 Bushing w/Holder (set of 2)	10.10
3	104017 Back Wheel, Set of 2	3.80
4	104016 Rear Axle, Set of 2	3.41
5	104021 Bottom Cover	32.72
6	104018 Front Axle, Set of 2	3.35
7	104019 Front Wheel, Set of 2	5.93
8	104022 Squeegee	3.72
9	104020 Belt	8.76
10	104023 Belt Guard	2.08
11	103975 Brush Arm, Set of 2	7.62
12	104024 Brush Roller Assembly	33.60
13	106525 Screws, Set of 2	1.59

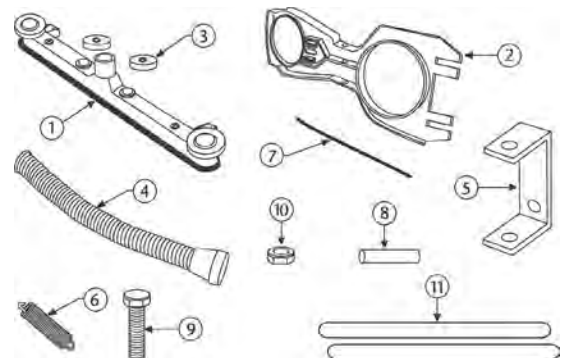


## Attachment Replacement Parts

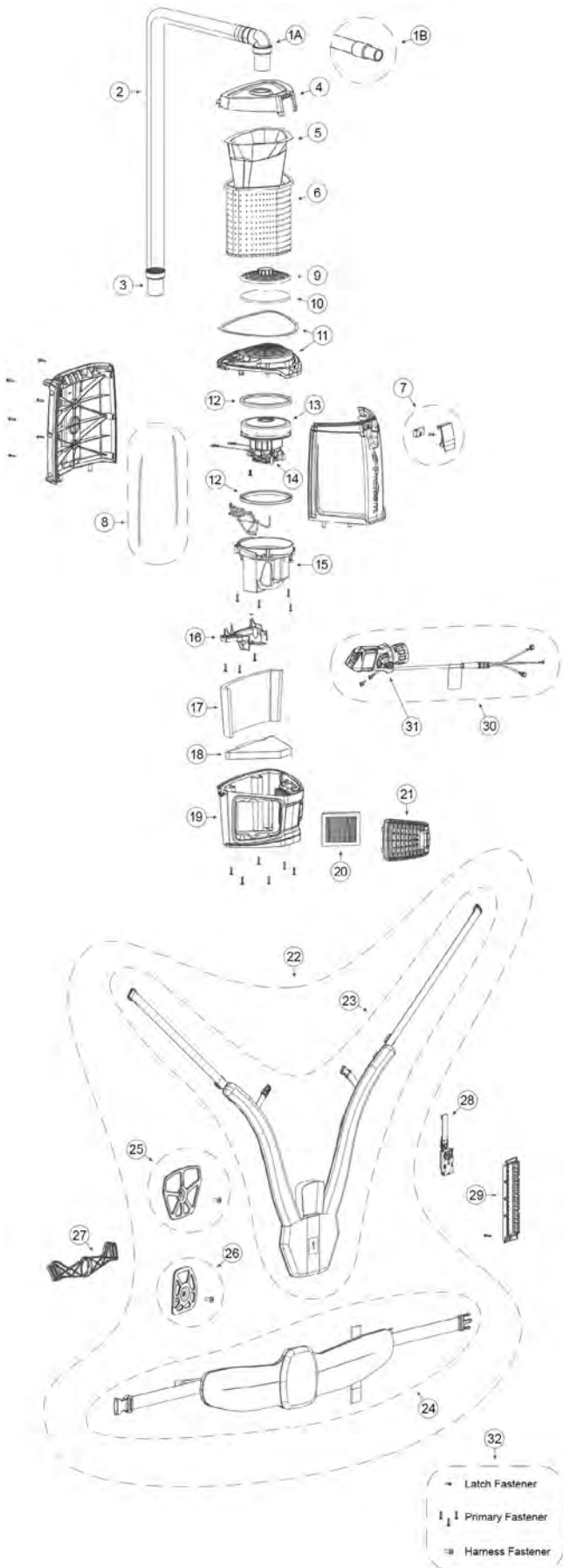
No.	Product Name	List Price
100084	Replacement Brush – 11" Floor Tool (100083)	\$ 13.12
100093	Replacement Brush – 16" Floor Tool (100092PT)	17.36
100099	Replacement Nut – Aluminum Wands (100102, 100104, 101338, 106290)	11.39
100100	Replacement Ring – Aluminum Wands (100102, 100104, 101338, 106290, 106293)	2.67
100101	Replacement Sleeve – Aluminum Wands (100102, 100104, 101338, 106290)	10.57
100112	Reducer Cuff 1¼" to 1½"	6.16
100116	Replacement Nylon Brush – 5" Upholstery Tool (100115)	10.50
100137	Replacement Nut – Aluminum Wand (106293)	16.02
100141	Replacement Bumper – 14" Floor Tool (100147)	7.56
100145	Replacement Felt – 14" Floor Tool – Straight (106194)	10.50
100146	Replacement Felt, Scalloped – 14" Floor Tool (100144 & 106194)	10.50
100598	Squeegee Blades for 107199 Tool	24.08
100713	Replacement Nylon Brush – 14" Floor Tool (100623)	23.95
100714	Replacement Nylon & Horse Hair Blend Brush w/Brush, Washer and Screw – 14" Floor Tool (100614)	30.98
101092	Reducer Cuff 1½" x 1¼" For Hose	20.88
101155	Replacement Nylon Brush – E-Z Glide 14" Floor Tool (101446)	6.36
101445	Retro Kit – 14" E-Z Glide Floor Tool (fits 101446 Floor Tool & 100147) (purple bumper, brush & screws)	38.39
101473	Repair Clip with Screws – 14" Hard Floor Tool w/Nylon Brush (100623)	3.40
101475	Repair Kit – Felt Floor Tools: Support Bars and Screws	17.70
101615	Replacement Blue Bumper for JetSweep 20 (101613)	12.43
101880	Replacement Nylon Brush – JetSweep 20, 20" Hard Floor Tool, Set of Two (101613)	20.95
103088	Removable Brush – 5½" Upholstery Tool (103087)	8.43
103099	Cuff Adapter 1¼" x 1¼"	4.18
103122	Cuff Adapter 1½" Friction Fit	9.61
106064	Replacement Brush – 12" Floor Tool (103084)	19.75
106961	Replacement Sleeve w/Rivets – Aluminum Wand (106293)	26.60
107020	Replacement Hose – Sidewinder Floor Tool (101475)	4.53
107076	Shoe Kit (107015 Xover Performance Floor Tool)	38.39
107077	Brush Strip (107016 Xover Floor Tool)	6.68
107078	Shoe Kit (107016 Xover Floor Tool)	38.39
107125	Button Lock Repair Kit Telescoping Wand (106343)	12.28
450017	Adjusting Nut for Telescoping Wand (106290)	11.39
510413	Straight Telescoping Wand Latch Replacement (107529) and Two-Piece, Two-Bend Telescoping Wand (107628)	7.92
842300	Wand Adapter – Friction Fit Tool to Coupling on Wand	10.93

## ProGuard Front Mount Squeegee Replacement Parts

No.	Product Name	List Price
1	833532 Squeegee	\$117.53
2	833523 Squeegee Pivot Plate Assembly	125.13
3	833542 Oval Hand Knob	17.23
4	833442-1 Hose Assembly	19.95
5	833528 Squeegee Mounting Bracket	41.37
6	833529 Spring	12.57
7	830536-1 Wire Tie	8.26
8	833530 Rod	8.78
9	832397-2 3/8" Bolt	18.11
10	161255-2 3/8" Lock Nut	1.20
11	107186 Replacement Blades (set of 2)	47.05



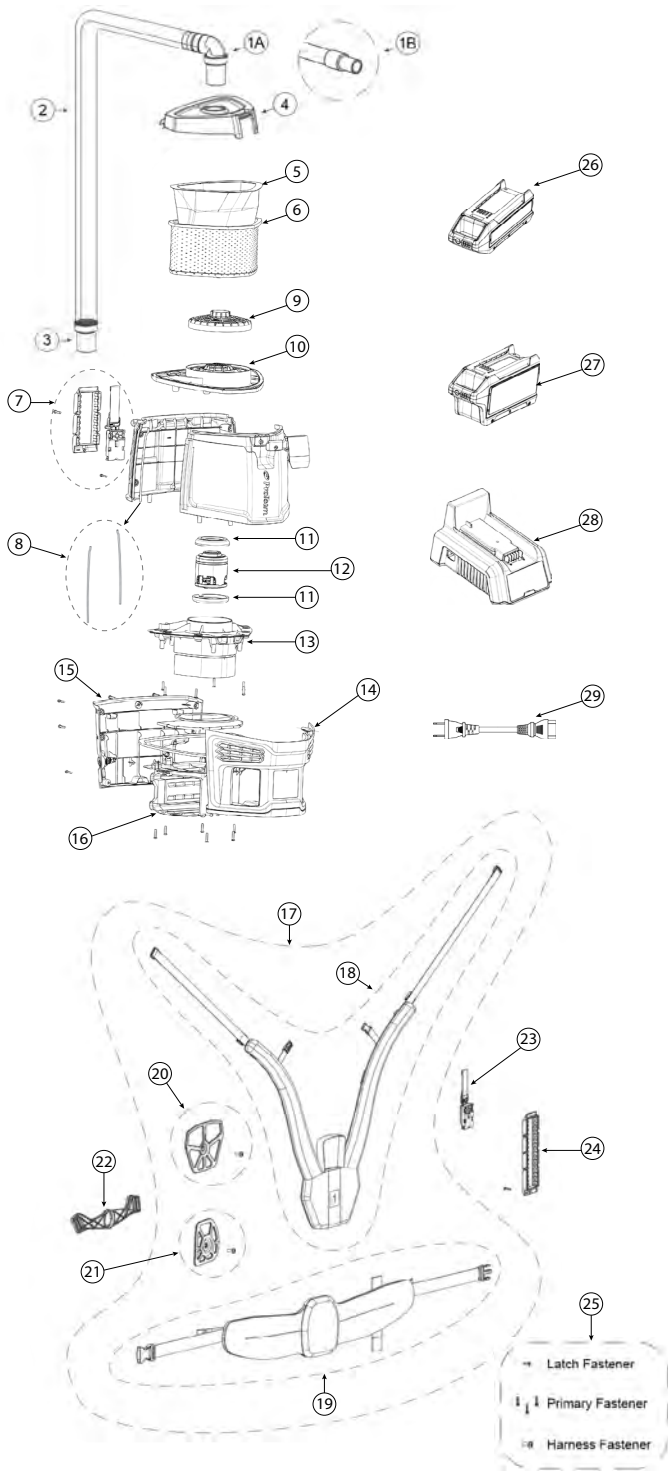
# GOFIT 3, 6, 6 PLUS & 10 PARTS



No.	Product Name	Qty	List Price
1A	101928 Replacement Double Swivel Elbow Cuff	1 ea.	13.40
1B	100694 Replacement Double Swivel Straight Cuff	1 ea.	7.99
2	107648 48" Static-Dissipating Hose w/Non-Replaceable Elbow and Straight Cuffs	1 ea.	40.47
	100505 48" Static-Dissipating Hose w/ Straight Cuffs	1 ea.	38.68
3	100694 Replacement Double Swivel Straight Cuff	1 ea.	7.99
4	843694 Purple Cap	1 ea.	37.20
5	107313 Intercept Micro Filter (GoFit 10)	10/pk	27.32
	107314 Intercept Micro Filter (GoFit 6)	10/pk	22.58
	107666 Intercept Micro Filter (GoFit 3)	10/pk	19.67
6	834000 Micro Cloth Filter (GoFit 10)	1 ea.	43.72
	834072 Micro Cloth Filter (GoFit 6)	1 ea.	36.11
	843966 Micro Cloth Filter (GoFit 3)	1 ea.	32.90
7	510779 Latch Assembly Complete w/ Retainer and Screw	1 ea.	8.92
8	834035-5 Gasket Tank 10 QT	2 ea.	3.76
	834035-3 Gasket Tank 6 QT	2 ea.	3.76
	834035-4 Gasket Tank 3 QT	2 ea.	3.76
9	510183 Dome Filter w/ Foam Media (includes: 10)	1 set	11.66
10	510184 Foam Filter Media for Dome Filter	1 ea.	3.55
11	510777 Upper Motor Support w/ Gasket	1 ea.	17.28
12	510780 Motor Gaskets Upper and Lower	1 ea.	4.87
13	844193 Motor Assembly 1300W	1 ea.	161.39
	844545 Motor Assembly with Lead (GoFit 6 PLUS)	1 ea.	166.22
14	841933 Carbon Brush Set	2 ea.	30.98
15	510781 Lower Motor Support w/ Screws	1 set	11.26
16	510776 Cover Wire w/ Screws	1 set	5.47
17	843963 Upper Foam Pad	1 ea.	3.88
18	843964 Lower Foam Pad	1 ea.	3.84
19	510778 Lower Housing Assembly w/ Screws	1 set	25.52
20	844488 Exhaust Filter Made from HEPA Media	2 ea.	17.07
21	843848 Exhaust Filter Door	1 ea.	9.43
22	844073 Harness Complete Assembly	1 ea.	103.39
23	844665 Upper Harness Assembly	1 ea.	52.06
24	843939 Lower Harness Assembly	1 ea.	50.93
25	510771 Upper Harness Plate w/ Screw	1 ea.	9.20
26	510772 Lower Harness Plate w/ Screw	1 ea.	9.34
27	843842 Lower Harness Articulating Arm	1 ea.	7.57
28	843947 Harness Quick Adjuster Assembly	1 ea.	8.72
29	510773 Harness Quick Adjust Holder w/ Screw (GoFit 10)	1 set	7.70
	510774 Harness Quick Adjust Holder w/ Screw (GoFit 6)	1 set	7.70
	510775 Harness Quick Adjust Holder w/ Screw (GoFit 3)	1 set	7.70
30	844156 Switch Box Assembly	1 ea.	48.39
	844156-2 Switch Box Assembly w/ Internal Electronics (GoFit 6 PLUS)	1 ea.	78.83
	844156-1 Switch Box Assembly for GoFit PH service (GoFit PH)	1 ea.	60.44
31	510782 Yellow Cord Guide w/ Screws	1 ea.	10.18
32	510783 Fastener Package	1 ea.	4.69
	101678 50' Extension Cord (Not shown)	1 ea.	49.64

Highlighted SKUs are shared parts with Super Coach Pro 6/10 vacuums

# GOFIT 3 & 6 CORDLESS PARTS

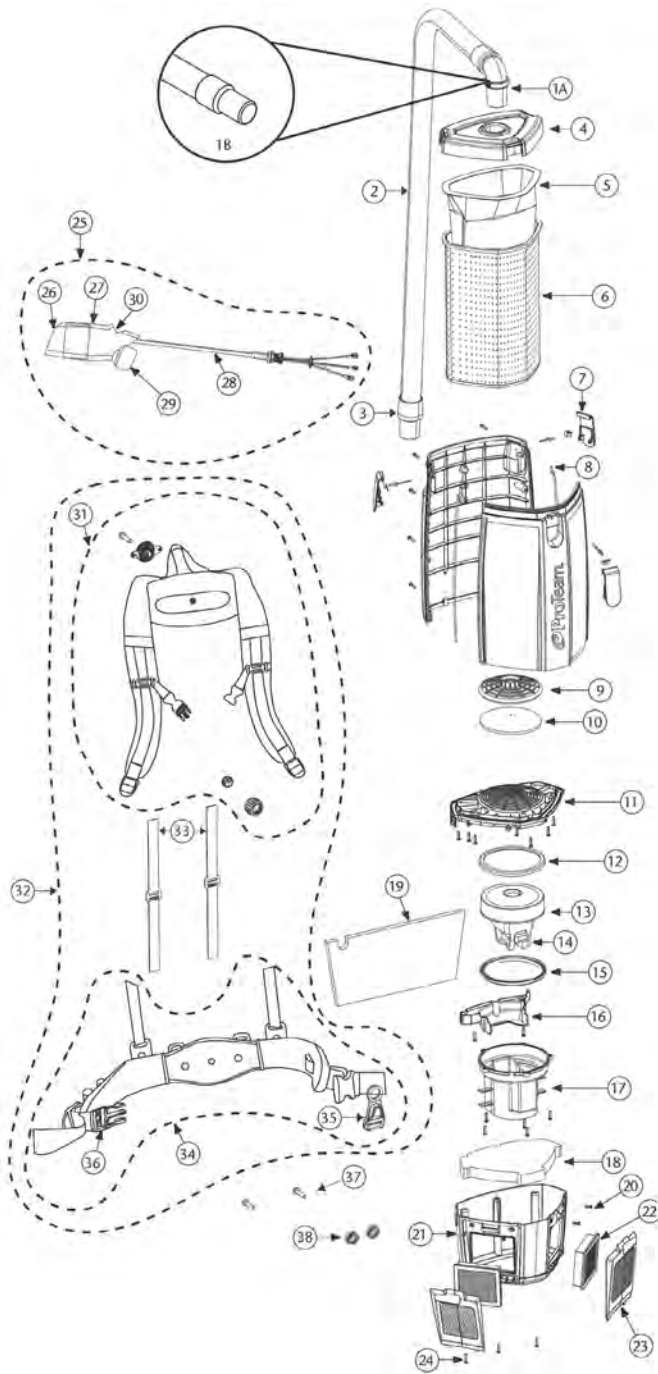


No	Product Name	Qty	List Price
1A	101928 Replacement Double Swivel Elbow Cuff	1 ea.	\$13.40
1B	100694 Replacement Double Swivel Straight Cuff	1 ea.	7.99
2	100505 48" Static-Dissipating Hose w/ Straight Cuffs	1 ea.	38.68
	107648 48" Static-Dissipating Hose w/ Non Replaceable Cuffs	1 ea.	40.47
3	100694 Replacement Swivel Cuff 1 1/2"	1 ea.	7.99
4	843694 Purple Cap	1 ea.	37.20
5	107314 Intercept Micro Filter (GoFit 6)	10/pk	22.58
	107666 Intercept Micro Filter (GoFit 3)	10/pk	19.67
6	834072 Micro Cloth Filter (GoFit 6)	1 ea.	36.11
	843966 Micro Cloth Filter (GoFit 3)	1 ea.	32.25
7	510779 Latch Assembly Complete w/ Retainer and Screw	1 ea.	8.92
8	834035-3 Gasket Tank 6 QT Cordless	2 ea.	3.76
	834035-4 Gasket Tank 3 QT Cordless	2 ea.	3.76
9	847650 Twist-On Dome Filter w/ HEPA Media	1 ea.	8.05
10	510802 Upper Motor Support w/ Gasket	1 ea.	13.65
11	510803 Motor Gaskets Upper and Lower	1 set	4.12
12	510804 Motor Assembly 60V	1 ea.	92.32
13	510805 Lower Motor Support w/ Screws	1 set	8.80
14	510806 Front Housing Assembly w/ Screws	1 set	32.65
15	510807 Rear Housing Assembly w/ Screws	1 set	23.09
16	510808 Battery Housing Assembly w/ Screws	1 set	30.00
17	844073 Harness Complete Assembly	1 ea.	103.39
18	844665 Upper Harness Assembly	1 ea.	52.06
19	843939 Lower Harness Assembly	1 ea.	50.93
20	510771 Upper Harness Plate w/ Screw	1 ea.	9.20
21	510772 Lower Harness Plate w/ Screw	1 ea.	9.34
22	843842 Lower Harness Articulating Arm	1 ea.	7.57
23	843947 Harness Quick Adjuster Assembly	1 ea.	8.72
24	510774 Harness Quick Adjust Holder w/ Screw (GoFit 6)	1 set	7.70
	510775 Harness Quick Adjust Holder w/ Screw (GoFit 3)	1 set	7.70
25	510783 Fastener Package	1 ea.	4.69
26	107683 GoFit 4Ah Battery	1 ea.	580.00
27	107684 GoFit 8Ah Battery	1 ea.	925.00
28	107685 GoFit Battery Charger and Cord	1 ea.	350.00
29	847718 GoFit Charger Cord	1 ea.	7.25

Highlighted SKUs are shared parts with GoFit Corded Backpack Vacuums

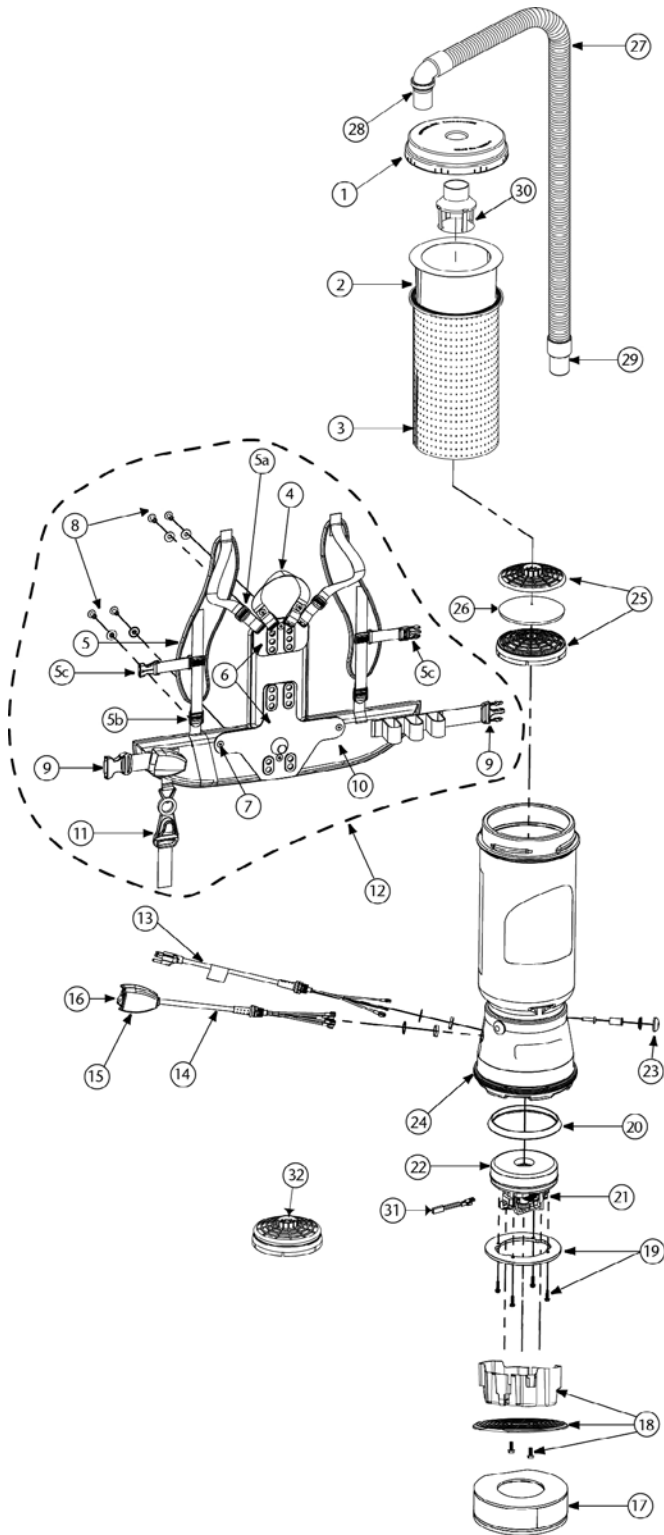


# SUPER COACH PRO 6 & 10 / PROVAC FS 6 PARTS



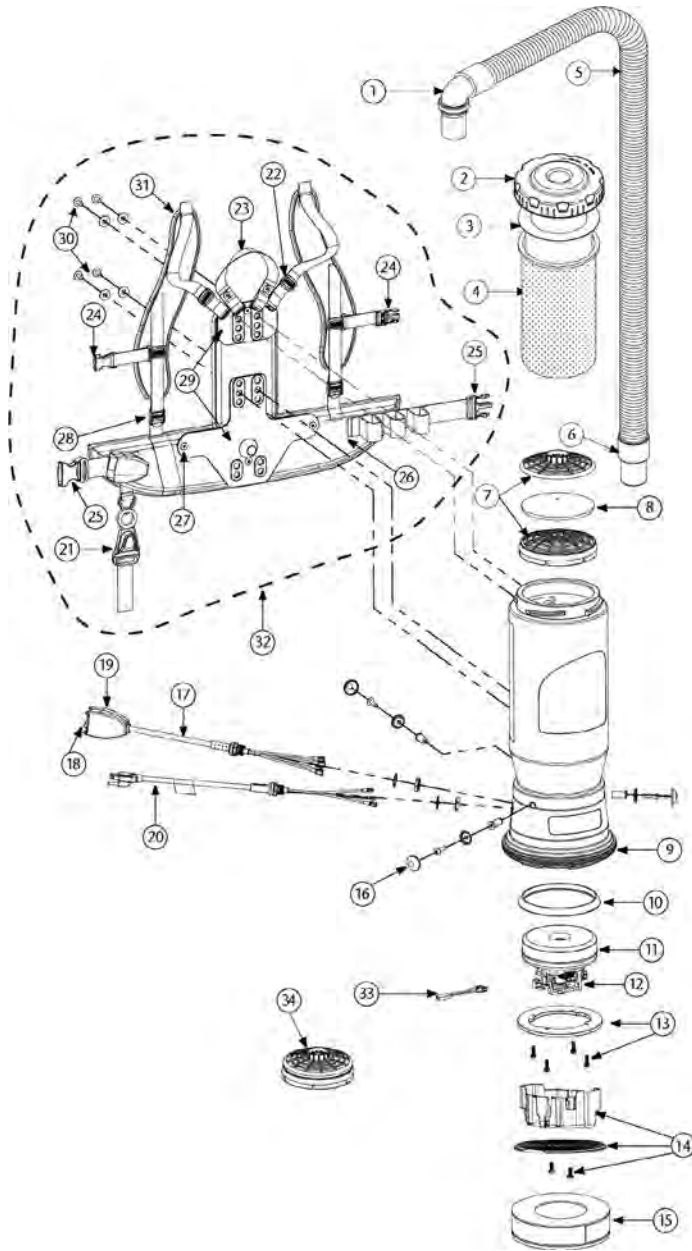
No	Product Name	Qty	List Price
1A	101928 Replacement Double Swivel Elbow Cuff	1 ea.	\$13.40
1B	100694 Replacement Double Swivel Straight Cuff (PV FS)	1 ea.	7.99
2	107648 48" Static-Dissipating Hose w/ Non-Replaceable Elbow & Straight Cuffs	1 ea.	40.47
	100505 48" Static-Dissipating Hose w/Straight Cuffs (PV FS)	1 ea.	38.68
3	100694 Replacement Double Swivel Straight Cuff	1 ea.	7.99
4	833948 Top Cap (Purple)	1 ea.	50.36
	833948-1 Top Cap (Black) (PV FS)	1 ea.	50.36
5	107313 Intercept Micro Filter (SCP 10)	10/pk	27.32
	107314 Intercept Micro Filter (SCP 6 & PV FS)	10/pk	22.58
6	834000 Micro Cloth Filter (SCP 10)	1 ea.	43.72
	834072 Micro Cloth Filter (SCP 6 & PV FS)	1 ea.	36.11
7	510179 Latch and Retainer w/Lock Nut & Screw	1 set	10.79
8	510180 Gasket for Tank (SCP 10)	2 ea.	6.81
	510181 Gasket for Tank (SCP 6 & PV FS)	2 ea.	5.02
9	510183 Dome Filter w/Foam Media (includes: 10)	1 set	11.66
10	510184 Foam Filter Media for Dome Filter	1 ea.	3.55
11	510193 Upper Motor Support w/Gasket	1 set	10.83
12	833951 Upper Motor Gasket	1 ea.	4.18
13	836099 Motor/Fan (120 V) (Wolong)	1 ea.	174.56
14	841933 Carbon Brush Set (Wolong)	1 set	30.98
	101720 Carbon Brush Set (Ametek)	1 set	30.98
15	833952 Lower Motor Gasket	1 ea.	3.72
16	510185 Cover Wire w/2 screws	1 set	3.81
17	510194 Lower Motor Support (5 screws)	1 set	19.37
18	834042 Triangular Lower Foam Pad	1 ea.	4.31
19	834043 Rectangular Upper Foam Pad	1 ea.	3.95
20	808380-0 Screw Pan CR #8 x 1/2"	1 ea.	1.29
21	510188 Lower Housing Assembly w/Screws	1 set	35.15
22	107315 Exhaust Filter made from HEPA Media (2 pack)	1 set	17.07
23	841708 Exhaust Filter Door w/Latch	1 ea.	10.33
24	808380-22 Screw Pan CR #8 x 3/4"	1 ea.	1.58
25	836225-1 Switch Cord and Power Cord Assembly (includes: 26-30) (PV FS)	1 set	59.05
	836225 Switch Box, Full Assembly (without power receptacle)	1 set	44.29
26	106066 On/Off Switch	1 ea.	10.56
27	836554-1 Switch Box (PV FS)	1 ea.	35.67
	836554 Switch Box (without power cord)	1 ea.	15.53
28	836480 Power Cord Assembly	1 ea.	14.76
29	841724 Power Plug Assembly	1 ea.	7.90
30	836478 Electrified Hose Receptacle (PV FS)	1 ea.	9.93
31	840112 Upper Harness Assembly	1 set	104.21
32	840011 FlexFit Harness Assembly (includes: 31, 33-34)	1 set	223.74
33	510192 Tensioning Straps	1 set	14.76
34	840114 Lower Harness Assembly (includes: 35, 36)	1 set	104.82
35	510738 Cord Holder	1 ea.	3.95
36	510301 Waist Belt Buckles and Straps Set	1 set	17.01
37	834051 5/16" - 18x1 - 3/8" Lock Screw (2 screws)	1 set	7.19
38	510186 Harness Spacers	2 ea.	4.57
	101678 50' Extension Cord (Not Shown)	1 ea.	49.64

# SUPER COACHVAC PARTS



No.	Product Name	Qty	List Price
1	100197 Twist Cap (Purple)	1 ea.	\$ 50.36
2	100331 Intercept Micro Filter	10/pk	27.32
3	100565 Micro Cloth Filter	1 ea.	43.72
4	100356 Shoulder Strap Assembly (includes: 5a, 5b)	1 set	25.19
	100354 Strap Assembly Complete (includes: 4, 10)	1 set	77.48
5a	100358 Shoulder Strap Plastic Adjustment Buckle (Top)	1 ea.	1.49
5b	100357 Shoulder Strap Plastic Adjustment Buckle (Bottom)	1 ea.	1.49
6	105046 Backplate (includes: 7)	1 ea.	38.74
7	100375 Barrel Nut Connection Set for Backplate (Replacement)	1 set	8.75
8	100716 Backplate (Black) Connection Set: 4 Screws w/Washers	1 set	19.37
9	106719 Waist Belt Keeper and Latch	1 ea.	17.57
10	100359 Waist Belt (includes: 9)	1 ea.	58.09
11	510738 Cord Holder	1 ea.	3.95
12	103166 Backplate (Black) System Complete (includes: 4-11)	1 set	96.84
13	100641 Power Cord Assembly	1 set	28.11
14	101610 Switch Cord Assembly (includes: 15, 16)	1 set	54.26
	101714 Switch Cord w/Crimps	1 ea.	24.06
15	101472 Switch Box w/Velcro and New Lamb Switch	1 set	34.86
16	106066 On/Off Switch (must use with #106287)	1 ea.	10.56
	106287 Switch Box w/Velcro and Screws	1 ea.	26.03
17	100597 Sound Muffler	1 ea.	42.78
18	105044 Motor Shroud/Diffuser w/Screw Set: 2 Screws	1 set	33.21
19	100335 Motor Compression Ring w/Screws	1 set	18.63
	100378 Compression Ring Screw Set: 4 Screws	1 set	4.38
20	100014 Motor Gasket	1 ea.	17.47
21	105164 Carbon Brush Set (Domel Motor)	1 set	30.98
	101720 Carbon Brush Set (Ametek Motor)	1 set	30.98
22	105162 Motor/Fan (120 V) w/Crimps	1 ea.	174.27
	100379 Motor Ground and Wire Clamp Set w/Screws	1 set	8.75
	100380 Motor Crimp Set: 4 Female, 4 Male, Ground Crimp Connector	1 set	15.52
23	100368 Motor Mounting System Set: 3 Well Nuts, 3 Bolts, 3 Washers, 3 Covers	1 set	19.37
24	100586 Bottom Bumper	1 ea.	10.68
25	100030 Dome Filter w/Foam Media (includes: 26)	1 ea.	11.66
	100343 Foam Filter Media for Dome Filter	1 ea.	2.69
	101220 High Filtration Disk (optional)	2/pk	15.64
27	107648 48" Static-Dissipating Hose w/ Non-Replaceable Elbow & Straight Cuffs	1 ea.	40.47
28	101928 Replacement Double Swivel Elbow Cuff	1 ea.	13.40
29	100694 Replacement Double Swivel Straight Cuff	1 ea.	7.99
30	101543 Filter Guard (Optional)	1 ea.	14.01
31	107294 Thermal Protector	1 ea.	21.27
32	106526 Dome Filter made from HEPA Media	1 ea.	19.80
	101678 50' Extension Cord (Not Shown)	1 ea.	49.64

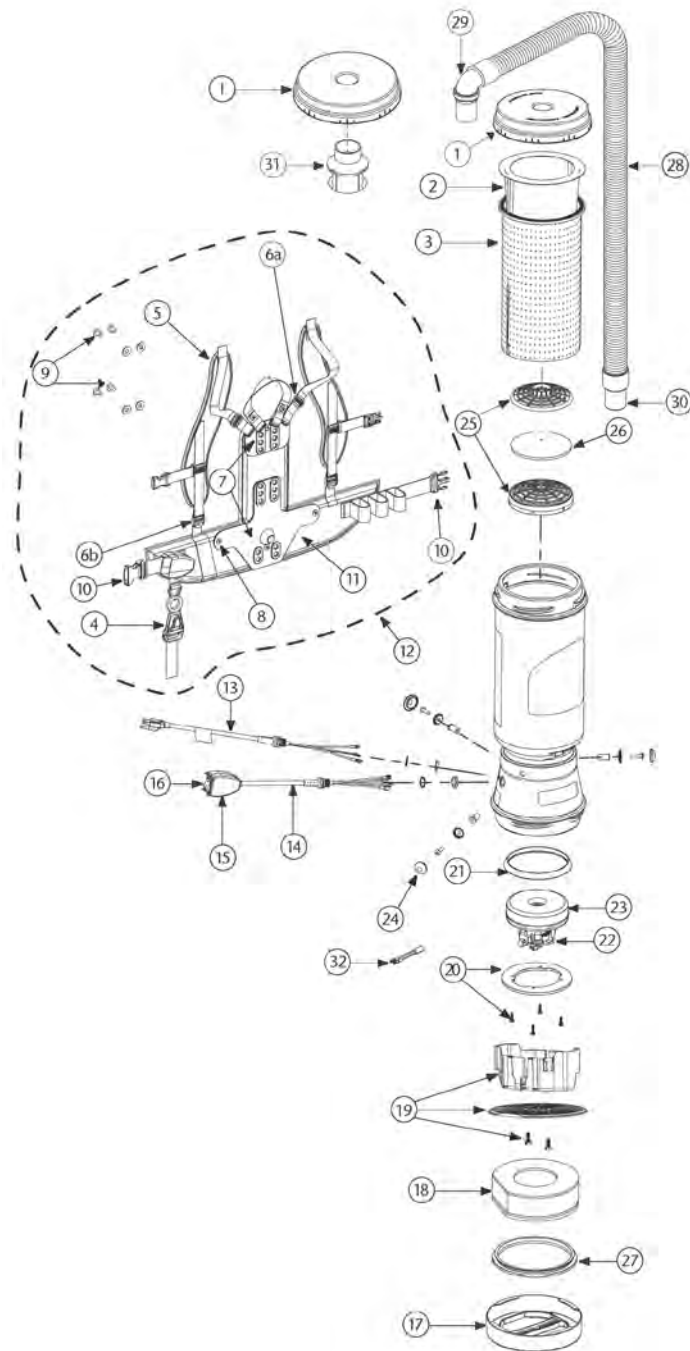
# SUPER QUARTERVAC PARTS



No.	Product Name	Qty	List Price
1	101928 Replacement Double Swivel Elbow Cuff	1 ea.	\$ 13.40
2	106073 Twist Cap (Purple)	1 ea.	42.63
3	100431 Intercept Micro Filter	10/pk	20.49
4	100564 Micro Cloth Filter	1 ea.	36.11
5	107648 48" Static-Dissipating Hose w/ Non-Replaceable Elbow and Straight Cuffs	1 ea.	40.47
6	100694 Replacement Double Swivel Straight Cuff	1 ea.	7.99
7	100030 Dome Filter w/Foam Media (includes: 8)	1 ea.	11.66
8	100343 Foam Filter Media for Dome Filter	1 ea.	2.69
	101220 High Filtration Disk (optional)	2/pk	15.64
9	100586 Bottom Bumper	1 set	10.68
10	100014 Motor Gasket	1 ea.	17.47
11	105162 Motor/Fan (120 V) w/Crimps	1 ea.	174.27
	100379 Motor Ground Wire Clamp Set w/Screws	1 set	8.75
	100380 Motor Crimp Set: 4 Female, 4 Male, Ground Crimp Connector	1 set	15.52
12	105164 Carbon Brush Set (Domel)	1 set	30.98
	101720 Carbon Brush Set (Ametek)	1 set	30.98
13	100335 Motor Compression Ring w/Screws	1 set	18.63
	100378 Compression Ring Screws: 4 Screws	1 set	4.38
14	105044 Motor Shroud/Diffuser w/Screw Set: 2 Screws	1 set	33.21
15	105800 Sound Muffler	1 ea.	42.78
16	100368 Motor Mounting System Set: 3 Well Nuts, 3 Bolts, 3 Washers, 3 Covers	1 set	19.37
17	101610 Switch Cord Assembly (includes: 18, 19)	1 set	54.26
	101714 Switch Cord w/Crimps	1 set	24.06
18	106066 On/Off Switch (must use with #106287)	1 ea.	10.56
19	101472 Switch Box w/Velcro and New Lamb Switch	1 set	34.86
	106287 Switch Box w/Velcro and Screws	1 ea.	26.03
20	100641 Power Cord Assembly	1 set	28.11
21	510738 Cord Holder	1 ea.	3.95
22	100358 Shoulder Strap Plastic Adjustment Buckle (Top)	1 ea.	1.49
23	106719 Waist Belt Keeper and Latch	1 set	17.57
24	100359 Waist Belt (includes: 23)	1 set	58.09
25	100375 Barrel Nut Connection Set for Backplate (Replacement)	1 set	8.75
26	100357 Shoulder Strap Plastic Adjustment Buckle (Bottom)	1 ea.	1.49
27	105046 Backplate (includes: 25)	1 set	38.74
28	100716 Backplate (Black) Connection Set: 4 Screws w/Washers	1 set	19.37
29	100356 Shoulder Strap Assembly (includes: 22, 26)	1 set	25.19
	100354 Strap Assembly Complete (includes: 24, 29)	1 set	77.48
30	103166 Backplate System Complete (includes: 21-29)	1 set	96.84
31	107294 Thermal Protector	1 ea.	21.27
32	106526 Dome Filter made from HEPA Media	1 ea.	19.80
	101678 50' Extension Cord (Not Shown)	1 ea.	49.64

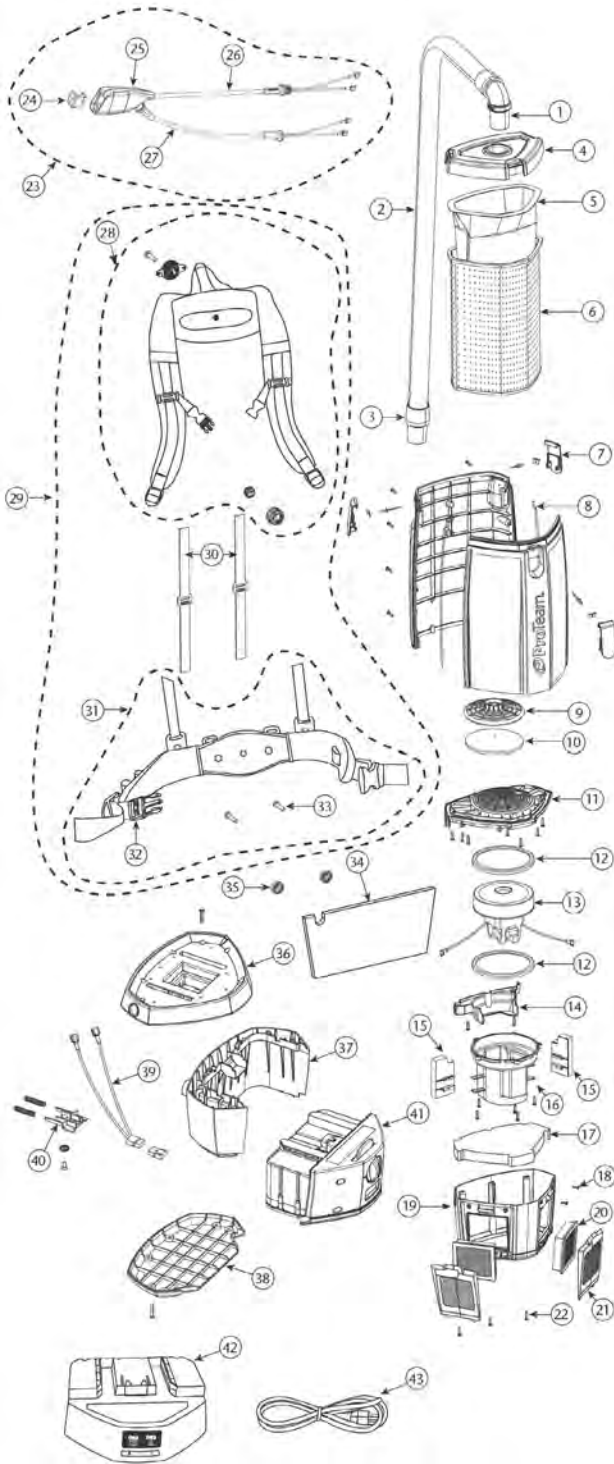


# MEGAVAC PARTS



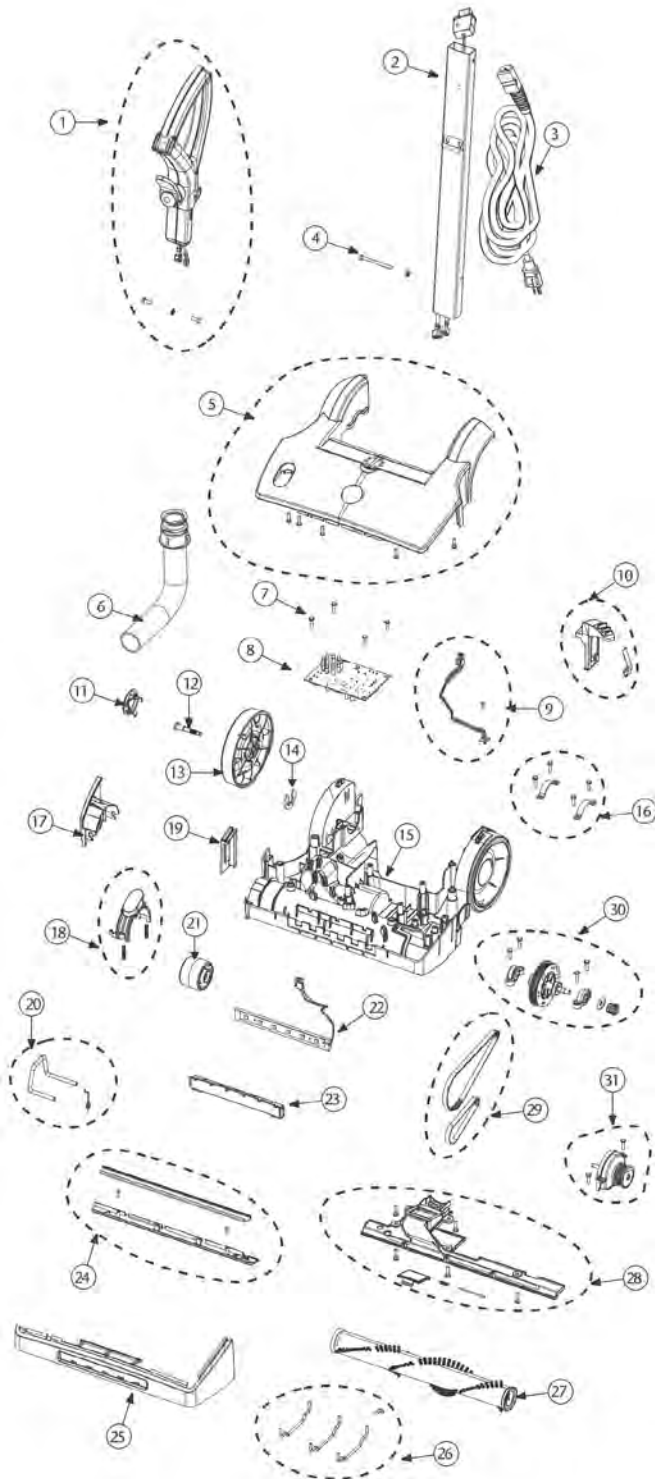
No.	Product Name	Qty	List Price
1	100320 Twist Cap (Black)	1 ea.	\$ 50.36
2	100331 Intercept Micro Filter	10/pk	27.32
3	100565 Micro Cloth Filter	1 ea.	43.72
4	510738 Cord Holder	1 ea.	3.95
5	100356 Shoulder Strap Assembly (includes: 6a, 6b)	1 set	25.19
	100354 Strap Assembly Complete (includes: 5, 11)	1 set	77.48
6a	100358 Shoulder Strap Plastic Adjustment Buckle (Top)	1 ea.	1.49
6b	100357 Shoulder Strap Plastic Adj. Buckle (Bottom)	1 ea.	1.49
7	105046 Backplate (includes: 8)	1 ea.	38.74
8	100375 Barrel Nut Connection Set for Backplate (Repl.)	1 set	8.75
9	100374 Backplate Connection Set: 4 Screws w/Washers, Stand Offs	1 set	19.37
10	106719 Waist Belt Keeper and Latch	1 ea.	17.57
11	100359 Waist Belt (includes: 10)	1 set	58.09
12	103166 Backplate System Complete (includes: 4-11)	1 set	96.84
13	100641 Power Cord Assembly	1 set	28.11
14	101610 Switch Cord Assembly (includes: 15, 16)	1 set	54.26
	101714 Switch Cord w/Crimps	1 ea.	24.06
15	101472 Switch Box w/Velcro and New Lamb Switch	1 set	34.86
	106287 Switch Box w/Velcro and Screws	1 ea.	26.03
16	106066 On/Off Switch (must use with #106287)	1 ea.	10.56
17	105070 Bottom Twist Cap (Black)	1 ea.	58.09
18	100597 Sound Muffler	1 ea.	42.78
19	105044 Motor Shroud/Diffuser w/Screw Set: 2 Screws	1 set	33.21
20	100335 Motor Compression Ring w/Screws	1 set	18.63
	100378 Compression Ring Screw Set: 4 Screws	1 set	4.38
21	100014 Motor Gasket	1 ea.	17.47
22	105164 Carbon Brush Set for MegaVac (Domel Motor)	1 set	30.98
	101720 Carbon Brush Set for MegaVac (Ametek Motor)	1 set	30.98
23	105162 Motor/Fan (120V) w/Crimps for MegaVac	1 set	174.27
	100379 Motor Ground and Wire Clamp Set w/Screws	1 set	8.75
	100380 Motor Crimp Set: 4 Female, 4 Male, Ground Crimp Connector	1 set	15.52
24	100368 Motor Mounting System Set: 3 Well Nuts, 3 Bolts, 3 Washers, 3 Covers	1 set	19.37
25	100030 Dome Filter w/Foam Media (includes: 26)	1 ea.	11.66
26	100343 Foam Filter Media for Dome Filter	1 ea.	2.69
	101220 High Filtration Disk (optional)	2/pk	15.64
27	104998 Bottom Twist Cap Gasket	1 ea.	13.57
28	107648 48" Static-Dissipating Hose w/ Non-Replaceable Elbow and Straight Cuffs	1 ea.	40.47
29	101928 Replacement Double Swivel Elbow Cuff	1 ea.	13.40
30	100694 Replacement Double Swivel Straight Cuff	1 ea.	7.99
31	101543 Filter Guard (Optional)	1 ea.	14.01
32	107294 Thermal Protector	1 ea.	21.27
	101678 50' Extension Cord (Not Shown)	1 ea.	49.64

# GOFREE FLEX PRO II PARTS



No.	Product Name	Qty	List Price
1	101928 Replacement Double Swivel Elbow Cuff 1½"	1 ea.	\$ 13.40
	102715 Replacement Double Swivel Elbow Cuff 1¼"	1 ea.	17.73
2	107648 48" Static-Dissipating Hose w/ Non-Replaceable Elbow and Straight Cuffs	1 ea.	40.47
	103237 56" Static-Dissipating Hose w/Cuffs (Black) 1¼"	1 ea.	38.68
3	100694 Replacement Double Swivel Straight Cuff	1 ea.	7.99
	103279 Replacement Swivel Cuff (Black) 1¼"	1 ea.	9.91
4	833948 Top Cap (Purple)	1 ea.	50.36
5	107314 Intercept Micro Filter (Open Collar)	10/pk	22.58
	107374 Intercept Micro Filter (Closed Collar)	10/pk	28.59
6	834072 Micro Cloth Filter	1 ea.	36.11
7	510179 Latch and Retainer w/Lock Nut & Screw	1 set	10.79
8	510181 Gasket for Tank	2 ea.	5.02
9	510183 Dome Filter w/Foam Media (includes: 10)	1 set	11.66
10	510184 Foam Filter Media for Dome Filter	1 ea.	3.55
11	510193 Upper Motor Support w/Gasket	1 set	10.83
12	510741 Motor Gasket (GFFP II only)	1 ea.	11.18
	840899 Motor Gasket (old)	1 ea.	9.47
13	510740 Motor/Fan (36VDC) w/Gasket (GFFP II only)	1 ea.	246.64
	510411 Motor/Fan (36VDC) w/Gasket (old)	1 ea.	217.02
14	510185 Cover Wire w/2 screws	1 set	3.81
15	510742 Left/Right Baffles	1 set	8.05
16	510194 Lower Motor Support (5 screws)	1 set	19.37
17	834042 Triangular Lower Foam Pad	1 ea.	4.31
18	808380-0 Screw Pan CR #8 x ½"	1 ea.	1.29
19	510216 Housing Assembly Lower w/Screws	1 set	23.05
20	107315 Exhaust Filter made from HEPA Media (2 pk)	1 set	17.07
21	841708 Exhaust Filter Door w/ Latch	1 ea.	10.33
22	808380-22 Screw Pan CR #8 x ¾"	1 ea.	1.58
23	843473 Switch Cord and Power Cord Assembly (includes: 24-27) (GFFP II only)	1 set	39.67
	834249 Switch Cord and Power Cord Assembly (includes: 24-27) (old)	1 set	82.34
24	105147 On/Off Switch	1 ea.	20.54
25	107043 Switch Box	1 set	26.03
26	843475 Switch Cord Assembly	1 set	9.91
27	841726 Battery Cord Assembly	1 set	13.76
28	840112 Upper Harness Assembly	1 set	104.21
29	840011 FlexFit Harness Assembly (includes: 28-37)	1 set	223.74
30	510192 Tensioning Straps	1 set	14.76
31	840114 Lower Harness Assembly (includes: 36, 37)	1 set	104.82
32	510301 Waist Belt Buckles and Straps Set	1 set	17.01
33	834051 5/16" - 18x1 - 3/8" Lock Screw (2 screws)	1 set	7.19
34	834043 Rectangular Upper Foam Pad	1 ea.	3.95
35	510186 Harness Spacers	2 ea.	4.57
36	510218 Upper Battery Housing	1 ea.	24.16
37	510217 Lower Battery Housing	1 ea.	23.73
38	510219 Battery Support	1 ea.	27.05
39	510220 Lead Assembly w/Screw	1 ea.	14.12
40	510221 Actuator w/Washer, Screw, Springs	1 set	12.19
41	107724 12Ah Battery	1 ea.	1,197.00
42	107516 Battery Charger and Charger Cord	1 set	293.79
43	834678 Charger Cord	1 ea.	38.19

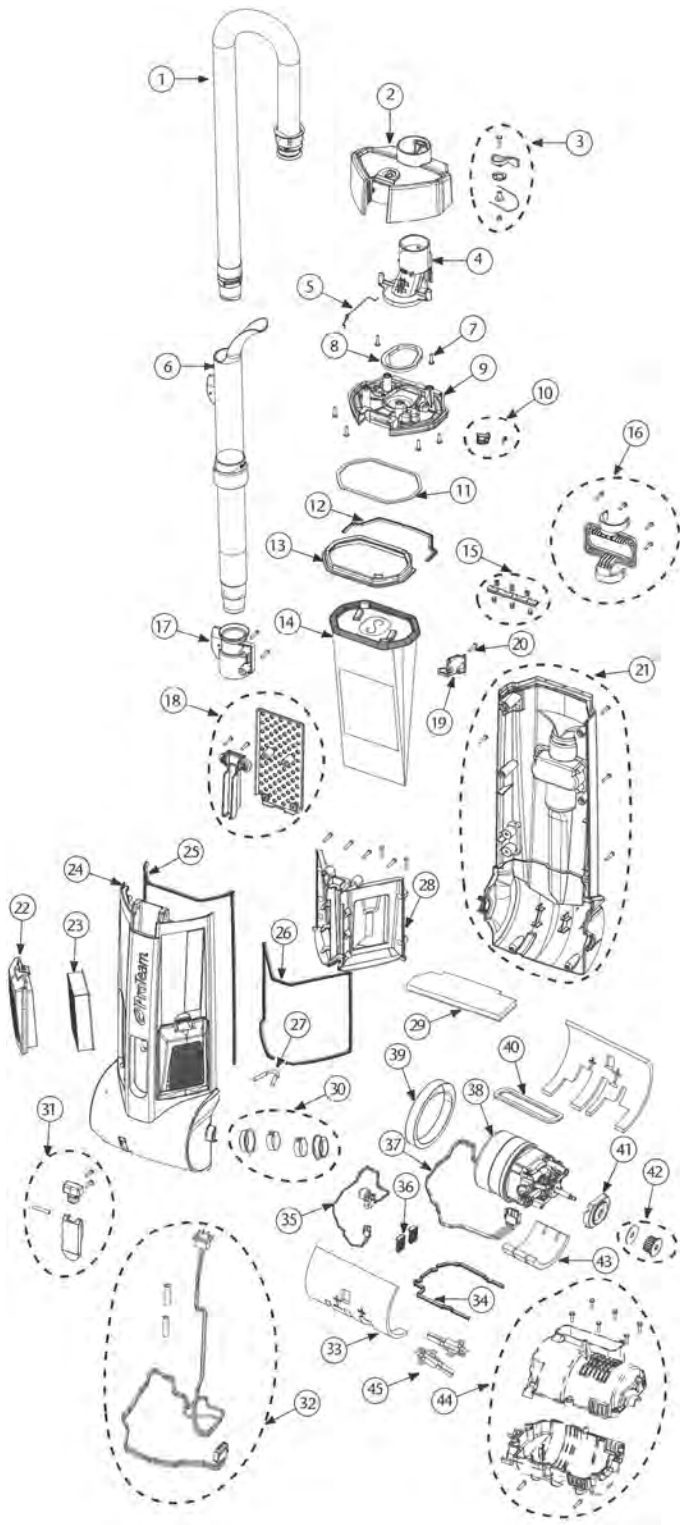
# PROGEN 12 / 15 PARTS



No.	Product Name	Qty	List Price
1	842344 Handle Assembly	1 set	\$26.25
2	842345 Handle Tube Assembly	1 ea.	29.28
3	834740-1 15" Power Cord w/Strain Relief 50'	1 ea.	63.14
	834740 12" Power Cord w/Strain Relief 40'	1 ea.	51.70
4	835701 Handle Screw Nut Assembly	1 ea.	1.85
5	835686 15" Base Cover Assembly	1 set	33.37
	835707 12" Base Cover Assembly	1 set	31.62
6	510252 Hose Power Head Assembly	1 ea.	5.65
7	835345 Washer Pan Screw M4	1 ea.	2.99
8	834797 Main Control Board	1 ea.	95.97
9	835683 Control Board Hall Effect Assembly	1 set	8.94
10	835676 15" Foot Pedal Assembly	1 set	3.98
	835702 12" Foot Pedal Assembly	1 set	3.70
11	834788 Cap Button	1 ea.	2.44
12	834789 15" Rear Wheel Shaft	1 ea.	3.04
13	834787 15" Rear Wheel	1 ea.	14.50
	836630 12" Rear Wheel	1 ea.	8.13
14	834790 Retaining Ring	1 ea.	1.61
15	834804 15" Power Nozzle Base	1 ea.	53.33
	836627 12" Base Assembly (includes: 10)	1 ea.	40.72
16	835684 Filter Housing Clamp Assembly	1 set	2.57
17	835350 15" Brush Removal Cover Assembly	1 ea.	5.51
	835352 12" Brush Removal Cover Assembly	1 ea.	5.41
18	835682 15" Brush Release Button Assembly	1 set	3.04
	835705 12" Brush Release Button Assembly	1 set	2.90
19	834810 15" Side Base Bumper	1 ea.	2.99
	835036 12" Side Base Bumper	1 ea.	3.10
20	835675 Center Wheel Pivot Rod Assembly	1 set	3.22
21	834791 Center Wheel	1 ea.	4.18
22	835349 LED Strip Light Harness Assembly	1 ea.	15.38
23	834816 LED Strip Light Lens	1 ea.	2.69
24	835680 15" Front Base Plate Assembly	1 set	8.25
	835703 12" Front Base Plate Assembly	1 set	7.41
25	834809 15" Front Base Bumper	1 ea.	9.12
	835035 12" Front Base Bumper	1 ea.	7.11
26	835679 Base Wire Brace	1 set	3.56
27	841818 15" Brush Roller	1 ea.	20.10
	841817 12" Brush Roller	1 ea.	19.22
28	835681 15" Rear Base Plate Assembly	1 set	4.69
	835704 12" Rear Base Plate Assembly	1 set	4.40
29	835678 Timing Belt Assembly	1 set	26.30
30	835685 15" Pulley Assembly	1 set	16.26
	835706 12" Pulley Assembly	1 set	13.33
31	835677 Brush Roller Clutch Assembly	1 set	39.93

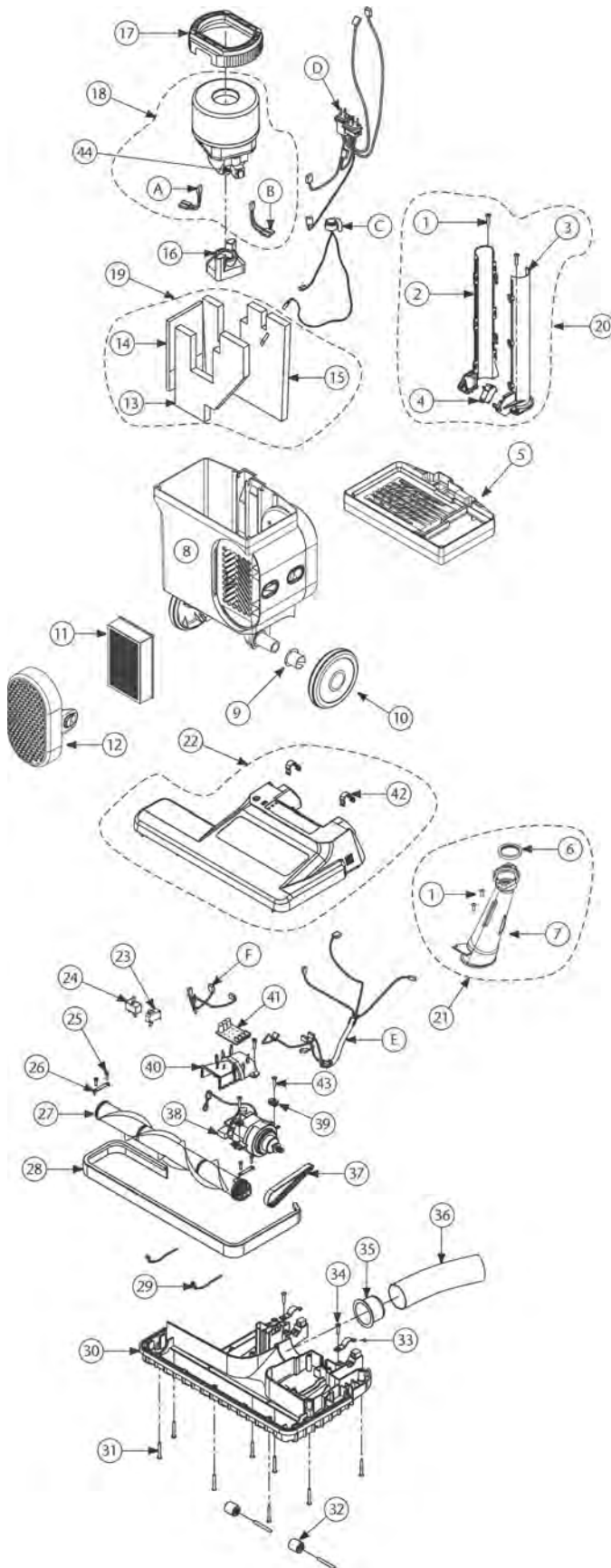


# PROGEN 12 / 15 PARTS



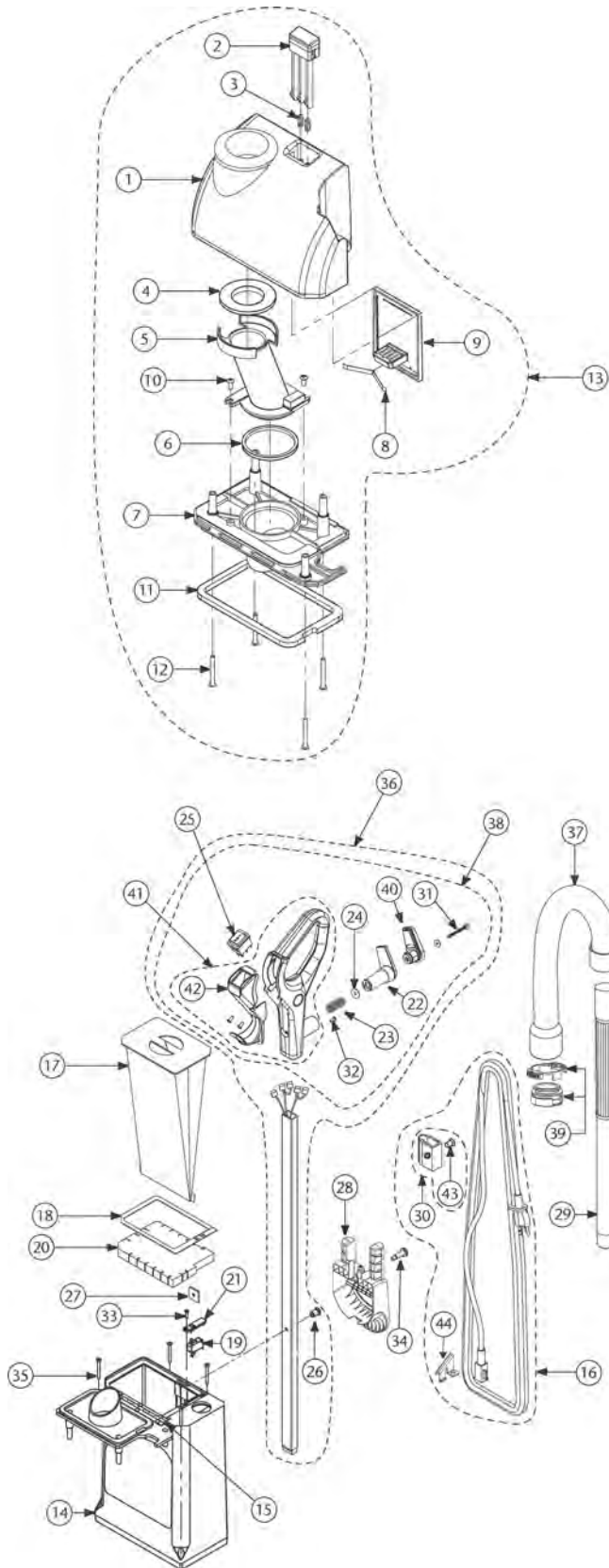
No.	Product Name	Qty	List Price
1	510259 Hose Assembly	1 ea.	\$19.22
2	835354 Filter Cover Assembly	1 ea.	7.69
3	835696 Filter Lid Cam Lock Assembly	1 set	10.02
4	834688 Upright Transition Duct Assembly	1 ea.	5.04
5	834753 Filter Housing Spring Hose	1 ea.	1.91
6	510258 Extension Tube Assembly	1 ea.	8.59
7	835345 Washer Pan Screw M4	1 ea.	2.99
8	834691 Transition Duct Gasket	1 ea.	2.39
9	834687 Bag Cover Housing Plate	1 ea.	6.11
10	835697 Bag Cover Housing Interlock Assembly	1 ea.	1.97
11	834690 Bag Cover Gasket Plate	1 ea.	2.81
12	834730-3 Lid Rear Tree Gasket	1 ea.	1.80
13	834823 Bag Housing Rim	1 ea.	2.90
14	107377 Intercept Micro Filter,10 pack	10/pk	25.99
15	835698 Hinge with Rivet Assembly	1 set	7.23
16	835694 Carry Handle w/Tool Caddy Assembly	1 set	3.51
17	835351 Power Nozzle Adaptor Hose	1 set	4.40
18	835690 Filter Housing Harness Enclosure Assembly	1 set	4.10
19	834724 Extension Handle Clip	1 ea.	2.08
20	835358 Pan Screw M4 20mm	1 ea.	4.18
21	835693 Rear Bag Housing Assembly	1 set	25.13
22	834717 Exhaust Filter Cover	1 ea.	7.53
23	107005 Exhaust Filter made from HEPA Media	1 ea.	8.55
24	835687 15" Front Bag Housing	1 ea.	24.17
	835708 12" Front Bag Housing	1 ea.	24.17
25	834730 Bag Housing Tree Gasket	1 ea.	2.81
26	834730-1 Filter Housing Tree Gasket	1 ea.	2.27
27	835150 Filter Housing Gasket Separator	1 ea.	1.61
28	834718 Filter Housing Separator	1 ea.	9.89
29	834721 Motor Intake Filter	1 ea.	2.22
30	835695 Bag Housing Pivot Sleeve Assembly	1 set	3.47
31	835688 Lower Cord Wrap Bracket Assembly	1 set	3.38
32	835689 Filter Housing Harness Assembly	1 set	12.08
33	834722 Foam Filter Housing	1 ea.	3.86
34	834730-2 Motor Housing Tree Gasket	1 ea.	1.91
35	834723 Bag Full Indicator Sensor	1 ea.	11.85
36	840042 Motor Support Gasket	1 ea.	2.39
37	835344 Motor Harness	1 ea.	7.41
38	834705 Motor Assembly (includes: 45)	1 ea.	124.36
39	834696 Blower Gasket Housing	1 ea.	4.18
40	834697 Inlet Motor Gasket	1 ea.	2.39
41	834701 Motor Mount Gasket	1 ea.	3.38
42	835692 Motor Pulley Assembly	1 set	2.86
43	834704 Foam Motor Housing	1 ea.	2.03
44	835691 Motor Housing Assembly	1 set	26.30
45	835714 Motor Brush	1 ea.	20.91

# PROFORCE 1200XP / 1500XP PARTS



No.	Product Name	Qty	List Price
1	104267 Phillips Screw, 4mm x 12mm for Lower Air Duct	2/pk	\$ 9.98
2	104260 Upper Right Wand Guide	1 ea.	5.17
3	104261 Upper Left Wand Guide	1 ea.	5.17
4	104263 Wand Lockout Switch	1 ea.	15.21
5	107255 Bulkhead	1 ea.	22.70
6	104253 Lower Air Duct Seal	1 ea.	1.91
7	104250 Air Duct	1 ea.	16.01
8	107257 Motor Housing	1 ea.	53.42
9	104504 Pivot Bearing	2/pk	9.98
10	104306 Rear Wheel	2/pk	18.82
11	107005 Exhaust Filter made from HEPA Media	1 ea.	8.55
12	107258 Filter Cartridge Cover	1 ea.	7.75
13	103532 Front Panel Motor Housing Sound Foam	1 ea.	8.03
14	103533 Left Panel Motor Housing Sound Foam	1 ea.	4.71
15	103531 Rear Panel Motor Housing Sound Foam	1 ea.	11.29
16	104247 Lower Motor Mount	1 ea.	9.43
17	104249 Upper Motor Mount	1 ea.	16.01
18	104957 Motor Assembly w/Jumpers (includes: A, B)	1 kit	112.80
19	105488 Motor Housing Sound Filter (includes: 13,14,15)	1 kit	22.58
20	105490 Wand Kit (includes: 1, 2, 3, 4)	1 kit	18.92
21	105489 Air Duct Kit (includes: 1, 6, 7)	1 kit	16.96
22	107282 ProForce 1500XP Power Nozzle Cover with Detent Springs (includes: 42)	1 ea.	46.45
	107283 ProForce 1200XP Power Nozzle Cover with Detent Springs (includes: 42)	1 ea.	46.45
23	104279 Power Nozzle Lockout Safety Switch	1 ea.	20.30
24	104212 Circuit Breaker (reset button)	1 ea.	28.80
25	104496 Phillips Screw, 3.5mm x 13mm, for Brush Retainer	4/pk	7.85
26	104499 Brush Roll Retainer	2/pk	3.80
27	104216 14" Power Nozzle Brush Roll for ProForce 1500XP	1 ea.	44.83
	107163 12" Power Nozzle Brush Roll for ProForce 1200XP	1 ea.	44.83
28	104218 ProForce 1500XP Vinyl Power Nozzle Bumper	1 ea.	10.28
	107166 ProForce 1200XP Vinyl Power Nozzle Bumper	1 ea.	10.28
29	104500 Formed Wire Brace for Power Nozzle Base	2/pk	3.80
30	104221 ProForce 1500XP Power Nozzle Baseplate	1 ea.	71.59
	107167 ProForce 1200XP Power Nozzle Baseplate	1 ea.	67.62
31	104497 Phillips Screw, 4mm x 35mm for Base Cover	8/pk	8.91
32	834363 Wheel/Axle Replacement Kit	1 kit	10.62
33	104503 Rear Wheel Clamp	1 set	6.59
34	104495 Phillips Screw, 4mm x 19mm for Powerhead	5/pk	5.17
35	104227 Air Duct Hose Sleeve	1 ea.	3.80
36	104230 Power Nozzle to Air Duct Lower Hose	1 ea.	8.73
37	104217 Brush Roll Drive Belt	1 ea.	8.57
38	104506 Power Nozzle Motor with Crimps	1 ea.	111.25
39	104498 Power Nozzle Motor Vibration Grommet	2/pk	3.80
40	104224 Power Nozzle Air Duct Cover	1 ea.	7.10
41	104226 Vacuum Operation Indicator Board	1 ea.	13.68
42	104507 Detent Upright Lock Spring	2/pk	5.17
43	105371 Phillips Screw, 4.2mm x 19mm, for Power Nozzle Motor	2/pk	3.47
44	105281 Carbon Brush Set for ProForce Motor	1 set	30.98
	105754 Wire Harness Kit includes:	1 set	48.73
	A. Red Jumper Harness	B. White Jumper Harness	
	C. Full Bag Indicator Sensor	D. Main Power Supply Harness	
	E. Power Nozzle Wire Harness	F. Power Nozzle Switch Harness	

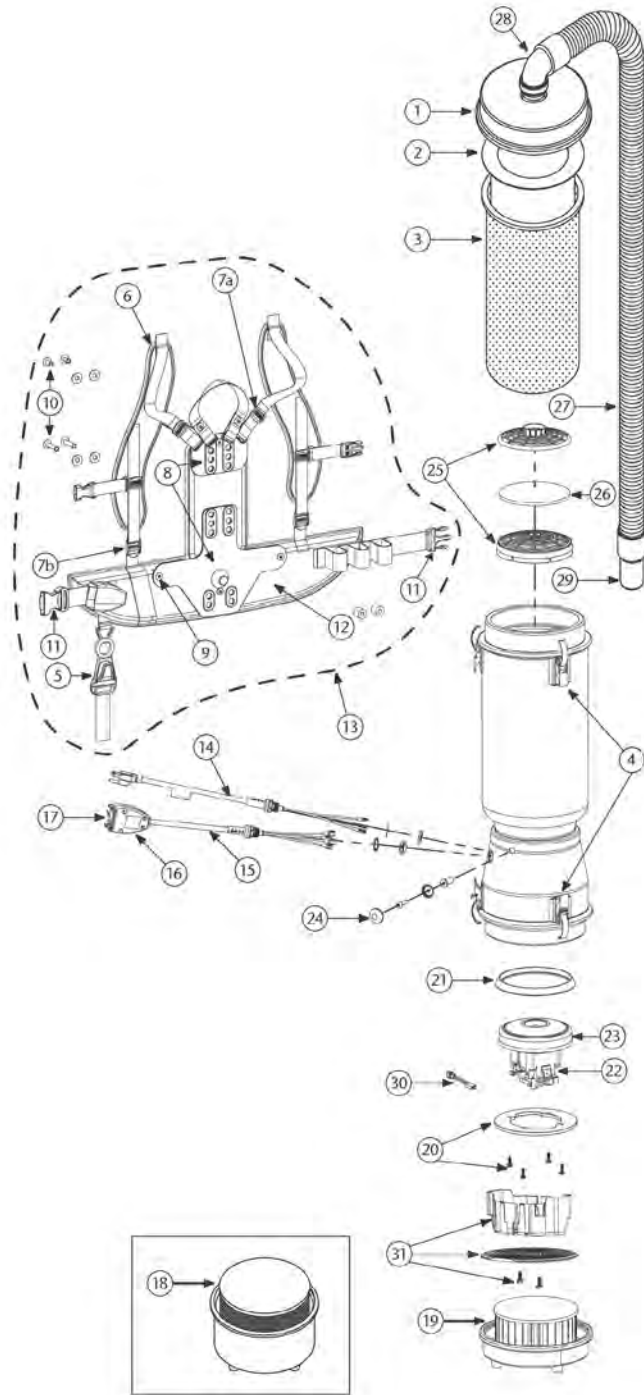
# PROFORCE 1200XP / 1500XP PARTS



No.	Product Name	Qty	List Price
1	104234 Grey Bag Housing Cover	1 ea.	\$25.67
2	104232 Bag Cover Release Latch	1 ea.	6.85
3	104233 Release Latch Button Spring for Bag Cover	2/pk	3.47
4	104235 Upper Seal Transition Duct for Bag Cover	1 ea.	5.99
5	104236 Transition Duct Bag Cover	1 ea.	10.28
6	104238 Lower Seal Transition Duct Bag Cover Nozzle Plate	1 ea.	3.47
7	104239 Bag Cover Nozzle Plate	1 ea.	8.03
8	104242 Bag Cover Latch Spring	1 ea.	5.17
9	104243 Bag Cover Latch Plate	1 ea.	3.80
10	104505 Phillips Screw, 4mm x 9.5mm	2/pk	3.47
11	104241 Bag Cover Gasket	1 ea.	3.80
12	104493 Phillips Screw, 4.2mm x 35mm	4/pk	6.32
13	105486 Filter Cover Kit w/Riveted Hinge and 6 Rivets (includes: 1-12)	1 kit	67.69
14	107260 ProForce 1500XP Bag Housing Assembly with Riveted Hinge & Bag Cover Nozzle Plate	1 ea.	61.53
	107285 ProForce 1200XP Bag Housing Assembly with Riveted Hinge & Bag Cover Nozzle Plate	1 ea.	61.53
15	104491 Rivet for Bag Housing Assembly	6/pk	5.17
16	104284 50' Yellow Power Cord with Strain Relief (includes: 30, 44)	1 ea.	60.54
17	103483 Intercept Micro Filter	10/pk	20.48
18	104738 Bag Housing Gasket Seal	1 ea.	3.80
19	104283 Lock-Out Filter Switch	1 ea.	16.01
20	104281 Double Layer Motor Intake Filter	1 ea.	4.48
21	104282 Lock-Out Filter Switch Cover	1 ea.	3.80
22	104268 Cord Wrap Bracket	1 ea.	6.85
23	104269 Cord Wrap Compression Bracket Spring	1 ea.	3.80
24	104270 Cord Wrap Bracket Compression Spring Washer	1 ea.	1.75
25	105147 On/Off Rocker Switch	1 ea.	20.54
26	104264 Handle Tube Bushing	1 ea.	1.91
27	104259 Handle Nut Plate	1 ea.	1.91
28	107256 Carry Handle with Tool Caddy	1 ea.	8.57
29	104294 Wand	1 ea.	22.58
30	105091 Strain Relief Kit with Fastener Clip (includes: 43)	1 ea.	9.43
31	104271 Phillips Head Screw for Cord Wrap, M4 x 45mm	1 ea.	3.47
32	104509 Phillips Screw, 4mm x 16mm x .07 Pitch, for Handle Assembly	1 ea.	3.47
33	105075 Phillips Screw, 2.9mm x 13mm, for Switch Cover	1 ea.	6.14
34	104266 Handle Assembly Screw	1 ea.	2.13
35	104493 Phillips Screw, 4.2mm x 35mm	4/pk	6.32
36	106618 Tube Handle Assembly Complete (includes: 26, 38)	1 ea.	93.07
37	104961 Hose Assembly with Cuffs (includes: 39)	1 ea.	65.82
38	106617 Handle Kit (includes: 22-25, 31, 32, 40-42)	1 kit	61.53
39	105573 Quick Release Hose Cuff	1 ea.	25.49
40	107093 Impact Bumper	1 ea.	3.95
41	106619 Handle/Bezel Assembly (includes: 42)	1 ea.	37.52
42	106739 Handle Bezel	1 ea.	12.24
43	105320 Fastener	1 ea.	7.35
44	107203 Cord Retention Clip	1 ea.	4.38

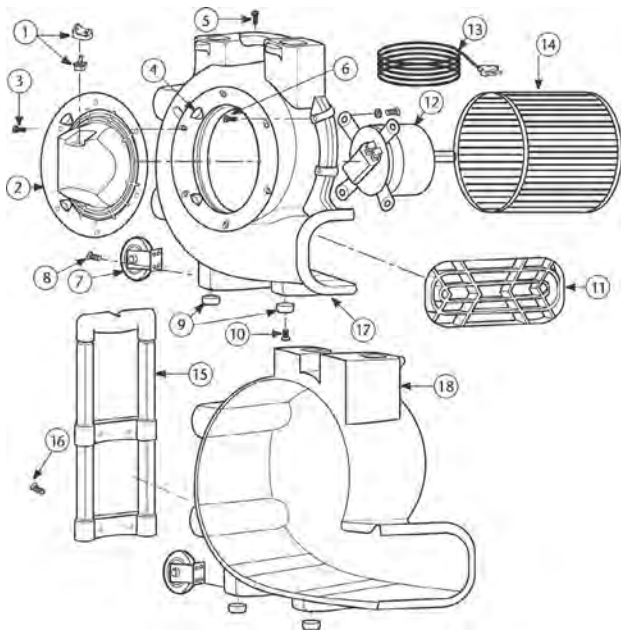


# LINEVACER PARTS



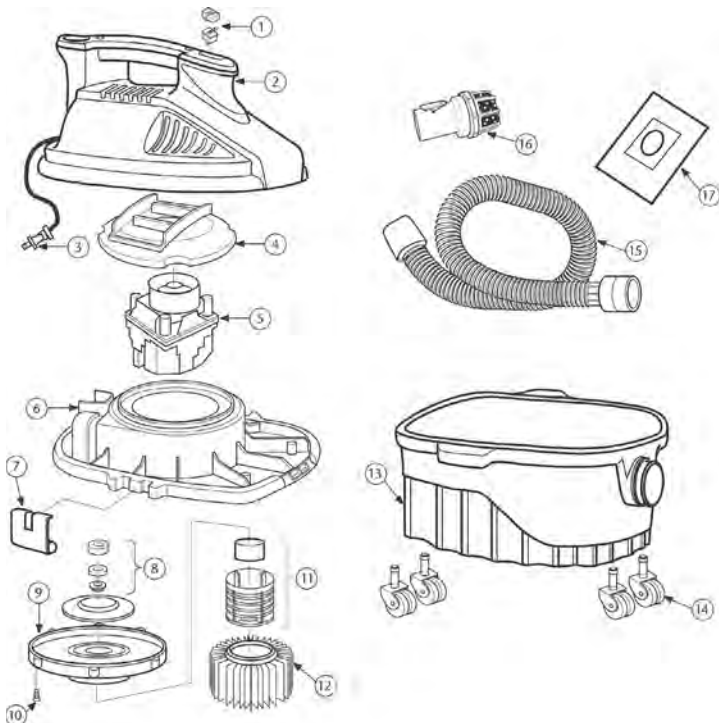
No.	Product Name	Qty	List Price
1	104276 Latch Cap w/Cuff (Black)	1 ea.	\$ 95.96
2	100291 Intercept Micro Filter	10/pk	40.83
3	100565 Micro Cloth Filter	1 ea.	43.72
4	100286 Top or Bottom Cap Latch Set: 3 Latches, 3 Locks w/6 Fastening Rivets, 6 Washers	1 set	57.23
5	510738 Cord Holder	1 ea.	3.95
6	100356 Shoulder Strap Assembly (includes: 7a, 7b)	1 set	25.19
	100354 Strap Assembly Complete (includes: 6, 12)	1 set	77.48
7a	100358 Shoulder Strap Plastic Adjustment (Top)	1 ea.	1.49
7b	100357 Shoulder Strap Plastic Adjustment (Bottom)	1 ea.	1.49
8	105046 Backplate (includes: 9)	1 ea.	38.74
9	100375 Barrel Nut Connection Set for Backplate (Replacement)	1 set	8.75
10	100374 Backplate Connection Set: 4 Screws w/Washers, Stand Offs	1 set	19.37
11	106719 Waist Belt Keeper and Latch	1 ea.	17.57
12	100359 Waist Belt (includes: 11)	1 ea.	58.09
13	103166 Backplate System Complete (includes: 5-12)	1 set	96.84
14	100641 Power Cord Assembly Complete	1 set	28.11
15	101610 Switch Cord Assembly 120V (includes: 16, 17)	1 set	54.26
	101714 Switch Cord w/Crimps	1 ea.	24.06
16	101472 Switch Box w/Velcro and New Lamb Switch	1 set	34.86
	106287 Switch Box w/Velcro and Screws	1 ea.	26.03
17	106066 On/Off Switch (must use with #106287)	1 ea.	10.56
18	104275 ULPA Filter Assembly Complete w/Bottom Cap	1 set	494.51
	(100280, 100282)		
19	104274PT HEPA Filter Assembly Complete w/Bottom Cap	1 set	358.19
	(100277, 100279)		
20	100335 Motor Compression Ring w/Screws	1 set	18.63
	100378 Compression Ring Screw Set: 4 Screws	1 set	4.38
21	100014 Motor Gasket	1 ea.	17.47
	100297 Gasket Ring (Not Shown)	1 ea.	7.63
22	105697 Carbon Brush Set (Domel Motor)	1 set	30.98
	100424 Carbon Brush Set (Ametek Motor) (116311-00)	1 set	30.98
	106904 Carbon Brush Set (Ametek Motor) (122157-00)	1 set	30.98
23	100422 Motor/Fan (120 V) w/Crimps (Ametek Motor)	1 ea.	134.27
	100380 Motor Crimp Set: 4 female, 4 Male and a Ground Crimp Connector	1 set	15.52
	100379 Motor Ground, Wire Clamp Set w/Screws	1 set	8.75
24	100368 Motor Mounting System Set: 3 Well Nuts, 3 Bolts, 3 Washers, 3 Covers	1 set	19.37
25	100030 Dome Filter w/Foam Media	1 ea.	11.66
26	100343 Foam Filter Media for Dome Filter	1 ea.	2.69
27	107648 48" Static-Dissipating Hose w/ Non-Replaceable Elbow and Straight Cuffs	1 ea.	40.47
28	101928 Replacement Double Swivel Elbow Cuff	1 ea.	13.40
29	100694 Replacement Double Swivel Straight Cuff	1 ea.	7.99
30	107294 Thermal Protector	1 ea.	21.27
31	105044 Motor Shroud/Diffuser w/Screw Set: 2 Screws	1 set	33.21
	101678 50' Extension Cord (Not Shown)	1 ea.	49.64

# PROBLITZ AIRMOVER PARTS



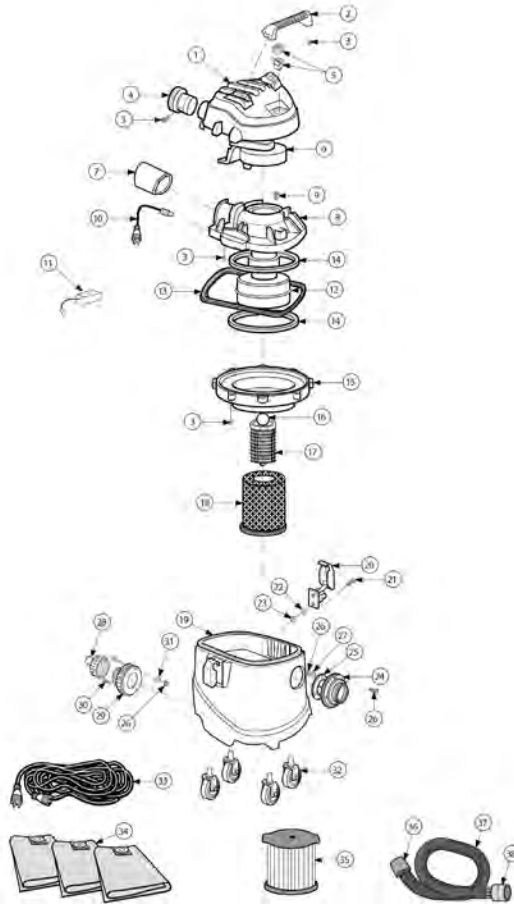
No.	Product Name	Qty	List Price
1	510141 Switch & Knob Assembly	1 ea.	\$ 13.09
2	833658 Inlet Grill	1 ea.	9.78
	510551 Inlet Grill with Outlets (ProBlitz XP)	1 ea.	19.54
3	820563-7 Screw, Type AB #10 x 3/4"	1 ea.	0.71
4	833673 Threaded Inserts - Housing	1 ea.	10.44
5	820563-7 Screw, Type AB #10 x 3/4"	1 ea.	0.71
6	820563-13 Screw, Type AB #10 x 1"	1 ea.	0.71
7	510140 Wheel Assembly (ProBlitz XP)	1 ea.	15.97
8	820563-7 Screw, Type AB #10 x 3/4" (ProBlitz XP)	1 ea.	0.71
9	833690 Foot Bumper	1 ea.	11.76
	(Only four (4) required for ProBlitz XP)		
10	820563-7 Screw, Type AB #10 x 3/4"	1 ea.	0.71
	(Only four (4) required for ProBlitz XP)		
11	833659 Exhaust Grill	1 ea.	8.23
12	833674 Motor	1 ea.	165.94
13	833675 30' Cord w/Plug	1 ea.	38.85
	841368 25' Cord w/Plug (ProBlitz XP)	1 ea.	60.54
14	833660 Blower Wheel	1 ea.	45.18
15	833691 Retractable Handle (ProBlitz XP)	1 ea.	43.78
16	820563-7 Screw, Type AB #10 x 3/4" (ProBlitz XP)	1 ea.	0.71
17	833657-1 Housing (left side)	1 ea.	32.58
18	833656-1 Housing (right side)	1 ea.	46.35

# PROGUARD 4 PORTABLE PARTS



No.	Product Name	Qty	List Price
1	510224 Switch and Switch Cover	1 ea.	\$ 5.64
2	510225 Motor Cover and Top Handle	1 ea.	44.44
3	829719-4 Cord Assembly	1 ea.	15.29
4	830519 Exhaust Duct	1 ea.	14.04
5	509776-19 Motor Assembly	1 ea.	88.45
6	830520-2 Lid	1 ea.	51.97
7	826387 Tank Latch	1 ea.	10.22
8	510124 Blower Wheel, Washer, Spacer, Nut	1 ea.	7.03
9	832656-1 Plate Collector	1 ea.	13.09
10	820563-4 Screw, Type AB #10 x 3/4"	1 ea.	0.71
11	510108 Filter Cage and Float Assembly	1 ea.	8.43
12	107178 Qwik Lock Fine Dust Cartridge Filter	1 ea.	27.85
13	510106 Tank (with Inlet)	1 ea.	21.28
14	510109 Casters	4/pk	8.55
15	831337-6 Premium Hose Assembly	1 ea.	60.24
16	830098 Diffuser	1 ea.	7.40
17	107182 Intercept Micro Filter Bag (optional)	3/pk	23.65

# PROGUARD 10 PARTS



No.	Product Name	Qty	List Price
1	510094 Motor Cover Assembly	1 ea.	\$ 49.39
2	830565-2 Handle Motor Cover	1 ea.	3.45
3	820563-4 Screw Type AB #10 x 3/4"	1 ea.	0.71
4	833600 Diffuser Assembly	1 ea.	8.07
5	510127 Switch Assembly	1 ea.	9.39
6	831651 Duct Motor Exhaust/Cooling Fan	1 ea.	8.95
7	830609 Exhaust Foam Pad	1 ea.	2.99
8	831653-3 Lid with Foam	1 ea.	22.07
9	826453-2 Screw 10-32 x 3/4"	1 ea.	1.29
10	833417 Power Cord Assembly	1 ea.	32.12
11	822374-8 Carbon Brush Set	1 set	18.63
12	831567 Motor Assembly Complete	1 ea.	122.85
13	833518 Gasket Lid	1 ea.	15.89
14	827415 Gasket Motor	1 ea.	14.78
15	831659 Collector Assembly	1 ea.	13.59
16	833778 Ball Float	1 ea.	4.18
17	830101-1 Filter Cage	1 ea.	4.04
18	107177 Wet Filter	1 ea.	37.15
19	833601 Tank, 10 Gallon	1 ea.	285.06
20	833424-1 Drum Latch	1 ea.	9.39
21	833492-1 Screw 10-32 x 3/4"	1 ea.	1.50
22	833493 Washer (13/64 ID) #10	1 ea.	1.49
23	161255-8 Nut Lock #10	1 ea.	1.42
24	833425 Tank Inlet Adapter	1 ea.	4.32
25	833426 Gasket Inlet Adapter	1 ea.	2.62
26	833492 Screw 1-32 x 1 1/4"	1 ea.	2.08
27	833493 Washer (13/64 ID) #10	1 ea.	1.49
28	73185 Drain Cap	1 ea.	10.74
29	833429 Drain Adapter with Gasket	1 ea.	10.95
30	833492-2 Screw 1-32 x 1 3/8"	1 ea.	1.74
31	833493 Washer (13/64 ID) #10	1 ea.	1.49
32	833431 Caster 3"	1 ea.	13.42
33	833432 50' Extension Cord	1 ea.	96.13
34	107181 Intercept Micro Filter	3/pk	31.96
35	107175 Qwik Lock Fine Dust Filter	1 ea.	37.15
36	831577 Swivel Hose Cuff	1 ea.	5.43
37	107198 Hose Assembly	1 ea.	61.79
38	833587 Locking Ring Cuff	1 ea.	12.43

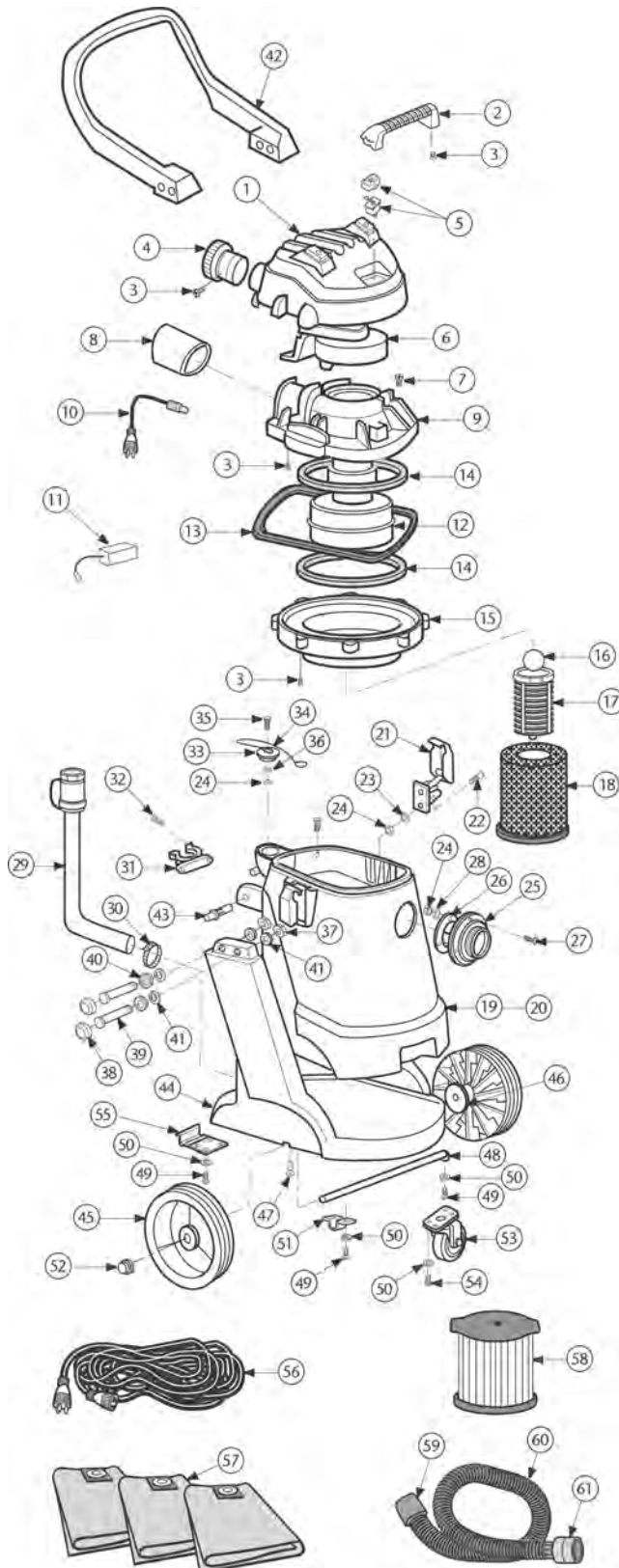
# PROGUARD 16 MD PARTS



No.	Product Name	Qty	List Price
1	830565-2 Handle Motor Cover	1 ea.	\$ 3.45
2	831577 Swivel Hose Cuff	1 ea.	5.43
3	831337-6 Hose Assembly w/Cuffs	1 ea.	60.24
4	829900 Locking Ring Cuff	1 ea.	6.62
5	820563-4 Screw Type AB #10 x 3/4"	1 ea.	0.71
6	510127 Switch Assembly	1 ea.	9.39
7	833600 Diffuser Assembly	1 ea.	8.07
8	510286 Motor Cover Assembly	1 ea.	52.30
9	826387 Drum Latch	1 ea.	10.22
10	831651 Duct Motor Exhaust/Cooling Fan	1 ea.	8.95
11	827415 Gasket Motor	1 ea.	14.78
12	831567 Motor Assembly Complete	1 ea.	122.85
13	831657-1 Power Cord Assembly	1 ea.	85.77
14	822374-8 Carbon Brush Set	1 set	18.63
15	830609 Exhaust Foam Pad	1 ea.	2.99
16	831653-1 Lid	1 ea.	27.57
17	826453-2 Screw 10-32 x 3/4"	1 ea.	1.29
18	831659 Collector Assembly	1 ea.	13.59
19	833778 Ball Float	1 ea.	4.18
20	830101-1 Filter Cage	1 ea.	4.04
21	107177 Quick Lock Wet Filter	1 ea.	37.15
22	107175 Qwik Lock Fine Dust Cartridge Filter	1 ea.	37.15
23	831668-1 Tote	1 ea.	23.21
24	830686 Handle	1 ea.	28.80
25	831660-2 Dust Drum Assembly	1 ea.	65.36
26	73185 Drain Cap	1 ea.	10.74
27	830611 Wheel Cap	1 ea.	1.97
28	813836-1 Cap Nut 1/2"	1 ea.	1.58
29	832190 8" Wheel Assembly (includes: 27, 28)	1 ea.	20.10
30	831024 Shaft	1 ea.	14.27
31	830577 Left Caddy	1 ea.	21.00
32	832123 Caster	1 ea.	18.48
33	820563-5 Screw Type "AB" #10 x 1-3/4"	1 ea.	1.57
34	830576 Right Caddy	1 ea.	17.96
	509944 Bag of Loose Parts (Not Shown) (includes: 27, 28, 32, 33)	1 kit	29.41



# PROGUARD 15 / 20 PARTS



No.	Product Name	Qty	List Price
1	510097 Motor Cover Assembly (ProGuard 15)	1 ea.	\$ 46.22
	510104 Motor Cover Assembly (ProGuard 20)	1 ea.	39.20
2	830565-2 Handle Motor Cover	1 ea.	3.45
3	820563-4 Screw Type AB #10 x 3/4"	1 ea.	0.71
4	833600 Diffuser Assembly	1 ea.	8.07
5	510127 Switch Assembly	1 set	9.39
6	831651 Motor Exhaust Duct	1 ea.	8.95
7	826453-2 Screw 10-32 X 3/4"	1 ea.	1.29
8	830609 Exhaust Foam Pad	1 ea.	2.99
9	831653-3 Lid	1 ea.	22.07
10	833417 Power Cord Assembly	1 ea.	32.12
11	822374-8 Carbon Brush Set	1 set	18.63
12	831567 Motor Assembly Complete	1 ea.	122.85
13	833518 Gasket Lid	1 ea.	15.89
14	827415 Gasket Motor	1 ea.	14.78
15	831659 Collector Assembly with Foam	1 ea.	13.59
16	833778 Ball Float	1 ea.	4.18
17	830101-1 Filter Cage	1 ea.	4.04
18	107177 Wet Filter	1 ea.	37.15
19	833603 20 Gallon Tank	1 ea.	278.28
20	833602 15 Gallon Tank	1 ea.	293.02
21	833424-1 Drum Latch	1 ea.	9.39
22	833492-1 Screw 10-32 X 3/4"	1 ea.	1.50
23	833493 Washer (13/64 ID) #10	1 ea.	1.49
24	161255-8 Nut Lock #10	1 ea.	1.42
25	833425 Tank Inlet Adapter	1 ea.	4.32
26	833426 Gasket Inlet Adapter	1 ea.	2.62
27	833492 Screw 10-32 X 1 1/4"	1 ea.	2.08
28	833493 Washer (13/64 ID) #10	1 ea.	1.49
29	833451 Hose Drain Assembly 30" (includes: 30)	1 ea.	32.49
30	833452 Hose Clamp	1 ea.	5.05
31	826881 Hose Clip	1 ea.	1.64
32	808872-2 Screw 10-32 X 1 1/4"	1 ea.	1.42
33	833449 Cap Rubber Drum Pour Spout	1 ea.	6.46
34	833450 Pour Spout Cable Lanyard	1 ea.	9.03
35	833492 Screw 10-32 X 1 1/4"	1 ea.	2.08
36	833493 Washer (13/64 ID) #10	1 ea.	1.49
37	161255-2 Nut Lock 3/8-16	1 ea.	1.20
38	100371 Cap	1 ea.	1.04
39	832397-1 Screw Hex 3/8-16 X 3 3/4"	1 ea.	6.54
40	833779 Cap Retainer	1 ea.	1.64
41	805557-1 Washer 13/32 ID	1 ea.	1.58
42	833465 Cart Base Handle	1 ea.	160.92
43	833454 Drum Hinge Bushing	1 ea.	2.53
44	833456 Cart Base	1 ea.	329.79
45	833459 10" Wheel	1 ea.	20.10
46	833460 Wheel Spacer	1 ea.	2.89
47	833662 Thumb Screw	1 ea.	3.50
48	831024-3 Shaft Tube	1 ea.	7.33
49	805466-3 Screw Hex HD 5/16-18 X 5/8"	1 ea.	1.29
50	140755-12 Lock Washer Ext 5/16"	1 ea.	1.13
51	833461 Axle Bracket	1 ea.	4.18
52	813836-1 Nut Washer Cap	1 ea.	1.58
53	833462 4" Caster w/Bearings	1 ea.	24.91
54	805466-3 Screw Hex HD 5/16-18 X 5/8"	1 ea.	1.29
55	833463 Plate Pedal Lock	1 ea.	9.86
56	833432 50' Extension Cord	1 ea.	96.13
57	107180 Intercept Micro Filter	3/pk	46.40
58	107175 Qwik Lock Fine Dust Filter	1 ea.	37.15
59	831577 Swivel Hose Cuff 1 1/2"	1 ea.	5.43
60	107198 Hose Assembly	1 ea.	61.79
61	833587 Locking Ring Cuff	1 ea.	12.43
	510142 Bag of Loose Parts (Not Shown)	1 set	15.80
	(includes: 37-41)		

# INDEX

Part No.	Product Name	Page No(s).	Part No.	Product Name	Page No(s).
73185	Drain Cap	42	101445	Retro Kit - 14" E-Z Glide Floor Tool	28
100014	Motor Gasket	32, 33, 34, 40	101472	Switch Box w/Velcro and New Lamb Switch	32, 33, 34, 40
100030	Dome Filter w/Foam Media	26, 32, 33, 34, 40	101473	Repair Clip with Screws - 14" Hard Floor Tool w/Nylon Brush -100623	28
100078	Attachment Kit A	18	101475	Repair Kit - Felt Floor Tools: Support Bars and Screws	28
100083	Floor Tool w/Adjustable Nylon Brush	22, 28	101532	50 Sleeves (1 pack of 50)	27
100084	Replacement Brush - 11" Floor Tool -100083	28	101533	500 Sleeves (10 packs of 50)	27
100093	Replacement Brush - 16" Floor Tool (100092PT)	28	101543	Filter Guard	32, 34
100099	Replacement Nut - Aluminum Wands (100102, 100104, 101338, 106290)	28	101610	Switch Cord Assembly 120V	32, 33, 34, 40
100100	Replacement Ring - Aluminum Wands (100102, 100104, 101338, 106290, 106293)	28	101611	Velcro Cord Strap	27
100101	Replacement Sleeve - Aluminum Wands (100102, 100104, 101338, 106290)	28	101613	JetSweep 20 Hard Floor Tool w/Nylon Brush	7, 23, 28
100102	56" One-Piece, Two-Bend Aluminum Wand	21, 28	101615	Replacement Blue Bumper for Jet Sweep 20 -101613	28
100104	60" Straight Extension Aluminum Wand	21, 28	101678	50' 16-Gauge Extension Cord (Yellow)	27, 29, 31, 32, 33, 34, 40
100108	17" Crevice Tool	18, 19, 20, 24	101714	Switch Cord w/Crimps	32, 33, 34, 40
100110	3" Dust Brush	18, 19, 20, 24	101720	Carbon Brush Set (Ametek Motor)	31, 32, 33, 34
100112	Reducer Cuff 1¼" to 1½"	24, 28	101829	Hard Surface Flooring Kit A	8, 9, 18
100113	1" to 4" Overhead Pipe Cleaner	24	101880	Replacement Nylon Brush - JetSweep 20, 20" Hard Floor Tool, Set of Two -101613	28
100114	4" to 8" Overhead Pipe Cleaner	24	101928	Replacement Double Swivel Elbow Cuff 1½"	29, 30, 31, 32, 33, 34, 35, 40
100115	5" Upholstery Tool	18, 19, 20, 24, 28	101949	Foam Filter Media for Dome Filter for QP CN HEPA, RV, PV CN	26
100116	Replacement Nylon Brush - 5" Upholstery Tool -100115	28	102266	Two-Piece, One-Bend, Friction-Fit Wand	20, 21, 22
100117	11" Turbo Brush Tool	18, 21, 22, 28	102361	17" Straight Plastic Wand	18
100135	Turbo Brush Kit	18	102399	Vibrating Upholstery Tool	18
100136	54" One-Bend Chrome Tapered Wand	18, 21, 22, 23	102659	Long Dust Brush	24
100137	Replacement Nut - Aluminum Wand -106293	28	102663	Mesh Bag	18
100141	Replacement Bumper - 14" Floor Tool -100147	28	102684	Electronic Cleaning Kit	18
100144	Hard Floor Tool w/Scalloped Felt Brush	18, 20, 23, 28	102715	Replacement Double Swivel Elbow Cuff 1¼"	35
100145	Replacement Felt - 14" Floor Tool - Straight -106194	28	102761	High Filtration Discs for Dome Filter for RV, QP CN, PV CN	26
100146	Replacement Felt, Scalloped - 14" Floor Tool (100144, 106194)	28	102947	Vac Station (includes mounting hardware)	27
100147	14" Floor Tool w/Scallops	18, 19, 20, 22, 28	103071	Mounting Hardware Complete	27
100150	36" One-Bend Bulk Pick-Up Tool	18, 20, 24	103084	Natural Fiber Hard Floor Tool	23, 28
100155	12" Aluminum Gulper Floor Tool	19, 22	103085	12" Carpet Tool w/ Scallops	22
100163	High Filtration Vac Kit 1 ½"	12, 20	103086	13" Crevice Tool	19, 24
100167	13" Curved Chrome Wand	21	103087	Upholstery Tool w/Removable Brush -103088	19, 24, 28
100197	Twist Cap (Purple)	32	103088	Removable Brush - 5½" Upholstery Tool -103087	19, 24, 28
100277	LineVacer HEPA w/High Filtration Vacuum Tool Kit - 100163	12	103089	Dust Brush, Rectangular 90/180° Swivel	18, 19, 24
100280	LineVacer ULPA w/High Filtration Vacuum Tool Kit - 100163	12	103099	1¼" Adapter Cuff	18, 28
100286	Top or Bottom Cap Latch Set: 3 Latches, 3 Locks w/6 Fastening Rivets, 6 Washers	40	103115	Micro Cloth Filter for QuietPro CN HEPA, RunningVac, ProVac CN	25
100291	Intercept Micro Filters, (Closed Collar) fits LV, SCV, MV	12, 25, 40	103122	Wand Adapter	19, 28
100297	Gasket Ring	40	103123	Exhaust/Sound Filter for RunningVac, ProVac CN	26
100320	Twist Cap (Black) (MV)	34	103166	Backplate (Black) System Complete	32, 33, 34, 40
100331	Intercept Micro Filters, (Open Collar) fits SCV, MV	25, 32, 34	103237	Static-Dissipating Hose w/Cuffs (Black) 1¼"	35
100335	Motor Compression Ring w/Screws	32, 33, 34, 40	103279	Replacement Swivel Cuff (Black) 1¼"	35
100343	Foam Filter Media for Dome Filter for SQV, SCV, MV, LV, AV	26, 32, 33, 34, 40	103439	Pest Control Kit	3, 9, 18
100354	Strap Assembly Complete	32, 33, 34, 40	103483	Intercept Micro Filters, fits ProForce	11, 25, 39
100356	Shoulder Strap Assembly	32, 33, 34, 40	103505	13" Curved Chrome Wand	18, 21
100357	Shoulder Strap Plastic Adjustment (Bottom)	32, 33, 34, 40	103523	24" Crevice Tool (Flexi-Clean)	18
100358	Shoulder Strap Plastic Adjustment Buckle (Top)	32, 33, 34, 40	103531	Front Panel Motor Housing Sound Foam	38
100359	Waist Belt	32, 33, 34, 40	103532	Left Panel Motor Housing Sound Foam	38
100368	Motor Mounting System Set	32, 33, 34, 40	103533	Rear Panel Motor Housing Sound Foam	38
100371	Cap	43	103608	Turbo Brush	20, 22, 28
100374	Backplate Connection Set: 4 Screws w/Washers, Stand Offs	34, 40	103638	HEPA Filter Assembly w/Electrical Connector for QuietPro CN HEPA	25
100375	Barrel Nut Connection Set for Backplate (Replacement)	32, 33, 34, 40	103974	Bushing w/Holder	28
100378	Compression Ring Screw Set: 4 Screws	32, 33, 34, 40	103975	Brush Arm, Set of 2	28
100379	Motor Ground Connection and Wire Clamp Set w/Screws	32, 33, 34, 40	104011	1¼" Neck Assembly Complete	28
100380	Motor Crimp Set	32, 33, 34, 40	104012	1½" Neck Assembly Complete	28
100422	Motor/Fan (120 V) w/Crimps (Ametek Motor)	40	104016	Rear Axle, Set of 2	28
100424	Carbon Brush Set (Ametek Motor) (116311-00)	40	104017	Back Wheel, Set of 2	28
100431	Intercept Micro Filters, fits SQV, QP BP, AV	25, 33	104018	Front Axle, Set of 2	28
100505	Static-Dissipating Hose w/Straight Cuffs	29, 30, 31	104019	Front Wheel, Set of 2	28
100564	Micro Cloth Filter for SQV, QP BP, AV	25, 33	104020	Belt	28
100565	Micro Cloth Filter for SCV, MV, LV	25, 32, 34, 40	104021	Bottom Cover	28
100586	Bottom Bumper	32, 33	104022	Squeegee	28
100597	Sound Muffler for Super CoachVac, MegaVac	26, 32, 34	104023	Belt Guard	28
100598	Squeegee Blades for 107199 Tool	28	104024	Brush Roller Assembly	28
100614	Hard Floor Tool w/Nylon & Horse Hair Blend Brush	18, 20, 23, 28	104029	Vac Display Mannequin	27
100623	Hard Floor Tool w/Nylon Brush	18, 19, 20, 23, 28	104160	Floor Mat	27
100641	Power Cord Assembly Complete w/Strain Relief	32, 33, 34, 40	104212	Circuit Breaker	38
100694	Replacement Swivel Cuff (Black) 1½"	29, 30, 31, 32, 33, 34, 35, 40	104216	14" Power Nozzle Brush Roll for ProForce 1500XP	38
100713	Replacement Nylon Brush - 14" Floor Tool -100623	28	104217	Brush Roll Drive Belt	38
100714	Replacement Nylon Horse Hair Blend Brush w/Brush, Washer and Screw -100614	28	104218	ProForce 1500XP Vinyl Power Nozzle Bumper	38
100716	Backplate (Black) Connection Set: 4 Screws w/Washers	32, 33	104221	ProForce 1500XP Power Nozzle Baseplate	38
100719	Logo Banner	27	104224	Power Nozzle Air Duct Cover	38
100727	Restaurant Kit	4, 13, 19	104226	Vacuum Operation Indicator Board	38
100730	Paddle Tool	22	104227	Air Duct Hose Sleeve	38
101092	Reducer Cuff 1½" x 1¼" For Hose	28	104230	Power Nozzle to Air Duct Lower Hose	38
101155	Replacement Nylon Brush - E-Z Glide 14" Floor Tool -101446	28	104232	Bag Cover Release Latch	39
101220	High Filtration Discs for Dome Filter, One Pack of Two	26, 32, 33, 34	104233	Release Latch Button Spring for Bag Cover	39
101338	56" Two-Piece, Two-Bend Aluminum Wand	2, 3, 4, 8, 9, 18, 19, 20, 21, 28	104234	Grey Bag Housing Cover	39
101394	Ergonomic Wand Handles, Set	27	104235	Upper Seal Transition Duct for Bag Cover	39

# INDEX

Part No.	Product Name	Page No(s).	Part No.	Product Name	Page No(s).
104236	Transition Duct Bag Cover	39	106033	Wall Bracket and Screws	27
104238	Lower Seal Transition Duct Bag Cover Nozzle Plate	39	106064	Replacement Brush - 12" Floor Tool -103084	28
104239	Bag Cover Nozzle Plate	39	106066	On/Off Switch (Must be Used with 106287)	31, 32, 33, 34, 40
104241	Bag Cover Gasket	39	106073	Twist Cap (Purple)	33
104242	Bag Cover Latch Spring	39	106194	Hard Floor Tool w/ Felt Brush Scalloped & Flat	18, 23, 28
104243	Bag Cover Latch Plate	39	106245	15" Sidewinder Carpet Tool	19, 22
104247	Lower Motor Mount	38	106246	15" Sidewinder Hard Floor Tool	19, 23
104249	Upper Motor Mount	38	106261	6' Static Strap Kit (ProForce)	27
104250	Air Duct	38	106287	Switch Box w/Velcro and Screws	32, 33, 34, 40
104253	Lower Air Duct Seal	38	106293	49" Aluminum One-Piece, Two-Bend Wand	19, 21, 22, 28
104259	Handle Nut Plate	39	106343	24"-40" Chrome Telescoping Wand	18, 19, 21, 22, 23, 28
104260	Upper Right Wand Guide	38	106345	Waist Belt Extension (10") Nifco	27
104261	Upper Left Wand Guide	38	106346	Waist Belt Extension (18") Nifco	27
104263	Wand Lockout Switch	38	106502	Aviation 11/2" Kit #1	5, 19
104264	Handle Tube Bushing	39	106525	Screws, Set of 2	28
104266	Handle Assembly Screw	39	106526	Dome Filter made from HEPA Media	25, 32, 33
104267	Screw, Phillips, 4mm x 12mm F/Lower Air Duct	38	106617	Handle Kit	39
104268	Cord Wrap Bracket	39	106618	Tube Handle Assembly Complete	39
104269	Cord Wrap Compression Bracket Spring	39	106619	Handle/Bezel Assembly	39
104270	Cord Wrap Compression Bracket Spring Washer	39	106709	10.75" Multi-Surface Floor Tool	18, 19, 22
104271	Phillips Head Screw for Cord Wrap	39	106719	Waist Belt Keeper and Latch	32, 33, 34, 40
104275	ULPA Filter Assembly Complete w/Bottom Cap for LineVacer (Black)	25, 40	106739	Handle Bezel	39
104276	Latch Cap w/Cuff (Black)	40	106793	8" Sidewinder Hard Floor Tool w/ Horse Hair Brush	23
104279	Power Nozzle Lockout Safety Switch	38	106820	Sidewinder Kit A	2, 3, 8, 9, 19
104281	Double Layer Motor Intake Filter	26, 39	106841	Sidewinder Kit B	2, 3, 8, 9, 19
104282	Lock-Out Filter Switch Cover	39	106904	Carbon Brush Set (Ametek Motor) (122157-00)	40
104283	Lock-Out Filter Switch	39	106960	Intercept Micro Filters, (Open Collar) fits Super HalfVac Pro	25
104284	50' Yellow Power Cord with Strain Relief	39	106961	Replacement Sleeve w/Rivets - Aluminum Wand -106293	28
104294	Wand	39	106973	Intercept Micro Filters, (Closed Collar) fits Super HalfVac Pro	25
104306	Rear Wheel	38	106993	Blower Tool	20, 24
104491	Rivet F/Bag Housing Assembly	39	106995	Intercept Micro Filters, (Closed Collar) fits SQV, QP BP, AV	25
104493	Screw, Phillips, 4.2mm x 35mm	39	107005	Replacement Cartridge made from HEPA Media SHV Pro, PF, ProGen	25, 37, 38
104495	Screw, Phillips, 4mm x 19mm F/Powerhead	38	107015	Xover Performance Floor Tool	18, 20, 22, 28
104496	Screw, Phillips, 3.5mm x 13mm, F/Brush Retainer	38	107016	Xover Floor Tool	2, 3, 4, 8, 9, 18, 20, 22, 28
104497	Screw, Phillips, 4mm x 35mm F/Base Cover	38	107020	Replacement Hose - Sidewinder Floor Tool	28
104498	Power Nozzle Motor Vibration Grommet	38	107040	Micro Cloth Filter for Super HalfVac Pro	25
104499	Brush Roll Retainer	38	107043	Switch Box	35
104500	Formed Wire Brace for Power Nozzle Base	38	107060	Foam Filter Media for Dome Filter Super HalfVac Pro	26
104503	Rear Wheel Clamp	38	107076	Shoe Kit (Xover Performance Floor Tool)	28
104504	Pivot Bearing	38	107077	Brush Strip (Xover Floor Tool)	28
104505	Screw, Phillips, 4mm x 9.5mm	39	107078	Shoe Kit (Xover Floor Tool)	28
104506	Power Nozzle Motor with Crimps	11, 38	107084	Waist Belt Extension for Super HalfVac Pro	27
104507	Detent Upright Lock Spring	38	107093	Impact Bumper	39
104509	Screw, Phillips, 4mm x 16mm x 0.07 Pitch, F/Handle Assembly	39	107097	Xover Performance Floor Tool Kit A	18
104544	Intercept Micro Filters, fits QuietPro CN HEPA, RV, PV CN	25	107098	Xover Floor Tool Kit B	2, 3, 4, 5, 6, 7, 8, 9, 18
104738	Bag Housing Gasket Seal	39	107099	Xover Performance Floor Tool Kit C	2, 3, 4, 6, 7, 8, 9, 12, 18
104832	Replacement Crevice Tool	24	107100	Xover Floor Tool Kit D	2, 3, 4, 5, 6, 7, 8, 9, 18
104833	Combo Upholstery/Dust Brush	24	107125	Button Lock Repair Kit Telescoping Wand -106343	28
104885	1 1/4" Kit A	19	107128	ProGuard 4 Portable w/4 Gallon Tool Kit -107184	15
104957	Motor Assembly w/Jumpers	38	107129	ProGuard 10 w/Wet/Dry Tool Kit -107187	16
104961	Hose Assembly with Cuffs	39	107130	ProGuard 15 w/Wet/Dry Tool Kit -107187 (no squeegee)	17
104998	Bottom Twist Cap Gasket (MV)	34	107131	ProGuard 20 w/Wet/Dry Tool Kit -107187 (no squeegee)	17
105044	Motor Shroud/Diffuser w/Screw Set: 2 Screws	32, 33, 34, 40	107132	ProBlitz AirMover	14
105046	Backplate	32, 33, 34, 40	107141	LineVacer HEPA w/Xover® Performance Telescoping Wand Tool Kit C - 107099	12
105070	Bottom Twist Cap (Black) (MV)	34	107159	Xover Floor Tool Blower Kit E	20
105075	Screw, Phillips, 2.9mm x 13mm, F/Switch Cover	39	107160	Xover Performance Floor Tool Blower Kit D	20
105091	Strain Relief Kit with Fastener Clip	39	107161	LineVacer HEPA w/Turbo Brush Tool Kit - 107162	12
105136	Exhaust Filter (ProForce)	26	107162	Turbo Brush Kit	12, 20
105147	On/Off Rocker Switch	35, 39	107163	12" Power Nozzle Brush Roll for ProForce 1200XP	38
105162	Motor/Fan (120 V) w/Crimps	32, 33, 34	107166	ProForce 1200XP Vinyl Power Nozzle Bumper	38
105164	Carbon Brush Set (Domel Motor)	32, 33, 34	107167	ProForce 1200XP Power Nozzle Baseplate	38
105281	Carbon Brush Set for ProForce Motor	38	107175	Qwik Lock Fine Dust Cartridge Filter, fits ProGuard 10/15/16/20	16, 17, 26, 42, 43
105320	Fastener	39	107176	Qwik Lock Filter made from HEPA Media, fits ProGuard 10/15/16/20	16, 17, 26
105371	Screw, Phillips, 4.2mm x 19mm, F/Power Nozzle Motor	38	107177	Qwik Lock™ Wet Filter, fits ProGuard 10/15/16/20	16, 17, 26, 42, 43
105486	Filter Cover Kit w/Riveted Hinge and 6 Rivets	39	107178	Qwik Lock Fine Dust Cartridge Filter, fits ProGuard LI	15, 26, 41
105488	Motor Housing Sound Filter	38	107180	Intercept Micro Filters, One Pack of 3 fits ProGuard 15/20 (Case = 6 packs)	17, 25, 43
105489	Air Duct Kit	38	107181	Intercept Micro Filters, One Pack of 3 fits ProGuard 10 (Case = 6 packs)	16, 25, 42
105490	Wand Kit	38	107182	Intercept Micro Filters, One Pack of 3 fits ProGuard 4 (Case = 6 packs)	15, 25, 41
105573	Quick Release Hose Cuff	39	107184	ProGuard 4 Tool Kit	15, 20
105691	18" Sidewinder Carpet Tool	19, 22	107185	Front Mount Squeegee	17, 23
105692	18" Sidewinder Hard Floor Tool w/Nylon Brush	23	107186	Front Mount Squeegee Replacement Blade Set	23, 28
105693	59" Two-Piece Friction-Fit Aluminum Sidewinder Straight Wand	19, 21, 22, 23	107187	Wet/Dry Tool Kit	16, 17, 20
105695	59" One-Piece Friction-Fit Aluminum Sidewinder Straight Wand	21, 22, 23	107188	Ext. Handle Curved	21
105697	Carbon Brush Set (Domel Motor)	40	107189	Master Floor Tool	20, 23
105754	Wire Harness Kit	38	107190	Ext. Handle Straight	21
105800	Sound Muffler for Super QuarterVac, AviationVac	26, 33	107191	Carpet Insert	20, 23
105889	Hard Surface Flooring Kit C	8, 18	107192	Floor Brush Insert	20, 23
105891	Hard Surface Flooring Kit D	8, 18	107193	Squeegee Insert	20, 23



# INDEX

Part No.	Product Name	Page No(s).	Part No.	Product Name	Page No(s).
107194	Crevice Tool	20, 24	107598	Straight Wand High Dusting Kit	20
107195	Dust Brush	20, 24	107599	High Dusting Kit w/ ProBlade Tool	20
107196	Claw Nozzle	20, 24	107600	High Dusting Curved Wand Kit	20
107198	Hose Assembly	42, 43	107601	Deluxe Straight and Curved Wand High Dusting Kit	20
107199	Squeezegee Tool	20, 23, 28	107613	ProVac FS 6 w/ProBlade Carpet & Hard Surface Floor Tool Kit -107532	13
107203	Cord Retention Clip	39	107628	Two-Piece, Two Bend, Telescoping Wand (Flip Lock)	2, 3, 4, 8, 9, 18, 21, 28
107251	ProForce 1200XP	11	107632	Pedestal	27
107252	ProForce 1500XP	11	107638	Exhaust Filter made from HEPA Media SCP, GFFP, PV FS 6 (90x2 pk)	25
107255	Bulkhead	38	107639	Micro Cloth Filter for SCP 6, GFFP, PV FS 6 (Master Pack) (qty 25)	25
107256	Carry Handle with Tool Caddy	39	107641	Foam Filter Media for Dome Filter: Case of 100	26
107257	Motor Housing	38	107644	GoFree Flex Pro II 12Ah w/Xover Floor Tool Kit D -107100	7
107258	Filter Cartridge Cover	38	107645	GoFree Flex Pro II 12Ah w/ProBlade Carpet & Hard Surface Floor Tool Kit -107532	7
107260	1500XP Bag Housing Assembly	39	107648	Static-Dissipating Hose (Black) w/Cuffs 1 1/2"	29, 30, 31, 32, 33, 34, 35, 40
107282	1500XP Power Nozzle Cover w/Detent Springs & Decal	38	107650	GoFree Flex Pro II 12Ah w/Xover Floor Tool Kit B -107098	7
107283	1200XP Power Nozzle Cover w/Detent Springs & Decal	38	107656	ProGuard 3 Charger	26
107285	1200XP Bag Housing Assembly	39	107666	Intercept Micro Filters, GoFit 3 10/pk (open collar)	4, 5, 25, 29, 30
107290	1 1/4" Kit B	19	107667	Intercept Micro Filters, GoFit 3 10/pk (closed collar)	4, 5, 25
107291	Xover Performance Floor Tool w/ 1 1/2" Connection	19	107676	Blower Door Accessory (New)	27
107294	Thermal Protector	32, 33, 34, 40	107680	Intercept Micro Filters, SCP 10, GoFit 10 10/pk (closed collar)	2, 8, 25
107300	Carpet Clamp Kit	14	107681	GoFree Flex Pro II 12Ah w/Xover Telescoping Wand Kit and 101613 Tool (107100)	7
107303	Super Coach Pro 10 w/Xover Floor Tool Kit D -107100	8	107683	GoFit 4Ah Battery	5, 6, 26, 30
107304	Super Coach Pro 10 w/Xover Floor Tool Kit B -107098	8	107684	GoFit 8Ah Battery	5, 6, 26, 30
107305	Super Coach Pro 10 w/Xover Performance Floor Tool Kit C -107099	8	107685	GoFit Battery Charger and Cord	5, 6, 26, 30
107306	Super Coach Pro 10 w/Hard Surface Flooring Kit A -101829	8	107688	GoFit 10 w/Xover Telescoping Wand Kit D (107100)	2
107307	Super Coach Pro 6 w/Xover Performance Floor Tool Kit C -107099	9	107689	GoFit 10 w/Xover Two-Piece Wand Tool Kit B (107098)	2
107308	Super Coach Pro 6 w/Xover Floor Tool Kit B -107098	9	107690	GoFit 10 w/ProBlade Carpet Floor Tool Kit (107530)	2
107309	Super Coach Pro 6 w/Hard Surface Floor Kit A -101829	9	107691	GoFit 10 w/ProBlade Carpet and Hard Surface Floor Tool Kit (107532)	2
107310	Super Coach Pro 6 w/Xover Floor Tool Kit D -107100	9	107692	GoFit 10 w/15" Carpet Sidewinder Kit A (106820)	2
107313	Intercept Micro Filters, fits Super Coach Pro 10, GoFit 10	2, 8, 25, 29, 31	107693	GoFit 10 w/18" Carpet Sidewinder Kit B (106841)	2
107314	Intercept Micro Filters, fits SCP6, GFFP, PV GoFit 6 3, 6, 7, 9, 13, 25, 29, 30, 31, 35	3, 6, 7, 9, 13, 25, 29, 30, 31, 35	107694	GoFit 10 w/15" Carpet and Hard Surface Sidewinder Kit C (107463)	2
107315	Exhaust Filter made from HEPA Media SCP, GFFP, PV FS 6 (2 pack)	25, 31, 35	107695	GoFit 10 w/Remediation Kit (107466)	2
107329	ProGen 12	10	107696	GoFit 6 w/Xover Telescoping Wand Kit D (107100)	3
107330	ProGen 15	10	107697	GoFit 6 w/Xover Two-Piece Wand Tool Kit B (107098)	3
107336	Hard Surface Flooring Kit B	8, 18	107698	GoFit 6 w/ProBlade Carpet Floor Tool Kit (107530)	3
107337	Blower Kit C	20	107699	GoFit 6 w/ProBlade Carpet and Hard Surface Floor Tool Kit (107532)	3
107338	Super Coach Pro 10 w/Hard Surface Flooring Kit B -107336	8	107700	GoFit 6 w/15" Carpet Sidewinder Kit A (106820)	3
107339	Super Coach Pro 10 w/Hard Surface Flooring Kit C -105889	8	107701	GoFit 6 w/18" Carpet Sidewinder Kit B (106841)	3
107340	Super Coach Pro 10 w/Sidewinder Kit A -106820	8	107702	GoFit 6 w/15" Carpet and Hard Surface Sidewinder Kit C (107463)	3
107341	Super Coach Pro 10 w/Sidewinder Kit B -106841	8	107703	GoFit 6 w/Remediation Kit (107466)	3
107342	Super Coach Pro 10 w/Hard Surface Flooring Kit D -105891	8	107704	GoFit 6 w/Pest Management Tool Kit (103439)	3
107343	Super Coach Pro 6 w/Sidewinder Kit A -106820	9	107705	GoFit 6 Plus w/Xover Telescoping Wand Kit D (107100)	3
107344	Super Coach Pro 6 w/Sidewinder Kit B -106841	9	107706	GoFit 6 Plus w/Xover Two-Piece Wand Kit B (107098)	3
107359	ProGuard 15 w/107187 Kit & Front Mount Squeezegee	17	107707	GoFit 6 Plus w/ProBlade Carpet Floor Tool Kit (107530)	3
107360	ProGuard 20 w/107187 Kit & Front Mount Squeezegee	17	107708	GoFit 6 Plus w/ProBlade Carpet and Hard Surface Floor Tool Kit (107532)	3
107363	ProVac FS 6 w/Restaurant Kit -100727	13, 19	107709	GoFit 6 Plus w/15" Carpet Sidewinder Kit A (106820)	3
107371	Super Coach Pro 6 w/Pest Control Kit - 103439	9	107710	GoFit 6 Plus w/18" Carpet Sidewinder Kit B (106841)	3
107371	Super Coach Pro 6 w/Pest Control Kit -103439	9, 18	107711	GoFit 6 Plus w/15" Carpet and Hard Surface Sidewinder Kit C (107463)	3
107374	Intercept Micro Filters, fits SCP 6, GFFP, PV GoFit 6 (Closed Collar) 3, 6, 7, 9, 13, 25, 35	3, 6, 7, 9, 13, 25, 35	107712	GoFit 6 Plus w/Remediation Kit (107466)	3
107377	Intercept Micro Filters, fits ProGen (Case = 15 packs)	10, 25, 37	107713	GoFit 3 w/Xover Telescoping Wand Kit D (107100)	4
107386	ProGuard 16 MD w/Wet/Dry Tool Kit -107187	16	107714	GoFit 3 w/107098 Xover 2-pce wand	4
107463	Sidewinder Kit C	2, 3, 8, 9, 19	107715	GoFit 3 w/107530 ProBlade carpet	4
107464	Super Coach Pro 6 w/Sidewinder Kit C -107463	9	107716	GoFit 3 w/107532 ProBlade combo	4
107465	Super Coach Pro 10 w/Sidewinder Kit C -107463	8	107724	12 Ah Replacement Battery	7, 26, 35
107466	Remediation Kit	2, 3, 8, 9, 12, 18	107726	GoFit 3 w/straight cuff hose & 100727 Restaurant kit	4
107467	Super Coach Pro 6 w/Remediation Kit -107466	9	107735	GoFit 10 w/Xover Performance Telescoping Wand Took Kit C (107099)	2
107468	Super Coach Pro 10 w/Remediation Kit -107466	8	107736	GoFit 6 w/Xover Performance Telescoping Wand Took Kit C (107099)	3
107471	LineVacer HEPA w/Remediation Tool Kit - 107466	12	107737	GoFit 6 Plus w/Xover Performance Telescoping Wand Took Kit C (107099)	3
107496	ProGuard 3 Battery Assembly	26	107738	GoFit 3 w/107099 Xover Perf tele wand	4
107497	Super Coach Pro 6 w/Xover Kit (107100), 20" Tool & Vac Station	9	107742	Super Coach Pro 6 w/Two Piece Wand -101338 and Xover Tool -107016	9
107500	FreeFlex Cordless Upright Replacement Battery	26	107743	Super Coach Pro 6 w/Telescoping Wand -107628 and Xover Tool -107016	9
107501	FreeFlex Cordless Upright Replacement Charger	26	107744	Super Coach Pro 10 w/Two Piece Wand -101338 and Xover Tool -107016	8
107502	Intercept Micro Filters, fits FreeFlex	25	107745	Super Coach Pro 10 w/Telescoping Wand -107628 and Xover Tool -107016	8
107516	Battery Charger and Charger Cord	7, 26, 35	107747	GoFit 3 w/Two-Piece Wand (101338) and Xover Tool (107016)	4
107527	ProBlade Carpet Floor Tool	19, 22	107748	GoFit 3 w/Telescoping Wand (107628) and Xover Tool (107016)	4
107528	ProBlade Hard Surface Floor Tool	19, 20, 23	107749	GoFit 6 w/Two-Piece Wand (101338) and Xover Tool (107016)	3
107529	Telescoping Straight Wand	19, 21, 22, 23, 28	107750	GoFit 6 w/Telescoping Wand (107628) and Xover Tool (107016)	3
107530	ProBlade Carpet Floor Tool Kit	2, 3, 4, 8, 9, 19	107751	GoFit 10 w/Two-Piece Wand (101338) and Xover Tool (107016)	2
107531	ProBlade Hard Surface Floor Tool Kit	8, 9, 19	107752	GoFit 10 w/Telescoping Wand (107628) and Xover Tool (107016)	2
107532	ProBlade Carpet & Hard Surface Floor Tool Kit	2, 3, 4, 5, 6, 7, 8, 9, 13, 19	107753	Telescoping Wand (107628) & Xover Floor Tool (107016)	18
107533	Super Coach Pro 6 w/ProBlade Carpet Floor Tool Kit -107530	9	107754	Two-Piece Wand (101338) and Xover Floor Tool Kit (107016)	18
107534	Super Coach Pro 6 w/ProBlade Hard Surface Floor Tool Kit -107531	9	107774	GoFit 3 Cordless 4Ah w/Xover Telescoping Wand Kit D (107100)	5
107535	Super Coach Pro 6 w/ProBlade Carpet & Hard Surface Floor Tool Kit -107532	9	107775	GoFit 3 Cordless 4Ah w/Xover Two-Piece Wand Kit (107098)	5
107536	Super Coach Pro 10 w/ProBlade Carpet Floor Tool Kit -107530	8	107776	GoFit 3 Cordless 4Ah w/ProBlade Carpet and Hard Surface Floor Tool Kit (107532)	5
107537	Super Coach Pro 10 w/ProBlade Hard Surface Floor Tool Kit -107531	8	107777	GoFit 3 Cordless 8Ah w/Aviation 1.5" Tool Kit (106502)	5
107538	Super Coach Pro 10 w/ProBlade Carpet & Hard Surface Floor Tool Kit -107532	8	107778	GoFit 3 Cordless 8Ah w/Xover Telescoping Wand Kit (107100)	5
107595	Demo Duffel Bag w/ Wheels	27	107779	GoFit 3 Cordless 8Ah w/Xover Two-Piece Wand Kit (107098)	5
107596	ProBlitz XP AirMover	14	107780	GoFit 3 Cordless 8Ah w/ProBlade Carpet and Hard Surface Floor Tool Kit (107532)	5
			107782	GoFit 6 Cordless 4Ah w/Xover Telescoping Wand Kit D (107100)	6

# INDEX

Part No.	Product Name	Page No(s).	Part No.	Product Name	Page No(s).
107783	GoFit 6 Cordless 4Ah w/Xover Two-Piece Wand Kit (107098)	6	830577	Caddy, Left	42
107784	GoFit 6 Cordless 4Ah w/ProBlade Carpet and Hard Surface Floor Tool Kit (107532)	6	830609	Exhaust Foam Pad	42, 43
107786	GoFit 6 Cordless 4Ah w/ProBlade Carpet and Hard Surface Floor Tool Kit (107532)	6	830611	Wheel Cap	42
107787	GoFit 6 Cordless 8Ah w/Xover Two-Piece Wand Kit (107098)	6	830686	Handle	42
107788	GoFit 6 Cordless 8Ah w/ProBlade Carpet and Hard Surface Floor Tool Kit (107532)	6	831024	Shaft	43, 42
107795	GoFit 6 Cordless 8Ah w/Xover Performance Telescoping Wand Tool Kit C (107099)	6	831567	Motor Assembly Complete	42, 43
107796	GoFree Flex Pro II 12Ah w/Xover Performance Telescoping Wand Kit (107099)	7	831577	Swivel Hose Cuff 1½"	42, 43
450017	Adjusting Nut for Telescoping Wand -106290	28	831651	Duct Motor Exhaust/Cooling Fan	42, 43
509944	Bag of Loose Parts	42	831659	Collector Assembly with Foam	42, 43
510094	Motor Cover Assembly	42	832123	Caster	42
510097	Motor Cover Assembly (ProGuard 15 only)	43	832190	8" Wheel Assembly	42
510104	Motor Cover Assembly (ProGuard 20 only)	43	833417	Power Cord Assembly	42, 43
510106	Tank (with Inlet)	41	833425	Tank Inlet Adapter	42, 43
510108	Filter Cage and Float Assembly	41	833426	Gasket Inlet Adapter	42, 43
510109	Casters	41	833429	Drain Adapter with Gasket	42
510124	Blower Wheel, Washer, Spacer, Nut	41	833431	Caster 3"	42
510127	Switch Assembly	42, 43	833432	50' 14-Gauge Extension Cord w/Twist Lock Plug (Yellow)	27, 42, 43
510140	Wheel Assembly (ProBlitz XP only)	41	833449	Cap Rubber Drum Pour Spout	43
510141	Switch & Knob Assembly	41	833450	Pour Spout Cable Lanyard	43
510142	Bag of Loose Parts	43	833451	Hose Drain Assembly 30"	43
510179	Latch and Retainer w/Lock Nut & Screw	31, 35	833452	Hose Clamp	43
510180	Gasket for Tank	31	833454	Bushing, Drum Hinge	43
510181	Gasket for Tank	31, 35	833456	Base, Cart	43
510183	Dome Filter for SCP 10, SCP 6, GFFP, PV FS 6, GoFit	26, 29, 31, 35	833459	Wheel 10"	43
510184	Foam Filter Media for Dome Filter SCP 10, SCP 6, GFFP, PV, GoFit 6	26, 29, 31, 35	833460	Wheel Spacer	43
510185	Cover Wire w/2 screws	31, 35	833461	Axle Bracket	43
510186	Harness Spacers	31, 35	833462	Caster 4" w/Bearings	43
510188	Housing Assembly Lower w/Screws	31	833463	Plate Pedal Lock	43
510192	Tensioning Straps	31, 35	833465	Handle, Cart Base	43
510193	Upper Motor Support w/Gasket	31, 35	833492	Screw 11689 x 1 ¼"	42, 43
510194	Lower Motor Support (5 screws)	31, 35	833493	Washer (13/64 ID) #10	42, 43
510216	Housing Assembly Lower w/Screws	35	833518	Gasket Lid	42, 43
510217	Lower Battery Housing	35	833523	Squeegee Pivot Plate Assembly	28
510218	Upper Battery Housing	35	833528	Squeegee Mounting Bracket	28
510219	Battery Support	35	833529	Spring	28
510220	Lead Assembly w/Screw	35	833530	Rod	28
510221	Actuator w/Washer, Screw, Springs	35	833532	Squeegee Assembly	28
510224	Switch and Switch Cover	41	833542	Oval Hand Knob	28
510225	Motor Cover and Top Handle	41	833587	Locking Ring Cuff	42, 43
510252	Hose Power Head Assembly	36	833600	Diffuser Assembly	42, 43
510258	Extension Tube Assembly	37	833601	Tank, 10 Gallon	42
510259	Hose Assembly	37	833602	Tank, 15 Gallon (ProGuard 15 only)	43
510286	Motor Cover Assembly	42	833603	Tank, 20 Gallon (ProGuard 20 only)	43
510301	Waist Belt Buckles and Straps Set	31, 35	833658	Inlet Grill	41
510411	Motor/Fan (36VDC) (old)	35	833659	Exhaust Grill	41
510413	Straight Telescoping Wand Replacement Latch	28	833660	Blower Wheel	41
510551	Inlet Grill with Outlets	41	833662	Thumb Screw	43
510738	Cord Holder	27, 31, 32, 33, 34, 40	833673	Threaded Inserts - Housing	41
510740	Motor/Fan for GFFP II (36VDC)	35	833674	Motor	41
510741	Motor Gasket fo GFFP II	35	833675	30' Cord w/Plug	41
510742	Left/Right Baffles	35	833690	Foot Bumper	41
510771	Upper Harness Plate w/ Screw	29, 30	833691	Retractable Handle (ProBlitz XP only)	41
510772	Lower Harness Plate w/ Screw	29, 30	833778	Ball Float	42, 43
510773	Harness Quick Adjust Holder w/ Screw (GoFit 10)	29	833779	Cap Retainer	43
510774	Harness Quick Adjust Holder w/ Screw (GoFit 6)	29, 30	833948	Purple Cap	31, 35
510775	Harness Quick Adjust Holder w/ Screw (GoFit 3)	29, 30	833951	Upper Motor Gasket	31
510776	Cover Wire w/ Screws	29	833952	Lower Motor Gasket	31
510777	Upper Motor Support w/ Gasket	29	834000	Micro Cloth Filter for Super Coach Pro 10, GoFit 10	25, 29, 31
510778	Lower Housing Assembly w/ Screws	29	834042	Triangular Lower Foam Pad	31, 35
510779	Latch Assembly Complete w/ Retainer and Screw	29, 30	834043	Rectangular Upper Foam Pad	31, 35
510780	Motor Gaskets Upper and Lower	29	834051	5/16" - 18x1 - 3/8" Lock Screw (2 screws)	31, 35
510781	Lower Motor Support w/ Screws	29	834072	Micro Cloth Filter for SCP 6, GFFP, PV, GoFit 6	25, 29, 30, 31, 35
510782	Yellow Cord Guide w/ Screws	29	834249	Switch Cord and Power Cord Assembly (old)	35
510783	Fastener Package	29, 30	834363	Wheel/Axle Replacement Kit	38
510802	Upper Motor Support w/ Gasket	30	834678	Charger Cord	35
510803	Motor Gaskets Upper and Lower	30	834687	Bag Cover Housing Plate	37
510804	Motor Assembly 60V	30	834688	Transition Duct Assembly Upright	37
510805	Lower Motor Support w/ Screws	30	834690	Bag Cover Gasket Plate	37
510806	Front Housing Assembly w/ Screws	30	834691	Transition Duct Gasket	37
510807	Rear Housing Assembly w/ Screws	30	834694	Crevice Tool	24
510808	Battery Housing Assembly w/ Screws	30	834695	Upholstery Tool	24
826387	Tank Latch	41, 42	834696	Blower Gasket Housing	37
826881	Hose Clip	43	834697	Inlet Motor Gasket	37
827415	Gasket Motor	42, 43	834701	Motor Mount Gasket	37
829900	Locking Ring Cuff	42	834704	Foam Motor Housing	37
830098	ProGuard 4 Diffuser	41	834705	Motor Assembly	37
830519	Exhaust Duct	41	834717	Exhaust Filter Cover	37
830576	Caddy, Right	42	834718	Filter Housing Separator	37

# INDEX

Part No.	Product Name	Page No(s).	Part No.	Product Name	Page No(s).
834721	Motor Intake Filter	26, 37	841726	Battery Cord Assembly	35
834722	Foam Filter Housing	37	841817	Brush Roller 12"	36
834723	Bag Full Indicator Sensor	37	841818	Brush Roller 15"	36
834724	Extension Handle Clip	37	841933	Carbon Brush Set (Wolong)	29, 31
834730	Bag Housing Tree Gasket	37	842193	Cord Lock for ProVac CN, RunningVac, QuietPro CN	27
834740	Power Cord w/Strain Relief 40' 12"	36	842300	Wand Adapter	20, 28
834753	Filter Housing Spring Hose	37	842344	Handle Assembly	36
834787	Rear Wheel 15"	36	842345	Handle Tube Assembly	36
834788	Cap Button	36	843473	Switch Cord and Power Cord Assembly (GFFP II)	35
834789	Rear Wheel Shaft 15"	36	843475	Switch Cord Assembly (GFFP II)	35
834790	Retaining Ring	36	843694	Purple Cap	29, 30
834791	Center Wheel	36	843842	Lower Harness Articulating Arm	29, 30
834797	Main Control Board	36	843848	Exhaust Filter Door	29
834804	Power Nozzle Base 15"	36	843939	Lower Harness Assembly	29, 30
834809	Front Base Bumper 15"	36	843947	Harness Quick Adjuster Assembly	29, 30
834810	Side Base Bumper 15"	36	843963	Upper Foam Pad	29
834816	LED Strip Light Lens	36	843964	Lower Foam Pad	29
834823	Bag Housing Rim	37	843966	Micro Cloth Filter for GoFit 3	25, 29
834966	Micro Cloth Filter (GoFit 3)	30	844073	Harness Complete Assembly	29, 30
835035	Front Base Bumper 12"	36	844156	Switch Box Assembly	29
835036	Side Base Bumper 12"	36	844193	Motor Assembly 1300W	29
835150	Filter Housing Gasket Separator	37	844488	Exhaust Filter made from HEPA Media (GoFit)	25, 29
835344	Motor Harness	37	844545	Motor Assembly with Lead (GoFit 6 PLUS)	29
835345	Washer Pan Screw M4	36, 37	844665	Upper Harness Assembly	29, 30
835349	LED Strip Light Harness Assembly	36	847650	Twist-on Dome Filter w/ HEPA Media for GoFit Cordless	25, 30
835350	Brush Removal Cover 15" Assembly	36	847718	GoFit Charger Cord	30
835351	Power Nozzle Adaptor Hose	37	100092PT	Floor Tool w/Adjustable Nylon Brush	22, 28
835352	Brush Removal Cover 12" Assembly	36	100107PT	11" Crevice Tool	19, 20, 24
835354	Filter Cover Assembly	37	100109PT	28" Crevice Tool	18, 24
835358	Pan Screw M4 20mm	37	104274PT	HEPA Filter Assembly Complete w/Bottom Cap for LineVac'er (Black)	25, 40
835675	Center Wheel Pivot Rod Assembly	36	140755-12	Lock Washer Ext 5/16"	43
835676	Foot Pedal 15" Assembly	36	161255-2	Nut Lock 3/8-16 29,	28, 43
835677	Brush Roller Clutch Assembly	36	161255-8	Nut Lock #10 45,	42, 43
835678	Timing Belt Assembly	36	509776-19	Motor Assembly	41
835679	Base Wire Brace	36	805466-3	Screw Hex HD 43236 X 5/8"	43
835680	Front Base Plate 15" Assembly	36	805557-1	Washer 13/32 ID	43
835681	Rear Base Plate 15" Assembly	36	808380-0	Screw Pan CR #8 x 1/2"	31, 35
835682	Brush Release Button 15" Assembly	36	808380-22	Screw Pan CR #8 x 3/4"	31, 35
835683	Control Board Hall Effect Assembly	36	808872-2	Screw 11963 X 1 1/4"	43
835684	Filter Housing Clamp Assembly	36	813836-1	Nut Washer Cap	43, 42
835685	15" Pulley Assembly	36	820563-13	Screw, Type AB #10 x 1"	41
835686	Base Cover 15" Assembly	36	820563-4	Screw, Type AB #10 x 3/4"	41, 42, 43
835687	Front Bag Housing 15"	37	820563-5	Screw Type "AB" #10 x 1-3/4"	42
835688	Lower Cord Wrap Bracket Assembly	37	820563-7	Screw, Type AB #10 x 3/4"	41
835689	Filter Housing Harness Assembly	37	822374-8	Carbon Brush Set	42, 43
835690	Filter Housing Harness Enclosure Assembly	37	826453-2	Screw 11963 x 3/4"	42, 43
835691	Motor Housing Assembly	37	829719-4	Cord Assembly	41
835692	Motor Pulley Assembly	37	830101-1	Filter Cage	42, 43
835693	Rear Bag Housing Assembly	37	830520-2	Lid	41
835694	Carry Handle w/Tool Caddy Assembly	37	830536-1	Wire Tie	28
835695	Bag Housing Pivot Sleeve Assembly	37	830565-2	Handle Motor Cover	42, 43
835696	Filter Lid Cam Lock Assembly	37	831024-3	Axle	43
835697	Bag Cover Housing Interlock Assembly	37	831337-6	Premium Hose Assembly	41, 42
835698	Hinge with Rivet Assembly	37	831653-1	Lid	42
835701	Handle Screw Nut Assembly	36	831653-3	Lid with Foam	42, 43
835702	Foot Pedal 12" Assembly	36	831657-1	Power Cord Assembly	42
835703	Front Base Plate 12" Assembly	36	831660-2	Dust Drum Assembly	42
835704	Rear Base Plate 12" Assembly	36	831668-1	Tote	42
835705	Brush Release Button 12" Assembly	36	832397-1	Screw Hex 42437 X 3/4"	43
835706	12" Pulley Assembly	36	832397-2	3/8" Bolt	28
835707	Base Cover 12" Assembly	36	832656-1	Plate Collector	41
835708	Front Bag Housing 12"	37	833424-1	Drum Latch	42, 43
835714	Motor Brush	37	833442-1	Hose Assembly	28
836099	Motor/Fan (120V) (Wolong)	31	833492-1	Screw 11963 X 3/4"	42, 43
836225	Switch Box, Full Assembly	31	833492-2	Screw 11689 x 13/8"	42
836357	Turbo Brush	22	833656-1	ProBlitz Housing (right side)	41
836478	Electrified Hose Receptacle (PV FS)	31	833657-1	ProBlitz Housing (left side)	41
836480	Power Cord Assembly	31	833948-1	Black Cap	31
836554	Switch Box	31	834035-3	Gasket Tank GoFit 6 QT	29, 30
836627	ProGen 12 Service Base Assembly	36	834035-4	Gasket Tank GoFit 3 QT	29, 30
836630	Wheel 12"	36	834035-5	Gasket Tank GoFit 10 QT	29
840011	Harness Assembly Complete	31, 35	834730-1	Filter Housing Tree Gasket	37
840042	Motor Support Gasket	37	834730-2	Motor Housing Tree Gasket	37
840112	Upper Harness Assembly	31, 35	834730-3	Lid Rear Tree Gasket	37
840114	Lower Harness Assembly	31, 35	834740-1	Power Cord w/Strain Relief 50' 15"	36
840899	Motor Gasket (old)	35	836225-1	Switch Cord and Power Cord Assembly	31
841368	25' Cord w/Plug	41	836554-1	Switch Box	31
841708	Exhaust Filter Door w/Latch	31, 35	844156-1	Switch Box Assembly for GoFit PH service (GoFit PH)	29
841724	Power Plug Assembly	31	844156-2	Switch Box Assembly w/ Internal Electronics (GoFit 6 PLUS)	29



# LIMITED WARRANTY

This limited warranty applies to all ProTeam® Inc. products, including, without limitation, Backpacks, Uprights, Air Movers, and Wet/Dry product lines, and certain battery packs and chargers (collectively, the "products"). Specific warranty terms for certain product parts, motors, battery packs and accessories are stated below.

If you have any questions or need assistance regarding the warranty of your product, please call ProTeam Customer Service department at (866) 888-2168, via email or fax. Customer service hours may vary and will be updated on the ProTeam website at [proteam.emerson.com](http://proteam.emerson.com).

## Limited Warranty

ProTeam, Inc., located at 8100 W. Florissant Ave, Building T, St. Louis, MO 63136 ("ProTeam" or "we") warrants to the original purchaser only ("you" or "your"), subject to "Warranty Exclusions" (as applicable), that the product parts, motor, battery packs and/or charger identified below will be free from defects in materials and workmanship, including labor costs in connection therewith, when under normal use and service beginning on the original date of purchase and continuing for the corresponding period (each a "Warranty Period"). This limited warranty terminates if you transfer the product to any other person or entity.

## Molded Body Parts

- All molded body parts, except as indicated below – expected lifetime of the product  
– All Uprights – 3 years

## Motors

- Backpack (other than specified below), Upright products – 3 years or 1600 hours, whichever comes first, subject to your compliance with the following carbon brush replacement and maintenance schedule. Proof of such compliance may be required:
  - 1st change – after the first 800 hours of operation
  - 2nd change – after the next 400 hours of operation
  - 3rd change – after the next 200 hours of operation
- GoFit® 3, GoFit 6, GoFit 6 PLUS, GoFit 10, GoFit Blower, GoFit HEPA, Super Coach Pro® 6, Super Coach Pro 10 and ProVac® FS 6 - 3 years or 1900 hours, whichever comes first, subject to your compliance with the following carbon brush replacement and maintenance schedule. Proof of such compliance may be required:
  - 1st change – after the first 1000 hours of operation
  - 2nd change – after the next 500 hours of operation
  - 3rd change – after the next 200 hours of operation
- GoFit Cordless – 2 years
- GoFree® Flex Pro II – 2 years
- ProBlitz® AirMovers – 3 years
- ProForce® Brushroll Motor – 2 years
- ProGuard® Wet/Dry 10, 15, 16 MD, 20 – 3 years or 1400 hours, whichever comes first, subject to your compliance with the following carbon brush replacement and maintenance schedule. Proof of such compliance may be required:
  - 1st change – after the first 400 hours of operation
  - 2nd change – after the next 400 hours of operation
  - 3rd change – after the next 300 hours of operation
- ProGuard 4 Portable Wet/Dry – 1 year
- ProGuard LI 3 Cordless – 1 year

## Chargers and Battery Packs

- GoFit Cordless battery packs & charger – 2 years
- GoFree Flex Pro II charger – 2 years
- GoFree Flex Pro II battery pack – 2 years
- ProGuard LI 3 battery pack and charger – 1 Year

## Component Parts

- All component parts not otherwise listed above or excluded from the below "What is Not Covered Section"

## What is Not Covered - Warranty Exclusions

This limited warranty does not extend to and expressly excludes:

- Normal wear and tear on the product and/or attachments and accessories including, without limitation, extension cords and cord holders; hoses; filters; switches; motor carbon brushes; wands and floor tools; detachable accessories; wheels; brush rollers and belts; bumpers/plates; straps and buckles; latches.
- Damage or burnout of the product motor resulting from failure to clear a blockage occurring during the normal course of use.
- Loss or damage to the product resulting from conditions beyond ProTeam's control including without limitation, misuse, accident, abuse, neglect, negligence (other than ProTeam's), use beyond listed capacity, or improper installation, maintenance or application.
- Improper modification or alteration may nullify this limited warranty.
- Loss or damage to the product resulting from failure to follow the required maintenance schedule, or failure to use the product in accordance with ProTeam's written instructions, guidelines or the terms of its Owner's Manual.
- Lithium Ion Battery Charger limited warranty applies only to defects arising under normal usage. All other damages are expressly excluded.

## How to Notify ProTeam

If you discover that your product has a defect that you believe is covered by this limited warranty, you must notify ProTeam or the ProTeam authorized dealer who sold you the product within the applicable Warranty Period. You may contact ProTeam Customer Service department at (866) 888-2168 via the fax number or the email address listed in your Owner's Manual or at [proteam.emerson.com](http://proteam.emerson.com). Customer service hours may vary and will be updated on the ProTeam website. In order for a warranty claim to be processed as quickly as possible, we suggest that you complete the registration card made available to you on the ProTeam website at [proteam.emerson.com](http://proteam.emerson.com). If you do not complete a registration card, you will be required to present a dated sales receipt in order to receive warranty service. Warranty coverage for all products is subject to your compliance with the listed notification and repair procedures. Notification procedures for the GoFree Flex Pro II and GoFit battery packs are set forth below.

## What We Will Do to Correct Problems

ProTeam or your local ProTeam authorized dealer will determine whether your claim is covered by this limited warranty, subject to the limitations or exclusions described above, and whether the claim is within the applicable Warranty Period. For all warranty claims other than for the GoFree Flex Pro II and GoFit battery packs, provided your claim is covered under this limited warranty, ProTeam or its authorized dealer will, at ProTeam's sole option and discretion, (a) repair or replace the defective portion of your product or (b) replace your entire product. GoFree Flex Pro II and GoFit battery packs are not field serviceable. If ProTeam is unable to repair your product or provide you with a suitable replacement, you will receive a refund of your purchase price or a credit to be used toward the purchase of a new product or GoFree Flex Pro II and GoFit battery packs. Products repaired or replaced during the Warranty Period shall be covered for the remainder of the original Warranty Period. Unauthorized repairs or modifications, or use of any parts other than genuine ProTeam parts, will nullify this limited warranty.

## GoFree Flex Pro II and GoFit Battery Packs Notification Procedures

The GoFree Flex Pro II and GoFit battery packs are not field serviceable. Contact ProTeam Customer Service at 866.888.2168 for service options. Please call the Customer Service department number above or visit the ProTeam website to request a RAN. If you have not submitted a completed registration card, you must include a dated, written proof-of-purchase and a statement explaining the nature of the malfunction with the RAN. If there is no local ProTeam authorized dealer, ProTeam's Customer Service will give you the name and address of the nearest field service representative.

## No Other Express Warranty Applies

THE LIMITED WARRANTIES PROVIDED ABOVE ARE THE SOLE AND EXCLUSIVE WARRANTIES PROVIDED BY PROTEAM TO YOU, AND ARE IN LIEU OF ALL OTHER WARRANTIES, WRITTEN OR ORAL, EXPRESS OR IMPLIED, WHETHER ARISING BY OPERATION OF LAW OR OTHERWISE, INCLUDING, WITHOUT LIMITATION, WARRANTIES OF MERCHANTABILITY OR FITNESS FOR A PARTICULAR PURPOSE, WHETHER OR NOT THE PURPOSE HAS BEEN DISCLOSED AND WHETHER OR NOT THE PRODUCT HAS BEEN SPECIFICALLY DESIGNED OR MANUFACTURED FOR YOUR USE OR PURPOSE. THE FOLLOWING SENTENCE APPLIES ONLY TO CONSUMER PURCHASERS: DISCLAIMERS OF IMPLIED WARRANTIES, INCLUDING WITHOUT LIMITATION, IMPLIED WARRANTIES OF MERCHANTABILITY AND FITNESS FOR A PARTICULAR PURPOSE, SHALL NOT TAKE EFFECT UNTIL THE END OF THE WARRANTY PERIOD. No employee, agent, dealer, or other person is authorized to alter this limited warranty or make any other warranty on behalf of ProTeam. The terms of this limited warranty shall not be modified by ProTeam, the original owner, or their respective successors or assigns.

## Limitation of Liability

TO THE EXTENT PERMITTED BY LAW, IN NO EVENT SHALL PROTEAM BE LIABLE FOR ANY INCIDENTAL, SPECIAL, INDIRECT, OR CONSEQUENTIAL DAMAGES, INCLUDING ANY ECONOMIC LOSS, WHETHER RESULTING FROM NONPERFORMANCE, USE, MISUSE OR INABILITY TO USE THE PRODUCT OR PROTEAM'S NEGLIGENCE. SELLER SHALL NOT BE LIABLE FOR DAMAGES CAUSED BY DELAY IN PERFORMANCE AND IN NO EVENT, REGARDLESS OF THE FORM OF THE CLAIM OR CAUSE OF ACTION (WHETHER BASED IN CONTRACT, INFRINGEMENT, NEGLIGENCE, STRICT LIABILITY, OTHER TORT OR OTHERWISE), SHALL PROTEAM'S LIABILITY TO YOU AND/OR YOUR CUSTOMERS EXCEED THE PURCHASE PRICE PAID BY YOU FOR THE PRODUCT. The term "consequential damages" shall include, but not be limited to, loss of anticipated profits, business interruption, loss of use or revenue, cost of capital or loss or damage to property or equipment.

Some states do not allow the exclusion or limitation of incidental or consequential damages, so the above limitation may not apply to you.

This limited warranty gives you specific legal rights, and you may also have other rights which vary from State to State.

This limited warranty is governed by the laws of the State of Missouri, U.S.A., without regard to conflicts of law provisions.

## Dispute Resolution

In the event of any dispute INCLUDING, BUT NOT LIMITED TO, BREACH OF CONTRACT, BREACH OF WARRANTY, CLAIMS BASED IN TORT, NEGLIGENCE, PRODUCT LIABILITY, FRAUD, MARKETING, STATE OR FEDERAL REGULATIONS, ANY CLAIMS REGARDING THE ENFORCEABILITY OF THIS LIMITED WARRANTY, AND THE WAIVER OF CLASS ACTION TRIALS between PROTEAM AND YOU, either party may choose to resolve the dispute by binding arbitration, as described below, instead of in court. THIS MEANS IF EITHER PROTEAM OR YOU CHOOSE BINDING ARBITRATION, NEITHER PARTY SHALL HAVE THE RIGHT TO LITIGATE SUCH CLAIM IN COURT OR HAVE A JURY TRIAL. DISCOVERY AND APPEAL RIGHTS ARE LIMITED IN BINDING ARBITRATION.

ProTeam and You agree that the proper venue for Arbitration is not so chosen by ProTeam OR You of all actions arising in connection herewith shall be only in the state of Missouri and the parties agree to such jurisdiction. No action, regardless of form, arising out of transactions relating to the agreement, may be brought by either party more than two (2) years after the cause of action has accrued. The U.N. Convention on Contracts for the International Sales of Goods shall not apply to this agreement.

## Class Action Waiver

BINDING ARBITRATION MUST BE ON AN INDIVIDUAL BASIS. THIS MEANS NEITHER PROTEAM OR YOU MAY JOIN OR CONSOLIDATE CLAIMS IN ARBITRATION BY OR AGAINST OTHERS, OR LITIGATE IN COURT OR ARBITRATE ANY CLAIMS AS A REPRESENTATIVE OR MEMBER OF A CLASS OR IN A PRIVATE ATTORNEY GENERAL CAPACITY.

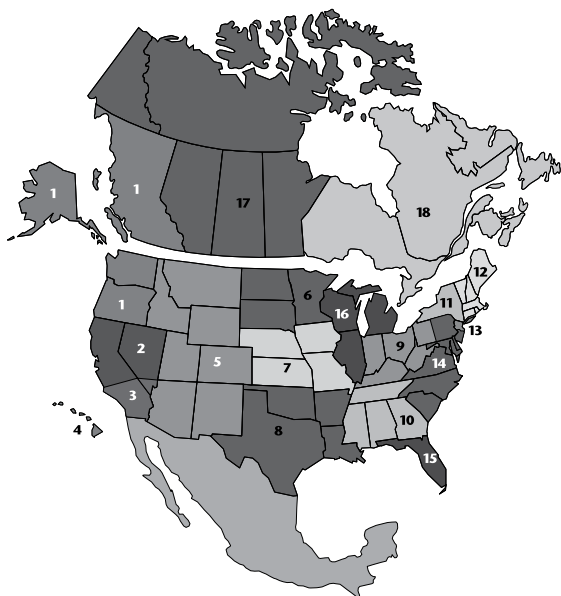
## Administration of Arbitration

The binding arbitration must be administered by the American Arbitration Association ("AAA") in accordance with its Commercial Arbitration Rules and/or Supplementary Procedures for Consumer-Related Disputes (including proceedings to mitigate costs of travel). This binding arbitration is governed by the Federal Arbitration Act ("FAA") (9 USC §1, et. seq.) and will govern the interpretation and enforcement. The binding arbitration shall be held at a location determined by AAA or at such other location as mutually agreed. In addition to the terms stated above, the following will apply to the binding arbitration: (1) the arbitrator, and not any federal, state, or local court or agency, will have exclusive authority to resolve any dispute relating to the interpretation, applicability, enforceability or formation of this agreement including any claim that all or any part of this agreement is void or voidable; (2) the arbitrator shall apply Missouri law consistent with the FAA.

Please contact the following to find a local distributor who sells ProTeam products.

## United States

- 1 Ryan, Saffel & Associates  
AK, WA, OR  
423 South 3rd St.  
Renton, WA 98055  
(425) 277-1200  
(800) 869-7053  
FAX (425) 271-8282  
rsaf@ryansaffel.com
- 2 Nexus  
Northern CA, Northern NV  
7042 Commerce Circle, Suite B  
Pleasanton, CA 94588  
(510) 567-1000  
(800) 482-6088  
FAX (510) 567-1005  
brenda@nexus-now.com
- 3 Access Partners  
Southern CA, Southern NV  
9405 Haven Ave  
Rancho Cucamonga, CA 91730  
(626) 815-4200  
FAX (626) 815-4300  
dwright@accesspartners.biz
- 4 EKEA Sales and Marketing  
HI  
955 Kawaihahao St. #3  
Honolulu, HI 96814  
(808) 208-8010  
rkimura@EKEASales.com
- 5 Avision Sales Group  
MT, ID, WY, UT, CO, AZ, NM, El Paso  
4665 Joliet Street  
Denver, CO 80239  
(303) 373-1940  
FAX (303) 867-4308  
sonia.nunn@avisionteam.com
- 6 Access Partners  
ND, SD, MN, Northwest WI  
7106 Ohms Lane, Ste. 210  
Minneapolis, MN 55439-2129  
(952) 896-1890  
FAX (952) 896-1970  
dbrown@accesspartners.biz
- 7 Avision Sales Group  
NE, IA, KS, MO  
533 N. Lindenwood, Suite A  
Olathe, KS 66062  
(913) 393-0132  
FAX (913) 393-0543  
Robbie.Crowder@AvisionTeam.com
- 8 Avision Sales Group  
OK, AR, TX, LA  
20212-Bldg 3 Hempstead Rd.  
Houston, TX 77065  
(713) 864-2947  
Robbie.Crowder@AvisionTeam.com
- 9 Osborne Sales Group  
IN, OH, Western PA, KY, WV  
4010 North Bend Road, Suite 101  
Cincinnati, OH 45211  
(513) 481-6200  
(800) 837-4933  
FAX (513) 389-3992  
sales@osbornegroup.net
- 10 Hinton Sales, Inc.  
TN, MS, AL, GA  
6659-D Peachtree Industrial Blvd.  
Norcross, GA 30092  
(770) 326-6455  
(800) 344-2638  
FAX (770) 326-6189  
abby@hinton-sales.com
- 11 Kenerson Associates, Inc.  
Upstate NY  
152 Bradlee Road  
Milton, MA 02186  
PH: 617-851-0860  
tkenerson@kenerson.com
- 12 Market Advantage Plus  
VT, NH, ME, MA, CT, RI  
56 Leonard St., Unit 4  
Foxboro, MA 02035  
(508) 543-3605  
FAX (508) 543-7147  
info@marketadvantageplus.com
- 13 Avision Sales Group  
Northern NJ, Metro NY, Long Island, NY  
73 Cedar Avenue  
Hershey, PA 17033  
(717) 533-3601  
(888) 381-8892  
FAX (717) 533-4671  
frasier.mango@avisionteam.com
- 14 Buckley & Associates  
Eastern PA, DE, MD, DC, VA, NC, SC,  
Southern NJ  
15 4125 Lafayette Center Dr., Suite 150  
Chantilly, VA 20151  
(703) 631-8138  
FAX (703) 631-7841  
mbuckley@buckleyrep.com
- 15 Avision Sales Group  
FL, Caribbean  
3650 Coral Ridge Dr., Suite 112  
Coral Springs, FL 33065  
(954) 255-5061  
(800) 866-0618  
FAX (800) 866-0618  
michele.brainard@avisionteam.com
- 16 Avision Sales Group  
MI, IL, WI  
305 Canal Street  
Lemont, IL 60439  
(630) 257-0001  
FAX (630) 257-0005  
lisa.wood@avisionteam.com



## Canada

- 1 British Columbia  
Ryan, Saffel & Associates  
423 South 3rd St.  
Renton, WA 98055  
(425) 277-1200  
(800) 869-7053  
FAX (425) 271-8282  
rsaf@ryansaffel.com
- 17 Western Canada (except BC)  
DKB Marketing, Inc.  
AB, MB, SK  
117 Tuscany Springs Landing  
Calgary, AB Canada T3L 3B9  
(403) 861-1176  
dbenoit@dkbmarketing.ca
- 18 Eastern Canada  
McConnell-Spadafora  
ON, QC, NB, NS, PEI, NL  
850 Legion Road, Unit 4  
Burlington, ON Canada L7S 1T5  
(905) 681-9563  
(866) 700-8889  
FAX (905) 681-1727  
jaclyn@msireps.com



FOR MORE INFORMATION ABOUT OUR COMPLETE LINE OF COMMERCIAL VACUUMS,  
8100 W. Florissant Ave, Building T, St. Louis, MO 63136  
866.888.2168 • proteam.emerson.com • customerservice.proteam@emerson.com